

CICS<sup>®</sup> Transaction Server for  
OS/390<sup>®</sup>



# CICS Application Programming Guide

*Release 3*



CICS<sup>®</sup> Transaction Server for OS/390<sup>®</sup>



# CICS Application Programming Guide

*Release 3*

**Note!**

Before using this information and the product it supports, be sure to read the general information under "Notices" on page xi.

**Fourth edition (November 2000)**

This edition applies to Release 3 of CICS Transaction Server for OS/390, program number 5655-147, and to all subsequent versions, releases, and modifications until otherwise indicated in new editions. Make sure you are using the correct edition for the level of the product.

This edition replaces and makes obsolete the previous edition, SC33-1687-02. Changes since that edition are indicated by a # sign to the left of a change. Any vertical lines in the left margin indicate a change made between Version 1 Release 2 and Version 1 Release 3 of CICS Transaction Server for OS/390.

Order publications through your IBM representative or the IBM branch office serving your locality. Publications are not stocked at the address given below.

At the back of this publication is a page entitled "Sending your comments to IBM". If you want to make comments, but the methods described are not available to you, please address them to:

IBM United Kingdom Laboratories, Information Development,  
Mail Point 95, Hursley Park, Winchester, Hampshire, England, SO21 2JN.

When you send information to IBM, you grant IBM a nonexclusive right to use or distribute the information in any way it believes appropriate without incurring any obligation to you.

© **Copyright International Business Machines Corporation 1989, 2000. All rights reserved.**

US Government Users Restricted Rights - Use, duplication or disclosure restricted by GSA ADP Schedule Contract with IBM Corp.

---

# Contents

<b>Notices</b> . . . . .	<b>xi</b>
Programming Interface information . . . . .	xii
Trademarks . . . . .	xii
<b>Preface</b> . . . . .	<b>xiii</b>
What this book is about . . . . .	xiii
Who should read this book . . . . .	xiii
<b>Bibliography</b> . . . . .	<b>xv</b>
CICS Transaction Server for OS/390 . . . . .	xv
CICS books for CICS Transaction Server for OS/390. . . . .	xv
CICSplex SM books for CICS Transaction Server for OS/390 . . . . .	xvi
Other CICS books . . . . .	xvi
Books from related libraries. . . . .	xvi
DL/I . . . . .	xvi
MVS . . . . .	xvi
DB2 . . . . .	xvii
Screen definition facility II (SDF II) . . . . .	xvii
Common programming interface. . . . .	xvii
Common user access. . . . .	xvii
Programming languages . . . . .	xvii
Teleprocessing Network Simulator (TPNS) . . . . .	xviii
Distributed Processing Programming Executive (DPPX): . . . . .	xviii
Language Environment: . . . . .	xviii
Miscellaneous books. . . . .	xviii
Determining if a publication is current . . . . .	xviii
<b>Summary of Changes</b> . . . . .	<b>xxi</b>
Changes for this CICS Transaction Server for OS/390 Release 3 edition . . . . .	xxi
Changes for the CICS Transaction Server for OS/390 Release 2 edition . . . . .	xxi
Changes for the CICS Transaction Server for OS/390 Release 1 edition . . . . .	xxi

---

## Part 1. Getting started. . . . . 1

<b>Chapter 1. Preparing your application to run</b> . . . . .	<b>3</b>
Writing CICS programs. . . . .	3
Preparing your program . . . . .	4
Locale support. . . . .	5
The translation process . . . . .	6
Copybooks . . . . .	7
Specifying translator options . . . . .	7
Translator options . . . . .	8
EXEC interface stubs . . . . .	19
COBOL and PL/I . . . . .	20
C and C++ . . . . .	20
Assembler language . . . . .	20
Preparing BMS maps . . . . .	20

<b>Chapter 2. Programming in COBOL</b> . . . . .	<b>23</b>
Based addressing . . . . .	23
WITH DEBUGGING MODE. . . . .	24
Restrictions . . . . .	24
Restrictions for 31-bit addressing . . . . .	26
DL/I CALL interface . . . . .	26
Mixing languages . . . . .	27
Calling subprograms from COBOL . . . . .	28
COBOL with the ANSI 85 COBOL standards . . . . .	32
Literals intervening in blank lines . . . . .	33
Translator action. . . . .	33
Sequence numbers containing any character . . . . .	33
Translator action. . . . .	33
REPLACE statement . . . . .	34
Translator action. . . . .	34
Batch compilation . . . . .	34
Translator action. . . . .	34
Compiler and linkage editor. . . . .	34
Nested programs . . . . .	37
Translator action. . . . .	37
Reference modification . . . . .	40
Translator action. . . . .	41
Global variables . . . . .	41
Translator action. . . . .	41
Comma and semicolon as delimiters . . . . .	41
Translator action. . . . .	41
Symbolic character definition . . . . .	41
Translator action. . . . .	41
Summary of restrictions . . . . .	42
COBOL2 translator option . . . . .	42
Translator action. . . . .	42
COBOL3 translator option . . . . .	43
Translator action. . . . .	43
OO COBOL translator option . . . . .	43
Translator action. . . . .	43
Nesting programs . . . . .	44

<b>Chapter 3. Programming in C and C++</b> . . . . .	<b>45</b>
Data declarations needed for C and C++ . . . . .	46
Naming EIB fields . . . . .	46
Data types in EIB fields . . . . .	46
Restrictions . . . . .	47
Passing values as arguments. . . . .	48
ADDRESS EIB command . . . . .	50
ADDRESS COMMAREA command . . . . .	50
C++ considerations . . . . .	51
Restrictions . . . . .	51

<b>Chapter 4. Programming in PL/I</b> . . . . .	<b>53</b>
Restrictions . . . . .	53
PL/I STAE execution-time option . . . . .	54
OPTIONS(MAIN) specification . . . . .	54
PL/I and dynamic storage . . . . .	54

<b>Chapter 5. Programming in Assembler</b> . . . . .	<b>57</b>
--	-----------

Compilers supported . . . . .	57	Running the Program Control sample . . . . .	86
Restrictions for 31-bit addressing . . . . .	57	Running the TDQ sample . . . . .	86
MVS restrictions. . . . .	57	Running the TSQ sample. . . . .	86
Invoking assembler language application programs with a call . . . . .	58		
<b>Chapter 6. Language Environment . . . . .</b>	<b>61</b>	<b>Chapter 10. Support for VisualAge for Java, Enterprise ToolKit for OS/390 . . . . .</b>	<b>89</b>
Levels of support in Language Environment . . . . .	61	Building a CICS Java program object . . . . .	90
Abend handling in an LE environment . . . . .	62	Preparing prerequisite environment . . . . .	90
Defining run-time options . . . . .	62	Compiling and binding a program using VisualAge for Java . . . . .	91
		Developing a Java program object using javac. . . . .	94
		Using the ET/390 binder . . . . .	95
		Running a CICS Java program . . . . .	97
		Run-time requirements . . . . .	97
		# Using hot-pooling . . . . .	98
		# Open Transaction Environment (OTE) TCBs . . . . .	98
		# Allocating an H8 TCB for hot-pooling . . . . .	99
		# Managing the hot-pooling environment . . . . .	100
		# Defining hot-pooled Java program objects. . . . .	101
		# Programming considerations for Java hot-pooling . . . . .	102
		# Hot-pooling exit program . . . . .	104
		# Security . . . . .	104
		# Problem determination . . . . .	104
		Interactive debug using the Debug Tool . . . . .	104
<b>Part 2. Object Oriented programming in CICS . . . . .</b>	<b>63</b>	<b>Chapter 11. Using the CICS Java virtual machine . . . . .</b>	<b>107</b>
<b>Chapter 7. Object Oriented (OO) programming concepts . . . . .</b>	<b>65</b>	JVM execution environment . . . . .	107
What is OO? . . . . .	65	Running JVM programs . . . . .	108
Encapsulation . . . . .	65	Compile-time requirements. . . . .	109
Data structures . . . . .	65	Run-time requirements . . . . .	109
OO Terminology. . . . .	66	CICS-supplied .jar files . . . . .	110
Accessing CICS services from OO programs . . . . .	68	JVM directory . . . . .	110
		JVM environment variables. . . . .	110
		stdin, stdout and stderr . . . . .	111
		JCICS programming considerations for JVM programs . . . . .	111
		Java System Properties . . . . .	112
		Using the Abstract Windows Toolkit (AWT) classes	113
		Remote Abstract Windows Toolkit . . . . .	113
		Using Remote AWT with CICS . . . . .	113
<b>Chapter 8. Programming in Java. . . . .</b>	<b>69</b>		
The JCICS Java classes. . . . .	69		
Translation . . . . .	69		
JavaBeans . . . . .	70		
Library structure . . . . .	70		
CICS resources . . . . .	71		
Command arguments . . . . .	71		
Using the Java Record Framework. . . . .	71		
Threads . . . . .	71		
JCICS programming considerations . . . . .	72		
Storage management . . . . .	72		
Abnormal termination in Java . . . . .	72		
Exception handling in Java . . . . .	72		
CICS Intercommunication . . . . .	75		
BMS. . . . .	75		
Terminal Control . . . . .	76		
File control services. . . . .	76		
Program control services . . . . .	76		
Unit of Work (UOW) services . . . . .	76		
Temporary storage queue services. . . . .	76		
Transient data queue services . . . . .	77		
Environment services . . . . .	77		
Unsupported CICS services . . . . .	79		
System.out and System.err . . . . .	79		
Using JCICS . . . . .	80		
Writing the main method. . . . .	80		
Creating objects . . . . .	80		
Using objects . . . . .	80		
<b>Chapter 9. JCICS sample programs . . . . .</b>	<b>83</b>		
Supplied sample components . . . . .	83		
Building the Java samples . . . . .	84		
Building the Java samples for ET/390 . . . . .	84		
Building the Java samples for the JVM . . . . .	85		
Building the CICS native applications . . . . .	85		
Resource definitions . . . . .	85		
Running the Hello World sample . . . . .	85		
		<b>Part 3. Application design . . . . .</b>	<b>115</b>
		<b>Chapter 12. Designing efficient applications . . . . .</b>	<b>119</b>
		Program structure . . . . .	119
		Program size . . . . .	120
		Choosing between pseudoconversational and conversational design. . . . .	120
		General programming techniques . . . . .	123
		Virtual storage . . . . .	123
		Reducing paging effects . . . . .	124
		Exclusive control of resources . . . . .	126
		Processor usage . . . . .	127
		Recovery design implications . . . . .	127
		Terminal interruptibility. . . . .	128
		Operational control . . . . .	129

Operating system waits . . . . .	129
Runaway tasks . . . . .	129
Auxiliary trace . . . . .	130
The NOSUSPEND option . . . . .	130
Multithreading . . . . .	131
Storing data within a transaction . . . . .	134
Transaction work area (TWA) . . . . .	134
User storage . . . . .	134
COMMAREA in LINK and XCTL commands	135
Program storage . . . . .	136
Lengths of areas passed to CICS commands . . . . .	136
LENGTH options . . . . .	136
Journal records . . . . .	136
Data set definitions . . . . .	136
Recommendation . . . . .	137
Temporary storage . . . . .	137
Intrapartition transient data . . . . .	138
GETMAIN SHARED command . . . . .	139
Your own data sets . . . . .	139
Data operations . . . . .	140
Database operations . . . . .	140
Data set operations . . . . .	140
Browsing (in non-RLS mode) . . . . .	142
Logging . . . . .	142
Sequential data set access . . . . .	142
Terminal operations . . . . .	143
Length of the data stream sent to the terminal	143
Basic mapping support considerations . . . . .	143
Page-building and routing operations . . . . .	146
Requests for printed output . . . . .	148
Additional terminal control considerations . . . . .	148

**Chapter 13. Sharing data across transactions . . . . . 151**

Common work area (CWA) . . . . .	151
Protecting the CWA . . . . .	151
TCTTE user area (TCTUA) . . . . .	154
COMMAREA in RETURN commands . . . . .	155
Display screen . . . . .	155

**Chapter 14. Affinity . . . . . 157**

What is affinity? . . . . .	157
Types of affinity . . . . .	158
Techniques used by CICS application programs to pass data . . . . .	159
Safe techniques . . . . .	159
Unsafe techniques . . . . .	159
Suspect techniques . . . . .	160
Safe programming techniques . . . . .	160
The COMMAREA . . . . .	160
The TCTUA . . . . .	161
Using ENQ and DEQ commands with ENQMODEL resource definitions . . . . .	163
BTS containers . . . . .	164
Unsafe programming techniques . . . . .	165
Using the common work area . . . . .	165
Using GETMAIN SHARED storage . . . . .	166
Using the LOAD PROGRAM HOLD command	166
Sharing task-lifetime storage . . . . .	168
Using the WAIT EVENT command . . . . .	169

Using ENQ and DEQ commands without ENQMODEL resource definitions . . . . .	170
Suspect programming techniques . . . . .	171
Using temporary storage . . . . .	171
Using transient data . . . . .	174
Using the RETRIEVE WAIT and START commands . . . . .	175
Using the START and CANCEL REQID commands . . . . .	177
Using the DELAY and CANCEL REQID commands . . . . .	178
Using the POST and CANCEL REQID commands . . . . .	180
Detecting inter-transaction affinities . . . . .	181
Inter-transaction affinities caused by application generators . . . . .	181
Duration and scope of inter-transaction affinities	182
Affinity transaction groups . . . . .	182
Relations and lifetimes . . . . .	182
Recommendations . . . . .	188

**Chapter 15. Using CICS documents 189**

The DOCUMENT application programming interface . . . . .	189
Creating a document . . . . .	189
Programming with documents . . . . .	190
Setting symbol values . . . . .	190
Embedded template commands . . . . .	191
Using templates in your application . . . . .	193
The lifespan of a document . . . . .	193

**Chapter 16. Using named counter servers . . . . . 199**

Overview . . . . .	199
The named counter fields . . . . .	199
Named counter pools . . . . .	200
Named counter options table . . . . .	200
The named counter API commands . . . . .	201
The named counter CALL interface . . . . .	203

**Chapter 17. Intercommunication considerations . . . . . 205**

Design considerations . . . . .	205
Programming language . . . . .	206
Transaction routing . . . . .	206
Function shipping . . . . .	206
Distributed program link (DPL) . . . . .	207
Using the distributed program link function . . . . .	208
Examples of distributed program link . . . . .	210
Programming considerations for distributed program link . . . . .	215
Asynchronous processing . . . . .	219
Distributed transaction processing (DTP) . . . . .	219
Common Programming Interface Communications (CPI Communications) . . . . .	219
External CICS interface (EXCI) . . . . .	220

**Chapter 18. Recovery considerations 223**

Journaling . . . . .	223
Journal records . . . . .	223

Journal output synchronization . . . . .	223
Syncpointing . . . . .	225

**Chapter 19. Minimizing errors . . . . . 229**

Protecting CICS from application errors . . . . .	229
Testing applications . . . . .	229

**Chapter 20. Dealing with exception conditions. . . . . 231**

Default CICS exception handling . . . . .	231
Handling exception conditions by in-line code . . . . .	232
How to use the RESP and RESP2 options . . . . .	232
An example of exception handling in C . . . . .	233
An example of exception handling in COBOL . . . . .	234
Modifying the default CICS exception handling . . . . .	235
Use of HANDLE CONDITION command . . . . .	237
Use of the HANDLE CONDITION ERROR command . . . . .	237
How to use the IGNORE CONDITION command . . . . .	238
Use of the HANDLE ABEND command . . . . .	239
RESP and NOHANDLE options . . . . .	240
How CICS keeps track of what to do . . . . .	240

**Chapter 21. Access to system information . . . . . 243**

System programming commands . . . . .	243
EXEC interface block (EIB) . . . . .	243

**Chapter 22. Abnormal termination recovery . . . . . 245**

Creating a program-level abend exit . . . . .	246
Restrictions on retrying operations . . . . .	247
Trace . . . . .	248
Trace entry points . . . . .	249
Monitoring . . . . .	250
Dump . . . . .	250

**Part 4. Files and databases . . . . . 253**

**Chapter 23. An overview of file control 255**

VSAM data sets . . . . .	255
Key-sequenced data set (KSDS) . . . . .	256
Entry-sequenced data set (ESDS) . . . . .	256
Relative record data set (RRDS) . . . . .	256
Empty data sets . . . . .	257
VSAM alternate indexes . . . . .	257
Accessing files in RLS mode . . . . .	258
BDAM data sets . . . . .	258
CICS shared data tables . . . . .	260
Coupling facility data tables . . . . .	260
Coupling facility data table models . . . . .	262
Comparison of different techniques for sharing data . . . . .	263
Reading records . . . . .	265
Direct reading (using READ command) . . . . .	265
Sequential reading (browsing) . . . . .	267
Skip-sequential processing . . . . .	269
Updating records . . . . .	269

Deleting records . . . . .	270
Deleting single records . . . . .	270
Deleting groups of records (generic delete) . . . . .	272
Read integrity . . . . .	272
Adding records . . . . .	272
Adding to a KSDS . . . . .	272
Adding to an ESDS . . . . .	272
Adding to an RRDS . . . . .	273
Records that are already locked . . . . .	273
Specifying record length . . . . .	273
Sequential adding of records (WRITE MASSINSERT command) . . . . .	273
Review of file control command options . . . . .	273
The RIDFLD option . . . . .	273
The INTO and SET options . . . . .	274
The FROM option . . . . .	274
The TOKEN option . . . . .	275
Avoiding transaction deadlocks . . . . .	275
VSAM-detected deadlocks (RLS only) . . . . .	277
Rules for avoiding deadlocks . . . . .	277
KEYLENGTH option for remote data sets . . . . .	278

**Chapter 24. File control—VSAM considerations . . . . . 279**

Record identification . . . . .	279
Key . . . . .	279
Relative byte address (RBA) and relative record number (RRN) . . . . .	279
Locking of VSAM records in recoverable files . . . . .	280
Update locks and delete locks (non-RLS mode only) . . . . .	280
Record locking of VSAM records for files accessed in RLS mode . . . . .	281
Exclusive locks and shared locks . . . . .	281
Conditional update requests . . . . .	284
File control implementation of NOSUSPEND . . . . .	284
CICS locking for writing to ESDS . . . . .	285

**Chapter 25. File control—BDAM considerations . . . . . 287**

Record identification . . . . .	287
Block reference subfield . . . . .	287
Physical key subfield . . . . .	287
Deblocking argument subfield . . . . .	287
Updating records from BDAM data sets . . . . .	288
Browsing records from BDAM data sets . . . . .	288
Adding records to BDAM data sets . . . . .	289
BDAM exclusive control . . . . .	290

**Chapter 26. Database control . . . . . 291**

DL/I databases . . . . .	291
DATABASE 2 (DB2) databases . . . . .	291
Requests to DB2 . . . . .	291

**Part 5. Data communication . . . . . 293**

**Chapter 27. Introduction to data communication . . . . . 297**

Basic CICS terms . . . . .	298
----------------------------	-----



How tasks are started . . . . .	299
Which transaction? . . . . .	300
CICS APIs for terminals . . . . .	303
Topics elsewhere in this book . . . . .	303
Where to find more information . . . . .	304

**Chapter 28. The 3270 family of terminals . . . . . 305**

Background . . . . .	305
Screen fields. . . . .	306
Personal computers . . . . .	306
The 3270 buffer. . . . .	308
Writing to a 3270 terminal . . . . .	308
3270 write commands . . . . .	308
Write control character . . . . .	309
3270 display data: defining 3270 fields . . . . .	310
Display characteristics . . . . .	310
3270 field attributes . . . . .	310
Extended attributes . . . . .	312
Orders in the data stream . . . . .	313
Outbound data stream sample. . . . .	315
Input from a 3270 terminal . . . . .	318
Data keys . . . . .	318
Keyboard control keys . . . . .	318
Attention keys . . . . .	318
Reading from a 3270 terminal . . . . .	319
Inbound field format . . . . .	320
Input example . . . . .	320
Unformatted mode . . . . .	321

**Chapter 29. Basic mapping support 323**

Other sources on BMS . . . . .	323
BMS support levels . . . . .	324
A BMS output example . . . . .	325
Creating the map . . . . .	328
Defining map fields: DFHMDF . . . . .	329
Defining the map: DFHMDF . . . . .	331
Defining the map set: DFHMDF . . . . .	331
Rules for writing BMS macros . . . . .	332
Assembling the map . . . . .	334
ADS Descriptor. . . . .	336
Complex fields . . . . .	336
Sending mapped output: basics . . . . .	338
The SEND MAP command . . . . .	339
Acquiring and defining storage for the maps . . . . .	339
Initializing the output map . . . . .	340
Moving the variable data to the map . . . . .	341
Setting the display characteristics. . . . .	341
Control options on the SEND MAP command . . . . .	343
Options for merging the symbolic and physical maps . . . . .	344
Summary: what appears on the screen . . . . .	346
Positioning the cursor . . . . .	348
Sending invalid data and other errors . . . . .	349
Receiving data from a display . . . . .	349
An input-output example . . . . .	349
The symbolic input map. . . . .	352
Programming simple mapped input . . . . .	352
The RECEIVE MAP command. . . . .	353

Getting storage for mapped input: INTO and SET. . . . .	353
Reading from a formatted screen: what comes in . . . . .	354
Other information from RECEIVE MAP . . . . .	355
Processing the mapped input . . . . .	357
Handling input errors . . . . .	357
Mapped output after mapped input . . . . .	359
MAPFAIL and other exceptional conditions . . . . .	360
Formatting other input . . . . .	361
Support for non-3270 terminals . . . . .	361
Output considerations for non-3270 devices . . . . .	362
Differences on input . . . . .	362
Special options for non-3270 terminals . . . . .	363
Device-dependent maps: map suffixes . . . . .	363
The MAPPINGDEV facility. . . . .	367
SEND MAP with the MAPPINGDEV option . . . . .	367
RECEIVE MAP with the MAPPINGDEV option . . . . .	368
Sample assembler MAPPINGDEV application . . . . .	369
Block data . . . . .	370
Sending mapped output: additional facilities . . . . .	371
Output disposition options: TERMINAL, SET, and PAGING . . . . .	371
BMS logical messages . . . . .	372
Terminal operator paging: the CSPG transaction . . . . .	375
Changing your mind: The PURGE MESSAGE command . . . . .	376
Logical message recovery . . . . .	376
Page formation: the ACCUM option. . . . .	376
Floating maps: how BMS places maps using ACCUM . . . . .	377
Page breaks: BMS overflow processing . . . . .	377
Map placement rules . . . . .	378
ASSIGN options for cumulative processing . . . . .	380
Input from a composite screen. . . . .	380
Performance considerations. . . . .	381
Formatting text output . . . . .	382
The SEND TEXT command. . . . .	382
Text logical messages. . . . .	383
Page format for text messages . . . . .	383
How BMS breaks text into lines . . . . .	384
Header and trailer format for text messages . . . . .	385
SEND TEXT extensions: SEND TEXT MAPPED and SEND TEXT NOEDIT . . . . .	386
Message routing: the ROUTE command . . . . .	387
How routing works . . . . .	387
Specifying destinations for a routed message . . . . .	388
Route list format . . . . .	390
Delivery conditions . . . . .	392
Undeliverable messages . . . . .	392
Temporary storage and routing . . . . .	393
Programming considerations with routing. . . . .	394
Using SET . . . . .	395
Partition support . . . . .	396
Uses for partitioned screens . . . . .	397
How to define partitions . . . . .	398
3290 character size . . . . .	399
Programming considerations . . . . .	400
Establishing the partitioning . . . . .	400
Partition options for BMS SEND commands . . . . .	401
Determining the active partition . . . . .	401
Partition options for BMS RECEIVE commands . . . . .	401

ASSIGN options for partitions . . . . .	402
Partitions and logical messages . . . . .	402
Partitions and routing . . . . .	403
New attention identifiers and exception conditions . . . . .	403
Terminal sharing . . . . .	403
Restrictions on partitioned screens . . . . .	404
Logical device components . . . . .	404
Defining logical device components . . . . .	404
Sending data to a logical device component . . . . .	405
LDCs and logical messages . . . . .	405
LDCs and routing . . . . .	405
BMS support for other special hardware . . . . .	406
10/63 magnetic slot reader . . . . .	406
Field selection features . . . . .	407
Cursor and pen-detectable fields . . . . .	407
Outboard formatting . . . . .	409

### **Chapter 30. Terminal control . . . . . 411**

Access method support . . . . .	411
Terminal control commands . . . . .	412
Data transmission commands . . . . .	412
Send/receive mode . . . . .	413
Speaking out of turn . . . . .	414
Interrupting . . . . .	415
Terminal waits . . . . .	415
What you get on a RECEIVE . . . . .	415
Control commands . . . . .	416
Finding the right commands . . . . .	417
Finding out about your terminal . . . . .	422
EIB feedback on terminal control operations . . . . .	423
VTAM considerations . . . . .	424
Chaining input data . . . . .	424
Chaining output data . . . . .	425
Handling logical records . . . . .	425
Response protocol . . . . .	426
Using function management headers . . . . .	426
Preventing interruptions (bracket protocol) . . . . .	427
Sequential terminal support . . . . .	427
Coding considerations for sequential terminals . . . . .	428
TCAM considerations . . . . .	429
Coding for the DCB interface . . . . .	429
Coding for the ACB interface . . . . .	430
Batch data interchange . . . . .	430
Destination selection and identification . . . . .	432
Definite response . . . . .	432
Waiting for function completion . . . . .	432

### **Chapter 31. CICS support for printing 433**

Formatting for CICS printers . . . . .	433
3270 printers . . . . .	434
Options for 3270 printers . . . . .	435
Non-3270 CICS printers . . . . .	438
Determining the characteristics of a CICS printer . . . . .	439
CICS printers: getting the data to the printer . . . . .	440
Printing with a START command . . . . .	440
Printing with transient data . . . . .	441
Printing with BMS routing . . . . .	442
Non-CICS printers . . . . .	443
Formatting for non-CICS printers . . . . .	443

Non-CICS printers: Delivering the data . . . . .	443
CICS API considerations . . . . .	443
Notifying the print application . . . . .	445
Printing display screens . . . . .	445
CICS print key . . . . .	445
ISSUE PRINT and ISSUE COPY . . . . .	446
Hardware print key . . . . .	446
BMS screen copy . . . . .	447

### **Chapter 32. CICS interface to JES . . . 449**

Creating a spool file . . . . .	449
Reading input spool files . . . . .	450
Identifying spool files . . . . .	451
Some examples of SPOOLOPEN for OUTPUT with OUTDESCR option . . . . .	454
Programming note for spool commands . . . . .	456
Spool interface restrictions . . . . .	456

## **Part 6. CICS management functions . . . . . 457**

### **Chapter 33. Interval control . . . . . 459**

Expiration times . . . . .	459
Request identifiers . . . . .	461

### **Chapter 34. Task control . . . . . 463**

Controlling sequence of access to resources . . . . .	464
---	-----

### **Chapter 35. Program control . . . . . 467**

Application program logical levels . . . . .	468
Link to another program expecting return . . . . .	468
Passing data to other programs . . . . .	469
COMMAREA . . . . .	469
INPUTMSG . . . . .	471
Using the INPUTMSG option on the RETURN command . . . . .	473
Other ways of passing data . . . . .	473
Mixed addressing mode transactions . . . . .	473
Examples of passing data with the LINK command . . . . .	474
Examples of passing data with the RETURN command . . . . .	476

### **Chapter 36. Storage control . . . . . 479**

Overview of CICS storage protection and transaction isolation . . . . .	480
Storage protection . . . . .	480
Terminology . . . . .	481
Selecting the execution key for applications . . . . .	481
Defining the execution key . . . . .	482
Selecting and defining the storage key for applications . . . . .	482
Deciding what execution and storage key to specify . . . . .	484
User-key applications . . . . .	485
CICS-key applications . . . . .	486
Storage protection exception conditions . . . . .	488
Transaction isolation . . . . .	488
Reducing system outages . . . . .	488

Protecting application data . . . . .	488
Protecting CICS from being passed invalid addresses. . . . .	489
Aiding application development . . . . .	489
Using transaction isolation . . . . .	489
MVS subspaces. . . . .	491
Subspaces and basespaces for transactions. . . . .	491
The common subspace and shared storage . . . . .	492

**Chapter 37. Transient data control . . . . . 495**

Intrapartition queues . . . . .	495
Extrapartition queues. . . . .	496
Indirect queues. . . . .	496
Automatic transaction initiation (ATI) . . . . .	497

**Chapter 38. Temporary storage control . . . . . 499**

Temporary storage queues . . . . .	499
Typical uses of temporary storage control . . . . .	500

**Chapter 39. Security control . . . . . 503**

QUERY SECURITY command . . . . .	503
Using QUERY SECURITY . . . . .	503
Non-terminal transaction security . . . . .	504

---

**Part 7. Testing applications . . . . . 507**

**Chapter 40. Testing applications: the process . . . . . 509**

Preparing the application and system table entries	509
Preparing the system for debugging. . . . .	509
Single-thread testing . . . . .	510
Multithread testing . . . . .	510
Regression testing . . . . .	510

**Chapter 41. Execution diagnostic facility (EDF). . . . . 513**

Getting started . . . . .	513
Where does EDF intercept the program? . . . . .	514
What does EDF display? . . . . .	514
The header . . . . .	515
The body. . . . .	516
How you can intervene in program execution	522
EDF menu functions . . . . .	523
How to use EDF . . . . .	529
Using EDF in single-screen mode. . . . .	529
Using EDF in dual-screen mode . . . . .	531
EDF and remote transactions . . . . .	531
EDF and non-terminal transactions . . . . .	532
EDF and DTP programs . . . . .	532
EDF and distributed program link commands	533
Stopping EDF . . . . .	533
Overtyping to make changes . . . . .	533
Restrictions when using EDF . . . . .	535
Security considerations . . . . .	536

**Chapter 42. Temporary storage browse (CEBR) . . . . . 537**

How to use the CEBR transaction . . . . .	537
What does the CEBR transaction display? . . . . .	539
The header . . . . .	539
The command area . . . . .	539
The body. . . . .	539
The message line . . . . .	539
The CEBR options on function keys . . . . .	539
The CEBR commands . . . . .	540
Using the CEBR transaction with transient data	543
Security considerations . . . . .	543

**Chapter 43. Command-level interpreter (CECI). . . . . 545**

How to use CECI . . . . .	545
What does CECI display? . . . . .	546
The command line . . . . .	546
The status line . . . . .	547
The body. . . . .	549
The message line . . . . .	550
CECI options on function keys . . . . .	550
Additional displays . . . . .	551
Expanded area . . . . .	551
Variables . . . . .	551
The EXEC interface block (EIB) . . . . .	553
Error messages display . . . . .	554
Making changes . . . . .	555
How CECI runs . . . . .	555
CECI sessions . . . . .	555
Abends . . . . .	556
Exception conditions . . . . .	556
Program control commands . . . . .	556
Terminal sharing . . . . .	556
Saving commands. . . . .	557
Security considerations . . . . .	558

---

**Part 8. Appendixes . . . . . 559**

**Appendix A. CICS commands and their equivalent obsolete macros . . . 561**

**Appendix B. OS/VS COBOL . . . . . 565**

Translator options . . . . .	565
Programming restrictions . . . . .	565
Restricted OS/VS COBOL language statements	567
Base locator for linkage . . . . .	567
BLL and chained storage areas . . . . .	568
BLL and OCCURS DEPENDING ON clauses	569
BLL and large storage areas . . . . .	570
SERVICE RELOAD statement . . . . .	571
NOTRUNC compiler option . . . . .	572
Program segments. . . . .	572
Converting to VS COBOL II . . . . .	573
Based addressing . . . . .	573
Artificial assignments. . . . .	575
Bibliography . . . . .	575

**Index . . . . . 577**

**Sending your comments to IBM . . . . . 589**



---

## Notices

This information was developed for products and services offered in the U.S.A. IBM may not offer the products, services, or features discussed in this document in other countries. Consult your local IBM representative for information on the products and services currently available in your area. Any reference to an IBM product, program, or service is not intended to state or imply that only that IBM product, program, or service may be used. Any functionally equivalent product, program, or service that does not infringe any IBM intellectual property right may be used instead. However, it is the user's responsibility to evaluate and verify the operation of any non-IBM product, program, or service.

IBM may have patents or pending patent applications covering subject matter described in this document. The furnishing of this document does not give you any license to these patents. You can send license inquiries, in writing, to:

IBM Director of Licensing  
IBM Corporation  
North Castle Drive  
Armonk, NY 10504-1785  
U.S.A.

For license inquiries regarding double-byte (DBCS) information, contact the IBM Intellectual Property Department in your country or send inquiries, in writing, to:

IBM World Trade Asia Corporation  
Licensing  
2-31 Roppongi 3-chome, Minato-ku  
Tokyo 106, Japan

**The following paragraph does not apply in the United Kingdom or any other country where such provisions are inconsistent with local law:**

INTERNATIONAL BUSINESS MACHINES CORPORATION PROVIDES THIS PUBLICATION "AS IS" WITHOUT WARRANTY OF ANY KIND, EITHER EXPRESS OR IMPLIED, INCLUDING, BUT NOT LIMITED TO, THE IMPLIED WARRANTIES OF NON-INFRINGEMENT, MERCHANTABILITY, OR FITNESS FOR A PARTICULAR PURPOSE. Some states do not allow disclaimer of express or implied warranties in certain transactions, therefore this statement may not apply to you.

This publication could include technical inaccuracies or typographical errors. Changes are periodically made to the information herein; these changes will be incorporated in new editions of the publication. IBM may make improvements and/or changes in the product(s) and/or the program(s) described in this publication at any time without notice.

Licensees of this program who wish to have information about it for the purpose of enabling: (i) the exchange of information between independently created programs and other programs (including this one) and (ii) the mutual use of the information which has been exchanged, should contact IBM United Kingdom Laboratories, MP151, Hursley Park, Winchester, Hampshire, England, SO21 2JN. Such information may be available, subject to appropriate terms and conditions, including in some cases, payment of a fee.

The licensed program described in this document and all licensed material available for it are provided by IBM under terms of the IBM Customer Agreement, IBM International Programming License Agreement, or any equivalent agreement between us.

---

## Programming Interface information

This book is intended to help you learn about application programming techniques for CICS applications. This book documents General-use Programming Interface and Associated Guidance Information provided by CICS.

General-use programming interfaces allow the customer to write programs that obtain the services of CICS.

---

## Trademarks

The following terms are trademarks of International Business Machines Corporation in the United States, or other countries, or both:

BookManager	DFSMS	MVS/ESA
C/370	eNetwork	OS/2
C/MVS	ESA/390	OS/390
CICS	GDDM	OpenEdition
CICS/400	Hiperbatch	Parallel Sysplex
CICS/6000	IBM	RACF
CICS/ESA	IBMLink	System/36
CICS/MVS	IMS	System/38
COBOL/370	IMS/ESA	System/390
CUA	InfoWindow	VisualAge
DATABASE 2	Language Environment	VTAM
DB2		

UNIX is a registered trademark in the United States and other countries licensed exclusively through X/Open Company Limited.

Java and all Java-based trademarks and logos are trademarks or registered trademarks of Sun Microsystems, Inc. in the United States and other countries.

Other company, product, and service names may be trademarks or service marks of others.

---

## Preface

---

### What this book is about

This book gives *guidance* about the CICS® application programming interface; it complements the *reference* information in the *CICS Application Programming Reference* manual. For guidance information on debugging CICS applications, see the *CICS Problem Determination Guide*.

### Who should read this book

This book is mainly for experienced application programmers. Those who are relatively new to CICS should be able to understand it. If you are a system programmer or system analyst, you should still find it useful.

### What you need to know to understand this book

You must be able to program in COBOL, C, C++, PL/I, or assembler language, and know about CICS application programming at the *CICS Application Programming Primer (VS COBOL II)* level, or you must be able to program in Java.

### How to use this book

Read the parts covering what you need to know. (Each part has a full table of contents to help you find what you want.) The book is a guide, not a reference manual. On your first reading, it probably helps to work through any one part of it more or less from start to finish.

### Notes on terminology

**API** refers to the CICS command-level application programming interface unless otherwise stated.

**ASM** is sometimes used as the abbreviation for assembler language.

**MVS** refers to the operating system, which can be either an element of OS/390, or MVS/Enterprise System Architecture System Product (MVS/ESA SP).

**VTAM®**  
refers to ACF/VTAM.

In the sample programs described in this book, the dollar symbol (\$) is used as a national currency symbol and is assumed to be assigned the EBCDIC code point X'5B'. In some countries a different currency symbol, for example the pound symbol (£), or the yen symbol (¥), is assigned the same EBCDIC code point. In these countries, the appropriate currency symbol should be used instead of the dollar symbol.

### What is not covered in this book

Guidance for usage of the CICS Front End Programming Interface is not discussed in this book. See the *CICS Front End Programming Interface User's Guide* for background information about FEPI design considerations and programming information about its API.

Guidance for usage of the EXEC CICS WEB commands is not discussed in this book. See the *CICS Internet Guide* for this information.





---

## Bibliography

---

### CICS Transaction Server for OS/390

<i>CICS Transaction Server for OS/390: Planning for Installation</i>	GC33-1789
<i>CICS Transaction Server for OS/390 Release Guide</i>	GC34-5352
<i>CICS Transaction Server for OS/390 Migration Guide</i>	GC34-5353
<i>CICS Transaction Server for OS/390 Installation Guide</i>	GC33-1681
<i>CICS Transaction Server for OS/390 Program Directory</i>	GI10-2506
<i>CICS Transaction Server for OS/390 Licensed Program Specification</i>	GC33-1707

### CICS books for CICS Transaction Server for OS/390

#### General

<i>CICS Master Index</i>	SC33-1704
<i>CICS User's Handbook</i>	SX33-6104
<i>CICS Transaction Server for OS/390 Glossary (softcopy only)</i>	GC33-1705

#### Administration

<i>CICS System Definition Guide</i>	SC33-1682
<i>CICS Customization Guide</i>	SC33-1683
<i>CICS Resource Definition Guide</i>	SC33-1684
<i>CICS Operations and Utilities Guide</i>	SC33-1685
<i>CICS Supplied Transactions</i>	SC33-1686

#### Programming

<i>CICS Application Programming Guide</i>	SC33-1687
<i>CICS Application Programming Reference</i>	SC33-1688
<i>CICS System Programming Reference</i>	SC33-1689
<i>CICS Front End Programming Interface User's Guide</i>	SC33-1692
<i>CICS C++ OO Class Libraries</i>	SC34-5455
<i>CICS Distributed Transaction Programming Guide</i>	SC33-1691
<i>CICS Business Transaction Services</i>	SC34-5268

#### Diagnosis

<i>CICS Problem Determination Guide</i>	GC33-1693
<i>CICS Messages and Codes</i>	GC33-1694
<i>CICS Diagnosis Reference</i>	LY33-6088
<i>CICS Data Areas</i>	LY33-6089
<i>CICS Trace Entries</i>	SC34-5446
<i>CICS Supplementary Data Areas</i>	LY33-6090

#### Communication

<i>CICS Intercommunication Guide</i>	SC33-1695
<i>CICS Family: Interproduct Communication</i>	SC33-0824
<i>CICS Family: Communicating from CICS on System/390</i>	SC33-1697
<i>CICS External Interfaces Guide</i>	SC33-1944
<i>CICS Internet Guide</i>	SC34-5445

#### Special topics

<i>CICS Recovery and Restart Guide</i>	SC33-1698
<i>CICS Performance Guide</i>	SC33-1699
<i>CICS IMS Database Control Guide</i>	SC33-1700
<i>CICS RACF Security Guide</i>	SC33-1701
<i>CICS Shared Data Tables Guide</i>	SC33-1702
<i>CICS Transaction Affinities Utility Guide</i>	SC33-1777

## CICSplex SM books for CICS Transaction Server for OS/390

### General

<i>CICSplex SM Master Index</i>	SC33-1812
<i>CICSplex SM Concepts and Planning</i>	GC33-0786
<i>CICSplex SM User Interface Guide</i>	SC33-0788
<i>CICSplex SM Web User Interface Guide</i>	SC34-5403
<i>CICSplex SM View Commands Reference Summary</i>	SX33-6099

### Administration and Management

<i>CICSplex SM Administration</i>	SC34-5401
<i>CICSplex SM Operations Views Reference</i>	SC33-0789
<i>CICSplex SM Monitor Views Reference</i>	SC34-5402
<i>CICSplex SM Managing Workloads</i>	SC33-1807
<i>CICSplex SM Managing Resource Usage</i>	SC33-1808
<i>CICSplex SM Managing Business Applications</i>	SC33-1809

### Programming

<i>CICSplex SM Application Programming Guide</i>	SC34-5457
<i>CICSplex SM Application Programming Reference</i>	SC34-5458

### Diagnosis

<i>CICSplex SM Resource Tables Reference</i>	SC33-1220
<i>CICSplex SM Messages and Codes</i>	GC33-0790
<i>CICSplex SM Problem Determination</i>	GC33-0791

## Other CICS books

<i>CICS Application Programming Primer (VS COBOL II)</i>	SC33-0674
<i>CICS Application Migration Aid Guide</i>	SC33-0768
<i>CICS Family: API Structure</i>	SC33-1007
<i>CICS Family: Client/Server Programming</i>	SC33-1435
<i>CICS Family: General Information</i>	GC33-0155
<i>CICS 4.1 Sample Applications Guide</i>	SC33-1173
<i>CICS/ESA 3.3 XRF Guide</i>	SC33-0661

If you have any questions about the CICS Transaction Server for OS/390 library, see *CICS Transaction Server for OS/390: Planning for Installation* which discusses both hardcopy and softcopy books and the ways that the books can be ordered.

---

## Books from related libraries

### DL/I

If you use the CICS-DL/I interface, see the following manuals:  
*IMS/ESA V5 Application Programming: Design Guide*, SC26-8016  
*IMS/ESA V3.1 Application Programming: CICS*, SC26-8018  
*IMS/ESA V3.1 Application Programming: DL/I Calls*, SC26-4274  
*IMS/ESA V3.1 Database Administration Guide*, SC26-4281

### MVS

For information about MVS, see the following manuals:  
*VS COBOL II V1.4.0 Installation and Customization for MVS*, SC26-4048

## **DB2**

For information about executing SQL in a CICS application program, see the following manuals:

*IBM Database 2 V2.3 Application Programming and SQL Guide, SC26-4377*

*IBM Database 2 V2.3 DB2 Administration Guide, SC26-4 374*

*IBM Database 2 V2.3 SQL Reference, SC26-4380*

The guide describes DB2 and explains how to write application programs that access DB2 data in a CICS environment. It tells you how to use SQL, as well as how to prepare, execute, and test an application program.

## **Screen definition facility II (SDF II)**

For information about Screen Definition Facility II, see the following manuals:

*Screen Definition Facility II General Information, GH19-6114.*

*Screen Definition Facility II General Introduction Part 1, SH19-8128*

*Screen Definition Facility II General Introduction Part 2, SH19-8129*

*Screen Definition Facility II Primer for CICS/BMS Programs SH19-6118.*

*Screen Definition Facility II Preparing a Prototype, SH19-6458*

## **Common programming interface**

For information about the SAA interface, see the following manuals:

*SAA CPI-C Reference, SC09-1308*

*Common Programming Interface Communications Reference, SC26-4399*

*SAA Common Programming Interface for Resource Recovery Reference, SC31-6821*

## **Common user access**

For information about screens that conform to the CUA standard, see the following manuals:

*SAA: Common User Access. Basic Interface Design Guide, SC26-4583*

*SAA: Common User Access. Advanced Interface Design Guide, SC26-4582*

## **Programming languages**

For information on programming in VS COBOL II, see the following manuals:

*VS COBOL II V1.4 Application Programming: Language Reference, GC26-4047*

*VS COBOL II V1.4 Application Programming Guide, SC26-4045*

*VS COBOL II Usage in a CICS/ESA and CICS/MVS Environment, GG24-3509*

*VS COBOL II V1.4 Application Programming Debugging, SC26-4049*

*VS COBOL II Installation and Customization Guide for MVS, SC26-4048*

For information on programming in COBOL/370, see the following manuals:

*COBOL/370 General Information, GC26-4762*

*COBOL/370 Programming Guide, SC26-4767*

*COBOL/370 Language Reference, SC26-4769*

*COBOL/370 Planning and Customization, ST00-9734*

For information on programming in COBOL for MVS and VM, see the following manuals:

*COBOL for MVS and VM Installation, SC26-4766*

*COBOL for MVS and VM Programming Guide, SC26-4767*

For information on programming in C, see the following manuals:

*C/C++ for MVS V3.1 C/MVS Language Reference*, SC09-2063  
*C/C++ for MVS V3.1 C/MVS User's Guide*, SC09-2061  
*C/MVS Programming Guide*, SC09-2062  
*C/MVS Reference and Summary*, SX09-1303

For information on programming in C++, see the following manuals:

*C++/MVS Language Reference*, SC09-1992  
*C++/MVS User's Guide*, SC09-1993  
*C++/MVS Programming Guide*, SC09-1994

For information on programming in PL/I, see the following manuals:

*OS PL/I Programming V2.3: Language Reference*, SC26-4308  
*OS PL/I Optimizing Compiler Programmer's Guide*, SC33-0006  
*PL/I MVS & VM Programming Guide*, SC26-3113

For information on programming in assembler language, see the following manuals:

*Assembler H Version 2 Application Programming Guide*, SC26-4036  
*Assembler H Version 2 Application Programming Language Reference*, GC26-4037

## **Teleprocessing Network Simulator (TPNS)**

*TPNS General Information*, GH20-2487  
*TPNS Language Reference*, SH20-2489

## **Distributed Processing Programming Executive (DPPX):**

*DPPX/370 User's Guide*, SC33-0665

## **Language Environment:**

*Language Environment V1.4 Concepts Guide*, GC26-4786  
*Language Environment V1.5 Programming Guide*, SC26-4818  
*Language Environment V1.5 Debugging and Run-Time Messages*, SC26-4829

## **Miscellaneous books**

*2780 Data Transmission Terminal: Component Description*, GA27-3005  
*8775 Display Terminal: Terminal User's Guide*, GA33-3045  
*IBM InfoWindow 3471 and 3472 Introduction and Installation Planning Guide*, GA18-2942  
*3270 Information Display System Data Stream Programmer's Reference*, GA23-0059  
*3290 Information Display Panel Description and Reference*, GA23-0021  
*8775 Display Terminal Component Description*, GA33-3044  
*IBM CICS/ESA 3.3 3270 Data Stream Device Guide*, SC33-0232

---

## **Determining if a publication is current**

IBM regularly updates its publications with new and changed information. When first published, both hardcopy and BookManager softcopy versions of a publication are usually in step. However, due to the time required to print and distribute hardcopy books, the BookManager version is more likely to have had last-minute changes made to it before publication.

Subsequent updates will probably be available in softcopy before they are available in hardcopy. This means that at any time from the availability of a release, softcopy versions should be regarded as the most up-to-date.

For CICS Transaction Server books, these softcopy updates appear regularly on the *Transaction Processing and Data Collection Kit* CD-ROM, SK2T-0730-xx. Each reissue of the collection kit is indicated by an updated order number suffix (the -xx part). For example, collection kit SK2T-0730-06 is more up-to-date than SK2T-0730-05. The collection kit is also clearly dated on the cover.

Updates to the softcopy are clearly marked by revision codes (usually a “#” character) to the left of the changes.



---

## Summary of Changes

---

### Changes for this CICS Transaction Server for OS/390 Release 3 edition

Significant changes for this edition are indicated by vertical lines to the left of the changes.

- The addition of the JCICS Java classes to access CICS services from Java application programs. See “The JCICS Java classes” on page 69
- Support for running CICS Java program objects using the VisualAge for Java, Enterprise ToolKit for OS/390.

#  
#  
#

This includes performance enhancements that allow the Java program object to run in a preinitialized OS/390 Language Environment enclave that is reused by multiple invocations of the program. This feature is known as *Hot-pooling*. See “Chapter 10. Support for VisualAge for Java, Enterprise ToolKit for OS/390” on page 89.

- Support for running CICS Java programs using the CICS Java Virtual Machine (JVM). See “Chapter 11. Using the CICS Java virtual machine” on page 107.
- The addition of sysplex-wide ENQ and DEQ. See “Using ENQ and DEQ commands with ENQMODEL resource definitions” on page 163.
- The addition of support for coupling facility data tables (CFDT). See “Coupling facility data tables” on page 260.
- Support for named counter servers. See “Chapter 16. Using named counter servers” on page 199.
- Support for documents, and the EXEC CICS DOCUMENT commands. See “Chapter 15. Using CICS documents” on page 189.
- The programming considerations section has been reorganized into separate chapters for each supported language, including new chapters for OO and Java support in CICS.

---

### Changes for the CICS Transaction Server for OS/390 Release 2 edition

Significant changes for this edition are indicated by vertical lines to the left of the changes.

- The enhancement of the BMS map definition macros to build an Application Data Structure (ADS) descriptor record in the mapset. See “ADS Descriptor” on page 336.
- The addition of the MAPPINGDEV option (by APAR) that is specified on the RECEIVE MAP and SEND MAP commands to allow you to perform mapping operations for a device that is not the principal facility. See “The MAPPINGDEV facility” on page 367.

---

### Changes for the CICS Transaction Server for OS/390 Release 1 edition

- The addition of support for the COBOL for MVS and VM (release 1 and 2) compiler. See “COBOL3 translator option” on page 43.
- The addition of support for object-oriented COBOL. See “OO COBOL translator option” on page 43.
- The addition of support for VSAM record-level sharing. See “Accessing files in RLS mode” on page 258.

- The addition of support for resource definition online for transient data. See “Chapter 37. Transient data control” on page 495.



---

## Part 1. Getting started

<b>Chapter 1. Preparing your application to run.</b> . . . . .	3	<b>Chapter 3. Programming in C and C++</b> . . . . .	45
Writing CICS programs. . . . .	3	Data declarations needed for C and C++ . . . . .	46
Preparing your program . . . . .	4	Naming EIB fields . . . . .	46
Locale support. . . . .	5	Data types in EIB fields . . . . .	46
The translation process . . . . .	6	Restrictions . . . . .	47
Copybooks . . . . .	7	Passing values as arguments. . . . .	48
Specifying translator options . . . . .	7	ADDRESS EIB command . . . . .	50
Translator options . . . . .	8	ADDRESS COMMAREA command . . . . .	50
EXEC interface stubs . . . . .	19	C++ considerations . . . . .	51
COBOL and PL/I . . . . .	20	Restrictions . . . . .	51
C and C++ . . . . .	20	<b>Chapter 4. Programming in PL/I</b> . . . . .	53
Assembler language . . . . .	20	Restrictions . . . . .	53
Preparing BMS maps . . . . .	20	PL/I STAE execution-time option . . . . .	54
<b>Chapter 2. Programming in COBOL</b> . . . . .	23	OPTIONS(MAIN) specification . . . . .	54
Based addressing . . . . .	23	PL/I and dynamic storage . . . . .	54
WITH DEBUGGING MODE. . . . .	24	<b>Chapter 5. Programming in Assembler</b> . . . . .	57
Restrictions . . . . .	24	Compilers supported . . . . .	57
Restrictions for 31-bit addressing . . . . .	26	Restrictions for 31-bit addressing . . . . .	57
DL/I CALL interface . . . . .	26	MVS restrictions. . . . .	57
Mixing languages . . . . .	27	Invoking assembler language application	
Calling subprograms from COBOL . . . . .	28	programs with a call . . . . .	58
COBOL with the ANSI 85 COBOL standards . . . . .	32	<b>Chapter 6. Language Environment</b> . . . . .	61
Literals intervening in blank lines . . . . .	33	Levels of support in Language Environment . . . . .	61
Translator action. . . . .	33	Abend handling in an LE environment . . . . .	62
Sequence numbers containing any character . . . . .	33	Defining run-time options . . . . .	62
Translator action. . . . .	33		
REPLACE statement . . . . .	34		
Translator action. . . . .	34		
Batch compilation . . . . .	34		
Translator action. . . . .	34		
Compiler and linkage editor. . . . .	34		
Nested programs . . . . .	37		
Translator action. . . . .	37		
Recognition of nested programs . . . . .	37		
Positioning of comments . . . . .	38		
Nesting—what the application programmer			
must do . . . . .	38		
An example of a nested program . . . . .	39		
Reference modification . . . . .	40		
Translator action. . . . .	41		
Global variables . . . . .	41		
Translator action. . . . .	41		
Comma and semicolon as delimiters . . . . .	41		
Translator action. . . . .	41		
Symbolic character definition . . . . .	41		
Translator action. . . . .	41		
Summary of restrictions . . . . .	42		
COBOL2 translator option . . . . .	42		
Translator action. . . . .	42		
COBOL3 translator option . . . . .	43		
Translator action. . . . .	43		
OO COBOL translator option . . . . .	43		
Translator action. . . . .	43		
Nesting programs . . . . .	44		



---

## Chapter 1. Preparing your application to run

This chapter describes what you need to do to make your application run in a CICS environment.

- “Writing CICS programs”
- “Preparing your program” on page 4
- “The translation process” on page 6
- “Specifying translator options” on page 7
- “Translator options” on page 8
- “Preparing BMS maps” on page 20

---

### Writing CICS programs

You write a CICS program in much the same way as you write any other program. You can use COBOL, OO COBOL, C, C++, Java, PL/I, or assembler language to write CICS application programs. Most of the processing logic is expressed in standard language statements, but you use CICS commands, or the Java and C++ class libraries to request CICS services.

Other chapters in this book tell you the functions that CICS provides and indicate by example how CICS commands are written. However, you may need to consult the following sources for detailed descriptions of the CICS commands:

- The *CICS Application Programming Reference* manual for information about programming CICS commands, including the full list of options associated with each command and the exact syntax
- The *CICS C++ OO Class Libraries* manual for information about the CICS C++ classes
- The Javadoc HTML shipped in `dfjcics_docs.zip` for information about the JCICS Java classes
- The *CICS Internet Guide* for information about writing Web applications to process HTTP/1.0 requests and responses.

There are a few restrictions on normal language use under CICS and these are described in “Chapter 2. Programming in COBOL” on page 23, “Chapter 3. Programming in C and C++” on page 45, “Chapter 4. Programming in PL/I” on page 53, and “Chapter 8. Programming in Java” on page 69.

CICS allows you to use SQL statements, DLI requests, CPI statements, and the CICS Front End Programming Interface (FEPI) commands in your program as well as CICS commands. You need to consult additional manuals for information:

- *SQL Reference* manual and the *Application Programming and SQL Guide* (for SQL)
- *Application Programming: EXEC DLI Commands* manual and the *Application Programming: DLI Calls* manual (for DL/I)
- *IBM SAA: CPI Reference* manual and the *SAA Common Programming Interface for Resource Recovery Reference* manual (for CPI)
- *CICS Front End Programming Interface User's Guide* (for programming information about FEPI commands)

## Preparing your program

Because the compilers (and assemblers) cannot process CICS commands directly, an additional step is needed to convert your program into executable code. This step is called **translation**, and consists of converting CICS commands into the language in which the rest of the program is coded, so that the compiler (or assembler) can understand them.

Java programs that use the VisualAge<sup>®</sup> for Java, Enterprise ToolKit for OS/390<sup>®</sup> do not need to be processed by a CICS translator.

CICS provides a translator program for each of the other languages in which you may write, to handle both EXEC CICS and EXEC DLI statements. There are three steps: translation, compilation (assembly), and link-edit. Figure 1 shows the process.

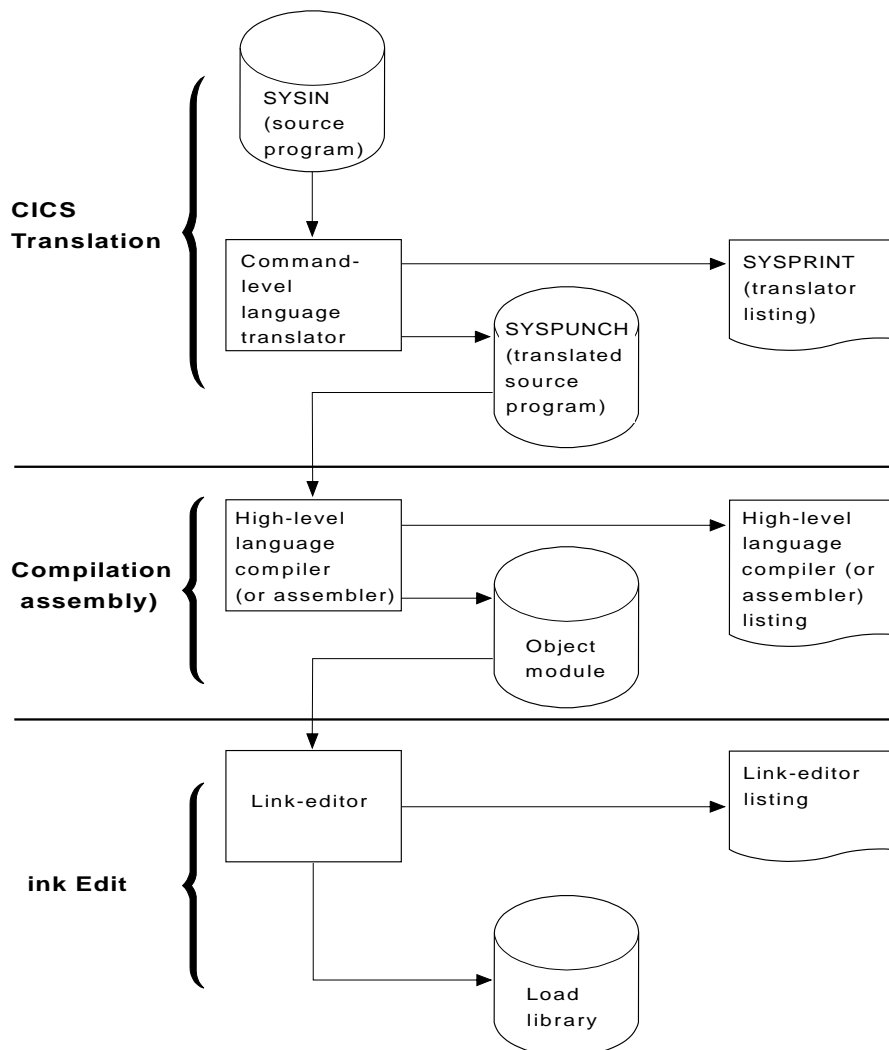


Figure 1. Preparing an application program

**Note:** If you use EXEC SQL, you need additional steps to translate the SQL statements and bind; see the *Application Programming and SQL Guide* for information about these extra steps.

CICS provides a procedure to execute these steps in sequence for each of the languages it supports. The *CICS System Definition Guide* describes how to use these procedures, and exactly what they do. Consequently, the additional translation step has little effect on what you do as a programmer. There are a few points to note, however:

- You can specify a number of options for the translation process, and you may need to do this for certain types of programs. If you are using EXEC DLI, for example, you need to tell the translator this fact. “Specifying translator options” on page 7 explains how to specify options, and “Translator options” on page 8 defines the options available.
- The translator may produce error messages, and it is as important to check these messages as it is to check the messages produced by the compiler and link-editor. See “The translation process” on page 6 for the location of these messages.
- The compiler (or assembler) reads the translated version of your program as input, rather than your original source. This affects what you see on your compiler (assembler) listing. It also means that COPY statements in your source code must not bring in untranslated CICS commands, because it is too late for the translator to convert them. (Copying in pretranslated code is possible, but not recommended; it may produce unpredictable results.)
- EXEC commands are translated into CALL statements that invoke CICS interface modules. These modules get incorporated into your object module in the link-edit step, and you see them in your link-edit output listing. You can read more about these modules in the *CICS System Definition Guide*.

---

## Locale support

The translator, by default, assumes that programs written in the C language have been edited with the codeset **IBM-1047**, also known as the Coded Character Set for Latin 1/Open Systems.

The codeset may also be specified in a **pragma filetag** compiler directive at the start of the application program. The CICS translator scans for the presence of this directive, but currently CICS provides support only for the default **IBM-1047** and for the codeset for Germany, **IBM-273**

For example, if the program has been prepared with an editor using the codeset specific to Germany, it should begin with the following directive:

```
??=pragma filetag ("IBM-273")
```

The presence of the **pragma filetag** implies that the program is compiled with the IBM® C for MVS/ESA™ compiler.

A comparison of some of the code-points and characters is shown below:

*Table 1. C language codesets*

Character	IBM-1047	IBM-273
\ backslash	E0	EC
} right brace	D0	DC
{ left brace	C0	43
# hash	7B	7B

---

## The translation process

A language translator reads your source program and creates a new one; normal language statements remain unchanged, but CICS commands are translated into CALL statements of the form required by the language in which you are coding. The calls invoke CICS-provided “EXEC” interface modules, which later get link-edited into your load module, and these in turn invoke the requested services at execution time.

Java programs that use the VisualAge for Java, Enterprise ToolKit for OS/390 do not need to be processed by a CICS translator. The translators for all of the other languages use one input and two output files:

### **SYSIN**

(Translator input) is the file that contains your source program.

If the SYSIN file is defined as a fixed blocked data set, the maximum record length that the data set can possess is 80 bytes. Passing a fixed blocked data set with a record length of greater than 80 bytes to the translator results in termination of translator execution. If the SYSIN file is defined as a variable blocked data set, the maximum record length that the data set can possess is 100 bytes. Passing a variable blocked data set with a record length greater than 100 bytes to the translator causes the translator to stop with an error.

### **SYSPUNCH**

(Translated source) is the translated version of your source code, which becomes the input to the compile (assemble) step. In this file, your source has been changed as follows:

- The EXEC interface block (EIB) structure has been inserted.
- EXEC CICS and EXEC DLI commands have been turned into function call statements.
- CICS DFHRESP and DFHVALUE built-in functions have been processed.
- A data interchange block (DIB) structure and initialization call have been inserted if the program contains EXEC DLI statements.

The CICS commands that get translated still appear in the source, but as comments only. Generally the non-CICS statements are unchanged. The output from the translator always goes to an 80 byte fixed-record length data set.

### **SYSPRINT**

(Translator listing) shows the number of messages produced by the translator, and the highest severity code associated with any message. The options used in translating your program also appear, unless these have been suppressed with the NOOPTIONS option.

For COBOL, C, C++, and PL/I programs, SYSPRINT also contains the messages themselves. In addition, if you specify the SOURCE option of the translator, you also get an annotated listing of the source in SYSPRINT. This listing contains almost the same information as the subsequent compilation listing, and therefore many installations elect to omit it (the NOSOURCE option). One item you may need from this listing which is not present in the compile listing, however, is the line numbers, if the translator is assigning them. Line numbers are one way to indicate points in the code when you debug with the execution diagnostic facility (EDF). If you specify the VBREF option, you also get a list of the commands in your

program, cross-referenced by line number, and you can use this as an alternative to the source listing for EDF purposes.

For assembler language programs, SYSPRINT contains only the translator options, the message count and maximum severity code. The messages themselves are inserted into the SYSPUNCH file as comments after the related statement. This causes the assembler to copy them through to the assembler listing, where you can check them. You may also see MNOTES that are generated by the assembler as the result of problems encountered by the translator.

---

## Copybooks

The translator does not expand any COPYBOOK members within program source statements. If the source within any COPYBOOK contains CICS commands, you must translate it separately before translation and compilation of the program in which it will be included.

The external program must always be passed through the CICS translator, even if all the CICS commands are in included copybooks.

---

## Specifying translator options

The translator options you can choose are listed in “Translator options” on page 8. You can specify your choices in one of two ways:

- List them as suboptions of the XOPTS option on the statement that the compiler (assembler) provides for specifying options. These statements are:

**Language**

**Statement**

**COBOL**

CBL

**COBOL**

PROCESS (with LE)

**C** #pragma

**C++** #pragma

**PL/I** \* PROCESS

**Assembler**

\*ASM or \*PROCESS<sup>1</sup>

- List your options in the PARM operand of the EXEC job control statement for the translate step. Most installations use catalogued procedures to translate, compile (assemble) and link CICS programs, and therefore you specify this PARM field in the EXEC job control statement that invokes the procedure.

For example, if the name of the procedure for COBOL programs is DFHEITCL, and the name of the translate step within is TRN, you set translator options for a COBOL program with a statement such as this one:

```
// EXEC DFHEITCL,PARM.TRN=(VBREF,QUOTE,SPACE(2),NOCBLCARD)
```

If you specify an option by one method and the same option or an option that conflicts by the other method, the specifications in the language statement override those in the EXEC statement. Similarly, if you specify multiple values for a single option or options that conflict on either type of statement, the last setting takes precedence. Except for COBOL programs translated with the ANS185 option, these statements must precede each source program; there is no way to batch the processing of multiple programs in other languages.

Translator options may appear in any order, separated by one or more blanks or by a comma. If you specify them on the language statement for options, they must appear in parentheses following the XOPTS parameter, because other options are ignored by the translator and passed through to the compiler. The following COBOL example shows both translator and compiler options being passed together:

```
CBL LIB XOPTS(QUOTE SPACE(2))
```

These examples show translator options being passed alone:

```
#pragma XOPTS(FLAG(W) SOURCE);  
* PROCESS XOPTS(FLAG(W) SOURCE);  
*ASM XOPTS(NOPROLOG NOEPILOG)
```

If you use the PARM operand of the EXEC job control statement to specify options, the XOPTS keyword is unnecessary, because the only options permitted here are translator options. However, you may use XOPTS, with or without its associated parentheses. If you use XOPTS with parentheses, be sure to enclose all of the translator options. For example, the following forms are valid:

```
PARM=(op1 op2 .. opn)  
PARM=(XOPTS op1 op2 .. opn)  
PARM=XOPTS(op1 op2 .. opn)
```

but the following is *not* valid:

```
PARM=(XOPTS(op1 op2) opn)
```

(For compatibility with previous releases, the keyword CICS can be used as an alternative to XOPTS, except when you are translating batch EXEC DLI programs.) Remember, if you alter the default margins for C or C++ #PRAGMA card processing using the PARM operand, the sequence margins should be altered too. You can do this using the NOSEQUENCE option.

#### Notes:

1. For assembler programs, \*ASM statements contain translator options only. They are treated as comments by the assembler. \*PROCESS statements can contain translator or assembler options for the High Level assembler, HLASM. Translator and assembler options must not coexist on the same \*PROCESS statement. \*PROCESS and \*ASM statements must be at the beginning of the input and no assembler statements must appear before them. This includes comments and statements such as "PRINT ON" and "EJECT". Both \*PROCESS and \*ASM statements can be included, in any order. \*PROCESS statements containing only translator options are retained by the translator; \*PROCESS statements containing assembler options are placed in the translated program.

---

## Translator options

You can specify the translator options that apply to all languages except where stated otherwise. Table 2 on page 18 lists all the translator options, the program languages that apply, and any valid abbreviations.

If your installation uses the CICS-provided procedures in the distributed form, the default options are the ones that are underlined or explicitly noted. Many installations change the defaults, however. You can tell which options get used by default at your installation by looking at the SYSPRINT translator listing output from the translate step (see "The translation process" on page 6). If you want an option that is not the default, you must specify it, as described in "Specifying translator options" on page 7.



**Note:** Translator options for programs to be compiled with OS/VS COBOL are described in “Appendix B. OS/VS COBOL” on page 565. OS/VS COBOL is supported for migration purposes to enable you to maintain existing programs. You are not recommended to write new applications using OS/VS COBOL.

**ANSI85**  
(COBOL only)

specifies that the translator is to translate COBOL programs that implement the ANSI85 standards.

**Note:** This option causes the COBOL2 and NOSEQ options to be used, even if you have specified SEQ. ANSI85 is implied by either OOCOBOL or COBOL3 options.

**APOST**  
(COBOL only)

indicates that literals are delineated by the apostrophe ('). This is the default—QUOTE is the alternative. The same value must be specified for the translator step and the following compiler step.

The CICS-supplied COBOL copybooks use APOST.

**CBLCARD**  
(COBOL only)

specifies that the translator is to generate a CBL statement. This is the default—the alternative is NOCBLCARD.

**CICS**

specifies that the translator is to process EXEC CICS commands. It is the default specification in the translator. CICS is also an old name for the XOPTS keyword for specifying translator options, which means that you can specify the CICS option explicitly either by including it in your XOPTS list or by using it in place of XOPTS to name the list. The only way to indicate that there are no CICS commands is to use the XOPTS keyword without the option CICS. You *must* do this in a batch DL/I program using EXEC DLI commands. For example, to translate a batch DL/I program written in assembler language, specify:

```
*ASM XOPTS(DLI)
```

To translate a batch program written in COBOL, containing EXEC API commands, specify:

```
CBL XOPTS(EXCI)
```

**COBOL2**  
(COBOL only)

specifies that the translator is to translate programs compiled by the VS COBOL II (or later) compilers.

**COBOL3**  
(COBOL only)

specifies that the translator is to translate programs compiled by a Language Environment conforming compiler. This option implies the ANSI85 and COBOL2 options.

#  
#  
#

**CPP**

(C++ **only**) specifies that the translator is to translate C++ programs for compilation by a supported C++ compiler, such as IBM C/C++ for MVS.

**CPSM**

specifies that the translator is to process EXEC CPSM commands. The alternative is NOCPSM, which is the default.

**DBCS**

(COBOL **only**)

specifies that the source program *may* contain double-byte characters. It causes the translator to treat hexadecimal codes X'0E' and X'0F' as shift-out (SO) and shift-in (SI) codes, respectively, wherever they appear in the program.

For more detailed information about how to program in COBOL using DBCS, see the section on DBCS character strings in the *VS COBOL II Application Programming: Language Reference* manual.

If you specify this option, the COBOL2 option is assumed.

**DEBUG**

(COBOL, C, C++, and PL/I **only**)

instructs the translator to produce code that passes the line number through to CICS for use by the execution diagnostic facility (EDF). DEBUG is the default—NODEBUG is the alternative.

**DLI**

specifies that the translator is to process EXEC DLI commands. You must specify it with the XOPTS option, that is, XOPTS(DLI).

**EDF**

specifies that the execution diagnostic facility is to apply to the program. EDF is the default—the alternative is NOEDF.

**EPILOG**

(Assembler language **only**)

specifies that the translator is to insert the macro DFHEIRET at the end of the program being translated. DFHEIRET returns control from the issuing program to the program which invoked it. If you want to use any of the options of the RETURN command, you should use RETURN and specify NOEPILOG.

EPILOG is the default—the alternative, NOEPILOG, prevents the translator inserting the macro DFHEIRET. (See the *CICS Application Programming Reference* manual for programming information about the DFHEIRET macro.)

**EXCI**

specifies that the translator is to process EXEC API commands for the External CICS Interface (EXCI). These commands must be used only in batch programs, and so the EXCI translator option is mutually exclusive to the CICS translator option, or any translator option that implies the CICS option. An error message is produced if both CICS and EXCI are specified, or EXCI and a translator option that implies CICS are specified.

The EXCI option is also mutually exclusive to the DLI option. EXEC API commands for the External CICS Interface cannot be coded in batch programs using EXEC DLI commands. An error message is produced if both EXCI and DLI translator commands are specified.

The EXCI translator option is specified by XOPTS, that is, XOPTS(EXCI).

**FE**  
(COBOL only)

produces translator information messages that print (in hexadecimal notation) the bit pattern corresponding to the first argument of the translated call. This bit pattern has the encoded information that CICS uses to determine which function is required and which options are specified. All diagnostic messages are listed, whatever the FLAG option specifies. The alternative is NOFE, which is the default.

**FEPI**  
allows access to the FEPI API commands of the CICS Front End Programming Interface (FEPI). FEPI is only available if you have installed the CICS Front End Programming Interface. The alternative is NOFEPI. FEPI commands and design are not discussed in this book, but are discussed in the *CICS Front End Programming Interface User's Guide*.

**FLAG(I, W, E, or S)**  
(COBOL, C, C++, and PL/I only) **Abbreviation: F**

specifies the minimum severity of error in the translation which requires a message to be listed.

**I** All messages.

**W** (Default) All except information messages.

**E** All except warning and information messages.

**S** Only severe and unrecoverable error messages.

**Note:** The FE option overrides the FLAG option.

**GDS**  
(C, C++, and assembler language only)

specifies that the translator is to process CICS GDS (generalized data stream) commands. For programming information about these commands, see the *CICS Application Programming Reference* manual.

**GRAPHIC**  
(PL/I only)

specifies that the source program *may* contain double-byte characters. It causes the translator to treat hexadecimal codes X'0E' and X'0F' as shift-out (SO) and shift-in (SI) codes, respectively, wherever they appear in the program.

It also prevents the translator from generating parameter lists that contain the shift-out and shift-in values in hexadecimal form. Wherever these values would ordinarily appear, the translator expresses them in binary form, so that there are no unintended DBCS delimiters in the data stream that the compiler receives.

If the compiler you are using supports DBCS, you need to prevent unintended shift-out and shift-in codes, even if you are not using double-byte characters. You can do this by specifying the GRAPHIC option for the translator, so that it does not create them, or by specifying NOGRAPHIC on the compile step, so that the compiler does not interpret them as DBCS delimiters.

For more detailed information about how to program in PL/I using DBCS, see the *PL/I Programming: Language Reference* manual.

## **LENGTH**

**(COBOL, Assembler and PL/I only)**

instructs the translator to generate a default length if the LENGTH option is omitted from a CICS command in the application program. The alternative is NOLENGTH.

## **LINECOUNT(n)**

**Abbreviation: LC**

specifies the number of lines to be included in each page of translator listing, including heading and blank lines. The value of “n” must be an integer in the range 1 through 255; if “n” is less than 5, only the heading and one line of listing are included on each page. The default is 60.

## **LINKAGE**

**(COBOL only)**

requests the translator to modify the LINKAGE SECTION and PROCEDURE DIVISION statements in top-level programs according to the existing rules.

This means that the translator will insert a USING DFHEIBLK DFHCOMMAREA statement in the PROCEDURE DIVISION, if one does not already exist, and will ensure that the LINKAGE SECTION (creating one if necessary) contains definitions for DFHEIBLK and DFHCOMMAREA.

# DFHEIBLK is defined in upper-case, but if OOCOBOL or COBOL3 are also  
# specified, a mixed-case version of the EIB structure (DFHEIBLC) is inserted.

LINKAGE is the default—the alternative is NOLINKAGE.

The LINKAGE option has no effect on the translation of classes and methods.

## **MARGINS(m,n[,c])**

**(C, C++, and PL/I only) Abbreviation: MAR**

specifies the columns of each line or record of input that contain language or CICS statements. The translator does not process data that is outside these limits, though it does include it in the source listings.

The option can also specify the position of an American National Standard printer control character to format the listing produced when the SOURCE option is specified; otherwise, the input records are listed without any intervening blank lines. The margin parameters are:

**m** Column number of left-hand margin.

**n** Column number of right-hand margin. It must be greater than m.

**Note:** When used as a C or C++ compiler option, the asterisk (\*) is allowable for the second argument on the MARGIN option. For the translator, however, a numeric value between 1 and 100 inclusive must be specified. When the input data set has fixed-length records, the maximum value allowable for the right hand margin is 80. When the input data set has variable-length records, the maximum value allowable is 100.

**c** Column number of the American National Standard printer control character. It must be outside the values specified for m and n. A zero value for c means no printer control character. If c is nonzero, only the following printer control characters can appear in the source:

**(blank)**

Skip 1 line before printing.

**0** Skip 2 lines before printing.

**-** Skip 3 lines before printing.

**+** No skip before printing.

**1** New page.

The default for C and C++ is MARGINS(1,72,0) for fixed-length records, and for variable-length records it is the same as the record length (1,record length,0). The default for PL/I is MARGINS(2,72,0) for fixed-length records, and MARGINS(10,100,0) for variable-length records.

#### **NATLANG(EN or KA)**

specifies what language is to be used for the translator message output:

**EN** (Default) English.

**KA** Kanji.

(Take care not to confuse this option with the NATLANG API option.)

#### **NOCBLCARD**

**(COBOL only)**

specifies that the translator is not to generate a CBL statement. The parameters which the CICS translator normally inserts must be set using VS COBOL II's IGYCOPT macro. These parameters are RENT, RES, NODYNAM, and LIB.

#### **NOCPM**

specifies that the translator is not to process EXEC CPSM commands. This is the default—the alternative is CPSM.

#### **NODEBUG**

**(COBOL, C, C++, and PL/I only)**

instructs the translator not to produce code that passes the line number through to CICS for use by the execution diagnostic facility (EDF).

#### **NOEDF**

specifies that the execution diagnostic facility is not to apply to the program. There is no performance advantage in specifying NOEDF, but the option can be useful to prevent commands in well-debugged subprograms appearing on EDF displays.

#### **NOEPILOG**

**(Assembler language only)**

instructs the translator not to insert the macro DFHEIRET at the end of the program being translated. DFHEIRET returns control from the issuing program to the program which invoked it. If you want to use any of the options of the EXEC CICS RETURN command, you should use EXEC CICS RETURN and specify NOEPILOG. NOEPILOG prevents the translator inserting the macro DFHEIRET. The alternative is EPILOG, which is the default. (See the *CICS Application Programming Reference* manual for programming information about the DFHEIRET macro.)

**NOFE**  
(COBOL only)

does not produce translator information messages that print the bit pattern corresponding to the first argument of the translated call. NOFE is the default—the alternative is FE.

**NOFEPI**  
disallows access to the FEPI API commands of the CICS Front End Programming Interface (FEPI). NOFEPI is the default—the alternative is FEPI.

**NOLENGTH**  
(COBOL, Assembler and PL/I only)

instructs the translator not to generate a default length if the LENGTH option is omitted from a CICS command in the application program. The default is LENGTH.

**NOLINKAGE**  
(COBOL only) requests the translator not to modify the LINKAGE SECTION and PROCEDURE DIVISION statements to supply missing DFHEIBLK and DFHCOMMAREA statements.

This means that you can provide COBOL copybooks to define a COMMAREA and use the EXEC CICS ADDRESS command.

LINKAGE is the default.

**NONUM**  
(COBOL only)

instructs the translator not to use the line numbers appearing in columns one through six of each line of the program as the line number in its diagnostic messages and cross-reference listing, but to generate its own line numbers. NONUM is the default—the alternative is NUM.

**NOOPSEQUENCE**  
(C, C++, and PL/I only) **Abbreviation: NOS**

specifies the position of the sequence field in the translator output records. The default for C and C++ is OPSEQUENCE(73,80) for fixed-length records and NOOPSEQUENCE for variable-length records. For PL/I, the default is OPSEQUENCE(73,80) for both types of records.

**NOOPTIONS**  
**Abbreviation: NOP**

instructs the translator not to include a list of the options used during this translation in its output listing.

**NOPROLOG**  
(Assembler language only)

instructs the translator not to insert the macros DFHEISTG, DFHEIEND, and DFHEIENT into the program being assembled. These macros define local program storage and initialize at program entry. (See the *CICS Application Programming Reference* manual for programming information about these “prolog” macros.)

**NOSEQ**  
(COBOL only)

instructs the translator not to check the sequence field of the source statements, in columns 1-6. The alternative, SEQ, is the default. If SEQ is specified and a statement is not in sequence, it is flagged.

If you specify the ANSI85 option for COBOL, the translator does no sequence checking and the SEQ or NOSEQ option is ignored.

**NOSEQUENCE**  
(C, C++, and PL/I only) Abbreviation: NSEQ

specifies that statements in the translator input are not sequence numbered and that the translator must assign its own line numbers.

The default for fixed-length records is SEQUENCE(73,80). For variable-length records in C and C++, the default is NOSEQUENCE and for variable-length records in PL/I the default is SEQUENCE(1,8).

**NOSOURCE**  
(C, C++ and PL/I only)

instructs the translator not to include a listing of the translated source program in the translator listing.

**NOSPIE**  
prevents the translator from trapping irrecoverable errors; instead, a dump is produced. You should use NOSPIE only when requested to do so by the IBM support center.

**NOVBREF**  
(COBOL, C, C++ and PL/I only)

instructs the translator not to include a cross-reference of commands with line numbers in the translator listing. (NOVBREF used to be called NOXREF; for compatibility, NOXREF is still accepted.) NOVBREF is the default—the alternative is VBREF.

**NUM**  
(COBOL only)

instructs the translator to use the line numbers appearing in columns one through six of each line of the program as the line number in its diagnostic messages and cross-reference listing. The alternative is NONUM, which is the default.

**OOCOBOL**  
(OO COBOL only)

instructs the translator to recognize the object-oriented COBOL (OO COBOL) syntax. The phrases:

- CLASS-ID xxx...xxx
- END CLASS xxx...xxx
- METHOD-ID xxx...xxx
- END METHOD xxx...xxx

are recognized but their correct usage is not monitored. The translator considers each class as a separate unit of compilation. This option implies the ANSIR85, COBOL2, and COBOL3 options.

#### **OPMARGINS(m,n[,c])**

**(C, C++ and PL/I only) Abbreviation: OM**

specifies the translator output margins, that is, the margins of the input to the following compiler. Normally these are the same as the input margins for the translator. For a definition of input margins and the meaning of “m”, “n”, and “c”, see MARGINS. The default for C and C++ is OPMARGINS(1,72,0) and for PL/I, the default is OPMARGINS(2,72,0).

The maximum “n” value allowable for the OPMARGINS option is 80. The output from the translator is always of a fixed-length record format.

If the OPMARGINS option is used to set the output from the translator to a certain format, it may be necessary to change the input margins for the compiler being used. If the OPMARGINS value is allowed to default this is not necessary.

#### **OPSEQUENCE(m,n)**

**(C, C++, and PL/I only) Abbreviation: OS**

specifies the position of the sequence field in the translator output records. For the meaning of “m” and “n”, see SEQUENCE. The default for C and C++ is OPSEQUENCE(73,80) for fixed-length records and NOOPSEQUENCE for variable-length records. For PL/I, the default is OPSEQUENCE(73,80) for both types of records.

#### **OPTIONS**

**Abbreviations: OP**

instructs the translator to include a list of the options used during this translation in its output listing.

#### **PROLOG**

**(Assembler language only)**

instructs the translator to insert the macros DFHEISTG, DFHEIEND, and DFHEIENT into the program being assembled. These macros define local program storage and initialize at program entry. (See the *CICS Application Programming Reference* manual for programming information about these “prolog” macros.) PROLOG is the default—the alternative is NOPROLOG.

#### **QUOTE**

**(COBOL only)**

indicates that literals are delineated by the double quotation mark ("). The same value must be specified for the translator step and the following compiler step.



The CICS-supplied COBOL copybooks use APOST, the default, instead of QUOTE.

**SEQ**  
(COBOL only)

instructs the translator to check the sequence field of the source statements, in columns 1-6. SEQ is the default—the alternative is NOSEQ. If a statement is not in sequence, it is flagged.

If you specify the ANSIR85 option for COBOL, the translator does no sequence checking and the SEQ option is ignored.

**SEQUENCE(m,n)**  
(C, C++, and PL/I only) Abbreviation: SEQ

specifies that statements in the translator input are sequence numbered and the columns in each line or record that contain the sequence field. The translator uses this number as the line number in error messages and cross-reference listings. No attempt is made to sort the input lines or records into sequence. If no sequence field is specified, the translator assigns its own line numbers. The SEQUENCE parameters are:

- m** Leftmost sequence number column.
- n** Rightmost sequence number column.

The sequence number field must not exceed eight characters and must not overlap the source program (as specified in the MARGINS option).

The default for fixed-length records is SEQUENCE(73,80). For variable-length records in C and C++ the default is NOSEQUENCE and for variable-length records in PL/I the default is SEQUENCE(1,8).

**SOURCE**  
(C, C++, and PL/I only)

instructs the translator to include a listing of the translated source program in the translator listing. SOURCE is the default—the alternative is NOSOURCE.

**SP**  
must be specified for application programs that contain special (SP) CICS commands or they will be rejected at translate time. These commands are ACQUIRE, COLLECT, CREATE, DISABLE, DISCARD, ENABLE, EXTRACT, INQUIRE, PERFORM, RESYNC, and SET. They are generally used by system programmers. For programming information about these commands, see the *CICS System Programming Reference* manual.

**SPACE(1 or 2 or 3)**  
(COBOL only)

indicates the type of spacing to be used in the output listing: SPACE(1) specifies single spacing, SPACE(2) double spacing, and SPACE(3) triple spacing. SPACE(3) is the default.

**SPIE**  
specifies that the translator is to trap irrecoverable errors. SPIE is the default—the alternative is NOSPIE.

## SYSEIB

indicates that the program is to use the system EIB instead of the application EIB. The SYSEIB option allows programs to execute CICS commands without updating the application EIB, making that aspect of execution transparent to the application. However, this option imposes restrictions on programs using it, and should be used only in special situations.

A program translated with the SYSEIB option must:

- Execute in AMODE(31), as the system EIB is assumed to be located in “TASKDATALOC(ANY)” storage.
- Obtain the address of the system EIB using the ADDRESS EIB command (if the program is translated with the SYSEIB option, this command automatically returns the address of the system EIB).
- Be aware that the use of the SYSEIB option implies the use of the NOHANDLE option on all CICS commands issued by the program. (Commands should use the RESP option as required.)

## VBREF

(COBOL, C, C++, and PL/I only)

specifies whether the translator is to include a cross-reference of commands with line numbers in the translator listing. (VBREF used to be called XREF, and is still accepted.)

Table 2. Translator options applicable to programming language

Translator option	COBOL	C	C++	PL/I	Assembler
ANSI85	X				
APOST or QUOTE	X				
CBLCARD or NOCBLCARD	X				
CICS	X	X	X	X	X
COBOL2	X				
COBOL3	X				
CPP			X		
CPSM or NOCPSM	X	X	X	X	X
DBCS	X				
DEBUG or NODEBUG	X	X	X	X	
DLI	X	X	X	X	X
EDF or NOEDF	X	X	X	X	X
EPILOG or NOEPILOG					X
EXCI	X	X	X	X	X
FE or NOFE	X				
FEPI or NOFEPI	X	X	X	X	X
FLAG(I or W or E or S)	X	X	X	X	
GDS		X	X		X
GRAPHIC				X	
LENGTH or NOLENGTH	X			X	X
LINECOUNT(n)	X	X	X	X	X
LINKAGE or NOLINKAGE	X				

Table 2. Translator options applicable to programming language (continued)

Translator option	COBOL	C	C++	PL/I	Assembler
MARGINS(m,n)		X	X	X	
NATLANG	X	X	X	X	X
NUM or NONUM	X				
OOCOBOL	X				
OPMARGINS(m,n[,c ])		X	X	X	
OPSEQUENCE(m,n) or NOOPSEQUENCE		X	X	X	
OPTIONS or NOOPTIONS	X	X	X	X	X
PROLOG or NOPROLOG					X
QUOTE or APOST	X				
SEQ or NOSEQ	X				
SEQUENCE(m,n) or NOSEQUENCE		X	X	X	
SOURCE or NOSOURCE		X	X	X	
SP	X	X	X	X	X
SPACE(1 or 2 or 3)	X				
SPIE or NOSPIE	X	X	X	X	X
SYSEIB	X	X	X	X	X
VBREF or NOVBREF	X	X	X	X	

## EXEC interface stubs

Application programs that use the CICS EXEC programming interface must contain an interface to CICS. This takes the form of an EXEC interface module or **stub**, which is a function-dependent piece of code used by the CICS high-level programming interface. The stub, provided in the SDFHLOAD library, must be link-edited with your application program to provide communication between your code and the CICS EXEC interface program, DFHEIP. These stubs are invoked during execution of EXEC CICS and EXEC DLI commands.

Java application programs that use the VisualAge for Java, Enterprise ToolKit for OS/390 do not need EXEC interface stubs, but there are stubs for each of the other supported programming languages. LE-conforming languages require the DFHELII interface module. Otherwise, you should use the following interface modules for the assembler, C, COBOL, and PL/I programming languages:

Table 3. Non-LE conforming language stubs

Language	Interface module name
ASSEMBLER	DFHEAI and DFHEA10
C	DFHELII
COBOL	DFHECI
PL/I	DFHPL1OI supplied by PL/I ( and DFHEPI which is part of the PL/I DFHPLIO1 module).

For further information about the EXEC interface stubs, see the *CICS System Definition Guide*.

## COBOL and PL/I

Each EXEC command is translated into a COBOL CALL statement or PL/I CALL statement (as appropriate) by the command translator. The external entry point invoked by the CALL statement is resolved to an entry in the stub.

The VS COBOL II command-level interface has an assembler language stub in the VS COBOL II library. Similarly, a PL/I application program must include a PL/I-supplied stub as well as the EXEC interface stub. This stub is included by automatic library call.

## C and C++

These programs must include the EXEC interface stub called DFHELII. There is no library stub. The stub must be link-edited with your application program to provide communication between your code and the EXEC interface program (DFHEIP).

For C and C++, each EXEC CICS command is translated by the command translator into a C or C++ function invocation. The external entry point is invoked by the function and is resolved by an entry in the stub.

## Assembler language

Each EXEC command is translated into an invocation of the DFHECALL macro by the command translator and the external entry point invoked by DFHECALL is resolved to an entry in the stub.

---

## Preparing BMS maps

If your program uses BMS maps, you need to create the maps. The traditional method for doing this is to code the map in BMS macros and assemble these macros.

You actually do the assembly twice, with different output options.

- One assembly creates a set of definitions. You copy these definitions into your program using the appropriate language statement, and they allow you to refer to the fields in the map by name.
- The second assembly creates an object module that is used when your program actually executes.

The process is illustrated in Figure 2 on page 21.

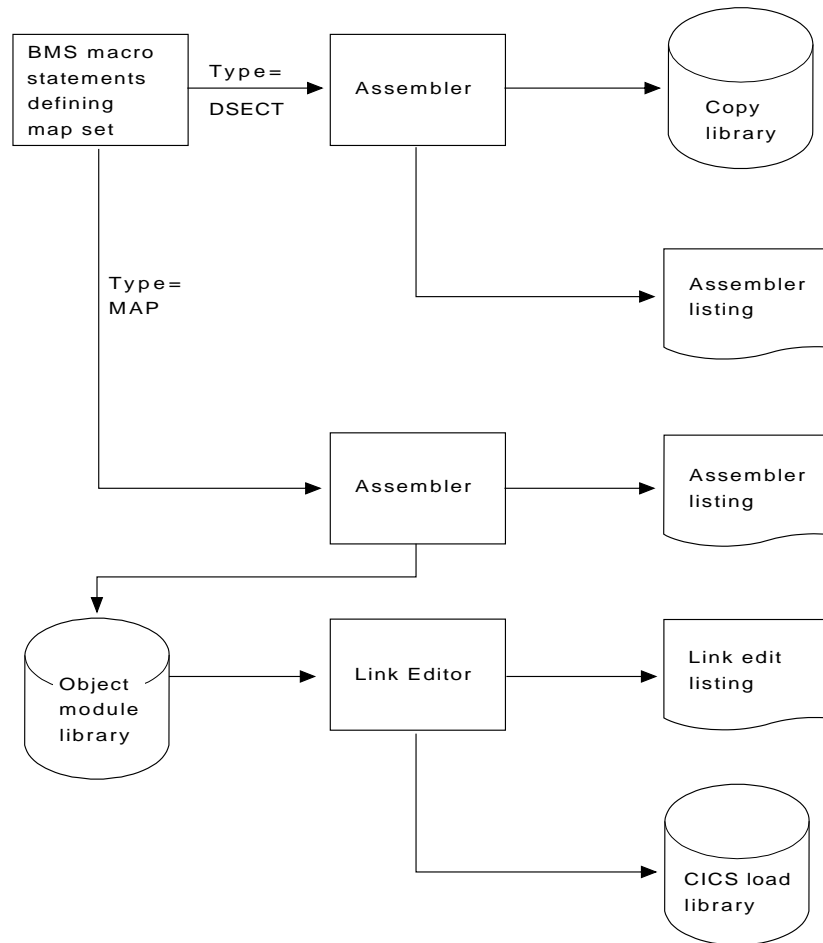


Figure 2. Preparing a map

CICS provides a procedure for assembling maps that produces both of the required assemblies. See the *CICS System Definition Guide* for details about assembling maps.

There are also several products that produce the same two outputs from input that you express interactively. These include Screen Definition Facility II (SDF II). For more information about SDF II, see the *Screen Definition Facility II Primer for CICS/BMS Programs* and *Screen Definition Facility II General Information* manuals.

Whatever way you produce maps, you need to create a map before you compile (assemble) any program that uses it. In addition, if you change the map, you usually need to recompile (reassemble) all programs that use it. Some changes affect only the physical map and are not reflected in the corresponding symbolic map used by the program. One of these is a change in field position that does not alter the order of the fields. However, changes in data type, field length, field sequence, and others do affect the symbolic map, and it is always safest to recompile (reassemble).



---

## Chapter 2. Programming in COBOL

For programming in COBOL language, you can find information about appropriate compilers in the *CICS Transaction Server for OS/390 Migration Guide* or the relevant COBOL manuals.

**Note:** OS/VS COBOL is supported for migration purposes to enable you to maintain existing programs. You are not recommended to write new applications using OS/VS COBOL. For information about OS/VS COBOL language considerations and restrictions, see “Appendix B. OS/VS COBOL” on page 565. References to COBOL in this chapter do not always apply to OS/VS COBOL.

With COBOL and COBOL/370 you must use only EXEC CICS commands to invoke operating system services. Some COBOL statements must not be used. Some features of COBOL that are of interest to the CICS programmer are:

- Simplified based addressing using cell pointer variables and the ADDRESS special register.
- The ability to use COBOL CALL statements to call assembler language and other COBOL programs.
- The LENGTH special register, which CICS uses to deduce the length of data items.
- The ability to use the RETURN-CODE special register in a CICS application program. This register allows you to set and access return codes in COBOL programs.
- There is no need for the SERVICE RELOAD statement. If included, it is ignored.

Users of COBOL with DBCS should not use the copybook DFHTCADS in their programs; copybook DFHCAKJ should be used instead.

With compiler option DATA(24), working storage is allocated below the 16MB line. With compiler option DATA(31), working storage is allocated either above or below the 16MB line.

---

### Based addressing

CICS application programs need to access data dynamically when the data is in a CICS internal area, and only the address is passed to the program. Examples are:

- CICS areas such as the CWA, TWA, and TCTTE user area (TCTUA), accessed using the ADDRESS command
- Input data, obtained by EXEC CICS commands such as READ and RECEIVE with the SET option

COBOL provides a simple method of obtaining addressability to the data areas defined in the LINKAGE SECTION using pointer variables and the ADDRESS special register. Figure 3 on page 24 gives an example of this.

The ADDRESS special register holds the address of a record defined in the LINKAGE SECTION with level 01 or 77. This register can be used in the SET option of any command in ADDRESS mode. These commands include GETMAIN,

LOAD, READ, and READQ. For programming information, including a complete list of these commands, see the *CICS Application Programming Reference* manual.

Figure 3 shows the use of ADDRESS special registers in COBOL. If the records in the READ or REWRITE commands are of fixed length, no LENGTH option is required. This example assumes variable-length records. After the read, you can get the length of the record from the field named in the LENGTH option (here, LRECL-REC1). In the REWRITE command, you must code a LENGTH option if you want to replace the updated record with a record of a different length.

```
WORKING-STORAGE SECTION.  
77 LRECL-REC1 PIC S9(4) COMP.  
LINKAGE SECTION.  
01 REC-1.  
  02 FLAG1 PIC X.  
  02 MAIN-DATA PIC X(5000).  
  02 OPTL-DATA PIC X(1000).  
01 REC-2.  
  02 ...  
PROCEDURE DIVISION.  
  EXEC CICS READ UPDATE...  
    SET(ADDRESS OF REC-1)  
    LENGTH(LRECL-REC1)  
  END-EXEC.  
  IF FLAG1 EQUAL X'Y'  
  MOVE OPTL-DATA TO ...  
  :  
  EXEC CICS REWRITE...  
    FROM(REC-1)  
  END-EXEC.
```

Figure 3. Addressing CICS data areas in locate mode

## WITH DEBUGGING MODE

If a “D” is placed in column seven of a COBOL EXEC CICS command, that “D” is also found in the translated CALL statements. This translated command is only executed if WITH DEBUGGING MODE is specified. A “D” placed on any line other than the first line of the EXEC CICS statement is not required and is ignored by the translator.

## Restrictions

This section describes COBOL language elements that you cannot use under CICS, or whose use is restricted or can cause problems under CICS.

In general, neither the CICS translator nor the COBOL compiler detects the use of COBOL words affected by the following restrictions. The use of a restricted word in a CICS environment may cause a failure at execution time. However, COBOL provides IGYCCICS, a table of words reserved for CICS. This allows the COBOL compiler to flag any occurrences of COBOL reserved words that conflict with CICS restrictions. How to use and create installation-specific COBOL reserved word tables is documented in the *VS COBOL II Installation and Customization for MVS* and *COBOL/370 Planning and Customization* manuals.

The following restrictions apply to a COBOL program that is to be used as a CICS application program. (See the appropriate COBOL programming guide for more information about these functions.)



- If no IDENTIFICATION DIVISION is present, only the CICS commands are expanded.  
If the IDENTIFICATION DIVISION only is present, only DFHEIVAR, DFHEIBLK, and DFHCOMMAREA are produced.
- Statements that produce variable-length areas, such as OCCURS DEPENDING ON, should be used with caution within the WORKING-STORAGE SECTION.
- If you have any CICS applications written in COBOL, you may need to review the COBOL run-time options in use at your installation. In particular, if your applications are not coded to ensure that working storage is properly initialized (for example, cleared with binary zeros before sending maps), you should use the WSCLEAR run-time option. The default, as supplied in the COBOL module IGZEOPD (alias of IGZ9OPD) is NOWSCLEAR.

The WSCLEAR function is included in VS COBOL II Version 1 Release 3 as supplied. For information about customizing run-time options, see the *VS COBOL II Installation and Customization for MVS* manual.

- You cannot use entry points in COBOL in CICS.
- When a debugging line is to be used as a comment, it must not contain any unmatched quotation marks.
- Do not use COBOL statements that invoke operating system functions. Instead, use CICS commands.
- Do not use EXEC CICS commands in a Declaratives Section. If coded, they are ignored by the translator.
- Do not use the following statements:
  - ACCEPT READ
  - CLOSE REWRITE
  - DELETE STOP “literal”
  - DISPLAY START
  - MERGE WRITE
  - OPEN
- There are restrictions on the use of the SORT statement. See the *VS COBOL II Application Programming Guide* or the *COBOL for MVS and VM Programming Guide* for information.
- Do not use:
  - USE declaratives (except USE FOR DEBUGGING). You may specify USE FOR DEBUGGING, but it has no effect because the DEBUG LE option is ignored in CICS.
  - ENVIRONMENT DIVISION and FILE SECTION entries associated with data management, because CICS handles data management
  - User-specified parameters to the main program
- Do not use the following compiler options:
  - DYNAM
  - NOLIB (if program is to be translated)
  - NORENT
  - NORES
- The use of the FDUMP compiler option results in a very large increase in program size. Therefore, short-of-storage problems may occur when using this option. For more information about the FDUMP option, see the *VS COBOL II Application Programming Guide* or the *COBOL3 Application Programming Guide*.

#  
#

|  
|  
|

---

1. where “literal” does not identify a contained subprogram

- Use TRUNC(OPT) for handling binary data items if they conform to the PICTURE definitions, otherwise use TRUNC(BIN). (TRUNC(STD) is the default and TRUNC(BIN) is slower.)
- The length of working storage, plus 80 bytes for storage accounting and save areas, must not exceed 64KB when the VS COBOL II compiler option DATA(24) is used. If, however, the compiler option DATA(31) is used, up to 128MB are available.
- If the DLI option is specified and an ENTRY statement immediately follows the PROCEDURE DIVISION header, it is recommended that the ENTRY statement be terminated with a period (.).
- COBOL and PL/I application programs cannot be link-edited together. For further information about using COBOL with other languages, see the *VS COBOL II Application Programming Guide*.
- The following compiler options have no effect in a CICS environment:
  - ADV
  - FASTSRT
  - OUTDD
- If you use HANDLE CONDITION or HANDLE AID, you can avoid addressing problems by using SET(ADDRESS OF A-DATA) or SET(A-POINTER) where A-DATA is a structure in the LINKAGE SECTION and A-POINTER is defined with the USAGE IS POINTER clause.

## Restrictions for 31-bit addressing

These restrictions apply to a COBOL program running above the 16MB line:

- If the receiving program is link-edited with AMODE(31), addresses passed to it must be 31-bits long (or 24-bits long with the left-most byte set to zeros).
- If the receiving program is link-edited with AMODE(24), addresses passed to it must be 24-bits long.

## DL/I CALL interface

You should make the following changes to programs that use CALL DL/I:

- Remove BLL cells for addressing the user interface block (UIB) and program control blocks (PCBs).
- Retain the DLIUIB declaration and at least one PCB declaration in the LINKAGE SECTION.
- Change the PCB call to specify the UIB directly, as follows:
 

```
CALL 'CBLTDLI' USING PCB-CALL
                        PSB-NAME
                        ADDRESS OF DLIUIB.
```
- Obtain the address of the required PCB from the address list in the UIB.

Figure 4 on page 27 illustrates the whole of the above process. The example in the figure assumes that you have three PCBs defined in the PSB and want to use the second PCB in the database CALL. Therefore, when setting up the ADDRESS special register of the LINKAGE SECTION group item PCB, the program uses 2 to index the working-storage table, PCB-ADDRESS-LIST. To use the nth PCB, you use the number n to index PCB-ADDRESS-LIST.

```

WORKING-STORAGE SECTION.
  77 PCB-CALL          PIC X(4) VALUE 'PCB '.
  77 GET-HOLD-UNIQUE  PIC X(4) VALUE 'GHU '.
  77 PSB-NAME         PIC X(8) VALUE 'CBLPSB'.
  77 SSA1             PIC X(40) VALUE SPACES.
  01 DLI-IO-AREA.
    02 DLI-IO-AREA1  PIC X(99).
*
LINKAGE SECTION.
  COPY DLIUIB.
  01 OVERLAY-DLIUIB REDEFINES DLIUIB.
    02 PCBADDR       USAGE IS POINTER.
    02 FILLER        PIC XX.
  01 PCB-ADDR-LIST.
    02 PCB-ADDRESS-LIST USAGE IS POINTER
                          OCCURS 10 TIMES.

  01 PCB.
    02 PCB-DBD-NAME   PIC X(8).
    02 PCB-SEG-LEVEL PIC XX.
    02 PCB-STATUS-CODE PIC XX.
*
PROCEDURE DIVISION.
*SCHEDULE THE PSB AND ADDRESS THE UIB
  CALL 'CBLTDLI' USING PCB-CALL PSB-NAME ADDRESS OF DLIUIB.
*
*MOVE VALUE OF UIBPCBAL, ADDRESS OF PCB ADDRESS LIST (HELD IN UIB)
*(REDEFINED AS PCBADDR, A POINTER VARIABLE), TO
*ADDRESS SPECIAL REGISTER OF PCB-ADDR-LIST TO PCBADDR.
  SET ADDRESS OF PCB-ADDR-LIST TO PCBADDR.
*MOVE VALUE OF SECOND ITEM IN PCB-ADDRESS-LIST TO ADDRESS SPECIAL
*REGISTER OF PCB, DEFINED IN LINKAGE SECTION.
  SET ADDRESS OF PCB TO PCB-ADDRESS-LIST(2).
*PERFORM DATABASE CALLS .....
  .....
  MOVE ..... TO SSA1.
  CALL 'CBLTDLI' USING GET-HOLD-UNIQUE PCB DLI-IO-AREA SSA1.
*CHECK SUCCESS OF CALLS .....
  IF UIBFCTR IS NOT EQUAL LOW-VALUES THEN
  ..... error diagnostic code
  .....
  IF PCB-STATUS-CODE IS NOT EQUAL SPACES THEN
  ..... error diagnostic code
  .....

```

Figure 4. Using the DLI CALL interface

---

## Mixing languages

A run unit is a running set of one or more programs that communicate with each other by COBOL static or dynamic CALL statements. In a CICS environment, a run unit is entered at the start of a CICS task, or invoked by a LINK or XCTL command. A run unit can be defined as the execution of a single entry in the processing program table (PPT) even though for dynamic CALL, the subsequent PPT entry is needed for the called program.

An LE (Language Environment) run-unit can support a mixture of language levels, but if you are not using LE a COBOL run unit can contain only:

- COBOL programs compiled with the same compiler
- Assembler language routines

CICS supports only COBOL-to-COBOL and COBOL-to-assembler calls.

However, a CICS transaction can consist of many run units, each of which can be at a different language level. This means that a single transaction can consist of programs compiled by different compilers (including non-COBOL compilers), provided that programs compiled by different compilers communicate with each other only using LINK or XCTL commands.

---

## Calling subprograms from COBOL

In a CICS system, when control is transferred from the active program to an external program, but the transferring program remains active and control can be returned to it, the program to which control is transferred is called a subprogram.

There are three ways of transferring control to a subprogram:

### EXEC CICS LINK

The calling program contains a command in one of these forms:

```
EXEC CICS LINK PROGRAM('subpname')  
EXEC CICS LINK PROGRAM(name)
```

In the first form, the called subprogram is explicitly named as a nonnumeric literal within quotation marks. In the second form, name refers to the COBOL data area with length equal to that required for the name of the subprogram.

### Static COBOL call

The calling program contains a COBOL statement of the form:

```
CALL 'subpname'
```

The called subprogram is explicitly named as a literal string.

### Dynamic COBOL call

The calling program contains a COBOL statement of the form:

```
CALL identifier
```

The identifier is the name of a COBOL data area that must contain the name of the called subprogram.

Table 4 on page 29 gives the rules governing the use of the three ways to call a subprogram. This table refers to CICS application logical levels. Each LINK command creates a new logical level, the called program being at a level one lower than the level of the calling program (CICS is taken to be at level 0). Figure 5 on page 32 shows logical levels and the effect of RETURN commands and CALL statements in linked and called programs.

The term run unit, used in Figure 5 on page 32, is defined under the heading “Mixing languages” on page 27. When control is passed by a XCTL command, the program receiving control *cannot* return control to the calling program by a RETURN command or a GOBACK statement, and is therefore not a subprogram.

In an ANSI85 unit of compilation, a called nested program is *internal* to the calling program, and is therefore not a subprogram. See “Nesting—what the application programmer must do” on page 38.

The CALL has the following form:

```
CALL 'PROG' USING DFHEIBLK DFHCOMMAREA  
          PARM1 PARM2...
```

or

```
CALL identifier USING DFHEIBLK DFHCOMMAREA
      PARM1 PARM2...
```

In the called program PROG or identifier, the CICS translator inserts DFHEIBLK and DFHCOMMAREA into the LINKAGE SECTION and into the USING list of the PROCEDURE DIVISION statement. You code the PROCEDURE DIVISION statement normally, as follows:

```
PROCEDURE DIVISION USING PARM1 PARM2...
```

and the translator inserts DFHEIBLK and DFHCOMMAREA into this statement before PARM1.

Table 4. Rules governing methods of calling subprograms

	LINK	Static COBOL CALL	Dynamic COBOL CALL
<b>Translation</b>	The linked subprogram must be translated if it, or any subprogram invoked from it, contains CICS function.	The called subprogram must be translated if it contains CICS commands or references to the EXEC interface block (DFHEIBLK) or to the CICS communication area (DFHCOMMAREA).	
<b>Link-editing</b> (You <i>must</i> always use the NODYNAM compiler option (the default) when you compile a COBOL program that is to run with CICS, even if the program issues dynamic calls.)	The linked subprogram must be compiled and link-edited as a separate program.	The called subprogram must be link-edited with the calling program to form a single load module (but the programs can be compiled separately). This can produce large program modules, and it also stops two programs that call the same program from sharing a copy of that program.	The called subprogram must be compiled and link-edited as a separate load module. It can reside in the link pack area or in a library that is shared with other CICS and non-CICS regions at the same time.
<b>CICS system definition data set (CSD) entries without program autoinstall</b> (If you use program autoinstall, you do not need an entry in the CSD.)	The linked subprogram must be defined using RDO. If the linked subprogram is unknown or unavailable, even though autoinstall is active, the LINK fails with the PGMIDERR condition.	The calling program must be defined in the CSD. If program A calls program B and then program B attempts to call program A, COBOL issues a message and an abend (1015).	
		The subprogram is part of the calling program so no CSD entry is required.	The called subprogram must be defined in the CSD. If the called subprogram cannot be loaded or is unavailable even though autoinstall is active, COBOL issues a message and abends (1029).

Table 4. Rules governing methods of calling subprograms (continued)

	<b>LINK</b>	<b>Static COBOL CALL</b>	<b>Dynamic COBOL CALL</b>
<b>Return from called subprogram</b>	The linked subprogram must return using either RETURN or the COBOL statement GOBACK.	The called subprogram must return using the COBOL statement GOBACK or EXIT PROGRAM. The use of RETURN in the called subprogram terminates the calling program.	
<b>Language of called subprogram</b>	Any language supported by CICS.	COBOL or assembler language.	
<b>Contents of called or linked subprogram</b>	Any function supported by CICS for the language (including calls to external databases, for example, DB2 <sup>®</sup> and DL/I) with the exception that an assembler language subprogram cannot CALL a lower level subprogram.		
<b>Passing parameters to the subprogram</b>	Data can be passed by any of the standard CICS methods (COMMAREA, TWA, TCTUA, TS queues) if the called or linked subprogram is processed by the CICS translator.		
	If the COMMAREA is used, its address must be passed in the LINK command. If the linked subprogram uses 24-bit addressing, and the COMMAREA is above the 16MB line, CICS copies it to below the 16MB line, and recopies it on return.	The CALL statement may pass DFHEIBLK and DFHCOMMAREA as the first two parameters, if the called program is to issue EXEC CICS requests, or the called program can issue EXEC CICS ADDRESS commands. The COMMAREA is optional but if other parameters are passed, a dummy commarea must also be passed.	
		In an ANSI85 unit of compilation, a nested program is not a subprogram, and the above rule can be varied. See "Nesting—what the application programmer must do" on page 38.	If the called subprogram uses 24-bit addressing and any parameter is above the 16MB line, COBOL issues a message and abends (1033). See the <i>VS COBOL II Application Programming Debugging</i> manual for information about this abend code.
<b>Storage</b>	On each entry to the linked subprogram, a new initialized copy of its working storage is provided, and the run unit is reinitialized (in some circumstances, this can cause a performance degradation).	On the first entry to the called subprogram within a CICS logical level, a new initialized copy of its working storage is provided. On subsequent entries to the called subprogram at the same logical level, the same WORKING STORAGE is provided in its last-used state, that is, no storage is freed, acquired, or initialized. If performance is unsatisfactory with LINK commands, COBOL calls may give improved results.	

Table 4. Rules governing methods of calling subprograms (continued)

	<b>LINK</b>	<b>Static COBOL CALL</b>	<b>Dynamic COBOL CALL</b>
<b>CICS condition/AID and abend handling</b>	<p>On entry to the called subprogram, no abend or condition handling is active. Within the subprogram, the normal CICS rules apply. In order to establish an abend or condition handling environment, that exists for the duration of the subprogram, a new HANDLE command should be issued on entry to the subprogram. The environment so created remains in effect until either a further HANDLE command is issued, or the subprogram returns control to the caller.</p>	<p>If the dynamic COBOL CALL fails, CICS abend handling is not invoked, and you may get a COBOL abend code (1013).</p> <p><b>For COBOL calls without Language Environment/370 and COBOL calls with Language Environment/370 and CBLPSHPOP ON:</b></p> <p>On entry to the called subprogram, no abend or condition handling is active. Within the subprogram, the normal CICS rules apply. On entry to the called subprogram, COBOL issues a PUSH HANDLE to stack the calling program's condition or abend handlers. In order to establish an abend or condition handling environment that exists for the duration of the subprogram, a new HANDLE command should be issued on entry to the subprogram. The environment that this creates remains in effect until either a further HANDLE command is issued or the subprogram returns control to the caller. When control is returned to the calling program from the subprogram, COBOL unstacks the condition and abend handlers using a POP HANDLE.</p> <p><b>For COBOL calls with Language Environment/370 and CBLPSHPOP OFF:</b></p> <p>The condition/AID and abend handling for the calling program remain in effect.</p>	
<b>Location of called or linked program</b>	Can be remote.	Must be local.	Must be local.

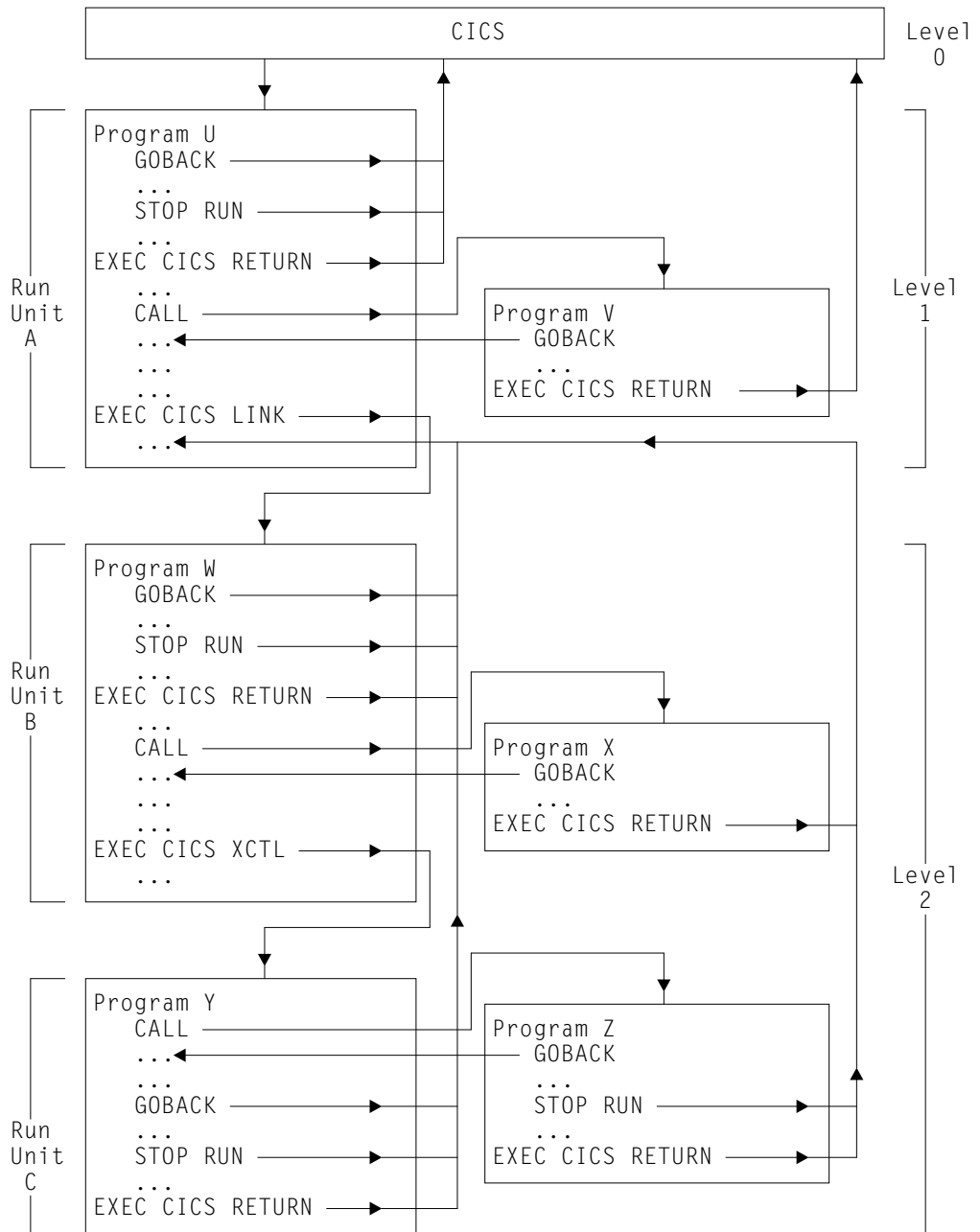


Figure 5. Flow of control between COBOL programs, run units, and CICS

## COBOL with the ANSI 85 COBOL standards

COBOL supports the ANSI85 COBOL standards. The CICS translator option ANSI85 supports most of these standards. If invoked with the ANSI85 option, the translator uses the COBOL2 option. The OOCOBOL and COBOL3 options imply both the ANSI85 and COBOL2 options.

CICS support for these standards takes the form of changes to the translator. Because the translator is not a compiler, it is not affected by **all** the ANSI85 standards.

The standards that affect the translator are:



- Literals intervening in blank lines
- Sequence numbers containing any character
- Lower-case characters supported in all COBOL words
- REPLACE statement
- Batch compilation
- Nested programs
- Reference modification
- Global variables
- Interchangeability of comma, semicolon, and space
- Symbolic character definition

If a standard is not fully supported by the translator, a programming restriction applies. These standards are described under their appropriate headings, and each description is followed by a Translator action. “Summary of restrictions” on page 42 summarizes this information. The translator actions assume that you have specified the ANSI85 translator option.

The term **unit of compilation** means a section of source input from which the compiler produces a single object program. A unit of compilation can contain a program and other programs nested within it.

---

## Literals intervening in blank lines

Blank lines can appear anywhere in a COBOL source program. A blank line is a line that contains only blanks between margin C (the continuation column) and margin R (the last character in the line) inclusive.

### Translator action

If blank lines occur within literals in a COBOL source program, the translator eliminates them from the translated output but includes them in the translated listing.

(If the ANSI85 option is not specified, a blank line in a literal causes a translator error.)

---

## Sequence numbers containing any character

In a COBOL source program, the sequence number field can contain any character in the computer’s character set. The sequence number fields need not be in any order and need not be unique.

### Translator action

The translator makes no check on the contents or sequence of the sequence number fields.

If you specify the SEQ translator option, the translator issues a message saying that the SEQ option has no effect when you specify the ANSI85 option. See page 17 for more information about this option.

---

## REPLACE statement

COBOL programs can include the REPLACE statement, which allows the replacement of identified text by defined substitution text. The text to be replaced and inserted is specified as in the REPLACING option of the COPY statement, and can be pseudo-text, an identifier, a literal, or a COBOL word. REPLACE statements are processed after COPY statements.

### Translator action

The translator accepts REPLACE statements but **does not** translate text between pseudo-text delimiters, with the exception of CICS built-in functions (DFHRESP and DFHVALUE), which are translated wherever they occur. CICS commands should not be placed between pseudo-text delimiters.

---

## Batch compilation

Separate COBOL programs can be compiled together as one input file. An END PROGRAM header statement terminates each program and is optional for the last program in the batch.

### Translator action

The translator accepts separate COBOL programs in a single input file, and interprets END PROGRAM header statements according to the ANSI85 standards.

Translator options specified as parameters when invoking the translator are in effect for the whole batch, but can be overridden for a unit of compilation by options specified in the CBL or PROCESS card that initiates the unit.

The options for a unit of compilation are determined according to the following order of priority:

1. Options specified in the CBL or PROCESS card that initiates the unit
2. Options specified when the translator is invoked
3. Default options

For more information about compilation, see the *CICS System Definition Guide*.

## Compiler and linkage editor

If you are using batch compilation, you must take some additional action to ensure that compilation and linkage editing are successful, as follows:

- Include the compiler NAME option as a parameter in the JCL statement that invokes the compiler or in a CBL statement for each top-level (nonnested) program. This causes the inclusion of a NAME statement at the end of each program. See Figure 6 on page 35 for more information.
- Edit the compiler output to add INCLUDE and ORDER statements for the CICS COBOL stub to each object module. These statements cause the linkage editor to include the stub at the start of each load module. These statements can be anywhere in the module, though by convention they are at the start. You may find it convenient to place them at the end of the module, immediately before each NAME statement. Figure 7 on page 36 shows the output from Figure 6 after editing in this way.

For batch compilation you must vary the procedure described in the *CICS System Definition Guide*. The following is a suggested method:

1. Split the supplied cataloged procedure DFHEITCL into two procedures; PROC1 containing the translate and compilation steps (TRN and COB), and PROC2 containing the linkage editor step LKED.

2. In PROC1, add the NAME option to the parameters in the EXEC statement for the compiler, which then looks like this:

```
//COB EXEC PGM=IGYCRCTL,
// PARM='....,NAME,....',
// REGION=1024K
```

3. In PROC1, change the name and disposition of the compiler output data set &&LOADSET. At least remove the initial && from the data set name and change the disposition to CATLG. The SYSLIN statement should then read:

```
//SYSLIN DD DSN=LOADSET,
// DISP=(NEW,CATLG),UNIT=&WORK,
// SPACE=(80,(250,100))
```

4. Run PROC1.

```
.....
...program a....
.....
NAME PROGA(R)
.....
.....
...program b....
.....
.....
NAME PROGB(R)
.....
.....
...program c....
.....
NAME PROGC(R)
```

Figure 6. Compiler output before editing

5. Edit the compiler output in the data set LOADSET to add the INCLUDE and ORDER statements as shown in Figure 7 on page 36. If you use large numbers of programs in batches, you should write a simple program or REXX EXEC to insert the ORDER and INCLUDE statements.

**Note:** For Language Environment/370 applications, a different COBOL stub should be used and the order statement in Figure 7 on page 36 should be changed. The new sequence of statements reads as follows:

```
INCLUDE SDFHCOB(DFHELII)
ORDER DFHELII
NAME PROGA(R)
```

To use the new stub, the procedure DFHEITCL (DFHEITVL for COBOL users) should be changed. The line that reads **STUB=DFHEILIC** should be changed to **STUB=DFHEILID** and the line **LIB=SDFHCOB** should be changed to **LIB=SDFHC370**. An alternative method would be to specify **STUB=DFHEILID** when invoking the procedure to include DFHELII. This can be done by passing the stub value as a parameter when invoking the procedure as follows:

```
// EXEC PROC=DFHEITCL
```

or

```
// EXEC PROC=DFHEITCL,STUB=DFHEILID,LIB=SDFHC370
```

6. In PROC2, add a DD statement for the library that includes the CICS stub. The standard name of this library is CICSTS13.CICS.SDFHCOB. The INCLUDE statement for the stub refers to this library by the DD name. In Figure 7, it is assumed you have used the DD name SDFHCOB. The suggested statement is:

```
//SDFHCOB DD DSN=CICSTS13.CICS.SDFHCOB,  
//          DISP=SHR
```

7. In PROC2, replace the SYSLIN concatenation with the single statement:

```
//SYSLIN DD DSN=LOADSET,  
//          DISP=(OLD,DELETE)
```

In this statement it is assumed that you have renamed the compiler output data set LOADSET.

8. Run PROC2.

```
        ....program a....  
        .....  
INCLUDE SDFHCOB(DFHECI)  
ORDER DFHECI  
NAME PROGA(R)  
        .....  
        ....program b....  
        .....  
INCLUDE SDFHCOB(DFHECI)  
ORDER DFHECI  
NAME PROGB(R)  
        .....  
        ....program c....  
        .....  
INCLUDE SDFHCOB(DFHECI)  
ORDER DFHECI  
NAME PROGC(R)
```

*Figure 7. Linkage editor input*

---

## Nested programs

Under the ANSI85 standard:

- COBOL programs can contain COBOL programs.
- Contained programs are included immediately before the END PROGRAM statement of the containing program.
- A contained program can also be a containing program, that is, it can itself contain other programs.
- Each contained or containing program is terminated by an END PROGRAM statement.

For an explanation of valid calls to nested programs and of the COMMON attribute of a nested program, see the *VS COBOL II Application Programming Guide*. An example of a nested program is given in “An example of a nested program” on page 39.

### Translator action

The translator treats top-level and nested programs differently.

The translator translates a top-level program (a program that is not contained by any other program) in the normal way, with one addition. The translator uses the GLOBAL storage class for all translator-generated variables in the WORKING-STORAGE SECTION.

The translator translates nested or contained programs in a special way as follows:

- A DATA DIVISION and LINKAGE SECTION are added if they do not already exist.
- Declarations for DFHEIBLK (EXEC interface block) and DFHCOMMAREA (communication area) are inserted into the LINKAGE SECTION.
- EXEC CICS commands and CICS built-in functions are translated.
- The PROCEDURE DIVISION statement is *not* modified.
- No translator-generated temporary variables, used for pre-call assignments, are inserted in the WORKING-STORAGE SECTION.

### Recognition of nested programs

If the ANSI85 option is specified, the translator interprets that the input source starts with a top-level program if the first noncomment record is any of the following:

- IDENTIFICATION DIVISION statement
- CBL card
- PROCESS card

If the first record is none of these, the translator treats the input as part of the PROCEDURE DIVISION of a nested program. The first CBL or PROCESS card indicates the start of a top-level program and of a new unit of compilation. Any IDENTIFICATION DIVISION statements that are found before the first top-level program indicate the start of a new nested program.

The practical effect of these rules is that nested programs cannot be held in separate files and translated separately. A top-level program and all its directly- and indirectly- contained programs constitute a single unit of compilation and should be submitted together to the translator.

## Positioning of comments

The translator treats comments that follow an END PROGRAM statement as belonging to the *next* program in the input source. Comments that precede an IDENTIFICATION DIVISION statement appear in the listing *after* the IDENTIFICATION DIVISION statement.

To avoid confusion always place comments:

- After the IDENTIFICATION DIVISION statement that initiates the program to which they refer

*and*

- Before the END PROGRAM statement that terminates the program to which they refer.

## Nesting—what the application programmer must do

1. Submit a top-level containing program and all its directly and indirectly contained programs as a single unit of compilation.
2. In each nested program that contains EXEC CICS commands, CICS built-in functions, or references to the EIB or COMMAREA, code DFHEIBLK and DFHCOMMAREA as the first two parameters of the PROCEDURE DIVISION statement as follows:

```
PROCEDURE DIVISION USING DFHEIBLK
    DFHCOMMAREA PARM1 PARM2 ...
```

3. In every call to a nested program that contains EXEC CICS commands, CICS built-in functions, or references to the EIB or COMMAREA, code DFHEIBLK and DFHCOMMAREA as the first two parameters of the CALL statement as follows:  

```
CALL 'PROGA' USING DFHEIBLK
    DFHCOMMAREA PARM1 PARM2 ...
```
4. For every call that forms part of the control hierarchy between the top-level program and a nested program that contains EXEC CICS commands, CICS built-in functions, or references to the EIB or COMMAREA, code DFHEIBLK and COMMAREA as the first two parameters of the CALL For a PROCEDURE DIVISION statements in the calling and called programs respectively code DFHEIBLK and DFHCOMMAREA. This is necessary to allow addressability to the EIB and COMMAREA to be passed to programs not directly contained by the top-level program.
5. If it is not necessary to insert DFHEIBLK and DFHCOMMAREA in the PROCEDURE DIVISION of a nested program for any of the reasons given above (2, 3, and 4), calls to that program should *not* include DFHEIBLK and COMMAREA in the parameter list of the CALL statement.

## An example of a nested program

A unit of compilation (see Figure 8) consists of a top-level program W and three nested programs, X, Y, and Z, all directly contained by W.

### Program W

During initialization and termination, calls Y and Z to do initial CICS processing and non-CICS file access. Calls X to do main processing.

### Program X

Calls Z for non-CICS file access and Y for CICS processing.

### Program Y

Issues CICS commands. Calls Z for non-CICS file access.

### Program Z

Accesses files in batch mode.

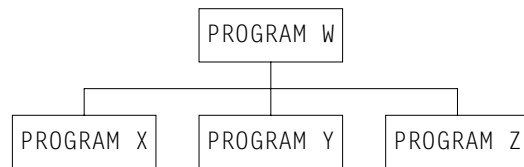


Figure 8. Nested program example—nesting structure

Applying the rules:

- Y must be COMMON to enable a call from X.
- Z must be COMMON to enable calls from X and Y.
- Y issues CICS commands, therefore:
  - All calls to Y must have DFHEIBLK and a COMMAREA as the first two parameters.
  - Y's PROCEDURE DIVISION statement must have DFHEIBLK and DFHCOMMAREA as the first two parameters.
- Though X does not access the EIB or the communication area, it calls Y, which issues CICS commands. Therefore the call to X must have DFHEIBLK and a COMMAREA as the first two parameters and X's PROCEDURE DIVISION statement must have DFHEIBLK and DFHCOMMAREA as its first two parameters.

Figure 9 on page 40 illustrates the points in “Nesting—what the application programmer must do” on page 38.

```

IDENTIFICATION DIVISION.
PROGRAM-ID.W.
.
.
PROCEDURE DIVISION.
.
.
CALL Z.
.
.
CALL Y USING DFHEIBLK
COMMAREA.
.
.
CALL X USING DFHEIBLK
COMMAREA.
.
.
IDENTIFICATION DIVISION.
PROGRAM-ID.X.
.
.
PROCEDURE DIVISION USING
DFHEIBLK DFHCOMMAREA.
.
.
CALL Z.
.
.
CALL Y USING DFHEIBLK
COMMAREA.
.
.
END PROGRAM X.
IDENTIFICATION DIVISION.
PROGRAM-ID.Y IS COMMON
.
.
PROCEDURE DIVISION USING
DFHEIBLK DFHCOMMAREA.
.
.
CALL Z.
.
.
EXEC CICS ....
.
.
END PROGRAM Y.
IDENTIFICATION DIVISION.
PROGRAM-ID.Z IS COMMON
.
.
PROCEDURE DIVISION.
.
.
END PROGRAM Z.
END PROGRAM W.

```

*Figure 9. Nested program example—coding*

---

## Reference modification

Reference modification supports a method of referencing a substring of a character data item by specifying the starting (leftmost) position of the substring in the data item and, optionally the length of the substring. The acceptable formats are:

```

data-name (starting-position:)
data-name (starting-position: length)

```



Data-name can be subscripted or qualified or both. Both starting-position and length can be arithmetic expressions.

### Translator action

The translator accepts reference modification wherever the name of a character variable is permitted in a COBOL program or in an EXEC CICS command.

**Note:** If a CICS command uses reference modification in defining a data value, it **must** include a LENGTH option to specify the data length. Otherwise the translator generates a COBOL call with a LENGTH register reference in the form:

```
LENGTH OF (reference modification)
```

This is rejected by the compiler.

---

## Global variables

The GLOBAL variable storage class is supported. A variable defined with the GLOBAL variable storage class in a top-level program (see 37) can be referred to in any of its nested programs, whether directly or indirectly contained.

### Translator action

The translator accepts the GLOBAL keyword.

---

## Comma and semicolon as delimiters

A separator comma is a comma followed by a space. A separator semicolon is a semicolon followed by a space. A separator comma or a separator semicolon can be used as a separator wherever a space alone can be used. (VS COBOL II Release 1.2 restricts the use of commas and semicolons to positions specifically defined in individual statement formats.)

### Translator action

The translator accepts the use in COBOL statements of a separator comma or a separator semicolon wherever a space can be used. For example, the translator accepts the statement:

```
IDENTIFICATION; DIVISION
```

The translator does **not** support the use of the separator comma and separator semicolon as delimiters in EXEC CICS commands. The only acceptable word delimiter in an EXEC CICS command continues to be a space.

---

## Symbolic character definition

Symbolic characters can be defined in the SPECIAL-NAMES paragraph after the ALPHABET clause. A symbolic character is a program-defined word that represents a 1-character figurative constant.

### Translator action

The translator accepts the use of symbolic characters as specified in the standard.

**Note:** In general, the compiler does not accept the use of figurative constants and symbolic characters as arguments in CALL statements. For this reason, do

not use figurative constants or symbolic constants in EXEC CICS commands, which are converted into CALL statements by the translator. There is one exception to this restriction: a figurative constant is acceptable in an EXEC CICS command as an argument to *pass* a value if it is of the correct data type. For example, a numeric figurative constant can be used in the LENGTH option.

---

## Summary of restrictions

The following is a summary of the programming restrictions associated with CICS translator support for the ANSI85 COBOL standards:

- With the ANSI85 option, the translator varies the rule for parameters to be passed by a static COBOL call. For details, see “Nesting—what the application programmer must do” on page 38.
- A REPLACE statement must not contain an EXEC CICS command in pseudo-text.
- Programs cannot use a comma or semicolon as a word separator in a CICS command.
- Programs cannot use a symbolic character as an argument in a CICS command.
- Comments should not precede the IDENTIFICATION DIVISION statement or follow the END PROGRAM statement.
- CICS commands that use reference modification to define a character data value must include a LENGTH option to define the data length.
- A name that must match an external definition, for example a file name or a transaction ID, must be coded in the same case as the external definition.

---

## COBOL2 translator option

If you are using the COBOL2 option you must use the VS COBOL II Compiler (5668-958 and 5668-023) to process your COBOL application programs.

This compiler is a licensed program that conforms to the standard set by American National Standard COBOL, X3.23-1974.

When you translate this program, you must use the COBOL2 translator option. For information about translating your program and preparing it for execution, see “Chapter 1. Preparing your application to run” on page 3.

Lower-case characters can occur anywhere in any COBOL word, including user-defined names, system names, and reserved words. A lower-case character can be used wherever an upper-case character is required by a COBOL compiler that does not conform to the ANSI85 standards.

## Translator action

The translator listing and output preserve the case of COBOL text as entered.

In addition, the translator accepts mixed case in:

- Translator options
- EXEC CICS commands, both for keywords and for arguments to keywords (If the ANSI85 option is not specified, the translator expects COBOL words to consist entirely of upper-case characters.)

**Notes:**

1. The translator does not translate lower-case text into upper-case. Some names in COBOL text, for example, file names and transaction IDs, must match with externally defined names. Such names should always be entered in the same case as the external definition.
2. CBL and PROCESS statements must be in upper case.

---

**COBOL3 translator option**

# If you are using the COBOL3 option you must use Language Environment  
# conforming compilers to process your application programs.

You can use either the COBOL3 or OOCOBOL translator option, depending on whether the program contains OO COBOL syntax. For information about translating your program and preparing it for execution, see “Chapter 1. Preparing your application to run” on page 3.

Lower-case characters can occur anywhere in any COBOL word, including user-defined names, system names, and reserved words.

**Translator action**

The translator listing and output preserve the case of COBOL text as entered.

In addition, the translator accepts mixed case in:

- Translator options
- EXEC CICS commands, both for keywords and for arguments to keywords
- CBL and PROCESS statements
- Compiler directives such as EJECT and SKIP1

The translator does not translate lower-case text into upper-case. Some names in COBOL text, for example file names and transaction IDs, must match with externally defined names. Such names must always be entered in the same case as the external definition.

# If you specify the LINKAGE translator option, or allow it to default, a mixed-case  
# version of the EIB structure (DFHEIBLC) is inserted into the LINKAGE SECTION.

---

**OO COBOL translator option**

# If you are using the OOCOBOL option, you must use a Language Environment  
# conforming compiler to process your application programs.

For information about translating your program and preparing it for execution, see “Chapter 1. Preparing your application to run” on page 3.

Lower-case characters can occur anywhere in any COBOL word, including user-defined names, system names, and reserved words.

**Translator action**

The translator listing and output preserve the case of COBOL text as entered.

In addition, the translator accepts mixed case in:

- Translator options
- EXEC CICS commands, both for keywords and for arguments to keywords

- CBL and PROCESS statements
- Compiler directives such as EJECT and SKIP1

The translator does not translate lower-case text into upper-case. Some names in COBOL text, for example file names and transaction IDs, must match with externally defined names. Such names should always be entered in the same case as the external definition.

# If you specify the LINKAGE translator option, or allow it to default, a mixed-case  
# version of the EIB structure (DFHEIBLC) is inserted into the LINKAGE SECTION.

The translator considers each class to be a separate unit of compilation.

The translator does not monitor correct use of syntax. It makes the following assumptions about a user program:

- Classes and methods are correctly terminated.
- A class encapsulates only methods.
- Methods do not encapsulate anything else.
- A unit of compilation contains either a class or a program.

The translator rejects any EXEC statements that appear in the PROCEDURE DIVISION of a class.

The translator checks that a DATA DIVISION statement and a WORKING STORAGE SECTION both exist in a class definition.

## Nesting programs

For OO COBOL, use the DFHEIBLC copybook, which is a lower-case version of DFHEIBLK. Apart from case, DFHEIBLC is the same as DFHEIBLK in all other respects except that the top-level name is 01 dfheiblk. instead of 01 EIBLK.

---

## Chapter 3. Programming in C and C++

For programming in C, you can find information about appropriate compilers in the *CICS Transaction Server for OS/390 Migration Guide* or the relevant C or C++ manual.

All the EXEC CICS commands available in COBOL, PL/I, and assembler language applications are also supported in C and C++ applications, with the exception of those commands related to nonstructured exception handling:

- HANDLE ABEND LABEL(label)
- HANDLE AID
- HANDLE CONDITION
- IGNORE CONDITION
- PUSH HANDLE
- POP HANDLE

Use of these commands is diagnosed by the translator.

C++ applications can also use the CICS C++ OO classes to access CICS services, instead of the EXEC CICS interface. See the *CICS C++ OO Class Libraries* manual, for more information about this interface.

In a C or C++ application, every EXEC CICS command is treated as if it had the NOHANDLE or RESP option specified. This means that the set of “system action” transaction abends that result from a condition occurring but not being handled, is not possible in a C or C++ application. Control always flows to the next instruction, and it is up to the application to test for a normal response.

HANDLE ABEND PROGRAM commands are allowed, but you cannot use PUSH HANDLE or POP HANDLE.

If you want any OVERFLOW condition to be indicated in the RESP field on return from a SEND MAP command with the ACCUM option, you should specify the NOFLUSH option.

C and C++ language programs **must** be link-edited with the attributes AMODE(31), and may reside above the 16MB line in the same way as PL/I programs. See “PL/I and dynamic storage” on page 54 for information about PL/I programs.

In C and C++, working storage consists of the stack and the heap. The location of the stack and heap, with respect to the 16MB line, is controlled by the ANYWHERE and BELOW options on the stack and heap run time options. The default is that both the stack and heap are located above the 16MB line.

On return from a C or C++ language application, any value passed by C or C++ by the **exit** function or the **return** statement is saved in EIBRESP2.

A set of sample application programs is provided in Table 5 on page 46 to show how EXEC CICS commands can be used in a program written in the C or C++ language.

Table 5. Sample programs

Sample program	Map set	Map source	Transaction ID
DFH\$DMNU Operator instruction (3270)	DFH\$DGA	DFH\$DMA	DMNU
DFH\$DALL Update (3270)	DFH\$DGB	DFH\$DMB	DINQ, DADD, DUPD
DFH\$DBRW Browse (3270)	DFH\$DGC	DFH\$DMC	DBRW
DFH\$DREN Order entry (3270)	DFH\$DGK	DFH\$DMK	DORD
DFH\$DCOM Order entry queue print (3270)	DFH\$DGL	DFH\$DML	DORQ
DFH\$DREP Report (3270)	DFH\$DGD	DFH\$DMD	DREP

The transaction and program definitions are provided in group DFH\$DFLA in the CSD and should be installed using the command:

```
CEDA INSTALL GROUP(DFH$DFLA)
```

The following record description files are provided as C or C++ language header files:

DFH\$DFIL—FILEA record descriptor

DFH\$DL86—L860 record descriptor

---

## Data declarations needed for C and C++

The following data declarations are provided by CICS for C and C++:

- Execution interface block definitions (EIB)
- BMS screen attributes definitions—C and C++ versions of the DFHBMSCA, DFHMSRCA, and DFHAID files are supplied by CICS, and may be included by the application programmer when using BMS.
- DL/I support—a C language version of DFHDIB is included by the DLI translator if the translator option has been specified. (You have to include DLIUIB if the CALL DLI interface is used.)

The EIB declarations are enclosed in #ifndef and #endif lines, and are included in all translated files. The C or C++ compiler ignores duplicated declarations. The inserted code contains definitions of all the fields in the EIB, coded in C and C++.

---

## Naming EIB fields

Within a C or C++ application program, fields in the EIB are referred to in lower case and fully qualified as, for example, “dfheiptr->eibtrnid”, in contrast to EIBTRNID as used in other CICS applications.

## Data types in EIB fields

The following mapping of data types is used:

- Halfword binary integers are defined as “short int”
- Fullword binary integers are defined as “long int”
- Single-character fields are defined as “unsigned char”
- Character strings are defined as “unsigned char” arrays

---

## Restrictions

The following list describes some of the restrictions that exist in various versions of the C run-time libraries. You should check the relevant language guide for more specific details about those that apply to your installation:

- CICS does not support extended precision floating point.
- C and C++ languages do not support packed decimal data. The application has access to packed decimal data using the character string data type. No C or C++ standard library functions are available to perform arithmetic on this data, but you may write your own.
- You can easily use HOURS, MINUTES, and SECONDS options. You may define expiration times using TIME or INTERVAL options if you provide functions to handle them in your application.
- You can enter all CICS keywords in mixed case, except for CICS keywords on #pragma directives, which must be in upper case only.
- You must specify the LENGTH option from commands that support the LENGTH option (for example, READ, READNEXT, READPREV, and WRITE commands).
- All native C and C++ functions are allowed in the source program, but the following functions are not recommended. Some are not executable and result in return codes or pointers indicating that the function has failed. Some may work but impact the performance or execution of CICS.
  - CDUMP
  - CSNAP
  - CTEST
  - CTRACE
  - CLOCK
  - CTDLI
  - SVC99
  - SYSTEM
  - SETLOCALE

The following commands are supported only if you use a Language Environment (LE) conforming compiler:

- FETCH
- RELEASE

For further information see the *User's Guide*. Native C or C++ functions are implemented in the C or C++ run-time library.

- Native C or C++ file operations operate only on files opened with *type=memory* specified. I/O to CICS-supported access methods must use the CICS API.
- The string handling functions in the C or C++ standard library use a null character as an end-of-string marker. Because CICS does not recognize a null as an end-of-string marker, you must take care when using C or C++ functions, for example strcmp, to operate on CICS data areas.
- Two arguments, argc and argv, are normally passed to a C or C++ main function. argc denotes how many variables have been passed; argv is an array of zero-terminated variable strings. In CICS, the value of argc is 1, argv[0] is the transaction ID, and argv[1] is NULL.
- Where CICS expects a fixed-length character string such as a program name, map name, or queue name, you must pad the literal with blanks up to the required length if it is shorter than expected.

For EXEC DLI commands, the SEGMENT name is padded by the translator if a literal is passed.

- Take care not to use field names, which, though acceptable to the assembler compiler, cause the C or C++ compiler to abend. These include \$, #, and @. See the relevant user's guide for more information.
- In C and C++ there is a STACK option with a 4KB default and suboptions of ANY and below. Additionally there are ANYHEAP (for heap storage above the 16MB line) and BELOWHEAP to control heap allocations. There is a heap manager that optimizes allocations.

## Passing values as arguments

Arguments in C and C++ language are copied to the program stack at run time, where they are read by the function. These arguments can either be values in their own right, or they can be pointers to areas of memory that contain the data being passed. Passing a pointer is also known as passing a value *by reference*.

Other languages, such as COBOL and PL/I, pass their arguments *by reference*, which means that the compiler passes a list of addresses pointing to the arguments to be passed. This is the call interface supported by CICS. To pass an argument by reference, you prefix the variable name with **&**, unless it is already a pointer, as in the case when an array is being passed.

As part of the build process, the compiler may convert arguments from one data type to another. For example, an argument of type **char** may be converted to type **short** or type **long**.

When you send values from a C or C++ program to CICS, the translator takes the necessary action to generate code that results in an argument list of the correct format being passed to CICS. The translator does not always have enough information to enable it to do this, but in general, if the argument is a single-character or halfword variable, the translator makes a precall assignment to a variable of the correct data type and passes the address of this temporary variable in the call.

When you receive data from CICS, the translator prefixes the receiving variable name with **&**, which causes the C or C++ compiler to pass it values *by reference* rather than *by value* (with the exception of a character string name, which is left unchanged). Without the addition of **&**, the compiler would copy the receiving variable and then pass the address of the copy to CICS. Any promotion occurring during this copying could result in data returned by CICS being lost.

Table 6 shows the rules that apply when passing values as arguments in EXEC CICS commands.

Table 6. Rules for passing values as arguments in EXEC CICS commands

Data type	Usage	Coding the argument
Character literal	Data-value (S)	The user must specify the character literal directly. The translator takes care of any required indirection.



Table 6. Rules for passing values as arguments in EXEC CICS commands (continued)

Data type	Usage	Coding the argument
Character variable (char)	Data-area (R)	The user must specify a pointer to the variable, possibly by prefixing the variable name with &.
	Data-value (S)	The user must specify the character variable directly. The translator takes care of any required indirection.
Character string literal	Name (S)	The user can either code the string directly as a literal string or use a pointer which points to the first character of the string.
Character string variable	Data-area (R) Name (S)	Whether receiving or sending, the argument should be the name of the character array containing the string—the address of the first element of the array.
Integer variable (short, long, or int)	Data-area (R)	The user must specify a pointer to the variable, possibly by prefixing the variable name with &.
	Data-value (S)	The user must specify the name of the variable. The translator looks after any indirection that is required.
Integer constant (short, long, or int)	Data-value (S)	The user must specify the integer constant directly. The translator takes care of any required indirection.
Structure or union	Data-area (S) Data-area (R)	The user must code the address of the start of the structure or union, possibly by prefixing its name with &.

Table 6. Rules for passing values as arguments in EXEC CICS commands (continued)

Data type	Usage	Coding the argument
Array (of anything)	Data-area (R) Data-value (S)	The translator does nothing. You must code the address of the first member of the array. This is normally done simply by coding the name of the array, which the compiler interprets as the address of the first member.
Pointer (to anything)	Ptr-ref (R) Data-area (S)	Whether receiving or sending, the argument should be the name of the variable that denotes the address of interest. The translator takes care of the extra level of indirection that is necessary to allow CICS to update the pointer.
<p><b>Note:</b> (R) indicates "Receiver", where data is being received from CICS; (S) indicates "Sender", where data is being passed to CICS.</p>		

## ADDRESS EIB command

The address of the exec interface block (EIB) is not passed as an argument to a C or C++ main function. This means that C and C++ functions must use the ADDRESS EIB command to obtain the address of the EIB.

Addressability is achieved by using the command:

```
EXEC CICS ADDRESS EIB(dfheiptr);
```

or by passing the EIB address or particular fields therein as arguments to the CALL statement that invokes the external procedure.

If access to the EIB is required, an ADDRESS EIB command is required at the beginning of each application. This applies to any commands that include RESP or RESP2 options.

## ADDRESS COMMAREA command

The address of the communication area is not passed as an argument to a C or C++ main function. This means that C and C++ functions must use ADDRESS COMMAREA to obtain the address of the communications area.

---

## C++ considerations

C++ supports object-oriented programming and you can use this language in the same way as you would use the C language. You must specify that the translator is to translate C++ using the CPP option.

C++ programs must also be defined as Language Environment/370. See “Chapter 6. Language Environment” on page 61 for information about this environment.

## Restrictions

C++ uses ‘//’ for single line comments. Do not put a comment in the middle of an EXEC CICS command. For instance, this example does not work:

```
EXEC CICS SEND TEXT FROM(errmsg)
        LENGTH(msglen) // Send error message to screen
        RESP(rcode)
        RESP2(rcode2);
```

These examples are valid:

```
EXEC CICS SEND TEXT FROM(errmsg)
        LENGTH(msglen)
        RESP(rcode)
        RESP2(rcode2); //Send error message to screen

EXEC CICS SEND TEXT FROM(errmsg)
        LENGTH(msglen) /* Send error message to screen */
        RESP(rcode)
        RESP2(rcode2);
```



---

## Chapter 4. Programming in PL/I

For information about suitable compilers for PL/I, you should see the *CICS Transaction Server for OS/390 Migration Guide* or the relevant PL/I manual.

---

### Restrictions

The following restrictions apply to a PL/I program that is to be used as a CICS application program. Refer to the *PL/I Optimizing Compiler Programmer's Guide* for more guidance information about these facilities.

- You cannot use the multitasking built-in functions:

COMPLETION  
PRIORITY  
STATUS

- You cannot use the multitasking options:

EVENT  
PRIORITY  
TASK

- You should not use the PL/I statements:

READ	LOCATE
WRITE	DELETE
GET	UNLOCK
PUT	STOP
OPEN	HALT
CLOSE	EXIT
DISPLAY	DELAY
REWRITE	

# The following commands are supported only if you use a Language  
# Environment (LE) conforming compiler:

# FETCH  
# RELEASE

# You are provided with EXEC CICS commands for the storage and retrieval of data, and for communication with terminals. (However, you can use CLOSE, PUT, and OPEN, for SYSPRINT.)

Refer to the *PL/I Optimizing Compiler Programmer's Guide* for more guidance information about when the use of these PL/I statements is necessary and the consequences of using them.

- You cannot use PL/I Sort/Merge.
- You cannot use static storage (except for read-only data).
- If you declare a variable with the STATIC attribute and EXTERNAL attribute you should also include the INITIAL attribute. If you do not, such a declaration generates a common CSECT that cannot be handled by CICS.
- You cannot use the PL/I 48-character set option in EXEC CICS statements.
- Do not define variables or structures with variable names that are the same as variable names generated by the translator. These begin with DFH. Care must be taken with the LIKE keyword to avoid implicitly generating such variable names.
- All PROCEDURE statements must be in upper case, with the exception of the PROCEDURE name, which may be in lower case.

- The suboptions of the XOPTS option of the \*PROCESS statement must be in upper case.
- If a CICS command uses the SUBSTR built-in function in defining a data value, it **must** include a LENGTH option to specify the data length. If it does not, the translator generates a PL/I call including an invocation of the CSTG built-in function in the form:  

```
CSTG(SUBSTR(...,...))
```

This is rejected by the compiler.

---

## PL/I STAE execution-time option

If this option is specified, an abend occurring in the transaction is handled by PL/I error handling routines, and the transaction may terminate normally, in which case, CICS facilities, such as dynamic transaction backout (DTB), are not invoked.

If you issue an ABEND command with the STAE option specified, you can suppress the dump by using the NODUMP option. To get a meaningful abend code, you must also use the ABCODE option.

Alternatively, specify the NOSTAE option, which bypasses PL/I routines handling the abend, allowing a meaningful abend code to be issued.

Further information about PL/I and the STAE option is given in the *CICS Recovery and Restart Guide*.

---

## OPTIONS(MAIN) specification

If OPTIONS(MAIN) is specified in an application program, that program can be the first program of a transaction, or control can be passed to it by means of a LINK or XCTL command.

In application programs where OPTIONS(MAIN) is not specified, it cannot be the first program in a transaction, nor can it have control passed to it by an LINK or XCTL command, but it can be link-edited to a main program.

---

## PL/I and dynamic storage

If your program is running LE-enabled, storage allocation is performed in accordance with the LE-run-time options you have established. For more information about running PL/I applications as LE-enabled programs, refer to the *PL/I for MVS and VM Programming Guide*.

If you are using PL/I and your load module requires more than 64KB of dynamic storage to initialize, this results in the PL/I abend, APLG. With MVS, this limit is increased to one megabyte for areas that you allocate explicitly above the 16MB line using a GETMAIN command with the FLENGTH option. However, you should be aware that all automatic storage and DSA for PL/I save areas are below the 16MB line even when the program is specified as AMODE(31) and RMODE(ANY). This is because PL/I has to do a single GETMAIN operation below the line for this storage and CICS has a restriction of 64KB in a single GETMAIN operation below the 16MB line. The ISA size should be sufficient to satisfy all storage allocation. To estimate this size, activate the REPORT option during the test phase. This option tells you if the ISA size is sufficient or if you need to perform GETMAIN operations during program processing.

You can avoid this problem happening in an ESA AMODE(31) environment by coding your program as follows. Instead of making your biggest PL/I structures and arrays AUTOMATIC, define them as BASED on a POINTER variable, which you initialize using GETMAIN SET (pointer) FLENGTH(length). (Note that you must use FLENGTH instead of LENGTH.)

For example, suppose you have a PL/I program with these arrays declared:

```
DCL A(10,10) FLOAT
```

and

```
DCL B(100,10) CHAR(100)
```

These arrays need 400 (that is, 10 x 10 x 4) and 100000 (that is, 100 x 10 x 100), respectively.

You code your PL/I program as illustrated in Figure 10.

```
DCL (APOINTER, BPOINTER) POINTER;
DCL A(10,10)          FLOAT BASED(APOINTER),
   B(100,10)         CHAR(100) BASED(BPOINTER),
   CSTG              BUILTIN;
EXEC CICS GETMAIN
      SET(APOINTER)
      FLENGTH(CSTG(A));
EXEC CICS GETMAIN
      SET(BPOINTER)
      FLENGTH(CSTG(B));
```

*Figure 10. Example of a PL/I program with arrays declared*

This prevents a PL/I abend (APLG) occurring, and means that your program can use storage above the line that would otherwise have been needed below the line.





---

## Chapter 5. Programming in Assembler

The following instructions cannot be used in an assembler language program that is to be used as a CICS application program:

**COM** Identify blank common control section.

**ICTL** Input format control.

**OPSYN**

Equate operation code.

Working storage is allocated either above or below the 16MB line, according to the value of the **DATALOCATION** parameter on the **PROGRAM** definition in the **CSD**.

When using **BAKR** instructions (branch and stack) to provide linkage between assembler programs, take care that the linked-to program does not issue **EXEC CICS** requests. If CICS receives control and performs a task switch before the linked-to program returns by a **PR** instruction (program return), then other tasks might be dispatched and issue further **BAKR / PR** calls. These modify the linkage-stack and result in the wrong environment being restored when the original task issues its **PR** instruction.

---

### Compilers supported

For programming in assembler language, you can find information about appropriate compilers in the *CICS Transaction Server for OS/390 Migration Guide* or the relevant assembler manual.

---

### Restrictions for 31-bit addressing

The following restrictions apply to an assembler language application program executing in 31-bit mode:

- The interval control command **WAIT EVENT** is not supported when the associated event control block (**ECB**) resides above the 16MB line. Instead, you can use the task control command **WAIT EXTERNAL ECBLIST**.
- The **COMMAREA** option is restricted in a mixed addressing mode transaction environment. For a discussion of the restriction, see “Mixed addressing mode transactions” on page 473.

---

### MVS restrictions

The following restrictions apply to an assembler language application program that uses access registers to exploit the extended addressability of **ESA/370** processors:

- You must be in primary addressing mode when invoking any **CICS** service. The primary address-space must be the home address-space. All parameters passed to **CICS** must reside in the primary address-space.
- **CICS** does not *always* preserve access registers. You must save them before you invoke a **CICS** service, and restore them before using the access registers again.

For more guidance information about using access registers, see the *OS/390 MVS Programming: Extended Addressability Guide*.

## Invoking assembler language application programs with a call

Assembler language application programs that contain commands can have their own RDO program definition. Such programs can be invoked by COBOL, C or C++, PL/I, or assembler language application programs using LINK or XCTL commands (see “Chapter 35. Program control” on page 467). However, because programs that contain commands are invoked by a system standard call, they can also be invoked by a COBOL, C, C++, or PL/I CALL statement or by an assembler language CALL macro.

A single CICS application program, as defined in an RDO program definition, may consist of separate CSECTs compiled or assembled separately, but linked together.

An assembler language application program that contains commands can be linked with other assembler language programs, or with programs in one, and only one, of the high-level languages (COBOL, C, C++, or PL/I). When you do this, the high-level language program must be listed ahead of the assembler language program when you link edit, and the RDO program definition must specify that high-level language.

If an assembler language program contains command-level calls, and is called from a high-level language program, it requires its own CICS interface stub. The message MSGIEW024I is issued, but this can be ignored.

Because assembler language application programs containing commands are always passed the parameters EIB and COMMAREA when invoked, the CALL statement or macro must pass these two parameters followed, optionally, by other parameters.

For example, the PL/I program in file PLITEST PLI calls the assembler language program ASMPROG, which is in file ASMTEST ASSEMBLE. The PL/I program passes three parameters to the assembler language program, the EIB, the COMMAREA, and a message string.

```
PLIPROG:PROC OPTIONS(MAIN);
  DCL ASMPROG ENTRY EXTERNAL;
  DCL COMA CHAR(20), MSG CHAR(14) INIT('HELLO FROM PLI');
  CALL ASMPROG(DFHEIBLK,COMA,MSG);
  EXEC CICS RETURN;
END;
```

Figure 11. PLITEST PLI

The assembler language program performs an EXEC CICS SEND TEXT command, which displays the message string passed from the PL/I program.

```
DFHEISTG DSECT
MSG      DS    CL14
MYRESP  DS    F
ASMPROG  CSECT
  L      5,8(1)
  L      5,0(5)
  MVC    MSG,0(5)
  EXEC CICS SEND TEXT FROM(MSG) LENGTH(14) RESP(MYRESP)
END
```

Figure 12. ASMTEST ASSEMBLE

For this to work, first link edit the assembler language program, as follows:

```
INCLUDE SYSLIB(DFHEAI)
INCLUDE OBJECT
NAME  ASMTEST(R)
```

and then link the PL/I and assembler language programs together:

```
INCLUDE SYSLIB(DFHPL10I)
INCLUDE OBJECT
INCLUDE SYSLIB(ASMTEST)
NAME  PLITEST(R)
```

An assembler language application program that is called by another begins with the DFHEIENT macro and ends with the DFHEIRET macro. The CICS translator inserts these for you, so if the program contains EXEC CICS commands and is to be passed to the translator, as in the example just given, you do not need to code these macros.



---

## Chapter 6. Language Environment

Language Environment<sup>®</sup> can be used in a CICS environment. It provides a run-time library that establishes a common execution environment for programming languages.

Support for new languages under CICS will be dependent upon Language Environment. See the *Language Environment Concepts Guide* for more information.

---

### Levels of support in Language Environment

Language Environment provides two different levels of support, depending on the compiler used.

See the *CICS System Definition Guide* for more information about compilers.

#### **Fully LE-conforming support**

If an application program is compiled by a fully-conforming compiler, that program is said to be **LE-conforming**. A fully-conforming program can take advantage of Language Environment services on a CICS system. A fully-conforming program cannot execute without Language Environment support. The following fully LE-conforming compilers are available:

- OS/390 C/C++
- C/C++ for MVS/ESA
- AD/CYCLE C/370™
- COBOL for OS/390 & VM
- COBOL for MVS & VM
- AD/CYCLE for COBOL/370
- PL/I for MVS & VM
- AD/CYCLE PL/I for MVS & VM

#### **Compatibility support**

Language Environment also supports programs that are not compiled with LE-conforming compilers. This means that programs can be defined in the PPT as Language Environment, and can then run correctly without being recompiled.

The language of a compatibility support program does not have to be defined as Language Environment, but the Language Environment libraries must be above all the other language libraries in the JCL concatenation to ensure that the programs are processed by Language Environment.

Language Environment provides some callable services in CICS. These services are available only to fully LE-conforming programs. For guidance and reference information about these services, see the Language Environment library. (See page “Language Environment:” on page xviii for details about the Language Environment manuals.)

---

## Abend handling in an LE environment

If you run CICS PL/I programs in conjunction with Language Environment/370, your CICSabend handlers will be given an LE Abend Code, rather than a PL/I Abend Code.

To avoid the need to change your programs, you can use the Language Environment supplied sample program, CEEWUCHA, to modify the LE userabend handler to return PL/I Abend Codes.

---

## Defining run-time options

Language Environment provides run-time options to control your program's processing. You can set the default values for most of these options at installation time and over-ride them using the CEEUOPT macro or with statements in your program source code.

## Part 2. Object Oriented programming in CICS

<b>Chapter 7. Object Oriented (OO) programming concepts</b> . . . . .	65	#	Using PDSE libraries . . . . .	91
What is OO? . . . . .	65		Compiling and binding a program using VisualAge for Java . . . . .	91
Encapsulation . . . . .	65		Configuring your workstation and host environments. . . . .	91
Data structures . . . . .	65		Creating the package and project . . . . .	92
OO Terminology. . . . .	66		Writing the main method. . . . .	93
Accessing CICS services from OO programs . . . . .	68		Setting up ET/390 properties . . . . .	93
			Exporting and binding the executable program object . . . . .	94
<b>Chapter 8. Programming in Java</b> . . . . .	69		Running the CICS transaction . . . . .	94
The JCICS Java classes. . . . .	69		Developing a Java program object using javac. . . . .	94
Translation . . . . .	69		Using the IBM Java Record Framework . . . . .	94
JavaBeans . . . . .	70		Using the ET/390 binder . . . . .	95
Library structure . . . . .	70		hpj command options . . . . .	95
CICS resources . . . . .	71		Handling Resource Files . . . . .	96
Command arguments . . . . .	71		Setting Java System Properties . . . . .	96
Using the Java Record Framework. . . . .	71		Running a CICS Java program . . . . .	97
Threads . . . . .	71		Run-time requirements . . . . .	97
JCICS programming considerations . . . . .	72		Using hot-pooling . . . . .	98
Storage management . . . . .	72		Open Transaction Environment (OTE) TCBs . . . . .	98
Abnormal termination in Java . . . . .	72	#	Allocating an H8 TCB for hot-pooling . . . . .	99
Exception handling in Java . . . . .	72	#	Managing the hot-pooling environment . . . . .	100
CICS error handling commands . . . . .	73	#	Defining Language Environment run-time options . . . . .	100
CICS conditions . . . . .	74	#	Allocating storage . . . . .	101
CICS Intercommunication . . . . .	75	#	Defining hot-pooled Java program objects . . . . .	101
BMS. . . . .	75	#	THREADSAFE . . . . .	102
Terminal Control . . . . .	76	#	Programming considerations for Java hot-pooling . . . . .	102
File control services. . . . .	76	#	Static storage and static initializers . . . . .	102
Program control services . . . . .	76	#	Programming interfaces . . . . .	103
Unit of Work (UOW) services . . . . .	76	#	Protection keys. . . . .	103
Temporary storage queue services . . . . .	76	#	Exit programming interface (XPI). . . . .	103
Transient data queue services . . . . .	77	#	Hot-pooling exit program . . . . .	104
Environment services . . . . .	77	#	Security . . . . .	104
Unsupported CICS services . . . . .	79	#	Problem determination . . . . .	104
System.out and System.err . . . . .	79	#	Interactive debug using the Debug Tool . . . . .	104
Using JCICS . . . . .	80	#		
Writing the main method. . . . .	80	#		
Creating objects . . . . .	80	#		
Using objects . . . . .	80	#		
<b>Chapter 9. JCICS sample programs</b> . . . . .	83		<b>Chapter 11. Using the CICS Java virtual machine.</b> . . . . .	107
Supplied sample components . . . . .	83		JVM execution environment . . . . .	107
Building the Java samples . . . . .	84		Running JVM programs . . . . .	108
Building the Java samples for ET/390 . . . . .	84		Compile-time requirements. . . . .	109
Building the Java samples for the JVM . . . . .	85		Run-time requirements . . . . .	109
Building the CICS native applications . . . . .	85		CICS-supplied .jar files . . . . .	110
Resource definitions . . . . .	85		JVM directory . . . . .	110
Running the Hello World sample . . . . .	85		JVM environment variables. . . . .	110
Running the Program Control sample . . . . .	86		stdin, stdout and stderr . . . . .	111
Running the TDQ sample . . . . .	86		JCICS programming considerations for JVM programs . . . . .	111
Running the TSQ sample . . . . .	86		Java System Properties . . . . .	112
<b>Chapter 10. Support for VisualAge for Java, Enterprise Toolkit for OS/390.</b> . . . . .	89		Using the Abstract Windows Toolkit (AWT) classes . . . . .	113
Building a CICS Java program object . . . . .	90		Remote Abstract Windows Toolkit . . . . .	113
Preparing prerequisite environment . . . . .	90		Using Remote AWT with CICS . . . . .	113





---

## Chapter 7. Object Oriented (OO) programming concepts

This chapter may help introduce object-oriented (OO) programming to programmers who are familiar with CICS.

The aim is to explain the OO concepts needed to make sense of the descriptions of the CICS interface functions that can be used by OO languages. The description is in terms that should be understood by programmers who are unfamiliar with OO, but familiar with programming CICS in COBOL, PLI or Assembler.

The OO languages supported by CICS are C++ and Java and they share much of the terminology. The following sections are applicable to both.

---

### What is OO?

Although we speak of 'OO languages' and 'non-OO languages', the OO language can only influence the way in which a program is constructed by restricting some techniques and enabling others. It is possible to use some of the OO techniques available in a language without making programs completely object-oriented and this partial use of OO is a good way of becoming familiar with OO techniques if you have been used to non-OO languages. To describe what OO is, we can look at the ways of achieving the same ends using OO techniques and non-OO techniques.

### Encapsulation

The great advantage of an OO language is that it encourages the construction of programs that have strong encapsulation of function; OO enables more complex functions to be securely encapsulated. Encapsulation means that users of a function need not be so aware of the internal details of the function. Also, at a lower level, type checking of access to fields can be made more rigorous, less error prone and better diagnostics can be provided by the compiler and run-time. Encapsulation and run-time type analysis together also enable easy reuse and customization of code through inheritance techniques. (See the "OO Terminology" on page 66 for a brief explanation of inheritance).

### Data structures

What kind of complexity does OO take care of? Traditionally, non-OO programs refer to, map and manipulate storage areas and their contents as fields within structures such as COMMAREAs, file and database records and BMS symbolic maps. This is quite satisfactory for structures that have a fixed format. Compilers provide good checking of the correct access and processing of the fields, and run-time allocation of storage areas for structures that are declared as part of the program stack (that is, automatic storage in PL/I and working storage in COBOL). Complexity arises when structures are linked together with pointers. In this case, the storage for structures may need to be allocated explicitly with GETMAIN commands, and the layout or linkage of the areas may change depending on the input data. Perhaps using weakly typed fields such as *char* or *PIC* to contain the variable data. These kinds of logic must be hand-built (and hand-checked!) by non-OO programmers.

In comparison, fully-fledged OO programs always refer to the data through an abstract type definition (often the summit of a hierarchy of definitions) and storage layout is completely hidden within components that need not reveal the layout

(and complexity) to calling programs; calling programs need only a simple **object reference** to use the component. OO languages keep track of data types, provide run-time checking and control program logic based on the types. This greater power and accuracy in data description also makes modification and maintenance of the programs more reliable compared to programs with hand-built logic.

In CICS, each execution of a program has its own environment. If all the data in the program fits into variables on the program stack or into areas directly referenced and managed by CICS or the compiler, such as temporary storage or a database records, non-OO techniques are sufficient, and the OO features of a language will not be needed. If you need to manipulate data references, deal with aggregates such as lists, or manage data using tokens created within your own program, OO provides helpful techniques and ready-made library functions.

---

## OO Terminology

To be more precise in the description of OO, some new terminology is needed. This summary is not the whole story of OO, and in particular, the techniques of inheritance and virtual functions that are at the heart of OO need further detail. A guide book on the Java or C++ languages will provide more information.

### **object**

Informally speaking, an **object** is a piece of data (an example is an area of storage) the contents of which can be manipulated only by a set of strictly defined interfaces. The important point is that the data is an atom as far as the users of the interfaces are concerned. The behavior of the data is completely described by the interfaces and cannot be manipulated or interrogated any other way (such as by getting direct addressability to the storage). OO languages do provide ways (as part of the interface definitions) to access data fields within the object, but this access is strictly controlled.

An OO application consists of one or more components that define the objects (data and interfaces) that are instantiated at run-time. In OO systems every object is formally a sub-class of the system-defined **Object** type.

### **types**

Datatypes in OO languages are not really very different from datatypes in other languages; they declare to the compiler the operations that are permitted on the program variables. Strong typing is an important feature of OO languages because it allows the compiler and run-time environment to give more help to the programmer. There are two kinds of **type** in OO languages:

#### **Base types**

These are the simplest types, often relating to the hardware on which the program runs.

#### **User-defined types**

These are complex types constructed from the base types. In some languages, such as C++, **user-defined types** that are kept in explicitly allocated storage areas are a half-way house to an OO style of programming. Objects are user-defined types whose storage is automatically managed, and whose contents are accessible only through routines (methods) that the compiler and run-time environment control. In Java, user-defined types can only exist as objects.

### **object reference**

An **object reference** is a variable that contains:

- A pointer to the storage that contains the object.

- The type of the object. In some kinds of OO program (such as lists or tables), which act as managers of other objects, the type of a parameter might be determined at run-time, so the type must be carried with the object reference.

### **class**

The word **class** is a term in the Java and C++ languages that is used to declare a set of variables and methods that define an object. In other words, a class is the unit of programming that defines an object. In Java, the compiled code is called a `.class` file. This term is also used to imply that all objects in the same class are similar in terms of their data contents. They may, in fact, be different in certain aspects by virtue of being specialized in ways which do not affect the basic behavior of the class.

### **method**

A **method** is the OO term for a procedure, function or subroutine.

### **constructor**

A **constructor** is the function that allocates and initializes storage for an object. C++ also has the concept of destructors.

### **interface**

An **interface** to an OO component describes the constructor function, the method names and their respective parameter lists.

### **implementation**

The term **implementation** has no special meaning in OO, but because of the strong typing and strict interface definitions used in OO, the behavior (such as the performance) of particular implementations can be distinguished more precisely from the interface definition.

### **inheritance**

**Inheritance** is a large, and often controversial, subject that is easiest to describe with a particular example. If a design requires some behavior that is similar to a class that has already been written, the new design can be implemented by extending the existing class. The new class inherits the old class, and adds data and methods of its own. The new class is said to be a **sub-class** of the old class. Remarkably, by virtue of run-time type analysis, OO languages allow the sub-class to be used anywhere the old class was used.

Inheritance is particularly useful because it allows reuse of code, without the need to completely understand the code that is being reused. Documentation of the Java and C++ languages will contain information about the specific behavior of inheritance in the respective languages.

### **instance**

An **instance** of a class is the result of a particular run-time invocation of the class. An instance can also be called an **object**. All of the instances created by the same component are said to be of the same class.

### **signature**

The **signature** of a method is the list of datatypes that make the parameter list.

### **static variables**

Data items that are declared in a class, which have a single copy that is shared by all instances of the object defined by the class, are known as **static** variables. By contrast, the data that is particular to an instance of a class is called an **instance** variable. Static variables are also sometimes known as class variables or class fields.

---

## Accessing CICS services from OO programs

CICS provides class libraries for use with Java and C++ programs:

### **C++ OO Class libraries**

Described in the *CICS C++ OO Class Libraries* manual.

### **CICS Java classes (JCICS)**

Described in “Chapter 8. Programming in Java” on page 69.

---

## Chapter 8. Programming in Java

You can write Java application programs that use CICS services and execute under CICS control. You can develop Java programs on a workstation, or in the OS/390 UNIX System Services shell, using an editor of your choice, or in a visual composition environment such as VisualAge.

CICS provides a Java class library, known as JCICS, supplied in **dfjcics.jar**. JCICS allows you to access CICS resources and integrate your Java programs with programs written in other languages. Most of the functions of the CICS EXEC API are supported. See “The JCICS Java classes” for a description of the JCICS API.

The Java language is designed to be portable and architecture-neutral, and the bytecode generated by compilation requires a machine-specific interpreter for execution. CICS provides this execution environment in two different ways:

1. Using VisualAge for Java, Enterprise ToolKit for OS/390 to bind the Java bytecode into OS/390 executable files that are stored in MVS PDSE libraries and executed by CICS in a Language Environment (LE) run-unit, similarly to C++.
2. Using an MVS Java Virtual Machine that is executing under CICS control.

You can read about VisualAge for Java, Enterprise ToolKit for OS/390 in “Chapter 10. Support for VisualAge for Java, Enterprise ToolKit for OS/390” on page 89 and the CICS JVM in “Chapter 11. Using the CICS Java virtual machine” on page 107.

This chapter tells you how to use the JCICS classes to access CICS services. It contains the following topics:

- “The JCICS Java classes”
- “JCICS programming considerations” on page 72
- “Using JCICS” on page 80

---

### The JCICS Java classes

The CICS Java class library, JCICS, supports most of the functions of the EXEC CICS API commands, with the restrictions described in “JCICS programming considerations” on page 72.

The JCICS classes are documented in JAVADOC HTML in **dfjcics\_docs.zip**. This is provided by CICS in the OS/390 UNIX System Services HFS, in the **\$CICS\_HOME/docs** directory, during installation of CICS. Also included is an HTML tutorial example on using VisualAge for Java with CICS. You should download this file in binary mode to a workstation, to a file system that can support long names, such as OS/2 HPFS, FAT32 or NTFS. You can then unzip it, and read it with a Web browser, starting at **index.htm**.

### Translation

There is no CICS translator needed for Java programs.

## JavaBeans

Some of the classes in JCICS may be used as JavaBeans, which means that they can be customized in an application development tool such as VisualAge for Java, serialized, and manipulated using the JavaBeans API. The beans in the CICS Java API are currently:

- Program
- ESDS
- KSDS
- RRDS
- TDQ
- TSQ
- AttachInitiator
- EnterRequest

These beans do not define any events; they consist of properties and methods. They can be instantiated at run-time in one of three ways:

1. By calling `new` for the class itself. (This is the recommended way.)
2. By calling `Beans.instantiate()` for the name of the class, with property values set manually.
3. By calling `Beans.instantiate()` of a `.ser` file, with property values set at design time.

If either of the first two options are chosen, then the property values, including the name of the CICS resource, must be set by invoking the appropriate setter methods at run-time.

## Library structure

JCICS library components fall into one of four categories:

- Interfaces
- Classes
- Exceptions
- Errors

### Interfaces

Some interfaces are provided to define sets of constants. For example, the `TerminalSendBits` interface provides a set of constants that can be used to construct a `java.util.BitSet`.

### Classes

The supplied classes provide most of the JCICS function. The `API` class is an abstract class that provides for common initialization for every class that corresponds to a part of the CICS API, except for ABENDs and exceptions. For example, the `Task` class provides a set of methods and variables that correspond to a CICS task.

### Errors and Exceptions

Java defines both exceptions and errors as subclasses of the class `Throwable`. JCICS defines `CicsError` as a subclass of `Error` and it provides the superclass for all other CICS error classes. These are used for severe errors.

JCICS defines `CicsException` as a subclass of `Exception`. `CicsException` provides the superclass for all CICS exception classes. This includes the `CicsConditionException` classes such as `InvalidQueueIdException`, which represents the QIDERR condition.

## CICS resources

CICS resources, such as programs or temporary storage queues, are represented by instances of the appropriate Java class, identified by the values of various properties such as name and, for some classes, a `SYSID`.

Resources must be defined to CICS in the usual way, using CEDA. See the *CICS Resource Definition Guide* for information about defining CICS resources. It is possible to use implicit remote access by defining a resource locally to point to a remote resource.

The resource name and `SYSID`, if appropriate, are never specified in any method call, they are always taken from the object against which the method is invoked.

## Command arguments

Parameters such as the `COMMAREA` in a `link()` are passed as arguments to the appropriate methods. Many of the methods are overloaded, that is, they have different versions that take either a different number of arguments or arguments of a different type. There may be one method that has no arguments, or the minimum mandatory arguments, and another that has all of the arguments. For example, there are the following different `link()` methods in the `Program` class:

### **link()**

This version does a simple LINK without a `COMMAREA` or any other options.

### **link(com.ibm.cics.server.CommAreaHolder)**

This version does a simple LINK with a `COMMAREA` but without any other options.

### **link(com.ibm.cics.server.CommAreaHolder, int)**

This version does a distributed LINK with a `COMMAREA` and `DATALENGTH`.

### **link(com.ibm.record.IByteBuffer)**

This version does a LINK with an object that implements the `IByteBuffer` interface of the Java Record Framework supplied with VisualAge for Java.

## Using the Java Record Framework

The main purpose of Java Record Framework is to provide run-time support for accessing application record data (such as VSAM, or `COMMAREAs`).

You can use the framework as the base for record-oriented file input/output, as well as for record-based message passing schemes. You can use the framework for new applications, and for applications accessing existing files.

The Java Record Framework is part of VisualAge for Java. You can find out more about it in the VisualAge documentation, which is supplied in HTML format with the product.

## Threads

Only one thread (the initial thread) can access the CICS API. You can create other threads but you must route all requests to the CICS API through the initial thread.

Additionally, you must ensure that all threads other than the original thread have terminated before doing any of the following:

- the equivalent of a LINK
- the equivalent of an XCTL
- the equivalent of a RETURN
- the equivalent of a SYNCPOINT
- returning an `AbendException` to the CICS Java wrapper

**Note:** Threads are not supported by ET/390.

---

## JCICS programming considerations

Some of the options and services available through the EXEC CICS API are not accessible from JCICS. This section lists these restrictions.

### Storage management

No support is provided for explicit storage management using CICS services (such as EXEC CICS GETMAIN). You should find that the standard Java storage management facilities are sufficient to meet the needs for task-private storage.

Sharing of data between tasks must be accomplished using CICS resources.

Java commands that read data support only the equivalent of the SET option on EXEC CICS commands. The data returned is automatically copied from CICS storage to a Java object.

Names are generally represented as Java strings or byte arrays, and you must ensure that they are of the necessary length.

### Abnormal termination in Java

#### ABEND

To initiate an ABEND from a CICS Java program, you invoke the `Task.abend(String)` method, supplying an ABEND code. This will cause an abend condition to be set in CICS and an `AbendException` to be thrown. If the `AbendException` is not caught within a higher level of the application object, or handled by an ABEND-handler registered in the calling program (if any), then CICS will terminate and roll-back the transaction.

#### ABEND CANCEL

To initiate an ABEND that cannot be handled, you invoke the `Task.forceAbend(String)` method, supplying an ABEND code. As described above, this will cause an `AbendCancelException` to be thrown which can be caught in Java. If you do so, you must rethrow the exception to complete **ABEND\_CANCEL** processing, so that when control returns to CICS, it will terminate and roll back the transaction. You should only catch `AbendCancelException` for notification purposes and then you should re-throw it.

### Exception handling in Java

CICS ABENDs and exceptions are integrated into the Java exception-handling architecture. All regular CICS ABENDs are mapped to a single Java exception, `AbendException`, whereas each CICS condition is mapped to a separate Java exception.



This leads to an ABEND-handling model in Java that is similar to the other programming languages; a single handler is given control for every ABEND, and the handler has to query the particular ABEND and then decide what to do.

If the exception representing a condition is caught by CICS itself, it is turned into an ABEND, just as happens with COBOL if a handler is not defined for a particular condition.

The exception-handling in Java is fully integrated with the ABEND and condition-handling in other languages, so that ABENDs can propagate between Java and non-Java programs, in the standard language-independent way. A condition is mapped to an ABEND before it leaves the program that caused or detected the condition.

In addition, there are several differences to the abend-handling model for other programming languages, resulting from the nature of the Java exception-handling architecture and the implementation of some of the technology underlying the Java API:

- ABENDs that are considered unhandleable in other programming languages can be caught by Java. These ABENDs typically occur during SYNCPOINT processing. To avoid these ABENDs interrupting Java applications they are mapped to an extension of an unchecked exception and therefore they do not have to be declared or caught.
- Several internal CICS events, such as program termination are also mapped to Java exceptions and can therefore again be caught by a Java application. Again, to avoid interrupting the normal case these are mapped to extensions of an unchecked exception and so do not have to be caught or declared.

**Note:** Do not use the LE runoption TRAP=OFF as this will disable Abend Handling in JCICS.

There are three CICS-related class hierarchies of exceptions:

1. `CicsError` which extends `java.lang.Error` and is the base for `AbendError` and `UnknownCicsError`.
2. `CicsRuntimeException` which extends `java.lang.RuntimeException` and is in turn extended by:

**AbendException**

represents a normal CICS ABEND.

**EndOfProgramException**

indicates that a linked-to program has terminated normally.

**TransferOfControlException**

indicates that a linked-to program has terminated because it has issued an XCTL.

3. `CicsException` which extends `java.lang.Exception` and has the subclass:

**CicsConditionException.**

the base class for all CICS conditions.

## CICS error handling commands

CICS condition handling is integrated into the Java exception architecture as described above. The way that each command is supported is described below:

## HANDLE ABEND

To handle an ABEND generated by a program in any CICS supported language, you can use a Java try-catch statement, with `AbendException` appearing in a catch clause.

## HANDLE CONDITION

To handle a specific condition, such as `PGMIDERR`, you can use a catch clause that names the appropriate exception, in this case `InvalidProgramException`. Alternatively, you can use a catch clause naming `CicsConditionException` if all CICS conditions are to be caught.

## IGNORE CONDITION

This command is not relevant in Java applications.

## POP and PUSH HANDLE

These commands are not relevant in Java applications. The Java exceptions used to represent CICS ABENDS and conditions are caught by any catch block in scope.

## CICS conditions

The condition-handling model in Java is different from other CICS programming languages.

In COBOL, you can define an exception-handling label for each condition, and if that condition occurs during the processing of a CICS command, control transfers to the label.

In C and C++, you cannot define an exception-handling label for a condition; the `RESP` field in the EIB must be checked after each CICS command to detect a condition.

In Java, any condition returned by a CICS command is mapped into a Java exception. You can include all CICS commands in a try-catch block and do specific processing for each condition, or have a single null catch clause if the particular exception is not relevant. Alternatively, you can let the condition propagate, to be handled by a catch clause at a larger scope.

The mapping between CICS conditions and Java exceptions is shown in the following table:

Table 7. Java exception mapping

CICS condition	Java Exception	CICS condition	Java Exception
ALLOCERR	<code>AllocationErrorException</code>	CBIDERR	<code>InvalidControlBlockIdException</code>
CCERROR	<code>CCERRORException</code>	DISABLED	<code>FileDisabledException</code>
DSIDERR	<code>FileNotFoundException</code>	DSSTAT	<code>DestinationStatusChangeException</code>
DUPKEY	<code>DuplicateKeyException</code>	DUPREC	<code>DuplicateRecordException</code>
END	<code>EndException</code>	ENDDATA	<code>EndOfDataException</code>
ENDFILE	<code>EndOfFileException</code>	ENDINPT	<code>EndOfInputIndicatorException</code>
ENQBUSY	<code>ResourceUnavailableException</code>	ENVDEFERR	<code>InvalidRetrieveOptionException</code>
EOC	<code>EndOfChainIndicatorException</code>	EODS	<code>EndOfDataSetIndicatorException</code>
EOF	<code>EndOfFileIndicatorException</code>	ERROR	<code>ErrorException</code>
EXPIRED	<code>TimeExpiredException</code>	FILENOTFOUND	<code>FileNotFoundException</code>
FUNCERR	<code>FunctionErrorException</code>	IGREQID	<code>InvalidREQIDPrefixException</code>

Table 7. Java exception mapping (continued)

CICS condition	Java Exception	CICS condition	Java Exception
IGREQCD	InvalidDirectionException	ILLOGIC	LogicException
INBFMH	InboundFMHException	INVERRTERM	InvalidErrorTerminalException
INVEEXITREQ	InvalidExitRequestException	INVLDC	InvalidLDCEXception
INVMPSZ	InvalidMapSizeException	INVPARTNSET	InvalidPartitionSetException
INVPARTN	InvalidPartitionException	INVREQ	InvalidRequestException
INVTSREQ	InvalidTSRequestException	IOERR	IOException
ISCINVREQ	ISCInvalidRequestException	ITEMERR	ItemErrorException
JIDERR	InvalidJournalIdException	LENGERR	LengthErrorException
MAPERROR	MapErrorException	MAPFAIL	MapFailureException
NAMEERROR	NameErrorException	NODEIDERR	InvalidNodeIdException
NOJBUFSP	NoJournalBufferSpaceException	NONVAL	NotValidException
NOPASSBKRD	NoPassbookReadException	NOPASSBKWR	NoPassbookWriteException
NOSPACE	NoSpaceException	NOSPOOL	NoSpoolException
NOSTART	StartFailedException	NOSTG	NoStorageException
NOTALLOC	NotAllocatedException	NOTAUTH	NotAuthorisedException
NOTFND	RecordNotFoundException	NOTOPEN	NotOpenException
OPENERR	DumpOpenErrorException	OVERFLOW	MapPageOverflowException
PARTNFAIL	PartitionFailureException	PGMIDERR	InvalidProgramIdException
QBUSY	QueueBusyException	QIDERR	InvalidQueueIdException
QZERO	QueueZeroException	RDATT	ReadAttentionException
RETPAGE	ReturnedPageException	ROLLEDBACK	RolledBackException
RTEFAIL	RouteFailedException	RTESOME	RoutePartiallyFailedException
SELNERR	DestinationSelectionErrorException	SESSBUSY	SessionBusyException
SESSIONERR	SessionErrorException	SIGNAL	InboundSignalException
SPOLBUSY	SpoolBusyException	SPOLERR	SpoolErrorException
STRELERR	STRELERREXception	SUPPRESSED	SuppressedException
SYSBUSY	SystemBusyException	SYSIDERR	InvalidSystemIdException
TASKIDERR	InvalidTaskIdException	TCIDERR	TCIDERREXception
TERMERR	TerminalException	TERMIDERR	InvalidTerminalIdException
TRANSIDERR	InvalidTransactionIdException	TSIOERR	TSIOErrorException
UNEXPIN	UnexpectedInformationException	USERIDERR	InvalidUserIdException
WRBRK	WriteBreakException	WRONGSTAT	WrongStatusException

## CICS Intercommunication

APPC unmapped conversation support is not available from the JCICS API.

## BMS

BMS is not supported by the JCICS API, apart from SEND TEXT and SEND CONTROL, which are supported as part of Terminal Control.

## Terminal Control

This functional area is partially supported by JCICS:

### **CONVERSE (terminal)**

This command is supported.

### **RECEIVE (terminal)**

This command is supported.

### **SEND (terminal)**

This command is supported.

### **SEND CONTROL**

This command is supported.

### **SEND TEXT**

This command is supported.

## File control services

JCICS provides support for all types of files, including browsing.

## Program control services

JCICS support for the CICS program control commands is described below:

### **LINK**

The LINK command is fully supported by the `link()` methods in the Program class.

### **RETURN**

Only the pseudo-conversational aspects of this command are supported. You do not need to call CICS simply to return; you can just terminate your Java application normally. The pseudo-conversational aspects are supported by the `setNextTransaction` and `setNextCOMMAREA` methods in the `TerminalPrincipalFacility` class.

### **XCTL**

This command is fully supported by the `xctl()` methods in the Program class.

### **SUSPEND**

This command is not supported.

## Unit of Work (UOW) services

The SYNCPOINT command is fully supported by the `commit()` and `rollback()` methods in the Task class.

## Temporary storage queue services

JCICS support for the temporary storage commands is described below. All options are supported except INTO.

### **DELETEQ TS**

You can delete a temporary storage queue (TSQ) using the `delete()` method in the TSQ class.

### **READQ TS**

You can read a specific item from a TSQ using the `readItem()` method in the TSQ class. This method takes as parameters an integer identifying the item to be read, and an instance of an `ItemHolder` that contains a byte array containing the data read. The storage for this byte array is created by CICS and it can be garbage-collected by Java normally.

You can read the next item using the `readNextItem()` method in the `TSQ` class. This method takes as a parameter an instance of an `ItemHolder` which contains a byte array containing the data read. The storage for this byte array is created by CICS and it can be garbage-collected by Java normally.

#### **WRITEQ TS**

You can write a new item to a `TSQ` using the `writeItem()` or `writeItemConditional()` method in the `TSQ` class.

You can rewrite an existing item to a `TSQ` using the `rewriteItem()` or `rewriteItemConditional()` method in the `TSQ` class.

The `Conditional` methods use the `NOSUSPEND` API option to ensure that an exception is thrown if resources are unavailable. The task is not suspended.

## **Transient data queue services**

JCICS support for the transient data commands is described below. All options are supported except `INTO`.

#### **DELETEQ TD**

You can delete a transient data queue (`TDQ`) using the `delete()` method in the `TDQ` class.

#### **READQ TD**

You can read from a `TDQ` using the `readData()` or the `readDataConditional()` method in the `TDQ` class. These methods take as a parameter an instance of a `DataHolder` that contains a byte array containing the data read. The storage for this byte array is created by CICS and it can be garbage-collected by Java normally.

The **Conditional** method uses the `NOSUSPEND` API option to ensure that an exception is thrown if resources are unavailable. The task is not suspended.

#### **WRITEQ TD**

You can write to a `TDQ` using the `writeData()` method in the `TDQ` class.

## **Environment services**

The only commands and options that are supported are:

- `ADDRESS`
- `ASSIGN`
- `INQUIRE SYSTEM`
- `INQUIRE TASK`
- `INQUIRE TERMINAL/NETNAME`

#### **ADDRESS**

The following support is provided for the `ADDRESS` options:

##### **COMMAREA**

The `COMMAREA` is passed automatically to a program by the `CommAreaHolder` argument to the `main()` method.

##### **EIB**

Access to `EIB` values is provided by methods on the appropriate objects. For example, the `eibtrnid` field is returned by the `getTransactionName()` method of the `Task` class, and the `eibaid` is returned by the `getAIDbyte()` method of the `TerminalPrincipalFacilityExtended` class.

#  
#  
#  
#  
#

**TCTUA**

A copy of the TCTUA can be obtained using the `getTCTUA()` method of the `TerminalPrincipalFacility` class.

**TWA** A copy of the TWA can be obtained using the `getTWA()` method of the `Task` class.

**CWA** not supported.

**ACEE** not supported.

**ASSIGN**

The following support is provided for the ASSIGN options:

**ABCODE**

You can find the current ABEND code by calling the `getABCODE()` method on the `AbendException` that was caught.

**APPLID**

You can find the APPLID by calling the `getAPPLID()` method in the `Region` class.

**FACILITY**

You can find the name of the task's principal facility by calling the `getName()` method on the task's principal facility, which in turn can be found by calling the `getPrincipalFacility()` method on the current `Task` object.

**FCI** You can find the FCI value calling the `getFCI()` method on the current `Task` object.

**QNAME**

You can find the QNAME value by calling the `getQNAME()` method on the current `Task` object.

**STARTCODE**

You can find the STARTCODE value by calling the `getSTARTCODE()` method on the current `Task` object.

**SYSID**

You can find the SYSID by calling the `getSYSID()` method in the `Region` class.

**USERID**

The USERID value can be found by calling the `getUserID()` method on the current `Task` object, or on the object representing the task's principal facility.

No other ASSIGN options are supported.

**INQUIRE SYSTEM**

The following support is provided for the INQUIRE SYSTEM options:

**APPLID**

You can find the APPLID by calling the `getAPPLID()` method in the `Region` class.

**SYSID**

You can find the SYSID by calling the `getSYSID()` method in the `Region` class.

No other INQUIRE SYSTEM options are supported.

## **INQUIRE TASK**

The following support is provided for the INQUIRE TASK options:

### **FACILITY**

You can find the name of the task's principal facility by calling the `getName()` method on the task's principal facility, which in turn can be found by calling the `getPrincipalFacility()` method on the current Task object.

### **FACILITYTYPE**

You can determine the type of facility by using the Java instanceof operator to check the class of the returned object reference.

### **STARTCODE**

You can find the STARTCODE value by calling the `getSTARTCODE()` method on the current Task object.

### **TRANSACTION**

You can find the name of the transaction that the task is executing by calling the `getTransactionName()` method on the current Task object.

### **USERID**

You can find the USERID value by calling the `getUserID()` method on the current Task object, or on the object representing the task's principal facility.

No other INQUIRE TASK options are supported.

## **INQUIRE TERMINAL or NETNAME**

The following support is provided for the INQUIRE TERMINAL or NETNAME options:

### **USERID**

You can find the USERID value by calling the `getUserID()` method on the current Task object, or on the object representing the task's principal facility.

No other INQUIRE TERMINAL or NETNAME options are supported.

## **Unsupported CICS services**

- APPC unmapped conversations
- DUMP services
- Journal services
- Serialization services
- Storage services
- Timer services
- CBTS

## **System.out and System.err**

If a task has a terminal as a principal facility then CICS automatically creates two Java PrintWriters that can be used as standard out and standard error streams and are mapped to the task's terminal. If the task does not have a terminal as its principal facility, the streams are sent to `System.out` and `System.err`. The two streams are public fields in the Task called `out` and `err`. `System.out` and `System.err` are mapped to the LE transient data destinations `CESO` and `CESE` respectively.

---

## Using JCICS

You use the classes from the JCICS library in the normal way. Your applications declare a reference of the required type and a new instance of a class is created using the new operator. You then name CICS resources using the setName method to supply the name of the underlying CICS resource.

Once created, you can manipulate objects using standard Java constructs. Methods of the declared objects may be invoked in the usual way. Details of the methods supported for each class are available on-line in the supplied HTML JAVADOC files.

### Writing the main method

CICS will attempt to pass control to method **main(CommAreaHolder)** in the class specified on the hpj **-main** option and then, if this is not found, it will try to invoke **main(String[])** from that class.

### Creating objects

To create an object you need to:

- Declare a reference, for example:

```
TSQ tsq;
```

- Use the new operator to create an object

```
tsq = new TSQ();
```

- Use the setName method to give it a name

```
tsq.setName("JCICSTSQ");
```

### Using objects

The following example shows how you create a TSQ object and invoke the delete method on the temporary storage queue object you have just created, catching the exception thrown if the queue is empty:

```
//Define the package name
package unit_test;
//Import the JCICS package
import com.ibm.cics.server.*;
//Import the Java I/O package
import java.io.*;
//Declare the class
public class JCICSTSQ {
    //Define the main method
    public static void main(CommAreaHolder cah) {
        //Declare a new TSQ
        TSQ tsq = new TSQ();
        //Get a reference to the CICS task
        Task task = Task.getTask();

        //Get the transaction name
        String transaction = task.getTransactionName();
        String message = "Transaction name is - "+transaction;

        //Set the name of the TSQ
        tsq.setName("JCICSTSQ");
        try {
            //Try and delete it
            try {tsq.delete();}
```



```
        //Ignore QIDERR condition
        catch(InvalidQueueIdException e) {
            System.out.println("QIDERR ignored!");}
        //Write an item to the queue
        tsq.writeItem(message.getBytes());
    }
    //Catch anything else thrown and report it
    catch(Throwable t) {
        System.out.println("Unexpected throwable!" + t.toString());
    }
    //Return to caller
    return;
}
}
```



---

## Chapter 9. JCICS sample programs

Sample programs are provided to demonstrate the use of JCICS classes and the combination of Java with CICS programs in other languages.

The Java source is shipped in OS/390 UNIX System Services HFS with makefiles to build the sample programs to execute in the CICS JVM, or to invoke the ET/390 binder to create Java program objects that can be loaded and executed by CICS.

The sample programs are run by entering a transaction on a 3270 CICS screen. The following sample programs are provided:

### **HelloWorld samples**

Two simple 'Hello World' programs are supplied, one uses only Java services and the other uses JCICS. The JCICS sample demonstrates the use of the JCICS `TerminalPrincipalFacility` class.

### **ProgramControl sample**

This sample demonstrates the use of the JCICS `Program` class. A transaction, JPC1, invokes a Java class that constructs a COMMAREA and LINKs to a C program (DFH\$LCCA) that processes the COMMAREA, updates it and returns. The Java program then checks the data in the COMMAREA and schedules a pseudoconversational transaction to be started with the changed data in its COMMAREA.

The started transaction executes another Java class that reads the COMMAREA and validates it again.

This sample also shows you how to convert ASCII characters in the Java code to and from the equivalent EBCDIC used by the native CICS program.

### **TDQ transient data sample**

This sample shows you how to use the TDQ class. It consists of a single transaction, JTD1, which invokes a single Java class, TDQ.ClassOne. TDQ.ClassOne writes some data to a transient data queue, reads it and then deletes the queue.

### **TSQ temporary storage sample**

This sample shows you how to use the TSQ class. It consists of a single transaction, JTS1, which invokes a single Java class, TSQ.ClassOne, and uses an AUXILIARY temporary storage queue. This sample also shows you how to build a 'Common' class as a dll, which can be shared with other Java programs.

---

## Supplied sample components

The Java source and makefiles are stored in the OS/390 UNIX System Services HFS during CICS installation, in the following directories:

- `$CICS_HOME/samples/dfjcics` contains the makefiles for VisualAge for Java, Enterprise ToolKit for OS/390 and the JVM.
- `$CICS_HOME/samples/dfjcics/examples` contains the Java source

`$CICS_HOME` is an environment variable defining the installation directory prefix:  
`/usr/lpp/cicsts/<username>`

Where **username** is a name you can choose during the installation of CICS, defaulting to `cicsts13`.

The following CICS C language programs are stored in `SDFHSAMP` during CICS installation. They are LINKed by the Java sample programs.

- `DFH$LCCA`
- `DFH$JSAM`

**Note:** In the names of sample programs and files described in this book, the dollar symbol (\$) is used as a national currency symbol and is assumed to be assigned the EBCDIC code point `X'5B'`. In some countries a different currency symbol, for example the pound symbol (£), or the yen symbol (¥), is assigned the same EBCDIC code point. In these countries, the appropriate currency symbol should be used instead of the dollar symbol.

---

## Building the Java samples

The following steps assume that you are building the samples in the OS/390 UNIX System Services environment. Before you can build the samples, you need to define the following environment variables:

### `$CICS_HOME`

The installation directory prefix of CICS TS.

### `$JAVA_HOME`

The installation directory prefix of the JDK.

## Building the Java samples for ET/390

If you are using ET/390, build the samples as follows:

1. Change directory to `samples/dfjcics`
2. Type `make hpj` to build all the samples, or alternatively,  
`make -f <sample name>.mak hpj`

where **sample name** is the name of the specific sample you want to build.

The makefiles invoke `javac` and the ET/390 binder to build Java program objects in a PDSE library. The program objects are stored with the following 8-character short names:

### `DFJSJHE1`

Hello World sample

### `DFJSJHE2`

Hello World sample

### `DFJSJPC1`

Program control sample

### `DFJSJPC2`

Program control sample

### `DFJSJTD1`

Transient data sample

### `DFJSJTS1`

Temporary storage sample

### `DFJSJTSC`

Temporary storage sample

The makefiles require a system environment variable `$LIB_PREFIX` to specify the library where the resulting executable program is written. You can define this in the OS/390 UNIX System Services shell using (for example):

```
export LIB_PREFIX=MYUSERID.TEST
```

to build the sample programs into `MYUSERID.TEST.LOAD`. Alternatively, you can change the makefiles to set an output PDSE name explicitly.

## Building the Java samples for the JVM

If you are using the JVM, build the samples as follows:

1. Change directory to `samples/dfjcics`
2. Type `make jvm` to build all the samples, or alternatively,

```
make -f <sample name>.mak jvm
```

where **sample name** is the name of the specific sample you want to build.

The makefiles invoke `javac` and store the output files in the `$CICS_HOME/samples/dfjcics/examples` HFS directory.

---

## Building the CICS native applications

Translate and compile the supplied C programs, `DFH$LCCA` and `DFH$JSAM`, and link them into a load library in the CICS DFHRPL concatenation.

## Resource definitions

CICS Resource definitions for all the sample PROGRAMS and TRANSACTIONS are supplied in the groups `DFH$JAVA` and `DFH$JVM`. If you are using ET/390 to run the samples, you need to install `DFH$JAVA`. If you are running the samples in the CICS JVM, you need to install `DFH$JVM`. You should not install both, as they define the same PROGRAM and TRANSACTION names, with different attributes.

If you want to run the samples alternately with ET/390 and with the JVM, you can install the `DFH$JVM` group and then use the `CEMT SET PROGRAM` (or `EXEC CICS SET PROGRAM`) `RUNTIME (NOJVM)` or `RUNTIME (JVM)` commands to alternate between the two modes.

See the *CICS Supplied Transactions* for more information about using the `CEMT SET PROGRAM RUNTIME` command.

---

## Running the Hello World sample

This sample uses the following Java classes:

- HelloWorld (PROGRAM name `DFH$JHE1`)
- HelloCICSWorld (PROGRAM name `DFH$JHE2`)

and the following C language CICS program:

- `DFH$JSAM`

Run the `JHE1` CICS transaction to execute the Java standard application, or the `JHE2` transaction to execute the JCICS application. You should receive the following message from `JHE1` on `System.out`:

```
Hello from a regular Java application
```

and the following message from `JHE2` on `Task.out`:

Hello from a Java CICS application

**Note:** System.out is the CESO TD queue when running with ET/390. Task.out is your terminal if you are running the transaction from a terminal.

---

## Running the Program Control sample

This sample uses the following Java classes:

- ProgramControlClassOne (PROGRAM name DFJ\$JPC1)
- ProgramControlClassTwo (PROGRAM name DFJ\$JPC2)

and the following C language program:

- DFH\$LCCA

Run the JPC1 CICS transaction to execute the sample. You should receive the following messages on Task.out:

```
Entering ProgramControlClassOne.main()
About to link to C program
Leaving ProgramControlClassOne.main()
```

If you now clear the screen, you should see:

```
Entering ProgramControlClassTwo.main()
data received correctly
Leaving ProgramControlClassTwo.main()
```

---

## Running the TDQ sample

This sample uses the following Java class:

- TDQ.ClassOne (PROGRAM name DFJ\$JTD1)

and the following C language CICS program:

- DFH\$JSAM

Run the JTD1 CICS transaction to execute the sample. You should receive the following messages on Task.out:

```
Entering examples.TDQ.ClassOne.main()
Entering writeFixedData()
Leaving writeFixedData()
Entering writeFixedData()
Leaving writeFixedData()
Entering readFixedData()
Leaving readFixedData()
Entering readFixedDataConditional()
Leaving readFixedDataConditional()
Leaving examples.TDQ.ClassOne.main()
```

---

## Running the TSQ sample

This sample uses the following Java class:

- TSQ.ClassOne (PROGRAM name DFJ\$JTS1)
- TSQ.Common (PROGRAM name DFJ\$JTSC)

Run the JTS1 CICS transaction to execute the sample. You should receive the following messages on Task.out:

```
Entering TSQ.ClassOne.main()
Entering TSQ_Common.writeFixedData()
Leaving TSQ_Common.writeFixedData()
Entering TSQ_Common.serializeObject()
Leaving TSQ_Common.serializeObject()
Entering TSQ_Common.updateFixedData()
Leaving TSQ_Common.updateFixedData()
Entering TSQ_Common.writeConditionalFixedData()
Leaving TSQ_Common.writeConditionalFixedData()
Entering TSQ_Common.updateConditionalFixedData()
Leaving TSQ_Common.updateConditionalFixedData()
Entering TSQ_Common.readFixedData()
Leaving TSQ_Common.readFixedData()
Entering TSQ_Common.deserializeObject()
Leaving TSQ_Common.deserializeObject()
Entering TSQ_Common.readFixedConditionalData()
Number of items returned is 3
Leaving TSQ_Common.readFixedConditionalData()
Entering TSQ_Common.deleteQueue()
Leaving TSQ_Common.deleteQueue()
Leaving TSQ.ClassOne.main()
```





---

## Chapter 10. Support for VisualAge for Java, Enterprise ToolKit for OS/390

Java application programs can be run under CICS control in CICS Transaction Server for OS/390 Release 3 and later releases, using the VisualAge for Java, Enterprise ToolKit for OS/390 (ET/390).

This Java language application support is similar to CICS language support for COBOL or C++. The normal CICS program execution model is used, where the environment is initialized for every task, rather than a Java Virtual Machine (JVM).

You can develop Java programs on a workstation, or in the OS/390 UNIX System Services shell, using an editor of your choice, or in a visual composition environment such as VisualAge. You then compile your program using a compiler such as VisualAge for Java, or javac.

The Java byte-code produced by the compiler is then transferred (if necessary) to OS/390 UNIX System Services, and processed by the ET/390 bytecode binder, to produce OS/390 Java executable files (jll or exe) that are called Java program objects in this book. The Java program objects are stored in MVS PDSE libraries and can be loaded and executed by CICS.

CICS loads the program object from the PDSE and executes it in a Language Environment (LE) run-unit, or *enclave*, similarly to C++, using run-time support in the CICS region provided by the Java run-time component of ET/390.

# To improve performance, frequently used Java program objects can be run in a  
# preinitialized OS/390 Language Environment enclave that is reused by multiple  
# invocations of the program. The program is not executed under control of the  
# quasi-reentrant (QR) MVS task control block (TCB) used by other CICS tasks, but  
# uses a special class of TCB, known as an H8 TCB. This feature is known as  
# **hot-pooling**.

# See “Using hot-pooling” on page 98 for more information about hot-pooling and  
# see the *CICS Transaction Server for OS/390 Release Guide* for a description of the  
# Open Transaction Environment and the use of the QR TCB in CICS.

The following diagram shows the development process and components involved in creating a CICS Java program using VisualAge for Java, Enterprise ToolKit for OS/390.

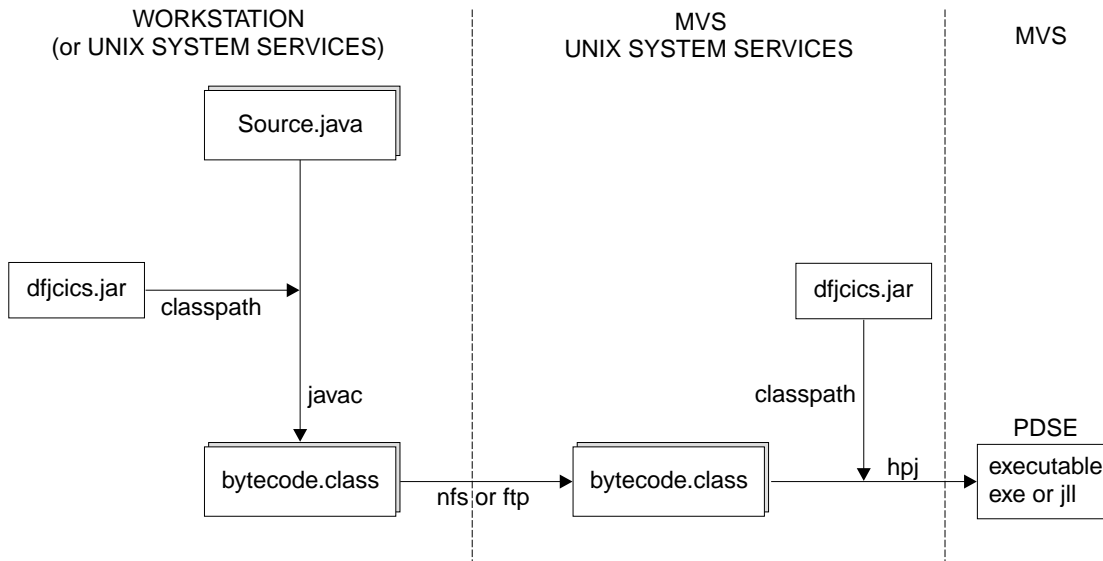


Figure 13. Creating a CICS Java program object

If you use VisualAge for Java to develop your program, panels and commands are provided to automate this process for you, and also provide a remote interactive debug facility.

This chapter tells you how to develop a Java application using the JCICS API and describes what you need to do to make your application run in a CICS/ESA<sup>®</sup> environment. It contains the following topics:

- “Building a CICS Java program object”
- “Using the ET/390 binder” on page 95
- “Running a CICS Java program” on page 97

## Building a CICS Java program object

To build a CICS Java program object, you need to:

- Prepare the prerequisite environment
- Compile your program
- Transfer Java bytecode to the OS/390 UNIX System Services shell on your ESA system (if not already compiled there)
- Bind the Java bytecode using the VisualAge for Java, Enterprise ToolKit for OS/390

This section describes what you need to do to perform these steps.

### Preparing prerequisite environment

To build a CICS Java program object, you will require the following environment:

- An MVS/ESA system configured with Full Function OS/390 UNIX System Services (previously known as OpenEdition<sup>®</sup>)
- CICS Transaction Server for OS/390 Release 3 with Language Environment(LE) active
- A Java compiler such as javac, installed on OS/390 UNIX System Services, or on a workstation that can connect to the OS/390 UNIX System Services environment to transfer data, or VisualAge for Java installed on a workstation
- The VisualAge for Java, Enterprise ToolKit for OS/390 installed on ESA

- The following CICS-supplied file in the CLASSPATH of the Java compiler and ET/390.

### **dfjcics.jar**

The CICS Java classes

dfjcics.jar is stored in the OS/390 UNIX System Services HFS, in the \$CICS\_HOME/classes directory, during installation of CICS.

**Note:** \$CICS\_HOME is an environment variable, defining the installation directory prefix:

```
/usr/lpp/cicsts/<username>
```

Where **username** is a name you can choose during CICS installation, defaulting to cicsts13.

- A PDSE library defined on your ESA system, to hold the CICS Java program object that you are building
- If you use the Java Record Framework supplied with VisualAge for Java, you must ensure that the following .jar files are in the CLASSPATH when you use the ET/390 binder. These are supplied with ET/390 as:
  - \$IBMHPJ\_HOME/lib/recjava.jar
  - \$IBMHPJ\_HOME/lib/eablib.jar

### **Using PDSE libraries**

PDSE libraries are similar to PDS libraries. They contain directories and members, but allow long-name aliases for the 8-byte Primary Member names. You can use them either for data, or for programs (but not a mix of both), and combine both PDS and PDSE libraries in the same concatenation.

If the long-name alias for a CICS Java IOP program object is modified, the change may not be immediately effective, if CICS has saved the alias in cache storage. You can avoid this delay by issuing a CEMT SET PROGRAM() NEWCOPY or CEMT SET PROGRAM() PHASEIN command for any program in the system. Issuing an EXEC CICS SET PROGRAM() NEWCOPY or EXEC CICS SET PROGRAM() PHASEIN command from an application program will have a similar effect.

## **Compiling and binding a program using VisualAge for Java**

You can develop and compile your Java program remotely on a workstation using VisualAge for Java (VAJ) as follows. The following steps are described in more detail in an HTML tutorial example provided in **dfjcics\_docs.zip**.

### **Configuring your workstation and host environments**

**Create the Install data file:** To compile and bind your program from a workstation, you need a file that describes where the ET/390 bytecode binder is installed in your OS/390 UNIX System Services environment. There is a sample install data file **javaInstall.data** in your ET/390 install tree.

You will need a version of this file that reflects your installation.

Copy the file to your home directory and modify it. The **@@HPJHostName:** and **@@HPJCICSRegion:** stanzas will need to be changed to include your hostname and the APPLID of your CICS region.

```

@@HPJHostName: winmvs52.hursley.ibm.com
@@HPJHome: /usr/lpp/hpj
@@HPJBinderExecutablesPDSE: HPJ.SHPJMOD
@@HPJBinderMessagesPDSE: HPJ.SHPJMOD
@@HPJLERuntimeBind:CEE.SCEELKED:CEE.SCEELKEX:CEE.SCEE0BJ:CEE.SCEECP
@@HPJLERuntimeRun: CEE.SCEERUN
@@HPJRuntime: HPJ.SHPJMOD
@@HPJDebugger: HPJ.DEBUG.VISUAL.SEQAMOD
@@HPJProfiler:
@@HPJJavaHome: /usr/lpp/java/J1.1
@@HPJPICLHome:
@@HPJCICSRegion: IYKC57

```

Figure 14. Sample Java install data file

VisualAge will **ftp** this file from your host environment. You will also need to make sure that you can mount an OS/390 UNIX System Services sub-directory from your workstation. VisualAge writes some temporary files to the **/tmp** sub-directory on your host system, so you need write access to **/tmp** from your USERID.

See the VisualAge for Java documentation for more information about this file.

**Add an OS/390 Host Session:** From the VisualAge Workbench:

- Select **Workspace -> Tools -> ET/390 -> Host sessions**
- Select **Add**

Enter the information appropriate to your host system and USERID, select **Retrieve** and then **Add**.

If you change the information in your data file at any time, you will need to **Retrieve** and then **Refresh** this for VisualAge.

**Provide LOGON information for OS/390:** From the VisualAge Workbench:

- Select **Workspace -> Tools -> ET/390 -> Logon Data**
- Enter your UNIX System Services USERID and password

From an MS DOS command prompt, mount your host drive as a binary drive, preserving filename case, for example:

```
nfs link q: \\winmvs52\hfs/u/myhome,binary myuserid /M:p
```

You will be prompted for your UNIX System Services logon password.

**Importing the JCICS Java classes:** Add the IBM Java Record Library feature to your VAJ workspace and then **import** the JCICS classes, **dfjcics.jar**. You may need to FTP the file from your host environment to your workstation.

### Creating the package and project

From the Quick Start Menu or Workbench tool bar:

- Select **Create a new class/interface**
- Enter the project and package name. In the following steps we use the testhello project and cicshello package as examples
- Enter the **Class Name**, for example, HelloCics. (If necessary enter the Superclass Name: java.lang.object)
- Select **Next>** to move to the **Attributes** panel

- Select the **AddPackage** button and find the package **com.ibm.cics.server** to add an import statement for it. Check the appropriate modifiers, as follows:
  - main (String[])
  - public
  - Methods which must be implemented
  - Copy constructors from Superclass

The SmartGuide will create the package, and class and stubs for the constructor and main methods. From the Workspace, press the **Packages** tag and select **cicshello** package, the **HelloCics** class and the **main** method.

### Writing the main method

The source window displays the stub code for the main method that the SmartGuide wrote for you. Change the parameters of the method from:

```
public static void main(String args[]) {
```

to:

```
public static void main(CommAreaHolder cah) {
```

In the body of the method, enter your main method, for example:

```
// Insert code to start the application here
Task t = Task.getTask();
if (t == null) {
    System.out.println("Can't get Task for application");
}
else {
    t.out.println("Hello from a CICS application");
}
```

### Setting up ET/390 properties

You need to set up the package properties in VisualAge for Java:

- Select **Packages -> Tools -> ET/390 -> Properties**

#### Export and Bind Session:

- Enter the UNIX System Services path name for the **dfjcics.jar** package in the **Bind CLASSPATH** field:

```
$CICS_HOME/classes/dfjcics.jar
```

If you are using the Java Record Framework, add the following text to Bind CLASSPATH.

```
$IBMHPJ_HOME/lib/recjava.jar:$IBMHPJ_HOME/lib/eablib.jar
```

- When you are building a CICS Java application, the Java program object will be written to a PDSE member. You need to use TSO to allocate a PDSE to receive the program object. You also need to ensure that the PDSE is included in the DFHRPL of the JCL that you use to start your CICS region. Enter the PDSE data set name in the **Directory for executable or DLL** field, prefixed with double slashes (//). Enclose fully qualified data set names within single quotation marks ('). for example, `//'mypdse.test.load'`
- Enter the APPLID in the **CICS region** field Make sure the CICS APPLID in your data file on your host system matches the APPLID for your CICS region.

#### Bind Options:

- Specify the PDSE *member* name in the **PDSE member name** field

- Specify the main class name in **Main class name**
- Check **Rebuild all** and **CICS Application**

### Exporting and binding the executable program object

- Select **Packages->Tools->ET/390->Export and Bind**

### Running the CICS transaction

- Submit the JCL to start your CICS region
- Logon to your CICS region, for example:

```
logon applid(iyzazcaa)
```

- Define a TRANSACTION, PROGRAM and GROUP for your executable program object. For example, using the CICS supplied CEDA transaction:

```
ceda define transaction (andy) group(newgroup) program(cichell)
ceda define program(cichell) group(newgroup)
```

(See the *CICS Resource Definition Guide* for information about CICS resource definition, and the *CICS Supplied Transactions* for information about using CEDA.)

- Install the group, for example:

```
ceda i group(newgroup)
```

- Run the transaction **andy**. You should see the response:

```
Hello from a CICS transaction
```

If you do not see the output, look in the job log from your CICS region to see what went wrong. This is where output written to standard out in a CICS Java application appears (for example **System.out.println("An output string.");**).

If you check the **Refresh CICS Program** button in your Bind Options properties you will need to install the group **DFHœEXCI** in your CICS region. For example:

```
ceda i group(DFHœEXCI)
```

This will enable you to modify your Java source and export and bind your package without having to recycle your CICS region to pick up your changes.

## Developing a Java program object using javac

You can develop and compile your Java program remotely on a workstation or in the OS/390 UNIX System Services shell on your mainframe ESA system as follows:

1. Add the the following file to your CLASSPATH:
  - **dfjcics.jar**
2. Write and compile your program
3. Transfer your resultant **.class** files to OS/390 UNIX System Services (if required) using **ftp** or **nfs**. The files must be transferred in binary mode
4. Bind your **.class** files into Java program objects using the ET/390 binder as described in “Using the ET/390 binder” on page 95.

### Using the IBM Java Record Framework

If you use the Java Record Framework supplied with VisualAge for Java, you must ensure the following **.jar** files are in the CLASSPATH when you issue the **hpf** command. These are supplied with ET/390 as:

```
$IBMHPJ_HOME/lib/recjava.jar
$IBMHPJ_HOME/lib/eablib.jar
```

Also, add the following options to the end of your `hpj` command:

```
-exclude=com.ibm.record.* -exclude=com.ibm.ivj.eab.record.*
```

## Using the ET/390 binder

You run the ET/390 binder in the OS/390 UNIX System Services shell, and use the **hpj** command to bind your Java byte-code into a Java program object that can run in the CICS environment, and store them in an ESA PDSE library. Note that you will need an OS/390 UNIX System Services region of at least 200MB.

The following example shows the use of the **hpj** command to build a Java program object in the `QUERYEMP` member of the PDSE `FRED.LOADLIB`:

```
hpj -o="//'FRED.LOADLIB(QUERYEMP)'"  
      abc.staff.queryDB.queryMain
```

### hpj command options

The VisualAge for Java, Enterprise ToolKit for OS/390 documentation contains full details of the `hpj` command. The following options are particularly relevant to the CICS environment:

#### -exe

A program that is invoked by EXEC CICS LINK, or as the first program in a transaction, must have a main entry point and must be bound using the `hpj -exe` option.

#### -main

A CICS exe must have a class containing a main method with a signature of either:

```
public static void main(CommAreaHolder)  
or  
public static void main (String [])
```

The ET/390 binder will generate main entry code for the first class containing a `main (String [])` method. To generate main entry code for a different class you should specify the `-main` option.

#### -jll

A program that is effectively a class library, that is, it contains a collection of classes and methods to be invoked by other Java programs, must be bound with the `-jll` option, supplying an **-alias** for each package included in the program. The ET/390 run-time support can then find these classes, as required, by issuing a load request for the package. The program is loaded into CICS by its short 8-byte name, also known as the Primary Member Name (`QUERYEMP` in the above example).

CORBA objects (invoked by IIOP requests) must be created as jlls, using the `hpj -jll` option. The CICS supplied Object Request Broker (ORB) code contains the main entry point.

#### -alias

An alias name is made from the Java package name with a `.jll` extension. For example, if the Java DLL is built from all the classes in the Java package, `abc.staff.queryDB`, you should specify an alias name of `abc/staff/queryDB.jll`. Classes with no package declaration must be in the `exe`, or in a `jll` that has already been loaded for a named package.

#### -lerunopts

Language Environment (LE) run time options can be set using `-lerunopts`. For

example, you may find that run-time performance is improved by turning off the Java garbage collection routines. You do this by setting the following LE run option in the hpj command:

```
-lerunopts="(envar('IBMHPJ_OPTS=-Xskipgc'))"
```

**Note:** Java Garbage collection is always set to 'OFF' for hot-pooled Java program objects.

#### **-nofollow**

CICS applications need either `-nofollow` or `-exclude=com.ibm.*-exclude=org.omg.*` to ensure that the CICS supplied classes are not included in the application program object.

- o** `-o` must be used to build the Java program object into a PDSE.

To find a class that is not already loaded, CICS searches the PDSE directories for a long name (alias), to obtain the corresponding short name. CICS loader then loads the first member with the short name, so you must take care that the correct member is found, by having no duplicate short name mappings in the DFHRPL concatenation. Note that it is invalid to have duplicate class names loaded.

## **Handling Resource Files**

If a .jar or .zip file contains resource files (such as JavaBeans stored as object serializations) that are required by the CICS program at run time, you must bind these resource files into a Java DLL in a PDSE member or bind them with the Java program object. You can use the hpj command's **-resource** option to help you bind HFS resource files to a PDSE member, as follows:

- Package all referenced resource files into one or more .jar or .zip files
- Specify the **-resource** option in an hpj command to create a PDSE Java DLL containing all the resource files

To access the resource files in this PDSE Java DLL, you must concatenate the PDSE containing the Java DLL to DFHRPL and define the DLL as a PROGRAM to CICS. You can also use the **-resource** option to bind the resource files with the Java classes that use them into a Java program object that is written to a PDSE member.

See the VisualAge for Java documentation for further details.

## **Setting Java System Properties**

System property values can be obtained using the `System.getProperty(String s)` method call. When you are using ET/390 these properties are initialized from the following sources:

- Language Environment (LE) ENVAR run-time environment variables. You can set these when binding the CICS Java program with the **-lerunopts** option of the **hpj** command.

See the ET/390 documentation for full details of the hpj command.

The following system properties can be set using **-lerunopts**:

#### **user.language**

Set by the environment variables LC\_ALL, LC\_CTYPE or LANG.

#### **user.timezone**

Set by the environment variable TZ.

- CICS task and user-specific property values, set during initialization of the Java environment for CICS programs. The following System Properties values are set



for CICS:

Table 8. CICS specific property values

System property	Value
java.version	1.1.6
java.vendor	IBM Corporation
java.vendor.url	null
java.home	null
java.class.version	45.3
java.class.path	
os.name	OS/390
os.arch	390
os.version	5
file.separator	/
path.separator	:
line.separator	
user.dir	constant value ""
user.home	constant value ""
user.name	""

---

## Running a CICS Java program

CICS Java programs can be invoked:

- By EXEC CICS LINK commands issued by other CICS non-Java programs
- By other Java programs using a link method on a program.
- By entering a TRANSID on a CICS-attached terminal, such as a 3270
- By an IIOP request from a client. See the *CICS Internet Guide* manual for information about CICS support for incoming IIOP requests.

## Run-time requirements

### Language Environment

Language Environment (LE) is required to execute CICS Java programs bound by the ET/390 binder.

### Storage

Memory requirements to run Java programs using ET/390 are higher than for conventional programs. You should set the system initialization parameter EDSALIM to a high value (such as 100MB) when starting CICS, otherwise a Short-on-Storage condition may occur. Note that this must be set by SIT override, not using CEMT SET commands.

### DFHRPL

The following libraries must be concatenated with DFHRPL at run-time:

- PDSEs containing your CICS Java programs, bound with the ET/390 binder
- PDSEs containing Java resource files (such as JavaBeans)
- The **SDFJLOAD** PDSE library, containing the JCICS run-time support. These programs are stored in SDFJLOAD, and bound with the ET/390 binder,

during installation of CICS. If you need to remain at the Release 1 level of ET/390, you should use the SDFJL0D1 library instead

- The **HPO.SHPOMOD** PDSE containing the ET/390 run-time library. This PDSE is built during the installation of VisualAge for Java, Enterprise ToolKit for OS/390

#### Resource Definition

All program resources must be defined to CICS using CEDA , and INSTALLED before use (or autoinstalled). See the *CICS Resource Definition Guide* for information about defining CICS resources.

- User programs must be defined to CICS by the short 8-byte name, as LE PROGRAMs.
- VisualAge for Java, Enterprise ToolKit for OS/390 run-time dlls must be defined to CICS. Member HPOSCSD in the SHPOJCL dataset supplied with ET/390 should be used as input to DFHCSDUP to define the ET/390 run-time dlls. The HPOJAVA predefined group is supplied. You should add it to GRPLIST or install it before using ET/390.
- JCICS run-time programs are defined in the DFHJAVA group. This is already included in DFHLIST.

---

## # Using hot-pooling

# When you execute a Java program object, the Language Environment run-unit or  
# *enclave* is built and initialized for each invocation. You can reduce this performance  
# overhead for frequently run Java program objects by requesting that a  
# preinitialized and persistent enclave is reused for multiple invocations of the  
# program.

# This feature is known as **hot-pooling**.

# CICS uses the PIPI preinitialization services of OS/390 Language Environment to  
# build the enclave and executes the Java program object under control of a special  
# class of Task Control Block (TCB) in the CICS region that is reserved for  
# hot-pooling requests. Work done under these TCBs (known as H8 TCBs) runs  
# concurrently with work done under the usual CICS quasi-reentrant TCB (QR)  
# where most CICS transactions are executed.

# **Note:** Use of hot-pooling requires that an enabling PTF is installed on the  
# VisualAge for Java, Enterprise ToolKit for OS/390 product. See the *CICS*  
# *Transaction Server for OS/390 Release Guide* for details of the required service  
# level. Programs to be hot-pooled should be rebound using this updated  
# version.

# See the *OS/390 Language Environment Programming Guide SC28-1939* for a  
# description of the PIPI services.

## # Open Transaction Environment (OTE) TCBs

# In earlier releases of CICS, user applications operate in a restricted, or “closed”,  
# environment. Although they can use the functionally-rich CICS programming  
# interfaces, direct invocation of other services is not supported. This is because CICS  
# runs user transactions under a single MVS TCB, known as the CICS  
# quasi-reentrant (QR) TCB. Direct invocation of other services outside the scope of  
# the CICS permitted interfaces could interfere with CICS own use of its QR TCB. In  
# particular, services which result in the suspension (“blocking”) of the QR TCB  
# would cause all CICS tasks to wait.

# In CICS TS Release 3 , the Open Transaction Environment (OTE) was added,  
 # providing support for a new type of *open* TCB, allowing CICS transactions to use  
 # non-CICS services within the CICS address space, without interference to other  
 # transactions.

# OTE distinguishes several kinds of open TCB, given 2-character names or *modes*.  
 # For example, J8 TCBs are created to run interpretive Java programs under a Java  
 # Virtual Machine (JVM) and H8 TCBs are created to run hot-pooled Java program  
 # objects. Each mode has a specific purpose, and is handled by CICS in a different  
 # way. CICS decides which mode to use, not the application program. A CICS task is  
 # allowed at most one TCB of each mode, which it keeps from the time it is allocated  
 # to the end of the task. The TCB then becomes free, and CICS may allocate it to  
 # another task, or destroy it.

# The CICS system initialization parameter MAXOPENTCBS limits the total number of  
 # OTE TCBs of all modes. There can be any number of H8 TCBs up to the  
 # MAXOPENTCBS limit, as long as CICS has enough storage to meet their demands.

# The following Venn diagram shows the possible states for H8 TCBs, and how they  
 # relate to other OTE TCBs. An H8 TCB is *allocated* and *active* if a program is running  
 # on it; it is *idle* if the program has ended but the TCB still belongs to the task.

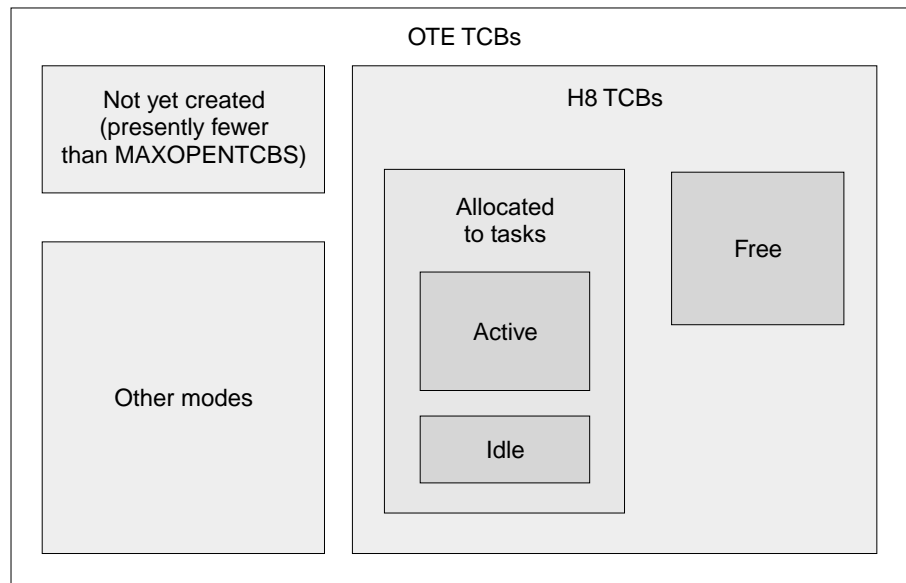


Figure 15. H8 TCB Allocation states

## # Allocating an H8 TCB for hot-pooling

# The following steps show how CICS chooses an H8 TCB for an invocation of  
 # program progname in transaction transid. CICS associates progname and transid  
 # with an H8 TCB when it is allocated. In choosing a TCB to allocate, CICS searches  
 # first for an exact match of transid and progname, then attempts to create a new  
 # TCB, then accepts a best match on progname only, then accepts no match at all.

- # 1. If the transaction already has an H8 TCB allocated, it must be used.
- # 2. If there is a free H8 TCB, which has both progname and transid, it is allocated.  
 # This is an **exact match**.
- # 3. If there are currently fewer than MAXOPENTCBS, a new H8 TCB is created,  
 # and associated with progname and transid. This is **new**.

- # 4. If there is a free H8 TCB that matches progname only, it is used. This is a **best match**.
- #
- # 5. If there is a free H8 TCB that does not match progname or transid, it is used. This is **no match**.
- #
- # 6. If there is a free OTE TCB of another mode, it is destroyed and an H8 TCB is created. This is called **stealing**, and although costly on performance, it allows the request to be satisfied.
- #
- # 7. If there is no available TCB, the task is suspended until one becomes free.

# **Note:** This allocation sequence implies the following possibilities:

- # 1. There can be several H8 TCBs associated with the same program and transaction names. This is useful when there is a high throughput of the same transaction.
- #
- # 2. There can be H8 TCBs with several independent programs loaded into their enclaves, which are therefore capable of running one of several transactions.
- #
- # 3. A long-running task can keep an idle TCB from being used by other tasks.

## # **Managing the hot-pooling environment**

# A hot-pooled enclave is initialized the first time that CICS attempts to load a Java program object that has been defined with the Hotpool attribute. An H8 TCB is allocated to execute the program, as described above. Subsequent invocations of the same program reuse the enclave and run under the same TCB until it is terminated for one of the following reasons:

- # • The Language Environment storage *heap* grows as programs reuse the enclave until the predefined *heap* size limit approaches. CICS then terminates the enclave when the current program completes. You can extend this threshold by adjusting the heap size in the Language Environment RUNOPTS options that are used at enclave creation. CICS provides a user replaceable module, DFHAPH80, which you can modify to reset RUNOPTS options. See “Defining Language Environment run-time options” for more information about DFHAPH80.
- # • When CICS recognizes a short-on-storage (SOS) condition, each H8 TCB is terminated when the owning task ends.
- # • When SET PROGRAM NEWCOPY, PHASEIN , NOTHOTPOOL, or DISABLED is issued for any program (even non-Java programs), all H8 TCBs are terminated when the current task ends, because CICS does not track all programs that are loaded into an enclave. Subsequent invocation of a HOTPOOL program will cause a new hot-pooled enclave to be built and a new H8 TCB allocated.
- # • The program running on the TCB abends.

### # **Defining Language Environment run-time options**

# Language Environment run-time options are parameters used during enclave initialization to control certain aspects of the program execution. Default values are set during installation, but you can change these for hot-pooling initialization using the user supplied module DFHAPH80. This module is called during initialization of the Language Environment PIP1 enclave. See the *OS/390 Language Environment Programming Guide SC28-1939*, and the source of DFHAPH80 in DFHSAMP for details of the Language Environment options that can be reset.

# See also the comments in the CICS-supplied DFHAPH80 module for examples of how to set these options.

# **Note:** Java Garbage collection is always set to 'OFF' for hot-pooled Java program  
# objects.

# See the *CICS Customization Guide* for more information about user replaceable  
# modules and DFHAP8O.

# CICS programs can include a CEEUOPTS CSECT to supply Language Environment  
# run-time options to control the program's execution. CEEUOPTS is ignored for  
# programs run in a hot-pooling environment, because the enclave is preinitialized  
# and run-time options only take effect during initialization.

### # **Allocating storage**

# The number of H8 TCBs that can be supported in any one CICS region is  
# dependent on the amount of storage available. The main restriction is  
# below-the-line storage. Using the default LE options set in DFHAPH8O, an H8  
# TCB and its associated LE Enclave storage requires 20K of below the line DSA and  
# 6K of below the line MVS storage. This storage is in addition to any other current  
# requirements.

# You can calculate the number of TCBs that your CICS region can support by  
# looking at the current peak storage requirements. You can do this by running the  
# supplied STAT transaction, which shows storage values that can be used to  
# calculate the current availability of DSA and MVS storage. For example:

```
# Current DSA Limit . . . . . 6,144K ( set by DSALIM in the SIT)
# Current DSA Used. . . . . 3,596K
# (Current DSA Limit) - (Current DSA Used) = (DSA available) 6144K-3596K = 2548K
```

# The above figures show the amount of CICS DSA storage available to be used for  
# TCBs ( at 20K per TCB). You should not use all of this available storage when  
# calculating how many TCBs can be supported. Leave a buffer of about 500K. For  
# the example shown we would recommend a maximum of 100 TCBs.

# You must also ensure that there is enough MVS storage to support the requirement  
# of 6K per TCB ( 600K for our example) in the private region. This storage can also  
# be displayed by the STAT transaction as shown below:

```
# Private Area storage available below 16Mb . . . . . : 1,990K
```

# In this case there is 1990K available which will support the 600K requirement for  
# 100 TCBs in our example. Again do not use all of the available storage in this area,  
# leave a buffer of 500K. The number of TCBs needs to be adjusted so that that you  
# do not over commit storage demands in either the DSA or the MVS private region.  
# You may find that there is not enough available DSA because the DSA limit has  
# been set too low. Using the above statistics you can calculate how much higher the  
# DSA limit can be set. As you increase the DSA limit, the Private Area storage  
# below 16Mb, decreases. Adjust the DSA limit to get the right balance between DSA  
# and Private area storage. Remember to take these statistics at peak time because  
# there are other users such as DB2 who take storage from this Private area.

# In summary adjust the DSA limit the best you can and then set the number of  
# TCBs to the lesser of (DSA available - 500K)/20K or (Private available - 500K)/6K.  
# If you still need more TCBs to satisfy your throughput requirements, you may  
# need to spread the applications across multiple CICS regions.

## # **Defining hot-pooled Java program objects**

# You define a Java program object as eligible for hot-pooling by specifying the  
# Hotpool (Yes) attribute on the PROGRAM resource definition.

# For Java server programs that are invoked by IOP requests, the DFJIIOP program  
# must be defined with Hotpool(Yes) if you want to use hot-pooling. This means that  
# to exploit hotpooling for IOP calls, the PROGRAM definition DFJIIOP must be  
# copied from the CICS supplied group DFHIIOP to another group and modified.  
# When installed this definition will have the effect of switching on hotpooling for  
# all program objects invoked over IOP using Java to Java calls.

# The Hotpool attribute specifies whether a Java program object *main* program is to  
# be run in a preinitialized enclave under an H8 TCB. The default is NO, which  
# causes the Java program object to be run under the QR TCB. Programs defined  
# with Hotpool must be built as .exe files, not .jlls.

# If Hotpool (Yes) is specified, then the following PROGRAM attributes are ignored.

- # • JVM attributes
- # • RELOAD
- # • USAGE
- # • EXECKEY
- # • REMOTENAME
- # • REMOTESYSTEM
- # • TRANSID
- # • LANGUAGE other than LE370

# The Hotpool option is not supported by autoinstall.

# You are recommended to define hot-pooled programs in advance and pre-load  
# them before they are required, to achieve better performance.

# **THREADSAFE**  
# Programs must be THREADSAFE to use Java hot-pooling. Any native programs  
# called by hot-pooled Java programs must be defined as THREADSAFE.

## # Programming considerations for Java hot-pooling

# Because of the way that hot-pooled programs are run and reused in a preinitialized  
# environment, there are some restrictions and modification you may need to make.

### # Static storage and static initializers

# Some Java programs may need modification for use with hot-pooling, as  
# hot-pooling keeps programs loaded in an enclave and reuses them without  
# reinitializing the static storage for each invocation of the program. This means that  
# your program must reinitialize its own static storage, if it depends on the state of a  
# changeable class field. Static initializers are run only at load time and are not rerun  
# for each program invocation.

# With hot-pooling, class variables exist through a number of CICS tasks, and their  
# value may not be predictable. This is true for class variables in all classes, both  
# application and system classes, and includes classes which may affect the  
# application, but are not used explicitly (including those used in static initializers).  
# For example:

- # • A stock exchange program may reset the default time-zone (if not prohibited by  
# a security manager), and do calculations based on this time-zone. Subsequent  
# invocations of the program will use the new default time-zone, which may not  
# be appropriate.

#  
#  
#  
#

- A program may update the system properties object in java.lang.System (if not prohibited by a security manager). Subsequent invocations of the program will use the new properties which may not be appropriate in this case.

#  
#  
#  
#

**Avoiding static storage reuse problems:** Review and modify existing programs to identify and eliminate changeable class fields and static initializers. Consider the following guidelines:

#  
#  
#  
#  
#

- Define a class field as *private* and *final* whenever possible. Be aware that a *native* method can write to a *final* class field, and a non-*private* method can obtain the object referenced by the class field and can change the state of the object or array.
- Be aware of system-loaded classes that use changeable class fields.

#  
#

**Note:** CICS provides a security manager, so you cannot use your own to restrict access to changeable fields.

### # # # #

**Programming interfaces**

#  
#  
#  
#

There are some restrictions when using JCICS classes in a hot-pooled Java program, or when issuing EXEC CICS LINK, LOAD, or XCTL for a hot-pooled Java program object. These restrictions are:

#### # # #

**LINK**

#  
#  
#

If you link to a program defined with Hotpool (Yes), it will be run under an H8 TCB.

#  
#  
#

You cannot nest links to hot-pooled Java program objects. INVREQ is returned if you attempt to link to a hot-pooled Java program object while there is already a hot-pooled Java program object on the link stack.

#### # # #

**LOAD**

#  
#  
#  
#

If you issue an EXEC CICS LOAD for a hot-pooled Java program object, the command is executed, but the requested program is loaded into the current enclave. The Hotpool attribute is not relevant.

#### # # #

**XCTL**

#  
#  
#  
#  
#

If you transfer control to a program defined with Hotpool (Yes), it will be run under an H8 TCB. INVREQ is returned if you attempt to transfer control to a hot-pooled Java program object while there is already a hot-pooled Java program object on the program stack.

### # # # #

**Protection keys**

#  
#  
#  
#

Hot-pooled Java program objects can only run in key 8, non-subspace mode. All storage acquired in the enclave by Language Environment is in key 8. The TRANSACTION attribute TASKDATAKEY(USER) has no effect.

#  
#  
#  
#  
#

A hot-pooled Java program object can use JCICS to link to a key 9 program because it is passed a copy of the COMMAREA built in storage acquired by EXEC CICS GETMAIN. The COMMAREA cannot contain any pointers to key 8 storage unless a native method has built them.

### # # #

**Exit programming interface (XPI)**

#  
#  
#

The loader ACQUIRE\_PROGRAM call can be used with hot-pooled Java program objects, but the Hotpool PROGRAM attribute is ignored.

#  
#

The value of the Hotpool attribute can be retrieved and set using the HOTPOOL keyword of the INQUIRE\_PROGRAM and SET\_PROGRAM calls.

```

#           Hot-pooling exit program
#           The DFHJHPAT user replaceable module is called before each program is started.
#           This is an optional program that you can use for your own purposes, such as
#           tracing. The module must be called DFHJHPAT and must be written in the C
#           language. The following parameters are passed to this module when it is called:
#           int      jhpatFormat
#           char     *progname
#           char     *transid
#           void     *env
#
#           Where:
#
#           jhpatFormat
#           This parameter is set to 1. Other values are reserved.
#
#           *progname
#           contains the program name in a null-terminated string.
#
#           *transid
#           contains the transaction identifier in a null-terminated string.
#
#           *env
#           is a pointer to the JNIEnv
#
#           Note: The Java program object may need to call a native program to access any
#           variables that you set with setenv commands in this module.

```

```

#           Security
#           CICS program security checking occurs only once when a program is first loaded
#           into an enclave. Subsequent reuse of the same program does not cause an
#           additional check.
#
#           Native MVS resources, such as HFS files and sockets are checked by MVS using
#           the address space USERID, not that of the end-user.

```

```

#           Problem determination
#           Messages generated by Language Environment are sent to stderr, which CICS
#           routes to the CESE destination. Application output to stderr is also routed to CESE.

```

---

## Interactive debug using the Debug Tool

```

|           ET/390 extends the VisualAge for Java tool set by including an interactive
|           debugger. The debugger lets you debug your Java program object code as it runs
|           in CICS. The debugger's graphical user interface at the workstation lets you step
|           through your source code and change the contents of memory, variables, registers,
|           and the stack.

```

```

|           The Debug Tool is shipped with VisualAge for Java Enterprise Edition for OS/390
|           V2. (product number 5655-JAV). This includes a copy of the workstation VisualAge
|           product that contains the Remote Debugger for JAVA. You will need your system
|           administrator to help set up this debug environment:

```

- | • Install the Debug Tool
- | • Add the supplied CICS resource definitions to the CICS CSD, and install them
- | • Update the CICS startup jobstream to include the **\*\*SEQAMOD** library in the DFHRPL concatenation



- Make the Debug Tool module EQA00DYN accessible to CICS. This could be by authorized libraries in the STEPLIB concatenation, by a JOBLIB, or by an OS/390 LINKLST dataset
- Activate TCP/IP Sockets for CICS. Note that this feature is not the same as the CICS Transaction Server Socket Domain (controlled by the CICS definition parameter TCPIP=YES)
- Link the CEEBXITA module provided with the Debug Tool, EQADCCXT, into a debug version of CEECCICS for use in the CICS regions where you want to enable remote debugging. See the *OS/390 Language Environment Customization* guide for information on how to build CEEBXITA into a CEECCICS under SMP/E control.
- Use the VisualAge Workbench to export your Java program object with debug options
- Start the Debug listener on your selected workstation
- Run the DTCN transaction to enable debugging for your program at your workstation
- Run the program that you defined for your Java program object. The remote debugger will be invoked on your workstation, displaying the source of your main method

All these steps are fully described in the **VisualAge and CICS TS** tutorial supplied in HTML format in **dfjcics\_docs.zip**. You will find further useful information in the following manuals:

OS/390 eNetwork Communications Server: IP CICS Sockets Guide Version 2  
Release 5, Document Number SC31-8518

IBM TCP/IP for MVS: CICS TCP/IP Socket Interface Guide and Reference,  
Document Number SC31-7131

OS/390 Language Environment Customization, Document Number SC28-1941  
Debug Tool Users Guide and Reference

The VisualAge for Java, Enterprise ToolKit for OS/390 documentation, supplied in HTML format with the product



---

## Chapter 11. Using the CICS Java virtual machine

Java application programs can be run under CICS control in CICS Transaction Server for OS/390 Release 3 and later releases, using the MVS Java Virtual Machine (JVM), which runs inside CICS unchanged.

You can write CICS applications in Java and compile them to byte-code using any standard Java compiler, such as VisualAge for Java, or javac, using the full set of core Java classes, including the following packages (set of classes) that are not supported fully using the VisualAge for Java, Enterprise ToolKit for OS/390:

- java.io (includes access to HFS files)
- java.net (includes access to OS/390 UNIX System Services (OpenEdition) sockets)
- java.rmi (includes byte-code interpretation)
- java.lang (includes application level threading)
- java.awt (includes windowing support)

In this book we call Java programs that run under JVM control, **JVM programs**, to distinguish them from **Java program objects**, that is, Java programs that have been processed by the binder from the VisualAge for Java, Enterprise ToolKit for OS/390.

JVM programs can use JCICS calls to access CICS services, but you can only issue these calls from the **initial process thread (IPT)**, and not under any **pthreads** created by your Java application. See “Using JCICS” on page 80 for information about using JCICS.

---

### JVM execution environment

In earlier releases of CICS, user applications operate in a restricted, or “closed”, environment. Although they can use the functionally-rich CICS programming interfaces, direct invocation of other services is not supported. This is because CICS runs user transactions under a single MVS Task Control Block (TCB), known as the CICS quasi-reentrant (QR) TCB. Direct invocation of other services outside the scope of the CICS permitted interfaces is not supported, because such actions could interfere with CICS own use of its QR TCB. In particular, services which result in the suspension (“blocking”) of the QR TCB would cause all CICS tasks to wait.

To remove these restrictions, CICS Transaction Server for OS/390 Release 3 introduces a new type of **open** TCB for use by MVS Java virtual machines invoked by CICS, which run in the CICS address space.

This new type of TCB is called a **J8** TCB. A task running under its own open TCB is allowed to invoke restricted services, such as blocking services, without interfering with the QR TCB, or causing it to wait. For example, invoking an MVS JVM under a unique open TCB allows the JVM to run a user Java application program that uses Java classes such as java.io, java.net, and java.awt.

Each CICS transaction invoking a JVM program will run under its own J8 open TCB with its own Java Virtual Machine. The JVM is created for use by each

transaction and on completion of execution of the user class, the JVM is destroyed. Each J8 TCB is defined to use MVS Language Environment (LE) services, rather than CICS/LE services. As a result, programs executing under a J8 TCB, including the JVM, have access to OS/390 UNIX System Services and MVS LE services.

---

## Running JVM programs

JVM programs are identified to CICS by the **JVM** attribute on the PROGRAM resource definition. (Note that CICS Java programs that are processed by the binder from the VisualAge for Java, Enterprise ToolKit for OS/390 should not have the JVM attribute defined as YES.)

JVM programs are not stored in CICS DFHRPL libraries, and are not loaded by the CICS loader. They are stored in the OS/390 UNIX System Services HFS, and are loaded directly by the JVM. The JVM does not use the 8-character CICS PROGRAM name, it needs a qualified class name. You must define this class name in the **JVMCLASS** attribute of the PROGRAM resource definition. CICS uses the PROGRAM resource definition to associate the program name and class name when the program is invoked.

JVM programs can be used as CICS programs in the following ways:

- as the initial program in a transaction, defined in the TRANSACTION resource definition
- as the program specified in an EXEC CICS LINK command
- as the program specified in an EXEC CICS XCTL command
- as the program specified in an EXEC CICS HANDLE ABEND PROGRAM command
- as initialization and shutdown PLT programs
- as user replaceable modules (URMs)

JVM programs CANNOT be specified in EXEC CICS LOAD and RELEASE commands, and CANNOT be used in the following ways:

- as Task related user exit programs (TRUEs must be written in Assembler language)
- as Global user exit programs (GLUEs must be written in Assembler language)
- in a COBOL dynamic call
- via a static call (linkedited with a program in another language)

The following diagram shows the execution flow of a transaction JAV1 defined with PROGRAM(JAVAPROG), where the program JAVAPROG is defined with JVM(YES) and JVMclass (JCLASS):

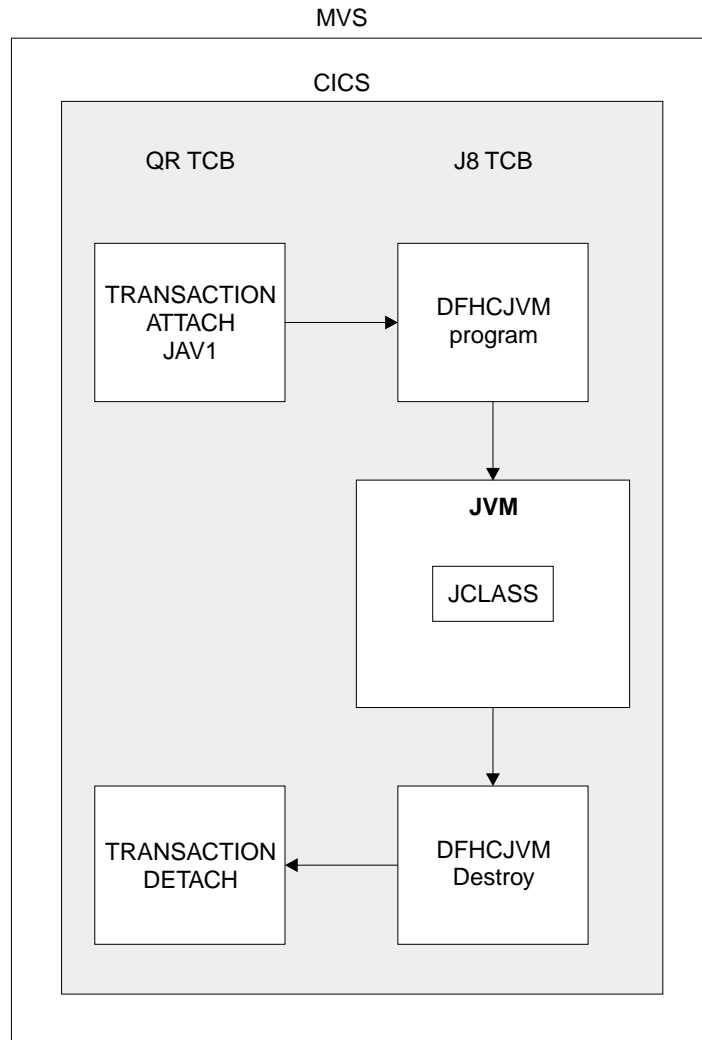


Figure 16. JVM transaction flow

## Compile-time requirements

You can compile Java applications on a workstation and then port them to the OS/390 UNIX System Services HFS, or you can compile them directly in the OS/390 UNIX System Services shell. You can use any Java-compliant compiler, such as javac or VisualAge for Java.

The following files must be in the CLASSPATH when you compile:

- The directory containing your user Java source
- The CICS-supplied **dfjcics.jar** file containing the JCICS classes, if your program uses JCICS

## Run-time requirements

The following files must be in the CLASSPATH at run-time, in the following order:

- The directory containing your compiled programs (.class files)
- The CICS-supplied **dfjwrap.jar** file
- The CICS-supplied **dfjcics.jar** file
- The CICS-supplied **dfjcorb.jar** file

The CICS start-up jobstream must contain the following DD statements:

#### **DFHJVM**

defining the SDFHENV dataset containing default JVM environment variables. For example:

```
DFHJVM DD DSN=CICSTS13.SDFHENV(DFHJVM),DISP=SHR
```

#### **DFHCJVM**

defined as DUMMY, to prevent the JVM program reading SYSIN

The JVM uses MVS LE services, so the LE SCEERUN library must be in STEPLIB, or in the linklist. Note that you can define both SCEERUN in the STEPLIB and SCEECICS in DFHRPL in the same CICS jobstream.

**Note: Full function OS/390 UNIX System Services must be enabled and running on your MVS system.**

## **CICS-supplied .jar files**

The dfjwrap.jar and dfjcics.jar files are stored in the OS/390 UNIX System Services HFS in a directory called **\$CICS\_HOME/classes** during CICS installation.

**\$CICS\_HOME** is an environment variable defining the installation directory prefix:

```
/usr/lpp/cicsts/<username>
```

Where **username** is a name you can choose during CICS installation, defaulting to cicsts13.

## **JVM directory**

You can define the JVM directory using the JAVADIR parameter of the DFHISTAR post-installation job. The default is **java/J1.1**. The full directory pathname is made up as follows:

```
/usr/lpp/javadir
```

Hence the default pathname for the JVM directory is:

```
/usr/lpp/java/J1.1
```

## **JVM environment variables**

You can set the same environment variables to control the execution of the JVM that can be set for the MVS JVM from the command line of an OS/390 UNIX System Services shell. The environment variable settings are obtained by CICS from the following sources when the JVM is initialized:

1. Default values are obtained from the SDFHENV partitioned dataset that is distributed with CICS. This dataset is defined in the CICS start-up jobstream with the DDNAME of DFHJVM. You can edit this dataset with TSO to change the defaults. You can define the member name of SDFHENV using the JVMNAME parameter of the DFHISTAR post-installation job. The default is DFHJVM.
2. CICS\_PROGRAM\_CLASS and JVM\_DEBUG attributes are obtained from the CICS PROGRAM definition.
3. The user replaceable module DFHJVMT is called. This program can use the MVS LE services **getenv** and **setenv** to read and set any of the options defined in SDFHENV.
4. After return from DFHJVMT, CICS issues getenv for the CICS\_PROGRAM\_CLASS environment variable. Any value found (supplied by DFHJVMT) will be used

in place of the JVMCLASS value from the PROGRAM definition. This allows you to define a JVMCLASS name that is longer than the 255 character limit allowed in the PROGRAM definition.

See the description of the DFHJVMAT user replaceable module in the *CICS Customization Guide* and see the *CICS System Definition Guide* for a list of the default values supplied by CICS.

## **stdin, stdout and stderr**

You can set environment variables to define the directory and files where stdin, stdout and stderr are written. If you specify a file that does not exist, it will be created.

If you specify a stdout or stderr file that already exists, output is appended to it.

If a stdout or stderr file is empty on completion of the JVM program, it is deleted.

If the stdin file was created by CICS because it did not already exist, it is deleted on completion. If the stdin file was created by you, it is not deleted.

---

## **JCICS programming considerations for JVM programs**

Some of the options and services available through the EXEC CICS API are not accessible from JCICS. See “JCICS programming considerations” on page 72 for further information about JCICS. The following additional considerations apply to the JVM execution environment:

### **ASSIGN**

ASSIGN PROGRAM, INVOKINGPROG and RETURNPROG are not supported by JCICS. When these ASSIGN options are issued from a non-Java program (COBOL or C, for example) that has been LINKed or XCTLed to from a JVM program, ASSIGN will return the PROGRAM name correctly.

### **HANDLE ABEND**

HANDLE ABEND is not provided by the JCICS classes, because the Java error handling model is used in a JVM program or a CICS JAVA program that is run using the VisualAge for Java, Enterprise ToolKit for OS/390. A JVM program may be specified in the PROGRAM option of the EXEC CICS HANDLE ABEND PROGRAM command, issued within a non-Java compiled CICS application.

### **LINK**

LINK is provided by the JCICS classes. A JVM program can be specified in the PROGRAM option of the EXEC CICS LINK issued by a non-Java compiled program, and all parameters are supported. The COMMAREA is passed automatically to a program by the CommAreaHolder argument to the main() method. A JVM program cannot LINK to another JVM program on the same CICS system, because only one JVM can be active for a transaction. (A link to a remote JVM program (a DPL) from a JVM program is supported, because a separate transaction is involved).

### **LOAD**

LOAD is not supported in the JCICS classes, so a JVM program cannot request a CICS LOAD. An attempt to issue an EXEC CICS LOAD for a JVM program will fail with PGMIDERR.

### **RELEASE**

RELEASE is not supported in the JCICS classes so a JVM program cannot

request a CICS RELEASE. An attempt to issue an EXEC CICS RELEASE for a JVM program will fail with INVREQ RESP2=6.

### XCTL

XCTL is supported in the JCICS classes, so a JVM program can transfer control to a non-Java compiled program. You can also issue the EXEC CICS XCTL command to transfer control from a non-Java compiled program to a JVM program.

**Note:** You can also transfer control from a JVM program to another JVM program, because the JVM for the first program will be terminated before starting the JVM for the second program.

### EIB

Access to EIB values is provided by methods on the appropriate objects. For example, the eibtrnid field is returned by the GetTransactionName() method of the JCICS Task class.

## Java System Properties

If you want to add system properties to the Java properties list for use by a Java program running under a JVM, you need to create an HFS file called **user.properties**. Each line should contain one system property. For example, `sp1=value1` specifies a system property called `sp1` and assigns a value of `value1` to it. Note that you should not define user properties with the prefix **cics**.

You must include the directory containing **user.properties** in the CLASSPATH for the JVM, as specified in the DFHJVM member of the SDFHENV dataset.

The CICS wrapper reads your **user.properties** file and sets the values in the Java properties list before the user class is invoked. A Java application can retrieve the system properties using the `System.getProperty` method.

CICS sets the following system property values during the initialization of the JVM environment:

Table 9. CICS JVM property values

System property	Value	Source
user.dir	CICS_HOME	set by CICS from the value of CICS_HOME in SDFHENV
user.home	\$HOME	set by the JVM to value of \$HOME
user.name	user account name	set by JVM to the account name under which the CICS job is running
java.version	1.1.6	set by JVM
java.vendor	IBM Corporation	set by JVM
java.vendor.url	http://www.ibm.com/	set by JVM
java.home	JAVA_HOME	set from value of JAVA_HOME in SDFHENV
java.class.version	45.3	set by JVM
java.class.path	CLASSPATH	set from value of CLASSPATH in SDFHENV
os.name	OS/390	set by JVM
os.arch	390	set by JVM



Table 9. CICS JVM property values (continued)

System property	Value	Source
os.version	5	set by JVM
file.separator	/	set by JVM
path.separator	:	set by JVM
line.separator		set by JVM

**Note:** Where the source of a value is SDFHENV, the initial setting in SDFHENV may be overridden by the user replaceable module DFHJVMAT, and it is this value that will be used.

---

## Using the Abstract Windows Toolkit (AWT) classes

Operation of a JVM inside CICS under its own J8 TCB allows you full use of the Java classes. This includes use of the Abstract Windows Toolkit (AWT) classes. There are at least two ways a JVM program can use the AWT classes directly and have windows presentation logic output on a workstation. One is to use the X-windows capability of OS/390 UNIX System Services and TCPIP, the other is to use a pure Java solution called Remote Abstract Window Toolkit for Java.

### Remote Abstract Windows Toolkit

The Remote Abstract Window Toolkit for Java is an implementation of AWT for Java that allows any Java application running on one host to display its GUI components on a remote host, and to receive all the events that are posted to its component in the remote host. It allows Java applications to run unchanged in a Client/Server mode.

Remote AWT for Java implements all AWT APIs without using any native code, in a client-server manner that is transparent to the Java application. The host that executes the AWT APIs is not required to use graphics; all graphics services are provided by using Remote AWT for Java to a remote host.

The remote presentation and event posting are transparent to the application. This means that any Java application that runs with native AWT on a single host, will run in the same way with Remote AWT for Java, without making any modification. Thus, Remote AWT can be used as a CICS solution.

### Using Remote AWT with CICS

To use the remote AWT with a JVM program in CICS, you will need to perform the following steps:

- Install the Remote AWT server code on the "remote host", that is, the workstation where the windows output is to be displayed. This is a reversal of the traditional client-server model, in that the JVM within CICS is the client, and the remote workstation is the server. The remote AWT server code running in the workstation is Java code running in a JVM. This could be in a Java enabled Web Browser. You can choose the port number to be used for communication with the host.
- Install the Remote AWT client code on the System/390<sup>®</sup> host so that it can be used by the JVM within CICS. Once installed, the directories containing the Remote AWT Client classes must be added to the CLASSPATH environment

variable in SDFHENV. Note that the directories containing the Remote AWT classes must be **before** the JDK classes, because the Remote AWT classes replace some of the standard AWT classes.

- Make the JVM use AWT by setting the following Java system properties:
  - Set `awt.toolkit` to `com.ibm.rawt.client.CToolkit`
  - Set `JdkVersion` to the level of JDK in use on the client
  - Set `RmtAwtServer` to the IP address of the remote server and the port number used by the server

You can use the EXEC CICS INQUIRE WEB commands to find the workstation IP address, and can use a constant port number across workstations, hard coded according to installation standards.

## Part 3. Application design

<b>Chapter 12. Designing efficient applications</b> . . .	119	Send only changed fields to an existing screen . . . . .	145
Program structure . . . . .	119	Design data entry operations to reduce line traffic . . . . .	145
Program size . . . . .	120	Compress data sent to the screen . . . . .	145
Choosing between pseudoconversational and conversational design. . . . .	120	Use nulls instead of blanks . . . . .	146
General programming techniques . . . . .	123	Use methods that avoid the need for nulls or blanks . . . . .	146
Virtual storage . . . . .	123	Page-building and routing operations . . . . .	146
Reducing paging effects . . . . .	124	Sending multipage output . . . . .	146
Locality of reference . . . . .	124	Sending messages to destinations other than the input terminal . . . . .	147
Working set . . . . .	125	Sending pages built from multiple maps . . . . .	148
Reference set . . . . .	125	Using the BMS page-copy facility. . . . .	148
Exclusive control of resources . . . . .	126	Requests for printed output . . . . .	148
Processor usage . . . . .	127	Additional terminal control considerations . . . . .	148
Recovery design implications . . . . .	127	Use only one physical SEND command per screen . . . . .	148
Terminal interruptibility . . . . .	128	On BTAM, avoid the WAIT option on a SEND command . . . . .	149
Operational control . . . . .	129	Use the CONVERSE command . . . . .	149
Operating system waits . . . . .	129	Limit the use of message integrity options . . . . .	149
Runaway tasks . . . . .	129	Avoid using the DEFRESP option on SEND commands . . . . .	149
Auxiliary trace . . . . .	130	Avoid using unnecessary transactions . . . . .	149
The NOSUSPEND option . . . . .	130	Send unformatted data without maps . . . . .	149
Multithreading . . . . .	131	<b>Chapter 13. Sharing data across transactions</b> . . . . .	151
Quasi-reentrant application programs . . . . .	131	Common work area (CWA). . . . .	151
Threadsafe programs . . . . .	132	Protecting the CWA . . . . .	151
Non-reentrant programs . . . . .	133	TCTTE user area (TCTUA) . . . . .	154
Storing data within a transaction . . . . .	134	COMMAREA in RETURN commands . . . . .	155
Transaction work area (TWA) . . . . .	134	Display screen . . . . .	155
User storage . . . . .	134	<b>Chapter 14. Affinity</b> . . . . .	157
COMMAREA in LINK and XCTL commands . . . . .	135	What is affinity? . . . . .	157
Program storage . . . . .	136	Types of affinity . . . . .	158
Lengths of areas passed to CICS commands . . . . .	136	Inter-transaction affinity . . . . .	158
LENGTH options . . . . .	136	Transaction-system affinity . . . . .	158
Journal records . . . . .	136	Techniques used by CICS application programs to pass data . . . . .	159
Data set definitions . . . . .	136	Safe techniques . . . . .	159
Recommendation . . . . .	137	Unsafe techniques . . . . .	159
Temporary storage . . . . .	137	Suspect techniques . . . . .	160
Intrapartition transient data . . . . .	138	Safe programming techniques . . . . .	160
GETMAIN SHARED command . . . . .	139	The COMMAREA . . . . .	160
Your own data sets . . . . .	139	The TCTUA . . . . .	161
Data operations . . . . .	140	Using the TCTUA in an unsafe way . . . . .	162
Database operations . . . . .	140	Using ENQ and DEQ commands with ENQMODEL resource definitions. . . . .	163
Data set operations . . . . .	140	Overview of sysplex enqueue and dequeue . . . . .	163
VSAM data sets . . . . .	140	Benefits . . . . .	164
BDAM data sets . . . . .	141	BTS containers . . . . .	164
Browsing (in non-RLS mode) . . . . .	142	Unsafe programming techniques . . . . .	165
Logging . . . . .	142	Using the common work area . . . . .	165
Sequential data set access . . . . .	142	Using GETMAIN SHARED storage . . . . .	166
Terminal operations . . . . .	143		
Length of the data stream sent to the terminal . . . . .	143		
Basic mapping support considerations . . . . .	143		
Avoid turning on modified data tags (MDTs) unnecessarily . . . . .	143		
Use FRSET to reduce inbound traffic . . . . .	144		
Do not send blank fields to the screen . . . . .	144		
Address CICS areas correctly . . . . .	144		
Use the MAPONLY option when possible . . . . .	145		

Using the LOAD PROGRAM HOLD command	166
Sharing task-lifetime storage	168
Using the WAIT EVENT command	169
Using ENQ and DEQ commands without ENQMODEL resource definitions.	170
Suspect programming techniques.	171
Using temporary storage	171
Naming conventions for remote queues	173
Exception conditions for globally accessible queues	174
Using transient data	174
Exception conditions for globally accessible queues	175
Using the RETRIEVE WAIT and START commands	175
Using the START and CANCEL REQID commands	177
Using the DELAY and CANCEL REQID commands	178
Using the POST and CANCEL REQID commands	180
Detecting inter-transaction affinities	181
Inter-transaction affinities caused by application generators	181
Duration and scope of inter-transaction affinities	182
Affinity transaction groups	182
Relations and lifetimes	182
The global relation	183
The LUsername (terminal) relation	184
The userid relation	185
The BAPPL relation	186
Recommendations	188
<b>Chapter 15. Using CICS documents</b>	189
The DOCUMENT application programming interface	189
Creating a document	189
The BINARY parameter	189
The TEXT parameter	189
Inserting one document into another	190
Using document templates	190
Programming with documents	190
Setting symbol values	190
Embedded template commands	191
Using templates in your application	193
The lifespan of a document	193
Retrieving the document without control information	194
Using multiple calls to construct a document	195
Bookmarks and inserting data	196
Replacing data in the document	196
Codepages and codepage conversion	197
<b>Chapter 16. Using named counter servers</b>	199
Overview	199
The named counter fields	199
Named counter pools	200
Named counter options table	200
The named counter API commands	201
The named counter CALL interface	203

<b>Chapter 17. Intercommunication considerations</b>	205
Design considerations	205
Programming language	206
Transaction routing	206
Function shipping	206
Distributed program link (DPL)	207
Using the distributed program link function	208
Examples of distributed program link	210
Programming considerations for distributed program link	215
Issuing multiple distributed program links from the same client task	215
Sharing resources between client and server programs	215
Mixing DPL and function shipping to the same CICS system	215
Mixing DPL and DTP to the same CICS system	216
Restricting a program to the distributed program link subset	216
Determining how a program was invoked	216
Accessing user-related information with the ASSIGN command	216
Exception conditions for LINK command	217
Asynchronous processing	219
Distributed transaction processing (DTP)	219
Common Programming Interface Communications (CPI Communications)	219
External CICS interface (EXCI)	220
<b>Chapter 18. Recovery considerations</b>	223
Journaling	223
Journal records	223
Journal output synchronization	223
Syncpointing	225
<b>Chapter 19. Minimizing errors</b>	229
Protecting CICS from application errors	229
Testing applications	229
<b>Chapter 20. Dealing with exception conditions</b>	231
Default CICS exception handling	231
Handling exception conditions by in-line code	232
How to use the RESP and RESP2 options	232
Use of RESP and DFHRESP in COBOL and PL/I	232
Use of RESP and DFHRESP in C and C++	233
Use of DFHRESP in assembler	233
An example of exception handling in C	233
An example of exception handling in COBOL	234
Modifying the default CICS exception handling	235
Use of HANDLE CONDITION command	237
Use of the HANDLE CONDITION ERROR command	237
How to use the IGNORE CONDITION command	238
Use of the HANDLE ABEND command	239
RESP and NOHANDLE options	240
How CICS keeps track of what to do	240
How to use PUSH HANDLE and POP HANDLE commands	241

<b>Chapter 21. Access to system information.</b>	. . . 243
System programming commands . . . . .	. . . 243
EXEC interface block (EIB) . . . . .	. . . 243
<b>Chapter 22. Abnormal termination recovery</b>	. . . 245
Creating a program-level abend exit. . . . .	. . . 246
Restrictions on retrying operations . . . . .	. . . 247
Trace . . . . .	. . . 248
Trace entry points . . . . .	. . . 249
System trace entry points . . . . .	. . . 249
User trace entry points . . . . .	. . . 249
Exception trace entry points . . . . .	. . . 249
User exception trace entry points. . . . .	. . . 249
Monitoring . . . . .	. . . 250
Dump. . . . .	. . . 250



---

## Chapter 12. Designing efficient applications

In this chapter, design changes are suggested that can improve performance and efficiency without much change to the application program itself.

- “Program structure”
- “General programming techniques” on page 123
- “Storing data within a transaction” on page 134
- “Lengths of areas passed to CICS commands” on page 136
- “EXEC interface stubs” on page 19
- “Data operations” on page 140
- “Terminal operations” on page 143

Other aspects of application design (such as productivity, readability of the code, usability, standards, and the effort involved) are not discussed but you should always try to consider these when deciding what to improve, and how to improve it. In order of priority, you should think about:

1. Application and system design
2. Task design
3. Program design
4. Program coding

If you have a performance problem that applies in a particular situation, try to isolate the changes you make so that their effects apply only in that situation. After fixing the problem and testing the changes, use them in your most commonly-used programs and transactions, where the effects on performance are most noticeable.

---

### Program structure

Two main aspects of design you should consider are:

- Program size
- Whether to write conversational or pseudoconversational applications

The original versions of CICS ran on machines without virtual storage. Storage sizes were generally very small by current standards and consequently, storage was almost always the critical resource. As a result, CICS programmers were encouraged to keep everything as small as possible: programs, data areas, GETMAIN commands, and so on. Programs were loaded on demand, and one copy of the program was shared among all concurrent users.

With the virtual storage concept and the trend toward much larger and less expensive storage, this constraint on storage eased somewhat. Virtual storage seemed almost unlimited at first, although there was still often a shortage of the underlying real storage. Eventually, CICS systems grew so much in volume and complexity that even virtual storage became a constraint, but the trade-off of storage resources against others definitely shifted during this time. Whereas extensive programming efforts and long instruction sequences would once have been invested to save even a modest amount of storage, now both CICS as a system, and the application programmers using it, are willing to trade some storage for processor savings and additional function. Some indications of this are:

- Many programs that are now kept resident in virtual storage, rather than being loaded on demand.
- There is much more extensive use of high-level programming languages.

- The EXEC CICS interface, which requires larger control blocks than the macro interface, but saves enormously in programming effort.

## Program size

The early emphasis on small programs led CICS programmers to break up programs into units that were as small as possible, and to transfer control using the XCTL command, or link using the LINK command, between them. In current systems, however, it is not always better to break up programs into such small units, because there is CICS processing overhead for each transfer and, for LINK commands, there is also storage overhead for the register save areas (RSAs).

For modestly-sized blocks of code that are processed sequentially, inline code is most efficient. The exceptions to this rule are blocks of code that are:

- Fairly long and used independently at several different points in the application
- Subject to frequent change (in which case, you balance the overhead of LINK or XCTL commands with ease of maintenance)
- Infrequently used, such as error recovery logic and code to handle uncommon data combinations

If you have a block of code that for one of these reasons, has to be written as a subroutine, the best way of dealing with this from a performance viewpoint is to use a closed subroutine within the invoking program (for example, code that is dealt with by a PERFORM command in COBOL). If it is needed by other programs, it should be a separate program. A separate program can be called, with a CALL statement (macro), or it can be kept separate and processed using an XCTL or a LINK command. Execution overhead is least for a CALL, because no CICS services are invoked; for example, the working storage of the program being called is *not* copied. A called program, however, must be linked into the calling one and so cannot be shared by other programs that need it unless you use special COBOL, C/370, or PL/I facilities. A called subroutine is loaded as part of each program that CALLs it and hence uses more storage. Thus, subsequent transactions using the program may or may not have the changes in the working storage made to the called program. This depends entirely on whether CICS has loaded a new copy of the program into storage.

Overhead (but also flexibility) is highest with the XCTL and LINK commands. Both processor and storage requirements are much greater for a LINK command than for an XCTL command. Therefore, if the invoking program does not need to have control returned to it after the invoked program is processed, it should use an XCTL command. The load module resulting from any application program can occupy up to 16MB of main storage, although this is not recommended. You may get an abend code of APCG if your program occupies all the available storage in the dynamic storage area (DSA).

## Choosing between pseudoconversational and conversational design

In a **conversational** transaction, the length of time spent in processing each of a user's responses is extremely short when compared to the amount of time waiting for the input. A conversational transaction is one that involves more than one input from the terminal, so that the transaction and the user enter into a conversation. A **nonconversational** transaction has only one input (the one that causes the transaction to be invoked). It processes that input, responds to the terminal and terminates.



Processor speeds, even allowing for accessing data sets, are considerably faster than terminal transmission times, which are considerably faster than user response times. This is especially true if users have to think about the entry or have to enter many characters of input. Consequently, conversational transactions tie up storage and other resources for much longer than nonconversational transactions.

A **pseudoconversational** transaction sequence contains a series of nonconversational transactions that look to the user like a single conversational transaction involving several screens of input. Each transaction in the sequence handles one input, sends back the response, and terminates.

Before a pseudoconversational transaction terminates, it can pass data forward to be used by the next transaction initiated from the same terminal, whenever that transaction arrives. A pseudoconversational transaction can specify what the next transaction is to be, and it does this by setting the transaction identifier of the transaction that handles the next input. However, you should be aware that if another transaction is started for that device, it may interrupt the pseudoconversational chain you have designed.

No transaction exists for the terminal from the time a response is written until the user sends the next input and CICS starts the next transaction to respond to it. Information that would normally be stored in the program between inputs is passed from one transaction in the sequence to the next using the COMMAREA or one of the other facilities that CICS provides for this purpose. (See “Chapter 13. Sharing data across transactions” on page 151 for details.)

There are two major issues to consider in choosing between conversational and pseudoconversational programming.

- The effect of the transaction on **contention** resources, such as storage and processor usage. Storage is required for control blocks, data areas, and programs that make up a transaction, and the processor is required to start, process, and terminate tasks. Conversational programs have a **very** high impact on storage, because they last so long, relative to the sum of the transactions that make up an equivalent pseudoconversational sequence. However, there is less processor overhead, because only one transaction is initiated instead of one for every input.
- The effect on **exclusive-use** resources, such as records in recoverable data sets, recoverable transient data queues, enqueue items, and so on. Again, a conversational transaction holds on to these resources for much longer than the corresponding sequence of nonconversational transactions. From this point of view, pseudoconversational transactions are better for quick responses, but recovery and integrity implications may mean that you prefer to use conversational transactions.

CICS ensures that changes to recoverable resources (such as data sets, transient data, and temporary storage) made by a unit of work (UOW) are made completely or not at all. A UOW is equivalent to a transaction, unless that transaction issues SYNCPOINT commands, in which case a UOW lasts between syncpoints. For a more detailed description of syncpoints and UOWs, see the *CICS Recovery and Restart Guide*.

When a transaction makes a change to a recoverable resource, CICS makes that resource unavailable to any other transaction that wants to change it until the

original transaction has completed. In the case of a conversational transaction, the resources in question may be unavailable to other terminals for relatively long periods.

For example, if one user tries to update a particular record in a recoverable data set, and another user tries to do so before the first one finishes, the second user's transaction is suspended. This has advantages and disadvantages. You would not want the second user to begin updating the record while the first user is changing it, because one of them is working from what is about to become an obsolete version of the record, and these changes erase the other user's changes. On the other hand, you also do not want the second user to experience the long, unexplained wait that occurs when that transaction attempts to READ for UPDATE the record that is being changed.

If you use pseudoconversational transactions, however, the resources are only very briefly unavailable (that is, during the short component transactions). However, unless all recoverable resources can be updated in just one of these transactions, recovery is impossible because UOWs cannot extend across transactions. So, if you cannot isolate updates to recoverable resources in this way, you must use conversational transactions.

The previous example poses a further problem for pseudoconversational transactions. Although you could confine all updating to the final transaction of the sequence, there is nothing to prevent a second user from beginning an update transaction against the same record while the first user is still entering changes. This means that you need additional application logic to ensure integrity. You can use some form of enqueueing, or you can have the transaction compare the original version of the record with the current version before actually applying the update.

You should be aware of one further difference between conversational and pseudoconversational transactions. After a user begins a conversational transaction, no messages can be delivered to that user's terminal from any source except the transaction being processed. Broadcast messages, and messages sent by other transactions, are not displayed until the conversational transaction has ended. In a pseudoconversational sequence, however, such messages are delivered as soon as no transaction is running for that user's terminal, which may be immediately after any screen in the sequence. This has advantages and disadvantages. You may find it a problem if you are not able to send messages to users immediately; for example, if you have to shut down the system at an unscheduled time. However, users of pseudoconversational transactions may find it annoying to have a data entry screen overlaid by a message. The unexpected change in the screen may even cause the next transaction in the sequence to fail. If this seems likely, you should design your transaction screens so that messages can only occur in a specific area.

There are factors other than performance overhead to consider when choosing between pseudoconversational and conversational design for CICS applications. The method you choose can affect how you write the application programs. You may need extra CICS requests for pseudoconversations, particularly if you are updating recoverable files. After you have done this, however, operational control (performance monitoring, capacity planning, recovery, system shutdown, and distributing system messages) may be much easier.

---

## General programming techniques

To know how programming techniques can affect the performance and efficiency of the CICS system, it is necessary to understand a little about the environment in which CICS operates. Here the following factors are considered:

- Virtual storage
- Reducing paging effects
- Exclusive control of resources
- Processor usage
- Recovery design implications
- Terminal interruptibility
- Operational control
- Operating system waits
- Runaway tasks
- Auxiliary trace
- NOSUSPEND option
- Multithreading

### Virtual storage

A truly conversational CICS task is one that converses with the terminal user for several or many interactions, by issuing a terminal read request after each write (for example, using either a SEND command followed by a RECEIVE command, or a CONVERSE command). This means that the task spends most of its extended life waiting for the next input from the terminal user.

Any CICS task requires some virtual storage throughout its life and, in a conversational task, some of this virtual storage is carried over the periods when the task is waiting for terminal I/O. The storage areas involved include the TCA and associated task control blocks (including EIS or EIB, JCA, and LLA—if used) and the storage required for all programs that are in use when any terminal read request is issued. Also included are the work areas (such as copies of COBOL working storage) associated with this task's use of those programs.

With careful design, you can sometimes arrange for only one very small program to be retained during the period of the conversation. The storage needed could be shared by other users. You must multiply the rest of the virtual storage requirement by the number of concurrent conversational sessions using that code.

By contrast, a pseudoconversational sequence of tasks requires almost all of its virtual storage only for the period actually spent processing message pairs. Typically, this takes a period of 1—3 seconds in each minute (the rest being time waiting for operator input). The overall requirement for multiple concurrent users is thus perhaps five percent of that needed for conversational tasks. However, you should allow for data areas that are passed from each task to the next. This may be a COMMAREA of a few bytes or a large area of temporary storage. If it is the latter, you are normally recommended to use temporary storage on disk rather than in main storage, but that means adding extra temporary storage I/O overhead in a pseudoconversational setup, which you do not need with conversational processing.

The extra virtual storage you need for conversational applications usually means that you need a correspondingly greater amount of real storage. The paging you need to control storage involves additional overhead and virtual storage. The

adverse effects of paging increase as transaction rates go up, and so you should minimize its use as much as possible. See Reducing paging effects for information about doing so.

## Reducing paging effects

Reducing paging effects is a technique used by CICS in a virtual-storage environment. The key objective of programming in this environment is the reduction of page faults. A page fault occurs when a program refers to instructions or data that do not reside in real storage, in which case the page in virtual storage that contains the instructions or data referred to must be paged into real storage. The more paging required, the lower the overall system performance.

Although an application program may be able to communicate directly with the operating system, the results of such action are unpredictable and can degrade performance.

An understanding of the following terms is necessary for writing application programs to be run in a virtual-storage environment:

### Locality of reference

The consistent reference, during the execution of the application program, to instructions and data within a relatively small number of pages (compared to the total number of pages in a program) for relatively long periods.

### Working set

The number and combination of pages of a program needed during a given period.

### Reference set

Direct reference to the required pages, without intermediate storage references that retrieve useless data.

### Locality of reference

Keep the instructions processed and data used in a program within a relatively small number of pages (4096-byte segments). This quality in a program is known as “locality of reference”. You can do this by:

- Making the execution of the program as linear as possible.
- Keeping any subroutines you use in the normal execution sequence as close as possible to the code that invokes them.
- Placing code inline, even if you have to repeat it, if you have a short subroutine that is called from only a small number of places.
- Separating error-handling and other infrequently processed code from the main flow of the program.
- Separating data used by such code from data used in normal execution.
- Defining data items (especially arrays and other large structures) in the order in which they are referred to.
- Defining the elements within a data structure in the approximate order in which they are referred to. For example, in PL/I, all the elements of one row are stored, then the next row, and so on. You should define an array so that you can process it by row rather than by column.
- Initializing data as close as possible to where it is first used.
- Avoiding COBOL variable MOVE operations because these expand into subroutine calls.

- Issuing as few GETMAIN commands as possible. It is generally better for the program to add up its requirements and do one GETMAIN command than to do several smaller ones, unless the durations of these requirements vary greatly.
- Avoiding use of the INITIMG option on a GETMAIN command, if possible. It causes an immediate page reference to the storage that is obtained, which might otherwise not occur until much later in the program, when there are other references to the same area.

**Note:** Some of the suggestions above may conflict with your installation's programming standards if these are aimed at the readability and maintainability of the code, rather than speed of execution in a virtual-storage environment. Some structured programming methods, in particular modular programming techniques, make extensive use of the PERFORM command in COBOL (and the equivalent programming techniques in C/370, PL/I, and assembler language) to make the structure of the program clear. This may also result in more exceptions to sequential processing than are found in a nonstructured program. Nevertheless, the much greater productivity associated with structured code may be worth the possible loss of locality of reference.

### Working set

The working set is the number and combination of pages of a program needed during a given period. To minimize the size of the working set, the amount of storage that a program refers to in a given period should be as small as possible. You can do this by:

- Writing modular programs and structuring the modules according to frequency and anticipated time of reference. Do not modularize merely for the sake of size; consider duplicate code inline as opposed to subroutines or separate modules.
- Using separate subprograms whenever the flow of the program suggests that execution is not be sequential.
- Not tying up main storage awaiting a reply from a terminal user.
- Using command-level file control locate-mode input/output rather than move-mode. Use of multiple temporary storage queues is restricted. For programming information about temporary storage restrictions when using locate-mode input/output with the SET option, see the in commands, see the *CICS Application Programming Reference* manual.
- In COBOL programs, specifying constants as literals in the PROCEDURE DIVISION, rather than as data variables in the WORKING STORAGE section.
- In C, C++, and PL/I programs, using static storage for constant data.
- Avoiding the use of LINK commands where possible, because they generate requests for main storage.

### Reference set

Try to keep the overall number of pages that a program uses during normal operation as small as possible. These pages are termed the **reference set**, and they give an indication of the real storage requirement of the program. You can reduce the reference set by:

- Specifying constants in COBOL programs as literals in the PROCEDURE DIVISION, rather than as data variables in the WORKING STORAGE SECTION. The reason for this is that there is a separate copy of working storage for every task executing the program, whereas literals are considered part of the program itself, of which only one copy is used in CICS.
- Using static storage in C, C++, and PL/I for data that is genuinely constant, for the same reason as in the previous point.

- Reusing data areas in the program as much as possible. You can do this with the REDEFINES clause in COBOL, the union clause in C and C++, based storage in PL/I, and ORG or equivalents in assembler language. In particular, if you have a map set that uses only one map at a time, code the DFHMSD map set definition without specifying either the STORAGE=AUTO or the BASE operand. This allows the maps in the map set to redefine one another.
- Using the COBOL RES option. COBOL subroutines coded with this option are not link-edited into the calling program, but instead are loaded on their first use. They can then be shared by any other COBOL program requiring them.
- Using the PL/I shared library (PLISHRE) for such subroutines.

Refer to data directly by:

- Avoiding long searches for data in tables
- Using data structures that can be addressed directly, such as arrays, rather than structures that must be searched, such as chains
- Avoiding methods that simulate indirect addressing

No attempt should be made to use overlays (paging techniques) in an application program. System paging is provided automatically and has superior performance. The design of an application program for a virtual-storage environment is similar to that for a real environment. The system should have all modules resident so that code on pages not referred to need not be paged in.

If the program is dynamic, the entire program must be loaded across adjacent pages before execution begins. Dynamic programs can be purged from storage if they are not being used and an unsatisfied storage request exists. Allowing sufficient dynamic area to prevent purging is more expensive than making them resident, because a dynamic program does not share unused space on a page with another program.

## Exclusive control of resources

The very fundamental and powerful recovery facilities that CICS provides have performance implications. CICS serializes updates to recoverable resources so that if a transaction fails, its changes to those resources can be backed out independently of those made by any other transaction. Consequently, a transaction updating a recoverable resource gets control of that resource until it terminates or indicates that it wants to commit those changes with a SYNCPOINT command. Other transactions requiring the same resource must wait until the first transaction finishes with it.

The primary resources that produce these locking delays are data sets, DL/I databases, temporary storage, and transient data queues. The unit where protection is based is the individual record (key) for data sets, the program specification block (PSB) for DL/I databases, and the queue name for temporary storage. For transient data, the “read” end of the queue is considered a separate resource from the “write” end (that is, one transaction can read from a queue while another is writing to it).

To reduce transaction delays from contention for resource ownership, the length of time between the claiming of the resource and its release (the end of the UOW) should be minimized. In particular, conversational transactions should not own a critical resource across a terminal read.

**Note:** Even for nonrecoverable data sets, VSAM prevents two transactions from reading the same record for update at the same time. This enqueue ends as soon as the update is complete, however, rather than at the end of the UOW. Even this protection for a BDAM data set, can be relinquished by defining them with “no exclusive control” (SERVREQ=NOEXCTL) in the file control table.

This protection scheme can also produce deadlocks as well as delays, unless specific conventions are observed. If two transactions update more than one recoverable resource, they should always update the resources in the same order. If they each update two data sets, for example, data set “A” should be updated before data set “B” in all transactions. Similarly, if transactions update several records in a single data set, they should always do so in some predictable order (low key to high, or conversely). You might also consider including the TOKEN keyword with each READ UPDATE command. See “The TOKEN option” on page 275 for information about the TOKEN keyword. Transient data, temporary storage, and user journals must be included among such resources. The *CICS Recovery and Restart Guide* contains further information on the extent of resource protection.

It may be appropriate here to note the difference between CICS data sets on a VSAM control interval, and VSAM internal locks on the data set. Because CICS has no information about VSAM enqueue, a SHARE OPTION 4 control interval that is updated simultaneously from batch and CICS can result in, at best, reduced performance and, at worst, an undetectable deadlock situation between batch and CICS. You should avoid such simultaneous updates between batch and CICS. In any case, if a data set is updated by both batch and CICS, CICS is unable to ensure data integrity.

## Processor usage

Pseudoconversational tasks require a new task to be created to process each message-pair, and to be deleted when that task has finished. The additional processor usage that this requires is also known as the ATTACH/DETACH overhead. These may include the cost of initializing a new work area for the program that is first entered. (In a conversational task, this area is retained permanently, as already mentioned.)

There may also be extra processor overhead because of extra requests needed to retrieve data passed from the previous task of the pseudoconversation, and possibly to pass data to the next task.

## Recovery design implications

Many applications require a succession of interactions with the user to get all the data needed to create a file record. For example, creating an order involves header information such as customer number, date created, and date required.

Some installations may require that only complete orders are entered on the file. A conversational application might create a partial order record and then update it in stages, as the terminal operator enters items. If all the updates are to be committed and backed out together, this means retaining the protective enqueues on records throughout the conversation until the order is complete. You may need to protect both the current order being entered and the stock records that have been decreased by the number of items ordered. Thus, a whole series of enqueues could be carried forward through the conversation for several minutes, and any other

user making a conflicting request might wait without warning until the end of the order. This also means that ENQ areas are held in virtual storage for this time.

If you are also using IMS™, you must keep the PSB in question scheduled from just before the first insert or get update request until the end of the order to keep the ENQs. This is a fairly large control block, and it is associated with others that manage a thread into IMS. To allow multiple conversational users to do a long series of updates would mean a very large allocation of threads into IMS (the maximum is 255), and a lot of virtual storage for the control blocks.

Lastly, if the conversation went on to another order, presumably a syncpoint would be taken to commit the previous one. This could affect the ability of the program to restart after an IMS deadlockabend. (The DFHREST module would need to be modified to get over this possibility, so that it can be restarted even though an intervening syncpoint has occurred.)

In a pseudoconversational implementation, the above approach is quite impossible because updates on one task are committed independently of any other. Therefore, an order that must be complete “in one piece” must be created by just one task. However many interactions it takes to get all the necessary input, the final task has to be the one that creates the order. Data supplied earlier in the conversation must be saved somewhere between transactions—usually in temporary storage on disk. That is, you must incur extra overhead in input/output to temporary storage while the order is built up.

If the operator is taking orders over the telephone, with no written backup material on paper, the TS data itself should be made recoverable to avoid the remote client having to dictate the order over again.

To summarize the issue: recovery places separate design constraints on *both* implementations, but the performance cost of the pseudoconversational approach is usually more acceptable.

## Terminal interruptibility

When a conversational task is running, CICS allows nothing else to send messages to that task's terminal. This has advantages and disadvantages. The advantage is that unexpected messages (for example, broadcasts) cannot interrupt the user-machine dialogue and, worse, corrupt the formatted screen. The disadvantage is that the end user cannot then be informed of important information, such as the intention of the control operator to shut down CICS after 10 minutes. More importantly, the unwitting failure of the end user to terminate the conversation may in fact prevent or delay a normal CICS shutdown.

Pseudoconversational applications can allow messages to come through between message pairs of a conversation. This means that notices like shutdown warnings can be delivered. This might disturb the display screen contents, and can sometimes interfere with transaction sequences controlled by the RETURN command with the TRANSID option. However, this can be prevented by forcing the terminal into NOATI status during the middle of a linked sequence of interactions (like building one order in the example above), or by judiciously allowing space at the top or bottom of the screen for use by any message being sent to the screen. The ERRATT option is useful here, but does not control *all* messages generated by CICS.



The main problem is that CICS shutdown could occur in mid sequence—in our example, when an order is only partly built. This is because CICS cannot distinguish between the last CICS task of a user transaction and any other. You can guard against this by ensuring that users are warned of any intended shutdown sufficiently far in advance, so they do not start work that they might not complete in time.

## Operational control

The CICS system initialization parameter MXT specifies the maximum number of user tasks that can exist in a CICS system at the same time. MXT is invaluable for avoiding short-on-storage (SOS) conditions and for controlling contention for resources in CICS systems. It works by delaying the creation of user tasks to process input messages, if there are already too many activities in the CICS system. In particular, the virtual storage occupied by a message awaiting processing is usually much less than that needed for the task to process it, so you save virtual storage by delaying the processing of the message until you can do so quickly.

Transaction classes are useful in limiting the number of tasks of a particular user-defined type, or class, if these are heavy resource users.

To summarize, although conversational tasks may be easier to write, they have serious disadvantages—both in performance (especially the need for virtual storage) and in their effect on the overall operability of the CICS systems containing them. Processors are now larger, with more real storage and more power than in the past, and this makes conversational tasks less painful in small amounts; but if you use conversational applications, you may rapidly run into virtual storage constraint. If you run application programs above the line, you will probably encounter ENQ problems before running into virtual storage constraints.

## Operating system waits

You should avoid using facilities that cause operating system waits. All CICS activity stops when one of these waits occurs, and all transactions suffer response delays. The chief sources of such waits are:

- Extrapartition transient data sets. (See “Sequential data set access” on page 142.)
- Those COBOL, C, C++, and PL/I language facilities that you should not use in CICS programs and for which CICS generally provides alternative facilities. For guidance information about the language restrictions, see “Chapter 2. Programming in COBOL” on page 23, “Chapter 3. Programming in C and C++” on page 45, and “Chapter 4. Programming in PL/I” on page 53.
- SVCs and assembler language macros that invoke operating system services, such as write-to-operator (WTO).

## Runaway tasks

CICS only resets a task’s runaway time (ICVR) when a task is suspended. An EXEC CICS command cannot be guaranteed to cause a task to suspend during processing because of the unique nature of each CICS implementation. The runaway time may be exceeded causing a task to abend AICA. This abend can be prevented by coding an EXEC CICS SUSPEND command in the application. This causes the dispatcher to suspend the task that issued the request and allow any task of higher priority to run. If there is no task ready to run, the program that issued the suspend is resumed. For further information about abend AICA, see the *CICS Problem Determination Guide*.

## Auxiliary trace

Use auxiliary trace to review your application programs. For example, it can show up any obviously unnecessary code, such as a data set browse from the beginning of a data set instead of after a SETL, too many or too large GETMAIN commands, failure to release storage when it is no longer needed, unintentional logic loops, and failure to unlock records held for exclusive control that are no longer needed.

## The NOSUSPEND option

The default action for the ENQBUSY, NOJBUFSP, NOSPACE, NOSTG, QBUSY, SESSBUSY, and SYSBUSY conditions is to suspend the execution of the application until the required resource (for example, storage) becomes available, and then resume processing the command. The commands that can give rise to these conditions are: ALLOCATE, ENQ, GETMAIN, WRITE JOURNALNAME, WRITE JOURNALNUM, READQ TD, and WRITEQ TS.

On these commands, you can use the NOSUSPEND option (also known as the NOQUEUE option in the case of the ALLOCATE command) to inhibit this waiting and cause an immediate return to the instruction in the application program following the command.

CICS maintains a table of conditions referred to by the HANDLE CONDITION and IGNORE CONDITION commands in a COBOL application program<sup>2</sup>. Execution of these commands either updates the existing entry, or causes a new entry to be made if the condition has not yet been the subject of such a command. Each entry indicates one of the three states described below:

- A label is currently specified, as follows:  
HANDLE CONDITION condition(label)
- The condition is to be ignored, as follows:  
IGNORE CONDITION
- No label is currently specified, as follows:  
HANDLE CONDITION

When the condition occurs, the following tests are made:

1. If the command has the NOHANDLE or RESP option, control returns to the next instruction in the application program. Otherwise, the condition table is scanned to see what to do.
2. If an entry for the condition exists, this determines the action.
3. If no entry exists and the default action for this condition is to suspend execution:
  - If the command has the NOSUSPEND or NOQUEUE option, control returns to the next instruction.
  - If the command does not have one of these options, the task is suspended.
4. If no entry exists and the default action for this condition is to abend, a second search is made looking for the ERROR condition:
  - If found, this entry determines the action.
  - If ERROR is searched for and not found, the task is abended.

For programming information about the use of the NOSUSPEND option, see the *CICS Application Programming Reference* manual.

---

2. HANDLE CONDITION and IGNORE CONDITION commands are not supported for C and C++ programs.

## Multithreading

Multithreading is a technique that allows a single copy of an application program to be processed by several transactions concurrently. For example, one transaction may begin to execute an application program. When an EXEC CICS command is reached, causing a CICS WAIT and call to the dispatcher, another transaction may then execute the same copy of the application program. (Compare this with single-threading, which is the execution of a program to completion: processing of the program by one transaction is completed before another transaction can use it.)

Multithreading requires that all CICS application programs be reentrant; that is, they must be serially reusable between entry and exit points. CICS application programs using the EXEC CICS interface obey this rule automatically. For COBOL, C, and C++ programs, reentrancy is ensured by a fresh copy of working storage being obtained each time the program is invoked. You should always use the RENT option on the compile or pre-link utility even for C and C++ programs that do not have writable statics and are naturally reentrant. Temporary variables and DFHEPTR fields inserted by the CICS translator are usually defined as writable static variables and require the RENT option. For these programs to stay reentrant, variable data should not appear as static storage in PL/I, or as a DC in the program CSECT in assembler language.

As well as requiring that your application programs are compiled and link-edited as reentrant, CICS also identifies programs as being either quasi-reentrant or threadsafe. These attributes are discussed in the following sections.

### Quasi-reentrant application programs

CICS runs user programs under a CICS-managed task control block (TCB). If your programs are defined as quasi-reentrant (on the CONCURRENCY attribute of the program resource definition), CICS always invokes them under the CICS quasi-reentrant (QR) TCB. The requirements for a quasi-reentrant program in a multithreading context are less stringent than if the program were to execute concurrently on multiple TCBs.

CICS requires that an application program is reentrant so that it guarantees consistent conditions. In practice, an application program may not be truly reentrant; CICS expects “quasi-reentrancy”. This means that the application program should be in a consistent state when control is passed to it, both on entry, and before and after each EXEC CICS command. Such quasi-reentrancy guarantees that each invocation of an application program is unaffected by previous runs, or by concurrent multi-threading through the program by multiple CICS tasks.

For example, application programs could modify their executable code, or the variables defined within the program storage, but these changes must be undone, or the code and variables reinitialized, before there is any possibility of the task losing control and another task executing the same program.

CICS quasi-reentrant user programs (application programs, user-replaceable modules, global user exits, and task-related user exits) are given control by the CICS dispatcher under the QR TCB. When running under this TCB, a program can be sure that no other quasi-reentrant program can run until it relinquishes control during a CICS request, at which point the user task is suspended, leaving the program still “in use”. The same program can then be reinvoked for another task, which means the application program can be in use concurrently by more than one task, although only one task at a time can actually be executing.

To ensure that programs cannot interfere with each others working storage, CICS obtains a separate copy of working storage for each execution of an application program. Thus, if a user application program is in use by 11 user tasks, there are 11 copies of working storage in the appropriate dynamic storage area (DSA).

Quasi-reentrancy allows programs to access globally shared resources—for example, the CICS common work area (CWA)—without the need to protect those resources from concurrent access by other programs. Such resources are effectively locked exclusively to the running program, until it issues its next CICS request. Thus, for example, an application can update a field in the CWA without using compare and swap (CS) instructions or locking (enqueueing on) the resource.

**Note:** The CICS QR TCB provides protection through exclusive control of global resources only if all user tasks that access those resources run under the QR TCB. It does not provide automatic protection from other tasks that execute concurrently under another (open) TCB.

Take care if a program involves lengthy calculations: because an application program retains control from one EXEC CICS command to the next, the processing of other transactions on the QR TCB is completely excluded. However, you can use the task-control SUSPEND command to allow other transaction processing to proceed; see “Chapter 34. Task control” on page 463 for details. Note that runaway task time interval is controlled by the transaction definition and the system initialization parameter ICVR. CICS purges a task that does not return control before expiry of the IVCR-specified interval.

### **Threadsafe programs**

In the CICS open transaction environment, threadsafe application programs and open task-related user exits, global user exit programs, and user-replaceable modules cannot rely on quasi-reentrancy, because they can run concurrently on an open TCB. Furthermore, even quasi-reentrant programs are at risk if they access resources that can also be accessed by a user task running concurrently under an open TCB. This means that the techniques used by user programs to access shared resources must take into account the possibility of simultaneous access by other programs. Programs that use appropriate serialization techniques when accessing shared resources are described as threadsafe. (The term fully reentrant is also used sometimes, but this can be misunderstood, hence threadsafe is the preferred term.) For most resources, such as files, transient data queues, temporary storage queues, and DB2 tables, CICS processing automatically ensures access in a threadsafe manner. However, for any other resources, such as shared storage, which are accessed directly by user programs, it is the responsibility of the user program to ensure threadsafe processing. Typical examples of shared storage are the CICS CWA, global user exit global work areas, and storage acquired by EXEC CICS GETMAIN SHARED commands.

**Note:** When identifying programs that use shared resources, you should also include any program that modifies itself. Such a program is effectively sharing storage and should be considered at risk.

Techniques that you can use to provide threadsafe processing when accessing a shared resource are as follows:

- Retry access, if the resource has been changed concurrently by another program, using the compare and swap instruction.
- Enqueue on the resource, to obtain exclusive control and ensure that no other program can access the resource, using:

- An EXEC CICS ENQ command, in an application program
- An XPI ENQUEUE function call to the CICS enqueue (NQ) domain, in a global user exit program
- An MVS service such as ENQ (in an open API task-related user exit only when L8 TCBs are enabled for use).
- Perform accesses to shared resources only in a program that is defined as quasirent, by linking to the quasirent program using the EXEC CICS LINK command.

This technique applies to threadsafe application programs and open API task-related user exits only. A linked-to program defined as quasi-reentrant runs under the QR TCB and can take advantage of the serialization provided by CICS quasi-reentrancy. Note that even in quasi-reentrant mode, serialization is provided only for as long as the program retains control and does not wait (see “Quasi-reentrant application programs” on page 131 for more information).

- Place all transactions that access the shared resource into a restricted transaction class (TRANCLASS), one that is defined with the number of active tasks specified as MAXACTIVE(1).

This last approach effectively provides a very coarse locking mechanism, but may have a severe impact on performance.

**Note:** Although the term threadsafe is defined in the context of individual programs, a user application as a whole can only be considered threadsafe if all the application programs that access shared resources obey the rules. A program that is written correctly to threadsafe standards cannot safely update shared resources if another program that accesses the same resources does not obey the threadsafe rules.

### Non-reentrant programs

There is nothing to prevent non-reentrant application programs being executed by CICS. However, such an application program would not provide consistent results in a multi-threading environment.

To use non-reentrant application programs, or tables or control blocks that are modifiable by the execution of associated application programs, specify the RELOAD(YES) option on their resource definition. RELOAD(YES) results in a fresh copy of the program or module being loaded into storage for each request. This option ensures that multithreading tasks that access a non-reentrant program or table each work from their own copy of the program, and are unaffected by changes made to another version of the program by other concurrent tasks running in the CICS region.

For information about RELOAD(YES), see the *CICS Resource Definition Guide*.

CICS/ESA loads any program link-edited with the RENT attributes into a CICS read-only dynamic storage area (DSA). CICS uses the RDSA for RMODE(24) programs, and the ERDSA for RMODE(ANY) programs. By default, the storage for these DSAs is allocated from read-only key-0 protected storage, protecting any modules loaded into them from all except programs running in key-zero or supervisor state. (If CICS initializes with the RENTPGM=NOPROTECT system initialization parameter, it does not use read-only key-0 storage, and use CICS-key storage instead.)

If you want to execute a non-reentrant program or module, it must be loaded into a non-read-only DSA. The SDSA and ESDSA are user-key storage areas for non-reentrant user-key programs and modules.

---

## Storing data within a transaction

CICS provides a variety of facilities for storing data within and between transactions. Each one differs according to how available it leaves data to other programs within a transaction and to other transactions; in the way it is implemented; and in its overhead, recovery, and enqueueing characteristics.

Storage facilities that exist for the lifetime of a transaction include:

- Transaction work area (TWA)
- User storage (by a GETMAIN command issued without the SHARED option)
- COMMAREA
- Program storage

All of these areas are main storage facilities and come from the same basic source—the dynamic storage areas (DSAs) and extended dynamic storage areas (EDSAs). None of them is recoverable, and none can be protected by resource security keys. They differ, however, in accessibility and duration, and therefore each meets a different set of storage needs.

### Transaction work area (TWA)

The transaction work area (TWA) is allocated when a transaction is initiated, and is initialized to binary zeroes. It lasts for the entire duration of the transaction, and is accessible to all local programs in the transaction. Any remote programs that are linked by a distributed program link command do not have access to the TWA of the client transaction. The size of the TWA is determined by the TWASIZE option on the transaction resource definition. If this size is nonzero, the TWA is always allocated. See the *CICS Resource Definition Guide* for more information about determining the TWASIZE.

Processor overhead associated with using the TWA is minimal. You do not need a GETMAIN command to access it, and you address it using a single ADDRESS command. The TASKDATAKEY option governs whether the TWA is obtained in CICS-key or user-key storage. (See “Chapter 36. Storage control” on page 479 for a full explanation of CICS-key and user-key storage.) The TASKDATALOC option of the transaction definition governs whether the acquired storage can be above the 16MB line or not.

The TWA is suitable for quite small data storage requirements and for larger requirements that are both relatively fixed in size and are used more or less for the duration of the transaction. Because the TWA exists for the entire transaction, a large TWA size has much greater effect for conversational than for nonconversational transactions.

### User storage

User storage is available to all the programs in a transaction, but some effort is required to pass it between programs using LINK or XCTL commands. Its size is not fixed, and it can be obtained (using GETMAIN commands) just when the transaction requires it and returned as soon as it is not needed. Therefore, user storage is useful for large storage requirements that are variable in size or are shorter-lived than the transaction.

See “Chapter 36. Storage control” on page 479 for information about how USERDATAKEY and CICS DATAKEY override the TASKDATAKEY option of the GETMAIN command.

The SHARED option of the GETMAIN command causes the acquired storage to be retained after the end of the task. The storage can be passed in the communication area from one task to the next at the same terminal. The first task returns the address of the communication area in the COMMAREA option of the RETURN command. The second task accesses the address in the COMMAREA option of the ADDRESS command. You must use the SHARED option of the GETMAIN command to ensure that your storage is in common storage.

The amount of processor overhead involved in a GETMAIN command means that you should not use it for a small amount of storage. You should use the TWA for the smaller amounts or group them together into a larger request. Although the storage acquired by a GETMAIN command may be held somewhat longer when using combined requests, the processor overhead and the reference set size are both reduced.

## COMMAREA in LINK and XCTL commands

A communication area (COMMAREA) is a facility used to transfer information between two programs within a transaction or between two transactions from the same terminal. For information about using COMMAREA between transactions, see “COMMAREA in RETURN commands” on page 155.

Information in COMMAREA is available only to the two participating programs, unless those programs take explicit steps to make the data available to other programs that may be invoked later in the transaction. When one program links to another, the COMMAREA may be any data area to which the linking program has access. It is often in the working storage or LINKAGE SECTION of that program. In this area, the linking program can both pass data to the program it is invoking and receive results from that program. When a program transfers control (an XCTL command) to another, CICS may copy the specified COMMAREA into a new area of storage, because the invoking program and its control blocks may no longer be available after it transfers control. In either case, the address of the area is passed to the program that is receiving control, and the CICS command-level interface sets up addressability. See “Chapter 35. Program control” on page 467 for further information.

CICS ensures that any COMMAREA is addressable by the program that receives it, by copying below the 16MB line and/or to the USERKEY storage where necessary, depending on the addressing mode and EXECKEY attributes of the receiving program. See “Chapter 36. Storage control” on page 479 for more information about EXECKEY.

CICS contains algorithms designed to reduce the number of bytes to be transmitted. The algorithms remove some trailing binary zeros from the COMMAREA before transmission and restore them after transmission. The operation of these algorithms is transparent to the application programs, which always see the full-size COMMAREA.

The overhead for using COMMAREA in an LINK command is minimal; it is slightly more with the XCTL and RETURN commands, when CICS creates the COMMAREA from a larger area of storage used by the program.

## Program storage

CICS creates a separate copy of the variable area of a CICS program for each transaction using the program. This area is known as **program storage**. This area is called the WORKING-STORAGE SECTION in COBOL, automatic storage in C, C++, and PL/I, and the DFHEISTG section in assembler language. Like the TWA, this area is of fixed size and is allocated by CICS without you having to issue a GETMAIN command. The EXEC CICS interface sets up addressability automatically. Unlike the TWA, however, this storage lasts only while the program is being run, not for the duration of the transaction. This makes it useful for data areas that are not required outside the program and that are either small or, if large, are fixed in size and are required for all or most of the execution time of the program.

---

## Lengths of areas passed to CICS commands

When a CICS command includes a LENGTH option, it usually accepts the length as a signed halfword binary value. This places a theoretical upper limit of 32KB on the length. In practice, the limits are less than this and vary for each command. The limits depend on data set definitions, recoverability requirements, buffer sizes, and local networking characteristics.

## LENGTH options

In COBOL, C, C++, PL/I, and assembler language, the translator deals with lengths. See the *CICS Application Programming Reference* manual for programming information, including details of when you need to specify the LENGTH option. You should not let the length of your CICS commands exceed 24KB, if possible.

Many commands involve the transfer of data between the application program and CICS. In all cases, the length of the data to be transferred must be provided by the application program.

In most cases, the LENGTH option must be specified if the SET option is used; the syntax of each command and its associated options show whether this rule applies.

There are options on the WAIT EXTERNAL command and a number of QUERY SECURITY commands that give the resource status or definition. CICS supplies the values associated with these options, hence the name, CICS-value data areas. The options are shown in the syntax of the commands with the term “cvda” in parentheses. For programming information about CVDAs, see the *CICS Application Programming Reference* manual.

For journal commands, the restrictions apply to the sum of the LENGTH and PFXLENG values. (See “Journaling” on page 223.)

## Journal records

For journal records, the journal buffer size may impose a limit lower than 64KB. Note that the limit applies to the sum of the LENGTH and PFXLENG values.

## Data set definitions

For temporary storage, transient data, and file control, the data set definitions can impose limits lower than 24KB. For details, see the *CICS System Definition Guide* (for information about defining data sets) and the *CICS Resource Definition Guide* (for information about RDO for files).



## Recommendation

**For any command in any system, 24KB is a good working limit for LENGTH specifications.** Subject to user-specified record and buffer sizes, this limit is unlikely either to cause an error or to place a constraint on applications.

You will probably not find a 24KB limit too much of a hindrance; online programs do not often handle such large amounts of data, for the sake of efficiency and response time.

**Note:** The value in the LENGTH option should never exceed the length of the data area addressed by the command.

---

## Temporary storage

Temporary storage is the primary CICS facility for storing data that must be available to multiple transactions.

Data items in temporary storage are kept in queues whose names are assigned dynamically by the program storing the data. A temporary storage queue containing multiple items can be thought of as a small data set whose records can be addressed either sequentially or directly, by item number. If a queue contains only a single item, it can be thought of as a named scratch-pad area.

Temporary storage data sharing means that main or auxiliary storage can be replaced by one or more temporary storage pools.

Temporary storage is implemented by the following methods:

- By using a particular queue that is determined by what is specified on the command that creates the first item
- By specifying the MAIN option so that the queue is kept in main storage, in space taken from the dynamic storage area
- By using the AUXILIARY option so that the queue is written to an entry-sequenced VSAM data set

Whichever method you use, CICS maintains an index of items in main storage.

Note that if the QNAME option matches the prefix of an installed TSMODEL resource definition, the MAIN or AUXILIARY value specified in the TSMODEL takes precedence over that specified in the command.

See *CICS System Programming Reference* for more information about the use of TSMODELS to define temporary storage queues.

The addition of temporary storage data sharing gives another type of temporary storage queue that can be supported concurrently. These temporary storage queues can be defined as local, remote, or shared, and they can be stored in TS pools in the coupling facility.

These methods have characteristics that you should bear in mind:

- Main temporary storage requires much more virtual storage than auxiliary. In general, you should use it only for small queues that have short lifetimes or are accessed frequently. Auxiliary temporary storage is specifically designed for relatively large amounts of data that have a relatively long lifetime or are

accessed infrequently. You may find it useful to establish a cutoff point of a lifetime of one second to decide which queues should be in main storage and which should be in auxiliary.

- You can make queues in auxiliary storage recoverable, but not queues in main storage:
- Shared temporary storage applies only to non-recoverable queues.
  - Only one transaction at a time can update a recoverable temporary storage queue. So, if you choose to make queues recoverable, bear in mind the probability of enqueues.
  - You should ensure that there are enough buffers and VSAM strings to eliminate as much contention as possible.
- If a task tries to write to temporary storage and there is no space available, CICS normally suspends it, although the task can regain control in this situation by using either a HANDLE CONDITION NOSPACE command, or the RESP or NOHANDLE option on the WRITEQ TS command. If suspended, the task is not resumed until some other task frees the necessary space in main storage or the VSAM data set. This can produce unexplained response delays, especially if the waiting task owns exclusive-use resources, in which case all other tasks needing those resources must also wait.
- It can be more efficient to use main temporary storage exclusively in very low-volume systems that have no need for recovery. You need to balance the needs for additional main storage requirement for the VSAM access method and a larger temporary storage program with the need for main storage for the temporary storage records.

The following points apply to temporary storage in general:

- You must use an EXEC CICS command every time data is written to or read from a temporary storage queue, and CICS must find or insert the data using its internal index. This means that the overhead for using main temporary storage is greater than for the CWA or TCTUA. With auxiliary storage, (often the most frequently used), there is usually data set I/O as well, which increases overhead even more.
- You need not allocate temporary storage until it is required; you need keep it only as long as it is required, and the item size is not fixed until you issue the command that creates it. This makes it a good choice for relatively high-volume data and data that varies in length or duration.
- The fact that temporary storage queues can be named as they are created provides a very powerful form of direct access to saved data. You can access scratch-pad areas for terminals, data set records, and so on, simply by including the terminal name or record key in the queue name.
- Resource protection is available for temporary storage.

---

## Intrapartition transient data

Intrapartition transient data has some characteristics in common with auxiliary temporary storage. (See “Sequential data set access” on page 142 for information about *extrapartition* transient data.) Like temporary storage, intrapartition transient data consists of queues of data, kept together in a single data set, with an index that CICS maintains in main storage.

You can use transient data for many of the purposes for which you would use auxiliary temporary storage, but there are some important differences:

- Transient data does not have the same dynamic characteristics as temporary storage. Unlike temporary storage queues, transient data queues cannot be created at the time data is written by an application program. However, transient data queues can be defined and installed using RDO while CICS is running.
- Transient data queues must be read sequentially. Each item can be read only once. After a transaction reads an item, that item is removed from the queue and is not available to any other transaction. In contrast, items in temporary storage queues may be read either sequentially or directly (by item number). They can be read any number of times and are not removed from the queue until the entire queue is purged.

These two characteristics make transient data inappropriate for scratch-pad data but suitable for queued data such as audit trails and output to be printed. In fact, for data that is read sequentially once, transient data is preferable to temporary storage.

- Items in a temporary storage queue can be changed; items in transient data queues cannot.
- Transient data queues are always written to a data set. (There is no form of transient data that corresponds to main temporary storage.)
- You can define transient data queues so that writing items to the queue causes a specific transaction to be initiated (for example, to process the queue). Temporary storage has nothing that corresponds to this “trigger” mechanism, although you may be able to use a START command to perform a similar function.
- Transient data has more recovery options than temporary storage. Transient data queues can be physically or logically recoverable.
- Because the commands for intrapartition and extrapartition transient data are identical, you can switch between the two types of data set. To do this, change only the transient data queue definitions and not your application programs themselves. Temporary storage has no corresponding function of this kind.

---

## GETMAIN SHARED command

Storage acquired using the SHARED option of the GETMAIN command is not released when the acquiring task ends. This enables one task to leave data in storage for use by another task. The storage is not released until a FREEMAIN command is issued, either by the acquiring task or by another task.

---

## Your own data sets

You can also use your own data sets to save data between transactions. This method probably has the largest overhead in terms of instructions processed, buffers, control blocks, and user programming requirements, but does provide extra functions and flexibility. Not only can you define data sets as recoverable resources, but you can log changes to them for forward recovery. You can specify the number of strings for the data set, (as well as on the temporary storage and transient data sets), to ensure against access contention, and you can use resource security.

---

## Data operations

CICS supports:

- DL/I database operations
- VSAM and BDAM data set operations
- Browsing
- Logging
- Sequential data set access

## Database operations

The following recommendations apply to using DL/I with CICS:

- Use command codes with CALL level and keywords with command level to reduce the number of requests whenever appropriate. See the *CICS IMS Database Control Guide* for more information. For example, a DL/I path call is more efficient than a number of individual DL/I calls. With individual DL/I calls, the GN call gives the best performance. Although several DL/I calls may get their information from the DL/I or VSAM buffers, some of the instructions have to be processed within a DL/I call. You should, therefore, consider the number of DL/I calls needed for the processing of a transaction.
- It is more efficient to use qualified segment-search areas (SSAs) than to check on “segment found” in the application program.
- Scheduling calls should be issued at the latest possible time, so as to minimize the time that the transaction has exclusive control of the PSB. (This control is released at the end of the UOW, which occurs at the next TERM call, explicit SYNCPOINT command, or the syncpoint implicit in task termination.)
- Be aware of the effects of explicit syncpointing on performance and recovery. See the *CICS Performance Guide* for more details of the performance implications.

## Data set operations

The efficiency of database and data set operations is an important factor in the performance of any CICS system.

In VSAM, the main impact on efficiency, and thus on response time, comes from contention for serial-use resources (record keys, control intervals, and strings), and for storage use and processor overhead. As is usual in these situations, any improvements you make in one area may be at the expense of other areas.

### VSAM data sets

To minimize contention delays using VSAM data sets:

- Minimize the time that VSAM resources are reserved for exclusive use. The **exclusive use** enqueue is the way CICS and VSAM prevent concurrent updates. If you use VSAM record-level sharing, described in “Accessing files in RLS mode” on page 258, VSAM locks a record that has been requested for update, so that no other transaction can attempt to update the record at the same time. If the file is recoverable, VSAM releases the lock at the next syncpoint. If the file is not recoverable, VSAM releases the lock when the request is complete. The recoverability of a file, is defined in the integrated catalog facility (ICF) catalog. If you do not use VSAM record-level sharing, CICS serializes update requests by base cluster record key. VSAM serializes by enqueueing on the control interval (CI), so that no transaction can update a record in the same control interval as another record being updated. The VSAM hold for exclusive use ends when the request is complete in VSAM terms. For example, in an update operation, exclusive use that starts with the READ command with the UPDATE option and

ends when VSAM has completed the REWRITE command. For **nonrecoverable** data sets, the CICS exclusive use ends at the same time. For **recoverable data sets**, however, it does not end until the task ends or issues a SYNCPOINT command. Recoverability is specified in the data set definition in the file control table (FCT). See the *CICS Resource Definition Guide* for more information about the FCT.

Table 10 shows which requests require exclusive use and when that reservation terminates. This table applies only if you are not using record-level sharing.

Table 10. Requests that require exclusive use and when reservation terminates

Command	Released by VSAM at
READ.. UPDATE	REWRITE/DELETE/UNLOCK
WRITE.. MASSINSERT	UNLOCK
WRITE	Completion of WRITE
DELETE.. RIDFLD	Completion of DELETE

- Hold position in a VSAM data set for as short a time as possible. Table 11 shows which commands hold position and when the hold is released.

Table 11. Commands that hold position and when hold is released

Command	Released by VSAM at
READ.. UPDATE	REWRITE/DELETE/UNLOCK
WRITE.. MASSINSERT	UNLOCK
STARTBR	ENDBR

Each request in progress against a VSAM data set requires at least one string. Requests that hold position tie up a string until a command is issued to release the hold position. Requests that do not hold position release the string as soon as that request is complete.

To minimize processor overhead when using VSAM data sets:

- Use the MASSINSERT option if you are adding many records in sequence. This improves performance by minimizing processor overheads and therefore improves the response times. For ESDSs and KSDSs, adding records with MASSINSERT causes CICS to use sequential VSAM processing. This changes the way VSAM places records within control intervals when a split is required, resulting in fewer splits and less unused space within the affected CIs.
- Use **skip sequential** processing if you are reading many records in sequence whose keys are relatively close together but not necessarily adjacent. (Skip sequential processing begins with a start browse (STARTBR command).) Each record is retrieved with an READNEXT command, but the key feedback area pointed to by RIDFLD is supplied with the key of the next requested record before the READNEXT command is issued.
- Use the GENERIC option on the DELETE command when deleting a group of records whose keys start with a common character string. CICS internally optimizes a generic DELETE.

### BDAM data sets

BDAM data sets are less efficient than VSAM because CICS has to do some single-thread processing and issue some operating system waits to handle BDAM

data set requests. Therefore, if possible, you should use a relative record VSAM data set or an entry-sequenced data set addressed by relative byte address (RBA) in place of a BDAM data set.

If you are using BDAM data sets in update mode, you should be aware that performance is affected dramatically by the means of data set integrity you choose.

If you specify **exclusive control** in file control table SERVREQ operands for a BDAM data set, CICS requests the operating system to prevent concurrent updates. However, this involves significant overhead.

## Browsing (in non-RLS mode)

A data set browse is often the source of the output in transactions that produce a large number of output screens, which can monopolize system resources. A long browse can put a severe load on the system, locking out other transactions and increasing overall response time, in addition to the overhead needed for BMS, task control, and terminals. This is because CICS control philosophy is based on the assumption that the terminal operator initiates a transaction that accesses a few data records, processes the information, and returns the results to the operator. This process involves numerous waits that enable CICS to do multitasking. However, CICS is not an interrupt-driven multitasking system, so tasks that involve small amounts of I/O relative to processing can monopolize the system regardless of priority. A browse of a data set with many records in a control interval is just such a transaction.

You can prevent this by issuing DELAY or SUSPEND commands periodically, so that other tasks can get control. If the browse produces paged output, you should consider breaking the transaction up in one of the ways suggested in “Page-building and routing operations” on page 146.

## Logging

CICS provides options to log some or all types of activity against a data set. Logging updates enables you to reconstruct data sets from backup copies, if necessary. You may also want to log reads for security reasons. Again, you have to balance the need for data integrity and security against the performance effects of logging. These are the actual operations needed to do the logging and the possible delays caused because of the exclusive control that logging implies.

## Sequential data set access

CICS provides a number of different sequential processing options. Temporary storage and inpartition transient data queues (already discussed in “Temporary storage” on page 137 and in “Inpartition transient data” on page 138) are the most efficient to use, but they must be created and processed entirely within CICS.

Extrapartition transient data is the CICS way of handling standard sequential (QSAM/BSAM) data sets. It is the least efficient of the three forms of sequential support listed, because CICS has to issue operating system waits to process the data sets, as it does when handling BDAM. Moreover, extrapartition transient data sets are not recoverable. VSAM ESDSs, on the other hand, are recoverable within limitations, and processing is more efficient. The recovery limitation is that records added to an ESDS during an uncompleted UOW cannot be removed physically during the backout process, because of VSAM restrictions. They can, however, be flagged as deleted by a user exit routine.

CICS journals provide another good alternative to extrapartition transient data, although only for output data sets. Journals are managed by the MVS system logger, but flexible processing options permit very efficient processing. Each journal command specifies operation characteristics, for example, synchronous or asynchronous, whereas extrapartition operations are governed entirely by the parameters in the transient data queue definition.

Transactions should journal asynchronously, if possible, to minimize task waits in connection with journaling. However, if integrity considerations require that the journal records be physically written before end of task, you must use a synchronous write. If there are several journal writes, the transaction should use asynchronous writes for all but the last logical record, so that the logical records for the task are written with a minimum number of physical I/Os and only one wait.

You can use journals for input (in batch) as well as output (online) while CICS is running. The supplied batch utility DFHJUP can be used for access to journal data, for example, by printing or copying. Note that reading a journal in batch involves the following restrictions:

- Access to MVS system logger log stream data is provided through a subsystem interface, LOGR.
- Reading records from a journal is possible offline by means of a batch job only.

---

## Terminal operations

There are some design factors, related to communicating with terminals, that may affect performance.

### Length of the data stream sent to the terminal

Good screen design and effective use of 3270 hardware features can significantly affect the number of bytes transmitted on a teleprocessing link. It is particularly important to keep the number of bytes as small as possible because, in most cases, this is the slowest part of the path a transaction takes. The efficiency of the data stream therefore affects both response time and line usage.

### Basic mapping support considerations

When building a formatted data stream with basic mapping support (BMS), you should bear in mind, the factors described in the following sections.

#### **Avoid turning on modified data tags (MDTs) unnecessarily**

The MDT is the bit in the attribute byte that determines whether a field should be transmitted on a READ MODIFIED command (the command used by CICS for all but copy operations).

The MDT for a field is normally turned on by the 3270 hardware when the user enters data into a field. However, you can also turn the tag on when you send a map to the screen, either by specifying FSET in the map or by sending an override attribute byte that has the tag on. You should never set the tag on in this way for a field that is constant in the map, or for a field that has no label (and is not sent to the program that receives the map).

Also, you do not normally need to specify FSET for an ordinary input field. This is because, as already mentioned, the MDT is turned on automatically in any field in which the user enters data. This is then included in the next RECEIVE command.

These tags remain on, no matter how many times the screen is sent, until explicitly turned **off** by the program (by the FRSET, ERASEAUP, or ERASE option, or by an override attribute with the tag off).

You can store information, between inputs, that the user did not enter on the screen. This is an intended reason for turning the MDT on by a program. However, this storage technique is appropriate only to small amounts of data, and is more suitable for local than for remote terminals, because of the transmission overhead involved. For example, this technique is particularly useful for storing default values for input fields. In some applications, the user must complete a screen in which some fields already contain default values. A user who does not want to change a default just skips that field. The program processing the input has to be informed what these defaults are. If they are always the same, they can be supplied as constants in the program. If they are variable, however, and depend on earlier inputs, you can simply save them on the screen by turning the MDT on with FSET in the map that writes the screen. The program reading the screen then receives the default value from a user who does not change the field and the new value from a user who does.

**Note:** The saved values are not returned to the screen if the CLEAR, PA1, PA2, or PA3 key is pressed.

### **Use FRSET to reduce inbound traffic**

If you have a screen with many input fields, which you may have to read several times, you can reduce the length of the input data stream by specifying FRSET when you write back to the screen in preparation for the next read. FRSET turns off the MDTs, so that fields entered before that write are not present unless the user reenters them the next time. If you are dealing with a relatively full screen and a process where there may be a number of error cycles (or repeat transmissions for some other reason), this can be a substantial saving. However, because only **changed** fields are sent on subsequent reads, the program must save input from each cycle and merge the new data with the old. This is not necessary if you are not using FRSET, because the MDTs remain on, and all fields are sent regardless of when they were entered.

### **Do not send blank fields to the screen**

Sending fields to the screen that consist entirely of blanks or that are filled out on the right by trailing blanks usually wastes line capacity. The only case where BMS requires you to do this is when you need to erase a field on the screen that currently contains data, or to replace it with data shorter than that currently on the screen, without changing the rest of the screen.

This is because, when BMS builds the data stream representing your map, it includes blanks (X'40') but omits nulls (X'00'). This makes the output data stream shorter. BMS omits any field whose first data character is null, regardless of subsequent characters in the field.

BMS requires you to initialize to nulls any area to be used to build a map. This is done by moving nulls (X'00') to the mapnameO field in the symbolic map structure. See "Initializing the output map" on page 340 for more information. BMS uses nulls in attribute positions and in the first position of data to indicate that no change is to be made to the value in the map. If you are reusing a map area in a program or in a TIOA, you should take special care to clear it in this way.

### **Address CICS areas correctly**

There are several ways to check that CICS areas are addressed correctly. Ensure that:



- Each COBOL program with a LINKAGE SECTION structure that exceeds 4KB has the required definition and the setting of more than one contiguous BLL cell.
- Every BLL pointer points to an area that is a 01-level item.
- Call level DL/I is only used with PSBs that are correctly addressed.

### Use the MAPONLY option when possible

The MAPONLY option sends only the *constant* data in a map, and does not merge any variable data from the program. The resulting data stream is not always shorter, but the operation has a shorter path length in BMS. When you send a skeleton screen to be used for data entry, you can often use MAPONLY.

### Send only changed fields to an existing screen

Sending only changed fields is important when, for example, a message is added to the screen, or one or two fields on an input screen are highlighted to show errors. In these situations, you should use the DATAONLY option to send a map that consists of nulls except for the changed fields. For fields where the only the attribute byte has changed, you need send only that byte, and send the remaining fields as nulls. BMS uses this input to build a data stream consisting of only the fields in question, and all other fields on the screen remain unchanged.

It may be tempting to ignore this advice and send an unnecessarily long data stream. For example, when a program that is checking an input screen for errors finds one, there are two options.

- It can simply add the error information to the input map (highlighted attributes, error messages, and so on) and resend it.
- It can build an entirely new screen, consisting of just the error and message fields.

The former is slightly easier to code (you do not need to have two map areas or move any fields), but it may result in very much longer transmissions because the output data stream contains the correct input fields as well as the error and message fields. In fact, it may even be longer than the original input stream because, if there were empty or short fields in the input, BMS may have replaced the missing characters with blanks or zeros.

With the 3270 hardware, if the input stream for a terminal exceeds 256 bytes, the terminal control unit automatically breaks it up into separate transmissions of 256 bytes maximum. This means that a long input stream may require several physical I/O operations. Although this is transparent to the application program, it does cause additional line and processor overhead. The *output* stream is generally sent in a single transmission.

### Design data entry operations to reduce line traffic

Often, users are required to complete the same screen several times. Only the data changes on each cycle; the titles, field labels, instructions, and so on remain unchanged. In this situation, when an entry is accepted and processed, you can respond with a SEND CONTROL ERASEAUP command (or a map that contains only a short confirmation message and specifies the ERASEAUP option). This causes all the *unprotected* fields on the screen (that is, all the input data from the last entry) to be erased and to have their MDTs reset. The labels and other text, which are in protected fields, are unchanged, the screen is ready for the next data-entry cycle, and only the necessary data has been sent.

### Compress data sent to the screen

When you send unformatted data to the screen, or create a formatted screen outside BMS, you can compress the data further by inserting set buffer address

(SBA) and repeat-to-address (RA) orders into the data stream. SBA allows you to position data on the screen, and RA causes the character following it to be generated from the current point in the buffer until a specified ending address. SBA is useful whenever there are substantial unused areas on the screen that are followed by data. RA is useful when there are long sequences of the same character, such as blanks or dashes, on the screen. However, you should note that the speed with which RA processes is not uniform across all models of 3270 control units. You should check how it applies to your configuration before use.

CICS provides an exit that is driven just before output is sent to a terminal (XTC OUT). You may want to add SBA and RA substitutions to this exit to compress the data stream using a general subroutine. This has the dual benefit of removing compression logic from your application program and of applying to all output data streams, whether they are produced by BMS or not.

### **Use nulls instead of blanks**

You should note that, outside BMS, nulls have no special significance in an *output* data stream. If you need a blank area on a screen, you can send either blanks or nulls to it; they take up the same space in the output stream. However, if the blank field is likely to be changed by the user and subsequently read, use nulls, because they are not transmitted back.

### **Use methods that avoid the need for nulls or blanks**

For any *large* area of a screen that needs to be blank, you should consider methods other than transmitting blanks or nulls; for example, when using BMS, putting SBA and RA orders directly into the data stream, or using the ERASE and ERASEAUP options.

## **Page-building and routing operations**

BMS page-building facilities provide a powerful and flexible tool for building and displaying long messages, sending messages to multiple destinations, and formatting a single message for several devices with different physical characteristics. However, as for any high-function tool, it requires a substantial overhead, as mentioned in “Browsing (in non-RLS mode)” on page 142. You may need the page-building option (ACCUM) when:

- Sending messages whose length exceeds the capacity of the output device (multipage output)
- Using destinations other than the input terminal
- Sending pages built from multiple maps
- Using the BMS page-copy facility

### **Sending multipage output**

Transactions that produce very large output messages, consisting of many screen-size pages, tend to tax system resources. First, all the pages have to be created, which involves processor activity, execution of the CSPG transaction, and data set I/O activity. The pages must then be saved in temporary storage. If the terminal user looks at every page in a message, a large number of transactions are run to process the paging requests, each of which needs line and processor overhead. Obviously some overhead is caused by the size and complexity of the transaction, and it may be unavoidable. Indeed, if several users are scrolling rapidly through paged output at the same time, the transactions needed can monopolize a system.

If users really need to see all the pages, and need to scroll backward and forward frequently, it may be more efficient to produce all the pages at the same time and

present them using “traditional” CICS paging services. However, if users need only a few of the pages, or can easily specify how far back or forward in the message they would like to scroll, there are two choices:

1. First, construct a pseudoconversational transaction to produce just one screen of output. The first time this transaction is run, it produces the first page of the many-page output. The output screen contains space for users to indicate the page they want next. The transaction always sets the next transaction identifier to point to itself, so that it can display the requested page when it is next run. You will probably want to give users some of the options that CICS provides (such as one page forward, one page back, and skip to a selected page) and some relevant to the application, such as a data set key at which to begin the next page of output.
2. The alternative is to page-build a multipage output message with the ACCUM option, but to limit the number of pages in the message (say to five). Users page through the subset pages with the usual CICS page commands. On the last screen of the output, you add an indication that there is more output and a place for them to indicate whether they want to see the next segment. As in the first example, the next transaction identifier is set to the original transaction so that, if CICS does not receive a paging command, it invokes that transaction.

### **Sending messages to destinations other than the input terminal**

If you need to send a message to a terminal other than the input terminal associated with a task, BMS routing may be the most efficient way of doing so. This is especially so if the message must be sent to multiple destinations or if it involves multiple pages. Routing is the recommended method if the message recipients need CICS paging commands to access it.

However, if neither of the above conditions apply, you have a choice of two other methods of delivering output to a terminal not associated with the transaction.

1. You can use a START command, with the TERMID option, to specify the terminal to which you want to write and the FROM option to specify the data you want to send. Your own transaction is the started transaction. It issues an RETRIEVE command for the message and then sends it to its own terminal. See the *CICS Application Programming Reference* manual for programming information about the START command.
2. Similarly, you can put messages destined for a particular terminal on to an intrapartition transient data queue. The definition for the transient data queue must specify:
  - The destination as a TERMINAL
  - The terminal identifier
  - A trigger level
  - A transaction name

Your own transaction reads the transient data queue and sends the message to its terminal. It repeats this sequence until the queue is empty, and then terminates. The trigger level you specified means that it is invoked every time the specified number of messages have been placed on the queue. The *CICS/ESA Sample Applications Guide* describes the DFHœTDWT sample program that performs this function.

**Note:** Because of the overhead associated with routing messages (by whatever means), you should use facilities such as ROUTE=ALL with caution.

## **Sending pages built from multiple maps**

Although you can easily build a screen gradually using different maps, you can sometimes avoid considerable overhead by not using page-building operations, especially where there is only one screen of output and no other need for paging. An example of this is an application whose output consists of a header map, followed by a variable number of detail segments, sent with a second map, and finally a trailer map following the detail. Suppose the average output screen for such an application contains eight (2-line) detail segments, plus header and trailer, and all this fits on a single screen. Writing this screen with page-building requires 11 BMS calls (header, details, trailer, and page-out) whereas, if the program builds the output screen internally, it only needs one call.

## **Using the BMS page-copy facility**

Because the individual pages that make up an accumulated BMS message are saved in temporary storage, BMS enables the terminal user to copy individual pages to other terminals. However, if the ability to copy is the only reason for using page-building, you should consider using either the 3274 control unit copy facilities or the CICS **copy key** facility instead.

The 3274 copy facilities require no participation from CICS and no transmission, and are by far the most efficient method. The CICS copy key facility does have an overhead (see “Requests for printed output”), although of a different type from the BMS copy facility. It also has destination restrictions that do not apply to BMS copying.

## **Requests for printed output**

A CICS print request asks CICS to copy what is on the requesting screen to the first available printer on the same control unit. The overhead involved depends on whether a printer is available, and whether the requesting terminal is remote or local to CICS.

If no printer is available, and the request is from a remote or a local device:

- CICS reads the buffer to the display terminal. This involves transmitting **every** position on the screen, including nulls.

For requests from a local device, the READ BUFFER command takes place at channel speeds, so that the large input message size does not increase response time too much, and does not monopolize the line.

- An error task is generated so that the terminal error program can dispose of the message. If a printer is available and the request is from a local device, this step is not needed.
- The 3270 print task (CSPP) is attached to write the entire buffer to the printer when it is available.

If a printer is available, and the request is from a remote device, CICS sends a very short data stream to the control unit asking for a copy of the requesting device buffer to be sent to the output device buffer.

## **Additional terminal control considerations**

The following sections describe additional points to consider when using the CICS terminal control services.

### **Use only one physical SEND command per screen**

We mentioned earlier that it is usually more efficient to create a screen with a single call to BMS, than to build the screen with a series of SEND MAP ACCUM

commands. It is important to send the screen in a single physical output to the terminal. It is **very** inefficient to build a screen in parts and send each part with a separate command, because of the additional processor overhead of using several commands and the additional line and access method overhead.

### **On BTAM, avoid the WAIT option on a SEND command**

**Note:** CICS does not support BTAM. You can run BTAM transactions on CICS if you initiate them from a system that supports BTAM transactions, and use transaction routing to CICS Transaction Server for OS/390 Release 3.

If your program is pseudoconversational, it has only one SEND command, by definition. (See “Choosing between pseudoconversational and conversational design” on page 120.) Unless you require notification to this program of an error on the SEND command, omit the WAIT option. This allows CICS task control to reclaim the control blocks and user storage for your program long before it would otherwise be able to do so. Indeed, use of the WAIT option reduces substantially the savings effected by pseudoconversational programming.

### **Use the CONVERSE command**

Use the CONVERSE command rather than the SEND and RECEIVE commands (or a SEND, WAIT, RECEIVE command sequence if your program is conversational). They are functionally equivalent, but the CONVERSE command crosses the CICS services interface only once, which saves processor time.

### **Limit the use of message integrity options**

Like specifying the WAIT option on the final SEND command of a transaction, the MSGINTEG option of CEDA requires CICS to keep the transaction running until the last message has been delivered successfully.

The PROTECT option of the PROFILE definition implies message integrity and causes the system to log all input and output messages, which adds to I/O and processor overhead.

### **Avoid using the DEFRESP option on SEND commands**

Avoid using the DEFRESP option on SEND commands, unless the transaction must verify successful delivery of the output message. It delays termination of the transaction in the same way as MSGINTEG.

### **Avoid using unnecessary transactions**

Avoid situations that may cause users to enter an incorrect transaction or to use the CLEAR key unnecessarily, thus adding to terminal input, task control processing, terminal output, and overhead. Good screen design and standardized PF and PA key assignments should minimize this.

### **Send unformatted data without maps**

If your output to a terminal is entirely or even mostly unformatted, you can send it using terminal control commands rather than BMS commands (that is, using a BMS SEND command without the MAP or TEXT options).



---

## Chapter 13. Sharing data across transactions

CICS facilities for sharing data across transactions include:

- “Common work area (CWA)”
- “TCTTE user area (TCTUA)” on page 154
- “COMMAREA in RETURN commands” on page 155
- “Display screen” on page 155

With the exception of COMMAREA and the display screen, data stored in these facilities is available to any transaction in the system. Subject to resource security and storage protection restrictions, any transaction may write to them and any transaction may read them.

The use of some of these facilities may cause inter-transaction affinities. See “Chapter 14. Affinity” on page 157 for more information about transaction affinities.

---

### Common work area (CWA)

The common work area (CWA) is a single control block that is allocated at system startup time and exists for the duration of that CICS session. The size is fixed, as specified in the system initialization parameter, WRKAREA. The CWA has the following characteristics:

- There is almost no overhead in storing or retrieving data from the CWA. Command-level programs must issue one ADDRESS command to get the address of the area but, after that, they can access it directly.
- Data in the CWA is not recovered if a transaction or the system fails.
- It is not subject to resource security.
- CICS does not regulate use of the CWA. All programs in all applications that use the CWA must follow the same rules for shared use. These are usually set down by the system programmers, in cooperation with application developers, and require all programs to use the same “copy” module to describe the layout of the area.

You must not exceed the length of the CWA, because this causes a storage violation. Furthermore, you must ensure that the data used in one transaction does not overlay data used in another. One way to protect CWA data is to use the storage protection facility that protects the CWA from being written to by user-key applications. See “Protecting the CWA” for more information.

- The CWA is especially suitable for small amounts of data, such as status information, that are read or updated frequently by multiple programs in an application.
- The CWA is not suitable for large-volume or short-lived data because it is always allocated.

### Protecting the CWA

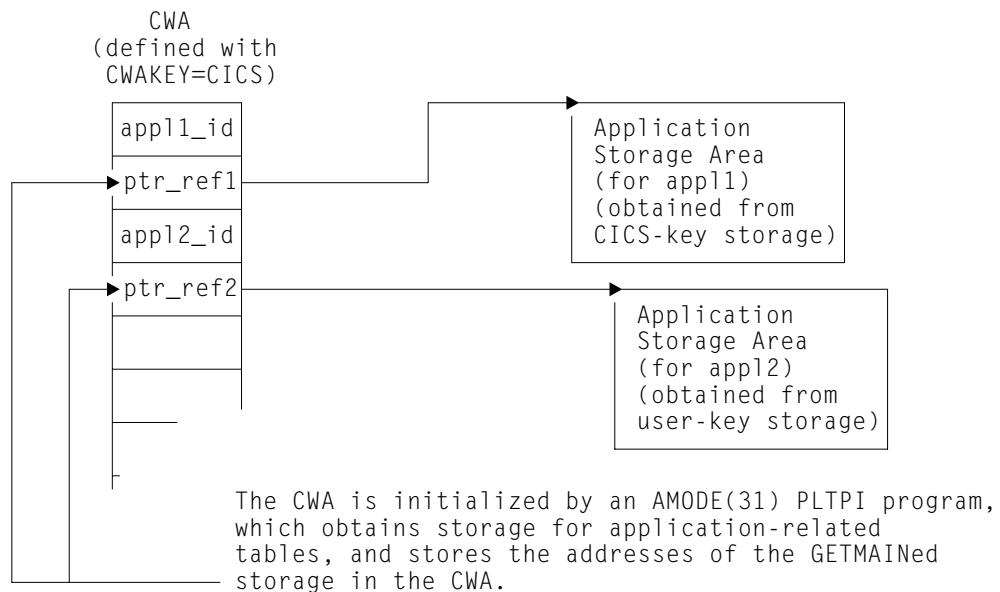
The CWAKEY system initialization parameter allows you to specify whether the CWA is to be allocated from CICS-key or user-key storage. See the *CICS System Definition Guide* for details about the CWAKEY parameter.

If you want to restrict write access to the CWA, you can specify `CWAKEY=CICS`. This means that CICS allocates the CWA from CICS-key storage, restricting application programs defined with `EXECKEY(USER)` to read-only access to the CWA. The only programs allowed to write to a CWA allocated from CICS-key storage are those you define with `EXECKEY(CICS)`.

Because any program that executes in CICS key can also write to CICS storage, you should ensure that such programs are thoroughly tested to make sure that they do not overwrite CICS storage.

If you want to give preference to protecting CICS rather than the CWA, specify `CWAKEY=USER` for the CWA, and `EXECKEY(USER)` for all programs that write to the CWA. This ensures that if a program exceeds the length of the CWA it does not overwrite CICS storage. For more information about storage protection, see “Chapter 36. Storage control” on page 479.

Figure 17 illustrates a particular use of the CWA where the CWA itself is protected from user-key application programs by `CWAKEY=CICS`. In this illustration, the CWA is not used directly to store application data and constants. The CWA contains pairs of application identifiers and associated addresses, with the address fields containing the addresses of data areas that hold the application-related data. For protection, the CWA is defined with `CWAKEY=CICS`, therefore the program which in this illustration is a program defined in the program list table post initialization (PLTPI) list, and that loads the CWA with addresses and application identifiers must be defined with `EXECKEY(CICS)`. Any application programs requiring access to the CWA should be defined with `EXECKEY(USER)`, thereby ensuring the CWA is protected from overwriting by application programs. In Figure 17, one of the data areas is obtained from CICS-key storage, while the other is obtained from user-key storage.



*Figure 17. Example of use of CWA in CICS-key storage.* This illustrates how the CWA can be used to reference storage that is obtained in user-key or CICS-key storage for use by application programs, while the CWA itself is protected by being in CICS-key storage.

In the sample code shown in Figure 18 on page 153, the program list table post-initialization (PLTPI) program is setting up the application data areas, with pointers to the data stored in the CWA.



```

ID DIVISION.
PROGRAM-ID. PLTPROG.
ENVIRONMENT DIVISION.
DATA DIVISION.
WORKING-STORAGE SECTION.
77 APPLID          PIC X(8)    VALUE SPACES.
77 SYSID          PIC X(4)    VALUE SPACES.
01 COMM-DATA.
   03 AREA-PTR    USAGE IS POINTER.
   03 AREA-LENGTH PIC S9(8)   COMP.
LINKAGE SECTION.
01 COMMON-WORK-AREA.
   03 APPL-1-ID   PIC X(4).
   03 APPL-1-PTR  USAGE IS POINTER.
   03 APPL-2-ID   PIC X(4).
   03 APPL-2-PTR  USAGE IS POINTER.
PROCEDURE DIVISION.
MAIN-PROCESSING SECTION.
* Obtain APPLID and SYSID values
  EXEC CICS ASSIGN APPLID(APPLID)
                SYSID(SYSID)

  END-EXEC.
* Set up addressability to the CWA
  EXEC CICS ADDRESS
        CWA(ADDRESS OF COMMON-WORK-AREA)

  END-EXEC.
* Get 12KB of CICS-key storage for the first application ('APP1')
  MOVE 12288    TO AREA-LENGTH.
  EXEC CICS GETMAIN SET(AREA-PTR)
        FLENGTH(AREA-LENGTH)
        SHARED

  END-EXEC.
* Initialize CWA fields and link to load program
* for storage area 1.
  MOVE 'APP1'   TO APPL-1-ID.
  SET APPL-1-PTR TO AREA-PTR.
  EXEC CICS LINK PROGRAM('LOADTAB1')
        COMMAREA(COMM-DATA)

  END-EXEC.

```

*Figure 18. Sample code for loading the CWA (Part 1 of 2).* This example illustrates how to create global data for use by application programs, with addresses of the data stored in the CWA—for example, by a PLTPI program. The first data area is obtained from CICS-key storage, which is the default on a GETMAIN command issued by a PLTPI program, the second from user-key storage by specifying the USERDATAKEY option. The CWA itself is in CICS-key storage, and PLTPROG is defined with EXECCKEY(CICS).

```

* Get 2KB of user-key storage for the second application ('APP2')
  MOVE 2048      TO AREA-LENGTH.
  EXEC CICS GETMAIN SET(AREA-PTR)
              FLENGTH(AREA-LENGTH)
              SHARED
              USERDATAKEY
  END-EXEC.
* Initialize CWA fields and link to load program
* for storage area 2.
  MOVE 'APP2'   TO APPL-2-ID.
  SET APPL-2-PTR TO AREA-PTR.
  EXEC CICS LINK PROGRAM('LOADTAB2')
              COMMAREA(COMM-DATA)
  END-EXEC.
  EXEC CICS RETURN
  END-EXEC.
  MAIN-PROCESSING-EXIT.
  GOBACK.

```

*Figure 18. Sample code for loading the CWA (Part 2 of 2).* This example illustrates how to create global data for use by application programs, with addresses of the data stored in the CWA—for example, by a PLTPI program. The first data area is obtained from CICS-key storage, which is the default on a GETMAIN command issued by a PLTPI program, the second from user-key storage by specifying the USERDATAKEY option. The CWA itself is in CICS-key storage, and PLTPROG is defined with EXECKEY(CICS).

---

## TCTTE user area (TCTUA)

The TCT user area (TCTUA) is an optional extension to the terminal control table entry (TCTTE). Each entry in the TCT specifies whether this extension is present and, if so, how long it is (by means of the USERAREALEN attribute of the TYPETERM resource definition used for the terminal). See the *CICS Resource Definition Guide* for more information about the TYPETERM resource definition.

The system initialization parameters TCTUALOC and TCTUAKEY specify the location and storage key for all TCTUAs.

- TCTUALOC=BELOW or ANY specifies whether you want 24- or 31-bit addressability to the TCTUAs, and whether TCTCUAs must be stored below the 16MB line or may be either above or below the line.
- TCTUAKEY=USER or CICS specifies whether you want the TCTUAs allocated from user-key or CICS-key storage.

TCTUAs have the following characteristics in common with the CWA:

- Minimal processor overhead (only one ADDRESS command needed)
- No recovery
- No resource security
- No regulation of use by CICS
- Fixed length
- Unsuitability for large-volume or short-lived data

Unlike the CWA, however, the TCTUA for a particular terminal is usually shared only among transactions using that terminal. It is therefore useful for storing small amounts of data of fairly standard length between a series of transactions in a pseudoconversational sequence. Another difference is that it is not necessarily permanently allocated, because the TCTUA only exists while the TCTTE is set up. For non-autoinstall terminals the TCTUA is allocated from system startup; for autoinstall terminals the TCTUA is allocated when the TCTTE is generated.

Using the TCTUA in this way does not require special discipline among using transactions, because data is always read by the transaction following the one that

wrote it. However, if you use TCTUAs to store longer-term data (for example, terminal or operator information needed by an entire application), they require the same care as the CWA to ensure that data used in one transaction does not overlay data used in another. You should not exceed the length of the allocated TCTUA, because this produces a storage violation.

---

## COMMAREA in RETURN commands

The COMMAREA option of the RETURN command is designed specifically for passing data between successive transactions in a pseudoconversational sequence. It is implemented as a special form of user storage, although the EXEC interface, rather than the application program, issues the GETMAIN and FREEMAIN requests.

The COMMAREA is allocated from the CICS shared subpool in main storage, and is addressed by the TCTTE, between tasks of a pseudoconversational application. The COMMAREA is freed unless it is passed to the next task.

The first program in the next task has automatic addressability to the passed COMMAREA, as if the program had been invoked by either a LINK command or an XCTL command (see “COMMAREA in LINK and XCTL commands” on page 135). You can also use the COMMAREA option of the ADDRESS command to obtain the address of the COMMAREA.

For a COMMAREA passed between successive transactions in a pseudoconversational sequence in a distributed environment, VTAM imposes a limit of 32KB on the size of the total data length. This limit applies to the entire transmitted package, which includes control data added by VTAM. The amount of control data increases if the transmission uses intermediate links.

To summarize:

- Processor overhead is low (equivalent to using COMMAREA with an XCTL command and approximately equal to using main temporary storage).
- It is not recoverable.
- There is no resource security.
- It is not suitable for very large amounts of data (because main storage is used, and it is held until the terminal user responds).
- As with using COMMAREA to transfer data between programs, it is available only to the first program in a transaction, unless that program explicitly passes the data or its address to succeeding programs.

---

## Display screen

You can also store data between pseudoconversational transactions from a 3270 display terminal on the display screen itself. For example, if users make errors in data that they are asked to enter on a screen, the transaction processing the input usually points out the errors on the screen (with highlights or messages), sets the next transaction identifier to point to itself (so that it processes the corrected input), and returns to CICS.

The transaction has two ways of using the *valid* data. It can save it (for example, in COMMAREA), and pass it on for the next time it is run. In this case, the transaction must merge the changed data on the screen with the data from previous entries. Alternatively, it can save the data on the screen by not turning off the modified data tags of the keyed fields.

Saving the data on the screen is very easy to code, but it is not very secure. You are **not** recommended to save screens that contain large amounts of data as errors may occur because of the additional network traffic needed to resend the unchanged data. (This restriction does not apply to locally-attached terminals.)

Secondly, if the user presses the CLEAR key, the screen data is lost, and the transaction must be able to recover from this. You can avoid this by defining the CLEAR key to mean CANCEL or QUIT, if this is appropriate for the application concerned.

Data other than keyed data may also be stored on the screen. This data can be protected from changes (except those caused by CLEAR) and can be nondisplay, if necessary.

---

## Chapter 14. Affinity

CICS transactions and programs use many different techniques to pass data from one to another. Some of these techniques require that the transactions or programs exchanging data must execute in the same CICS region. This imposes restrictions on the regions to which transactions and distributed program link (DPL) requests can be dynamically routed. If transactions or programs exchange data in ways that impose such restrictions, there is said to be an affinity among them. This chapter describes:

- “What is affinity?”
- “Techniques used by CICS application programs to pass data” on page 159
- “Safe programming techniques” on page 160
- “Unsafe programming techniques” on page 165
- “Suspect programming techniques” on page 171
- “Detecting inter-transaction affinities” on page 181
- “Duration and scope of inter-transaction affinities” on page 182
- “Recommendations” on page 188

---

### What is affinity?

Transactions, program-link requests, EXEC CICS START requests, and CICS business transaction services (BTS) activities can all be dynamically routed.

You can use a *dynamic* routing program to dynamically route:

- Transactions started from terminals
- Transactions started by eligible terminal-related EXEC CICS START commands
- Eligible CICS-to-CICS DPL requests
- Eligible program-link requests received from outside CICS.

You can use a *distributed* routing program to dynamically route:

- Eligible BTS processes and activities. (BTS is described in the *CICS Business Transaction Services* manual.)
- Eligible non-terminal-related EXEC CICS START requests.

For detailed introductory information about dynamic and distributed routing, see the *CICS Intercommunication Guide*.

#### **Important**

The following sections talk exclusively about affinities between *transactions*. Keep in mind throughout the chapter that:

- Affinities can also exist between programs. (Although, strictly speaking, we could say that it is the transactions associated with the programs that have the affinity.) This may impose restrictions on the regions to which program-link requests can be routed.
- The sections on safe, unsafe, and suspect programming techniques apply to the routing of program-link and START requests, as well as to the routing of transactions.

## Types of affinity

There are two types of affinity that affect dynamic routing:

- Inter-transaction affinity
- Transaction-system affinity

### Inter-transaction affinity

Transaction affinity among two or more CICS transactions is caused by the transactions using techniques to pass information between one another, or to synchronize activity between one another, in a way that requires the transactions to execute in the same CICS region. This type of affinity is inter-transaction affinity, where a set of transactions share a common resource and/or coordinate their processing. Inter-transaction affinity, which imposes restrictions on the dynamic routing of transactions, can occur in the following circumstances:

- One transaction terminates, leaving 'state data' in a place that a second transaction can only access by running in the same CICS region as the first transaction.
- One transaction creates data that a second transaction accesses while the first transaction is still running. For this to work safely, the first transaction usually waits on some event, which the second transaction posts when it has read the data created by the first transaction. This technique requires that both transactions are routed to the same CICS region.
- Two transactions synchronize, using an event control block (ECB) mechanism. Because CICS has no function shipping support for this technique, this type of affinity means the two transactions must be routed to the same CICS region.

**Note:** The same is true if two transactions synchronize, using an enqueue (ENQ) mechanism, **unless** you have used appropriate ENQMODEL resource definitions (see the *CICS Resource Definition Guide* for a description of ENQMODELS) to give sysplex-wide scope to the ENQs.

### Transaction-system affinity

There is another type of transaction affinity that is not an affinity among transactions themselves. It is an affinity between a transaction and a particular CICS region, where the transaction interrogates or changes the properties of that CICS region—transaction-system affinity.

Transactions with affinity to a particular system, rather than another transaction, are not eligible for dynamic routing. In general, they are transactions that use INQUIRE and SET commands, or have some dependency on global user exit programs, which also have an affinity with a particular CICS region.

**Using INQUIRE and SET commands and global user exits:** There is no remote (that is, function shipping) support for INQUIRE and SET commands, nor is there a SYSID option on them, hence transactions using these commands must be routed to the CICS regions that own the resources to which they refer. In general, such transactions cannot be dynamically routed to any target region, and therefore transactions that use INQUIRE and SET should be statically routed.

Global user exits running in different CICS regions cannot exchange data. It is unlikely that user transactions pass data or parameters by means of user exits, but if such transactions do exist, they must run in the same target region as the global user exits.

---

## Techniques used by CICS application programs to pass data

From the point of view of inter-transaction affinity in a dynamic or distributed routing environment, the programming techniques used by your application programs can be considered in three broad categories:

- Those techniques that are generally safe and do not cause inter-transaction affinities
- Those techniques that are inherently unsafe
- Those techniques that are suspect in that they may, or may not, create affinities depending on exactly how they are implemented

### Safe techniques

The programming techniques in the generally safe category are:

- The use of the communication area (COMMAREA), supported by the CICS API on a number of CICS commands. However, it is the COMMAREA option on the CICS RETURN command only that is of interest in a dynamic or distributed routing environment with regard to transaction affinity, because it is the COMMAREA on a RETURN command that is passed to the next transaction in a pseudoconversational transaction.
- The use of a TCT user area (TCTUA) that is optionally available for each terminal defined to CICS.
- Synchronization or serialization of tasks using CICS commands:
  - ENQ / DEQ, **provided that** you have used appropriate ENQMODEL resource definitions (see “Using ENQ and DEQ commands with ENQMODEL resource definitions” on page 163 and the *CICS Resource Definition Guide* for a description of ENQMODELS) to give sysplex-wide scope to the ENQs.
- The use of containers to pass data between CICS Business Transaction Services (BTS) activities. Container data is saved in an RLS-enabled BTS VSAM file.

For more information about the COMMAREA and the TCTUA, see “Safe programming techniques” on page 160.

### Unsafe techniques

The programming techniques in the unsafe category are:

- The use of long-life shared storage:
  - The common work area (CWA)
  - GETMAIN SHARED storage
  - Storage obtained by a LOAD PROGRAM HOLD
- The use of task-lifetime local storage shared by synchronized tasks

It is possible for one task to pass the address of some task-lifetime storage to another task.

It may be safe for the receiving task to use the passed address, provided the owning task does not terminate. It is possible, but ill-advised, to use a CICS task-synchronization technique to allow the receiving task to prevent the sending task from terminating (or freeing the storage in some other way) before the receiver has finished with the address. However, such designs are not robust because there is a danger of the sending task being purged by some outside agency.

See “Sharing task-lifetime storage” on page 168 for more details.

- Synchronization or serialization of tasks using CICS commands:
  - WAIT EVENT / WAIT EXTERNAL / WAITCICS

- ENQ / DEQ, **unless** you have used appropriate ENQMODEL resource definitions (see “Using ENQ and DEQ commands with ENQMODEL resource definitions” on page 163 and the *CICS Resource Definition Guide* for a description of ENQMODELS) to give sysplex-wide scope to the ENQs.

For more information about unsafe programming techniques, see “Unsafe programming techniques” on page 165.

## Suspect techniques

Some programming techniques may, or may not, create affinity depending on exactly how they are implemented. A good example is the use of temporary storage. Application programs using techniques in this category must be checked to determine whether they work without restrictions in a dynamic or distributed routing environment. The programming techniques in the suspect category are:

- The use of temporary storage queues with restrictive naming conventions
- Transient data queues and the use of trigger levels
- Synchronization or serialization of tasks using CICS commands:
  - RETRIEVE WAIT / START
  - START / CANCEL REQID
  - DELAY / CANCEL REQID
  - POST / CANCEL REQID
- INQUIRE and SET commands and global user exits

For more information about suspect programming techniques, see “Suspect programming techniques” on page 171.

---

## Safe programming techniques

Some techniques for passing data between transactions are generally safe in that they do not create inter-transaction affinity. These involve the use of a communication area (COMMAREA), a terminal control table user area (TCTUA), or BTS containers.

However, to remain free from affinity, COMMAREAs, TCTUAs, and BTS containers must **not** contain addresses. Generally the storage referenced by such addresses would have to be long-life storage, the use of which is an unsafe programming technique in a dynamic transaction routing environment.

The use of the COMMAREA and TCTUA for passing data between transactions is discussed further in the following sections.

### The COMMAREA

The use of the COMMAREA option on the RETURN command is the principal example of a safe programming technique that you can use to pass data between successive transactions in a CICS pseudoconversational transaction. CICS treats the COMMAREA as a special form of user storage, even though it is CICS that issues the GETMAIN and FREEMAIN requests for the storage, and not the application program.

CICS ensures that the contents of the COMMAREA specified on a RETURN command are always made available to the first program in the next transaction. This is true even when the sending and receiving transactions execute in different target regions. In a pseudoconversation, regardless of the target region to which a dynamic routing program chooses to route the next transaction, CICS ensures the



COMMAREA specified on the previous RETURN command is made available in the target region. This is illustrated in Figure 19.

Some general characteristics of a COMMAREA are:

- Processor overhead is low.
- It is not recoverable.
- The length of a COMMAREA on a RETURN command can vary from transaction to transaction, up to a theoretical upper limit of 32 763 bytes. (However to be safe, you should not exceed 24KB (1KB = 1024 bytes), as recommended in the *CICS Application Programming Reference* manual, because of a number of factors that can reduce the limit from the theoretical maximum.)
- CICS holds a COMMAREA in CICS main storage until the terminal user responds with the next transaction. This may be an important consideration if you are using large COMMAREAs, because the number of COMMAREAs held by CICS relates to terminal usage, and not to the maximum number of tasks in a region at any one time.
- A COMMAREA is available only to the first program in the next transaction, unless that program explicitly passes the data to another program or a succeeding transaction.

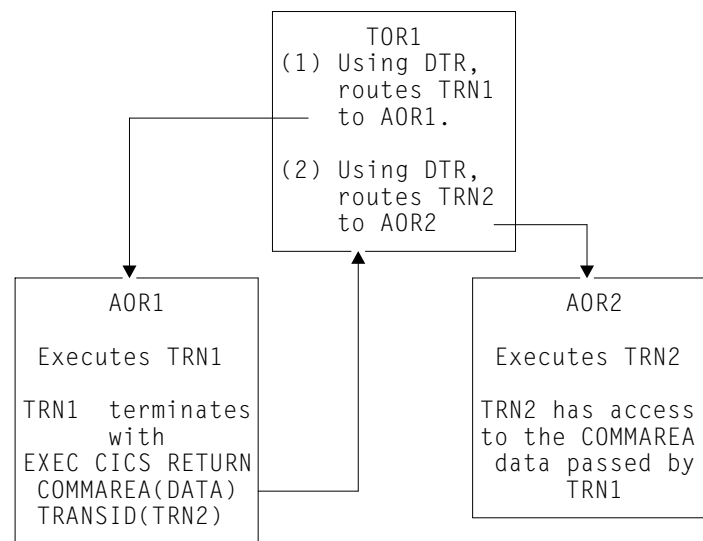


Figure 19. The use of a COMMAREA by a pseudoconversation in a dynamic transaction routing environment

The COMMAREA used in a pseudoconversational transaction, as shown in Figure 19, can be passed from transaction to transaction across a CICSplex, and, provided the COMMAREA contains only data and not addresses of storage areas, no inter-transaction affinity is created.

## The TCTUA

The TCTUA is an optional extension to the terminal control table entry (TCTTE), each entry specifying whether the extension is present, and its length. You specify that you want a TCTUA associated with a terminal by defining its length on the USERAREALEN parameter of a TYPETERM resource definition. This means that the TCTUAs are of fixed length for all the terminals created using the same TYPETERM definition.

A terminal control table user area (TCTUA) is safe to use in a dynamic transaction routing environment as a means of passing data between successive transactions in a pseudoconversational transaction. Like the COMMAREA, the TCTUA is always accessible to transactions initiated at a user terminal, even when the transactions in a pseudoconversation are routed to different target regions. This is illustrated in Figure 20. Some other general characteristics of TCTUAs are:

- Minimal processor overhead (only one CICS command is needed to obtain the address).
- It is not recoverable.
- The length is fixed for the group of terminals associated with a given TYPETERM definition. It is suitable only for small amounts of data, the maximum size allowed being 255 bytes.
- If the terminal is autoinstalled, the TCTUA lasts as long as the TCTTE, the retention of which is determined by the AILDELAY system initialization parameter. The TCTTE, and therefore any associated TCTUA, is deleted when the AILDELAY interval expires after a session between CICS and a terminal is ended.

If the terminal is defined to CICS by an explicit terminal definition, the TCTTE and its associated TCTUA are created when the terminal is installed and remain until the next initial or cold start of CICS.

Note that the TCTUA is available to a dynamic routing environment in the routing region as well as application programs in the target region. It can be used store information relating to the dynamic routing of a transaction. For example, you can use the TCTUA to store the name of the selected target region to which a transaction is routed.

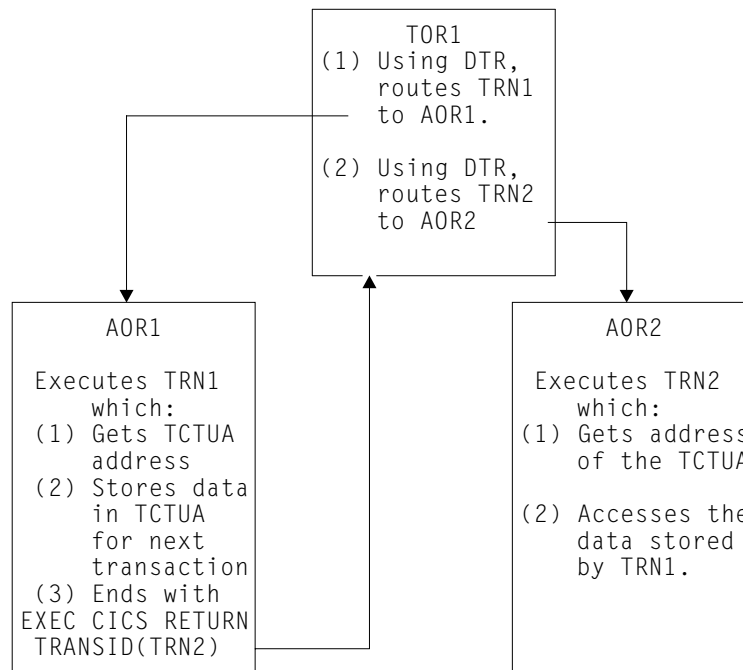


Figure 20. The use of a TCTUA by a pseudoconversation in a dynamic routing environment

### Using the TCTUA in an unsafe way

The EXEC CICS ADDRESS TCTUA(ptr-ref) provides direct addressability to the TCTUA, and this is how each task requiring access to a TCTUA should obtain the

TCTUA address. If tasks attempt to pass the address of their TCTUAs in some other way, such as in a temporary storage queue, or to use the TCTUA itself to pass addresses of other storage areas, the TCTUA ceases to provide a safe programming technique for use in a dynamic transaction routing environment.

It is also possible for a task to obtain the TCTUA of a principal facility other than its own, by issuing an INQUIRE TERMINAL command that names the terminal associated with another task (the INQUIRE TERMINAL command returns the TCTUA address of the specified terminal). Using the TCTUA address of a terminal other than a task's own principal facility is another example an unsafe use of the TCTUA facility. Depending on the circumstances, particularly in a dynamic routing environment, the TCTUA of a terminal that is not the inquiring task's principal facility could be deleted after the address has been obtained. For example, in a target region, an INQUIRE TERMINAL command could return the TCTUA address associated with a surrogate terminal that is running a dynamically routed transaction. If the next transaction from the terminal is routed to a different target region, the TCTUA address ceases to be valid.

## Using ENQ and DEQ commands with ENQMODEL resource definitions

The ENQ and DEQ commands are used to serialize access to a shared resource. In earlier releases of CICS, these commands were limited to the scope of CICS tasks running in the same region, and could not be used to serialize access to a resource shared by tasks in different regions. Now, **provided that** the ENQs and DEQs are supported by appropriate ENQMODEL resource definitions (see the *CICS Resource Definition Guide* for a description of ENQMODELS) they can have sysplex-wide scope.

This is primarily of interest to the system programmer who will determine transaction routing decisions, but application programmers should be aware of the advantages now available.

### Overview of sysplex enqueue and dequeue

Changes to the CICS enqueue/dequeue function extend the CICS application programming interface to provide an enqueue mechanism that serializes access to a **named resource** across a specified set of CICS regions operating within a sysplex. This applies equally to a CICSplex within a single MVS image and to a CICSplex that resides in more than one MVS. (Note that sysplex-wide enqueue is supported only for a **resource**, and not for an enqueue on an **address**.)

Local enqueues within a single CICS region are managed within the CICS address space. Sysplex-wide enqueues that affect more than one CICS region are managed by Global Resource Services (GRS). The main points of the changes to the CICS enqueue/dequeue mechanism are as follows:

- Sysplex enqueue and dequeue expands the scope of an EXEC CICS ENQ|DEQ command from region to sysplex, by introducing a new CICS resource definition type, ENQMODEL, to define resource names that are to be sysplex-wide.
- ENQSCOPE, an attribute of the ENQMODEL resource definition, defines the set of regions that share the same enqueue scope.
- When an EXEC CICS ENQ (or DEQ) command is issued for a resource whose name matches that of an installed ENQMODEL resource definition, CICS checks the value of the ENQSCOPE attribute to determine whether the scope is local or sysplex-wide, as follows:

- If the ENQSCOPE attribute is left blank (the default value), CICS treats the ENQ|DEQ as local to the issuing CICS region.
- If the ENQSCOPE is non-blank, CICS treats the ENQ|DEQ as sysplex-wide, and passes a queue name and the resource name to GRS to manage the enqueue. The resource name is as specified on the EXEC CICS ENQ|DEQ command, and the queue name is made up by prefixing the 4-character ENQSCOPE with the letters DFHE.
- The CICS regions that need to use sysplex-wide enqueue/dequeue function must all have the required ENQMODELS defined and installed.  
The recommended way to ensure this is for the CICS regions to share a CSD, and for the initialization group lists to include the same ENQMODEL groups.

Changes have been made to the CICS Affinity Utility to make it easier to create affinity groups for enqueues by address separately from enqueues by name.

Existing applications can use sysplex enqueues simply by defining appropriate ENQMODELS, without any change to the application programs.

### **Benefits**

Sysplex enqueue provides the following benefits:

- Eliminates one of the most common causes of inter-transaction affinity.
- Enables better exploitation of a parallel sysplex providing better price/performance, capacity, and availability.
- Reduces the need for inter-transaction affinity rules in dynamic and distributed routing programs thereby lowering the systems management cost of exploiting parallel sysplex.
- Enables serialization of concurrent updates to shared temporary storage queues, performed by multiple CICS tasks across the sysplex.
- Makes it possible to prevent interleaving of records written by concurrent tasks in different CICS regions to a remote transient data queue.
- Allows the single-threading and synchronization of tasks across the sysplex. It is not designed for the locking of recoverable resources.

## **BTS containers**

A container is owned by a BTS activity. Containers cannot be used outside of an activity; for more information, see the *CICS Business Transaction Services*. A container may be used to pass data between BTS activities or between different activations of the same activity. An activity uses GET and PUT container to update the container's contents. CICS ensures that the appropriate containers are available to an activity by saving all the information (including containers) associated with a BTS activity in an RLS-enabled VSAM file. For this reason, note that a BTS environment cannot extend outside a sysplex (see *CICS Business Transaction Services*), but you can use dynamic routing within a sysplex passing data in containers.

Some general characteristics of containers are:

- An activity may own any number of containers; you are not limited to one.
- There is no size restriction.
- They are recoverable.
- They exist in main storage only while the associated activity is executing. Otherwise they are held on disk. Therefore, you do not need to be overly concerned with their storage requirements, unlike terminal COMMAREAs.

## Unsafe programming techniques

Some CICS application programming techniques, notably those that pass, or obtain, addresses to shared storage, create an affinity between transactions.

The programming techniques that are generally unsafe are described in the following sections.

### Using the common work area

The CWA in a CICS region is created (optionally) during CICS initialization, exists until CICS terminates, and is not recovered on a CICS restart (warm or emergency). The ADDRESS CWA(*ptr-ref*) command provides direct addressability to the CWA.

A good example of how the use of long-life shared storage such as the CWA can create affinity is when one task stores data in the CWA, and a later task reads the data from it. Clearly, the task retrieving the data must run in the same target region as the task that stored the data, or it references a completely different storage area in a different address space. This restricts the workload balancing capability of the dynamic or distributed routing program, as shown in Figure 21.

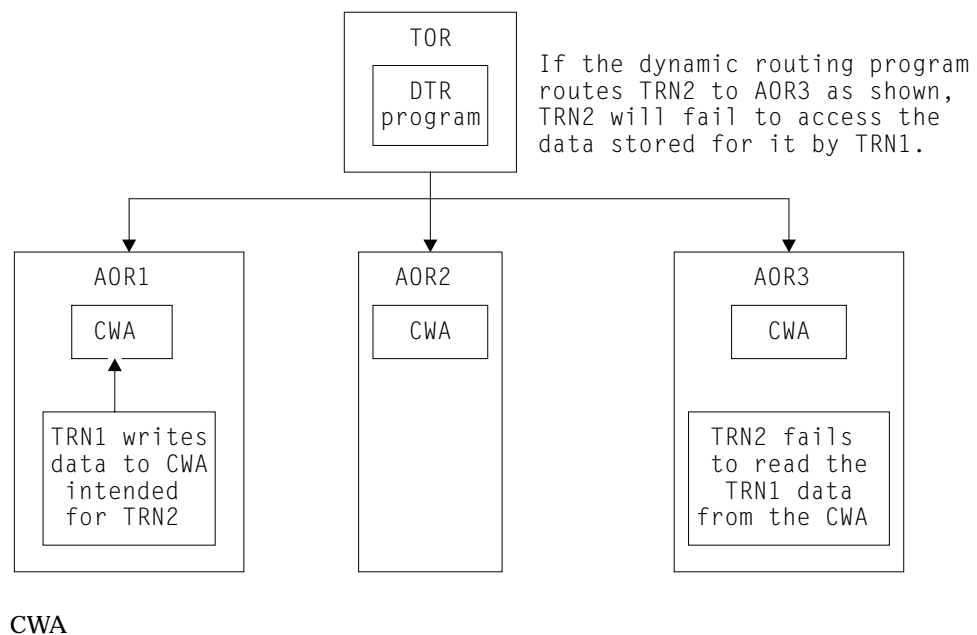


Figure 21. Illustration of inter-transaction affinity created by use of the CWA. The dynamic routing program needs to be aware of this CWA affinity, and ensure it routes TRN2 to the same target region as TRN1.

However, if the CWA contains read-only data, and this data is replicated in more than one target region, it is possible to use the CWA and continue to have the full benefits of dynamic routing. For example, you can run a program during the post-initialization phase of CICS startup (a PLTPI program) that loads the CWA with read-only data in each of a number of selected target regions. In this way, all transactions routed to target regions loaded with the same CWA data have equal access to the data, regardless of which of the target regions to which the transactions are routed. With CICS subsystem storage protection, you can ensure

the read-only integrity of the CWA data by requesting the CWA from CICS-key storage, and define all the programs that read the CWA to execute in user key.

## Using GETMAIN SHARED storage

Shared storage is allocated by a GETMAIN SHARED command, and remains allocated until explicitly freed by the same, or by a different, task. Shared storage can be used to exchange data between any CICS tasks that run during the lifetime of the shared storage. Transactions designed in this way must execute in the same CICS region to work correctly. The dynamic or distributed routing program should ensure that transactions using shared storage are routed to the same target region.

Figure 22 illustrates the use of shared storage.

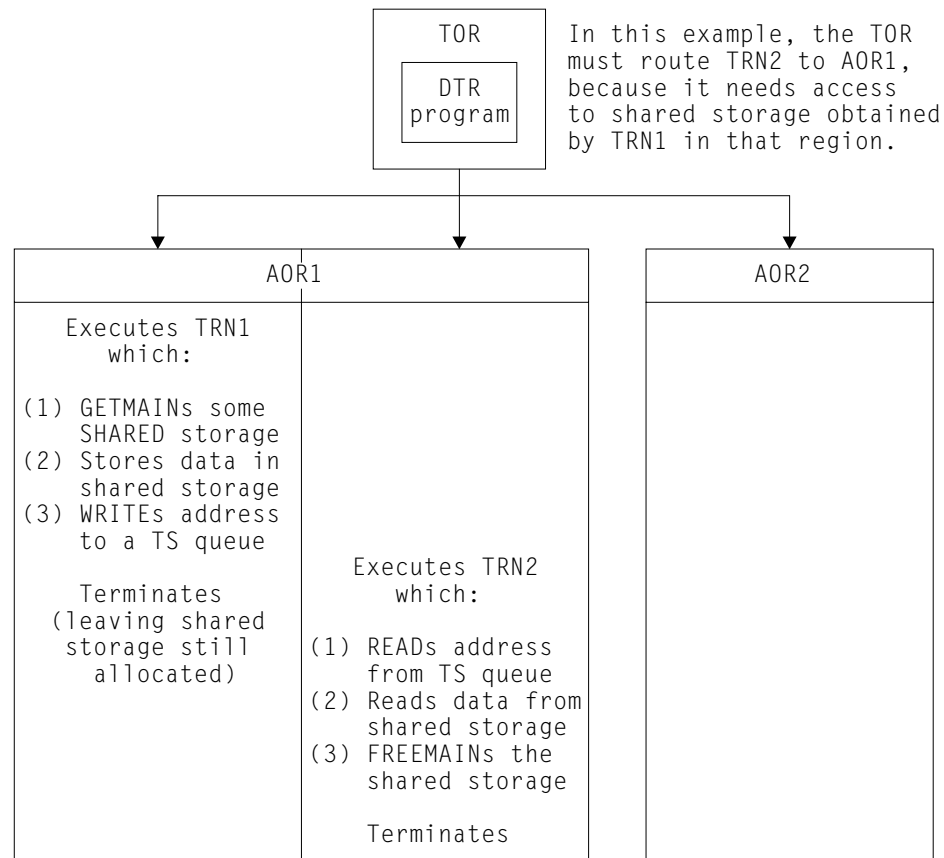


Figure 22. Illustration of inter-transaction affinity created by use of shared storage. The dynamic transaction routing program needs to be aware of this affinity, and ensure it routes TRN2 to the same target region as TRN1.

If the two transactions shown in Figure 22 are parts of a pseudoconversational transaction, the use of shared storage should be replaced by a COMMAREA (provided that the amount of storage fits within the COMMAREA size limits).

## Using the LOAD PROGRAM HOLD command

A program (or table) that CICS loads in response to a LOAD PROGRAM HOLD command remains in directly addressable storage until explicitly released by the same, or by a different, task. Any CICS tasks that run while the loaded program (table) is held in storage can use the loaded program's storage to exchange data, provided that:

- The program is not loaded into read-only storage, or
- The program is not defined to CICS with RELOAD(YES)

Although you could use a temporary storage queue to make the address of the loaded program's storage available to other tasks, the more usual method would be for other tasks to issue a LOAD PROGRAM command also, with the SET(ptr\_ref) option so that CICS can return the address of the held program.

The nature of the affinity caused by the use of the LOAD PROGRAM HOLD command is virtually identical to that caused by the use of GETMAIN SHARED storage (see Figure 22 on page 166 and Figure 23), and the same rule applies: to preserve the application design, the dynamic or distributed routing program must ensure that all transactions that use the address of the loaded program (or table) are routed to the same target region.

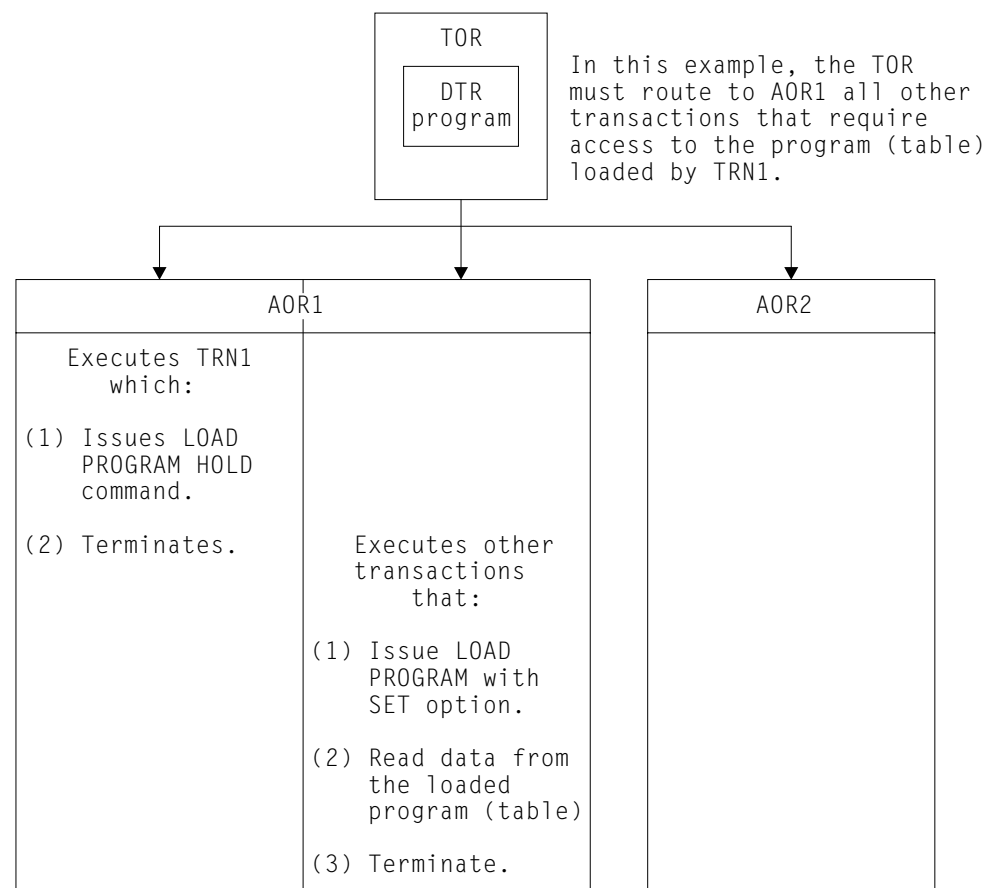


Figure 23. Illustration of inter-transaction affinity created by use of shared storage. The dynamic routing program needs to be aware of this affinity, and ensure it routes TRN2 to the same target region as TRN1.

**Note:** This rule applies also to programs defined with the RESIDENT option on the resource definition for the loaded program (whether or not the HOLD option is specified on the LOAD command). However, regardless of affinity considerations, it is unsafe to use the RESIDENT option to enable transactions to share data, because programs defined with RESIDENT are subject to SET PROGRAM(program\_name) NEWCOPY commands, and can therefore be changed.

The rule also applies to a non-resident, non-held, loaded program where the communicating tasks are synchronized.

## Sharing task-lifetime storage

The use of any task-lifetime storage belonging to one task can be shared with another task, provided the owning task can pass the address to the other task in the same CICS address space. This technique creates an affinity among the communicating tasks, and requires that any task retrieving and using the passed address must execute in the same target region as the task owning the task-lifetime storage.

For example, it is possible to use a temporary storage queue to pass the address of a PL/I automatic variable, or the address of a COBOL working-storage structure (see Figure 24 for an example).

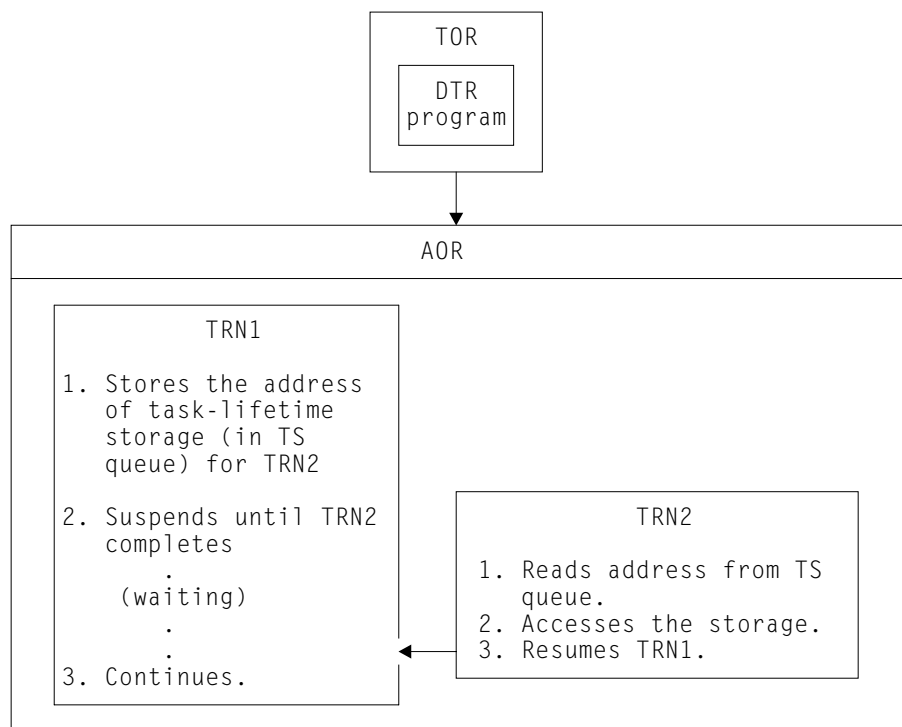


Figure 24. Illustration of inter-transaction affinity created by use of task-lifetime storage. TRN2 must execute in the same target region as TRN1. Also, TRN1 must not terminate until TRN2 has finished using its task-lifetime storage.

For two tasks to share task-lifetime storage belonging to one of them requires that the tasks are synchronized in some way. See Table 12 for commands that provide ways of suspending and resuming a task that passes the address of its local storage.

Table 12. Methods for suspending and resuming (synchronizing) tasks

Suspending operation	Resuming operation
WAIT EVENT, WAIT EXTERNAL, WAITCICS	POST
RETRIEVE WAIT	START
DELAY	CANCEL
POST	CANCEL



Table 12. Methods for suspending and resuming (synchronizing) tasks (continued)

Suspending operation	Resuming operation
START	CANCEL
ENQ	DEQ

Some of these techniques themselves require that the transactions using them must execute in the same target region, and these are discussed later in this chapter. However, even in those cases where tasks running in different target regions can be synchronized, it is not safe to pass the address of task-lifetime storage from one to the other. Even without dynamic routing, designs that are based on the synchronization techniques shown in Table 12 on page 168 are fundamentally unsafe because it is possible that the storage-owning task could be purged.

**Notes:**

1. Using synchronization techniques, such as RETRIEVE WAIT/START, to allow sharing of task-lifetime storage is unsafe in CICS Version 2 because the task issuing, for example, the RETRIEVE WAIT could be purged by a CEMT SET TASK(...) PURGE command. In CICS/ESA Version 3 and later, the SPURGE parameter on the transaction definition could be used to protect the first task, but even so the design is not recommended.
2. No inter-transaction affinity is caused in those cases where the task sharing another task's task-lifetime storage is started by an START command, except when the START command is function-shipped or routed to a remote system.

## Using the WAIT EVENT command

The WAIT EVENT command is used to synchronize a task with the completion of an event performed by some other CICS or MVS task.

The completion of the event is signalled (posted) by the setting of a bit pattern into the event control block (ECB). Both the waiting task and the posting task must have direct addressability to the ECB, hence both tasks must execute in the same target region. The use of a temporary storage queue is one way that the waiting task can pass the address of the ECB to another task.

This synchronization technique is illustrated in Figure 25 on page 170.

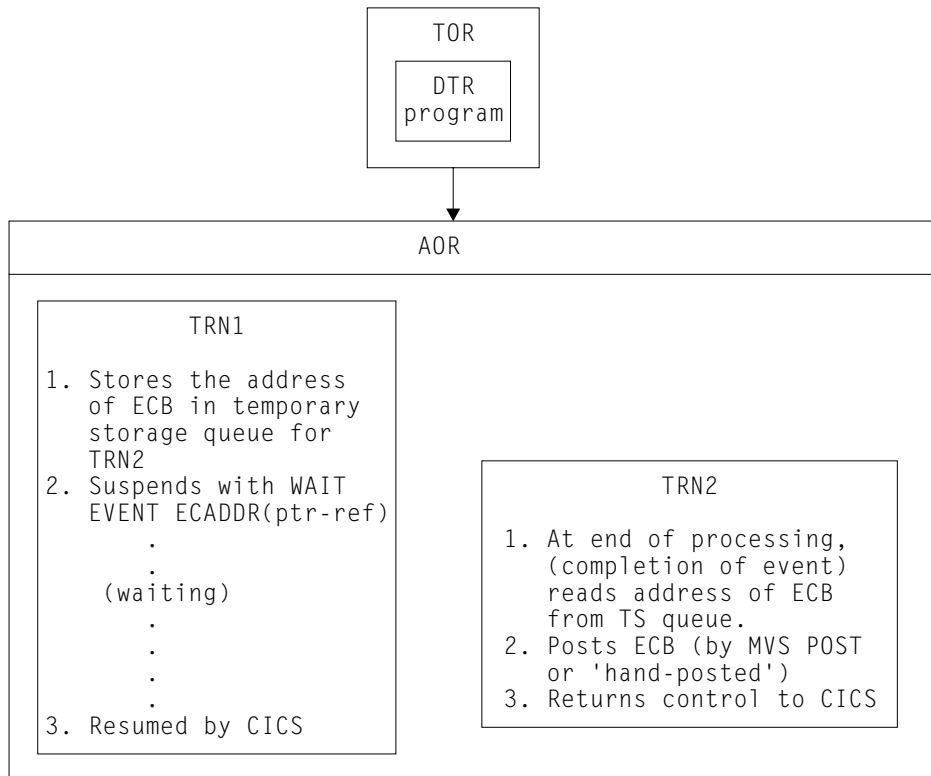


Figure 25. Illustration of inter-transaction affinity created by use of WAIT EXTERNAL command. TRN2 must execute in the same target region as TRN1.

If TRN2 shown in Figure 25 executed in a different target region from TRN1, the value of *ptr-ref* would be invalid, the post operation would have unpredictable results, and the waiting task would never be resumed. For this reason, a dynamic or distributed routing program must ensure that a posting task executes in the same target region as the waiting task to preserve the application design.

The same considerations apply to the use of WAIT EXTERNAL and WAITCICS commands for synchronizing tasks.

## Using ENQ and DEQ commands without ENQMODEL resource definitions

The ENQ and DEQ commands are used to serialize access to a shared resource. These commands only work for CICS tasks running in the same region, and cannot be used to serialize access to a resource shared by tasks in different regions, **unless** they are supported by appropriate ENQMODEL resource definitions (see “Using ENQ and DEQ commands with ENQMODEL resource definitions” on page 163 and the *CICS Resource Definition Guide* for a description of ENQMODELs) so that they have sysplex-wide scope.

Note that any ENQ that does not specify the LENGTH option is treated as an enqueue on an **address** and therefore has only local scope.

The use of ENQ and DEQ for serialization (without ENQMODEL definitions to give sysplex-wide scope) is illustrated in Figure 26 on page 171.

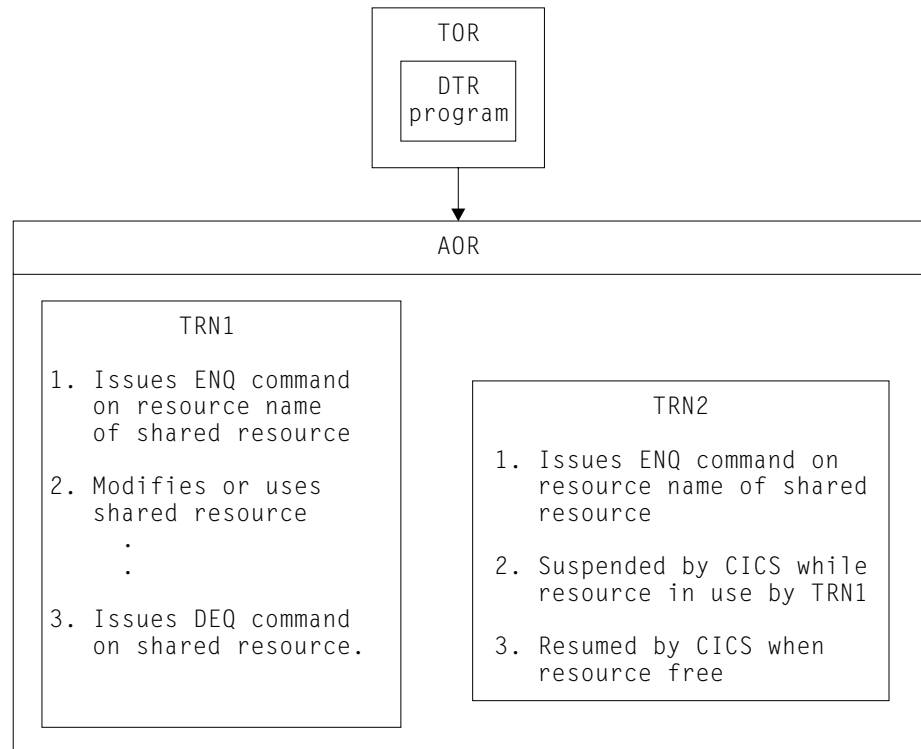


Figure 26. Illustration of inter-transaction affinity created by use of ENQ/DEQ commands. TRN2 must execute in the same target region as TRN1.

If TRN2 shown in Figure 26 executed in a different target region from TRN1, TRN2 would not be suspended while TRN1 accessed the shared resource. For this reason, a dynamic or distributed routing program must ensure that all tasks that enqueue on a given resource name must execute in the same target region to preserve the application design. TRN2 would, of course, be serialized with other CICS tasks that issue ENQ commands on the same resource name in its target region.

---

## Suspect programming techniques

Some CICS application programming techniques may create an affinity between transactions depending on how they are implemented.

The programming techniques that may be suspect are described in the following sections.

### Using temporary storage

CICS application programs commonly use temporary storage (TS) queues to hold temporary application data, and to act as scratch pads.

Sometimes a TS queue is used to pass data between application programs that execute under one instance of a transaction (for example, between programs that pass control by a LINK or XCTL command in a multi-program transaction). Such use of a TS queue requires that the queue exists only for the lifetime of the transaction instance, and therefore it does not need to be shared between different target regions, because a transaction instance executes in one, and only one, target region.

**Note:** This latter statement is not strictly true in the case of a multi-program transaction, where one of the programs is linked by a distributed program link command and the linked-to program resides in a remote system. In this case, the program linked by a DPL command runs under another CICS task in the remote region. The recommended method for passing data to a DPL program is by a COMMAREA, but if a TS queue is used for passing data in a DPL application, the queue must be shared between the two regions.

Sometimes a TS queue holds information that is specific to the target region, or holds read-only data. In this case the TS queue can be replicated in each target region, and no sharing of data between target regions is necessary.

However, in many cases a TS queue is used to pass data between transactions, in which case the queue must be globally accessible to enable the transactions using the queue to run in any dynamically selected target region. It is possible to make a temporary storage queue globally accessible by function shipping TS requests to a queue-owning region (QOR), provided the TS queue can be defined as remote. Shared queues are defined by using a temporary storage pool in a coupling facility. Shared temporary storage applies only to non-recoverable queues. You can make queues in auxiliary storage recoverable, but not queues in main storage.

In a pseudoconversational transaction, you can change the program to use a COMMAREA to pass data between the phases of the conversation. However, using temporary storage data-sharing avoids inter-transaction affinity by being able to use dynamic routing to any target region. Shared temporary storage queue requests for specific SYSIDs are routed in the same way as remote queue requests. The SYSID value defined to shared TS pools is TST TYPE=SHARED.

The methods for specifying TS pool make it easy to migrate queues from a QOR to a TS data-sharing pool. You can use the temporary storage global user exit, XTSEREQ, to modify the SYSID on a TS request so that it references a TS data-sharing pool. See Figure 27 for an illustration of a temporary storage data-sharing server.

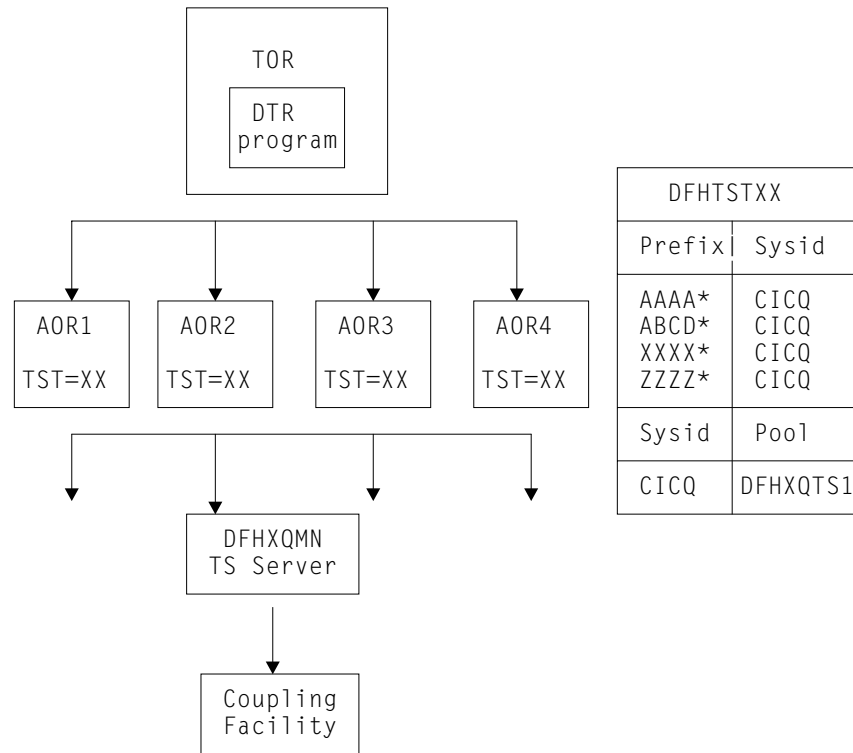


Figure 27. Example of the use of the temporary storage data-sharing server

### Naming conventions for remote queues

To define a queue as remote you must include an entry for the queue in a temporary storage table (TST), or use an appropriate TSMODEL. TS queue names are frequently generated dynamically, but they can also be unique fixed names.

- The TST naming convention allows for dynamic names by accepting generic names formed by a constant prefix, to which a CICS application program can add a variable suffix. (Generic names are formed from the leading characters of the 8-character queue names and can be up to seven characters long. Names in a TST entry using all eight characters specify unique TS queues.)
- The names of TS queues defined by TSMODEL resource definitions may have a prefix of up to 16 characters (using a specified set of character) if defined by the Prefix or Remoteprefix option, or of up to 32 characters (using any hexadecimal string) if defined by the XPrefix or XRemoteprefix option. The *CICS Resource Definition Guide* has more information about Prefix, Remoteprefix, XPrefix and XRemoteprefix.

The usual convention is a 4-character prefix (for example, the transaction identifier) followed by a 4-character terminal identifier as the suffix. This generates queue names that are unique for a given terminal. Such generic queue names can be defined easily as remote queues that are owned, for example, by:

- A QOR (thus avoiding transaction affinity problems)
- Shared queues residing in temporary storage data-sharing queue pools
- Remote queues that are owned by an target region, or in a temporary storage data-sharing queue pool

Remote queues and shared queues can be defined in the same way for application programs, but requests for specific SYSIDs are routed to a temporary storage data server by means of TST TYPE=SHARED. However, if the naming convention for

dynamically named queues does not conform to this rule, the queue cannot be defined as remote, and all transactions that access the queue must be routed to the target region where the queue was created. Furthermore, a TS queue name cannot be changed from a local to a remote queue name using the global user exits for TS requests.

See Figure 28 for an illustration of the use of a remote queue-owning region.

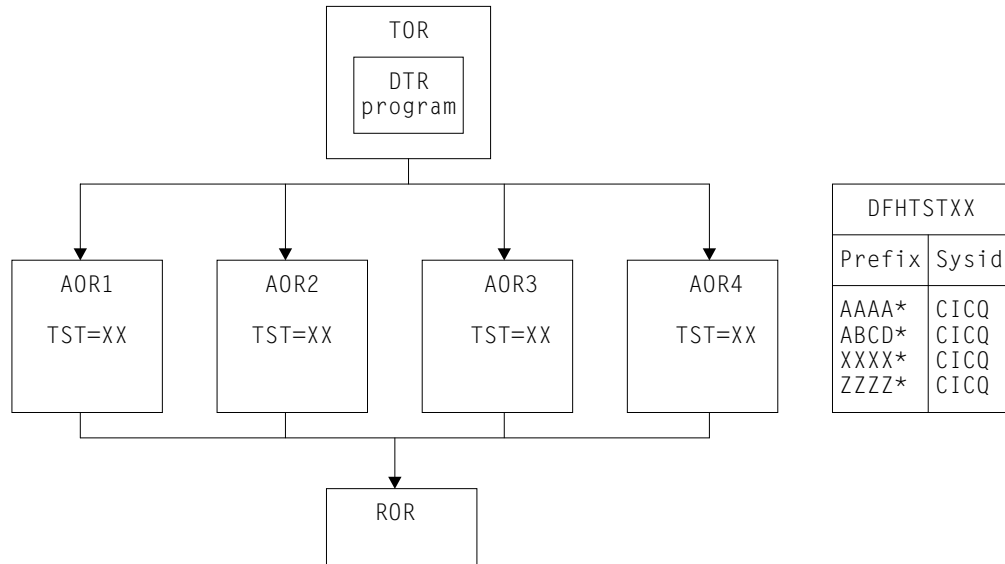


Figure 28. Using remote queues to avoid inter-transaction affinity relating to temporary storage. This example shows a combined file-owning and queue-owning region. Separate regions can be used, but these require special care during recovery operations because of 'in-doubt' windows that can occur when recovering data managed independently by file control and temporary storage control.

### Exception conditions for globally accessible queues

When you eliminate inter-transaction affinity relating to TS queues by the use of a global QOR, you must also take care to review exception condition handling. This is because some exception conditions can occur that previously were not possible when the transactions and the queue were local in the same region. This situation arises because the target region and QOR can fail independently, causing circumstances where:

- The queue already exists, because only the target region failed while the QOR continued.
- The queue is not found, because only the QOR failed while the target region continued.

## Using transient data

Another form of data queue that CICS application programs commonly use is the transient data queue (TD). The dynamic transaction routing considerations for TD queues have much in common with those for temporary storage. To enable transactions that use a TD queue that needs to be shared, to be dynamically routed to an target region, you must ensure that the TD queues are globally accessible.

All transient data queues must be defined to CICS, and must be installed before the resources become available to a CICS region. These definitions can be changed to support a remote transient data queue-owning region (QOR).

However, there is a restriction for TD queues that use the trigger function. The transaction to be invoked when the trigger level is reached must be defined as a local transaction in the region where the queue resides (in the QOR). Thus the trigger transaction must execute in the QOR. However, any terminal associated with the queue need not be defined as a local terminal in the QOR. This does not create an inter-transaction affinity.

Figure 29 illustrates the use of a remote transient data queue-owning region.

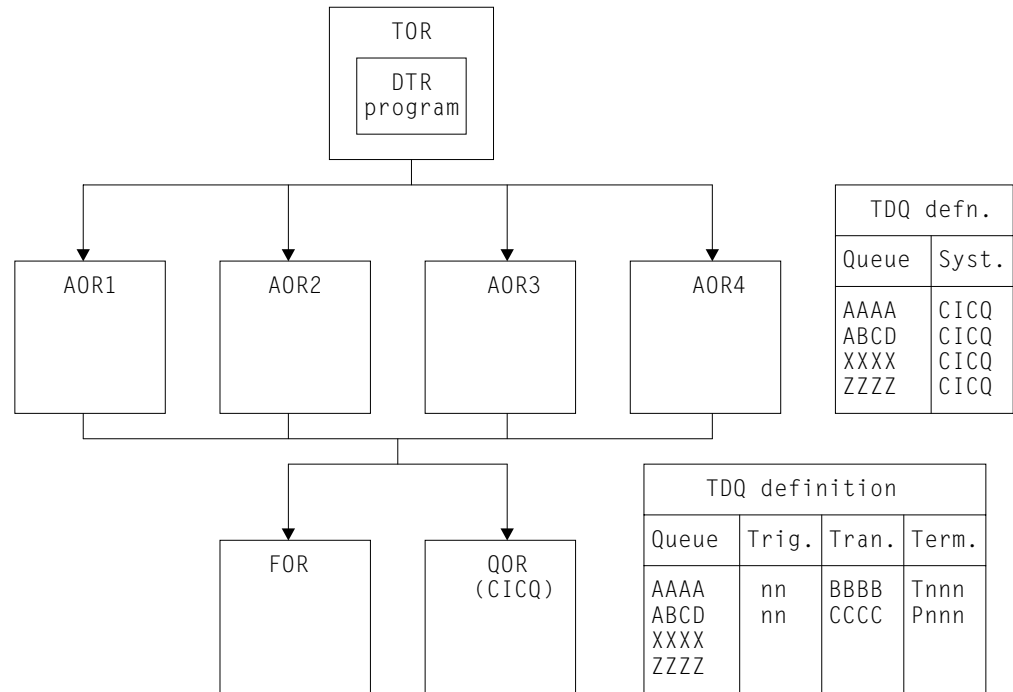


Figure 29. Using remote queues to avoid inter-transaction affinity relating to transient data. The transient data queue definitions installed in the target regions are defined as owned by the QOR (CICQ). All the transient data queue definitions installed in the QOR are local, some with trigger levels.

### Exception conditions for globally accessible queues

When you eliminate inter-transaction affinity relating to TD queues by the use of a global QOR, there should not be any new exception conditions (other than SYSIDERR if there is a system definition error or failure).

## Using the RETRIEVE WAIT and START commands

The use of some synchronization techniques permit the sharing of task-lifetime storage between two synchronized tasks. For example, the RETRIEVE WAIT and START commands could be used for this purpose, as illustrated in Figure 30 on page 176.

In this example, TRN1 is designed to retrieve data from an asynchronous task, TRN2, and therefore must wait until TRN2 makes the data available. Note that for this mechanism to work, TRN1 must be a terminal-related transaction.

The steps are as follows:

1. TRN1 writes data to a TS queue, containing its TRANSID and TERMID.

2. To cause itself to suspend, TRN1 issues a RETRIEVE WAIT command, which causes CICS to suspend the task until the RETRIEVE can be satisfied, which is not until TRN2 issues a START command with data passed by the FROM parameter.
3. However, TRN2 can only issue a START command to resume TRN1 if it knows the TRANSID and TERMID of the suspended task (TRN1 in our example). Thus it reads the TS queue to obtain the information written by TRN1. Using a temporary storage queue is one way that this information can be passed by the suspending task.
4. Using the information from the TS queue, TRN2 issues the START command for TRN1, causing CICS to resume TRN1 by satisfying the outstanding RETRIEVE WAIT.

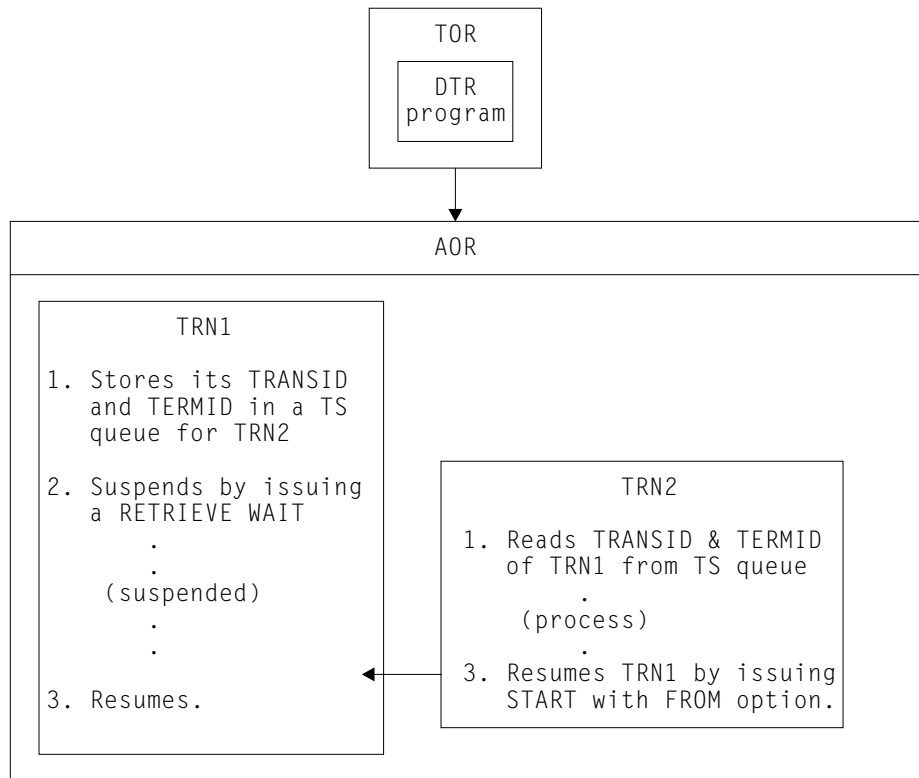


Figure 30. Illustration of task synchronization using RETRIEVE WAIT and START commands

In the example of task synchronization using RETRIEVE WAIT and START commands shown in Figure 30, the START command that satisfies the RETRIEVE WAIT must:

- Be issued in same target region as the transaction (TRN1 in our example) issuing the RETRIEVE WAIT command, or
- Specify the SYSID of the target region where the RETRIEVE WAIT command was executed, or
- Specify a TRANSID (TRN1 in our example) that is defined as a remote transaction residing on the target region that executed the RETRIEVE WAIT command.

An application design based on the remote TRANSID technique only works for two target regions. An application design using the SYSID option on the START command only works for multiple target regions if all target regions have



connections to all other target regions (which may not be desirable). In either case, the application programs need to be modified: there is no acceptable way to use this programming technique in a dynamic or distributed routing program except by imposing restrictions on the routing program. In general, this means that the dynamic or distributed routing program has to ensure that TRN2 has to execute in the same region as TRN1 to preserve the application design.

## Using the START and CANCEL REQID commands

Using this CICS application programming technique, one transaction issues a START command to start another transaction after a specified interval. Another transaction (not the one requested on the START command) determines that it is no longer necessary to run the requested transaction, (which is identified by the REQID parameter) and cancels the START request. Note that the cancel is only effective if the specified interval has not yet expired.

A temporary storage queue is one way that the REQID can be passed from task to task.

**Note:** To use this technique, the CANCEL command must specify the REQID option, but the START command need not. This is because, provided the NOCHECK option is not specified on the START command, CICS generates a REQID for the request and stores it in the EXEC interface block (EIB) in field EIBREQID.

Figure 31 illustrates this programming technique.

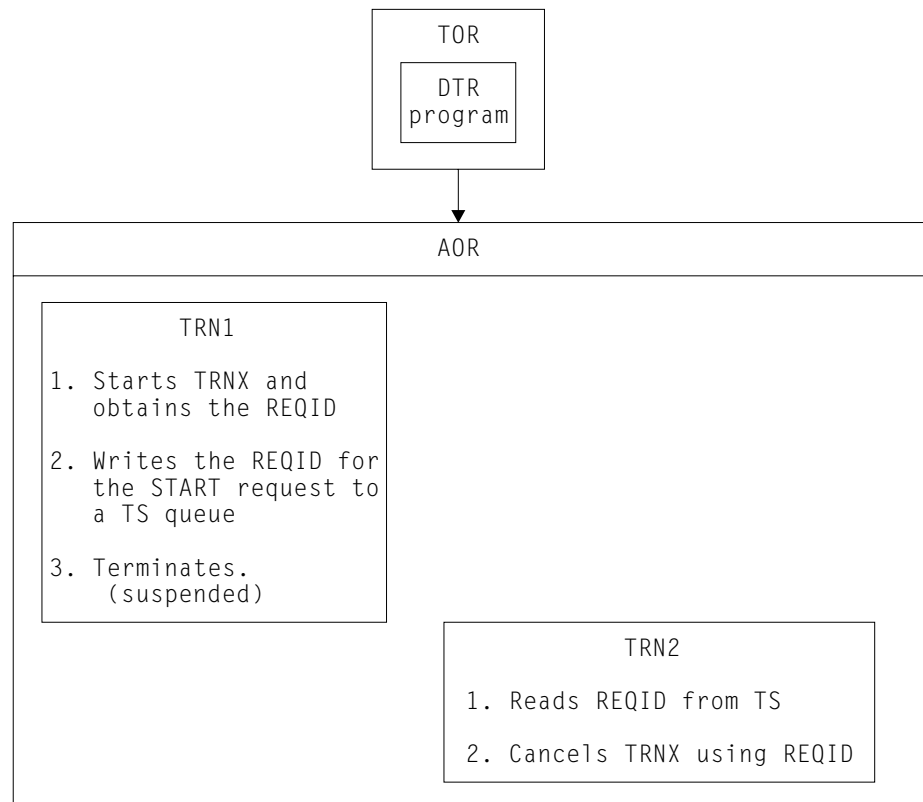


Figure 31. Illustration of the use of the START and CANCEL REQID commands

Using this application programming technique, the CANCEL command that cancels the START request must:

- Be issued in same target region that the START command was executed in, or
- Specify the SYSID of the target region where the START command was executed, or
- Specify a TRANSID (TRNX in our example) that is defined as a remote transaction residing on the target region where the START command was executed.

**Note:** A START command is not necessarily executed in the same region as the application program issuing the command. It can be function shipped (or, in the case of a non-terminal-related START, routed) and executed in a different CICS region. The above rules apply to the region where the START command is finally executed.

An application design based on the remote TRANSID technique only works for two target regions. An application design using the SYSID option on the cancel command only works for multiple target regions if all target regions have connections to all other target regions. In either case, the application programs need to be modified: there is no acceptable way to use this programming technique in a dynamic or distributed routing program except by imposing restrictions on the routing program.

In general, this means that the dynamic or distributed routing program has to ensure that TRN2 executes in the same region as TRN1 to preserve the application design, and also that TRNX is defined as a local transaction in the same region.

## Using the DELAY and CANCEL REQID commands

Using this CICS application programming technique, one task can resume another task that has been suspended by a DELAY command.

A DELAY request can only be cancelled by a different task from the one issuing the DELAY command, and the CANCEL command must specify the REQID associated with DELAY command. Both the DELAY and CANCEL command must specify the REQID option to use this technique.

The steps involved in this technique using a temporary storage queue to pass the REQID are as follows:

1. A task (TRN1) writes a predefined DELAY REQID to a TS queue. For example:

```
EXEC CICS WRITEQ TS
      QUEUE('DELAYQUE')
      FROM(reqid_value)
```

2. The task waits on another task by issuing a DELAY command, using the *reqid\_value* as the REQID. For example:

```
EXEC CICS DELAY
      INTERVAL(1000)
      REQID(reqid_value)
```

3. Another task, TRN2, reads the REQID of the DELAY request from TS queue called 'DELAYQUE'.
4. TRN2 completes its processing, and resumes TRN1 by cancelling the DELAY request.

The process using a TS queue is illustrated in Figure 32 on page 179.

Another way to pass the REQID when employing this technique would be for TRN1 to start TRN2 using the START command with the FROM and TERMID options. TRN2 could then obtain the REQID with the RETRIEVE command, using the INTO option.

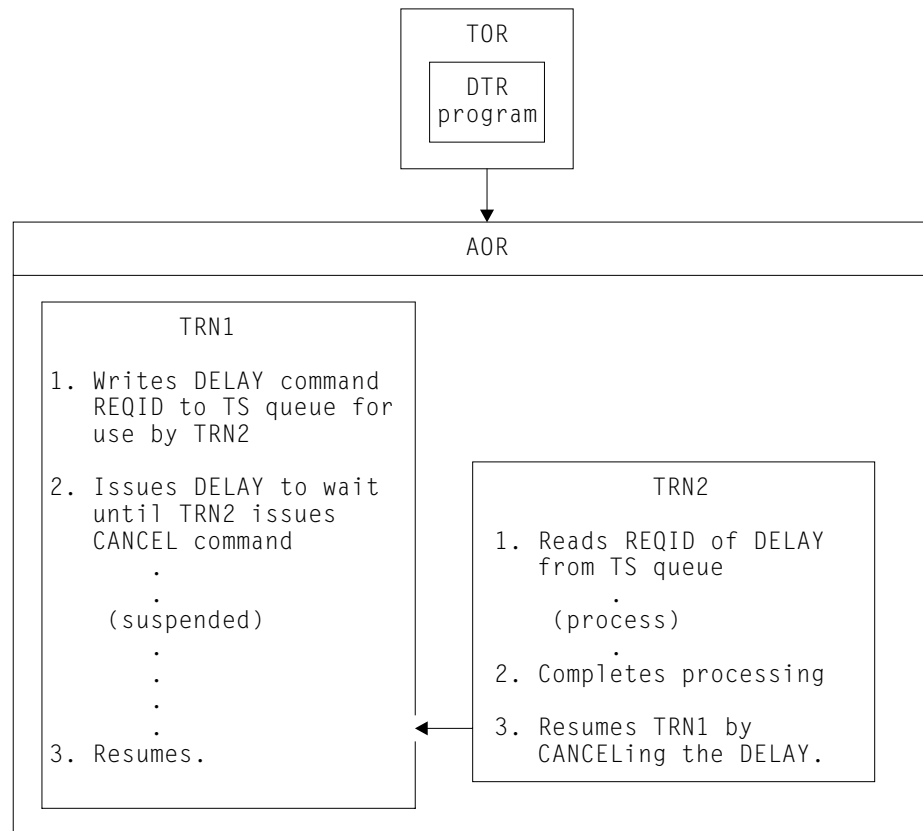


Figure 32. Illustration of the use of the DELAY and CANCEL REQID commands

Using this application programming technique, the CANCEL command that cancels the DELAY request must:

- Be issued in same target region as the DELAY command was executed in, or
- Specify the SYSID of the target region where the DELAY command was executed, or
- Specify a TRANSID (TRN1 in our example) that is defined as a remote transaction residing on the target region where the DELAY command was executed.

An application design based on the remote TRANSID technique only works for two target regions. An application design using the SYSID option on the cancel command only works for multiple target regions if all target regions have connections to all other target regions. In either case, the application programs need to be modified: there is no acceptable way to use this programming technique in a dynamic or distributed routing environment except by imposing restrictions on the routing program.

If the CANCEL command is issued by a transaction that is initiated from a terminal, it is possible that the transaction could be dynamically routed to the wrong target region.

## Using the POST and CANCEL REQID commands

The CICS POST command is used to request notification that a specified time has expired. Another transaction (TRN2) can force notification, as if the specified time has expired, by issuing a CANCEL of the POST request.

The time limit is signalled (posted) by CICS by setting a bit pattern in the event control block (ECB). To determine whether notification has been received, the requesting transaction (TRN1) has either to test the ECB periodically, or to issue a WAIT command on the ECB.

A TS storage queue is one way that can be used to pass the REQID of the POST request from task to task.

Figure 33 illustrates this technique.

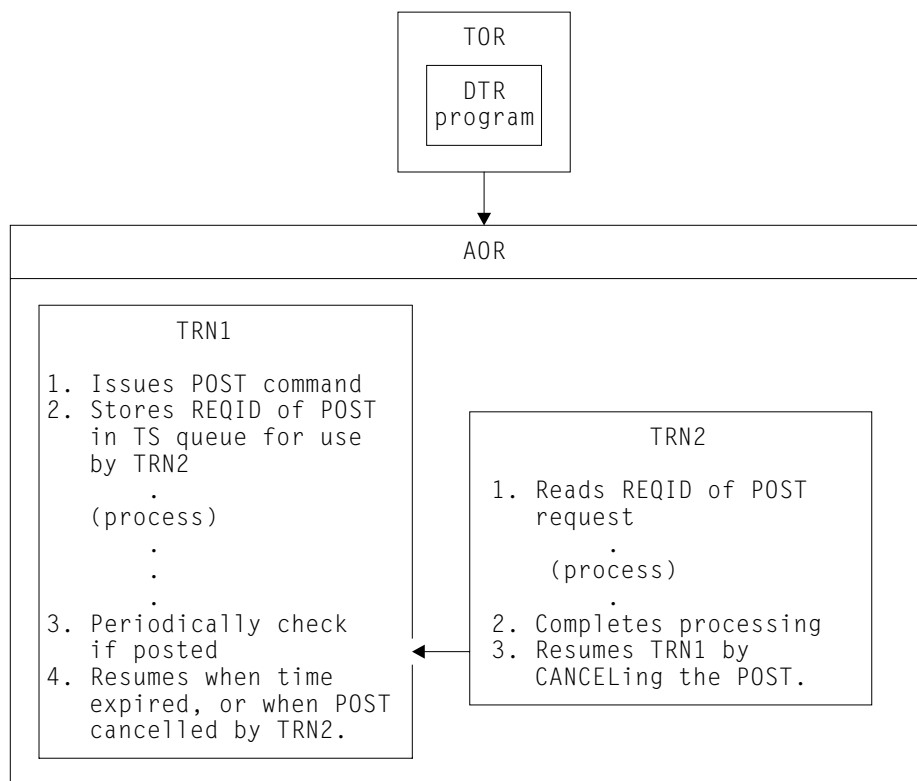


Figure 33. Illustration of the use of the POST command

If this technique is used, the dynamic or distributed routing program has to ensure that TRN2 executes in the same CICS region as TRN1 to preserve the application design.

The CANCEL command that notifies the task that issued the POST must:

- Be issued in same target region that the POST command was executed in, or
- Specify the SYSID of the target region where the POST command was executed, or
- Specify a TRANSID (TRN1 in our example) that is defined as a remote transaction residing on the target region where the POST command was executed.

An application design based on the remote TRANSID technique only works for two target regions. An application design using the SYSID option on the cancel command only works for multiple target regions if all target regions have connections to all other target regions. In either case, the application programs need to be modified: there is no acceptable way to use this programming technique in a dynamic or distributed routing program except by imposing restrictions on the routing program.

In general, this means that the dynamic or distributed routing program has to ensure that TRN2 executes in the same region as TRN1 to preserve the application design.

Clearly, there is no problem if the CANCEL is issued by the same task that issued the POST. If a different task cancels the POST command, it must specify REQID to identify the particular instance of that command. Hence the CANCEL command with REQID is indicative of an inter-transaction affinity problem. However, REQID need not be specified on the POST command because CICS automatically generates a REQID and pass it to the application in EIBREQID.

---

## Detecting inter-transaction affinities

To manage transaction affinities in a dynamic routing environment, you must first discover which transactions have affinities. How do you do this?

The recommended way is to use the Transaction Affinities Utility to detect affinities. The *CICS Transaction Affinities Utility Guide* describes the utility and how to use it.

**Note:** If you dynamically route program-link requests, you must discover which programs (or their associated transactions) have affinities. You cannot use the Transaction Affinities Utility to do this.

If you do not use the utility, you can use one of the following methods to detect affinities, although you are strongly recommended to use the utility.

- Review application design, paying particular attention to the techniques used for inter-transaction communication.
- Search the source of application programs, looking for instances of the EXEC CICS commands that can give rise to inter-transaction affinity.
- Run a trace analysis program that can analyze CICS auxiliary trace. For example, if you run the CICS trace utility program, DFHTUP, with the ABBREV option to format CICS auxiliary trace output, you can analyze the resulting abbreviated trace data to find instances of suspect commands.

## Inter-transaction affinities caused by application generators

Application generators may give rise to particularly difficult problems of inter-transaction affinity:

- The affinity may be hidden from the application programmer.
- The application generator may have a different concept of a transaction to CICS: it is affinity among CICS transactions that is of concern, because these are the entities that are dynamically routed.
- Some application generators use a single transaction code for all transactions within an application, making it difficult for the router to select those instances of transactions that have affinities.

---

## Duration and scope of inter-transaction affinities

When planning your dynamic routing strategy, and planning how to manage inter-transaction affinities, it is important to understand the concepts of affinity relations and affinity lifetimes. The relations and lifetimes of inter-transaction affinities must be taken into account when designing a dynamic or distributed routing program, because they define the scope and duration of inter-transaction affinities. Clearly, the ideal situation for a dynamic or distributed routing program is for there to be no inter-transaction affinities at all, which means there are no restrictions in the choice of available target regions for dynamic routing. However, even when inter-transaction affinities do exist, there are limits to the scope of these affinities, the scope of the affinity being determined by affinity relation and affinity lifetime.

Understanding the relations and lifetimes of transaction affinities is important in deciding how to manage them in a dynamic routing environment.

### Affinity transaction groups

In order to manage affinities within a dynamic routing environment, you must first categorize transactions by their affinity. One way to do this is to place transactions in groups, where a group is a set of transactions that have inter-transaction affinity. Each affinity transaction group (or affinity group, for short) thus represents a group of transactions that have an affinity with one another. Defining affinity groups is one way that a dynamic or distributed routing program can determine to which target region a transaction should be routed.

Clearly, the more inter-transaction affinity you have in a given CICS workload, the less effective a dynamic routing program can be in balancing the workload across a CICSplex. To minimize the impact of inter-transaction affinity, affinities within an affinity group can be characterized by their relation and lifetime. These relation and lifetime attributes determine the scope and duration of an affinity.

Thus, ideally, an affinity transaction group consists of an affinity group identifier, a set of transactions that constitute the affinity group, with the affinity relation and affinity lifetime associated with the group.

### Relations and lifetimes

When you create an affinity group, you should assign to the group the appropriate affinity relation and affinity lifetime attributes. The relation determines how the dynamic or distributed routing program is to select a target region for a transaction instance associated with the affinity, and the lifetime determines when the affinity is ended.

There are four possible affinity relations that you can assign to your affinity groups:

1. Global
2. LUnicode
3. Userid
4. BAPPL

These are described in the following sections, together with the permitted lifetimes for each relation.

## The global relation

A group of transactions whose affinity relation is defined as global is one where **all** instances of all transactions in the group that are initiated from any terminal, by any START command, or by any CICS BTS process, must execute in the same target region for the lifetime of the affinity. The affinity lifetime for global relations can be as follows:

### System

The affinity lasts for as long as the target region exists, and ends whenever the target region terminates (at a normal, immediate, or abnormal termination).

### Permanent

The affinity extends across all CICS restarts. This is the most restrictive of all the inter-transaction affinities. If you are running CICSplex SM, this affinity lasts for as long as any CMAS involved in managing the CICSplex using the workload is active.

An example of a global inter-transaction affinity with a lifetime of permanent is where the transaction uses (reads and/or writes) a local, recoverable, temporary storage queue, and where the TS queue name is **not** derived from the terminal. (You can only specify that a TS queue is recoverable in the CICS region in which the queue is local.)

Generally, transactions in this affinity category are not suitable candidates for dynamic routing and you should consider making them statically routed transactions.

An example of a global relation is illustrated in Figure 34.

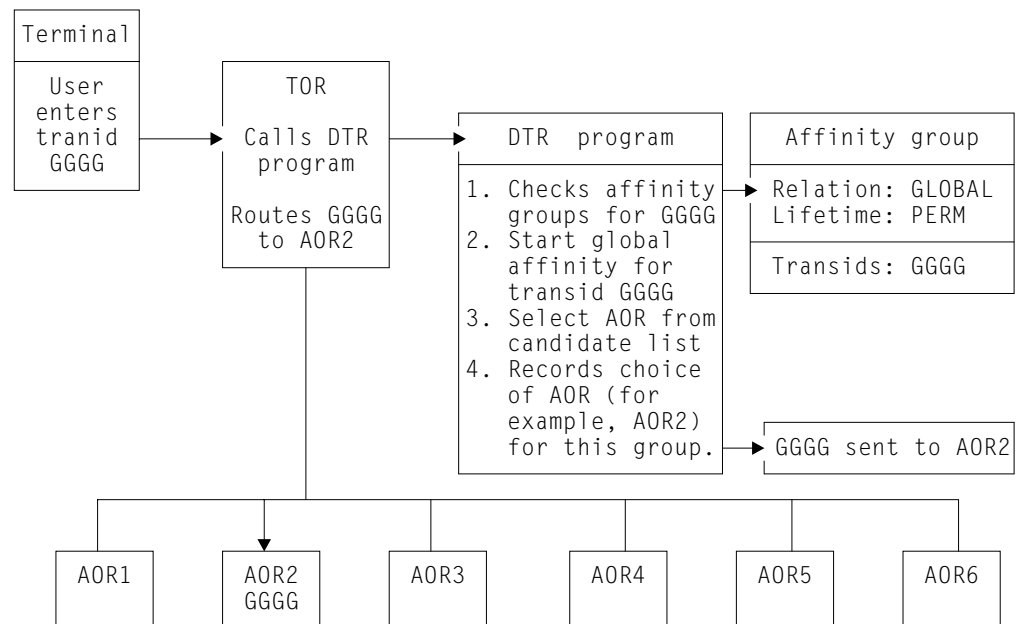


Figure 34. Managing inter-transaction affinity with global relation and permanent lifetime

In this example, the first instance of transid GGGG, from any terminal, starts a permanent-lifetime affinity. The first instance of GGGG can be routed to any suitable target region (AOR1 through AOR6), but all other instances, from any terminal, must be routed to whichever target region is selected for GGGG.

## The LUnicode (terminal) relation

A group of transactions whose affinity relation is defined as LUnicode is one where **all** instances of all transactions in the group that are associated with the **same terminal** must execute in the same target region for the lifetime of the affinity. The affinity lifetime for LUnicode relations can be as follows:

### Pseudoconversation

The affinity lasts for the whole pseudoconversation, and ends when the pseudoconversation ends at the terminal. Each transaction must end with an EXEC CICS RETURN TRANSID, not with the pseudoconversation mode of END.

**Logon** The affinity lasts for as long as the terminal remains logged-on to CICS, and ends when the terminal logs off.

### System

The affinity lasts for as long as the target region exists, and ends whenever the target region terminates (at a normal, immediate, or abnormal termination).

### Permanent

The affinity extends across all CICS restarts. If you are running CICSplex SM, this affinity lasts for as long as any CMAS involved in managing the CICSplex using the workload is active.

### Delimit

The affinity continues until a transaction with a pseudoconversation mode of END is encountered.

A typical example of transactions that have an LUnicode relation are those that:

- Use a local TS queue to pass data between the transactions in a pseudoconversation, and
- The TS queue name is derived, in part, from the terminal name (see “Naming conventions for remote queues” on page 173 for information about TS queue names).

These types of transaction can be placed in an affinity group with a relation of terminal and lifetime of pseudoconversation. When the dynamic routing program detects the first transaction in the pseudoconversation initiated by a specific terminal (LUnicode), it is free to route the transaction to any target region that is a valid candidate for that transaction. However, any subsequent transaction within the affinity group that is initiated at **the same terminal** must be routed to the same target region as the transaction that started the pseudoconversation. When the affinity ends (at the end of the pseudoconversation on a given terminal), the dynamic routing program is again free to route the first transaction to any candidate target region.

This form of affinity is manageable and does not impose too severe a constraint on dynamic transaction routing, and may occur commonly in many CICSplexes. It can be managed easily by a dynamic routing program, and should not inhibit the use of dynamic routing.

This example is illustrated in Figure 35 on page 185.



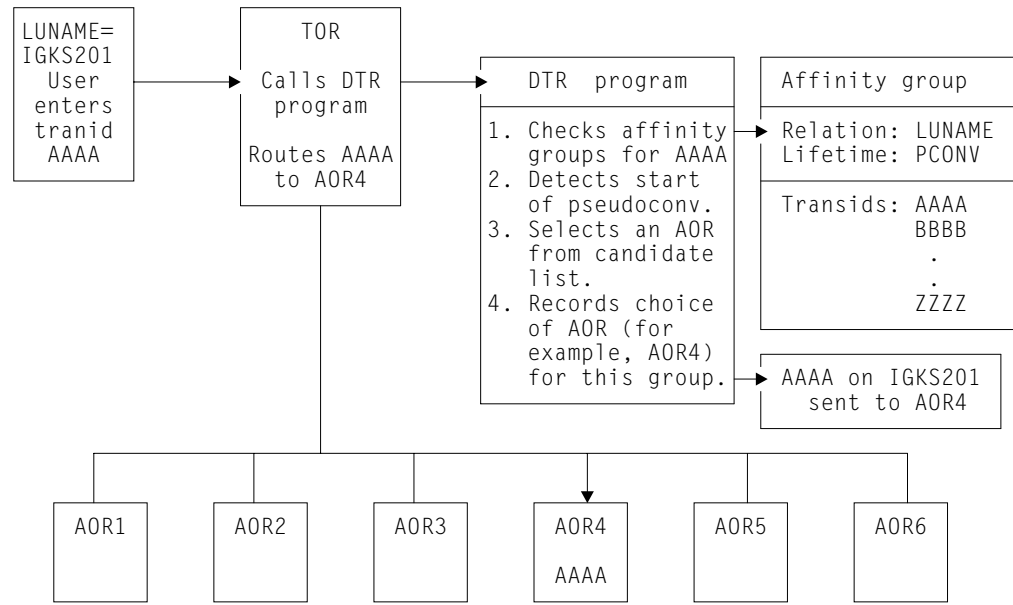


Figure 35. Managing inter-transaction affinity with LUname relation and pseudoconversation lifetime

In this example, each instance of transid AAAA from a terminal starts a pseudoconversational-lifetime affinity. AAAA can be routed to any suitable target region (AOR1 through AOR6), but other transactions in the group from the same terminal (IGKS201 in this example) must be routed to whichever target region is selected for AAAA.

### The userid relation

A group of transactions whose affinity relation is defined as userid is one where **all** instances of the transactions that are initiated from a terminal, by a START command, or by a CICS BTS activity, and executed on behalf of the **same userid**, must execute in the same target region for the lifetime of the affinity. The affinity lifetime for userid relations can be as follows:

#### Pseudoconversation

The affinity lasts for the whole pseudoconversation, and ends when the pseudoconversation ends for that userid. Each transaction must end with an EXEC CICS RETURN TRANSID, not with the pseudoconversation mode of END.

#### Signon

The affinity lasts for as long as the user is signed on, and ends when the user signs off. Note this lifetime is only possible in those situations where only one user per userid is permitted. Signon lifetime cannot be detected if multiple users are permitted to be signed on with the same userid at the same time (at different terminals).

#### System

The affinity lasts for as long as the target region exists, and ends whenever the target region terminates (at a normal, immediate, or abnormal termination).

#### Permanent

The affinity extends across all CICS restarts. If you are running CICSplex SM, this affinity lasts for as long as any CMAS involved in managing the CICSplex using the workload is active.

### Delimit

The affinity continues until a transaction with a pseudoconversation mode of END is encountered.

A typical example of transactions that have a userid relation is where the userid is used dynamically to identify a resource, such as a TS queue. The least restrictive of the affinities in this category is one that lasts only for as long as the user remains signed on.

An example of an affinity group with the userid relation and a signon lifetime is shown in Figure 36.

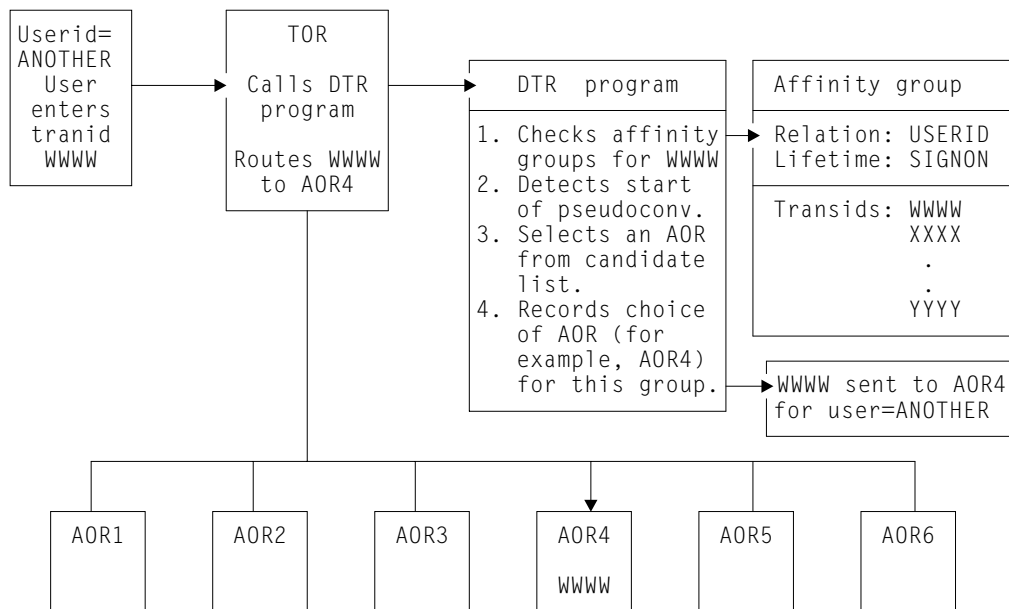


Figure 36. Managing inter-transaction affinity with userid relation and sign-on lifetime

In this example, any instance of a transaction from a terminal starts a sign-on lifetime affinity. It can be routed to any suitable target region (AOR1 through AOR6), but other transactions in the group for the same user (ANOTHER in this example) must be routed to whichever target region is selected for the first instance of a transaction in the group.

### The BAPPL relation

A group of transactions whose affinity relation is defined as BAPPL is one where **all** instances of all transactions in the group that are associated with the same BTS process are to be directed to the same target region. The affinity lifetimes for BAPPL relations can be as follows:

#### Process

The affinity lasts for as long as the associated process exists.

#### Activity

The affinity lasts for as long as the associated activity exists.

#### System

The affinity lasts for as long as the target region exists, and ends whenever the target region terminates (at a normal, immediate, or abnormal termination).

## Permanent

The affinity extends across all CICS restarts. If you are running CICSplex SM, this affinity lasts for as long as any CMAS involved in managing the CICSplex using the workload is active.

A typical example of transactions that have a BAPPL relation is where a local temporary storage queue is used to pass data between the transactions within a BTS activity or process.

An example of an affinity group with the BAPPL relation is shown in Figure 37.

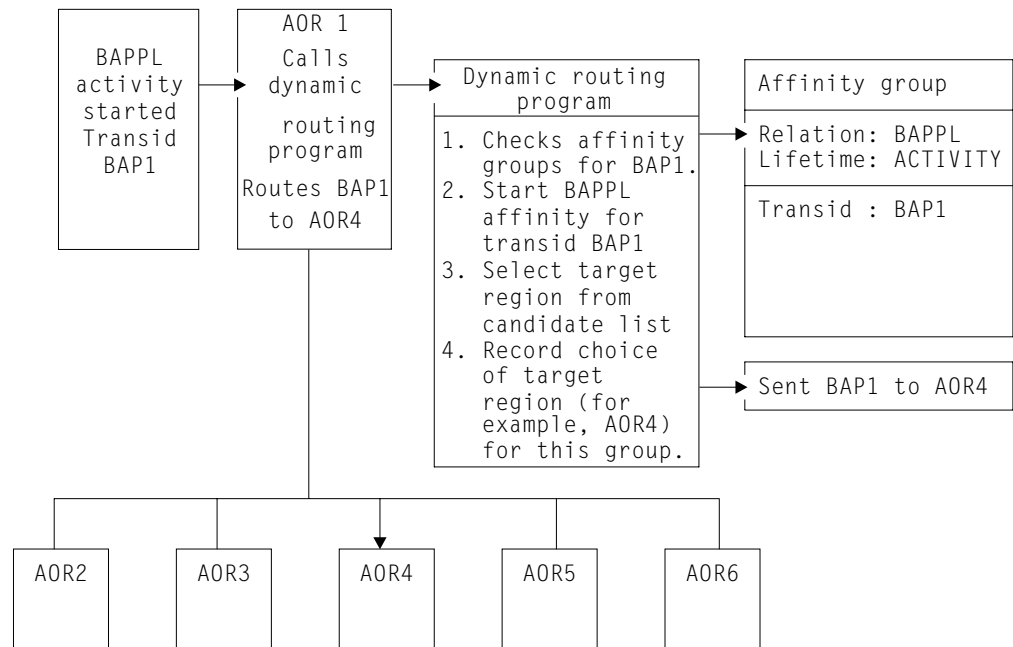


Figure 37. Managing inter-transaction affinity with BAPPL relation and activity lifetime

In this example, the first instance of BTS transaction BAP1 starts a BAPPL-activity affinity. The first instance of BAP1 can be routed to any suitable target region (AOR1 through AOR6), but all other instances of the activity must be routed to whichever target region is selected for BAP1.

Although BTS itself does not introduce any affinities, and discourages programming techniques that do, it does support existing code that may introduce affinities. You must define such affinities to workload management. It is particularly important to specify each affinity's lifetime. Failure to do this may restrict unnecessarily the workload management routing options.

It is important to note that a given activity can be run both synchronously and asynchronously. Workload management is only able to honour invocations that are made asynchronously. Furthermore, you are strongly encouraged not to create these affinities, particularly activity and process affinities, because these affinities are synchronized across the BTS-set. This could have serious performance impacts on your systems.

You should also note that, with CICSplex SM, the longest time that an affinity can be maintained is while a CMAS involved in the workload is active; that is, an

affinity of PERMANENT. If there is a total system failure, or a planned shutdown, affinities will be lost, but activities in CICS will be recovered from the BTS RLS data set.

---

## Recommendations

The best way to deal with inter-transaction affinity is to avoid creating inter-transaction affinity in the first place.

Where it is not possible to avoid affinities, you should:

- Make the inter-transaction affinity easily recognizable, by using appropriate naming conventions, and
- Keep the lifetime of the affinities as short as possible.

Even if you could avoid inter-transaction affinities by changing your application programs, this is not absolutely necessary provided you include logic in your dynamic and distributed routing programs to cope with the affinities. Finally, you can statically route the affected transactions.

---

## Chapter 15. Using CICS documents

This chapter introduces CICS documents. It tells you what you need to consider when writing applications that use documents as a means of formatting information.

The document handler domain allows you to build up formatted data areas, known as documents. Some examples of how these formatted areas, or documents, can be used, are:

- constructing a COMMAREA
- Sending HTML data to be displayed by a Web browser.
- Creating standard formats for printing (for example, using your own letterhead, address, and so on).

---

### The DOCUMENT application programming interface

This section explains the function and use of the commands in the DOCUMENT application programming interface:

- EXEC CICS DOCUMENT CREATE
- EXEC CICS DOCUMENT INSERT
- EXEC CICS DOCUMENT RETRIEVE
- EXEC CICS DOCUMENT SET

#### Creating a document

To create an empty document, use the EXEC CICS DOCUMENT CREATE command. This has a mandatory DOCTOKEN parameter requiring a 16-byte data-area. The document handler domain uses the DOCTOKEN operand to return a token, which is used to identify the document on subsequent calls. The following example creates an empty document, and returns the token in the variable MYDOC:

```
EXEC CICS DOCUMENT CREATE
      DOCTOKEN(MYDOC)
```

To create a document with data, use the EXEC CICS DOCUMENT CREATE command in any of the following ways:

- Specify the BINARY parameter
- Specify the TEXT parameter
- Insert one document into another document
- Use document templates

#### The BINARY parameter

Use this parameter to add to the document the contents of a data-area that must not undergo conversion to a client code page when the data is sent.

```
EXEC CICS DOCUMENT CREATE
      DOCTOKEN(MYDOC1)
      BINARY(DATA-AREA)
```

#### The TEXT parameter

Use this parameter to add the specified contents to the document. For example, if you define a character string variable called DOCTEXT and initialise it to *This is an example of text to be added to a document*, you can use the following command to create a document consisting of this text string:

```
EXEC CICS DOCUMENT CREATE
      DOCTOKEN(MYDOC2)
      TEXT(DOCTEXT)
      LENGTH(53)
```

### Inserting one document into another

To insert an existing document into a new document, you can use the EXEC CICS DOCUMENT CREATE command with the FROMDOC option. The following example does this:

```
EXEC CICS DOCUMENT CREATE
      DOCTOKEN(MYDOC3)
      FROMDOC(MYDOC2)
```

where MYDOC2 and MYDOC3 are 16-character variables. MYDOC2 must contain the token returned by a previous EXEC CICS DOCUMENT CREATE command.

This results in two identical documents, each containing the text *This is an example of text to be added to a document.*

### Using document templates

Portions of the data which make up a document can be created off-line and then inserted directly into the document. These are known as **templates**; they are CICS resources, defined using RDO.

Templates can contain a mixture of static data with symbols embedded in the data, which are substituted at run time when the template is inserted into the document. An example of this is when a programmer creates HTML web pages using an HTML editor. The output from the HTML editor can then be made accessible to CICS Web Interface applications using templates.

---

## Programming with documents

This section covers the following topics:

- Symbols and symbol lists
- Embedded DOCTEMPLATE commands
- Using DOCTEMPLATES in your application
- The lifespan of a document
- Retrieving the document without control information
- Using multiple calls to construct a document
- Bookmarks and inserting data
- Replacing data in the document
- Codepages and codepage conversion

### Setting symbol values

The application program needs to define values for the symbols that will be substituted when the template is used. These values can be defined on the EXEC CICS DOCUMENT CREATE or the EXEC CICS DOCUMENT SET commands. The symbols that are set are associated with a particular document and cannot be used in a different document.

The DOCUMENT CREATE and DOCUMENT SET commands both take a SYMBOLLIST operand which allows several symbols to be defined in a single command. The SYMBOLLIST operand is a character string consisting of one or more definitions with single byte separators. By default, the separator is an ampersand, but you can override this by using the DELIMITER option of the DOCUMENT SET or DOCUMENT CREATE commands. A definition consists of a name, an equals sign, and a value. Here is an example:

```
| mytitle=New Authors&auth1=Halliwell Sutcliffe&auth2=Stanley  
| Weyman
```

This example defines three symbols. The first symbol called mytitle will have the value 'New Authors'. The second symbol called auth1 will have the value 'Halliwell Sutcliffe' and the last symbol called auth2 will contain the value 'Stanley Weyman'.

The following rules apply when setting symbols using a SYMBOLLIST. The name must contain only uppercase and lowercase letters, numbers and the special characters dollar ('\$'), underscore ('\_'), hyphen ('-'), pound ('#'), period ('.') and at sign ('@'). The name is case-sensitive, so uppercase letters are regarded as different from lowercase letters.

```
# The values in the symbol list can contain any characters except the symbol  
# separator (which defaults to an ampersand, but can be overridden by use of the  
# DELIMITER option). The following restrictions on the use of the percent sign ("%")  
# and the plus sign ("+") apply unless the UNESCAPED option of DOCUMENT  
# CREATE or DOCUMENT SET has been specified.. A percent sign must be followed  
# by two characters that are hexadecimal digits (that is, 0-9, a-f, and A-F). When the  
# value is put into the symbol table, a plus sign is interpreted as a space, a percent  
# sign and the two hexadecimal digits following it are interpreted as the EBCDIC  
# equivalent of the single ASCII character denoted by the two digits, and the  
# remaining characters are left as they are. If you want a plus sign in the value in the  
# symbol table, you must put %2B in the value in the symbol list. If you want a  
# percent sign in the value in the symbol table, you must put in the value %25 in the  
# symbol list. If you want an ampersand in the value in the symbol table, you must  
# put %26 in the value in the symbol list. If you want a space in the value in the  
# symbol table, the value in your symbol list may contain a space, a plus sign, or a  
# %20.
```

```
# The DOCUMENT SET command allows you to set individual symbol values with  
# the SYMBOL and VALUE options. Ampersands have no special significance when  
# used in the VALUE option. The restrictions on the use of the plus sign and percent  
# sign for SYMBOLLISTS also apply to the VALUE option unless the UNESCAPED  
# option of the DOCUMENT SET has been specified.
```

```
# The following example shows you how you can pass symbol values to the  
# document handler containing embedded plus signs, percent signs, and  
# ampersands, none of which are to undergo unescape processing:
```

```
# EXEC CICS DOCUMENT CREATE  
# DOCTOKEN(ATOKEN)  
# DELIMITER('!')  
# SYMBOLLIST('COMPANY=BLOGGS & SON!ORDER=NUTS+BOLTS')  
# LISTLENGTH(37)  
# UNESCAPED
```

```
# Here the symbol COMPANY has a value of 'BLOGGS & SON', and the symbol  
# ORDER has a value of 'NUTS+BOLTS'. The delimiter used in this example is '!',  
# but it is best to use a non-printable character that does not appear in the symbol  
# value. The use of the UNESCAPED option ensures that the plus sign in  
# 'NUTS+BOLTS' does not get converted to a space.
```

## Embedded template commands

```
# The Document Handler recognises three commands that can be embedded in the  
# template. These commands follow the syntax rules for Server Side Include
```

# commands. A Server Side Include command starts with the characters left angle  
# bracket, exclamation mark, hyphen, hyphen, pound followed by the command and  
# it is terminated with the characters hyphen, hyphen, right angle bracket. For  
# example:  
# (e.g. <!--#command -->).

# The characters used to start and end the Server Side Include must be in codepage  
# 037, otherwise the command will be ignored. The hexadecimal equivalents for  
# these character sequences are X'4C5A60607B' and X'60606E'.

The three commands that are supported are #set, #echo and #include.

#### **#set**

The #set command is used to set the values of symbols and is useful for setting up default values for symbols. The #set command in the template will be ignored if the symbol has already been given a value using the EXEC CICS DOCUMENT SET command. If a previous #set command has been used to assign a value to the symbol, the value will be overridden. A symbol which has been assigned a value using the EXEC CICS DOCUMENT SET command can only be changed by issuing another EXEC CICS DOCUMENT SET command.

#### **#echo**

The #echo command identifies a symbol that must be substituted when the template is inserted into the document. The string containing the #echo command will be completely replaced by the value associated with the symbol. If no symbol has been defined with that name, the #echo command will remain in the output data.

An alternative method to using the #echo command is to specify the symbol name, preceding it with an ampersand and terminating it with a semicolon. If we set a symbol called ASYM and give it a value of 'sample', the following two templates will give the same result after substitution:

Template 1:

```
This is an example template.  
<!--#set var=ASYM value='sample'-->  
This is a <!--#echo var=ASYM--> symbol.
```

Template 2:

```
This is an example template.  
<!--#set var=ASYM value='sample'-->  
This is a &ASYM; symbol.
```

Result of substitution:

```
This is an example template.  
This is a sample symbol.
```

#### **#include**

The #include command allows a template to be embedded within another template. Up to 32 levels of embedding are allowed.

For example:

```
<!--#include template=templatename-->
```

where templatename is the name of the template (the 48 byte name) defined in the doctemplate definition. The templatename can also be enclosed in double quotes.



## Using templates in your application

If you have created a template and defined it to CICS, the following example shows how you can use the template to create the contents of a document. The following template is created and defined to CICS with the name ASampleTemplate.

```
<!--#set var=ASYM value='DFLTUSER'-->
This is a sample document which has been created by user
<!--#echo var=ASYM-->.
```

In the application program, you can define a 48-byte variable called `TEMPLATENAME` and initialize it to a value of 'ASampleTemplate'. Once again you must define a 16-byte field for the document token (in this example, `ATOKEN`). You can then issue the command to create the document.

```
EXEC CICS DOCUMENT CREATE
          DOCTOKEN(ATOKEN)
          TEMPLATE(TEMPLATENAME)
```

This will result in a document being created with the content “ This is a sample document which has been created by user DFLTUSER.”.

To change the symbol to another value, you can issue the `EXEC CICS DOCUMENT CREATE` command with the `SYMBOLLIST` option:

```
EXEC CICS DOCUMENT CREATE
          DOCTOKEN(ATOKEN)
          TEMPLATE(TEMPLATENAME)
          SYMBOLLIST('ASYM=Joe Soap')
          LISTLENGTH(13)
```

This will result in a document being created with the content “This is a sample document which has been created by user Joe Soap.”.

## The lifespan of a document

Documents created by an application exist only for the length of the CICS task in which they are created. This means that when the last program in the CICS task returns control to CICS, all documents created during the task's lifetime are deleted. It is the application's responsibility to save a document before terminating if the document is going to be used in another task. You can obtain a copy of the document by using the `EXEC CICS DOCUMENT RETRIEVE`. The application can then save this copy to a location of its choice, such as a temporary storage queue. The copy can then be used to recreate the document.

The following sequence of commands show how a document can be created, retrieved and stored on a temporary storage queue, assuming that the following variables have been defined and initialised in the application program:

- A 16-byte field `ATOKEN` to hold the document token
- A 20-byte buffer `DOCBUF` to hold the retrieved document
- A fullword binary field called `FWORDLEN` to hold the length of the data retrieved
- A halfword binary field called `HWORDLEN` to hold the length for the temporary storage `WRITE` command.

```
EXEC CICS DOCUMENT CREATE
          DOCTOKEN(ATOKEN)
          TEXT('A sample document.')
          LENGTH(18)
```

```

EXEC CICS DOCUMENT RETRIEVE
      DOCTOKEN(ATOKEN)
      INTO(DOCBUF)
      LENGTH(FWORDLEN)
      MAXLENGTH(20)

EXEC CICS WRITEQ TS
      QUEUE('AQUEUE')
      FROM(DOCBUF)
      LENGTH(HWORDLEN)

```

You can now use the following sequence of commands to recreate the document in the same or another application.

```

EXEC CICS READQ TS
      QUEUE('AQUEUE')
      INTO(DOCBUF)
      LENGTH(HWORDLEN)

EXEC CICS DOCUMENT CREATE
      DOCTOKEN(ATOKEN)
      FROM(DOCBUF)
      LENGTH(FWORDLEN)

```

When the document is retrieved, the data that is delivered to the application buffer is stored in a form which contains control information necessary to reconstruct an exact replica of the document. The document that is created from the retrieved copy is therefore identical to the original document. To help the application calculate the size of the buffer needed to hold a retrieved document, each document command which alters the size of the document has a DOCSIZE option. This is a fullword value which gives the maximum size that the buffer must be to contain the document when it is retrieved. This size is calculated to include all the control information and data. The size should not be taken as an accurate size of the document as the actual length delivered to the application can often be slightly smaller than this size. The length delivered will however never exceed the length in the DOCSIZE option.

The above example introduced the use of the FROM option on the DOCUMENT CREATE command. The data passed on the FROM option was the buffer returned to the application when the DOCUMENT RETRIEVE command was issued. It is possible for the application to supply data on the FROM option that did not originate from the DOCUMENT RETRIEVE command. When this happens, the document handler treats the data as a template and parses the data for template commands and symbols.

### Retrieving the document without control information

The document data containing control information is only useful to an application that wishes to recreate a copy of the original document. It is possible to issue a DOCUMENT RETRIEVE command and ask for the control information to be omitted. The following command sequence uses the DATAONLY option on the DOCUMENT RETRIEVE command to instruct the Document Handler to return only the data. This example assumes that the following variables have been defined and initialised in the application program:

- A 16-byte field ATOKEN to hold the document token
- A 20-byte buffer DOCBUF to hold the retrieved document
- A fullword binary field called FWORDLEN to hold the length of the data retrieved.

```

EXEC CICS DOCUMENT CREATE
      DOCTOKEN(ATOKEN)
      TEXT('A sample document.')
      LENGTH(18)

```

```
EXEC CICS DOCUMENT RETRIEVE
      DOCTOKEN(ATOKEN)
      INTO(DOCBUF)
      LENGTH(FWORDLEN)
      MAXLENGTH(20)
      DATALENGTH
```

When the commands have executed, the buffer DOCBUF will contain the string “A sample document.”.

### Using multiple calls to construct a document

Once a document has been created, the contents can be extended by issuing one or more EXEC CICS DOCUMENT INSERT commands. The options on the EXEC CICS DOCUMENT INSERT command work in the same way as the equivalent commands on the EXEC CICS DOCUMENT CREATE command. The following sequence of commands shows an empty document being created followed by two INSERT commands:

```
EXEC CICS DOCUMENT CREATE
      DOCTOKEN(ATOKEN)

EXEC CICS DOCUMENT INSERT
      DOCTOKEN(ATOKEN)
      TEXT('Sample line 1. ')
      LENGTH(15)

EXEC CICS DOCUMENT INSERT
      DOCTOKEN(ATOKEN)
      TEXT('Sample line 2. ')
      LENGTH(15)
```

The document resulting from the above commands will contain:

```
Sample line 1. Sample line 2.
```

You can use the DOCUMENT RETRIEVE and DOCUMENT INSERT commands to insert a whole document into an existing document. The following variables must first be defined and initialized in the application program:

- A 16-byte field RTOKEN which contains the document token of the document to be retrieved
- A buffer DOCBUF of sufficient length to hold the retrieved document
- A fullword binary field called RETRIEVLN to hold the length of the data retrieved
- A fullword binary field called MAXLEN to hold the maximum amount of data the buffer can receive, i.e. the length of DOCBUF
- A 16-byte field ITOKEN which contains the document token of the document that is being inserted into

The following sequence of commands shows a document indicated by RTOKEN being inserted into another document indicated by ITOKEN:

```
EXEC CICS DOCUMENT RETRIEVE
      DOCTOKEN(RTOKEN)
      INTO(DOCBUF)
      LENGTH(RETRIEVLN)
      MAXLENGTH(MAXLEN)

EXEC CICS DOCUMENT INSERT
      DOCTOKEN(ITOKEN)
      FROM(DOCBUF)
      LENGTH(RETRIEVLN)
```

# The retrieved document is inserted at the end of the document specified in the  
# DOCUMENT INSERT command, and all the control information of the retrieved  
# document will be present in the second document. The LENGTH parameter of the  
# DOCUMENT INSERT command must be equal to the value returned from the  
# DOCUMENT RETRIEVE command into the field RETRIEVLN.

The DOCUMENT INSERT command allows an operand called SYMBOL to be used to add blocks of data to the document. SYMBOL must contain the name of a valid symbol whose value has been set. The Document Handler inserts the value that is associated with the symbol into the document.

### **Bookmarks and inserting data**

The sequence in which an application inserts data into a document might not reflect the desired sequence that the data should appear in the document. Bookmarks allow the application to insert blocks of data in any order yet still control the sequence of the data in the document. A bookmark is a label that the application inserts between blocks of data. Note: a bookmark cannot be inserted in the middle of a block of data.

The following example creates a document with two blocks of text and a bookmark:

```
EXEC CICS DOCUMENT CREATE
      DOCTOKEN(ATOKEN)
      TEXT('Pre-bookmark text. ')
      LENGTH(19)

EXEC CICS DOCUMENT INSERT
      DOCTOKEN(ATOKEN)
      BOOKMARK('ABookmark      ')

EXEC CICS DOCUMENT INSERT
      DOCTOKEN(ATOKEN)
      TEXT('Post-bookmark text. ')
      LENGTH(20)
```

The document will now contain:

Pre-bookmark text. <ABookmark>Post-bookmark text.

Note that the text <ABookmark> does not appear in the document content but serves merely as a pointer to that position in the document. To add data to this document, you can insert text at the bookmark as follows:

```
EXEC CICS DOCUMENT INSERT
      DOCTOKEN(ATOKEN)
      TEXT('Inserted at a bookmark. ')
      LENGTH(25)
      AT('ABookmark      ')
```

Logically, the data of the document will contain the following (Note that in this instance, only the data is being shown and not the position of the bookmark).

Pre-bookmark text. Inserted at a bookmark. Post-bookmark text.

If the AT option is omitted, the data is always appended to the end of the document. A special bookmark of 'TOP' can be used to insert data at the top of the document, making it unnecessary to define a bookmark which will mark the top of the document.

### **Replacing data in the document**

The following example shows how data between two bookmarks can be replaced:

```

EXEC CICS DOCUMENT CREATE
      DOCTOKEN(ATOKEN)
EXEC CICS DOCUMENT INSERT
      DOCTOKEN(ATOKEN)
      TEXT('Initial sample text. ')
      LENGTH(21)
EXEC CICS DOCUMENT INSERT
      DOCTOKEN(ATOKEN)
      BOOKMARK('BMark1          ')
EXEC CICS DOCUMENT INSERT
      DOCTOKEN(ATOKEN)
      TEXT('Text to be replaced. ')
      LENGTH(21)
EXEC CICS DOCUMENT INSERT
      DOCTOKEN(ATOKEN)
      BOOKMARK('BMark2          ')
EXEC CICS DOCUMENT INSERT
      DOCTOKEN(ATOKEN)
      TEXT('Final sample text. ')
      LENGTH(19)

```

At this point the logical structure of the document will be as follows:

```

Initial sample text. <BMark1>Text to be replaced. <BMark2>Final
sample text.

```

You can now issue the command to replace the text between the two bookmarks, BMark1 and BMark2:

```

EXEC CICS DOCUMENT INSERT
      DOCTOKEN(ATOKEN)
      TEXT('Replacement Text. ')
      LENGTH(18)
      AT('BMark1          ')
      TO('BMark2          ')

```

The document now has the following logical structure:

```

Initial sample text. <BMark1>Replacement Text. <BMark2>Final
sample text.

```

## Codepages and codepage conversion

The documents that an application creates may be transmitted to systems running on other platforms, especially when applications running under the CICS Web interface use the Document Handler to generate Web pages. To assist the application with the problem of converting data from the codepages used on the host to the codepages used on the target system, the Document Handler allows the application to specify the codepages being used on each system. When the EXEC CICS DOCUMENT CREATE and EXEC CICS DOCUMENT INSERT commands are used, the TEXT, FROM, TEMPLATE and SYMBOL options can have a HOSTCODEPAGE option coded to indicate the codepage for that block of data, since the data being added with these options is seen as being textual data. Each block can be specified in a different codepage. When the EXEC CICS DOCUMENT RETRIEVE command is issued, the CLNTCODEPAGE option tells the Document Handler to convert all the individual blocks from their respective host codepages into a single client codepage.



---

## Chapter 16. Using named counter servers

This chapter describes the services provided by CICS named counter servers, covering the following topics:

- “Overview”
- “Named counter pools” on page 200
- “The named counter API commands” on page 201
- “The named counter CALL interface” on page 203

---

### Overview

CICS provides a facility for generating unique sequence numbers for use by application programs in a Parallel Sysplex<sup>®</sup> environment. This facility is controlled by a named counter server, which maintains each sequence of numbers as a **named counter**. Each time a sequence number is assigned, the corresponding named counter is incremented automatically. By default, the increment is 1, ensuring that the next request gets the next number in sequence. You can vary the increment when using the EXEC CICS GET command to request the next number.

There are various uses for this facility, such as obtaining a unique number for documents (for example, customer orders, invoices, and despatch notes), or for obtaining a block of numbers for allocating customer record numbers in a customer file.

In a single CICS region, there are various methods you can use to control the allocation of a unique number. For example, you could use the CICS common work area (CWA) to store a number that is updated by each application program that uses the number. The problem with the CWA method is that the CWA is unique to the CICS address space, and cannot be shared by other regions that are running the same application. A CICS shared data table could be used to provide such a service, but the CICS regions would all have to reside in the same MVS image. The named counter facility overcomes all the sharing difficulties presented by other methods by maintaining its named counters in the coupling facility, and providing access through a named counter server running in each MVS image in the sysplex. This ensures that all CICS regions throughout the Parallel Sysplex have access to the same named counters.

### The named counter fields

Each named counter consists of:

**The counter name**

The name can be up to 16-bytes, comprising the characters A through Z, 0 through 9, \$ @ # and \_. Names less than 16 bytes should be padded with trailing blanks.

**The current value**

The next number to be assigned to a requesting application program.

**The minimum value**

Specifies the minimum number for a counter, and the number to which a counter is reset by the server in response to a REWIND command.

### The maximum value

Specifies the maximum number that can be assigned by a counter, after which the counter must be explicitly reset by a REWIND command (or automatically by the WRAP option).

All values are stored internally as 8-byte (doubleword) binary numbers. The EXEC CICS interface allows you use them as either fullword signed binary numbers or doubleword unsigned binary numbers. This can give rise to overflow conditions if you define a named counter using the doubleword command (see “The named counter API commands” on page 201) and request numbers from the server using the signed fullword version of the command.

---

## Named counter pools

A named counter is stored in a named counter pool, which resides in a list structure in a coupling facility. Each pool, even if its list structure is defined with the minimum size of 256KB, can hold up to a thousand named counters.

You create a named counter pool by defining the coupling facility list structure for the pool, and then starting the first named counter server for the pool. Pool names are of 1 to 8 bytes from the same character set for counter names. Although pool names can be made up from any of the allowed characters, names of the form DFHNCxxx are recommended.

You can create different pools to suit your needs. You could create a pool for use by production CICS regions (for example, called DFHNCPRD), and others for test and development regions (for example, using names like DFHNCST and DFHNCDEV). See “Named counter options table” for information about how you can use logical pool names in your application programs, and how these are resolved to actual pool names at runtime.

Defining a list structure for a named counter server, and starting a named counter server, is explained in the *CICS System Definition Guide*.

## Named counter options table

The POOL(*name*) parameter is optional on all the EXEC CICS COUNTER and DCOUNTER commands (see “The named counter API commands” on page 201 for more information). If you specify the POOL parameter, it can refer to either an actual or a logical pool name. Whether you specify a POOL parameter or omit it, CICS resolves the actual pool name by reference to the named counter options table, which is loaded from the link list.

The named counter options table, DFHNCOPT, provides several methods for determining the actual pool name referenced by a named counter API command, all of which are described in the *CICS System Definition Guide*. This also describes the DFHNCO macro that you can use to create your own options table.

This section discusses how the POOLSEL parameter in the default options table works in conjunction with the POOL(*name*) option on the API. The default options table is supplied in source and object form. The pregenerated version is in *hlq.SDFHLINK*, and the source version, which is supplied in the *hlq.SDFHSAMP* library ( where *hlq* represents the high-level qualifier for the library names, established at CICS installation time), contains the following entries:

```
DFHNCO POOLSEL=DFHNC*,POOL=YES
DFHNCO POOL=
END DFHNCOPT
```



The default options table entries work as follows:

**POOLSEL=DFHNC\***

This pool selection parameter defines a generic logical pool name beginning with the letters DFHNC. If any named counter API request specifies a pool name that matches this generic name, the pool name is determined by the POOL= operand in the DFHNCO entry. Because this is POOL=YES in the default table, the name passed on the POOL(*name*) option of the API command is taken to be an actual name. Thus, the default options table specifies that all logical pool names beginning with DFHNC are actual pool names.

**POOL=**

This entry in the default table is the 'default' entry. Because the POOLSEL parameter is not specified, it defaults to POOLSEL=\*, which means it is taken to match any value on a POOL parameter that does not find a more explicit match. Thus, any named counter API request that:

- Specifies a POOL value that begins with other than DFHNC, or
- Omits the POOL name parameter altogether

is mapped to the the default pool (indicated by a POOL= options table parameter that omits a name operand).

You can specify the default pool name to be used by a CICS region by specifying the NCPLDFT system initialization parameter. If NCPLDFT is omitted, the pool name defaults to DFHNC001.

You can see from the above that you do not need to create you own options table, and named counter API commands do not need to specify the POOL option, if:

- You use pool names of the form DFHNCxxx, or
- Your CICS region uses only one pool that can be defined by the NCPLDFT system initialization parameter.

**Notes:**

1. DFHNCOPT named counter options tables are not suffixed. A CICS region loads the first table found in the MVS link list.
2. There must be a named counter server running, in the same MVS image as your CICS region, for each named counter pool used by your application programs.

---

## The named counter API commands

Although all named counter values are held internally as doubleword unsigned binary numbers, the CICS API provides both a fullword (COUNTER) and doubleword (DCOUNTER) set of commands, which you should not mix. These EXEC CICS commands allow you to perform the following operations on named counters:

**DEFINE**

Defines a new named counter, setting minimum and maximum values, and specifying the current number at which the counter is to start.

**DELETE**

Deletes a named counter from its named counter pool.

**GET**

Gets the current number from the named counter, provided the maximum number has not already been allocated.

**Using the WRAP option:** If the maximum number has been allocated to a previous request, the counter is in a counter-at-limit condition and the request fails, unless you specify the WRAP option. This option specifies that a counter in the counter-at-limit condition is to be reset automatically to its defined minimum value. After the reset, the minimum value is returned as the current number, and the counter is updated ready for the next request.

**Using the INCREMENT option:** By default, a named counter is updated by an increment of 1, after the server has assigned the current number to a GET request. If you want more than one number at a time, you can specify the INCREMENT option, which effectively reserves a block of numbers from the current number. For example, if you specify INCREMENT(50), and the server returns 100 025:

- Your application program can use 100 025 through 100 074
- As a result of updating the current number (100 025) by 50, the current number is left at 100 075 ready for the next request.

This example assumes that updating the current value by the INCREMENT(50) option does not exceed the maximum value by more than 1. If the range of numbers between the current value and the maximum value plus 1 is less than the specified increment, the request fails unless you also specify the REDUCE option.

**Using the REDUCE option:** To ensure that a request does not fail because the remaining range of numbers is too small to satisfy your INCREMENT value (the current number is too near the maximum value), specify the REDUCE option. With the reduce option, the server automatically adjusts the increment to allow it to assign all the remaining numbers, leaving the counter in the counter-at-limit condition.

**Using both the WRAP and REDUCE options:** If you specify both options, only one is effective depending on the state of the counter:

- If the counter is already at its limit when the server receives the GET request, the REDUCE option has no effect and the WRAP option is obeyed.
- If the counter is not quite at its limit when the server receives the GET request, but the remaining range is too small for increment, the REDUCE option is obeyed and the WRAP option has no effect.

**Using the COMPAREMIN and COMPAREMAX options:** You can use these options to make the named counter GET (and UPDATE) operation conditional upon the current number being within a specified range, or being greater than, or less than, one of the specified comparison values.

## QUERY

Queries the named counter to obtain the current, minimum, and maximum values. Note that you cannot use more than one named counter command in a way that is atomic, and you cannot rely on the information returned on a QUERY command not having been changed by another task somewhere in the sysplex. Even the CICS sysplex-wide ENQ facility cannot lock a counter for you, because a named counter could be accessed by a batch application program using the named counter CALL interface. If you want to make an operation conditional upon the current value being within a certain range, or greater than, or less than, a certain number, use the COMPAREMIN and COMPAREMAX parameters on your request.

**REWIND**

Rewinds a named counter that is in the counter-at-limit condition back to its defined minimum value.

**UPDATE**

Updates the current value of a named counter to a new current value. For example, you could set the current value to the next free key in a database. Like the GET command, this can be made conditional by specifying COMPAREMIN and COMPAREMAX values.

---

**The named counter CALL interface**

In addition to the CICS named counter API, CICS provides a call interface that you can use from a batch application to access the same named counters. This could be important where you have an application that uses both CICS and batch programs, and both need to access the same named counter to obtain unique numbers from a specified range. The named counter CALL interface is described in the *CICS System Definition Guide*.



---

## Chapter 17. Intercommunication considerations

This chapter provides only a summary of what you need to consider when writing applications that communicate with other CICS systems. For further information, see the *CICS Intercommunication Guide*.

You can run application programs in a CICS intercommunication environment using one or more of the following:

**Transaction routing**

enables a terminal in one CICS system to run a transaction in another CICS system, see “Transaction routing” on page 206.

**Function shipping**

enables your application program to access resources in another CICS system, see “Function shipping” on page 206.

**Distributed program link (DPL)**

enables an application program running in one CICS region to link to another application program running in a remote CICS region, see “Distributed program link (DPL)” on page 207.

**Asynchronous processing**

enables a CICS transaction to start another transaction in a remote system and optionally pass data to it, see “Asynchronous processing” on page 219.

**Distributed transaction processing (DTP)**

enables a CICS transaction to communicate with a transaction running in another system. There are two interfaces available for DTP; command-level EXEC CICS and the SAA interface for DTP known as Common Programming Interface Communications (CPI Communications), see “Distributed transaction processing (DTP)” on page 219.

**Common Programming Interface Communications (CPI-C)**

provides DTP on APPC connections and defines an API that can be used on multiple system platforms, see “Common Programming Interface Communications (CPI Communications)” on page 219.

**External CICS interface (EXCI)**

enables a non-CICS program running in MVS to allocate and open sessions to a CICS system, and to issue DPL requests on these sessions. In CICS Transaction Server for OS/390 Release 3, CICS supports MVS resource recovery services (RRS) in applications that use the external CICS interface. see “External CICS interface (EXCI)” on page 220.

The intercommunication aspects of the CICS Front End Programming Interface (FEPI) are not discussed in this book. See the *CICS Front End Programming Interface User's Guide* for details about FEPI.

---

### Design considerations

If your application program uses more than one of these facilities, you obviously need to bear in mind the design considerations for each one. Also, if your program uses more than one intersystem session for distributed transaction processing, it must control each session according to the rules for that type of session.

## Programming language

Generally speaking, you can use COBOL, C, C++, PL/I, or assembler language to write application programs that use CICS intercommunication facilities. There is, however, an exception. You can only use C, C++, or assembler language for DTP application programs that hold APPC unmapped conversations using the EXEC CICS API.

---

## Transaction routing

Transactions that can be invoked from a terminal owned by another CICS system, or that can acquire a terminal owned by another CICS system during transaction initiation, must be able to run in a transaction routing environment.

Generally, you can design and code such a transaction just like one used in a local environment. However, there are a few restrictions related to basic mapping support (BMS), pseudoconversational transactions, and the terminal on which your transaction is to run. All programs, tables, and maps that are used by a transaction **must** reside on the system that owns the transaction. (You can duplicate them in as many systems as you need.)

Some CICS transactions are related to one another, for example, through common access to the CWA or through shared storage acquired using a GETMAIN command. When this is true, the system programmer must ensure that these transactions are routed to the same CICS system. You should avoid (where possible) any techniques that might create inter-transaction affinities that could adversely affect your ability to perform dynamic transaction routing.

To help you identify potential problems with programs that issue these commands, you can use the Transaction Affinities Utility. See the *CICS Transaction Affinities Utility Guide* for more information about this utility and “Chapter 14. Affinity” on page 157 for more information about transaction affinity.

When a request to process a transaction is transmitted from one CICS system to another, transaction identifiers can be translated from local names to remote names. However, a transaction identifier specified in a RETURN command is not translated when it is transmitted from the transaction-owning system to the terminal-owning system.

---

## Function shipping

You code a program to access resources in a remote system in much the same way as if they were on the local system. You can use:

**DL/I calls (EXEC DLI commands)**

to access data associated with a remote CICS system.

**File control commands**

to access files on remote systems. Note that requests which contain the TOKEN keyword may not be function-shipped.

**Temporary storage commands**

to access data from temporary storage queues on remote systems.

**Transient data commands**

to access transient data queues on remote systems.

Three additional exception conditions can occur with remote resources. They occur if the remote system is not available (SYSIDERR), if a request is invalid (ISCINVREQ), or if the mirror transaction abends (ATNI for ISC connections and AZI6 for MRO).

---

## Distributed program link (DPL)

The distributed program link function enables a CICS program (the client program) to call another CICS program (the server program) in a remote CICS region. There are several reasons why you might want to design your application to use distributed program link. Some of these are:

- To separate the end-user interface (for example, BMS screen handling) from the application business logic, such as accessing and processing data, to enable parts of the applications to be ported from host to workstation more readily
- To obtain performance benefits from running programs closer to the resources they access, and thus reduce the need for repeated function shipping requests
- To offer a simple alternative, in many cases, to writing distributed transaction processing (DTP) applications

There are several ways in which you can specify that the program to which an application is linking is remote:

1. By specifying the remote system name on a LINK command
2. By specifying the remote system name on the installed program resource definition<sup>3</sup>
3. By specifying the remote system name using the dynamic routing program (if the installed program definition specifies DYNAMIC(YES) or there is no installed program definition)<sup>3</sup>
4. By specifying the remote system name in a XPCREQ global user exit

The basic flow in distributed program link is described in the *CICS Intercommunication Guide*. The following terms, illustrated in Figure 38 on page 208, are used in the discussion of distributed program link:

### **Client region**

The CICS region running an application program that issues a link to a program in another CICS region.

### **Server region**

The CICS region to which a client region ships a link request.

### **Client program**

The application program that issues a remote link request.

### **Server program**

The application program specified on the link request, and which is executed in the server region.

---

3. By “installed program definition” we mean a program definition that has been installed statically, by means of autoinstall, or by an EXEC CICS CREATE command.

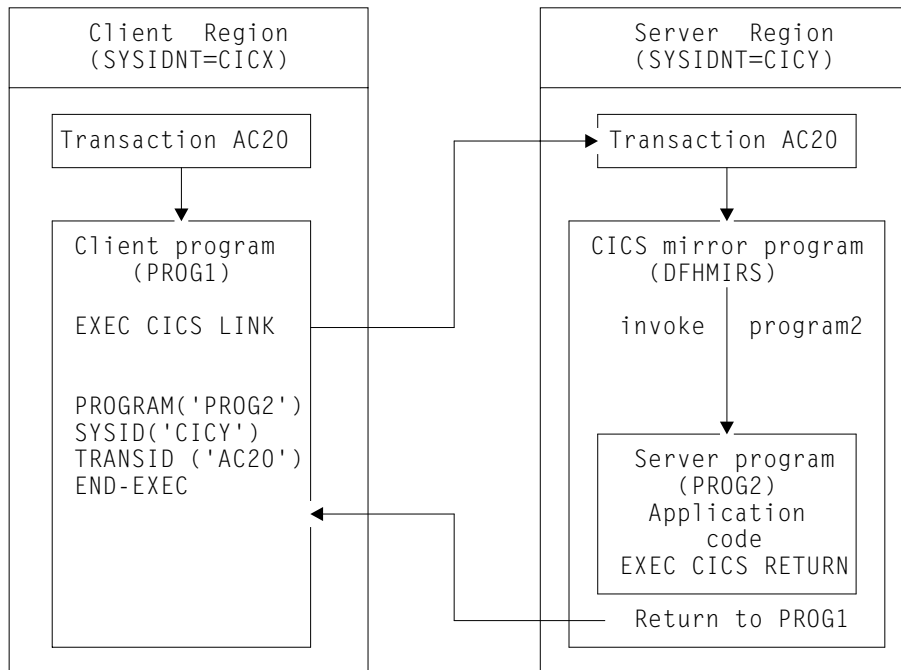


Figure 38. Illustration of distributed program link

## Using the distributed program link function

The distributed program link function provides a number of options. You can specify:

- The name of the remote system (the server region).
- The name of the server program, if it is known by a different name in the server region.
- That you want to run the linked program locally, but restrict it to the distributed program link subset of the application programming interface (API) for testing purposes. (Server programs cannot use the entire CICS API when executed remotely; the restrictions are listed in Table 14 on page 218.)
- That the server program takes a syncpoint independently from the client.
- The name of the transaction you want the program to run under in the server region.
- The data length of the COMMAREA being passed.

A server program can itself issue a distributed program link and act as a client program with respect to the program it links to.

The options shown in Table 13 on page 209 are used on the LINK command and the program resource definition in support of the distributed program link facility.



Table 13. Options on LINK command and program resource definitions to support DPL

<b>Where specified</b>	<b>Keyword</b>	<b>Description</b>
LINK command options	DATALENGTH	Specifies the length of the contiguous area of storage (from the start of the COMMAREA) that the application is sending to a server program.
	SYSID	Specifies the name of the connection to the server region to which you want the client region to ship the program link request. <b>Note:</b> A remote SYSID specified on the LINK command overrides a REMOTESYSTEM name specified on the program resource definition or a sysid returned by the dynamic routing program.
	SYNCONRETURN	Specifies that you want the server region to take a syncpoint on successful completion of the server program. <b>Note:</b> This option is unique to the LINK command and cannot be specified on the program resource definition.
	TRANSID	Specifies the name of the transaction that the server region is to attach for execution of the server program. <b>Note:</b> TRANSID specified on the LINK command overrides any TRANSID specified on the program resource definition.

Table 13. Options on LINK command and program resource definitions to support DPL (continued)

<b>Where specified</b>	<b>Keyword</b>	<b>Description</b>
Program resource definition options	REMOTESYSTEM	Specifies the name of the connection to the server region (SYSID) to which you want the client region to ship the program link request.
	REMOTENAME	Specifies the name by which the program is known in the server region (if different from the local name).
	DYNAMIC	Specifies whether the program link request can be dynamically routed. For detailed information about the dynamic routing of DPL requests, see the <i>CICS Intercommunication Guide</i> .
	EXECUTIONSET	Specifies whether the program is restricted to the distributed program link subset of the CICS API. <b>Note:</b> This option is unique to the program definition and cannot be specified on the LINK command.
	TRANSID	Specifies the name of the transaction that the server region is to attach for execution of the server program.

**Note:** Programming information, including the full syntax of the LINK command, is in the *CICS Application Programming Reference* manual, but note that for a distributed program link you cannot specify the INPUTMSG or INPUTMSGLEN options.

## Examples of distributed program link

A COBOL example of a distributed program link command is shown in Figure 39 on page 211. The numbers down the right-hand side of the example refer to the numbered sections, following the figure, which give information about each option.

### Important

If the SYSID option of the LINK command specifies the name of a remote region, any REMOTESYSTEM, REMOTENAME, or TRANSID attributes specified on the program definition or returned by the dynamic routing program have no effect.

```

EXEC CICS LINK PROGRAM('DPLPROG')           1
              COMMAREA(DPLPROG-DATA-AREA) 2
              LENGTH(24000)                2
              DATALENGTH(100)             2
              SYSID('CICR')                3
              TRANSID('AC20')              4
              SYNCONRETURN                  5
END-EXEC.

```

Figure 39. COBOL example of a distributed program link

### 1. The program name of the server program

A program may have different names in the client and server regions. The name you specify on the LINK command depends on whether or not you specify the SYSID option.

If you specify the name of a remote region on the SYSID option of the LINK command, CICS ships the link request to the server region without reference to the REMOTENAME attribute of the program resource definition in the client region, nor to any program name returned by the dynamic routing program. *In this case, the PROGRAM name you specify on the LINK command must be the name by which the program is known in the server region.*

If you do not specify the SYSID option on the LINK command, or you specify the name of the local client region, *the PROGRAM name you specify on the LINK command must be the name by which the program is known in the client region.* CICS looks up the program resource definition in the client region. Assuming that the REMOTESYSTEM option of the installed program definition specifies the name of a remote region, the name of the server program on the remote region is obtained from:

- a. The REMOTENAME attribute of the program definition
- b. If REMOTENAME is not specified, the PROGRAM option of the LINK command.

If the program definition specifies DYNAMIC(YES), or there is no installed program definition, the dynamic routing program is invoked and can accept or change the name of the server program.

### 2. The communication data area (COMMAREA)

To improve performance, you can specify the DATALENGTH option on the LINK command. This allows you to specify the amount of COMMAREA data you want the client region to pass to the server program. Typically, you use this option when a large COMMAREA is required to hold data that the server program is to return to the client program, but only a small amount of data needs to be sent to the server program by the client program, as in the example.

### 3. The remote system ID (SYSID)

You can specify the 4-character name of the server region to which you want the application region to ship a program link request using any of the following:

- The SYSID option of the LINK command
- The REMOTESYSTEM option of the program resource definition
- The dynamic routing program.

The rules of precedence are:

- a. If the SYSID option on the EXEC CICS LINK command specifies a remote CICS region, CICS ships the request to the remote region.

If the program definition specifies DYNAMIC(YES)—or there is no program definition—the dynamic routing program is invoked for notification only—it cannot re-route the request.

b. If the SYSID option is not specified or specifies the same name as the local CICS region:

1) If the program definition specifies DYNAMIC(YES)—or there is no installed program definition—the dynamic routing program is invoked, and can route the request.

The REMOTESYSTEM option of the program definition, if specified, names the default server region passed to the dynamic routing program.

**Note:** If the REMOTESYSTEM option names a remote region, the dynamic routing program cannot route the request locally.

2) If the program definition specifies DYNAMIC(NO), CICS ships the request to the remote system named on the REMOTESYSTEM option. If REMOTESYSTEM is not specified, CICS runs the program locally.

The name you specify is the name of the connection definition installed in the client region defining the connection with the server region. (CICS uses the connection name in a table look-up to obtain the netname (VTAM APPLID) of the server region.) The name of the server region you specify can be the name of the client region, in which case the program is run locally.

If the server region is unable to load or run the requested program (DPLPROG in our example), CICS returns the PGMIDERR condition to the client program in response to the link request. Note that EIBRESP2 values are not returned over the link for a distributed program link request where the error is detected in the server region. For errors detected in the client region, EIBRESP2 values are returned.

You can also specify, or modify, the name of a server region in an XPCREQ global user exit program. See the *CICS Customization Guide* for programming information about the XPCREQ global user exit point.

#### 4. **The remote transaction (TRANSID) to be attached**

The TRANSID option is available on both the LINK command and the program resource definition. This enables you to tell the server region the transaction identifier to use when it attaches the mirror task under which the server program runs. If you specify the TRANSID option, you must define the transaction in the server region, and associate it with the supplied mirror program, DFHMIRS. This option allows you to specify your own attributes on the transaction definition for the purpose of performance and fine tuning. For example, you could vary the task priority and transaction class attributes.

If the installed program definition specifies DYNAMIC(YES), or there is no installed program definition, the dynamic routing program is invoked and (provided that the SYSID option of the LINK command did not name a remote region) can change the value of the TRANSID attribute. The order of precedence is:

- a. If the SYSID option of the LINK command specified a remote region, a TRANSID supplied on the LINK
- b. A TRANSID supplied by the dynamic routing program
- c. A TRANSID supplied on the LINK command
- d. The TRANSID attribute of the program definition.
- e. The mirror TRANSID, CSMI.

You are recommended to specify the transaction identifier of the client program as the transaction identifier for the server program. This enables any statistics and monitoring data you collect to be correlated correctly under the same transaction.

The transaction identifier used on a distributed link program request is passed to the server program as follows:

- If you specify your own transaction identifier for the distributed link program request, this is passed to the server program in the EIBTRNID field of the EIB.
- EIBTRNID is set to the TRANSID value as specified in the DPL API or server resource definition. Otherwise, it defaults to the client's transaction code, which is the same value that is in the client's EIBTRNID.

5. **The SYNCONRETURN option for the server program**

When you specify the SYNCONRETURN option, it means that the resources on the server are committed in a separate logical unit of work immediately before returning control to the client; that is, an implicit syncpoint is issued for the server just before the server returns control to the client. Figure 40 on page 214 provides an example of using distributed program link with the SYNCONRETURN option. The SYNCONRETURN option is intended for use when the client program is not updating any recoverable resources, for example, when performing screen handling. However, if the client does have recoverable resources, they are not committed at this point. They are committed when the client itself reaches a syncpoint or in the implicit syncpoint at client task end. You must ensure that the client and server programs are designed correctly for this purpose, and that you are not risking data integrity. For example, if your client program has shipped data to the server that results in the server updating a database owned by the server region, you only specify an independent syncpoint if it is safe to do so, and when there is no dependency on what happens in the client program. This option has no effect if the server program runs locally in the client region unless EXECUTIONSET(DPLSUBSET) is specified. In this case, the syncpoint rules governing a local link apply.

Without the SYNCONRETURN option, the client commits the logical unit of work for both the client and the server resources, with either explicit commands or the implicit syncpoint at task end. Thus, in this case, the server resources are committed at the same time as the client resources are committed. Figure 41 on page 214 shows an example of using distributed program link without the SYNCONRETURN option.

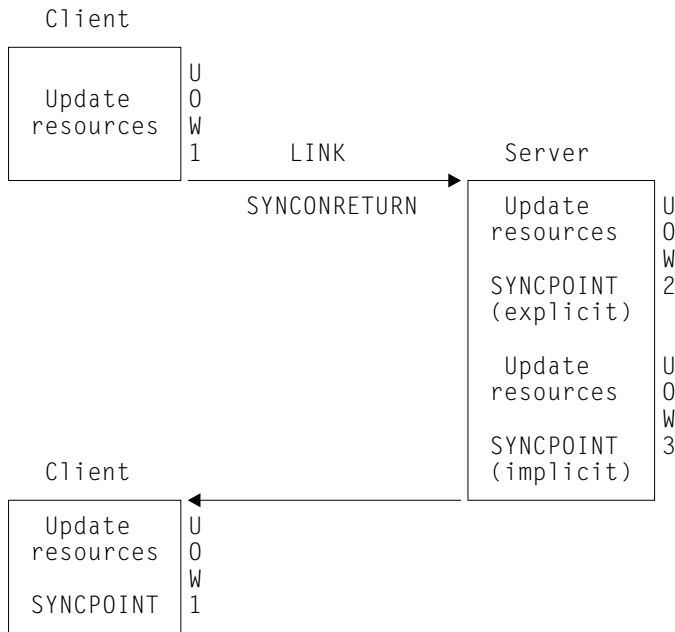


Figure 40. Using distributed program link with the SYNCONRETURN option

**Note:** This includes three logical units of work: one for the client and two for the server. The client resources are committed separately from the server.

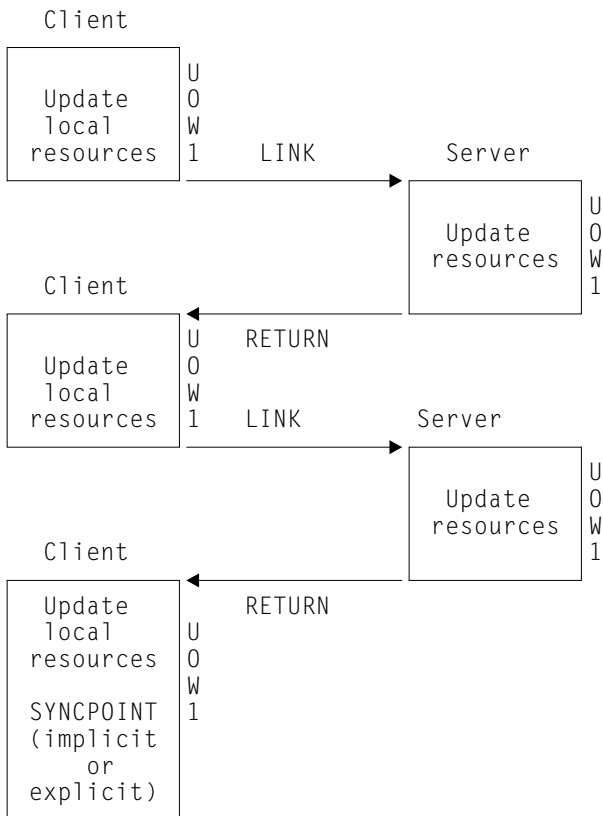


Figure 41. Using distributed program link without the SYNCONRETURN option

**Note:** The implicit or explicit syncpoint causes all client and server resources to be committed. There is only one logical unit of work because the client is responsible for determining when both the client and server resources are committed.

You need to consider the case when the client has a HANDLE ABEND command. When the client is handling abends in the server, the client gets control when the server abends. This is also true when the SYNCONRETURN option has been specified on the LINK command. In this case, it is recommended that the client issues an abend after doing the minimum of cleanup. This causes both the client logical unit of work and the server logical unit of work to be backed out.

## Programming considerations for distributed program link

There are some factors you should consider when writing application programs that use distributed program link.

### Issuing multiple distributed program links from the same client task

A client task cannot request distributed program links to a single CICS server region using more than one transaction code in a single client unit of work unless the SYNCONRETURN option is specified. It can issue multiple distributed program links to one CICS server system with the same or the default transaction code.

### Sharing resources between client and server programs

The server program does not have access to the lifetime storage of tasks on the client, for example, the TWA. Nor does it necessarily have access to the resources that the client program is using, for example, files, unless the file requests are being function shipped.

### Mixing DPL and function shipping to the same CICS system

Great care should be taken when mixing function shipping and DPL to the same CICS system, from the same client task. These are some considerations:

- A client task cannot function ship requests and then use distributed program link with the SYNCONRETURN option in the same session (same logical unit of work or system initialization parameter MROFSE=YES specified). The distributed program link fails with an INVREQ response. In this case EIBRESP2 is set to 14.
- A client task cannot function ship requests and then use distributed program link with the TRANSID option in the same client logical unit of work. The distributed program link fails with an INVREQ response. In this case, EIBRESP2 is set to 15.
- Any function-shipped requests that follow a DPL request with the SYNCONRETURN option runs in a separate logical unit of work from the server logical unit of work.
- Any function-shipped requests running that follow a DPL request with the TRANSID option to the same server region runs under the transaction code specified on the TRANSID option, instead of under the default mirror transaction code. The function-shipped requests are committed as part of the overall client logical unit of work when the client commits.
- Any function-shipped requests running before or after a DPL request without the SYNCONRETURN or TRANSID options are committed as part of the overall client logical unit of work when the client commits.

See the *CICS Intercommunication Guide* for more information about function shipping.

### Mixing DPL and DTP to the same CICS system

Care should be taken when using both DPL and DTP in the same application, particularly using DTP in the server program. For example, if you have not used the SYNCONRETURN option, you must avoid taking a syncpoint in the DTP partner which requires the DPL server program to syncpoint.

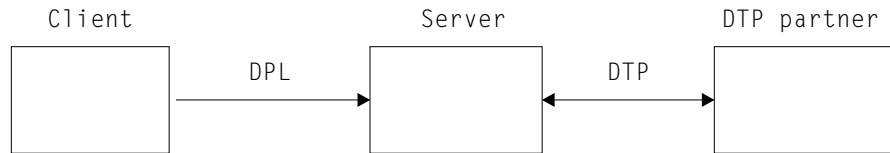


Figure 42. Example of mixing DPL and DTP

### Restricting a program to the distributed program link subset

When a program executes as the result of a distributed program link, it is restricted to a subset of the full CICS API called the distributed program link subset. The commands that are prohibited in a server program are summarized in Table 14 on page 218.

You can specify, in the program resource definition only, that you want to restrict a program invoked by a local LINK command to this subset with the EXECUTIONSET(DPLSUBSET) option. The use of any prohibited commands can then be detected before an application program is used in a distributed environment. The EXECUTIONSET(DPLSUBSET) option should be used for very early testing purposes only, and should never be used in production.

When the server program is running locally the following considerations apply:

- If EXECUTIONSET(DPLSUBSET) is specified on the server program then the SYNCONRETURN option causes an implicit syncpoint to be taken in the local server program, prior to returning control to the client program. In this case, because the server program is running locally, both the client and server resources are committed. However, it should be noted that SYNCONRETURN is intended for use when the client has no recoverable resources.
- If EXECUTIONSET(FULLAPI) is specified on the server program, the SYNCONRETURN option is ignored.
- The TRANSID and DATALENGTH options are ignored when processing the local link, but the format of the arguments is checked, for example, the TRANSID argument cannot be all blank.

### Determining how a program was invoked

The 2-byte values returned on the STARTCODE option of the ASSIGN command are extended in support of the distributed program link function enabling the server program to find out that it is restricted to the distributed program link subset. See the *CICS Application Programming Reference* manual for programming information about EXEC CICS commands.

### Accessing user-related information with the ASSIGN command

The values returned with the USERID and OPID keywords of the ASSIGN command in the server program depend on the way the ATTACHSEC option is defined for the connection being used between the client CICS region and the server CICS region. For example, the system could be defined so that the server



program could access the same USERID and OPID values as the client program or could access different values determined by the ATTACHSEC option.

If ATTACHSEC(LOCAL) is specified, the userid to which the OPID and USERID parameters correspond is one of the following, in the order shown:

1. The userid specified on the USERID parameter (for preset security) of the SESSIONS resource definition, if present
2. The userid specified on the SECURITYNAME parameter of the connection resource definition, if present and no preset security userid is defined on the sessions
3. The userid specified on the DFLTUSER system initialization parameter of the server region, if neither the sessions nor connection definitions specify a userid

If any value other than LOCAL is specified for ATTACHSEC, the signed-on userid is the one received in the function management header (FMH5) from the client region.

See the *CICS RACF Security Guide* for more information about link security and the ATTACHSEC parameter.

Another security-related consideration concerns the use of the CMDSEC and RESSEC options of the ASSIGN command. These are attributes of the transaction definition for the mirror transaction in the server region. They can be different from the definitions in the client region, even if the same TRANSID is used.

### **Exception conditions for LINK command**

There are error conditions introduced in support of DPL.

**Exception conditions returned to the client program:** Condition codes returned to a client program describe such events as “remote system not known” or “failure to commit” in the server program. There are different reasons, identified by EIBRESP2 values, for raising the INVREQ and LENGERR conditions on a LINK command. The ROLLEDBACK, SYSIDERR, and TERMERR conditions may also be raised. See the *CICS Application Programming Reference* manual for programming information about these commands.

If the mirror transaction in the remote region fails, the application program that issued the DPL request can handle the abend of the mirror, and commit its own local resources, *only if both the following are true:*

1. The application program explicitly handles the abend caused by the mirror’s failure, and either:
  - Takes an implicit syncpoint by normal transaction termination
- or*
- Issues an explicit syncpoint request.
2. The remote mirror transaction performed no recoverable work within the scope of the application program’s unit of work. That is, the mirror was invoked only for a distributed program link (DPL) request with SYNCONRETURN.

In all other cases—that is, if the application program does not handle the abend, or the mirror does any recoverable work (for example, a file update, even to a non-recoverable file)—CICS forces the transaction to be backed out.

The PGMIDERR condition is raised on the HANDLE ABEND PROGRAM, LOAD, RELEASE, and XCTL commands if the local program definition specifies that the program is remote. This exception is qualified by an EIBRESP2 value of 9.

**Exception conditions returned to the server program:** The INVREQ condition covers the use of prohibited API commands. INVREQ is returned, qualified by an EIBRESP2 value of 200, to a server program if it issues one of the prohibited commands summarized in Table 14. If the server program does not handle the INVREQ condition, the default action is to abend the mirror transaction under which the server program is running with abend code ADPL.

For programming information about the DPL-related exception conditions, see the *CICS Application Programming Reference* manual.

Table 14. API commands prohibited in programs invoked by DPL

Command	Options
ADDRESS	ACEE
ASSIGN	ALTSCRNHT ALTSCRNWD APLKYBD APLTEXT BTRANS COLOR DEFSCRNHT DEFSCRNWD DELIMITER DESTCOUNT DESTID DESTIDLENG DS3270 DSSCS EWASUPP EXTDS FACILITY FCI GCHARS GCODES GMMI HIGHLIGHT INPARTN KATAKANA LDCMNEM LDCNUM MAPCOLUMN MAPHEIGHT MAPLINE MAPWIDTH MSRCONTROL NATLANGINUSE NEXTTRANSID NUMTAB OPCLASS OPSECURITY OUTLINE PAGENUM PARTNPAGE PARTNS PARTNSET PS QNAME SCRNHT SCRNWD SIGDATA SOSI STATIONID TCTUALENG TELLERID TERMCODE TERMPRIORITY TEXTKYBD TEXTPRINT UNATTEND USERNAME USERPRIORITY VALIDATION
CONNECT PROCESS	all
CONVERSE	all
EXTRACT ATTRIBUTES	all
EXTRACT PROCESS	all
FREE	all
HANDLE AID	all
ISSUE	ABEND CONFIRMATION ERROR PREPARE SIGNAL PRINT ABORT ADD END ERASE NOTE QUERY RECEIVE REPLACE SEND WAIT
LINK	INPUTMSG INPUTMSGLEN
PURGE MESSAGE	all
RECEIVE	all
RETURN	INPUTMSG INPUTMSGLEN
ROUTE	all
SEND	CONTROL MAP PARTNSET TEXT TEXT(MAPPED) TEXT(NOEDIT) PAGE
SIGNOFF	all
SIGNON	all
SYNCPPOINT	Can be issued in server region if SYNCONRETURN specified on LINK
WAIT TERMINAL	all

Table 14. API commands prohibited in programs invoked by DPL (continued)

Command	Options
XCTL	INPUTMSG INPUTMSGLEN

The following commands are also restricted but can be used in the server region if SYNCONRETURN is specified on the LINK:

- CPIRR COMMIT
- CPIRR BACK
- EXEC DLI TERM
- CALL DLI TERM

Where only certain options are prohibited on the command, they are shown. All the APPC commands listed are prohibited only when they refer to the principal facility. One of these, the CONNECT PROCESS command, causes an error even if it refers to the principal facility in a non-DPL environment. It is included here because, if a CONNECT PROCESS command refers to its principal facility in a server program, the exception condition raised indicates a DPL error.

## Asynchronous processing

The response from a remotely initiated transaction is not necessarily returned to the task that initiated the transaction, which is why the processing is referred to as **asynchronous**. Asynchronous processing is useful when you do not need or want to tie up local resources while having a remote request processed. For example, with online inquiry on remote databases, terminal operators can continue entering inquiries without having to wait for an answer to the first one.

You can start a transaction on a remote system using a START command just like a local transaction. You can use the RETRIEVE command to retrieve data that has been stored for a task as a result of a remotely issued START, CANCEL, SEND, or RECEIVE command, as if it were a local transaction.

## Distributed transaction processing (DTP)

The main advantage of DTP is that it allows the two transactions to have exclusive control of a session and to “converse”. DTP is particularly useful when you need remote resources to be processed remotely or if you need to transfer data between systems. It also allows you to design very flexible and efficient applications. DTP can be used with either EXEC CICS or CPI Communications. You can use C, C++, and assembler language in DTP application programs that hold LU type 6.2 unmapped conversations using the EXEC CICS API as well as applications that use the CICS intercommunication facilities.

DTP can be used with a variety of partners, including both CICS and non-CICS platforms, as long as they support APPC. For further information about DTP, see the *CICS Distributed Transaction Programming Guide* and *CICS Family: Interproduct Communication* manuals.

## Common Programming Interface Communications (CPI Communications)

CPI Communications provides an alternative API to existing CICS APPC support. CPI Communications provides DTP on APPC connections and can be used in COBOL, C, C++, PL/I, and assembler language.

CPI Communications defines an API that can be used in APPC networks that include multiple system platforms, where the consistency of a common API is seen to be of benefit.

The CPI Communications interface can converse with applications on any system that provides an APPC API. This includes applications on CICS platforms. You may use EXEC CICS APPC API commands on one end of a conversation and CPI Communications commands on the other.

CPI Communications requires specific information (side information) to begin a conversation with partner program. CICS implementation of side information is achieved using the partner resource which your system programmer is responsible for maintaining.

The application's calls to the CPI Communications interface is resolved by link-editing it with the CICS CPI Communications stub (DFHCPLC). You can find information about how to do this in *CICS System Definition Guide*.

The CPI Communications API is defined as a general call interface. The interface is described in the *Common Programming Interface Communications Reference* manual.

---

## External CICS interface (EXCI)

The external CICS interface is an application programming interface that enables a non-CICS program (a client program) running in MVS to call a program (a server program) running in a CICS region and to pass and receive data by means of a communications area. The CICS program is invoked as if linked-to by another CICS program.

This programming interface allows a user to allocate and open sessions (pipes) to a CICS system and to pass distributed program link (DPL) requests over them. CICS interregion communication (IRC) supports these requests and each pipe maps onto one MRO session.

For programming information about EXCI, see the *CICS External Interfaces Guide* manual.

A client program that uses the external CICS interface can operate multiple sessions for different users (either under the same or separate TCBS) all coexisting in the same MVS address space without knowledge of, or interference from, each other.

The external CICS interface provides two forms of programming interface:

- The EXCI CALL interface consists of six commands that allow you to:
  - Allocate and open sessions to a CICS system from non-CICS programs running under MVS
  - Issue DPL requests on these sessions from the non-CICS programs
  - Close and de-allocate the sessions on completion of the DPL requests
- The EXEC CICS interface provides:
  - A single composite command (LINK PROGRAM) that performs all six commands of the EXCI CALL interface in one invocation

The command takes the same form as the distributed program link command of the CICS command-level application programming interface.

CICS supports MVS resource recovery services (RRS) in applications that use the external CICS interface. This means that:

- The unit of work within which the CICS server program changes recoverable resources may now become part of the MVS unit of recovery associated with the EXCI client program.
- The CICS server unit of work may be committed when the server program returns control to the client or continues over multiple EXCI DPL calls, until the EXCI client decides to commit or backout the unit of recovery.



---

## Chapter 18. Recovery considerations

This chapter is about two available techniques which help recover or reconstruct events or data changes during CICS execution:

- “Journaling”
- “Syncpointing” on page 225

---

### Journaling

CICS provides facilities for creating and managing **journals** during CICS processing. Journals may contain any and all data the user needs to facilitate subsequent reconstruction of events or data changes. For example, a journal might act as an audit trail, a change-file of database updates and additions, or a record of transactions passing through the system (often referred to as a **log**). Each journal can be written from any task.

Journal control commands are provided to allow the application programmer to:

- Create a journal record (WRITE JOURNALNAME or WRITE JOURNALNUM command)
- Synchronize with (wait for completion of) journal output (WAIT JOURNALNAME or WAIT JOURNALNUM command)

Exception conditions that occur during execution of a journal control command are handled as described in “Chapter 20. Dealing with exception conditions” on page 231. (The earlier JFILEID option is supported for compatibility purposes only.)

### Journal records

Each journal is identified by a name or number known as the journal identifier. This number may range from 1 through 99. The name DFHLOG is reserved for the journal known as the system log.

When a journal record is built, the data is moved to the journal buffer area. All buffer space and other work areas needed for journal operations are acquired and managed by CICS. The user task supplies only the data to be written to the journal. Log manager is designed so that the application programmer requesting output services does not have to be concerned with the detailed layout and precise contents of journal records. The programmer has to know only which journal to use, what user data to specify, and which user-identifier to supply.

### Journal output synchronization

When a synchronous journal record is created by issuing the WRITE JOURNALNAME or WRITE JOURNALNUM command with the WAIT option, the requesting task can wait until the output has been completed. By specifying that this should happen, the application programmer ensures that the journal record is written on the external storage device associated with the journal before processing continues; the task is said to be **synchronized** with the output operation.

The application programmer can also request asynchronous journal output. This causes a journal record to be created in the journal buffer area but allows the requesting task to retain control and thus to continue with other processing. The

task may check and wait for output completion (that is, synchronize) later by issuing the WAIT JOURNALNAME or WAIT JOURNALNUM command.

**Note:** In some cases, a SHUTDOWN IMMEDIATE can cause user journal records to be lost, if they have been written to a log manager buffer but not to external storage. This is also the case if the CICS shut-down assist transaction (CESD) forces SHUTDOWN IMMEDIATE during a normal shutdown, because normal shutdown is hanging. To avoid the risk of losing journal records, you are recommended to issue CICS WAIT JOURNALNUM requests periodically, and before ending your program.

Without WAIT, CICS does not write data to the log stream until it has a full buffer of data, or until some other unrelated activity requests that the buffer be hardened, thus reducing the number of I/O operations. Using WAIT makes it more difficult for CICS to calculate accurately log structure buffer sizes. For CF log streams, this could lead to inefficient use of storage in the coupling facility.

The basic process of building journal records in the CICS buffer space of a given journal continues until one of the following events occurs:

- For system logs:
  - Whenever the system requires it to ensure integrity and to permit a future emergency restart
  - The log stream buffer is filled
- For user journals:
  - The log stream buffer is filled (or, if the journal resides on SMF, when the journal buffer is filled)
  - A request specifying the WAIT option is made (from any task) for output of a journal record
  - An EXEC CICS SET JOURNALNAME command is issued
  - An EXEC CICS DISCARD JOURNALNAME command is issued
  - Any of the above occurring for any other journal which maps onto the same log stream
  - On a normal shutdown
- For forward recovery logs:
  - The log stream buffer is filled
  - At syncpoint (first phase)
  - On file closure
- For autojournals:
  - The log stream buffer is filled
  - A request specifying the WAIT option is made (from any task) for output of a journal record
  - On file closure
- For the log-of-logs (DFHLGLOG):
  - On file OPEN and CLOSE requests

When any one of these occurs, all journal records present in the buffer, including any deferred output resulting from asynchronous requests, are written to the log stream as one block.

The advantages that may be gained by deferring journal output are:

- Transactions may get better response times by waiting less.



- The load of physical I/O requests on the host system may be reduced.
- Log streams may contain fewer but larger blocks and so better utilize primary storage.

However, these advantages are achievable only at the cost of greater programming complexity. It is necessary to plan and program to control synchronizing with journal output. Additional decisions that depend on the data content of the journal record and how it is to be used must be made in the application program. In any case, the full benefit of deferring journal output is obtained only when the load on the journal is high.

If the journal buffer space available at the time of the request is not sufficient to contain the journal record, the NOJBUFSP condition occurs. If no HANDLE CONDITION command is active for this condition, the requesting task loses control, the contents of the current buffer are written, and the journal record is built in the resulting freed buffer space before control returns to the requesting task.

If the requesting task is not willing to lose control (for example, if some housekeeping must be performed before other tasks get control), a HANDLE CONDITION command should be issued. If the NOJBUFSP condition occurs, no journal record is built for the request, and control is returned directly to the requesting program at the location provided in the HANDLE CONDITION command. The requesting program can perform any housekeeping needed before reissuing the journal output request.

Journal commands can cause immediate or deferred output to the journal. System log records are distinguished from all other records by specifying JOURNALNAME(DFHLOG) on the request. User journal records are created using some other JOURNALNAME or a JOURNALNUM. All records must include a journal type identifier, (JTYPEID). If the user journaling is to the system log, the journal type identifier (according to the setting of the high-order bit) also serves to control the presentation of these to the global user exit XRCINPT at a warm or emergency restart. Records are presented during the backward scan of the log as follows:

- For in-flight or in-doubt tasks only (high-order bit off)
- For all records encountered until the scan is terminated (high-order bit on)

See the *CICS Customization Guide* for information about the format and structure of journal records. See the section on emergency restart in the *CICS Recovery and Restart Guide* for background information and a description of the recovery process.

---

## Syncpointing

To facilitate recovery in the event of abnormal termination of a CICS task or of failure of the CICS system, the system programmer can, during CICS table generation, define specific resources (for example, files) as recoverable. If a task is terminated abnormally, these resources are restored to the condition they were in at the start of the task, and can then be rerun. The process of restoring the resources associated with a task is termed **backout**.

If an individual task fails, backout is performed by the dynamic transaction backout program. If the CICS system fails, backout is performed as part of the emergency restart process. See the *CICS Recovery and Restart Guide* which describes these facilities, which in general have no effect on the coding of application programs.

However, for long-running programs, it may be undesirable to have a large number of changes, accumulated over a period of time, exposed to the possibility of backout in the event of task or system failure. This possibility can be avoided by using the SYNCPOINT command to split the program into logically separate sections known as units of work (UOWs); the end of an UOW is referred to as a synchronization point (**syncpoint**). For more information about syncpoints, see the *CICS Recovery and Restart Guide*.

If failure occurs after a syncpoint but before the task has been completed, only changes made after the syncpoint are backed out.

Alternatively, you can use the SAA Resource Recovery interface instead of the SYNCPOINT command. This provides an alternative API to existing CICS resource recovery services. You may wish to use the SAA Resource Recovery interface in networks that include multiple SAA platforms, where the consistency of a common API is seen to be of benefit. In a CICS system, the SAA Resource Recovery interface provides the same function as the EXEC CICS API.<sup>4</sup>

The SAA Resource Recovery interface is implemented as a call interface, having two call types:

**SRRCMIT**

Commit—Equivalent to SYNCPOINT command.

**SRRBACK**

Backout—Equivalent to SYNCPOINT ROLLBACK command.

For further information about the SAA Resource Recovery interface, see *SAA Common Programming Interface for Resource Recovery Reference* manual.

UOWs should be entirely logically independent, not merely with regard to protected resources, but also with regard to execution flow. Typically, an UOW comprises a complete conversational operation bounded by SEND and RECEIVE commands. A browse is another example of an UOW; an ENDBR command must therefore precede the syncpoint.

In addition to a DL/I termination call being considered to be a syncpoint, the execution of a SYNCPOINT command causes CICS to issue a DL/I termination call. If a DL/I PSB is required in a subsequent UOW, it must be rescheduled using a program control block (PCB) call or a SCHEDULE command.

With distributed program link (DPL), it is possible to specify that a syncpoint is taken in the server program, to commit the server resources before returning control to the client. This is achieved by using the SYNCONRETURN option on the LINK command. For programming information about the SYNCONRETURN option, see "The SYNCONRETURN option for the server program" on page 5 on page 213 and the *CICS Application Programming Reference* manual.

A BMS logical message, started but not completed when a SYNCPOINT command is processed, is forced to completion by an implied SEND PAGE command. However, you should not rely on this because a logical message whose first page is incomplete is lost. You should also code an explicit SEND PAGE command before the SYNCPOINT command or before termination of the transaction.

---

4. Full SAA Resource Recovery provides some return codes that are not supported in its CICS implementation. (See the CICS appendix in the *SAA Common Programming Interface for Resource Recovery Reference* manual.)

Consult your system programmer if syncpoints are to be issued in a transaction that is eligible for transaction restart.



---

## Chapter 19. Minimizing errors

This chapter describes ways of making your applications error-free. Some of these suggestions apply not only to programming, but also to operations and systems.

What often happens is that, when two application systems that run perfectly by themselves are run together, performance goes down and you begin experiencing “lockouts” or waits. The scope of each system has not been defined well enough.

The key points in a well-designed application system are:

- At all levels, each function is defined clearly with inputs and outputs well-stated
- Resources that the system uses are adequately-defined
- Interactions with other systems are known

---

### Protecting CICS from application errors

There are various tools and techniques you can use to minimize errors in your application programs. In general:

- You can use the storage protection facility to prevent CICS code and control blocks from being overwritten accidentally by your application programs. You can choose whether you want to use this facility by means of CICS system initialization parameters. See the *CICS System Definition Guide* for more information about this facility.
- Consider using standards that avoid problems that may be caused by techniques such as the use of GETMAIN commands.

---

### Testing applications

The following general rules apply to testing applications:

- Do not test on a production CICS system—use a test system, where you can isolate errors without affecting “live” databases.
- Have the testing done by someone other than the application developer, if possible.
- Document the data you use for testing.
- Test your applications several times. See “Chapter 40. Testing applications: the process” on page 509 for more information about testing applications.
- Use the CEDF transaction for initial testing. See “Chapter 41. Execution diagnostic facility (EDF)” on page 513 for more information about using CEDF.
- Use stress or volume testing to catch problems that may not arise in a single-user environment. Teleprocessing Network Simulator (TPNS, licensed program number 5740-XT4) is a good tool for doing this.

TPNS is a telecommunications testing package that enables you to test and evaluate application programs before you install them. You can use TPNS for testing logic, user exit routines, message logging, data encryption, and device-dependencies, if these are used in application programs in your organization. It is useful in investigating system performance and response times, stress testing, and evaluating TP network design. For further information, see the *TPNS General Information* manual.

- Test whether the application can handle **correct** data and **incorrect** data.
- Test against complete copies of the related databases.

- Consider using multiregion operation. (See the *CICS Intercommunication Guide* for more information.)
- Before you move an application to the production system, it is a good idea to run a **final** set of tests against a copy of the production database to catch any errors.

In particular, look for destroyed storage chains.

Assembler language programs (if not addressing data areas properly) can be harder to identify because they can alter something that affects (and abends) another transaction.

For more information about solving a problem, see the *CICS Problem Determination Guide*.

---

## Chapter 20. Dealing with exception conditions

This chapter contains information about:

- Default CICS exception handling
- “Handling exception conditions by in-line code” on page 232
- “Modifying the default CICS exception handling” on page 235

### Java

This chapter does not apply to CICS Java programs. Exception handling in Java programs is described in “Exception handling in Java” on page 72.

Every time you process an EXEC CICS command in one of your applications, CICS automatically raises a condition, or return code, to tell you what happened. You can choose to have this condition, which is usually NORMAL, passed back by the CICS EXEC interface program to your application. It is sometimes called a RESP value, because you may get hold of it by using the RESP option in your command. Alternatively, you may obtain this value by reading it from the EXEC interface block (EIB).

If something out of the ordinary happens, you get an *exception condition*, which simply means a condition other than NORMAL. By testing this condition, you can find out what has happened and, possibly, why.

Many exception conditions have an additional (RESP2) value associated with them, which gives further information. You may obtain this RESP2 value either by using the RESP2 option in your command in addition to the RESP option, or by reading it from the EIB.

Not all conditions denote an error situation, even if they are not NORMAL. For example, if you get an ENDFILE condition on a READNEXT command during a file browse, it might be exactly what you expect. For information about all possible conditions and the commands on which they can occur, see the *CICS Application Programming Reference* manual.

---

### Default CICS exception handling

If your application is written in a language other than C, C++, or Java and you do not specify otherwise, CICS uses its built-in exception handling whenever an exception condition occurs. If your application is written in C or C++, CICS itself takes no action when an exception condition occurs and it is left to the application to handle it. See “Handling exception conditions by in-line code” on page 232 for information on handling exception conditions.

The most common action by CICS is to cause an abend of some type to happen. The particular behaviors for each condition and for each command are detailed in the *CICS Application Programming Reference* and *CICS System Programming Reference* manuals.

Sometimes you will be satisfied with the CICS default exception handling, in which case you need do nothing. More often you will prefer some other course of action.

These are the different ways of turning off the default CICS handling of exception conditions.

- Turn off the default CICS handling of exception conditions on a particular EXEC CICS command call by specifying the NOHANDLE option.
- Alternatively, turn off the default CICS handling of exception conditions by specifying the RESP option on the command. This, of itself, switches off the default CICS exception handling in the same way as NOHANDLE does. It also causes the variable named by the argument of RESP to be updated with the value of the condition returned by the command. This is described in more detail in “Handling exception conditions by in-line code”.
- Write your application program in C or C++.

If the default CICS exception handling is turned off you should ensure that your program copes with anything that may happen in the command call.

The traditional, but no longer recommended, way to specify some other course of action is available only if you are programming in a language other than C or C++; it is to use combinations of the HANDLE ABEND, HANDLE CONDITION, and IGNORE CONDITION commands to modify the default CICS exception handling. This is described in “Modifying the default CICS exception handling” on page 235.

---

## Handling exception conditions by in-line code

This section describes the method of handling exception conditions which is recommended for new applications and is the only available choice if your programs are in C or C++ language. If your program is not written in C or C++, it involves either using the NOHANDLE option or specifying the RESP option on EXEC CICS commands, which prevents CICS performing its default exception handling. Additionally, the RESP option makes the value of the exception condition directly available to your program, for it to take remedial action.

If your program is written in C or C++, in-line code is the only means you have of handling exception conditions.

If you use the NOHANDLE or RESP option, you should ensure that your program can cope with whatever condition may arise in the course of executing the commands. The RESP value is available to enable your program to decide what to do and more information which it may need to use is carried in the EXEC interface block (EIB). In particular, the RESP2 value is contained in one of the fields of the EIB. See the *CICS Application Programming Reference* manual for more information on the EIB. Alternatively, if your program specifies RESP2 in the command, the RESP2 value is returned by CICS directly.

The DFHRESP built-in translator function makes it very easy to test the RESP value. It allows, you to examine RESP values symbolically. This is easier than examining binary values that are less meaningful to someone reading the code.

## How to use the RESP and RESP2 options

The argument of RESP is a user-defined fullword binary data area (long integer). On return from the command, it contains a value corresponding to the condition that may have been raised. Normally its value is DFHRESP(NORMAL).

### Use of RESP and DFHRESP in COBOL and PL/I

Here is an example of an EXEC CICS call in COBOL which uses the RESP option. A PL/I example would be similar, but would end in “;” instead of END-EXEC.



```
EXEC CICS WRITEQ TS FROM(abc)
      QUEUE(qname)
      NOSUSPEND
      RESP(xxx)
      END-EXEC.
```

An example of using DFHRESP to check the RESP value is:

```
IF xxx=DFHRESP(NOSPACE) THEN ...
```

### Use of RESP and DFHRESP in C and C++

Here is an example of an EXEC CICS call in C, which uses the RESP option, including the declaration of the RESP variable:

```
long response;
...
EXEC CICS WRITEQ TS FROM(abc)
      QUEUE(qname)
      NOSUSPEND
      RESP(response);
```

An example of using DFHRESP to check the RESP value is:

```
if (response == DFHRESP(NOSPACE))
{
...
}
```

### Use of DFHRESP in assembler

An example of a test for the RESP value in assembler language is:

```
CLC   xxx,DFHRESP(NOSPACE)
BE    ...
```

## An example of exception handling in C

The following example is a typical function which could be used to receive a BMS map and to cope with exception conditions:

```
int ReadAccountMap(char *mapname, void *map)
{
    long    response;
    int     ExitKey;
    EXEC CICS RECEIVE MAP(mapname)
            MAPSET("ACCOUNT")
            INTO(map)
            RESP(response);
    switch (response)
    {
    case DFHRESP(NORMAL):
        ExitKey = dfheiptr->eibaid;
        ModifyMap(map);
        break;
    case DFHRESP(MAPFAIL):
        ExitKey = dfheiptr->eibaid;
        break;
    default:
        ExitKey = DFHCLEAR;
        break;
    }
    return ExitKey;
}
```

Figure 43. An example of exception handling in C

The *ReadAccountMap* function has two arguments:

1. *mapname* is the variable which contains the name of the map which is to be received.
2. *map* is the address of the area in memory to which the map is to be written.

The RESP value will be returned in *response*. The declaration of *response* sets up the appropriate type of automatic variable.

The EXEC CICS statement asks for a map of the name given by *mapname*, of the mapset ACCOUNT, to be read into the area of memory to which the variable *map* points, with the value of the condition being held by the variable *response*.

The condition handling can be done by using if statements. However, to improve readability, it is often better, as here, to use a switch statement, instead of compound if ... else statements. The effect on program execution time is negligible.

Specific cases for two conditions:

1. A condition of NORMAL is what is normally expected. If a condition of NORMAL is detected in the example here, the function then finds out what key the user pressed to return to CICS and this value is passed to ExitKey. The program then makes some update to the map held in memory by the ModifyMap function, which need not concern us further.
2. A condition of MAPFAIL, signifying that the user has made no updates to the screen, is also fairly normal and is specifically dealt with here. In this case the program again updates ExitKey but does not call ModifyMap.

In this example, any other condition is held to be an error. The example sets ExitKey to DFHCLEAR—the same value that it would have set if the user had cleared the screen—which it then returns to the calling program. By checking the return code from ReadAccountMap, the calling program would know that the map had not been updated and that some remedial action is required.

## An example of exception handling in COBOL

The following example is a typical function which could be used to receive a BMS map and to cope with exception conditions:

```

03  RESPONSE                PIC S9(8)  BINARY.
03  EXITKEY                  PIC X(4)   COMP-3.
:
:
EXEC CICS RECEIVE MAP(MAPNAME)
        MAPSET('ACCOUNT')
        INTO(MAP)
        RESP(RESPONSE)
        END-EXEC.
IF (RESPONSE NOT = DFHRESP(NORMAL)) AND
   (RESPONSE NOT = DFHRESP(MAPFAIL))
   MOVE DFHCLEAR TO EXITKEY
ELSE
   MOVE EIBAID TO EXITKEY
   IF RESPONSE = DFHRESP(NORMAL)
     GO TO MODIFYMAP.
   END-IF.
:
:
MODIFYMAP.
:

```

Figure 44. An example of exception handling in COBOL

*MAPNAME* is the variable which contains the name of the map which is to be received.

The *RESP* value is returned in *RESPONSE*. *RESPONSE* is declared as a fullword binary variable in the data section.

The EXEC CICS statement asks for a map of the name given by *MAPNAME*, of the mapset *ACCOUNT*, to be read, with the value of the condition being held by the variable *RESPONSE*.

The condition handling is done by using IF ... statements. If the condition is neither *NORMAL* nor *MAPFAIL* the program behaves as if the user had cleared the screen.

If the condition is either *NORMAL* or *MAPFAIL* the program saves the value of the key which the user pressed to exit the screen in *EXITKEY*. In addition, if the condition is *NORMAL*, the program branches to *MODIFYMAP* to perform some additional function.

---

## Modifying the default CICS exception handling

CICS provides the following EXEC CICS commands which modify the default CICS exception handling and one which modifies the way CICS handles abends:

**Note:** These commands cannot be used in C, C++, or Java programs. The rest of this chapter is not relevant for these languages.

### HANDLE CONDITION

Specify the label to which control is to be passed if a condition occurs.

### IGNORE CONDITION

Specify that no action is to be taken if a condition occurs.

### HANDLE ABEND

Activate, cancel, or reactivate an exit for abnormal termination processing.

An abend is the commonest way in which CICS handles exception conditions.

The current effect of *IGNORE CONDITION*, *HANDLE ABEND*, and *HANDLE CONDITION* may be suspended by using *PUSH HANDLE* and reinstated by using *POP HANDLE*.

All the commands mentioned above are described in the For details, see the *CICS Application Programming Reference* manual. You have two ways of passing control to a specified label:

1. Use a *HANDLE CONDITION condition(label)* command, where *condition* is the name of an exception condition
2. Use a *HANDLE CONDITION ERROR(label)* command

The *HANDLE CONDITION* command sets up some CICS code to name conditions that interest you, and then uses this code to pass control to appropriate sections of your application if those conditions arise. So with an active *HANDLE CONDITION* command, control goes to whichever label you specified for that particular condition.

The *same* condition can arise, in some cases, on many different commands, and for a variety of reasons. For example, you can get an *IOERR* condition during file

control operations, interval control operations, and others. One of your first tasks, therefore, is to sort out **which command** has raised a particular condition; only when you have discovered that, can you begin to investigate why it has happened. This, for many programmers, is reason enough to start using the RESP option in their new CICS applications. Although you need only one HANDLE CONDITION command to set your error-handling for several conditions, it can sometimes be awkward to pinpoint exactly which of several HANDLE CONDITION commands is currently active when a CICS command fails somewhere in your code.

If a condition which you have not named arises, CICS takes the default action, unless this is to abend the task, in which case it raises the ERROR condition. If you name the condition but leave out its label, any HANDLE CONDITION command for that condition is deactivated, and CICS reverts to taking the default action for it, if and when it occurs.

The need to deal with **all** conditions is a common source of errors when using the HANDLE CONDITION command. When using an unfamiliar command, you should read the *CICS Application Programming Reference* manual to find out which exception conditions are possible. Even if you then issue HANDLE commands for all of these, you may not finish all the error-handling code adequately. The outcome is sometimes an error-handling routine that, by issuing a RETURN command, allows incomplete or incorrect data changes to be committed.

The best approach is to use the HANDLE CONDITION command, but to let the system default action take over if you cannot see an obvious way round a particular problem.

Bearing in mind the distinction between an error condition, a condition that merely causes a wait (see page 240 for examples of conditions that cause a wait), and the special case of SEND MAP command overflow processing (see the *CICS Application Programming Reference* manual), a HANDLE CONDITION command is active after a HANDLE CONDITION condition(label), or HANDLE CONDITION ERROR(label) command has been run in your application.

If no HANDLE CONDITION command is active for a condition, but one is active for ERROR, control passes to the label for ERROR, if the condition is an error, not a wait.

If you use HANDLE CONDITION commands, or are maintaining an application that uses them, do not include any commands in your error routine that can cause the same condition that gave you the original branch to the routine, because you will cause a loop.

Take special care not to cause a loop on the ERROR condition itself. You can avoid a loop by reverting temporarily to the system default action for the ERROR condition. Do this by coding a HANDLE CONDITION ERROR command with no label specified. At the end of your error processing routine, you can reinstate your error action by including a HANDLE CONDITION ERROR command with the appropriate label. If you know the previous HANDLE CONDITION state, you can do this explicitly. In a general subroutine, which might be called from several different points in your code, the PUSH HANDLE and POP HANDLE command may be useful—see “How to use PUSH HANDLE and POP HANDLE commands” on page 241.

## Use of HANDLE CONDITION command

Use the HANDLE CONDITION command to specify the label to which control is to be passed if a condition occurs. You must include the name of the condition and you must ensure that the HANDLE CONDITION command is executed before the command that may give rise to the associated condition.

You cannot include more than 16 conditions in the same command. You must specify any additional conditions in further HANDLE CONDITION commands. You can also use the ERROR condition within the same list to specify that all other conditions are to cause control to be passed to the same label.

The HANDLE CONDITION command for a given condition applies only to the program in which it is specified. The HANDLE CONDITION command:

- Remains active while the program is running, or until:
  - An IGNORE CONDITION command for the same condition is met, in which case the HANDLE CONDITION command is overridden
  - Another HANDLE CONDITION command for the same condition is met, in which case the new command overrides the previous one
- Is temporarily deactivated by the NOHANDLE or RESP option on a command

When control passes to another program, by a LINK or XCTL command, the HANDLE CONDITION commands that were active in the calling program are deactivated. When control returns to a program from a program at a lower logical level, the HANDLE CONDITION commands that were active in the higher-level program before control was transferred from it are reactivated, and those in the lower-level program are deactivated. (Refer to “Chapter 35. Program control” on page 467 for information about logical levels.)

The following example shows you how to handle conditions, such as DUPREC, LENGERR, and so on, that can occur when you use a WRITE command to add a record to a data set. Suppose that you want DUPREC to be handled as a special case; that you want standard system action (that is, to terminate the task abnormally) to be taken for LENGERR; and that you want all other conditions to be handled by the error routine ERRHANDL. You would code:

```
EXEC CICS HANDLE CONDITION
          ERROR(ERRHANDL)
          DUPREC(DUPRTN) LENGERR
END-EXEC.
```

In a PL/I application program, a branch to a label in an inactive procedure or in an inactive begin block, caused by a condition, produces unpredictable results.

In an assembler language application program, if a HANDLE condition and the command that caused the condition are at the same logical level, the registers are restored to their values in the application program at the point where the command that caused the condition was issued. However, when the command that causes a condition occurs at a lower logical level, the registers are restored to the values saved in DFHEISTG when control is passed from the HANDLE CONDITION level.

## Use of the HANDLE CONDITION ERROR command

Figure 45 shows the first of only two HANDLE CONDITION commands used in program ACCT01:

```

PROCEDURE DIVISION.
*
*   INITIALIZE.
*   TRAP ANY UNEXPECTED ERRORS.
*   EXEC CICS HANDLE CONDITION
*   ERROR(OTHER-ERRORS)
*   END-EXEC.
*

```

Figure 45. Trapping the unexpected with the HANDLE CONDITION ERROR command

It passes control to the paragraph at label OTHER-ERRORS if any condition arises for a command that does not specify NOHANDLE or RESP.

The HANDLE CONDITION ERROR command is the first command executed in the procedure division of this COBOL program. This is because a HANDLE CONDITION command must be processed before any CICS command is processed that can raise the condition being handled. Note, however, that your program does not see the effects when it processes the HANDLE CONDITION command; it only sees them later, if and when it issues a CICS command that actually raises one of the named conditions.

In this, and the other ACCT programs, you generally use the RESP option. All the commands specifying the RESP option have been written with a “catch-all” test (IF RESPONSE NOT = DFHRESP(NORMAL) GO TO OTHER-ERRORS) *after* any explicit tests for specific conditions. So any exceptions, other than those you might particularly “expect”, take control to the paragraph at OTHER-ERRORS in each program. Those relatively few commands that do not have RESP on them take control to exactly the same place if they result in any condition other than NORMAL because of this HANDLE CONDITION ERROR command.

## How to use the IGNORE CONDITION command

Just as you can arrange for control to pass to a particular label for a specific condition with a HANDLE CONDITION command, so you can have the program continue when a specific condition occurs. You do this by setting up an IGNORE CONDITION command to ignore one or more of the conditions that can potentially arise on a command. The IGNORE CONDITION command means that no action is to be taken if a condition occurs; control returns to the instruction following the command and return codes are set in the EIB. The following example ignores the MAPFAIL condition:

```

EXEC CICS IGNORE CONDITION MAPFAIL
END-EXEC.

```

While a single EXEC CICS command is being processed, it can raise several conditions.<sup>5</sup> CICS checks these and passes back to your application program the first one that is not ignored (by your IGNORE CONDITION command). CICS passes back only one exception condition at a time to your application program.

An IGNORE CONDITION command for a given condition applies only to the program you put it in, and it remains active while the program is running, or until a later HANDLE CONDITION command naming the same condition is met, in which case the IGNORE CONDITION command is overridden.

---

5. For example, you may have a file control command that is not only invalid but also applies to a file not defined in the file control table.

You can choose an IGNORE CONDITION command if you have a program reading records that are sometimes longer than the space you provided, but you do not consider this an error and do not want anything done about it. You might, therefore, code IGNORE CONDITION LENGERR before issuing READ commands.

You can also use an IGNORE CONDITION ERROR command to catch any condition considered as an error for which there is no currently active HANDLE CONDITION command that includes a label. When an error occurs, control is passed to the next statement and it is up to the program to check for return codes in the EIB. See page 240 for examples of conditions that are **not** considered as errors.

You can also switch from ignoring a condition to handling it, or to using the system default action. For example, you could code:

```
*   MIXED ERROR PROCESSING
    EXEC CICS IGNORE CONDITION LENGERR
    END-EXEC.
:
    EXEC CICS HANDLE CONDITION DUPREC(DUPRTN)
    LENGERR
    ERROR(ERRHANDL)
    END-EXEC.
```

Because this code initially ignores condition LENGERR, nothing happens if the program raises a LENGERR condition; the application simply continues its processing. Of course, if the fact that LENGERR has arisen means that the application cannot sensibly continue, you have a problem.

Later in the code, you can explicitly set condition LENGERR to the system default action by naming it in a HANDLE CONDITION command without a label. When this command has been executed, the program no longer ignores condition LENGERR, and if it subsequently occurs, it now causes the system default action. The point about mixing methods is that you can, and that each condition is treated separately.

You cannot code more than 16 conditions in the same command. You must specify additional conditions in further IGNORE CONDITION commands.

## Use of the HANDLE ABEND command

### Note to Java, C and C++ programmers

Handle ABEND is not applicable to Java programs. Although HANDLE ABEND is supported in C and C++ when used with the PROGRAM option, it is not helpful in the context of this chapter because exception conditions in C and C++ programs do not cause abends.

The HANDLE ABEND command activates or reactivates a program-level abend exit within your application program; you can also use this command to cancel a previously activated exit. For more information see the *CICS Application Programming Reference* manual.

HANDLE ABEND lets you supply your own code to be executed when an abend is processed. This means that your application can cope with the abnormal situation in an orderly manner and carry on executing. You provide the user exit programs and rely on CICS calling them when required.

The flow of control during abend processing is shown in Figure 46 on page 248.

## RESP and NOHANDLE options

You can temporarily deactivate the effect of any HANDLE CONDITION command by using the RESP or NOHANDLE option on a command. The way to use these options is described in “Handling exception conditions by in-line code” on page 232. If you do this, you lose the ability to use any system default action for that command. In other words, you have to do your own “catch-all” error processing.

## How CICS keeps track of what to do

CICS has a table of the conditions referred to by HANDLE CONDITION and IGNORE CONDITION commands in your application. Each execution of one of these commands either updates an existing entry in this table, or causes CICS to make a new entry if this is the first time the condition has been quoted in such a command. Each entry tells CICS what to do by indicating one of the three exception-handling states your application can be in, namely:

1. **Let the program continue**, with control coming straight back from CICS to the next instruction following the command that has failed in your program. You can then find out what happened by testing, for example, the RESP value that CICS returns after executing a command. The result of this test enables you decide what to do next. For details, see “Handling exception conditions by in-line code” on page 232.

This is the recommended method, which is the approach taken in the “File A” sample programs referred to in the *Sample Applications Guide* and in the COBOL sample ACCT application in the *CICS Application Programming Primer (VS COBOL II)*. It is also the recommended approach for any new CICS applications. It lends itself to structured code and removes the need for implied GOTOs that CICS required in the past.

2. **Pass control to a specified label** if a named condition arises. You do this by using a HANDLE CONDITION command or HANDLE CONDITION ERROR command to name both the condition and the label of a routine in your code to deal with it. For details, see “Use of HANDLE CONDITION command” on page 237 and “Use of the HANDLE CONDITION ERROR command” on page 237.
3. **Taking the CICS system default action**, where for most conditions, this is to terminate the task abnormally and means that you do nothing by way of testing or handling conditions.

For the conditions ENQBUSY, NOJBUFSP, NOSTG, QBUSY, SESSBUSY, and SYSBUSY, the normal default is to force the task to wait until the required resource (for example, storage) becomes available, and then resume processing the command. You can change this behavior to ignoring the condition by using the NOSUSPEND option. For the condition NOSPACE, the normal default is to wait if processing a WRITEQ TS command, but to abend the task if processing a WRITEQ TD, WRITE, or REWRITE command. Coding the WRITEQ TS command with the NOSUSPEND option makes it ignore any NOSPACE condition that arises. For more information see the *CICS Application Programming Reference* manual.

CICS keeps a table of these conditions for each link level. Essentially, therefore, each program level has its own HANDLE state table governing its own condition handling.

This behavior is modified by two more EXEC CICS commands:



## How to use PUSH HANDLE and POP HANDLE commands

### PUSH HANDLE

Suspends the current effect of HANDLE CONDITION, IGNORE CONDITION, HANDLE ABEND and HANDLE AID commands.

### POP HANDLE

Reinstates the effect of HANDLE CONDITION, IGNORE CONDITION, HANDLE ABEND and HANDLE AID commands to what they were before the previous PUSH HANDLE was called.

CICS also keeps a table of conditions for each PUSH HANDLE command which has not been countermanded by a matching POP HANDLE command.

When each condition occurs, CICS performs the following sequence of tests:

1. If the command has the RESP or NOHANDLE option, control returns to the next instruction in your application program. Otherwise, CICS scans the condition table to see what to do.
2. If an entry for the condition exists, this determines the action.
3. If no entry exists and the default action for this condition is to suspend execution:
  - a. If the command has the NOSUSPEND or NOQUEUE option, control returns to the next instruction.
  - b. If the command does not have one of these options, the task is suspended.
4. If no entry exists and the default action for this condition is to abend, a second search is made, this time for the ERROR condition:
  - a. If found, this entry determines the action.
  - b. If ERROR cannot be found, the task is abended. You can choose to handle abends. For information about the HANDLE ABEND command, see the *CICS Application Programming Reference* manual.

**Note:** The OVERFLOW condition on a SEND MAP command is an exception to the above rules. See the *CICS Application Programming Reference* manual for more information.

The commands ALLOCATE, ENQ, GETMAIN, WRITE JOURNALNAME, WRITE JOURNALNUM, READQ TD, and WRITEQ TS can all raise conditions for which the default action is to suspend your application program until the specified resource becomes available. So, on these commands, you have the NOSUSPEND option to inhibit this waiting and return immediately to the next instruction in your application program.

Some conditions can occur during the execution of a number of unrelated commands. If you want the same action for all occurrences, code a single HANDLE CONDITION command at the start of your program.

**Note:** As using RESP implies NOHANDLE, be careful when using RESP with the RECEIVE command, because it overrides the HANDLE AID command as well as the HANDLE CONDITION command. This means that PF key responses are ignored, and is the reason for testing them earlier in the ACCT code. See “The HANDLE AID command” on page 356.



---

## Chapter 21. Access to system information

You can write many application programs using the CICS command-level interface without any knowledge of, or reference to, the fields in the CICS control blocks and storage areas. However, you might need to get information that is valid outside the local environment of your application program. You use the ADDRESS and ASSIGN commands to access such information. For programming information about these commands, see the *CICS Application Programming Reference* manual.

When using the ADDRESS and ASSIGN commands, various fields can be read but should not be set or used in any other way. This means that you should not use any of the CICS fields as arguments in CICS commands, because these fields may be altered by the EXEC interface modules.

---

### System programming commands

The INQUIRE, SET, and PERFORM commands allow application programs to access information about CICS resources. The application program can retrieve and modify information for CICS data sets, terminals, system entries, mode names, system attributes, programs, and transactions. These commands plus the spool commands of the CICS interface to JES, are primarily for the use of the system programmer. For programming information, see the *CICS System Programming Reference* manual.

---

### EXEC interface block (EIB)

In addition to the usual CICS control blocks, each task in a command-level environment has a control block known as the EXEC interface block (EIB) associated with it. An application program can access all of the fields in the EIB by name. The EIB contains information that is useful during the execution of an application program, such as the transaction identifier, the time and date (initially when the task is started, and subsequently, if updated by the application program using ASKTIME), and the cursor position on a display device. The EIB also contains information that is helpful when a dump is used to debug a program. For programming information about EIB fields, see the *CICS Application Programming Reference* manual.



---

## Chapter 22. Abnormal termination recovery

### Java

This chapter does not apply to CICS Java programs. Abnormal termination recovery in Java programs is described in “Abnormal termination in Java” on page 72.

This chapter describes some ways of managing abnormal termination:

- “Creating a program-level abend exit” on page 246
- “Restrictions on retrying operations” on page 247
- “Trace” on page 248
- “Monitoring” on page 250
- “Dump” on page 250

CICS provides a program-level abend exit facility so that you can write exits of your own which can receive control during abnormal termination of a task. The “cleanup” of a program that has started but not completed normally is an example of a function performed by such an abend exit.

Here are some causes of abnormal terminations:

- A user request by, for example:  
`EXEC CICS ABEND ABCODE(...)`
- A CICS request as a result of an invalid user request. For example, an invalid FREEMAIN request gives the transaction abend code ASCF.
- A program check, in which case the system recovery program (DFHSRP) is driven, and the task abends with code ASRA.
- An operating system abend, in which case DFHSRP is driven, and the task abends with code ASRB.
- A looping task, in which case DFHSRP is driven, and the task abends with code AICA.

**Note:** If an ASRB or ASRA is detected in CICS code, CICS produces a dump before calling your HANDLE ABEND exit.

See the *CICS Problem Determination Guide* for full details about fixing problems, and see the *CICS Messages and Codes* for information about the transaction abend codes for abnormal terminations that are initiated by CICS, their meanings, and your responses.

The HANDLE ABEND command activates or reactivates a program-level abend exit within your application program; you can also use this command to cancel a previously activated exit.

When activating an exit, you must use the PROGRAM option to specify the name of a program to receive control, or (except for C, C++, and PL/I programs) the LABEL option to specify a routine label to which control branches when an abnormal termination condition occurs. Using an ON ERROR block in PL/I is the equivalent of using the HANDLE ABEND LABEL command.

A HANDLE ABEND command overrides any preceding such command in any application program at the same logical level. Each application program of a transaction can have its own abend exit, but only one abend exit at each logical level can be active. (Logical levels are explained in “Chapter 35. Program control” on page 467.)

When a task terminates abnormally, CICS searches for an active abend exit, starting at the logical level of the application program in which the abend occurred, and proceeding to successively higher levels. The first active abend exit found, if any, is given control. This procedure is shown in Figure 46 on page 248, which also shows how subsequent abend processing is determined by the user-written abend exit.

If CICS finds no abend exit, it passes control to the abnormal condition program to terminate the task abnormally. This program invokes the user replaceable program error program, DFHPEP. See the *CICS Customization Guide* for programming information about how to customize DFHPEP.

CICS deactivates the exit upon entry to the exit routine or program to prevent recursive abends in an abend exit. If you wish to retry the operation, you can branch to a point in the program that was in control at the time of the abend and issue a HANDLE ABEND RESET command to reactivate the abend exit. You can also use this command to reactivate an abend exit (at the logical level of the issuing program) that was canceled previously by a HANDLE ABEND CANCEL command. You can suspend the HANDLE ABEND command by means of the PUSH HANDLE and POP HANDLE commands as described in “How to use PUSH HANDLE and POP HANDLE commands” on page 241.

Note that when an abend is handled, the dynamic transaction backout program is not be invoked. If you need the dynamic transaction backout program, you take an implicit or explicit syncpoint or issue SYNCPOINT ROLLBACK or issue an ABEND command.

Where the abend is the result of a failure in a transaction running in an IRC-connected system, for example AZI2, the syncpoint processing may abend ASP1 if it attempts to use the same IRC connection during its backout processing.

The HANDLE ABEND command cannot intercept ASPx or APSJ abend codes.

---

## Creating a program-level abend exit

You can either define abend exits by using RDO or by using the program autoinstall exit. If you use the autoinstall method, the program definition is not available at the time of the HANDLE ABEND. This may mean that a program functions differently the first time it is invoked. If the program is not defined at the time the HANDLE ABEND is issued, and program autoinstall is active, the security check on the name of the program is the only one which takes place. Other checks occur at the time the abend program is invoked. If the autoinstall fails, the task abends APCT and control is passed to the next higher level.

Abend exit programs can be coded in any supported language, but abend exit routines must be coded in the same language as their program.

For abend exit routines, the addressing mode and execution key are set to the addressing mode and execution key in which the HANDLE ABEND command has been issued.

Upon entry to an abend exit program, no addressability can be assumed other than that normally assumed for any application program coded in that language. There are no register values for C, C++, or PL/I languages as these languages do not support HANDLE ABEND label.

Upon entry to an abend exit routine, the register values are:

#### **COBOL**

Control returns to the HANDLE ABEND command with the registers restored; a COBOL GOTO is then executed.

#### **Assembler**

##### **Reg 15**

Abend label.

##### **Reg 0-14**

Contents at the time of the last CICS service request.

There are three means of terminating processing in an abend exit routine or program, as listed below. It is recommended that when abend routines and programs are called by CICS internal logic they should terminate with an abend because further processing is likely to cause more problems.

1. Using a RETURN command to indicate that the task is to continue running with control passed to the program on the next higher logical level. If no such program exists, the task is terminated normally, and any recoverable resources are committed.
2. Using an ABEND command to indicate that the task is to be abnormally terminated with control passed either to an abend exit specified for a program on a higher logical level or, if there is not one, to the abnormal condition program for abnormal termination processing.
3. Branching to retry an operation. When you are using this method of retrying an operation, and you want to reenter the original abend exit routine or program if a second failure occurs, the abend exit routine or program should issue the HANDLE ABEND RESET command before branching. This is because CICS has disabled the exit routine or program to prevent it reentering the abend exit.

In the case of an abend caused by a timeout on an outstanding RECEIVE command, it is important to let the CICS abend continue, so that CICS can cancel the RECEIVE.

---

## **Restrictions on retrying operations**

If an abend occurs during the invocation of a CICS service, you should be aware that issuing a further request for **the same service** may cause unpredictable results, because the reinitialization of pointers and work areas, and the freeing of storage areas in the exit routine, may not have been completed.

You should not try to recover from ATNI or ATND abends by attempting further I/O operations. Either of these abends results in a TERMERR condition, requiring the session to be terminated in all cases.

#  
#  
#

You should not try to issue terminal control commands while recovering from an AZCT abend, as CICS has not fully cleaned up from the RTIMOUT, and an indefinite wait can occur.

If intersystem communication is being used, an abend in the remote system may cause a branch to the specified program or label, but subsequent requests to use resources in the remote system fails.

If an abend occurs as a result of a BMS command, control blocks are not tidied up before control is returned to the BMS program, and results are unpredictable if the command is retried.

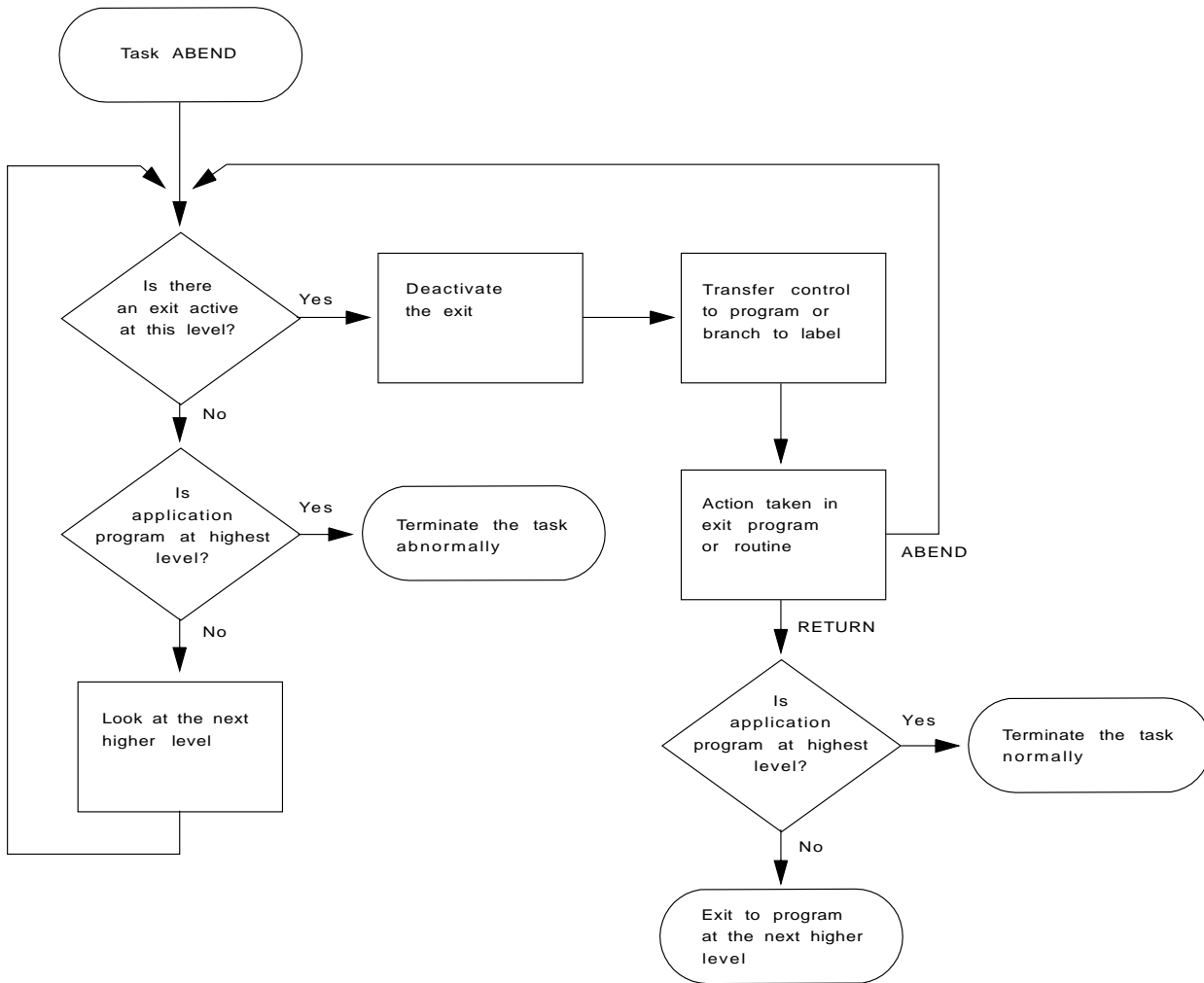


Figure 46. ABEND exit processing

## Trace

CICS trace is a debugging aid for application programmers, system programmers, and IBM field engineers. It produces trace entries in response to trace commands. The trace entries can be sent to any trace destination that is currently active. The destinations are:

- Internal trace table
- Auxiliary trace data set
- Generalized trace facility (GTF) data set

For information about trace destinations, see the *CICS Problem Determination Guide*.

You can:



- Specify user trace entry points (ENTER TRACENUM). (The earlier ENTER TRACEID command is supported for compatibility purposes. See the *CICS for MVS/ESA 4.1 Migration Guide* for details.)
- Switch CICS internal trace on or off using the SET TRACEDEST, SET TRACEFLAG, and SET TRACETYPE commands.

(TRACE ON and TRACE OFF are supported for compatibility only, and for programming information you should see the *CICS Application Programming Reference* manual.)

You can still use the TRACE command to control tracing of current CICS components. (Components that are new since CICS/ESA 3.3 are dealt with by the SET TRACETYPE command—see the programming information in the *CICS System Programming Reference* manual.)

## Trace entry points

The points at which trace entries are produced during CICS operation are of four types: system trace entry points, user trace entry points, exception trace entry points, and user exception trace entry points. See the *CICS Problem Determination Guide* for more information about tracing.

### System trace entry points

These are points within CICS at which trace control requests are made. The most important system trace entry points for application programmers are for the EXEC interface program. These produce entries in the trace table whenever a CICS command is processed.

Two trace entries are made: the first when the command is issued, and the second when CICS has performed the required function and is about to return control to your application program. Between them, these two trace entries allow you to trace the flow of control through an application, and to check which exception conditions, if any, occurred during its execution. The ABEND, RETURN, TRACEFLAG, and XCTL commands produce single entries only. For programming information about these commands, see the *CICS Application Programming Reference* manual.

### User trace entry points

These are additional points within your application program that you can include in the trace table to allow complete program debugging. For example, you could specify an entry for a program loop containing a counter value showing the number of times that the loop had been entered.

A trace entry is produced wherever the ENTER command is run. Each trace entry request, which can be given a unique identifier, causes data to be placed in the trace table.

### Exception trace entry points

These are additional points where CICS has detected an exception condition. These are made from specific points in the CICS code, and data is taken from areas that might provide some information about the cause. Exception trace entry points do not have an associated “level” attribute; trace calls are only ever made from them when exception conditions occur.

### User exception trace entry points

These are trace entries that are always written to the internal trace table (even if internal tracing is set off), but are written to other destinations only if they are active. You can identify them by the character string \*EXCU in any formatted trace output produced by the CICS utility programs. See the *CICS Problem Determination*

*Guide* for general information about user exception trace entry points; programming information is in the *CICS Customization Guide*.

---

## Monitoring

CICS monitoring provides information about the performance of your application transactions.

You should use the MONITOR command for user event monitoring points.

In addition to the monitoring data collected from a system defined elsewhere, monitoring points (EMPs) within CICS, a user application program can contribute data to user fields within the CICS monitoring records. You can do this by using the MONITOR POINT command to invoke user-defined EMPs. At each of these EMPs, you can add or change up to 4096 bytes of your own data in each performance monitoring record. In those 4096 bytes, you can have any combination of the following:

- In the range 0 through 256 counters
- In the range 0 through 256 clocks
- A single 256-byte character string

For example, you could use these user EMPs to count the number of times a certain event occurs, or to time the interval between two events. For programming information about monitoring, see the *CICS Customization Guide*; for background information, see the *CICS Performance Guide*.

---

## Dump

CICS dump allows you to specify areas of main storage to be dumped, by means of the DUMP TRANSACTION command, onto a sequential data set, which can be either on disk or tape.

The PERFORM DUMP command allows you to request a system dump. See the *CICS System Programming Reference* manual for programming information about PERFORM DUMP.

You can format the contents of the dump data set and you can print them offline using the CICS dump utility program (DFHDU530) for transaction dumps or the interactive problem control system (IPCS) for system dumps. Instructions on using these programs are given in the *CICS Operations and Utilities Guide*.

Only one dump control command is processed at a time. If you issue additional dump control commands, while another task is taking a transaction dump, activity within the tasks associated with those commands is suspended until the dump is completed. Remaining dump commands are processed in the order in which they are made. Using the DUMP TRANSACTION command causes some fields (for example, EIBFN and EIBRCODE) in the EIB and the TCA to be overwritten. See the *CICS Application Programming Reference* manual for programming information about DUMP TRANSACTION.

Options on the DUMP TRANSACTION command allow you to dump the following areas of main storage in various combinations:

- Task-related storage areas: selected main storage areas related to the requesting task. You would normally use a dump of these areas to test and debug your application program. (CICS automatically provides this service if the related task is terminated abnormally.)

- CICS control tables:
  - File control table (FCT)
  - Destination control table (DCT)
  - Program control table (PCT)
  - Processing program table (PPT)
  - System initialization table (SIT)
  - Terminal control table (TCT)

A dump of these tables is typically the first dump taken in a test in which the base of the test must be established; subsequent dumps are usually of the task-related storage type.

- It is sometimes appropriate during execution of a task to have a dump of both task-related storage areas and CICS control tables. Specifying one CICS control tables dump and a number of task-related storage dumps is generally more efficient than specifying a comparable number of complete dumps. However, you should not use this facility excessively because CICS control tables are primarily static areas.
- In addition, the DUMP TRANSACTION command used with the three options, SEGMENTLIST, LENGTHLIST, and NUMSEGMENTS, allows you to dump a series of task-related storage areas simultaneously.

Program storage is not dumped for programs defined with the attribute RELOAD(YES).

You also get a list of the CICS nucleus modules and active PPT programs, indexed by address, at the end of the printed dump.



---

## Part 4. Files and databases

<b>Chapter 23. An overview of file control</b> . . . . .	255	<b>Chapter 24. File control—VSAM considerations</b>	279
VSAM data sets . . . . .	255	Record identification . . . . .	279
Key-sequenced data set (KSDS) . . . . .	256	Key . . . . .	279
Entry-sequenced data set (ESDS) . . . . .	256	Relative byte address (RBA) and relative record number (RRN) . . . . .	279
Relative record data set (RRDS) . . . . .	256	RBA . . . . .	279
Empty data sets . . . . .	257	RRN . . . . .	280
VSAM alternate indexes . . . . .	257	Locking of VSAM records in recoverable files . . . . .	280
Accessing files in RLS mode . . . . .	258	Update locks and delete locks (non-RLS mode only) . . . . .	280
Some RLS limitations . . . . .	258	Record locking of VSAM records for files accessed in RLS mode . . . . .	281
BDAM data sets . . . . .	258	Exclusive locks and shared locks . . . . .	281
CICS shared data tables . . . . .	260	Exclusive locks . . . . .	282
Coupling facility data tables . . . . .	260	Shared locks . . . . .	282
Coupling facility data table models . . . . .	262	Lock duration . . . . .	282
Comparison of different techniques for sharing data . . . . .	263	Active and retained states for locks . . . . .	283
Reading records . . . . .	265	Conditional update requests . . . . .	284
Direct reading (using READ command) . . . . .	265	File control implementation of NOSUSPEND . . . . .	284
Direct reading from a KSDS . . . . .	265	CICS locking for writing to ESDS . . . . .	285
Direct reading from an ESDS . . . . .	266		
Direct reading from an RRDS . . . . .	266		
Direct reading by way of a path . . . . .	266		
Read integrity (in RLS mode) . . . . .	266		
Sequential reading (browsing) . . . . .	267		
Browsing through a KSDS . . . . .	268		
Browsing through an ESDS . . . . .	268		
Browsing through an RRDS . . . . .	268		
Browsing using a path . . . . .	269		
Browse integrity (in RLS mode) . . . . .	269		
Ending the browse . . . . .	269		
Simultaneous browse operations . . . . .	269		
Skip-sequential processing . . . . .	269		
Updating records . . . . .	269		
Deleting records . . . . .	270		
Deleting single records . . . . .	270		
Updating and deleting records in a browse (VSAM RLS only) . . . . .	271		
Deleting groups of records (generic delete) . . . . .	272		
Read integrity . . . . .	272		
Adding records . . . . .	272		
Adding to a KSDS . . . . .	272		
Adding to an ESDS . . . . .	272		
Adding to an RRDS . . . . .	273		
Records that are already locked . . . . .	273		
Specifying record length . . . . .	273		
Sequential adding of records (WRITE MASSINSERT command) . . . . .	273		
Review of file control command options . . . . .	273		
The RIDFLD option . . . . .	273		
The INTO and SET options . . . . .	274		
The FROM option . . . . .	274		
The TOKEN option . . . . .	275		
Avoiding transaction deadlocks . . . . .	275		
VSAM-detected deadlocks (RLS only) . . . . .	277		
Rules for avoiding deadlocks . . . . .	277		
KEYLENGTH option for remote data sets . . . . .	278		
		<b>Chapter 25. File control—BDAM considerations</b>	287
		Record identification . . . . .	287
		Block reference subfield . . . . .	287
		Physical key subfield . . . . .	287
		Deblocking argument subfield . . . . .	287
		Updating records from BDAM data sets . . . . .	288
		Browsing records from BDAM data sets . . . . .	288
		Adding records to BDAM data sets . . . . .	289
		BDAM exclusive control . . . . .	290
		<b>Chapter 26. Database control</b> . . . . .	291
		DL/I databases . . . . .	291
		DATABASE 2 (DB2) databases . . . . .	291
		Requests to DB2 . . . . .	291



---

## Chapter 23. An overview of file control

This chapter provides an overview of the following facilities:

- “VSAM data sets”
- “BDAM data sets” on page 258
- “CICS shared data tables” on page 260
- “Reading records” on page 265
- “Updating records” on page 269
- “Deleting records” on page 270
- “Adding records” on page 272
- “Review of file control command options” on page 273
- “Avoiding transaction deadlocks” on page 275
- “KEYLENGTH option for remote data sets” on page 278

### Java and C++

The application programming interface described in this part of the book is the EXEC CICS API, which is not used in Java programs. For information about Java programs using the JCICS classes to access files managed by CICS, see “The JCICS Java classes” on page 69 and the JCICS Javadoc html documentation. For information about C++ programs using the CICS C++ classes see the *CICS C++ OO Class Libraries* manual.

CICS file control offers you access to data sets that are managed by either a virtual storage access method (VSAM) or a basic direct access method (BDAM).

CICS file control lets you read, update, add, and browse data in VSAM and BDAM data sets and delete data from VSAM data sets. You can also access CICS shared data tables and coupling facility data tables using file control.

A CICS application program reads and writes its data in the form of individual records. Each read or write request is made by a CICS command.

To access a record, the application program must identify both the record and the data set that holds it. It must also specify the storage area into which the record is to be read or from which it is to be written.

---

### VSAM data sets

CICS supports access to the following types of data set:

- Key-sequenced data set (KSDS)
- Entry-sequenced data set (ESDS)
- Relative record data set (RRDS) (both fixed and variable record lengths)

VSAM data sets are held on direct access storage devices (DASD) auxiliary storage. VSAM divides its data set storage into control areas (CA), which are further divided into control intervals (CI). Control intervals are the unit of data transmission between virtual and auxiliary storage. Each one is of fixed size and, in general, contains a number of records. A KSDS or ESDS can have records that extend over more than one control interval. These are called spanned records.

## Key-sequenced data set (KSDS)

A **key-sequenced data set** has each of its records identified by a key. (The **key** of each record is simply a field in a predefined position within the record.) Each key must be unique in the data set.

When the data set is initially loaded with data, or when new records are added, the logical order of the records depends on the collating sequence of the key field. This also fixes the order in which you retrieve records when you browse through the data set.

To find the physical location of a record in a KSDS, VSAM creates and maintains an **index**. This relates the key of each record to the record's relative location in the data set. When you add or delete records, this index is updated accordingly.

# With releases of DFSMS/MVS 1.4 and later, a data set can be greater than 4GB in  
# size if it is defined as extended format and extended addressability in the storage  
# class. CICS supports, in both RL and non-RLS mode, KSDS data sets that are  
# defined with these extended attributes.

## Entry-sequenced data set (ESDS)

An **entry-sequenced data set** is one in which each record is identified by its relative byte address (RBA).

Records are held in an ESDS in the order in which they were first loaded into the data set. New records added to an ESDS always go after the last record in the data set. You may not delete records or alter their lengths. After a record has been stored in an ESDS, its RBA remains constant. When browsing, records are retrieved in the order in which they were added to the data set.

# With releases of DFSMS/MVS 1.5 and later, a data set can be greater than 4GB in  
# size if it is defined as extended format and extended addressability in the storage  
# class. However, CICS does not support ESDS data sets that are defined with these  
# extended attributes. Attempts to open data sets defined with the extended attribute  
# fail with error message DFHFC0966, codes 8504, 0008,0068.

## Relative record data set (RRDS)

A **relative record data set** has records that are identified by their relative record number (RRN). The first record in the data set is RRN 1, the second is RRN 2, and so on.

Records in an RRDS can be fixed or variable length records, and the way in which VSAM handles the data depends on whether the data set is a fixed or variable RRDS. A fixed RRDS has fixed-length slots predefined to VSAM, into which records are stored. The length of a record on a fixed RRDS is always equal to the size of the slot. VSAM locates records in a fixed RRDS by multiplying the slot size by the RRN (which you supply on the file control request), to calculate the byte offset from the start of the data set.

A variable RRDS, on the other hand, can accept records of any length up to the maximum for the data set. In a variable RRDS VSAM locates the records by means of an index.

A fixed RRDS generally offers better performance. A variable RRDS offers greater function.



# With releases of DFSMS/MVS 1.5 and later, a data set can be greater than 4GB in  
# size if it is defined as extended format and extended addressability in the storage  
# class. However, CICS does not support RRDS or VRRDS data sets that are defined  
# with these extended attributes. Attempts to open data sets defined with the  
# extended attribute fail with error message DFHFC0966, codes 8504, 0008,0068.

## Empty data sets

An empty data set is a data set that has not yet had any records written to it. VSAM imposes several restrictions on an empty data set that is opened in non-RLS access mode. However, CICS hides all these restrictions from you, allowing you to use an empty data set in the same way as a data set that contains data, regardless of the access mode.

## VSAM alternate indexes

Sometimes you want to access the same set of records in different ways. For example, you may have records in a personnel data set that have as their key an employee number. No matter how many Smiths you have, each of them has a unique employee number. Think of this as the primary key.

If you were producing a telephone directory from the data set, you would want to list people by name rather than by employee number. You can identify records in a data set with a secondary (alternate) key instead of the primary key described above. So the primary key is the employee number, and the employee name is the **alternate key**. Alternate keys are just like the primary key in a KSDS—fields of fixed length and fixed position within the record. You can have any number of alternate keys per base file and, unlike the primary or base key, alternate keys need not be unique.

To continue the personnel example, the employee's department code might be defined as a further alternate key.

VSAM allows KSDS and ESDS (but not RRDS) data sets to have alternate keys. When the data set is created, one secondary or **alternate index** is built for each alternate key in the record and is related to the primary or base key. To access records using an alternate key, you must define a further VSAM object, an **alternate index path**. The path then behaves as if it were a KSDS in which records are accessed using the alternate key.

When you update a record by way of a path, the corresponding alternate index is updated to reflect the change. However, if you update the record directly by way of the base, or by a different path, the alternate index is only updated if it has been defined to VSAM (when created) to belong to the **upgrade set** of the base data set. For most applications, you probably want your alternate index to be in the upgrade set.

A CICS application program disregards whether the file it is accessing is a path or the base. In a running CICS system, access to a single base data set can be made by way of the base and by any of the paths defined to it, if each access route is defined in the file control table (FCT).

It is also possible for a CICS application program to access a file that has been directly defined as an alternate index rather than a path. This results in index data being returned to the application program rather than file data. This operation is not supported for files opened in record-level sharing (RLS) mode.

## Accessing files in RLS mode

Record-level sharing (RLS) is a VSAM function, provided by DFSMS™ Version 1 Release 3 and later releases, that enables VSAM data to be shared, with full update capability, between many applications running in many CICS regions.

With RLS, CICS regions that share VSAM data sets can reside in one or more MVS images within an MVS parallel sysplex. RLS also provides some benefits when data sets are being shared between CICS regions and batch jobs.

If you open a file in RLS mode, locking takes place at the record level instead of the Control-Interval level, thus reducing the risk of deadlocks.

CICS supports record-level sharing (RLS) access to the following types of VSAM data set:

- Key sequenced data sets (KSDS)
- Entry sequenced data sets (ESDS)
- Relative record data sets (RRDS), for both fixed and variable length records

However, if you are using KSDS, you cannot use the relative byte address (RBA) to access files.

**Note:** If you issue the SET FILE EMPTY command for a file that specifies RLS mode, the request is accepted but is ignored all the time the file is opened in RLS mode. If you close and switch the file to non-RLS mode, the data set is then reset to empty (provided it is defined as reusable on its IDCAMS definition).

### Some RLS limitations

Most types of data set are eligible to participate in VSAM record level sharing and most CICS applications can benefit from this mode of access. However, there are some limitations that could affect some applications. The following types of file, data set, or method of access are not supported in RLS mode:

- RBA access to a KSDS
- Key-range data sets
- Temporary data sets
- VSAM clusters with the IMBED attribute
- Direct opening of an alternate index
- Opening individual components of a cluster
- Access to catalogs or to VVDS data sets
- CICS-maintained data tables
- Hiperbatch™

---

## BDAM data sets

CICS supports access to keyed and nonkeyed BDAM data sets. BDAM support uses the physical nature of a record on a DASD device. BDAM data sets consist of unblocked records with the following format:

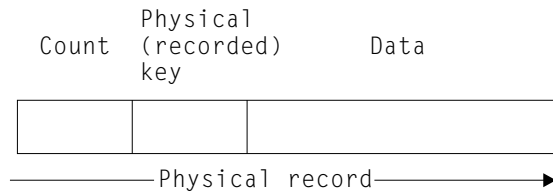


Figure 47. Format of unblocked records in a BDAM data set

Keyed BDAM files have a physical key identifying the BDAM record. The count area contains the physical key length, the physical data length, and the record's data location.

CICS can define a further structure on top of BDAM data sets, introducing the concept of blocked-data sets:

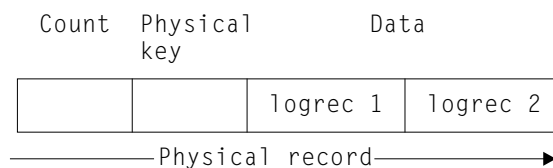


Figure 48. Blocked-data set

The data portion of the physical record is viewed as a block containing logical records. CICS supports the retrieval of logical records from the data part of the physical record. CICS also supports unblocked records (where the structure reverts to the original BDAM concept of one logical record per physical record).

To retrieve data from a physical record in a BDAM file under CICS, a record identification field (RIDFLD) has to be defined to specify how the physical record should be retrieved. This may be done using the physical key, by relative address, or by absolute address.

If the data set is defined to CICS as being blocked, individual records within the block can be retrieved (deblocked) in two addressing modes: by key or by relative record.

Deblocking by key uses the key of the logical record (that is, the key contained in the logical record) to identify which record is required from the block. Deblocking by relative record uses the record number in the block, relative to zero, of the record to be retrieved.

You specify the key or relative record number used for deblocking in a subfield of the RIDFLD option used when accessing CICS BDAM files. The addressing mode for CICS BDAM files is set in the FCT using the RELTYPE keyword.

For more details about record identification and BDAM record access, see "Chapter 25. File control—BDAM considerations" on page 287.

---

## CICS shared data tables

The file control commands can access shared data tables. Shared data tables offer a method of constructing, maintaining, and gaining rapid access to data records contained in tables held in virtual storage, above the 16MB line. Each shared data table is associated with a VSAM KSDS, known as its **source data set**. For more information about shared data tables, see the *CICS Shared Data Tables Guide*.

A table is defined using the CEDA DEFINE FILE panel or the DFHFCT macro. When a table is opened, CICS builds it by extracting data from the table's corresponding source data set and loading it into virtual storage above the 16MB line.

CICS supports two types of shared data table, as follows:

### **CICS-maintained tables (CMTs)**

This type of data table is kept in synchronization with its source data set by CICS. All changes to the data table are reflected in the source data set. Similarly all changes to the source data set are reflected in the data table.

Note that the source for a CICS-maintained data table cannot be a file opened in RLS access mode.

### **User-maintained tables (UMTs)**

This type of data table is completely detached from its source data set after it has been loaded. Changes to the table are **not** automatically reflected in the source data set.

The full file control API appropriate to VSAM KSDS data sets is supported for CICS-maintained data tables. Requests that cannot be satisfied by reference to the data table result in calls to VSAM to access the source data set. Tables defined to be recoverable are supported with full integrity.

A subset of the file control API is supported for user-maintained tables. For programming information about the commands, you should see the *CICS Application Programming Reference* manual where they are listed separately under the file control command name, followed by UMT. For example, the information on writing a record to a user-maintained table is given under WRITE(UMT). A table defined as recoverable participates in dynamic transaction backout but is not recovered at restart or XRF takeover.

---

## Coupling facility data tables

The CICS file control commands can access coupling facility data tables (CFDTs). Coupling facility data tables provide a method of file data sharing, without the need for a file-owning region, and without the need for VSAM RLS support. CICS coupling facility data table support is designed to provide rapid sharing of working data across a sysplex, with update integrity. The data is held in a coupling facility, in a table that is similar in many ways to a shared user-maintained data table. A coupling facility data table is different from a UMT in one important respect in that initial loading from a VSAM source data set is optional. You can specify LOAD(NO) and load the table by writing data directly from a user application program. The API used to store and retrieve the data is based on the file control API used for user-maintained data tables. Read access and write access to CFDTs have similar performance, making this form of table particularly useful for informal shared data. Informal shared data is characterised as:

- Data that is relatively short-term in nature (it is either created as the application is running, or is initially loaded from an external source)
- Data volumes that are not usually very large
- Data that needs to be accessed fast
- Data of which the occasional loss can be tolerated by user applications
- Data that commonly requires update integrity.

Typical uses might include sharing scratchpad data between CICS regions across a sysplex, or sharing of files for which changes do not have to be permanently saved. There are many different ways in which applications use informal shared data, and most of these could be implemented using coupling facility data tables. Coupling facility data tables are particularly useful for grouping data into different tables, where the items can be identified and retrieved by their keys. For example, you could use a record in a coupling facility data table to maintain the next free order number for use by an order processing application. Other examples are:

- Look-up tables of telephone numbers or the numbers of stolen credit cards
- Working data consisting of a few items, such as a subset of customers from a customer list
- Information that is specific to the user of the application, or that relates to the terminal from which the application is being run
- Data extracted from a larger file or database for further processing.

Coupling facility data tables allow various types of access to your informal data: read-only, single updater, multiple updaters, sequential access, random access, random insertion and deletion.

For many purposes, because it is global in scope, coupling facility data tables can offer significant advantages over resources such as the CICS common work area (CWA).

To an application program, a CFDT appears much like a sysplex-wide user-maintained data table: a CFDT is accessed using the same subset of the API as a UMT (that is, the full file control API except for the MASSINSERT and RBA options). However, a CFDT is restricted to a maximum key-length of 16 bytes.

Note the following comparisons with user-maintained data tables:

- Updates to a CFDT, like updates to a UMT, are not reflected in the base VSAM data set (if the table was initially loaded from one). Updates are made to the CFDT only.
- A CFDT is loaded once only, when the table is first created in the coupling facility data table, and remains in existence in the coupling facility, even when the last file referring to the CFDT is closed (whereas a UMT is deleted each time the owning region terminates). You can force a reload of a CFDT from the original source data set only by first deleting the table from the CFDT pool<sup>6</sup>, using a CFDT server DELETE TABLE command. The first file opened against the CFDT after the delete operation causes the server to reload the table.
- The access rules for a UMT that is in the course of loading allow any direct read request to be satisfied either from the table (if the record has already been loaded) or from the source data set, but reject any update request, or imprecise

---

6. A coupling facility data table pool is defined as a coupling facility list structure, and can hold more than one data table (see the *CICS System Definition Guide* for information about creating a list structure for coupling facility data tables).

read or browse request, with the LOADING condition. For a CFDT, any request is allowed during loading, but requests succeed only for records that are within the key range already loaded.

## Coupling facility data table models

There are two models of coupling facility data table:

### Contention model

This gives optimal performance, but requires programs that are written to handle the situation where the data has been changed since it issued a read-for-update request. The new CHANGED response can occur on a REWRITE or DELETE command. There is also a new use for the existing NOTFND response, which may be returned to indicate to the application program that the record has been deleted since the program issued the read-for-update request.

**Note:** It might be possible to use existing programs with the contention model if you are sure they cannot receive the CHANGED or NOTFND exceptions on a REWRITE or DELETE. An example of this could be where an application program operates only on records that relate to the user of the program, and therefore no other user could be updating the same records.

### Locking model

This model is API-compatible with existing programs that conform to the UMT subset of the file control API. The locking model can be:

#### Non-recoverable

For updates to non-recoverable CFDTs, locks do not last until syncpoint (they are released on completion of the file control request) and updates are not backed out if a unit of work fails

#### Recoverable

CFDTs are recoverable in the event of a unit of work failure, and in the event of a CICS region failure, a CFDT server failure, and an MVS failure (updates made by units of work that were in-flight at the time of the failure are backed out).

The recoverable locking model supports in-doubt and backout failures: if a unit of work fails when backing out an update to the CFDT, or if it fails in-doubt during syncpoint processing, the locks are converted to retained locks and the unit of work is shunted.

CFDTs cannot be forward recoverable. A CFDT does not survive the loss of the CF structure in which it resides.

You specify the update model you want for each table on its file resource definition, enabling different tables to use different models.

## Comparison of different techniques for sharing data

This topic indicates when you should consider using a coupling facility data table by comparing, in tabular form, the various CICS techniques that you can use for different situations.

Table 15. Techniques for sharing scratchpad data

Constraints and factors	Single Region	Single MVS	Sysplex
Technique no longer recommended (too restrictive)	TWA	—	—
Recommended method for single area for each transaction	COMMAREA	COMMAREA	COMMAREA
Existing application programs use temporary storage (TS) queues	Local TS queue	Remote TS queue	Shared TS queue
Existing programs use UMT Random insert and delete required Multiple types of data stored	UMT	Remote UMT	CFDT (contention model)

In Table 15, different techniques are considered for passing scratchpad data between phases of a transaction, where only one task is accessing the data at a time, but the data may be passed from a task in one region to a task in another. Note that 'remote UMT' means a shared user-maintained data table that is accessed from AORs either by function shipping where necessary (that is, for update accesses) or by SDT cross-memory sharing for non-update accesses. The table shows that, within a Parallel Sysplex, a coupling facility data table is the best solution for random insertion and deletion of data, and where multiple types of data need to be stored. Without these constraints, shared TS queues are a more appropriate choice if the application programs are already using temporary storage.

Table 16. Techniques for sharing queues of data

Constraints and factors	Single Region	Single MVS	Sysplex
Read-only at head, write-only at tail Triggering required	Local transient data (TD)	Remote TD	Remote TD
Process batches of items	TS queue or UMT	Remote TS or remote UMT	Shared TS or CFDT
Delete each item after processing. Random insert and delete required.	UMT	Remote UMT	CFDT

In Table 16, different techniques for sharing queues of data are shown, where information is stored in a specific sequence, to be processed by another application program or task in the same sequence. The CICS transient data and temporary storage queue facilities are recommended in the majority of cases, with a few instances where data tables provide a more appropriate solution for handling sequenced data.

Table 17. Techniques for sharing control records

Constraints and factors	Single Region	Single MVS	Sysplex
Technique no longer recommended	CWA	MVS CSA	—
Single updating region, single record	TS queue or UMT	Remote TS queue or UMT	Shared TS queue or CFDT (contention model)
Multiple updating regions or multiple records	UMT	Remote UMT	CFDT

In Table 17, different techniques for managing control records are shown. This illustrates where a central control record is used to make information available to all transactions. For example, this may contain the next unused order number, or customer number, to make it easier for programs to create new records in a keyed file or database. (For this type of application, you should also consider the named counter function, which is also a sysplex-wide facility. See “Chapter 16. Using named counter servers” on page 199 for details.)

The table shows that within an MVS image, if there is a single region that makes all the updates to a single record, you can use a UMT without any function shipping overheads.

Where there are multiple regions updating the control record, or there is more than one control record to update, then a coupling facility data table is the only solution within a Parallel Sysplex environment, and it could also be more effective than function shipping the updates to a UMT within a single MVS.

Table 18. Techniques for sharing keyed data

Constraints and factors	Single Region	Single MVS	Sysplex
Read-only or rarely updated	UMT	UMT	Replicated UMT
Single updating region	UMT	UMT	Replicated UMT or CFDT
Multiple updating regions Recoverable (backout only)	UMT	Remote UMT or CFDT	CFDT

In Table 18, different techniques for sharing keyed data are shown. This covers applications that use data similar in structure to a conventional keyed file, but where the information does not need to be stored permanently, and the performance benefits are sufficient to justify the use of main storage or coupling facility resources to store the relevant data.

This kind of data is most appropriately accessed using the file control API, which means that within a Parallel Sysplex, the solution is to use:

- A replicated user-maintained data table where the highest performance is required, and where access is either read-only, or updates are rare and you can arrange to make these from a single region and refresh the replicated UMT in other regions
- A coupling facility data table.



Note that recovery support for UMTs is limited to transaction backout after a failure. For coupling facility data tables, recovery is also provided for CICS and CFDT server failures, and also for in-doubt failures,

---

## Reading records

This section describes the facilities available to application programs for accessing data sets. Although VSAM data sets, are discussed, most of the facilities apply equally to BDAM.

A file can be defined in the file definition as containing either fixed-length or variable-length records. Fixed-length

records should be defined only if:

- The definition of the VSAM data set (using access method services) specifies an average record size that is equal to the maximum record size

*and*

- All the records in the data set are of that length.

For direct reading and browsing, if the file contains fixed-length records, and if the application program provides an area into which the record is to be read, that area must be of the defined length. If the file contains variable-length records, the command must also specify the length of the area provided to hold them (which should normally be the maximum length of records in the file).

For fixed-length records and for records retrieved into storage provided by CICS (when you use the SET option), you need not specify the LENGTH argument. However, although the LENGTH argument is optional, you are recommended to specify it when using the INTO option, because it causes CICS to check that the record being read is not too long for the available data area. If you specify LENGTH, CICS uses the LENGTH field to return the actual length of the record retrieved.

### Direct reading (using READ command)

You read a record in the file with the READ command. This must identify the record you want and say whether it is to be read into an area of storage provided by your application program (READ INTO), or into CICS SET storage acquired by file control (READ SET). If the latter, the address of the data in the CICS SET storage is returned to your program.

CICS SET storage normally remains valid until the next syncpoint, or the end of the task, or until next READ against the same file, whichever comes first.

#### Direct reading from a KSDS

When reading from a KSDS, you can identify the record you want uniquely by specifying its full key, or you can retrieve the first (lowest key) record whose key meets certain requirements. There are two options that qualify your key value; GENERIC and GTEQ.

The GENERIC option indicates that you require a match on only a part of the key; when you specify the GENERIC option, you also must specify the KEYLENGTH option, to say how many positions of the key, starting from the left, must match. For the READ command, CICS uses only the first KEYLENGTH option characters.

The GTEQ option indicates that you want the first record whose key is “greater than or equal to” the key you have specified. You can use GTEQ with either a full or a generic key.

The opposite of the GTEQ option is the EQUAL option (the default), which means that you want only a record whose key matches exactly that portion (full or generic) of the key that you have specified.

### **Direct reading from an ESDS**

When reading from an ESDS, the individual record you want is identified by an RBA. Because the RBA of a record in an ESDS cannot change, your application program can keep track of the values of the RBAs corresponding to the records it wants to access. An RBA must always point to the beginning of a record. There is no equivalent to the GENERIC or GTEQ options that you can use to position approximately in a KSDS.

### **Direct reading from an RRDS**

When reading from an RRDS, the record to be retrieved is identified by its relative record number. The application program must know the RRN values of the records it wants. There is no equivalent to the GENERIC or GTEQ options that you can use to position approximately in a KSDS.

### **Direct reading by way of a path**

If a KSDS or an ESDS has an alternate index and an alternate index path (and an appropriate entry in the FCT), you can retrieve a record in the file by using the alternate key that you set up in the alternate index. The GENERIC option and the GTEQ (greater than or equal to) option still work in the same way as for a read from a KSDS using the primary key.

If the alternate key in a READ command is not unique, the first record in the file with that key is read and you get the DUPKEY condition. To retrieve other records with the same alternate key, you have to start a browse operation at this point.

### **Read integrity (in RLS mode)**

CICS supports three options to control read integrity with RLS. You can specify these options on the file control API. Alternatively, if the application request does not specify any of the options (UNCOMMITTED, CONSISTENT, or REPEATABLE), the value from the file resource definition is used. These options are:

#### **UNCOMMITTED**

There is no read integrity and shared locks are not used for read requests. (See “Record locking of VSAM records for files accessed in RLS mode” on page 281 for information about shared and exclusive locks.) This is the default and is the way in which file control works for files that are opened in non-RLS mode.

#### **CONSISTENT**

A request to read a record is queued if the record is being updated by another task. The read completes only when the update is complete, and the updating unit of work (UOW) relinquishes its exclusive lock. UOWs and syncpoints are discussed in “Syncpointing” on page 225.

#### **REPEATABLE**

Processing of the read request is the same as for consistent read requests. However, in this case, the reader holds on to its shared lock until syncpoint. This applies to both recoverable and non-recoverable files. This ensures that a record read in a UOW cannot be modified while the UOW makes further read

requests. It is particularly useful when you issue a series of related read requests and you want to ensure that none of the records is modified before the last record is read.

**Note:** Specify read integrity only when an application cannot tolerate 'stale' data. This is because RLS uses locks to support read integrity, and as a result your applications could encounter deadlocks that do not occur in releases of CICS that do not support read integrity. This is particularly important if you define read integrity on file resource definitions. The application programs that reference these files may have been written for releases of CICS that do not support read integrity, and are not designed to deal with deadlock conditions on read-only file accesses.

If you specify either `CONSISTENT` or `REPEATABLE`, you can also specify the `NOSUSPEND` option on a `READ` command to ensure that the request does not wait if the record is locked by VSAM with an active lock. See "Active and retained states for locks" on page 283 for more information about active locks.

## Sequential reading (browsing)

You start a browse with the `STARTBR` command, identifying a particular record in the same way as for a direct read. However, the `STARTBR` command only identifies the starting position for the browse; it does not retrieve a record.

The `READNEXT` command reads records sequentially from this starting point. On completion of each `READNEXT` command, CICS returns the full key of the record it retrieved in the field specified in the `RIDFLD` option. (Be sure to provide a field as long as the full key, even if you use a `STARTBR` command with a shorter generic key.)

As in the case of a direct read, the record may be read into an area supplied by the application program (when you use the `INTO` option), or into storage provided by CICS (when you use the `SET` option). In the latter case, the CICS storage addressed by the `SET` pointer remains valid until the next operation in the browse, or until the browse ends, syncpoint, or end of task, whichever occurs first.

You can also browse backwards in the file, by using `READPREV` commands instead of `READNEXT` commands, and you can switch from one direction to the other at any time. The `READPREV` command is like the `READNEXT` command, except that the records are read sequentially **backward** from the current position. As you switch from one direction to the other, you retrieve the same record twice, unless you reposition.

When the browse has started, you can change the current browse position either by using a `RESETBR` command, or a `READNEXT` command, or a `READPREV` command. The `RESETBR` command can also be used for other purposes, however.

For VSAM, but not for BDAM, you can reposition simply by varying the value in `RIDFLD` when you issue the next `READNEXT` or `READPREV` command. When you change `RIDFLD`, the record identifier must be in the same form as on the previous `STARTBR` or `RESETBR` command (key, RBA, or RRN). In addition, you can change the length of a generic key by specifying a `KEYLENGTH` in your `READNEXT` command, which is different from the current generic key length and not equal to the full length. If you change the length of a generic key in this way, you reposition to the generic key specified by `RIDFLD` option.

RESETBR command must be used to change the browse position in a BDAM file. If you wish to change the form of the key from key to RBA or vice versa, you must use a RESETBR command. You must also use a RESETBR command to switch between generic and full keys or between “equal to” and “greater than or equal to” searches. You can also only use X'FF' characters to point to the last record in the file if you are using a RESETBR or STARTBR command.

Under certain conditions, CICS uses VSAM skip-sequential processing when you change the key in this way, as explained in “Skip-sequential processing” on page 269.

### **Browsing through a KSDS**

You can use a generic key on the STARTBR command when browsing through a KSDS. However, the browse can only continue forward through the file. If you process a READPREV command during such a browse, you get the INVREQ condition.

You can use the options “key equal to” and “key greater than or equal to” on the STARTBR command and they have the same meaning as on the READ command. However, the STARTBR command assumes that you want to position at the key specified or the first key greater if that key does not exist. That is, option GTEQ is the default for the STARTBR command, whereas EQUAL is the default for the READ command.

You can start a forward browse through a KSDS at the start of the file by specifying a key of hexadecimal zeros, or by specifying options GENERIC, GTEQ, and KEYLENGTH(0) on the STARTBR, RESETBR, READNEXT, or READPREV command. (In the latter case, you need the RIDFLD keyword although its value is not used and, after the command completes, CICS is using a generic key length of one.)

You can start from the end of the data set by specifying a complete key of X'FF' characters on the STARTBR or RESETBR command. This points to the last record in the file ready for a backward browse.

A STARTBR, RESETBR, or READNEXT command having the option KEYLENGTH(0) is always treated as if KEYLENGTH(1) and a partial key of one byte of binary zeros have been specified.

### **Browsing through an ESDS**

Positioning for a browse in an ESDS is identical to that for reading. If you want to begin reading at the beginning of the data set, use an RBA of low values (X'00'), and to begin at the end, use high values (X'FF').

### **Browsing through an RRDS**

You can use the GTEQ option on a STARTBR command when browsing through an RRDS. It is the default, even though on a direct READ this option has no effect. A direct read command with the GTEQ option that specifies an RRN that does not exist returns the NOTFND condition, because only the EQUAL option is taken. However, a STARTBR GTEQ command using the same RRN completes successfully, and sets a pointer to the relevant position in the data set for the start of the browse. The first record in the file is identified using an RRN of 1, and the last record by high values (X'FF').

## Browsing using a path

Browsing can also use an alternate index path to a KSDS or an ESDS. The browse is just like that for a KSDS, but using the alternate key. The records are retrieved in alternate key order.

If the alternate key is not unique, the DUPKEY condition is raised for each retrieval operation except the last occurrence of the duplicate key. For example, if there are three records with the same alternate key, DUPKEY is raised on the first two, but not the third. The order in which records with duplicate alternate keys are returned is the order in which they were written to the data set. This is true whether you are using a READNEXT or a READPREV command. For this reason, you cannot retrieve records with the same alternate key in reverse order.

## Browse integrity (in RLS mode)

The options UNCOMMITTED, CONSISTENT, REPEATABLE, and NOSUSPEND, discussed in “Read integrity (in RLS mode)” on page 266, also apply to the CICS browse commands.

## Ending the browse

Trying to browse past the last record in a file raises the ENDFILE condition. Stop a browse with the ENDBR command. You must issue the ENDBR command before performing an update operation on the same file (a READ UPDATE, DELETE with RIDFLD, or WRITE command). If you do not, you get unpredictable results, possibly including deadlock within your own transaction.

## Simultaneous browse operations

CICS allows a transaction to perform more than one browse on the same file at the same time. You distinguish between browse operations by including the REQID option on each browse command.

## Skip-sequential processing

When possible, CICS uses VSAM “skip-sequential” processing to speed browsing. Skip-sequential processing applies only to forward browsing of a file when RIDFLD is specified in key form. CICS uses it when you increase the key value in RIDFLD on your READNEXT command and make no other key-related specification, such as KEYLENGTH. In this situation, VSAM locates the next desired record by reading forward through the index, rather than repositioning from scratch. This method is faster if the records you are retrieving are relatively close to each other but not necessarily adjacent; it can have the opposite effect if the records are very far apart in a large file. If you know that the key you are repositioning to is much higher in the file, and that you may incur a long index scan, you may wish to consider using a RESETBR command which forces a reposition from scratch.

---

## Updating records

To update a record, you must first retrieve it using one of the file control read commands that specifies the UPDATE option. The record is identified in exactly the same way as for a direct read. In a KSDS or ESDS, the record may (as with a direct read) be accessed by way of a file definition that refers either to the base, or to a path defined to it. For files opened in RLS mode you can specify the NOSUSPEND option as well as the UPDATE option on an EXEC CICS command to ensure that the request does not wait if the record is already locked by VSAM with an active lock.

After modification by the application program, the record is written back to the data set using the REWRITE command, which does not identify the record being rewritten. Within a unit of work, each REWRITE command should be associated with a previous READ UPDATE by a common keyword (TOKEN). You can have one READ UPDATE without a TOKEN outstanding at any one time. Attempts to perform multiple concurrent update requests within a unit of work, upon the same data set without the use of TOKENS, are prevented by CICS. If you want to release the string held by a READ UPDATE without rewriting or deleting the record, use the UNLOCK command. The UNLOCK command releases any CICS storage acquired for the READ command, and releases VSAM resources held by the READ command. If TOKEN is specified with the UNLOCK command, CICS attempts to match this with an outstanding READ UPDATE whose TOKEN has the same value. (For more explanation about the TOKEN option, see “The TOKEN option” on page 275.)

For both update and non-update commands, you must identify the record to be retrieved by the record identification field specified in the RIDFLD option. Immediately on completion of a READ UPDATE command, the RIDFLD data area is available for reuse by the application program.

A record retrieved as part of a browse operation can only be updated during the browse if the file is opened in RLS mode (see “Updating and deleting records in a browse (VSAM RLS only)” on page 271). For files opened in non-RLS mode, the application program must end the browse, read the desired record with a READ UPDATE command, and perform the update. Failure to end the browse before issuing the READ UPDATE command may cause a deadlock.

The record to be updated may (as in the case of a direct read) be read into an area of storage supplied by the application program or into storage set by CICS. For a READ UPDATE command, CICS SET storage remains valid until the next REWRITE, UNLOCK, DELETE without RIDFLD, or SYNCPOINT command, whichever is encountered first.

For a KSDS, the base key in the record must not be altered when the record is modified. Similarly, if the update is being made by way of a path, the alternate key used to identify the record must not be altered either, although other alternate keys may be altered. If the file definition allows variable-length records, the length of the record may be changed.

The length of records in an ESDS, a fixed-length RRDS, or a fixed-length KSDS must not be changed on update.

For a file defined to CICS as containing fixed-length records, the length of record being rewritten **must equal the original length**. For variable-length records, you must specify the LENGTH option with both the READ UPDATE and the REWRITE commands. The length must not be greater than the maximum defined to VSAM.

---

## Deleting records

Records can never be deleted from an ESDS.

### Deleting single records

You delete a single record in a KSDS or RRDS in one of three ways:

1. Retrieve it for update with a READ UPDATE command, and then issue a DELETE command without specifying the RIDFLD option.
2. Issue a DELETE command specifying the RIDFLD option.
3. For a file opened in RLS mode, retrieve the record with a READNEXT or READPREV command with the UPDATE option, and then issue a DELETE command. This method is described in “Updating and deleting records in a browse (VSAM RLS only)”.

If a full key is provided with the DELETE command, a single record with that key is deleted. So, if the data set is being accessed by way of an alternate index path that allows non-unique alternate keys, only the first record with that key is deleted. After the deletion, you know whether further records exist with the same alternate key, because you get the DUPKEY condition if they do.

### **Updating and deleting records in a browse (VSAM RLS only)**

For files accessed in RLS mode, you can specify the UPDATE option on a READNEXT or READPREV command and then update or delete the record by issuing a DELETE or REWRITE command. If the browse command returns a TOKEN, the TOKEN remains valid only until the next browse request. The TOKEN is invalidated by REWRITE, DELETE, or UNLOCK commands, that specify the same value for TOKEN or by the commands READNEXT, READPREV, or ENDBR that specify the same REQID. If you issue many READNEXT commands with the UPDATE and TOKEN options, the TOKENS invalidate each other and only the last one will be usable. (For more explanation about the TOKEN option, see “The TOKEN option” on page 275.)

Use of the UPDATE option in a browse is subject to the following rules:

- You can specify UPDATE within a browse only if the file is accessed in RLS mode. If you specify UPDATE for a file accessed in non-RLS mode, CICS returns an INVREQ condition.
- You can specify UPDATE only on the READNEXT and READPREV commands, not on the STARTBR or RESETBR commands.
- CICS supports only one TOKEN in a browse sequence, and the TOKEN value on each READNEXT or READPREV command overwrites the previous value.
- You can mix update and non-update requests within the same browse.
- You must specify on the REWRITE, DELETE, or UNLOCK command the TOKEN to be returned by the corresponding READNEXT or READPREV command.

**Locks for UPDATE:** Specifying UPDATE on a READNEXT or READPREV command acquires an exclusive lock. The duration of these exclusive locks within a browse depends on the action your application program takes and on whether the file is recoverable or not.

- If the file is recoverable and you decide to DELETE or REWRITE the last record acquired by a read for update in a browse (using the associated token), the VSAM exclusive lock remains active until completion of the UOW. That is, until successful syncpoint or rollback.
- If the file is not recoverable and you decide to DELETE or REWRITE the last record acquired, the lock is released either when you next issue an ENDBR command or when you issue a subsequent READNEXT or READPREV command. This is explained more fully in “Record locking of VSAM records for files accessed in RLS mode” on page 281.

- If you decide *not* to update the last record read, CICS frees the exclusive lock either when your program issues another READNEXT or READPREV command in the browse, or ends the browse.

**Note:** An UNLOCK command does *not* free an RLS exclusive lock held by VSAM against a record acquired during a browse operation. An UNLOCK within a browse simply invalidates the TOKEN returned by the last request. Another READNEXT or READPREV in the browse also invalidates the TOKEN for the record read by the previous READNEXT or READPREV UPDATE command. Therefore, it's not necessary to use UNLOCK in an application program that decides not to update a particular record.

## Deleting groups of records (generic delete)

You can use a generic key with the DELETE command. Then, instead of deleting a single record, all the records in the file whose keys match the generic key are deleted with the single command. However, this cannot be used if the KEYLENGTH value is equal to the length of the whole key (even if duplicate keys are allowed). The number of records deleted is returned to the application program if the NUMREC option is included with the command. If access is by way of an alternate index path, the records deleted are all those whose alternate keys match the generic key.

## Read integrity

The NOSUSPEND option discussed in “Read integrity (in RLS mode)” on page 266, also applies to the CICS browse commands when you are using them to update a file.

---

## Adding records

Add new records to a file with the WRITE command. They must always be written from an area provided by the application program.

## Adding to a KSDS

When adding a record to a KSDS, the base key of the record identifies the position in the data set where the record is to be inserted. Although the key is part of the record, CICS also requires the application program to specify the key separately using the RIDFLD option on the WRITE command.

A record added to a KSDS by way of an alternate index path is also inserted into the data set in the position determined by the base key. However, the command must also include the alternate index key as the record identifier.

## Adding to an ESDS

A record added to an ESDS is always added to the end of the file. You cannot insert a record in an ESDS between existing records. After the operation is completed, the relative byte address in the file where the record was placed is returned to the application program.

When adding a record to an ESDS by way of an alternate index path, the record is also placed at the end of the data set. The command must include the alternate index key in the same way as for a KSDS path.



## Adding to an RRDS

To add a record to an RRDS, include the relative record number as a record identifier on the WRITE command. The record is then stored in the file in the position corresponding to the RRN.

## Records that are already locked

The NOSUSPEND option, described in “Read integrity (in RLS mode)” on page 266 also applies to the WRITE command for a file opened in RLS mode.

## Specifying record length

When writing to a fixed-length file, the record length must match the value specified at the time the file was created. In this case, you need not include the length with the command, although you may do so to check whether the length agrees with that originally defined to VSAM. If the file is defined as containing variable-length records, the command must always include the length of the record.

## Sequential adding of records (WRITE MASSINSERT command)

MASSINSERT on a WRITE command offers potential improved performance where there is more than one record to add to a KSDS, ESDS, or path. The performance improvement is only obtained when the keys in successive WRITE MASSINSERT requests are in ascending order.

A MASSINSERT is completed by the UNLOCK command. This ensures that all the records are written to the file and the position is released. Always issue an UNLOCK command before performing an update operation on the same data set (read update, delete with RIDFLD, or write). If you do not, you may get unpredictable results, possibly including a deadlock.

Without an UNLOCK command, the MASSINSERT is completed when a syncpoint is issued, or at task termination.

**Note:** A READ command does not necessarily retrieve a record that has been added by an incomplete MASSINSERT operation.

See “VSAM data sets” on page 140 for more information about MASSINSERT.

---

## Review of file control command options

Some of the file control command options you may specify are:

- RIDFLD
- INTO or SET
- FROM
- TOKEN

Use of the LENGTH option varies, depending on how you use the other options.

## The RIDFLD option

Whatever you do to a record (read, add, delete, or start a browse), you identify the record by the RIDFLD option, except when you have read the record for update first. However, there is no RIDFLD for ENDBR, REWRITE, and UNLOCK

commands. Further, during a browse using READNEXT or READPREV commands, you must include the RIDFLD option to give CICS a way to return the identifier of each record retrieved.

The RIDFLD option identifies a field containing the record identification appropriate to the access method and the type of file being accessed.

The RIDFLD option by itself is not always enough to identify a specific record in the file. So, when retrieving records from a KSDS, or from a KSDS or ESDS by way of an alternate index path, or when setting a starting position for a browse in this type of data set, you can have one or both of the further options GTEQ and GENERIC with your command.

With READNEXT or READPREV commands, the application program would not usually set the RIDFLD field. After each command, CICS updates this field with the actual identifier of the record retrieved. (You can alter the RIDFLD value to set a new position from which to continue the browse.)

## The INTO and SET options

With the READ, READNEXT, or READPREV command, the record is retrieved and put in main storage according to your INTO and SET options.

The INTO option specifies the main storage area into which the record is to be put.

For fixed-length records, you need not include the LENGTH option. If you do, the length specified must exactly match the defined length; otherwise, you get the LENGERR condition.

For variable-length records, always specify (in the LENGTH option) the longest record your application program accepts (which must correspond to the value defined as the maximum record size when the data set was created); otherwise, you get the LENGERR condition. LENGERR occurs if the record exceeds the length specified, and the record is then truncated to that length. After the record retrieval, if you include the LENGTH option, the data area specified in it is set to the actual record length (before any truncation occurs).

The SET option specifies a pointer to the buffer in main storage acquired by CICS to hold the record. When using the SET option, you need not include the LENGTH option. If you do include it, the data area specified is set to the actual record length after the record has been retrieved.

## The FROM option

When you add records (using the EXEC CICS WRITE command), or update records (using the REWRITE command), specify the record to be written with the FROM option.

The FROM option specifies the main storage area that contains the record to be written. In general, this area is part of the storage owned by your application program. With the REWRITE command, the FROM area is usually (but not necessarily) the same as the corresponding INTO area on the READ UPDATE command. The length of the record can be changed when rewriting to a KSDS with variable-length records.

Always include the LENGTH option when writing to a file with variable-length records. If the value specified exceeds the maximum allowed in the cluster

definition, LENGERR is raised when the command is executed. LENGERR is also raised if the LENGTH option is omitted when accessing a file with variable-length records.

When writing to a file with fixed-length records, CICS uses the length specified in the cluster definition as the length of the record to be written, so you need not have the LENGTH option. If you do, its value is checked against the defined value and you get a LENGERR condition if the values do not match.

## The TOKEN option

The TOKEN option is a unique value within a task that is supplied by CICS on any valid read for update command, and you return this to CICS with an associated REWRITE, DELETE, or UNLOCK command. For each file that is being updated by a task, at any one time you can have only one outstanding read request with the UPDATE option that does not specify the TOKEN option.

You can perform multiple concurrent updates on the same data set using the same task by including the TOKEN option with a read for update command, and specifying the token on the associated REWRITE, DELETE, or the UNLOCK command. Note that, for files accessed in non-RLS mode, a set of concurrent updates fails if more than one record is being updated in the same CI, irrespective of the TOKEN associated with the request. Also, only one token remains valid for a given REQID on a browse, and that is the one returned on the last READNEXT or READPREV command (see “Updating and deleting records in a browse (VSAM RLS only)” on page 271).

You can function ship a read for update request containing the TOKEN option. However, if you function ship a request specifying TOKEN to a member of the CICS family of products that does not recognize this keyword, the request fails.

---

## Avoiding transaction deadlocks

Design your applications so as to avoid transaction deadlocks. A deadlock occurs if each of two transactions (for example, A and B) needs exclusive use of some resource (for example, a particular record in a data set) that the other already holds. Transaction A waits for the resource to become available. However, if transaction B is not in a position to release it because it, in turn, is waiting on some resource held by A, both are deadlocked and the only way of breaking the deadlock is to cancel one of the transactions, thus releasing its resources.

A transaction may have to wait for a resource for several reasons while executing file control commands:

- For both VSAM and BDAM data sets, any record that is being modified is held in exclusive control by the access method for the duration of the request. (With VSAM files accessed in non-RLS mode, not just the record but the complete control interval containing the record is held in exclusive control. With files accessed in RLS mode, only the record is locked.)
- If a transaction has modified a record in a recoverable file, CICS (or VSAM if the file is accessed in RLS mode) locks that record to the transaction even after the request that performed the change has completed. The transaction can continue to access and modify the same record; other transactions must wait until the transaction releases the lock, either by terminating or by issuing a syncpoint request. For more information, see “Syncpointing” on page 225.

Whether a deadlock actually occurs depends on the relative timing of the acquisition and release of the resources by different concurrent transactions. Application programs may continue to be used for some time before meeting circumstances that cause a deadlock; it is important to recognize and allow for the possibility of deadlock early in the application program design stages.

Here are examples of different types of deadlock found in recoverable data sets:

- Two transactions running concurrently are modifying records within a single recoverable file, through the same FCT entry, as follows:

<b>Transaction 1</b>		<b>Transaction 2</b>	
READ UPDATE	record 1	DELETE	record 2
UNLOCK	record 1		
WRITE	record 2	READ UPDATE	record 1
		REWRITE	record 1

Transaction 1 has acquired the record lock for record 1 (even though it has completed the READ UPDATE command with an UNLOCK command). Transaction 2 has similarly acquired the record lock for record 2. The transactions are then deadlocked because each wants to acquire the CICS lock held by the other. The CICS lock is not released until syncpoint.

- Two transactions running concurrently are modifying two recoverable files as follows:

<b>Transaction 1</b>		<b>Transaction 2</b>	
READ UPDATE	file 1, record 1	READ UPDATE	file 2, record 2
REWRITE	file 1, record 1	REWRITE	file 2, record 2
READ UPDATE	file 2, record 2	READ UPDATE	file 1, record 1
REWRITE	file 2, record 2	REWRITE	file 1, record 1

Here, the record locks have been acquired on different files as well as different records; however, the deadlock is similar to the first example.

- Two transactions running concurrently are modifying a single recoverable KSDS, through the same FCT entry, as follows:

<b>Transaction 1</b>		<b>Transaction 2</b>	
READ UPDATE	record 1	DELETE	record 3
WRITE	record 3	READ UPDATE	record 2

Suppose records one and two are held in the same control interval (CI) for a file accessed in non-RLS mode. The first READ UPDATE has acquired VSAM exclusive control of the CI holding record one. The DELETE operation has completed and acquired the CICS record lock on record three. The WRITE operation must wait for the lock on record three to be released before it can complete the operation. Finally, the last READ UPDATE must wait for the VSAM exclusive control lock held by transaction one to be released.

- A transaction is browsing through a VSAM file (opened in non-RLS mode) that uses shared resources (LSRPOOLID not equal to NONE in the file resource definition). Before the ENDBR command, the transaction issues a further request to update the current record or another record that happens to be in the same control interval. Because VSAM already holds shared control of the control interval on behalf of the first request, the second request wants exclusive control of the control interval and therefore enters deadlock. Depending upon the level of VSAM support that you have, the transaction either waits indefinitely or abends with an AF3G abend code.

For VSAM files accessed in non-RLS mode, CICS detects deadlock situations, and a transaction about to enter a deadlock is abended with the abend code AFCE if it is deadlocked by another transaction, or with abend code AFCEG if it has deadlocked itself.

## VSAM-detected deadlocks (RLS only)

With files accessed in RLS mode, deadlocks can arise between two different CICS regions, possibly running under different MVS images. In these cases, deadlock detection and resolution cannot be performed by CICS, and therefore it is performed by VSAM.

If VSAM detects an RLS deadlock condition it returns a deadlock exception condition to CICS, causing CICS file control to abend the transaction with an AFCEW abend code. CICS also writes messages and trace entries that identify the members of the deadlock chain.

However, VSAM cannot detect a cross-resource deadlock (for example, a deadlock arising from use of RLS and DB2 resources) where another resource manager is involved. A cross-resource deadlock is resolved by VSAM when the timeout period expires, and the waiting request is timed out. In this situation, VSAM cannot determine whether the timeout is caused by a cross-resource deadlock, or a timeout caused by another transaction acquiring an RLS lock and not releasing it. In the event of a timeout, CICS writes trace entries and messages to identify the holder of the lock for which a timed-out transaction is waiting.

All file control requests issued in RLS mode have an associated timeout value. This timeout value is that defined by DTIMEOUT if DTIMEOUT is active for the transaction, or FTIMEOUT from the system initialization table if DTIMEOUT is not active.

## Rules for avoiding deadlocks

You can avoid deadlocks by following these rules:

- All applications that update (modify) multiple resources should do so in the same order. For instance, if a transaction is updating more than one record in a data set, it can do so in ascending key order. A transaction that is accessing more than one file should always do so in the same predefined sequence of files.  
If a data set has an alternate index, beware of mixing transactions that perform several updates by the base key with transactions that perform several updates by the alternate key. Assume that the transactions that perform updates always access records in ascending key sequence. Then transactions that perform all updates by the base key will not deadlock with other transactions that perform all updates by the base key. Likewise, transactions that perform all updates by the alternate key do not deadlock with other transactions that perform all updates by the alternate key. But transactions that perform all updates by the base key may deadlock with transactions that perform all updates by the alternate key. This is because the key that is locked is always the base key. Consequently, a transaction performing updates by the alternate key may be acquiring locks in a different order to a transaction performing updates by the base key.
- An application that issues a READ UPDATE command should follow it with a REWRITE, DELETE without RIDFLD, or UNLOCK command to release the position before doing anything else to the file, or should include the TOKEN option with both parts of each update request.

- A sequence of WRITE MASSINSERT commands must terminate with the UNLOCK command to release the position. No other operation on the file should be performed before the UNLOCK command has been issued.
- An application must end all browses on a file by means of ENDBR commands (thereby releasing the VSAM lock) before issuing a READ UPDATE, WRITE, or DELETE with RIDFLD command, to the file.

---

## **KEYLENGTH option for remote data sets**

In general, file control commands need the RIDFLD and KEYLENGTH options. The KEYLENGTH option can be specified explicitly in the command, or determined implicitly from the file definition.

For remote files for which the SYSID option has been specified, the KEYLENGTH option must be specified if the RIDFLD option is passing a key to file control. If the remote file is being browsed, the KEYLENGTH option is not required for the READNEXT or READPREV command.

For a remote BDAM file, where the DEBKEY or DEBREC options have been specified, KEYLENGTH (when specified explicitly) should be the total length of the key (that is, all specified subfields).

---

## Chapter 24. File control—VSAM considerations

This chapter explains how to perform:

- “Record identification”
- “Locking of VSAM records in recoverable files” on page 280
- “Record locking of VSAM records for files accessed in RLS mode” on page 281
- “Active and retained states for locks” on page 283
- “CICS locking for writing to ESDS” on page 285

---

### Record identification

You identify records in data sets by:

- Key
- Relative byte address (RBA) and relative record number (RRN)

#### Key

Generally, if you use a key, you can specify either a complete key or a generic (partial) key. The exceptions to this rule are when you write a record to a KSDS or when you write a record by an alternate index path. In either of these cases you *must* specify the complete key in the RIDFLD option of the command.

When you use a generic key, you must specify its length in the KEYLENGTH option and you must specify the GENERIC option on the command. A generic key cannot have a key length equal to the full key length. You must define it to be shorter than the complete key.

You can also specify the GTEQ option on certain commands, for both complete and generic keys. The command then positions at, or applies to, the record with the next higher key if a matching key cannot be found. When accessing a data set by way of an alternate index path, the record identified is the one with the next higher alternate key when a matching record cannot be found.

Even when using generic keys, always use a storage area for the record identification field that is equal in length to the length of the complete key. During a browse operation, after retrieving a record, CICS copies into the record identification area the actual identifier of the record retrieved. CICS returns a complete key to your application, even when you specified a generic key on the command. For example, a generic browse through a KSDS returns the complete key to your application on each READNEXT and READPREV command.

### Relative byte address (RBA) and relative record number (RRN)

You can use the RBA and RRN options on most commands that access data sets. In effect, they define the format of the record identification field (RIDFLD). Unless you specify either the RBA or the RRN, the RIDFLD option should hold a key to be used for accessing a KSDS (or a KSDS or ESDS by way of an alternate index).

#### RBA

RBA specifies that the record identification field contains the relative byte address of the record to be accessed. A relative byte address is used to access an ESDS, and it may also be used to access a KSDS that is not opened in RLS access mode. All file control commands that refer to an ESDS base, and specify the RIDFLD option, must also specify the RBA option.

**Note:** If a KSDS is accessed in this way, the RBA of the record may change during the transaction as a result of another transaction adding records to, or deleting records from, the same data set.

### **RRN**

RRN specifies that the record identification field contains the relative record number of the record to be accessed. The first record in the data set is number one. All file control commands that refer to an RRDS, and specify the RIDFLD option, must also specify the RRN option.

---

## **Locking of VSAM records in recoverable files**

Earlier, the prevention of transaction deadlocks in terms of the record locks acquired whenever records in a recoverable file are modified was explained. These locks are acquired by VSAM if the file is accessed in record-level sharing (RLS) mode, and by CICS if not. The locks are held on behalf of the transaction doing the change until it issues a syncpoint request or terminates (at which time a syncpoint is automatically performed). For VSAM recoverable file processing, note the following:

- Whenever a VSAM record is obtained for modification or deletion, CICS file control (or VSAM in the case of RLS) locks the record with an ENQUEUE request using the primary record identifier as the enqueue argument.

If a record is modified by way of a path, the enqueue uses the base key or the base RBA as an argument. So CICS permits only one transaction at a time to perform its request, the other transactions having to wait until the first has reached a syncpoint.

- For the READ UPDATE and REWRITE-related commands the record lock is acquired as soon as the READ UPDATE command has been issued.

For a DELETE command that has not been preceded by a READ UPDATE command, or for a WRITE command, the record lock is acquired at the time the VSAM command is executed.

For a WRITE MASSINSERT command (which consists of a series of WRITE commands), a separate record lock is acquired at the time each individual WRITE command is performed. Similarly, for a DELETE GENERIC command, each record deleted acquires a separate lock on behalf of the transaction issuing the request.

### **Update locks and delete locks (non-RLS mode only)**

The record locks referred to above are known as update locks, because they are acquired whenever a record is updated (modified). A further type of lock (a delete lock) may also be acquired by file control whenever a DELETE, WRITE, or WRITE MASSINSERT command is being performed for a recoverable KSDS or a recoverable path over a KSDS. A delete operation therefore may acquire two separate locks on the record being deleted.

The separate delete lock is needed because of the way file control does its write operations. Before executing a WRITE MASSINSERT command to a KSDS or RRDS, file control finds and locks the empty range into which the new record or records are to go. The empty range is locked by identifying the next existing record in the data set and acquiring its delete lock.

The empty range is locked to stop other requests simultaneously adding records into it. Moreover, the record defining the end of the empty range cannot be removed during the add operation. If another transaction issues a request to add



records into the empty range or to delete the record at the end of the range, the delete lock makes the transaction wait until the WRITE or WRITE MASSINSERT command is complete. The record held with a delete lock may, however, be **updated** by another transaction during the write operation if it is in another CI.

Unlike an update lock, a delete lock is held only for the duration of a delete or write operation, or a sequence of WRITE MASSINSERT commands terminated by an UNLOCK command. A WRITE MASSINSERT command that adds records to the file into more than one empty range releases the previous delete lock as it moves into a new empty range.

The CICS enqueueing mechanism is only for updates and deletes and does not prevent a read request being satisfied before the next syncpoint. The integrity of a READ command in these circumstances is not guaranteed.

---

## Record locking of VSAM records for files accessed in RLS mode

Files opened in RLS mode can be accessed by many CICS regions simultaneously. This means it is impractical for the individual CICS regions to attempt to control record locking, and therefore VSAM maintains a single central lock structure using the lock-assist mechanism of the MVS coupling facility. This central lock structure provides sysplex-wide locking at a record level—control interval (CI) locking is not used. This is in contrast to the locks for files in non-RLS mode, the scope of which is limited to a single CICS region, and that are either CI locks or CICS ENQs.

Record locks within RLS are owned by a named UOW within a named CICS region. The lock owner name is the APPLID of the CICS region, plus the UOW id. For example, when CICS makes a request that may create a lock, CICS passes to VSAM the UOW id. This enables VSAM to build the lock name using the UOW id, the record key, and the name of the CICS region.

CICS releases all locks on completion of a UOW using a VSAM interface.

When more than one request requires an exclusive lock against the same resource, VSAM queues the second and subsequent requests until the resource is freed and the lock can be granted. However, VSAM does not queue requests for resources locked by a retained lock (see “Active and retained states for locks” on page 283).

**Note:** For MASSINSERT operations on a file opened in RLS access mode, CICS acquires a separate update lock at the time each individual WRITE command is issued. Unlike the non-RLS mode operation (described under “Locking of VSAM records in recoverable files” on page 280) CICS does *not* acquire the separate delete lock in addition to the update lock. There is no equivalent to range locking for the MASSINSERT function for files opened in non-RLS mode.

## Exclusive locks and shared locks

VSAM supports two types of lock for files accessed in RLS mode:

1. Exclusive locks
2. Shared locks

Exclusive locks can be active or retained; shared locks can only be active (see “Active and retained states for locks” on page 283). Note that there are no delete locks in RLS mode.

## Exclusive locks

Exclusive locks protect updates to file resources, both recoverable and non-recoverable. They can be owned by only one transaction at a time. Any transaction that requires an exclusive lock must wait if another task currently owns an exclusive lock or a shared lock against the requested resource.

## Shared locks

Shared locks support read integrity (see “Read integrity (in RLS mode)” on page 266). They ensure that a record is not in the process of being updated during a read-only request. Shared locks can also be used to prevent updates of a record between the time that a record is read and the next syncpoint.

A shared lock on a resource can be owned by several tasks at the same time. However, although several tasks can own shared locks, there are some circumstances in which tasks can be forced to wait for a lock:

- A request for a shared lock must wait if another task currently owns an exclusive lock on the resource.
- A request for an exclusive lock must wait if other tasks currently own shared locks on this resource.
- A new request for a shared lock must wait if another task is waiting for an exclusive lock on a resource that already has a shared lock.

## Lock duration

Shared locks for repeatable read requests, for recoverable and non-recoverable data sets, are held until the next syncpoint.

Exclusive locks against records in a non-recoverable data set remain held only for the duration of the request—that is, they are acquired at the start of a request and released on completion of it. For example, a lock acquired by a WRITE request is released when the WRITE request is completed, and a lock acquired by a READ UPDATE request is released as soon as the following REWRITE or DELETE request is completed. Exceptionally, locks acquired by sequential requests may persist beyond the completion of the immediate operation. Sequential requests are WRITE commands that specify the MASSINSERT option and browse for update requests. A lock acquired by a WRITE command with the MASSINSERT option is always released by the time the corresponding UNLOCK command completes, but may have been released by an earlier request in the WRITE MASSINSERT sequence. The exact request in the sequence that causes the lock to be released is not predictable. Similarly, a lock acquired by a READNEXT UPDATE command may still exist after the following DELETE or REWRITE command completes. Although this lock is guaranteed to be released by the time the subsequent ENDBR command completes, it may be released by some intermediate request in the browse sequence.

If a request is made to update a recoverable data set, the associated exclusive lock must remain held until the next syncpoint. This ensures that the resource remains protected until a decision is made to commit or back out the request. If CICS fails, VSAM continues to hold the lock until CICS is restarted.

Task 1	Task 2
CICS: READ(filea) UPDATE KEY(99)	
VSAM: grants exclusive lock - key 99	
	CICS: READ(filea) KEY(99) with integrity
	VSAM: Queues request for shared lock
CICS: REWRITE(filea) KEY(99)	
VSAM: holds exclusive lock until syncpoint	
CICS: task completes and takes syncpoint	
VSAM: frees exclusive lock	
	VSAM grants shared lock to task 2

Figure 49. Illustration of lock contention between CICS tasks on a recoverable data set

### Active and retained states for locks

VSAM RLS supports **active** and **retained** states for locks. The difference between these two types of lock is that whereas a request for a resource that has an active lock is queued until the resource becomes available, a request for a resource that has a retained lock fails immediately.

The active state is applicable to both exclusive and shared locks. However, only exclusive locks against recoverable resources can have their state changed from active to retained. The important characteristic of these states is that they determine whether or not a task must wait for a lock:

- A request for a lock is made to *wait* if there is already an active lock against the requested resource, except in two cases:
  1. A request for a shared lock does not have to wait if the current active lock is also a shared lock, and there are no exclusive lock requests waiting.
  2. An update request that specifies NOSUSPEND does not wait for a lock if an active lock already exists. In this case, CICS returns an exception condition indicating that the “record is busy”.
- A request for a lock is rejected immediately with the LOCKED condition if there is a retained lock against the requested resource.

When a lock is first acquired, it is an active lock. It is then either released, the duration of the lock depending on the type of lock, or if an event occurs which causes a UOW to fail temporarily and which would therefore cause the lock to be held for an abnormally long time, it is converted into a retained lock. The types of event that can cause a lock to become retained are:

- Failure of the CICS system, the VSAM server or the whole MVS system
- A unit of work entering the backout failed state
- A distributed unit of work becoming indoubt owing to the failure of either the coordinating system or of links to the coordinating system

If a UOW fails, VSAM continues to hold the exclusive record locks that were owned by the failed UOW for recoverable data sets. To avoid new requests being made to wait for locks owned by the failed UOW, VSAM converts the active locks owned by the failed UOW into retained locks. Retaining locks ensures that data integrity for the locked records is maintained until the UOW is completed.

Exclusive recoverable locks are also converted into retained locks in the event of a CICS failure, to ensure data integrity is maintained until CICS is restarted and performs recovery.

Exclusive recoverable locks are also converted into retained locks if the VSAM data-sharing server (SMSVSAM) fails (the conversion is carried out by the other servers in the Sysplex, or by the first server to restart if all servers have failed). This means that a UOW does not itself have to fail in order to hold retained RLS locks.

Any shared locks owned by a failed CICS region are discarded, and therefore an active shared lock can never become retained. Similarly, active exclusive non-recoverable locks are discarded. Only locks that are both exclusive and apply to recoverable resources are eligible to become retained.

---

## Conditional update requests

On file control update requests against files opened in RLS mode, you can avoid waiting for a lock by making your request conditional upon being given a lock immediately. You do this by specifying the NOSUSPEND option on the request. If another task already holds an active lock, CICS returns the RECORDBUSY condition instead of queueing your request.

You can specify NOSUSPEND on READ, READNEXT, READPREV, WRITE, REWRITE, and DELETE commands.

It is important to distinguish between the LOCKED and RECORDBUSY responses:

- A LOCKED response occurs when a request attempts to access a record that is locked by a *retained* lock.
- A RECORDBUSY response occurs when a request attempts to access a record that is locked by an active lock. Remember that this could be caused by a DEADLOCK, in which case retries may not work. It may be necessary to issue a SYNCPOINT with or without rollback to resolve the condition.

**Note:** Requests that specify NOSUSPEND wait for at least 1 second before CICS returns the RECORDBUSY response.

If you do not specify NOSUSPEND on your request, CICS causes it to wait for a lock if the record is already locked by an active lock. If you specify NOSUSPEND, your request receives a RECORDBUSY response if the record is locked by an active lock.

If you issue a request (with or without the NOSUSPEND option) against a record locked by a retained lock, CICS returns a LOCKED response.

## File control implementation of NOSUSPEND

There is a slight difference in the way that NOSUSPEND works on file control commands compared with the way that NOSUSPEND works on other CICS commands. If you issue HANDLE CONDITION(RECORDBUSY) it does not cause NOSUSPEND to be assumed on subsequent file control requests. On the other hand, specifying HANDLE CONDITION(QBUSY) causes NOSUSPEND to be assumed on subsequent transient data commands even when it is not explicitly specified.

---

## CICS locking for writing to ESDS

CICS write operations to ESDS are single threaded, for both RLS and non-RLS mode access. However, the lock held for serialization can be held for slightly longer for RLS-mode access compared with non-RLS mode. You can compensate for the possible increase in overhead by increasing the task priority of those transactions that add new records to ESDS files. It is possible that when you switch an ESDS RLS mode from non-RLS mode that you might see an increase in time-outs for those transactions that add new records.



---

## Chapter 25. File control—BDAM considerations

This chapter explains how to perform the following functions and also looks at BDAM exclusive control.

- “Record identification”
- “Updating records from BDAM data sets” on page 288
- “Browsing records from BDAM data sets” on page 288
- “Adding records to BDAM data sets” on page 289
- “BDAM exclusive control” on page 290

---

### Record identification

You identify records in BDAM data sets by a **block reference**, a **physical key** (keyed data set), or a **deblocking argument** (blocked-data set). The record identification (in the RIDFLD option) has a subfield for each item. These subfields, when used, must be in the above order.

**Note:** When using EDF, only the first of the above three fields (the block reference subfield) is displayed.

#### Block reference subfield

This is one of the following:

- Relative block address: 3-byte binary, beginning at relative block zero (RELTYPE=BLK).
- Relative track and record (hexadecimal format): 2-byte TT, 1-byte R (RELTYPE=HEX).  
The 2-byte TT begins at relative track zero. The 1-byte R begins at relative record one.
- Relative track and record (zoned decimal format): 6-byte TTTTTT, 2-byte RR (RELTYPE=DEC).
- Actual (absolute) address: 8-byte MBBCCHHR (RELTYPE operand omitted).

The system programmer must specify the type of block reference you are using in the RELTYPE operand of the DFHFCT TYPE=FILE system macro that defines the data set.

#### Physical key subfield

You only need this if the data set has been defined to contain recorded keys. If used, it must immediately follow the block reference. Its length must match the length specified in the BLKKEYL operand of the DFHFCT TYPE=FILE system macro that defines the data set.

#### Deblocking argument subfield

You only need this if you want to retrieve specific records from a block. If used, it must immediately follow the physical key (if present) or the block reference. If you omit it, you retrieve an entire block.

The deblocking argument can be a key or a relative record number. If it is a key, specify the DEBKEY option on a READ or STARTBR command and make sure its length matches that specified in the KEYLEN operand of the DFHFCT TYPE=FILE

system macro. If it is a relative record number, specify the DEBREC option on a READ or STARTBR command. It is a 1-byte binary number (first record=zero).

The examples in Figure 50 assume a physical key of four bytes and a deblocking key of three bytes.

Byte Number																
0	1	2	3	4	5	6	7	8	9	10	11	12	13	14	15	
RELBLK#		N														Search by relative block; deblock by relative record
RELBLK#		KEY														Search by relative block; deblock by key
T	T	R	PH-KEY				KEY									Search by relative track and record and key; deblock by key
M	B	B	C	C	H	H	R	N								Search by actual address; deblock by relative record
T	T	T	T	T	T	R	R	PH-KEY				KEY				Search by zoned decimal relative track and record and key; deblock by key
T	T	R	KEY													Search by relative track and record; deblock by key

Figure 50. Examples of BDAM record identification

## Updating records from BDAM data sets

You cannot change the record length of a variable blocked or unblocked BDAM record on a REWRITE command which specifies deblocking. You cannot change the record length of an undefined format BDAM record on a REWRITE command either.

## Browsing records from BDAM data sets

The record identification field must contain a block reference (for example, TTR or MBBCCHHR) that conforms to the addressing method defined for the data set. Processing begins with the specified block and continues with each subsequent block until you end the browse.

If the data set contains blocked records, processing begins at the first record of the first block and continues with each subsequent record, regardless of the contents of the record identification field.

In other words, CICS uses only the information held in the TTR or MBBCCHHR subfield of the RIDFLD to identify the record. It ignores all other information, such as physical key and relative record, or logical key.

After the READNEXT command, CICS updates the RIDFLD with the complete identification of the record retrieved. For example, assume a browse is to be started with the first record of a blocked, keyed data set, and deblocking by logical key is to be performed. Before issuing the STARTBR command, put the TTR (assuming that is the addressing method) of the first block in the record identification field. After the first READNEXT command, the record identification field might contain



X'0000010504', where X'000001' represents the TTR value, X'05' represents the block key, (of length 1), and X'04' represents the logical record key.

Now assume that a blocked, nonkeyed data set is being browsed using relative record deblocking and the second record from the second physical block on the third relative track is read by a READNEXT command. Upon return to the application program, the record identification field contains X'00020201', where X'0002' represents the track, X'02' represents the block, and X'01' represents the number of the record in the block relative to zero.

**Note:** Specify the options DEBREC and DEBKEY on the STARTBR command when browsing blocked-data sets. This enables CICS to return the correct contents in the RIDFLD. Specifying DEBREC on the STARTBR command causes the relative record number to be returned. Specifying DEBKEY on the STARTBR command causes the logical record key to be returned.

Do not omit DEBREC or DEBKEY when browsing a blocked file. If you do, the logical record is retrieved from the block, the length parameter is set equal to the logical record length, *but* the RIDFLD is not updated with the full identification of the record. **Do not use this method.**

Compare this with what happens if you omit the DEBREC or DEBKEY option when reading from a blocked BDAM data set. In this case, you retrieve the *whole* block, and the length parameter is set equal to the length of the block.

---

## Adding records to BDAM data sets

When adding records to a BDAM data set, bear in mind the following:

- When adding undefined or variable-length records (keyed or nonkeyed), you must specify the track on which each new record is to be added. If space is available on the track, the record is written following the last previously written record, and the record number is put in the “R” portion of the record identification field of the record. The track specification may be in any format except relative block. If you use zoned-decimal relative format, the record number is returned as a 2-byte zoned decimal number in the seventh and eighth positions of the record identification field.

The extended search option allows the record to be added to another track if no space is available on the specified track. The location at which the record is added is returned to the application program in the record identification field being used.

When adding records of undefined length, use the LENGTH option to specify the length of the record. When an undefined record is retrieved, the application program must find out its length.

- When adding keyed fixed-length records, you must first format the data set with dummy records or “slots” into which the records may be added. You signify a dummy record by a key of X'FF's. The first byte of data contains the record number.
- When adding nonkeyed fixed-length records, give the block reference in the record identification field. The new records are written in the location specified, destroying the previous contents of that location.
- When adding keyed fixed-length records, track information only is used to search for a dummy key and record, which, when found, is replaced by the new

key and record. The location of the new record is returned to the application program in the block reference subfield of the record identification field.

For example, for a record with the following identification field:

```
0 3 0 ALPHA  
T T R KEY
```

the search starts at relative track three. When control is returned to the application program, the record identification field is:

```
0 4 6 ALPHA
```

showing that the record is now record six on relative track four.

- When adding variable-length blocked records you must include a 4-byte record description field (RDF) in each record. The first two bytes specify the length of the record (including the 4-byte RDF); the other two bytes consist of zeros.

---

## BDAM exclusive control

When a blocked record is read for update, CICS maintains exclusive control of the containing block. An attempt to read a second record from the block before the first is updated (by a REWRITE command), or before exclusive control is released (by an UNLOCK command), causes a deadlock.

---

## Chapter 26. Database control

This chapter introduces DL/I databases and “DATABASE 2 (DB2) databases”.

---

### DL/I databases

You get a logical view of the database in terms of a hierarchy of segments. DL/I lets you manipulate these segments without needing to know how they are organized. DL/I databases are processed by the IBM licensed program Information Management System/Enterprise Systems Architecture (IMS/ESA) Version 3 and later.

CICS has two programming interfaces to DL/I. We recommend that you use the higher-level EXEC DLI interface. It is straight-forward, works with EDF, and can fully exploit a 31-bit environment. The lower-level DL/I programming interface is the DL/I CALL interface.

This book does not discuss EXEC DLI commands. See “Books from related libraries” on page xvi for the books you need.

---

### DATABASE 2 (DB2) databases

DATABASE 2™ databases also provide data independence, offering a logical view of the database as a series of tables that you can interrelate more or less as you wish. DB2 lets you manipulate these tables without needing to know how they are organized. DB2 databases are processed by the IBM licensed program DATABASE 2, (DB2), Version 2 and later, Program Number 5665-DB2.

CICS has one interface to DB2—the EXEC SQL interface, which offers powerful statements for manipulating sets of tables—thus relieving the application program of record-by-record (segment-by-segment, in the case of DL/I) processing.

CICS applications that process DB2 tables can also access DL/I databases. Any CICS resources (files, transient data, and so on), DL/I, and DB2 can be accessed from within one transaction. See the *CICS IMS Database Control Guide* for information about what databases and resources you can access.

For information about SQL commands, which are not discussed in this book, see the *SQL Reference* manual.

### Requests to DB2

Requests from CICS applications to DB2 are made using EXEC SQL commands. DB2 runs in its own address space, like DBCTL. The CICS-DB2 and the CICS-DBCTL interfaces are similar in that they both use the task-related user exit interface (also known as the resource manager interface (RMI)) and have a two-phase commit process. However, they differ in a number of respects. For example, The CICS-DB2 interface uses the task-related user exit interface (also known as the resource manager interface (RMI)) and has a two-phase commit process. CICS supports DBCTL and remote DL/I, and has to determine at PSB schedule time which of them is being used.

When an application issues an EXEC SQL command, the following processing takes place:

1. The RMI is invoked from a stub that is link-edited to the application.
2. If this is the first DB2 request from this task, the RMI sets up a task interface element (TIE).
3. The RMI invokes the DB2 task-related user exit.

*The processing steps are illustrated in Figure 51. and are the responsibility of DB2, until control is returned to the RMI*

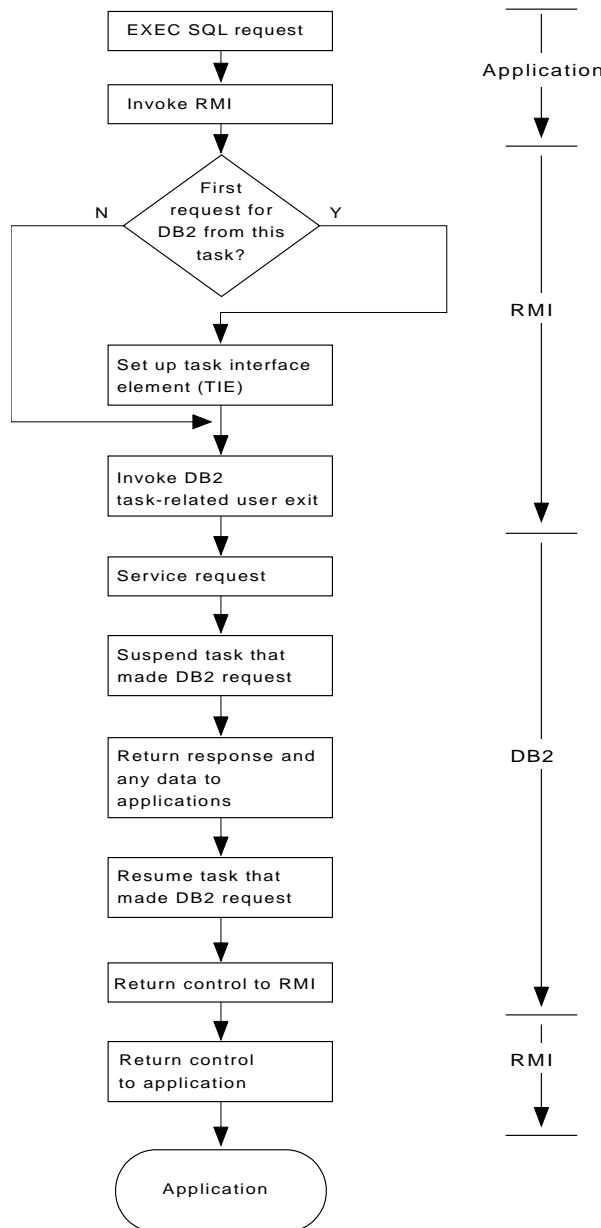


Figure 51. How EXEC SQL requests are processed

---

## Part 5. Data communication

<b>Chapter 27. Introduction to data communication</b>	297
Basic CICS terms . . . . .	298
How tasks are started . . . . .	299
Which transaction? . . . . .	300
CICS APIs for terminals . . . . .	303
Topics elsewhere in this book . . . . .	303
Where to find more information . . . . .	304
<b>Chapter 28. The 3270 family of terminals</b>	305
Background . . . . .	305
Screen fields . . . . .	306
Personal computers . . . . .	306
PCs as 3270s. . . . .	307
The 3270 buffer. . . . .	308
Writing to a 3270 terminal . . . . .	308
3270 write commands . . . . .	308
Write control character . . . . .	309
3270 display data: defining 3270 fields . . . . .	310
Display characteristics . . . . .	310
3270 field attributes . . . . .	310
Protection . . . . .	311
Modification. . . . .	311
Intensity . . . . .	311
Base color . . . . .	312
Extended attributes . . . . .	312
Orders in the data stream . . . . .	313
The start field order . . . . .	313
The modify field order . . . . .	314
The set buffer address order . . . . .	314
The set attribute order . . . . .	315
Outbound data stream sample. . . . .	315
Input from a 3270 terminal . . . . .	318
Data keys . . . . .	318
Keyboard control keys . . . . .	318
Attention keys . . . . .	318
The AID . . . . .	319
Reading from a 3270 terminal . . . . .	319
Inbound field format . . . . .	320
Input example . . . . .	320
Unformatted mode . . . . .	321
<b>Chapter 29. Basic mapping support</b>	323
Other sources on BMS . . . . .	323
BMS support levels . . . . .	324
Minimum BMS. . . . .	324
Standard BMS . . . . .	324
Full BMS . . . . .	324
A BMS output example . . . . .	325
Creating the map . . . . .	328
Defining map fields: DFHMDF . . . . .	329
Defining the map: DFHMDI . . . . .	331
Defining the map set: DFHMSD . . . . .	331
Rules for writing BMS macros. . . . .	332
Assembling the map . . . . .	334
Physical and symbolic map sets . . . . .	334
The SDF II alternative . . . . .	335
Grouping maps into map sets . . . . .	335
ADS Descriptor. . . . .	336
Complex fields . . . . .	336
Composite fields: the GRPNAME option . . . . .	336
Repeated fields: the OCCURS option . . . . .	337
Sending mapped output: basics . . . . .	338
The SEND MAP command . . . . .	339
Acquiring and defining storage for the maps . . . . .	339
BASE and STORAGE options . . . . .	340
Initializing the output map. . . . .	340
Moving the variable data to the map . . . . .	341
Setting the display characteristics. . . . .	341
Changing the attributes . . . . .	342
Attribute value definitions: DFHBMSCA . . . . .	343
Control options on the SEND MAP command . . . . .	343
Other BMS SEND options: WAIT and LAST . . . . .	344
Options for merging the symbolic and physical maps . . . . .	344
MAPONLY option. . . . .	344
DATAONLY option . . . . .	345
The SEND CONTROL command . . . . .	345
Summary: what appears on the screen . . . . .	346
What you start with . . . . .	346
What is sent. . . . .	346
Where the values come from . . . . .	347
Outside the map . . . . .	348
Using GDDM and BMS . . . . .	348
Positioning the cursor . . . . .	348
Sending invalid data and other errors . . . . .	349
Receiving data from a display . . . . .	349
An input-output example . . . . .	349
The symbolic input map. . . . .	352
Programming simple mapped input. . . . .	352
The RECEIVE MAP command. . . . .	353
Getting storage for mapped input: INTO and SET. . . . .	353
Reading from a formatted screen: what comes in . . . . .	354
Modified data . . . . .	354
Upper case translation . . . . .	355
Other information from RECEIVE MAP . . . . .	355
The attention identifier: what caused transmission. . . . .	355
The HANDLE AID command . . . . .	356
Finding the cursor. . . . .	356
Processing the mapped input . . . . .	357
Handling input errors . . . . .	357
Flagging errors . . . . .	358
Saving the good input . . . . .	358
Rechecking . . . . .	359
Mapped output after mapped input. . . . .	359
MAPFAIL and other exceptional conditions . . . . .	360
EOC condition . . . . .	361
Formatting other input . . . . .	361
Support for non-3270 terminals . . . . .	361
Output considerations for non-3270 devices . . . . .	362
Differences on input . . . . .	362

Special options for non-3270 terminals . . . . .	363	Data entry . . . . .	398
Device-dependent maps: map suffixes . . . . .	363	Lookaside . . . . .	398
Device dependent support: DDS . . . . .	364	Data comparison . . . . .	398
Finding out about your terminal . . . . .	367	Error messages . . . . .	398
The MAPPINGDEV facility . . . . .	367	How to define partitions . . . . .	398
SEND MAP with the MAPPINGDEV option . . . . .	367	3290 character size . . . . .	399
RECEIVE MAP with the MAPPINGDEV option . . . . .	368	Programming considerations . . . . .	400
Sample assembler MAPPINGDEV application . . . . .	369	Establishing the partitioning . . . . .	400
Block data . . . . .	370	Partition options for BMS SEND commands . . . . .	401
Sending mapped output: additional facilities . . . . .	371	Determining the active partition . . . . .	401
Output disposition options: TERMINAL, SET, and PAGING . . . . .	371	Partition options for BMS RECEIVE commands . . . . .	401
BMS logical messages . . . . .	372	ASSIGN options for partitions . . . . .	402
Rules for logical messages . . . . .	372	Partitions and logical messages . . . . .	402
Ending a logical message: the SEND PAGE command . . . . .	373	Partitions and routing . . . . .	403
PAGING options: RETAIN and RELEASE . . . . .	374	New attention identifiers and exception conditions . . . . .	403
The AUTOPAGE option . . . . .	375	Terminal sharing . . . . .	403
Terminal operator paging: the CSPG transaction . . . . .	375	Restrictions on partitioned screens . . . . .	404
Changing your mind: The PURGE MESSAGE command . . . . .	376	Logical device components . . . . .	404
Logical message recovery . . . . .	376	Defining logical device components . . . . .	404
Page formation: the ACCUM option . . . . .	376	Sending data to a logical device component . . . . .	405
Floating maps: how BMS places maps using ACCUM . . . . .	377	LDCs and logical messages . . . . .	405
Page breaks: BMS overflow processing . . . . .	377	LDCs and routing . . . . .	405
Map placement rules . . . . .	378	BMS support for other special hardware . . . . .	406
ASSIGN options for cumulative processing . . . . .	380	10/63 magnetic slot reader . . . . .	406
Input from a composite screen . . . . .	380	Field selection features . . . . .	407
Performance considerations . . . . .	381	Trigger field support . . . . .	407
Minimizing path length . . . . .	381	Cursor and pen-detectable fields . . . . .	407
Reducing message lengths . . . . .	382	Selection fields . . . . .	408
Formatting text output . . . . .	382	Attention fields . . . . .	408
The SEND TEXT command . . . . .	382	BMS input from detectable fields . . . . .	409
Text logical messages . . . . .	383	Outboard formatting . . . . .	409
Page format for text messages . . . . .	383	<b>Chapter 30. Terminal control . . . . .</b>	<b>411</b>
How BMS breaks text into lines . . . . .	384	Access method support . . . . .	411
Header and trailer format for text messages . . . . .	385	Terminal control commands . . . . .	412
SEND TEXT extensions: SEND TEXT MAPPED and SEND TEXT NOEDIT . . . . .	386	Data transmission commands . . . . .	412
Message routing: the ROUTE command . . . . .	387	Send/receive mode . . . . .	413
How routing works . . . . .	387	Contention for the terminal . . . . .	413
Specifying destinations for a routed message . . . . .	388	RETURN IMMEDIATE . . . . .	414
Eligible terminals . . . . .	388	Speaking out of turn . . . . .	414
Destinations specified with OPCLASS only . . . . .	389	Interrupting . . . . .	415
OPCLASS and LIST omitted . . . . .	389	Terminal waits . . . . .	415
Route list provided . . . . .	389	What you get on a RECEIVE . . . . .	415
Route list format . . . . .	390	Input chaining . . . . .	416
Delivery conditions . . . . .	392	Logical messages . . . . .	416
Undeliverable messages . . . . .	392	NOTRUNCATE option . . . . .	416
Temporary storage and routing . . . . .	393	Print key . . . . .	416
Message identification . . . . .	393	Control commands . . . . .	416
Programming considerations with routing . . . . .	394	Finding the right commands . . . . .	417
Routing and page overflow . . . . .	394	Finding out about your terminal . . . . .	422
Routing with SET . . . . .	394	EIB feedback on terminal control operations . . . . .	423
Interleaving a conversation with message routing . . . . .	395	VTAM considerations . . . . .	424
Using SET . . . . .	395	Chaining input data . . . . .	424
Partition support . . . . .	396	Chaining output data . . . . .	425
Uses for partitioned screens . . . . .	397	Handling logical records . . . . .	425
Scrolling . . . . .	397	Response protocol . . . . .	426
		Using function management headers . . . . .	426
		Inbound FMH . . . . .	426
		Outbound FMH . . . . .	427
		Preventing interruptions (bracket protocol) . . . . .	427

Sequential terminal support . . . . .	427
Coding considerations for sequential terminals	428
Print formatting . . . . .	429
GOODNIGHT convention . . . . .	429
TCAM considerations . . . . .	429
Coding for the DCB interface . . . . .	429
Sending to another terminal . . . . .	430
Coding for the ACB interface . . . . .	430
Batch data interchange . . . . .	430
Destination selection and identification . . . . .	432
Selection by named data set . . . . .	432
Selection by medium . . . . .	432
Definite response . . . . .	432
Waiting for function completion . . . . .	432
<b>Chapter 31. CICS support for printing . . . . .</b>	<b>433</b>
Formatting for CICS printers . . . . .	433
3270 printers . . . . .	434
Options for 3270 printers . . . . .	435
PRINT option and print control bit . . . . .	435
ERASE . . . . .	436
Line width options: L40, L64, L80, and	
HONEYMOM . . . . .	436
NLEOM option. . . . .	436
FORMFEED . . . . .	437
PRINTERCOMP option . . . . .	438
Non-3270 CICS printers . . . . .	438
SCS input . . . . .	439
Determining the characteristics of a CICS	
printer. . . . .	439
BMS page size, 3270 printers . . . . .	439
Supporting multiple printer types . . . . .	440
CICS printers: getting the data to the printer . . . . .	440
Printing with a START command. . . . .	440
Printing with transient data . . . . .	441
Task that wants to print (on printer PRT1):	
Task that gets triggered: . . . . .	442
Printing with BMS routing . . . . .	442
Non-CICS printers. . . . .	443
Formatting for non-CICS printers. . . . .	443
Non-CICS printers: Delivering the data. . . . .	443
CICS API considerations. . . . .	443
Notifying the print application . . . . .	445
Printing display screens . . . . .	445
CICS print key . . . . .	445
ISSUE PRINT and ISSUE COPY . . . . .	446
Hardware print key . . . . .	446
BMS screen copy . . . . .	447
<b>Chapter 32. CICS interface to JES. . . . .</b>	<b>449</b>
Creating a spool file . . . . .	449
Reading input spool files . . . . .	450
Identifying spool files . . . . .	451
Some examples of SPOOLOPEN for OUTPUT	
with OUTDESCR option. . . . .	454
COBOL . . . . .	454
PL/I . . . . .	455
C . . . . .	455
ASSEMBLER . . . . .	456
Programming note for spool commands . . . . .	456
Spool interface restrictions . . . . .	456





---

## Chapter 27. Introduction to data communication

This part of the manual covers CICS facilities for communicating with the terminals through which the users access CICS applications.

CICS supports communication with other applications as well as with terminals, including other CICS regions, IMS/DC, and any program that understands one of the standard protocols that CICS uses for the purpose. Communications between applications are different in character from those with a terminal, however, and require a different application programming interface. CICS provides several sets of commands for this purpose. They are not covered in this manual; you will find them instead in the *CICS Distributed Transaction Programming Guide*.

### Java and C++

The application programming interface described in this part of the book is the EXEC CICS API, which is not used in Java programs. For information about Java programs using the JCICS classes to access CICS data communication services, see “The JCICS Java classes” on page 69 and the JCICS Javadoc html documentation. For information about C++ programs using the CICS C++ classes see the *CICS C++ OO Class Libraries* manual.

This chapter introduces the subject of data communications, preparing the ground for the remaining chapters in this part of the book. It explains:

- “Basic CICS terms” on page 298
- “How tasks are started” on page 299
- “Which transaction?” on page 300
- “CICS APIs for terminals” on page 303
- “Topics elsewhere in this book” on page 303
- “Where to find more information” on page 304

---

## Basic CICS terms

Here are several terms that are used throughout this part of the book:

### Terminal

A hardware device from which data can enter or leave CICS over a communication channel. It is usually some combination of keyboard, display screen and print mechanism. It may also be a control unit or a processor emulating a terminal, but it is not another application. The material in this part, together with descriptions of the commands cited here, tells you how to program for the wide variety of terminals which CICS supports. The commands are described in the *CICS Application Programming Reference* manual.

### Logical unit (LU)

The VTAM term for the end point of a data transmission. That is, VTAM transmits data from one LU to another. (VTAM is an access method for terminals; see “Access method support” on page 411.) An LU may be a terminal, but it may also be a host application (CICS or IMS/DC, among others). VTAM distinguishes between different categories of end points by defining seven types of logical unit. Types 1, 2, and 3 are generally what would be called terminals. Type 0 may be a terminal, or it may be a control unit or processor using a very simple communications protocol. Type 4 is a programmable control unit. Type 6.1 and Type 6.2 (APPC) are reserved for program-to-program communications (the type not covered in this chapter). In this section, the term *logical unit* is used to mean specifically a terminal connected under VTAM, and *terminal* when the access method is not important.

### Transaction

When CICS is described as an online transaction processing system, *transaction* is used in the ordinary sense of an interaction between two participants. Making an airline reservation, posting a payment, sending a bill are all examples.

However, **transaction** also has a specific meaning in CICS, which applies to the material in this section and throughout the manual. It means the processing executed for one specific *type* of request. A request type may represent a whole process, like making an airline reservation, or a subcomponent of that process, like selecting a seat. Your application design defines what constitutes a request type, and you describe each one to CICS with a TRANSACTION definition. This definition tells CICS several things about the work to be done; the key one is what program to invoke first. (You only have to tell CICS where to start in the TRANSACTION definition; execution flow is controlled by the programs themselves thereafter.)

Transactions are identified by a **transaction identifier** (or, often, **transaction code**), a 1- to 4-character code by which both users and programs indicate the type of processing to be performed.

**Task** You will also see the word **task** used extensively here. This word also has a specific meaning in CICS: it is *one instance* of the execution of a particular transaction type. That is, one execution of a transaction, with a particular set of data, usually on behalf of a particular user at a particular terminal.

### Principal facility

If you have looked at the programming information for the commands for terminals in the *CICS Application Programming Reference* manual, you may

have noticed that there is no way to indicate *which* terminal you are talking about. That is because CICS allows a task to communicate directly with only one terminal, namely its **principal facility**. CICS assigns the principal facility when it initiates the task, and the task “owns” the facility for its duration. No other task can use that terminal until the owning task ends. If a task needs to communicate with a terminal other than its principal facility, it must do so indirectly, by creating another task that has the terminal as its principal facility. This requirement arises most commonly in connection with printing, and how you can create such a task is explained in “CICS printers: getting the data to the printer” on page 440.<sup>7</sup>

### Alternate facility

Although a task may communicate directly with only one terminal, it can also establish communications with one or more remote systems. It does this by asking CICS to assign a conversation with that system to it as an **alternate facility**. The task “owns” its alternate facilities in the same way that it owns its principal facility. Ownership lasts from the point of assignment until task end or until the task releases the facility.

---

## How tasks are started

Work is started in CICS—that is, tasks are initiated—in one of two ways:

1. From unsolicited input
2. By automatic task initiation (ATI)

Automatic task initiation occurs when:

- An existing task asks CICS to create another one. The START command, the IMMEDIATE option on a RETURN command (discussed in “RETURN IMMEDIATE” on page 414), and the SEND PAGE command (in “Ending a logical message: the SEND PAGE command” on page 373) all do this.
- CICS creates a task to process a transient data queue (see “Automatic transaction initiation (ATI)” on page 497).
- CICS creates a task to deliver a message sent by a BMS ROUTE request (see “Message routing: the ROUTE command” on page 387). The CSPG tasks you see after using the CICS-supplied transaction CMSG are an example of this. CMSG uses a ROUTE command which creates a CSPG transaction for each target terminal in your destination list.

The primary mechanism for initiating tasks, however, is unsolicited input. When a user transmits input from a terminal which is not the principal facility of an existing task, CICS creates a task to process it. The terminal that sent the input becomes the principal facility of the new task.

Unsolicited inputs from other systems are handled in the same way: CICS creates a task to process the input, and assigns the conversation over which the input arrived as the principal facility. (Thus a conversation with another system may be either a principal or alternate facility. In the case where a task in one CICS region initiates a conversation with another CICS region, the conversation is an alternate facility of the initiating task, but the principal facility of the partner task created by the receiving system. By contrast, a terminal is always the principal facility.)

---

7. You can specify a terminal destination other than your principal facility in a SEND command if the destination is under TCAM control, an apparent exception to this rule. This is possible because communications with TCAM terminals are always queued. Thus your task does not write directly to the destination terminal, but instead writes to a queue that will be delivered to it subsequently by TCAM (see “TCAM considerations” on page 429). BMS routing, described in “Message routing: the ROUTE command” on page 387, is another form of indirect access to other terminals by queues.

Not all tasks have a principal facility. Tasks that result from unsolicited input always do, by definition, but a task that comes about from automatic task initiation may or may not need one. When it does, CICS waits to initiate the task until the requested facility is available for assignment to the task.

---

## Which transaction?

Having received an unsolicited input, how does CICS decide what to do with it? That is, what transaction should the task created to process it execute? The short answer is that the previous task with the same principal facility usually tells CICS what transaction to execute next just before it ends, by the TRANSID option on its final RETURN. This is almost always the case in a pseudoconversational transaction sequence, and usually in menu-driven applications as well. Failing that, and in any case to get a sequence started, CICS interprets the first few characters of the input as a transaction code. However, it is more complicated than that; the exact process goes as follows. The step numbers indicate the order in which the tests are made and refer to Figure 52 on page 301, a diagram of this logic.

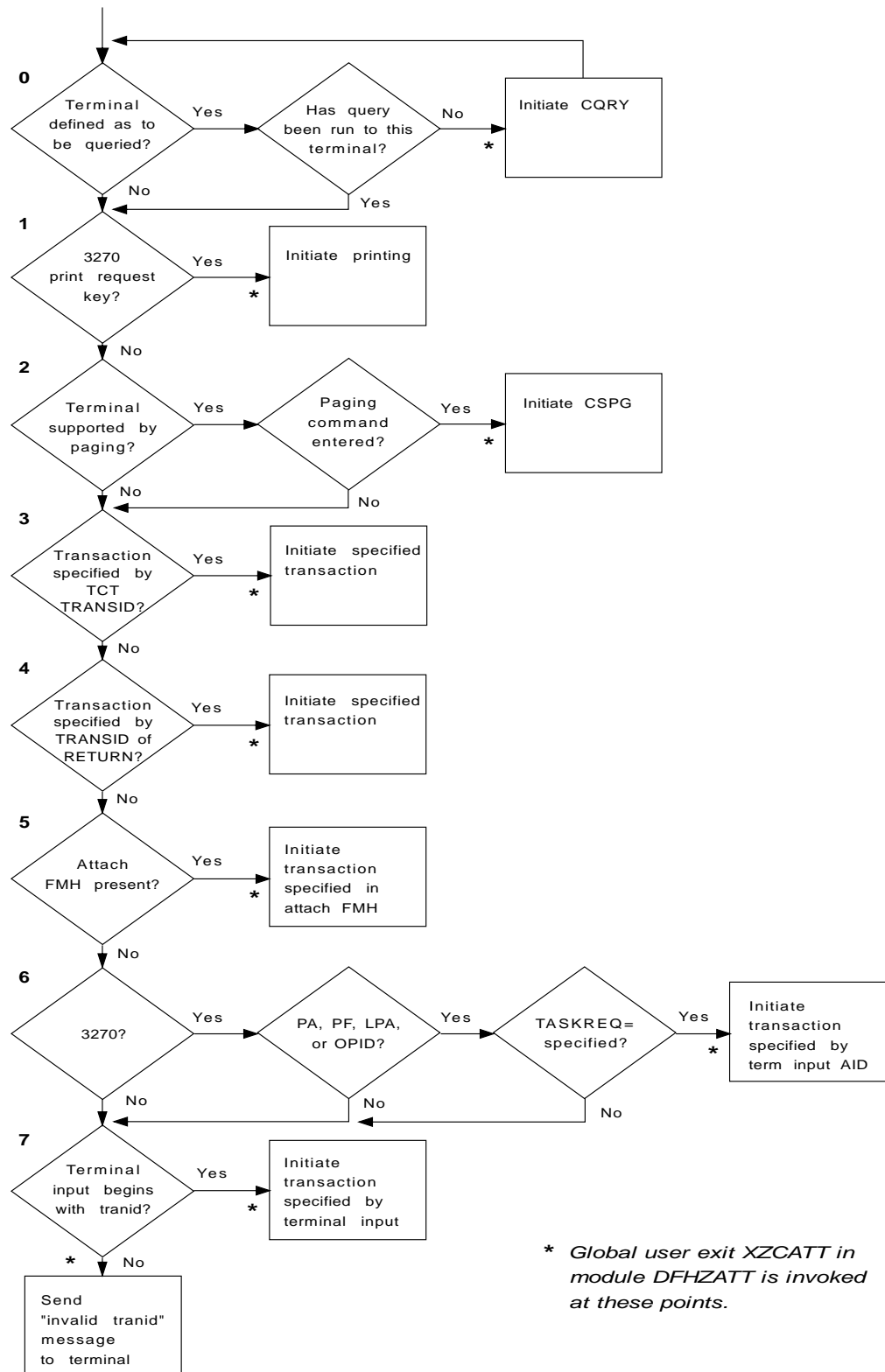


Figure 52. Determining which transaction to execute

0. On the very first input from a terminal, CICS sometimes schedules a preliminary task before creating one to process the input. This task executes the CICS-supplied “query” transaction, CQRY, which causes the

terminal to transmit an encoded description of some of its hardware characteristics—extended attributes, character sets, and so on.

CQRY allows the system programmer to simplify maintenance of the terminal network by omitting these particulars from the terminal definitions. It occurs only if the terminal definition so specifies, and has no effect on the subsequent determination of what transaction to use to process the input, which goes as follows.

1. If the terminal is a 3270 and the input is the “print request key”, the CICS-supplied transaction that prints the contents of the screen, CSPP, is initiated. See “CICS print key” on page 445 for more information about this feature. For this purpose, a “3270 logical unit” or any other device that accepts the 3270 data stream counts as a 3270.
2. If full BMS support is present, the terminal is of a type supported by BMS terminal paging, and the input is a paging command, the CICS-supplied transaction CSPG is initiated to process the request. BMS support levels are explained in “BMS support levels” on page 324, and the same section contains a list of the terminals that BMS supports. The PGRET, SKRxxxx, PGCHAIN, PGCOPY, and PGPURGE options in the system initialization table define the paging commands. As paging requires full BMS, this step is skipped if the CICS system contains less than that level.
3. If the terminal definition indicates that a specific transaction should be used to process all unsolicited inputs from that terminal, the indicated transaction is executed. (If present, this information appears in the TRANSACTION attribute of the TERMINAL definition.)
4. If the previous task at the terminal specified the TRANSID option of the RETURN command that ended it, the transaction named is executed.
5. If an attach function management header is present in the input, the attach names in the header are converted to a 4-character CICS transaction identifier, and that transaction is executed.
6. If the terminal is a 3270, and the attention identifier is defined as a transaction, that transaction is executed. “Attention keys” on page 318 explains attention identifiers. You define one as a transaction identifier with the TASKREQ attribute of the corresponding TRANSACTION definition.
7. If all of the preceding tests fail, the initial characters of the input are used to identify the transaction to be executed. The characters used are the first ones (up to four) after any control information in the data stream and before the first field separator character. Field separators are defined in the FLDSEP option of the system initialization table (the default is a blank).

If there are no such characters in the input, as occurs when you use the CLEAR key, for example, or if there is no transaction definition that matches the input, CICS cannot determine what transaction to execute and sends an “invalid transaction identification” message to the terminal.

**Note:** This logic for deciding which transaction to execute applies only to tasks initiated to process unsolicited inputs. For automatic transaction initiation, the transaction is always known. You specify it in the TRANSID option when you create a task with a START or RETURN IMMEDIATE. Similarly, you specify what transaction should be used to process a transient data queue in the queue definition. Tasks created to route messages always execute the CICS-supplied transaction CSPG.

---

## CICS APIs for terminals

The CICS application programming interface contains two sets of commands for communicating with terminals:

1. Terminal control commands
2. Basic Mapping Support (BMS)

Terminal control is the more basic of the two. It gives you flexibility and function, at the cost of more programming. In particular, if you code at the terminal control level, you need to build the device data stream in your application.

BMS lets you communicate with a terminal at a much higher language level. It formats your data, and you do not need to know the details of the data stream. It is thus easier to code initially and easier to maintain, especially if your application has to support new types of terminal. However, BMS pathlengths are longer (BMS itself uses terminal control), and BMS does not support all the terminal types that terminal control does. BMS is the subject of “Chapter 29. Basic mapping support” on page 323, and “Chapter 30. Terminal control” on page 411 covers terminal control.

Finally, you can use CPI-C “sockets” calls to communicate with terminals or other systems. This interface is covered in “Chapter 17. Intercommunication considerations” on page 205.

---

## Topics elsewhere in this book

Although BMS and terminal control are discussed separately, some of the discussion in the BMS chapter applies to terminal control as well. These topics have been covered where they naturally arise and you should be aware of them if you are using only one interface. They include:

- EIB (execute interface block) fields that contain information specific to terminal operations, discussed in “EIB feedback on terminal control operations” on page 423.
- ASSIGN command options specific to terminals. You can use these to find out the characteristics of the principal facility for your task. See “Finding out about your terminal” on page 422.
- DFHBMSCA, a useful set of attribute byte definitions in a CICS-supplied copybook (see “Attribute value definitions: DFHBMSCA” on page 343).
- “The HANDLE AID command” on page 356. HANDLE AID lets you specify program flow based on the key used to transmit the input.
- “Performance considerations” on page 381.
- What happens when you send an invalid data stream, in “Sending invalid data and other errors” on page 349.
- Send-receive conventions, in “Send/receive mode” on page 413 and “Preventing interruptions (bracket protocol)” on page 427.
- Translation of mixed case input to uppercase, in “Upper case translation” on page 355.
- Saving input data between tasks in a pseudoconversational sequence, discussed in “Saving the good input” on page 358.

If you are not familiar with 3270s and you plan to code for one or to use BMS on any terminal, read “Chapter 28. The 3270 family of terminals” on page 305. You do not have to read the whole chapter; we have noted shortcuts for BMS users. There is also material on special features of 3270s in the BMS chapter, in “BMS support

for other special hardware” on page 406, and 3270 printers are covered in “Chapter 31. CICS support for printing” on page 433. You should also read “Personal computers” on page 306 if you are using a personal computer as a terminal or as the client in a client-server configuration.

---

## **Where to find more information**

The commands cited in the chapters that follow are described fully in the *CICS Application Programming Reference* manual, and you should use that manual in conjunction with this one.



---

## Chapter 28. The 3270 family of terminals

This chapter helps you to understand 3270 facilities and operation, so that you can use these terminals to best advantage in creating the end-user interface for your application. Some appreciation of the 3270 is also crucial to understanding BMS, because so many facilities of BMS exploit features of the 3270.

This chapter contains the following information:

- “Background”
- “The 3270 buffer” on page 308
- “3270 display data: defining 3270 fields” on page 310
- “Input from a 3270 terminal” on page 318
- “Unformatted mode” on page 321

The 3270 is a family of display and printer terminals, with supporting control units, that share common characteristics and use the same encoded data format to communicate between terminal and host processor. This data format is known as the **3270 data stream**.

The 3270 is a complex device with many features and capabilities. Only basic operations are covered here and the emphasis is on the way CICS supports the 3270. For a comprehensive discussion of 3270 facilities, programming and data stream format, see the *IBM 3270 Information Display System Data Stream Programmer's Reference* manual. Programmers using terminal control commands still need to consult the *IBM 3270 Information Display System Data Stream Programmer's Reference* manual for details. The *IBM CICS/OS/VS 3270 Data Stream Device Guide* also contains much important information. It is primarily intended for programmers using terminal control, but contains information that may be helpful for BMS programmers as well. BMS support for a few special features is discussed in the BMS chapter. (See page “BMS support for other special hardware” on page 406 for more information.)

Although the discussion in this chapter is focused on display terminals, most of the material applies equally to 3270 printers. A 3270 printer accepts the same data stream as a 3270 display and simply delivers the screen image in hardcopy form. Most of the differences relate to input, which is (mostly) lacking on printers.

However, additional formatting facilities are available for use with printers, and there are special considerations in getting your printed output to the desired printer. For more information see “Chapter 31. CICS support for printing” on page 433.

---

### Background

The development of the 3270 coincided with, and in part caused, the explosive growth of online transaction processing that began in the late 1960s. Consequently, the 3270 was a major influence in the design of transaction processing systems such as CICS.

The earliest terminal devices for online processing were adaptations of the teletype, the original and most basic computer terminal. Output was typed, and structure in the input typed by the operator was determined entirely by program convention, without any assists from the hardware. Cathode-ray tube terminals brought a

revolutionary improvement in output speed, allowing a complexity of application not previously possible, but formatting on early CRTs was not much more sophisticated than on their hard-copy predecessors.

## Screen fields

The 3270 transformed the user interface by introducing the concept of **fields** on a display screen. Each field on the screen has a starting position and individual attributes, such as display intensity, color, and whether or not you can key data into it. Fields introduce structure into the communication between program and terminal operator in the same way that fields in a file record provide structure for interaction between programs and data.



*Figure 53. Part of a formatted screen, showing fields. Each block of text on the screen is a separate field. The fields on the left were filled in by program; those on the right were completed by an operator.*

Organizing a screen display into fields has many advantages:

- The screen is easier to read, because fields can have different display characteristics.
- Data entry is enhanced by providing clear visual and keyboard cues about the order and format of the information required. The screen can be as explicit as a standard “fill-in-the-blanks” paper form. (Keyboard facilities reinforce the structure imposed by the fields. The keyboard locks if the operator tries to key into the wrong place. There are keys that tab from one field to the next, another that erases just the current field, and so on.)
- The length of the outbound data stream is reduced, because you send only nonblank (that is, nonspacer) data.
- The inbound data stream is also reduced, because the host normally reads only the changed fields.

## Personal computers

The advent of personal computers (PCs) and intelligent workstations brought a second revolution in terminal display function. These terminals differ from 3270s in two important respects:

- They are generally “all points addressable”. That is, you can address any point on the display raster, just as you can on a television screen. A typical display might contain a grid of 640 by 480 points in the space normally used to display a single character on an earlier display. Moreover, a whole palette of colors and intensities is available at each point.

In contrast, a 3270 screen is divided into an array of character positions, typically 24 down and 80 across. Each position consists of an array of raster points, but you cannot address them individually. You can only select a character, from a set of about 190 choices, for each position. Some terminals allow you to select from several character sets and to load new sets, allowing a rudimentary form of graphics, but essentially you are working with a terminal

that displays text, numbers and symbols. You get some control of how the characters are displayed, but the choices are very limited in comparison with a PC display.

- The second difference is what makes the first possible. Personal computers and intelligent workstations contain a processor, memory, and programming (that is, “intelligence”) that make it possible to communicate with this very much more complex hardware through a relatively simple programming interface and minimum long-distance transmission of data.

These characteristics make possible a much higher-function end-user interface than that of the 3270. You can draw pictures, select from a variety of fonts, scale images in size, and so on. If you are writing a new application, and all of your users access it from such terminals, you may want to take advantage of this function to create the most efficient end-user interface possible for your application.

CICS cannot provide this type of function directly, but it does provide a number of ways for a task to communicate with a workstation, so that you can use a software package tailored for your particular workstation in combination with CICS. One popular approach is to use one of these packages, executing on the PC, to build your screens and handle the interactions with your user—that is, to implement the “front end” of your application. This code can then communicate with the part of your application that does the actual processing—the “back end” or “business logic” part—executing under CICS on the host. Communication between the two parts of the application can be done in several ways, depending on what your workstation supports:

- You can use one of the SNA application-to-application protocols, such as APPC.
- You can use the CPI-C “sockets” interface (see “Chapter 17. Intercommunication considerations” on page 205).
- You can use CICS on the workstation and use CICS facilities to communicate, or even distribute the business logic between the host and the workstation. CICS runs on many of these platforms, including OS/2, AIX, OS/400, and others.

When you do this, you can execute specific commands on the host (file operations, for example), or whole programs, or whole tasks. Executing commands remotely is called **function shipping**, executing a program remotely is called a **distributed program link**, and executing the whole task remotely is called **transaction routing**. See the *CICS Intercommunication Guide* for a full discussion of the possibilities, and the *CICS Distributed Transaction Programming Guide* for implementation details.

- You can use the terminal in emulation mode, a technique explained in “PCs as 3270s”.

If some of your users have 3270s or other nonprogrammable terminals, on the other hand, or if you are modifying an existing 3270 application, you need to use one of the CICS APIs for terminals. See “CICS APIs for terminals” on page 303 for information on which to base your choice.

### **PCs as 3270s**

Although there is a different programming interface for a PC display, you can use PCs as “3270” terminals. Almost all PCs have programs available that emulate a 3270. These programs convert output in 3270 data stream format into the set of PC instructions that produces the same display on the screen, and similarly convert keyboard input into the form that would have come from a 3270 with the same screen contents.

Under an emulator, the PC display has essentially the same level of function as a real 3270. This limits your access to the more powerful PC hardware, although an emulator program often gives you a means to switch easily from its control to other programs that use the display in full function mode. Moreover, the hardware on a particular PC does not always permit exact duplication of 3270 function (the keyboard may be different, for example). Consequently, your PC may not always behave precisely as described in this chapter or in the *IBM 3270 Information Display System Data Stream Programmer's Reference* manual, although the differences are usually minor.

---

## The 3270 buffer

Communication with a 3270 device occurs through its **character buffer**, which is a hardware storage mechanism similar to the memory in a processor. Output to the 3270 is sent to the buffer. The buffer, in turn, drives the display of a display terminal and the print mechanism of a printer terminal.

Conversely, keyboard input reaches the host through the buffer, as explained in "Input from a 3270 terminal" on page 318.

Each position on the screen corresponds to one in the buffer, and the contents of that buffer position determine what is displayed on the screen. When the screen is formatted in fields, the first position of each field is used to store certain display characteristics of the field and is not available to display data (it appears blank). In the original models of the 3270, this byte was sufficient to store all of the display characteristics. In later models, which have more types of display characteristics, the additional information is kept in an area of buffer storage not associated with a fixed position on the screen. There is more about display characteristics on page 310.

## Writing to a 3270 terminal

To create a 3270 display, you send a stream of data that consists of:

- A write command (one byte)
- A write control character or **WCC** (one byte)
- Display data (variable number of bytes)

The WCC and display data are not always present; the write command determines whether a WCC follows and whether data may or must be present.

When you use BMS, CICS builds the entire data stream for you. The WCC is assembled from options in the SEND command, and the write command is selected from other SEND options and information in the PROFILE of the transaction being executed. Display data is built from map or text data that you provide, which BMS translates into 3270 format for you.

When you use terminal control commands, such as SEND, CICS still supplies the write command, built from the same information. However, you provide the WCC and you must express the display data in 3270 format.

## 3270 write commands

Even though CICS supplies the write command, you need to know the possibilities, so that you can select the options that produce the one you want. There are five 3270 commands that send data or instructions to a terminal:

- Write
- Erase/write

- Erase/write alternate
- Erase all unprotected fields
- Write structured fields

The **3270 write** command sends the data that follows it to the 3270 buffer, from which the screen (or printer) is driven. **Erase/write** and **erase/write alternate** also do this, but they erase the buffer first (that is, they set it entirely to null values). They also determine the buffer size (the number of rows and columns on the screen), if the terminal has a feature called **alternate screen size**.

Terminals with this feature have two sizes, **default size** and **alternate size**. The erase/write command causes the default size to be used in subsequent operations (until the next erase/write or erase/write alternate command), and erase/write alternate selects the alternate size, as the names suggest.

CICS uses the plain write command to send data unless you include the ERASE option on your SEND command. If you specify ERASE DEFAULT on your SEND, CICS uses erase/write instead (setting the screen to default size), and ERASE ALTERNATE causes CICS to use erase/write alternate (setting alternate size). If you specify ERASE without DEFAULT or ALTERNATE, CICS looks at the PROFILE definition associated with the transaction you are executing to decide whether to use erase/write or erase/write alternate.

The **erase unprotected to address** command causes a scan of the buffer for unprotected fields (these are defined more precisely in “3270 field attributes” on page 310 ). Any such fields that are found are set to nulls. This selective erasing is useful in data entry operations, as explained in “The SEND CONTROL command” on page 345. No WCC or data follows this command; you send only the command.

**Write structured fields** causes the data that follows to be interpreted as 3270 structured fields. **Structured fields** are required for some of the advanced function features of the 3270. They are not covered here, but you can write them with terminal control SEND commands containing the STRFIELD option. See the *IBM CICS/OS/VS 3270 Data Stream Device Guide* if you wish to do this.

## Write control character

The byte that follows a 3270 write, erase/write or erase/write alternate command is the **write control character** or **WCC**. The WCC tells the 3270 whether or not to:

- Sound the audible alarm
- Unlock the keyboard
- Turn off the modified data tags
- Begin printing (if terminal is a printer)
- Reset structured fields
- Reset inbound reply mode

In BMS, CICS creates the WCC from the ALARM, FREEKB, FRSET, and PRINT options on your SEND MAP command. If you use terminal control commands, you can specify your WCC explicitly, using the CTLCHAR option. If you do not, CICS generates one that unlocks the keyboard and turns off the modified data tags (these are explained shortly, in “Modification” on page 311).

---

## 3270 display data: defining 3270 fields

Display data consists of a combination of characters to be displayed and instructions to the device on how and where to display them. Under ordinary circumstances, this data consists of a series of field definitions, although it is possible to write the screen without defining fields, as explained in “Unformatted mode” on page 321.

After a write command that erases, you need to define every field on the screen. Thereafter, you can use a plain write command and send only the fields you want to change.

To define a field, you need to tell the 3270:

- How to display it
- What its contents are
- Where it goes on the screen (that is, its starting position in the buffer)

### Display characteristics

Each field on the screen has a set of display characteristics, called **attributes**. Attributes tell the 3270 *how* to display a field, and you need to understand what the possibilities are whether you are using BMS or terminal control commands. Attributes fall into two categories:

#### Field attributes

These include:

- Protection (whether the operator can modify the field or not)
- Modification (whether the operator *did* modify the field)
- Display intensity

All 3270s support field attributes; “3270 field attributes” explains your choices for them.

Field attributes are stored in the first character position of a field. This byte takes up a position on the screen and not only stores the field attributes, but marks the beginning of the field. The field continues up to the next attributes byte (that is, to the beginning of the next field). If the next field does not start on the same line, the current one wraps from the end of the current line to the beginning of the next line until another field is encountered. A field that has not ended by the last line returns to the first.

#### Extended field attributes

(Usually shortened to **extended attributes**). These are not present on all models of the 3270. Consequently, you need to be aware of which ones are available when you design your end-user interface. Extended attributes include special forms of highlighting and outlining, the ability to use multiple symbol sets and provision for double-byte character sets. Table 19 on page 312 lists the seven extended attributes and the values they can take.

### 3270 field attributes

As noted above, the field attributes byte holds the protection, modification and display intensity attributes of a field. Your choices for each of these attributes are described here using the terms that BMS uses in defining formats. If you use terminal control commands, you need to set the corresponding bits in the attributes byte to reflect the value you choose. (See the *IBM 3270 Information*

*Display System Data Stream Programmer's Reference* manual for the bit assignments. See also "Attribute value definitions: DFHBMSCA" on page 343 for help from CICS in this area.)

### **Protection**

There are four choices for the protection attribute, using up two bit positions in the attributes byte. They are:

#### **Unprotected**

The operator can enter any data character into an unprotected field.

#### **Numeric-only**

The effect of this designation depends on the keyboard type of the terminal. On a data entry keyboard, a numeric shift occurs, so that the operator can key numbers without shifting. On keyboards equipped with the "numeric lock" special feature, the keyboard locks if the operator uses any key except one of the digits 0 through 9, a period (decimal point), a dash (minus sign) or the DUP key. This prevents the operator from keying alphabetic data into the field, although the receiving program must still inspect the entry to ensure that it is a number of the form it expects. Without the numeric lock feature, numeric-only allows any data into the field.

#### **Protected**

The operator cannot key into a protected field. Attempting to do so locks the keyboard.

#### **Autoskip**

The operator cannot key into an autoskip field either, but the cursor behaves differently. (The cursor indicates where the operator's next keystroke will go; for more information about this, see "Input from a 3270 terminal" on page 318.) Whenever the cursor is being advanced to a new field (either because the previous field filled or because a field advance key was used), the cursor skips over any autoskip fields in its path and goes to the first field that is either unprotected or numeric-only.

### **Modification**

The second item of information in the field attributes byte occupies only a single bit, called the **modified data tag** or **MDT**. The MDT indicates whether the field has been modified or not. The hardware turns on this bit automatically whenever the operator makes any change to the field contents. The MDT bit is very important because, for the read command that CICS normally uses, it determines whether the field is included in the inbound data or not. If the bit is on (that is, the field was changed), the 3270 sends the field; if not, the field is not sent.

You can also turn the MDT on by program, when you send a field to the screen. Using this feature ensures that a field is returned on a read, even if the operator cannot or does not change it. The FRSET option on BMS SEND commands allows you to turn off the tags for all the fields on the screen by program; you cannot turn off individual tags by program. If you are using terminal control commands, you turn on a bit in the WCC to turn off an individual tag.

### **Intensity**

The third characteristic stored in the attributes byte is the display intensity of the field. There are three mutually exclusive choices:

#### **Normal intensity**

The field is displayed at normal brightness for the device.

**Bright** The field is displayed at higher than normal intensity, so that it appears highlighted.

**Nondisplay**

The field is not displayed at all. The field may contain data in the buffer, and the operator can key into it (provided it is not protected or autoskip), but the data is not visible on the screen.

Two bits are used for display intensity, which allows one more value to be expressed than the three listed above. For terminals that have either of the associated special hardware features, these same two bits are used to determine whether a field is light-pen detectable or cursor selectable. Because there are only two bits, not all combinations of intensity and selectability are possible. The compromise is that bright fields are always detectable, nondisplay fields are never detectable, and normal intensity fields may be either. “Cursor and pen-detectable fields” on page 407 contains more information about these features.

**Base color**

Some terminals support **base color** without, or in addition to, the **extended colors** included in the extended attributes. There is a mode switch on the front of such a terminal, allowing the operator to select base or default color. Default color shows characters in green unless field attributes specify bright intensity, in which case they are white. In base color mode, the protection and intensity bits are used in combination to select among four colors: normally white, red, blue, and green; the protection bits retain their protection functions as well as determining color.

## Extended attributes

In addition to the field attributes just described, some 3270 terminals have extended attributes as well. Table 19 lists the types of extended attributes in the first column and the possible values for each type in the second column.

Table 19. 3270 extended attributes

Attribute type	Values
Extended color	Blue, red, pink, green, turquoise, yellow, neutral
Extended highlighting	Blinking, reverse video, underscoring
Field outlining	Lines over, under, left and right, in any combination
Background transparency	Background transparent, background opaque
Field validation	Field must be entered; field must be filled; field triggers input
Programmed symbol sets	Number identifying the symbol set <b>Note:</b> The control unit associated with a terminal contains a default symbol set and can store up to five additional ones. To use one of these others, you need to load the symbol set into the controller prior to use. You can use a terminal control SEND command to do this.
SO/SI creation	Shift characters indicating double-byte characters may be present; shift characters are not present

The *IBM 3270 Information Display System Data Stream Programmer's Reference* manual contains details about extended attributes and explains how default values are determined. You can use ASSIGN and INQUIRE commands to determine which extended attributes your particular terminal has. These commands are described in “Finding out about your terminal” on page 422.



Some models of the 3270 also allow you to assign extended attribute values to individual characters within a field that are different from the value for the field as a whole. Generally, you need to use terminal control commands to do this, because BMS does not make explicit provision for character attributes. However, you can insert the control sequences for character attributes in text output under BMS, as explained in “How BMS breaks text into lines” on page 384. “The set attribute order” on page 315 describes the format of such a sequence.

## Orders in the data stream

The next several sections tell you how to format outbound data to express the attributes, position, and contents of a field. You need to know this information if you are writing to a 3270 using terminal control commands. If you are using BMS, all this is done for you, and you can move on to “Input from a 3270 terminal” on page 318.

When you define a field in the 3270 data stream, you begin with a **start field (SF)** or a **start field extended (SFE)** order. **Orders** are instructions to the 3270. They tell it how to load its buffer. They are one byte long and usually are followed by data in a format specific to the order.

### The start field order

The SF order is supported on all models and lets you specify the field attributes and the display contents of a field, but not extended attributes. To define a field with SF, you insert a sequence in the data stream as in Figure 54.

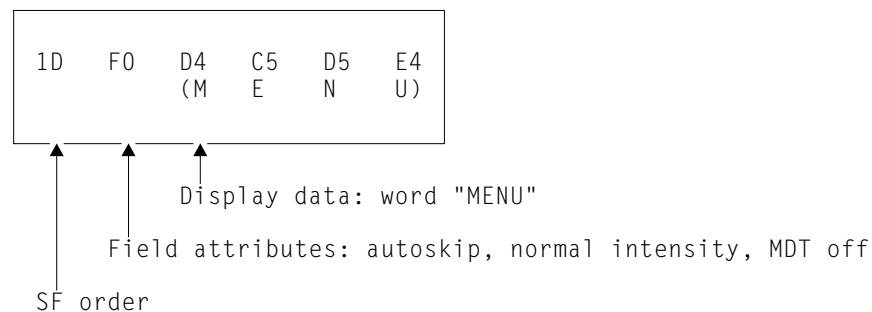


Figure 54. Field definition using SF order

If you need to specify extended attributes, and your terminal supports them, you use the start field extended order instead. SFE requires a different format, because of the more complex attribute information. Extended attributes are expressed as byte pairs. The first byte is a code indicating which type of attribute is being defined, and the second byte is the value for that attribute. The field attributes are treated collectively as an additional attribute type and also expressed as a byte pair. Immediately after the SFE order, you give a 1-byte count of the attribute pairs, then the attribute pairs, and finally the display data. The whole sequence is shown in Figure 55 on page 314.

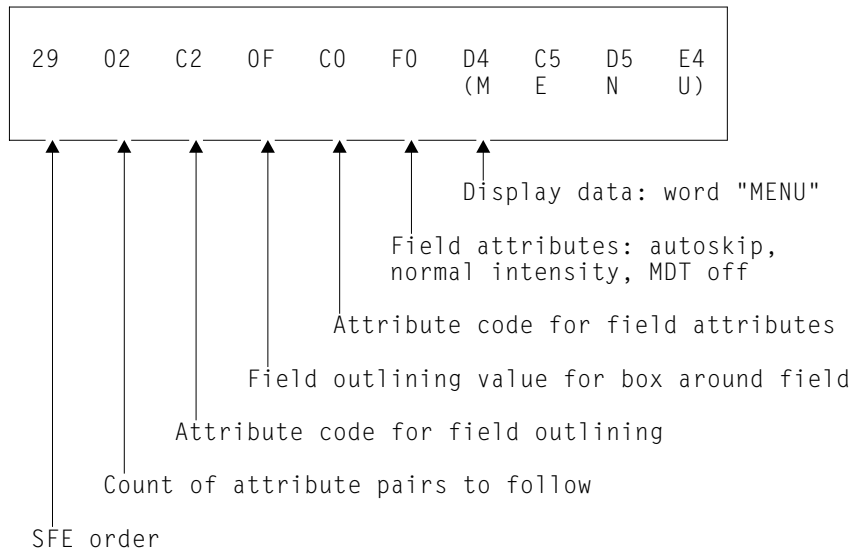


Figure 55. Field definition using SFE order

### The modify field order

When a field is on the screen, you can change it with a command almost identical in format to SFE, called **modify field (MF)**. The only differences from SFE are:

- The field must already exist.
- The command code is X'2C' instead of X'29'.
- You send only the attributes you want to change from their current values, and you send display data only if you want to change it.
- A null value sets an attribute back to its default for your particular terminal (you accomplish the same thing in an SFE order by omitting the attribute).

For example, to change the “menu” field of earlier examples back to the default color for the terminal and underscore it, you would need the sequence in Figure 56.

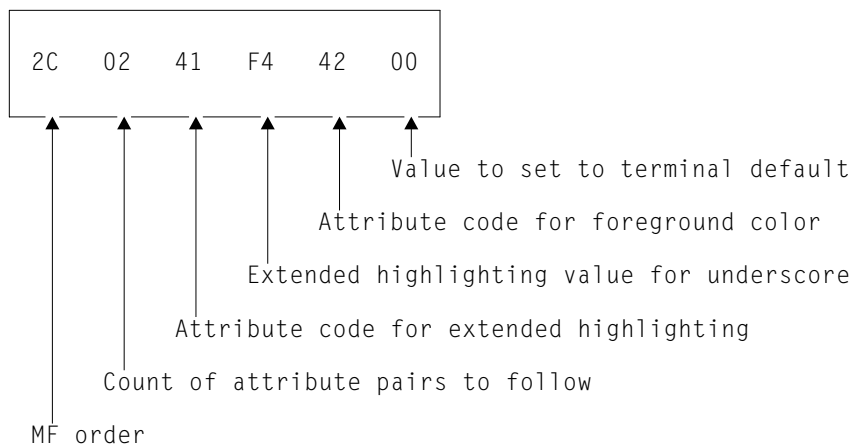


Figure 56. Changing field attributes within an MF order

### The set buffer address order

The SF and SFE orders place the field they define at the current position in the buffer, and MF modifies the field at this position. Unless the field follows the last character sent (that is, begins in the current buffer position), you need to precede

these orders with a **set buffer address (SBA)** order to indicate where you want to place or change a field. To do this, you send an SBA order followed by a 2-byte address, as in Figure 57.

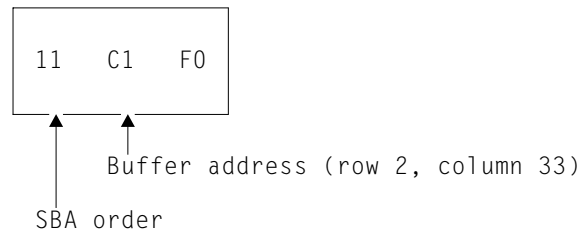


Figure 57. SBA sequence

The address in the figure is a “12-bit” address for position 112 (X'70'), which is row 2, column 33 on an 80-column screen. Note that counting starts in the first row and column (the zero position) and proceeds along the rows. There are two other addressing schemes used: “14-bit” and “16-bit”. Buffer positions are numbered sequentially in all of them, but in 12- and 14-bit addressing, not all the bits in the address are used, so that they do not appear sequential. (The X'70' (B'1110000') in the figure appears as B'110000' in the low-order six bits of the rightmost byte of the address and B'000001' in the low-order six bits of the left byte.) The *IBM 3270 Information Display System Data Stream Programmer's Reference* manual explains how to form addresses.

After an SF, SFE, or MF order, the current buffer address points to the first position in the buffer you did not fill—right after your data, if any, or after the field attributes byte if none.

### The set attribute order

To set the attributes of a single character position, you use a **set attribute (SA)** order for each attribute you want to specify. For example, to make a character blink, you need the sequence in Figure 58.

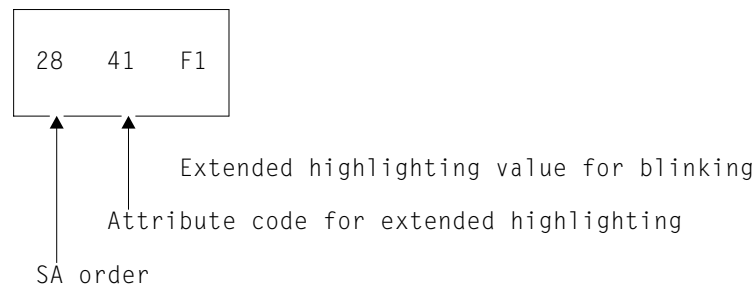


Figure 58. SA sequence to make a character blink

The attributes you specify with SA orders are assigned to the current buffer position, in the same way that field definitions are placed at the current buffer position, so you generally need to precede your SAs with SBA sequences.

## Outbound data stream sample

This section shows you an annotated example of the data stream required to paint a particular 3270 screen, to reinforce the explanation of how the data stream is built.

Figure 59 shows an example screen that is part of an application that keeps track of cars used by the employees at a work site, and is used to record a new car. The only inputs are the employee identification number, the license plate (tag) number, and, if the car is from out-of-state, the licensing state.

Car Record

Employee No: \_\_\_\_\_ Tag No: \_\_\_\_\_ State: \_\_

Figure 59. Example of a data-entry screen

**Note:** This is an unrealistically simple screen, designed to keep the explanation manageably short. It does not conform to generally accepted standards of screen design, and you should not use it as a model.

There are eight fields on this screen:

1. Screen title, "Car Record", on line 1, column 26
2. Label field, "Employee No:" (line 3, column 1), indicating what the operator is to enter into the next field
3. An input field for the employee number (line 3, column 14), six positions long
4. Label field, "Tag. No:.", at line 3, column 21
5. An input field (tag number) at line 3, column 31, eight positions long
6. Label field, "State:.", at line 3, column 40
7. An input field (state), at line 3, column 49, two positions long
8. A field to mark the end of the previous (state) input field, at line 3, column 52

Table 20 shows the outbound data stream:

Table 20. 3270 output data stream

Bytes	Contents	Notes
1	X'F5'	The 3270 command that starts the data stream, in this case erase/write.
2	X'C2'	WCC; this value unlocks the keyboard, but does not sound the alarm or reset the MDTs.
3	X'11'	SBA order to position first field at ...
4-5	X'40D6'	Address of line 1, column 23 on 24 by 80 screen, using 12-bit addressing.
6	X'1D'	SF order to begin first field definition.
7	X'F8'	Field attributes byte; this combination indicates a field which is autoskip and bright, with the MDT initially off.
8-17	'Car record'	Display contents of the field.
18-20	X'11C260'	SBA sequence to reset the current buffer position to line 3, column 1 for second field.
21	X'1D'	SF order for second field.
22	X'F0'	Field attributes byte: autoskip, normal intensity, MDT off.
23-34	'Employee No:'	Display contents of field.

Table 20. 3270 output data stream (continued)

Bytes	Contents	Notes
35	X'29'	SFE order to start fourth field. SFE is required, instead of SF, because you need to specify extended attributes. This field starts immediately after the previous one left off, so you do not have to precede it with an SBA sequence.
36	X'02'	Count of attribute <i>types</i> that are specified (two here: field outlining and field attributes).
37	X'41'	Code indicating attribute type of extended highlighting.
38	X'F4'	Extended highlighting value indicating underscoring.
39	X'C0'	Code indicating attribute type of field attributes.
40	X'50'	Field attributes value for numeric-only, normal intensity, MDT off. Any initial data for this field would appear next, but there is none.
41	X'13'	Insert cursor (IC) order, which tells the 3270 to place the cursor at the current buffer position. We want it at the start of the first field which the operator has to fill in, which is the current buffer position.
42-44	X'11C2F4'	SBA sequence to position to line 3, column 21, to leave the six positions required for an employee number. The beginning of the "Tag No" label field marks the end of the employee number input field, so that the user is aware immediately if he tries to key too long a number.
45	X'1D'	SF order to start field.
46	X'F0'	Field attributes byte: autoskip, normal intensity, MDT off.
47-55	' Tag No:'	Display data. We attach two leading blanks to the label for more space between the fields. (We could have used a separate field, but this is easier for only a few characters.)
56	X'29'	SFE (the next field is another input field, where we want field outlining, so we use SFE again).
57	X'02'	Count of attribute types.
58-59	X'41F4'	Code for extended highlighting with value of underscoring.
60-61	X'C040'	Code for field attributes and attributes of unprotected, normal intensity, MDT off.
62-64	X'11C3C7'	SBA sequence to reposition to line 3, column 40, leaving eight positions for the tag.
65	X'1D'	SF to start field.
66	X'F0'	Field attributes byte: autoskip, normal intensity, MDT off.
67-74	' State:'	Field data (two leading blanks again for spacing).
75-80	X'290241F4C040'	SFE order and attribute specifications for state input field (attributes are identical to those for tag input field).

Table 20. 3270 output data stream (continued)

Bytes	Contents	Notes
81-82	X'0000'	The (initial) contents of the state field. We could have omitted this value as we did for other input fields, but we would need an SBA sequence to move the current buffer position to the end of the field, and this is shorter.
83	X'1D'	SF. The last field indicates the end of the previous one, so that the user does not attempt to key more than two characters for the state code. It has no initial data, just an attributes byte. This kind of field is sometimes called a "stopper" field.
84	X'F0'	Field attributes byte: autoskip, normal intensity, MDT off.

**Note:** If you use terminal control commands and build your own data stream, the data you provide in the FROM parameter of your SEND command starts at byte 3 in the table above; CICS supplies the write command and the WCC from options on your SEND command.

---

## Input from a 3270 terminal

As explained earlier, keyboard input reaches the host through the buffer. There are many different keyboard arrangements available for 3270 terminals, but in any arrangement, a key falls into one of three categories:

- Data key
- Keyboard control key
- Attention key

### Data keys

The data keys include all the familiar letters, numbers, punctuation marks and special characters. Depressing a data key simply changes the content of the buffer (and therefore the screen) at the point indicated by the **cursor**. The cursor is a visible pointer to the position on the screen (that is, in the buffer) where the next data keystroke is to be stored. As the operator keys data, the cursor advances to the next position on the screen, skipping over fields defined with the autoskip attribute on the screens that have been formatted.

### Keyboard control keys

Keyboard control keys move the cursor to a new position, erase fields or individual buffer positions, cause characters to be inserted, or otherwise change where or how the keyboard modifies the buffer.

### Attention keys

The keys in the previous groups, Data and Keyboard control keys, cause no interaction with the host; they are handled entirely by the device and its control unit. An attention key, on the other hand, signals that the buffer is ready for transmission to the host. If the host has issued a read to the terminal, the usual situation in CICS, transmission occurs at this time.

There are five types of attention key:

- ENTER
- PF (program function) key

- CLEAR
- PA (program attention) key
- CNCL (cancel key, present only on some keyboard models)

In addition to pressing an attention key, there are other operator actions that cause transmission:

- Using an identification card reader
- Using a magnetic slot reader or hand scanner
- Selecting an attention field with a light pen or the cursor select key
- Moving the cursor out of a trigger field

Trigger field capability is provided with extended attributes on some terminal models, but all the other actions listed above require special hardware, and in most cases the screen (buffer) must be set up appropriately beforehand. We talk about these features in “BMS support for other special hardware” on page 406. For this chapter, we concentrate on standard features.

### The AID

The 3270 identifies the key that causes transmission by an encoded value in the first byte of the inbound data stream. This value is called the **attention identifier** or **AID**.

Ordinarily, the key that the terminal operator chooses to transmit data is dictated by the application designer. The designer assigns specific meanings to the various attention keys, and the user must know these meanings in order to use the application. (Often, there are only a few such keys in use: ENTER for normal inputs, one PF key to exit from control of the application, another to cancel a partially completed transaction sequence, for example. Where there are a number of choices, you may want to list the key definitions on the screen, so that the user does not have to memorize them.)

There is an important distinction between two groups of attention keys, which the application designer must keep in mind. The ENTER and PF keys transmit data from the buffer when the host issues a “read modified” command, the command normally used by CICS. CLEAR, CNCL and the PA keys do not, although you do get the AID (that is, the identity of the key that was used). These are called the **short read** keys. They are useful for conveying simple requests, such as “cancel”, but not for those that require accompanying data. In practice, many designers use PF keys even for the nondata requests, and discard any accompanying data.

**Note:** The CLEAR key has the additional effect of setting the entire buffer to nulls, so that there is literally no data to send. CLEAR also sets the screen size to the default value, if the terminal has the alternate screen size feature, and it puts the screen into unformatted mode, as explained in “Unformatted mode” on page 321.

## Reading from a 3270 terminal

There are two basic read commands for the 3270:

- **Read buffer**
- **Read modified**

For either command, the inbound data stream starts with a 3-byte **read header** consisting of:

- Attention identifier (AID), one byte
- Cursor address, two bytes

As noted in the previous section, the AID indicates which action or attention key causes transmission. The cursor address indicates where the cursor was at the time of transmission. CICS stores this information in the EIB, at EIBAID and EIBCPOSN, on the completion of any RECEIVE command.

The read buffer command brings in the entire buffer following the read header, and the receiving program is responsible for extracting the information it wants based on position. It is intended primarily for diagnostic and other special purposes, and CICS uses it in executing a RECEIVE command only if the BUFFER option is specified. CICS never uses read buffer to read unsolicited terminal input, so the BUFFER option cannot be used on the first RECEIVE of a transaction initiated in this way.

With read modified, the command that CICS normally uses, much less data is transmitted. For the short read keys (CLEAR, CNCL and PAs), only the read header comes in. For other attention keys (ENTER and PFs), the fields on the screen that were changed (those with the MDT on, to be precise) follow the read header. We describe the format in the next section. When transmission occurs because of a trigger field, light pen detect or cursor select, the amount and format of the information is slightly different; these special formats are described in “BMS support for other special hardware” on page 406. Input from a **program attention** key on an SCS printer is also an exception; see “SCS input” on page 439 for a description of that data stream.

## Inbound field format

The next several sections describe the format in which the 3270 transmits data, which you need to understand if you are using terminal control commands. If you are using BMS, you can skip to “Unformatted mode” on page 321, because BMS translates the input for you.

Each modified field comes in as follows:

- SBA order
- Two-byte address of the first *data* position of field
- SF order
- Field contents

Only the non-null characters in the field are transmitted; nulls are skipped, wherever they appear. Thus if an entry does not fill the field, and the field was initially nulls, only the characters keyed are transmitted, reducing the length of the inbound data. Nulls (X'00') are not the same as blanks (X'40'), even though they are indistinguishable on the screen. Blanks get transmitted, and hence you normally initialize fields to nulls rather than to blanks, to minimize transmission.

A 3270 read command can specify that the terminal should return the attribute values along with the field contents, but CICS does not use this option. Consequently, the buffer address is the location of the first byte of field data, not the preceding attributes byte (as it is in the corresponding outbound data stream).

**Note:** Special features of the 3270 for input, such as the cursor select key, trigger fields, magnetic slot readers, and so on, produce different input formats. See “Field selection features” on page 407 for details.

## Input example

To illustrate an inbound data stream, we assume that an operator using the screen shown in Figure 59 on page 316 did the following:



- Put “123456” in the employee identifier field
- Put “ABC987” in the tag number
- Pressed ENTER, without filling in the state field

Here is the resulting inbound data stream:

Table 21. 3270 input data stream

Bytes	Contents	Notes
1	X'7D'	AID, in this case the ENTER key.
2-3	X'C3C5'	Cursor address: line 3, column 38, where the operator left it after the last data keystroke.
4	X'11'	SBA, indicating that a buffer address follows.
5-6	X'C26E'	Address of line 3, column 15, which is the starting position of the field to follow.
7-12	'123456'	Input, the employee number entered by the operator.
13-15	X'11C3D1'	SBA sequence indicating a buffer address of line 3, column 32.
16	X'1D'	SF, indicating another input field follows.
17-22	'ABC987'	Input field: plate number. Notice that only six characters came in from a field that was eight long, because an operator left the remaining positions null.

Note that the third input field (the state code) does not appear in the input data stream. This is because its MDT did not get turned on; it was set off initially, and the operator did not turn it on by keying into the field. Note also that no SF is required at byte 7 because CICS normally issues a Read Modified All.

---

## Unformatted mode

Even though the high function of the 3270 revolves around its field structure, it is possible to use the 3270 without fields, in what is called **unformatted mode**. In this mode, there are no fields defined, and the entire screen (buffer) behaves as a single string of data, inbound and outbound, much like earlier, simpler terminals.

When you write in unformatted mode, you define no fields in your data, although you can include SBA orders to direct the data to a particular positions on the screen. Data that precedes any SBA order is written starting at the current position of the cursor. (If you use an erase or write command, the cursor is automatically set to zero, at the upper left corner of the screen.)

When you read an unformatted screen, the first three bytes are the read header (the AID and the cursor address), just as when you read a formatted screen. The remaining bytes are the contents of the entire buffer, starting at position zero. There are no SBA or SF orders present, because there are no fields. If the read command was read modified, the nulls are suppressed, and therefore it is not always possible to determine exactly where on the screen the input data was located.

You cannot use a BMS RECEIVE MAP command to read an unformatted screen. BMS raises the MAPFAIL condition on detecting unformatted input, as explained in “MAPFAIL and other exceptional conditions” on page 360. You can read unformatted data only with a terminal control RECEIVE command in CICS.

**Note:** The CLEAR key puts the screen into unformatted mode, because its sets the buffer to nulls, thereby erasing all the attributes bytes that demarcate fields.

---

## Chapter 29. Basic mapping support

This chapter describes the services BMS provides, and how to use them. We start with the simplest situation and build from there.

- “Sending mapped output: basics” on page 338
- “Receiving data from a display” on page 349
- “Support for non-3270 terminals” on page 361
- “The MAPPINGDEV facility” on page 367
- “Sending mapped output: additional facilities” on page 371
- “Page formation: the ACCUM option” on page 376
- “Floating maps: how BMS places maps using ACCUM” on page 377
- “Formatting text output” on page 382
- “Message routing: the ROUTE command” on page 387
- “Using SET” on page 395
- “Partition support” on page 396
- “Logical device components” on page 404
- “BMS support for other special hardware” on page 406

### Java and C++

The application programming interface described in this part of the book is the EXEC CICS API, which is not used in Java programs. For information about Java programs using the JCICS classes to access BMS services, see “The JCICS Java classes” on page 69 and the JCICS Javadoc html documentation. For information about C++ programs using the CICS C++ classes see the *CICS C++ OO Class Libraries* manual.

Basic mapping support (BMS) is an application programming interface between CICS programs and terminal devices. As noted on page 303, BMS is one of two sets of commands for this purpose. The other one, terminal control, is described in “Chapter 30. Terminal control” on page 411.

For many applications, BMS has several advantages. First, BMS removes device dependencies from the application program. It interprets **device-independent** output commands and generates **device-dependent** data streams for specific terminals. It also transforms incoming device-dependent data into device-independent format. These features eliminate the need to learn complex device data streams. They also allow you to use the same program for a variety of devices, because BMS determines the device information from the terminal definition, not from the application program.

Second, BMS separates the design and preparation of formats from application logic, reducing the impact of one on the other. Both of these features make it easier to write new programs and to maintain existing code.

---

## Other sources on BMS

We do not cover every detail of BMS here. See the *CICS Application Programming Reference* manual for details on the syntax and operation of BMS commands. You may also find it helpful to read “Chapter 31. CICS support for printing” on page 433, and “Chapter 28. The 3270 family of terminals” on page 305. Also, some

situations require terminal control commands, rather than BMS. These are described in “Chapter 30. Terminal control” on page 411.

## BMS support levels

There are three levels of BMS support: minimum, standard, and full. Most installations use full BMS. If yours does, you can use all the features we describe in this chapter and not concern yourself with levels. If your installation uses minimum or standard BMS, you should note the features that require levels beyond yours. They are summarized here, and they are noted again whenever a facility that is not in minimum BMS is covered. The *CICS Application Programming Reference* manual also classifies BMS commands and options by level.

### Minimum BMS

Minimum BMS supports all the basic functions for 3270 terminals, including everything described in our example and in the discussion of simple mapped output and mapped input.

**Note:** Minimum BMS has a substantially shorter path length than standard or full BMS. It is included in the larger versions and invoked as a kind of “fast path” on commands do not require function beyond what it provides. Specifically, it is used for SEND MAP and SEND CONTROL commands without the ACCUM, PAGING, SET, OUTPARTN, ACTPARTN, LDC, MSR, or REQID options, and for RECEIVE MAP commands, when your principal facility is a 3270 display or printer whose definition does not include outboard formatting. You can tell whether a particular BMS request used the fast path by looking at the CICS trace table. When fast path is used, the trace table contains duplicate entries for the BMS entry and exit code.

### Standard BMS

Standard BMS adds:

- Support for terminals other than 3270s
- Text output commands
- Support for special hardware features: partitions, logical devices codes, magnetic slot readers, outboard formatting, and so on
- Additional options on the SEND command: NLEOM and FMHPARM

Standard BMS supports these terminals:

- Sequential terminals (composed of card readers, line printers, tape or disk)
- TCAM terminals (see “Access method support” on page 411)
- TWX Model 33/35
- 1050
- 2740-1 (no buffer receive), 2740-2, 2741
- 2770
- 2780
- 2980, models 1, 2 and 4
- 3270
- 3600 (3601) LU
- 3650 (3653 and 3270 host conversational LUs)
- 3650 interpreter LU
- 3767/3770 interactive LU
- 3770 batch LU
- 3780
- LU type 4

### Full BMS

Full BMS is required for:

- Sending BMS output other than directly to your own terminal (the SET and PAGING options, and BMS routing)
- Messages built cumulatively, with multiple BMS SEND commands (the ACCUM and PAGING options)

Some CICS platforms do not support all the features of BMS. Table 22 shows the approximate level of support in each, for general guidance. However, there are differences among platforms even at the same level, usually imposed by differences in execution environment. These are described in detail, by function, in *CICS Family: API Structure*. If your application may eventually move to another platform, or there is a chance that the end-user interface part of it may get distributed to one, you should consult that manual.

Table 22. BMS support across IBM platforms

Platform	BMS support
CICS OS/2 <sup>®</sup>	Minimum plus SEND TEXT of standard
CICS/400 <sup>®</sup>	Minimum plus SEND TEXT of standard
CICS/6000 <sup>®</sup>	Minimum plus SEND TEXT of standard
CICS/VSE, CICS/DOS/VS	Full
CICS/ESA, CICS/MVS, CICS Transaction Server for OS/390	Full

## A BMS output example

To create a formatted screen, BMS takes a list of data items from a program and displays them on the screen (or printed page) according to a predefined format. It merges variable data supplied by the program with constant data in the format (titles, labels for variable fields, default values for these fields). It builds the data stream for the terminal to which you are writing, to show this merged data in the designated screen positions, with the proper attributes (color, highlighting, and so on). You do not have to know anything about the data stream, and you do not need to know much about the format to write the required CICS commands.

**Note:** For simplicity, this chapter is mainly concerned with display screens, but most of it applies equally to printers. “Chapter 31. CICS support for printing” on page 433 discusses differences between displays and printers and covers additional considerations that apply to printing. Furthermore, the examples and discussion assume a standard 3270 terminal because BMS is designed to support the features of the 3270. Other terminals are discussed in “Support for non-3270 terminals” on page 361.

You define the formats, called **maps**, separately from the programs that use them. This allows you to reposition fields, change their attributes, and change the constant text without modifying your programs. If you add or remove variable data, of course, you need to change the programs which use the affected fields.

The basics of how this works are explained by an atypically simple example. In real life, requirements are always more complex, but this gives you the essentials without too much confusing detail. There are more realistic and complete BMS examples among the CICS sample applications. These programs are included in source form on the CICS distribution tape. More information can be found in the *Sample Applications Guide*.

This example assumes that you need to write the code for a transaction used in a department store that checks a customer's balance before a charge sale is completed. The transaction is called a "quick check", because all it does is check that the customer's account is open and that the current purchase is permissible, given the state of the account. The program for the *output* part of this transaction gets an account number as input, and produces the screen shown in Figure 60 in response:

```
QCK                               Quick Customer Account Check
Account:   00000005
Name:      Thompson             Chris
Max charge: $500.00
```

Figure 60. Normal "quick check" output screen

The program uses the input account number to retrieve the customer's record from the account file. From the information in this record, it fills in the account number and customer name in the map, and computes the maximum charge allowed from the credit limit, outstanding balance, and purchases posted after the last billing period. If the amount comes out negative, you are supposed to show a value of zero and add an explanatory message. You also need to alert the clerk if the charge card is listed as lost, stolen or canceled with a message as shown in Figure 61: This message is to be highlighted, to draw the clerk's attention to it.

```
QCK                               Quick Customer Account Check
Account:   00000005
Name:      Thompson             Chris
Max charge:   $0.00
STOLEN CARD - SECURITY NOTIFIED
```

Figure 61. "Quick check" output screen with warning message

The first thing you must do is define the screen. We explain how to do so for this particular map in "Creating the map" on page 328. For the moment, however, let us assume that one of the outputs of this process is a data structure like the one in Figure 62. (We show the COBOL-coded version of the structure, because we are using COBOL to code our examples. However, BMS produces the structure in any language that CICS supports.) The map creation process stores this source code in a library from which you copy it into your program.

```

01 QCKMAPO.
   02 FILLER PIC X(12).
   02 FILLER PICTURE X(2).
   02 ACCTNOA PICTURE X.
   02 ACCTNOO PIC X(7).
   02 FILLER PICTURE X(2).
   02 SURNAMEA PICTURE X.
   02 SURNAMEO PIC X(15).
   02 FILLER PICTURE X(2).
   02 FNAMEA PICTURE X.
   02 FNAMEO PIC X(10).
   02 FILLER PICTURE X(2).
   02 CHGA PICTURE X.
   02 CHGO PIC $,$$0.00
   02 FILLER PICTURE X(2).
   02 MSGA PICTURE X.
   02 MSGO PIC X(30).

```

*Figure 62. Symbolic map for “quick check”*

The data names in this structure come from the map definition. You assign names to the fields that the program may have to change in any way. For our example, this category includes the fields where you display the account number, last name, first name, maximum charge, and explanatory message. It does not include any of the field labels or screen titles that never change, such as “Quick Customer Account Check” and “Account”.

Each field that you name on the screen generates several fields in the data structure, which are distinguished by a 1-character suffix added to the name you assigned in the map. Two appear here, the “A” suffix for the field attributes byte and the “O” suffix for the output data. If we were creating a map to use special device features like color and highlighting, or were using the map for input as well as output, there would be many more. We tell you about these other fields in “Setting the display characteristics” on page 341 and “Receiving data from a display” on page 349.

The key fields for this particular exercise are the ones suffixed with “O”. These are where you put the data that you want displayed on the screen. You use the “A” subfields if you want to change how the data is displayed. In our example, we use MSGA to highlight the message if our customer is using a dubious card.

Here is an outline of the code that is needed for the example. You have to copy in the data structure (Figure 62) produced by creating the map, and the COPY QCKSET statement in the third line does this. (Ordinarily, you would use a copy statement for the account record format too. We show it partly expanded here so that you can see its contents.)

```

WORKING-STORAGE SECTION.
C COPY IN SYMBOLIC MAP STRUCTURE.
01 COPY QCKSET.
01 ACCTFILE-RECORD.
    02 ACCTFILE-ACCTNO          PIC S9(7).
    02 ACCTFILE-SURNAME        PIC X(15).
    02 ACCTFILE-FNAME          PIC X(10).
    02 ACCTFILE-CREDIT-LIM     PIC S9(7) COMP-3.
    02 ACCTFILE-UNPAID-BAL     PIC S9(7) COMP-3.
    02 ACCTFILE-CUR-CHGS       PIC S9(7) COMP-3.
    02 ACCTFILE-WARNCODE       PIC X.
    :
    :
PROCEDURE DIVISION.
    :
    EXEC CICS READ FILE (ACCT) INTO (ACCTFILE-RECORD) RIDFLD (CKNO)
        ... END-EXEC.
    MOVE ACCTFILE-ACCTNO TO ACCTNOO.
    MOVE ACCTFILE-SURNAME TO SURNAMEO.
    MOVE ACCTFILE-FNAME TO FNAMEO.
    COMPUTE CHGO = ACCTFILE-CREDIT-LIM - ACCTFILE-UNPAID-BAL
        - ACCTFILE-CUR-CHGS.
    IF CHGO < ZERO, MOVE ZERO TO CHGO
        MOVE 'OVER CHARGE LIMIT' TO MSGO.
    IF ACCTFILE-WARNCODE = 'S', MOVE DFHMBRY TO MSGA
        MOVE 'STOLEN CARD - SECURITY NOTIFIED' TO MSGO
        EXEC CICS LINK PROGRAM('NTFYCOPS') END-EXEC.
    EXEC CICS SEND MAP ('QCKMAP') MAPSET ('QCKSET') END-EXEC.
    EXEC CICS RETURN END-EXEC.

```

## Creating the map

BMS provides three assembler language macro instructions (**macros**) for defining maps. This method of map definition is still widely used, and we are about to explain how to do it. However, there are also other products for creating maps which exploit the facilities of the display terminal to make the map creation process easier. They produce the same outputs as the BMS macros, generally with less programmer effort.

One of these is the Screen Definition Facility II (SDF II). SDF II allows you to build your screens directly from a display station, testing the appearance and usability as you go. You can find out more about SDF II in *Screen Definition Facility II General Introduction Part 1* and *Screen Definition Facility II General Introduction Part 2*.

The three assembler macros used to define BMS maps are:

### **DFHMDF**

defines an individual field on a screen or page.

### **DFHMDI**

defines a single map as a collection of fields.

### **DFHMSD**

groups single maps into a map set.

The explanation of this process begins by telling you how to define individual fields. Then we explain how to go from the fields to a complete map, and from a map to a map set (the assembly unit). BMS is designed principally for 3270-type terminals, although it supports nearly all types. See “Chapter 28. The 3270 family of terminals” on page 305 for information on 3270 terms.



## Defining map fields: DFHMDF

You should design the layout of your screen before you attempt to code any macros. After you have done that, you define each field on the screen (page) with a DFHMDF macro. In it, you indicate:

- The position of the field on the screen
- The length of the field
- The default contents (unless you always intend to provide them in the program)
- The **field** display attributes, governing whether and what the operator can key into the field, whether the cursor stops there, the intensity of the characters, and the initial state of the modified data tag
- For some terminals, **extended** display attributes, such as color, underlining, highlighting
- The name by which you refer to the field in your program, if you ever modify its contents or attributes

Fields that are referenced by the application must be allocated field names. The length of the field name and the characters that may be used to form field names must conform to the following rules. (Note that these rules apply to currently-supported compilers and assemblers.)

The characters used must be valid for names of assembler ordinary symbols. This character set consists of the alphabetic characters A - Z (upper or lower case), \$, #, @, numeric digits 0 - 9, and the underscore ( \_ ) character.

There is one exception to this rule. The hyphen (-) character may be used in field names provided that:

- The mapset is only used by application programs written in COBOL.
- The mapset is generated using the High Level Assembler.

The first character of the field name must be alphabetic, but the other characters can be any from the character set described above.

In addition, the characters used in field names must conform to the character set supported by the programming language of the application using the map. For example, if the application language is COBOL, you cannot use the @ character. You should refer to the appropriate Language Reference manual for information about these character sets.

The DFHMDF macro allows the length of field names to be from one through 30 characters. DFHMDF derives additional variable names by appending one of several additional characters to the defined name to generate a symbolic description map. These derived names may therefore be up to 31 characters in length. The assembler, PL/1, and C languages all support variable names of at least 31 characters. However the COBOL language only allows up to 30 characters, which means that field names used in maps must not exceed 29 characters for COBOL applications. For example, the following field definition is valid for all languages except COBOL:

```
ThisIsAnExtremelyLongFieldName DFHMDF LENGTH=10,POS=(2,1)
```

and the following field definition is only valid for COBOL:

```
Must-Not-Exceed-29-Characters DFHMDF LENGTH=10,POS=(2,1) "
```

Not all the options for field definition are described here; the rest are described in the *CICS Application Programming Reference* manual.

Figure 63 shows the field definitions for the map we considered in Figure 61 on page 326.

```

          DFHMDF POS=(1,1),LENGTH=3,ATTRB=(ASKIP,BRT),INITIAL='QCK'
          DFHMDF POS=(1,26),LENGTH=28,ATTRB=(ASKIP,NORM),                X
              INITIAL='Quick Customer Account Check'
          DFHMDF POS=(3,1),LENGTH=8,ATTRB=(ASKIP,NORM),INITIAL='Account:'
ACCTNO  DFHMDF POS=(3,13),LENGTH=7,ATTRB=(ASKIP,NORM)
          DFHMDF POS=(4,1),LENGTH=5,ATTRB=(ASKIP,NORM),INITIAL='Name:'
SURNAME DFHMDF POS=(4,13),LENGTH=15,ATTRB=(ASKIP,NORM)
FNAME   DFHMDF POS=(4,30),LENGTH=10,ATTRB=(ASKIP,NORM)
          DFHMDF POS=(5,1),LENGTH=11,ATTRB=(ASKIP,NORM),INITIAL='Max charge:'
CHG      DFHMDF POS=(5,13),ATTRB=(ASKIP,NORM),PICOUT='$,$$0.00'
MSG      DFHMDF LENGTH=20,POS=(7,1),ATTRB=(ASKIP,NORM)

```

Figure 63. BMS map definitions

1. The **POS** (position) parameter indicates the row and column position of the field, relative to the upper left corner of the map, position (1,1). It must be present. Remember that every field begins with a field attributes byte; POS defines the location of this byte; the contents of the field follow immediately to the right.
2. The **LENGTH** option tells how many characters long the field is. The length does *not* include the attributes byte, so each field occupies one more column than its LENGTH value. In the case of the first field in our map, for example, the attributes byte is in row 1, column 1, and the display data is in columns 2-4. Fields can be up to 256 characters long and can wrap from one line to another. (Take care with fields that wrap if your map is smaller than your screen. See “Outside the map” on page 348 for further information.)
3. The **ATTRB** (attributes) option sets the **field attributes** of the field, which we discussed in “3270 field attributes” on page 310. It is not required; BMS uses a default value of (ASKIP, NORM)—autoskip protection, normal intensity, modified data tag off—if you omit it. There are other options for each of the extended attributes, none of which was used in this map; these are described in “Setting the display characteristics” on page 341.
4. The **INITIAL** value for the field is not required either. You use it for label and title fields that have a constant value, such as ‘QCK’, and to assign a default value to a field, so that the program does not always have to supply a value.
5. The **PICOUT** option on the definition of the field CHG tells BMS what sort of PICTURE clause to generate for the field. It lets you use the edit facilities of COBOL or PL/I directly, as you move data into the map. If you omit PICOUT, and also the numeric (NUM) attribute, BMS assumes character data. Figure 62 on page 327 shows the effects of the PICOUT option for CHG and, in the other fields, its absence. You can omit the LENGTH option if you use PICOUT, because BMS infers the length from the picture.
6. The **GRPNAME** and **OCCURS** options do not appear in our simple example, because they are for more complex problems. GRPNAME allows you to subdivide a map field within the program for processing, and OCCURS lets you define adjacent, like map fields so that you can treat them as an array in the program. These options are explained in “Complex fields” on page 336 after some further information about maps.

## Defining the map: DFHMDI

After all the fields on your map are defined, you tell BMS that they form a single map by preceding them with a DFHMDI macro. This macro tells BMS:

- The name of the map
- The size, in rows and columns
- Where it appears on the screen (you can put several maps on one screen)
- Whether it uses 3270 extended display attributes and, if so, which ones
- The defaults for these extended attributes for fields where you have not assigned specific values on the DFHMDF macro
- Device controls associated with sending the map (such as whether to sound the alarm, unlock the keyboard)
- The type of device the map supports, if you intend to create multiple versions of the map for different types of devices (see “Device-dependent maps: map suffixes” on page 363)

The map name and size are the critical information on a DFHMDI macro but, for documentation purposes, you should specify your other options explicitly rather than letting them default. The DFHMDI macro for our example might be:

```
QCKMAP DFHMDI SIZE=(24,80),LINE=1,COLUMN=1,CTRL=ALARM
```

We have named the map QCKMAP. This is the identifier we use in SEND MAP commands. It is 24 lines long, 80 columns wide, and starts in the first column of the first line of the display. We have also indicated that we want to sound the alarm when the map is displayed.

## Defining the map set: DFHMSD

You need one more macro to create a map: DFHMSD, which defines a map set. Maps are assembled in groups called map sets. Typically you group all the maps used by a single transaction or several related transactions. (We discuss reasons for grouping maps further in “Grouping maps into map sets” on page 335.) A map set need not contain more than one map, incidentally, and in our simple example, the map set consists of just the “quick check” map.

One DFHMSD macro is placed in front of all the map definitions in the map set. It gives:

- The name of the map set
- Whether you are using the maps for output, input, or both
- Defaults for map characteristics that you did not specify on the DFHMDI macros for the individual maps
- Defaults for extended attributes that you did not specify in either the field or map definitions
- Whether you are creating physical or symbolic maps in the current assembly (see “Physical and symbolic map sets” on page 334)
- The programming language of programs that use the maps
- Information about the storage that is used to build the maps

Here’s the DFHMSD macro we need at the beginning of our example:

```
QCKSET DFHMSD TYPE=MAP,STORAGE=AUTO,MODE=OUT,LANG=COBOL,TIOAPFX=YES
```

This map set definition tells BMS that the maps in it are used only for output, and that the programs using them are written in COBOL. It assigns the name QCKSET to the map set. TIOAPFX=YES causes inclusion of a 12-byte “prefix” field at the

beginning of each symbolic map (you can see the effect in the second line in Figure 62 on page 327). You always need this filler in command language programs and you should specify it explicitly, as the default is sometimes omission. MAP and STORAGE are explained in “Sending mapped output: basics” on page 338.

You need another DFHMSD macro at the end of your map definitions, to tell the assembler that it has reached the end of last map in the map set:

```
DFHMSD TYPE=FINAL
```

## Rules for writing BMS macros

Because a BMS macro is an assembler language statement, you have to follow assembler syntax rules. We do not try to explain those in full here; you can find them in *Assembler H Version 2 Application Programming Language Reference* manual. Instead we give you a set of rules that work, although they are more restrictive than the actual rules.

1. Start names in column 1. Map and map set names may be up to seven characters long. The maximum length for field names (the DFHMDF macro) depends on the programming language. BMS creates labels by adding 1-character suffixes to your field names. These labels must not be longer than the target language allows, because they get copied into the program. Hence the limit for a map field name is 29 characters for COBOL, 30 for PL/I and Assembler H, and 7 for Assembler F. For C and C++, it is 30 if the map is copied into the program as an internal data object, and six if it is an external data object (see “Acquiring and defining storage for the maps” on page 339 for more information about copying the map).
2. Start the macro identifier in column 10, or leave one blank between it and the name if the name exceeds eight positions. For field definitions, the identifier is always DFHMDF; for map definitions, DFHMDF; and for the map set macros that begin and end the map set, DFHMSD.
3. The rest of the field description consists of keywords (like POS for the position parameter) followed by values. The *CICS Application Programming Reference* manual lists the possible keywords and tells you how to express the values. Sometimes a keyword does not have a value, but if it does, an equals sign (=) always separates the keyword from its value.
4. Leave one blank after your macro identifier and then start your keywords. They can appear in any order.
5. Separate keywords by one comma (no blanks), but do not put a comma after the last one.
6. Keywords can extend through column 71. If you need more space, stop after the comma that follows the last keyword that fits entirely on the line and resume in column 16 of the next line.
7. Initial values (the INITIAL, XINIT, and GINIT keywords) are exceptions to the rule, because they may not fit even if you start on a new line. Except when double-byte characters are involved, you can split them at any point after the first character of the initial value itself. When you split in this way, use all of the columns through 71 and continue in column 16 of the next line. Double-byte character set (DBCS) data is more complicated to express than ordinary single-byte (SBCS) data. See Step 12 if you have DBCS initial values.
8. Surround initial values by single quote marks. If you need a single quote *within* your text, use two successive single quotes (the assembler removes the extra one). Ampersands also have special significance to the assembler, and you use the same technique: use two ampersands where you want one, and the assembler removes the extra.

9. If you use more than one line for a macro, put a character (any one except a blank) in column 72 of all lines *except the last*.
10. If you want comments in your map, use comment lines between macros, not among the lines that make up a single macro. Comment lines have an asterisk in column 1 and a blank in column 72. Your comments can appear anywhere among columns 2-71.
11. Use upper case only, except for values for the INITIAL parameter and in comments.
12. **For initial values containing DBCS.** If you have initial data that is *entirely* DBCS, use the GINIT keyword for your data and specify the keyword PS=8 as well. If your data contains both DBCS and SBCS characters, that is, if it is **mixed**, use INITIAL and specify SOSI=YES. (We need to explain a third alternative, XINIT, because you may find it in code you are maintaining. You should use GINIT and INITIAL if possible, however, as XINIT is more difficult to use and your data is not validated as completely. XINIT can be used for either pure or mixed DBCS. XINIT with PS=8 follows the rules for GINIT, and XINIT with SOSI=YES follows those for INITIAL (mostly, at least). The main difference is that you express your data in hexadecimal with XINIT, but you use ordinary characters for GINIT and INITIAL.)

This is how you write DBCS initial values:

- You enclose your data with single quotes, as you do with the ordinary INITIAL parameter.
- You use two ordinary characters for each DBCS character in your constant (two pairs of hexadecimal digits with XINIT) and one for each SBCS character (one pair with XINIT).
- You bracket each DBCS character string with a shift-out (SO) character immediately preceding and a shift-in (SI) character immediately after. SO is hexadecimal X'0E', which appears as '<' on most keyboards, and SI is X'0F' ('>'). (XINIT with PS=8 is an exception; the SO/SI brackets are implied and you do not key them.) For example, all of these define the same initial value, which is entirely DBCS. (Ignore the LENGTH values for the moment; we explain those in a moment.)

```
GINIT='<D1D2D3D4D5>',PS=8,LENGTH=10
INITIAL='<D1D2D3D4D5>',SOSI=YES,LENGTH=12
XINIT='C4F1C4F2C4F3C4F4C4F5',PS=8,LENGTH=10
XINIT='0EC4F1C4F2C4F3C4F4C4F50F',SOSI=YES,LENGTH=12
```

- SBCS and DBCS sequences can follow each other in any combination with INITIAL (and XINIT with SOSI=YES). If we add 'ABC' in front of the DBCS string in the previous example, and 'def' following the string, we have:

```
INITIAL='ABC<D1D2D3D4D5>def',SOSI=YES,LENGTH=18
XINIT='C1C2C30EC4F1C4F2C4F3C4F4C4F50F848586',SOSI=YES,LENGTH=18
```

- To calculate the length of your initial value, count two for each DBCS character and one for each SBCS character, whether you express them in ordinary characters or hexadecimal pairs. With GINIT (and XINIT with PS=8), you do not count the SO and SI characters, but with INITIAL (and XINIT with SOSI=YES), you add one for each SO and for each SI. (Note the different LENGTH values for the same constants in the examples above.) In all cases, your LENGTH value must not exceed 256.
- For GINIT and INITIAL, if your constant does not fit on one line, you use "extended" continuation rules, which are a little different from the ones described earlier. With extended continuation, you can stop after any full character (SBCS character, DBCS pair, or the SI ending a DBCS string) within your initial value. If you are in the middle of a DBCS string, add an SI (the SOs and SIs on one line must balance). Then fill out the line through

column 72 with a continuation character. Any character will do, so long as it is different from the last meaningful character on the line. If you have stopped within a DBCS string, put an SO character in column 16 of the next line and resume in 17; otherwise just resume in 16, thus:

```
GXMPL1 DFHMDF POS=(02,21),LENGTH=20,PS=8,GINIT='<D1D2D3D4D5D6>*****  
<D7D8D9D0>'  
IXMPL1 DFHMDF POS=(02,21),LENGTH=23,PS=8,INITIAL='abc<D1D2D3D4>ABC**  
DEFGHIJ'
```

You cannot use extended continuation with XINIT; use the rules described in Step 7.

- If your LENGTH specification exceeds the length of the initial value you provide, the value is filled out on the right with DBCS blanks to your LENGTH value if you have used GINIT (or XINIT with PS=8). If you have used INITIAL, the fill character is an SBCS blank if the last part of the constant was SBCS, a DBCS blank if the last part was DBCS. If you use XINIT with SOSI=YES, the fill character is always an SBCS blank.

## Assembling the map

Before you start coding, you must assemble and link edit your map set. You usually have to assemble twice, to create the map set in two different forms. The TYPE option in the DFHMDF macro tells the assembler the form to produce in any particular assembly.

### Physical and symbolic map sets

A TYPE=MAP assembly, followed by a link-edit, produces a load module called the **physical map set**. The physical map set contains format information in encoded form. CICS uses it at execution time for constant fields and to determine how to merge in the variable data from the program. The physical map set normally is stored in the same library as your application programs, and it requires a MAPSET resource definition within CICS, just as a program requires a PROGRAM resource definition.

The output of a TYPE=DSECT assembly is a series of data structures, collectively called the **symbolic map set**, coded in the source language specified in the LANG option. There is a structure for each map used for input, called the **symbolic input map**, and one for each map used for output, called the **symbolic output map**.

Symbolic map sets are used at compile (assembly) time. You copy them into your program, and they allow you to refer to the fields in the maps by name and to pass the variable data in the form dictated by the physical map set. We have already shown you an example of a symbolic output map in COBOL (see Figure 62 on page 327) and used it in the example code. Symbolic map sets are usually stored in the library your installation defines for source code that gets copied into programs. Member names are usually the same as the map set names, but they need not be.

You need the TYPE=DSECT assembly before you compile or assemble your program. You can defer the TYPE=MAP assembly and link-edit until you are ready to test, because the physical map set is not used until execution time. However, because you must do both eventually, many installations provide a catalogued procedure to do this automatically; the procedure copies the source file for the map set and processes it once using TYPE=MAP and again using TYPE=DSECT. You also can use the SYSPARM option in your assembler procedure to override the TYPE value in a particular assembly. See the *Assembler H Version 2 Application*

*Programming Language Reference* manual for a description of SYSPARM in connection with map assemblies, and “Preparing BMS maps” on page 20 for more information about assembling maps.

**Notes:**

1. The fact that symbolic map sets are coded in a specific language does not prevent you from using the same map in programs coded in different languages. You simply assemble with TYPE=DSECT for each LANG value you need, taking care to store the outputs in different libraries or under different names. The LANG value does not affect the TYPE=MAP assembly, which need be done only once.
2. If you modify an existing map in a way that affects the symbolic map, you *must recompile (reassemble)* any programs using it, so that the compilation uses the symbolic structure that corresponds to the new physical structure. Changes to unnamed map fields do not affect the symbolic map, but addition, deletion, rearrangement, and length changes of named fields do. (Rearrangement refers to the DFHMDF macros; the order of the fields on the screen does not affect the symbolic map, although it is more efficient to have the DFHMDF macros in same order as the fields on the screen.) So make changes to the DSATTS option in the map definition—this option states the extended attributes you may want to change by program. It is always safest to recompile, of course.

**The SDF II alternative**

None of these assembly or link-edit steps is required if you use the IBM licensed program Screen Definition Facility II. SDF II produces creates both the symbolic map set and the physical map set in the final step of the interactive map creation process. SDF II can run under either MVS (Program 5665-366) or VM (5664-307). Refer to the *Screen Definition Facility II Primer for CICS/BMS Programs*, the *Screen Definition Facility II General Introduction Part 1*, and the *Screen Definition Facility II General Introduction Part 2*. More information can be found in the *Screen Definition Facility II General Information* and *Screen Definition Facility II Primer for CICS/BMS Programs*.

**Grouping maps into map sets**

Because they are assembled together, all of the physical maps in a map set constitute a single load module. BMS gains access to all of them with a single load request, issued on the first use of the map set in the task. No further loads are required unless you request a map in a different set, in which case BMS releases the old map set and loads the new one. If you go back to the first map set subsequently, it gets loaded again. Loading and deleting does not necessarily involve I/O, but you should consider the path length when grouping your maps into map sets. Generally, if maps are used together, they should be in the same map set; those not used together should be in different map sets.

The limit to the number of maps in a set is 9 998, but you should also keep the size of any given load module reasonable. So you might keep infrequently used maps separate from those normally used in a given process.

Similarly, all of the symbolic maps for a map set are in a single symbolic structure. This affects the amount of storage you need while using the maps, as explained in “BASE and STORAGE options” on page 340. Depending on the programming language, it also may affect high-level names, and this may be a reason for separating or combining maps as well.

## ADS Descriptor

The symbolic map generated by the BMS macros is also known as the application data structure (ADS).

Physical maps produced by CICS Transaction Server for OS/390 Release 3 also include an ADS descriptor in the output load module. This is provided to allow interpretation of the BMS Application Data Structure (the structure used by the application program for the data in SEND and RECEIVE MAP requests), without requiring your program to include the relevant DSECT or copybook at compile time.

The ADS descriptor contains a header with general information about the map, and a field descriptor for every field that appears in the ADS (corresponding to every named field in the map definition macro). It can be located in the mapset from an offset field in DFHMAPDS.

The ADS descriptor is generated for all maps. You can choose to map the long or short form of the ADS by specifying the DSECT=ADS|ADSL option. The default is ADS, the short (normal) form. The long form of the ADS aligns all fields on 4-byte boundaries and is required for some interfaces with other products, such as MQSeries.

Map sets generated with CICS releases before CICS Transaction Server for OS/390 Release 2 do not contain the ADS descriptor.

The format of the ADS descriptor is contained in the following copybooks:

Table 23. ADS descriptor copybooks

Language	Copybook
Assembler	DFHBRARD
C	DFHBRARH
PL/I	DFHBRARL
COBOL	DFHBRARO

For further information about the ADS descriptor, see the *CICS External Interfaces Guide*.

If you need to reassemble maps but have no access to the source, a utility program, DFHBMSUP, is provided in CICS Transaction Server for OS/390 Release 3 to recreate BMS macro source from a mapset load module.

See the *CICS Operations and Utilities Guide* for more information about DFHBMSUP.

## Complex fields

The symbolic maps we have shown so far consisted of a fixed set of fields for each named map field (the A and O subfields, and so on, in Figure 62 on page 327). Such fields are the most common, but BMS provides two options for field definition which produce slightly different structures, to account for two common programming situations.

### Composite fields: the GRPNAME option

Sometimes, you have to refer to subfields within a single field on the display. For example, you may have a date field that appears on the screen like this:



It is one field on the screen (with one attributes byte, just before the digit “0”), but you must be able to manipulate the month, day, and year components separately in your program.

You can do this with a “group field”, using the GRPNAME option of the DFHMDF macro. To create one, you code a DFHMDF macro for each of the component subfields; each definition names the same group field in the GRPNAME option. To define the date above as a group field starting at the beginning of line 10, for example, we would write:

```
MO      DFHMDF POS=(10,1),LENGTH=2,ATTRB=BRT,GRPNAME=DATE
SEP1    DFHMDF POS=(10,3),LENGTH=1,GRPNAME=DATE,INITIAL='- '
DAY     DFHMDF POS=(10,4),LENGTH=2,GRPNAME=DATE
SEP2    DFHMDF POS=(10,6),LENGTH=1,GRPNAME=DATE,INITIAL='- '
YR      DFHMDF POS=(10,7),LENGTH=2,GRPNAME=DATE
```

These definitions produce the following in the symbolic output map:

```
02 DATE.
03 FILLER PICTURE X(2).
03 MOA PICTURE X.
03 MOO PIC X(2).
03 SEP1 PIC X(1).
03 DAO PIC X(2).
03 SEP2 PIC X(1).
03 YRO PIC X(2).
```

Several rules must be observed when using a group field:

- There is only one attributes byte; it precedes the whole group field and applies to the whole field. You specify it just once, on the DFHMDF macro for the first subfield, MO here.
- Because there is only one attributes byte, the cursor behaves as if the group field were a single field. In our example, the cursor does not move from the last position of month to the first of day, or day to year, skipping over the hyphens. This is because the group really is a single field as far as the hardware goes; it is subdivided only for program access to the component subfields.
- Although subfields after the first do not have an attributes byte, you define the POS option as if they did, as shown in the example. That is, POS points to one character before the subfield begins, and can overlap the last character of the previous subfield, as occurs in our example.
- Although all the component subfields are adjacent in this example, they do not have to be. There can be gaps between the subfields, provided you do not define any other field in the gap. The group field spans all the columns from its first subfield to its last, and you must put the component DFHMDF macros in the order the subfields appear on the screen. The group ends with the first DFHMDF macro that does not specify its name.
- You must assign a field name to every subfield, even if you do not intend to refer to it (as we did in the SEP1 and SEP2 subfields in the example).
- You cannot use the OCCURS option (explained in the next section) for a group field or any of its components.

### Repeated fields: the OCCURS option

Sometimes a screen contains a series of identical fields that you want to treat as an array in your program. Suppose, for example, that you need to create a display of 40 numbers, to be used when a clerk assigns an unused telephone number to a new customer. (The idea is to give the customer some choice.) You also want to

highlight numbers which have been in service recently, to warn the customer of the possibility of calls to the previous owner.

You can define the part of your screen which shows the telephone numbers with a single field definition:

```
TELNO    DFHMDF POS=(7,1),LENGTH=9,ATTRB=NORM,OCCURS=40
```

This statement generates 40 contiguous but separate display fields, starting at position (7,1) and proceeding across the rows for as many rows as required (five, in our case). We have chosen a length that (with the addition of the attributes byte) divides the screen width evenly, so that our numbers appear in vertical columns and are not split across row boundaries. The attributes you specify, and the initial value as well, apply to each field.

The description of these fields in the symbolic map looks like this in COBOL:

```
02 TELNOG    OCCURS 40.  
03 FILLER PICTURE X(2).  
03 TELNOA    PICTURE X.  
03 TELNOO    PIC X(9).
```

This structure lets you fill the map from an array in your program (or any other source) as follows:

```
        PERFORM MOVENO FOR I FROM 1 THROUGH 40.  
        ...  
MOVENO.  
        MOVE AVAIL-NO (I) TO TELNOO (I).  
        IF DAYS-SINCE-USE (I) < 90, MOVE DFHMBRY to TELNOA (I).
```

(DFHMBRY is a CICS-supplied constant for setting the field intensity to bright; we explain more in “Attribute value definitions: DFHBMSCA” on page 343.)

Labels for OCCURS fields vary slightly for the different languages that CICS supports, but the function is the same.

Each element of an array created by the OCCURS option is a single map field. If you need to repeat a series of fields (an array of structures, in other words), you cannot use OCCURS. To use such an array in a program, you must define all of the fields individually, without OCCURS, to produce the necessary physical map. Then you can modify the resulting symbolic map, replacing the individual field definitions with an array whose elements are the structure you need to repeat. You must ensure that the revised symbolic map has exactly the same field structure as the original, of course. An alternative is to use SDF II, which allows you to define such an array directly.

---

## Sending mapped output: basics

When you have assembled your symbolic map set, you are ready to code. We have explained by example how you get data from an application program to a map. We discuss that process in greater detail now, describing all the steps that must be performed, and telling you more about the options you have.

You must do the following steps to produce mapped output:

1. Acquire storage in which to build the map.
2. Copy the symbolic map set so that it defines the structure of this storage.
3. Initialize it.
4. Move the output data into the map structure.

5. Set the field attributes.
6. Write the map to the screen with a SEND MAP command, adding any device control information required.

We tell you about the final step—the SEND MAP command itself—first, because you need to know what it does in order to understand what you need to do beforehand. Then the tasks you need to complete before you issue it are described.

## The SEND MAP command

The SEND MAP command tells BMS:

- Which map to use (MAP option), and where to find that map (the MAPSET option)
- Where to find the variable data for the map (FROM option) and how to merge it with the values from the map (MAPONLY and DATAONLY)
- Which device controls to include in the data stream, and other control options
- Where to put the cursor, if you want to override the position in the map definition (the CURSOR option)
- Whether the message is complete or is built cumulatively (the ACCUM option)
- What to do with the formatted output (TERMINAL, SET and PAGING options)

The MAP and MAPSET options are self-explanatory, and we cover most of the rest as we describe the programming steps that precede a simple SEND MAP. The last two topics require a knowledge of BMS logical message facilities, which we take up in “Output disposition options: TERMINAL, SET, and PAGING” on page 371.

Until we get to that point, we assume the defaults: that each SEND MAP creates one message, and we are sending that message to our own terminal. The *CICS Application Programming Reference* manual describes this command in more detail.

## Acquiring and defining storage for the maps

The first step in creating mapped output is to provide storage in which to arrange the variable map data that your program passes to BMS. If you place the map structure in working storage, CICS does the allocation for you. (CICS allocates a private copy of working storage for each execution of a program, so that data from one task does not get confused with that from another, as explained in “Program storage” on page 136.) To use working storage, copy the symbolic map set there with the language statement provided for the purpose:

```
COPY           in COBOL and assembler
%INCLUDE      in PL/I
#include       in C and C++
```

Working storage is the WORKING-STORAGE SECTION in COBOL, automatic storage in PL/I, C, C++, and DFHEISTG in a CICS assembler program. For example:

```
WORKING-STORAGE SECTION.
...
01 COPY QCKSET.
...
```

Alternatively, you can obtain and release map set storage as you need it, using CICS GETMAIN commands. (GETMAIN is discussed in “Chapter 36. Storage control” on page 479.) In this case you copy the map into storage addressed by a pointer variable (the LINKAGE SECTION in COBOL, based storage in PL/I, C, and C++, a DSECT in assembler). On return from the GETMAIN, you use the

address returned in the SET option to associate the storage with the data structure, according to the facilities of the programming language.

We used working storage in the example back on page 325, but we could have used a GETMAIN. If we had, the code we just showed you would change to:

```
LINKAGE SECTION.  
...  
01 COPY QCKSET.  
...  
PROCEDURE DIVISION.  
...  
MOVE LENGTH OF QCKMAPO TO LL.  
EXEC CICS GETMAIN SET(ADDRESS OF QCKMAPO)  
      LENGTH(LL) END-EXEC.  
...
```

The length you need on your GETMAIN command is the length of the variable whose name is the map name suffixed by the letter “O”. In COBOL, PL/I, C, and C++, you can use language facilities to determine this length, as in the example above. In assembler, it is defined in an EQUate statement whose label is the map name suffixed by “L”.

### **BASE and STORAGE options**

Two options on the DFHMSD map set definition macro affect how storage for maps is defined: BASE and STORAGE=AUTO (the STORAGE option always has the value AUTO). You can use either one or neither, so there are *three* possibilities. If you specify neither for a map set containing several maps, the symbolic structures for the maps are defined so that they overlay one another. If you specify STORAGE=AUTO, they do not; each occupies separate space. Thus STORAGE=AUTO requires more storage.

However, when you use maps that overlay one another in a single program, you must use them serially or compensate for the reuse of storage by programming. Unless storage is a major issue, STORAGE=AUTO simplifies programming and reduces the risk of error.

In PL/I, C, and C++, STORAGE=AUTO has the additional effect of defining the map as automatic storage (storage that CICS allocates); the absence of STORAGE=AUTO causes these compilers to assume based storage, for which you generally incur the overhead of an additional GETMAIN. BMS assigns the name BMSMAPBR to the associated pointer variable, unless you specify another name with the BASE option.

The third possibility, BASE, lets you use the same storage for all the maps in multiple map sets. Its effect varies slightly with the programming language, but essentially, all the maps in map sets with the same BASE value overlay one another. In COBOL, BASE=xxxx causes the 01 levels (that is, each individual map) to contain a REDEFINES xxxx clause. In PL/I, C, and C++, it designates each map as storage based on the pointer variable xxxx. BASE cannot be used when the programming language is assembler.

## **Initializing the output map**

Before you start building your output, make sure that the map storage is initialized to nulls, so that data left there by a previous process is not used inadvertently. If you have read data input data using this same map, or one that overlays it, you need to ensure that you have processed or saved this data first, of course. The relationship between input and output maps is discussed in “The symbolic input

map” on page 352, and using the same map you used for input is discussed in “Mapped output after mapped input” on page 359.

You initialize by moving nulls (X'00') into the structure. The symbolic map structures are defined so that you can refer to the whole map area by the name of the map suffixed by the letter *O*. You can see this in Figure 62 on page 327, and, in fact, the statement:

```
MOVE LOW-VALUES TO QCKMAPO.
```

would clear the area in which we built the map in the “quick check” example. If you are using the map for both input and output, it may be easier to clear the map one field at a time, as you edit the input (see “Handling input errors” on page 357).

When you obtain map storage with a CICS GETMAIN instruction, another way to initialize is to use the INITIMG option.

## Moving the variable data to the map

Having obtained storage for your map, established the relationship of the map structure to the storage, and initialized, you are finally ready to create your output. There are two parts to it: the data itself and its display attributes. We tell you about the data first and get to the attributes right after.

In the usual case, an output display consists of some constant or default data (provided by the physical map) and some variable data (provided by the program). For each field that you want to supply by program, you move the data into the field in the symbolic map whose name is the name assigned in the map suffixed by the letter *O*. See the code on page 327 for an example.

If you do not supply a value for a field (that is, you leave it null, as initialized), BMS ordinarily uses the initial value assigned in the map, if any. Constants (that is, fields without names) also get the initial values specified in the map. However, the DATAONLY and MAPONLY options on the SEND MAP command modify the way in which program and map data are merged; we explain these options in “Options for merging the symbolic and physical maps” on page 344 and summarize the exact rules in “Summary: what appears on the screen” on page 346.

## Setting the display characteristics

Display attributes are the second component of the output data. (See “3270 field attributes” on page 310 for information about attributes.) In the “quick check” example on page 327, we show how 3270 field attributes for a map field are defined with the ATTRB option, and how BMS generates the “A” subfield to let you override the map value by program if you name the field.

BMS always provides the A subfield, because all 3270 devices support field attributes. Many 3270s also have some of the extended attributes shown in Table 24 on page 342. BMS supports each of these attributes individually in much the same way that it does field attributes collectively. You can assign attribute values in your DFHMDF field definitions, and, if you name the field, BMS generates a subfield in the symbolic map, so that you can override the map-assigned value in your program. There is a separate subfield for each type of extended attribute.

You can request subfields for the extended attributes by specifying the required attribute in the DSATTS option of DFHMDF or DFHMSD. You must also include the list of extended attributes in the MAPATTS option (even if these attribute types do not appear in any DFHMDF macro).

Table 24. BMS attribute types. The columns show the types of attributes, the name of the associated MAPATTS and DSATTS value, and the suffix of the associated subfields in the symbolic map.

Attribute type	MAPATTS, DSATTS value	Subfield suffix
Field attributes	None (default)	A
Color	COLOR	C
Highlighting	HILIGHT	H
Outlining	OUTLINE	U
Background transparency	TRANSP	T
Validation	VALIDN	V
Double-byte character capability	SOSI	M
Programmed symbols	PS	P

**Note:** If you use programmed symbols, you need to ensure that a suitable symbol set has been sent to the device first, unless you choose one that is permanently loaded in the device. You can use a terminal control SEND command to do this (see “Data transmission commands” on page 412). The *IBM 3270 Information Display System Data Stream Programmer’s Reference* manual describes what to send.

The types of attributes that apply depend on the features of your principal facility at the time of execution. If you specify a value for an attribute that the terminal does not possess, BMS ignores it. If you are supporting different terminal types, however, you may need to use different techniques to get the same visual clarity. You can find out what kind of terminal you are using with the ASSIGN and INQUIRE commands, explained in “Finding out about your terminal” on page 422. There are also provisions in BMS for keeping your program independent of the terminal type; see “Device-dependent maps: map suffixes” on page 363.

### Changing the attributes

Here is an example of how this works. Suppose that the terminals in our “quick check” application have color and highlighting capabilities. We might decide to show the maximum charge allowed in a different color from the rest of the screen, because this field is of most interest to the clerk. We might also make the warning message red, because when it appears at all, it is important for the clerk to notice it. And when we really want to get the clerk’s attention, because the card is stolen, we could change the attributes in the program to make the message blink. To add these features, we need to change our map definition as follows:

```
QCKMAP  DFHMDI SIZE=(24,80),..., X
        MAPATTS=(COLOR,HILIGHT),COLOR=GREEN,HILIGHT=OFF,DSATTS=HILIGHT
```

The MAPATTS option tells BMS that we specify color and highlighting in the map (or in the program, because any attribute listed in DSATTS must be included in MAPATTS as well). The COLOR and HILIGHT values indicate that fields with no color assigned should be green and that highlighting should be off if not specified. The only field definitions that we need to change are the ones that *are not* green or *are* highlighted:

```
CHG     DFHMDF POS=(5,13),LENGTH=8,ATTRB=(ASKIP,NORM),PICOUT='$,$$0.00', X
        COLOR=WHITE
MSG     DFHMDF LENGTH=20,POS=(7,1),ATTRB=(ASKIP,NORM),COLOR=RED
```

The DSATTS option tells BMS that we want to alter the highlighting of some fields at execution time, and therefore it should produce “H”-suffix subfields in the symbolic map to let us do that. Each named field gets the extra subfield; the message field, for example, expands from the current three lines in Figure 62 on page 327 to:

```
02 FILLER PICTURE X(2).
02 MSGH   PICTURE X.
02 MSGA   PICTURE X.
02 MSGO   PIC X(30).
```

The program statement we need to produce the blinking is:

```
MOVE DFHBLINK to MSGH.
```

In general, BMS takes attribute values from the program if you supply them and from the map if you do not (that is, if you leave the program value null, as initialized). However, the MAPONLY and DATAONLY options on the SEND MAP command affect attribute values as well as field data, as explained in “Where the values come from” on page 347.

### Attribute value definitions: DFHBMSCA

The 1-byte values required to set attribute values are bit combinations defined by 3270 hardware. They are hard to remember and, in some languages, clumsy to express. To solve this problem, CICS provides source code that you can copy into your program. The code, named DFHBMSCA, defines all the commonly used values for all attributes and assigns meaningful names to each combination. DFHBLINK in the line of code above is an example. To define DFHBLINK, we simply copy DFHBMSCA into our working storage, thus:

```
WORKING-STORAGE SECTION.
...
01 COPY DFHBMSCA.
```

There is a separate version of DFHBMSCA for each programming language, but the value names are the same in all versions. The *CICS Application Programming Reference* manual lists and defines all the value names. If you need an attribute combination not included in DFHBMSCA, you can determine the value by referring to the *IBM 3270 Information Display System Data Stream Programmer's Reference*; if you make frequent use of the value, you may want to modify DFHBMSCA to include it.

**Note:** In assembler language only, the values are defined with EQUates, so you use MVI rather than MVC instructions.

## Control options on the SEND MAP command

There are many control options for the BMS SEND commands. Some apply only to particular devices or special features of BMS, and we defer describing these until we get to the associated device support or feature. The following device control options, however, apply generally:

- **ERASE**, **ERASEAUP**, and **FRSET** all modify the contents of the device buffer, if the terminal has one, before writing your output into it. ERASE sets the entire buffer to nulls (X'00'). If the terminal has the alternate screen size feature, ERASE also sets the buffer size. Therefore, the first SEND MAP in a task normally specifies the ERASE option, both to clear the buffer and to select the buffer size. (See “3270 write commands” on page 308 for more information about alternate screen size.)

ERASEAUP (erase all unprotected fields) sets the contents of all fields in the buffer that are unprotected (that is, fields which the operator can change) to nulls. This is useful for data entry, as we explain in “DATAONLY option” on page 345.

FRSET (field reset) turns off the modified data tag of all fields in the buffer (“Saving the good input” on page 358 and “Modification” on page 311 explain more about this option).

- **FREEKB** (free keyboard) unlocks the keyboard when the output is sent to the terminal. You usually want to do this on a display terminal.
- **ALARM** sounds the audible alarm, if the terminal has one.
- **FORMFEED, PRINT, L40, L64, L80,** and **HONEOM** are specific to printing and are explained in “Options for 3270 printers” on page 435. **NLEOM** also is used mainly in printing, and is explained in the same section. **NLEOM** requires **standard BMS**.

Some of these options can also be specified in the map itself, in particular, the options that are expressed in the 3270 write control character and coded in the CTRL option of the DFHMDI or DFHMSD macros: PRINT, FREEKB, ALARM, FRSET, L40, L64, L80, HONEOM.

**Note:** CTRL options are always treated as a group, so if you include any of them on your SEND MAP command, BMS ignores the values for *all* of them in your map definition and uses only those in the command. As we noted earlier, you can also send device control options separate from your map data, using a SEND CONTROL command. You can use any option on SEND CONTROL that you can use on SEND MAP, except those that relate expressly to data, such as NLEOM.

### **Other BMS SEND options: WAIT and LAST**

When a task writes to a terminal with a BMS or terminal control SEND command CICS normally schedules the transmission and then makes the task ready for execution again. Actual transmission occurs somewhat later, depending on terminal type, access method and other activity in the system. If you want to ensure that transmission is complete before your program regains control, use the WAIT option.

WAIT can increase response time slightly, because it prevents overlap between processing and output transmission for a task. (Overlap occurs only until a subsequent SEND, RECEIVE, or end of task, however, because CICS finishes one terminal operation completely before starting another.)

You can improve response time slightly for some terminals by using the LAST option. LAST indicates that the output you are sending is the last output for the task. This knowledge allows CICS to combine transmission of the data with the VTAM end-of-bracket flow that occurs at end of task.

## **Options for merging the symbolic and physical maps**

So far, we have assumed that every display consists of some constant data (provided by the physical map) and some variable data (provided by the program and structured according to the symbolic map). Sometimes, however, one or more of these components is missing.

### **MAPONLY option**

For example, a menu map may not need any data supplied by program. In such a case, you code the MAPONLY option in place of the FROM option on your SEND



MAP command. BMS then takes all the information from the physical map, sending the initial values for both the constant (unnamed) and named fields. You do not need to copy the symbolic map set into a program that always sends the map with MAPONLY, and, in fact, you can skip the TYPE=DSECT map set assembly if all programs use all the maps in the set in this way.

MAPONLY is also the way you get an input-only map to the screen.

### **DATAONLY option**

The opposite situation is also possible: the program can supply all the data and not need any constant or default values from the map. This happens on the second and subsequent displays of a map in many situations: data entry applications, inquiry applications where the operator browses through a series of records displayed in identical format, and screens which are redisplayed after detection of an error in the input.

BMS takes advantage of this situation if you indicate it with the DATAONLY option. You still need to tell BMS which map and map set you are using for positioning information, but BMS sends only those fields which have non-null attribute or data values in the symbolic map. Other fields and attribute values are left unchanged.

### **The SEND CONTROL command**

There are also occasions when you do not need to send data at all, but you do need to send device controls. For example, you might need to erase the screen or sound the alarm. You do this with a SEND CONTROL command listing the options you need,

Consider a program in a data entry application. When first initiated, it displays the data entry map to format the screen with the input fields, the associated labels, screen headings and instructions. This first SEND MAP command specifies MAPONLY, because the program sends no variable data. Thereafter, the program accepts one set of data input. If the input is correct, the program files it and requests another. It still does not need to send any variable data. What it needs to do is to erase the input from the screen and unlock the keyboard, to signal the operator to enter the next record.

```
EXEC CICS SEND CONTROL ERASEAUP FREEKB END-EXEC
```

does this. (See “Control options on the SEND MAP command” on page 343 for a description of these and other device control options.)

If there are errors, the program does need to send variable data, to tell the operator how to fix the problem. This one changes the attributes of the fields in error to highlight them and sends a message in a field provided for the purpose. Here, our program uses the DATAONLY option, because the map is already on the screen. (We tell you more about handling input errors in “Handling input errors” on page 357.)

You should use MAPONLY, DATAONLY, and SEND CONTROL when they apply, especially when response time is critical, as it is in a data entry situation. MAPONLY saves path length, DATAONLY reduces the length of the outbound data stream, and SEND CONTROL does both.

## Summary: what appears on the screen

The interaction of physical map definition options, SEND MAP options, program data and merge options is sufficiently complex that a summary of the rules for determining what appears on the screen after a SEND MAP is in order.

The contents of the screen (buffer) are determined by:

- What was there before your SEND MAP command
- The fields (field attributes, extended attributes, and display data) that get sent from your SEND MAP command
- Where the several values for these field elements come from

We discuss the possibilities in that order.

### What you start with

The first thing that happens on a SEND MAP command is that the entire screen (buffer) is cleared to nulls if the ERASE option is present, regardless of the size or origin of your map. On terminals that have the alternate screen size feature, the screen size is set as well, as explained in “3270 write commands” on page 308. The screen is in unformatted state, with no fields defined and no display data. If ERASEAUP is present, all of the unprotected fields on the screen are erased, but the field structure and attributes of all fields and the contents of protected fields are unchanged.

ERASE and ERASEAUP are honored *before* your SEND MAP data is loaded into the buffer. If neither of these options appears on the SEND MAP, the screen buffer starts out as it was left after the previous write operation, modified by whatever the operator did. In general, the positions of the fields (that is, of the attributes bytes) and their attributes are unchanged, but the data content of unprotected fields may be different. Furthermore, if the operator used the CLEAR key, the whole buffer is cleared to nulls and the screen is in unformatted state, just as if you had included the ERASE option.

### What is sent

Secondly, BMS changes only those positions in the buffer within the confines of your map. Outside that area, the contents of the buffer are unchanged, although it is possible for areas outside your map to change in appearance, as explained in “Outside the map” on page 348.

Within the map area, what is sent depends on whether the DATAONLY option is present. In the usual case, where it is not present, BMS sends every component (field attributes, extended attributes, display data) of every field in your map. This creates a field at the position specified in the POS operand and overlays the number of bytes specified in the LENGTH field from POS. Buffer positions between the end of the display data and the next attributes byte (POS value) are left unchanged. (There may or may not be fields (attributes bytes) in these intervening spaces if you did not ERASE after the last write operation that used a different map.)

The values for these field elements come from the program, the map or defaults, as explained in the next section.

If DATAONLY is present, on the other hand, BMS sends only those fields, and only those components for them, that the program provides. Other screen data is unchanged.

## Where the values come from

The values that determine screen contents may come from four sources:

- Program
- Map
- Hardware defaults
- Previous screen contents

BMS considers each component of each map field separately, and takes the value from the program, provided:

- The MAPONLY option has not been used.
- The field has a name in the map, so that the symbolic output map contains the corresponding set of subfields from which to get the data. The field attributes value comes from the program subfield whose name is the map field name suffixed by A. The display data comes from the subfield of the same name suffixed by O, and the extended attribute values come from the same-named subfields suffixed by the letter that identifies the attribute (see Table 24 on page 342). In the case of the extended attributes, the attribute must also appear among DSATTS in order for the symbolic map to contain the corresponding subfield.
- A value is present. The definition of “present” varies slightly with the field component:
  - For field attributes bytes, the value must not be null (X'00') or one of the values that can be left over from an input operation (X'80', X'02', or X'82').
  - For extended attribute bytes, the value must not be null.

**Note:** BMS sends only those extended attribute values that the terminal is defined as supporting. Values for other extended attributes are omitted from the final data stream.

- For display data, the first character of the data must not be null.

If any of these conditions is not met, the next step depends on whether DATAONLY is present. With DATAONLY, BMS stops the process here and sends only the data it got from the program. BMS does this in such a way that components not changed by program are not changed on the screen. In particular, extended attributes values are not changed unless you specify a new value or ask for the hardware default. (A value of X'FF' requests the hardware default for all extended attributes except background transparency, for which you specify X'F0' to get the hardware default.)

Without DATAONLY, if one of the conditions above is not met, BMS takes the data from the map, as follows:

- For field attributes, it takes the value in the ATTRB option for the field. If none is present, BMS assumes an ATTRB value of (ASKIP,NORM).
- For extended attributes, BMS takes the value from:
  - The corresponding option in the DFHMDF field definition
  - If it is not specified there, the value is taken from the corresponding option in the DFHMDI map definition
  - If it is not there either, the value is taken from the corresponding option in the DFHMSD map set definition

(If no value is specified anywhere, BMS does not send one, and this causes the 3270 to use its hardware default value.)

- For display data, from the initial value in the map (the INITIAL, XINIT, or GINIT option). If there is no initial value, the field is set to nulls.

## Outside the map

We have assumed, so far, that your map is the same size as your screen or printer page. It need not be. Your application may use only a part of the screen area, or you may want to build your output incrementally, or both.

BMS logical messages allow you to build a screen from several maps, sending it with a single terminal write. You use the ACCUM option to do this, which we cover in “BMS logical messages” on page 372. Even without using ACCUM, you can build a screen from several maps if the terminal is a 3270-like device with a buffer. You do this with multiple SEND MAP commands written to different areas of the screen (buffer), not erasing after the first command. Each SEND MAP causes output and may produce a momentary “blink” at a display device. For this reason, and to eliminate the path length of extra I/O, you may prefer to use logical messages for such composite screens.

Outside the map just sent, the contents of the buffer are unchanged, except for the effects of ERASE and ERASEAUP cited earlier. In general, this means that the corresponding areas of the screen are unchanged. However, a screen position outside the map may get its attributes from a field within the map. This occurs if you do not define a field (using a different map) beyond the boundary of the map and before the position in question. If you change the attributes of the field inside your map governing this position outside, the appearance of the position may change, even though the contents do not.

## Using GDDM and BMS

One use of the buffer overlay technique we just described is the creation of screens containing a mixture of BMS and Graphical Data Display Manager (GDDM<sup>®</sup>) output. You generally write the BMS output first, followed by the GDDM. You can leave space in the BMS map for the GDDM output, or you can create a “graphic hole” in any display by writing a map with no fields in it to the position where you want the hole. Such a map is called a “null map,” and its size (height and width) correspond to the size of the hole.

If you use GDDM to combine graphics with BMS output, you need to include a GDDM PSRSRV call to prevent GDDM from corrupting programmed symbol sets that BMS may be using.

## Positioning the cursor

Usually, you set the initial position for the cursor in the map definition by including “insert cursor” (IC) in the ATTRB values of the field where you want it. (Cursor position is not important for the output-only maps we have been discussing, but it becomes important as soon as you use a map for input too.)

The CURSOR option on the SEND MAP command allows you to override this specification, if necessary, when the map is displayed. If you specify CURSOR(value), BMS places the cursor in that absolute position on the screen. Counting starts in the first row and column (the zero position), and proceeds across the rows. Thus, to place the cursor in the fourth column of the third row of an 80-column display, you code CURSOR(163).

Specifying CURSOR without a value signals BMS that you want “symbolic cursor positioning”. You do this by setting the length subfield of the field where you want the cursor to minus one (-1). Length subfields are not defined on output-only maps, so you must define your map as INOUT to use symbolic cursor positioning. (We tell you about length subfields in “Reading from a formatted screen: what

comes in” on page 354, and about INOUT maps in “Receiving data from a display”). If you mark more than one field in this way, BMS uses the first one it finds.

Symbolic cursor positioning is particularly useful for input-output maps when the terminal operator enters incorrect data. If you validate the fields, setting the length of any in error to -1, BMS places the cursor under the first error when you redisplay. “Processing the mapped input” on page 357 shows this technique.

You can position the cursor with a SEND CONTROL command also, but only by specifying an absolute value for CURSOR; if you omit CURSOR on SEND CONTROL, the cursor is not moved.

## Sending invalid data and other errors

The exceptional conditions that can occur on SEND MAP and SEND CONTROL commands are listed with the descriptions of these commands in the *CICS Application Programming Reference* manual. Most of them apply only to the advanced BMS options: logical messages, partitions, and special devices.

However, it is also possible to send invalid data to a terminal. BMS does not check the validity of attribute and data values in the symbolic map, although it does not attempt to send an extended attribute, like color, to a terminal not defined to support that attribute.

The effects of invalid data depend on both the particular terminal and the nature of the incorrect data. Sometimes invalid data can be interpreted as a control sequence, so that the device accepts the data but produces the wrong output; sometimes the screen displays an error indicator; and sometimes an ATNI abend occurs. The point at which your task is notified of an ATNI depends on whether or not you specified the WAIT option (see “Other BMS SEND options: WAIT and LAST” on page 344).

---

## Receiving data from a display

Formatted screens are as important for input as for output. Data entry applications are an obvious example, but most other applications also use formatted input, at least in part. On input, BMS does for you approximately the reverse of what it does on output: it removes device control characters from the data stream and moves the input fields into a data structure, so that you can address them by name.

Maps can be used exclusively for input, exclusively for output (the case we have already covered), or for both. Input-only maps are relatively rare, and we cover them as a special case of an input-output map, pointing out differences where they occur.

## An input-output example

Before we explain the details of the input structure, let us re-examine the “quick check” example. Suppose that it is against our policy to let a customer charge up to the limit over and over again between the nightly runs when new charges are posted to the accounts. We want a new transaction that augments “quick check” processing by keeping a running total for the day.

In addition, we want to use the same screen for both input and output, so that there is only one screen entry per customer. In the new transaction, “quick

update,” the clerk enters both the account number and the charge at the same time. The normal response is:  
When we reject a transaction, we leave the input information on the screen, so that

```

QUP                               Quick Account Update
Current charge okay; enter next
Account: _____
Charge:  $ _____

```

Figure 64. Normal “quick update” response

the clerk can see what was entered along with the description of the problem: (Here again, we are oversimplifying to keep our maps short for ease of

```

QUP                               Quick Account Update
Charge exceeds maximum; do not approve
Account:  482554
Charge:   $ 1000.00

```

Figure 65. “Quick update” error response

explanation.)

The map definition we need for this exercise is:

You can see that the map field definitions for this input-output map are very

```

QUPSET DFHMSD TYPE=MAP,STORAGE=AUTO,MODE=INOUT,LANG=COBOL,TERM=3270-2
QUPMAP DFHMDI SIZE=(24,80),LINE=1,COLUMN=1,CTRL=FREEKB
        DFHMDF POS=(1,1),LENGTH=3,ATTRB=(ASKIP,BRT),INITIAL='QUP'
        DFHMDF POS=(1,26),LENGTH=20,ATTRB=(ASKIP,NORM),                X
        INITIAL='Quick Account Update'
MSG     DFHMDF LENGTH=40,POS=(3,1),ATTRB=(ASKIP,NORM)
        DFHMDF POS=(5,1),LENGTH=8,ATTRB=(ASKIP,NORM),                X
        INITIAL='Account:'
ACCTNO  DFHMDF POS=(5,14),LENGTH=6,ATTRB=(UNPROT,NUM,IC)
        DFHMDF POS=(5,21),LENGTH=1,ATTRB=(ASKIP),INITIAL=' '
        DFHMDF POS=(6,1),LENGTH=7,ATTRB=(ASKIP,NORM),INITIAL='Charge:'
CHG     DFHMDF POS=(6,13),ATTRB=(UNPROT,NORM),PICIN='$$$0.00'
        DFHMDF POS=(6,21),LENGTH=1,ATTRB=(ASKIP),INITIAL=' '
        DFHMSD TYPE=FINAL

```

Figure 66. Map definition for input-output map

similar to those for the output-only “quick check” map, if we allow for changes to the content of the screen. The differences to note are:

- The MODE option in the DFHMSD map set definition is INOUT, indicating that the maps in this map set are used for both input and output. INOUT causes BMS to generate a symbolic structure for input as well as for output for every map in the map set. If this had been an input-only map, we would have said MODE=IN, and BMS would have generated only the input structures.
- We put names on the fields from which we want input (ACCTNO and CHG) as well as those to which we send output (MSG). As in an output-only map, we avoid naming constant fields to save space in the symbolic map.
- The input fields, ACCTNO and CHG, are unprotected (UNPROT), to allow the operator to key data into them.
- IC (insert cursor) is specified for ACCTNO. It positions the cursor at the start of the account number field when the map is first displayed, ready for the first

item that the operator has to enter. (You can override this placement when you send the map; IC just provides the default position.)

- Just after the ACCTNO field, there is a constant field consisting of a single blank, and a similar one after the CHG field. These are called “stopper” fields. Normally, they are placed after each input field that is not followed immediately by some other field. They prevent the operator from keying data beyond the space you provided, into an unused area of the screen.

If you define the stopper field as “autoskip”, the cursor jumps to the next unprotected field after the operator has filled the preceding input field. This is convenient if most of the input fields are of fixed length, because the operator does not have to advance the cursor to get from field to field.

If you define the stopper field as “protected,” but not “autoskip,” the keyboard locks if the operator attempts to key beyond the end of the field. This choice may be preferable if most of the input fields are of variable length, where one usually has to use the cursor advance key anyway, because it alerts the operator to the overflow immediately. Whichever you choose, you should use the same choice throughout the application if possible, so that the operator sees a consistent interface.

- The CHG field has the option PICIN. PICIN produces an edit mask in the symbolic map, useful for COBOL and PL/I, and implies the field length. See the *CICS Application Programming Reference* manual for details on using PICIN.

Figure 67 shows the symbolic map set that results from this INOUT map definition.

The second part of this structure, starting at QUPMAPO, is the symbolic *output*

```

01 QUPMAPI.
   02 FILLER PIC X(12).
   02 FILLER PICTURE X(2).
   02 MSGL  COMP PIC S9(4).
   02 MSGF  PICTURE X.
   02 FILLER REDEFINES MSGF.
   03 MSGA  PICTURE X.
   02 MSGI  PIC X(40).
   02 ACCTNOL  COMP PIC S9(4).
   02 ACCTNOF  PICTURE X.
   02 FILLER REDEFINES ACCTNOF.
   03 ACCTNOA  PICTURE X.
   02 ACCTNOI  PIC X(6).
   02 CHGL  COMP PIC S9(4).
   02 CHGF  PICTURE X.
   02 FILLER REDEFINES CHGF.
   03 CHGA  PICTURE X.
   02 CHGI  PIC X(7) PICIN '$,$$0.00'.
01 QUPMAPO REDEFINES QUPMAPI.
   02 FILLER PIC X(12).
   02 FILLER PICTURE X(3).
   02 MSGO  PIC X(40).
   02 FILLER PICTURE X(3).
   02 ACCTNO  PICTURE X(6).
   02 FILLER PICTURE X(3).
   02 CHGO  PIC X.

```

Symbolic  
input map

Symbolic  
output map

Figure 67. Symbolic map for “quick update”

map—the structure required to send data back to the screen. Apart from the fields we redefined, it looks almost the same as the one you would have expected if we had specified MODE=OUT instead of MODE=INOUT. See Figure 60 on page 326 for a comparison. The main difference is that the field attributes (A) subfield appears to be missing, but we explain this in a moment.

## The symbolic input map

The first part of the structure, under the label QUPMAPI, is new. This is the symbolic *input* map—the structure required for reading data from a screen formatted with map QUPMAP. For each named field in the map, it contains three subfields. As in the symbolic output map, each subfield has the same name as the map field, suffixed by a letter indicating its purpose. The suffixes and subfields related to input are:

- L**      the length of the input in the map field.
- F**      the flag byte, which indicates whether the operator erased the field and whether the cursor was left there.
- I**      the input data itself.

The input and output structures are defined so that they overlay one another field by field. That is, the input (I) subfield for a given map field always occupies the same storage as the corresponding output (O) subfield. Similarly, the input flag (F) subfield overlays the output attributes (A) subfield. (For implementation reasons, the order of the subfield definitions varies somewhat among languages. In COBOL, the definition of the A subfield moves to the input structure in an INOUT map, but it still applies to output, just as it does in an output-only map. In assembler, the input and output subfield definitions are interleaved for each map field.)

BMS uses dummy fields to leave space in one part of the structure for subfields that do not occur in the other part. For example, there is always a 2-byte filler in the output map to correspond to the length (L) subfield in the input map, even in output-only maps. If there are output subfields for extended attributes, such as color or highlighting, BMS generates dummy fields in the input map to match them. You can see examples of these fields (FILLERS in COBOL) in both Figure 60 on page 326 and Figure 67 on page 351.

The correspondence of fields in the input and output map structures is very convenient for processes in which you use a map for input and then write back in the same format, as you do in data entry transactions or when you get erroneous input and have to request a correction from the operator.

## Programming simple mapped input

The programming required for mapped input is similar to that for mapped output, except, of course, that the data is going in the opposite direction. You define your maps and assemble them first, as for mapped output. In the program or programs reading from the terminal, you:

1. Acquire the storage to which the symbolic map set corresponds.
2. Copy the symbolic map set to define the structure of this storage.
3. Format the input data with a RECEIVE MAP command.
4. Process the input.

We tell you more about these tasks and related topics in the paragraphs that follow, starting with the RECEIVE MAP command. We also develop the code for the “quick update” transaction.

If the transaction also calls for mapped output, as “quick update” and most other transactions do, you simply continue with the steps outlined before, in “Sending mapped output: basics” on page 338. Some considerations and shortcuts for mapped input are described in “Mapped output after mapped input” on page 359.



## The RECEIVE MAP command

The RECEIVE MAP command causes BMS to format terminal input data and make it accessible to your application program. It tells BMS:

- Which map to use in formatting the input data stream—that is, what format is on the screen and what data structure the program expects (the MAP option)
- Where to find this map (MAPSET option)
- Where to get the input (TERMINAL or FROM option)
- Whether to suppress translation to upper case (ASIS option)
- Where to put the formatted input data (the INTO and SET options)

The MAP and MAPSET options together tell BMS which map to use, and they work exactly as they do on a SEND MAP command.

BMS gets the input data to format from the terminal associated with your task (its principal facility), unless you use the FROM option. FROM is an alternative to TERMINAL, the default, used in relatively unusual circumstances (see “Formatting other input” on page 361).

BMS also translates lower case input to upper case automatically in some cases; we explain how to control translation in “Upper case translation” on page 355.

You tell BMS where to put the formatted input with the INTO or SET option, which we cover in the next section. For the full syntax of the RECEIVE MAP command, see the *CICS Application Programming Reference* manual.

## Getting storage for mapped input: INTO and SET

When you issue a RECEIVE MAP command, BMS needs storage in which to build the input map structure. You can provide this space yourself, either in the working storage of your program or with a CICS GETMAIN. These are the same choices you have for allocating storage in which to build an output map, and you use them the same way (see “Acquiring and defining storage for the maps” on page 339 for details and examples). For either, you code the INTO option on your RECEIVE command, naming the variable into which the formatted input is to be placed. For our “quick update”, for example, the required command is:

```
EXEC CICS RECEIVE MAP('QUPMAP') MAPSET('QUPSET')
        INTO(QUPMAPI) END-EXEC.
```

Usually, the receiving variable is the area defined by the symbolic input map, to which BMS assigns the map name suffixed by the letter “I”, as shown above. You can specify some other variable if you wish, however.

For input operations, you have a third choice for acquiring storage. If you code the SET option, BMS acquires the storage for you at the time of the RECEIVE command and returns the address in the pointer variable named in the SET option. So we could have coded the RECEIVE MAP command in “quick update” like this:

```
LINKAGE SECTION.
...
01 QUPMAP COPY QUPMAP.
...
PROCEDURE DIVISION.
...
EXEC CICS RECEIVE MAP('QUPMAP') MAPSET('QUPSET')
        SET(ADDRESS OF QUPMAPI) END-EXEC.
...
```

Storage obtained in this way remains until task end unless you issue a FREEMAIN to release it (see “Chapter 36. Storage control” on page 479).

## Reading from a formatted screen: what comes in

As we noted earlier, we explain receiving input from a terminal in terms of 3270 devices. You should also read “Support for non-3270 terminals” on page 361 if you are writing for non-3270 terminals.

CICS normally reads a 3270 screen with a “read modified” command<sup>8</sup>. The data transmitted depends on what the operator did to cause transmission:

- The ENTER key or a PF key
- CLEAR, CNCL or a PA key (the “short read” keys)
- Field selection: cursor select, light pen detect or a trigger field

You can tell which event occurred, if you need to know; we explain how in “The attention identifier: what caused transmission” on page 355. You can also find more detail on 3270 input operations in “Input from a 3270 terminal” on page 318.

The short read keys transmit only the attention identifier (the identity of the key itself). No field data comes in, and there is nothing to map. For this reason, short read keys can cause the MAPFAIL condition, as explained on page 360. Field selection features transmit field data, but in most cases not the same data as the ENTER and PF keys, which we describe in the paragraphs that follow. See “BMS support for other special hardware” on page 406 for the exceptions if you plan to use these features.

Most applications are designed for transmission by the ENTER key or a PF key. When one of these is used to transmit, all of the fields on the screen that have been modified, and *only* those fields, are transmitted.

### Modified data

As we explained in “Modification” on page 311, a 3270 screen field is considered modified only if the “modified data tag” (MDT), one of the bits in the field attributes byte, is on. The terminal hardware turns on this bit if the operator changes the field in any way—entering data, changing data already there, or erasing. You can also turn it on by program when you send the map, by including MDT among the ATTRB values for the field. You do this when you want the data in a particular field to be returned even if the operator does not change it.

You can tell whether there was input from a particular map field by looking at the corresponding length (L) subfield. If the length is zero, no data was read from that field. The associated input (I) subfield contains all nulls (X'00'), because BMS sets the entire input structure to nulls before it performs the input mapping operation. The length is zero either if the modified data tag is off (that is, the field was sent with the tag off and the operator did not change it) or if the operator erased the field. You can distinguish between these two situations, if you care, by inspecting the flag (F) subfield. It has the high-order bit on if the field contains nulls but the MDT is on (that is, the operator changed the field by erasing it). See “Finding the cursor” on page 356 for more information about the flag subfield.

If the length is nonzero, data was read from the field. Either the operator entered some, or changed what was there, or the field was sent with the MDT on. You may find the data itself in the corresponding input (I) subfield. The length subfield tells

---

8. CICS provides an option, BUFFER, for the terminal control RECEIVE command, with which you can capture the entire contents of a 3270 screen. See “Reading from a 3270 terminal” on page 319 if you need to do this.

how many characters were sent. A 3270 terminal sends only non-null characters, so BMS knows how much data was keyed into the field. Character fields are filled out with blanks on the right and numeric fields are filled on the left with zeros unless you specify otherwise in the JUSTIFY option of the field definition. BMS assumes that a field contains character data unless you indicate that it is numeric with ATTRB=NUM. See the *CICS Application Programming Reference* manual for details of how these options work.

### Upper case translation

CICS converts lower case input characters to upper case automatically under some circumstances. The definition of the terminal and the transaction together determine whether translation occurs. See the UCTRAN option of the PROFILE and the TYPETERM definitions in *CICS Resource Definition Guide* for how these specifications interact.

You can suppress this translation by using the ASIS option on your RECEIVE MAP command, *except* on the first RECEIVE in a task initiated by terminal input. (The first RECEIVE may be either a RECEIVE MAP (without FROM) or a terminal control RECEIVE.) CICS has already read and translated this input, and it is too late to suppress translation. (Its arrival caused the task to be invoked, as explained in “How tasks are started” on page 299.) Consequently, ASIS is ignored entirely in pseudoconversational transaction sequences, where at most one RECEIVE MAP (without FROM) occurs per task, by definition. For the same reason, you cannot use ASIS with the FROM option (see “Formatting other input” on page 361).

## Other information from RECEIVE MAP

In addition to the data on the screen, the RECEIVE MAP command tells you where the operator left the cursor and what key caused transmission. This information becomes available in the EIB on completion of the RECEIVE MAP command. EIBAID identifies the transmit key (the “attention identifier” or AID), and EIBCURSR tells you where the cursor was left.

### The attention identifier: what caused transmission

This information is part of the input in many applications, and you may also need it to interpret the input correctly.

For example, in the “quick update” transaction, we need some method for allowing the clerk to exit our transaction, and we have not yet provided for this. Suppose that we establish the convention that pressing PF12 causes you to leave control of the transaction. We would then code the following after our RECEIVE MAP command:

```
IF EIBAID = DFHPPF12,  
  EXEC CICS SEND CONTROL FREEKB ERASE END-EXEC  
  EXEC CICS RETURN END-EXEC.
```

This would end the transaction without specifying which one should be executed next, so that the operator would regain control. The SEND CONTROL command that precedes the RETURN unlocks the keyboard and clears the screen, so that the operator is ready to enter the next request.

The hexadecimal values that correspond to the various attention keys are defined in a copy book called DFHAID. To use these definitions, you simply copy DFHAID into your working storage, in the same way that you copy DFHBMSCA to use the predefined attributes byte combinations (see “Attribute value definitions: DFHBMSCA” on page 343). The contents of the DFHAID copy book are listed in the *CICS Application Programming Reference* manual.

## The HANDLE AID command

You can also use a HANDLE AID command to identify the attention key used (unless you are writing in C or C++, which does not support HANDLE AID commands). HANDLE AID works like other HANDLE commands; you issue it before the first RECEIVE command to which it applies, and it causes a program branch on completion of subsequent RECEIVES if a key named in the HANDLE AID is used.

For example, an alternative to the “escape” code just shown would be:

```
EXEC CICS HANDLE AID PF12(ESCAPE) END-EXEC.
...
EXEC CICS RECEIVE MAP('QUPMAP') MAPSET('QUPSET') ...
...
ESCAPE.
EXEC CICS SEND CONTROL FREEKB ERASE END-EXEC
EXEC CICS RETURN END-EXEC.
```

HANDLE AID applies only to RECEIVE commands in the same program. The specification for a key remains in effect until another HANDLE AID in the same program supersedes it by naming a new label for the key or terminates it by naming the key with no label. A RESP, RESP2, or NOHANDLE option on a RECEIVE command exempts that particular command from the effects of HANDLE AID specifications, but they remain in effect otherwise.

If you have a HANDLE active for an AID received during an input operation, control goes to the label specified in the HANDLE AID, regardless of any exceptional condition that occurs and whether or not a HANDLE CONDITION is active for that exception. HANDLE AID can thus mask an exceptional condition if you check for it with HANDLE CONDITION. For this reason you may prefer to use an alternative test for the AID or exceptional conditions or both. You can check EIBAID for the AID and use the RESP option or check EIBRESP for exceptions. You need to be especially aware of MAPFAIL in this respect, as noted on page 360.

## Finding the cursor

In some applications, you need to know where the operator left the cursor at the time of sending. There are two ways of finding out. If your map specifies CURSLOC=YES, BMS turns on the seventh (X'02') bit in the flag subfield of the map field where the cursor was left. This only works, of course, if the cursor is left in a map field to which you assigned a name.

Also, because the flag subfield is used to indicate both cursor presence and field erasure, you need to test the bits individually if you are looking for one in particular: the X'80' bit for field erasure and the X'02' bit for the cursor. If you are using a language in which it is awkward to test bits, you can test for combinations. A value of X'80' or X'82' signals erasure; either X'02' or X'82' indicates the cursor. The DFHBMSCA definitions described in the *CICS Application Programming Reference* manual include all of these combinations.

You can also determine the position of the cursor from the EIBCPOSN field in the EIB. This is the absolute position on the screen, counting from the upper left (position zero) and going across the rows. Thus a value of 41 on a screen 40 characters wide would put the cursor in the second row, second column. Avoid this method if possible, because it makes your program sensitive to the placement of fields on the screen and to the terminal type.

## Processing the mapped input

To illustrate how the input subfields are used, we return to “quick update”. After we have the input, we need to do some checks on it before continuing. First, we require that the charge be entered (that is, that the input length be greater than zero), and be positive and numeric.

```
IF CHGL = 0, MOVE -1 TO CHGL
MOVE 1 TO ERR-NO
ELSE IF CHGI NOT > ZERO OR CHGI NOT NUMERIC,
MOVE DFHUNIMD TO CHGA,
MOVE -1 TO CHGL
MOVE 2 TO ERR-NO.
```

The 'MOVE -1' statements here and following put the cursor in the first field in error when we redisplay the map, as explained in “Positioning the cursor” on page 348. The message number tells us what message to put in the message area; 1 is “enter a charge”, and so on through 6, for “charge is over limit”. We do these checks in roughly ascending order of importance, to ensure that the most basic error is the one that gets the message. At the end of the checking, we know that everything is okay if ERR-NO is zero.

An account number must be entered, as well as the charge. If we have one (whatever the condition of the charge), we can retrieve the customer’s account record to ensure that the account exists:

```
IF ACCTNOL = 0, MOVE -1 TO ACCTNOL
MOVE 3 TO ERR-NO
ELSE EXEC CICS READ FILE (ACCT) INTO (ACCTFILE-RECORD)
RIDFLD (ACCTNOI) UPDATE RESP(READRC) END-EXEC
IF READRC = DFHRESP(NOTFOUND), MOVE 4 TO ERR-NO,
MOVE DFHUNIMD TO ACCTNOA
MOVE -1 TO ACCTNOL
ELSE IF READRC NOT = DFHRESP(NORMAL) GO TO HARD-ERR-RTN.
```

If we get this far, we continue checking, until an error prevents us from going on. We need to ensure that the operator gave us a good account number (one that is not in trouble), and that the charge is not too much for the account:

```
IF ERR-NO NOT > 2
IF ACCTFILE-WARNCODE = 'S', MOVE DFHMBRY TO MSGA
MOVE 5 TO ERR-NO
MOVE -1 TO ACCTNOL
EXEC CICS LINK PROGRAM('NTFYCOPS') END-EXEC
ELSE IF CHGI > ACCTFILE-CREDIT-LIM - ACCTFILE-UNPAID-BAL
- ACCTFILE-CUR-CHGS
MOVE 6 TO ERR-NO
MOVE -1 TO ACCTNOL.
IF ERR-NO NOT = 0 GO TO REJECT-INPUT.
```

## Handling input errors

As illustrated in “quick update,” above, whenever you have operator input to process, there is almost always a possibility of incorrect data, and you must provide for this contingency in your code. Usually, what you need to do when the input is wrong is:

- Notify the operator of the errors. Try to diagnose all of them at once; it is annoying to the operator if you present them one at a time.
- Save the data already entered, so that the operator does not have to rekey anything except corrections.
- Arrange to recheck the input after the operator makes corrections.

## Flagging errors

In the preceding code for the “quick update” transaction, we used the message field to describe the error (the first one, anyway). We highlighted all the fields in error, provided there was any data in them to highlight, and we set the length subfields to -1 so that BMS would place the cursor in the first bad field. We send this information using the same map, as follows:

```
REJECT-INPUT.  
    MOVE LOW-VALUES TO ACCTNOO CHGO.  
    EXEC CICS SEND MAP('QUPMAP') MAPSET('QUPSET') FROM(QUPMAPO)  
          DATAONLY END-EXEC.
```

Notice that we specify the DATAONLY option. We can do this because the constant part of the map is still on the screen, and there is no point in rewriting it there. We cleared the output fields ACCTNOO and CHGO, to avoid sending back the input we had received, and we used a different attributes combination to make the ACCTNO field bright (DFHUNIMD instead of DFHBMBRY). DFHUNIMD highlights the field and leaves the modified data tag on, so that if the operator resends without changing the field, the account number is retransmitted.

## Saving the good input

The next step is to ensure that whatever good data the operator entered gets saved. One easy technique is to store the data on the screen. You do not have to do anything additional to accomplish this; once the MDT in a field is turned on, as it is the first time the operator touches the field, it remains on, no matter how many times the screen is read. Tags are not turned off until you erase the screen, turn them off explicitly with the FRSET option on your SEND, or set the attributes subfield to a value in which the tag is off.

The drawback to saving data on the screen is that all the data is lost if the operator uses the CLEAR key. If your task is conversational, you can avoid this hazard by moving the input to a safe area in the program before sending the error information and asking for corrections. In a pseudoconversational sequence, where the component tasks do not span interactions with the terminal, the equivalent is for the task that detects the error to pass the old input forward to the task that processes the corrected input. You can forward data through a COMMAREA on the RETURN command that ends a task, by writing to temporary storage, or in a number of other ways (see “Chapter 13. Sharing data across transactions” on page 151 for possibilities).

In addition to avoiding the CLEAR key problem, storing data in your program or in a temporary storage queue reduces inbound transmission time, because you transmit only changed fields on the error correction cycles. (You must specify FRSET when you send the error information to prevent the fields already sent and not corrected from coming in again.) You can also avoid repeating field audits because, after the first time, you need to audit only if the user has changed the field or a related one.

However, these gains are at the expense of extra programming and complexity, and therefore the savings in line time or audit path length must be considerable, and the probability of errors high, to justify this choice. You must add code to merge the new input with the old, and if you have turned off the MDTs, you need to check both the length and the flag subfield to determine whether the operator has modified a map field. Fields with new data have a nonzero length; those which had data and were subsequently erased have the high-order bit in the flag subfield on.

A good compromise is to save the data both ways. If the operator clears the screen, you use the saved data to refresh it; otherwise you simply use the data coming in from the screen. You do not need any merge logic, but you protect the operator from losing time over an unintended CLEAR.

For our “quick update” code, with its minimal audits and transmissions, we choose the “do nothing” approach and save the information on the screen.

### Rechecking

The last requirement is to ensure that the input data is rechecked. If your task is conversational, this simply means repeating the audit section of your code after you have received (and merged, if necessary) the corrected input. In a pseudoconversational sequence, you usually repeat the transaction that failed. In the example, because we saved the data on the screen in such a way that corrected data is indistinguishable from new data, all we need to do is arrange to execute the same transaction against the corrected data, thus:

```
EXEC CICS RETURN TRANSID('QUPD') END-EXEC.
```

where 'QUPD' is the identifier of the “quick update” transaction.

## Mapped output after mapped input

If your transaction makes it through its input audits and the attendant hazards, the processing specific to mapped input is complete. The next step, frequently, is to prepare and send the transaction output. In general, if the output is to be mapped, you follow the steps outlined in “Sending mapped output: basics” on page 338. However, the acquisition of storage for building the map may be affected by the input mapping you have already done. If the output and input maps are different, but in the same map set or in map sets defined to overlay one another, you have already done the storage acquisition during your input mapping process. If your output and input maps overlay one another, you need to ensure that you save any map input you still need and clear the output structure to nulls before you start building the output map. If this is awkward, you may want to define the maps so that they do not overlay one another. (See “BASE and STORAGE options” on page 340 for your choices in this regard.)

Your transaction may also call for using the same map for output as input. This is routine in code that handles input errors, as we have already seen, and also in simple transactions like “quick update”. One-screen data-entry transactions are another common example.

When you are sending new data with a map already on the screen, you can reduce transmission with the DATAONLY option, and you may need only the SEND CONTROL command. See “Options for merging the symbolic and physical maps” on page 344 for a discussion of these options.

For the “quick update” transaction, however, we need to fill in the message field with our “go” response (and update the file with the charge to finish our processing):

```
MOVE 'CURRENT CHARGE OKAY; ENTER NEXT' TO MSGO
ADD CHGI TO ACCTFILE-CUR-CHGS
EXEC CICS REWRITE FILE('ACCT') FROM (ACCTFILE-RECORD)....
```

We also need to erase the input fields, so that the screen is ready for the next input. We have to do this both on the screen (the ERASEAUP option erases all unprotected fields) and in the output structure (because the output subfield overlays the input subfield and the input data is still there).

```

MOVE LOW-VALUES TO ACCTNOO CHGO.
EXEC CICS SEND MAP('QUPMAP') MAPSET('QUPSET') FROM(QUPMAPO)
      DATAONLY ERASEAUP END-EXEC.

```

Finally, we can return control to CICS, specifying that the same transaction is to be executed for the next input.

```
EXEC CICS RETURN TRANSID('QUPD') END-EXEC.
```

## MAPFAIL and other exceptional conditions

The exceptional conditions that can occur on a RECEIVE command are all listed in the *CICS Application Programming Reference* manual, and most are self-explanatory. One of them warrants discussion, however, because it can result from a simple operator error. This is MAPFAIL, which occurs when no usable data is transmitted from the terminal or when the data transmitted is unformatted (in the 3270 sense—see “Unformatted mode” on page 321). MAPFAIL occurs on a RECEIVE MAP if the operator has used the CLEAR key or one of the PA keys. It also occurs if the operator uses ENTER or a PF key from a screen where:

- No fields defined in the map have the modified data tag set on (this means the operator did not key anything and you did not send any fields with the tags already set, so that no data is returned on the read), and
- The cursor was not left in a field defined in the map and named, or the map did not specify CURSLOC=YES.

Pressing ENTER prematurely or a “short read” key accidentally is an easy mistake for the operator to make. In the interest of user friendliness, you may want to refresh the screen after MAPFAIL instead of ending the transaction in error.

MAPFAIL also occurs if you issue a RECEIVE MAP without first formatting with a SEND MAP or equivalent in the current or a previous task, and can occur if you use a map different from the one you sent. This might signal an error in logic, or it might simply mean that your transaction is in its startup phase. For instance, in our “quick update” example, we have not made any provision for getting started—that is, for getting an empty map onto the screen so that the operator can start using the transaction. We could use a separate transaction to do this, but we might as well take advantage of the code we need to refresh the screen after a MAPFAIL. What we need is:

```

IF RCV-RC = DFHRESP(MAPFAIL)
  MOVE 'PRESS PF12 TO QUIT THIS TRANSACTION' TO MSGO
  EXEC CICS SEND MAP('QUPMAP') MAPSET('QUPSET')
        FROM(QUPMAPO) END-EXEC.

```

We are reminding the operator how to escape, because attempts to do this may have caused the MAPFAIL in the first place. If we had not wanted to send this message, or if it was the default in the map, we could have used the MAPONLY option:

```
EXEC CICS SEND MAP('QUPMAP') MAPSET('QUPSET') MAPONLY END-EXEC.
```

When MAPFAIL occurs, the input map structure is not cleared to nulls, as it is otherwise, so it is important to test for this condition if your program logic depends on this clearing.

You can issue a HANDLE CONDITION command to intercept MAPFAIL, as you can other exception conditions. If you do, and you also have a HANDLE AID active for the AID you receive, however, control goes to the label specified for the AID and not that for MAPFAIL, as explained in “The HANDLE AID command” on page 356



page 356. In this situation you will be unaware of the MAPFAIL, even though you issued a HANDLE for it, unless you also test EIBRESP.

### **EOC condition**

EOC is another condition that you encounter frequently using BMS. It occurs when the end-of-chain (EOC) indicator is set in the request/response unit returned from VTAM. EOC does not indicate an error, and the BMS default action is to ignore this condition.

## **Formatting other input**

Although the data that you format with a RECEIVE MAP command normally comes from a terminal, you can also format data that did not come from a terminal, or that came indirectly. For example, you might not know which map to use until you receive the input and inspect some part of it. This can happen when you use special hardware features like partitioning or logical device codes, and also in certain logic situations. You might also need to format data that was read from a formatted screen by an intermediate process (without mapping) and later passed to your transaction.

The FROM option of the RECEIVE MAP command addresses these situations. FROM tells BMS that the data has already been read, and only the translation from the native input stream to the input map structure is required.

Because the input has already been read, you need to specify its length if you use FROM, because BMS cannot get this information from the access method, as it does normally. If the data came originally from a RECEIVE command in another task, the length on the RECEIVE MAP FROM command should be the length produced by that original RECEIVE.

For the same reason, you cannot suppress translation to upper case with the ASIS option when you use FROM. Moreover, BMS does not set EIBAID and EIBCURSR after a RECEIVE FROM command.

And finally, BMS does not know from what device the input came, and it assumes that it was your current principal facility. (You cannot even use RECEIVE FROM without a principal facility, even though no input/output occurs.) If the data came from a different type of device, you have to do the mapping in a transaction with a similar principal facility to get the proper conversion of the input data stream.

**Note:** You cannot map data read with a terminal control RECEIVE with the BUFFER option, because the input data is unformatted (in the 3270 sense). If you attempt to RECEIVE MAP FROM such input, MAPFAIL occurs.

---

## **Support for non-3270 terminals**

**Minimum** BMS supports only 3270 displays and printers. This category includes the 3178, 3290, 8775 and 5520, LU type 2 and LU type 3 devices, and any other terminal that accepts the 3270 data stream. The *IBM 3270 Information Display System Data Stream Programmer's Reference* manual contains a full list. **Standard** BMS expands 3270 support to SCS printers (3270 family printers *not* using the 3270 data stream) and all of the terminal types listed in Table 25 on page 365.

Because of functional differences among these terminal types, it is not possible to make BMS work in exactly the same way for each of them. The sections which follow outline the limitations in using BMS on devices which lack the hardware basis for certain features.

## Output considerations for non-3270 devices

Because BMS separates the device-dependent content of the output data stream from the logical content, there are only a few differences between 3270 and non-3270 devices that you need to consider in creating BMS output.

The primary difference between 3270 and non-3270 devices is that the 3270 is **field-oriented**, and most others are not. Consequently, there are neither field attributes nor extended attributes associated with output fields sent to non-3270 terminals. BMS can position the output in the correct places, field by field, but the field structure is not reflected in the data stream. BMS can even emulate some field attributes on some terminals (it may underline a highlighted field, for example), but there is no modified data tag, no protection against keying into the field, and so on.

If you specify attributes on output that the terminal does not support, BMS simply ignores them. You do not need to worry about them, provided the output is understandable without the missing features.

## Differences on input

The absence of field structure has more impact on input operations, because many of the features of BMS depend on the ability to read—by field—only those fields that were modified. If the hardware does not provide the input field-by-field with its position on the screen, you must provide equivalent information.

You can do this in either of two ways. The first is to define a field-separator sequence, one to four characters long, in the FLDSEP option of the map definition. You place this sequence between each field of your input and supply the input fields in the same order as they appear on the screen or page. You must supply every field on the screen, up to the last one that contains any data. If there is no input in a field, it can consist of only the terminating field-separator sequence. On hardcopy devices, input cannot overlay the output because of paper movement. On displays that emulate such terminals, the same technique is generally used. Input fields are entered in an area reserved for the purpose, in order, separated by the field-separator sequence.

The second method is to include control characters in your input. If you omit the FLDSEP option from your map, BMS uses control characters to calculate the position of the data on the “page” and maps it accordingly. The control characters that BMS recognizes are:

NL	new line	X'15'
IRS	interchange record separator	X'1E'
LF	line feed	X'25'
FF	form feed	X'0C'
HT	horizontal tab	X'05'
VT	vertical tab	X'0B'
CR	carriage return	X'0D'
RET	return on the TWX	X'26'
ETB	end text block	X'26'
ESC	escape, for 2780	X'27'

When you read data of this kind with a RECEIVE MAP command, there are some differences from true 3270 input:

- The flag byte (F subfield) is not set; it contains a null. You cannot determine whether the operator erased the field or whether the cursor was left in the field.

- You cannot preset a modified data tag on output to ensure that a field is returned on input.

## Special options for non-3270 terminals

BMS provides some additional formatting options for non-3270 devices, to take advantage of device features that shorten the data stream. These include:

- Vertical and horizontal tabs. You can position your output with horizontal and vertical tab orders if the device supports them. The tab characters are defined by the HTAB and VTAB options in the map set definition. When you want to position to the next horizontal tab, you include the HTAB character in your data; you position to the next vertical tab by supplying the VTAB character in your data. BMS translates these characters to the tab sequence required by your particular principal facility.

Before you use tabs in BMS output, your task or some earlier task at the same terminal must have set the tabs in the required positions. This is usually done with a terminal control SEND command, described in “Data transmission commands” on page 412.

- Outboard formatting. Some logical units can store format information and participate in the formatting process. This allows BMS to send much less data (essentially the symbolic map contents) and delegate the work of merging the physical and symbolic maps to the logical unit. See “Outboard formatting” on page 409 for details.
- NLEOM (new line, end of message). Standard BMS also gives you the option of requesting that BMS format your output with blanks and new-line (NL) characters rather than 3270 buffer control orders. This technique gives you more flexibility in page width settings on printers, as explained in “NLEOM option” on page 436.

## Device-dependent maps: map suffixes

Because the position, default attributes, and default contents of map fields appear only in the physical map and not in the symbolic map, you can use a single program to build maps that contain the same variable information but different constant information in different arrangements on the screen. This is very convenient if the program you are writing must support multiple devices with different characteristics.

You do this by defining multiple maps with the same names but different attributes and layout, each with a different suffix.

Suppose, for example, that some of the clerks using the “quick update” transaction use 3270 Model 2s (as we have assumed until now), and the rest use a special-purpose terminal that has only 3 rows and 40 columns. The format we designed for the big screen will not do for the small one, but the information will fit if we rearrange it:

We need the following map definition:

```
QUP Quick Account Update:
Current charge okay; enter next
Acct: _____ Charge: $ _____
```

Figure 68. “Quick update” for the small screen

```

QUPSET DFHMSD TYPE=MAP,STORAGE=AUTO,MODE=INOUT,LANG=COBOL,SUFFIX=9
QUPMAP DFHMDI SIZE=(3,40),LINE=1,COLUMN=1,CTRL=FREKKB
      DFHMDF POS=(1,1),LENGTH=24,ATTRB=(ASKIP,BRT), X
      INITIAL='QUP Quick Account Update'
MSG     DFHMDF LENGTH=39,POS=(2,1),ATTRB=(ASKIP,NORM)
      DFHMDF POS=(3,1),LENGTH=5,ATTRB=(ASKIP,NORM), X
      INITIAL='Acct:'
ACCTNO  DFHMDF POS=(3,11),LENGTH=6,ATTRB=(UNPROT,NUM,IC)
      DFHMDF POS=(3,18),LENGTH=1,ATTRB=(ASKIP),INITIAL=' '
      DFHMDF POS=(3,20),LENGTH=7,ATTRB=(ASKIP,NORM),INITIAL='Charge:'
CHG     DFHMDF POS=(3,29),LENGTH=7,ATTRB=(UNPROT,NORM),PICIN='$$$$0.00'
      DFHMDF POS=(3,37),LENGTH=1,ATTRB=(ASKIP),INITIAL=' '
      DFHMSD TYPE=FINAL

```

Figure 69. Map definition

The symbolic map set produced by assembling this version of the map is identical to the one shown in “An input-output example” on page 349, because the fields with names have the same names and same lengths, and they appear in the same order in the map definition. (They do not need to appear in the same order on the screen, incidentally; you can rearrange them, provided you keep the definitions of named fields in the same order in all maps.) You only need one copy of the symbolic map and you can use the same code to build the map.

CICS will select the physical map to use from the value coded in the ALTSUFFIX option of the TYPETERM resource definition for the terminal from which the transaction is being run. You also need to specify SCRNSZE(ALTERNATE) in the transaction PROFILE resource definition. See *CICS Resource Definition Guide* for information about the TYPETERM and PROFILE resource definitions.

You might use this technique to distinguish among standard terminals used for special purposes. For example, if an application were used by both English and French speakers, you could create two sets of physical maps, one with the constants in French and the other in English. You would assign each a suffix, and specify the English suffix as the ALTSUFFIX value in the definitions of the English terminals and the French suffix for French terminals. Transactions using the map would point to a PROFILE that specified alternate screen size. Then when you sent the map, BMS would pick the version with the suffix that matched the terminal (that is, in the appropriate language).

Another way to provide device dependent maps is to allow BMS to generate a suffix based on the terminal type, and select the physical map to use to match the terminal in the current execution when you issue SEND MAP or RECEIVE MAP.

### Device dependent support: DDS

The BMS feature that does this is called “device dependent support” (DDS). DDS is an installation option that works as follows.

When you assemble your map sets, you specify the type of terminal the maps are for in the TERM option. This causes the assembler to store the physical map set under the MAPSET name suffixed by the character for that type of terminal<sup>9</sup>. When you issue SEND MAP or RECEIVE MAP with DDS active, BMS adds a 1-character suffix to the name you supply in the MAPSET option. It chooses the suffix based on the definition of your terminal, and thus loads the physical map that corresponds to the terminal for any given execution.

9. You also can use JCL or the link-edit NAME statement to control the member name under which a map set is stored.

BMS defines the suffixes used for the common terminal types. A 3270 Model 2 with a screen size of 24 rows and 80 columns is assigned the letter 'M,' for example. The type is determined from the TYPETERM definition if it is one of the standard types shown in Table 25.

Table 25. Terminal codes for BMS

Code	Terminal or logical unit
A	CRLP (card reader input, line printer output) or TCAM terminal
B	Magnetic tape
C	Sequential disk
D	TWX Model 33/35
E	1050
F	2740-1, 2740-2 (without buffer receive)
G	2741
H	2740-2 (with buffer receive)
I	2770
J	2780
K	3780
L	3270-1 displays (40-character width)
M	3270-2 displays (80-character width), LU type 2s
N	3270-1 printers
O	3270-2 printers, LU type 3s
P	All interactive LUs, 3767/3770 Interpreter LU, 3790 full function LU, SCS printer LU
Q	2980 Models 1 and 2
R	2980 Model 4
U	3600 (3601) LU
V	3650 Host Conversational (3653) LU
W	3650 Interpreter LU
X	3650 Host Conversational (3270) LU
Y	3770 Batch LU, 3770 and 3790 batch data interchange LUs, LU type 4s
blank	3270-2 (default if TERM omitted)

An installation can also define additional terminal types, such as the miniature screen described above. The system programmer does this by assigning an identifier to the terminal type and specifying it in the ALTSUFFIX option of the TYPETERM definition for the terminals. When you create a map for such a terminal, you specify this identifier in the SUFFIX option, instead of using the TERM option. Transactions using the map must also point to a PROFILE that specifies alternate screen size, so that ALTSUFFIX is used.

With DDS, the rules BMS uses for selecting a physical map are:

- BMS adds the ALTSUFFIX value in the terminal definition to your map set name, provided that definition specifies both ALTSUFFIX and ALTSCREEN, and provided that the screen size for the transaction is the alternate size (either because the transaction PROFILE calls for alternate size, or because the default and alternate sizes are the same).

- If these conditions are not met, or if BMS cannot find a map with that suffix, it attempts to find one with the suffix that corresponds to the terminal type in the terminal definition.
- If BMS cannot find that map either, it looks for one with no suffix. (A blank suffix indicates an all-purpose map, suitable for any terminal that might use it.)

Without DDS, BMS always looks first (and only) for an unaffixed map.

Device-dependent support is an installation option for BMS, set by the system programmer in the system initialization table. Be sure that it is included in your system before taking advantage of it; you should know whether it is present, even if you are supporting only one device type.

With DDS in the system, there is an efficiency advantage in creating affixed map sets, even if you are supporting only one device type, because you prevent BMS from attempting to load a map set that does not exist before defaulting to the universal one (the blank suffix).

Without DDS, on the other hand, it is unnecessary to affix your maps, because BMS looks for the universal suffix (a blank) and fails to locate affixed maps.

## Finding out about your terminal

Because of the overall design of BMS, and device-dependent support in particular, you generally do not need to know much about your terminal to format for it. However, if you need to know the characteristics of your principal facility, you can use the ASSIGN and INQUIRE commands. You can tell, for example, whether your terminal supports a particular extended attribute, what national language is in use, screen size and so on. This type of information applies whether you are using BMS or terminal control to communicate with your terminal. You need it more often for terminal control, and so we describe the options that apply in that chapter, in “Finding out about your terminal” on page 422.

There are also ASSIGN options specific to BMS, but you need them most often when you use the ACCUM option, and so we describe them later, in “ASSIGN options for cumulative processing” on page 380.

---

## The MAPPINGDEV facility

Minimum BMS function assumes that the principal facility of your task is the **mapping device** that performs input and output mapping operations for the features and status that is defined in the TCTTE (Terminal Control Table entry).

The principal facility for transactions using BMS function should have a device type supported by BMS. However, the MAPPINGDEV facility is an extension of minimum BMS that allows you to perform mapping operations for a device that is **not** the principal facility. When the MAPPINGDEV request completes, the mapped data is returned to the application. BMS does not have any communication with the MAPPINGDEV device.

You can specify the MAPPINGDEV option on the RECEIVE MAP command (see the *CICS Application Programming Reference* manual) and the SEND MAP command, (see the *CICS Application Programming Reference* manual) but not on any other BMS command.

The TERMIID specified in the MAPPINGDEV option must represent a device in the 3270 family supported by BMS. If the device is partitioned, it is assumed to be in base state. Outboard formatting is ignored.

Data is mapped in exactly the same way as for minimum BMS, and there is no need to change mapset definitions or to re-generate mapsets.

## SEND MAP with the MAPPINGDEV option

Your SEND MAP commands that have the MAPPINGDEV option must also specify the SET option. (The SET option provides BMS with a pointer that sets the address of the storage area that contains the mapped output datastream.)

If you have storage protection active, the data is returned in storage in the key specified in the TASKDATAKEY option of the transaction definition. The storage is located above or below the line depending on which TASKDATALOC option of the transaction definition you have specified.

The storage area is in task-related user storage but in the format of a TIOA (Terminal Input/Output Area). The application can reference the storage area using the DFHTIOA copybook. The TIOATDL field, at offset 8, contains the length of the datastream that starts at TIOADBA, at offset 12, in the storage area. The length value placed in TIOATDL does not include the length of the 4-byte page control

area, which contains information such as the extended attributes that have been used in the datastream and can be referenced using the DFHPGADS copybook.

The storage area usually has a length greater than the datastream because the storage area is allocated before the exact length of the output datastream is determined. This storage area is in a form that can be used in a SEND TEXT MAPPED command.

If you are familiar with using the SET option without the MAPPINGDEV option, (see “Protection” on page 311 for details) you know that the datastream is returned to the application indirectly by a list of pages. However, when MAPPINGDEV is specified, a direct pointer to the storage area containing the datastream is returned to your application.

When the SEND MAP MAPPINGDEV command completes its processing, the storage area is under the control of the application and remains allocated until the end of the transaction unless your application FREEMAINS it. You are advised to FREEMAIN these storage areas, for long-running transactions but CICS frees these areas when the task terminates.

## **RECEIVE MAP with the MAPPINGDEV option**

You must specify the FROM option when using the MAPPINGDEV option on the RECEIVE MAP command. BMS needs the FROM option to supply a formatted 3270 input datastream that is consistent with the datastream returned via a Terminal Control RECEIVE command (that is, a normal input 3270 datastream). The only difference is that it does not start with an AID and input cursor address because this information is removed from the input datastream by terminal control, but there are options on the RECEIVE MAP command that allow you to specify an AID value and input cursor position when the MAPPINGDEV option is specified. If the datastream contains an AID and input cursor address, they are ignored by BMS.

When neither option is specified, BMS assumes that the input data operation was terminated with the ENTER key, and returns the appropriate AID value to the application from the EIBAID field. BMS also assumes that the input cursor was positioned at the home address and returns a value of zero to the application from the EIBCPOSN field.

The new AID option of the RECEIVE MAP command allows your application to specify an AID value which, if specified, overrides the default value of ENTER. Whether provided by the application, or defaulted by BMS, the AID value that you established causes control to be passed, when applicable, to the routine registered by a previous HANDLE AID request issued by the application.

The new CURSOR option of the RECEIVE MAP command allows your application to specify an input cursor position which, if specified, overrides the default value of zero. Whether provided by the application, or defaulted by BMS, the input cursor value is used in cursor location processing when you define the map with CURSLOC=YES.

As with the minimum BMS RECEIVE MAP command, the mapped data is returned to your application by the INTO or SET option. If neither option is specified, the CICS translator attempts to apply a default INTO option by appending the character 'I' to the map name.



When you use the SET option with the MAPPINGDEV option, it must provide a pointer variable that BMS sets with the address of the storage area containing the mapped input datastream. The data is returned in task-related user storage. If storage protection is active, the data is returned in storage in the key specified by the TASKDATAKEY option of the transaction definition. The storage is located above or below the line depending on the TASKDATALOC option of your transaction definition.

When the RECEIVE MAP MAPPINGDEV command completes its processing successfully, the storage area is returned by the SET option and is under the control of the application and remains allocated until the end of the transaction unless your application FREEMAINS it. You are advised to FREEMAIN these storage areas, for long-running transactions but CICS frees these areas when the task terminates.

### **Sample assembler MAPPINGDEV application**

Figure 70 on page 370 is a modification of the FILEA operator instruction sample program, and uses the same mapset named DFH\$AGA.

This application is only intended to demonstrate how to code the keywords associated with the MAPPINGDEV facility, and as a means of testing this function. It is not offered as a recommended design for applications that make use of the MAPPINGDEV facility.

```

DFH$AMNX CSECT
*
          DFHREGS
DFHEISTG DSECT
OUTAREA  DS    0CL512
          DS    CL8
OUTLEN   DS    H
          DS    H
OUTDATA  DS    CL500
INLEN    DS    H
INAREA   DS    CL256
PROOF    DS    CL60
          COPY  DFH$AGA
          COPY  DFHBMSCA
DFH$AMNU CSECT
EXEC CICS HANDLE AID PF3(PF3_ROUTINE)
*
XC      DFH$AGAS(DFH$AGAL),DFH$AGAS
MVC     MSGO(L'APPLMSG),APPLMSG
EXEC CICS SEND MAP('DFH$AGA') FROM(DFH$AGAO) ERASE
        MAPPINGDEV(EIBTRMID) SET(R6)
MVC     OUTAREA(256),0(R6)
MVC     OUTAREA+256(256),256(R6)
EXEC CICS SEND TEXT MAPPED FROM(OUTDATA) LENGTH(OUTLEN)
*
EXEC CICS RECEIVE INTO(INAREA) LENGTH(INLEN)
        MAXLENGTH(MAXLEN)
*
EXEC CICS RECEIVE MAP('DFH$AGA') SET(R7) LENGTH(INLEN)
        MAPPINGDEV(EIBTRMID) FROM(INAREA)
        CURSOR(820) AID(=C'3')
*
XC      PROOF,PROOF
MVC     PROOF(25),=C'You just keyed in number '
MVC     PROOF+25(6),KEYI-DFH$AGAI(R7)
FINISH  DS    0H
EXEC CICS SEND TEXT FROM(PROOF) LENGTH(60) ERASE FREEKB
TM      MSGF-DFH$AGAI(R7),X'02'
BNO     RETURN
XC      PROOF,PROOF
MVC     PROOF(33),=C'Input cursor located in MSG field'
EXEC CICS SEND TEXT FROM(PROOF) LENGTH(60) ERASE FREEKB
*
*      THE RETURN COMMAND ENDS THE PROGRAM.
*
RETURN  DS    0H
EXEC CICS RETURN
*
PF3_ROUTINE DS 0H
          XC    PROOF,PROOF
          MVC    PROOF(30),=C'RECEIVE MAP specified AID(PF3)'
          B      FINISH
MAXLEN  DC    H'256'
APPLMSG DC    C'This is a MAPPINGDEV application'
END

```

Figure 70. ASM example of a MAPPINGDEV application

## Block data

BMS provides an alternate format for the symbolic map, called block data format, that may be useful in specific circumstances. In block data format, the symbolic output map is an image of the screen or page going to the terminal. It has the customary field attributes (A) and output value (O) subfields for each named map field, but the subfields for each map field are separated by filler fields such that

their displacement in the symbolic map structure corresponds to their position on the screen. There are no length subfields, and symbolic cursor positioning is unavailable as a consequence.

For example, the symbolic map for the “quick check” screen in Figure 61 on page 326 would look like this in block data format (assuming a map 80 columns wide). Compare this with the normal “field data”. format (in Figure 62 on page 327) from the same map definition.

You can set only the field attributes in the program; BMS ignores the DSATTS

```
01 QCKMAPO.
02 FILLER PIC X(12).           <---TIOAPFX still present
02 FILLER PICTURE X(192).     <---Spacer to
02 ACCTNOA PICTURE X.         <---Position (3,13)
02 ACCTNOO PIC X(7).
02 FILLER PICTURE X(72).     <---Spacer to
02 SURNAMEA PICTURE X.       <---Position (4,13)
02 SURNAMEO PIC X(15).
02 FNAMEA PICTURE X.         <---Position (4,30), no
02 FNAMEO PIC X(10).         preceding spacer required
02 FILLER PICTURE X(52).     <---Spacer to
02 CHGA PICTURE X.           <---Position (5,13)
02 CHGO PIC $,$$0.00
02 FILLER PICTURE X(139).    <---Spacer to
02 MSGA PICTURE X.           <---Position (7,1).
02 MSGO PIC X(30).
```

Figure 71. Symbolic map for “quick check” in block data format

option in the map and does not generate subfields for the extended attributes in block data format. You can use block data for input as well. The input map is identical in structure to the output map, except that the flag (F) replaces the field attributes (A) subfield, and the input (I) replaces the output (O) subfield, as in field format.

Block data format may be useful if the application program has built or has access to a printer page image which it needs to display on a screen. For most situations, however, the normal field data format provides greater function and flexibility.

---

## Sending mapped output: additional facilities

In our examples so far, each SEND MAP produces one output message, of one screen or page, delivered immediately to your principal facility. In this section, we describe features of BMS that let you go beyond these basic messages, including:

- Additional disposition options for the message
- Messages of more than one page
- Composite pages, built with multiple BMS SEND commands
- Routing your message to terminals other than your own

We also cover the second type of BMS output, text, in the process, as these additional facilities apply to text as well as mapped output.

### Output disposition options: TERMINAL, SET, and PAGING

The only disposition option we have described up to this point is TERMINAL, which sends the output to the principal facility of your task. TERMINAL is the default value that you get if you do not specify another disposition. There are, however, two other possibilities:

1. BMS can return the formatted output stream to the task rather than sending it to the terminal. You use the SET disposition option to request this. You might

do so to defer transmission or to modify the data stream to meet special requirements. “Acquiring and defining storage for the maps” on page 339 explains how and when to use SET.

2. You can ask BMS to store and manage your output in CICS temporary storage for subsequent delivery to your terminal. This option, PAGING, implies that your message may contain more than one screen or page, and is particularly useful when you want to send a message to a display terminal that exceeds its screen capacity. BMS saves the entire message in temporary storage until you indicate that it is complete. Then it provides facilities for the operator to page through the output at the terminal. You can use PAGING for printers as well as displays, although you do not need the operator controls, and sometimes TERMINAL is just as satisfactory.

When you use PAGING, the output still goes to your principal facility, though indirectly, as just described. Full BMS also provides a feature, routing, that lets you send your message to another terminal, or several, in place of or in addition to your own. We tell you about routing in “Message routing: the ROUTE command” on page 387, after we cover the prerequisites.

**Note:** Both PAGING and SET and related options require **full** BMS. TERMINAL is the only disposition available in minimum and standard BMS.

## BMS logical messages

The disposition options do not affect the correspondence between SEND MAP commands and pages of output. You get one page for each SEND MAP command, unless you also use a second feature of full BMS, the ACCUM option. ACCUM allows you to build pages piecemeal, using more than one map, and like PAGING, it allows your message to exceed a page. You do not have to worry about page breaks or about tailoring your output to a specific page or screen capacity. BMS handles these automatically, giving you control at page breaks if you wish. Details on cumulative page building are in “Page formation: the ACCUM option” on page 376.

As soon as you create an output message of more than one page, or a single page composed of several different maps, you are doing something BMS calls **cumulative** mapping. PAGING implies multiple pages, and ACCUM implies both multiple and composite pages, and so at the first appearance of either of these options, BMS goes into cumulative mapping mode and begins a **logical message**. The one-to-one correspondence between SEND commands and messages ends, and subsequent SEND MAPS simply add to the current logical message. Individual pages within the message are still disposed of as soon as they are complete, but they all belong to the same logical message, which continues until you tell BMS to end it.

### Rules for logical messages

When you start a logical message, you need to observe a number of rules:

- You can build only one logical message at a time. If you are routing this message, BMS may create more than one logical message internally, but in terms of content, there is only one. After you complete the message and dispose of it, you can build another in the same task, using different options if you wish.
- Options related to message management must be the same on all commands that build the message. These are:
  - the disposition option: PAGING, TERMINAL, or SET
  - the option governing page formation: ACCUM should be present on all commands or absent on all

- the identifier for the message in CICS temporary storage: the REQID option value.

Switching options mid-message results in the INVREQ condition or, in the case of REQID, the IREQID condition.

- The ERASE, ERASEAUP, NLEOM, and FORMFEED options are honored if they are used on *any* of the BMS commands that contribute to the page.
- The values of the CURSOR, ACTPARTN, and MSR options for the page are taken from the most recent SEND MAP command, if they are specified there, and from the map if not.
- The 3270 write control character (WCC) from the most recent SEND MAP command is used. The WCC is assembled from the ALARM, FREEKB, PRINT, FRSET, L40, L64, L80, and HONEOM options in the command whenever *any* of them is specified. Otherwise, it is built from the same options in the map; options from the command are never mixed with those in the map.
- The FMHPARMS from all commands used to build the message are included.
- You can use both SEND MAP and SEND CONTROL commands to build a logical message, as long as the options noted above are consistent. You can also build a logical message with a combination of SEND TEXT and SEND CONTROL commands. (SEND TEXT is an alternative to SEND MAP for formatting text output, covered in “The SEND TEXT command” on page 382.) However, you cannot mix SEND MAP and SEND TEXT in the same message unless you are using partitions or logical device codes, subjects covered in “Partition support” on page 396 and “Logical device components” on page 404 respectively.

There are also two special forms of SEND TEXT which allow combined mapping and text output, but to which other restrictions apply. See “SEND TEXT extensions: SEND TEXT MAPPED and SEND TEXT NOEDIT” on page 386 for details.

- While you are building a logical message, you can still converse with your terminal. You cannot use BMS commands to write to the terminal unless you are also routing, but you can use BMS RECEIVE MAP commands and terminal control SEND and RECEIVE commands.

### **Ending a logical message: the SEND PAGE command**

When you have completed a logical message, you notify BMS with a SEND PAGE command. If you used the ACCUM option, SEND PAGE causes BMS to complete the current page and dispose of it according to the disposition option you established, as it has already done for any previous pages. If your disposition is TERMINAL, this last page is written to your principal facility; if SET, it is returned to the program; and if PAGING, it is written to temporary storage. If your disposition was PAGING, BMS also arranges delivery of the entire message to your principal facility. Options on the SEND PAGE command govern how this is done, as explained in PAGING options: RETAIN and RELEASE.

A SYNCPOINT command or the end of your task also ends a logical message, implicitly rather than explicitly. Where possible, BMS behaves as if you had issued SEND PAGE before your SYNCPOINT or RETURN, but you lose the last page of your output if you used the ACCUM option. Consequently, you should code SEND PAGE explicitly.

Finally, you can delete a logical message using the PURGE MESSAGE command, described on page 376.

## PAGING options: RETAIN and RELEASE

When you complete a logical message with a disposition of PAGING, BMS arranges to deliver the entire logical message, which it has accumulated in temporary storage. The display or printing of pages can be done inline, immediately after the SEND PAGE command, but it is more common to schedule a separate task for the purpose. In either case, CICS supplies the programs required. These programs allow a terminal operator to control the display of the message, paging back and forth, displaying particular pages, and so on. When a separate task is used, it executes pseudoconversationally under transaction code CSPG. When the display is inline, the work is done (by the same CICS-supplied programs) within the task that created the message, which becomes conversational as a result.

You indicate how and when the message is sent by specifying RETAIN, RELEASE, or neither on your SEND PAGE command. The most common choice, and the default, is neither. It causes CICS to schedule the CICS-supplied transaction CSPG to display the message and then return control to the task. The CSPG transaction is queued with any others waiting to be executed at your terminal, which execute in priority sequence as the terminal becomes free. In the ordinary case, where no other tasks waiting, CSPG executes as soon as the creating task ends.

**Note:** The terminal must be defined as allowing automatic transaction initiation for CICS to start CSPG automatically (ATI(YES) in the associated TYPETERM definition). If it is not, the operator has to enter the transaction code CSPG or one of the paging commands to get the process started when neither RELEASE nor RETAIN is specified.

The RELEASE option works similarly, but your task does not regain control after SEND PAGE RELEASE. Instead, BMS sends the first page of the message to the terminal immediately. It then ends your task, as if a CICS RETURN had been executed in the highest level program, and starts a CSPG transaction at your terminal so that the operator can display the rest of the pages. The CSPG code executes pseudoconversationally, just as it does if you specify neither RELEASE nor RETAIN, and the original task remains pseudoconversational if it was previously.

There are two other distinctions between RELEASE and using neither option:

- RELEASE allows you to specify the transaction identifier for the next input from the terminal, after the operator is through displaying the message with CSPG.
- RELEASE also permits the terminal operator to chain the output from multiple transactions (see “Terminal operator paging: the CSPG transaction” on page 375).

SEND PAGE RETAIN causes BMS to send the message immediately. When this process is complete, your task resumes control immediately after the SEND PAGE command. When the terminal is a display, BMS provides the same operator facilities for paging through the message as the CSPG transaction does, but within the framework of your task. The code that BMS uses for this purpose issues RECEIVE commands to get the operator’s display requests, and this causes your task to become conversational.

**Note:** If an error occurs during the processing of a SEND PAGE command, the logical message is not considered complete and no attempt is made to display it. BMS discards the message in its cleanup processing, unless you arrange to regain control after an error. If you do, you can either delete the logical message with a PURGE command or retry the SEND PAGE. You should not retry unless the error that caused the failure has been remedied.

## The AUTOPAGE option

Your SEND PAGE command also tells BMS how to deliver the pages to the terminal. For display terminals, you want CSPG to send one page at a time, at the request of the terminal operator. For printers, you want to send one page after another. You control this with the AUTOPAGE or NOAUTOPAGE option on your SEND PAGE command. NOAUTOPAGE lets the terminal operator control the display of pages; AUTOPAGE sends the pages in ascending sequence, as quickly as the device can accept them. If you specify neither, BMS determine which is appropriate from the terminal definition.

**Note:** If your principal facility is a printer, you can sometimes use a disposition of TERMINAL rather than PAGING, because successive sends to a printer do not overlay one another as they do on a display. TERMINAL has less overhead, especially if you do not need ACCUM either, and thus avoid creating a logical message.

## Terminal operator paging: the CSPG transaction

The CICS-supplied paging transaction, CSPG, allows a user at a terminal to display individual pages of a logical message by entering page retrieval requests. Your systems staff define the transaction identifiers for retrieval and other requests supported by CSPG in the system initialization table; sometimes program function keys are used to minimize operator effort.

Retrieval can be sequential (next page or previous page) or random (a particular page, first page, last page). In addition to page retrieval, CSPG supports the following requests:

### Page copy

Copy the page currently on display to another terminal. BMS reformats the page if the target terminal has a different page size or different formatting characteristics, provided the terminal is of a type supported by BMS.

### Message query

List the messages waiting to be displayed at the terminal with CSPG. The list contains the BMS-assigned message identifier and, for a routed message, the message title, if the sender provided one.

### Purge message

Delete the logical message.

### Page chaining

Suspend the current CSPG transaction after starting to display a message, execute one or more other transactions, and then resume the original CSPG display. An intervening transaction may itself produce BMS or terminal output. If this output is a BMS logical message created with the PAGING and RELEASE or RETAIN options, this message is “chained” to the original one, and the operator can switch between one and the other.

### Switch to autopage

Switch from NOAUTOPAGE display mode to AUTOPAGE mode. For terminals that combine a keyboard and hard copy output, this allows an operator to purge or print a message based on inspection of specific pages.

The process of examining pages continues until the operator signals that the message can be purged. CSPG provides a specific request for this purpose, as noted above. If the SEND PAGE command contained the option OPERPURGE, this request is the only way to delete the message and get control back from CSPG.

If OPERPURGE is not present, however, any input from the terminal that is not a CSPG request is interpreted as a request to delete the message and end CSPG. If the message was displayed with the RETAIN option, the non-CSPG input that terminates the display can be accessed with a BMS or terminal control RECEIVE when the task resumes execution. See the *CICS Supplied Transactions* manual for detailed information about the CSPG transaction.

## Changing your mind: The PURGE MESSAGE command

You also can delete an incomplete logical message if for some reason you decide not to send it. You use the PURGE MESSAGE command in place of SEND PAGE. PURGE MESSAGE causes BMS to delete the current logical message and associated control blocks, including any pages already written to CICS temporary storage. You can create other logical messages subsequently in the same task, if you wish.

## Logical message recovery

Logical messages created with a disposition of PAGING are kept in CICS temporary storage between creation and delivery. BMS constructs the temporary storage queue name for a message from the 2-character REQID on the SEND commands, followed by a six-position number to maintain uniqueness. If you do not specify REQID, BMS uses a value of two asterisks (\*\*).

Temporary storage can be a recoverable resource, and therefore logical messages with a disposition of PAGING can be recovered after a CICS abend. In fact, because CICS bases the recoverability of temporary storage on generic queue names, you can make some of your messages recoverable and others not, by your choice of REQID for the message. The conditions under which logical messages are recoverable are described in the *CICS Recovery and Restart Guide*.

Routed messages are eligible for recovery, as well as messages created for your principal facility. We explain routing in “Message routing: the ROUTE command” on page 387.

---

## Page formation: the ACCUM option

The ACCUM option allows you to build your output cumulatively, from any number of SEND MAP commands and less-than-page-size maps. Without it, each SEND MAP command corresponds to one page (if the disposition is PAGING), or a whole message (if TERMINAL or SET). With ACCUM, however, BMS formats your output but does not dispose of it until either it has accumulated more than fits on a page or you end the logical message. You can intercept page breaks if you wish, or you can let BMS handle them automatically. Floating maps: how BMS places maps using ACCUM and “Page breaks: BMS overflow processing” on page 377 explain how BMS arranges maps on a page with ACCUM and what you can do at a page break.

Page size is determined by the PAGESIZE or ALTPAGE value in the terminal definition. PAGESIZE is used if the PROFILE under which your transaction is running specifies the default screen size, and ALTPAGE is used if it indicates alternate screen size. (Unlike screen size, page size is not affected by the DEFAULT and ALTERNATE options that you can include with the ERASE command.)



---

## Floating maps: how BMS places maps using ACCUM

In our example map on page 331, we described placing maps on a screen or page absolutely, by specifying the number of the line and column for the upper left corner. However, maps can **float**. That is, they can be positioned relative to maps already written to the same page and to any edge of the page. Floating maps save program logic when you need to support multiple screen sizes or build pages piecemeal out of headers, detail lines and trailers, where the number of detail lines depends on the data.

The BMS options that allow you to do this are:

- JUSTIFY
- HEADER and TRAILER
- Relative values (NEXT and SAME) for the LINE and COLUMN options

When you are building a composite screen with the ACCUM option, the position on the screen of any particular map is determined by:

- The space remaining on the screen at the time it is sent
- The JUSTIFY, LINE and COLUMN option values in the map definition

The space remaining on the page, in turn, depends on:

- Maps already placed on the current page.
- Whether you are participating in “overflow processing”, that is, the processing that occurs at page breaks. If you are, the sizes of the trailer maps in your map sets are also a factor.

The placement rules we are about to list apply even if you do not specify ACCUM, although JUSTIFY values of FIRST and LAST are ignored. However, without ACCUM, each SEND MAP corresponds to a separate page, and thus the space remaining on the page is always the whole page.

## Page breaks: BMS overflow processing

When you build a mapped logical message, you can ask BMS to notify you when a page break is about to occur; that is, when the map you just sent does not fit on the current page. This is very useful when you are forming composite pages with ACCUM. It allows you to put trailer maps at the bottom of the current page and header maps at the top of the next one, number your pages, and so on.

BMS gives your program control at page breaks if either:

- You have issued a HANDLE CONDITION command naming a label for the OVERFLOW condition, or
- You specify the NOFLUSH option with either the RESP or the NOHANDLE option on your SEND MAP commands.

Either of these actions has two effects:

- The calculation of the space remaining on the page changes. Unless the map you are sending is itself a trailer map, BMS assumes that you eventually want one on the current page. It therefore reserves space for the largest trailer in the same map set. (The largest trailer map is the one containing the TRAILER option that has the most lines.) If you do not intercept page breaks (or if you send a trailer map), BMS uses the true end of the page to determine whether the current map fits.
- The flow of control changes if the map does not fit on the current page. On detecting this situation, BMS raises the OVERFLOW condition. Then it returns control to your task *without* processing the SEND MAP command that caused

the overflow. Control goes to the location named in the HANDLE CONDITION command if you used one. With NOFLUSH, control goes to the statement after the SEND MAP as usual, and you need to test the RESP value or EIBRESP in the EIB to determine whether overflow occurred.

When your program gets control after overflow, it should:

- Add any trailer maps that you want on the current page. BMS leaves room for the one with the most lines in the map set you just used. If this is not the right number of lines to reserve, or if you are using several map sets, you can ensure the proper amount by including a dummy map in any map set that may apply. The dummy map must specify TRAILER and contain the number of lines you wish to reserve; you do not need to use it in any SEND MAP commands.
- Write any header maps that you want at the top of the next page.
- Resend the map that caused the overflow in the first place. You must keep track of the data and map name at the time the overflow occurs; BMS does not save this information for you. Note that if you have several SEND MAP commands which might cause overflow, the program logic required to determine which one you need to reissue is more complex if you use HANDLE CONDITION OVERFLOW than if you use NOFLUSH.

Once OVERFLOW is turned on, BMS suspends returning control to your program when the output does not fit on the current page, although it still uses overflow rules for calculating the remaining space. OVERFLOW remains on until BMS processes the first SEND MAP naming a map which is *not* a header or a trailer. This allows you to send your trailers and headers without disabling your HANDLE CONDITION for OVERFLOW or changing your response code tests, and reinstates your overflow logic as soon as you return to regular output. (Resending the map that originally caused overflow is usually the event that turns off the overflow condition.)

If you do not intercept overflows, BMS does not notify your program when a page break occurs. Instead, it disposes of the current page according to the disposition option you have established and starts a new page for the map that caused the overflow.

## Map placement rules

The primary placement of maps on the screen is from top to bottom. You can place maps side-by-side where space permits, provided you maintain the overall flow from top to bottom. The precise rules for a given SEND MAP ACCUM command are as follows:

1. The highest line on which the map might start is determined as follows:
  - a. If the map definition contains JUSTIFY=FIRST, BMS goes immediately to a new page (at Step 5), unless the only maps already on the page are headers placed there during overflow processing. In this case, BMS continues at Step 1c.
  - b. If the map specifies JUSTIFY=LAST, BMS starts the map on the lowest line that allows it to fit on the page. If the map is a trailer map or you are not intercepting overflows or you are already in overflow processing, BMS uses all the space on the page. Otherwise, BMS places the map as low on the page as it can while still retaining room for the largest trailer map. If the map fits vertically using this starting line, processing continues at Step 3 (the LINE option is ignored if JUSTIFY=LAST); if not, overflow occurs (Step 5).

**Note:** JUSTIFY=BOTTOM is the same as JUSTIFY=LAST for output operations with ACCUM. (There are differences without ACCUM and for input mapping; see the *CICS Application Programming Reference* manual).

- c. If there is no vertical JUSTIFY value (or after any overflow processing caused by JUSTIFY=FIRST has been completed), the LINE operand is checked. If an absolute value for LINE is given, that line is used, provided it is at or below the starting line of the map most recently placed on the page. If the value is above that point, BMS goes to a new page at Step 5.  
If LINE=NEXT, the first completely unused line (below all maps currently on the page) is used. If LINE=SAME, the starting line of the map sent most recently is used.

2. BMS now checks that the map fits vertically on the screen, given its tentative starting line. Here again, BMS uses all of the space remaining if the map is a trailer map, if you are not intercepting overflows or if you are already in overflow processing. Otherwise, BMS requires that the map fit and still leave space for the largest trailer map. If the map does not fit vertically, BMS starts a new page (Step 5).
3. Next, BMS checks whether the map fits horizontally, assuming the proposed starting line. In horizontal positioning, the JUSTIFY option values of LEFT and RIGHT come into play. LEFT is the default, and means that the COLUMN value refers to the left-hand side of the map. A numeric value for COLUMN tells where the left edge of the map should start, counting from the left side of the page. COLUMN=NEXT starts the map in the first unused column from the left on the starting line. COLUMN=SAME means the left-hand column of the map most recently placed on the screen which also specified JUSTIFY=LEFT and which was not a header or trailer map.

JUSTIFY=RIGHT means that the COLUMN value refers to the right-hand edge of the map. A numeric value tells where the right edge of the map should start, *counting from the right*. COLUMN=NEXT means the first available column from the right, and COLUMN=SAME is the right-hand column of the map most recently placed which had JUSTIFY=RIGHT and was not a header or trailer.

If the map does not fit horizontally, BMS adjusts the starting line downward, one line at a time, until it reaches a line where the map does fit or overflow occurs. Processing resumes with the vertical check (Step 2) after each adjustment of the starting line.

4. If the map fits, BMS adds it to the current page and updates the available space, using the following rules:
  - Lines above the first line of the map are completely unavailable.
  - If the map specifies JUSTIFY=LEFT, the columns from the left edge of the page through the right-most column of the map are unavailable on the lines from the top of the map through the last line on the page that has anything on it (whether from this map or an earlier one).
  - If the map specifies JUSTIFY=RIGHT, the columns between the right-hand edge of the page and the left-hand edge of the map are unavailable on the lines from the top of the map through the last line of the page that has anything on it.

Figure 72 on page 380 shows how the remaining space is reduced with each new map placed.

5. When the current map does not fit on a page, BMS determines whether it should return control to your program. If you have asked for control at overflow and you are not already in overflow processing, BMS returns control as described in “Page breaks: BMS overflow processing” on page 377.

Otherwise, BMS disposes of the current page according to the disposition option you have established, starts a new page, and resumes processing for the map that would not fit at Step 1.

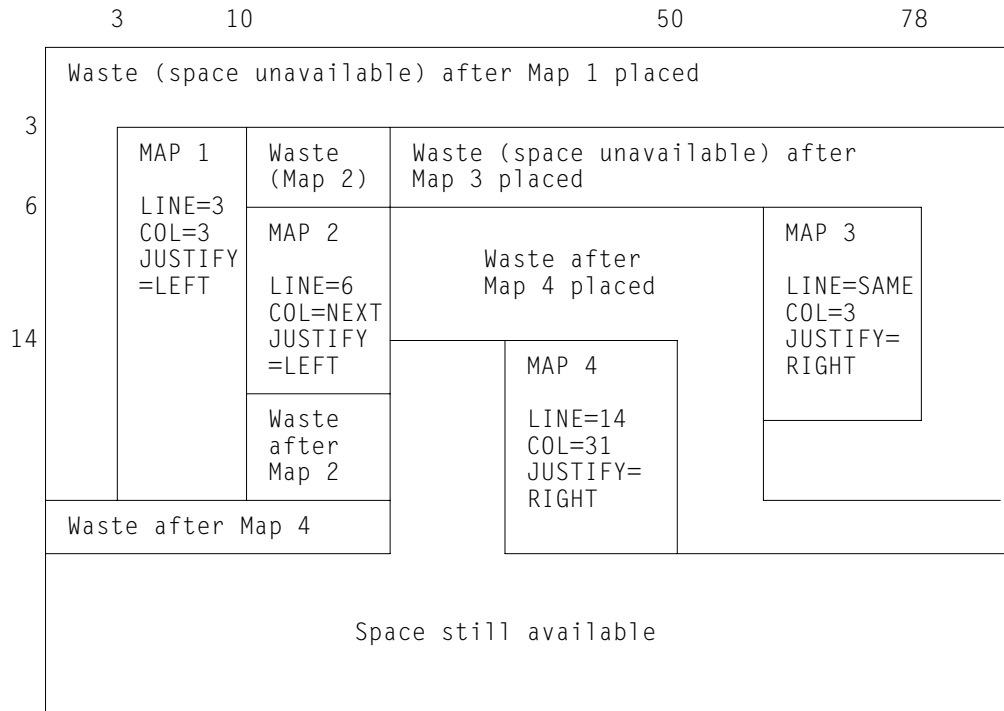


Figure 72. Successive placement of maps on a page, showing space made unavailable by each

## ASSIGN options for cumulative processing

To help you manage the complexities of building a composite screen, CICS provides ASSIGN command options that relate specifically to cumulative processing:

MAPCOLUMN  
MAPHEIGHT  
MAPLINE  
MAPWIDTH

All apply to the map most recently sent. MAPHEIGHT and MAPWIDTH are the size (number of rows and columns) and MAPLINE and MAPCOLUMN are the origin of the map (the position of the upper left corner).

## Input from a composite screen

You can read mapped input from a screen built from multiple maps, but there are restrictions. First, you can specify only one map in your RECEIVE MAP command, whereas the screen may have been written with several.

Second, BMS cannot know how to position a floating map for input and assumes that the map in your RECEIVE MAP command was written to an empty screen. Thus LINE or COLUMN values of NEXT or SAME are interpreted differently on input than on output. JUSTIFY=LAST is ignored altogether; you should use

JUSTIFY=BOTTOM if you want to place a map at the bottom of the screen and read data back from it. See the *CICS Application Programming Reference* manual for the exact rules.

## Performance considerations

There are three components to the overall efficiency of the part of your application that the end user sees: processor path length, communications line utilization, and user time. Path length and line time used to be paramount, and much design and programming effort has been invested in minimizing them.

As online systems have evolved, however, the emphasis has shifted steadily to making things as easy, pleasant and quick for the user as possible, at the expense of the other factors if necessary. Also, as processors have become cheaper, designers have been willing to expend cycles to reduce programming and maintenance effort as well as to make the user interface better.

We have already given you references on elements of good design for the user interface, in “Personal computers” on page 306, and usually these should be your overriding considerations. In this section, we point out some ways that you can reduce path length and line time as well. You need to judge for yourself whether and to what extent the savings justify extra programming effort or a less general design.

### Minimizing path length

Ordinarily, the number of instructions executed in a single CICS command is large in comparison to the number of instructions in the application program that invoked it. Consequently, the path length for a given task ordinarily depends more on the number and type of CICS commands than on anything else, and commands are the most fertile area for tuning. Commands vary by type, of course, and path length for any given command may vary considerably with circumstances.

For BMS, some recommendations are:

- Build screens (pages) with a single command when practical. Avoid building a composite screen with the ACCUM feature when a modest amount of additional programming accomplishes the same function, and avoid building a composite screen by multiple physical writes, as described in “Outside the map” on page 348, except in unusual circumstances.
- Avoid producing more output at one time than the user is likely to inspect. Some transactions—inquiries, especially—produce many pages of output for certain input values. When this happens, the user usually narrows the search and repeats the inquiry, rather than page through the initial output. To avoid the path length of producing output that is never viewed, you can limit it to some reasonable number of pages, inform the user on the last page that there is more, and save the information required to restart the search from that point if the user requests it. The extra programming is minimal; see “Chapter 13. Sharing data across transactions” on page 151 for ways to save the restart data.
- Use commands that are on the BMS “fast path” if possible. (See “Minimum BMS” on page 324 for the commands and terminal types that qualify.)
- Use terminal control commands for very simple inputs and outputs, where you do not need BMS formatting or other function. If path length is critical, you may want to use terminal control entirely. However, the advantages of BMS over terminal control in terms of flexibility, initial programming effort and maintainability are significant, and usually outweigh the path length penalty.

## Reducing message lengths

You can take advantage of 3270 hardware to reduce the length of both inbound and outbound messages. If the bandwidth in any link between the terminal and the processor is constrained, you get better response overall with shorter messages. However, the time for any given transmission depends on the behavior of other users of those links at the time, and so you may not see improvement directly. Here are some of the possibilities for reducing the length of a 3270 datastream:

- Avoid turning on MDTs unnecessarily when you send a screen, because they cause the associated input fields to be transmitted on input. Ordinarily, you do not need to set the tag on, because the hardware does this when the user enters input into the field. The tag remains on, no matter how many times the screen is transmitted, until explicitly turned off by program (by FRSET, ERASEAUP, or ERASE, or by an override attribute byte with the tag off). The only time you need to set it on by program is when you want to store data on the screen in a field that the user does not modify, or when you highlight a field in error and you want the field returned whether or not the user changes it. In this case you need to turn on the MDT as well as the highlighting.
- Use FRSET to reset the MDTs when you do not want input on a screen retransmitted (that is, when you have saved it and the user does not need to change it on a subsequent transmission of the same screen). (See “Saving the good input” on page 358 for more.)
- Do not initialize input fields to blanks when you send the screen because, on input, blanks are transmitted and nulls are not. Hence the data stream is shortened by the unused positions in each modified field if you initialize with nulls. The appearance on the screen is the same, and the data returned to the program is also the same, if you map the input.
- For single-screen data entry operations, use ERASEAUP to clear data from the screen, rather than resending the screen.
- If you are updating a screen, send only the changed fields, especially if the changes are modest, as when you highlight fields in error or add a message to the screen. In BMS, you can use the DATAONLY option, both to shorten the data stream and reduce the path length (see “DATAONLY option” on page 345). To highlight a field, in fact, you send only the new attribute byte; the field data remains undisturbed on the screen.
- If you are using terminal control commands, format with set buffer address (SBA) and repeat-to-address (RA) orders, rather than spacing with blanks and nulls. (BMS does this for you.)

---

## Formatting text output

If the output you are sending to the terminal is simply text, and you do not need to format the screen for subsequent input, you do not need to create a map. BMS provides a different command expressly for this purpose: SEND TEXT, which formats without maps.

When you use SEND TEXT, BMS breaks your output into pages of the proper width and depth for the terminal to which it is directed. Lines are broken at word boundaries, and you can add header and trailer text to each page if you wish. Page size is determined as it is for other BMS output (see “Ending a logical message: the SEND PAGE command” on page 373).

## The SEND TEXT command

Except for the different type of formatting performed, the SEND TEXT command is very similar to SEND MAP. You specify the location of the text to be formatted in

the FROM option and its length in the LENGTH option. Nearly all the options that apply to mapped output apply to text output as well, including:

**Device controls**

FORMFEED, ERASE, PRINT, FREEKB, ALARM, CURSOR.

**Formatting options**

NLEOM, L40, L64, L80, HONEOM.

**Disposition options**

TERMINAL, PAGING, SET.

**Page formation option**

ACCUM.

In general, these options have the same meaning on a SEND TEXT command as they do on a SEND MAP command, although you should always refer to the *CICS Application Programming Reference* manual for the precise meanings. The SEND TEXT command itself requires **standard** BMS; options like ACCUM, PAGING and SET that require **full** BMS in a mapped environment also require full BMS in a text environment.

There are also options for SEND TEXT that correspond to functions associated with the map in a SEND MAP context. These are HEADER, TRAILER, JUSTIFY, JUSFIRST and JUSLAST. We explain how they work in “Page format for text messages”.

Two SEND MAP options that do not carry over to SEND TEXT are ERASEAUP and NOFLUSH. ERASEAUP does not apply because text uses fields only minimally, and NOFLUSH does not apply because BMS does not raise the OVERFLOW condition on text output.

## Text logical messages

The presence of either the ACCUM or PAGING option on a SEND TEXT command signals BMS that you are building a logical message, just as it does in a SEND MAP command. Text logical messages are subject to the same rules as mapped logical messages (see page 372). In particular, you can use both SEND TEXT and SEND CONTROL commands to build your message, but you cannot mix in SEND MAPs, except as noted there. You also end your message in the same way as a mapped message (see “BMS logical messages” on page 372).

## Page format for text messages

Page formation with SEND TEXT is somewhat different from page formation with SEND MAP. First, a single SEND TEXT command can produce more output than fits on a screen or a printer page (SEND MAP never does this). BMS sends the whole message, which means that you can deliver a multi-page message to a printer without using logical facilities. You cannot use the same technique for displays, however, because even though BMS delivers the whole message, the component screens overlay one another, generally too quickly for anyone to read.

If you specify ACCUM, BMS breaks the output into pages for you, and the second difference is that unless you specify a disposition of SET, your task does not get control at page breaks. Instead, when the current page has no more room, BMS simply starts a new one. It adds your header and trailer, if any, automatically, and does not raise the OVERFLOW condition. This is true whether you produced the pages with a single SEND TEXT command or you built the message piecemeal, with several. The only situation in which your task is informed of a page break is

when the disposition is SET. In this case, BMS raises the RETPAGE condition to tell you that one or more pages are complete, as explained in “Using SET” on page 395.

Here are the details of how BMS builds pages of text with ACCUM:

1. Every message starts on page 1, which is initially empty.
2. If you specify the HEADER option, BMS starts every page with your header text. BMS numbers your pages in the header or trailer if you wish. (Header format and page numbering are explained on page 385.)
3. If you specify one of the justification options (JUSTIFY, JUSFIRST, JUSLAST), BMS starts your text on the indicated line. JUSFIRST begins your text on the first line after the header, or the top line if there is no header. JUSTIFY=*n* starts your text on line *n*, and JUSLAST starts it on the lowest line that allows both it and your trailer (if any) to fit on the current page. If the contents of the current page prevent BMS from honoring the justification option there, BMS goes to a new page first, at step 6.

Justification applies only to the start of the data for each SEND TEXT command; when the length of your data requires an additional page, BMS continues your text on it in the first available position there.

4. If you do not specify justification, BMS starts your text in the first position available. On the first SEND TEXT of the message, this works out the same as JUSFIRST. Thereafter, your text follows one character after the text from the previous SEND TEXT of the current logical message. (The intervening character is an attributes byte on 3270 terminals, a blank on others.)
5. Having determined the starting position, BMS continues down the page, breaking your data into lines as explained in “How BMS breaks text into lines”, until it runs out of space or data. If you have specified a trailer, the available space is reduced by the requirement for the trailer. If the data is exhausted before the space, processing ends at this point. The message is completed when you indicate that you are finished with a SEND PAGE or PURGE MESSAGE command.
6. If your text does not fit on the current page, BMS completes it by adding your trailer text, if any, at the bottom and disposes of it according to the disposition option you have established (TERMINAL, PAGING, or SET), just as it does for a mapped logical message. The trailer is optional, like the header; you use the TRAILER option to specify it (see “Header and trailer format for text messages” on page 385).
7. BMS then goes to a new page and repeats from step 2 with the remaining data.

## How BMS breaks text into lines

In breaking the text into lines, BMS uses the following rules:

1. Ordinarily, each line starts with what appears to be a blank. On a 3270 device, this is the attributes byte of a field that occupies the rest of the line on the screen or printed page. For other devices, it is simply a blank or a carriage control character.

An exception occurs if the task creating the output is running under a PROFILE that specifies PRINTERCOMP=YES and the output device is a 3270 printer. In this case, no character is reserved at the beginning of each line. See “PRINTERCOMP option” on page 438.

2. BMS copies your text character for character, including all blanks, with two exceptions that occur at line end:

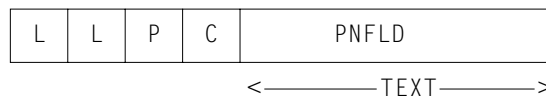


- If a line ends in the middle of a word, BMS fills out the current line with blanks and places the word that would not fit in the first available position of the next line. For this purpose, a “word” is any string of consecutive nonblank characters.
  - If two words are separated by a single blank, and first one fits on the current line without leaving room for the blank, the blank is removed and the next line starts at the beginning of the second word.
3. You can embed new-line (NL) characters and other print format orders as well as blanks to control the format, if the destination terminal is a printer. NLS and tabs are particularly useful with columnar data, and BMS does not filter or even interpret these characters. However, print format orders do not format displays; see “3270 printers” on page 434 for more information about using them.
  4. You can also include set attribute (SA) order sequences in your output. (Each one sets the attributes of a single character in the data stream, as explained in “The set attribute order” on page 315.) BMS abandons the task unless SA sequences are exactly three bytes long and represent a valid attribute type. However, if you use a valid SA sequence to a terminal that does not support the attribute, BMS removes the SA sequence and then sends the message. Attributes set with SA orders remain until overridden by subsequent orders or until another SEND TEXT command, which resets them to their default values. You should not include 3270 orders other than SA in your text. BMS treats them as display data and they do not format as intended; they may even cause a terminal error.

## Header and trailer format for text messages

To place a header on the pages of a text message, you point to a block of data in the following format in the HEADER option:

You use the same format for trailer text, but you point to it with the TRAILER



option. Here:

- LL** is the length of the header (trailer) data, not including the four bytes of LL, P, and C characters. LL should be expressed in halfword binary form.
- P** is the page-number substitution character (see PNFLD below). Use a blank if you do not want page numbers.
- C** is a reserved 1-byte field.
- TEXT** is the header (trailer) text to be placed at the top (bottom) of each page of output. Use new-line characters (X'15') to indicate where line breaks should occur if you want multiple lines.

### PNFLD

is the page number field within your header (trailer) text. If you want to number the pages of your output, choose a character that does not otherwise appear in your header (trailer) text. Place this character in the positions where the page number is to appear. You can use from one to five adjacent positions, depending on how large you expect your page numbers to get (32,767 is the maximum BMS allows). Place the same character in the P field above, to tell BMS where to make the substitution.

Do not use X'0C', X'15', X'17', X'26', or X'FF' for P; these values are reserved for other purposes. If you do not want page numbering, simply place a blank (X'40') in P.

When you are building a logical message, you should repeat your HEADER and TRAILER options on each SEND TEXT command, so that they are present when the page breaks occur, and you need to specify the trailer again on the SEND PAGE command that terminates the message.

Here is an example of a COBOL definition for a header that simply numbers the pages, leaving room for a number up to 99.

```
EXEC CICS SEND TEXT FROM (OUTPUT-AREA)
      HEADER(HEADER-TEXT) PAGING ACCUM END-EXEC.
```

where:

```
01 HEADER-TEXT
02 HEADER-LL          PIC S9(4) COMP VALUE +11.
02 HEADP             PIC X VALUE '@'.
02 FILLER            PIC X VALUE LOW-VALUE.
02 HEADING           PIC X(11) VALUE 'PAGE NO. @@'.
```

Screens built with SEND TEXT are not designed for extensive input from the terminal operator. However, you can interpret the attention identifier and read simple inputs—such as those used in the CSPG transaction to control the page display—if the field structure on the screen is suitable and the operator knows or can see what is expected. (A new field starts at each line, as well as at the first character of the text sent with each SEND TEXT command that made up the message. The fields defined are unprotected, alphameric and normal intensity, so that the operator can key into them.) Normally a terminal control RECEIVE is used in this situation; you can use RECEIVE MAP only if you can build a map with a field structure matching that of the screen.

## SEND TEXT extensions: SEND TEXT MAPPED and SEND TEXT NOEDIT

BMS provides two special forms of the SEND TEXT command that allow you to use some of the message delivery facilities of BMS for output that is already formatted. SEND TEXT MAPPED sends a *page* of device-dependent data *previously built by BMS* and captured with the SET option. You may have used either SEND MAP or SEND TEXT commands to build the page originally. See “Using SET” on page 395 for details.

SEND TEXT NOEDIT is similar, but is used to send a page of device-dependent output built by the program or some method other than BMS.

You can deliver such pages to your own principal facility individually, using a disposition of TERMINAL, or you can include them in a logical message built with the PAGING option. In a logical message, these forms can be mixed with ordinary SEND TEXT commands or with SEND MAP<sup>10</sup> commands, as long as each BMS SEND represents a separate page (that is, the ACCUM option is not used).

You can also use these commands in a routing environment (described in “Message routing: the ROUTE command” on page 387). Whether you are routing

---

10. The usual restriction against mixing text with mapped output in the same logical method does not apply here, because the page is already formed.

or sending to your own terminal, you must ensure that the data stream is appropriate to the destinations; BMS does not check before transmission, other than to remove 3270 attributes that the destination does not support.

None of the page-formatting options, ACCUM, JUSTIFY, JUSFIRST, JUSLAST, HEADER, and TRAILER, apply to either of these commands, because the page is already formatted and built, by definition.

The primary difference between the MAPPED and NOEDIT forms is that SEND TEXT MAPPED uses the 4-byte page control area (PGA) that BMS appends to the end of pages returned by the SET option. This area tells BMS the write command and write control character to be used, which extended attributes were used on the page, and whether the page contains formfeeds, data in SCS format, 14- or 16-bit buffer addresses, structured fields and FMHs. It allows BMS to deliver a page built for one device to one with different hardware characteristics, as might be required for a page copy or a routing operation. With SEND TEXT NOEDIT, you specify this type of information on the command itself. You should use SEND TEXT MAPPED for output created with BMS, and NOEDIT for output formatted by other means. You cannot include structured fields in the output with either SEND TEXT MAPPED or SEND TEXT NOEDIT, incidentally; you must use a terminal control SEND for such output.

The LENGTH option for a SEND TEXT MAPPED command should be set from the TIOATDL value returned when the page was built, which does not include the PGA (see “Using SET” on page 395). If you copy the page for later use with SEND TEXT MAPPED, however, you must be sure to copy the PGA as well as the page itself (TIOATDL + 4 bytes in all).

---

## Message routing: the ROUTE command

The message routing facilities of BMS allow you to send messages to terminals other than the principal facility of your task (your task does not even need to have a principal facility). Routing does not give your task direct control of these terminals, but instead causes the scheduling of a task for each destination to deliver your message. These tasks execute the CICS-supplied transaction CSPG, the same one used for delivery of messages with a disposition of PAGING to your own terminal. Thus the operator at a display terminal who receives a routed message uses CSPG requests to view the message. (See “Terminal operator paging: the CSPG transaction” on page 375 for more information about CSPG.)

Message routing is useful for message-switching and broadcasting applications, and also for printing (see “CICS printers: getting the data to the printer” on page 440). It is the basis for the CICS-supplied transaction CMSG, with which terminal users can send messages to other terminals and users. The *CICS Supplied Transactions* manual explains how to use CMSG and what you can do with it.

### How routing works

To route a message, you start by issuing a ROUTE command. This command tells BMS where to send the message, when to deliver it, what to do about errors, and other details. Then you build your message. It can be a mapped or text message, but it must be a logical message (that is, either ACCUM or PAGING present), and the disposition must be either PAGING or SET, not TERMINAL. PAGING is the more common choice and is assumed in the discussion that follows. We explain SET in a routing context in “Routing with SET” on page 394.

Your ROUTE command is in effect until you end your message with a SEND PAGE command, and you must not issue another one until this occurs. (If you issue ROUTE while building your message you get an invalid request response; if you issue a second ROUTE before you start your logical message, it simply replaces the first one.) You can also terminate a message with PURGE MESSAGE, if you decide you do not want to send it. PURGE MESSAGE causes the routing environment established with your ROUTE command to be discarded, along with your logical message.

## Specifying destinations for a routed message

You can specify destinations for your routed message in three different ways:

- You can request that certain classes of operators receive the message, by using the OPCLASS option of the ROUTE command. Classes are associated with an operator in the RACF<sup>®</sup> user definition or a CICS sign-on table entry.
- You can name particular operators who are to receive the message by using a route list, to which you point with the LIST option of the ROUTE command. Operators are identified by a 3-character OPIDENT value, which is also assigned in the RACF definition or a sign-on table entry.
- You can name particular terminals which are to receive the message; this is also done with a route list. Terminals are identified by their 4-character TERMID value, and, for terminal types to which they apply, a 2-character logical device code.

**Note:** If you need to know the identifier or operator class values for the operator signed on at your principal facility to specify the destination of your routed message, you can use the ASSIGN command with the OPID or OPCLASS options to find out.

### Eligible terminals

To format a message properly for a particular destination, BMS needs to know the characteristics of the terminal for which it is formatting. This is true even for destinations that you designate by operator or operator class. The first step in processing a route list, therefore, is to translate your destinations to a list of *terminals* to which the message *may* be delivered. This “eligible terminal” list combines the information in your route list and your OPCLASS specification with the state of the terminal network *at the time of the ROUTE command*.

Later, when your message is ready for delivery, BMS uses this list to decide which terminals actually get your message. A terminal must be on the list to receive the message, but its presence there does not guarantee delivery. There may be operator restrictions associated with the terminal and, because delivery occurs later in time, the status or even the nature of the terminal may have changed.

Both at the time the list is built and at the time of delivery, BMS is restricted to the terminal definitions installed in its own CICS region (where the routing task is running, or ran) and may not have all of the terminal definitions you expect. First, terminals that are autoinstalled may not be logged on either at the time of the ROUTE, excluding them from inclusion on the list, or at the times sending is attempted, preventing delivery.

In a multiple-region environment, there is the additional possibility that terminals known to one region may not be known to another. (It depends on how they are defined, as explained in the *CICS Resource Definition Guide*.) In particular, if a terminal definition is shared among regions by designating it as SHIPPABLE in the region that owns it, the terminal is not defined in any other region until something

occurs to cause shipment there. This usually happens the first time the terminal routes a transaction to the region in question. Consequently, a ROUTE in this region cannot include the terminal before the first such event occurs.

The following sections describe how BMS builds the list of eligible terminals. This occurs at the time of the ROUTE command:

### **Destinations specified with OPCLASS only**

If you specified operator classes (the OPCLASS option) but no route list, BMS scans all the terminal definitions in the local system. Any terminal that meets all these conditions gets on the eligible terminal list:

- The terminal is of a type supported by BMS.
- The terminal can receive routed messages not specifically addressed to it (ROUTEDMSGs (ALL) in the terminal definition).
- An operator is signed on at the terminal.
- The operator belongs to one of the operator classes in your OPCLASS list.

The resulting entry is marked so that delivery occurs only when and if an operator belonging to at least one of the operator classes in your OPCLASS list is signed on. (This operator does not have to be the one that was signed on at ROUTE time.)

### **OPCLASS and LIST omitted**

If you specify neither operator classes nor a route list, BMS puts every terminal that meets the first two tests above on the list, and sets no operator restrictions on delivery. In a network where many terminals are eligible to receive all routed messages, this is a choice you almost certainly want to avoid.

### **Route list provided**

If you provide a route list, BMS builds its list from yours instead of scanning the terminal definitions. Each of your entries is processed as follows. Processing includes setting a status flag in the list entry to tell you whether the entry was used or skipped and why.

- If the entry contains a terminal identifier but no operator identifier, the terminal goes on the eligible list, provided it is defined, of a type supported by BMS, and eligible to receive routed messages. If BMS cannot find the terminal definition, it sets the “entry skipped” and “invalid terminal identifier” bits (X'C0') in the status flag of the route list entry; if the terminal exists but is not supported by BMS or is not allowed to receive any routed messages, the “entry skipped” and “terminal not supported under BMS” bits get set (X'A0').

**Note:** The eligibility of a terminal to receive routed messages is governed by the ROUTEDMSGs option in the terminal definition. Three values are possible: a terminal may be allowed to receive all routed messages, only messages routed to it by terminal or operator name, or no routed messages at all. If you specified OPCLASS as well as a route list, BMS checks whether an operator belonging to one of the classes you listed is signed on at the terminal. If not, BMS sets the “operator not signed on” bit (X'10') in the status flag for the entry to inform you, but includes the terminal anyway. There are no operator restrictions associated with the list entry, even when you specify operator classes.

- If the entry contains both a terminal and an operator identifier, the terminal identifier is checked in the same way as it is without an operator identifier, and the same errors can occur. If the terminal passes these tests, it goes on the eligible list. However, the entry is marked such that the message can be delivered only when the operator named is signed on at the same terminal.

If this operator is not signed on to the terminal at the time of the ROUTE command, BMS notifies you by turning on the “operator not signed on” bit (X'10') in the status flag, but the terminal goes on the delivery list regardless of sign-on status. (OPCLASS is ignored entirely when an operator identifier is present.)

- If the entry contains only an operator identifier, BMS searches the terminal definitions until it finds one where the operator is signed on. (The operator may be signed on at additional terminals, but BMS ignores these.) If this terminal is of a type not supported by BMS, or if the terminal cannot receive routed messages, BMS sets the “entry skipped” and “operator signed on at unsupported terminal” bits (X'88') in the status flag. It also fills in the terminal identifier in your route list. If the terminal is suitable, BMS treats the entry as if you had specified both that terminal and operator identifier, as described above. If the operator is not signed on anywhere, BMS sets the “entry skipped” and “operator not signed on” bits (X'90') in the status flag.

## Route list format

BMS requires a fixed format for route lists. Each entry in the list is 16 bytes long, as follows:

Table 26. Standard route list entry format

Bytes	Contents
0-3	Terminal or logical unit identifier (four characters, including trailing blanks), or blanks
4,5	LDC mnemonic (two characters) for logical units with LDC support, or blanks
6-8	Operator identifier, or blanks
9	Status flag for the route entry
10-15	Reserved; must contain blanks

Either a terminal or an operator identifier must be present in each entry. A Logical Device Component(LDC) may accompany either; see “LDCs and routing” on page 405 for more information about LDCs.

The entries in the route list normally follow one another in sequence. However, they do not all have to be adjacent. If you have a discontinuity in your list, you end each group of successive entries except the last group with an 8-byte chain entry that points to the first entry in the next group. This entry looks like this:

Table 27. Route list chain entry format

Bytes	Contents
0,1	-2 in binary halfword format (X'FFFE')
2,3	Reserved
4-7	Address of the first entry in the next group of contiguous entries

The end of the entire list is signalled by a 2-byte entry containing a halfword value of -1 (X'FFFF').

Your list may consist of as many groups as you wish. There is an upper limit on the total number of destinations, but it depends on many variables; if you exceed it, BMS abends your task with abend code ABMC.

On return from a ROUTE command, BMS raises condition codes to signal errors in your list:

**RTESSOME**

means that at least one of the entries in your route list could not be used and was skipped. The default action is to continue the routing operation, using the destinations that were processed successfully.

**RTEFAIL**

means that none of the destinations in your list could be used, and therefore no routing environment has been set up. The default action is to return control to your task. You should test for this condition, consequently, because with no routing environment, a subsequent BMS SEND command goes to the principal facility, which is probably not your intention.

In addition to the general information reflected by RTESSOME and RTEFAIL, BMS tells you what it did with each entry in your list by setting the status flag (byte 9). A null value (X'00') means that the entry was entirely correct. The high-order bit tells you whether the entry was used or skipped, and the other bits tell you exactly what happened. Here are the meanings of each bit being on:

**ENTRY SKIPPED (X'80')**

The entry was not used. When this bit is on, another bit is also on to indicate the reason.

**INVALID TERMINAL IDENTIFIER (X'40')**

There is no terminal definition for the terminal named in the entry. The entry is skipped.

**TERMINAL NOT SUPPORTED UNDER BMS (X'20')**

The terminal named in the route list entry is of a type not supported by BMS, or it is restricted from receiving routed messages. The entry is skipped.

**OPERATOR NOT SIGNED ON (X'10')**

The operator named in the entry is not signed on. Any of these conditions causes this flag to be set:

- Both an operator identifier and a terminal identifier were specified, and the operator was not signed on at the terminal. The entry is not skipped.
- An operator identifier was specified without a terminal identifier, and the operator was not signed on at any terminal. The entry is skipped.
- OPCLASS was specified on the ROUTE command, a terminal identifier was specified in the route list entry, and the operator signed on at the terminal did not have any of the specified operator classes. The entry is not skipped.

**OPERATOR SIGNED ON AT UNSUPPORTED TERMINAL (X'08')**

Only an operator identifier was specified in the route list entry, and that operator was signed on at a terminal not supported by BMS or not eligible to receive routed messages. The entry is skipped. The name of the terminal is returned in the terminal identifier field of the entry.

**INVALID LDC MNEMONIC (X'04')**

Either of these conditions causes this flag to be set:

- The LDC mnemonic specified in the route list is not defined for this terminal. That is, the terminal supports LDCs but it has no LDC list, or its LDC list is extended but does not contain this entry.
- The device type for this LDC entry is different from that of the first entry in the route list with an LDC (only one LDC device type is allowed, as explained in "LDCs and routing" on page 405).

The entry is skipped.

**Note:** CICS provides source code which defines a standard route list entry and the values you need to test status flag bit combinations. You can insert this code into your program with a COPY or INCLUDE of the member DFHURLDS, in the same way you can include the BMS attention identifier or attribute byte definitions.

## Delivery conditions

We have just explained how BMS determines the terminals eligible to receive your routed message. Actual delivery occurs later in time, much later in some cases, depending on the scheduling options in your ROUTE command (INTERVAL, TIME, AFTER and AT). You can request delivery immediately, after an interval of time has elapsed, or at a particular time of day.

When the appointed time arrives, BMS attempts to deliver the message to every terminal on the eligible terminal list. All the following conditions must be met for the message to be delivered to any particular terminal:

- The terminal must be defined as a type supported by BMS, and the same type as when the ROUTE command was processed<sup>11</sup>. (Where there is a long delay between creation and delivery of a message, it is possible for the terminal defined with a particular TERMD to change characteristics or disappear, especially in an autoinstall environment.)
- The terminal must be in service and available (that is, there cannot be a task running with the terminal as its principal facility).
- The terminal must be eligible for automatic transaction initiation, or the terminal operator must request delivery of the message with the CSPG transaction.

**Note:** If several messages accumulate for delivery to a particular terminal, there is no guarantee that the operator will view them in any particular order. In fact, the CSPG transaction allows the operator to control delivery order in some situations. If a specific sequence of pages is required, you must send them as one message.

- If the delivery list entry restricts delivery to a particular operator or to operators in certain classes, the operator signed on at the terminal must qualify. (See “How routing works” on page 387 for the OPCLASS and LIST specifications that produce these restrictions.)
- The purge delay must not have expired, as explained in the next section.

## Undeliverable messages

If BMS cannot deliver a message to an eligible terminal, it continues to try periodically until one of the following conditions occurs:

- A change in terminal status allows the message to be sent.
- The message is deleted by the destination terminal operator.
- The purge delay elapses.

The purge delay is the period of time allowed for delivery of a message once it is scheduled for delivery. After this interval elapses, the message is discarded. The purge delay is a system-wide value, set by the PRGDLY option in the system initialization table. Its use is optional; if the systems programmer sets PRGDLY to zero, messages are kept indefinitely.

---

11. A 3270 terminal need not have exactly the same extended attributes that it had at the time the ROUTE command was issued, because BMS removes unsupported attributes from the data stream at the time of delivery.



When BMS purges a message in this fashion, it sends an error message to the terminal you specify in ERRTERM. (If you use ERRTERM without a specific terminal name, it sends the message to the principal facility of the task that originally created the message. If you omit ERRTERM altogether, no message is sent.)

## Temporary storage and routing

Between creation and delivery of a routed message with a disposition of PAGING, BMS stores the message in CICS temporary storage, just as it does in the case of an ordinary PAGING message. Consequently, you can make your routed messages recoverable by your choice of the REQID option value, just as in the case of a nonrouted message. (See “Logical message recovery” on page 376.)

If you are routing to more than one type of terminal, BMS builds a separate logical message for each type, with the appropriate device-dependent data stream, and uses a separate temporary storage queue for each type.

**Note:** For terminal destinations that have the alternate screen size feature, where two message formats are possible, BMS chooses the default size if the profile under which the task creating the message specifies default size, and alternate size if the profile specifies alternate size.

All of the logical messages use the same REQID value, however, so that you can still choose whether they are recoverable or not.

BMS also uses temporary storage to store the list of terminals eligible to receive your message and to keep track of whether delivery has occurred. When all of the eligible terminals of a particular type have received a message, BMS deletes the associated logical message. When all of the destinations have received delivery, or the purge delay expires, BMS erases all of the information for the message, reporting the number of undeliverable messages by destination to the master terminal operator message queue.

### Message identification

You can assign a title to your routed message if you wish. The title is not part of the message itself, but is included with the other information that BMS maintains about your message in CICS temporary storage. Titles are helpful in situations where a number of messages may accumulate for an operator or a terminal, because they allow the operator to control the order in which they are displayed. (See the “query” option of the CSPG command in the *CICS Supplied Transactions* manual.)

To assign a title, use the TITLE option of the ROUTE command to point to a data area that consists of the title preceded by a halfword binary length field. The length includes the 2-byte length field and has a maximum of 64, so the title itself may be up to 62 characters long. For example:

```
01 MSG-TITLE.  
   02 TITLE-LENGTH    PIC S9(4) COMP VALUE +19.  
   02 TITLE-TEXT      PIC X(17) VALUE 'MONTHLY INVENTORY'.  
   ...  
EXEC CICS ROUTE TITLE(MSG-TITLE)....
```

Figure 73. Assigning a title

## Programming considerations with routing

For the most part, you build a routed message in the same way you do a nonrouted message. However, because BMS builds a separate logical message for each terminal type among your destinations, there are differences. The first involves page overflow.

### Routing and page overflow

Because different types of terminals have different page capacities, page overflow may occur at different times for different types. If you are using SEND MAP commands and intercepting overflows, your program gets control when overflow occurs for each page of each logical message that BMS is creating in response to your ROUTE.

If you want to number your pages or do page-dependent processing at overflow time, you may need to keep track of information for each terminal type separately. Data areas kept for this purpose are called **overflow control areas**. You can tell how many such areas you need (that is, how many different terminal types appeared in your ROUTE command) by issuing an ASSIGN command with the DESTCOUNT option after your ROUTE and before any BMS command that could cause overflow. Issued at this time, ASSIGN DESTCOUNT returns a count of the logical messages that BMS builds.

When overflow occurs, you can use the same command to determine for which logical message overflow occurred. At this time ASSIGN DESTCOUNT returns the relative number of that message among those BMS is building for this ROUTE command. If you are using overflow control areas, this number tells you which one to use. If you use ASSIGN PAGENUM at this time, BMS returns the number of the page that overflowed as well.

To handle the complication of different overflow points for different terminal types, the processing you need to do on overflow in a routing environment is:

- Determine which logical message overflowed with ASSIGN DESTCOUNT (unless you are doing very simple overflow processing).
- Send your trailer maps for the current page, followed by headers for the next page, as you do in a non-routing environment (see “Page breaks: BMS overflow processing” on page 377). While the OVERFLOW condition is in force, these SEND MAP commands apply only to the logical message that overflowed (you would not want them in a logical message where you were mid-page, and BMS makes no assumptions about different terminal types that happen to have the same page capacity).
- Reissue the command that caused the overflow, as you do in a non-routing environment. After you do, however, you must retest for overflow and repeat the whole process, until overflow does not occur. This procedure ensures that you get the trailers and headers and the map that caused the overflow into each of the logical messages that you are building.

### Routing with SET

When you specify a disposition of SET in a routing environment, no messages are sent to the destinations in your route list, because the pages are returned to your program as they are completed. However, the ROUTE command is processed in the usual way to determine these destinations and the terminal types among them. BMS builds a separate logical message for each type, as usual, and returns a page to the program each time one is completed for any of the terminal types. BMS raises the OVERFLOW and RETPAGE conditions as it does with a disposition of

PAGING. Consequently, ROUTING with SET allows you to format messages for terminal types other than that of your principal facility.

### Interleaving a conversation with message routing

While you are building a message to be routed, you can use BMS SEND commands as well as RECEIVE MAP and terminal control commands to converse with your principal facility. (Without routing, you cannot use BMS SENDs, as noted in “Rules for logical messages” on page 372.) Such SEND commands must have a disposition option of TERMINAL rather than PAGING or SET, and must not specify ACCUM. The associated inputs and outputs are processed directly and do not interfere with your logical message, even if your terminal is one of the destinations of the message.

---

## Using SET

When you specify a disposition of SET for a BMS message, BMS formats your output and returns it in the form of a device-dependent data stream. No terminal I/O occurs, although the returned data stream usually is sent to a terminal subsequently.

There are several reasons for asking BMS to format a data stream without sending it. You might want to do any of the following:

- Edit the data stream to meet the requirements of a device with special features or restrictions not explicitly supported by CICS.
- Compress the data stream, based on standard 3270 features or special device characteristics.
- Forward the data stream to a terminal not connected directly to CICS. For example, you might want to pass data to a 3270 terminal attached to a system connected to CICS by an APPC link. You can format the data with SET and send the resulting pages to a partner program across the link. If the terminal is of a different type from your principal facility, you can define a dummy terminal of the appropriate type and then ROUTE to that terminal with SET to get the proper formatting, as explained in “Routing with SET” on page 394.

BMS returns formatted output by setting the pointer variable named in the SET option to the address of a page *list*. This list consists of one or more 4-byte entries in the following format, each corresponding to one page of output.

Table 28. Page list entry format

Bytes	Contents
0	Terminal type (see Table 25 on page 365)
1-3	Address of TIOA containing the formatted page of output

An entry containing -1 (X'FF') in the terminal type signals the end of the page list. Notice that the addresses in this list are only 24 bits long. If your program uses 31-bit addressing, you must expand a 24-bit address to a full word by preceding it with binary zeros before using it as an address.

Each TIOA (terminal input-output area) is in the standard format for these areas:

Table 29. TIOA format

Field name	Position	Length	Contents
TIOASAA	0	8	CICS storage accounting information (8 bytes)
TIOATDL	8	2	Length of field TIOADBA in halfword binary format
(unnamed)	10	2	Reserved field
TIOADBA	12	TIOATDL	Formatted output page
(unnamed)	TIOATDL + 12	4	Page control area, required for the SEND TEXT MAPPED command (if used)

The reason that BMS uses a list to return pages is that some BMS commands produce multiple pages. SEND MAP does not, but SEND TEXT can. Furthermore, if you have established a routing environment, BMS builds a separate logical message for each of the terminal types among your destinations, and you may get pages for several different terminal types from a single BMS command. The terminal type tells you to which message a page belongs. (Pages for a given type are always presented in order.) If you are not routing, the terminal type is always that of your principal facility.

If you are not using the ACCUM option, pages are available on return from the BMS command that creates them. With ACCUM, however, BMS waits until the available space on the page is used. BMS turns on the RETPAGE condition to signal your program that pages are ready. You can detect RETPAGE with a HANDLE CONDITION command or by testing the response from the BMS command (in EIBRESP or the value returned in the RESP option).

You must capture the information in the page list whenever BMS returns one, because BMS reuses the list. You need save only the addresses of the pages, not the contents. BMS does not reuse the pages themselves, and, in fact, moves the storage for them from its control to that of your task. This allows you to free the storage for a page when you are through with it. If you do this, the DATA or DATAPOINTER option in your FREEMAIN command should point to the TIOATDL field, not to TIOASAA.

---

## Partition support

Partitions are the first of several special hardware features that BMS supports. **Standard** BMS is required for partitions.

Some IBM displays allow you to divide the screen into areas which you can write to and read from separately, as if they were independent screens. The areas are called partitions, and features of BMS that allow you to take advantage of the special hardware are collectively called "partition support".

The IBM 3290 display, which is a member of the 3270 family, and the IBM 8775 are the primary examples of devices that support partitioning. You should consult the device manuals<sup>12</sup> to understand the full capabilities of a partitioned device, but the essential features are these:

---

12. *IBM 3290 Information Display Panel Description and Reference* for the 3290 and *IBM 8775 Display Terminal Component Description* for the 8775.

- You can divide the physical screen into any arrangement of one to eight non-overlapping rectangular areas. The areas are independent from one other, in the sense that the operator can clear them separately, the state of the keyboard (locked or unlocked) is maintained separately for each, and you write to and read from them one at a time.
- Only one partition is **active** at any given time. This is the one containing the cursor. The operator is restricted to keying into this partition, and the cursor wraps at partition boundaries. When a key that transmits data is depressed (the ENTER key or one of the program function keys), data is transmitted only from the active partition.
- The operator can change the active partition at any time by using the “jump” key; your program can also, as explained in “Determining the active partition” on page 401.
- BMS also writes to only one partition on a given SEND, but you can issue multiple SENDs and you do not have to write to the active partition.
- The partition configuration is sent to the device as a data stream, so that you can change the partitions for each new task or even within a task. The BMS construct that defines the partitions is called a **partition set** and is described in “How to define partitions” on page 398.
- You also can use the terminal in **base state** (without partitions) and you can switch from partitioned to base state with the same command that you use to change partition arrangements.
- When you specify how to partition the screen area, you also divide up the hardware buffer space from which the screen is driven. In partitioned devices, the capacity of the buffer is generally greater than that of the screen, so that some partitions can be assigned extra buffer space. The screen area allocated to a partition is called its **viewport** and the buffer storage is called its **presentation space**.  
BMS uses the presentation space as its page size for the partition, so that you can send as much data as fits there, even though not all of it can be on display at once. Keys on the device allow the operator to scroll the viewport of the partition vertically to view the entire presentation space. Scrolling occurs without any intervention from the host.
- Some partitioned devices allow you to choose among character sets of different sizes. We talk about this in “3290 character size” on page 399.

In spite of the independence of the partitions, the display is still a single terminal to CICS. You cannot have more than one task at a time with the terminal as its principal facility, although you can use the screen space cooperatively among several pseudoconversational transaction sequences if they use the same partition set (see “Terminal sharing” on page 403).

**Note:** The 3290 can be configured internally so that it behaves as more than one logical unit (to CICS or any other system); this definition is separate from the partitioning that may occur at any one of those logical terminals.

## Uses for partitioned screens

Partitioned screens are particularly useful in certain types of application. For example:

### Scrolling

For transactions that produce more output than fits on a single screen, scrolling is an alternative to BMS terminal paging (see “Output disposition options: TERMINAL, SET, and PAGING” on page 371). For example, you can define a

partition set that consists of just one partition, where the viewport is the whole screen and the presentation space is the entire buffer. You can write to the entire buffer as a single page, and the operator can scroll through the data using the terminal facilities. Response time to scrolling requests is very short, because there is no interaction with the host. You are limited to the capacity of the buffer, of course.

You may also want to scroll just part of the screen and use some partitions for fixed data.

### **Data entry**

Another good use for a partitioned screen is “heads down” data entry, where the operator’s productivity depends on how fast the application can process an input and reopen the keyboard for the next. With a partitioned screen, you can divide the screen into two identical entry screens. The operator fills one, presses Enter, and then fills the second one while the data entry transaction is processing the first input. If the input is good, the program simply erases it in preparation for the next entry; if not, there is still an opportunity for the operator to make corrections without losing subsequent work. The *CICS 4.1 Sample Applications Guide* contains an example of such a data entry transaction.

### **Lookaside**

In many online operations, the operator sometimes needs to execute a second transaction in order to finish one in progress. Order entry is an example, where the operator may have to look up codes or prices to complete an entry. Many inquiries are similar. The initial inquiry brings back a summary list of hits. The operator selects one and asks for further detail, then may need to select another for detail, and so on. In such cases, a partitioned screen allows the operator to do the second task while keeping the output of the first, which is needed later, on the screen. The *CICS 4.1 Sample Applications Guide* also contains an example of a lookaside transaction.

“Help” text is still another example of “lookaside”. If you allocate one partition of the screen to this text, the operator can get the required tutorial information without losing the main screen.

### **Data comparison**

Applications in which the operator needs to compare two or more sets of data simultaneously are also excellent candidates for a partitioned screen. Partitioning allows a side-by-side comparison, and the scrolling feature makes it possible to compare relatively large documents or records.

### **Error messages**

If you partition a screen and allocate one area to error messages and other explanatory text, usability is enhanced because the operator always knows where to look for messages, and the main screen areas are never overwritten with such information. CICS sends its own messages to such a partition if you designate one in your partition set, as we explain in “How to define partitions”.

## **How to define partitions**

Each partitioning of a screen is defined by a partition set, which is a collection of screen areas (partitions) intended for display together on a screen. You define a partition set with assembler macros, just as you do map sets. There are two of them: DFHPSD and DFHPDI.

The partition set definition begins with a DFHPSD (partition set definition) macro, which defines:

- The name of the partition set
- Screen size (BMS makes sure that the partition viewports do not exceed the total space available)
- Default character cell size (we talk about cell size in “3290 character size”)
- The partition set suffix, used to associate the partition set with a particular screen size (see “Establishing the partitioning” on page 400)

After the initial DFHPSD macro, you define each partition (screen area) with a DFHPDI macro. DFHPDI specifies:

- The identifier of the partition within the partition set.
- Where the partition is located on the screen.
- Its viewport size (in lines and columns).
- The presentation space associated with the viewport (that is, the amount of buffer space allocated), also in lines and columns. Because scrolling is strictly vertical, BMS requires that the width of the presentation space match the width of the viewport.
- The character size to be used.
- The map set suffix associated with the partition, used to select the map set appropriate for the partition size.
- Whether the partition may receive CICS error messages (BMS sends certain error messages that it generates to a partition so designated, if there is one).

You end the partition set with a second DFHPSD macro, containing only the option TYPE=FINAL. See the *CICS Application Programming Reference* manual for full details on DFHPSD and DFHPDI.

Because these are assembler macros, you need to follow assembler format rules in creating them. See “Rules for writing BMS macros” on page 332 if you are not familiar with assembler language. After you do, you need to assemble and link-edit your partition set. The resulting load module can be placed in the same library as your map sets, or in a separate library if your installation prefers. Your systems staff also need to define each partition set to the system with a PARTITION definition.

## 3290 character size

The 3290 hardware allows you to use up to eight different character sets, of different sizes. Two sets come with the hardware; the others can be loaded with a terminal control SEND command. (Refer to the *IBM 3290 Information Display Panel Description and Reference* manual for details.)

Each character occupies a rectangular **cell** on the screen. Cell size determines how many lines and columns fit on the screen, or in a particular partition of the screen, because you can specify cell size by partition. Cells are measured in pels (picture elements), both vertically and horizontally. The smallest cell allowed is 12 vertical pels by 6 horizontal pels. The 3290 screen is 750 pels high and 960 pels wide. Using the minimum cell size, therefore, you can fit 62 characters vertically (that is, have 62 lines), and 160 characters horizontally (for 160 columns). (The 3290 always selects the character set that best fits your cell size, and places the character at the top left corner of the cell.)

Partition sizes are expressed in lines and columns, based on the cell size you specify for the partition, which is expressed in pels. (The name of the option is

CHARSIZE, but it is really cell size.) To make sure your partitions fit on the screen, you need to work out your allocation in pels, although BMS tells you when you assemble if your partitions overlap or does not fit on the screen. The partition height is the product of the number of rows in the partition and the vertical CHARSIZE dimension; the partition width is the product of the number of columns and the horizontal CHARSIZE value.

If you do not specify a CHARSIZE size in your DFHPDI partition definition, BMS uses the default given in the DFHPSD partition set definition. If DFHPSD does not specify CHARSIZE either, BMS uses the default established for the terminal when it was installed. If you specify cell size for some but not all partitions, you must specify a default for the partition set too, so that you do not mix your choices with the installation default.

## Programming considerations

Partitions affect programming in several areas, as we explain in the sections that follow. These include:

- Partition set loading
- BMS SEND command options
- The active partition
- BMS RECEIVE commands and options
- ASSIGN options
- Logical messages
- Routing
- Attention identifiers and exception conditions

Nonetheless, BMS partition support is designed to have as little impact as possible on existing applications that get executed at a partitioned terminal. We talk about this in “Terminal sharing” on page 403. In addition, options and commands specific to partitions are ignored when executed at a terminal that does not support partitions or that is in base state at the time of the command.

## Establishing the partitioning

You can tell BMS which partition set to load for a particular transaction by naming it in the PARTITIONSET option of the TRANSACTION definition. If you do this, and the named partition set is not already loaded at the terminal, BMS adds the partition definitions to your data on the first BMS SEND in the task.

You can also direct BMS not to change the partitions from their current state (PARTITIONSET=KEEP in the TRANSACTION definition) or indicate that you load the partitions yourself (PARTITIONSET=OWN). If you do not specify any PARTITIONSET value, BMS sets the terminal to base state (no partitions) at the time it initiates the transaction.

Whatever the PARTITIONSET value associated with the transaction, a task can establish new partitions at almost any time with a SEND PARTNSET command, except that you cannot issue the command while you are building a logical message.

SEND PARTNSET does not send anything to the terminal immediately. Instead, BMS remembers to send the partition information along with the next BMS command that sends data or control information, just as it sends a partition set named in the PARTITIONSET option of the TRANSACTION definition on the first BMS SEND. Consequently, you must issue a SEND MAP, SEND TEXT or SEND



CONTROL command before you issue a RECEIVE or RECEIVE MAP that depends on the new partitions. See the *CICS Application Programming Reference* manual for full details on SEND PARTNSET.

**Note:** You can get an unexpected change of partitions in the following situation. If CICS needs to send an error message to your terminal, and the current partition set does not include an error partition, CICS returns the terminal to base state, clear the screen, and write the message. For this reason, it is a good idea to designate one partition as eligible for error messages in every partition set.

When BMS loads a partition set, it suffixes the name requested with the letter that represents your terminal type if device-dependent support is in effect, in order to load the one appropriate to your terminal. It takes suffix from the ALTSUFFIX option value of the TYPETERM definition associated with your terminal. Partition set suffixing is analogous to map set suffixing, and the same sequence of steps is taken if there is no partition set with the right suffix (see “Device-dependent maps: map suffixes” on page 363).

## Partition options for BMS SEND commands

As noted earlier, when you write to a partitioned screen, you write to only one partition, and the effects of your command are limited to that partition. ERASE and ERASEAUP clear only within the partition, and FREEKB unlocks the keyboard only when the partition becomes active.

You can specify the partition to which you are sending with either the PARTN option in your map definition or with the OUTPARTN option on your SEND MAP. OUTPARTN overrides PARTN. If you don't specify either, BMS chooses the first partition in the set.

The use of partitions affects the suffixing of map set names that we described in “Device-dependent maps: map suffixes” on page 363. The map set suffix is taken from the MAPSFX value for the partition instead of being determined as described in that section.

## Determining the active partition

When you send to a partition, you can move the cursor to that partition or another one. A value of ACTIVATE in the PARTN option of the map definition puts the cursor in the partition to which you are writing. If you specify ACTPARTN on your BMS SEND command, you can name any partition (not necessarily the one to which you are writing), and you override the ACTIVATE specification. Both ACTIVATE and ACTPARTN unlock the keyboard for the active partition, as well as placing the cursor there. If neither is present, the cursor does not move and the keyboard is not unlocked.

Although you can make a partition active by placing the cursor there when you send, you do not have the last word on this subject, because the operator can use the jump key on the terminal to move the cursor to another partition. This can complicate receiving data back from the terminal, but BMS provides help, as we are about to explain.

## Partition options for BMS RECEIVE commands

When you issue a RECEIVE MAP command, you can tell BMS from which partition you expect data (that is, which partition you expect to be active) with

either the PARTN option in the map definition or with the INPARTN option on your RECEIVE MAP. INPARTN overrides PARTN. If you do, and the operator transmits from a different partition than the one you named, BMS repositions the cursor in the partition you named, unlocks the keyboard and repeats the RECEIVE command. It also sends a message to the error partition (the one with ATTRB=ERROR) asking the operator to use the right partition. (No message is sent if there is no error partition.) The input from the wrong partition is discarded, although it is not lost, because it can be reread later. BMS does this up to three times; if the operator persists for a fourth round, BMS raises the PARTNFAIL condition.

You do not have to specify an input partition; sometimes there is only one that allows input, and sometimes the same map applies to all. If you issue RECEIVE MAP without INPARTN and there is no PARTN option in the map, BMS accepts data from any partition and map it with the map named in the command. You also can determine the partition afterward, if you need to, with an ASSIGN command containing the INPARTN option.

INPARTN is not set until after the first BMS operation, however, and so if you need to know which partition is sending to select the right map, you need another approach. In this situation, you can issue a RECEIVE PARTN command, which reads data unmapped and tells you which partition sent it. Then you issue a RECEIVE MAP command using the map that matches the partition with the FROM option, using the map that matches the partition. RECEIVE MAP with FROM maps data already read, as explained in “Formatting other input” on page 361.

## ASSIGN options for partitions

In addition to the INPARTN option just described, there are three other ASSIGN options to help you in programming for a partitioned terminal. The PARTNS option tells you whether the terminal associated with your task supports partitions, and the PARTNSET option returns the name of the current partition set (blanks if none has been established). The fourth ASSIGN option, PARTNPAGE applies only to logical messages, which we talk about in “Partitions and logical messages”.

## Partitions and logical messages

When you build a BMS logical message for a terminal for which partitions have been established, you can direct the pages of the message to multiple partitions. You can even send text output to some partitions and mapped output to others, provided you do not mix them in the same partition. (This is an exception to the normal rule against mixing text and mapped output in a logical message.)

When the output is displayed, the first page for each partition is displayed initially. The pages are numbered by partition, and CSPG commands that the operator enters into a particular partition apply only to that partition, with the exception of the page purge command. The purge command deletes the entire logical message from all partitions.

On each BMS SEND that contributes to the message, you specify the partition to which the output goes. If you are not using ACCUM, BMS builds a page for that partition. If you are using ACCUM, BMS puts the output on the current page for that partition. Page overflows therefore occur by partition. If you are intercepting overflows and are not sure in which partition the overflow occurred, you can use the PARTNPAGE option of the ASSIGN command to find out.

**Note:** Because BMS uses both the page size and partition identifiers in building a logical message, you cannot change the partitions mid-message.

The bookkeeping required to handle page overflow when you are distributing pages among partitions is analogous to that required in a routing environment (see “Routing and page overflow” on page 394). In particular, you need to ensure that you finish overflow processing for one partition before doing anything that might cause overflow in another. Failure to do so can cause program loops as well as incorrect output.

## Partitions and routing

You cannot route a logical message written to multiple partitions. BMS ignores the `OUTPARTN` and `ACTPARTN` options on `BMS SEND` commands in a routing environment.

You can route an ordinary message to a terminal that supports partitions, but BMS builds the message and the `CSPG` transaction displays it using the terminal in base (unpartitioned) state.

## New attention identifiers and exception conditions

Partitioned terminals have a `CLEAR PARTITION` key that clears the active partition in the same way that the `CLEAR` key clears the whole screen (`CLEAR` still does this on a partitioned terminal). You may need to check for this additional attention identifier in your program logic. The `CLEAR PARTITION AID` value is included in `DFHAID` (see “The attention identifier: what caused transmission” on page 355).

There are also some new exception conditions associated with partitions, and new ways to get some of the old ones. The new ones include `INVPARTN` (naming a partition that does not exist in the partition set), `INVPARTNSET` (naming a module that is not a partition set), and `PARTNFAIL` (receiving from a partition other than the one the operator transmitted from). They are all described in the *CICS Application Programming Reference* manual with the commands to which they apply.

## Terminal sharing

With proper planning, you can share a terminal among several processes by assigning each a separate partition. You cannot have more than one task in progress at once at a terminal, of course, but you can interleave the component tasks of several pseudoconversational transaction sequences at a partitioned terminal.

To take a very simple example, suppose you decide to improve response time for an existing pseudoconversational data entry transaction by letting the operator enter data in two partitions (see “Data entry” on page 398). You could modify the application to work on two records at once, or you could simply modify it to send to the same partition from which it got its input. Then you could run it independently from each partition.

You can establish the partitions with the `PARTITIONSET` option in the `TRANSACTION` definition (all of the transactions involved, if there are several in the sequence). As noted earlier, BMS does not reload the partitions as long as each transaction has the same `PARTITIONSET` value. Alternatively, you could establish the partitions with a preliminary transaction (for example, one that displayed the first entry screen in both partitions) and use a `PARTITIONSET` value of `KEEP` for

the data entry transactions. Whenever you share a partitioned screen, whether among like transactions or different ones, you need to ensure that one does not destroy the partition set required by another. Also, if two different CICS systems may share the same screen, they should name partition sets in common, so that BMS does not reload the partitions when it should not.

If the hypothetical data entry transaction sequence uses the TRANSID option on the RETURN command to specify the next transaction identifier, you would need to make another small change, because the option applies to the whole terminal, not the partition. One solution would be to place the next transaction identifier in the first field on the screen (turning on the modified data tag in the field definition) and remove the TRANSID from the RETURN. CICS would then determine the next transaction from the input, as described in “How tasks are started” on page 299.

## Restrictions on partitioned screens

We have already noted that you cannot route to a terminal in partitioned state. You also cannot use partitions and logical device codes together (LDCs are described in “Logical device components”). In addition, you cannot use partitions in combination with GDDM, although you can use partitions with outboard formats (see “Outboard formatting” on page 409).

---

## Logical device components

Logical device components (LDCs) are another special hardware feature supported by BMS. Like partitions, LDCs require **standard** BMS.

A terminal that supports LDCs is one that consists of multiple functional components (logical devices) controlled through a single point (the logical unit). The components might be a printer, reader, keyboard and display, representing a remote work station, or they might be multiple like devices, such as word processing stations or passbook printers. The IBM 3601 logical unit, the 3770 batch logical unit, 3770, and 3790 batch data interchange logical units, and LU type 4 logical units all support logical device components.

Because the logical unit is a single entity to CICS, but consists of components that can be written and read independently, the CICS application programming interface for LDC terminals looks similar to that for partitioned terminals, each LDC corresponding to one partition in a partition set. There are many differences, of course, and you should consult the CICS manual that describes CICS support for your particular terminal type (see “Where to find more information” on page 304 for a list). The sections which follow describe the major differences that affect programming, which are: .

- LDC definition
- SEND command options
- Logical messages
- Routing

## Defining logical device components

The logical device components for a terminal are defined by a list called an LDC table. The TYPETERM component of the TERMINAL definition points to the table, which may be individual to the logical unit or shared by several logical units that have the same components. The table itself is defined with DFHTCT TYPE=LDC (terminal control) macros. (See *CICS Resource Definition Guide* for descriptions of both TYPETERM and the DFHTCT macros.)

An LDC table contains the following information for each logical device component of the logical unit:

- A 2-character logical device identifier. These identifiers are usually standard abbreviations, such as CO for console and MS for a magnetic stripe encoder, but they need not be.
- A 1-character device code, indicating the device type (console, card reader, word processing station). Codes are assigned by CICS from the device type and other information provided in the macro.
- A BMS page size. BMS uses this size, rather than one associated with the logical unit, because different logical devices have different page sizes.
- A BMS page status (AUTOPAGE or NOAUTOPAGE); see “The AUTOPAGE option” on page 375.

## Sending data to a logical device component

You direct BMS output to a specific logical device component of a terminal by naming it in the LDC option of your SEND MAP, SEND TEXT, or SEND CONTROL command or the LDC option of your mapset. A value in the command overrides one in the map set. If the LDC does not appear in either place, BMS uses a default that varies with the terminal type (see the LDC option discussion of the *CICS Application Programming Reference* manual for specifics).

## LDCs and logical messages

When you build a BMS logical message for your own terminal, you can distribute pages of the message among different logical device components in the same way that you can direct pages to a logical message to different partitions. BMS accumulates pages separately for each logical device component in the same way that it does for partitions (see “Partitions and logical messages” on page 402). You can include both text and mapped output in the message, provided you do not send both to one LDC. Page overflow occurs by LDC, and terminal operator paging commands operate on a logical device component basis.

When retrieving pages, the operator (or user code in the device controller) must indicate the LDC to which the request applies, because not all devices have keyboards. As in the case of partitions, a message purge request deletes the entire message, from all LDCs. See the *CICS Supplied Transactions* manual for more detail on page retrieval for logical devices.

If you are intercepting page overflows, you can tell which LDC overflowed by issuing an ASSIGN command with either the LDCMNM or LDCNUM option. Both identify the device which overflowed, the first by its 2-character name and the second by the 1-byte numeric identifier. You can determine the page number for the overflowing device with ASSIGN PAGENUM, just as with a partitioned device.

There is one restriction associated with LDCs and page overflow that is unique to LDCs. After overflow occurs, you must send both a trailer map for the current page and a header for the next one to the LDC that overflowed. BMS raises the INVREQ (invalid request) condition if you fail to do this.

## LDCs and routing

Routing is supported in an LDC environment, provided the message goes to the same component type for every destination that supports LDCs. (You cannot route a multiple-LDC message.)

You can supply the LDC value in several ways:

- If you use the LDC option on your ROUTE command, the value supplied overrides all other sources and is used for all eligible destinations to which LDCs apply.
- If you specify an LDC in a route list entry (and not in the ROUTE command), that value is used for the associated destination. (If you specify both and they do not agree, the ROUTE list value is used and the discrepancy is flagged in the status flag of the entry.)
- If you specify neither, the value is determined from terminal and system LDC tables in the same way as it is in a non-routing environment when you omit the LDC from the BMS SEND command. (The value on the SEND command is ignored when routing is in effect.)

---

## BMS support for other special hardware

In addition to partitions and LDCs, BMS provides support these other special hardware features:

- 10/63 magnetic slot reader
- Field selection features: cursor select, light pen, trigger fields
- Outboard formatting

The magnetic slot reader and outboard formatting both require **standard** BMS. Support for the cursor select key, light pen and trigger fields is included in **minimum**.

### 10/63 magnetic slot reader

Some IBM display terminals support a magnetic slot reader (MSR), a device that reads data from small magnetic cards, as an optional feature. The MSR has indicator lights and an audible alarm to prompt operator actions. Some terminals control the MSR themselves, but others, such as the IBM 8775 and the IBM 3643, let you control the functions of the reader by program.

CICS provides an ASSIGN command option, MSR, that tells you whether the principal facility of your task has an MSR or not.

With BMS, you can control the state of such an MSR by using the MSR option of the BMS SEND commands. This option transmits four bytes of control data to the attached MSR, in addition to display data sent to the terminal. BMS provides a copybook, DFHMSRCA, containing most of the control sequences you might need. The *CICS Application Programming Reference* manual describes the supplied constants and explains the structure of the control data, so that you can expand the list if you need to.

The control sequence that you send to an MSR affects the next input from the device; hence it has no effect until a RECEIVE command is issued. Input from MSRs is placed in the device buffer and transmitted in the same way as keyboard input. If the MSR input causes transmission, you can detect this by looking at the attention identifier in EIBAID. A value of X'E6' indicates input from the MSR, and X'E7' signals input from the MSR extended (a second MSR that may be present). See the *IBM 3270 Information Display System Data Stream Programmer's Reference* manual for information on how to format a screen for MSR input and other details on these devices.

## Field selection features

BMS supports several special hardware features that allow the operator to enter and transmit input by selecting a field on the screen:

- Trigger fields
- Cursor selectable fields
- Light pen detection

### Trigger field support

Trigger fields are a special hardware feature of certain types of terminal, such as the 8775. A field defined as a trigger field causes the terminal to transmit its contents if the operator moves the cursor out of the field when it is **primed**. The field gets primed when the operator moves the cursor into it and enters data or uses either the DELETE or ERASE EOF keys. It becomes unprimed after it causes transmission, or if the operator uses the ERASE INPUT key, or after a send to the terminal (if you are using partitions, the send must be to the partition that contains the trigger field to have this effect).

You define a field as a trigger field by setting the VALIDN extended attribute to a value of TRIGGER, either in the map or by program override.

Only the field itself is sent when a trigger field causes transmission; other fields are not sent, even if they have been modified. You can detect a transmission caused by a trigger field by checking the attention identifier, which has a value of X'7F'.

Terminals that support the validation feature buffer the keyboard, so that the operator can continue to enter data while the host is processing an earlier transmission. The program processing such inputs needs to respond quickly, so that the operator does not exceed the buffer capacity or enter a lot of data before an earlier error is diagnosed.

The customary procedure is for the program receiving the input to check the contents of the trigger field immediately. If correct, the program simply unlocks the keyboard to let the operator continue (a BMS SEND command containing the FREEKB option does this). If the field is in error, you may wish to discard the stored keystrokes, in addition to sending a diagnostic message. Any of the following actions does this:

- A BMS SEND command that contains ERASE, ERASEAUP, or ACTPARTN or that lacks FREEKB
- A BMS SEND directed to a partition other than the one containing the trigger field (where partitions are in use)
- A RECEIVE MAP, RECEIVE PARTITION or terminal control RECEIVE command
- Ending the task

See the *IBM 3270 Information Display System Data Stream Programmer's Reference* manual for more information about trigger fields.

## Cursor and pen-detectable fields

BMS also supports **detectable** fields, another special hardware feature available on some terminals. There are two hardware mechanisms for detectable fields: the "cursor select" key and the light pen. A terminal has either the key or a pen, not both. Both work the same way and, as the key succeeded the pen, we talk about the key.

For a field to be detectable, it must have certain field attributes, and the first character of the data, known as the **designator character**, must contain one of five particular values. You can have other display data after the designator character if you wish.

The bits in the field attributes byte that govern detectability also control brightness. High intensity (ATTRB=BRT) fields are detectable if the designator character is one of the detectable values. Normal intensity fields may or may not be detectable; you have to specify ATTRB=DET to make them so; nondisplay (ATTRB=DRK) fields cannot be detectable.

As usual, you can specify attributes and designator characters either in the map definition or by program override. However, DET has a special effect when it appears in an input-only map, as we explain in a moment.

Note that because high-intensity fields have, by definition, the correct field attributes for detectability, the terminal operator can make an *unprotected* high-intensity field detectable by keying a designator character into the first position of the field.

### Selection fields

There are two types of detectable field, **selection** and **attention** fields; the type is governed by the designator character. A selection field is defined by a designator character of either a question mark (?) or a greater-than sign (>). The convention is that (?) means the operator has not selected whatever the field represents, and (>) means he has. The hardware is designed around this convention, but it is not enforced, and you can use another if it suits. You can initialize the designator to either value and initialize the modified data tag off or on with either value.

Every time the operator presses the cursor select key when the cursor is in a selection field, the designator switches from one value to the other (? changes to > and > changes to ?). The MDT is turned *on* when the designator goes from ? to > and *off* when the designator goes from > to ?, regardless of its previous state. This allows the operator to change his mind about a field he has selected (by pressing cursor select under it again) and gives him ultimate control over the status of the MDT. The MDT governs whether the field is included when transmission occurs, as it does for other fields. No transmission occurs at this time, however; selection fields do not of themselves cause transmission; that is the purpose of attention fields.

### Attention fields

Attention fields are defined by a designator character of blank, null,<sup>13</sup> or ampersand. In contrast to a selection field, when the cursor select key is pressed with the cursor in an attention field, transmission occurs.

If the designator character is an ampersand, the effect of pressing the cursor select key is the same as depressing the ENTER key. However, if the designator is blank or null, what gets transmitted is the address of every field with the MDT on, the position of the cursor, and an attention identifier of X'7E'. The *contents* of these fields are not transmitted, as they are with the ENTER key (or a cursor select with

---

13. A null in the data stream has the same effect as a blank in this function, but in BMS you should use a blank, because BMS does not transmit nulls in some circumstances, and because you cannot override the first position of a field with a null (see "Where the values come from" on page 347).



an ampersand designator). In either case, the fields with the MDT bit on may be selection fields or normal fields which the operator changed or which were sent with the MDT on.

### **BMS input from detectable fields**

After transmission caused by a cursor-select attention field with a blank or null designator, BMS tells you which fields were transmitted (that is, had the MDT on) by setting the first position of the corresponding input (I) subfield to X'FF'. The first position is otherwise set to X'00'. You can tell which attention field caused transmission from this value if it was the only one transmitted, or from the position of the cursor otherwise.

If transmission is caused by a cursor-select attention field with an ampersand designator (or by the ENTER key or a PF key), the I subfield contains the contents of the field if the MDT is on and the L subfield reflects its length, as usual, except in one case: if you specify the DET attribute for a field in an input-only map (that is, MODE=IN, DATA=FIELD), BMS reserves only one byte in the symbolic map for the input subfield, rather than the number indicated by the LENGTH option. After a RECEIVE MAP naming such a map, this I subfield contains X'FF' with a length of 1 if the field is selected (that is, if its MDT was on), and a null (X'00') if not. BMS supplies no other input for the field, even if some was transmitted.

Consequently, if you need to receive data from a detectable field as well as knowing whether it was selected or not, you need to avoid the use of DET in an input-only map. You can define the map as INOUT, even if you do not use it for output, or you can set the DET attribute in the program rather than the map. For high-intensity fields, you do not need to specify DET, because BRT implies DET.

You also need to ensure that the data gets transmitted. When the cause of transmission is the ENTER key, a PF key, or an attention field with an ampersand designator character, field data gets transmitted. It does not when the cause is an attention field with a blank or null designator.

See the *IBM 3270 Information Display System Data Stream Programmer's Reference* manual for more information about detectable fields.

## **Outboard formatting**

Outboard formatting is a technique for reducing the amount of line traffic between the host processor and an attached subsystem. The reduction is achieved by sending only variable data across the network. This data is combined with constant data, such as a physical map, by a program within the subsystem. The formatted data can then be displayed.

You can use outboard formatting with a 3650 Host Communication Logical Unit, an 8100 Series processor with DPPX and DPS Version 2, or a terminal attached through a 3174 control unit. Maps used by the 3650 must be redefined using the 3650 transformation definition language before they can be used. For more information, see the section describing BMS in the *IBM CICS/OS/VS 3650/3680 Guide*. Maps to be used with the 8100 must be generated on the 8100 using either an SDF II utility or the interactive map definition component of the DPS Version 2.

If a program in the host processor sends a lot of mapped data to subsystems, you can reduce line traffic by telling BMS to transmit only the variable data in maps. The subsystem must then perform the mapping operation when it receives the data. BMS prefixes the variable data with information that identifies the subsystem map to be used to format the data.

Terminals that support outboard formatting have OBFORMAT(YES) in their TYPETERM definition. When a program issues a SEND MAP command for such a terminal, and the specified map definition contains OBFMT=YES, BMS assumes that the subsystem is going to format the data and generates an appropriate data stream. If you send a map that has OBFMT=YES to a terminal that does not support outboard formatting, BMS ignores the OBFMT operand.

See “Batch data interchange” on page 430 for more information about programming some of the devices that support outboard formatting.

---

## Chapter 30. Terminal control

This chapter contains the following details:

- “Terminal control commands” on page 412
- “VTAM considerations” on page 424
- “Sequential terminal support” on page 427
- “TCAM considerations” on page 429
- “Batch data interchange” on page 430

Terminal control is the second of two methods that CICS provides for programs to communicate with terminals. The other interface is BMS, described in “Chapter 29. Basic mapping support” on page 323.

Terminal control commands apply to a variety of devices, reducing the sensitivity of programs to the terminals they support and to the access methods controlling the terminals. In addition to the commands themselves, CICS provides the data translation, synchronization of input and output operations, and session control needed to read from or write to a terminal or logical unit. This helps insulate you from the APIs of the individual communications access methods, which are complex and very different from one another.

BMS insulates you even more from the characteristics of particular devices and the mechanics of communication than does terminal control, but at the cost of some flexibility and function. For example, BMS path lengths are longer, and BMS does not support as many terminal types as does terminal control. See “CICS APIs for terminals” on page 303 for a comparison of BMS and terminal control.

---

### Access method support

CICS Transaction Server for OS/390 Release 3 supports terminals directly through interfaces to the following access methods:

**Virtual Telecommunications Access Method (VTAM)**

**Telecommunications Access Method (TCAM)** for the queued or ‘DCB’ interface only

**Basic Graphics Access Method (BGAM)** for graphics terminals using GDDM

**Sequential Access Method (SAM)** for terminals simulated by sequential devices

CICS supports operating system consoles as terminals too, but through operating system services rather than through an access method. The terminal control interface to a console is the same as to other terminals (though certain consoles might have certain restrictions), but BMS is not available. You can find a full list of the terminals supported by CICS in the *CICS Resource Definition Guide*.

Earlier releases of CICS also supported terminals through:

**BTAM** Basic Telecommunications Access Method (BTAM).

**TCAM**

Telecommunications Access Method (TCAM)—the VTAM-like ‘ACB’ interface.

You can still execute transactions under CICS from terminals using these access methods. However, the terminals themselves must be attached to a CICS system at an earlier level which supports the access method. A transaction running under CICS communicates with a local surrogate for the remote terminal, and the two CICS systems manage the correspondence between the surrogate and the real terminal. The transaction is invoked either when the CICS that owns the terminal routes the transaction to the CICS region, or by automatic transaction initiation (ATI) in the CICS region. With ATI, this region arranges assignment of the terminal as principal facility for the transaction through the CICS region that owns the terminal.

---

## Terminal control commands

The commands described in this chapter apply only to the principal facility of the task issuing them, where that facility is one of the following:

- A device connected through BTAM, SAM, or the DCB interface of TCAM
- An LU Type 0, 1, 2, 3, or 4 connected through VTAM or the ACB interface of TCAM

**Note:** This chapter does not cover program-to-program communication, whether directed to the alternate or principal facility. This is covered in a separate manual, APPC commands are covered in the *CICS Distributed Transaction Programming Guide*.

Terminal control commands fall into four groups:

- Basic data transmission commands: RECEIVE, SEND, and CONVERSE
- Commands that send device controls, synchronize transmission, end a session, or perform similar control functions
- Commands to tell you about your terminal: ASSIGN and INQUIRE.
- Special device group commands: the batch data interchange (BDI) commands

We discuss each of these groups in the sections that follow.

## Data transmission commands

There are three commands that transmit data to and from the terminal or logical unit that is the principal facility of your task:

### RECEIVE

reads data from the terminal.

### SEND

writes data to the terminal.

### CONVERSE

writes data to the terminal, waits for input, and reads the input.

CONVERSE is essentially a combination of SEND and RECEIVE and is usually the equivalent of SEND followed by RECEIVE. In certain cases you must use CONVERSE instead of SEND and RECEIVE, for example, sending structured-field data to certain 3270 devices. In other cases you must use SEND and RECEIVE, because CONVERSE is not provided; these are noted in Table 32 on page 420.

The SEND, RECEIVE, and CONVERSE commands are fully described in the *CICS Application Programming Reference* manual. They are broken down by device group,

because the options for different devices and access methods vary considerably. “Finding the right commands” on page 417 tells you which device group to use for your particular device.

## Send/receive mode

The terminals and logical units covered in this chapter all operate in “half-duplex, flip-flop” mode. This means, essentially, that at any given moment, one partner in a conversation is in send mode (allowed to send data or control commands) and the other is in receive mode (restricted to receiving). This protocol is formally defined and enforced under VTAM. CICS observes the same conventions for terminals attached under other access methods, but both the hardware and the access methods work differently, so that not all operations are identical.

When a terminal is the principal facility of a task, its conversation partner is the task. When it is not associated with a task, its conversation partner is the terminal control component of CICS. Between tasks, under VTAM, the conversation is left in a neutral state where either partner can send first. Ordinarily the terminal goes first, sending the unsolicited input that initiates a task (see “How tasks are started” on page 299).

This transmission also reverses the send/receive roles; thereafter the terminal is in receive mode and CICS, represented by the task that was attached, is in send mode. The task starts and remains in send mode, no matter how many SENDs it executes, until it explicitly changes the direction of the conversation. One way in which you can put the task in receive mode is by specifying the INVITE option on a SEND command. After SEND with INVITE, the task is in receive mode and must issue a RECEIVE before sending to the terminal again. You can also put the task in receive mode simply by issuing a RECEIVE, without a preceding INVITE; INVITE simply optimizes transmissions.

Note that the first RECEIVE command in a task initiated by unsolicited input does not count in terms of send/receive mode, because the input message involved has long since transmitted (it started the task). This RECEIVE just makes the message accessible to the task, and sets the related EIB fields.

ATI tasks—those initiated automatically by CICS—also start out in send mode, just like tasks started by unsolicited input.

Note that if a task is executing normally and performing non-terminal operations when a VTAM/network error occurs, the task is unaware of the error and continues processing until it attempts the next terminal control request. It is at this point that the task receives the TERMERR. If the task does not issue any further terminal control request, it will not receive the TERMERR or ABEND.

### Contention for the terminal

CICS satisfies requests for automatic task initiation (ATI) as soon as the terminal required as principal facility is available. When a task ends at a terminal, and CICS has an ATI request for that terminal, there may be contention between CICS, which wants to initiate the ATI task, and the terminal user, who wants to initiate a certain task by unsolicited input. In this situation, CICS always sets itself up as contention *loser*. That is, if the terminal sends unsolicited input quickly enough after the end of the previous transaction, CICS creates a task to process it and delay fulfilling the ATI request. This is intentional—it gives the user priority in contention situations.

## RETURN IMMEDIATE

However, you sometimes need to execute a sequence of particular tasks in succession at a terminal without allowing the user to intervene. CICS provides a way for you to do this, with the IMMEDIATE option on the RETURN command that ends the task. With RETURN IMMEDIATE, CICS initiates a task to execute the transaction named in the TRANSID option immediately, before honoring any other waiting requests for tasks at that terminal and without accepting input from the terminal. The old task can even pass data to the new one. The new task accesses this data with a RECEIVE, as if the user had initiated the task with unsolicited input, but no input/output occurs. This RECEIVE, like the first one in a task initiated by unsolicited input, has no effect on send/receive status; it just makes the passed data available to the new task. If the terminal is using bracket protocol (explained in “Preventing interruptions (bracket protocol)” on page 427), CICS does not end the bracket at the end of the first task, as it ordinarily does, but instead continues the bracket to include the following task. Consequently, the automatic opening of the keyboard at the end of bracket between tasks does not occur.

## Speaking out of turn

It is usually clear to users when they are supposed to “talk” (key and transmit), and when they are supposed to “listen” (wait for output), because the application makes this clear. On 3270 displays and many other terminals, the keyboard locks after the user has transmitted to reinforce this convention. It remains locked until the task unlocks it, which it usually does on a SEND before a RECEIVE, or on the last SEND in the task. This means the user has to do something particular (press the keyboard reset key) in order to break protocol.

What happens if the user does this? For terminals under BTAM, which is supported by CICS Version 2 and earlier, CICS provides two choices for an input it does not expect. CICS can either discard it or save it for use on the next occasion that an input is required (or acceptable) from that terminal. You specify one of these options using the PUNSOL system generation parameter; the option you choose is applied globally to all BTAM terminals.

For terminals connected under VTAM, violating this protocol causes the task to abend (code ATCV) unless read-ahead queueing is in force. Read-ahead queueing allows the logical unit and the task to send and receive at any time; CICS saves input messages in temporary storage until the task needs them. Inputs not read by task end are discarded. Read-ahead queueing is applied at the transaction level (it is specified in the RAQ option of the PROFILE under which the transaction runs). It applies only to LU type 4 devices, and is provided for compatibility reasons, to allow a transaction to support both BTAM-connected and VTAM-connected terminals in the same way. In general, it should not be used except to handle this situation.

For devices connected under the DCB interface of TCAM, the send/receive rules are complicated by the fact that messages get queued on their way to and from the terminal. For the ACB interface, supported under earlier releases of CICS, different exceptional circumstances may occur. See the *CICS Intercommunication Guide* for details of send/receive restrictions for both interfaces.

Sequential terminals also differ from others in send/receive rules. Because the input is a pre-prepared file, CICS simply provides input messages whenever the task requests them, and it is impossible to break protocol. If the input is improperly prepared, or is not what the task is programmed to handle, it is

possible for the task to get out of synchronization with its inputs, to exhaust them prematurely, or to fail to read some of them.

## Interrupting

Both VTAM and BTAM provide a mechanism for a terminal in receive mode to tell its partner that it would like to send. This is the “signal” data flow in VTAM, which is detected on the next SEND, RECEIVE or ISSUE DISCONNECT command from the task. When a signal flow occurs, CICS raises the SIGNAL condition and sets EIBSIG in the EIB. CICS default action for the SIGNAL condition is to ignore it. For the signal to have any effect, the task must first detect the signal and then honor it by changing the direction of the conversation. In BTAM, the corresponding flow is a **reverse interrupt** (RVI), which the terminal sends in place of the usual positive acknowledgment (ACK).

On a 3270 display terminal and some others, the ATTENTION key is the one that generates the interrupt. Not all terminals have this feature, however, and in VTAM, the bind image must indicate support for it as well, or VTAM ignores the interrupts.

## Terminal waits

When a task issues a SEND command without specifying WAIT, CICS can defer transmission of the output to optimize either its overall terminal handling or the transmissions for your task. When it does this, CICS saves the output message and makes your task dispatchable, so that it can continue executing. The ISSUE COPY and ISSUE ERASE commands, which also transmit output, work similarly without WAIT.

If you use the WAIT option, CICS does not return control to your task until the output operation is complete. This wait lengthens the elapsed time of your task, with attendant effects on response time and memory occupancy, but it ensures that your task knows whether there has been an error on the SEND before continuing. You can avoid some of this wait and still check the completion of the operation if you have processing to do after your SEND. You issue the SEND without WAIT, continue processing, and then issue a WAIT TERMINAL command at the point where you need to know the results of your SEND.

When you issue a RECEIVE command that requires transmission of input, your task always waits, because the transmission must occur before the RECEIVE can be completed. However, there are cases where a RECEIVE does not correspond to terminal input/output. The first RECEIVE in a task initiated by unsolicited terminal input is the most frequent example of this, but there are others, as explained in the next section.

Also, when you issue any command involving your terminal, CICS ensures that the previous command is complete (this includes any deferred transmissions), before processing the new one.

## What you get on a RECEIVE

We use the terms “input message” and “transmission” to mean both what the terminal sent and what the application received. For the most common types of terminals, these are equivalent. A 3270 display, for example, sends whatever was changed in its buffer as a single entity, and the task associated with the terminal normally gets the entire message in response to a single RECEIVE command.

However, input messages and physical transmissions are not always equivalent, and there are several factors that can affect the one-to-one relationship of either to RECEIVE commands. These are:

- VTAM chaining
- Logical records
- NOTRUNCATE option
- “Print” PA key

### **Input chaining**

Some SNA devices break up long input messages into multiple physical transmissions, a process called “chaining”. CICS assembles the component transmissions into a single input message or present them individually, depending on how the terminal associated with the task has been defined. This affects how many RECEIVES you need to read a chained input message. Details on inbound chaining are explained in “Chaining input data” on page 424.

### **Logical messages**

Just as some devices break long inputs into multiple transmissions, others block short inputs and send them in a single transmission. Here again, CICS provides an option about who deblocks, CICS or the receiving program. This choice also affects how much data you get on a single RECEIVE. (See “Handling logical records” on page 425 for more on this subject.)

### **NOTRUNCATE option**

Still another exception to the one-input-message-per-RECEIVE rule occurs when the length of the input data is greater than the program expects. If this occurs and the RECEIVE command specifies NOTRUNCATE, CICS saves the excess data and uses it to satisfy subsequent RECEIVE commands from the program with no corresponding read to the terminal. If you are using NOTRUNCATE, you should issue RECEIVES until the field EIBCOMPL in the EIB is set on (that is, set to X'FF'). CICS turns on EIBCOMPL when no more of the input message is available.

Without NOTRUNCATE, CICS discards the excess data, turns on EIBCOMPL, and raises the LENGERR condition. It reports the true length of the data, before truncation, in the data area named in the LENGTH option, if you provide one.

### **Print key**

If your CICS system has a PA key defined as a “print” key, another exception to the normal send/receive sequence can occur. If the task issues a RECEIVE, and the user presses the “print” key in response, CICS intercepts this input, does the necessary processing to fulfil the request, and puts the terminal in receive mode again. The user must send another input to satisfy the original RECEIVE. (See “CICS print key” on page 445 for more information about the “print” key.)

## **Control commands**

In addition to data transmission commands, the CICS API for terminals includes a series of commands that send instructions or control information, rather than data, to the terminal or to the access method controlling it. These commands are listed in the table below, along with a brief description of their function. Not all of these commands apply to all terminals, and for some, different forms apply to different terminals. See Finding the right commands before going to the descriptions in the *CICS Application Programming Reference* manual.

The terminal in the table below is always the principal facility of the task issuing the command, except where explicitly stated otherwise. It may be a logical unit of a type not ordinarily considered a terminal.



Table 30. Control commands for terminals and logical units

Command	Action
FREE	Releases the terminal from the task, so that the terminal may be used in another task before the current one ends.
ISSUE COPY	Copies the buffer contents of the terminal named in the TERMID option to the buffer of the terminal owned by the task. Both terminals must be 3270s.
ISSUE DISCONNECT	Schedules termination of the session between CICS and the terminal at the end of the task.
ISSUE ENDFILE	Sends an end-of-file notification to the terminal (for 3740 data entry systems only).
ISSUE ENDOUTPUT	Sends an end-of-output notification to the terminal (for 3740 data entry systems only).
ISSUE EODS	Sends an end-of-data-set function management header (for 3650 interpreter logical units only).
ISSUE ERASEAUP	Erases all the unprotected fields of the terminal (for 3270 devices only).
ISSUE LOAD	Instructs the terminal to load the program named in the PROGRAM option (for 3650 interpreter logical units only).
ISSUE PASS	Schedules disconnection of the terminal from CICS and its transfer to the VTAM application named in the LUNAME option, at the end of the issuing task.
ISSUE PRINT	Copies the terminal buffer to the first printer eligible for a print request (for 3270 displays only).
ISSUE RESET	Disconnects the line to which the terminal is attached, at task end, (for switched lines under BTAM only).
WAIT SIGNAL	Suspends the issuing task until its terminal sends a SIGNAL dataflow command.
WAIT TERMINAL	Suspends the issuing task until the previous terminal operation has completed.

## Finding the right commands

Hardware and access method sensitivity is one of the major distinctions between using BMS and using terminal control commands to communicate with a terminal. BMS shields an application from hardware dependencies at the expense of some loss of function, whereas terminal control provides all the function.

The result of providing full function is that not all terminal control commands apply to all devices. Some commands require that you know what type of terminal you have, to determine the options that apply and the exceptional conditions that can occur. For some commands, you also need to know what access method is in use. The two tables that follow tell you which commands apply to which terminal and access method combinations. If you need to support several types of terminals, you can find out which type your task has as its principal facility using the commands described in “Finding out about your terminal” on page 422.

To use the tables, look up the terminal type that your program must support in the first column of Table 31 on page 418. Use the value in the second column to find the corresponding command group in the first column of Table 32 on page 420. The second column of this table tells you the access method, and the third tells you the commands you can use. The commands themselves are described in full in the

*CICS Application Programming Reference* manual. Where there is more than one version of a command in that manual, the table tells you which one to use. This information appears in parentheses after the command, just as it does in the manual itself.

Table 31. Devices supported by CICS

Device	Use commands for
1050 (1051, 1052, 1053, 1056)	2741
2260, 2265	2260
2740, 2741	2741
2770, 2780	System/3
2980	2980
3101 (supported as TWX 33/35)	3767
3230 (VTAM)	3767
3230 (non-VTAM)	2741
3270 displays, 3270 printers (VTAM SNA)	LU type 2/3
3270 displays, 3270 printers (VTAM non-SNA)	3270 logical
3270 displays, 3270 printers (non-VTAM)	3270 display
SCS printers (VTAM)	SCS
3600 Pipeline mode (VTAM)	3600 pipeline
3601 (VTAM)	3600-3601
3614 (VTAM)	3600-3614
3600 Non-VTAM	3600 BTAM
3630, attached as 3600 (3631, 3632, 3633, 3643, 3604)	Use 3600 entry
3641, 3644, 3646, 3647 (VTAM, attached as 3767)	3767
3643 (VTAM, attached as LU type 2)	LU type 2/3
3642, 3645 (VTAM, attached as SCS printer)	SCS
3650 interpreter LU	3650 interpreter
3650 host conversational LU (3270)	3650-3270
3650 host conversational LU (3653)	3650-3653
3650 host command LU (3680, 3684)	3650-3680
3650 interpreter LU	3650 interpreter
3650 host conversational LU (3270)	3650-3270
3650 host conversational LU (3653)	3650-3653
3650 host command LU (3680, 3684)	3650-3680
3660	System/3
3730	3790 full function or inquiry
3735	3735
3740, 3741	3740
3767 interactive LU (VTAM)	3767
3767 non-VTAM	2741
3770 Interactive LU (VTAM)	3767
3770 Full function LU	3790 full function or inquiry

Table 31. Devices supported by CICS (continued)

Device	Use commands for
3770 Batch LU (3771, 3773, 3774) (VTAM)	3770
3770 Non-VTAM (3775, 3776, 3777) (supported as 2770)	System/3
3780	System/3
3790 Full function or inquiry	3790 full function or inquiry
3790 3270 display LU	3790 3270-display
3790 SCS printer	3790 SCS
3790 3270 printer	3790 3270-printer
4700 (supported as 3600)	Use 3600 entry
5100	2741
5110, attached as 2770	System/3
5230, 5231, 5260, 5265 (supported as 3741)	3740
5280 attached as 3741	3740
5280 attached as 3270	Use 3270 entry
5520 VTAM, supported as 3790 full-function LU	3790 full function or inquiry
5520 non-VTAM, supported as 2770	System/3
5550 (supported as 3270)	Use 3270 entry
5937 (supported as 3270)	Use 3270 entry
6670 VTAM	LU type 4
6670 non-VTAM, supported as 2770	System/3
8130, 8140 under DPCX (supported as 3790)	3790 full function or inquiry
8100 DPPX/BASE using Host Presentation Services or Host Transaction Facility (attached as 3790)	3790 full function or inquiry
8100 DPPX/DSC, DPCX/DSC, including 8775 attach (supported as 3270)	LU type 2/3
8775	LU type 2/3
8815	APPC <sup>14</sup>
CMCST	2741
Displaywriter supported as 3270	Use 3270 entry
Displaywriter supported as APPC	APPC <sup>14</sup>
INTLU (interactive LU)	3767
Office System/6 (6640, 6670), attached as 2770	System/3
PC, PS/2, attached as 3270	Use 3270 entry
Scanmaster	APPC <sup>14</sup>
Series/1 supported as 3650 pipeline	3600 pipeline
Series/1 supported as 3790 full-function LU	3790 full function or inquiry
System/3 (5406, 5408, 5410, 5412, 5415)	System/3
System/7 (5010)	System/7
System/32 (5320) VTAM, supported as 3770	Use 3770 entry
System/32 (5320) non-VTAM, supported as 2770	System/3
System/34 (5340) VTAM, supported as 3770	Use 3770 entry

Table 31. Devices supported by CICS (continued)

Device	Use commands for
System/34 (5340) non-VTAM	System/3
System/36™ (supported as System/34)	Use System/34 entry
System/38™ (5381) VTAM, attached as 3770	Use 3770 entry
System/38 (5381) VTAM, attached as APPC	APPC <sup>14</sup>
System/38 (5381) non-VTAM	System/3
TWX 33/35 VTAM NTO	3767
TWX 33/35 non-VTAM	2741
WTTY VTAM NTO	3767
WTTY non-VTAM	2741

Table 32. Terminal control commands by device type

Device group name	Access methods	Commands applicable
2260	non-VTAM	RECEIVE (2260), SEND (2260), CONVERSE (2260), ISSUE DISCONNECT (default), ISSUE RESET
2741	non-VTAM	RECEIVE (2741), SEND (2741), CONVERSE (2741), ISSUE RESET
2980	non-VTAM	RECEIVE (2980), SEND (2980)
3270 display	non-VTAM	RECEIVE (3270 display), SEND (3270 display), CONVERSE (3270 display), ISSUE COPY (3270 display), ISSUE DISCONNECT (default), ISSUE ERASEAUP, ISSUE PRINT, ISSUE RESET
LU type 2/3 (3270 SNA)	VTAM	RECEIVE (LU type 2/3), SEND (LU type 2/3), CONVERSE (LU type 2/3), ISSUE COPY (3270 logical), ISSUE DISCONNECT (default), ISSUE ERASEAUP, ISSUE PASS, ISSUE PRINT
3270 logical (3270 non-SNA)	VTAM	RECEIVE (3270 logical), SEND (3270 logical), CONVERSE (3270 logical), ISSUE COPY (3270 logical), ISSUE DISCONNECT (default), ISSUE ERASEAUP, ISSUE PASS, ISSUE PRINT
SCS	VTAM	SEND (SCS), CONVERSE (SCS), ISSUE DISCONNECT (default), ISSUE PASS
3600 pipeline	VTAM	RECEIVE (3600 pipeline), SEND (3600 pipeline), ISSUE DISCONNECT (default), ISSUE PASS
3600-3601	VTAM	RECEIVE (3600-3601), SEND (3600-3601), CONVERSE (3600-3601), ISSUE DISCONNECT (default), ISSUE PASS, WAIT SIGNAL
3600-3614	VTAM	RECEIVE (3600-3614), SEND (3600-3614), CONVERSE (3600-3614), ISSUE DISCONNECT (default), ISSUE PASS
3600 BTAM	non-VTAM	RECEIVE (3600 BTAM), SEND (3600 BTAM), CONVERSE (3600 BTAM), ISSUE RESET

14. CICS Distributed Transaction Programming Guide.

Table 32. Terminal control commands by device type (continued)

Device group name	Access methods	Commands applicable
3650 interpreter	VTAM	RECEIVE (3650), SEND (3650 interpreter), CONVERSE (3650 interpreter), ISSUE DISCONNECT (default), ISSUE EODS, ISSUE LOAD, ISSUE PASS
3650-3270	VTAM	RECEIVE (3650), SEND (3650-3270), CONVERSE (3650-3270), ISSUE DISCONNECT (default), ISSUE ERASEAUP, ISSUE PASS, ISSUE PRINT
3650-3653	VTAM	RECEIVE (3650), SEND (3650-3653), CONVERSE (3650-3653), ISSUE DISCONNECT (default), ISSUE PASS
3650-3680	VTAM	RECEIVE (3650), RECEIVE (3790 full function or inquiry), SEND (3650-3680), SEND (3790 full function or inquiry), CONVERSE(3650-3680), ISSUE DISCONNECT (default), ISSUE PASS
3735	non-VTAM	RECEIVE (3735), SEND (3735), CONVERSE (3735), ISSUE DISCONNECT (default), ISSUE RESET
3740	non-VTAM	RECEIVE (3740), SEND (3740), CONVERSE (3740), ISSUE DISCONNECT (default), ISSUE ENDFILE, ISSUE ENDOUTPUT, ISSUE RESET
3767	VTAM	RECEIVE (3767), SEND (3767), CONVERSE (3767), ISSUE DISCONNECT (default), ISSUE PASS, WAIT SIGNAL
3770	VTAM	RECEIVE (3770), SEND (3770), CONVERSE (3770), ISSUE DISCONNECT (default), ISSUE PASS, WAIT SIGNAL
3790 full function or inquiry	VTAM	RECEIVE (3790 full function or inquiry), SEND (3790 full function or inquiry), CONVERSE (3790 full function or inquiry), ISSUE DISCONNECT (default), ISSUE PASS, WAIT SIGNAL
3790 3270-display	VTAM	RECEIVE (3790 3270-display), SEND (3790 3270-display), CONVERSE (3790 3270-display), ISSUE DISCONNECT (default), ISSUE ERASEAUP, ISSUE PASS, ISSUE PRINT
3790 3270-printer	VTAM	SEND (3790 3270-printer), ISSUE DISCONNECT (default), ISSUE ERASEAUP, ISSUE PASS
3790 SCS	VTAM	SEND (3790 SCS), ISSUE DISCONNECT (default), ISSUE PASS
LU type 4	VTAM	RECEIVE (LU type 4), SEND (LU type 4), CONVERSE (LU type 4), ISSUE DISCONNECT (default), ISSUE PASS, WAIT SIGNAL
Outboard controllers (batch data interchange)	VTAM	ISSUE ABORT, ISSUE ADD, ISSUE END, ISSUE ERASE, ISSUE NOTE, ISSUE QUERY, ISSUE RECEIVE, ISSUE REPLACE, ISSUE SEND, ISSUE WAIT
System/3	non-VTAM	RECEIVE (System/3), SEND (System/3), CONVERSE (System/3)
System/7	non-VTAM	RECEIVE (System/7), SEND (System/7), CONVERSE (System/7), ISSUE DISCONNECT (default), ISSUE RESET

Table 32. Terminal control commands by device type (continued)

Device group name	Access methods	Commands applicable
All others	VTAM	RECEIVE (VTAM default), SEND (VTAM default), CONVERSE (VTAM default), ISSUE PASS
All others	non-VTAM	RECEIVE (non-VTAM default), SEND (non-VTAM default), CONVERSE (non-VTAM default)

## Finding out about your terminal

Some applications must support more than one type of terminal, and sometimes the types are sufficiently different that they require separate code. If you are writing such a program, and you need to determine what sort of terminal it is currently communicating with, you can use the ASSIGN command to find out.

ASSIGN returns a variety of information about the executing task, including a number of fields that describe its principal facility. Table 33 lists the ones that relate directly to terminal control operations. There are other ASSIGN options that relate to BMS and to other aspects of the task. You can find details on all ASSIGN options in the *CICS Application Programming Reference* manual. The “terminal” cited in column 2 of the table is always the principal facility of the task.

Table 33. ASSIGN command options for terminals

ASSIGN option	Information returned
ALTSCRNHT ALTSCRNWD	The alternate height and width of the terminal screen (from its terminal definition); see also SCRNHT and SCRNWD
APLKYBD	Whether terminal has an APL keyboard
APLTEXT	Whether terminal has the APL text feature
BTRANS	Whether terminal has background transparency capability
COLOR	Whether terminal has extended color capability
DEFSCRNHT DEFSCRNWD	The default height and width of the terminal screen (from its terminal definition); see also SCRNHT and SCRNWD
DELIMITER	The data-link control character for the terminal (for 3600 terminals only)
DESTID DESTIDLENGTH	The identifier of the outboard destination and its length (for BDI operations only)
DSSCS	Whether the terminal is an SCS data stream device
DS3270	Whether the terminal is a 3270 data stream device
EXTDS	Whether the terminal supports “query structured field” orders
EWASUPP	Whether the terminal supports “erase write alternate” orders (i.e. has alternate screen size capability)
FACILITY	The 4-character identifier of the terminal
FCI	The type of principal facility associated with the task (terminal, queue, and so on)
GCHARS GCODES	The graphic character set global identifier and the code page global identifier associated with the terminal
HILIGHT	Whether the terminal has extended highlight capability
KATAKANA	Whether the terminal supports Katakana
LANGINUSE	The 3-character mnemonic

Table 33. ASSIGN command options for terminals (continued)

ASSIGN option	Information returned
MSRCONTROL	Whether the terminal supports magnetic slot reader control
NATLANGINUSE	The national language in use for the current task
NETNAME	The 8-character identifier of the terminal in the VTAM network
NUMTAB	Number of tabs required to position the print element in the correct passbook area (for 2980s only)
OPID OPCLASS	Operator identifier code and operator class of user signed on at terminal
OUTLINE	Whether the terminal has field outlining capability
PARTNS	Whether the terminal supports screen partitions
PS	Whether the terminal has programmed symbols capability
SCRNHT SCRNWD	Height and width of the terminal screen for the current task
SIGDATA	SIGNAL data received from the terminal
SOSI	Whether the terminal has mixed EBCDIC/double-byte character set capability
STATIONID TELLERID	Station and teller identifier of the terminal (for 2980s only)
TERMCODE	Type and model number of the terminal
TERMPRIORITY	Terminal priority value
TEXTKYBD	Whether the terminal has the TEXTKYBD feature
TEXTPRINT	Whether the terminal has the TEXTPRINT feature
UNATTEND	Whether the terminal is unattended
USERID USERNAME USERPRIORITY	The 8-character identifier, 20-character name and priority of the user signed on at the terminal
VALIDATION	Whether the terminal has validation capability

You can also use the INQUIRE TERMINAL command to find out about your own terminal or any other terminal. INQUIRE TERMINAL returns information from the terminal definition, whereas ASSIGN describes the use of that terminal in the current task. For many options, however, particularly the hardware characteristics, the information returned is the same. INQUIRE TERMINAL is described in the *CICS System Programming Reference* manual.

## EIB feedback on terminal control operations

CICS reports the results of processing terminal control commands, including those generated by BMS, in the EIB. Because of the complexity of terminal operations, many EIB fields are specific to terminal commands. Those that apply to the principal facility are listed in Table 34. (Other fields relate only to LU type 6.1, APPC and MRO operations; see the *CICS Application Programming Reference* manual for programming information about these.)

EIB fields are posted when CICS returns control to your task, and they always describe the most recent command to which they apply. This means that if you are

conducting program-to-program communication over an alternate facility and using your principal facility, you need to check the EIB before results from one overlay those of the other.

It also means that when a task is initiated by unsolicited input from the terminal, or by a RETURN IMMEDIATE in the previous task at the same terminal, the EIB fields that describe the input are *not* set at task start. You must issue a RECEIVE to gain access to the input and post the EIB fields.

**Note:** If you are interested only in the EIB values and not the data itself, omit both the INTO and SET options from your RECEIVE.

Here are the fields that apply to the principal facility:

*Table 34. EIB fields that apply to terminal control commands*

Field	Contents
EIBAID	The attention identifier (AID) from the last input operation (3270s only, see “The AID” on page 319)
EIBATT	Whether the input contains attach header data (an attach FMH)
EIBCOMPL	Whether the RECEIVE command just issued used all the input data, or more RECEIVES are required (see “Chaining output data” on page 425)
EIBCPOSN	Cursor position at time of last input operation (3270s only)
EIBEOC	Whether an end-of-chain indicator appeared in the input from the last RECEIVE
EIBFMH	Whether user data just received or retrieved contains an FMH
EIBFREE	Whether the facility just used has been freed
EIBRCODE, EIBRESP, EIBRESP2	CICS response code values from the previously issued command <b>Note:</b> For output commands in which transmission can be deferred, these values reflect only the initial CICS processing of the command, not the eventual transmission (see “Terminal waits” on page 415).
EIBSIG	Whether the terminal has sent a SIGNAL
EIBTRMID	(CICS) identifier of the terminal

---

## VTAM considerations

Under VTAM, communication with logical units is governed by the conventions (protocols) which vary with the type of logical unit. This section describes the options provided by CICS to enable applications to conform to and make best use of these protocols,

The subsystem guides listed in “Where to find more information” on page 304 explain which protocols apply to which logical units.

## Chaining input data

As noted earlier, some SNA devices segment long input messages for transmission. Each individual segment is called a **request unit** (RU), and the entire logical message is called a **chain**. CICS provides an option in the terminal definition, BUILDCHAIN, that governs who assembles the chain. If the BUILDCHAIN value for the terminal is YES, CICS assembles the chain and presents the entire message to the program in response to a single RECEIVE command. This choice ensures that the whole chain is complete and available before it is presented to the application.



If BUILDCHAIN=NO, the application assembles the chain. CICS provides one RU for each RECEIVE. The application can tell when it has received the last RU in the chain, because CICS raises the EOC (end-of-chain) condition at that time. CICS raises this condition even when there is only one RU in the chain, or when it assembles the chain, or when the input is from a terminal that does not support inbound chaining, like a 3270 display. An EOC condition is not considered an error; the CICS default action when it occurs is to ignore the condition.

EOC may occur simultaneously with either the EODS (end-of-data-set) or INBFMH (inbound-FMH) conditions, or both. Either condition takes precedence over EOC in determining where control goes if both it and EOC are the subject of active HANDLE CONDITION commands.

## Chaining output data

VTAM supports the chaining of outbound as well as inbound terminal data. If the length of an output message exceeds the outbound RU size, and the terminal supports outbound chaining, CICS breaks the message into RU-size segments and transmits them separately.

Your application can take advantage of the fact that chaining is permitted by passing a single output message to CICS bit by bit across several SEND commands. To do this, you specify the CNOTCOMPL (“chain not complete”) option on each SEND except the one that completes the message. (Your message segments do not have to be any particular length; CICS assembles and transmits as many RUs as are required.) The PROFILE definition under which your transaction is running must specify CHAINCONTROL=YES in order for you to do this.

**Note:** Options that apply to a complete logical message (that is, the whole chain) must appear only on the first SEND command for a chain. These include FMH, LAST, and, for the 3601, LDC.

## Handling logical records

As noted earlier, some devices block input messages and send multiple inputs in a single transmission. CICS allows you to specify whether CICS or the application should deblock the input. The choice is expressed in the LOGREC option of the PROFILE under which the current transaction is executing.

With LOGREC (NO), CICS provides the entire input message in response to a RECEIVE (assuming the input is not chained or BUILDCHAIN=YES). The user is responsible for deblocking the input. If BUILDCHAIN=NO, a RECEIVE retrieves one RU of the chain at a time. In general, logical records do not span RUs, so that a single RU contains one or more complete logical records. The exception is LU type 4 devices, where a logical record may start in one RU and continue in another; for this reason, BUILDCHAIN=YES is recommended if you do your own deblocking for these devices.

If the PROFILE specifies LOGREC (YES), CICS provides one logical record in response to each RECEIVE command (whether or not CICS is assembling input chains).

If an RU contains more than one logical record, the records are separated by new line (NL) characters, X'15', interrecord separators (IRS characters), X'1E', or transparent (TRN) characters, X'35'. If NL characters are used, they are not removed when the data is passed to the program and appear at the end of the logical record. If IRS characters are used, however, they are removed. If the

delimiter is a transparent character, the logical record can contain any characters, including NL and IRS, which are considered normal data in transparent mode. The terminating TRN is removed, however. CICS limits logical records separated by TRNs to 256 characters.

## Response protocol

Under VTAM, CICS allows the use of either definite response or exception response protocol for outbound data.

Under exception response, a terminal acknowledges a SEND only if an error occurred. If your task is using exception response, CICS does not wait for the last SEND in the task (which may be the only SEND) to complete before terminating your task. Consequently, if an error does occur, it may not be possible to report it to your task. When this happens, the error is reported to a CICS-supplied task created for the purpose.

Definite response requires that the terminal acknowledge every SEND, and CICS does not terminate your task until it gets a response on the last SEND. Using definite response protocol has some performance disadvantages, but it may be necessary in some applications.

The MSGINTEG option of the PROFILE under which a task is running determines which response mode is used. However, if you select MSGINTEG (NO) (exception response), you can still ask for definite response on any particular SEND by using the DEFRESP option. In this way, you can use definite response selectively, paying the performance penalty only when necessary.

## Using function management headers

SNA architecture defines a particular type of header field that accompanies some messages, called a function management header (FMH). It conveys information about the message and how it should be handled. For some logical units, use of an FMH is mandatory, for others it is optional, and in some cases FMHs cannot be used at all. In particular, FMHs do *not* apply to LU type 2 and LU type 3 terminals, which are the most common 3270 devices.

The subsystem guides listed in “Where to find more information” on page 304 tell you which devices accept or require FMHs, and exactly how to format them. FMH data must conform to SNA format specifications; otherwise ATCY abends or unpredictable results can occur.

### Inbound FMH

When an FMH is present in an input message, CICS consults the PROFILE definition under which the transaction is executing to decide whether to remove it or pass it on to the application program that issued the RECEIVE. The PROFILE can specify that no FMHs are to be passed, that only the FMH indicating the end of the data set should be passed, or that all FMHs are to be passed. There is also an option that causes the FMH to be passed to the batch data interchange program.

If an FMH is present, it occupies the initial bytes of the input message; its length varies by device type. CICS sets the EIBFMH field in the EIB on (X'FF') to tell you that one is present, and it also raises the INBFMH condition, which you can detect through a HANDLE CONDITION command or by testing the RESP value.

## Outbound FMH

On output, the FMH can be built by the application program or by CICS. If your program supplies the FMH, you place it at the front of your output data and specify the FMH option on your SEND command. If CICS is to build the FMH, you reserve the first three bytes of the message for CICS to fill in and omit the FMH option. CICS builds an FMH only for devices that require one; you must supply it for devices for which it is optional.

## Preventing interruptions (bracket protocol)

Brackets are an SNA protocol for ensuring that a conversation between two LUs is not interrupted by a request from a third LU. CICS uses bracket protocol to prevent interruption of the conversation between a CICS task and its principal facility for the duration of the task. If the task has an alternate facility, bracket protocol is used there also, for the same reason. The logical unit begins the bracket if it sends unsolicited input to initiate the task, and CICS begins the bracket if it initiates the task automatically. CICS ends the bracket at task end, unless the IMMEDIATE option appears on the final RETURN command. RETURN IMMEDIATE lets you initiate another task at your principal facility without allowing it to enter input. CICS does this by *not* ending the bracket between the ending task and its successor when brackets are in use.

CICS requires the use of brackets for many devices under VTAM. For others, the use of brackets is determined by the value of the BRACKET option in the terminal definition. In general, bracket protocol is transparent to an application program, but it is still possible to optimize flows related to bracket protocol using the LAST option on the SEND command. If you know that a particular SEND is the last command for the terminal in a task, you can improve performance by adding the LAST option. LAST allows VTAM to send the “end-of-bracket” indicator with the data and saves a separate transmission to send it at task end. If you are sending the last output in a program-built chain (using CNOTCOMPL), LAST must be specified on the first SEND for the chain in order to be effective.

If your task has significant work to do or may experience a significant delay after its last SEND, you may want to issue a FREE command. FREE releases the terminal for use in another task.

---

## Sequential terminal support

One of the many types of terminal that CICS supports is not really a terminal at all, but a pair of sequential devices or files simulating a terminal. One of the pair represents the input side of the terminal, and might be a card reader, a spool file or a SAM file on tape or DASD. The other represents the output, and might be a printer, a punch, spool or SAM file. Many device-type combinations are allowed, and either of the pair can be missing; that is, you can have an input-only or output-only sequential terminal.

You read from and write to the devices or files that constitute a sequential terminal with terminal control commands, specifically RECEIVE, SEND, and CONVERSE. (BMS supports sequential terminals too; see “Special options for non-3270 terminals” on page 363.)

The original purpose of sequential terminal support was to permit application developers to test online code before they had access to real terminals. This requirement rarely occurs any more, but sequential terminals are still useful for:

### **Printing**

See “CICS API considerations” on page 443. Sequential terminals are particularly useful for output that is sometimes directed to a low-speed CICS printer, for which BMS or terminal control commands are required, and sometimes directed to a high-speed system printer (spool or transient data commands). If you define the high-speed printer as a sequential terminal, you can use terminal control or BMS commands, and you can use the same code for both types of printers. (If there are differences in the device data streams, you need to use BMS for complete transparency.)

### **Regression testing**

Tests run from sequential terminals leave a permanent record of both input and output. This encourages systematic and verifiable initial testing. Also, it allows you to repeat tests after modifications, to ensure that a given set of inputs produces the same set of outputs after the change as before.

### **Initialization**

Some installations use a sequential terminal to execute one or more initialization transactions, in preference to program list table programs. Transactions initiated from a sequential terminal begin execution as soon as the terminal is in service, and they continue as quickly as CICS can process them until the input is exhausted. Hence the inputs from a sequential terminal can be processed immediately after startup, if the sequential terminal is initially in service, at some later time (when it is put in service) or even as part of a controlled shutdown.

## **Coding considerations for sequential terminals**

The input data submitted from a sequential terminal must be in the form in which it would come from a telecommunication device. For example, the first record usually starts with a transaction code, to tell CICS what transaction to execute. The transaction code must start in the first position of the input, just as it must on a real terminal. Note that this limits the ability to test applications that require input in complex formats. For example, there is no provision for expressing a formatted 3270 input stream as a sequential file, because of all the complex control sequences. However, you can use an unformatted 3270 data stream (or any other similar stream) for input, and you can still use BMS to format your output.

When you build the input file, you place an end-of-data indicator (EODI) character after each of your input records. The EODI character is defined in the system initialization table; the default value is a backslash (`'\', X'E0'`), but your installation may have defined some other value.

CICS observes only your EODI characters in processing the input stream; it pays no attention to record structure of the input file or device, so that one of your inputs can span records in the input file. Similarly, you do not start each input on a new physical record, but immediately after the EODI terminating the previous one.

The length of an input record (the number of characters between EODIs) should not exceed the size of the input buffer (the INAREAL value in the LINE component of the sequential terminal definition). If it does, the transaction that attempts to RECEIVE the long record abends, and CICS positions the input file after the next EODI before resuming input processing.

An end-of-file marker in the input also acts as an EODI indicator. Any RECEIVE command issued after end-of-file is detected also causes an abend.

## Print formatting

If the definition of a sequential terminal indicates that the output half is a line printer, you can write multiple lines of output with a single SEND. For this type of device, CICS breaks your output message into lines after each new line character (X'15') or after the number of characters defined as the line length, whichever occurs first. Line length is defined by the LPLEN value in the terminal definition. Each SEND begins a new line.

## GOODNIGHT convention

CICS continues to initiate transactions from a sequential terminal until it (or the transactions themselves) have exhausted all the input or until the terminal goes out of service. To prevent CICS from attempting to read beyond the end of the input file (which causes a transaction abend), the last transaction executed can put the terminal out of service after its final output. Alternatively (and this is usually easier), the last input can be a CESF GOODNIGHT transaction, which signs the terminal off and puts it out of service. You cannot normally enter further input from a sequential terminal once CICS has processed its original input, without putting it out of service.

---

## TCAM considerations

TCAM allows multiple applications to share a single terminal network, much as VTAM allows multiple applications to share an SNA network. Many TCAM applications are entirely user-written, but CICS and TSO (the time-sharing option of MVS) can also be TCAM applications.

TCAM originally supported only the binary synchronous (BSC) and asynchronous (start-stop) devices that BTAM does; applications using these terminals do so through the 'DCB' interface of TCAM. TCAM now includes support for SNA devices; applications access these terminals through the 'ACB' interface of TCAM.

## Coding for the DCB interface

CICS allows direct use of the DCB interface of TCAM. Under this interface, CICS sees a TCAM terminal as a pair of queues—one from which it reads input messages, and a second to which it sends output messages—very similar to a sequential terminal. TCAM does all the management of the actual terminals, through a “message control program” (MCP) that you must supply. The requirements for an MCP and full details of the CICS-TCAM interface are described in the *CICS Intercommunication Guide*.

Although the CICS-TCAM interface screens you from some hardware details, it does require that the data streams sent to and from the terminal be in the correct form for the device. Therefore, you need to format the data stream according to the device type, just as you do when you use terminal control commands for a CICS-attached device. To do this, you use essentially the same terminal control commands for TCAM-managed terminals as for BTAM-managed terminals of the same type. That is, you use Table 31 on page 418 and Table 32 on page 420 in the same way as you would for a terminal managed locally or remotely by CICS.

There are some exceptions to the commands and options you can use, however. Most arise from the fact that you are writing to and reading from the terminal indirectly, through queues, and may be sharing the terminal with other applications outside of CICS. Specifically:

- You cannot use the BUFFER option of the RECEIVE command.
- The conditions ENDINPT and EOF do not occur.
- The ISSUE RESET command cannot be used.

- The ISSUE COPY and ISSUE PRINT commands for the 3270 cannot be used.

Other restrictions may be imposed by the particular MCP associated with your terminal, and you must also observe any similar rules that exist at your installation.

### **Sending to another terminal**

One option on SEND and CONVERSE commands is available only for TCAM terminals, and it can be very useful, particularly for message switching. This is the DEST option. You can use it to SEND to a terminal other than the principal facility of your task, provided that terminal is a TCAM terminal. As in the case of a TCAM principal facility, you need to ensure that you send the data in the correct format for the hardware and observe any restrictions imposed by its MCP.

## **Coding for the ACB interface**

CICS does not support the ACB interface of TCAM. To use a terminal through this interface, you need to do so through an older version of CICS, as explained in “Access method support” on page 411. In general, you use the same terminal control commands and options for such a device as you would if it were attached through VTAM. However, the path between your CICS application program and the terminal is much more complex, and consequently there are many more programming possibilities. You should consult the *CICS Intercommunication Guide* and your own systems staff before designing applications for the ACB interface.

---

## **Batch data interchange**

Many installations have a host computer and database at a central location, linked to other computers at branch offices. They do not necessarily contain CICS, but they can communicate with CICS in the host system. The CICS batch data interchange program provides for communication between an application program and a named data set (or destination) that is part of a batch data interchange logical unit in an outboard controller, or with a selected medium on a batch logical unit or an LU type 4 logical unit. This medium indicates the required device such as a printer or console.

The term “outboard controller” is a generalized reference to a programmable subsystem, such as the IBM 3770 Data Communication System, the IBM 3790 Data Communication System, or the IBM 8100 System running DPCX, which uses SNA protocols. (Details of SNA protocols and the data sets that can be used are given in *CICS/OS/VS IBM 3767/3770/6670 Guide* and *CICS/OS/VS IBM 3790/3780/8100 Guide*.) Figure 74 on page 431 gives an overview of batch data interchange.

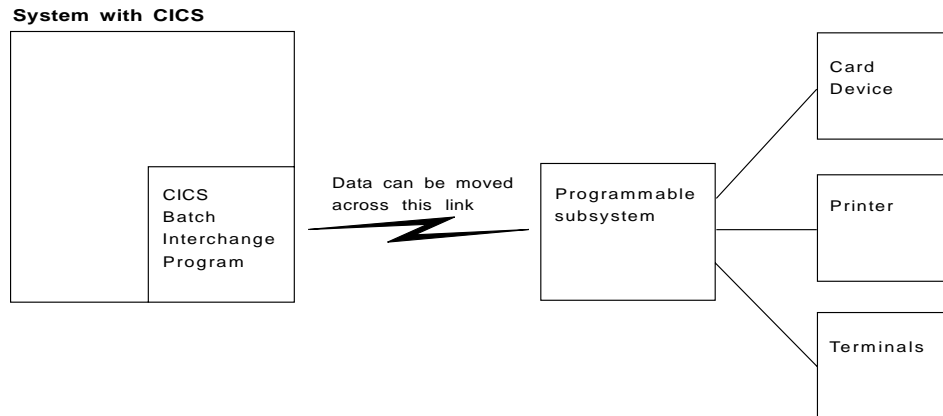


Figure 74. CICS batch data interchange

The following batch data interchange commands are provided:

**ISSUE QUERY**

Initiate transfer of a data set to the CICS application program.

**ISSUE RECEIVE**

Read a record from a data set or read data from an input medium.

**ISSUE SEND**

Transmit data to a named data set or to a selected medium.

**ISSUE ADD**

Add a record to a data set.

**ISSUE REPLACE**

Update (replace) a record in a data set.

**ISSUE ERASE**

Delete a record from a data set.

**ISSUE END**

Terminate processing of a data set.

**ISSUE ABORT**

Terminate processing of a data set abnormally.

**ISSUE NOTE**

Request the next record number in a data set.

**ISSUE WAIT**

Wait for an operation to be completed.

Where the controller is an LU type 4 logical unit, only the **ISSUE ABORT**, **ISSUE END**, **ISSUE RECEIVE**, **ISSUE SEND**, and **ISSUE WAIT** commands can be used.

Where the data set is a DPCX/DXAM data set, only the **ISSUE ADD**, **ISSUE ERASE**, and **ISSUE REPLACE** commands can be used.

Refer to “Chapter 20. Dealing with exception conditions” on page 231 for information about how to deal with any exception conditions that occur during execution of a batch data interchange command.

## Destination selection and identification

All batch data interchange commands except `ISSUE RECEIVE` include options that specify the destination. This is either a named data set in a batch data interchange logical unit, or a selected medium in a batch logical unit or LU type 4 logical unit.

### Selection by named data set

The `DESTID` and `DESTIDLENG` options must always be specified, to supply the data set name and its length (up to a maximum of eight characters). For destinations having diskettes, the `VOLUME` and `VOLUMELENG` options may be specified, to supply a volume name and its length (up to a maximum of six characters); the volume name identifies the diskette that contains the data set to be used in the operation. If the `VOLUME` option is not specified for a multidiskette destination, all diskettes are searched until the required data set is found.

### Selection by medium

As an alternative to naming a data set as the destination, various media can be specified by means of the `CONSOLE`, `PRINT`, `CARD`, or `WPMEDIA1-4` options. These media can be specified only in an `ISSUE ABORT`, `ISSUE END`, `ISSUE SEND`, or `ISSUE WAIT` command.

## Definite response

CICS uses terminal control commands to carry out the functions specified in batch data interchange commands. For those commands that cause terminal control output requests to be made, the `DEFRESP` option can be specified. This option has the same effect as the `DEFRESP` option of the `SEND` terminal control command; that is, to request a definite response from the outboard controller, irrespective of the specification of message integrity for the CICS task (by the system programmer). The `DEFRESP` option can be specified for the `ISSUE ADD`, `ISSUE ERASE`, `ISSUE REPLACE`, and `ISSUE SEND` commands.

## Waiting for function completion

For those batch data interchange commands that cause terminal control output requests to be made, the `NOWAIT` option can be specified. This option has the effect of allowing CICS task processing to continue; unless the `NOWAIT` option is specified, task activity is suspended until the batch data interchange command is completed. The `NOWAIT` option can be specified only on the `ISSUE ADD`, `ISSUE ERASE`, `ISSUE REPLACE`, and `ISSUE SEND` commands.

After a batch data interchange command with the `NOWAIT` option has been issued, task activity can be suspended, by the `ISSUE WAIT` command, at a suitable point in the program to wait for the command to be completed.



---

## Chapter 31. CICS support for printing

This chapter explains how to work with both CICS and non-CICS printers in the following information sections:

- “Formatting for CICS printers”
- “CICS printers: getting the data to the printer” on page 440
- “Non-CICS printers” on page 443
- “Printing display screens” on page 445

CICS does not provide special commands for printing, but there are options on BMS and terminal control commands that apply only to printers, and for some printers you use transient data or SPOOL commands. We cover the factors that determine the API and the choices you have in the sections that follow.

There are two issues associated with printing that do not usually occur in other types of end-user communication:

1. There are additional formatting considerations, especially for 3270 printers
2. The task that needs to print may not have direct access to the printer.

In addition, there are two distinct categories of printer, which have different application programming interfaces:

### **CICS printers**

Printers defined as terminals to CICS and managed directly by CICS. They are usually low-speed devices located near the end users, suitable for printing on demand of relatively short documents. The 3289 and 3262 are usually attached as CICS printers.

### **Non-CICS printers**

Printers managed by the operating system or another application. These printers are usually high-speed devices located at the central processing site, appropriate for volume printing that does not have to be available immediately. They may also be advanced function or other printers that require special connections, management, or sharing.

Because of the differences in the programming interface, we discuss the two groups separately, although there are formatting and access issues in both cases. We describe CICS printers first, followed by non-CICS printers; the last section of this chapter covers a special category of printing, the copying of display screens to printers.

---

## Formatting for CICS printers

The application programming interface for writing to a printer terminal is essentially the same as for writing to a display. (This section does not discuss the problem of arranging that your task have the printer as its principal facility; this is discussed in “CICS printers: getting the data to the printer” on page 440.)

You can use terminal control commands (SENDS) for any CICS printer, and most of them are supported by BMS too (SEND MAP, SEND TEXT, and SEND CONTROL). “BMS support levels” on page 324 lists the devices that BMS supports. For printers that are components of an outboard controller or LU Type 4, you can use batch data interchange (BDI) commands as well as terminal control and BMS. BDI commands are described in “Batch data interchange” on page 430.

The choice between using BMS and terminal control is based on the same considerations as it is for a display terminal. Like displays, printers differ widely from one another, both in function and in the implementation of that function, and the differences are reflected in the data streams and device controls they accept.

When you use terminal control commands, your application code must format the output in the manner required by the printer. For line printers and similar devices, formatting has little programming impact. For high-function printers, however, the data stream often is very complex; formatting requires significant application code and introduces device dependencies into program logic.

For some of these terminals, coding effort is greatly reduced by using BMS, which relieves the programmer of creating or even understanding device data streams. BMS also removes most data stream dependencies from the application code so that the same program can support many types of printers, or a mixture of printers and displays, without change. BMS does not remove all device dependencies and imposes a few restrictions on format. It also involves extra path length; the amount depends on how many separate BMS requests you make, the complexity of your requests, and the corresponding path length avoided in your own program.

## 3270 printers

Most of the additional format controls for printers that BMS provides are for a specific type of CICS printer, the 3270 printer. A **3270 printer** is any printer that accepts the 3270 data stream— it is the hardcopy equivalent of a 3270 display. It has a page buffer, corresponding to the display buffer of a 3270 display device. (See “The 3270 buffer” on page 308 for an introductory discussion of the 3270 data stream.) We discuss 3270 printers first and defer the simpler, non-3270 printers, until “Non-3270 CICS printers” on page 438.

A 3270 printer accepts two different types of formatting instructions: **buffer control orders** and **print format orders**. Buffer control orders are executed as they are received by the control unit, and they govern the way in which the buffer is filled. These are same orders that are used to format a 3270 display screen. We have already described some of the important ones in “Orders in the data stream” on page 313. For example, SBA (set buffer address) tells the control unit where in the buffer to place the data that follows, SF (start field), which signals an attributes byte and possibly field data, and so on. You can find a complete list in the *IBM 3270 Information Display System Data Stream Programmer's Reference* manual.

In contrast, print format orders are not executed when they are received, but instead are stored in the buffer along with the data. These orders—NL (new line), FF (form feed), and so on—are interpreted only during a print operation, at which time they control the format of the printed output. (They have no effect on displays, other than to occupy a buffer position; they look like blanks on the screen.)

If you are writing to a 3270 printer, you can format with either buffer control orders or print format orders or a mixture of both. We show an example of formatting with buffer control orders in “Outbound data stream sample” on page 315. If you send this same data stream to a 3270 printer, it prints an image of the screen shown in Figure 59 on page 316. You might choose to format printed output with buffer control orders so that you can send the same data stream to a display and a printer.

On the other hand, you might choose to format with print format orders so that you can send the same stream to a 3270 printer and a non-3270 printer (print format orders are the same as the format controls on many non-3270 printers). See the discussion of the NLEOM option on page 436 for more details about this choice.

Here is a data stream using print format orders that produces the same *printed* output as the data stream on page 315, which uses buffer control orders.

Table 35. Example of data stream using print control orders

Bytes	Contents	Notes
1	X'FF'	“Formfeed” (FF) order, to cause printer to space to a new page.
2-23	blanks	22 blanks to occupy columns 1-22 on first line.
24-33	Car Record	Text to be printed, which appears in the next available columns (23-32) on line 1.
34	X'1515'	Two successive “new line” (NL) orders, to position printer to beginning of third line.
35-80	Employee No: _____ Tag _____ State: __	Text to be printed, starting at first position of line 3.
81	X'19'	“End-of-message” (EM) print order, which stops the printing.

Notice that the field structure is lost when you use print format orders. This does not matter ordinarily, because you do not use the printer for input. However, even if you format with print control orders, you might need to use buffer control orders as well, to assign attributes like color or underscoring to an area of text.

## Options for 3270 printers

For BMS, the special controls that apply to 3270 printers take the form of command options:

- PRINT
- ERASE
- L40, L64, L80 and HONEOM
- NLEOM
- FORMFEED

In terminal control commands, ERASE is also expressed as an option, but the other controls are expressed directly in the data stream. The *IBM CICS/OS/VS 3270 Data Stream Device Guide* and the *IBM 3270 Information Display System Data Stream Programmer's Reference* tell you how to encode them; the discussion that follows explains what they do.

### PRINT option and print control bit

Writing to a 3270 display or printer updates the device buffer. On a display, the results are reflected immediately on the screen, which is driven from the buffer. For a printer, however, there might be no visible effect, because printing does not occur until you turn on the appropriate bit in the “write control character”. (The WCC is part of the 3270 data stream; see “Write control character” on page 309.) For BMS, you turn on the print bit by specifying the PRINT option on a SEND MAP, SEND TEXT, or SEND CONTROL command, or in the map used with SEND MAP. If you are using terminal control SENDs, you must turn on the print bit with the CTLCHAR option.

A terminal write occurs on every terminal control SEND, and on every SEND MAP, SEND TEXT and SEND CONTROL unless you are using the ACCUM or PAGING options. ACCUM delays writing until a page is full or the logical message is ended. When you use ACCUM, you should use the same print options on every SEND command for the same page. PAGING defers the terminal writes to another task, but they are generated in the same way as without PAGING.

The fact that printing does not occur until the print bit is on allows you to build the print buffer in stages with multiple writes and to change data or attribute bytes already in the buffer. That is, you can use the hardware to achieve some of the effects that you get with the ACCUM option of BMS. The NLEOM option affects this ability, however; see the discussion below.

### **ERASE**

Like the 3270 display buffer, the 3270 printer buffer is cleared only when you use a write command that erases. You do this by specifying the ERASE option, both for BMS and terminal control SENDs. If the printer has the alternate screen size feature, the buffer size is set at the time of the erase, as it is for a display. Consequently, the first terminal write in a transaction should include erasing, to set the buffer to the size required for the transaction and to clear any buffer contents left over from a previous transaction.

### **Line width options: L40, L64, L80, and HONEOM**

In addition to the print bit, the write control character contains a pair of bits that govern line length on printing. If you are using terminal control commands, you use the CTLCHAR option to set these bits. For BMS, the default is the one produced by the HONEOM option, which stands for “honor end-of-message”. With this setting, the printer formats according to the buffer control and print format orders only, stopping printing at the first EM (end-of-message) character in the buffer. Only if you attempt to print beyond the maximum width for the device (the platen width) does the printer move to a new line on its own.

However, you also can specify that the line length is a fixed at 40, 64, or 80 characters (the L40, L64 and L80 options, respectively). If you do, the printer ignores certain print format orders, moves to a new line when it reaches the specified line size, and prints the entire buffer. The print format orders that are ignored are NL (new line), CR (carriage return), and EM (end-of-message). Instead they are simply printed, as graphics.

If you use L40, L64, or L80 under BMS, you should use only the value that corresponds to the page width in your terminal definition (see “Determining the characteristics of a CICS printer” on page 439). The reason is that BMS calculates buffer addresses based on the page size, and these addresses are wrong if you use a different page width.

### **NLEOM option**

BMS ordinarily uses buffer control orders, rather than print format orders, to format for a 3270 printer, whether you are using SEND TEXT or SEND MAP. However, you can tell BMS to use print format orders only, by specifying the NLEOM option. If you do, BMS formats the data entirely with blanks and NL (new line) characters, and inserts an EM (end-of-message) character after your data. NLEOM implies HONEOM. (NLEOM support requires **standard** BMS; it is not available in minimum BMS.)

You might want to do this in order to maintain compatibility with an SCS printer (print format orders are compatible with the corresponding SCS control characters). There are also operational differences that might cause you to choose or avoid NLEOM. They are:

**Blank lines:** The 3270 printer suppresses null lines during printing. That is, a line that has no data fields and appears blank on the display screen is omitted when the same map is sent to a printer. Under BMS, you can force the printed form to look exactly like the displayed form by placing at least one field on every line of the screen; use a field containing a single blank for lines that would otherwise be empty. Specifying NLEOM also has this effect, because BMS uses a new line character for every line, whether or not there is any data on it.

**Multiple sends:** With NLEOM, data from successive writes is simply stacked in the buffer, since it does not contain positioning information. However, BMS adds an EM (end-of-message) character at the end of data on each SEND with NLEOM, unless you are using the ACCUM option. When printing occurs, the first EM character stops the printing, so that only the data from the first SEND with NLEOM (and any unerased data up to that point in the buffer) gets printed. The net effect is that you cannot print a buffer filled with multiple SEND commands with NLEOM unless you use the ACCUM option.

**Page width:** BMS always builds a page of output at a time, using an internal buffer whose size is the number of character positions on the page. (See “Determining the characteristics of a CICS printer” on page 439 for a discussion of how BMS determines the page size.) If you are using buffer control orders to format, the terminal definition must specify a page width of 40, 64, 80 or the maximum for the device (the platen size); otherwise your output might not be formatted correctly. If you are using NLEOM, on the other hand, the terminal definition may specify any page width, up to the platen size.

**Total page size:** If you are using buffer control orders, the product of the number of lines and the page width must not exceed the buffer size, because the buffer is used as an image of the page. Unused positions to the right on each line are represented by null characters. If you use NLEOM, however, BMS does not restrict page size to the buffer capacity. BMS builds the page according to the page size defined for the terminal and then compresses the stream using new-line characters where possible. If the resulting stream exceeds the buffer capacity, BMS uses multiple writes to the terminal to send it.

### **FORMFEED**

The FORMFEED option causes BMS to put a form feed print format order (X'0C') at the beginning of the buffer, provided that the printer is defined as capable of advancing to the top of the form (with the FORMFEED option in the associated TYPETERM definition). CICS ignores a form feed request for a printer defined without this feature.

If you issue a SEND MAP using a map that uses position (1,1) of the screen, you overwrite the order and lose the form feed. This occurs whether you are using NLEOM or not.

If you use FORMFEED and ERASE together on a SEND CONTROL command, the results depend on whether NLEOM is present. Without NLEOM, SEND CONTROL FORMFEED ERASE sends the form feed character followed by an entire page of null lines. The printer suppresses these null lines, replacing them with a single blank line. With NLEOM, the same command sends the form feed

character followed by one new line character for each line on the page, so that the effect is a full blank page, just as it is on a non-3270 printer.

### **PRINTERCOMP option**

When you SEND TEXT to a printer, there is one additional option that affects page size. This is the PRINTERCOMP option, which is specified in the PROFILE associated with the transaction you are executing, rather than on individual SEND TEXT commands. (In the default profile that CICS provides, the PRINTERCOMP value is NO.)

Under PRINTERCOMP(NO), BMS produces printed output consistent with what it would send to a 3270 display. For the display, BMS precedes the text from each SEND TEXT command with an attribute byte, and it also starts each line with an attribute byte. These attribute bytes take space on the screen, and therefore BMS replaces them with blanks for printers if PRINTERCOMP is NO. If PRINTERCOMP is YES, BMS suppresses these blanks, allowing you to use the full width of the printer and every position of the buffer. New line characters that you embed in the text are still honored with PRINTERCOMP(YES), as they are with PRINTERCOMP(NO).

You should use PRINTERCOMP(NO) if you can, for compatibility with display devices and to ensure consistent results if the application uses different printer types, even though it reduces the usable line width by one position.

## **Non-3270 CICS printers**

A **non-3270 printer** is any printer that does not accept the 3270 data stream, such as an SNA character set (SCS) printer. The terminology is somewhat confusing, because a non-3270 printer can be a 3270-family device, and many devices, like the 3287 and 3262, can be either 3270 printers or SCS (non-3270) printers, depending on how they are defined at the control unit.

There are special considerations for non-3270 printers, although not so many as for 3270 printers. Non-3270 printers do not have page buffers, and therefore do not understand buffer control orders. Formatting is accomplished entirely with print control orders. For compatibility with 3270 printers, BMS formats for them by constructing an image of a page in memory, and always prints a full page at a time. However, you can define any size page, provided you do not exceed the platen width, as there is no hardware buffer involved. BMS transmits as many times as required to print the page, just as it does for a 3270 printer using the NLEOM option.

BMS formats for these printers with blanks and NL (new line) characters. It uses form feed (FF) characters as well if the definition of your terminal indicates form feed support.

BMS also uses horizontal tabs to format if the terminal definition has the HORIZFORM option and the map contains HTAB specifications. Similarly, it uses vertical tabs if the terminal definition specifies VERTICALFORM and your map includes VTAB. Tab characters can shorten the data stream considerably. If tabs are used, BMS assumes that the current task, or some earlier one, has already set the tabs on the printer. On an SCS printer, you set the tabs with a terminal control SEND command, as explained in the *IBM CICS/OS/VS 3270 Data Stream Device Guide*. For other non-3270 printers, you should consult the appropriate device guide.

## SCS input

SCS printers also have limited *input* capability, in the form of “program attention” keys. These keys are *not* like the PA keys described in “Attention keys” on page 318, however. Instead they transmit an unformatted data stream consisting of the characters ‘APAK nn’, where “nn” is the 2-digit PA key number—‘APAK 01’ for PA key 1, for example.

You can capture such input by defining a transaction named ‘APAK’ (APAK is the transaction identifier, not the TASKREQ attribute value, because SCS inputs do not look like other PA key inputs.) A program invoked by this transaction can determine which PA key was pressed by issuing a RECEIVE and numeric positions of the input.

## Determining the characteristics of a CICS printer

If you are writing a program that supports more than one type of CICS printer, you may need to determine the characteristics of a particular printer. As we explained in connection with terminals generally, you can use the ASSIGN and INQUIRE TERMINAL commands for this purpose. Table 33 on page 422 lists the ASSIGN options that apply to terminals, including several that are specific to printers.

The INQUIRE TERMINAL options that apply specifically to printers and the corresponding parameters in the terminal definition are shown in Table 36:

Table 36. INQUIRE TERMINAL options for printers

INQUIRE option	Source in TERMINAL or TYPETERM definition	Description
PAGEHT	x of PAGESIZE(x,y)	Number of lines per page (for alternate screen size terminals, reflects default size)
PAGEWD	y of PAGESIZE(x,y)	Number of characters per line (for alternate screen size terminals, reflects default size)
DEFPAGEHT	x of PAGESIZE(x,y)	Number of lines per page in default mode (alternate screen size terminals only)
DEFPAGEWD	y of PAGESIZE(x,y)	Number of characters per line in default mode (alternate screen size terminals only)
ALTPAGEHT	x of ALTPAGE(x,y)	Number of lines per page in alternate mode (alternate screen size terminals only)
ALTPAGEWD	y of ALTPAGE(x,y)	Number of characters per line in alternate mode (alternate screen size terminals only)
DEVICE	DEVICE	The device type (see the <i>CICS System Programming Reference</i> for possible values)
TERMMODEL	TERMMODEL	The model number of the terminal (either 1 or 2)

## BMS page size, 3270 printers

BMS uses both the terminal definition and the profile of the transaction that is running to determine the page size of a CICS printer. The profile is used when the terminal has the alternate screen size feature, to determine whether to use default or alternate size. (The default profile in CICS specifies “default” size for the screen.) Table 37 on page 440 lists the values used.

Table 37. Priority of parameters defining BMS page size. BMS uses the first value in the appropriate column that has been specified in the terminal definition.

Terminals with alternate screen size, using alternate size	Terminals with alternate screen size, using default size	Terminals without alternate screen size feature
ALTPAGE	PAGESIZE	PAGESIZE
ALTSCREEN	DEFSCREEN	TERMMODEL
DEFSCREEN	TERMMODEL	(12,80)
TERMMODEL	(12,80)	
(12,80)		

The definition of a “page” is unique to BMS. If you are printing with terminal control SEND commands, you define what constitutes a page, within the physical limits of the device, by your print format. If you need to know the buffer size to determine how much data you can send at once, you can determine this from the SCRNHT and SCRNWD values returned by the ASSIGN command.

### Supporting multiple printer types

When you are writing programs to support printers that have different page sizes, it is not always possible to keep device dependencies like page size out of the program. However, BMS helps with this problem in two ways.

1. You can refer to a map generically and have BMS select the map that was designed for the terminal associated with your task (see the discussion of map suffixes in “Device-dependent maps: map suffixes” on page 363).
2. If you are using SEND TEXT, BMS breaks the text into lines at word boundaries, based on the page size of the receiving terminal. You can also request header and trailer text on each page.

---

## CICS printers: getting the data to the printer

As we noted at the start of the chapter, the second issue that frequently arises in printing concerns ownership of the printer. Requests for printing often originate from a user at a display terminal. The task that processes the request and generates the printed output is associated with the user’s terminal and therefore cannot send output directly to the printer.

If your task does not own the printer it wants to use, it must create another task, which does, to do the work. These are the ways to do this:

1. Create the task with a START command.
2. Write to an intrapartition transient data queue that triggers the task.
3. Direct the output to the printer in a BMS ROUTE command.
4. Use the ISSUE PRINT command, if you need only a screen copy, and conditions suit.

Details on the first three methods follow. Screen copies are covered in “Printing display screens” on page 445.

### Printing with a START command

The first technique for creating the print task is to issue a START command in the task that wants to print. The command names the printer as the terminal required by the STARTed task in the TERMID option and passes the data to be printed, or



instructions on where to find it, in the FROM option. START causes CICS to create a task whose principal facility is the designated terminal when that terminal is available.

The program executed by the STARTed task, which you must supply, retrieves the data to be printed (using a RETRIEVE command), and then writes it to its terminal (the printer) with SEND, SEND MAP, or SEND TEXT commands. For example:

```
⋮  
(build output in OUTAREA, formatted as expected by the STARTed task)  
EXEC CICS START TRANSID(PRNT) FROM(OUTAREA) TERMID(PRT1)  
          LENGTH(OUTLNG) END-EXEC.  
⋮
```

Figure 75. Task that wants to print (on printer PRT1)

```
⋮  
EXEC CICS RETRIEVE INTO(INAREA) LENGTH(INLNG) END-EXEC.  
⋮  
(do any further data retrieval and any formatting required)  
EXEC CICS SEND TEXT FROM(INAREA) LENGTH(INLNG) ERASE PRINT END-EXEC.  
⋮  
(repeat from the RETRIEVE statement until a NODATA condition arises)
```

Figure 76. STARTed task (executing transaction PRNT)

The task associated with the printer loops until it exhausts all the data sent to it, in case another task sends data to the same printer before the current printing is done. Doing this saves CICS the overhead of creating new tasks for outputs that arrive while earlier ones are still being printed; it does not change what finally gets printed, as CICS creates new tasks for the printer as long as there are unprocessed START requests.

## Printing with transient data

The second method for creating the print task involves transient data. A CICS intrapartition transient data queue can be defined to have a property called a “trigger”. When the number of items on a queue with a trigger reaches the trigger value, CICS creates a transaction to process the queue. The queue definition tells CICS what transaction this task executes and what terminal, if any, it requires as its principal facility.

You can use this mechanism to get print data from the task that generates it to a task that owns the printer. A transient data queue is defined for each printer where you direct output in this way. A task that wants to print puts its output on the queue associated with the required printer (using WRITEQ TD commands). When enough items are on the queue and the printer is available, CICS creates a task to process the queue. (For this purpose, the trigger level of “enough” is usually defined as just one item.) The triggered task retrieves the output from the queue (with READQ TD commands) and writes it to its principal facility (the printer), with SEND, SEND MAP, or SEND TEXT commands.

As in the case of a STARTed printer task, you have to provide the program executed by the task that gets triggered. The sample programs distributed with CICS contain a complete example of such a program, called the “order queue print sample program”. The *CICS 4.1 Sample Applications Guide* describes this program in detail, but the essentials are as follows:

### Task that wants to print (on printer PRT1):

```
⋮
(do any formatting or other processing required)
EXEC CICS WRITEQ TD QUEUE('PRT1') FROM(OUTAREA)
      LENGTH(OUTLNG) END-EXEC.
⋮
```

### Task that gets triggered:

```
⋮
EXEC CICS ASSIGN QNAME(QID) END-EXEC.
EXEC CICS READQ TD QUEUE(QID) INTO(INAREA) LENGTH(INLNG)
      RESP(RESPONSE) END-EXEC.
IF RESPONSE = DFHRESP(QZERO) GO TO END-TASK.
⋮
(do any error checking, further data retrieval and formatting required)
EXEC CICS SEND FROM(INAREA) LENGTH(INLNG) END-EXEC.
⋮
(repeat from READQ command)
```

The print task determines the name of its queue using an `ASSIGN` command rather than a hard-coded value so that the same code works for any queue (printer).

Like its `START` counterpart, this task loops through its read and send sequence until it detects the `QZERO` condition, indicating that the queue is empty. While this is just an efficiency issue with the `STARTed` task, it is critical for transient data; otherwise unprocessed queue items can accumulate under certain conditions. (See “Automatic transaction initiation (ATI)” on page 497 for details on the creation of tasks to process transient data queues with triggers.)

If you use this technique, you need to be sure that output to be printed as a single unit appears either as a single item or as consecutive items on the queue. There is no fixed relationship between queue items and printed outputs; packaging arrangements are strictly between the programs writing the queue and the one reading it. However, if a task writes multiple items that need to be printed together, it must ensure that no other task writes to the queue before it finishes. Otherwise the printed outputs from several tasks may be interleaved.

If the `TD` queue is defined as recoverable, `CICS` prevents interleaving. Once a task writes to a recoverable queue, `CICS` delays any other task that wants to write until the first one commits or removes what it has written (by `SYNCPOINT` or end of task). If the queue is not recoverable, you need to perform this function yourself. One way is to `ENQUEUE` before writing the first queue item and `DEQUEUE` after the last. (See “Chapter 37. Transient data control” on page 495 for a discussion of transient data queues.)

## Printing with BMS routing

A task also can get output to a printer other than its principal facility with `BMS` routing. This technique applies only to `BMS` logical messages (the `ACCUM` or `PAGING` options) and thus is most appropriate when you are already building a logical message.

When you complete a routed message, `CICS` creates a task for each terminal named in a route list. This task has the terminal as its principal facility, and uses `CSPG`, the `CICS`-supplied transaction for displaying pages, to deliver the output to the printer. So routing is similar in effect to using `START` commands, but `CICS`

provides the program that does the printing. (See “Message routing: the ROUTE command” on page 387 for more information about routing.)

---

## Non-CICS printers

Here are the steps to use a printer managed outside CICS:

1. Format your output in the manner required by the application or subsystem that controls the printer you wish to use.
2. Deliver the output to the application or subsystem that controls the printer in the form required by that application.
3. If necessary, notify that application that the output is ready for printing.

### Formatting for non-CICS printers

For some printers managed outside CICS, you can format output with BMS, as we explain in “CICS API considerations”. However, for most printers, you need to meet the format requirements of the application that drives the printer. This may be the device format or an intermediate form dictated by the application. For conventional line printers, formatting is simply a matter of producing line images and, sometimes, adding carriage-control characters.

### Non-CICS printers: Delivering the data

Print data is usually conveyed to an application outside of CICS by placing the data in an intermediate file, accessible to both CICS and the application. The type of file, as well as the format within the file, is dictated by the receiving application. It is usually one of those listed in the first column of Table 38. The second column of the table shows which groups of CICS commands you can use to create such data.

Table 38. Intermediate files for transferring print data to non-CICS printers

File type	Methods for writing the data
Spool files	CICS spool commands (SPOOLOPEN, SPOOLWRITE, etc.) Transient data commands (WRITEQ TD) Terminal control and BMS commands (SEND, SEND MAP, etc.)
BSAM	CICS spool commands (SPOOLOPEN, SPOOLWRITE, etc.) Transient data commands (WRITEQ TD)
VSAM	CICS file control commands (WRITE)
DB2	EXEC SQL commands
IMS	EXEC DLI commands or CALL DLI statements

### CICS API considerations

If you are using VSAM, DB2, or IMS, the CICS application programming commands you can use are determined by the type of file you are using.

For BSAM and spool files, however, you have a choice. The CICS definition of the file (or its absence) determines which commands you use. The file may be:

- An extra-partition transient data queue (see “Chapter 37. Transient data control” on page 495 for information on transient data queues)
- The output half of a sequential terminal (see “Sequential terminal support” on page 427 and “Support for non-3270 terminals” on page 361)
- A spool file (see “Chapter 32. CICS interface to JES” on page 449)

Both transient data queue definitions and sequential terminal definitions point to an associated data definition (DD) statement in the CICS start-up JCL, and it is this DD statement that determines whether the file is a BSAM file or a spool file. Files created by CICS spool commands do not require definition before use and are spool files by definition.

If the printing application accepts BSAM or spool file input, there are several factors to consider in deciding how to define your file to CICS:

#### **System definitions**

Files created by the SPOOLOPEN command do not have to be defined to CICS or the operating system, whereas transient data queues and sequential terminals must be defined to both before use.

#### **Sharing among tasks**

A file defined as a transient data queue is shared among all tasks. This allows you to create a print file in multiple tasks, but it also means that if your task writes multiple records to the queue that must be printed together (lines of print for a single report, for example), you must include enqueue logic to prevent other tasks from writing their records between yours. This is the same requirement that was cited for intrapartition queues in “Printing with transient data” on page 441. In the case of extra-partition transient data, however, CICS does not offer the recoverability solution, and your program must prevent the interspersing itself.

In contrast, a file created by a SPOOLOPEN can be written only by the task that created it. This eliminates the danger of interleaving output, but also prevents sharing the file among tasks.

A spool file associated with a sequential terminal can be written by only one task at a time (the task that has the terminal as its principal facility). This also prevents interleaving, but allows tasks to share the file serially.

#### **Release for printing**

Both BSAM and spool files must be closed in order for the operating system to pass them from CICS to the receiving application, and therefore printing does not begin until the associated file is closed. Files created by SPOOLOPEN are closed automatically at task end, unless they have already been closed with a SPOOLCLOSE command. In contrast, an extrapartition transient data queue remains open until some task closes it explicitly, with a SET command. (It must be reopened with another SET if it is to be used subsequently.) So transient data gives you more control over release of the file for processing, at the cost of additional programming.

A file that represents the output of a sequential terminal does not get closed automatically (and so does not get released for printing) until CICS shutdown, and CICS does not provide facilities to close it earlier. If you use a sequential terminal to pass data to a printer controlled outside of CICS, as you might do in order to use BMS, you should be aware of this limitation.

#### **Formatting**

If you define your file as a sequential terminal, you can use BMS to format your output. This feature allows you to use the same maps for printers managed outside of CICS—for example, line printers managed by the MVS job entry subsystem (JES)—that you use for CICS display and printer terminals.

If you choose this option, remember that BMS always sends a page of output at a time, using the page size in the terminal definition, and that the data set representing the output from a sequential terminal is not released until CICS shutdown.

### Spool file limits

Operating systems identify spool files by assigning a sequential number. There is an upper limit to this number, after which numbers are reused. The limit is usually very large, but it is possible for a job that runs a very long time (as CICS can) and creates a huge number of spool files (as an application under CICS can) to exceed the limit. If you are writing an application that generates a very large number of spool files, consult your systems programmer to ensure that you are within system limits. A new spool file is created at each SPOOLOPEN statement and each open of a transient data queue defined as a spool file.

## Notifying the print application

When you deliver the data to a print application outside CICS, you might need to notify the application that you have data ready to process. You do not need to do this if the application runs automatically and knows to look for your data. For example, to print on a printer owned by the MVS job entry system (JES), all you need to do is create a spool file with the proper routing information. JES does the rest.

However, sometimes you need to submit a job to do the processing, or otherwise signal an executing application that you have work for it.

To submit a batch job from a CICS task, you need to create a spool file which contains the JCL for the job, and you need to direct this file to the JES internal reader. You can create the file in any of the three ways listed for spool files in Table 38 on page 443, although if you use a sequential terminal, the job does not execute until CICS shuts down, as noted earlier. For files written with spool commands, the information that routes the file to the JES internal reader is specified in the SPOOLOPEN command. For transient data queues and sequential terminals, the routing information appears on the first record in the file, the “JOB card”.

The output to be printed can be embedded in the batch job (as its input) or it can be passed separately through any form of data storage that the job accepts.

---

## Printing display screens

If your printing requirement is simply to copy a display screen to a printer, you have choices additional to those already described. Some of these are provided by the terminal hardware itself, and some by CICS. Some of the CICS support also depends on hardware features, and so your options depend on the type of terminals involved and, in some cases, the way in which they are defined to CICS. See the *CICS Resource Definition Guide* for more detail on copying.

### CICS print key

The first such option is the **CICS print key** (also called the **local copy key**). This allows a user to request a printed copy of a screen by pressing a program attention key, provided the terminal is a 3270 display or a display in 3270 compatibility mode. Print key support is optional in CICS; the system programmer decides

whether to include it and what key is assigned. The default is PA1. (See the PRINT option in the *CICS System Definition Guide*.)

The print key copies the display screen to the first available printer among those defined as eligible. Which printers are eligible depends on the definition of the display terminal from which the request originates, as follows:

- For VTAM 3270 displays defined without the “printer-adapter” feature, the printers named in the PRINTER and ALTPRINTER options of the terminal definition are eligible. PRINTER is used if available; ALTPRINTER is second choice. If both are unavailable, the request is queued for execution when PRINTER becomes available.
- For the 3270 compatibility mode of the 3790 and a 3650 host conversational (3270) logical unit, the same choices apply.
- For a BTAM 3270 display, any printer on the same control unit is eligible, provided it is defined to CICS with the PRINT feature and has a buffer at least the size of the display buffer. CICS chooses the first one in the table that is available. If none are, the request is not queued but discarded.
- For VTAM 3270 displays defined with the printer-adapter feature, copying is limited to printers on the same control unit as the display. The printer authorization matrix within the control unit determines printer eligibility.
- For a 3270 compatibility mode logical unit of the 3790 with the printer-adapter feature, the 3790 determines eligibility and allocates a printer for the copy.
- For a 3275 with the printer-adapter feature, the print key prints the data currently in the 3275 display buffer on the 3284 attached to the display.

Where CICS chooses the printer explicitly, as it does in the first three cases above, the printer has to be in service and not attached to a task to be “available” for a CICS print key request. Where a control unit or subsystem makes the assignment, availability and status are determined by the subsystem. The bracket state of the device usually determines whether it is available or not.

## ISSUE PRINT and ISSUE COPY

An application can initiate copying a screen to a printer as well as the user, with the ISSUE PRINT and ISSUE COPY commands. ISSUE PRINT simulates the user pressing the CICS print key, and printer eligibility and availability are the same as for CICS print key requests.

There is also a command you can use to copy a screen in a task that owns the printer, as opposed to the task that owns the terminal which is to be copied. This is the ISSUE COPY command. It copies the buffer of the terminal named in the TERMID option to the buffer of the principal facility of the issuing task. The method of copying and the initiation of printing once the copy has occurred is controlled by the “copy control character” defined in the CTLCHAR option of the ISSUE COPY command; see the *IBM CICS/OS/VS 3270 Data Stream Device Guide* for the bit settings in this control character. The terminal whose buffer is copied and the printer must both be either 3270 logical units or BTAM 3270s, and they must be on the same control unit.

## Hardware print key

Some 3270 terminals also have a **hardware print key**. Pressing this key copies the screen to the first available and eligible printer on the same control unit as the display. This function is performed entirely by the control unit, whose configuration and terminal status information determine eligibility and availability.

If no printer is available, the request fails; the user is notified by a symbol in the lower left corner of the screen and must retry the request later.

## **BMS screen copy**

Both the CICS and hardware print keys limit screen copies to a predefined set of eligible printers, and if more than one printer is eligible, the choice depends on printer use by other tasks. For screens created as part of a BMS logical message, a more general screen copy facility is available. Users can print any such screen with the “page copy” option of the CICS-supplied transaction for displaying logical messages, CSPG. With page copy, you name the specific printer to receive the output, and it does not have to be on the same control unit as the display. CSPG is described in the *CICS Supplied Transactions* manual.





---

## Chapter 32. CICS interface to JES

CICS provides a programming interface to **JES** (the Job Entry Subsystem component of MVS) that allows CICS applications to create and retrieve **spool** files. Spool files are managed by JES and are used to buffer output directed to low-speed **peripheral** devices (printers, punches, and plotters) between the job that creates them and actual processing by the device. Input files from card readers are also spool files and serve as buffers between the device and the jobs that use the data.

The interface consists of five commands:

- SPOOLOPEN INPUT, which opens a file for input
- SPOOLOPEN OUTPUT, which opens a file for output
- SPOOLREAD, which retrieves the next record from an input file
- SPOOLWRITE, which adds one record to an output file
- SPOOLCLOSE, which closes the file and releases it for subsequent processing by JES

“Input” and “output” here refer to the CICS point of view here; what is spool output to one job is always spool input to another job or JES program.

These commands can be used with either the JES2 or JES3 form of JES, although some restrictions apply to each (see “Spool interface restrictions” on page 456). The term JES refers to both.

You can use the spool commands to do the following types of things:

- Create an (output) file for printing or other processing by JES. JES manages most of the “unit record” facilities of the operating system, including high-speed printers, and card readers. In order to use these facilities, you pass the data to be processed to JES in a spool file.
- Submit a batch job to MVS. Spool files directed to the JES “internal reader” are treated as complete jobs and executed.
- Create an (output) file to pass data to another job (outside of your CICS), that runs under MVS.
- Retrieve data passed from such a job.
- Create a file to pass data to another operating system, such as VM, VSE/ESA, or an MVS system other than the one under which your CICS is executing.
- Retrieve a file sent from such a remote system.

---

### Creating a spool file

To create an output spool file, a task starts by issuing a SPOOLOPEN OUTPUT command. The NODE and USERID options on the command tell JES what to do with the file when it is complete, and there are other options to convey formatting and other processing to JES if appropriate.

You can also use this parameter to specify that your output is written to the MVS internal reader. To use SPOOLXXX commands for this purpose, specify USERID(“INTRDR”) and also use an explicit node name. Do not use NODE(\*). INTRDR is an IBM-reserved name identifying the internal reader. If you specify

USERID("INTRDR"), the output records written by your SPOOLWRITE commands must be JCL statements, starting with a JOB statement. Also ensure that you specify the NOCC option on the SPOOLOPEN command. The system places your output records for the internal reader into a buffer in your address space. When this buffer is full, JES places the contents on the spool; later, JES retrieves the job from the spool. (See "Identifying spool files" on page 451 for more information about the naming of spool files, and the *CICS Application Programming Reference* manual for full information.) CICS returns an identifier for the file to the task by the TOKEN option of the same command.

Thereafter, the task puts data into the file with SPOOLWRITE commands that specify the token value that was returned on the SPOOLOPEN OUTPUT command. Spool files are sequential; each SPOOLWRITE adds one record to the file. When the file is complete, the task releases the file to JES for delivery or processing by issuing a SPOOLCLOSE with the token that identifies the file.

A task can create multiple output spool files, and it can have more than one open at a time; operations on different files are kept separate by the token. However, a spool file cannot be shared among tasks, or across logical units of work in the same task. It can be written only by the task that opened it, and if that task fails to close the file before a SYNCPOINT command or task end, CICS closes it automatically at these points.

## Reading input spool files

The command sequence for reading a spool file is similar to that for creating one. You start with a SPOOLOPEN INPUT command that selects the file. Then you retrieve each record with a SPOOLREAD command. When the file is exhausted or you have read as much as required, you end processing with a SPOOLCLOSE command. CICS provides you with a token to identify the particular file when you open it, just as it does when you open an output file, and you use the token on all subsequent commands against the file.

Similar to an output spool file, an input spool file is exclusive to the task that opened it. No other task can use it until the first one closes it. The file must be read in the same logical unit of work that opened it, and CICS closes it automatically at a SYNCPOINT command or at task end if the task does not do so. However, you can close the file in such a way that your task (or another one) can read it again from the beginning.

In contrast to output files, a task can have only one spool file open for input at once. Moreover, *only one* CICS task can have a file open for input at any given time. This single-threading of input spool files has several programming implications:

- A task reading a spool file should keep it open for as little time as possible, and should close it explicitly, rather than letting CICS do so as part of end-of-task processing. You might want to transfer the file to another form of storage if your processing of individual records is long.
- If another task is reading a spool file, your SPOOLOPEN INPUT command fails with a SPOLBUSY condition. This is not an error; you should wait briefly and try again.
- If you read multiple input files, you should delay your task briefly between closing one and opening the next, to avoid monopolizing the input thread and locking out other tasks that need it.

## Identifying spool files

Input spool files are identified by the USERID and CLASS options on the SPOOLOPEN INPUT command.

On input, the USERID is the name of a JES external writer. An external writer is a name defined to JES at JES startup representing a group of spool files that have the same destination or processing. For files that JES processes itself, an external writer is usually associated with a particular hardware device, for example, a printer. The names of these writers are reserved for JES use.

For the transfer of files between applications, as occurs when a CICS task reads a spool file, the only naming requirement is that the receiver (the CICS task) know what name the sender used, and that no other applications in the receiver's operating system use the same name for another purpose. To ensure that CICS tasks do not read spool files that were not intended for them, CICS requires that the external writer name that you specify match its own VTAM applid in the first four characters. Consequently, a job or system directing a file to CICS must send it to an external writer name that begins with the first four characters of the CICS applid.

JES categorizes the files for a particular external writer by a 1-character CLASS value. If you specify a class on your SPOOLOPEN INPUT command, you get the first (oldest) file in that class for the external writer you name. If you omit the class, you get the oldest file in any class for that writer. The sender assigns the class; 'A' is used when the sender does not specify a class.

On output, you identify the destination of a SPOOL file with both a NODE and a USERID value. The NODE is the name of the operating system (for example, MVS, VM) as that system is known to VTAM in the MVS system in which your CICS is executing).

The meaning of USERID varies with the operating system. In VM, it is a particular user; in MVS, it may be a JES external writer or another JES destination, a TSO user, or another job executing on that system.

One such destination is the JES internal reader, which normally has the reserved name INTRDR. If you want to submit a job to an MVS system, you write a spool file to its internal reader. This file must contain all the JCL statements required to execute the job, in the same form and sequence as a job submitted through a card reader or TSO.

The following example shows a COBOL program using SPOOLOPEN for an internal reader.

In this example, you must specify the NOCC option (to prevent use of the first character for carriage control) and use JCL record format.

OUTDESCR specifies a pointer variable to be set to the address of a field that contains the address of a string of parameters to the OUTPUT statement of MVS JCL.

```
DATA DIVISION.
WORKING-STORAGE SECTION.
  01 OUTPUT-FIELDS.
    03 OUTPUT-TOKEN    PIC X(8)  VALUE LOW-VALUES.
    03 OUTPUT-NODE     PIC X(8)  VALUE 'MVSESA31'.
    03 OUTPUT-USERID   PIC X(8)  VALUE 'INTRDR  '.
    03 OUTPUT-CLASS    PIC X      VALUE 'A'.
PROCEDURE DIVISION.
  EXEC CICS SPOOLOPEN OUTPUT
        TOKEN(OUTPUT-TOKEN)
        USERID(OUTPUT-USERID)
        NODE(OUTPUT-NODE)
        CLASS(OUTPUT-CLASS)
        NOCC
        PRINT
        NOHANDLE
  END-EXEC.
```

*Figure 77. An example of a COBOL program using SPOOLOPEN*

The following example shows a COBOL program using the OUTDESCR operand:

```

WORKING-STORAGE SECTION.
01 F.
02 W-POINTER USAGE POINTER.
02 W-POINTER1 REDEFINES W-POINTER PIC 9(9) COMP.
01 RESP1 PIC 9(8) COMP.
01 TOKENWRITE PIC X(8).
01 ....
01 W-OUTDIS.
02 F PIC 9(9) COMP VALUE 43.
02 F PIC X(14) VALUE 'DEST(A20JES2 )'.
02 F PIC X VALUE ' '.
02 F PIC X(16) VALUE 'WRITER(A03CUBI)'.
02 F PIC X VALUE ' '.
02 F PIC X'11' VALUE 'FORMS(BILL)'.
LINKAGE SECTION.
01 DFHCOMMAREA PIC X.
01 L-FILLER.
02 L-ADDRESS PIC 9(9) COMP.
02 L-OUTDIS PIC X(1020).
PROCEDURE DIVISION.
    EXEC CICS GETMAIN SET(W-POINTER) LENGTH(1024)
        END-EXEC.
    SET ADDRESS OF L-FILLER TO W-POINTER.
    MOVE W-POINTER1 TO L-ADDRESS.
    ADD 4 TO L-ADDRESS.
    MOVE W-OUTDIS TO L-OUTDIS.
    EXEC CICS SPOOLOPEN
        OUTPUT
        PRINT
        RECORDLENGTH(1000)
        NODE('*')
        USERID('*')
        OUTDESCR(W-POINTER)
        TOKEN(TOKENWRITE)
        RESP(RESP1)
        NOHANDLE
    END-EXEC.
    EXEC CICS SPOOLWRITE
        .
        .
        .

```

**Notes:**

1. It is essential to code a GETMAIN command.
2. L-FILLER is not a parameter passed by the calling program. The BLL for L-FILLER is then substituted by the SET ADDRESS. The address of the getmained area is then moved to the first word pointed to by L-FILLER being L-ADDRESS (hence pointing to itself). L-ADDRESS is then changed by plus 4 to point to the area (L-OUTDIS) just behind the address. L-OUTDIS is then filled with the OUTDESCRIPTOR DATA. Hence W-POINTER points to an area that has a pointer pointing to the OUTDESCR data.

If you want to the job you submit to execute as soon as possible, you should end your spool file with a record that contains /\*EOF in the first five characters. This statement causes JES to release your file for processing, rather than waiting for other records to fill the current buffer before release.

## Some examples of SPOOLOPEN for OUTPUT with OUTDESCR option

### COBOL

```
DATA DIVISION.
WORKING-STORAGE SECTION.
01 OUTDES.
   05 FILLER          PIC X(14)  VALUE
   'WRITER(MYPROG)'.
01 RESP              PIC 9(8) COMP.
01 RESP2             PIC 9(8) COMP.
01 TOKEN             PIC X(8).
01 OUTLEN            PIC S9(8) COMP VALUE +80.
77 OUTPRT            PIC X(80) VALUE
   'SPOOLOPEN FUNCTIONING'.
01 PARMSPTR USAGE IS POINTER.
01 PARMS-POINT REDEFINES PARMSPTR PIC S9(8) COMP.
LINKAGE SECTION.
01 PARMS-AREA.
   03 PARMSLEN       PIC S9(8) COMP.
   03 PARMSINF       PIC X(14).
   03 PARMADDR       PIC S9(8) COMP.
PROCEDURE DIVISION.
EXEC CICS GETMAIN SET(ADDRESS OF PARMS-AREA)
   LENGTH(80) END-EXEC.
SET PARMSPTR TO ADDRESS OF PARMS-AREA.
MOVE PARMS-POINT TO PARMADDR.
SET PARMSPTR TO ADDRESS OF PARMADDR.
MOVE 14 TO PARMSLEN.
MOVE OUTDES TO PARMSINF.
EXEC CICS SPOOLOPEN OUTPUT
   NODE ('*')
   USERID ('*')
   RESP(RESP) RESP2(RESP2)
   OUTDESCR(PARMSPTR)
   TOKEN(TOKEN)
   END-EXEC.
EXEC CICS SPOOLWRITE
   FROM(OUTPRT)
   RESP(RESP) RESP2(RESP2)
   FLENGTH(OUTLEN)
   TOKEN(TOKEN)
   END-EXEC.
EXEC CICS SPOOLCLOSE
   TOKEN(TOKEN)
   RESP(RESP) RESP2(RESP2)
   END-EXEC.
```

## PL/I

```
DCL
  RESP FIXED BIN(31),
  RESP2 FIXED BIN(31),
  TOKEN CHAR(8),
  OUTLEN FIXED BIN(31) INIT(80),
  OUTPRT CHAR(80) INIT('SPOOLOPEN FUNCTIONING'),
  PARMADDR POINTER,
  PARMSPTR POINTER;
DCL
  1 PARMS,
  2 PARMSLEN FIXED BIN(31) INIT(14),
  2 PARMSINF CHAR(14) INIT('WRITER(MYPROG)')
  ALIGNED;
PARMADDR=ADDR(PARMS);
PARMSPTR=ADDR(PARMADDR);
EXEC CICS SPOOLOPEN OUTPUT NODE('*') USERID('*')
  TOKEN(TOKEN) OUTDESCR(PARMSPTR) RESP(RESP)
  RESP2(RESP2);
EXEC CICS SPOOLWRITE FROM(OUTPRT) FLENGTH(OUTLEN)
  RESP(RESP) RESP2(RESP2) TOKEN(TOKEN);
EXEC CICS SPOOLCLOSE TOKEN(TOKEN) RESP(RESP)
  RESP2(RESP2);
```

## C

```
#define PARMS struct _parms
PARMS
{
  int   parms_length;
  char  parms_info[200];
  PARMS * pArea;
};
PARMS ** parms_ptr;
PARMS  parms_area;
char  userid[8] = "*";
char  node[8] = "*";
char  token[8];
long  rcode1, rcode2;
/* These lines will initialize the outdescr area and
set up the addressing */
parms_area.parms_info[0] = '\0';
parms_area.pArea = &parms_area;
parms_ptr = &parms_area.pArea;
/* And here is the command with ansi carriage controls
specified and no class*/
EXEC CICS SPOOLOPEN OUTPUT
  NODE ( node )
  USERID ( userid )
  OUTDESCR ( parms_ptr )
  TOKEN ( token )
  ASA
  RESP ( rcode1 )
  RESP2 ( rcode2 );
```

## ASSEMBLER

```
OUTPRT DC CL80'SPOOLOPEN FUNCTIONING'  
PARMSPTR EQU 6  
RESP DC F'0'  
RESP2 DC F'0'  
TOKEN DS 2F  
OUTPTR DC A(PARMSLEN)  
PARMSLEN DC F'14'  
PARMSINF DC C'WRITER(MYPROG)'  
LA PARMSPTR,OUTPTR  
EXEC CICS SPOOLOPEN OUTPUT OUTDESCR(PARMSPTR)  
      NODE('*') USERID('*') RESP(RESP)  
      RESP2(RESP2) TOKEN(TOKEN)  
EXEC CICS SPOOLWRITE FROM(OUTPRT)  
      TOKEN(TOKEN) RESP(RESP) RESP2(RESP2)  
EXEC CICS SPOOLCLOSE TOKEN(TOKEN) RESP(RESP)  
      RESP2(RESP2)
```

### Programming note for spool commands

You must specify either RESP or NOHANDLE on all spool commands. If you do not, your program abends. These options are described in the *CICS Application Programming Reference* manual, but they do not appear explicitly in the syntax boxes or the option lists for the spool commands. The list of conditions that can occur for each command includes RESP values.

### Spool interface restrictions

There are internal limits in JES that you should consider when you are designing applications. Some apply to JES2, some to JES3 and some to both. In particular:

- JES2 imposes an upper limit on the total number of spool files that a single job (such as CICS) can create. If CICS exceeds this limit during its execution, subsequent SPOOLOPEN OUTPUT commands fail with the ALLOCERR condition.
- JES3 does not impose such a limit explicitly, but for both JES2 and JES3, some control information for each file created persists for the entire execution of CICS. For this reason, creating very large numbers of spool files can stress JES resources; you should consult your system programmer before designing such an application.
- Spool files require other resources (buffers, queue elements, disk space) until they are processed. You need to consult your systems staff if you are producing very large files or files that may wait a long time for processing at their destinations.
- Code NODE('\*') and USERID('\*') to specify the local spool file and to enable the OUTDESCR operand to override the NODE and USERID operands. Do not use NODE('\*') with any other userid. If the NODE and USERID operands specify explicit identifiers, the OUTDESCR operands cannot override them.



---

## Part 6. CICS management functions

<b>Chapter 33. Interval control</b> . . . . .	459	<b>Chapter 37. Transient data control</b> . . . . .	495
Expiration times . . . . .	459	Intrapartition queues . . . . .	495
Request identifiers. . . . .	461	Extrapartition queues. . . . .	496
 		Indirect queues. . . . .	496
<b>Chapter 34. Task control</b> . . . . .	463	Automatic transaction initiation (ATI) . . . . .	497
Controlling sequence of access to resources . . . . .	464	 	
<b>Chapter 35. Program control</b> . . . . .	467	<b>Chapter 38. Temporary storage control</b> . . . . .	499
Application program logical levels . . . . .	468	Temporary storage queues . . . . .	499
Link to another program expecting return. . . . .	468	Typical uses of temporary storage control . . . . .	500
Passing data to other programs . . . . .	469	 	
COMMAREA . . . . .	469	<b>Chapter 39. Security control.</b> . . . . .	503
INPUTMSG . . . . .	471	QUERY SECURITY command . . . . .	503
Using the INPUTMSG option on the RETURN		Using QUERY SECURITY . . . . .	503
command . . . . .	473	Security protection at the record or field level	503
Other ways of passing data. . . . .	473	CICS-defined resource identifiers. . . . .	504
Mixed addressing mode transactions . . . . .	473	SEC system initialization parameter . . . . .	504
Examples of passing data with the LINK		Programming hints . . . . .	504
command . . . . .	474	Non-terminal transaction security . . . . .	504
Examples of passing data with the RETURN			
command . . . . .	476		
<b>Chapter 36. Storage control</b> . . . . .	479		
Overview of CICS storage protection and			
transaction isolation . . . . .	480		
Storage protection. . . . .	480		
Terminology. . . . .	481		
Selecting the execution key for applications . . . . .	481		
Defining the execution key. . . . .	482		
Selecting and defining the storage key for			
applications . . . . .	482		
System-wide storage areas . . . . .	482		
Task lifetime storage . . . . .	482		
Program working storage specifically for exit			
and PLT programs. . . . .	483		
Passing data by a COMMAREA . . . . .	483		
The GETMAIN command . . . . .	483		
Deciding what execution and storage key to			
specify . . . . .	484		
User-key applications. . . . .	485		
CICS-key applications . . . . .	486		
Tables . . . . .	488		
Map sets and partition sets. . . . .	488		
Storage protection exception conditions. . . . .	488		
Transaction isolation . . . . .	488		
Reducing system outages . . . . .	488		
Protecting application data . . . . .	488		
Protecting CICS from being passed invalid			
addresses. . . . .	489		
Aiding application development . . . . .	489		
Using transaction isolation . . . . .	489		
MVS subspaces. . . . .	491		
Subspaces and basespaces for transactions. . . . .	491		
The common subspace and shared storage . . . . .	492		



---

## Chapter 33. Interval control

The CICS interval control facility provides functions that are related to time.

### Java and C++

The application programming interface described in this chapter is the EXEC CICS API, which is not used in Java programs. For information about Java programs using the JCICS classes to access Interval Control services, see “The JCICS Java classes” on page 69 and the JCICS Javadoc html documentation. For information about C++ programs using the CICS C++ classes, see the *CICS C++ OO Class Libraries* manual.

Using interval control commands, you can:

- Start a task at a specified time or after a specified interval, and pass data to it (START command)<sup>15</sup>.
- Retrieve data passed on a START command (RETRIEVE command)<sup>15</sup>.
- Delay the processing of a task (DELAY command).
- Request notification when a specified time has expired (POST command).
- Wait for an event to occur (WAIT EVENT command).
- Cancel the effect of previous interval control commands (CANCEL command).
- Request the current date and time of day (ASKTIME command).
- Select the format of date and time (FORMATTIME command). Options are available that help you to handle dates in the twenty-first century. Programming information about these is in the *CICS Application Programming Reference* manual.

**Note:** On a lightly used system, the interval time specified can be exceeded by as much as a quarter of a second.

If you use WAIT EVENT, START, RETRIEVE with the WAIT option, CANCEL, DELAY, or POST commands, you could create inter-transaction affinities that adversely affect your ability to perform dynamic transaction routing.

To help you identify potential problems with programs that issue these commands, you can use the Transaction Affinities Utility. See the *CICS Transaction Affinities Utility Guide* for more information about this utility and “Chapter 14. Affinity” on page 157 for more information about transaction affinity.

---

## Expiration times

The time at which a time-controlled function is to be started is known as the **expiration time**. You can specify expiration times absolutely, as a time of day (using the TIME option), or as an interval that is to elapse before the function is to be performed (using the INTERVAL option). For the DELAY command, you can use the FOR and UNTIL options; and for the POST and START commands, you

---

15. Do not use EXEC CICS START TRANSID() TERMID(EIBTRMID) to start a remote transaction. Use EXEC CICS RETURN TRANSID() IMMEDIATE instead. START, used in this way, ties up communications resources unnecessarily and can lead to performance degradation across the connected regions.

can use the AFTER and AT options. See the *CICS Application Programming Reference* manual for programming information about these commands.

**Note:** The C and C++ languages do not provide the support for the packed decimal types used by the TIME and INTERVAL options.

You use an **interval** to tell CICS when to start a transaction in a specified number of hours, minutes, and seconds from the current time. A nonzero INTERVAL value always indicates a time in the future—the current time plus the interval you specify. The hours may be 0–99, but the minutes and seconds must not be greater than 59. For example, to start a task in 40 hours and 10 minutes, you would code:

```
EXEC CICS START INTERVAL(401000)
```

You can use an **absolute time** to tell CICS to start a transaction at a specific time, again using hhmmss. For example, to start a transaction at 3:30 in the afternoon, you would code:

```
EXEC CICS START TIME(153000)
```

An absolute time is always relative to the midnight before the current time and may therefore be earlier than the current time. TIME may be in the future or the past relative to the time at which the command is executed. CICS uses the following rules:

- If you specify a task to start at any time within the previous six hours, it starts immediately. This happens regardless of whether the previous six hours includes a midnight. For example:

```
EXEC CICS START TIME(123000)
```

This command, issued at 05:00 or 07:00 on Monday, expires at 12:30 on the same day.

```
EXEC CICS START TIME(020000)
```

This command, issued at 05:00 or 07:00 on Monday expires immediately because the specified time is within the preceding six hours.

```
EXEC CICS START TIME(003000)
```

This command, issued at 05:00 on Monday, expires immediately because the specified time is within the preceding six hours. However, if it is issued at 07:00 on Monday, it expires at 00:30 on Tuesday, because the specified time is not within the preceding six hours.

```
EXEC CICS START TIME(230000)
```

This command, issued at 02:00 on Monday, expires immediately because the specified time is within the preceding six hours.

- If you specify a time with an hours component that is greater than 23, you are specifying a time on a day following the current one. For example, a time of 250000 means 1 a.m. on the day following the current one, and 490000 means 1 a.m. on the day after that.

If you do not specify an expiration time or interval option on the DELAY, POST, or START command, CICS responds using the default of INTERVAL(0), which means immediately.

Because each end of an intersystem link may be in a different time zone, you should use the INTERVAL form of expiration time when the transaction to be started is in a remote system.

If the system fails, the times associated with unexpired START commands are remembered across the restart.

**Note:** If your expiration time falls within a possible CICS shutdown, you should consider whether your task should test the status of CICS before attempting to run. You can do this using the INQUIRE SYSTEM CICSSTATUS command described in the *CICS RACF Security Guide*. During a normal shutdown, your task could run at the same time as the PLT programs with consequences known only to you. See the *CICS System Programming Reference* manual for programming information.

---

## Request identifiers

As a means of identifying the request and any data associated with it, a unique request identifier is assigned by CICS to each DELAY, POST, and START command. You can specify your own request identifier by means of the REQID option. If you do not, CICS assigns (for POST and START commands only) a unique request identifier and places it in field EIBREQID in the EXEC interface block (EIB). You should specify a request identifier if you want the request to be canceled at some later time by a CANCEL command.



---

## Chapter 34. Task control

The CICS task control facility provides functions that synchronize task activity, or that control the use of resources.

### Java and C++

The application programming interface described in this chapter is the EXEC CICS API, which is not used in Java programs. For information about Java programs using the JCICS classes to access Task Control services CICS, see “The JCICS Java classes” on page 69 and the JCICS Javadoc html documentation. For information about C++ programs using the CICS C++ classes, see the *CICS C++ OO Class Libraries* manual.

CICS assigns priorities based on the value set by the CICS system programmer. Control of the processor is given to the highest-priority task that is ready to be processed, and is returned to the operating system when no further work can be done by CICS or by your application programs.

You can:

- Suspend a task (SUSPEND command) to enable tasks of higher priority to proceed. This can prevent processor-intensive tasks from monopolizing the processor. When other eligible tasks have proceeded and terminated or suspended processing, control is returned to the issuing task; that is, the task remains dispatchable.
- Schedule the use of a resource by a task (ENQ and DEQ commands). This is sometimes useful in protecting a resource from concurrent use by more than one task; that is, by making that resource serially reusable. Each task that is to use the resource issues an enqueue command (ENQ). The first task to do so has the use of the resource immediately but, if a HANDLE CONDITION ENQBUSY command has not been issued, subsequent ENQ commands for the resource, issued by other tasks, result in those tasks being suspended until the resource is available.

If the NOSUSPEND option is coded on the ENQ command, control is always returned to the next instruction in the program. By inspecting the contents of the EIBRESP field, you can see whether the ENQ command was successful or not.

Each task using a resource should issue a dequeue command (DEQ) when it has finished with it. However, when using the enqueue/dequeue mechanism, there is no way to guarantee that two or more tasks issuing ENQ and DEQ commands issue these commands in a given sequence relative to each other. For a way to control the sequence of access, see “Controlling sequence of access to resources” on page 464.

- Change the priority assigned to a task (CHANGE TASK PRIORITY command).
- Wait for events that post MVS format ECBs when they complete.

Two commands are available, WAITCICS and WAIT EXTERNAL. These commands cause the issuing task to be suspended until one of the ECBs has been posted; that is, until one of the events has occurred. The task can wait on one or more ECBs. If it waits on more than one, it is dispatchable as soon as one of the ECBs is posted. You must ensure that each ECB is cleared (set to binary zeros) no later than the earliest time it could be posted. CICS cannot do this for

you. If you wait on an ECB that has been previously posted and is not subsequently cleared, your task is not suspended and continues to run as though the WAITCICS or WAIT EXTERNAL command had not been issued.

WAIT EXTERNAL usually has less overhead, but the associated ECBs must always be posted using the MVS POST facility or by an optimized post (using the compare and swap (CS) instruction). They must never be posted by any other method. If you are in any doubt about the method of posting, use the WAITCICS command. When dealing with ECBs passed on a WAIT EXTERNAL command, CICS extends the ECBs and uses the MVS POST exit facility. A given ECB must not be waited on by more than one task at once (or appear twice in one task's ECBLIST). Failure to follow this rule leads to an INVREQ response.

WAITCICS must be used if ECBs are to be posted by any method other than the MVS POST facility or by an optimized post. For example, if your application posts the ECB by moving a value into it, WAITCICS must be used. (The WAITCICS command can also be used for ECBs that are posted using the MVS POST facility or optimized post.) Whenever CICS goes into an MVS WAIT, it passes a list to MVS of all the ECBs being waited on by tasks that have issued a WAITCICS command. The ECBLIST passed by CICS on the MVS WAIT contains duplicate addresses, and MVS abends CICS.

If you use MVS POST, WAIT EXTERNAL, WAITCICS, ENQ, or DEQ commands, you could create inter-transaction affinities that adversely affect your ability to perform dynamic transaction routing.

To help you identify potential problems with programs that issue this command, you can use the Transaction Affinities Utility. See the *CICS Transaction Affinities Utility Guide* for more information about this utility and "Chapter 14. Affinity" on page 157 for more information about transaction affinity.

Storage for the timer-event control area on WAIT EVENT must reside in shared storage if you have specified ISOLATE(YES).

If CICS is executing with or without transaction isolation, CICS checks that the timer-event control area and the ECBs are not in read-only storage.

---

## Controlling sequence of access to resources

If you want a resource to be accessed by two or more tasks in a specific order, instead of the ENQ and DEQ commands, use one or more WAITCICS commands in conjunction with one or more hand-posted ECBs.

To hand-post an ECB, a CICS task sets a 4-byte field to either the cleared state of binary zeros, or the posted state of X'40008000'. The task can use a START command to start another task and pass the address of the ECB. The started task receives the address through a RETRIEVE command.

Either task can set the ECB or wait on it. Use the ECB to control the sequence in which the tasks access resources. Two tasks can share more than one ECB if necessary. You can extend this technique to control as many tasks as you wish.

**Note:** Only one task can wait on a given ECB at any one time.

The example in Figure 78 on page 465 shows how two tasks can sequentially access a temporary storage queue by using hand-posted ECBs and the WAITCICS command.



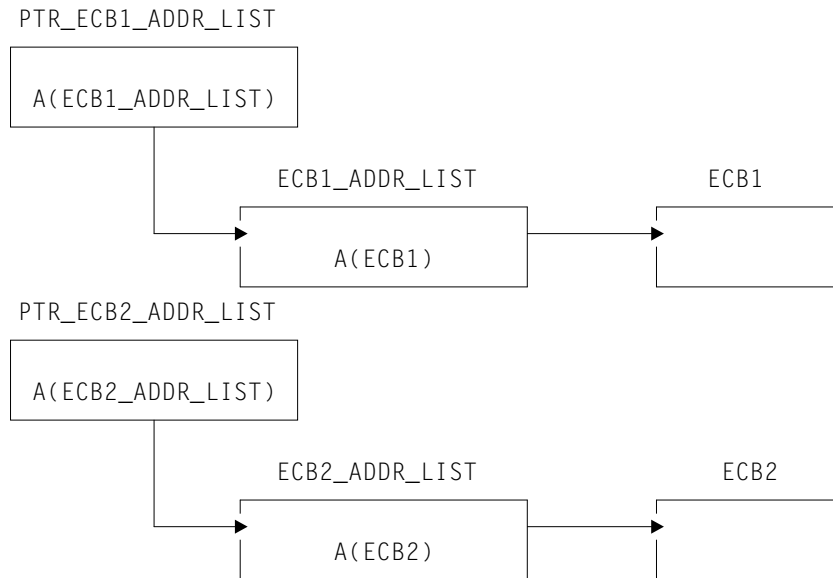


Figure 78. Two tasks sequentially accessing a temporary storage queue

The example uses two ECBs, (ECB1 and ECB2), addressed by the pointers illustrated in Table 39.

In theory, these tasks could exchange data through the temporary storage queue for ever. In practice, some code would be included to close the process down in an orderly way.

Table 39. Example of task control

Task A	Task B
Delete temporary storage queue Clear ECB1 (set to X'00000000') Clear ECB2 EXEC CICS START TASK B and pass the addresses of PTR_ECB1_ADDR_LIST and PTR_ECB2_ADDR_LIST.  START OF LOOP: EXEC CICS WAITCICS ECBLIST(PTR_ECB1_ADDR_LIST NUMEVENTS(1) Clear ECB1 Read TS queue < act on data from queue > Delete TS queue Write to TS queue Post ECB2 Go to START OF LOOP	EXEC CICS RETRIEVE the addresses passed.  START OF LOOP: Write to TS queue Post ECB1 (set to X'40008000') EXEC CICS WAITCICS ECBLIST(PTR_ECB2_ADDR_LIST NUMEVENTS(1) Clear ECB2 Read TS queue < act on data from queue > Delete TS queue Go to START OF LOOP

“Chapter 20. Dealing with exception conditions” on page 231 describes how the exception conditions that can occur during processing of a task control command are handled.



---

## Chapter 35. Program control

This chapter contains the following information:

- “Application program logical levels” on page 468
- “Link to another program expecting return” on page 468
- “Passing data to other programs” on page 469

The CICS program control facility governs the flow of control between application programs in a CICS system.

### Java and C++

The application programming interface described in this chapter is the EXEC CICS API, which is not used in Java programs. For information about Java programs using the JCICS classes to access program control services, see “The JCICS Java classes” on page 69 and the JCICS Javadoc html documentation. For information about C++ programs using the CICS C++ classes, see the *CICS C++ OO Class Libraries* manual.

The name of the application referred to in a program control command must have been defined as a program to CICS. You can use program control commands to:

- Link one of your application programs to another, anticipating subsequent return to the requesting program (LINK command). The COMMAREA and INPUTMSG options of this command allow data to be passed to the requested application program.
- Link one of your application programs to another program in a separate CICS region, anticipating subsequent return to the requesting program (LINK command). The COMMAREA option of this command allows data to be passed to the requested application program. This is referred to as distributed program link (DPL). (You cannot use the INPUTMSG and INPUTMSGLEN options of the LINK command when using DPL. See the *CICS Application Programming Reference* manual for programming information, including details about this restriction.) For more information about DPL, see “Chapter 17. Intercommunication considerations” on page 205.
- Transfer control from one of your application programs to another, with no return to the requesting program (XCTL command). The COMMAREA and INPUTMSG options of this command allow data to be passed to the requested application program. (You cannot use the INPUTMSG and INPUTMSGLEN options of the XCTL command when using DPL. See the *CICS Application Programming Reference* manual for programming information, including details about this restriction.)
- Return control from one of your application programs to another, or to CICS (RETURN command). The COMMAREA and INPUTMSG options of this command allow data to be passed to a newly initiated transaction. (You cannot use the INPUTMSG and INPUTMSGLEN options of the RETURN command when using DPL. See the *CICS Application Programming Reference* manual for programming information, including details about this restriction.)
- Load a designated application program, table, or map into main storage (LOAD command).

If you use the HOLD option with the LOAD and RELEASE command to load a program, table or map that is not read-only, you could create inter-transaction affinities that could adversely affect your ability to perform dynamic transaction routing.

To help you identify potential problems with programs that issue these commands, you can use the Transaction Affinities Utility. See the *CICS Transaction Affinities Utility Guide* for more information about this utility and see “Chapter 14. Affinity” on page 157 for more information about transaction affinity.

- Delete a previously loaded application program, table, or map from main storage (RELEASE command).

You can use the RESP option to deal with abnormal terminations.

---

## Application program logical levels

Application programs running under CICS are executed at various logical levels. The first program to receive control within a task is at the highest logical level. When an application program is linked to another, expecting an eventual return of control, the linked-to program is considered to reside at the next lower logical level. When control is simply transferred from one application program to another, without expecting return of control, the two programs are considered to reside at the same logical level.

---

## Link to another program expecting return

The LINK command is used to pass control from an application program at one logical level to an application program at the next lower logical level. If the program receiving control is not already in main storage, it is loaded. When the RETURN command is processed in the linked program, control is returned to the program initiating the link at the next sequential process instruction.

The linked program operates independently of the program that issues the LINK command with regard to handling exception conditions, attention identifiers, and abends. For example, the effects of HANDLE commands in the linking program are not inherited by the linked-to program, but the original HANDLE commands are restored on return to the linking program. You can use the HANDLE ABEND command to deal with abnormal terminations in other link levels. See the *CICS Application Programming Reference* manual for programming information about this command. Figure 79 on page 469 shows the concept of logical levels.

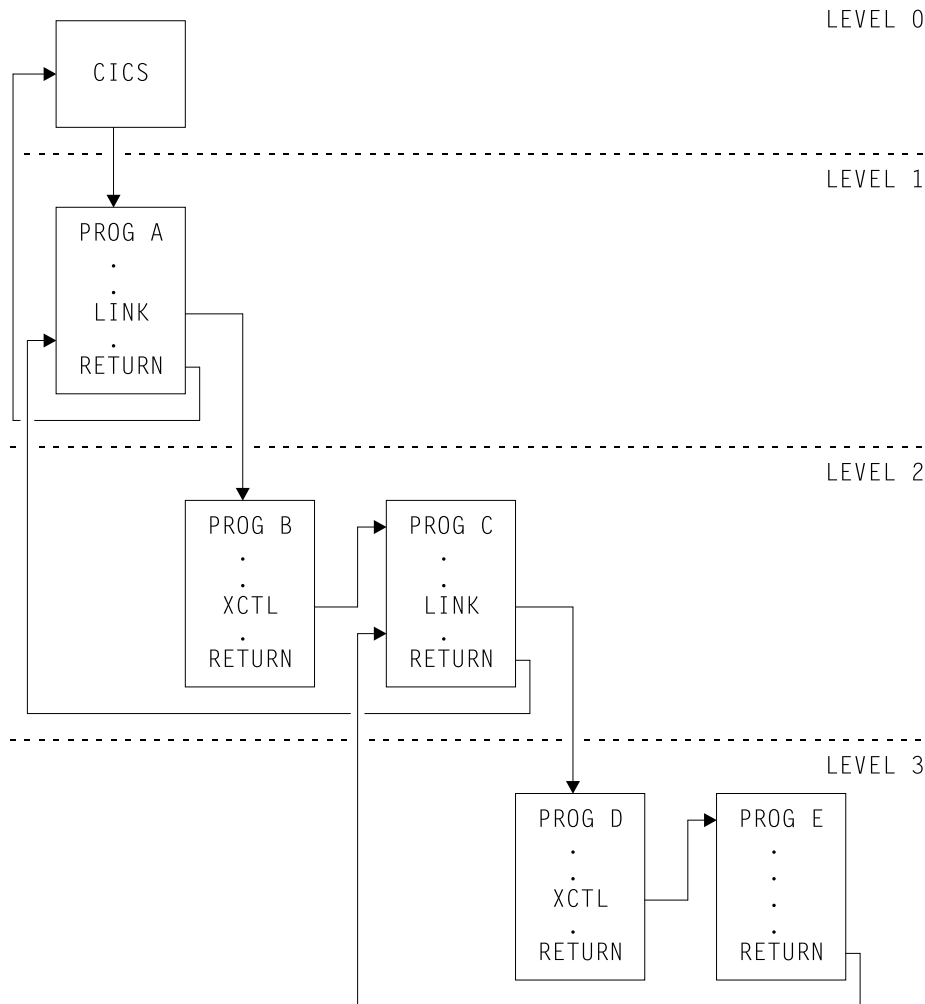


Figure 79. Application program logical levels

## Passing data to other programs

You can pass data to another program when control is passed to that other program using a program control command.

### COMMAREA

The COMMAREA option of the LINK and XCTL commands specifies the name of a data area (known as a **communication area**) in which data is passed to the program being invoked.

In a similar manner, the COMMAREA option of the RETURN command specifies the name of a communication area in which data is passed to the transaction identified in the TRANSID option. (The TRANSID option specifies a transaction that is initiated when the next input is received from the terminal associated with the task.) For programming information about the length of the communication area, see the *CICS Application Programming Reference* manual.

The invoked program receives the data as a parameter. The program must contain a definition of a data area to allow access to the passed data.

In a receiving COBOL program, you must give the data area the name DFHCOMMAREA. In this COBOL program, if a program passes a COMMAREA as part of a LINK, XCTL, or RETURN command, either the working-storage or the LINKAGE SECTION can contain the data area. A program receiving a COMMAREA should specify the data in the LINKAGE SECTION. This applies when the program is either of the following:

- The receiving program during a LINK or XCTL command where a COMMAREA is passed
- The initial program, where the RETURN command of a previously called task specified a COMMAREA and TRANSID

In a C or C++ program that is receiving a COMMAREA, the COMMAREA must be defined as a pointer to a structure. The program then must issue the ADDRESS COMMAREA command to gain addressability to the passed data.

In a PL/I program, the data area can have any name, but it must be declared as a based variable, based on the parameter passed to the program. The pointer to this based variable should be declared explicitly as a pointer rather than contextually by its appearance in the declaration for the area. This prevents the generation of a PL/I error message. No ALLOCATE statement can be processed within the receiving program for any variable based on this pointer. This pointer must not be updated by the application program.

In an assembler language program, the data area should be a DSECT. The register used to address this DSECT must be loaded from DFHEICAP, which is in the DFHEISTG DSECT.

The receiving data area need not be of the same length as the original communication area; if access is required only to the first part of the data, the new data area can be shorter. However, it must not be longer than the length of the communication area being passed. If it is, your transaction may inadvertently attempt to read data outside the area that has been passed. It may also overwrite data outside the area, which could cause CICS to abend.

To avoid this happening, your program should check whether the length of any communication area that has been passed to it is as expected, by accessing the EIBCALEN field in the EIB of the task. If no communication area has been passed, the value of EIBCALEN is zero; otherwise, EIBCALEN always contains the value specified in the LENGTH option of the LINK, XCTL, or RETURN command, regardless of the size of the data area in the invoked program. You should ensure that the value in EIBCALEN matches the value in the DSECT for your program, and make sure that your transaction is accessing data within that area.

You may also add an identifier to COMMAREA as an additional check on the data that is being passed. This identifier is sent with the sending transaction and is checked for by the receiving transaction.

When a communication area is passed using a LINK command, the invoked program is passed a pointer to the communication area itself. Any changes made to the contents of the data area in the invoked program are available to the invoking program, when control returns to it. To access any such changes, the program names the data area specified in the original COMMAREA option.

When a communication area is passed using an XCTL command, a copy of that area is made unless the area to be passed has the same address and length as the

area that was passed to the program issuing the command. For example, if program A issues a LINK command to program B, which in turn issues an XCTL command to program C, and if B passes to C the same communication area that A passed to B, program C will be passed addressability to the communication area that belongs to A (not a copy of it), and any changes made by C will be available to A when control returns to it.

When a lower-level program, which has been accessed by a LINK command, issues the RETURN command, control passes back one logical level higher than the program returning control. If the task is associated with a terminal, the TRANSID option can be used at the lower level to specify the transaction identifier for the next transaction to be associated with that terminal. The transaction identifier comes into play only after the highest logical level has relinquished control to CICS using the RETURN command and input is received from the terminal. Any input entered from the terminal, apart from an attention key, is interpreted wholly as data. You may use the TRANSID option without COMMAREA when returning from any link level, but it can be overridden on a later RETURN command. If a RETURN command fails at the top level because of an invalid COMMAREA, the TRANSID becomes null. Also, you can specify COMMAREA or IMMEDIATE only at the highest level, otherwise you get an INVREQ with RESP2=2.

In addition, the COMMAREA option can be used to pass data to the new task that is to be started.

The invoked program can determine which type of command invoked it by accessing field EIBFN in the EIB. This field must be tested before any CICS commands are issued. If the program was invoked by a LINK or XCTL command, the appropriate code is found in the EIBFN field. If it was invoked by a RETURN command, no CICS commands have been issued in the task, and the field contains zeros.

## INPUTMSG

The INPUTMSG option of the LINK, XCTL, and RETURN commands is another way of specifying the name of a data area to be passed to the program being invoked. For programming information about the use of these commands, see the *CICS Application Programming Reference* manual. In this case, the invoked program gets the data by processing a RECEIVE command. This option enables you to invoke (“front-end”) application programs that were written to be invoked directly from a terminal, and which contain RECEIVE commands, to obtain initial terminal input.

If program that has been accessed by means of a LINK command issues a RECEIVE command to obtain initial input from a terminal, but the initial RECEIVE request has already been issued by a higher-level program, there is no data for the program to receive. In this case, the application waits on input from the terminal. You can ensure that the original terminal input continues to be available to a linked program by invoking it with the INPUTMSG option.

When an application program invokes another program, specifying INPUTMSG on the LINK (or XCTL or RETURN) command, the data specified on the INPUTMSG continues to be available even if the linked program itself does not issue a RECEIVE command, but instead invokes yet another application program. See Figure 80 on page 472 for an illustration of INPUTMSG.

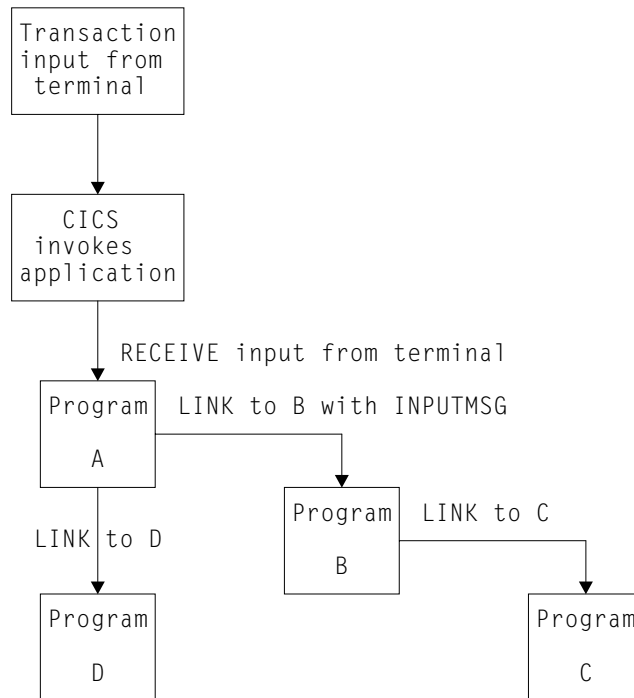


Figure 80. Use of INPUTMSG in a linked chain

**Notes:**

1. In this example, the “real” first RECEIVE command is issued by program A. By linking to program B with the INPUTMSG option, it ensures that the next program to issue a RECEIVE request can also receive the terminal input. This can be either program B or program C.
2. If program A simply wants to pass on the unmodified terminal input that it received, it can name the same data area for the INPUTMSG option that it used for the RECEIVE command. For example:

```

EXEC CICS RECEIVE
      INTO(TERMINAL-INPUT)
      :
      :
EXEC CICS LINK
      PROGRAM(PROGRAMB)
      INPUTMSG(TERMINAL-INPUT)
      :
      :

```

3. As soon as one program in a LINK chain issues a RECEIVE command, the INPUTMSG data ceases to be available to any subsequent RECEIVE command. In other words, in the example shown, if B issues a RECEIVE request before linking to C, the INPUTMSG data area is not available for C.
4. This method of communicating data from one program to another can be used for any kind of data—it does not have to originate from a user terminal. In our example, program A could move any data into the named data area, and invoke program B with INPUTMSG referencing the data.
5. The “terminal-data” passed on INPUTMSG also ceases to be available when control is eventually returned to the program that issued the link with INPUTMSG. In our example, if C returns to B, and B returns to A, and neither B nor C issues a RECEIVE command, the data is assumed by A to have been received. If A then invokes another program (for example, D), the original INPUTMSG data is no longer available to D, unless the INPUTMSG option is specified.



6. The INPUTMSG data ceases to be available when a SEND or CONVERSE command is issued.

## Using the INPUTMSG option on the RETURN command

You can specify INPUTMSG to pass data to the next transaction specified on a RETURN command with the TRANSID option. To do this, the RETURN command must be issued at the highest logical level to return control to CICS, and the command must also specify the IMMEDIATE option. If you specify INPUTMSG with TRANSID, and do not also specify IMMEDIATE, the next real input from the terminal overrides the INPUTMSG data, which is therefore lost. See the *CICS Application Programming Reference* manual for programming information about the RETURN command.

If you specify INPUTMSG with TRANSID some time after a SEND command, the SEND message is immediately flushed out to the terminal.

The other use for INPUTMSG, on a RETURN command without the TRANSID option, is intended for use with a dynamic transaction routing program. See the *CICS Customization Guide* for programming information about the user-replaceable dynamic transaction routing program.

## Other ways of passing data

Data can also be passed between application programs and transactions in other ways. For example, the data can be stored in a CICS storage area outside the local environment of the application program, such as the transaction work area (TWA). Another way is to store the data in temporary storage; see “Chapter 38. Temporary storage control” on page 499 for details.

## Mixed addressing mode transactions

CICS supports the use of the LINK, XCTL, and RETURN commands between programs with different addressing modes and between programs with the same addressing mode.

The following restrictions apply to programs passing data using a communication area named by the COMMAREA option:

- Addresses passed within a communication area to an AMODE(31) program must be 31 bits long. Do not use 3-byte addresses with flag data packed into the top byte, unless the called program is specifically designed to ignore the top byte.
- Addresses passed as data to an AMODE(24) program must be below the 16MB line if they are to be interpreted correctly by the called program.

These restrictions apply to the address of the communication area itself, and also to addresses within it. However, a communication area above the 16MB line can be passed to an AMODE(24) subprogram. CICS copies the communication area into an area below the 16MB line for processing. It copies it back again when control returns to the linking program. See “Chapter 36. Storage control” on page 479 for information about copying CICS-key storage.

CICS does not validate any data addresses passed within a communication area between programs with different addressing modes.



```

                                Invoking program
PROG1: PROC OPTIONS(MAIN);
DCL 1 COM_REGION AUTOMATIC,
      2 FIELD CHAR(3),
      :
      :
FIELD='ABC';
EXEC CICS LINK PROGRAM('PROG2')
      COMMAREA(COM_REGION) LENGTH(3);
END;

                                Invoked program

PROG2:
PROC(COMM_REG_PTR) OPTIONS(MAIN);
DCL COMM_REG_PTR PTR;
DCL 1 COM_REGION BASED(COMM_REG_PTR),
      2 FIELD CHAR(3),
      :
      :
IF EIBCALEN>0 THEN DO;
      IF FIELD='ABC' THEN ...
      :
      :
      END;
      :
      :
END;

```

Figure 83. PL/I example—LINK command

```

                                Invoking program

DFHEISTG DSECT
COMREG   DS 0CL20
FIELD    DS CL3
      :
      :
PROG1    CSECT
      :
      :
      MVC FIELD,=C'XYZ'
      EXEC CICS LINK
      PROGRAM('PROG2')
      COMMAREA(COMREG) LENGTH(3)
      :
      :
      END

                                Invoked program

COMREG   DSECT
FIELD    DS CL3
      :
      :
PROG2    CSECT
      :
      :
      L COMPTR,DFHEICAP
      USING COMREG,COMPTR
      CLC FIELD,=C'ABC'
      :
      :
      END

```

Figure 84. ASM example—LINK command

## Examples of passing data with the RETURN command

Figures 85 to 88 show how in COBOL, C, C++, PL/I, and assembler language, the RETURN command is used to pass data to a new transaction.

```

                                Invoking program

IDENTIFICATION DIVISION.
PROGRAM-ID. 'PROG1'.
:
:
WORKING-STORAGE SECTION.
01  TERMINAL-STORAGE.
    02  FIELD PICTURE X(3).
    02  DATAFLD PICTURE X(17).
:
:
PROCEDURE DIVISION.
    MOVE 'XYZ' TO FIELD.
    EXEC CICS RETURN TRANSID('TRN2')
        COMMAREA(TERMINAL-STORAGE)
        LENGTH(20) END-EXEC.
:
:
                                Invoked program

IDENTIFICATION DIVISION.
PROGRAM-ID. 'PROG2'
:
:
LINKAGE SECTION.
01  DFHCOMMAREA.
    02  FIELD PICTURE X(3).
    02  DATAFLD PICTURE X(17).
:
:
PROCEDURE DIVISION.
    IF EIBCALEN GREATER ZERO
    THEN
        IF FIELD EQUALS 'XYZ'
        MOVE 'ABC' TO FIELD.
    EXEC CICS RETURN END-EXEC.
```

Figure 85. COBOL example—RETURN command

```

                                Invoking program
struct ter_struct
{
    unsigned char field[3];
    unsigned char datafld[17];
};
main()
{
    struct ter_struct ter_stor;
    memcpy(ter_stor.field,"XYZ",3);
    EXEC CICS RETURN TRANSID("TRN2")
        COMMAREA(&ter_stor)
        LENGTH(sizeof(ter_stor));
}

                                Invoked program
struct term_struct
{
    unsigned char field[3];
    unsigned char datafld[17];
};
main()
{
    struct term_struct *commarea;
    EXEC CICS ADDRESS COMMAREA(commarea) EIB(dfheiptr);
    if (dfheiptr->eibcalen > 0)
    {
        if (memcmp(commarea->field, "XYZ", 3) == 0)
            memcpy(commarea->field, "ABC", 3);
    }
    EXEC CICS RETURN;
}

```

Figure 86. C example—RETURN command

```

                                Invoking program

PROG1: PROC OPTIONS(MAIN);
DCL 1 TERM_STORAGE,
      2 FIELD CHAR(3),
      :
FIELD='XYZ';
EXEC CICS RETURN TRANSID('TRN2')
    COMMAREA(TERM_STORAGE);
END;

                                Invoked program

PROG2:
PROC(TERM_STG_PTR) OPTIONS(MAIN);
DCL TERM_STG_PTR PTR;
DCL 1 TERM_STORAGE
      BASED(TERM_STG_PTR),
      2 FIELD CHAR(3),
      :
IF EIBCALEN>0 THEN DO;
    IF FIELD='XYZ' THEN FIELD='ABC';
    END;
EXEC CICS RETURN;
END;

```

Figure 87. PL/I example—RETURN command

Invoking program

```
DFHEISTG DSECT
TERMSTG DS 0CL20
FIELD DS CL3
DATAFLD DS CL17
:
:
PROG1 CSECT
:
:
MVC FIELD,=C'ABC'
EXEC CICS RETURN
TRANSID('TRN2')
COMMAREA(TERMSTG)
:
:
END
```

Invoked program

```
TERMSTG DSECT
FIELD DS CL3
DATAFLD DS CL17
:
:
PROG2 CSECT
:
:
CLC EIBCALEN,=H'0'
BNH LABEL2
L COMPTR,DFHEICAP
USING TERMSTG,COMPTR
CLC FIELD,=C'XYZ'
BNE LABEL1
MVC FIELD,=C'ABC'
LABEL1 DS 0H
:
:
LABEL2 DS 0H
:
:
END
```

Figure 88. ASM example—RETURN command

---

## Chapter 36. Storage control

This chapter explains about storage protection in the following sections:

- “Overview of CICS storage protection and transaction isolation” on page 480
- “Storage protection” on page 480
- “Deciding what execution and storage key to specify” on page 484
- “Storage protection exception conditions” on page 488
- “Transaction isolation” on page 488
- “Using transaction isolation” on page 489
- “MVS subspaces” on page 491

The CICS storage control facility controls requests for main storage to provide intermediate work areas and other main storage needed to process a transaction.

### Java and C++

The application programming interface described in this chapter is the EXEC CICS API, which is not used in Java programs. For information about Java programs using the JCICS classes to access storage control services, see “The JCICS Java classes” on page 69 and the JCICS Javadoc html documentation. For information about C++ programs using the CICS C++ classes, see the *CICS C++ OO Class Libraries* manual.

CICS makes working storage available within each command-level program automatically, without any specific request from the application program, and provides other facilities for intermediate storage, both within and among tasks. “Chapter 12. Designing efficient applications” on page 119 describes storage within individual programs. If you need working storage in addition to the working storage provided automatically by CICS, however, you can use the following commands:

- GETMAIN to get and initialize main storage
- FREEMAIN to release main storage

You can initialize the acquired main storage to any bit configuration by supplying the INITIMG option on the GETMAIN command; for example, zeros or EBCDIC blanks.

CICS releases all main storage associated with a task when the task is ended normally or abnormally. This includes any storage acquired, and not subsequently released, by your application program, except for areas obtained with the SHARED option. This option of the GETMAIN command prevents storage being released automatically when a task completes.

If you use the GETMAIN command with the SHARED option, and the FREEMAIN command, you could create inter-transaction affinities that adversely affect the ability to perform dynamic transaction routing.

To help you identify potential problems with programs that issue these commands, you can use the Transaction Affinities Utility. See the *CICS Transaction Affinities Utility Guide* for information about this utility and see “Chapter 14. Affinity” on page 157 for information about transaction affinity.

If there is no storage available when you issue your request, CICS suspends your task until space is available, unless you specify the NOSUSPEND option. While the task is suspended, it may be canceled (timed out) if the transaction definition specifies SPURGE(YES) and DTIMOUT(mmss). NOSUSPEND returns control to your program if storage is not available, allowing you to do alternative processing, as appropriate.

---

## Overview of CICS storage protection and transaction isolation

Storage control is affected by storage protection introduced in CICS/ESA 3.3 and transaction isolation introduced in CICS/ESA 4.1.

Storage protection protects CICS code and control blocks from applications, and transaction isolation protects tasks from each other.

The ESA/390™ subsystem storage protection facility works in a way that enables you to prevent CICS code and control blocks from being overwritten accidentally by your application programs. It does **not** provide protection against deliberate overwriting of CICS code or control blocks. CICS cannot prevent an application obtaining the necessary access (execution key) to modify CICS storage.

Transaction isolation extends this storage protection to provide protection for transaction data. Accidental overwrites of the transaction data by an application program of another transaction can affect the reliability and availability of your CICS system and the integrity of the data in the system.

The use of storage protection is optional. You choose whether you want to use storage protection facilities by means of CICS system initialization parameters described in the *CICS System Definition Guide*. For information about transaction isolation, see “Transaction isolation” on page 488.

---

## Storage protection

CICS allows you to run your application programs in either user-key or CICS-key storage. (See “Terminology” on page 481 for definitions of the terms user key and CICS key.) CICS storage is automatically protected from being overwritten by application programs that execute in user-key storage (the default). The concept of isolating CICS code and control blocks (CICS internal data areas) from user application programs is illustrated in Figure 89 on page 481.



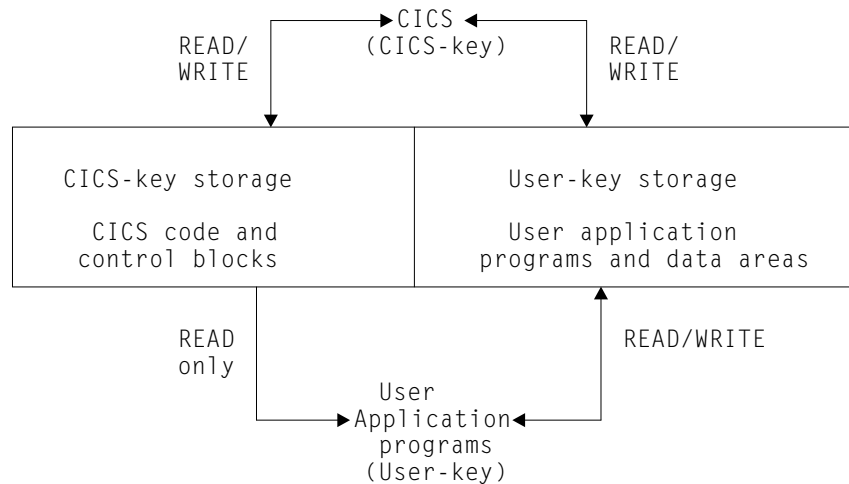


Figure 89. Protecting CICS code and control blocks from user application programs

The terms in Figure 89 relating to storage keys and execution keys are explained under “Terminology”.

## Terminology

When you are running with the storage protection facility active, CICS separates storage into two categories:

### CICS-key storage

is used for CICS system code and control blocks and, at the discretion of the installation, other code and data areas that require protection from overwriting.

In a CICS region with transaction isolation active, a CICS-key program has read/write access to CICS-key and user-key storage.

### User-key storage

is where application programs and their data areas normally reside.

There are two associated execution modes:

1. CICS system programs run in **CICS key**. CICS-key execution allows a program read-write access to both CICS-key and user-key storage.
2. Application programs normally execute in **user key**. User-key execution allows a program read-write access to user-key storage, but only read access to CICS-key storage.

The terms “user key” and “CICS key” thus apply both to storage and to the execution of programs with respect to that storage. They are reflected in the resource definition keywords. These keywords are described in transactions, see the *CICS Resource Definition Guide* for more information.

## Selecting the execution key for applications

The execution key controls the type of access your application programs have to CICS-key storage. The default is that application programs are given control in user key. You should define CICS key only for those programs where it is essential that they execute in CICS key. The programs you might select to run in CICS key are typically those that are written by system programmers, and are usually designed to provide special function in support of user applications. Such

programs are generally considered to be an extension of CICS rather than part of an application. Some examples of such programs are described in “CICS-key applications” on page 486.

The storage protection facility does not protect CICS code and control blocks from being overwritten by this type of program, or by ordinary application programs that you choose to execute in CICS key.

## Defining the execution key

To run your programs in CICS key, you should use the execution key parameter (EXECKEY) on the program resource definition. See “Deciding what execution and storage key to specify” on page 484 for an explanation of EXECKEY. The EXECKEY parameter determines the key in which CICS passes control to an application program.

## Selecting and defining the storage key for applications

CICS enables you to choose between user-key storage and CICS-key storage for a number of CICS data areas and application program data areas that your applications can use. Depending on the data area, you select the storage key by:

- System initialization parameters
- Resource definition option
- Selecting an option on the GETMAIN command

Defining the storage key for storage areas that your applications need to access is described in the following sections.

### System-wide storage areas

For each CICS region, your installation can choose between user-key and CICS-key storage for the common work area (CWA) and for the terminal control table user areas (TCTUAs). If these areas are in user-key storage, all programs have read-write access to them; if they are in CICS-key storage, user-key application programs are restricted to read-only access. The storage keys for the CWA and the TCTUAs are set by the system initialization parameters CWAKEY and TCTUAKEY, respectively. In both cases the default option is that CICS obtains user-key storage.

See the *CICS Resource Definition Guide* for information about how to specify these and other storage-protection-related system initialization parameters.

### Task lifetime storage

You can also specify whether user-key or CICS-key storage is used for the storage that CICS acquires at transaction attach time, and for those elements of storage directly related to the individual application programs in a transaction. You do this by means of the TASKDATAKEY option on the transaction resource definition. This governs the type of storage allocated for the following storage areas:

- The transaction work area (TWA) and the EXEC interface block (EIB)
- The copies of working storage that CICS obtains for each execution of an application program
- Any storage obtained for an application program in response to:
  - Explicit storage requests by means of an GETMAIN command
  - Implicit storage requests as a result of a CICS command that uses the SET option

For information about how to specify the TASKDATAKEY parameter, see the *CICS Resource Definition Guide*.

Figure 90 on page 484 shows what TASKDATAKEY controls for both task lifetime storage and program working storage.

See the *CICS Application Programming Reference* manual for programming information about EXEC CICS commands; see the *CICS Resource Definition Guide* for information about specifying the TASKDATAKEY option on the transaction resource definition.

### **Program working storage specifically for exit and PLT programs**

CICS uses the TASKDATAKEY option of the calling transaction to determine the storage key for the storage acquired for global user exits, task-related user exits, user-replaceable modules, and PLT programs. For programming information about storage key, including details of how this affects the different types of program, see the *CICS Customization Guide*.

### **Passing data by a COMMAREA**

In a pseudoconversational application, CICS ensures that a COMMAREA you specify on a RETURN command is always accessible in read-write mode to the next program in the conversation. The same is true when passing a COMMAREA within a transaction that comprises more than one program (using a LINK or XCTL command). CICS ensures that the target program has read-write access to the COMMAREA.

### **The GETMAIN command**

The GETMAIN command provides USERDATAKEY and CICSDATAKEY options to enable the application program to explicitly request user-key or CICS-key storage, regardless of the TASKDATAKEY option specified on the associated transaction resource definition. For example, this option allows application programs, which are executing with TASKDATAKEY(CICS) specified, to obtain user-key storage for passing to, or returning to, a program executing in user key.

CICS-key storage obtained by GETMAIN commands issued in a program defined with EXECKEY(CICS) can be freed explicitly only if the FREEMAIN command is issued by a program defined with EXECKEY(CICS). If an application program defined with EXECKEY(USER) attempts to free CICS-key storage using FREEMAIN commands, CICS returns the INVREQ condition. However, an application can free user-key storage with FREEMAIN commands regardless of the EXECKEY option.

All task lifetime storage acquired by an application, whether in CICS key or user key, is freed by CICS at task termination. You can also specify STORAGECLEAR(YES) on this option of the associated transaction resource definition. This clears the storage and so prevents another task accidentally viewing sensitive data.

For programming information about commands, see the *CICS Application Programming Reference* manual; for information about defining, see the *CICS Resource Definition Guide*.

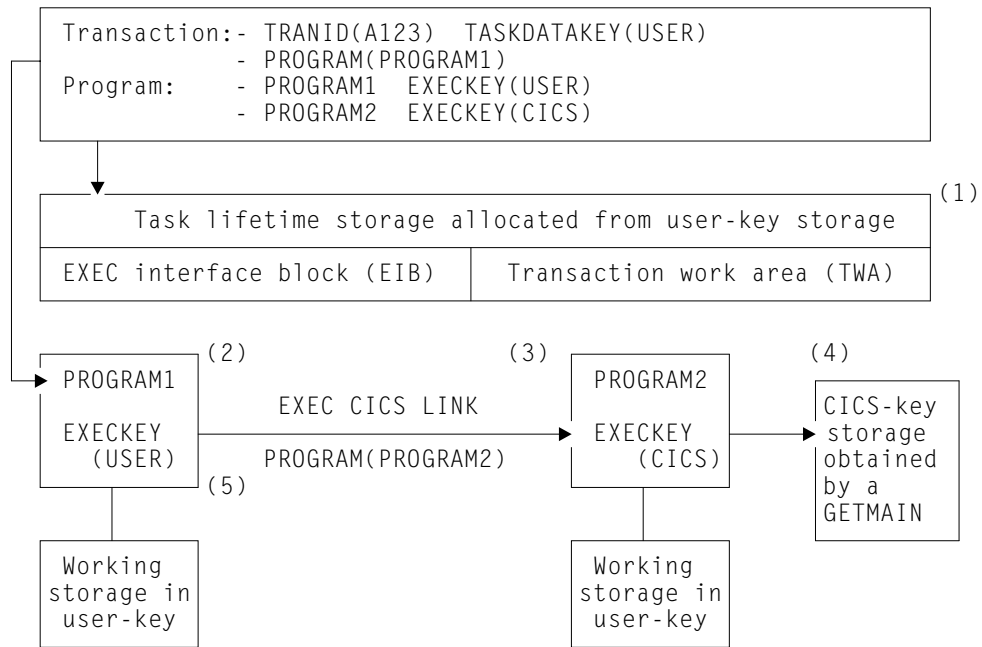


Figure 90. Illustration of the use of the TASKDATAKEY and EXECCKEY options

**Notes:**

1. The TASKDATAKEY option ensures the TWA and EIB are allocated from user-key storage, required for PROGRAM1, which executes in user key—specified by EXECCKEY(USER).
2. PROGRAM1 executes in user key (controlled by EXECCKEY), and has its working storage obtained in user-key storage (controlled by the TASKDATAKEY option). Any other storage the program obtains by means of GETMAIN commands or by using the SET option on a CICS command is also obtained in user-key storage.
3. PROGRAM2 executes in CICS key (controlled by EXECCKEY), but has its working storage obtained in user-key storage, which again is controlled by the TASKDATAKEY option.
4. PROGRAM2 issues an explicit GETMAIN command using the CICSDATAKEY option and, because it executes in CICS key, can store data into the CICS-key protected storage before returning control to PROGRAM1.
5. PROGRAM1 cannot write to the CICS-key protected storage that PROGRAM2 acquired, but can read what PROGRAM2 wrote there.

When deciding whether you need to specify EXECCKEY(CICS) and TASKDATAKEY(CICS), you must consider all the reasons that make these options necessary.

Programs that modify their storage protection key should ensure they are running in the correct key when attempting to access storage. CICS can only use the EXECCKEY defined in the program definition when invoking a program.

---

## Deciding what execution and storage key to specify

When you are running CICS with storage protection, the majority of your application programs should execute in user key, with all their storage obtained in user key. You only need to define EXECCKEY(CICS) on program definitions, and TASKDATAKEY(CICS) on the associated transaction definitions, for those

programs that use facilities that are not permitted in user key, or for any special “system-type” transactions or vendor packages.

You should only specify TASKDATAKEY(CICS) for those transactions where all the component programs have EXECKEY(CICS), and for which you want to protect their task lifetime and working storage from being overwritten by user-key applications. For example, the CICS-supplied transactions such as CEDF are defined with TASKDATAKEY(CICS).

Note that you cannot specify EXECKEY(USER) on any programs that form part of a transaction defined with TASKDATAKEY(CICS) because, in this situation, a user-key program would not be able to write to its own working storage. Transactions abend with an AEZD abend if any program is defined with EXECKEY(USER) within a transaction defined with TASKDATAKEY(CICS), regardless of whether storage protection is active.

You cannot define a program so that it inherits its caller’s execution key. The execution key and data storage keys are derived for each program from its program and associated transaction resource definitions respectively, which you either specify explicitly or allow to default; the default is always user key. Table 40 summarizes the various combinations of options.

Table 40. Combinations of KEY options

EXECKEY	TASKDATAKEY	Recommended usage and comments
USER	USER	For normal applications using the CICS API
USER	CICS	<b>Not permitted.</b> CICS abends any program defined with EXECKEY(USER) invoked under a transaction defined with TASKDATAKEY(CICS).
CICS	USER	For programs that need to issue restricted MVS requests or modify CICS-key storage.
CICS	CICS	For transactions (and component programs) that function as extensions to CICS, such as the CICS-supplied transactions, or which require the same protection.

## User-key applications

For most applications you should define your programs with EXECKEY(USER), and the related transactions with TASKDATAKEY(USER). To obtain the maximum benefits from the CICS storage protection facility, you are recommended to run your application programs in user key storage. Specifying USER on these options has the following effect:

### EXECKEY(USER)

This specifies that CICS is to give control to the program in user key when it is invoked. Programs defined with EXECKEY(USER) are restricted to read-only access to CICS-key storage. These include:

- Storage belonging to CICS itself
- CICS-key storage belonging to user transactions defined with TASKDATAKEY(CICS)
- Application programs defined with EXECKEY(CICS) and thus loaded into CICS-key storage

- In a CICS region where transaction isolation is active, a user-key program has read/write access to the user-key task-lifetime storage of its own transaction and any shared DSA storage

#### **TASKDATAKEY(USER)**

This specifies that all task lifetime storage, such as the transaction work area (TWA) and the EXEC interface block (EIB), is obtained from the user-key storage.

It also means that all storage directly related to the programs within the transaction is obtained from user-key storage.

However, user-key programs of transactions defined with ISOLATE(YES) have access only to the user-key task-lifetime storage of their own task.

USER is the default for both the EXECKEY and TASKDATAKEY options, therefore you do not need to make any changes to resource definitions for existing application programs.

## **CICS-key applications**

Most application programs can be defined with EXECKEY(USER), which is the default value, and this is the option you are recommended to use in the majority of cases. These include programs that use DL/I or DB2 and programs that access vendor products through the resource manager interface (RMI) or a LINK command.

However, some application programs need to be defined with EXECKEY(CICS) because they need to use certain facilities that are listed later. Widespread use of EXECKEY(CICS) diminishes the protection offered by the storage protection facility because there is no protection of CICS code and control blocks from being overwritten by application programs that execute in CICS key. The ISOLATE attribute in the transaction definition does not provide any protection against application programs that execute in CICS key—that is, from programs defined with EXECKEY(CICS). Any application program causing a protection exception when defined with EXECKEY(USER) must be examined to determine why it is attempting to modify storage it is not allowed to modify. You should change a program's definition to EXECKEY(CICS) only if you are satisfied that the application program legitimately uses the facilities described below.

- The program uses MVS macros or services directly, rather than through the CICS API. The only MVS macros that are supported in user-key programs are SPIE, ESPIE, POST, WAIT, WTO, and WTOR. It is also possible to issue GTF trace requests from an EXECKEY(USER) program. If a program uses any other MVS macro or service, it must be defined with EXECKEY(CICS). Some particular examples are:
  - Use of dynamic allocation (DYNALLOC macro, SVC 99)
  - Use of MVS GETMAIN and FREEMAIN or STORAGE requests
  - Use of MVS OPEN, CLOSE, or other file access requests

Direct use of some MVS macros and services is undesirable, even in a CICS application defined with EXECKEY(CICS). This is because they may cause MVS to suspend the whole CICS region until the request is satisfied.

Some COBOL, PL/I, C, and C++ language statements, and compiler options, cause operating system functions to be invoked. See “Chapter 2. Programming in COBOL” on page 23, “Chapter 3. Programming in C and C++” on page 45, and “Chapter 4. Programming in PL/I” on page 53 for information about which of these should not be used in CICS application programs. It is possible that some

of these functions may have worked in previous releases of CICS, or at least may not have caused the application to fail. They **do not work** when the program is defined with EXECCKEY(USER). When the use of prohibited options or statements is the cause of a protection exception, you should remove these from the program rather than simply redefine the program with EXECCKEY(CICS). The use of prohibited statements and options can have other side effects on the overall execution of CICS, and these should be removed.

- The program needs to modify the CWA, and the CWA is in CICS-key storage (CWAKEY=CICS).

If you decide to protect the CWA by specifying CWAKEY(CICS), you should restrict the programs that are permitted to modify the CWA to as few as possible, perhaps only one. See “Common work area (CWA)” on page 151 for information about how you can control access to a protected CWA.

- The program needs to modify the TCTUA, and the TCTUAs are in CICS-key storage (TCTUAKEY=CICS).

See “TCTTE user area (TCTUA)” on page 154 for information about using TCTUAs in a storage protection environment.

- The program can be invoked from PLT programs, from transactions defined with TASKDATAKEY(CICS), from task-related or global user exits programs, or from user-replaceable programs.
- The program modifies CICS control blocks—for example, some vendor products that do need to manipulate CICS control blocks. These must be defined with EXECCKEY(CICS).
- The program provides user extensions to CICS and requires protection and data access similar to CICS system code. For example, you may consider that such programs are a vital part of your CICS installation, and that their associated storage, like CICS storage, should be protected from ordinary application programs.
- CICS always gives control in CICS key to the following types of user-written program, regardless of the option specified on their program resource definitions:
  - Global user exits (GLUEs)
  - Task-related user exits (TRUEs)
  - User-replaceable modules (URMs)
  - Program list table (PLT) programs

CICS ensures that when control is passed to a PLT program, a global or task-related user exit, or a user-replaceable program, the first program so invoked executes in CICS key, regardless of the EXECCKEY specified on its program resource definition. However, if this first program LINKs or XCTLs to other programs, these programs execute under the key specified in their program definitions. If these subsequent programs are required to write to CICS-key data areas, as often occurs in this type of situation, they must be defined as EXECCKEY(CICS).

In a CICS region with transaction isolation active, these TRUEs and GLUEs run in either base space or subspace (see “MVS subspaces” on page 491), depending on the current mode when CICS gives control to the exit program. They can also modify any application storage. The URMs and PLT programs execute in base space.

For programming information about the execution of GLUEs, TRUEs, URMs, and PLT programs in a CICS region running with storage protection, see the *CICS Customization Guide*.

If two transactions have an affinity by virtue of sharing task lifetime storage, the transactions must be defined as ISOLATE(NO), or the programs must be defined as EXECKEY(CICS). You can use the CICS Transaction Affinities Utility to check the causes of transaction affinity. See the *CICS Transaction Affinities Utility Guide* for more information about this utility. The first of these options is the recommended option, because CICS system code and data is still protected.

### Tables

In addition to executable programs, you can define tables, map sets, and partition sets as program resources. EXECKEY has less relevance to these objects, because they are not actually executed. However, EXECKEY does control where non-executable objects are loaded, and thus affects whether other programs can store into them.

### Map sets and partition sets

Map sets are not reentrant (BMS itself updates fields in maps when calculating absolute screen positions). However, map sets should not be modified by application programs; they must be modified only by CICS, which always executes in CICS key. CICS always loads map sets and partition sets into CICS-key storage.

---

## Storage protection exception conditions

If an application program executing in user key attempts to modify CICS-key storage, a protection exception occurs. The protection exception is processed by normal CICS program error handling, and the offending transaction abends with an ASRA abend. The exception condition appears to the transaction just as if it had attempted to reference any other protected storage. CICS error handling checks whether the reference is to a CICS-key dynamic storage area (DSA), and sends a message (DFHSR0622) to the console. Otherwise, CICS does not treat the failure any differently from any other ASRA abend. See the *CICS Problem Determination Guide* for more information about the storage protection exception conditions.

---

## Transaction isolation

Transaction isolation uses the MVS subspace group facility to offer protection between transactions. This ensures that an application program associated with one transaction cannot accidentally overwrite the data of another transaction.

Some of the benefits of transaction isolation, and its associated support are:

- Reducing system outages
- Protecting application data
- Protecting CICS from application programs that pass invalid addresses
- Aiding application development

### Reducing system outages

Transaction isolation prevents data corruption and unplanned CICS system outages caused by coding errors in user-key application programs that cause the storage of user-key transactions to be accidentally overwritten. Prevention of accidental transaction data overwrites significantly improves the reliability and availability of CICS regions.

### Protecting application data

If an application program overwrites CICS code or data, CICS can fail as a result. If an application program overwrites another application program's **code**, that other application program is likely to fail. Whereas this is a serious interruption in



a production region, the effect is immediate and the program can generally be recovered so that the terminal user can retry the failed transaction. However, if an application program of one transaction overwrites the **data** of another transaction, the results often are not immediately apparent; the erroneous data can be written to a database and the error may remain undetected until later, when it may be impossible to determine the cause of the error. The consequences of a data overwrite are often much more serious than a code overwrite.

## Protecting CICS from being passed invalid addresses

CICS also protects itself against applications that pass invalid addresses that would result in CICS causing storage violations. This occurs when an application program issues an EXEC CICS command that causes CICS to modify storage on the program's behalf, but the program does not own the storage. In earlier releases, CICS did not check ownership of the storage referenced by the passed address, and executed such commands with consequent storage violations.

CICS validates the start address of the storage, and establishes that the application program has write access to the storage that begins with that address, before executing the command.

This address checking is controlled using the CMDPROT system initialization parameter. If a program passes an invalid address to CICS as an output field on the API, an AEYD abend occurs. It is completely independent of storage protection and transaction isolation.

## Aiding application development

Transaction isolation aids application development in the testing and debugging phase. If an application tries to overwrite CICS or another application, or if it tries to pass a storage address it does not own for CICS to write to, CICS immediately abends the task and reports the rogue program's name and the area it tried to overwrite. This saves much time trying to debug what is a common problem in application development environments.

---

## Using transaction isolation

Transaction isolation is built on top of storage protection, which means that STGPROT=YES must be specified. Transaction isolation makes use of parameters introduced by storage protection, these being EXECKEY and TASKDATAKEY.

In addition to being able to specify the storage and execution key for user transactions, you can also specify whether you want transaction isolation. You can control transaction isolation globally for the whole CICS region by means of the TRANISO system initialization parameter. For individual transactions, the ISOLATE option of the transaction resource definition allows you to specify the level of protection that should apply to each transaction and program.

ISOLATE [YES or NO]

The defaults for these options mean that, in most cases, no changes to resource definition are needed for existing applications. However, where necessary, protection can be tailored to allow transactions to continue to function where they fail to meet the criteria for full protection, which is the default. This means that the transaction's user-key task lifetime storage is protected from the user-key programs of other transactions, but not from CICS-key programs. See Figure 91 on page 490 for an illustration of this.

A user-key program invoked by transaction A (TXNA) may read and write to TXNA's user-key task lifetime storage and to shared user storage. Moreover, TXNA has no access to transaction B's (TXNB) user-key task lifetime storage.

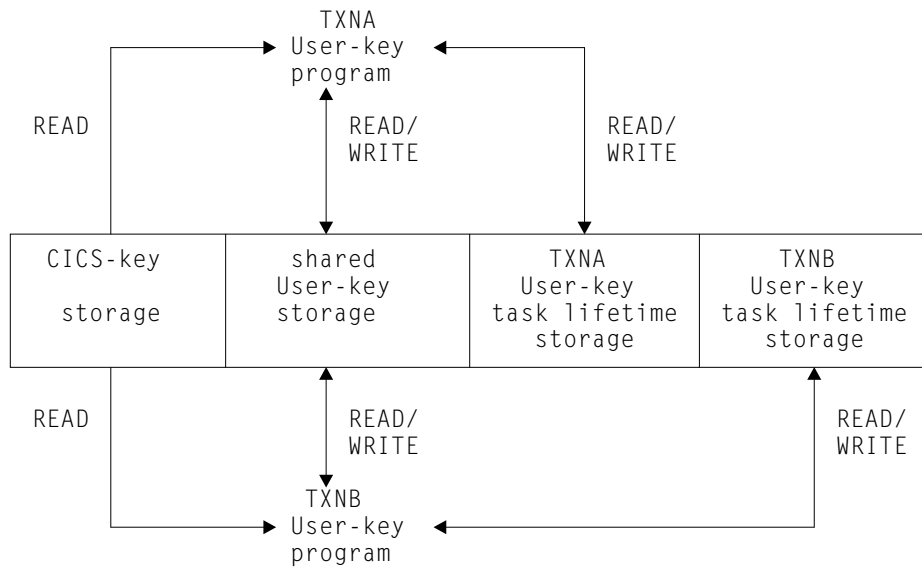


Figure 91. TXNA and TXNB are two transactions defined as ISOLATE(YES)

If a transaction is defined as ISOLATE(NO), its user-key task lifetime is visible to all other transactions also defined as ISOLATE(NO). It is, however, protected from transactions defined as ISOLATE(YES).

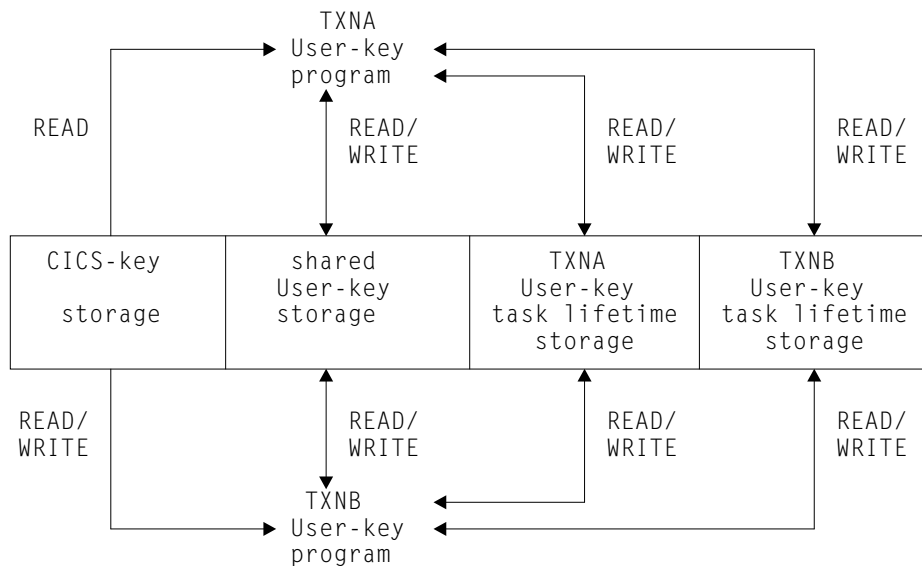


Figure 92. TXNA and TXNB are two transactions defined as ISOLATE(NO) and have read/write to each other's task lifetime storage

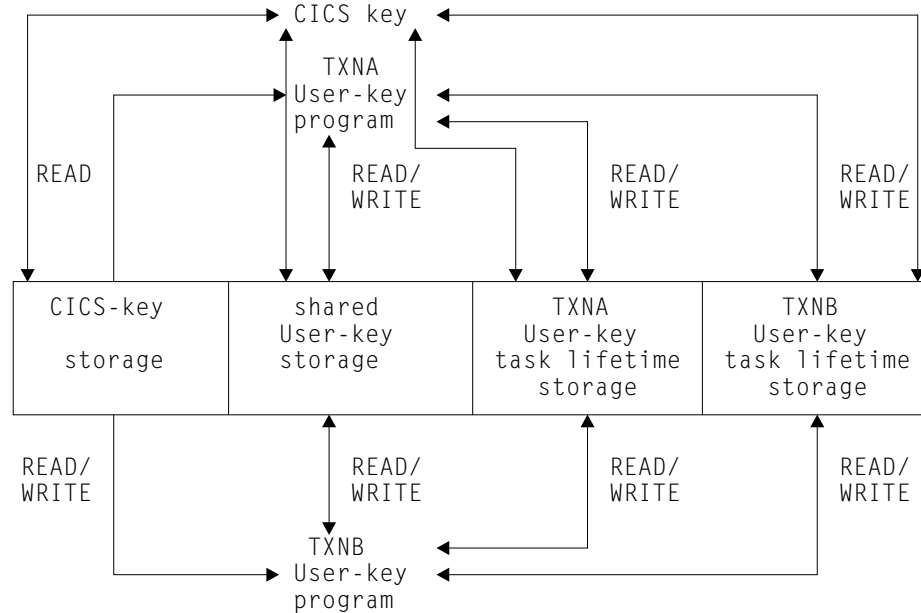


Figure 93. TXNA and TXNB defined as ISOLATE(YES) to a CICS-key program which has read/write access to both CICS- and user-key storage

## MVS subspaces

MVS/ESA 5.2 introduces the subspace group facility, which can be used for storage isolation to preserve data integrity within an address space.

The subspace-group facility uses hardware to provide protection for transaction data. A subspace-group is a group of subspaces and a single base space, where the base space is the normal MVS address space as in releases prior to MVS/ESA 5.1.

The subspace-group facility provides a partial mapping of the underlying base space, so that only specified areas of storage in the base space are exposed in a particular subspace. Thus each subspace represents a different subset of the storage in the base space. Transaction isolation, when specified, ensures that programs defined with EXECKEY(USER) execute in their own subspace, with appropriate access to any shared storage, or to CICS storage. Thus a user transaction is limited to its own “view” of the address space.

Programs defined with EXECKEY(CICS) execute in the base space, and have the same privileges as in CICS/ESA 3.3.

## Subspaces and basespaces for transactions

In general, transaction isolation ensures that user-key programs are allocated to separate (unique) subspaces, and have:

- Read and write access to the user-key task-lifetime storage of their own tasks, which is allocated from one of the user dynamic storage areas (UDSA or EUDSA)
- Read and write access to shared storage; that is, storage obtained by GETMAIN commands with the SHARED option (SDSA or ESDSA)
- Read access to the CICS-key task-lifetime storage of other tasks (CDSA or ECDSA)
- Read access to CICS code

- Read access to CICS control blocks that are accessible by the CICS API

They do not have any access to user-key task-lifetime storage of other tasks.

The defaults for new transaction resource definition attributes specify that existing application programs operate with transaction isolation (the default for the ISOLATE option is YES). Existing applications should run unmodified provided they conform to transaction isolation requirements.

However, a minority of applications may need special definition if they:

- Issue MVS macros directly, or
- Modify CICS control blocks, or
- Have a legitimate need for one task to access, or share, another task's storage

Some existing transactions may share task-lifetime storage in various ways, and this sharing may prevent them running isolated from each other. To allow such transactions to continue to execute, a single common subspace is provided in which all such transactions can execute. They are then isolated from the other transactions in the system that are running in their own subspaces, but able to share each other's data within the common subspace. See "The common subspace and shared storage" for more information.

CICS-key programs execute in the base space and so have read/write access to all CICS-key storage and user-key storage.

## The common subspace and shared storage

You might have some transactions where the application programs access one another's storage in a valid way. One such case is when a task waits on one or more event control blocks (ECBs) that are later posted, either by an MVS POST or "hand posting", by another task.

For example, a task can pass the address of a piece of its own storage to another task (by a temporary storage queue or some other method) and then WAIT for the other task to post an ECB to say that it has updated the storage. Clearly, if the original task is executing in a unique subspace, the posting task fails when attempting the update and to post the ECB, unless the posting task is executing in CICS key.

CICS supports the following methods to ensure that transactions that need to share storage can continue to work in the subspace-group environment:

- You can specify that all the related transactions are to run in the common subspace. The common subspace allows tasks that need to share storage to coexist, while isolating them from other transactions in the system. Transactions assigned to the common subspace have the following characteristics:
  - They have read and write access to each other's task-lifetime storage.
  - They have no access of any kind to storage of transactions that run in unique subspaces.
  - They have read access only to CICS storage.

Any group of related transactions that work in user key in CICS/ESA 4.1 should work under CICS Transaction Server for OS/390 Release 3 if defined with ISOLATE(NO) to ensure they run in the common subspace. This provides

support for migration, allowing the separation of transactions into their own unique subspaces to be staged gradually after installing CICS and related support.

- You can ensure that the common storage is in SHARED storage by obtaining the storage with the SHARED option.
- You can ensure that the application programs of the transactions that are sharing storage are all defined with EXECKEY(CICS). This ensures that their programs execute in base space, where they have read/write access to all storage. However, this method is not recommended because it does not give any storage protection.

You can use the Transaction Affinities Utility to help you identify transactions that include the commands such as WAIT EVENT, WAITCICS, WAIT EXTERNAL, and MVS POST. See the *CICS Transaction Affinities Utility Guide* manual for more information about this utility.



---

## Chapter 37. Transient data control

This chapter describes the three different queues in CICS and also explains automatic transaction initiation:

- “Intrapartition queues”
- “Extrapartition queues” on page 496
- “Indirect queues” on page 496
- “Automatic transaction initiation (ATI)” on page 497

### Java and C++

The application programming interface described in this chapter is the EXEC CICS API, which is not used in Java programs. For information about Java programs using the JCICS classes to access transient data services, see “The JCICS Java classes” on page 69 and the JCICS Javadoc html documentation. For information about C++ programs using the CICS C++ classes, see the *CICS C++ OO Class Libraries* manual.

The CICS transient data control facility provides a generalized queuing facility. Data can be queued (stored) for subsequent internal or external processing. Selected data, specified in the application program, can be routed to or from predefined symbolic transient data queues: either **intrapartition** or **extrapartition**.

Transient data queues are intrapartition if they are associated with a facility allocated to the CICS region, and extrapartition if the data is directed to a destination that is external to the CICS region. Transient data queues must be defined and installed before first reference by an application program.

You can:

- Write data to a transient data queue (WRITEQ TD command)
- Read data from a transient data queue (READQ TD command)
- Delete an intrapartition transient data queue (DELETEQ TD command)

If the TD keyword is omitted, the command is assumed to be for temporary storage. (See “Chapter 38. Temporary storage control” on page 499 for more information about temporary storage.)

---

### Intrapartition queues

“Intrapartition” refers to data on direct-access storage devices for use with one or more programs running as separate tasks. Data directed to or from these internal queues is referred to as intrapartition data; it must consist of variable-length records. Intrapartition queues can be associated with either a terminal or an output data set. Intrapartition data may ultimately be transmitted upon request to the terminal or retrieved sequentially from the output data set.

Typical uses of intrapartition data include:

- Message switching
- Broadcasting
- Database access
- Routing of output to several terminals (for example, for order distribution)

- Queuing of data (for example, for assignment of order numbers or priority by arrival)
- Data collection (for example, for batched input from 2780 Data Transmission Terminals)

There are three types of intrapartition transient data queue:

- **Non-recoverable** Non-recoverable intrapartition transient data queues are recovered only on a warm start of CICS. If a unit of work (UOW) updates a non-recoverable intrapartition queue and subsequently backs out the updates, the updates made to the queue **are not** backed out.
- **Physically recoverable** Physically recoverable intrapartition transient data queues are recovered on warm and emergency restarts. If a UOW updates a physically recoverable intrapartition queue and subsequently backs out the updates, the updates made to the queue **are not** backed out.
- **Logically recoverable** Logically recoverable intrapartition transient data queues are recovered on warm and emergency restarts. If a UOW updates a logically recoverable intrapartition queue and subsequently backs out the changes it has made, the changes made to the queue are also backed out. On a warm or an emergency restart, the committed state of a logically recoverable intrapartition queue is recovered. In-flight UOWs are ignored.

If an application is trying to issue a read, write, or delete request and suffers an indoubt failure, it may receive a LOCKED response if WAIT(YES) and WAITACTION(REJECT) are specified in the queue definition.

---

## Extrapartition queues

Extrapartition queues (data sets) reside on any sequential device (DASD, tape, printer, and so on) that are accessible by programs outside (or within) the CICS region. In general, sequential extrapartition queues are used for storing and retrieving data outside the CICS region. For example, one task may read data from a remote terminal, edit the data, and write the results to a data set for subsequent processing in another region. Logging data, statistics, and transaction error messages are examples of data that can be written to extrapartition queues. In general, extrapartition data created by CICS is intended for subsequent batched input to non-CICS programs. Data can also be routed to an output device such as a printer.

Data directed to or from an external destination is referred to as extrapartition data and consists of sequential records that are fixed-length or variable-length, blocked or unblocked. The record format for an extrapartition destination must be defined in the DCT by the system programmer and the queue must be defined in the queue definition. (See the *CICS Resource Definition Guide* for details about queue definitions.)

---

## Indirect queues

Intrapartition and extrapartition queues can be used as indirect queues. Indirect queues provide some flexibility in program maintenance in that data can be routed to one of several queues with only the transient data definition, and not the program itself, having to be changed.

When a transient data definition has been changed, application programs continue to route data to the queue using the original symbolic name; however, this name is now an indirect queue that refers to the new symbolic name. Because indirect queues are established by using transient data resource definitions, the application



programmer does not usually have to be concerned with how this is done. Further information about transient data resource definition is in the *CICS Resource Definition Guide*.

---

## Automatic transaction initiation (ATI)

For intrapartition queues, CICS provides the option of automatic transaction initiation (ATI).

A basis for ATI is established by the system programmer by specifying a nonzero trigger level for a particular intrapartition destination. (See the *CICS Resource Definition Guide* for more information about trigger levels.) When the number of entries (created by WRITEQ TD commands issued by one or more programs) in the queue reaches the specified trigger level, a transaction specified in the definition of the queue is automatically initiated. Control is passed to a program that processes the data in the queue; the program must issue repetitive READQ TD commands to deplete the queue.

When the queue has been emptied, a new ATI cycle begins. That is, a new task is scheduled for initiation when the specified trigger level is again reached, whether or not execution of the earlier task has ended.

If an automatically initiated task does not empty the queue, access to the queue is not inhibited. The task may be normally or abnormally ended before the queue is emptied (that is, before a QZERO condition occurs in response to a READQ TD command). If the contents of the queue are to be sent to a terminal, and the previous task completed normally, the fact that QZERO has not been reached means that trigger processing has not been reset and the same task is reinitiated. A subsequent WRITEQ TD command does not trigger a new task if trigger processing has not been reset.

If the contents of the queue are to be sent to a file, the termination of the task has the same effect as QZERO (that is, trigger processing is reset). The next WRITEQ TD command initiates the trigger transaction (if the trigger level has been reached).

If the trigger level of a queue is zero, no task is automatically initiated.

If a queue is logically recoverable, initiation of the trigger transaction is deferred until the next syncpoint.

If the trigger level has already been exceeded because the last triggered transaction abended before clearing the queue, or because the transaction was never started because the MXT limit was reached, another task is not scheduled. This is because QZERO has not been raised to reset trigger processing. The task that has already been scheduled is reinitiated as soon as possible. If the contents of a queue are destined for a file, the termination of the task resets trigger processing and means that the next WRITEQ TD command triggers a new task.

To ensure that an automatically initiated task completes when the queue is empty, the application program should test for a QZERO condition in preference to some other application-dependent factor (such as an anticipated number of records). Only the QZERO condition indicates an emptied queue.

If the contents of a queue are to be sent to another system, the session name is held in EIBTERMID. If a transaction (started with a destination of system) abends, a new transaction is started in the same way as a terminal.

If you use ATI with a transient data trigger mechanism, it could create inter-transaction affinities that adversely affect your ability to perform dynamic transaction routing. See “Chapter 14. Affinity” on page 157 for more information about transaction affinity.

A trigger transaction is shunted if it suffers from an indoubt failure. Another trigger transaction is not attached until the shunted UOW commits or backs out the changes it has made following resynchronization.

---

## Chapter 38. Temporary storage control

This chapter contains information about:

- “Temporary storage queues”
- “Typical uses of temporary storage control” on page 500

The CICS temporary storage control facility provides the application programmer with the ability to store data in temporary storage queues, either in main storage, in auxiliary storage on a direct-access storage device, or in a temporary storage data sharing pool. Data stored in a temporary storage queue is known as temporary data.

### Java and C++

The application programming interface described in this chapter is the EXEC CICS API, which is not used in Java programs. For information about Java programs using the JCICS classes to access temporary storage services, see “The JCICS Java classes” on page 69 and the JCICS Javadoc html documentation. For information about C++ programs using the CICS C++ classes, see the *CICS C++ OO Class Libraries* manual.

You can:

- Write data to a temporary storage queue (WRITEQ TS command).
- Update data in a temporary storage queue (WRITEQ TS REWRITE command).
- Read data from a temporary storage queue (READQ TS command).
- Read the next data from a temporary storage queue (READQ TS NEXT command).
- Delete a temporary storage queue (DELETEQ TS command).

The TS keyword may be omitted; temporary storage is assumed if it is not specified.

Exception conditions that occur during execution of a temporary storage control command are handled as described in “Chapter 20. Dealing with exception conditions” on page 231.

If you use these commands, you could create inter-transaction affinities that adversely affect your ability to perform dynamic transaction routing.

To help you identify potential problems with programs that issue these commands, you can use the scanner and detector components of the Transaction Affinities Utility. See the *CICS Transaction Affinities Utility Guide* for more information about this utility and “Chapter 14. Affinity” on page 157 for more information about transaction affinity.

---

## Temporary storage queues

Temporary storage queues are identified by symbolic names that may be up to 16 characters, assigned by the originating task. Temporary data can be retrieved by the originating task or by any other task using the symbolic name assigned to it. To avoid conflicts caused by duplicate names, a naming convention should be

established; for example, the operator identifier or terminal identifier could be used as a suffix to each programmer-supplied symbolic name. Specific items (logical records) within a queue are referred to by relative position numbers.

Temporary storage queues remain intact until they are deleted by the originating task, by any other task, or by an initial or cold start; before deletion, they can be accessed any number of times. Even after the originating task is terminated, temporary data can be accessed by other tasks through references to the symbolic name under which it is stored.

Temporary data can be stored either in main storage or in auxiliary storage. Generally, main storage should be used if the data is needed for short periods of time; auxiliary storage should be used if the data is to be kept for long periods of time. Data stored in auxiliary storage is retained after CICS termination and can be recovered in a subsequent restart, but data in main storage cannot be recovered. Main storage might be used to pass data from task to task, or for unique storage that allows programs to meet the requirement of CICS that they be quasi-reentrant (that is, serially reusable between entry and exit points of the program).

Temporary storage data sharing provides another type of temporary storage queue that can be supported concurrently. The temporary storage queues can be defined as local, remote, or shared, and they can be stored in temporary storage pools in the coupling facility.

---

## Typical uses of temporary storage control

A temporary storage queue that has only one record can be treated as a single unit of data that can be accessed using its symbolic name. Using temporary storage control in this way provides a typical scratch-pad capability. This type of storage should be accessed using the READQ TS command with the ITEM option; not doing so may cause the ITEMERR condition to be raised.

In general, temporary storage queues of more than one record should be used only when direct access or repeated access to records is necessary; transient data control provides facilities for efficient handling of sequential data sets.

Some uses of temporary storage queues are:

### **Terminal paging**

A task could retrieve a large master record from a direct-access data set, format it into several screen images (using BMS), store the screen images temporarily in auxiliary storage, and then ask the terminal operator which “page” (screen image) is desired. The application programmer can provide a program (as a generalized routine or unique to a single application) to advance page by page, advance or back up a relative number of pages, and so on.

### **A suspend data set**

Suppose a data collection task is in progress at a terminal. The task reads one or more units of input and then allows the terminal operator to interrupt the process by some kind of coded input. If not interrupted, the task repeats the data collection process. If interrupted, the task writes its incomplete data to temporary storage and terminates. The terminal is now free to process a different transaction (perhaps a high-priority inquiry). When the terminal is available to continue data collection, the operator

initiates the task in a “resume” mode, causing the task to recall its suspended data from temporary storage and continue as though it had not been interrupted.

**Preprinted forms**

An application program can accept data to be written as output on a preprinted form. This data can be stored in temporary storage as it arrives. When all the data has been stored, it can first be validated and then transmitted in the order required by the format of the preprinted form.



---

## Chapter 39. Security control

### Java and C++

The application programming interface described in this chapter is the EXEC CICS API, which is not used in Java programs. For information about Java programs using the JCICS classes to access security control services, see “The JCICS Java classes” on page 69 and the JCICS Javadoc html documentation. For information about C++ programs using the CICS C++ classes, see the *CICS C++ OO Class Libraries* manual.

To avoid attempting accesses that would cause security violations, it can be useful for an application to determine the security authorization of the terminal user. The QUERY SECURITY command provides a way of doing this.

This chapter gives some guidance on the use of the QUERY SECURITY command. For additional guidance, see the *CICS RACF Security Guide*. It also describes some aspects of non-terminal security. For programming information about EXEC CICS commands, see the *CICS Application Programming Reference* manual.

---

## QUERY SECURITY command

QUERY SECURITY is effective with RACF or any equivalent external security manager (ESM). You can use this command to query whether the terminal user has access to resources that are defined to the external security manager. These can be:

- Resources in CICS resource classes
- Resources in user-defined resource classes

The terminal user in this context is the user invoking the transaction that contains the QUERY SECURITY command.

In response to a QUERY SECURITY command, CICS returns information about the terminal user's security authorizations. CICS obtains this information from the external security manager. You can code the application to proceed in different ways depending on the user's permitted accesses.

You specify the type of resource that you are querying by the CICS resource type name. For example, if you want to query a user's authorization to access a file, you can specify RESTYPE('FILE'). To identify a particular file within the type, you specify the RESID parameter.

## Using QUERY SECURITY

A typical use of the QUERY SECURITY command is to check whether a user is authorized to use a particular transaction *before* displaying the transaction code in a menu.

### Security protection at the record or field level

Another use for QUERY SECURITY is to enable you to control access to data at the record or field level. The normal CICS resource security checking for file resources, for example, works only at the file level. To control access to individual records, or even fields within records, you can use QUERY SECURITY. For this purpose, your security administrator must define resource profile names, with appropriate access

authorizations, for the records or fields that you want to protect. These profiles are defined in user resource classes defined by the administrator, *not* in CICS resource classes.

To query these classes and resources, the QUERY SECURITY command uses the RESCLASS and RESID options (RESCLASS and RESTYPE are mutually exclusive options). You can use the CVDA values returned by QUERY SECURITY to determine whether to access the record or field.

### **CICS-defined resource identifiers**

In all cases except for the SPCOMMAND resource type, the resource identifiers are user-defined. However, for the SPCOMMAND type, the identifiers are fixed by CICS. The *CICS RACF Security Guide* details the possible RESID values for the SPCOMMAND resource type.

### **SEC system initialization parameter**

The setting of the SEC system initialization parameter affects the CVDA values returned by the QUERY SECURITY command. The SEC system initialization parameters are described in more detail in the *CICS RACF Security Guide*.

### **Programming hints**

- A transaction can use the QUERY SECURITY command to query a number of resources in order to prepare a list of resources to which the terminal user has access. The use of this technique could generate up to four resource violation messages for each query on a resource that the transaction is not authorized to access. These messages appear on the system console, the CICS TD queue, and the SMF log data set. If you want to suppress these messages, code NOLOG in the QUERY SECURITY command.
- If a transaction accesses the same resource many times in one execution, you can probably improve performance by defining the transaction with RESSEC(NO) in the transaction resource definition. You can then code the transaction to issue a single QUERY SECURITY command, and to permit access to the resource according to the CVDA values returned. For detailed guidance, see the *CICS RACF Security Guide*.

---

## **Non-terminal transaction security**

CICS can now protect, against unauthorized use, resources used in transactions that are not associated with a terminal. These transactions are of three types:

- Transactions that are started by a START command and that do not specify a terminal ID.
- Transactions that are started, without a terminal, as a result of the trigger level being reached for an intrapartition transient data queue.
- The CICS internal transaction (CPLT), which runs during CICS startup, to execute programs specified in the program list table (PLT). This transaction executes both first and second phases of PLTs.

Also, resource security checking can now be carried out for PLT programs that are run during CICS shutdown. PLT shutdown programs execute as part of the transaction that requests the shutdown, and therefore run under the authorization of the user issuing the shutdown command.

The START command handles security for non-terminal transactions started by the START command.



A surrogate user who is authorized to attach a transaction for another user, or cause it to be attached, or who inherits all the resource access authorizations for that transaction, can act for the user.

CICS can issue up to three surrogate user security checks on a single START command, depending on the circumstances:

1. The userid of the transaction that issues the START command, if USERID is specified
2. The userid of the CEDF transaction, if the transaction that issues the START command is being run in CEDF dual-screen mode
3. The CICS region userid of the remote system, if the START command is function shipped to another CICS system and link security is in effect.

A separate surrogate user security check is done for each of these userids, as required, before the transaction is attached.

For programming information about the USERID option, USERIDERR condition, and INVREQ, and NOTAUTH conditions, see the *CICS Application Programming Reference* manual.



---

## Part 7. Testing applications

<b>Chapter 40. Testing applications: the process</b>	509	The body . . . . .	549
Preparing the application and system table entries	509	The message line . . . . .	550
Preparing the system for debugging . . . . .	509	CECI options on function keys . . . . .	550
Single-thread testing . . . . .	510	Additional displays . . . . .	551
Multithread testing . . . . .	510	Expanded area . . . . .	551
Regression testing . . . . .	510	Variables . . . . .	551
		Defining variables . . . . .	552
<b>Chapter 41. Execution diagnostic facility (EDF)</b>	513	The EXEC interface block (EIB) . . . . .	553
Getting started . . . . .	513	Error messages display . . . . .	554
Where does EDF intercept the program? . . . . .	514	Making changes . . . . .	555
What does EDF display? . . . . .	514	How CECI runs . . . . .	555
The header . . . . .	515	CECI sessions . . . . .	555
The body . . . . .	516	Abends . . . . .	556
At program initiation . . . . .	516	Exception conditions . . . . .	556
At the start of execution of a CICS command	516	Program control commands . . . . .	556
At the end of execution of a command . . . . .	518	Terminal sharing . . . . .	556
At program and task termination . . . . .	520	Saving commands . . . . .	557
At abnormal termination . . . . .	521	Security considerations . . . . .	558
How you can intervene in program execution	522		
EDF menu functions . . . . .	523		
How to use EDF . . . . .	529		
Using EDF in single-screen mode . . . . .	529		
Checking pseudoconversational programs	530		
Using EDF in dual-screen mode . . . . .	531		
EDF and remote transactions . . . . .	531		
EDF and non-terminal transactions . . . . .	532		
EDF and DTP programs . . . . .	532		
EDF and distributed program link commands	533		
Stopping EDF . . . . .	533		
Overtyping to make changes . . . . .	533		
EDF responses . . . . .	535		
Restrictions when using EDF . . . . .	535		
#    Parameter list stacking . . . . .	536		
Security considerations . . . . .	536		
<b>Chapter 42. Temporary storage browse (CEBR)</b>	537		
How to use the CEBR transaction . . . . .	537		
What does the CEBR transaction display? . . . . .	539		
The header . . . . .	539		
The command area . . . . .	539		
The body . . . . .	539		
The message line . . . . .	539		
The CEBR options on function keys . . . . .	539		
The CEBR commands . . . . .	540		
Using the CEBR transaction with transient data	543		
Security considerations . . . . .	543		
<b>Chapter 43. Command-level interpreter (CECI)</b>	545		
How to use CECI . . . . .	545		
What does CECI display? . . . . .	546		
The command line . . . . .	546		
The status line . . . . .	547		
Command syntax check . . . . .	547		
About to execute command . . . . .	548		
Command execution complete. . . . .	549		



---

## Chapter 40. Testing applications: the process

### Java

This part of the book is not relevant for Java application programs.

You have to do two main tasks before you can test and debug an application:

1. “Preparing the application and system table entries”
2. “Preparing the system for debugging”

This chapter contains information about the following methods of testing:

- “Single-thread testing” on page 510
- “Multithread testing” on page 510
- “Regression testing” on page 510

---

### Preparing the application and system table entries

To prepare the application and system table entries you should do the following:

1. Translate, assemble or compile, and link-edit each program. Make sure that there are no error messages on any of these three steps for any program before you begin testing.
2. Use the DEBUG and EDF options on your translator step, so that you can use translator statement numbers with execution diagnostic facility (EDF) displays.
3. Use the COBOL compiler options CLIST and DMAP so that you can relate storage locations in dumps and EDF displays to the original COBOL source statements, and find your variables in working storage.
4. Use the RDO DEFINE PROFILE command to generate a profile for your transactions to use, and make sure the definitions are INSTALLED.
5. Use the RDO DEFINE TRANSACTION command for each transaction in your application, and make sure the definitions are INSTALLED.
6. If your system does not use program autoinstall, use the RDO DEFINE PROGRAM command for each program used in the application, and make sure the definitions are INSTALLED.
7. If your system does not use program autoinstall, use the RDO DEFINE MAPSET command for each map set in the application, and make sure each definition is INSTALLED.
8. Use the RDO DEFINE FILE command, or put an entry in the FCT, for each file used. If you use RDO, make sure the definitions are INSTALLED.
9. Build at least a test version of each of the files required.
10. Define each of the transient data destinations to be used by the application.
11. Put job control DD cards in the startup job stream for each file used in the application.
12. Prepare some test data.

---

### Preparing the system for debugging

To prepare the system for debugging you should do the following:

1. Make sure that EDF is available in your system, by including group DFHEDF in the list you specify in the GRPLIST system initialization

2. Set up appropriate tracing options for your application. For details about setting up tracing options, see the *CICS Problem Determination Guide*.
3. Make sure that transaction dumping is enabled for all transaction dump codes, and that system dumping is enabled for all system dump codes. These are, anyway, the default settings. For information about setting up dump options, see the *CICS Problem Determination Guide*.
4. Be prepared to print the dumps. Have a DFHDU530 job stream or procedure ready, and have the CICS dump data sets defined in your startup procedure.
5. Contact your system programmer for information about SDUMP data sets available on your system and access to JCL for processing them.
6. Enable CICS to detect loops, by setting the ICVR parameter in the SIT to a number greater than zero. Something between five and ten seconds (ICVR=5000 to ICVR=10000) is usually a workable value.
7. Generate statistics. For more information about using statistics, see the *CICS Performance Guide*.

---

## Single-thread testing

A **single-thread** test takes one application transaction at a time, in an otherwise “empty” CICS system, and sees how it behaves. This enables you to test the program logic, and also shows whether or not the basic CICS information (such as resource definition) is correct. It is quite feasible to test this single application in one CICS region while your normal, online production CICS system is active in another.

---

## Multithread testing

A **multithread** test involves several concurrently active transactions. Naturally, all the transactions are in the same CICS region, so you can readily test the ability of a new transaction to coexist with them.

You may find that a transaction that works perfectly in its single-thread testing still fails in the multithread test. It may also cause other transactions to fail, or even terminate CICS.

---

## Regression testing

A **regression** test is used to make sure that all the transactions in a system continue to do their processing in the same way both before and after changes are applied to the system. This is to ensure that fixes applied to solve one problem do not cause further problems. It is a good idea to build a set of miniature files to perform your tests on, because it is much easier to examine a small data file for changes.

A good regression test exercises all the code in every program; that is, it explores all tests and possible conditions. As your system develops to include more transactions, more possible conditions, and so on, add these to your test system to keep it in step. The results of each test should match those from the previous round of testing. Any discrepancies are grounds for suspicion. You can compare terminal output, file changes, and log entries for validity.

Sequential terminal support (described in “Sequential terminal support” on page 427), can be useful for regression testing. When you have a module that has worked for some time and is now being modified, you need to rerun your old

tests to ensure that the function still works. Sequential terminal support makes it easy to maintain a “library” of old test cases and to rerun them when needed.

Sequential terminal support allows you to test programs without having to use a telecommunication device. System programmers can specify that sequential devices be used as terminals (using the terminal control table (TCT)). These sequential devices may be card readers, line printers, disk units, or magnetic tape units. They can also be combinations of sequential devices such as:

- A card reader and line printer (CRLP)
- One or more disk or tape data sets as input
- One or more disk or tape data sets as output

You can prepare a stream of transaction test cases to do the basic testing of a program module. As the testing progresses, you can generate additional transaction streams to validate the multiprogramming capabilities of the programs or to allow transaction test cases to run concurrently.





---

## Chapter 41. Execution diagnostic facility (EDF)

This chapter contains the following information:

- “Getting started”
- “Where does EDF intercept the program?” on page 514
- “What does EDF display?” on page 514
- “How to use EDF” on page 529
- “Security considerations” on page 536

You can use the execution diagnostic facility (EDF) to test an application program online, without modifying the program or the program-preparation procedure. The CICS execution diagnostic facility is supported by the CICS-supplied transaction, CEDF, which invokes the DFHEDFP program.

**Note:** You can also invoke CEDF indirectly through another CICS-supplied transaction, CEDX, which enables you to specify the name of the transaction you want to debug. When this chapter refers to the CEDF transaction (for example, when it explains about CICS starting a new CEDF task below) remember that it may have been invoked by the CEDX command.

The names of your programs should not begin with the letters “DFH” because this prefix is used for CICS system modules and samples. Attempting to use EDF on a CICS-supplied transaction has no effect. However, you can use EDF with CICS sample programs and some user-replaceable modules. (For example, you can use EDF to debug DFHPEP.)

EDF intercepts the execution of CICS commands in the application program at various points, allowing you to see what is happening. Each command is displayed before execution, and most are displayed after execution is complete. Screens sent by the application program are preserved, so you can converse with the application program during testing, just as a user would on a production system.

If you want to work through an example of EDF, see the *CICS Application Programming Primer (VS COBOL II)*, which guides you through a sample EDF session.

Each time EDF interrupts the execution of the application program a new CEDF task is started. Each CEDF task is short lived, lasting only long enough for the appropriate display to be processed.

---

### Getting started

The terminal that you are using for the EDF interaction must be in transeive (ATI/TTI) status and be able to send and receive data. This is the most common status for display terminals, but you can find out by asking your system programmer to check its status, or you can use CEMT.

For a transaction initiated at a terminal, you can use EDF on the same terminal as the transaction you are testing, or on a different one. On the same terminal, you **must** start by clearing the screen and entering the transaction code CEDF, otherwise you may get unpredictable results. The message **THIS TERMINAL: EDF**

**MODE ON** is displayed at the top of an empty screen. You clear the screen again and run your transaction in the normal way.

If you are using two terminals, you enter **CEDF tttt** at one, naming the second in *ttt*. Then you run your transaction on the second terminal.

If you are testing a non-terminal transaction, enter **CEDX trnx** at your EDF terminal, naming the transaction in *trnx*. EDF invoked by the CEDX transaction intercepts a named transaction that starts after you issue the CEDX command, and ignores instances of the specified transaction that are already running. Each time EDF interrupts the execution of the application program running under *trnx*, a new CEDF task is started (even though EDF was invoked by CEDX).

“How to use EDF” on page 529 gives all the details.

---

## Where does EDF intercept the program?

When a transaction runs under EDF control, EDF intercepts it at the following points, allowing you to interact with it:

- At **program initiation**, after the EXEC interface block (EIB) has been updated, but before the program is given control.
- At the **start of the execution of each CICS command**. This interrupt happens after the initial trace entry has been made, but before the command has been performed. Both standard CICS commands and the Front End Programming Interface (FEPI) commands are intercepted. EXEC DLI and EXEC SQL commands and any requests processed through the resource manager interface are also intercepted at this point.
- At the **end of the execution of every command** except for ABEND, XCTL, and RETURN commands (although these commands could raise an error condition that EDF displays). EDF intercepts the transaction when it finishes processing the command, but before the HANDLE CONDITION mechanism is invoked, and before the response trace entry is made.
- At **program termination**.
- At **normal task termination**.
- When an **ABEND** occurs and after **abnormal task termination**.

**Note:** For a program translated with the option NOEDF, these intercept points still apply, apart from before and after the execution of each command. For a program with CEDF defined as NO on its resource definition or by the program autoinstall exit, the program initiation and termination screens are suppressed as well.

---

## What does EDF display?

All EDF displays have the same general format, but the contents depend on the point at which the task was interrupted. The display indicates which of these interception points has been reached and shows information relevant to that point. Figure 94 on page 515 shows a typical display; it occurred after execution of a SEND MAP command.

```

TRANSACTION: AC20 PROGRAM: DFH0VT1 TASK: 00032 APPLID: 1234567 DISPLAY:00
STATUS: COMMAND EXECUTION COMPLETE 1
EXEC CICS SEND MAP
MAP ('T1 ')
FROM ('.....')
LENGTH (154)
MAPSET ('DFH0T1 ')
CURSOR 2
TERMINAL
ERASE
NOFLUSH
NOHANDLE

OFFSET:X'002522' LINE:00673 EIBFN=X'1804'
RESPONSE: NORMAL EIBRESP=0 3
ENTER: CONTINUE 4
PF1 : UNDEFINED PF2 : SWITCH HEX/CHAR PF3 : END EDF SESSION
PF4 : SUPPRESS DISPLAYS PF5 : WORKING STORAGE PF6 : USER DISPLAY
PF7 : SCROLL BACK PF8 : SCROLL FORWARD PF9 : STOP CONDITIONS
PF10: PREVIOUS DISPLAY PF11: EIB DISPLAY PF12: ABEND USER TASK

```

Figure 94. Typical EDF display

**Note:** **1** Header **2** Body **3** Message line **4** Menu of functions

The display consists of a header, a body (the primary display area), a message line, and a menu of functions you can select at this point. If the body does not fit on one screen, EDF creates multiple screens, which you can scroll through using PF7 and PF8. The header, menu, and message areas are repeated on each screen.

## The header

The header shows:

- The identifier of the transaction being executed
- The name of the program being executed
- The internal task number assigned by CICS to the transaction
- The applid of the CICS region where the transaction is being executed
- A display number
- STATUS, that is, the reason for the interception by EDF

## The body

The body or main part of the display contains the information that varies with the point of intercept.

### At program initiation

At **program initiation**, as shown in Figure 95, EDF displays the COMMAREA (if any) and the contents of the principal fields in the EIB. For programming information about these EIB fields, see the *CICS Application Programming Reference* manual. If there isn't a COMMAREA, line 4 on the screen is left blank and EIBCALEN has a value of zero.

```
TRANSACTION: AC20 PROGRAM: DFH0VT1 TASK: 00032 APPLID: 1234567 DISPLAY:00
STATUS: PROGRAM INITIATION

COMMAREA = '3476559873'
EIBTIME = 92920
EIBDATE = 91163
EIBTRNID = 'AC20'
EIBTASKN = 32
EIBTRMID = 'S246'

EIBCPOSN = 4
EIBCALEN = 10
EIBAID = X'7D' AT X'032F059A'
EIBFN = X'0000' AT X'032F059B'
EIBRCODE = X'000000000000' AT X'032F059D'
EIBDS = '.....'
+ EIBREQID = '.....'

ENTER: CONTINUE
PF1 : UNDEFINED PF2 : SWITCH HEX/CHAR PF3 : END EDF SESSION
PF4 : SUPPRESS DISPLAYS PF5 : WORKING STORAGE PF6 : USER DISPLAY
PF7 : SCROLL BACK PF8 : SCROLL FORWARD PF9 : STOP CONDITIONS
PF10: PREVIOUS DISPLAY PF11: EIB DISPLAY PF12: UNDEFINED
```

Figure 95. Typical EDF display at program initiation

### At the start of execution of a CICS command

At the **start of execution of a CICS command**, EDF displays the command, including keywords, options, and argument values, as shown in Figure 96 on page 517. You can display the information in hexadecimal or character form (and switch from one to the other) by pressing PF2. If character format is requested, numeric arguments are shown in signed numeric character format.

```

TRANSACTION: AC20 PROGRAM: DFH0VT1 TASK: 00032 APPLID: 1234567 DISPLAY:00
STATUS: ABOUT TO EXECUTE COMMAND
EXEC CICS SEND MAP
MAP ('T1      ')
FROM ('.....'..)
LENGTH (154)
MAPSET ('DFH0T1 ')
CURSOR
TERMINAL
ERASE
NOFLUSH
NOHANDLE

OFFSET:X'002522'   LINE:00673   EIBFN=X'1804'

ENTER: CONTINUE
PF1 : UNDEFINED           PF2 : SWITCH HEX/CHAR       PF3 : UNDEFINED
PF4 : SUPPRESS DISPLAYS   PF5 : WORKING STORAGE       PF6 : USER DISPLAY
PF7 : SCROLL BACK         PF8 : SCROLL FORWARD        PF9 : STOP CONDITIONS
PF10: PREVIOUS DISPLAY    PF11: EIB DISPLAY           PF12: ABEND USER TASK

```

Figure 96. Typical EDF display at start of execution of a CICS command

Figure 97 shows a similar screen for the **start of execution** of an EXEC SQL command running with DB2 version 2.3.

```

TRANSACTION: LOKO PROGRAM: TLOKO TASK: 00082 APPLID: 1234567 DISPLAY:00
STATUS: ABOUT TO EXECUTE COMMAND
CALL TO RESOURCE MANAGER DSNCSQL
EXEC SQL UPDATE
DBRM=TLOK0, STMT=00242, SECT=00001
IVAR 001: TYPE=CHAR, LEN=00010 AT X'001E5A99'
DATA=X'F0F0F0F0F0F1F0F0F0F0'

OFFSET:X'000298'   LINE: UNKNOWN EIBFN= X'0A02'

ENTER: CONTINUE
PF1 : UNDEFINED           PF2 : UNDEFINED             PF3 : UNDEFINED
PF4 : SUPPRESS DISPLAYS   PF5 : WORKING STORAGE       PF6 : USER DISPLAY
PF7 : SCROLL BACK         PF8 : SCROLL FORWARD        PF9 : STOP CONDITIONS
PF10: PREVIOUS DISPLAY    PF11: EIB DISPLAY           PF12: ABEND USER TASK

```

Figure 97. Typical SQL display at start of execution of a SQL command

In addition to options and values, the command is identified by its hexadecimal offset within the program. If the program was translated with the DEBUG translator option, the line number also appears, as shown in Figure 96. (See “Translator options” on page 8 for information about this option.)

At the start of an EXEC SQL or EXEC DLI command, the body of the EDF display shows you the parameter list of the CALL to which your command translates. If a DLI command generates multiple CALL statements, you see only the last CALL statement.

## At the end of execution of a command

At the **end of execution of a command**, EDF provides a display in the same format as at the start of the command. At this point, you can see the effects of executing the command, in the values of the variables returned or changed and in the response code. EDF does not provide this display for the ABEND, XCTL, and RETURN commands (although these commands could raise an error condition that EDF displays). The completion screen corresponding to the **about to execute** screen in Figure 96 on page 517 is shown in Figure 98.

```
TRANSACTION: AC20 PROGRAM: DFH0VT1 TASK: 00054 APPLID: 1234567 DISPLAY:00
STATUS: COMMAND EXECUTION COMPLETE
EXEC CICS SEND MAP
MAP ('T1 ')
FROM ('.....')
LENGTH (154)
MAPSET ('DFH0T1 ')
CURSOR
TERMINAL
ERASE
NOFLUSH
NOHANDLE

OFFSET:X'002522' LINE:00673 EIBFN=X'1804'
RESPONSE: NORMAL EIBRESP=0

ENTER: CONTINUE
PF1 : UNDEFINED PF2 : SWITCH HEX/CHAR PF3 : END EDF SESSION
PF4 : SUPPRESS DISPLAYS PF5 : WORKING STORAGE PF6 : USER DISPLAY
PF7 : SCROLL BACK PF8 : SCROLL FORWARD PF9 : STOP CONDITIONS
PF10: PREVIOUS DISPLAY PF11: EIB DISPLAY PF12: ABEND USER TASK
```

Figure 98. Typical EDF display at completion of a CICS command

For CICS commands, response codes are described both by name (for example, NORMAL or NOTFND) and by the corresponding EIBRESP value in decimal form. For DL/I, the response code is a 2-character DL/I status code, and there is no EIBRESP value. Programming information, including a list of EIBRESP codes, is in the *CICS Application Programming Reference* manual, and DL/I codes are documented in the *Application Programming: EXEC DLI Commands*.

Figure 99 and Figure 100 show typical screens for an EXEC DLI command.

```

TRANSACTION: XDLI PROGRAM: UPDATE TASK: 00111 APPLID: 1234567 DISPLAY: 00
STATUS: COMMAND EXECUTION COMPLETE
EXEC DLI GET NEXT
  USING PCB (+00003)
  FIRST
  SEGMENT ('A      ')
  INTO ('          ')
  SEGLength (+00012)
  FIRST
  VARIABLE
+SEGMENT ('B      ')

  OFFSET:X'000246'  LINE: 00000510          EIBFN:X'000C'
  RESPONSE: 'AD'

ENTER: CONTINUE
PF1 : UNDEFINED          PF2 : SWITCH HEX/CHAR    PF3 : END EDF SESSION
PF4 : SUPPRESS DISPLAYS  PF5 : WORKING STORAGE    PF6 : USER DISPLAY
PF7 : SCROLL BACK       PF8 : SCROLL FORWARD     PF9 : STOP CONDITIONS
PF10: PREVIOUS DISPLAY   PF11: EIB DISPLAY        PF12: ABEND USER TASK

```

Figure 99. Typical EDF display at completion of a DLI command (screen one)

```

TRANSACTION: XDLI PROGRAM: UPDATE TASK: 00111 APPLID: 1234567 DISPLAY: 00
STATUS: COMMAND EXECUTION COMPLETE
EXEC DLI GET NEXT
+
  FIRST
  SEGMENT ('C      ')
  SEGLength (+00010)
  LOCKED
  INTO ('SMITH    ')
  WHERE (ACCOUNT = '12345')
  FIELDLENGTH (+00005)

  OFFSET:X'000246'  LINE: 00000510          EIBFN:X'000C'
  RESPONSE: 'AD'

ENTER: CONTINUE
PF1 : UNDEFINED          PF2 : SWITCH HEX/CHAR    PF3 : END EDF SESSION
PF4 : SUPPRESS DISPLAYS  PF5 : WORKING STORAGE    PF6 : USER DISPLAY
PF7 : SCROLL BACK       PF8 : SCROLL FORWARD     PF9 : STOP CONDITIONS
PF10: PREVIOUS DISPLAY   PF11: EIB DISPLAY        PF12: ABEND USER TASK

```

Figure 100. Typical EDF display at completion of a DLI command (screen two)

Figure 101 on page 520 shows a typical screen for an EXEC SQL command at completion.

```

TRANSACTION: LOKO PROGRAM: TLOKO TASK: 00111 APPLID: 1234567 DISPLAY: 00
STATUS:  COMMAND EXECUTION COMPLETE
CALL TO RESOURCE MANAGER DSNCSQL
EXEC SQL UPDATE
PLAN=TLOK0,   DBRM=TLOK0,   STMT=00242, SECT=00001
SQL COMMUNICATION AREA:
SQLCABC      = 136                AT X'001E5A18'
SQLCODE      = 000                AT X'001E5A1C'
SQLERRML     = 000                AT X'001E5A20'
SQLERRMC     = ''                 AT X'001E5A22'
SQLERRP      = 'DSN'             AT X'001E5A68'
SQLERRD(1-6) = 000, 000, 00001, -1, 00000, 000 AT X'001E5A70'
SQLWARN(0-A) = '-----'        AT X'001E5A88'
SQLSTATE     = 00000              AT X'001E5A93'

OFFSET:X'000298'  LINE: UNKNOWN EIBFN= X'0A02'
RESPONSE:

ENTER:  CONTINUE
PF1 : UNDEFINED          PF2 : UNDEFINED          PF3 : END EDF SESSION
PF4 : SUPPRESS DISPLAYS  PF5 : WORKING STORAGE    PF6 : USER DISPLAY
PF7 : SCROLL BACK       PF8 : SCROLL FORWARD    PF9 : STOP CONDITIONS
PF10: PREVIOUS DISPLAY   PF11: EIB DISPLAY       PF12: ABEND USER TASK

```

Figure 101. Typical SQL display at completion of an SQL command

### At program and task termination

At **program termination** and **normal task termination**, there is no body information; all the pertinent information is in the header. Figure 102 and Figure 103 on page 521 show typical screens for program and task termination.

```

TRANSACTION: AC20 PROGRAM: DFH0VT1 TASK: 00054 APPLID: 1234567 DISPLAY:00
STATUS:  PROGRAM TERMINATION

ENTER:  CONTINUE
PF1 : UNDEFINED          PF2 : SWITCH HEX/CHAR    PF3 : UNDEFINED
PF4 : SUPPRESS DISPLAYS  PF5 : WORKING STORAGE    PF6 : USER DISPLAY
PF7 : SCROLL BACK       PF8 : SCROLL FORWARD    PF9 : STOP CONDITIONS
PF10: PREVIOUS DISPLAY   PF11: EIB DISPLAY       PF12: ABEND USER TASK

```

Figure 102. Typical EDF display at program termination



```
TRANSACTION: AC20          TASK: 00054 APPLID: 1234567 DISPLAY: 00
STATUS: TASK TERMINATION
```

```
CONTINUE EDF? (ENTER YES OR NO)          REPLY: YES
ENTER: CONTINUE
PF1 : UNDEFINED          PF2 : SWITCH HEX/CHAR          PF3 : END EDF SESSION
PF4 : SUPPRESS DISPLAYS  PF5 : WORKING STORAGE          PF6 : USER DISPLAY
PF7 : SCROLL BACK        PF8 : SCROLL FORWARD          PF9 : STOP CONDITIONS
PF10: PREVIOUS DISPLAY   PF11: EIB DISPLAY             PF12: UNDEFINED
```

Figure 103. Typical EDF display at task termination

### At abnormal termination

When an **abend** or **abnormal task termination** occurs, EDF displays the screens shown in Figure 104 and Figure 105 on page 522.

```
TRANSACTION: AC20 PROGRAM: DFH0VT1 TASK:00054 APPLID: 1234567 DISPLAY: 00
STATUS: AN ABEND HAS OCCURRED
COMMAREA   = '1287656678'
EIBTIME    = 135510
EIBDATE    = 91163
EIBTRNID   = 'AC20'
EIBTASKN   = 76
EIBTRMID   = 'S232'
EIBCPOSN   = 4
EIBCALEN   = 10
EIBAID     = X'7D'          AT X'032F059A'
EIBFN      = X'1804' SEND  AT X'032F059B'
EIBRCODE   = X'000000000000' AT X'032F059D'
EIBDS      = '.....'
+ EIBREQID = '.....'

ABEND : ABCD

ENTER: CONTINUE
PF1 : UNDEFINED          PF2 : SWITCH HEX/CHAR          PF3 : END EDF SESSION
PF4 : SUPPRESS DISPLAYS  PF5 : WORKING STORAGE          PF6 : USER DISPLAY
PF7 : SCROLL BACK        PF8 : SCROLL FORWARD          PF9 : STOP CONDITIONS
PF10: PREVIOUS DISPLAY   PF11: EIB DISPLAY             PF12: UNDEFINED
```

Figure 104. Typical EDF display when an abend occurs

```

TRANSACTION: AC20                TASK: 00054 APPLID: 1234567 DISPLAY: 00
STATUS: ABNORMAL TASK TERMINATION
COMMAREA = '2934564671'
EIBTIME  = 135510
EIBDATE  = 91163
EIBTRNID = 'AC20'
EIBTASKN = 76
EIBTRMID = 'S232'
EIBCPOSN = 4
EIBCALEN = 10
EIBAID   = X'7D'                AT X'032F059A'
EIBFN    = X'1804' SEND         AT X'032F059B'
EIBRCODE = X'000000000000'     AT X'032F059D'
EIBDS    = '.....'
+ EIBREQID = '.....'

ABEND : ABCD
CONTINUE EDF? (ENTER YES OR NO)                REPLY: YES
ENTER: CONTINUE
PF1 : UNDEFINED          PF2 : SWITCH HEX/CHAR    PF3 : END EDF SESSION
PF4 : SUPPRESS DISPLAYS  PF5 : WORKING STORAGE    PF6 : USER DISPLAY
PF7 : SCROLL BACK       PF8 : SCROLL FORWARD     PF9 : STOP CONDITIONS
PF10: PREVIOUS DISPLAY   PF11: EIB DISPLAY          PF12: UNDEFINED

```

Figure 105. Typical EDF display at abnormal task termination

The body displays the COMMAREA and the values of the fields in the EIB as well as the following items:

- The abend code
- If the abend code is ASRA (that is, a program interrupt has occurred), the program status word (PSW) at the time of interrupt, and the source of the interrupt as indicated by the PSW
- If the PSW indicates that the instruction giving rise to the interrupt is within the application program, the offset of that instruction

## How you can intervene in program execution

The power of EDF lies in what you can do at each of the intercept points. For example, you can:

- Change the argument values before a command is executed. For CICS commands, you cannot change the actual command, or add or delete options, but you can change the value associated with any option. You can also suppress execution of the command entirely using NOOP. See page 534 for further details.
- Change the results of a command, either by changing the argument values returned by execution or by modifying the response code. This allows you to test branches of the program that are hard to reach using ordinary test data (for example, what happens on an input/output error). It also allows you to bypass the effects of an error to check whether this eliminates a problem.
- Display the working storage of the program, the EIB, and for DL/I programs, the DIB.
- Invoke the command interpreter (CECI). Under CECI you can execute commands that are not present in the program to gain additional information or change the execution environment.
- Display any other location in the CICS region.
- Change the working storage of the program and most fields in the EIB and the DIB. EDF stops your task from interfering with other tasks by preventing you from changing other areas of storage.

- Display the contents of temporary storage and transient data queues.
- Suppress EDF displays until one or more of a set of specific conditions is fulfilled. This speeds up testing.
- Retrieve up to 10 previous EDF displays or saved screens.
- Switch off EDF mode and run the application normally.
- Abend the task.

The first two types of changes are made by overtyping values in the body of the command displays. “Overtyping to make changes” on page 533 tells you how to do this. You use the function keys in the menu for the others; “EDF menu functions” tells you exactly what you can do and how to go about it.

```
TRANSACTION: DLID PROGRAM: DLID TASK: 00049 APPLID: IYAHZCIB DISPLAY:00
ADDRESS: 00000000
```

```
WORKING STORAGE IS NOT AVAILABLE
ENTER: CURRENT DISPLAY
PF1 : UNDEFINED          PF2 : BROWSE TEMP STORAGE  PF3 : UNDEFINED
PF4 : EIB DISPLAY        PF5 : INVOKE CECI          PF6 : USER DISPLAY
PF7 : SCROLL BACK HALF  PF8 : SCROLL FORWARD HALF PF9 : UNDEFINED
PF10: SCROLL BACK FULL  PF11: SCROLL FORWARD FULL PF12: REMEMBER DISPLAY
```

Figure 106. Typical EDF display from which CECI can be invoked

## EDF menu functions

The function keys that you can use at any given time are displayed in a menu at the bottom of every EDF display (see Figure 94 on page 515). The function of the ENTER key for that display is also shown. Functions that apply to all displays are always assigned to the same key, but definitions of some keys depend on the display and the intercept point. To select an option, press the indicated function key. Where a terminal has 24 function keys, EDF treats PF13 through PF24 as duplicates of PF1 through PF12 respectively. If your terminal has no PF keys, place the cursor under the option you want and press the ENTER key.

### ABEND USER TASK

terminates the task being monitored. EDF asks you to confirm this action by displaying the message “ENTER ABEND CODE AND REQUEST ABEND AGAIN”. After entering the code at the position indicated by the cursor, the user must request this function again to abend the task with a transaction dump identified by the specified code. If you enter “NO”, the task is abended without a dump and with the 4-character default abend code of four question marks (????).

Abend codes beginning with the character A are reserved for use by CICS. Using a CICS abend code may cause unpredictable results.

You cannot use this function if an abend is already in progress or the task is terminating.

#### **BROWSE TEMP STORAGE**

produces a display of the temporary storage queue CEBRxxxx, where xxxx is the terminal identifier of the terminal running EDF. This function is only available from the working storage (PF5) screen. You can then use CEBR commands, discussed in “The CEBR commands” on page 540, to display or modify temporary storage queues and to read or write transient data queues.

#### **CONTINUE**

redispays the current screen if you have made any changes, incorporating the changes. If you had not made changes, CONTINUE causes the transaction under test to resume execution up to the next intercept point. To continue, press ENTER.

#### **CURRENT DISPLAY**

redispays the current screen if you have made any changes, with the changes incorporated. If you have not made changes, it causes EDF to display the command screen for the last intercept point. To execute this function, press ENTER from the appropriate screen.

#### **DIB DISPLAY**

shows the contents of the DL/I interface block (DIB). This function is only available from the working-storage screen (PF5). See the *Application Programming: EXEC DLI Commands* manual for information on DIB fields.

#### **EIB DISPLAY**

displays the contents of the EIB. See Figure 95 on page 516 for an example of an EIB display. For programming information about the EIB, see the *CICS Application Programming Reference* manual. If COMMAREA exists, EDF also displays its address and one line of data in the dump format.

#### **INVOKE CECI**

accesses CECI. This function is only available from the working storage (PF5) screen. See Figure 106 on page 523 for an example of the screen from which CECI is invoked. You can then use CECI commands, discussed in “Chapter 43. Command-level interpreter (CECI)” on page 545. These CECI commands include INQUIRE and SET commands against the resources referenced by the original command before and after command execution. See page 535 for restrictions when running CECI in dual-screen mode. The use of CECI from this panel is similar to the use of CEBR within CEDF.

#### **END EDF SESSION**

ends the EDF control of the transaction. The transaction continues running from that point but no longer runs in EDF mode.

#### **NEXT DISPLAY**

is the reverse of PREVIOUS DISPLAY. When you have returned to a previous display, this option causes the next one forward to be displayed and the display number to increase by one.

#### **PREVIOUS DISPLAY**

causes the previous display to be sent to the screen. This is the previous command display, unless you saved other displays. The number of the display from the current intercept point is always 00. As you request previous displays, the display number decreases by 1 to -01 for the first previous display, -02 for

the one before that, and so on, down to the oldest display, -10. When no more previous screens are available, the PREVIOUS option disappears from the menu, and the corresponding function key becomes inoperative.

#### **REGISTERS AT ABEND**

displays storage containing the values of the registers should a local ASRA abend occur. The layout of the storage is:

- Register values (0 through 15)
- PSW at abend (8 bytes)

In some cases, when a second program check occurs in the region before EDF has captured the values of the registers, this function does not appear on the menu of the abend display. If this happens, a second test run generally proves to be more informative.

#### **REMEMBER DISPLAY**

places a display that would not usually be kept in memory, such as an EIB display, in the EDF memory. (EDF automatically saves the displays at the start and completion of each command.) The memory can hold up to 10 displays. The displays are numbered in reverse chronological order (that is, -10 is the oldest display, and -01 is the newest). All pages associated with the display are kept in memory and can be scrolled when recalled. Note, however, that if you save a working-storage display, only the screen on view is saved.

#### **SCROLL BACK**

applies to an EIB, DIB, or command display that does not all fit on one screen. When the screen on view is not the first one of the display, and there is a plus sign (+) before the first option or field, you can view previous screens in the display by selecting SCROLL BACK. See Figure 95 on page 516 for an example.

#### **SCROLL FORWARD**

applies to an EIB, DIB, or command display that does not all fit on one screen. When this happens, a plus sign (+) appears after the last option or field in the display, to show that there are more screens. Using SCROLL FORWARD brings up the next screen in the display.

#### **SCROLL BACK FULL**

has the same function for displays of working storage as the SCROLL BACK option for EIB and DIB displays. SCROLL BACK FULL gives a working-storage display one full screen backward, showing addresses lower in storage than those on the current screen.

#### **SCROLL FORWARD FULL**

has the same function for displays of working storage as the SCROLL FORWARD option for EIB and DIB displays. SCROLL FORWARD FULL gives a working-storage display one full screen forward, showing addresses higher in storage than those on the current screen.

#### **SCROLL BACK HALF**

is similar to SCROLL BACK FULL, except that the display of working storage is reversed by only half a screen.

#### **SCROLL FORWARD HALF**

is similar to SCROLL FORWARD FULL, except that the display of working storage is advanced by only half a screen.

#### **STOP CONDITIONS**

produces the menu screen shown in Figure 107 on page 526. You use this screen to tell EDF when to resume its displays after you have pressed the SUPPRESS DISPLAYS key. You can use STOP CONDITIONS and SUPPRESS

DISPLAYS together to cut down on the interaction between you and EDF when you are checking a program that you know is partly working.

```
TRANSACTION: AC20 PROGRAM: DFH0VT1 TASK: 0086 APPLID: 1234567 DISPLAY: 00
DISPLAY ON CONDITION:-

COMMAND:                EXEC CICS
OFFSET:                  X'.....'
LINE NUMBER:
CICS EXCEPTION CONDITION:  ERROR
ANY CICS CONDITION       NO
TRANSACTION ABEND        YES
NORMAL TASK TERMINATION  YES
ABNORMAL TASK TERMINATION YES

DLI ERROR STATUS:
ANY DLI ERROR STATUS

ENTER: CURRENT DISPLAY
PF1 : UNDEFINED          PF2 : UNDEFINED          PF3 : UNDEFINED
PF4 : SUPPRESS DISPLAYS  PF5 : WORKING STORAGE    PF6 : USER DISPLAY
PF7 : UNDEFINED          PF8 : UNDEFINED          PF9 : UNDEFINED
PF10: UNDEFINED         PF11: UNDEFINED         PF12: REMEMBER DISPLAY
```

Figure 107. Typical EDF display for STOP CONDITIONS

You can specify any or all of these events as STOP CONDITIONS:

- A specific type of function and option, such as READNEXT file or ENQ resource, is encountered, for example, FEPI ADD or GDS ASSIGN.
- The command at a specific offset or on a specific line number (assuming the program has been translated with the DEBUG option) is encountered.
- Any DL/I error status occurs, or a particular DLI error status occurs.
- A specific exception condition occurs. If CICS exception condition is specified as ERROR (the default), EDF redisplay a screen in response to any ERROR condition (for example, NOTOPEN, EOF, or INVREQ). If you specify a specific condition such as EOF, EDF redisplay the screen only when an EOF condition arises, provided that ANY CICS CONDITION is left as the default NO.

If this field is changed to YES, EDF overrides the CICS exception conditions and redisplay a screen whenever any command results in a non-zero EIBRESP value such as NOTOPEN, EOF, or QBUSY.

- Any exception condition occurs for which the CICS action is to raise ERROR; for example, INVREQ or NOTFND.
- An abend occurs.
- The task ends normally.
- The task ends abnormally.

You do not always have to set STOP CONDITIONS in order to use the SUPPRESS DISPLAYS function, because EDF sets a default in the following fields on the assumption that you usually want to resume displays if any of them occurs:

- CICS exception condition
- Transaction abend
- Normal task termination

- Abnormal task termination

These are the options described in Figure 107 on page 526. You can turn off any of the defaults that do not apply when you bring up the STOP CONDITIONS menu, as well as adding conditions specific to your program.

When you use an offset for STOP CONDITIONS, you must specify the offset of the BALR instruction corresponding to a command. The offset can be determined from the code listing produced by the compiler or assembler. In COBOL, C, C++, or PL/I, you must use the compiler option that produces the assembler listing to determine the relevant BALR instruction.

When you use a line number, you must specify it exactly as it appears on the listing, including leading zeros, and it must be the line on which a command starts. If you have used the NUM or the SEQUENCE translator options, the translator uses your line numbers as they appear in the source. Otherwise, the translator assigns line numbers.

Line numbers can be found in the translator listing (SYSPRINT in the translator step) if you have used either the SOURCE or VBREF translator options. If you have used the DEBUG translator option, as you must to use line numbers for STOP CONDITIONS, the line number also appears in your compilation (assembly) listing, embedded in the translated form of the command, as a parameter in the CALL statement.

You can tell EDF to stop suppressing displays at DL/I commands as well as at CICS commands. You do this by overtyping the qualifier “CICS” on the command line with “DLI” and entering the type of DL/I command at which you want suppression to stop. You must be executing a DL/I program or have executed one earlier in the same task. You can suppress DL/I commands as early as the program initiation panel.

You can also stop suppression when a particular DL/I status code occurs. For information about the status codes that you can use, see the list of codes in the DL/I interface block (DIB) in the *Application Programming: EXEC DLI Commands* manual.

#### **SUPPRESS DISPLAYS**

suppresses all EDF displays until one of the specified STOP CONDITIONS occurs. When the condition occurs, however, you still have access to the 10 previous command displays, even though they were not actually sent to the screen when they were originally created.

#### **SWITCH HEX/CHAR**

switches displays between character and hexadecimal form. The switch applies only to the command display, and has no effect on previously remembered displays, STOP CONDITIONS displays, or working-storage displays.

In DL/I command displays which contain the WHERE option, only the key values (the expressions following each comparison operator) can be converted to hexadecimal.

#### **UNDEFINED**

means that the indicated function key is not defined for the current display at the current intercept point.

#### **USER DISPLAY**

causes EDF to display what would be on the screen if the transaction was not

running in EDF mode. (You can use it only for single terminal checkout.) To return to EDF after using this key, press the ENTER key.

### WORKING STORAGE

allows you to see the contents of the working-storage area in your program, or of any other address in the CICS region. Figure 108 shows a typical working-storage screen.

```

TRANSACTION: AC20 PROGRAM: DFH0VT1 TASK: 00030 APPLID: 1234567 DISPLAY:00
ADDRESS: 035493F0 WORKING STORAGE
035493F0 000000 E3F14040 00000000 00010000 00000000 T1 .....
03549400 000010 00000000 00000000 F1000000 00000000 .....1.....
03549410 000020 F0000000 00000000 F0000000 00000000 0.....0.....
03549420 000030 F0000000 00000000 F0000000 00000000 0.....0.....
03549430 000040 00000000 00000000 00000000 00000000 .....
03549440 000050 D7C1D5D3 00000000 D9C5C3C4 00000000 PANL...RECD...
03549450 000060 D3C9E2E3 00000000 C8C5D3D7 00000000 LIST...HELP...
03549460 000070 84000000 00000000 A4000000 00000000 d.....u.....
03549470 000080 82000000 00000000 C4000000 00000000 b.....D.....
03549480 000090 E4000000 00000000 C2000000 00000000 U.....B.....
03549490 0000A0 D5000000 00000000 E2000000 00000000 N.....S.....
035494A0 0000B0 7B000000 00000000 6C000000 00000000 #.....%.....
035494B0 0000C0 4A000000 00000000 F1000000 00000000 ¢.....1.....
035494C0 0000D0 F2000000 00000000 F3000000 00000000 2.....3.....
035494D0 0000E0 00000000 00000000 C4C6C8F0 E5C1C240 .....DFH0VAB
035494E0 0000F0 C4C6C8F0 E5E3C2D3 C4C6C8F0 E5D3C9D6 DFH0VTBLDFH0VLIO

ENTER: CURRENT DISPLAY
PF1 : UNDEFINED PF2 : BROWSE TEMP STORAGE PF3 : UNDEFINED
PF4 : EIB DISPLAY PF5 : INVOKE CECI PF6 : USER DISPLAY
PF7 : SCROLL BACK HALF PF8 : SCROLL FORWARD HALF PF9 : UNDEFINED
PF10: SCROLL BACK FULL PF11: SCROLL FORWARD FULL PF12: REMEMBER DISPLAY

```

Figure 108. Typical EDF display for working-storage

The working-storage contents are displayed in a form similar to that of a dump listing, that is, in both hexadecimal and character representation. The address of working storage is displayed at the top of the screen. You can browse through the entire area using the scroll commands, or you can simply enter a new address at the top of the screen. This address can be anywhere within the CICS region. The **working-storage** display provides two additional scrolling keys, and a key to display the EIB (the DIB if the command is a DL/I command).

The meaning of “working storage” depends on the programming language of the application program, as follows:

#### COBOL

All data storage defined in the WORKING-STORAGE section of the program

#### C, C++ and PL/I

The dynamic storage area (DSA) of the current procedure

#### Assembler language

The storage defined in the current DFHEISTG DSECT

Assembler language programs do not always acquire working storage; it may not be necessary, for example, if the program does not issue CICS commands. You may get the message “Register 13 does not address DFHEISTG” when you LINK to such a program. The message does not necessarily mean an error, but there is no working storage to look at.



Except for COBOL programs, working storage starts with a standard format save area; that is, registers 14 to 12 begin at offset 12 and register 13 is stored at offset 4.

Working storage can be changed at the screen; either the hexadecimal section or the character section can be used. Also, the ADDRESS field at the head of the display can be overtyped with a hexadecimal address; storage starting at that address is then displayed when ENTER is pressed. This allows any location in the address space to be examined. Further information on the use of overtyping is given in “Overtyping to make changes” on page 533.

If the program storage examined is not part of the working storage of the program currently executing (which is unique to the particular transaction under test), the corresponding field on the screen is protected to prevent the user from overwriting storage that might belong to or affect another task.

If the initial part of a working-storage display line is blank, the blank portion is not part of working storage. This can occur because the display is doubleword aligned.

At the beginning and end of a task, working storage is not available. In these circumstances, EDF generates a blank storage display so that the user can still examine any storage area in the region by overtyping the address field.

Note that if you terminate a PL/I or Language Environment/370 program with an ordinary non-CICS return, EDF does not intercept the return, and you are not able to see working storage. If you use a RETURN command instead, you get an EDF display before execution and at program termination.

If you are using a Language Environment/370-enabled program, working storage is freed at program termination if the program is terminated using a non-CICS return. In this case, working storage is not available for display.

---

## How to use EDF

You can run EDF by invoking either the CEDF or CEDX transaction.

If you are testing a non-terminal transaction, use the CEDX transaction, which enables you to specify the name of the transaction.

If you are testing a transaction that is associated with a terminal, you can run EDF either on the same terminal as the transaction to be tested (this is called “single-screen mode”), or on a different terminal (“dual-screen mode”). For dual-screen mode use the CEDF transaction to specify the terminal identifier. Generally, you can use whichever method you prefer, but there are a few situations in which one or the other is required. You must use single-screen mode for remote transactions. See “Restrictions when using EDF” on page 535 for other conditions which affect your choice.

### Using EDF in single-screen mode

When you use EDF with just one terminal, the EDF inputs and outputs are interleaved with those from the transaction. This sounds complicated, but works quite easily in practice. The only noticeable peculiarity is that when a SEND command is followed by a RECEIVE command, the display sent by the SEND command appears twice: once when the SEND is executed, and again when the

RECEIVE is executed. It is not necessary to respond to the first display, but if you do, EDF preserves anything that was entered from the first display to the second.

You start EDF by:

- Entering transaction code CEDF from a cleared screen, or
- Pressing the appropriate PF key (if one has been defined for EDF)

Next, you start the transaction to be tested by:

1. Pressing the CLEAR key to clear the screen
2. Entering the transaction code of the transaction you want to test

When both EDF and the user transaction are sharing the same terminal, EDF restores the user transaction display at the following times:

- When the transaction requires input from the operator
- When you change the transaction display
- At the end of the transaction
- When you suppress the EDF displays
- When you request USER DISPLAY

To enable restoration, user displays are remembered at the following times:

1. At start of task, before the first EDF screen for the task is displayed
2. Before the next EDF screen is displayed, if the user display has been changed
3. On leaving SCREEN SUPPRESS mode

If a program has been translated with option NOEDF, or has NO specified for CEDF in its resource definition, it is not possible for EDF to ascertain when the user display is being changed. This means that, unless either situation 1 or 3 also apply, the next EDF screen to be displayed overwrites any user display sent by this program without saving it first, so that it cannot be later restored.

When EDF restores the transaction display, it does not sound the alarm or affect the keyboard in the same way as the user transaction. The effect of the user transaction options is seen when the SEND command is processed, but not when the screen is restored. When you have NOEDF specified in single-screen mode, you should take care that your program does not send and receive data because you will not see it.

When EDF restores the transaction display on a device that uses color, programmed symbols, or extended highlighting, these attributes are no longer present and the display is monochrome without the programmed symbols or extended highlighting. Also, if the inbound reply mode in the application program is set to "character" to enable the attribute-setting keys, EDF resets this mode, causing these keys to be disabled. If these changes prevent your transaction from executing properly, you should test in a dual-screen mode.

If you end your EDF session part way through the transaction, EDF restores the screen with the keyboard locked if the most recent RECEIVE command has not been followed by a SEND command; otherwise, the keyboard is unlocked.

### **Checking pseudoconversational programs**

EDF makes a special provision for testing pseudoconversational transactions from a single terminal. If the terminal came out of EDF mode between the several tasks that make up a pseudoconversational transaction, it would be very hard to do any debugging after the first task. So, when a task terminates, EDF asks the operator

whether EDF mode is to continue to the next task. If you are debugging a pseudoconversational task, press enter, as the default is “yes”. If you have finished, reply “no”.

## Using EDF in dual-screen mode

In dual-screen mode, you use one terminal for EDF interaction and another for sending input to, and receiving output from, the transaction under test.

You start by entering, at the EDF terminal, the transaction CEDF tttt, where tttt is the name of the terminal on which the transaction is to be tested.

The message that CEDF gives in response to this depends on whether there is already a transaction running on the second terminal. If the second terminal is not busy, the message displayed at the first terminal is:

```
TERMINAL tttt: EDF MODE ON
```

and nothing further happens until a transaction is started on the second terminal, when the PROGRAM INITIATION display appears.

You can also use EDF in dual-screen mode to monitor a transaction that is already running on the second terminal. If, for example, you believe a transaction at a specific terminal to be looping, you can go to another terminal and enter a CEDF transaction naming the terminal at which this transaction is running. The message displayed at the first terminal is:

```
TERMINAL tttt: TRANSACTION RUNNING: EDF MODE ON
```

EDF picks up control at the next EXEC CICS command executed, and you can then observe the sequence of commands that are causing the loop, assuming that at least one EXEC CICS command is executed.

## EDF and remote transactions

You cannot use EDF in dual-screen mode if the transaction under test, or the terminal that invokes it, is owned by another CICS region.

Furthermore, if the remote CICS region is earlier than CICS/ESA 3.1.1, you cannot run the transaction directly under EDF by invoking CEDF in the TOR. In this situation, you must use the routing transaction, CRTE. You enter CEDF at the terminal, clear the screen, and then enter CRTE followed by the system identifier (SYSIDNT) of the remote CICS region. This action causes CICS to route subsequent inputs to the remote region, and you can then enter the transaction identifier of the transaction you want to test. The *CICS Supplied Transactions* manual explains how to use CRTE.

If a remote transaction abends while under EDF using a CRTE routing session, EDF displays the abnormal task termination screen, followed by message DFHAC2206 for the user transaction. The CRTE session is not affected by the user task abend. Also, if you opted to continue with EDF after the abend, your terminal remains in EDF mode within the CRTE routing session.

There is a difference in execution as well. For remote transactions, EDF purges its memory of your session at the termination of each transaction, whether EDF is to be continued or not. This means that any options you have set and any saved screens are lost between the individual tasks in a pseudoconversational sequence.

## EDF and non-terminal transactions

You can use EDF to test transactions that execute without a terminal: for example, transactions started by an EXEC CICS START command, or transactions initiated by a transient data trigger-level. To test non-terminal transactions, use the CEDX *trnx* command, where *trnx* is the transaction identifier.

To test a transaction using CEDX:

- The terminal you use for the EDF displays, at which you enter the CEDX command, must be logged on to the CICS region in which the specified transaction is to execute.
- The CEDX command must be issued before the specified transaction is started by CICS. Other instances of the same transaction that are already executing when you issue the CEDX command are ignored.

When you use CEDX to debug a transaction, CICS controls the EDF operation by modifying the definition of the transaction specified on the CEDX command, to reference a special transaction class, DFHEDFTC. When you switch off EDF (using CEDX *tranid,OFF*) CICS modifies the transaction definition back to its normal transaction class.

## EDF and DTP programs

You can also test a transaction that is using distributed transaction processing across a remote link by telling EDF to monitor the session on the link. You can do this on either (or both) of the participating systems that are running under CICS and has EDF installed. (You cannot do this if the transaction has been routed from another CICS region because you must use single-screen mode for remote transactions.)

For APPC and MRO links, you can name the system identifier (sysid) of the remote system:

```
CEDF sysid
```

This causes EDF to associate itself with any transaction attached across any session belonging to the specified system.

For APPC, MRO, and LU6.1 links, you can use the session identifier (sessionid) that the transaction is using:

```
CEDF sessionid
```

You can determine the session identifier with the CEMT INQUIRE TERMINAL transaction, but this means that the transaction must be running and have reached the point of establishing a session before you start EDF.

If a transaction using distributed transaction processing also has a terminal associated with it, or if you can invoke it from a terminal (even though it does not use one), you can use EDF to test it in the ordinary way from that terminal.

When you have finished testing the transaction on the remote system, you should turn off EDF on that SYSID or sessionid before logging off from CICS with CESF. For example:

```
CEDF sysid,OFF
```

Failure to do this could cause another transaction using a link to that system to be suspended.

## EDF and distributed program link commands

You can use EDF, in single- or dual-terminal mode, to test a transaction that includes a distributed program link (DPL) command. However, EDF displays only the DPL command invocation and response screens. CICS commands issued by the remote program are not displayed, but a remote abend, and the message **a remote abend has occurred** is returned to the EDF terminal, along with the SYSID of the system from which the abend was received. After control is returned to your local program, EDF continues to test as normal, but the PSW is not displayed if the abend is in a remote program.

## Stopping EDF

If you want to end EDF control of a terminal, the method you use depends on where you are in the testing. If the transaction under test is still executing and you want it to continue, but without EDF, press the END EDF SESSION function key. If you have reached the task termination intercept, EDF asks if you want to continue. If you do not, overtype the reply as NO (YES is the default). If no transaction is executing at the terminal, clear the screen and enter:

```
CEDF ,OFF
```

(The space and comma are required.)

If you are logging off from dual-screen mode, clear the screen and enter `CEDF tttt,OFF`.

In all these cases, the message **THIS TERMINAL: EDF MODE OFF** is displayed at the top of an empty screen.

## Overtyping to make changes

Most of the changes you make with EDF involve changing information in memory. You do this simply by typing over the information shown on the screen with the information you want used instead. You can change any area where the cursor stops when you use the tab keys, except for the menu area at the bottom.

When you change the screen, you must observe the following rules:

- On CICS command screens, any argument value can be overtyped, but not the keyword of the argument. An optional argument cannot be removed, nor can an option be added or deleted.
- When you change an argument in the command display (as opposed to the working storage screen), you can change only the part shown on the display. If you attempt to overtype beyond the value displayed, the changes are not made and no diagnostic message is generated. If the argument is so long that only part of it appears on the screen, you should change the area in working storage to which the argument points. (To determine the address, display the argument in hexadecimal format; the address of the argument location also appears.)
- In character format, numeric values always have a sign field, which can be overtyped with a minus or a blank only.
- When an argument is to be displayed in character format, some of the characters may not be displayable (including lowercase characters). EDF replaces each nondisplayable character with a period. When overtyping a period, you must be aware that the storage may in fact contain a character other than a period. You should not overtype any character with a period; if you do, the change is

ignored and no diagnostic message is issued. If you need to overwrite a character with a period, you can do so by switching the display to hexadecimal format, using PF2, and overtyping with X'4B'.

- When storage is displayed in both character and hexadecimal format and changes are made to both, the value of the hexadecimal field takes precedence should the changes conflict; no diagnostic message is issued.
- The arguments for some commands, such as HANDLE CONDITION, are program labels rather than numeric or character data. The form in which EDF displays (and accepts modifications to) these arguments depends on the programming language in use:
  - For COBOL, a null argument is displayed: for example, ERROR ( ), and because of this, you cannot modify it.
  - For C and C++, labels are not valid.
  - For PL/I, the address of the label constant is used; for example, ERROR (X'001D0016').
  - For assembler language, the address of the program label is used; for example, ERROR (X'00030C').

If no label value is specified on a HANDLE CONDITION command, EDF displays the condition name alone without the parentheses.

- The response field can be overtyped with the name of any exception condition, including ERROR, that can occur for the current function, or with the word NORMAL. The effect when EDF continues is that the program takes whatever action has been prescribed for the specified response. You can get the same effect by changing the EIBRESP field in the EIB display to the corresponding values. If you change the EIBRESP value or the response field on the **command execution complete** screen, EIBRCODE is updated. EIBRESP appears on second EIB screen and is the only one you can change (EIBRCODE protected). You can get the same effect by changing the EIBRESP value on the EIB display; EDF changes related values in the EIB and command screens accordingly if you do this.
- If uppercase translation is not specified for the terminal you are using you must take care to always enter uppercase characters.
- Any command can be overtyped with NOOP or NOP before processing; this suppresses processing of the command. Use of the ERASE EOF key, or overtyping with blanks, gives the same effect. When the screen is redisplayed with NOOP, the original verb line can be restored by erasing the whole verb line with the ERASE EOF key and pressing the ENTER key.

When you overwrite a field representing a data area in your program, the change is made directly in application program storage and is permanent. However, if you change a field that represents a constant (a program literal), program storage is not changed, because this may affect other parts of the program that use the same constant or other tasks using the program. The command is executed with the changed data, but when the command is displayed after processing, the original argument values reappear. For example, suppose you are testing a program containing a command coded:

```
EXEC CICS SEND MAP('MENU') END-EXEC.
```

If you change the name MENU to MENU2 under EDF before executing the command, the map actually used is MENU2, but the map displayed on the response is MENU. (You can use the “previous display” key to verify the map name you used.) If you process the same command more than once, you must enter this type of change each time.

## EDF responses

The response of EDF to any keyboard entry follows the rules listed below, in the order shown:

1. If the CLEAR key is used, EDF redisplay the screen with any changes ignored.
2. If invalid changes are made, EDF accepts any valid changes and redisplay the screen with a diagnostic message.
3. If the display number is changed, EDF accepts any other changes and shows the requested display.
4. If a PF key is used, EDF accepts any changes and performs the action requested by the PF key. Pressing ENTER with the cursor under a PF key definition in the menu at the bottom of the screen is the same as pressing a PF key.
5. If the ENTER key is pressed and the screen has been modified (other than the REPLY field), EDF redisplay the screen with changes included.
6. If the ENTER key is pressed and the screen has not been modified (other than the REPLY field), the effect differs according to the meaning of the ENTER key. If the ENTER key means CONTINUE, the user transaction continues to execute. If it means CURRENT DISPLAY, EDF redisplay the current status display.

## Restrictions when using EDF

There are some restrictions on the use of EDF that make it preferable or even necessary to use one particular screen mode:

- EDF can be used only in single-screen mode when running a remote transaction.
- VM PASSTHRU is not supported by EDF when testing in single-screen mode.
- In single-screen mode, neither the user transaction nor CEDF should specify message journaling, because the messages interfere with the EDF displays. Message journaling is controlled by the profile definition for each transaction.
- In single screen mode, the CEDF transaction should not specify PROTECT=YES in its profile definition. If this option is specified, message protection for the CEDF transaction is ignored. The user transaction can still specify the PROTECT=YES option even when running under CEDF. This restriction does not apply to dual-screen mode.
- If a SEND LAST command is issued, EDF is ended before the command is processed if you are using single-screen mode.
- If you want to test an application program that uses screen partitions, or that does its own request unit (RU) chaining, you must run in dual-screen mode.
- In single-screen mode, if the profile for the user transaction specifies INBFMH=ALL or INBFMH=DIP, the profile for CEDF must have the same INBFMH value. Otherwise the user transaction abends ADIR. Dual-screen mode does not require the profiles to match in this respect.
- If the inbound reply mode is set to "character" to enable the attribute setting keys, EDF disables the keys in single-screen mode.
- When using CECI under EDF in dual-screen mode, you should be aware that certain commands (for example, ASSIGN and ADDRESS) are issued against the EDF terminal and not the transaction terminal. See page 524 for information about how to invoke CECI from CEDF.
- TCAM terminals are supported by EDF, but only in dual-screen mode, and provided that the terminals are not pooled.
- When using EDF in dual-screen mode, you should avoid starting a second task at the EDF terminal, for example by issuing a START command. Because EDF is

a pseudoconversational transaction, it does not prevent a second task from starting at the terminal it is using. This may lead to a deadlock in certain circumstances.

- When using EDF screen suppression in dual screen mode, commands that cause a long wait, such as DELAY, WAIT, or a second RECEIVE, may cause EDF to appear as if it had finished. If the task is ABENDED, EDF is reactivated at the monitoring terminal.

Other restrictions apply to both screen modes:

- If a transaction issues the FREE command, EDF is switched off without warning.
- To test a user transaction executing on a remote CICS at a release level earlier than CICS/ESA 3.1.1, you must run the transaction under control of CRTE, as explained in “EDF and remote transactions” on page 531.
- EDF does not intercept calls to the CPI Communications interface (CPI-C) or the SAA Resource Recovery interface (CPI-RR). You can test transactions that use CPI calls under EDF, but you cannot see EDF displays at the call points.
- User application programs that are to be debugged using EDF must be assembled (or compiled) with the translator option EDF, which is the default. If you specify NOEDF, the program cannot be debugged using EDF. There is no performance advantage in specifying NOEDF, but the option can be useful to prevent commands in well debugged subprograms appearing on EDF displays.
- When processing a SIGNON command, CEDF suppresses display of the password value to reduce the risk of accidental disclosure.

### Parameter list stacking

CEDF only has one level of stacking for its copies of the EXEC CICS parameter list. This means that if an application calls an EXEC-capable global user exit or user-replaceable module (URM), the parameter list for the EXEC CICS commands issued by the global user exit or URM may overlay the parameter list for EXEC CICS commands issued by the main program.

---

## Security considerations

EDF is such a powerful tool that your installation may restrict its use with attach-time security. (The external security manager used by your installation defines the security attributes for the EDF transaction.) If this has been done, and you are not authorized to use CEDF, you cannot initiate the transaction.

For guidance on using security, see your system programmer or the *CICS RACF Security Guide*.



---

## Chapter 42. Temporary storage browse (CEBR)

This chapter contains the following information:

- “How to use the CEBR transaction”
- “What does the CEBR transaction display?” on page 539
- “The CEBR commands” on page 540
- “Using the CEBR transaction with transient data” on page 543
- “Security considerations” on page 543

You can use the browse transaction (CEBR) to browse temporary storage queues and delete them. You can also use the CEBR transaction to transfer the contents of a transient data queue to temporary storage in order to look at them, and to reestablish the transient data queue when you have finished. The CEBR commands that perform these transfers allow you to add records to a transient data queue and remove all records from a transient data queue. See “The CEBR commands” on page 540 and “The CEBR options on function keys” on page 539 for more information about their use.

---

### How to use the CEBR transaction

You start the CEBR transaction by entering the transaction identifier CEBR, followed by the name of the queue you want to browse. You can choose a name of up to 16 characters. For example, to display the temporary storage queue named AXBYQUEUEENAME111 you type CEBR AXBYQUEUEENAME111 and press ENTER. CICS responds with a display of the queue, for example, as shown in Figure 109 on page 538.

Alternatively, you can start the CEBR transaction from the CEDF transaction. You do this by pressing PF5 from the initial CEDF screen (see Figure 94 on page 515) which takes you to the working-storage screen, and then pressing PF2 from that screen to browse temporary storage (that is, invoke the CEBR transaction). CEBR can also be started from CEMT I TSQ by entering 'b' at the queue to be browsed. The CEBR transaction responds by displaying the temporary storage queue whose name consists of the four letters CEBR followed by the four letters of your terminal identifier. (CICS uses this same default queue name if you invoke the CEBR transaction directly and do not supply a queue name.) The result of invoking the CEBR transaction without a queue name or from an EDF session at terminal S21A is shown in Figure 110. If you enter the CEBR transaction from the CEDF transaction, you return to the EDF panel when you press PF3 from the CEBR screen.

```

CEBR TSQ AXBYQUEUEAME111 SYSID CIJP REC 1 OF 3 COL 1 OF 5
ENTER COMMAND ==>
***** TOP OF QUEUE *****
00001 HELLO
00002 HELLO
00003 HELLO
***** BOTTOM OF QUEUE *****

PF1 : HELP          PF2 : SWITCH HEX/CHAR    PF3 : TERMINATE BROWSE
PF4 : VIEW TOP      PF5 : VIEW BOTTOM        PF6 : REPEAT LAST FIND
PF7 : SCROLL BACK HALF PF8 : SCROLL FORWARD HALF PF9 : UNDEFINED
PF10: SCROLL BACK FULL PF11: SCROLL FORWARD FULL PF12: UNDEFINED

```

Figure 109. Typical CEBR display of temporary storage queue contents

```

CEBR TSQ AXBYQUEUEAME1AA SYSID CIJP REC 1 OF 0 COL 1 OF 0
ENTER COMMAND ==>
***** TOP OF QUEUE *****
***** BOTTOM OF QUEUE *****

TS QUEUE AXBYQUEUEAME1AA DOES NOT EXIST
PF1 : HELP          PF2 : SWITCH HEX/CHAR    PF3 : TERMINATE BROWSE
PF4 : VIEW TOP      PF5 : VIEW BOTTOM        PF6 : REPEAT LAST FIND
PF7 : SCROLL BACK HALF PF8 : SCROLL FORWARD HALF PF9 : UNDEFINED
PF10: SCROLL BACK FULL PF11: SCROLL FORWARD FULL PF12: UNDEFINED

```

**Note:** 1 Header 2 Command area 3 Body 4 Message line 5 Menu of options

Figure 110. Typical CEBR display of default temporary storage queue

---

## What does the CEBR transaction display?

As shown in Figure 110 on page 538, a CEBR transaction display consists of a header, a command area, a body (the primary display area), a message line, and a menu of functions you can select at this point.

### The header

The header shows:

- The transaction being run, that is, CEBR.
- The identifier of the temporary storage queue (AXBYQUEUEAME111 in Figure 109 on page 538 and (AXBYQUEUEAME1AA in Figure 110 on page 538). You can overwrite this field in the header if you want to switch the screen to another queue.
- The system name that corresponds to a temporary storage pool name or to a remote system. If you have not specified one, the name of the local system is displayed. You can overwrite this field in the header if you want to browse a shared or remote queue.
- The number of the highlighted record.
- The number of records in the queue (three in AXBYQUEUEAME111 and none in AXBYQUEUEAME1AA)
- The position in each record at which the screen starts (position 1 in both cases) and the length of the longest record (22 for queue AXBYQUEUEAME111 and zero for queue AXBYQUEUEAME1AA).

### The command area

The command area is where you enter commands that control what is to be displayed and what function is to be performed. These commands are described in “The CEBR commands” on page 540. You can also modify the screen with function keys shown in the menu of options at the bottom of the screen. The function keys are explained in “The CEBR options on function keys”.

### The body

The body is where the queue records are shown. Each line of the screen corresponds to one queue record. If a record is too long for the line, it is truncated. You can change the portion of the record that is displayed, however, so that you can see an entire record on successive screens. If the queue contains more records than will fit on the screen, you can page forward and backward through them, or specify at what record to start the display, so that you can see all the records you want.

### The message line

CEBR uses the message line between the body and menu to display messages to the user, such as the “Does not exist” message in Figure 110 on page 538.

### The CEBR options on function keys

The function keys that you can use at any time are displayed at the bottom of every CEBR transaction screen. The keys have the same meaning on all screens. If your terminal does not have PF keys, you can simulate their use by placing the cursor under the description and pressing ENTER. Where a terminal has 24 function keys, the CEBR transaction treats PF13 through PF24 as duplicates of PF1 through PF12 respectively.

**PF1 HELP**

Displays a help screen that lists all the commands you can use when the CEBR transaction is running. You can return to the main screen by pressing ENTER.

**PF2 SWITCH HEX/CHAR**

Switches the screen from character to hexadecimal format, and back again.

**PF3 TERMINATE BROWSE**

Terminates the CEBR transaction. If you entered the CEBR transaction directly, it frees up your terminal for the next transaction. If you entered from an EDF session, it returns you to the working-storage screen from which you entered. If you entered from CEMT I TSQ, it returns you to the CEMT screen.

**PF4 VIEW TOP**

Displays the first records in the queue and has the same effect as the TOP command.

**PF5 VIEW BOTTOM**

Displays the last records in the queue and has the same effect as the BOTTOM command.

**PF6 REPEAT LAST FIND**

Repeats the previous FIND command.

**PF7 SCROLL BACK HALF**

Moves the display backward by one-half the number of records that fit on the screen, so that the records on the top half of the screen move to the bottom half.

**PF8 SCROLL FORWARD HALF**

Advances the display by one-half the number of records that fit on the screen, so that the records on the bottom half of the screen move to the top half.

**PF9 VIEW RIGHT (or VIEW LEFT)**

Changes the screen to show the columns immediately after (to the right of) or before (to the left of) the columns currently on display. The key is not defined if the entire record fits on one line of the screen. It moves you to the right until the end of the record is reached, and then reverses to move left back to the beginning of the record. You can also use the COLUMN command to change the column at which the display begins.

**PF10 SCROLL BACK FULL**

Moves the screen backward by the number of records that fit on the screen, to show the records immediately before those currently on display.

**PF11 SCROLL FORWARD FULL**

Advances the screen by the number of records that will fit on the screen, to show the records immediately after those currently on display.

---

## The CEBR commands

Here is a list of the CEBR commands that you can use to view and manipulate the records in the temporary storage queue.

**BOTTOM**

(Abbreviation: B)

Shows the last records in the temporary storage queue (as many as fill up the body of the screen, with the last record on the last line).

**COLUMN nnnn**

(Abbreviation: C nnnn)

Displays the records starting at character position (column) nnnn of each record. The default starting position, assumed when you initiate the CE BR transaction, is the first character in the record.

**FIND /string**  
(Abbreviation: F /string)

Finds the next occurrence of the specified string. The search starts in the record *after* the **current record**. The current record is the one that is highlighted. In the initial display of a queue, the current record is set to one, and therefore the search begins at record two.

If the string is found, the record containing the string becomes the highlighted line, and the display is changed to show this record on the second line. If you cannot see the search string after a successful FIND, it is in columns of the record beyond those on display; use the scroll key or the COLUMN command to shift the display right or left to show the string.

For example:

```
FIND /05-02-93
```

locates the next occurrence of the string “05-02-93” The / character is a delimiter. It does not have to be /, but it must not be a character that appears in the search argument. For example, if the string you were looking for was “05/02/93” instead of “05-02-93”, you could not use the following:

```
FIND /05/02/93
```

There is a slash in the search string. The following examples would work:

```
FIND X05/02/93    or    FIND S05/07/93
```

Any delimiter except a / or one of the digits in the string works. If there are any spaces in the search string, you must repeat the delimiter at the end of the string. For example:

```
FIND /CLARE JACKSON/
```

The search string is not case-sensitive. When you have entered a FIND command, you can repeat it (that is, find the next occurrence of the string) by pressing PF6.

**GET xxxx**  
(Abbreviation: G xxxx)

Transfers the named transient data queue to the end of the temporary storage queue currently on display. This enables you to browse the contents of the queue. xxxx must be either the name of an intrapartition transient data queue, or the name of an extrapartition transient data queue that has been opened for input. See “Using the CE BR transaction with transient data” on page 543 for more information about browsing transient data queues.

**LINE nnnn**  
(Abbreviation: L nnnn)

Starts the body of the screen at the queue record one prior to nnnn, and sets the current line to nnnn. (This arrangement causes a subsequent FIND command to start the search after record nnnn.)

## **PURGE**

Deletes the queue being browsed.

Do not use PURGE to delete the contents of an internally generated queue, such as a BMS logical message.

**Note:** If you purge a recoverable temporary storage queue, no other task can update that queue (add a record, change a record, or purge) until your task ends.

## **PUT xxxx**

(Abbreviation: **P xxxx**)

Copies the temporary storage queue that is being browsed to the named transient data queue. xxxx must be either the name of an intrapartition transient data queue, or the name of an extrapartition transient data queue that has been opened for output. See “Using the CEBR transaction with transient data” on page 543 for more information about creating or restoring a transient data queue.

## **QUEUE xxxxxxxxxxxxxxxx**

(Abbreviation: **Q xxxxxxxx**)

Changes the name of the queue you are browsing. The value that you specify can be in character format using up to 16 characters (for example, QUEUE ABCDEFGHIJKLMNOP) or in hexadecimal format (for example, QUEUE X'C1C2C3C4'). The CEBR transaction responds by displaying the data that is in the named queue.

You can also change the queue name by overtyping the current value in the header.

## **SYSID xxxx**

(Abbreviation: **S xxxx**)

Changes the name of the temporary storage pool or remote system where the queue is to be found.

You can also change this name by overtyping the current SYSID value in the header.

**Note:** If ISC is not active in the CICS system on which the CEBR transaction is running then the SYSID will default to the local SYSID.

## **TERMINAL xxxx**

(Abbreviation: **TERM xxxx**)

Changes the name of the queue you are browsing, but is tailored to applications that use the convention of naming temporary storage queues that are associated with a terminal by a constant in the first four characters and the terminal name in the last four. The new queue name is formed from the first four characters of the current queue name, followed by xxxx.

## **TOP**

(Abbreviation: **T**)

Causes the CEBR transaction to start the display at the first record in the queue.

---

## Using the CEBR transaction with transient data

The GET command reads each record in the transient data queue that you specify and writes it at the end of the temporary storage queue you are browsing, until the transient data queue is empty. You can then view the records that were in the transient data queue. When you have finished your inspection, you can copy the temporary storage queue back to the transient data queue (using the PUT command). This usually leaves the transient data queue as you found it, but not always. Here are some points you need to be aware of when using the GET and PUT commands:

- If you want to restore the transient data queue unchanged after you have browsed it, make sure that the temporary storage queue on display at the time of the GET command is empty. Otherwise, the existing temporary storage records is copied to the transient data queue when the subsequent PUT command is issued.
- After you get a transient data queue and before you put it back, other tasks may write to that transient data queue. When you issue your PUT command, the records in the temporary storage queue are copied **after** the new records, so that the records in the queue are no longer in the order in which they were originally created. Some applications depend on sequential processing of the records in a queue.
- After you get a **recoverable** transient data queue, no other task can access that queue until your transaction ends. If you entered the CEBR transaction from the CEDF transaction, the CEDF transaction must end, although you can respond “yes” to the “continue” question if you are debugging a pseudoconversational sequence of transactions. If you invoked the CEBR transaction directly, you must end it.
- Likewise, after you issue a PUT command to a recoverable transient data queue, no other task can access that queue until your transaction ends.

The GET and PUT commands do not need to be used as a pair. You can add to a transient data queue from a temporary storage queue with a PUT command at any time. If you are debugging code that reads a transient data queue, you can create a queue in temporary storage (with the CECI transaction, or the CEBR GET command, or by program) and then refresh the transient data queue as many times as you like from temporary storage. Similarly, you can empty a transient data queue by using a GET command without a corresponding PUT command.

---

## Security considerations

Some installations restrict the use of the CEBR transaction, particularly in production systems, to prevent modifications that were not intended or not authorized. Installations also may protect individual resources, including temporary storage and transient data queues. If you are using the CEBR transaction and experience an abend described as a security failure, you probably have attempted to access a queue to which your user ID is not authorized.





---

## Chapter 43. Command-level interpreter (CECI)

This chapter contains the following information:

- “How to use CECI”
- “What does CECI display?” on page 546
- “Additional displays” on page 551
- “Making changes” on page 555
- “How CECI runs” on page 555
- “Security considerations” on page 558

You can use the command-level interpreter (CECI) transaction to check the syntax of CICS commands and process these commands interactively on a 3270 screen. CECI allows you to follow through most of the commands to execution and display the results. It also provides you with a reference to the syntax of the whole of the CICS command-level application programming and system programming interface.

CECI interacts with your test system to allow you to create or delete test data, temporary storage queues, or to deliberately introduce wrong data to test out error logic. You can also use CECI to repair corrupted database records on your production system.

---

### How to use CECI

You start the command-level interpreter by entering either of two transaction identifiers, CECS or CECI, followed by the name of the command you want to test. You can list command options too, although you can also do this later. For example:

```
CECS READ FILE('FILEA')
```

or

```
CECI READ FILE('FILEA')
```

CICS responds with a display of the command and its associated functions, options, and arguments, as shown in Figure 111 on page 546. If you leave out the command, CECI provides a list of possible commands to get you started. You can use any of the commands described for programming purposes in the *CICS Application Programming Reference* and *CICS System Programming Reference* manuals. CECI also supports the FEPI commands provided for the CICS Front End Programming Interface.

```

READ FILE('FILEA')
STATUS:  COMMAND SYNTAX CHECK
EXEC CICS READ
  File( 'FILEA  ' )
  < Sysid() >
  SET() | Into()
  < Length() >
  RIDfld()
  < Keylength() < GGeneric > >
  < RBa | RRn | DEBRec | DEBKey >
  < GTeq | Equal >
  < Update < Token() > >
NAME=
S Option RIDFLD has been omitted or specified with an invalid value,
  the command cannot be executed.
PF 1 HELP 2 HEX 3 END 4 EIB 5 VAR 6 USER 7 SBH 8 SFH 9 MSG 10 SB 11 SF

```

**Note:** 1 Command line 2 Status line 3 Body 4 Message line 5 Menu of functions

Figure 111. Typical CECI display for command syntax check

If you use the transaction code CECS, the interpreter simply checks your command for correct syntax. If you use CECI, you have the option of executing your command once the syntax is correct. (CICS uses two transaction identifiers to allow different security to be assigned to syntax checking and execution.)

## What does CECI display?

All CECI screens have the same basic layout. As shown in Figure 111, CECI displays consist of a command input line, a status line, the body or main part of the screen, a message line, and a menu of functions you can select at this point.

### The command line

The command line is the first line of the screen. You enter the command you want to process or whose syntax you want to check here. This can be the full or abbreviated syntax. The rules for entering and abbreviating the command are:

- The keywords EXEC CICS are optional.
- The options of a command can be abbreviated to the number of characters sufficient to make them unique. Valid abbreviations are shown in uppercase characters in syntax displays in the body of the screen.
- The quotes around character strings are optional, and all strings of characters are treated as character-string constants unless they are preceded by an ampersand (&), in which case they are treated as variables.
- Options of a command that receive a value from CICS when the command is processed are called **receivers**, and need not be specified. The value received from CICS is included in the syntax display, and stored in the variable if one has been specified, after the command has been processed.
- If you issue a CECI command with two of the keywords in conflict, CECI ignores the first keyword and issues an error message, such as this one, from a READ command:

```
E INTO option conflicts with SET option and is ignored
```

- If you put a question mark in front of your command, the interpreter stops after the syntax check, even if you have used the transaction code CECI. If you want to proceed with execution, remove the question mark.

The following example shows the abbreviated form of a command. The file control command:

```
EXEC CICS READ FILE('FILEA') RIDFLD('009000') INTO(&REC)
```

can be entered on the command input line, as:

```
READ FIL(FILEA) RID(009000)
```

or at a minimum, as:

```
READ F(FILEA) RI(009000)
```

In the first form, the INTO specification creates a variable, &REC, into which the data is to be read. However, INTO is a receiver (as defined above) and you can omit it. When you do, CICS creates a variable for you automatically.

## The status line

As you go through the process of interpreting a command, CECI presents a sequence of displays. The format of the body of the screen is essentially the same for all; it shows the syntax of the command and the option values selected. The status line on these screens tells you where you are in the processing of the command, and is one of:

- COMMAND SYNTAX CHECK
- ABOUT TO EXECUTE COMMAND
- COMMAND EXECUTION COMPLETE
- COMMAND NOT EXECUTED

From any of these screens, you can select additional displays. When you do, the body of the screen shows the information requested, and the status line identifies the display, which may be any of:

- EXPANDED AREA
- VARIABLES
- EXEC INTERFACE BLOCK
- SYNTAX MESSAGES

These screens are described in “Additional displays” on page 551. You can request them at any time during processing and then return to the command interpretation sequence.

There is also one input field in the status line called NAME=. This field is used to create and name variables, as explained in “Variables” on page 551 and “Saving commands” on page 557.

### Command syntax check

When the status line shows **command syntax check** (as shown in Figure 111 on page 546), it indicates that the command entered on the command input line has been syntax checked but is not about to be processed. This is always the status if you enter CECI or if you precede your command with a question mark. It is also the status when the syntax check of the command gives severe error messages.

In addition, you get this status if you attempt to execute one of the commands that the interpreter cannot execute. Although any command can be syntax-checked, using either CECS or CECI, the interpreter cannot process the following commands any further:

- EXEC CICS commands that depend upon an environment that the interpreter does not provide:
  - FREE
  - FREEMAIN
  - GETMAIN
  - HANDLE ABEND
  - HANDLE AID
  - HANDLE CONDITION
  - IGNORE CONDITION
  - POP HANDLE
  - PUSH HANDLE
  - SEND LAST
  - SEND PARTNSET
  - WAITCICS
  - WAIT EVENT
  - WAIT EXTERNAL
- BMS commands that refer to partitions (because the display cannot be restored after the screen is partitioned)
- EXEC DLI
- CPI Communication (CPI-C) commands
- SAA Resource Recovery interface (CPI-RR) commands

### About to execute command

This display (as shown in Figure 112) appears when none of the reasons for stopping at **command syntax check** applies.

```

READ FILE('FILEA') RIDFLD('009000')
STATUS: ABOUT TO EXECUTE COMMAND                                NAME=
EXEC CICS READ
  File( 'FILEA  ' )
  < SYsid() >
  SET() | Into()
  < Length() >
  RIDfld( '009000' )
  < Keylength() < GGeneric > >
  < RBa | RRn | DEBRec | DEBKey >
  < GTeq | Equal >
  < Update < Token() > >

PF 1 HELP 2 HEX 3 END 4 EIB 5 VAR 6 USER 7 SBH 8 SFH 9 MSG 10 SB 11 SF

```

Figure 112. Typical CECI display for about to execute command

If you press the ENTER key at this point without changing the screen, CECI executes the command. You can still modify it at this point, however. If you do,

CECI ignores the previous command and processes the new one from scratch. This means that the next screen displayed is **command syntax check** if the command cannot be executed or else **about to execute command** if the command is correct.

### Command execution complete

This display (as shown in Figure 113) appears after the interpreter has executed a command, in response to the ENTER key from an unmodified **about to execute command** screen.

```
INQUIRE FILE NEXT
STATUS: COMMAND EXECUTION COMPLETE
EXEC CICS INquire File( 'DFHCSD ' )
                                     NAME=
  < STArt | END | Next >
  < AAccessmethod( +0000000003 ) >
  < ADd( +00000000041 ) >
  < BAsedsname( ' ' ) >
  < BLOCKFormat( +0000000016 ) >
  < BLOCKKeylen( -0000000001 ) >
  < BLOCKSize( -0000000001 ) >
  < BRowse( +00000000039 ) >
  < DElete( +00000000043 ) >
  < Disposition( +00000000027 ) >
  < DSname( 'CFV01.CICS03.PSK.CSD ' ) >
  < EMptystatus( +00000000032 ) >
  < ENAblestatus( +00000000033 ) >
  < EXclusive( +0000000001 ) >
  < Fwdrecstatus( +00000000361 ) >
  < Journalnum( +00000 ) >
+ < KEYLength( +0000000000 ) >

RESPONSE: NORMAL          EIBRESP=+0000000000 EIBRESP2=+0000000000
PF 1 HELP 2 HEX 3 END 4 EIB 5 VAR 6 USER 7 SBH 8 SFH 9 MSG 10 SB 11 SF
```

Figure 113. Typical CECI display for command execution complete

The command has been processed and the results are displayed on the screen.

Any **receivers**, whether specified or not, together with their CICS-supplied values, are displayed intensified.

## The body

The body of **command syntax check**, **about to execute command**, and **command execution complete** screens contains information common to all three displays.

The full syntax of the command is displayed. Options specified in the command line or assumed by default are intensified, to show that they are used in executing the command, as are any **receivers**. The < > brackets indicate that you can select an option from within these brackets. If you make an error in your syntax, CECI diagnoses it in the message area that follows the body, described in “The message line” on page 550. If there are too many diagnostic messages, the rest of the messages can be displayed using PF9.

Arguments can be displayed in either character or hexadecimal format. You can use PF2 to switch between formats. In character format, some characters are not displayable (including lowercase characters on some terminals); CECI shows them as periods. You need to switch to hexadecimal to show the real values, and you need to use caution when modifying them, as explained in “Making changes” on page 555.

If the value of an option is too long for the line, only the first part is displayed followed by “...” to indicate there is more. You can display the full value by positioning the cursor at the start of the option value and pressing ENTER. This produces an expanded display described in “Expanded area” on page 551.

If the command has more options than can fit on one screen, a plus sign (+) appears at the left-hand side of the last option of the current display to indicate that there are more. An example of this is shown in Figure 113 on page 549. You can display additional pages by scrolling with the PF keys.

## The message line

CECI uses the message line to display error messages. After execution of a command, the message line shows the response code. Figure 111 on page 546 shows an error message, where the user has omitted a required field. The **S** that precedes the message indicates that it is severe (bad enough to prevent execution). There are also warning messages (flagged by **W**) and error messages (flagged by **E**), which provide information without preventing execution. **E** messages indicate option combinations unusual enough that they may not be intended and warrant a review of the command before you proceed with execution.

Where there are multiple error messages, CECI creates a separate display containing all of them, and uses the message line to tell you how many there are, and of what severity. You can get the message display with PF9, as explained in “Additional displays” on page 551.

Figure 113 on page 549 shows the second use of the message line, to show the result of executing a command. CECI provides the information in both text (NORMAL in the example in Figure 113 on page 549) and in decimal form (the EIBRESP and EIBRESP2 value).

## CECI options on function keys

The single line at the foot of the screen provides a menu indicating the effect of the PF keys for the display.

The PF keys are described below. If the terminal has no PF keys, the same effect can be obtained by positioning the cursor under the required item in the menu and pressing ENTER.

### **PF1 HELP**

displays a HELP panel giving more information on how to use the command interpreter and on the meanings of the PF keys.

### **PF2 HEX**

(SWITCH HEX/CHAR) switches the display between hexadecimal and character format. This is a mode switch; all subsequent screens stay in the chosen mode until the next time this key is pressed.

### **PF3 END**

(END SESSION) ends the current session of the interpreter.

### **PF4 EIB**

(EIB DISPLAY) shows the contents of the EXEC interface block (EIB). An example of this screen is shown in Figure 115 on page 554.

### **PF5 VAR**

(VARIABLES) shows all the variables associated with the current command

interpreter session, giving the name, length, and value of each. See Variables for more information about the use of this PF key.

**PF6 USER**

(USER DISPLAY) shows the current contents of the user display panel (that is, what would appear on the terminal if the commands processed thus far had been executed by an ordinary program rather than the interpreter). This key is not meaningful until a terminal command is executed, such as SEND MAP.

**PF7 SBH**

(SCROLL BACK HALF) scrolls the body half a screen backward.

**PF8 SFH**

(SCROLL FORWARD HALF) scrolls the body half a screen forward.

**PF9 MSG**

(DISPLAY MESSAGES) shows all the messages generated during the syntax check of a command.

**PF10 SB**

(SCROLL BACK) scrolls the body one full screen backward.

**PF11 SF**

(SCROLL FORWARD) scrolls the body one full screen forward.

---

## Additional displays

Additional screens of information are available when you press the relevant PF key. You can get back to your original screen by pressing ENTER from an unmodified screen.

### Expanded area

This display uses the whole of the body of the screen to display a variable selected with the cursor. The cursor can be positioned at the start of the value of an option on a syntax display, or under the ampersand of a variable in a variables display. Pressing ENTER then gives the expanded area display. The scrolling keys can be used to display all the information if it exceeds a full screen.

### Variables

Figure 114 on page 552 shows the result of requesting a **variables** display, obtained by pressing PF5. For each variable associated with the current interpreter session, it shows the name, length, and value.

```

READ FILE('FILEA') RIDFLD('009000')INTO(&REC)
VARIABLES  LENGTH  DATA
&DFHC      +00016  THIS IS A SAMPLE
&DFHW      +00046  EXEC CICS WRITEQ QUEUE(' CIS200') FROM(&DFHC)
&DFHR      +00045  EXEC CICS READQ QUEUE(' CIS200') INTO(&DFHC)
&REC       +00080  482554 D694 72 WIDGET, .007 TEST 100

```

PF 1 HELP 2 HEX 3 END 4 EIB 5 VAR 6 USER 9 MSG

Figure 114. Typical CECI display of variables associated with a CECI session

The first three variables displayed are created for you by CECI and always appear unless you explicitly delete them. They are designed to help you create command lists, as described in “Saving commands” on page 557, as well as to serve as examples.

After these three, you see any variables that you have created. The fourth one in Figure 114, &REC, is the result of executing:

```
READ FILE('FILEA') RID('009000') INTO(&REC)
```

Normally, the value supplied for an option in the command line is taken as a character string constant. However, sometimes you need to specify a variable to represent this value, as when you want to connect two commands through option values.

For example, to change a record with CECI, you might first enter:

```
EXEC CICS READ UPDATE INTO(&REC)
        FILE('FILEA') RID('009000')
```

You would then modify the record as required by changing the variable &REC, and then enter:

```
EXEC CICS REWRITE FROM(&REC) FILE('FILEA')
```

The ampersand (&) in the first position tells CECI that you are specifying a variable.

A variable is also useful when the values of the options cause the command to exceed the line length of the command input area. Creating variables with the required values and specifying the variable names in the command overcomes the line length limitation.

**Defining variables**

Variables can have a data type of character, fullword, halfword, or packed decimal, and you can create them in any of the following ways:



- By naming the variable in a receiver (&REC in Figure 114 on page 552, for example). The variable is created when the command is processed. The data type and length are implied by the option.
- By adding new entries to the list of variables already defined. To create a new variable, simply type its name and length in the appropriate columns on the first unused line of the variables display, and then press ENTER. For character variables, use the length with which the variable has been defined. For fullwords or halfwords, type **F** or **H**. For packed variables, use the length in bytes, preceded by a **P**.

Character variables are initialized to blanks. The others are initialized to zero in the appropriate form. Once a variable is created, you can change the value by modifying the data field on the **variables** display.

- By using the NAME field on the status line when you have produced an expanded area display of a particular option. You do this by positioning the cursor under the option on a syntax display and pressing ENTER. Then you assign the variable name you want associated with the displayed option value by typing it into the NAME field and pressing ENTER again.
- By copying an existing variable. You do this by obtaining an expanded area display of the variable to be copied, overkeying the name displayed with the name of the new variable, and pressing ENTER.
- By using the NAME field directly on a syntax display. This creates a character variable whose contents are the character string on the command line, for use in command lists as explained in “Saving commands” on page 557.

You can also delete a variable, although you do not usually need to, as CECI discards all variables at session end. To delete one before session end, position the cursor under the ampersand that starts the name, press ERASE EOF, and then press ENTER.

## The EXEC interface block (EIB)

You can display the EIB associated with the CECI transaction by pressing PF4. Figure 115 on page 554 shows an example of the contents of the EXEC interface block (EIB).

```

READ FILE('FILEA') RIDFLD('009000')
EXEC INTERFACE BLOCK
  EIBTIME      = +0124613
  EIBDATE      = +0091175
  EIBTRNID     = 'CECI'
  EIBTASKN     = +0000046
  EIBTRMID     = 'S200'
  EIBCPOSN     = +00004
  EIBCALEN     = +00000
  EIBAID       = X'7D'
  EIBFN        = X'0000'
  EIBRCODE     = X'000000000000'
  EIBDS        = '.....'
  EIBREQID     = '.....'
  EIBRSRCE     = ' '
  EIBSYNC      = X'00'
  EIBFREE      = X'00'
  EIBRECV      = X'00'
  EIBATT       = X'00'
  EIBEOC       = X'00'
+ EIBFMH      = X'00'

PF 1 HELP 2 HEX 3 END 4 EIB 5 VAR 6 USER 7 SBH 8 SFH 9 MSG 10 SB 11 SF

```

Figure 115. Typical CECI display of the EIB

The fields in the EIB are described for programming purposes in the *CICS Application Programming Reference* manual.

### Error messages display

When there are more messages than CECI can display on the message line, you can display all of them by pressing PF9.

```

READ
SYNTAX MESSAGES
  S FILE must be specified.
  S RIDFLD must be specified.

PF 1 HELP 2 HEX 3 END 4 EIB 5 VAR 6 USER 7 SBH 8 SFH          10 SB 11 SF

```

Figure 116. Typical CECI display of the message display

---

## Making changes

Until CICS executes a command, you can change it by changing the contents of the command line, by changing the option values shown in the syntax display in the body, or by changing the values of variables on the **variables** screen. (You can still make changes after a command is executed, but, unless they are in preparation for another command, they have no effect.)

When you make your changes in the command line or on the **variables** screen, they last for the duration of the CECI transaction. If you make them in the body of the syntax screen, however, they are temporary. They last only until the command is executed and are not reflected in the command line.

As noted earlier, not all characters are displayable on all terminals. When the display is in character rather than hexadecimal format, CECI shows these characters as periods (X'4B'). When you overwrite a period, you should be aware that the current value may not be a period but an undisplayable character.

Furthermore, you cannot change a character to a period when the display is in character mode. If you attempt this, CECI ignores your change, and does not issue a diagnostic message. To make such a change, you have to switch the display to hexadecimal and enter the value (X'4B') that represents a period.

There is a restriction on changes in hexadecimal format as well. If you need to change a character to a blank, you cannot enter the code (X'40') from a hexadecimal display. Again, your change is ignored and CECI does not issue a message. Instead, you must switch to character mode and blank out the character.

After every modification, CECI rechecks your syntax to ensure that no errors have appeared. It restarts processing at the **command syntax check** if there are any execution-stoppers, and at **about to execute command** if not. Only after you press ENTER on an unmodified **about to execute command** screen does CECI execute your command.

---

## How CECI runs

There are several things you should know about how the interpreter works, in order to use it properly. These include:

- CECI sessions
- Abends
- Exception conditions
- Program control commands
- Terminal sharing
- Saving commands

### CECI sessions

The interpreter runs as a transaction, using programs supplied by CICS. It is conversational, which means that everything you do between the start of a session (entering CECI) and the end (PF3) is a single logical unit of work in a single task. This means that locks and enqueues produced by commands you execute remain for the duration of your session. If you read a record for update from a recoverable file, for example, that record is not available to any other task until you end CECI.

## Abends

CECI executes all commands with the NOHANDLE option, so that execution errors do not ordinarily cause abends.

CECI also issues a HANDLE ABEND command at the beginning of the session, so that it does not lose control even if an abend occurs. Consequently, when you get one, CECI handles it and there is no resource backout. If you are doing a series of related updates to protected resources, you need to be sure that you do not do some of them and then find you cannot complete the others. If you find yourself in this situation, you can execute a SYNCPOINT ROLLBACK command or an ABEND command with the CANCEL option to remove the effects of your earlier commands on recoverable resources.

## Exception conditions

For some commands, CECI may return exception conditions even when all specified options are correct. This occurs because, on some commands, CECI uses options that you do not specify explicitly. For example, the ASSIGN command always returns the exception condition INVREQ under CECI. Even though it may return the information you requested correctly, it will have attempted to get information from other options, some of which are invalid.

## Program control commands

Because the interpreter is itself an application program, the interpretation of some program control commands may produce different results from an application program executing those commands. For example, ABEND command is intercepted, as noted above, unless you use the CANCEL option.

If you execute a LINK command, the target program executes, but in the environment of the interpreter, which may not be the one expected. In particular, if you modify a user display during a linked-to program, the interpreter will not be aware of the changes.

Similarly, if you interpret an XCTL command, CECI passes control to the named program and never gets control back, so that the CECI session is ended.

## Terminal sharing

When the command being interpreted is one that uses the same screen as the interpreter, the command interpreter manages the sharing of the screen between the interpreter display and the user display.

The user display is restored:

- When the command being processed requires input from the operator
- When the command being processed is about to modify the user display
- When USER DISPLAY is requested

Thus, when a SEND command is followed by a RECEIVE command, the display sent by the SEND command appears twice, once when the SEND command is processed, and again when the RECEIVE command is processed. It is not necessary to respond to the SEND command, but, if a response is made, the interpreter stores it and redisplay it when the screen is restored for the RECEIVE command.

When the interpreter restores the user display, it does not sound the alarm or affect the keyboard in the same way as when a SEND command is processed. This is similar to EDF (see “Using EDF in single-screen mode” on page 529 for more information).

## Saving commands

Sometimes you may want to execute a command, or a series of commands, under CECI, repeatedly. One technique for doing this is to create a temporary storage queue containing the commands. You then alternate reading the command from the queue and executing it.

CECI provides shortcuts both for creating the queue and for executing commands from it. To create the queue:

1. Start a CECI session.
2. Enter the first (or next) command you want to save on the command line, put &DFHC in the NAME field in the status line, and press ENTER. This action causes the usual syntax check, and it also stores your command as the value of &DFHC, which is the first of those three variables that CECI always defines for you. (See Figure 114 on page 552.) If you select the variables display at this point, you will see that &DFHC is the value of your command.
3. After the syntax is correct but before execution (on the **about to execute command** screen), change the command line to &DFHW and press ENTER. This causes CECI to use the value of &DFHW for the command to be executed. &DFHW is the second of the variables CECI supplies, and it contains a command to write the contents of variable &DFHC (that is, your command) to the temporary storage queue named “CI`ttt`”, where “`ttt`” is the name of your terminal and two blanks precede the letters “CI”.
4. Execute this WRITEQ command (through the **command execution complete** screen). This stores your command on the queue.
5. If you want to save more than one command, repeat steps 2 to 4 for each.

When you want to execute the saved commands from the list, do the following:

1. Enter &DFHR on the command line and press ENTER. &DFHR is the last of the CECI-supplied variables, and it contains a command to read the queue that was written earlier. Execute this command; it brings the first (next) of the commands you saved into the variable &DFHC.
2. Then enter &DFHC on the command line and press ENTER. CECI replaces the command line with the value of &DFHC, which is your command. Press ENTER to execute your command.
3. Repeat these two steps, alternating &DFHR and &DFHC on the command line, until you have executed all of the commands you saved.

You can vary this procedure to suit your needs. For example, you can skip commands in the sequence by simply skipping step (2). You can change the options of the saved command before executing it in the same way as a command entered normally.

If you want to repeat execution of the saved sequence, you need to specify the option ITEM(1) on the first execution of the READQ command, in order to reposition your read to the beginning of the queue.

---

## Security considerations

The interpreter is such a powerful tool that your installation may restrict its use with attach-time security. (The external security manager used by your installation defines the security attributes for the CECI and CECS transactions.) If this has been done, and you are not authorized to use the interpreter transaction you select, you will not be able to initiate the transaction.

---

## Part 8. Appendixes





---

## Appendix A. CICS commands and their equivalent obsolete macros

This appendix provides a list of the CICS commands available to the application programmer. These commands replace the CICS macro instructions, which are now obsolete. This list gives a command that performs the same function as the obsolete macro instruction. Command options may have different defaults or functions from macro-level operands having similar names. Some CICS macros do not have an equivalent command; for example, there is only one CICS built-in function that can be invoked by a command.

Macro	Command
<b>DFHBTCA</b>	-
<b>DFHBIF</b>	
TYPE=DEEDIT	BIF DEEDIT
TYPE=PHONETIC <sup>1</sup>	
<b>DFHBMS</b>	
TYPE=CHECK	RESP option
TYPE=IN	RECEIVE MAP
TYPE=MAP	RECEIVE MAP FROM
TYPE=OUT	SEND TEXT
TYPE=OUT,MAP=	SEND MAP
TYPE=PAGEBLD	SEND MAP ACCUM
TYPE=PAGEOUT	SEND PAGE
TYPE=PURGE	PURGE MESSAGE
TYPE=RETURN	SEND{MAP TEXT} SET
TYPE=ROUTE	ROUTE
TYPE=STORE	SEND{MAP TEXT} PAGING
TYPE=TEXTBLD	SEND TEXT ACCUM
<b>DFHDC</b>	
TYPE=CICS	DUMP TABLES
TYPE=COMPLETE	DUMP COMPLETE
TYPE=PARTIAL	
LIST=PROGRAM	DUMP PROGRAM
LIST=TERMINAL	DUMP TERMINAL
LIST=TRANSACTION	DUMP STORAGE
LIST=SEGMENT	DUMP FROM
TYPE=TRANSACTION	DUMP[TASK]
<b>DFHDI</b>	
TYPE=ABORT	ISSUE ABORT
TYPE=ADD	ISSUE ADD
TYPE=CHECK	RESP option
TYPE=END	ISSUE END
TYPE=ERASE	ISSUE ERASE
TYPE=NOTE	ISSUE NOTE
TYPE=QUERY	ISSUE QUERY
TYPE=RECEIVE	ISSUE RECEIVE
TYPE=REPLACE	ISSUE REPLACE
TYPE=SEND	ISSUE SEND
TYPE=WAIT	ISSUE WAIT
<b>DFHEMP</b>	
TYPE=ENTRY	ENTER TRACEID MONITOR
<b>DFHFC</b>	
TYPE=CHECK	RESP option

TYPE=DELETE (DL/I types)	DELETE RIDFLD
TYPE=ESETL	-
TYPE=GET	ENDBR
TYPE=GET,	READ
TYPOPER=UPDATE	READ UPDATE
TYPE=GETAREA	-
TYPE=GETNEXT	READNEXT
TYPE=GETPREV	READPREV
TYPE=PUT,	
TYPOPER=DELETE	DELETE
TYPE=PUT,	
TYPOPER=NEWREC	WRITE
TYPE=PUT,	
TYPOPER=UPDATE	REWRITE
TYPE=RELEASE	UNLOCK
TYPE=RESETL	RESETBR
TYPE=SETL	STARTBR
<b>DFHIC</b>	
TYPE=CANCEL	CANCEL
TYPE=CHECK	RESP option
TYPE=GET	RETRIEVE
TYPE=GETIME	ASKTIME
TYPE=INITIATE	START
TYPE=POST	POST
TYPE=PUT	START FROM
TYPE=RETRY	RETRIEVE
TYPE=WAIT	DELAY
<b>DFHJC</b>	
TYPE=CHECK	RESP option
TYPE=GETJCA	-
TYPE=PUT	JOURNALNUM WAIT
TYPE=WAIT	WAIT JOURNALNUM
TYPE=WRITE	WRITE JOURNALNUM
TYPE=GETB	-
TYPE=GETF	-
TYPE=OPEN,INPUT	-
TYPE=OPEN,OUTPUT	SET JOURNALNUM OPENOUT
TYPE=CLOSE	SET JOURNALNUM CLOSE
TYPE=NOTE	-
TYPE=POINT	-
<b>DFHKC</b>	
TYPE=ATTACH	-
TYPE=CHAP	EXEC CICS CHANGE TASK PRIORITY
TYPE=DEQ	DEQ
TYPE=ENQ	ENQ
TYPE=NOPURGE	-
TYPE=PURGE	-
TYPE=WAIT	SUSPEND
TYPE=WAIT,ECADDR	WAIT EVENT
<b>DFHKP</b>	
TYPE=CHECK	-
TYPE=RTBOCTL	-
TYPE=RTBODATA	-
TYPE=RTBOEND	-
<b>DFHMDI</b>	
TYPE=RTBOEND	-
<b>DFHMDF</b>	
TYPE=RTBOEND	-
<b>DFHMDS</b>	
TYPE=RTBOEND	-

<b>DFHPC</b>	
TYPE=ABEND	ABEND
TYPE=CHECK	RESP option
TYPE=COBADDR	-
TYPE=DELETE	RELEASE
TYPE=LINK	LINK
TYPE=LOAD	LOAD
TYPE=RESETXIT	HANDLE ABEND RESET
TYPE=RETURN	RETURN
TYPE=SETXIT	HANDLE ABEND
TYPE=XCTL	XCTL
<b>DFHSC</b>	
TYPE=FREEMAIN	FREEMAIN
TYPE=GETMAIN	GETMAIN
<b>DFHSP</b>	
TYPE=USER	SYNCPOINT
TYPE=ROLLBACK	SYNCPOINT ROLLBACK
<b>DFHTC</b>	
CTYPE=CHECK	RESP option
CTYPE=COMMAND	-
TYPE=CBUFF	SEND CBUFF
TYPE=CONVERSE	CONVERSE
TYPE=COPY	ISSUE COPY
TYPE=DISCONNECT	ISSUE DISCONNECT
TYPE=EODS	ISSUE EODS
TYPE=ERASEAUP	ISSUE ERASEAUP
TYPE=GET	RECEIVE
TYPE=PAGE	-
TYPE=PASSBK	SEND PASSBK
TYPE=PRINT	ISSUE PRINT
TYPE=PROGRAM	ISSUE LOAD
TYPE=PUT	SEND WAIT
TYPE=READ	RECEIVE(WAIT assumed)
TYPE=READB	RECEIVE BUFFER
TYPE=READL	RECEIVE LEAVEKB
TYPE=RESET	ISSUE RESET
TYPE=SIGNAL	WAIT SIGNAL
TYPE=WAIT	WAIT TERMINAL
TYPE=WRITE	SEND
TYPE=WRITEL	SEND LEAVEKB
<b>DFHTD</b>	
TYPE=CHECK	RESP option
TYPE=FE0V	-
TYPE=GET	READQ TD
TYPE=PURGE	DELETEQ TD
TYPE=PUT	WRITEQ TD
<b>DFHTR</b>	
TYPE=ENTRY	ENTER
TYPE=OFF <sup>2</sup>	SET TRACEDEST
	SET TRACEFLAG
TYPE=ON	SET TRACETYPE
<b>DFHTS</b>	
TYPE=CHECK	RESP option
TYPE=GET <sup>3</sup>	READQ TS
TYPE=GETQ	READQ TS
TYPE=PURGE	DELETEQ TS
TYPE=PUT <sup>3</sup>	WRITEQ TS
TYPE=PUTQ	WRITEQ TS
TYPE=RELEASE	DELETEQ TS

Language	Command
<b>COBOL</b> <b>C/370</b>	<b>CALL 'DFHPHN' USING lang name phon.</b> In the program prior to the main()[ statement, code:  <pre>#pragma linkage(DFHPHN,OS) void DFHPHN();</pre> In the program AFTER the main(){ statement, code:
<b>PL/I</b> <b>Assembler</b>	<pre>DFHPHN(lang,name,phon); CALL DFHPHN (lang,name,phon); CALL DFHPHN, (lang,name,phon)</pre>

**Notes:**

1.

You can no longer use this macro to perform phonetic conversion of 16-character names. For online code, you must supply the name to be converted as input to DFHPHN. DFHPHN is supplied in CICSTS13.CICS.ADFHLOAD. The result is a 4-byte phonetic equivalent. The general form of this routine is as follows: The “lang” is a symbolic reference to a 1-byte argument indicating the programming language being used. This is X'F0' for COBOL, C/370, and assembler, and X'F1' for PL/I. If an error occurs during the processing of this request, then X'50' is returned in this argument; if no error occurs, X'00' is returned. This argument must be reset to indicate the programming language, before it can be reused. The “name” is a symbolic reference to the field that contains the 16-character name you want to convert. The “phon” is a symbolic reference to the field that contains the 4-byte phonetic equivalent of the name passed from the subroutine to the calling program.

The phonetic code conversion subroutine (DFHPHN) also assists you to load and access data sets offline. The steps in creating such a data set would typically be:

- a. Create the keys
  - 1) Read a record from the source data set
  - 2) Generate the “phon” using a call to the DFHPHN subroutine
  - 3) Write the record to a temporary sequential data set
- b. Sort the temporary data set on the 4-byte phonetic code
- c. Load the key-sequenced VSAM data set
  - 1) Read the sorted temporary data set
  - 2) Write to the keyed data set

2.

TYPE=OFF and TYPE=ON have been replaced by SET TRACEDEST, SET TRACEFLAG, and SET TRACETYPE.

3.

Because single units of information cannot be handled by the command-level interface, data stored by a DFHTS TYPE=PUT macro cannot be retrieved by a READQ TS command or be deleted by a DELETEQ TS command. Conversely, data stored by a WRITEQ TS command cannot be retrieved by a DFHTS TYPE=GET macro.

---

## Appendix B. OS/VS COBOL

This appendix describes various considerations and restrictions that apply when using OS/VS COBOL. It is provided for migration purposes to enable you to support existing OS/VS COBOL programs.

You are not recommended to write new programs with OS/VS COBOL.

For information about the expiration of support for old compilers, and guidance on migration, see the *CICS Transaction Server for OS/390 Migration Guide*.

For information about writing CICS applications with other COBOL compilers, see “Chapter 2. Programming in COBOL” on page 23.

---

### Translator options

The following translator options are applicable to OS/VS COBOL:

- APOST | QUOTE
- CICS
- DEBUG | NODEBUG
- DLI
- EDF | NOEDF
- FE | NOFE
- FEPI | NOFEPI
- FLAG[(I | W | E | S)]
- LANGLVL(1) | LANGLVL(2)
- LINECOUNT(n)
- NATLANG
- NUM | NONUM
- OPT | NOOPT
- OPTIONS | NOOPTIONS
- QUOTE | APOST
- SEQ | NOSEQ
- SOURCE | NOSOURCE
- SP
- SPACE(1 | 2 | 3)
- SPIE | NOSPIE
- SYSEIB
- VBREF | NOVBREF

---

### Programming restrictions

The following restrictions apply to an OS/VS COBOL program that is to be used as a CICS application program.

- You cannot use the entries in the environment division and data division that are normally associated with data management. However, you still need to code the headers for both of these divisions.
- You cannot use the special options:

```
REPORT WRITER  
SEGMENTATION  
SORT  
TRACE
```

- You cannot use compiler options that require the use of operating system services:

COUNT  
DYNAM  
ENDJOB  
FLOW  
STATE  
SYMDUMP  
TEST

**Note:** Do not use SYST if this would cause a corresponding DD card to be required.

- You cannot use COBOL statements that require the use of operating system services:

ACCEPT	SIGN IS SEPARATE
CURRENT-DATE	STOP 'literal'
DATE	STOP RUN
DAY	STRING
DISPLAY	TIME
EXHIBIT	UNSTRING
INSPECT	USE FOR DEBUGGING

**Note:** A COBOL GOBACK is needed to satisfy the compiler's need for a logical "end of program". The translator expands all CICS commands to COBOL CALLs, so the compiler expects a return to the calling program. Control actually returns to CICS after the RETURN command.

- You should not use the COBOL statements:

CLOSE  
OPEN  
READ  
WRITE

because you are provided with CICS commands for the storage and retrieval of data, and for communication with terminals.

- The CICS translator does not support the use of the extended source program library facility. This includes the compiler-directing statements BASIS, INSERT, and DELETE.
- When you link-edit separate COBOL routines together, only the first can invoke CICS, DL/I, or DB2<sup>16</sup>.
- If both the identification and procedure divisions are presented to the translator in the form of a source program or copybook, the following coding is produced or expanded:

**DFHEIVAR**

inserted at the end of the WORKING-STORAGE SECTION

**DFHEIBLK**

inserted at the start of the LINKAGE SECTION as the first 01 level in the section

**DFHCOMMAREA**

generated, if not specified, as the second 01 level in the section.

If no identification division is present, only the CICS commands are expanded.

---

16. IBM Trademark.

If the identification division only is present, only DFHEIVAR, DFHEIBLK, and DFHCOMMAREA are produced.

- When a debugging line is to be used as a comment, it must not contain any unmatched quotes.
- Statements that produce variable-length areas, such as “OCCURS DEPENDING ON” cannot be used within the working storage section.
- Do not mix RES and NORES programs in the same run unit. When an OS/VS COBOL RES program uses a COBOL CALL statement to invoke an OS/VS COBOL NORES program, or vice versa, COBOL run-time control blocks may become corrupted, causing this or later tasks to abend.

## Restricted OS/VS COBOL language statements

Restricted OS/VS COBOL language statements that result in a call to MVS GETMAIN services, but which worked on earlier releases, may not work when CICS storage protection is active. See “MVS subspaces” on page 491 for information about storage control. For example, if a CICS application program written in OS/VS COBOL is defined with EXECKEY(USER), and it issues a restricted COBOL verb that results in an MVS GETMAIN, it abends with an 0C4 abend. In these cases it is not the application program itself that appears to cause the 0C4, but the OS/VS COBOL routines that execute statements such as INSPECT.

Programs that are written to the documented CICS application programming interface, and which observe the documented restrictions, continue to work correctly.

## Base locator for linkage

The base locator for linkage (BLL) mechanism is used to address storage outside the working-storage section of an application program. It operates by addressing the storage as if it were a parameter to the program. The storage must be defined by means of an 01-level data definition in the linkage section of the program. The COBOL compiler generates code to address the storage using the parameter list. When the program is invoked, CICS sets up the parameter list in such a way that the parameter list is itself addressable by the application program.

The parameter list must be defined as the first parameter to the program, unless a communication area is being passed to the program, in which case the DFHCOMMAREA definition must precede it.

In the following example, the first 02-level data name (that is, FILLER) is set up by CICS to provide addressability to the other fields in the parameter list. The other data names are known as BLL cells, and address the remaining parameters of the program. There is a one-to-one correspondence between the 02-level data names of the parameter list definition and the 01-level data definitions in the linkage section:

```

LINKAGE SECTION.
01 PARMLIST.
    02 FILLER PIC S9(8) COMP.
    02 A-POINTER PIC S9(8) COMP.
    02 B-POINTER PIC S9(8) COMP.
    02 C-POINTER PIC S9(8) COMP.
01 A-DATA.
    02 PARTNO PIC 9(4).
    02 QUANTITY PIC 9(4) .
    02 DESCRIPTION PIC X(100).
01 B-DATA PIC X.
01 C-DATA PIC X.

```

*Figure 117. How FILLER provides addressability to fields in parameter lists.*

In this example, A-POINTER addresses A-DATA, B-POINTER addresses B-DATA, and C-POINTER addresses C-DATA. The data names chosen for the BLL cells and for the data areas that they address are not significant, but the names must be defined in the correct order, so that the necessary correspondence is established.

If a BLL cell is named in the SET option of a CICS command, subsequent reference to the corresponding data definition name address the storage supplied by CICS as a result of processing the command. For example, suppose that a program is required to read a variable-length record from a file, examine part of it, and update it; all of this is to be done without providing storage for the record within the program. Using the data definitions shown in Figure 117, the program could be written as follows:

```

EXEC CICS READ UPDATE FILE('FILEA')
      RIDFLD(PART-REQD) SET(A-POINTER)
      LENGTH(A-LRECL) END-EXEC.
IF A-LRECL LESS THAN 8 GO TO ERRORS.
IF QUANTITY GREATER ZERO
  SUBTRACT 1 FROM QUANTITY
  EXEC CICS REWRITE FILE('FILEA')
        FROM(A-DATA) LENGTH(A-LRECL)
        END-EXEC.

```

*Figure 118. Reading and updating a record without providing storage*

CICS reads the record into an internal buffer and supplies the address of the record in the buffer to the application program. The application program updates the record in the buffer and rewrites the record to the data set.

If you have defined an area in the LINKAGE SECTION, you must establish the addressability to that area before it is used. The area itself must be a valid and active CICS area.

## **BLL and chained storage areas**

If access is needed to a series of chained storage areas (that is, areas each of which contain a pointer to the next area in the chain), an artificial paragraph name must be inserted immediately following any statement that establishes addressability to one of the storage areas. For example:



```

LINKAGE SECTION.
01 PARMLIST.
.
.
02 USERPTR PIC S9(8) COMP.
.
.
01 USERAREA.
02 FIELD PIC X(4).
02 NEXTAREA PIC S9(8) COMP.
.
.
PROCEDURE DIVISION.
.
.
MOVE NEXTAREA TO USERPTR.
ANYNAME.
MOVE FIELD TO TESTVAL.
.
.

```

*Figure 119. An example to establish addressability to storage areas*

In this example, storage areas mapped or defined by USERAREA are chained. The first MOVE statement establishes addressability to the next area in the chain. The second MOVE statement moves data from the newly addressed area, but only because a paragraph name follows the first MOVE statement. If no paragraph name is inserted, the reference to FIELD is taken as being to the storage area that is addressed when the first MOVE statement refers to NEXTAREA. Insertion of a paragraph name causes the compiler to generate code to reestablish addressability through USERPTR, so that the reference to FIELD (and the next reference to NEXTAREA) is to the newly addressed storage area.

## **BLL and OCCURS DEPENDING ON clauses**

If the object of an OCCURS DEPENDING ON clause is defined in the linkage section, a special technique is required to ensure that the correct value is used at all times. In the following example, FIELD-COUNTER is defined in the linkage section. The MOVE FIELD-COUNTER TO FIELD-COUNTER statement ensures that unpredictable results do not occur when referring to DATA.

```

LINKAGE SECTION.
.
.
01 FILE-REC.
.
.
02 FIELD-COUNTER PIC 9(4) COMP.
02 FIELDS PIC X(5) OCCURS 1 TO 5
    TIMES DEPENDING ON
    FIELD-COUNTER.
02 DATA PIC X(20).
.
.
PROCEDURE DIVISION.
.
.
EXEC CICS READ FILE('FILEA')
            RIDFLD(KEYVAL)
            SET(RECPTR)
            END-EXEC.
MOVE FIELD-COUNTER TO FIELD-COUNTER.
MOVE DATA TO DATA-VAL.
.
.

```

*Figure 120. An example of how FIELD-COUNTER is defined in linkage section*

The MOVE statement referring to FIELD-COUNTER causes the compiler to reestablish the value it uses to compute the current number of occurrences of FIELDS and ensures that it can determine the displacement of DATA correctly.

## **BLL and large storage areas**

If an area greater than 4096 bytes is defined in the linkage section (but not as part of an OCCURS DEPENDING ON clause), additional statements may be required to establish addressability to the extra area. The ADD statement is placed after the statement that establishes addressability to the data area. No additional corresponding 01-level data name definition is added, so the usual one-to-one correspondence of BLL cells to the data areas they address is not maintained. The extra statements are shown in the following example:

```

LINKAGE SECTION.
01 PARMLIST.
.
.
02 FRPTR PIC S9(8) COMP.
02 FRPTR1 PIC S9(8) COMP.
.
.
01 FILE-REC.
02 FIELD1 PIC X(4000).
02 FIELD2 PIC X(1000).
02 FIELD3 PIC X(400).
PROCEDURE DIVISION.
.
.
EXEC CICS READ FILE('FILEA')
          RIDFLD(KEYVAL)
          SET(FRPTR)
          END-EXEC.
ADD 4096 FRPTR GIVING FRPTR1.

```

*Figure 121. Additional statements required to establish addressability*

No additional BLL cell is required if DFHCOMMAREA itself is larger than 4096 bytes.

## SERVICE RELOAD statement

If an application program is to be compiled using the full OS COBOL Version 4 compiler, or the OS/VS COBOL compiler, a special compiler control statement must be inserted at appropriate places within the program to ensure addressability to a particular area defined in the linkage section. This control statement has the form:

```
SERVICE RELOAD fieldname
```

where “fieldname” is the symbolic name of a specific storage area that is also defined in an 01-level statement in the linkage section. The SERVICE RELOAD statement must be used following each statement that modifies addressability to an area defined in the linkage section, that is, whenever the contents of a BLL cell are changed in any way.

When using HANDLE CONDITION or HANDLE AID commands, SERVICE RELOAD statements should be specified at the start of the paragraph. Its name is specified in the HANDLE command for all those BLL cells that may have been altered from the time when the first HANDLE command activated the exit routine, up to and including any CICS command that can cause the HANDLE exit to be invoked.

If the BLL mechanism is used (described earlier in the chapter, addressability to the parameter list must be established at the start of the procedure division. This is done by adding a SERVICE RELOAD PARMLIST statement at the start of the procedure division in the earlier examples.

For example, after a locate-mode input operation, the SERVICE RELOAD statement must be issued to establish addressability to the data. If areas larger than 4096 bytes are being addressed, the secondary BLL cells must first be reset before the SERVICE RELOAD statement is processed. (Resetting a BLL cell is described under “BLL and large storage areas” on page 570.) If an address is moved into a BLL cell,

addressability must be established in the same way. An example for the SERVICE RELOAD statement is as follows:

```
LINKAGE SECTION.  
01 PARMLIST.  
.  
.  
02 FRPTR PIC S9(8) COMP.  
02 FRPTR1 PIC S9(8) COMP.  
02 TSPTR PIC S9(8) COMP.  
01 FILE-REC.  
02 FIELD1 PIC X(4000).  
02 FIELD2 PIC X(1000).  
02 FIELD3 PIC X(400).  
01 TS-REC.  
02 FIELD1 PIC X(4000).  
  
PROCEDURE DIVISION.  
.  
.  
EXEC CICS HANDLE CONDITION  
ERROR(GIVEUP)  
LENGERR(BADLENG)  
END-EXEC.  
EXEC CICS READ FILE('FILEA')  
RIDFLD(PART-REQD)  
SET(FRPTR)  
LENGTH(A-LRECL)  
END-EXEC.  
ADD 4096 FRPTR GIVING FRPTR1.  
SERVICE RELOAD FILE-REC.  
MOVE FRPTR TO TSPTR.  
SERVICE RELOAD TS-REC.  
.  
.  
BADLENG.  
ADD 4096 FRPTR GIVING FRPTR1.  
SERVICE RELOAD FILE-REC.
```

Figure 122. An example of a service reload statement

If an address is moved into a BLL cell, addressability must be established in the same way, for example:

```
MOVE B-POINTER TO A-POINTER.  
SERVICE RELOAD A-DATA.
```

If areas larger than 4096 bytes are being addressed, the secondary BLL cells must be reset before the SERVICE RELOAD statement has been executed. (Resetting a BLL cell is described under “BLL and large storage areas” on page 570.)

## NOTRUNC compiler option

If an argument to a command is greater than 9999 in value, the NOTRUNC compiler option must be specified to ensure successful completion.

## Program segments

Segments of programs to be copied into the procedure division can be translated by the command language translator, stored in their translated form, and later copied into the program to be compiled.

Subsequent copying or manipulating of statements originally inserted by the CICS translator in an application program may produce unpredictable results.

---

## Converting to VS COBOL II

Many of the changes in the CICS-COBOL interface occur because VS COBOL II simplifies the procedures. This means that you do not need to use some CICS-specific OS/VS COBOL programming techniques. Of the changes described in this section, the only one that is mandatory is the replacement (removal) of all PROCEDURE DIVISION references to BLL cells.

### Based addressing

You no longer need to define and manipulate BLL cells. Indeed, you cannot manipulate BLL cells for base address manipulation, as in the management of chained lists. You should review programs that use the CICS SET option and BLL cells, and make the following changes:

- Remove, from the linkage section, the entire structure defining BLL cells and the FILLER field. See Table 41 on page 574 for further information.
- Revise code that deals with chained storage areas to take advantage of the ADDRESS special register and POINTER variables.
- Change every SET(BLL cell) option in CICS commands to SET(ADDRESS OF A-DATA) or SET(A-POINTER) where A-DATA is a structure in the linkage section and A-POINTER is defined with the USAGE IS POINTER clause.
- Remove all SERVICE RELOAD statements.
- Remove all program statements needed in OS/VS COBOL to address structures in the linkage section longer than 4KB. A typical statement is:  

```
ADD 4096, D-PTR1 GIVING D-PTR2.
```
- Remove artificial paragraph names where BLL cells are used to address chained storage areas. (See “BLL and chained storage areas” on page 568.)
- Review any program that uses BMS map data structures in its linkage section. VS COBOL II makes it easier to handle such maps, and also eliminates one disadvantage of having maps in working storage. The points to consider are:
  - In OS/VS COBOL programs, working storage is part of the compiled and saved program. Placing the maps in the linkage section thus reduces the size of the saved program, saving library space. In VS COBOL II, working storage is not part of the compiled program but is acquired dynamically. This eliminates one disadvantage of placing maps in working storage.
  - If your map is in the linkage section, you can acquire and release the map storage dynamically with CICS GETMAIN and FREEMAIN commands. This helps you to optimize storage use, and can be useful in a long conversational transaction. This advantage of linkage section maps still applies in VS COBOL II.
  - If your map is in the linkage section, you must issue a CICS GETMAIN command to acquire storage for the map. With OS/VS COBOL, you must determine the necessary amount of storage, which must be sufficient for the largest map in your map sets. This can be difficult to determine, and probably involves examining all the map assemblies. With VS COBOL II, use the LENGTH special register:  

```
EXEC CICS GETMAIN  
      SET(ADDRESS OF DATAREA)  
      LENGTH(LENGTH OF DATAREA)
```
  - In VS COBOL II, the actual processing of maps in the linkage section is simplified by the elimination of BLL cells.

Table 41. Addressing CICS data areas in locate mode

OS/V S COBOL	V S COBOL II
<pre> WORKING-STORAGE SECTION.   77 LRECL-REC1 PIC S9(4) COMP. LINKAGE SECTION.   01 BLLCELLS.     02 FILLER PIC S9(8) COMP.     02 BLL-REC1A PIC S9(8) COMP.     02 BLL-REC1B PIC S9(8) COMP.     02 BLL-REC2 PIC S9(8) COMP.   01 REC-1.     02 FLAG1 PIC X.     02 MAIN-DATA PIC X(5000).     02 OPTL-DATA PIC X(1000).   01 REC-2.     02 .... . . PROCEDURE DIVISION.   EXEC CICS READ UPDATE. . .   SET(BLL-REC1A)   LENGTH(LRECL-REC1)   END-EXEC.   ADD 4096 BLL-REC1A GIVING BLL-REC1B.   SERVICE RELOAD REC-1.   IF FLAG1 EQUAL X'Y '     MOVE OPTL-DATA TO ...     EXEC CICS REWRITE...       FROM(REC-1)       LENGTH(LRECL-REC1)     END-EXEC. </pre>	<pre> WORKING-STORAGE SECTION.   77 LRECL-REC1 PIC S9(4) COMP. LINKAGE SECTION.   01 REC-1.     02 FLAG1 PIC X.     02 MAIN-DATA PIC X(5000).     02 OPTL-DATA PIC X(1000).   01 REC-2.     02 ... . . PROCEDURE DIVISION.   EXEC CICS READ UPDATE . .   SET(ADDRESS OF REC-1)   LENGTH(LRECL-REC1)   END-EXEC.   IF FLAG1 EQUAL X'Y'     MOVE OPTL-DATA TO ...     EXEC CICS REWRITE . .   FROM(REC-1)   END-EXEC. </pre>

This table shows the replacement of BLL cells and SERVICE RELOAD in OS/V S COBOL by the use of ADDRESS special registers in V S COBOL II. If the records in the READ or REWRITE commands are fixed length, V S COBOL II does not require a LENGTH option. This example assumes variable-length records. After the read, you can get the length of the record from the field named in the LENGTH option (here, LRECL-REC1). In the REWRITE command, you must code a LENGTH option if you want to replace the updated record with a record of a different length.

Table 42 on page 575 shows the old and new methods of processing BMS maps in the linkage section. In this example, it is assumed that the OS/V S COBOL program has been compiled with the LANGLVL(1) option, and that the following map set has been installed:

```

MAPSET1 DFHMSD TYPE=DSECT,
          TERM=2780, LANG=COBOL,
          STORAGE=AUTO,
          MODE=IN

```

The new ADDRESS special register used in the example is described under “Based addressing” on page 23.

Table 42. Addressing BMS map sets in the linkage section

OS/VS COBOL	VS COBOL II
WORKING-STORAGE SECTION. 77 FLD0 PIC X VALUE IS LOW-VALUE. LINKAGE SECTION. 01 BLLCELLS. 02 FILLER PIC S9(8) COMP. 02 BLL-DATAA PIC S9(8) COMP. 01 DATA1 COPY MAPSET1. PROCEDURE DIVISION. EXEC CICS GETMAIN LENGTH(1000) SET(BLL-DATAA) INITIMG(FLD0) END-EXEC.	WORKING-STORAGE SECTION. 77 FLD0 PIC X VALUE IS LOW-VALUE. LINKAGE SECTION. COPY MAPSET1. <b>01 MAP1</b> <b>02 FILLER PIC X(12).</b> <b>02 FILLER1L COMP PIC S9(4).</b> . . <b>02 FIELD90 PIC X(20).</b> PROCEDURE DIVISION EXEC CICS GETMAIN LENGTH(LENGTH OF MAP1I) SET(ADDRESS OF MAP1I) INITIMG(FLD0) END-EXEC.

The highlighted material describes the contents of the MAP1I COBOL copybook.

## Artificial assignments

Remove artificial assignments from an OCCURS DEPENDING ON object to itself. These are needed in OS/VS COBOL to ensure addressability.

---

## Bibliography

For information on programming in OS/VS COBOL, see the following manuals:  
*OS/VS COBOL Compiler and Library Programmer's Guide*, SC28-6483  
*VS COBOL for OS/VS Reference Language*, GC26-3857.





---

# Index

## Numerics

10/63 magnetic slot reader 406  
31-bit mode transaction 473  
3262 printer 433  
3270 430  
3270 bridge  
  ADS descriptor 336  
3270 display 415  
3270 family 305, 322  
  attention keys 318  
  attributes, extended 312  
  base color 312  
  buffer 308  
  color, base 312  
  data stream 305  
  data stream, outbound 315  
  data stream orders 313  
  display characteristics 310  
  emulating 306  
  extended attributes 312  
  field attributes 310  
  field format, inbound 320  
  fields 310  
  inbound field format 320  
  input from 318  
  intensity 311  
  MDT 311  
  modified data tag 311  
  orders in data stream 313  
  outbound data stream 315  
  protection 311  
  reading from 319  
  screen fields 306  
  terminal, writing to 308  
  unformatted mode 321  
  write control character 309  
  writing to terminal 308  
3270 printer 434  
  options 435  
3270 screen field 354  
3289 printer 433  
3290 display 396  
  character size 399  
3601 logical unit 404  
3770 batch data interchange logical  
  unit 404  
3770 batch logical unit 404  
3790 batch data interchange logical  
  unit 404

## A

abend 235  
abend, PL/I 55  
ABEND command 246  
abend exit facility 245  
abend exit program 246  
abend exit routine 246  
Abend handling and LE 62  
abend user task, EDF 523  
abnormal termination recovery 245

abstract windows toolkit (AWT) 113  
  using with CICS 113  
ACB interface of TCAM 430  
ACCEPT command 25  
ACCEPT statement 566  
access to system information  
  EXEC interface block (EIB) 243  
ACCUM option 339, 372, 436  
ACK 415  
acknowledgment 415  
active partition 401  
ACTPARTN option 373, 401  
adding records 272  
ADDRESS command 243  
ADDRESS COMMAREA command 470  
addressing of CICS areas 144  
ADS descriptor 336  
affinity 157  
AFTER option 459  
ALARM option 344  
ALLOCATE command 130  
  inhibit wait, NOSUSPEND  
  option 130  
ALLOCERR condition 456  
alternate  
  facility 299  
  index 257  
  key 257  
ALTPAGE value 376  
ANSI85 option 9  
ANSI85 standards  
  COBOL 32  
APAK transaction 439  
APCG 120  
API  
  application programming  
  interface 243  
  subset for DPL 216  
APLG 55  
APOST option 9  
application program logical levels 32  
application programming interface  
  (API) 243  
application programs  
  asynchronous processing 219  
  design considerations 119  
  distributed program link 207  
  distributed transaction  
  processing 219  
  function shipping 206  
  intercommunication  
  considerations 205  
  logical levels 468  
  program structure 119  
  testing 509  
  transaction routing 206  
  translation 4, 19  
  writing 3  
area, dynamic storage 120  
argc 47  
argv 47

ASIS option 355  
ASKTIME command 459  
assembler language 5  
  31-bit mode 57  
  applications 125  
  CALL statement 58  
  programming techniques 57  
  restrictions 57  
Assembler language 20  
  DFHECALL macro 20  
assembly 4  
assembly, TYPE=DSECT 334  
ASSIGN command 243, 422, 439  
  DESTCOUNT option 394  
  MAPCOLUMN option 380  
  MAPHEIGHT option 380  
  MAPLINE option 380  
  MAPWIDTH option 380  
  MSR option 406  
  options 422  
  PAGENUM option 394  
asynchronous journal output 223  
asynchronous processing 205, 219  
AT option 459  
ATI 299, 413, 497  
ATNI 207  
attention field 408  
attention identifier 355  
ATTENTION key 415  
automatic task initiation 299, 413  
automatic transaction initiation 497  
AUTOPAGE option 375  
auxiliary storage  
  temporary data 500  
auxiliary temporary storage 137  
auxiliary trace 130  
AZI6 207

## B

backout of resources 225  
BAKR 57  
BASE option 340  
batch compilation 34  
batch data interchange 430  
  definite response 432  
  DEFRESP option 432  
  destination identification 432  
  ISSUE WAIT command 432  
  NOWAIT option 432  
BDAM 141  
  browsing operations 288  
  data sets 258, 287  
  exclusive control 290  
  updating operations 288  
BDI 433  
BGAM 411  
blank fields 144  
blank lines  
  COBOL II 33  
BLL (base locator linkage)  
  cells 26

BLL (base locator linkage) *(continued)*  
 chained storage areas 568  
 large storage areas 570  
 OCCURS DEPENDING ON  
 clauses 569  
 storage addressing 567  
 block, Execution interface 46  
 block references 287  
 blocked-data set 259  
 BMS 323, 410, 434  
 assembling map 334  
 assembly, TYPE=DSECT 334  
 BMS support levels 324  
 complex fields 336  
 composite fields 336  
 copy facility 148  
 creating map 328  
 cursor, finding the 356  
 cursor position 348  
 data, moving to map 341  
 data streams 143  
 DFHMDM macro 328, 329  
 DFHMDI macro 328, 331  
 DFHMDS macro 328, 331  
 display, receiving data from 349  
 EOC condition 361  
 field, group 337  
 fields 327  
 fields, complex 336  
 fields, composite 336  
 fields, repeated 337  
 finding the cursor 356  
 full 324  
 group field 337  
 GRPNAME option 336  
 initializing output map 340  
 invalid data 349  
 link-edit 334  
 macro 328  
 macros, rules for writing 332  
 map 325  
 map, assembling 334  
 map, creating 328  
 map, initializing output 340  
 map, moving data to 341  
 map, physical 334  
 map, symbolic 334  
 map sets 335  
 mapping input data 353  
 maps 143, 144, 148  
 maps, storage 339  
 MAPSET resource definition 334  
 MDT 354  
 message lengths, reducing 382  
 minimizing path length 381  
 minimum 324  
 modified data tag (MDT) 143  
 moving data to map 341  
 multimap screens 148  
 OCCURS option 337  
 output example 325  
 output map, initializing 340  
 page building operations 146  
 page routing operations 146  
 path length, minimizing 381  
 performance considerations 381  
 physical map 334

BMS 323, 410, 434 *(continued)*  
 preparing 20  
 PROGRAM resource definition 334  
 receiving data from display 349  
 reducing message lengths 382  
 repeated fields 337  
 routing 442  
 rules for writing macros 332  
 screen copy 447  
 SEND MAP command 338  
 standard 324  
 storage for maps 339  
 support across platforms 325  
 symbolic map 334  
 terminals supported 324  
 TYPE=DSECT assembly 334  
 upper case translation 355  
 BOTTOM command, CEBR  
 transaction 540  
 BRACKET option 427  
 bracket protocol, LAST option 427  
 bridge (3270)  
 ADS descriptor 336  
 brightness 408  
 browse operation  
 BDAM 288  
 BROWSE TEMP STORAGE option,  
 CEDF 524  
 browse transaction 537  
 browsing 142  
 DELAY 142  
 records 267  
 SUSPEND 142  
 BTAM 411  
 BUFFER option 429  
 BUILDCHAIN 424

## C

C++ considerations 51  
 C and C++ restrictions 47  
 C language considerations  
 addressing EIB 50  
 data declarations 46  
 LENGTH option default 136  
 naming EIB fields 46  
 CALL command 25  
 CALL statement  
 assembler language 58  
 in COBOL 28, 32  
 CANCEL command 459  
 CARD option 432  
 CBLCARD option 9  
 CDUMP 47  
 CEBR transaction 537, 543  
 body 539  
 BOTTOM command 540  
 browse transaction 537  
 CEBR initiation 537  
 COLUMN command 540  
 command area 539  
 displays 539  
 FIND command 541  
 GET command 541  
 header 539  
 initiation 537  
 LINE command 541  
 message line 539

CEBR transaction 537, 543 *(continued)*  
 PURGE command 542  
 PUT command 542  
 QUEUE command 542  
 security considerations 543  
 SYSID command 542  
 temporary storage browse 537  
 TERMINAL command 542  
 TOP command 542  
 transient data 543  
 CECI transaction  
 about to execute command 548  
 ampersand (&) 552  
 body 549  
 command execution complete 549  
 command input 546  
 command input line 546  
 command line 546  
 command syntax check 547  
 EIB 553  
 ENTER key 550  
 expanded area 551  
 information area 549  
 introduction 545  
 invoking 545  
 making changes 555  
 message line 550  
 messages display 554  
 PF key values area 550  
 program control 556  
 screen layout 546  
 security considerations 558  
 status area 547  
 terminal sharing 556  
 variables 551  
 CECS transaction 545  
 CEDF transaction 513, 536  
 abend user task 523  
 body 516  
 browse temporary storage 524  
 display register 525  
 displays 514  
 DPL 533  
 dual-screen mode 531  
 EDF transaction 513  
 functions 514  
 header 515  
 invoke CECI 524  
 invoking 513  
 modifying execution 533  
 non-terminal transactions 532  
 options on function (PF) keys 523  
 overtyping displays 533  
 PF key 514  
 program labels 534  
 pseudoconversational programs 530  
 remote-linked programs 532  
 remote transactions 531  
 security 536  
 single-screen mode 529  
 CEEWUCHA 62  
 CESF, GOODNIGHT transaction 429  
 chained storage area 568  
 chaining 416  
 chaining of data 424, 425  
 checkout, program 513  
 CICS areas, addressing 144

CICS dump utility program 250  
 CICS-key storage 481  
 CICS-maintained table 260  
 CICS option 9  
 CICS printer 433  
   determining characteristics of 439  
 CICS-KEY option 134, 483  
 CLASS option 451  
 CLEAR  
   key 403  
   PARTITION AID value 403  
   PARTITION key 403  
 CLEAR key 156  
 client region 207  
 CLOCK 47  
 CLOSE command 25  
 CMT 260  
 CNOTCOMPL option 425  
 COBOL 23, 44  
   31-bit addressing 26  
   ADDRESS register 23  
   addressing CICS data areas 23  
   ANSI85 programming restrictions 42  
   ANSI85 standards 32, 33, 34, 37, 40, 41, 42  
   base locator for linkage (BLL) 567  
   BMS data structures 573  
   CALL statement 28, 32  
   calling subprograms 28, 32  
   comma and semicolon delimiters 41  
   compiler options not used under CICS 25  
   compilers supported 23  
   DL/I CALL interface 26  
   elimination of SERVICE RELOAD statement 23  
   global variables 41  
   LENGTH register 23  
   lower-case characters, ANSI85 42  
   program segments 572  
   programming restrictions summary 42  
   reference modification, ANSI85 40  
   REPLACE statement, ANSI85 34  
   RES option 126  
   reserved word table 24  
   restrictions 24, 124, 565  
   RETURN CODE register 23  
   run unit 27, 32  
   sequence numbers, ANSI85 33  
   symbolic characters 41  
   WITH DEBUGGING MODE 24  
 COBOL2 option 9  
 COBOL3 option 9  
 COLUMN  
   command, CEBR transaction 540  
 COM assembler instruction 57  
 comma and semicolon delimiters, COBOL 41  
   lower-case characters 42  
   command, SYNCPOINT 226  
   command language translator 6  
   commands supported in C++ 51  
 COMMAREA 121, 123, 134, 135  
   LINK command 467  
   option 155, 467, 469, 471  
 common work area (CWA) 151  
   (continued)  
   protecting 151  
 communication area  
   DFHCOMMAREA 567  
 compilation 4  
 compiler 5  
 compilers supported  
   assembler 57  
   COBOL 23  
   LE 61  
 complex fields 336  
 composite fields 336  
 condition, exception 231  
 CONNECT PROCESS command 219  
 CONSISTENT option  
   READ command 266  
   READNEXT command 269  
   READPREV command 269  
 CONSOLE option 432  
 contention for resources 121  
 contention for terminal 413  
 control  
   exclusive of BDAM 290  
   of VSAM blocks 280  
 conversation partner 413  
 conversational programming 120, 149  
 CONVERSE command 149, 412, 427  
   DEST option 430  
 copy facility  
   BMS 148  
 copybook translation 7  
 COUNT option 566  
 counter name  
   named counters 199  
 coupling facility data tables 260  
 coupling facility list structure  
   current value 200  
 CPI-C 205, 219  
   references 3  
 CPI Communications stub 220  
 CPSM option 10  
 CQRY transaction 302  
 CSNAP 47  
 CSPG transaction 374, 375, 442, 447  
 CSPP transaction 302  
 CTDLI 47  
 CTEST 47  
 CTLCHAR option 435, 436  
 CTRACE 47  
 CURRENT-DATE statement 566  
 cursor, finding the 356  
 cursor-detectable field 407  
 CURSOR option 339, 348, 373  
 cursor position 348  
 cursor positioning, symbolic 349  
 CVDA 136, 504  
   CICS-value data area 136  
 CWA 151  
 CWAKEY parameter 151

**D**  
 data  
   chaining 424  
   definition 124  
   initialization 124  
   passing to other program 469  
   (continued)  
   records 136  
   storing within transaction 134  
 data, moving to map 341  
 data, reading from a display 353  
 DATA(24) 26  
 DATA(31) 26  
 data interchange block 6  
 data sets 140  
   access from CICS application programs 265  
   batch data interchange 430  
   BDAM 258, 287  
   blocked 259  
   empty 257  
   sequential 142  
   user 139  
   VSAM 279  
 data storing within transaction 134  
 data streams  
   compressing 145  
   inbound 144  
   RA order 145  
   repeat-to-address orders (SBA) 145  
   SBA order 145  
   set buffer address order 145  
 data tables  
   coupling facility 260  
   shared 260  
 database  
   DB2 291  
   DL/I 291  
 DATABASE 2 (DB2) 291  
 DATAONLY option 145, 339, 345  
 date field of EIB 243  
 DATE statement 566  
 DAY statement 566  
 DB2 291  
   request processing 291  
   task related user exit 291  
 DBCS option 10  
 DCB interface of TCAM 414  
 DDS 364  
 deadlock 127  
   prevention 280  
 deadlocks 277  
 DEBKKEY option 289  
 deblocking argument 287  
 DEBREC option 288, 289  
 DEBUG option 10  
 debugging 513  
 default  
   action for condition 231  
 deferred journal output 224  
 definite response protocol  
   terminal control 426  
 DEFRESP option 149, 432  
   terminal control 426  
 DELAY command 459  
 DELETE command 25  
 DELETEQ TD command 495  
 DELETEQ TS command 499  
 deleting records 270  
 DEQ command 463  
 DEQUEUE command 442

design considerations of applications  
 exclusive control of resources 126, 127

designator character 408

DEST option 430

DESTCOUNT option 394

DESTID option 432

DESTIDLENG option 432

destination identification 432

detectable field 407

device-dependent maps 363

device dependent support 364

DFHAID 46

DFHBMSCA 46, 343

DFHBMSCA definitions 356

DFHBMSUP 336

DFHCOMMAREA 25, 469

DFHCOMMAREA communication  
 area 567

DFHCPLC 220

DFHDU41 250

DFHEDF group 509

DFHEIBLK 25

DFHEIEND macro 15, 16

DFHEIENT macro 15, 16, 59

DFHEIP 20

DFHEIRET macro 10, 14, 59

DFHEISTG macro 15, 16

DFHEIVAR 25

DFHELII 20

DFHFCT macro 260

DFHMDF macro 328, 329  
 display characteristics 341  
 DSATTS option 341  
 MAPATTS option 341

DFHMMDI macro 328, 331

DFHMIRS program 212

DFHMSD macro 328, 331  
 BASE option 340  
 STORAGE option 340

DFHMSRCA 46, 406

DFHNC001  
 default named counter pool 201

DFHNCO macro  
 named counter options table 200

DFHNCOPT  
 named counter options table 200

DFHPDI macro 399

DFHPEP program 246

DFHPSD macro 398

DFHRESP function  
 translator action 34

DFHRESP translator function 6, 232

DFHURLDS 392

DFHVALUE 6

DFHVALUE function  
 translator action 34

DIB 6

direct terminal 395

display  
 register, EDF 525  
 screens 155

DISPLAY  
 statement 566

display, reading from 353

display characteristics 341

DISPLAY command 25

distributed program link 467

DL/I 26, 291  
 database operations 140  
 EXEC DLI interface 291  
 references 3  
 segment-search area (SSA) 140  
 syncpoints 226

DLI 11, 46

DLI option 10

DLIUIB 46

DOCTEMPLATE resource 190

documents  
 creating 189  
 DOCTEMPLATE 190  
 HTML 189

domains  
 document domain 189

DPL 205, 207, 226, 467, 533  
 client region 207  
 COMMAREA option 211  
 DPL API subset 216  
 exception conditions 217  
 independent syncpoints 213  
 options 208  
 programming considerations 215  
 REMOTENAME option 211  
 REMOTESYSTEM option 211  
 server program 211  
 server region 207, 211  
 SYSID option 211  
 TRANSID option 212

DSA 120

DSATTS option 341

DTP 205, 219

DUMP TRANSACTION command 250

DUPKEY condition 269

DYNAM option 566

dynamic  
 program 126  
 storage area 120  
 transaction backout program 246  
 transaction routing 473

## E

ECBLIST 464

EDF 6, 10, 513  
 EDF option 10

EDF option 10

EIB 6, 46, 231, 413  
 application 18  
 description 243  
 EIBCALEN field 470  
 EIBCOMPL field 416  
 EIBFN field 471  
 EIBSIG field 415  
 EIBTRNID field 213  
 SYSEIB option 18  
 system 18  
 terminal control feedback 423

empty data sets 257

end-of-data indicator character 428

ENDBR command 269

ENDINPT condition 429

ENDJOB option 566

ENQ command 130, 463

ENQBUSY condition 130

ENQUEUE command 442

enqueueing  
 in a VSAM file 127  
 VSAM internal 127

entry point, trace 249

entry-sequenced data set (ESDS) 256

EOC condition 361, 425

EODI character 428

EODS condition 425

EOF condition 429

EPILOG option 10

EQUAL option 266

ERASE option 343, 373, 436

ERASEAUP option 343, 373, 383

ERRATT option 128

ESDS (entry-sequenced data set) 256

events  
 monitoring point 250

exception condition  
 description 231

exception conditions  
 HANDLE CONDITION  
 command 236, 237  
 IGNORE CONDITION  
 command 238

exception trace entry point 249

EXCI  
 CALL 220  
 communications 220  
 option 10

EXCI - external call interface 205

exclusive control of records  
 BDAM 290  
 VSAM 280  
 VSAM RLS 281

exclusive resources 126, 127

EXEC DLI commands 48

EXEC DLI interface 291

EXEC interface block 6

EXEC interface stubs 19

EXEC SQL commands 291

EXEC SQL interface 291

EXECKEY 135, 151

EXECKEY parameter 482

execution diagnostic facility 6, 10, 513

Execution interface block 46

EXHIBIT statement 566

expiration time  
 specifying 459

external call interface (EXCI) 205

External CICS interface (EXCI) 220

extrapartition queues 496

extrapartition transient data 139, 142

## F

FDUMP 25

FE option 11

FEPI  
 references 3

FEPI - Front End Programming  
 Interface 205

FEPI option 11

FETCH 47

field  
 blank 144  
 group 337

fields  
 BMS 327

- fields (*continued*)
  - complex 336
  - composite 336
  - repeated 337
- file control
  - BDAM data sets 287
  - overview 255
  - VSAM data sets 279
- FIND command, CEBR transaction 541
- finding the cursor 356
- flag byte, route list 391
- FLAG option 11
- flip-flop mode 413
- floating maps 377
- FLOW option 566
- FMH 426
  - inbound 426
  - option 427
  - outbound 427
- FMHPARM option 373
- FOR option 459
- formatted screen, reading from a 354
- FORMATTIME command 459
- FORMFEED option 373, 437
- FREE command 427
- FREEKB option 344
- FREEMAIN command 479
- FROM option 274, 339
- Front End Programming Interface (FEPI) 205
- FRSET option 343
- function (PF) keys, CEBR transaction 539
- function management header
  - description 426
- function-ship 275
- function shipping 206
- Function shipping 205
- functions, EDF 514

## G

- GDDM 348
- GDS option 11
- generic delete 272
- generic key 265
- GENERIC option 265, 279
- GET command, CEBR transaction 541
- GETMAIN command 134
  - CICSDATAKEY option 134, 483
  - INITIMG option 125, 479
  - NOSUSPEND option 479
  - SHARED option 134, 139, 479
  - TASKDATAKEY option 134
  - USERDATAKEY option 134, 483
- GETMAIN requests (MVS)
  - OS/VS COBOL language restrictions 567
- global user exits 483
- global variables, COBOL 41
- GOODNIGHT transaction, CESF 429
- GRAPHIC option 11
- group field 337
- GRPNAME option 336
- GTEQ option 265, 279

## H

- half-duplex mode 413
- HANDLE ABEND command 232, 235, 245
- HANDLE AID command 356
- HANDLE CONDITION command 232, 235, 241
- HANDLE CONDITION ERROR command 237
- HOLD option 467
- HONEOM option 436
- horizontal tabs 438
- hot-pooling 98

## I

- ICTL (input format control) 57
- ICVR parameter 510
- identification
  - BDAM record 287
  - VSAM record 279
- IGNORE CONDITION command 232, 235, 238
- IGREQID condition 373
- IGYCCICS 24
- IGZ9OPD 25
- IGZEOPD 25
- IMMEDIATE option 414, 427, 471
- IMS 128
- INBFMH condition 425
- inbound
  - data streams 144
- index, alternate 257
- indirect queues 496
- initializing output map 340
- INITIMG option 125, 479
- input
  - format control (ICTL) 57
- input data
  - chaining of 424
- input data sets 6
- input map, symbolic 352
- INPUTMSG option 467, 471, 473
- INQUIRE command 243
- INQUIRE TERMINAL command 423, 439
- INRTN option 402
- INSPECT statement 566
- inter-transaction affinity
  - affinity life times 182
  - affinity transaction groups 182
  - caused by application generators 181
  - detecting 181
  - programming techniques 159
  - recommendations 188
  - relations and lifetimes 182
    - global relation 183
    - terminal relation 184
    - userid relation 185
  - safe programming techniques 160
    - the COMMAREA 160
    - the TCTUA 161
    - using BTS containers 164
    - using DEQ with ENQMODEL 163
    - using ENQ with ENQMODEL 163

- inter-transaction affinity (*continued*)
  - suspect programming techniques
    - DELAY and CANCEL REQID commands 178
    - global user exits 158
    - INQUIRE and SET commands 158
    - POST command 180
    - RETRIEVE WAIT and START commands 175
    - START and CANCEL REQID commands 177
    - transient data 174
  - temporary storage data-sharing
    - temporary storage 171
  - unsafe programming techniques 165
    - the CWA 165
    - using DEQ 170
    - using ENQ 170
    - using LOAD PROGRAM HOLD 166
    - using shared storage 166
    - using task lifetime storage 168
    - using WAIT EVENT 169
- interactive debugging
  - CECI transaction 545
  - CECS transaction 545
  - CEDF transaction 513
- interactive problem control system 250
- intercommunication 205
- interface block, Execution 46
- interface stubs, EXEC 19
- interleaving conversation with message routing 395
- interregion communication 220
- interrupting 415
- interval control 459
  - cancel interval control command 459
  - DELAY command 459
  - delay processing of a task 459
  - expiration time 459
  - POST command 459
  - specifying request identifier 461
  - START command 459
  - starting a task 459
- INTERVAL option 459
- INTO option 274
- intrapartition queues 495
- intrapartition transient data 138
- INVITE option 413
- invoking EDF 513
- INVPARTN condition 403
- INVPARTNSET condition 403
- INVREQ condition 373
- IPCS 250
- IRC 220
- ISA (initial storage area) size 54
- ISCINVREQ 207
- ISSUE ABORT command 431
  - CARD option 432
  - CONSOLE option 432
  - PRINT option 432
  - WPMEDIA1-4 option 432
- ISSUE ADD command 431
- ISSUE COPY command 415, 430, 446
- ISSUE DISCONNECT command 415
- ISSUE END command 431

ISSUE END command 431 (*continued*)  
 CARD option 432  
 CONSOLE option 432  
 PRINT option 432  
 WPMEDIA1-4 option 432  
 ISSUE ERASE command 415, 431  
 ISSUE NOTE command 431  
 ISSUE PRINT command 430, 446  
 ISSUE QUERY command 431  
 ISSUE RECEIVE command 431  
 ISSUE REPLACE command 431  
 ISSUE RESET command 429  
 ISSUE SEND command 431  
 CARD option 432  
 CONSOLE option 432  
 PRINT option 432  
 WPMEDIA1-4 option 432  
 ISSUE WAIT command 431, 432  
 CARD option 432  
 CONSOLE option 432  
 PRINT option 432  
 WPMEDIA1-4 option 432

## J

Java 69, 83  
 ABEND handling 72  
 abnormal termination 72  
 ADDRESS 77  
 ASSIGN 78  
 building a program 90  
 Class 70  
 class library (JCICS) 69  
 command arguments 71  
 compilation 91, 94  
 condition handling 74  
 Debug Tool 104  
 DFHRPL requirements 97  
 Errors 70  
 ET/390 95  
 exception handling 72  
 Exceptions 70  
 hot-pooling 98  
 INQUIRE SYSTEM 78  
 INQUIRE TASK 79  
 INQUIRE TERMINAL or  
 NETNAME 79  
 interface 70  
 Java Record Framework 71  
 JavaBeans 70  
 javac 94  
 JCICS programming  
 considerations 72  
 JVM 107  
 prerequisites 90  
 PrintWriter 79  
 resource definition 71  
 run-time requirements 97  
 running 97  
 sample program components 83  
 sample programs 83  
 source-level debug 104  
 storage management 72  
 System.err 79  
 System.out 79  
 System Properties 96  
 threads 71

Java 69, 83 (*continued*)  
 transient data 77  
 translation 69  
 unsupported CICS services 79  
 VisualAge for Java 91  
 Java API (JCICS) 69  
 Java hot-pooling  
 H8 TCB 99  
 storage usage 101  
 Java Virtual Machine (JVM) 107  
 JCICS 72  
 APPC 75  
 BMS 75  
 creating objects 80  
 file control 76  
 HANDLE commands 73  
 program control 76  
 sample program components 83  
 sample programs 83  
 temporary storage 76  
 Terminal Control 76  
 UOWs 76  
 Using 80  
 using objects 80  
 JES 243, 449  
 Job Entry Subsystem component of  
 MVS 449  
 journal  
 records 136, 223  
 journal control  
 output synchronization 223  
 journal identifier 225  
 journal type identifier 225  
 journaling 143, 223, 225  
 JOURNALNAME 225  
 JOURNALNUM 225  
 JTYPEID 225  
 JUSFIRST option 384  
 JUSLAST option 384  
 JUSTIFY option 384  
 JVM  
 compile-time requirements 109  
 directory 110  
 execution options 110  
 invoking JVM programs 108  
 Java system properties 112  
 JAVADIR 110  
 open TCB 107  
 programming considerations 111  
 run-time requirements 109  
 running JVM programs 108  
 stderr 111  
 stdin 111  
 stdout 111  
 supplied jar files 110  
 using the AWT 113

## K

key  
 alternate (secondary) 257  
 generic 265  
 hardware print 446  
 key-sequenced data set (KSDS) 256  
 KEYLENGTH option, remote data  
 set 278

keys  
 physical 287  
 KSDS (key-sequenced data set) 256

## L

language considerations  
 assembler 57, 59  
 C and C++ 45, 53  
 COBOL 23, 44  
 Java 69, 83  
 PL/I 53, 55  
 Language Environment 61  
 LAST option 344, 427  
 bracket protocol 427  
 LDC 404  
 LDCMNEM option 405  
 LDCNUM option 405  
 LE run-time options 62  
 LENGERR condition 416  
 LENGTH option 12, 136, 416  
 LENGTH register, COBOL 23  
 LENGTHLIST option  
 multiple dumps of task-related  
 storage areas 251  
 levels, application program logical 468  
 light pen-detectable field 407  
 LINE command  
 CEBR transaction 541  
 line length on printing 436  
 line traffic reduction 145  
 LINECOUNT option 12  
 LINK command 120, 134, 468  
 COMMAREA option 467, 469, 471  
 IMMEDIATE option 471  
 in COBOL 28, 32  
 INPUTMSG option 467, 471  
 TRANSID option 471  
 link-edit 4, 5  
 link-edit of map 334  
 LINK PROGRAM 220  
 link to program, expecting return 468  
 LINKAGE option 12  
 LIST option 388  
 LOAD command  
 HOLD option 467  
 local copy key 445  
 locale support 5  
 locality of reference 124  
 logging 142  
 logical device component 404  
 logical levels, application program 28,  
 32, 468  
 logical messages, rules for 372  
 logical record presentation 425  
 logical unit 298  
 logical unit of work (LUW)  
 database operations, control of  
 PSB 140  
 description 121  
 recoverable resources 121  
 syncpoints used 225  
 logical units (LUs)  
 facilities for 424  
 lookaside transaction 398  
 LU 298  
 LU type 4  
 batch data interchange 431

LU type 4 (*continued*)  
  device 414  
  logical record presentation 425  
LUs (logical units)  
  facilities for 424

## M

macro instructions 561  
magnetic slot reader, 10/63 406  
main storage 120  
  temporary data 500  
main temporary storage 137  
map  
  BMS 325  
  creating 328  
  initializing output 340  
  link-edit 334  
  moving data to 341  
  sets 335  
  symbolic input 352  
  symbolic output 351  
MAPATTS option 341  
MAPCOLUMN option 380  
MAPFAIL condition 354, 360  
MAPHEIGHT option 380  
MAPLINE option 380  
MAPONLY option 145, 339, 344  
MAPPED option 386  
mapping input data 353  
maps  
  BMS 144, 148  
  device-dependent 363  
  floating 377  
  sets 125  
MAPSET option 339  
MAPSET resource definition 334  
MAPWIDTH option 380  
MARGINS option 12  
MASSINSERT option 141, 273  
MDT 143, 354  
MERGE command 25  
message routing 387  
message title 393  
messages, undeliverable 392  
mixed addressing mode transaction 473  
modified data tag 143, 354  
modifying execution, EDF 533  
modular program 125  
MONITOR command 250  
MONITOR POINT command 250  
monitoring application performance 250  
moving data to map 341  
MSGINTEG option 149  
MSR 406  
MSR option 373, 406  
multimap screens 148  
multipage outputs 146  
multithread testing 510  
multithreading 131  
MVS subspace 491  
MVS transaction 473  
MXT parameter 129

## N

named counters 199  
  CICS API 201

named counters 199 (*continued*)  
  counter name 199  
  coupling facility list structure 200  
  current value 199  
  DFHNC001 201  
  DFHNCO macro 200  
  maximum value 200  
  minimum value 199  
  named counter fields 199  
  options table 200  
  overview 199  
  pools 200  
NATLANG option 13  
nested programs 37  
NLEOM option 373, 435, 436  
NOAUTOPAGE option 375  
NOCBLCARD option 13  
NOCPSM option 13  
NODE option 449  
NODEBUG option 13  
NOEDF option 13  
NOEDIT option 386  
NOEPILOG option 13  
NOFE option 14  
NOFEPI option 14  
NOFLUSH option 377, 383  
NOHANDLE option 232, 240  
NOJBUFSP condition 130  
NOLENGTH option 14  
NOLINKAGE option 14  
non-CICS printer 433  
Non-CICS printer 443  
non-terminal transactions  
  EDF 532  
nonconversational programming 120  
NONUM option 14  
NOOPSEQUENCE option 14  
NOOPTIONS option 14  
NOPROLOG option 15  
NOQUEUE option 130  
NOSEQ option 15  
NOSEQUENCE option 15  
NOSOURCE option 15  
NOSPACE condition 240  
NOSPIE option 15  
NOSUSPEND option 130  
  GETMAIN command 479  
  READ command 266  
  READNEXT command 269, 272  
  READPREV command 269, 272  
  WRITE command 273  
NOTRUNC compiler option 572  
NOTRUNCATE option 416  
NOVBREF option 15  
NOWAIT option 432  
NOWSCLEAR 25  
NOXREF option 15  
null values, use of 146  
NUM option 15  
NUMREC option 272  
NUMSEGMENTS option  
  multiple dumps of task-related  
  storage areas 251

## O

object oriented programming 65  
OCCURS option 337  
OO programming 65  
  class 67  
  constructor 67  
  datatypes 66  
  encapsulation 65  
  implementation 67  
  inheritance 67  
  instance 67  
  interface 67  
  method 67  
  object 66  
  object reference 65, 66  
  signature 67  
  static variables 67  
  terminology 66  
OOCOBOL option 15  
OPCLASS option 388  
OPEN command 25  
Open Transaction Environment 98  
operating system waits 129  
OPID option 388  
OPIDENT value 388  
OPMARGINS option 16  
OPSEQUENCE option 16  
OPSYN (equate operation code) 57  
options  
  HANDLE CONDITION  
  command 237  
  on function keys, EDF 523  
OPTIONS(MAIN) specification 54  
OPTIONS option 16  
OS/V S COBOL considerations 565  
outboard controller 430  
outboard formatting 409  
output data, chaining of 425  
output map, initializing 340  
output map, symbolic 351  
OVERFLOW condition 377  
overlays 126  
overtyping EDF displays 533

## P

PA key 439  
page break 377  
page building operations 146  
page fault 124  
page overflow 394  
page routing operations 146  
PAGENUM option 394  
PAGESIZE value 376  
paging  
  reducing effects 124  
PAGING option 339, 371, 372, 436  
partition, active 401  
partitions 396  
partitions, defining 398  
PARTITIONSET option 400  
PARTN option 402  
partner, conversation 413  
partners, range of 219  
PARTNFAIL condition 403  
PARTNPAGE option 402

- passing control, anticipating return (LINK) 468
  - passing data to other program 469
  - pen-detectable field 407
  - PERFORM command 243
  - PERFORM DUMP command 250
  - PF (program function) key 514, 539, 550
  - phonetic command equivalent
    - macro equivalent 561
  - physical keys 287
  - PL/Iabend 55
  - PL/I language considerations
    - OPTIONS(MAIN) specification 54
    - restrictions 53
    - STAE option 54
  - PLT program 483
  - POP HANDLE command 235, 246
  - POST command 459
  - preprinted form 501
  - presentation space 397
  - PRGDLY option 392
  - principal facility 298
  - print control bit 435
  - print formatting 429
  - print key 416, 445
  - print key, Hardware 446
  - PRINT option 432
  - printed output, requests for 148
  - printer
    - 3270 434
      - options 435
    - CICS 433
      - determining characteristics of 439
      - non-CICS 433
      - Non-CICS 443
      - SCS 437
  - PRINTERCOMP option 438
  - printing 433, 447
    - CICS API considerations 443
    - line length on 436
    - START command 440
    - transient data 441
    - with BMS routing 442
  - program
    - size 120
    - source 6
    - testing 513
  - program control
    - linking to another program 468
    - passing data to another program 469
    - program logical levels 468
  - program design
    - conversational 120, 149
    - nonconversational 120
    - pseudoconversational 120
  - program labels in EDF 534
  - PROGRAM option 245
  - PROGRAM resource definition 334
  - program segments
    - COBOL 572
  - program storage 136
  - programming techniques
    - assembler 57, 59
    - C and C++ 45, 53
    - COBOL 23, 44, 565
    - general 120, 123
    - Java 69, 83
  - programming techniques (*continued*)
    - PL/I 53, 55
    - structure 119
  - PROLOG option 16
  - PROTECT option 149
  - pseudoconversational programming 120
  - PURGE command, CEBR
    - transaction 542
  - purge delay 392
  - PURGE MESSAGE command 376, 388
  - PUSH HANDLE command 235, 246
  - PUT command, CEBR transaction 542
- ## Q
- QBUSY condition 130
  - QUERY SECURITY command 503
    - NOLOG option 504
    - RESCCLASS option 504
    - RESID option 504
    - RESTYPE option 504
  - query transaction 302
  - queue
    - temporary storage 499
  - QUEUE command, CEBR
    - transaction 542
  - queues
    - extrapartition 496
    - intrapartition 495
    - transient data 495
  - QUOTE option 16
  - QZERO condition 497
- ## R
- RACF 503
  - range of partners 219
  - RBA (relative byte address) 256, 279
  - RDF 290
  - read-ahead queueing 414
  - READ command 25, 269
    - CONSISTENT option 266
    - NOSUSPEND option 266
    - REPEATABLE option 266
    - UNCOMMITTED option 266
  - reading data from a display 353
  - reading from a formatted screen 354
  - reading records 265
  - READNEXT command 267
    - CONSISTENT option 269
    - NOSUSPEND option 269, 272
    - REPEATABLE option 269
    - UNCOMMITTED option 269
  - READPREV command 267
    - CONSISTENT option 269
    - NOSUSPEND option 269, 272
    - REPEATABLE option 269
    - UNCOMMITTED option 269
  - READQ TD command 130, 495
  - READQ TS command 499
    - ITEM option 500
  - RECEIVE command 149, 412, 413, 415, 427
    - BUFFER option 429
    - MAPFAIL condition 360
  - RECEIVE MAP command 353
    - ASIS option 355
  - RECEIVE PARTN command 402
  - record
    - identification 279, 287
    - locking 280
    - locking (RLS) 281
  - record description field 290
  - record-level sharing (RLS)
    - accessing files in RLS mode 258
  - record locking 281
  - records
    - adding 272
    - adding to BDAM data set 289
    - browsing 265
    - deleting 270
    - journal 223
    - length of 136
    - reading 265
    - updating 269
    - writing 269, 272
  - recoverable resources 121
    - exclusive use 121
  - recovery
    - of resources 126, 127
    - problem avoidance 229
    - sequential terminal support 427
    - syncpoint 225
  - reduction of line traffic 145
  - reentrancy 131
  - Reference modification 40
  - reference set 125
  - regression testing 510
  - relative byte address (RBA) 256, 279
  - relative record data set (RRDS) 256
  - relative record number (RRN) 256, 279
  - RELEASE 47
  - RELEASE command
    - HOLD option 467
  - RELEASE option 374
  - RELTYPE keyword 259
  - remote abstract windows toolkit (AWT) 113
  - remote data set, KEYLENGTH
    - option 278
  - remote-linked programs
    - DPL 533
    - EDF 532
  - remote transactions, EDF 531
  - REMOTENAME option 211
  - REMOTESYSTEM option 211
  - REPEATABLE option
    - READ command 266
    - READNEXT command 269
    - READPREV command 269
  - repeated fields 337
  - REPLACE statement 34
  - REPORT WRITER option 565
  - REQID option 269, 373, 393, 461
  - request/response unit (RU) 424
  - RERUN command 25
  - RES option, COBOL 126
    - shared library (PLISHRE) 126
  - RESCCLASS option 504
  - RESETBR command 267
  - RESID option 504
  - resources
    - contention 121
    - control of 121



resources (*continued*)  
controlling sequence of access to 464  
exclusive control of 126  
exclusive use 121  
recoverable 121, 126, 127  
RESP option 232, 240  
deactivating NOHANDLE 237  
RESP value 231  
RESP2 option 232  
RESP2 value 231, 232  
restrictions  
31-bit mode 57  
assembler language 57  
COBOL 565  
PL/I 53  
RESTYPE option 504  
RETPAGE condition 384, 396  
RETRIEVE command 459, 464  
RETURN CODE register, COBOL 23  
RETURN command 135, 471  
COMMAREA option 155, 467  
ERRATT option 128  
IMMEDIATE option 414, 427  
INPUTMSG option 467, 471, 473  
TRANSID option 128  
reverse interrupt 415  
REWRITE command 25, 269  
RIDFLD option 259, 267, 273  
ROUTE command 387  
LIST option 388  
page overflow 394  
TITLE option 393  
route list 388  
LIST option 390, 391  
segment chain entry format 390  
standard entry format 390  
ROUTEDMSG option 389  
routing, Transaction 205  
routing terminals 395  
RRDS (relative record data set) 256  
RRN (relative record number) 256, 279  
RTEFAIL condition 391  
RTESOME condition 391  
RU (request/response unit) 424  
rules for logical messages 372  
run unit in COBOL 27, 32  
runaway tasks 129  
RVI 415

## S

SAA Resource Recovery 226  
SAM 411  
screen, reading from a formatted 354  
screen copy, BMS 447  
screen field, 3270 354  
SCS  
printer 437  
SCS input 439  
SDF II 21, 328, 335  
SEC system initialization option 504  
security 503, 505  
CICS-defined resource identifiers 504  
EDF 536  
programming hints 504  
record or field level 503  
SEC system initialization option 504  
SPCOMMAND resource type 504

SEGMENTATION option 565  
SEGMENTLIST option  
multiple dumps of task-related  
storage areas 251  
segments, program  
COBOL 572  
selection field 408  
SEND command 149, 412, 415, 427  
CNOTCOMPL option 425  
CTLCHAR option 435  
DEST option 430  
FMH option 427  
INVITE option 413  
LAST option 427  
MSR option 406  
SEND CONTROL command 345, 433  
SEND MAP command 338, 433  
ACCUM option 339, 372  
ALARM option 344  
CURSOR option 339, 348  
DATAONLY option 339  
ERASE option 343  
ERASEAUP option 343, 383  
FREEKB option 344  
FROM option 339  
LAST option 344  
MAPONLY option 339  
MAPSET option 339  
NOFLUSH option 377, 383  
PAGING option 339  
SET option 339  
TERMINAL option 339, 371  
WAIT option 344  
SEND PAGE command 226, 373, 387  
AUTOPAGE option 375  
NOAUTOPAGE option 375  
RELEASE option 374  
SEND PARTNSET command 400  
SEND TEXT command 382, 433  
MAPPED option 386  
NOEDIT option 386  
SEQ option 17  
sequence of access to resources,  
controlling 464  
SEQUENCE option 17  
sequential terminal support 427, 511  
server  
program 211  
region 207, 211  
SERVICE RELOAD  
elimination, COBOL 23  
SERVICE RELOAD statement 571  
SERVICE RELOAD statement,  
COBOL 571  
SESSBUSY condition 130  
SET  
command 243, 371  
option 274  
SET option 339, 371  
SETLOCALE 47  
shared control of records  
VSAM RLS 281  
shared data tables 260  
SHARED option 134, 139  
GETMAIN command 479  
SHARED option 135  
shared storage 139

sharing data across transactions 151  
SIGN IS SEPARATE statement 566  
SIGNAL condition 415  
simultaneous browse 269  
single-screen mode, EDF 529  
single-thread testing 510  
single-threading 131  
size, program 120  
SORT option 565  
SOURCE option 17  
source program 6  
SP option 17  
space, presentation 397  
SPACE option 17  
SPCOMMAND resource type 504  
SPIE option 17  
SPOLBUSY condition 450  
spool  
commands 243  
file 449  
SPOOLCLOSE command 449  
SPOOLOPEN  
examples 454  
SPOOLOPEN command 444, 449  
NODE option 449  
TOKEN option 449  
USERID option 449  
SPOOLREAD command 449  
SPOOLWRITE command 449  
SPURGE parameter 169  
SQL 3  
SQL interface, EXEC 291  
STAE option, PL/I 54  
START command 25, 440, 459, 464  
STARTBR command 267  
STATE option 566  
static storage 125  
status flag byte, route list 391  
STOP command 25  
STOP literal statement 566  
STOP RUN statement 566  
storage  
CICS-key 481  
main 120  
program 136  
shareable 479  
static 125  
temporary 137  
user 134  
user-key 481  
storage area, dynamic 120  
storage control 479  
STORAGE option 340  
storage protection 480  
STRING statement 566  
stubs, EXEC interface 19  
subprogram, calling from COBOL 28, 32  
subroutines 124  
subspace 491  
SUSPEND command 463  
suspend data set 500  
SVC99 47  
symbolic  
input map 352  
output map 351  
symbolic cursor positioning 349  
SYMDUMP option 566

- synchronize action
  - journal output 223
- SYNCONRETURN option 213, 219
- SYNCPPOINT command 226, 373
  - ROLLBACK option 246
- syncpointing 225, 227
- syncpointing, DPL 213
- SYSEIB option 18
- SYSID command, CEBR transaction 542
- SYSID option 211
- SYSIDERR 207
- SYSIN 6
- SYSPRINT 6
- SYSPUNCH 6
- SYSTEM 47
- system information, access to 243
- system trace entry point 249

## T

- tabs, horizontal 438
- tabs, vertical 438
- task control 463
  - sequence of access to resources 464
- task-related user exit 483
- TASKDATAKEY option 134, 482
- TASKDATALOC option 18, 134
- TCAM 411, 429
  - ACB interface of 430
  - DCB interface of 414
- TCB
  - for hot-pooling 98
- TCTUA 154, 482
- TCTUAKEY 154, 482
- TCTUALOC 154
- techniques, programming 120, 123
- temporary data 499
- temporary storage
  - auxiliary 137, 500
  - browse transaction, CEBR 537
  - data 499
  - main 137, 500
  - queue 499
- TERM option 364
- TERMIN value 388
- terminal
  - contention for 413
  - option 339
  - performance 143
  - sharing 556
  - support, sequential 427
  - wait 415
- TERMINAL
  - option 371
- TERMINAL command, CEBR
  - transaction 542
- terminal control
  - bracket protocol, LAST option 427
  - break protocol 414
  - chaining of input data 424
  - chaining of output data 425
  - definite response 426
  - facilities for logical units 424
  - FMH, inbound 426
  - FMH, outbound 427
  - function management header (FMH) 426
  - interrupting 415

- terminal control (*continued*)
  - logical record presentation 425
  - map input data 353
  - print formatting 429
  - protocol, break 414
  - read-ahead queueing 414
  - table user area (TCTUA) 154
- Terminal control 411, 432
  - commands 412
  - conversation partner 413
  - flip-flop mode 413
  - half-duplex mode 413
  - partner, conversation 413
- TERMINAL option 371
- TEST option 566
- testing applications
  - multithread testing 510
  - preparing application table entries 509
  - preparing system table entries 509
  - preparing the system 509
  - regression testing 510
  - sequential terminal support 511
  - single-thread testing 510
  - using sequential devices 427, 511
- time field of EIB 243
- TIME statement 566
- TIOATDL value 387
- title, message 393
- TITLE option 393
- TOKEN option 275, 449
- TOP command, CEBR transaction 542
- trace
  - description 248
  - trace entry point 249
- TRACE option 565
- TRANISO 489
- transaction
  - affinity 206, 459, 464, 468, 479, 487
  - deadlock 275
  - routing 205, 206
  - routing, dynamic 473
- transaction affinity 157, 188
  - inter-transaction affinity 158
  - transaction-system affinity 158
- transaction identifier
  - CEBR 537
  - CECI 545
  - CEDF transaction 513
- transaction isolation 480
- transaction-system affinity 158
- transaction work area 134
- transactions
  - conversational 120
  - nonconversational 120
  - pseudoconversational 120
- TRANSID option 128, 212, 471
- transient data 441
  - extrapartition 139, 142
  - intrapartition 138
  - queue 138, 174
- transient data control
  - automatic transaction initiation (ATI) 497
  - queues 495, 496
- translation 4, 19
  - ANSI85 option 9

- translation 4, 19 (*continued*)
  - APOST option 9
  - CBLCARD option 9
  - CICS option 9
  - COBOL2 option 9
  - COBOL3 option 9
  - CPSM option 10
  - DBCS option 10
  - DEBUG option 10
  - DLI option 10
  - EDF option 10
  - EPILOG option 10
  - EXCI option 10
  - FE option 11
  - FEPI option 11
  - FLAG option 11
  - GDS option 11
  - GRAPHIC option 11
  - LENGTH option 12
  - line numbers 6
  - LINECOUNT option 12
  - LINKAGE option 12
  - MARGINS option 12
  - NATLANG option 13
  - NOCBLCARD option 13
  - NOCPSPM option 13
  - NODEBUG option 13
  - NOEDF option 13
  - NOEPILOG option 13
  - NOFE option 14
  - NOFEPI option 14
  - NOLENGTH option 14
  - NOLINKAGE option 14
  - NONUM option 14
  - NOOPSEQUENCE option 14
  - NOOPTIONS option 14
  - NOPROLOG option 15
  - NOSEQ option 15
  - NOSEQUENCE option 8, 15
  - NOSOURCE option 6, 15
  - NOSPPIE option 15
  - NOVBREF option 15
  - NOXREF option 15
  - NUM option 15
  - OOCOBOL option 15
  - OPMARGINS option 16
  - OPSEQUENCE option 16
  - options 7, 8
  - OPTIONS option 16
  - PROLOG option 16
  - QUOTE option 16
  - SEQ option 17
  - SEQUENCE option 17
  - SOURCE option 6, 17
  - SP option 17
  - SPACE option 17
  - SPIE option 17
  - SYSEIB option 18
  - VBREF option 7, 18
  - XOPTS keyword 7
  - XREF option 18
- translator data sets 6
- trigger field 407
- TRUNC option 26
- TS queue 172
- TST TYPE=SHARED 173
- TWA 134

TWASIZE option 134  
TYPE=DSECT assembly 334

## U

UMT 260  
UNCOMMITTED option  
  READ command 266  
  READNEXT command 269  
  READPREV command 269  
undeliverable messages 392  
unit of compilation, COBOL  
  description 33  
  start of, nested programs 37  
  submitting to translator 38  
  translator options for 34  
unit of work 226  
UNLOCK command 273  
UNSTRING statement 566  
UNTIL option 459  
UOW 226  
update operation, BDAM 288  
UPDATE option 269  
updating records 269  
upgrade set 257  
upper case translation in BMS 355  
user  
  data sets 139  
  storage 134  
  trace entry point 249  
user-key storage 481  
user-maintained table 260  
user-replaceable module 483  
USERDATAKEY option 134, 483  
USERID option 449, 451

## V

validity of reference 124  
variables, CECI/CECS 551  
VBREF option 18  
vertical tabs 438  
viewport 397  
virtual storage 123  
virtual storage environment 120, 123  
VisualAge for Java Enterprise Toolkit for  
  OS/390 89  
VOLUME option 432  
VOLUMELENG option 432  
VSAM  
  data sets 140, 279  
  enqueues 127  
  MASSINSERT option 141  
  processor overhead 141  
VTAM 411, 413

## W

wait, terminal 415  
WAIT EVENT command 169, 459, 464  
WAIT EXTERNAL command 170, 463  
WAIT JOURNALNUM command  
  synchronize with journal output 223  
WAIT option 224, 344, 415  
WAIT TERMINAL command 415  
WAITCICS command 170, 463  
waits, operating system 129

WITH DEBUGGING MODE 24  
working set 124  
working storage 23, 45, 48, 57  
WPMEDIA1-4 option 432  
WRITE command 25, 272  
  NOSUSPEND option 273  
WRITE JOURNALNAME  
  command 130, 223  
WRITE JOURNALNUM command 130,  
  223  
  create a journal record 223  
WRITEQ TD command 495  
WRITEQ TS command 499  
writing records 269, 272  
WRKAREA parameter 151  
WSCLEAR 25

## X

XCTL command 120, 134, 135  
  COMMAREA option 467, 469  
  INPUTMSG option 467, 471  
XOPTS keyword 7  
XPCREQ global user exit 207, 212  
XREF option 18  
XTC OUT exit 146  
XTSREQ, global user exit 173



---

## Sending your comments to IBM

If you especially like or dislike anything about this book, please use one of the methods listed below to send your comments to IBM.

Feel free to comment on what you regard as specific errors or omissions, and on the accuracy, organization, subject matter, or completeness of this book.

Please limit your comments to the information in this book and the way in which the information is presented.

To request additional publications, or to ask questions or make comments about the functions of IBM products or systems, you should talk to your IBM representative or to your IBM authorized remarketer.

When you send comments to IBM, you grant IBM a nonexclusive right to use or distribute your comments in any way it believes appropriate, without incurring any obligation to you.

You can send your comments to IBM in any of the following ways:

- By mail, to this address:

Information Development Department (MP095)  
IBM United Kingdom Laboratories  
Hursley Park  
WINCHESTER,  
Hampshire  
United Kingdom

- By fax:
  - From outside the U.K., after your international access code use 44-1962-870229
  - From within the U.K., use 01962-870229
- Electronically, use the appropriate network ID:
  - IBM Mail Exchange: GBIBM2Q9 at IBMMAIL
  - IBMLink™ : HURSLEY(IDRCF)
  - Internet: idrcf@hursley.ibm.com

Whichever you use, ensure that you include:

- The publication number and title
- The topic to which your comment applies
- Your name and address/telephone number/fax number/network ID.



Program Number: 5655-147



Printed in the United States of America  
on recycled paper containing 10%  
recovered post-consumer fiber.

SC33-1687-33



Spine information:



CICS TS for OS/390

CICS Application Programming Guide

Release 3