

VSE/ESA Update

WAVV 2002

Ft Mitchell KY
April 12-16, 2002

Ingolf Salm
VSE/ESA Design
e-mail: salm@de.ibm.com

Trademarks

The following are trademarks of the International Business Machines Corporation in the United States and / or other countries.

CICS*	IBM*	Virtual Image Facility
DB2*	IBM logo*	VM/ESA*
DB2 Connect	IMS	VSE/ESA
DB2 Universal Database	Intelligent Miner	VisualAge*
e-business logo*	Multiprise*	VTAM*
Enterprise Storage Server	MQSeries*	WebSphere*
HiperSockets	OS/390*	xSeries
	S/390*	z/Architecture
	SNAP/SHOT*	z/VM
		zSeries

* Registered trademarks of IBM Corporation

The following are trademarks or registered trademarks of other companies.

LINUX is a registered trademark of Linus Torvalds

Tivoli is a trademark of Tivoli Systems Inc.

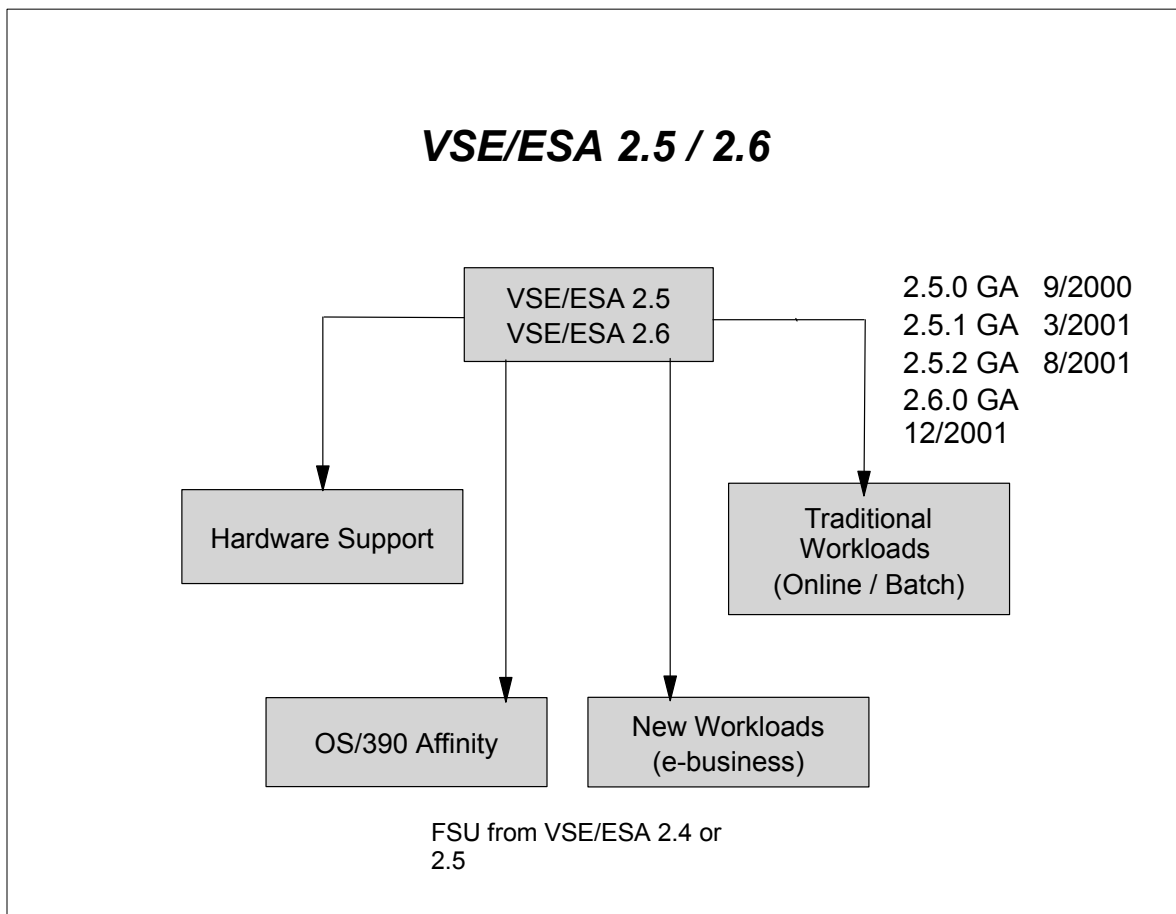
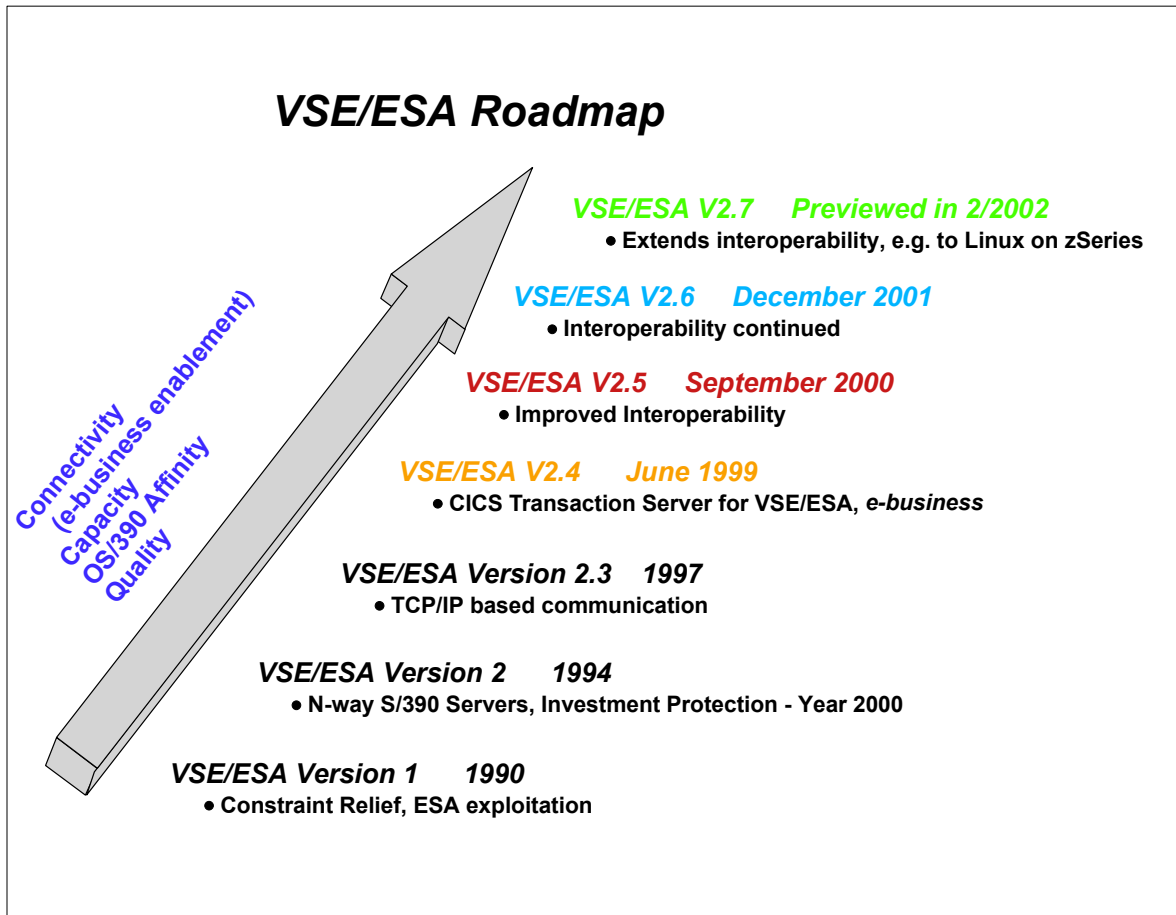
Java and all Java-related trademarks and logos are trademarks of Sun Microsystems, Inc., in the United States and other countries

UNIX is a registered trademark of The Open Group in the United States and other countries.

Microsoft, Windows and Windows NT are registered trademarks of Microsoft Corporation.

SET and Secure Electronic Transaction are trademarks owned by SET Secure Electronic Transaction LLC.

Intel is a registered trademark of Intel Corporation.



VSE/ESA 2.6.0 Highlights

- Preview Announcement: 4/2001, GA 12/2001
- Hardware Support
- Addresses heterogeneous environments
 - ▶ Focus on connectivity (e.g. to Linux for S/390)
 - Currency for e-business connectors (e.g. Java 2 support)
 - VSAM connector performance (avoid share option 4)
 - ▶ Internet Security
 - via Secure Socket Layer (SSL) support
 - Secure connections to CICS TS
- Fast service upgrade from VSE/ESA 2.4 and 2.5

VSE/ESA 2.6.0 Hardware Support

- VSE/ESA 2.5/2.6 runs on ESA/390 hardware only
 - ▶ Subsystem Storage Protection (SSP) in ESA/390
 - ▶ Cross address space services
- Hardware Support with VSE/ESA 2.5/2.6:
 - ▶ Enterprise Storage Server (ESS) Flashcopy support
 - ▶ IXFP SnapShot and ESS Flashcopy
 - Exploitation via VSAM Backup/Restore
 - SnapShot for logical volumes
 - Backup on "snapped" volume
 - Reduces backup window (backup can start after SnapShot)
 - Exploitation via Fastcopy (VSE/ESA 2.6 only)
- Turbo Dispatcher only (VSE/ESA 2.5/2.6)
 - ▶ On all uni- and multiprocessors
 - ▶ Native, as VM/ESA (z/VM) guest or in LPAR

VSE/ESA 2.6.0 Hardware Support ...

- zSeries 800/900 support (31-bit only)
- Support of FICON channels
- 2074 management console to eliminate the non-SNA 3174
- VSAM support of large 3390-9 disks
- Support for OSA Express Adapter (via TCP/IP)

CICS Transaction Server For VSE/ESA

- New code base with VSE/ESA 2.4 (CICS TS 1.1)
 - ▶ Latest code level: CICS TS 1.1.1 (VSE/ESA 2.5/2.6)

Includes

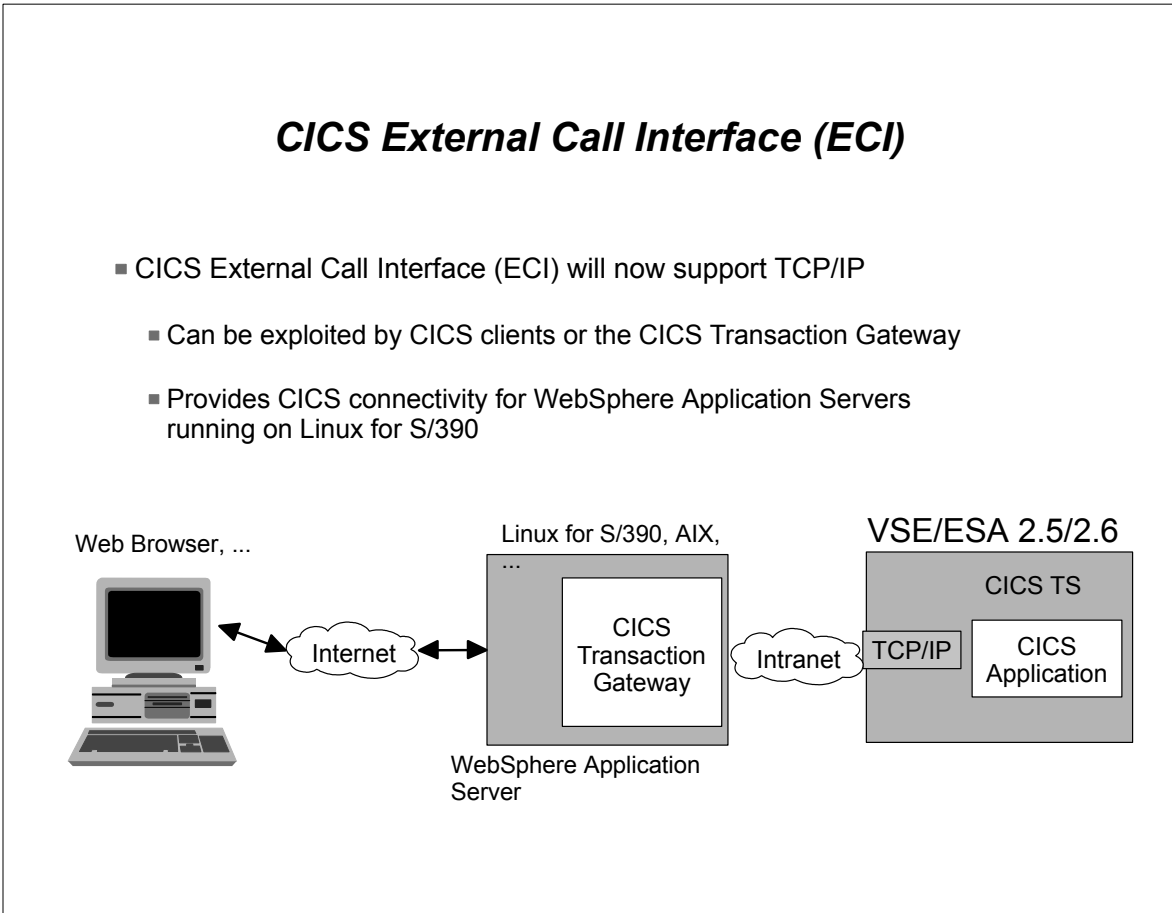
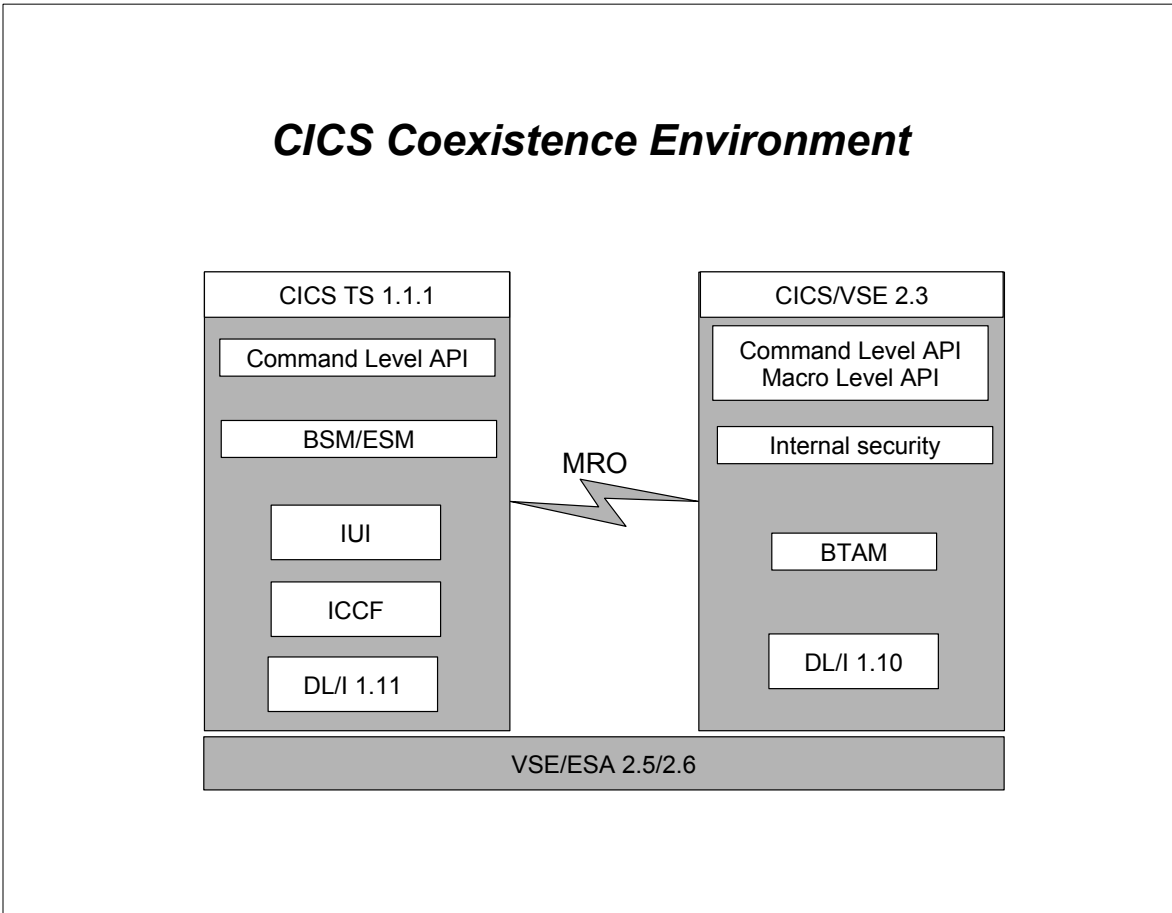
- ▶ CICS Server (CICS TS)
- ▶ CICS Web Support
- ▶ 3270 Bridge
- ▶ Report Controller
- ▶ Data Management Facility (DMF)
- ▶ CICS/VSE 2.3
- ▶ and more ...

CICS TS Highlights

- Extensive Virtual Storage Constraint Relief
 - ▶ 24-, 31-bit CICS, read-only, shared and user DSAs
- CICS TS programming interfaces
 - ▶ Extended Application Programming Interfaces (APIs)
 - ▶ Extended System Programming Interfaces (SPIs)
 - ▶ Front-end Programming Interface (FEPI)
- System management enhancements
 - ▶ Resource Definition Online (RDO) for files

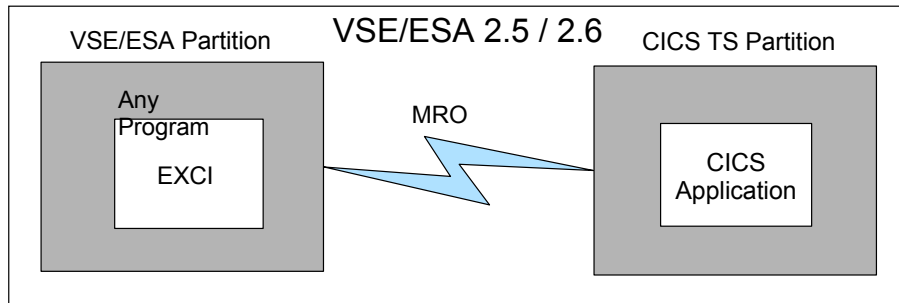
CICS TS Highlights ...

- Improved Reliability
 - ▶ Subsystem Storage Protection (SSP)
- Performance
 - ▶ (Shared) Data Tables
- Connectivity
 - ▶ External Call Interface within VSE/ESA (EXCI)
 - ▶ External Call Interface (ECI) via TCP/IP
 - ▶ CICS Web Support
- Security
 - ▶ Sign-on and transaction security via
 - Basic Security Manager
 - External Security Manager
 - ▶ CICS Web Support exploitation of Secure Socket Layer Protocol (SSL)



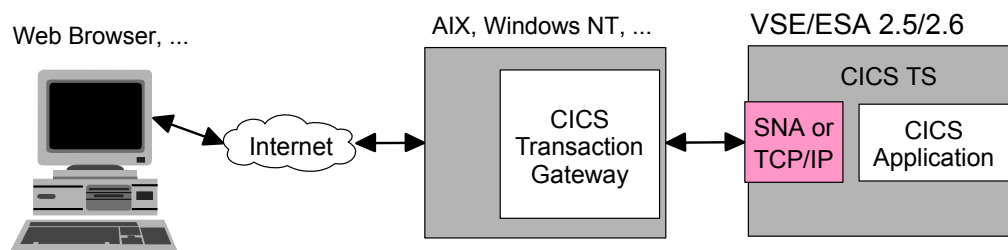
External Call Interface (EXCI)

- Invoke a program running under CICS TS from any VSE/ESA partition
- EXCI is the S/390 equivalent of the ECI (External Call Interface) function provided by the CICS clients
- Linkage via a CICS MRO link



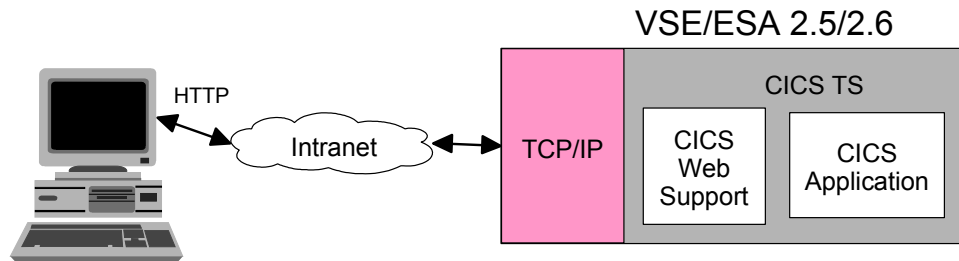
CICS Transaction Gateway

- Access to VSE/ESA resources from /390 and non-390 platforms (AIX, Windows NT, OS/2, OS/390, ...)
- Provides Java, C++, C, Cobol, Visual Basic interfaces for access of CICS transactions from any middle tier program
- Connectivity to CICS server via SNA or TCP/IP (for ECI Communication)
- Advantages
 - ▶ Access from e-business/internet/intranet/middle tier solutions (e.g. WebSphere Application Server)



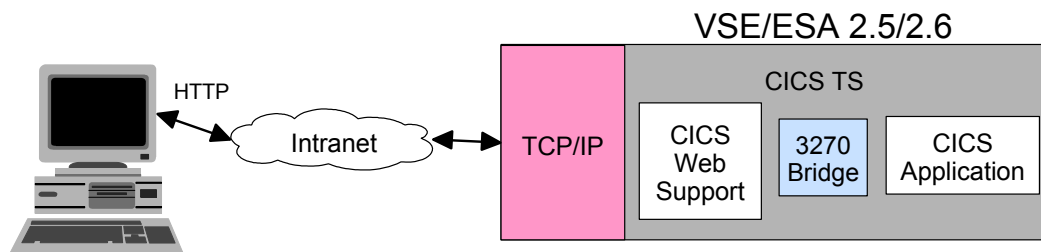
CICS Web Support

- Allows a standard Web Browser to invoke a CICS application
- Direct connection - no intermediate gateways or servers
- ASCII to EBCDIC Conversion
- Ability for existing applications to have their output converted to HTML by CICS



CICS 3270 Bridge

- A way of accessing 3270 transactions from non-3270 devices
- Advantages
 - ▶ Access to existing 3270 transactions, unmodified
 - ▶ No rewrite of presentation logic
 - ▶ No 3270 emulation needed



Basic Enhancements

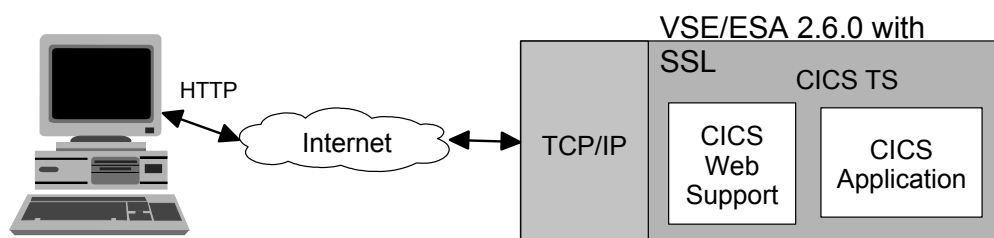
- More than 10 dynamic classes
- SDAID MP Support
- Enhancements for
 - ▶ VSE/POWER
 - Access to active queue entries
 - Access to queue entries in creation
 - Constraint relief
 - ▶ Job Control
 - ▶ Librarian
 - ▶ Language Environment
 - ▶ VSE/VSAM
 - ▶ Interactive Interface
 - ▶

VSE/ESA Connectivity

- **TCP/IP 1.4 exploitation (VSE/ESA 2.5 / 2.6)**
 - ▶ VSE/POWER PNET over TCP/IP
 - ▶ REXX over TCP/IP
 - ▶ TCP/IP High Level Language API (EZA OS/390 interface)
 - ▶ CICS listener
 - Ported from OS/390
 - TCP/IP application
 - Waits for incoming connection requests from a CICS client
 - ▶ TCP/IP configuration dialogs
 - ▶ MQ Series 2.1.1 (TCP/IP support, SSL exploitation)
 - ▶ DB2 Server for VSE and VM 7.2 (DRDA over TCP/IP)
- **TCP/IP support for Open Systems Adapter (OSA) Express**
 - ▶ Available for S/390 G5, G6 and zSeries processors
 - ▶ Gigabit and Fast Ethernet supported for high speed connections
 - ▶ Available with VSE/ESA 2.6 only

Internet Security (VSE/ESA 2.6)

- Secured TCP/IP connections through SSL encryption services includes Data Encryption Standard (DES) and triple-DES Licensed from Connectivity Systems Incorporated (CSI)
- New SSL API can be exploited by customer applications compatible with the OS/390 SSL API
- SSL exploitation by
 - ▶ TCP/IP for VSE/ESA applications such as TN3270 and web server
 - ▶ CICS Web Support (CWS)



Internet Security (VSE/ESA 2.6) ...

- SSL Exploiters:
 - ▶ TN3270
 - ▶ HTTP server
 - ▶ TCP/IP High Level Language API (EZA Interfaces)
 - ▶ CICS Web Support
 - Client Authentication (via PTF - later this year)
 - ▶ VSE Connectors
 - Client side based on JSSE (Java Secure Socket Extension)
 - ▶ VSE/Power PNET
 - ▶ MQ Series 2.1.1

VSE e-business Connectors

- Easy access to VSE/ESA resources from other systems
- VSE e-business connectors include
 - ▶ Server code running on VSE/ESA
 - ▶ JAVA beans, servlets and samples on Java capable clients
 - Such as IBM's WebSphere Application Server
 - which may run on Windows 2000/NT/XP, Linux for S/390, AIX, OS/390, ...
- Advantages
 - ▶ Exploitation of non-VSE e-business infrastructure
 - ▶ Always newest e-business components
 - Java, web server, security
 - Platform independent
 - ▶ VSE/ESA resources can be easily integrated into new e-business applications
 - ▶ New VSE e-business connectors
 - ▶ Other IBM connectors (DB2 Connect, MQ Series client, CICS TS Gateway, ...)

VSE e-business Connectors ...

- DB2 based connectors for VSAM and DL/I
 - ▶ Exploitation of DB2 infrastructure (JDBC/ODBC, DB2 Connect, DB2 server, DB2 stored procedures)
 - ▶ Mapping of SQL requests to VSAM and DL/I data
 - ▶ Sample mappings and applications provided
 - ▶ Communication via DRDA (SNA or TCP/IP based with DB2 V7)
- External services based VSE connectors
 - ▶ Access to VSE/ESA resources, such as VSE/VSAM files, VSE/POWER, VSE/ICCF, VSE Librarian, VSE consoles
 - ▶ Access provided via
 - external services running on VSE/ESA
 - Java-based services running on e.g. web application server environments
 - ▶ Java samples are provided
 - ▶ Communication TCP/IP based

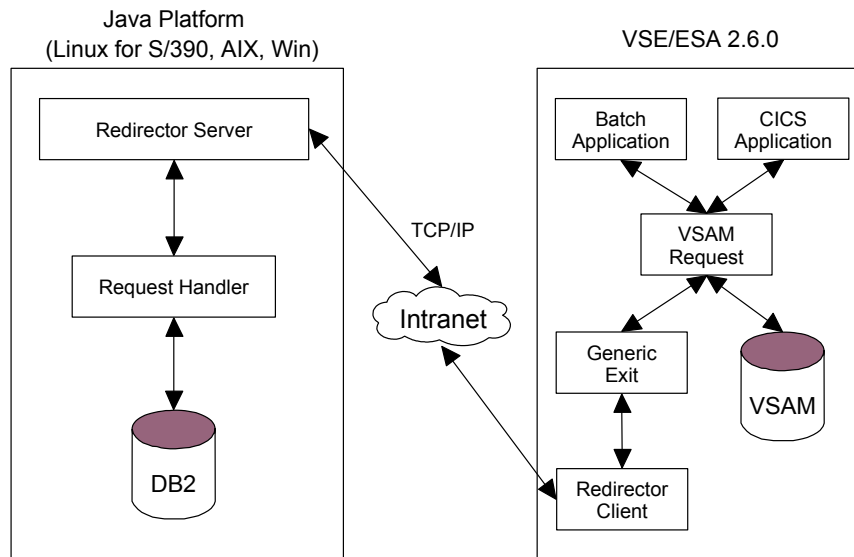
VSE e-business Connectors ... (VSE/ESA 2.6)

- New VSE connectors and connector currency
 - ▶ Support for Java 2 (JDK 1.2 and 1.3), including new WebSphere releases
 - ▶ J2EE connectors
 - ▶ JDBC connector to VSAM file
 - ▶ JConVSE = Java-based VSE console
 - Supports monitoring, submit job, PF key, retrieve, ...
 - Can automate VSE jobs based on console messages
 - ▶ VSEPrint
 - Formats output of VSE/POWER job
 - Output transferred via ftp
 - Runs on Java-capable workstation
 - ▶ Support for Linux, Windows 2000, ...
- VSAM connectors may now be routed through CICS (avoid share option 4)

VSAM Redirector (VSE/ESA 2.6)

- VSAM Redirector provides
 - ▶ Access to remote data
 - on Java capable platform (e.g.Linux on zSeries)
 - transparent to VSE program (batch or online)
 - ▶ Samples to access flat files and DB2 UDB
 - ▶ Interfaces to include other data
 - ▶ Communication to other platform via TCP/IP
- VSE as a client

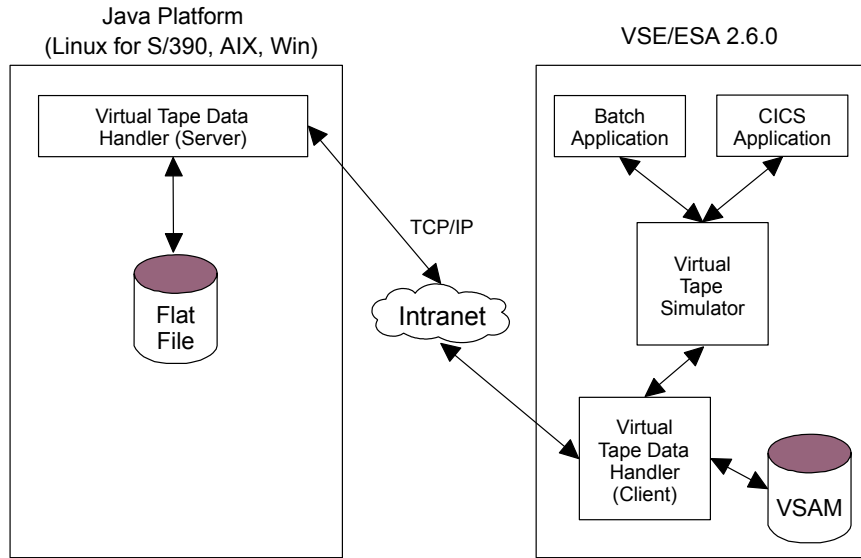
VSAM Redirector (VSE/ESA 2.6) ...



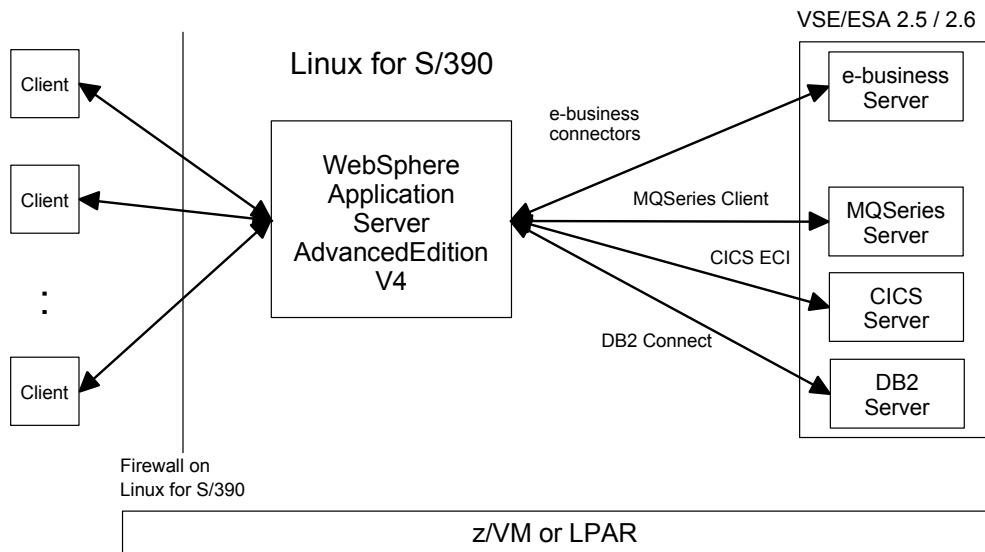
Virtual Tape (VSE/ESA 2.6)

- File or dataset containing a tape image, that is
 - ▶ VSE/VSAM ESDS file on VSE/ESA
 - ▶ Remote file on Java-capable server platform (Windows, Linux, ...)
- Has most functions of physical tape
 - ▶ Some functions not supported
e.g. SDAID to tape, Ditto Erase function
- "virtual tape" device need to be ADDED at IPL
- New VTAPE command to manage virtual tapes

Virtual Tape (VSE/ESA 2.6) ...



Linux for S/390 and VSE/ESA



Miscellaneous VSE/ESA 2.6 Items

- Language Environment for VSE/ESA 1.4.2
 - ▶ LE/VSE dump under CICS sent directly to VSE/POWER LSTQ
 - ▶ Customization of storage around registersdump in CEE5DMP
 - ▶ C-Runtime Writable Static Support for subroutines invoked using CEEPIPI CALL_SUB function
 - ▶ Optimization of CICS storage at LE/VSE initialization time
 - ▶ New LE/VSE Callable Service, CEE5DLY; to simulate DELAY
 - For C and Cobol in batch environments
- JCL enhancements
 - ▶ Delete Label
 - ▶ New SIZE=* operand for EXEC (same as EXEC progname, SIZE=progname)
 - ▶ SDL Update from non-BG partition (SET SDL)
 - ▶ JCL phases moved to SVA (31 bit)
 - \$IJBPRTY, \$IJBMAP
- VSE/POWER: data file extension during warmstart

Product Releases/Updates with VSE/ESA 2.5/2.6

- DB2 Server for VSE and VM 7.2
 - ▶ Major VSE/ESA related enhancements:
 - DRDA over TCP/IP
 - DRDA batch application requester support
 - Improved security (password encryption)
 - Improved performance
 - ▶ Installation support for DB2 server
 - English version on extended base tape
 - Key enabled (trial period)
- MQ Series 2.1.1 (TCP/IP support, SSL Exploitation)
- REXX/VSE (TCP/IP and VSAMIO)
- REXX for CICS

VSE/ESA 2.7

- Preview Announcement: 2/2002
- Hardware Support
 - ▶ Supported hardware: MP3000, G5, G6, zSeries, or equivalent (31 bit only)
 - ▶ New processors (z800, ...)
 - ▶ New devices
 - Support of larger than 32K cylinder 3390 volumes on IBM TotalStorage Enterprise Storage Server (ESS)
 - OSA Express including non-QDIO for SNA
 -
- Fast service upgrade from VSE/ESA 2.5, or 2.6

VSE/ESA 2.7...

- Enhanced interoperability
 - ▶ Between VSE/ESA and Linux on zSeries
 - ▶ HiperSockets
 - Uses adapted QDIO protocol (OSA Express)
 - Support high speed communication among
 - Logical partitions (LPARs)
 - Virtual machines under z/VM 4.2 or higher
 - VSE/ESA can communicate with other HiperSockets-capable operating systems (VSE/ESA, z/VM, z/OS, Linux on zSeries)
 - ▶ Cryptographic assist support
 - Support of IBM PCI Crypto Accelerator (PCICA)
 - Provides increased SSL throughput
 - Transparent for SSL exploiters (CWS, e-business connectors, ...)

More Information

▶ **VSE/ESA home page**

▶ <http://www.s390.ibm.com/vse/>

■ **CICS**

▶ <http://www.ibm.com/software/ts/cics/products/>

■ **DB2**

▶ <http://www.ibm.com/software/data/>

■ **MQ**

▶ <http://www.ibm.com/software/ts/mqseries/>

■ **WebSphere**

▶ <http://www.ibm.com/software/info1/websphere/index.jsp>

More Information ...

▶ Redbook: Getting Started with TCP/IP for VSE/ESA 1.4, SG24-5626

▶ Redbook: e-business Solutions for VSE/ESA, SG24-5662

▶ Redbook: e-business Connectivity for VSE/ESA, SG24-5950

▶ VSE Applications - How e-business Fits, GF22-5137

▶ VSE/ESA Turbo Dispatcher Guide and Reference

▶ VSE/ESA 2.4, SC33-6797