

VSE/ESA 2.4 / 2.5 Update

WAVV 2000
Colorado Springs, CO.
October 6-10,2000

Ingolf Salm
VSE/ESA Development
Internet id: salm@de.ibm.com

Contents

- VSE/ESA 2.4
 - ▶ Basics
 - ▶ Highlights
 - ▶ Planning and Installation
 - ▶ Security
- VSE/ESA 2.5
 - ▶ Highlights
 - ▶ Details

Basics

- Limited Availability: since 12/1998
General Availability: since 6/1999
VSE/ESA 2.4.1: since 11/1999, VSE/ESA 2.4.2: since 6/2000
VSE/ESA 2.5.0: since 9/29/2000
- VSE/ESA 2.4/2.5 runs on ESA/390 hardware only
 - ▶ Subsystem Storage Protection (SSP) in ESA/390
 - ▶ New cross address space services
- Turbo Dispatcher only
 - ▶ Standard dispatcher dropped
 - ▶ On all uni- and multiprocessors
 - ▶ Native, as VM/ESA guest or in LPAR
- New CICS code base:
 - ▶ CICS Transaction Server for VSE/ESA Release 1 (CICS TS)

CICS Transaction Server For VSE/ESA

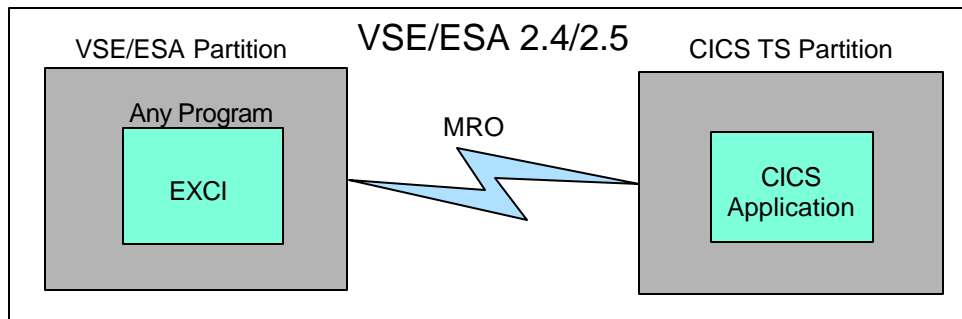
- Includes
 - ▶ CICS Server (CICS TS)
 - ▶ CICS Universal Client
 - ▶ CICS Transaction Gateway
 - ▶ CICS Web Support (generally available with VSE/ESA 2.5)
 - ▶ 3270 Bridge (generally available with VSE/ESA 2.5)
 - ▶ Report Controller
 - ▶ Data Management Facility (DMF)
 - ▶ CICS/VSE 2.3
 - ▶ and more ...

CICS TS Highlights

- Extensive Virtual Storage Constraint Relief
 - ▶ 24-, 31-bit CICS, read-only, shared and user DSAs
- CICS TS programming interfaces
 - ▶ Extended Application Programming Interfaces (APIs)
 - ▶ Extended System Programming Interfaces (SPIs)
 - ▶ Front-end programming interface (FEPI)
- System Management enhancements
 - ▶ Resource definition online (RDO) for files
- Improved Reliability
 - ▶ Subsystem Storage Protection (SSP)
- Performance
 - ▶ (Shared) Data Tables

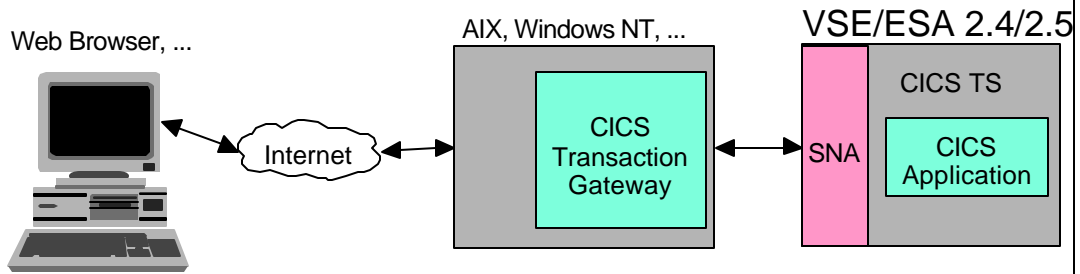
External Call Interface (EXCI)

- Invoke a program running under CICS TS from any VSE/ESA partition
- EXCI is the S/390 equivalent of the ECI (External Call Interface) function provided by the CICS clients
- Linkage via a CICS MRO link

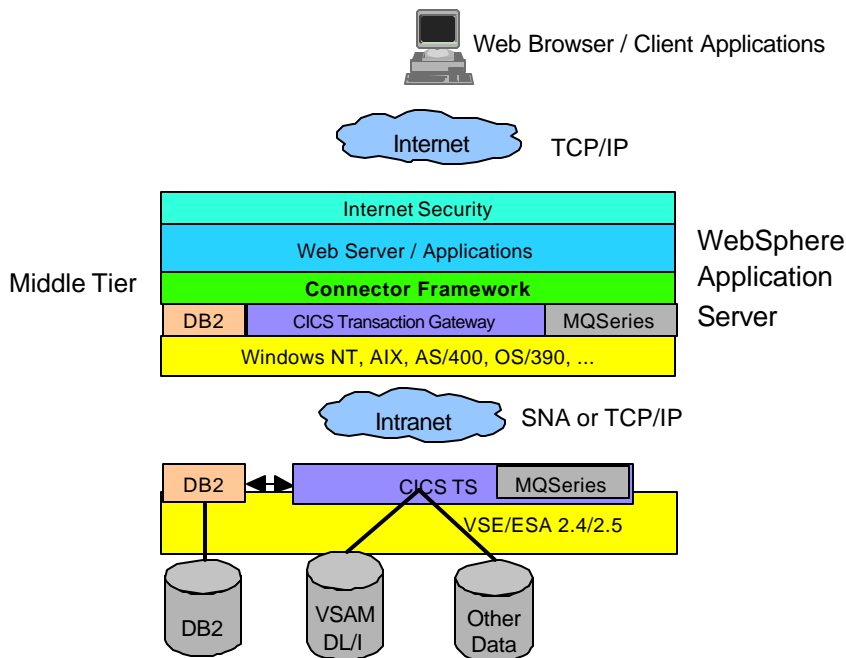


CICS Transaction Gateway

- Access to VSE/ESA resources from /390 and non-390 platforms (AIX, Windows NT, OS/2, OS/390, ...)
- Provides Java, C++, C, Cobol, Visual Basic interfaces for access of CICS transactions from any middle tier program
- Advantages
 - ▶ Access from e-business/internet/intranet/middle tier solutions (e.g. WebSphere Application Server)



WebSphere - VSE Scenario



VSE/ESA 2.4 Highlights

- CICS TS 1.1 does not provide CICS internal security
- Therefore CICS TS 1.1 requires a security manager
 - ▶ Customer has following options:
 - Basic Security Manager (BSM)
 - for no additional charge
 - ◆ Provides sign-on and transaction security
 - External Security Manager (ESM) licensed from IBM
 - CA-Top Secret for VSE/ESA 1.3.0
 - External Security Manager from any vendor

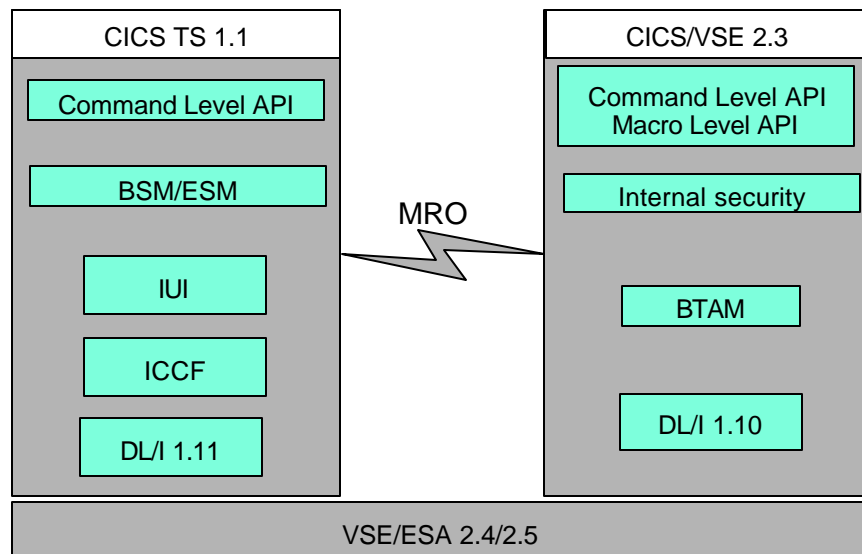
VSE/ESA 2.4 Highlights ...

- New High Level Assembler release
- New DL/I VSE release
- MQSeries 2.1.0 (TCP/IP support, client support)
- DB2 6.1 (stored procedures, DRDA1)
- New DITTO/ESA for VSE/ESA release
- VSE/POWER storage constraint relief
- REXX/VSE Socket API (VSE/ESA 2.4.1)

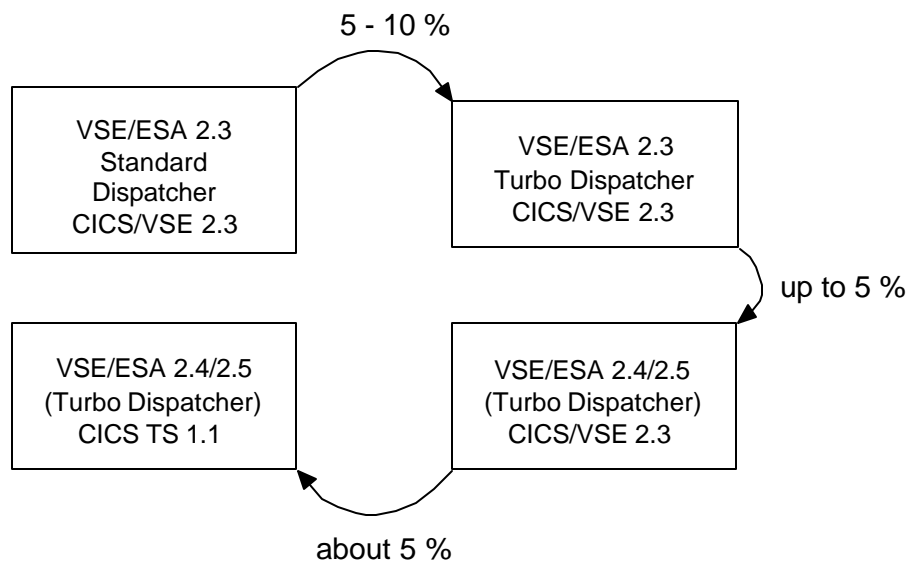
VSE/ESA 2.4 Highlights ...

- VSE/ICCF in CICS TS 1.1 only
- Interactive Interface runs on CICS TS 1.1
- CICS TS 1.1 does not support
 - ▶ BTAM/ES, RPG II, DOS PL/I and C/370
 - ▶ Macro level API
- Therefore we provide Coexistence Environments
 - ▶ 2 CICS and DL/I release levels may be concurrently active
 - ▶ Customer may run
 - CICS TS 1.1 and CICS/VSE 2.3 independent
 - CICS TS 1.1 and CICS/VSE 2.3 connected via MRO

CICS Coexistence Environment



VSE/ESA Planning/Installation CPU Time Requirements



"If you do not exploit new capabilities !!!"

VSE/ESA 2.4 Planning/Installation

- 3 pre-environments available for selection
 - ▶ Environments A (100 MB), B (250 MB), C (100 MB)
 - ▶ **Environment B** provides allocations for 2 CICS TS 1.1 and 1 CICS/VSE 2.3
- Automatic installation for CICS TS 1.1 only
 - ▶ CICS/VSE 2.3 on extended base tape
- **Shared CSD file** in coexistence environment possible
- Minimal Interactive Interface support for CICS/VSE 2.3
- No Fast Service Upgrade (FSU) from prior releases

VSE/ESA Security (Access Control)

- CICS TS 1.1 has no internal security
 - ▶ Therefore VSE/ESA provides RACROUTE services as part of the MVS System Authorization Facility (SAF)
Ported from OS/390
- CICS TS 1.1 issues RACROUTE (SAF) calls
- SAF calls an external security manager, which can be
 - ▶ VSE/ESA's Basic Security Manager (BSM)
 - ▶ External Security Manager (ESM)
 - CA-Top Secret for VSE/ESA distributed by IBM
 - Any other external security manager

Basic Security Manager (BSM)

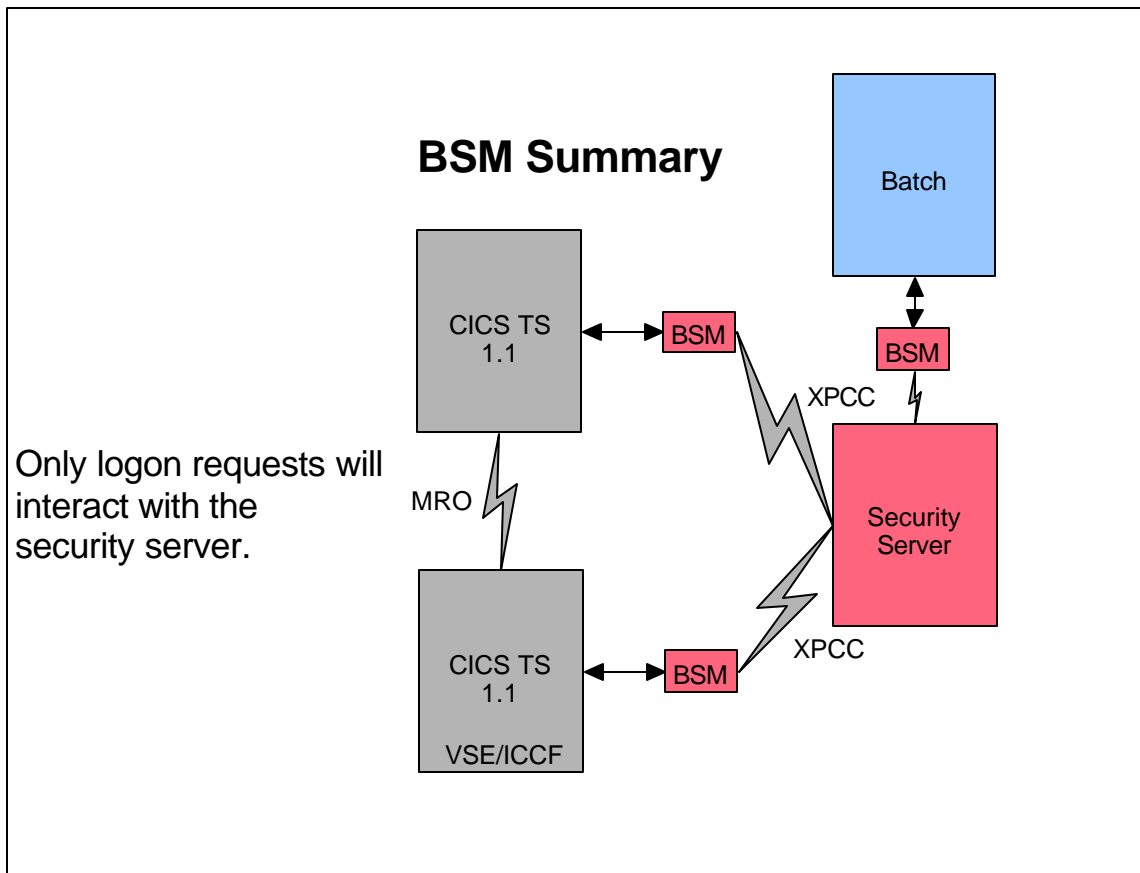
- Most important online security functions provided by BSM
 - ▶ sign-on security
 - ▶ transaction security
- BSM provides access control to batch resources
- Logging via ACLR (batch) or console messages (online)

Security Manager Activation

- Security manager comes up before VSE/POWER or other partitions
 - ▶ The initialization will fail, if other partitions active
- BSM activated as default security manager
 - ▶ BSM interacts with the Security Server started in FB (default)
 - Default may be changed by new **SYS SERVPART** parameter
 - Security server must run in a static partition,
 - Comes up before VSE/POWER
 - Security server handles access to VSE control file
- ESM activated dependent on new IPL **SYS ESM=...** parameter
- DTSECTAB protection active for **SYS SEC=YES** systems until ESM is initialized

Additional Security Enhancements

- Enhanced "**Maintain User Profiles**" dialog
 - ▶ Batch utility available to maintain profile information
- **VSE/ICCF** uses Interactive Interface services to get access to control file
- **VSE/POWER**: access to spool entries for authorized users
 - ▶ enabled via new **SET parameter**



VSE/ESA 2.4 Summary

- New CICS (CICS TS) code base
 - ▶ Increased affinity between OS/390 and VSE/ESA
 - ▶ Improved reliability and availability
 - ▶ Virtual Storage Constraint Relief
- CICS coexistence for CICS TS and CICS/VSE 2.3
- Basic Security Manager (BSM)
- CA TopSecret for VSE/ESA 1.3.0
- New product releases (MQSeries, DB2, DITTO, HLASM)

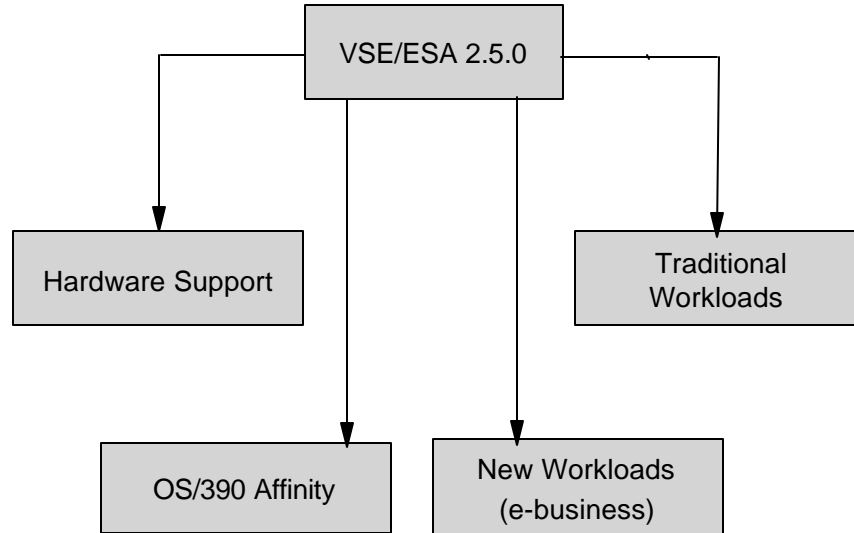
VSE/ESA 2.5 - Highlights

- GA: 9/29/2000
- Enhanced interoperability via VSE 'e-business' connectors
- CICS TS Enhancements
 - ▶ CICS Web Support,3270 bridge
- VSE/ESA base enhancements
 - ▶ More dynamic classes
 - ▶ VSAM exploitation of IXFP/SnapShot
 - ▶ Support of the Enterprise Storage Server (ESS) FlashCopy Feature
 - ▶ VSAM hashing algorithm for faster access to large VSAM LSR buffer pools
- Fast Service Upgrade (FSU) from VSE/ESA 2.4

DB2 Server for VSE and VM 7.1

- Major VSE/ESA related enhancements:
 - ▶ DRDA over TCP/IP
 - ▶ DRDA batch application requester support
 - ▶ Stored procedures application requester support
 - ▶ Enhanced QMF for VSE
- Installation support for DB2 server
 - ▶ English version on extended base tape
 - ▶ Key enabled (trial period)

VSE/ESA 2.5.0 Details



Hardware Support

- Enterprise Storage Server (ESS) Flashcopy support
- IXFP SnapShot and ESS Flashcopy for VSAM
 - ▶ Exploitation via Backup/Restore
 - SnapShot for logical volumes
 - Backup on "snapped" volume
 - Reduces backup window (backup can start after SnapShot)
- RVA
 - ▶ IPL support for more than 1024 devices
 - ▶ Max. number of devices to be sensed: 65535

Traditional Workloads

- More than 10 dynamic classes
 - ▶ Today's systems support up to 10 dynamic classes out of 23 characters; VSE/ESA 2.5 supports up to 23 dynamic classes
 - ▶ Required changes in PLOAD, PVARY and PDISPLAY
 - ▶ Job Control adaptations (MAP, PRTY)
 - ▶ Interactive Interface adaptations
- SDAID MP Support
- MSHP enhancements
 - ▶ MSHP PROC support (TYPE=PROC)
 - ▶ MSHP HTML support (TYPE=HTML)

Traditional Workloads (*continued*)

- Librarian
 - ▶ More than 16 VSAM extents
 - Up to 32 extents (e.g. for PRD1 and PRD2)
 - ▶ LIBR list (print of lower case characters instead of blank)
- VSE/VSAM
 - ▶ Buffer hashing
 - Faster search over e.g. buffers
- Miscellaneous Enhancements
 - ▶ BAM: 64K tape block size (increased from 32K)

Traditional Workloads (*continued*)

- Job Control enhancements
 - ▶ STDOPT update and SETPARM SYSTEM from any partition
 - ▶ Label macro processing performance enhancements
 - ▶ Label area capacity planning enhancements (by label macro)
- Interactive Interface enhancements
 - ▶ Adaptation for CICS Web Support (CWS)
 - ▶ CICS dump dialog improvements
 - ▶ CICS TS DSA display
 - ▶ FSU from VSE/ESA 2.4 to VSE/ESA 2.5
 - ▶ System/tape layout changes
- VSE/ICCF
 - ▶ GETVIS subpool to be used by ICCF GETVIS requests
 - ▶ Sort ICCF members by size

Traditional Workloads (*continued*)

- VSE/POWER enhancements
 - ▶ PNET over TCP/IP
 - ▶ Access to active queue entries
 - Even an active entry (DISP=*) may be browsed
 - PDISPLAY lines are extended by a B (browse) column
 - Deletes on browsed queue entries are delayed until browse complete
 - New PDISPLAY TOTAL command (will show delayed deletes)
 - Interactive Interface support
 - ▶ Access in-creation queue entries
 - In-creation queue shown by PDISPLAY CRE command
 - Interactive Interface support
 - ▶ Support more than 10 dynamic classes

Traditional Workloads (*continued*)

- **TCP/IP 1.4 exploitation**
 - ▶ VSE/POWER PNET over TCP/IP
 - PNET Network Job Entry communication based on TCP/IP
 - Communication between POWER and RSCS 3.2 and later
 - ▶ REXX over TCP/IP
 - Description on VSE/ESA home page
 - ▶ TCP/IP High Level Language API (EZA OS/390 interface)
 - ▶ CICS listener
 - Ported from OS/390
 - TCP/IP application
 - Waits for incoming connection requests from a CICS client
 - ▶ Enhanced TCP/IP socket interfaces for PNET and CWS

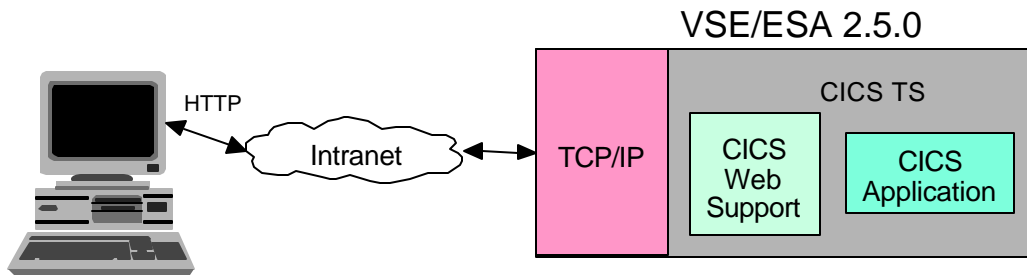
New Workloads / OS/390 Affinity

- **Online Transaction Processing**
 - ▶ Access to CICS resources from Internet / Intranet
 - ▶ CICS Web Support (CWS)
 - ▶ 3270 Bridge
- **Basic CICS Transaction Server enhancements**
 - ▶ REXX for CICS

New Workloads / OS/390 Affinity ...

■ CICS Web Support

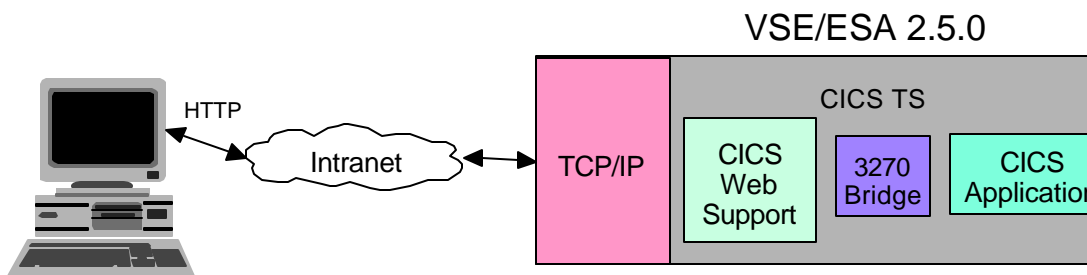
- ▶ Allows a standard Web Browser to invoke a CICS application
- ▶ Direct connection - no intermediate gateways or servers
- ▶ ASCII to EBCDIC Conversion
- ▶ Ability for existing applications to have their output converted to HTML by CICS



New Workloads / OS/390 Affinity ...

■ 3270 Bridge

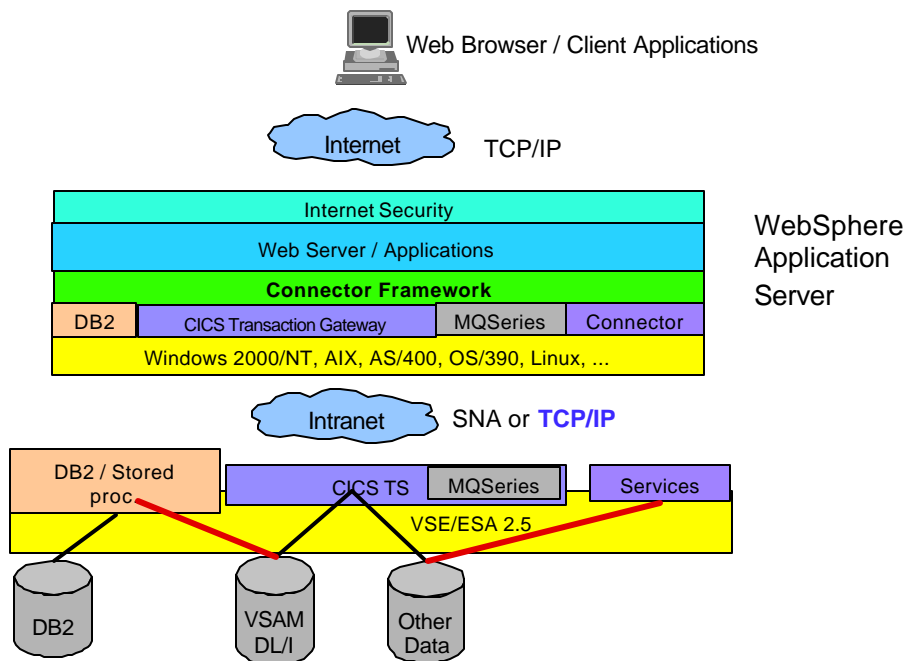
- ▶ A way of accessing 3270 transactions from non-3270 devices
- ▶ Advantages
 - Access to existing 3270 transactions, unmodified
 - No rewrite of presentation logic
 - No 3270 emulation needed

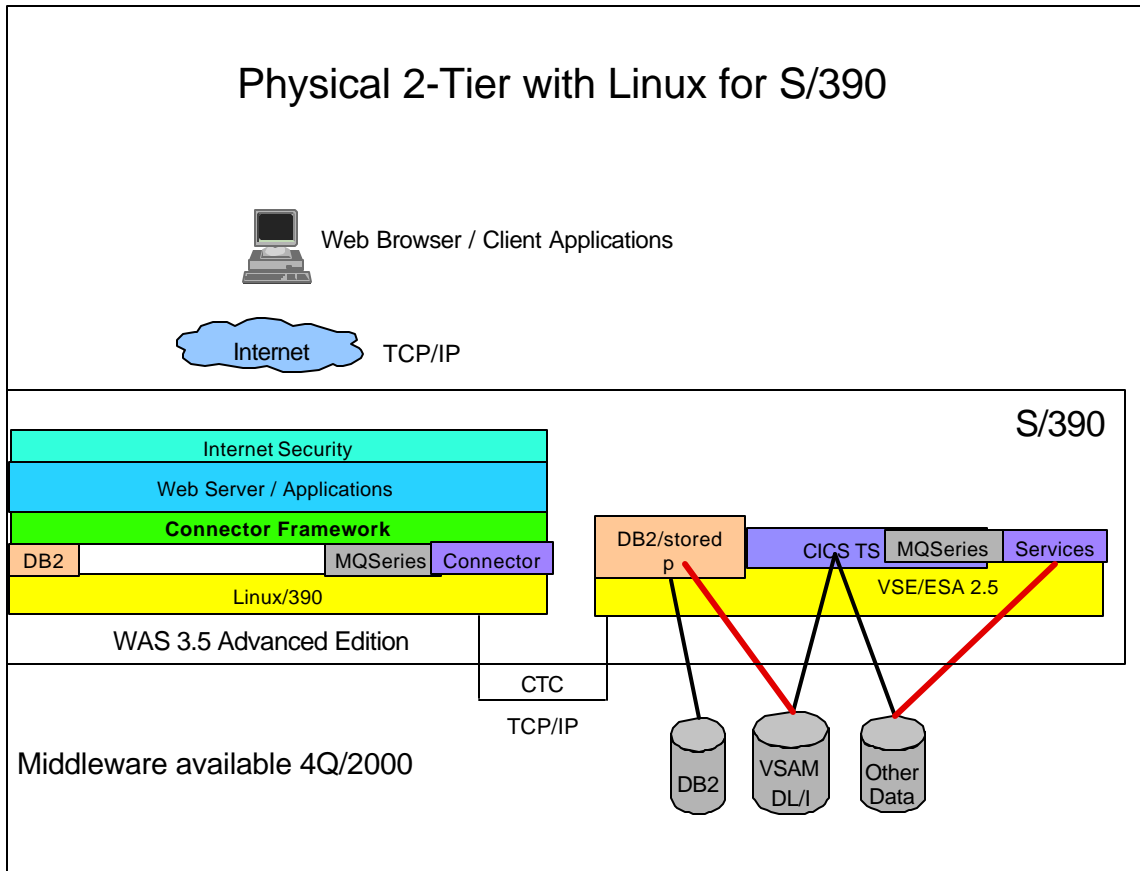


VSE e-business Connectors

- Easy access to VSE/ESA resources from other systems
- VSE e-business connectors include
 - ▶ Server code running on VSE/ESA
 - ▶ JAVA beans, servlets and samples on Java capable clients
 - Such as IBM's WebSphere Application Server which may run on Windows 2000/NT, Linux, AIX, OS/390, ...
- Advantages
 - ▶ Exploitation of non-VSE e-business infrastructure
 - ▶ Always newest e-business components
 - Java, web server, security
 - Platform independent
 - ▶ VSE/ESA resources can be easily integrated into new e-business applications
 - ▶ New VSE e-business connectors
 - ▶ Existing connectors (DB2 Connect, MQ Series client, CICS TS Gateway, ...)
 - ▶ E-business offerings can be exploited
 - ▶ Generalized interfaces

WebSphere - Connection with VSE/ESA





VSE e-business Connectors ...

- DB2 based connectors for VSAM and DL/I
 - ▶ Exploitation of DB2 infrastructure (JDBC/ODBC, DB2 Connect, DB2 server, DB2 stored procedures)
 - ▶ Mapping of SQL requests to VSAM and DL/I data
 - ▶ Sample mappings and applications provided
 - ▶ Communication via DRDA (SNA or TCP/IP based with DB2 V7)
- External services based VSE connectors
 - ▶ Access to VSE/ESA resources, such as VSE/VSAM files, VSE/POWER, VSE/ICCF, VSE Librarian, VSE consoles
 - ▶ Access provided via
 - external services running on VSE/ESA
 - Java-based services running on e.g. web application server environments
 - ▶ Java samples are provided
 - ▶ Communication TCP/IP based

More Information

- IBM e-business connectors
 - ▶ <http://www.software.ibm.com/web servers/connectors>
- Application Framework for e-business
 - ▶ <http://www.software.ibm.com/ebusiness>
- WebSphere
 - ▶ <http://www.software.ibm.com/web servers>
- CICS Gateways
 - ▶ <http://www.ibm.com/software/ts/cics/products/>
- DB2 related connectors (net.data, DB2 Connect, ...)
 - ▶ <http://www.software.ibm.com/data>
- ▶ VSE/ESA home page
(includes links to VSE/ESA and e-business, TCP/IP for VSE/ESA, Turbo Dispatcher, ...)
 - ▶ <http://www.s390.ibm.com/vse/>

More Information ...

- ▶ Redbook: Getting Started with TCP/IP for VSE/ESA 1.4, SG24-5626-00
- ▶ Redbook: e-business Solutions for VSE/ESA, SG24-5662-00
- ▶ Redbook: e-business Connectivity for VSE/ESA, SG24-5950-00
- ▶ VSE Applications - How e-business Fits, GF22-5137
- ▶ VSE/ESA Turbo Dispatcher Guide and Reference
 - ▶ VSE/ESA 2.4, SC33-6797