

**Tivoli** System Automation for z/OS  
Version 3 Release 3

## *Planning and Installation*

**IBM**



**Tivoli** System Automation for z/OS  
Version 3 Release 3

## *Planning and Installation*

**IBM**

**Note!**

Before using this information and the product it supports, read the information in Appendix J, "Notices," on page 257.

This edition applies to IBM Tivoli System Automation for z/OS (Program Number 5698-SA3) Version 3 Release 3, an IBM licensed program, and to all subsequent releases and modifications until otherwise indicated in new editions.

| This edition replaces SC33-8261-04.

| IBM welcomes your comments. You may forward your comments electronically, or address your comments to:

| IBM Deutschland Research & Development GmbH

| Department 3248

| Schoenaicher Strasse 220

| 71032 Boeblingen

| Germany

If you prefer to send comments electronically, use one of the following methods:

FAX (Germany): 07031 16-3456

FAX (Other Countries): +49 7031 16-3456

Internet: s390id@de.ibm.com

When you send information to IBM, you grant IBM a nonexclusive right to use or distribute the information in any way it believes appropriate without incurring any obligation to you.

© Copyright IBM Corporation 1996, 2010.

US Government Users Restricted Rights – Use, duplication or disclosure restricted by GSA ADP Schedule Contract with IBM Corp.

# Contents

<b>Figures</b> . . . . .	<b>ix</b>	PeerOf Relationship . . . . .	9
<b>Tables</b> . . . . .	<b>xi</b>	Rolling Recycle . . . . .	9
<b>Accessibility</b> . . . . .	<b>xiii</b>	Enhanced Alerting Structure . . . . .	9
Using assistive technologies . . . . .	xiii	Event Notification Extension . . . . .	9
Keyboard navigation of the user interface . . . . .	xiii	Event Notification for Tivoli Netcool/OMNIBus and TEC . . . . .	10
z/OS information . . . . .	xiii	TSRM Integration . . . . .	10
<b>Dotted decimal syntax diagrams.</b> . . . .	<b>xv</b>	More Data in the Tivoli Enterprise Portal . . . . .	10
<b>How to send your comments to IBM</b> . . . . .	<b>xvii</b>	Application Symbols . . . . .	11
If you have a technical problem . . . . .	xvii	CICS Automation . . . . .	11
<b>About This Book</b> . . . . .	<b>xix</b>	IMS Automation . . . . .	11
Who Should Use This Book. . . . .	xix	Customization Dialog Consolidation . . . . .	11
Notes on Terminology . . . . .	xix	Elimination of ProcOps Control File . . . . .	12
Where to Find More Information . . . . .	xix	Support for GDPS . . . . .	12
The System Automation for z/OS Library . . . . .	xix	Distributed Cluster Management and GDPS/PPRC Multiplatform Resiliency . . . . .	12
Related Product Information. . . . .	xx	SUSPEND/RESUME of SE Access . . . . .	12
Using LookAt to look up message explanations . . . . .	xx	STP Support . . . . .	12
Summary of Changes for SC34-2571-00 . . . . .	xx	Shutting Down z/OS Systems in a GDPS Environment . . . . .	13
New Information . . . . .	xxi	IBM System z10 Support . . . . .	13
Changed Information . . . . .	xxi	I/O Operations Enhancements . . . . .	13
Moved Information . . . . .	xxii	Message Translation . . . . .	13
Deleted Information . . . . .	xxiii	RESET CHANGECHECK Command . . . . .	14
		Display Command Enhancement . . . . .	14
		Component Trace . . . . .	14
<b>Part 1. Planning</b> . . . . .	<b>1</b>	<b>Chapter 3. Planning to Install SA z/OS on Host Systems</b> . . . . .	<b>15</b>
<b>Chapter 1. SA z/OS Prerequisites and Supported Equipment.</b> . . . . .	<b>3</b>	Component Description . . . . .	15
SA z/OS Components . . . . .	3	System Operations . . . . .	15
Hardware Requirements . . . . .	3	Processor Operations . . . . .	15
SA z/OS Processor Operations . . . . .	3	I/O Operations . . . . .	16
SA z/OS System Operations . . . . .	3	SA z/OS and Sysplex Hardware . . . . .	16
SA z/OS I/O Operations . . . . .	3	OCF-Based Processor . . . . .	17
Workstation Components . . . . .	4	Parallel Sysplex . . . . .	17
Functional Prerequisites . . . . .	4	Coupling Facility . . . . .	17
Software Requirements . . . . .	4	Sysplex Timer . . . . .	18
Mandatory Prerequisites . . . . .	5	Logically Partitioned (LPAR) Mode . . . . .	18
Functional Prerequisites . . . . .	5	Communications Links . . . . .	18
Supported Hardware . . . . .	6	Control Units (CU) . . . . .	18
Operator Terminals . . . . .	6	I/O Devices . . . . .	19
Supported Operating Systems . . . . .	6	NetView Management Console (NMC) . . . . .	19
		Tivoli Enterprise Portal Support . . . . .	19
<b>Chapter 2. What Is New in SA z/OS 3.3</b> . . . . .	<b>7</b>	Planning the Hardware Interfaces . . . . .	19
SA z/OS Discovery Library Adapter . . . . .	7	Understanding the BCP Internal Interface . . . . .	19
Enhanced DB2 Automation . . . . .	7	Understanding the Processor Operations SNMP Interface . . . . .	20
DB2 Automation Cleanup . . . . .	7	Understanding the HW Console Automation Interface . . . . .	21
DB2 Connection Monitoring . . . . .	8	Understanding the TCP/IP Interface . . . . .	21
INGDB2 Command . . . . .	8	Deciding Which Hardware Interface to Use. . . . .	21
More Best Practice Policies. . . . .	8	REXX Considerations . . . . .	21
Generation of the Message Revision Table . . . . .	8	Allocation Requirements for REXX Environments . . . . .	21
		z/OS Considerations . . . . .	22

Prefixes . . . . .	22
Defining the XCF Group . . . . .	22
System Operations Considerations. . . . .	23
SA z/OS Hardware Interface: Important	
Considerations . . . . .	23
Automation Manager Considerations. . . . .	23
Storage Requirements . . . . .	24
OMVS Setup . . . . .	24
Recovery Concept for the Automation Manager	25
Manager-Agent Communication and Status	
Backup . . . . .	25

**Chapter 4. Planning to Install Alert Notification by SA z/OS . . . . . 27**

Introduction of Alert Notification by SA z/OS . . . . .	27
Alert Notification Infrastructure in SA z/OS . . . . .	27
Integration via SA IOM Peer-To-Peer Protocol. . . . .	28
Integration via EIF Events . . . . .	28
Integration via Trouble Ticket Information XML . . . . .	28
Integration by User-defined Alert Handler . . . . .	29

**Chapter 5. Planning for the NMC Environment . . . . . 31**

NMC Exploitation Topology. . . . .	31
Planning to Install the NMC Workstation . . . . .	32
Running Multiple NetViews. . . . .	32

**Chapter 6. Planning for Automation Connectivity . . . . . 35**

The Focal Point System and Its Target Systems . . . . .	35
Defining System Operations Connectivity . . . . .	35
Multiple NetViews . . . . .	35
Overview of Paths and Sessions . . . . .	35
Defining Processor Operations Communications	
Links . . . . .	39
Meeting Availability Requirements. . . . .	39
Task Structure for Processor Operations . . . . .	39
Planning Processor Operations Connections . . . . .	41
Preparing the Processor Operations Focal Point	
System Connections . . . . .	41
TCP/IP Firewall-Related Information. . . . .	41
Preparing the Alternate Focal Point System	
Connections . . . . .	41
Connection Example . . . . .	41
Preparing the Target System Connections . . . . .	42
Defining I/O Operations Communications Links . . . . .	42

**Chapter 7. Naming Conventions . . . . . 45**

SA z/OS System Names . . . . .	45
Cloning on z/OS Systems . . . . .	45
Further Processor Operations Names . . . . .	46
Switch Director Ports . . . . .	46
Reasons for Naming Switch Ports . . . . .	46
Suggestions for Naming Switch Director Ports. . . . .	46
Methods of Naming Ports . . . . .	47
Using Port Logical Names . . . . .	47
Using Generic Logical Names . . . . .	48
Command Usage Examples with Generic Logical	
Names . . . . .	48

**Part 2. Installation . . . . . 51**

**Chapter 8. Installing SA z/OS on Host Systems . . . . . 53**

Overview of Installation Tasks . . . . .	55
Step 1: SMP/E Installation . . . . .	56
Step 2: Allocate System-Unique Data Sets . . . . .	58
Step 2A: Data Sets for NetView. . . . .	59
Step 2B: Data Sets for I/O Operations . . . . .	59
Step 2C: Data Sets for Automation Agents . . . . .	60
Step 2D: Data Sets for Automation Managers	
(Primary Automation Manager and Backups) . . . . .	60
Step 3: Allocate Data Sets for the ISPF Dialog . . . . .	62
Step 4: Customize SYS1.PARMLIB Members . . . . .	63
Step 4A: Update IEAAPFxx . . . . .	63
Step 4B: Update SCHEDxx . . . . .	64
Step 4C: Update MPFLSTxx . . . . .	64
Step 4D: Update LPALSTxx . . . . .	64
Step 4E: Update LNKLSTxx . . . . .	65
Step 4F: Update IEFSSNxx . . . . .	65
Step 4G: Update JES3INxx . . . . .	66
Step 4H: Update SMFPRMxx . . . . .	66
Step 5: Customize SYS1.PROCLIB Members . . . . .	66
Step 5A: NetView Startup Procedures. . . . .	67
Step 5B: Startup Procedures Required for System	
Operations Only. . . . .	67
Step 5C: I/O Operations Startup Procedure. . . . .	69
Step 6: Customize NetView . . . . .	69
Step 6A: Customize NetView Alert Information . . . . .	69
Step 6B: Customize NetView DSIPARM Data Set . . . . .	70
Step 6C: Modifying NetView DSIPARM	
Definitions for an Automation Network . . . . .	74
Step 6D: Customize NetView for Processor	
Operations . . . . .	75
Step 6E: Customize the NetView Message	
Translation Table . . . . .	75
Step 6F: Add the INGRXFPG REXX Function	
Package . . . . .	76
Step 7: Preparing the Hardware . . . . .	77
Step 7A: Preparing the HMC (Console Workplace	
2.8 and Earlier Versions) . . . . .	77
Step 7B: Preparing the HMC (Console Workplace	
2.9 and Later Versions) . . . . .	79
Step 7C: Preparing the SE (Console Workplace	
2.8 and Earlier Versions) . . . . .	81
Step 7D: Preparing the SE (Console Workplace	
2.9 and Later Versions) . . . . .	83
Step 7E: Updating Firewall Information . . . . .	85
Step 8: Preparing the VM PSM . . . . .	85
Installing the PSM Code on VM . . . . .	85
Configuration . . . . .	86
Customizing the PSM . . . . .	87
Step 9: Customizing the Automation Manager. . . . .	89
Step 9A: XCF Characteristics. . . . .	89
Step 9B: Customizing HSAPRMxx . . . . .	89
Step 9C: ARM Instrumentation of the	
Automation Manager . . . . .	89
Step 9D: Security Considerations . . . . .	90
Step 10: Customizing the Component Trace. . . . .	91
Step 11: Customizing the System Logger. . . . .	91

Step 12: Install ISPF Dialog Panels . . . . .	93	Step 28A: Specify Required Control Region Parameters . . . . .	125
Step 12A: Allocate Libraries for the Dialogs. . . . .	93	Step 28B: Install DFSAOE00 Exit . . . . .	126
Step 12B: Invoking the ISPF Dialogs . . . . .	96	Step 28C: Add Libraries for NetView . . . . .	126
Step 12C: Reconvert I/O Operations Panels. . . . .	98	Step 29: Install TWS Automation in TWS . . . . .	126
Step 12D: Verify the ISPF Dialog Installation . . . . .	98	Step 29A: Add Libraries to TWS . . . . .	126
Step 13: Verify the Number of available REXX Environments. . . . .	98	Step 29B: Add Libraries to NetView . . . . .	126
Step 14: Customization of Alert Notification for SA z/OS . . . . .	98	Step 29C: Update TWS Parameters and Exits . . . . .	127
Enabling Alert Notification via SA IOM Peer-To-Peer Protocol . . . . .	99	Step 30: Install USS Automation . . . . .	129
Enabling Alert Notification via EIF Events . . . . .	99	Step 30A: Define UNIX Segments (OMVS). . . . .	129
Enabling Alert Notification via XML. . . . .	101	Step 30B: Preparing for USS Automation . . . . .	131
Enabling Alert Notification via User-Defined Alert Handler . . . . .	101	Step 31: Customizing GDPS . . . . .	131
Step 15: Compile SA z/OS REXX Procedures. . . . .	101	Step 31A: Preparing NetView . . . . .	131
Step 16: Defining Automation Policy . . . . .	102	Step 31B: Preparing the Automation Manager . . . . .	132
Step 16A: Build the Control Files . . . . .	102	Step 31C: Defining the Automation Table Used by GDPS . . . . .	132
Step 16B: Distribute System Operations Configuration Files . . . . .	103	Step 32: Customizing I/O Operations . . . . .	133
Step 17: Define Host-to-Host Communications . . . . .	103	Step 32A: Define OMVS Segment. . . . .	133
Step 17A: Customize the SYS1.VTAMLST Data Set . . . . .	103	Step 32B: Prepare I/O Operations Startup . . . . .	133
Step 17B: Perform VTAM Definitions . . . . .	104	Step 33: Installing Tivoli Enterprise Portal Support . . . . .	135
Step 17C: Perform TCP/IP Definitions . . . . .	107		
Step 18: Enabling SA z/OS to Restart Automatic Restart Manager Enabled Subsystems . . . . .	108		
Step 19: Define Security . . . . .	108		
Step 20: Customize the Status Display Facility (SDF) . . . . .	109		
Step 21: Check for Required IPL . . . . .	110		
Step 22: Automate System Operations Startup How to Automate the Automation Manager Startup . . . . .	111		
Step 23: Verify Automatic System Operations Startup . . . . .	112		
Step 24: Install an SA z/OS Satellite. . . . .	112		
Step 24A: Customize the Networking NetView or Focal Point NetView Startup Procedure. . . . .	113		
Step 24B: Customize the Networking NetView or Focal Point NetView DSIPARM Data Set . . . . .	113		
Step 25: Installing and Customizing the NMC Focal Point . . . . .	114		
Step 25A: Preparing for NMC . . . . .	114		
Step 25B: Modify the NetView DSIPARM Data Set for the SA z/OS Topology Manager . . . . .	117		
Step 25C: Customize RODM . . . . .	120		
Step 25D: Customize the INGTOPOF File . . . . .	120		
Step 25E: Prepare BLDVIEWS Cards. . . . .	122		
Step 26: Copy and Update Sample Exits . . . . .	122		
Step 27: Install CICS Automation in CICS . . . . .	123		
Step 27A: SIT or Startup Overrides . . . . .	123		
Step 27B: Program List Table Definitions . . . . .	123		
Step 27C: Define Consoles . . . . .	124		
Step 27D: Transaction and Program Definitions . . . . .	124		
Step 27E: DFHRPL and the CICS Automation Library . . . . .	125		
Step 27F: Add Libraries for NetView . . . . .	125		
Step 27G: Installing CICSplex SM REXX API . . . . .	125		
Step 28: Install IMS Automation in IMS . . . . .	125		

**Chapter 9. Installing SA z/OS Workstation Components . . . . . 137**

Installing the NMC Workstation . . . . .	137
Installation Steps on the NMC Server . . . . .	139
Installation Steps on the NMC Client . . . . .	141
Installing and Customizing the TEC Event Server Workstation . . . . .	143
Activating the Installed Files . . . . .	143
Customization of the Tivoli Enterprise Console . . . . .	144
Installing and Customizing IBM Tivoli Netcool/OMNIbus . . . . .	144
Customizing the Triggers . . . . .	145
Customizing the Event View . . . . .	146
Installing and Customizing Tivoli Service Request Manager through Tivoli Directory Integrator . . . . .	146
Customizing the AssemblyLines . . . . .	147

**Part 3. Appendixes . . . . . 149**

**Appendix A. Security and Authorization . . . . . 151**

Securing Focal Point Systems and Target Systems . . . . .	151
Granting NetView and the STC-User Access to Data Sets . . . . .	151
Access to XCF Utilities . . . . .	151
Access to HOM Interface . . . . .	152
Access to IPL Information . . . . .	152
Access to Spare Couple Data Sets . . . . .	153
Access to User-Defined Couple Data Sets . . . . .	153
Access to Spare Local Page Data Sets . . . . .	153
Restricting Access to INGPLEX and INGCF Functions. . . . .	153
Security for IBM Tivoli Monitoring Products . . . . .	154
Controlling Access to IBM Tivoli Monitoring Products . . . . .	154
Controlling Access to OMEGAMON Monitors . . . . .	155
Controlling Access to the Processor Hardware Functions. . . . .	158

Allowing NetView to Use the BCP Internal Interface . . . . .	158
Access to the CPCs . . . . .	158
Levels of CPC Access. . . . .	159
Defining the CPC Access Lists. . . . .	159
Implementing Granular Hardware Access . . . . .	160
Defining a RACF Profile for I/O Operations . . . . .	160
Assign RACF Authorization . . . . .	160
Assign Authorization by ACCESS Level . . . . .	160
Assign TCP/IP Port Authorization . . . . .	161
Access Authorization Levels . . . . .	162
Establishing Authorization with Network Security Program . . . . .	165
<b>Appendix B. Syntax for INGTOPOF File . . . . .</b>	<b>167</b>
The SYSPLEX Statement. . . . .	167
The PROCOPS Statement . . . . .	168
The LOCATION Statement . . . . .	168
The ANCHOR Statement . . . . .	168
The BLDVIEWS Statement . . . . .	169
The OPTION Statement . . . . .	170
The TEMPLATE Statement . . . . .	171
Examples. . . . .	173
The RUNOPID Statement . . . . .	174
The HBDELETE Statement . . . . .	175
The LINKTOVIEWS Statement . . . . .	175
The MAPCOLOR Statement . . . . .	176
Sample INGTOPOF File . . . . .	176
<b>Appendix C. Miscellaneous Information . . . . .</b>	<b>179</b>
Running Two NetViews on the NMC Focal Point System . . . . .	179
Users and RODM Authorization . . . . .	179
Verifying Installation of SA z/OS Satellite (Optional) . . . . .	180
Enabling SA z/OS Support for Extended Multiple Console Support . . . . .	180
Setting Up EMCS . . . . .	180
EMCS Restrictions and Limitations . . . . .	181
<b>Appendix D. Using the HW Integrated Console of System z for External Automation with SA z/OS . . . . .</b>	<b>183</b>
CI Usage in IBM Tivoli System Automation Products . . . . .	184
SA z/OS Processor Operations (ProcOps) . . . . .	184
System Automation for Integrated Operations Management . . . . .	184
Related Information . . . . .	184
CI Protocols and Automation Interfaces . . . . .	184
INTERNAL (BCPii Base Control Program Internal Interface) . . . . .	184
SNMP. . . . .	185
System z Application Programming Interface . . . . .	185
Related Information . . . . .	185
CI Configuration for Remote Automation . . . . .	185
CI Automation Basics. . . . .	187

Related Information . . . . .	188
CI Differences to 3270-Based Console Devices . . . . .	188
CI Performance Factors . . . . .	188
Network Dependencies . . . . .	189
IP Stack Considerations . . . . .	189
ProcOps SNMP Sessions. . . . .	189
OS Message Format Support with ProcOps/BCPii . . . . .	189
Automating Multi-Line z/OS Messages . . . . .	190
Limiting the Number of z/OS IPL Messages Displayed on CI . . . . .	190
Recommended z/OS Console Settings for CI Usage with SA z/OS . . . . .	190
Using CI in a z/OS Sysplex Environment . . . . .	191
Running with the z/OS System Console Deactivated . . . . .	191
z/OS Health Checker Considerations . . . . .	191
CI Security with SA z/OS . . . . .	192
Testing CI Performance for SNMP Connections . . . . .	192
Summary: Managing CI Performance for SA z/OS . . . . .	193
<b>Appendix E. Migration Information . . . . .</b>	<b>195</b>
Migration Steps to SA z/OS 3.3 . . . . .	195
Migration Notes and Advice when Migrating from SA z/OS 3.2 . . . . .	195
Post-SMP/E Steps . . . . .	196
Event Notification Service . . . . .	196
CICS-to-DB2 and IMS-to-DB2 Connection Monitoring . . . . .	196
DB2 Cleanup . . . . .	197
IMS Automation Migration . . . . .	199
ProcOps Control File Replacement . . . . .	199
Automation Policy Considerations . . . . .	199
NetView Automation Table Migration . . . . .	200
MPF Member Migration. . . . .	201
Miscellaneous . . . . .	201
Equivalents to Retired Commands . . . . .	202
Migration Notes and Advice when Migrating from SA z/OS 3.1 . . . . .	202
Startup and Shutdown Command Definitions . . . . .	202
Unique Subsystem and Class Names . . . . .	203
Resource Notification. . . . .	203
Migration of Automation Operators . . . . .	203
Improved WTOR Processing . . . . .	203
Improved Automation Flag Processing . . . . .	205
Move Group Behavior . . . . .	206
Changes to Defaults Set via the NetView Style Sheet . . . . .	206
Changes in Message Delivery to SA z/OS . . . . .	207
Enhanced Reporting . . . . .	207
NMC Migration . . . . .	207
I/O Operations Migration . . . . .	209
Nested Class Support . . . . .	209
Coexistence of SA z/OS 3.3 with Previous Releases . . . . .	210
Behavior Change . . . . .	212
Changes to CICS Short-on-Storage Recovery . . . . .	212
<b>Appendix F. CICS Automation Migration for SA z/OS 3.3 . . . . .</b>	<b>213</b>
Automation of CICS Subsystems . . . . .	213
CICS Link and Health Monitoring . . . . .	214

	Migration Steps . . . . .	215
	Resynchronization . . . . .	215
	Migration Steps . . . . .	216
	Reload of CICS Message Exit Policy . . . . .	216
	Migration Steps . . . . .	216
	Automation of DFHKE0408D Message . . . . .	216
	Migration Steps . . . . .	217
	Start Type Switch in SA z/OS for CICS	
	Subsystems . . . . .	217
	Migration Steps . . . . .	217
	Enforcing the CICS Start Type INITIAL or AUTO	217
	Migration Steps . . . . .	218
	Status Changes dependent on Abend Codes . . . . .	218
	Migration Steps . . . . .	219
	Automation Operator Definitions for CICS . . . . .	219
	Assign EVE Messages . . . . .	219
	Migration Steps . . . . .	219
	Replacing Removed Functions . . . . .	220
	CICS Shutdown because of Message DFHLG0739	
	or DFHLG0750 . . . . .	221
	Migration Steps . . . . .	221
	Short-on-Storage Handling . . . . .	221
	Migration Steps . . . . .	221
	Overriding System Initialization Table (SIT) . . . . .	221
	Migration Steps . . . . .	222
	CICS Information with DISPINFO Command . . . . .	222
	Display of CICS Start Type . . . . .	222
	Display of other CICS-Specific Information . . . . .	222

## Appendix G. IMS Automation

### Migration from SA z/OS 3.1 . . . . . 223

Removed Functions . . . . .	223
Automation of IMS Subsystems . . . . .	223
Defining IMS Actions. . . . .	225
IMS Startup . . . . .	225
IMS Startup in SA z/OS 3.1 . . . . .	225
Changes for IMS Startup in SA z/OS 3.2 . . . . .	226
Migration of IMS Startup . . . . .	226
IMS Shutdown . . . . .	227
Shutdown of IMS Control Regions in SA z/OS	
3.1 . . . . .	227
Changes for Shutdown of IMS Control Regions	
in SA z/OS 3.2. . . . .	228
Migration of IMS Control Region Shutdown . . . . .	229
Shutdown of other IMS Region Types in	
SA z/OS 3.1 . . . . .	230
Changes for Shutdown of other IMS Region	
Types in SA z/OS 3.2 . . . . .	231

Migration Schedule . . . . .	231
Recovery of IMS Control Region . . . . .	232
Recovery of IMS Control Region in SA z/OS 3.1	232
Changes for Recovery of IMS Control Region in	
SA z/OS 3.2 . . . . .	232
Migration of IMS Control Region Recovery . . . . .	233
Recovery of IMS Dependent Region . . . . .	234
Changes for Recovery of IMS Dependent Region	
in SA z/OS 3.2. . . . .	234
Migration of IMS Dependent Region Recovery . . . . .	234
IMS Transaction Recovery . . . . .	234
Changes for IMS Transaction Recovery in	
SA z/OS 3.2 . . . . .	234
Migration of IMS Transaction Recovery. . . . .	234
IMS Monitoring . . . . .	235
Enhancements in Monitor Resources. . . . .	235
Operational Changes in SDF and NMC. . . . .	235
Optional Monitor Features . . . . .	236
OLDS Monitoring in SA z/OS 3.1 . . . . .	236
Changes for OLDS Monitoring in SA z/OS 3.2	237
Migration of OLDS Monitoring . . . . .	239
RECON Monitoring in SA z/OS 3.1. . . . .	240
Changes for RECON Monitoring in SA z/OS	
3.2 . . . . .	241
Migration of RECON Monitoring. . . . .	242
DC Monitoring in SA z/OS 3.1 . . . . .	242
Changes for DC Monitoring in SA z/OS 3.2 . . . . .	242
Migration of DC Monitoring . . . . .	243
MSC Link Monitoring in SA z/OS 3.1 . . . . .	244
Changes for MSC Link Monitoring in SA z/OS	
3.2 . . . . .	244
Migration of MSC Link Monitoring . . . . .	244
Migration of EXIEX002 Calls . . . . .	245
XRF Support . . . . .	246

## Appendix H. Syntax for HSAPRM00 249

## Appendix I. INGDLG Command. . . . . 255

## Appendix J. Notices . . . . . 257

Programming Interface Information . . . . .	258
Trademarks . . . . .	258

## Glossary . . . . . 259

## Index . . . . . 281



---

## Figures

1. Basic Hardware Configuration . . . . .	16	10. Examples of Port Names in a Configuration	47
2. Using SA z/OS Subplexes . . . . .	23	11. ISPF Application Selection Menu . . . . .	96
3. Using Only the Takeover File for Status Backup . . . . .	26	12. VTAM Definition Statements . . . . .	105
4. The SA z/OS Environment for NMC Support	31	13. Sample of RODM Load Procedure EKGLOADP . . . . .	120
5. SA z/OS Enterprise with Networking Automation and System Automation running on the same NetView . . . . .	33	14. Job Example of Creating an OMVS Segment	131
6. SA z/OS Enterprise Using a Networking NetView and an Automation NetView . . . . .	33	15. Startup JCL of I/O operations . . . . .	134
7. Single Gateway Example . . . . .	36	16. Directory Structure of Unpacked Files	139
8. Example Gateways . . . . .	38	17. Sample to Start the NMC (for WIN Environment) . . . . .	142
9. Alternate and Primary Focal Point System   Connections from an IP Network to the   Processor Hardware LAN. . . . .	42	18. Remote Operations Components for System z	186
		19. ISQ999I Test Message Pattern Example	192
		20. Coexistence of SA z/OS 3.3, SA z/OS 3.2, and SA z/OS 3.1 . . . . .	211



---

## Tables

1.	System Automation for z/OS Library	xix	13.	Data Sets for Each Individual Automation Manager	61
2.	Mandatory Prerequisites	5	14.	Generation Data Groups for Each Individual Automation Manager	62
3.	Functional Prerequisites	5	15.	Members to Start the Networking NetView	113
4.	Recovery Scenarios	26	16.	Use of AOFUPDAM and AOFUPDRODM to Control SA z/OS Data Storage	117
5.	Installation Tasks for SA z/OS Host Systems	55	17.	DSIPARM Members to be modified for the SA z/OS Topology Manager	117
6.	Target Data Sets	56	18.	Command Authorization Identifiers	156
7.	HFS Paths	57	19.	I/O Operations Commands, their Availability and Access Authorization Levels	162
8.	Data Sets for Each Individual Automation Agent	59	20.	Access Authorization Levels Grouped by Function	163
9.	Data Sets for I/O Operations	60	21.	RODM Authorization for user IDs	179
10.	Data Sets for Each Individual Automation Agent	60			
11.	Data Set for Each Sysplex	60			
12.	Data Sets for All Automation Managers in a Sysplex or Standalone System	61			



---

## Accessibility

Publications for this product are offered in Adobe Portable Document Format (PDF) and should be compliant with accessibility standards. If you experience difficulties when using PDF files, you may view the information through the z/OS Internet Library Web site or the z/OS Information Center. If you continue to experience problems, send an e-mail to [mhvrcfs@us.ibm.com](mailto:mhvrcfs@us.ibm.com) or write to:

IBM Corporation  
Attention: MHVRCFS Reader Comments  
Department H6MA, Building 707  
2455 South Road  
Poughkeepsie, NY 12601-5400  
U.S.A.

Accessibility features help a user who has a physical disability, such as restricted mobility or limited vision, to use software products successfully. The major accessibility features in z/OS® enable users to:

- Use assistive technologies such as screen readers and screen magnifier software
- Operate specific or equivalent features using only the keyboard
- Customize display attributes such as color, contrast, and font size

---

## Using assistive technologies

Assistive technology products, such as screen readers, function with the user interfaces found in z/OS. Consult the assistive technology documentation for specific information when using such products to access z/OS interfaces.

---

## Keyboard navigation of the user interface

Users can access z/OS user interfaces using TSO/E or ISPF. Refer to *z/OS TSO/E Primer*, *z/OS TSO/E User's Guide*, and *z/OS ISPF User's Guide Vol I* for information about accessing TSO/E and ISPF interfaces. These guides describe how to use TSO/E and ISPF, including the use of keyboard shortcuts or function keys (PF keys). Each guide includes the default settings for the PF keys and explains how to modify their functions.

---

## z/OS information

z/OS information is accessible using screen readers with the BookServer or Library Server versions of z/OS books in the Internet library at:

<http://www.ibm.com/systems/z/os/zos/bkserv/>



---

## Dotted decimal syntax diagrams

Syntax diagrams are provided in dotted decimal format for users accessing the Information Center using a screen reader. In dotted decimal format, each syntax element is written on a separate line. If two or more syntax elements are always present together (or always absent together), they can appear on the same line, because they can be considered as a single compound syntax element.

Each line starts with a dotted decimal number; for example, 3 or 3.1 or 3.1.1. To hear these numbers correctly, make sure that your screen reader is set to read out punctuation. All the syntax elements that have the same dotted decimal number (for example, all the syntax elements that have the number 3.1) are mutually exclusive alternatives. If you hear the lines 3.1 USERID and 3.1 SYSTEMID, you know that your syntax can include either USERID or SYSTEMID, but not both.

The dotted decimal numbering level denotes the level of nesting. For example, if a syntax element with dotted decimal number 3 is followed by a series of syntax elements with dotted decimal number 3.1, all the syntax elements numbered 3.1 are subordinate to the syntax element numbered 3.

Certain words and symbols are used next to the dotted decimal numbers to add information about the syntax elements. Occasionally, these words and symbols might occur at the beginning of the element itself. For ease of identification, if the word or symbol is a part of the syntax element, it is preceded by the backslash (\) character. The \* symbol can be used next to a dotted decimal number to indicate that the syntax element repeats. For example, syntax element \*FILE with dotted decimal number 3 is given the format 3 \\* FILE. Format 3\* FILE indicates that syntax element FILE repeats. Format 3\* \\* FILE indicates that syntax element \* FILE repeats.

Characters such as commas, which are used to separate a string of syntax elements, are shown in the syntax just before the items they separate. These characters can appear on the same line as each item, or on a separate line with the same dotted decimal number as the relevant items. The line can also show another symbol giving information about the syntax elements. For example, the lines 5.1\*, 5.1 LASTRUN, and 5.1 DELETE mean that if you use more than one of the LASTRUN and DELETE syntax elements, the elements must be separated by a comma. If no separator is given, assume that you use a blank to separate each syntax element.

If a syntax element is preceded by the % symbol, this indicates a reference that is defined elsewhere. The string following the % symbol is the name of a syntax fragment rather than a literal. For example, the line 2.1 %OP1 means that you should refer to separate syntax fragment OP1.

The following words and symbols are used next to the dotted decimal numbers:

- ? means an optional syntax element. A dotted decimal number followed by the ? symbol indicates that all the syntax elements with a corresponding dotted decimal number, and any subordinate syntax elements, are optional. If there is only one syntax element with a dotted decimal number, the ? symbol is displayed on the same line as the syntax element, (for example 5? NOTIFY). If there is more than one syntax element with a dotted decimal number, the ? symbol is displayed on a line by itself, followed by the syntax elements that are

optional. For example, if you hear the lines 5 ?, 5 NOTIFY, and 5 UPDATE, you know that syntax elements NOTIFY and UPDATE are optional; that is, you can choose one or none of them. The ? symbol is equivalent to a bypass line in a railroad diagram.

- ! means a default syntax element. A dotted decimal number followed by the ! symbol and a syntax element indicates that the syntax element is the default option for all syntax elements that share the same dotted decimal number. Only one of the syntax elements that share the same dotted decimal number can specify a ! symbol. For example, if you hear the lines 2? FILE, 2.1! (KEEP), and 2.1 (DELETE), you know that (KEEP) is the default option for the FILE keyword. In this example, if you include the FILE keyword but do not specify an option, default option KEEP will be applied. A default option also applies to the next higher dotted decimal number. In this example, if the FILE keyword is omitted, default FILE(KEEP) is used. However, if you hear the lines 2? FILE, 2.1, 2.1.1! (KEEP), and 2.1.1 (DELETE), the default option KEEP only applies to the next higher dotted decimal number, 2.1 (which does not have an associated keyword), and does not apply to 2? FILE. Nothing is used if the keyword FILE is omitted.
- \* means a syntax element that can be repeated 0 or more times. A dotted decimal number followed by the \* symbol indicates that this syntax element can be used zero or more times; that is, it is optional and can be repeated. For example, if you hear the line 5.1\* data area, you know that you can include one data area, more than one data area, or no data area. If you hear the lines 3\*, 3 HOST, and 3 STATE, you know that you can include HOST, STATE, both together, or nothing.

**Notes:**

1. If a dotted decimal number has an asterisk (\*) next to it and there is only one item with that dotted decimal number, you can repeat that same item more than once.
  2. If a dotted decimal number has an asterisk next to it and several items have that dotted decimal number, you can use more than one item from the list, but you cannot use the items more than once each. In the previous example, you could write HOST STATE, but you could not write HOST HOST.
  3. The \* symbol is equivalent to a loop-back line in a railroad syntax diagram.
- + means a syntax element that must be included one or more times. A dotted decimal number followed by the + symbol indicates that this syntax element must be included one or more times; that is, it must be included at least once and can be repeated. For example, if you hear the line 6.1+ data area, you must include at least one data area. If you hear the lines 2+, 2 HOST, and 2 STATE, you know that you must include HOST, STATE, or both. Similar to the \* symbol, the + symbol can only repeat a particular item if it is the only item with that dotted decimal number. The + symbol, like the \* symbol, is equivalent to a loop-back line in a railroad syntax diagram.

---

## How to send your comments to IBM

We appreciate your input on this publication. Feel free to comment on the clarity, accuracy, and completeness of the information or give us any other feedback that you might have.

Use one of the following methods to send us your comments:

1. Send an email to [s390id@de.ibm.com](mailto:s390id@de.ibm.com)
2. Visit the SA z/OS home page at [http://www.ibm.com/systems/z/os/zos/features/system\\_automation/](http://www.ibm.com/systems/z/os/zos/features/system_automation/)
3. Visit the Contact z/OS web page at <http://www.ibm.com/systems/z/os/zos/webqs.html>
4. Mail the comments to the following address:  
IBM Deutschland Research & Development GmbH  
Department 3248  
Schoenaicher Str. 220  
D-71032 Boeblingen  
Federal Republic of Germany
5. Fax the comments to us as follows:  
From Germany: 07031-16-3456  
From all other countries: +(49)-7031-16-3456

Include the following information:

- Your name and address
- Your email address
- Your telephone or fax number
- The publication title and order number:  
IBM Tivoli System Automation for z/OS Planning and Installation  
SC34-2571-00
- The topic and page number related to your comment
- The text of your comment.

When you send comments to IBM, you grant IBM a nonexclusive right to use or distribute your comments in any way it believes appropriate without incurring any obligation to you.

IBM or any other organizations will only use the personal information that you supply to contact you about the issues that you submit.

---

## If you have a technical problem

Do not use the feedback methods listed above. Instead, do one of the following:

- Contact your IBM service representative
- Call IBM technical support
- Visit the IBM zSeries support web page at [www.ibm.com/systems/z/support/](http://www.ibm.com/systems/z/support/).



---

## About This Book

This book describes IBM® Tivoli® System Automation for z/OS (SA z/OS) from a planning point of view, and how to install the product.

It also describes how to migrate to the latest release of SA z/OS.

---

## Who Should Use This Book

This information is intended primarily for system programmers and automation programmers who plan for systems management and who install this product.

---

## Notes on Terminology

**MVS™:**

References in this book to *MVS* refer either to the MVS/ESA product or to the MVS element of z/OS.

**NetView:**

The term *NetView*® used in this documentation stands for *IBM Tivoli NetView for z/OS*.

---

## Where to Find More Information

### The System Automation for z/OS Library

Table 1 shows the information units in the System Automation for z/OS library:

*Table 1. System Automation for z/OS Library*

Title	Order Number
<i>IBM Tivoli System Automation for z/OS Planning and Installation</i>	SC34-2571
<i>IBM Tivoli System Automation for z/OS Customizing and Programming</i>	SC34-2570
<i>IBM Tivoli System Automation for z/OS Defining Automation Policy</i>	SC34-2572
<i>IBM Tivoli System Automation for z/OS User's Guide</i>	SC34-2573
<i>IBM Tivoli System Automation for z/OS Messages and Codes</i>	SC34-2574
<i>IBM Tivoli System Automation for z/OS Operator's Commands</i>	SC34-2575
<i>IBM Tivoli System Automation for z/OS Programmer's Reference</i>	SC34-2576
<i>IBM Tivoli System Automation for z/OS Product Automation Programmer's Reference and Operator's Guide</i>	SC34-2569
<i>IBM Tivoli System Automation for z/OS TWS Automation Programmer's Reference and Operator's Guide</i>	SC34-2579
<i>IBM Tivoli System Automation for z/OS End-to-End Automation Adapter</i>	SC34-2580
<i>IBM Tivoli System Automation for z/OS Monitoring Agent Configuration and User's Guide</i>	SC34-2581

The System Automation for z/OS books are also available on CD-ROM as part of the following collection kit:

IBM Online Library z/OS Software Products Collection (SK3T-4270)

#### SA z/OS Home Page

For the latest news on SA z/OS, visit the SA z/OS home page at [http://www.ibm.com/systems/z/os/zos/features/system\\_automation](http://www.ibm.com/systems/z/os/zos/features/system_automation)

## Related Product Information

You can find books in related product libraries that may be useful for support of the SA z/OS base program by visiting the z/OS Internet Library at <http://www.ibm.com/systems/z/os/zos/bkserv>

## Using LookAt to look up message explanations

LookAt is an online facility that lets you look up explanations for most of the IBM messages you encounter, as well as for some system abends and codes. Using LookAt to find information is faster than a conventional search because in most cases LookAt goes directly to the message explanation.

You can use LookAt from these locations to find IBM message explanations for z/OS elements and features, z/VM<sup>®</sup>, z/VSE<sup>™</sup>, and Clusters for AIX<sup>®</sup> and Linux:

- The Internet. You can access IBM message explanations directly from the LookAt Website at [www.ibm.com/systems/z/os/zos/bkserv/lookat/index.html](http://www.ibm.com/systems/z/os/zos/bkserv/lookat/index.html)
- Your z/OS TSO/E host system. You can install code on your z/OS or z/OS.e systems to access IBM message explanations using LookAt from a TSO/E command line (for example: TSO/E prompt, ISPF, or z/OS UNIX System Services).
- Your Microsoft Windows workstation. You can install LookAt directly from the *z/OS Collection* (SK3T-4269) or the *z/OS and Software Products DVD Collection* (SK3T-4271) and use it from the resulting Windows graphical user interface (GUI). The command prompt (also known as the DOS > command line) version can still be used from the directory in which you install the Windows version of LookAt.
- Your wireless handheld device. You can use the LookAt Mobile Edition from [www.ibm.com/systems/z/os/zos/bkserv/lookat/lookatm.html](http://www.ibm.com/systems/z/os/zos/bkserv/lookat/lookatm.html) with a handheld device that has wireless access and an Internet browser (for example: Internet Explorer for Pocket PCs, Blazer or Eudora for Palm OS, or Opera for Linux handheld devices).

You can obtain code to install LookAt on your host system or Microsoft Windows workstation from:

- A CD-ROM in the *z/OS Collection* (SK3T-4269).
- The *z/OS and Software Products DVD Collection* (SK3T-4271).
- The LookAt Website (click **Download** and then select the platform, release, collection, and location that suit your needs). More information is available in the LOOKAT.ME files available during the download process.

---

## Summary of Changes for SC34-2571-00

This document contains information previously presented in System Automation for z/OS V3.2.0 Planning and Installation, SC33-8261-04.

## New Information

The following information has been added:

- References to IMS module access for IMS type 2 commands have been added in “Step 28: Install IMS Automation in IMS” on page 125.
- Processor operations now supports System z10™.
- Use of the HW Console Automation Interface is introduced in “Understanding the HW Console Automation Interface” on page 21.
- Considerations for the hardware interface and the NetView task environment, see “SA z/OS Hardware Interface: Important Considerations” on page 23.
- There are additional notes for “Step 4D: Update LPALSTxx” on page 64.
- Setting the PPIOPT parameter for the NetView Subsystem Interface startup procedure in “Step 5A: NetView Startup Procedures” on page 67.
- Additional IPv4 and IPv6 connection settings and keywords are defined for ISQADDRS and ISQPARM configuration files in “Customizing the PSM” on page 87.
- Advice about the MSGLVL=0 option in “Step 27A: SIT or Startup Overrides” on page 123.
- “Step 27G: Installing CICSplex SM REXX API” on page 125.
- “Step 32A: Define OMVS Segment” on page 133.
- There are new parameters for the PARM parameter of the I/O operations startup JCL in “Step 32B: Prepare I/O Operations Startup” on page 133.
- Because TEC notification has been replaced with alert notification, the following may be needed depending on how you set up alert notification:
  - “Installing and Customizing IBM Tivoli Netcool/OMNIBus” on page 144
  - “Installing and Customizing Tivoli Service Request Manager through Tivoli Directory Integrator” on page 146
- Migration information and advice has been included if you are migrating to SA z/OS 3.3. See Appendix E, “Migration Information,” on page 195. This includes:
  - “Post-SMP/E Steps” on page 196
  - “Event Notification Service” on page 196
  - “ProcOps Control File Replacement” on page 199
  - “CICS-to-DB2 and IMS-to-DB2 Connection Monitoring” on page 196
  - “Equivalents to Retired Commands” on page 202
- The section “Assign WTOR Delete Messages to SYSOPER” on page 203 has been expanded.
- An important note about WTOR processing using MVSESA entries. See “Type Specifications for WTORS” on page 204.
- The Advanced Automation Option (AAO) AOFMNJOBNAMES has been retired. See “Changes to Defaults Set via the NetView Style Sheet” on page 206.
- Appendix F, “CICS Automation Migration for SA z/OS 3.3,” on page 213

## Changed Information

The following information has been changed:

- Details of the functional prerequisites have been updated, see “Functional Prerequisites” on page 5.
- “Defining I/O Operations Communications Links” on page 42

- TEC notification has been replaced with alert notification. For more details see Chapter 4, “Planning to Install Alert Notification by SA z/OS,” on page 27, “Step 14: Customization of Alert Notification for SA z/OS” on page 98, and “Installing and Customizing the TEC Event Server Workstation” on page 143.
- The time period for gateway monitors is now set in the **Gateway Monitor Time** field in the SYSTEM INFO policy item. See “How Gateway Sessions Are Monitored” on page 38.
- “Step 4A: Update IEAAPFxx” on page 63
- The list of members for other system operations startup procedures has been updated. See “Step 5B: Startup Procedures Required for System Operations Only” on page 67.
- You should copy the contents of INGSTGEN to CxxSTGEN or CxxSTUSR in “Step 6B: Customize NetView DSIPARM Data Set” on page 70.
- “Step 6F: Add the INGRXFPG REXX Function Package” on page 76
- The HMC Object Definition in “Step 7A: Preparing the HMC (Console Workplace 2.8 and Earlier Versions)” on page 77.
- The access rights for the started task that invokes the automation manager have been updated in “Step 9D: Security Considerations” on page 90.
- “Step 17A: Customize the SYS1.VTAMLST Data Set” on page 103 is no longer required for processor operations.
- The example for port definitions in “Step 17C: Perform TCP/IP Definitions” on page 107.
- The conditions for an IPL in “Step 21: Check for Required IPL” on page 110 have been updated.
- The first step in “Step 23: Verify Automatic System Operations Startup” on page 112
- “Step 26: Copy and Update Sample Exits” on page 122 is no longer required for I/O operations.
- “Step 27B: Program List Table Definitions” on page 123
- “Step 27D: Transaction and Program Definitions” on page 124
- The NetView DSIDMNK sample has been deleted and its entries moved to the NetView style sheet.
- Content of the appendix has been replaced with a detailed description of the HW Console Automation Interface in Appendix D, “Using the HW Integrated Console of System z for External Automation with SA z/OS,” on page 183.
- The "Readers' Comments - We'd Like to Hear from You" section at the back of this publication has been replaced with a new section “How to send your comments to IBM” on page xvii. The hardcopy mail-in form has been replaced with a page that provides information appropriate for submitting comments to IBM.

## Moved Information

The information in the section “Supported Software” has been moved to the table in “Functional Prerequisites” on page 5.

Information about access authorization levels for I/O operations commands has been moved from *IBM Tivoli System Automation for z/OS Operator's Commands* and added to the section “Defining a RACF Profile for I/O Operations” on page 160.

## Deleted Information

The following sections have been deleted:

- The note about ESCON<sup>®</sup> channel in “SA z/OS I/O Operations” on page 3.
- Microcode levels and prerequisites for z9<sup>®</sup> processors for “Functional Prerequisites” in “Hardware Requirements” on page 3.
- The section “NetView Connection (NVC)” in “Communications Links” on page 18.
- The section “Understanding the NetView Connection (NVC) of Processor Operations” in “Planning the Hardware Interfaces” on page 19.
- References to the NVC interface in “Deciding Which Hardware Interface to Use” on page 21.
- The section “NetView Data Sets Used by SA z/OS” in Chapter 3, “Planning to Install SA z/OS on Host Systems,” on page 15.
- The section “Alternate Focal Point for SNA based NVC connections” in “Defining Processor Operations Communications Links” on page 39.
- References to NVC in “Defining Processor Operations Communications Links” on page 39, “Planning Processor Operations Connections” on page 41, “Preparing the Processor Operations Focal Point System Connections” on page 41, “Preparing the Alternate Focal Point System Connections” on page 41, and “Connection Example” on page 41 of Chapter 6, “Planning for Automation Connectivity,” on page 35.
- Reference to OCF-CI task in “Task Structure for Processor Operations” on page 39.
- The section “Processor Operations OCF-CI Task” in “Defining Processor Operations Communications Links” on page 39.
- You no longer need a separate NON-APF authorized task library in for the automation manager startup procedure in “Step 5B: Startup Procedures Required for System Operations Only” on page 67.
- You no longer need to specify the NetView domain name in “Step 5C: I/O Operations Startup Procedure” on page 69.
- The note about GDPS<sup>®</sup> subtowers in “Step 6B: Customize NetView DSIPARM Data Set” on page 70.
- The “NetView Style Sheet” section in “Step 6D: Customize NetView for Processor Operations” on page 75.
- The “NVC” section in “Step 7A: Preparing the HMC (Console Workplace 2.8 and Earlier Versions)” on page 77.
- The “Customize the Authorization Token” and “Additional Verification for SEs of G3/G4 Hardware” sections in “Step 7C: Preparing the SE (Console Workplace 2.8 and Earlier Versions)” on page 81.
- The note for Alternative 1 in “Step 12A: Allocate Libraries for the Dialogs” on page 93.
- Because WebSphere<sup>®</sup> MQ is no longer used for communication between the automation manager and automation agents, all references to it have been deleted, including:
  - “Functional Prerequisites” on page 5
  - “Recovery Concept for the Automation Manager” on page 25
  - “Manager-Agent Communication and Status Backup” on page 25
  - “Setting up WebSphere MQ V5.3 (Optional)” and “WebSphere MQ Considerations” in “Manager-Agent Communication and Status Backup” on page 25
  - The installation step “Setting up WebSphere MQ”

- |           – The MQM parameter in the INGXINIT member has been retired, see
- |           “INGXINIT” on page 72.
- |           – “How to Automate WebSphere MQ Startup” in “Step 22: Automate System
- |           Operations Startup” on page 110
- |           – You are no longer required to code MSGIFAC=SYSTEM in “Enabling
- |           SA z/OS Support for Extended Multiple Console Support” on page 180.
- |           – The MQ value for the COMM parameter in HSAPRM00 has been retired, see
- |           Appendix H, “Syntax for HSAPRM00,” on page 249.
- |           – The MQM parameter in the HSAPRM00 member, see Appendix H, “Syntax
- |           for HSAPRM00,” on page 249.
- |       • “Processor Operations Considerations” in Chapter 3, “Planning to Install
- |       SA z/OS on Host Systems,” on page 15.
- |       • The customization consideration for the automation manager startup procedure
- |       in “Step 5B: Startup Procedures Required for System Operations Only” on page
- |       67.
- |       • “Creating the System Automation Task Library” in “Installing and Customizing
- |       the TEC Event Server Workstation” on page 143.
- |       • Advice about program-to-program communication disruption with NetView SSIs
- |       in “Step 4F: Update IEFSSN:xx” on page 65.
- |       • It is not recommended that you enable the automation manager for Automatic
- |       Restart Manager if you use the \*BASE add-on sample policy, see “Step 9C: ARM
- |       Instrumentation of the Automation Manager” on page 89.
- |       • Advice about updating definitions for CICS® CSD files in “Step 27D: Transaction
- |       and Program Definitions” on page 124.
- |       • The LEOPT parameter in the HSAPRM00 sample member has been retired. See
- |       Appendix H, “Syntax for HSAPRM00,” on page 249.

|       You may notice changes in the style and structure of some content in this  
 |       document—for example, headings that use uppercase for the first letter of initial  
 |       words only, and procedures that have a different look and format. The changes are  
 |       ongoing improvements to the consistency and retrievability of information in our  
 |       documents.

|       This document contains terminology, maintenance, and editorial changes. Technical  
 |       changes or additions to the text and illustrations are indicated by a vertical line to  
 |       the left of the change.

---

## Part 1. Planning

This part provides details on the following:

- Chapter 1, “SA z/OS Prerequisites and Supported Equipment,” on page 3
- Chapter 2, “What Is New in SA z/OS 3.3,” on page 7
- Chapter 3, “Planning to Install SA z/OS on Host Systems,” on page 15
- Chapter 4, “Planning to Install Alert Notification by SA z/OS,” on page 27
- Chapter 5, “Planning for the NMC Environment,” on page 31
- Chapter 6, “Planning for Automation Connectivity,” on page 35
- Chapter 7, “Naming Conventions,” on page 45



---

# Chapter 1. SA z/OS Prerequisites and Supported Equipment

SA z/OS Components . . . . .	3	Software Requirements . . . . .	4
Hardware Requirements . . . . .	3	Mandatory Prerequisites . . . . .	5
SA z/OS Processor Operations . . . . .	3	Functional Prerequisites . . . . .	5
SA z/OS System Operations . . . . .	3	Supported Hardware . . . . .	6
SA z/OS I/O Operations . . . . .	3	Operator Terminals . . . . .	6
Workstation Components . . . . .	4	Supported Operating Systems . . . . .	6
Functional Prerequisites . . . . .	4		

---

## SA z/OS Components

SA z/OS consists of the following three components:

- System operations (*SysOps* for short)
- Processor operations (*ProcOps* for short)
- I/O operations (*I/O-Ops* for short)

I/O-Ops manages ESCON and FICON<sup>®</sup> Directors (Switch Directors for short).

Refer to “Component Description” on page 15 for details.

SA z/OS also provides special automation facilities for the following products:

- CICS
- DB2<sup>®</sup>
- IMS<sup>™</sup>
- TWS

---

## Hardware Requirements

IBM has tested SA z/OS on IBM processors. SA z/OS uses the S/390<sup>®</sup> interfaces that vendors of other processors capable of running z/OS have stated that they support. Check with your vendor for details.

The target system can run in any hardware environment that supports the required software.

### SA z/OS Processor Operations

The processor operations base program can run on any processor supported by Tivoli NetView for z/OS, Version 5 Release 2 with APAR OA256732.

### SA z/OS System Operations

The system operations base program can run on any processor supported by Tivoli NetView for z/OS, V5.2 with APAR OA256732, and z/OS Version 1 Release 9.

### SA z/OS I/O Operations

The I/O operations base program can run on any processor supported by z/OS V1.9.

## Hardware Requirements

### Workstation Components

The NMC exploitation used by SA z/OS can run on all NMC topology server and NMC topology client hardware that is supported by Tivoli NetView for z/OS, V5.2 with APAR OA256732.

### Functional Prerequisites

The hardware interface functions that are used by the INGPLEX command and the IXC102A message automation without processor operations is supported by the following processor hardware families:

- System z<sup>®</sup>
- zSeries<sup>®</sup>
- CMOS-S/390 G6
- CMOS-S/390 G5

For current information about the LIC levels that are required for these servers, refer to the PSP bucket.

The following processor hardware can be controlled as a target with the BCP internal interface of the above listed processors, but cannot use the SA z/OS BCP internal interface to control itself or other processors:

- CMOS-S/390 G4
- CMOS-S/390 G3

**Note:** For CMOS-S/390 G3 and G4 processors, MCL support is no longer available.

---

## Software Requirements

This section describes the environment of the target system required to install and use SA z/OS.

### Notes:

1. To properly invoke the Japanese language version of SA z/OS, a Japanese language version of NetView must be installed and the Kanji support must be enabled. For Kanji workstation support a Japanese language host must be connected to a Japanese language workstation. If an English language workstation is connected to a Japanese language host some messages may be unreadable.
2. Check with IBM Service for required product service levels in addition to the base product releases. Certain service levels may be required for particular product functions.
3. SA z/OS processor operations is enabled on a focal-point system, from which it monitors and controls SA z/OS processor operations target systems. The SA z/OS processor operations target system may also have SA z/OS installed for its system operations and I/O operations but the processor operations will not be enabled. This section does not describe the SA z/OS Processor Operations target system.

Unless otherwise noted, subsequent versions or releases of products can be substituted.

## Mandatory Prerequisites

A mandatory prerequisite is defined as a product that is required without exception; this product either *will not install* or *will not function* unless this requirement is met. This includes products that are specified as REQs or PREs.

Table 2. Mandatory Prerequisites

Product Name and Minimum VRM/Service Level
z/OS V1.9 or later
Tivoli NetView for z/OS, V5.2 or later with APAR OA256732

## Functional Prerequisites

A functional prerequisite is defined as a product that is *not* required for the successful installation of this product or for the basic function of the product, but is needed at run time for a specific function of this product to work. This includes products that are specified as IF REQs.

Table 3. Functional Prerequisites

Product Name and Minimum VRM/Service Level	Function
<b>z/OS base elements or optional features:</b>	
z/OS SecureWay™ Security Server (including RACF® and DCE Security Server components)	For sysplex-based authorization and RACF-based NetView authorization
<b>Other program products:</b>	
HTML browser	For customization reports
z/VM 4.3, or later	For VM Second Level Systems support
PTF UA31443 on z/OS V1.7 or z/OS V1.8, or later with z/OS XML System Services	OMEGAMON® XE Support
IBM Tivoli OMEGAMON II® for MVS V5.2 IBM Tivoli OMEGAMON II for CICS V5.2 IBM Tivoli OMEGAMON II for IMS V5.1 IBM Tivoli OMEGAMON II for DB2 V5.4	For the following commands: <ul style="list-style-type: none"> <li>• INGMTRAP</li> <li>• INGOMX</li> </ul>
IBM Tivoli Monitoring Services (ITMS, 5698-A79)	SA z/OS Monitoring Agent for Tivoli Enterprise Portal support (FMID HKAH320, see also <i>IBM Tivoli System Automation for z/OS Monitoring Agent Configuration and User's Guide</i> )
IBM CICS Transaction Server for z/OS V2.3, or later	For integrated automation of CICS address spaces and CICSplex®-based monitoring
IBM DB2 for z/OS V7.1, or later	For integrated automation of DB2 address spaces
IBM IMS V9.1, or later	For integrated automation of IMS address spaces
IBM TWS for z/OS V8.5, or later	For integrated automation of TWS address spaces
<b>Workstation Prerequisites:</b>	
IBM Tivoli Enterprise Console V3.9, or later	For event notification
IBM Tivoli Business Service Manager for z/OS V4.2	For event notification
IBM Tivoli Netcool/OMNIBUS V7.1, or later	For event notification

### Supported Hardware

SA z/OS processor operations supports monitoring and control functions for any of the following IBM mainframe families:

- System z, zSeries and CMOS-S/390 processors.
- All CMOS processors supporting Operations Command Facility (OCF) not part of the above processor families are supported by processor operations with limited functionality.

SA z/OS processor operations also supports logical partitioning of any of those processors.

SA z/OS provides a wide range of I/O configuration information and control functions for various types of hardware other than processors, though it does not require any of them. The hardware can include channels, control units and devices (both ESCON and non-ESCON), ESCON Directors (they are not required), and hardware used for sysplex coordination such as coupling facilities and External Time Reference (ETR) devices.

### Operator Terminals

SA z/OS supports any display supported by ISPF V4.2 or higher. This is required for access to SA z/OS I/O operations functions and the SA z/OS customization dialogs.

The SA z/OS customization dialogs must be used with a terminal type of 3278.

---

### Supported Operating Systems

SA z/OS processor operations monitors and controls target systems with the following operating systems:

- z/OS, OS/390, MVS/ESA, MVS/XA (MVS/SP V2.2 or higher), z/VM
- VM/SP V6.0, VM/XA V2.1, VM/ESA® V1.1.0
- VSE/SP V4.1, VSE/ESA V1.1.0 or higher
- LINUX of distributions providing Linux for zSeries and S/390 support

**Note:** The above products may no longer be serviced.

---

## Chapter 2. What Is New in SA z/OS 3.3

This chapter contains an overview of the major changes to SA z/OS for Version 3 Release 3. Use this information to check the impact on your user-written programming interfaces, such as automation procedures.

You should also see Appendix E, “Migration Information,” on page 195 for details of how to migrate to SA z/OS V3.3.

---

### SA z/OS Discovery Library Adapter

The SA z/OS Discovery Library Adapter (DLA) was introduced in SA z/OS 3.2 through an APAR. It discovers SA z/OS resources and relationships and creates a Discovery Library Book file. The Book follows the Discovery Library IdML schema and is used to populate the Configuration Management Database (CMDB). The SA z/OS DLA is intended to be a lightweight and high-level discovery that can be deployed with minimum effort and with as few dependencies as possible.

In contrast with the z/OS DLA, the discovery domain of the SA z/OS DLA is the entire sysplex, or, more accurately, the scope of the automation manager. Discovery runs in NetView by means of the INGDLA command. The command can be invoked by the operator at will, for example, after a major configuration change or on a daily or weekly basis, driven by a NetView timer.

The INGDLA command queries the automation manager to obtain the list of automated resources (APLs, APGs and MTRs) and their relationships. Next, the command makes tripd to the various agents to obtain information about the APL resources. All of this is then used to compose the iDML book describing the SA z/OS configuration. The IDML book is then written to the output data set and other members that control the generation of the book.

---

### Enhanced DB2 Automation

SA z/OS 3.3 integrates the startup, shutdown, recovery, and monitoring of DB2 applications into its base functionality. The new structure makes use of existing base functionality and monitor resources (MTRs). This results in the following:

- Less DB2 feature code.
- The use of base SA z/OS functions to start and stop resources.

#### DB2 Automation Cleanup

DB2 Automation Cleanup replaces the following DB2-specific automation processing with standard functions of SA z/OS to improve the support for policy-driven automation:

- DB2 maintenance start
- Monitoring DB2 connections
- Termination of active threads
- Start/Stop DB2 table space
- Event-driven automation

## DB2 Connection Monitoring

SA V3.3 uses one monitor resource (MTR) to survey one CICS-DB2 or IMS-DB2 connection. The MTR is to be specified by the customer with the Customization Dialogs. The DB2 DISPLAY THREAD command is replaced by the following:

- The status of the CICS-DB2 connection is evaluated using the CICS command CEMT INQUIRE DB2CONN.
- The IMS-DB2 connection uses command 'mvs m942dis,subsys d891'

There are two REXX monitoring routines INGRMCDB (CICS) and INGRMIDB (IMS) that issue these commands and set the health status of the MTR. The health status is propagated to the CICS/IMS resources that the MTR is associated with.

## INGDB2 Command

The INGDB2 command is the operator command for DB2 specific operations. It offers the following functions:

Parameter	Function
TABLE	Start or stop a tablespace.
TERM	Terminate active threads once. Set rc \= 0 if unstopable threads (spuffy threads) are found.  No processing cycles with checking for active threads and no issuing of STOPFORCEDDF commands after exceeding the maximum allowed processing cycles.
INFORM_TSO	Inform TSO users that their active thread will be terminated.
CHECK_INDOUBT	Check for indoubt threads.

---

## More Best Practice Policies

Best practice policies (sample policy databases) are delivered with SA z/OS 3.3 that allow you to get productive much faster, also in the case of migrating from competitive products.

The collection of policies that is delivered with SA z/OS has been enhanced, and new policies have been added.

You can find further information about each of the samples as follows:

- Using the V(iew) command when creating a new policy database or importing from best practice policies
- In the DOCUMENTATION policy item of the ENTERPRISE entry type

Diagrams of the policies are also provided as PDF files that are located in the USS installation path. The default for this path is: /usr/lpp/ing/doc/policies/.

---

## Generation of the Message Revision Table

SA z/OS supports the NetView message revision table that enables you to intercept MVS messages before they are displayed, logged, automated, or routed through the sysplex. The customization dialog automatically generates the message revision table based on data stored in the policy database. This eliminates the need for an administrator to know the syntax, semantics and structure of the revision table.

A new policy item has been provided that shows all messages defined in the policy. You can use this to:

- Show the list of resources that the message is associated with
- Define the automation aspects
- Define the message processing aspects, for example changing:
  - Message text
  - Color
  - Route codes
  - Descriptor codes
  - Display and system log attributes

A new build process has been introduced that automatically creates the message revision table whenever the NetView automation tables (ATs) are built. The advantage is that the AT and the associated MRT are kept in sync.

The Automation Table and the Message Revision Table are automatically loaded and activated at configuration refresh time. Thus the configuration matches the Automation Table, which matches the Message Revision table. Another advantage is that the MRT eliminates the need to modify the MPF exit list to make messages available for automation.

---

## PeerOf Relationship

The PeerOf relationship makes it easier to have one automated subsystem ‘mimic’ or ‘copy’ the desired state of another.

When a dependent resource (B) is a peer of a supporting resource (A) then all start or stop votes that are propagated to the supporting resource (A) get copied down to the dependent resource (B). This means that a request to start or stop resource A will also cause resource B to be started or stopped (subject to it beating any other votes that have been propagated to resource B). Requests against resource B are not propagated to resource A however.

---

## Rolling Recycle

SA z/OS 3.3 enhances the INGGROUP command to allow you to request that automation performs a *rolling recycle* of a server application group. This consists of sequentially stopping and then restarting each member of the group, such that at the end of the operation all members that were active when the operation was requested have been stopped and recycled or stopped and left down. All members in the group will have been started after the rolling recycle was requested. Thus, during the recycle the impact on application availability is minimized.

---

## Enhanced Alerting Structure

The alert-based notification service that SA z/OS provides has been extended to include the following notification targets:

- Tivoli Netcool/OMNIBus
- IBM Tivoli Service Request Manager®
- A user-defined alert handler

---

## Event Notification Extension

Event notification by SA z/OS has been extended to include Tivoli Netcool/OMNIBus and TEC, and gives you the ability to open trouble tickets.

## Event Notification for Tivoli Netcool/OMNIbus and TEC

SA z/OS uses the message adapter of the NetView Event/Automation Service (E/AS) to send BAROC events to Tivoli Netcool/OMNIbus. Tivoli Netcool/OMNIbus receives BAROC events via a probe for Tivoli EIF. Because BAROC events can also be received by the TEC Server, SA z/OS can send generated events to both the Tivoli Netcool/OMNIbus and the TEC Server.

It is not necessary for each SA z/OS automation agent to have an E/AS with the message adapter running on the same z/OS system. If there is no message adapter running on the local z/OS system, the event is forwarded to the next SA z/OS automation agent within the sysplex, until a message adapter is addressable from the SA z/OS automation agent to forward the event to an event management system such as Tivoli Netcool/OMNIbus or TEC.

Event notification for Tivoli Netcool/OMNIbus and TEC uses the same alert points as the alert notification for SA IOM. Additional alert points for event notification to Tivoli Netcool/OMNIbus and TEC have been incorporated into the common list of alert points for both services. At each alert point, INGALERT is called to pass the alert or event, depending on the Inform list of the resource.

## TSRM Integration

The SA z/OS event alerting infrastructure is extensively enhanced in this release to become the foundation for opening trouble tickets in case a severe error is detected by SA z/OS that requires human intervention or attention. The same set of alert points that already exists for alarming and event notification are used when opening a ticket.

You can raise your user-defined trouble tickets by:

- Calling the INGALERT command with a REXX script
- Calling directly from the NetView automation table by invoking the INGALERT command.
- Assigning a severity of CRITICAL to the AOFCPMSG command

Whether a ticket is opened is controlled by the Inform list that is associated with the resource that caused the situation.

---

## More Data in the Tivoli Enterprise Portal

SA z/OS provides state information about the resources it manages in the Tivoli Enterprise Portal (TEP) and so contributes availability data from an operations perspective. Bringing together automation-related data with performance and availability data collected by OMEGAMON and ITM monitors enriches the TEP workplace. Thus subject matter experts now have combined information from monitors and operations on one single screen.

Additional SA z/OS-related data is fed into the TEP to provide the corresponding workplaces:

- Outstanding WTORs
- Gateway Status
- Critical messages that currently go to SDF and NMC only

---

## Application Symbols

Application symbols are named &SUBCLONE $n$  where  $n$  runs from 1–9. The application symbols can be coded in the class definitions, whereas the corresponding variable value is defined at the “instance” level. This allows you to have generic class definitions while the resolution is done when coding the application instance.

---

## CICS Automation

SA z/OS 3.3 integrates the startup, shutdown, recovery, and monitoring of CICS applications into its base functionality. This results in the following:

- Less CICS feature code.
- The use of base SA z/OS functions to start and stop resources.
- The use of monitor resources to have relationships to CICS applications.

Because the obsolete CICS feature code is no longer included in SA z/OS, some of the CICS-feature-specific definitions in the automation policy are longer be applicable and therefore have to be migrated before the automation policy can be used by SA z/OS 3.3. The following functions have been removed:

- Link Monitoring via PPI communication
- Health Monitoring via PPI communication
- PPI Communication
- CICSOVRD command
- CICSRCMD command
- CICSQRY command
- CICS command

---

## IMS Automation

SA z/OS IMS automation has been enhanced to support an IMSPLEX by exploiting the API that is provided by the Tivoli Command Center for IMSplex with IMS.

IMS automation cleanup in SA z/OS 3.3 includes the following:

- Removal of XRF support
- Cleanup of IMS CONTROL policy item in the customization dialog
- Reduction of IMS specific processing of entries in the automation policy
- Restructuring of remaining IMS specific program

---

## Customization Dialog Consolidation

The following changes have been made to the customization dialog that reflect enhancements that have been made to SA z/OS:

- The layout of the MESSAGES/USER DATA policy item for Application Groups, Monitors, and MVS Components is now the same as for Applications
- The panels for message, command, reply, code, and user processing of the MESSAGES/USER DATA policy item for Application Groups, Monitors, and MVS Components are now the same as for Applications
- Because of the IMS and CICS cleanup, the entry types IMS Status File (ISF), IMS Resource Name (IRN), CICS Link (CCN), and Monitoring Period (CVP) have been removed

- The layout of the panels for the STARTUP and SHUTDOWN policy items for the APL entry type have been enhanced
- The SHUTDOWN policy item for applications has been enhanced to allow flexible shutdown types
- The MINOR RESOURCE THRES and MINOR RESOURCE FLAGS policy items for Applications and MVS Components have been combined into the MINOR RESOURCES policy item
- Building the ProcOps Control File is only possible for systems that are running a release of SA z/OS that is earlier than SA z/OS 3.3
- The migration function on the Data Management panel has been replaced with extended import capability that covers all data in the pdb and allows you to modify a subset of this data

---

## Elimination of ProcOps Control File

SA z/OS integrates processor operations more closely with system operations by using the same control file format (ACF) for processor-related data. There is only one configuration file (ACF) that holds both system operations and processor operations related data. When SA z/OS is active, the configuration can be refreshed dynamically with the INGAMS REFRESH command at any time. When appropriate, processor operations can then be recycled to work with the new processor-related configuration data.

---

## Support for GDPS

SA z/OS 3.3 provides support for several GDPS functions.

### Distributed Cluster Management and GDPS/PPRC Multiplatform Resiliency

GDPS 3.6 introduces:

- Distributed Cluster Management (DCM) support to allow the management and coordination of planned and unplanned outages across distributed servers for GDPS together with Veritas Cluster Server managed clusters.
- GDPS/PPRC Multiplatform Resiliency for System z (xDR) support for LSS Sharing between z/VM LPARs.

To enable the GDPS DCM and xDR functions, SA z/OS introduces the automation operators GDPS\_DCM\_AUTOOPS and GDPS\_XDR\_AUTOOPS. These are included in the \*GDPS best practice policy. See the sample for details of these automation operators and other requirements if you plan to use DCM or xDR support.

### SUSPEND/RESUME of SE Access

SA z/OS allows applications to suspend HW communication in case of a session outage and resume it again at a later time to avoid uncoordinated usage of broken HW sessions. This mitigates the effects of such communications interruptions because they prevent GDPS from providing many critical functions during the communication outage. This also minimizes the impact to GDPS operation in recovering from such outages.

### STP Support

Server Time Protocol (STP) is a server-wide facility that is implemented in the Licensed Internal Code (LIC) of the z10 EC, z10 BC, z9 EC, z9 BC, z990, and z890 servers. STP presents a single view of time to Processor Resource/Systems

Manager™ (PR/SM™), and is designed to provide the capability for multiple STP configured servers to maintain time synchronization with each other. It is the follow-on to the Sysplex Timer®. STP is designed to allow events occurring in different servers to be properly sequenced in time. The new protocol is supported by processor operations and the Base Control Program internal interface (BCPii).

## Shutting Down z/OS Systems in a GDPS Environment

SA z/OS allows you to shut down z/OS systems either through the INGREQ ALL command in a GDPS environment or from a GDPS controlling system. There are two distinct phases in the final shutdown processing that are defined using the special message id SYSTEM\_SHUTDOWN message/user data policy item for the MVS Component entry type.

### Phase 1

This phase begins when the resource that is identified by the GDPS STOPAPPL parameter (the STOPAPPL resource) has been terminated. In this phase you can specify additional INGREQ stop commands or any other commands through NetView to terminate any subsystems that are still present.

### Phase 2

This phase begins after the takeover of OMVS and any local automation manager (PAM and SAMs). Only NetView commands or z/OS commands issued through NetView can be specified. For example, the MVS Z EOD command.

The scenario is based on the provided best practice policies \*BASE and \*GDPS.

---

## IBM System z10 Support

The z10 GA1 and GA2 HW deliverables add a number of new Operations Management (System z API) functions representing the new machine capabilities, as well as changes and extensions to existing functions. These include:

- IPv6: z10 SE/HMC infrastructure now supports IPv4 and IPv6
- Capacity on Demand: New temporary capacity models and implementation (capacity records) changes
- CBU, OOCOD: Changes to the existing capacity models for zHE for coexistence with the new models
- New Events: Capacity\_change and Disabled\_Wait
- Changed Events: Application\_Ended
- RAS enhancement: New machine now allows the determination of the MCL or EC Level of its Operations Management interface via an SW query

IBM System z10® support addresses these items in SA z/OS. The available automation in SA z/OS, GDPS, and user-written automation based on the SA z/OS processor operations APIs, enables the use of these advanced HW features.

---

## I/O Operations Enhancements

### Message Translation

The message modules IHV1AUS, IHV1AUU, IHV1MUS, and IHV1MUU have been consolidated into two new message modules IHVL0US and IHVL1US. As a result, the FMID JWRE322 was also deleted. The new PARM parameter, MSG={MC|UC}.

| allows you to decide whether messages are translated to uppercase before they are  
| issued or not. If you omit this parameter in the startup procedure I/O-Ops queries  
| the operating system for the languages that are being installed. If any of the  
| following languages is installed I/O-Ops translates each message to uppercase  
| before issuing the message:

|     **CHS** Chinese Simplified  
|     **CHT** Chinese Traditional  
|     **ENP** US English Uppercase  
|     **JPN** Japanese  
|     **KOR** Korean  
|     **TAI** Thai

## | **RESET CHANGECHECK Command**

| The RESET CHANGECHECK OFF command limits the check for data changes in a  
| switch when processing a connectivity command. Normally, all *opened* switches are  
| checked for a data change before the execution of a connectivity command. If any  
| switch responds with a data change indication or cannot respond to the check the  
| connectivity command is rejected. Limiting the check to the switches that are  
| actually affected by the connectivity command avoids rejection of the command by  
| any other switch.

## | **Display Command Enhancement**

| The DISPLAY NAME, DISPLAY PORT, and DISPLAY SWITCH commands have  
| been enhanced. The new option NODEDESCRIPTOR (ND) allows I/O-Ops to  
| show the node descriptors, including the tag of the hardware that is attached to  
| the specified ports or switch. For details refer to these commands in *IBM Tivoli*  
| *System Automation for z/OS Operator's Commands*.

## | **Component Trace**

| The new PARM parameter, CT=xx, allows you to specify a PARMLIB member  
| other than the default member, CTIIHVZZ, for specifying component trace options.  
| If you omit this parameter in the startup procedure I/O-Ops uses the default  
| member to register the component trace.

## Chapter 3. Planning to Install SA z/OS on Host Systems

Component Description . . . . .	15	Understanding the Processor Operations SNMP Interface . . . . .	20
System Operations . . . . .	15	Understanding the HW Console Automation Interface . . . . .	21
Processor Operations . . . . .	15	Understanding the TCP/IP Interface . . . . .	21
I/O Operations . . . . .	16	Deciding Which Hardware Interface to Use. . . . .	21
SA z/OS and Sysplex Hardware . . . . .	16	REXX Considerations . . . . .	21
OCF-Based Processor . . . . .	17	Allocation Requirements for REXX Environments	21
Parallel Sysplex . . . . .	17	z/OS Considerations . . . . .	22
Coupling Facility . . . . .	17	Prefixes. . . . .	22
Sysplex Timer . . . . .	18	Defining the XCF Group . . . . .	22
Logically Partitioned (LPAR) Mode . . . . .	18	Using SA z/OS Subplexes . . . . .	22
Communications Links . . . . .	18	System Operations Considerations. . . . .	23
SNMP . . . . .	18	SA z/OS Hardware Interface: Important Considerations . . . . .	23
BCP Internal Interface . . . . .	18	Automation Manager Considerations. . . . .	23
NetView RMTCMD Function . . . . .	18	Storage Requirements . . . . .	24
TCP/IP. . . . .	18	OMVS Setup . . . . .	24
Control Units (CU) . . . . .	18	Recovery Concept for the Automation Manager	25
I/O Devices . . . . .	19	Manager-Agent Communication and Status Backup . . . . .	25
NetView Management Console (NMC) . . . . .	19		
Tivoli Enterprise Portal Support . . . . .	19		
Planning the Hardware Interfaces . . . . .	19		
Understanding the BCP Internal Interface . . . . .	19		

### Component Description

The SA z/OS product consists of the following components:

- System operations (*SysOps* for short)
  - Processor operations (*ProcOps* for short)
  - I/O operations (*I/O-Ops* for short)
- I/O-Ops manages ESCON and FICON Directors (Switch Directors for short).

### System Operations

System operations monitors and controls system operations applications and subsystems such as NetView, SDSF, JES, RMF™, TSO, RODM, ACF/VTAM®, TCP/IP, CICS, DB2, IMS, TWS, OMEGAMON and WebSphere.

Enterprise monitoring is used by SA z/OS to update the NetView Management Console (NMC) resource status information which is stored in the Resource Object Data Manager (RODM).

### Processor Operations

Processor operations monitors and controls processor hardware and VM guest systems operations. It provides a connection from a focal point processor to a target processor. With NetView on the focal point processor, processor operations automates operator and system consoles for monitoring and recovering target processors.

Processor operations allows you to power on and off multiple target processors and reset them. You can perform IPLs, set the time of day clocks, respond to messages, monitor status, and detect and resolve wait states.

## Component Description

### I/O Operations

I/O operations provides a single point of control for managing connectivity in your active I/O configurations. It takes an active role in detecting unusual I/O conditions and lets you view and change paths between a processor and an input/output device, which can involve using dynamic switching.

I/O operations changes paths by letting you control channels, ports, switches, control units, and input/output devices. You can do this via ISPF dialogs, as well as on an operator console or API.

---

## SA z/OS and Sysplex Hardware

When SA z/OS is used in a Parallel Sysplex<sup>®</sup> environment, the hardware setup can be similar to the one illustrated in Figure 1.

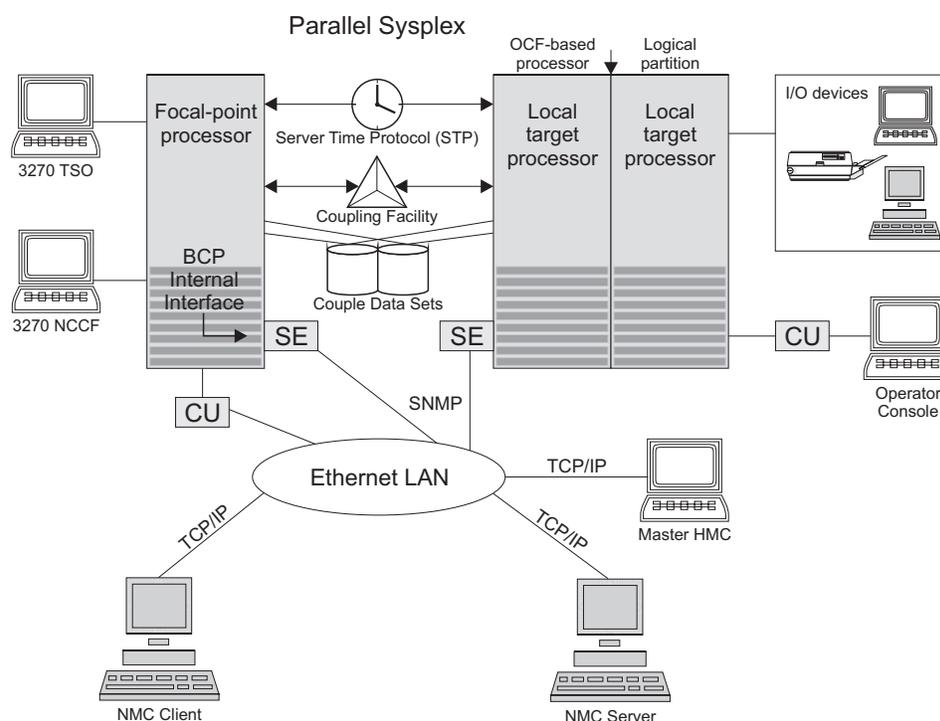


Figure 1. Basic Hardware Configuration

It shows a two processor Parallel Sysplex configuration, with systems running on it. One is playing the role of a SA z/OS focal point. For example, the role of the SA z/OS NMC focal point with information about all the systems and applications in the sysplex, running under the control of SA z/OS.

Operators can use a workstation with the SA z/OS NMC client code installed, to work with graphical views of the SA z/OS controlled resources stored on the focal point. The NMC server component receives status changes from the NMC focal point and distributes them to the registered clients to update their dynamic resource views. Sysplex specific facilities, like the coupling facility hardware can be managed and controlled using the NMC's client graphical interface, as well as the 3270 NCCF based SA z/OS operator interfaces.

Operators can also use SA z/OS Tivoli Enterprise Portal (TEP) support to monitor the status of automation on z/OS systems and z/OS sysplexes from a workstation that has a TEP client installed on it.

With the same interfaces, processor operations, another SA z/OS focal point function can be operated. With processor operations it is possible to manage and control the complete processor hardware in a sysplex. Operator tasks like re-IPLing a sysplex member, or activating a changed processor configuration can be accomplished. Processor operations uses the processor hardware infrastructure, consisting of the CPC Support Element (SE), or the Hardware Management Console (HMC) interconnected in a processor hardware LAN, to communicate with the own, other local, or remote located Support Elements of other CPCs. The Support Elements provide the Systems Management Interface OCF (Operations Command Facility) to perform hardware commands like LOAD or SYSTEM RESET to control the hardware and hardware images. SA z/OS processor operations can be customized to use TCP-IP based SNMP for communication. For Parallel Sysplex environments, SA z/OS provides an additional processor hardware interface, the BCP (basic control program) internal interface. This interface is independent from processor operations. It allows processor hardware operation in a sysplex, without requiring external network CUs (control units). From a system in the sysplex, the SE of the own CPC as well as the SEs of the other processors in the sysplex can be accessed.

The following sections describe some relevant resources that are used by SA z/OS and its components.

### OCF-Based Processor

A central processor complex that interacts with human operators using the interfaces provided by the Support Element (SE). OCF-based processors are processors from the 390-CMOS processor family.

### Parallel Sysplex

A set of z/OS systems communicating and cooperating with each other through certain multisystem hardware components (coupling devices and sysplex timers) and software services (couple data sets). In a Parallel Sysplex, z/OS provides the coupling services that handle the messages, data, and status for the parts of a multisystem application that has its workload spread across two or more of the connected processors. Sysplex timers, coupling facilities, and couple data sets containing policy and states for basic functions are all part of a Parallel Sysplex. You can control a Parallel Sysplex by NetView-based commands or through an NMC workstation.

### Coupling Facility

A hardware storage element with a high-speed cache, list processor, and locking functions that provides high performance random access to data for one system image or data that is shared among system images in a sysplex. With I/O operations you can see standalone coupling facilities. It handles them as control units with up to eight devices, all defined by the user. With SA z/OS system operations, you can display the status of coupling facilities from a single system's point of view or you can display sysplexwide status.

### Sysplex Timer

An IBM unit that synchronizes the time-of-day (TOD) clocks in a multiprocessor or in processor sides. External Time Reference (ETR) is the generic name for the IBM Sysplex Timer (9037).

### Logically Partitioned (LPAR) Mode

A processor with the Processor Resource/Systems Manager (PR/SM) feature that can be divided into partitions with separate logical system consoles that allocates hardware resources among several logical partitions. (It is called *logical* because the processor is not physically divided, but divided only by definition.) The partitions are defined, monitored, and activated separately by processor operations.

A processor that does not use logical partitions is in “basic mode”.

### Communications Links

Links that connect the focal point processor to target processors so that commands, messages, and alerts can flow. For more information refer to “Defining System Operations Connectivity” on page 35.

#### SNMP

SNMP may be chosen as the protocol for communications between the processor operations focal point and the SE or HMC.

See also “Understanding the Processor Operations SNMP Interface” on page 20.

#### BCP Internal Interface

For processor hardware automation in a sysplex environment, this link allows an OS/390 or z/OS system directly to communicate with the OCF of its own hardware SE, as well as the OCFs of other hardware SEs which are part of a cluster of processors. This cluster must be defined to the Master HMC in a processor environment. If a sysplex processor hardware is to be automated, the processor hardware of all sysplex members must be defined to the Master HMC.

See also “Understanding the BCP Internal Interface” on page 19.

#### NetView RMTCMD Function

A connection that allows communication between the target and focal point system in order to pass status changes to the focal point system. This communication method is also used for other purposes.

#### TCP/IP

For VM second level system automation, this link allows SA z/OS ProcOps to communicate with the ProcOps Service Machine (PSM) on the VM host of the second level systems.

See also “Understanding the TCP/IP Interface” on page 21.

### Control Units (CU)

Control units are hardware units that control input/output operations for one or more devices. You can view information about control units through I/O operations, and can start or stop data going to them by blocking and unblocking ports. For example, if a control unit needs service, you can temporarily block all I/O paths going to it.

## I/O Devices

Input/output devices include hardware such as printers, tape drives, direct access storage devices (DASD), displays, or communications controllers. You can access them through multiple processors. You can see information about all devices and control paths to devices. You can vary devices or groups of devices online or offline.

## NetView Management Console (NMC)

A NetView function that consists of a graphic series of windows controlled by the NetView program and that allows you to monitor the SA z/OS enterprise interactively. The NetView Management Console consists of an NMC server and an NMC client.

The NMC client is connected to the NMC server that communicates with NetView. The NetView Management Console (NMC) can be implemented with an optional client, either on the server or separately.

## Tivoli Enterprise Portal Support

SA z/OS Tivoli Enterprise Portal (TEP) support allows you to monitor the status of automation on z/OS systems and z/OS sysplexes using a TEP client. The client is the user interface for an SA z/OS monitoring agent. The monitoring agent uses Tivoli Monitoring Services infrastructure, which provides security, data transfer and storage, notification mechanisms, user interface presentation, and communication services for products in the IBM Tivoli Monitoring and OMEGAMON XE suites in an agent-server-client architecture.

The monitoring agent is installed on the systems or subsystems in the sysplex that you want to monitor and passes data to a hub Tivoli Enterprise Monitoring Server (monitoring server), which can be installed on z/OS, Windows, and some UNIX operating systems. The monitoring server communicates with the Tivoli Enterprise Portal Server (portal server), which then communicates with the portal client.

For more details, see *IBM Tivoli System Automation for z/OS Monitoring Agent Configuration and User's Guide*.

---

## Planning the Hardware Interfaces

This section provides additional information about the processor hardware interfaces supported by SA z/OS.

### Understanding the BCP Internal Interface

In order to allow the sysplexwide activation or deactivation of the coupling facilities and to control sysplex members leaving the sysplex, SA z/OS uses the BCP (Basic Control Program) internal interface. The BCP internal interface of the following processor hardware families is supported:

- System z
- zSeries
- CMOS-S/390 G6
- CMOS-S/390 G5

Using the BCP internal interface from MVS allows you to send hardware operations commands such as SYSTEM RESET, or ACTIVATE to the Support

## Planning the Hardware Interfaces

Element attached to its own processor hardware (CPC). If the CPC is configured in LPAR mode, the operations command can be sent to all logical partitions defined on the CPC.

Furthermore, with the enhanced sysplex functions of SA z/OS, sysplex members running on other CPCs than their own image can be controlled through the BCP internal interface. This is possible by defining all CPCs of your sysplex on the master HMC of your processor hardware LAN.

The following processor hardware can be controlled as a target with the BCP internal interface from the above listed processors, but cannot use the SA z/OS BCP internal interface to control itself or other processors:

- CMOS-S/390 G4
- CMOS-S/390 G3

At the processor hardware LAN level, the BCP internal interface uses the SNMP transport protocol. For this reason, the Support Elements need to be customized for SNMP. One HMC in the processor LAN must be configured to be the Change Management Master HMC, otherwise routing between the own SE and other SEs will not work.

Note that the MVS/HCD function uses the BCP internal interface to update IOCDS and IPL information in the Support Elements of addressed CPCs. You cannot use SA z/OS to perform these tasks, nor can HCD be used to perform the hardware operations functions of SA z/OS.

Currently, the BCP internal interface cannot be used by the processor operations focal point application. The interface can be configured and used for Parallel Sysplex automation purposes only. Exceptions to this are the processor operations common commands for LPAR management, see the chapter “Common Commands” in *IBM Tivoli System Automation for z/OS Operator's Commands* for details.

## Understanding the Processor Operations SNMP Interface

Using the SNMP interface of processor operations, you can monitor and control local or remote processor hardware from a processor operations focal point NetView in an IP network environment. This is different to the BCP internal interface, which allows mutual hardware control among sysplex members without a system network dependency.

With the processor operations SNMP interface, the following processors can be managed:

- System z
- zSeries
- CMOS-S/390 G1 through G6

As with the BCP internal interface, its purpose is to support the OCF commands (for example, *ACTIVATE*, *SYSRESET*) provided by the processor hardware.

The Support Elements of the CPCs you want to control must be configured for SNMP. Alternatively, you can configure a single HMC instead of multiple Support Elements in your processor LAN environment for SNMP. On this HMC the CPCs you want to control must be defined. Multiple HMCs, SEs, or both can be defined in your SA z/OS configuration.

Because this interface uses the IP network for communication between the processor operations focal point and the SEs or HMCs, the TCP/IP UNIX System Services stack is required to be active on the processor operations focal point system.

### Understanding the HW Console Automation Interface

The System z, zSeries, and CMOS-S/390 mainframes provide a console facility that the SA z/OS HW interfaces use to perform remotely either manual or automated operating system initialization and recovery. See Appendix D, “Using the HW Integrated Console of System z for External Automation with SA z/OS,” on page 183 for console definition, usage, performance, network, and basic information.

### Understanding the TCP/IP Interface

Using the TCP/IP interface of Processor Operations, you can monitor and control VM guest systems from a Processor Operations focal point NetView in an IP network environment.

Processor Operations communicates with the ProcOps Service machine (PSM) using TCP/IP. The PSM can be regarded as an HMC or SE substitute for the virtual machines. The PSM itself uses the VM/CP Secondary Console InterFace (SCIF) facility to communicate with the single VM second level systems.

The TCP/IP UNIX System Services stack is required to be active on the Processor Operations focal point system.

### Deciding Which Hardware Interface to Use

If you want to use the Parallel Sysplex enhancements of SA z/OS and you have configured your customization to use IXC102A message automation, the BCP internal interface is required.

Note, that this interface can coexist with the supported SNMP interface on a processor operations focal point system. Because the IXC102A automation, which is part of the Parallel Sysplex XCF automation, can also be performed in SA z/OS using proxy resources together with processor operations, a decision must be made, which automation to use. It is recommended to use the XCF automation based on the BCP internal interface and to disable the IXC102A proxy resource automation based on processor operations.

---

## REXX Considerations

### Allocation Requirements for REXX Environments

Before running SA z/OS you may need to change the maximum number of REXX environments allowable.

The number of REXX environments allowable is defined in the REXX environment table. See *z/OS TSO/E Customization* for more information. TSO/E provides a SYS1.SAMPLIB member called IRXTSMPE, which is an SMP/E user modification to change the maximum number of language processor environments in an address space. Define the number of allowable REXX environments on the IRXANCHR macro invocation:

```
IRXANCHR ENTRYNUM=xxx
```

## REXX Considerations

For more details, see “Step 13: Verify the Number of available REXX Environments” on page 98

Install the user modification by following the instructions in *z/OS TSO/E Customization*.

---

## z/OS Considerations

### Prefixes

You should make sure you do not have any load modules, REXX parts or members with the following prefixes:

- AOF
- EVE
- EVI
- EVJ
- HSA
- IHV
- ING
- ISQ

### Defining the XCF Group

To be able to communicate in certain situations, the automation manager instances and the automation agents belonging to one sysplex must be members of one and the same XCF group.

Systems with SA z/OS NetView instances that belong to the same XCF group must be defined in the Customization Dialogs in the same Group Policy Object of type sysplex. For details refer to the “Group Policy Object” chapter in *IBM Tivoli System Automation for z/OS Defining Automation Policy*.

Note that SA z/OS NetView instances that belong to the same XCF group must reside on different systems. Thus, when you run an SA z/OS 3.1 and an SA z/OS 3.2 agent on the same system, they must not belong to the same XCF group.

### Using SA z/OS Subplexes

You can divide your real sysplexes into several logical SA z/OS *subplexes* (an example is shown in Figure 2 on page 23). To do this you must define a specific XCF group suffix and a specific group policy object for each subplex. Each SA z/OS subplex must have its own automation manager. In each subplex there must also be only one shared automation manager takeover file and one shared schedule override file.

With SA z/OS subplexes you can run automation on systems of sysplexes in the same way as on single systems. This is required if you do not have shared DASDs for all your systems in the sysplex.

The group ID must be defined in an HSA parmlib member or INGXINIT for NetView.

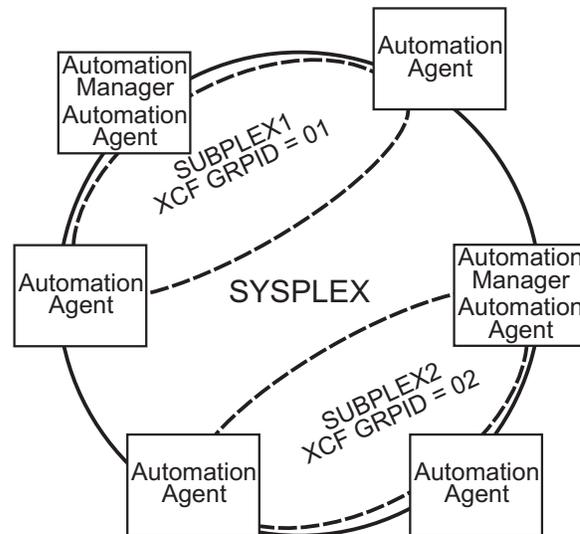


Figure 2. Using SA z/OS Subplexes

## System Operations Considerations

NetView ships two sample automation operators, AUTO1 and AUTO2. SA z/OS assumes that these tasks are available and have not been renamed. If they have been renamed, you must change the names in AOFMSGSY and the NetView style sheet, residing in the DSIPARM data set.

### SA z/OS Hardware Interface: Important Considerations

The SA z/OS processor support commands and modules of Processor Operations and the BCP Internal Interface require a NetView task environment of CMD LOW to operate.

If you plan to use CMD HIGH task environments, be aware that ProcOps and BCPii function commands will not operate in such task environments. The ProcOps or BCPii function command will end prematurely with an error message that identifies the cause of the problem.

However you can still use NetView tasks with a CMD HIGH set for other purposes.

### Automation Manager Considerations

This section presents automation manager considerations relevant to the installation process. For automation manager concepts that are of interest from an operator's point of view, refer to *IBM Tivoli System Automation for z/OS User's Guide*.

The automation manager is introduced as a separate address space. An installation requires one primary automation manager and may have one or more backups. The automation manager is loaded with a model of the sysplex when it initializes. It then communicates with the automation agents in each system, receiving updates to the status of the resources in its model, and sending orders out to the agents as various conditions in the model become satisfied.

## Automation Manager Considerations

A series of substeps is required to get the automation manager up and running for your SA z/OS installation. These installation steps are described in this documentation, but are not identified as being specific automation manager installation steps.

Only the default installation of UNIX System Services is a prerequisite for the automation manager. No hierarchical file system (HFS) or UNIX shell is required.

The automation manager must be defined by RACF (or an equivalent security product) as a *super user* for UNIX System Services. The user that represents the started tasks in your installation must be authorized for the OMVS segment.

**Note:** The system on which the automation manager should be started must be defined as policy object System in the policy database that will be used to create the automation manager configuration file that this automation manager uses (see also “Step 16A: Build the Control Files” on page 102).

## Storage Requirements

When the automation manager is started, it needs a constant amount of storage of 56 MB plus a variable part that depends upon the number of resources to be automated.

The constant part consists of 40 MB for the automation manager code and 16 MB for history information. The rule of thumb for the variable part is  $n * 8$  KB where  $n$  is the number of resources.

The sum of storage requirement according to the rule of thumb is:

$$40 \text{ MB} + 16 \text{ MB} + n * 8 \text{ KB}$$

This formula covers the maximum storage requirements. However, the storage requirements does not increase linearly with the number of automated resources. Real measurements may be smaller than values retrieved with the rule of thumb formula.

## OMVS Setup

Because the automation manager requires OMVS, OMVS must be customized to run without JES. (This means that OMVS should not try to initialize colony address spaces under the JES subsystem as long as JES is not available.) Therefore the definitions in the BPXPRMxx member must match *one* of the following:

- Either all FILESYSTYPE specifications with an ASNAME parameter are moved into a separate BPXPRM member. This can be activated via the automation policy by using the SETOMVS command after the message BPXI004I OMVS INITIALIZATION COMPLETE has been received.
- Or the parameter 'SUB=MSTR' is added to the ASNAME definition, for example:

```
/******  
/* ZFS FILESYSTEM */  
/******  
FILESYSTYPE TYPE(ZFS) ENTRYPOINT(IOEFSCM)  
ASNAME(ZFS, 'SUB=MSTR')
```

**Note:** In order to initialize without JES, the Automation Manager needs to be defined as a superuser. If you use an OEM security product that does not initialize until JES has initialized, superuser authority cannot be evaluated until JES is up and consequently JES cannot be started by SA z/OS. With z/OS version 1.10 or higher this restriction is solved and the Automation

Manager can be initialized without JES and the need to be superuser.  
However BLOCKOMVS=YES still requires UID(0).

### Recovery Concept for the Automation Manager

For sysplexwide and single-system automation, the continuous availability of the automation manager is of paramount importance.

To ensure the automation manager's functionality as automation decision server, the primary automation manager (PAM), must be backed up by additional automation manager address spaces called secondary automation managers (SAMs). Secondary automation managers are able to take over the function whenever a primary automation manager fails.

Therefore, it is recommended that you have at least one secondary automation manager running. For sysplexwide automation, the SAM should run on a different system than the PAM.

To enable software or hardware maintenance in the sysplex, SA z/OS supports a command to force the takeover of the primary automation manager.

A takeover is only possible when the following requirements are met:

- All the automation manager instances must have access to a shared external medium (DASD) where the following is stored:
  - The configuration data (result of the ACF and AMC build process).
  - The schedule overrides VSAM file.
  - The configuration information data set — this is a mini file in which the automation manager stores the parameters with which to initialize the next time that it is started WARM or HOT.
  - The takeover file.

SA z/OS follows the concept of a floating backup because:

- The currently active automation manager has no awareness of the existence (and location) of possible backup instances.
- The location of the backup instances can change during normal processing without any interruption for the active automation manager.
- There is no communication between the primary automation manager and its backup instances during normal operation except when a SAM that is to become the new PAM informs the current PAM of that fact during a planned takeover.

This has the advantage that in normal operation, the processing is not impacted by a backup structure which can change.

Depending on the number of resources, the takeover time from a primary to a secondary automation manager is in the range of one to two minutes.

### Manager-Agent Communication and Status Backup

SA z/OS provides XCF for establishing communication between the automation manager and the automation agents, and a VSAM data set (the takeover file) for keeping a backup copy of the status of the automated resources.

As already pointed out, the work items and orders to the automation agents that are pending at takeover time are not stored in this implementation, so all these pending items will be lost when the PAM fails and a SAM takes over.

## Automation Manager Considerations

Figure 3 illustrates the timeline from the start of the automation manager (AM) through to its termination for the following cases:

- A planned stop and start of the automation manager
- An unexpected failure

Table 4 outlines the various recovery scenarios.

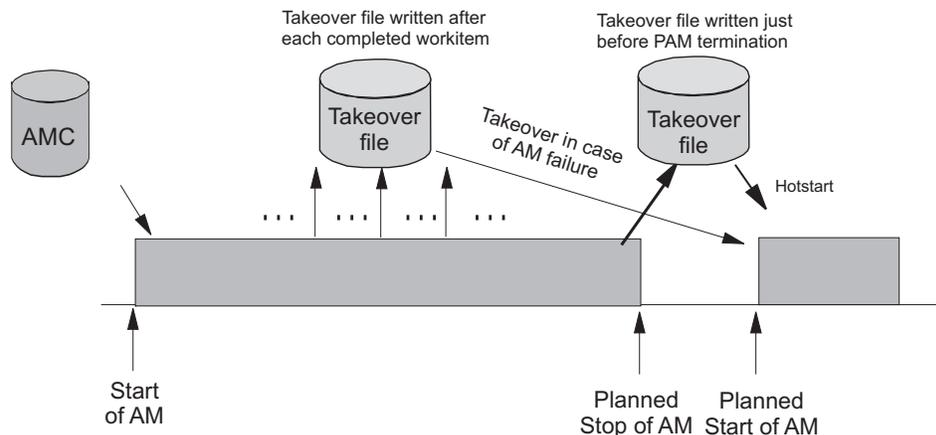


Figure 3. Using Only the Takeover File for Status Backup

Table 4. Recovery Scenarios

Event	SA z/OS Recovery Action	Comments
PAM fails	SAM runs a takeover	The takeover file contains the state with the last successfully processed work item
PAM detects a severe error condition	PAM terminates and SAM runs a takeover	The takeover file is used to rebuild the resource object structures in case of a takeover or next hot start
System with the PAM fails	SAM runs a takeover	The takeover file is used to rebuild the resource object structures in case of a takeover or next hot start

---

## Chapter 4. Planning to Install Alert Notification by SA z/OS

This section contains information required for the installation of alert notification by SA z/OS.

---

### Introduction of Alert Notification by SA z/OS

SA z/OS alert notification is triggered by the invocation of the INGALERT command. It can be used to perform one or more of the following tasks:

- Start notification escalation by IBM Tivoli System Automation for Integrated Operations Management (SA IOM)
- Display an event on a centralized operator console such as IBM Tivoli Enterprise Console (TEC) or IBM Tivoli Netcool/OMNIBUS (OMNIBUS)
- Create a trouble ticket in a service desk application such as IBM Tivoli Service Request Manager (TSRM)
- Perform an arbitrary task in a user-defined alert handler

The following communication methods are available for alert notification:

- Use the peer-to-peer protocol of SA IOM to start a REXX script on the SA IOM server
- Send a Tivoli Event Integration Facility (EIF) event
- Send XML data to the IBM Tivoli Directory Integrator (TDI) and from there trigger the creation of the trouble ticket
- Pass parameters to the user-defined alert handler that is called as a NetView command

**Note:** EIF events and the TDI interface can be used to perform a variety of tasks or to integrate other operator consoles or service desk applications. The ones listed above are provided by SA z/OS as samples.

The behavior of INGALERT is controlled with the INGCNTL command at the system level, by a resource's Inform List at the resource level and even more granularly by CODE entries for the INGALERT entry in the MESSAGES/USER DATA policy item.

For details about the INGALERT and INGCNTL commands see *IBM Tivoli System Automation for z/OS Programmer's Reference*.

---

### Alert Notification Infrastructure in SA z/OS

When INGALERT is called in a SA z/OS subplex the system tries to reach all specified targets by passing the request from one agent to another. If, for instance, INGALERT is called on SYS1 in order to start an SA IOM notification escalation, but SYS1 has no connection to the SA IOM server, the request is routed to SYS2 and SYS3 etc. until the SA IOM server can be reached.

This implies that you need not have all the connectivity to your distributed products on each system in the subplex, although you should have it at least on one, of course. This is true for all of the communication methods mentioned in "Introduction of Alert Notification by SA z/OS."

## Introduction of Alert Notification by SA z/OS

For details about the alert notification infrastructure see *IBM Tivoli System Automation for z/OS Customizing and Programming*.

---

### Integration via SA IOM Peer-To-Peer Protocol

The integration of SA z/OS with SA IOM is based on the SA IOM peer-to-peer protocol. This requires that the SA IOM server must accept the system running the SA z/OS agent (or agents) as valid peers. For details about setting up SA IOM see *IBM Tivoli System Automation for Integrated Operations Management User's Guide*.

Through this protocol a REXX script is triggered on the SA IOM server that starts the notification escalation process asynchronously. A return code and eventually an error message are passed back to SA z/OS indicating whether the notification escalation could be started.

Note that it is not verified whether an operator can actually be notified by SA IOM.

To use integration via the SA IOM peer-to-peer protocol you must be able to set up a TCP/IP connection to the SA IOM server from at least one system that is running an SA z/OS agent.

See “Enabling Alert Notification via SA IOM Peer-To-Peer Protocol” on page 99.

---

### Integration via EIF Events

SA z/OS can send out EIF events as the result of an INGALERT invocation. To create such an EIF event the message adapter of the IBM Tivoli Event/Automation Service (EAS) is used via the program-to-program interface (PPI).

To use integration via EIF events there must be an EAS on at least one system that is running an SA z/OS agent.

Because SA z/OS communicates only with EAS it does not matter which product receives the EIF event and which platform it is running on. There is, however, some customization required for these products.

For more details about how to set up the EAS and customize TEC and OMNIbus on Windows, see “Enabling Alert Notification via EIF Events” on page 99.

---

### Integration via Trouble Ticket Information XML

When the creation of a trouble ticket is desired INGALERT sends XML data to a known URL (host and port). It is expected that the server sends back a response indicating success or failure and possibly an error message. It is irrelevant what kind of server this is and which platform it runs on. However, it is recommended that the server is a TDI Runtime Server. Samples are provided for this server and the customization is described in “Enabling Alert Notification via XML” on page 101.

To use integration via trouble ticket XML you must be able to set up a TCP/IP connection to a TDI server from at least one system that is running an SA z/OS agent.

---

## Integration by User-defined Alert Handler

When INGALERT is told to inform a user-defined alert handler it calls the specified command synchronously in the NetView environment. Parameters are passed to the alert handler and a convention regarding return code and output messages must be obeyed. For details about the user-defined alert-handler see INGALERT in *IBM Tivoli System Automation for z/OS Programmer's Reference*.

To use integration by user-defined alert handler the code must be accessible from at least one system that is running an SA z/OS agent.

For more details see "Enabling Alert Notification via User-Defined Alert Handler" on page 101.

## Introduction of Alert Notification by SA z/OS

## Chapter 5. Planning for the NMC Environment

The information in this section helps you to plan the configuration of the components in your NMC environment.

### NMC Exploitation Topology

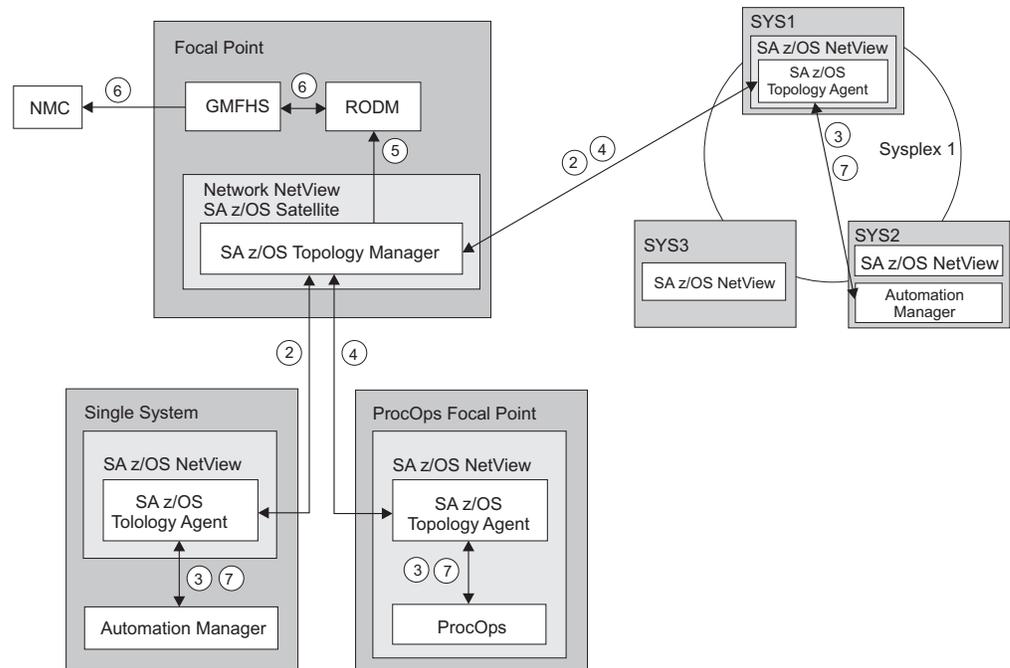


Figure 4. The SA z/OS Environment for NMC Support

Figure 4 shows how in a SA z/OS configuration the involved components communicate to produce graphical output information:

1. At initialization time, the SA z/OS topology manager knows the target systems for automation.
2. The SA z/OS topology manager contacts the SA z/OS topology agents on all sysplexes or stand-alone systems or, for processor operations, it contacts the processor operations focal point to obtain the required information.
3. The SA z/OS topology agents contact the related automation managers or the processor operations component respectively to find out the status from the systems and resources.
4. Then the SA z/OS topology agents report this information to the SA z/OS topology manager on the focal point.
5. The SA z/OS topology manager feeds the RODM data base with the achieved information.
6. The NMC workstation on the operator's request can retrieve the RODM data to produce the defined views.
7. Also, at initialization time, the automation managers get the order to inform the related SA z/OS topology agents whenever status changes occur. Then the

## NMC Exploitation Topology

SA z/OS topology agents will route the status change information to the SA z/OS topology manager which will update the RODM data base.

---

### Planning to Install the NMC Workstation

Make sure that you have a working NMC environment with the required functions (for example, RODM, GMFHS, NMC Topology Server, NMC Topology Console, NMC 3270 Management console), as part of your NetView installation available.

For information about how to install the NMC, refer to *Tivoli NetView for z/OS Installation: Configuring Graphical Components* and *NetView Management Console User's Guide*. The information about what to do to enable your NMC environment installation for use in SA z/OS is described in "Installing the NMC Workstation" on page 137.

If you plan to use Kanji support for NMC keep in mind that all the NetView workstations in the domain must support the character set you decide to use. Multilingual support is not available.

---

### Running Multiple NetViews

If you use two NetViews and you want to monitor resources using the NMC workstation, bear in mind that the NMC workstation must be linked to NetView Graphic Monitor Facility Host Subsystem (GMFHS) on the Networking NetView which has a connection to RODM. See Figure 6 on page 33. You can operate network and SA z/OS resources via RODM and have SA z/OS running in another NetView to control the automation resources. This, however, requires a subset of SA z/OS, referred to as the SA z/OS satellite, to be installed on the Networking NetView. See "Step 24: Install an SA z/OS Satellite" on page 112 for details.

If you run the Networking Automation NetView only on the focal point, you cannot have your resources automated by SA z/OS.

If you run the System Automation NetView only on the focal point, you cannot have networking resources in RODM, but only SA z/OS resources that you automate.

Alternatively, you can run both the Networking Automation and the System Automation on the same NetView. This way, you can save storage and CPU costs because of the reduction in the duplication of, for example, tasks and logs. But more important, it reduces maintenance and system programmer costs. See Figure 5 on page 33 for details.

In such an environment all functions are handled by that NetView. You may want to give the individual NetView tasks different priorities, for example, the System Automation tasks need to run above the VTAM's priority, whereas others (Networking Automation) need to run at a lower priority. This is achieved with z/OS Workload Manager Enclaves support.

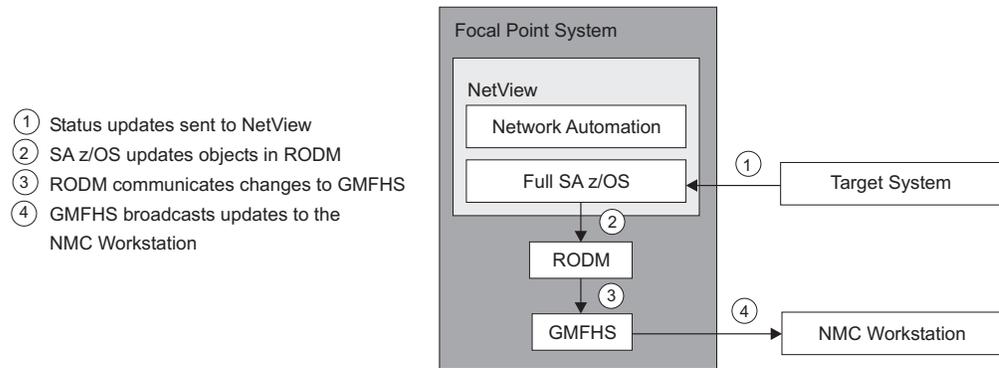


Figure 5. SA z/OS Enterprise with Networking Automation and System Automation running on the same NetView

Figure 6 illustrates the flow of data from a target system to the focal point when two NetViews are used on the focal point: one for Networking Automation and one for System Automation.

1. The target system data is sent to the Networking NetView at the focal point via Command Handler or Alerts; the AAO AOFSENDALERT will dictate which forwarding mechanism is used. (Alerts from processor operations are sent directly to the Automation NetView).
2. The satellite z/OS automation (focal point) receives the data that is sent from the targets and updates objects in RODM appropriately.
3. NetView Graphic Monitor Facility Host Subsystem (GMFHS) becomes aware of status updates.
4. GMFHS broadcasts updates to the operator workstation.

When an operator initiates a command or routine from a workstation, the action flows back to the Networking NetView for processing in the reverse direction from that shown in Figure 6.

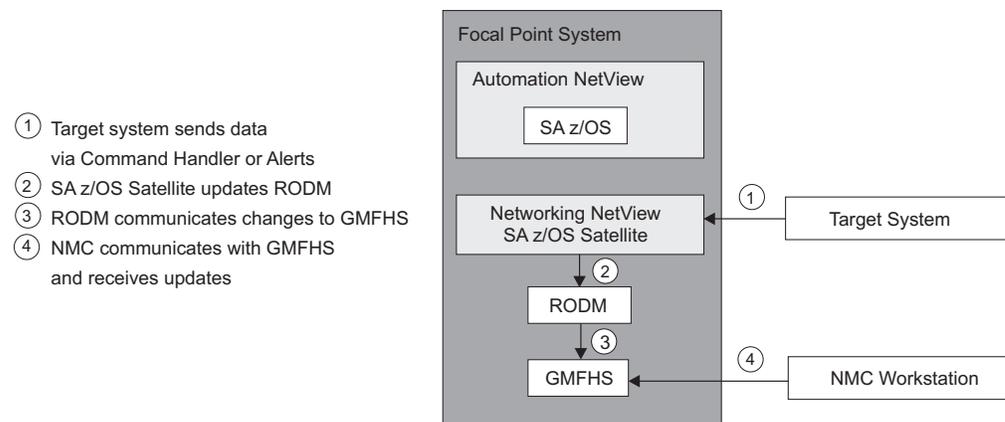


Figure 6. SA z/OS Enterprise Using a Networking NetView and an Automation NetView

## Running Multiple NetViews

---

## Chapter 6. Planning for Automation Connectivity

The Focal Point System and Its Target Systems . . . . .	35	BCP internal interface considerations . . . . .	39
Defining System Operations Connectivity . . . . .	35	Task Structure for Processor Operations . . . . .	39
Multiple NetViews . . . . .	35	Target Control Tasks . . . . .	40
Overview of Paths and Sessions . . . . .	35	Message Monitor Tasks . . . . .	40
Message Forwarding Path . . . . .	36	Recovery, Start, Polling and General	
Gateway Sessions . . . . .	36	Management Tasks . . . . .	40
Automatically Initiated Terminal Access		Planning Processor Operations Connections . . . . .	41
Facility (TAF) Fullscreen Sessions . . . . .	38	Preparing the Processor Operations Focal Point	
Using Focal Point Services . . . . .	38	System Connections . . . . .	41
Defining Processor Operations Communications		TCP/IP Firewall-Related Information . . . . .	41
Links . . . . .	39	Preparing the Alternate Focal Point System	
Meeting Availability Requirements. . . . .	39	Connections . . . . .	41
Backup Support Element . . . . .	39	Connection Example . . . . .	41
Alternate Focal Point System . . . . .	39	Preparing the Target System Connections . . . . .	42
Alternate Focal Point for SNMP connections . . . . .	39	Defining I/O Operations Communications Links . . . . .	42

This chapter provides background on SA z/OS. It includes what a focal point system is and what targets are, and how to define a network of interconnected systems, known as an *automation network*, to SA z/OS for purposes of monitoring and controlling the systems. The procedures and examples in this chapter assume that VTAM definitions for systems in the automation network are in place and available as input.

---

### The Focal Point System and Its Target Systems

SA z/OS allows you to centralize the customization, monitoring, and control functions of the multiple systems or images that make up your enterprise using a single, centrally located z/OS system. This controlling z/OS system is called the focal point system. The systems it controls are called target systems. These systems communicate using XCF and NetView facilities.

---

### Defining System Operations Connectivity

This section discusses the following aspects of defining system operations connectivity:

- “Multiple NetViews”
- “Overview of Paths and Sessions”

#### Multiple NetViews

The number of NetViews that run in your SA z/OS complex affects how you plan for it. SA z/OS can operate with just one NetView at its focal point. It is your decision whether you want to run the *Networking Automation* and the *System Automation* on separate NetViews.

#### Overview of Paths and Sessions

This section provides an overview of the following:

- “Message Forwarding Path” on page 36
- “Gateway Sessions” on page 36

## Defining System Operations Connectivity

### Message Forwarding Path

SA z/OS generates and uses messages about significant actions that it detects or takes such as a resource status change. In addition to sending these messages to operators on the same system, SA z/OS can forward them from target systems to a focal point system and can route commands and responses between systems, using a message forwarding path. This path is defined in your policy. Key components in a message forwarding path include:

- A primary focal point system
- A backup focal point system
- A target system or systems
- Gateway sessions connecting systems. Gateway sessions use inbound and outbound gateway autotasks. Communication is via the NetView RMTCMD or XCF when the focal point system and target system are in the same sysplex.

Using a message forwarding path, a focal point system can monitor several target systems.

SA z/OS uses notification messages to update the status of resources displayed on the status display facility (SDF). Routing notification messages over the message forwarding path helps consolidate monitoring operations for multiple systems on the SDF at a focal point system. See *IBM Tivoli System Automation for z/OS User's Guide* for details on configuring SDF for a focal point system-target system configuration.

### Gateway Sessions

**Outbound and Inbound Gateway Autotasks:** Each gateway session consists of:

- Two gateway autotasks on each system:
  - One autotask for handling information outbound from a system, called the outbound gateway autotask. This establishes and maintains all connections to other systems. It sends messages, commands, and responses to one or more systems.
  - One autotask for handling information incoming from another system, called the inbound gateway autotask. A system can have one or more inbound gateway autotasks, depending on the number of systems to which it is connected.

Figure 7 shows a single gateway between two SA z/OS agents, ING01 and ING02.

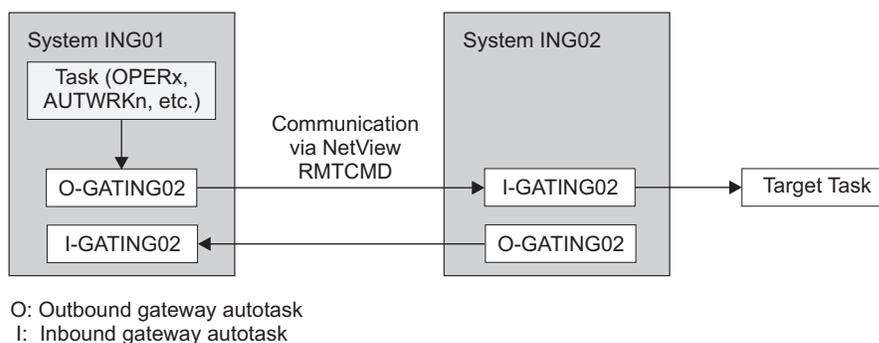


Figure 7. Single Gateway Example

## Defining System Operations Connectivity

There is one task handling all outbound data. This task is set up at SA z/OS initialization time. Normally the task has a name that begins with GAT and ends with the domain name. So for ING01, the gateway task is GATING01.

When VTAM becomes active, the gateway task (GATOPER) issues a CONNECT call to the remote system, ING02 in our example. If the GATING01 task on the remote system is not already active, it will be started automatically by NetView.

All requests initiated by system ING01 and destined for system ING02 use the task pair GATING01. Likewise all requests that originate on system ING02 and are destined for system ING01 use the pair GATING02. In other words the communication is half-duplex. There is one task pair responsible for the outbound traffic while another task pair is in charge of the inbound traffic. Each pair consists of a sender - running on the local system and receiver that runs on the remote system.

Disallowing the starting of the receiver task protects the local system from getting requests from the remote system.

The task structure is similar when using XCF as the communication vehicle. Using the "GATxxxx" task as the receiving and processing task on the remote side gives a dedicated task pair for the communication between the two systems. This task pair exists twice, once for each outbound communication. It is important to notice that the standard RPCOPER is not used for the processing of the remote procedure call.

In the automation policy for each system in an automation network, you need to define only the outbound gateway autotask (see *IBM Tivoli System Automation for z/OS Defining Automation Policy*). However, in the NetView DSIPARM data set member DSIOPF, you must define all gateway autotasks, both inbound to and outbound from a system, as operators.

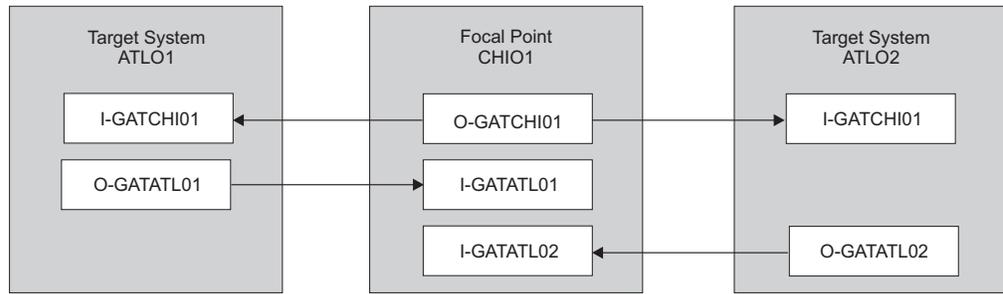
You define the outbound gateway autotask by defining the GATOPER policy item for the Auto Operators policy object in the customization dialog. You must specify an operator ID associated with the GATOPER function in the Primary field on the Automation Operator NetView panel. See *IBM Tivoli System Automation for z/OS Defining Automation Policy* for more information.

For this example, the operator ID for the system CHI01 outbound gateway autotask is GATCHI01. Similarly, any operator ID for an inbound gateway autotask is the prefix GAT combined with the inbound gateway domain name.

Figure 8 on page 38 shows three systems: CHI01, ATL01, and ATL02. System CHI01 is the focal point for forwarding messages from target systems ATL01 and ATL02. In Figure 8 on page 38, gateways are designated as follows:

- O** Outbound gateway autotask
- I** Inbound gateway autotask.

## Defining System Operations Connectivity



O: Outbound gateway autotask  
I: Inbound gateway autotask

Figure 8. Example Gateways

**How Gateway Autotasks Are Started:** Gateway autotasks establish a connection between systems when any system receives the following NetView message:

```
DSI112I NCCF READY FOR LOGON AND SYSTEM OPERATOR COMMANDS
```

When this message is received, the following steps occur:

1. The outbound gateway autotask tries to establish an outbound session with the remote system.
2. A gateway session between two systems is established when the outbound gateway autotask has established its outbound session to the remote system.

This process automatically establishes outbound and inbound connections for systems without human operator intervention.

**How Gateway Sessions Are Monitored:** Optionally, gateway sessions can be monitored by a command that is executed periodically. The time interval is set in the **Gateway Monitor Time** field in the SYSTEM INFO policy item for the System policy object.

See *IBM Tivoli System Automation for z/OS Defining Automation Policy* for details. The ID of the timer created to monitor gateway sessions is AOFGATE. This timer will not be set if NONE is entered for Gateway Monitor Time.

If SA z/OS detects that any gateway session is inactive during the monitoring cycle, it tries to restart the session.

### Automatically Initiated Terminal Access Facility (TAF) Fullscreen Sessions

Using the FULL SESSIONS policy item of the Network policy object, you can set up automatically-initiated terminal access facility (TAF) fullscreen sessions from within SA z/OS. *IBM Tivoli System Automation for z/OS Defining Automation Policy* describes how to define applications with which SA z/OS operators can establish TAF sessions automatically using the SA z/OS NetView interface.

### Using Focal Point Services

Once an automation network is configured, you can use the message forwarding path to route messages, commands, and responses between systems. SA z/OS operators can display the status of gateway autotasks and TAF fullscreen sessions using the SA z/OS operator commands. Details on these operator activities are in *IBM Tivoli System Automation for z/OS User's Guide*.

### Defining Processor Operations Communications Links

After determining that you plan to use the processor operations functions, you must decide the type of communication link from your focal point system to your support element. Processor operations supports the following types of communication connections:

- SNMP
- TCP/IP

### Meeting Availability Requirements

In order to reduce the interruption time in case of processor operations communication problems, the following facilities are available:

- Backup Support Element
- Alternate focal point system

#### Backup Support Element

Selected types of the CMOS-S/390 processor family and all zSeries processors have a second Support Element installed, operating in hot-standby mode. If the primary Support Element fails, the backup SE is automatically activated as the new primary Support Element. The SE configuration information is always duplicated, so the new primary SE has the same configuration information as the failing one including the SNA or IP network addresses.

#### Alternate Focal Point System

An alternate focal point system can be used, in addition to the primary focal point system, to minimize the effect of a focal point system outage. If a focal point system must remain operational all the time, an alternate focal point system can be operated in a take-over mode.

#### Alternate Focal Point for SNMP connections

If you plan to use a second focal point system for your processor operations SNMP connections, make sure that the TCP/IP USS stack is always up and that your IP network allows the communication between the alternate focal point and the Support Elements.

#### BCP internal interface considerations

If you have customized SA z/OS to use the BCP internal interface for the sysplex hardware automation, each system being a member of the sysplex has its processor hardware connection activated and can issue hardware requests to the SEs of the other sysplex members. The SA z/OS internal code routes the supported hardware commands only to a system in the sysplex with a functioning hardware interface to make sure the request can be processed successfully.

### Task Structure for Processor Operations

For processor operations there is a task structure that is modular; distinct types of SA z/OS tasks handle different work assignments. The types of SA z/OS tasks are:

- Target control tasks
- Message monitor tasks (used for SNMP and TCP/IP connections only)
- Recovery task
- Start task
- Polling task

## Defining Processor Operations Communications Links

SA z/OS allows up to 999 tasks of each of the first three types, but only one recovery task and one processor operations start task. Because SA z/OS tasks are z/OS tasks that require system services and also add to the load running in the NetView address space, you should only define as many tasks as are needed.

The following guidelines help you match the number of SA z/OS tasks to your SA z/OS configuration.

- The number of message monitoring tasks for target systems connected with a SNMP connection should be identical to the number of target control tasks in your environment.
- The number of target control tasks should be less than or equal to the number of target hardware defined. If you plan to use the processor operations group and subgroup support for the common commands, the total number of target control tasks should be equal to the number of concurrently active target hardware systems.
- In consideration of focal point performance, limit the total number of tasks to a number your system can handle.

### Target Control Tasks

The number of target control tasks is automatically calculated and set.

Target control tasks process commands. A target system is assigned to a target control task when the target system is initialized. More than one target system can be assigned to the same target control task. A target control task is a NetView autotask.

### Message Monitor Tasks

The number of message monitor tasks is automatically calculated and set.

Message monitor tasks receive SNMP traps from the Support Element's SNMP clients and receive messages from the PSMs and their associated VM second level systems at the focal point system. The traps and messages are broadcast to the appropriate tasks and operators.

### Recovery, Start, Polling and General Management Tasks

Automation for resource control messages runs under the recovery task, which is a NetView autotask. Processor operations also uses the recovery task for processing of recovery automation commands. Normally, this task is idle. It is generated automatically when you generate NetView autotask definitions from the configuration dialogs.

The startup task, a NetView task, is used to establish the processor operations environment with the NetView program and to start the other NetView tasks needed for processor operations to function. The startup task is only active during processor operations start (ISQSTART).

The polling task, another NetView task, is used to poll the processors using NetView connections. You determine both the polling frequency and polling retries to be attempted. (These polling functions are specified using the NetView connection path definition panels in the configuration dialogs.) This task is generated automatically when you generate the NetView Autotask definitions from the customization dialogs. This NetView task enables SA z/OS to verify and update operations command facility-based processor status.

The general management task is used for message automation in case the recovery task is not available because of other workloads.

---

### Planning Processor Operations Connections

This section describes making the hardware connections. It is divided into subsections for each set of hardware connections:

- “Preparing the Processor Operations Focal Point System Connections” and “Preparing the Alternate Focal Point System Connections” for focal point system connections
- “Preparing the Target System Connections” on page 42 for target system connections. This section also discusses complex connection configurations.

### Preparing the Processor Operations Focal Point System Connections

The physical path for the focal point system consists of connections from the HMC, SE, or PSM to the focal point system. SA z/OS processor operations supports the following types of communication connections:

- SNMP
- TCP/IP

### TCP/IP Firewall-Related Information

The TCP/IP SNMP connections of ProcOps use port number 3161. This is the port number that Support Elements or Hardware Management Consoles use to communicate with SA z/OS ProcOps or other applications using the z900 API.

In case you have firewalls installed between the processor LAN and the LAN that SA z/OS ProcOps belongs to, make sure port 3161 is registered to prevent SE/HMC responses from being rejected.

### Preparing the Alternate Focal Point System Connections

An alternate focal point system can be connected to your DP enterprise in addition to the primary focal point system.

The physical connection path for the alternate focal point system is identical to that for the primary focal point system. As with the primary focal point system, SA z/OS processor operations supports the following types of communication connections:

- SNMP
- TCP/IP

### Connection Example

Figure 9 on page 42 shows an alternate focal point system as well as a primary focal point system connected from an IP network to the processor hardware LAN.

With SNMP, a connection can be established either to the Support Element of a CPC, or to an HMC. This HMC must have the CPCs defined you want to manage.

With TCPIP, a connection can be established to a ProcOps Service Machine on a VM host (PSM).

## Planning Processor Operations Connections

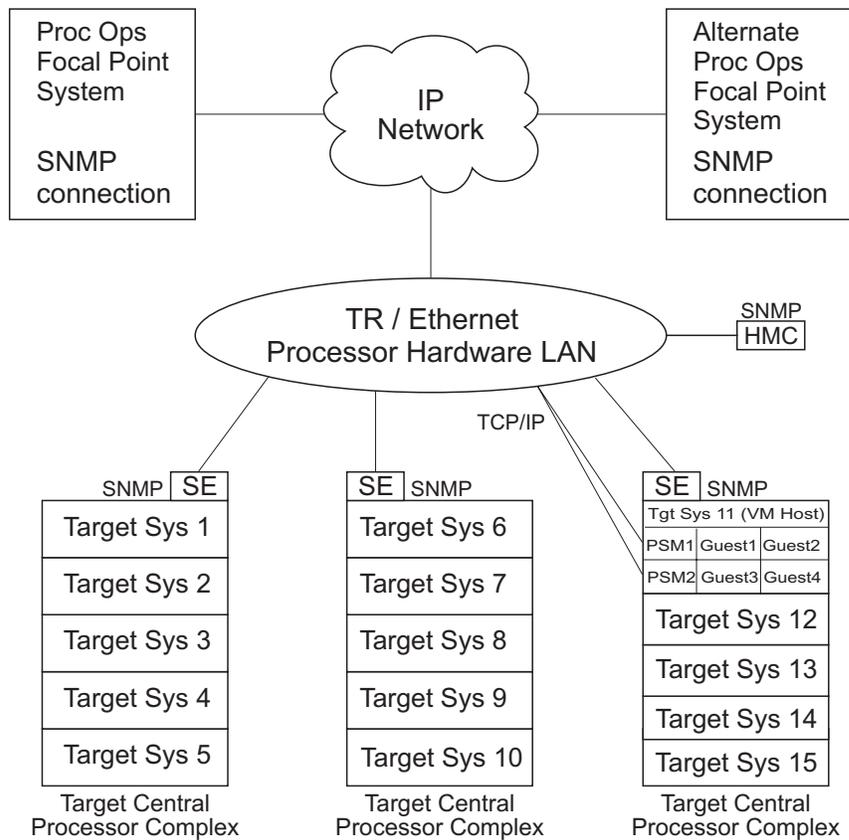


Figure 9. Alternate and Primary Focal Point System Connections from an IP Network to the Processor Hardware LAN

## Preparing the Target System Connections

The supported processor hardware allows you to use the attached Support Element or an HMC (SNMP connections only), connected to the processor hardware LAN for hardware operations management tasks and for operating system control. The Console Integration (CI) function of the SE or HMC is used by processor operations to send commands to an operating system and to receive messages from an operating system. The Operations Command Facility (OCF) of the SE or HMC is used to perform tasks like SYSTEM RESET, LOAD, or ACTIVE.

The usage of CI by processor operations is intended to automate system initialization and recovery tasks. For day-to-day console operation tasks, processor operations CI usage should supplement the operating system command routing facilities of SA z/OS or the available console devices like the 2074 control units.

## Defining I/O Operations Communications Links

When you use I/O-Ops on one system to make an operational change to an I/O resource, such as a shared Switch Director, it coordinates the change with other copies of I/O-Ops on other systems. This is especially important when the result of the action you are taking removes connectivity, that is, disables I/O paths, so that the systems do not lose access to critical resources. Each copy of I/O-Ops interacts with its local system image (for example, through VARY) so that the operating system has the chance to *vote* on the changes. If one system fails in VARYing the

## Defining I/O Operations Communications Links

| path of a device, I/O-Ops interprets this as a vote of *no* and fails the operation.  
| This behavior is called *safe-switching* (see “Safe Switching” in *IBM Tivoli System*  
| *Automation for z/OS Operator’s Commands*). The copy of I/O-Ops that you initiated  
| the operation from then interacts with the other copies on the affected system  
| images to back out VARYs that were successful.

| The copies of I/O-Ops across your systems also use the network to share  
| information with each other on changes to the I/O configuration and to provide  
| displays that collect I/O information from multiple systems. To do this, the  
| I/O-Ops functions on each system image need to intercommunicate by establishing  
| TCP/IP or VTAM sessions between each other. All systems that share access to a  
| given Switch Director should run I/O-Ops to provide safe-switching protection.  
| Those copies of I/O-Ops that do share access to a Director automatically discover  
| each other and establish sessions each time they start.

| You can also use the Reset Host function of I/O-Ops to force two copies of  
| I/O-Ops that do not share any Switch Directors to establish communications. This  
| is useful if you want to benefit from the I/O-Ops multisystem I/O graphic  
| displays or use its multisystem version of Remove CHP, Restore CHP, Remove  
| Device, or Restore Device, even across system images that don't use Switch  
| Directors or have no reason to share them.

| To plan for this function, you must review the I/O configuration across the  
| systems that you will define as an enterprise in I/O-Ops. You should plan to  
| include in one enterprise all system images that share a given Switch Director, in  
| order to benefit from the I/O-Ops configuration change protection and displays.

| To enable the VTAM sessions, you must create VTAM definitions as described in  
| “Step 17B: Perform VTAM Definitions” on page 104 to support communications  
| between I/O-Ops defined as a VTAM application in each of them.

| Where images do not automatically use those definitions to start sessions, because  
| they do not share Switch Directors, you should plan local procedures to use the  
| I/O-Ops Reset Host function to force I/O-Ops applications to start the sessions.



---

## Chapter 7. Naming Conventions

SA z/OS System Names . . . . .	45	Naming Control Unit Ports . . . . .	46
Cloning on z/OS Systems . . . . .	45	Methods of Naming Ports . . . . .	47
Further Processor Operations Names . . . . .	46	Using Port Logical Names . . . . .	47
Switch Director Ports . . . . .	46	Using Generic Logical Names . . . . .	48
Reasons for Naming Switch Ports . . . . .	46	Command Usage Examples with Generic Logical	
Suggestions for Naming Switch Director Ports . . . . .	46	Names . . . . .	48
Naming CHPID Ports . . . . .	46		

---

### SA z/OS System Names

The information in this section describes name requirements for z/OS systems and for processor operations functions.

All system names defined with the customization dialog in one policy database must be unique.

If your system names currently contradict this restriction, you must change the names before using SA z/OS.

System names defined in the customization dialog for z/OS, VM, TPF, or LINUX systems can have up to 20 characters and must be unique within the SA z/OS enterprise.

When you name elements of your SA z/OS processor operations, use a logical format to create names that are clear to the people using them. The following names can consist of 1 to 8 alphanumeric characters (A-Z, a-z, 0-9, #, \$, @), cannot contain blanks, and must begin with an alphabetic character:

- Processor or target hardware names
- Target system names
- Focal point name

Processor or target hardware system names, target system names, group names for target systems, and subgroup names for target systems must all be different from one another. Target system names must also be different from processor operations names. For any given system, however, its system name can equal its own processor operations name.

Group and subgroup names for target systems can consist of up to 20 alphameric characters.

Sysplex group names should not be more than 8 characters in length because they are used to address the sysplex or subplex.

---

### Cloning on z/OS Systems

The SA z/OS cloning capability allows you to specify up to 36 clone IDs to identify a system and to identify an application. These clone IDs are then used to qualify the application job name to ensure a unique job name for each system. The names given to each of these clones must be unique. The z/OS system symbolics and the NetView &domain. variable can also be used.

### Further Processor Operations Names

Image, Load, and Reset profile names are defined at the support element of an OCF-based target processor. They must consist of the characters A-Z and 0-9. Secondary OCF and Image profile names can be up to eight characters; Reset and Load profile names can be up to sixteen characters.

---

### Switch Director Ports

This section offers suggestions for naming Switch Director ports (dynamic switch ports) and fully utilizing these names in I/O-Ops display and connectivity commands.

#### Reasons for Naming Switch Ports

Assigning names to switch ports:

- Provides an indication of what is on that port. For example, CP01.SYSA.CHP38 indicates that this port is physically connected to processor CP01, on system SYSA, on CHPID 38.
- Allows you, when issuing I/O-Ops connectivity commands, to refer to ports by name. For example, BLOCK 3490.46233.CU1.E \* blocks the port connected to interface E of control unit side 01, on the 3490 control unit with serial number 46233. See “Using Port Logical Names” on page 47.
- Allows you, when issuing I/O-Ops connectivity commands, to change connectivity of an entire system to a control unit. For example, PROHIBIT CP01.SYSA\* 3990.35182\* \* removes connectivity from all ports on system SYSA of processor CP01, from all ports on the 3990 control unit with serial number 35182. See “Using Generic Logical Names” on page 48.

#### Suggestions for Naming Switch Director Ports

When naming ports, you should choose names that help identify what the port is connected to. This simplifies the task of entering commands when connectivity changes are required. Following are some suggestions for naming CHPID ports and control unit ports, followed by a figure displaying those ports in an actual configuration.

##### Naming CHPID Ports

Name the CHPID ports with three parts: the processor name, followed by the system image name, followed by the CHPID number. For example:

```
CP02.SYSC.CHP40
```

is the port name associated with CHPID 40, on system SYSC of processor CP02.

##### Naming Control Unit Ports

Name the control unit ports with four parts: the device type, followed by the serial number, followed by the storage cluster (or control unit side), followed by the interface letter. For example:

```
3990.35182.SC1.E
```

is the port name associated with the 3990 with serial number 35182, on storage cluster 1, interface E.

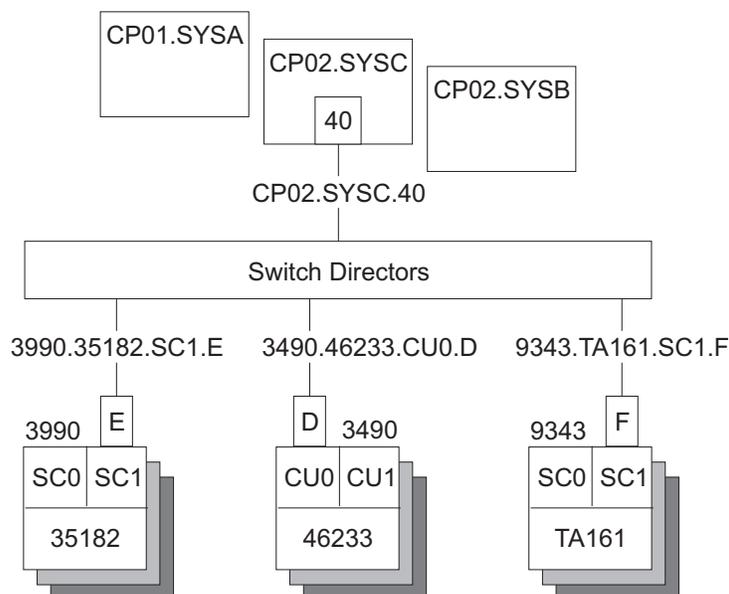


Figure 10. Examples of Port Names in a Configuration

## Methods of Naming Ports

You can assign names to ports using the following methods:

- The WRITE command.

You can use the following command to write the name CP01.SYSB.CHP38 to port D3 on switch 100:

```
WRITE CP01.SYSB.CHP38 (D3) 100
```

This command is available on the operator command line, the ISPF command line, the workstation feature command builder, and the port settings notebook.

- The matrix editor.

You can use the matrix editor to enter a name next to the port number; then send the matrix to the switch. This interface is available on ISPF and the workstation.

- EXECs.

You can create an EXEC to send a series of name assignments to a dynamic switch with, for example, the following commands:

```
WRITE CP01.SYSB.CHP38 (D3) 100
WRITE 3990.35182.SC1.E (F1) 100
```

- The WRITE switch (WRITESWCH).

You can create an EXEC to issue the WRITESWCH command, placing the new name in the WRITESWCH data block.

## Using Port Logical Names

Once names are assigned to ports, you can issue a single command to change the connectivity of one or more switches. The following command blocks the port named 3490.46233.CU1.F on switch 100:

```
BLOCK 3490.46233.CU1.F 100
```

## Naming Conventions

The following command blocks the port named 3490.46233.CU1.F on any switch that contains that name:

```
BLOCK 3490.46233.CU1.F *
```

The following command looks for any switch that has both names, CP02.SYSC.CHP42 and 3490.46233.CU1.F:

```
PROHIBIT CP02.SYSC.CHP42 3490.46233.CU1.F *
```

If both names exist on any switch, those two ports are prohibited from each other.

The use of these commands is limited to one change per switch.

## Using Generic Logical Names

I/O-Ops provides the ability to use an asterisk as a wild card character in commands that use port names. This allows you to make more than one change on each switch.

You can use an asterisk as a name in the DISPLAY NAME, BLOCK, UNBLOCK, ALLOW, and PROHIBIT connectivity commands. For example, suppose you issue the following command:

```
PROHIBIT CP02* 3490.46233* *
```

All switches are searched for ports with names beginning with CP02 (for example, CP02.SYSA.CHP34 and CP02.SYSB.CHP70) and ports with names beginning with 3490.46233 (for example, 3490.46233.CU1.B and 3490.46233.CU0.D). If found, those ports are prohibited from each other.

By using a single command, you can remove connectivity from a entire system to a control unit. However, for this to work properly:

- The names must be consistent across all switches.
- You must issue the connectivity commands from an I/O-Ops system that has access to all switches.

Any names that are not an exact match cause no errors. Any switches that are not affected because they were not accessed cause no errors. You only receive notification if:

- No name match is found on any one switch (warning return code).
- No name match is found on any switch (failure return code).

## Command Usage Examples with Generic Logical Names

The following are some examples of how you can issue I/O-Ops commands using generic logical names:

- Use DISPLAY NAME to show information about the ports specified:

```
DISPLAY NAME CP02.SYSC* *
SWCH          STATUS  I/O
PORT NAME    DEVN    LSN   PORT  H B C  P DEF
CP02.SYSC.CHP22  0400    02    C6   0 B   CH
CP02.SYSC.CHP39  0100    00    EC           P CHCU
CP02.SYSC.CHP35  0100    00    C5           CH
CP02.SYSC.CHPE0  0200    01    E0           CH
```

- Use DISPLAY NAME to show information about the ports for the 3490 with serial number 46233:

```

DISPLAY NAME 3490.46233* *
SWCH          STATUS I/O
PORT NAME    DEVN   LSN   PORT  H B C  P DEF
3490.46233.CU0.D    0100   02    C0           CU
3490.46233.CU0.F    0200   01    F6           CU
3490.46233.CU1.A    0300   00    E7           P CU
3490.46233.CU0.C    0400   03    C1           CU

```

- Use BLOCK to remove access to a 3490 with serial number 46233 (four variations):

```

BLOCK 3490.46233.CU0.D *           (for one port on some switch)
BLOCK 3490.46233.CU0* *           (for one CU side)
BLOCK 3490.46233* *             (for one CU)
BLOCK 3490.46233* 100           (for one CU through SW 100)

```

Notice that the first BLOCK command affects only one switch because there should be only one port with the name 3490.46233.CU0.D.

- Use PROHIBIT and then ALLOW to remove access from one host to one 3490 and give access to another host:

```

PROHIBIT CP02.SYSC* 3490.46233* * (affects multiple paths)
ALLOW    CP01.SYSA* 3490.46233* * (affects multiple paths)

```

- Use PROHIBIT to remove access from one host to all 9343s to show results:

```

PROHIBIT CP02.SYSA* 9343* *
DISPLAY  NAME      9343* *
SWCH          STATUS I/O
PORT NAME    DEVN   LSN   PORT  H B C  P DEF
9343.TA161.SC0.A    0100   02    E0           P CU
9343.TA161.SC0.B    0200   01    E1           P CU
9343.TA161.SC1.A    0300   00    E2           P CU
9343.TA161.SC0.C    0400   03    E1           P CU

```

In summary, you can use generic logical names to control system connectivity without being concerned about individual ports and switches.



---

## Part 2. Installation

This part provides instructions for:

- Chapter 8, “Installing SA z/OS on Host Systems,” on page 53
- Chapter 9, “Installing SA z/OS Workstation Components,” on page 137



## Chapter 8. Installing SA z/OS on Host Systems

Overview of Installation Tasks . . . . .	55	Enable the SE API and Set the Community Name . . . . .	83
Step 1: SMP/E Installation . . . . .	56	Step 7E: Updating Firewall Information . . . . .	85
Step 2: Allocate System-Unique Data Sets . . . . .	58	Connection protocol SNMP . . . . .	85
Step 2A: Data Sets for NetView . . . . .	59	Step 8: Preparing the VM PSM . . . . .	85
Step 2B: Data Sets for I/O Operations . . . . .	59	Installing the PSM Code on VM . . . . .	85
Step 2C: Data Sets for Automation Agents . . . . .	60	Configuration . . . . .	86
Step 2D: Data Sets for Automation Managers (PPrimary Automation Manager and Backups) . . . . .	60	Customizing the PSM . . . . .	87
Step 3: Allocate Data Sets for the ISPF Dialog . . . . .	62	ISQADDRS DATA . . . . .	87
Step 4: Customize SYS1.PARMLIB Members . . . . .	63	ISQPARM DATA . . . . .	88
Step 4A: Update IEAAPFxx . . . . .	63	Logger Files . . . . .	89
Step 4B: Update SCHEDxx . . . . .	64	Step 9: Customizing the Automation Manager . . . . .	89
Step 4C: Update MPFLSTxx . . . . .	64	Step 9A: XCF Characteristics . . . . .	89
Step 4D: Update LPALSTxx . . . . .	64	Step 9B: Customizing HSAPRMxx . . . . .	89
Step 4E: Update LNKLSTxx . . . . .	65	Step 9C: ARM Instrumentation of the Automation Manager . . . . .	89
Step 4F: Update IEFSSNxx . . . . .	65	Step 9D: Security Considerations . . . . .	90
Step 4G: Update JES3INxx . . . . .	66	Step 10: Customizing the Component Trace . . . . .	91
Step 4H: Update SMFPRMxx . . . . .	66	Step 11: Customizing the System Logger . . . . .	91
Step 5: Customize SYS1.PROCLIB Members . . . . .	66	Step 12: Install ISPF Dialog Panels . . . . .	93
Step 5A: NetView Startup Procedures . . . . .	67	Step 12A: Allocate Libraries for the Dialogs . . . . .	93
Step 5B: Startup Procedures Required for System Operations Only . . . . .	67	Alternative 1: Dynamic Allocation using INGDLG . . . . .	94
Step 5C: I/O Operations Startup Procedure . . . . .	69	Alternative 2: Add to the TSO Logon Procedure . . . . .	94
Step 6: Customize NetView . . . . .	69	Step 12B: Invoking the ISPF Dialogs . . . . .	96
Step 6A: Customize NetView Alert Information . . . . .	69	Using INGDLG . . . . .	97
Step 6B: Customize NetView DSIPARM Data Set . . . . .	70	Using TSO Logon or Your own Automation Procedure . . . . .	97
Step 6C: Modifying NetView DSIPARM Definitions for an Automation Network . . . . .	74	Step 12C: Reconvert I/O Operations Panels . . . . .	98
AOFOPFGW Modifications . . . . .	74	Step 12D: Verify the ISPF Dialog Installation . . . . .	98
Step 6D: Customize NetView for Processor Operations . . . . .	75	Step 13: Verify the Number of available REXX Environments . . . . .	98
Step 6E: Customize the NetView Message Translation Table . . . . .	75	Step 14: Customization of Alert Notification for SA z/OS . . . . .	98
Step 6F: Add the INGRXFPG REXX Function Package . . . . .	76	Enabling Alert Notification via SA IOM Peer-To-Peer Protocol . . . . .	99
Step 7: Preparing the Hardware . . . . .	77	Enabling Alert Notification via EIF Events . . . . .	99
Step 7A: Preparing the HMC (Console Workplace 2.8 and Earlier Versions) . . . . .	77	Starting the Event/Automation Service . . . . .	100
Enable the HMC API and Set the Community Name . . . . .	77	Configuring the Global Initialization File . . . . .	100
BCP Internal Interface . . . . .	77	Configuring the NetView Message Adapter Service . . . . .	100
SNMP . . . . .	78	Enabling Alert Notification via XML . . . . .	101
HMC Object Definition . . . . .	79	Enabling Alert Notification via User-Defined Alert Handler . . . . .	101
Step 7B: Preparing the HMC (Console Workplace 2.9 and Later Versions) . . . . .	79	Step 15: Compile SA z/OS REXX Procedures . . . . .	101
Enable the HMC API and Set SNMP Community Names . . . . .	79	Step 16: Defining Automation Policy . . . . .	102
BCP Internal Interface . . . . .	80	Step 16A: Build the Control Files . . . . .	102
CPC Object Definitions on the HMC . . . . .	81	Step 16B: Distribute System Operations Configuration Files . . . . .	103
Step 7C: Preparing the SE (Console Workplace 2.8 and Earlier Versions) . . . . .	81	Step 17: Define Host-to-Host Communications . . . . .	103
Configure SNMP . . . . .	81	Step 17A: Customize the SYS1.VTAMLST Data Set . . . . .	103
Enable the API and Set the Community Name . . . . .	83	Step 17B: Perform VTAM Definitions . . . . .	104
Set the Cross Partition Flags . . . . .	83	Cross-domain definitions . . . . .	105
Step 7D: Preparing the SE (Console Workplace 2.9 and Later Versions) . . . . .	83	APPN Definitions . . . . .	106

## Installing SA z/OS on Host Systems

Step 17C: Perform TCP/IP Definitions . . . . .	107	Step 27A: SIT or Startup Overrides . . . . .	123
Step 18: Enabling SA z/OS to Restart Automatic Restart Manager Enabled Subsystems . . . . .	108	Step 27B: Program List Table Definitions . . . . .	123
Step 19: Define Security . . . . .	108	Step 27C: Define Consoles . . . . .	124
Step 20: Customize the Status Display Facility (SDF) . . . . .	109	Step 27D: Transaction and Program Definitions . . . . .	124
Step 21: Check for Required IPL . . . . .	110	Step 27E: DFHRPL and the CICS Automation Library . . . . .	125
Step 22: Automate System Operations Startup . . . . .	110	Step 27F: Add Libraries for NetView . . . . .	125
How to Automate the Automation Manager Startup . . . . .	111	Step 27G: Installing CICSplex SM REXX API . . . . .	125
Step 23: Verify Automatic System Operations Startup . . . . .	112	Step 28: Install IMS Automation in IMS . . . . .	125
Step 24: Install an SA z/OS Satellite. . . . .	112	Step 28A: Specify Required Control Region Parameters . . . . .	125
Step 24A: Customize the Networking NetView or Focal Point NetView Startup Procedure. . . . .	113	Step 28B: Install DFSAOE00 Exit . . . . .	126
Step 24B: Customize the Networking NetView or Focal Point NetView DSIPARM Data Set . . . . .	113	Step 28C: Add Libraries for NetView . . . . .	126
Step 25: Installing and Customizing the NMC Focal Point . . . . .	114	Step 29: Install TWS Automation in TWS . . . . .	126
Step 25A: Preparing for NMC . . . . .	114	Step 29A: Add Libraries to TWS . . . . .	126
Step 25B: Modify the NetView DSIPARM Data Set for the SA z/OS Topology Manager . . . . .	117	Step 29B: Add Libraries to NetView . . . . .	126
NetView Stylesheet . . . . .	117	Step 29C: Update TWS Parameters and Exits . . . . .	127
DSI6INIT . . . . .	118	Step 30: Install USS Automation . . . . .	129
Autotask Operator IDs . . . . .	118	Step 30A: Define UNIX Segments (OMVS). . . . .	129
Operator Profiles . . . . .	119	Using the OMVS Segment with Root UID . . . . .	129
DSICRTTD . . . . .	119	Using the OMVS Segment with Non-Root UID . . . . .	129
DUIFPMEM . . . . .	120	Creating an OMVS Segment by Submitting a Job . . . . .	130
DUIGINIT . . . . .	120	Step 30B: Preparing for USS Automation . . . . .	131
INGTOPOF . . . . .	120	Step 31: Customizing GDPS . . . . .	131
Step 25C: Customize RODM . . . . .	120	Step 31A: Preparing NetView . . . . .	131
Step 25D: Customize the INGTOPOF File . . . . .	120	Step 31B: Preparing the Automation Manager . . . . .	132
Step 25E: Prepare BLDVIEWS Cards. . . . .	122	Step 31C: Defining the Automation Table Used by GDPS . . . . .	132
Step 26: Copy and Update Sample Exits . . . . .	122	Step 32: Customizing I/O Operations . . . . .	133
Step 27: Install CICS Automation in CICS . . . . .	123	Step 32A: Define OMVS Segment. . . . .	133
		Step 32B: Prepare I/O Operations Startup . . . . .	133
		Step 33: Installing Tivoli Enterprise Portal Support . . . . .	135

This chapter describes the tasks required to install SA z/OS components on the SA z/OS host systems. This chapter includes information on installing SA z/OS on both focal point and target systems. The target system installation does not require some of the steps used for the focal point installation. Any installation step that does not apply to the target systems is indicated. Many of the installation steps have corresponding planning activities and explanations in chapters 2 through 6 of this book. Chapter 9 describes installation on workstations.

In this chapter, the single installation steps are marked as either being required for all or certain SA z/OS components or as being *optional*. *Optional* denotes steps that may or may not need to be performed based on your environment, your system management procedures, and your use of the SA z/OS product. For each of these steps you need to decide whether it is required for your installation.

Each optional step explains why it is optional and describes the circumstances when you will need to perform it.

### Notes:

1. The meaning of the term *target system* as used by SMP/E needs to be distinguished from the way the term is used in SA z/OS. As used in SMP/E and when describing the installation of z/OS products and services, a target system is the system on which a product such as SA z/OS is installed. It is the collection of program libraries that are updated during SMP/E APPLY and RESTORE processing. In this publication this meaning of target system is

referred to as an “SMP/E target system”. The usual SA z/OS meaning of a “target system” is a computer system attached to a focal point system for purposes of monitoring and control.

2. In this document, data set names are shown with the high level qualifier ING. You can have a different high level qualifier for your data sets.
3. If ESCON Manager is already installed, consider that SA z/OS *cannot* run together with ESCON Manager on the same system. Running a mixed environment will end up with unpredictable results for example, storage overlay ABEND0C4 or ABEND0C1. See also “Step 4D: Update LPALSTxx” on page 64 and “Step 4E: Update LNKLSTxx” on page 65.

### Overview of Installation Tasks

The major tasks required for installing SA z/OS on a focal point are listed in Table 5.

*Table 5. Installation Tasks for SA z/OS Host Systems. ✓=Required, \*=Optional*

Task	SysOps	ProcOps	I/O Ops
“Step 1: SMP/E Installation” on page 56	✓	✓	✓
“Step 2: Allocate System-Unique Data Sets” on page 58	✓		✓
“Step 3: Allocate Data Sets for the ISPF Dialog” on page 62	✓	✓	✓
“Step 4: Customize SYS1.PARMLIB Members” on page 63	✓	✓	✓
“Step 5: Customize SYS1.PROCLIB Members” on page 66	✓	✓	✓
“Step 6: Customize NetView” on page 69	✓	✓	
“Step 7: Preparing the Hardware” on page 77	✓	✓	
“Step 8: Preparing the VM PSM” on page 85		*	
“Step 9: Customizing the Automation Manager” on page 89	✓		
“Step 10: Customizing the Component Trace” on page 91	✓		✓
“Step 11: Customizing the System Logger” on page 91	*		
“Step 12: Install ISPF Dialog Panels” on page 93	✓	✓	✓
“Step 13: Verify the Number of available REXX Environments” on page 98	✓	✓	
“Step 14: Customization of Alert Notification for SA z/OS” on page 98	*		
“Step 15: Compile SA z/OS REXX Procedures” on page 101	*	*	
“Step 16: Defining Automation Policy” on page 102	✓	✓	
“Step 17: Define Host-to-Host Communications” on page 103	✓	✓	✓
“Step 18: Enabling SA z/OS to Restart Automatic Restart Manager Enabled Subsystems” on page 108	✓		

## Installing SA z/OS on Host Systems

Table 5. Installation Tasks for SA z/OS Host Systems (continued). ✓=Required, \*=Optional

Task	SysOps	ProcOps	I/O Ops
"Step 19: Define Security" on page 108	✓	✓	
"Step 20: Customize the Status Display Facility (SDF)" on page 109	*		
"Step 21: Check for Required IPL" on page 110	✓	✓	✓
"Step 22: Automate System Operations Startup" on page 110	✓	✓	
"Step 23: Verify Automatic System Operations Startup" on page 112	*		
"Step 24: Install an SA z/OS Satellite" on page 112	*		
"Step 25: Installing and Customizing the NMC Focal Point" on page 114	*	*	
"Step 26: Copy and Update Sample Exits" on page 122	*	*	
"Step 27: Install CICS Automation in CICS" on page 123	*		
"Step 28: Install IMS Automation in IMS" on page 125	*		
"Step 29: Install TWS Automation in TWS" on page 126	*		
"Step 30: Install USS Automation" on page 129	*		
"Step 31: Customizing GDPS" on page 131	*		
"Step 32: Customizing I/O Operations" on page 133			✓
"Step 33: Installing Tivoli Enterprise Portal Support" on page 135	*		

### Step 1: SMP/E Installation

SysOps	ProcOps	I/O Ops
✓	✓	✓

Perform the SMP/E installation as described in the *Program Directory* document shipped with this product. This documentation contains the required information about how to build the SMP/E environment.

**Note:** In the steps that follow, sample jobs are all members of the SINGSAMP data set, the SA z/OS sample library.

Table 6 shows a list of target data sets as provided by the SMP/E installation process to be used for production on your system.

Table 6. Target Data Sets

Data Set Name	Description
ING.SINGIMSG	ISPF messages <b>1</b>

Table 6. Target Data Sets (continued)

Data Set Name	Description
ING.SINGINST	SMP/E jobs to install the product alternatively to using SMP/E dialogs <b>2</b>
ING.SINGIPDB	Policy database samples <b>1</b>
ING.SINGIPNL	ISPF panels <b>1</b>
ING.SINGIREX	ISPF REXX execs <b>1</b>
ING.SINGISKL	ISPF skeletons <b>1</b>
ING.SINGITBL	ISPF tables <b>1</b>
ING.SINGJMSG	Kanji NetView messages <b>5</b>
ING.SINGJPNL	Kanji NetView panels <b>5</b>
ING.SINGMOD1	Different SA z/OS modules <b>3</b>
ING.SINGMOD2	Different SA z/OS modules in LINKLST <b>3</b>
ING.SINGMOD3	Different SA z/OS modules in LPALIB <b>3</b>
ING.SINGNMSG	NetView messages <b>3</b>
ING.SINGNPNL	NetView panels <b>3</b>
ING.SINGNPRF	NetView profiles <b>3</b>
ING.SINGNPRM	NetView DSIPARM samples <b>3</b>
ING.SINGNREX	NetView REXX execs <b>3</b>
ING.SINGPWS1	NMC exploitation code <b>4</b>
ING.SINGJPWS	Japanese NMC exploitation code <b>5</b>
ING.SINGSAMP	General samples <b>3</b>
ING.SINGMSGV	For VM second level systems support <b>6</b>
ING.SINGOBJV	For VM second level systems support <b>6</b>
ING.SINGREXV	For VM second level systems support <b>6</b>
ITM.TKANCUS	Installation CLISTs for Tivoli Enterprise Portal (TEP) support <b>7</b>
ITM.TKANMODL	Load modules for TEP support <b>7</b>
ITM.TKANDATV	Data files for TEP support <b>7</b>
ITM.TKANPAR	Parameter files for TEP support <b>7</b>

Table 7 shows a list of the HFS directories that are provided by the SMP/E installation process.

Table 7. HFS Paths

HFS Path	Description
/usr/lpp/ing/adapter	Shell script <b>8</b>
/usr/lpp/ing/adapter/lib	Executable <b>8</b>
/usr/lpp/ing/adapter/config	Configuration file <b>8</b>
/usr/lpp/ing/adapter/data	Customer data/empty at installation <b>8</b>
/usr/lpp/ing/adapter/ssl	Customer data/empty at installation <b>8</b>
/usr/lpp/ing/ussauto	Customer data/empty at installation <b>8</b>
/usr/lpp/ing/ussauto/lib	USS automation executable file <b>8</b>
/usr/lpp/ing/doc	SA z/OS-related documentation

## Step 1: SMP/E Installation

Table 7. HFS Paths (continued)

HFS Path	Description
/usr/lpp/ing/doc/policies	Best practice policy diagrams
/usr/lpp/ing/dist	For distributed connectors
/usr/lpp/ing/dist/tec	Tivoli Enterprise Console (TEC) related code
/usr/lpp/ing/dist/tdi	Tivoli Directory Integrator (TDI) related code
/usr/lpp/ing/dist/omnibus	Tivoli Netcool/OMNIBus-related code
/usr/lpp/ing/sap	SAP-related code

The following list helps you to grant RACF access to the appropriate users of the data sets:

- 1** Data sets of this category are related to ISPF and need to be accessed by everyone that uses the customization dialog.
- 2** Data sets of this category need to be accessed by the system programmer running SMP/E.
- 3** Data sets of this category need to be used by the NetView and automation team responsible for setting up and customizing system automation and I/O operations.
- 4** Data sets of this category need to be accessed by anyone who will be installing the NMC component.
- 5** Data sets of this category are only required if you install Kanji support.
- 6** Data sets of this category are defined in VM setup.
- 7** These data sets are required for Tivoli Enterprise Portal support, where *&shilev* is the high-level qualifier of the SMP/E target libraries used. See also *IBM Tivoli System Automation for z/OS Monitoring Agent Configuration and User's Guide*.
- 8** Files in these directories are used for USS Automation and the end-to-end automation adapter.

---

## Step 2: Allocate System-Unique Data Sets

SysOps	ProcOps	I/O Ops
✓		✓

Certain data sets are required several times across the focal point and target systems. This section tells you which are required on which systems or sysplexes. To allocate these data sets, sample jobs are provided in the following members of the SINGSAMP data set:

- INGALLC0
- INGALLC1
- INGALLC2
- INGALLC3
- INGALLC4
- INGALLC5
- INGALLC6

## Step 2: Allocate System-Unique Data Sets

### Prerequisite for running the jobs:

Before you run these jobs, you need to edit them to make them runnable in your specific environment. To do so, first copy them into your private user library and then follow the instructions that are given in the comments in the jobs.

Note that the values that you fill in (such as the system name) may be different for each system where you run the jobs.

### Step 2A: Data Sets for NetView

SysOps	ProcOps	I/O Ops
✓		

The data sets in Table 8 are required once per automation agent and cannot be shared between automation agents. They need to be referred to in the startup procedure for each automation agent's NetView in "Step 5: Customize SYS1.PROCLIB Members" on page 66.

Table 8. Data Sets for Each Individual Automation Agent

Purpose	Sample job to allocate the data set	Organization	DD name in the NetView startup procedure
User-modified NetView system definitions.	INGALLC0	Sequential	DSIPARM
Stores the NetView reports, listings, files, and output from the security migration tool as well as the reports from the style sheet report generator.	INGALLC0	Sequential	DSILIST
Contains the members to be used when testing the automation table.	INGALLC0	Sequential	DSIASRC
Stores the output report produced from running tests of the automation table.	INGALLC0	Sequential	DSIARPT
Contains VTAM source definitions for the sample network.	INGALLC0	Sequential	DSIVTAM
NetView log data sets	INGALLC0	VSAM	DSILOGP, DSILOGS
NetView trace data set	INGALLC0	VSAM	DSITRCP, DSITRCS
NetView save/restore data set	INGALLC0	VSAM	DSISVRT

### Step 2B: Data Sets for I/O Operations

SysOps	ProcOps	I/O Ops
		✓

The data set in Table 9 on page 60 is required once on each system where you want to have I/O operations available. It cannot be shared between systems. It

## Step 2: Allocate System-Unique Data Sets

needs to be referred to in the I/O operations startup procedure in “Step 5: Customize SYS1.PROCLIB Members” on page 66.

Table 9. Data Sets for I/O Operations

Purpose	Sample job to allocate the data set	Organization	DD name in the I/O operations startup procedure
HCD trace file	INGALLC1	Sequential	HCDTRACE

## Step 2C: Data Sets for Automation Agents

SysOps	ProcOps	I/O Ops
✓		

The data sets in Table 10 are required once per automation agent and cannot be shared between automation agents. They need to be referred to in the startup procedure for each automation agent's NetView in “Step 5: Customize SYS1.PROCLIB Members” on page 66.

Table 10. Data Sets for Each Individual Automation Agent

Purpose	Sample job to allocate the data set	Organization	DD name in the NetView startup procedure
Automation status file	INGALLC2	VSAM	AOFSTAT
Dump file for diagnostic information	INGALLC2	Sequential	INGDUMP

The data set in Table 11 is required once per sysplex and cannot be shared across sysplex boundaries. It needs to be referred to in the startup procedure for each automation agent's NetView in “Step 5: Customize SYS1.PROCLIB Members” on page 66.

Table 11. Data Set for Each Sysplex

Purpose	Sample job to allocate the data set	Organization	DD name in the NetView startup procedure
IPL data collection	INGALLC4	VSAM	HSAIPL

## Step 2D: Data Sets for Automation Managers (Primary Automation Manager and Backups)

SysOps	ProcOps	I/O Ops
✓		

The data sets in Table 12 on page 61 are required once per sysplex or standalone system. In the same sysplex or standalone system, they should be shared by the primary automation manager and its backups, but they cannot be shared across sysplex or standalone-system boundaries. Except for the takeover file, they need to be referred to in the automation manager startup procedure in “Step 5: Customize SYS1.PROCLIB Members” on page 66.

## Step 2: Allocate System-Unique Data Sets

Each subplex requires one separate set of the following:

- The schedule override file
- The configuration information data set
- The automation manager takeover file

Table 12. Data Sets for All Automation Managers in a Sysplex or Standalone System

Purpose	Sample job to allocate the data set	Organization	DD name in the automation manager startup procedure
Schedule override file	INGALLC3	VSAM	HSAOVR
Configuration information data set	INGALLC3	Sequential	HSACFGIN
PARMLIB	INGALLC3	Partitioned	HSAPLIB
Takeover file	INGALLC3	VSAM	—

**Note:** Use the following formula to work out the required size of the takeover file: 4000 records +  $n$  records of 4K, where  $n$  is the maximum numbers of resources.

The data sets in Table 13 must be allocated once for each automation manager. They cannot be shared between an automation manager and its backups on the same system. Therefore, when you edit the sample job that is to allocate the data sets for a particular sysplex or standalone system, make sure that you include a fresh job step for each automation manager that you plan to have on that particular sysplex or standalone system. For more details, see the comments in the INGALLC3 sample.

**Note:** You can safely use the same DD names in each job step because DD names are not shared across job step boundaries.

These files also need to be referred to in the automation manager startup procedure in “Step 5: Customize SYS1.PROCLIB Members” on page 66.

Table 13. Data Sets for Each Individual Automation Manager

Purpose	Sample job to allocate the data set	Organization	DD name in the automation manager startup procedure
Internal trace files (optional)	INGALLC5	Sequential	TRACET0
	INGALLC5	Sequential	TRACET1
ALLOCOUT data set	INGALLC5	Sequential	SYSOUT
ALLOCPRT data set	INGALLC5	Sequential	SYSPRINT
DUMP data set for LE environment	INGALLC5	Sequential	CEEDUMP

The generation data groups (GDGs) in Table 14 on page 62 must be created once for each automation manager. They cannot be shared between an automation manager and its backups on the same system. Therefore, when you edit the sample job that is to create the GDGs for a particular sysplex or standalone system, make sure that you include a new set of GDG definitions for each automation manager that you plan to have on that particular sysplex or standalone system. For more details, see the comments in the INGALLC6 sample.

These files also need to be referred to in the automation manager startup procedure in “Step 5: Customize SYS1.PROCLIB Members” on page 66.

## Step 2: Allocate System-Unique Data Sets

Table 14. Generation Data Groups for Each Individual Automation Manager

Purpose	Sample job to create the GDG	Organization	DD name in the automation manager startup procedure
Internal trace files	INGALLC6	Sequential	TRACET0
	INGALLC6	Sequential	TRACET1
ALLOCOU data set	INGALLC6	Sequential	SYSOUT
ALLOCPRT data set	INGALLC6	Sequential	SYSPRINT
DUMP data set for LE environment	INGALLC6	Sequential	CEEDUMP

## Step 3: Allocate Data Sets for the ISPF Dialog

SysOps	ProcOps	I/O Ops
✓	✓	✓

Use the sample job INGEDLGA in SINGSAMP to allocate data sets that are required for I/O operations and the customization dialog. These data sets are normally allocated only on the focal point system where you use the customization dialog. These data sets include:

- **For system operations and processor operations:**
  - The ISPF table library data set that contains the values you enter in the customization dialog
  - The SA z/OS configuration file: this is the output data set for the customization dialog when building the SA z/OS configuration.

Data Set Name	Purpose
ING.CUSTOM.AOFTABL	ISPF table output library for the customization dialog
ING.CUSTOM.SOCNTL	SA z/OS configuration files

- **For processor operations:**
  - The ISPF table library data set that contains the values you enter in the customization dialog
  - The SA z/OS configuration file: this is the output data set for the customization dialog when building the SA z/OS configuration.
  - The processor operations control file for SA z/OS 3.2 or earlier, generated using the customization dialog, which provides information about your processor operations configuration

Data Set Name	Purpose
ING.CUSTOM.AOFTABL	ISPF customization table for customization dialog
ING.CUSTOM.POCNTL	Processor operations control file

### Step 3: Allocate Data Sets for the ISPF Dialog

- **For I/O operations:**

- The I/O operations configuration file. Because you use the customization dialog to collect information and build control files, you normally need them only at the focal point. The I/O operations dialogs, however, are used to input commands and get responses from the I/O operations part of SA z/OS. Because they do not support multisystem commands for I/O operations functions, you must install them on each system, focal point or target, where you want to use them.

Data Set Name	Purpose
ING.CUSTOM.IHVCONF	I/O operations configuration file

**Note:** Make a note of these data set names. They are used in “Step 12: Install ISPF Dialog Panels” on page 93. If you rename the data sets, you need to adapt the corresponding names in that step.

---

### Step 4: Customize SYS1.PARMLIB Members

SysOps	ProcOps	I/O Ops
✓	✓	✓

The *xx* suffix on each SYS1.PARMLIB data set member can be any two characters chosen to match your IEASYS naming scheme. See *z/OS MVS Initialization and Tuning Reference* for information about IEASYS.

The following sections describe the SYS1.PARMLIB data set members that need to be changed and provide information about how to achieve this.

#### Step 4A: Update IEAAPF<sub>xx</sub>

SysOps	ProcOps	I/O Ops
✓	✓	✓

With DFSMS/MVS, you can define authorized libraries in a PROG<sub>xx</sub> member for dynamic authorized program facility (APF). You can activate a PROG<sub>xx</sub> list using the SET PROG=*xx* command without IPLing the system. Alternatively, you can define authorized libraries to the APF in an IEAAPF<sub>xx</sub> member. For a complete description of dynamic APF and PROG<sub>xx</sub>, see *z/OS MVS Initialization and Tuning Reference*.

Edit the IEAAPF<sub>xx</sub> member to add the following to the authorized program facility (APF):

- ING.SINGMOD1, ING.SINGMOD2, ING.SINGMOD3
- SYS1.SCBDHENU (for I/O operations)

**Note:** Do not include SYS1.NUCLEUS.

## Step 4: Customize SYS1.PARMLIB Members

### Step 4B: Update SCHEDxx

SysOps	ProcOps	I/O Ops
✓		✓

#### Sample: INGESCH

Compare the content of the SCHEDxx member with the INGESCH member that resides in the SINGSAMP sample library. Edit the SCHEDxx member so that it includes all the statements in the INGESCH member.

This enables the NetView subsystem interface address space, the NetView application address space (for the automation agent), the I/O operations address space and the automation manager to run without being swapped out of memory.

I/O operations exploits the MVS component trace and stores intermediate trace records in a data space. Because some trace entries are recorded outside the I/O operations address space, the data space must be common to all users. However, a common data space requires the owning address space to be non-swappable.

### Step 4C: Update MPFLSTxx

SysOps	ProcOps	I/O Ops
✓	✓	

#### Sample: INGEMPF

It is recommended that you update the MPFLSTxx member *after* having installed the ISPF Customization Dialog (see “Step 16: Defining Automation Policy” on page 102). Using the customization dialog you can obtain a list of the messages that are involved in automation. The customization dialog also allows you to define header and trailer lines for the message list, thus building a complete MPFLSTxx member called MPFLSTSA.

In addition SA z/OS provides a sample member called INGEMPF in the SINGSAMP sample library. This contains the IDs of all of the messages that occur in the INGMSGSA NetView automation table that is delivered with SA z/OS. Thus if you concatenate both the INGEMPF member and the dynamically-created MPFLSTSA member, you obtain a list of all of the messages that are used in the INGMSGSA and INGMSG01 automation tables.

Alternatively, update the content of your MPFLSTxx member based on INGEMPF and INGMSGSA, and make sure that all of the messages that are listed there are forwarded to automation.

### Step 4D: Update LPALSTxx

SysOps	ProcOps	I/O Ops
✓	✓	✓

Edit the LPALSTxx member to add ING.SINGMOD3 to the SA z/OS load library. There is no other choice for this library, it must be in the LPALST concatenation.

## Step 4: Customize SYS1.PARMLIB Members

### You can avoid an IPL:

Because ING.SINGMOD3 contains only a few modules, you can also code a PROGxx member that enables a dynamic addition of those modules to the LPALST. If you do this, no IPL is required.

### Notes:

1. Make sure that the SA z/OS load library is cataloged in the master catalog, or copy the members in ING.SINGMOD3 to a data set that is in the master catalog.
2. Be sure you do not have any data sets containing load modules with prefixes of IHV, AOF, ISQ, ING, or HSA in these members.
3. If ING.SINGMOD3 is to be placed in SYS1.PARMLIB member LPALSTxx, ensure the data set organization is of type PDS.

## Step 4E: Update LNKLSTxx

SysOps	ProcOps	I/O Ops
✓	✓	✓

To run SA z/OS, you must ensure that program libraries can be found at startup time.

Add SINGMOD1 (recommended) and SINGMOD2 (mandatory) to the LNKLST concatenation. There is no other choice for these libraries: they **must** be in the LNKLST concatenation.

For the other libraries, either add them to the LNKLST concatenation or add them on STEPLIB DDs in the JCL in SYS1.PROCLIB that is used to start the products.

Adding libraries on STEPLIB DDs will involve performance degradation compared to adding them to the LNKLST concatenation and should therefore be avoided.

z/OS link list data sets no longer have to be cataloged in the master catalog. It is possible to specify a volume in the link list entry for data sets that are cataloged in user catalogs.

## Step 4F: Update IEFSSNxx

SysOps	ProcOps	I/O Ops
✓	✓	

### Sample: INGESSN

Ensure that IEFSSNxx contains all the statements in the INGESSN sample member. If this has already been accomplished during the NetView installation there are no further updates required to this member.

Compare the contents of the IEFSSNxx member with the INGESSN member, which resides in the SA z/OS sample library. Edit the IEFSSNxx member so that it includes the subsystem records from the INGESSN member.

## Step 4: Customize SYS1.PARMLIB Members

This defines:

- Four-character prefix used in the NetView started task names. The four-character prefix that you specify must match the four-character prefix of the NetView started task names. For example, if you specify SYSV, the names of the NetView startup procedure members must be SYSVxxxx, where xxxx are any four characters you choose. If you change this four-character prefix, you can dynamically add this entry using the z/OS command SETSSI. Otherwise you must perform an IPL of z/OS to effect the change.
- JES startup specifying JES2 or JES3 with the NOSTART option. This prevents JES from starting before SA z/OS during the IPL process. If you plan to start JES before NetView, remove the NOSTART option from the following statement:

```
JESx, ,,PRIMARY,NOSTART
```

You can also use the IEFSSN-syntax:

```
JESx,PRIMARY(YES),START(NO)
```

The positional syntax (PRIMARY,NOSTART) is still supported. For the correct syntax of your environment check the *z/OS MVS Initialization and Tuning Reference*.

## Step 4G: Update JES3INxx

SysOps	ProcOps	I/O Ops
✓		

### Sample: INGEJES3

If you are using JES3, compare the contents of the JES3INxx member with the INGEJES3 member which resides in the SINGSAMP sample library. You may want to review these members first to see whether there are entries in the INGEJES3 member that are already in the JES3INxx member. After merging the INGEJES3 member, be sure there are no duplicate entries in the JES3INxx member.

This includes the DUMP options and adds the JES3 parameters.

## Step 4H: Update SMFPRMxx

SysOps	ProcOps	I/O Ops
*		

If you plan to use SMF records for availability reporting you must update the SMFPRMxx member in the SYS1.PARMLIB library by adding type 114 to the SYS(TYPE statement :

```
SYS(TYPE(30,...,114)
```

For the correct syntax of your environment check the *z/OS MVS Initialization and Tuning Reference*.

---

## Step 5: Customize SYS1.PROCLIB Members

SysOps	ProcOps	I/O Ops
✓	✓	✓

## Step 5: Customize SYS1.PROCLIB Members

You need to make some changes to startup procedure members in the SYS1.PROCLIB data set. It is recommended that either you back up the startup procedure members that you are going to change or that you create new members.

### Step 5A: NetView Startup Procedures

SysOps	ProcOps	I/O Ops
✓	✓	

- **NetView Subsystem Interface Startup Procedure**

NetView provides a sample subsystem interface startup procedure in member CNMSJ010. Copy this member from your NetView library and adapt it to your needs:

- Rename it to agree with the four-character prefix defined in the IEFSSNxx member that is described in “Step 4F: Update IEFSSNxx” on page 65.
- Ensure that the SA z/OSMSGIFAC parameter matches the value in the NetView stylesheet. It is recommended that you use the default in both cases.
- Ensure that the PPIOPT parameter is set to PPI.

- **NetView Application Startup Procedure**

You can use the sample provided in the INGENVSA member of the SINGSAMP data set. Copy it to a member of each system's SYS1.PROCLIB data set (for the focal point system as well as for the target systems).

Customize each copy to your needs. In particular, do the following:

1. Make sure that the AOFSTAT, INGDUMP and HSAIPL concatenations include the data sets that you allocated in “Step 2: Allocate System-Unique Data Sets” on page 58.
2. Rename the NetView application startup procedure member to agree with the four-character prefix defined in the IEFSSNxx member, which is described in “Step 4F: Update IEFSSNxx” on page 65. For example, if the name of the NetView application startup procedure is INGExx, INGE must be specified in the IEFSSNxx member as the character prefix.

If you do not make ING01 your domain name, make a note of what your NetView domain name is. This information is needed for system operations. See also *IBM Tivoli System Automation for z/OS Defining Automation Policy* for more information on enterprise definitions.

See *Tivoli NetView for z/OS Installation: Configuring Additional Components* for further details about how to modify the NetView startup procedure.

### Step 5B: Startup Procedures Required for System Operations Only

SysOps	ProcOps	I/O Ops
✓		

- **Automation Manager Startup Procedure**

You can use the sample provided in the INGEAMSA member of the SINGSAMP data set. Copy it to a member of the SYS1.PROCLIB data set of the focal point system.

## Step 5: Customize SYS1.PROCLIB Members

Customize that copy to your needs. In particular, make sure that the DD concatenations mentioned in “Step 2: Allocate System-Unique Data Sets” on page 58 include the data sets that you allocated there. In addition, consider customizing the following point:

- If you prefer not to place the automation manager PARMLIB member in the SYS1.PARMLIB concatenation, include a HSAPLIB DD statement in the automation manager startup procedure (see also “Step 9: Customizing the Automation Manager” on page 89):

```
HSAPLIB DD DSN=ING.PARMLIB, DISP=SHR
```

In place of ING.PARMLIB, use the PARMLIB data set that you allocated in “Step 2: Allocate System-Unique Data Sets” on page 58.

- **Other System Operations Startup Procedures**

Copy the following members from the SINGSAMP data set to members of the SYS1.PROCLIB of the focal point system:

| **HSAPIPLC** This procedure gathers IPL statistics and stores the information  
| in the IPLDATA file. Once set up, you can view sysplex-wide  
| IPL data with the command INGPLEX IPL.

| You can give the procedure any name.

| It is recommended that you define this procedure in your  
| automation policy as an application with the option 'START ON  
| IPL ONLY'.

| Alternatively, you can start this procedure during every IPL.  
| This can be accomplished by adding COM='S HSAPIPLC,SUB=MSTR'  
| to a COMMAND:xx parmlib member that is shared by all  
| systems in the sysplex.

| **INGPHOM** This procedure is used internally by SA z/OS to process sysplex  
| data for CF paths.

| The procedure name must *not* be changed.

| **INGPIPLC** This procedure is used internally by SA z/OS to compare IPL  
| data.

| The procedure name must *not* be changed.

| **INGPIXCU** The procedure is used internally by SA z/OS to process sysplex  
| data for Sysplex utilities (for example, Couple Data Set  
| management, Coupling Facility management, etc.). Once set up,  
| you can view and manage related Sysplex CDS and CF data  
| with the commands INGPLEX CDS and INGPLEX CF.

| The procedure name must *not* be changed.

Follow the customization instructions that are contained in the HSAPIPLC member.

**Note:** These procedures make use of certain data sets and must have the appropriate authorizations. For details refer to “Granting NetView and the STC-User Access to Data Sets” on page 151.

- **Optional: Startup Procedure for the External Writer of the Component Trace**

Copy member HSACTWR from SINGSAMP. At least the SYSNAME parameter must be specified before the procedure is stored in a library of the PROCLIB concatenation.

## Step 5C: I/O Operations Startup Procedure

SysOps	ProcOps	I/O Ops
		✓

You can use the sample provided in the INGEIO member of the SINGSAMP data set. Copy it to a member of each system's SYS1.PROCLIB data set (for the focal point system as well as for the target systems).

Customize these copies according to your needs. In particular, do the following:

- Make sure that the HCDTRACE concatenation in the procedure includes the data set that you allocated for I/O operations in “Step 2: Allocate System-Unique Data Sets” on page 58.

Because z/OS 1.4 HCD has changed the default of the profile option IODF\_DATA\_SPACE from NO to YES, it is no longer necessary to define the HCD profile data set for I/O operations. However, if you need to specify options for HCD tracing, refer to “Defining an HCD profile” in the *z/OS HCD User's Guide* for information about how to create that data set.

---

## Step 6: Customize NetView

SysOps	ProcOps	I/O Ops
✓	✓	

This section discusses how to customize several aspects of NetView:

- “Step 6A: Customize NetView Alert Information”
- “Step 6B: Customize NetView DSIPARM Data Set” on page 70
- “Step 6C: Modifying NetView DSIPARM Definitions for an Automation Network” on page 74
- “Step 6D: Customize NetView for Processor Operations” on page 75
- “Step 6E: Customize the NetView Message Translation Table” on page 75
- “Step 6F: Add the INGRXFPG REXX Function Package” on page 76

### Step 6A: Customize NetView Alert Information

SysOps	ProcOps	I/O Ops
✓		

SA z/OS enterprise monitoring depends upon alert information being passed from remote systems to the focal point. Note that this is only necessary when communication is via NPDA alerts.

The NetView command SRFILTER (or SRF) establishes the conditions governing the recording of data in the hardware monitor database, the generation of messages to the authorized operator, the forwarding of alert data to a NetView focal point, and the coloring of alerts.

To ensure that the alerts required by SA z/OS for enterprise monitoring are not filtered out, the following is recommended:

## Step 6: Customize NetView

- On any focal point system:
  - Issue the command: SRF AREC PASS N \*
- From the remote systems:
  - Issue the command: SRF AREC PASS N \*
  - Issue the command: SRF ROUTE CLEAR

These SRF commands should be included in a startup CLIST or exit because they need to be issued after every NetView startup.

If you do not want to use the SRF AREC PASS N \* command to allow *all* alerts to pass, you should, as a minimum, allow the NTFY event type (*etypes*) to pass.

The NetView SRFILTER command is documented in *Tivoli NetView for z/OS Command Reference Vol. 1*.

## Step 6B: Customize NetView DSIPARM Data Set

SysOps	ProcOps	I/O Ops
✓	✓	

### Sample: INGSTGEN

A sample is provided for this step in the INGSTGEN member of the SINGSAMP library. Copy the contents of INGSTGEN to your CxxSTGEN or CxxSTUSR and customize it to match your installation. See the INGSTGEN sample for further details.

Copy any DSIPARM and SINGNPRM member that you need to customize into a data set allocated in DSIPARM before the SMP/E-maintained NetView DSIPARM and SA z/OS target libraries and edit it there.

Then change the following members in the copied NetView DSIPARM data set:

### NetView Style Sheet

**Tower Statements:** The various SA z/OS components or environments are activated with the following TOWER.SA statements.

#### SysOps

This enables application or more general resource automation.

#### ProcOps

This enables Processor Operations.

#### Satellite

This indicates that the SA z/OS topology manager runs on the Networking NetView for communication with RODM and the NMC.

**GDPS** This enables Geographically Dispersed Parallel Sysplex (GDPS) to run under SA z/OS. Use this definition regardless of the specific GDPS product that is running (GDPS/PPRC, GDPS/PPRC HM, GDPS/XRC or GDPS/GM).

Additionally the following GDPS subtowers are available to distinguish between the GDPS product running on the system:

**PPRC** For GDPS/PPRC

**HM** For GDPS/PPRC HM  
**XRC** For GDPS/XRC  
**GM** For GDPS/GM

Furthermore, code one of the following indicating whether or not this is the production versus K-system:

- PROD for a production system
- KSYS for a K-system

This information is used by SA z/OS to pick up the appropriate definition members that vary for the GDPS controlling system (K system) and the production system. For example, the K system constitutes a subplex of its own and must therefore use a different XCF group name. See the INGSTGEN sample for further details about the SA tower statements.

To enable SA z/OS, make sure that the following TOWER statements are activated in the NetView style sheet (that is, uncomment them):

```
TOWER = SA  
TOWER.SA = SYSOPS
```

**Kanji Support:** If you plan to use Kanji support make sure that you update the NetView style sheet as follows:

1. transTbl =DSIKANJI must be specified.
2. transMember =CNMTRMSG must be uncommented.

For more details, refer to the chapter “Installing the National Language Support Feature” in *Tivoli NetView for z/OS, Installation: Configuring Additional Components*.

**Sample Automation Operator AUTO2:** AUTO1 and AUTO2 are sample automation operators that are used in the initialization of SA z/OS and they cannot be used by NetView for NETCONV sessions or resource discovery. To prevent the AUTO2 sample automation operator being used by NetView, do the following in the style sheet:

1. For NETCONV sessions, blank out AUTO2 in the following statement:  
function.autotask.NetConv = AUTO2

The statement should then be:

```
function.autotask.NetConv = *NONE*
```

2. For resource discovery, choose an autotask *other* than AUTO2 in the following statement:

```
function.autotask.autoip = AUTO2
```

**Timer Catchup Processing:** SA z/OS requires `init.TIMER=N0` for its timer catchup processing. If you do not have any timers defined in the SA z/OS policy or none of the defined timers has the `CATCHUP=YES` option, you can code `init.TIMER=YES` to cause your saved timers to be restored at NetView startup time.

Refer to the NetView documentation for details about customizing the NetView style sheet.

### AOFMSGSY (optional)

If you have renamed any automation tasks in AOFOPFxx, you will need to make corresponding changes to the AOFMSGSY member.

## Step 6: Customize NetView

Copy and edit the AOFMSGSY member that resides in ING.SINGNPRM and do the following:

1. If you want to define actions for messages that the SA z/OS NetView Automation Table does not trigger any actions for, you can use the symbol %AOFALWAYSACTION%.

This synonym contains the action statement that is used for all messages in a Begin-End block that SA z/OS does not trigger any action for. The default, NULL, is that no action will be taken and the message does not continue to search for further matches in the same AT.

See “Generic Synonyms: AOFMSGSY” in *IBM Tivoli System Automation for z/OS Customizing and Programming* for a description of these synonyms.

### NetView Automation Tables

If you need to build NetView Automation Tables (ATs) in a way that is not supported by the customization dialog, you can use the INGMSGU1 fragment for user entries. INGMSGU1 is included before INGMSG02. You can also use the INGMSGU2 fragment for user entries. INGMSGU2 is included after INGMSG02.

If you want to have additional entries that are only valid to your environment, you can use either a separate AT (specified in the customization dialog) or use one of the user includes. The following shows the AT structure:

```
INGMSG01
|
|--- %INCLUDE AOFMSGSY
|
|--- %INCLUDE INGMSGU1
|
|--- %INCLUDE INGMSG02
|
|--- %INCLUDE INGMSGU2
```

### INGXINIT

The communication DST initialization processing will read data that is specified in the DSIPARM member INGXINIT. Copy and edit the INGXINIT member, which resides in ING.SINGNPRM. Uncomment the following parameters and specify your values:

#### GRPID

2-byte XCF group ID. Default is blank.

#### DIAGDUPMSG

This is the number of message buffer IDs that are validated before send and after receive. This is for diagnostic purposes. A value for *nnnn* may be chosen between 0 (no validation) and 99999. The default is 0 and performance decreases with larger values.

#### LIFECYCLE

This parameter allows you to prepare for Life Cycle Recording in order to debug automation manager-related problems. Normally, SA z/OS Service will advise when Life Cycle Recording should be enabled.

The value of *nnnn* defines the size of the data space in number of megabytes (1 through 2097). A value of 500 is recommended and is sufficient in most situations.

The value of *dataset* specifies the fully-qualified DSN to be used when offloading the dataspace to disk.

**Note:** *nnnn* and *dataset* must be separated by a semicolon without intervening blanks. The total length of '*nnnn;dataset*' can be a maximum of 60 bytes.

### LOGSTREAM

This defines whether or not the NetView agent should establish a connection to the system logger at initialization time. The default is YES. If NO is specified, the following logstreams are not available:

- HSA.WORKITEM.LOG
- HSA.MESSAGE.LOG

**PPI** This needs to be set to YES to establish a connection to the end-to-end automation adapter.

### PPIBQL

The number of elements in the PPI queue—this indicates how large the response to a request may be. It should be greater than the number of queue elements that you expect to be returned. The default is 3000.

All input requests flow into the PPI queue, so the buffer queue limit, PPIBQL, should match this. If this limit is exceeded (that is, the queue limit is too small):

- The automation adapter might not be able to send any further requests to the SA z/OS agent, and the agent issues a JNI exception with return code 1735:  
INGX9820E JNI function ingjppi failed with return code 1735.
- The SA z/OS agent might not be able to send any responses to the automation adapter, and an AOF350E message is issued.

If you receive these error messages, increase the buffer queue limit.

Requests are lost, but the end-to-end automation operator will receive exception reports. For more details see *IBM Tivoli System Automation for z/OS End-to-End Automation Adapter*.

All parameter values must match with the respective parameters in the PARMLIB member HSAPRMxx of the automation manager.

You can specify a GRPID to indicate that a subset of the members of an actual z/OS sysplex is defined in a sysplex group. If specified, the ID may contain 1 or 2 characters. Valid characters are A–Z, 0–9, and the national characters (\$, # and @).

The GRPID is prefixed with the string INGXSG to construct the XCF group name that is used for cross system synchronization, for example, INGXSGxy.

If you do not specify a GRPID, the default group name INGXSG is used.

**Note:**

Syntax errors are reported by a message with error code ERRCODE=564. Any syntax errors will stop the initialization process and therefore no automation will be possible.

## Step 6: Customize NetView

The following parsing syntax applies:

- Data can only be specified via key-value-pairs.
- One or more parameters may be specified on one line.
- Each record will be parsed for the keyword.
- Parsing will be stopped and any further input data will be ignored after all keywords listed above are found.
- If the same parameter is specified multiple times, the last one is used.
- For any keyword that was not specified, the default value is blank.
- No blanks between parameters and values are allowed.
- The syntax of a keyword is equal to the syntax of the parmlib member HSAPRMxx.

An example of a valid syntax is:

```
GRPID=XY,LIFECYCLE=500,LOGSTREAM=YES
```

An example of an invalid syntax is:

```
GRPID = 34 , LIFECYCLE = 500
```

### INGCMD

If you want to use the SA z/OS SETTIMER command instead of the NetView SETTIMER command, use the following in the CNMCMDU member:

```
CMDDEF.EZLE600A.CMDSYN=TIMER,TIMERS,TIMR  
CMDDEF.AOFRAATA.CMDSYN=SETTIMER
```

## Step 6C: Modifying NetView DSIPARM Definitions for an Automation Network

SysOps	ProcOps	I/O Ops
✓	✓	

**Note:** The following information refers to setting up a single NetView automation network.

To support an automation network, you need to add or modify NetView definitions in the NetView DSIPARM data set member AOFOPFGW.

### AOFOPFGW Modifications

In the AOFOPFGW member for each system, define the operator IDs used for both outbound and inbound gateway autotasks.

For example, in Figure 8 on page 38, the gateway autotask definitions in AOFOPFGW on system CHI01 are:

```
GATCHI01 OPERATOR  
          PROFILEN AOFPRFAO  
GATATL01 OPERATOR  
          PROFILEN AOFPRFAO  
GATATL02 OPERATOR  
          PROFILEN AOFPRFAO
```

## Step 6D: Customize NetView for Processor Operations

SysOps	ProcOps	I/O Ops
	✓	

To enable SA z/OS, make sure that the following TOWER statements are activated in the NetView style sheet:

```
TOWER = SA
TOWER.SA = SYSOPS PROCOPS
```

For SNMP and BCP internal interface connections, it is mandatory to make the security definitions described in “Controlling Access to the Processor Hardware Functions” on page 158.

Processor operations uses automation table entries for its operation. Make sure that the following automation table fragments are included in its master members:

### ISQMSG01

Processor operations requires the automation table ISQMSG01 for its operation. This table is automatically activated when processor operations is started and deactivated, once it is stopped. This automation table uses symbols defined in AOFMSGSY. Make sure this automation table contains valid definitions for the variables %AOFOPMSU% and %AOFOPNETOPER%, and that it is accessible at processor operations start time.

### ISQMSGU1

This empty member is supplied by processor operations and is included in the ISQMSG01 automation table. By inserting your own automation entries or include statements of your own automation tables here, you can expand processor operations with your own automation routines which may utilize the processor operations supplied command API.

## Step 6E: Customize the NetView Message Translation Table

SysOps	ProcOps	I/O Ops
*		

If you use Kanji support, the NetView Message Translation Table that was specified in the NetView style sheet with the transMember entry needs to be customized. (The NetView default for the Message Translation Table is CNMTRMSG located in library SDSIMSG1.)

Verify that in the CNMTRMSG member the INCLUDE for CNMMSJPN is uncommented:

```
%INCLUDE CNMMSJPN
```

In addition add includes for the SA z/OS Kanji message members at the beginning of CNMTRMSG:

```
%INCLUDE AOFJ
%INCLUDE EVEJ
%INCLUDE EVIJ
%INCLUDE EVJJ
%INCLUDE INGJ
%INCLUDE ISQJ
```

## Step 6: Customize NetView

Note that only the fixed text of the messages has been translated. Any variables inserted into the text cannot be translated using NetView services, even if the variable contains text strings that are in principle translatable.

### Step 6F: Add the INGRXFPG REXX Function Package

SysOps	ProcOps	I/O Ops
✓	✓	

SA z/OS has its own REXX function package, INGRXFPG, that must be made declared to NetView. Add it to the function package table in the NetView DSIRXPRM module. Refer to the CNMSJM11 sample for the default NetView DSIRXPRM module that includes the function package table, and modify it.

The following example shows the package table containing the NetView REXX function package and the SA z/OS REXX function package:

```

*                               PACKTB entry
PACKTB_SYSTEM_TOTAL DC F'2'    Total number of SYSTEM PACKTB
*                               entries
PACKTB_SYSTEM_USED  DC F'2'    Number of used SYSTEM PACKTB
*                               entries
...
      SPACE
PACKTB_USER_ENTRY  DS 0C        REXX USER Function Package Table
*                               Entry
PACKTB_USER_NAME   DC CL8'DSIRXUFP' Name of USER Function Package
PACKTB_LOCAL_ENTRY DS 0C        REXX LOCAL Function Package
*                               Table Entry
PACKTB_LOCAL_NAME  DC CL8'DSIRXLFP' Name of LOCAL Function Package
PACKTB_SYSTEM      DS 0C        REXX SYSTEM Function Package
*                               Table Entry
                                DC CL8'INGRXPFG' Name of SA z/OS Func Package
PACKTB_NAME        DC CL8'DSIRXPFG' Name of SYSTEM Function Package
      SPACE 3
                                END DSIRXPRM                               End of DSIRXPRM module

```

If you plan to use the CICSplex System Manager REXX API, EYU9AR00, edit the package table as shown in the following example containing the NetView REXX function package, the SA z/OS REXX function package, and the CICSplex System Manager REXX API:

```

*                               PACKTB entry
PACKTB_SYSTEM_TOTAL DC F'3'    Total number of SYSTEM PACKTB
*                               entries
PACKTB_SYSTEM_USED  DC F'3'    Number of used SYSTEM PACKTB
*                               entries
...
      SPACE
PACKTB_USER_ENTRY  DS 0C        REXX USER Function Package Table
*                               Entry
PACKTB_USER_NAME   DC CL8'DSIRXUFP' Name of USER Function Package
PACKTB_LOCAL_ENTRY DS 0C        REXX LOCAL Function Package
*                               Table Entry
PACKTB_LOCAL_NAME  DC CL8'DSIRXLFP' Name of LOCAL Function Package
PACKTB_SYSTEM      DS 0C        REXX SYSTEM Function Package
*                               Table Entry
                                DC CL8'EYU9AR00' Name of SA z/OS CICS related
                                DC CL8'INGRXPFG' Name of SA z/OS Func Package
PACKTB_NAME        DC CL8'DSIRXPFG' Name of SYSTEM Function Package
      SPACE 3
                                END DSIRXPRM                               End of DSIRXPRM module

```

Remember to update the total number of system packages and user function packages accordingly.

Place the resultant data set that contains the function package in the link list to gain performance improvements.

## Step 7: Preparing the Hardware

SysOps	ProcOps	I/O Ops
✓	✓	

The steps described in this section are necessary to prepare your Hardware Management Console (HMC) and Support Elements according to the processor hardware interface you are using. For details about planning the hardware interface, refer to “Planning the Hardware Interfaces” on page 19.

In addition, refer to the publications *Hardware Management Console Guide* and *Support Element Operations Guide* for details about your HMC and SE.

The following customization information addresses different versions of the SE or HMC Console Workplace. You can identify the Console Workplace version of your HMC or SE in its main window title line. Choose the installation step that applies to your Console Workplace version.

### Step 7A: Preparing the HMC (Console Workplace 2.8 and Earlier Versions)

#### Enable the HMC API and Set the Community Name

In order to control a CPC using an HMC instead of the CPC's Support Element, the Hardware Management Console API function must be enabled. If you do not plan to use the HMC to control your CPCs over the TCP/IP SNMP ProcOps interface, omit this paragraph.

1. For this task, you need to be logged on in *Access Administrator* mode on your HMC.
2. Select **Console Actions** and click on the **Hardware Management Console Settings** icon. On the Settings notebook, note the TCP/IP address of the HMC for later.
3. Select the **API** tab. If not already set, enable the API by checking the enable check box.
4. In the **Community name** field, enter a community name you have chosen. Note this community name for later.
5. Finally, select the **Apply** push button to save the changes. The message window shown informs you that the changes made require a restart of the HMC console application in order to become active.

#### BCP Internal Interface

To prepare the master HMC, carry out the following steps:

1. Log on to the HMC in your LAN that is to be used for change management operations with a user ID having *SYSPROG* authority. The HMC must have the CPC objects of your sysplex in its Defined CPCs Group.
2. Select **Console Actions** icon in the Views window and double click on the **Enable Hardware Management Console Services** icon.

## Step 7: Preparing the Hardware

3. Select the LIC Change **Enabled** radio button. Select the **OK** push button to save the change, or select the **Cancel** push button if **LIC Change** radio button was already set to **Enabled**.

Usually, there is one HMC in a CPC LAN environment that has LIC change permanently enabled. It will automatically be used by the BCP internal interface. Make sure that this HMC has all CPC objects of your sysplex in its Defined CPCs Group.

### SNMP

If you want to control your CPCs with the TCP/IP SNMP interface of ProcOps over an HMC, make sure its API is enabled as described in “Enable the HMC API and Set the Community Name” on page 77. Then, continue as follows:

1. Log on to the HMC in *Access Administrator* mode.
2. From the *Console Actions Work Area*, select **SNMP Configuration**.
3. Select the **Communities** tab of the SNMP Configuration notebook window.
4. For the **API** community name, enter the following information and select the **Add** push button to add the new community name:

<b>Protocol</b>	Select UDP from the drop-down list.
<b>Name</b>	The API Community name you have chosen.
<b>Address</b>	The TCP/IP address of the Support Element which you previously made a note of.
<b>Network Mask</b>	255.255.255.255
<b>Access Type</b>	Select the <b>Read only</b> radio button.

If the HMC has multiple network adapters, the SNMP API must be defined to use adapter 0 (primary network adapter) even if that adapter is not later being used for network connection.

5. For the **processor operations SNMP interface** community name, enter the information below and select the **Add** push button to add the new community name.

The CPC is controlled over the TCP/IP SNMP transport when it is configured for connection protocol SNMP, using the Processor (CPC) entry in the SA z/OS Customization Dialog. See “Step 12: Install ISPF Dialog Panels” on page 93 and “Step 16: Defining Automation Policy” on page 102 for further details on maintaining the SA z/OS Policy Database.

<b>Protocol</b>	Select UDP from the drop-down list.
<b>Name</b>	PROCOPS (Use the community name that will be specified in the processor entry for the CPC in your SA z/OS policy database.)
<b>Address</b>	Use the IP address of your MVS processor operations focal point system.
<b>Network Mask</b>	Use 255.255.255.255 to make sure that only the addressed focal point can control the CPC. You may change the netmask to allow multiple focal point systems to control your CPC. Specify 0.0.0.0 as the address and network mask if you want to allow access from any location in your network to your CPC, using the community name from above.
<b>Access Type</b>	Select the <b>Read/write</b> radio button.

6. Select the **OK** push button to save the changed settings and close the SNMP notebook window.
7. If any of the above data was added or changed, you need to shutdown and restart the Console before the changes will be put into effect.

### HMC Object Definition

Depending on the processor hardware interfaces, the CPCs that are to be managed must be known by the HMC, used to route OCF requests to other SEs (BCP internal interface), or to the HMC serving as the single point of control (SNMP).

Use the following steps to define a CPC object to an HMC:

1. Log on to the HMC with a user ID having ACSADMIN authority.
2. From the task list choose the **Object Definition** task. From the Groups View select the **Undefined CPC** group.
3. If the CPC object that you want to define to the HMC is shown in the Undefined CPC's Work Area, highlight it and then double click on the **Add Object Definition** task in the Object Definition tasks window
4. The CPC Definition Information Notebook is displayed, showing the available address information for this CPC object. If you do not want to change any of the address information fields or radio button settings, select the **Save** push button. For more information about the address fields or radio buttons, refer to the HMC online help
5. The CPC is now defined to the HMC. The CPC's Support Element is rebooted to activate its registration to this HMC.
6. If the CPC object that you want to define to the HMC is *not* shown in the *Undefined CPC's Work Area*, highlight the **CPC Manual Definition Template** object .
7. The Manual Add Object Definition window is displayed. According to your environment, choose which protocol to use for communication between the CPC's Support Element and this HMC.
8. Depending on your protocol selection, enter: An IP address; Or the SNA Network ID and CPC name; Or the token ring address of the LAN bridge in the case of an SNA connection between the HMC and the CPC over a bridged LAN.
9. Select the **OK** push button. The HMC starts to communicate with the CPC using your network information. If the Add was successful, the CPC object will be shown in the Defined CPCs Work Area.

## Step 7B: Preparing the HMC (Console Workplace 2.9 and Later Versions)

### Enable the HMC API and Set SNMP Community Names

In order to control a CPC using an HMC instead of the CPC's Support Element, the Hardware Management Console API function must be enabled. If you do not plan to use an HMC to control your CPCs over the TCP/IP SNMP ProcOps interface, omit this task. To complete this task:

1. For this task, you need to be logged on in *Access Administrator* mode on your HMC.
2. Select **Console Actions** and click on the **Hardware Management Console Settings** icon.
3. Click on the **Customize API Settings** icon. Make sure the **Enable SNMP APIs** check box is set in the Customize API Settings window.

## Step 7: Preparing the Hardware

4. **Important:** The window field SNMP agent parameters must be empty. Any data in this field will prevent the console application from establishing an API session successfully.

For SNMP connections to the HMC, the community names must be defined. After that, you can use native SNMP commands to query and set HMC object attributes, or you can use SA z/OS ProcOps to manage CPCs defined on the HMC and to execute CPC HW commands over the SA z/OS ProcOps SNMP interface.

A CPC is controlled over the SNMP interface when it is configured for connection protocol SNMP, using the Processor (CPC) entry in the SA z/OS Customization Dialog. See “Step 12: Install ISPF Dialog Panels” on page 93 and “Step 16: Defining Automation Policy” on page 102 for further details on maintaining the SA z/OS Policy Database.

5. The Customize API Settings window must be open. For a new ProcOps SNMP interface community name, select the Community Names table **Add** push button. In the Community Name data entry window enter the following information:

<b>Name</b>	Specify the name in uppercase. Record this name and use it when you go to define the processor entry for the CPC in your SA z/OS policy database with connection type SNMP.
<b>Address</b>	Use the IP address of your SA z/OS ProcOps focal point system.
<b>Network Mask</b>	Use 255.255.255.255 to make sure that only the addressed focal point can control the CPC.  You may change the netmask to allow multiple focal point systems to control your CPC with the same community name. Specify 0.0.0.0 as the address and network mask if you want to allow access from any location in your network to your CPC, using the community name defined.
<b>Access Type</b>	Select the <b>Read/write</b> radio button.

6. Select the **OK** push button to save the changed settings and close the data entry window.
7. If you have finished the SNMP API settings, select the **Apply** push button of the Customize API Settings window to save the changes.
8. The SNMP Configuration Info window is displayed to inform you that the HMC console must be restarted to activate your configuration changes.

### BCP Internal Interface

To prepare the master HMC, carry out the following steps:

1. Log on to the HMC in your LAN that is to be used for change management operations with a user ID having *SYS*PROG or *ACS*ADMIN authority. The HMC must have the CPC objects of your sysplex in its Defined CPCs Group.
2. Select **Console Actions** and click on the **Hardware Management Console Services** icon.
3. Select the **Customize Console Services** icon.
4. Make sure the **LIC Change** field in the Console Services window is set to **Enabled**.

5. Select the **OK** push button to save the change, or the **Cancel** push button if the **LIC Change** radio button was already set to **Enabled**.

Usually, there is one HMC in a CPC LAN environment that has LIC change permanently enabled. It will automatically be used by the BCP internal interface. Make sure that this HMC has all CPC objects of your sysplex in its Defined CPCs Group.

### CPC Object Definitions on the HMC

Depending on the processor hardware interfaces, the CPCs that are to be managed must be defined to the HMC. For SA z/OS's BCP internal interface, the master HMC, which must have the 'LIC Change' service enabled, is used as a router between the CPC where SA z/OS is running, and other targeted CPCs.

For SA z/OS's ProcOps SNMP connection, the HMC serves as a single point of control. Alternatively, SA z/OS ProcOps can be configured to communicate directly with a CPC, by addressing its Support Element.

For detailed information about how to add, change, or remove CPC object definitions on a HMC, refer to the current *Hardware Management Console Operations Guide* (SC28-6821). Note that this manual is also available in the Books Work Area on the HMC.

## Step 7C: Preparing the SE (Console Workplace 2.8 and Earlier Versions)

Before the BCP internal interface can be used, you need to verify for the CPC Support Elements in your sysplex that the required prerequisite MCL levels are active, and that any essential services have been enabled with the necessary settings. This requires the following:

- "Configure SNMP"
- "Enable the API and Set the Community Name" on page 83
- "Set the Cross Partition Flags" on page 83 (LPAR mode)

### Configure SNMP

Community names have to be specified in order to use the BCP internal interface transport, the TCP/IP SNMP transport for ProcOps, or both. For this task, you need to be logged on in *Access Administrator* mode on your CPC's Support Element. To complete this task:

1. Start the SNMP Configuration task by double clicking the **Console Actions** icon in the *Views* area of the Console.
2. Select the **Communities** tab of the SNMP Configuration notebook window.
3. For the **API** community name, enter the following information and select the **Add** push button to add the new community name:

<b>Protocol</b>	Select UDP from the drop-down list.
<b>Name</b>	The API Community name you have chosen.
<b>Address</b>	The TCP/IP address of the Support Element which you previously made a note of.
<b>Network Mask</b>	255.255.255.255
<b>Access Type</b>	Select the <b>Read only</b> radio button.

If the SE has multiple network adapters, the SNMP API must be defined to use adapter 0 (primary network adapter) even if that adapter is not later being used for network connection.

## Step 7: Preparing the Hardware

4. If the CPC is not controlled over the BCP internal interface transport, omit this step.

The CPC is controlled over the BCP internal interface when it is configured for connection protocol INTERNAL, using the Processor (CPC) entry of the SA z/OS Customization Dialog. See “Step 12: Install ISPF Dialog Panels” on page 93 and “Step 16: Defining Automation Policy” on page 102 for further details on maintaining the SA z/OS Policy Database.

For the **BCP Internal Interface** community name, enter the following information and select the **Add** push button to add the new community name:

<b>Protocol</b>	Select UDP from the drop-down list.
<b>Name</b>	SAFOS (Use the CPC authtkn name that you will define for the CPC using the customization dialogs)
<b>Address</b>	127.0.0.1
<b>Network Mask</b>	255.255.255.255
<b>Access Type</b>	Select the <b>Read/write</b> radio button.

5. If the CPC is not controlled over the ProcOps TCP/IP SNMP transport, omit this step.

The CPC is controlled over the TCP/IP SNMP transport when it is configured for connection protocol SNMP, using the Processor (CPC) entry of the SA z/OS Customization Dialog. See “Step 12: Install ISPF Dialog Panels” on page 93 and “Step 16: Defining Automation Policy” on page 102 for further details on maintaining the SA z/OS Policy Database.

For the **ProcOps SNMP interface** community name, enter the following information and select the **Add** push button to add the new community name:

<b>Protocol</b>	Select UDP from the drop-down list.
<b>Name</b>	PROCOPS (Use the community name that you intend to specify in the processor entry for the CPC in your SA z/OS policy database.)
<b>Address</b>	<i>x.x.x.x</i> (Use the IP address of your MVS ProcOps focal point system.)
<b>Network Mask</b>	<i>x.x.x.x</i> (Use <b>255.255.255.255</b> to make sure that only the addressed focal point can control the CPC. You may change the netmask to allow multiple focal point systems to control your CPC. Specify <b>0.0.0.0</b> as both the address and network mask if you want to allow access from any location in your network to your CPC, using the community name from above.)
<b>Access Type</b>	Select the <b>Read/write</b> radio button.

6. Select the **OK** push button to save the changed settings and close the SNMP notebook window.
7. If any of the above data was added or changed, you need to shutdown and restart the Console before the changes will be put into effect. However, before doing so, continue with the configuration steps for Console below.
8. If SNMP configuration data was added or changed, you need to reboot the Support Element to activate these changes.

## Step 7: Preparing the Hardware

For additional SNMP and API configuration information, refer to chapter "Configuring the Data Exchange APIs" in *zSeries 900 Application Programming Interface*.

### Enable the API and Set the Community Name

In order to use the BCP internal interface or the SNMP interface, the Support Element API function needs to be enabled. To complete this task:

1. Start the Support Element Settings task by double clicking the **Console Actions** icon in the *Views* area of the Console.
2. Select the **API** tab of the Support Element Settings notebook window. If not already active, enable the API by checking the **Enable the Support Element Console Application Program Interface** checkbox.
3. In the **Community name** field, enter the community name you chose when you configured for SNMP.
4. Select the **Apply** push button to save the changes.
5. Finally, for the changes you have made to the Support Element to become active, you must reboot the Support Element.

### Set the Cross Partition Flags

This task is only required if you use the BCP internal interface to connect processor hardware running in LPAR mode. For this task, you need to be logged on in *System Programmer mode* on your CPC's Support Element. To complete this task:

1. Click on the **CPC Group** and highlight the **CPC** icon.
2. Select the **CPC Operation Customization** task.
3. Click on the **Change LPAR Security** icon. The window displayed shows the security settings from the active IOCDs for the logical partitions defined on this CPC.
4. For each logical partition that should use the BCP internal interface to control another partition on this CPC, check the **Cross Partition Authority** checkbox.

## Step 7D: Preparing the SE (Console Workplace 2.9 and Later Versions)

### Enable the SE API and Set the Community Name

To control a CPC with the SA z/OS hardware interfaces BCPii or SNMP ProcOps directly, the CPC Support Element API function must be enabled. To complete this task:

1. For this task, you need to be logged on in *Access Administrator* mode on your HMC.
2. Select **Console Actions** and click on the **Support Element Settings** icon.
3. Click on the **Customize API Settings** icon. Make sure the **Enable SNMP APIs** check box is set in the Customize API Settings window.
4. **Important:** The window field SNMP agent parameters must be empty. Any data in this field will prevent the console application from establishing an API session successfully.

### Set the Community Name for SNMP and ProcOps Connections.

For SNMP connections to the SE, the community names must be defined. After that, you can use native SNMP commands to query and set SE object attributes, or you can use SA z/OS ProcOps to manage the CPC and to execute CPC HW commands using the SA z/OS ProcOps SNMP interface.

## Step 7: Preparing the Hardware

A CPC is controlled over the SNMP interface when it is configured with connection protocol SNMP in the Processor (CPC) entry of the SA z/OS Customization Dialog. See “Step 12: Install ISPF Dialog Panels” on page 93 and “Step 16: Defining Automation Policy” on page 102 for further details on maintaining the SA z/OS Policy Database.

5.

- a. The Customize API Settings window must be open. For a new ProcOps SNMP interface community name, select the Community Names table **Add** push button. In the Community Name data entry window enter the following information:

<b>Name</b>	Specify the name in uppercase. Record this name and use it when you are going to specify the processor entry for the CPC in your SA z/OS policy database with connection type SNMP.
<b>Address</b>	Use the IP address of your SA z/OS ProcOps focal point system.
<b>Network Mask</b>	Use 255.255.255.255 to make sure that only the addressed focal point can control the CPC.  You may change the netmask to allow multiple focal point systems to control your CPC with the same community name. Specify 0.0.0.0 as the address and network mask if you want to allow access from any location in your network to the SE, using the community name defined.
<b>Access Type</b>	Select the <b>Read/write</b> radio button.

### Set the Community Name for a BCP Internal Interface Connection

For BCPii connections to the SE, a community name must be defined.

A CPC is controlled over the BCPii when it is configured with a connection protocol INTERNAL, using the Processor (CPC) entry of the SA z/OS Customization Dialog. See “Step 12: Install ISPF Dialog Panels” on page 93 and “Step 16: Defining Automation Policy” on page 102 for further details on maintaining the SA z/OS Policy Database.

- b. The Customize API Settings window must be open. For a new BCP internal interface community name, select the Community Names table **Add** push button. In the Community Name data entry window enter the following information:

<b>Name</b>	Use the community name you will specify in the processor entry for the CPC in your SA z/OS policy database for ProcOps that has the connection type INTERNAL.
<b>Address</b>	The required address is 127.0.0.1
<b>Network Mask</b>	The required value is 255.255.255.255
<b>Access Type</b>	Select the <b>Read/write</b> radio button.

## Step 7: Preparing the Hardware

6. Select the **OK** push button to save the changed settings and close the data entry window.
7. If you have finished the API settings, select the **Apply** push button of the Customize API Settings window to save the changes.
8. The SNMP Configuration Info window is displayed to inform you that the SE console must be restarted to activate your configuration changes.

**Set the Cross Partition Flags:** This task is only required if you use the BCP internal interface to connect processor hardware running in LPAR mode. For this task, you need to be logged on in *System Programmer mode* on your CPC's Support Element. To complete this task:

1. Click on the **CPC Group** and highlight the **CPC** icon.
2. Select the **CPC Operation Customization** task.
3. Click on the **Change LPAR Security** icon. The window displayed shows the security settings from the active IOCDs for the logical partitions defined on this CPC.
4. For each logical partition that should use the BCP internal interface to control another partition on this CPC, check the **Cross Partition Authority** checkbox.

## Step 7E: Updating Firewall Information

This step is only needed if you use ProcOps and intend to use TCP/IP based communication to your target processors.

### Connection protocol SNMP

This communication protocol internally uses port number 3161. If there are firewalls installed between the LAN that the ProcOps FP belongs to and the processor LAN that the SEs or HMCs belong to, you should:

- Inform your network administrator to make sure that communication requests that come from SEs/HMCs with this port number are accepted.

---

## Step 8: Preparing the VM PSM

SysOps	ProcOps	I/O Ops
	*	

This step is only needed if you use ProcOps to control VM second level systems. The PSM is the communication partner for ProcOps to do this.

## Installing the PSM Code on VM

The following parts are shipped as part of the Second Level Guest Support feature:

- In *xxx.SINGOBJV* — module ISQVMAIN (this is the PSM control program's main thread)
- In *xxx.SINGREXV* the following squished REXX programs:
  - ISQRGIUC
  - ISQRCSR
  - ISQRMSRV
  - ISQRLOGR
  - ISQRCNSV
  - ISQRMHDL

## Step 8: Preparing the VM PSM

- In *xxx.SINGMSGV* — Message definitions ISQUME

To install the VM parts perform the following steps:

1. Copy the object module ISQVMAIN to the VM file system for the PSM machine as file ISQVMAIN TEXT
2. Copy REXX programs to the VM file system for the PSM machine as files:
  - ISQRGIUC REXX
  - ISQRCSR EXEC
  - ISQRMSRV EXEC
  - ISQRLOGR EXEC
  - ISQRCNSV EXEC
  - ISQRMHDL EXEC
3. Copy message definition ISQUME to the VM file system for the PSM machine as file ISQUME REPOS
4. Enter the following commands on the PSM machine (These may be created as an CMS EXEC if necessary). The name chosen for the operand of the GENMOD command (ISQPSM in this case) defines the name of the PSM control program. Any name may be chosen. These commands create the load module for the PSM main thread and the messages definitions for all threads.

```
GENMSG ISQUME REPOS A ISQ
SET LANG (ADD ISQ USER
GLOBAL TXTLIB DMSAMT VMMLIB VMLIB
LOAD ISQVMAIN
INCLUDE ISQUME
INCLUDE VMSTART (LIBE RESET VMSTART
GENMOD ISQPSM
```
5. Create the two files ISQADDRS DATA and ISQPARM DATA as described in “Customizing the PSM” on page 87.

If these steps are processed successfully then the PSM can be started.

## Configuration

1. Provide TCPIP connection between the VM host system and the SA z/OS systems that are running NetView ProcOps.
2. Define a ProcOps Service Machine in each VM host. This is a regular virtual machine that IPLs a CMS when it starts. Ensure that it has a minimum of 32 MB of storage defined.
3. Use the IUCV directory control statement to authorize the PSM virtual machine to connect to the CP message service (\*MSG). For more information about the IUCV statement, see the *z/VM: Planning and Administration* book.
4. Authorize the ProcOps Service Machine to use CP and CMS commands. The following commands are used by the PSM:

```
SET SECUSER vmachine *
SET EMSG
TERMINAL MORE
SET VMCONIO
SET CPCONIO
GLOBALV
XAUTOLOG
FORCE
XMITMSG
SEND
SMSG
QUERY NAMES
QUERY vmachine
```

5. Optionally, ensure that the language is set automatically and that the ProcOps Service Machine starts when the PSM virtual machine starts by creating a PROFILE EXEC for the virtual machine (if one does not already exist) and adding the appropriate commands to it:

```
SET LANG (ADD ISQ USR  
ISQPSM
```

where ISQPSM is the name of the control program in the earlier example.

6. Ensure that the ProcOps Service Machine has appropriate dispatching priority. Ideally it should have a higher dispatching priority than the guest machines that it manages.
7. Define the PSM as a Service Virtual Machine.
8. For each guest machine, ensure that the PSM virtual machine is defined as its secondary user
9. Define SYSCONS as a NIP console and MCS console for each guest MVS machine, with appropriate routing codes
10. It is recommended that the PSM virtual machine has read access to the minidisk that holds the TCPIP program, so that the NETSTAT command can be issued as part of problem determination procedures.

### Customizing the PSM

The PSM uses two files to set parameters for its operation. These files are read at the time that PSM is initialized, and are not read subsequently.

The statements in them determine the various operational characteristics.

Each file is a simple sequential file that must be part of the file system available to the PSM virtual machine. Normally they are files on the A-disk. Each file must be available at PSM initialization. If any is missing, the PSM terminates.

#### ISQADDRS DATA

The ISQADDRS DATA file specifies those IP addresses that may enter requests to the PSM. Each ProcOps NetView that issues requests to the PSM must have its IP address specified.

Each record of the file specifies a single IP address. Any record that has an asterisk in the first position is treated as a comment. Any record that has the string "/\*" in the first two positions is treated as a comment.

The IP address may be specified either in the normal dotted decimal form, or as a node name that is known to TCPIP on the PSM's node for IPv4 connections, or in the preferred conventional form for IPv6 connections. If a node name is specified and that node name has several addresses, all addresses that are returned are used.

Note node names cannot be used to validate IPv6 connections and are ignored if the PSM is running an IPv6 environment.

An example of a valid file is as follows:

```
* Normal focal point NetView  
9.152.80.253  
/* the backup  
9.152.80.254  
* another system identified by its node name  
nv.boekey3.de.ibm.com  
* a shorter, if infrequent form of IP address
```

## Step 8: Preparing the VM PSM

```
|          44.55  
|          * Normal focal point Netview IPv6  
|            FD00:9:152:40:840:FFFF:80:253  
|          /* the backup IPv6  
|          FD00:9:152:40:840:FFFF:80:254
```

The addresses are *not* checked for validity when they are read.

### ISQPARAM DATA

The ISQPARAM DATA file specifies operational options for the PSM.

Each record of the file specifies a single parameter. Any record that has an asterisk in the first position is treated as a comment. Any record that has the string "/" in the first two positions is treated as a comment.

The statements are of the form:

keyword = value

All keywords, except TCPIPNAME, must be specified. If any required keywords are omitted the PSM will terminate. The keywords may be entered in upper, lower or mixed case. Values must be entered as required. If a keyword specification is entered more than once, the latest specification is used.

Valid keywords are:

#### MESSAGE\_SERVER\_PORT

The port number that will be used by the Message Server. (That is, the port on which it issues a TCPIP LISTEN request.) This is a number in the range 1-65335. Consult with your network programmer to ensure that this is a port number that is not used by any other processes.

#### COMMAND\_SERVER\_PORT

The port number that will be used by the Command Server.

#### SECURITY

The authorization token used to authenticate both the Message Server and Command Server. This must match the authorization token that is specified in the System Automation Customization dialogs for this PSM Target Hardware. This must have the correct (upper) case.

#### TCPIPNAME

The name of the TCPIP virtual machine that will provide the connections to ProcOps NetView. When the PSM control program starts, it checks that this virtual machine is running before issuing any TCPIP requests. The default value used, if TCPIPNAME is not specified, is TCPIP.

#### MAX\_MESSAGES

The maximum number of messages that may be stored at any instant in the Message Queue. When the number of messages in the queue exceeds this number, the Message Handler thread terminates with an error message.

#### TRACE\_TYPE

The trace type identifies the trace type value that is entered into log records written by the Logger thread.

#### PSMIPV4

You should set this keyword to Y to indicate that PSM should enforce IPv4

## Step 8: Preparing the VM PSM

sockets in an IPv6-enabled environment. Supported values are Y or N. If PSMIPV4 is not specified, default value N is used by the PSM and IPv6 will be preferred.

An example of a valid file is:

```
Message_server_port = 5556
Command_server_port = 4444
*
TRACE_TYPe = 555
security = ISQHELLO
max_messages = 20
```

### Logger Files

The PSM must also have sufficient writeable space on its A-disk to accommodate the logger files and any files that might be used by CP commands such as DUMP, if used.

---

## Step 9: Customizing the Automation Manager

SysOps	ProcOps	I/O Ops
✓		

### Step 9A: XCF Characteristics

SA z/OS uses XCF characteristics with any communication method. Ensure that transport classes for CLASSLEN(956) and CLASSLEN(4028) are defined. An XCF group name should not be assigned to the transport classes.

When setting up the sysplex you need to be aware that SA z/OS has a maximum XCF message length of 3500 bytes. You can either use an existing transport class with the appropriate class length, or define a new transport class.

### Step 9B: Customizing HSAPRMxx

The HSAPRMxx PARMLIB member contains information required for the initialization of the automation manager and default values for other operational parameters. The member is designed to be used in common by all automation manager instances in the automation subplex.

Alternatively you can put the automation manager PARMLIB member in any partitioned data set. Then, you need to specify the HSAPLIB DD statement in the automation manager startup procedure member.

A sample member called HSAPRM00 is provided in the SINGSAMP sample library. This sample is automatically copied into the PARMLIB of the automation manager (DD name HSAPLIB) when you allocate this data set as described in “Step 2: Allocate System-Unique Data Sets” on page 58. Refer to Appendix H, “Syntax for HSAPRM00,” on page 249 for the contents of this sample and the description of the parameters.

### Step 9C: ARM Instrumentation of the Automation Manager

The automation manager can be enabled for Automatic Restart Manager (ARM). However, this is optional and not recommended if you use the \*BASE best practice policy.

## Step 9: Customizing the Automation Manager

A job skeleton is provided in the SINGSAMP sample library as member HSADEFA to define the SA z/OS specific Automatic Restart Manager policy.

You can define a policy allowing you to keep the number of automation manager instances on a certain level.

### In a single system environment

With more than one automation manager active, ARM can automatically restart a failing primary instance. One of the automation managers that survived will take the primary role and the restarted instance will become a backup instance.

If there is only one automation manager active on a single system, ARM will automatically restart this instance again. It becomes the primary instance again and runs the takeover. The takeover time is extended by the time needed for the address space restart.

### In a sysplex (subplex) environment

ARM will always restart the failing instance on the **same** system. Either there is already a backup waiting or the restarted instance will take over.

SA z/OS provides a policy sample with the following major options:

- Restart only for an address space ABEND (Option ELEMTERM). Restart in case of a system breakage is not supported.

The concept of the automation manager availability follows a 'floating' master model. It is a peer model with one or more backup instances on different systems already active and waiting to take over. Whenever a complete system goes away the failed automation managers (backup or primary) are not restarted somewhere else.

- The ARM element name is a 16 byte string concatenation HSAAM\_sysnamexy with:

**HSAAM\_**

is a string constant as prefix

**sysname**

Is the XCF member name of the automation manager which is the 8 byte MVS system name padded with '\$', for example, MVS1\$\$\$\$

**x** Is a one byte digit (one of 1, 2, ... 9) automatically determined at initialization time

**y** Is a blank

- The restart command is the unchanged original start command, however the start mode is always HOT.
- There are no restart dependencies (no Waitpred processing)

## Step 9D: Security Considerations

The started task that invokes the automation manager (see INGEAMSA in the sample library) must have the following access rights:

1. If you are not a superuser you must have access to the OMVS segment.
2. If the automation manager is to be started before JES2 initialization has completed:
  - For z/OS V1.9 or earlier, the started task must be defined by RACF as a superuser for UNIX System Services.
  - For z/OS V1.10 or later, superuser authorization is no longer required.
3. Read access for the SYS1.PARMLIB data set.

## Step 9: Customizing the Automation Manager

4. Write access to the log streams.
5. Write access to the following data sets:
  - Trace data sets
  - The schedule override file
  - The configuration information file (DDname HSACFGIN)
  - The takeover file

---

## Step 10: Customizing the Component Trace

SysOps	ProcOps	I/O Ops
✓		✓

Both the system operations component and the automation manager use the z/OS component trace for debugging purposes. The following setup must be done:

- Copy the CTIHSZZ member from the SINGSAMP sample library to SYS1.PARMLIB. Do not change this member.
- Copy the CTIIHVZZ member from the SINGSAMP sample library to SYS1.PARMLIB. You may change this member to meet your requirements. Refer to "Appendix C. Problem Determination" in *IBM Tivoli System Automation for z/OS User's Guide* for more information.
- Copy the HSACTWR member residing in the SINGSAMP sample library into SYS1.PROCLIB.
- Allocate the trace data set used by the component trace. You can use the sample job HSAJCTWR in SINGSAMP to allocate the data set. Modify the sample job where appropriate.

**Note:** Make sure that the job invoking the ITTTRCWR module (see HSACTWR member in the sample library) has write access to the trace output data set.

---

## Step 11: Customizing the System Logger

SysOps	ProcOps	I/O Ops
*		

Although this step is optional, it is, however, recommended. The automation manager writes history information to the z/OS system logger and the automation agents read from it.

If you do not perform this step, users will not get any output from the INGHIST commands.

**Notes:**

1. The LOGSTREAM parameter in the HSAPRMxx parmlib member is set to YES by default. The automation manager connects to the logger address space at initialization time.
2. If you set the LOGSTREAM parameter to NO, no access will be established to the system logger. Step 11 is then unnecessary.

## Step 11: Customizing the System Logger

To exploit the system logger, the following must be fulfilled:

- Systems in a sysplex must run in XCF mode and the following must be defined in SYS1.PARMLIB(IEASYSxx):  
PLEXCFG=MULTISYSTEM
- For standalone systems the following must be defined in SYS1.PARMLIB(IEASYSxx):  
PLEXCFG=MONOPLEX

Next, the LOGR couple data sets must be formatted, if this has not already been done. For this task you can use the sample JCL provided in the HSAJFCDS member of the sample library.

Use the following sample JCLs to define the log stream in different environments:

- For a single system environment, use the sample JCL provided in member HSAJDLGM (for the automation manager)
- For a sysplex, use the sample JCL provided in member HSAJDLGS (for the automation manager)

In both cases you may want to adapt the HLQ parameter in the LOGR policy according to your environment. The default is IXGLOGR. Use the corresponding INGJDxxx members as input and make the changes accordingly.

For a sysplex environment, you must additionally add the log structures to the CFRM policy:

```
STRUCTURE  NAME(HSA_LOG)
           SIZE(9216)
           PREFLIST(cfname,cfname)
```

In this CFRM policy, you have to adapt the PREFLIST for structure HSA\_LOG if you are setting up the system logger. Also adapt the SIZE parameter to a recommended minimum of 8 megabytes (8M).

If you are running on z/OS 1.9 or above you will need to increase the size of for the CFRM policy to a minimum of 9216K. The minimum size for z/OS 1.9 CF level 16 is 9216K. You will also need to modify the sample HSAJDLGS to increase the size as well. You may see message IXL015I STRUCTURE ALLOCATION INFORMATION indicating the size specified was not large enough.

The system logger must be authorized. If it is not yet assigned either privileged or trusted RACF status, or both, refer to chapter “Planning for System Logger Applications” in *z/OS MVS Setting Up a Sysplex* for more information about how to define authorization to system logger resources. The names of the system logger resources used by SA z/OS are HSA.MESSAGE.LOG and HSA.WORKITEM.HISTORY.

The address spaces of the NetView agents and automation manager need to be authorized to access the log streams. They need update access for the following:

```
RESOURCE(logstream_name)
CLASS(LOGSTRM)
```

Where *logstream\_name* stands for HSA.MESSAGE.LOG and HSA.WORKITEM.HISTORY.

For further information see section “Define Authorization to System Logger Resources” in *z/OS MVS Setting Up a Sysplex*.

## Step 11: Customizing the System Logger

Now activate the couple data sets via the console commands:

```
SETXCF COUPLE,TYPE=LOGR,PCOUPLE=(primary_couple_data_set)
SETXCF COUPLE,TYPE=LOGR,ACOUPLE=(alternate_couple_data_set)
```

For a sysplex, after defining the new structure in the CFRM policy, activate the CFRM policy via:

```
SETXCF START,POLICY,TYPE=CFRM,POLNAME=policy_name
```

---

## Step 12: Install ISPF Dialog Panels

SysOps	ProcOps	I/O Ops
✓	✓	✓

SA z/OS ships two types of ISPF dialogs:

- For defining automation policy: The customization dialog is used to create system operations and processor operations configuration and automation definitions.
- For I/O operations: The I/O operations command panels are used for ioops functions.

Both of these ISPF dialogs are invoked using the INGDLG exec. This exec provides parameters for selection of the appropriate dialogs. In addition, this exec can optionally be used to allocate the required dialog libraries. INGDLG should be invoked from an ISPF menu or from a user-defined TSO REXX exec. See Appendix I, “INGDLG Command,” on page 255 for more details.

Because you use the customization dialog to collect information and build control files, you normally need them only at the focal point. However, as the customization dialog allows editing of specific entry types by multiple users, you also need to observe the instructions given in the appendix “Problem Determination” in *IBM Tivoli System Automation for z/OS User's Guide*.

The I/O operations dialogs, however, are used to input commands and get responses from the I/O operations part of SA z/OS. Because they do not support multisystem commands for I/O operations functions, you must install them on each system, focal point or target, where you want to use them.

### Step 12A: Allocate Libraries for the Dialogs

SysOps	ProcOps	I/O Ops
✓	✓	✓

To set up the dialogs, you must allocate the REXX load libraries and customization dialog load libraries. This section describes the two alternative options available:

- **Alternative 1:** Dynamic allocation of the libraries using the INGDLG exec
- **Alternative 2:** Allocation of the libraries as part of the TSO logon procedure

The recommended way to start the customization dialog is Alternative 1. SA z/OS provides a sample INGDLG in the SINGSAMP library for this.

## Step 12: Install ISPF Dialog Panels

### Remember:

Throughout this step use the names of the data sets that you created in “Step 3: Allocate Data Sets for the ISPF Dialog” on page 62.

### Alternative 1: Dynamic Allocation using INGDLG

This exec performs allocations prior to starting the dialogs. In order to invoke the exec, you need to be in ISPF. The INGDLG command parameters describe where the data sets are found. See Appendix I, “INGDLG Command,” on page 255 for the use of INGDLG to allocate libraries.

### Alternative 2: Add to the TSO Logon Procedure

Create a new TSO logon procedure that has the SA z/OS data sets in the appropriate concatenations.

To create a TSO logon procedure, take an existing one and modify its DD statements to include the following:

```
//ISPPLIB DD ...
          DD DSN=ING.SINGIPNL,DISP=SHR
          DD ...

//ISPMLIB DD ...
          DD DSN=ING.SINGIMSG,DISP=SHR
          DD ...

//ISPSLIB DD ...
          DD DSN=ING.SINGISKL,DISP=SHR
          DD ...

//ISPTLIB DD ...
          DD DSN=ING.CUSTOM.AOFTABL,DISP=SHR 1
          DD DSN=ING.SINGITBL,DISP=SHR
          DD ...

//ISPLLIB DD ...
          DD DSN=ING.SINGMOD1,DISP=SHR
          DD ...

//SYSPROC DD ...
          DD DSN=ING.SINGIREX,DISP=SHR
          DD ...

//AOFTABL DD DSN=ING.CUSTOM.AOFTABL,DISP=SHR 1

//AOFPRINT DD SYSOUT=... 2

//AOFIPDB DD DSN=ING.SINGIPDB,DISP=SHR 3

//IHVCONF DD DSN=ING.CUSTOM.IHVCONF,DISP=SHR 4
```

### Notes:

1. Ensure that your ISPF temporary data sets have been allocated with enough space.
  - When a build of the automation control file is performed, each file is written to the temporary data sets before it is copied into the target data set. This can lead to a temporary data set many thousands of lines long. For an enterprise with many applications, there may be several hundred thousand lines written to the temporary data set. These are in the ISPWRK data sets. See *z/OS ISPF Planning and Customizing* for more information, where it is

## Step 12: Install ISPF Dialog Panels

recommended that you pre-allocate to VIO however, because it reduces overhead and eliminates potential problems from insufficient space.

- The ISPCTL1 temporary data set is used by SA z/OS to temporarily hold file tailoring output and to hold the JCL for batch jobs. See *z/OS ISPF Planning and Customizing* for more information on the ISPCTL1 data set.
2. Ensure that the ISPF table output library ISPTABL is allocated. The table output data set must also be in the sequence of data sets allocated to ISPTLIB. Furthermore it is recommended that the first data set allocated to ISPTLIB is user-specific. This is guaranteed if INGDLG is called with the default of ALLOCATE(YES). Then the user's ISPPROF data set is automatically defined as the first data set, and the table output data set is allocated as well. If the first data set allocated to ISPTLIB is not-user specific, multiple users may experience enqueue problems if working with the same PDB concurrently. The reason is that when ISPF opens a table, it requests an enqueue for a resource name that consists of a table name and the first data set allocated to ISPTLIB. For more information, see *z/OS ISPF User's Guide Vol I*.
  3. The ellipses (...) in the DD statements indicate the presence of more information in the JCL: for example, other data sets in a concatenation.
  4. User-specific data sets should be placed before the SA z/OS data sets. Generally speaking you need to take care that the concatenation of the SA z/OS data sets does not interfere with the concatenation with data sets from other products.
  5. The AOFTABL DD statement ( **1** ) is required to store ISPF tables created when you use the customization dialog. Such tables are used, for example, during pdb import or when the administrator modifies the SA z/OS policy definitions from the SA z/OS customization dialog. This data set is also used to hold the data set definitions for batch processing. This data set was allocated by you in the sample INGEDLGA (see "Step 3: Allocate Data Sets for the ISPF Dialog" on page 62).
  6. The AOFPRINT DD statement ( **2** ) is used in place of SYSPRINT for IEBUPDTE, which is invoked when a user of the customization dialog creates a policy database using an SA z/OS-supplied sample as a model. If this DD statement is not allocated, SA z/OS allocates the DD as SYSOUT=H.  
  
If the IEBUPDTE invocation is successful and SA z/OS dynamically allocated the AOFPRINT file as SYSOUT=H, the output is purged. If the invocation fails, the output is saved for use in diagnosis of the problem.  
  
When specifying AOFPRINT(SYSOUT(Cls)), the output of the dynamically called IEBUPDATE utility is placed in the JES output class *Cls*. This output is not purged.
  7. The AOFIPDB DD statement ( **3** ) points to the SA z/OS sample library.  
  
The AOFIPDB DD statement is required for using best practice policies and for building system operations configuration files.
  8. IHVCONF ( **4** ), is required for I/O operations. If you are not using I/O operations this DD statement is optional.
  9. You should not use any DD names starting with AOF in your logon procedure except those specified in the example above. This is because the SA z/OS customization dialog may dynamically generate AOFxxxxx DD names. Specifically, SA z/OS generates AOFIN and AOFUT2 DD names.
  10. I/O operations ISPF dialogs use REXX execs that invoke I/O operations commands and ISPF services. These execs must be made available to the users who want to use the ISPF dialogs. Note that the default record format of the I/O operations REXX target library (whose name is SINGIREX) is FB. The data sets in your SYSPROC concatenation might not be FB. If this is the case,

## Step 12: Install ISPF Dialog Panels

the ALLOCATE command can be used, but you are not able to execute the differently formatted or sized execs. You can do one of the following to correct this:

- a. Copy the contents of the SINGIREX exec library to another data set that is already in your SYSPROC concatenation.
- b. Copy the contents of the SINGIREX exec library to a new data set that has the same characteristics as the other data sets in your SYSPROC concatenation.

If you already use a CLIST to allocate your data sets for ISPF, modify it to include the SA z/OS data sets in the appropriate concatenations for users of the customization dialog. If you want to create a CLIST to allocate your data sets you should find out your current allocations for the DD names that need SA z/OS data sets allocated to them. This can be done with the LISTALC STATUS command.

### Step 12B: Invoking the ISPF Dialogs

SysOps	ProcOps	I/O Ops
✓	✓	✓

The ISPF dialogs are invoked with the INGDLG command. Parameters of this command determine which set of dialogs is invoked (that is, system operations, processor operations, or I/O operations).

Add the command dialogs selections to an ISPF menu panel, such as the ISPF Master Application Menu panel (ISP@MSTR) or the ISPF Primary Menu panel (ISP@PRIM).

**Note:** If you use a customized, non-standard ISPF primary menu panel, modify the definition for that panel instead of ISP@MSTR or ISP@PRIM.

See *z/OS ISPF Planning and Customizing* for information about customizing ISPF panels. The modified panel should be placed in a data set so that it is used by all users who have the dialog data sets in their concatenation, but it is not used by anyone who does not. You may want to copy it into an enterprise-specific panel data set that you allocate in front of your normal ISPF panel data sets. Figure 11 is an example of what a modified panel might look like.

```
-----ISPF APPLICATION SELECTION MENU-----
OPTION ==> _____
0  ISPF PARS - Specify terminal and user parameters  USERID  OPER1
1  BROWSE   - Display source data or output listings  TIME    16:23
2  EDIT    - Create or change source data           TERMINAL 3278
3  UTILITIES - Perform utility functions
:
C  CUSTOMIZE - SA z/OS customization dialog
I  I/O-Ops  - SA z/OS I/O Operations
T  TUTORIAL - Display information about ISPF/PDF
X  EXIT    - Terminate ISPF using log and list defaults

Enter END command to terminate ISPF.
```

Figure 11. ISPF Application Selection Menu

The options for the customization dialog and the I/O operations command dialogs must also be added to the panel processing section of the ISPF Application

Selection Menu panel as follows. The lines you add are written in italics in the example. You can select the character used to specify the dialogs on your menu.

- | There are two alternatives to invoke the ISPF dialog:  
 |  
 | • "Using INGDLG." This is the recommended method.  
 | • "Using TSO Logon or Your own Automation Procedure."

### Using INGDLG

If you let INGDLG, described in Appendix I, "INGDLG Command," on page 255, allocate the data sets dynamically prior to starting the dialogs, the following is a sample definition to be added to the ISPF processing section:

```
C, 'CMD(EXEC 'ING.SINGIREX(INGDLG)' +
  'HLQ(MYHLQ)                +
  AOFTABL(ING.CUSTOM.AOFTABL) +
  SELECT(ADMIN)')'
I, 'CMD(EXEC 'ING.SINGIREX(INGDLG)' +
  'HLQ(MYHLQ)                +
  IHVCONF(ING.CUSTOM.IHVCONF) +
  SELECT(IOCONNECT)')'
```

Alternatively, you can invoke the dialogs using TSO REXX execs:

```
/* REXX ADMIN */
ADDRESS ISPEXEC "SELECT CMD(EXEC 'ING.SINGIREX(INGDLG)' ,
  "'HLQ(ING)                ",
/* HLQ is the hlq of the SMP/E output data sets */
" AOFTABL(ING.CUSTOM.AOFTABL)  ",
" SELECT(ADMIN)                ')"

/* REXX IOCONNECT */
ADDRESS ISPEXEC "SELECT CMD(EXEC 'ING SINGIREX(INGDLG)' ,
  "'HLQ(ING)                ",
/* HLQ is the hlq of the SMP/E output data sets */
" IHVCONF(ING.CUSTOM.IHVCONF)  ",
" SELECT(IOCONNECT)            ')"
```

A sample member called INGEDLG is provided in SINGSAMP sample library for invocation of INGDLG with data set allocation done by INGDLG.

### Using TSO Logon or Your own Automation Procedure

This is the example to be followed if you allocated the data sets using the TSO logon procedure or an automation procedure of your own:

```
)PROC
&ZQ = &Z
IF (&ZCMD ^= ' ')
&ZQ = TRUNC(&ZCMD, '.')
IF (&ZQ = ' ')
  .MSG = ISRU000
&ZSEL = TRANS( &ZQ
0, 'PANEL(ISPOPTA)'
:
:
C, 'CMD(INGDLG SELECT(ADMIN) ALLOCATE(NO))'
I, 'CMD(INGDLG SELECT(IOCONNECT) ALLOCATE(NO))'
T, 'PGM(ISPTUTOR) PARM(ISR00000)'
:
:
X, 'EXIT'
*, '?' )
&ZTRAIL = .TRAIL
)END
```

## Step 12: Install ISPF Dialog Panels

### Step 12C: Reconvert I/O Operations Panels

SysOps	ProcOps	I/O Ops
		*

The I/O operations dialog panels are defined using Dialog Tag Language (DTL) for ISPF. Both the source panels and converted panels are provided in the product libraries. If you choose to update the panels, the source panels must then be reconverted.

### Step 12D: Verify the ISPF Dialog Installation

SysOps	ProcOps	I/O Ops
✓	✓	✓

Logon to TSO using your modified logon procedure or running your data set allocation CLIST.

Access the customization dialog from the ISPF main menu that you defined. On the Customization Dialog Primary Menu that will appear, verify the release in the panel header

If you run the REXX exec IOCONNECT shown on page 97, the I/O Operations ISPF Main Menu is displayed. You can use the information shown to verify your SA z/OS installation.

---

## Step 13: Verify the Number of available REXX Environments

SysOps	ProcOps	I/O Ops
✓	✓	

Change the value of the maximum number of available REXX environments to at least 400. The variables to do this are in the sample assembly and linkedit job in SYS1.SAMPLIB(IRXTSMPE). Change the value of the ENTRYNUM= parameter to at least 400. The sample is a user exit, so follow your SMP/E process for handling user exits. See also "Allocation Requirements for REXX Environments" on page 21.

---

## Step 14: Customization of Alert Notification for SA z/OS

SysOps	ProcOps	I/O Ops
*		

This section describes the customization steps that are required for alert notification by SA z/OS.

In order to use alert notification the following must apply to the affected resource in your automation policy:

1. The inform list of the resource must contain at least one of the following communication methods (it can also be defaulted or inherited):

## Step 14: Customization of Alert Notification for SA z/OS

- IOM: via the IBM Tivoli System Automation for Integrated Operations Management (SA IOM) peer-to-peer protocol
  - EIF: via a Tivoli Event Integration Facility (EIF) event
  - TTT: via XML
  - USR: via a user-defined alert handler
2. Codes must be present on the reserved message ID, INGALEERT, that are suitable for the chosen communication methods.

For more details, see *IBM Tivoli System Automation for z/OS Defining Automation Policy* and *IBM Tivoli System Automation for z/OS Customizing and Programming*.

Furthermore, for each system that is able to trigger an alert (that is, to issue an INGALEERT command), the ALERTMODE parameter must be set to the chosen communication methods with the INGCNTL command, for example:

```
INGCNTL SET ALERTMODE='IOM EIF TTT USR'
```

You can also use the following command to set alerting for all available communication methods:

```
INGCNTL SET ALERTMODE=ON
```

The available communication methods are:

- IOM: via the SA IOM peer-to-peer protocol
- EIF: via EIF events
- TTT: via XML
- USR: via a user-defined alert handler

For more details about INGCNTL, see *IBM Tivoli System Automation for z/OS Programmer's Reference*.

Depending on the chosen communication methods, additional customization is required. This is described in the following sections. Note that you can combine the INGCNTL calls shown in this section in one single invocation.

### Enabling Alert Notification via SA IOM Peer-To-Peer Protocol

On each system that can connect to an SA IOM server you must set the host name and port number with INGCNTL, for example:

```
INGCNTL SET ALERTHOST=IOMSRV1:1040
```

For more details about INGCNTL, see *IBM Tivoli System Automation for z/OS Programmer's Reference*.

### Enabling Alert Notification via EIF Events

Alert notification uses the message adapter service of the event/automation service (EAS) component of NetView to create EIF events and to integrate SA z/OS and products such as:

- IBM Tivoli Enterprise Console (TEC)
- IBM Tivoli Netcool® OMNIBus (OMNIBus)

On each system that is able to send EIF events you must set the PPI receiver name of the EAS with INGCNTL, for example:

```
INGCNTL SET EIFPPI=INGEVOMN
```

## Step 14: Customization of Alert Notification for SA z/OS

For more details about INGCNTL, see *IBM Tivoli System Automation for z/OS Programmer's Reference*.

### Starting the Event/Automation Service

The EAS and the steps to enable it are described in Chapter 7, "Setting Up UNIX System Services for the NetView Program" in *IBM Tivoli NetView for z/OS Installation: Configuring Additional Components*. The following section only provides additional information about how to enable the NetView message adapter service of EAS for alert notification.

The EAS can be started either with a job from an MVS system console, or from a UNIX System Service command shell. In either case, startup parameters must be provided in the form of the following initialization files:

1. Global initialization file (Default: IHSAINIT)
2. Message adapter configuration file (Default: IHSAMCFG)

A sample for starting EAS as a job is located in NETVIEW.SCNMUXMS as the member IHSAEVNT. The initialization files are assumed to be located in a data set that is allocated to the DD name IHSSMP3. Perform the following updates to the sample to meet the requirements of your installation:

1. If you do not use the default name IHSAINIT for the global initialization file, pass the name of your file via the parameter INITFILE.
2. If you do not use the default name IHSAMCFG for the message adapter configuration file, pass the name of your file via the parameter MSGCFG.
3. In the DD statement, specify the data set names of your installation.

### Configuring the Global Initialization File

To configure the global initialization file:

1. Make sure that the NetView message adapter service is also started when you start the EAS. This is done by commenting out the following statement:  

```
NOSTART TASK=MESSAGEA
```

The other services are not needed by alert notification, so prevent them from starting.

2. Specify INGEVOMN, or any other name of the PPI receiver ID, in the following statement:  

```
PPI=INGEVOMN
```

You can also pass the PPI receiver ID as a parameter when starting EAS. Make sure that you define the same name that you specified with INGCNTL.

### Configuring the NetView Message Adapter Service

Configuration of the NetView message adapter service is done in the message adapter configuration file, as follows:

1. Provide the IP address or host name and, optionally, the port address of the event receiver. This can be virtually any kind of server that can handle EIF events but SA z/OS supplies integration with:
  - IBM Tivoli Enterprise Console (TEC)
  - IBM Tivoli Netcool OMNibus (OMNibus)
2. Specify the name of the NetView message adapter format file. The version of this file that is to be used by alert notification is delivered in ING.SINGSAMP(INGMFMTO). If this is in its own data set, copy it to a data set that is concatenated to IHSSMP3.

## Step 14: Customization of Alert Notification for SA z/OS

### Enabling Alert Notification via XML

Alert notification can help with creating trouble tickets automatically. Thus SA z/OS collects details about the failed resource and stores it in a details data set. It also creates XML data with overview information.

You must use the INGCNTL command to set the host name and port number to send the XML data to on each system that is able to create trouble ticket information, for example:

```
INGCNTL SET TTHOST=TDISRV1:8000
```

You must also specify allocation data for the details data set, for example:

```
INGCNTL SET TTTDATA='ING.TTT.DATA 1 1'
```

For more details about INGCNTL, see *IBM Tivoli System Automation for z/OS Programmer's Reference*.

### Enabling Alert Notification via User-Defined Alert Handler

SA z/OS allows you handle an alert in any other way that you choose.

On each system that is able to run a user-defined alert handler you must specify the command to be executed with INGCNTL, for example:

```
INGCNTL SET USRHANDLER=MYHANDLER
```

For more details about INGCNTL, see *IBM Tivoli System Automation for z/OS Programmer's Reference*.

For details about the parameters that are passed and the return codes, see the sample handler delivered in ING.SINGSAMP(AOFEXALT).

---

## Step 15: Compile SA z/OS REXX Procedures

SysOps	ProcOps	I/O Ops
*	*	

You should perform this step to gain considerable performance improvement for system operations startup.

You can optionally compile the SA z/OS automation procedures, which are written in REXX. The decision to compile the SA z/OS automation procedures implies an added responsibility for recompiling whenever ING.SINGNREX members are affected by SMP/E maintenance. To compile and execute these automation procedures, the IBM Compiler and Library for REXX/370 must be installed on your system along with their prerequisite products.

The JCL job INGEREXR and related routine INGEREXC are provided in the SA z/OS sample library to help you compile the ING.SINGNREX members. Modify the data set names and jobcard in INGEREXR as necessary and submit the job. The ING.SINGNREX.CREXX library can be modelled on ING.SINGNREX, and ING.SINGNREX.LIST should be a VBA LRECL 125 PDS library. If necessary add to the SYSEXEC DD statement the library where the REXXC program can be found. Finally, specify the name of the resulting compiled REXX data set in your NetView application startup procedure.

## Step 15: Compile SA z/OS REXX Procedures

Consult the *REXX/370 User's Guide and Reference R3* (SH19-8160) for the compiler options that apply to your installation. If necessary, change the INGEREXC routine accordingly.

**Note:** SA z/OS has *not* been tested to run with the REXX Alternate Library. Officially, this is not a supported environment.

---

## Step 16: Defining Automation Policy

SysOps	ProcOps	I/O Ops
✓	✓	

Before you can start using automation, you need to define your automation policy using the customization dialog.

If you start from scratch:

1. Use the IBM best practice policies that are delivered with SA z/OS, \*BASE and any others as required, and create your new policy database. Read the information in the section “Creating a New Policy Database” in *IBM Tivoli System Automation for z/OS Defining Automation Policy*.
2. Next adjust and extend your automation policy. Start by working with the following policy objects:
  - Applications
  - Application groups
  - Monitor Resources
  - Processors
  - Systems
  - A group for each sysplex

You can find detailed information about how to perform these steps in *IBM Tivoli System Automation for z/OS Defining Automation Policy*, which provides information on using the customization dialog for the required definitions.

If you already have a policy database, make a copy or backup, then complete the following steps.

### Step 16A: Build the Control Files

This step is required only for systems that are running SA z/OS 3.2, or earlier.

IBM recommends that you use the SA z/OS best practice sample policies to define your SA z/OS components. When you have defined the policies for the SA z/OS components, use the BUILD command to create the configuration files. The BUILD command is available from various panels of the customization dialog. For more information about how to perform this step, refer to *IBM Tivoli System Automation for z/OS Defining Automation Policy*. You can use the sample job INGEBBLD in the SINGSAMP sample library to create the configuration files in batch.

**Note:**

It is mandatory to use the SA z/OS customization dialog to create policy objects for the resources you want to automate. Do not edit the automation configuration files manually.

A manually edited automation control file may damage your automation.

### Step 16B: Distribute System Operations Configuration Files

You need to make the configuration files available to the automation agents and automation managers on the target systems. All automation managers and automation agents in the same sysplex must have access to the same system operations control files or a copy of them. You must send the files to the target sysplexes and make the data available to the automation agents and the automation managers.

For the automation managers it can either be placed in the automation managers' current configuration data set or the automation managers can be told to use a new configuration data set.

---

## Step 17: Define Host-to-Host Communications

SysOps	ProcOps	I/O Ops
✓	✓	✓

VTAM definitions are required for both host-to-host communications and host-to-workstation communications. This section of the installation addresses the host-to-host communications.

Verify that your NetView APPL member is consistent with the steps that follow.

The host-to-host communications require:

- Defining each host as a CDRM
- Defining the host ACB

### Step 17A: Customize the SYS1.VTAMLST Data Set

SysOps	ProcOps	I/O Ops
✓		

Edit the member that defines NetView to VTAM and do the following:

1. Include as many NetView operator subtask APPL statements as operators that you defined in the DSIOPF member of the NetView DSIPARM data set.
2. SA z/OS uses the NetView BGNSSESS command with the parameter SRCLU=\* to create terminal access facility (TAF) fullscreen sessions for communication with OMEGAMON monitors, if requested.

**Note:** It is expected that OMEGAMON classic is installed and has been configured for VTAM.

## Step 17: Define Host-to-Host Communications

Include one model terminal access facility (TAF) APPL statement to let NetView define the application dynamically, for example:

```
TFxx#*   APPL MODETAB=AMODETAB,EAS=9,           X
          DLOGMOD=M2SDLCNQ
```

where xx are the last two characters of the domain ID. See *Tivoli NetView for z/OS Installation: Configuring Additional Components* and *z/OS Communications Server: SNA Network Implementation Guide* for more details.

3. Define the NetView primary program operator interface task (PPT) as AUTH=(NVPACE,SPO). This causes unsolicited VTAM messages to be broadcast on the SSI and thus to be available to NetView.

If, however, you have another NetView defined as a primary program operator application program (PPO), it receives unsolicited messages first and messages do not reach the NetView that is defined as a secondary program operator application program (SPO). See *Tivoli NetView for z/OS Installation and Administration* for information on PPO and SPO definitions.

## Step 17B: Perform VTAM Definitions

SysOps	ProcOps	I/O Ops
		✓

**Note:** This applies to I/O operations host-to-host communications only. If you have configured a prior level of ESCON Manager or I/O operations, these definitions remain the same.

To use VTAM for I/O operations, there are some definitions that VTAM requires. These definitions are in addition to those needed for the installation and running of VTAM. If you already have VTAM installed, some of these definitions may already exist.

The I/O operations program in each host that carries on this communication must be defined as a VTAM application in each host. The I/O operations program that it communicates with in another host must be defined as a cross domain resource unless you use APPN. I/O operations uses the LU 0 protocol for the communication between hosts.

Because the means of the I/O operations program may be a channel-to-channel adapter, this connection has to be defined to VTAM via VTAM definition statements.

If the alternate path used is via a network communications program (NCP), the NCP must be defined to VTAM.

In order for VTAM to choose what routes to use for this communication and what priorities to assign, PATH statements and CLASS OF SERVICE must be defined.

An example of some of these VTAM definition statements is shown in Figure 12 on page 105.

## Step 17: Define Host-to-Host Communications

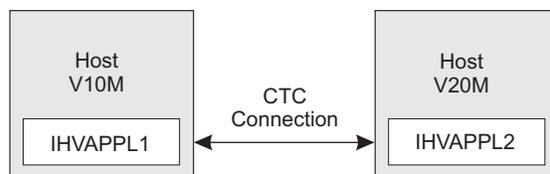


Figure 12. VTAM Definition Statements

In this example, there are two hosts running I/O operations. One application is named IHVAPPL1 and is in subarea 10. The second application is named IHVAPPL2 and is in subarea 20. Each host has its own set of VTAM definition statements.

### Cross-domain definitions

V10M			V20M		
VTAMA	VBUILD	TYPE=CDRM	VTAMB	VBUILD	TYPE=CDRM
V10M	CDRM	SUBAREA=10	V10M	CDRM	SUBAREA=10
V20M	CDRM	SUBAREA=20	V20M	CDRM	SUBAREA=20

The appropriate definitions are needed for each host that will be communicating via I/O operations. Each host will be defined as a CDRM.

If a communication path between the hosts is a channel-to-channel adapter, this has to be defined to VTAM.

**Note:** Change each “x” to the appropriate value.

```

CTCV20 VBUILD TYPE=CA
label1 GROUP LNCTL=CTCA,
        DELAY=x,
        MIH=x,      (cause link to INOP if SIO timeout occurs)
        REPLYTO=x  (tells VTAM how long to wait for completion after
                   channel program started)
label12 LINE ADDRESS=x, (channel unit address of channel to channel adapter)
        MAXBFRU=x (# of buffers VTAM will use to receive data)
label13 PU   PUTYPE=4,
        TG=1
  
```

Each I/O operations program must be defined via an application statement in each host. The user-specified names must be unique in the network. These are the names that the other I/O operations hosts will know each I/O operations by.

The ACBNAME parameter is required for I/O operations. This name must be IHVISC, and must be reserved for this use only.

The parameters SONSCIP=YES and AUTH=ACQ must also be specified.

For I/O operations it is strongly recommended that the DLOGMOD and MODETAB parameters given in the example below, or equivalent definitions, should be used. Note that an RUSIZE of 'zero' is used with this LU TYPE 0 protocol.

IHVAPPL1	VBUILD	TYPE=APPL	IHVAPPL2	VBUILD	TYPE=APPL
APPL	ACBNAME=IHVISC,		APPL	ACBNAME=IHVISC,	
	AUTH=ACQ,			AUTH=ACQ,	
	DLOGMOD=INTERACT,			DLOGMOD=INTERACT,	
	SONSCIP=YES,			SONSCIP=YES,	
	MODETAB=ISTINCLM			MODETAB=ISTINCLM	

## Step 17: Define Host-to-Host Communications

Using the above VTAM definitions the LOGMODE table entry would be:

```
IBM3767 MODEENT LOGMODE=INTERACT,
          FMPROF=X'03',
          TSPROF=X'03',
          PRIPROT=X'B1',
          SECPROT=X'A0',
          COMPROT=X'3040'
```

Each host must have a cross-domain definition for the other I/O operations host applications. They are defined as cross domain resources, as follows:

VBUILD TYPE=CDRSC IHVAPPL2 CDRSC CDRM=V20M	VBUILD TYPE=CDRSC IHVAPPL1 CDRSC CDRM=V10M
---	---

The communication paths between the I/O operations hosts must be defined, as follows:

PATH DESTSA=20, ER0=(20,1), ER1=(20,1), VR0=1, VR1=0	PATH DESTSA=10, ER0=(10,1), ER1=(10,1), VR0=1, VR1=0
--	--

The class of service (COS) definition is:

ISTSDCOS COSTAB : IHVAPPL1 COS VR=((0,2),(1,2)) : COSEND	ISTSDCOS COSTAB : IHVAPPL2 COS VR=((0,2),(1,2)) : COSEND
--	--

### APPN Definitions

Assuming that both hosts reside in the same domain, XYZ, the equivalent APPN definitions are:

VTAM A	VTAM B
<i>APPN Transport Resource List</i>	
VBUILD TYPE=LOCAL XYZANTRL PU TRLE=XYZATRLN, CONNTYPE=APPN, CPCP=YES	VBUILD TYPE=LOCAL XYZBNTRL PU TRLE=XYZBTRLN, CONNTYPE=APPN, CPCP=YES
<i>Channel to Channel Adapter</i>	
VBUILD TYPE=TRL XYZATRLN TRLE LNCTL=MPC, READ=(cua), WRITE=(cua), MPCLEVEL=NOHPDT	VBUILD TYPE=TRL XYZBTRLN TRLE LNCTL=MPC, READ=(cua), WRITE=(cua), MPCLEVEL=NOHPDT
<i>I/O operations / VTAM</i>	
VBUILD TYPE=APPL IHVAPPL1 APPL ACBNAME=IHVISC, AUTH=ACQ, DLOGMOD=INTERACT, SONSCIP=YES, MODETAB=ISTINCLM	VBUILD TYPE=APPL IHVAPPL2 APPL ACBNAME=IHVISC, AUTH=ACQ, DLOGMOD=INTERACT, SONSCIP=YES, MODETAB=ISTINCLM

For details of the channel unit address (CUA) refer to the section "Operand descriptions" in the chapter "Transport resource list major node" in *z/OS Communications Server: SNA Resource Definition Reference*.

## Step 17: Define Host-to-Host Communications

The APPL-specific definitions are identical to those described in “Cross-domain definitions” on page 105.

### Step 17C: Perform TCP/IP Definitions

SysOps	ProcOps	I/O Ops
		✓

**Note:** This applies to I/O operations host-to-host communications only.

In order to use TCP/IP for I/O operations, there are some definitions that I/O operations requires. These definitions are in addition to those needed for the installation and running of VTAM.

Starting with SA z/OS 3.2, I/O operations prefers to communicate with other hosts using the TCP protocol when the remote host is running a release level that is the same or higher. I/O operations requires a TCP/IP host name or an alias name that is no more than 8 characters long. This is because this name must be stored in the switch host data buffer, which has a limited size. If you have defined longer host names you must define an alias of up to 8 characters for each host name that exceeds the limit. You can define alias host names in the local host tables which can be either HOSTS.LOCAL or IPNODES. I/O operations uses z/OS Communications Server resolver API services to obtain the host name.

1. Refer to the section “Search orders used in the native MVS environment” in the *z/OS Communications Server IP Configuration Guide* for information about how the host name value is determined and how the base resolver configuration files, local host tables, and services information are used.
2. For configuring locally defined host names, refer to the section “Configuring the local host table (optional)” in the *z/OS Communications Server IP Configuration Guide*
3. If you are using locally defined host names, check the TCPIP.DATA LOOKUP statement of each system that you have defined an alias for. Verify that either LOCAL is specified or LOCAL precedes DNS, because the DNS server does not return an alias name. Refer to the section “LOOKUP” in the chapter “TCPIP.DATA configuration statements” of *z/OS Communications Server: IP Configuration Reference* for more information.

Because each I/O operations program acts as a server as well as a client, it requires port definitions in the service information data set:

```
IHVsrvr portnumber/tcp  
IHVclnt portnumber/tcp
```

The first entry is mandatory for reestablishing a connection after an interrupt. The second entry is optional. You have to specify the second entry if you want to restrict particular ports for the use by I/O operations. For details of controlling access to ports refer to the section “Port access control” in the chapter “Security” of *z/OS Communications Server: IP Configuration Guide*.

Note that the service names require the component code to be defined in uppercase and the remaining characters in lowercase. For details refer to *z/OS Communications Server: IP Configuration Reference*.

## Step 17: Define Host-to-Host Communications

**Note:** If you omit the definition of the server port, I/O operations suppresses the TCP/IP communication for its lifetime and falls back to VTAM communication.

Check the MAXSOCKETS parameter in the BPXPRMxx parmlib member's NETWORK statement that corresponds to the addressing family. This value determines how many sockets for a particular addressing family can be opened in the entire system. I/O operations requires twice the number of possible TCP connections plus one.

The number of sockets that an application can open is also limited by the UNIX System Services parameter MAXFILEPROC in the BPXPRMxx parmlib member. This parameter determines the number of sockets each address space can have open. The same rules apply to this parameter, that is, I/O operations requires twice the number of possible TCP connections plus one.

Check the SOMAXCONN value that defines the maximum number of connection requests queued for the listening socket. I/O operations cannot have more than 256 connection (VTAM and TCP/IP) at a time. However it is very unlikely that all connection requests occur at the same time because it is dependent on the time that each I/O operations is started. The default value of 10 is probably large enough.

---

## Step 18: Enabling SA z/OS to Restart Automatic Restart Manager Enabled Subsystems

SysOps	ProcOps	I/O Ops
✓		

If you intend to use the z/OS Automatic Restart Manager and you want to coordinate its actions with those of SA z/OS, you must ensure the following:

- The SA z/OS-supplied element restart exit (ERE) must be available to z/OS. The exit, AOFPERRE, is in the ING.SINGMOD2 data set. No customization is required.
- The AOFARCAT autotask must be created. The autotask name is included in the AOFOPF member and is created automatically by NetView if you install SA z/OS without changing AOFOPF.
- The NetView Subsystem Interface (SSI) must be active for the coordination of SA z/OS and z/OS automatic restart management to occur.
- As part of its Automatic Restart Manager support, SA z/OS claims all PPI receiver IDs starting with AOF. If you have any other PPI receivers named AOFxxxx, results are unpredictable.

For further information on the relationship between SA z/OS and Automatic Restart Manager, see *IBM Tivoli System Automation for z/OS Defining Automation Policy*.

---

## Step 19: Define Security

SysOps	ProcOps	I/O Ops
✓	✓	✓

**Note:**

To plan your RMTCMD-based INGSSEND security, see the discussion of RMTCMD security features in the NetView documentation.

You should perform this step if you want to ensure that only authorized staff can manage the resources in your environment.

Your operations staff and automation facilities at SA z/OS-controlled systems need to be authorized to manage the resources in their environment. You can control human and automation operator authority through the password security provided by either by NetView or an SAF-based security product, such as RACF.

Additionally SA z/OS provides the following samples in the SA z/OS SINGSAMP sample library to help you to establish security on your systems:

1. INGESAF sample JCL with definitions for a RACF environment
2. INGECAT sample command authorization table for security checking within NetView

See also the following sections in Appendix A, "Security and Authorization," on page 151 for other security options:

- "Granting NetView and the STC-User Access to Data Sets" on page 151
- "Restricting Access to INGPLEX and INGCF Functions" on page 153
- "Security for IBM Tivoli Monitoring Products" on page 154 (OMEGAMON)
- "Controlling Access to the Processor Hardware Functions" on page 158
- "Defining a RACF Profile for I/O Operations" on page 160
- "Establishing Authorization with Network Security Program" on page 165

For SNMP, BCP internal interface, and TCP/IP connections, it is mandatory to make the security definitions described in "Controlling Access to the Processor Hardware Functions" on page 158.

For UNIX System Services automation, one or more UNIX segments (OMVS) must be defined. For details, refer to "Step 30A: Define UNIX Segments (OMVS)" on page 129.

---

## Step 20: Customize the Status Display Facility (SDF)

SysOps	ProcOps	I/O Ops
*		

If you decide to use SDF as the SA z/OS fullscreen operator interface for monitoring automated resource statuses at the NetView 3270 console, customizing SDF involves defining the following:

- SDF initialization parameters. These are defined in the AOFINIT member of a NetView DSIPARM data set.
- Copy and customize member INGPTOP in the ING.SINGNPRM library concatenate it in the DSIPARM data set before the SA z/OS libraries. Customize it the system and sysplex names.
- Define and customize the following variable in the NetView style sheet:

## Step 20: Customize the Status Display Facility (SDF)

COMMON.AOF\_AAO\_SDFROOT\_LIST = SYS1 SYS2 SYS3

- Ensure that the inform list in the customization dialog contains SDF for the resources that you want to monitor (consider using, for example, system and sysplex defaults).
- Color and priority assignments for resource status types. These have default values that are set up by SA z/OS (see *IBM Tivoli System Automation for z/OS User's Guide* for details), but you can define overrides to color and priority assignments with the SA z/OS customization dialog.
- SDFROOT. You can specify a root name for the SDF tree on the Environment Setup Panel of the customization dialog. If you do not specify a new root name, it defaults to the value specified for SYSNAME.

See *IBM Tivoli System Automation for z/OS Customizing and Programming* for detailed information about customizing SDF.

---

## Step 21: Check for Required IPL

SysOps	ProcOps	I/O Ops
✓	✓	✓

An IPL is only required if:

- In “Step 4A: Update IEAAPFxx” on page 63, you used the IEAAPFxx member to define authorized libraries to the APF
- In “Step 4D: Update LPALSTxx” on page 64 you decided *not* to use the solution to dynamically add the modules to the LPALST
- In “Step 4E: Update LNKLSTxx” on page 65 you updated LNKLST and you decided *not* to use the solution to dynamically add the modules to the LNKLST
- “Step 4F: Update IEFSSNxx” on page 65 was required because the IEFSSNxx member was not updated during NetView installation and you cannot use the z/OS command SETSSI for a dynamic update of the subsystem name table.

---

## Step 22: Automate System Operations Startup

SysOps	ProcOps	I/O Ops
✓	✓	

### Sample: INGECOM

Add commands to the COMMNDxx member of SYS1.PARMLIB to start the automation NetView when z/OS starts. You may also need to modify an IEASYSxx member of SYS1.PARMLIB to specify which COMMNDxx or other PARMLIB members to use during IPL. SA z/OS initialization begins with starting system operations. If an SA z/OS automation policy is used, system operations subsequently starts processor operations and I/O operations.

Make the described changes to the following SYS1.PARMLIB data set members:

### Sample COMMNDxx

Make sure that the procedure names you choose match those specified in the SYS1.PROCLIB data set.

## Step 22: Automate System Operations Startup

Compare the contents of the COMMNDxx member with the INGECOM member which resides in the SINGSAMP sample library. Edit the COMMNDxx member and do the following:

1. If you want to use the recording of IPL function (INGPLEX IPL command) add the following statement in the COMMNDxx member:  
COM='S HSAPIPLC,SUB=MSTR'

This procedure collects the IPL information in MVS. Return codes for this procedure are documented in the HSAPIPLC sample.

2. If you are running more than one NetView on your system, ensure that you have included start commands for the Automation NetView.

```
COM='S CNMSJ010,JOBNAME=SYSVSSI,SUB=MSTR'  
COM='S INGENVSA,JOBNAME=SYSVAPPL,SUB=MSTR'
```

**Note:**

CNMSJ010 is the name of the sample that is provided by NetView that you copied in “Step 5: Customize SYS1.PROCLIB Members” on page 66.

INGENVSA is the name of the sample that is provided by SA z/OS that you copied in “Step 5: Customize SYS1.PROCLIB Members” on page 66.

This adds commands that select the correct MPF entries and start NetView.

### Sample IEASYSxx

Edit the IEASYSxx member to specify which SYS1.PARMLIB data set members to use during the IPL process. This is done by specifying the 2-character suffix of the SYS1.PARMLIB member names. If you choose SO, the statements in the IEASYSxx member would be as follows:

- APF=SO
- CMD=SO
- CON=SO
- SSN=SO
- SCH=SO
- LNK=SO
- LPA=SO

For example, because APF=SO, the system uses the IEAAPFSO member during the IPL process.

## How to Automate the Automation Manager Startup

**Note:** The system that the automation manager should be started on must be defined as policy object System in the policy database which will be used to create the automation manager configuration file that this automation manager uses (see also “Step 16A: Build the Control Files” on page 102).

To enable automatic startup of the automation manager whenever SA z/OS is started, add the following start command for the automation manager to the COMMNDxx PARMLIB member:

```
S INGEAMSA,JOBNAME=AM,SUB=MSTR
```

## Step 22: Automate System Operations Startup

You can find the sample startup procedure called INGEAMSA in the SINGSAMP sample library.

---

## Step 23: Verify Automatic System Operations Startup

SysOps	ProcOps	I/O Ops
*		

After you have installed the host components of SA z/OS, it is recommended that you perform the following steps for verification purposes:

1. Perform an IPL, if you have not done this according to “Step 21: Check for Required IPL” on page 110. Then start SA z/OS.

The following messages should appear on the system console:

```
AOF532I hh:mm:ss AUTOMATION ENVIRONMENT HAS BEEN INITIALIZED
AOF540I hh:mm:ss INITIALIZATION RELATED PROCESSING HAS BEEN COMPLETED
```

2. Use the NetView LIST command to confirm that the following SA z/OS tasks are active:

Task Name	Description
AOFSTST	automation status file task
INGPXDST	XCF communication task

To confirm that these tasks are active, log on to NetView, and enter the NetView LIST command to display the status for each task:

```
LIST taskname
```

3. Use the commands INGAMS and INGLIST to verify that they work.
4. Check that the subsystem status and automation flag settings are what you expect. Enter the DISPSTAT ALL command to display the status of automated subsystems and the DISPFLGS command to display the automation flag settings: See *IBM Tivoli System Automation for z/OS Operator's Commands* for information about these commands.
5. Use the SA z/OS DISPAUTO command in NetView to display a menu that allows you to initiate further command dialogs. These display information about your automation. Enter DISPAUTO and then choose one of the menu options. See *IBM Tivoli System Automation for z/OS Operator's Commands* for information about the DISPAUTO command.
6. Confirm that the automation shuts down and restarts the subsystems as you expect. You can shutdown and restart each automated resource individually using the following SA z/OS command:

```
INGREQ resource REQ=STOP SCOPE=ONLY RESTART=YES
```

If any of the resources (subsystems) do not restart as you expect, make corrections to your automation policy.

---

## Step 24: Install an SA z/OS Satellite

SysOps	ProcOps	I/O Ops
*		

This step is only required if your enterprise runs an Automation NetView and a Networking NetView with GMFHS on the focal point system or on another focal point NetView. You must then install SA z/OS on the automation NetView that is used for system automation.

### Step 24A: Customize the Networking NetView or Focal Point NetView Startup Procedure

In SYS1.PROCLIB or another procedure library, find members used to start the Networking NetView application. Insert the data set names from the following table into the indicated DD concatenations.

**Notes:**

1. The data sets listed in Table 15 should appear last in your concatenation. If they appear before other data sets (for example, data sets containing members customized for automated network operations [AON/MVS]), results are unpredictable.
2. The ING.SINGMOD1 library needs to be authorized for APF.

*Table 15. Members to Start the Networking NetView*

DDNAME	System Operations Data Set
STEPLIB	ING.SINGMOD1
DSICLD	ING.SINGNREX
DSIPARM	ING.SINGNPRM
DSIMSG	ING.SINGNMSG
DSIPRF	ING.SINGNPRF
CNMPNL1	ING.SINGNPNL

### Step 24B: Customize the Networking NetView or Focal Point NetView DSIPARM Data Set

Several members in the DSIPARM concatenation must be customized for the SA z/OS satellite. Before editing an SA z/OS member, remember to copy it from ING.SINGNPRM into a new, user-defined data set that is placed before ING.SINGNPRM in the concatenation.

**NetView style sheet**

To enable SA z/OS, make sure that the following TOWER statements are activated in the NetView style sheet:

- For a satellite SA z/OS on a Networking NetView:
 

```
TOWER = SA
TOWER.SA = SATELLITE
```
- For full SA z/OS:
 

```
TOWER = SA
TOWER.SA = SYSOPS
```

**AOFMSGST**

If you do not choose to use the NetView operator IDs defined by SA z/OS, copy and edit AOFMSGST to contain the appropriate definitions of the synonyms %AOFOPMSU%, %AOFOPHB% for your Networking NetView. %AOFOPMSU% is a synonym for the operators that can be routed commands as a result of alerts trapped in the NetView automation table. %AOFOPHB% is a synonym for the operator that can be routed heartbeat alerts trapped in the NetView automation table. (Note that there

## Step 24: Install an SA z/OS Satellite

can be only one operator defined for %AOFOPHB% and it must be unique and not used for any other functions). Other synonyms in the member are not specific to the Networking NetView environment.

### AOFRODM

Copy and edit AOFRODM to contain the correct name for your RODM and a user ID authorized to update it.

- Specify a RODM name by changing RODMNAME=NONE to RODMNAME=xxxxxxx, where xxxxxxx is your RODM name.
- Specify a user ID by changing RODMUSER=XXAOCFR to RODMUSER=xxxxxxx, where xxxxxxx is your user ID for batch updates from NetView.

---

## Step 25: Installing and Customizing the NMC Focal Point

SysOps	ProcOps	I/O Ops
*	*	

Communication between SA z/OS and the NMC focal point is maintained by the SA z/OS topology manager. An SA z/OS topology agent on each target system retrieves the enterprise data from the automation manager. The SA z/OS topology manager on the focal point provides the information into RODM. GMFHS takes the information from RODM and presents it in a graphical form on the NMC workstation. This information is available if you have completed the previous installation steps, that is, SA z/OS is fully functional.

There are two possible configurations when setting up the NMC focal point:

1. Full SA z/OS
2. A satellite SA z/OS on a Networking NetView

The following sections describe how to customize the SA z/OS topology manager for the operators.

### Step 25A: Preparing for NMC

Some of the tasks in this step are different for full SA z/OS and a satellite SA z/OS, as indicated.

#### 1. Applications Required by NMC

The applications that NMC uses must be available, so make sure of the following:

- RODM is running and the RODM load function has loaded the data model into RODM
- GMFHS and MultiSystem Manager are installed and working

For information about how to do this, refer to:

- *Tivoli NetView for z/OS Resource Object Data Manager and GMFHS Programmer's Guide*
- *Tivoli NetView for z/OS Graphic Monitor Facility User's Guide*
- *Tivoli NetView for z/OS MultiSystem Manager User's Guide*

#### 2. Configuration

Perform the following configuration:

## Step 25: Installing and Customizing the SA z/OS Topology Manager

- **Full SA z/OS:** Import the \*NMC best practice policy that is delivered with SA z/OS into your policy database and customize its definitions there to fit your environment.
- **SA z/OS Satellite:** You must start the environment manually.

SA z/OS delivers a NetView automation table fragment AOFMSGST that automates this setup.

- **Full SA z/OS:** You must define this fragment in the customization dialog to be loaded on the focal point only. With this table, the SA z/OS topology manager is started after the completion message from MultiSystem Manager. Alternatively, you can specify the following statement in the NetView style sheet:

```
TOWER.SA = SYSOPS SATELLITE
```

- **SA z/OS Satellite:** Specify the following statement in the NetView style sheet:

```
TOWER.SA = SATELLITE
```

For additional information, refer to the description of the NetView style sheet and AOFMSGST in “Step 24B: Customize the Networking NetView or Focal Point NetView DSIPARM Data Set” on page 113.

### 3. Security

For security considerations, refer to “Securing Focal Point Systems and Target Systems” on page 151.

### 4. NetView Operator Tasks

The RODM name and RODM user must be customized in member AOFRODM on the focal point system (see “Step 24B: Customize the Networking NetView or Focal Point NetView DSIPARM Data Set” on page 113). Customizing AOFRODM on any other system is not necessary.

- **Full SA z/OS:** You must define the following Automation Operators in the customization dialog for *both* the satellite and target systems:
  - EVTOPER (the default for the primary is AUTEVT1 and for the backup is AUTEVT2)
  - HBOPER (the default is AUTHB)
  - HBSLV (the default is AUTBSLV)
  - POSTOPER (the default is AUTPOST)
  - POSTSLV (the default is AUTPOSTS)

**Note:** If the task defined on the target systems is different to the task defined on the satellite, INGSSEND definitions must be defined with the customization dialogs to provide the mapping by using the SEND COMMAND OPERS policy item of the Enterprise policy object.

These automation operator definitions are included in the \*NMC best practice policy. Customize them there to fit your environment.

You must also define these automation operators in DSIOPF or RACF or both.

- **SA z/OS Satellite:** No customization is required because this is done automatically by SA z/OS during the initialization of the satellite.

### 5. SA z/OS Data Storage

Two repositories are provided for SA z/OS data:

- The automation manager (for target systems)
- RODM (for the focal point)

### 6. NetView Common Global Variables

## Step 25: Installing and Customizing the SA z/OS Topology Manager

You must set the following NetView common global variables for the *target* system. Set them in the NetView style sheet. The defaults are underlined.

### AOFUPDAM

Determines whether SA z/OS data should be stored in the automation manager:

Value	Meaning	Can Be Set For:	
		SA z/OS	Satellite
YES	SA z/OS data is stored in the automation manager.	✓	X
<u>NO</u>	SA z/OS data is <i>not</i> stored in the automation manager.	✓	✓

### AOFUPDRODM

Determines whether SA z/OS data should be stored in RODM:

Value	Meaning	Can Be Set For:	
		SA z/OS	Satellite
<u>YES</u> (NMC user)	SA z/OS data is stored in RODM.	✓	✓
NO (non-NMC user)	SA z/OS data is <i>not</i> stored in RODM.	✓	✓

### AOFSENDALERT

Defines the mechanism that is used to forward data from the target to the focal point. It is only relevant if AOFUPDRODM has been set to YES.

Value	Mechanism	Can Be Set For:	
		SA z/OS	Satellite
YES	Alerts	✓	✓
<u>NO</u>	Command Handler	✓	X

Setting the values of AOFUPDAM, AOFUPDRODM and AOFSENDALERT on a Networking NetView (for a satellite) or Focal Point NetView is not necessary because this is done automatically.

AOFUPDAM, AOFUPDRODM and AOFSENDALERT must be set to the same value on each target system in a sysplex.

AOFUPDAM used in conjunction with AOFUPDRODM will control if and where the SA z/OS data is stored, as shown in Table 16 on page 117.

## Step 25: Installing and Customizing the SA z/OS Topology Manager

Table 16. Use of AOFUPDAM and AOFUPDRODM to Control SA z/OS Data Storage

AOFUPDAM	AOFUPDRODM	Storage Outcome	Usage
YES	YES	SA z/OS data stored in the automation manager and also in RODM.	NMC user, any loss of contact between the target systems and the focal point will be followed by the RODM data being rebuilt from the SA z/OS data that had previously been stored in the automation manager, this will ensure no loss of SA z/OS data shown on the NMC.
YES	NO	SA z/OS data stored in the automation manager only.	Non-NMC user, it is possible to create a feed from the SA z/OS data held in the automation manager (not used at present, may be used in future releases of SA z/OS).
NO	YES	SA z/OS data stored in the RODM only.	NMC user, no requirement to rebuild the RODM SA z/OS data.
NO	NO	SA z/OS data not stored in the automation manager or in RODM.	Non-NMC user.

### Step 25B: Modify the NetView DSIPARM Data Set for the SA z/OS Topology Manager

There are a few things you have to do to prepare for the SA z/OS topology manager to run. Table 17 lists the data sets to be modified for this.

Table 17. DSIPARM Members to be modified for the SA z/OS Topology Manager

DSIPARM Member	Description
AOFOPFFP	System operations automation operator definitions
CNMSTYLE/CxxSTGEN	NetView system level parameters for NetView initialization
DSI6INIT	Initialization member for the NetView DSI6DST task.
DSICRTTD	NetView CNM router initialization member
DUIFPMEM	NetView focal point definitions
DUIGINIT	GMFHS initialization member
FLCSAINP	MultiSystem Manager initialization member
INGTOPOF	NMC definition member

### NetView Stylesheet

**Note:** This is only necessary if you have chosen to use alert forwarding as your communication method.

To avoid further changes, alert forwarding ALERTFWD NV-UNIQ is recommended. However, any of the following SNA-MDS settings can be defined:

- ALERTFWD SNA-MDS=LOGONLY

## Step 25: Installing and Customizing the SA z/OS Topology Manager

- ALERTFWD SNA-MDS=AUTHRCV
- ALERTFWD SNA-MDS=SUPPRESS

Although SNA-MDS is not absolutely required, it might be important as it allows the construction of networks with intermediate focal points and hot backups.

If the network contains an intermediate focal point, ALERTFWD SNA-MDS must be specified in CNMSTYLE/CxxSTGEN. If the network does not contain an intermediate focal point, ALERTFWD NV-UNIQ may be specified in CNMSTYLE/CxxSTGEN.

If ALERTFWD SNA-MDS is specified in CNMSTYLE/CxxSTGEN, the following entries must be added to sample BNJRESTY:

```
E0 AUTO  SYSTEM AUTOMATION FOR z/OS
E1 DOMN  SYSTEM AUTOMATION FOR z/OS
E2 NET   SYSTEM AUTOMATION FOR z/OS
```

**Note:** The three values shown above ('E0','E1', and 'E2') are the first three user-defined values. If you already have user-defined entries in BNJRESTY, you may use alternative values for these entries.

For more information about how to add user-defined entries (E0–EF) to BNJRESTY, refer to the following chapters in *Tivoli NetView for z/OS Customization Guide*:

- Customizing Hardware Monitor Displayed Data
- Using NMVT Support for User-Written Programming
- Adding or Modifying Resource Types

For more information about the ALERTFWD statement, refer to *Tivoli NetView for z/OS Administration Reference*.

### DSI6INIT

This is the initialization member for the NetView DSI6DST task and needs to have the appropriate focal point defined.

```
DEFFOCPT TYPE=ALERT,PRIMARY=NETA.CNM02,BACKUP=NETA.CNM03
```

Note that on the focal point and the backup you will need different members, as NetView complains if a definition references its own system.

Usage of the LU 6.2 alert forwarding mechanism allows for the construction of focal point networks that include intermediate focal points.

### Autotask Operator IDs

Each focal point that will be running the SA z/OS topology manager must have an autotask defined for it. Your environment may have one or more of the following types of focal point:

- The primary focal point
- The secondary focal point
- The intermediate focal point (IFP)

This requires a definition in DSIPARM.DSIOPE, as follows:

```
&domain.TPO OPERATOR PASSWORD=&domain.TPO
             PROFILEN AOFPRFAO
```

## Step 25: Installing and Customizing the SA z/OS Topology Manager

This definition must be made on the focal points and on each target system. It should only be started as an autotask on the focal point.

An include member, DSIPARM.AOFOPFFP, has been provided to help you centralize and manage these operator IDs. You need to customize it to contain the operator IDs for your focal points.

The *&domain.* variable contains the focal point's domain ID. This is just a suggestion for the naming scheme.

**Note:** The names must be unique on the focal point and the target systems.

Additionally, on the focal point, the operator ID must be defined in the DSIPARM.AOFMSGST member, as the value for the %AOFOPTOPOMGR% synonym.

```
SYN %AOFOPTOPOMGR% = '&domain.TPO';
```

You should not include any backup operators in this synonym.

Installing and customizing needs to be done on the NMC focal point system or on each target system. (This is only for ProcOps.)

It is recommended to use system symbols for the focal point, backup, and intermediate focal point specification. In this case, you can update AOFOPFFP and AOFMSGSY accordingly and make it available in a general data set to all your systems, focal points, and targets. This avoids the same specification of two members on any single system.

You will need one set of autotasks for your primary focal point and a second set for your backup focal point. If you are using intermediate focal points, you will also need a set of operators for each of those (but only on the target systems that are defined to the IFP). Note that even in an IFP situation, the focal point will contact all target systems directly to obtain status and configuration data. The IFP is only used for alert forwarding.

### Operator Profiles

This concerns statements in the NetView operator definition file (DSIOPF), which associate operator IDs with logon profiles and the profiles themselves, which are defined in the DSIPRF concatenation.

Each operator who will be an NMC Administrator must be assigned a NetView logon profile which includes the NGMFADMN=YES key/value pair on its AUTH tag.

Each NMC user who needs to issue commands against resources through the NMC interface needs to be linked to a profile with the NGMFCMDS=YES key/value pair on its AUTH tag.

### DSICRTTD

The focal points need to be identified to your target systems. Uncomment and adapt the following lines for any of your target systems:

```
* DEFFOCPT PRIMARY=CNM02LUC,TYPE=ALERT,BACKUP=CNM99LUC
* alerts
* RMTCMD/XCF
```

## Step 25: Installing and Customizing the SA z/OS Topology Manager

### DUIFPMEM

Uncomment and adapt the following 4 statements.

```
*USETCPIP = NO
*TCPANAME = &CNMTCPN
*SOCKETS = 50
*PORT = 4020
```

Change USETCPIP to YES. Change the PORT number to an unused number in your system if necessary.

### DUIGINIT

Change the domain specification to your focal point domain.

If you use Kanji support check that GMFHS is enabled to send Japanese text to an NMC console for display. In DUIGINIT you have to set JAPANESE=ON.

### INGTOPOF

Define your sysplex to your NMC as described in “Step 25D: Customize the INGTOPOF File.”

## Step 25C: Customize RODM

You need to configure RODM so that it will dynamically refresh the workstation when a number of fields other than DisplayResourceStatus is changed. To do this you need to ensure that certain RODM loader statements are processed whenever the GMFHS Data Model is reloaded.

Add the DD statement with member INGDYNRF in the NetView sample procedure EKGLOADP.

```

:
//*EKGIN1 DD DSN=&EKGIN1,DISP=SHR
//EKGIN1 DD DSN=&SQ1..V&NETVER..CNMSAMP(DUIFSTRC),DISP=SHR
// DD DSN=&SQ1..V&NETVER..CNMSAMP(FLBTRDM1),DISP=SHR
// DD DSN=&SQ1..V&NETVER..CNMSAMP(FLBTRDM2),DISP=SHR
// DD DSN=&SQ1..V&NETVER..CNMSAMP(FLBTRDM3),DISP=SHR
// DD DSN=&SQ1..V&NETVER..CNMSAMP(FLBTRDM4),DISP=SHR
// DD DSN=&SQ1..V&NETVER..CNMSAMP(FLBTRDM5),DISP=SHR
// DD DSN=&SQ1..V&NETVER..CNMSAMP(FLBTRDM6),DISP=SHR
// DD DSN=&SQ1..V&NETVER..CNMSAMP(FLBTRDM7),DISP=SHR
// DD DSN=&SQ1..V&NETVER..CNMSAMP(FLBTRDM8),DISP=SHR
// DD DSN=&SQ1..V&NETVER..CNMSAMP(FLBTRDM9),DISP=SHR
// DD DSN=&SQ1..V&NETVER..CNMSAMP(FLBTRDMA),DISP=SHR
// DD DSN=&SQ1..V&NETVER..CNMSAMP(FLBTRDMB),DISP=SHR
// DD DSN=&SQ1..V&NETVER..CNMSAMP(FLBTRDMC),DISP=SHR
// DD DSN=&SQ1..V&NETVER..CNMSAMP(FLBTRDMD),DISP=SHR
// DD DSN=&SQ1..V&NETVER..CNMSAMP(FLBTRDME),DISP=SHR
// DD DSN=&SQ1..V&NETVER..CNMSAMP(FLBTRDMF),DISP=SHR
// DD DSN=&SQ1..V&NETVER..CNMSAMP(FLBTRDMZ),DISP=SHR
//* Dynamic update of resources
// DD DSN=&SQ2..V&SAMVER..SINGSAMP(INGDYNRF),DISP=SHR
//*
//
:
:
```

Figure 13. Sample of RODM Load Procedure EKGLOADP

## Step 25D: Customize the INGTOPOF File

The generic name for the topology control file is “INGTOPOF”. Local versions of the INGTOPOF file may also be created.

## Step 25: Installing and Customizing the SA z/OS Topology Manager

The naming (format) of the local versions will be “TPF” concatenated with the domain name of the focal point. For example, if the focal point has a domain name of “IPSNM”, the local INGTOPOF name will be “TPFIPSNM”.

Multiple INGTOPOF files (generic and local) may exist with a single DSIPARM. This will provide the flexibility to tailor each INGTOPOF to suit the requirements of each focal point.

When the topology manager attempts to read the topology control file, in the first instance it will look for the local INGTOPOF member name in DSIPARM.

Processing is as follows:

1. If the local INGTOPOF member exists in DSIPARM, the content of that member will be used by the topology manager.
2. If the local INGTOPOF member does not exist in DSIPARM, the topology manager will attempt to read the INGTOPOF member in DSIPARM.
3. If the INGTOPOF member exists in DSIPARM, the content of that member will be used by the topology manager.
4. If the INGTOPOF member does not exist in DSIPARM, the topology manager will terminate with RC = 9.

The following overview of the operation mode of the SA z/OS topology manager supplies some background for discussing the INGTOPOF file. Some familiarity with the class structure of RODM and with the BLDVIEWS tool is assumed.

During initialization, the SA z/OS topology manager gathers information about generated SA z/OS resources from the sysplex and stores the resources in RODM, prefixing their names with the current sysplex name. Usually not only the resources, but also the dependencies and major/minor relationships between resources will be represented in RODM (this depends on the OPTION statement in the INGTOPOF file, see Appendix B, “Syntax for INGTOPOF File,” on page 167).

The INGTOPOF file supplies the SA z/OS topology manager with the following information:

- which sysplexes there are and which of their member systems contain a SA z/OS topology agent.
- the names of the data sets (members) that contain the definitions of the views.
- when views must be rebuilt during runtime, it is desirable that only those views be rebuilt to which new members have been added.

You will need to prepare the INGTOPOF input file. This contains information about the target domains and how they are grouped into sysplexes along with some additional information that affects the resources that are dynamically created.

The INGTOPOF file contains configuration information for the SA z/OS topology manager. It must reside in DSIPARM. The records of the file consist of a keyword with one or more parameters. Comment lines must have an asterisk (\*) in the first column. A '+' at the end of a line indicates that the record is continued in the next line.

The information is passed from the INGTOPOF file to the SA z/OS topology manager with the help of the following keywords:

- SYSPLEX
- PROCOPS

## Step 25: Installing and Customizing the SA z/OS Topology Manager

- BLDVIEWS
- [LOCATION]
- [ANCHOR]
- [OPTION]
- [TEMPLATE]
- [MAPCOLOR]

The syntax of the statements in the INGTOPOF file is described in Appendix B, "Syntax for INGTOPOF File," on page 167.

A sample of INGTOPOF is provided in the SINGNPRM library.

To start the MultiSystem Manager and load the INGTOPOF file, use the MultiSystem Manager start command FLCAINIT.

### Step 25E: Prepare BLDVIEWS Cards

You need to provide files with BLDVIEWS cards. These are required for the SA z/OS resources to appear on the NMC workstation. These files will become part of the BLDVIEWS statement in the INGTOPOF file. The BLDVIEWS statement in the INGTOPOF file is used by the SA z/OS topology manager to pass information to the BLDVIEWS tool which it invokes to produce the views of the objects. The BLDVIEWS tool writes information about views into RODM. The SA z/OS topology manager is automatically invoked whenever you start SA z/OS or you can invoke it with the INGTOPO command whenever you changed information in the INGTOPOF file or in the files with the BLDVIEWS cards.

To run the BLDVIEWS tool, use one of the following methods:

- via the SA z/OS topology manager which invokes the tool
- via an external invocation of this tool (as a NetView command in a NetView session)

For information about the BLDVIEWS cards syntax refer to the appropriate NetView documentation.

The following three SA z/OS BLDVIEW samples are provided in the SINGNPRM library matching the INGTOPOF sample file:

- INGBVIEW (sample view for SysOps objects)
- INGPVIEW (sample view for ProcOps objects)
- INGCVIEW (sample view for common objects)

**Note:** To start MultiSystem Manager and load the INGTOPOF file, use the MultiSystem Manager start command: FLCAINIT

---

## Step 26: Copy and Update Sample Exits

SysOps	ProcOps	I/O Ops
*	*	

Several sample exits are provided in the SINGSAMP library (for example, AOFEXC01). You can use these samples to create your own exits. If used, they must be copied into a data set (either the enterprise-specific or domain-specific) in

## Step 26: Copy and Update Sample Exits

the DSICLD concatenation. These exits are called at fixed points during SA z/OS processing. Therefore, you should look into each of the sample exits to determine whether you need to use and update it.

Updating and copying the sample exits allows you to add your specific processing. For more information on user exits, provided samples and advanced automation options, refer to *IBM Tivoli System Automation for z/OS Customizing and Programming*.

---

## Step 27: Install CICS Automation in CICS

SysOps	ProcOps	I/O Ops
*		

This section describes the basic CICS Automation definitions that take place on CICS. Refer to the CICS documentation while performing these steps, especially the *CICS Resource Definition Guide*. These steps are performed on each CICS region.

### Step 27A: SIT or Startup Overrides

On each CICS, ensure that the system initialization table (SIT) or startup overrides include the following:

```
PLTPI=xx,           where xx is the suffix to the startup PLT
PLTSD=yy,           where yy is the suffix to the shutdown PLT
MSGLVL=1,
BMS=(STANDARD|FULL)
```

If CICS is started with option MSGLVL=0, some of the messages may not be passed to automation.

You may optionally add CN as your last startup override, whether from SYSIN or through the JCL. However, this is not necessary if you have added the &APPLPARMS variable to the PARM of the CICS start command in the STARTUP item of the APPLICATION policy object. The following is an example:

```
MVS S cics,...,PARM='SYSIN,START=xxxx&APPLPARMS'
```

This is also how the start commands are predefined in the sample databases.

### Step 27B: Program List Table Definitions

Add the TYPE=ENTRY definitions shown in the following example to the post-initialization program list table (PLT) for each CICS after the entry for DFHDELIM (as in phase 2):

```
DFHPLT TYPE=INITIAL,SUFFIX=xx
DFHPLT TYPE=ENTRY,PROGRAM=DFHDELIM
DFHPLT TYPE=ENTRY,PROGRAM=EVEPYINI
DFHPLT TYPE=ENTRY,PROGRAM=EVESTISP
DFHPLT TYPE=FINAL
```

The EVESTISP program definition in this example is only needed when using the CICS PPI communication.

Add the TYPE=ENTRY definitions shown in the following example to the shutdown program list table (PLT) for each CICS.

## Step 27: Install CICS Automation in CICS

```
|          DFHPLT TYPE=INITIAL,SUFFIX=yy  
|          DFHPLT TYPE=ENTRY,PROGRAM=EVESPLTT  
|          DFHPLT TYPE=ENTRY,PROGRAM=DFHDELIM  
|          DFHPLT TYPE=FINAL
```

Assemble the PLT tables.

### Step 27C: Define Consoles

CICS Automation uses EMCS consoles to issue Modify CICS commands when managing CICS. Console definitions are required for correct CICS Automation operation.

Define consoles for autotasks to enable CICS Automation functions. This step can be skipped if you enable CICS Auto-Installed Consoles. This can be achieved by specifying "AICONS=YES" in the CICS system initialization parameters.

In an EMCS environment the autotask console names are determined, in order of precedence as follows:

1. If you are using AOCGETCN (that is, using the profiles shipped with the product) the name is determined by AOFCNMASK. For more information, see *IBM Tivoli System Automation for z/OS Customizing and Programming* or *IBM Tivoli System Automation for z/OS Defining Automation Policy*.
2. The CONSNAME parameter on the PROFILE statement in the task profile determines the EMCS console name. For more information, see *Tivoli NetView for z/OS Administration Reference* and *Tivoli NetView for z/OS Security Reference*.
3. By default the autotask name is used for the EMCS console name.

A console has to be defined for each SA z/OS work operator. These are typically named AUTWRKxx. In addition, a console has to be defined for each NetView operator that may want to inquire or control a CICS region. This can be simplified by specification of the CICS Console Auto-Install function.

RACF security is provided by z/OS for EMCS and MCS consoles. This function enables a user on NetView with a RACF user ID (ACEE) to open an EMCS console and have the user ID associated with the EMCS console. All commands that are issued to the EMCS console will have the user ID of the NetView user. Furthermore, CICS supports EMCS and MCS consoles with RACF user IDs by inheriting the user ID that is associated with a command from the EMCS or MCS console.

The net result is that for CICS auto-installed consoles, the user ID that is assigned to the console is the user ID that issued the command. In the case of SA z/OS this would be the NetView user's user ID (only if NetView is using RACF to verify user IDs). This means that all tasks in NetView that require consoles will also require RACF user IDs and the appropriate permissions in CICS. This includes all human operators and all auto operators.

For those users who want to have a predefined user ID instead of the all the possible user IDs from NetView, the Console Model Terminal definition should specify a user ID in its definition.

### Step 27D: Transaction and Program Definitions

This step describes how to define the standard CICS Automation transactions and programs to CICS. The DFHCSDUP program is used to do this.

## Step 27: Install CICS Automation in CICS

The members required to run these jobs are provided with CICS Automation. However, some modifications are required, as described below:

### Hint

You might want to back up your CSDs before doing this step.

For each CSD, run the EVESJ015 sample job. This job defines transactions and programs for CICS automation in a group called EVEGRP1.

Before you run it, modify the job as directed in the JCL comments.

When using the CICS PPI, use the resource definition list EVECSDTs to load the necessary definitions by means of UPGRADE USING(EVECSDTs).

### Step 27E: DFHRPL and the CICS Automation Library

Update the DFHRPL concatenation to add the ING.SINGMOD1 library for every CICS subsystem that is to be managed by SA z/OS.

**Note:** Do *not* add these libraries to the DFHRPL for CICSplex CMAS subsystems.

### Step 27F: Add Libraries for NetView

Uncomment any libraries that you require in the INGENVSA member of the SINGSAMP data set. Refer to the sample for more details.

### Step 27G: Installing CICSplex SM REXX API

The CICSplex System Manager REXX API is required for the interaction between SA z/OS and the CICSplex System Manager. The REXX runtime interface to the API is supplied as a function package or host command environment. It should preferably be added to the function package table in the NetView module DSIRXPRM, as shown in “Step 6F: Add the INGRXFPG REXX Function Package” on page 76.

For details about the installation of a function package, see *CICS Transaction Server for z/OS Installation Guide* and *IBM Tivoli NetView for z/OS Tuning Guide*.

---

## Step 28: Install IMS Automation in IMS

SysOps	ProcOps	I/O Ops
*		

### Step 28A: Specify Required Control Region Parameters

Modify all IMS Control region and IMS DB control region JCL to specify the following parameter:

**CMDMCS=Y**

This is required for correct operation of IMS product automation.

**PREMSG=N**

This is required for correct operation of IMS Product Automation.

## Step 28: Install IMS automation in IMS

### Step 28B: Install DFSAOE00 Exit

There are three ways to install the exit.

- Use the default z/OS exit router as supplied by SA z/OS.
  - This involves concatenating the ING.SINGMOD1 library before the IMS.SDFSRESL library in the STEPLIB concatenation.
  - Add PROG $xx$  members to SYS1.PARMLIB to define the exit. Sample member EVISI005 contains the base required definitions. See *IBM Tivoli System Automation for z/OS Product Automation Programmer's Reference and Operator's Guide* for further customization details.
- Use the exit that is supplied by SA z/OS on its own.
  - This involves concatenating the ING.SINGMOD1 library after the IMS.SDFSRESL library in the STEPLIB concatenation, unless ING.SINGMOD1 is in the linklist concatenation chain.
  - Relink the EVIPVEX1 module and give it an ALIAS of DFSAOE00 into a library concatenated before IMS.SDFSRESL in the STEPLIB concatenation. Sample EVISJ001 is an example of how to do this.
- Call the SA z/OS exit from your routine.
  - This involves concatenating the ING.SINGMOD1 library after the IMS.SDFSRESL library in the STEPLIB concatenation, unless ING.SINGMOD1 is in the linklist concatenation chain.
  - Call the EVIPVEX1 module from your exit program as detailed in *IBM Tivoli System Automation for z/OS Product Automation Programmer's Reference and Operator's Guide*.

### Step 28C: Add Libraries for NetView

Uncomment any libraries that you require in the INGENVSA member of the SINGSAMP data set. Refer to the sample for more details.

In order to issue IMS type 2 commands, access must be available to the IMS modules, CSLSRG00 and CSLSDR00. These modules are shipped in the IMS product library named hlq.SDFSRESL. The entire product library can be allocated, or a private dataset with just those modules and perhaps an explicit allocation or a LNKLIST entry.

---

## Step 29: Install TWS Automation in TWS

SysOps	ProcOps	I/O Ops
*		

### Step 29A: Add Libraries to TWS

Add your SINGMOD1 library and the NetView CNMLINK library containing CNMNETV to the TWS steplib. Alternatively, you may add these libraries to LNKLIST. You should have already APF-authorized these libraries.

### Step 29B: Add Libraries to NetView

Allocate the EQQMLOG library according to your TWS definitions. This data set contains any error messages that may occur when using the TWS APIs on this NetView.

## Step 29: Install TWS Automation in TWS

EQQMLIB should point to the appropriate message library for the level of TWS that you are running.

Uncomment any libraries that you require in the INGENVSA member of the SINGSAMP data set. Refer to the sample for more details.

### Step 29C: Update TWS Parameters and Exits

Install the exit module EEQXSAZ. This exit is required for TWS Automation workstation processing.

A recycle of TWS is required to install the exit 7 module EQQUX007 or the exit 11 module EQQUX011. If you are using an existing exit 7 or exit 11, you can combine these exits with modules that are supplied by TWS Automation.

TWS Automation supplies EQQUX007 to detect workstations that are used for NetView communication. The following modules are used as part of this process:

```
EQQUX007
UX007001
UX007004
EQQUX011
UX011011
```

EQQUX007 and EQQUX011 are the exit driver programs. They call other modules in turn, as though TWS is calling each module directly.

The EQQUX007 driver searches for UX007001 through UX007010, and the EQQUX011 driver searches for UX011001 through UX011010. UX007001, UX007004, and UX011001 are supplied with TWS Automation.

If you have an existing exit 7, rename your module from EQQUX007 to UX007005. If you have an existing exit 11, rename your module from EQQUX011 to UX011002.

The called routines are passed the same parameters as the call to EQQUX007 or EQQUX011.

If you want to add additional exit 7 or exit 11 modules, use the next available name, such as UX007005 or UX011002. This makes it easier to integrate exits that are supplied by various products. Also, because modules are loaded dynamically by the exit driver on each invocation, you may add, delete, or modify an exit module without recycling TWS.

You must specify the CALL07(YES) parameter in the TWS/ESA initialization parameters.

You must specify the CALL11(YES) parameter in the TWS/ESA initialization parameters if you want to monitor CP deletes. CP delete monitoring allows TWS Product Automation to clear outstanding SDF and NMC alerts when an application or operation is deleted from the current plan.

Other initialization parameters must be specified in the TWS initialization member (EQQPARM) so that TWS will issue some of its messages to the MVS console.

The DURATION, ERROROPER, LATEOPER, and OPCERROR messages are automated by TWS Automation. The RESCONT and QLIMEXCEED messages are useful for further customer automation.

## Step 29: Install TWS Automation in TWS

You must specify the following in EQPPARM:

```
ALERTS WTO (DURATION
  ERROROPER
  LATEOPER
  RESCONT
  OPCERROR
  QLIMEXCEED)
```

In addition, you must edit the TWS-supplied message members for certain messages.

The following messages are automated and may require changes to the TWS-supplied message members in the SEQMSG0 data set:

Message	Member
EQQE026I	EQQE02
EQQE036I	EQQE03
EQQE037I	EQQE03
EQQE107I	EQQE10
EQQFCC1I	EQQFCC
EQQN013I	EQQN01
EQQPH00I	EQQPH0
EQQW011I	EQQW01
EQQW065I	EQQW06
EQQW079W	EQQW07
EQQZ006I	EQQZ00
EQQZ086I	EQQZ08
EQQZ128I	EQQZ12
EQQZ200I	EQQZ20
EQQZ201I	EQQZ20

Modify these message members to include WTO=YES for the indicated message IDs. Full details for customizing TWS can be found in *Tivoli Workload Scheduler for z/OS Customization and Tuning*.

**Note:** If you use NMC and SDF to monitor the status of TWS operations, you should enable UX007004 and update INGMMSGU1 to remove the Message Automation traps for EQQE026I and EQQE036I. This is to prevent you from receiving multiple NMC and SDF alerts for the same TWS event as a result of the following:

- NMC and SDF alerts that are generated from EQQE036I do not contain an operation number. Therefore, if an application contains operations that have identical job names (with the same IATIME and same workstation ID), it is possible that duplicate or ambiguous alerts are generated.
- Alerts that are generated from EQQE026I and EQQE036I are not removed from NMC and SDF if UX007004 is not active. This is because TWS does not issue a message when these operations exit error status.

## Step 30: Install USS Automation

SysOps	ProcOps	I/O Ops
*		

### Step 30A: Define UNIX Segments (OMVS)

Depending on the NetView operator security definition, one or more UNIX segments must be defined. These OMVS segments can have a root UID (0) or a non-root UID. To run a non-root UID requires more setup.

**When using OPERSEC=MINIMAL, NETVPW, or SAFPW**, one OMVS segment must be defined. This is the segment for the user ID running NetView.

**When using OPERSEC=SAFCHECK, or SAFDEF** (user level security), the following operator IDs need a UNIX segment:

- AUTWRK01-NN
- RPCOPER
- MONOPER
- ATRRPC
- AUTO1
- AUTSYS (backup task for ATRRPC and AUTO1)
- AUTBASE (backup task for ATRRPC and AUTO1)
- All tasks that receive actions from the AT for UNIX resources. Usually these are the work operators.

#### Using the OMVS Segment with Root UID

This is the easiest way to set up the z/OS UNIX segment. Giving it a UID of 0 (root user) enables this user to operate without restrictions. This segment must also be permitted to the RACF facility class BPX.DAEMON (if defined).

**Note:** Any user that can change NetView common global variables may be able to issue UNIX System Services commands under a root user ID.

#### Using the OMVS Segment with Non-Root UID

If you want to reduce the number of UID 0 users, it is possible to define a setup without UID 0 with some restrictions.

If you are using a setup with non-root UID, the OMVS segment must be defined in the following way:

##### Monitoring:

- For process monitoring:  
Define read access to SUPERUSER.PROCESS.GETPSENT  
This allows a user ID to see all processes. If the user ID performing the monitoring is not allowed to check all processes, the automation may assume that the start was not successful and restarts the application. This will result in many instances.
- For file or filesystem monitoring:  
Define read access to SUPERUSER.FILESYS

## Step 30: Install USS Automation

This allows a user ID to get access to all files in the UNIX file system. If the user ID performing the monitoring is not allowed to check all files, the automation may assume that the resource is unavailable.

- Give access to any resource that user-written monitoring routines may use.
- For user-defined monitoring, see “Command Execution (INGUSS)” below. (User defined monitoring is performed with the command INGUSS.)

### Command Execution (INGUSS):

- Give the OMVS segment the ability to switch to any user ID associated with z/OS UNIX resources (access to BPX.SRV.userid or BPX.SUPERUSER to start root programs).
- Depending on your security environment the OMVS segment may need access to BPX.DAEMON.
- The OMVS segment must be authorized to perform all the commands that are specified in the customization dialogs. For an overview of authorizations for non-root users, refer to the chapter that explains UNIXPRIV class profiles in *z/OS UNIX System Services Planning*.

**Restrictions for Non-Root UID Setup:** There is an MVS identity and an z/OS UNIX identity. Without a UID 0 you cannot switch the MVS identity. If a user needs access to certain MVS data sets, you may not start the application with INGUSS. You may have trouble when automating z/OS UNIX resources that require a UID of 0 (for example, the inetd). The OMVS segments without UID 0 are normally not able to switch to a root user in order to perform actions. SA z/OS standard monitoring will work. For example, if you allow the OMVS segment to switch to UID 0 (by defining read access to BPX.SUPERUSER), you could also assign it a UID of 0.

### Creating an OMVS Segment by Submitting a Job

Creating OMVS segments can be done by submitting a job, as shown in Figure 14 on page 131.

The NOPASSWORD option prevents unauthorized logins.

This OMVS segment must be authorized to set the jobname (read access to BPX.JOBNAME). Otherwise, the started address spaces have the same jobname as NetView. When the jobname can be set, the newly created address space has the jobname INGCUNIX.

If the started UNIX processes are to have a user-defined MVS jobname (specified with the JOBNAME parameter of the INGUSS command), the target user IDs that are issuing the commands must have at least read access to RACF facility class BPX.JOBNAME. Otherwise, a jobname will be assigned by the operating system. The target user ID is the user that this resource is assigned to in the customization dialog panel, z/OS UNIX Control Specification.

```

/**
//ADDUSER EXEC PGM=IKJEFT01
/**
//SYSTSPRT DD SYSOUT=*
//SYSLBC DD DSN=SYS1.BROADCAST,DISP=SHR
//SYSTSIN DD *
ADDUSER STCUSER +
NOPASSWORD+
UACC(NONE) DFLTGRP(AUTGRP) +
OMVS(UID(0000000) HOME('/') PROGRAM('/bin/sh')) +
/**
//COUSERS EXEC PGM=IKJEFT01
/**
//SYSTSPRT DD SYSOUT=*
//SYSTSIN DD *
CO STCUSER GROUP(USERS) AUTH(USE)
/**

```

Figure 14. Job Example of Creating an OMVS Segment

## Step 30B: Preparing for USS Automation

Use the common global variable, AOFUSSWAIT, that you can set in your startup exit, to change the way SA z/OS behaves. This variable should be set only once for an SA z/OS system.

AOFUSSWAIT is the time that SA z/OS waits for the completion of a user-specified z/OS UNIX monitoring routine (defined in the z/OS UNIX Control Specification panel) until it gets a timeout. When the timeout occurs, SA z/OS does no longer wait for a response from the monitoring routine and sends a SIGKILL to the monitoring routine.

---

## Step 31: Customizing GDPS

SysOps	ProcOps	I/O Ops
*		

This section describes the necessary customization and definitions when running GDPS on top of SA z/OS.

You can also import the best practice policy, \*GDPS, which is delivered with SA z/OS, into your policy database and customize its definitions there to fit your environment.

## Step 31A: Preparing NetView

1. Concatenate the SGDPPARM product data set to the DSIPARM DD-statement in the NetView startup procedure. See the INGENVSA sample that is provided by SA z/OS in the SINGSAMP library for more details.
2. If you need to modify the INGXINIT member, which is the initialization member of the SA z/OS communication task for the production system or its equivalent, INGXKSYS, for the GDPS controlling system, copy them to your user data sets and make your modifications there.

INGXKSYS uses the z/OS system symbol &SYSCLONE. as the XCF group ID. This allows the same member to be used for all controlling systems. The resulting XCF group will always be created in a unique way: INGXSGxx, where

## Step 31: Customizing GDPS

*xx* is the value of &SYSCClone. This corresponds to HSAPRMKS as described in "Step 31B: Preparing the Automation Manager."

3. If necessary, copy the INGSTGEN member from the sample library (SINGSAMP) to the CNMSTGEN member of the DSIPARM data set of each NetView instance in your sysplex and adapt the TOWER statements according to your installation.

Additionally specify the GDPS product of your installation and whether this is the GDPS controlling system (KSYS) or production system (PROD) by removing the asterisk in front of the appropriate line:

```
*TOWER.SA.GDPS=PPRC KSYS
    If GDPS/PPRC is installed and this is controlling system

*TOWER.SA.GDPS=PPRC PROD
    If GDPS/PPRC is installed and this is production system

*TOWER.SA.GDPS=HM KSYS
    If GDPS/PPRC HM is installed and this is controlling system

*TOWER.SA.GDPS=HM PROD
    If GDPS/PPRC HM is installed and this is production system

*TOWER.SA.GDPS=XRC
    If GDPS/XRC is installed for all systems, SA z/OS will initialize all
    systems with INGXINIT

*TOWER.SA.GDPS=GM
    If GDPS/GM is installed for all systems, SA z/OS will initialize all
    systems with INGXKSYS
```

**Note:** If the TOWER.SA statement includes GDPS, the VPCEINIT installation exit that is required by each supported GDPS product is automatically called during initialization of SA z/OS. You no longer need to specify it in each system's SYSTEM INFO policy in the customization dialog.

## Step 31B: Preparing the Automation Manager

The GDPS controlling system must run in a separate XCF group (subplex) and therefore has its own automation manager. The automation manager parmlib member for the controlling system (K-system) is HSAPRMKS, using the z/OS system symbol &SYSCClone as the XCF group ID. This allows the same parmlib member to be used for all controlling systems. The resulting XCF group will always be created in a unique way: INGXSg*xx*, where *xx* is the value of &SYSCClone.

Copy and edit the automation manager startup procedure INGEAMSA. The same startup procedure can be used for the automation manager that controls the production systems and the automation manager that controls the K-system, assuming that the PARMLIB member suffix is specified on invocation of the procedure.

## Step 31C: Defining the Automation Table Used by GDPS

SA z/OS provides a NetView automation table (AT) that contains all the messages that are required by GDPS. The relevant AT is loaded, depending on the specified GDPS Tower statement, as follows:

Tower Statement	AT loaded
TOWER.SA.GDPS=PPRC	GEOMSGGP

Tower Statement	AT loaded
TOWER.SA.GDPS=HM	GEOMSGHM
TOWER.SA.GDPS=XRC	GEOMSGXR
TOWER.SA.GDPS=GM	GEOMSGGM

Add the INGMSSGP automation table in the system policy so that the table is automatically loaded by SA z/OS at initialization time.

You can use the following AT fragments to process messages for the GEOMSGxx ATs that are supplied by GDPS:

- INGMSSG1 for messages that should not flow into the GEOMSGxx ATs
- INGMSSG2 for messages that do not have an entry in the GEOMSGxx ATs

For messages that should be processed by a user AT as well as the GDPS ATs, you should use a separate AT that is activated in parallel. You can achieve this by specifying multiple AT members in the AUTOMATION SETUP definitions for the system (SYS).

## Step 32: Customizing I/O Operations

SysOps	ProcOps	I/O Ops
		✓

### Step 32A: Define OMVS Segment

The TCP/IP socket API that is used by I/O operations requires the definition of an OMVS segment for the user that is assigned to I/O operations when the application is started. Note that I/O operations must be started as a “started task”.

You can omit this step if the OMVS segment already exists for the user that is assigned to the I/O operations application.

Execute the following RACF commands that provide the necessary security definitions. The RDEFINE command assumes that the name of the I/O operations started task begins with IHV:

```
ADDGROUP ihvgrp OMVS(GID(nnn) [SHARED])
ADDUSER ihvusr OMVS(UID(nnn) [SHARED]) DFLTGRP(ihvgrp) NOPASSWORD
RDEFINE STARTED ihv*.* STDATA(USER(ihvusr) GROUP(ihvgrp))
SETROPTS GENERIC(STARTED) RACLIST(STARTED) REFRESH
```

GID and UID can have the same value. SHARED needs to be specified if the GID value or the UID value is already in use. For more information about the security definitions see the chapter “RACF command syntax” in *z/OS Security Server RACF Command Language Reference*.

### Step 32B: Prepare I/O Operations Startup

This section describes optional customization when running I/O operations that you can make by editing the I/O operations startup JCL (see Figure 15 on page 134).

## Step 32: Customizing I/O Operations

```
//IOOPS EXEC PGM=IHVOINI, **IHV INITIALIZATION MODULE NAME**  
// TIME=1440, **RUN FOREVER**  
// REGION=0M, **REGION SIZE**  
// DPRTY=(15,15), **PRIORITY OF TASK**  
// PARM=' '  
//*  
//STEPLIB DD DISP=SHR,DSN=#hlqinst#.SINGMOD1  
//HCDTRACE DD DISP=SHR,DSN=#hlq#.&SYSNAME..HCDTRACE  
//*HCDPROF DD DISP=SHR,DSN=#hlq#.HCDPROF
```

Figure 15. Startup JCL of I/O operations

You can add one or more of the following definitions for the PARM parameter:

COMM={TCP|VTAM}

This parameter restricts communication to TCP/IP or VTAM only.

**Note:** Running a mix of I/O operations applications, some started with COMM=TCP and some with COMM=VTAM, leads to unpredictable results.

COMM=TCP should only be specified when *all* I/O operations applications run SA z/OS V3.2 or higher.

CT=xx This parameter defines the suffix of the CTIIHVxx PARMLIB member that I/O-OPS uses when registering the component trace. If you omit this parameter I/O-OPS uses the default CTIIHVZZ member.

MSG={MC|UC}

This parameter defines the appearance of messages:

- MSG=MC leaves the message in mixed case as defined in the message module.
- MSG=UC translates each message to uppercase before it is issued.

If you omit this parameter I/O operations checks the environment for the following languages:

CHS Chinese Simplified  
CHT Chinese Traditional  
ENP US English Uppercase  
JPN Japanese  
KOR Korean  
TAI Thai

If any of these languages is installed, each message is translated to uppercase before it is issued.

TIMEOUT=0-999999

This parameter sets the timeout value of the very first I/O operations application to the specified value. All other I/O operations applications ignore the parameter because they inherit the timeout value from the first running I/O operations application that the new application communicates with.

TPNAME=*tpname*

This parameter specifies the TCP/IP procedure name that is used for communication.

In a multi-stack environment (CINET) TCP/IP allows up to 8 different address spaces running in parallel on a single MVS image. This parameter restricts the TCP/IP communication of I/O operations to the specified procedure. Otherwise the first active procedure is used.

## Step 32: Customizing I/O Operations

**Note:** Do not specify the parameter in a single-stack environment (INET).

Two or more parameters must be separated with a comma.

---

## Step 33: Installing Tivoli Enterprise Portal Support

SysOps	ProcOps	I/O Ops
*		

If you plan to use the SA z/OS monitoring agent you must perform the SMP/E installation of the support for the Tivoli Enterprise Portal (TEP). For further details, refer to *IBM Tivoli System Automation for z/OS Monitoring Agent Configuration and User's Guide* and *IBM Tivoli Monitoring Services: Program Directory*.

You can import the best practice policy, \*ITM, which is delivered with SA z/OS, into your policy database and customize its definitions there to fit your environment.



---

## Chapter 9. Installing SA z/OS Workstation Components

Installing the NMC Workstation . . . . .	137	Customization of the Tivoli Enterprise Console	144
Installation Steps on the NMC Server . . . . .	139	Installing and Customizing IBM Tivoli	
Installation Steps on the NMC Client . . . . .	141	Netcool/OMNIBus . . . . .	144
Sample to Start the NMC (for Windows NT		Customizing the Triggers . . . . .	145
Environment) . . . . .	142	Customizing the Event View . . . . .	146
Installing and Customizing the TEC Event Server		Installing and Customizing Tivoli Service Request	
Workstation . . . . .	143	Manager through Tivoli Directory Integrator . . . . .	146
Activating the Installed Files . . . . .	143	Customizing the AssemblyLines . . . . .	147

This chapter contains information about how to install those parts of SA z/OS that are required on workstations:

- “Installing the NMC Workstation”
- “Installing and Customizing the TEC Event Server Workstation” on page 143

The workstation components can be installed on any workstation that meets the requirements listed in Chapter 1, “SA z/OS Prerequisites and Supported Equipment,” on page 3. One or more workstations can be installed for users to monitor and control the systems that are being managed with SA z/OS.

The code for the SA z/OS NMC exploitation is supplied with the host code that is installed using SMP/E. Installing the SA z/OS NMC exploitation will enable you to issue the most important SA z/OS processor operations and system operations commands from all NMC workstations.

**Note:** The NMC installation described in “Installing the NMC Workstation” is performed on the NMC Server and the NMC clients. After this installation, you need to restart the individual NMC clients.

---

### Installing the NMC Workstation

If you already have an NMC environment installed, you can continue with the actions described in the remainder of this section. Having completed these, you can use the SA z/OS NMC exploitation as described in *IBM Tivoli System Automation for z/OS User’s Guide*. This will enable you to issue a selection of SA z/OS processor operations and system operations commands from all NMC workstations.

The following packed files for the SA z/OS NMC exploitation are available after your SMP/E installation:

- ING.SINGPWS1(INGNMCZP):  
INGNMCZP is the packed file for Windows. Download it with the extension ZIP and unpack with an appropriate tool (WINZIP or PKZIP).
- ING.SINGPWS1(INGNMCTZ):  
INGNMCTZ is the SA z/OS workstation code for AIX, UNIX and z/Linux workstations.  
**Step 1.** Download the member (INGNMCTZ) from the data set on the host system to your workstation in *binary* mode using, for example, FTP.  
**Step 2.** Rename INGNMCTZ to INGNMCTZ.tar.gz on the workstation.  
**Step 3.** Uncompress with the command:  

```
gzip --decompress --verbose INGNMCTZ.tar.gz
```

## Installing the NMC Workstation

Step 4. Unpack with the command:

```
tar --extract --verbose --file=INGNMCTZ.tar
```

This creates the subdirectory INGNMCEX on the workstation.

- **ING.SINGPWS1(INGNMCZJ)**: Japanese version of the packed file for Windows workstations

If you use the Japanese version of SA z/OS download this file with extension ZIP and unpack with an appropriate tool (WINZIP or PKZIP).

- **ING.SINGPWS1(INGNMCTJ)**: Japanese version of the packed file for UNIX workstations

If you use the Japanese version of SA z/OS download this file with extension TAR.Z and unpack and uncompress with an appropriate tool (*uncompress* and *tar*).

The content of each packed file is divided into support for system operations and processor operations commands. Both packages include two NMC response files. One response file contains the system operations commands, the other one contains the processor operations commands. The response files include the definitions and profiles for:

### **ING\_SO\_OPER**

SystemOperation Operator

### **ING\_PO\_OPER**

ProcessorOperation Operator

### **ING\_SA\_OPER**

SystemAutomation Operator (definition for both the system operations and processor operations commands)

Furthermore there are two subdirectories for the related data definition files and two subdirectories with the online help in HTML format.

With this separation of system operations and processor operations commands you may install either the system operations commands or the processor operations commands or both depending on your needs. The installation must be done manually, because there is no common installation tool for the several supported platforms. This requires that you are familiar with the common commands of your workstation operating system.

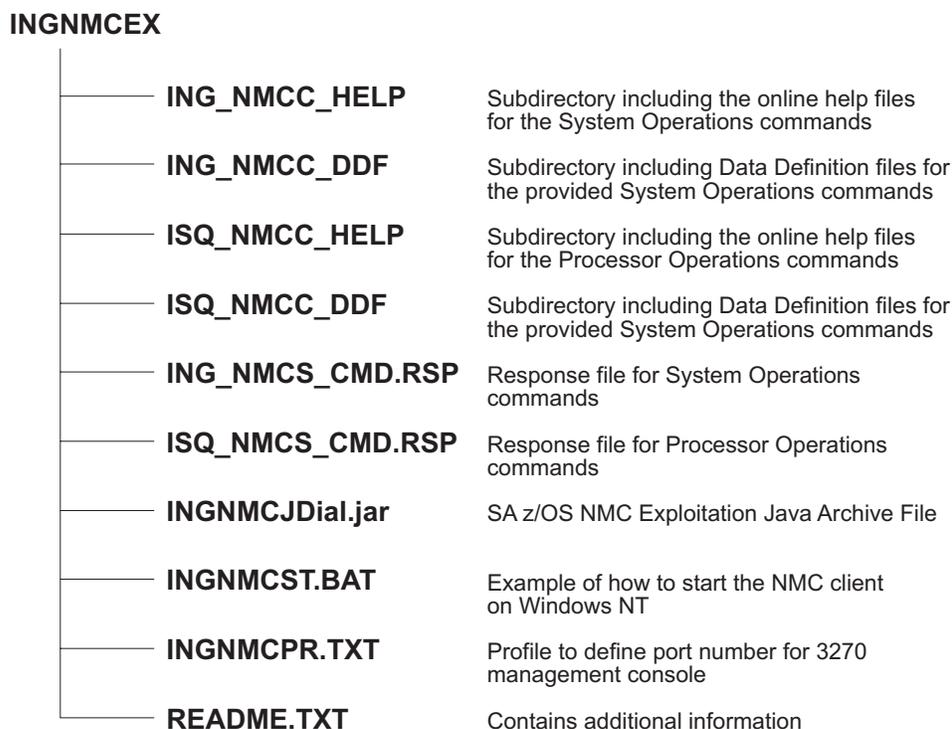


Figure 16. Directory Structure of Unpacked Files

### Installation Steps on the NMC Server

Perform the following steps to install SA z/OS NMC exploitation on the NMC Server (note that the term UNIX in the following steps refers to all forms of UNIX derivatives, including AIX, z/Linux, etc.):

1. Download the appropriate packed file in binary format to the NMC Server.
2. Unpack the file into a temporary directory of the NMC Server, using an appropriate tool for the NMC Server operating system. You will obtain the directory structure for the unpacked files as shown in Figure 16.
3. Copy the required help files as follows:

Environment	From Directory	To Your Directory
WIN	<i>tmp</i> \INGNMCEX\ING_NMCC_HELP and/or <i>tmp</i> \INGNMCEX\ ISQ_NMCC_HELP	[BINDIR]\TDS\server\db\current\help
UNIX	<i>tmp</i> /INGNMCEX/ING_NMCC_HELP and/or <i>tmp</i> /INGNMCEX/ ISQ_NMCC_HELP	\$BINDIR/TDS/server/db/current/help

Where *tmp* stands for the directory that you downloaded the files to.

**Note:** BINDIR is an environment variable that is set by your NMC installation and indicates that this is a subdirectory of your installed NMC product. For example:

```
usr\local\Tivoli\bin\w32-ix86\
```

4. Copy the required data definition files as follows:

## Installing the NMC Workstation

Environment	From Directory	To Your Directory
WIN	<i>tmp</i> \INGNMCEX\ING_NMCC_DDF and/or <i>tmp</i> \INGNMCEX\ ISQ_NMCC_DDF	[BINDIR]\TDS\server\config\ddf\c
UNIX	<i>tmp</i> /INGNMCEX/ING_NMCC_DDF and/or <i>tmp</i> /INGNMCEX/ ISQ_NMCC_DDF	\$BINDIR/TDS/server/config/ddf/c

5. Copy the required response files from INGNMCEX as follows:

Environment	To Your Directory
WIN	[BINDIR]\TDS\server\sample
UNIX	\$BINDIR/TDS/server/sample

6. Copy the Java archive file INGNMCJDialog.jar from INGNMCEX as follows:

Environment	From Directory	To Your Directory
WIN	<i>tmp</i> \INGNMCEX	[BINDIR]\TDS\server\db\current\lib
UNIX	<i>tmp</i> /INGNMCEX	\$BINDIR/TDS/server/db/current/lib

7. Verify the following:

- a. To operate the NMC Server you must be logged on to NetView via a 3270 host session.
- b. Your NetView user ID must have NGMF administrator rights.
- c. The NMC Server must be started and active.
- d. The connection from the NMC Server to NetView must be established.

8. Start the Command Profile Editor batch utility (CPEBATCH) with:

- a. For WIN environment:
  - [BINDIR]\TDS\server\sample\ING\_NMCS\_CMD.RSP and/or
  - [BINDIR]\TDS\server\sample\ISQ\_NMCS\_CMD.RSP
 and the -i and -g parameters
- b. For UNIX environment:
  - \$BINDIR/TDS/server/sample/ING\_NMCS\_CMD.RSP and/or
  - \$BINDIR/TDS/server/sample/ISQ\_NMCS\_CMD.RSP
 and the -i and -g parameters

With this step, you load the delivered commands into the NetView internal database. For information about how to use this batch utility, refer to *NetView Management Console User's Guide*. For a detailed description of how to maintain and manipulate response files for the NMC topology server, go to:

<http://www.ibm.com/servers/eserver/zseries/software/sa/adds/hint03.html>

9. Use the Command Profile Editor batch utility (CPEBATCH) to apply the new profiles installed in 8 to the individual operators defined in your installation. Only these operators that are linked to one of the SA z/OS profiles can execute SA z/OS commands. No other operators can display or execute SA z/OS commands.

For more details on CPEBATCH refer to the appendix 'Topology Server Commands' in *Tivoli NetView for z/OS: NetView Management Console User's Guide*.

### Notes:

- a. The NetView CPE online utility was retired with NetView 5.1. Installations that are running NetView 1.4 can still use the CPE online utility to modify the definitions. The CPE online utility was never available for UNIX installations.
- b. The recommended way to maintain definitions such as operators, profiles, etc. is to use the tool delivered in the INGRSPTOOL.ZIP file. The tool comes with a detailed description. It can be downloaded from:  
<http://www.ibm.com/servers/eserver/zseries/software/sa/adds/hint03.html>

## Installation Steps on the NMC Client

You must have the NetView 3270 Management Console installed if you want to use full screen commands. See *NetView Management Console User's Guide* for information about how to do this.

**Note:** You cannot use full screen commands when the NMC focal point is a satellite installation. Use line mode commands instead. More details can be found in the `ingnmcex/readme.txt` mentioned above.

1. Set the environment variable `TCONSOLE_CLASSPATH`:

- a. For WIN environments pointing to:  
`[NMC_Client_Installation_path]\TDS\client\lib\INGNMCJDialog.jar`
- b. For UNIX environments pointing to:  
`[NMC_Client_Installation_path]/TDS/client/lib/INGNMCJDialog.jar`

See Figure 17 on page 142 for a sample batch file.

2. On the individual NMC Clients: Restart your NetView Management Console to incorporate your changes.
3. Customize the NetView 3270 Management Console. Execute these steps only if you use full screen commands:
  - a. On the NMC, select an SA z/OS resource from an existing view. For this resource, select an SA z/OS command that needs to be transferred to the NetView 3270 Management Console, for example, the `INGVOTE_FS` command. Click on `INGVOTE_FS` to display the NetView 3270 Management Console, which does not show any output yet.
  - b. Select **Session Services** from the NMC menu bar, and choose **Add/Delete/Modify Session** from the menu items. This opens the Add/Delete/Modify Session window.
  - c. In the **Full Screen Session Name** field of this window type: SA
  - d. In the **Start command String** field type, for example: `window date` (You can enter any valid NetView command.)
  - e. Select the radio button **Immediate**.
  - f. From the **Session Options** select **Start Automatically**.
  - g. Click the **Add** button, then the **Save** button to save your changes.
  - h. Click the **Done** button to exit this window.
  - i. In the NMC, select the newly-added SA pull-down choice from the **Session Services** menu bar item.
  - j. To verify the customization, issue the `INGVOTE_FS` command to display the desired output.

## Installing the NMC Workstation

### Sample to Start the NMC (for Windows NT Environment)

```
@rem *****
@rem IBM System Automation for z/OS NetView Management Console Exploitation
@rem Sample Program - 5645-006
@rem          (C) Copyright IBM Corp. 2004
@rem          All rights reserved.
@rem
@rem SAMPLE PROGRAM - NO WARRANTY EXPRESSED OR IMPLIED
@rem
@rem You are hereby licensed to use, reproduce, and distribute these sample
@rem programs as your needs require. IBM does not warrant the suitability or
@rem integrity of these sample programs and accepts no responsibility for their
@rem use for your applications. If you choose to copy and redistribute
@rem significant portions of these sample programs, you should preface such
@rem copies with this copyright notice.
@rem *****
@rem
@rem PRODUCT          (System Automation for z/OS)
@rem COMPONENT        (NMC Exploitation)
@rem FIRST_RELEASE    (V2R1)
@rem LAST_CHANGE      (11Jan2002)
@rem
@rem MODULE_NAME      (ingnmcst.bat)
@rem DESCRIPTIVE_NAME (Start the NMC Topology Console)
@rem *****
@rem Function: This sample shows how the NMC Topology Console can be
@rem           started. This sample was written for the Windows NT environment
@rem           and NMC 1.3.0.1.
@rem
@rem Usage:
@rem
@rem - The following is a sample which will NOT properly work until customer
@rem   installation specific data is provided.
@rem
@rem - Adapt the drive and path statements to reflect your installation
@rem   environment.
@rem   This example assumes that the NMC Topology Console was installed on
@rem   drive E:..
@rem
@rem - A good location to put this file is the directory:
@rem   E:\usr\local\Tivoli\bin\generic_unix\TDS\client\bin
@rem   If it is necessary it can be stored anywhere else.
@rem
@rem - Call this file from a icon on your desktop or from Windows
@rem   Start-Programs-Netview-... pull-down or from the command line.
@rem *****

@setlocal

@rem Changes the user's current working directory to the 'bin' directory in
@rem the "base" console installation path.
E:
cd E:\usr\local\Tivoli\bin\generic_unix\TDS\client\bin

@set TIVOLI=e:\usr\local\Tivoli\bin\generic_unix\Tds
@set INGJAR=client\lib\INGNMCJDial.jar
@set FLBJAR=ibmflb\jars\tivflb13.jar

set TCONSOLE_CLASSPATH=%TIVOLI%\FLBJAR%;%TIVOLI%\INGJAR%
tconsoleNT.bat .. -key nmc
@endlocal
```

Figure 17. Sample to Start the NMC (for WIN Environment)

## Installing and Customizing the TEC Event Server Workstation

It is assumed that you have the TEC event server workstation installed and verified before you begin with the following customization for SA z/OS. For details see the product manuals.

Although the TEC event server workstation can run on various operating systems the following example describes the installation and customization on AIX.

1. Download the sample file `ING_event.tar` from the host system to your workstation as a binary file.
  - a. To download the files, you can use, for example, FTP. Choose as the target path name any directory where you want to temporarily store the sample file:
 

```
cd <PATH>
```
  - b. Start FTP with:
 

```
ftp <hostname>
```
  - c. You will be prompted to enter your user ID and password. After logging on to your z/OS system, enter:
 

```
bin
get /usr/lpp/ing/dist/TEC/ING_event.tar
quit
```
2. Unpack the package file `<PATH>/ING_event.tar`:
 

```
tar -xvf <PATH>/ING_event.tar
```

This unpacks the workstation code for subsequent installation into the current directory (`<PATH>`).

3. Install the appropriate Tivoli installation package:
  - a. From the Tivoli desktop select **Install > Install Product** and follow the Install Product dialog.
  - b. Set the media path to the `<PATH>` that contains the SA z/OS-specific installation package.
  - c. Select the product to be installed.
  - d. Close the Install Product dialog after installation.
4. Verify the installation.

During installation files are stored in a directory that is pointed to by the environment variable `BINDIR`. By default it points to:

```
/usr/local/Tivoli/bin/$INTERP
```

The environment variable `INTERP` denotes the platform where Tivoli is used, and can be, for example, `aix4-r1`. The following files should be present:

Member name	Type	Purpose
<code>ING_event.baroc</code>	TEC <i>baroc</i> file	Defines event classes
<code>ING_event.rls</code>	TEC <i>rls</i> file	Defines rules

For reference, the above files are also available in `/usr/lpp/ing/dist/TEC/`.

### Activating the Installed Files

The following instructions describe the steps required to activate the installed files at the TEC event server by using an existing rule base. See *Tivoli Enterprise Console® Reference Manual* for a detailed description of the following commands:

## Installing and Customizing the TEC Event Server Workstation

1. Import the class file (.baroc) into the rule base:  
`wrb-imprbclass ING_event.baroc <rbname>`
2. Import the rules file (.rls) into the rule base:  
`wrb -imprbrule ING_event.rls <rbname>`
3. Compile the rule base:  
`wrb -comprules <rbname>`
4. Load the rule base into the TEC event server:  
`wrb -loadrb -use <rbname>`
5. Stop the TEC event server:  
`wstopesvr`
6. Start the TEC event server:  
`wstartesvr`

## Customization of the Tivoli Enterprise Console

To perform the steps described in this section, you should be familiar with the Tivoli terms *event groups* and *event sources*. These are introduced in *Tivoli Enterprise Console User's Guide*.

In Tivoli, you may monitor events belonging to a group that may originate from a certain source or from different sources. In order to enable the TEC event server to handle SA z/OS-specific events, you may need to define the appropriate source to TEC.

To enable Tivoli administrators to monitor events on their event consoles, you need to define one or more appropriate event groups (with events from the defined event sources) and assign these groups to the respective administrators' event consoles.

Perform the following definition steps:

1. Define the *event source* SAZOS to your event server:  
`wcrtsrc -l "SA z/OS Events" SAZOS`
2. Define an event group by using the source attribute SAZOS as a filter criterion:  
`wconsole -crteg -n <eg-name> -D "All SA z/OS Events"  
wconsole -addegflt -E <eg-name> -D "Source SAZOS" -s "source='SAZOS'"`
3. Assign the defined event group to a Tivoli administrator's console:  
`wconsole -assigneg -C <console-name> -E <eg-name>`

See *Tivoli Enterprise Console Command and Task Reference Manual* for a detailed description of these commands.

---

## Installing and Customizing IBM Tivoli Netcool/OMNIBus

Because SA z/OS uses Tivoli Event Integration Facility (EIF) events for communication you need the following components:

- IBM Tivoli Netcool/OMNIBus (OMNIBus)
- The OMNIBus Probes Library for Nonnative Base
- The Tivoli EIF Probe (EIF Probe)

It is assumed that you have all of the above installed and verified before you begin with the customization for SA z/OS. For details please see the product manuals.

Although OMNIBus can run on various operating systems the following example describes the installation and customization on Windows 2003 Server.

1. Download the sample files `ING_event.rules` and `ING_db_update.sql` from the host system to your workstation as text files:
  - a. To download the files, you can use, for example, FTP. Choose as the target path name any directory where you want to temporarily store the sample files:

```
cd <PATH>
```
  - b. Start FTP with:

```
ftp <hostname>
```
  - c. You will be prompted to enter your user ID and password. After logging on to your z/OS system, enter:

```
ascii
get /usr/lpp/ing/dist/OMNIBus/ING_event.rules
get /usr/lpp/ing/dist/OMNIBus/ING_db_update.sql
quit
```
2. Inspect `ING_db_update.sql`. This file creates new columns in your ObjectServer's `alert.status` table that will later hold the information from the SA z/OS events. It will also add some triggers and a trigger group. Normally you should not have to change this file.
3. Update the `alert.status` table of your ObjectServers:
  - a. Run the SQL processor:

```
%OMNIHOME%\bin\redist\isql.exe -S <server> -U <username>
-P <password> -i <PATH>/ING_db_update.sql
```
  - b. Repeat the previous step for each ObjectServer.
4. Adapt your EIF Probe `tivoli_eif.rules`. There are two possibilities:
  - Your Tivoli EIF Probe is for SA z/OS events only so you can simply replace the original rules file with the one supplied by SA z/OS:

```
copy ING_event.rules C:\Program Files\IBM\Tivoli\Netcool\omnibus\
probes\win32\tivoli_eif.rules
```
  - Otherwise you must merge the logic of `ING_event.rules` into your existing `tivoli_eif.rules`
5. Restart your ObjectServers and your EIF Probe.

### Customizing the Triggers

`ING_db_update.sql` installs a trigger called `ing_count_events`. This trigger is designed to prevent multiple lines to be displayed for multiple occurrences of the same event. Instead of that it maintains a counter that is increased each time the same event arrives repeatedly. The `ing_count_events` trigger is initially disabled because the installation process of the EIF Probe installs another trigger called `deduplication`. If you have both triggers enabled your event counter will be increased twice.

You should proceed based on the following options:

- Your EIF Probe is for SA z/OS events only: It is recommended that you have `ing_count_events` enabled and `deduplication` disabled.
- Your EIF Probe is also for other events: You must review both triggers and merge the logic.
- You want to see all occurrences of an event as a separate line: You must disable both triggers.

## Installing and Customizing IBM Tivoli Netcool/OMNIBus

Note that you can manipulate the triggers in IBM Tivoli Netcool/OMNIBus Administrator by connecting to your ObjectServers and selecting **Automation > Triggers**.

### Customizing the Event View

The event views of IBM Tivoli Netcool/OMNIBus Conductor can be customized to show the fields that have been newly inserted into the alert.status table for SA z/OS events. In the event view select **Edit > Edit View**.

A recommended setup is:

- Node
- AlertGroup
- Summary
- Tally
- INGEventDate
- INGEventTime
- INGEventResName
- INGEventResType
- INGEventResSystem
- INGEventJobname

**Note:** SA z/OS uses the OMNIBus event class 89320. Make sure that you define this class.

---

## Installing and Customizing Tivoli Service Request Manager through Tivoli Directory Integrator

Because SA z/OS integrates with IBM Tivoli Service Request Manager (TSRM) through IBM Tivoli Directory Integrator (TDI) you need the following components:

- TSRM and all prerequisite software
- TDI Runtime Server and Config Editor

It is assumed that you have all of the above installed and verified before you begin with the customization for SA z/OS. For details see the product manuals.

To create a trouble ticket from SA z/OS in TSRM there are no adaptations required in TSRM. Everything is done in TDI. Although TDI can run on various operating systems the following example describes the installation and customization on Windows 2003 Server.

1. Download the sample file `ING_event.xml` from the host system to your workstation as a text file:
  - a. To download the file, you can use, for example, FTP. Choose as the target path name any directory where you want to temporarily store the sample files:

```
cd <PATH>
```
  - b. Start FTP with:

```
ftp <hostname>
```
  - c. You will be prompted to enter your user ID and password. After logging on to your z/OS system, enter:

```
ascii
get /usr/lpp/ing/dist/TDI/ING_event.xml
quit
```

## Customizing the AssemblyLines

To perform the steps described in this section you should be familiar with the TDI Config Editor. A good overview can be found in *IBM Tivoli Directory Integrator User's Guide*.

The sample file `ING_event.xml` defines two AssemblyLines:

- TicketServer that receives a request from SA z/OS, starts TicketWriter and returns a response
- TicketWriter that parses the request and creates a trouble ticket in TSRM

Note that if you have a different service desk than TSRM you can adapt TicketWriter to feed your application. TicketServer can remain the same.

Because they are samples, the AssemblyLines will probably not work unchanged in your environment. You should review both and make any necessary adaptations:

1. Start the TDI Config Editor and open `<PATH>ING_event.xml`.
2. Modify the AssemblyLine TicketServer as follows:
  - a. Open TicketServer and select the **Data Flow** tab.
  - b. Open the ReadXML component in the **Feeds** section.
  - c. Adapt the port number. This is a TCP Connector working in server mode. The **Config** tab shows the port number that the server listens to. A value of 8000 is provided in the sample but you are free to change it.
  - d. Leave the other components unchanged.
3. Modify the AssemblyLine TicketWriter:
  - a. Open TicketWriter and select the **Data Flow** tab.
  - b. Modify how the details text is generated:
    - 1) Review all of the components with names like `Map...Description`.
    - 2) The `FixDescription` and `SpecificDescription` attributes are set to text that is formatted with the attributes that are mapped by the `Map...Attributes` components. You can adapt the text to your needs here.
  - c. Modify the TSRM settings:
    - 1) Open the `WriteTicket` component. This is a Generic Maximo® Connector.
    - 2) Adapt the TSRM communication settings. Select the **Config** tab. Specify various options that must match your TSRM installation:
      - a) On the **MEA Server** tab you must specify the URL (server address and port) of your TSRM.
      - b) On the **MEA Objects** tab you must specify setting such as the external system name and the names of the Web services for `CREATE`, `DELETE`, `QUERY` and `UPDATE` operations.
      - c) Leave the **MEA Advanced** tab as it is.
  - 3) On the **Output Map** tab the TicketWriter sample maps `DESCRIPTION` and `DESCRIPTION_LONG DESCRIPTION`, as well as `REPORTEDPRIORITY`, `URGENCY` and `IMPACT`. You can also use this tab to map fixed installation-dependent values.
 

The sample maps the `REPORTEDBY` user ID to the value `SAZOS`. You may want to change this or add other user IDs, or do both.



---

## Part 3. Appendixes



---

## Appendix A. Security and Authorization

This appendix describes how to install security options on your system.

---

### Securing Focal Point Systems and Target Systems

Your operations staff and automation facilities at both focal point system and target systems need to be authorized to manage the resources in their environment. You can control human and automation operator authority through the password security provided by either:

- NetView
  - Operator definition file (DSIOPF)
  - RODM access information
- An SAF-based security product such as RACF

NetView facilities limit the use of commands and keywords to authorized operators and limit an operator's span of control to specific systems. Access to the SA z/OS graphic interface is controlled by user ID, password, and RODM access information. SA z/OS provides the sample INGESCAT for NetView authorization.

RACF can be used to limit the use of z/OS system commands to authorized operators. SA z/OS provides the sample INGESAF for a RACF environment.

When a target system is in the same sysplex as the focal point system, and your security product supports it, it is recommended that you share security definitions.

---

### Granting NetView and the STC-User Access to Data Sets

This section describes what levels of access authorities you need to assign to NetView and to specific started tasks.

#### Access to XCF Utilities

The CDS recovery as well as some operator commands use the XCF utilities to retrieve couple data set information. Because the DD name SYSPRINT is required by the utilities, but can also be assigned by NetView for holding log data, the call of the utilities is implemented as a started task in the PROCLIB. The input and output data sets used by the started tasks are dynamically allocated and deleted by the NetView address space. This requires the RACF ALTER access to these data sets for NetView.

When the address space of the started task is created, the operating system assigns a user ID (IBM default: STCUSER) to the started task. This user ID must have RACF UPDATE access to the data sets. The data set names are created as follows:

```
hlq.domain.HSAyyddd.Xhhmss
```

where:

- |               |   |
|---------------|---|
| <b>hlq</b>    | is the high-level qualifier for temporary data set defined during the customization |
| <b>domain</b> | is the domain ID of the current NetView   |
| <b>X</b>      | is I, O, or P   |

### Access to HOM Interface

Sometimes after an IPL an operating system does not know its sender paths to the coupling facilities in the sysplex. In this case the automation functions call the HCD HOM interface to determine the missing path information. As the HOM interface must not run authorized the interface is called via a started task. The input and output data sets used by the started tasks are dynamically allocated and deleted by the NetView address space. This requires the RACF ALTER access to these data sets for NetView.

When the address space of the started task is created, the operating system assigns a user ID (IBM default: STCUSER) to the started task. This user ID must have RACF UPDATE access to the data sets. The data set names are created as follows:

```
hlq.domain.HSAyyddd.Xhmmss
```

where:

<b>hlq</b>	is the high-level qualifier for temporary data set defined during the customization
<b>domain</b>	is the domain ID of the current NetView
<b>X</b>	O or P

### Access to IPL Information

The automation function that collects, displays, compares, and deletes IPL information uses two started tasks. It is recommended that you run the first started task immediately after an IPL as part of COMMNDxx list processing to collect the IPL information in the SA z/OS VSAM data set "IPLDATA". The remaining functions are handled by a NetView command. Because the started task and the command can delete IPL information, both need RACF CONTROL access to the VSAM data set. The started task that collects the information needs RACF READ access to all parmlib members.

When a comparison of IPL information is requested, the NetView command schedules the second started task to call ISRSUPC (the compare utility provided by ISPF) because this utility requires a fixed ddname. The input and output data sets that are used by the second started tasks are dynamically allocated and deleted by the NetView address space. This requires RACF ALTER access to these data sets for NetView.

When the address space of the started task is created, the operating system assigns a user ID to the started task (the IBM default is STCUSER). This user ID must have RACF UPDATE access to the data sets. The data set names are created as follows:

```
hlq.domain.opid.INGPIPLx
```

Where:

<b>hlq</b>	is the high-level qualifier for temporary data set defined during the customization
<b>domain</b>	is the domain ID of the current NetView
<b>opid</b>	is the NetView operator ID
<b>x</b>	L, N, or O

## Access to Spare Couple Data Sets

Because the CDS recovery allocates and deletes spare couple data sets via an XCF utility the user ID assigned to the started task address space must also have RACF ALTER access to these couple data sets. The names of the spare couple data sets are built as follows:

`hlq.cdstype.CDSnn`

Where:

**hlq** is the high-level qualifier for couple data sets defined during the customization

**cdstype** is ARM, CFRM, LOGR, SFM, SYSPLEX

**nn** is the sequence number corresponding to the volume entry in the list of volumes

## Access to User-Defined Couple Data Sets

In addition, the user ID of the started task address space needs RACF READ access to all user-defined couple data sets. And, when LOGGR recovery is enabled, the user ID needs RACF ALTER access to the LOGR couple data sets as well.

## Access to Spare Local Page Data Sets

The new auxiliary shortage recovery allocates and formats spare page data sets. For this reason NetView requires RACF ALTER access to these page data sets. The names of the spare page data sets are built as follows:

`hlq.sysname.Vvolume.Snn`

Where:

**hlq** is the high-level qualifier for page data sets defined during the customization

**sysname** is the name of system for which the data set is allocated

**volume** is the serial number of the volume on which the data set is allocated

**nn** is a unique sequence number

---

## Restricting Access to INGPLEX and INGCF Functions

This section describes how you can grant and control access of users to the INGCF and INGPLEX commands.

Access to sensitive functions of the INGPLEX and INGCF commands should be granted to certain operators only. To do this:

- Restrict access to the INGRCHK command for the keyword INGPLEX or INGCF, and certain given values
- Permit certain operators or groups of operators to access these restricted commands, keywords, and values

To achieve this, use the NetView command authorization table or SAF command authorization.

The following keywords and values are applicable for restricting access to the functions of the INGPLEX and INGCF commands:

## Securing Focal Point Systems and Target Systems

Keyword	Value	Allows for
INGPLEX	CDS	<ul style="list-style-type: none"><li>Allocating an alternate CDS with the INGPLEX CDS command</li><li>Controlling the SDUMP options and the SLIP traps sysplexwide</li></ul>
INGCF	STR	<ul style="list-style-type: none"><li>Forcing the deallocation of a CF structure with the INGCF STRUCTURE command</li><li>Rebuilding a CF structure on another CF with the INGCF STRUCTURE command</li><li>Controlling the SDUMP options and the SLIP traps sysplexwide</li></ul>
INGCF	CF	<ul style="list-style-type: none"><li>Preparing a CF for removal from the sysplex with the INGCF DRAIN command</li><li>Integrating, or reintegrating, a CF into a sysplex with the INGCF ENABLE command</li><li>Including the keyword INGCF with the value STR</li></ul>
INGPLEX	HW	<ul style="list-style-type: none"><li>Deactivating the LPAR of a CF with the INGCF DRAIN command</li><li>Activating the LPAR of a CF (equivalent to starting the Coupling Facility Control Code) with the INGCF ENABLE command</li><li>Including the keyword INGCF with the value CF</li></ul>

To activate the authorization check via the NetView command authorization table, add the protect and permit statements for the INGRCCCHK command, the INGPLEX and INGCF keywords and the CDS, STR, CF and HW values as shown in the following example:

```
PROTECT *.*.INGRCCHK.INGPLEX.CDS
PROTECT *.*.INGRCCHK.INGCF.STR
PROTECT *.*.INGRCCHK.INGCF.CF
PROTECT *.*.INGRCCHK.INGPLEX.HW
PERMIT GRP3 *.*.INGRCCHK.INGPLEX.CDS
PERMIT GRP5 *.*.INGRCCHK.INGPLEX.HW
PERMIT GRP3 *.*.INGRCCHK.INGCF.STR
PERMIT GRP4 *.*.INGRCCHK.INGCF.CF
```

With these definitions operators of group GRP3 are authorized to issue all functions of the INGPLEX CDS and the INGCF STRUCTURE commands.

Operators of group GRP4 are authorized to issue all functions of the INGCF CF and the INGCF STRUCTURE commands, but are not authorized for the functions of the INGPLEX CDS commands.

---

## Security for IBM Tivoli Monitoring Products

This section describes security options for controlling access to IBM Tivoli Monitoring products (in particular for OMEGAMON XE) and to OMEGAMON classic monitors.

### Controlling Access to IBM Tivoli Monitoring Products

The IBM Tivoli Monitoring (ITM) platform offers a series of Simple Object Access Protocol (SOAP) requests that can be issued from z/OS. SOAP is a communications XML-based protocol that lets applications exchange information

through the Internet. For further information about creating SOAP messages, see “Appendix C. Tivoli Enterprise Monitoring Web services” in *IBM Tivoli Monitoring: Administrator’s Guide*.

Authentication of users (autotasks or operators) is done based on <userid> and <password> tags that are specified in a SOAP request, if security is enabled. Note, however, that before a SOAP request can be issued the user must be logged on to NetView.

The SOAP request is sent to the hub Tivoli Enterprise Monitoring Server (monitoring server) that is supplied in the INGOMX command and processed there.

SOAP requests can be authorized in terms of both user and hub monitoring server via a user access list. They can be further restricted to groups of users and particular SOAP servers using command authorization table identifiers however final authorization is performed on the hub monitoring server based on the user access list and logon validation.

The relevant keywords that are supported by the INGOMX command are SERVER and IPADDR:

- SERVER allows access based on either the server object that is defined in the SOAP SERVER policy item of a NTW policy object, or a host name. Note that you can only specify the first 8 characters for long host names.
- IPADDR allows access based on IP addresses, however this must be for all IP addresses or none because an address cannot be specified in the command authorization table.

Table 18 on page 156 shows the SA z/OS command names, keywords, and values that can be protected along with their associated SAF resource or command authorization table identifier.

### Controlling Access to OMEGAMON Monitors

OMEGAMON provides both product level security and command level security:

- Product level security is applied when users log on to OMEGAMON
- Command level security is applied when users issue commands

A generic SA z/OS user ID must be defined to SAF for external product level security or to OMEGAMON for internal product level security.

For commands that are protected only by internal security, command locking must be enabled for this user ID, based on the command authority level needed by SA z/OS. For example, if only level 0 and 1 commands are issued from SA z/OS, an INITIAL1 rule must be defined and permission must be granted to the generic user, and at the same time there must be no INITIALb rule. In the absence of INITIALn rules, the command authority level for SA z/OS is always 0. For further details, see the OMEGAMON documentation.

For commands protected by external security, appropriate command resource profiles have to be created and permission must be granted to the generic user.

## Securing Focal Point Systems and Target Systems

Note that even though the SA z/OS generic user has the potential to issue any level *n* command, you can use NetView command security to selectively define (on an operator by operator or group by group basis) which operator or group can issue a particular command.

### NetView Command Authorization

Because SA z/OS uses a common user ID that establishes sessions between SA z/OS and any OMEGAMON, SA z/OS uses NetView and the command authorization table to control access to:

- OMEGAMON sessions
- OMEGAMON commands
- The administration of OMEGAMON sessions

For details about the command authorization table, see the *NetView Security Reference* manual.

The common user ID that is specified with the OMEGAMON session definitions represents the set of users (autotasks, operators) that interact with OMEGAMON sessions. It needs to be defined to OMEGAMON with the highest security level that has been granted to automation. This approach simplifies the customization that is required in OMEGAMON to permit access to the monitor.

Table 18 shows the new SA z/OS command names, keywords, and values that can be protected along with their associated SAF resource or command authorization table identifier.

Table 18. Command Authorization Identifiers

Commands and Keywords	Command List Name	SAF Resource or Command Authorization Table Identifier
INGOMX NAME CMD SERVER IPADDR	INGROMX0	<i>netid.luname.INGROMX0</i> <i>netid.luname.INGROMX0.NAME.session_name</i> <i>netid.luname.INGROMX0.CMD.command</i> <i>netid.luname.INGROMX0.SERVER.server_name</i> <i>netid.luname.INGROMX0.IPADDR</i>
INGSESS REQ START STOP	INGRYSS0	<i>netid.luname.INGRYSS0</i> <i>netid.luname.INGRYSS0.REQ</i> <i>netid.luname.INGRYSS0.REQ.START</i> <i>netid.luname.INGRYSS0.REQ.STOP</i>

#### Notes

1. For OMEGAMON commands that contain a period, replace it with an '@' when defining the command authorization entry, for example, to protect .RMF use:  
PROTECT \*.\*.INGROMX0.CMD.@RMF
2. If you want to use TRAP for OMEGAMON for IMS, CMD authorization for XIMS must be given and for the other monitors, CMD authorization for EXSY must be given.

Consider adopting the following approach to defining command authorization:

- For maximum security, protect all sessions and all commands.
- Permit access to sessions and commands only as needed.
- Administrators need INGOMX-NAME and INGSESS-REQ authorization.

### Password Management

Logging on to OMEGAMON requires authentication with a user ID and password if product level security is active. Note that when a password is specified, it appears in readable format in the automation configuration file and in logs. When SAFPWD is specified, the password is stored in a VSAM data set in an encrypted format.

The NetView command GETPW is used to access the password data set to set or read the password.

SA z/OS uses GETPW as follows:

- Passwords are stored and retrieved by *userid* and *owner*
- *userid* is the common user defined to log on to an OMEGAMON session
- *owner* is a custom value representing one or more VTAM application IDs as defined in the authentication policy
- If no owner is defined for an application ID, it defaults to the 5 leftmost characters of the application ID

To use SAFPWD, all applications denoted by the OMEGAMON applid that share the same password must be assigned to a single owner. You define the owner in the NETWORK (NTW) entry type with the AUTHENTICATION policy item. On the Authentication Definitions panel enter your definitions in the **Owner** and **Share** fields. See "AUTHENTICATION Policy Item" in *IBM Tivoli System Automation for z/OS Defining Automation Policy* for more details about this panel.

**Authentication Using the NetView Password Data Set:** The NetView password data set is used as a password safe if you do not want to reveal passwords in your policy database. The password data set has to be created first and allocated upon the start of NetView. See *NetView Installation: Configuring Additional Components* for details.

You are responsible for setting the initial password for a user ID with a given owner in the password data set using the NetView command GETPW. Whenever a logon is made to OMEGAMON, for sessions with SAFPW defined as the user password, SA z/OS attempts to look up that user's password in the password data set. If the lookup succeeds, GETPW returns either the current password or, if the 30-day validity period has expired, the current and a new password.

On logging on to OMEGAMON, the current password is used to authenticate the user ID. If a new password is available, the new password is also changed on the OMEGAMON logon screen. Upon successful password update in OMEGAMON, the new password is also updated in the password data set using GETPW.

You are responsible for ensuring that the password in the password data set and the password known to SAF or OMEGAMON are the same, in particular when shared SAF databases are used in a multisystem complex, for example, a Parallel Sysplex. In this case, the password data sets should also be shared by the same group of systems.

Use the GETPW command to initialize the password data set. For example, suppose the session and password share definitions are set as in for user oper1 and owner AOMON, the GETPW command format would be:

```
GETPW oper1 AOMON,INIT=pw,MASK=@(#) 82 1.30@(#)N%N@(#) 82 1.30@(#)A@(#) 82 1.30@(#)A%A
```

## Securing Focal Point Systems and Target Systems

Where *pw* is the initial password for the user ID and the MASK parameter indicates that the password should be 8 characters long, beginning with a letter, followed by 2 numbers and then 5 letters.

See *Tivoli NetView for z/OS Command Reference Volume 1* for further details about the GETPW command.

---

## Controlling Access to the Processor Hardware Functions

For processor operations SNMP processor connections and for the Parallel Sysplex enhancements functions that use the BCP internal interface, a SAF product such as RACF must be used to define the required resources and grant access to these resources for the authorized NetView users and autotasks.

### Allowing NetView to Use the BCP Internal Interface

Before you can use the enhanced sysplex functions of SA z/OS for CF or XCF automation, the hardware resource (HSAET32) must be defined in NetView.

1. Define resource HSA.ET32OAN.HSAET32 in the CLASS FACILITY
2. Permit NetView READ ACCESS to this facility class resource

The following example shows the RACF commands used to define the resource and to grant the required READ access for the NetView user.

```
SETROPTS CLASSACT(FACILITY)
SETROPTS RACLIST(FACILITY)
RDEFINE FACILITY HSA.ET32OAN.HSAET32 UACC(NONE)
PERMIT HSA.ET32OAN.HSAET32 CLASS(FACILITY) ID(stcuser) ACC(READ)
```

With the SETROPTS command, the RACF class FACILITY is made available. With the SETROPTS RACLIST command the FACILITY class resource profile copy in the RACF data space is enabled to increase performance. The next command, RDEFINE, fully qualifies the HSAET32 resource and sets universal access to none. With the PERMIT command, the RACF defined user *stcuser* gets READ access to this resource. User ID *stcuser* must be the user ID associated with your NetView started task. If you start NetView as a regular job, the user ID submitting the job must be authorized for the resource.

Note that you can use a wildcard character to specify the resource more generic if that is suitable for your environment.

### Access to the CPCs

Each processor (CPC) defined in your SA z/OS policy database must have a corresponding resource profile defined with your SAF product. Note that this only applies for processors defined with a connection type SNMP or INTERNAL.

The skeleton of the CPC resource is:

```
HSA.ET32TGT.netid.nau
HSA.ET32TGT.netid.nau.lpar
```

The *netid.nau* part of the resource name corresponds with the *netid.nau* definition of the CPC entry specified in the customization dialog. The period between *netid* and *nau* is part of the resource name. For LPAR protection define a resource with the *netid.nau.lpar* specification.

The following example shows how to define a CPC resource in RACF.

```
RDEFINE FACILITY HSA.ET32TGT.DEIBMD1.X7F1F30A UACC(NONE)
```

The CPC with netid DEIBMD1 and nau X7F1F30A is defined as a resource in the RACF class facility with a universal access attribute of NONE.

Note that you can use a wildcard character to specify the resource more generic if that is suitable for your environment.

### Levels of CPC Access

The following lists the access levels and their meaning for the CPC resources:

- READ: Retrieve, get configuration information from the CPC
- WRITE: Update, set configuration information of the CPC
- CONTROL: Issue operations management commands of the CPC

**Note:** This access level scheme is for the CPC and its LPARs.

### Defining the CPC Access Lists

Depending on the NetView operator security (OPERSEC) chosen, the access level is checked differently. If your NetView operator security is set to MINIMAL, NETVPW, or SAFPW, the user ID that is checked for hardware access is always the user ID that started the NetView address space, which is usually a STC user ID. This user ID has to be authorized for all CPC and CPC.Lpar resources you want to manage with this NetView. If multiple users are allowed to start NetView, make sure they are all authorized.

If you have chosen a NetView operator security level of OPERSEC=SAFDEF or OPERSEC=SAFCHECK, the following paragraph applies.

With SA z/OS, several NetView autotasks need to be authorized to access the CPCs that are defined in the customization dialog.

The following NetView autotasks need to be authorized with access level CONTROL for **all** defined CPCs and all its LPARs:

- The XCF and RPC autotasks
- The autotasks defined with SYN %AOFOPXCFOPER% and %AOFOPRPCOPER% in automation table member AOFMSGSY
- The HW interface autotasks AUTHWxxx
- Any operator issuing a HW action with INGCF

The AUTXCFxx autotasks plus the additional ones from %AOFOPXCFOPER% are used internally once INGCF drain or INGCF enable is invoked by an authorized user. IXC102A message automation is also performed by these autotasks.

The autotasks used for the HW interface initialization and communication also need to be authorized. Use access level CONTROL for the AUTHWxxx autotasks in your environment.

The following example shows how to permit access to a CPC resource in RACF:  
PERMIT HSA.ET32TGT.DEIBMD1.X7F1F30A CLASS(FACILITY) ID(AUTXCF) ACC(CONTROL)

The XCF autotask AUTXCF gets access level CONTROL for the CPC resource DEIBMD1.X7F1F30A.

LPAR access example:

```
PERMIT HSA.ET32TGT.DEIBMD1.X7F1F30A.* CLASS(FACILITY) ID(AUTXCF) ACC(CONTROL)
```

## Securing Focal Point Systems and Target Systems

The XCF autotask AUTXCF gets access level CONTROL for the CPC resource DEIBMD1.X7F1F30A and all its defined logical partitions.

### Implementing Granular Hardware Access

By giving operators READ access to a CPC resource and CONTROL access only to LPARS according to the business needs, a flexible security scheme can be implemented.

---

### Defining a RACF Profile for I/O Operations

Assign authorization levels using RACF/SAF for individual commands or generically for all commands. Use the RACF RDEF command with a class of FACILITY.

Function	Command
To define the profile for the PROHIBIT command	RDEF FACILITY IHV.PROHIBIT
To define a profile that would allow all users to enter a command (for example, UNLOCK)	RDEF FACILITY IHV.UNLOCK UACC(READ)
To permit the use of generics for a Class of Service facility	SETROPTS GENERIC FACILITY
To prevent unauthorized use of commands you can enter this RACF command to prohibit use of commands	RDEF FACILITY IHV.* UACC(NONE)

**Note:** If you have prohibited all user IDs from using these commands, you must explicitly assign RACF authorization to designated user IDs.

### Assign RACF Authorization

To give RACF authorization to a user ID, enter the RACF PERMIT command and its parameters.

#### Assign a Profile Parameter

The profile parameter is *IHVcommandname*, where:

- *IHV.* is the three-character ID, followed by a period (.)
- *commandname* is the name of the command

#### Notes:

1. The profile parameter (for example, IHV.ALLOW, IHV.VARY, IHV.REMOVE.SWITCH) determines the authorization level of the user ID identified in the ID parameter.
2. The ACCESS parameter identifies the authorization given.

You can use an asterisk to designate a generic class on the PERMIT parameters. For example, to allow all users to send all commands that require read authority, enter:

```
PERMIT IHV.* ACCESS(READ) CLASS(FACILITY)  
ID(*)
```

### Assign Authorization by ACCESS Level

You can authorize a user ID to enter one command at a given access level by entering one command.

## Securing Focal Point Systems and Target Systems

For example, to allow a user (SUWAJDA) to send commands requiring control authorization, enter:

```
PERMIT IHV.* ACCESS(CONTROL) CLASS(FACILITY)
ID(SUWAJDA)
```

For example, to authorize another user (FISHER) to enter all commands that require the update authorization, enter:

```
PERMIT IHV.* ACCESS(UPDATE) CLASS(FACILITY)
ID(FISHER)
```

### Assign Authorization by Command

You can use the PERMIT command to let all users send individual commands. For example, to authorize everyone to use the Unlock command, enter:

```
PERMIT IHV.UNLOCK ACCESS(READ) CLASS(FACILITY)
ID(*)
```

To authorize a user (DONC) to send all connectivity commands with the Noforce option, enter:

```
PERMIT IHV.* ACCESS(UPDATE) CLASS(FACILITY)
ID(DONC)
```

### Use Specific Profile Names

Either specific profile names or generic profile names can be used in the PERMIT command. Use specific profile names to authorize use of specific I/O operations commands.

For example, to authorize a user (PHILOP) to use only the Allow and Prohibit commands with the Noforce option, enter:

```
PERMIT ING.ALLOW ACCESS(UPDATE) CLASS(FACILITY) ID(PHILOP)
PERMIT ING.PROHIBIT ACCESS(UPDATE) CLASS(FACILITY) ID(PHILOP)
```

On the NMC focal point the following is necessary to define users and access levels to RODM:

1. Define a general resources class named RODMMGR. This is the default class name used in EKGXCUST initialization member for RODM.
2. Define instances of the RODMMGR resource class, for example,

```
RDEF EKGXRODM1 CLASS(RODMMGR) UACC(NONE)
RDEF EKGXRODM2 CLASS(RODMMGR) UACC(NONE)
RDEF EKGXRODM3 CLASS(RODMMGR) UACC(NONE)
RDEF EKGXRODM4 CLASS(RODMMGR) UACC(NONE)
RDEF EKGXRODM5 CLASS(RODMMGR) UACC(NONE)
RDEF EKGXRODM6 CLASS(RODMMGR) UACC(NONE)
```

For more information on the RACF commands, see *Resource Access Control Facility (RACF) Command Language Reference*.

## Assign TCP/IP Port Authorization

When the physical file system is configured as INET, RACF can be used to restrict access to the ports that are used by I/O operations when using TCP/IP communication. For details about how to restrict access, see the section “Port access control” in “Chapter 3. Security” of *z/OS Communications Server: IP Configuration Guide*.

## Access Authorization Levels

Table 19 lists the I/O operations commands in alphabetical order with an indication of the access authorization levels they require and where they can be used.

**Notes:**

1. Access authorization is not required, although it is highly advisable.
2. The authorization level is not checked for I/O operations commands that are entered at the system console. The control level of authorization is assumed.
3. RACF profiles are defined in class FACILITY.
4. In Table 19, the access authorization level that is required by the command can be:
  - C Control
  - R Read
  - U Update
  - UC Update for the **NOForce** | **NOCheck** options. Control for the **Force** option.

The following indicate where the command can be used and what RACF authorization is required:

- G** The function is generated implicitly, but RACF authorization, or equivalent, is required if I/O operations is used together with a security program.
- I** A command function is generated implicitly as part of a G function. RACF authorization, or equivalent, does not apply.
- Y** The command must be entered explicitly. RACF authorization is required.
  - The command is not available, either explicitly or implicitly.

Table 19. I/O Operations Commands, their Availability and Access Authorization Levels

RACF Profile Name	RACF Authorization Level					Command
		Application Programming Interface (API)				
			Switch Configuration Matrix (I/O Operations ISPF Dialog)			
			I/O Operations ISPF Dialog	ISPF Dialog	Command	
N/A	-	-	-	-	Y	System commands to start/stop
IHV.ALLOW	UC	Y	I	Y	Y	ALLOW
IHV.BLOCK	UC	Y	I	Y	Y	BLOCK
IHV.CHAIN	UC	Y	-	Y	Y	CHAIN
IHV.CHANGECHECK	R	Y	-	Y	Y	DISPLAY CHANGECHECK
IHV.CHP	R	Y	-	Y	Y	DISPLAY CHP
IHV.CONNECT	UC	Y	I	Y	Y	CONNECT
IHV.DELETE.FILE	C	Y	G	-	-	DELETE FILE
IHV.DEV	R	Y	-	Y	Y	DISPLAY DEV
IHV.DISCONNECT	UC	Y	I	Y	Y	DISCONNECT
IHV.GETLOCK	C	Y	-	Y	Y	GETLOCK
IHV.HOST	R	Y	-	Y	Y	DISPLAY HOST
IHV.LOGREC	C	Y	-	Y	Y	LOGREC
IHV.NAME	R	Y	I	Y	Y	DISPLAY NAME
IHV.PORT	R	Y	I	Y	Y	DISPLAY PORT
IHV.PROHIBIT	UC	Y	I	Y	Y	PROHIBIT
IHV.QUERY.ENTITY	R	Y	-	-	-	QUERY ENTITY
IHV.QUERY.FILE	R	Y	G	-	-	QUERY FILE
IHV.QUERY.INTERFACE	R	Y	-	-	-	QUERY INTERFACE
IHV.QUERY.RELATION	R	Y	-	-	-	QUERY RELATION

## Securing Focal Point Systems and Target Systems

Table 19. I/O Operations Commands, their Availability and Access Authorization Levels (continued)

RACF Profile Name	RACF Authorization Level					
	Application Programming Interface (API)					
	Switch Configuration Matrix (I/O Operations ISPF Dialog)					
	I/O Operations ISPF Dialog Command					
						System Console Command
IHV.QUERY.SWITCH	R	Y	G	-	-	QUERY SWITCH
IHV.REMOVE.CHP	UC	Y	-	Y	Y	REMOVE CHP
IHV.REMOVE.DEV	UC	Y	-	Y	-	REMOVE DEV
IHV.REMOVE.SWITCH	UC	Y	-	Y	Y	REMOVE SWITCH
IHV.RESET.CHANGECHECK	C	Y	-	Y	Y	RESET CHANGECHECK
IHV.RESET.HOST	C	Y	-	Y	Y	RESET HOST
IHV.RESET.SWITCH	C	Y	-	Y	Y	RESET SWITCH
IHV.RESET.TIMEOUT	C	Y	-	Y	Y	RESET TIMEOUT
IHV.RESTORE.CHP	U	Y	-	Y	Y	RESTORE CHP
IHV.RESTORE.DEV	UC	Y	-	Y	-	RESTORE DEV
IHV.RESTORE.SWITCH	UC	Y	-	Y	Y	RESTORE SWITCH
IHV.RESULTS	R	Y	-	Y	Y	DISPLAY RESULTS
IHV.SWITCH	R	Y	I	Y	Y	DISPLAY SWITCH
IHV.SYNC.SWITCH	C	Y	-	Y	Y	SYNCH SWITCH
IHV.TIMEOUT	R	Y	-	Y	Y	DISPLAY TIMEOUT
IHV.UNBLOCK	UC	Y	I	Y	Y	UNBLOCK
IHV.UNCHAIN	UC	Y	-	Y	Y	UNCHAIN
IHV.UNLOCK	U	Y	-	Y	Y	UNLOCK
IHV.VARY	R	Y	-	Y	Y	DISPLAY VARY
IHV.WRITE	C	Y	I	Y	Y	WRITE
IHV.WRITEFILE	C	Y	G	-	-	WRITEFILE
IHV.WRITEPORT	UC	Y	-	-	-	WRITEPORT
IHV.WRITESWCH	UC	Y	G	-	-	WRITESWCH

Table 20 lists the access authorization levels grouped by function (display, connectivity or utility).

Table 20. Access Authorization Levels Grouped by Function

RACF Profile Name	RACF Authorization Level					
	Application Programming Interface (API)					
	Switch Configuration Matrix (I/O Operations ISPF Dialog)					
	I/O Operations ISPF Dialog Command					
						System Console Command
N/A	-	-	-	-	Y	System commands to start/stop
<b>Display Commands</b>						
IHV.CHANGECHECK	R	Y	-	Y	Y	DISPLAY CHANGECHECK
IHV.CHP	R	Y	-	Y	Y	DISPLAY CHP
IHV.DEV	R	Y	-	Y	Y	DISPLAY DEV
IHV.HOST	R	Y	-	Y	Y	DISPLAY HOST
IHV.NAME	R	Y	I	Y	Y	DISPLAY NAME
IHV.PORT	R	Y	I	Y	Y	DISPLAY PORT

## Securing Focal Point Systems and Target Systems

Table 20. Access Authorization Levels Grouped by Function (continued)

RACF Profile Name	RACF Authorization Level					
		Application Programming Interface (API)				
		Switch Configuration Matrix (I/O Operations ISPF Dialog)				
		I/O Operations	ISPF Dialog	Command	System Console	Command
IHV.RESULTS	R	Y	-	Y	Y	DISPLAY RESULTS
IHV.SWITCH	R	Y	I	Y	Y	DISPLAY SWITCH
IHV.TIMEOUT	R	Y	-	Y	Y	DISPLAY TIMEOUT
IHV.VARY	R	Y	-	Y	Y	DISPLAY VARY
IHV.QUERY.ENTITY	R	Y	-	-	-	QUERY ENTITY
IHV.QUERY.FILE	R	Y	G	-	-	QUERY FILE
IHV.QUERY.INTERFACE	R	Y	-	-	-	QUERY INTERFACE
IHV.QUERY.RELATION	R	Y	-	-	-	QUERY RELATION
IHV.QUERY.SWITCH	R	Y	G	-	-	QUERY SWITCH
<b>Connectivity Commands</b>						
IHV.ALLOW	UC	Y	I	Y	Y	ALLOW
IHV.PROHIBIT	UC	Y	I	Y	Y	PROHIBIT
IHV.BLOCK	UC	Y	I	Y	Y	BLOCK
IHV.UNBLOCK	UC	Y	I	Y	Y	UNBLOCK
IHV.CHAIN	UC	Y	-	Y	Y	CHAIN
IHV.UNCHAIN	UC	Y	-	Y	Y	UNCHAIN
IHV.CONNECT	UC	Y	I	Y	Y	CONNECT
IHV.DISCONNECT	UC	Y	I	Y	Y	DISCONNECT
IHV.REMOVE.CHP	UC	Y	-	Y	Y	REMOVE CHP
IHV.RESTORE.CHP	U	Y	-	Y	Y	RESTORE CHP
IHV.REMOVE.DEV	UC	Y	-	Y	-	REMOVE DEV
IHV.RESTORE.DEV	UC	Y	-	Y	-	RESTORE DEV
IHV.REMOVE.SWITCH	UC	Y	-	Y	Y	REMOVE SWITCH
IHV.RESTORE.SWITCH	UC	Y	-	Y	Y	RESTORE SWITCH
IHV.SYNC.SWITCH	C	Y	-	Y	Y	SYNCH SWITCH
IHV.WRITEPORT	UC	Y	-	-	-	WRITEPORT
IHV.WRITESWCH	UC	Y	G	-	-	WRITESWCH
<b>Utility Commands</b>						
IHV.DELETE.FILE	C	Y	G	-	-	DELETE FILE
IHV.WRITEFILE	C	Y	G	-	-	WRITEFILE
IHV.GETLOCK	C	Y	-	Y	Y	GETLOCK
IHV.UNLOCK	U	Y	-	Y	Y	UNLOCK
IHV.LOGREC	C	Y	-	Y	Y	LOGREC
IHV.RESET.CHANGECHECK	C	Y	-	Y	Y	RESET CHANGECHECK
IHV.RESET.HOST	C	Y	-	Y	Y	RESET HOST
IHV.RESET.SWITCH	C	Y	-	Y	Y	RESET SWITCH
IHV.RESET.TIMEOUT	C	Y	-	Y	Y	RESET TIMEOUT
IHV.WRITE	C	Y	I	Y	Y	WRITE

### Establishing Authorization with Network Security Program

If you have installed Network Security Program (NetSP), you can create an authorization system requiring only one sign on for each user. With it, a user who logs on from a workstation has access to RACF-protected host applications. These include 3270 emulation and log on scripts and APPC communications. This authorization is controlled by NetSP's PassTicket, which is recognized by the SAF-based security system and is valid for a fixed period of time.

To establish authorization for your users, you need to create in NetSP recorded input files as log on transfer scripts. This is done either by recording keystrokes in the emulator session or by entering them directly in a file with a text editor. How to do this is described in *Network Security Product Secured Network Gateway Guide*.



---

## Appendix B. Syntax for INGTOPOF File

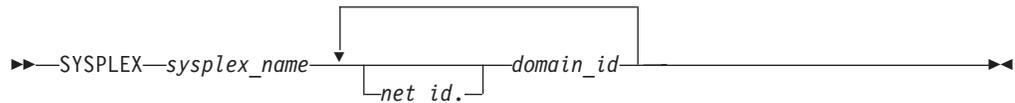
The INGTOPOF file contains configuration information for the SA z/OS topology manager. It must reside in any of the data sets allocated under the DSIPARM concatenation. The records of the file consist of a keyword with one or more parameters. Comment lines must start with an asterisk (\*). A '+' at the end of a line indicates that the record is continued in the next line.

The following keywords can occur in the INGTOPOF file: SYSPLEX, PROCOPS, LOCATION, ANCHOR, BLDVIEWS, OPTION, and TEMPLATE.

---

### The SYSPLEX Statement

For every sysplex, the SA z/OS topology manager must be told which systems of the sysplex are able to communicate with it. This is done with the SYSPLEX statement according to the following format:



The *sysplex\_name* must be different from every name that you specify in a PROCOPS statement (see "The PROCOPS Statement" on page 168). The systems must be identified to the SA z/OS topology manager by their NetView domain ID. If the *net\_id* is omitted, it is assumed to be the same as that of the focal point. The INGTOPOF file must contain at least one SYSPLEX statement; in particular, you cannot have a PROCOPS statement in the INGTOPOF file without a SYSPLEX statement.

The SA z/OS topology manager tries to contact the systems in the order in which they appear in the list. When it finds a system that contains a functional SA z/OS topology agent, it searches no further, but gathers the SA z/OS information from the automation manager through this SA z/OS topology agent. It then stores the retrieved information in RODM, prefixing all resource names with the *sysplex\_name* that it found in the SYSPLEX statement.

It follows from this that the order in which the domains are specified should reflect eventual decisions about primary and backup systems for communication with the SA z/OS topology manager. Also, the sysplexes as defined in the INGTOPOF file must correspond to the sysplex groups in the policy database.

Because standalone systems are treated as sysplexes, they must also be introduced to the SA z/OS topology manager by a SYSPLEX statement. In this case, the list of domain IDs will comprise just one item.

If you want to have a network anchor for a system, this system's domain ID must be included in the SYSPLEX statement.

---

### The PROCOPS Statement

With this statement, you specify a focal point for processor operations and its backup focal point. It has the following format:

```
▶▶—PROCOPS—procops_name—focal_point—backup_focal_point————▶▶
```

The *procops\_name* must be different from every name that you specify in a SYSPLEX statement. The focal point processor and its backup must be identified to the SA z/OS topology manager by a NetView domain ID. If the *net\_id* is omitted, the SA z/OS topology manager assumes it to be identical to that of its own focal point.

There must be at least one SYSPLEX statement in the INGTOPOF file if you want to insert a PROCOPS statement.

---

### The LOCATION Statement

The LOCATION statement is used to group system related events, for example, geographically rather than logically. The events that are attached to a LOCATION must be posted to the SA z/OS topology manager by the user with the INGPOST command. For more information on the INGPOST command, see *IBM Tivoli System Automation for z/OS Operator's Commands*.

The Location statement has the following format:

```
▶▶—LOCATION—target_domain—location_name————▶▶
```

#### *Examples:*

```
*  
* TSCF1 thru 3 are in Boeblingen, 4 and 5 are in Perth  
*  
LOCATION T2 BB_LAB  
LOCATION NETOZ.CNMT4 PERTH  
LOCATION NETOZ.CNMT5 PERTH  
*  
* AOCA thru D are in Boeblingen  
*  
LOCATION AOCPLEX BB_LAB  
*  
* OZ1 thru OZ4 are in Perth  
*  
LOCATION OZPLEX PERTH
```

---

### The ANCHOR Statement

ANCHORS are entered via the customization dialogs on the target systems. For more information about how to define anchors see *IBM Tivoli System Automation for z/OS Defining Automation Policy*.

The ANCHOR statement will remain in the INGTOPOF to allow ANCHORS to be defined for downlevel systems where ANCHORS are not entered via the customization dialogs.

ANCHORS for downlevel systems will occur in RODM, but not in the automation manager.

The ANCHOR statement serves to define anchors for arbitrary user defined events.

Anchors serve to collect events of a certain type that are to be displayed on the NMC. Anchors play the role of major resources for events of this type, and the events themselves are treated as minor resources of their anchor. The SA z/OS topology manager automatically creates anchors for heartbeats but not for WTOR or tape mount requests. For more information on anchors and events see *IBM Tivoli System Automation for z/OS User's Guide*.

With the ANCHOR statement, you can introduce your own anchors for any events. These events must be posted to the SA z/OS topology manager with the INGPOST command; the anchor must be specified in the command as the major resource (RESOURCE parameter). For more information on the INGPOST command, see *IBM Tivoli System Automation for z/OS Operator's Commands*; for information on major and minor resources, see *IBM Tivoli System Automation for z/OS Defining Automation Policy*.

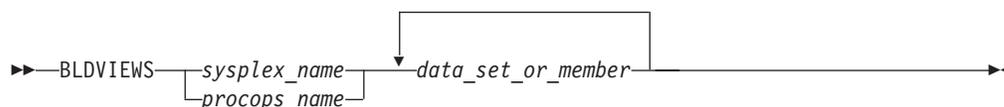
---

## The BLDVIEWS Statement

A RODM resource can only be displayed on the NMC when it is included in a view. With the BLDVIEWS statement, you can pass data sets (members) that contain view definitions for BLDVIEWS to the SA z/OS topology manager. The SA z/OS topology manager will then call the BLDVIEWS tool for (all or some of) these data sets (members) in order to build or rebuild the specified views. The view definitions must be supplied by the installation.

Every BLDVIEWS statement associates one sysplex (as defined by a SYSPLEX statement) or one processor operations focal point configuration (as defined by a PROCOPS statement) with a list of such data sets (members). This enables the SA z/OS topology manager to rebuild views at runtime only for those sysplexes (sets of target processors) whose SA z/OS information has in fact changed.

The BLDVIEWS statement has the following format:



You can exploit the association of the data sets (members) to sysplexes to reduce the overhead caused by rebuilding views at runtime. Suppose, for example, that all your sysplex views either contain objects from only one sysplex or from all sysplexes. Then you should proceed as follows.

1. For every sysplex, create a separate data set (member) with the view definitions specific for that sysplex.
2. Create one data set (member) for the common views.
3. Code a BLDVIEWS statement for every sysplex, where the list of data sets (members) comprises two items, namely the data set (member) with the views specific for this sysplex, and the data set (member) with the common views.

In this way, the sysplex specific views are rebuilt only when the SA z/OS resources for the sysplex in question have changed in RODM in such a way that a rebuild is necessary.

For more details on view definitions, see *IBM Tivoli System Automation for z/OS User's Guide*.

---

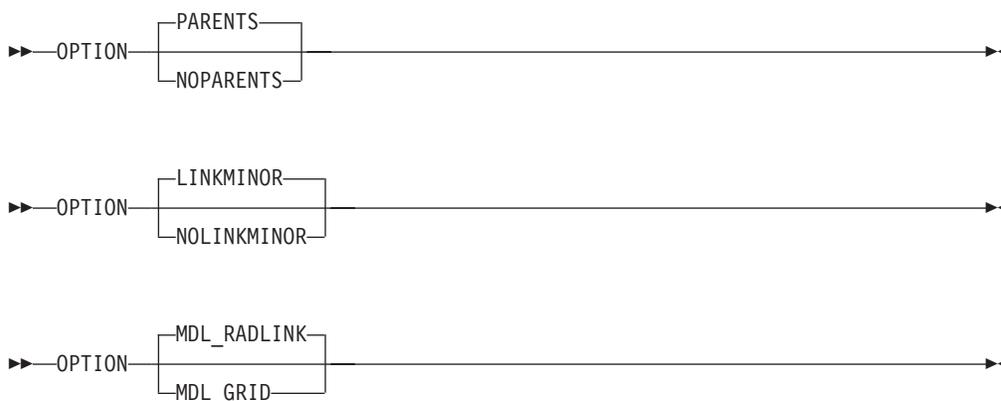
### The OPTION Statement

With the OPTION statements you can:

- control whether or not dependencies and major/minor resource relationships are stored in RODM, and are therefore represented on the NMC, and
- specify the default layout for the automatically generated subviews of group objects.

A separate OPTION statement is required for each option.

The OPTION statement has the following format:



The parameters have the following meaning:

#### **PARENTS**

Dependency relationships are stored in RODM (and displayed on the NMC in network views). This is the default.

#### **NOPARENTS**

Dependency relationships are not stored in RODM.

#### **LINKMINOR**

Relationships between major and minor resources are stored in RODM (and displayed in network views). This is the default.

#### **NOLINKMINOR**

Relationships between major and minor resources are not stored in RODM.

#### **MDL\_RADLINK**

The automatically created subviews are radially arranged. This is the default. The default for this option is defined in RODM.

#### **MDI\_GRID**

The automatically created subviews are arranged in a grid. The default for this option is defined in RODM.

If you want to use the default values, no explicit OPTION statement is required.

## The TEMPLATE Statement

The name displayed beneath a resource on the NMC is the `DisplayResourceName` field of the resource. It can be customized using the `TEMPLATE` parameter in the INGTOPOF file. The template entries in the INGTOPOF file control how the `DisplayResourceName` of a resource is formatted.

When using the `locate` function on the NMC, it is the `DisplayResourceName` field of the resource that is compared with the search criteria of the `locate` for an exact match.

It is not a requirement to have any template parameters in the INGTOPOF file. If no template parameter is found in INGTOPOF, the format of the `DisplayResourceName` will default to the following:

- `PLEX.SYSTEM.TYPE.SUBSYSTEM EVENT` for major resources
- `PLEX.SYSTEM.TYPE.SUBSYSTEM.MINOR EVENT` for minor resources

To change the format of the default `DisplayResourceName`, special *type* templates are required to specify how the default `DisplayResourceName` should be formatted. There are the following two types:

- `DRN` for major resources
- `DRNM` for minor resources

Customization of the `DisplayResourceName` can be defined for all resource types (`DRN`, `DRNM`), or individually for each resource type (`APL`, `APLM`, `APG`, `APGM`).

When a resource is created, the type (for example, `APL` or `APG`) of the resource is searched for in the INGTOPOF file to find a matching template.

- If a match is found, the `DisplayResourceName` will be formatted as specified by the type template in the INGTOPOF file.
- If no match is found, the `DisplayResourceName` will be formatted using the default.

The major resource types supported by the template parameter in the INGTOPOF file are:

<b>APL</b>	applications
<b>APG</b>	application groups
<b>APGP</b>	application groups (sysplex)
<b>SYS</b>	system
<b>SYG</b>	system groups
<b>GRP</b>	groups
<b>MTR</b>	monitor resources

Because minor resources can be attached to major resources, the following types are also supported by the template parameter in the INGTOPOF file for minor resources:

<b>APLM</b>	application minors
<b>APGM</b>	application group minors
<b>APGPM</b>	application group (sysplex) minors

## Syntax for INGTOPOF File

<b>SYSM</b>	system minors
<b>SYGM</b>	system group minors
<b>GRPM</b>	group minors
<b>HEARTBEATM</b>	heartbeat minors
<b>WTORM</b>	WTOR minors
<b>TAPEM</b>	tape minors
<b>CFM</b>	coupling facility minors
<b>CDSM</b>	coupled data set minors
<b>ETRM</b>	external timer minors
<b>SYSPLXM</b>	sysplex minors
<b>MTRM</b>	monitor resource minors

All, any, or none of the above type templates can be used.

When user defined anchors are created, the following applies:

- If the format of the default DisplayResourceName is acceptable, no additional template will be required in the INGTOPOF file. The DisplayResourceName is formatted using the default.
- If you customized the format of the DisplayResourceName, it is necessary to create a template for the user-defined anchors, to specify how the DisplayResourceName must be formatted for the user-defined anchors and any minor resources attached to the user-defined anchors.

If the anchor statement ANCHOR K1 USER exists in the INGTOPOF file, define the following two type templates in the INGTOPOF file to control the formatting of the DisplayResourceName for the anchor and any attached minor resources:

- USER for the anchor
- USERM for the minor resources attached to the anchor

To define how the DisplayResourceName is formatted, substitution parameters are employed. Substitution parameters can appear in any order. The following substitution parameters are supported:

<b>&amp;STR.</b>	system.type.subsystem
<b>&amp;RES.</b>	subsystem/type/system
<b>&amp;MNR.</b>	minor resource name (minor resources only)
<b>&amp;SUB.</b>	subsystem
<b>&amp;TYP.</b>	type
<b>&amp;SYS.</b>	system
<b>&amp;EVT.</b>	event
<b>&amp;PLX.</b>	sysplex
<b>&amp;DATE.</b>	date
<b>&amp;TIME.</b>	time

If event (&EVT.) is specified as a substitution parameter and no event field exists for the resource, an \* is inserted in the DisplayResourceName. If a substitution field does not exist for a resource where a substitution parameter has been specified, the substitution parameter itself (for example, &SYS. &STR.) will appear in its place in the DisplayResourceName.

## Examples

### Customizing DisplayResourceName for APLs:

If the requested DisplayResourceName for APLs was system name and subsystem name (for example, SYSX.RODMX), the following entry would be required in the INGTOPOF file:

```
TEMPLATE APL &SYS..&SUB.
```

### Customizing DisplayResourceName for all resources:

If the requested DisplayResourceName for all resources was system name, subsystem name, and event (for example, SYSX.RODMX Event Text), the following entry would be required in the INGTOPOF file:

```
TEMPLATE DRN &SYS..&SUB. &EVT.
```

### Customizing DisplayResourceName for user anchors:

The following anchor statement is found in INGTOPOF file:

```
ANCHOR K1 PLEX1
```

If the requested DisplayResourceName was subsystem, date, and time (for example, RODMX 19 MAY 2002.02:16:45), the following entry would be required in the INGTOPOF file:

```
TEMPLATE PLEX1 &SUB. &DATE..&TIME.
```

The above examples are for major resources. If customization of the DisplayResourceName is also required for minor resources attached to the major resources, similar template entries in the INGTOPOF file would be required:

- TEMPLATE APLM &SYS..&SUB..&MNR.
- TEMPLATE DRNM &SYS..&SUB..&MNR. &EVT.
- TEMPLATE PLEX1M &SUB..&MNR. &DATE..&TIME.

For an example of the template statements in the INGTOPOF file, refer to “Sample INGTOPOF File” on page 176.

As the DisplayResourceName can now be customized, it is possible to create different resources with the same DisplayResourceName. Although duplicate DisplayResourceNames cause no problems to the NMC or RODM, it will be the responsibility of each installation to ensure that any duplication is correctly processed by any user-written code.

BLDVIEWS creates views containing resources, and can identify resources for inclusion by the MyName field or the DisplayResourceName field of the resource.

- No further change to your BLDVIEWS statements will be required.
- The format of the MyName field may NOT be modified.
- The format of the MyName field is, PLEX.SUBSYSTEM/TYPE/SYSTEM.MINOR
- The MyName field may have parts omitted that are not relevant.

## Syntax for INGTOPOF File

- The following are examples of the MyName:  
PLEX.SUBSYSTEM/TYPE - major  
PLEX.SUBSYSTEM/TYPE/SYSTEM - major  
PLEX.SUBSYSTEM/TYPE.MINOR - minor  
PLEX.SUBSYSTEM/TYPE/SYSTEM.MINOR - minor
- If you currently use the DisplayResourceName in your BLDVIEWS statements and you are customizing the DisplayResourceName, it will be necessary to review your BLDVIEWS statements to ensure that the correct resources are included in your views.

---

## The RUNOPID Statement

When submitting commands via the NMC, the commands are run under the user ID of the operator signed on to the NMC at that time.

It is possible to select a predefined user ID by using the RUNOPID statement in the INGTOPOF file. When a command is submitted via the NMC for a non-local resource, the command will be run under the predefined user ID, and not the user ID of the operator signed on to the NMC at that time.

Commands that are issued via the NMC against a local resource are never preceded by a label.

Commands that are issued via the NMC against a non-local resource are preceded by a label. This label has three separate fields:

- Netid
- Domain
- User id

Examples of the label are as follows:

- Netid:
- Netid.Domain:
- Netid.Domain/User id:

To provide an amount of flexibility, the RUNOPID statement has been introduced to the INGTOPOF file. This will allow a predefined user ID to be used in the label, rather than the user ID of the operator signed on to the NMC at that time.

If the RUNOPID statement exists in the INGTOPOF file, the associated user ID will be substituted in the label.

The syntax of the RUNOPID statement in the INGTOPOF file is

```
RUNOPID user id
```

An example of the RUNOPID statement in the INGTOPOF file is

```
RUNOPID ACDMON
```

If multiple RUNOPID statements appear in the INGTOPOF file, only the first RUNOPID statement will be used, all subsequent RUNOPID statements will be discarded.

---

## The HBDELETE Statement

The HBDELETE statement specifies whether or not old heartbeat entries should be deleted. The default is yes, which provides behavior consistent with earlier releases. The syntax is:

```
▶▶—HBDELETE— $\left\{ \begin{array}{l} Y \\ N \end{array} \right.$ —————▶▶
```

When Y is specified, all previous heartbeat minor resources from the same sysplex are deleted when any heartbeat minor resource from the sysplex is updated. This incurs a measurable resource consumption.

When N is specified, only the update to the heartbeat minor resource is made. This means that RODM may end up containing old (stopped or failed) heartbeats from other systems in the sysplex, long after the heartbeat has been picked up by another system in the sysplex. This is measurably more efficient than the Y option.

---

## The LINKTOVIEWS Statement

The LINKTOVIEWS statement determines which RODM fields will be used to connect major and minor resources in RODM. Specifying BASE or NONE makes processing faster, but at the cost of losing some NMC functionality. The syntax is:

```
▶▶—LINKTOVIEWS—resource—linkage—————▶▶
```

The *resource* parameter may be either a qualified major resource name (sysplex.major), a sysplex name (sysplex) or the constant 'DEFAULT'.

The *linkage* values are:

**FULL** All links are made, this is the default behavior. Fields linked are:

- IsPartOf/ComposedOfLogical
- ContainedInView
- Aggregationparent
- ExceptionViewList

.

**BASE** The only fields linked are IsPartOf/ComposedOfLogical and AggregationParent. The missing fields mean the minor resource will not appear in any views containing the major resource and will not appear in any exception views containing the major resource (unless placed there by an alternate mechanism such as RCM or BLDVIEWS).

**NONE**

No links are made, the minor resources will not be accessible from NMC unless picked up by something such as BLDVIEWS or RCM.

## The MAPCOLOR Statement

The color for a resource icon of status “Unavailable” can be changed with the keyword “MAPCOLOR”. The updated color will be displayed on all NMC topology clients. The syntax is:

```
▶▶ MAPCOLOR UNAVAILABLE [user positive value]
                        [user negative value] ▶▶
```

It is possible to map the status of “Unavailable” to all “User positive” and “User negative” values. These are:

- User positive: 136 137 138 139 140 141 142 143
- User negative: 152 153 154 155 156 157 158 159

### Example:

The default dark green color can be changed to light green by placing the following line in the topology file (INGTOPOF):

```
MAPCOLOR UNAVAILABLE 136
```

On the NMC topology client, the color of each “User positive” or “User negative” value can be displayed and changed with:

Options ▶ Console properties... ▶ Status

### Technical Note:

Refer to the RODM **DisplayStatus** field in *Tivoli NetView for z/OS Data Model Reference*.

### Note:

The **DisplayStatus** field has a major impact on the decision whether an object should be placed in an exception view.

SA z/OS expects that the RODM and GMFHS defaults put the 'UserNegative' values into exception views. 'UserPositive' values are assumed not to appear in exception views.

## Sample INGTOPOF File

```
*****
*
* INGTOPOF sample
*
* The sysplex_name in this example is: K1
* The sysplex consists of the following four
* domains: IPSNM, IPSNN, IPSNO and IPSNP
*
* The KEY1VIEW and CMNVIEW members contain BLDVIEWS control cards.
* They are necessary for the SA topology manager to create 'views'
* in RODM to display SA resources.
* For more details refer to the SA User's Guide,
* Using the NetView Management Console for SA z/OS,
* Creating Views
*
```

```

* This sample also contains a user defined anchor 'USER' and
* shows the usage of the 'HBDELETE', 'LINKTOVIEWS', 'OPTION' and
* 'TEMPLATE' statements.
*
* For a description of all keywords please refer to the
* System Automation for z/OS Planning and Installation guide.
*
* Use a trailing '+' for continuation.
*
*****
*
SYSPLEX K1 IPSNM IPSNN +
          IPSNO +
          IPSNP
*
BLDVIEWS K1 KEY1VIEW CMNVIEW
*
ANCHOR K1 USER
*
* HBDELETE N
* When heartbeat minor resources for the SYSPLEX are updated via the INGPOST
* command, heartbeat minor resources will be created on receipt of the initial
* INGPOST command, these heartbeat minor resources will then be updated for
* subsequent INGPOSTs commands.
*
* HBDELETE Y
* When heartbeat minor resources for the SYSPLEX are updated via the INGPOST
* command, any existing heartbeat minor resources for the SYSPLEX will be deleted
* and new heartbeat minor resources for the SYSPLEX will be created.
*
* In the following LINKTOVIEWS examples,
* o The sysplex is 'K1',
* o The major resource is 'KEY1/SYS/KEY1'
*
* LINKTOVIEWS DEFAULT FULL
* LINKTOVIEWS K1 BASE
* LINKTOVIEWS K1.KEY1/SYS/KEY1 NONE
*
* OPTION NOPARENTS
* OPTION NOLINKMINOR
* OPTION MDL_RADLINK
*
*=====
* To define how the DisplayResourceName is formatted,
* substitution parameters are employed. Substitution
* parameters may appear in any order. The following
* substitution parameters are supported,
*
* &STR. - SYS.TYPE.SUB
* &RES. - SUB/TYPE/SYS
* &MNR. - MINOR RESOURCE NAME (Minor Resources only)
* &SUB. - SUBSYSTEM
* &TYP. - TYPE
* &SYS. - SYSTEM (NULL FOR SYSPLEX RESOURCE)
* &EVT. - EVENT
* &PLX. - SYSPLEX
* &DATE. - DATE
* &TIME. - TIME
*
* To activate a TEMPLATE statement remove the leading asterisk from
* the following samples.
*=====
*
*TEMPLATE DRN &PLX..&STR. &EVT.
*TEMPLATE DRNM &PLX..&STR..&MNR. &EVT.
*
*TEMPLATE APL &SYS..&SUB.

```

## Syntax for INGTOPOF File

```
*TEMPLATE APLM &MNR.  
*  
*TEMPLATE APG &PLX. &SYS. &RES.  
*TEMPLATE APGM &PLX. &SYS. &RES. &MNR.  
*  
*TEMPLATE APGP &PLX. &RES.  
*TEMPLATE APGPM &PLX. &RES. &MNR.  
*  
*TEMPLATE MTR &SYS..&SUB.  
*TEMPLATE MTRM &MNR.  
*  
*TEMPLATE SYS &PLX..&RES.  
*TEMPLATE SYSM &PLX..&RES. &MNR.  
*  
*TEMPLATE SYG &PLX..&RES.  
*TEMPLATE SYGM &PLX..&RES. &MNR.  
*  
*TEMPLATE GRP &RES. GRP  
*TEMPLATE GRPM &RES..&MNR. GRPM  
*  
*TEMPLATE HEARTBEATM &PLX..&RES. &MNR. &EVT. &DATE..&TIME.  
*  
*TEMPLATE WTORM &MNR. &EVT.  
*TEMPLATE TAPEM &MNR. &EVT.  
*  
*TEMPLATE CFM &PLX..&RES. &MNR. &EVT.  
*TEMPLATE CDSM &RES. &MNR. &EVT.  
*TEMPLATE ETRM &MNR. &EVT.  
*TEMPLATE SYSPLEXM &PLX..&RES..&MNR. &EVT.*  
*TEMPLATE USER &STR. &DATE. &TIME  
*TEMPLATE USERM &MNR. &PLX. &SUB. &DATE. &TIME. &EVT.  
*****
```

## Appendix C. Miscellaneous Information

Running Two NetViews on the NMC Focal Point System . . . . .	179	Enabling SA z/OS Support for Extended Multiple Console Support . . . . .	180
Users and RODM Authorization . . . . .	179	Setting Up EMCS . . . . .	180
Verifying Installation of SA z/OS Satellite (Optional) . . . . .	180	EMCS Restrictions and Limitations . . . . .	181

This section tells you how to do the additional installation tasks involved in using the enterprise monitoring functions of SA z/OS.

### Running Two NetViews on the NMC Focal Point System

If your focal point system runs one NetView for automation (Automation NetView) and another NetView for networking (Networking NetView) that includes an NMC focal point system, you must install SA z/OS on both NetViews. The SA z/OS installation on the NetView used for networking involves only a subset of SA z/OS code, called an SA z/OS satellite, and fewer installation steps are required.

Where the Networking NetView is an enterprise monitoring focal point, the SA z/OS NetView's DSI6INIT Parm should specify the Networking NetView on the same system as its focal point. The focal point needs to receive heartbeats from the SA z/OS domain on the same system to set the necessary RODM focal point fields.

Installation of an SA z/OS satellite is covered as an optional step. See "Step 24: Install an SA z/OS Satellite" on page 112.

### Users and RODM Authorization

When RODM is installed on your system, it is necessary to authorize users and applications to access RODM services. This authorization is accomplished using RACF or an equivalent security application. See *Tivoli NetView for z/OS Resource Object Data Manager and GMFHS Programmer's Guide* for details about specifying RODM authorization. This section describes any additional user IDs that must be created for system operations enterprise monitoring and indicates whether they require RODM authorization.

Table 21. RODM Authorization for user IDs

User ID	RODM Authorization Required?
NetView Graphic Monitor Facility operators	No
SA z/OS operators	Yes
User ID for bulk updates from NetView (specified in AOFRODM)	Yes
User ID for GMFHS to connect to RODM (defined when you install GMFHS and RODM)	Yes

Graphic Monitor Facility Host Subsystem (GMFHS) operator IDs are usually created to be the same as NetView operator IDs so that operators can use the same ID and password to log on to GMFHS as they use to log on to NetView. RODM

## Users and RODM Authorization

authorization is not required for use of GMFHS, but the IDs may require authorization for other purposes such as using RODMVIEW.

**Note:** If you assign an GMFHS operator ID of 0PER1 on the NMC focal point system, GMFHS automatically uses the same GMFHS operator ID on other NetViews in the enterprise as the target for commands.

In addition to logging on to GMFHS, operators using system operations enterprise monitoring need to log on to SA z/OS. You may choose to use the same set of IDs for SA z/OS as you do for NetView and GMFHS. However, SA z/OS IDs must be authorized to RODM. Because an ID can only be used to connect to RODM from one application at a time, you should create a unique system operations ID for each operator who connects to RODM from another application.

## Verifying Installation of SA z/OS Satellite (Optional)

You should now test your Networking NetView (with added system operations satellite). An outline procedure for this is:

1. Schedule a testing period. You will require your focal point system and expertise on how the Networking NetView should behave.
2. Shut down your Networking NetView. This means you no longer have any network automation.
3. Start your Networking NetView with the SA z/OS satellite.
4. Check that it initializes without error.
5. Check that your Networking NetView still works.
6. Start the NetView with the satellite installed and the SA z/OS topology manager configured. At this point, the SA z/OS topology manager should automatically contact all defined target sysplexes, retrieve their configuration information and create corresponding objects in RODM. Finally it will run the BLDVIEWS statements that you have defined for each sysplex. These will create views in RODM allowing you to see the objects created by the SA z/OS topology manager.
7. Start an NMC server connected to the focal point system and then connect to it from an NMC client. You should see the views defined by your BLDVIEW statements. These should contain objects representing the automated resources on the target sysplexes. There should be a green heartbeat icon for each active target sysplex.
8. If you select an icon representing an automated resource and right-click, you should see SA z/OS commands on its context menu. Select INGINFO and see that the command is issued properly.
9. Shut down the new Networking NetView, bring up the former one, and plan for production cutover.

---

## Enabling SA z/OS Support for Extended Multiple Console Support

This section describes how to set up extended multiple console support (EMCS) and also describes its restrictions and limitations.

**Note:** EMCS support is mandatory for the successful operation of SA z/OS.

### Setting Up EMCS

- Assign each CSSIR task a unique TSKID name in the sysplex. To do this, specify a unique name for SSIname in the the NetView style sheet that resides in the DSIPARM data set.

## Enabling SA z/OS Support for Extended Multiple Console Support

- Update the synonym %AOF\_SIRTASK%, in member AOFMSGSY, to reflect the new name of the NetView CNMCS\_SIR task.
- Add the AOCGETCN command to the initial CLIST of your operator profiles.
- Switch on the SA z/OS global variable AOF\_EMCS\_AUTOTASK\_ASSIGNMENT, to assign an autotask to EMCS consoles.

## EMCS Restrictions and Limitations

- There must be only one NetView running SA z/OS in each machine.
- Do not:
  - Use route codes to route messages to any NetView task console
  - Deactivate the action message retention facility (AMRF) (by coding COM='K M,AMRF=N' in the COMMNDxx member of SYS1.PARMLIB)
  - Change the MSCOPE setting on the xxxCSSIR task/console
  - Define the AUTO attribute for any NetView task/console under the RACF OPERPARMS
  - Define an SAF OPERPARM definition for extended MCS console authority to anything other than MASTER

Violation of these restrictions will cause unpredictable results.



---

## Appendix D. Using the HW Integrated Console of System z for External Automation with SA z/OS

The HW Integrated Console provides a message and command interface for operating system images running on System z hardware to cover system initialization, recovery situations, or emergency operator tasks.

Especially when channel-attached or otherwise-connected 3270/ASCII operator console devices are not configured or cannot be used with the System z processor hardware, the integrated console is the only console interface for an operating system at initialization time.

For the SA z/OS processor HW interfaces, the integrated console is the exclusive facility to communicate with the target operating systems running on System z processors. Other console interfaces that become available after target OS initialization is complete are not used. With the SA z/OS HW interfaces, you can control and automate System z processors externally. This means the controlling SA z/OS program can run on a different processor or LPAR than the target system to be controlled. One typical example is to monitor or automate the IPL prompts of a remote system displayed on its integrated console.

This appendix provides background, usage, and performance information important to know if you plan to use the HW integrated console support (CI) of the SA z/OS processor hardware interfaces for your automation. The System z hardware commands, like SYSRESET, LOAD for example, are not discussed in this chapter. For more information about automating these commands, refer to *IBM Tivoli System Automation for z/OS Operator's Commands* and *IBM Tivoli System Automation for z/OS User's Guide*. However the automation interface and remote configuration information in this chapter is valid for both HW commands and CI automation. This appendix includes the following sections:

- “CI Usage in IBM Tivoli System Automation Products” on page 184
- “CI Protocols and Automation Interfaces” on page 184
- “CI Configuration for Remote Automation” on page 185
- “CI Automation Basics” on page 187
- “CI Differences to 3270-Based Console Devices” on page 188
- “CI Performance Factors” on page 188
- “Network Dependencies” on page 189
- “IP Stack Considerations” on page 189
- “ProcOps SNMP Sessions” on page 189
- “OS Message Format Support with ProcOps/BCPii” on page 189
- “Automating Multi-Line z/OS Messages” on page 190
- “Limiting the Number of z/OS IPL Messages Displayed on CI” on page 190
- “Recommended z/OS Console Settings for CI Usage with SA z/OS” on page 190
- “Using CI in a z/OS Sysplex Environment” on page 191
- “Running with the z/OS System Console Deactivated” on page 191
- “z/OS Health Checker Considerations” on page 191
- “CI Security with SA z/OS” on page 192

## Using the HW Integrated Console

- “Testing CI Performance for SNMP Connections” on page 192
- “Summary: Managing CI Performance for SA z/OS” on page 193

---

## CI Usage in IBM Tivoli System Automation Products

### SA z/OS Processor Operations (ProcOps)

Processor operations is a NetView and SNMP-TCP/IP protocol-based automation interface and API to monitor and control System z mainframes. ProcOps is a focal point application that allows external mainframe automation. See the ProcOps API command ISQSEND in as an example of a ProcOps command using CI. The integrated IPL automation for z/OS and z/VM are other examples of using CI. With ProcOps, CI messages are sent automatically to the focal point system as soon as the network connection is established to the Support Element (SE) or Hardware Management Console (HMC) and the targeted system (LPAR) is registered. The ProcOps API command ISQXIII is used to perform these steps.

### System Automation for Integrated Operations Management

System Automation for Integrated Operations Management (SA IOM) is a client server product for the Windows platform that provides SNMP-TCP/IP protocol-based REXX automation sample scripts to monitor and control System z mainframes, including the monitoring of CI messages from the HMC. Refer to the *System Automation for Integrated Operations Management User's Guide* for more information.

With SA IOM, the SNMP Agent of the HMC that is to be used for the System z HW access must be customized to send operating system message event SNMP traps to the IP address of the SA IOM server. This ensures that the CI messages are available for the automation scripts running on the SA IOM server.

### Related Information

The IBM Service Offering GDPS (Geographically Dispersed Parallel Sysplex, an IBM disaster recovery solution for System z mainframes), requires NetView and SA z/OS to be active. It uses the CI facility with the internal services of SA z/OS. Refer to the *GDPS/PPRC Installation and Customization Guide* for more information. An example of CI exploitation of GDPS is DUPLICATE VOLSER automation at IPL time.

Depending on the function performed, CI message registration or deregistration is controlled internally by the GDPS code.

---

## CI Protocols and Automation Interfaces

In order to use the HW integrated console (CI), the SA z/OS program uses two communication protocols. These protocols use the System z application programming interfaces. You use Option 10 (Processors) on the Entry Type Selection panel of the SA z/OS customization dialog to configure the communication protocols for a processor. See *IBM Tivoli System Automation for z/OS Defining Automation Policy* for more information.

### INTERNAL (BCPii Base Control Program Internal Interface)

This protocol is based on a System z internal communication service (SCLP) between the LPARs and the processor support element (SE) to perform HW operations and configuration management tasks. No network IP stack is needed.

See “Planning the Hardware Interfaces” on page 19 for more information. The scope of processors that can be controlled with this protocol is the HW LAN.

## SNMP

This protocol requires a Internet Protocol network stack. From a ProcOps focal point system, which must be connected to a business LAN, you can monitor and control processors and operating system messages (CI) from LPARs running on the controlled processors. Network access from the business LAN to the HW LANs of the processors is required. ProcOps supports SNMP connections to HMCs and SEs.

## System z Application Programming Interface

The API covers all network-specific programming services (Bind, Connect, and so on) and allows applications to concentrate on HW function and event control. The API uses the SNMP MIB data format. Applications using the API can dynamically register for events, such as operating system messages, from the CI of a particular LPAR.

For detailed information, refer to *System z Application Programming Interfaces*, which is available under your HMC’s **Books View** or on IBM Resource Link<sup>®</sup> for download. The document also contains information about how to download the API itself for various OS platforms and Java. This generally available API version supports the TCP/IP SNMP protocol.

A special version of the API is distributed with the SA z/OS that supports the BCPii and the TCP/IP protocol. This version can only be used together with SA z/OS.

## Related Information

With z/OS V1R11, BCPii can also be used independently of SA z/OS or GDPS by applications that are written in high-level languages to automate CI operations. See *z/OS MVS Programming: Callable Services for High-Level Languages* for more information. For this BCPii implementation, a special version of the System z API code is provided with the services.

Regardless of the System z APIs, you can write an SNMP manager application to process operating system message (CI) SNMP traps from an HMC or a SE. However, without using the API, you must register your application permanently with the SNMP agent to receive the SNMP trap data. You must perform this SE/HMC customization step manually.

The System z HMC can be configured to act as a Common Information Model (CIM) server. CIM client applications can be written to receive CI messages using the IBMZ\_OSMMessage CIM class. See *System z Common Information Model (CIM) Management Interface*, which is available on your HMC, if you need more information.

---

## CI Configuration for Remote Automation

Figure 18 on page 186 illustrates how the CI of three systems is connected to an SA z/OS system, which is acting as a remote automation focal point.

## Using the HW Integrated Console

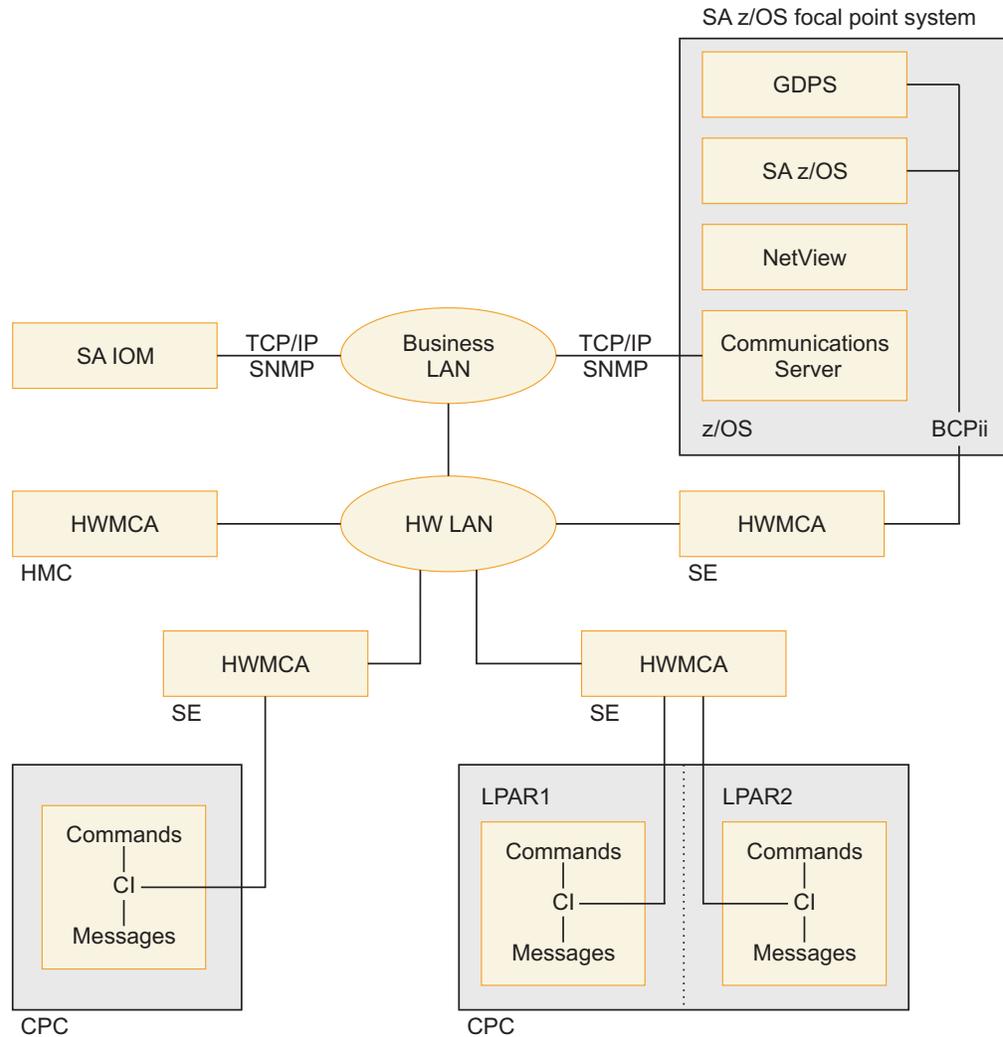


Figure 18. Remote Operations Components for System z. Not all interfaces or communications links are shown.

SA IOM and SA z/OS ProcOps use the TCP/IP connections that are always from a focal point (SA IOM Server, ProcOps FP System) to target processors and systems. The SA z/OS BCPii (INTERNAL) is a peer connection protocol. In a system cluster like a z/OS Parallel Sysplex, all participating systems can be configured in the SA z/OS policy to have BCPii connections with one another.

Focal points can be located close to the systems they control or located remotely from them. For the TCP/IP SNMP protocol that is used by SA z/OS this can be a Business LAN or Intranet, or a global Internet distance. For the BCPii (INTERNAL) protocol the distance between two BCPii connected systems depends on the dimension of the HW LAN.

With GDPS in a Parallel Sysplex environment, the distances between BCPii-connected systems is also affected by the connectivity requirements of the Coupling Links. Refer to the IBM Redbooks® publication, *System z Connectivity Handbook* and the available GDPS documentation for more information.

How the HW LAN is connected to the Business LAN depends on the security policies that apply. Router/Bridge hardware and firewall software are typically

used to control access. For more information refer to the *Installation Manual for Physical Planning* and *System Overview* manuals that are available for your System z mainframe.

The Hardware Management Console Application (HWMCA) is a licensed software application that is installed on the Hardware Management Console and the Support Element (SE). It provides the GUI and the interfaces for automation software. BCPii connections and TCP/IP SNMP connections use the HWMCA.

SA z/OS ProcOps runs as a NetView application and uses a Communications Server TCP/IP stack to communicate with an SE or HMC. In Figure 18 on page 186, the HMC is attached to the HW LAN of the mainframes, however configurations with HMCs that are attached to the Business customer LAN are also supported. Support Elements must be attached to an HW LAN. CI message events and commands are exchanged between the connection end points of the SE or HMC and the SA z/OS ProcOps application.

The SA IOM server workstation is attached to the Business LAN. CI message events and commands are exchanged between the connection end points of the HMC and the SA IOM application on the server. The HMC receives the CI message events from all CPCs and images (LPARs) that have been defined for it.

GDPS, which runs as a NetView application, uses SA z/OS internal services to communicate with the Support Elements over the BCPii. The BCPii protocol itself uses the z/OS support processor interface services (SCLP) to do this. If a GDPS BCPii request targets an SE other than the local one, the HMC is used to route the request to the target.

In Figure 18 on page 186, the CI of three target systems is shown. One CPC has two logical partitions, LPAR1 and LPAR2, each with a CI. The third CI is shown for a single system that is running on another CPC. Together with the CPC of the focal point system, all the CPCs are connected to the same HW LAN.

Although not shown in Figure 18 on page 186, a fourth CI, that of the focal point system itself, can also be automated. Both of the TCP/IP SNMP and BCPii protocols can be used to do this.

---

## CI Automation Basics

The CI facility uses a physical (cable) connection between the processor HW (CPC) and the attached processor support element (SE) unit. With the CI, the message and command information is exchanged between a system image running on the CPC and its SE.

For automated operations, CI has an interface to the console application (HWMCA), running on each SE or HMC. If there is a ProcOps session to a HMC/SE, or a GDPS session to a SE, the console application generates an event for each new CI message. This event is sent to all registered applications (ProcOps, GDPS), using the transport protocol configured in SA z/OS. This is SNMP for ProcOps or INTERNAL (BCPii) for GDPS.

Automation applications can send operating system console commands to a CI for execution. With SA z/OS this can happen either in response to messages that are received only over CI, or independent of that at any time. The only requirement is that a SA z/OS HW session exists between the SE/HMC and the automation application (SA z/OS/ProcOps or GDPS). The advantage for automation of using

## Using the HW Integrated Console

the CI is that there is no 3270-specific information and screen formatting burden. This makes the interface robust and easier to use for automation purposes than 3270 console screen emulation and interpretation.

### Related Information

The Support Element (SE) provides the GUI for local CPC operation. It is connected to a processor HW LAN, together with SEs from other CPCs that may use this HWLAN. As the next higher systems management level, Hardware Management Consoles (HMCs) can be connected to the processor HW LAN. Within an HW LAN, an HMC represents a single point of control for the CPC objects defined to it. HMC users can log in directly at the console, or they can use its Web interfaces to log in. In an HW LAN environment, multiple HMCs can coexist, either sharing or splitting the control of the CPCs attached to it.

With an HMC, the normal manual CI operation is done by using the Operating System Messages task. One or multiple image objects (LPARs) can be selected, which can be located on different CPC objects. Each selected LPAR allows the use of its integrated console by clicking the desktop message window tab of this LPAR. This allows the operator to view the individual message streams and to send commands to the operating system running in this LPAR. For more information refer to the Hardware Management Operations Guide of your processor.

Manual CI operation of the SE is possible, by either accessing the SE unit located in the CPC cage, or by using the Single Object Operation Task from an HMC to control the SE remotely. These methods however are not considered to be for normal operations. They are used for CPC/SE configuration tasks or for service. For more information refer to the Support Element Operations Guide of your processor.

---

## CI Differences to 3270-Based Console Devices

Compared to 3270 display devices, CI does not provide 3270 data stream related features such as extended color or program function key support. In case of a SE outage, the CI for all CPC LPARs is affected. The CI becomes available again, once an alternate SE is activated as the primary, or the primary SE is reactivated. In a channel-attached 3270 operator console environment, failing consoles can be backed up by using multiple operator consoles over different channel paths.

---

## CI Performance Factors

The CPC's microcode must handle the CI message requests from all its LPARs concurrently. Depending on the number of LPARs and the number of messages that are sent by each operating system over CI, upcoming workload peaks can influence the overall CI performance. This also applies to a SE/HMC, when a varying number of applications have to be serviced, by sending a varying number of CI message events. On the SE side, CI is lower in priority than time-critical SE tasks such as power and thermal management, and when the SE is busy with those tasks, CI can be slowed down. The activation of an LPAR can affect the CI performance of adjacent LPARs on the same CPC. See also "Testing CI Performance for SNMP Connections" on page 192.

---

## Network Dependencies

CI-based automation with ProcOps depends on the availability of a Internet Protocol network infrastructure. The connection between the SE/HMC and a SA z/OS ProcOps FP system requires this. If a network element, such as the IP stack on the ProcOps FP system, is not available, CI-based automation cannot work. This also applies if LAN routers or bridges that are used to interconnect the CPC HW LAN with the customer Business LAN have configuration or connection problems, or fail.

For CI over BCPii connections, the following dependencies apply:

As long as all participating system images are running on the same CPC, no external network elements are involved. For SA z/OS managed systems, located on different CPCs of a CPC HW LAN, at least one HMC is involved as network element for internal routing purposes. The routing HMC and the routing mechanism are transparent to the BCPii protocol. If multiple HMCs in a CPC HW LAN are configured for routing, each of them can potentially be used for that purpose.

---

## IP Stack Considerations

The SA z/OS ProcOps SNMP (TCP/IP) transport requires an IP stack to be active on the ProcOps FP system. The BCPii transport does not have this requirement. SA z/OS ProcOps supports multiple IP stacks on the FP system on a SE/HMC connection level. You can therefore predefine the IP stack to be used for a specific SE/HMC connection with the SA z/OS customization dialog. If you do not define an IP stack name, the system default stack is used.

Adjusting the Receive Buffer size of the ProcOps FP IP stack is an efficient way to prevent CI events from getting lost. See “ProcOps SNMP Sessions” for more details about lost events. SA z/OS ProcOps uses the Receive Buffer size value that is specified in the configuration file of the IP stack. With a larger Receive Buffer size, more CI event data can be queued to the ProcOps FP system IP stack before a Receive Buffer full condition occurs and a negative response must be returned to the SE/HMC.

---

## ProcOps SNMP Sessions

When an SNMP (TCP/IP) connection is established to a SE/HMC, ProcOps uses the session parameter: `HWMCA_TOLERATE_LOST_EVENTS`. This setting makes sure that a session is not terminated by the console application (HWMCA) if the IP stack of the SE/HMC can no longer send events (CI or others) due to a negative send response returned from the ProcOps FP IP stack. In this case the event is discarded, but the session remains operational. Without this parameter, the session would terminate, the events would be discarded, and the session would have to be restarted. For more information about the session parameters refer to *System z Application Programming Interfaces*.

---

## OS Message Format Support with ProcOps/BCPii

With SA z/OS, the CI message ID and message text are the only supported parts of an OS message in ProcOps/BCPii. Available CI attributes, like date and time or system names which can prefix a message line, are not supported. They may however be present in the CI window of the HMC. Similarly, display attributes, such as held message, priority message, prompt indicators or audible alarm

## Using the HW Integrated Console

indicators, are ignored when the OS message event data is collected by SA z/OS. The unsupported CI message attributes; date, time, system name and unsupported display attributes; held message, priority message, and the audible alarm may be OS-specific. The common CI format of the operating system environments identified by the SA z/OS hardware interfaces apply to: z/OS, z/VM, z/VSE, z/TPF, Linux on System z, Coupling Facility Control Code (CFCC), and stand-alone utilities such as SADUMP or the Device Support Facility ICKDSF.

---

## Automating Multi-Line z/OS Messages

Care must be taken when automating z/OS multi-line messages, displayed on CI. Internal z/OS message attributes which identify the different parts of a multi-line message are not available with CI; it can be difficult to identify them explicitly. Parts of a multi-line message are: Header line, one or more Data lines, and End of message line. With the internal message data format of a multi-line message, available over the z/OS subsystem interface (SSI), you can explicitly access these multi-line message parts. ProcOps/BCPii connections to the HMC/SE are always external connections which cannot register to the z/OS SSI. With ProcOps/BCPii CI multi-line messages are only made available as a number of single message lines in the order that they are displayed on CI.

---

## Limiting the Number of z/OS IPL Messages Displayed on CI

As part of the z/OS Load parameter specification, the initialization message suppression indicator (IMSI) can be chosen to control the suppression of messages and system prompts during initialization. The IMSI character tells the system whether to perform the following actions during system initialization:

- Display most informational messages
- Prompt for system parameters
- Prompt for the name of the master catalog

See the section “Loading the System Software” in *z/OS MVS System Commands* for a table that shows the possible values for the IMSI character. The values indicate all possible combinations of the actions that are listed.

Whenever possible, it is recommended that you suppress the display of informational messages to reduce the total number of messages at IPL time. If you plan for z/OS IPL automation do not use informational messages as automation action triggers. Choose only messages that cannot be suppressed, in addition to action or decision operator prompts.

---

## Recommended z/OS Console Settings for CI Usage with SA z/OS

Although not a 3270 console device, z/OS supports certain console characteristics for this facility. In the z/OS literature it is referred to as a system console. Because the system console is a special facility, z/OS allows you to activate and to deactivate its usage. This is done with the z/OS console commands V CN(\*),ACTIVATE and V CN(\*),DEACTIVATE, entered at the HMC or by automation software.

Once activated, z/OS calls this ‘the console is in Problem Determination mode’. Operators or automation software can use it to get command responses and unsolicited messages. The amount of unsolicited messages sent to the z/OS system console (CI) can be controlled by setting its z/OS routing codes.

You can specify the AUTOACT group keyword in the CONSOLxx member of the PARMLIB. With an AUTOACT group, the ACTIVATE, DEACTIVATE of the system console can be done automatically.

If you have automation routines to issue commands on the CI after IPL is complete, make sure that the allowed routing codes for the system console are limited. Issue command V CN(\*),ROUT=NONE on the CI to achieve this. This setting makes sure that you receive only the command responses, job start/stop information, and z/OS priority messages. For more information about system console (CI) and AUTOACT usage refer to *z/OS MVS Planning: Operations*.

---

### Using CI in a z/OS Sysplex Environment

In a sysplex environment you can set the message scope for the system console to cover multiple or all systems of the sysplex. Do not do this if you use SA z/OS ProcOps or GDPS to monitor and control the systems. The scope must be limited to the system, to which the system console is attached.

The z/OS ROUTE command allows you to forward operator commands from the System Console (CI) of one system in a Sysplex to another system in the same Sysplex for execution. The command response is then returned to the System Console where the ROUTE command was entered. In a SA z/OS environment, do not use the ROUTE command in your CI communication-based automation. Instead, you should establish a connection to the CI of each system and address each target system directly.

The reason for this restriction is the fact that the SA z/OS HW interface automatically prefixes CI messages with the processor (dot) LPAR name of the CI, where the message is displayed. For a ROUTE command response, however, this may not be the system location where the response came from.

---

### Running with the z/OS System Console Deactivated

In deactivated mode, the z/OS System Console (CI) does not allow you to issue regular operator commands. Unsolicited z/OS messages are not displayed, with exception of z/OS priority messages. In addition you can:

- Send a message to the System Console from TSO or another z/OS consoles (MCS/SMCS/EMCS), using the system console's z/OS console name as destination,
- Respond to pending system requests (reply numbers). Care must be taken when doing this because no response messages are displayed. In deactivated mode you can also not issue a z/OS D R command to determine the pending requests.

---

### z/OS Health Checker Considerations

The Health Checker MVS component allows monitoring of certain active settings for the System Console (CI) and to issue exception notification messages if they deviate from predefined best practices settings. Together with many other checks of the system environment the z/OS Health Checker can help to recognize potential system problems or even to prevent system outages.

If you have z/OS system images controlled remotely with the SA z/OS W interfaces and you have their System Consoles (CI) running in PD mode, you have

## Using the HW Integrated Console

to decide if this is really considered to be an exception in case the IBMCNZ Syscons checking is active. For more information about Health Checking refer to *IBM Health Checker for z/OS: User's Guide*.

---

## CI Security with SA z/OS

You can control the usage of CI with SA z/OS by restricting the user access to the processors hardware and LPARs. SA z/OS users without the required permission are not able to issue HW interface commands either directly with ProcOps or indirectly using a GDPS command which issues HW interface commands internally. For more information see "Controlling Access to the Processor Hardware Functions" on page 158.

**Note:** Regardless of restricting the CI access with SA z/OS, some operating systems that use CI as a console facility restrict console usage by requesting an operator to log in first. If you perform such a login with SA z/OS, for example using the ProcOps ISQSEND API command, password information is not protected.

---

## Testing CI Performance for SNMP Connections

Sending a specified number of predefined (pattern) messages to the integrated console using a message per second rate of your choice is the basic logic to determine the overall CI message throughput and performance of a SA z/OS SNMP connection to a SE or HMC.

Once the messages arrive at the ProcOps FP system, they are written to the NetView log. You can determine if OS message events are lost by controlling the message sequence numbers.

In the example shown in Figure 19, the ISQ999I message sequence number is 00004. The test case was started for a total of 00010 messages. In the ProcOps FP Netlog you should find all messages from 00001 to 00010. If one or more messages are missing, this indicates that message events were lost on the connection.

```
      1      2      3      4      5      6
-----+-----0-----+-----0-----+-----0-----+-----0-----+-----0-----+
+ISQ999I 12:24:01 Test Message 00004 of 00010 *** 1234567890$%&/(\

      7      8      9      10     11     12
-----0-----+-----0-----+-----0-----+-----0-----+-----0-----+
)=? qwertzuiop_QWERTZUIOP* _ProcOps-SYSCONS_ asdfgh+120
```

Figure 19. ISQ999I Test Message Pattern Example

Two REXX program utilities, ISQWTO3 and ISQTSND3 are delivered with the SA z/OS sample library SINGSAMP as members INGEI005 and INGEI006.

Both programs require specifying the total number of messages to be produced on the integrated console (CI) per call. The second parameter can be used to specify the message per second rate that the utility should try to achieve. For installation and usage information refer to the utility source members in the SINGSAMP library.

ISQWTO3 is the utility implementation for NetView environments; ISQTSND3 is a TSO implementation, if a NetView/SA z/OS environment is not available on the z/OS system to be tested.

Run the programs with different combinations of total message numbers and message per second rates. This allows you to emulate different CI message load situations.

**Warning!:** The usage of these utilities can produce many messages in the system log of the targeted system and the NetView log of the ProcOps FP system.

---

### Summary: Managing CI Performance for SA z/OS

Bear in mind the following recommendations:

1. Follow the recommendations in this chapter to reduce the number of CI messages.
2. If possible, do not use CI alone to monitor the control a system completely. Limit its usage to system initialization and recovery situations.
3. Avoid issuing commands over the CI that may return a large amount of output.
4. For SNMP connections, consider using separate IP stacks with tailored Receive Buffer sizes to cover lost message event situations.
5. Use the ISQWTO3 and ISQTSND3 utilities from the SA z/OS sample library to test peak message load situations and how they affect CI performance.

## Using the HW Integrated Console

---

## Appendix E. Migration Information

This appendix provides information about migrating to SA z/OS 3.3 from SA z/OS 3.2 or SA z/OS 3.1. The actions that are required depend on which release you are migrating from.

---

### Migration Steps to SA z/OS 3.3

Complete the following steps to migrate to SA z/OS 3.3:

- Step 1. Install the compatibility APAR OA31270 (SA z/OS 3.1 and 3.2) before migrating to SA z/OS 3.3. Open the customization dialog before converting to a SA z/OS 3.3 policy database in step 2. This APAR also enables you to use a SA z/OS 3.3-built configuration on a system running SA z/OS 3.1 or SA z/OS 3.2 in a mixed environment.
- Step 2. Make a copy of your V3.n policy database and edit it with the SA z/OS 3.3 customization dialog. This converts it to a V3.3 policy database. For more information, see the chapter “Conversion Function” in *IBM Tivoli System Automation for z/OS Defining Automation Policy*.
- Step 3. Before migrating to SA z/OS 3.3, read through the following sections:
  - If you are migrating from SA z/OS 3.1, “Migration Notes and Advice when Migrating from SA z/OS 3.1” on page 202
  - If you are migrating from SA z/OS 3.2, “Migration Notes and Advice when Migrating from SA z/OS 3.2”
- Step 4. Build the configuration files from the policy database. For more information, see the chapter “Building and Distributing Configuration Files” in *IBM Tivoli System Automation for z/OS Defining Automation Policy*.
- Step 5. Load the build files on the designated system. For more information, see “Step 16B: Distribute System Operations Configuration Files” on page 103 and “Chapter 8. Building and Distributing Configuration Files” in *IBM Tivoli System Automation for z/OS Defining Automation Policy*.

---

### Migration Notes and Advice when Migrating from SA z/OS 3.2

This section contains details of various aspects of migration that you should be aware of. Make sure that you read through this section before migrating to SA z/OS 3.3. It contains the following:

- “Post-SMP/E Steps” on page 196
- “Event Notification Service” on page 196
- “CICS-to-DB2 and IMS-to-DB2 Connection Monitoring” on page 196
- “DB2 Cleanup” on page 197
- “IMS Automation Migration” on page 199
- “ProcOps Control File Replacement” on page 199
- “Automation Policy Considerations” on page 199
- “Miscellaneous” on page 201
- “Equivalents to Retired Commands” on page 202

See also Appendix F, “CICS Automation Migration for SA z/OS 3.3,” on page 213.

## Post-SMP/E Steps

You must review the following standard installation steps and, if necessary, carry them out:

1. "Step 4A: Update IEAAPFxx" on page 63
2. "Step 4B: Update SCHEDxx" on page 64
3. "Step 4D: Update LPALSTxx" on page 64
4. "Step 4E: Update LNKLSTxx" on page 65
5. "Step 5: Customize SYS1.PROCLIB Members" on page 66
6. "Step 6F: Add the INGRXFPG REXX Function Package" on page 76
7. "Step 9B: Customizing HSAPRMxx" on page 89
8. "Step 12A: Allocate Libraries for the Dialogs" on page 93
9. "Step 15: Compile SA z/OS REXX Procedures" on page 101 (if necessary)
10. "Step 21: Check for Required IPL" on page 110
11. "Step 32: Customizing I/O Operations" on page 133 (if you need to specify communication via IP)

## Event Notification Service

The replacement of the TEC notification service with the event notification service requires the following migration steps:

1. Remove the specified automation table, INGMTEC, from the System Information policy item.
2. Remove the defined automation task, AUTOTEC, in the Automation Operator Definitions policy item.
3. Replace the message format file as described in "Configuring the NetView Message Adapter Service" on page 100.
4. Follow the implementation instructions for the new event notification service, as described in "Installing and Customizing the TEC Event Server Workstation" on page 143.

## CICS-to-DB2 and IMS-to-DB2 Connection Monitoring

The text of messages ING101A and ING102I has been changed.

In SA z/OS 3.2, the monitoring of CICS-to-DB2 and IMS-to-DB2 connections was done by the routine INGRDCNM, which was called from the automation table and by NetView timers.

SA z/OS 3.3 allows the monitoring of these kinds of connections with monitor resources. Monitor commands are provided that can be used by the monitor resource to analyze the status of the connections and to update the health status depending on the monitor results.

## Migration Steps

What to do	When
<p>Step 1. Define a monitor resource for each CICS DB2 and IMS DB2 connection that is to be monitored, including appropriate relationships. For details, see “Monitoring of CICS DB2 Connections” and “Monitoring of IMS DB2 Connections” in <i>System Automation for z/OS. Product Automation Programmer’s Reference and Operator’s Guide</i>.</p> <p>Step 2. Clean up the automation policy definitions for the current connection monitoring implementation:</p> <ol style="list-style-type: none"> <li>Remove the definition of command INGRDCNM for the message ID ACORESTART of DB2 subsystems.</li> <li>Remove automation flag definitions for the minor resources CONN and CONN.connection_id of DB2 subsystems.</li> <li>Remove command and code definitions for the message ID CONN of DB2 subsystems.</li> </ol>	<p>On an SA z/OS 3.1 agent the currently implemented connection monitoring via the INGRDCNM routine is available, even when using a SA z/OS 3.3 automation policy.</p> <p>On an SA z/OS 3.2 agent, once the automatically-built automation table of SA z/OS 3.3 is used, connection monitoring with the INGRDCNM routine is no longer available and you must perform the steps that are described in “Migration Steps.”</p> <p>In SA z/OS 3.3 the INGRDCNM routine is no longer available.</p>

## DB2 Cleanup

INGDB2 no longer supports the START request for the DB2 start in maintenance mode. Use flexible start type definitions instead. For details see the \*DB2 best practice policy.

The return codes of the INGDB2 utility for DB2 automation have been changed. For details see *IBM Tivoli System Automation for z/OS Product Automation Programmer’s Reference and Operator’s Guide*.

The automation of message DSNB309I no longer initiates a shutdown of the DB2 subsystem, instead the status of the application is changed to HALTED.

In SA z/OS 3.2, the shutdown of a DB2 master was processed as follows:

- If the Shutdown Indoubt option in the DB2 CONTROL policy item was set to NO, SA z/OS checked for indoubt threads before starting the shutdown process, and changed the status of the subsystem to PROBLEM if it found threads.
- It was recommended that you define the command INGRDTTH &SUBSAPPL S as the SHUTNORM command for the DB2 master. When called with these parameters, the INGRDTTH command first issued the stop DB2 command, then canceled any threads that were still active and afterwards repeatedly checked for any threads that were still active. The number of repetitions and the time interval between the processing cycles were taken from the Terminate Thread Delay and Terminate Thread Cycles options in the DB2 CONTROL policy item of the DB2 master. After having exhausted the maximum allowed cycle number, the commands defined for message ID SHUTFORCEDDF were issued.

SA z/OS 3.3 provides smaller function modules that allow you to design your own shutdown process. The INGDB2 command supports additional parameters for this. You should use INGDB2 to define the shutdown process instead of the INGRDTTH command, because INGRDTTH will be withdrawn in a future release of SA z/OS. Once INGRDTTH is removed, the defined commands for

SHUTFORCEDDF are no longer respected. For details, see the \*DB2 best practice policy that contains definitions for the shutdown process of the DB2 master.

For the recovery of DB2 table spaces, the SA z/OS 3.2 automation table contained forced automation table statements for the following messages that called INGRDSTS to start recoverable table spaces in response to these messages

- DSNB250E
- DSNB311I
- DSNB312I
- DSNB320I
- DSNB321I
- DSNB322I
- DSNB323I
- DSNB350I
- DSNB351I

In SA z/OS 3.3 these forced message definitions have been removed. The start command for the table spaces is now expected to be defined in the automation policy.

**Note:** Using INGDB2 with the new parameters on a system that is running an earlier version of SA z/OS does not cause any harm. However, if you use INGDB2 within the SHUTINIT commands and this automation policy is used with SA z/OS 3.1 or SA z/OS 3.2, you are not allowed to enable return code checking (that is, do not specify an asterisk (\*) in the **Automated Function** field).

## Migration Steps

What to do	When
<p><b>Step 1.</b> Change the shutdown definitions for the DB2 master as suggested in the *DB2 best practice policy.</p>	<p>If you accept that the Shutdown indoubt option of the DB2 CONTROL policy item is assumed to be YES, this migration step can be done at any time after having upgraded the runtime library of the SA z/OS automation agent to SA z/OS 3.3. Otherwise the migration step has to be done when upgrading the runtime library of the SA z/OS automation agent to SA z/OS 3.3.</p>
<p><b>Step 2.</b> Remove the command definitions for SHUTFORCEDDF.</p>	<p>The command definition for SHUTFORCEDDF can be removed as soon as the INGRDTTH command has been removed in the shutdown definitions.</p>
<p><b>Step 3.</b> In the automation policy, define INGDB2 TABLE,&amp;SUBSAPPL,START commands for the following messages:</p> <ul style="list-style-type: none"> <li>• DSNB250E</li> <li>• DSNB311I</li> <li>• DSNB312I</li> <li>• DSNB320I</li> <li>• DSNB321I</li> <li>• DSNB322I</li> <li>• DSNB323I</li> <li>• DSNB350I</li> <li>• DSNB351I</li> </ul>	<p>You must perform this migration step before upgrading the runtime library of an SA z/OS automation agent to SA z/OS 3.3.</p>

## IMS Automation Migration

Migration effort for IMS Automation is needed because RESTARTABORT has been retired, as follows:

### Definition of IMS FDR Regions:

In contrast to earlier releases, SA z/OS 3.3 expects IMS FDR regions to be defined with application type IMS and subtype FDR. You must therefore check your automation policy definitions for IMS FDR regions.

### Emergency Restart Command Definitions for Message ID RESTARTABORT:

In earlier SA z/OS releases, the RESTARTABORT message ID was used to specify emergency restart commands. These commands were issued in response to the messages DFS033I, DFS166, DFS0618A, DFS3131I and DFS3626I.

In SA z/OS 3.3, the corresponding forced automation table statements have been removed to provide you with more flexibility in message automation.

It is now your responsibility to define the emergency restart commands in the automation policy for the DFS033I and DFS0618A message IDs.

### IMSRCMD Command:

The IMSRCMD command has been withdrawn in SA z/OS 3.3. Use the INGEXEC command instead.

### ACORESTART Definitions:

Remove the EVIEE00A command from the ACORESTART message ID of the MESSAGES/USER DATA policy item of IMS control regions.

### XRF Support:

XRF is no longer supported once you start using an automation policy that has been built by SA z/OS 3.3.

## ProcOps Control File Replacement

Manual migration effort is needed if there are systems of type MVS in the policy database where the MVS Sysid differs from the ProcOps/Image name.

## Automation Policy Considerations

Take note of the following when defining your automation policy:

- Major thresholds that are defined for the User E-T Pairs (UET) entry type are no longer supported. You must manually migrate them to minor MVSESA thresholds in the MINOR RESOURCES policy item of the MVS Component entry type. You can only use the definitions in UETs for systems that are running earlier versions of SA z/OS.
- Because of changes in the configuration file structure, you must run a full build of the configuration files (that is, of Type=ALL) at least once after you have installed SA z/OS 3.3.
- As soon as you use the SA z/OS 3.3 automation policy in a mixed environment with an SA z/OS 3.1 automation agent, the CICS link and health monitoring function via the PPI is no longer available.
- Some migration effort is needed if you have defined a NONMVS application in your policy database that uses the NETCONV command to start and stop the connection between the NMC environment on the host and your NMC server. This is only necessary if you have specified a job name other than NETCONV for this application.

In this case, you must overwrite the automation table statements for the up message, DUI401I, and the final termination message ,DUI417I, to pass the actual job name instead of NETCONV when calling ACTIVMSG or TERMMSG. The &SUBSJOB variable is not supported in the AT entry.

```
IF MSGID = 'DUI401I' THEN
EXEC(CMD('ACTIVMSG JOBNAME=NETCONV,UP=YES'))ROUTE(ONE %AOFOPGSSOPER%);
```

- In SA z/OS 3.3 the following definitions for TWS Automation are no longer required and you should remove them:

- TWSCTRL/ACORESTART:

```
MVS F &SUBSJOB,STATUS
EVJEC01
```

- TWSCTRL/UP:

```
EVJEC01
EVJEC02
```

## NetView Automation Table Migration

A new NetView automation table (AT), INGMMSGSA, is delivered by SA z/OS. It contains about 50 message traps, basically for NetView and SA z/OS SysOps base messages. If you use the dynamic AT load and refresh (AOFSMARTMAT > 0), this AT is loaded as the first AT, ahead of the list of ATs that is declared in the SA z/OS customization dialog. There is no need for you to specify INGMMSGSA anywhere.

If you do not exploit the dynamic AT build process, it is nevertheless recommended that you use this new AT and make sure that the traps in your own ATs are not duplicate and do not conflict with the specifications in INGMMSGSA. Changes via service that affect the build of ATs are shown in the customization dialog in an APAR apply panel whenever you open a policy database after a new APAR has been installed.

If you use the dynamic AT build, the new INGMMSGSA AT is also loaded for systems that are running earlier releases of SA z/OS. The code changes for this and the INGMMSGSA member itself are available in a specific compatibility APAR. If you do not use the dynamic AT build you should also consider adding INGMMSGSA to the ATs on any systems that are running earlier releases of SA z/OS.

The following automation routines have been deleted and should no longer be used in your ATs. The corresponding functions are now handled by standard SA z/OS automation:

- EVEEARMW
- EVEED004
- EVEEI004
- EVEEI006
- EVEEI009
- EVEEI010
- EVEEI011
- EVEEI115
- EVEERLSI
- EVEETUOW
- EVEET001
- EVEET002
- EVEET003
- EVEET004
- EVEET005

- EVERSPP1
- EVIET00
- EVIEI00Q
- EVIEI006
- EVJEAC03
- EVJRAC05
- INGRDCNM

The &SUBSJOB variable in AT conditions is no longer resolved. A detailed informational message is issued for each occurrence during initial conversion of the policy database in the customization dialog.

If the IEF4031 message is specified for an application and status UP is selected, an AT entry was generated with a call to ACTIVMSG with the parameter UP=YES. During initial conversion of the customization dialog the UP=YES parameter is replaced by setting the new field, **Skip ACTIVE status**, to YES in the APPLICATION INFO policy item. The ACTIVMSG routine also checks for this new option and then automatically sets the status to UP.

## MPF Member Migration

The INGEMPF sample member contains all the IDs of messages that occur in the INGMSGSA automation table that is delivered by SA z/OS together with the following default specification:

```
.DEFAULT,SUP(YES),RETAIN(I,CE),AUTO(YES)
```

The dynamically-created MPFLSTSA member contains all the message IDs that occur in the dynamically-generated automation table with the default specification:

```
.NO_ENTRY,SUP(NO),RETAIN(I,CE),AUTO(NO)
```

Thus any messages that do not have automation specified for them (that is, they are not listed in MPF) are not driven through the AT, but are visible for the operator. Installations with an automation environment setup that allows automation to run with .NO\_ENTRY AUTO(NO) can use a concatenation of the INGEMPF member and the dynamically-created MPFLSTSA member for MPF.

## Miscellaneous

Take note of the following changes:

- There are various changes in alert notification:
  - For processing internal alert points SA z/OS requires the ALRTOPEP auto operator, which is contained in the \*BASE best practice policy.
  - If you are using exit AOFEXC17, you must recode it because of changes to the parameters and return codes.
  - Use the latest version of INGRNIOM in SA IOM if required.
- The SA z/OS REXX function package is required. See “Step 6F: Add the INGRXFPG REXX Function Package” on page 76.
- Status File Restructuring: ASF no longer offers the option REQ=DEL . ASF REQ=DISP displays time stamps in new format with additional seconds. REQ=REPL is only supplied to delete error occurrences.
- Status File Display: The error timestamps are displayed in reverse order, so that the newest time stamps appear at the top of the list. The numbering is unchanged, counting from the oldest to the newest timestamp.
- Important WTORS: The default color in SDF and NMC now pink. To have red WTORS, define them with a severity of CRITICAL.

- Removal of Warm Start Cache: Because the warm start cache has been removed in SA z/OS 3.3, the replies WARM, COLD, TABLE, NOSAVE, and REFRESH are no longer accepted for the WTOR AOF603D. After Migration to SA z/OS 3.3, you can clean up the Save/Restore Database (GLOBALV PURGEC AOF\* EVI\* EVE\* ING\*).
- NOSTART Option: The behavior of the NOSTART option when replying AOF603D has changed. Now the automation agent is suspended (see the INGAMS suspend option in *IMS Version 8: Summary of Operator Commands*)
- The suffix of message AOF501I has been changed from I to E.
- A copy of INGMSG02 is created during initialization and stored in the common storage of the DD statement DSIPARM.
- For USS automation command INGUSS, there are no defaults for the file descriptors parameters. If file descriptors are required, then you must define them explicitly. If parameter FDOOPEN=YES is specified, then the file descriptors STDOUT and STDERR are assigned to /dev/console and opened. For more details, see the INGUSS description in *IBM Tivoli System Automation for z/OS Programmer's Reference*

## Equivalents to Retired Commands

Command Retired in V3.2	Equivalent
DISPWTOR	SDF or DISPINFO

## Migration Notes and Advice when Migrating from SA z/OS 3.1

This section contains details of various aspects of migration that you should be aware of. Make sure that you read through this section before migrating from SA z/OS 3.1. It contains the following:

- “Startup and Shutdown Command Definitions”
- “Resource Notification” on page 203
- “Improved WTOR Processing” on page 203
- “Improved Automation Flag Processing” on page 205
- “Changes to CICS Short-on-Storage Recovery” on page 212
- “Move Group Behavior” on page 206
- “Changes to Defaults Set via the NetView Style Sheet” on page 206
- “Changes in Message Delivery to SA z/OS” on page 207
- “Enhanced Reporting” on page 207
- “NMC Migration” on page 207
- “I/O Operations Migration” on page 209

See also Appendix G, “IMS Automation Migration from SA z/OS 3.1,” on page 223.

Continue by reading “Migration Notes and Advice when Migrating from SA z/OS 3.2” on page 195.

## Startup and Shutdown Command Definitions

&EHKVAR1 variables in defined startup or shutdown commands are no longer substituted with the value provided in the Appl Parms input field of the INGREQ command. Replace &EHKVAR1 variables in startup and shutdown commands with the &APPLPARMS variable.

## Unique Subsystem and Class Names

The subsystem name of an application class must be unique across the whole policy database, that is, it cannot be the same as the subsystem name of any other application instance or class. During conversion of a SA z/OS 3.1 automation policy, the customization dialog will flag ambiguous names as errors and the conversion is terminated. In this case, you have to edit the SA z/OS 3.1 policy using a SA z/OS 3.1 customization dialog and make the names unique before attempting conversion again.

## Resource Notification

You must add the values NMC and SDF to the new **Inform List** field in the AUTOMATION OPTIONS policy of the SDF entry type and the RESOURCE INFO policy of the new sysplex defaults XDF entry type to ensure that NMC and SDF are notified as before, if they are used. Such system defaults must be linked to every system, and sysplex defaults must be linked to every SA z/OS subplex. Otherwise, NMC and SDF will no longer be informed and updated.

## Migration of Automation Operators

**Prerequisites for SA z/OS Initialization:** Make sure that the automated operator function EVTOPER is active, otherwise SA z/OS will not initialize. To achieve this, define AUTEVT1 as the primary and AUTEVT2 as the secondary automation operator for this operator function via the Automation Operators policy object.

## Improved WTOR Processing

Improved processing of WTORs has affected the following:

- “Assign WTOR Delete Messages to SYSOPER”
- “Shutdown Command to NetView”
- “Type Specifications for WTORs” on page 204
- “Reply Definitions in the MESSAGES/USER DATA Policy Item” on page 204
- “Resynchronization of WTOR Data after Communication Task Abend” on page 204
- “Executing Task of OUTREP” on page 204
- “Automation Status File” on page 205
- “Routines” on page 205

### Assign WTOR Delete Messages to SYSOPER

The WTOR delete messages IEE400I and IEE600I should be assigned to the SYSOPER.

To assign the IEE400I and IEE600I messages to SYSOPER, use the appropriate Automation Operators policy object in the customization dialog. In the OPERATORS policy item for SYSOPER specify the message IDs IEE400I and IEE600I as messages for this operator.

The message IEE600I must also be seen by the ISSUERE command, so you should remove any MRT entries that will prevent this.

### Shutdown Command to NetView

In earlier SA z/OS releases, if a shutdown command to a NetView subsystem was defined in the following format it was issued as a reply to a NetView subsystem with the specified domain ID:

```
CLOSE option, domain
```

To prevent the misinterpretation of a second option as the domain ID, this function has been removed from SA z/OS 3.2 and later releases. You can now directly define the shutdown command to NetView as a reply in the policy database.

### Type Specifications for WTORS

Earlier releases of SA z/OS also replied to WTORS with a priority of SECONDARY after replying to all WTORS with a priority of PRIMARY. SA z/OS 3.2 and later does not reply to WTORS that have been defined with a priority of SECONDARY. You must therefore check the code definitions for type WTORS of all entries for the correct status definitions, that is, change the priority to PRIMARY for those WTORS that should be replied to.

#### Important Note:

This includes the entries for MVSESA. When no definitions are found for the subsystem that issued the WTOR, the code definitions under the MVSESA entry are used to continue the search.

### Reply Definitions in the MESSAGES/USER DATA Policy Item

Code definitions for a message ID of an entry in the MESSAGES/USER DATA policy item can be used by the ISSUERE, ISSUECMD or ISSUEACT routines to check for matching codes.

In previous releases of SA z/OS, the value returned for a code match was used by ISSUERE and ISSUECMD differently:

- ISSUERE used the returned value as the reply to be issued for a received WTOR.
- ISSUECMD used the returned value to select a defined command.

Beginning with SA z/OS 3.2, the value returned is only assumed as the reply to be issued for a received WTOR if there are no additional REPLY or CMD definitions. Otherwise the value returned is used to select defined commands or replies.

Make sure that code definitions that have replies as the value returned are not combined with CMD or REPLY definitions for the same message ID of an entry.

### Resynchronization of WTOR Data after Communication Task Abend

The following statement has been removed from the automation table:

```
IF MSGID = 'IEE824E' THEN  
EXEC(CMD('AFTER 00:00:30 AOFMSGOR IEE824E') ROUTE(ONE %AOFOPWTORS%))
```

If the stored WTOR data should be resynchronized because of a communication task abend, an appropriate RESYNC command has to be defined in the automation policy for the IEE824E message.

### Executing Task of OUTREP

OUTREP is no longer executed by one of the tasks that are defined as the list for synonym %AOFOPWTORS%, but by one of the tasks that are defined as the list for synonym %AOFOPSYSOPER%.

Calls to OUTREP in overwrite definitions for automatically-generated automation table statements or to OUTREP in user-defined automation tables have to be changed accordingly.

## Automation Status File

SA z/OS 3.2 and later releases no longer use the automation status file to store and provide reply identifiers from outstanding WTORs of subsystems.

SA z/OS provides the AOFRASFR command to delete all obsolete reply identifiers from the automation status file. AOFRASFR has to be called without any parameters. After it successfully finishes, it issues the completion message AOF099I FUNCTION COMPLETED.

## Routines

The AOFRSROR routine is no longer part of SA z/OS. Use the SUBSWTOR task global variable instead to retrieve the reply ID of the outstanding WTOR of an application. This variable is available after the automation flag for this application has been checked by AOCQRY.

## Improved Automation Flag Processing

Improved processing of automation flags has affected the following:

- “DISPLAY Assist Mode”
- “Automation Flags”
- “Evaluation of Disable Times for Automation Flags”
- “Automation Flag Exits” on page 206

## DISPLAY Assist Mode

SA z/OS 3.2 and later releases no longer support the DISPLAY assist mode. DISPLAY assist mode settings in the automation policy are automatically converted to the automation flag value LOG.

Although the DISPLAY assist mode settings in the automation policy are also no longer provided on systems running an earlier version of SA z/OS in a mixed environment where the automation policy has been built by SA z/OS 3.2 or later releases, the assist mode on these systems can still be set to DISPLAY during run time with the SETASST command.

On systems running SA z/OS 3.2 or later releases, use the new INGMDFY command to modify start or stop actions for the next startup or shutdown of a subsystem.

## Automation Flags

The automation flag evaluation process has been changed to make it more comprehensible.

For details see the description of the AOCQRY common routine in *IBM Tivoli System Automation for z/OS Programmer's Reference*.

## Evaluation of Disable Times for Automation Flags

The automation policy allows you to define times when automation should be disabled.

Although an automation flag may be set to YES, it is possible to turn off automation at certain times using the Automation Flag policy item in the customization dialog.

When specifying the day, beginning and end time for a disable time, you can specify an end time that is earlier than the begin time, for example, a begin time of 7 p.m. and an end time of 10 a.m..

In SA z/OS 3.1, the evaluation of time interval specifications with an end time earlier than the begin time was inconsistent. Evaluation of these time intervals has been improved to make it more predictable and plausible.

**Changes in SA z/OS 3.2 and Later Releases:** In SA z/OS 3.2 and later releases, both the weekday and time specification are checked when evaluating disable times for automation flags. Time interval specifications with an end time that is earlier than the begin time are evaluated for different day specifications. This is demonstrated in the following examples for the same Begin time of 20:00 and End time of 06:00:

Day	Begin	End	Resulting Time Period	Changed Behavior?
*	20:00	06:00	Every day from 08:00 until the next morning at 06:00	No
MO	20:00	06:00	On a Monday from midnight until 06:00, and from 20:00 until midnight	Yes
MF	20:00	06:00	Beginning on Monday at midnight until 06:00, then each day from 20:00 until the next morning at 06:00, up to midnight on Friday	Yes
SS	20:00	06:00	Beginning on Saturday at midnight until 06:00, then from 20:00 until Sunday 06:00, and then from 20:00 until midnight on Sunday	Yes

The DISPSCHD command can be used to list disable automation time intervals during runtime.

### Automation Flag Exits

The invocation process of automation flag exits is based on the automation flag evaluation process, which was changed in SA z/OS 3.2.

The resource parameter of automation flag exits now contains the fully-qualified resource name of the resource that the automation flag value has been requested for. It no longer contains the name of the resource, that the automation flag value is checked for during the flag evaluation process.

For details see the description of Flag Exits in *IBM Tivoli System Automation for z/OS Customizing and Programming*.

## Move Group Behavior

Move groups have been extended to provide optional serial behavior. This means that if you select this behavior, you can remove any scaffolding you had in place (MakeAvailable/WhenObservedDown relationships or proxy resources, or both) that you needed to make earlier releases provide this behavior.

## Changes to Defaults Set via the NetView Style Sheet

The defaults for the following advanced automation option (AAO) variables have changed:

- AOF\_INIT\_MCSFLAG = 00000000 (from 00001000)
- AOF\_INIT\_SYSCONID = (from 01)
- AOF\_INIT\_ROUTCDE = 01000000 (from 10000000)

The NetView style sheet now contains the following override for NetView settings:

- INIT.TIMER = No

The Advanced Automation Option (AAO) AOFMNJOBNAMES has been retired.

## Changes in Message Delivery to SA z/OS

SA z/OS 3.2 and later releases no longer issue the MN JOBNAMES command in order to reply to the required IEF403I, IEF404I and IEF450I messages.

During initialization the current setting for MONITOR is evaluated using the command:

```
DISPLAY OPDATA,MONITOR
```

If JOBNAMES is found to be OFF SA z/OS issues the following command to turn it on:

```
SETCON MONITOR,JOBNAMES=(ON,NOLOG)
```

The messages that are produced by JOBNAMES monitoring are not logged. If you want any other setting you have to add an appropriate SETCON command to the COMMNDxx PARMLIB member.

## Enhanced Reporting

To write SA z/OS SMF records to the SMF log, ensure that the SMFPRMxx member in SYS1.PARMLIB is set up to collect type 114 SMF records, see “Step 4H: Update SMFPRMxx” on page 66.

For SA z/OS to write to the SMF log, specify SMF in the Inform List of the APLs, APGs and MTRs that you want SMF records written for.

For more details see also “Availability and Recovery Time Reporting” in *IBM Tivoli System Automation for z/OS Customizing and Programming*.

## NMC Migration

The following changes have been made to the policy database (note that the \*NMC best practice policy has been updated):

- Heartbeat slave operator HBSLV (AUTHBSLV) should be added to the NMC-related AUTO OPERATORS in the policy database. This operator is used for heartbeat slave processing.
- INGPOST slave operator POSTSLV (AUTPOSTS) should be added to the NMC-related AUTO OPERATORS in the policy database. This operator prevents deadlock situations on the NMC focal point when the command handler is used.

### NMC Secondary Focal Point Domains

It is no longer possible to define secondary NMC backup focal points in the customization dialog.

When running with SENDALERT=YES all forwarding information is defined within NetView.

When running with SENDALERT=NO primary NMC focal points are supported.

### NMC Exploitation

The following migration advice is for installations that use SA z/OS NMC exploitation. Skip this section if you do not use NMC.

**In General:** **Inform List** can be used to exclude resources from being displayed on the NMC client after *all* systems (NMC focal point, NMC target sysplex) are running SA z/OS 3.2 or later.

A mixture of systems running SA z/OS 3.3 and earlier releases of SA z/OS requires the **Inform List** field to be set to 'NMC' for *all* resources.

More details can be found below and in the 'readme.txt' file in the SA z/OS NMC workstation code (filenames: INGNMCZP or INGNMCTZ).

## Migration Scenarios

**Scenario 1:** Consider the following scenario:

- The NMC focal point is running SA z/OS 3.1
- The first NMC target system is running SA z/OS 3.2
- The first NMC target system has an SA z/OS 3.2 automation manager
- The other NMC target systems are running SA z/OS 3.1 or earlier

Where *first* means the first system that is mentioned in SYSPLEX statement in INGTOPOF, and *other* means any systems that are mentioned after the first one in the SYSPLEX statement in INGTOPOF.

This scenario requires you to specify NMC in the SA z/OS 3.2 customization dialog for *all* resources of type APL, APG, and MTR in their **Inform List** field. You can use the System Defaults and Sysplex Defaults entry types to do this.

**Remark:** An NMC target system running SA z/OS 3.2 cannot cooperate with an SA z/OS 3.1 automation manager (because there is no **Inform List** field in SA z/OS 3.1).

**Scenario 2:** Consider the following scenario:

- The NMC focal point is running SA z/OS 2.3 or earlier
- The NMC target system is running SA z/OS 3.2

This scenario is *not* supported.

The NMC SA z/OS 3.2 target system needs an NMC focal point running SA z/OS 3.1 or SA z/OS 3.2.

**Scenario 3:** Consider the following scenario:

- The NMC focal point is running SA z/OS 3.2
- The first NMC target system is running SA z/OS 3.1
- The first NMC target system has an SA z/OS 3.1 automation manager
- The other NMC target systems are running SA z/OS 3.1 or earlier

Where *first* means the first system that is mentioned in SYSPLEX statement in INGTOPOF, and *other* means any systems that are mentioned after the first one in the SYSPLEX statement in INGTOPOF.

This scenario is supported.

**Scenario 4:** Consider the following scenario:

- The NMC focal point is running SA z/OS 3.2
- The first NMC target system is running SA z/OS 3.2
- The first NMC target system has an SA z/OS 3.2 automation manager

- The other NMC target systems are running SA z/OS 3.1 or earlier

Where *first* means the first system that is mentioned in SYSPLEX statement in INGTOPOF, and *other* means any systems that are mentioned after the first one in the SYSPLEX statement in INGTOPOF.

This scenario requires you to specify NMC in the SA z/OS 3.2 customization dialog for *all* resources of type APL, APG and MTR in their **Inform List** field. You can use the System Defaults and Sysplex Defaults entry types to do this.

**Scenario 5:** Consider the following scenario:

- The NMC focal point is running SA z/OS 3.2
- The first NMC target system is running SA z/OS 3.1
- The first NMC target system has an SA z/OS 3.1 automation manager
- The other NMC target systems are running SA z/OS 3.2 or earlier

Where *first* means the first system that is mentioned in SYSPLEX statement in INGTOPOF, and *other* means any systems that are mentioned after the first one in the SYSPLEX statement in INGTOPOF.

This scenario is *not* supported.

**Remark:** An NMC target system running SA z/OS 3.2 cannot cooperate with an SA z/OS 3.1 automation manager (because there is no **Inform List** field in SA z/OS 3.1).

**Scenario 6:** Consider the following scenario:

- The NMC focal point is running SA z/OS 3.2
- The first NMC target system is running SA z/OS 3.1
- An NMC target system (first or other) with SA z/OS 3.2 automation manager
- The other NMC target systems are running SA z/OS 3.2 or earlier

Where *first* means the first system that is mentioned in SYSPLEX statement in INGTOPOF, and *other* means any systems that are mentioned after the first one in the SYSPLEX statement in INGTOPOF.

This scenario requires you to specify NMC in the SA z/OS 3.2 customization dialog for *all* resources of type APL, APG and MTR in their **Inform List** field. You can use the System Defaults and Sysplex Defaults entry types to do this.

## I/O Operations Migration

With SA z/OS 3.2 and later releases I/O Operations requires CSA user key storage. If you are running z/OS V1.8 or later, ensure that the parameter VSM ALLOWUSERKEYCSA is set to YES in the DIAGxx parmlib member. See also “Step 32: Customizing I/O Operations” on page 133.

## Nested Class Support

The nested class function will only be available from SA z/OS 3.2 or later. During a transition phase where SA z/OS 3.2 or later coexists with systems running earlier releases, you need to be very careful with defining multiple class levels. This may be appropriate, for example, for the definition of **Inform List** because this field is supported only for SA z/OS 3.2 and later, but in other cases it should be carefully considered whether multiple classes could result in data loss on

systems running earlier releases. A PTF will be available that issues a warning during load on a down level system if a class is detected that is linked to further classes.

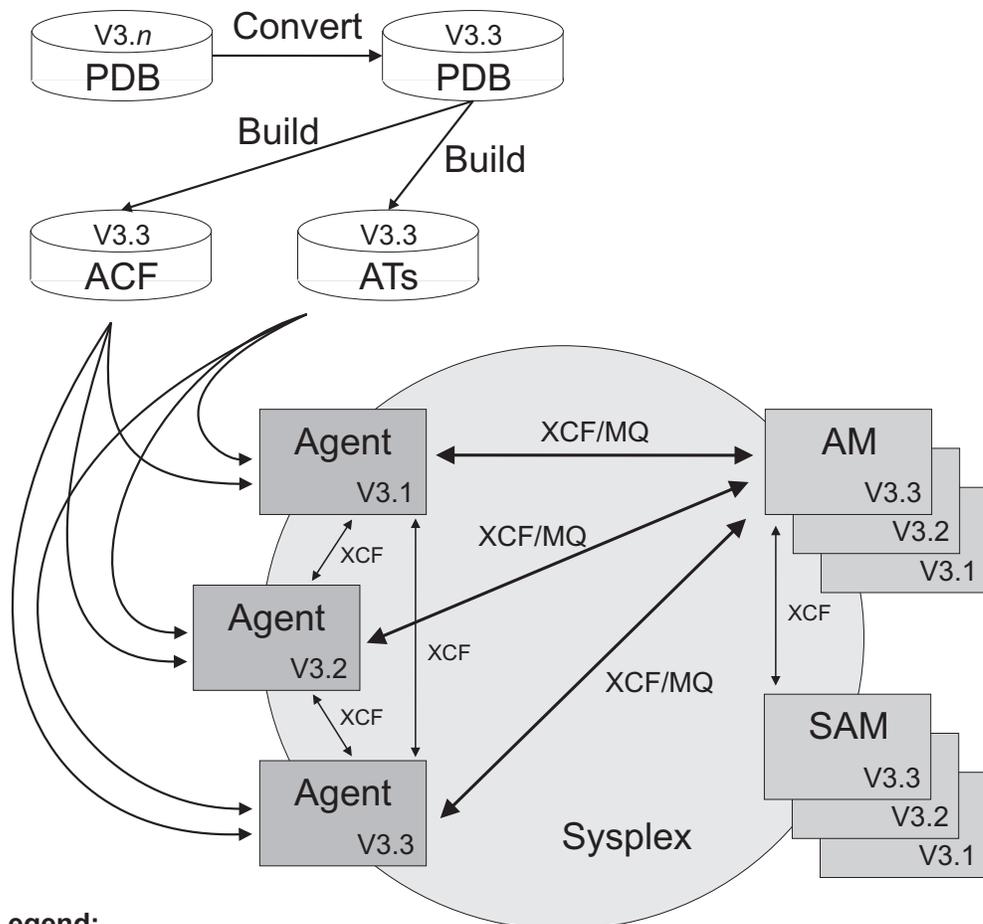
With SA z/OS 3.2 or later the application type will be checked during class-instance link processing. It will only be allowed to link all classes or instances to a class with no type specified, and to a class of the same type. If there are other links in a Policy Database (for example, an instance of type CICS linked to a class of type IMS) they will still exist when migrating to this release, but when the corresponding link panel is invoked such links will be marked as invalid and need to be changed.

---

## **Coexistence of SA z/OS 3.3 with Previous Releases**

It is not expected that you will cut over all your systems at the same time from previous releases to SA z/OS 3.3. This means that you may be running different releases at the same time.

SA z/OS 3.3 systems can coexist with SA z/OS 3.2 and SA z/OS 3.1 systems in the same sysplex. Figure 20 on page 211 illustrates this: it shows a sysplex with three automated systems and a separate automation manager (and its secondary).



**Legend:**

PDB: Policy database

ACF: Automation agent's automation configuration files

AT: NetView automation tables

*Figure 20. Coexistence of SA z/OS 3.3, SA z/OS 3.2, and SA z/OS 3.1*

Any policy database created by an earlier version of the customization dialog (that is, earlier than SA z/OS 3.3) is automatically converted into the SA z/OS 3.3 format when the policy database is opened the first time using the SA z/OS 3.3 customization dialog.

The automation configuration files that are built by the SA z/OS 3.3 customization dialog can be used by any automation agent running either SA z/OS 3.3, SA z/OS 3.2, or SA z/OS 3.1.

The NetView automation table (AT) that is created by the SA z/OS 3.3 customization dialog can be used by automation agents running either SA z/OS 3.2 or SA z/OS 3.1, but the automation table INGMSGSA is required for compatibility with SA z/OS 3.2.

In a sysplex (that is, the same XCF group) automation agents running SA z/OS 3.3, SA z/OS 3.2, or SA z/OS 3.1 can communicate with an SA z/OS 3.3 automation manager. The communication is via XCF. The automation agents communicate with each other via XCF.

## Behavior Change

Consider you are operating a sysplex where some systems are running SA z/OS 3.3 or SA OS/390 and some are running SA z/OS 3.1. All systems are using a SA z/OS 3.3 automation policy.

If STARTAFTERIPL=NOSTART is specified, a stop request with a priority of FORCE is injected. The compound status of the sysplex application group is then determined from the compound status of its members that are running SA z/OS 3.3 or SA z/OS 3.2.

### Effects

The most noticeable effects will be:

- SA z/OS 3.3 and SA z/OS 3.2 systems will implement STARTAFTERIPL=NOSTART using the request-based mechanism that was introduced in SA z/OS 3.2.
- SA z/OS 3.1 systems will implement STARTAFTERIPL=NOSTART using the old state mechanism.

## Changes to CICS Short-on-Storage Recovery

If you are using an automatically-built NetView automation table, you do not have to take any action and can skip this section.

If you are *not* using dynamically-built NetView automation tables, consider the following changes:

- If you have CICS Automation active and are not using the automatically-built NetView automation table, you must change your AT. Locate the AT entry for the messages DFHSM0131, DFHSM0132, DFHSM0133, and DFHSM0134:

```
IF (GROUP:INGCICS)
MSGID = 'DFHSM013n'
THEN
EXEC(CMD('AOCFILT * EVEEY00S ')ROUTE(ONE %AOFOPGSSOPER%));
```

Change the AT entry to:

```
IF (GROUP:INGCICS)
MSGID = 'DFHSM013n'
THEN
EXEC(CMD('AOCFILT * EVEES100 ')ROUTE(ONE %AOFOPGSSOPER%));
```

This change is only required if you want to use an ACF that is built by SA z/OS 3.2 or SA z/OS 3.3 on SA z/OS 3.1.

---

## Appendix F. CICS Automation Migration for SA z/OS 3.3

This section describes migration steps that are required for CICS applications when upgrading to SA z/OS 3.3. These steps only apply for the automation of those subsystems that have been defined as applications of type CICS. It has the following subsections:

- “Automation of CICS Subsystems”
- “CICS Link and Health Monitoring” on page 214
- “Resynchronization” on page 215
- “Reload of CICS Message Exit Policy” on page 216
- “Automation of DFHKE0408D Message” on page 216
- “Start Type Switch in SA z/OS for CICS Subsystems” on page 217
- “Enforcing the CICS Start Type INITIAL or AUTO” on page 217
- “Status Changes dependent on Abend Codes” on page 218
- “Automation Operator Definitions for CICS” on page 219
- “Replacing Removed Functions” on page 220
- “CICS Shutdown because of Message DFHLG0739 or DFHLG0750” on page 221
- “Short-on-Storage Handling” on page 221
- “Overriding System Initialization Table (SIT)” on page 221
- “CICS Information with DISPINFO Command” on page 222

---

### Automation of CICS Subsystems

Although the CICS feature has been integrated into the base SA z/OS product for some time, there is still specific program code for CICS automation, CICS-specific policy items and CICS-specific needs for the automation policy definitions.

Because the base functionality of SA z/OS has been enhanced to provide most of the automation needs of CICS automation, large parts of the CICS feature code have become obsolete. This allows for a tighter integration of CICS automation into the base SA z/OS product, provided that the automation policy definitions are adapted to the needs of the base SA z/OS functions.

SA z/OS 3.3 now exploits the base functionality for startup, shutdown, recovery and monitoring of CICS applications. Because the obsolete CICS feature code is no longer included in SA z/OS 3.3, some of the CICS-feature-specific definitions in the automation policy are no longer applicable and must therefore be migrated before the automation policy can be used by SA z/OS 3.3. Because of its complexity, this adaptation is expected to be done manually during the upgrade to SA z/OS 3.3. No automatic conversion will be provided.

With this integration step, the automation of the CICS subsystem is now covered to a large extent by the base SA z/OS functionality, and the CICS-specific automation policy definitions are no longer needed. This standardization reduces complexity and facilitates the administration of system automation as well as system operation.

The following CICS automation-specific functions have been removed in SA z/OS 3.3:

- Link and health monitoring via PPI communication
- PPI communication
- The CICS command
- The CICSOVRD command

## Automation of CICS Subsystems

- The CICSRCMD command
- The CICSRSYC command
- The CICSSHUT command
- The CICSQRY command
- The CMASSHUT command

Migration from SA z/OS 3.1 or SA z/OS 3.2 to SA z/OS 3.3 requires the following steps:

**Step 1.** You must carry out the migration activities in this step before the automation policy that is built with SA z/OS 3.3 can be used by a SA z/OS 3.1 or 3.2 automation agent in the sysplex. These activities do not depend on each other.

- Convert the CICS link and health monitoring so that it is based on the events that are received by the CICSplex System Manager. See “CICS Link and Health Monitoring.”
- Install the compatibility APAR OA26007 on each system in the sysplex.

**Step 2.** The migration activities for the following issues can be carried out in the current SA z/OS 3.1 or 3.2 release, after you have completed Step 1.

You must complete some of the migration activities before you use the automation policy that has been built with SA z/OS 3.3, and the others at the latest before updating the SA z/OS agent with the SA z/OS 3.3 runtime libraries.

For details see the following:

- “Resynchronization” on page 215
- “Reload of CICS Message Exit Policy” on page 216
- “Automation of DFHKE0408D Message” on page 216
- “Start Type Switch in SA z/OS for CICS Subsystems” on page 217
- “Enforcing the CICS Start Type INITIAL or AUTO” on page 217
- “Status Changes dependent on Abend Codes” on page 218
- “Automation Operator Definitions for CICS” on page 219
- “Replacing Removed Functions” on page 220

**Step 3.** When you perform the following migration activities depends on whether you use the automation table that is automatically built by SA z/OS:

- If you use the automation table that is built by SA z/OS, you must carry out the following migration activities directly before using the automation policy of SA z/OS 3.3.
- If you use your own automation table, you must carry out the following migration activities before upgrading the runtime library of any SA z/OS automation agent in the sysplex to SA z/OS 3.3.

For details see the following:

- “CICS Shutdown because of Message DFHLG0739 or DFHLG0750” on page 221
- “Short-on-Storage Handling” on page 221
- “Overriding System Initialization Table (SIT)” on page 221

---

## CICS Link and Health Monitoring

CICS link and health monitoring based on PPI communication between SA z/OS and CICS is no longer supported in SA z/OS 3.3, as announced in SA z/OS 3.2.

Since SA z/OS 3.2, SA z/OS provides an infrastructure that allows the monitoring of CPSM objects, such as CICS links, based on the events that are received by the CICSplex System Manager (CPSM). For details of this function, see *IBM Tivoli*

*System Automation for z/OS Customizing and Programming and Tivoli System Automation for z/OS Product Automation Programmer's Reference and Operator's Guide.*

The infrastructure for the PPI communication between SA z/OS and CICS that was previously provided is no longer needed for CICS link monitoring. Also, instead of the CEMTPPI API, the INGCICS command can be used to issue any console-enabled CICS transaction.

The CICS HLTH command that was provided in earlier SA z/OS releases for controlling the health check function has also been removed.

### Migration Steps

What to do	When
<b>Step 1.</b> Unlink the defined CICS links with the Product Automation policy object by deselecting the links in the Where Used policy item.	Before the automation policy that is built with SA z/OS 3.3 can be used by any SA z/OS 3.1 or 3.2 automation agent in the sysplex.  Carry out these steps in the given order before upgrading any SA z/OS automation agent in the sysplex with the SA z/OS 3.3 runtime libraries.
<b>Step 2.</b> Replace the usage of the CEMTPPI API with appropriate INGCICS calls.	
<b>Step 3.</b> Remove the definition of the CICSCPPI automated function via the Automation Operator Definitions automation policy.	
<b>Step 4.</b> Clean up the CICS system definitions (CSD), which was previously needed for PPI communication and CICS link and health monitoring. Do this by removing the definitions for EVEGRP1, EVEGRP2, EVEGRP3 and EVEGRP4 and add the new definitions for EVEGRP1 as provided in sample job EVESJ015.	
<b>Step 5.</b> Remove the User Defined definitions for the HEALTHCHK message ID from the MESSAGES/USER DATA policy item for the CICS subsystem.	

### Resynchronization

In earlier SA z/OS releases, the information that was stored about defined CICS subsystems had to be resynchronized after a NetView restart, a configuration refresh, or a reload of the automation policy. This was done by defining the CICSRSYC command for the ACORESTART message ID in the MESSAGES/USER DATA policy item for CICS subsystems.

This resynchronization is no longer needed in SA z/OS 3.3 for CICS subsystems and the CICSRSYC command is no longer available in SA z/OS 3.3.

## Migration Steps

What to do	When
Remove the CICSRSYC command from the ACORESTART message ID in the MESSAGES/USER DATA policy item for your CICS subsystems.	As soon as CICS link and health monitoring has been converted to be based on events that are received by the CICSplex System Manager.  You must remove these definitions at the latest before upgrading any SA z/OS automation agent in the sysplex with the SA z/OS 3.3 runtime libraries.

## Reload of CICS Message Exit Policy

In earlier SA z/OS releases, the transaction to reload the CICS message exit policy on a configuration refresh had to be specified in the **Reload transaction** field of the CICS CONTROL policy item.

In SA z/OS 3.3, the command to reload the CICS message exit policy on a configuration refresh must be specified in the MESSAGES/USER DATA policy item for the ACORESTART message ID of the CICS subsystem. This reload command updates the message definitions in the CICS message exit.

## Migration Steps

What to do	When
Depending on the version of the customization dialog that you are using: <ul style="list-style-type: none"> <li>If you are using a version of the customization dialog that still provides the CICS CONTROL policy item, specify NONE in the <b>Reload transaction</b> field.</li> <li>If the previous value of the Reload transaction field was not NONE, specify the following command for the ACORESTART message ID of the subsystem: <code>MVS F &amp;SUBSJOB, reload_transaction</code></li> </ul> <p>Where <i>reload_transaction</i> is the previous value of the <b>Reload transaction</b> field. Specify SARL as <i>reload_transaction</i> if this field was previously empty.</p>	You can make these definitions in your original version of SA z/OS 3.1 or 3.2.  You should do this at the latest before using the SA z/OS 3.3 automation policy on any system.

## Automation of DFHKE0408D Message

The DFHKE0408D message is issued when an attempt to REGISTER with the MVS automatic restart manager (ARM) fails during a cold or initial start that was specified in the system initialization table (SIT):

```
DFHKE0408D applid PLEASE SPECIFY START TYPE, 'ASIS' OR 'AUTO'
```

In this situation, CICS relies on ARM to determine whether to override the start type and change it to AUTO. Because the REGISTER has failed, CICS now waits until the operator supplies the START type to be used.

In earlier SA z/OS releases, one of the replies that was defined in the MESSAGES/USER DATA policy item for this message was issued, selecting the ARMSTART or NOARMSTART definition.

In SA z/OS 3.3, the forced NetView automation table statement for this function has been removed.

## Migration Steps

What to do	When
<ol style="list-style-type: none"> <li>1. Define the reply (for example, ASIS) that is to be issued for the DFHKE0408D message in the MESSAGES/USER DATA policy item of the issuing CICS subsystem. Do not specify a selection for this reply definition.</li> <li>2. Remove the reply definitions that have the selections ARMSTART and NOARMSTART.</li> </ol>	<p>You can replace the reply definitions for the DFHKE0408D message in your original version of SA z/OS 3.1 or 3.2.</p> <p>You must do this at the latest before the SA z/OS 3.3 automation policy is used on any system.</p>

## Start Type Switch in SA z/OS for CICS Subsystems

In earlier releases of SA z/OS, when starting a CICS subsystem with start type NORM, the SA z/OS automation agent issued the start commands that were defined for start type AUTO.

SA z/OS 3.3 no longer changes the start type of CICS subsystems from NORM to AUTO.

## Migration Steps

What to do	When
<p>For CICS subsystems, provide additional start commands for start type NORM or replace the selection name AUTO with NORM.</p>	<p>You can define the start commands for start type NORM in your original version of SA z/OS 3.1 or 3.2.</p> <p>You must define them at the latest before upgrading the SA z/OS automation agent with the SA z/OS 3.3 runtime libraries.</p>

## Enforcing the CICS Start Type INITIAL or AUTO

In earlier releases of SA z/OS, a CICS start of type INITIAL or AUTO was enforced in response to certain messages.

A CICS start of type INITIAL was enforced in response to the following messages:

- DFHLG0736
- DFHLG0738
- DFHLG0740
- DFHDM0106
- DFHRM0134
- DFHRM0136
- DFHRM0144
- DFHRM0401

## Enforcing the CICS Start Type INITIAL or AUTO

A CICS start of type AUTO was enforced in response to the DFHRM0203 message.

In SA z/OS 3.3, a change of the CICS start type is no longer enforced in response to these messages. In situations where one of the messages given above is issued, it is now your responsibility to enforce the start type INITIAL or AUTO for the next CICS start. You can set the start type with the INGSET command.

To issue the INGSET command in response to a received message, you use the MESSAGES/USER DATA policy item to define the INGSET command for the message of the issuing subsystem with the following format:

```
INGSET SET subsystem STARTTYPE=start_type
```

In addition, define a start command with the specified start type as the selection that initiates an INITIAL or AUTO CICS start.

## Migration Steps

What to do	When
Step 1. Decide whether the start type of the next CICS start has to be forced to INITIAL or AUTO for the messages given above.	You can define the INGSET commands in the current release of SA z/OS 3.1 or 3.2. These commands are not issued as long as you do not use the NetView automation table that is built with SA z/OS 3.3.
Step 2. Define the appropriate INGSET command to set the start type for the subsystem's next startup in response to the related message.	You must make these definitions at the latest before either using the NetView automation table that is built with SA z/OS 3.3 or upgrading the runtime libraries of the SA z/OS automation agents to SA z/OS 3.3.
Step 3. Define start commands for the specified start type that initiate an INITIAL or AUTO CICS start.	

## Status Changes dependent on Abend Codes

In earlier SA z/OS releases, code definitions for the ABCODESYSTEM message ID were used to specify whether an abending subsystem should be restarted, based on the CICS abend message that was issued. These codes were defined with the MESSAGES/USER DATA policy item for the affected subsystem.

Code1	Code2	Code3	Value Returned
<i>message_ID</i>	<i>abend_code1</i>	<i>abend_code2</i>	RESTART NORESTART

These code definitions were checked for the following CICS abend messages:

- DFHCC0001
- DFHPC0401
- DFHPC0405
- DFHPC0408
- DFHPC0409
- DFHSR0606

In SA z/OS 3.3, the status change is no longer initiated by the CICS abend messages but is based on the IEF450I system abend message. Thus the base functionality of SA z/OS can be used to specify whether an abending CICS subsystem should be restarted. This is done by specifying code definitions for the IEF450I system abend message to specify the status that the abending subsystem

## Status Changes dependent on Abend Codes

should be changed to. These code definitions can be specified for the abending subsystem or for MVS components. The code definitions are interpreted in the following way:

Code1	Code2	Code3	Value Returned
<i>jobname</i>	<i>system_completion_code</i>	<i>user_completion_code</i>	<i>status [start_type]</i>

The first token of the returned value of the matching code definition determines whether the subsystem is stopping, abending or breaking, or that the received message already indicates the corresponding final termination status. The optional second token of the returned value determines the start type of the subsystem's next startup.

### Migration Steps

What to do	When
<b>Step 1.</b> Convert your current code definitions for the ABCODESYSTEM message ID to corresponding code definitions for the IEF450I system abend message. Note the semantic differences between the code definitions for these two messages.	You can make the additional code definitions for the IEF450I system abend message in your original SA z/OS 3.1 or 3.2 release.  You must do this at the latest before upgrading the runtime library of an SA z/OS automation agent in the sysplex to SA z/OS 3.3.
<b>Step 2.</b> Remove the code definitions for the ABCODESYSTEM message ID from your automation policy.	Do not remove the code definitions for the ABCODESYSTEM message ID before upgrading the runtime libraries of the SA z/OS automation agents on all the systems in the sysplex to SA z/OS 3.3.

---

## Automation Operator Definitions for CICS

### Assign EVE Messages

In earlier SA z/OS releases, all SA z/OS messages for CICS automation, that is, all messages with the prefix EVE, were assigned to the CICSMSTR automated function.

In SA z/OS 3.3, CICS automation is mainly performed by base SA z/OS functions. Thus, SA z/OS 3.3 no longer issues CICS-specific messages. It is therefore no longer necessary to assign EVE messages to the CICSMSTR automated function.

### Migration Steps

What to do	When
In the Automation Operator Definitions policy object, remove EVE* from the messages for the CICSMSTR automated function.	You can remove the definitions for the EVE* messages in your original SA z/OS 3.1 or 3.2 release.

---

### Replacing Removed Functions

Along with CICS link and health monitoring via PPI communication, and PPI communication itself, the following functions have been removed in SA z/OS 3.3:

- The CICS command
- The CICSOVRD command
- The CICSRCMD command
- The CICSRSYC command
- The CICSSHUT command
- The CICSQRY command
- The CMASSHUT command

#### **CICS command**

In earlier SA z/OS releases, the CICS main menu was provided by the CICS command. Because the monitoring function has been removed, you can call directly the remaining functions of this panel with the following commands:

- INGINFO
- INGREQ
- DISPTRG
- INGSCHED
- INGCICS

#### **CICSOVRD command**

In earlier SA z/OS releases, the CICSOVRD command allowed you to set CICS SIT override conditions prior to the next CICS startup.

Use the INGSET and INGREQ commands instead to specify the start type and further start parameters for the next CICS startup. For details, see “Enforcing the CICS Start Type INITIAL or AUTO” on page 217.

#### **CICSRCMD command**

Replace the CICSRCMD command with the INGEXEC command that automatically routes commands to the system where the specified resource resides.

#### **CICSRSYC command**

This command is no longer needed and can be removed from the automation policy as described in “Resynchronization” on page 215, after having converted the CICS link and health monitoring to use the events that are received by the CICSplex SM.

#### **CICSSHUT command**

Replace this command by issuing the following command instead:

```
MVS F &SUBSJOB,CEMT PERFORM SHUTDOWN NORM
```

#### **CICSQRY command**

In earlier SA z/OS releases, the CICSQRY command was provided to retrieve CICS subsystem information. Most of this information can also be queried with the AOCQRES, INGQRY and AOFTREE commands via an INGEXEC call.

Replace this command by issuing an appropriate SA z/OS command.

#### **CMASSHUT command**

Replace this command by issuing the following command instead:

```
MVS F &SUBSJOB,COSD
```

---

## CICS Shutdown because of Message DFHLG0739 or DFHLG0750

In earlier SA z/OS releases, CICS was shut down automatically in response to message DFHLG0739 or DFHLG0750.

SA z/OS 3.3 no longer shuts down CICS in response to these messages.

### Migration Steps

What to do	When
<p>If you want CICS to be shut down if the messages DFHLG0739 or DFHLG0750 are issued, you must code the following command in the MESSAGES/USER DATA policy item for these messages:</p> <pre>MVS F &amp;SUBSJOB,CEMT PERFORM SHUTDOWN NORMAL</pre>	<p>You must make these definitions directly before using the NetView automation table that is built with SA z/OS 3.3 or before upgrading runtime libraries of the SA z/OS automation agents to SA z/OS 3.3.</p>

---

## Short-on-Storage Handling

In earlier SA z/OS releases, short-on-storage situations were handled using definitions in the automation policy for the RCVRSOS message ID and the threshold definition for the minor resource *subsystem.RCVRSOS*.

From SA z/OS 3.2, it is advisable to replace the technique for this functionality with event-based CICSplex monitoring. The definitions for message ID RCVRSOS are therefore no longer automatically put into action by SA z/OS.

### Migration Steps

What to do	When
<p>If you later want to process short-on-storage situations as in earlier SA z/OS releases, keep your definitions in the automation policy for message ID RCVRSOS and additionally define command EVEES100 to be issued in response to the following messages</p> <ul style="list-style-type: none"> <li>• DFHSM0131</li> <li>• DFHSM0132</li> <li>• DFHSM0133</li> <li>• DFHSM0134</li> </ul>	<p>These definitions must be made directly before using the automation table that is built with SA z/OS 3.3 or before upgrading runtime libraries of the SA z/OS automation agents to SA z/OS 3.3.</p>

---

## Overriding System Initialization Table (SIT)

In earlier SA z/OS releases, the WTOR messages DFHPA1104 and DFHPA1105 were automatically replied to by SA z/OS with the reply `START=start_type,applparms` and `.END`. This function was achieved with a forced automation table statement.

In SA z/OS 3.3, the automation table statement for this function has been removed. The replies to be issued in response to messages DFHPA1104 and DFHPA1105 can now be specified with the automation policy item MESSAGES/USER DATA for the issuing subsystem.

### Migration Steps

What to do	When
<p>In order to provide the possibility for a MANUAL CICS start, where the value of the Appl Parm parameter of INGREQ is used as reply, define the following replies with the MESSAGES/USER DATA policy item:</p> <ul style="list-style-type: none"><li>• For message DFHPA1104, define reply &amp;APPLPARMS</li><li>• For message DFHPA1005, define reply .END</li></ul>	<p>These definitions must be done directly before using the automation table that is built with SA z/OS 3.3 or before upgrading runtime libraries of the SA z/OS automation agents to SA z/OS 3.3.</p>

---

## CICS Information with DISPINFO Command

### Display of CICS Start Type

In earlier SA z/OS releases, the CICS start type as shown in the DFHSI1502I CICS startup message was displayed in the output of the DISPINFO command as the CICS start type under the title CICS Information.

In SA z/OS 3.3, the output of the DISPINFO command no longer includes the section with CICS-specific information. The CICS start type can now be extracted from the CICS startup message DFHSI1502I, that is included as a captured message in the output of DISPINFO.

The start type of a subsystem, as defined in SA z/OS, is still shown in the output of the DISPINFO command together with the time stamp of the start. It is displayed in the following format:

```
Last start      : 11:30:27 on 10/06/08   Type : NORM
```

This display applies to all subsystem types, not only CICS subsystems.

### Display of other CICS-Specific Information

In earlier SA z/OS releases, other CICS-specific information was displayed under the title CICS Information besides the CICS start type in the output of the DISPINFO command.

This CICS-specific information is no longer displayed in SA z/OS 3.3. Note that this information is no longer reliable as soon as you use an automation policy that has been built with SA z/OS 3.3.

---

## Appendix G. IMS Automation Migration from SA z/OS 3.1

This section describes migration steps that are required for IMS applications when upgrading to SA z/OS 3.2. It has the following subsections:

- “Removed Functions”
- “Automation of IMS Subsystems”
- “Defining IMS Actions” on page 225
- “IMS Startup” on page 225
- “IMS Shutdown” on page 227
- “Recovery of IMS Control Region” on page 232
- “Recovery of IMS Dependent Region” on page 234
- “IMS Transaction Recovery” on page 234
- “IMS Monitoring” on page 235
- “Migration of EXIEX002 Calls” on page 245
- “XRF Support” on page 246

Each section describes the behavior in SA z/OS 3.1, the changes that have been made for SA z/OS 3.2 and the migration that is required.

---

### Removed Functions

The following functions have been removed in SA z/OS 3.2:

- PPI communication between NetView and IMS
- The advanced automation option in the form of common global variable AOFIMSCMDMSG
- Common routine EVIEX002 no longer supports the parameters DCSTATUS, DEPREGID, ENDDT, LASTABENDCODE, RUNSTARTYPE, STARTDT, STARTTYPE and VER.

---

### Automation of IMS Subsystems

The following migration instructions apply only for the automation of those subsystems that have been defined as application type IMS.

Though it is some time ago that the formerly separately offered IMS feature has been integrated in the base SA z/OS product, there is still specific program code for the IMS automation and there are still IMS-specific policy items and IMS-specific needs for the automation policy definitions.

Because the base functionality of SA z/OS has been enhanced to provide most of the automation needs of the IMS automation, large parts of the IMS feature code have become obsolete. This allows for a tighter integration of the IMS automation in the base product, provided that the automation policy definitions are adapted to the needs of the base SA z/OS functions.

SA z/OS 3.2 now exploits the base functionality for startup, shutdown, recovery and monitoring of IMS applications. Because the obsolete IMS feature code is no longer included in SA z/OS 3.2, some of the IMS-feature-specific definitions in the automation policy will no longer be applicable and therefore have to be migrated before the automation policy can be used by SA z/OS 3.2. Due to its complexity

## Automation of IMS Subsystems

this adaptation is expected to be done manually during the upgrade to SA z/OS 3.2. No automatic conversion will be provided.

With this integration step the automation of an IMS subsystem is now covered to a large extent by the base SA z/OS functionality and the IMS-specific automation policy definitions are reduced to a minimum. This standardization reduces the complexity and facilitates the administration of system automation as well as system operation.

The migration from SA z/OS 2.3 or SA z/OS 3.1 to SA z/OS 3.2 requires the following steps:

1. Installation of the compatibility APARs on each system in the sysplex:
  - OA20402 for SA z/OS 2.3
  - OA20403 for SA z/OS 3.1
2. Conversion of the automation policy database by opening it with the SA z/OS 3.2 customization dialog
3. Step-by-step upgrade of each system in the sysplex to SA z/OS 3.2

The necessary changes in the IMS-feature-specific definitions in the automation policy for the migration to SA z/OS 3.2 do not need to be done at the same time on all systems.

Automation policy changes that only exploit functions of SA z/OS 2.3 or SA z/OS 3.1, or small function enhancements that are delivered with the appropriate compatibility APAR, can be started after installing the compatibility APAR on the relevant system.

Other automation policy changes exploit functions of SA z/OS 3.2 and therefore cannot be done before the relevant agent is running with SA z/OS 3.2. Furthermore, when functions are dropped during the migration path, the related policy definitions may possibly have to be removed at a certain time, particularly if these old definitions cannot coexist with the new definitions. If the coexistence of new and old definitions for a function is possible, the migration of this function can be done at any time after upgrading the system to SA z/OS 3.2.

The description of the migration steps in this section includes comments about the point in time or the time period during the migration path when the required changes have to be done.

The migration description refers to the following states or times:

State or Time	Description
Pre-SA z/OS 3.2	SA z/OS 2.3 or SA z/OS 3.1 automation agent with the corresponding compatibility APAR OA20402 or OA20403
Upgrading ACF	When converting the automation policy database by opening it with the SA z/OS 3.2 customization dialog.
Pre-SA z/OS 3.2 with new ACF	SA z/OS 2.3 or SA z/OS 3.1 automation agent with a SA z/OS 3.2 automation policy database.
Upgrading agent	When upgrading the SA z/OS automation agent with the SA z/OS 3.2 run time libraries.
SA z/OS 3.2	SA z/OS 3.2 automation agent with a SA z/OS 3.2 automation policy database.

State or Time	Description
Only SA z/OS 3.2 in sysplex	The SA z/OS automation agents on all systems in the sysplex have been upgraded to SA z/OS 3.2.

---

## Defining IMS Actions

The recommended way to define automated actions in the SA z/OS automation policy that have to be executed by IMS is to specify an IMS command, prefixed with the IMS subsystem ID and to issue it with the NetView MVS command. The subsystem ID from the IMS control region itself can be retrieved from the task global variable &SUBSSUBID.

When specifying the command in the application policy object of a dependent IMS region that has a HasParent relationship to the IMS control region with sequence number 1, the command can be prefixed with the task global variable &SUBPSUBID to address it to the related IMS control region. However make sure that the IMS control region is in the first position in the list of defined parents.

If a Command Prefix has been defined in the APPLICATION INFO policy item for the IMS control region, the task global variable &SUBSCMDPFX can also be used to prefix the IMS command instead of the subsystem ID.

As an example, assume the following poststart commands for the IMS control region can be specified:

- MVS &SUBSSUBIDCQSET SHUTDOWN SHAREDQ ON STRUCTURE ALL
- MVS &SUBSSUBIDSTA DC
- MVS &SUBSSUBIDCHE

As soon as the compatibility APARs are applied, the task global variables &SUBSSUBID and &SUBPSUBID are available on systems running SA z/OS 2.3 and SA z/OS 3.1.

IMS actions can also be defined to be issued as the reply to the outstanding WTOR of the IMS control region. This method is only applicable to the DC control region, because the DB control region does not allow communication via an outstanding WTOR. Furthermore, when issuing a sequence of actions, processing will be throttled, because each time that a reply is issued, SA z/OS first has to wait for the next outstanding WTOR before it can continue with issuing the next reply. This method is therefore not recommended.

IMS commands can also be issued via IMSCMD. But IMSCMD acts as a stub for INGIMS for compatibility and therefore provides only an indirect method of issuing actions. Furthermore, it will be withdrawn in a future release of SA z/OS. Thus the use of IMSCMD is not recommended and should be replaced gradually.

---

## IMS Startup

### IMS Startup in SA z/OS 3.1

The start commands for IMS control regions are defined in the STARTUP policy item for each valid start type.

The same applies for IMS dependent regions that the **External Startup** field in the AUTOMATION INFO policy item has not been set to ALWAYS for.

## IMS Startup

Imbedded &APPLPARMS or &EHKVAR1 variables in these commands are replaced by the value that has been specified in either of the following when requesting the start with the INGREQ command:

- The APPLPARMS parameter of the INGREQ command
- The **Appl Parm**s field of the INGREQ input panel

In the automation policy item MESSAGES/USER DATA for message ID CQSET, the /CQSET command is specified, which is to be issued during IMS startup to cause a Structure Checkpoint at CQS shutdown.

For message ID DFS994I, the commands required in response to the DFS994I xxxx START COMPLETED message are defined. This message follows the writing of a checkpoint to the IMS system log.

### Changes for IMS Startup in SA z/OS 3.2

The &EHKVAR1 variable in start commands is no longer replaced by the value of the APPLPARMS parameter or the **Appl Parm**s field of the INGREQ command.

The commands that are defined for message ID CQSET, are no longer issued during IMS startup.

The command and reply definitions for message DFS994I are no longer selected by IMS-specific program code. Instead these definitions are always issued in response to a received DFS994I message.

### Migration of IMS Startup

To migrate the startup definitions in the automation policy for subsystems of type IMS, do the following:

1. Replace the &EHKVAR1 variable in startup commands for IMS control regions and IMS dependent regions with the &APPLPARMS variable.
2. Move the commands that are defined for message ID CQSET to the STARTUP policy item and specify them as POSTSTART commands.
3. Remove the command and reply definitions for message ID DFS994I and specify them as corresponding POSTSTART commands in the STARTUP policy item.

#### Migration Schedule

Activity	Pre-SA z/OS 3.2	Upgrading ACF	Pre-SA z/OS 3.2 with new ACF	Upgrading Agent	SA z/OS 3.2
1. Move definitions from CQSET to POSTSTART	x	x	x		
2. In startup commands, replace &EHKVAR1 by &APPLPARMS	x	x	x		
3. Move definitions from DFS994I to POSTSTART	x	x	x		

## IMS Shutdown

### Shutdown of IMS Control Regions in SA z/OS 3.1

For the shutdown of the IMS control region the feature routine EVIET001 has to be specified as shutdown command in the SHUTDOWN policy item of the IMS control application.

The shutdown commands for the different shutdown phases have the following format:

```
EVIET001 subsystem shutdown_type shutdown_option
```

with:

```
shutdown_type
    NORM | IMMED | FORCE
```

```
shutdown_option
    DUMPQ | BACKUP | FREEZE | PURGE | DUMP | NODUMP
```

For a NORM or IMMED shutdown, the only allowed shutdown options are:

**PURGE or FREEZE** for a DBCTL region

**PURGE or FREEZE or DUMPQ**  
for a CTL region

For a FORCE shutdown, the only allowed shutdown options are DUMP or NODUMP.

The shutdown option BACKUP is used by the XRF function.

The shutdown options are used to select the IMS shutdown commands that have to be issued by SA z/OS to shutdown the IMS control region. The IMS shutdown commands are defined in the automation policy item MESSAGES/USER DATA for message ID SHUTTYPES with the shutdown options as selections.

The shutdown option that has been specified in the automation policy can be overwritten when requesting the shutdown via the INGREQ command. For this purpose, the new shutdown option can be specified in the **Appl Params** field in the format: OPTION=*shutdown\_option*

Additional commands can be defined for special message IDs that are then issued by the IMS feature of SA z/OS during the shutdown process.

Message ID	Description
BRO	Broadcast a message prior to the shutdown of a CTL region and delay issuing the SHUTINIT commands by the time interval as specified in the IMS CONTROL policy item.
PRECHKP	Commands to be issued before issuing the shutdown commands, as defined for message ID SHUTTYPES. The PRECHKP commands are issued prior to the HOLDQ commands.  Not issued when shutdown type FORCE.

## IMS Shutdown

Message ID	Description
HOLDQ	Commands to be issued after the PRECHKP commands and before issuing the shutdown commands, as defined for message ID SHUTTYPES.  Not issued when shutdown type FORCE.
SHUTTYPES	Shutdown commands for each shutdown option. The shutdown option is specified as selection.  In commands to selection DUMP or NODUMP, the variable \$EHKVAR1 is replaced by the IMS control region job name.
POSTCHKP	Commands to be issued immediately after the shutdown commands as defined for message ID SHUTTYPES.  Not issued when shutdown type FORCE.
RELEASEQ	Commands to be issued after shutdown completion.  Not issued when shutdown is initiated with shutdown type FORCE.
STOPREGION	Commands to stop IMS dependent message regions.  With shutdown type NORM, the CANCEL commands are selected and issued with a delay of 3 minutes after having issued the shutdown and POSTCHKP commands of the IMS control region.  With shutdown type IMMED, the ABEND commands are selected and issued without delay after having issued the shutdown and POSTCHKP commands of the IMS control region.
STOPFPREGION	Commands to stop fast path regions.  With shutdown type NORM, the CANCEL commands are selected and issued with a delay of 3 minutes after having issued the shutdown and POSTCHKP commands of the IMS control region.  With shutdown type IMMED, the ABEND commands are selected and issued without delay after having issued the shutdown and POSTCHKP commands of the IMS control region.
STOPBMPREGION	Commands to stop batch message regions.  With shutdown type NORM, the CANCEL commands are selected and issued with a delay of 3 minutes after having issued the shutdown and POSTCHKP commands of the IMS control region.  With shutdown type IMMED, the ABEND commands are selected and issued without delay after having issued the shutdown and POSTCHKP commands of the IMS control region.

### Changes for Shutdown of IMS Control Regions in SA z/OS 3.2

In SA z/OS 3.2, the commands to be issued during the shutdown process of the IMS control region no longer needs to be defined in an IMS-specific way, but they are defined same as for other subsystems that are processed by the base functions of SA z/OS.

&EHKVAR $n$  variables in shutdown commands are no longer replaced in an IMS-feature-specific way.

The BRO message ID is no longer supported.

## Migration of IMS Control Region Shutdown

The IMS-related definitions in the automation policy database of SA z/OS 3.1 have to be adapted to definitions that are used by the base functionality of SA z/OS. This means that the shutdown commands are now specified via the automation policy item SHUTDOWN for the appropriate phase INIT, NORM, IMMED, FORCE or FINAL, dependent at which time in the shutdown process they should be issued.

When defining commands and replies, escalation processing can be implemented by exploiting pass selections.

When defining commands and replies, make use of the task global variables SUBSxxx and SUBPxxx, which are provided by the common routines ACFCMD and ACFREP respectively, instead of using the IMS-specific &EHKVAR*n* variables.

To migrate the shutdown definitions in the automation policy for subsystems of type IMS, move the command or reply definitions for the message IDs as listed in the left column of the following table from the MESSAGES/USER DATA policy item to the appropriate shutdown phase in the SHUTDOWN policy item.

Message ID in SA z/OS 2.3 or SA z/OS 3.1	Shutdown Phase in SA z/OS
PRECHKP	SHUTINIT
HOLDQ	SHUTINIT
SHUTYPES	SHUTxxx *
POSTCHKP	SHUTxxx, SHUTFINAL
RELEASEQ	SHUTFINAL
* Use &SUBSJOB instead of &EHKVAR1 to imbed the IMS control region job name in the defined commands.	

As soon as IMS commands instead of EVIET001 are specified as shutdown commands, the definitions for the special message IDs PRECHKP, HOLDQ, SHUTYPES, POSTCHKP and RELEASEQ are no longer used. Therefore if these definitions have been copied instead of moved, they can be removed later after upgrading the automation agent.

### Migration Schedule

Activity	Pre-SA z/ OS 3.2	Upgrading ACF	Pre-SA z/ OS 3.2 with new ACF	Upgrading Agent	SA z/OS 3.2	Only SA z/OS 3.2 in sysplex
Move definitions from PRECHKP to SHUTINIT Move definitions from HOLDQ to SHUTINIT Define the SHUTxxx commands Move definitions from POSTCHKP to SHUTxxx or SHUTFINAL Move definitions from RELEASEQ to SHUTFINAL	x	x	x			

## IMS Shutdown

Activity	Pre-SA z/ OS 3.2	Upgrading ACF	Pre-SA z/ OS 3.2 with new ACF	Upgrading Agent	SA z/OS 3.2	Only SA z/OS 3.2 in sysplex
If previous definitions have been copied: Remove definitions for PRECHKP, HOLDQ, SHUTYPES, POSTCHKP and RELEASEQ after having replaced EVIET001 by IMS commands.	x	x	x	x	x	
Cleanup the command and reply definitions for message ID BRO						x
<b>Note:</b> The definitions for the special message IDs STOPREGION, STOPFPREGION, and STOPBMPREGION cannot be removed before the shutdown definitions for the dependent IMS regions have been migrated.						

### Shutdown of other IMS Region Types in SA z/OS 3.1

If the **External Shutdown** field of the AUTOMATION INFO policy item is not set to ALWAYS, automation policy definitions for the shutdown of any IMS region type other than the control region exists as follows.

A HASPARENT relationship is defined between the dependent region and the owning IMS control region.

For the shutdown of the IMS dependent region the feature routine EVIET00J is specified as shutdown command in the SHUTDOWN policy item of the IMS dependent application.

The shutdown commands for the different shutdown phases have the following format:

```
EVIET00J &SUBSAPPL shutdown_type
```

with:

```
shutdown_type  
NORM|IMMED|FORCE
```

The passed shutdown type and the region type are used to select the IMS shutdown commands that have to be issued by SA z/OS to shutdown the IMS dependent region. The IMS shutdown commands are defined in the automation policy item MESSAGES/USER DATA of the associated IMS control region for a message ID that relates to the region type as follows:

Region type	Associated Message ID
BMP regions	STOPBMPREGION
FP regions	STOPFPREGION
Dependent message regions	STOPREGION

The shutdown type is used to select the commands to be issued:

Shutdown Type	Selection
NORM	NORMAL
IMMED	ABEND

Shutdown Type	Selection
FORCE	CANCEL

Because defined replies are issued via the outstanding WTOR of the relating IMS control region, the shutdown processing of the dependent regions is serialized on the work operator of the IMS control region.

## Changes for Shutdown of other IMS Region Types in SA z/OS 3.2

In SA z/OS 3.2, the commands to be issued during the shutdown process of the IMS dependent region no longer needs to be defined in an IMS-specific way, but they are defined same as for other subsystems that are processed by the base functions of SA z/OS. The shutdown of the IMS dependent regions is now processed parallel by the responsible work operators for the dependent regions.

With the exception of &EHKVAR1, &EHKVAR*n* variables in shutdown commands are no longer replaced in an IMS-feature-specific way.

### Migration of other IMS Region Type Shutdown

The IMS-related definitions in the automation policy database of SA z/OS 3.1 have to be manually adapted to definitions that are used by the base functionality of SA z/OS. This means that the shutdown commands are now to be specified via the automation policy item SHUTDOWN of the IMS dependent region for the appropriate phase NORM, IMMED or FORCE. Keep in mind that IMS dependent regions have no outstanding WTOR. Therefore it does not make sense to define replies as shutdown actions for IMS dependent regions.

When defining commands, make use of the task global variables SUBSxxxx and SUBPxxxx that are provided by common routine ACFCMD. The Transaction ID is provided by variable &EHKVAR1 that can also be imbedded in the shutdown commands. Other IMS-specific &EHKVAR*n* variables are no longer supported.

As soon as IMS commands instead of EVIET00J are specified as shutdown commands, the definitions for the special message IDs STOPREGION, STOPFPREGION and STOPBMPREGION in the MESSAGES/USER DATA policy item of the IMS control region are no longer used.

**Note:** An automation agent based on SA z/OS 3.2 is still able to shut down IMS dependent regions with the shutdown definitions of SA z/OS 3.1. Therefore the shutdown definitions for IMS dependent regions do not necessarily have to be migrated before changing to SA z/OS 3.2.

## Migration Schedule

Activity	Pre-SA z/OS 3.2	Upgrading ACF	Pre-SA z/OS 3.2 with new ACF	Upgrading Agent	SA z/OS 3.2
Define the SHUTxxx commands for the dependent regions	x	x	x	x	x
Remove definitions for STOPREGION, STOPFPREGION and STOPBMPREGION after having replaced EVIET001 and EVIET00J by IMS commands.	x	x	x	x	x

### Recovery of IMS Control Region

#### Recovery of IMS Control Region in SA z/OS 3.1

The IMS feature code reacts to the messages DFS627I, DFS629I, IEF450I and IEF743I that are issued in case of an abend of the IMS control region.

Each of these messages triggers an IMS feature routine via automation table entries:

Message ID	REXX Routine	AT Entry Type
DFS629I	EVIER000	Forced
DFS627I	EVIER001	Forced
IEF450I	EVIER002 via TERMMSG	Forced
IEF743I	EVIER002 via TERMMSG	Recommended

#### ABCODES

Routine EVIER000 extracts the system or user code from the triggering message DFS629I and uses it for a check with codes defined for message ID ABCODES to get back ABENDING or STOPPING as new status for the application.

The code definitions are expected in the format:

Code 1	Code 2	Code 3	Value Returned
IMSuuuu			ABENDING
SYSsss			STOPPING

Specifying STOPPING as the Value Returned only prevents the subsystem that ended abnormally from being restarted if the restart option is not ALWAYS.

#### Changes for Recovery of IMS Control Region in SA z/OS 3.2

In SA z/OS 3.2, no IMS feature code is involved in processing the recovery of IMS control regions.

When one of the messages DFS629I, IEF450I or IEF743I is issued, TERMMSG is called via the automation table.

For message DFS629I, which reports a system or user abend for an IMS control region, the system or user abend code is extracted from the message text and passed as CODE*x* parameters to TERMMSG.

In TERMMSG, the passed codes are used to check codes that are defined for message DFS629I for the issuing application or for MVSESA (value of common global variable AOFSYSTEM). The value returned of the matching codes determines the new status of the application.

The automation table entry for message DFS629I is no longer forced but recommended.

The automation table entry for message DFS627I has been removed.

&EHKVAR*n* variables in defined commands are no longer replaced in an IMS-feature-specific way.

## Migration of IMS Control Region Recovery

Check the defined commands for message DFS989I. Remove an imbedded &EHKVAR7 variable by specifying the commands as recommended in “Defining IMS Actions” on page 225.

The abend code definitions for message ID ABCODES that is specified in the MESSAGES/USER DATA policy item of the IMS control region have to be moved to message DFS629I for the issuing application. Whenever possible, the code definitions should be made at a class level.

The extracted values from the DFS629I message that are checked for matching with the defined codes are as follows. Note the changed syntax for the code values, which is now consistent with that of message IEF450I.

**Code1** Job name

**Code2** System abend code in the format Ssss or S000 if not present.

**Code3** User abend code in the format Uuuuu or U0000 if not present.

The value returned determines the new status for the application.

### Example

Code 1	Code 2	Code 3	Value Returned
*	S000	U0020	ABENDING
*	S000	U0075	BREAKING
*	S000	U0113	ABENDING
*	S000	U0707	ABENDING
*	*	*	BREAKING

**Note:** The changed behavior in the recovery processing is provided by generic routine TERMMSG of SA z/OS 3.2. Therefore the recovery processing just changes to the new behavior at the moment, when the automation agent is upgraded to SA z/OS 3.2. Until that moment, message DFS629I still has to trigger the IMS feature routine and not TERMMSG.

But when using the automation table that is built automatically by the policy build process, the automation table statement for DFS629I changes at the moment, when upgrading the ACF to SA z/OS 3.2. To prevent the usage of this changed statement, an additional automation table is provided with the original, unchanged statement. This compatibility automation table, INGMMSG32, should be activated from the moment the upgraded ACF is used as long as the automation agent is not yet running on SA z/OS 3.2. To do this, specify INGMMSG32 in front of INGMMSG01 as Automation Tables in the SYSTEM INFO policy item of the System policy object via the customization dialog and remove it when the automation agent is upgraded to SA z/OS 3.2.

The code definitions for DFS629I can be prepared but are not used as long as the automation agent does not run on SA z/OS 3.2.

### Migration Schedule:

## Recovery of IMS Control Region

Activity	Pre-SA z/OS 3.2	Upgrading ACF	Pre-SA z/OS 3.2 with new ACF	Upgrading Agent	SA z/OS 3.2
Replace &EHKVAR7 in defined commands for message DFS989I	x	x	x	x	
Convert ABCODES definitions to DFS629I	Prepare	Prepare	Prepare	x	
If using AT built by SA z/OS 3.2, include compatibility AT INGMMSG32		x			
If using AT built by SA z/OS 3.2, remove compatibility AT INGMMSG32				x	
Clean up the code definitions to ABCODES					x

## Recovery of IMS Dependent Region

### Changes for Recovery of IMS Dependent Region in SA z/OS 3.2

In SA z/OS 3.2, code definitions for message ID TPABEND in the MESSAGES/USER DATA policy item are no longer used.

### Migration of IMS Dependent Region Recovery

Code definitions for message ID TPABEND can be removed as soon as all systems in the sysplex have been upgraded to SA z/OS 3.2.

#### Migration Schedule

Activity	Pre-SA z/OS 3.2	Upgrading ACF	Pre-SA z/OS 3.2 with new ACF	Upgrading Agent	SA z/OS 3.2	Only SA z/OS 3.2 in sysplex
Remove code definitions for message ID TPABEND						x

## IMS Transaction Recovery

### Changes for IMS Transaction Recovery in SA z/OS 3.2

In SA z/OS 3.2 the transaction recovery processing has been restructured, so that the state/action table is no longer used.

### Migration of IMS Transaction Recovery

After upgrading the automation agent to SA z/OS 3.2, the link to the IMS state/action table EVISS005 can be removed via the STATE ACTION TABLE policy item.

As soon as all systems in the sysplex have been upgraded to SA z/OS 3.2, the state/action table EVISS005 can be removed via the Product Automation policy object.

## Migration Schedule

Activity	Pre-SA z/ OS 3.2	Upgrading ACF	Pre-SA z/ OS 3.2 with new ACF	Upgrading Agent	SA z/OS 3.2	Only SA z/OS 3.2 in sysplex
Remove link to state/action table EVISS005				x	x	x
Remove state/action table EVISS005						x

## IMS Monitoring

The IMS feature code in SA z/OS 3.1 includes the following monitoring functions:

- Monitoring of online log data sets (OLDS)
- Monitoring of recovery control data sets (RECON)
- Monitoring of VTAM ACB
- Monitoring of Multiple Systems Coupling (MSC) links between IMS systems

In SA z/OS 3.2 the IMS monitoring functions are redesigned to be implemented by exploiting the concept of monitor resources, which is part of the base functionality of SA z/OS. This concept allows:

- Starting and stopping the monitoring function
- Implementing a reasoned dependency management that keeps the monitoring function only up and running as long as the required resources are available
- Defining health status commands that are issued when the health status changes

## Enhancements in Monitor Resources

To be able, to implement the IMS monitoring functions based on the concept of monitor resources, this concept has been extended in SA z/OS 3.2 by the following two features:

- Specifying object and job name when defining a monitor resource to be able to map a monitor event to the relating monitor resource.
- Specifying “Check” as status when defining a message as status message with action AUTO in the MESSAGES/USER DATA policy item of a monitor resource. Such a status message is defined to update the health status of a monitor resource. Selecting “Check” as health status means that the health status is first to be evaluated with the defined monitor command at the moment, when the status message is received, before the health status of the monitor resource can be updated.

## Operational Changes in SDF and NMC

Removing the monitor functions of OLDS, RECONS and MCS links as having been implemented by the IMS feature code and replacing it by the concept of monitor resources results in a change of the status display in SDF, because the resulting status of OLDS, RECON and MSC links are no longer reflected in the color of the relating objects in the IMS MONITOR PANEL. But the monitor status is now reflected in the color of the listed monitor resources and hence in the color of the relating IMS application caused by a degraded health status. In case of a degraded monitor status the operator no longer needs to analyze which IMS application is affected by the detected problems.

## Optional Monitor Features

All these monitor functions are optional. They only need to be implemented, if the status of these objects should be monitored.

### OLDS Monitoring in SA z/OS 3.1

The IMS feature in SA z/OS 3.1 includes an OLDS monitoring function that monitors the status of the online log data sets (OLDS) of an IMS control region and takes recovery actions if needed.

For this purpose, the IMS command DISPLAY OLDS is issued to analyze the status of the listed OLDS data sets. If needed, OLDS data sets are started or stopped. Hereby, OLDS data sets that have been defined as spare OLDS data sets are started at last and stopped at first. The recovery actions are controlled via message automation.

#### Automation Settings in Automation Policy

The automation settings for OLDS monitoring are provided as user data for the special message ID OLDS that is defined in the MESSAGES/USER DATA policy item of the IMS control region with the following keyword-data pairs:

Keyword	Data	Description
MINIMUM	nn	The minimum number of OLDS that must be available at all times.  Default: 50% of the normal number of OLDS, where the normal number of online data sets is determined by counting the listed OLDS in the response of the DISPLAY OLDS command.
SPARES	(nn,nn...)	The spares are online data sets that IMS automation activates when the number of available online data sets drops below the minimum.
ARCHIVETIME	hh:mm:ss	The archive time is the maximum length of time archive jobs take to run.
RETRYCNT	n	The retry count is the number of times that IMS automation will attempt to acquire an outstanding reply ID when activating or deactivating a spare OLDS.  Default: 5 retries
BACKOUT	nn	The maximum number of OLDS that can have an OTHER-STS of BACKOUT.

#### Processing the Monitor Function

The OLDS monitoring function is based on message automation via the automation table.

Appropriate messages are used to update the state action table EVISS003 and to update the status of the OLDS object in SDF and NMC.

The resulting recovery processing depends on:

- The automation flag for resource *subsystem.OLDS*
- Defined threshold levels for resource *subsystem.OLDS*.

## Changes for OLDS Monitoring in SA z/OS 3.2

The OLDS monitoring function is no longer part of the IMS feature code, but is assumed by the base SA z/OS functions.

### Automation Settings in Automation Policy

The input parameters for the OLDS monitoring are further on defined as user data for the special message ID OLDS, but are reduced to the following keyword-data pairs:

Keyword	Data	Description
MINIMUM	nn	The minimum number of OLDS that must be available at all times.  Default: 50% of the normal number of OLDS, where the normal number of OLDS is determined by counting the listed OLDS in the response of the DISPLAY OLDS command.
SPARES	(nn,nn...)	The spares are online data sets that IMS automation activates when the number of available online data sets drops below the minimum.
BACKOUT	nn	The maximum number of OLDS that can have an OTHER-STS of BACKOUT.

### Monitor Resources

To maintain the full OLDS monitoring function in SA z/OS 3.2, two monitor resources have to be defined: one to monitor the number of available OLDS, the other to monitor for excessive switching of the OLDS. The health status of the monitored object is propagated to the health status of the application via a HASMONITOR relationship between the IMS control region and each monitor. Additional HASPASSIVEPARENT and FORCEDOWN/WhenObservedDown relationships between each monitor resource and the IMS application group mean that the monitor resources are only active during the UP time of the IMS application group. This ensures that the monitor resources can rely on all required functions.

The two monitor resources have to be defined with the following characteristics.

#### IMS OLDS Monitor:

<b>Monitored Object</b>	OLDS
<b>Monitored Jobname</b>	Job name of the IMS control region
<b>Monitor command</b>	INGRMIOL
<b>Monitoring Interval (optional)</b>	<i>hh:mm</i>

Without specified monitoring interval, the monitor command is at least issued initially when the monitor resource is started.

Depending on the monitor results, INGRMIOL ends with the following return codes that are mapped to the relating health status for the monitor resource.

Return Code	Health Status	Description
1	BROKEN	Monitor encountered a severe error
2	FAILED	DISPLAY OLDS failed
3	NORMAL	No problem found by OLDS monitoring
4	WARNING	Needed to start spare OLDS to have the minimum in AVAILABLE status  or  AUTOMATIC ARCHIVE is off
5	MINOR	Could not start enough spare OLDS to have the minimum in AVAILABLE status
6	CRITICAL	Number of OLDS in status BACKOUT exceeds maximum limit

Primarily besides this optional active monitoring with the INGRMIOL monitor command after each monitoring interval, passive monitoring is used to update the health status of the monitor resource. The following IMS messages are used to trigger health status updates:

```
DFS3256I OPEN/ALLOCATION FAILED ON ddname
DFS3257I ONLINE LOG NOW SWITCHED - FROM DFSOLPxxx TO ddname2
DFS3258A LAST ONLINE LOG DATA SET IS BEING USED - NEED ARCHIVE
DFS3260I ONLINE LOG DATA SET SHORTAGE - NEED ANOTHER DATA SET
```

Because these messages only indicate OLDS-related activities that may or may not change the health status of the monitor resource, the defined monitor command first has to be issued to analyze the actual situation and to evaluate the health status, before it can be updated. To achieve this, these messages have to be defined as status messages via the MESSAGES/USER DATA policy item of the monitor resource, with the status Check.

**IMS OLDS Switch Frequency Monitor:**

**Monitored Object**                    OLDS\_SWITCH  
**Monitored Jobname**                Job name of the IMS control region  
**Monitor command**                 (None.)

The switch frequency is determined by passive monitoring of message DFS3257I.

To achieve this, the following commands must be defined for message DFS3257I in the MESSAGES/USER DATA policy item of the IMS control region:

Pass/Selection	Command Text
INFR	INGMON OLDS_SWITCH, JOBNAME=&SUBSJOB, STATUS=WARNING, INFO=(MSG, INFREQUENT THRESHOLDS LIMIT REACHED FOR OLDS SWITCHING)
FREQ	INGMON OLDS_SWITCH, JOBNAME=&SUBSJOB, STATUS=MINOR, INFO=(MSG, FREQUENT OLDS SWITCHING DETECTED)
CRIT	INGMON OLDS_SWITCH, JOBNAME=&SUBSJOB, STATUS=CRITICAL, INFO=(MSG, CRITICAL OLDS SWITCHING FREQUENCY REACHED)
ALWAYS	INGMON OLDS_SWITCH, JOBNAME=&SUBSJOB, STATUS=NORMAL, INFO=(MSG, OLDS SWITCHING FREQUENCY IS NORMAL)

**OLDS Status Display:** The status of OLDS is no longer displayed in the IMS Monitor Panel in SDF and on NMC but is reflected in the color of the displayed monitor resources and hence in the color of the relating IMS application.

## Migration of OLDS Monitoring

Because the newly designed OLDS monitoring function exploits functional enhancements of SA z/OS 3.2, it cannot be activated before upgrading the automation agent to SA z/OS 3.2.

After upgrading the automation agent to SA z/OS 3.2 on a system:

1. Define the two monitor resources for OLDS monitoring as described above.
2. Define messages DFS3256I, DFS3257I, DFS3258A and DFS3260I as status messages with health status "Check" in the MESSAGES/USER DATA policy item of the monitor resource for the OLDS object.
3. Define commands for selections ALWAYS, INFR, FREQ and CRIT under the message ID DFS3257I in the MESSAGES/USER DATA policy item of the IMS control region.
4. Check the automation flag settings for resource *subsystem.OLDS*. No changes are needed due to the migration.
5. Check the defined thresholds for resource *subsystem.DFS3257I*. No changes are needed due to the migration.
6. Remove the link to the IMS state/action table EVISS003 via the STATE ACTION TABLE policy item, because this table is no longer used for OLDS monitoring.
7. Inspect the defined commands for message DFS3258A. These definitions are no longer selected by IMS-specific program code, therefore the selection names SYSTEM or LAST are no longer respected. If still needed, specify the commands as expected by the base message automation function of SA z/OS, otherwise remove the definitions.

After upgrading all systems in the sysplex to SA z/OS 3.2:

1. Remove the IMS state/action table EVISS003 via the Product Automation policy object.
2. Remove the unneeded user data definitions for the keywords ARCHIVETIME and RETRYCNT of the special message ID OLDS in the MESSAGES/USER DATA policy item of the IMS control region.

To keep the old monitoring function up and running even with the automation table that is built automatically by the policy build process of SA z/OS 3.2, an additional automation table is provided with the original, unchanged statements for the monitoring function of SA z/OS 3.1. This compatibility automation table, INGMMSG32, should be activated from the moment the upgraded ACF is used as long as the automation agent is not yet running on SA z/OS 3.2. To do this, specify INGMMSG32 in front of INGMMSG01 as automation table in the SYSTEM INFO policy item of the System policy object via the customization dialog and remove it when the automation agent is upgraded to SA z/OS 3.2.

### Migration Schedule

Activity	Pre-SA z/ OS 3.2	Upgrading ACF	Pre-SA z/ OS 3.2 with new ACF	Upgrading Agent	SA z/OS 3.2	Only SA z/OS 3.2 in sysplex
If using AT built by SA z/OS 3.2, include compatibility AT INGMMSG32		x				
Define the two OLDS monitor resources				x		
Define the status messages for the OLDS monitor resource				x		
Define the commands for message DFS3257I in the IMS control region entry				x		
Check the automation flag settings and defined thresholds for resource <i>subsystem.OLDS</i>				x		
If using AT built by SA z/OS 3.2, remove compatibility AT INGMMSG32				x		
Remove the link to state/action table EVISS003				x	x	x
Remove the state/action table EVISS003						x
Clean up the user data definitions for ARCHIVETIME and RETRYCNT from message OLDS						x

### RECON Monitoring in SA z/OS 3.1

The IMS feature in SA z/OS 3.1 includes a RECON monitoring function that checks the status of the recovery control data sets (RECON) of an IMS control region. For this purpose, the IMS command RMLIST DBRC='RECON STATUS' is issued regularly to analyze the status of the listed RECON data sets in the response to this command.

#### Automation Settings in Automation Policy

The automation settings for the RECON monitoring are provided as user data for the special message ID RECONS that is defined in the MESSAGES/USER DATA policy item of the IMS control region with the following keyword-data pairs:

Keyword	Data	Description
MONITOR	hh:mm:ss	Determines how often the RECONS are checked to make sure a spare is available.
RETRY	nn	Determines how many times RECON monitoring will recheck before informing about an UNAVAILABLE spare RECONS data set.
DELAY	nn	Determines the time interval between the retries.

## Changes for RECON Monitoring in SA z/OS 3.2

The RECON monitoring function is no longer part of the IMS feature code, but is assumed by the base SA z/OS functions.

### Automation Settings in Automation Policy

RECON monitoring in SA z/OS 3.2 no longer needs any defined user data as input parameters.

### Monitor Resource

To maintain the full RECON monitoring function in SA z/OS 3.2, a monitor resource has to be defined to monitor the number of available RECON data sets. The health status of the monitored object is propagated to the health status of the IMS application via a HASMONITOR relationship between the IMS control region and the monitor resource. Additional HASPASSIVEPARENT and FORCEDOWN/WhenObservedDown relationships between the monitor resource and the IMS application group mean that the monitor resource is only active during the UP time of the IMS application group. This ensures that the monitor resource can rely on all required functions.

The monitor resource has to be defined with the following characteristics.

#### IMS RECON Monitor:

<b>Monitored Object</b>	RECON
<b>Monitored Jobname</b>	Job name of the IMS control region
<b>Monitor command</b>	INGRMIRE
<b>Monitoring Interval</b>	<i>hh:mm</i>

The monitor command is executed after each monitoring interval. It issues the following command and analyzes the status of the listed RECON data sets in the response to it:

```
RMLIST DBRC='RECON STATUS'
```

Depending on the monitor results, INGRMIRE ends with the following return codes that are mapped to the relating health status for the monitor resource.

Return Code	Health Status	Description
1	BROKEN	Monitor encountered a severe error
2	FAILED	RMLIST DBRC='RECON STATUS' failed
3	NORMAL	No problem found by RECON monitoring
4	WARNING	No COPY2 found for RECON
5	MINOR	No SPARE found for RECON
6	CRITICAL	Neither COPY2 nor SPARE found for RECON
7	FATAL	No RECON data sets found

In addition to the active monitoring with the INGRMIRE monitor command after each monitoring interval, passive monitoring is used to update the health status of the monitor resource. The following IMS message is used to trigger health status update:

```
DSP0038I RECON INCONSISTENCY RECON HEADER RECORD NOT FOUND
```

## IMS Monitoring

When message DSP0038I is received, the defined monitor command has first to be issued to analyze the actual situation and to evaluate the health status, before it can be updated. For this purpose, this message has to be defined as status message via the MESSAGES/USER DATA policy item of the monitor resource, with the status Check.

**RECON Status Display:** The status of RECONS is no longer displayed in the IMS Monitor Panel in SDF and on NMC but is reflected in the color of the displayed monitor resource and hence in the color of the relating IMS application.

### Migration of RECON Monitoring

Because the newly designed RECON monitoring function exploits functional enhancements of SA z/OS 3.2, it cannot be activated before upgrading the automation agent to SA z/OS 3.2.

After upgrading the automation agent to SA z/OS 3.2 on a system:

- Define the monitor resource for RECON monitoring as described above.
- Define message DSP0038I as status messages with health status "Check" in the MESSAGES/USER DATA policy item of the monitor resource for the RECON object.

After upgrading all systems in the sysplex to SA z/OS 3.2:

- Remove the user data definitions for the special message ID RECONS.

### Migration Schedule

Activity	Pre-SA z/ OS 3.2	Upgrading ACF	Pre-SA z/ OS 3.2 with new ACF	Upgrading Agent	SA z/OS 3.2	Only SA z/OS 3.2 in sysplex
Define the RECON monitor resource				x		
Cleanup the user data definitions from message RECONS						x

### DC Monitoring in SA z/OS 3.1

The IMS feature in SA z/OS 3.1 includes a DC monitoring function that checks the status of the VTAM ACB and the enablement of logons. For this purpose, the IMS command DISPLAY ACTIVE DC is issued once after IMS startup and the response to this command is analyzed. In case the status is not satisfied, an event is sent to SDF and NMC.

### Changes for DC Monitoring in SA z/OS 3.2

The monitoring function is no longer part of the IMS feature code, but is assumed by the base SA z/OS functions.

#### Monitor Resource

To maintain the full DC monitoring function in SA z/OS 3.2, a monitor resource has to be defined to monitor the VTAM ACB status and the enablement of logons. The monitor resource is only useful for an IMS control region, but not for a DB control region. The health status of the monitored resource is propagated to the status of the IMS application via a HASMONITOR relationship between the IMS control region and the monitor resource. Additional HASPASSIVEPARENT and

FORCEDOWN/WhenObservedDown relationships between the monitor resource and the IMS control region mean that the monitor resource is only active during the UP time of the IMS control region.

The monitor resource has to be defined with the following characteristics.

### IMS DC Monitor:

<b>Monitored Object</b>	DC
<b>Monitored Jobname</b>	Job name of the IMS control region
<b>Monitor command</b>	INGRMIDC
<b>Monitoring Interval (optional)</b>	<i>hh:mm</i>

The monitor command is executed after each monitoring interval. It issues the following IMS command and analyses the status of the VTAM ACB and the LOGONS enablement:

```
DISPLAY ACTIVE DC
```

If no monitoring interval is specified the defined monitor command is only issued once, initially after having started the monitor resource.

Depending on the monitor results, INGRMIDC ends with the following return codes that are mapped to the relating health status for the monitor resource.

Return Code	Health Status	Description
1	BROKEN	Monitor encountered a severe error
2	FAILED	DISPLAY ACTIVE DC failed
3	NORMAL	VTAM ACB is OPEN and LOGONS enabled
4	WARNING	LOGONS are not enabled

In addition to the active monitoring with the INGRMIDC monitor command after each monitoring interval, passive monitoring is used to update the health status of the monitor resource. The following IMS message is used to trigger health status update:

```
DFS2111I VTAM ACB CLOSED.
```

When message DFS2111I is received, the health status should be set to WARNING. For this purpose, this message has to be defined as status message via the MESSAGES/USER DATA policy item of the monitor resource, with the status WARNING.

## Migration of DC Monitoring

Because the newly designed DC monitoring function exploits functional enhancements of SA z/OS 3.2, it cannot be activated before upgrading the automation agent to SA z/OS 3.2.

After upgrading the automation agent to SA z/OS 3.2 on a system:

- Define a monitor resource for DC monitoring as described above.

### Migration Schedule

Activity	Pre-SA z/OS 3.2	Upgrading ACF	Pre-SA z/OS 3.2 with new ACF	Upgrading Agent	SA z/OS 3.2
Define the DC monitor resource				x	

### MSC Link Monitoring in SA z/OS 3.1

The IMS feature in SA z/OS 3.1 includes an MSC monitoring function which monitors the status of MSC links by passive monitoring and triggers recovery actions based on received messages.

Messages DFS2140, DFS2142, DFS2160I, DFS2161I, DFS2168I, DFS2169I and DFS2236 are used to update the IMS state/action table EVISS002 and to update the status of the MSC links in SDF and NMC.

In addition, messages DFS2142, DFS2161I and DFS2169I are used to trigger recovery actions that are defined in MESSAGES/USER DATA policy item of the IMS control region for the relating message ID. In these defined actions, variables &EHKVAR1 and &EHKVAR2 are replaced by the logical link number and the logical link path name.

The defined recovery actions are only issued if:

- The automation flag for minor resource *subsystem.MSC.link\_id* is not switched off
- The frequency of the automated message does not exceed the frequent threshold level of minor resource *subsystem.MSC.link\_id*.

### Changes for MSC Link Monitoring in SA z/OS 3.2

The MSC link monitoring function has been removed without replacement.

The base SA z/OS functions can be used instead with the following restrictions or changes:

- When defining recovery actions for received messages, variables &EHKVARx can be imbedded which are replaced by the appropriate token of the triggering messages.
- The automation flags of minor resource *subsystem.msgid* are checked instead of *subsystem.MSC.link\_id*.
- The defined thresholds are checked for minor resource *subsystem.msgid* instead of *subsystem.MSC.link\_id*.
- The status of the MSC links is no longer displayed in the IMS Monitor Panel in SDF and on NMC

### Migration of MSC Link Monitoring

Because the newly designed MSC link monitoring function exploits functional enhancements of SA z/OS 3.2, it cannot be activated before upgrading the automation agent to SA z/OS 3.2.

After upgrading the automation agent to SA z/OS 3.2 on a system:

- In defined actions for messages DFS2142, DFS2161I and DFS2169I, imbed variable parts of the triggering message by referencing the appropriate token via the correlating &EHKVARx variable. Also check the selection names for these actions.

- Replace MSC related automation flag definitions by appropriate message related definitions with the MINOR RESOURCE FLAGS policy item.
- Replace MSC related threshold definitions by appropriate message related definitions with the MINOR RESOURCE THRESH policy item.
- Remove the link to the IMS state/action table EVISS002 via the STATE ACTION TABLE policy item, because this table is no longer used for MSC link monitoring.

After upgrading all systems in the sysplex to SA z/OS 3.2:

- Remove the IMS state/action table EVISS002 via the Product Automation policy object.

### Migration Schedule

Activity	Pre-SA z/OS 3.2	Upgrading ACF	Pre-SA z/OS 3.2 with new ACF	Upgrading Agent	SA z/OS 3.2	Only SA z/OS 3.2 in sysplex
Implement new MSC link monitoring by message automation				x		
Remove the link to the state/action table EVISS002				x	x	x
Remove the state/action table EVISS002						x

### Migration of EXIEX002 Calls

Use the following methods to request information that was previously provided by the EVIEX002 common routine:

#### DCSTATUS

If a monitor resource for DC monitoring is implemented as described in “Changes for DC Monitoring in SA z/OS 3.2” on page 242, the health status of this monitor resource indicates the DC status.

The health status of the monitor resource is provided in the variable DCSTATUS when calling the following command:

```
PIPE NETV INGDATA resourcename | EDIT 224.10 1 | VAR DCSTATUS
```

where *resourcename* is the name of the monitor resource.

#### ENDDT

The ASF command can be used to obtain information about the termination time of a resource.

The following command provides date and time when the stop order for a resource was received from the automation manager. The information is delivered in the variable STOPDT.

```
PIPE NETV ASF REQ=DISPLAY ID=resource | SEP | LOC 1.26 /AOF153I LAST STOP  
EVENT: / | EDIT WORD 6.2 | VAR STOPDT
```

The following command provides date and time when the resource became unavailable, as determined by the automation manager. The information is delivered in the variable ENDDT.

```
PIPE NETV ASF REQ=DISPLAY ID=resource | SEP | LOC 1.26 /AOF153I LAST DOWN  
EVENT: / | EDIT WORD 6.2 | VAR ENDDT
```

## Migration of EXIEX002 Calls

### LASTABENDCODE

The ASF command can be used to obtain information about the last termination code.

The following command provides the last termination code in the variable LASTABENDCODE:

```
PIPE NETV ASF REQ=DISPLAY ID=resource | SEP | LOC 1.8 /AOF154I / | EDIT  
WORD 4.1 1 | VAR LASTABENDCODE
```

### RUNSTARTYPE

The ASF command can be used to obtain the last used start type of a resource.

The following command provides the last used start type in the variable RUNSTARTYPE:

```
PIPE NETV ASF REQ=DISPLAY ID=resource | SEP | LOC 1.26 /LAST START EVENT:  
/ | EDIT WORD 10.1 1 | VAR RUNSTARTYPE
```

### STARTDT

The ASF command can be used to obtain information about the start time of a resource.

The following command provides date and time when the start order for a resource was received from the automation manager. The information is delivered in the variable STARTDT.

```
PIPE NETV ASF REQ=DISPLAY ID=resource | SEP | LOC 1.26 /AOF153I LAST START  
EVENT: / | EDIT WORD 6.2 | VAR STARTDT
```

The following command provides date and time when the resource became unavailable, as determined by the automation manager. The information is delivered in the variable AVAILDT.

```
PIPE NETV ASF REQ=DISPLAY ID=resource | SEP | LOC 1.26 /AOF153I LAST AVAIL  
EVENT: / | EDIT WORD 6.2 | VAR AVAILDT
```

### STARTTYPE

The start type to be used to start a resource can be requested with the INGDATA command.

The following command provides the start type in the variable STARTTYPE.

```
PIPE NETV INGDATA resource | EDIT 124.10 1 | VAR STARTTYPE
```

---

## XRF Support

The following migration steps are only needed if IMS control regions are executing as an XRF complex, and these IMS control regions are defined with the **XRF enabled** field set to YES in the IMS CONTROL policy item of SA z/OS.

In SA z/OS 3.2 the automation table statements for the XRF-related automation of IMS control regions have been outsourced to a separate automation table. To continue to use XRF support in SA z/OS 3.2, this automation table, INGMMSGIX, has to be specified ahead of INGMMSG01 as Automation Tables in the SYSTEM INFO policy item of the System policy object via the customization dialog.

The shutdown commands for the IMS control region with the **XRF enabled** field set to YES must be prefixed with EVIRXRF STOP,*xrf\_status* where *xrf\_status* is either ACTIVE or BACKUP. This applies to all passes.

The following command has to be defined as the POSTSTART command in the STARTUP policy item of the IMS control region:

```
EVIRXRF EVENT,UP
```

The following command has to be defined as the FINAL command in the SHUTDOWN policy item of the IMS control region:

```
EVIRXRF EVENT,DOWN
```

All migration for XRF must be done when upgrading to SA z/OS 3.2. The affected policy entries cannot be used with any earlier releases of SA z/OS.



---

## Appendix H. Syntax for HSAPRM00

### Notes:

1. A sample member called HSAPRM00 is provided in the SINGSAMP sample library.
2. Records starting with a '\*' in column 1 are treated as comments. Each parameter must be specified on a single line. Trailing comments are not supported.

```
BLOCKOMVS={YES|NO}
BUILDTIMEOUT={ss|180}
CFGDSN=<configuration file data set name>
COMM=XCF
DELAY={ss|0}
DIAGDUPMSG={nnnnn|0}
DIAGINFO=dsname
GRPID={xx|' ' }
IOINTERVAL={n|0}
LIFECYCLE={500|nnnn};MY.AGENT.DATA.SET
LOGSTREAM={YES|NO}
NUMQTHDS={n|3}
OVRDELETEDELAY={dd|0}
PREF={n|0}
PROMPT={YES|NO}
START={COLD|HOT|WARM}
STOPDELAY={ss|30}
TAKEOVERFILE=name
TAKEOVERTIMEOUT={nn|12}
WLMQUERYINTERVAL={n|0}
```

### BLOCKOMVS

This parameter allows you to specify whether the automation manager blocks OMVS shutdown as long as the automation manager is active.

**YES** If BLOCKOMVS=YES is specified, at the automation manager's initialization time, it adds a shutdown block to OMVS. Thus OMVS does not terminate as long as the automation manager is active, even if this is requested by the operator. OMVS is stopped only when the automation manager is stopped with the AM stop command.

### Notes:

1. A STOP,DEFER causes the automation manager to terminate when all agents connected to it have terminated. Then the stop command for OMVS will get through.
2. For BLOCKOMVS=YES the automation manager must be UID(0).

Note that

**NO** If BLOCKOMVS=NO is specified and OMVS shuts down, the automation manager abends due to cancellation by OMVS.

### BUILDTIMEOUT

May be used to specify a time limit for the completion of the data structure build process that is used during a COLD or WARM start of the primary automation manager. You can specify a value from 0–180 seconds. A value of 180 (3 minutes) is assumed if omitted. A specification of 0 suppresses timing of the data structure build process.

### CFGDSN

The CFGDSN value is used only on a COLD start, and may be overridden by an initialization prompt response. On other start types, the default CFGDSN is the one that was in use when automation was last active.

Specify the name of the control data set that contains the SA z/OS configuration that is read by the SA z/OS automation agent and automation manager.

### COMM

This parameter specifies that the automation manager will use XCF for communication with the automation agents. In this case, the takeover file provides the persistent storage medium for holding the current resource states and settings across automation manager sessions.

Using XCF for communication has the following risks:

- All work items travelling to, queued in, or processed by the automation manager are lost when the automation manager terminates abnormally.
- Orders for the automation agents can be broken because some orders could already have been sent at the time when the automation manager terminated abnormally.
- A warm start is required when an irrecoverable I/O error occurs while reading from or writing to the takeover file.

### DELAY

Is the number of seconds to be used as a default delay prior to determining the operational mode when the automation manager instance is started. The delay option can be used when you IPL several systems concurrently and want to ensure that the primary or secondary automation manager is started on a particular system.

Note that the DELAY parameter applies only to the IPL of a system, whereas the PREF parameter applies only in the case of a takeover.

A delay value from 0–999 seconds may be specified. A value of 0 (no delay) will be assumed if it is omitted.

This value may be overridden on an individual instance basis by the start command parameter.

This parameter will be ignored when the automation manager instance is started by Automatic Restart Manager or with the specification of TYPE=HOT.

### DIAGDUPMSG

This is the number of message buffer IDs that are validated before send and after receive. This is for diagnostic purposes. A value for *nnnnn* may be chosen between 0 (no validation) and 99999. The default is 0 and performance decreases with larger values.

### DIAGINFO

Specifies that the automation manager starts work item recording from the beginning. *dsname* is the name of the data set that will hold the work items. The data set must be a sequential file. It must exist and must be catalogued.

**Note:** The data set name is accepted without checking if the data set exists or if it is accessed by another user.

**GRPID**

Specifies the 2-character suffix that composes the XCF group name that is used by the automation manager and the various agents when communicating among each other.

**IOINTERVAL**

This defines the interval that is used to buffer any I/O to the takeover file. The value can be from 0 to 10 seconds. The default is 0 which means that no buffering is done. The maximum is 10 seconds. At the end of the interval any deferred I/O is done. The recommended value is 3.

**LIFECYCLE=*nnnn*;*dataset***

This parameter allows you to prepare for Life Cycle Recording in order to debug automation manager-related problems. Normally, SA z/OS Service will advise when Life Cycle Recording should be enabled. Specify the following:

*nnnn* Defines the size of the data space in number of megabytes (1 through 2097). A value of 500 is recommended and is sufficient in most situations.

*dataset* Specifies the fully-qualified DSN to be used when offloading the dataspace to disk.

**Note:** *nnnn* and *dataset* must be separated by a semicolon without intervening blanks. The total length of '*nnnn*;*dataset*' can be a maximum of 44 bytes.

**LOGSTREAM**

This defines whether or not the automation manager should establish a connection to the system logger at initialization time. The default is YES.

If NO is specified, no access to the log streams HSA.WORKITEM.HISTORY and HSA.MESSAGE.LOG will be established and subsequently no data will be written into them. No work item history besides that shown in the INGINFO command is available and no detailed information or warning or error messages are available for problem determination.

**NUMQTHDS**

The NUMQTHDS parameter controls the number of query threads. This value limits the amount of parallel query activity that can be performed. If not specified, a default value of 3 will be used. A maximum of 15 query threads may be specified.

**OVRDELETEDELAY**

Is the number of days that a schedule override should be retained before being automatically deleted. A value of 0 days indicates that schedule overrides are not to be automatically deleted and is the default if no value is specified. A maximum of 366 days may be specified.

**PREF**

Specifies the preference given to the instance of the automation manager when determining which of the secondary automation managers (SAMs) should become the primary automation manager.

The value can range from 0 through 15, where 0 is the highest preference. The SAM will only participate in the escalation process when there is no other SAM active with a higher preference. The default is 0.

Note that the PREF parameter applies only in the case of a takeover, whereas the DELAY parameter applies only to the IPL of a system.

### PROMPT

Specifying YES lets you overwrite the CFGDSN parameter (the name of the automation manager configuration file). Message HSAM1302A is issued and waits for a response. You can now specify the keyword/value pair:  
 CFGDSN=<fully.qualified.data.set.name>

Alternatively you can use a null or 'U' response to indicate that no override values are to be applied.

### START

Defines the start mode of the automation manager. During initialization, the automation manager retrieves input from:

- 1** The CFGDSN parameter
- 2** Schedule overrides
- 3** The persistent data store (votes, triggers, resource states)

The following table shows where the automation manager retrieves initialization data for the possible values for the START parameter.

	COLD	WARM	HOT
<b>1</b>	The name of automation manager configuration file is taken from PARMLIB, the START command, or via the PROMPT=YES option.	The last value that was used is taken	The last value that was used is taken
<b>2</b>	Deleted	Taken from the last run	Taken from the last run
<b>3</b>	Deleted	Deleted	Taken from the last run

#### Recommendation:

Use COLD for the very first time, or when the schedule override file should be cleared.

Use WARM if the automation policy has changed, that is, the automation manager configuration file has been rebuilt.

Use HOT in any other case.

The start mode does not affect the secondary automation managers. However, the secondary automation manager reads the CFGDSN parameter from the original HSAPRMxx when the SAM was started. Any changes that you make to the HSAPRMxx are not reflected in a takeover with a cold start. If you want to perform a cold start with a modified HSAPRMxx you must first stop all your SAMs and then restart them.

The START parameter can also be specified in the automation manager JCL. If the HSAPRM00 values are to be used, the START= parameter must be removed from the JCL.

### STOPDELAY

Is the number of seconds to be used when an MVS F <jobname>, STOP, DEFER command is entered for the primary automation manager. This delay will be invoked only if one or more secondary automation managers are active and ready when the command is received. Specify a value in the range 0–999 seconds. The recommended value is 30 seconds.

### TAKEOVERFILE

This defines the data set name of the takeover file. It must be fully qualified.

**TAKEOVERTIMEOUT**

The value, *nn*, may range from 1 to 600 seconds. The default is 12 seconds.

If the (secondary) automation manager performs a takeover, or an automation manager is started HOT, it will wait for specified seconds before the takeover is done from the takeover file. This delay may be required in order to allow VSAM to perform its cleanup activities on the takeover file.

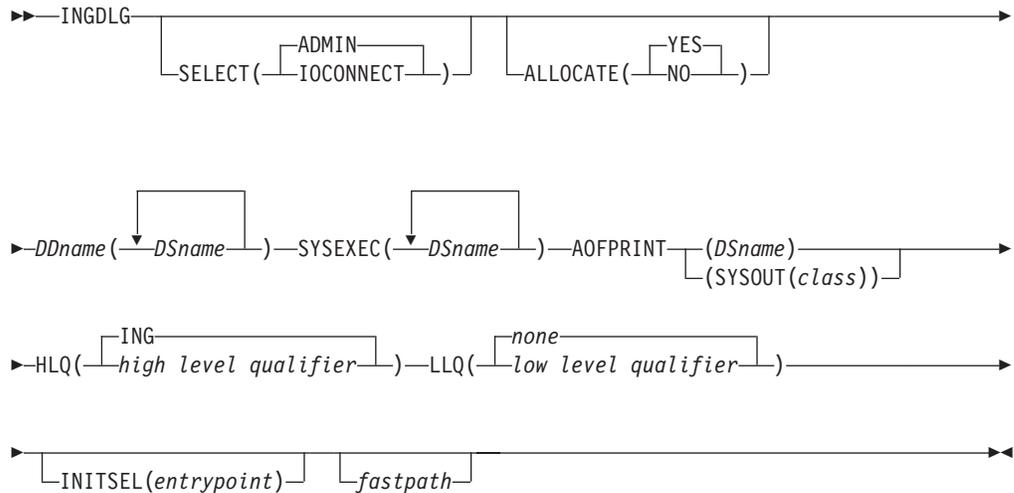
**WLMQUERYINTERVAL**

This specifies the time in minutes between queries of WLM by the automation manager, as used for resource aware application move. The default is 0, which means that no querying of WLM is done. The valid range for WLMQUERYINTERVAL is from 0 to 600 minutes (that is, 10 hours).

## Syntax for HSAPRM00

## Appendix I. INGDLG Command

The INGDLG command allocates required DD names and invokes the ISPF dialog. Its syntax is:



The parameters of the INGDLG command are:

### SELECT

Enables you to select either ADMIN or IOCONNECT. If the SELECT keyword is not specified, SELECT (ADMIN) is the default.

#### ADMIN

Enables the selection of automation policy dialogs. This is the default.

#### IOCONNECT

Enables the selection of I/O operations command dialogs.

### ALLOCATE

Controls defining DD names. If ALLOCATE is not specified, ALLOCATE (YES) is the default.

#### YES

Allocates the necessary libraries according to the specifications in the HLQ and LLQ parameters.

If DDname AOFTABL is specified as an additional parameter, that data set is also allocated for ISPTLIB.

Furthermore, to avoid enqueue situations for multiple users, the name of the ISPF profile data set is obtained and allocated as the first data set of the table input library.

#### NO

Does not perform any allocation of data sets. The libraries needed for the customization dialog need to be allocated before invoking INGDLG.

*DDname(DSname)*

The *DSname* is the fully-qualified data set name that is to be associated

with DD name that is specified. The name is not extended with any prefixes or suffixes that are defined using the HLQ and LLQ parameters.

For example, the following specification allocates the data set ING.CUSTOM.AOFTABL to the DD name AOFTABL:

```
AOFTABL(ING.CUSTOM.AOFTABL)
```

#### **SYSEXEC**(*DSname DSname DSname ...*)

For the DD name SYSEXEC multiple data set names are supported:

```
SYSEXEC(DSname DSname DSname ...)
```

This results in the following command:

```
TSO ALLOC ALTLIB ACTIVATE APPLICATION(EXEC)
        DATASET(DSname DSname DSname ...) UNCOND
```

#### **AOFPRINT**

For the DD name AOFPRINT, *DSname* is a fully-qualified data set name and the following syntax is valid:

```
AOFPRINT(SYSOUT(class))
```

Where *class* is a valid output class, creating a DD statement with SYSOUT=*class*. In this case, the output is placed into the JES output class *class*.

**HLQ** Enables you to change the high level qualifier (HLQ) of the SMP/E data sets, which is currently ING, to a HLQ of your choice. If you do not specify this parameter, ING is retained as the default.

**LLQ** Enables you to establish a suffix for default data set names. The default is none.

#### **INITSEL**

This parameter can be used to provide a user-selected entry point to the customization dialog. If this keyword is specified, you do not see the Customization Dialog Primary Menu as the first panel when invoking the customization dialog. INITSEL provides a fast path to some other panel, for example, the Entry Name Selection panel for a frequently used entry type. Valid values are those that you can specify as a fast path in the customization dialog, for example:

- To reach the APPC application:  
INITSEL(=APL; S APPC)
- To reach application group CICS\_APG:  
INITSEL(=APG; S CICS\_APG)
- To reach the Entry Name Selection panel for Applications:  
INITSEL(=APL;)

#### *fastpath*

Any words that are not the reserved keywords. The *fastpath* words are passed as parameters to I/O operations dialogs, if selected.

Return codes for this routine are:

- 0 No errors encountered
- 4 ISPF is not active
- 8 Error in data set allocation
- 12 Error in data set deallocation or a failed allocation

---

## Appendix J. Notices

This information was developed for products and services offered in the U.S.A.

IBM may not offer the products, services, or features discussed in this document in other countries. Consult your local IBM representative for information on the products and services currently available in your area. Any reference to an IBM product, program, or service is not intended to state or imply that only that IBM product, program, or service may be used. Any functionally equivalent product, program, or service that does not infringe any IBM intellectual property right may be used instead. However, it is the user's responsibility to evaluate and verify the operation of any non-IBM product, program, or service.

IBM may have patents or pending patent applications covering subject matter in this document. The furnishing of this document does not give you any license to these patents. You can send license inquiries, in writing, to:

IBM Director of Licensing  
IBM Corporation  
North Castle Drive  
Armonk, NY 10504-1785  
USA

For license inquiries regarding double-byte (DBCS) information, contact the IBM Intellectual Property Department in your country or send inquiries, in writing, to:

Intellectual Property Licensing  
Legal and Intellectual Property Law  
IBM Japan, Ltd.  
1623-14, Shimotsuruma, Yamato-shi  
Kanagawa 242-8502 Japan

**The following paragraph does not apply to the United Kingdom or any other country where such provisions are inconsistent with local law:**

INTERNATIONAL BUSINESS MACHINES CORPORATION PROVIDES THIS PUBLICATION "AS IS" WITHOUT WARRANTY OF ANY KIND, EITHER EXPRESS OR IMPLIED, INCLUDING, BUT NOT LIMITED TO, THE IMPLIED WARRANTIES OF NON-INFRINGEMENT, MERCHANTABILITY OR FITNESS FOR A PARTICULAR PURPOSE. Some states do not allow disclaimer of express or implied warranties in certain transactions, therefore, this statement may not apply to you.

This information could include technical inaccuracies or typographical errors. Changes are periodically made to the information herein; these changes will be incorporated in new editions of the publication. IBM may make improvements and/or changes in the product(s) and/or the program(s) described in this publication at any time without notice.

Any references in this information to non-IBM Websites are provided for convenience only and do not in any manner serve as an endorsement of those Websites. The materials at those Websites are not part of the materials for this IBM product and use of those Websites is at your own risk.

IBM may use or distribute any of the information you supply in any way it believes appropriate without incurring any obligation to you.

Licensees of this program who wish to have information about it for the purpose of enabling: (i) the exchange of information between independently created programs and other programs (including this one) and (ii) the mutual use of the information which has been exchanged, should contact:

IBM Deutschland Research & Development GmbH  
Department 3248  
Schoenaicher Strasse 220  
D-71032 Boeblingen  
Federal Republic of Germany

Such information may be available, subject to appropriate terms and conditions, including in some cases, payment of a fee.

The licensed program described in this document and all licensed material available for it are provided by IBM under terms of the IBM Customer Agreement, IBM International Program License Agreement or any equivalent agreement between us.

This information contains examples of data and reports used in daily business operations. To illustrate them as completely as possible, the examples include the names of individuals, companies, brands, and products. All of these names are fictitious and any similarity to the names and addresses used by an actual business enterprise is entirely coincidental.

If you are viewing this information softcopy, the photographs and color illustrations may not appear.

---

## Programming Interface Information

This publication documents information that is *not* intended to be used as a programming interface of IBM Tivoli System Automation for z/OS.

---

## Trademarks

IBM, the IBM logo, and [ibm.com](http://ibm.com)<sup>®</sup> are trademarks or registered trademarks of International Business Machines Corp., registered in many jurisdictions worldwide. Other product and service names might be trademarks of IBM or other companies. A current list of IBM trademarks is available on the Web at [www.ibm.com/legal/copytrade.shtml](http://www.ibm.com/legal/copytrade.shtml).

Java and all Java-based trademarks and logos are trademarks of Sun Microsystems, Inc. in the United States, other countries, or both.

Linux is a registered trademark of Linus Torvalds in the United States, other countries, or both.

Microsoft, Windows, and Windows NT are trademarks of Microsoft Corporation in the United States, other countries, or both.

UNIX is a registered trademark of The Open Group in the United States and other countries.

---

## Glossary

This glossary includes terms and definitions from:

- The *IBM Dictionary of Computing* New York: McGraw-Hill, 1994.
- The *American National Standard Dictionary for Information Systems*, ANSI X3.172-1990, copyright 1990 by the American National Standards Institute (ANSI). Copies can be purchased from the American National Standards Institute, 1430 Broadway, New York, New York 10018. Definitions are identified by the symbol (A) after the definition.
- The *Information Technology Vocabulary* developed by Subcommittee 1, Joint Technical Committee 1, of the International Organization for Standardization and the International Electrotechnical Commission (ISO/IEC JTC1/SC1). Definitions of published parts of this vocabulary are identified by the symbol (I) after the definition; definitions taken from draft international standards, committee drafts, and working papers being developed by ISO/IEC JTC1/SC1 are identified by the symbol (T) after the definition, indicating that final agreement has not yet been reached among the participating National Bodies of SC1.

The following cross-references are used in this glossary:

**Contrast with.** This refers to a term that has an opposed or substantively different meaning.

**Deprecated term for.** This indicates that the term should not be used. It refers to a preferred term, which is defined in its proper place in the glossary.

**See.** This refers the reader to multiple-word terms in which this term appears.

**See also.** This refers the reader to terms that have a related, but not synonymous, meaning.

**Synonym for.** This indicates that the term has the same meaning as a preferred term, which is defined in the glossary.

**Synonymous with.** This is a backward reference from a defined term to all other terms that have the same meaning.

## A

**ACF.** See automation configuration file.

**ACF/NCP.** Advanced Communications Function for the Network Control Program. See Advanced Communications Function and Network Control Program.

**ACF/VTAM.** Advanced Communications Function for the Virtual Telecommunications Access Method. Synonym for VTAM. See Advanced Communications Function and Virtual Telecommunications Access Method.

**active monitoring.** In SA z/OS automation control file, the acquiring of resource status information by soliciting such information at regular, user-defined intervals. See also passive monitoring.

**adapter.** Hardware card that enables a device, such as a workstation, to communicate with another device, such as a monitor, a printer, or some other I/O device.

**Address Space Workflow.** In RMF, a measure of how a job uses system resources and the speed at which the job moves through the system. A low workflow indicates that a job has few of the resources it needs and is contending with other jobs for system resources. A high workflow indicates that a job has all the resources it needs to execute.

**adjacent hosts.** Systems connected in a peer relationship using adjacent NetView sessions for purposes of monitoring and control.

**adjacent NetView.** In SA z/OS, the system defined as the communication path between two SA z/OS systems that do not have a direct link. An adjacent NetView is used for message forwarding and as a communication link between two SA z/OS systems. For example, the adjacent NetView is used when sending responses from a focal point to a remote system.

**Advanced Communications Function (ACF).** A group of IBM licensed programs (principally VTAM, TCAM, NCP, and SSP) that use the concepts of Systems Network Architecture (SNA), including distribution of function and resource sharing.

**advanced program-to-program communication (APPC).** A set of inter-program communication services that support cooperative transaction processing in a Systems Network Architecture (SNA) network. APPC is the implementation, on a given system, of SNA's logical unit type 6.2.

**alert.** (1) In SNA, a record sent to a system problem management focal point or to a collection point to communicate the existence of an alert condition. (2) In

NetView, a high-priority event that warrants immediate attention. A database record is generated for certain event types that are defined by user-constructed filters.

**alert condition.** A problem or impending problem for which some or all of the process of problem determination, diagnosis, and resolution is expected to require action at a control point.

**alert focal-point system.** See NPDA focal point system.

**alert threshold.** An application or volume service value that determines the level at which SA z/OS changes the associated icon in the graphical interface to the alert color. SA z/OS may also issue an alert. See warning threshold.

**AMC.** (1) See Automation Manager Configuration. (2) The Auto Msg Classes entry type.

**American Standard Code for Information Interchange (ASCII).** A standard code used for information exchange among data processing systems, data communication systems, and associated equipment. ASCII uses a coded character set consisting of 7-bit coded characters (8-bit including parity check). The ASCII set consists of control characters and graphic characters. See also Extended Binary Coded Decimal Interchange Code.

**APF.** See authorized program facility.

**API.** See application programming interface.

**APPC.** See advanced program-to-program communication.

**application.** In SA z/OS, applications refer to z/OS subsystems, started tasks, or jobs that are automated and monitored by SA z/OS. On SNMP-capable processors, application can be used to refer to a subsystem or process.

**Application entry.** A construct, created with the customization dialogs, used to represent and contain policy for an application.

**application group.** A named set of applications. An application group is part of an SA z/OS enterprise definition and is used for monitoring purposes.

**application program.** (1) A program written for or by a user that applies to the user's work, such as a program that does inventory or payroll. (2) A program used to connect and communicate with stations in a network, enabling users to perform application-oriented activities.

**application programming interface (API).** An interface that allows an application program that is written in a high-level language to use specific data or functions of the operating system or another program.

**ApplicationGroup entry.** A construct, created with the customization dialogs, used to represent and contain policy for an application group.

**ARM.** See automatic restart management.

**ASCB.** Address space control block.

**ASCB status.** An application status derived by SA z/OS running a routine (the ASCB checker) that searches the z/OS address space control blocks (ASCBs) for address spaces with a particular job name. The job name used by the ASCB checker is the job name defined in the customization dialog for the application.

**ASCII.** See American Standard Code for Information Interchange.

**ASF.** See automation status file.

**authorized program facility (APF).** A facility that permits identification of programs that are authorized to use restricted functions.

**automated console operations (ACO).** The use of an automated procedure to replace or simplify the action that an operator takes from a console in response to system or network events.

**automated function.** SA z/OS automated functions are automation operators, NetView autotasks that are assigned to perform specific automation functions. However, SA z/OS defines its own synonyms, or *automated function names*, for the NetView autotasks, and these function names are referred to in the sample policy databases provided by SA z/OS. For example, the automation operator AUTBASE corresponds to the SA z/OS automated function BASEOPER.

**automatic restart management (ARM).** A z/OS recovery function that improves the availability of specified subsystems and applications by automatically restarting them under certain circumstances. Automatic restart management is a function of the Cross-System Coupling Facility (XCF) component of z/OS.

**automatic restart management element name.** In MVS 5.2 or later, z/OS automatic restart management requires the specification of a unique sixteen character name for each address space that registers with it. All automatic restart management policy is defined in terms of the element name, including SA z/OS's interface with it.

**automation.** The automatic initiation of actions in response to detected conditions or events. SA z/OS provides automation for z/OS applications, z/OS components, and remote systems that run z/OS. SA z/OS also provides tools that can be used to develop additional automation.

**automation agent.** In SA z/OS, the automation function is split up between the automation manager and the automation agents. The observing, reacting and doing parts are located within the NetView address space, and are known as the *automation agents*. The automation agents are responsible for:

- Recovery processing
- Message processing
- Active monitoring: they propagate status changes to the automation manager

**automation configuration file.** The SA z/OS customization dialogs must be used to build the automation configuration file. It consists of:

- | • The automation manager configuration file (AMC)
- | • The NetView automation table (AT)
- | • The NetView message revision table (MRT)
- | • The MPFLSTSA member

**automation control file (ACF).** In SA z/OS, a file that contains system-level automation policy information. There is one master automation control file for each NetView system that SA z/OS is installed on. Additional policy information and all resource status information is contained in the policy database (PDB). The SA z/OS customization dialogs must be used to build the automation control files. They must not be edited manually.

**automation flags.** In SA z/OS, the automation policy settings that determine the operator functions that are automated for a resource and the times during which automation is active. When SA z/OS is running, automation is controlled by automation flag policy settings and override settings (if any) entered by the operator. Automation flags are set using the customization dialogs.

**automation manager.** In SA z/OS, the automation function is split up between the automation manager and the automation agents. The coordination, decision making and controlling functions are processed by each sysplex's *automation manager*.

The automation manager contains a model of all of the automated resources within the sysplex. The automation agents feed the automation manager with status information and perform the actions that the automation manager tells them to.

The automation manager provides *sysplex-wide* automation.

**Automation Manager Configuration.** The Automation Manager Configuration file (AMC) contains an image of the automated systems in a sysplex or of a standalone system. See also “automation configuration file.”

**Automation NetView.** In SA z/OS the NetView that performs routine operator tasks with command procedures or uses other ways of automating system

and network management, issuing automatic responses to messages and management services units.

**automation operator.** NetView automation operators are NetView autotasks that are assigned to perform specific automation functions. See also automated function. NetView automation operators may receive messages and process automation procedures. There are no logged-on users associated with automation operators. Each automation operator is an operating system task and runs concurrently with other NetView tasks. An automation operator could be set up to handle JES2 messages that schedule automation procedures, and an automation statement could route such messages to the automation operator. Similar to *operator station task*. SA z/OS message monitor tasks and target control tasks are automation operators.

**automation policy.** The policy information governing automation for individual systems. This includes automation for applications, z/OS subsystems, z/OS data sets, and z/OS components.

**automation policy settings.** The automation policy information contained in the automation control file. This information is entered using the customization dialogs. You can display or modify these settings using the customization dialogs.

**automation procedure.** A sequence of commands, packaged as a NetView command list or a command processor written in a high-level language. An automation procedure performs automation functions and runs under NetView.

**automation status file (ASF).** In SA z/OS, a file containing status information for each automated subsystem, component or data set. This information is used by SA z/OS automation when taking action or when determining what action to take. In Release 2 and above of AOC/MVS, status information is also maintained in the operational information base.

**automation table (AT).** See NetView automation table.

**autotask.** A NetView automation task that receives messages and processes automation procedures. There are no logged-on users associated with autotasks. Each autotask is an operating system task and runs concurrently with other NetView tasks. An autotask could be set up to handle JES2 messages that schedule automation procedures, and an automation statement could route such messages to the autotasks. Similar to *operator station task*. SA z/OS message monitor tasks and target control tasks are autotasks. Also called *automation operator*.

**available.** In VTAM programs, pertaining to a logical unit that is active, connected, enabled, and not at its session limit.

## B

**Base Control Program (BCP).** A program that provides essential services for the MVS and z/OS operating systems. The program includes functions that manage system resources. These functions include input/output, dispatch units of work, and the z/OS UNIX System Services kernel. See also Multiple Virtual Storage and z/OS.

**basic mode.** A central processor mode that does not use logical partitioning. Contrast with logically partitioned mode.

**BCP.** See Base Control Program.

**BCP Internal Interface.** Processor function of CMOS-390 and System z processor families. It allows for communication between basic control programs such as z/OS and the processor support element in order to exchange information or to perform processor control functions. Programs using this function can perform hardware operations such as ACTIVATE or SYSTEM RESET.

**beaconing.** The repeated transmission of a frame or messages (beacon) by a console or workstation upon detection of a line break or outage.

**BookManager®.** An IBM product that lets users view softcopy documents on their workstations.

## C

**central processor (CP).** The part of the computer that contains the sequencing and processing facilities for instruction execution, initial program load (IPL), and other machine operations.

**central processor complex (CPC).** A physical collection of hardware that consists of central storage, one or more central processors, timers, and channels.

**central site.** In a distributed data processing network, the central site is usually defined as the focal point for alerts, application design, and remote system management tasks such as problem management.

**CFR/CFS and ISC/ISR.** I/O operations can display and return data about integrated system channels (ISC) connected to a coupling facility and coupling facility receiver (CFR) channels and coupling facility sender (CFS) channels.

**channel.** A path along which signals can be sent; for example, data channel, output channel. See also link.

**channel path identifier.** A system-unique value assigned to each channel path.

**channel-attached.** (1) Attached directly by I/O channels to a host processor (for example, a

channel-attached device). (2) Attached to a controlling unit by cables, rather than by telecommunication lines. Contrast with link-attached. Synonymous with local.

**CHPID.** In SA z/OS, channel path ID; the address of a channel.

**CHPID port.** A label that describes the system name, logical partitions, and channel paths.

**CI.** See console integration.

**CICS/VS.** Customer Information Control System for Virtual Storage. See Customer Information Control System.

**CLIST.** See command list.

**clone.** A set of definitions for application instances that are derived from a basic application definition by substituting a number of different system-specific values into the basic definition.

**clone ID.** A generic means of handling system-specific values such as the MVS SYSC clone or the VTAM subarea number. Clone IDs can be substituted into application definitions and commands to customize a basic application definition for the system that it is to be instantiated on.

**CNC.** A channel path that transfers data between a host system image and an ESCON control unit. It can be point-to-point or switchable.

**command.** A request for the performance of an operation or the execution of a particular program.

**command facility.** The component of NetView that is a base for command processors that can monitor, control, automate, and improve the operation of a network. The successor to NCCF.

**command list (CLIST).** (1) A list of commands and statements, written in the NetView command list language or the REXX language, designed to perform a specific function for the user. In its simplest form, a command list is a list of commands. More complex command lists incorporate variable substitution and conditional logic, making the command list more like a conventional program. Command lists are typically interpreted rather than being compiled. (2) In SA z/OS, REXX command lists that can be used for automation procedures.

**command procedure.** In NetView, either a command list or a command processor.

**command processor.** A module designed to perform a specific function. Command processors, which can be written in assembler or a high-level language (HLL), are issued as commands.

**command processor control block.** An I/O operations internal control block that contains information about the command being processed.

**Command Tree/2.** An OS/2-based program that helps you build commands on an OS/2 window, then routes the commands to the destination you specify (such as a 3270 session, a file, a command line, or an application program). It provides the capability for operators to build commands and route them to a specified destination.

**common commands.** The SA z/OS subset of the CPC operations management commands.

**common routine.** One of several SA z/OS programs that perform frequently used automation functions. Common routines can be used to create new automation procedures.

**Common User Access (CUA) architecture.** Guidelines for the dialog between a human and a workstation or terminal.

**communication controller.** A type of communication control unit whose operations are controlled by one or more programs stored and executed in the unit or by a program executed in a processor to which the controller is connected. It manages the details of line control and the routing of data through a network.

**communication line.** Deprecated term for telecommunication line.

**connectivity view.** In SA z/OS, a display that uses graphic images for I/O devices and lines to show how they are connected.

**console automation.** The process of having NetView facilities provide the console input usually handled by the operator.

**console connection.** In SA z/OS, the 3270 or ASCII (serial) connection between a PS/2 computer and a target system. Through this connection, the workstation appears (to the target system) to be a console.

**console integration (CI).** A hardware facility that if supported by an operating system, allows operating system messages to be transferred through an internal hardware interface for display on a system console. Conversely, it allows operating system commands entered at a system console to be transferred through an internal hardware interface to the operating system for processing.

**consoles.** Workstations and 3270-type devices that manage your enterprise.

**Control units.** Hardware units that control I/O operations for one or more devices. You can view information about control units through I/O

operations, and can start or stop data going to them by blocking and unblocking ports.

**controller.** A unit that controls I/O operations for one or more devices.

**converted mode (CVC).** A channel operating in converted (CVC) mode transfers data in blocks and a CBY channel path transfers data in bytes. Converted CVC or CBY channel paths can communicate with a parallel control unit. This resembles a point-to-point parallel path and dedicated connection, regardless whether it passes through a switch.

**couple data set.** A data set that is created through the XCF couple data set format utility and, depending on its designated type, is shared by some or all of the z/OS systems in a sysplex. See also sysplex couple data set and XCF couple data set.

**coupling facility.** The hardware element that provides high-speed caching, list processing, and locking functions in a sysplex.

**CP.** See central processor.

**CPC.** See central processor complex.

**CPC operations management commands.** A set of commands and responses for controlling the operation of System/390® CPCs.

**CPC subset.** All or part of a CPC. It contains the minimum *resource* to support a single control program.

**CPCB.** See command processor control block.

**CPU.** Central processing unit. Deprecated term for processor.

**cross-system coupling facility (XCF).** A component of z/OS that provides functions to support cooperation between authorized programs running within a sysplex.

**CTC.** The channel-to-channel (CTC) channel can communicate with a CTC on another host for intersystem communication.

**Customer Information Control System (CICS).** A general-purpose transactional program that controls online communication between terminal users and a database for a large number of end users on a real-time basis.

**customization dialogs.** The customization dialogs are an ISPF application. They are used to customize the enterprise policy, like, for example, the enterprise resources and the relationships between resources, or the automation policy for systems in the enterprise. How to use these dialogs is described in *IBM Tivoli System Automation for z/OS Customizing and Programming*.

**CVC.** See converted mode.

## D

**DASD.** See direct access storage device.

**data services task (DST).** The NetView subtask that gathers, records, and manages data in a VSAM file or a network device that contains network management information.

**data set.** The major unit of data storage and retrieval, consisting of a collection of data in one of several prescribed arrangements and described by control information to which the system has access.

**data set members.** Members of partitioned data sets that are individually named elements of a larger file that can be retrieved by name.

**DBCS.** See double-byte character set.

**DCCF.** See disabled console communication facility.

**DCF.** See Document Composition Facility.

**DELAY Report.** An RMF report that shows the activity of each job in the system and the hardware and software resources that are delaying each job.

**device.** A piece of equipment. Devices can be workstations, printers, disk drives, tape units, remote systems or communications controllers. You can see information about all devices attached to a particular switch, and control paths and jobs to devices.

**DEVR Report.** An RMF report that presents information about the activity of I/O devices that are delaying jobs.

**dialog.** Interactive 3270 panels.

**direct access storage device (DASD).** A device that allows storage to be directly accessed, such as a disk drive.

**disabled console communication facility (DCCF).** A z/OS component that provides limited-function console communication during system recovery situations.

**disk operating system (DOS).** (1) An operating system for computer systems that use disks and diskettes for auxiliary storage of programs and data. (2) Software for a personal computer that controls the processing of programs. For the IBM Personal Computer, the full name is Personal Computer Disk Operating System (PCDOS).

**display.** (1) To present information for viewing, usually on the screen of a workstation or on a hardcopy device. (2) Deprecated term for panel.

**distribution manager.** The component of the NetView program that enables the host system to use, send, and delete files and programs in a network of computers.

**Document Composition Facility (DCF).** An IBM licensed program used to format input to a printer.

**domain.** (1) An access method and its application programs, communication controllers, connecting lines, modems, and attached workstations. (2) In SNA, a system services control point (SSCP) and the physical units (PUs), logical units (LUs), links, link stations, and associated resources that the SSCP can control with activation requests and deactivation requests.

**double-byte character set (DBCS).** A character set, such as Kanji, in which each character is represented by a 2-byte code.

**DP enterprise.** Data processing enterprise.

**DSIPARM.** This file is a collection of members of NetView's customization.

**DST.** Data Services Task.

## E

**EBCDIC.** See Extended Binary Coded Decimal Interchange Code.

**ECB.** See event control block.

**EMCS.** Extended multiple console support. See also multiple console support.

**enterprise.** The composite of all operational entities, functions, and resources that form the total business concern and that require an information system.

**enterprise monitoring.** Enterprise monitoring is used by SA z/OS to update the *NetView Management Console (NMC)* resource status information that is stored in the *Resource Object Data Manager (RODM)*. Resource status information is acquired by enterprise monitoring of the *Resource Measurement Facility (RMF) Monitor III* service information at user-defined intervals. SA z/OS stores this information in its operational information base, where it is used to update the information presented to the operator in graphic displays.

**Enterprise Systems Architecture (ESA).** A hardware architecture that reduces the effort required for managing data sets and extends addressability for system, subsystem, and application functions.

**entries.** Resources, such as processors, entered on panels.

**entry type.** Resources, such as processors or applications, used for automation and monitoring.

**environment.** Data processing enterprise.

**error threshold.** An automation policy setting that specifies when SA z/OS should stop trying to restart or recover an application, subsystem or component, or offload a data set.

**ESA.** See Enterprise Systems Architecture.

**eServer™.** Processor family group designator used by the SA z/OS customization dialogs to define a target hardware as member of the System z or 390-CMOS processor families.

**event.** (1) In NetView, a record indicating irregularities of operation in physical elements of a network. (2) An occurrence of significance to a task; for example, the completion of an asynchronous operation, such as an input/output operation. (3) Events are part of a trigger condition, such that if all events of a trigger condition have occurred, a startup or shutdown of an application is performed.

**event control block (ECB).** A control block used to represent the status of an event.

**exception condition.** An occurrence on a system that is a deviation from normal operation. SA z/OS monitoring highlights exception conditions and allows an SA z/OS enterprise to be managed by exception.

**Extended Binary Coded Decimal Interchange Code (EBCDIC).** A coded character set of 256 8-bit characters developed for the representation of textual data. See also American Standard Code for Information Interchange.

**extended recovery facility (XRF).** A facility that minimizes the effect of failures in z/OS, VTAM, the host processor, or high availability applications during sessions between high availability applications and designated terminals. This facility provides an alternate subsystem to take over sessions from the failing subsystem.

## F

**fallback system.** See secondary system.

**field.** A collection of bytes within a record that are logically related and are processed as a unit.

**file manager commands.** A set of SA z/OS commands that read data from or write data to the automation control file or the operational information base. These commands are useful in the development of automation that uses SA z/OS facilities.

**focal point.** In NetView, the focal-point domain is the central host domain. It is the central control point for any management services element containing control of the network management data.

**focal point system.** (1) A system that can administer, manage, or control one or more target systems. There

are a number of different focal point systems associated with IBM automation products. (2) **NMC focal point system.** The NMC focal point system is a NetView system with an attached workstation server and LAN that gathers information about the state of the network. This focal point system uses RODM to store the data it collects in the data model. The information stored in RODM can be accessed from any LAN-connected workstation with NetView Management Console installed. (3) **NPDA focal point system.** This is a NetView system that collects all the NPDA alerts that are generated within your enterprise. It is supported by NetView. If you have SA z/OS installed the NPDA focal point system must be the same as your NMC focal point system. The NPDA focal point system is also known as the *alert focal point system*. (4) **SA z/OS Processor Operations focal point system.** This is a NetView system that has SA z/OS host code installed. The SA z/OS Processor Operations focal point system receives messages from the systems and operator consoles of the machines that it controls. It provides full systems and operations console function for its target systems. It can be used to IPL these systems. Note that some restrictions apply to the Hardware Management Console for an S/390 microprocessor cluster. (5) **SA z/OS SDF focal point system.** The SA z/OS SDF focal point system is an SA z/OS NetView system that collects status information from other SA z/OS NetViews within your enterprise. (6) **Status focal point system.** In NetView, the system to which STATMON, VTAM and NLDM send status information on network resources. If you have a NMC focal point, it must be on the same system as the Status focal point. (7) **Hardware Management Console.** Although not listed as a focal point, the Hardware Management Console acts as a focal point for the console functions of an S/390 microprocessor cluster. Unlike all the other focal points in this definition, the Hardware Management Console runs on a LAN-connected workstation,

**frame.** For a System/390 microprocessor cluster, a frame contains one or two central processor complexes (CPCs), support elements, and AC power distribution.

**full-screen mode.** In NetView, a form of panel presentation that makes it possible to display the contents of an entire workstation screen at once. Full-screen mode can be used for fill-in-the-blanks prompting. Contrast with line mode.

## G

**gateway session.** An NetView-NetView Task session with another system in which the SA z/OS outbound gateway operator logs onto the other NetView session without human operator intervention. Each end of a gateway session has both an inbound and outbound gateway operator.

**generic alert.** Encoded alert information that uses code points (defined by IBM and possibly customized by users or application programs) stored at an alert receiver, such as NetView.

**generic routines.** In SA z/OS, a set of self-contained automation routines that can be called from the NetView automation table, or from user-written automation procedures.

**group.** A collection of target systems defined through configuration dialogs. An installation might set up a group to refer to a physical site or an organizational or application entity.

**group entry.** A construct, created with the customization dialogs, used to represent and contain policy for a group.

**group entry type.** A collection of target systems defined through the customization dialog. An installation might set up a group to refer to a physical site or an organizational entity. Groups can, for example, be of type STANDARD or SYSPLEX.

## H

**Hardware Management Console (HMC).** A system that controls managed systems, including the management of logical partitions and use of Capacity Upgrade on Demand. Using service applications, the HMC communicates with managed systems to detect, consolidate, and send information to IBM for analysis.

**Hardware Management Console Application (HWMCA).** A direct-manipulation object-oriented graphical user interface that provides a single point of control and single system image for hardware elements. The HWMCA provides grouping support, aggregated and real-time system status using colors, consolidated hardware messages support, consolidated operating system messages support, consolidated service support, and hardware commands targeted at a single system, multiple systems, or a group of systems.

**heartbeat.** In SA z/OS, a function that monitors the validity of the status forwarding path between remote systems and the NMC focal point, and monitors the availability of remote z/OS systems, to ensure that status information displayed on the SA z/OS workstation is current.

**help panel.** An online panel that tells you how to use a command or another aspect of a product.

**hierarchy.** In the NetView program, the resource types, display types, and data types that make up the organization, or levels, in a network.

**high-level language (HLL).** A programming language that provides some level of abstraction from assembler

language and independence from a particular type of machine. For the NetView program, the high-level languages are PL/I and C.

**HLL.** See high-level language.

**host (primary processor).** The processor that you enter a command at (also known as the *issuing processor*).

**host system.** In a coupled system or distributed system environment, the system on which the facilities for centralized automation run. SA z/OS publications refer to target systems or focal-point systems instead of hosts.

**HWMCA.** See Hardware Management Console Application.

## I

**I/O operations.** The part of SA z/OS that provides you with a single point of logical control for managing connectivity in your active I/O configurations. I/O operations takes an active role in detecting unusual conditions and lets you view and change paths between a processor and an I/O device, using dynamic switching (the ESCON director). Also known as I/O Ops.

**I/O Ops.** See I/O operations.

**I/O resource number.** Combination of channel path identifier (CHPID), device number, etc. See internal token.

**images.** A grouping of processors and I/O devices that you define. You can define a single-image mode that allows a multiprocessor system to function as one central processor image.

**IMS.** See Information Management System.

**IMS/VS.** See Information Management System/Virtual Storage.

**inbound.** In SA z/OS, messages sent to the focal-point system from the PC or target system.

**inbound gateway operator.** The automation operator that receives incoming messages, commands, and responses from the outbound gateway operator at the sending system. The inbound gateway operator handles communications with other systems using a gateway session.

**Information Management System (IMS).** Any of several system environments available with a database manager and transaction processing that are capable of managing complex databases and terminal networks.

**Information Management System/Virtual Storage (IMS/VS).** A database/data communication (DB/DC) system that can manage complex databases and networks. Synonymous with Information Management System.

**INGEIO PROC.** The I/O operations default procedure name. It is part of the SYS1.PROCLIB.

**initial microprogram load.** The action of loading microprograms into computer storage.

**initial program load (IPL).** (1) The initialization procedure that causes an operating system to commence operation. (2) The process by which a configuration image is loaded into storage at the beginning of a workday or after a system malfunction. (3) The process of loading system programs and preparing a system to run jobs.

**initialize automation.** SA z/OS-provided automation that issues the correct z/OS start command for each subsystem when SA z/OS is initialized. The automation ensures that subsystems are started in the order specified in the automation control files and that prerequisite applications are functional.

**input/output configuration data set (IOCDs).** A configuration definition built by the I/O configuration program (IOCP) and stored on disk files associated with the processor controller.

**input/output support processor (IOSP).** The hardware unit that provides I/O support functions for the primary support processor and maintenance support functions for the processor controller.

**Interactive System Productivity Facility (ISPF).** An IBM licensed program that serves as a full-screen editor and dialog manager. Used for writing application programs, it provides a means of generating standard screen panels and interactive dialogs between the application programmer and the terminal user. See also Time Sharing Option.

**interested operator list.** The list of operators who are to receive messages from a specific target system.

**internal token.** A *logical token* (LTOK); name by which the I/O resource or object is known; stored in IODF.

**IOCDs.** See input/output configuration data set.

**IOSP.** See input/output support processor.

**IPL.** See initial program load.

**ISPF.** See Interactive System Productivity Facility.

**ISPF console.** You log on to ISPF from this 3270-type console to use the runtime panels for I/O operations and SA z/OS customization panels.

**issuing host.** The base program that you enter a command for processing with. See primary host.

## J

**JCL.** See job control language.

**JES.** See job entry subsystem.

**JES2.** An MVS subsystem that receives jobs into the system, converts them to internal format, selects them for execution, processes their output, and purges them from the system. In an installation with more than one processor, each JES2 processor independently controls its job input, scheduling, and output processing. See also job entry subsystem and JES3

**JES3.** An MVS subsystem that receives jobs into the system, converts them to internal format, selects them for execution, processes their output, and purges them from the system. In complexes that have several loosely coupled processing units, the JES3 program manages processors so that the global processor exercises centralized control over the local processors and distributes jobs to them using a common job queue. See also job entry subsystem and JES2.

**job.** (1) A set of data that completely defines a unit of work for a computer. A job usually includes all necessary computer programs, linkages, files, and instructions to the operating system. (2) An address space.

**job control language (JCL).** A problem-oriented language designed to express statements in a job that are used to identify the job or describe its requirements to an operating system.

**job entry subsystem (JES).** An IBM licensed program that receives jobs into the system and processes all output data that is produced by jobs. In SA z/OS publications, JES refers to JES2 or JES3, unless otherwise stated. See also JES2 and JES3.

## K

**Kanji.** An ideographic character set used in Japanese. See also double-byte character set.

## L

**LAN.** See local area network.

**line mode.** A form of screen presentation in which the information is presented a line at a time in the message area of the terminal screen. Contrast with full-screen mode.

**link.** (1) In SNA, the combination of the link connection and the link stations joining network nodes; for example, a System/370 channel and its associated

protocols, a serial-by-bit connection under the control of synchronous data link control (SDLC). See synchronous data link control. (2) In SA z/OS, link connection is the physical medium of transmission.

**link-attached.** Describes devices that are physically connected by a telecommunication line. Contrast with channel-attached.

**Linux on System z.** UNIX-like open source operating system conceived by Linus Torvalds and developed across the internet.

**local.** Pertaining to a device accessed directly without use of a telecommunication line. Synonymous with channel-attached.

**local area network (LAN).** (1) A network in which a set of devices is connected for communication. They can be connected to a larger network. See also token ring. (2) A network that connects several devices in a limited area (such as a single building or campus) and that can be connected to a larger network.

**logical partition (LP).** A subset of the processor hardware that is defined to support an operating system. See also logically partitioned mode.

**logical switch number (LSN).** Assigned with the switch parameter of the CHPID macro of the IOCP.

**logical token (LTOK).** Resource number of an object in the IODF.

**logical unit (LU).** In SNA, a port through which an end user accesses the SNA network and the functions provided by system services control points (SSCPs). An LU can support at least two sessions, one with an SSCP and one with another LU, and may be capable of supporting many sessions with other LUs. See also physical unit and system services control point.

**logical unit 6.2 (LU 6.2).** A type of logical unit that supports general communications between programs in a distributed processing environment. LU 6.2 is characterized by:

- A peer relationship between session partners
- Efficient use of a session for multiple transactions
- A comprehensive end-to-end error processing
- A generic application program interface (API) consisting of structured verbs that are mapped to a product implementation

Synonym for advanced program-to-program communication.

**logically partitioned (LPAR) mode.** A central processor mode that enables an operator to allocate system processor hardware resources among several logical partitions. Contrast with basic mode.

**LOGR.** The sysplex logger.

**LP.** See logical partition.

**LPAR.** See logically partitioned mode.

**LSN.** See logical switch number.

**LU.** See logical unit.

**LU 6.2.** See logical unit 6.2.

**LU 6.2 session.** A session initiated by VTAM on behalf of an LU 6.2 application program, or a session initiated by a remote LU in which the application program specifies that VTAM is to control the session by using the APPCCMD macro. See logical unit 6.2.

**LU-LU session.** In SNA, a session between two logical units (LUs) in an SNA network. It provides communication between two end users, or between an end user and an LU services component.

## M

**MAT.** Deprecated term for NetView automation table.

**MCA.** See Micro Channel architecture.

**MCS.** See multiple console support.

**member.** A specific function (one or more modules or routines) of a multisystem application that is defined to XCF and assigned to a group by the multisystem application. A member resides on one system in the sysplex and can use XCF services to communicate (send and receive data) with other members of the same group.

**message automation table (MAT).** Deprecated term for NetView automation table.

**message class.** A number that SA z/OS associates with a message to control routing of the message. During automated operations, the classes associated with each message issued by SA z/OS are compared to the classes assigned to each notification operator. Any operator with a class matching one of the message's classes receives the message.

**message forwarding.** The SA z/OS process of sending messages generated at an SA z/OS target system to the SA z/OS focal-point system.

**message group.** Several messages that are displayed together as a unit.

**message monitor task.** A task that starts and is associated with a number of communications tasks. Message monitor tasks receive inbound messages from a communications task, determine the originating target system, and route the messages to the appropriate target control tasks.

**message processing facility (MPF).** A z/OS table that screens all messages sent to the z/OS console. The MPF compares these messages with a customer-defined list

of messages on which to automate, suppress from the z/OS console display, or both, and marks messages to automate or suppress. Messages are then broadcast on the subsystem interface (SSI).

**message suppression.** The ability to restrict the amount of message traffic displayed on the z/OS console.

**Micro Channel architecture.** The rules that define how subsystems and adapters use the Micro Channel bus in a computer. The architecture defines the services that each subsystem can or must provide.

**microprocessor.** A processor implemented on one or a small number of chips.

**migration.** Installation of a new version or release of a program to replace an earlier version or release.

**MP.** Multiprocessor.

**MPF.** See message processing facility.

**MPFLSTSA.** The MPFLST member that is built by SA z/OS.

**multi-MVS environment.** physical processing system that is capable of operating more than one MVS image. See also MVS image.

**multiple console support (MCS).** A feature of MVS that permits selective message routing to multiple consoles.

**Multiple Virtual Storage (MVS).** An IBM operating system that accesses multiple address spaces in virtual storage. The predecessor of z/OS.

**multiprocessor (MP).** A CPC that can be physically partitioned to form two operating processor complexes.

**multisystem application.** An application program that has various functions distributed across z/OS images in a multisystem environment.

**multisystem environment.** An environment in which two or more systems reside on one or more processors. Or one or more processors can communicate with programs on the other systems.

**MVS.** See Multiple Virtual Storage.

**MVS image.** A single occurrence of the MVS operating system that has the ability to process work. See also multi-MVS environment and single-MVS environment.

**MVS/ESA.** Multiple Virtual Storage/Enterprise Systems Architecture. See z/OS.

**MVS/JES2.** Multiple Virtual Storage/Job Entry System 2. A z/OS subsystem that receives jobs into the system, converts them to an internal format, selects them for

execution, processes their output, and purges them from the system. In an installation with more than one processor, each JES2 processor independently controls its job input, scheduling, and output processing.

## N

**NAU.** (1) See network addressable unit. (2) See network accessible unit.

**NCCF.** See Network Communications Control Facility..

**NCP.** (1) See network control program (general term). (2) See Network Control Program (an IBM licensed program). Its full name is Advanced Communications Function for the Network Control Program. Synonymous with ACF/NCP.

**NCP/token ring interconnection.** A function used by ACF/NCP to support token ring-attached SNA devices. NTRI also provides translation from token ring-attached SNA devices (PUs) to switched (dial-up) devices.

**NetView.** An IBM licensed program used to monitor a network, manage it, and diagnose network problems. NetView consists of a command facility that includes a presentation service, command processors, automation based on command lists, and a transaction processing structure on which the session monitor, hardware monitor, and terminal access facility (TAF) network management applications are built.

**NetView (NCCF) console.** A 3270-type console for NetView commands and runtime panels for system operations and processor operations.

**NetView automation procedures.** A sequence of commands, packaged as a NetView command list or a command processor written in a high-level language. An automation procedure performs automation functions and runs under the NetView program.

**NetView automation table (AT).** A table against which the NetView program compares incoming messages. A match with an entry triggers the specified response. SA z/OS entries in the NetView automation table trigger an SA z/OS response to target system conditions. Formerly known as the message automation table (MAT).

**NetView command list language.** An interpretive language unique to NetView that is used to write command lists.

**NetView Graphic Monitor Facility (NGMF).** Deprecated term for NetView Management Console.

**NetView hardware monitor.** The component of NetView that helps identify network problems, such as hardware, software, and microcode, from a central

control point using interactive display techniques. Formerly called *network problem determination application*.

**NetView log.** The log that NetView records events relating to NetView and SA z/OS activities in.

**NetView Management Console (NMC).** A function of the NetView program that provides a graphic, topological presentation of a network that is controlled by the NetView program. It provides the operator different views of a network, multiple levels of graphical detail, and dynamic resource status of the network. This function consists of a series of graphic windows that allows you to manage the network interactively. Formerly known as the NetView Graphic Monitor Facility (NGMF).

**NetView message table.** See NetView automation table.

**NetView paths via logical unit (LU 6.2).** A type of network-accessible port (VTAM connection) that enables end users to gain access to SNA network resources and communicate with each other. LU 6.2 permits communication between processor operations and the workstation. See logical unit 6.2.

**NetView-NetView task (NNT).** The task that a cross-domain NetView operator session runs under. Each NetView program must have a NetView-NetView task to establish one NNT session. See also operator station task.

**NetView-NetView task session.** A session between two NetView programs that runs under a NetView-NetView task. In SA z/OS, NetView-NetView task sessions are used for communication between focal point and remote systems.

**network.** (1) An interconnected group of nodes. (2) In data processing, a user application network. See SNA network.

**network accessible unit (NAU).** In SNA networking, any device on the network that has a network address, including a logical unit (LU), physical unit (PU), control point (CP), or system services control point (SSCP). It is the origin or the destination of information transmitted by the path control network. Synonymous with network addressable unit.

**network addressable unit (NAU).** Synonym for network accessible unit.

**Network Communications Control Facility (NCCF).** The operations control facility for the network. NCCF consists of a presentation service, command processors, automation based on command lists, and a transaction processing structure on which the network management applications NLDM and NPDA are built. NCCF is a precursor to the NetView command facility.

**Network Control Program (NCP).** An IBM licensed program that provides communication controller support for single-domain, multiple-domain, and interconnected network capability. Its full name is Advanced Communications Function for the Network Control Program.

**network control program (NCP).** (1) A program that controls the operation of a communication controller. (2) A program used for requests and responses exchanged between physical units in a network for data flow control.

**Network Problem Determination Application (NPDA).** An NCCF application that helps you identify network problems, such as hardware, software, and microcode, from a central control point using interactive display methods. The alert manager for the network. The precursor of the NetView hardware monitor.

**Networking NetView.** In SA z/OS the NetView that performs network management functions, such as managing the configuration of a network. In SA z/OS it is common to also route alerts to the Networking NetView.

**NGMF.** Deprecated term for NetView Management Console.

**NGMF focal-point system.** Deprecated term for NMC focal point system.

**NIP.** See nucleus initialization program.

**NMC focal point system.** See focal point system

**NMC workstation.** The NMC workstation is the primary way to dynamically monitor SA z/OS systems. From the windows, you see messages, monitor status, view trends, and react to changes before they cause problems for end users. You can use multiple windows to monitor multiple views of the system.

**NNT.** See NetView-NetView task.

**notification message.** An SA z/OS message sent to a human notification operator to provide information about significant automation actions. Notification messages are defined using the customization dialogs.

**notification operator.** A NetView console operator who is authorized to receive SA z/OS notification messages. Authorization is made through the customization dialogs.

**NPDA.** See Network Problem Determination Application.

**NPDA focal-point system.** See focal point system.

**NTRI.** See NCP/token ring interconnection.

**nucleus initialization program (NIP).** The program that initializes the resident control program; it allows the operator to request last-minute changes to certain options specified during system generation.

## O

**objective value.** An average Workflow or Using value that SA z/OS can calculate for applications from past service data. SA z/OS uses the objective value to calculate warning and alert thresholds when none are explicitly defined.

**OCA.** In SA z/OS, operator console A, the active operator console for a target system. Contrast with OCB.

**OCB.** In SA z/OS, operator console B, the backup operator console for a target system. Contrast with OCA.

**OCF.** See operations command facility.

**OCF-based processor.** A central processor complex that uses an operations command facility for interacting with human operators or external programs to perform operations management functions on the CPC.

**OPC/A.** See Operations Planning and Control/Advanced.

**OPC/ESA.** See Operations Planning and Control/Enterprise Systems Architecture.

**Open Systems Adapter (OSA).** I/O operations can display the Open System Adapter (OSA) channel logical definition, physical attachment, and status. You can configure an OSA channel on or off.

**operating system (OS).** Software that controls the execution of programs and that may provide services such as resource allocation, scheduling, input/output control, and data management. Although operating systems are predominantly software, partial hardware implementations are possible. (T)

**operations.** The real-time control of a hardware device or software function.

**operations command facility (OCF).** A facility of the central processor complex that accepts and processes operations management commands.

**Operations Planning and Control/Advanced (OPC/A).** A set of IBM licensed programs that automate, plan, and control batch workload. OPC/A analyzes system and workload status and submits jobs accordingly.

**Operations Planning and Control/Enterprise Systems Architecture (OPC/ESA).** A set of IBM licensed programs that automate, plan, and control batch

workload. OPC/ESA analyzes system and workload status and submits jobs accordingly. The successor to OPC/A.

**operator.** (1) A person who keeps a system running. (2) A person or program responsible for managing activities controlled by a given piece of software such as z/OS, the NetView program, or IMS. (3) A person who operates a device. (4) In a language statement, the lexical entity that indicates the action to be performed on operands.

**operator console.** (1) A functional unit containing devices that are used for communications between a computer operator and a computer. (T) (2) A display console used for communication between the operator and the system, used primarily to specify information concerning application programs and I/O operations and to monitor system operation. (3) In SA z/OS, a console that displays output from and sends input to the operating system (z/OS, LINUX, VM, VSE). Also called *operating system console*. In the SA z/OS operator commands and configuration dialogs, OC is used to designate a target system operator console.

**operator station task (OST).** The NetView task that establishes and maintains the online session with the network operator. There is one operator station task for each network operator who logs on to the NetView program.

**operator view.** A set of group, system, and resource definitions that are associated together for monitoring purposes. An operator view appears as a graphic display in the graphical interface showing the status of the defined groups, systems, and resources.

**OperatorView entry.** A construct, created with the customization dialogs, used to represent and contain policy for an operator view.

**OS.** See operating system.

**OSA.** See Open Systems Adapter.

**OST.** See operator station task.

**outbound.** In SA z/OS, messages or commands from the focal-point system to the target system.

**outbound gateway operator.** The automation operator that establishes connections to other systems. The outbound gateway operator handles communications with other systems through a gateway session. The automation operator sends messages, commands, and responses to the inbound gateway operator at the receiving system.

## P

**page.** (1) The portion of a panel that is shown on a display surface at one time. (2) To transfer instructions, data, or both between real storage and external page or auxiliary storage.

**panel.** (1) A formatted display of information that appears on a terminal screen. Panels are full-screen 3270-type displays with a monospaced font, limited color and graphics. (2) By using SA z/OS panels you can see status, type commands on a command line using a keyboard, configure your system, and passthru to other consoles. See also help panel. (3) In computer graphics, a display image that defines the locations and characteristics of display fields on a display surface. Contrast with screen.

**parallel channels.** Parallel channels operate in either byte (BY) or block (BL) mode. You can change connectivity to a parallel channel operating in block mode.

**parameter.** (1) A variable that is given a constant value for a specified application and that may denote the application. (2) An item in a menu for which the user specifies a value or for which the system provides a value when the menu is interpreted. (3) Data passed to a program or procedure by a user or another program, specifically as an operand in a language statement, as an item in a menu, or as a shared data structure.

**partition.** (1) A fixed-size division of storage. (2) In VSE, a division of the virtual address area that is available for program processing. (3) On an IBM Personal Computer fixed disk, one of four possible storage areas of variable size; one can be accessed by DOS, and each of the others may be assigned to another operating system.

**partitionable CPC.** A CPC that can be divided into 2 independent CPCs. See also physical partition, single-image mode, MP, and side.

**partitioned data set (PDS).** A data set in direct access storage that is divided into partitions, called *members*, each of which can contain a program, part of a program, or data.

**passive monitoring.** In SA z/OS, the receiving of unsolicited messages from z/OS systems and their resources. These messages can prompt updates to resource status displays. See also active monitoring

**PCE.** A processor controller. Also known as the support processor or service processor in some processor families.

**PDB.** See policy database.

**PDS.** See partitioned data set.

**physical partition.** Part of a CPC that operates as a CPC in its own right, with its own copy of the operating system.

**physical unit (PU).** In SNA, the component that manages and monitors the resources (such as attached links and adjacent link stations) of a node, as requested by a system services control point (SSCP) through an SSCP-PU session. An SSCP activates a session with the physical unit to indirectly manage, through the PU, resources of the node such as attached links.

**physically partitioned (PP) configuration.** A mode of operation that allows a multiprocessor (MP) system to function as two or more independent CPCs having separate power, water, and maintenance boundaries. Contrast with single-image mode.

**POI.** See program operator interface.

**policy.** The automation and monitoring specifications for an SA z/OS enterprise. See *IBM Tivoli System Automation for z/OS Defining Automation Policy*.

**policy database.** The automation definitions (automation policy) that the automation programmer specifies using the customization dialog is stored in the policy database. Also known as the PDB. See also automation policy.

**POR.** See power-on reset.

**port.** (1) System hardware that the I/O devices are attached to. (2) In an ESCON switch, a port is an addressable connection. The switch routes data through the ports to the channel or control unit. Each port has a name that can be entered into a switch matrix, and you can use commands to change the switch configuration. (3) An access point (for example, a logical unit) for data entry or exit. (4) A functional unit of a node that data can enter or leave a data network through. (5) In data communication, that part of a data processor that is dedicated to a single data channel for the purpose of receiving data from or transmitting data to one or more external, remote devices.

**power-on reset (POR).** A function that re-initializes all the hardware in a CPC and loads the internal code that enables the CPC to load and run an operating system. See initial microprogram load.

**PP.** See physical partition.

**PPI.** See program to program interface.

**PPT.** See primary POI task.

**PR/SM.** See Processor Resource/Systems Manager.

**primary host.** The base program that you enter a command for processing at.

**primary POI task (PPT).** The NetView subtask that processes all unsolicited messages received from the

VTAM program operator interface (POI) and delivers them to the controlling operator or to the command processor. The PPT also processes the initial command specified to execute when NetView is initialized and timer request commands scheduled to execute under the PPT.

**primary system.** A system is a primary system for an application if the application is normally meant to be running there. SA z/OS starts the application on all the primary systems defined for it.

**problem determination.** The process of determining the source of a problem; for example, a program component, machine failure, telecommunication facilities, user or contractor-installed programs or equipment, environment failure such as a power loss, or user error.

**processor.** (1) A device for processing data from programmed instructions. It may be part of another unit. (2) In a computer, the part that interprets and executes instructions. Two typical components of a processor are a control unit and an arithmetic logic unit.

**processor controller.** Hardware that provides support and diagnostic functions for the central processors.

**processor operations.** The part of SA z/OS that monitors and controls processor (hardware) operations. Processor operations provides a connection from a focal-point system to a target system. Through NetView on the focal-point system, processor operations automates operator and system consoles for monitoring and recovering target systems. Also known as ProcOps.

**Processor Resource/Systems Manager (PR/SM).** The feature that allows the processor to use several operating system images simultaneously and provides logical partitioning capability. See also logically partitioned mode.

**ProcOps.** See processor operations.

**ProcOps Service Machine (PSM).** The PSM is a CMS user on a VM host system. It runs a CMS multitasking application that serves as "virtual hardware" for ProcOps. ProcOps communicates via the PSM with the VM guest systems that are defined as target systems within ProcOps.

**product automation.** Automation integrated into the base of SA z/OS for the products CICS, DB2, IMS, TWS (formerly called *features*).

**program operator interface (POI).** A NetView facility for receiving VTAM messages.

**program to program interface (PPI).** A NetView function that allows user programs to send or receive

data buffers from other user programs and to send alerts to the NetView hardware monitor from system and application programs.

**protocol.** In SNA, the meanings of, and the sequencing rules for, requests and responses used for managing the network, transferring data, and synchronizing the states of network components.

**proxy resource.** A resource defined like an entry type APL representing a processor operations target system.

**PSM.** See ProcOps Service Machine.

**PU.** See physical unit.

## R

**RACF.** See Resource Access Control Facility.

**remote system.** A system that receives resource status information from an SA z/OS focal-point system. An SA z/OS remote system is defined as part of the same SA z/OS enterprise as the SA z/OS focal-point system to which it is related.

**requester.** A workstation from that user can log on to a domain from, that is, to the servers belonging to the domain, and use network resources. Users can access the shared resources and use the processing capability of the servers, thus reducing hardware investment.

**resource.** (1) Any facility of the computing system or operating system required by a job or task, and including main storage, input/output devices, the processing unit, data sets, and control or processing programs. (2) In NetView, any hardware or software that provides function to the network. (3) In SA z/OS, any z/OS application, z/OS component, job, device, or target system capable of being monitored or automated through SA z/OS.

**Resource Access Control Facility (RACF).** A program that can provide data security for all your resources. RACF protects data from accidental or deliberate unauthorized disclosure, modification, or destruction.

**resource group.** A physically partitionable portion of a processor. Also known as a *side*.

**Resource Measurement Facility (RMF).** A feature of z/OS that measures selected areas of system activity and presents the data collected in the format of printed reports, System Management Facility (SMF) records, or display reports.

**Resource Object Data Manager (RODM).** In NetView for z/OS, a component that provides an in-memory cache for maintaining real-time data in an address space that is accessible by multiple applications. RODM also allows an application to query an object and receive a rapid response and act on it.

**resource token.** A unique internal identifier of an ESCON resource or resource number of the object in the IODF.

**restart automation.** Automation provided by SA z/OS that monitors subsystems to ensure that they are running. If a subsystem fails, SA z/OS attempts to restart it according to the policy in the automation configuration file.

**Restructured Extended Executor (REXX).** A general-purpose, high-level, programming language, particularly suitable for EXEC procedures or programs for personal computing, used to write command lists.

**return code.** A code returned from a program used to influence the issuing of subsequent instructions.

**REXX.** See Restructured Extended Executor.

**REXX procedure.** A command list written with the Restructured Extended Executor (REXX), which is an interpretive language.

**RMF.** See Resource Measurement Facility.

**RODM.** See Resource Object Data Manager.

## S

**SAF.** See Security Authorization Facility.

**SA IOM.** See System Automation for Integrated Operations Management.

**SA z/OS.** See System Automation for z/OS.

**SA z/OS customization dialogs.** An ISPF application through which the SA z/OS policy administrator defines policy for individual z/OS systems and builds automation control data and RODM load function files.

**SA z/OS customization focal point system.** See focal point system.

**SA z/OS data model.** The set of objects, classes and entity relationships necessary to support the function of SA z/OS and the NetView automation platform.

**SA z/OS enterprise.** The group of systems and resources defined in the customization dialogs under one enterprise name. An SA z/OS enterprise consists of connected z/OS systems running SA z/OS.

**SA z/OS focal point system.** See focal point system.

**SA z/OS policy.** The description of the systems and resources that make up an SA z/OS enterprise, together with their monitoring and automation definitions.

**SA z/OS policy administrator.** The member of the operations staff who is responsible for defining SA z/OS policy.

**SA z/OS satellite.** If you are running two NetViews on an z/OS system to split the automation and networking functions of NetView, it is common to route alerts to the Networking NetView. For SA z/OS to process alerts properly on the Networking NetView, you must install a subset of SA z/OS code, called an *SA z/OS satellite* on the Networking NetView.

**SA z/OS SDF focal point system.** See focal point system.

**SCA.** In SA z/OS, system console A, the active system console for a target hardware. Contrast with SCB.

**SCB.** In SA z/OS, system console B, the backup system console for a target hardware. Contrast with SCA.

**screen.** Deprecated term for panel.

**screen handler.** In SA z/OS, software that interprets all data to and from a full-screen image of a target system. The interpretation depends on the format of the data on the full-screen image. Every processor and operating system has its own format for the full-screen image. A screen handler controls one PS/2 connection to a target system.

**SDF.** See status display facility.

**SDLC.** See synchronous data link control.

**SDSF.** See System Display and Search Facility.

**secondary system.** A system is a secondary system for an application if it is defined to automation on that system, but the application is not normally meant to be running there. Secondary systems are systems to which an application can be moved in the event that one or more of its primary systems are unavailable. SA z/OS does not start the application on its secondary systems.

**Security Authorization Facility (SAF).** An MVS interface with which programs can communicate with an external security manager, such as RACF.

**server.** A server is a workstation that shares resources, which include directories, printers, serial devices, and computing powers.

**service language command (SLC).** The line-oriented command language of processor controllers or service processors.

**service period.** Service periods allow the users to schedule the availability of applications. A service period is a set of time intervals (service windows), during which an application should be active.

**service processor (SVP).** The name given to a processor controller on smaller System/370 processors.

**service threshold.** An SA z/OS policy setting that determines when to notify the operator of deteriorating service for a resource. See also alert threshold and warning threshold.

**session.** In SNA, a logical connection between two network addressable units (NAUs) that can be activated, tailored to provide various protocols, and deactivated, as requested. Each session is uniquely identified in a transmission header by a pair of network addresses identifying the origin and destination NAUs of any transmissions exchanged during the session.

**session monitor.** The component of the NetView program that collects and correlates session-related data and provides online access to this information. The successor to NLDM.

**shutdown automation.** SA z/OS-provided automation that manages the shutdown process for subsystems by issuing shutdown commands and responding to prompts for additional information.

**side.** A part of a partitionable CPC that can run as a physical partition and is typically referred to as the A-side or the B-side.

**Simple Network Management Protocol (SNMP).** A set of protocols for monitoring systems and devices in complex networks. Information about managed devices is defined and stored in a Management Information Base (MIB).

**single image.** A processor system capable of being physically partitioned that has not been physically partitioned. Single-image systems can be target hardware processors.

**single-MVS environment.** An environment that supports one MVS image. See also MVS image.

**single-image (SI) mode.** A mode of operation for a multiprocessor (MP) system that allows it to function as one CPC. By definition, a uniprocessor (UP) operates in single-image mode. Contrast with physically partitioned (PP) configuration.

**SLC.** See service language command.

**SMP/E.** See System Modification Program/Extended.

**SNA.** See Systems Network Architecture.

**SNA network.** In SNA, the part of a user-application network that conforms to the formats and protocols of systems network architecture. It enables reliable transfer of data among end users and provides protocols for controlling the resources of various network configurations. The SNA network consists of

network addressable units (NAUs), boundary function components, and the path control network.

**SNMP.** See Simple Network Management Protocol.

**solicited message.** An SA z/OS message that directly responds to a command. Contrast with unsolicited message.

**SSCP.** See system services control point.

**SSI.** See subsystem interface.

**start automation.** SA z/OS-provided automation that manages and completes the startup process for subsystems. During this process, SA z/OS replies to prompts for additional information, ensures that the startup process completes within specified time limits, notifies the operator of problems, if necessary, and brings subsystems to an UP (or ready) state.

**startup.** The point in time that a subsystem or application is started.

**status.** The measure of the condition or availability of the resource.

**status display facility (SDF).** The system operations part of SA z/OS that displays status of resources such as applications, gateways, and write-to-operator messages (WTORs) on dynamic color-coded panels. SDF shows spool usage problems and resource data from multiple systems.

**status focal-point system.** See focal point system.

**steady state automation.** The routine monitoring, both for presence and performance, of subsystems, applications, volumes and systems. Steady state automation may respond to messages, performance exceptions and discrepancies between its model of the system and reality.

**structure.** A construct used by z/OS to map and manage storage on a coupling facility.

**subgroup.** A named set of systems. A subgroup is part of an SA z/OS enterprise definition and is used for monitoring purposes.

**SubGroup entry.** A construct, created with the customization dialogs, used to represent and contain policy for a subgroup.

**subplex.** Situations where the physical sysplex has been divided into subentities, for example, a test sysplex and a production sysplex. This may be done to isolate the test environment from the production environment.

**subsystem.** (1) A secondary or subordinate system, usually capable of operating independent of, or

asynchronously with, a controlling system. (2) In SA z/OS, an z/OS application or subsystem defined to SA z/OS.

**subsystem interface (SSI).** The z/OS interface over which all messages sent to the z/OS console are broadcast.

**support element.** A hardware unit that provides communications, monitoring, and diagnostic functions to a central processor complex (CPC).

**support processor.** Another name given to a processor controller on smaller System/370 processors. See service processor.

**SVP.** See service processor.

**switch identifier.** The switch device number (swchdevn), the logical switch number (LSN) and the switch name

**switches.** ESCON directors are electronic units with ports that dynamically switch to route data to I/O devices. The switches are controlled by I/O operations commands that you enter on a workstation.

**symbolic destination name (SDN).** Used locally at the workstation to relate to the VTAM application name.

**synchronous data link control (SDLC).** A discipline for managing synchronous, code-transparent, serial-by-bit information transfer over a link connection. Transmission exchanges may be duplex or half-duplex over switched or nonswitched links. The configuration of the link connection may be point-to-point, multipoint, or loop. SDLC conforms to subsets of the Advanced Data Communication Control Procedures (ADCCP) of the American National Standards Institute and High-Level Data Link Control (HDLC) of the International Standards Organization.

**SYSINFO Report.** An RMF report that presents an overview of the system, its workload, and the total number of jobs using resources or delayed for resources.

**SysOps.** See system operations.

**sysplex.** A set of z/OS systems communicating and cooperating with each other through certain multisystem hardware components (coupling devices and timers) and software services (couple data sets).

In a sysplex, z/OS provides the coupling services that handle the messages, data, and status for the parts of a multisystem application that has its workload spread across two or more of the connected processors, sysplex timers, coupling facilities, and couple data sets (which contains policy and states for automation).

A Parallel Sysplex is a sysplex that includes a coupling facility.

**sysplex application group.** A sysplex application group is a grouping of applications that can run on any system in a sysplex.

**sysplex couple data set.** A couple data set that contains sysplex-wide data about systems, groups, and members that use XCF services. All z/OS systems in a sysplex must have connectivity to the sysplex couple data set. See also couple data set.

**Sysplex Timer.** An IBM unit that synchronizes the time-of-day (TOD) clocks in multiple processors or processor sides. External Time Reference (ETR) is the z/OS generic name for the IBM Sysplex Timer (9037).

**system.** In SA z/OS, system means a focal point system (z/OS) or a target system (MVS, VM, VSE, LINUX, or CF).

### System Automation for Integrated Operations

**Management.** (1) An outboard automation solution for secure remote access to mainframe/distributed systems. Tivoli System Automation for Integrated Operations Management, previously Tivoli AF/REMOTE, allows users to manage mainframe and distributed systems from any location. (2) The full name for SA IOM.

**System Automation for OS/390.** The full name for SA OS/390, the predecessor to System Automation for z/OS.

**System Automation for z/OS.** The full name for SA z/OS.

**system console.** (1) A console, usually having a keyboard and a display screen, that is used by an operator to control and communicate with a system. (2) A logical device used for the operation and control of hardware functions (for example, IPL, alter/display, and reconfiguration). The system console can be assigned to any of the physical displays attached to a processor controller or support processor. (3) In SA z/OS, the hardware system console for processor controllers or service processors of processors connected using SA z/OS. In the SA z/OS operator commands and configuration dialogs, SC is used to designate the system console for a target hardware processor.

**System Display and Search Facility (SDSF).** An IBM licensed program that provides information about jobs, queues, and printers running under JES2 on a series of panels. Under SA z/OS you can select SDSF from a pull-down menu to see the resources' status, view the z/OS system log, see WTOR messages, and see active jobs on the system.

**System entry.** A construct, created with the customization dialogs, used to represent and contain policy for a system.

**System Modification Program/Extended (SMP/E).** An IBM licensed program that facilitates the process of installing and servicing an z/OS system.

**system operations.** The part of SA z/OS that monitors and controls system operations applications and subsystems such as NetView, SDSF, JES, RMF, TSO, RODM, ACF/VTAM, CICS, IMS, and OPC. Also known as SysOps.

**system services control point (SSCP).** In SNA, the focal point within an SNA network for managing the configuration, coordinating network operator and problem determination requests, and providing directory support and other session services for end users of the network. Multiple SSCPs, cooperating as peers, can divide the network into domains of control, with each SSCP having a hierarchical control relationship to the physical units and logical units within its domain.

**System/390 microprocessor cluster.** A configuration that consists of central processor complexes (CPCs) and may have one or more integrated coupling facilities.

**Systems Network Architecture (SNA).** The description of the logical structure, formats, protocols, and operational sequences for transmitting information units through, and controlling the configuration and operation of, networks.

## T

**TAF.** See terminal access facility.

**target.** A processor or system monitored and controlled by a focal-point system.

**target control task.** In SA z/OS, target control tasks process commands and send data to target systems and workstations through communications tasks. A target control task (a NetView autotask) is assigned to a target system when the target system is initialized.

**target hardware.** In SA z/OS, the physical hardware on which a target system runs. It can be a single-image or physically partitioned processor. Contrast with target system.

**target system.** (1) In a distributed system environment, a system that is monitored and controlled by the focal-point system. Multiple target systems can be controlled by a single focal-point system. (2) In SA z/OS, a computer system attached to the focal-point system for monitoring and control. The definition of a target system includes how remote sessions are established, what hardware is used, and what operating system is used.

**task.** (1) A basic unit of work to be accomplished by a computer. (2) In the NetView environment, an operator station task (logged-on operator), automation operator

(autotask), application task, or user task. A NetView task performs work in the NetView environment. All SA z/OS tasks are NetView tasks. See also message monitor task, and target control task.

**telecommunication line.** Any physical medium, such as a wire or microwave beam, that is used to transmit data.

**terminal access facility (TAF).** (1) A NetView function that allows you to log onto multiple applications either on your system or other systems. You can define TAF sessions in the SA z/OS customization panels so you don't have to set them up each time you want to use them. (2) In NetView, a facility that allows a network operator to control a number of subsystems. In a full-screen or operator control session, operators can control any combination of subsystems simultaneously.

**terminal emulation.** The capability of a microcomputer or personal computer to operate as if it were a particular type of terminal linked to a processing unit to access data.

**threshold.** A value that determines the point at which SA z/OS automation performs a predefined action. See alert threshold, warning threshold, and error threshold.

**time of day (TOD).** Typically refers to the time-of-day clock.

**Time Sharing Option (TSO).** An optional configuration of the operating system that provides conversational time sharing from remote stations. It is an interactive service on z/OS, MVS/ESA, and MVS/XA.

**Time-Sharing Option/Extended (TSO/E).** An option of z/OS that provides conversational timesharing from remote terminals. TSO/E allows a wide variety of users to perform many different kinds of tasks. It can handle short-running applications that use fewer sources as well as long-running applications that require large amounts of resources.

**timers.** A NetView command that issues a command or command processor (list of commands) at a specified time or time interval.

**Tivoli Workload Scheduler (TWS).** A family of IBM licensed products that plan, execute and track jobs on several platforms and environments. The successor to OPC/A.

**TOD.** Time of day.

**token ring.** A network with a ring topology that passes tokens from one attaching device to another; for example, the IBM Token-Ring Network product.

**TP.** See transaction program.

**transaction program.** In the VTAM program, a program that performs services related to the processing of a transaction. One or more transaction programs may operate within a VTAM application program that is using the VTAM application program interface (API). In that situation, the transaction program would request services from the applications program using protocols defined by that application program. The application program, in turn, could request services from the VTAM program by issuing the APPCCMD macro instruction.

**transitional automation.** The actions involved in starting and stopping subsystems and applications that have been defined to SA z/OS. This can include issuing commands and responding to messages.

**translating host.** Role played by a host that turns a resource number into a token during a unification process.

**trigger.** Triggers, in combination with events and service periods, are used to control the starting and stopping of applications in a single system or a parallel sysplex.

**TSO.** See Time Sharing Option.

**TSO console.** From this 3270-type console you are logged onto TSO or ISPF to use the runtime panels for I/O operations and SA z/OS customization panels.

**TSO/E.** See Time-Sharing Option/Extended.

**TWS.** See Tivoli Workload Scheduler.

## U

**UCB.** See unit control block.

**unit control block (UCB).** A control block in common storage that describes the characteristics of a particular I/O device on the operating system and that is used for allocating devices and controlling I/O operations.

**unsolicited message.** An SA z/OS message that is not a direct response to a command. Contrast with solicited message.

**user task.** An application of the NetView program defined in a NetView TASK definition statement.

**Using.** An RMF Monitor III definition. Jobs getting service from hardware resources (processors or devices) are **using** these resources. The use of a resource by an address space can vary from 0% to 100% where 0% indicates no use during a Range period, and 100% indicates that the address space was found using the resource in every sample during that period. See also Volume Workflow and Address Space Workflow.

## V

**view.** In the NetView Graphic Monitor Facility, a graphical picture of a network or part of a network. A view consists of nodes connected by links and may also include text and background lines. A view can be displayed, edited, and monitored for status information about network resources.

**Virtual Storage Extended (VSE).** A system that consists of a basic operating system (VSE/Advanced Functions), and any IBM supplied and user-written programs required to meet the data processing needs of a user. VSE and the hardware that it controls form a complete computing system. Its current version is called VSE/ESA.

**Virtual Telecommunications Access Method (VTAM).** An IBM licensed program that controls communication and the flow of data in an SNA network. It provides single-domain, multiple-domain, and interconnected network capability. Its full name is Advanced Communications Function for the Virtual Telecommunications Access Method. Synonymous with ACF/VTAM.

**VM Second Level Systems Support.** With this function, Processor Operations is able to control VM second level systems (VM guest systems) in the same way that it controls systems running on real hardware.

**VM/ESA.** Virtual Machine/Enterprise Systems Architecture. Its current version is called z/VM.

**volume.** A direct access storage device (DASD) volume or a tape volume that serves a system in an SA z/OS enterprise.

**volume entry.** A construct, created with the customization dialogs, used to represent and contain policy for a volume.

**volume group.** A named set of volumes. A volume group is part of a system definition and is used for monitoring purposes.

**volume group entry.** A construct, created with the customization dialogs, used to represent and contain policy for a volume group.

**Volume Workflow.** The SA z/OS Volume Workflow variable is derived from the RMF Resource Workflow definition, and is used to measure the performance of volumes. SA z/OS calculates Volume Workflow using:

$$\text{Volume Workflow \%} = \frac{\text{accumulated Using}}{\text{accumulated Using} + \text{accumulated Delay}} * 100$$

The definition of **Using** is the percentage of time when a job has had a request accepted by a channel for the volume, but the request is not yet complete.

The definition of **Delay** is the delay that waiting jobs experience because of contention for the volume.

See also Address Space Workflow.

**VSE.** See Virtual Storage Extended.

**VTAM.** See Virtual Telecommunications Access Method.

## W

**warning threshold.** An application or volume service value that determines the level at which SA z/OS changes the associated icon in the graphical interface to the warning color. See alert threshold.

**workflow.** See Address Space Workflow and Volume Workflow.

**workstation.** In SA z/OS workstation means the *graphic workstation* that an operator uses for day-to-day operations.

**write-to-operator (WTO).** A request to send a message to an operator at the z/OS operator console. This request is made by an application and is handled by the WTO processor, which is part of the z/OS supervisor program.

**write-to-operator-with-reply (WTOR).** A request to send a message to an operator at the z/OS operator console that requires a response from the operator. This request is made by an application and is handled by the WTO processor, which is part of the z/OS supervisor program.

**WTO.** See write-to-operator.

**WTOR.** See write-to-operator-with-reply.

**WWV.** The US National Institute of Standards and Technology (NIST) radio station that provides standard time information. A second station, known as WWVB, provides standard time information at a different frequency.

## X

**XCF.** See cross-system coupling facility.

**XCF couple data set.** The name for the sysplex couple data set prior to MVS/ESA System Product Version 5 Release 1. See also sysplex couple data set.

**XCF group.** A set of related members that a multisystem application defines to XCF. A member is a specific function, or instance, of the application. A

member resides on one system and can communicate with other members of the same group across the sysplex.

**XRF.** See extended recovery facility.

## Z

**z/OS.** An IBM mainframe operating system that uses 64-bit real storage. See also Base Control Program.

**z/OS component.** A part of z/OS that performs a specific z/OS function. In SA z/OS, component refers to entities that are managed by SA z/OS automation.

**z/OS subsystem.** Software products that augment the z/OS operating system. JES and TSO/E are examples of z/OS subsystems. SA z/OS includes automation for some z/OS subsystems.

**z/OS system.** A z/OS image together with its associated hardware, which collectively are often referred to simply as a system, or z/OS system.

## Numerics

**390-CMOS.** Processor family group designator used in the SA z/OS processor operations documentation and in the online help to identify any of the following S/390 CMOS processor machine types: 9672, 9674, 2003, 3000, or 7060. SA z/OS processor operations uses the OCF facility of these processors to perform operations management functions. See OCF-based processor.



---

# Index

## A

ABCODESYSTEM message ID, migration to SA z/OS 3.3 218

access

- APPC 151
- data sets, granting 151
- HOM interface 152
- IBM Tivoli Monitoring products, controlling 154
- IPL information 152
- OMEGAMON monitors, controlling 155
- processor hardware functions, controlling 158
- restricting, INGCF 153
- restricting, INGPlex 153
- spare Couple Data Sets 153
- spare local page data sets 153
- user-defined Couple Data Sets 153
- XCF utilities 151

access authorization levels for I/O operations RACF profiles 162

accessibility xiii

AFP

- availability demands 39
- connections 41

alert filtering 69

alert handler, user-defined, and alert notification

- enabling 101
- introducing 29
- sample alert handler 101

alert notification

- configuring global initialization file 100
- configuring NetView message adapter service 100
- customization 98
- enabling via EIF events 99
- enabling via SA IOM peer-to-peer protocol 99
- enabling via user-defined alert handler 101
- enabling via XML 101
- infrastructure 27
- installation considerations 27
- integration with EIF events 28
- integration with SA IOM 28
- integration with trouble ticket 28
- integration with user-defined alert handler 29
- introduction 27
- starting event/automation service 100

alerts

- NPDA setup 70

allocation requirements

- REXX environments 21

ALLOCOUT automation manager startup procedure 61, 62

alternate focal point 39

alternate focal point for SNMP connections 39

ANCHOR statement 168

AOFCOM sample 110

AOFIN 95

AOFINIT 109

AOFIPBD DD statement 95

AOFMSGST 113

AOFMSGSY 23, 71

AOFOPFGW 74

AOFPRINT DD statement 95

AOFRODM 114

AOFSTAT

- NetView startup procedure 67

AOFSTAT NetView startup procedure 60

AOFTREE 109

AOFTSTS 112

AOFUT2 DD names 95

AOFxxx DD names 95

APF authorization

- IEAAPFxx member 111

API

- enabling for SE, 2.8 and earlier 83
- enabling for SE, 2.9 and later 83

APPC

- access 151
- APPC access 151
- APPN definitions for VTAM 106

ARM instrumentation of the automation manager 89

authorizing users 151

AUTO CICS start type, migration to SA z/OS 3.3 217

AUTO1 sample automation operator 23

AUTO2

- sample automation operator 23
- updating NetView style sheet 71

Automatic Restart Manager 108

- enabling the automation manager for 89

automation

- automating product startups 110

automation agent

- communication with automation manager 25

automation control file 102

- migrating 102

automation manager

- communication with automation agent 25
- considerations 23
- initialization 89
- installing 23
- recovery concept 25
- security 90
- startup procedure 67
- storage requirements 24

automation manager configuration file 102

automation manager start procedure 111

automation manager startup procedure

- ALLOCOUT 61, 62
- CEEDUMP 61, 62
- HSACFGIN 61
- HSAOVR 61
- HSAPLIB 61
- SYSOUT 61, 62
- SYSPRINT 62
- TRACETO 61, 62
- TRACET1 61, 62

Automation NetView 32

automation of CICS subsystems 213

automation of DFHKE0408D message, migration to SA z/OS 3.3 216

automation operator AUTO2, update

- NetView style sheet 71

automation operator definitions for CICS, migration to SA z/OS 3.3 219

automation policy

- customizing 102
- migration considerations 199

automation table 151

autotask operator IDs 118

autotasks begin 36

autotasks start 39

## B

Backup Support Element 39

basic mode 18

BCP internal interface 18

- understanding 19

BCP internal interface considerations 39

BINDIR 139

BLDVIEW cards 122

BLDVIEW statement 169

BLOCKOMVS parameter 249, 251

BUILDTIMEOUT parameter 249

## C

CEEDUMP automation manager startup procedure 61, 62

CFGDSN parameter 250

changes in SA z/OS 3.2 7

CHPID ports, naming suggestions 46

CICS automation migration for SA z/OS 3.3 213

CICS command, replacing 220

CICS functions, replacing removed 220

CICS link and health monitoring, migration to SA z/OS 3.3 214

CICS message exit policy reload, migration to SA z/OS 3.3 216

CICS short-on-storage handling, migration to SA z/OS 3.3

- RCVRSOS message ID, migration to SA z/OS 3.3 221

- CICS shutdown for DFHLG0739 or DFHLG0750, migration to SA z/OS 3.3 221
- CICS start type, migration to SA z/OS 3.3 217
- CICS subsystem resynchronization, migration to SA z/OS 3.3 215
- CICS subsystems
  - automation of 213
  - migration steps to SA z/OS 3.3 214
  - start type switch, migration to SA z/OS 3.3 217
  - status change, migration to SA z/OS 3.3 218
- CICS-specific messages, migration to SA z/OS 3.3 219
- CICSMSTR automated function, migration to SA z/OS 3.3 219
- CICSOVRD command, replacing 220
- CICSQRY command, replacing 220
- CICSRCMD command, replacing 220
- CICRSYD command, replacing 220
- CICSSHUT command, replacing 220
- cloning on z/OS systems 45
- CMASSHUT command, replacing 220
- CNMCMDDU member 74
- CNMSTYLE
  - See* NetView style sheet
- COMM parameter 250
- commands
  - DISPAUTO 112
  - DISPFLGS 112
  - DISPSTAT 112
  - retired, equivalents to 202
- COMMNDxx 110
- communication
  - established by XCF 25
- communication link
  - processor operations 39
- communications links 18
  - BCP internal interface 18
  - I/O operations 42
  - NetView RMTCMD function 18
  - SNMP 18
  - TCP/IP 18
- community name
  - setting for SE, 2.8 and earlier 83
- compiling SA z/OS REXX
  - Procedures 101
- component trace 91
- configure SNMP
  - SE, 2.8 and earlier 81
  - SNMP, configuring 81
- connection monitoring, migration for SA z/OS 3.3 196
- connections
  - alternate focal point system 41
  - focal point system 41
  - target system 42
- connectivity
  - system operations 35
- console workplace 2.8 and earlier
  - configuring SNMP 81
  - controlling CPC with SNMP interface 78
  - enabling the HMC API 77
  - enabling the SE API 83

- console workplace 2.8 and earlier
  - (continued)*
  - HMC object definition 79
  - preparing the HMC 77
  - preparing the master HMC 77
  - preparing the SE 81
  - setting the community name 77, 83
  - setting the SE cross partition flags 83
- console workplace 2.9 and later
  - CPC object definitions on the HMC 81
  - enabling the HMC API 79
  - enabling the SE API 83
  - preparing the HMC 79
  - preparing the master HMC 80
  - preparing the SE 83
  - setting the community name 79, 83
  - setting the SE cross partition flags 85
- console workplace, identifying 77
- control files 102
- control unit
  - description 18
- control unit ports
  - naming suggestions 46
- controlling access
  - to IBM Tivoli Monitoring products 154
  - to OMEGAMON monitors 155
  - to processor hardware functions 158
- Couple Data Sets
  - spare, access to 153
  - user-defined, access to 153
- coupling facilities
  - description 17
- CPC
  - controlling using an HMC, 2.8 and earlier 77
  - controlling using an HMC, 2.9 and later 79
  - controlling with SNMP interface, 2.8 and earlier 78
  - object definitions on the HMC, 2.8 and earlier 79
  - object definitions on the HMC, 2.9 and later 81
- CPEBATCH 140
- cross partition flags
  - setting for SE, 2.8 and earlier 83
  - setting for SE, 2.9 and later 85
- cross-domain definitions for VTAM 105
- CU
  - See* control unit 18
- customization dialog data sets
  - allocating 96
- customization of SA z/OS
  - automating product startups 110
  - installation of ISPF dialogs 93
  - SYS1.PARMLIB members 63
  - VTAM 103
- customizing
  - automation policy 102
  - DSIPARM 69
  - I/O operations, optional 133
  - NetView 69
  - SDF 109

## D

- DASD
  - description 19
- data sets
  - allocating non-shareable 58
  - granting access to 151
  - ISPWRK 94
- DB2 automation, migration for SA z/OS 3.3 197
- DD names
  - AOFIN 95
  - AOFUT2 95
  - restricted 95
- DD statements
  - AOFIPDB 95
  - AOFPRINT 95
- defining
  - APPN for VTAM 106
  - consoles 124
  - cross-domain definitions for VTAM 105
  - TCP/IP host alias 107
  - VTAM 104
- DELAY parameter 250
- devices
  - description 19
- DFHKE0408D message automation, migration to SA z/OS 3.3 216
- DFHLG0739 message and CICS shutdown, migration to SA z/OS 3.3 221
- DFHLG0750 message and CICS shutdown, migration to SA z/OS 3.3 221
- DFHPA1104 message, migration to SA z/OS 3.3 221
- DFHPA1105 message, migration to SA z/OS 3.3 221
- DFHRPL and the CICS Automation library 125
- DFSAOE00 exit 126
- DIAGDUPMSG
  - INGXINIT parameter 72
- DIAGDUPMSG parameter 250
- DIAGINFO parameter 250
- dialogs
  - allocate libraries 93
  - dynamic allocation 94
- disability xiii
- DISPAUTO command 112
- DISPFLGS command 112
- DISPINFO command to display CICS information, migration to SA z/OS 3.3 222
- displaying CICS information with DISPINFO command, migration to SA z/OS 3.3 222
- DISPSTAT command 112
- DSI6INIT 118
- DSICLD
  - data set name inserted in DD concatenation 113
- DSICRTTD 119
- DSIMSG 113
- DSIOPF 37, 118, 119, 151
- DSIPARM 70, 74
  - customizing 37, 69

DSIPARM (*continued*)  
 data set name inserted in DD  
 concatenation 113  
 DSI6INIT 118  
 DSICRTTD 119  
 DSIOPF 118, 119  
 DUIFPMEM 120  
 DUIGINIT 120  
 for SA z/OS topology manager 117  
 INGTOPOF 120  
 DUIFPMEM 120  
 DUIGINIT 120

## E

EIF events and alert notification  
 configuring global initialization  
 file 100  
 configuring NetView message adapter  
 service 100  
 enabling 99  
 introducing 28  
 starting event/automation  
 service 100  
 EMCS  
 restrictions and limitations 181  
 setting up 180  
 EQQMLIB library 126  
 EQQMLOG library 126  
 equivalents to retired commands 202  
 ESCON Director naming conventions 46  
 event notification service, migration for  
 SA z/OS 3.3 196  
 event/automation service, starting for  
 alert notification 100  
 extended multiple console support 180  
 external writer of component trace  
 startup procedure 68

## F

filtering of NetView alerts 69  
 firewall information, updating 85  
 focal point  
 alternate system 39  
 using services 38  
 verification of installation 112  
 focal point DSIPARM 113  
 focal point startup 113  
 focal point system 35  
 alternate 39, 41  
 connections 41  
 connections to the target system 42  
 hardware connections for processor  
 operations 41  
 functional hardware prerequisites 4  
 functional prerequisites 5  
 functions, replacing removed CICS 220

## G

gateway sessions 36  
 GDPS  
 customizing 131  
 generic logical names 48  
 GETPW, NetView command 157

global initialization file, configuring for  
 alert notification 100  
 GMFHS 32  
 Graphic Monitor Facility Host  
 Subsystem 32  
 GRPID parameter 251

## H

hardware  
 connecting 41  
 interfaces, planning 19  
 preparing 77  
 supported hardware 6  
 hardware interface  
 deciding which to use 21  
 Hardware Management Console  
 API, enabling for 2.8 and earlier 77  
 API, enabling for 2.9 and later 79  
 controlling a CPC with 77, 79  
 preparing, console workplace 2.8 and  
 earlier 77  
 preparing, console workplace 2.9 and  
 later 79  
 hardware requirements 3  
 HCDTRACE  
 I/O operations startup procedure 69  
 HCDTRACE, I/O operations startup  
 procedure 60  
 HMC  
 API, enabling for 2.8 and earlier 77  
 API, enabling for 2.9 and later 79  
 controlling a CPC with 77, 79  
 CPC object definitions on, 2.8 and  
 earlier 79  
 CPC object definitions on, 2.9 and  
 later 81  
 preparing, console workplace 2.8 and  
 earlier 77  
 preparing, console workplace 2.9 and  
 later 79  
 HMC Object Definition 79  
 HOM interface  
 access to 152  
 host alias, defining 107  
 host-to-host communication,  
 defining 103  
 HSA.MESSAGE.LOG 92  
 HSA.WORKITEM.HISTORY 92  
 HSACFGIN  
 automation manager startup  
 procedure 68  
 HSACFGIN automation manager startup  
 procedure 61  
 HSACTWR 68  
 HSADEFA 90  
 HSAIPL  
 NetView startup procedure 67  
 HSAIPL NetView startup procedure 60  
 HSAOVR  
 automation manager startup  
 procedure 68  
 HSAOVR automation manager startup  
 procedure 61  
 HSAPLIB  
 automation manager startup  
 procedure 68

HSAPLIB automation manager startup  
 procedure 61  
 HSAPRM00 249  
 BLOCKOMVS 249, 251  
 BUILDTIMEOUT 249  
 CFGDSN 250  
 COMM 250  
 DELAY 250  
 DIAGDUPMSG 250  
 DIAGINFO 250  
 GRPID 251  
 LIFECYCLE 251  
 LOGSTREAM 251  
 NUMQTHDS 251  
 OVRDELETEDELAY 251  
 PREF 251  
 PROMPT 252  
 START 252  
 STOPDELAY 252  
 TAKEOVERFILE 252  
 TAKEOVERTIMEOUT 253  
 WLMQUERYINTERVAL 253  
 HSAPRMxx 89  
 HW Integrated Console 183

## I

I/O ISPF dialogs 93  
 I/O operations 16, 48  
 adding to the ISPF menu 96  
 communications links 42  
 optional customization 133  
 safe switching 42  
 startup procedure, HCDTRACE 60  
 I/O Ops 15  
 I/O-Ops 3  
 IBM Tivoli Monitoring products,  
 controlling access to 154  
 IEAAPFxx member 63  
 IEASYSxx 111  
 IEBUPDTE 95  
 IEFSSNxx 65  
 ING.CUSTOM.AOFTABL 62, 94  
 ING.CUSTOM.IHVCONF 63  
 ING.CUSTOM.POCNTL 62  
 ING.CUSTOM.SOCNTL 62  
 ING.HEALTH.CHECKER.HISTORY 92  
 ING.ING01 67  
 ING.SINGIPDB 95  
 ING.SINGMOD1 63, 113  
 ING.SINGMOD2 63  
 ING.SINGMOD3 63  
 ING.SINGNMSG 113  
 ING.SINGNPRM 113  
 ING.SINGNREX 101, 113  
 INGCF, restricting access to 153  
 INGCMD 74  
 INGDLG 93, 96, 98, 256  
 INGDDUMP  
 NetView startup procedure 67  
 INGDDUMP NetView startup  
 procedure 60  
 INGEAMSA 67, 112  
 INGEDLGA 62  
 INGEIO 69  
 INGEJES3 sample 66  
 INGEMOD4 97

INGEMPF sample 64  
 INGENVSA 67  
 INGEREXC sample 101  
 INGEREXG 101  
 INGEREXR sample 101  
 INGESAF sample 109  
 INGESCAT sample 109  
 INGESO 113  
 INGESSN sample 65  
 INGMMSG01 72  
 INGNMCTJ 138  
 INGNMCTZ 137  
 INGNMCZJ 138  
 INGNMCZP 137  
 INGOMX command 154  
 INGPLEX, restricting access to 153  
 INGPXDST 112  
 INGRXRUN 101  
 INGSCHS sample 64  
 INGTPOF 120  
 INGTPOF file 120, 167  
 INGTPOF sample 176  
 INGXINIT 72  
 INGXSG 73  
 INITIAL CICS start type, migration to SA z/OS 3.3 217  
 INITSEL 256  
 input/output devices 19  
 installation of NMC workstation 137  
 installation of SA z/OS  
   allocate VSAM data sets 62  
   IPL of z/OS 110  
   workstation components 137  
 installing  
   CICS automation in CICS 123  
   IMS automation in IMS 125  
   SA z/OS with EMCS 180  
   satellite code 113  
   Tivoli Enterprise Portal support 135  
   TWS Automation 126  
   USS Automation 129  
 intermediate focal point 118  
 IPL information  
   access to 152  
 IPL z/OS 110  
 IRXANCHR 21  
 IRXTSMPE 21, 98  
 ISPCTL1 temporary data set 95  
 ISPF  
   adding processor operations to the menus 96  
   dialogs  
     Dialog Tag Language (DTL) 97  
   startup procedure  
     adding processor operations to 94  
 ISPF Application Selection Menu 97  
 ISPF dialog  
   adding to ISPF menu 96  
   installation verification 98  
   starting 96  
 ISPF dialog invocation  
   using automation procedure 97  
   using INGDLG 97  
   using TSO logon 97  
 ISPF dialogs for customization 93  
 ISPTABL 95  
 ISPWRK data sets 94

ISQMSG01 75  
 ISQMSGU1 75

## J

JES 66  
 JES3INxx 66

## K

Kanji support, update NetView style sheet for 71  
 keyboard xiii  
 KKEDIT add\_racf\_key command 151

## L

LIFECYCLE parameter 251  
 LNKLSTxx  
   load module prefixes in 22  
   updating 65  
 local page data sets  
   spare, access to 153  
 LOCATION statement 168  
 LOGSTREAM  
   INGXINIT parameter 73  
 LOGSTREAM parameter 251  
 LookAt message retrieval tool xx  
 LPALSTxx  
   load module prefixes in 22  
   updating 64  
 LPAR mode 18

## M

mandatory prerequisites 5  
 master HMC  
   preparing, 2.8 and earlier 77  
   preparing, 2.9 and later 80  
 MAXFILEPROC 108  
 MAXSOCKETS 108  
 member  
   IEAAPFxx 63  
   SCHEDxx 64  
 message  
   DFHLG0739 and CICS shutdown, migration to SA z/OS 3.3 221  
   DFHLG0750 and CICS shutdown, migration to SA z/OS 3.3 221  
   DFHPA1104, migration to SA z/OS 3.3 221  
   DFHPA1105, migration to SA z/OS 3.3 221  
   monitor task 40  
 message forwarding path 36  
 message retrieval tool, LookAt xx  
 migration  
   ABCODESYSTEM message ID 218  
   automation of DFHKE0408D message 216  
   automation operator definitions for CICS 219  
   automation policy 199  
   CICS AUTO start type 217

migration (*continued*)

CICS automation, for SA z/OS 3.3 213  
 CICS connection monitoring 196  
 CICS information with DISPINFO command 222  
 CICS INITIAL start type 217  
 CICS link and health monitoring 214  
 CICS message exit policy reload 216  
 CICS short-on-storage handling 221  
 CICS shutdown for DFHLG0739 or DFHLG0750 221  
 CICS subsystem  
   resynchronization 215  
 CICS subsystem status change 218  
 CICS subsystems 214  
 CICS-specific messages 219  
 CICSMASTER automated function 219  
 DB2 automation 197  
 equivalents to retired commands 202  
 event notification service 196  
 IMS connection monitoring 196  
 miscellaneous considerations 201  
 notes and advice 195  
 overriding system initialization table 221  
 processor operations control file replacement 199  
 replacing removed CICS functions 220  
 start type switch for CICS subsystems 217  
 TEC notification service 196  
 monitoring agent, installing TEP support for 135  
 monitors, OMEGAMON  
   controlling access to 155  
 MPFLSTSA 64  
 MPFLSTxx 64  
 multiple NetViews 35, 179  
 MultiSystem Manager 114

## N

naming conventions  
   ESCON 46  
   processor operations 46  
 NETCONV sessions, NetView style sheet 71  
 Netcool/OMNIBus  
   customizing 144  
   installing 144  
 NetView  
   autotasks 40  
   command authorization for OMEGAMON 156  
   granting access to data sets 151  
   running two on one z/OS system 179  
   security 151  
   style sheet 23, 70  
   automation operator AUTO2 71  
   Kanji support 71  
   NETCONV sessions 71  
   resource discovery 71  
   tower statements 70  
 NetView alerts 69

- NetView application startup procedure 67
- NetView Graphic Monitor Facility Host Subsystem 32
- NetView Management Console 15, 19
  - configuration 31
- NetView message adapter service, configuring for alert notification 100
- NetView RMTCMD function 18
- NetView startup procedure
  - AOFSTAT 60
  - HSAIPL 60
  - INGDUMP 60
- NetView stylesheet 117
- NetView subsystem interface startup procedure 67
- NetView to NetView 18
- NetView, GETPW command 157
- Network Security Program (NetSP) 165
- Networking NetView 32, 113
- Networking NetView DSIPARM 113
- Networking NetView startup 113
- NMC 15, 19, 137
  - configuration 31
    - preparing the focal point system 114
- NMC client 137
  - installation 141
- NMC Server 137
  - installation 139
- NMC workstation
  - installation preparation 32
- NMC workstation installation 137
- non-shareable data sets
  - allocating 58
- NPDA
  - setup for alerts 70
- NUMQTHDS parameter 251

## O

- OMEGAMON
  - password management 157
  - security, NetView command authorization 156
- OMEGAMON monitors
  - controlling access to 155
- OMVS segment 24
- operating systems
  - supported operating systems 6
- operator definition file 151
- operator terminals 6
- OPTION statement 170
- OS/390 Automatic Restart Manager 108
- overriding system initialization table, migration to SA z/OS 3.3 221
- OVRDELETEDELAY parameter 251

## P

- PAM 25
- Parallel Sysplex
  - description 17
- partitioning
  - logical 18
- password management
  - OMEGAMON 157

- peer-to-peer protocol, SA IOM
  - enabling 99
  - introducing 28
- physical path completion 41
- planning
  - considerations, REXX 21
  - considerations, z/OS 22
  - hardware interfaces 19
  - processor operations connections 41
- planning installation 15
- policy databases, converting 102
- PPIBQL
  - INGXINIT parameter 73
- PREF parameter 251
- prefixes
  - load module 22
  - members 22
  - REXX parts 22
- preparing
  - Hardware Management Console, console workplace 2.8 and earlier 77
  - Hardware Management Console, console workplace 2.9 and later 79
  - hardware, the 77
  - Support Element, console workplace 2.8 and earlier 81
  - Support Element, console workplace 2.9 and later 83
- prerequisites
  - functional 5
  - functional hardware 4
  - mandatory 5
- primary automation manager 25
- primary focal point 118
- processor hardware functions
  - controlling access to 158
- processor operations 15
  - adding to the ISPF menu 96
  - adding to the ISPF startup procedure 94
  - BCP internal interface, understanding 19
  - connections, planning 41
  - control file 62
  - control file replacement, migration for SA z/OS 3.3 199
  - customize NetView 75
  - naming conventions 46, 49
  - SNMP interface, understanding 20
  - TCP/IP interface, understanding 21
- processor operations communication link 39
- ProcOps 3, 15
- PROCOPS statement 168
- profile, RACF, for I/O operations 160
- Program List Table Definitions 123
- PROMPT parameter 252
- PTKDATA class in RACF 151

## R

- RACF profile
  - access authorization levels 162
  - assigning authorization 160
  - assigning authorization by access level 160

- RACF profile (*continued*)
  - for I/O operations 160
  - TCP/IP port authorization 161
  - using specific profiles 161
- reconvert I/O operations panels 98
- recovery
  - performed by XCF 25
  - takeover file 25
- recovery scenarios 26
- recovery task 40
- reload of CICS message exit policy, migration to SA z/OS 3.3 216
- removed CICS functions, replacing 220
- replacing removed CICS functions 220
- Required Control Region Parameters
  - specifying 125
- requirements
  - hardware 3
  - software 4
- resource discovery, NetView style sheet 71
- restart Automatic Restart Manager
  - enabled subsystems 108
- restricting access
  - INGCF 153
  - INGPLEX 153
- restrictions to z/OS system names 45
- retired commands, equivalents to 202
- REXX
  - environments, allocation requirements 21
  - planning considerations 21
  - procedures, compilation 101
- REXX environments 98
- RMTCMD 18
- RMTCMD security 109
- RODM
  - access information 151
  - authorization 179
  - RODMVIEW 180
- running two NetViews on one z/OS system 179

## S

- SA IOM
  - alert notification 28
  - alert notification, enabling 99
  - peer-to-peer protocol 28
- SA z/OS
  - installation 54
  - NetView 113
  - satellite 113, 179
- SA z/OS 3.2
  - changes in 7
- SA z/OS 3.3
  - CICS automation migration 213
- SA z/OS components
  - I/O operations 3
  - processor operations 3
  - system operations 3
- SA z/OS satellite
  - installation verification 180
- SA z/OS satellite installation 113
- SA z/OS topology manager 114
- customize INGTOPOF file 120
- customize RODM 120

- SA z/OS topology manager (*continued*)
    - DSIPARM.DSIOPF 118, 119
    - operator profiles 119
  - SA z/OS topology manager, modify
    - DSIPARM for 117
  - SAF-based security product 151
  - safe switching 42
  - SAM 25
  - sample
    - AOFCOM 110
    - INGEJES3 66
    - INGEMPF 64
    - INGEREXC 101
    - INGEREXR 101
    - INGSCHE 64
  - sample alert handler for alert notification 101
  - sample INGTOPOF file 176
  - sample library
    - SINGSAMP 56
  - sample user exits 122
  - satellite 179
    - installation verification 180
  - satellite installation 113
  - SCHEDxx member 64
  - SDF, customizing 109
  - SDFROOT 110
  - SE
    - API, enabling for 2.8 and earlier 83
    - API, enabling for 2.9 and later 83
    - community name, setting for 2.8 and earlier 83
    - community name, setting for 2.9 and later 83
    - community name, setting for BCPii connections, 2.9 and later 84
    - community name, setting for SNMP connections, 2.9 and later 83
    - configuring SNMP, 2.8 and earlier 81
    - cross partition flags, setting for 2.8 and earlier 83
    - cross partition flags, setting for 2.9 and later 85
    - preparing, console workplace 2.8 and earlier 81
    - preparing, console workplace 2.9 and later 83
  - secondary automation manager 25
  - secondary focal point 118
  - security
    - focal point system and target system 151
    - OMEGAMON, NetView command authorization 156
  - security considerations 90
  - security definition 109
  - SETTIMER 74
  - setup (NPDA) for alerts 70
  - short-on-storage handling for CICS, migration to SA z/OS 3.3
    - RCVRSOS message ID, migration to SA z/OS 3.3 221
  - shortcut keys xiii
  - SINGNPRM 70
  - SINGSAMP 56, 113
    - HSADEFA 90
    - HSAPRM00 89
  - SINGSAMP (*continued*)
    - INGEAMSA 112
    - sample exits 122
  - SIT or startup overrides 123
  - SMFPRMxx 66
  - SMP/E 56
  - SNMP 18
  - SNMP interface
    - understanding 20
    - using to control CPCs, 2.8 and earlier 78
  - SOAP requests 154
  - software requirements 4
  - SOMAXCONN 108
  - spare Couple Data Sets
    - access to 153
  - spare local page data sets
    - access to 153
  - specifying
    - Required Control Region Parameters 125
  - SRFILTER 69
  - SSI startup procedure 67
  - START parameter 252
  - start type switch for CICS subsystems, migration to SA z/OS 3.3 217
  - startup
    - automation manager 111
    - system operations 110
  - startup procedure
    - automation manager 67
  - startup procedure, ISPF
    - adding processor operations to 94
  - status change of CICS subsystems, migration to SA z/OS 3.3 218
  - status display facility 109
  - STC-user
    - granting access to data sets 151
  - STEPLIB
    - data set name inserted in DD concatenation 113
  - STOPDELAY parameter 252
  - storage requirements
    - automation manager 24
  - style sheet, NetView 70
  - subplex
    - requirements for 22
    - using 22
  - subsystem interface startup procedure 67
  - Support Element
    - API, enabling for 2.8 and earlier 83
    - API, enabling for 2.9 and later 83
    - community name, setting for 2.8 and earlier 83
    - community name, setting for 2.9 and later 83
    - community name, setting for BCPii connections, 2.9 and later 84
    - community name, setting for SNMP connections, 2.9 and later 83
    - configuring SNMP, 2.8 and earlier 81
    - cross partition flags, setting for 2.8 and earlier 83
    - cross partition flags, setting for 2.9 and later 85
  - Support Element (*continued*)
    - preparing, console workplace 2.8 and earlier 81
    - preparing, console workplace 2.9 and later 83
  - supported hardware 6
    - operator terminals 6
  - supported operating systems 6
  - switch ports, reasons for naming 46
  - syntax
    - HSAPRM00 249
    - INGTOPOF 167
  - SYS1.NUCLEUS 63
  - SYS1.PARMLIB
    - customization of members 63
  - SYS1.PROCLIB 67
  - SYS1.SCBDHENU 63
  - SYS1.VTAMLST, customizing 103
  - SysOps 3, 15
  - SYSOUT automation manager startup procedure 61, 62
  - sysplex hardware 16
  - SYSPLX statement 167
  - SYSPRINT 95
  - SYSPRINT automation manager startup procedure 62
  - system initialization table, overriding, migration to SA z/OS 3.3 221
  - system logger 91
    - resources 92
  - system names
    - restrictions 45
  - system operations 15
    - adding to the ISPF menu 96
    - startup procedures 68
  - system operations configuration files
    - distributing 103
  - system operations connectivity 35
  - system operations considerations 23
  - system operations control files 102
- T**
- takeover file 25
  - TAKEOVERFILE parameter 252
  - TAKEOVERTIMEOUT parameter 253
  - target
    - connections 42
    - control tasks 40
  - target system
    - and focal point system 35
    - definition 54
    - hardware connections for processor operations 42
  - task
    - message monitor 40
    - recovery 40
    - target control 40
  - task structure 39
  - TCP/IP
    - port authorization 161
    - VM guests 18
  - TCP/IP interface
    - understanding 21
  - TEC event server
    - customizing 143
    - installing 143

- TEC notification
  - See* alert notification
- TEC notification service, migration for SA z/OS 3.3 196
- terminal access facility (TAF) 38
- Tivoli Enterprise Console 144
- Tivoli Enterprise Portal support 19
- Tivoli Enterprise Portal support, installing 135
- Tivoli Service Request Manager
  - customizing 146
  - installing 146
- TRACET0 automation manager startup procedure 61, 62
- TRACET1 automation manager startup procedure 61, 62
- transaction and program definitions 124
- trouble ticket and alert notification
  - enabling 101
  - introducing 28
- TSO
  - logon procedure 94, 97
- TSO/E REXX
  - update of environments 98
- TSO/REXX
  - invoking of dialogs 97
- TWS Automation
  - installing 126

## U

- updating firewall information 85
- user exits 122
- user-defined alert handler and alert notification
  - enabling 101
  - introducing 29
  - sample alert handler 101
- user-defined Couple Data Sets
  - access to 153
- users
  - authorizing 151

## V

- verification of system operations
  - startup 112
- VM guests
  - TCP/IP 18
- VSAM data sets
  - allocation at focal point 62
- VTAM
  - customization 103
- VTAM definitions
  - APPN definitions 106
  - cross-domain definitions 105
  - introduction 104

## W

- WLMQUERYINTERVAL parameter 253

## X

- XCF
  - used for communication and recovery 25
- XCF group name
  - INGXSG, default 73
  - INGXSGxy 73
- XCF utilities
  - access to 151

## Z

- z/OS
  - planning considerations 22
- z/OS system names, restrictions 45







Program Number: 5698-SA3

Printed in USA

SC34-2571-00

