

IBM Tivoli System Automation for z/OS



Operator's Commands

Version 3 Release 1

IBM Tivoli System Automation for z/OS



Operator's Commands

Version 3 Release 1

Note!

Before using this information and the product it supports, be sure to read the general information under "Notices" on page ix.

Second Edition (September 2005)

This edition applies to IBM Tivoli System Automation for z/OS (5698-SA3), Version 3 Release 1, an IBM licensed program, and to all subsequent releases and modifications until otherwise indicated in new editions or technical newsletters.

Order publications through your IBM representative or the IBM branch office serving your locality. Publications are not stocked at the address given below.

A form for readers' comments appears at the back of this publication. If the form has been removed, address your comments to:

IBM Deutschland Entwicklung GmbH
Department 3248
Schoenaicher Strasse 220
D-71032 Boeblingen
Federal Republic of Germany

FAX: (Germany): 07031+16-3456

FAX: (Other countries): (+49)+7031-16-3456

Internet e-mail: s390id@de.ibm.com

When you send information to IBM, you grant IBM a nonexclusive right to use or distribute the information in any way it believes appropriate without incurring any obligation to you.

© Copyright International Business Machines Corporation 1996, 2005. All rights reserved.

US Government Users Restricted Rights – Use, duplication or disclosure restricted by GSA ADP Schedule Contract with IBM Corp.

Contents

Figures	v
--------------------------	----------

Tables	vii
-------------------------	------------

Notices	ix
--------------------------	-----------

Programming Interface Information	ix
Trademarks	x

Accessibility	xi
--------------------------------	-----------

Using assistive technologies	xi
Keyboard navigation of the user interface	xi
z/OS information	xi

About This Book	xiii
----------------------------------	-------------

Who Should Use This Book.	xiii
Where to Find More Information	xiii

Part 1. Introduction 1

Introduction 3

Overview of Commands	3
Understanding Terms	3
Format of Syntax Diagrams	5

Part 2. SA z/OS System Operations Commands. 7

System Operations Commands. 9

Using System Operations Commands	9
ACF	14
AOHELP	17
AOCTRACE	19
DISPACF	23
DISPAOPS.	25
DISPASF	26
DISPASST	28
DISPAUTO	30
DISPERRS.	31
DISPEVT	32
DISPEVTS.	35
DISPFLGS.	37
DISPGW	40
DISPINFO.	45
DISPMSGs	47
DISPMTR	49
DISPSCHD	52
DISPSFLT	54
DISPSTAT	57
DISPSYS	62
DISPTREE.	63
DISPTRG	65
DISPWTOR	67
DRAINJES.	68

EXPLAIN	69
INGAMS	71
INGAUTO.	77
INGCF	81
INGCFL	101
INGCICS.	102
INGEVENT	106
INGFILT	107
INGGROUP.	111
INGHIST	117
INGIMS	119
INGINFO	122
INGLIST	125
INGLKUP	132
INGMOVE	135
INGNTFY	138
INGOPC	141
INGPLEX	149
INGRELS.	171
INGREQ	174
INGRPT	183
INGSCHED.	185
INGSEND	193
INGSESS.	196
INGSET	200
INGSTR	204
INGTHRES	210
INGTIMER	214
INGTOPO	216
INGTRIG.	217
INGVOTE	220
JES2	223
MONITOR	224
OPCAQRY	225
RESTART.	227
RESYNC	228
SETASST	229
SETHOLD	232
SETSTATE	233
SETTIMER	236

Part 3. SA z/OS I/O Operations Commands. 239

I/O Operations Commands. 241

Using I/O Operations Commands	241
Safe Switching	241
FICON Switches	242
FICON Cascaded Switches	242
ALLOW	242
BLOCK	245
CHAIN	247
CONNECT	249
DISCONNECT	250
DISPLAY CHP	251

DISPLAY DEV	253
DISPLAY HOST	255
DISPLAY NAME	257
DISPLAY PORT	259
DISPLAY RESULTS	261
DISPLAY SWITCH	264
DISPLAY TIMEOUT	266
DISPLAY VARY	266
GETLOCK	268
LOGREC	268
PROHIBIT	269
REMOVE CHP	271
REMOVE SWITCH	273
RESET HOST	275
RESET SWITCH	278
RESET TIMEOUT	278
RESTORE CHP	279
RESTORE SWITCH	281
SYNC SWITCH	282
UNBLOCK	283
UNCHAIN	284
UNLOCK	286
WRITE	287

Part 4. SA z/OS Processor Operations Commands 289

Using Processor Operations

Commands	291
General Information	291
Host-Based Commands	291
Common Commands	291
PSM Commands	292

Common Commands 293

ACTIVATE	293
CBU	306
CCNTL	307
CPCDATA	309
DEACTIVATE	310
EXTINT	314
ICNTL	316
LOAD	320
PROFILE	325
RESERVE	333
RESTART	335
START	336
STOP	337
SYSRESET	339

Host-based Commands 345

ISQCCMD	345
ISQCHK	346
ISQCMON	347
ISQEXEC	348
ISQHELP	350
ISQIPSWT	351
ISQOVRD	352
ISQSEND	353

ISQSTART	355
ISQSTOP	357
ISQVARS	358
ISQXCLS	368
ISQXDRL	370
ISQXDST	371
ISQXIII	374
ISQXLOC	376
ISQXMON	377
ISQXOPT	379
ISQXPSM	381
ISQXUNL	383

PSM Commands 385

Special Requests	385
----------------------------	-----

Appendix A. Definitions for I/O

Operations Commands 389

ESCON/FICON Director Switch	389
Switch Identifiers	389
Logical Switch Number (LSN)	390
Chain and Unchain a Switchable Path	390
Chaining a Path	390
When a Command Fails	393
A "Partially-ESCON" Path	394
Channel Types	394
Types Of Channels	395
ESCON Channels	395
Making Connectivity Changes	396
Restore (Enable) a Switch	398
Switch Ports	398
Logical Tokens	398
Allow Prohibit Mask of a Port	398
An ESCON-in-Converted-Mode (CVC) Path	399
Physical Tokens	399
Using Port Names as a Tool in Switching	
Commands	399
Switch Port Hardware Status on a Display	
Command	400
Remove (Quiesce) a Switch	400
Port Switching Commands	401
A Parallel Channel in Block (BL) Mode	403
Switching Commands	404
A Simple Way to Modify a Switch Matrix	404
Port Addresses	404
Switch Unique Identifier	404
Processing a Vary Path Request	405
VTAM Application Name	406

Appendix B. General Considerations

for I/O Operations Commands 407

General Information and Tips for Using	
Multisystem Commands	409
General Considerations for Using the Query	
Entity Interface Relations Commands	410

Glossary 413

Index 433

Figures

1. Resource Selection Panel	5	45. DRAIN Command Dialog: Confirmation Panel for REBUILD	91
2. Resource Selection Panel 1 -- Non-sysplex-wide	11	46. DRAIN Command Dialog Panel: After Rebuild	91
3. Resource Selection Panel 2 -- Sysplex-wide	12	47. DRAIN Command Dialog Panel: After Forcing	92
4. AOCHHELP Command Dialog Panel	18	48. DRAIN Command Dialog Panel: After Draining	93
5. AOCTRACE Main Command Dialog Panel	21	49. DRAIN Command Dialog Panel: After Inactivation	93
6. AOCTRACE Command Dialog Panel for a Specific Clist	22	50. ENABLE Command Dialog Panel: Before Any Action	95
7. Display of Automation Control File Settings for Subsystem (DISPACF SUBSYSTEM)	24	51. Confirmation Panel for ENABLE	96
8. Automation Operators Panel.	26	52. ENABLE Command Dialog Panel: After Enabling	96
9. Display of Automation Status File Information for TSO (DISPASF TSO)	28	53. ENABLE Command Dialog Panel: After Populating	97
10. DISPASST Command Dialog Panel.	29	54. PATH Command Dialog Panel	98
11. DISPAUTO Command Dialog Panel	30	55. STRUCTURE Command Dialog Panel.	99
12. DISPERRS Command Dialog Panel	32	56. INGCICS REQ=CMD Sample Panel	104
13. DISPEVT Command Dialogs Panel - Result	34	57. INGCICS REQ=BROADCAST Sample Panel	105
14. DISPEVTS Command Dialogs Panel	36	58. INGCICS REQ=INFO Sample Panel	105
15. DISPEVTS Command Dialogs Panel - Action	37	59. INGFILT Command Dialog Panel	110
16. DISPFLGS Command Dialog Panel of SA z/OS	39	60. INGGROUP Command Dialog Panel	115
17. DISPGW Command Dialog Panel 1	41	61. INGGROUP Command Dialog Panel Showing Members' Detail	117
18. DISPGW Command Dialog Panel 2	43	62. INGHIST Command Dialog Panel.	119
19. DISPGW Command Dialog Panel 3	44	63. INGIMS Command Dialog Panel	121
20. DISPINFO Command Dialog Panel	46	64. INGIMS REQ=BROADCAST Sample Panel	122
21. INGCICS Command Dialog Panel	47	65. INGINFO Command Dialog Panel	124
22. Authorized Message Receivers (DISPMSGS) Panel.	48	66. INGLIST Command Dialog Panel 1	128
23. DISPMTR Initial Command Dialog Panel	50	67. INGLIST Command Dialog Panel To Update Status	131
24. DISPMTR Command Dialog Panel 2	50	68. INGLKUP Command Dialog Panel	134
25. DISPMTR Command Dialog Panel 3	51	69. INGMOVE Command Dialog Panel	136
26. DISPMTR Command Dialog Panel Showing Details for a Monitor	52	70. INGMOVE Confirmation Panel	138
27. DISPSCHD Command Dialog Panel	54	71. INGNTFY Command Dialog Panel	140
28. DISPSFLT Sample Panel	56	72. INGOPC Command Dialog Panel.	144
29. Display of Status of All Automated Resources (DISPSTAT)	59	73. INGOPC REQ=LIST TYPE=APPL Sample Panel	146
30. DISPSTAT Command Dialog Times Panel	61	74. INGOPC REQ=LIST TYPE=OP Sample Panel	146
31. DISPSTAT Command Dialog Description Panel	61	75. INGOPC REQ=LIST TYPE=SR Sample Panel	147
32. DISPYSYS Command Dialog Panel	63	76. INGOPC REQ=LIST TYPE=WS Sample Panel	147
33. DISPTREE Sample Panel	65	77. INGOPC REQ=LIST TYPE=CAL Sample Panel	148
34. DISPTRG Command Dialog Panel	66	78. INGOPC Filter Sample Panel	148
35. Display of Outstanding Replies (DISPWTOR)	68	79. INGPLEX Selection Panel	152
36. EXPLAIN Sample Panel	70	80. INGPLEX CDS Command Dialog Panel	155
37. INGAMS Command Dialog Panel 1	73	81. Confirmation Panel for Switching from the Current Primary CDS to the Alternate CDS	156
38. INGAMS Command Dialog Panel to Control Operation Mode	75	82. INGPLEX CDS Command Dialog Panel after the Switch	157
39. INGAMS Command Dialog Panel to Show Details	76	83. CFRM Couple Data Set Information Panel before Policy Switch	157
40. INGAMS Command Dialog Panel to Refresh the Configuration	76	84. Confirmation Panel for Policy Switch	158
41. INGAMS Command Dialog Panel to Initiate Diagnostic Functions	77	85. Channel Path Information for CFRM Couple Data Sets	159
42. INGAUTO Command Dialog Panel	81	86. INGPLEX SYSTEM Command Dialog Panel	160
43. INGCF Selection Panel.	87		
44. DRAIN Command Dialog Panel: Before any Action	90		

87.	INGPLEX CONS Command Dialog Panel	162	125.	Display of Scheduled Timers (SETTIMER)	237
88.	INGPLEX IPL Main Panel	164	126.	ALLOW Command - Sample 1.	244
89.	INGPLEX Dump Options Panel	165	127.	ALLOW Command - Sample 2.	245
90.	INGPLEX SDUMP Panel.	166	128.	BLOCK Command - Sample 1	246
91.	INGPLEX SDUMP Modification Panel	167	129.	BLOCK Command - Sample 2	246
92.	INGPLEX SVCDUMP Target System Selection Panel	168	130.	CHAIN Command - Sample 1	248
93.	INGPLEX SVCDUMP Address Space Selection Panel	169	131.	CHAIN Command - Sample 2	249
94.	INGPLEX SVCDUMP Address Space Detail Panel	169	132.	CONNECT Command - Sample	250
95.	INGPLEX SVCDUMP Dump Option Panel	170	133.	DISPLAY CHP Command - Sample 1	253
96.	INGPLEX SLIP Main Panel	171	134.	DISPLAY CHP Command - Sample 2	253
97.	INGRELS Command Dialog Panel	173	135.	DISPLAY DEV Command - Sample	255
98.	INGRELS Command Dialog Panel with All Details Collapsed	174	136.	DISPLAY HOST Command - Sample 1	257
99.	INGREQ Command Dialog Panel 1	181	137.	DISPLAY HOST Command - Sample 2	257
100.	INGREQ Command Dialog Panel 2	182	138.	DISPLAY NAME Command - Sample 1	259
101.	185	139.	DISPLAY NAME Command - Sample 2	259
102.	INGSCHEd Initial Command Dialog Panel	189	140.	DISPLAY PORT Command - Sample	261
103.	INGSCHEd Command Dialog Panel Showing Schedule Details	190	141.	DISPLAY RESULTS Command - Scenario 1	262
104.	INGSCHEd Command Dialog Panel Showing Schedule Overrides	191	142.	DISPLAY RESULTS Command - Scenario 2	263
105.	INGSCHEd Command Dialog Panel Showing Resources Related to a Schedule	191	143.	DISPLAY SWITCH Command - Sample 1	265
106.	INGSCHEd Command Dialog Panel Showing Resource Overrides	192	144.	DISPLAY SWITCH Command - Sample 2	266
107.	INGSEND Command Dialog Panel	196	145.	PROHIBIT Command - Sample 1	270
108.	INGSESS Command Dialog Display	198	146.	PROHIBIT Command - Sample 2	271
109.	INGSESS Command Dialog Detail Display	199	147.	REMOVE SWITCH Command - Sample	275
110.	The INGSTR Panel without Structure Conditions.	208	148.	RESET HOST Command - Scenario 1	277
111.	The INGSTR Panel with Structure Conditions.	209	149.	RESET HOST Command - Scenario 2	277
112.	REALLOCATE Confirmation Panel	210	150.	UNBLOCK Command - Sample 1.	284
113.	INGSTR Line Command Output	210	151.	UNBLOCK Command - Sample 2.	284
114.	Display of Threshold Settings for JES (INGTHRES JES)	213	152.	UNCHAIN Command - Sample	286
115.	INGTHRES Command Dialog Panel to Add Thresholds	214	153.	WRITE Command - Sample 1	288
116.	INGTRIG Initial Command Dialog Panel	219	154.	WRITE Command - Sample 2	288
117.	INGTRIG Command Dialog Panel Showing Resources Associated with a Trigger	220	155.	ISQXDST Status Summary Panel	372
118.	INGVOTE Command Dialog Panel	222	156.	Sample System Options Panel for an OCF-Based Processor in a Basic-Mode MVS Target System	380
119.	INGVOTE Linemode Output	223	157.	Sample System Options Panel for an OCF-Based Processor in LPAR-Mode MVS Target System	380
120.	JES2 DU,ALL Display.	224	158.	Sample of an ESCON Director Diagram	389
121.	OPCAQRY Command Dialog Panel	226	159.	Examples of Chained Paths	390
122.	OPCAQRY Command Dialog Panel Showing Details for a Subsystem	227	160.	Chain - Scenario 1	392
123.	OPCAQRY Line Mode Output	227	161.	Chain - Scenario 2	393
124.	SETSTATE Command Dialog Panel	236	162.	ESCON-in-Converted-Mode - Sample	399
			163.	Switch Port Hardware Status Format	400
			164.	PROHIBIT Command Example	401
			165.	CONNECT Command Example	401
			166.	BLOCK Command Example	402
			167.	UNBLOCK Command Example	402
			168.	ALLOW Command Example	402
			169.	ALLOW Command Example	403
			170.	Parallel Channel in Block Mode - Sample	403
			171.	Switch Unique Identifier Format	405

Tables

1. System Automation for z/OS Library	xiii	4. ISQVARS Keywords Sorted by Keyword	
2. Overview of Commands	3	Name	365
3. Profiles and the ACTIVATE Command for		5. Commands, Their Availability and Access	
OCF-Based Processors	300	Authorization Levels	407

Notices

References in this publication to IBM products, programs, or services do not imply that IBM intends to make these available in all countries in which IBM operates. Any reference to an IBM product, program, or service is not intended to state or imply that only IBM product, program, or service may be used. Subject to IBM's valid intellectual property or other legally protectable rights, any functionally equivalent product, program, or service may be used instead of the IBM product, program, or service. The evaluation and verification of operation in conjunction with other products, except those expressly designated by IBM, are the responsibility of the user.

IBM may have patents or pending patent applications covering subject matter in this document. The furnishing of this document does not give you any license to these patents. You can send license inquiries, in writing, to:

IBM Director of Licensing
IBM Corporation
North Castle Drive
Armonk, NY 10504-1785
USA

Licensees of this program who wish to have information about it for the purpose of enabling: (i) the exchange of information between independently created programs and other programs (including this one) and (ii) the mutual use of the information which has been exchanged, should contact:

IBM Deutschland Entwicklung GmbH
Department 3248
Schoenaicher Strasse 220
D-71032 Boeblingen
Federal Republic of Germany

Such information may be available, subject to appropriate terms and conditions, including in some cases, payment of a fee.

Any pointers in this publication to non-IBM web sites are provided for convenience only, and do not in any manner serve as an endorsement of these web sites. IBM accepts no responsibility for the content or use of non-IBM web sites specifically mentioned in this publication or accessed through an IBM web site that is mentioned in this publication.

Programming Interface Information

This book documents information that is NOT intended to be used as a programming interface of System Automation for z/OS.

Trademarks

The following terms, used in this book, are trademarks of the IBM Corporation in the United States or other countries:

CICS	PR/SM
ESCON	RACF
FICON	Resource Link
IBM	RMF
IMS/ESA	Sysplex Timer
Micro Channel	S/390
MVS	System/390
MVS/ESA	Tivoli
MVS/XA	VTAM
NetView	z/OS
OS/390	3090

The following terms are trademarks of other companies:

- UNIX is a registered trademark of The Open Group in the United States and other countries.

Accessibility

Accessibility features help a user who has a physical disability, such as restricted mobility or limited vision, to use software products successfully. The major accessibility features in z/OS™ enable users to:

- Use assistive technologies such as screen readers and screen magnifier software
- Operate specific or equivalent features using only the keyboard
- Customize display attributes such as color, contrast, and font size

Using assistive technologies

Assistive technology products, such as screen readers, function with the user interfaces found in z/OS. Consult the assistive technology documentation for specific information when using such products to access z/OS interfaces.

Keyboard navigation of the user interface

Users can access z/OS user interfaces using TSO/E or ISPF. Refer to *z/OS TSO/E Primer*, *z/OS TSO/E User's Guide*, and *z/OS ISPF User's Guide Vol I* for information about accessing TSO/E and ISPF interfaces. These guides describe how to use TSO/E and ISPF, including the use of keyboard shortcuts or function keys (PF keys). Each guide includes the default settings for the PF keys and explains how to modify their functions.

z/OS information

z/OS information is accessible using screen readers with the BookServer/Library Server versions of z/OS books in the Internet library at:

<http://www.ibm.com/servers/eserver/zseries/zos/bkserv/>

About This Book

This document provides detailed information and reference material for operating IBM® Tivoli® System Automation for z/OS (SA z/OS).

Throughout this publication references to MVS™ refer either to MVS/ESA™, or to the MVS element of z/OS.

Who Should Use This Book

This information is intended primarily for operators and system programmers. It may also be useful for others, for example, help desk personnel and customer engineers.

Where to Find More Information

The System Automation for z/OS Library

The following table shows the information units in the System Automation for z/OS library:

Table 1. System Automation for z/OS Library

Title	Order Number
<i>IBM Tivoli System Automation for z/OS Planning and Installation</i>	SC33-8261
<i>IBM Tivoli System Automation for z/OS Customizing and Programming</i>	SC33-8260
<i>IBM Tivoli System Automation for z/OS Defining Automation Policy</i>	SC33-8262
<i>IBM Tivoli System Automation for z/OS User's Guide</i>	SC33-8263
<i>IBM Tivoli System Automation for z/OS Messages and Codes</i>	SC33-8264
<i>IBM Tivoli System Automation for z/OS Operator's Commands</i>	SC33-8265
<i>IBM Tivoli System Automation for z/OS Programmer's Reference</i>	SC33-8266
<i>IBM Tivoli System Automation for z/OS CICS Automation Programmer's Reference and Operator's Guide</i>	SC33-8267
<i>IBM Tivoli System Automation for z/OS IMS Automation Programmer's Reference and Operator's Guide</i>	SC33-8268
<i>IBM Tivoli System Automation for z/OS TWS Automation Programmer's Reference and Operator's Guide</i>	SC23-8269
<i>IBM Tivoli System Automation for z/OS End-to-End Automation Adapter</i>	SC33-8271

The System Automation for z/OS books are also available on CD-ROM as part of the following collection kit:

IBM Online Library z/OS Software Products Collection (SK3T-4270)

SA z/OS Home Page

For the latest news on SA z/OS, visit the SA z/OS home page at <http://www.ibm.com/servers/eserver/zseries/software/sa>

Related Product Information

| You can find books in related product libraries that may be useful for support of
| the SA z/OS base program by visiting the z/OS Internet Library at
| <http://www.ibm.com/servers/eserver/zseries/zos/bkserv/>

Part 1. Introduction

Introduction	3	Subsystem	5
Overview of Commands	3	Application.	5
Understanding Terms	3	Format of Syntax Diagrams	5
Resource.	3		

This part gives an overview of System Automation for z/OS commands -- how to enter them, their format, and the various types of commands.

Introduction

Overview of Commands

Table 2 gives a brief overview of the System Automation for z/OS commands. This overview describes the various types of commands, their functions and where they can be entered. For detailed information about how to issue commands, refer to *IBM Tivoli System Automation for z/OS User's Guide*.

Table 2. Overview of Commands

Type of command	Function	Where entered	Notes
System operations commands			
	Control and maintain resources in the enterprise from a single point of control	NetView console, or NMC	
I/O operations commands			
	Control input/output devices	TSO/ISPF, API, operator console	
Processor operations commands			
	Common commands for automation	API, NetView console, or NMC	Precede with ISQCCMD command
	Control hardware processors	NetView console or NMC	

Understanding Terms

Resource

In SA z/OS the term *resource* denotes any entity that can be automated. The automation manager administrates resources. A resource is identified by its name. The resource name must be unique within the automation manager's name space. The format of the resource name is *name/type[/system]*. The three components of the resource name can be the following:

- Name** Specifies the resource or application group.
- Type** The type specifies the type of the resource. The type parameter is optional. It can have the following values:
- APL** Indicates that the resource is a subsystem.
 - APG** Indicates that the resource is an application group.
 - EVT** Indicates that the resource is an event.
 - MTR** Indicates that the resource is a monitor.
 - SVP** Indicates that the resource is a service period (schedule).
 - SYG** Indicates all resources of a system. SYG is created automatically. This is the application group which contains all resources of a particular system.

Understanding Terms

	SYS	Indicates that the resource is a system.
System		The system name specifies the system where the resource is defined. The system parameter is not used for sysplex application groups.

Specifying Resources

There are various ways of specifying automation manager resources in System Automation for z/OS. The scope of the automation manager is a sysplex.

Using Fragments:

Here are a few examples of how to specify resources using fragments:

TSO	All resources that have the name TSO.
TSO/APG	All resources that have the name TSO, and the type APG.
TSO/APL	All resources that have the name TSO, of the type APL, on all systems in the sysplex.

Using Wildcards:

You can also use an asterisk (*) to substitute one or more fragments of a fully qualified resource name. Here are a few examples of how to specify resources using wildcards:

*/APL/SYS1	All resources of type APL, on system SYS1.
TSO*/SYS1	All resources that have the name TSO, of any type, on system SYS1.
/SYS/	All resources of type SYS, on any system in the sysplex.
//*	All resources of any type on any system in the sysplex.

You can specify wildcards for a fragment of the fully qualified resource name as a leading or trailing character. The following shows a few examples:

TSO*/APL/KEY*	All resources starting with TSO, of type APL, on the systems whose names start with KEY.
TSO/AP/*	All resources whose names end with TSO, of any type starting with AP, on any system in the sysplex.

You can use the percentage sign (%) as a *placeholder* for one character. This means that *any* character in that position of the resource name matches. The following shows a few examples:

%TSO*	All resources whose names contain TSO starting in character two.
TSO/S%S/*	All resources whose names start with TSO and where the first and last character of the type is S, on any system in the sysplex.

If the resource that you specified is not unique within the domain of the automation manager, a selection panel is displayed where you can select what you want to work with, as shown in Figure 1 on page 5.

```

A0FKSEL4          SA z/OS - Command Dialogs      Line 1 of 4
Domain ID = IPSNO ----- INGINFO -----      Date = 02/24/00
Operator ID = NETOP1                               Time = 11:12:00

Multiple instances found for TSO
Select one item to be processed, then press ENTER.

Sel  Name          Type System      Description
-----
-    TSO           APL KEY1      Time Sharing Option
-    TSO           APL KEY2      Time Sharing Option
-    TSO           APL KEY3      Time Sharing Option
-    TSO           APL KEY4      Time Sharing Option

Command ==>
PF1=Help      PF2=End      PF3=Return
PF6=Roll1
PF12=Retrieve
    
```

Figure 1. Resource Selection Panel

Subsystem

The automation agent administrates subsystems. A subsystem is also a resource, as for example in an application group. A subsystem always leads to a resource such as *name/APL/system*. For further information on subsystems in SA z/OS refer to *IBM Tivoli System Automation for z/OS User's Guide*.

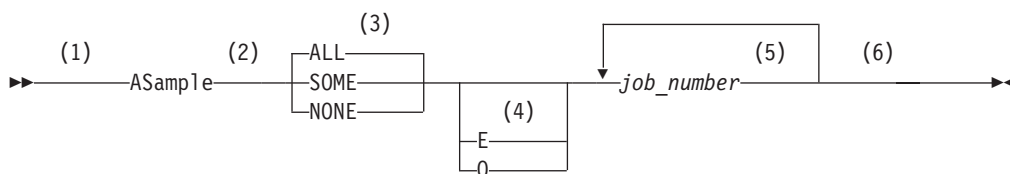
Application

An application is an z/OS subsystem, started task, batch job or non-MVS resource that runs on a system in the SA z/OS enterprise. An application cannot be linked to a system directly. It must be defined as part of an application group, and it may belong to more than one application group. For further information on how to define an application to SA z/OS, refer to *IBM Tivoli System Automation for z/OS Defining Automation Policy*.

Format of Syntax Diagrams

The description of each command and routine includes the format of the command in a syntax diagram. The diagram shows the operands for the commands. Use blanks to separate the operands, unless otherwise stated or diagrammed.

To construct a command from the diagram, follow the diagram from left to right, choosing the path that suits your needs. Following is a sample syntax diagram that explains how to construct a command. This sample command is for illustration only.



Format of Syntax Diagrams

Notes:

- 1 Start here. ►► indicates the start of the diagram.
- 2 You can type ASAMPLE or abbreviate it to AS. The uppercase characters are the abbreviation. Operands on the main line are required.
- 3 Choose one of the options. The default is always above the main line. In this case, ALL is the default. If the option includes punctuation marks, include them too: =(), , .
- 4 Choose E, Q, or neither. Operands below the main line are optional.
- 5 Repeat *job_number* any number of times. Variables are shown in italics. Replace them with a real name or value. Note that if you specify more than one *job_number* you must put them in brackets.
- 6 End here. ►◄ indicates the end of the command.

If a command continues to the next line, you see ► and ►-.
|and| indicates a fragment for a specific condition or option.

Examples:

```
====> asample none q DAF00821 DAF00832 ELD00824  
====> as some DLR01445
```

Part 2. SA z/OS System Operations Commands

System Operations Commands	9	Parameters	101
Using System Operations Commands	9	INGCICS	102
General Information	9	INGEVENT	106
Overview of Commands that Operate		INGFILT	107
Sysplex-Wide	9	INGGROUP	111
Additional Parameters for System Operations		INGHIST	117
Commands	10	INGIMS	119
Deciding the Format of the Command Output		INGINFO	122
(Fullscreen only).	13	INGLIST	125
ACF	14	INGLKUP	132
AOCHELP	17	INGMOVE	135
AOCTRACE	19	INGNTFY	138
DISPACF	23	INGOPC	141
DISPAOPS	25	INGPLEX	149
DISPASF	26	INGPLEX CDS	153
DISPASST	28	INGPLEX SYStem	160
DISPAUTO	30	INGPLEX CONsole	161
DISPERRS	31	INGPLEX IPL	164
DISPEVT	32	INGPLEX SDUMP	165
DISPEVTS	35	INGPLEX SVCdump	167
DISPFLGS	37	INGPLEX SLIP	170
DISPGW	40	INGRELS	171
DISPINFO	45	INGREQ	174
DISPMSGs	47	INGRPT	183
DISPMTR	49	INGSCHED	185
DISPSCHD	52	INGSEND	193
DISPSFLT	54	INGSESS	196
DISPSTAT	57	INGSET	200
DISPSYS	62	INGSTR	204
DISPTREE	63	INGTHRES	210
DISPTRG	65	INGTIMER	214
DISPWTOR	67	INGTOPO	216
DRAINJES	68	INGTRIG	217
EXPLAIN	69	INGVOTE	220
INGAMS	71	JES2	223
INGAUTO	77	MONITOR	224
INGCF	81	OPCAQRY	225
INGCF DRAIN	87	RESTART	227
INGCF ENABLE	94	RESYNC	228
INGCF PATH	97	SETASST	229
INGCF STRUCTURE	98	SETHOLD	232
INGCFL	101	SETSTATE	233
Purpose	101	SETTIMER	236
Syntax	101		

This part describes SA z/OS system operations commands -- their format, and specifics of how to use them.

Refer to *IBM Tivoli System Automation for z/OS User's Guide* for general information about the SA z/OS commands.

System Operations Commands

Using System Operations Commands

General Information

You can issue any system operations command by typing the command and its parameters on the command line of any NetView or system operations panel. You can also issue system operations commands by entering the command via NMC. In addition, System Automation for z/OS provides a menu of command dialogs which allows you to select a command dialog panel for a specific system operations command. For further information on how to issue system operations commands, refer to *IBM Tivoli System Automation for z/OS User's Guide*.

Overview of Commands that Operate Sysplex-Wide

The following are the system operations commands that operate sysplex-wide:

- DISPEVTS
- INGAMS
- INGCF
- INGCICS
- INGEVENT
- INGHIST
- INGIMS
- INGINFO
- INGLIST
- INGOPC
- INGPLEX
- INGRELS
- INGREQ
- INGSCHED
- INGSET
- INGTRIG
- INGVOTE

You can issue sysplex-wide commands from any system within the sysplex, regardless of where the resource resides.

If no target is specified, the command that was issued will find the affected resources in the sysplex.

Specifying the target system parameter is only required when routing the command from the focal-point system to a system in another sysplex or to a single remote system.

For further information about sysplex-wide commands, refer to *IBM Tivoli System Automation for z/OS User's Guide*.

Additional Parameters for System Operations Commands

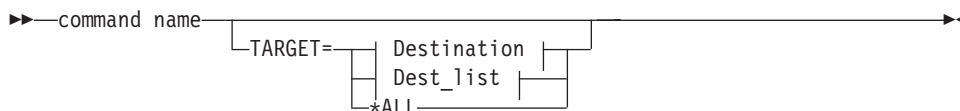
The following parameters are available for a number of system operations commands:

TARGET

The TARGET parameter lets you specify the system where the command is to be processed. You can direct the command to:

- A particular system in the sysplex, or enterprise
- A subset of systems in the sysplex, or enterprise
- A sysplex
- All systems currently active in the local sysplex

The syntax is as follows:



Destination:



Dest_list:



Where:

system_name

Specifies the name of the z/OS system

domain_ID

Specifies the NetView domain identifier

sysplex_name

Specifies the name of the sysplex

***ALL** SA z/OS specifies that the command should be routed to all SA z/OS systems that are currently active in the local sysplex.

Note, that not all of the commands that support the TARGET parameter also support the *ALL value. Refer to the respective syntax diagrams for information about whether *ALL is supported.

The search sequence is as follows:

1. System name within the local sysplex
2. Domain ID within the local sysplex
3. Local sysplex name

If it is a human operator, the search continues in the following sequence:

- Domain ID within the enterprise
- System name within the enterprise
- Sysplex name within the enterprise

Additional Parameters for System Operations Commands

If no value is specified, and the command does not refer to a defined resource, it is processed on the local system.

Note: The following only applies to commands that do **not** operate sysplex-wide.

If you do not specify the TARGET parameter, and the SA z/OS command refers to a defined resource, SA z/OS processing is as follows:

- If the resource is only defined on one active system, the command is routed to that specific system.
- When processing the command in line mode, SA z/OS checks whether or not the resource is defined on the local system. If it is, the command is processed locally. Otherwise, an error message is issued.
- If the resource is defined on more than one active system, and the command is not running on an autotask, SA z/OS displays the following selection panel where you can select the resource, or resources where the command is to be routed to:

If you enter `dispacf mvsesa` a panel similar to Figure 2 is displayed.

```
AOFKSEL1          SA z/OS - Command Dialogs      Line 1 of 4
Domain ID = IPUFA  ----- DISPACF -----      Date = 06/27/00
Operator ID = NETOP1                               Time = 17:43:12

Multiple instances found for MVSESA in sysplex(es) AOCPLX
Select one or more items to be processed, then press ENTER.

      Sel  System  Domain
      ---  -
      -    AOCA   IPUFA
      -    AOCC   IPUFB
      -    AOCC   IPUFC
      -    AOCD   IPUFD

Command ==>
PF1=Help    PF2=End    PF3=Return
PF6=Roll                                PF12=Retrieve
```

Figure 2. Resource Selection Panel 1 -- Non-sysplex-wide

If the target is within the local sysplex, the communication method is via XCF facilities. Otherwise, the NetView RMTCMD command is used. Sysplex-wide commands are processed locally.

Note: The following only applies to sysplex-wide commands.

If a target is specified and the resource is not defined on the specified system, SA z/OS issues an error message.

If you enter `ingvote stdt000*` a panel similar to Figure 3 on page 12 is displayed.

Additional Parameters for System Operations Commands

```

AOFKSEL4          SA z/OS - Command Dialogs          Line 1 of 32
Domain ID = IPUFA  ----- INGVOTE -----          Date = 06/27/00
Operator ID = NETOP1                               Time = 17:50:39

Multiple instances found for STDT000*
Select one item to be processed, then press ENTER.

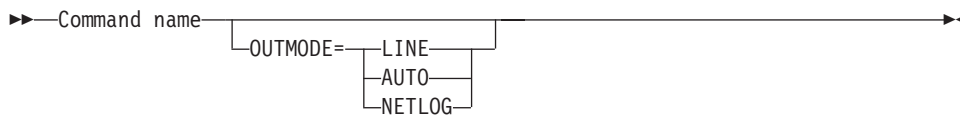
Sel  Name          Type System  Description
-----
-   STDT000AN00    APL  AOCA    Parent for all STD* appl 05/16/00 06:25
-   STDT000AN00    APL  AOCC    Parent for all STD* appl 05/16/00 06:25
-   STDT000AN00    APL  AOCC    Parent for all STD* appl 05/16/00 06:25
-   STDT000AN00    APL  AOCC    Parent for all STD* appl 05/16/00 06:25
-   STDT000AN1A    APL  AOCA    Child of AN10 (child tree --- AN1B)
-   STDT000AN1A    APL  AOCC    Child of AN10 (child tree --- AN1B)
-   STDT000AN1A    APL  AOCC    Child of AN10 (child tree --- AN1B)
-   STDT000AN1A    APL  AOCC    Child of AN10 (child tree --- AN1B)
-   STDT000AN1B    APL  AOCA    Child of AN10 (child tree --- AN1B)
-   STDT000AN1B    APL  AOCC    Child of AN10 (child tree --- AN1B)
-   STDT000AN1B    APL  AOCC    Child of AN10 (child tree --- AN1B)
-   STDT000AN1B    APL  AOCC    Child of AN10 (child tree --- AN1B)

Command ==>
PF1=Help      PF2=End      PF3=Return
PF6=Roll      PF8=Forward  PF12=Retrieve
  
```

Figure 3. Resource Selection Panel 2 -- Sysplex-wide

OUTMODE

This parameter lets you specify the output mode of a command. The syntax is as follows:



LINE

If you specify LINE, the output is displayed in line mode, independent of the task type. Further characteristics are:

- No color attributes are set for data that is shown in line mode.
- The sequence of the fields may be different in line mode than in fullscreen.
- Not all fields from the fullscreen display may be shown in line mode.
- Line mode output is shown in a multiline message.
- Line mode output is not processed by the message automation table and is not written to the netlog. To obtain output from a command such as DISPSTAT in the netlog, use a PIPE command, for example:
 PIPE NETV DISPSTAT OUTMODE=LINE | LOGTO NETLOG
- Line mode output cannot be processed by a TRAP and WAIT.
- System operations commands can be issued within a NetView PIPE by using the OUTMODE=LINE parameter, unless noted otherwise in the command description.
- System operations commands supporting the OUTMODE=LINE option can be used in user-written clists. Note however, that the format of the output may change for follow-on Releases.
- If you work with OUTMODE=LINE no prompt panel is displayed.

Additional Parameters for System Operations Commands

- If no value is specified, the decision whether to display the command output by means of a fullscreen panel or in line mode is based on the NetView task type the command is running on.

AUTO

Specifies that, when the task that the clist runs on is unattended, the output of the command is written to the NetView netlog. Otherwise the output is written to the console.

NETLOG

Specifies that the output of the command is written to the NetView netlog

OUTDSN

This parameter lets you specify the name of the data set that is to contain the output of the command. You can specify a sequential data set or a member of a partitioned data set.

The minimum record length is 80 bytes, except for the DISPSTAT and INGLIST commands where the minimum record length is 256 bytes.

The data set must already exist.

The OUTDSN parameter forces OUTMODE=LINE.

Deciding the Format of the Command Output (Fullscreen only)

Most of the automation manager commands support the SORT and FIND subcommands.

Sorting a List

The SORT subcommand lets you display a list ordered according to certain criteria. You can specify the following:

sort_order

Specifies the sort order. It can be one of the following:

A The list is displayed in ascending order. This is the default.

D The list is displayed in descending order.

coln Specifies the column to be sorted. More than one column can be specified separated by a comma or a blank.

For example, specifying SORT D,3 1 4 sorts the display in descending sequence and in the order column 3, 1 and 4.

The syntax of the SORT subcommand is as follows:



Searching for Strings

The FIND subcommand searches the display data for the specified string. It can be abbreviated to F. The RFIND (repeat find) command is used to find the next occurrence of the string in the display data. It can be abbreviated to RF. With the FIND and RFIND commands you can specify the following parameters:

Additional Parameters for System Operations Commands

searchstring

Specifies the string to be searched for. The search starts at the first line shown in the display.

direction

Specifies the direction used for the search. The direction can be:

Next Forward direction. This is the default. It can be abbreviated to N.

Previous

Backward direction. It can be abbreviated to P.

The syntax of the FIND subcommand is as follows:



ACF

Purpose

The ACF command is used to load automation control file data. You can use ACF to refresh data of a particular system if it does not affect automation manager configuration data.

Recommendation

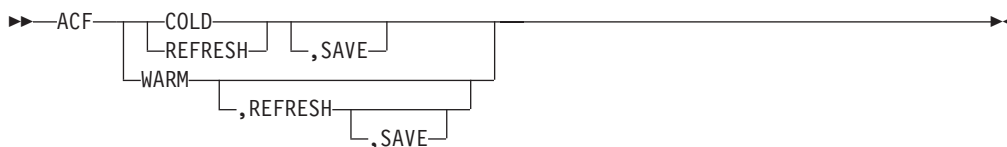
Use the INGAMS command rather than the ACF command to load or refresh an automation control file. Thus, you can make sure that the configuration matches the automation manager and the automation agents.

Syntax

The following syntax diagrams show how to use the ACF command to perform the different functions ACF supports. Do not combine syntax from the separate diagrams in the same ACF call.

Use the following syntax to:

- Load an automation control file
- Load and save an automation control file using the NetView save/restore facility for subsequent warm starting



To display the status of the automation control file use the following syntax:



To save the current automation environment using the NetView Save/Restore facility for subsequent warm starting, use the following syntax:

```
▶▶ ACF—SAVE—▶▶
```

To check the consistency of ACF data with the automation manager configuration and to test the automation tables that are specified in the System Info policy, use the following syntax:

```
▶▶ ACF—CHECK [ ,TOKEN=current_token ] [ ,DSN=current_dsn ]
               [ ,TOKEN=token ] [ ,DSN=dataset_name ]
               [ ,TOKEN=* ]
```

To reload the automation tables that are specified in the System Info policy, use the following syntax:

```
▶▶ ACF—ATLOAD—▶▶
```

Parameters

ATLOAD

Reloads the automation tables that are specified in the System Info policy.

CACHE

Displays information about the ACF that is currently stored in the NetView save/restore database.

Note: The data displayed using this option will only be as up to date as when the last AOF623I message was issued.

CHECK

Verifies the ACF for validity and tests the automation tables that are specified in the System Info policy.

COLD

Reloads the currently loaded automation control file data from disk. Automation is disabled while the automation control file load is performed.

DSN=

The data set name that contains the ACF data.

current_dsn

The data set that is currently in use (displayed via ACF STATUS). This is the default.

dataset_name

The configuration data set name containing the ACF data.

REFRESH

Updates the currently loaded automation control file data. Automation is not disabled while the automation control file load is performed. Only data that has been changed will be loaded, everything else remains the same as before. This is the safe way to update the automation control file. Refresh will not load data of a subsystem that is currently in the process of being started or stopped by SA z/OS. SA z/OS will automatically retry the refresh five minutes later for the data that cannot currently be processed.

Note: INGAMS REFRESH will not delete globals that were associated with ENTRY TYPEs that were deleted from the policy database before the last build was done if those ENTRY TYPEs were not associated with a subsystem. However, if a keyword/value is removed from the ENTRY TYPE, this is a change to the ENTRY TYPE, and consequently an INGAMS REFRESH will rebuild the ENTRY TYPE with the result that the deleted keyword/value pair is removed from the globals. All deleted entry types and their associated globals will be reset during the next SA z/OS COLD start or during ACF COLD processing.

SAVE

The SAVE parameter will save the current automation environment using the NetView SAVE/RESTORE facility. The saved automation environment is used for future WARM starting.

STATUS

Displays information about the automation control file that is currently in storage.

TOKEN=

The configuration token that the ACF should be validated against.

current_token

The token that is currently in use (displayed via ACF STATUS). This is the default.

token

The configuration token used as the reference.

* Specifying an asterisk (*) means that the token validation should be omitted.

WARM

Restores automation control file data from cache. Automation is disabled while the automation control file load is performed.

Restrictions and Limitations

- If you use COLD/WARM, automation is disabled while the ACF LOAD is in progress. If you use REFRESH, automation continues.
- An automation control file cannot be loaded by an operator using the ACF command if the automation flag for major resource MVSESA is set to 'N'. If the automation flag for the MVSESA.RELOAD.CONFIRM minor resource is set to 'Y', the operator can reload the ACF.
- ACF must comply with the automation manager configuration. Otherwise, message AOF618I is issued.

Usage

- ACF performs two flag checks when the automation control file is reloaded, restored or saved. The checks are of the Automation flags for MVSESA.RELOAD.CONFIRM and MVSESA.RELOAD.ACTION. The action flag is checked only if the reload, restore or save is to continue.

MVSESA.RELOAD.CONFIRM

This lets you:

- Turn the flag off and thus disable an automation control file reload by an operator.
- Tell SA z/OS to ask for confirmation by setting the AOFCONFIRM TGLOBAL to YES in a flag exit.

- Use a flag exit to perform additional checks and processing before deciding to either cancel or proceed with the reload or restore.

If the flag is found to be off, the operator cannot reload or restore the automation control file.

Note: You need to be aware of this if you turn the MVSESA automation flag off.

If the flag is on, the AOFCONFIRM task global is checked. If it is set to YES, then SA z/OS will post a message requesting confirmation of the reload or restore request. If AOFCONFIRM is null, SA z/OS will proceed with the reload or restore.

MVSESA.RELOAD.ACTION

This provides an opportunity for you to do your own processing once SA z/OS is committed to reloading or restoring the automation control file. You can use a flag exit to call your own code. Your exit should return 0, indicating that the flag is turned on. If you return a nonzero return code, subsequent exits defined for the flag will not be invoked. Note that there is no way of preventing the reload or restore from an exit on this flag. Refer to *IBM Tivoli System Automation for z/OS Defining Automation Policy* and to *IBM Tivoli System Automation for z/OS Customizing and Programming* for further information.

Messages

The following is a list of messages that are issued during the operation of ACF.

For the load function (COLD/REFRESH/WARM):

```
AOF042I MEMBER ACFZ999 NOT FOUND
AOF100I 16:05:09 : 'ACF REFRESH' COMMAND ISSUED
AOF618I NO VALID ACF FOUND FOR sysname - detail description
AOF782I AUTOMATION CONTROL FILE PROCESSING COMPLETED
```

For the status function (STATUS):

```
AOF005I MEMBER ACFZ999 CURRENTLY BEING USED FOR THE CONTROL FILE
AOF006I BUILT BY opid ON 02/22/00 AT 18:05:17
AOF006I REFRESHED BY opid ON 03/09/00 AT 16:42:51
AOF006I CONFIGURATION TOKEN = 200002221801085A0345229673
AOF006I CONFIGURATION DATASET = AOC.GDGS.ACF.G0007V00
AOF002I END OF MULTI-LINE MESSAGE GROUP
```

For the status function (STATUS,CACHE):

```
AOF005I MEMBER ACFZ999 CURRENTLY BEING SAVED IN THE CACHE
AOF006I BUILT BY opid ON 02/22/00 AT 18:05:17
AOF006I SAVED BY opid ON 03/09/00 AT 16:42:51
AOF006I CONFIGURATION TOKEN = 200002221801085A0345229673
AOF006I CONFIGURATION DATASET = AOC.GDGS.ACF.G0007V00
AOF002I END OF MULTI-LINE MESSAGE GROUP
```

AOCHELP

Purpose

AOCHELP displays information about SA z/OS commands, and enables you to execute them.

Syntax



Parameters

commandname

Specifies the SA z/OS system operations command that you require information about. The result is the same as if you had specified `help commandname`.

Restrictions and Limitations

- Some commands may not be executed from the AOCHHELP command dialog. Attempts to execute these commands produce SA z/OS message AOF129I.
- Help is available only in fullscreen mode.
- The AOCHHELP command can only be used when SA z/OS has initialized.

Usage

If you type `aochelp` by itself, you see a list of commands to choose from, as shown in Figure 4. From this panel you can ask for help on a command by entering its item number.

Examples

To get help, specify the associated number of the command.

```

AOFPH000          SA z/OS - Command Dialogs          Line 1 of 65
Domain ID   = IPUFA   ----- AOCHHELP -----      Date = 11/27/04
Operator ID = NETOP1                               Time = 15:06:59

      1 AOCHHELP          Display help for SA z/OS commands
      2 AOCTRACE         Control the SA z/OS internal trace
      3 ASSIST            Test subsystem automation
      4 CROSS DOMAIN     Dealing with other domains
      5 DISPACF          Display control file information
      6 DISPAOPS         Display automated operator information
      7 DISPASF          Display status file information
      8 DISPASST        Display assist settings
      9 DISPAUTO         Display couple data set information
     10 DISPERRS        Display error information
     11 DISPEVT         Display event information
     12 DISPEVTS        Display all events in a Sysplex
     13 DISPFLGS        Display automation flag information
     14 DISPGW          Display NNT gateway information

Enter n for help or nX to execute the command (if possible).

Command ==>
  PF1=Help    PF2=End    PF3=Return    PF6=Roll
              PF8=Forward    PF12=Retrieve
    
```

Figure 4. AOCHHELP Command Dialog Panel

To execute the command, specify the number associated with the command followed by an `x`, for example, `9x`.

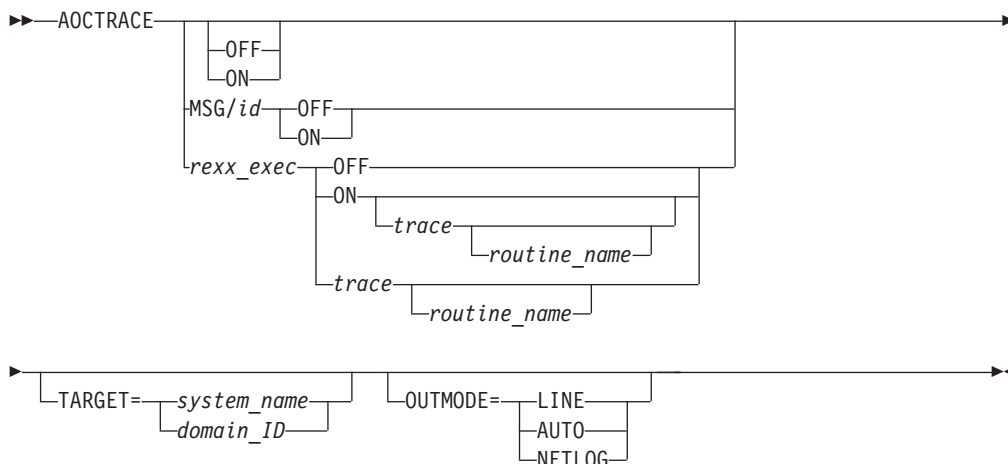
AOCTRACE

Purpose

The AOCTRACE command turns the SA z/OS system operations debugging feature on or off. AOCTRACE allows you to activate:

- Debugging globally
- Debugging for specific REXX EXECs
- REXXTRACE for a specific REXX EXEC
- Tracing for a particular message

Syntax



Parameters

MSG/id

The message being traced.

rexx_exec

The name of the REXX EXEC that you want to debug.

ON

Turns the debugging feature on.

If you *do not* specify a REXX EXEC or message, AOCTRACE activates a global debugging flag. This causes each SA z/OS system operations REXX EXEC that is invoked to write a record (AOF700I) to the netlog showing the parameters that it was invoked with.

If you *do* specify a REXX EXEC or message, only that REXX EXEC or message writes messages to the netlog. The netlog shows when and where the REXX EXEC was called, and what parameters were given.

If you specify a REXX EXEC or message but not a trace, an intermediate level of debugging is activated for the specified REXX EXEC or message. This causes the REXX EXEC to issue a number of messages describing its actions. Note, however, that not all REXX EXECs support this facility.

OFF

Turns the debugging feature off.

AOCTRACE

If a REXX EXEC is specified, this option deactivates both the intermediate and REXX tracing for the specified REXX EXEC.

If a message is specified, this option deactivates message tracing for the specified message.

If a REXX EXEC or message is not specified, this option disables the global trace.

trace

The type of REXX trace that you want for the specified REXX EXEC. Valid values are:

A	All
R	Results
I	Intermediates
C	Commands
E	Errors
F	Failures
L	Labels
O	Off
N	Normal

routine_name

The REXX routine being traced.

TARGET

For information on the TARGET parameter, refer to “The TARGET Parameter” on page 10.

OUTMODE

For information on the OUTMODE parameter, refer to “The OUTMODE Parameter” on page 12.

Restrictions and Limitations

The trace operand can only be used on interpreted REXX EXECs.

Using the trace on certain REXX EXECs can cause execution problems, particularly with REXX EXECs which trap messages.

The REXX trace setting of S (Scan) is not available.

Message tracing only works from the command line.

Note: The debugging facility is not active if REXX traces A, R, or I are used.

Examples

If you enter `aoctrace` on you see a message indicating that the debugging facility has been enabled. While the debugging facility is enabled, message AOF700I is written to the netlog for each procedure being processed.

If no parameter is specified Figure 5 on page 21 is displayed.

```

AOFKAANL          SA z/OS - Command Dialogs          Line 1 of 8
Domain ID = IPSFP ----- AOCTRACE -----          Date = 01/29/05
Operator ID = NETOP1                                   Time = 18:14:18

Enter ADD in the Command line to create an entry
Cmd:  A Add      C Change    D Turn off Debug    R Reset    T Turn off Trace

Cmd CLIST      System  Debug Trace Subroutines/Messages being traced
-----
 *GLOBAL* KEY4      Y
 *MSG*   KEY4              IEF403
 *MSG*   KEY4              IEF404
-  EVJEATDF KEY4      Y    R
-  EVJESPRQ KEY4      Y
-  EVJESPSC KEY4      Y
-  EVJESRST KEY4      Y
-  INGRMORD KEY4      Y
-  INGRYST0 KEY4      Y    Y    AOF_SHOW_LIST_PANEL

Command ==>
PF1=Help      PF2=End          PF3=Return      PF6=Ro11
PF9=Refresh   PF10=ALL_OFF      PF12=Retrieve

```

Figure 5. AOCTRACE Main Command Dialog Panel

The panel shows all clists (REXX routines) and messages that have debug mode or REXX tracing turned on.

The first entry is the *GLOBAL* entry. This entry is always shown. It shows whether the global debug option is on or off. You cannot modify the setting by means of a command code. To set the global debugging option specify AOCTRACE ON or AOCTRACE OFF on the command line.

MSG in the clist column indicates a message trace entry. The message ID is shown in the Subroutine/Messages column. As with the Global entry (*GLOBAL*), message trace entries cannot be modified on this panel: you must use the AOCTRACE MSG/*id*,ON|OFF command entered at the command line to do so.

The following information is shown:

- The **CLIST** field shows the name of the REXX routine.
- The **System** field shows the name of the system where debugging or tracing is active.
- The **Debug** field indicates whether or not debug mode is on. Y indicates that debug mode is turned on.
- The **Trace** field shows the Trace option specified for the REXX routine.
- The **Subroutines being traced** field shows the list of subroutines that are being traced.

The **Cmd** field lets you specify the command codes shown on the panel. Type the appropriate letter next to the resource name and press Enter. The following command codes are available:

- A** Allows you to add debug or trace settings for another clist. The panel shown in Figure 6 on page 22 is displayed where you can specify the clist name and optionally overwrite the other settings.
- C** Allows you to modify the debug or trace settings of the selected clist. The panel shown in Figure 6 on page 22 is displayed showing the current settings. Here you can overwrite the appropriate values.

AOCTRACE

- D Turns off the debug option for the selected clist.
- R Turns off the debug and trace option for the selected clist.
- T Turns off the trace option for the selected clist.

Use the PF9 key to refresh the data displayed.

Use the PF10 key to turn off the debug and trace option for ALL displayed clists.

The ADD command can also be entered at the command line to define the debug or trace settings for a clist.

Figure 6 is displayed when the command code A or C is specified on the panel in Figure 5 on page 21, or a clist name is specified as the only parameter of the AOCTRACE command. You can use this panel to enable and disable the automation debugging facility for a given clist.

```
AOFKAAND          SA z/OS - Command Dialogs
Domain ID   = IPUN8   ----- AOCTRACE -----   Date = 12/20/02
Operator ID = NETOP1                                Time = 13:51:05

Specify or revise the following parameters:

  Clist name      _____
  debug mode      _____ (ON or OFF)
  REXX trace option  _____ (A, R, I, C, E, F, L, O N)

Common routines to be traced: (* for all)
_____  
_____  
_____

Command ==>
PF1=Help  PF2=End  PF3=Return  PF6=Roll  PF12=Retrieve
```

Figure 6. AOCTRACE Command Dialog Panel for a Specific Clist

The following fields can be entered:

Clist name

Specify the name of the clist (REXX routine) When turned ON, the clist will write debug information to the NetView log. Note that if you have already specified a clist with the AOCTRACE command, or entered the command code C next to a clist on the main AOCTRACE panel, then this field will contain that clist name and cannot be changed.

debug mode

Specify ON to turn on the clist's debug mode.

REXX TRace option

Specify the trace setting for the clist.

Notes:

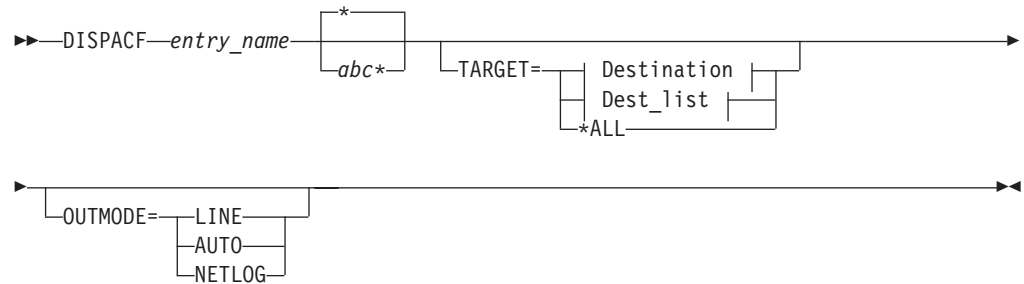
1. The clist debug setting need not be ON to use clist trace.
2. Specifying REXX trace option A, I, or R makes the individual clist debugging ineffective.

Subroutines to be traced

Specify the list of subroutines to be traced. By default, only the clist main routine will be traced. You can specify more than one subroutine name separated by a blank character. Specify '*' to trace all subroutines.

DISPACF**Purpose**

The DISPACF command displays resource information and automation policy settings for a specific entry or entry-type pair in the automation control file.

Syntax**Destination:****Dest_list:****Parameters***entry_name*

Specifies the name of the entry in the automation control file.

If you specify *, all entry names are displayed.

*abc**

Specifies the type within the entry in the automation control file. If you specify a particular type-name, only that type-name (and its data fields) for the entry-name is displayed.

If you specify *, all of the type-names and their data fields for the entry-name are displayed. This is the default. Wildcard is supported.

TARGET

For information on the TARGET parameter, refer to “The TARGET Parameter” on page 10.

OUTMODE

For information on the OUTMODE parameter, refer to “The OUTMODE Parameter” on page 12.

Restrictions and Limitations

The DISPACF command can only be used when SA z/OS is initialized.

Examples

If you enter dispacf subsystem, you will see a fullscreen display similar to Figure 7.

```

A0FK3D0X          SA z/OS - Command Response      Line 1   of 893
Domain ID   = IPSNO   ----- DISPACF -----      Date = 07/19/00
Operator ID = NETOP1                                     Time = 18:38:13

Command = ACF ENTRY=SUBSYSTEM,TYPE=*,REQ=DISP
SYSTEM = KEY3      AUTOMATION CONFIGURATION DISPLAY - ENTRY= SUBSYSTEM
-----
AUTOMATION CONFIGURATION DISPLAY - ENTRY= SUBSYSTEM
TYPE IS ALLOCAS
JOBTYPE      = MVS
RESTARTOPT   = ALWAYS
SHUTDLY      = 00:01:00
STRTDLY      = 00:02:00
TERMDLY      = 00:00:12
EXTSTART     = ALWAYS
EXTSTOP      = ALWAYS
JOB          = ALLOCAS
SCHEDSUB     = MSTR
SDESC        = 'MVS ADDRESS SPACE'
TYPE IS AMCP
IPLOPTIONS   = NOSTART
PARMS        = ',RUN=3'
PROCNAME     = AAAZTSEM
JOB          = AMCP
JOBTYPE      = TRANSIENT
OBJECTCLASS  = JES2_TRANS
PARENT       = (JES2)
SDESC        = 'SIMULATED SUBSYSTEM'
TRANRERUN    = NO
TYPE IS ANTMMAIN
JOBTYPE      = MVS
RESTARTOPT   = ALWAYS
SHUTDLY      = 00:01:00
STRTDLY      = 00:02:00
TERMDLY      = 00:00:12
EXTSTART     = ALWAYS
EXTSTOP      = ALWAYS
JOB          = ANTMMAIN
SCHEDSUB     = MSTR

Command ==>
PF1=Help      PF2=End      PF3=Return      PF6=Roll
               PF8=Forward  PF9=Refresh     PF12=Retrieve

```

Figure 7. Display of Automation Control File Settings for Subsystem (DISPACF SUBSYSTEM)

This command displays information for all types of the SUBSYSTEM entry, because you accepted the default TYPE=*.

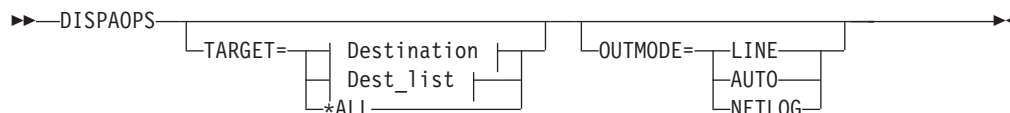
If you type dispacf subsystem jes2, you see only information about the JES2 type.

DISPAOPS

Purpose

The DISPAOPS command displays a list of automation operators that are currently active.

Syntax



Destination:



Dest_list:



Parameters

TARGET

For information on the TARGET parameter, refer to “The TARGET Parameter” on page 10.

OUTMODE

For information on the OUTMODE parameter, refer to “The OUTMODE Parameter” on page 12.

Restrictions and Limitations

The DISPAOPS command can only be used when SA z/OS is initialized.

Examples

Type `dispaops` on any command line and press the Enter key. You will see a panel similar to Figure 8 on page 26.

DISPAOPS

```
A0FK2S0          SA z/OS - Command Dialogs          Line 1 of 20
Domain ID = IPUF9 ----- DISPAOPS -----          Date = 12/17/97
Operator ID = NETOP1                                     Time = 15:19:59
```

System	Automated Function	Primary	Status	Secondary	Status
AOC9	GATOPER	GATIPUF9	ACTIV		
AOC9	AOFWRK01	AUTWRK01	ACTIV		
AOC9	AOFWRK02	AUTWRK02	ACTIV		
AOC9	AOFWRK03	AUTWRK03	ACTIV		
AOC9	AOFWRK04	AUTWRK04	ACTIV		
AOC9	AOFWRK05	AUTWRK05	ACTIV		
AOC9	BASEOPER	AUTBASE	ACTIV		
AOC9	SHUTOPER	AUTSHUT	ACTIV		
AOC9	MONOPER	AUTMON	ACTIV		
AOC9	GSSOPER	AUTGSS	ACTIV		
AOC9	MVSCONS	AUTCON	ACTIV		
AOC9	MSGOPER	AUTMSG	ACTIV		
AOC9	NETOPER	AUTNET1	ACTIV	AUTNET2	ACTIV
AOC9	JESOPER	AUTJES	ACTIV		
AOC9	SYSOPER	AUTSYS	ACTIV		
AOC9	RECOOPER	AUTREC	ACTIV		
AOC9	LOGOPER	AUTLOG	ACTIV		
AOC9	PPIOPER	AOFARCAT	ACTIV		
AOC9	HBOPER	AUTHB	ACTIV		
AOC9	RPCOPER	AUTRPC	ACTIV		

```
Command ==>
PF1=Help      PF2=End          PF3=Return    PF6=Ro11
                PF9=Refresh        PF12=Retrieve
```

Figure 8. Automation Operators Panel

- The **System** field shows the name of the system where the automated function is defined
- The **Automated Function** field shows the name of the automated function that is used in SA z/OS automation procedures
- The **Primary** field shows the NetView automation operator ID assigned to this automated function
- The **Status** field shows the current status of the primary automation operator
- The **Secondary** field shows the Backup NetView automation operator ID assigned to this automated function
- The **Status** field shows the current status of the backup automation operator

The primary and backup NetView automation operator IDs are assigned to the automated function in the command dialogs.

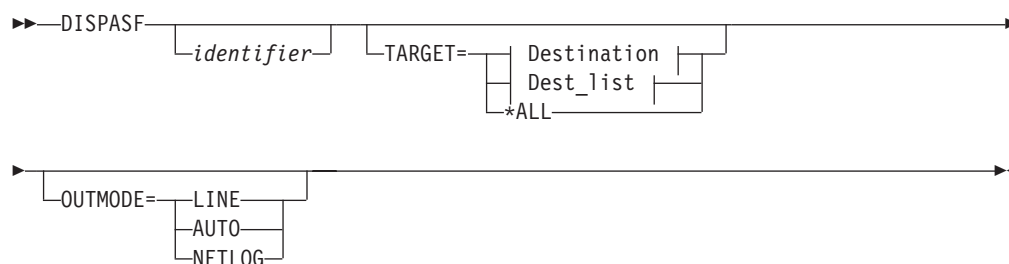
DISPASF

Purpose

DISPASF displays the information contained in the automation status file. This includes the:

- Automation status.
- Operator ID that last changed the record.
- Last threshold exceeded.
- Date and time of last monitoring cycle.

Syntax



Destination:



Dest_list:



Parameters

identifier

Specifies either a subsystem name, or the name of any resource in the automation status file. You can specify any subsystem identified in the automation control file. If you do not specify a parameter, a panel is displayed on which you can specify an identifier.

TARGET

For information on the TARGET parameter, refer to “The TARGET Parameter” on page 10.

OUTMODE

For information on the OUTMODE parameter, refer to “The OUTMODE Parameter” on page 12.

Restrictions and Limitations

The DISPASF command can only be used when SA z/OS is initialized.

Examples

If you enter `dispasf tso TARGET=*ALL`, you will see a panel similar to Figure 9 on page 28.

DISPASST

```
A0FK3D0X          SA z/OS - Command Response      Line 1 of 9
Domain ID  = IPUF9  ----- DISPASF -----      Date = 12/17/97
Operator ID = NETOP1                                     Time = 15:28:19

Command = ASF ID=TSO,REQ=DISP
SYSTEM = AOC9      STATISTICS DISPLAY REQUESTED FOR TSO
-----
STATISTICS DISPLAY REQUESTED FOR TSO
ID= TSO           , TYPE= SUBSYSTEM , STATUS= UP
LAST UPDATE BY OPERATOR AUTMON
LAST THRESHOLD EXCEEDED -
OPERATOR NOTIFIED: N
LAST STATUS CHANGE DATE= 12/17/97 , TIME= 14:21 , OPID= AUTWRK05
LAST MONITORED DATE= 12/17/97 , TIME= 15:09
NO ERROR DATA AVAILABLE
END OF MULTI-LINE MESSAGE GROUP

Command ==>
PF1=Help      PF2=End      PF3=Return      PF6=Ro11
               PF9=Refresh  PF12=Retrieve
```

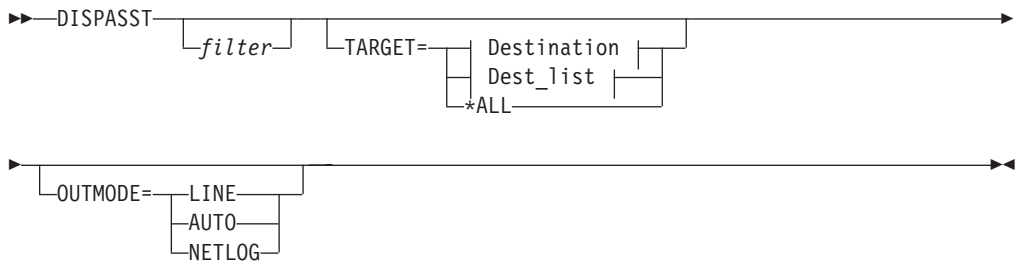
Figure 9. Display of Automation Status File Information for TSO (DISPASF TSO)

DISPASST

Purpose

DISPASST displays information on all resources that have specific assist settings, or that have specific automation flags defined.

Syntax



Destination:



Dest_list:



Parameters

filter

Is the filter to be applied for the output. Only resource names that match the filter criteria are displayed. Wildcard is supported. The filter consists of the major name and, optionally, of a minor name separated by a dot, for example, CICS*.TRANS* , or *.*CEMT. Specify * to view major resources. To view minor resources specify xyz.*.

TARGET

For information on the TARGET parameter, refer to “The TARGET Parameter” on page 10.

OUTMODE

For information on the OUTMODE parameter, refer to “The OUTMODE Parameter” on page 12.

Restrictions and Limitations

The DISPASST command can only be used when SA z/OS is initialized.

Examples

If you enter dispasst you will see a panel similar to Figure 10.

AOFKAASS		SA z/OS - Command Dialogs					Line 1 of 23	
Domain ID = IPUFG		----- DISPASST -----					Date = 11/25/99	
Operator ID = NETOP1							Time = 16:54:08	
System	Resource	Assist Setting				RS	Settings	
		I	S	R	D			
AOC1	DEFAULTS	-	-	-	-	-	- No setting	
AOC1	MVSESA	-	-	-	-	-	None Turned off	
AOC1	SUBSYSTEM	-	-	-	-	-	Log Write to Netlog	
AOC1	IMS10AA	-	-	-	-	-	Disp Display with SDF	
AOC1	DFS554A	-	-	-	-	-	? Error	
AOC1	MSC	-	-	-	-	-		
AOC1	0001	-	-	-	-	-	Flags	
AOC1	OLDS	-	-	-	-	-		
AOC1	PROG	-	-	-	-	-	I Initial start	
AOC1	SAMPLE6	-	-	-	-	-	S Start up	
AOC1	TRAN	-	-	-	-	-	R Recovery	
AOC1	SAMPLE3	-	-	-	-	-	D Shut down	
AOC1	SAMPLE4	-	-	-	-	-	RS Restart	
AOC1	IMS10AB	-	-	-	-	-		

Command ==>>>

PF1=Help PF2=End PF3=Return PF6=Roll

 PF8=Forward PF9=Refresh PF12=Retrieve

Figure 10. DISPASST Command Dialog Panel

- The **System** field shows the name of the system where the resource is defined.
- The **Resource** field shows the name of the resource. The entries are sorted alphabetically.

Two types of resources are displayed: major and minor. Major resources are subsystems or ‘generic’ settings, while minor resources are specific situations or resources within a major resource. Automation flags for minor resources are derived from their major resources. Minor resources are shown indented one space to the right under their major resource.

- The **Assist Setting** fields show current assist settings for each automation flag for each resource. The flag columns are headed with an abbreviation of the name of the automation flag.

DISPASST

The assist settings are:

- No setting
- None** Assist is turned off
- Log** Write to the netlog
- Disp** Display with SDF
- ? There is an error

Refer to *IBM Tivoli System Automation for z/OS Defining Automation Policy* for further information about assist mode.

DISPAUTO

Purpose

DISPAUTO provides a menu from which you can initiate command dialogs that display information about your automation.

Syntax

►►—DISPAUTO—┐
 └Additional parameters┘◄◄

Restrictions and Limitations

The DISPAUTO command can only be used when SA z/OS is initialized.

Examples

If you enter `dispauto` on an operator station task (OST) the panel in Figure 11 is displayed.

```
AOFKAADA                SA z/OS - Command Dialogs                Line 1 of 34
Domain ID   = IPSFO      ----- DISPAUTO -----                Date = 04/07/05
Operator ID = NETOP1                                           Time = 18:33:30

  1  FLAGS                Display current automation flag settings
  2  SCHEDULE             Display all scheduled NOAUTO periods
  3  NOTIFY              Display status of all notify operators
  4  THRESHOLDS          Display all current threshold settings
  5  ERRORS              Display all resources with errors
  6  STATUS              Display the current status of all subsystems
  7  REQUESTS            Display all requests
  8  SUBSYSTEMS          Display information about subsystem
  9  MESSAGES            Display current message assignments
 10  AUTOOPS             Display SA for z/OS controlled autotasks
 11  ASSIST              Display current assist mode settings
 12  WTORS              Display outstanding replies
 13  GATEWAYS           Display gateway status and statistics
 14  SYSTEM              Display system parameters and status
 15  CF                 Display coupling facility statuses
 16  CDS                Display couple data set statuses

Command ==>>
PF1=Help      PF2=End      PF3=Return      PF6=Ro11
               PF8=Forward      PF12=Retrieve
```

Figure 11. DISPAUTO Command Dialog Panel

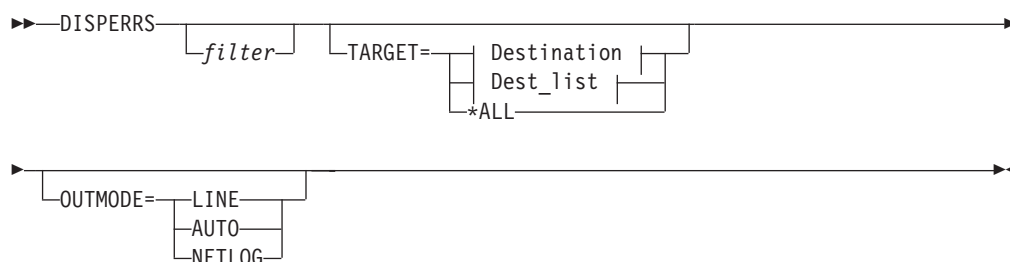
After the command selection number, you can specify appropriate parameters for the selected commands, for example, 10 TARGET=xxx, where xxx is the domain ID, or the system name of a system in the sysplex.

DISPERRS

Purpose

The DISPERRS command displays information about resources for which errors have been recorded in the status file.

Syntax



Destination:



Dest_list:



Parameters

filter

Is the filter to be applied for the output. Only resource names that match the filter criteria are displayed. Wildcard is supported. The filter consists of the major name and, optionally, of a minor name separated by a dot, for example, CICS*.TRANS* , or *.*CEMT.

TARGET

For information on the TARGET parameter, refer to “The TARGET Parameter” on page 10.

OUTMODE

For information on the OUTMODE parameter, refer to “The OUTMODE Parameter” on page 12.

Restrictions and Limitations

The DISPERRS command can only be used when SA z/OS is initialized.

Examples

If you enter disperrs you will see a panel similar to Figure 12.

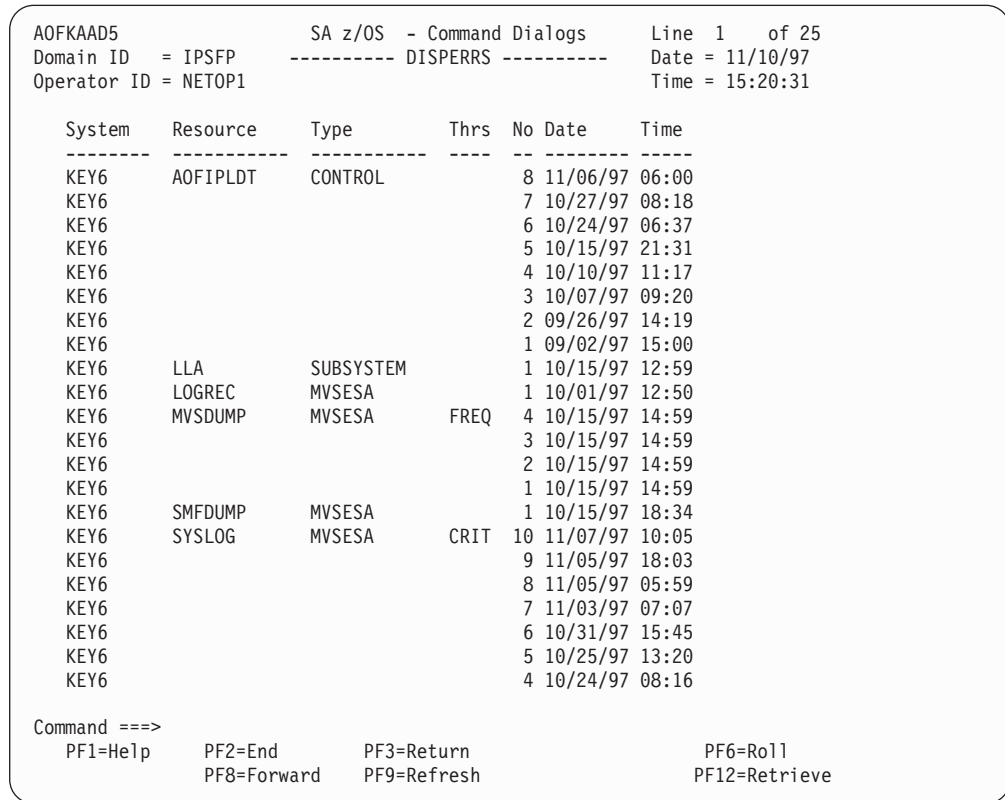


Figure 12. DISPERRS Command Dialog Panel

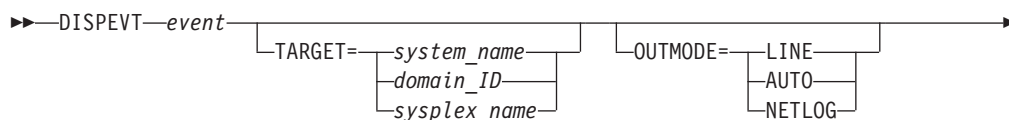
- The **System** field shows the name of the system where the resource is defined.
- The **Resource** field shows the name of the resource.
- The **Type** field shows the type of resource.
- The **Thrs** field shows the type of threshold that has been violated. This is either CRIT (critical), FREQ (frequent), or INFR (infrequent).
- The **No** field shows the sequence number assigned to the error.
- The **Date** and **Time** fields show the date and time that the error occurred.

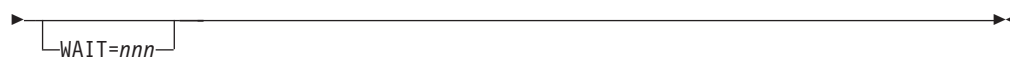
DISPEVT

Purpose

The DISPEVT command displays relationships between an event and the related resources. DISPEVT shows all the resources that use the event.

Syntax





Parameters

event

Specifies the name of the event.

TARGET

For information on the TARGET parameter, refer to “The TARGET Parameter” on page 10. Note that if you specify a sysplex name as a target, then this is translated to the next system that is available in the sysplex and the DISPEVT command will be processed there.

OUTMODE

For information on the OUTMODE parameter, refer to “The OUTMODE Parameter” on page 12.

WAIT

Specifies the number of seconds to wait before reporting that a timeout occurred if the automation manager does not provide the requested data. The maximum time interval is 999 seconds.

If omitted, the time interval is 30 seconds.

Restrictions and Limitations

The DISPEVT command can only be used when SA z/OS is initialized.

Usage

The DISPEVT command operates sysplex-wide. For an overview refer to “Overview of Commands that Operate Sysplex-Wide” on page 9.

Automation manager commands are not supported on downlevel systems. Note that whenever an automation manager command is issued to a target system running a version of SA OS/390 lower than 2.1, the NetView error message DSI002I will not contain the name of the command that was issued but the name of the according slave command.

If you specify OUTMODE=LINE, then specifying *event* becomes mandatory.

Examples

If you enter `dispevt b000s100`, Figure 13 on page 34 is displayed.

```

AOFLE000          SA z/OS - Command Dialogs          Line 1    of 4
Domain ID   = IPUF9   ----- DISPEVT -----      Date = 11/26/99
Operator ID = NATOP1          Sysplex = KEY1PLEX    Time = 15:29:27

Event        ==> B000S100
System       ==> KEY3          System name, domain id or sysplex name
Description  . . : Start cond 1 Trigger6 batch job end
Unset condition. : UP

Resource     Type  System  Trigger  Status
-----
TRGG006AA10 APL  KEY1   TRIGGER6 SET
TRGG006AA10 APL  KEY2   TRIGGER6 UNSET
TRGG006AA10 APL  KEY3   TRIGGER6
TRGG006AA10 APL  KEY4   TRIGGER6 SET

Command ==>
PF1=Help    PF2=End          PF3=Return      PF6=Roll
              PF9=Refresh    PF12=Retrieve

```

Figure 13. DISPEVT Command Dialogs Panel - Result

- The **Event** field shows the name of the event. You can overwrite the event to initiate a new display.
- The **System** field shows the name of the system where the command is executed. You can overwrite the system name to initiate a new display.
- The **Description** field shows the description of the event.
- The **Unset** condition field shows the status that an application must have to reset an event.
- The **Resource** field shows the name of the resource where the event is defined.
- The **Type** field shows the type of the resource.
- The **System** field shows the name of the system where the resource is defined.
- The **Trigger** field shows the trigger that the resource is linked to.
- The **Status** field shows the status of the event for that particular resource. It can contain the following values:

SET The event is set. It is shown in white.

UNSET The event is unset. It is shown in red.

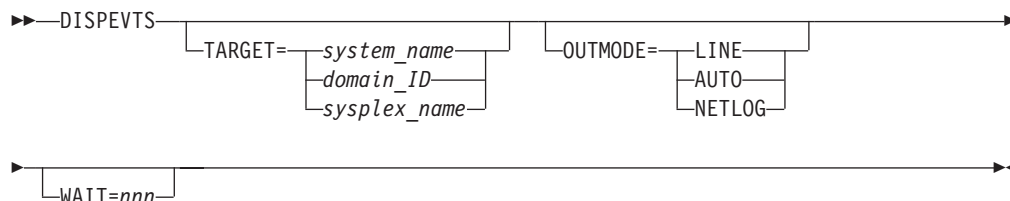
If the status of the event is neither SET nor UNSET, then the event is in an unknown state. This is treated as UNSET.

DISPEVTS

Purpose

DISPEVTS displays all events defined in a sysplex. From the fullscreen panel you can set or reset an event or display the related resources of an event.

Syntax



Parameters

TARGET

For information on the TARGET parameter, refer to “The TARGET Parameter” on page 10. Note that if you specify a sysplex name as a target, then this is translated to the next system that is available in the sysplex and the DISPEVTS command will be processed there.

OUTMODE

For information on the OUTMODE parameter, refer to “The OUTMODE Parameter” on page 12.

WAIT

Specifies the number of seconds to wait before reporting that a timeout occurred if the automation manager does not provide the requested data. The maximum time interval is 999 seconds.

If omitted, the time interval is 30 seconds.

Restrictions and Limitations

The DISPEVTS command can only be used when SA z/OS is initialized.

Examples

If you enter dispevts, a panel that shows all events defined in the sysplex is displayed, as shown in Figure 14 on page 36.

```

AOFLE100          SA z/OS - Command Dialogs      Line 1   of 38
Domain ID   = IPUF9   ----- DISPEVTS -----   Date = 11/26/99
Operator ID = NETOP1          System = AOC9           Time = 15:00:20

Cmd:  D show related resources      S set/reset event

Cmd Event      Unset  Description
-----
-  BATCHSTP    NONE   Batch jobs B000P100,P200,P300
-  BATCHSTR    NONE   Batch jobs B000S100,S200,S300
-  B000P100    DOWN   Stop cond 1 Trigger6 (batch job end)
-  B000P200    DOWN   = P1
-  B000P300    DOWN   Stop cond 2 Trigger6 (batch job 1 min)
-  B000S100    UP     Start cond 1 Trigger6 batch job end
-  B000S200    UP     = P1
-  B000S300    UP     Start cond 2 Trigger 6 batch end (1 min)
-  DRWEVT1     UP     unset UP
-  DRWEVT13    NONE   unset none
-  DRWEVT14    NONE   unset none
-  DRWEVT15    NONE   unset none

Command ==>
PF1=Help      PF2=End      PF3=Return   PF6=Roll
PF8=Forward   PF9=Refresh  PF12=Retrieve

```

Figure 14. DISPEVTS Command Dialogs Panel

- The **Cmd** field lets you specify the command codes shown on the panel. Type the appropriate letter next to the resource name and press Enter. The following command codes are available:
 - D** Shows the related resources.
 - S** Sets or resets the event.
- The **Event** field shows the name of the event.
- The **Unset** field shows the status that an application must have to reset an event. The following values can occur:
 - START** Unsets the event when the resource is being started.
 - UP** Unsets the event when the resource becomes available.
 - DOWN** Unsets the event when the resource becomes unavailable.

If you do not specify anything the event will not be unset.

- The **Description** field shows the description of the event.

Type S next to an event and press Enter. The panel shown in Figure 15 on page 37 is displayed.

```

AOFLE110          SA z/OS - Command Dialogs
Domain ID = IPSNO  ----- INGEVENT -----   Date = 03/02/00
Operator ID = NETOP1      Sysplex = KEY1PLEX      Time = 12:35:26

Event . . . . . : EVTSTOP
Description . . . : Shutdown event
Unset condition . . : DOWN

Specify/revise the following parameters and then press enter:

Function ==> _____ SET or UNSET
Resource ==> _____ Resource name

System ==> _____ System name, domain ID or sysplex name

Command ==>
F1=Help      F2=End      F3=Return      F6=Ro11
F12=Retrieve

```

Figure 15. DISPEVTS Command Dialogs Panel - Action

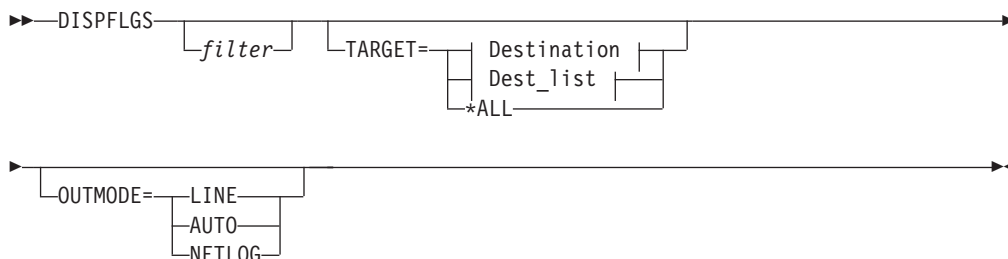
- The **Event** field shows the name of the event.
- The **Description** field shows the description of the event.
- The **Unset condition** field shows the status that an application must have to reset an event.
- The **Function** field shows the action to be performed. It can be overwritten.
- The **Resource** field shows the name of the application that is the only affected application when the command is executed. It can be overwritten.
- The **System** field shows the name of the target system where the processing takes place. It can be overwritten. You only need to specify the name of the target system if you want to address a remote sysplex.

DISPFLGS

Purpose

The DISPFLGS command shows all resources for which explicit agent automation flags are defined, what those flags are, and what the effective automation flags resulting from them are.

Syntax



DISPFLGS

Destination:



Dest_list:



Parameters

filter

Is the filter to be applied for the output. Only resource names that match the filter criteria are displayed. Wildcard is supported. The filter consists of the major name and, optionally, of a minor name separated by a dot, for example, CICS*.TRANS* , or *.*CEMT. Specify * to view major resources. To view minor resources specify xyz.*.

TARGET

For information on the TARGET parameter, refer to “The TARGET Parameter” on page 10.

OUTMODE

For information on the OUTMODE parameter, refer to “The OUTMODE Parameter” on page 12.

Restrictions and Limitations

The DISPFLGS command can only be used when SA z/OS is initialized.

Usage

Subsystems that are not shown have no explicit automation flags set and have effective flags defined in the SUBSYSTEM entry.

Examples

If you enter dispflgs within SA z/OS you see a panel similar to Figure 16 on page 39.

```

AOFKAAU          SA z/OS - Command Dialogs          Line 1 of 123
Domain ID = IPSFM ----- DISPFLGS -----          Date = 04/23/02
Operator ID = NETOP1                                Time = 15:33:38

Cmd:  A Add flags    C Change flags    R Reset flags    S Scheduled Overrides
                                     Actual      Effective
Cmd  System  Resource          A I S R D RS  A I S R D RS
-----
-   KEY1    APPC              N - - - - -  N N N N N N
-   KEY1    ASCH              N - - - - -  N N N N N N
-   KEY1    CICSK1G           N - - - - -  N N N N N N
-   KEY1    AUTO              N - - - - -  N N N N N N
-   KEY1    SOS               N - - - - -  N N N N N N
-   KEY1    TRAN              N - - - - -  N N N N N N
-   KEY1    VIOL              N - - - - -  N N N N N N
-   KEY1    VTAMACB           N - - - - -  N N N N N N
-   KEY1    CICSK1H           N - - - - -  N N N N N N
-   KEY1    AUTO              N - - - - -  N N N N N N
-   KEY1    SOS               N - - - - -  N N N N N N
-   KEY1    TRAN              N - - - - -  N N N N N N

Command ==>
PF1=Help      PF2=End        PF3=Return     PF6=Roll
PF8=Forward   PF9=Refresh    PF12=Retrieve

```

Figure 16. DISPFLGS Command Dialog Panel of SA z/OS

The following command codes are available:

- A** Lets you define automation flags for a resource using the same flag settings as the selected resource. On the next panel displayed you can specify the resource name and optionally overtype the flag settings.
- C** Lets you modify the automation flags of the selected resource. The next panel shows the current flag settings. You can overtype the flag values.
- R** Resets the automation flags to the values specified in the automation control file (ACF).
- S** Shows the scheduled override settings of the automation flags for the selected resource.
- The **Resource** field shows the name of the resource. Names shown indented one character to the right represent minor resources, for example, MVSESA.DUMP as shown below. If the minor resources MVSESA.DUMP.ONE, MVSESA.DUMP.TWO, and MVSESA.DUMP.TWO.THREE existed, the Resource column would look like the example below:

```

MVSESA
  DUMP
    ONE
    TWO
    THREE

```

Major resources correspond to subsystems and minor resources correspond to specific situations or resources within a major resource. By default, automation flags for minor resources are derived from their major resources.

The entries are sorted alphabetically.

- The **Actual** flag settings are the flags that have been set for the resource.
- The **Effective** flag settings are the flags that are in effect for the resource.

The columns are headed with an abbreviation of the name of the automation flag.

The value of each flag is:

- There is no explicit setting.

DISPFLGS

- N The flag is turned off.
- E A user exit is invoked whenever SA z/OS checks the flag.
- Y The flag is turned on.
- ? There is an error.

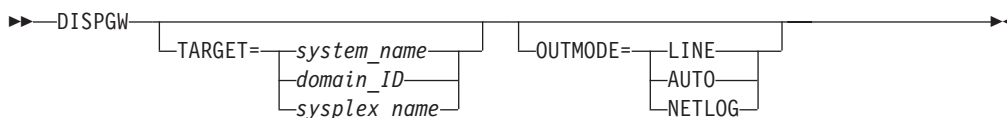
Refer to *IBM Tivoli System Automation for z/OS Customizing and Programming* for further information on automation flags and minor resources.

DISPGW

Purpose

DISPGW displays gateway definitions, statuses, and statistics.

Syntax



Parameters

TARGET

For information on the TARGET parameter, refer to “The TARGET Parameter” on page 10.

OUTMODE

For information on the OUTMODE parameter, refer to “The OUTMODE Parameter” on page 12.

Restrictions and Limitations

The DISPGW command can only be used when SA z/OS is initialized.

Usage

There are three related panels that display gateway information. Use PF11 and PF10 to scroll through them.

Examples

If you enter `dispgw` you see a panel similar to Figure 17 on page 41.


```

A0FK2GL          SA z/OS - Command Dialogs          Line 1  of 11
Domain ID = IPUF9 ----- DISPGW -----          Date = 12/17/97
Operator ID = NETOP1                               Time = 15:32:36
System = AOC9                                     Focal Point = IPSFM
-----
Domain  Sdfroot  Status  Description
-----
IPSFM   KEY3     ACTIVE  CONNECTION TO IPSFM (KEY3)
IPSFN   KEY3     NOT STARTD CONNECTION TO IPSFN (KEY4)
IPSF0   KEY3     NOT STARTD CONNECTION TO IPSFO (KEY5)
IPSF6   KEY3     NOT STARTD CONNECTION TO IPSFP (KEY6)
IPUFA   AOC7     NOT STARTD CONNECTION TO IPUFA (AOCA)
IPUFB   AOC7     NOT STARTD CONNECTION TO IPUFB (AOCB)
IPUFC   AOC7     NOT STARTD CONNECTION TO IPUFC (AOCC)
IPUFD   AOC7     NOT STARTD CONNECTION TO IPUFD (AOCD)
IPUFM   AOC7     ACTIVE  CONNECTION TO IPUFM (AOC7)
IPUF8   AOC7     NOT STARTD CONNECTION TO IPUF8 (AOC8)
IPVFH   AOC7     NOT STARTD CONNECTION TO IPVFH (TSCF2)
-----

Command ==>
PF1=Help  PF2=End  PF3=Return  PF6=Ro11
PF9=Refresh  PF11=Right  PF12=Retrieve

```

Figure 17. DISPGW Command Dialog Panel 1

- The **Domain** field shows the domain ID of the system to which a gateway has been defined, known as the *gateway domain*.
- The **Sdfroot** field shows the system name of the gateway domain.
- The **Status** field shows the current status of the gateway.

The following are statuses that may occur for gateways and NNT sessions:

ACTIVE

The connection was established.

AUTHORITY

The user is not authorized. Message: DSI755I.

BAD DOMAIN

The specified domain is unknown. Message: DSI031I.

BAD EVENT

G Wait ended by operator GO.
E Wait statement incorrect.

BAD PWMASK

The security software rejected a new password. Message: DSI754I.

CMD ERROR

A cross-domain command was rejected. Messages: DSI002I CNM421I.

DS NTALLOC

The NetView password data set is not allocated. Message: AOF088I.

DUP LOGON

The specified operator ID is already logged on. Message: DSI068I.

EXP PASSWD

The specified password has expired. Messages: DSI402I DSI756I.

GETPW UPD

An error occurred updating the RACF® password.

GETPW ERR

An error occurred using the GETPW command.

DISPGW

ID REVOKED

The user ID has been revoked. Message: DSI679I.

INACTIVE

The connection cannot be established. One of the following messages was issued: DSI008I, DSI015A, DSI027I.

INV LOGON

The logon attempt is invalid. Message: DSI029I.

INV OPID

The specified operator ID is invalid. Messages: DSI021A, DSI077A, DSI400A.

INV PASSWD

The specified password is invalid. Messages: DSI022A, DSI401A.

NOT STARTD

The domain has not been started by gateway initialization.

PROF ERR

The specified user profile has an error or is invalid. Messages: DSI023A, DSI057A, DSI059A, DSI060A, DSI061A, DSI062A.

PW NTFND

The password was not found by the GETPW command. Message AOF089I.

SAF FAIL

An SAF-related failure occurred. Messages: DSI403I, DSI405I.

SESSFAL

The attempt to start a session with the domain ended with a VTAM[®] request failure. Refer to DSI046I\$ in the netlog for details.

STARTING

The session is currently being started by gateway initialization.

TERM SESS

The session was terminated. Messages: DSI055I, DSI145I.

TIMEOUT

A message was not received in the time specified (XDOM).

- The **Description** field shows a description of the gateway domain, obtained from the automation control file.

If you press PF11 on this panel, a panel similar to Figure 18 on page 43 is displayed.

```

A0FK2GLR          SA z/OS - Command Dialogs          Line 1 of 11
Domain ID = IPUF9  ----- DISPGW -----          Date = 11/26/99
Operator ID = NETOP1                                     Time = 16:01:19
System = AOC9                                           Focal Point = IPUFM
Domain   via     Direct Inb/Outb Stat  Adjacent  Alt Adj  Product
-----
IPSFM   IPSFM   ACTIVE   ACTIVE
IPSFN   IPSFN   ACTIVE   ACTIVE
IPSF0   IPSF0   INACTIVE  ACTIVE
IPSFp   IPSFP   INACTIVE  ACTIVE
IPUFA   IPUFA   INACTIVE  ACTIVE
IPUFB   IPUFB   INACTIVE  ACTIVE
IPUFC   IPUFC   INACTIVE  ACTIVE
IPUFD   IPUFD   INACTIVE  ACTIVE
IPUFM   IPUFM   ACTIVE   ACTIVE
IPUF8   IPUF8   INACTIVE  SESSFAIL
IPVFH   IPVFH   INACTIVE  INV OPID

Command ==>
PF1=Help  PF2=End  PF3=Return  PF6=Ro11
PF9=Refresh  PF10=Left  PF11=Right  PF12=Retrieve

```

Figure 18. DISPGW Command Dialog Panel 2

- The **Domain** field shows the domain ID of the system to which a gateway has been defined, known as the *gateway domain*.
- The **Via** field shows the domain through which this system is communicating with the gateway domain and can have one of the following values:
 - *XCF* Indicates that XCF is used as the transport mechanism. This is the case when the gateway domain is residing in the same sysplex.
 - *IP * Indicates that the transport mechanism is via RMTCMD using IP.
 - *SNA* Indicates that the transport mechanism is via RMTCMD using SNA.
 - *RPC* Indicates that the "remote procedure call" technique is used as the transport mechanism.

For downlevel SA z/OS systems, this field shows the domain through which this system is communicating with the gateway domain. NNT is used as the transport mechanism.

- The **Direct Inb/Outb Stat** field shows the inbound and outbound NetView sessions from this domain to the gateway domain. If this domain communicates with the gateway through another domain, the status is NO DIRECT.
- The **Adjacent** field shows the adjacent domain through which this gateway is connected.
- The **Alt Adj** field shows the alternate adjacent domain through which this gateway is connected.
- The **Product** field shows the automation product on the gateway domain.

If you press PF11 on this panel, a panel similar to Figure 19 on page 44 is displayed.

A0FK2GLC		SA z/OS - Command Dialogs				Line 1 of 11	
Domain ID = IPUF9		----- DISPGW -----				Date = 12/17/97	
Operator ID = NETOP1						Time = 15:36:56	
System = AOC9						Focal Point = IPSFM	
Domain	Req to/from	Last out/in		INT to/from	Invalid	Loop back	
IPSFM	148 71	DOMSTA	DOMSTA	0 0	0	0 0	
IPSFN	20 0	DOMCON		0 0	0	0 0	
IPSF0	19 0	DOMCON		0 0	0	0 0	
IPSF1	20 0	DOMCON		0 0	0	0 0	
IPUFA	28 0	DOMCON		0 0	0	0 0	
IPUFB	23 0	DOMCON		0 0	0	0 0	
IPUFC	27 0	DOMCON		0 0	0	0 0	
IPUFD	25 0	DOMCON		0 0	0	0 0	
IPUFM	59 97	DOMSTA	DOMSTA	0 0	0	0 0	
IPUF8	22 0	DOMCON		0 0	0	0 0	
IPVFH	0 0			0 0	0	0 0	

Command ==>
 PF1=Help PF2=End PF3=Return PF6=Ro11
 PF9=Refresh PF10=Left PF12=Retrieve

Figure 19. DISPGW Command Dialog Panel 3

- The **Domain** field is the same as on the previous panel.
- The **Req to/from** field shows the number of gateway requests to the gateway domain from this domain, and from the gateway domain to this domain.
- The **Last out/in** field shows the first 8 bytes of the last gateway request from this domain to the gateway domain, and the last gateway request from the gateway domain to this domain.
- The **Int to/from** field shows the number of gateway requests between the gateway domain and the other domains that were routed through this domain.
- The **Invalid** field shows the number of requests to this domain from the gateway domain that were invalid.
- The **Loop back** field shows the number of requests from this domain to the gateway domain that looped back to this domain.

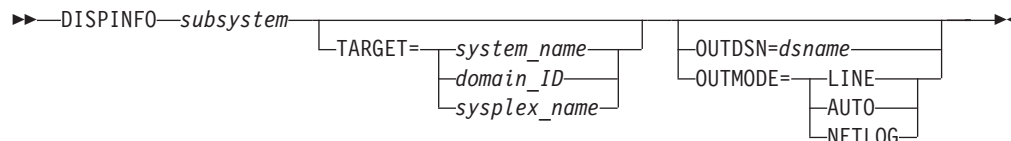
DISPINFO

Purpose

DISPINFO displays detailed information about a specified subsystem.

If the subsystem is a CICS® or IMS™ subsystem that is being controlled by CICS Automation or IMS Automation, a PF10 option is available to give access to CICS or IMS related information. Refer to “Examples” for more details.

Syntax



Parameters

subsystem

The name of the subsystem you want information about. If you do not specify a subsystem, a menu is displayed on which you can specify the subsystem.

TARGET

For information on the TARGET parameter, refer to “The TARGET Parameter” on page 10.

OUTMODE

For information on the OUTMODE parameter, refer to “The OUTMODE Parameter” on page 12.

OUTDSN

For information on the OUTDSN parameter, refer to “The OUTDSN Parameter” on page 13.

Restrictions and Limitations

The DISPINFO command can only be used when SA z/OS is initialized.

Examples

DISPINFO

```
AOFKINFO          SA z/OS - Command Dialogs          Line 1 of 228
Domain ID = IPSFM ----- DISPINFO -----          Date = 05/06/05
Operator ID = NETOP1                                   Time = 08:48:38

Subsystem ==> CICS1H      System ==> KEY1      System name, domain ID
                                           or sysplex name
Subsystem   : CICS1H      on System : KEY1
Description : CICS TS V2.1 KEY1 with TCP/IP
Class      : CICS_TS13
Job Name   : CICS1H
Job Type   : MVS
Category   : CICS

Current status : STOPPED

Last Monitored : 08:34:55 on 05/06/02
Last Changed   : 09:30:20 on 05/02/02
Last Message   :
  AOF571I 09:30:20 : CICS1H SUBSYSTEM STATUS FOR JOB CICS1H IS
                   STOPPED - SHUTDOWN OUTSIDE OF AUTOMATION, RESTARTOPT ^=
                   ALWAYS

Monitor       : INGPJMON
Monitor Status : INACTIVE

Monitor Interval : None specified

ARM Element Name : SYSCICS_IPSAMCIH

Association   : Primary

Command ==>
PF1=Help    PF2=End      PF3=Return    PF4=INGINFO      PF6=Roll
PF7=Back    PF8=Forward   PF9=Refresh   PF10=CICS Info   PF12=Retrieve
```

Figure 20. DISPINFO Command Dialog Panel

If applicable the DISPINFO command invokes the INGCICS or INGIMS commands, as shown in Figure 21 on page 47.

Parameters

TARGET

For information on the TARGET parameter, refer to “The TARGET Parameter” on page 10.

OUTMODE

For information on the OUTMODE parameter, refer to “The OUTMODE Parameter” on page 12.

Restrictions and Limitations

The DISPMSGSGS command can only be used when SA z/OS is initialized.

Examples

Enter dispmsgsgs on a command line to display the Authorized Message Receivers panel, as shown in Figure 22.

```

AOFK2SM                SA z/OS - Command Dialogs                Line 1    of 17
Domain ID = IPSNO      ----- DISPMSGSGS -----                Date = 06/27/00
Operator ID = NETOP1   System = KEY3                          Time = 15:05:53

Message   Primary Receivers                Secondary Receivers
-----
' *AOF01 ' AUTWRK01 AUTGSS   AUTSYS
           AUTOBASE
' *AOF02 ' AUTWRK02 AUTGSS   AUTSYS
           AUTOBASE
' *AOF03 ' AUTWRK03 AUTGSS   AUTSYS
           AUTOBASE
' *AOF04 ' AUTWRK04 AUTGSS   AUTSYS
           AUTOBASE
' *AOF05 ' AUTWRK05 AUTGSS   AUTSYS
           AUTOBASE
' AOF* '   AUTMSG   AUTSYS   AUTOBASE
' IEA* '   AUTREC   AUTSYS   AUTOBASE
' IEE600I  AUTSYS
' IEE889I  AUTSYS   AUTOBASE
' IEE* '   AUTREC   AUTSYS   AUTOBASE
' IOS* '   AUTREC   AUTSYS   AUTOBASE
' * '      AUTLOG   AUTSYS   AUTOBASE

Command ==>
PF1=Help    PF2=End    PF3=Return    PF6=Ro11
              PF9=Refresh PF12=Retrieve

```

Figure 22. Authorized Message Receivers (DISPMSGSGS) Panel

The information contained on the panel is:

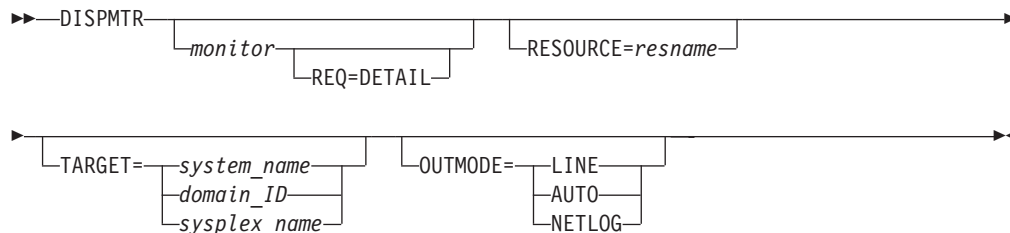
- The **Message** field shows the message or message prefix.
- The **Primary Receivers** field shows the automation operators, identified by their NetView IDs. The Primary Receivers column lists automation operators that can receive the messages listed beside their names. These messages go to the first automation operator listed in the Primary Receivers column that is active.
- The **Secondary Receivers** field shows the Alternate automation operators, identified by their NetView IDs. Secondary Receivers receive copies of the messages listed beside their names.

DISPMTR

Purpose

The DISPMTR command displays and allows you to manage monitors that you have defined using the customization dialogs for your system.

Syntax



Parameters

monitor

The name of the monitor resource. More than one name can be specified. Wildcard is supported, for example, SAP*.

resname

The resource name for which the associated monitor, or monitors, should be displayed. If more than one name is specified, they must be enclosed in parentheses. Wildcard is supported.

REQ=DETAIL

Displays detailed information for the specified monitor.

Note: Specification of the monitor name is only necessary when the OUTMODE parameter is specified.

TARGET

For information on the TARGET parameter, refer to “The TARGET Parameter” on page 10.

OUTMODE

For information on the OUTMODE parameter, refer to “The OUTMODE Parameter” on page 12.

Restrictions and Limitations

The DISPMTR command can only be used when SA z/OS is initialized.

Examples

If you enter `dispmtr` a panel similar to that shown in Figure 23 on page 50 is displayed.

DISPMTR

```
INGKYMN0          SA z/OS - Command Dialogs      Line 1   of 2
Domain ID   = IPUN8  ----- DISPMTR -----      Date = 01/02/03
Operator ID = NETOP1      System = AOC8           Time = 13:15:00

Cmd:  A  Reset  B Start  C Stop  D Details  F INGINFO  I INGSCHED

Cmd Monitor      System  Status  Health      Last monitored
-----
-  CICSMON1      AOC8
-  SAPMON        AOC8

Command ==>>
PF1=Help      PF2=End      PF3=Return      PF6=Roll
              PF8=Forward  PF9=Refresh      PF11=Next      PF12=Retrieve
```

Figure 23. DISPMTR Initial Command Dialog Panel

Pressing the PF11 key scrolls horizontally to the next screen of information. A panel similar to Figure 24 is displayed.

```
INGKYMN0          SA z/OS - Command Dialogs      Line 1   of 2
Domain ID   = IPUN8  ----- DISPMTR -----      Date = 01/02/03
Operator ID = NETOP1      System = AOC8           Time = 13:15:07

Cmd:  A  Reset  B Start  C Stop  D Details  F INGINFO  I INGSCHED

Cmd Monitor      System  Status message
-----
-  CICSMON1      AOC8      TRANSIENT DATA QUEUE 65% FULL
-  SAPMON        AOC8      APPLICATION SERVER RESONDING SLOWLY

Command ==>>
PF1=Help      PF2=End      PF3=Return      PF6=Roll
              PF8=Forward  PF9=Refresh  PF10=Previous  PF11=Next      PF12=Retrieve
```

Figure 24. DISPMTR Command Dialog Panel 2

Pressing the PF11 key again scrolls horizontally to the next screen of information. A panel similar to Figure 25 on page 51 is displayed.

```

INGKYMN0          SA z/OS - Command Dialogs      Line 1   of 2
Domain ID   = IPUN8  ----- DISPMTR -----    Date = 01/02/03
Operator ID = NETOP1          System = AOC8      Time = 13:15:15

Cmd:  A  Reset   B  Start   C  Stop   D  Details   F  INGINFO   I  INGSCHED

Cmd Monitor      System  Description
-----
-  CICSMON1      AOC8   CICS Monitor 1
-  SAPMON        AOC8   SAP Monitor

Command ==>>
PF1=Help      PF2=End      PF3=Return      PF6=Roll
PF8=Forward   PF9=Refresh  PF10=Previous  PF11=Next      PF12=Retrieve

```

Figure 25. DISPMTR Command Dialog Panel 3

- The **Cmd** field lets you specify command codes. To use one of the command codes shown, type the appropriate letter next to the resource name and press Enter. The following command codes are available:
 - A** Lets you reset the health status of the resource being monitored to NORMAL.
 - B** Lets you start the monitor resource (make it available).
 - C** Lets you stop the monitor (make it unavailable).
 - D** Allows you to view definition details about the monitor and history data.
 - F** Invokes the INGINFO command to show details about the monitor.
 - I** Invokes the INGSCHED command to show details about the overrides that exist for the monitor.
- The **Monitor** field shows the name of the monitor.
- The **System** field shows the name of the system where the monitor runs.
- The **Status** field shows the status of the monitor. It can have one of the following values:
 - ACTIVE**
The monitor is running.
 - INACTIVE**
The monitor is not running.
 - FAILED**
The monitor has failed. Recovery may be in progress. No acceptable health status is provided.
 - BROKEN**
Both the monitor and recovery failed. This is a permanent condition. The monitor will not be re-invoked.
- The **Last monitored** field shows when the resource was last monitored.

DISPMTR

- The **Status message** field shows message that is associated with the status. If the message has been truncated it will end with "...". -- use command code D to view full details about the message.
- The **Description** field shows descriptive information about the monitor resource.

The SORT, FIND, and RFIND subcommands are supported. Refer to "Deciding the Format of the Command Output (Fullscreen only)" on page 13 for information.

If you enter command code D for a resource, a panel similar to Figure 26 is displayed.

```
INGKYMNO          SA z/OS - Command Dialogs      Line 1    of 2
Domain ID   = IPUN8      ----- DISPMTR -----   Date = 01/02/03
Operator ID = NETOP1          System = AOC8          Time = 13:15:15

Monitor       : CICSMON1
System        : AOC8
Description   : CICS Monitor 1 - used to check link to IMS Prod

Start Command :
Stop Command  :

Monitor Command :
Interval      : hh:mm

Monitor Status : ACTIVE at yyyy-mm-dd hh:mm:ss
HEALTH Status  : NORMAL
                ABC000I TRANSIENT DATA QUEUE IS 65% FULL

History       : yyyy-mm-dd hh:mm:ss -> OK
                message
                yyyy-mm-dd hh:mm:ss -> DEGRADED
                message
                yyyy-mm-dd hh:mm:ss -> DEGRADED
                message

Command ==>
PF1=Help      PF2=End      PF3=Return      PF6=Ro11
                PF9=Refresh      PF12=Retrieve
```

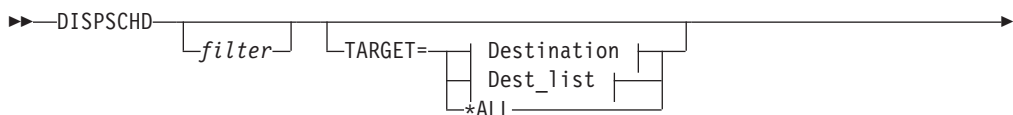
Figure 26. DISPMTR Command Dialog Panel Showing Details for a Monitor

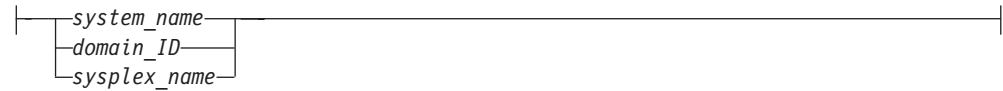
DISPSCHD

Purpose

DISPSCHD displays all resources with scheduled override settings of the automation flags. Scheduled overrides are specified using the customization dialog. They are specific times during which automation is turned off for a particular flag and resource.

Syntax



**Destination:****Dest_list:****Parameters****filter**

Is the filter to be applied for the output. Only resource names that match the filter criteria are displayed. Wildcard is supported. The filter consists of the major name and, optionally, of a minor name separated by a dot, for example, `CICS*.TRANS*`, or `*.*CEMT`. Specify `*` to view major resources. To view minor resources specify `xyz.*`.

TARGET

For information on the TARGET parameter, refer to “The OUTMODE Parameter” on page 12.

OUTMODE

For information on the OUTMODE parameter, refer to “The OUTMODE Parameter” on page 12.

Restrictions and Limitations

The DISPSCHD command can only be used when SA z/OS is initialized.

Examples

If you enter `dispschd` a panel similar to Figure 27 on page 54 is displayed.

DISPSCHD

```

AOFKAASC          SA z/OS - Command Dialogs          Line 1 of 6
Domain ID = IPUF9  ----- DISPSCHD -----          Date = 12/17/97
Operator ID = NETOP1                               Time = 15:47:07

System  Resource  Fl Day      Start - End      Flags
-----  -
AOC9    CICST       A WEEKDAY  07:30:00 - 04:00:00  A Automation
AOC9    CICST       THURSDAY  03:00:00 - 05:00:00  I Initial Start
AOC9    CICST       I *        12:00:00 - 13:00:00  S Start up
AOC9    CICST       R WEEKEND  18:00:00 - 19:00:00  R Recovery
AOC9    CICST       RS *       12:00:00 - 13:00:00  D Shut down
AOC9    MVSdump    R *        07:00:00 - 18:00:00  RS Restart

Command ==>
PF1=Help    PF2=End      PF3=Return   PF6=Roll
PF9=Refresh  PF12=Retrieve
  
```

Figure 27. DISPSCHD Command Dialog Panel

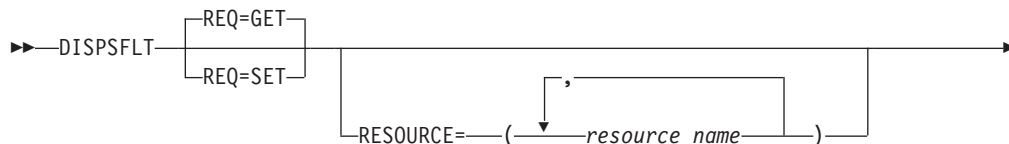
- The **System** field shows the name of the system where the resource is defined.
- The **Resource** field shows the name of resources which have NOAUTO specified in the automation control file. The resources are displayed in the order in which they occur in the automation control file.
- The **Fl (Flag)** field shows an abbreviation of the automation flag name.
- The **Day** field shows the day or days on which automation is turned off. Valid values are:
 - Monday through Sunday.
 - * (for every day).
 - Weekend.
 - Weekday.
- The **Flags** field shows the names of the automation flags and their abbreviations.

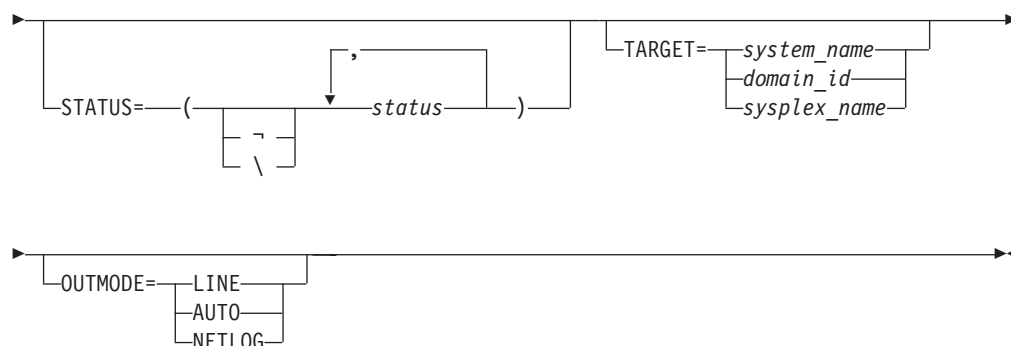
DISPSFLT

Purpose

The DISPSFLT command lets you set up view filters for DISPSTAT.

Syntax





Parameters

REQ

Specifies the type of the request. It can be one of the following:

SET Specifies setting new filter settings.

GET Specifies returning the current filter settings. This is the default.

RESOURCE

Specifies the name of the resource, or resources, to be displayed. The format is *resource name*. It can be a list of names. Wildcards are supported. If you specify only one resource you need not put it in parentheses.

STATUS

Specifies the resource statuses that you want to display. If you specify a list of statuses, separate them with a comma and enclose them in brackets (brackets are not needed for a single status). If '-' or '\' is used, all statuses except the ones that you specify are displayed.

The following are predefined lists:

STATUS=*

Lists all resource statuses.

STATUS=1

Lists all resources that are currently UP or ENDED.

STATUS=2

Lists all resources that are in a 'normal' status (DOWN, STARTED, UP, AUTOTERM, AUTODOWN, ACTIVE, ENDED, ENDING, RESTART, EXTSTART, RUNNING).

STATUS=3

Lists all resources that are in a 'down' status (DOWN, INACTIVE, RESTART, AUTODOWN, CTLDOWN, STOPPED, BROKEN, MOVED, FALLBACK).

STATUS=4

Lists all resources that are in a start transition status (RESTART, STARTED, STARTED2, ACTIVE, RUNNING, EXTSTART).

STATUS=5

Lists all resources that are in a stop transition status (AUTOTERM, ENDING, STOPPING, ABENDING, BREAKING).

TARGET

For information on the TARGET parameter, refer to “The TARGET Parameter” on page 10.

OUTMODE

For information on the OUTMODE parameter, refer to “The OUTMODE Parameter” on page 12.

If no parameters are specified, the filter settings are used.

If a subsystem name is specified, but no other parameters, for example, TARGET=, are specified, all subsystems of this name found on any system will be displayed.

Usage

The DISPSFLT command can also be used when SA z/OS is **not** initialized.

The DISPSFLT command lets you set filter options at operator logon from within the operator’s initial clist.

Examples

If the operator is responsible for all resources starting with *xyz*, DISPSFLT will be called with the parameter RESOURCE=*xyz*. If you enter `dispsflt` a panel similar to Figure 28 is displayed.

```

A0FKSTA3          SA z/OS - Command Dialogs
Domain ID   = IPSNO   ----- DISPSFLT -----   Date = 06/27/00
Operator ID = NETOP1                               Time = 15:08:40

Resources      ( *, *esour*, resource or jobname )
*
-----

Statuses      ( *, status or choice, leading ~ or \ negates)
RESTART STARTED STARTED2 ACTIVE RUNNING EXTSTART
-----

Precoded:  1 All resources that are currently UP or ENDED
           2 All resources that are in a normal status
           3 All resources that are in a down status
           4 All resources that are in a start transition state
           5 All resources that are in a stop transition state

Target Systems ( system name , domain ID , sysplex name or * )
KEY3
-----

Command ==>
PF1=Help   PF2=End   PF3=Return   PF4=Clear   PF5=Reset   PF6=Roll
PF9=Save   PF12=Retrieve

```

Figure 28. DISPSFLT Sample Panel

Filters are used to tailor the DISPSTAT display. To be displayed, a subsystem must pass all the filter criteria. If a filter is not explicitly set, it defaults to `'*`, which means that all subsystems pass it. Some filters allow you to specify a wildcard character, in the form of a trailing `'*`.

- The **Resources** field contains the name of the resources or their jobs.
- The **Statuses** field shows the subsystem’s current status. If `'~'`, or `'\'` is specified, all statuses not specified are used.
- The **Target Systems** field shows the name of the target system.
- If you press PF4 the filter settings are cleared.

Subsystems are evaluated to see if they meet the current filter criteria when:

- DISPSTAT is invoked with filter parameters.
- The filters are changed through the DISPSTAT Filters panel.
- The Refresh key (PF9) is selected from the DISPSTAT panel.

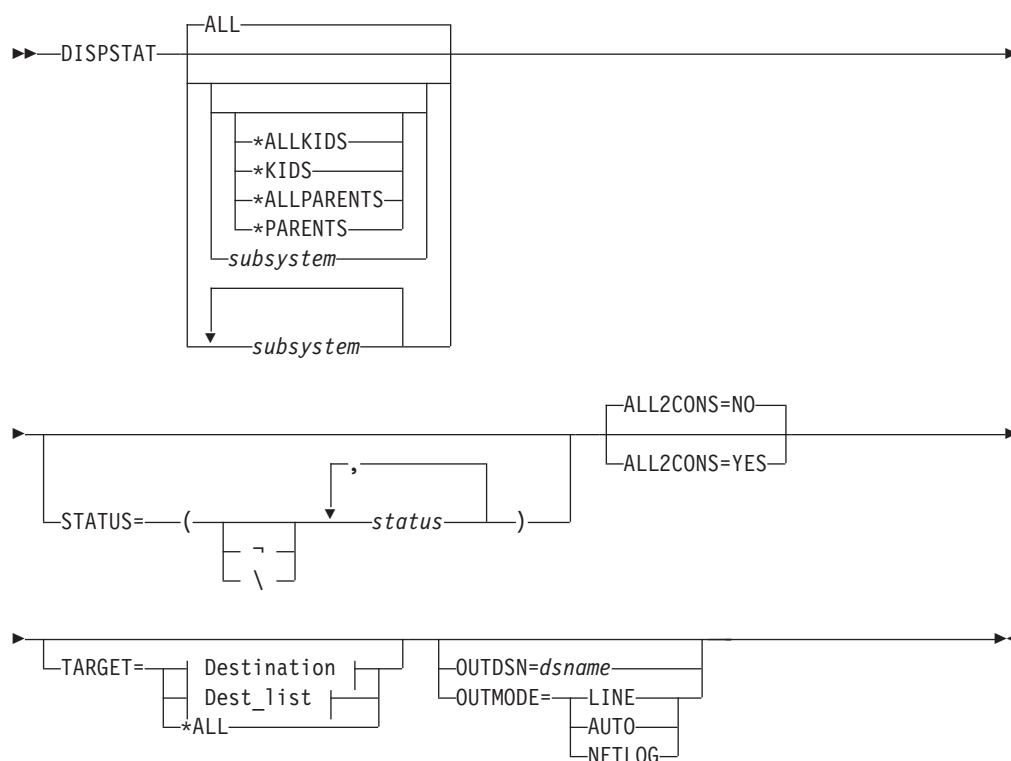
Note: If you make changes on this panel, and then decide that you do not want these changes to take effect, you can select the Reset key (PF5), which reinstates the field values that were present when you entered the panel. If you press PF9 the filter settings are saved until the session is terminated.

DISPSTAT

Purpose

DISPSTAT displays current information about one or more subsystems.

Syntax



Destination:



Dest_list:



Parameters

ALL

Displays the current information for all automated subsystems.

subsystem

Specifies the particular subsystem whose status or automation flags you want to check. You can specify any automated subsystem.

*ALLKIDS

Lists all children and children of children of the selected subsystem.

*KIDS

Lists the direct children of the selected subsystem.

*ALLPARENTS

Lists all parents and parents of parents of the subsystem.

*PARENTS

Lists the direct parents of the selected subsystem.

STATUS

Specifies the resource statuses that you want to display. If you specify a list of statuses, separate them with a comma and enclose them in brackets (brackets are not needed for a single status). If '-' or '\' is used, all statuses except the ones that you specify are displayed.

The following are predefined lists:

STATUS=*

Lists all resource statuses.

STATUS=1

Lists all resources that are currently UP or ENDED.

STATUS=2

Lists all resources that are in a 'normal' status (DOWN, STARTED, UP, AUTOTERM, AUTODOWN, ACTIVE, ENDED, ENDING, RESTART, EXTSTART, RUNNING).

STATUS=3

Lists all resources that are in a 'down' status (DOWN, INACTIVE, RESTART, AUTODOWN, CTLDOWN, STOPPED, BROKEN, MOVED, FALLBACK).

STATUS=4

Lists all resources that are in a start transition status (RESTART, STARTED, STARTED2, ACTIVE, RUNNING, EXTSTART).

STATUS=5

Lists all resources that are in a stop transition status (AUTOTERM, ENDING, STOPPING, ABENDING, BREAKING).

ALL2CONS

Specifies whether or not a complete list of columns is displayed. The parameter only applies to line mode. The following are valid values:

NO Displays only 60 characters of display data for each resource. This is the default.

YES Displays the complete list of columns.

For example, you can specify:

```
DISPSTAT cics* OUTMODE=LINE ALL2CONS=YES
```

TARGET

For information on the TARGET parameter, refer to “The TARGET Parameter” on page 10.

OUTMODE

For information on the OUTMODE parameter, refer to “The OUTMODE Parameter” on page 12.

OUTDSN

For information on the OUTDSN parameter, refer to “The OUTDSN Parameter” on page 13. Note, however, that for the DISPSTAT command the minimum record length of the output data set is 256 bytes.

If no parameters are specified, the filter settings will be used, or, if not set, DISPSTAT will show all resources of the sysplex.

If a subsystem name is specified, but no other parameters, for example, TARGET=, are specified, all subsystems of this name found on any system will be displayed.

Restrictions and Limitations

The DISPSTAT command can only be used when SA z/OS is initialized.

Examples

If you enter dispstat, you see information about all automated resources, as shown in Figure 29.

```

AOFKSTA5          SA z/OS - Command Dialogs          Line 1 of 441
Domain ID = IPUFM  ----- DISPSTAT -----         Date = 03/30/05
Operator ID = OPER1                               Time = 17:25:32
A ingauto B setstate C ingreq-stop D thresholds E explain F info G tree
H trigger I service J all children K children L all parents M parents
CMD RESOURCE      STATUS   SYSTEM  JOB NAME  A I S R D RS TYPE  Activity
-----
-   HUGSGX         UP      AOCA    HUGSGX   Y Y Y Y Y Y MVS  --none--
-   HUGSHUTINIT   UP      AOCA    HUGSHUTI Y Y Y Y Y Y MVS  --none--
-   HUGSRVGRPT2   ENDED   AOCA    HUGSGT2  Y Y Y Y Y Y ONE SHOT --none--
-   HUGSRVGTRA1   DOWN    AOCA    HUGSGTR1 Y Y Y Y Y Y MVS  --none--
-   HUGSTART      INACTIVE AOCA    HUGSTART Y Y Y Y Y Y MVS  --none--
-   HUGTRIG1     DOWN    AOCA    HUGTRIG1 Y Y Y Y Y Y MVS  --none--
-   HUGWTSO      UP      AOCA    HUGWTSO  Y Y Y Y Y Y MVS  --none--
-   HUGWVTAM     UP      AOCA    HUGWVATM Y Y Y Y Y Y MVS  --none--
-   IRRDPTAB     ENDED   AOCA    IRRDPTAB Y Y Y Y Y Y ONE SHOT --none--
-   JESWTR      ENDED   AOCA    JESWTR   Y Y Y Y Y Y ONE SHOT --none--
-   JES2        UP      AOCA    JES2     Y Y Y Y Y Y MVS  --none--
-   JLP111A     UP      AOCA    JLP111A  Y Y Y Y Y Y MVS  --none--
-   JLP111B     UP      AOCA    JLP111B  Y Y Y Y Y Y MVS  --none--

Command ==>
PF1=Help  PF2=End    PF3=Return  PF4=INGLIST  PF5=Filters  PF6=Roll
PF7=Back  PF8=Forward  PF9=Refresh  PF10=Previous PF11=Next    PF12=Retrieve

```

Figure 29. Display of Status of All Automated Resources (DISPSTAT)

DISPSTAT

- The **CMD** field allows you to invoke other SA z/OS command dialogs, or control the amount of information displayed. To use one of the command dialogs, type the appropriate letter next to the resource name, and press Enter. When you return to this panel the data within the command scope is refreshed. The current filters are not reapplied until you select Refresh (PF9).

For example, to invoke the INGTHRES dialog in order to change thresholds for JES2, move the cursor in front of JES2 and type d.

You can specify X to exclude subsystems.

Note: The U command code is supported if the AOFEXC04 exit is installed.

- The **RESOURCE** field shows the name of the resource in its corresponding status color, for example, green when the system is UP.
- The **STATUS** field shows the current status of the resource as supplied by the automation agent.
- The automation flags are:
 - A** If this flag is set to N (No), no automation is on, regardless of how the other flags are set. If this is set to Y (Yes), SA z/OS checks each of the other flags to see if they are set to Y or N.
 - I** If this is on, automation issues the correct MVS start command for each subsystem when SA z/OS is initialized and assures that subsystems are started in the order specified in the automation control file.
 - S** If this is on, automation manages and completes the startup process of subsystems.
 - R** If this is on, automation takes the specified action for any MVS message that is not associated with the initialization, startup, shutdown, or restart of a subsystem. For example, if this flag is on, automation takes actions to restart the subsystem in case of an abend.
 - D** If this is on, automation manages the shutdown process for subsystems by issuing shutdown commands and responding to prompts for additional information.
 - RS** If this is on, automation monitors subsystems to ensure that they are running and, if one fails, attempts to restart it according to the policy in the automation control file.

Each flag has a value of:

N	Off
E	User exit
Y	On
?	Error

- The **TYPE** field shows the type of job, either MVS, NONMVS, TRANS(ient), or ONESHOT.
- The **Activity** field shows whether the resource is in a starting or stopping process.

PF4 lets you toggle to the INGLIST command dialog showing the same resources from the automation manager view.

PF10 and PF11 let you scroll horizontally.

If you press PF11 on this panel, a panel similar to Figure 30 on page 61 is displayed.

```

AOFKSTA5          SA z/OS - Command Dialogs          Line 1 of 441
Domain ID = IPUFM ----- DISPSTAT -----          Date = 03/30/05
Operator ID = OPER1                                     Time = 17:26:25
A ingauto B setstate C ingreq-stop D thresholds E explain F info G tree
H trigger I service J all children K children L all parents M parents
CMD  RESOURCE      STATUS      LAST CHANGED      LAST MONITORED
-----
-   HUGSGX          UP          03/29/05 20:41:38 03/30/05 17:10:49
-   HUGSHUTINIT    UP          03/29/05 20:40:59 03/30/05 17:10:49
-   HUGSRVGRPT2    ENDED      03/29/05 20:29:45 03/30/05 17:10:49
-   HUGSRVGTTRA1   DOWN       03/29/05 20:29:45 03/30/05 17:10:49
-   HUGSTART       INACTIVE   03/30/05 14:46:51 03/30/05 17:10:49
-   HUGTRIG1       DOWN       03/29/05 20:29:47 03/30/05 17:10:49
-   HUGWTSO        UP          03/30/05 14:36:48 03/30/05 17:10:49
-   HUGWVTAM       UP          03/30/05 14:36:49 03/30/05 17:10:49
-   IRRDPTAB       ENDED      03/29/05 20:29:50 03/30/05 17:10:49
-   JESWTR         ENDED      03/29/05 20:29:50 03/30/05 17:10:49
-   JES2           UP          03/29/05 20:29:51 03/30/05 17:10:49
-   JLP111A        UP          03/29/05 20:52:17 03/30/05 17:10:49
-   JLP111B        UP          03/29/05 20:49:41 03/30/05 17:10:49

Command ==>>
PF1=Help  PF2=End    PF3=Return  PF4=INGLIST  PF5=Filters  PF6=Roll
PF7=Back  PF8=Forward PF9=Refresh  PF10=Previous PF11=Next    PF12=Retrieve

```

Figure 30. DISPSTAT Command Dialog Times Panel

- The **RESOURCE** field shows the name of the resource.
- The **STATUS** field shows the status of the resource as supplied by the automation agent.
- The **LAST CHANGED** field shows the date and time that the status of the subsystem last changed.
- The **LAST MONITORED** field shows the time that the system was last monitored. If monitoring has been disabled this field is set to dashes.

If you press PF11 on this panel, a panel similar to Figure 31 is displayed.

```

AOFKSTA5          SA z/OS - Command Dialogs          Line 1 of 441
Domain ID = IPUFM ----- DISPSTAT -----          Date = 03/30/05
Operator ID = OPER1                                     Time = 17:26:51
A ingauto B setstate C ingreq-stop D thresholds E explain F info G tree
H trigger I service J all children K children L all parents M parents
CMD  RESOURCE      STATUS      DESCRIPTION
-----
-   HUGSGX          UP          only test for RR
-   HUGSHUTINIT    UP          Application with shutunit command
-   HUGSRVGRPT2    ENDED      Server group with transients
-   HUGSRVGTTRA1   DOWN       Server group with transients
-   HUGSTART       INACTIVE   HUG application with prestart...
-   HUGTRIG1       DOWN       HUG application with triggers
-   HUGWTSO        UP          resource for combination move-basic
-   HUGWVTAM       UP          resource for combination move-basic
-   IRRDPTAB       ENDED      RACF dynamic parsing table init a
-   JESWTR         ENDED      Write SYSLOG after IPL
-   JES2           UP          JES2 application for each test system
-   JLP111A        UP          MAWA/P
-   JLP111B        UP          MAWA/P

Command ==>>
PF1=Help  PF2=End    PF3=Return  PF4=INGLIST  PF5=Filters  PF6=Roll
PF7=Back  PF8=Forward PF9=Refresh  PF10=Previous PF11=Next    PF12=Retrieve

```

Figure 31. DISPSTAT Command Dialog Description Panel

- The **RESOURCE** field shows the name of the resource.
- The **STATUS** field shows the status of the resource as supplied by the automation agent.

DISPSTAT

- The **DESCRIPTION** field shows a description of the subsystem, from the automation control file.

Press PF11 to return to the first DISPSTAT panel.

Press PF5 to display the DISPSFLT panel. For a description of the DISPSFLT command refer to “DISPSFLT” on page 54.

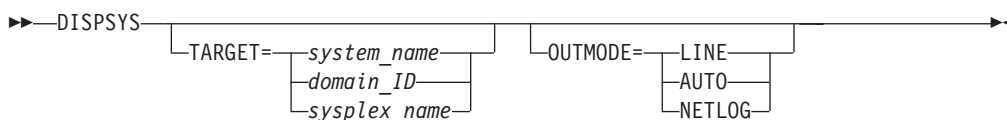
DISPSYS

Purpose

The DISPSYS command displays information about the NetView automation agent setup and the environment that it runs on.

Note that if no data is defined or it is not relevant (for example, the sysplex group name for a system that is not in a sysplex) the word 'none' is displayed in the appropriate field.

Syntax



Parameters

TARGET

For information on the TARGET parameter, refer to “The TARGET Parameter” on page 10.

OUTMODE

For information on the OUTMODE parameter, refer to “The OUTMODE Parameter” on page 12.

Restrictions and Limitations

The DISPSYS command can only be used when SA z/OS is initialized.

Usage

DISPSYS is used when you want to see the system parameters and SA z/OS status information for the Sysplex Timer[®].

Examples

If you enter `dispsys`, you will see a panel similar to Figure 32 on page 63.

```

AOFKADAE          SA z/OS - Command Dialogs      Line 1   of 39
Domain ID = IPSFO  ----- DISPSYS -----      Date = 06/27/05
Operator ID = NETOP1      System = SYS3          Time = 17:24:32

System           : SYS3              in Sysplex : SYS1PLEX
Domain           : IPSFO
Sysplex Group    : KEY1PLEX
XCF Group name   : INGXSGA0

Software
  Operating System : z/OS 01.04.00
  NetView          : Tivoli NetView for z/OS V5
  Tower(s)         : SA MVSCMDMGT NPDA NLDM
  System Automation : V3R1M0
  Tower(s)         : SYSOPS PROCOPS

Configuration
  Data set        : SYS3.SAMPLE.V310.DEV.ACF(ACFZ992)
  Built by        : GIS 03/18/05 23:05:37
  Activated       : 03/18/05 23:55:54

Command ==>
PF1=Help      PF2=End      PF3=Return      PF6=Roll
PF8=Forward   PF9=Refresh   PF12=Retrieve

```

Figure 32. DISPSYS Command Dialog Panel

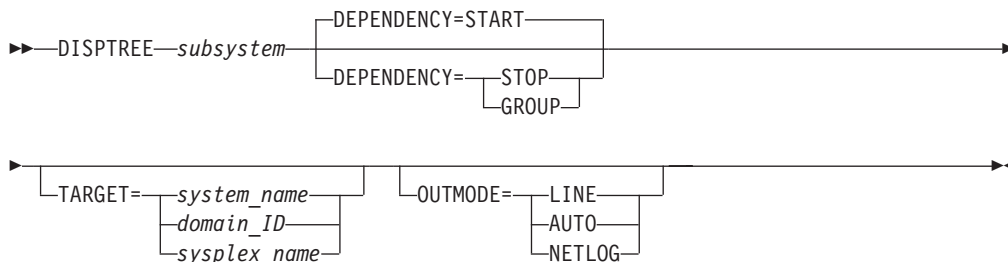
For further details about the fields on the panel, refer to the online help, the customization dialog and to *IBM Tivoli System Automation for z/OS Defining Automation Policy*.

DISPTREE

Purpose

The DISPTREE command displays the dependency graph for a particular resource.

Syntax



Parameters

subsystem

The name of the subsystem the display is to be focused upon.

DEPENDENCY

Specifies the type of dependency that should be used to draw the dependency graph. The following options are available:

START

The start relationship that is defined for the named subsystem will be used to draw the graph.

DISPTREE

STOP

The stop relationship that is defined for the named subsystem will be used to draw the graph.

GROUP

The group relationship that is defined for the named subsystem will be used to draw the graph.

TARGET

For information on the TARGET parameter, refer to “The TARGET Parameter” on page 10.

OUTMODE

For information on the OUTMODE parameter, refer to “The OUTMODE Parameter” on page 12.

Restrictions and Limitations

The DISPTREE command can only be used when SA z/OS is initialized.

Examples

If you enter `disptree jes2`, a panel similar to Figure 33 on page 65 is displayed.


```

AOFKTREE          SA z/OS - Command Dialogs          Line 1 of 78
Domain ID = IPSNO ----- DISPTREE -----          Date = 07/19/00
Operator ID = NETOP1                                     Time = 18:39:18

Subsystem ==> JES2          System ==> KEY3          Dependency ==> START

  PCAUTH    --+
    AOCSSI  --+
      AOCAPPL --+
        JES2
          +-- AMCP
          +-- ASTEX
          +-- DBUSS
          +-- IRRDPTAB
          +-- MIM
            +-- TMS
              +-- SLS
                +-- HSM
          +-- OMIIHIST
            +-- OMIIHDI
              +-- OMIIETE
                +-- OMIICOL
                  +-- OMIICCOL
                    +-- OMIICCUA
          +-- PIRLM
            +-- PIMS
              +-- OMIIPIMS
              +-- PIMSDBRC
              +-- PIMSDLI
          +-- PMO
          +-- QFETCHA
          +-- QFETCHB
          +-- QFETCHC
          +-- QFETCHD
          +-- RMF
            +-- RMFGAT
          +-- RODM
            +-- GMFHS
            +-- NETGMFLS

Command ==>
PF1=Help   PF2=End   PF3=Return   PF4=Focus   PF5=Info   PF6=Ro11
PF8=Forward PF9=Refresh PF11=Right PF12=Retrieve

```

Figure 33. DISPTREE Sample Panel

- The **Subsystem** field shows the name of the subsystem
- The **System** field shows the name of the system where the subsystem resides
- The **Dependency** field shows the dependency type (START, STOP, or GROUP)

If you position the cursor next to a resource and press PF4 the tree structure of the resource is shown.

PF5 lets you toggle to the DISPINFO command dialog.

DISPTRG

Purpose

The DISPTRG command displays the trigger conditions of a subsystem.

Syntax

```

▶▶ DISPTRG resource [TARGET= system_name | domain_ID | sysplex_name] [OUTMODE= LINE | AUTO | NETLOG]

```



Parameters

resource

The name of the resource for which the trigger condition is displayed. The format is name/type[/system]. Wildcard is supported.

TARGET

For information on the TARGET parameter, refer to “The TARGET Parameter” on page 10.

OUTMODE

For information on the OUTMODE parameter, refer to “The OUTMODE Parameter” on page 12.

WAIT

Specifies the number of seconds to wait before reporting that a timeout has occurred if the automation manager does not provide the requested data. The maximum time interval is 999 seconds.

If omitted, the time interval is 30 seconds.

Restrictions and Limitations

The DISPTRG command can only be used when SA z/OS is initialized.

Examples

If you type the name of a resource for which a trigger is defined, a panel similar to Figure 34 is displayed.

```

AOFLT000          SA z/OS - Command Dialogs          Line 1 of 4
Domain ID = IPSFO  ----- DISPTRG -----         Date = 10/25/99
Operator ID = NETOP1      System = KEY3              Time = 13:26:58

Resource ==> TRGG006AA10/APL/KEY3
System ==> KEY3          System name, domain id or sysplex name
Trigger. . . : TRIGGER6

Cmd: S show details
Cmd Type   Events
-----
STARTUP   B000S100 B000S200
STARTUP   B000S300
SHUTDOWN  B000P100 B000P200
SHUTDOWN  B000P300

Command ==>
PF1=Help   PF2=End   PF3=Return   PF6=Ro11
           PF9=Refresh   PF12=Retrieve

```

Figure 34. DISPTRG Command Dialog Panel

- The **Resource** field shows the name of the resource that uses the trigger.
- The **System** field shows the name of the system where the subsystem is defined.
- The **Trigger** field shows the trigger that is defined for the subsystem.

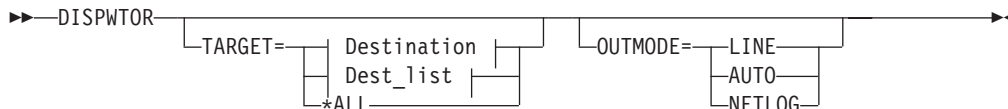
- The **Cmd** field allows you to specify command codes. The following command code is available:
 - S** Shows details of the system defined.
- The **Type** field shows the type of the specified condition.
- The **Events** field shows the names of the specified events. Event that are satisfied are shown in white. Unset events are shown in red.

DISPWTOR

Purpose

The DISPWTOR command displays all currently outstanding WTORs. They are sorted by subsystem, with each subsystem's primary WTOR shown first, followed by any secondary WTORs. The primary WTOR is the one that shutdown passes reply to. Secondary WTORs are shown in blue.

Syntax



Destination:



Dest_list:



Parameters

TARGET

For information on the TARGET parameter, refer to “The TARGET Parameter” on page 10.

OUTMODE

For information on the OUTMODE parameter, refer to “The OUTMODE Parameter” on page 12.

Restrictions and Limitations

The DISPWTOR command can only be used when SA z/OS is initialized.

Usage

DISPWTOR is used to determine what outstanding WTORs SA z/OS has, or to find the reply for a specific subsystem. DISPWTOR differs from the SDF WTOR

DISPWTOR

display in that the information shown is constructed from the global variables that SA z/OS uses to keep track of current WTORs, and determine if it is possible to reply to one.

Examples

If you enter dispwtor you will see a panel similar to Figure 35.

```
AOFKADAC          SA z/OS - Command Dialogs      Line 1   of 2
Domain ID  = IPSFP  ----- DISPWTOR -----    Date = 11/10/97
Operator ID = OPER1                               Time = 16:55:47

  Rply  System  Subsystem  Message
  ----  -
    64  KEY6    NETVIEW    DSI802A IPSFP REPLY WITH VALID NCCF
                                SYSTEM OPERATOR COMMAND

Command ==>
PF1=Help      PF2=End      PF3=Return    PF6=Ro11
PF9=Refresh   PF12=Retrieve
```

Figure 35. Display of Outstanding Replies (DISPWTOR)

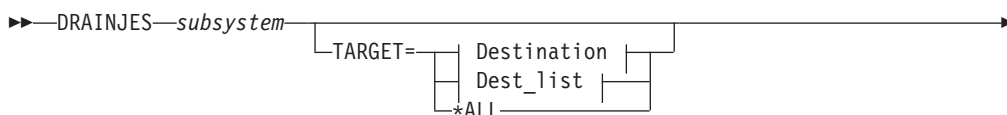
- The **Rply** field shows the outstanding reply number.
- The **System** field contains the value stored by OUTREP (AOFRSORP) from the NetView REXX variable sysid(), which is the ID of the MVS system that sent the message.
- The **Subsystem** field shows the subsystem name, or MVSESA if the reply is from a resource that is not a subsystem.
- The **Message** field shows the text of the message.

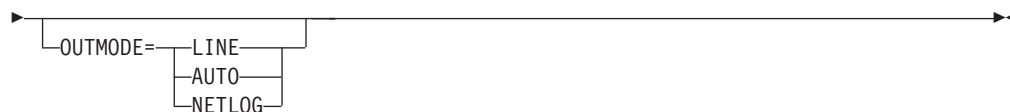
DRAINJES

Purpose

DRAINJES drains (halts) JES2 resources prior to JES2 shutdown. Specifically, DRAINJES issues commands to drain the initiators, syslog, offloader tasks, lines, printers, punches, and readers (depending on which resources are listed in the automation control file).

Syntax



**Destination:****Dest_list:****Parameters***subsystem*

Specifies the name of the JES2 subsystem whose resources you want to drain. If you are in fullscreen mode and you do not specify a subsystem, a panel is displayed on which you can specify the subsystem. If you are in line mode an error message is displayed.

TARGET

For information on the TARGET parameter, refer to “The TARGET Parameter” on page 10.

OUTMODE

For information on the OUTMODE parameter, refer to “The OUTMODE Parameter” on page 12.

Restrictions and Limitations

The DRAINJES command can only be used when SA z/OS is initialized.

Usage

Normally, you do not need to issue this command because it is performed automatically as part of the SHUTDOWN processing. However, if SA z/OS is unable to shut down a particular JES2 subsystem, you can use DRAINJES.

Examples

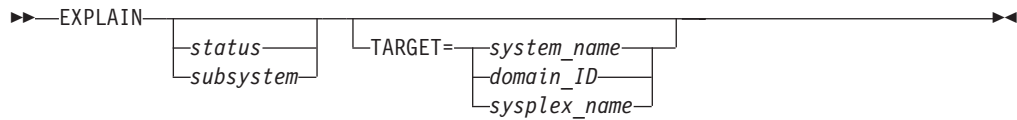
Assuming the JES2 subsystem name is JES2, type `drainjes jes2` to drain the JES2 resources.

EXPLAIN**Purpose**

The EXPLAIN facility gives you a description of the automation statuses that can occur for SA z/OS subsystems. It explains what the status means, why the subsystem may have got into the status, and how another status can be achieved.

EXPLAIN

Syntax



Parameters

If you do not specify any parameters, a menu panel is displayed where you can specify either an automation manager status, automation agent status, or the name of a subsystem.

status

The status you want to see an explanation of.

subsystem

The name of the subsystem you are investigating. Its status is queried and an explanation of the automation agent status is displayed.

TARGET

For information on the TARGET parameter, refer to “The TARGET Parameter” on page 10.

Restrictions and Limitations

The EXPLAIN command can only be used when SA z/OS is initialized.

Usage

Use EXPLAIN when you want information about an automation status.

Examples

If you enter EXPLAIN, a panel similar to Figure 36 is displayed.

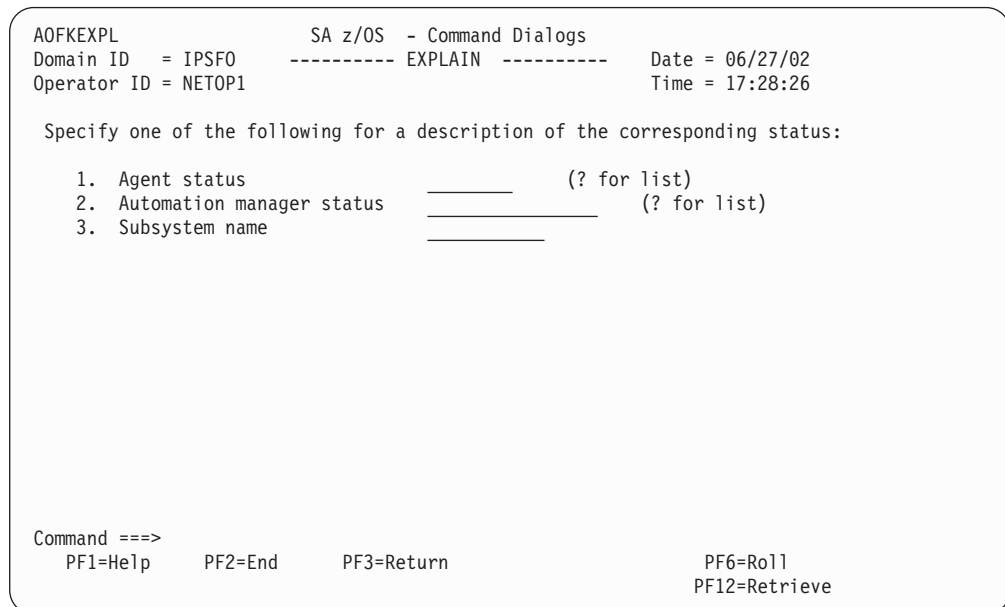


Figure 36. EXPLAIN Sample Panel

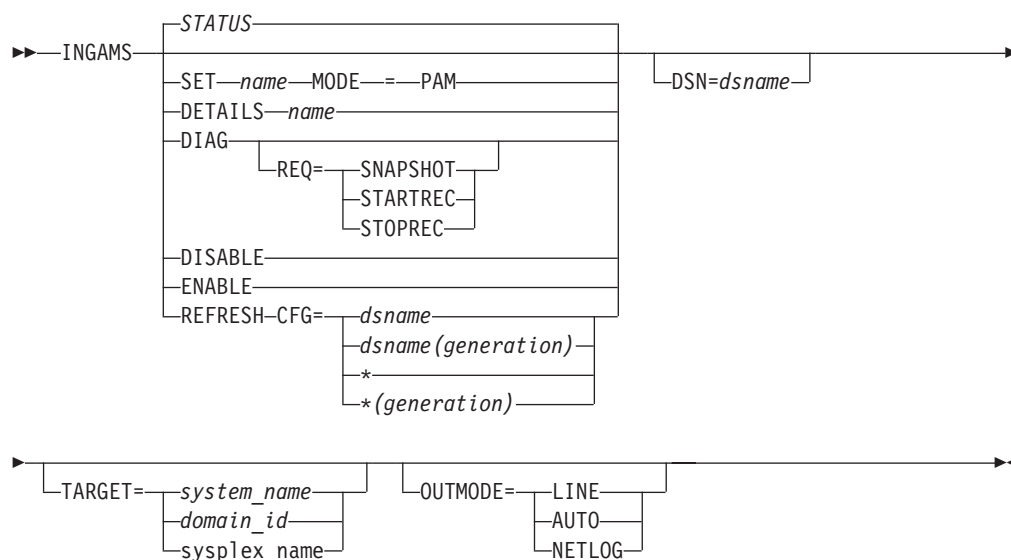
INGAMS

Purpose

The INGAMS command displays details about currently registered automation managers and automation agents, and lets you change the operation mode (PAM or SAM) of the automation managers. Note that it is only possible to make a secondary automation manager a primary one, not vice versa.

INGAMS also lets you dynamically refresh the definition data for an automation manager and the corresponding ACFs with the contents of a specified configuration data set. The consistency of the configuration data as used by the automation agent and the associated ACFs is maintained.

Syntax



Parameters

STATUS

Displays a list of all automation manager and automation agents in the sysplex registered to the same XCF group.

SET

Changes the operation mode of the specified automation manager.

name

Is the name of the automation manager.

MODE

Specifies the mode of operation, this can be:

PAM Primary automation manager

DETAILS

Displays detailed information about the specified automation manager.

DIAG

Displays the diagnostic panel where you can either request that a snapshot of

the current state image queue be taken or that recording of the inbound work items be started or stopped. The output file must be a sequential data set.

REQ

Is the function to be performed. It can be one of the following:

SNAPSHOT Write a snapshot of automation manager data.

STARTREC Start recording.

STOPREC Stop recording.

DISABLE

Causes the automation manager to stop writing to the takeover file. It also deallocates the takeover file from the automation manager. This is only necessary when performing repair operations on the takeover file.

ENABLE

Causes the automation manager to start updating the takeover file for each work item processed.

REFRESH

Updates an automation manager with the definition data stored in the specified configuration file. This also reloads the appropriate ACFs on the active automation agents.

Note: INGAMS REFRESH does not delete globals that are associated with ENTRY TYPEs that were deleted from the policy database before the last build if those ENTRY TYPEs are not associated with a subsystem. However, if a keyword/value is removed from the ENTRY TYPE, this is a change to the E-T. Therefore, INGAMS REFRESH rebuilds the E-T and the deleted keyword/value pair is removed from the globals.

All deleted entry types and their associated globals will be reset during the next SA z/OS COLD start or during ACF COLD processing.

CFG

This is the name of a partitioned data set that holds the configuration file member and the ACF fragments. The name can be a fully qualified data set name or generation data group (GDG) name. An asterisk (*) can be used to indicate a reload of the configuration file that was previously used or a different generation of the GDG that was previously used.

dsname Specifies a data set name.

dsname (generation) Specifies the name of a generation data group (GDG) and the generation number (zero or signed integer) of a generation data set within the GDG.

DSN

Lets you specify the name of the data set that contains the snapshot or work item recording data. The output data set can be a sequential file of a member or a partitioned data set. However, if you want to record work items, you can only use a sequential file. The output data set must be pre-allocated with a RECFM FB and LREC 80.

TARGET

For information on the TARGET parameter, refer to "The TARGET Parameter" on page 10.

OUTMODE

For information on the OUTMODE parameter, refer to “The OUTMODE Parameter” on page 12.

Restrictions and Limitations

None.

Usage

The INGAMS command operates sysplex-wide. For an overview refer to “Overview of Commands that Operate Sysplex-Wide” on page 9.

Automation manager commands are not supported on downlevel systems. Note that whenever an automation manager command is issued to a target system running a version of SA OS/390 lower than 2.1, the NetView error message DSI002I will not contain the name of the command that was issued but the name of the associated slave command.

When using the DIAG parameter make sure that the data set for writing a snapshot or starting recording is online and free before issuing a command. The data set must be used exclusively by the automation manager (DISP=OLD) for making snapshots or recording.

Use a partitioned data set (PDSE). The size of the PDSE should be defined according to the size specified in the snapshot size field under diagnostic info on the INGAMS panel.

Examples

If you enter ingams a panel similar to Figure 37 is displayed.

```

INGKYAM0                SA z/OS - Command Dialogs          Line 1    of 2
Domain ID = IPSF0      ----- INGAMS -----             Date = 09/18/03
Operator ID = NETOP1   Sysplex = KEY1PLEX                 Time = 17:47:57

Cmd:  A Manage        B Show Details  C Refresh Configuration  D Diagnostic

Cmd  System  Member  Role  Status  Sysplex  XCF-Group  Release  Comm
----  -----  -----  ----  -
-    KEY3    KEY3$$$2  SAM  READY  KEY1PLEX  INGXSGA0  V2R3M0  XCF
-    KEY3    KEY3      AGENT  READY  KEY1PLEX  INGXSGA0  V2R3M0  XCF
-    KEY3    KEY3$$$1  PAM   READY  KEY1PLEX  INGXSGA0  V2R3M0  XCF

Command ==>
PF1=Help    PF2=End    PF3=Return  PF6=Ro11
PF9=Refresh  PF12=Retrieve

```

Figure 37. INGAMS Command Dialog Panel 1

- The **Cmd** field allows you to specify command codes. To use one of the command codes shown, type the appropriate letter next to the resource name, and press Enter. The following command codes are available:
 - Displays the automation manager menu panel allowing you to:

- Modify the automation manager's operation mode. You can only change a secondary automation manager to a primary one.
 - Enable takeover file processing.
 - Disable takeover file processing.
- B** Displays additional information about the automation manager or automation agent. For an automation agent, the DISPSYS command is issued to show details about the agent and the environment the agent runs on.
- C** Displays the refresh configuration data panel. You need to enter the name of the data set containing the automation control file fragments and the configuration members.
- D** Displays the utility panel where you can perform the following diagnostic functions:
- Write snapshot.
 - Start or stop recording.

For further information refer to the *IBM Tivoli System Automation for z/OS User's Guide*.

- The **System** field shows the name of the system where an instance of the automation manager or automation agent runs.
- The **Member** field shows the name of the agent or manager. The name must be unique within the XCF group. The member name for an automation manager is automatically generated and consists of the z/OS system name plus a 1-character suffix running from 1 to 9. The z/OS system name is padded with '\$' to create an 8-character system name before appending the suffix.

Note: The member name of an automation agent is equal to the z/OS system name.

- The **Role** field shows the type of the system. It can be one of the following:

AGENT	An automation agent.
PAM	The primary automation manager.
SAM	The secondary automation manager. There can be more than one.
- The **Status** field shows the status of the member. It can be one of the following:

blank	The status is unknown. This is always the case if you work with SA OS/390 1.3.
NOT READY	The automation agent or manager is initializing.
READY	The member is completely initialized.
PENDING	Indicates that the automation manager is in the process of initializing as a primary automation manager (PAM).
SELECTED	The automation manager is selected to become the next primary automation manager (PAM).
STOPPING	The automation manager is terminating.
REFRESH	Indicates that the automation manager performs a configuration refresh.
COMM	Is the type of communication being used between the automation manager and the automation agent.
- The **Sysplex** field shows the name of the sysplex.

- The **XCF-Group** field shows the name of the associated XCF-Group.
- The **Release** field shows the SA z/OS Version and Release of the automation manager or automation agent.

The FIND/RFIND/SORT commands are supported. Refer to “Deciding the Format of the Command Output (Fullscreen only)” on page 13 for information.

Controlling the Automation Manager’s Operation Mode

If you enter command code A for a secondary automation manager, a panel is displayed where you can specify the new mode of operation, as shown in Figure 38. Switching into primary mode is considered a directed takeover.

```

INGKYAM1                SA z/OS - Command Dialogs
Domain ID = IPSFO      ----- INGAMS -----      Date = 09/18/03
Operator ID = NETOP1   Sysplex = KEY1PLEX          Time = 17:48:03

Specify or revise the following data:

Action ==>  _          1. Make primary Automation manager (PAM)
                          2. Enable Takeover File
                          3. Disable Takeover File

Automation manager ==> KEY3$$$$2
System           ==> _____ System name, domain id or sysplex name

Command ==>
PF1=Help      PF2=End      PF3=Return

PF6=Ro11
PF12=Retrieve

```

Figure 38. INGAMS Command Dialog Panel to Control Operation Mode

Showing Details About the Automation Manager

If you enter command code B for an automation manager, a panel similar to Figure 39 on page 76 is displayed.

```

INGKYAM3          SA z/OS - Command Dialogs          Line 1    of 29
Domain ID   = IPSF0   ----- INGAMS -----          Date = 03/21/05
Operator ID = NETOP1          Sysplex = KEY1PLEX          Time = 19:29:45

Automation Manager : KEY3$$$$1          running on system : KEY3
Operation mode     : PAM                  Job name           : AMA0
Status             : READY                Start type          : COLD
XCF-Groupname     : INGXSGA0
Start time        : 17 MAR 2005 14:37:43
PAM selected time : 17 MAR 2005 14:37:49
Config refresh time : 18 MAR 2005 23:55:45

Takeover file     : AOC.PRINET.AOCAPLEX.HSATKOVVR

Logic Deck ...
Release           : V3R1M0
Date built        : 21 Dec 2004
Time built        : 16:56:38
Last APAR         : NONE

Command ==>
PF1=Help         PF2=End           PF3=Return          PF6=Ro11
                  PF8=Forward        PF9=Refresh         PF12=Retrieve
    
```

Figure 39. INGAMS Command Dialog Panel to Show Details

Refreshing the Configuration Data Sysplex-Wide

If you enter command code C for an automation manager, a panel similar to Figure 40 is displayed.

```

INGKYAM2          SA z/OS - Command Dialogs          Date = 09/18/03
Domain ID   = IPSF0   ----- INGAMS -----          Time = 17:48:42
Operator ID = NETOP1          Sysplex = KEY1PLEX

Specify or revise the following data:

Configuration data set name (* for current data set)

                *(-1) _____

System          ==> _____ System name, domain id or sysplex name

Command ==>
PF1=Help         PF2=End           PF3=Return          PF6=Ro11
                  PF8=Forward        PF9=Refresh         PF12=Retrieve
    
```

Figure 40. INGAMS Command Dialog Panel to Refresh the Configuration

- In the **System** field specify the name of the system where the automation manager resides. Specifying this is only necessary if the automation manager is not within the local sysplex. You can specify either the system name, the domain, or the sysplex name.
- In the **Configuration data set name** field specify the name of the data set containing the automation manager configuration members. The name can be a

fully qualified data set name or a generation data group name. You can use * to indicate a reload of the configuration from the data set that was used previously, or a different generation of the previously used GDG.

Initiating Diagnostic Functions

If you enter command code D for a primary automation manager, a panel similar to Figure 41 is displayed.

```

INGKYAM4                SA z/OS - Command Dialogs
Domain ID = IPSFO      ----- INGAMS -----      Date = 09/18/03
Operator ID = NETOP1   Sysplex = KEY1PLEX          Time = 17:48:55

Specify or revise the following data:

Action ==>  _          1. Write Snapshot
                          2. Start recording
                          3. Stop recording

Data set name ==> _____

System          ==> _____ System name, domain id or sysplex name

Command ==>
PF1=Help      PF2=End      PF3=Return
                                           PF6=Ro11
                                           PF12=Retrieve
  
```

Figure 41. INGAMS Command Dialog Panel to Initiate Diagnostic Functions

- In the **Data set name** field specify the name of the data set that will hold the snapshot data. The data set can be a sequential file or a member of a partitioned data set. However the recording data set can only be a sequential file.

Notes:

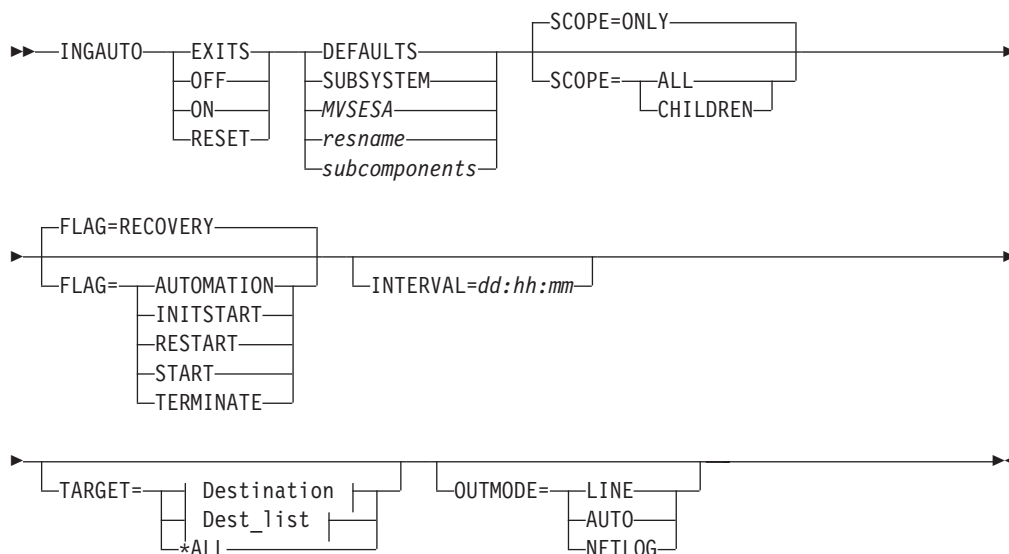
1. A data set name is required when writing a snapshot or when starting recording.
 2. Make sure that the automation manager has the appropriate authority to write into the data set.
- In the **System** field specify the name of the system where the automation manager resides. This is only necessary when the automation manager is not within the local sysplex. You can specify either the system name, the domain id or the sysplex name.

INGAUTO

Purpose

The INGAUTO command lets you turn the automation flags on or off for a specific resource, or for a specified time period after which they will automatically be turned on again for DEFAULTS, MVSESA or SUBSYSTEM. INGAUTO enables you to change a resource's assist mode settings.

Syntax



Destination:



Dest_list:



Parameters

If you do not specify a subsystem, a menu is displayed where you can specify the subsystem.

EXITS

Enables user exits for the flag that you specify.

OFF

Sets the automation flag that you specify to off.

ON

Sets the automation flag that you specify to on.

RESET

Resets the automation flag to the values that you specified in your policy database.

DEFAULTS

Specifies the value DEFAULTS. This sets automation flags for all resources that do not have their own flags defined.

SUBSYSTEM

Sets defaults for all subsystems.

MVSESA

Sets defaults for all MVS subcomponents.

resname

Specifies the name of a particular resource, for example, WTOBUF. You can specify any automated resource.

subcomponents

Specifies the subcomponents of the resource. Enter a period (.) between each subcomponent name.

SCOPE

Specifies whether to change automation for this resource and its dependent resources, dependent resources only, or this resource alone. Valid options are the following:

ONLY

Specifies this resource alone. This is the default.

ALL

Specifies this resource and its dependent resources.

CHILDREN

Specifies dependent resources only.

FLAG

Specifies the automation flags to set on, off, reset, or enable a user exit for, (depending on whether you specified INGAUTO ON, OFF, RESET or EXITS). Refer to *IBM Tivoli System Automation for z/OS Customizing and Programming* for further information on automation flags. Valid options are the following:

AUTOMATION

This sets the Automation flag, which is the controlling flag. If you set the Automation flag to OFF, SA z/OS turns all automation off. If the Automation flag is ON, SA z/OS checks the other flags.

INITSTART

Sets the Initstart flag. This is checked after SA z/OS initialization for the first start of an application. If this flag is on, SA z/OS will start the resource, provided its goal is to be available and all other conditions for its startup have been met.

RECOVERY

Sets the Recovery flag. If this is set to on, SA z/OS will perform recovery actions other than restarting a resource.

RESTART

Sets the Restart flag. If this is set to on, SA z/OS will restart the resource if possible.

START

Sets the Start flag. If this is set to on, SA z/OS will manage and complete the startup of the resource.

TERMINATE

Sets the Shutdown flag. If this is set to on, SA z/OS will process automated shutdown requests for the resource.

INTERVAL=dd:hh:mm

Specifies the period of time the flag will be changed for.

INGAUTO

At the end of the interval, the flag is reset to the state defined in the automation control file.

If no interval is specified, the flag is changed indefinitely.

TARGET

For information on the TARGET parameter, refer to “The TARGET Parameter” on page 10.

OUTMODE

For information on the OUTMODE parameter, refer to “The OUTMODE Parameter” on page 12.

Restrictions and Limitations

The INGAUTO command can only be used when SA z/OS is initialized.

A flag cannot be reset for an interval.

Usage

If the Automation flag is currently set to off, and you have changed one of the other flags, your change will not be effective until the Automation flag is set to on. Occurrences will be detailed in the netlog.

If you have selected EXITS for an automation flag, and none have been specified in your automation control file, automation will be set to on. Occurrences will be detailed in the netlog.

SCOPE=ONLY is the only valid scope for DEFAULTS, a resource type, and subcomponents. ALL and CHILDREN are not valid.

Make sure you specify the correct subcomponent name. Even if you specify a subcomponent that does not exist, the message FUNCTION SUCCESSFULLY COMPLETED will appear.

Examples

To turn all automation on in SA z/OS for TSO and for 2 hours only, enter the following:

```
ingauto on,tso,flag=automation,interval=00:02:00
```

To turn all automation on for the WTOR buffer shortage recovery, enter the following:

```
ingauto on,mvsesa.wto
```



```

AOFKAASF          SA z/OS - Command Dialogs
Domain ID = IPUN8  ----- INGAUTO -----   Date = 09/02/03
Operator ID = NETOP1                               Time = 17:23:40

Resource name => MVSESA          Specific or group resource or DEFAULTS
Sub-components => WTO              Resource sub-components
System        => AOC8             Note : Be sure to specify the correct sub-component name
Scope        => ONLY             System name, domain ID, sysplex name, *ALL
Change automation for:
ONLY        - only this resource
CHILDREN    - dependants
ALL         - resource and dependants

Automation    =>                Specify new settings for automation flags
Initstart     => -                Y - flag is always on
Start         => -                N - flag is always off
Recovery      => Y                E - exits called if specified, otherwise
Shutdown     => -                always on
Restart      => -                R - return to automation control file
Interval     =>                settings
Specify duration of change (dd:hh:mm)
or leave blank for an indefinite change

Command ==>>>
PF1=Help    PF2=End    PF3=Return    PF6=Ro11    PF12=Retrieve

```

Figure 42. INGAUTO Command Dialog Panel

INGCF

Purpose

The INGCF command supports all the functions of SA z/OS that deal with coupling facilities. It supports full mode and line mode; for full line mode capability, refer to “INGCFL” on page 101. If you issue INGCF in line mode, only the display function is available.

The INGCF command supports the following parameters:

- DRAIN

Serves to remove all allocated structures from the coupling facility, to disconnect the coupling facility from the systems of the sysplex, and to inactivate the coupling facility.
- ENABLE

Serves to activate a coupling facility, connect it with the systems of a sysplex and to populate it with structures.
- PATH

Displays and controls the sender paths of the target coupling facility. It sets the sender paths ONLINE and OFFLINE physically and logically.
- STRUCTURE

Displays detail information and rebuilds or deletes a selected structure on the target coupling facility. It also lets you start and stop duplexing.

INGCF associates a status with every coupling facility, and a condition with every structure (instance) that is allocated on the target coupling facility. The structure condition is influenced by the release level of the system that allocated the structure. The INGCF functions use the coupling facility state and the structure conditions to determine which action can be performed in any given situation. Therefore, the DRAIN and ENABLE functions can enforce a correct sequence of actions for complex tasks such as draining or restoring a coupling facility.

If the selected action impacts the sysplex configuration it must be confirmed before execution.

Authorizations

The actions that you can initiate with INGCf depend on your authorizations. The panels show your authorization type. Note that the authorization types apply to the current function, and that your authorization type may vary for different functions.

The following authorization types exist:

DISPLAY

You cannot initiate any action that affects the sysplex configuration.

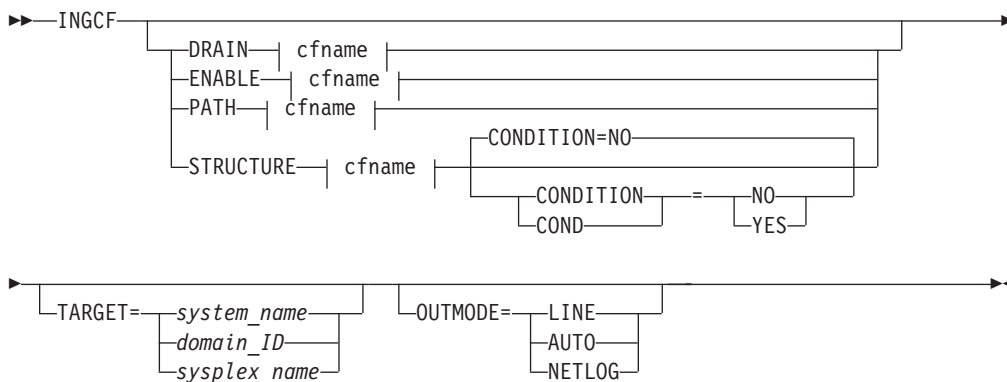
ALL BUT (ACTIVATE|SHUTDOWN)

This type only occurs in the DRAIN and ENABLE command dialogs. You can rebuild structures, force the deletion of structures and set the sender paths offline and online, but you cannot inactivate or activate the coupling facility.

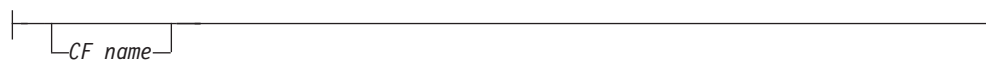
ALL You can initiate all actions from the corresponding panel.

Depending on your authorizations, it is possible that you have, for example, authorization type ALL for the STRUCTURE function, and authorization type DISPLAY for the DRAIN function.

Syntax



cfname:



Parameters

DRAIN

Prepares a coupling facility for removal from the sysplex.

ENABLE

(Re)integrates a coupling facility into a sysplex.

PATH

Controls the sender paths of a coupling facility.

STRUCTURE

Offers manipulation of individual structures (detail information, rebuild, deletion).

CF_name

Name of the target coupling facility for the specified function. The default is a selection panel that shows all available coupling facilities of the sysplex.

CONDITION

Specify YES if you want to get the current condition for each structure. Selecting this option increases the response time required to build the display. The default is NO.

TARGET

For information on the TARGET parameter, refer to “The TARGET Parameter” on page 10.

OUTMODE

For information on the OUTMODE parameter, refer to “Additional Parameters for System Operations Commands” on page 10.

Restrictions and Limitations

The ENABLE and the PATH functions require that the active IODF is catalogued. Otherwise, sender path information cannot be retrieved in certain situations.

INGCF ENABLE assumes that the receiver paths from the coupling facility to the systems of the sysplex have been defined and activated. This requires a POR of the CPC on which the coupling facility resides.

Coupling Facility States

The status of a coupling facility can be as follows:

ACTIVATING

The coupling facility is being activated and will then become DRAINED.

DEACTIVATING

The coupling facility is being deactivated and will then become INACTIVE.

DRAINING

The coupling facility is being disconnected from the connected systems.

DRAINED

The coupling facility has no connection to any system and can be removed from the sysplex.

DRAINED NOHWACC

The coupling facility has no connection to any system, but cannot be removed from the sysplex because the BCP (Basic Control Program) internal interface is not available.

Note: This status is also displayed when the coupling facility has been deactivated from the HMC (Hardware Management Console) but the XCF display commands still return the name of the coupling facility.

ENABLING

The coupling facility is being connected to the systems of the sysplex that use it.

FORCING

Allocated structures are being deleted from the coupling facility. This only happens with structures that have no active connectors, and with these only when they cannot be rebuilt by system-managed rebuild.

INACTIVE

The coupling facility is not active.

INACTIVE NOHWACC

The coupling facility is not active and cannot be activated because the BCP Internal Interface is not available.

NORMAL

The coupling facility may have allocated structures and is connected to all systems.

NORMAL OFFLINE

The coupling facility may have allocated structures. At least one system has set all its sender paths to this coupling facility to OFFLINE. XES will reject any rebuild request for this coupling facility.

NOTINPOLICY

The coupling facility is active but not defined in the active CFRM policy.

POPULATING

The coupling facility is being populated with all those structures that have it on the first place in their preference list.

REBUILDING

Either all allocated structures that can be rebuilt are being removed from the coupling facility by the XES rebuild process (initiated by DRAIN), or one particular such structure is being removed (initiated by the STRUCTURE).

Structure Conditions

The condition of an allocated structure can be:

Rebuild is not supported.

The structure can neither be rebuilt, nor can its deletion be forced.

The structure has at least one active connector that does not support user-managed rebuild, and at least one active connector that does not support system-managed rebuild.

System-managed processes not supported.

The structure cannot be rebuilt, nor can its deletion be forced.

System-managed rebuild, which is a system-managed process, is not possible for one of the following reasons:

- The structure was allocated from a system with OS/390 2.7 or below.
- The CFRM couple data sets have not been formatted to support system-managed processes (ITEM NAME(SMREBLD) NUMBER(1) was not specified).

Note: In certain rare cases system-managed processes are not supported although the condition that is displayed on the DRAIN panel seems to indicate the contrary. Then, the rebuild will be initiated, but will fail with message IXC367I indicating that system-managed processes are not supported for the structure.

No alternate coupling facility defined or available.

The structure can neither be rebuilt, nor can its deletion be forced.

The structure has an active connector and supports rebuild but has no alternate coupling facility defined in its preference list, or the alternate coupling facilities defined in the preference list are currently unavailable.

Insufficient space detected for rebuild.

The structure cannot or could not be rebuilt. Its deletion cannot be forced.

No alternate coupling facility has enough space to rebuild the structure.

Preference list is empty.

The structure cannot be rebuilt because its preference list is currently empty. A possible reason for this is a pending policy change; for pending policy changes, see "P column" on page 100.

Structure is pending deallocation.

XES accepted a forced deletion of the structure but does the real deallocation later.

Note: This status can only occur when MVS APAR OW39404 has not been installed.

Structure is being rebuilt.

The structure is being rebuilt to another coupling facility.

Duplex rebuild is being stopped.

Two instances of the structure were maintained on different coupling facilities. The application is being disconnected from that instance that is allocated on the target coupling facility. After disconnecting, the instance is deleted.

No connection exists.

The structure cannot be rebuilt, but you can force its deletion.

The structure has no connections and cannot be rebuilt with system-managed rebuild.

No alternate coupling facility for structure with no connections.

The structure cannot be rebuilt, but you can force its deletion.

The structure has no connections. It could be rebuilt with system-managed rebuild, but no alternate coupling facility is defined in its preference list or available.

No alternate coupling facility for structure with no active connections.

The structure cannot be rebuilt, but you can force its deletion.

The structure has only DISCONNECTING, FAILED, or FAILED-PERSISTENT connections. It could be rebuilt with system-managed rebuild, but no alternate coupling facility is defined in its preference list or available.

The structure's initial size is less than its actual size.

The structure can be rebuilt, but this can lead to loss of data.

An initial size is specified for the structure in the active CFRM policy. This initial size was used for the allocation of the structure. Afterwards, the size of the structure was increased either by the application itself or an operator command. However, the structure will only be rebuilt with its initial size. Subsequently, INGC will expand the structure to its actual size again, but

this will happen *after* the data have been transferred. To avoid a potential loss of data, the application has to change the initial size to the actual size.

No active connection exists.

The structure cannot be rebuilt, but you can force its deletion.

The structure has only DISCONNECTING, FAILED, or FAILED-PERSISTENT connections and cannot be rebuilt with system-managed rebuild.

Note: INGCF DRAIN deallocates structures with this condition as part of the REBUILD action (see “REBUILD (F10)” on page 88). INGCF STRUCTURE accepts a rebuild request for structures with this condition, but deallocates them (see “Rebuild (R)” on page 99).

No connections. System-managed rebuild supported.

The structure can be rebuilt.

The structure has no connections, but can be rebuilt with system-managed rebuild.

No active connections. System-managed rebuild supported.

The structure can be rebuilt with system-managed rebuild.

User-managed rebuild is not possible for the structure because it has only DISCONNECTING, FAILED, or FAILED-PERSISTENT connections.

System-managed rebuild is supported

The structure can be rebuilt.

The structure has active connectors. At least one active connector does not support user-managed rebuild, but all active connectors support system-managed rebuild.

Duplex rebuild is active.

The application is connected to two instances of the same structure on different coupling facilities.

[No condition]

When no condition is displayed, the structure can be rebuilt.

The structure has at least one active connection, and all its active connectors support user-managed rebuild.

Structure is awaiting rebuild.

The structure has been selected for rebuild but has not been processed yet.

Structure is currently allocated on *cf_name*.

The structure can be rebuilt on the target coupling facility with the POPULATE action of the ENABLE function. It is currently allocated on the *cf_name* coupling facility, but the target coupling facility precedes *cf_name* in the structure’s preference list. This condition is displayed only in the ENABLE command dialog.

Structure allocated in *cf_name* cannot be rebuilt to this CF.

The structure can probably not be rebuilt on the target CF with the POPULATE action of the ENABLE function. It is currently allocated in the *cf_name* CF, but the target CF precedes *cf_name* in the structure’s preference list. And, the actual size of the structure is greater than the free space of the target CF. This condition is displayed only in the ENABLE command dialog.

Example

If you issue INGCf without any parameters, a panel with all coupling facilities of the sysplex is displayed, as shown in Figure 43.

```

INGLX900          SA z/OS - Command Dialogs          Line 1 of 2
Domain Id = IPSFO  ----- INGCf -----           Date = 02/23/03
Operator Id = NETOP1                               Time = 13:42:35

Sysplex . . . . . : KEY1PLEX          SM process level . : 12
-----
Cmds: D drain CF / E enable CF / P display sender paths / S display structures

  CF Name  Total Space Free Space Free% V Lvl LP Node Descriptor
-----
_ CF01      507392 K   446976 K 88.09 Y  11  D 009672.RX6.IBM.51.000000064516
_ CF02      245248 K   210944 K 86.01 Y  11  E 009672.RX6.IBM.51.000000064516

Command ==>
F1=Help      F2=End          F3=Return      F6=Roll
              F9=Refresh      F12=Retrieve

```

Figure 43. INGCf Selection Panel

Specify a function for a selected coupling facility and press Enter.

INGCF DRAIN

Purpose

The DRAIN function of INGCf facilitates the removal of a coupling facility from the sysplex, for example, for maintenance purposes. With this option, you can perform the following sequence of tasks:

1. Display information for all allocated structures of the coupling facility.
2. Rebuild all rebuildable structures on *another* coupling facility, and delete instances of structures on the target coupling facility that are being duplexed on another coupling facility.

Notes:

- a. The scope of the structures that can be rebuilt depends on the release level of the sysplex members.
- b. INGCf DRAIN rebuilds structures one at a time (SETXCF START,REBUILD,STRNAME=), not globally (SETXCF START,REBUILD,CFNAME=), and always on a coupling facility that is different from the target coupling facility (LOCATION=OTHER).
- c. Generally, you should be aware that it is XES that performs the actual rebuild. Not all of the factors that XES takes into account when allocating a structure are accessible to SA z/OS. Therefore, a rebuild request for a structure that should be rebuildable according to its condition can fail in certain rare cases.

3. Force the deletion of structures that have no active connectors and cannot be rebuilt.

Note that there are structures that you can neither rebuild nor delete with the force action. These include the structures that have at least one active connector and do not support rebuild. To remove such structures first disconnect all active connectors, and then delete the structure manually if it is persistent or has persistent connections.

4. Disconnect the coupling facility from the systems with which it is connected.
5. Inactivate the target coupling facility.

INGCF DRAIN ensures that these actions are performed in the correct order, as specified above.

Actions

The following F-keys are supported:

*REBUILD (F10)

Starts the rebuild of structures that can be rebuilt on *another* coupling facility. Thus, a rebuild is only initiated for structures whose preference list contains more than one coupling facility.

There are two methods for rebuild, user-managed and system-managed rebuild. User-managed rebuild is supported for all release levels. System-managed rebuild is only available with systems that have OS/390 2.8 or above; it must have been enabled by formatting the CFRM couple data sets with the specification

```
ITEM NAME(SMREBLD) NUMBER(1)
```

System-managed rebuild is only performed when the requirements for user-managed rebuild are not met. This applies, for example, to structures without active connectors.

The REBUILD action also deletes all structure instances on the target coupling facility that are being duplexed on another coupling facility.

Note: The REBUILD action *deallocates* structures with the condition 'No active connection exists.'. See "No active connection exists" on page 86.

*FORCE (F5)

Forces the deallocation of structures with one of the following conditions:

- No connection exists.
- No alternate coupling facility for structure with no active connections.
- No alternate coupling facility for structure with no connections.

This action is only made available after all structures that can be rebuilt have been rebuilt.

*DRAIN (F4)

Disconnects the coupling facility from its connected systems by setting the sender path(s) OFFLINE.

This action is only enabled after all structures of the target coupling facility have been removed to another coupling facility or deallocated. Note that structures that have active connectors but do not support rebuild cannot be removed with F10 or F5. They must be deallocated manually before executing this step is enabled.

***SHUTDOWN (F11)**

This action inactivates the coupling facility. It is only made available when all connections between the coupling facility and the systems of the sysplex have been disconnected.

Note: This function key is unavailable when running on a z/OS image which runs under z/VM[®].

Note that these actions can only be performed if INGC F DRAIN is issued in full mode. In line mode, only the display function is available.

To avoid performance degradation due to multiple rebuild processes, or unpredictable results due to multiple executions of an action, all actions are locked. Therefore, an action is rejected if any lock exists even if the action does not affect the action currently being performed. Because the action can take a long time it is also executed asynchronously on a dedicated autotask, preventing the operator from being blocked. To check progress, use the refresh function (F9).

Example

In the following example, a coupling facility is drained:

1. All of its structures that can be rebuilt are rebuilt on another coupling facility, and duplexing is stopped.
2. For all structures that have no active connector and cannot be rebuilt deletion is forced.
3. All systems that are connected with the coupling facility are disconnected.
4. The coupling facility is inactivated.

When you issue INGC F with the option DRAIN, you can specify the coupling facility to be drained, for example by entering INGC F DRAIN CF01; in this case, the panel of Figure 44 on page 90 is displayed at once. If you do not specify a coupling facility name, INGC F displays a selection panel with all coupling facilities that are defined in the sysplex. After selection of CF01, INGC F displays the panel shown in Figure 44 on page 90.

INGCF DRAIN

```
INGLX901          SA z/OS - Command Dialogs          Line 1 of 31
Domain Id = IPSFO  ----- INGCF DRAIN -----      Date = 02/13/01
Operator Id = NETOP1                                     Time = 07:01:00

Coupling Facility ==> CF01          Status . . . . . : NORMAL
Sysplex . . . . . ==> KEYIPLEX      Permission . . . . . : ALL
-----

Structure          Condition
-----
DFHXQLS_TESTTSQ1  No active connections. System-managed rebuild supported.
DSNG_LOCK1
DSNG_SCA          System-managed rebuild is supported.
ISGLÖCK
ISTGENERIC
IXCGRS
IXCplex_PATH1
M7SG_LOCK1        *No alternate CF for structure with no active connections.
M7SGEMHQ          No active connections. System-managed rebuild supported.
M7SGMSGQ          No active connections. System-managed rebuild supported.
M7SGMSGQOV        No active connections. System-managed rebuild supported.

Command ==>
F1=Help          F2=End          F3=Return          F6=Roll
F8=Forward       F9=Refresh      F10=Rebuild      F12=Retrieve
```

Figure 44. DRAIN Command Dialog Panel: Before any Action

The status of the coupling facility (NORMAL) and the authorization type of the operator (ALL) are displayed on the right side of the panel header. The main part of the panel consists of a list containing the structures allocated in CF01 and their conditions. The conditions are classified by color and an asterisk. The asterisk signifies that a structure cannot be rebuilt.

The only action that is enabled is REBUILD with F10. Pressing F10 calls the following confirmation panel, as shown in Figure 45 on page 91.

```

INGLX92R          SA z/OS - Command Dialogs
Domain Id = IPSFO  ----- INGCF DRAIN -----      Date = 02/13/01
Operator Id = NETOP1                               Time = 07:01:04

Coupling Facility . : CF01
Sysplex . . . . . : KEY1PLEX

                R E B U I L D Confirmation

The REBUILD process runs asynchronously on the next system in the sysplex that
has access to the CFRM couple data set and can perform all necessary actions.
Each structure that has no * indicator in front of its status is rebuilt to its
status accordingly. The structures are processed in sequence. Once started use
the refresh PF key for getting the current status of the process. When more
than one structure is being rebuilt a timeout occurred indicating that XCF is
very busy. But processing continues. A display without any structure or only
structures that cannot be rebuilt indicates a successful completion.

Command ==>>
                F2=End          F3=Return          F6=Roll
                F10=Go         F11=Cancel    F12=Retrieve

```

Figure 45. DRAIN Command Dialog: Confirmation Panel for REBUILD

After F10 has been pressed and the rebuild is complete the command dialog can be refreshed with F9. It will look like Figure 46

```

INGLX901          SA z/OS - Command Dialogs          Line 1 of 1
Domain Id = IPSFO  ----- INGCF DRAIN -----      Date = 02/13/01
Operator Id = NETOP1                               Time = 07:53:36

Coupling Facility ==> CF01          Status . . . . . : NORMAL
Sysplex . . . . . ==> KEY1PLEX      Permission . . . . : ALL
-----
Structure          Condition
-----
M7SG_LOCK1        *No alternate CF for structure with no active connections.

Command ==>>
F1=Help          F2=End          F3=Return          F5=Force          F6=Roll
                F9=Refresh          F12=Retrieve

```

Figure 46. DRAIN Command Dialog Panel: After Rebuild

One structure could not be rebuilt because no alternate coupling facility is specified in its preference list. The REBUILD action is no longer available. Instead, the FORCE action (F5) is available because the structure that could not be rebuilt has a condition that allows forcing the deallocation of the structure. Pressing F5 calls a confirmation panel similar to that for REBUILD. Pressing F10 on the

INGCF DRAIN

confirmation panel and refreshing the command dialog after the action has been completed results in the panel shown in Figure 47.

```
INGLX901          SA z/OS - Command Dialogs          Line
Domain Id   = IPSFO          ----- INGCF DRAIN -----          Date = 02/13/01
Operator Id = NETOP1                                     Time = 08:12:28

Coupling Facility ==> CF01          Status . . . . . : NORMAL
Sysplex . . . . . ==> KEYIPLEX          Permission . . . . . : ALL
-----
Structure          Condition
-----
-----

Command ==>
F1=Help          F2=End          F3=Return          F4=Drain          F6=Roll
F9=Refresh                                     F12=Retrieve
```

Figure 47. DRAIN Command Dialog Panel: After Forcing

No more structures are allocated in the coupling facility, so that the coupling facility can be released from the connections with the systems of the sysplex. Consequently, INGC F DRAIN enables the DRAIN action (F4). After completion of that action, the status of the coupling facility changes to DRAINED, as shown in Figure 48 on page 93.

```

INGLX901          SA z/OS - Command Dialogs          Line
Domain Id   = IPSFO          ----- INGCF DRAIN -----          Date = 02/13/01
Operator Id = NETOP1                                     Time = 08:12:32

Coupling Facility ==> CF01          Status . . . . . : DRAINED
Sysplex . . . . . ==> KEYIPLX          Permission . . . . . : ALL
-----
Structure          Condition
-----

Command ==>
F1=Help          F2=End          F3=Return          F6=Roll
F9=Refresh          F11=Shutdown          F12=Retrieve
    
```

Figure 48. DRAIN Command Dialog Panel: After Draining

Because the coupling facility is no longer connected to any system, it can be inactivated. After pressing F11 the status of the coupling facility changes to INACTIVE, as shown in Figure 49.

```

INGLX901          SA z/OS - Command Dialogs          Line
Domain Id   = IPSFO          ----- INGCF DRAIN -----          Date = 02/13/01
Operator Id = NETOP1                                     Time = 08:12:32

Coupling Facility ==> CF01          Status . . . . . : INACTIVE
Sysplex . . . . . ==> KEYIPLX          Permission . . . . . : ALL
-----
Structure          Condition
-----

Command ==>
F1=Help          F2=End          F3=Return          F6=Roll
F9=Refresh          F12=Retrieve
    
```

Figure 49. DRAIN Command Dialog Panel: After Inactivation

INGCF ENABLE

Purpose

The ENABLE function of the INGCF command is intended to support the integration AND re-integration of a coupling facility into a sysplex. With this option, you can:

1. Activate the target coupling facility.
2. Connect the systems of the sysplex with the coupling facility.
3. Switch to another CFRM policy if the target coupling facility is not defined in the active policy and a suitable policy is available.

A suitable CFRM policy must contain:

- A definition of the target coupling facility
- Appropriate definitions for every active coupling facility and every allocated structure

4. Rebuild all structures on the target coupling facility whose preference list starts with this coupling facility, unless this is excluded by other requirements.

INGCF ENABLE ensures that these actions are performed in the correct order, as specified above.

Actions

The possible actions and the associated F-keys are:

*ACTIVATE (F11)

This action activates the CFCC (Coupling Facility Control Code) through the BCP Internal Interface by an ACTIVATE command.

Note: This function key is unavailable when running on a z/OS image which runs under z/VM.

*ENABLE (F4)

Sets the sender path(s) of all systems of the sysplex to ONLINE. This action is enabled when the coupling facility is active.

*SWITCH (F5)

Switches to another CFRM policy when the target coupling facility is not defined in the active CFRM policy and a suitable policy is available. When there is more than one suitable policy you can choose one of these from a selection panel.

A CFRM policy is suitable when it contains:

- A definition of the target coupling facility
- Definitions for every active coupling facility and every allocated structure

This action is only made available when the target coupling facility is active, but not defined in the current CFRM policy.

*POPULATE (F10)

Starts a rebuild process by which all structures that have the target coupling facility at the beginning of their preference list but are currently allocated on another coupling facility are allocated on the target coupling facility.

This action requires that the coupling facility be enabled, connected to all members of the sysplex, and defined in the current CFRM policy. The

action is offered whenever INGCN ENABLE detects that a structure is not allocated on the target coupling facility although it is the preferred coupling facility of that structure.

Note: When you have drained a coupling facility with INGCN DRAIN and then reintegrate it with INGCN ENABLE, be aware that the set of structures that are allocated on the target coupling facility after population can be different from the original set before the draining. Typically, this happens when the original set does not contain exactly those structures that have the target coupling facility at the first position in their preference list.

Note that these actions can only be performed when INGCN ENABLE is called in full mode. In line mode, only the display function is available.

Example

In the following example, a coupling facility that has already been activated is reintegrated into the sysplex in two steps:

1. The coupling facility is connected to all systems of the sysplex.
2. All structures that have the target coupling facility as the first coupling facility in their preference list are allocated on the target coupling facility.

If you issue INGCN with the option ENABLE, you can specify the coupling facility to be reintegrated, for example by entering INGCN ENABLE CF02. In this case, the panel of Figure 50 is displayed at once. If you do not specify a coupling facility name, INGCN shows a selection panel with all coupling facilities that are defined in the sysplex. After selection of CF02, INGCN displays the panel shown in Figure 50.

```

INGLX901          SA z/OS - Command Dialogs          Line
Domain Id = IPSFO  ----- INGCN ENABLE -----      Date = 02/20/01
Operator Id = NETOP1                                Time = 11:06:06

Coupling Facility ==> CF02          Status . . . . . : DRAINED
Sysplex . . . . . ==> KEYIPLEX      Permission . . . . . : ALL
-----
Structure          Condition
-----
-----

Command ==>
F1=Help           F2=End           F3=Return        F4=Enable
F9=Refresh        F6=Ro11          F12=Retrieve

```

Figure 50. ENABLE Command Dialog Panel: Before Any Action

The selected coupling facility has already been activated manually, therefore its status, as shown on the right side of the panel header, is DRAINED. The authorization type of the operator (ALL) is also displayed on the right side of the

INGCF ENABLE

panel header. The main part of the panel is empty because no structures are allocated in CF02. The only action that is activated is ENABLE with F4. If you press F4 a confirmation panel is displayed, as shown in Figure 51.

```
INGLX92E          SA z/OS - Command Dialogs          Date = 02/20/01
Domain Id = IPSFO  ----- INGCF ENABLE -----      Time = 11:06:20
Operator Id = NETOP1

Coupling Facility . : CF02
Sysplex . . . . . : KEYIPLX

                E N A B L E Confirmation

The ENABLE process runs asynchronously on the next system in the Sysplex that
has access to the CFRM couple data set. All sender paths of all system in the
sysplex are set to ONLINE. Once started use the refresh PF key for getting
the current status of the process. The status NORMAL indicates a successful
completion.

Command ==>
                F2=End          F3=Return          F6=Ro11
                                F10=Go           F11=Cancel      F12=Retrieve
```

Figure 51. Confirmation Panel for ENABLE

After pressing F10 on the confirmation panel, the command dialog changes as shown in Figure 52.

```
INGLX901          SA z/OS - Command Dialogs          Line 1 of 3
Domain Id = IPSFO  ----- INGCF ENABLE -----      Date = 02/20/01
Operator Id = NETOP1                                     Time = 11:06:39

Coupling Facility ==> CF02          Status . . . . . : NORMAL
Sysplex . . . . . ==> KEYIPLX      Permission . . . . : ALL
-----
Structure          Condition
-----
GRPYCSQ_ADMIN     Structure is currently allocated in CF01.
GRPYHSAQUEUE      Structure is currently allocated in CF01.
HSA_LOG           Structure is currently allocated in CF01.

Command ==>
F1=Help          F2=End          F3=Return          F6=Ro11
                F9=Refresh F10=Populate      F12=Retrieve
```

Figure 52. ENABLE Command Dialog Panel: After Enabling

The status has changed to NORMAL, and F10 is enabled for populating the coupling facility. This implies that the target coupling facility is defined in the active CFRM policy.

The structure list contains three entries with the condition 'Structure is currently allocated in CF01.'. These are the structures that are currently allocated in CF01, but have CF02 at the first position in their preference list.

Pressing F10 populates the coupling facility, and the refreshed panel looks as shown in Figure 53.

```

INGLX901          SA z/OS - Command Dialogs          Line 1 of 3
Domain Id = IPSFO  ----- INGCF ENABLE -----      Date = 02/20/01
Operator Id = NETOP1                                Time = 11:17:35

Coupling Facility ==> CF02                          Status . . . . . : NORMAL
Sysplex . . . . . ==> KEYIPLEX                      Permission . . . . : ALL
-----
Structure         Condition
-----
GRPYCSQ_ADMIN    System-managed rebuild is supported.
GRPYHSAQUEUE     System-managed rebuild is supported.
HSA_LOG

Command ==>
F1=Help          F2=End          F3=Return          F6=Roll
                  F9=Refresh          F12=Retrieve

```

Figure 53. ENABLE Command Dialog Panel: After Populating

The POPULATE action is no longer available because all structures whose preference list starts with CF02 are allocated in CF02.

INGCF PATH

Purpose

The INGCF PATH function displays the sender paths, that is, the paths from the connected systems to the specified coupling facility.

Restrictions

The last sender path of each system can only be set to OFFLINE when no more structures are allocated.

Example

```

INGLX903                SA z/OS - Command Dialogs           Line 1   of 14
Domain Id = IPSFN      ----- INGCF PATH -----           Date = 06/20/01
Operator ID = HIR                                           Time = 10:28:49

Coupling Facility ==> CF01                               Allocated Structures: 37
Sysplex . . . . . ==> KEY1PLEX                           Permission . . . . . : ALL
-----
Cmds: F set OFFLINE / N set ONLINE

  System  CHPID  Physical          Logical  Type
  -----  -----  -----
- KEY1    A5     ONLINE            ONLINE  CFS
-         A9     ONLINE            ONLINE  CFS
- KEY2    A5     ONLINE            ONLINE  CFS
-         A9     ONLINE            ONLINE  CFS
- KEY3    A5     ONLINE            ONLINE  CFS
-         A9     ONLINE            ONLINE  CFS
- KEY4    05     ONLINE            ONLINE  CFS
- KEY6    A5     ONLINE            ONLINE  CFS
-         A9     ONLINE            ONLINE  CFS
-

Command ==>
F1=Help      F2=End      F3=Return      F6=Roll
              F8=Forward  F9=Refresh    F12=Retrieve

```

Figure 54. PATH Command Dialog Panel

The following command codes are available:

F Sets the sender path OFFLINE.

N Sets the sender path ONLINE.

- If you have issued INGCF with the PATH parameter, the **Coupling Facility** field is an input field. To display the path list of another coupling facility specify the name of the coupling facility in this field and press Enter.
- The **Allocated Structures** field shows the number of allocated structures.
- The **Permission** field shows your authorization level.
- The **System** field contains the names of the systems that are connected to the target coupling facility.
- The **CHPID** field shows the IDs of the sender channel paths.
- The **Physical** field shows the status of the sender channel paths.
- The **Logical** field shows the logical status of the paths to that coupling facility.
- The **Type** field shows the type of the sender channel paths.

INGCF STRUCTURE

Purpose

The STRUCTURE function of the INGCF displays the allocated structures of a coupling facility. You can initiate a rebuild or deallocation of a selected structure if the conditions for these actions are satisfied.

Example

```

INGLX904          SA z/OS - Command Dialogs          Line 1   of 15
Domain ID = IPSFM      ----- INGCF STRUCTURE -----      Date = 02/22/02
Operator ID = NETOP1                                     Time = 16:09:04

Coupling Facility ==> CF01
Sysplex . . . . . ==> KEYIPLEX          Permission . . . . . : ALL
Include condition ==> YES (Yes/No - Condition retrieval takes longer)
-----
Cmds: D display details / F force / P stop duplex / R rebuild / S start duplex

  Structure          P D Condition
  -----
- DSNA_GBP0          U Duplex rebuild is active.
- DSNA_GBP32K        P U
- DSNA_LOCK1         S Duplex rebuild is active.
- DSNA_SCA           S System-managed rebuild is supported.
- ISGLOCK
- ISTGENERIC         System-managed rebuild is supported.
- IXCGRS
- IXCRLF
Command ==>
F1=Help      F2=End          F3=Return          F6=Roll
              F9=Refresh          F12=Retrieve

```

Figure 55. STRUCTURE Command Dialog Panel

The following command codes are available:

- D** Displays detail information about the structure.
- *F** Forces the deallocation of the structure if it has one of the following conditions:
 - No connection exists.
 - No alternate CF for structure with no active connections.
 - No alternate CF for structure with no connections.

When you try to force the deallocation of a structure that can be rebuilt, an error message is issued.

- *P** Stops duplexing of the selected structure.
- *R** Starts the rebuild of the selected structure. Depending on the PENDING status, the automation starts the rebuild with a different LOCATION parameter (PENDING uses the parameter LOCATION=NORMAL, otherwise LOCATION=OTHER). A rebuild with the parameter LOCATION=OTHER is only initiated for structures whose preference list contains more than one coupling facility.

There are two methods for rebuild, user-managed and system-managed rebuild. User-managed rebuild is supported for all release levels. System-managed rebuild is only available with systems that have OS/390 2.8 and above; it must have been enabled by formatting the CFRM couple data sets with the specification

```
ITEM NAME(SMREBLD) NUMBER(1)
```

System-managed rebuild is only performed when the requirements for user-managed rebuild are not met. This applies, for example, to structures without active connectors.

INGCF STRUCTURE accepts a rebuild request for structures with the condition 'No active connection exists.', but *deallocates* them. See "No active connection exists" on page 86.

INGCF STRUCTURE

*S Starts duplexing of the selected structure.

There are two methods for duplexing, user-managed and system-managed duplexing. User-managed duplexing is supported for all release levels. System-managed duplexing is only available when all systems in the Parallel Sysplex have been upgraded to z/OS 1.2 or later with APAR OW41617, and appropriate APARs listed in the CFDUPLEX PSP bucket (for more information, see *System-Managed CF Structure Duplexing*, GM13-0103-03). System-managed duplexing must have been enabled by formatting the CFRM couple data sets with the specification

```
ITEM NAME(SMDUPLEX) NUMBER(1)
```

System-managed duplexing is only performed when the requirements for user-managed duplexing are not met. This applies, for example, to structures without active connectors.

Starting the duplex rebuild of a structure requires at least the policy entry allowing the duplex rebuild of the structure. If there is no entry the duplex rebuild is disabled. The other requirements depend on the type of the duplex rebuild. When all connectors to a structure allow user-managed duplex rebuild, this type takes precedence over system-managed duplex rebuild. However, user-managed rebuild also requires at least one active connector. Thus, when the operator starts the duplex rebuild for a structure allowing user-managed duplex rebuild as well as system-managed rebuild but without having active connectors, XCF tries to initiate a system-managed duplex rebuild. System-managed duplex rebuild has the following requirements:

- System-managed rebuild must be supported by all connectors.
- The structure must be allocated in a coupling facility supporting system-managed duplexing and another coupling facility supporting system-managed duplexing must be defined in its preference list.
- The CFRM couple data set must support system-managed duplex rebuild and the structure must not have a policy change pending.
- The structure must be defined in the active CFRM policy when any connection state is not active.
- The **Coupling Facility** field is an input field, if you have specified INGCf with the STR parameter. To display the structure list of another coupling facility, specify the name of the coupling facility in this field and press Enter.
- The **Include Condition** field is an input field. By specifying Yes or No in this field you determine whether or not the conditions of the structures are displayed in the Structure column.
- The **Permission** field shows your authorization level. There are two possible values, ALL and DISPLAY. DISPLAY signifies that you can only use the display functions. ALL signifies that you can also rebuild and delete structures.
- You can specify an action code before every structure entry. The codes you can enter depend on your authorization level
- The **Structure** column shows the names of the structures.
- If the **P** column contains the letter P, this indicates that policy changes are pending for the structure.

A structure has policy changes pending if it was allocated at the time of a CFRM policy switch, but XES could not bring the switch into effect for that structure. One reason for a pending policy change is that the old and the new policy define the structure differently, for example, with different preference lists.

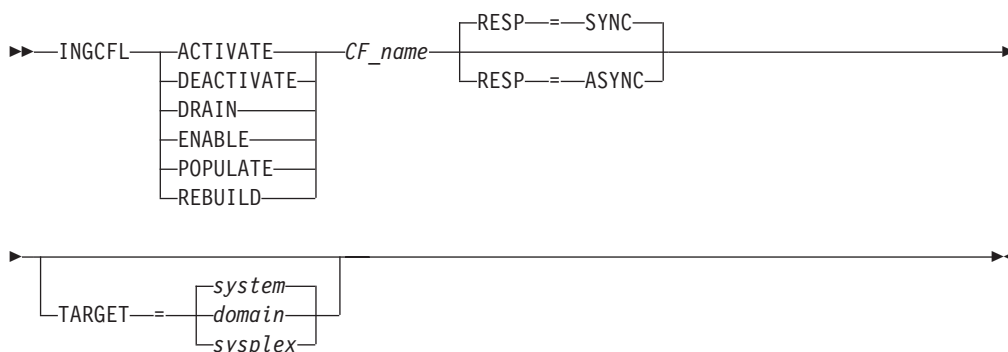
- The **D** column indicates the type of duplexing that is possible. The following values are possible:
 - U** User-managed duplexing
 - S** System-managed duplexing
 - B** User-managed and system-managed duplexing
- The **Condition** column shows the status of the structures. You can switch the display of the conditions on and off with the **Include Condition** field.

INGCFL

Purpose

The INGCFL routine supports line mode for INGCF other than display capability. For further information refer to "INGCF" on page 81.

Syntax



Parameters

cfname

Is the name of the CF.

ACTIVATE

Activates the coupling facility.

DEACTIVATE

Deactivates the coupling facility after performing DRAIN.

DRAIN

Sets the sender paths to OFFLINE after performing a REBUILD.

ENABLE

Sets the sender paths to ONLINE after performing ACTIVATE.

POPULATE

Starts the populate process of the coupling facility after performing ENABLE.

REBUILD

Starts the rebuild process of the coupling facility.

RESP

Specifies whether the final result is returned synchronously via return code or asynchronously via message (default: synchronous response).

TARGET

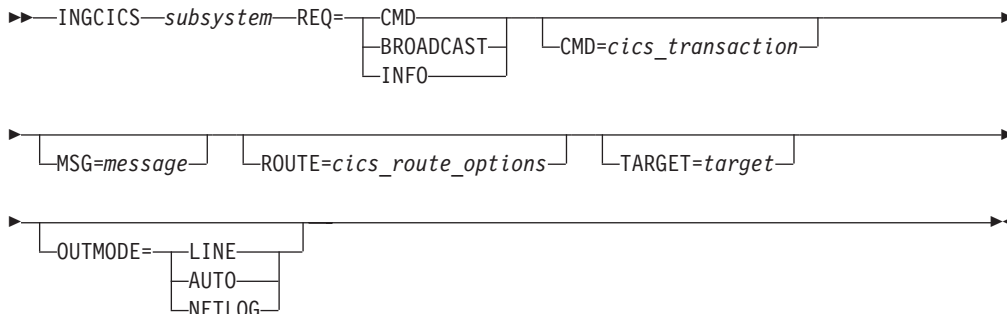
Specifies the system where the command is executed (default: local system).

Note: The real activation and deactivation of a coupling facility are unavailable when running on a z/OS image which runs under z/VM.

INGCICS**Purpose**

The INGCICS command lets you:

- Issue any console-enabled CICS transaction.
- Broadcast messages to all or selected CICS users.
- Issue a list of defined transactions and view the output.
- Display the output of CICS transactions in fullscreen or pipeable line mode.

Syntax**Parameters****resource**

The resource specifies the name of the CICS subsystem to which the command will be issued. The format is *subsystem[/APL[/system]]*, where the *subsystem* is the specific name of the desired CICS subsystem and *system* is the name of the system that the CICS is running on.

Note: You need not specify the fully qualified name of the resource. However, the command requires enough information to execute the request against a unique CICS subsystem. The command does not support issuing requests to multiple CICS subsystems at the same time.

REQ

Specifies the request to be issued to the CICS subsystem. It can be one of the following:

CMD Issues a CICS transaction and displays the results.

BROADCAST

Issues a CICS broadcast to all or selected users.

INFO Issues a set of predefined commands and displays the results. The list of commands is obtained from the CICSINFO user message policy of the subsystem specified by the resource name.

CMD

Specifies the CICS transaction and its parameters to be executed for a REQ=CMD type request. If the command and parameters contain spaces, enclose the command in quotation marks (single or double). For CEMT transactions INGCICS will wait up to twice the defined system waittime parameter for a result.

MSG

Specifies the message to be sent to all or selected CICS terminals/users for the REQ=BROADCAST request. Enclose the message in single or double quotation marks.

ROUTE

Specifies the CICS routing information used to select which CICS terminals or users are to receive the message for a REQ=BROADCAST request. The contents of the ROUTE= parameter are the parameters to be supplied to the CMSG transaction to route messages to CICS terminals or users. See the CMSG transaction for the details of the parameters for that transaction.

TARGET

For information on the TARGET parameter, refer to “The TARGET Parameter” on page 10.

OUTMODE

For information on the OUTMODE parameter, refer to “The OUTMODE Parameter” on page 12.

Restrictions and Limitations

To use the INGCICS command system operations must be initialized. CICS subsystems must be enabled for system console commands using the MVS MODIFY command.

Usage

The INGCICS command operates sysplex-wide. For an overview refer to “Overview of Commands that Operate Sysplex-Wide” on page 9.

Examples

If you enter INGCICS REQ=CMD a panel similar to Figure 56 on page 104 is displayed.

```

EVEKYCMD          SA z/OS - Command Dialogs          Line 1    of 28
Domain ID   = IPSFM   ----- INGCICS -----         Date = 03/05/02
Operator ID = SAUSER                                     Time = 08:23:31

Resource      => EYUMAS1A/APL/KEY1                    Format: name/type/system
System        => _____                          System name, domain ID or sysplex name
Request       => CMD                                  CMD, BROADCAST or INFO
CICS Transaction => CEMT I TA
CICS Route    => _____
CICS Message  => _____
              => _____

Tas(0000024) Tra(CONL)          Sus Tas Pri( 255 )
Sta(U ) Use(STCUSER ) Uow(B747C4105BD4E305)
Tas(0000026) Tra(COI0)          Sus Tas Pri( 255 )
Sta(U ) Use(STCUSER ) Uow(B747C413B3F7A908)
Tas(0000027) Tra(CONM)          Sus Tas Pri( 240 )
Sta(U ) Use(STCUSER ) Uow(B747C41430B48804)
Tas(0000028) Tra(CONM)          Sus Tas Pri( 240 )
Sta(U ) Use(STCUSER ) Uow(B747C41430C33084)
Tas(0000029) Tra(CONM)          Sus Tas Pri( 240 )
Sta(U ) Use(STCUSER ) Uow(B747C41430CFD804)
Tas(0000030) Tra(CONM)          Sus Tas Pri( 240 )
Sta(U ) Use(STCUSER ) Uow(B747C41430DB0684)
Tas(0000031) Tra(CONM)          Sus Tas Pri( 240 )
Sta(U ) Use(STCUSER ) Uow(B747C41430E8D844)
Tas(0000032) Tra(CONM)          Sus Tas Pri( 240 )
Sta(U ) Use(STCUSER ) Uow(B747C41430F56504)

Command ==>>
PF1=Help      PF2=End      PF3=Return   PF4=DISPINFO      PF6=Ro11
PF8=Forward   PF9=Refresh                                PF12=Retrieve

```

Figure 56. INGCICS REQ=CMD Sample Panel

- The **Resource** field shows the name of the CICS subsystem to be used for issuing the requests. The format is name/type[/system]. Wildcards are supported.
- The **System** field shows the name of the system (system name, domain ID, or sysplex name) to which the command should be routed. Specifying this is only necessary if the resources are not part of the local sysplex.
- The **Request** field shows the request to be carried out. It can be CMD, BROADCAST or INFO.
- The **CICS Transaction** field shows the CICS transaction to be executed on the CICS subsystem specified by the resource field. The CICS Route field shows the routing parameters for the MSG transaction when the request is BROADCAST.
- The **CICS Message** field shows the message to be sent to users or terminals for the BROADCAST request.
- The output from the CICS transaction will appear in the blank area after the CICS Message field.

If you specify INGCICS REQ=BROADCAST a panel similar to Figure 57 on page 105 is displayed.


```

EVEKYCMD          SA z/OS - Command Dialogs          Line 1    of 28
Domain ID   = IPSFM   ----- INGCICS -----         Date = 03/05/02
Operator ID = SAUSER                                     Time = 08:36:12

Resource      => EYUMAS1A/APL/KEY1                    Format: name/type/system
System       => _____                          System name, domain ID or sysplex name
Request      => BROADCAST                               CMD, BROADCAST or INFO
CICS Transaction => CMSG R=&ROUTE',&MESSAGE',HEADING=YES,S
CICS Route   => ALL
CICS Message => test1
              => _____
              => _____

Command ==>>
PF1=Help     PF2=End       PF3=Return   PF4=DISPINFO   PF6=Ro11
              PF9=Refresh  PF12=Retrieve

```

Figure 57. INGCICS REQ=BROADCAST Sample Panel

Do not change the &ROUTE and &MESSAGE parameters in the CICS Transaction field, they are resolved to the corresponding panel fields.

If you specify INGCICS REQ=INFO a panel similar to Figure 58 is displayed.

```

EVEKYCMD          SA z/OS - Command Dialogs          Line 1    of 67
Domain ID   = IPSFM   ----- INGCICS -----         Date = 03/05/02
Operator ID = SAUSER                                     Time = 08:40:30

Resource      => EYUMAS1A/APL/KEY1                    Format: name/type/system
System       => _____                          System name, domain ID or sysplex name
Request      => INFO                                   CMD, BROADCAST or INFO
CICS Transaction => _____
CICS Route   => _____
CICS Message => _____
              => _____
              => _____

SYSTEM INFORMATION

Aging( 00500 )
Akp( 04000 )
Cdsasize(00786432)
Cicstslevel(010200)
Cmdprotect(Cmdprot)
Db2conn(SG12)
Dfltuser(STCUSER)
Dsalimit( 05242880 )
Dtrprogram( DFHDYP )
Dumping( Nosysdump )
Ecdsasize(0006291456)
Edsalimit( 0041943040 )
Erdsasize(0013631488)
Esdsasize(0000000000)

Command ==>>
PF1=Help     PF2=End       PF3=Return   PF4=DISPINFO   PF6=Ro11
              PF8=Forward  PF9=Refresh  PF12=Retrieve

```

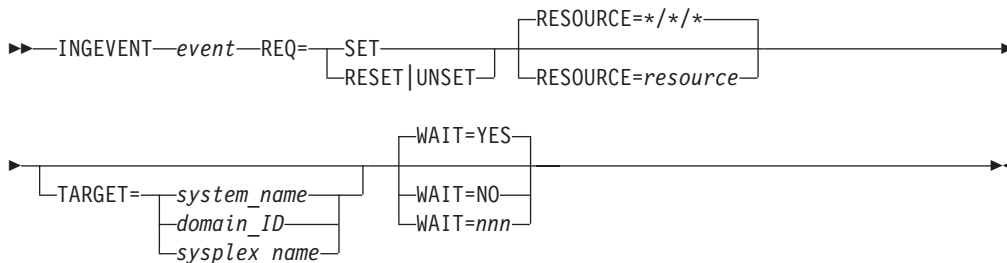
Figure 58. INGCICS REQ=INFO Sample Panel

INGEVENT

Purpose

The INGEVENT command sets or resets a particular event for all affected resources in a sysplex, or for specific resources.

Syntax



Parameters

event
Specifies the name of the event.

REQ
Specifies the request to be performed. It can have the following values:

SET Sets the event for all resources having the event defined.

RESET | UNSET
Resets or unsets the event for all resources having the event defined.

Note that RESET and UNSET are synonyms.

RESOURCE
Specifies the name of the resource where INGEVENT should be effective. It can be abbreviated to RES. The format is *name/type[/system]*

TARGET
For information on the TARGET parameter, refer to “The TARGET Parameter” on page 10.

WAIT
Specifies whether or not to wait until the request is complete. The default is YES.

nnn is the number of seconds to wait before giving up and reporting that a timeout has occurred. The maximum time interval is 999 seconds.

Restrictions and Limitations

Wildcards are not supported.

Usage

The INGEVENT command operates sysplex-wide. For an overview refer to “Overview of Commands that Operate Sysplex-Wide” on page 9.

Automation manager commands are not supported on downlevel systems. Note that whenever an automation manager command is issued to a target system that

is running a version of SA OS/390 lower than 2.1, the NetView error message DSI002I will not contain the name of the command that was issued but the name of the associated slave command.

Examples

To set an event for all resources that are linked to that event, type the following:

```
INGEVENT B000P100 REQ=SET
```

The command response is as follows:

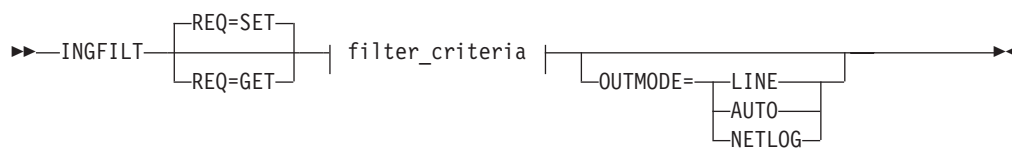
```
IPUFA    A0F442I SET EVENT B000P100 DONE FOR RESOURCE */*/ ON AOCPLX. -
          FROM=AOCA
IPUFA    A0F099I FUNCTION COMPLETED
```

INGFILT

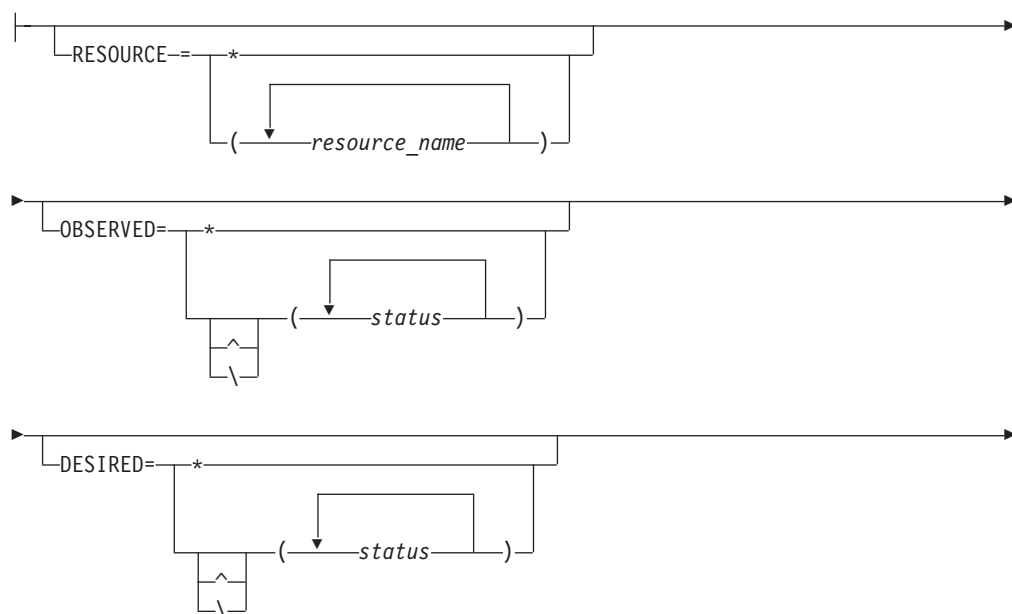
Purpose

The INGFILT command restricts the amount of information shown in the INGLIST display. Use INGFILT to set a default filter for the operator's logon. If an asterisk (*) is specified, the filter is reset.

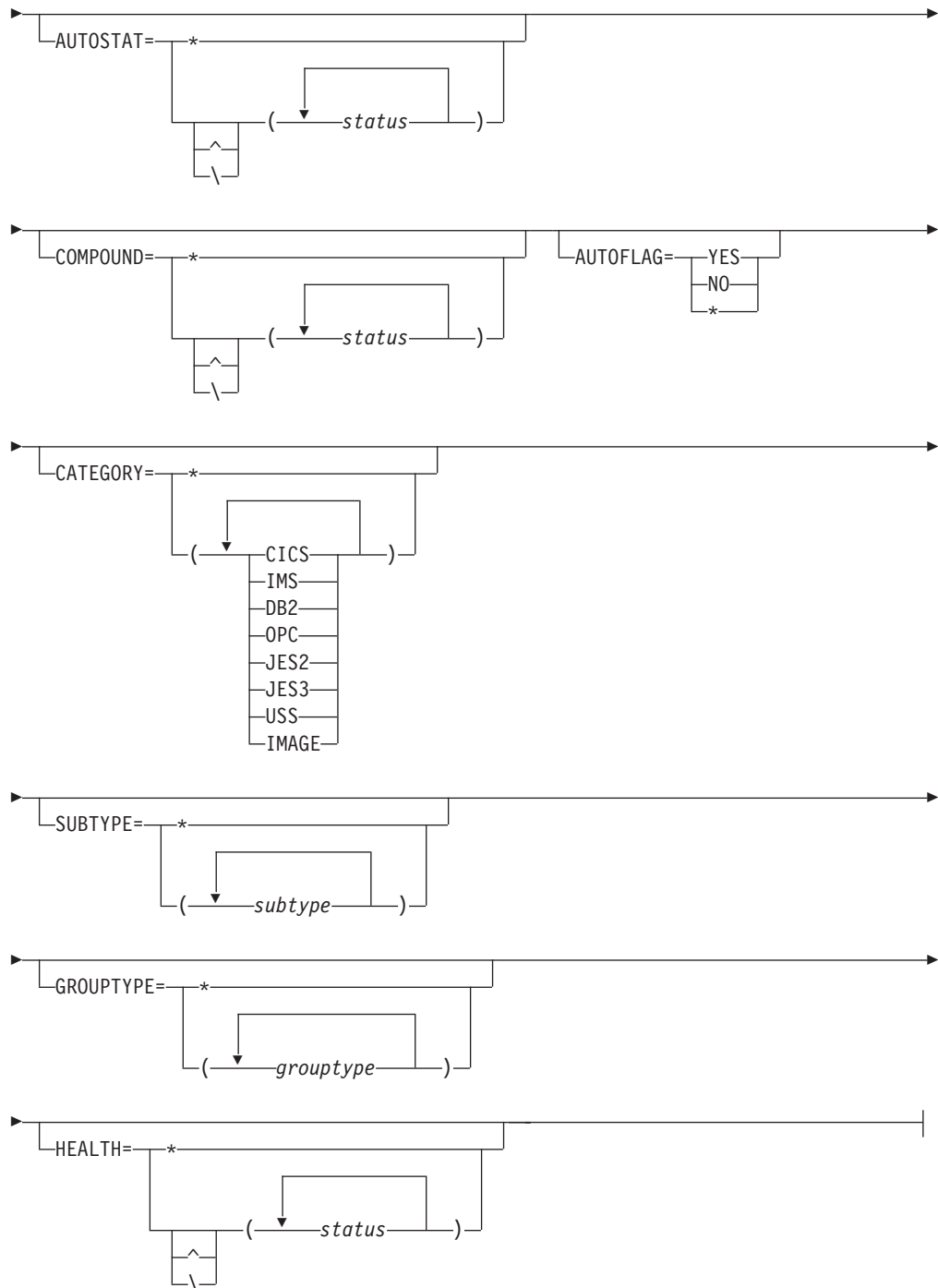
Syntax



filter_criteria:



INGFILT



Parameters

REQ

Specifies the type of the request. The type can be:

SET Sets new filter settings. This is the default. If no filter parameter is specified when the command is invoked, the appropriate value of the current filter settings is taken.

GET Returns the current filter settings. Any filter parameter that is specified when the command is invoked will be added to the current filter settings.

filter_criteria

The filter criteria to be applied prior to displaying the data.

RESOURCE

Specifies the names of the resources to be displayed. The format is *name/type[/system]*. The resource names must be separated by a blank. Asterisks (*) can be used as wildcard characters.

OBSERVED

Specifies the observed statuses to be displayed. The statuses must be separated by a blank. It can be abbreviated, for example, to AV for available. You can also specify an asterisk (*) to reset the current filter setting, for example, INGFILT OBSERVED=*

If '^', or '\ ' is used, all statuses except the ones you specify are displayed.

DESIRED

Specifies the desired statuses to be displayed. The statuses must be separated by a blank. It can be abbreviated, for example, to AV for available. You can also specify an asterisk (*) to reset the current filter setting, for example, INGFILT DESIRED=*

If '^', or '\ ' is used, all statuses except the ones you specify are displayed.

AUTOSTAT

Specifies the automation status to be displayed. The statuses must be separated by a blank. It can be abbreviated, for example, to ID for idle. You can also specify an asterisk (*) to reset the current filter setting, for example, INGFILT AUTOSTAT=*

If '^', or '\ ' is used, all statuses except the ones you specify are displayed.

COMPOUND

Specifies the compound status. The statuses must be separated by a blank. It can be abbreviated, for example, to SA for satisfactory. You can also specify an asterisk (*) to reset the current filter setting, for example, INGFILT COMPOUND=*

If '^', or '\ ' is used, all statuses except the ones you specify are displayed.

AUTOFLAG

Specifies the automation flag to be displayed. It can be either YES or NO, and can be abbreviated. You can also specify an asterisk (*) to reset the current filter setting, for example, INGFILT AUTOFLAG=*

CATEGORY

Specifies the category that the resource belongs to. More than one value can be specified.

SUBTYPE

Specifies the subtype of the resource.

GROUPTYPE

Specifies the type (nature) of the resource group. More than one value can be specified. You can also specify an asterisk (*) to reset the current filter setting, for example, INGFILT GROUPTYPE=*

HEALTH

Specifies the desired health statuses to be displayed. The statuses must be

INGFILT

separated by a blank. It can be abbreviated, for example, to NO for normal. You can also specify an asterisk (*) to reset the current filter setting, for example, INGFILT HEALTH=*.

If '^', or '\ ' is used, all statuses except the ones you specify are displayed.

OUTMODE

For information on the OUTMODE parameter, refer to “The OUTMODE Parameter” on page 12.

Restrictions and Limitations

None.

Usage

The INGFILT command can also be used when SA z/OS is *not* initialized.

The INGFILT command lets you set filter options at operator logon from within the operator’s initial clist.

Examples

If you enter ingfilt a panel similar to Figure 59 is displayed.

```
INGKYFLT          SA z/OS - Command Dialogs
Domain ID  = IPUFA  ----- INGFILT -----   Date = 09/24/03
Operator ID = NETOP1                               Time = 13:50:03

Specify or revise the filter criteria:

Resources...      format: name/type/system or *am*/*/*
*
-----

Observed Status ==> *
Desired Status  ==> *
Automation Status ==> *
Compound Status ==> *
Health status   ==> *
Automation flag ==> _____ Yes or No
Resource category ==> *
Resource subtype ==> *
Group type      ==> *

Command ==>
PF1=Help  PF2=End  PF3=Return  PF4=Clear  PF5=Reset  PF6=Ro11
          PF9=Save                PF12=Retrieve
```

Figure 59. INGFILT Command Dialog Panel

This panel shows the current INGLIST filters. The filter settings are kept in task globals, so when you next run INGLIST they will be used again. Press PF9 to save the currently displayed filters into these globals.

You can specify one or more of the following filters:

Resources

This is the list of resources in name/type/system format. You can also specify a wildcard.

Observed status

This is the list of observed statuses. You can abbreviate the status, for example, "v for Available. Any resources whose observed status is in the list is eligible for the display.

Desired status

This is the list of desired statuses. You can abbreviate the status. Any resources whose desired status is in the list is eligible for the display.

Automation status

This is the list of automation statuses. You can abbreviate the status. Any resource whose automation status is in the list is eligible for the display.

Compound status

This is the list of compound statuses. You can abbreviate the status. Any resources whose compound status is in the list is eligible for the display.

Health status

This is the list of health statuses. You can abbreviate the status. Any resource whose health status is in the list is eligible for the display.

Automation flag

This is the automation flag for the resource. Specify either YES or NO.

Resource category

This is the list of categories that the resource belongs to. It is one of CICS, IMS, DB2®, OPC, USS, IMAGE, JES2, or JES3.

Resource subtype

This is the subtype that is defined for the resource. You can specify more than one subtype.

Group type

This is the type (nature) of the resource group. You can specify more than one group type.

In order to be eligible for the display, a resource must match all filter criteria. An asterisk indicates that the filter has not been set.

Use the PF4 key to clear the currently established filter settings. The filter will contain an asterisk, meaning that the filter not set, or a blank.

Use the PF5 key to go back to the currently established filter settings.

Note: If INGFILT was called from INGLIST, then the filters that are displayed will take effect when you press Enter. If you press PF9 first, then the filters will be saved.

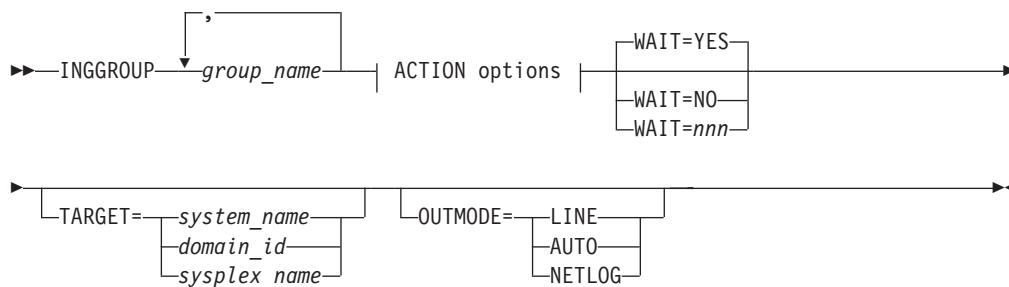
INGGROUP

Purpose

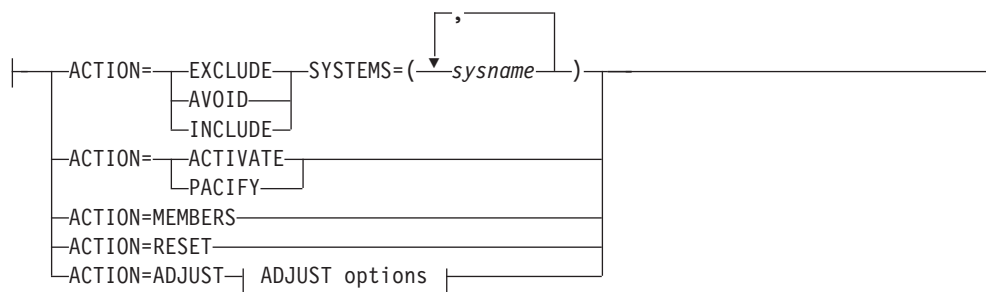
The INGGROUP command displays the members of a group and their settings. INGGROUP can also be used to:

- Move an application from one system to another by terminating the application and starting it on a system of your choice.
- Activate or deactivate a group.
- Adjust the availability or satisfactory target (server group only).

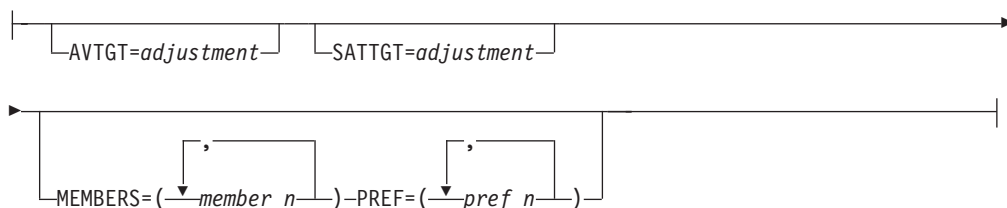
Syntax



ACTION options:



ADJUST options:



Parameters

group_name

This is a list of application groups, possibly including wildcards, that are to be the target of the command.

- For an ADJUST action specify only a single application group.
- For an AVOID/INCLUDE/EXCLUDE action, you may specify multiple application groups.
- For an ACTIVATE/PACIFY action, you may specify multiple application groups.
- For a MEMBERS action, you may specify only a single application group.

ACTION

Indicates that you want to remove movable members from a system (EXCLUDE), prohibit the manager from activating movable members on a system (AVOID) or that you want to undo either of the other two actions (INCLUDE).

EXCLUDE

Removes resources immediately from the excluded systems. This acts to disruptively force resources from a system.

AVOID

No new resources will be moved to the system and those that are there will be removed as scheduled service outages permit. This would be used to gradually (and non-disruptively) remove resources from a system in preparation for an Exclude at a later point in time (mainly to reduce the disruption caused by the Exclude). Note, however, that if there is no other way to maintain or restore application availability, groups will choose to ignore avoidance policies.

INCLUDE

The movement of resources to the system depends on the relative preferences of the resources on that system and on other systems. It is possible that the resources will not be moved to that system until the next scheduled service outage.

ACTIVATE

Changes the behavior of a group to active. If used on group that is already active there is no effect. When a group becomes active it will distribute votes to all of its non-passive members reflecting its nature and goals. Making a group active may cause some of its members to be stopped or started.

PACIFY

Changes the behavior of a group to passive. If used on group that is already passive there is no effect. When a group becomes passive, it withdraws all votes that it has propagated to its members. Making a group passive may cause some of its members to either start or stop, depending upon the votes that it had propagated.

ADJUST

Indicates that you want to temporarily adjust a group's policy.

RESET

Causes the preference assigned to the members of the application group to be set to its initial value. Applies only to MOVE and SERVER groups.

SYSTEMS

Is the list of systems to be excluded or included. If no groups are specified, then all application groups with resources in these systems will be affected.

This parameter must be specified for INCLUDE, AVOID and EXCLUDE actions.

AVTGT

Specifies the availability target that is to be set for the group. The value, n , is a positive number. It specifies the number of group members that should be made available when the group has to be available.

You can also specify *, which resets the AVTGT parameter to the value that is specified in the policy database.

This parameter may only be specified for an ADJUST action.

SATTGT

Specifies the number of members in the group that must be active before the

automation manager treats the group as being in a satisfactory state. The value must be a positive, decimal number. The parameter will be ignored for groups other than server groups.

You can also specify *, which resets the SATTGT parameter to the value specified in the policy database.

This parameter may only be specified for the ADJUST action.

MEMBERS

Specifies a list of group members, for which the preference value should be set. Wildcards may not be used.

This parameter may only be specified on an ADJUST action.

PREF

Specifies a preference value that is to be used for each specified member. The number of values specified should be the same as the number of members specified. Each preference is an integer value that replaces the member's current preference value. You can also specify *, which resets the PREF parameter to the value that is specified in the policy database.

Preference values are used to determine which members in the group are selected to make the group active.

This parameter may only be specified on an ADJUST action when a list of members has been specified.

Changes to preference values, as set by the PREF parameter, apply in the following manner:

- The preference value in the automation policy is not affected.
- An adjustment value is calculated that, when applied to the preference value in the automation policy, produces the "result" value.
- The "result" preference value is then used by the automation when a preference value is required.
- The adjustment value, rather than the "result" value, is preserved when performing an automation manager HOT restart or an INGAMS REFRESH, but is lost during WARM and COLD restarts.

WAIT

Specifies whether or not to wait until the request is complete. The default is YES.

nnn is the number of seconds to wait before giving up and reporting that a timeout has occurred. The maximum time interval is 999 seconds.

TARGET

For information on the TARGET parameter, refer to "The TARGET Parameter" on page 10.

OUTMODE

For information on the OUTMODE parameter, refer to "The OUTMODE Parameter" on page 12.

Restrictions and Limitations

None.

Usage

The INGGROUP command operates sysplex-wide. For an overview refer to "Overview of Commands that Operate Sysplex-Wide" on page 9.

Automation manager commands are not supported on downlevel systems. Note that whenever an automation manager command is issued to a target system that is running a version of SA OS/390 lower than 2.1, the NetView error message DSI002I will not contain the name of the command that was issued but the name of the associated slave command.

Automation-policy overrides that have been entered using the INGGROUP command are preserved when performing an automation manager HOT restart and an INGAMS REFRESH, but are lost during WARM and COLD restarts.

Examples

If you enter inggroup a panel similar to Figure 60 is displayed.

```

INGKYGRA          SA z/OS - Command Dialogs
Domain ID  = IPUFA  ----- INGGROUP -----   Date = 04/07/05
Operator ID = NETOP1      Sysplex = AOC8PLEX      Time = 18:34:50

Specify or revise the following data:

System => _____ System name, domain id or sysplex name

Action  => _____ EXCLUDE-AVOID-INCLUDE or ACTIVATE-PACIFY or
                RESET, DEFAULT

Group(s) => _____
                _____
                _____

System(s)=> _____
                _____

Command ==>
PF1=Help   PF2=End       PF3=Return   PF4=Members   PF6=Ro11
                PF10=G0                PF12=Retrieve

```

Figure 60. INGGROUP Command Dialog Panel

This panel allows you to change the policy of application groups. You may specify:

- The target sysplex for the command through the system field. If omitted, this defaults to the local system or sysplex. Specify the system name only when viewing or changing the policy of an application group that is not part of the local sysplex.
- The policy change that you want to make through the action field. The policy options are explained later.
- Next you must specify either the name of the target group or a set of templates that will match one or more groups. All policy items work with a list of group name templates, and apply to all Move and Server groups that match those names. Although applying a policy to a basic group is not an error, it will not achieve anything either.

Note: A group name of "xxxx" will be automatically expanded into "xxxx/APG/*".

- Finally, for the Exclude, Avoid, and Include policy items, you can specify a list names of systems that the policy is to be set for. Specify a question mark (?) to see the list of systems within the sysplex.

The policy items that you can change are:

Exclude

This causes the group to immediately deselect all group members on the excluded systems and not to select them again. The group will tell those group members to make themselves unavailable. If possible the groups will activate members on non-excluded systems to try and maintain availability.

Avoid Unlike Exclude, Avoid will not cause an immediate deselection of members on the avoided system, but it will heavily bias the group against reselecting them once they have become deselected for some the reason. Avoid can be used to remove applications from a system without incurring unplanned outages.

Include

Include basically undoes a previous Exclude or Avoid action. Group members on Included systems are available for selection at their normal priority. Depending on your preferences settings and which group members are currently active, an Include may cause a disruptive return home for the application.

Pacify This makes the group passive. It will immediately depropagate all votes from all of its members. This may cause the desired state of some of its members to change, resulting in their being started or stopped.

Activate

This makes a group active. When a group becomes active, it will select the members that it needs to have available to make the group available and propagate MakeAvailable requests to them. Those members that are not selected will be propagated MakeUnavailable requests. Note that if a member has a preference of 1 it will always be propagated a MakeUnavailable request, and that if it has a preference of 0 (a passive member) it will never be propagated any sort of request.

Reset This sets the preference value that is assigned to each member of the group to its initial value.

Default

This sets the availability target, satisfactory target, group passive attribute, and the member's preference value to the value defined in the policy.

After entering the appropriate fields for the policy item that you want to change, press PF10 to proceed with the action.

Press PF4 to display the "members detail" panel where you can 'fine tune' the group by changing the preferences of its individual members. This panel, as shown in Figure 61 on page 117, displays all the groups that are currently available, with the message Multiple instances found for */APG. In this case, only a single group name should be specified.

```

AOFKSEL4          SA z/OS - Command Dialogs      Line 1 of 92
Domain ID = IPUFA ----- INGGROUP -----      Date = 04/07/05
Operator ID = NETOP1                               Time = 18:36:07

Multiple instances found for */APG
Select one item to be processed, then press ENTER.

Sel  Name          Type System  Description
-----
-    AANOAUTO      APG  AOCA    Non automated APG on AOCA
-    AIRLINEA     APG                Emulated Airline reservation (AOCAPLEX)
-    ALNOAUTO     APG  AOCA    Non automated APG for all systems
-    ALNOAUTO     APG  AOCB    Non automated APG for all systems
-    ALNOAUTO     APG  AOCC    Non automated APG for all systems
-    ALNOAUTO     APG  AOCD    Non automated APG for all systems
-    AMAOXC       APG                Automation manager(s) on AOCPLEX
-    ARMGROUP    APG                APG for applications with ARM elem. name
-    DATABASA    APG                Emulated Database server group (AIRLINE)
-    FEATEMUL    APG  AOCA    Emulated feature applications
-    FEATEMUL    APG  AOCB    Emulated feature applications

Command ==>
PF1=Help      PF2=End      PF3=Return
PF6=Roll      PF8=Forward  PF12=Retrieve
    
```

Figure 61. INGGROUP Command Dialog Panel Showing Members' Detail

Note: The avoid, exclude, and include parameters are only applied to the members of the group. They are not propagated further when the member is also a group.

To remove subsystems from the list of members that can be used, enter the following:

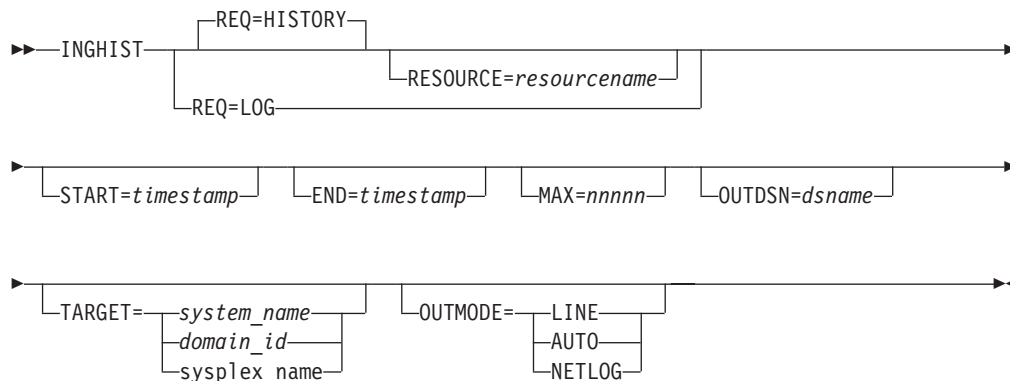
```
INGGROUP group1, TSO/APG ACTION=EXCLUDE
```

INGHIST

Purpose

The INGHIST command shows history information about the work item processed by the automation manager. It also lets you display messages that the manager issues to the system logger.

Syntax



Parameters

REQ

Specifies the request to be performed. It can have the following keywords:

HISTORY

Displays the workitem history. This is the default.

LOG Retrieves the messages written to the system logger by the automation manager.

RESOURCE

Specifies the name of the resource to be displayed. The format is *name/type[/system]*. The RESOURCE parameter can only be specified if REQ=HISTORY.

START

Is the start date and, optionally, time for the display of the history data. The format is *yyyy-mm-dd [hh:mm:ss]*. If omitted, the history data from the last hour will be displayed, unless another limiting parameter (resource name) is specified. If you specify more than one value, they must be enclosed with parentheses, or separated by a period (.), for example:

```
inghist resource=stdt000an1x start=(2000-03-10 08:00:00)
```

or

```
inghist resource=stdt000an1x start=2000-03-10.08:00:00
```

END

Is the end date and, optionally, time for the display of the history data. The format is *yyyy-mm-dd [hh:mm:ss]*. If you specify more than one value, they must be enclosed with parentheses, or separated by a period (.).

MAX

Specifies the maximum number of workitems to be shown. Use this parameter to limit the output if many workitems exist within the specified time period.

OUTDSN

For information on the OUTDSN parameter, refer to “The OUTDSN Parameter” on page 13.

TARGET

For information on the TARGET parameter, refer to “The TARGET Parameter” on page 10.

OUTMODE

For information on the OUTMODE parameter, refer to “The OUTMODE Parameter” on page 12.

Restrictions and Limitations

To use INGHIST system operations does not have to be initialized.

Usage

The INGHIST command operates sysplex-wide. For an overview refer to “Overview of Commands that Operate Sysplex-Wide” on page 9.

Automation manager commands are not supported on downlevel systems. Note that whenever an automation manager command is issued to a target system that is running a version of SA OS/390 lower than 2.1, the NetView error message DSI002I will not contain the name of the command that was issued but the name of the associated slave command.

Time-interval search criteria are entered in local time. However, because the history data is stored using GMT time stamps, it is necessary for INGHIST to convert the

local-time search criteria to GMT before retrieving the data. This may make it necessary for the operator to make a manual adjustment to the time-interval search criteria after a daylight-saving-time change has been set. The local-time-to-GMT conversion calculation will be one hour different after a daylight-saving-time change. Data written after a daylight-saving-time change will be retrieved as expected but data written before will be offset by one hour.

Examples

If you enter `inghist resource=stdt000an1x/apl/aoc7` a panel similar to Figure 62 is displayed.

```

INGKYHI0          SA z/OS - Command Dialogs          Line 1    of 15
Domain ID   = IPUFM   ----- INGHIST -----         Date = 07/24/00
Operator ID = AFRANCK       Sysplex = AOC7PLEX         Time = 14:20:46

Start time ==> _____ format: yyyy-mm-dd hh:mm:ss
End time   ==> _____ Resource ==> STDT000AN1X/APL/AOC7

Cmd: + Expand workitem (e) - Collapse workitem (c)
Cmd Date   Time   Footprint
-----
- 2000-07-24 14:18:32 Termination processing for STDT000AN1X/APL/AOC7
                        completed
- 2000-07-24 14:18:30 Agent status for STDT000AN1X/APL/AOC7 = RESTART
- 2000-07-24 14:18:29 No PRESTART commands to issue
- 2000-07-24 14:18:29 Agent status for STDT000AN1X/APL/AOC7 = AUTODOWN
- 2000-07-24 14:18:27 Shutdown in progress
- 2000-07-24 14:18:25 Startup for STDT000AN1X/APL/AOC7 in progress
- 2000-07-24 14:18:24 Agent status for STDT000AN1X/APL/AOC7 = AUTOTERM
- 2000-07-24 14:18:23 Agent status for STDT000AN1X/APL/AOC7 = STARTED
- 2000-07-24 14:18:20 No SHUTINIT commands to issue

Command ==>
PF1=Help    PF2=End      PF3=Return   PF6=Ro11
PF9=Refresh PF12=Retrieve

```

Figure 62. INGHIST Command Dialog Panel

The FIND/RFIND subcommands are supported. Refer to “Deciding the Format of the Command Output (Fullscreen only)” on page 13 for information.

INGIMS

Purpose

The INGIMS command lets you:

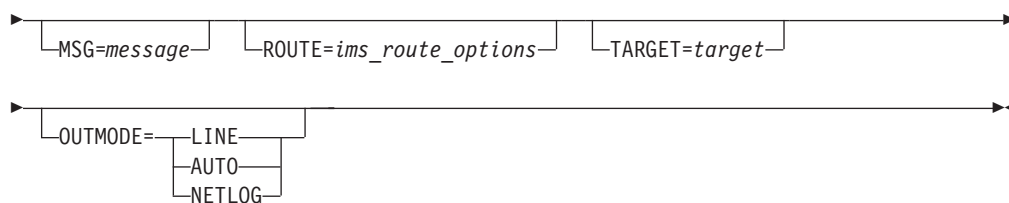
- Issue any console-enabled IMS command.
- Broadcast messages to all or selected IMS users.
- Issue a list of defined transactions and view the output.
- Display the output of IMS transactions in fullscreen or pipeable line mode.

Syntax

```

▶▶—INGIMS—resource—REQ=—CMD—BROADCAST—INFO—CMD=ims_transaction—▶▶

```



Parameters

resource

The resource specifies the name of the IMS subsystem to which the command is issued. The format is subsystem[/APL[/system]], where the subsystem is the specific name of the desired IMS subsystem and system is the name of the system that the IMS is running on.

Note: You need not specify the fully-qualified name of the resource. However, the command requires enough information to execute the request against a unique IMS subsystem. The command does not support issuing requests to multiple IMS subsystems at the same time.

REQ

Specifies the request to be issued to the IMS subsystem. It can be one of the following:

CMD Issues an IMS transaction and displays the results.

BROADCAST

Issues an IMS broadcast to all or selected users.

INFO Issues a set of predefined commands and displays the results. The list of commands is obtained from the IMSINFO user message policy of the subsystem specified by the resource name.

CMD

Specifies the IMS transaction and its parameters to be executed for a REQ=CMD type request. Enclose the command in single or double quotation marks if the command and parameters contain spaces.

Note: Do not specify the prefix '/' character for IMS commands.

MSG

Specifies the message to be sent to all or selected IMS terminals or users for the REQ=BROADCAST request. Enclose the message in single or double quotation marks.

ROUTE

Specifies the IMS routing information used to select which IMS terminals or users are to receive the message for a REQ=BROADCAST request. The contents of the ROUTE= parameter are the parameters to be supplied to the CMSG transaction to route messages to IMS terminals/users. See the CMSG transaction for the details of the parameters for that transaction.

TARGET

For information on the TARGET parameter, refer to "The TARGET Parameter" on page 10.

OUTMODE

For information on the OUTMODE parameter, refer to "The OUTMODE Parameter" on page 12.

Restrictions and Limitations

To use the INGIMS command system operations must be initialized. IMS subsystems must be enabled for system console commands using the MCS/E-MCS Console.

Usage

The INGIMS command operates sysplex-wide. For an overview refer to “Overview of Commands that Operate Sysplex-Wide” on page 9.

Examples

If you enter `ingims` a panel similar to Figure 63 is displayed.

```

EVEKYCMD          SA z/OS - Command Dialogs          Line
Domain ID   = IPSFM   -----  INGIMS  -----      Date = 04/11/03
Operator ID = NETOP1                                     Time = 18:11:35

Resource      => _____ Format: name/type/system
System        => _____ System name, domain ID or sysplex name
Request       =>  CMD _____ CMD, BROADCAST or INFO
IMS Command   => _____
IMS Route     => _____
IMS Message   => _____
               => _____

Command ==>
PF1=Help      PF2=End      PF3=Return    PF4=DISPINFO    PF6=Ro11
               PF9=Refresh  PF12=Retrieve
  
```

Figure 63. INGIMS Command Dialog Panel

- The **Resource** field shows the name of the IMS subsystem to be used for issuing the requests. The format is name/type[/system]. Wildcards are supported.
- The **System** field shows the name of the system (system name, domain ID, or sysplex name) to which the command should be routed. Specifying this is only necessary if the resources do not reside on the local sysplex.
- The **Request** field shows the request to be carried out. It can be `CMD`, `BROADCAST`, or `INFO`.
- The **IMS Command** field shows the IMS transaction to be executed on the IMS subsystem specified by the resource field.
- The **IMS Route** field shows the routing parameters for the `/BRO` command when the request is `BROADCAST`.
- The **IMS Message** field shows the message to be sent to users/terminals for the `BROADCAST` request.
- The output from the IMS transaction will appear in the blank area after the `IMS Message` field.

If you specify `INGIMS EIMSDBRC REQ=BROADCAST` a panel similar to Figure 64 on page 122 is displayed.

INGINFO

```

EVIKYCMD          SA z/OS - Command Dialogs          Line
Domain ID = IPSFM  ----- INGIMS -----           Date = 04/11/03
Operator ID = NETOP1                                     Time = 18:11:56

Resource          => EIMSDBRC/APL/AOC8                Format: name/type/system
System            =>                                System name, domain ID or sysplex name
Request           => BROADCAST                         CMD, BROADCAST or INFO
IMS Command       => BROADCAST
IMS Route         => ACTIVE
IMS Message       =>
                  =>
                  =>

Command ==>>
PF1=Help         PF2=End           PF3=Return   PF4=DISPINFO   PF6=Roll
                  PF9=Refresh      PF12=Retrieve

```

Figure 64. INGIMS REQ=BROADCAST Sample Panel

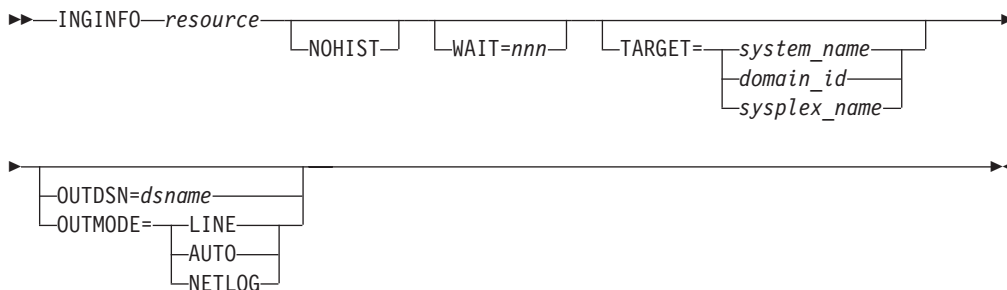
INGINFO

Purpose

INGINFO displays details about a particular group or resource from the automation manager point of view. The following information can be displayed:

- Resource statuses.
- Dependency statuses.
- Resource settings.
- Existing relationships to other resources.
- Pending requests and votes for the resource.
- History information collected for the resource.

Syntax



Parameters

resource

Specifies the name of the resource to be displayed. The format is *name/type[/system]*.

NOHIST

Specifies that no history information should be included in the display.

WAIT

Specifies the number of seconds to wait before reporting that a timeout occurred if the automation manager does not provide the requested data. The maximum time interval is 999 seconds.

If omitted, the time interval is 30 seconds.

TARGET

For information on the TARGET parameter, refer to “The TARGET Parameter” on page 10.

OUTMODE

For information on the OUTMODE parameter, refer to “The OUTMODE Parameter” on page 12.

OUTDSN

For information on the OUTDSN parameter, refer to “The OUTDSN Parameter” on page 13.

Restrictions and Limitations

None.

Usage

The INGINFO command operates sysplex-wide. For an overview refer to “Overview of Commands that Operate Sysplex-Wide” on page 9.

Automation manager commands are not supported on downlevel systems. Note that whenever an automation manager command is issued to a target system that is running a version of SA OS/390 lower than 2.1, the NetView error message DSI002I will not contain the name of the command that was issued but the name of the associated slave command.

Examples

If you enter `inginfo TPXA/APL/KEY3` a panel similar to Figure 65 on page 124 is displayed.

```

INGKYIN0          SA z/OS - Command Dialogs          Line 1    of 706
Domain ID = IPSNO  ----- INGINFO -----          Date = 03/10/00
Operator ID = NETOP1      Sysplex = KEY1PLEX          Time = 19:18:05

Resource ==> TPXA/APL/KEY3          format: name/type/system
System      ==> _____          System name, domain ID or sysplex name

Resource       : TPXA/APL/KEY3
Description    : Simulated subsystem

Status...
Observed Status : AVAILABLE
Desired Status  : AVAILABLE
Automation Status : IDLE
Startable Status : YES
Compound Status  : SATISFACTORY

Dependencies...
PreStart       : Satisfied
Start          : Satisfied

Command ==>
PF1=Help      PF2=End      PF3=Return   PF4=DISPINFO      PF6=Roll
              PF8=Forward  PF9=Refresh  PF12=Retrieve

```

Figure 65. INGINFO Command Dialog Panel

This panel shows detailed information about the specified resource that includes:

- resource statuses and dependencies
- resource settings
- relationships that have been defined for the resource
- requests that have been issued against resource
- votes that are pending for the resource
- history data that has been collected for the resource

There are two input fields, **Resource** and **System**, where you can specify the name of the resource and the system that is to be queried. You can specify a wildcard for the resource name. Specify the system name only when obtaining details about a resource that is not part of the local sysplex.

If the specified resource name is not unique a selection panel will be displayed where you can select the resource concerned. You can either enter a resource name to get details about the resource, or press the PF9 key to refresh the information about the current resource.

If the resource is of type APL (that is, application), you can use the PF4 key to invoke the DISPINFO command to obtain details about the resource from the automation agent's point of view.

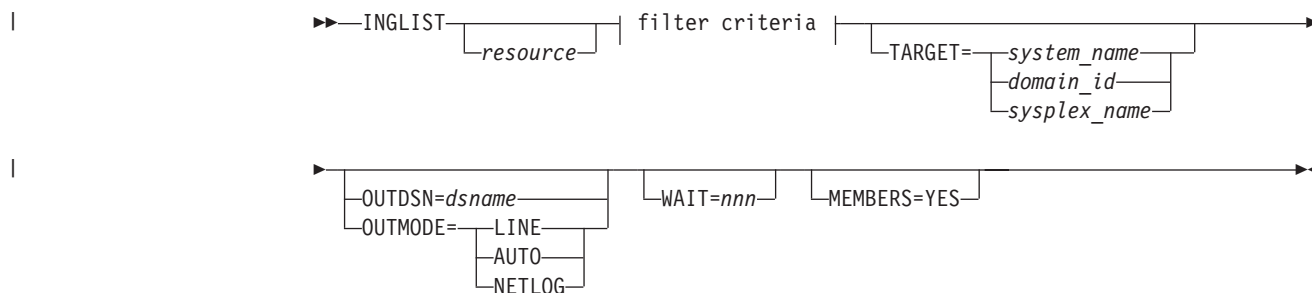
You can use the FIND(F) and RFIND(RF) subcommands to search the displayed data for a specific string. The line containing the string is then displayed as top line of the display. For example, to locate the line containing "abc" enter FIND abc. Optionally you may add the direction parameter, which is either P (previous) or N (next). The default is next. When you want to locate the next or previous occurrence of the string, enter RFIND or RF optionally followed by the direction.

INGLIST

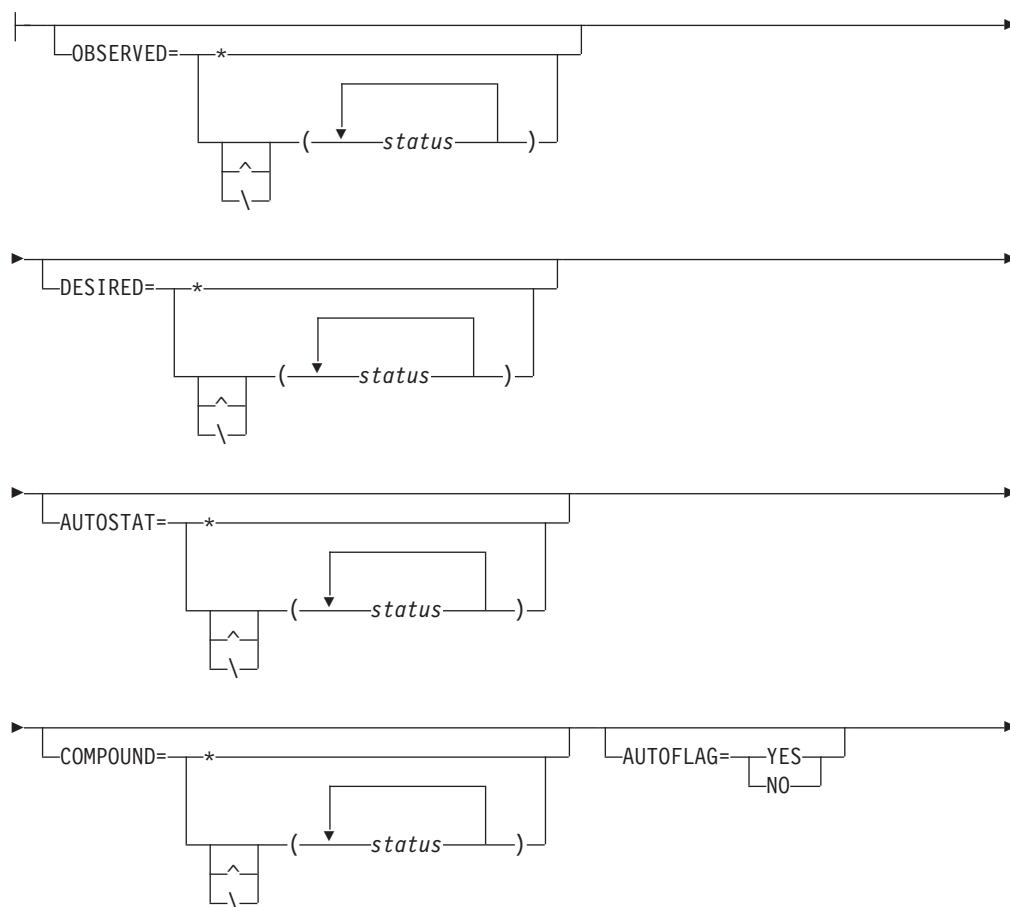
Purpose

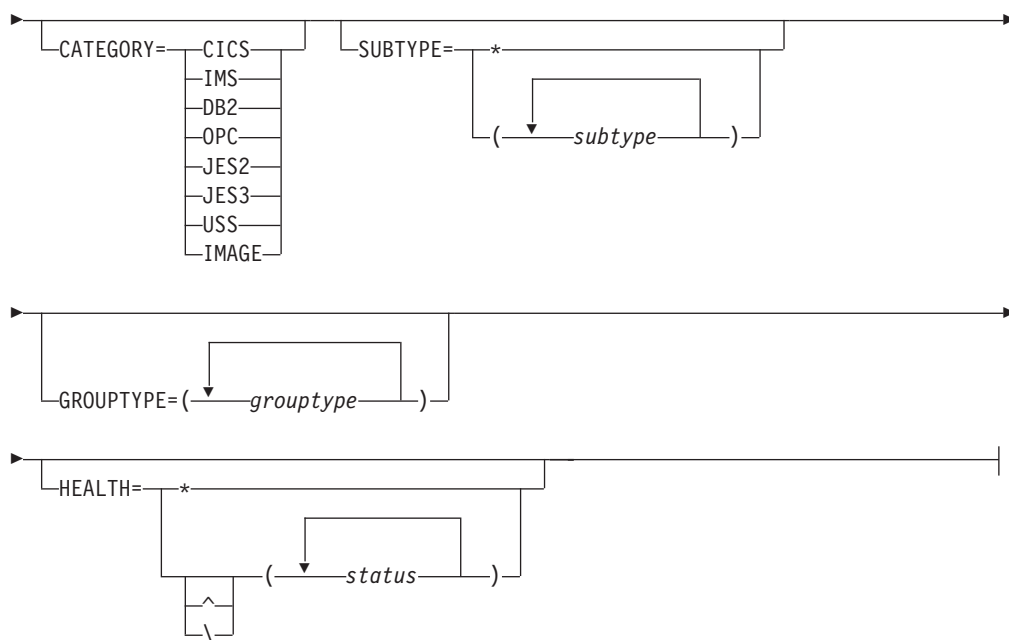
The INGLIST command displays details about one or more resources.

Syntax



filter criteria:





Parameters

resource

Specifies the name of the resource(s) to be displayed. The format is *name/type[system]*. It can be a list of names. The resource names must be separated by a blank. Asterisks (*) can be used as wildcard characters.

filter criteria

The filter criteria to be applied prior to displaying the data. See also "INGFILT" on page 107 for further information. The following values can occur:

OBSERVED

Specifies the observed statuses to be displayed. The statuses must be separated by a blank. It can be abbreviated, for example, to AV for available. If '^', or '\' is used, all statuses except the ones you specify are displayed.

DESIRED

Specifies the desired statuses to be displayed. The statuses must be separated by a blank. It can be abbreviated, for example, to AV for available. If '^', or '\' is used, all statuses except the ones you specify are displayed.

AUTOSTAT

Specifies the automation status to be displayed. The statuses must be separated by a blank. It can be abbreviated, for example, to ID for idle. If '^', or '\' is used, all statuses except the ones you specify are displayed.

COMPOUND

Specifies the compound status. The statuses must be separated by a blank. It can be abbreviated, for example, to SA for satisfactory. If '^', or '\' is used, all statuses except the ones you specify are displayed.

AUTOFLAG

Specifies the automation flag to be displayed. It can be either YES or NO and can be abbreviated.

CATEGORY

Specifies the category that the resource belongs to. More than one value can be specified.

SUBTYPE

Specifies the subtype of the resource.

GROUPTYPE

Specifies the type (nature) of the resource group. More than one value can be specified.

HEALTH

Specifies the desired health statuses to be displayed. The statuses must be separated by a blank. It can be abbreviated, for example, to NO for normal. You can also specify an asterisk (*) to reset the current filter setting, for example, INGFLT HEALTH=*. If '^', or '\ ' is used, all statuses except the ones you specify are displayed.

For further information about statuses, refer to *IBM Tivoli System Automation for z/OS User's Guide*.

TARGET

For information on the TARGET parameter, refer to "The TARGET Parameter" on page 10.

OUTMODE

For information on the OUTMODE parameter, refer to "The OUTMODE Parameter" on page 12.

OUTDSN

For information on the OUTDSN parameter, refer to "The OUTDSN Parameter" on page 13. Note, however, that for the INGLIST command the minimum record length of the output data set is 256 bytes.

WAIT

Specifies the number of seconds to wait before reporting that a timeout occurred if the automation manager does not provide the requested data. The maximum time interval is 999 seconds.

If omitted, the time interval is 30 seconds.

MEMBERS

Displays the members of resource groups that match the filter criteria. The only valid specification is YES. MEMBERS=NO is accepted but does not have any meaning.

Note: When specifying MEMBERS=YES only one resource name can be specified and it must be fully specified.

Restrictions and Limitations

None.

Usage

The INGLIST command operates sysplex-wide. For an overview refer to "Overview of Commands that Operate Sysplex-Wide" on page 9.

Automation manager commands are not supported on downlevel systems. Note that whenever an automation manager command is issued to a target system that

is running a version of SA OS/390 lower than 2.1,, the NetView error message DSI002I will not contain the name of the command that was issued but the name of the associated slave command.

Examples

If you enter `inglist`, you will see information about all automated resources, as shown in Figure 66.

```

INGKYST0          SA z/OS - Command Dialogs          Line 1    of 383
Domain ID = IPSNO ----- INGLIST -----          Date = 09/22/03
Operator ID = NETOP1          Sysplex = KEY1PLEX          Time = 16:13:19
CMD: A Update   B Start   C Stop   D INGRELS   E INGVOTE   F INGINFO
      G Members  H DISPTRG I INGSCHED J INGGROUP M DISPMTR / scroll
CMD Name      Type System   Compound   Desired   Observed   Nature
-----
-  ALLOCAS     APL  KEY1     INHIBITED  AVAILABLE  UNKNOWN
-  ALLOCAS     APL  KEY2     INHIBITED  AVAILABLE  UNKNOWN
-  ALLOCAS     APL  KEY3     SATISFACTORY  AVAILABLE  AVAILABLE
-  ALLOCAS     APL  KEY4     INHIBITED  AVAILABLE  UNKNOWN
-  AMCP        APL  KEY1     INHIBITED  AVAILABLE  UNKNOWN
-  AMCP        APL  KEY2     INHIBITED  AVAILABLE  UNKNOWN
-  AMCP        APL  KEY3     PROBLEM    AVAILABLE  HARDDOWN
-  AMCP        APL  KEY4     INHIBITED  AVAILABLE  UNKNOWN
-  ANTMAIN     APL  KEY1     INHIBITED  AVAILABLE  UNKNOWN
-  ANTMAIN     APL  KEY2     INHIBITED  AVAILABLE  UNKNOWN
-  ANTMAIN     APL  KEY3     SATISFACTORY  AVAILABLE  AVAILABLE
-  ANTMAIN     APL  KEY4     INHIBITED  AVAILABLE  UNKNOWN
-  AOCAPPL     APL  KEY1     INHIBITED  AVAILABLE  UNKNOWN

Command ==>
PF1=Help   PF2=End   PF3=Return  PF4=DISPSTAT  PF5=Filters  PF6=Ro11
PF8=Forward  PF9=Refresh  PF10=Previous  PF11=Next    PF12=Retrieve

```

Figure 66. INGLIST Command Dialog Panel 1

You can scroll horizontally with the PF10 and PF11 keys to see additional information about the resource (these panels are not shown here). Use the PF5 key to restrict the list of resources to be displayed. This causes the INGFILT panel to be displayed, where you specify the filter criteria to be used for the display.

You can use the PF4 key to toggle to the DISPSTAT panel to view the same resources, but now from the automation agent viewpoint. To return to the INGLIST panel press the PF3 key on the DISPSTAT panel. Note that pressing PF4 on the DISPSTAT panel displays the INGLIST panel for all resources shown in the DISPSTAT panel. However, this might not be the same as the original INGLIST display because the DISPSTAT display might be modified due to filtering or suppressing of resources that the automation agent does not handle, such as application groups.

This panel displays the following information:

- The **CMD** field lets you specify command codes. To use one of the command codes shown, type the appropriate letter next to the resource name and press Enter. The following command codes are available:

| **A** Resets the status of the resource or application group (observed status,
| automation status). Sets or resets attributes that are assigned to the resource.
| The automation agent status can also be updated if you enter this command
| code. See “Setting the Status or Attribute of a Resource or Application
| Group” on page 130.

- B** Start. Calls the INGREQ command dialog to make the resource available. Refer to “INGREQ” on page 174 for further information.
- C** Stop. Calls the INGREQ command dialog to make the resource unavailable. Refer to “INGREQ” on page 174 for further information.
- D** Displays dependency information and its evaluation for the resource.
- E** Invokes the INGVOTE command, showing all requests currently present for the resource. Allows the operator to cancel a request.
- F** Shows details about the resource by invoking the INGINFO command.
- G** Shows all members for the selected application group in a new window.
- H** Invokes the DISPTRG command to show the trigger definitions for the selected resource.
- I** Invokes the INGSCHED command to show the resource overrides for the selected resource.
- J** Invokes the INGGROUP ACTION=MEMBERS command to show member details.
- M** Invokes the DISPMTR command to show the monitors that have been defined for the selected resource.
 - The **Name** field shows the name of the resource.
 - The **Type** field shows the type of the resource.
 - The **System** field shows where the resource is defined.
 - The **Compound** field shows the compound status of the resource. This is a summary of all statuses of the resource and provides a single value to check the status of a resource.
 - The **Desired** field shows the status that the automation manager is trying to move the resource to. It can either be available or unavailable.
 - The **Nature** field applies to group resources only and defines the type of the group. It can have the following values:

BASIC

Indicates that the group contains a number of different resources, all of which perform different roles to constitute a complete application.

MOVE

Indicates that the group contains alternate instances of the same resource.

SERVER

Indicates that the group contains a number of readily interchangeable resources. The group has a target that tells the automation manager how many of them should be made available for the group to be available.

- The **Automation** field shows the status representing the automation agents’ automation for the resource.
- The **Startable** field indicates whether or not it is possible to start the resource if the automation manager is asked to do so at this point in time.
- The **Health** field shows the health status of the resource.
- The **Auto** field shows the automation flag that is maintained by the automation manager. No automation is performed for the resource by the automation manager if the flag is off.
- The **Hold** field shows the hold flag that is maintained by the automation manager.

- The **Description** field shows descriptive information about the resource.
- The **Starttype** field shows the preset start type to be used the next time the resource is made available (started). This value is set by INGSET and will override any TYPE value specified (or defaulted) on the next INGREQ start request.
- The **Stoptype** field shows the preset stop type to be used the next time the resource is made unavailable (shutdown). This value is set by INGSET and will override any TYPE value specified (or defaulted) on the next INGREQ stop request. However, a stop type of FORCE, wherever specified, will always be honored.
- The **Trigger** field shows the trigger that is associated with the resource.
- The **Schedule** field shows the schedule (service period) that the resource is linked to.
- The **Category** field shows the category of the resource, such as CICS, DB2, or IMS.
- The **Subtype** field shows the subtype of the resource. This applies to resources of category CICS, DB2, IMS, and OPC.

Different colors are used to indicate when a particular status is regarded as abnormal:

- A desired status of UNAVAILABLE is shown in blue.
- A compound status of PROBLEM is shown in red, DENIED and INHIBITED are shown in pink, while a compound status of DEGRADED is shown in yellow.
- An observed status of HARDDOWN or PROBLEM is shown in red, while an observed status that is not in line with the desired status is shown in yellow.

Additionally you can use the slash character (/) to make the selected line the first line of the display.

The SORT, FIND, and RFIND subcommands are supported. Refer to “Deciding the Format of the Command Output (Fullscreen only)” on page 13 for information.

Setting the Status or Attribute of a Resource or Application Group

If you enter command code A for a resource, a panel similar to Figure 67 on page 131 is displayed.

```

INGKYST1          SA z/OS - Command Dialogs
Domain ID = IPUPF ----- INGLIST ----- Date = 04/08/05
Operator ID = NETOP1          Sysplex = KEY1PLEX          Time = 17:25:08

Resource . . : AM/APL/KEY4
Description. : Primary Automation Manager

Action to be performed ==>  ___          current setting
1. Set START Type _____
   Parm _____
2. Set STOP Type _____
   Parm _____
3. Set Automation Flag NO _____ YES
4. Set Hold Flag YES _____ NO
5. Set Group failed flag ___ (Yes or No)
6. Set Observed Status _____ AVAILABLE
7. Set Automation Status _____ INTERNAL
8. Set Agent Status _____

Command ==>
PF1=Help    PF2=End    PF3=Return          PF6=Roll
PF12=Retrieve

```

Figure 67. INGLIST Command Dialog Panel To Update Status

Use this panel to update the observed or automation status of the selected resource, or to modify other resource settings. In detail, you can:

- Set the start or stop type to be used the next time
- Turn on or off the automation flag
- Turn on or off the hold flag
- Turn on or off the group failed flag
- Update the observed status
- Update the automation status
- Update the agent status

Fill in the following fields:

Action

This identifies what to update. This is a one-digit numeric character ranging from 1 to 8. Depending on the specified action, fill out the appropriate field.

START type

Specify the new start type if action 1 is entered. Specify a question mark (?) to see a list of defined startup types. To reset the start type to its default, specify NORM.

STOP type

Specify the new stop type if action 2 is entered. Valid shutdown types are NORM, IMMED and FORCE. To reset the stop type to its default, specify NORM.

Group failed flag

Specify YES or NO if action 5 is entered.

Observed Status

Specify the new observed status if action 6 is entered. You can abbreviate the observed status, for example, you can enter AV for available. Valid observed statuses are: SYSGONE, SOFTDOWN, HARDDOWN, STARTING, AVAILABLE, DEGRADED, PROBLEM, STOPPING, WASAVAILable and UNKNOWN.

INGLIST

Automation Status

Specify the new automation status if action 7 is entered. You can abbreviate the automation status. Valid automation statuses are: IDLE, INTERNAL, BUSY, DENIED, PROBLEM and UNKNOWN.

Agent status

Specify the automation agent status if action 8 is entered. The agent status can be one of the following: CTLDOWN, RESTART, UP, MOVED, AUTODOWN or ENDED.

Setting the Hold flag to YES will only be granted if:

- The resource is down, that is, its observed status is either HardDown, SoftDown, SysGone or Unknown.
- The automation manager is not in the process of starting the resource.

INGLKUP

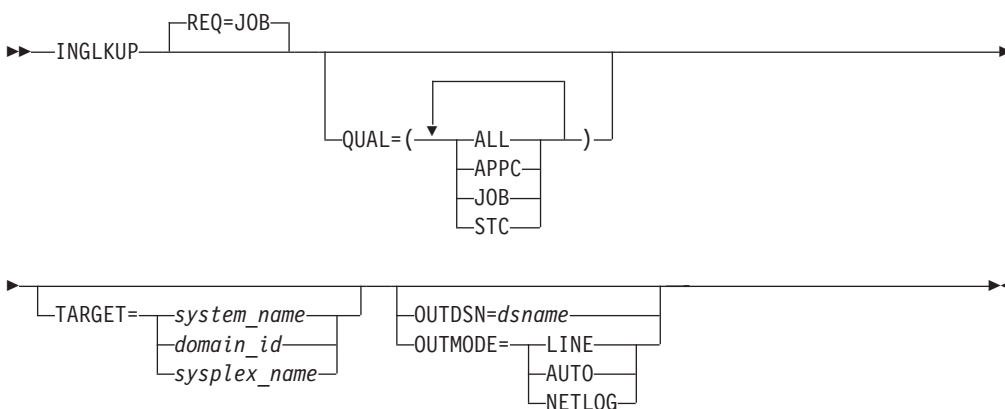
Purpose

INGLKUP has two purposes:

1. The INGLKUP command lets you display all jobs that are not controlled by SA z/OS. You can either stop, cancel or force those jobs with the corresponding MVS command. With the INGLKUP command you can list all active jobs, started tasks (STCs) and APPC/MVS transaction programs. With an exclude list, you can tailor the list that is displayed.
2. The INGLKUP command can also be used to obtain diagnostic information about a particular resource if you want to perform debugging.

Syntax

1. Syntax for JOB display



2. Syntax for diagnostic display



Parameters

REQ

Specifies the type of request to be performed.

REQ=JOB displays all jobs, started tasks and APPC/MVS transaction programs that are not controlled by SA z/OS. Note that the term JOB includes batch jobs, started tasks and APPC/MVS programs.

REQ=COLLECT causes diagnostic information to be displayed in the netlog if OUTDSN is not specified.

resource

Specifies the name of the resource to be processed. The format is name{/type{/system}}. Wildcard is supported. If more than one resource matches the wildcard specification, a selection panel will be displayed.

Resource is only valid when REQ=COLLECT.

QUAL

Specifies the type of "job" to be displayed. QUAL can be ALL, JOB, STC, or APPC. The default is ALL. You can specify more than one qualifier by enclosing the qualifiers in parentheses.

OUTMODE

For information on the OUTMODE parameter, refer to "The OUTMODE Parameter" on page 12.

TARGET

For information on the TARGET parameter, refer to "The TARGET Parameter" on page 10.

OUTDSN

For information on the OUTDSN parameter, refer to "The OUTDSN Parameter" on page 13. The record length must be at least 80 bytes if a resource is specified or 256 bytes if no resource is specified.

Restrictions and Limitations

INGLKUP may display subsystem address spaces if the subsystems are NON-MVS subsystems but are represented by an MVS address space. This occurs, for example, in the case of the IMS PPI dependent region.

Usage

An exclude list may be built using User Entry Type (UET) pairs. The exclude list allows the Automation Administrator to reduce the list of active jobs being shown when REQ=JOB.

The UET data is specified in the Policy Database as follows:

Entry Name Is INGLKUP.

Entry Type Is EXCLUDE.

Keyword/Data

Is JOB=*jobname* (where *jobname* specifies the JOB or STC to be excluded from the display). Wildcard is supported in *jobname*.

When a resource name is specified with REQ=COLLECT, then output from the following commands is collected:

- INGINFO

INGLKUP

- INGRELS
- INGSCHED
- DISPINFO
- DISPTRG

When a resource name is not specified with REQ=COLLECT, then output from the following commands is collected:

- INGLIST
- DISPSTAT

Whether a resource name is specified or not, output from the following commands is always displayed with REQ=COLLECT:

- INGAMS
- INGHIST
- INGVOTE

Examples

If you specify `inglkup` and cancel a job with command code `C`, a panel similar to Figure 68 is displayed.

```
INGKYL00          SA z/OS - Command Dialogs          Line 1 of 24
Domain ID = IPSFP ----- INGLKUP -----          Date = 06/28/02
Operator ID = NETOP1      System = KEY4              Time = 14:36:17

Cmd:  C cancel job      F force job      P stop job

Cmd Job      Step      Procedure Type ASID System
-----
- AMST      AMST      AMPROC      SO      KEY4
- AMST2     AMST2     AMPROC      SO      KEY4
- APPC      APPC      APPC        S       KEY4
- ASCH      ASCH      ASCH        S       KEY4
- BTS0      BTS0      AAAZSSEM    S       KEY4      ** CANCELLED **
- BZOEW01   BZOEW01   J           J       KEY4
- CU12      STEP1     CU12        AO      0049 KEY4
- CU12      STEP1     CU12        AO      005A KEY4
- CU129     STEP1     CU12        AO      KEY4
- FTDP1     STEP1     FTPOE       AO      KEY4
- FTPOE1    STEP1     FTPOE       AO      KEY4

Command ==>
PF1=Help      PF2=End      PF3=Return   PF6=Ro11
PF8=Forward   PF9=Refresh  PF12=Retrieve
```

Figure 68. INGLKUP Command Dialog Panel

This panel displays all active jobs, started tasks (STC) and APPC/MVS transaction programs that are not controlled by SA z/OS. You can either stop or cancel or even force the job (or jobs).

For each job the following information is shown:

- The **Cmd** field lets you specify the command codes shown on the panel. Type the appropriate letter next to the job name and press Enter. The following command codes are available:
 - C** Cancel the job.
 - F** Force the job.
 - P** Stop the job.

- The **Job** field shows the job name.
- The **Step** field the step name.
- The **Procedure** field shows the procedure step name.
- The **Type** field shows the job type.
- The **ASID** field shows the address space ID (this is only present if the job name is not unique).
- The **System** field shows the name of the system that the job is running on.

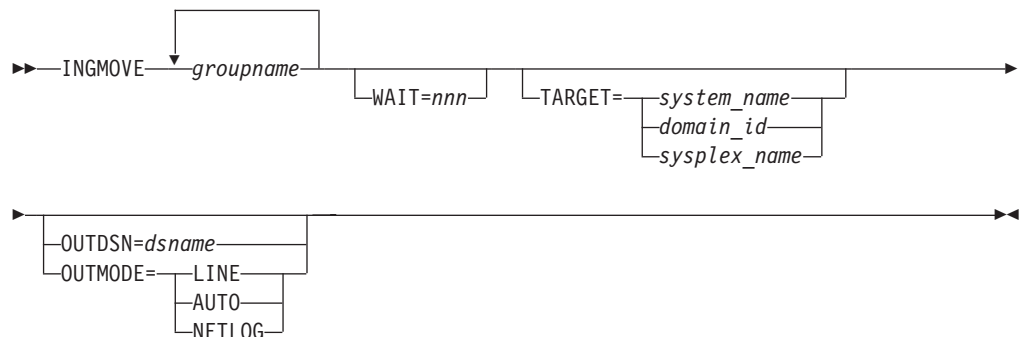
The SORT, FIND, and RFIND subcommands are supported. Refer to “Deciding the Format of the Command Output (Fullscreen only)” on page 13 for information.

INGMOVE

Purpose

INGMOVE makes moving sysplex application groups easier. Rather than manipulating the preference value of each member in the sysplex application group, you simply specify where the group should be moved to. In a sysplex application group of type MOVE only one member is active at a time. By specifying the new location of the move group, the active member is terminated and the member associated with the new location is activated.

Syntax



Parameters

groupname

Specifies the name of the sysplex application group. More than one name can be specified, separated by a blank or a comma. Each name can contain a wildcard.

If no group name is specified, all sysplex application groups of type MOVE are displayed.

WAIT

Specifies the number of seconds to wait before reporting that a timeout occurred if the automation manager does not provide the requested data. The maximum time interval is 999 seconds.

If omitted, the time interval is 30 seconds.

TARGET

For information on the TARGET parameter, refer to “The TARGET Parameter” on page 10.

OUTMODE

For information on the OUTMODE parameter, refer to “The OUTMODE Parameter” on page 12.

OUTDSN

For information on the OUTDSN parameter, refer to “The OUTDSN Parameter” on page 13.

Restrictions and Limitations

None.

Examples

If you enter ingmove a panel similar to Figure 69 is displayed.

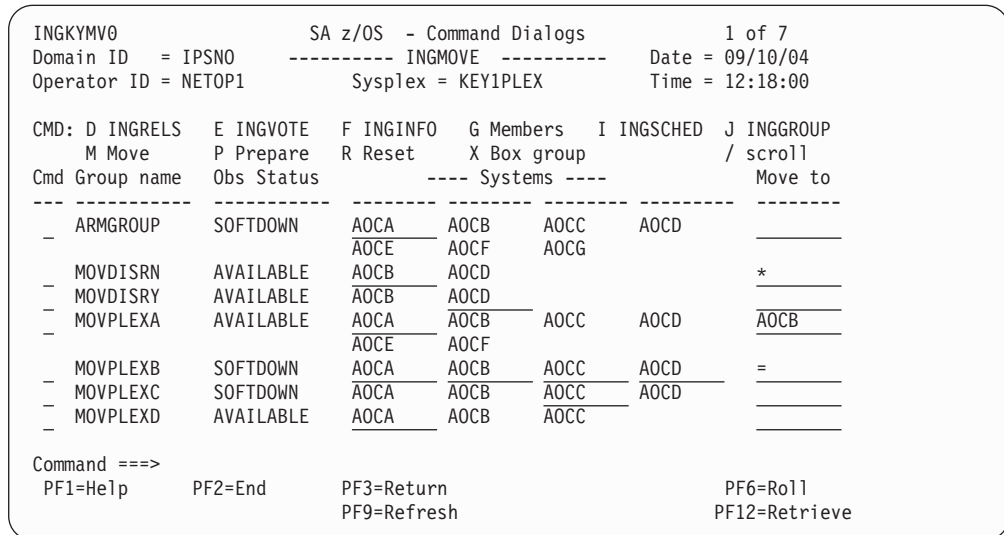


Figure 69. INGMOVE Command Dialog Panel

This panel shows all sysplex application groups of type MOVE (referred to as *move groups* below) that match the specified filter criteria. The following information is shown:

- The **Group name** column shows the name of the move group. Because the move groups are unique within a sysplex, only the first part of the resource group name is shown.
- The **Obs Status** column shows the observed status of the move group as seen by the automation manager.
- The **Systems** columns show a list of the systems where a member of the MOVE group exists and could run. Different colors are used to indicate the state of the system or the member of the group that is running on that system, as follows:
 - Red if the system is down
 - Yellow if the member of the group that is running on that system is not startable
 - Green if a member of the group is currently active on that system
 - Pink if the system is excluded
 - White if the system is avoided

- Turquoise in all other cases

The home system (or systems) that have the highest preference value are underlined.

The system that has the highest actual preference is shown in reverse video, unless it is a home system. Note that this can be more than one system.

- The **Move to** column is an input field where you can specify the system that the group should be moved to. Moving a sysplex application move group means terminating the member that is currently active and starting the member on the designated system. You can designate the system by specifying:
 - The name of the system in the input field.
 - An asterisk (*). This means that the group is moved back to its home system. If more than one home system exists, it is moved to the 1st one in the list.
 - An equals sign (=). This is a shorthand that means to take the value from the nearest field above with a value specified in it.

You can enter the following action codes in the **Cmd** field to launch other commands:

- B** Start. Calls the INGREQ command dialog to make the resource available. Refer to “INGREQ” on page 174 for further information.
- C** Stop. Calls the INGREQ command dialog to make the resource unavailable. Refer to “INGREQ” on page 174 for further information.
- D** Invokes the INGRELS command to display dependency information and its evaluation for the resource.
- E** Invokes the INGVOTE command, showing all requests currently present for the resource. Allows the operator to cancel a request.
- F** Shows details about the resource by invoking the INGINFO command.
- G** Invokes the INGLIST MEMBERS=YES command to show all members for the selected application group in a new window.
- I** Invokes the INGSCHED command to show the resource overrides for the selected resource.
- J** Invokes the INGGROUP ACTION=MEMBERS command to show member details.
- M** Moves the group to the designated system.
- P** Moves the group to the designated system when the group is next recycled.
- R** Resets the preference values of the group members to the values that are defined in the policy database.
- X** *Boxes* the group. The member that is currently active acquires a preference of 2800 so that if the system is terminated the group will *not* move to another system.

You can use the / character to place the selected line as the first line of the display.

Note: This panel does not support the FIND and SORT subcommands.

If you specify one or more systems Figure 70 on page 138 is displayed to ask you for confirmation.

INGMOVE

```

INGKYMV1          SA z/OS - Command Dialogs      Line 1   of 3
Domain ID = IPSNO ----- INGMOVE -----      Date = 09/10/04
Operator ID = NETOP1                               Time = 12:23:25

Verify the Move Group activities

Group name      Runs on      Move to      Action
-----
MOVDISRN       AOCB       AOCB       now
MOVPLEXA       AOCA       AOCB       now
MOVPLEXB       AOCB       AOCB       at recycle
  
```

Figure 70. INGMOVE Confirmation Panel

For each group that is to be moved the panel shows:

- The name of the group
- The name of the system where the group is currently active
- The name of the system that the group should be moved to
- Descriptive information about the action

Specifying GO at the command line or pressing the PF10 key carries out the move operation. Specifying CANCEL at the command line or pressing the PF11 key returns you to the previous panel.

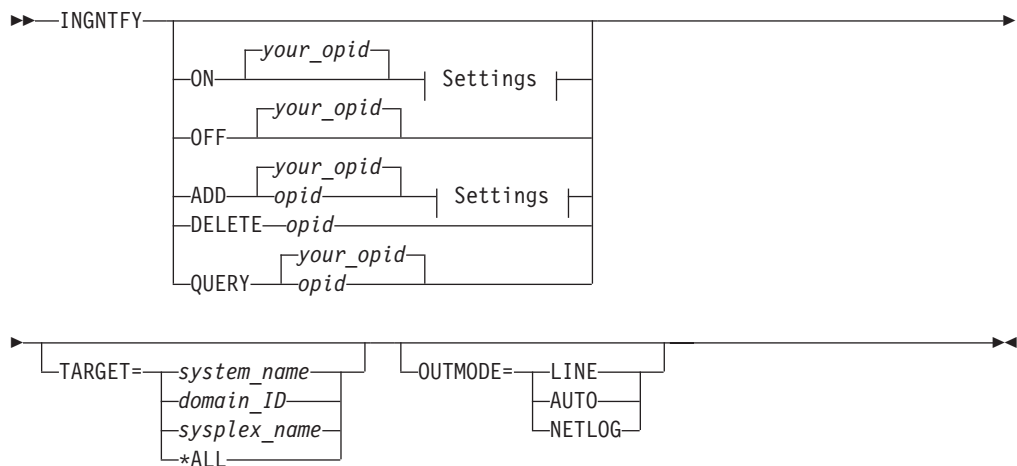
Note: Pressing PF2 or PF3 has the same behavior as PF11.

INGNTFY

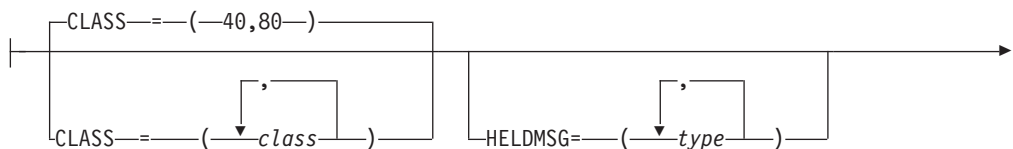
Purpose

INGNTFY adds, changes, or deletes notification operator settings.

Syntax



Settings:



DESC='description'

Parameters

ON

Allows the operator who issues the command to receive notifications.

OFF

Turns off notifications for the operator who issues the command.

ADD

Adds the operator specified in *opid* to the list of notification operators, or changes the definition of the existing operator specified in *opid*.

Note: Use of the ADD function to change the definition of an existing operator completely deletes the old definition. It is necessary to re-specify all message classes and held message types that you want this operator to retain. This allows you to remove unwanted message classes and held message types from an existing operator.

DELETE

Removes the operator specified in *opid* from the list of notification operators.

QUERY

Displays information about the operator specified in *opid*.

opid

The ID of the operator to add, change, delete, or query.

your_opid

The ID of the operator issuing the command.

CLASS

The classes of messages the operator is to receive. Refer to *IBM Tivoli System Automation for z/OS Messages and Codes* for information on which classes are valid. Up to ten comma-delimited classes, enclosed in parentheses, can be defined for an operator. The default classes are 40 and 80, unless defined otherwise in the automation control file.

DESC

An optional description of the operator. If the description contains blanks, commas, or other punctuation characters it must be enclosed in single quotation marks.

HELDMSG

The type or types of messages to hold on the operator's screen. If more than one type is specified, the types should be separated by commas and enclosed in parentheses. The types are:

Type	Meaning
A	Immediate Action
D	Immediate Decision
E	Eventual Action
I	Information
W	System Wait

TARGET

For information on the TARGET parameter, refer to “The TARGET Parameter” on page 10.

OUTMODE

For information on the OUTMODE parameter, refer to “The OUTMODE Parameter” on page 12.

For further details of message types and message notifications, refer to *IBM Tivoli System Automation for z/OS Messages and Codes*.

Restrictions and Limitations

Any changes you make using the INGNTFY command are in effect only until the automation control file is reloaded.

The INGNTFY command can only be used when SA z/OS is initialized.

Examples

To turn your messages off, enter `ingntfy off`

To add notification operator Jim, assign him all messages in class 43, and hold Immediate Action type messages on his screen, enter:

```
ingntfy add jim class=43 heldmsg=a
```

If no parameter is specified in the INGNTFY command, a panel similar to Figure 71 is displayed.

```

AOFKAANT                SA z/OS - Command Dialogs          Line 1 of 3
Domain ID = IPUN8      ----- INGNTFY -----          Date = 12/20/02
Operator ID = NETOP1                                     Time = 13:52:17

Cmd:  A Add      C Show/Change settings    D Delete    O Turn OFF msg receiving

Cmd Operator  System  Log  Rcv  Description
-----
-   GIS        AOC8   Y   Y   GISELA STUART
-   DON        AOC8   Y   N   DON JONES
-   MIK        AOC8   Y   Y   MIK SMITH

Command ==>
PF1=Help    PF2=End      PF3=Return   PF6=Ro11
              PF9=Refresh  PF12=Retrieve

```

Figure 71. INGNTFY Command Dialog Panel

- The **Cmd** field lets you specify the command codes shown on the panel. Type the appropriate letter next to the resource name and press Enter. The following command codes are available:
 - A** Add a notification operator using the settings of the selected operator.
 - C** Show or change the settings for the selected operator.

- D Delete the notification operator.
- O Turn off message receiving for the selected notification operator.
- The **Operator** field shows the operator ID. It is not necessarily defined to NetView.
- The **System** field shows the name of the system where the operator is defined.
- The **Log** field shows a Y if the operator was logged on when the command dialog was started, or an N if the operator was not logged on.
- The **Rcv (Receive)** field shows a Y if the operator was receiving messages when the command dialog was started, or an N if the operator was not receiving messages.
- The **Description** field shows a description of the operator from either the automation control file or the INGNTFY command dialog.

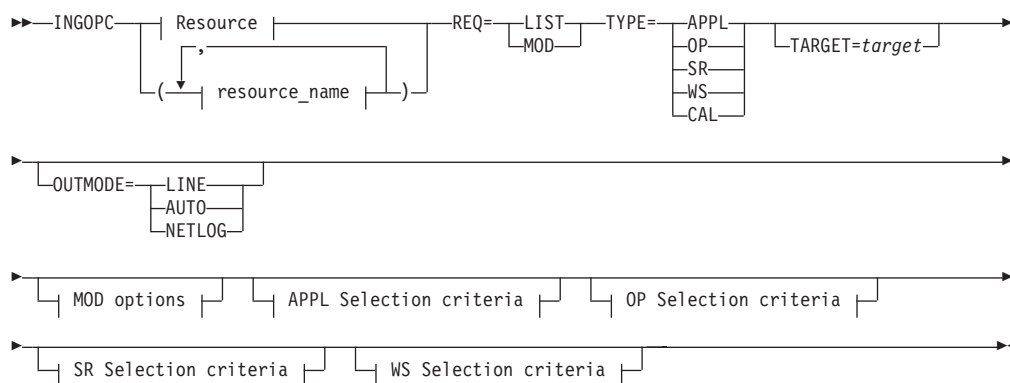
INGOPC

Purpose

The INGOPC command lets you:

- Display Application, Operation, Special Resource, Work Station and Calendar information from the Current Plan.
- Modify Application, Operation, Special Resource, Work Station information in the Current Plan.
- Issue a request against any controller defined to SA z/OS in a sysplex.
- Issue a request against a foreign controller where the local tracker is defined to SA z/OS.
- The output of the INGOPC command is either full screen or in pipeable line mode.

Syntax



MOD options:



APPL Selection criteria:

```
|—AD=appl-id—IA=yymmddhhmm—|
```

OP Selection criteria:

```
|—AD=appl-id—IA=yymmddhhmm—OPNO=nnnn—JOBNAME=jobname—STATUS=status—|
```

```
▶—ERRCODE=error_code—GROUP=group—OWNER=owner—PRIORITY=priority—|
```

```
▶—WSNAME=workstation—|
```

SR Selection options:

```
|—SRNAME=—special_resource—|
```

WS Selection options:

```
|—WSNAME=workstation—|
```

Parameters

resource

The resource specifies the OPC controller that is to be queried or modified. Multiple specifications are allowed as well as system and sysplex application groups. Wildcards % and * are supported.

The command attempts to resolve the specification to a single appropriate target resource. In all cases the groups are resolved to their members and wildcards are resolved to specific sets of resources.

The resulting list of resources is scanned to check whether there is an active controller. The first active controller found is used. If no active controllers are found the list is scanned to check whether there is a tracker. The first tracker found is used.

If an active controller could be found a command is dispatched to the appropriate system in the sysplex to execute the OPC API on the same system as the active controller. If a tracker was found, the LUNAME parameter of the trackers OPCCNTL entry may be used to specify a remote controller. In this case the command is dispatched to the system where the tracker is running and the APPC API is used to connect to the remote controller from that system.

REQ

Specifies the request to be issued to the OPC subsystem. It can be one of the following:

LIST Lists OPC Current Plan resources.

MOD Modifies OPC Current Plan resources.

TYPE

Specifies the type of Current Plan resource to be listed or modified. It can be one of the following:

APPL Specifies the Current Plan Application Description resource.

- OP** Specifies the Current Plan Operation resource.
- SR** Specifies the Current Plan Special resource.
- WS** Specifies the Current Plan Workstation resource.
- CAL** Specifies the Current Plan Calendar resource.

UPDATE

Specifies the fields that are to be updated and the new contents of the field. Multiple fields can be specified separated by a semi-colon ";". The names of the fields are the same names as specified in the MODIFY command arguments in *TWS for z/OS Programming Interfaces*.

An alternative to specifying all the fields to be updated using the UPDATE= parameter is to specify the fields and their contents in the default SAFE. Specify one field per message with the format of <fieldname><blank>=<blank><contents>. The blanks between the fieldname and the = symbol and the = symbol and the contents are required.

AD

Specifies the Application Description selection criteria. For LIST requests, this may contain the trailing "*" wildcard character. For MOD requests, this must be the exact name of the application description to be updated.

- IA** Specifies the input arrival date/time of the application. The format is as specified by the system programmer when installing and customizing OPC. The default format is YYYYMMDDHHMM.

OPNO

Specifies the operation number selection criteria. This is the operation number of an operation in an application description.

JOBNAME

Specifies the OPC jobname. This field is used to qualify requests of type OP and is optional for all requests.

STATUS

Specifies the OPC status. This field is used to qualify requests of type OP and is optional for all requests.

ERRCODE

Specifies the OPC error code. This field is used to qualify requests of type OP and is optional for all requests.

GROUP

Specifies the OPC group. This field is used to qualify requests of type OP and is optional for all requests.

OWNER

Specifies the OPC owner. This field is used to qualify requests of type OP and is optional for all requests.

PRIORITY

Specifies the OPC priority. This field is used to qualify requests of type OP and is optional for all requests.

SRNAME

Specifies the Special Resource selection criteria.

For LIST requests, this may contain the trailing "*" wildcard character. For MOD requests, this must be the exact name of the special resource.

If the special resource name contains special characters then it must be enclosed in single quotation marks.

WSNAME

Specifies the workstation name selection criteria. Specifies the workstation name selection criteria but may also be used to qualify TYPE=OP requests.

For LIST requests, this may contain the trailing "*" wildcard character. For MOD requests, this must be the exact name of the workstation.

TARGET

Specifies the name of the system (system name or domain ID) that the command should be routed to. The TWS controller specified in the resource field must be active on this system or the command will return no data. This is only necessary when the resource is not part of the local sysplex.

For information on the TARGET parameter, refer to "The TARGET Parameter" on page 10.

OUTMODE

For information on the OUTMODE parameter, refer to "The OUTMODE Parameter" on page 12.

Restrictions and Limitations

To use the INGOPC command system operations must be initialized.

Usage

The INGOPC command operates sysplex-wide. For an overview refer to "Overview of Commands that Operate Sysplex-Wide" on page 9.

Examples

If you type INGOPC a panel similar to Figure 72 is displayed.

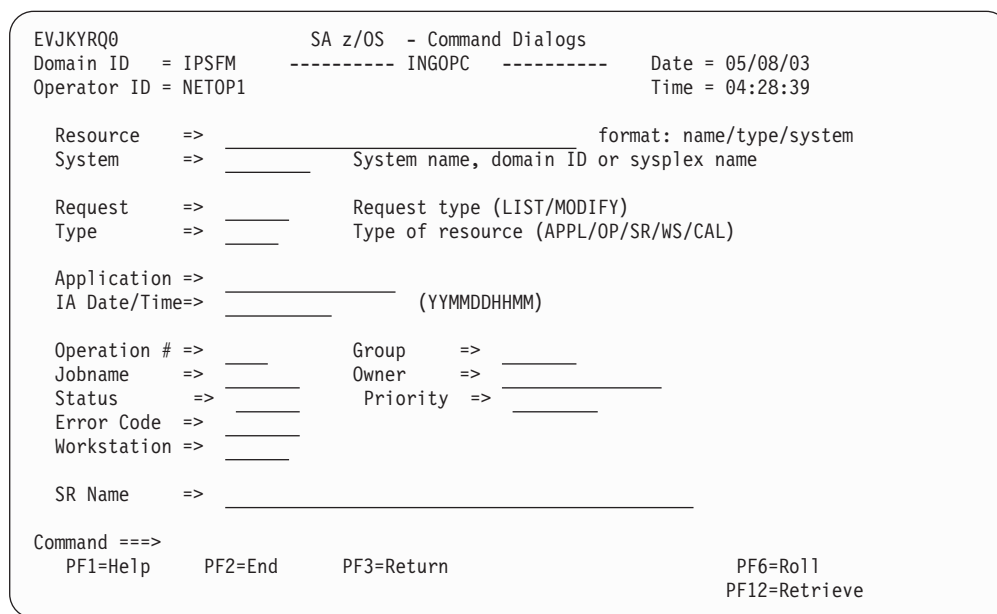


Figure 72. INGOPC Command Dialog Panel

- The **Resource** field shows the name of the OPC active controller subsystem to be used for issuing the requests. The format is name/type[/system]. Wildcards are supported.

- The **System** field shows the name of the system (system name, domain ID, or sysplex name) to which the command should be routed. Specifying this is only necessary if the resources do not reside on the local sysplex.
- The **Request** field shows the request to be carried out. It can be LIST or MODIFY.
- The **Type** field shows the type of OPC Current Plan resource to be specified.
- The **Application** field specifies the OPC application id, This field is used to qualify requests of type APPL or OP and is optional for LIST requests but is required for MODIFY requests.
- The **IA Date/Time** field specifies the OPC input arrival time. This field is used to qualify requests of type APPL or OP and is optional for LIST requests but is required for MODIFY requests.
- The **Operation #** field specifies the OPC operation number. This field is used to qualify requests of type APPL or OP and is optional for LIST requests but is required for MODIFY requests.
- The **Jobname** field specifies the OPC jobname associated with an operation. This field is used to qualify requests of type OP and is optional for all requests.
- The **Status** field specifies the OPC status associated with an operation. This field is used to qualify requests of type OP and is optional for all requests.
- The **Error Code** field specifies the OPC error code associated with an operation. This field is used to qualify requests of type OP and is optional for all requests.
- The **Group** field specifies the OPC group associated with an operation. This field is used to qualify requests of type OP and is optional for all requests.
- The **Owner** field specifies the OPC owner associated with an operation. This field is used to qualify requests of type OP and is optional for all requests.
- The **Priority** field specifies the OPC priority associated with an operation. This field is used to qualify requests of type OP and is optional for all requests.
- The **Workstation** field specifies the OPC workstation for the operation. This field is used to qualify requests of type OP and type WS and is optional for all LIST requests but is required for type WS MODIFY requests.
- The **SR Name** field specifies the OPC special resource name. This field is used to qualify requests of type SR and is optional for LIST requests but is required for MODIFY requests.

If you specify INGOPC * REQ=LIST TYPE=APPL a panel similar to Figure 73 on page 146 is displayed.

```

INGKYSTO          SA z/OS - Command Dialogs Line 1 of 65
Domain ID = IPSFM ----- INGOPC ----- Date = 04/10/02
Operator ID = AFRANCK Sysplex = KEY1PLEX Time = 16:19:30
CMD: A Update B Operations / scroll

Application Occurrence List
CMD Application Id Input Arrival Error Description
-----
- JKOPCTST1 02/01/23 00:01 Completed Test Batch Iface
- JKTEST1 02/01/23 00:08 Completed This is a test
- JKOPCTST1 02/01/24 00:01 Completed Test Batch Iface
- JKTEST1 02/01/24 00:08 Completed This is a test
- IEFBR14 02/01/24 08:01 Completed This is a test
- JKOPCTST1 02/01/25 00:01 Starting Test Batch Iface
- JKTEST1 02/01/25 00:08 Completed This is a test
- IEFBR14 02/01/25 08:01 Completed This is a test
- JKOPCTST1 02/01/26 00:01 Error Test Batch Iface
- JKTEST1 02/01/26 00:08 Completed This is a test
- IEFBR14 02/01/26 08:01 Completed This is a test
- JKOPCTST1 02/01/27 00:01 Error Test Batch Iface
- JKTEST1 02/01/27 00:08 Completed This is a test

Command ==>
PF1=Help PF2=End PF3=Return PF5=Filters PF6=Roll
    
```

Figure 73. INGOPC REQ=LIST TYPE=APPL Sample Panel

If you specify INGOPC * REQ=LIST TYPE=OP a panel similar to Figure 74 is displayed.

```

INGKYSTO          SA z/OS - Command Dialogs Line 1 of 3
Domain ID = IPSFM ----- INGOPC ----- Date = 04/10/02
Operator ID = NETOP1 Sysplex = KEY1PLEX Time = 16:23:08
CMD: A Update / scroll

Operations List
Op. -----JES----- Err. Work
CMD Num. Name Number Status Reason Code Stn.
-----
- 1 EVJSJ001 Completed NV01
- 1 JKTST1 JOB06429 Completed N001
- 1 IEFBR14 JOB00325 Completed CPU1
- 1 EVJSJ001 JOB07522 Completed N001
- 1 JKTST1 JOB07521 Completed N001
- 1 IEFBR14 JOB07523 Completed CPU1
- 1 EVJSJ001 JOB00787 Interrupt N001
- 1 JKTST1 JOB07524 Completed N001
- 1 IEFBR14 JOB07526 Completed CPU1
- 1 EVJSJ001 JOB07528 Error JCL N001
- 1 JKTST1 JOB07527 Completed N001
- 1 IEFBR14 JOB07529 Completed CPU1
- 1 EVJSJ001 JOB07533 Error JCL N001

Command ==>
PF1=Help PF2=End PF3=Return PF5=Filters PF6=Roll
    
```

Figure 74. INGOPC REQ=LIST TYPE=OP Sample Panel

If you specify INGOPC * REQ=LIST TYPE=SR a panel similar to Figure 75 on page 147 is displayed.

```

INGKYSTO          SA z/OS - Command Dialogs Line 1 of 26
Domain ID = IPSFM ----- INGOPC ----- Date = 04/10/02
Operator ID = NETOP1 Sysplex = KEY1PLEX Time = 16:27:11
CMD: A Update / scroll

Special Resources List
--Actual-- -Default--
CMD Name Av. Quant. Av. Quant.
-----
- ING.KEY1.APL.CICSK1G.DOWN No 1 Yes 1
- ING.KEY1.APL.CICSK1G.UP No 1 Yes 1
- ING.KEY1.APL.RMF.DOWN No 1 Yes 1
- ING.KEY1.APL.RMF.UP Yes 1 Yes 1
- ING.KEY1.APL.RMFIII.DOWN No 1 Yes 1
- ING.KEY1.APL.RMFIII.UP Yes 1 Yes 1
- ING.KEY2.APL.CICSK1G.DOWN Yes 1 Yes 1
- ING.KEY2.APL.CICSK1G.UP No 1 Yes 1
- ING.KEY2.APL.RMF.DOWN No 1 Yes 1
- ING.KEY2.APL.RMF.UP Yes 1 Yes 1
- ING.KEY2.APL.RMFIII.DOWN No 1 Yes 1
- ING.KEY2.APL.RMFIII.UP Yes 1 Yes 1
- ING.KEY3.APL.CICSK1G.DOWN Yes 1 Yes 1

Command ==>
PF1=Help PF2=End PF3=Return PF5=Filters PF6=Ro11

```

Figure 75. INGOPC REQ=LIST TYPE=SR Sample Panel

If you specify INGOPC * REQ=LIST TYPE=WS a panel similar to Figure 76 is displayed.

```

INGKYSTO          SA z/OS - Command Dialogs Line 1 of 7
Domain ID = IPSFM ----- INGOPC ----- Date = 04/10/02
Operator ID = NETOP1 Sysplex = KEY1PLEX Time = 16:29:02
CMD: A Update / scroll

Work Stations List
Reporting JCL Alt. Para.
CMD Name Status Type Attribute Prep STC WTO ReRoute WS Server
-----
- NV02 Unknown General Automatic No No No No No
- NV03 Unknown General Automatic No No No No No
- OPR1 Unknown General Completion No No No No No
- WTO1 Active General Automatic No No Yes No No
- NV01 Unknown General Automatic No No No No No
- CPU1 Active Computer Automatic No No No No No
- N001 Active Computer Automatic No No No No No

Command ==>
PF1=Help PF2=End PF3=Return PF5=Filters PF6=Ro11

```

Figure 76. INGOPC REQ=LIST TYPE=WS Sample Panel

If you specify INGOPC * REQ=LIST TYPE=CAL a panel similar to Figure 77 on page 148 is displayed.

```

INGKYST0          SA z/OS - Command Dialogs Line 1 of 2
Domain ID = IPSFM ----- INGOPC ----- Date = 04/10/02
Operator ID = NETOP1 Sysplex = KEY1PLEX Time = 16:31:46
CMD: / scroll

                          Calendar List

CMD  Name          Days Shift Description
-----
-    APC           7 0000 general APC calendar
-    DEFAULT      8 0000 general APC calendar

Command ==>
PF1=Help  PF2=End  PF3=Return  PF5=Filters  PF6=Roll
    
```

Figure 77. INGOPC REQ=LIST TYPE=CAL Sample Panel

Press PF10 and PF11 to display more information for each resource type. Issuing the command code A Update command against a resource in the CMD field displays a panel which lets you modify the resource. The Application Description list supports the B Operations command code. Issuing this command code against an application resource displays a list of operations for that resource. SORT/FIND/RFIND commands are supported. Refer to “Deciding the Format of the Command Output (Fullscreen only)” on page 13 for further information.

Pressing PF5 displays a filter selection panel similar to Figure 78 is displayed.

```

EVJKFLT          SA z/OS - Command Dialogs
Domain ID = IPSFM ----- EVJFILT ----- Date = 04/10/02
Operator ID = NETOP1 Time = 16:36:48

Specify or revise the filter criteria:

Active Controller ==> OPCF/APL/KEY1
OPC/OPC resource ==> CAL APPL, OP, SR, WS or CAL

Generic Filter strings in the format NAME = value
==> _____ ==> _____
==> _____ ==> _____
==> _____ ==> _____
==> _____ ==> _____
==> _____ ==> _____
==> _____ ==> _____
==> _____ ==> _____
==> _____ ==> _____
==> _____ ==> _____

Command ==>
PF1=Help  PF2=End  PF3=Return  PF4=Clear  PF5=Reset  PF6=Roll
    
```

Figure 78. INGOPC Filter Sample Panel

Specify filter strings in the format *field-name op contents* where:

- *field-name* is a valid field name as specified by the MODIFY command arguments in *TWS for z/OS Programming Interfaces*.

- *op* can have the following values:
 =
 ^=
 <
 <=
 >
 >=
- *contents* are the desired values to be matched by the *op*. The trailing wildcard character '*' may be used for *op*.

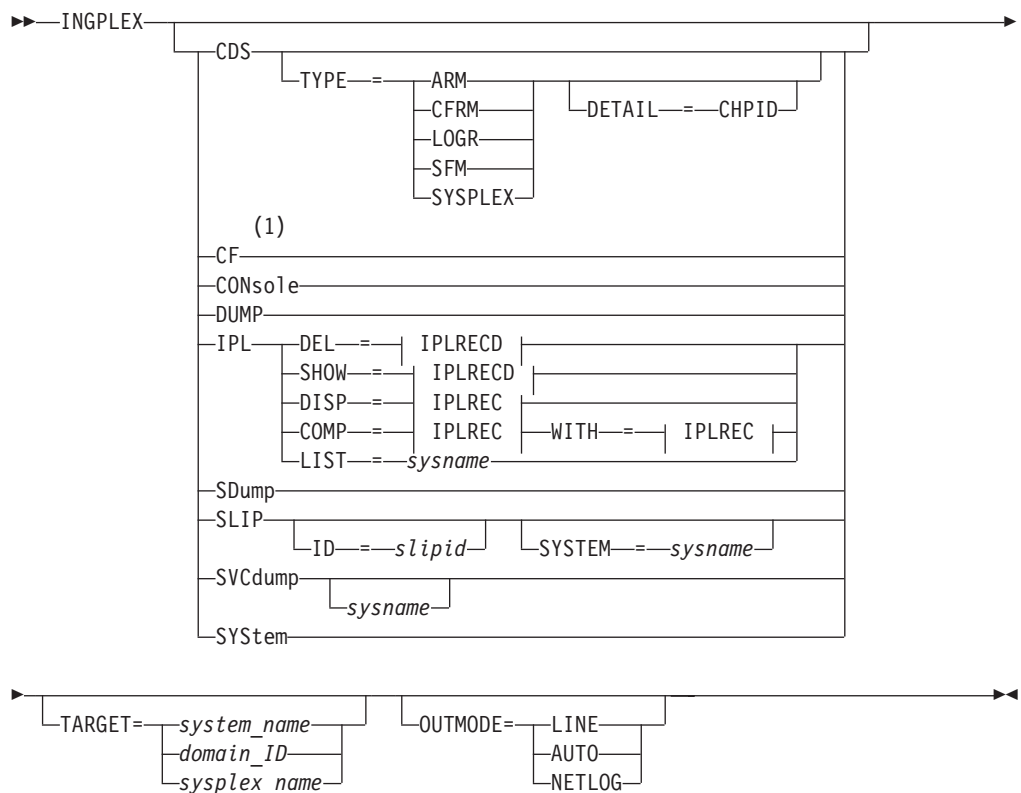
The operands must be separated by a blank.

INGPLEX

Purpose

The INGPLEX command comprises all the sysplex-related functions of SA z/OS. It can be called in full mode and in line mode. If it is called in line mode, only the display functions are available.

Syntax



IPLREC:

|—sysname—|/—timestamp—|/—member—|/—suffix—|]

IPLRECD:

|—*sysname*—/—*timestamp*—|

Notes:

- 1 For details see “INGCF” on page 81.

Parameters**CDS**

Displays information about CDSs and supports replacement of the current alternate CDS by a new one as well as making the alternate CDS the new primary. For further information about INGPLEX CDS refer to “INGPLEX CDS” on page 153.

TYPE

The type of CDS for which the CDS function is issued. Possible values are ARM, CFRM, LOGR, SFM, and SYSPLEX.

DETAIL

If you specify this parameter with the CDS function, the channel paths for the respective CDS type are displayed.

CF

This is the equivalent of the INGCF command.

CONsole

Displays information about consoles.

DUMP

Shows the DUMP submenu.

IPL

Shows and compares IPL information. It can be issued with the following options:

DEL

Deletes a single IPL record and all its related information. Note that the DEL parameter is supported in line mode only.

SHOW

Shows the details panel of the specified IPL record.

DISP

Shows all, one, or particular PARMLIB members used by the IPL of the specified system and at the specified date and time.

COMP

Compares all, one, or particular PARMLIB members used by the IPL of the specified system and at the specified date and time with those specified in the WITH parameter.

LIST

Shows the IPL summary records of the specified system.

WITH

The COMP parameter compares all, one, or particular PARMLIB members used by the IPL of the specified system, at the specified date and time with those specified in parameter WITH.

sysname

Is the name of the system in the sysplex.

timestamp

Is the IPL date and time. The format is YYYYMMDDhhmm.

member

Is the name of the PARMLIB member without the suffix.

suffix

Is the suffix of the PARMLIB member.

For further information about INGPlex IPL refer to "INGPLEX IPL" on page 164.

SDUMP

Displays and controls the SDUMP options being set on all systems in the sysplex. For further information about INGPlex SDUMP refer to "INGPLEX SDUMP" on page 165.

SLIP

Displays and controls all SLIP traps of all systems in the sysplex. Controlling is limited to DISABLE, ENABLE, or REMOVE a SLIP trap. The following parameters are supported:

ID Limits the line mode output and the initial full screen display to the particular SLIP trap ID

slipid

Is the ID of a SLIP trap. It can consist of one to four characters. Wildcards are not supported.

SYSTEM

Limits the line mode output and the initial full screen display to the particular system.

For further information about INGPlex SLIP refer to "INGPLEX SLIP" on page 170.

SVCDUMP

Allows you to issue a multisystem dump of up to 15 address spaces including data spaces owned by the address spaces, structures used by the address spaces, and XCF group members on the same or on other systems in the sysplex of those groups the address spaces have joined. The following parameter is supported:

sysname

Is the name of the system having joined the XCF group of the NetView the operator is logged on to.

For further information about INGPlex SVCDUMP refer to "INGPLEX SVCdump" on page 167.

SYStem

Displays information about a member system of the sysplex.

TARGET

For information on the TARGET parameter, refer to "The TARGET Parameter" on page 10. Note that the TARGET parameter is not supported in msys for Operations..

OUTMODE

For information on the OUTMODE parameter, refer to "Additional Parameters for System Operations Commands" on page 10.

Example

If you specify INGPLEX without parameters, the selection panel shown in Figure 79 is displayed.

```

INGLX000          SA z/OS - Command Dialogs
Domain Id   = IPSFM   ----- INGPLEX -----          Date = 04/07/05
Operator Id = NETOP1                                     Time = 18:50:47

Sysplex . . . . . : SYS1PLEX

Select the desired command:                               INGPLEX ...

  1 Display systems (including ETR & signalling paths)    SYStem
  2 Display consoles                                     CONsole
  3 Control coupling facilities                          CF
  4 Control couple data sets                            CDS

  6 Display IPL information                               IPL
  7 Control dumps                                       DUMP
 10 Control all structures (allocated and unallocated)

Command ==>
F1=Help      F2=End      F3=Return                      F6=Roll
                                                       F12=Retrieve

```

Figure 79. INGPLEX Selection Panel

Use this panel to launch other command dialogs showing sysplex-related information.

Use one of the following command codes to invoke another command dialog:

1 INGPLEX SYStem

Displays the target sysplex name, its GRS mode and its systems. For each system the following details are shown:

- System name
- Status
- SSUM action
- SSUM interval time
- SSUM weight
- SFM failure detection interval

See “INGPLEX SYStem” on page 160.

2 INGPLEX CONsole

Displays the following details for the target sysplex:

- Master console name
- WTO & WTOR buffer utilization
- Number of queued messages of various types
- Awaiting mounts and operator requests
- List of consoles with more details, such as:
 - Name
 - Status
 - Authority

- Number of WTOR buffers, etc.

See “INGPLEX CONsole” on page 161.

3 INGPLEX CF

Displays the coupling facilities in the sysplex, their spaces, and CF levels. Each coupling facility can be drained and enabled. The structures of each coupling facility can be displayed, rebuilt, and forced. Duplexing can be started and stopped, when supported. The paths of the coupling facility can be displayed and set online or offline.

See “INGCF” on page 81.

4 INGPLEX CDS

Displays the couple data sets in the sysplex. For each couple data set, paths and more detailed information can be displayed. The couple data sets can be switched and new alternate data sets can be allocated.

See “INGPLEX CDS.”

6 INGPLEX IPL

Displays and compares IPL information being used during the IPL of an operating system. The information shown or compared can be varied from all available information to the content of a particular PARMLIB member.

See “INGPLEX IPL” on page 164.

7 INGPLEX DUMP

Displays the default dump options as well as the setting of the slip traps for all systems in the sysplex. It also allows you to change the settings either locally, sysplex-wide, or for some systems in the sysplex. In addition, the function allows to take multi-system SVC dumps.

See “INGPLEX SDUMP” on page 165, “INGPLEX SVCdump” on page 167, and “INGPLEX SLIP” on page 170.

10 INGSTR

Displays all allocated and unallocated structures, independent of the coupling facility. The structures can be displayed, rebuilt, forced, and duplexing can be started and stopped, when supported. You can also reallocate all structures from their current location to their preferred location if all systems in the sysplex support the XCF REALLOCATE command.

See “INGSTR” on page 204.

INGPLEX CDS

Purpose

The CDS function displays information about all the couple data sets in the system, including details of the corresponding policies. For every CDS type that is required by the implementation INGPLEX CDS allows the operator to:

- Switch from the primary to the alternate CDS
- Define a new alternate CDS
- Change the active policy (if applicable)

Actions are started by specifying an action code for a selected CDS type on the panel.

Actions

The possible action codes are:

***allocate alternate CDS (A)**

Replaces the current alternate CDS for a selected CDS type with a new one. There are two options how to do this:

- The alternate CDS is allocated automatically by SA z/OS.
This automatic allocation requires that spare volumes have been defined, and that one of these spare volumes is available.
- Specify the data set that is to be used as the new alternate CDS.
If you specify your own data set, observe the following:
 - The data set must exist
 - It must have been formatted with the XCF formatting tool
 - It must be at least as large as the current primary CDS, which means that every value you have passed to the XCF formatting tool (for example, in the case of a sysplex CDS, the maximum number of systems supported) must be equal to or greater than the corresponding value of the primary CDS.

display CHPIDs (C)

Displays information about the channel paths for the selected CDS type.

display CDS information (D)

Displays detail information about the selected CDS type. This comprises the formatting parameters and the policies that are contained in the CDS, if applicable. When the CDSs of the selected type contain policies, the detail information panel provides further actions, namely:

display policy (D)

Displays details about the selected policy.

start policy (S)

Makes the selected policy the active policy.

The policy switch must be confirmed before it is executed.

***switch alternate CDS to primary CDS (P)**

Makes the alternate CDS the primary one. Because an alternate CDS is no longer available after the switch, SA z/OS shows a confirmation panel before the action is performed. On the panel, you can specify a new alternate CDS. When CDS recovery is switched on and you do not supply your own alternate CDS, SA z/OS tries to allocate a new alternate CDS automatically. The special requirements for manual and automatic creation of the new alternate CDS are the same as those for the replacement of the alternate CDS (action code A).

Examples

The following example illustrates the switch from the primary to the alternate CDS.

The following examples start with issuing INGPLEX CDS and pressing F8 on the CDS command dialog to scroll down the CDS list. The panel shown in Figure 80 on page 155 is displayed.

```

INGKX300          SA z/OS - Command Dialogs          Line 7   of 18
Domain ID = IPSFO  ----- INGPLEX CDS -----      Date = 03/01/01
Operator ID = NETOP1      Sysplex = KEY1PLEX        Time = 10:08:10

System..: KEY3          Interval...: 86400          OPNotify: 86400
Maxmsg..: 999999      Cleanup....: 60          Retry...: 255
Classlen: 956         Max CFlevel: 9          COUPLExx: COUPLER1
SMREBLD.: 1          Max SMlevel: 9

Cmds: A allocate alternate CDS / C display CHPIDs
      D display CDS information / P switch alternate CDS to primary CDS

  Type      MS   Volume  Dev   Couple Dataset Name
  -----  --   -----  ---   -----
  -  CFRM
    PRIMARY...: 16  KEY1SP  260B  SYS1.KEY1.PXESCDS
    ALTERNATE: 16  KEYUSR  261C  SYS1.KEY1.AXESCDS
  -  LOGR
    PRIMARY...: 8   KEY1SP  260B  SYS1.KEY1.PLOGCDS
    ALTERNATE: 8   KEYUSR  261C  SYS1.KEY1.ALOGCDS

Command ==>
F1=Help      F2=End      F3=Return      F6=Roll
PF7=Back     PF8=Forward  F9=Refresh     F12=Retrieve

```

Figure 80. INGPLEX CDS Command Dialog Panel

The panel header contains sysplex-related information about the system on which the INGPLEX command was executed. The details are as follows:

- The **System** field shows the name of the system.
- The **Interval** field shows the system failure detection interval in seconds. This interval is the amount of time XCF lets elapse without a status update before assuming that the system failed.
- The **OPNotify** field shows the number of seconds that XCF waits before notifying the operator of a potential system problem.
- The **Maxmsg** field shows the default value for the maximum amount of kilobytes of message buffer space. This default value is used when MAXMSG is not specified on SETXCF START commands.
- The **Cleanup** field shows the number of seconds that XCF waits for cleanup of members.
- The **Retry** field shows the default value for the retry limit. This value is used when the RETRY keyword is not specified on SETXCF START commands.
- The **Classlen** field shows the default length (in bytes) of messages allowed for a transport class. This value is used when CLASSLEN is not specified on the SETXCF START CLASSDEF command.
- The **Max CFlevel** field shows the maximum CFLEVEL supported by this system. This system can connect to a coupling facility with a higher CFLEVEL than the value of **Max CFlevel** but would not be enabled to use any functions supported by the higher level coupling facility.
- The **COUPLExx** field shows the COUPLExx Parmlib member used for system IPL.
- The **SMRBLD** field shows whether (value 1) or not (value 0) system-managed rebuild has been activated in the CFRM couple dat set.
- The **Max SMlevel** field shows the maximum system-managed process level supported by this system.

The main part of the screen shows information about the primary and alternate CDSs for every CDS type. Press F8 to scroll and display further entries. The MS field shows the maximum number of systems that are supported by the CDS.

Making an Alternate CDS the Primary CDS: In this example, the alternate LOGR couple data set is made the new primary CDS. A new alternate CDS is automatically generated.

To switch the LOGR couple data set, enter P before LOGR on the panel displayed in Figure 80 on page 155, and press Enter. INGPLEX CDS displays the confirmation panel shown in Figure 81.

```

INGKX30A          SA z/OS - Command Dialogs
Domain ID = IPSFO  ----- INGPLEX CDS -----      Date = 03/01/01
Operator Id = NETOP1      Sysplex = KEY1PLEX          Time = 10:08:13

                          SETXCF PSWITCH Confirmation

You are going to remove the LOGR primary couple data set.
The alternate couple data set SYS1.KEY1.ALOGCDS
becomes the primary as soon as you proceed with the GO function key.
Immediately after the switch, automation will try to allocate a new alternate
couple data set on one of the spare volumes defined during the customization.
If you want the automation to allocate your own alternate couple data set
complete the necessary information below.

Your alternate couple dataset...

Name ==>
Volume ==> _____
Command ==>
                F2=End      F3=Return      F6=Roll
                F10=Go     F11=Cancel   F12=Retrieve
    
```

Figure 81. Confirmation Panel for Switching from the Current Primary CDS to the Alternate CDS

Use this panel to determine how a new alternate CDS is to be created after the switch. You can either specify your own new alternate CDS or let SA z/OS create it for you. When you specify the new alternate CDS yourself, the data set must exist and must have been formatted with the XCF formatting tool. Automatic creation requires that spare volumes have been defined for LOGR couple data sets.

Pressing F10 causes SA z/OS to generate the new alternate CDS. After returning to the CDS command dialog, refreshing the panel, and scrolling down with F8, the panel looks as shown in Figure 82 on page 157.

```

INGKX300          SA z/OS - Command Dialogs      Line 7   of 18
Domain ID = IPSFO  ----- INGPLEX CDS -----   Date = 03/01/01
Operator ID = NETOP1      Sysplex = KEY1PLEX      Time = 10:08:25

System..: KEY3          Interval...: 86400          OPNotify: 86400
Maxmsg..: 999999       Cleanup....: 60          Retry...: 255
Classlen: 956          Max CFlevel: 9          COUPLExx: COUPLER1
SMREBLD.: 1           Max SMlevel: 9

Cmds: A allocate alternate CDS / C display CHPIDs
      D display CDS information / P switch alternate CDS to primary CDS

  Type      MS   Volume  Dev   Couple Dataset Name
  -----  --   -----  ---   -----
  -  CFRM
    PRIMARY...: 16  KEY1SP  260B  SYS1.KEY1.PXESCDS
    ALTERNATE: 16  KEYUSR  261C  SYS1.KEY1.AXESCDS
  -  LOGR
    PRIMARY...: 8   KEYUSR  261C  SYS1.KEY1.ALOGCDS
    ALTERNATE: 8   AOCUSR  262B  AOC.CDS.TEST.LOGR.CDS02

Command ==>
F1=Help      F2=End      F3=Return      F6=Roll
PF7=Back     PF8=Forward  F9=Refresh     F12=Retrieve

```

Figure 82. INGPLEX CDS Command Dialog Panel after the Switch

The previous alternate LOGR CDS has become the primary, and there is a new alternate, which was created by SA z/OS.

Switching the CFRM Policy: In this example, the active CFRM policy is switched.

Enter D before CFRM on the panel displayed in Figure 80 on page 155, and press Enter. The panel shown in Figure 83 is displayed.

```

INGKX311          SA z/OS - Command Dialogs      Line 1   of 5
Domain ID = IPSFO  ----- INGPLEX CDS -----   Date = 03/01/01
Operator ID = NETOP1      Sysplex = KEY1PLEX      Time = 10:13:13
                          CFRM Couple Data Set Information

Data Set Information
Volume Device FORMAT TOD          Data Set Name
-----  ---  -----  ---  -----
KEY1SP  260B  08/29/2000 08:51:30 SYS1.KEY1.PXESCDS
KEYUSR  261C  08/29/2000 08:47:42 SYS1.KEY1.AXESCDS

Control Card Information
MS  POLICY  CF  STR  CONNECT  SMREBLD  SMDUPLEX
--  -----  --  ---  -----  -----  -----
16   8      4  64      16        1         0

Policy Information
Cmds: D display policy / S start policy
Name      CF  Str  Date          Time          Userid
-----  --  ---  -----  -----  -----
_ BZOEPOL  ACTIVE  2  19  02/10/2001  10:05:47  BZOE
_ HIRPOL   2  19  02/19/2001  19:45:57  HIR
_ HIRPOL1  1  8   08/25/2000  09:20:04  HIR

Command ==>
F1=Help      F2=End      F3=Return      F6=Roll
PF8=Forward  F9=Refresh     F12=Retrieve

```

Figure 83. CFRM Couple Data Set Information Panel before Policy Switch

INGPLEX CDS

The panel shows information about the names and locations of the CDSs. The panel also shows the parameters that were used by the formatting tool of XCF for the allocation of the CDS. The **POLICY** field, for example, displays the maximum number of policies the CDS can contain. Furthermore, the panel shows information about the policies in the CDS, for example, how many coupling facilities and structures are defined in every policy, and which policy is currently active.

To switch to the HIRPOL policy, enter S before this policy and press Enter. INGPLEX CDS displays the confirmation panel shown in Figure 84.

```
INGKX30C          SA z/OS - Command Dialogs
Domain ID  = IPSFO  ----- INGPLEX CDS -----      Date = 03/01/01
Operator Id = NETOP1      Sysplex = KEY1PLEX          Time = 10:13:17

                          SETXCF START  Confirmation

You are going to start a new CFRM   CDS policy named  HIRPOL   .

The current policy

      BZOEPOL

will be stopped as soon as you proceed with the GO function key,

Command ==>>>
          F2=End      F3=Return      F10=Go      F11=Cancel      F6=Roll
                                     F12=Retrieve
```

Figure 84. Confirmation Panel for Policy Switch

Displaying the Channel Paths for a CDS Type: In this example, the channel paths for the CFRM couple data sets are displayed.

Enter C before CFRM on the panel displayed in Figure 80 on page 155, and press Enter. The panel shown in Figure 85 on page 159 is displayed.

```

INGKX318                SA z/OS - Command Dialogs          Line 1    of 4
Domain ID = IPSFO      ----- INGPLEX CDS -----        Date = 03/02/01
Operator ID = NETOP1   Sysplex = KEY1PLEX              Time = 08:05:46
                        CFRM Channel Path Information
System  T  DEVN  CHPIDs                                     SSID
----- -  ----  -----
KEY1    P  260A  E4=+ E5=+ E2=+ E3=+                                     2600
        A  2610  E4=+ E5=+ E2=+ E3=+                                     2600
KEY2    P  260A  E4=+ E5=+ E2=+ E3=+                                     2600
        A  2610  E4=+ E5=+ E2=+ E3=+                                     2600
KEY3    P  260A  E4=+ E5=+ E2=+ E3=+                                     2600
        A  2610  E4=+ E5=+ E2=+ E3=+                                     2600
KEY4    P  260A  13=+ 22=+ 30=+ 94=+                                    2600
        A  2610  13=+ 22=+ 30=+ 94=+                                    2600

Command ==>
F1=Help      F2=End          F3=Return      F6=Roll
              F9=Refresh      F12=Retrieve

```

Figure 85. Channel Path Information for CFRM Couple Data Sets

- The **System** field shows the name of the sysplex members.
- The **T** field (for 'type') indicates whether the CDS is the primary (value 'P') or alternate (value 'A').
- The **DEVN** field displays the number of the device on which the CDS resides.
- The **CHPIDs** field shows the status of the paths to the devices in the format *chpid=status_code*. The codes are those of the operating system. They have the following meaning:
 - + The path is logically and physically available and I/O on the path was successful.
 - * The path is physically, but not logically available. The subchannel's logical path indicator is off but I/O to the path is successful. You can use the command `VARY PATH (ddd,nn),ONLINE` to make channel path *nn* logically available to device *ddd*.
 - The path is neither logically nor physically available. The subchannel's logical and physical indicators are both off for this channel path. You can use the command `CONFIG CHP(nn),ONLINE` to make the channel path logically available to all devices connected to the channel.
 - & The device is reserved to another path. This indicator applies to devices with the dynamic pathing selection feature.
 - < The path is installed but not physically available. The start subchannel request received a condition code of 3.
 - > The device microcode has detected an error and will not allow I/O to complete on the path.
 - B** The path is unable to communicate. The device indicates that a busy or reserve condition exists on the path.
 - C** A controller error occurred while accessing the device.
 - D** A device error occurred while accessing the device.

- I Intervention is required; the device is not ready.
 - R The path is available and the device is reserved to this path/group. This only applies to devices with the dynamic pathing feature.
 - T A time out has occurred; there is no response from the device. The cause of the time out is undetermined and this condition is transient.
 - U A storage control unit or storage director error occurred while accessing the device.
 - X Unable to determine the failing unit.
- The **SSID** field displays the storage subsystem to which the device belongs.

INGPLEX SYSTEM

Purpose

The SYSTEM function displays the target sysplex name, its GRS mode and its member systems.

Example

```

AOFKX100          SA z/OS - Command Dialogs          Line 1    of 4
Domain ID = IPSFP  ----- INGPLEX SYSTEM -----   Date = 03/05/01
Operator ID = NETOP1                               Time = 09:44:37

Sysplex . . . . . : KEY1PLEX
GRS Mode . . . . . : STAR

Display more info: C CPU E ETR I IPL O IOS S STOR/ESTOR
Signalling Path : D device T structure

          Monitor
Cmd  System  Status  Timestamp  INTERVAL  Action  SSUM  -----
-----  -----  -----  -----  -----  -----  TIME  WEIGHT
-     KEY1    ACTIVE  09:44:34  86400     ISOLATE  50    50
-     KEY2    ACTIVE  09:44:35  86400     ISOLATE  50    15
-     KEY3    ACTIVE  09:44:34  86400     ISOLATE  50    15
-     KEY4    ACTIVE  09:44:36  86400     ISOLATE  50    15

Command ==>
F1=Help      F2=End      F3=Return   F6=Roll
              F9=Refresh  F12=Retrieve
    
```

Figure 86. INGPLEX SYSTEM Command Dialog Panel

The following command codes are available:

- C Displays the online or offline status of one or more processors and any vector facilities, or ICRFs attached to those processors
- E Displays the timer synchronization mode and ETR ports
- I Displays IPL information
- O Displays IOS-related configuration information
- S Displays the number of megabytes of central and expanded storage assigned and available to the system

D Displays the device number of one or more in-/outbound signalling paths that XCF can use and information about in-/outbound XCF signalling paths to this system

T Displays detailed signalling path information for all coupling facility structures

- The **Sysplex** field shows the name of the sysplex.
- The **GRS Mode** field shows the GRS mode of the target system. The mode can be either STAR or RING.
- The **Cmd** field allows you to specify command codes. To use one of the command codes shown, type the appropriate letter next to the resource name, and press Enter.
- The **System** field shows the name of the system.
- The **Status** field shows the status of the system.
- The **Monitor Timestamp** field shows the last time stamp recorded for status monitoring on this system.
- The **INTERVAL** field shows the system failure detection interval in seconds. This interval is the time XCF allows to elapse without a status update before assuming that the system failed.

The last three columns contain configuration data of the SFM policy (if applicable).

- The **SSUM Action** field shows the SSUM action. It can be one of the following:
 - ISOLATE
 - DEACTIVATE
 - RESET
 - PROMPT
 - N/A
- The **SSUM TIME** field shows the SSUM interval as specified in the current SFM policy.
- The **SSUM WEIGHT** field shows the SSUM weight specified in the current SFM policy. This value is used in sysplex reconfigurations after a signalling connectivity failure.

INGPLEX CONSOLE

Purpose

The CONSOLE function displays the following information for the target sysplex:

- The name of the master console
- WTO & WTOR buffer utilization
- Number of queued messages (replies) of various types
- Awaiting mounts
- Operator requests and list of consoles (name, status, authority, number of WTOR buffers, UD, device, system, ALTGRP, MSCOPE)

Example

```

INGLX400                SA z/OS - Command Dialogs                Line 1 of 6
Domain Id = IPSFP      ----- INGPLEX CONSOLE -----          Date = 04/12/01
Operator Id = NETOP1                                     Time = 10:36:26

Sysplex . . . . . : KEY1PLEX                Master Console . . . : --none--
Message Buffer Usage : 14 / 9999             Reply Buffer Usage . . : 14 / 99
Awaiting Replies . . : 14                   Eventual Action . . . : 0
Immediate Action . . : 0                     Awaiting Mounts . . . : 0
Critical Action . . : 0                       Operator Requests . . : 0
-----

Cmds: D Details / R Requests

  Console  Status  AUTH  NBUF  UD  Device  System  ALTGRP  MSCOPE
  -----  -
- MASTER   INACTIVE MASTER n/a  Y  -none-  --none-- --none-- *ALL
- MASTER1  INACTIVE ALL    n/a  N  -none-  --none-- --none-- *ALL
- 03      INACTIVE MASTER n/a  N  -none-  --none-- --none-- *ALL
- 04      INACTIVE MASTER n/a  N  -none-  --none-- --none-- *ALL
- 05      INACTIVE MASTER n/a  N  -none-  --none-- --none-- *ALL
- 06      INACTIVE MASTER n/a  N  -none-  --none-- --none-- *ALL
-

Command ==>
F1=Help      F2=End          F3=Return      F6=Ro11
              F9=Refresh          F12=Retrieve
    
```

Figure 87. INGPLEX CONS Command Dialog Panel

The following command codes are available:

D Displays details for the console

R Displays the actual requests for the console

- The **Sysplex** field shows the name of the sysplex.
- The **Message Buffer Usage** field shows the limit of the number of WTO message buffers allowed outstanding.
- The **Awaiting Replies** field shows a decimal number representing the number of messages awaiting replies.
- The **Immediate Action** field shows a decimal number representing the number of outstanding immediate action messages (with descriptor codes 1 or 2). If the number is greater than 99999, asterisks appear in this field.
- The **Critical Action** field shows a decimal number representing the number of outstanding critical eventual action messages (with descriptor code 11). If the number is greater than 99999, asterisks appear in this field.
- The **Master Console** field shows the name of the master console.
- The **Reply Buffer Usage** field shows the limit of the number of WTOR message buffers allowed outstanding. The maximum value of yyyy is specified by the RMAX parameter in the CONSOLxx parmlib member.
- The **Eventual Action** field shows a decimal number representing the number of outstanding eventual action messages (with descriptor code 3). If the number is greater than 99999, asterisks appear in this field.
- The **Awaiting Mounts** field shows a decimal number representing the number of outstanding mount requests.
- The **Operator Requests** field shows a decimal number representing the number of outstanding requests for operator intervention.

- The **Cmd** field lets you specify the command codes shown on the panel. Enter the appropriate letter next to the resource name, and press Enter.
- The **Console** field shows the name of the console as specified in the CONSOLxx parmlib member.
- The **Status** field shows the status of the console. The following values can occur:

HARDCOPY	Hardcopy log. This condition is only indicated if the console is active on the system where the command processes.
ACTIVE	Active console
ACTIVE-P	In the process of becoming an active console. This condition is only indicated if the console is active on the system where the command is processing.
MASTER	Master console
INACTIVE	Inactive console
INACT-P	In the process of becoming a non-active console. This condition is only indicated if the console is active on the system where the command is processing.
PROB-DET	The active system console is in the problem determination mode. PD is indicated only for the system console.
SUBSYS	Subsystem-allocatable console
- The **AUTH** field shows which commands may be entered from this console. The following values can occur:

ALL	Any INFO, SYS, IO, or CONS command may be entered from this console.
CONS	INFO commands and any commands from the console command group may be entered from this console.
INFO	Any command from the informational command group may be entered from this console.
IO	INFO commands and any commands from the I/O Control command group may be entered from this console.
MASTER	The specified console is authorized to enter any operator command.
NONE	This console has no command authority.
SYS	INFO commands and any commands from the system control command group may be entered from this console.
- The **NBUF** field shows the number of WTO message buffers currently queued to this console. If nnnn is greater than 9999, asterisks (***) appear in this field.
- The **UD** field shows whether this console is receiving messages with the UD attribute.
- The **Device** field shows the device number of the console as specified in the CONSOLxx parmlib member.
- The **System** field shows the system name of the active console.
- The **ALTGRP** field shows the alternate group defined for this console.
- The **MSCOPE** field lists the name of the system or systems from which this console is receiving unsolicited messages. Note that these systems might be different from the system where this console is physically attached.

INGPLEX IPL

Purpose

With the INGPLEX IPL command you can view and compare the IPL information of the operating system. If a system does not behave after IPL as expected, the IPL recording function enables you to identify parameters that were changed, for example, since the last IPL. The recording function enables you to compare different IPL scenarios. INGPLEX IPL is a tool that helps to identify and resolve the cause of startup problems. The following information can be displayed:

- The selected system (or blank)
- The name of the sysplex
- The maximum number of IPLs that are stored for each system
- An indicator showing whether comments in PARMLIB members are ignored when collecting information

Example

```

INGLX200                SA z/OS - Command Dialogs                Line 1 of 6
Domain ID = IPSFM      ----- INGPLEX IPL -----                Date = 02/22/02
Operator ID = NETOP1                                       Time = 17:59:27

System . . . . . ==>                Max. number of IPL records/system : 10
Sysplex . . . . . ==> KEY1PLEX      Suppression of PARMLIB comments . : N
-----

Cmds: C compare record / D display details / E erase record

  System  IPL Timestamp      Dev  Volume  OpSys  Release  FMID
  -----
-  KEYA   2002-02-22 13:52   770E 120204  z/OS   SP7.0.2  HBB7705
-  KEYA   2002-02-09 09:28   770E 120204  z/OS   SP7.0.2  HBB7705
-  KEYA   2002-02-08 15:28   770E 120204  z/OS   SP7.0.2  HBB7705
-  KEYA   2001-12-10 14:31   0707 120147  z/OS   SP7.0.2  HBB7705
-  KEYB   2002-02-22 13:59   770E 120204  z/OS   SP7.0.2  HBB7705
-  KEYB   2002-02-14 16:24   770E 120204  z/OS   SP7.0.2  HBB7705
-  KEYB   2002-02-11 18:46   770E 120204  z/OS   SP7.0.2  HBB7705
-  KEYB   2002-02-11 15:36   770E 120204  z/OS   SP7.0.2  HBB7705
-  KEYB   2002-02-11 14:22   770E 120204  z/OS   SP7.0.2  HBB7705
-

Command ==>
F1=Help      F2=End      F3=Return      F6=Roll
              F8=Forward  F9=Refresh    F10=Previous   F11=Next      F12=Retrieve

```

Figure 88. INGPLEX IPL Main Panel

Use F10 and F11 to scroll through all available columns. SORT by column numbers is supported as well as the FIND and RFind command to locate information on the panel. You can also limit the display to a particular system by specifying the system name in the appropriate entry field.

The following command codes are available:

- C** Compares the complete IPL information with another IPL record. A second panel will be displayed where you can select the second record.
- D** Displays detailed information about this IPL record.
- E** Erases the IPL information records. This action must be confirmed.
 - The **Sysplex** field shows the name of the sysplex.
 - The **System** field shows the name of the system in the sysplex.

- The **IPL Timestamp** field shows the date and time of the IPL. The format is YYYY-MM-DD HH:MM converted to local timezone.
- The **Dev** field shows the IPL device number.
- The **Volume** field shows the volume serial of the IPL device.
- The **OpSys** field shows the name of the operating system, for example, z/OS or OS/390®.
- The **Release** field shows the release level of the operating system.
- The **FMID** field shows the FMID of the operating system.

For further information about the panel fields refer to the online help.

INGPLEX SDUMP

Purpose

The INGPLEX SDUMP command lets you control the default dump options sysplex-wide.

Example

The dump functions can be invoked directly by specifying the commands, or from the dump panel of the INGPLEX command selecting the appropriate command. In addition, you can invoke the dump submenu from the main panel of the INGPLEX command selecting command 7. The panel shown in Figure 89 is displayed.

```

INGLX250          SA z/OS - Command Dialogs          Line 1 of 12
Domain Id = IPSFP  ----- INGPLEX -----          Date = 02/26/02
Operator Id = NETOP1                               Time = 16:30:36

Sysplex . . . . . : KEYIPLX

Select the desired command:                          INGPLEX ...

  1 Control default SDUMP options                    SDUMP
  2 Issue SVC dumps                                  SVCDUMP
  3 Control SLIP trap settings                       SLIP

Command ==>
F1=Help      F2=End      F3=Return                    F6=Ro11
                                                    F12=Retrieve

```

Figure 89. INGPLEX Dump Options Panel

If you select option 1, the panel shown in Figure 90 on page 166 is displayed.

```

INGLX251          SA z/OS - Command Dialogs          Line 1 of 12
Domain Id = IPSFP  ----- INGPLEX SDUMP -----      Date = 02/26/02
Operator Id = NETOP1                                     Time = 15:44:58

Sysplex . . . . . ==> KEY1PLEX          Permission . . . . . : ALL
-----
Cmds: C change

  System  Dump options
-----
_ KEY1    Q=      Type=      Buffers= 0K MaxSpace= 500M MsgTime=99999
          LSQA
          TRT
_ KEY2    Q=      Type=      Buffers= 0K MaxSpace= 500M MsgTime=99999
          LSQA
          TRT
_ KEY3    Q=      Type=      Buffers= 0K MaxSpace= 500M MsgTime=99999
          LSQA
          TRT
_ KEY4    Q=      Type=      Buffers= 0K MaxSpace= 500M MsgTime=99999

Command ==>
F1=Help      F2=End      F3=Return      F6=Roll
              F8=Forward  F9=Refresh      F12=Retrieve
  
```

Figure 90. INGPLEX SDUMP Panel

The following command code is available:

C change

Invokes the modification panel by providing the options of the selected system as input

- The **Sysplex** field shows the name of the sysplex.
- The **System** field shows the name of the system in the sysplex.
- The **Permission** field shows your authorization level.
- The **Dump options** field shows the default SDUMP options of all systems in the sysplex. For each system the following details are displayed:

Q= Shows whether or not SDUMP quiesces the system while dumping the contents of the SQA or CSA.

TYPE= Causes SVC dump to dump the cross memory address spaces that the caller has when SVC dump gets control (XMEM) or when the error causing the dump occurs (XMEME).

BUFFERS= Shows the reserved storage exclusively used by SVC dump. This storage can be used while capturing the contents of the common area storage.

MaxSpace Shows the maximum amount of virtual storage that SVC dump can use to capture volatile virtual storage data, summary dump data, and component-specific data before writing the dump to DASD.

MsgTime Shows for which amount of time (mm) the message IEA793A is shown at the console. When the system deletes the message, it also deletes the captured dump.

The FIND and RFOUND commands are supported. If you specify command code C, the panel shown in Figure 91 is displayed.

```

INGLX252          SA z/OS - Command Dialogs          Line 1 of 12
Domain Id = IPSFP  ----- INGPLEX SDUMP -----      Date = 02/26/02
Operator Id = NETOP1                                     Time = 16:18:08

System . . . . . : KEY1
Sysplex . . . . . : KEY1PLEX          Recommended options are underlined.

NODUMP ... ==> N      (all other options below are ignored)

ALLNUC ... ==> -      ALLPSA(*) ==> -      COUPLE ... ==> -      CSA ..... ==> -
GRSQ ..... ==> -      LPA ..... ==> -      LSQA ..... ==> Y      NUC ..... ==> -
PSA ..... ==> -      RGN ..... ==> -      SERVERS .. ==> -      SQA(*) ... ==> -
SUMSUMP(*) ==> -      SWA ..... ==> -      TRT ..... ==> Y      WLM ..... ==> -
XESDATA .. ==> -      (*) = The NOxxx option is generated when not selected.

Q(uiesce) ==> -      (YES / NO)
Type ..... ==> -      (XMEM / XMEME)
Buffers .. ==> 0K      (nnnnK / nnnM)
MaxSpace . ==> 500      (MB)
MsgTime .. ==> 99999      (minutes)

Command ==>
F1=Help      F2=End      F3=Return      F4=Set SYS      F5=Undo all      F6=Roll
F10=Set SYSS F11=Set SYSP F12=Retrieve

```

Figure 91. INGPLEX SDUMP Modification Panel

The modification panel allows you to modify all SDUMP options. Furthermore, you can delete SDUMP options. After entering your changes you can set the new options for:

- The selected system
- All systems in the sysplex
- Selected systems in the sysplex

To set the options press the appropriate F-key. If you want to modify selected systems in the sysplex, you are prompted for the systems on which the SDUMP options are being changed. To reset the options to the state when the modification panel was invoked press F5 Undo all.

Note: The user must be authorized to change any SDUMP option. The authorization can be any of those which are used for controlling coupling facilities and couple data sets.

For further information about the panel fields refer to the online help.

INGPLEX SVCdump

Purpose

The INGPLEX SVCDUMP function allows you to issue a multisystem dump of up to 15 address spaces of a single system including their data spaces and structures.

Example

```

INGLX26S                SA z/OS - Command Dialogs                Line 1 of 6
Domain Id = IPSFP      ----- INGPLEX SVCDUMP -----          Date = 02/06/02
Operator Id = NETOP1                                       Time = 17:05:17

The following systems of sysplex KEY1PLEX are registered to the automation.
Use any non-blank character to select one system and then press ENTER.

      Sel  System
      ---  -
      -    KEY2
      -    KEY3
      -    KEY4

Command ==>
F1=Help      F2=End      F3=Return
                                           F6=Roll
                                           F12=Retrieve

```

Figure 92. INGPLEX SVCDUMP Target System Selection Panel

- The **Sel** field lets you select a system from which a multisystem dump is issued.
- The **System** field shows the name of the system having joined the same XCF group the operator is logged on to.

For further information about the panel fields refer to the online help. After selecting a system and pressing Enter, the panel shown in Figure 93 on page 169 is displayed.


```

INGLX260          SA z/OS - Command Dialogs          Line 38 of 63
Domain Id = IPXFG      ----- INGPLEX SVCDUMP -----   Date = 03/11/02
Operator Id = NETOP1                                     Time = 12:26:26

System . . . . . ==> KEYA
Sysplex . . . . . ==> KEYAPLEX
-----
Cmds: D/S de-/select job names for the SVC dump (up to 15 can be specified)

  Jobname  ASID  WorkUnitID  Userid
  -----  ----  -
  TNF      0024
- TRACE   0004
- TSO     003B  STC05983   STCUSER
- VLF     0019
- VMCF    0025
- VTAM    001E  STC05982   STCUSER      selected
- WATS    0217  TSU06587   -             selected
- WLM     000B
- XCFAS   0006

Command ==>
F1=Help      F2=End      F3=Return   F5=NextPnl  F6=Roll
              F8=Forward  F9=Refresh

```

Figure 93. INGPLEX SVCDUMP Address Space Selection Panel

If you select VTAM address space and WATS address space, which is a user, press Enter, then press F5, the panel shown in Figure 94 is displayed.

```

INGLX261          SA z/OS - Command Dialogs          Line 1 of 9
Domain Id = IPXFG      ----- INGPLEX SVCDUMP -----   Date = 03/11/02
Operator Id = NETOP1                                     Time = 12:34:04

System . . . . . : KEYA
Sysplex . . . . . : KEYAPLEX
-----
Cmds: D/S de-/select the areas to be dumped (max. 113 structures)
      A selection of the job name includes all related areas.

  Jobname  ASID  T Data Space/XCF Group Member/Structure
  -----  ----  -
  VTAM     001E
-          D IST90C95
-          D 00012IXL
-          D 00013IXL
-          L ISTGENERIC                               selected
-          M ISTCFS01.KEYB.VTAM.IPXVH__DEIBMIPS       selected
-          M ISTXCF.KEYB.VTAM.IPXVH__DEIBMIPS       selected
-          M IXCLO008.KEYB.VTAM.M28                  selected
- WATS     0217

Command ==>
F1=Help      F2=End      F3=Return   F4=PrevPnl  F5=NextPnl  F6=Roll
              F8=Forward  F9=Refresh  F12=Retrieve

```

Figure 94. INGPLEX SVCDUMP Address Space Detail Panel

Address space VTAM has some data spaces (D), one list structure (L) and some XCF group members (M). TSO user WATS has nothing.

The following command codes are supported:

D Deselects the previous selection

INGPLEX SVCdump

- S Selects a local address space, data space, structure, or XCF group member address space for the SVC dump.

If you press F5, the dump option selection panel is displayed, as shown in Figure 95.

```
INGLX262          SA z/OS - Command Dialogs
Domain Id = IPSFP  ----- INGPLEX SVC -----          Date = 02/26/02
Operator Id = NETOP1                                     Time = 18:02:56

System . . . . . : KEY3
Sysplex . . . . . : KEY1PLEX

Title .... ==>
                ==>

SDATA Dump Options (recommended options are underlined)
ALLNUC ... ==>  ALLPSA(*) ==> Y    COUPLE ... ==>  CSA ..... ==> Y
GRSQ ..... ==> Y      LPA ..... ==> -    LSQA ..... ==> -    NUC ..... ==> Y
PSA ..... ==> -      RGN ..... ==> Y    SERVERS .. ==> -    SQA(*) ... ==> Y
SUMSUMP(*) ==> Y    SWA ..... ==> -    TRT ..... ==> Y    WLM ..... ==> -
XESDATA .. ==> -    (*) = The NOxxx option is used when not selected.

Structure Dump Options (SUMMARY and ADJUNCT/ENTRYDATA are mutually exclusive)
COCLASS .. ==> -    EMCONTROLS ==> -    LISTNUM .. ==> -    STGCLASS . ==> -
ADJUNCT .. ==> -    ENTRYDATA ==> -    SUMMARY .. ==> -

Command ==>>>
F1=Help      F2=End      F3=Return    F4=PrevPnl  F5=Dump      F6=Roll
F12=Retrieve
```

Figure 95. INGPLEX SVCDUMP Dump Option Panel

The panel shows the default dump options being set on invocation. After specifying the dump title, press F5 to issue the dump. When the dump is taken, the function returns to the address space selection panel with all selections cleared. The SORT, FIND and RFIND commands are supported for selection panels only. For further information about the panel fields refer to the online help.

INGPLEX SLIP

Purpose

With the INGPLEX SLIP command you can display serviceability level indication processing (SLIP) traps being set at all systems in the sysplex. With INGPLEX SLIP you can view, enable, disable, and delete the SLIP trap defined in the sysplex.

Example

```

INGLX270                SA z/OS - Command Dialogs                Line 1 of 96
Domain Id = IPSFP      ----- INGPLEX SLIP -----                Date = 02/26/02
Operator Id = NETOP1                                     Time = 18:20:21

System . . . . . ==> _____ (leave blank for all systems)
Slip Trap Id . . ==> _____ (leave blank for all ids)
Sysplex . . . . . ==> KEYIPLEX      Permission . . . . . : ALL
-----
Cmds: +/- display/hide settings D disable E enable R remove

  System   Id      Status   Settings
  -----
- KEY1     XB37   ENABLED
- KEY1     XD37   ENABLED
- KEY1     XE37   ENABLED
- KEY1     X0E7   ENABLED
- KEY1     X0F3   ENABLED
- KEY1     X013   ENABLED
- KEY1     X028   ENABLED
- KEY1     X13E   ENABLED
-

Command ==>
F1=Help      F2=End      F3=Return    F6=Ro11
              F8=Forward  F9=Refresh   F12=Retrieve

```

Figure 96. INGPLEX SLIP Main Panel

The following command codes are available:

- + Shows the settings of the SLIP trap.
- Hides the settings of the SLIP trap.
- D** Disables the SLIP trap.
- E** Enables the SLIP trap.
- R** Deletes the SLIP trap.

The SORT, FIND and RFIND commands are supported.

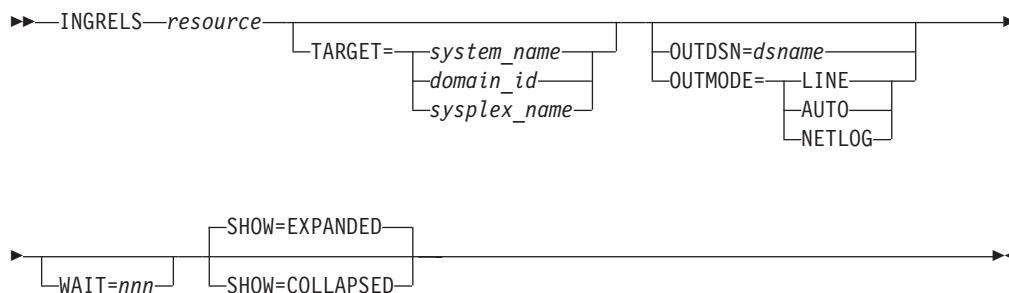
Note: The user must be authorized to enable, disable, and delete a SLIP trap. The authorization can be any of those which are used for controlling coupling facilities and couple data sets.

For information about the panel fields refer to the online help.

INGRELS**Purpose**

The INGRELS command shows the relationships that are defined for the given resource.

Syntax



Parameters

resource

Specifies the name of the resource to be displayed. The format is *name/type[/system]*.

TARGET

For information on the TARGET parameter, refer to “The TARGET Parameter” on page 10.

OUTDSN

For information on the OUTDSN parameter, refer to “The OUTDSN Parameter” on page 13.

OUTMODE

For information on the OUTMODE parameter, refer to “The OUTMODE Parameter” on page 12.

WAIT

Specifies the number of seconds to wait before reporting that a timeout occurred if the automation manager does not provide the requested data. The maximum time interval is 999 seconds.

If omitted, the time interval is 30 seconds.

SHOW

Specifies whether or not to show just the relationships or also the relationship conditions. It can be:

EXPANDED

This shows relationships and their conditions. This is the default.

COLLAPSED

This shows just the relationships.

Restrictions and Limitations

None.

Usage

The INGRELS command operates sysplex-wide. For an overview refer to “Overview of Commands that Operate Sysplex-Wide” on page 9.

Automation manager commands are not supported on downlevel systems. Note that whenever an automation manager command is issued to a target system that is running a version of SA OS/390 lower than 2.1, the NetView error message DSI002I will not contain the name of the command that was issued but the name of the associated slave command.

Examples

If you enter `ingrels` and the name of a resource, a panel similar to that in Figure 97 is displayed.

```

INGKYRL0          SA z/OS - Command Dialogs          Line 1    of 115
Domain ID  = IPUN8  ----- INGRELS -----          Date = 01/02/03
Operator ID = NETOP1      Sysplex = AOC8PLEX          Time = 13:15:00

Resource ==>  NETVIEW/APL/AOC8
System      ==>  _____ System name, domain id or sysplex name

Cmd:  - Collapse  + Expand  E INGVOTE  F INGINFO  J INGGROUP  S Focus

Cmd Name      Type System  Dir Relationship
-----
-  ALWAYSSUP  APL  AOC8      B  HasParent - Strong
                               Cond: stopDependency - UNSATISFIED
                               Cond: reallyDown - UNSATISFIED
                               Cond: allExpectedDown
-  AOC8        SYG  AOC8      B  HasMember
                               Cond: startDependency
                               Cond: stopDependency
                               Cond: extStart - UNSATISFIED
                               Cond: extStop - UNSATISFIED
                               Cond: extStopDelayed
                               Cond: prestartDependency
                               Cond: prestopDependency
                               Cond: groupTriggerStartupInhibited - YES
                               Cond: groupTriggerShutdownInhibited - YES
                               Cond: groupAutomationDisabled - UNSATISFIED
-  BZOENEW    APL  AOC8      B  HasParent - Strong
                               Cond: stopDependency - UNSATISFIED

Command ==>
PF1=Help      PF2=End      PF3=Return   PF5=Collapse all  PF6=Ro11
               PF8=Forward  PF9=Refresh  PF11=Expand all  PF12=Retrieve

```

Figure 97. INGRELS Command Dialog Panel

- The **Cmd** field lets you specify command codes. To use one of the command codes shown, type the appropriate letter next to the resource name and press Enter. The following command codes are available:
 - + Shows the condition details that exist for the selected relationship. This is only applicable if the relationship conditions are collapsed.
 - Collapses the condition details so that only the relationship is shown.
 - E Shows the requests and votes of the resource (it displays the INGVOTE panel for the resource).
 - F Shows detailed information about the resource (it displays the INGINFO panel for the resource).
 - J Displays the INGGROUP panel for the resource.
 - S Focuses on the selected resource. This is equivalent to specifying the selected resource name in the Resource field at the top of the panel.
- The **Name** field shows the name of the resource that the specified resource has a relationship with. This is referred to as the relationship partner and is also called the supporting resource.
- The **Type** field shows the type of the resource.
- The **System** field shows the name of the system where the resource resides.
- The **Dir** field shows the direction of the relationships as seen from the specified resource.

INGRELS

- F Forward. The relationship exists from the specified resource to the partner resource.
- B Backward. The relationship exists from the partner resource to the specified resource.
- The **Relationship** field shows the name of the relationship that exists between the two resources. This defines the dependency that exists between the two resources. The status of all descendants will be considered for a relationship with strong chaining. For weak chaining only the direct descendants are checked. Weak is the default. Strong chaining causes SA z/OS to check all relationships of the involved resources along the dependency graph.
If the relationship name contains 'active', this means that an attempt is made to bring the supporting resource in the required state to satisfy the dependency. Active is the default.

Furthermore, the following PF-keys are supported:

- Use the PF5 key to collapse the visible relationship conditions for all relationships.
- Use the PF11 key to see the relationship condition details for all relationships.

If you collapse all condition details, the INGRELS panel looks like Figure 98.

```

INGKYRL0          SA z/OS - Command Dialogs          Line 1   of 27
Domain ID   = IPUN8   ----- INGRELS -----      Date = 01/02/03
Operator ID = NETOP1          Sysplex = AOC8PLEX          Time = 13:15:41

Resource ==> NETVIEW/APL/AOC8
System      ==> _____ System name, domain id or sysplex name

Cmd:  - Collapse  + Expand  E INGVOTE  F INGINFO  J INGGROUP  S Focus

Cmd Name      Type System  Dir Relationship
-----
- ALWAYSUP    APL AOC8    B HasParent - Strong
- AOC8        SYG AOC8    B HasMember
- BZOENEW     APL AOC8    B HasParent - Strong
- ECICAOR     APL AOC8    B HasParent - Strong
- ECICSTOR    APL AOC8    B HasParent - Strong
- EDB2IRLM    APL AOC8    B HasParent - Strong
- EDM2MSTR    APL AOC8    B HasParent - Strong
- EIMSCTL1    APL AOC8    B HasParent - Strong
- EIMSDBRC    APL AOC8    B HasParent - Strong
- EOPCCNTL    APL AOC8    B HasParent - Strong
- EOPCTRK     APL AOC8    B HasParent - Strong
- HASPASPR    APL AOC8    B HasParent - Strong
- MOVSYS1     APL AOC8    B HasParent - Strong
- MOVSYS2     APL AOC8    B HasParent - Strong
- MOVSYS3     APL AOC8    B HasParent - Strong
- MULTIEVT    APL AOC8    B HasParent - Strong
- MULTISTR    APL AOC8    B HasParent - Strong

Command ==>
PF1=Help      PF2=End       PF3=Return    PF5=Collapse all  PF6=Roll
PF8=Forward   PF9=Refresh   PF11=Expand all PF12=Retrieve
  
```

Figure 98. INGRELS Command Dialog Panel with All Details Collapsed

INGREQ

Purpose

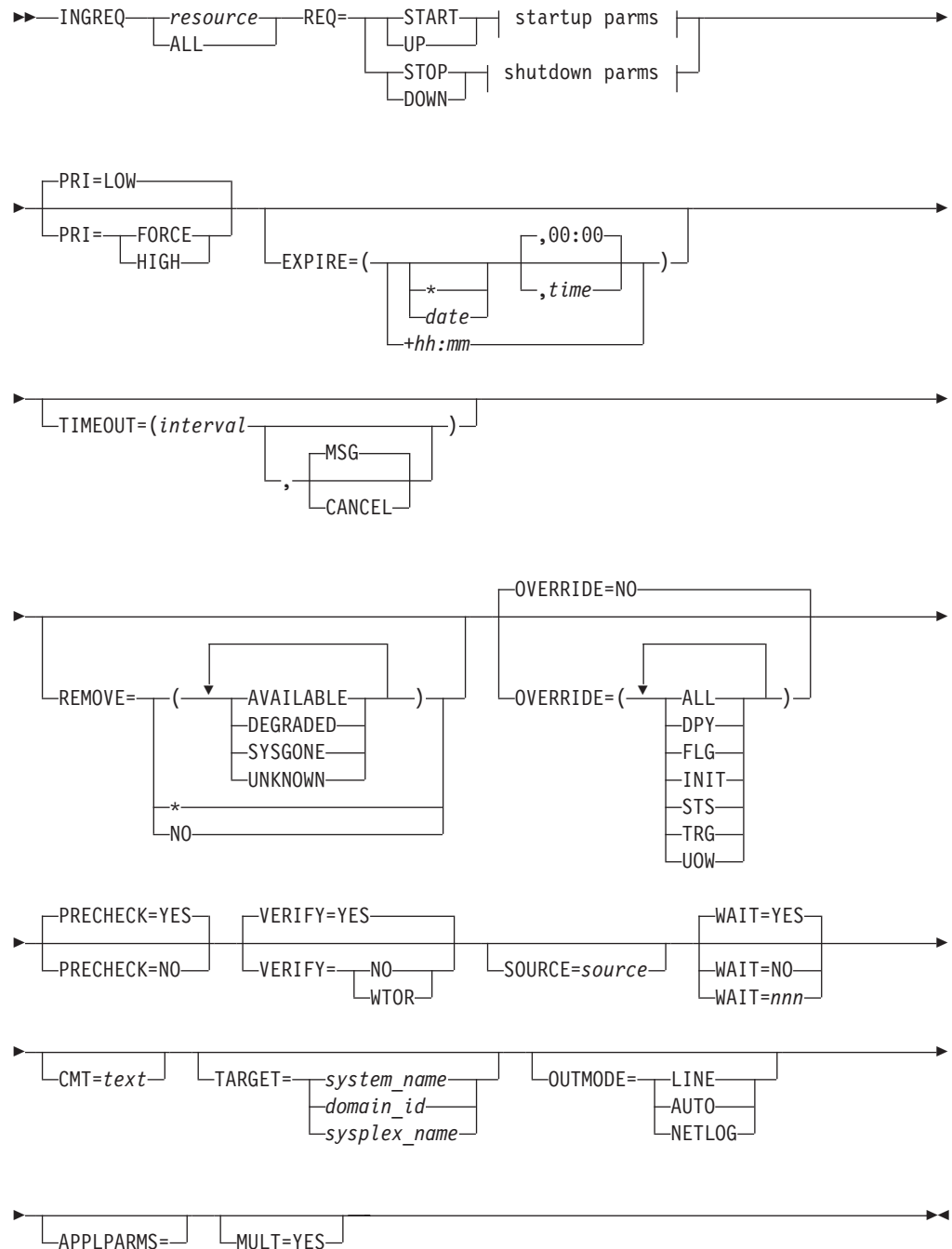
The INGREQ command lets you:

- Initiate the shutdown process for one or more resources

- Initiate the startup process for one or more resources
- Cancel a request that was previously made for the specified resource

Syntax

To start up or shut down resources:

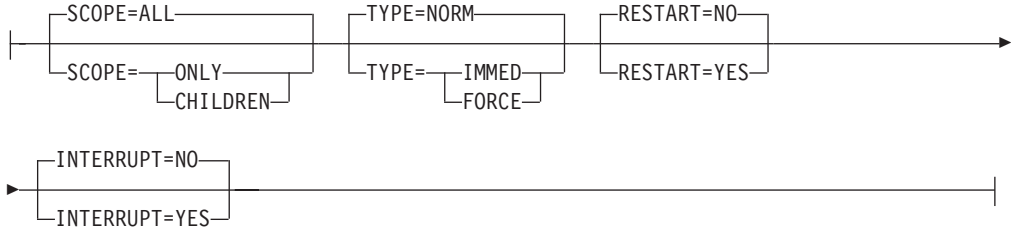


Startup parms:

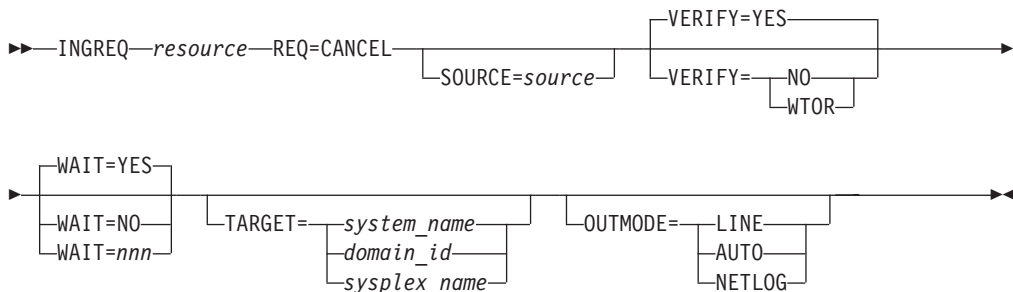
INGREQ



Shutdown parms:



To cancel a request:



Parameters

Resource

Specifies the name of the resource to be processed. The format is *name[/type[/system]]*. Wildcards are supported. In fullscreen mode, if more than one resource matches the wildcard specification, a selection panel is displayed.

In line mode, if more than one resource matches the wildcard specification and MULT=YES is specified, then all selected resources will be processed. Multiple resource specification in line mode without MULT=YES will cause an error message to be displayed.

To shutdown all resources for a system, specify *name/SYG/name*, where *name* is the system name. Alternatively, you can specify ALL.

Note: You need not specify the full name of the resource. This applies to the system as well as to the type. If the resource name is unique within the name space of the automation manager, then the system name need not be specified. If the resource name is unique within the appropriate types, then the type need not be specified. A valid resource name could be, for example, CICSPROD.

REQ

Specifies the request to be carried out. It can be either START or STOP. Alternatively you can use UP or DOWN.

Specify CANCEL if you want to cancel a request.

PRI

Specifies the priority given to the request. It can be:

FORCE Takes precedence over requests posted with HIGH priority, for example, INGREQ=START PRI=FORCE overrides an INGREQ=STOP PRI=HIGH request.

HIGH High priority.

LOW Low priority. This is the default.

EXPIRE

Specifies the expiry date and time of the request. The request is automatically removed when it expires. The date format is yyyy-mm-dd. The time format is hh:mm.

Alternatively, you can specify a relative time, for example, +04:00. The relative time will be automatically converted into the absolute date/time. The maximum relative time interval is 24:00 hours.

TIMEOUT

Specifies the interval used to check whether the request has been successfully completed. Either a message is issued, or the request is cancelled if the request has not been satisfied after that time. The format is mm.

MSG

Specifies that a message should be issued telling the notify operator that the request was not satisfied within the expected time interval. The default is to issue a message.

CANCEL

Specifies that the request should be canceled.

REMOVE

Indicates the condition under which the request is automatically removed, regardless of whether the request is satisfied or not. If the specified condition matches the observed status of the resource, the request will be deleted.

AVAILABLE

When starting a resource and specifying REMOVE=AVAILABLE, this causes the request to be removed from the system as soon as the resource becomes available.

DEGRADED

As soon as the observed status of the resource becomes DEGRADED, the start request is removed. Thus there will be no requests outstanding for the resource and a SHUTSYS ALL will go through even with low priority.

SYSGONE

If the system where the automation agent runs leaves the sysplex, the observed status of all resources running on that system becomes SYSGONE.

UNKNOWN

If the automation agent stops, the observed status of all resources controlled by the automation agent becomes UNKNOWN.

Alternatively you can specify an asterisk (*) or NO to reset the installation-defined default.

OVERRIDE

Specifies the overrides to be considered for the request. These can be one or more of the following:

NO

Specifies that no override is done. For example, a resource will not be started unless its startup flag is set on and its trigger, if used, is satisfied. This is the default.

ALL

Sets the DPY, FLG, INIT, STS, TRG, and UOW, flags to on. For startup this means that the resource is made available regardless of the automation flag settings, its trigger setting or the state of the start dependencies defined for the resource. For shutdown this means that the resource is made unavailable regardless of its automation flag settings, the trigger state and the state of the stop dependencies.

DPY

Causes the status of the relevant START/STOP dependencies that are defined for the resource to be ignored.

Note: This parameter should only be used with STOP SCOPE=ONLY.

FLG

The appropriate automation flags will be ignored for the resource.

INIT

The current INITIAL start required status will be ignored for a CICS subsystem. There are certain conditions when CICS abnormally ends and an INITIAL start is required. CICS Automation will detect these conditions and perform the next start with type INITIAL. This override can be used to ignore the INITIAL start tests, for example, if the problem has been fixed externally.

STS

The current observed status of the resource is ignored by the agent during INGREQ precheck processing. Override STS does not affect automation manager processing. Therefore, the automation manager may still reject the request after the agent has forwarded it to the automation manager.

TRG

The current trigger settings will be ignored when determining whether or not the resource can be started or stopped.

UOW

The current Outstanding Unit of Work status will be ignored for a CICS subsystem. If there are Outstanding Units of Work for a CICS subsystem, CICS Automation will start the subsystem with type AUTO (based on user-specified policy). This override can be used to ignore the UOW tests.

PRECHECK

Specifies whether or not the startup or shutdown process should pre-validate any actions before actually performing them. The value can be:

YES

Validation is performed for the entry resources. This is the default.

NO

Validation is not performed before the command is issued.

VERIFY

Specifies whether the startup or shutdown process should be verified. The following specifications are valid:

YES

Depending on the NetView task type that the INGREQ command is running on, the verification is either displayed by means of a fullscreen panel or, in line mode, shown on the console. The latter is also done when OUTMODE=LINE is coded.

WTOR

The list of affected resources is displayed before the startup or shutdown begins. The operator is prompted to verify the list via WTOR.

NO No verification is performed. VERIFY is set to NO for unattended tasks. Otherwise it is set to YES.

The default depends on the type of task that the INGREQ command runs on.

SOURCE

Specifies the originator of the request. The default is OPERATOR for an OST and AUTOOPS for an autotask.

WAIT

Specifies whether or not to wait until the request is complete. The default is YES.

mmn is the number of seconds to wait before giving up and reporting that a timeout has occurred. The maximum time interval is 999 seconds.

CMT

Specifies descriptive information about the request. The maximum length is 120 characters. If the text contains embedded blanks, it must be enclosed in quotation marks or parentheses.

Note: The comment is translated to uppercase.

TARGET

For information on the TARGET parameter, refer to “The TARGET Parameter” on page 10.

OUTMODE

For information on the OUTMODE parameter, refer to “The OUTMODE Parameter” on page 12.

APPLPARMS

The content of APPLPARMS is put into the &EHKVAR1 variable. For further information refer to *IBM Tivoli System Automation for z/OS User's Guide*.

MULT

Specifies that more than one resource will be accepted when running in line mode, if the resource wildcard specification results in multiple resources.

SCOPE

Specifies whether the startup or shutdown affects a resource or its descendants, or both. Valid options are:

ONLY

Specifies that only the specified resource is started or stopped. This is the default for startup.

ALL

Specifies that the resource and its descendants are started or stopped. This is the default for shutdown.

CHILDREN (shutdown only)

Specifies that only the descendants of the resource are stopped.

TYPE

Specifies the type of the startup or shutdown. Each type must be defined in the policy database. Valid options are:

INGREQ

NORM (startup or shutdown)

Specifies a normal startup/shutdown. This is the default.

IMMED (shutdown only)

Specifies an immediate shutdown.

FORCE (shutdown only)

Specifies a forced shutdown.

USER (startup only)

Specifies a user-defined startup type.

Note: The value specified here will be overridden by the INGSET STARTTYPE/STOPTYPE value if previously specified. However, a stop type of FORCE, wherever specified, will always be honored.

Use the VERIFY option to view the TYPE value that will be used for this request.

Once a shutdown has got to a PROBLEM or DENIED state, you can submit another shutdown request against the resource, specifying a different shutdown type or override parameters or both.

If you want to escalate the shutdown of a child subsystem, you can issue the INGREQ directly against it, but you must use a higher priority than the shutdown request against the parent was made with.

RESTART (shutdown only)

Specifies whether the resource should be restarted automatically when it has been shutdown completely. Valid options are:

NO

Specifies that no restart is performed. This is the default.

YES

Specifies that a restart is performed.

INTERRUPT (shutdown only)

Specifies whether or not to interrupt the startup or shutdown phase of the resource. Valid options are:

NO

If the resource is starting, the automation manager waits for the resource's UP message before proceeding with the shutdown.

If the resource is shutting down, the automation manager waits until the shutdown is complete. This is the default.

YES

If the resource is starting, the automation manager interrupts the startup process and starts shutting down the resource.

Interrupting the shutdown process means breaking the former stop request that is in a locked state because the agent has not yet indicated that the shutdown is complete. A typical scenario where the INTERRUPT=YES option is used is when escalating to a higher stop type.

Restrictions and Limitations

To use the INGREQ command system operations must be initialized.

When you do a NORM or IMMED shutdown, the only options allowed are:

- For a DBCTL region: PURGE, FREEZE
- For an XRF CTL region in BACKUP mode: BACKUP
- For a CTL region: PURGE, FREEZE or DUMPQ

When you do a FORCE the only options allowed are DUMP or NODUMP.

Usage

The INGREQ command operates sysplex-wide. For an overview refer to “Overview of Commands that Operate Sysplex-Wide” on page 9.

Automation manager commands are not supported on downlevel systems. Note that whenever an automation manager command is issued to a target system that is running a version of SA OS/390 lower than 2.1, the NetView error message DSI002I will not contain the name of the command that was issued but the name of the associated slave command.

Examples

If you enter INGREQ a panel similar to Figure 99 is displayed.

```

INGKYRU0          SA z/OS - Command Dialogs          Page 1 of 2
Domain ID = IPSFO  ----- INGREQ -----          Date = 04/07/05
Operator ID = NETOP1                                     Time = 18:52:41

Resource => CICS/APL/KEY4                               format: name/type/system
System   => _____ System name, domain ID or sysplex name

Request  => START Request type (START/UP, STOP/DOWN or CANCEL)
Type     => NORM Type of processing (NORM/IMMED/FORCE/user) or ?
Scope   => _____ Request scope (ONLY/CHILDREN/ALL)
Priority => LOW Priority of request (FORCE/HIGH/LOW)
Expire   => _____ , _____ Expiration date(yyyy-mm-dd), time(hh:mm)
Timeout => 0 / MSG Interval in minutes / Option (MSG/CANCEL)
AutoRemove => _____ - see help for list
Restart => NO Restart resource after shutdown (YES/NO)
Override => NO (ALL/NO/TRG/FLG/DPY/STS/UOW/INIT)
Verify  => YES Check affected resources (YES/NO/WTOR)
Precheck => YES Precheck for flags and passes (YES/NO)
Appl Parm => ,CN

Command ==>
PF1=Help PF2=End PF3=Return PF6=Ro11
PF11=Next PF12=Retrieve

```

Figure 99. INGREQ Command Dialog Panel 1

- The **Resource** field shows the name of the resource to be processed. The format is *name/type[/system]*. Wildcard is supported.
- The **System** field shows the name of the system (system name, domain ID, or sysplex name) to which the command should be routed. Specifying this is only necessary if the resources are not part of the local sysplex.
- The **Request** field shows the request to be carried out. This is either START or STOP. Alternatively you can use UP or DOWN. To remove a previously-made request from the same source specify CANCEL.
- The **Type** field shows the type of the startup or shutdown. Valid shutdown types are NORM, IMMED and FORCE as well as any other type defined in the policy database for the resource. Specify a question mark (?) to display the list of defined startup types.
- The **Scope** field shows whether the startup or shutdown affects this resource or its descendants, or both.

INGREQ

- The **Priority** field shows the priority given to the request.
- The **Expire** field shows the expiry date and time when the request will be removed.
- The **Timeout** field shows the time within which the request must complete. After this time interval either a message is issued, or the request is canceled.
- The **AutoRemove** field shows the condition under which the request is automatically removed regardless of whether the request is satisfied or not.
- The **Restart** field shows whether the resource should be restarted automatically when it has been shutdown completely. This applies only when requesting a shutdown of a resource.
- The **Override** field shows the overrides to be considered for the request. The parameter can be used to bypass the conditions or settings that would otherwise prevent a resource, or resources, from starting or shutting down.
- The **Verify** field shows whether the startup or shutdown process should be verified. If YES or WTOR is entered, the list of affected resources is displayed before the startup or shutdown begins. You will be prompted to verify the list. If WTOR is specified, you will be prompted via a WTOR. If NO is entered, the startup or shutdown begins immediately. The default is YES.
- The **Precheck** field shows whether or not the startup or shutdown process should perform up-front validation.
- The **Appl Parm**s field shows modifications or parameters to the START or STOP request.

If you press PF11 a panel similar to Figure 100 is displayed.

```
INGKYRU2                SA z/OS - Command Dialogs          Page 2 of 2
Domain ID = IPSFP      ----- INGREQ -----          Date = 06/28/02
Operator ID = NETOP1                                     Time = 15:30:25

Resource => _____ format: name/type/system
System   => _____ System name, domain ID or sysplex name

Comment  => _____
          _____

Command ==>
PF1=Help  PF2=End  PF3=Return  PF6=Ro11
          PF10=Previous  PF12=Retrieve
```

Figure 100. INGREQ Command Dialog Panel 2

- The **Comment** field lets you specify descriptive information, for example, why the request was made.

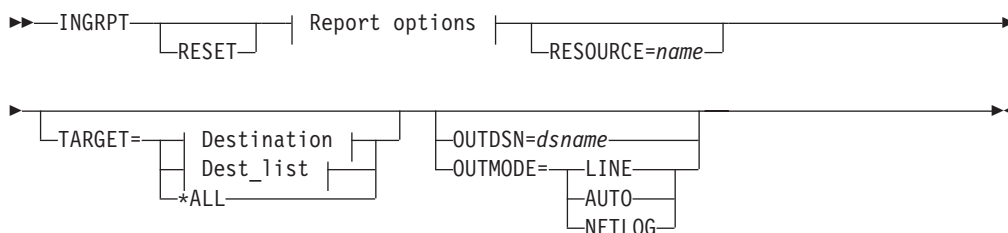
INGRPT

Purpose

The INGRPT command displays statistical information about the automation agent and some basic information about the automation manager. Two types of reports are produced:

- Summary report.
- Detail report.

Syntax



Report options:



Destination:



Dest_list:



Parameters

The following parameters are supported:

RESET

Resets the counters to 0. This option can be specified with the STATS parameter to get the statistics information and subsequently reset the counters.

RESOURCE

Is the name of the subsystem for which you want to collect the statistics, for example, TSO. Wildcard is supported, for example, INGRPT STATS=D RESOURCE=abc*. The wildcard can be leading or trailing, for example *abc*.

INGRPT

TARGET

For information on the TARGET parameter, refer to “The TARGET Parameter” on page 10.

OUTDSN

For information on the OUTDSN parameter, refer to “The OUTDSN Parameter” on page 13.

OUTMODE

For information on the OUTMODE parameter, refer to “The OUTMODE Parameter” on page 12.

STATS

Specifies whether to generate a summary report or a detail report. Detail statistics include information about each resource or subsystem that is automated by the agent. The following options are valid:

SUMMARY

This is the default.

DETAIL

Specifies to show detailed information for each resource (subsystem in the automation agent terminology).

NONE

No report is produced. The NONE option is only useful if the reset option is specified.

Restrictions and Limitations

None.

Usage

Note that INGRPT is not supported on system lower than SA OS/390 2.2. Whenever an automation manager command is issued to a target system that is lower than SA OS/390 2.2, the NetView error messages DSI002I does not contain the name of the command that was issued but the name of the according slave command.

Issuing ACF COLD resets the statistic counters.

The statistic counters for a subsystem removed with INGAMS REFRESH are not erased. However, the statistic counters for a subsystem are cleared if ACF COLD or INGRPT RESET is issued.

Examples

If you enter INGRPT you will see the start of a summary report for your system that is similar to Figure 101 on page 185.


```

INGKYRPO          SA z/OS - Command Dialogs          Line 1    of 53
Domain ID  = IPUN8  ----- INGRPT -----          Date = 10/31/03
Operator ID = NETOP1      System = AOC8              Time = 13:04:14

***** Summary Statistics *****
System   : AOC8                                     31 Oct 2003 13:04:12
-----

Begin of statistics : 10/30/03 11:32:25          Domain   : IPUN8
End   of statistics : 10/31/03 13:04:12          Sysplex  : AOC8PLEX
Elapsed time (hours) : 25:32 (1532 min)

Automation Agent Statistics
CPU time used (seconds)           : 344.87

Total number of resources defined   : 69
Total number of resources managed   : 22

Total number of messages automated : 0
Average number of messages per hour : 0.0

Command ==>
PF1=Help      PF2=End      PF3=Return      PF6=Roll
              PF8=Forward  PF9=Refresh    PF12=Retrieve

```

Figure 101.

This panel shows statistical information about the automation agent and some basic information about the automation manager. The report shows information that has been gathered during the SA z/OS session. The SA z/OS session begins with either SysOps initialization or the last INGRPT RESET command -- whichever comes last -- until the INGRPT STATS=SUMMARY/DETAIL command is issued. The counters are not retained across SysOps sessions.

The summary report for a particular subsystem shows:

- The total number of messages automated for the resource.
- The average number of messages automation per hour.
- The total number of resulting commands.
- The total number of Start commands issued.
- The total number of Stop commands issued.
- The total number of critical threshold reached hits.

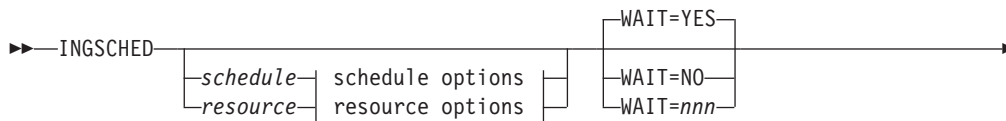
INGSCHED

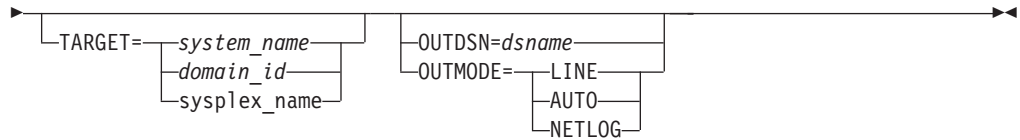
Purpose

INGSCHED displays a list of all defined schedules (service periods). It lets you:

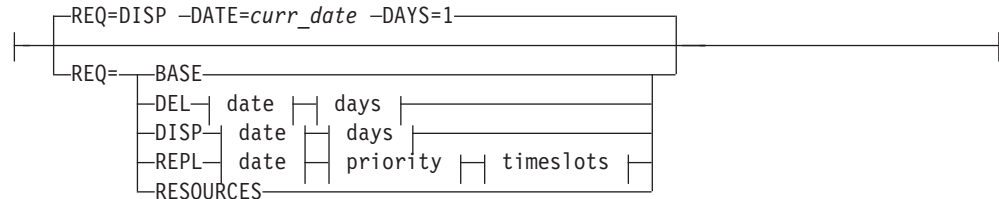
- Update the time slots (this is referred to as a schedule override).
- Display the list of resources that are associated with the schedule.
- Delete schedule or resource overrides.

Syntax

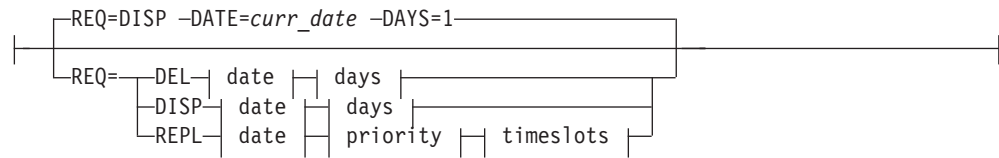




schedule options:



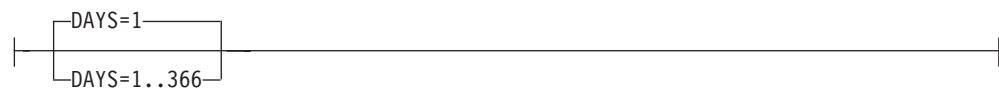
resource options:



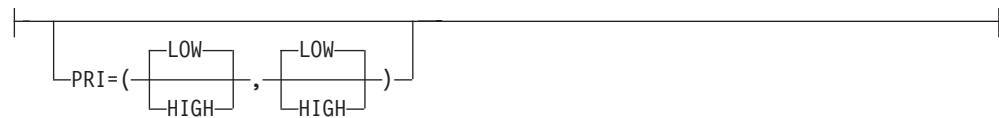
date:



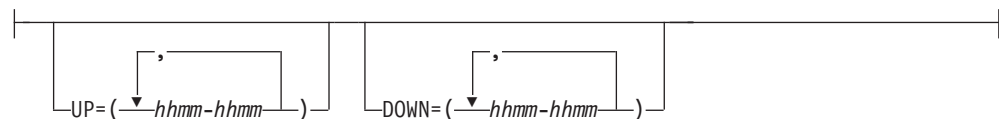
days:



priority:



timeslots:



Parameters

schedule

Is the name of the schedule to be displayed.

resource

Specifies the resource that the schedule overrides are to be displayed for. The format is *name/type[/system]*

REQ

Specifies the request. The request can be:

BASE

Displays the base schedule information.

DEL

Deletes the overrides for the specified date.

DISP

Displays the base schedule, schedule override or resource overrides starting with the specified date.

REPL

Replaces the schedule or resource override with a new one.

RESOURCES

Displays the resources that use the specified schedule (service period).

DATE

Specifies the date in *yyyymmdd* format for which the delete or replace of the override should be done.

curr_date

The current date.

DAYS

Specifies the number of days for which the overrides should be displayed or deleted.

PRIORITY

Specifies the priority to be assigned to the override. The first value is the UP priority and the second value is the DOWN priority. Valid values are:

HIGH High priority.

LOW Low priority.

Both priorities are optional. The default is LOW. The priority values can be abbreviated.

UP

Specifies the UP start and stop times in the format *hhmm-hhmm*. Up to five time slots can be specified separated by a comma. The UP time slots define the time windows where the resource must or should be available. A priority of HIGH means that the resource must be available, while a priority of LOW means that the resource should be available.

DOWN

Specifies the DOWN start and stop times. The format is *hhmm-hhmm*. Up to five time slots can be specified separated by a comma. The DOWN time slots define the time window where the resource must or should be *not* available (that is, unavailable). A priority of HIGH means that the resource must be unavailable, while a priority of LOW means that the resource should be unavailable. If you specify DOWN, specifying the UP priority becomes mandatory.

INGSCHED

WAIT

Specifies whether or not to wait until the request is complete. The default is YES.

nnn is the number of seconds to wait before giving up and reporting that a timeout has occurred. The maximum time interval is 999 seconds.

TARGET

For information on the TARGET parameter, refer to “The TARGET Parameter” on page 10.

OUTMODE

For information on the OUTMODE parameter, refer to “The OUTMODE Parameter” on page 12.

OUTDSN

For information on the OUTDSN parameter, refer to “The OUTDSN Parameter” on page 13.

Restrictions and Limitations

The INGSCHED command can only be used when system operations is initialized.

Service period overrides cannot be modified immediately after a system time change where the system clock was set back, for example, in case of daylight savings. Overrides cannot be modified until the new local time passes the original pre-adjustment local time.

Usage

The INGSCHED command operates sysplex-wide. For an overview refer to “Overview of Commands that Operate Sysplex-Wide” on page 9.

Automation manager commands are not supported on downlevel systems. Note that whenever an automation manager command is issued to a target system that is running a version of SA OS/390 lower than 2.1, the NetView error message DSI002I will not contain the name of the command that was issued but the name of the associated slave command.

The automation agent as well as the automation manager verify each time slot being modified. Due to the delay between these verifications, a time slot of the current day that is still valid when the agent checks it could already be invalid when the automation manager checks it. For example, the agent passes an override request to the manager at 10:59:59. The automation manager scheduler receives the request at 11:00:01 and rejects it because the start time has already elapsed. This is indicated by return code 8 and reason code X'10C4' in message INGY1004. If this error occurs, you can fix it by correcting the time slot in error and reissuing the override.

Examples

If you enter `ingsched` a panel similar to Figure 102 on page 189 is displayed.

```

INGKYSPO          SA z/OS - Command Dialogs      Line 1   of 3
Domain ID = IPSNM ----- INGSCHED -----      Date = 08/25/03
Operator ID = NETOP1                               Time = 13:56:24

Cmd:  A Show Details  B Show Overrides  C Show Resources

Cmd Schedule  Description
-----
- STD_SERV    Standard Service Period
- TSOPLUS     Special service period for TSOPLUS
- ONLINE      Schedule for CICS applications

Command ==>
PF1=Help      PF2=End          PF3=Return      PF6=Roll
               PF9=Refresh      PF12=Retrieve

```

Figure 102. INGSCHED Initial Command Dialog Panel

- The **Cmd** field allows you to specify command codes. To use one of the command codes shown, type the appropriate letter next to the resource name and press Enter. The following command codes are available:
 - A** Show Details. Displays the service periods for the selected schedule without any override.
 - B** Show Overrides. Displays the overrides for the selected schedule starting with the current day for the next *n* days filling one panel.
 - C** Show Resources. Displays the list of resources or application groups that make use of the schedule. This can then be used to modify the service periods for the resource.
- The **Schedule** field shows the schedule (service period) defined in the sysplex.
- The **Description** field shows the description specified for the resource.

Showing Schedule Details

Overrides are shown in white.

The base time slots for a selected schedule are displayed when specifying command code A in front of the schedule. The panel in Figure 103 on page 190 is displayed (note that INGSCHED REQUEST=BASE shows a similar panel).

```

INGKYSP1          SA z/OS - Command Dialogs          Line 1 of 14
Domain ID = IPSFO ----- INGSCHED -----          Date = 08/25/03
Operator ID = NETOP1       Sysplex = KEY1PLEX        Time = 14:36:07

Schedule. . : SHIFT1          Weekday A.M. (06:00 - 11:59)

  Day    Pri  Strt/Stop  Strt/Stop  Strt/Stop  Strt/Stop  Strt/Stop
  ---    --  - - - - -  - - - - -  - - - - -  - - - - -  - - - - -
MON  UP   H   0600-1159  -           -           -           -           -
    DN   H   0000-0559  1200-2400  -           -           -           -
TUE  UP   H   0600-1159  -           -           -           -           -
    DN   H   0000-0559  1200-2400  -           -           -           -
WED  UP   H   0600-1159  -           -           -           -           -
    DN   H   0000-0559  1200-2400  -           -           -           -
THU  UP   H   0600-1159  -           -           -           -           -
    DN   H   0000-0559  1200-2400  -           -           -           -
FRI  UP   H   0600-1159  -           -           -           -           -
    DN   H   0000-0559  1200-2400  -           -           -           -
SAT  UP   L   -           -           -           -           -
    DN   H   0000-2400  -           -           -           -           -
SUN  UP   L   -           -           -           -           -
    DN   H   0000-2400  -           -           -           -           -

Command ==>
PF1=Help    PF2=End          PF3=Return    PF6=Ro11
              PF9=Refresh          PF12=Retrieve
  
```

Figure 103. INGSCHED Command Dialog Panel Showing Schedule Details

- The **Schedule** field shows the name of the schedule as defined in the sysplex.
- The **Day** field shows the day of the week.
- The **Pri** field shows the priority associated with the day of the week. It can have the following values:
 - H** High priority. The resource must be down or up.
 - L** Low priority. The resource should be down or up.
- The **Strt/Stop** field shows the begin and end times of the service window.

Showing Schedule Overrides

To display detailed information for a particular schedule, specify command code B in front of the schedule. The panel displayed, as shown in Figure 104 on page 191, then shows the start and stop times starting from the requested date. The default starts from the current day. For each day, two rows are displayed:

- The first row (UP) shows the time slots when the associated resources should be up (available).
- The second row (DN) shows the time slots when the associated resources should be down (unavailable).

To modify the start and stop times for the various days, overtype them. Start and stop times that have been overwritten are shown in yellow. The overrides for a particular day can be removed with command code D, except for time slots that are affected by the current time. The time slots will then be restored to the original values.

```

INGKYSP2                SA z/OS - Command Dialogs
Domain ID = IPSFO      ----- INGSCHED -----      Date = 08/25/03
Operator ID = AFRANCK   Sysplex = KEY1PLEX           Time = 14:53:15

Schedule. . : SHIFT1      Weekday A.M. (06:00 - 11:59)
Starting date => 08 / 25 / 2003 (mm/dd/yyyy)

C Date          Pri  Strt/Stop  Strt/Stop  Strt/Stop  Strt/Stop  Strt/Stop
-----
08/25/03 Mon UP  H  0600 1159      -          -          -          -
                   DN  H  0000 0559 1200 2400      -          -          -
08/26/03 Tue UP  H  0600 1159      -          -          -          -
                   DN  H  0000 0559 1200 2400      -          -          -
08/27/03 Wed UP  H  0600 1159      -          -          -          -
                   DN  H  0000 0559 1200 2400      -          -          -
08/28/03 Thu UP  H  0600 1159      -          -          -          -
                   DN  H  0000 0559 1200 2400      -          -          -
08/29/03 Fri UP  H  0600 1159      -          -          -          -
                   DN  H  0000 0559 1200 2400      -          -          -
08/30/03 Sat UP  L  -          -          -          -          -
                   DN  H  0000 2400      -          -          -          -
08/31/03 Sun UP  L  -          -          -          -          -
                   DN  H  0000 2400      -          -          -          -
09/01/03 Mon UP  H  0600 1159      -          -          -          -
                   DN  H  0000 0559 1200 2400      -          -          -
09/02/03 Tue UP  H  0600 1159      -          -          -          -
                   DN  H  0000 0559 1200 2400      -          -          -

Command ==>
PF1=Help      PF2=End      PF3=Return      PF6=Roll
PF7=Backward  PF8=Forward   PF9=Refresh     PF12=Retrieve
    
```

Figure 104. INGSCHED Command Dialog Panel Showing Schedule Overrides

To delete individual overrides, blank out the appropriate time slot.

Showing Resources Related to a Schedule

A list of resources that use the selected schedule is displayed when specifying command code C in front of the schedule. A panel similar to Figure 105 is displayed.

```

INGKYSP3                SA z/OS - Command Dialogs      Line 1 of 6
Domain ID = IPSFO      ----- INGSCHED -----      Date = 08/25/03
Operator ID = NETOP1   Sysplex = KEY1PLEX           Time = 14:57:29

Schedule. . : SHIFT1      Weekday A.M. (06:00 - 11:59)

Cmd: S Show Overrides
Cmd Resource  Type  System  Description
-----
- MSCSUBSYS   APL   KEY3    test application
- MSCSUBSYS   APL   KEY4    test application
- STDT001AA00 APL   KEY1    A. M. shift (6:00 - 11:59)
- STDT001AA00 APL   KEY2    A. M. shift (6:00 - 11:59)
- STDT001AA00 APL   KEY3    A. M. shift (6:00 - 11:59)
- STDT001AA00 APL   KEY4    A. M. shift (6:00 - 11:59)

Command ==>
PF1=Help      PF2=End      PF3=Return      PF6=Roll
PF9=Refresh     PF12=Retrieve
    
```

Figure 105. INGSCHED Command Dialog Panel Showing Resources Related to a Schedule

INGSCHED

- The **Cmd** field allows you to display specific information for each system. The following command code is available:

S Shows overrides. Changes service periods for the resource group.

- The **Resource** field shows the name of the resource that uses the specified schedule.
- The **Type** field shows the type of the resource.
- The **System** field shows the name of the system that the resource resides on.
- The **Description** field shows the description specified for the resource.

The FIND/RFIND subcommands are supported. Refer to “Deciding the Format of the Command Output (Fullscreen only)” on page 13 for information.

Showing Resource Overrides

A panel similar to Figure 106 shows schedule overrides for the selected resource.

```

INGKYS P2          SA z/OS - Command Dialogs
Domain ID = IPUFA  ----- INGSCHED -----   Date = 08/26/03
Operator ID = NETOP1      Sysplex = AOCPLEX      Time = 14:56:08

Resource . . . : STDT005AA00/APL/AOCA          Schedule . . . : SHIFT5
Starting date => 07 / 04 / 2000      (mm/dd/yyyy)

C Date          Pri  Strt/Stop  Strt/Stop  Strt/Stop  Strt/Stop  Strt/Stop
-----
08/26/03 Tue UP  L          0000 1900    _____
                   DN  H          0000 1900    _____
08/27/03 Wed UP  L          1600 1800    _____
                   DN  H          1800 1900    _____
08/28/03 Thu UP  L          _____
                   DN  H          0000 1900    _____
08/29/03 Fri UP  L          _____
                   DN  H          0000 1900    _____
08/30/03 Sat UP  L          _____
                   DN  H          0000 1900    _____
08/31/03 Sun UP  L          _____
                   DN  H          0000 1900    _____

Command ==>
PF1=Help      PF2=End      PF3=Return      PF6=Roll
PF7=Backward  PF8=Forward  PF9=Refresh     PF12=Retrieve
  
```

Figure 106. INGSCHED Command Dialog Panel Showing Resource Overrides

The panel shows the service windows currently defined for the resource. The service windows are determined as follows:

- Base service periods from the associated schedule, if any are defined.
- Override service periods from the associated schedule, if any are defined.
- Override service periods associated with the resource.
- The **Day** field shows the day of the week.
- The **Pri** field shows the priority associated with the day of the week. It can have the following values:

H High priority.

L Low priority.

- The **Strt/Stop** fields show the beginning and end times of the service window. For each day, two rows are displayed.

- The first row (UP) shows the time slots when the associated resources must be up (available).
- The second row (DN) shows the time slots where the associated resources must be down (unavailable).

Time slots that are overrides for the resource are shown in pink. Time slots defined for the base schedule are shown in green, while its overrides are shown in yellow. Time slots that are already passed cannot be deleted or overridden. To set an override, type over the appropriate time field.

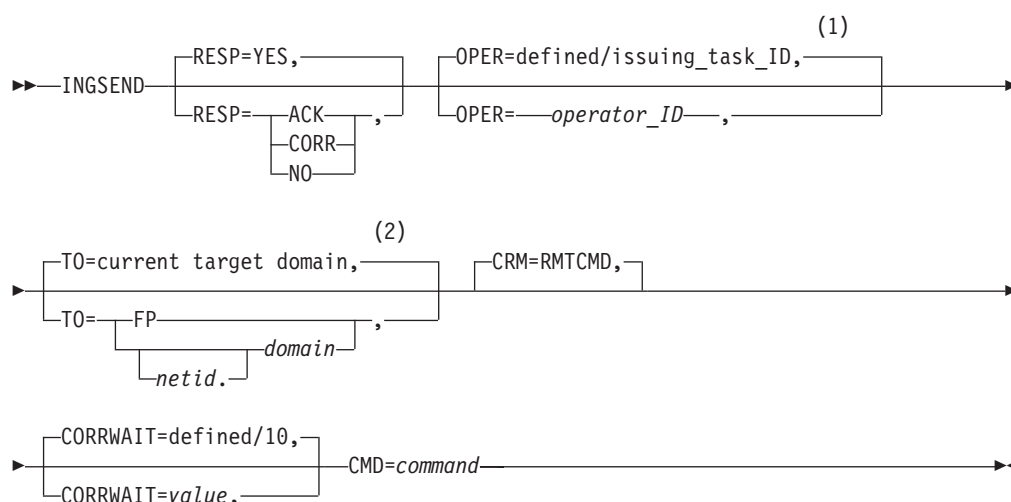
INGSEND

Purpose

INGSEND routes commands to other domains using NetView RMTCMD.

You should use the TARGET parameter with system operations commands if possible.

Syntax



Notes:

- 1 The default value can be defined using the SA z/OS customization dialog. If not defined, SA z/OS provides the default.
- 2 This value is set by the command routing process. That is, the last target domain that you sent a command to is remembered and used as the default.

Parameters

RESP

Specifies whether you want to receive an asynchronous response or acknowledgement when you issue the command. Valid options are:

ACK

If you use this option:

- A message is displayed on the operator's NCCF console stating whether or not the command executed successfully.

INGSEND

- If the command executed successfully, message AOF672I will be displayed.
- If the command executed but failed, message AOF671I will be displayed.
- If the command could not be delivered to the target domain or RMTCMD autotask, or was delivered and failed to begin execution, the appropriate NetView RMTCMD message will be displayed to explain the failure.

NO

Specifies that you do not want to receive any output from the command.

YES

Specifies that you want the output from the command displayed on your NCCF console.

CORR

Specifies that you want the output from the command to be displayed by means of the Netview WINDOW command. See *Restrictions* on correlating command output.

OPER

Specifies the operator by which to issue the command.

operator_ID can be defined using the customization dialog for each domain. If not defined, it will default to the issuing task ID.

Notes:

1. If operator alias GATOPER or BASEOPER is specified, the operator ID will default to the issuing task id.
2. If orig.operid = target.operid in the OPER keyword, the command *will* be issued.

TO

Specifies the domain to which the command is being issued.

[netid].domain

Specifies the domain to which the command is being issued. It can be defined using the customization dialog. Netid is optional.

FP Specifies that the command is to be routed to the current focal point.

Notes:

1. When INGSEND is issued on the current focal point, and TO=FP is specified, the command *will* be issued.
2. If this parameter (TO=) is omitted, the current target domain (that is, the last domain you sent a command to) is used, if one is set. If none is set, error message AOF102I will be issued.

CRM

Specifies that the command routing mechanism to be used is the NetView RMTCMD command.

A default command routing mechanism can be predefined for each target system using the customization dialog. Refer to *IBM Tivoli System Automation for z/OS User's Guide* for further information. If you do not predefine a command routing mechanism in this way, it will default to RMTCMD.

CORRWAIT

Specifies the CORRWAIT value (in seconds) to be used when INGSEND uses NetView PIPES. The Corrrwait PIPE stage is necessary to trap asynchronous command output. A default for this value can be predefined for each target

system, using the customization dialog. If not predefined, the default is 10 seconds. For more information on the use of this value, see the discussion of the PIPE command in *NetView Operation*.

CMD

Specifies the command to be executed. The length of the command can be up to 280 characters.

Restrictions and Limitations

- The INGSSEND command will not execute under the primary POI task (PPT).
- INGSSEND uses the NetView PIPE command to trap the message output from the routed command. Not all commands are PIPE-enabled, which means that the command may not be treated as requested in the RESP keyword. Some examples of commands that are not PIPE-enabled are:
 - MVS commands on a NetView not exploiting EMCS.
 - Commands that produce fullscreen output.
 - A NetView command that is not PIPE-enabled.

For more information on RMTCMD and PIPE commands, see *Tivoli NetView for z/OS User's Guide*.

Usage

If the command you are issuing contains either a space, a comma, or a delimiter, you should delimit the command.

You can delimit the command you are sending with either single quotation marks, double quotation marks, or '/'. If you want to include an occurrence of the delimiter character within the delimited string, then the character must be preceded by another delimiter character. The delimiter character must appear as the first character of the string after the 'CMD='. INGSSEND sends the command defined by the start and end delimiter. Examples of INGSSEND with commands that use delimiters are shown in "Examples."

Examples

The following examples show how INGSSEND is used and correctly delimited:

1. Consider the following example:

```
"INGSSEND RESP=ACK,TO=CNM01,CMD=START TASK=DSILOG"
```

Command START TASK=DSILOG will be routed with the following:

Keyword	Value	Reason
TO	CNM01	Specified
RESP	ACK	Specified
OPER	OPER4	Predefined
CRM	RMTCMD	Default

The following message will be issued to OPER2's NCCF console:

```
"AOF672I COMMAND (START TASK=DSILOG) WAS EXECUTED IN DOMAIN CNM01 BY A
RMTCMD COMMAND FROM OPERATOR OPER2"
```

OPER4 is defined using the customization dialog. The above example does not use delimiters.

INGSEND

- The following example does not use delimiters as far as INGSND is concerned even though there are delimiter characters in it:

```
INGSEND RESP=ACK,TO=CNM01,CMD=MVS $D'RMF'
```

- The following is correctly delimited:

```
INGSEND RESP=ACK,TO=CNM01,CMD='ACT CHP123'
```

- The following example is also correctly delimited and contains the delimiter character within the delimiters. This command is equivalent to the second example:

```
INGSEND RESP=ACK,TO=CNM01,CMD='MVS $D'RMF'
```

- The following example is also correctly delimited and is an alternative way to type the previous example:

```
INGSEND RESP=ACK,TO=CNM01,CMD=/MVS $D'RMF'/
```

- The following example will be passed as correctly delimited but only 'MVS \$D' will be sent because the end delimiter follows the D thus defining the command:

```
INGSEND RESP=ACK,TO=CNM01,CMD='MVS $D'RMF' "
```

If you enter INGSND without specifying any parameters, a panel similar to Figure 107 will be displayed.

```
INGKYSND                SA z/OS - Command Dialogs
Domain ID = IPUN8      ----- INGSND -----      Date = 11/04/03
Operator ID = NETOPER                                     Time = 16:58:22

Specify or revise the following parameters:

Response      =>  YES          Enter ACK, YES, NO or CORR
Operator id   =>  _____ Leave blank for default
Target (TO)  =>  _____ format: [netid.]domain
Corrwait     =>  _____
Command ...

_____
_____
_____

Command ==>
PF1=Help    PF2=End    PF3=Return  PF6=Roll    PF12=Retrieve
```

Figure 107. INGSND Command Dialog Panel

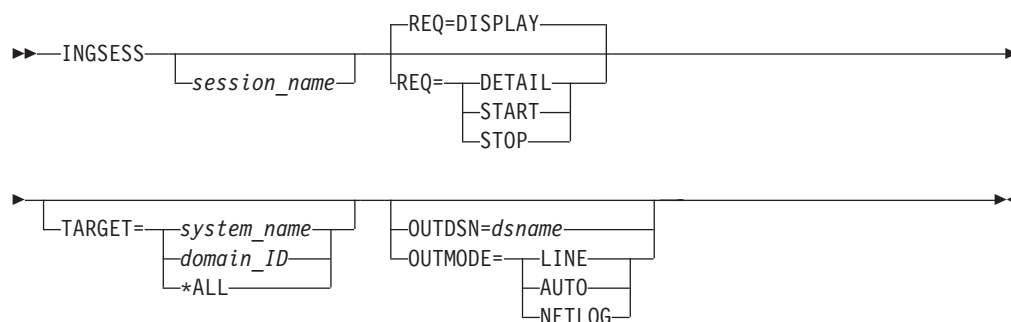
The available fields correspond to the parameters of the INGSND command (see "Parameters" on page 193 for details).

INGSESS

Purpose

INGSESS displays OMEGAMON® session definitions, the session status and statistical information about the session.

Syntax



Parameters

session_name

The name of the OMEGAMON session that an action is requested for. This parameter is only useful in line mode.

More than one name can be specified for the REQ=DISPLAY function. Wildcards are supported. The session name is mandatory for the Start, Stop, and Detail request.

REQ=*action*

The action that you want to perform for *session_name*. It can be one of the following:

DISPLAY

Returns the list of sessions that match the specified filter criteria. This is the default.

DETAIL

Returns details for the named session.

START

Creates a new session using the session attributes for *session_name*.

STOP Destroys the named session.

This parameter is only useful in line mode.

TARGET

For information on the TARGET parameter, refer to “The TARGET Parameter” on page 10.

OUTDSN

For information on the OUTDSN parameter, refer to “The OUTDSN Parameter” on page 13.

OUTMODE

For information on the OUTMODE parameter, refer to “The OUTMODE Parameter” on page 12.

Examples

Figure 108 on page 198 is displayed when you enter the INGSESS command at the NetView command line.

```

INGKYSS0          SA z/OS - Command Dialogs          Line 1 of 8
Domain ID = IPSFM ----- INGESESS -----          Date = 04/22/05
Operator ID = NETOP1          System = KEYA          Time = 14:18:55

CMD:  B Start session  C Stop session  D Details

CMD Session      System  Type      Status    Appl-id  User id  SessOper
-----
-  C1CSKY41      KEYA    OMIICICS  ACTIVE    IPSP0C0  SAOM    AOFSES01
-  DB2SGG4      KEYA    OMIIDB2   ACTIVE    IPSPD2C  SAOM    AOFSES02
-  DB2SG14      KEYA    OMIIDB2   SESSFAIL IPSPD2C  SAOM    AOFSES01
-  IMS742CR     KEYA    OMIIMS    ACTIVE    IPSP0I0  SAOM    AOFSES02
-  IMS743CR     KEYA    OMIIMS    MAINT    IPSP0I0  SAOM    AOFSES01
-  JHSY4MVS     KEYA    OMIIMVS   ACTIVE    IPSPM2RC SAOM    AOFSES02
-  JHSY4MV2     KEYA    OMIIMVS   INACTIVE  IPSPM2RC SAOM    AOFSES01
-  OMSY4MVS     KEYA    OMIIMVS   ACTIVE    IPSPM2RC SAOM    AOFSES01

Command ==>
PF1=Help      PF2=End      PF3=Return   PF6=Roll
               PF9=Refresh  PF12=Retrieve
    
```

Figure 108. INGESESS Command Dialog Display

- The **Cmd** field allows you to display specific information for each system. The following command code is available:
 - B** Creates a new session with the appropriate OMEGAMON, if it does not already exist, that is, the session status is INACTIVE or MAINT. After successful session creation, the session status is ACTIVE. The session remains active until it is stopped, either explicitly (using command code C), or implicitly by NetView on behalf of OMEGAMON or session task termination.
 - C** Destroys the session with the appropriate OMEGAMON. The session status will be changed to MAINT. The session is disabled so as to prevent it from being created implicitly again.
 - D** Displays details for the selected session, such as the session attributes from the session definition, the current status, and statistical information.
- The **Session** column shows the name of the session that represents an OMEGAMON monitor.
- The **System** column shows the system that established the connection to OMEGAMON.
- The **Type** column shows the type of session, that is, the OS or middleware that the OMEGAMON monitor is monitoring.
- The **Status** column shows the status of the session. It can be ACTIVE, INACTIVE, MAINT, SESSFAIL, or AUTHFAIL.
- The **Appl-id** column shows the name of the OMEGAMON VTAM application as defined by the installation during customization of the OMEGAMON product.
- The **User id** column shows the user that is defined to log on to the OMEGAMON application. The user ID is needed to control access to the OMEGAMON application. It may be blank if product level security is not implemented for this OMEGAMON application.
- The **SessOper** column shows the automated function name that was assigned to the session by SA z/OS during initialization.

If command code D is selected, the detail screen as shown in Figure 109 is displayed.

```

INGKYSS1          SA z/OS - Command Dialogs      Line 1    of 22
Domain ID  = IPXNG  ----- INGSESS -----      Date = 04/22/05
Operator ID = NETOP1      System = KEYA          Time = 14:43:23

Session          : OMSY4MVS
System           : KEYA          in Sysplex   : KEYAPLEX
Type            : OMIIMVS
Description      : OMEGAMON for MVS on KEY4

Status          : ACTIVE
Session Operator : AOFSES01
Logical Unit    : TFNG#000

Application id   : IPSPM2RC
User id         : SAOM
Password        : SAFPW
Timeout         : 29
Logon data      :

Users...
                NETOP1

Statistics...
Total # Commands      : 13
Total # exception analysis : 14
Total # exceptions tripped : 630

Command ==>
PF1=Help  PF2=End    PF3=Return  PF6=Ro11
                PF9=Refresh                PF12=Retrieve

```

Figure 109. INGSESS Command Dialog Detail Display

- The **Session** field shows the name of the session that represents an OMEGAMON monitor
- The **System** field shows the system that established the connection to OMEGAMON.
- The **Description** field shows descriptive information for this session as specified in the automation policy
- The **Status** field shows the status of the session. It can be ACTIVE, INACTIVE, MAINT, SESSFAIL, or AUTHFAIL.
- The **Session Operator** field shows the automated function name that was assigned to the session by SA z/OS during initialization.
- The **Logical Unit** field shows the name of the source LU that was assigned by NetView upon establishing a Terminal Access Facility (TAF) fullscreen session.
- The **Application id** field shows the name of the OMEGAMON VTAM application as defined by the installation during customization of the OMEGAMON product.
- The **User id** field shows the user that is defined to log on to the OMEGAMON application. The user ID is needed to control access to the OMEGAMON application. It may be blank if product level security is not implemented for this OMEGAMON application.
- The **Password** field shows the password in the form of a string of asterisks or 'SAFPW'. This is the password used to logon to the OMEGAMON application.
- The **Timeout** field shows the maximum time to wait for a response from OMEGAMON before the request is terminated.

INGSSESS

- | • The **Logon data** field shows the data that is sent to the OMEGAMON session during logon.
- | • The **Users** field shows a list of operators or *AUTO that have interacted with the session since it became ACTIVE.
- | • The **Statistics** section shows:
 - | – The **Total # Commands** field shows the number of commands that have been issued on this session since the session became ACTIVE. The counter is reset each time the session becomes ACTIVE.
 - | – The **Total # exception analysis** field shows the number of exception trap analysis commands that have been issued since the session became ACTIVE. The counter is reset each time the session becomes ACTIVE.
 - | – The **Total # exceptions tripped** field shows the number of exceptions that actually tripped as reported by the session since it became ACTIVE. The counter is reset each time the session becomes ACTIVE.

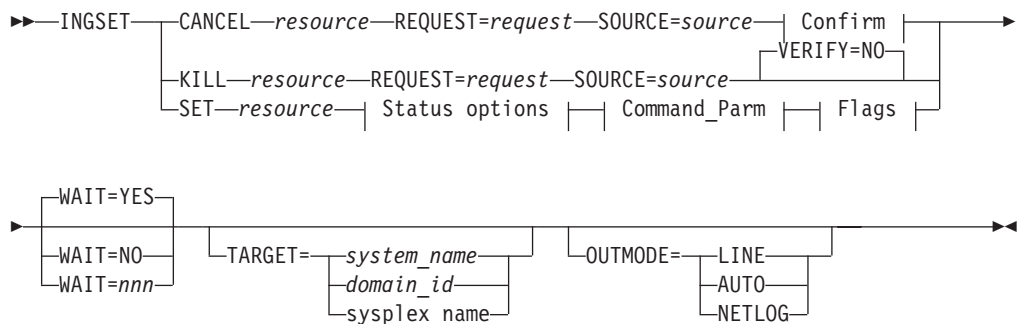
INGSET

Purpose

INGSET is a line-mode command that is primarily used in automation clists. With the INGSET command you can:

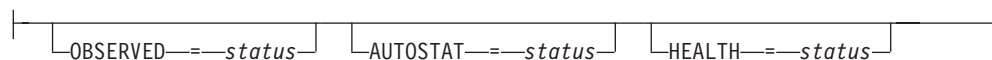
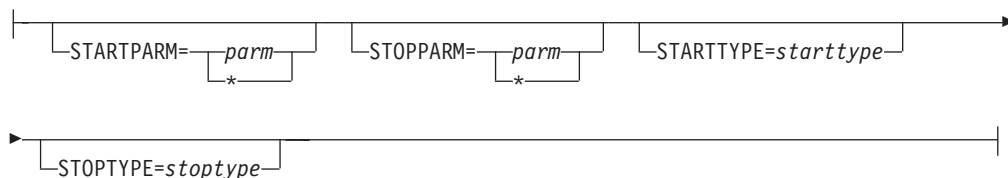
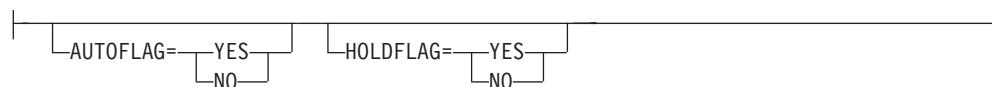
- Remove an operator's request
- Set a status attribute or automation flag for a resource or application group
- Clear or set the hold flag for a resource or application group
- Set or reset the Group failed flag
- Set the start or stop type for a resource

Syntax



Confirm:



Status options:**Command_Parm:****Flags:****Parameters****CANCEL**

Removes a request.

resource

Specifies the resource for which the request is to be canceled. The format is *name/type/system*. Wildcard is supported.

KILL

Removes a request without verifying. To perform verification specify the VERIFY parameter.

resource

Specifies the resource for which the request is to be killed. The format is *name/type/system*. Wildcard is supported.

SET

Sets one or more resource attributes. The following settings can be made:

- Observed status
- The health status
- Automation status
- Automation flags
- Hold flag
- Group failed flag
- Start type for next startup
- Stop type for next shutdown

Wildcard is supported for the SET parameter.

resource

Specifies the resource for which an attribute is to be set. The format is *name/type/system*. Wildcard is supported.

REQUEST

Causes the request to be canceled. You can specify one of the following:

INGSET

- MAKEAVAILABLE
- MAKEAVAILABLESO
- MAKEUNAVAILABLE
- MAKEUNAVAILABLESC
- MAKEUNAVAILABLESO

Wildcard is supported, for example, REQUEST=MAKEUN*

A MakeAvailable vote on a resource reflects an INGREQ *resource,REQ=UP,SCOPE=ALL*. That is, the vote is inherited from the resource that it was issued against by all of its dependent resources.

A MakeAvailableSO vote on a resource reflects an INGREQ *resource,REQ=UP,SCOPE=ONLY*. That is, the vote is *not* inherited from the resource that it was issued against by all of its dependent resources, but only by that resource.

A MakeUnavailable vote on a resource reflects an INGREQ *resource,REQ=DOWN,SCOPE=ALL*. That is, the vote is inherited from the resource that it was issued against by the resource and all of its dependent resources.

A MakeUnavailableSC vote on a resource reflects an INGREQ *resource,REQ=DOWN,SCOPE=CHILDREN*. That is, the vote is inherited from the resource that it was issued against by all of its dependent resources, but it does not affect the resource itself.

A MakeUnavailableSO vote on a resource reflects an INGREQ *resource,REQ=DOWN,SCOPE=ONLY*. That is, the vote is *not* inherited from the resource that it was issued against by all of its dependent resources, but affects only that resource.

SOURCE

Specifies the source of the request, for example OPERATOR, or AUTOOPS. Wildcard is supported, for example, SOURCE=*

OBSERVED

Specifies the observed status to be assigned to the resource. The status can be abbreviated, for example, to AV for available.

AUTOSTAT

Specifies the automation status to be assigned to the resource. The status can be abbreviated, for example, to ID for idle.

HEALTH

Specifies the health status to be assigned to the resource. The status can be abbreviated, for example, to NO for normal.

WAIT

Specifies whether or not to wait until the request is complete. The default is YES.

nnn is the number of seconds to wait before giving up and reporting that a timeout has occurred. The maximum time interval is 999 seconds.

VERIFY

Specifies whether canceling the request is to be verified. The following specifications are valid:

YES Depending on the NetView task type that the INGREQ command is running on, the verification is either displayed by means of a fullscreen panel or, in line mode, shown on the console. The latter is also done when OUTMODE=LINE is coded.

NO No verification is performed. VERIFY is set to NO for AUTOTASKs. Otherwise it is set to YES.

WTOR

The list of affected resources is displayed before the request is removed. The operator is prompted to verify the list via WTOR.

The default depends on the type of task that the INGREQ command runs on.

TARGET

For information on the TARGET parameter, refer to “The TARGET Parameter” on page 10.

OUTMODE

For information on the OUTMODE parameter, refer to “The OUTMODE Parameter” on page 12.

STARTPARM

Is the START parameter that is passed to the command.

STOPPARM

Is the STOP parameter that is passed to the command.

STARTTYPE

Specifies the type of command to be issued for the resource’s next startup. The value specified here is used only once and takes precedence over the TYPE value specified on the next INGREQ (REQ=START) command.

STOPTYPE

Specifies the type of command to be issued for the resource’s next shutdown. The value specified here is used only once and takes precedence over the TYPE value specified on the next INGREQ (REQ=STOP) command. However, a stop type of FORCE, wherever specified, will always be honored.

AUTOFLAG

Specifies the automation flag. It can be either YES or NO. It can be abbreviated.

HOLDFLAG

Specifies whether the resource is to be started. It can be either YES or NO. The HOLD flag can only be set if the resource is down, that is if its observed status is either HardDown, SoftDown, SysGone or Unknown.

Return Codes

The following return codes can occur:

- 0 The request was processed successfully.
- 1 An error occurred while processing the request.
- 4 Exit requested.

Usage

Note that if you cancel the verification process of a list of affected resources, SA z/OS may issue a slightly misleading message. Although the verification has been canceled, message A0F099I FUNCTION COMPLETED may be returned.

INGSET

Examples

To cancel a previously issued request to make a resource available, enter the following:

```
INGSET CANCEL TSO/APL/KEY1 REQUEST=AVAILABLE SOURCE=OPERATOR
```

To set the start type for the next startup of a JES2 resource to COLD, enter the following:

```
INGSET SET JES2/APL/KEY1 STARTTYPE=COLD
```

INGSTR

Purpose

The INGSTR command allows you to display and manipulate all the structures that are defined in your active policy and all allocated structures in the sysplex. You can rebuild or delete a selected structure or start and stop the duplexing of a structure, if applicable.

The command supports full mode and line mode but in line mode only the overall display is available. Therefore, you cannot start an action when you issue INGSTR from an NCCF console.

Authorizations

The actions that you can initiate with INGSTR depend on your authorizations. You can see your authorization type on the panel. Note that the authorization types refer to the current function, and that your authorization type can be different for different functions.

The following authorization types exist:

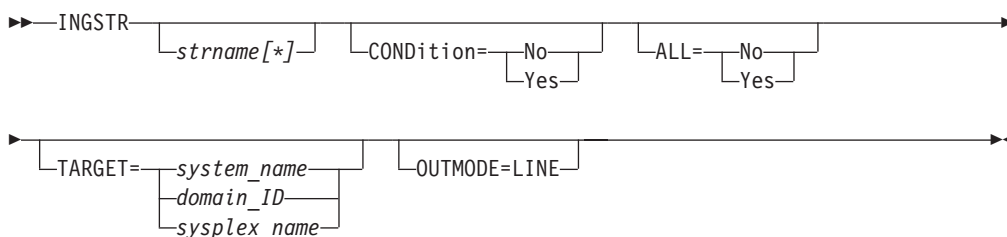
DISPLAY

You cannot initiate any action that affects the sysplex configuration.

ALL You can initiate all actions from the corresponding panel.

Note: The codes or PF keys by which you can initiate one of these actions are only displayed when you are authorized to perform the action.

Syntax



Parameters

strname[]*

Specifies a name pattern that limits the display. The default is to show all structures that match the 'ALL' condition.

CONDition

Defines whether or not the rebuild condition of each structure is to be determined and displayed.

ALL

Defines whether allocated and unallocated structures or just allocated structures are displayed.

TARGET

For information on the TARGET parameter, refer to “The TARGET Parameter” on page 10.

OUTMODE

For information on the OUTMODE parameter, refer to “The OUTMODE Parameter” on page 12.

Structure Conditions

The condition of an allocated structure can be:

Rebuild is not supported.

The structure can neither be rebuilt, nor can its deletion be forced.

The structure has at least one active connector that does not support user-managed rebuild, and at least one active connector that does not support system-managed rebuild.

System-managed processes not supported.

The structure cannot be rebuilt, nor can its deletion be forced.

System-managed rebuild, which is a system-managed process, is not possible for one of the following reasons:

- The structure was allocated from a system with OS/390 2.7 or below.
- The CFRM couple data sets have not been formatted to support system-managed processes (ITEM NAME(SMREBLD) NUMBER(1) was not specified).

Note: In certain rare cases system-managed processes are not supported although the condition that is displayed on the DRAIN panel seems to indicate the contrary. Then, the rebuild will be initiated, but will fail with message IXC367I indicating that system-managed processes are not supported for the structure.

No alternate coupling facility defined or available.

The structure can neither be rebuilt, nor can its deletion be forced.

The structure has an active connector and supports rebuild but has no alternate coupling facility defined in its preference list, or the alternate coupling facilities defined in the preference list are currently unavailable.

Insufficient space detected for rebuild.

The structure cannot or could not be rebuilt. Its deletion cannot be forced.

No alternate coupling facility has enough space to rebuild the structure.

Preference list is empty.

The structure cannot be rebuilt because its preference list is currently empty. A possible reason for this is a pending policy change; for pending policy changes, see “P column” on page 100.

Structure is pending deallocation.

XES accepted a forced deletion of the structure but does the real deallocation later.

Note: This status can only occur when MVS APAR OW39404 has not been installed.

Structure is being rebuilt.

The structure is being rebuilt to another coupling facility.

Duplex rebuild is being stopped.

Two instances of the structure were maintained on different coupling facilities. The application is being disconnected from that instance that is allocated on the target coupling facility. After disconnecting, the instance is deleted.

No connection exists.

The structure cannot be rebuilt, but you can force its deletion.

The structure has no connections and cannot be rebuilt with system-managed rebuild.

No alternate coupling facility for structure with no connections.

The structure cannot be rebuilt, but you can force its deletion.

The structure has no connections. It could be rebuilt with system-managed rebuild, but no alternate coupling facility is defined in its preference list or available.

No alternate coupling facility for structure with no active connections.

The structure cannot be rebuilt, but you can force its deletion.

The structure has only DISCONNECTING, FAILED, or FAILED-PERSISTENT connections. It could be rebuilt with system-managed rebuild, but no alternate coupling facility is defined in its preference list or available.

The structure's initial size is less than its actual size.

The structure can be rebuilt, but this can lead to loss of data.

An initial size is specified for the structure in the active CFRM policy. This initial size was used for the allocation of the structure. Afterwards, the size of the structure was increased either by the application itself or an operator command. However, the structure will only be rebuilt with its initial size. Subsequently, INGCF will expand the structure to its actual size again, but this will happen *after* the data have been transferred. To avoid a potential loss of data, the application has to change the initial size to the actual size.

No active connection exists.

The structure cannot be rebuilt, but you can force its deletion.

The structure has only DISCONNECTING, FAILED, or FAILED-PERSISTENT connections and cannot be rebuilt with system-managed rebuild.

Note: INGCF STRUCTURE accepts a rebuild request for structures with this condition, but deallocates them.

No connections. System-managed rebuild supported.

The structure can be rebuilt.

The structure has no connections, but can be rebuilt with system-managed rebuild.

No active connections. System-managed rebuild supported.

The structure can be rebuilt with system-managed rebuild.

User-managed rebuild is not possible for the structure because it has only DISCONNECTING, FAILED, or FAILED-PERSISTENT connections.

System-managed rebuild is supported

The structure can be rebuilt.

The structure has active connectors. At least one active connector does not support user-managed rebuild, but all active connectors support system-managed rebuild.

Duplex rebuild is active.

The application is connected to two instances of the same structure on different coupling facilities.

[No condition]

When no condition is displayed, the structure can be rebuilt.

The structure has at least one active connection, and all its active connectors support user-managed rebuild.

Structure is awaiting rebuild.

The structure has been selected for rebuild but has not been processed yet.

Structure is currently allocated on *cf_name*.

The structure can be rebuilt on the target coupling facility with the POPULATE action of the ENABLE function. It is currently allocated on the *cf_name* coupling facility, but the target coupling facility precedes *cf_name* in the structure's preference list. This condition is displayed only in the ENABLE command dialog.

Structure allocated in *cf_name* cannot be rebuilt to this CF.

The structure can probably not be rebuilt on the target CF with the POPULATE action of the ENABLE function. It is currently allocated in the *cf_name* CF, but the target CF precedes *cf_name* in the structure's preference list. And, the actual size of the structure is greater than the free space of the target CF. This condition is displayed only in the ENABLE command dialog.

Examples

If you enter `ingstr` without any parameters, a panel with all coupling facilities of the sysplex is displayed, as shown in Figure 110 on page 208.

```

INGLX906          SA z/OS - Command Dialogs          Line 6    of 52
Domain ID = IPXFI  ----- INGSTR -----           Date = 11/23/04
Operator ID = NETOPER1                                Time = 11:17:27

Structure names . . ==> _____ Status . . . . . : NORMAL
Sysplex . . . . . ==> KEYAPLEX      Permission . . . . . : ALL
Include condition . ==> NO (Yes/No - Condition retrieval takes longer)
Include unallocated ==> NO (Yes/No)
-----
Cmds: D display details / F force / P stop duplex / R rebuild / S start duplex

  Structure          P D Old      New      Pref. Location(s)
  -----
- DSN*_GBP0          U CFA      CFB
- DSN*_GBP1          S          CFA      CFB
- DSN*_GBP2          U CFA          CFB
- DSN*_GBP32K       S          CFA      CFB
- DSN*_LOCK1        S CFA      CFA      CFB
- DSN*_SCA          S CFB      CFB      CFA
- GRPXCSQ_ADMIN     CFB

Command ==>
F1=Help      F2=End      F3=Return      F6=Roll
              F8=Forward  F9=Refresh    F10=ReAlloc   F12=Retrieve
  
```

Figure 110. The INGSTR Panel without Structure Conditions.

The structure display shows all structures regardless of their allocation status or the coupling facility. You can limit the display by specifying a structure name pattern.

- The **P** column indicates whether a policy change is pending for the structure. Rebuilding the structure, if possible, will remove the pending status.
- The **D** column shows what type of duplexing is supported:
 - U** Indicates that user-managed duplexing is supported.
 - S** System-managed duplexing.
 - B** Both, where user-managed is preferred when possible.

Note that, for performance reasons, this status does not include a check of the SMDUPLEX flag in the CFRM couple data set. However, this flag is checked when you use command code S.

- The **Old** column shows where the structure is allocated or where it was first allocated when it is being duplexed.
- The **New** column shows where the duplexed structure is allocated.
- The **Pref. Location(s)** column shows the locations where the structure should preferably be allocated. When the structure is allocated to the preferred coupling facility this column is blank. A '*' in front of the coupling facility name (or names) indicates that the structure does not allow XCF to perform a reallocation.
- The following command codes are available:
 - D** Display details of the selected structure.
 - F** Force the deletion of the selected structure.
 - P** Stop duplexing of the selected structure.
 - R** Rebuild the selected structure.
 - S** Start duplexing of the selected structure.

When the **Include unallocated** option is set to YES, all structures that are defined in the policy are shown. When the **Include condition** option is set to YES, the structure's current condition is also shown. Specifying this option increases the response time required to build the display. A panel similar to that shown in Figure 111 is displayed.

```

INGLX906          SA z/OS - Command Dialogs          Line 11  of 104
Domain ID  = IPXFI          ----- INGSTR -----          Date = 11/23/04
Operator ID = NETOPER1          Time = 11:18:28

Structure names . . . ==> _____ Status . . . . . : NORMAL
Sysplex . . . . . ==> KEYAPLEX          Permission . . . . . : ALL
Include condition . ==> YES (Yes/No - Condition retrieval takes longer)
Include unallocated ==> YES (Yes/No)
-----
Cmds: D display details / F force / P stop duplex / R rebuild / S start duplex

  Structure          P D Old      New      Pref. Location(s)
  -----
  DSNA_GBP0          U CFA      CFB
  - Condition ...: Duplex rebuild is active.
  DSNA_GBP1          S          CFA      CFB
  - Condition ...: *Structure is not allocated.
  DSNA_GBP2          U CFA
  - Condition ...:
  DSNA_GBP32K          CFA
  - Condition ...: *Structure is not allocated.
  DSNA_LOCK1         S CFB      CFA      CFA      CFB
  - Condition ...: Duplex rebuild is active.
  DSNA_SCA           S CFA      CFB      CFA
  - Condition ...: System-managed rebuild is supported.
  GRPXCSQ_ADMIN      CFB
  - Condition ...: System-managed rebuild is supported.
  GRPXHSAQUEUE       CFB
  - Condition ...: System-managed rebuild is supported.
  HSA_LOG            CFB          CFA
  - Condition ...:
  IEFAUTOS          CFA
  - Condition ...: *Structure is not allocated.
  IMSOSAMCACHE       *CFB
  - Condition ...: *Structure is not allocated.
  IMSVSAMCACHE       *CFB
  - Condition ...: *Structure is not allocated.
  ING_HEALTHCHKLOG   CFA          CFB
  - Condition ...:

Command ==>
F1=Help      F2=End      F3=Return      F6=Roll
              F8=Forward  F9=Refresh    F10=ReAlloc   F12=Retrieve

```

Figure 111. The INGSTR Panel with Structure Conditions.

Depending on the status of the CFs and the systems in the sysplex you can use the PF10 key to perform the XCF REALLOCATE command to move the allocated structures to their preferred location. When you press PF10 to move the structures, a panel asking you to confirm the action is displayed, as shown in Figure 112 on page 210. Press PF10 to confirm the action, or PF11 to cancel the reallocation.

Note: You must be authorized to perform the FORCE, REBUILD, START, STOP, or REALLOC action.

INGSTR

```
INGLX92X          SA z/OS - Command Dialogs
Domain Id = IPXFI  ----- INGSTR -----          Date = 11/23/04
Operator Id = NETOP1                               Time = 12:32:58

Sysplex . . . . . : KEYAPLEX

                R E A L L O C A T E Confirmation

The XCF REALLOCATE process runs asynchronously on the next system in the
sysplex that has access to the CFRM couple data set. XCF processes all
structures in sequence. Once started use the refresh PF key for getting the
current status of the process. When the process has completed but not all
structures have been moved to their preferred location look for IXC544I
messages in the netlog. This message provides an explanation of the reason why
a structure wasn't adjusted.

Command ==>
                F2=End      F3=Return      F6=Roll
                                F10=Go      F11=Cancel  F12=Retrieve
```

Figure 112. REALLOCATE Confirmation Panel

Line Command Output

If you enter, for example, the command `INGSTR D* COND=Y ALL=Y OUTMODE=LINE`, this produces line command output, as shown in Figure 113.

```
Structures: D*
Sysplex....: KEYAPLEX

Structure      P D Old      New      Pref. Location(s)  Condition
-----
DSNA_GBP0      U CFA      CFB
DSNA_GBP1      S                CFA      CFB      *Structure is not allocated.
DSNA_GBP2      U CFA
DSNA_GBP32K    S                CFA      CFB      *Structure is not allocated.
DSNA_LOCK1     S CFB      CFA      CFA      CFB      Duplex rebuild is active.
DSNA_SCA       S CFA      CFB      CFB      CFA      Duplex rebuild is active.
*** End of Display ***
```

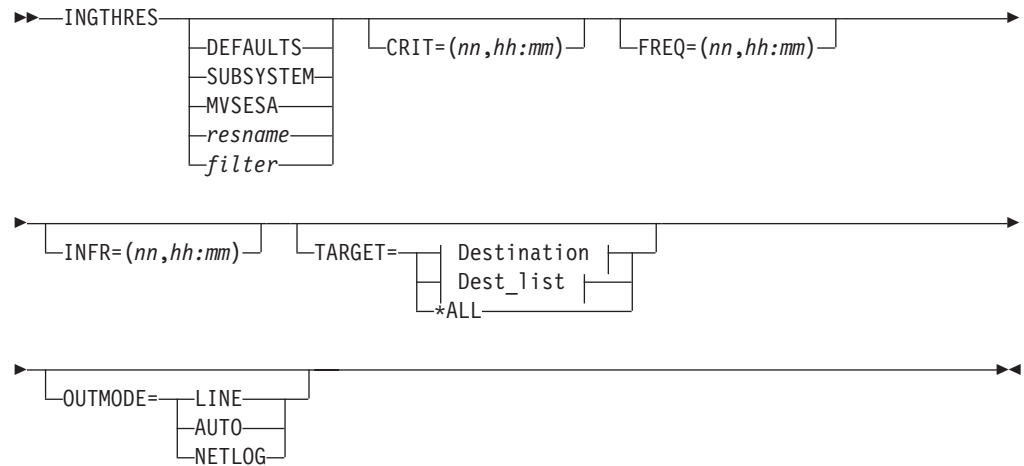
Figure 113. INGSTR Line Command Output

INGTHRES

Purpose

The `INGTHRES` command displays all thresholds that are defined for a resource. `INGTHRES` lists the thresholds that were set using the `INGTHRES` command or that are defined in your automation control file. `INGTHRES` also lets you set, change or delete the threshold settings for a particular resource. `INGTHRES` also sets the defaults for all MVS subcomponents, for all subsystems, or for MVSESA components.

Syntax



Destination:



Dest_list:



Parameters

If you do not specify a subsystem, the INGTHRES panel is displayed.

DEFAULTS

Sets the default settings for all automated resources. All automated resources that do not have their own threshold settings or that do not belong to a group that has its own settings use these defaults.

SUBSYSTEM

Sets defaults for all subsystems.

MVSESA

Sets defaults for all MVS subcomponents.

resname

Specifies a particular resource, for example, WTOBUF. You can specify any automated resource.

filter

Is the filter used for the output. Only resource names that match the filter criteria are displayed. Wildcard is supported. The filter consists of the major resource name and, optionally, of a minor resource name separated by a period, for example, CICS*.TRANS*, or .*CEMT. To view major resources specify *. To view minor resources specify xyz.*. Note that this parameter is not supported for systems running versions of SA OS/390 lower than 2.1.

INGTHRES

CRIT

Specifies values for the critical threshold.

FREQ

Specifies values for the frequent threshold.

INFR

Specifies values for the infrequent threshold.

nn Specifies the number of errors before the threshold is reached. You can specify a maximum of 50.

hh:mm

Specifies the time period before the threshold is reached: hh = hours, mm = minutes.

TARGET

For information on the TARGET parameter, refer to “The TARGET Parameter” on page 10.

OUTMODE

For information on the OUTMODE parameter, refer to “The OUTMODE Parameter” on page 12.

Restrictions and Limitations

The changes you make are active only until the next time the automation control file is loaded.

The INGTHRES command can only be used when SA z/OS is initialized.

Usage

SA z/OS uses threshold settings to determine when to stop trying to recover a component or restart a subsystem. The primary use of thresholds is to track subsystem abends and to make sure that the abend-and-recovery cycle does not become a loop.

When a threshold is crossed, SA z/OS performs the action specified for that threshold in the automation control file. For components, this action is customer-defined -- contact your SA z/OS administrator for more information. For subsystems, the following actions occur:

Threshold exceeded	What SA z/OS does
Infrequent	Issues warning message
Frequent	Issues warning message
Critical	Stops Restart automation and issues a message to that effect

All three threshold values (CRIT, FREQ, and INFR) can be set with one invocation of the command.

The Critical threshold should specify more errors or a shorter time period than the Frequent and Infrequent thresholds.

Examples

To set defaults for all automated resources, enter:

```
ingthres defaults crit=(2,00:14) freq=(2,01:00) infr=(4,04:00)
```

To add or replace the critical threshold for the resource JES2, enter:
 ingthres jes2 crit=(2,02:00)

If you enter ingthres jes2, you will see the command dialog shown in Figure 114.

```

INGKYTH0          SA z/OS - Command Dialogs          Line 1    of 4
Domain ID = IPSFM  ----- INGTHRES -----          Date = 12/07/01
Operator ID = NETOP1                                Time = 14:25:05

Cmd:  A Add thresholds  C Change thresholds  D Delete thresholds

Cmd  System  Resource          Critical      Frequent      Infrequent
---  -
-   KEY1     DEFAULTS
-   KEY1     MVSESA           1 in 01:00    1 in 02:00    1 in 04:00
-   KEY1     SUBSYSTEM        1 in 00:05    1 in 00:30    1 in 01:00
-   KEY1     JES2             1 in 01:00    1 in 04:00    1 in 08:00

Command ==>>>
PF1=Help      PF2=End        PF3=Return     PF6=Ro11
                PF9=Refresh    PF12=Retrieve
  
```

Figure 114. Display of Threshold Settings for JES (INGTHRES JES)

If JES reaches the Critical threshold, Restart automation does not continue. If JES exceeds the Frequent or Infrequent threshold, a message is sent to notification operators to inform them.

- The **Cmd** field lets you modify the thresholds of a resource. The following command codes are supported:
 - A** Add new thresholds for a resource with the same values as the one selected.
 - C** Change existing thresholds for a selected resource.
 - D** Delete threshold settings for a selected resource.

To define thresholds for a resource you can either type the ADD command at the command line or specify command code A in front of the resource whose thresholds should be used as the default. You can then modify the settings as needed.

- The **System** field shows the name of the system where the resource resides.
- The **Resource** field shows the name of the resource for which the thresholds are defined. The entries are sorted alphabetically.
- The **Critical** field shows the critical threshold defined for the resource.
- The **Frequent** field shows the frequent threshold defined for the resource.
- The **Infrequent** field shows the infrequent threshold defined for the resource. The format of the thresholds is *nn in hh:mm*. This means that the threshold is exceeded if more than *nn* errors occur within *hh* hours and *mm* minutes.

If you specify command code A, a panel similar to Figure 115 on page 214 is displayed.

INGTIMER

```
AOFKAASR          SA z/OS - Command Dialogs
Domain ID = IPSFM  ----- INGTHRES -----   Date = 12/07/01
Operator ID = NETOP1                               Time = 16:30:54

Specify thresholds and resource changes:

Resource  => _____ Group or specific resource
System    => KEY1       System name, domain ID, sysplex name or *all

Critical  => 1   errors in 01:00   Time (HH:MM)
Frequent  => 1   errors in 02:00   Time (HH:MM)
Infrequent => 1   errors in 04:00   Time (HH:MM)

Pressing ENTER will set the THRESHOLD values

Command ==>
PF1=Help   PF2=End   PF3=Return
PF6=Roll   PF12=Retrieve
```

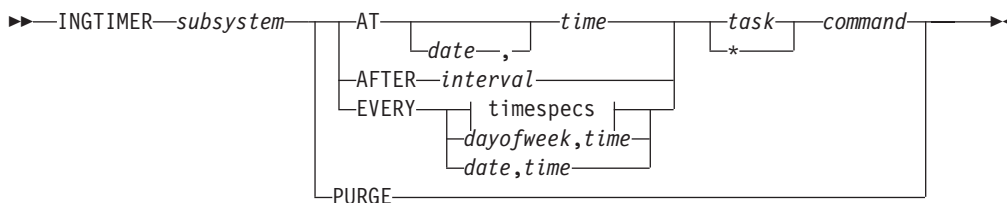
Figure 115. INGTHRES Command Dialog Panel to Add Thresholds

INGTIMER

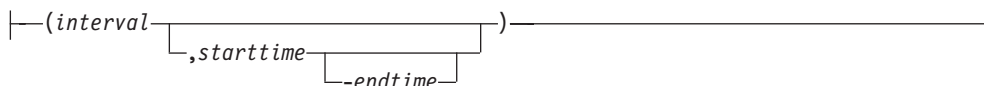
Purpose

The INGTIMER command links NetView timer commands to subsystems. This means that the timer is only active when the subsystem is active. When the subsystem terminates, the timer commands are automatically purged. To deactivate the timers at SHUTINIT time, the INGTIMER subsystem PURGE command can be specified as a SHUTINIT command.

Syntax



timespecs:



Parameters

subsystem
Specifies the name of the subsystem.

AT
Specifies the start time of the command.

AFTER

Specifies the time interval that must elapse after the subsystem became active. When this time interval has elapsed, the command is run. For example, if the subsystem becomes active at 12:00 am and you specify 2 hours, the command runs at 2:00 pm.

EVERY

Specifies the times when the command is to be repeated between the start time and end time.

PURGE

Specifies that all timers associated with the subsystem are purged.

date

Specifies the date, in mm/dd/yy format, on which the command should run. The date can begin with one or more Xs.

time

Specifies the time at which the command is to run. The format is hh[:mm[:ss]]. Instead of entering digits, one or more Xs can be specified at the beginning. If the time begins with an X or multiple Xs instead of a number, the command is set to begin at the next increment of time.

interval

Specifies the time interval that is to elapse before the command is run. The format is hh[:mm[:ss]]. Minutes and seconds are optional values.

starttime

Specifies the start time of the command, which is when it is to be run for the first time. The format is hh[:mm[:ss]]. Minutes and seconds are optional values. The specified time can be earlier than the current time. The command is then run at the next regular interval after the current time, with intervals calculated based on the start time. If the time begins with an X or multiple Xs instead of a number, the command is set to begin at the next time increment.

endtime

Specifies the time when the interval is to end. The format is hh[:mm[:ss]]. Minutes and seconds are optional values. Applies only when the interval is shorter than 24 hours.

dayofweek

Specifies the day of the week when the timer command should run. Specify MON through SUN, WEEKDAY, WEEKEND, or ALL.

date

Is the date, in mm/dd/yy format, on which the command should run. The date can begin with one or more Xs.

task

Specifies the operator from whose user ID the command is to be executed. It can also be an automated function. The default is the work operator associated with the subsystem. The timer itself runs on the PPT task.

* Is a placeholder which indicates that the default is used. The default is the work operator associated with the subsystem.

command

Specifies which command is to be issued when the timer expires.

All timers are converted to the NetView CHRON command format. Thus, daylight-saving-time switching is supported. The timer runs on the PPT task.

INGTIMER

Note: Storing the timer in the NetView save/restore database is pointless because the timer is only active while the subsystem is in an UP state.

Restrictions and Limitations

None.

Usage

To link a timer to a subsystem, the user has to register the NetView timer command as follows:

- At subsystem post-start time. This associates the timer command with the subsystem and activates the timer.
- Whenever NetView is restarted. This activates the timer command again.

The timers are only in effect when the subsystem for which they are defined is active. This is useful for applications that can be moved within the sysplex.

Examples

To issue a command that should run every 30 minutes between 10:00 am and 2:00 pm, specify the following:

```
INGTIMER TSO EVERY (00:30,10:00-14:00) * F MVS &SUBSJOB,GETLSEQ
```

To issue a command that should run 10 minutes after a certain subsystem became available, specify the following:

```
INGTIMER &SUBSAPPL AFTER 00:10 * BROADCAST Subsystem is now active
```

To issue a command that should run each Friday at 5:00 pm, specify the following:

```
INGTIMER &SUBSSYS EVERY FRI,17:00 PPT MVS D T
```

INGTOPO

Purpose

The INGTOPO command collects SA z/OS topology information from target systems and maintains structures of objects within RODM that correspond to it.

Syntax



Parameters

INIT

In INIT mode, INGTOPO builds or updates the SA z/OS objects in RODM in accordance with the automation managers of all sysplexes defined in the INGTOPOF file. INIT is the mode that you must specify at the very first task of INGTOPO. In this case, you must also specify the name of the task under which the Topology Manager runs.

You can call INGTOPO with INIT any time. INGTOPO then either rebuilds the SA z/OS objects from scratch or just performs the necessary update operations. In the former case all event-based minor resources, for example, WTORS, that existed in RODM will be lost, because these minor resources do not exist within the automation manager and therefore cannot be built.

If you want to know about the result of your INGTOPO INIT request, view message ING063I and check the return code that it contains.

task_name

Specifies the autotask that is used for status collection on the focal-point system.

plex

Specifies the sysplex.

REBUILD

In REBUILD mode, INGTOPO removes all SA z/OS objects in RODM for the specified sysplex and rebuilds them from scratch. Note that after calling INGTOPO with REBUILD, all event-based minor resources, for example, WTORS, that existed in RODM for this sysplex will be lost, because these minor resources do not exist within the automation manager and therefore cannot be built.

SWEEP

All SA z/OS topology manager objects in RODM are erased and all internal information is reset.

Restrictions and Limitations

To run the INGTOPO command the Multisystem Manager (MSM) must be active.

Usage

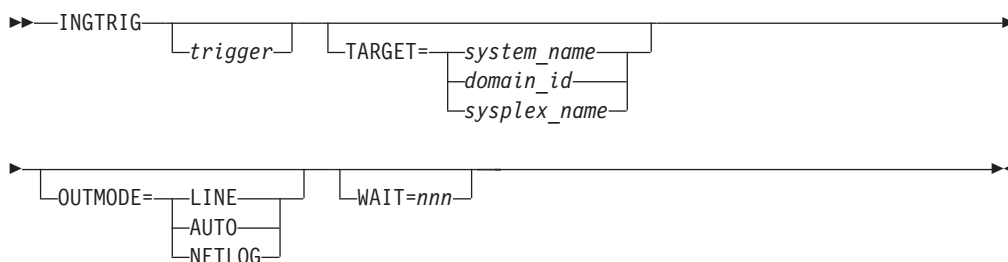
The INGTOPO command should be issued from the NetView that provides status updates to NMC.

INGTRIG

Purpose

INGTRIG shows all triggers that are defined and used by resources within the sysplex.

Syntax



Parameters

trigger

Specifies the name of the trigger for which the resource using the trigger should be displayed.

TARGET

For information on the TARGET parameter, refer to “The TARGET Parameter” on page 10.

OUTMODE

For information on the OUTMODE parameter, refer to “The OUTMODE Parameter” on page 12.

WAIT

Specifies the number of seconds to wait before reporting that a timeout occurred if the automation manager does not provide the requested data. The maximum time interval is 999 seconds.

If omitted, the time interval is 30 seconds.

Restrictions and Limitations

Triggers for downlevel systems cannot be shown.

Usage

The INGTRIG command operates sysplex-wide. For an overview refer to “Overview of Commands that Operate Sysplex-Wide” on page 9.

Automation manager commands are not supported on downlevel systems. Note that whenever an automation manager command is issued to a target system that is running a version of SA z/OS lower than 2.1, the NetView error message DSI002I will not contain the name of the command that was issued but the name of the associated slave command.

Examples

If you enter `ingtrig` a panel similar to Figure 116 on page 219 is displayed.

```

INGKYTR0          SA z/OS - Command Dialogs          Line 1   of 10
Domain ID   = IPSFP   ----- INGTRIG -----      Date = 10/26/99
Operator ID = NETOP1          Sysplex = KEY1PLEX    Time = 10:55:16

Cmd:  S show associated resources

Cmd Trigger  Description
-----
- BATCHSTP  Batch jobs B000P100,P200,P300
- BATCHSTR  Batch jobs B000S100,S200,S300
- MDOTRG13  Trigger3
- MDOTRG1   Trigger1
- MDOTRG2   Trigger2
- MSCTRG1   scheduling test trigger 1
- MSCTRG2   scheduling test trigger 2
- TRIGGER6  Hourly window + batch controlled events
- TRIGGER7  Command controlled events, No UNSET
- TRIGGER8  Command controlled events, diff. unsets

Command ==>
PF1=Help    PF2=End    PF3=Return  PF6=Roll
PF9=Refresh PF12=Retrieve

```

Figure 116. INGTRIG Initial Command Dialog Panel

This panel shows all triggers that are defined within the scope of the automation manager.

- The **Cmd** field allows you to display specific information for each system. The following command code is available:

S Show associated resources. Displays all resources that use the trigger.

- The **Trigger** field shows the name of the trigger.
- The **Description** field shows the description of the trigger.

The FIND/RFIND and SORT subcommands are supported. Refer to “Deciding the Format of the Command Output (Fullscreen only)” on page 13 for information.

Showing Resources

Specify command code *S* in front of a trigger, or *ingtrig triggername* to display all resources that are associated with that selected trigger, as shown in Figure 117 on page 220.

INGTRIG

```
INGKYTR1          SA z/OS - Command Dialogs      Line 1   of 4
Domain ID = IPSFP ----- INGTRIG -----      Date = 10/26/99
Operator ID = AFRANCK      Sysplex = KEY1PLEX      Time = 11:16:54

Trigger . . : TRIGGER6      Hourly window + batch controlled events

Cmd: S show trigger details
Cmd Resource      Type System      Description
-----
- TRGG006AA10    APL KEY1
- TRGG006AA10    APL KEY2
- TRGG006AA10    APL KEY3
- TRGG006AA10    APL KEY4

Command ==>
PF1=Help      PF2=End      PF3=Return      PF6=Ro11
              PF9=Refresh      PF12=Retrieve
```

Figure 117. INGTRIG Command Dialog Panel Showing Resources Associated with a Trigger

- The **Cmd** field allows you to specify command codes to display specific information for the trigger. The following command code is available:
 - **S** Show trigger details. Initiates the DISPTRG command dialog for the selected resource.
- The **Resource** field shows the name of the resource.
- The **Type** field shows the type of the resource.
- The **System** field shows the name of the system where the resource resides.
- The **Description** field shows the description specified for the resource.

The FIND/RFIND and SORT subcommands are supported. Refer to “Deciding the Format of the Command Output (Fullscreen only)” on page 13 for information.

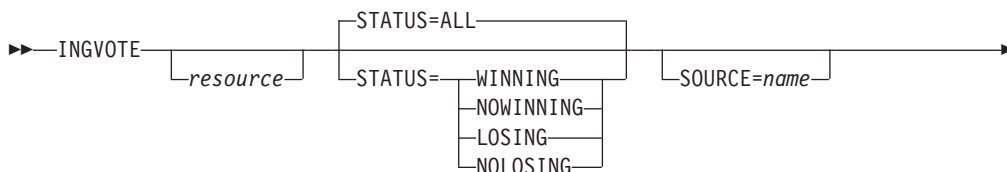
INGVOTE

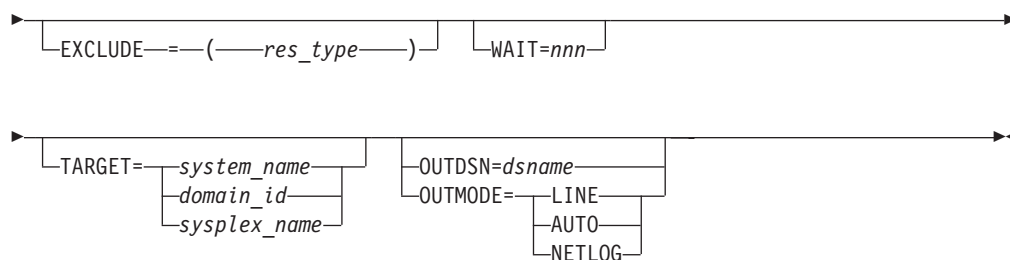
Purpose

The INGVOTE command displays:

- All pending requests that were entered from the automation manager.
- All pending votes of a specified resource.

Syntax





Parameters

resource

Specifies the resource to be displayed. The format is *name/type[/system]*. Wildcard is supported.

STATUS

Specifies whether to display the winning or losing requests or votes only. The default is ALL. The STATUS parameter can have the following values:

WINNING Displays the winning requests or votes.

NOWINNING Displays the losing requests or votes.

LOSING Displays the losing requests or votes.

NOLOSING Displays the winning requests or votes only.

ALL Displays all winning and losing requests or votes. This is the default.

The values can be abbreviated. Note that if you specify a resource name the vote status is examined, otherwise the request status is examined.

SOURCE

This is used as a filter. Only those requests that originate from the named source are shown. Wildcard is supported, for example, SOURCE=OPER*.

TARGET

For information on the TARGET parameter, refer to “The TARGET Parameter” on page 10.

OUTMODE

For information on the OUTMODE parameter, refer to “The OUTMODE Parameter” on page 12.

OUTDSN

For information on the OUTDSN parameter, refer to “The OUTDSN Parameter” on page 13.

EXCLUDE

Specifies the resource type to be excluded from the display. More than one value can be specified. For example, INGVOTE EXCLUDE=SVP causes all service period resources to be filtered out from the display. Specify N0 or * to reset the installation-provided default.

WAIT

Specifies the number of seconds to wait before reporting that a timeout occurred if the automation manager does not provide the requested data. The maximum time interval is 999 seconds.

If omitted, the time interval is 30 seconds.

Restrictions and Limitations

None.

Usage

The INGVOTE command operates sysplex-wide. For an overview refer to “Overview of Commands that Operate Sysplex-Wide” on page 9.

Automation manager commands are not supported on downlevel systems. Note that whenever an automation manager command is issued to a target system that is running a version of SA z/OS lower than 2.1, the NetView error message DSI002I will not contain the name of the command that was issued but the name of the associated slave command.

Examples

If you enter ingvote a panel similar to Figure 118 is displayed.

```

INGKYRQ2                SA z/OS - Command Dialogs          Line 1   of 72
Domain ID   = IPUFA      ----- INGVOTE -----          Date = 07/04/00
Operator ID = NETOP1     Sysplex = AOCPLEX                Time = 15:42:32

Cmd:  C Cancel request  K Kill request   S Show details   V Show votes
Cmd Name      Type System  Request Data
-----
_  BNKNACHT    SVP                Req : MakeUnAvailable
                        Org : SCHEDULE
                        Pri : 01120000  Should Be Down - Schedule
                        Stat: Winning/Unsatisfied
_  BZOMSCMV    SVP                Req : MakeAvailable_Only
                        Org : SCHEDULE
                        Pri : 02140000  Must Be Up - Schedule
                        Stat: Winning/Unsatisfied
_  HOURLY      SVP                Req : MakeAvailable_Only
                        Org : SCHEDULE
                        Pri : 02140000  Must Be Up - Schedule
                        Stat: Winning/Unsatisfied
_  HUGDAY      SVP                Req : MakeAvailable_Only

Command ==>
PF1=Help      PF2=End          PF3=Return       PF6=Roll
               PF8=Forward     PF9=Refresh      PF12=Retrieve

```

Figure 118. INGVOTE Command Dialog Panel

- The **Cmd** field allows you to specify command codes. To use one of the command codes shown, type the appropriate letter next to the resource name and press Enter. The following command codes are available:
 - C** Cancels the request.
 - K** Cancels the request without showing the verification panel.
 - S** Shows details about the request.
 - V** Shows all the votes or requests that have been entered for that resource.
- The **Type** field shows the type of the resource.
- The **Name** field shows the name of the resource that the request was made against.
- The **Request Data** field shows details about the request. Refer to the online help for further information.

The subcommands FIND/RFIND are supported. Refer to “Deciding the Format of the Command Output (Fullscreen only)” on page 13 for information.

Line-mode Output

The linemode output of the INGVOTE command has been enhanced to show additional information about the request:

- Timeout option
- Application parameters
- Request options (command type, Restart option, Override option, Autoremove option)

Figure 119 shows an example.

```

Sysplex = AOC8PLEX
Resource   Type System   Request Data                               1 Dec 2003 17:54:36
-----
BZOENW    APL  AOC8    Req : MakeUnAvailable
          At   : 2003-12-01 17:53:59
          Org : OPERATOR(DON)
          Pri : 02720000 Must Be Down - Operator
          Exp : 2003-12-31 12:00:00
          Stat: Winning/Satisfied
          Opt : TYPE=NORM RESTART=NO OVERRIDE=(TRG,STS,INIT)
          REMOVE=(SYSGONE)
          Appl: Don Smith, IBM Germany
*** End of Display ***

```

Figure 119. INGVOTE Linemode Output

JES2

Purpose

The JES2 command issues JES2 subsystem commands so that you get a fullscreen response that you can page through. This is in contrast to issuing JES2 commands on the SA z/OS command line and watching the response roll off the screen.

Syntax

►►—JES2—*jes2_command*—◄◄

Parameters

jes2-command
Specifies any valid JES2 command name, including parameters.

Restrictions and Limitations

None.

Usage

Specify the operands using any valid JES2 command syntax.

See *JES2 Commands* for command and syntax definitions.

Examples

The DU command is used to display the status of all or specified local JES2-controlled non-direct access devices. If you enter `jes2 du,all` you will see a fullscreen display similar to Figure 120.

```

A0FK3GEN          SA z/OS - Command Response Display   Page 1   of 1
Command:  MVS $ DU,ALL,L=Z
                                MVS $ DU,ALL,L=Z
$HASP636 17.24.23 $DU,ALL
OFFLOAD1 DSN=SYS4.JES2.OFFLOAD1,STATUS=DRAINED,
          ARCHIVE=ONE
OFFLOAD2 DSN=SYS4.JES2.OFFLOAD2,STATUS=DRAINED,
          ARCHIVE=ONE

Action ==>
          PF1= Help  PF2=End    PF3=Return
          PF6= Roll                                PF9=Refresh  PF12=Retrieve
    
```

Figure 120. JES2 DU,ALL Display

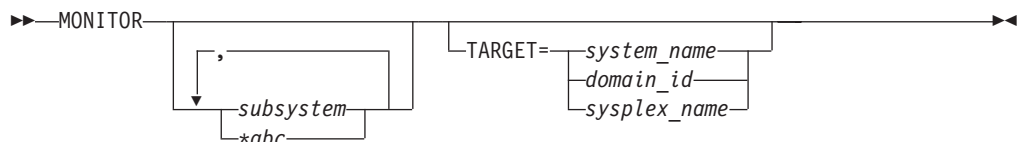
In this example, the ALL operand displays detailed information about all local JES2-controlled devices, active remote devices, and internal readers. Note that the command line shows the actual JES2 command that was issued and not what you typed in.

MONITOR

Purpose

The MONITOR command causes the SA z/OS monitoring routine to be run.

Syntax



Parameters

subsystem

Is the name of the subsystem you want monitored. It can be a list of subsystems. The default is that all subsystems will be monitored.

**abc*

Has the effect of a filter to be applied for monitoring. Only resource names that match the filter criteria are monitored. Wildcard is supported. Valid specifications are, for example, `*abc`, `abc*`, or `*abc*`.

TARGET

For information on the TARGET parameter, refer to “The TARGET Parameter” on page 10.

Restrictions and Limitations

The MONITOR command can only be used when SA z/OS is initialized.

The output of the MONITOR command is always in line mode.

Usage

MONITOR can be used whenever you want to validate your current automation agent status information.

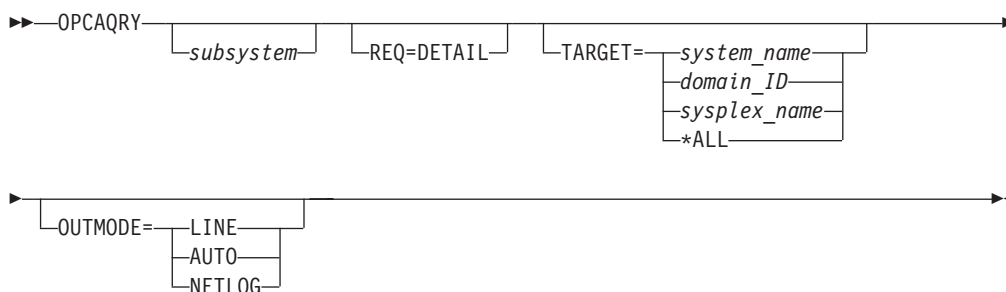
Examples

To monitor TSO, VTAM and all subsystems that start with CICS, enter the following:

```
monitor TSO,VTAM,CICS*
```

OPCAQRY**Purpose**

The OPCAQRY command displays the status of TWS Automation operations.

Syntax**Parameters***subsystem*

The name of the subsystem. More than one name can be specified. Wildcard is supported, for example, SAP*.

REQ=DETAIL

Displays TWS-related information for the specified subsystem. The resource name is mandatory when REQ=DETAIL is specified.

TARGET

For information on the TARGET parameter, refer to “The TARGET Parameter” on page 10.

OUTMODE

For information on the OUTMODE parameter, refer to “The OUTMODE Parameter” on page 12.

Restrictions and Limitations

The OPCAQRY command can only be used when SA z/OS is initialized.

Usage

Examples

If you enter the OPCAQRY command without the REQ=DETAIL parameter, a panel similar to Figure 121 is displayed. The panel shows information about TWS-controlled subsystems that match the filter criteria.

```

EVJKYQRY                SA z/OS - Command Dialogs      Line 1    of 3
Domain ID = IPSFP      ----- OPCAQRY -----      Date = 01/29/05
Operator ID = NETOP1   System = KEY4                Time = 18:07:10

CMD:  D Details      R Reset

CMD Subsystem  System  Application  Request  Date      Time      Status
-----
- OPCA01      KEY4   OPCA0#TESTAD  STOP    01/28/05  17:00    Complete
- OPCA02      KEY4   OPCA0#TESTAD  RECYCLE 01/28/05  17:14    Complete
- RMF         KEY4   OPCA0#TESTAD  STOP    01/29/05  18:05    In progress

Command ==>
PF1=Help    PF2=End    PF3=Return  PF6=Ro11
PF9=Refresh                                PF12=Retrieve

```

Figure 121. OPCAQRY Command Dialog Panel

- The **Cmd** field allows you to specify command codes to invoke another command dialog. The following command codes are available:
 - D** Shows the TWS operation details for the subsystem.
 - R** Resets the timer and completion flags to a null value, and unlocks a specific subsystem after a user error has been detected and corrected. By resetting the timer and completion flags, SA z/OS again accepts requests from TWS.
- The **Status** field shows the status of the request in SA z/OS, which is either complete, incomplete, timeout or no request.
 - A status of timeout indicates that the operation is marked in error because it did not complete within the time limit set by the system programmer in the OPCA code entry.
 - A status of incomplete indicates that the operation did not achieve the expected status set by the system programmer in the OPCA code entry.
 - Complete and no request are considered normal statuses.

The FIND/RFIND and SORT subcommands are supported. Refer to “Deciding the Format of the Command Output (Fullscreen only)” on page 13 for information.

If you enter command code D for a subsystem or specify the REQ=DETAIL option, a panel similar to Figure 122 on page 227 is displayed.

```

EVJKYQR1          SA z/OS - Command Dialogs      Line 1    of 3
Domain ID = IPSFP  ----- OPCAQRY -----      Date = 01/29/05
Operator ID = NETOP1      System = KEY4          Time = 18:09:32

Subsystem         : OPCA01
System            : KEY4              in Sysplex : KEY1PLEX
Description       : Dummy MVS resource
Job Name          : OPCA01

Status           : Complete

Application       : OPCA0#TESTAD
Workstation       : NV04

Operation number  : 10
Arrival Date     : 01/28/05
Arrival Time     : 17:00

Request          : STOP
  Parameter 1    :
  Parameter 2    :
Expected Status  : DOWN

Last completed Status : D
Last sequence number : 0009
Curr sequence number : 0009

Timer flag       : 0
Completion flag  : 1
Check Module     : EVJESPT

Timer interval   : 00:05
Timer id         : OPCA01DT

Command ==>
PF1=Help      PF2=End      PF3=Return      PF6=Roll
               PF9=Refresh  PF12=Retrieve

```

Figure 122. OPCAQRY Command Dialog Panel Showing Details for a Subsystem

Line Command Output

Figure 123 shows an example of the line mode output for OPCAQRY.

Subsystem	System	Application	Request	Date	Time	Status
OPCA01	KEY4	OPCA0#TESTAD	STOP	01/28/05	17:00	Complete
OPCA02	KEY4	OPCA0#TESTAD	RECYCLE			Complete
RMF	KEY4	OPCA0#TESTAD	STOP			In progress

*** End of Display ***

Figure 123. OPCAQRY Line Mode Output

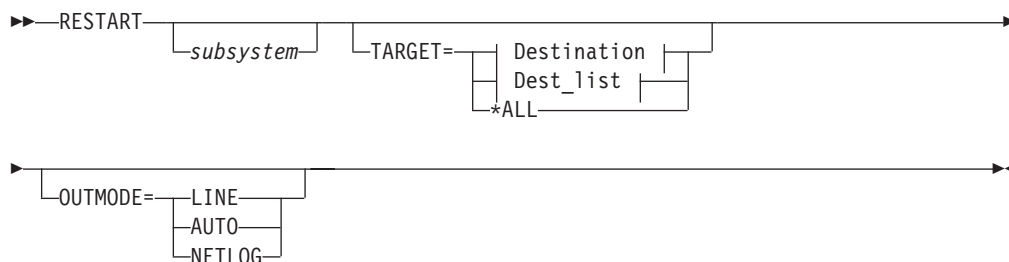
RESTART

Purpose

The RESTART command checks a specified subsystem, or all subsystems defined to SA z/OS on a particular system, and sets the HOLD flag to No.

RESTART

Syntax



Destination:



Dest_list:



Parameters

subsystem

Specifies the name of the subsystem to be allowed to start. If no subsystem name is specified, SA z/OS attempts to restart all subsystems.

TARGET

For information on the TARGET parameter, refer to “The TARGET Parameter” on page 10.

OUTMODE

For information on the OUTMODE parameter, refer to “The OUTMODE Parameter” on page 12.

Restrictions and Limitations

The RESTART command can only be used when SA z/OS is initialized.

Usage

The RESTART command can be used to enable the subsystems for start after the operator has replied NOSTART to the AOF603D reply.

RESYNC

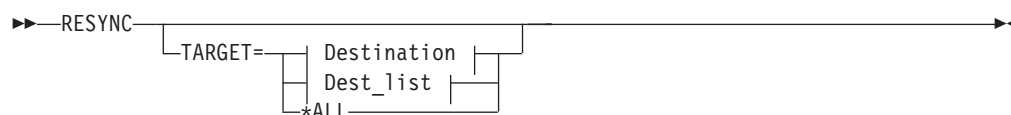
Purpose

This command causes SA z/OS to rerun its initial status determination routines. This will refresh the current status information for:

- Subsystems (as if at an automation control file reload).
- Outstanding replies.
- SA z/OS-controlled gateway and monitor timers.

- MVS console associations.
- Sysplex timing.
- Couple data sets.
- Coupling facilities.

Syntax



Destination:



Dest_list:



Parameters

TARGET

For information on the TARGET parameter, refer to “The TARGET Parameter” on page 10.

Restrictions and Limitations

- The RESYNC command can only be used when SA z/OS is initialized.
- At the end of resynchronization, subsystems in a DOWN or RESTART status may be automatically started or restarted.

Usage

This command should be used only when your statuses have gone out of synchronization with actual statuses. Possible causes of this are SSI task failure or problems with your NetView automation table.

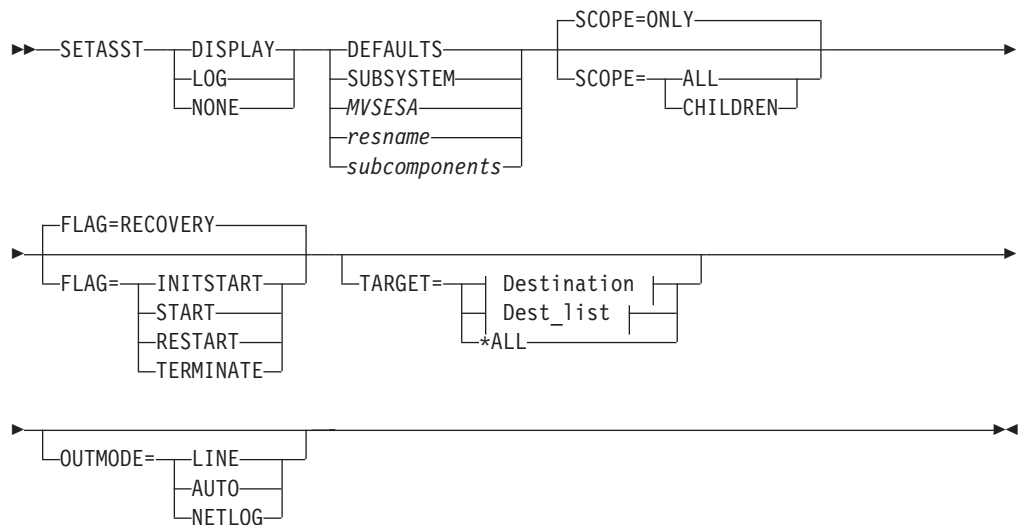
SETASST

Purpose

SETASST enables you to change a resource’s assist mode settings.

Syntax

SETASST



Destination:



Dest_list:



Parameters

DISPLAY

Changes the assist mode setting for the selected automation flag to Display. This sets assist mode interactively, which means that SA z/OS sends a prompt to the SDF display whenever automation is triggered. This prompt tells you what the automation is intending to do, and you can decide whether or not to continue.

LOG

Changes the assist mode setting for the selected automation flag to Log. This turns assist mode on in log mode, which means that SA z/OS sends the assist mode prompt to the netlog. You can run the system as normal, and when an event occurs that would normally trigger automation, its details are written to the netlog.

NONE

Turns assist mode off for the selected automation flag.

DEFAULTS

Specifies the value DEFAULTS. This sets automation flags for all resources that do not have their own flags defined, or that do not belong to a group that has flags defined.

SUBSYSTEM

Sets defaults for all subsystems.

MVSESA

Sets defaults for all MVS subcomponents.

rename

Specifies the name of a particular resource, for example, WTOBUF. You can specify any automated resource.

subcomponents

Specifies any subcomponents of the resource. Enter a period (.) between each subcomponent name.

SCOPE

Specifies whether to change this resource and its dependent resources, dependent resources only, or only this resource.

ONLY

Specifies this resource alone. This is the default.

ALL

Specifies this resource and its dependent resources.

CHILDREN

Specifies dependent resources only.

FLAG

Specifies the automation flags to change the assist mode settings for, (depending on whether you specified Display, Log, or None). Refer to *IBM Tivoli System Automation for z/OS Customizing and Programming* for further information on automation flags.

INITSTART

Changes the assist mode setting for the Initstart flag.

START

Changes the assist mode setting for the Start flag.

RECOVERY

Changes the assist mode setting for the Recovery flag.

TERMINATE

Changes the assist mode setting for the Shutdown flag.

RESTART

Changes the assist mode setting for the Restart flag.

TARGET

For information on the TARGET parameter, refer to "The TARGET Parameter" on page 10.

OUTMODE

For information on the OUTMODE parameter, refer to "The OUTMODE Parameter" on page 12.

Restrictions and Limitations

Do not activate SETASST DISPLAY mode for any resources until VTAM is active and you are able to log on to NetView. Doing so can result in situations where automation is unable to continue because you are unable to access SDF to respond to the ASSIST DISPLAY dialog.

The SETASST command can only be used when SA z/OS is initialized.

SETASST

Usage

SETASST is used as an alternative to updating and reloading the automation control file. SCOPE=ONLY is the only valid scope for DEFAULTS, resource type, and subcomponents. ALL and CHILDREN are not valid.

Examples

To turn the assist mode on in LOG mode for the TSO restart flag, enter the following:

```
setasst log,tso,flag=restart
```

SETHOLD

Purpose

SETHOLD lets you select which AOF messages are held on your operator ID. This command is used by the INGNTFY command but can be invoked separately.

Syntax



Parameters

CONFIG

Specifying this option changes your hold settings to match the settings specified for your operator ID in the automation control file. If your operator ID is not defined as a notification operator, no messages will be held.

AUTO

Specifying this option changes your hold settings to match the settings INGNTFY has currently defined for your operator ID. If your operator ID is not a notification operator, or its definition as a notification operator has been deleted, no messages will be held.

i a e d w

Each character specifies the hold setting for the corresponding type of message. If a Y is specified, messages of that type will be held, if any other character is specified, messages of that type will not be held. A character must be specified for each type.

Restrictions and Limitations

The SETHOLD command is only useful on an OST task. If issued on an NNT or RMT task, the message-holding flags in the remote domain will be ignored, because the automation table on the OST task will override whatever message attributes may have been specified in the remote domain.

SETHOLD does not update the INGNTFY globals, so if you use it with anything other than the AUTO parameter, the hold settings shown by INGNTFY QUERY may not reflect reality.

Usage

SA z/OS issues SETHOLD at SA z/OS initialization, when you log on to NetView interface, and when INGNTFY is used.

When you log on, an entry in the sample automation table (in member AOFMSGMS) will invoke SETHOLD AUTO for your operator ID. When INGNTFY is used to change an operator's HOLD settings, SETHOLD AUTO will be issued on the appropriate OST task after the global information has been updated.

A more efficient usage would be to modify your initial CLISTs to issue SETHOLD with specific settings and to not have any hold settings specified in the automation control file or through INGNTFY. If you choose to do this, you will need to remove the automation table entry for the OST (in member AOFMSGMS) and set the AOFLOCALHOLD advanced automation option to 1. Doing this will stop INGNTFY from using EXCMD to issue SETHOLD AUTO, which can disrupt the hold settings specified from your profiles.

Note that the attributes for held messages are defined as automation table synonyms in the AOFMSGSY member.

It is recommended that you do not hold information messages because SA z/OS can generate quite a few of them. If you do hold them, use the CLRHELD command to remove them. You may want to modify the attributes for held information messages (held in the AOFMSGSY ACF member) so that held information messages will not actually be held.

Examples

To hold the messages that INGNTFY says you should have held, enter SETHOLD AUTO. Messages will be held according to the task INGNTFY setting.

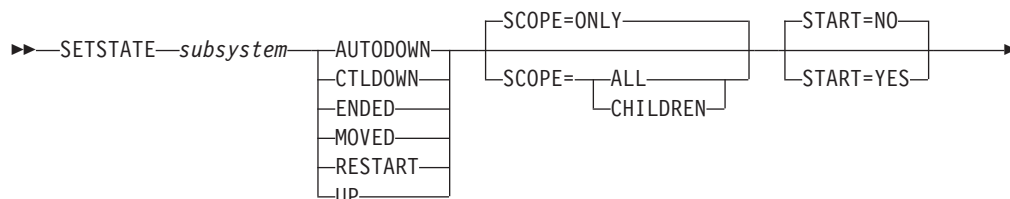
To hold all but information messages, enter SETHOLD N Y Y Y Y. All AOF messages, except informational ones, will be held.

SETSTATE

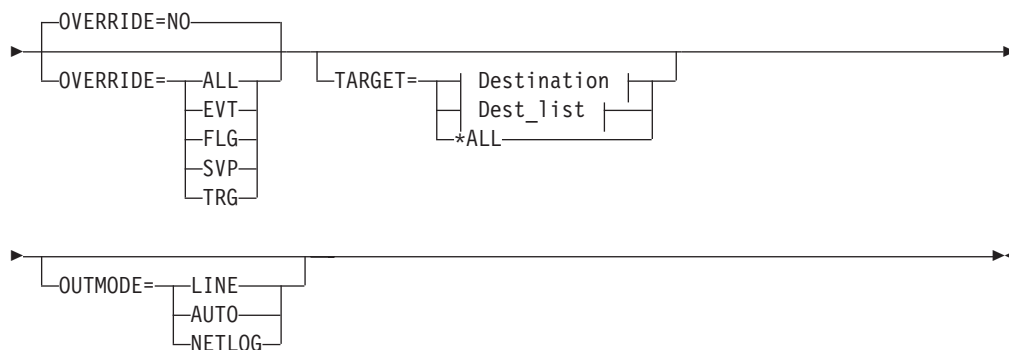
Purpose

SETSTATE changes the agent automation status of a given subsystem.

Syntax



SETSTATE



Destination:



Dest_list:



Parameters

subsystem

Specifies the subsystem whose status (or whose dependent resource's status) you want to change. You can also specify the subsystem's job name.

AUTODOWN

Changes the status from CTLDDOWN, STOPPED, BROKEN, MOVED or FALLBACK to AUTODOWN. It is primarily used to return the resource to automation control after the operator has fixed the problem.

CTLDDOWN

Changes the status to CTLDDOWN so that the subsystem cannot be started by automation.

ENDED

Changes the status to ENDED

MOVED

The effect of this parameter depends on how the subsystem is defined:

- If the subsystem does not have any secondary system associations, the effect of the MOVED operand is the same as the effect of the CTLDDOWN operand: the status of the subsystem is changed to CTLDDOWN.
- If the subsystem does have secondary system associations:
 - If the command is issued on one of the subsystem's primary systems, the subsystem's status is changed to MOVED
 - If the command is issued on one of the subsystem's secondary systems, the subsystem's status is changed to FALLBACK.

RESTART

Changes the status to RESTART so that the subsystem can be restarted. Specify this if your Initstart flag is set to No. This can only be used when:

- SCOPE=ONLY or SCOPE=ALL
- The application monitor status of the subsystem is INACTIVE

UP

Changes the status to UP/RUNNING if the subsystem's UPMSG has been missed. This can only be used when:

- SCOPE=ONLY
- The application monitor status of the subsystem is ACTIVE
- If the subsystem is enabled for automatic restart management, its automatic restart management status must be AVAILABLE or AVAILABLE-TO.

Note: For transient subsystems, UP becomes RUNNING.

SCOPE

Specifies what is affected by this command:

ONLY Changes the status of this resource only. This is the default.

ALL Changes the status of this resource and its dependent resources.

CHILDREN

Changes the status of the dependent resources only.

OVERRIDE

Specifies the overrides to be considered for the request. It can be one of the following:

NO Specifies that no override will be done. This is the default.

ALL Sets the FLG, TRG, SVP, and EVT overrides on.

EVT The startup or shutdown conditions will be ignored.

FLG The appropriate automation flags will be ignored for the resource.

SVP The service period will be ignored.

TRG The current trigger settings will be ignored.

START

Specifies whether the resource is started after the status has been updated.

NO No request is sent to the automation manager. The automation agent status is updated. This is the default.

YES A default start request is sent to the automation manager.

TARGET

For information on the TARGET parameter, refer to "The TARGET Parameter" on page 10.

OUTMODE

For information on the OUTMODE parameter, refer to "The OUTMODE Parameter" on page 12.

Restrictions and Limitations

The SETSTATE command will not execute under the primary POI task (PPT).

The SETSTATE command can only be used when SA z/OS is initialized.

SETSTATE

Usage

Use SETSTATE to:

- Resume handling an application after a manual operator shutdown or after any other event that causes an application to get into a non-automatable status (for example STOPPED, CTLDOWN, BROKEN, ACTIVE)
- Prevent automation from restarting an application if you specify CTLDOWN
- Alert the automation that an application that was shut down will be moved to another system.
- The SETSTATE command issues an automation manager request with a priority of HIGH (unless overridden by the advanced automation global INGREQ_PRI). Because requests entered by the operator are persistent, it may be necessary to manually remove the associated vote before subsequent requests are activated.

Examples

If you enter setstate TSO a panel similar to Figure 124 is displayed.

```
AOFKSAST          SA z/OS - Command Dialogs
Domain ID = IPSNO  ----- SETSTATE -----      Date = 07/19/00
Operator ID = NETOP1                               Time = 18:53:29

Specify subsystem and new state:

Subsystem => TSO          Subsystem to be processed
System   => _____ System name, domain ID, sysplex name or *ALL
State    => _____ Put subsystem in the following state:
                          (RESTART / AUTODOWN / CTLDOWN / UP / ENDED /
                          MOVED)

Scope    => ONLY         Change state for:
                          ONLY   - only this subsystem
                          CHILDREN - only dependant subsystems
                          ALL    - resource and dependants
Start    => NO           Start or restart subsystem now (YES/NO)
Override => NO           Override(Start=YES) (NO/FLG/TRG/SVP/EVT/ALL)

Command ==>
PF1=Help   PF2=End   PF3=Return           PF6=Ro11
                                           PF12=Retrieve
```

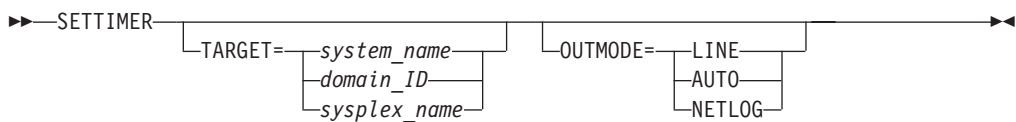
Figure 124. SETSTATE Command Dialog Panel

SETTIMER

Purpose

SETTIMER displays all scheduled timers. You can also add, change, or delete timers.

Syntax



Parameters

TARGET

For information on the TARGET parameter, refer to “The TARGET Parameter” on page 10.

OUTMODE

For information on the OUTMODE parameter, refer to “The OUTMODE Parameter” on page 12.

Restrictions and Limitations

The SETTIMER command can only be used when SA z/OS is initialized.

If you want to use the SETTIMER command instead of the NetView SETTIMER command, you must change the command synonyms. For further information refer to *IBM Tivoli System Automation for z/OS Planning and Installation*.

Usage

For instructions on how to add, change, or delete timers, refer to *IBM Tivoli System Automation for z/OS User's Guide*.

Examples

If you enter settimer a panel similar to Figure 125 is displayed.

```

AOFKATI                SA z/OS - Command Dialogs      Line 1    of 16
Domain ID = IPSFP      ----- SETTIMER -----      Date = 06/28/02
Operator ID = NETOP1   System = KEY4                  Time = 15:54:50
Enter ADD on the COMMAND line to create a new timer entry
or use CMD selections A add, C change, or D delete to modify existing timers.
CMD TIMER-ID SCHEDULED TIME   TYPE TASK   INTERVAL   CLOCK SAVE CTUP
-----
- MEMSTORE 06/28/02 15:56:03 EVERY AUTO2   000 00:02:00 GMT NO
  Cmd: MEMSTORE 5% 5
- IDLEOFF  06/28/02 16:00:13 EVERY AUTO1   000 00:10:00 GMT NO
  Cmd: IDLEOFF 60
- AOFGATE  06/28/02 16:01:55 EVERY PPT      000 00:15:00 GMT NO
  Cmd: AOFRASCD GATOPER AOFRIIGT
- AOFCCON  06/28/02 16:13:55 EVERY PPT      000 00:59:00 GMT NO
  Cmd: AOFRASCD SYSOPER MVS D C
- AOFMON   06/28/02 16:13:55 EVERY PPT      000 00:59:00 GMT NO
  Cmd: AOFRASCD MONOPER MONITOR $SYSTEM
- AOFI0001 06/28/02 18:00:00 AT PPT          LOCAL NO
  Cmd: AOFRASCD MONOPER AOFRASAF AUTOMATION MVSESA,OPTION=RESET

Command ==>
PF1=Help      PF2=End      PF3=Return   PF6=Ro11
               PF8=Forward  PF9=Refresh  PF12=Retrieve

```

Figure 125. Display of Scheduled Timers (SETTIMER)

- The **CMD** field allows you to specify whether you want to add, change, or delete a timer. Valid values are:
 - A** Add a new timer with the same values as the one selected.
 - C** Change an existing timer.
 - D** Delete a timer.
- The **TIMER-ID** field shows the name assigned to the timer.
- The **SCHEDULED TIME** field shows the next scheduled day and time that this timer is set to expire.

SETTIMER

- The **TYPE** field shows the type of timer. There are three types:
 - At** Set to occur at the specified date and time. Occurs only once.
 - Every** Set to occur at the time intervals indicated in the Interval field, or at a specific time each day or week.
 - After** Set to occur only after the elapsed time that was specified when the timer was scheduled. For example, if at 12:00 am, you specify 2 hours, the timer will expire at 02:00 pm.
- The **TASK** field shows the operator where the timer runs. This could be a primary programmed operator interface task (PPT), an automation operator, or a human operator.
- The **CLOCK** field specifies the time format. It can be GMT or LOCAL.
- The **SAVE** field specifies whether or not the timer is to be saved to an external file. This allows the timer to be restored after a NetView outage. This applies to timers created using either the customization dialog or the operator interface. Valid values are YES or NO. The default is YES.
- The **CTUP** field specifies whether or not to activate the timer if it occurs at a time when NetView is down. Valid values are Yes or No. If CTUP is set to YES, the command specified in the timer definition is issued when NetView is restarted, if the timer expired while NetView was down.

The field can only be set to YES if:

 - This is an At type timer (it occurs once at a specific time and date).
 - The timer was created using the customization dialog.
 - The Save field is set to YES
- The **Interval** field is only valid for Every type timers. It indicates the time intervals at which the timer is set to occur. For example, a value of 00:30:00 means that the timer will issue the command specified every 30 minutes.
- The **Command** field specifies the command to be issued when this timer expires.

Part 3. SA z/OS I/O Operations Commands

I/O Operations Commands	241	DISPLAY TIMEOUT	266
Using I/O Operations Commands	241	DISPLAY VARY	266
Safe Switching	241	GETLOCK	268
FICON Switches	242	LOGREC	268
FICON Cascaded Switches	242	PROHIBIT	269
ALLOW	242	REMOVE CHP	271
BLOCK	245	REMOVE SWITCH	273
CHAIN	247	RESET HOST	275
CONNECT	249	RESET SWITCH	278
DISCONNECT	250	RESET TIMEOUT	278
DISPLAY CHP	251	RESTORE CHP	279
DISPLAY DEV	253	RESTORE SWITCH	281
DISPLAY HOST	255	SYNC SWITCH.	282
DISPLAY NAME	257	UNBLOCK	283
DISPLAY PORT	259	UNCHAIN	284
DISPLAY RESULTS	261	UNLOCK	286
DISPLAY SWITCH	264	WRITE	287

This part describes SA z/OS I/O operations commands in detail -- their purpose, format, and specifics of how to use them.

For general information about SA z/OS commands, refer to *IBM Tivoli System Automation for z/OS User's Guide*.

I/O Operations Commands

Using I/O Operations Commands

You can issue I/O operations commands by entering the command through:

- ISPF dialogs.
- The operator console.

Not all commands can be issued in both ways. For detailed information about where the commands can be used and about the authorization levels they require, refer to Appendix B, “General Considerations for I/O Operations Commands,” on page 407.

Note that the LSN in all output messages will show “- -” when this value is not valid. This can happen only to cascaded switches that have no channel attachment, which is normally the case. For this reason, it is recommended that all switches are defined to Hardware Configuration Definition (HCD) including their device numbers. This allows I/O Operations to resolve the LSN also for the above-mentioned switches .

Safe Switching

I/O operations varies paths online or offline when, because of port manipulation, the path from a channel to a device either becomes valid or is no longer valid.

The term *safe-switching* means that *all* vary path offline requests due to an I/O operations connectivity command are backed out if *one* of these requests fails and BACKOUT was specified at command invocation. All requests means those requests on all systems that have access to the switch (or switches) that are affected by the command.

For FICON[®] switches, safe-switching also includes the entire vary process for connectivity commands that affect Inter-Switch-Link ports (E-ports). Because I/O operations does not know the topology between the entry switch and the destination switch of a path, paths that go through an ISL link will not be varied when an E-port is the target of a connectivity command.

The following conditions result in the failure of a request:

- A vary path offline request fails when the request would disable the last path to a device that is currently in use.
- If no VTAM connection could be established between two systems that have access to a switch and run I/O operations, then I/O operations on the local system (that is, where the command is entered) assumes that the command fails on the remote system.

To avoid this, exclude this system from consensus processing using the command RESET HOST *vtamname* PURGE.

- For other reasons refer to “Making Connectivity Changes” on page 396.

FICON Switches

FICON switches allow imbedded space characters on port names. Consequently, I/O operations will no longer issue message IHVD106I when detecting imbedded blanks in port names of FICON switches.

However, I/O operations does not support imbedded blanks on port names, either in the ISPF dialogs or in the console command interface. The reason is that generic names and port names must not contain imbedded blanks when used in I/O operations console commands.

FICON Cascaded Switches

I/O operations supports cascaded switches with some restrictions:

1. For CTC connections on cascaded switches, I/O operations can neither display CTC control unit data nor manage CTC devices. The reason for this is that when I/O operations attempts to determine the attached NDs of such a device, it can get stuck behind a never-ending channel program on the device.
2. The Block command is not supported on Inter-Switch-Link ports (E_Ports). When an E_Port is affected by the command, it is rejected with return code 8 and reason code X'49'. In addition, the message IHVC913I is issued, showing the first or only port that is affected by the command.
3. All other I/O operations commands affecting E_Ports (Allow, Prohibit, Unblock, WRITEPORT and WRITESWCH) must specify the command option IGNore when an E_Port is involved. Otherwise the command is rejected with return code 8 and reason code X'49'. In addition, the message IHVC913I is issued, showing the first or only port that is affected by the command.
The IGNore option makes the issuer of the command aware that *safe-switching* can no longer be guaranteed.
4. If an attached Node Descriptor of a device cannot be determined because the path or channel is offline, the Display Device command does not show any control unit data for the particular channel path id.
5. A dynamic configuration change that results in the allocation or deallocation of a cascaded switch is currently *not* supported.

Note: It is recommended that all switches are defined to the Hardware Configuration Definition (HCD) including their device numbers. This allows I/O operations to show the LSN also for cascaded switches.

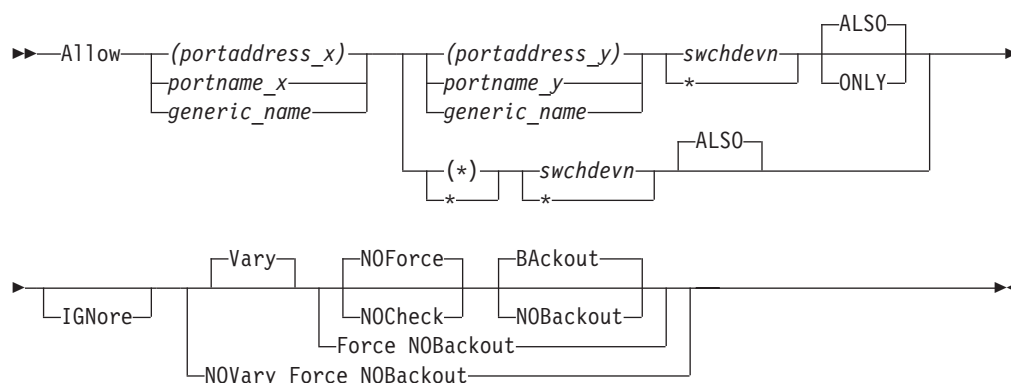
ALLOW

Purpose

Use the ALLOW command to define a dynamic connection between ports on one switch or on all the switches allocated to the issuing I/O operations.

You can allow the dynamic connections that are shown in the following syntax diagram. With the ALLOW command, you can, for example, define partitions within a system to facilitate maintenance. For information on the reciprocal command, refer to "PROHIBIT" on page 269.

Syntax



Parameters

(portaddress_x) | portname_x | generic_name

Specifies the target port by its port address (enclosed in parentheses), by its individual port name, or by a generic port name. For a discussion, see “Port Switching Commands” on page 401.

(portaddress_y) | portname_y | generic_name | (*) | *

Specifies one of the following: the port address of a second port (enclosed in parentheses), the port name of a second port, a generic port name, all other port addresses (* enclosed in parentheses), or all other port names (* not enclosed in parentheses). For a discussion, see “Port Switching Commands” on page 401.

swchdevn | *

Specifies one switch or all switches (* not enclosed in parentheses) that are allocated to the issuing I/O operations. For a discussion, see “Switch Identifiers” on page 389.

Options

ALSO | ONLY

ALSO (default) specifies that the ports affected by the command will connect dynamically to each other, regardless of whether they connect dynamically to other ports on the same switch.

ONLY specifies that the ports affected by the command will connect dynamically to each other, but each port is disallowed a dynamic connection to any other port on the switch.

IGNore

You must specify this option when an Inter-Switch-Link port (E_Port) is involved. Otherwise the command is rejected with return code 8 and reason code X'49'. The reason is I/O operations can no longer guarantee “safe-switching” when an E_Port is involved.

Connectivity options

For a discussion on Vary | NOVary, NOForce | NOCheck | Force, and BAckout | NOBAckout see “Making Connectivity Changes” on page 396.

Usage

- If you specify an individual or generic port name, all the switches involved must have at least 1 port implemented with an applicable port name.
- If you specify the same port in both operands and do not specify a generic name, the command will fail because I/O operations will not allow that port to have a dynamic connection with itself.
- If you specify 1 or 2 generic names and at least 1 port in each operand is unique and valid, the command will succeed. I/O operations will allow the valid dynamic connections and disallow a port to connect to itself.
- Although you cannot use the ONLY option and specify either all port addresses (*) or all port names *, you can specify a generic port name. Assume, for example, that all the ports on switch 100 are named and the names start with F: FC1, FC2, FC3, and so on. Although you cannot specify A * * 100, you can specify A F* F* 100.
- When you specify the ONLY option, all paths to the specified ports are varied offline. The dynamic path between the two ports is varied online.
- If a parallel channel and CV converter are involved, you should consider the information provided in “A Parallel Channel in Block (BL) Mode” on page 403.

Examples

In the following example, port *FB* is allowed to have a dynamic connection only with port *D6* on switch 100. The dynamic connections that port *FB* had with other ports are now prohibited.

```
A (FB) (D6) 100 ONLY
IHVCO00I ALLOW      command successful
```

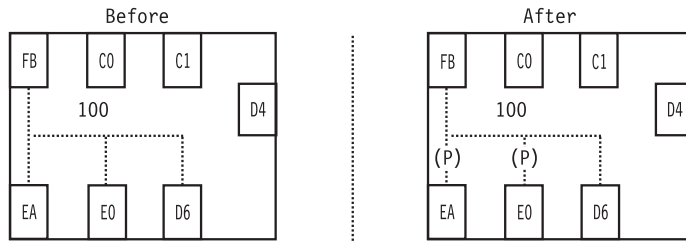


Figure 126. ALLOW Command - Sample 1

In the following example of using a generic port name, all the ports whose port names start with the characters *HB.CHP_39* are allowed to have dynamic connections with ports that begin with *CU*. on switch 200.

```
ALLOW HB.CHP_39 CU.* 200
IHVCO00I ALLOW      command successful
```

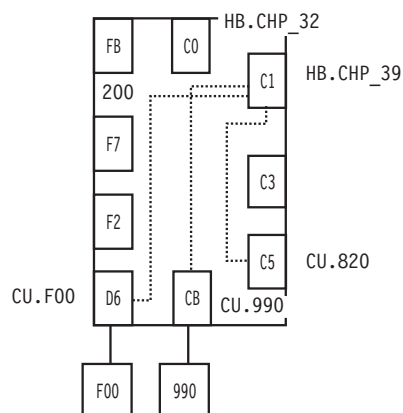


Figure 127. ALLOW Command - Sample 2

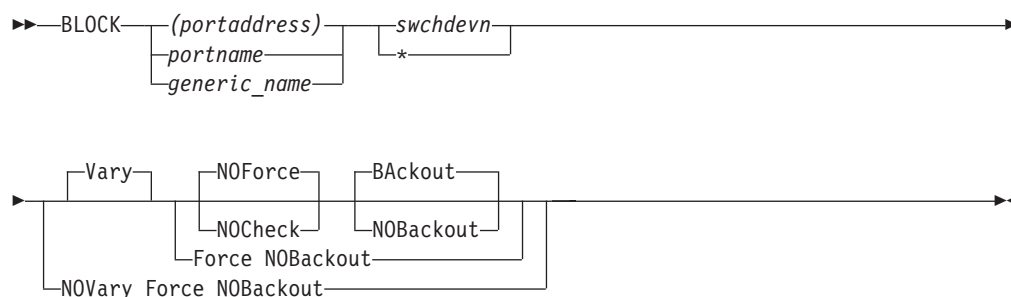
BLOCK

Purpose

Use the BLOCK command to prevent data transfer through the specified port on one or on all the switches allocated to the issuing I/O operations.

See “UNBLOCK” on page 283 for information on the reciprocal command.

Syntax



Parameters

(portaddress) | portname | generic_name

Specifies the ports to be blocked by an individual port address, by an individual port name, or by a generic port name. For a discussion, see “Port Switching Commands” on page 401.

swchdevn | *

Specifies one switch or all switches (* not enclosed in parentheses) allocated to the issuing I/O operations. For a discussion, see “Switch Identifiers” on page 389.

Options

Connectivity options

For a discussion on Vary | NOVary, NOForce | NOCheck | Force, and BAckout | NOBackout see “Making Connectivity Changes” on page 396.

Restrictions and Limitations

The command is rejected with return code 8 and reason code X'49' when an Inter-Switch-Link port (E_Port) is affected. The reason is that I/O operations does not know the paths and devices to be varied offline.

Usage

- If a CVC CHPID is involved, “An ESCON-in-Converted-Mode (CVC) Path” on page 399 provides more information.
- If a parallel CHPID is involved, “A Parallel Channel in Block (BL) Mode” on page 403 provides more information.

Examples

```
B (D6) 100
IHVC000I BLOCK      command successful
```

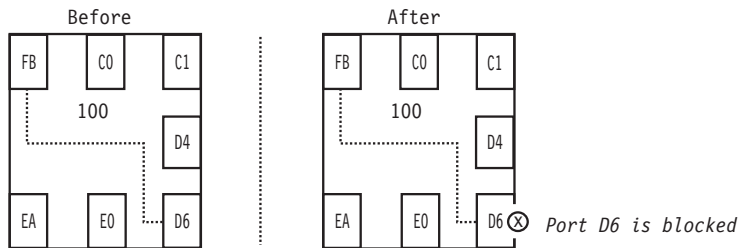


Figure 128. BLOCK Command - Sample 1

In the following example of using a generic port name, all ports whose port names start with the characters *CU.F* are blocked on all the switches allocated to the issuing I/O operations.

```
B CU.F* *
IHVC000I BLOCK      command successful
```

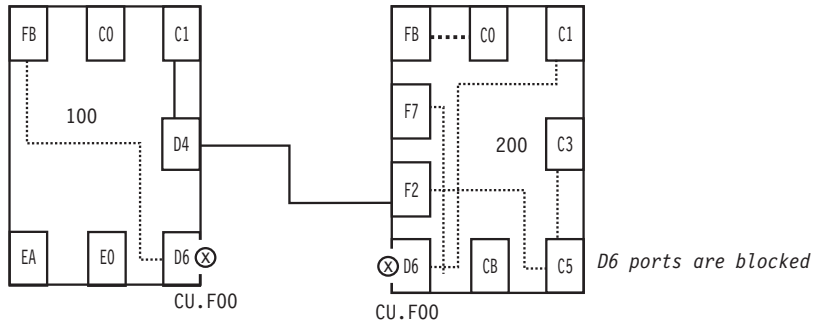


Figure 129. BLOCK Command - Sample 2

CHAIN

Purpose

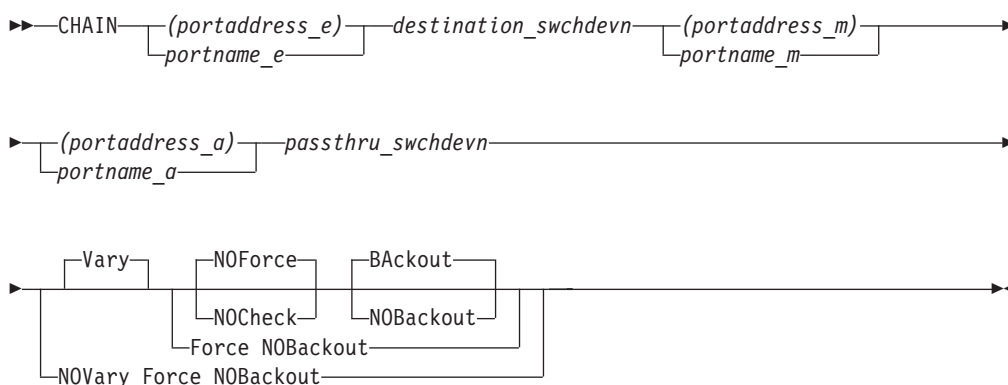
Use the CHAIN command to define a chain in a chained path that traverses two switches that are physically linked to each other.

One switch acts as a fiber repeater and is called the passthru switch. Two ports in the chain are statically connected to each other in the passthru switch. The other switch is called the destination switch because the chain “ends” in that switch.

For more information, see “Chain and Unchain a Switchable Path” on page 390. See “UNCHAIN” on page 284 for the reciprocal command.

Note: The CHAIN command is not applicable to FICON switches.

Syntax



Parameters

(portaddress_e) | portname_e

Specifies the port ending the chain on the destination switch by its port address (enclosed in parentheses) or by its port name. For a discussion, see “Port Switching Commands” on page 401.

destination_swchdevn

Specifies the device number of the destination switch, which is the switch that ends the chain. For a discussion, see “Switch Identifiers” on page 389.

(portaddress_m) | portname_m

Specifies middle port by its port address (enclosed in parentheses) or by its port name. For a discussion, see “Port Switching Commands” on page 401.

(portaddress_a) | portname_a

Specifies the port to which the CHPID or control unit is physically attached to the beginning of the chained path by its port address (enclosed in parentheses) or by its port name. For a discussion, see “Port Switching Commands” on page 401.

passthru_swchdevn

Specifies the device number of the passthru switch, which is the switch that has the static connection between ports *a* and *m*. For a discussion, see “Switch Identifiers” on page 389.

Options

Connectivity options

For a discussion on Vary |NOVary, NOForce |NOCHECK |Force, and BAckout |NOBAckout see “Making Connectivity Changes” on page 396.

Usage

- Additional steps may be required. See “Chain and Unchain a Switchable Path” on page 390.
- If you need to define a chain, consider entering the Chain command when I/O operations is started so that the program can take the definition into account for all vary path processing.
- Chaining can add complexity to I/O operations’ vary path processing. See “Chain and Unchain a Switchable Path” on page 390 for more information.

Examples

```
CHAIN (F2) 200 (D4) (C1) 100
IHVC000I CHAIN      command successful
```

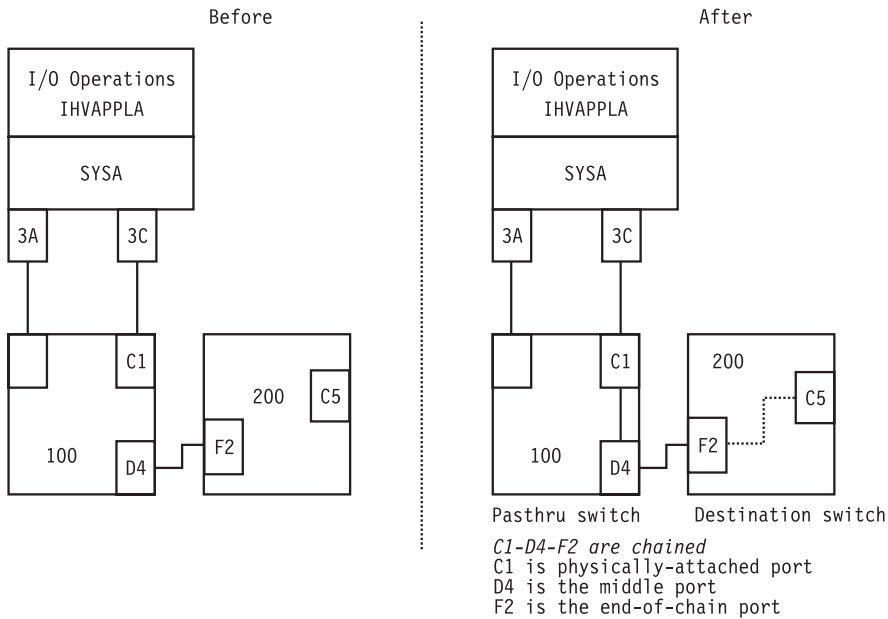


Figure 130. CHAIN Command - Sample 1

```
CHAIN (E0) 100 (D6) (CB) 200
IHVC000I CHAIN      command successful
```

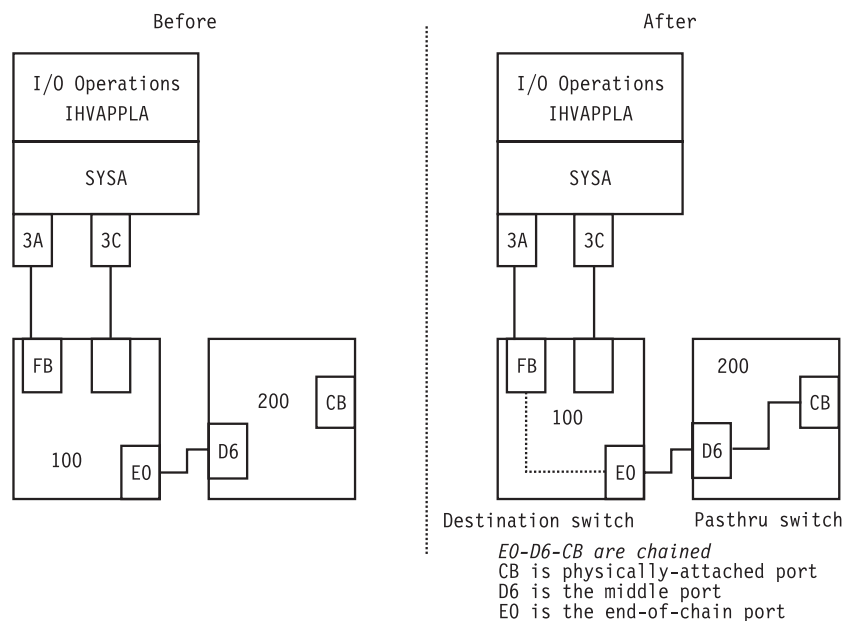



Figure 131. CHAIN Command - Sample 2

CONNECT

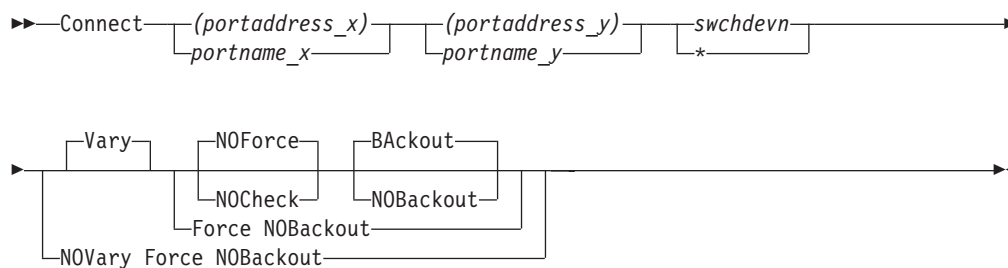
Purpose

Use the CONNECT command to establish a static, or dedicated, connection between two ports on the same switch or those same two ports on all switches allocated to the issuing I/O operations.

See “DISCONNECT” on page 250 for the reciprocal command.

Note: The CONNECT command is not applicable to FICON switches.

Syntax



Parameters

(portaddress_x) | portname_x

Specifies one target port on the switch by its port address (enclosed in parentheses) or by its port name. For a discussion, see “Port Switching Commands” on page 401.

CONNECT

(portaddress_y) | portname_y

Specifies the other target port by its port address or by its port name. For a discussion, see “Port Switching Commands” on page 401.

swchdevn | *

Specifies one switch or all switches (* not enclosed in parentheses) allocated to the issuing I/O operations. For a discussion, see “Switch Identifiers” on page 389.

Options

Connectivity options

For a discussion on Vary | NOVary, NOForce | NOCheck | Force, and BAckout | NOBAckout see “Making Connectivity Changes” on page 396.

Usage

The two ports on the passthru switch of a chain are implicitly connected by the Chain command. Under some circumstances, however, you will need to enter the Connect command in addition to the Chain command. See “Chain and Unchain a Switchable Path” on page 390 for more information.

Examples

In the following example, ports *C0* and *D6* become statically connected. In the hierarchy of port attributes, a static connection overrides a dynamic connection. Therefore, port *EA* cannot communicate with port *C0* as long as the latter remains statically connected.

See “Port Switching Commands” on page 401 for more information.

```
C (FB) (D6) 100  
IHVC000I CONNECT    command successful
```

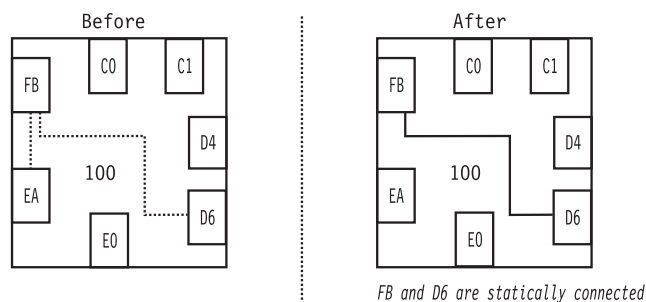


Figure 132. CONNECT Command - Sample

DISCONNECT

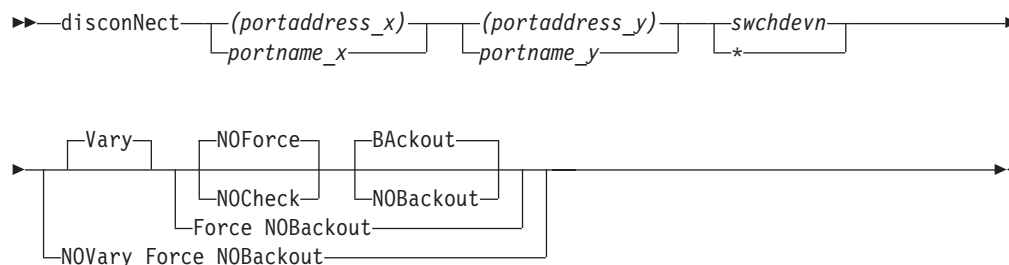
Purpose

Use the DISCONNECT command to cancel the definition of a static, or dedicated, connection between two ports on the same switch or those same two ports on all switches allocated to the issuing I/O operations.

See “CONNECT” on page 249 for the reciprocal command.

Note: The DISCONNECT command is not applicable to FICON switches.

Syntax



Parameters

(portaddress_x) | portname_x

Specifies one target port on the switch by its port address (enclosed in parentheses) or by its port name. For a discussion, see “Port Switching Commands” on page 401.

(portaddress_y) | portname_y

Specifies the other target port by its port address or by its port name.

swchdevn | *

Specifies one switch or all switches (* not enclosed in parentheses) allocated to the issuing I/O operations. For a discussion, see “Switch Identifiers” on page 389.

Options

Connectivity options

For a discussion on Vary | NOVary, NOForce | NOCheck | Force, and BAckout | NOBAckout see “Making Connectivity Changes” on page 396.

Usage

If a CVC CHPID is involved, “An ESCON-in-Converted-Mode (CVC) Path” on page 399 provides more information.

Examples

```
N (FB) (D6) 100
IHVC0001 DISCONNECT command successful
```

DISPLAY CHP

Purpose

Use the DISPLAY CHP command to display data about one or about all the channel path identifiers (CHPIDs) online to the operating system (host) image on which the issuing I/O operations is running.

Syntax



Parameters

chpid

Specifies a single channel path identifier (CHPID)

- * All CHPIDs known to the issuing I/O operations

Usage

For more information on the data displayed, see the page references under the fields:

IHVC824I										PORT
IHVC825I		CHP	SWCH							STATUS
IHVC826I	CHP	TYPE	DEVN	LSN	PORT	H	S	C	P	PORT NAME
A	B	C	D	E	F	G				H

- A** Message
- B** Channel path ID (see “Channel Types” on page 394)
- C** Channel type (see “Channel Types” on page 394)
- D** Switch device number (see “Switch Identifiers” on page 389)
- E** Logical switch number (see “Logical Switch Number (LSN)” on page 390)
- F** Port address (see “Port Addresses” on page 404)
- G** Port status codes (see “Switch Port Hardware Status on a Display Command” on page 400)
- H** Port name (see “Using Port Names as a Tool in Switching Commands” on page 399)

Examples

D C 3C										
IHVC815I										PORT
IHVC816I		CHP	SWCH							STATUS
IHVC817I	CHP	TYPE	DEVN	LSN	PORT	H	S	C	P	PORT NAME
IHVC818I	3C	CNC_S	0200	02	F2	C				HA.CHP_3C
IHVC818I	CHAINED TO:		0100	01	D4	C	C1			LINK.200
IHVC82EI	D4	CONNECTED TO:			C1	C	D4			HA.CHP_3C

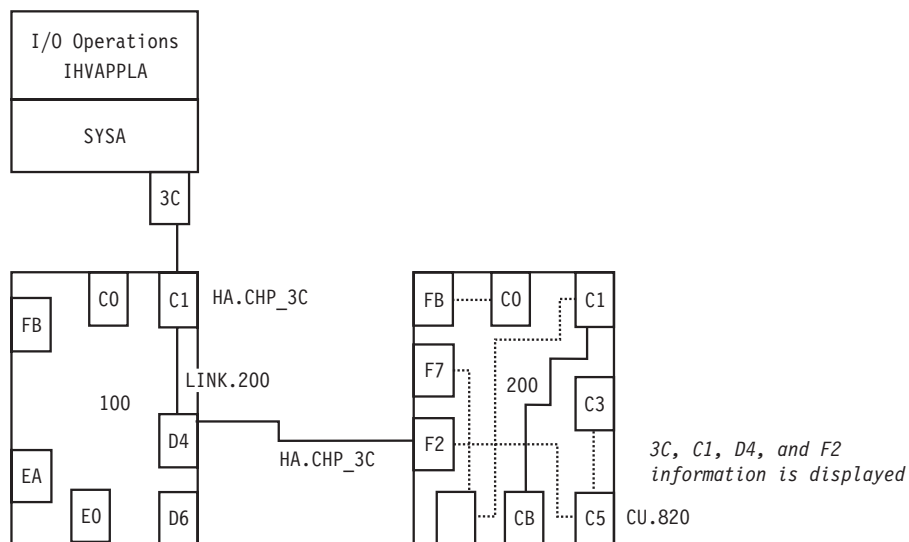


Figure 133. DISPLAY CHP Command - Sample 1

```

D C 3A
IHVC815I
IHVC816I          CHP   SWCH          PORT
                  TYPE   DEVN LSN PORT H S C P   PORT NAME
IHVC817I          CNC_S  0100 01  FB      P   HA.CHP_3A
IHVC818I
    
```

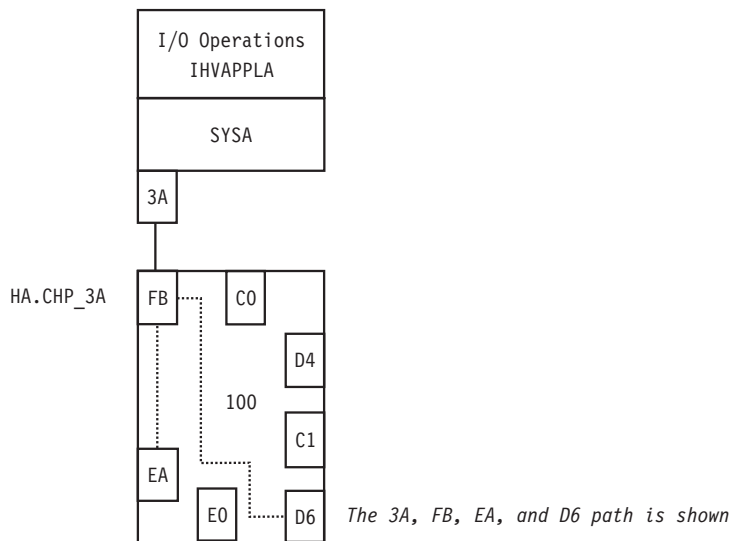


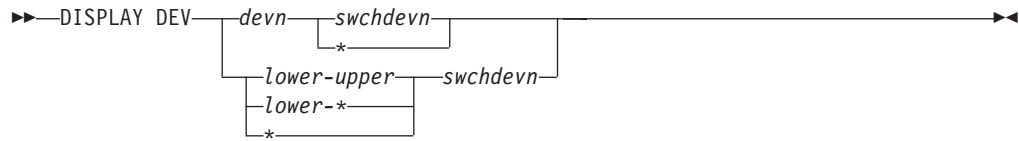
Figure 134. DISPLAY CHP Command - Sample 2

DISPLAY DEV

Purpose

Use the DISPLAY DEV command to display data about one, a range, or all the devices connected to one or all the switches that are allocated to the issuing I/O operations.

Syntax



Parameters

devn

A specific device number

lower-upper

The range of device numbers from the *lower* limit, followed by a hyphen - and the *upper* limit

lower-*

The range of device numbers from the *lower* limit, followed by a hyphen - and an asterisk (* not enclosed in parentheses) to indicate the highest number.

* All the device numbers (* not enclosed in parentheses)

swchdevn

Specifies one switch allocated to the issuing I/O operations

* All switches allocated to the issuing I/O operations. For a discussion, see “Switch Identifiers” on page 389.

Restrictions and Limitations

If an attached Node Descriptor (ND) of a device on a cascaded switch cannot be determined because the path or channel is offline, no control unit data is shown for the particular channel path id.

This is always true for CTC connections on cascaded switches. The reason is that I/O operations can get stuck behind a never-ending channel program on a CTC device when attempting to determine the attached NDs of the device.

Usage

For more information on the displayed output, see the page references under the fields.

```

IHVC824I
IHVC825I          CHP  SWCH          PORT
IHVC826I  DEVN  CHP  TYPE  DEVN  LSN  PORT  H  S  C  P  PORT  NAME
A         B  C  D   E  F   G   H

```

A

Message

B

Channel path ID (see “Channel Types” on page 394)

C

Channel type (see “Channel Types” on page 394)

D

Switch device number (see “Switch Identifiers” on page 389)

E

Logical switch number (see “Logical Switch Number (LSN)” on page 390)

F

Port address (see “Port Addresses” on page 404)

G

Port status codes (see “Switch Port Hardware Status on a Display Command” on page 400)

H

Port name (see “Using Port Names as a Tool in Switching Commands” on page 399)

Examples

```

D D F01 *
IHVC824I
IHVC825I          CHP  SWCH          PORT
                  STATUS
IHVC826I DEVN CHP TYPE  DEVN LSN PORT H S C P PORT NAME
IHVC827I 0F01 3A  CNC_S 0100 01  FB          HA.CHP_3A
IHVC82AI CNTL UNIT DATA:0100 01  D6          CU.F00
IHVC827I   3D  CNC_S 0200 02  F7          HA.CHP_3D
IHVC82AI CNTL UNIT DATA:0200 02  D6          CU.F00
    
```

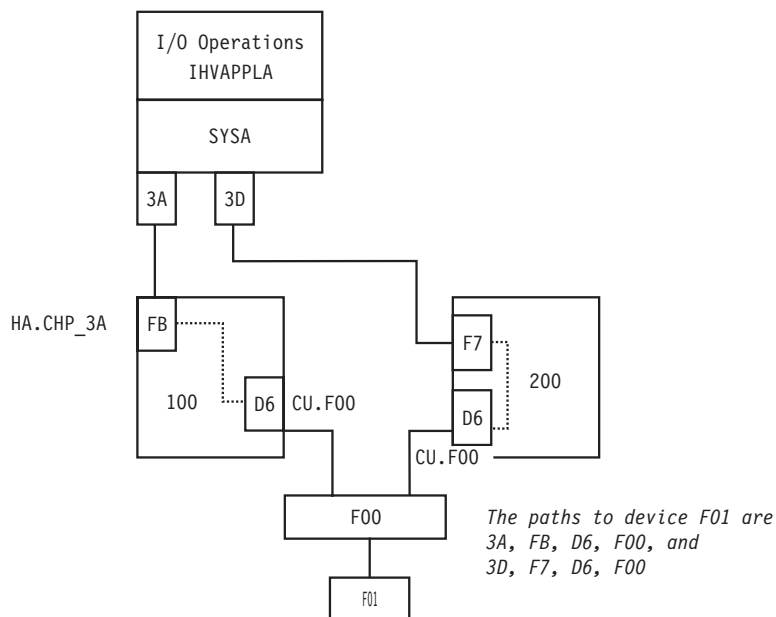


Figure 135. DISPLAY DEV Command - Sample

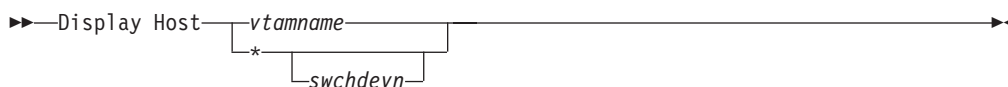
DISPLAY HOST

Purpose

Use the DISPLAY HOST command to display status about the specified I/O operations(host).

See “DISPLAY RESULTS” on page 261 for the related command, and “Processing a Vary Path Request” on page 405 for more information.

Syntax



Parameters

vtamname | *
Specifies one or all I/O operations hosts known to the issuing I/O operations.

DISPLAY HOST

vtamname

Specifies an I/O operations by its VTAM application name (VTAM ID). If the issuing I/O operations has no valid VTAM application name, the VTAM name is not available, or VTAM is not available, you can specify THIS-SYS for the issuing I/O operations

* (asterisk)

Specifies all the I/O operations known to the issuing I/O operations.

For a discussion, see “Switching Commands” on page 404.

swchdevn

Specifies one switch allocated to the issuing I/O operations. If you do not specify a switch device number, the issuing I/O operations displays status about all its participating hosts. For a discussion, see “Switch Identifiers” on page 389.

Usage

- See the following example for the type of data displayed.
- If the DISPLAY RESULTS, LOGREC, SYNC SWITCH, or WRITE command is entered, the data that could be displayed by DISPLAY HOST is refreshed.
- For more information on the displayed output, see the page reference under the fields:

```
IHVC803I THIS HOST: vtamname
IHVC804I VTAMNAME LEVEL PHYSICAL IDENTIFIER      SYSPLEX SYSTEM
A           B
```

- A** Message
- B** VTAM name (see “VTAM Application Name” on page 406)

```
IHVC805I THE FOLLOWING SWCHS ARE ATTACHED:
IHVC806I SWCH
IHVC807I DEVN LSN UNIQUE ID
A           B C D
```

- A** Message
- B** Switch device number (see “Switch Identifiers” on page 389)
- C** Logical switch number (see “Logical Switch Number (LSN)” on page 390)
- D** Switch ID number (see “Switch Unique Identifier” on page 404)

Examples

```
D H IHVAPPLA
IHVC803I THIS HOST: IHVAPPLA SYSPLEX: SYSPLEX1 SYSTEM: SYSTEM12
IHVC804I VTAMNAME LEVEL PHYSICAL IDENTIFIER      SYSPLEX SYSTEM
IHVC80CI IHVAPPLA V1 R3 00309020JIBM00000000070054 SYSPLEX1 SYSTEM12
IHVC537I VTAM communication is initialized on this host
IHVC805I THE FOLLOWING SWCHS ARE ATTACHED:
IHVC806I SWCH
IHVC807I DEVN LSN UNIQUE ID
IHVC80AI 0100 01 009032002IBM01000000034893
IHVC80AI 0200 02 009032002IBM02000000093622
```

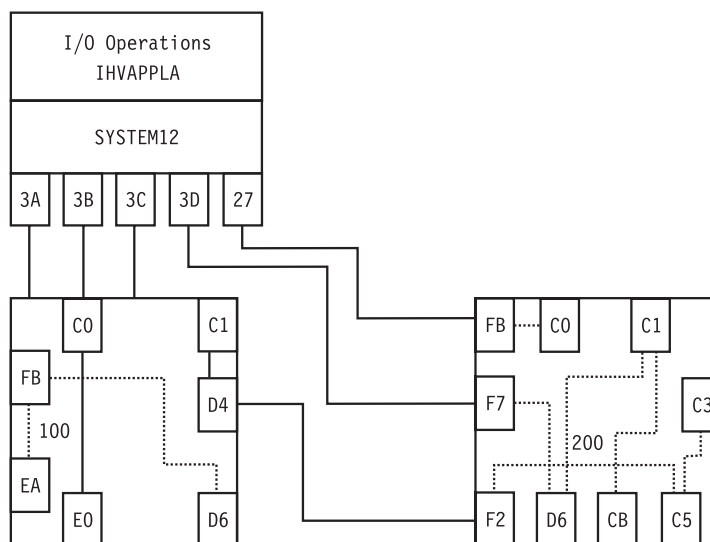



Figure 136. DISPLAY HOST Command - Sample 1

```

D H *
IHVC803I THIS HOST: IHVAPPLA  SYSPLEX: SYSPLEX1  SYSTEM: SYSTEM12
IHVC804I VTAMNAME  LEVEL PHYSICAL IDENTIFIER      SYSPLEX  SYSTEM
IHVC80CI IHVAPPLA  V1 R3 00309020JIBM00000000070054 SYSPLEX1 SYSTEM12
IHVC537I   VTAM communication is initialized on this host
IHVC80CI IHVAPPLB  V1 R3 003090000IBM01000138586566 SYSPLEX1 SYSTEM13
IHVC535I   VTAM session established with this host
IHVC884I Sysplex systems not associated with a VTAM name detected:
IHVC885I SYSPLEX  SYSTEMS-----|
IHVC886I SYSPLEX1 SYSTEM14,      ,      ,      ,
    
```



Figure 137. DISPLAY HOST Command - Sample 2

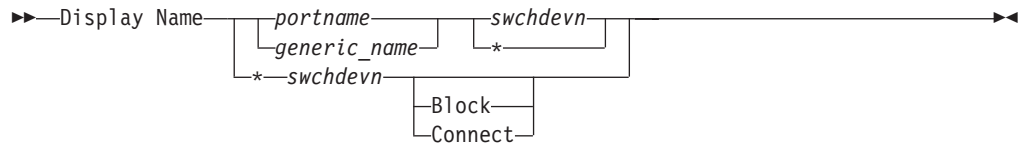
DISPLAY NAME

Purpose

Use the DISPLAY NAME command to display data about the implemented ports on a switch to which port names have been assigned. (See “WRITE” on page 287 for the command used to assign port names.)

DISPLAY NAME

Syntax



Parameters

portname | generic_name | *

Specifies that data be displayed about a specifically named port, all ports with the specified generic logical port name, or all named addressable ports (* not enclosed in parentheses). If you specify * in this operand, you cannot specify * in the next operand, but you can specify Block or Connect as options. For a discussion, see "Port Switching Commands" on page 401.

swchdevn | *

Specifies one switch or all switches (* not enclosed in parentheses) allocated to the issuing I/O operations. If you specify *, you must specify either an individual or a generic port name, but not all port names. For a discussion, see "Switch Identifiers" on page 389.

Options

Block | Connect

Specifies that data be displayed only about those named ports that are blocked or statically connected to another port. If you specify this option, you must also specify * for all port names.

Usage

For more information on the displayed output, see the page references under the fields.

		SWCH		PORT		PORT STATUS		I/O	
		DEVN	LSN	PORT	H	S	C	P	DEF
IHVC844I									
IHVC845I									
IHVC846I	PORT NAME								
A	B	C	D	E	F	F	G		

- A** Message
- B** Port name (see "Using Port Names as a Tool in Switching Commands" on page 399)
- C** Switch device number (see "Switch Identifiers" on page 389)
- D** Logical switch number (see "Logical Switch Number (LSN)" on page 390)
- E** Port address (see "Port Addresses" on page 404)
- F** Port status codes (see "Switch Port Hardware Status on a Display Command" on page 400)
- G** I/O definition (see "Switch Ports" on page 398)

Examples

```

D N * 100
IHVC844I
IHVC845I                                SWCH          PORT
IHVC846I PORT NAME                     DEVN    LSN   PORT  H S C P DEF
IHVC847I HA.CHP_88.CVC                 0100    01   C0    E0 P CH
IHVC847I HA.CHP_3C                     0100    01   C1    D4 P
IHVC847I LINK.200                      0100    01   D4    C  C1 P
IHVC847I CU.F00                        0100    01   D6    P CU
IHVC847I CU.B20.9034                   0100    01   E0    C0 P CU
IHVC847I CU.190                        0100    01   EA    P CU
IHVC847I HA.CHP_3A                     0100    01   FB    P CH
    
```

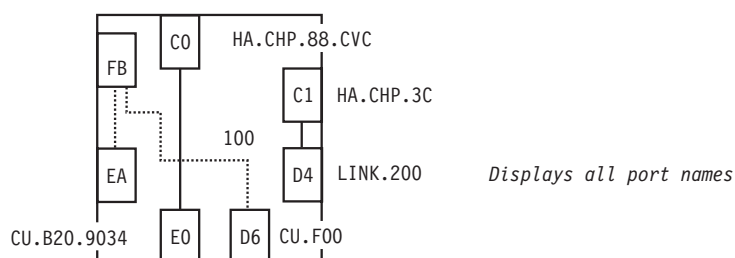


Figure 138. DISPLAY NAME Command - Sample 1

```

D N CU.F00 *
IHVC844I
IHVC845I                                SWCH          PORT
IHVC846I PORT NAME                     DEVN    LSN   PORT  H S C P DEF
IHVC847I CU.F00                        0100    01   D6    P CU
IHVC847I CU.F00                        0200    02   D6    CU
    
```

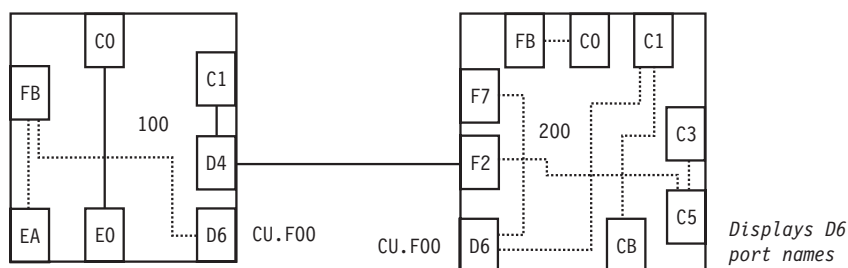


Figure 139. DISPLAY NAME Command - Sample 2

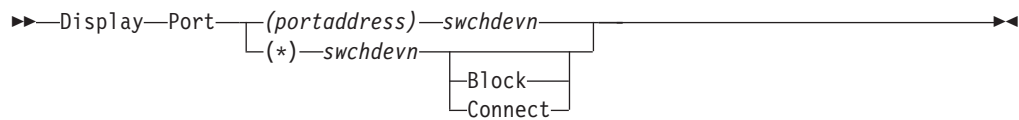
DISPLAY PORT

Purpose

Use the DISPLAY PORT command to display data about one or all the ports that are implemented and installed on the specified switch.

Syntax

DISPLAY PORT



Parameters

(portaddress) | (*)

Specifies that data should be displayed about one addressable port or all (* enclosed in parentheses) the addressable ports. For a discussion, see “Port Addresses” on page 404.

swchdevn

Specifies the switch device number on which the port is located. The switch must be allocated to the issuing I/O operations. For a discussion, see “Switch Identifiers” on page 389.

Options

Block | Connect

Specifies that you want data displayed about only those ports that are blocked or statically connected. (If a port is both blocked and statically connected, it would be listed if either alternative is chosen.) If you specify this option, you must specify all addressable ports as an operand (* enclosed in parentheses).

Usage

Unlike the Display Name command, Display Port can apply to only one switch at a time.

For more information on the displayed output, see the page references under the fields:

```
IHVC844I
IHVC845I
IHVC846I PORT NAME          SWCH  PORT  PORT  PORT  PORT  PORT
          A      B          C      D      E      F      G
          I/O
```

- A** Message
- B** Port name (see “Using Port Names as a Tool in Switching Commands” on page 399)
- C** Switch device number (see “Switch Identifiers” on page 389)
- D** Logical switch number (see “Logical Switch Number (LSN)” on page 390)
- E** Port address (see “Port Addresses” on page 404)
- F** Port status codes (see “Switch Port Hardware Status on a Display Command” on page 400)
- G** I/O definition (see “Switch Ports” on page 398)

```
IHVC849I ALLOW/PROHIBIT MASK FOR THIS PORT:
          A      B
```

- A** Message
- B** Allow or prohibit mask (see “Allow | Prohibit Mask of a Port” on page 398)

Examples

```

D P (D6) 100
IHVC844I
IHVC845I                                PORT
IHVC846I PORT NAME                      SWCH  STATUS I/O
IHVC847I CU.F00                          DEVN  LSN  PORT H S C P DEF
                                           0100  01   D6  P CU

IHVC849I ALLOW/PROHIBIT MASK FOR THIS PORT:
IHVC84AI  A/P  PORT  PORT NAME          I/O DEF
IHVC84BI  A   C0   HA.CHP_88.CVC        CH
IHVC84BI  P   C1   HA.CHP_3C           CH
IHVC84BI  A   C2
IHVC84BI  A   C3
IHVC84BI  A   C4
:
IHVC84BI  A   FB   HA.CHP_3A           CH
IHVC84BI  A   FE

```

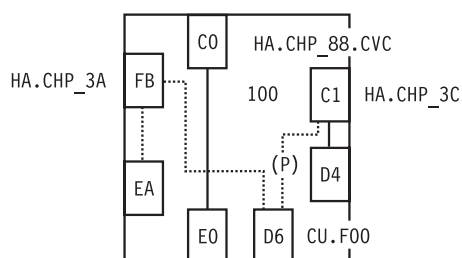


Figure 140. DISPLAY PORT Command - Sample

DISPLAY RESULTS

Purpose

Use the DISPLAY RESULTS command to display the results of the issuing I/O operations' most recently processed connectivity (except REMOVE and RESTORE Dev), LOGREC, SYNC SWITCH, or WRITE command. Especially in cases in which one or more vary path requests failed, the DISPLAY RESULTS command is a useful tool to help you analyze the resulting configuration status.

For related commands, see "DISPLAY HOST" on page 255 and "DISPLAY VARY" on page 266.

Syntax

►►—Display Results—◄◄

Usage

- In addition to displaying data about its most recently processed connectivity command (except Remove and Restore Dev), the issuing I/O operations displays any subsequent command up to the next connectivity, Logrec, Sync Switch, or Write command.
- To review any additional failed vary path requests resulting from the same command, use the "DISPLAY VARY" on page 266.

DISPLAY RESULTS

- For more information on the displayed output fields, see the page references under the fields:

```

IHVC803I THIS HOST: vtamname  SYSPLEX:          SYSTEM:
IHVC808I VTAMNAME
IHVC808I vtamname1
IHVC505I   No failures detected by this host
IHVC808I VTAMNAME
IHVC808I vtamname2
IHVC525I   This host has been RESET off
IHVC500I SWCH DEVN LSN UNIQUE ID                STATUS      CODE
A       B       C       D

```

- A** Message
- B** Switch device number (see “Switch Identifiers” on page 389)
- C** Logical switch number (see “Logical Switch Number (LSN)” on page 390)
- D** Unique identifier (see “Switch Unique Identifier” on page 404)

Examples

Example 1

As shown in the figure below, a chain has been defined, so that ports *CB* and *D6* are statically connected on the passthru switch *200*.

A user entered *N (D6) (CB) 200* and the command failed.

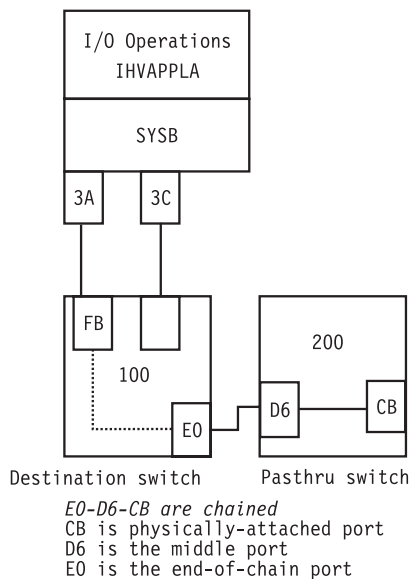


Figure 141. DISPLAY RESULTS Command - Scenario 1

The user then entered the DISPLAY RESULTS command to analyze the cause of failure.

```

D R
IHVC803I THIS HOST: IHVAPPLA  SYSPLEX: SYSPLEX1  SYSTEM: SYSTEM12
IHVC808I VTAMNAME  SYSPLEX  SYSTEM
IHVC80BI IHVAPPLA  SYSPLEX1  SYSTEM66
IHVC505I  No failures detected by this host
IHVC808I VTAMNAME  SYSPLEX  SYSTEM
IHVC80BI IHVAPPLB  SYSPLEX1  SYSTEM22
IHVC505I  No failures detected by this host
IHVC500I SWCH DEVN LSN UNIQUE ID                STATUS      CODE
IHVC501I  0100  01  009032002IBM01000000034893  OPERATIONAL  00
IHVC520I  Command not sent to this SWCH
IHVC500I SWCH DEVN LSN UNIQUE ID                STATUS      CODE
IHVC501I  0200  02  009032002IBM02000000093622  OPERATIONAL  00
IHVC906I  Cannot DISCONNECT CHAINED port D6
IHVC906I  Cannot DISCONNECT CHAINED port CB
    
```

Example 2

The user tried to Block (C3) 200 NOF.

The command fails because an operational CV converter is attached to port C3.

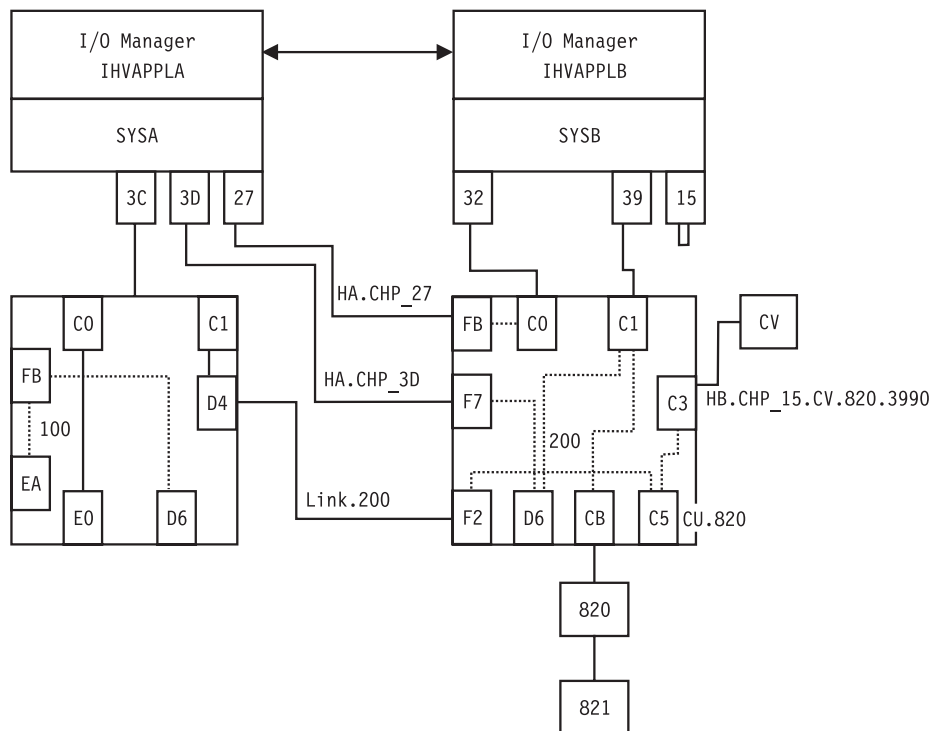


Figure 142. DISPLAY RESULTS Command - Scenario 2

The user entered the DISPLAY RESULTS command to analyze the cause of failure.

DISPLAY RESULTS

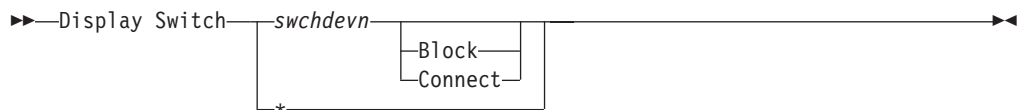
```
D R
IHVC999I I/O operations display
IHVC808I VTAMNAME      SYSPLEX  SYSTEM
IHVC808I IHVAPPLA     SYSPLEX1  SYSTEM66
IHVC621I  ESCON Converter Model 2(s) detected
IHVC808I VTAMNAME      SYSPLEX  SYSTEM
IHVC808I IHVAPPLB     SYSPLEX1  SYSTEM22
IHVC505I  No failures detected by this host
IHVC500I SWCH DEVN LSN UNIQUE ID                STATUS      CODE
IHVC501I  0100  01  009032002IBM01000000034893 OPERATIONAL  00
IHVC520I  Command not sent to this SWCH
IHVC500I SWCH DEVN LSN UNIQUE ID                STATUS      CODE
IHVC501I  0200  02  009032002IBM02000000093622 OPERATIONAL  00
IHVC622I  ESCON Converter Model 2 paths may require DISABLEMENT:
IHVC623I  ID  TYPE  MOD SERIAL NUMBR  PORT LOGICAL NAME / UNIQUE ID
IHVC626I  CU 003990 G03 000000090046  C5  CU.820
IHVC627I  CV 009035 002 000000020466  C3  HB.CHP_15.CV.820.3990
```

DISPLAY SWITCH

Purpose

Use the DISPLAY SWITCH command to display data about one or about all the switches allocated to the issuing I/O operations.

Syntax



Parameters

swchdevn | *

Specifies one switch or all switches (* not enclosed in parentheses) allocated to the issuing I/O operations. For a discussion, see “Switch Identifiers” on page 389.

Options

Block | Connect

Specifies that you want data displayed about only those ports that are blocked or are part of a static connection. (If a port is both blocked and statically connected, it is listed if either parameter is chosen.) You can enter this optional parameter only if you also specified an individual switch device number.

Usage

For more information on the displayed output, see the page references under the fields:

```
IHVC833I SWCH          PORTS  SWCH      STATUS
IHVC834I DEVN LSN UNIQUE ID  INSTALLED STATUS      CODE
A           B  C  D                               E
```

- A** Message
- B** Switch device number (see “Switch Identifiers” on page 389)
- C** Logical switch number (see “Logical Switch Number (LSN)” on page 390)

- D** Unique identifier (see “Switch Unique Identifier” on page 404)
- E** Installed ports (see 389)

	PORT	STATUS	PORT NAME	I/O DEF
IHVC835I				
IHVC836I				
IHVC837I				
A	B	C	D	E

- A** Message
- B** Port number (see “Port Addresses” on page 404)
- C** Port status code (see “Switch Port Hardware Status on a Display Command” on page 400)
- D** Port name (see “Using Port Names as a Tool in Switching Commands” on page 399)
- E** I/O definition (see “Switch Ports” on page 398)

Examples

```

D S 100
IHVC833I SWCH
IHVC834I DEVN LSN UNIQUE ID          PORTS SWCH STATUS
IHVC838I 0100 01 009032002IBM01000000034893 61 OPERATIONAL 00
IHVC835I          PORT
IHVC836I          STATUS
IHVC837I          PORT          H S C P          PORT NAME          I/O DEF
IHVC839I          C0          E0 P          HA.CHP_88.CVC          CH
IHVC839I          C1          D4 P          HA.CHP_3C          CH
IHVC839I          C2          P
IHVC839I          C3          P
IHVC839I          C4          P
:
IHVC839I          D4          C1 P          LINK.200          CU
:
IHVC839I          FB          P          HA.CHP_3A          CH
IHVC839I          FE
    
```

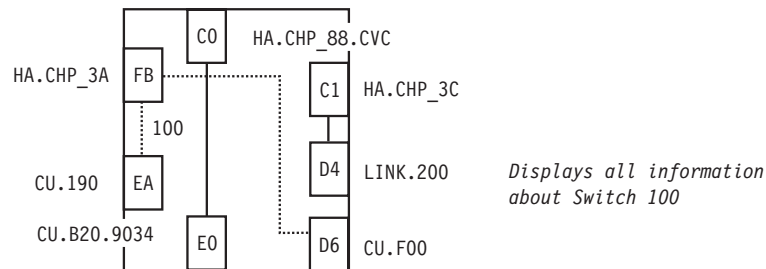


Figure 143. DISPLAY SWITCH Command - Sample 1

```

D S *
IHVC833I SWCH
IHVC834I DEVN LSN UNIQUE ID          PORTS SWCH STATUS
IHVC838I 0100 01 009032002IBM01000000034893 61 OPERATIONAL 00
IHVC838I 0200 02 009032002IBM02000000093622 61 OPERATIONAL 00
IHVC838I 0400 04          0          NOT OPEN 1C
    
```

DISPLAY TIMEOUT

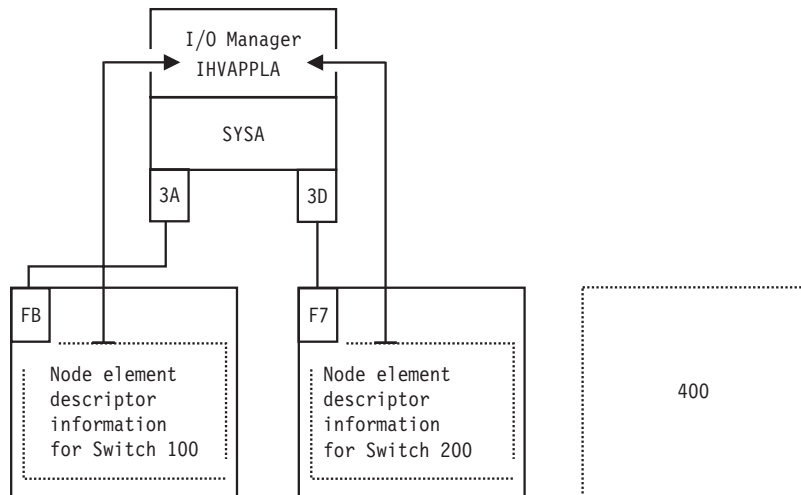


Figure 144. DISPLAY SWITCH Command - Sample 2

DISPLAY TIMEOUT

Purpose

Use the DISPLAY TIMEOUT command to display the maximum number of seconds that the issuing I/O operations will wait to receive votes from the I/O operations that form its voting constituency and that have not been reset off with the command described under “RESET HOST” on page 275. If one or more votes is still outstanding when the time interval lapses, the issuing I/O operations declares a negative consensus.

Syntax

►►—Display Timeout—◄◄

Examples

```
D T  
IHVC860I Current timeout value is 60 seconds
```

DISPLAY VARY

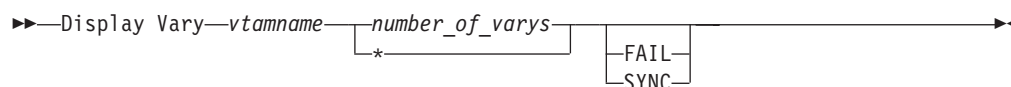
Purpose

Use the DISPLAY VARY command to display a specified number (up to 1500) failed vary path requests that have resulted either from the issuing I/O operations’s most recently processed connectivity command or that were built with the Sync Switch command.

The data displayed depends on the type of command that failed and the options that you specify on the Display Vary command.

See “DISPLAY HOST” on page 255 and “DISPLAY RESULTS” on page 261 for related commands, and “Processing a Vary Path Request” on page 405 for more information.

Syntax



Parameters

vtamname

Specifies the participating I/O operations by its VTAM application ID. The failed vary requests will be listed in the output for that I/O operations (host), but only for a command that was initiated by the issuing I/O operations.

number_of_varys | *

Replace *number_of_varys* with a decimal integer from 1 through 1500. The asterisk (*) specifies all (up to the maximum of 1500). The number of failed vary path requests displayed is independent from similar data displayed by other commands. For example, if you had already displayed three vary path requests using the Display Vary command and want to display 15 *additional* vary path requests with the Display Vary command, specify 18 vary path requests.

Options

SYNC

Specifies that the vary path requests built with the Sync Switch command be displayed.

FAIL

Specifies only the failed vary path requests (if any), or Varies from a connectivity command be displayed.

Usage

- Failed vary path requests listed in this command relate to the path from a CHPID to a device.
- If a vary path request fails, the path through the port or ports specified in the connectivity command could not be brought offline or online, depending on the command that was entered.

Examples

```

D V IHVAPPLA 90
IHVC999I I/O operations display

IHVC811I VARY TYPE   TRIED   FAILED 1ST   90 FAILURES (DEV,CHP)
IHVC819I OFFLINE      5       3 (0190,3A)(019E,3A)(019D,3A)( , )

IHVC81FI BACKOUT     2       0 ( , )( , )( , )( , )

IHVC83CI CONFIG TYPE TRIED   FAILED 1ST   90 FAILURES (CHP)
IHVC879I No failed CONFIGs on previous command
IHVC872I SYNC TYPE   NUMBER   1ST   90 VARYS (DEV,CHP)
IHVC875I No SYNC VARYs detected on previous command
IHVC853I CONFIG TYPE   NUMBER   1ST   90 CONFIGs (CHP)
IHVC877I No SYNC Configs detected on previous command
  
```

GETLOCK

Purpose

Use the GETLOCK command to obtain the processing lock for a user ID that enters a command to any instance of I/O operations within the same set of I/O operations. (A set of I/O operations incorporates all the base programs that can participate in consensus processing of a connectivity command initiated by the issuing instance of I/O operations and those that can communicate with one of these participants via VTAM.)

See “UNLOCK” on page 286 for the reciprocal command.

Syntax

▶▶—GETLOCK—◀◀

Usage

- The GETLOCK command is used when a user wants to perform a series of I/O operation commands without interruption.
- You may need to enter the GETLOCK command if another user ID has the lock and will not, or cannot, release it. Such a situation could arise, for example, if the other user’s terminal is inactive.
- Note that default conditions for obtaining the processing lock are provided with the I/O operations the sample ISPF dialog. You can accept these defaults or customize them for your ISPF user ID.
- The GETLOCK command takes control of I/O operations processing and can, therefore, potentially interrupt a series of connectivity commands being entered by another user ID with unpredictable results.
- If your user ID has control authorization required to enter the Getlock command, be sure you have considered all pertinent aspects of the system I/O environment before issuing this command.
- Note that you can release the lock with the Unlock command and should, of course, do so when you are finished entering I/O operations commands for the session.

Examples

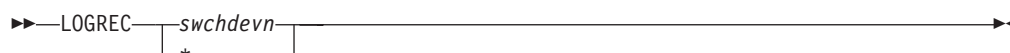
```
GETLOCK  
IHVC0001 GETLOCK    command successful
```

LOGREC

Purpose

Use the LOGREC command to have I/O operations instruct the specified switch or switches to send their log data to the host (system control program) on which the issuing I/O operations is running.

Syntax



Parameters

`swchdevn` | *

Specifies one switch or all the switches (* not enclosed in parentheses) allocated to the issuing I/O operations. For a discussion, see “Switch Identifiers” on page 389.

Usage

- The LOGREC command remains in effect across I/O operations sessions, unless the host image becomes dysfunctional.
- If you enter the LOGREC command, it is advisable to do so when the I/O operations base program is started.
- The LOGREC command causes any data that I/O operations has accumulated for display with the DISPLAY RESULTS command to be refreshed.

Examples

```
LOGREC 100
IHVC000I LOGREC      command successful
```

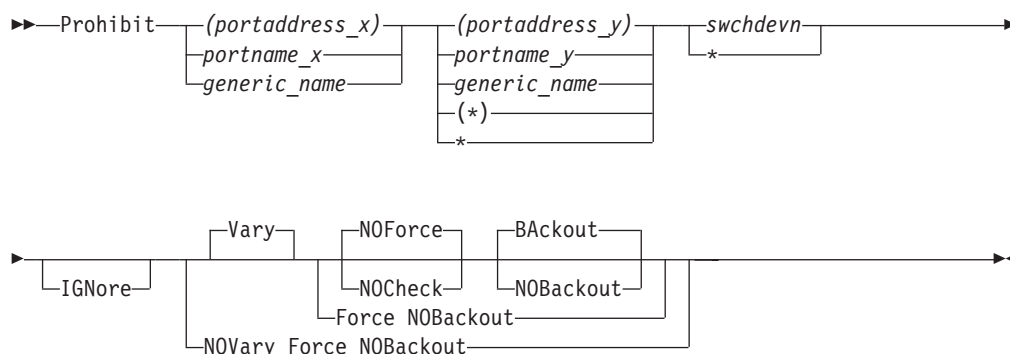
PROHIBIT

Purpose

Use the PROHIBIT command to prevent data transfer between ports on the same switch or on all switches allocated to the issuing I/O operations.

Unlike the BLOCK command, the PROHIBIT command allows the two ports to have dynamic connections with other ports. You can prohibit data transfer between ports according to the following syntax diagram. See “ALLOW” on page 242 for the reciprocal command.

Syntax



PROHIBIT

Parameters

(portaddress_x) | portname_x | generic_name

Specifies the port to be prohibited by its port address (enclosed in parentheses), by its individual port name, or by a generic port name. For a discussion, see “Port Switching Commands” on page 401.

(portaddress_y) | portname_y | generic_name | (*) | *

Specifies the other ports in one of the following ways: a port address (enclosed in parentheses), an individual port name, a generic port name, all other port addresses (* enclosed in parentheses), or all other port names (* not enclosed in parentheses). For a discussion, see “Port Switching Commands” on page 401.

swchdevn | *

Specifies one switch or all the switches (* not enclosed in parentheses) allocated to the issuing I/O operations. For a discussion, see “Switch Identifiers” on page 389.

Options

IGNore

You must specify this option when an Inter-Switch-Link port (E_Port) is involved. Otherwise the command is rejected with return code 8 and reason code X'49'. The reason is I/O operations can no longer guarantee “safe-switching” when an E_Port is involved.

Connectivity options

For a discussion on Vary | NOVary, NOForce | NOCheck | Force, and BAckout | NOBackout see “Making Connectivity Changes” on page 396.

Usage

- If you specify an individual or generic port name, all the switches involved must have at least one port implemented with an applicable port name.
- If a parallel channel path and CV converter are involved, consider the information in “A Parallel Channel in Block (BL) Mode” on page 403.

Examples

```
P (FB) (D6) 100  
IHVC000I PROHIBIT command successful
```

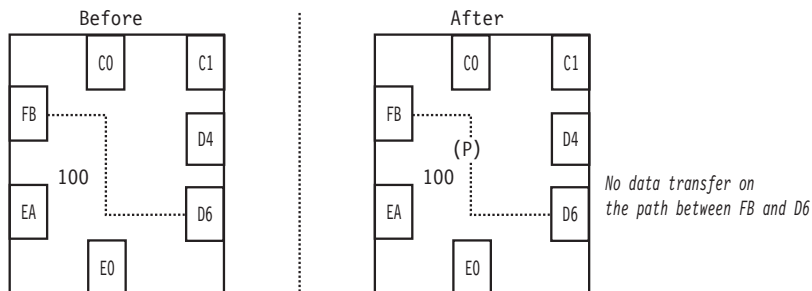


Figure 145. PROHIBIT Command - Sample 1

```
P HB.CHP_39 CU.* 200
IHVC000I PROHIBIT command successful
```

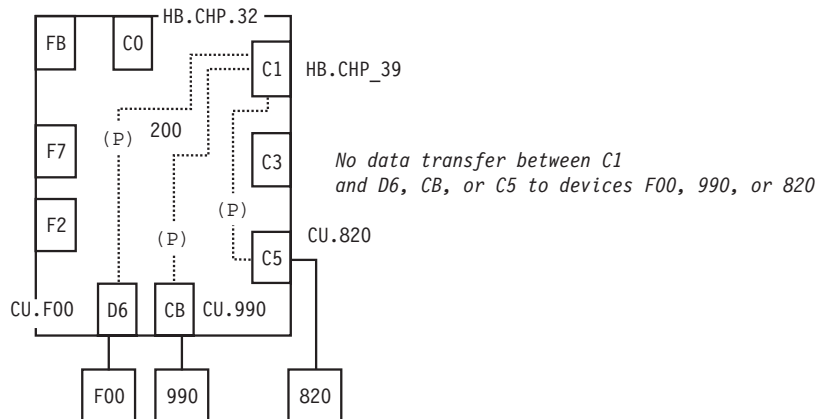


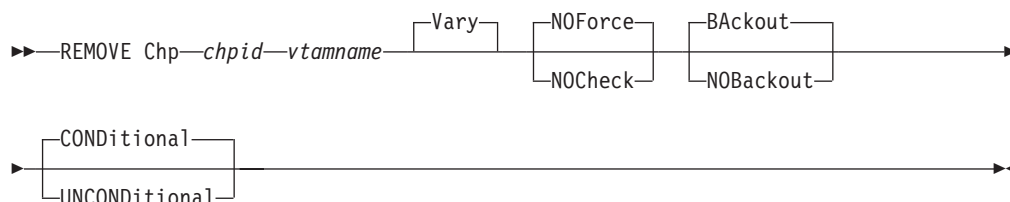
Figure 146. PROHIBIT Command - Sample 2

REMOVE CHP

Purpose

Use the REMOVE CHP command to configure the specified CHPID offline to the host image of the target I/O operations in the command. See “RESTORE CHP” on page 279 for information on the reciprocal command.

Syntax



Parameters

chpid

Specify the CHPID as a hexadecimal number in the range X'00' through X'FF'.

vtamname

Specify the VTAM application name of the target I/O operations.

The target I/O operations is the program that instructs its host image to configure the specified CHPID offline.

The target system can be any I/O operations host to which a VTAM session is established.

You can specify THIS-SYS in uppercase characters if the issuing I/O operations is the target program and if any of the following conditions holds:

- The issuing I/O operation does not have a valid VTAM name.

REMOVE CHP

- The issuing I/O operations' VTAM name is not available.
- VTAM is not available.

To review a list of applicable VTAM names, you can use the Display Host command. If you enter `D H *`, you can determine whether the issuing I/O operations calls itself `THIS-SYS`.

Options

VARY

VARY is the default and **NOVary** is *not* an alternative.

I/O operations issues the appropriate vary path-offline requests for all the paths that have been defined to the specified CHPID in the relevant host I/O Control Data Set (IOCDs).

Only after all these paths have been varied offline does the target I/O operations request the target host image to configure the specified CHPID offline.

NOForce | NOCheck

NOForce is the default. Although you can specify **NOCheck**, that alternative has no additional effect in this command.

BAckout | NOBAckout

If you specify **BAckout**, I/O operations attempts to vary those paths back online that had been varied offline successfully if either:

- At least one vary path-offline request failed.
- All the vary path requests were successful, but the program could not configure the CHPID offline.

CONDitional

This is the default option for both the **REMOVE CHP** and **RESTORE CHP** commands. It indicates that no special configure offline or configure online action should be performed.

UNCONDitional

For the **REMOVE CHP** command, this option puts the specified chpids immediately into pending offline status, even if the chpids are currently active, allocated, or reserved.

For the **RESTORE CHP** command, this option brings the specified chpids online, even if there are no paths to the chpids, or if the chpids are pending offline and boxed.

Usage

- The CHPID type must be known to the target I/O operations.
- If the **REMOVE CHP** command causes one or more devices to be removed from the host image on which the target I/O operations is running, I/O operations automatically attempts to delete these devices from its internal configuration map.
- I/O operations does not attempt to configure the channel offline if any of the relevant vary path requests failed.
- I/O operations does not attempt to configure the channel offline if the target I/O operations is reset off or purged from intersystem communication.

- If the target I/O operations is running in an MVS environment and if the program timed out with the state of the CHPID unknown, I/O operations attempts to configure the channel back online.
- If you are considering specifying a CVC channel for this command, note that SA z/OS automatically configures a CVC CHPID offline when it processes any of the following commands for a path defined with that CHPID: BLOCK, DISCONNECT, REMOVE SWITCH, and UNCHAIN.
- The command is not supported if the target I/O operations is running on a host system that is operating as a guest in a VM environment.

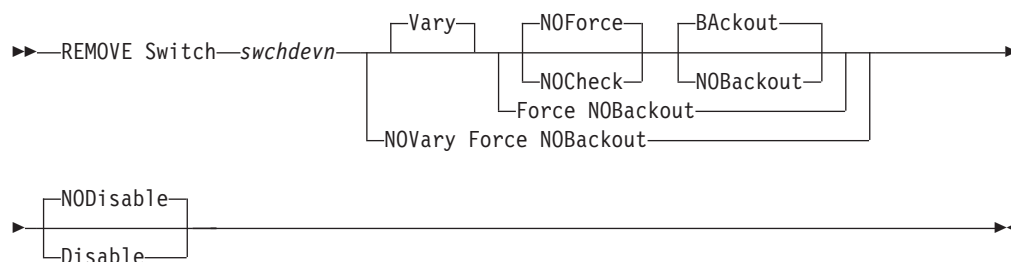
REMOVE SWITCH

Purpose

Use the REMOVE SWITCH command to vary all logical paths through the specified switch offline and, optionally, to disable the unit.

The switch must be allocated to the issuing I/O operations. See “RESTORE SWITCH” on page 281 for the reciprocal command, and “Remove (Quiesce) a Switch” on page 400 for discussion.

Syntax



Parameters

swchdevn

Specifies the switch to be varied offline and optionally to be disabled. The switch must be allocated to the issuing I/O operations. For a discussion, see “Switch Identifiers” on page 389.

Options

NODisable | Disable

NODisable (default) specifies that every path that passes through the switch is varied offline. (The path to the control unit port, or CUP, is not varied offline.) The switch is not deallocated, or detached, from I/O operations.

Disable specifies that every path that passes through the switch is varied offline. (The path to the control unit port, or CUP, is not varied offline.) The switch is then deallocated, or detached, from I/O operations.

Connectivity options

For a discussion on `Vary` | `NOVary`, `NOForce` | `NOCheck` | `Force`, and `BACKout` | `NOBackout` see “Making Connectivity Changes” on page 396.

REMOVE SWITCH

Usage

- If a path through the switch is chained and you intend to remove the switch, physically cancel the definition of the chain first.
- If you specify the Disable option, power to the switch must be turned off and then on before communications can be restored to the unit. See “RESTORE SWITCH” on page 281.

Attention:

Issuing the REMOVE Switch command with the Disable option will switch power off to the IBM 9032 Model 2 ESCON[®] Director but will just cycle the power (power stays switched on) for the IBM 9032 Model 3 ESCON Director.

- If you specify the Disable option, and if you plan to restore what is physically the same switch using the RESTORE S command later, do not change the switch device offline to MVS or z/OS. However, if you are planning to restore a physically different switch, for example, when replacing a 9032-003 ESCON Director with a 9032-005 ESCON Director, then the correct sequence of operations is as follows:
 1. Issue REMOVE S.
 2. Change the switch device offline to the operation system.
 3. Perform the physical replacement of the switch.
 4. Change the switch online to the operating system.
 5. Then issue RESTORE S.

SA z/OS's REMOVE DEVICE and RESTORE DEVICE can be used to vary the device offline or online to multiple systems as one operation. For further information, refer to the description of “REMOVE and RESTORE DEV (API)” in *IBM Tivoli System Automation for z/OS Programmer's Reference*.

- If the command fails, display pathing status with “DISPLAY HOST” on page 255, “DISPLAY RESULTS” on page 261, or “DISPLAY VARY” on page 266. Consider rerunning the command with the Force and Disable options.

Examples

```
REMOVE S 200 D  
IHVC000I REMOVE      command successful
```

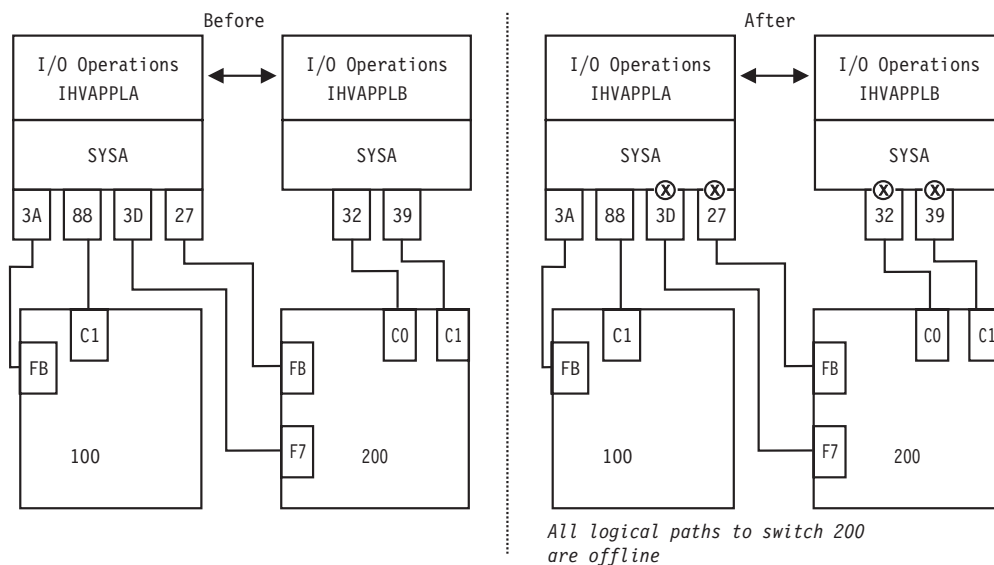


Figure 147. REMOVE SWITCH Command - Sample

RESET HOST

Purpose

Use the RESET HOST command to include or exclude any participant in the issuing I/O operations's consensus processing.

With this command, you can avoid having the issuing I/O operations stop the command from completing because, for example, a participant could not return a vote.

See "DISPLAY HOST" on page 255 for the related command.

Syntax



Parameters

vtamname

Specifies the VTAM application name, or VTAM ID, of the I/O operations targeted in the command.

When I/O operations is started, it writes its VTAM ID to all the switches allocated to it. Should the I/O configuration have no or restricted use of switches, dynamic communication between I/O operations may not be achieved, in which case, the RESET HOST command is used. The RESET HOST command allows an operator or automated program to declare the VTAM IDs of peers to I/O operations. I/O operations participating in consensus processing use these VTAM IDs to communicate with each other.

RESET HOST

ON

Is the default. It specifies that the issuing I/O operations will include the target I/O operations in its consensus processing. (The issuing I/O operations can include itself.) Should the VTAM ID not be recognized, I/O operations records the name and attempts to establish a communication session with the peer. The new peer is included in all subsequent consensus processing.

OFF

Specifies that the issuing I/O operations will exclude the target I/O operations in consensus processing. (The issuing I/O operations can exclude itself.)

PURGE

Specifies that the issuing I/O operations will exclude the targeted I/O operations from participating in its consensus processing until the target host re-registers its VTAM name when it sends a command to one of the switches allocated to both the purged I/O operations and the I/O operations that issued the purge, when the purged I/O operations is restarted, or when a RESET HOST command with the ON operand is issued. Use this option to exclude systems that have ended abnormally or when an incorrect VTAM ID was entered using the RESET HOST command with the ON operand. (The issuing I/O operations cannot purge itself.)

Usage

The RESET HOST command affects an I/O operations's participation only in consensus processing initiated by the issuing I/O operations. It does not affect consensus vary path processing initiated by any other I/O operations, including a broadcast initiated by a host that has been reset off.

When the VTAM ID is not known command processing for RESET HOST *vtamname* ON is as follows:

1. The VTAM ID is recorded by the I/O operations and is included in subsequent consensus processing. Should the name not be successfully recorded the following messages are issued:

```
IHVC002I Reset command failed. RC = 8 Reas= 5000000A
```

```
IHVC401I Host(s) unable to process the RESET command
```

2. An attempt to establish a VTAM session is made. If the session is successfully established with the peer its VTAM ID name is automatically passed to other I/O operations in the domain. Then each I/O operations dynamically establishes its own session to the peer. The following message is issued:

```
IHVC000I RESET command successful
```

3. If the VTAM session is not successfully established the VTAM ID is retained by I/O operations, but the name is not broadcast to other peers. This can be caused, for example, by the specification of an incorrect VTAM ID. Should this occur the following messages are issued:

```
IHVC001I Reset command successful. RC = 4 Reas= 5000000A
```

```
IHVC401I Host(s) unable to process the RESET command
```

Additional information is presented in the Display Results output that indicates the VTAM session was not established.

Examples

```
R H IHVAPPLB OFF
IHVC000I RESET      command successful
```

```
R H IHVAPPLB ON
IHVC000I RESET      command successful
```

```
R H IHVAPPLB PURGE
IHVC000I RESET      command successful
```

Examples of Using RESET HOST to Declare Peer I/O Operations

No Switch Configuration:

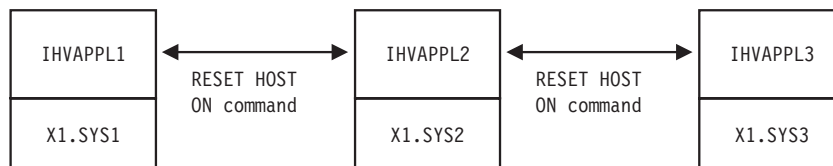


Figure 148. RESET HOST Command - Scenario 1

In the above figure all three I/O operations start without the knowledge of their peers. To establish communication among them, two RESET HOST commands are required, issued on any of the I/O operations. For example, on IHVAPPL1, the following commands are issued:

```
R H IHVAPPL2 ON
IHVC000I RESET      command successful
R H IHVAPPL3 ON
IHVC000I RESET      command successful
```

This results in all I/O operations establishing a communication session between them.

Restricted Switch Configuration:

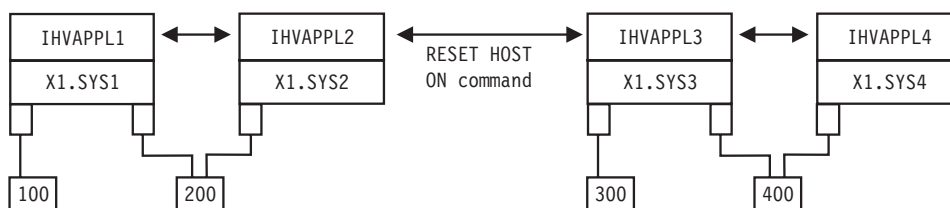


Figure 149. RESET HOST Command - Scenario 2

In the above figure, I/O operations IHVAPPL1 and IHVAPPL2 dynamically establish a session with one another at startup. IHVAPPL3 and IHVAPPL4 do so as well. However, neither group knows about the other due to a lack of a switch attachment. To establish communication among the two groups, only a single RESET HOST command is required and may be issued on any of the I/O operations. For example, on IHVAPPL1, the following command is issued:

```
R H IHVAPPL4 ON
IHVC000I RESET      command successful
```

RESET HOST

This results in all I/O operations establishing a communication session between themselves.

RESET SWITCH

Purpose

Use the RESET SWITCH command to update the issuing I/O operations' configuration map about a single switch or all the switches that are allocated to it.

Syntax

```
▶▶—Reset Switch—swchdevn—▶▶  
                  *—
```

Parameters

swchdevn | *

Specifies one switch or all switches (* not enclosed in parentheses) allocated to the issuing I/O operations.

For a discussion, see “Switch Identifiers” on page 389.

Usage

- If you specify R S *, thus resetting all the switches, the issuing I/O operations tries to allocate, or attach, all the switches defined to its host image. In this way, you can provide access to a new switch device number to the issuing I/O operations.
- Make sure you enter this command when you add or modify a switch allocated to the issuing I/O operations during operations.
- Issues a RESET SWITCH command if manipulation of CHPDs or Channel Paths is performed outside I/O operations (for example, using the system console).

Examples

```
R S 100  
IHVC0001 RESET      command successful
```

The following data is updated:

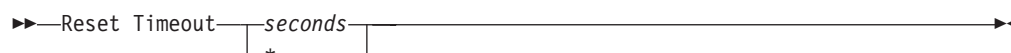
- The VTAM application names of the I/O operations that participate in consensus vary-path processing initiated by the issuing ESCON Manger.
- Switch device number. (See “Switch Identifiers” on page 389.)
- Port names and port attributes. (See “Port Switching Commands” on page 401.)
- Chaining information.

RESET TIMEOUT

Purpose

Use the RESET TIMEOUT command to specify the limit of the time interval -- in seconds -- that any participating I/O operations will wait for votes to be returned when it broadcasts as the issuing I/O operations.

Syntax



Parameters

seconds | *

Specifies the number of seconds from 0 up to and including 999,999 or the IBM-supplied default of 60 seconds (* not in parentheses).

Usage

- If the issuing I/O operations receives responses from all eligible voters (all voters except any that have been reset off by the issuing I/O operations) before the time limit is reached, and if all the votes are affirmative, command processing continues.

Unless the command is being forced, either a negative vote or a failure to respond within the time limit causes the issuing I/O operations to fail the command.

Examples

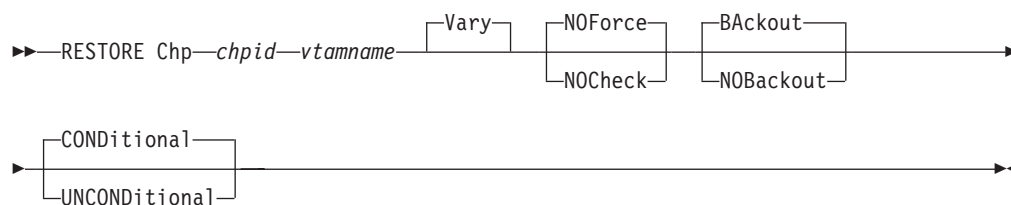
```
R T 120
IHVC000I RESET      command successful
```

RESTORE CHP

Purpose

Use the RESTORE CHP command to configure a specified channel online to the host image on which the target I/O operations is running. See "REMOVE CHP" on page 271 for information on the reciprocal command.

Syntax



Parameters

chpid

Specify the CHPID to be restored as a hexadecimal number in the range X'00' through X'FF'.

vtamname

Specify the VTAM application name of the target I/O operations. The target program is the I/O operations that instructs its host image to configure the specified CHPID online.

RESTORE CHP

The target system can be any I/O operations host to which a VTAM session is established.

You can specify THIS-SYS in uppercase characters if the issuing I/O operations is the target program and if any of the following conditions holds:

- The issuing I/O operations does not have a valid VTAM name.
- The issuing I/O operations' VTAM name is not available.
- VTAM is not available.

Note: Use the Display Host * command to see if the issuing I/O operations calls itself THIS-SYS.)

Options

VARY

VARY is the default and NOVary is *not* an alternative.

The target I/O operations configures the CHPID online before issuing the vary path-online requests for all the relevant paths that are defined to the specified CHPID in the host I/O Control Data Set (IOCDs).

NOForce | NOCheck

NOForce is the default. Although you can enter NOCheck, it has no additional effect in this command.

BAckout | NOBackout

BAckout is the default. Although you can enter NOBackout, I/O operations's processing is not different for this command.

For both BAckout and NOBackout, I/O operations:

- Attempts to configure the channel back offline if the program is running under MVS and timed out with the status of the channel uncertain.
- Does not attempt to vary any paths back offline if one or more relevant vary path-online requests fail.

CONDitional

This is the default option for both the REMOVE and RESTORE CHP commands. It indicates that no special configure offline or configure online action should be performed.

UNCONDitional

For the REMOVE CHP command, this option puts the specified chpids immediately into pending offline status, even if the chpids are currently active, allocated, or reserved.

For the RESTORE CHP command, this option brings the specified chpids online, even if there are no paths to the chpids, or if the chpids are pending offline and boxed.

Usage

- The CHPID type must be known to the target I/O operations.
- If the RESTORE CHP command causes one or more devices to be made available to the host image on which the target I/O operations is running, I/O operations automatically attempts to add these devices to its internal configuration map.
- I/O operations does not attempt to configure the channel online if the target I/O operations is reset off or purged from intersystem communication.

- The target I/O operations cannot bring a channel online if that channel is not available to the host image on which the target program is running.
- If the target I/O operations is running in an MVS environment and if the program timed out with the state of the CHPID unknown, I/O operations attempts to configure the channel back offline.
- If you are considering specifying a CVC channel for this command, note that I/O operations does *not* automatically attempt to configure a CVC CHPID offline when it processes any of the following commands for a path defined with that CHPID: Chain, Restore Switch, or Unblock. You can, however, use the RESTORE CHP command to configure the CVC CHPID online.
- The command is not supported if the target I/O operations is running on a host system that is operating as a guest in a VM environment.

RESTORE SWITCH

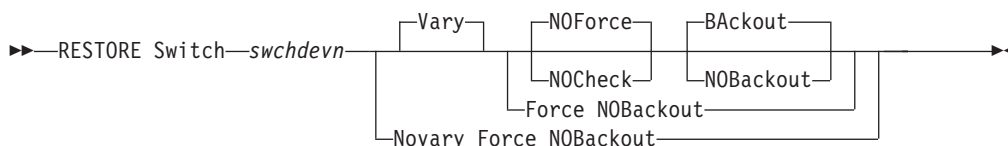
Purpose

Use the RESTORE SWITCH command to restore logical path status through a switch. I/O operations automatically issues any vary path requests that are needed to synchronize path status with the current physical settings stored at the switch.

If the switch is not allocated that will now be done.

See “REMOVE SWITCH” on page 273 for the reciprocal command and “Restore (Enable) a Switch” on page 398 for a discussion.

Syntax



Parameters

swchdevn

Specifies the switch to be restored. For a discussion, see “Switch Identifiers” on page 389.

Options

Connectivity options

For a discussion on Vary | NOvary, NOForce | NOCheck | Force, and BAckout | NOBackout see “Making Connectivity Changes” on page 396.

Usage

- The Restore Switch command restores paths attached to the switch according to the current switch settings-to units.
- If you replace a switch, which was disabled with the Remove Switch command, with another switch, any previous chaining data is voided. Chaining data in the new switch is used, instead. If the replacement switch is physically linked to

RESTORE SWITCH

another switch, you must define the chained path. See “Chain and Unchain a Switchable Path” on page 390 for more information.

Examples

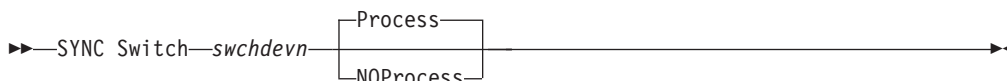
```
RESTORE S 100  
IHVC000I RESTORE    command successful
```

SYNC SWITCH

Purpose

Use the SYNC SWITCH to build and, optionally, to issue vary path requests that would be required to synchronize path status with the current settings maintained at the specified switch.

Syntax



Parameters

swchdevn

Specifies the switch. For a discussion, see “Switch Identifiers” on page 389.

Options

Process

(default) instructs the issuing I/O operations to issue the appropriate vary path requests.

NOProcess

instructs I/O operations to build the list, but not to process it.

Usage

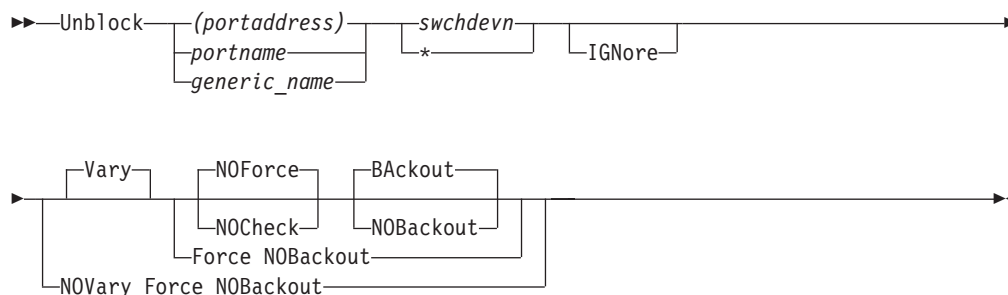
- Use the command described in “DISPLAY VARY” on page 266 to display the vary path requests that would be required if you choose the NOProcess option or the failed vary path requests if you chose the process option.
- Consider using the command if you have entered one or more connectivity commands with the Force option, knowing that pathing status will no longer be synchronous with the switch settings.
- Consider using the SYNC SWITCH command if connectivity changes have been made to the switch at the switch console.
- SYNC SWITCH differs from RESET SWITCH in that the latter command synchronizes the issuing I/O operations’ internal configuration map with the physical settings of the switch, but does not synchronize path status.

UNBLOCK

Purpose

Use the UNBLOCK command to permit data transfer through a port that had been blocked. See “BLOCK” on page 245 for the reciprocal command.

Syntax



Parameters

(portaddress) | portname | generic_name

Specifies the port to be unblocked by its port address (enclosed in parentheses), by its individual port name, or by a generic port name. For a discussion, see “Port Switching Commands” on page 401.

swchdevn | *

Specifies one switch or all switches (* not enclosed in parentheses) allocated to the issuing I/O operations. For a discussion, see “Switch Identifiers” on page 389.

Options

IGNore

You must specify this option when an Inter-Switch-Link port (E_Port) is involved. Otherwise the command is rejected with return code 8 and reason code X'49'. The reason is I/O operations can no longer guarantee “safe-switching” when an E_Port is involved.

Connectivity options

For a discussion on Vary | NOVary, NOForce | NOCheck | Force, and BBackout | NOBackout see “Making Connectivity Changes” on page 396.

Usage

If a CVC or parallel CHPID is involved, see “A “Partially-ESCON” Path” on page 394 for more information.

Examples

```
UNBLOCK (D6) 100
IHVC000I UNBLOCK      command successful
```

UNBLOCK

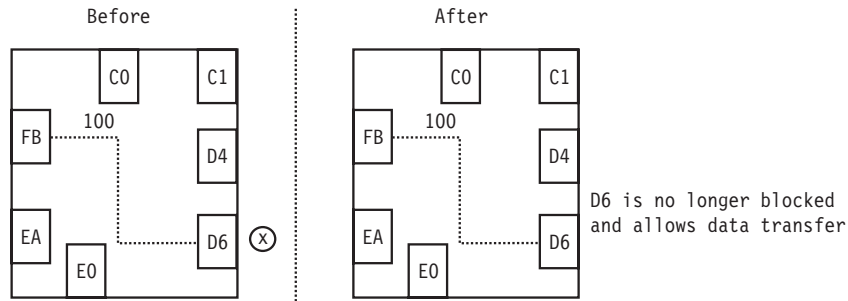


Figure 150. UNBLOCK Command - Sample 1

```
U CU.F00 *
IHVC000I UNBLOCK    command successful
```

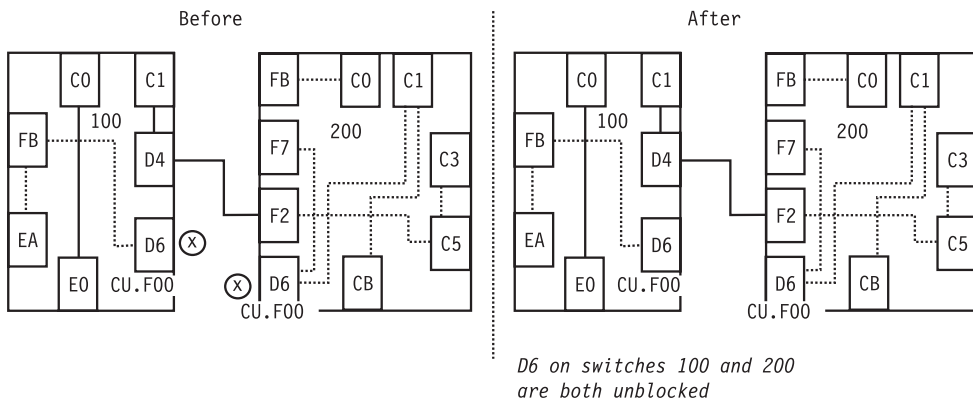


Figure 151. UNBLOCK Command - Sample 2

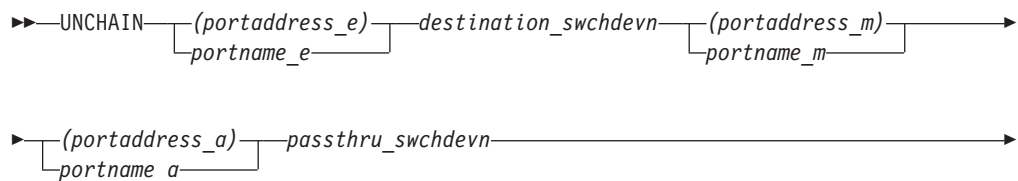
UNCHAIN

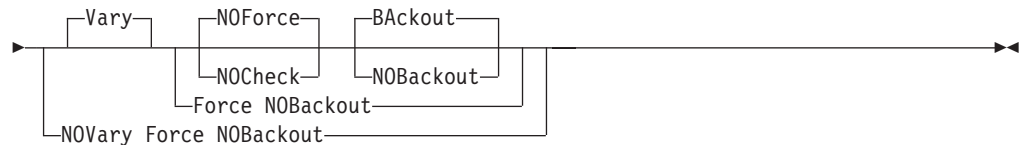
Purpose

Use the UNCHAIN command to cancel the definition of a chain in a chained path. See "Chain and Unchain a Switchable Path" on page 390 for more information. See "CHAIN" on page 247 for the reciprocal command.

Note: The UNCHAIN command is not applicable to FICON switches.

Syntax





Parameters

(portaddress_e) | portname_e

Specifies the end port by its port address (enclosed in parentheses) or by its port name. For a discussion, see “Port Switching Commands” on page 401.

destination_swchdevn

Specifies the device number of the destination switch in the chained path. For a discussion, see “Switch Identifiers” on page 389.

(portaddress_m) | portname_m

Specifies middle port by its port address (enclosed in parentheses) or by its port name. For a discussion, see “Port Switching Commands” on page 401.

(portaddress_a) | portname_a

Specifies the port in the chained path to which the CHPID or control unit is physically attached by its port address (enclosed in parentheses) or by its port name. For a discussion, see “Port Switching Commands” on page 401.

passthru_swchdevn

Specifies the device number of the passthru switch in the chained path. For a discussion, see “Switch Identifiers” on page 389.

Options

Connectivity options

For a discussion on Vary | NOVary, NOForce | NOCheck | Force, and BACkout | NOBACkout see “Making Connectivity Changes” on page 396.

Usage

- Use the Force option to remove a chained path that is supporting the last path to the switch.
- Make sure that you cancel the definition of a chain before you recable either of the chained switches of the chained ports that are affected.
- The definition of a chain is voided if either of the chained switches is replaced.

Examples

```
UNCHAIN (F2) 200 (D4) (C1) 100
IHVC0001 UNCHAIN      command successful
```

UNLOCK

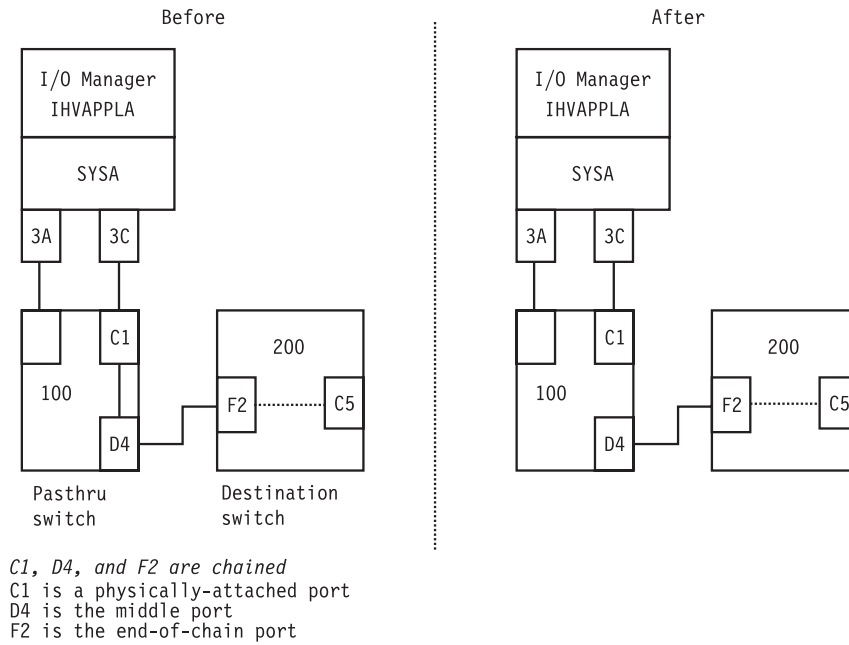


Figure 152. UNCHAIN Command - Sample

UNLOCK

Purpose

Use the UNLOCK command to release I/O operations processing from your user ID, so that another user ID can use an I/O operations within the same set. (A set of I/O operations consists of the participants in the issuing I/O operations' vary-path processing and those I/O operations that can communicate with any of the participants.)

See "GETLOCK" on page 268 for the reciprocal command.

Syntax

►► UNLOCK ◀◀

Examples

```
UNLOCK  
IHVC000I UNLOCK    command successful
```

WRITE

Purpose

Use the WRITE command to assign, or to write, a port name to an addressable port on one or on all the switches allocated to the issuing I/O operations.

Syntax

```
►► Write portname (portaddress) swchdevn * ◄◄
```

Parameters

portname

Specifies the port name you want to be assigned. To avoid assigning a port name that contains an unprintable character, specify the name in uppercase letters and use only the following special characters: digits, period, underscore. Do not exceed 24 characters. See “Using Port Names as a Tool in Switching Commands” on page 399 for more information.

(portaddress)

Specifies the addressable port to which the port name is being assigned.

swchdevn | *

Specifies one switch or all switches (* not enclosed in parentheses) allocated to the issuing I/O operations. For a discussion, see “Switch Identifiers” on page 389.

Usage

- When assigning a name to a port, consider whether you want that port to be targeted by a generic name.
- The Write command refreshes the data that could be displayed with the Display Results command. Therefore, it is advisable to assign port names when I/O operations is started.
- If you are using the sample ISPF dialog, you can assign a switch device name to a switch. The name will be displayed in the dialog’s display of that switch configuration in matrix format.
 - Either name the name of the switch in the SWCH Name field of the matrix , as described under “A Simple Way to Modify a Switch Matrix” on page 404.
 - Or, use the Write command to write a port name to the switch’s control unit port (CUP). If you do not know the CUP address, you can find out with the DISPLAY DEV command. (For example, enter D D 0500 * for switch 500. In the displayed output, the CUP is to the right of CONTROL UNIT DATA.

Examples

```
W HA.CHP_88.CVC (C0) 100
IHVC0001 WRITE      command successful
```

WRITE

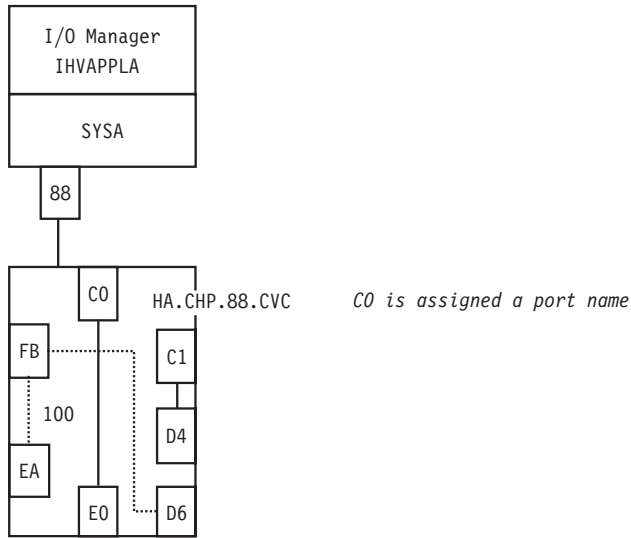


Figure 153. WRITE Command - Sample 1

```
WRITE CU.F00 (D6) *
IHVC000I WRITE     command successful
```

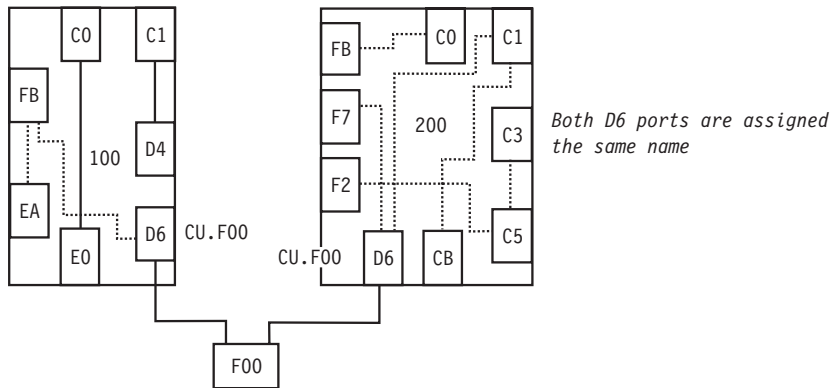


Figure 154. WRITE Command - Sample 2

Part 4. SA z/OS Processor Operations Commands

Using Processor Operations Commands	291	ISQHELP	350
General Information	291	ISQIPSWT	351
Host-Based Commands	291	ISQOVRD	352
Common Commands	291	ISQSEND	353
PSM Commands	292	ISQSTART	355
		ISQSTOP	357
		ISQVARS	358
Common Commands	293	ISQXCLS	368
ACTIVATE	293	ISQXDRL	370
CBU	306	ISQXDST	371
CCNTL	307	ISQXIII	374
CPCDATA	309	ISQXLOC	376
DEACTIVATE	310	ISQXMON	377
EXTINT	314	ISQXOPT	379
ICNTL	316	ISQXPSM	381
LOAD	320	ISQXUNL	383
PROFILE	325		
RESERVE	333	PSM Commands	385
RESTART	335	Special Requests	385
START	336	ISQACT	385
STOP	337	ISQCLEAR	385
SYSRESET	339	ISQMSG	385
		ISQPSM	386
		ISQQUERY	386
		ISQSTATUS	386
		ISQTRACE	386
		STOPALL	387
Host-based Commands	345		
ISQCCMD	345		
ISQCHK	346		
ISQCMON	347		
ISQEXEC	348		

This part describes SA z/OS processor operations commands in detail -- their purpose, their format, and specifics of how to use them.

For general information about the SA z/OS commands, refer to *IBM Tivoli System Automation for z/OS User's Guide*.

Using Processor Operations Commands

General Information

Processor operations commands consist of the following basic types:

- Host-based commands
- Common commands

You generally issue processor operations commands at a NetView console from the focal-point system. Alternatively, you can use an NMC, customized for SA z/OS exploitation to issue context-sensitive processor operations commands for target hardware or target system objects by supplementing the prepared command templates.

Commands which start with ISQ are issued as shown in the syntax diagrams, starting with the command name.

Except for the common commands, processor operations commands whose names do not start with ISQ are preceded by the ISQSEND command.

Host-Based Commands

The ISQSEND command sends the command to a target operating system for processing, using the processor operations connection to the processor hardware. Processor operations connections from the focal-point to the target hardware use either the support element of the addressed target hardware or can be customized to use an HMC, connected to the target hardware LAN for communication. Because the connection to a target hardware and the operating systems running on that hardware is available at target system initialization time or system shutdown time, the ISQSEND command can be used to respond to IPL prompt messages or to answer outstanding replies at system shutdown time.

The ISQSEND command addresses the operating system running on a processor hardware. The command ISQCCMD addresses the processor hardware or a processor hardware image (logical partition). The processor hardware which can be monitored and controlled by processor operations provide the OCF (operations command facility). This system management interface is called by ISQCCMD to perform hardware commands, for example, ACTIVATE or SYSRESET.

Other host-based processor operations commands control the start and the stop of the processor operations component of SA z/OS, invoke the status display system, control the monitoring of messages from the target systems, and allow the display and modification of processor operations configuration information.

Common Commands

Common commands are preceded by the ISQCCMD command (described in detail on page 345). Use common commands in APIs whenever possible because they provide a single product image across various hardware and software implementations. Regardless of the processor type or the operating system running at your target system, the common command is the same. This can potentially minimize the need for future modifications to your automation routines should you modify or upgrade your processor hardware or operating system type.

PSM Commands

A special VM service machine, the ProcOps Service Machine (PSM) is required to monitor and control VM guest systems, which are defined as ProcOps target systems. For problem determination and maintenance purposes a set of PSM commands is provided.

If a VM user is logged on as PSM, these commands can be entered from the PSM's terminal. Since a PSM normally runs in VM disconnected mode, a subset of the PSM commands can be routed from a ProcOps focal point NetView to the PSM, using command ISQXPSM. Refer to "ISQXPSM" on page 381 for more information about the ISQXPSM command.

Common Commands

This chapter describes the common commands provided by SA z/OS processor operations. Common commands provide a single-product image across various hardware and software implementations, potentially minimizing future modifications.

ACTIVATE

Purpose

The ACTIVATE command causes the target system to perform a complete initialization. This initialization extends from a power-on reset to performing the initial program load process.

Syntax

▶▶ ISQCCMD *target_system_ProcOps_name* *target_hardware_name.LPAR_name* *group_name* *subgroup_name*

▶▶ ACTIVATE FORCE (*NO* | *YES* | *S*(*wait_units*) | *M*(*wait_units*) | *H*(*wait_units*))

▶▶ CNAME(*profile_name*) *XATIME*(*yyyymoddhmi* | *UTC*) *XBTIME*(*yyyymoddhmi* | *UTC*) *Options*

Options:

▶▶ INTERVAL(*dddhmi*) *COUNT*(*count_of_intervals*)

Requirements

The requirements for the ACTIVATE command to complete successfully are:

- Processor operations must be active.

ACTIVATE

- The addressed target system must have a status of UNKNOWN, CLOSED, or INITIALIZED for the default setting of FORCE(NO) to work. See “Examples” on page 372 for a list of status settings.

Parameters

For a definition of *target_system_ProcOps_name*, *target_hardware_name.LPAR_name*, *group_name*, and *subgroup_name*, refer to “ISQCCMD” on page 345.

FORCE

Requests conditional processing of commands that are disruptive to the operating system control program and application work that is in progress. Use of this operand is based on the operating state of the target processor.

NO

Specifies that processing of the command is to continue *only* if the target CPU control program is not in the operating state. Specify FORCE(NO) in a situation where you would *not* want to disrupt the control program work-in-progress.

YES

Specifies that processing of the command is to continue *even* if the target CPU control program is in the operating state. Specify FORCE(YES) in a situation where disruption of the control program work-in-progress is not important, such as in recovery situations.

S Specifies that the timeout value is measured in seconds.

M Specifies that the timeout value is measured in minutes.

H Specifies that the timeout value is measured in hours.

wait-units

Specifies an optional timeout value in 1-to-5 decimal digits, ranging from 0 to 65535. This value provides the OCF with an interval for delaying the acceptance of, or rejection of, the command. The presence of this value in the operand causes the OCF to signal a quiesce event to the operating system control program, for those operating systems that support this action.

A timeout value is only allowed on timed command requests.

When a timeout value is specified with *FORCE(NO)*, the associated command is held pending until the control program enters a quiesced state, or until the timeout value expires. If the timeout value expires, the command is treated as a *FORCE(NO)* with no timeout value.

When a timeout value is specified with *FORCE(YES)*, the associated command is held pending until the control program enters a quiesced state, or until the timeout value expires. If the timeout value expires, the command is treated as a *FORCE(YES)* with no timeout value.

| FORCE(NO) requires that the associated command *fails* when useful work is
| taking place. For ACTIVATE, *fail* states occur if an operating mode is detected
| and FORCE(NO) is specified, or when FORCE defaults to NO. The command
| fails whenever the processor is in those states.

CNAME

Specifies the name of a profile to be sent to the processor’s support element. If this keyword is not used, SA z/OS selects a profile name from among those specified in the configuration dialogs, and uses it in the ACTIVATE operations management command sent to the support element. The selection is based on

the current status (ESA or LPAR) of the target hardware and the actual status of the target system. If this keyword is not used and no appropriate profile name was specified in the configuration dialogs, SA z/OS processor operations omits the CNAME operand from the ACTIVATE command sent to the support element.

profile_name

Indicates the name of the profile. It is recommended to let processor operations select the profile name automatically rather than overriding processor operations' selection with the *profile_name* parameter.

XATIME

Specifies a time *<at or after>* which the associated command may begin processing. The time specified is determined by the OCF clock of the receiving support element.

yyyy

Specifies a year, in 4 decimal digits. It must be greater than 1988.

mo Specifies a month of the year, in 2 decimal digits, from 01 to 12.

dd Specifies a day of the month, in 2 decimal digits, from 01 to 31.

hh Specifies an hour of the day, in 2 decimal digits, from 00 to 23.

mi Specifies a number of minutes, in 2 decimal digits, from 00 to 59.

UTC

If present, indicates that the time is coordinated universal time.

The system must be power-on reset in LPAR mode before sending a scheduled request for a secondary OCF. If it is not, the request is rejected.

The default, if XATIME is not explicitly stated, is for the command to be processed immediately.

When XATIME is not accompanied by an XBTIME, there is no end time by which command processing must be started.

XBTIME

Specifies a time *<at or before>* which the associated command must begin processing. A combination of XATIME and XBTIME specifies a "timing-window" within which processing is to be attempted.

yyyy

Specifies a year, in 4 decimal digits. It must be greater than 1988.

mo Specifies a month of the year, in 2 decimal digits, from 01 to 12.

dd Specifies a day of the month, in 2 decimal digits, from 01 to 31.

hh Specifies an hour of the day, in 2 decimal digits, from 00 to 23.

mi Specifies a number of minutes, in 2 decimal digits, from 00 to 59.

UTC

Indicates that the time is coordinated universal time.

The system must be power-on reset in LPAR mode before sending a scheduled request for a secondary OCF. If it is not, the request is rejected.

When XBTIME is not accompanied by an XATIME, the command may be processed immediately.

ACTIVATE

INTERVAL

Indicates that the associated command is to be processed repeatedly. It specifies the time span between processing repetitions. The specified value is added to XATIME, XBTIME, or both (if both are present in the command), to determine the next processing time.

ddd

Specifies a number of days, in 3 decimal digits, from 000 to 048.

hh Specifies a number of hours, in 2 decimal digits, from 00 to 23.

mi Specifies a number of minutes, in 2 decimal digits, from 00 to 59.

Notes:

1. The default, if INTERVAL is not explicitly stated, is one execution of the command.
2. INTERVAL is only valid if XATIME or XBTIME, or both, are also present in the command.
3. Within a given timing-window, there may be only one repetition of a command.

COUNT

Specifies the number of times, based on specified timing controls, that processing of an operations command should be attempted. Timing controls are provided through the combined use of the XATIME, XBTIME, INTERVAL, and COUNT operands.

count-of-intervals

Is a decimal value, from 1 to 65535. This value indicates the maximum number of times that processing is to be attempted and is decremented after each processing attempt. When the count has been decremented to zero, the request is removed from the timed list.

The default value, if COUNT is not explicitly stated, is for the timing-window interval to be repeated forever, or until canceled.

Use of the COUNT operand requires that INTERVAL and a combination of either XATIME or XBTIME are provided with the ACTIVATE command.

Usage

Caution: The ACTIVATE command can be very disruptive when you specify FORCE(YES), so use this command carefully. The SA z/OS processor operations status facility only knows about status changes that are performed from within SA z/OS. If you load and start a target system's operating system outside of SA z/OS (such as from the SA z/OS processor operations passthru facility or from the console at the remote target system) rather than by using the SA z/OS commands, SA z/OS does not know that the status of the target system has changed.

The effect of the ACTIVATE FORCE keyword applies only to target systems that are defined to SA z/OS. Because SA z/OS does not know that the target system was activated from outside of SA z/OS, it considers the target system status to be UNKNOWN. The functions performed by the ACTIVATE common command will disrupt the operating system even if you specify the FORCE(NO) option, because the SA z/OS status facility does not indicate that the target system is already initialized and running.

When you do not specify FORCE(YES):

- The ACTIVATE command checks whether the same logical partition name is in use by another target system. If so, the ACTIVATE command is rejected; if not, processing continues.
- The ACTIVATE command also checks target hardware that is not logically partitioned to see if the target hardware is in use by another target system. If so, the ACTIVATE command is rejected; if not, processing continues.

For target hardware that is configured for a NetView connection (NVC) you can delay execution of the ACTIVATE command by using the scheduled request operands (XATIME, XBTIME, INTERVAL, and COUNT). Use these operands carefully. Once an ACTIVATE command with scheduled request operands has been sent to the target system (or target systems), there is no further interaction with the focal-point system until the ACTIVATE command eventually completes execution, which could be hours or even days later. Moreover, when the command includes the INTERVAL operand and possibly also the COUNT operand, the ACTIVATE commands can run multiple times, further extending the duration and impact of the effects of the original ACTIVATE command that was issued on the focal-point system.

ACTIVATE processing can also produce the result that more target systems are affected than the one explicitly specified in the command or those included in a target group or subgroup specified in the command. The additional target systems are CPC images on a processor in LPAR mode. These additional target systems are activated when a Reset or Image profile specifies additional profile names in the AUTOACT operand. To avoid unintended activations, operators should be kept aware of the linkages between profiles.

Using either scheduled requests or auto-activated logical partitions causes SA z/OS to receive "unsolicited" responses from one or more target systems. SA z/OS uses these responses to update its status information and to attempt to initialize the corresponding target systems.

When you specify FORCE(YES):

- The ACTIVATE command overrides the requirement that a target system must have a status of UNKNOWN, CLOSED, or INITIALIZED.
- Processing of the ACTIVATE command is performed even if the target system has a status condition of IPL COMPLETE, IPL FAILED, LOAD FAILED, or one of the WAITING FOR...MESSAGE conditions.

The ACTIVATE command performs only the processing that is required. For example, it performs a power-on reset only when required, and it does not initialize a target system that is already initialized correctly.

ACTIVATE of VM Guest Systems

Purpose: If a target system running on a guest machine is part of an ACTIVATE request, this results in an XAUTOLOG command being issued to the VM system. This starts the guest machine using the profile defined for it in VM. This profile usually causes a guest operating system (MVS, LINUX, VSE, VM) to be loaded, but it is possible that no IPL command is executed. This corresponds to the use of a hardware profile where no automatic IPL is done. For an MVS target system the RUN state of the VM guest machine is set to ON.

Parameters:

ACTIVATE

FORCE(YES)

A CP FORCE command is issued to the VM system to stop the guest, if the guest is currently active. Then CP XAUTOLOG is issued to start the guest again.

FORCE(NO)

Guest status is checked. If the guest is known to be NOT OPERATING then a CP FORCE command is issued to stop the guest.

CP XAUTOLOG is issued. This means if the guest is already started (logged on) and known to be processing normally, the ACTIVATE command is rejected.

Restrictions and Limitations: CNAME, XATIME, XBTIME, INTERVAL, COUNT and the S, H, M timeout values of the FORCE parameter are not supported.

Remark:

A real THW can only do one ACTIVATE at any time. On a VM system, no such restriction applies and no serialization is done.

Restrictions and Limitations

The ACTIVATE command does not perform resource requirement checks.

The default form of the ACTIVATE command is rejected if the addressed target system has a status other than UNKNOWN, CLOSED, or INITIALIZED.

SNMP-connected target hardware cannot process the following parameters:

INTERVAL

XATIME

XBTIME

The S, H, M timeout values of the FORCE parameter

Return Codes

The ISQCCMD command (described on page 345) generates the return codes for common command processing.

The ACTIVATE Command

The effects of an ACTIVATE common command issued to an OCF-based processor depend on several factors, the most important of which are the profile(s) used during command processing and the current and intended state of the processor.

Table 3 on page 300 shows the relationships among these factors and the processing results in various circumstances. The meaning of the columns in the table is as follows:

Column Heading	Meaning
Intended Result of ACTIVATE	The mode of the target hardware (ESA or LPAR) and the processing you want to take place as a result of the ACTIVATE command. You indicate your intention by means of the profile that you specify on the command or that processor operations or the support element selects for use.

Column Heading	Meaning
Current Target Hardware State and Mode	<p>The actual state and mode of the processor at the time you issue the command. The current state can be:</p> <ul style="list-style-type: none"> • POWERED OFF • POWER-ON RESET REQUIRED • POWER-ON RESET COMPLETE <p>If the state is POWER-ON RESET COMPLETE, a target system may or may not have been activated.</p>
Profile Name in ACTIVATE Command Issued by User	<p>The name of a profile you specified in the CNAME operand of the ACTIVATE command, or None.</p>
Profile Name(s) Available from Configuration Dialogs	<p>The names of one or more profiles that may have been defined to processor operations in the configuration dialogs. If no CNAME operand is specified on the ACTIVATE command, processor operations looks for a profile name of the appropriate type in the internal table built from the configuration dialog input. Reset, Image, and Load profile names may be specified on the Target System Description panels for OCF-based processors. See the description of panels ISQDPT5B and ISQDPT5C in <i>IBM Tivoli System Automation for z/OS Customizing and Programming</i>.</p>
Operands in ACTIVATE Command processor operations Sends to Support Element	<p>Processor operations sometimes modifies the ACTIVATE command you issue, and it sends the modified command to the processor's support element. These two columns show how processor operations indicates which profile and operations command facility (OCF) are to be used for processing the command.</p>
Profile Name	<p>The profile name, if any, that processor operations puts in the CNAME operand.</p>
OCF	<p>The indication processor operations gives of the operations command facility (OCF) to be used. The primary OCF is indicated by omitting the OCFNAME operand, and a secondary OCF is indicated by giving the OCF's name in the OCFNAME operand.</p>
Support Element (SE)	<p>These two columns describe the effects of the ACTIVATE command from the perspective of the processor's support element.</p>
Recommended Profile	<p>The profile(s) IBM recommends using for the circumstances described in the columns to the left.</p>
Processing	<p>The processing the support element performs as a result of the ACTIVATE command sent by processor operations.</p>

ACTIVATE

Table 3. Profiles and the ACTIVATE Command for OCF-Based Processors

Intended Result of ACTIVATE	Current Target Hardware State and Mode	Profile Name in Activate Command Issued by User	Profile Name Available from Customization Dialogs	Operands in ACTIVATE Command Processor Operations Sends to Support Element		Support Element (SE)	
				Profile Name	OCF	Recommended Profile	Processing
ESA mode Power-on reset CPC Optionally IPL target system (CPC)	POWER-ON RESET REQUIRED or POWERED OFF	CNAME operand	Not used	Profile specified in user command	Primary	Reset profile with AUTOACT operand pointing to Load profile	SE powers on CPC (if required) and performs power-on reset processing as specified in the specified Reset profile. SE IPLs the CPC as specified in a Load profile: <ul style="list-style-type: none"> If AUTOACT operand in Reset profile points to a Load profile, SE uses that Load profile. If Reset profile has no AUTOACT operand, SE uses the default Load profile. If the name specified in the command is not a Reset profile, SE rejects the command. SE powers on CPC (if required) and performs power-on reset processing as specified in the default Reset profile. If the default Reset profile points to a Load profile (as it does when initially set up by IBM), SE IPLs the CPC using that profile. <ul style="list-style-type: none"> If the default Reset profile has no AUTOACT operand, SE uses the default Load profile.
		None	Reset profile	Reset profile specified in customization dialogs	Primary		
		None	None	None	Primary		
ESA mode IPL target system (CPC)	POWER-ON RESET COMPLETE Target system activated or not activated ESA mode	CNAME operand	Not used	Profile specified in user command	Primary	Load profile	IPLs the CPC as specified in the Load profile. IPLs the CPC as specified in the Load profile pointed to in the default Reset profile. <ul style="list-style-type: none"> If the default Reset profile has no AUTOACT operand, SE uses the default Load profile.
		None	Load profile	Load profile specified in customization dialogs	Primary		
		None	None	Primary			

Table 3. Profiles and the ACTIVATE Command for OCF-Based Processors (continued)

Intended Result of ACTIVATE	Current Target Hardware State and Mode	Profile Name in Activate Command Issued by User	Profile Name Available from Customization Dialogs	Operands in ACTIVATE Command Processor Operations Sends to Support Element		Support Element (SE)	
				Profile Name	OCF	Recommended Profile	Processing
ESA mode Power-on reset CPC Optionally IPL target system (CPC)	POWER-ON RESET COMPLETE Target system activated or not activated LPAR mode	CNAME operand	Not used	Profile specified in user command	Primary	Reset profile with AUTOACT operand pointing to Load profile	Initializes the target hardware into ESA mode as specified in the specified Reset profile. SE IPLs the CPC as specified in a Load profile: <ul style="list-style-type: none"> If AUTOACT operand in Reset profile points to a Load profile, SE uses that Load profile. If Reset profile has no AUTOACT operand, SE uses the default Load profile. If the name specified in the command is not a Reset profile, SE rejects the command.
		None	Reset profile	Reset profile specified in customization dialogs	Primary		
		None	None	None	Primary		Initializes the target hardware into ESA mode as specified in the SE's default Reset profile. If the default Reset profile points to a Load profile (as it does when initially set up by IBM), SE IPLs the CPC using that profile. <ul style="list-style-type: none"> If the default Reset profile has no AUTOACT operand, SE uses the default Load profile.

ACTIVATE

Table 3. Profiles and the ACTIVATE Command for OCF-Based Processors (continued)

Intended Result of ACTIVATE	Current Target Hardware State and Mode	Profile Name in Activate Command Issued by User	Profile Name Available from Customization Dialogs	Operands in ACTIVATE Command Processor Operations Sends to Support Element		Support Element (SE)	
				Profile Name	OCF	Recommended Profile	Processing
LPAR mode Power-on reset CPC	POWER-ON RESET REQUIRED or POWERED OFF	CNAME operand	Not used	Profile specified in user command	Primary	Reset profile with AUTOACT operand pointing to Image profile(s)	SE powers on CPC (if required) and performs power-on reset processing as specified in the specified Reset profile. • If specified profile is not a Reset profile, SE rejects the command.
		None	Reset profile	Reset profile specified in customization dialogs	Primary	SE activates partitions specified in Image profile(s) pointed to by the AUTOACT operand in Reset profile. • If no Image profiles are specified, no partitions are activated. • If an Image profile contains Load information, the image is IPLed. – A load is not attempted if the Image is in coupling facility mode.	
Optionally activate one or more target systems (partitions)			None	None	Primary	As initially set up by IBM, the default Reset profile specifies ESA mode. Therefore, for the SE to be able to use default profiles to power-on reset the CPC in LPAR mode and to activate partitions as described above, the default Reset profile must have been changed to specify LPAR mode. In that case, processing is as described above.	

Table 3. Profiles and the ACTIVATE Command for OCF-Based Processors (continued)

Intended Result of ACTIVATE	Current Target Hardware State and Mode	Profile Name in Activate Command Issued by User	Profile Name Available from Customization Dialogs	Operands in ACTIVATE Command Processor Operations Sends to Support Element		Support Element (SE)	
				Profile Name	OCF	Recommended Profile	Processing
LPAR mode Activate target system (partition)	POWER-ON RESET COMPLETE Target system not activated LPAR mode	CNAME operand	Not used	Profile specified in user command	Secondary	Image profile	SE activates and possibly IPLs partition as specified in an Image or Load profile <ul style="list-style-type: none"> • If the specified profile is an Image profile: <ul style="list-style-type: none"> – Activate partition using specified Image profile. – If the Image profile contains Load information, the image is IPLed. <ul style="list-style-type: none"> - A load is not attempted if the Image is in coupling facility mode. • If the specified profile is a Load profile: <ul style="list-style-type: none"> – Activate partition using Image profile with the same name as the partition – IPL partition using specified Load profile. - If the Image profile specifies coupling facility mode, the SE does not activate the partition.
		None	Image or Load profile	Image profile specified in dialogs, if available. Otherwise, Load profile	Secondary		
Optionally IPL target system (partition)			None	None	Secondary		

ACTIVATE

Table 3. Profiles and the ACTIVATE Command for OCF-Based Processors (continued)

Intended Result of ACTIVATE	Current Target Hardware State and Mode	Profile Name in Activate Command Issued by User	Profile Name Available from Customization Dialogs	Operands in ACTIVATE Command Processor Operations Sends to Support Element		Support Element (SE)	
				Profile Name	OCF	Recommended Profile	Processing
LPAR mode	POWER-ON RESET COMPLETE	CNAME operand	Not used	Profile specified in user command	Secondary	Image profile	SE activates and possibly IPLs partition as specified in an Image or Load profile
Activate target system (partition)	Target system activated	None	Load or Image profile	Load profile specified in dialogs, if available. Otherwise, Image profile	Secondary		<ul style="list-style-type: none"> • If the specified profile is an Image profile: <ul style="list-style-type: none"> – Deactivate partition. – Activate partition using specified Image profile. – If the Image profile contains Load information, the image is IPLed. <ul style="list-style-type: none"> - A load is not attempted if the Image is in coupling facility mode. • If the specified profile is a Load profile: <ul style="list-style-type: none"> – IPL partition using specified Load profile. – If the partition is in coupling facility mode, the Activate fails.
Optionally IPL target system (partition)	LPAR mode		None	None	Secondary		<p>If the name specified in the command is neither an Image nor Load profile, SE rejects the command.</p> <p>IPLs the partition as specified in the SE's default Image profile.</p>

Table 3. Profiles and the ACTIVATE Command for OCF-Based Processors (continued)

Intended Result of ACTIVATE	Current Target Hardware State and Mode	Profile Name in Activate Command Issued by User	Profile Name Available from Customization Dialogs	Operands in ACTIVATE Command Processor Operations Sends to Support Element		Support Element (SE)	
				Profile Name	OCF	Recommended Profile	Processing
LPAR mode	POWER-ON RESET COMPLETE	CNAME operand	Not used	Profile specified in user command	Primary	Reset profile with AUTOACT operand pointing to Image profile(s)	Initializes the target hardware into LPAR mode as specified in the specified Reset profile.
Power-on reset CPC	Target system activated or not activated	None	Reset profile	Reset profile specified in customization dialogs	Primary	Activates partition(s) specified in the Image profile(s) if the Reset profile contains an AUTOACT operand pointing to Image profile(s). <ul style="list-style-type: none"> If no Image profiles are specified, no partitions are activated. If an Image profile contains Load information, the image is IPLed. 	
Optionally activate one or more target systems (partitions)	ESA mode	None	None	None	Primary	If the name specified in the command is a Load profile, the SE remains in ESA mode and it IPLs the CPC. If the name specified in the command is neither a Reset nor Load profile, SE rejects the command.	
Optionally IPL one or more target systems (partitions)			None	None	Primary	As initially set up by IBM, the default Reset profile specifies ESA mode. Therefore, for the SE to be able to use default profiles to power-on reset the CPC in LPAR mode and to activate partitions as described above, the default Reset profile must have been changed to specify LPAR mode. In that case, processing is as described above.	

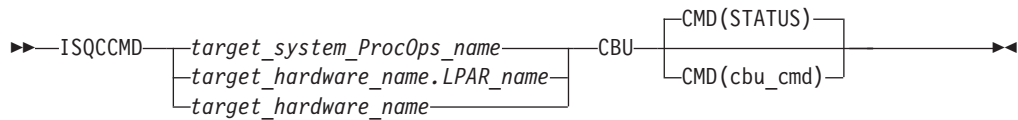
CBU

Purpose

The CBU command causes the target hardware processor to perform the specified capacity backup (CBU) function if available.

With the CBU command you can temporarily increase the control program (CP) capacity of your central processor complex (CPC). In case of an outage, which may have reduced your overall processor capacity, additional workload can be processed on that CPC.

Syntax



Requirements

The requirements for the CBU command to complete successfully are:

- Processor operations must be active.
- The addressed target system must be initialized, or, if the target hardware is addressed, at least one target system on that hardware must be initialized.

Parameters

For a definition of *target_system_ProcOps_name*, *target_hardware_name.LPAR_name*, and *target_hardware_name*, refer to “ISQCCMD” on page 345.

CBU

Indicates the CBU command function to be executed.

cmd_cmd

Is the name of the command to be executed

STATUS

Returns the current status of the CBU facility of the addressed CPC. The possible status values returned are:

AVAILABLE

CBU is installed on the CPC.

ACTIVATED

CBU is started through ACTIVATE command.

NOT_ACTIVATED

CBU is installed but not activated.

NOT_ENABLED

CBU is installed but not enabled.

NOT_INSTALLED

CBU is not installed on the CPC.

UNAVAILABLE

CBU is installed but no longer available.

The ISQCCMD response message ISQ464I contains the status report.

ACTIVATE

Activates the previously installed and enabled CBU.

TESTACT

Activates the previously installed and enabled CBU in test mode.

UNDO

Deactivates a previously activated CBU to the regular configuration. Note, that this function is not available on all CPCs supporting CBU. If the UNDO command fails, the regular CPC configuration must be restored by performing a POWERON-RESET of the CPC.

Defaults

The default of the CBU command is CMD(STATUS).

Usage

Issue the CBU command to temporarily increase the control program (CP) capacity of your central processor complex (CPC). The increased capacity may require to update your CPC's activation profiles, so that the additional processor resources can be used in your processor configuration.

For more information refer to *Capacity Backup User's Guide*.

Restrictions and Limitations

The CBU common command is only supported for SNMP connections. If a CBU request is issued for a NetView connection, it cannot be processed.

Return Codes

The ISQCCMD command (described on page 345) generates the return codes for common command processing.

CCNTL

Purpose

The CCNTL common command allows you to:

- Assign a RESET activation profile to be used as the default for the addressed CPC
- List the current default assignment of the CPC.

Syntax



Requirements

The requirements for the CCNTL command to complete successfully are:

- Processor operations must be active.
- The addressed target system must be initialized, or, if the target hardware is addressed, at least one target system on that hardware must have the ProcOps status INITIALIZED.

Parameters

For a definition of *target_system_ProcOps_name* and *target_hardware_name*, refer to "ISQCCMD" on page 345.

APNAME

If specified, requests a change of the current default activation profile name.

aprof_name

Activation profile name with a length of 1-16 characters. Specifying a null value is tolerated, but the current default activation profile name is not changed.

Defaults

Lists the currently assigned default activation profile name of the CPC.

Usage

Use this command to control the default activation profile assignments of a CPC. You can prepare CPC configuration changes, such as changes in the IOCDS, in a separate RESET activation profile, then use this profile for the next CPC activation, and if successful use CCNTL to set it as the new default activation profile.

Note that in the SA z/OS processor configuration dialog, you can set the name of a RESET activation profile as the default for a target hardware activation. This is a ProcOps-specific default that is used with the ISQCCMD common command interface.

The RESET activation profile name that can be changed using CCNTL is the default name that is provided by the processor hardware. This default applies for activation from the Support Element or the HMC operator interfaces.

The CCNTL response is returned in an AOFA0006 multi-line report. For more information about this report format refer to the appendix "Response Messages, Error Strings, Condition Codes" in *IBM Tivoli System Automation for z/OS Messages and Codes*.

The command response reports from the processor hardware are available as ProcOps ISQ900I messages with a console indicator of SC. Note that the message originator following the message identifier is either a ProcOps target system name, or a target hardware name together with an LPAR name. In order to get a copy of such hardware messages on your screen as ISQ901I messages, use the ISQXMON command.

Restrictions and Limitations

The CCNTL common command is only supported for SNMP connections. When issuing a CCNTL request for another ProcOps connection type, it will be rejected.

Only the length of the specified profile name is verified. No other activation profile validations are performed.

Return Codes

The ISQCCMD command (described on page 345) generates the return codes for common command processing.

CPCDATA

Purpose

The CPCDATA command collects configuration and status information about the addressed target hardware and presents this information in a multi-line report.

The report includes CPC and IMAGE (logical partition) information if the processor is running in LPAR mode.

Syntax

```

▶▶ ISQCCMD { target_system_ProcOps_name | target_hardware_name } CPCDATA ▶▶

```

Requirements

The requirements for the CPCDATA command to complete successfully are:

- Processor operations must be active.
- The addressed target system must be initialized, or, if the target hardware is addressed, at least one target system on that hardware must be initialized.

Parameters

For a definition of *target_system_ProcOps_name* and *target_hardware_name*, refer to "ISQCCMD" on page 345.

Defaults

None.

Usage

Use this command to get a snapshot of the current CPC and LPAR configuration. The data is returned in a AOFA0016 multi-line report. For more information about this report format refer to the appendix "Response Messages, Error Strings, Condition Codes" in *IBM Tivoli System Automation for z/OS Messages and Codes*.

The command response reports from the processor hardware are available as ProcOps ISQ900I messages with a console indicator of SC. Note that the message originator following the message identifier is either a ProcOps target system name, or a target hardware name together with an LPAR name. In order to get a copy of such hardware messages on your screen as ISQ901I messages, use the ISQXMON command.

Restrictions and Limitations

The CPCDATA common command is only supported for SNMP connections. When issuing a CPCDATA request for another ProcOps connection type, it will be rejected.

Return Codes

The ISQCCMD command (described on page 345) generates the return codes for common command processing.

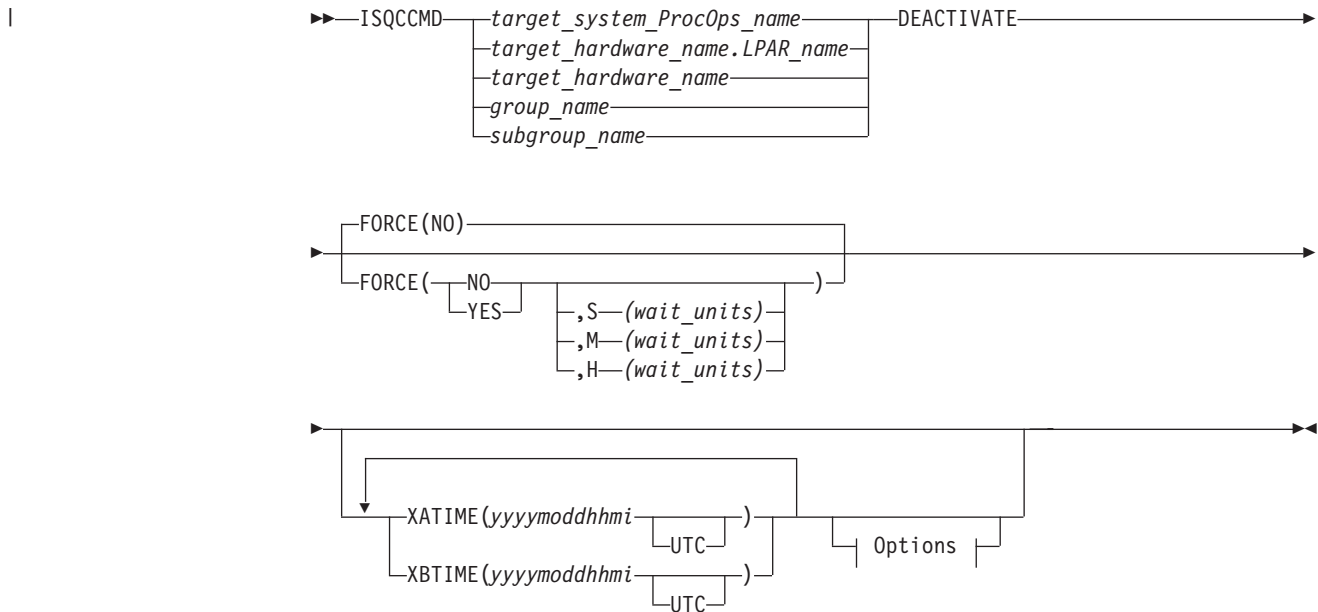
DEACTIVATE

DEACTIVATE

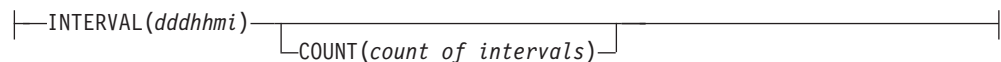
Purpose

The DEACTIVATE command causes the target system to end normal operation. It also closes the system console and operator console ports.

Syntax



Options:



Requirements

Processor operations must be active for this command to complete successfully.

The addressed target system must be initialized.

Parameters

For a definition of *target_system_ProcOps_name*, *target_hardware_name*, *target_hardware_name.LPAR_name*, *group_name*, and *subgroup_name*, refer to "ISQCCMD" on page 345.

FORCE

Requests conditional processing of commands that are disruptive to the operating system control program and application work that is in progress. Use of this operand is based on the operating state of the target processor.

NO

Specifies that processing of the command is to continue *only* if the target

CPU control program is not in the operating state. Specify FORCE(NO) in a situation where you would *not* want to upset the control program work-in-progress.

YES

Specifies that processing of the command is to continue *even* if the target CPU control program is in the operating state. Specify FORCE(YES) in a situation where disruption of the control program work-in-progress is not important, such as in recovery situations.

S Specifies that the timeout value is measured in seconds.

M Specifies that the timeout value is measured in minutes.

H Specifies that the timeout value is measured in hours.

wait-units

Specifies an optional timeout value in 1-to-5 decimal digits, ranging from 0 to 65535. This value provides the OCF with an interval for delaying the acceptance of, or rejection of, the command. The presence of this value in the operand causes the OCF to signal a quiesce event to the operating system control program, for those operating systems that support this action.

A timeout value is only allowed on timed command requests.

When a timeout value is specified with FORCE(NO), the associated command is held pending until the control program enters a quiesced state, or until the timeout value expires. If the timeout value expires, the command is treated as a FORCE(NO) with no timeout value.

When a timeout value is specified with FORCE(YES), the associated command is held pending until the control program enters a quiesced state, or until the timeout value expires. If the timeout value expires, the command is treated as a FORCE(YES) with no timeout value.

The default, if FORCE is not explicitly stated, is FORCE(NO).

FORCE(NO) requires that the associated command *fail* when useful work is taking place. The DEACTIVATE command's formal fail criteria when FORCE(NO) is specified or when FORCE defaults to NO is *operating*.

XATIME

Specifies a time *<at or after>* which the associated command may begin processing. The time specified is determined by the OCF clock of the receiving support element.

yyyy

Specifies a year, in 4 decimal digits. It must be greater than 1988.

mo Specifies a month of the year, in 2 decimal digits, from 01 to 12.

dd Specifies a day of the month, in 2 decimal digits, from 01 to 31.

hh Specifies an hour of the day, in 2 decimal digits, from 00 to 23.

mi Specifies a number of minutes, in 2 decimal digits, from 00 to 59.

UTC

If present, indicates that the time is coordinated universal time.

The system must be power-on reset in LPAR mode before sending a scheduled request for a secondary OCF. If it is not, the request is rejected.

DEACTIVATE

The default, if XATIME is not explicitly stated, is for the command to be processed immediately.

When XATIME is not accompanied by an XBTIME, there is no end time by which command processing must be started.

XBTIME

Specifies a time *<at or before>* which the associated command must begin processing. A combination of XATIME and XBTIME specifies a "timing-window" within which processing is to be attempted.

yyyy

Specifies a year, in 4 decimal digits. It must be greater than 1988.

mo Specifies a month of the year, in 2 decimal digits, from 01 to 12.

dd Specifies a day of the month, in 2 decimal digits, from 01 to 31.

hh Specifies an hour of the day, in 2 decimal digits, from 00 to 23.

mi Specifies a number of minutes, in 2 decimal digits, from 00 to 59.

UTC

Indicates that the time is coordinated universal time.

The system must be power-on reset in LPAR mode before sending a scheduled request for a secondary OCF. If it is not, the request is rejected.

When XBTIME is not accompanied by an XATIME, the command may be processed immediately.

INTERVAL

Indicates that the associated command is to be processed repeatedly. It specifies the time span between processing repetitions. The specified value is added to XATIME, XBTIME, or both (if both are present in the command), to determine the next processing time.

ddd

Specifies a number of days, in 3 decimal digits, from 000 to 048.

hh Specifies a number of hours, in 2 decimal digits, from 00 to 23.

mi Specifies a number of minutes, in 2 decimal digits, from 00 to 59.

Notes:

1. The default, if INTERVAL is not explicitly stated, is one execution of the command.
2. INTERVAL is only valid if XATIME or XBTIME, or both, are also present in the command.
3. Within a given timing-window, there may be only one repetition of a command.

COUNT

Specifies the number of times, based on specified timing controls, that processing of an operations command should be attempted. Timing controls are provided through the combined use of the XATIME, XBTIME, INTERVAL, and COUNT operands.

count-of-intervals

Is a decimal value, from 1 to 65535. This value indicates the maximum number of times that processing is to be attempted and is decremented

after each processing attempt. When the count has been decremented to zero, the request is removed from the timed list.

The default value, if COUNT is not explicitly stated, is for the timing-window interval to be repeated forever, or until canceled.

Use of the COUNT operand requires that INTERVAL, and a combination of either XATIME or XBTIME.

Defaults

The DEACTIVATE command defaults to FORCE(NO).

Usage

Use this common command to close a target system. Closing a target system does the following:

- Ends any active sessions with the target system
- Disables the target system
- Performs any required end-of-day activities
- Quiesces the target system

If this command is directed to a target hardware name rather than to a target system ProcOps name, the entire processor complex is brought to a power-off state.

If you do not specify FORCE(YES), the DEACTIVATE command checks to make sure it will not be disruptive by performing the following processing:

- If the target system runs in a logical partition and the same logical partition name is initialized to another target system in the same target hardware, the DEACTIVATE command is rejected and processing of the command halts.
- On a non-partitioned target system, if the target hardware has another target system initialized to it, the DEACTIVATE command is rejected and processing of the command halts.

DEACTIVATE of VM Guest Systems

Purpose: If a target system running in a guest machine is part of a DEACTIVATE request, a CP FORCE command is issued by the PSM for that guest machine. The VM host system is not affected.

Parameters:

FORCE(NO)

If FORCE(NO) is specified for a guest machine, the guest status is checked. If it is NOT OPERATING then a CP FORCE command is issued to stop the guest. If the status is any other value, the CP FORCE command is not issued and the DEACTIVATE request is rejected.

FORCE(YES)

If FORCE(YES) is specified for a guest machine, a CP FORCE command is issued for the guest. If there is an active operating system running in the guest machine, it is first stopped using the appropriate QUIESCE processing for the operating system.

If a time-out value (S, M, H) is entered in the FORCE specification, it is translated to a WITHIN value on the CP FORCE command.

DEACTIVATE

For LINUX systems, the use of CP FORCE command means that a shutdown signal is sent to the operating system. This, in turn, allows the LINUX system to initiate its own controlled shutdown process.

Restrictions and Limitations: XATIME, XBTIME, INTERVAL, COUNT parameters are not supported.

DEACTIVATE is not supported for *target_hardware_names*. (The PSM cannot be powered off.)

Restrictions and Limitations

- When closing a target system, the DEACTIVATE common command issues an MVS QUIESCE (or equivalent) command and hardware system reset at the system console port if appropriate. This processor command may be processed in the NNT-driven part of shutdown procedures, if necessary.
- The DEACTIVATE common command also performs a system reset of the target system, and disables and releases the focal-point ports.
- To reinitialize a target system that was shut down with the DEACTIVATE common command, you must issue the ACTIVATE common command (described on page 293).
- The DEACTIVATE common command does not close processor operations PC ports. Use the ISQXCLS command (described on page 368) to perform these actions.
- On processor S/390® Multiprise® 3000 from the 390-CMOS hardware family, the DEACTIVATE common command will issue a power-off if no more images are found operational. The integrated support element is also switched off. This is different from other processors of the 390-CMOS family, where the power-off stage of the DEACTIVATE command only affects the CPC but not the SE. A powered-off Multiprise 3000 cannot be restarted using SA z/OS processor operations. The system must be started manually before the OCF can be used to perform an ACTIVATE command remotely.
- SNMP-connected target hardware cannot process the following parameters:
 - INTERVAL
 - XATIME
 - XBTIME
 - The S, H, M timeout values of the FORCE parameter

Return Codes

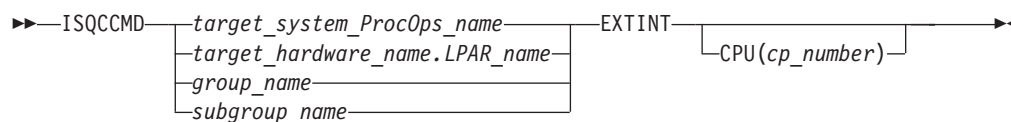
The ISQCCMD command (described on page 345) generates the return codes for common command processing.

EXTINT

Purpose

The EXTINT command causes the target system to perform the external interrupt function on a central processor that exists on a target hardware processor.

Syntax



Requirements

Processor operations must be active for this command to complete successfully.

The addressed target system must be initialized for this command to complete successfully.

Parameters

For a definition of *target_system_ProcOps_name*, *target_hardware_name.LPAR_name*, *group_name*, and *subgroup_name*, refer to “ISQCCMD” on page 345.

CPU

Indicates a central processor is to be interrupted.

(cp_number)

Is the address of the central processor to be interrupted.

Valid values are 0, 1, 2, 3, 4, 5, 6, 7, 8 or 9. The *cp_number* variable is dependent on the type, model and configuration of the processor targeted. The following processors are supported: zSeries and 390-CMOS.

No space is allowed between the keyword CPU and the left parenthesis.

Defaults

This command defaults to the current central processor on the addressed target hardware if a central processor is not specified.

To find out this value for a target system hardware connected with a NetView connection, issue the following command string (note that this command cannot be used for target hardware with an SNMP connection):

```
ISQSEND target SC PROFILE OP(READ) TYPE(LOAD) CNAME(profile_name)
```

For SNMP-connected target hardware, the PROFILE common command may be used to retrieve this information.

Usage

Issue the EXTINT command to generate an interrupt request to the processor which will be processed at the end of the current unit of work (unless other interrupt requests are pending), causing the program status word (PSW) to be swapped with a new PSW, and initiating processing from an address in the new PSW.

EXTINT for a VM Guest System

Purpose: This causes a CP EXTERNAL KEY command to be issued for the guest machine.

Restrictions and Limitations: The CPU parameter is not supported.

Restrictions and Limitations

- This command is not supported for coupling facility target systems.

EXTINT

- The values for the CPU keyword cannot exceed what is physically installed in the processor.

Return Codes

The ISQCCMD command (described on page 345) generates the return codes for common command processing.

ICNTL

Purpose

The ICNTL common command allows you to query and change LPAR-specific values and settings. The PR/SM™ hardware component or WLM use this information to manage the partition performance and to distribute shared processor resources among the images of a CPC. Changing the image control values and settings with ICNTL allows you to influence LPAR performance and LPAR resource capacities at run time.

Syntax

►► ISQCCMD *target_system_ProcOps_name* ICNTL *target_hardware_name.lparname* ►►

► [CMD(LIST) | CMD(UPDATE) VAR(*vnm*) VAL(*vll*) | CMD(READ) VAR(*vnm*)] ►►

vnm:

CLUSTR
DEFCAP
PWC
PWCC
PWI
PWIC
PWMN
PWMX
WLME

Requirements

The requirements for the ICNTL command to complete successfully are:

- Processor operations must be active.
- The addressed target system or target hardware.lpar must have been initialized using command ISQXIII.

Parameters

For a definition of *target_system_ProcOps_name* and *target_hardware_name.lparname*, refer to "ISQCCMD" on page 345.

CMD

Image control command that is to be executed.

LIST

Returns a list of the current image control variable settings in a AOFA0007 response report from the target hardware image.

UPDATE

Changes the value of the specified image control variable and returns an AOFA0007 response report.

READ

Returns the current setting of the specified image control variable in an AOFA0007 response report.

VAR

Image control variable name *vnm*.

CLUSTR

Name of the CPC LPAR cluster that the LPAR belongs to.

This is a READONLY variable.

Value information: Cluster of one or more LPARs, running on one zSeries® 900 or later CPC, that are in the same sysplex and are running z/OS 1.1 or later in z/Architecture™ mode. The scope of an LPAR Cluster is currently the same as the scope of an I/O Cluster, however the term LPAR Cluster is also used in relation to WLM LPAR CPU Management and Channel Subsystem I/O Priority Queuing. LPAR clusters are used for z/OS Intelligent Resource Director (IRD) capabilities. Cluster names can be defined using HCD.

DEFCAP

Defined capacity. **Value information:**

0 No defined capacity for the LPAR.

1-9999

Amount of defined LPAR capacity.

The defined capacity expressed in terms of Millions of Service Units (MSUs) per hour. MSUs is a measure of processor resource consumption. The amount of MSUs that a logical partition consumes is dependent on the model, the number of logical processors that are available to the partition, and the amount of time that the logical partition is dispatched. The defined capacity value specifies how much of the logical partition capacity is to be managed by Workload Manager (WLM) for the purpose of software pricing.

PWC

Current processing weight.

This is a READONLY variable. **Value information:**

0 The CPC image does not represent a logical partition, or the LPAR has only dedicated processors assigned to it.

1-999

Represents the relative amount of shared processor resources that is currently allocated to the LPAR.

PWCC

Current processing weight capped indicator.

This is a READONLY variable. **Value information:**

YES

The current processing weight for the LPAR is capped. It represents the maximum share of processor resources regardless of the availability of excess processor resources.

NO

The current processing weight for the LPAR is not capped. It represents the share of resources that is guaranteed to the LPAR when all CP resources are in use. When excess processor resources are available, the LPAR can use them if necessary.

PWI

Initial processing weight. **Value information:**

0 The CPC image does not represent a logical partition, or the LPAR has only dedicated processors assigned to it. This value is not valid for UPDATE.

1-999

Represents the relative amount of shared processor resources that is initially allocated to the LPAR.

PWIC

Initial processing weight capped indicator. **Value information:**

YES

The initial processing weight for the LPAR is capped. It represents the maximum share of processor resources regardless of the availability of excess processor resources.

NO

The initial processing weight for the LPAR is not capped. It represents the share of resources that is guaranteed to the LPAR when all CP resources are in use. When excess processor resources are available, the LPAR can use them if necessary.

PWMN

Minimum processing weight.

The guaranteed minimum share of non-dedicated processor weight, when all processing resources are in use. **Value information:**

0 The CPC image does not represent a logical partition, or the LPAR has only dedicated processors assigned to it. This value is not valid for UPDATE.

1-999

A value that is less than or equal to the initial processing weight that is used to define the minimum relative amount of shared processor resources that is allocated to the LPAR.

PWMX

Maximum processing weight.

Maximum relative amount of shared processor resources for this LPAR.

Value information:

0 The CPC image does not represent a logical partition, or the LPAR has only dedicated processors assigned to it. This value is not valid for UPDATE.

1-999

A value that is greater than or equal to the initial processing weight

that is used to define the maximum relative amount of shared processor resources that is allocated to the LPAR.

WLME

Workload Manager Enabled flag. **Value information:**

YES

z/OS Workload Manager is used to manage shared processor resources for a logical partition, according to the settings of the minimum and maximum weight specifications.

NO

PR/SM is managing the processing weight. The PWMN and PWMX values do not apply.

VAL

Value specification for variable UPDATE operation.

vll Refer to the value information for the “VAR parameter” on page 317.

Defaults

If no ICNTL parameters are specified, a CMD(LIST) is executed.

Usage

The ICNTL common command can be used to set LPAR performance related parameters, such as an LPAR’s initial processing weight, PWI, or the Defined Capacity, DEFCAP.

For example, DEFCAP can be used to automate the lowering and raising of the MSU value (defined capacity, soft-cap). This LPAR value is important when Sub-Capacity License charging for software is in place. An optimized setting of the DEFCAP value can help to control software cost.

The equivalent to the ICNTL common command can be performed on the HMC using the CPC Operational Customization task Change LPAR Controls.

The command response reports from the processor hardware are available as ProcOps ISQ900I messages with a console indicator of SC. Note that the message originator following the message identifier is either a ProcOps target system name, or a target hardware name together with an LPAR name. In order to get a copy of such hardware messages on your screen as ISQ901I messages, use the ISQXMON command.

Restrictions and Limitations

The ICNTL common command works only for processors running in LPAR mode. Depending on the processor machine type, the number of ICNTL variables may vary. Use ICNTL CMD(LIST) to determine the set of the available ICNTL variables for a processor.

Return Codes

The ISQCCMD command (described on page 345) generates the return codes for common command processing.

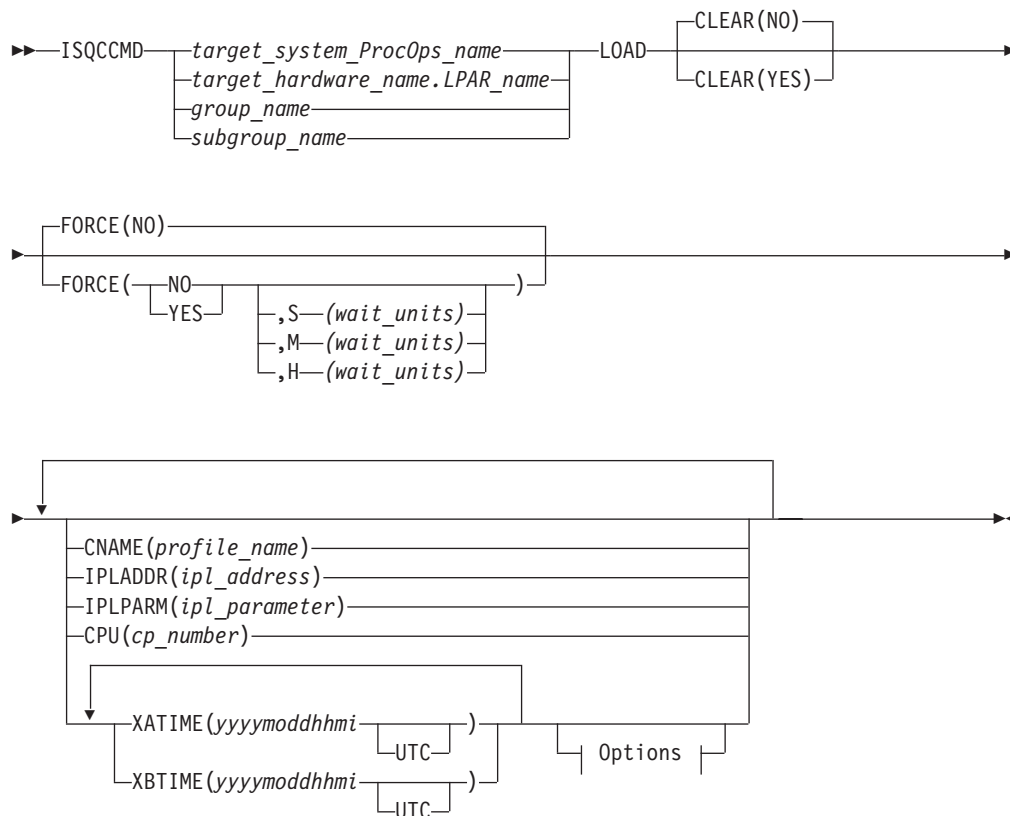
LOAD

LOAD

Purpose

The LOAD command performs the initial program load process for a target system processor. This command is not supported for coupling facility target systems.

Syntax



Options:

INTERVAL(dddhhmi) [(COUNTcount_of_intervals)]

Requirements

The requirements for this command to complete successfully are:

- Processor operations must be active.
- The addressed target system must be initialized.
- The addressed target system must have a status of at least INITIALIZED.
- The addressed target system cannot have a status of UNKNOWN, CLOSED, or IPL COMPLETE for the default setting of FORCE(NO) to work.

Parameters

For a definition of *target_system_ProcOps_name*, *target_hardware_name.LPAR_name*, *group_name*, and *subgroup_name*, refer to "ISQCCMD" on page 345.

CLEAR(NO)

Indicates the function of clearing storage is not to be performed; the LOAD common command issues a normal LOAD command. No space is allowed between the keyword CLEAR and the left parenthesis. This is the default.

CLEAR(YES)

Indicates the function of clearing storage is to be performed; the LOAD common command issues a LOAD CLEAR command. No space is allowed between the keyword CLEAR and the left parenthesis.

FORCE

Requests conditional processing of commands that are disruptive to the operating system control program and application work that is in progress. Use of this operand is based on the operating state of the target processor.

NO

Specifies that processing of the command is to continue *only* if the target CPU control program is not in the operating state. Specify FORCE(NO) in a situation where you would *not* want to upset the control program work-in-progress.

YES

Specifies that processing of the command is to continue *even* if the target CPU control program is in the operating state. Specify FORCE(YES) in a situation where disruption of the control program work-in-progress is not important, such as in recovery situations.

S Specifies that the timeout value is measured in seconds.

M Specifies that the timeout value is measured in minutes.

H Specifies that the timeout value is measured in hours.

wait-units

Specifies an optional timeout value in 1-to-5 decimal digits, ranging from 0 to 65535. This value provides the OCF with an interval for delaying the acceptance of, or rejection of, the command. The presence of this value in the operand causes the OCF to signal a quiesce event to the operating system control program, for those operating systems that support this action.

A timeout value is only allowed on timed command requests.

When a timeout value is specified with FORCE(NO), the associated command is held pending until the control program enters a quiesced state, or until the timeout value expires. If the timeout value expires, the command is treated as a FORCE(NO) with no timeout value.

When a timeout value is specified with FORCE(YES), the associated command is held pending until the control program enters a quiesced state, or until the timeout value expires. If the timeout value expires, the command is treated as a FORCE(YES) with no timeout value.

The default, if FORCE is not explicitly stated, is FORCE(NO).

FORCE(NO) requires that the associated command *fails* when useful work is taking place. For this command the formal fail criteria when FORCE(NO) is specified or when FORCE defaults to NO is the *operating* state.

IPLADDR

Indicates that the variable following it in parenthesis is the IPL address parameter.

LOAD

(ipl_address)

Specifies the IPL address as four hexadecimal digits. No space is allowed between the keyword IPLADDR and the left parenthesis.

IPLPARM

Indicates that the variable following it in parenthesis is an IPL parameter.

(ipl_parameter)

Specifies an IPL parameter to be issued with the Load command. This parameter can be 1 through 8 characters long. Lowercase letters are translated to uppercase letters. No space is allowed between the keyword IPLPARM and the left parenthesis.

CPU

Indicates that the variable following it in parentheses is the central processor address parameter.

(cp_number)

Specifies the central processor address.

Valid values are 0, 1, 2, 3, 4, 5, 6, 7, 8 or 9. The *cp_number* variable is dependent on the type, model and configuration of the processor targeted. The following processors are supported: zSeries and 390-CMOS.

Specifying this parameter also changes the value in the internal variable for the addressed target system to the number of the specified central processor address. No space is allowed between the keyword CPU and the left parenthesis.

CNAME

Specifies the name of a Load profile to be sent to the processor's support element. If this keyword is not used, the LOAD operations management command SA z/OS sends to the support element has a CNAME operand with the Load profile name specified in the configuration dialogs. If this keyword is not used and no Load profile name was specified in the configuration dialogs, SA z/OS omits the CNAME operand from the LOAD command sent to the support element. In this latter case, the support element uses its default Load profile.

profile_name

Indicates the name of the profile. IBM recommends that you let SA z/OS select the profile name automatically rather than overriding SA z/OS's selection with the *profile_name* parameter.

XATIME

Specifies a time *<at or after>* which the associated command may begin processing. The time specified is determined by the OCF clock of the receiving support element.

yyyy

Specifies a year, in 4 decimal digits. It must be greater than 1988.

mo Specifies a month of the year, in 2 decimal digits, from 01 to 12.

dd Specifies a day of the month, in 2 decimal digits, from 01 to 31.

hh Specifies an hour of the day, in 2 decimal digits, from 00 to 23.

mi Specifies a number of minutes, in 2 decimal digits, from 00 to 59.

UTC

If present, indicates that the time is coordinated universal time.

The system must be power-on reset in LPAR mode before sending a scheduled request for a secondary OCF. If it is not, the request is rejected.

The default, if XATIME is not explicitly stated, is for the command to be processed immediately.

When XATIME is not accompanied by an XBTIME, there is no end time by which command processing must be started.

XBTIME

Specifies a time *<at or before>* which the associated command must begin processing. A combination of XATIME and XBTIME specifies a “timing-window” within which processing is to be attempted.

yyyy

Specifies a year, in 4 decimal digits. It must be greater than 1988.

mo Specifies a month of the year, in 2 decimal digits, from 01 to 12.

dd Specifies a day of the month, in 2 decimal digits, from 01 to 31.

hh Specifies an hour of the day, in 2 decimal digits, from 00 to 23.

mi Specifies a number of minutes, in 2 decimal digits, from 00 to 59.

UTC

Indicates that the time is coordinated universal time.

The system must be power-on reset in LPAR mode before sending a scheduled request for a secondary OCF. If it is not, the request is rejected.

When XBTIME is not accompanied by an XATIME, the command may be processed immediately.

INTERVAL

Indicates that the associated command is to be processed repeatedly. It specifies the time span between processing repetitions. The specified value is added to XATIME, XBTIME, or both (if both are present in the command), to determine the next processing time.

ddd

Specifies a number of days, in 3 decimal digits, from 000 to 048.

hh Specifies a number of hours, in 2 decimal digits, from 00 to 23.

mi Specifies a number of minutes, in 2 decimal digits, from 00 to 59.

Notes:

1. The default, if INTERVAL is not explicitly stated, is one execution of the command.
2. INTERVAL is only valid if XATIME or XBTIME, or both, are also specified in the command.
3. Within a given time-frame, there may be only one repetition of a command.

COUNT

Specifies the number of times, based on specified timing controls, that processing of an operations command should be attempted. Timing controls are provided through the combined use of the XATIME, XBTIME, INTERVAL, and COUNT operands.

count-of-intervals

Is a decimal value, from 1 to 65535. This value indicates the maximum

LOAD

number of times that processing is to be attempted and is decremented after each processing attempt. When the count has been decremented to zero, the request is removed from the timed list.

The default value, if COUNT is not explicitly stated, is for the timing-window interval to be repeated forever, or until cancelled.

Use of the COUNT operand requires that INTERVAL, and a combination of either XATIME or XBTIME.

Defaults

The LOAD command defaults to CLEAR(NO) and to FORCE(NO).

The *ipl_address*, *ipl_parameter*, and *cp_number* parameters default to the values defined in the configuration dialogs, unless they have been changed with the ISQVARS or ISQXOPT command, described on page 379, in which case the values defined by the ISQVARS or ISQXOPT command are used.

For OCF-based processors, the *ipl_address*, *ipl_parameter*, and *cp_number* parameters default to the values specified in the Load profile. You can find out these values by issuing the following command string:

```
ISQSEND target SC PROFILE OP(READ) TYPE(LOAD) CNAME(profile_name)
```

Usage

This common command assumes that the processor operations environment has been established and that the system console function has been assigned. For a target system operating on an LPAR-mode processor, it also assumes that the logical partition is active and that any required channels are online to the partition. If these assumptions are not correct, other initialization commands should be run first. These functions of the LOAD common command are all performed by the ACTIVATE common command.

If you do not specify FORCE(YES), the LOAD common command checks to make sure it will not be disruptive by performing the following processing:

- If the target system runs in a logical partition and the same logical partition name is initialized to another target system in the same target hardware, the LOAD command is rejected and processing of the command halts.
- On a non-partitioned target system, if the target hardware has another target system initialized to it, the LOAD command is rejected and processing of the command halts.

LOAD for a VM Guest System

Purpose: The CP IPL command is issued for the guest machine. (This assumes that the guest machine is already active.)

Parameters:

IPLADDR

This parameter must be present.

IPLPARM

This parameter is translated into a LOADPARM operand.

Restrictions and Limitations: CNAME, CPU, XATIME, XBTIME, INTERVAL, COUNT and the S, H, M timeout values of the FORCE parameter are not supported.

Restrictions and Limitations

SNMP-connected target hardware cannot process the following parameters:

INTERVAL

XATIME

XBTIME

The S, H, M timeout values of the FORCE parameter

This command is not supported for coupling facility target systems.

The CPU load parameter is not supported for SNMP connections. If one is specified, it is ignored. The values for *cp_number* cannot exceed what is physically installed in the processor.

If you do not specify FORCE(YES), the LOAD common command is rejected if the addressed target system has a status of UNKNOWN, CLOSED, or IPL COMPLETE. To perform the load process for a target system that is in a status condition of UNKNOWN or CLOSED, issue the ACTIVATE common command (described on page 293). If the addressed target system has a status of IPL COMPLETE, you can specify FORCE(YES) to perform the IPL process without deactivating the target system first.

For NVC connections a LOAD command can be executed, using a load profile specified with the CNAME keyword in addition to other keywords such as IPLADDR, that may have a different value than the ones stored in the profile.

For SNMP connections, this is not supported. If a CNAME keyword is specified with the LOAD command, any other load keyword operands are ignored. Note that this does not apply to the FORCE(YES) or FORCE(NO) parameter.

Return Codes

The ISQCCMD command (described on page 345) generates the return codes for common command processing.

PROFILE

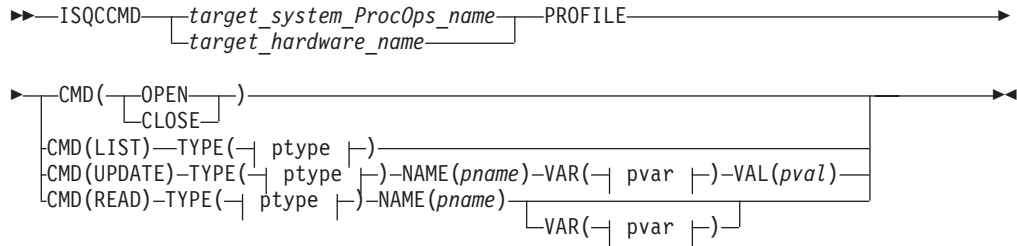
Purpose

The PROFILE common command allows you to access the activation profiles of a CPC. Activation profiles contain configuration information about the CPC itself and its images (LPARs), as well as load information for the operating systems to be initialized on the CPC or its LPARs.

With PROFILE, the names of the activation profiles can be listed and the content of a profile can be queried. The profile content can be changed.

The activation profiles are stored in the Support Element of a CPC. They are used for CPC or image activation and for processor load operations that are executed using load profile information.

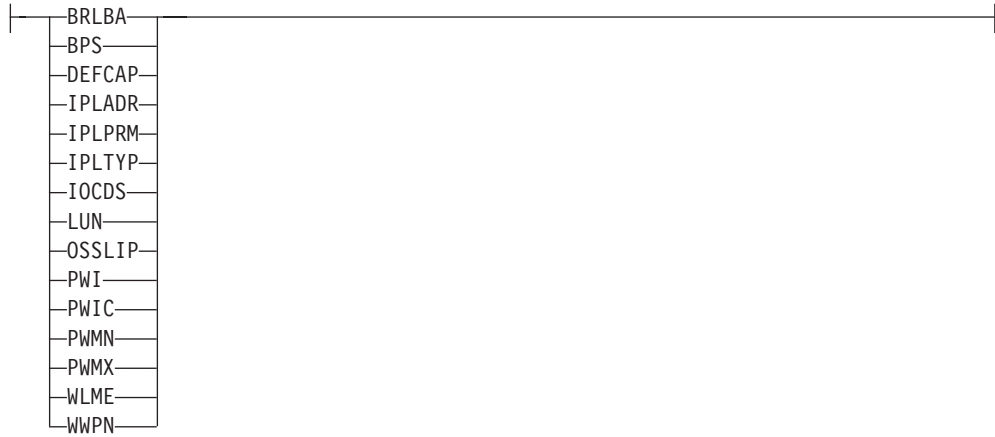
Syntax



ptype:



pvar:



Requirements

The requirements for the PROFILE command to complete successfully are:

- Processor operations must be active.
- The addressed target system must be initialized. If the target hardware is addressed, at least one target system on that hardware must have the ProcOps status INITIALIZED.

Parameters

For a definition of *target_system_ProcOps_name* and *target_hardware_name.lparname*, refer to "ISQCCMD" on page 345.

CMD

The profile command that is to be executed. This can be:

OPEN

This command must be executed as the first profile access command. It builds an internal list of the available profiles names for faster profile access. On successful completion an AOFA0020 report is returned, with the number of the available activation profiles for each of the profile types.

CLOSE

This command should be executed when your profile access is complete. It clears the internal profile name list. If the CLOSE is omitted, you can re-access the profiles without performing an OPEN command, however the internal profile list may no longer be current. On completion, an AOFA0020 report is returned.

LIST

Returns a list of the profile names for the specified profile TYPE in an AOFA0020 response report.

UPDATE

The content of the specified profile variable is changed to the value defined with the VAL parameter. The update response is returned in an AOFA0020 report. The update fails or is rejected if the hardware detects an invalid value.

READ

Returns the contents of the specified profile NAME and TYPE in an AOFA0020 response report. If a VAR parameter is added, only the content of the specified profile variable is returned.

Note that if the profile content is retrieved, variable names without a value may be listed. If this is the case, either the CPC does not support this profile variable, or a supported variable is not initialized.

You can use the HMC's CPC Operational Customization Task: Customize/Delete Activation Profiles to determine which profile variables are supported by a CPC's machine type.

TYPE

The activation profile type, *ptype*, which can be one of the following:

RESET

This profile type is used to activate a CPC. The following profile variables are supported: IOCDS

IMAGE

This profile type is used to activate images (LPARs). The following profile variables are supported: BRLBA, BPS, DEFCAP, IPLADR, IPLPRM, IPLTYP, LUN, OSSLP, PWI, PWIC, PWMN, PWMX, WLME, WWPEN.

LOAD

This profile type is used to load a CPC or an image. The following profile variables are supported: BRLBA, BPS, IPLADR, IPLPRM, IPLTYP, LUN, OSSLP, WWPEN.

NAME

The activation profile name.

pname

Name, 1-16 alphanumeric characters, without blanks. The named profile must be available on the Support Element.

VAR

The activation profile variable name *pvar*. The following is a list of variable names and their associated values.

BRLBA

The boot record logical block address that is used for IPLs from a SCSI device. Valid for profile types IMAGE and LOAD. **Value information:**

PROFILE

pval

The eight-byte (16 hexadecimal digit) boot record logical block address specifies the logical block address (LBA) of the boot record. (A boot record is used to locate an OS loader on an IPL disk. Normally, this boot record is located at LBA 0. The SCSI IPL function allows the boot record to be located at a different LBA.)

- * When an asterisk (*) is specified as the UPDATE value, the actual data value is copied from the NetView Task Global variable BRLBA.

BPS

The boot partition specification that is used for IPLs from a SCSI device. Valid for profile types IMAGE and LOAD. **Value information:**

pval

The boot program selector, a decimal value between 0 and 30, is used to select the section of the IPL disk on which the desired OS resides. (The SCSI IPL function allows up to 31 different operating systems to reside on one IPL disk.)

- * When an asterisk (*) is specified as the UPDATE value, the actual data value is copied from the NetView Task Global variable BPS.

DEFCAP

The logical partition's defined capacity. Valid for profile type IMAGE. **Value information:**

0 No defined capacity for the LPAR.

1-9999

Amount of defined LPAR capacity.

The defined capacity expressed in terms of Millions of Service Units (MSUs) per hour. MSUs is a measure of processor resource consumption. The amount of MSUs that a logical partition consumes is dependent on the model, the number of logical processors that are available to the partition, and the amount of time that the logical partition is allocated. The defined capacity value specifies how much of the logical partition capacity is to be managed by Workload Manager (WLM) for the purpose of software pricing.

IPLADR

The IPL address (load address) for IPLs from a channel attached device. (IPLTYP NORMAL) Valid for profile types IMAGE and LOAD. **Value information:**

pval

Hexadecimal device number of a channel attached load device.

NEXT

Indicates that the IPLPRM value that is supplied by HCD through its hardware interface is to be used.

- * When an asterisk (*) is specified as the UPDATE value, the actual data value is copied from the NetView Task Global variable IPLADR.

IPLPRM

The IPL parameter (load parm) for IPLs from a channel attached device. (IPLTYP NORMAL) Valid for profile types IMAGE and LOAD. **Value information:**

pval

OS-supported, 8-character load parameter field of CMOS S/390 and zSeries hardware. Refer to the OS documentation for information about the IPL parameters that it supports.

NEXT

Indicates that the IPLPRM value that is supplied by HCD through its hardware interface is to be used.

- * When an asterisk (*) is specified as the UPDATE value, the actual data value is copied from the NetView Task Global variable IPLPRM.

IPLTYP

The type of IPL. **Value information:**

NORMAL

Use a channel attached device address to load a basic control program (OS). When this IPL type is used, IPLADR must be specified. IPLPRM is optional.

SCSILOAD

Uses the address of a SAN-attached SCSI device to load a BCP (OS).

When this IPL type is used, the following profile variables must be specified: BRLBA, BPS, LUN, WWPN. OSSLP is optional.

SCSIDUMP

Uses the address of a SAN-attached SCSI device to load a Standalone Dump Utility. The utility uses a dump area on the same SCSI device to store the main storage content.

When this IPL type is used, the following profile variables must be specified: BRLBA, BPS, LUN, WWPN. OSSLP is optional.

- * When an asterisk (*) is specified as the UPDATE value, the actual data value is copied from the NetView Task Global variable IPLTYP.

IOCDS

The input/output configuration data set identifier. Valid for profile type RESET. **Value information:**

pval

Two-character identifier of the IOCDS that is to be used for CPC activation with this profile.

- * When an asterisk (*) is specified as the UPDATE value, the actual data value is copied from the NetView Task Global variable IOCDS.

LUN

The logical unit number of the SCSI IPL boot device. Valid for profile types: IMAGE, LOAD. **Value information:**

pval

Eight-byte identifier (16 hexadecimal digits) of the logical unit representing the SCSI IPL device.

- * When an asterisk (*) is specified as the UPDATE value, the actual data value is copied from the NetView Task Global variable LUN.

OSSLP

The operating-system-specific load parameter for IPL from SCSI device. Valid for profile types: IMAGE, LOAD.

PROFILE

For a READ operation, the data that is returned in the AOFA0020 response report is split into 8 lines. If OSSLP is not set, a string of 256 blanks is returned from the hardware. If not all OSSLP bytes are used, the string returned is always padded with blanks. **Value information:**

pval

The operating system specific load parameters to be used for the SCSILOAD or SCSIDUMP. The character string can be up to 256 bytes long.

The OS-specific load parameter is optionally used to pass a string of characters to the program that is being loaded. Neither the system nor the machine loader interprets or uses these parameters. For example, the OS-specific load parameter can be used to identify additional I/O devices and related storage addresses that are required by the OS being loaded.

- * When an asterisk (*) is specified as the UPDATE value, the actual data value is copied from the NetView Task Global variable OSSLP.

Use this method if you want to copy a mixed case character string, or if the string contains multiple blank separated words.

PWI

The initial processing weight. Valid for profile type IMAGE. **Value information:**

- 0 The CPC image does not represent a logical partition, or the LPAR has only dedicated processors assigned to it. This value is not valid for UPDATE.

1-999

Represents the relative amount of shared processor resources that is initially allocated to the LPAR.

- * When an asterisk (*) is specified as the UPDATE value, the actual data value is copied from the NetView Task Global variable PWI.

PWIC

The initial processing weight capped indicator. Valid for profile type IMAGE. **Value information:**

YES

The initial processing weight for the LPAR is capped. It represents the maximum share of processor resources regardless of the availability of excess processor resources.

NO

The initial processing weight for the LPAR is not capped. It represents the share of resources that is guaranteed to the LPAR when all CP resources are in use. When excess processor resources are available, the LPAR can use them if necessary.

- * When an asterisk (*) is specified as the UPDATE value, the actual data value is copied from the NetView Task Global variable PWIC.

PWMN

The minimum processing weight. Valid for profile type IMAGE.

The guaranteed minimum share of non-dedicated processor weight, when all processing resources are in use. **Value information:**

- 0 The CPC image does not represent a logical partition, or the LPAR has only dedicated processors assigned to it. This value is not valid for UPDATE.

1-999

A value that is less than or equal to the initial processing weight that is used to define the minimum relative amount of shared processor resources that is allocated to the LPAR.

- * When an asterisk (*) is specified as the UPDATE value, the actual data value is copied from the NetView Task Global variable PWMN.

PWMX

The maximum processing weight. Valid for profile type IMAGE.

Maximum relative amount of shared processor resources for this LPAR.

Value information:

- 0 The CPC image does not represent a logical partition, or the LPAR has only dedicated processors assigned to it. This value is not valid for UPDATE.

1-999

A value that is greater than or equal to the initial processing weight that is used to define the maximum relative amount of shared processor resources that is allocated to the LPAR.

- * When an asterisk (*) is specified as the UPDATE value, the actual data value is copied from the NetView Task Global variable PWMX.

WLME

The Workload Manager enabled flag. Valid for profile type IMAGE. **Value information:**

YES

z/OS Workload Manager is used to manage shared processor resources for a logical partition, according to the settings of the minimum and maximum weight specifications.

NO

PR/SM is managing the processing weight. The PWMN and PWMX values do not apply.

- * When an asterisk (*) is specified as the UPDATE value, the actual data value is copied from the NetView Task Global variable WLME.

WWPN

The worldwide port name of the disk controller for the SCSI IPL. Valid for profile type IMAGE. **Value information:**

pval

The worldwide port name is the eight-byte permanent name (16 hexadecimal digits) that is assigned to the FC (fibre channel) adapter port of the SCSI target device containing the logical unit serving as the IPL device. The FC fabric must be configured in such a way that the FCP channel that is used for the IPL operation has access to this port.

- * When an asterisk (*) is specified as the UPDATE value, the actual data value is copied from the NetView Task Global variable WWPN.

VAL

The value specification for an UPDATE operation.

pval

Refer to the value information for the VAR parameter.

Defaults

None.

Usage

The PROFILE common command for SNMP connected processors can be used to manage important CPC and LPAR activation and operating system load information.

The supported set of profile variables can be queried and modified using the ISQCCMD PROFILE common command with automation procedures.

Automation of IPLs from SCSI devices can be performed using LOAD or IMAGE activation profiles.

The command response reports from the processor hardware are available as ProcOps ISQ900I messages with a console indicator of SC. Note that the message originator following the message identifier is either a ProcOps target system name, or a target hardware name together with an LPAR name. In order to get a copy of such hardware messages on your screen as ISQ901I messages, use the ISQXMON command.

Restrictions and Limitations

The PROFILE common command cannot be used to create or delete activation profiles; use the HMC to perform these tasks. The PROFILE command supports a subset of the available activation profile variables. This is different to the ISQSEND PROFILE command for NVC connections, which supports the full set of the profile variables.

Condition Codes

The PROFILE common command uses the internal APROF service to process the requests. The following lists the condition codes that are returned in the form 00B000xx, where xx is the condition code:

- 62 The variable name that is specified in the request is not specified. The request is rejected.
- 63 The variable name that is specified in the request is not supported. The request is rejected.
- 64 The request was not recognized by the APROF service. The request is rejected. Contact IBM Support.
- 65 The value operand of the request was not recognized by APROF. The request is rejected. Contact IBM Support.
- 66 OPEN error. APROF could not allocate the profile list storage. The request is rejected. Contact IBM Support.
- 67 OPEN error. Profile was already opened. The request is rejected. Issue a CLOSE request first.
- 68 Profile TYPE error. Allowed types are RESET, IMAGE, and LOAD. The request is rejected.
- 69 Profile is not open. Issue an OPEN request first. The request is rejected.

- 6A** Profile not found error. If the named profile was created since the last OPEN, issue a CLOSE and reopen the profiles to access the new list of profiles. The request is rejected.
- 6B** Profile UPDATE error. Error in APROF parameter list. The request is rejected. Contact IBM Support.
- 6C** Profile UPDATE error. Internal variable name list error. The request is rejected. Contact IBM Support.
- 6D** Profile UPDATE error. The specified variable name is not valid. Re-specify the variable name and repeat the request. The request is rejected.
- 6E** Profile UPDATE error. The specified update value was not accepted. Re-specify the value and repeat the request. The request is rejected.
- 6F** Profile UPDATE error for OSSLP. A NetView Cglobal could not be accessed. The request is rejected. Contact IBM Support.

Return Codes

The ISQCCMD command (described on page 345) generates the return codes for common command processing.

RESERVE

Purpose

The RESERVE common command allows you to gain exclusive control over a CPC and lock the execution of disruptive commands. While a CPC is reserved, no application, including the one holding the reserve, can issue hardware commands to the CPC itself or one of its logical partitions until the lock is released again. The lock also applies for manual CPC and LPAR operation using the CPC's Support Element or an HMC.

Syntax

```

▶—ISQCCMD—target_system_ProcOps_name—RESERVE—▶
target_hardware_name

```

```

▶—RCMD(LIST)—▶
▶—RCMD(OFF)—RNAME(rnm)—▶
ON

```

Requirements

The requirements for the RESERVE command to complete successfully are:

- Processor operations must be active.
- The addressed target system must be initialized for this command to complete successfully. If the target hardware is addressed, at least one target system on that hardware must have the ProcOps status INITIALIZED.

RESERVE

Parameters

For a definition of *target_system_ProcOps_name* and *target_hardware_name*, refer to "ISQCCMD" on page 345.

RCMD

Reserve command to be executed.

LIST

Returns the current reserve ID, if one is set in the field APPLNAME of the AOFA0001 response report from the target hardware. If the APPLNAME field that is returned is empty, no reserve condition exists for the CPC. The format 'majorname.minorname' is used if the APPLNAME field indicates a reserve condition. The majorname '0AUTOOPS' is used if a reserve is set by ProcOps or other applications using the z900 API. The minorname returned is the reserve ID that is specified by an application.

ON

Sets a CPC reserve using the name that is specified with the RNAME parameter keyword.

OFF

Releases a previously set CPC reserve condition using the name that is specified with the RNAME parameter keyword.

RNAME

Reserve identification minor name.

rnm

Reserve ID minor name. The maximum length that is allowed is eight characters.

Defaults

If no RESERVE parameters are specified, an RCMD(LIST) is executed.

Usage

Locking a CPC with the RESERVE command for disruptive command execution should only be performed in recovery situations, where access to the CPC or its LPARs has to be controlled. The operator or recovery application can issue the ISQCCMD RESERVE to isolate and release a CPC.

Note that the hardware commands issue a reserve internally to indicate a busy condition to the HMC operator or to other applications for the duration of a command. This internal reserve is object specific (CPC, image) and is different from the ISQCCMD RESERVE in ProcOps.

The RESERVE command can be used to determine whether a Support Element has exclusive control enabled. Usually hardware service sets this control to make sure no hardware command can disrupt SE service activity. After service, exclusive control is usually reset to disable.

Issue a RESERVE RCMD(LIST) common command to determine whether exclusive control has been set from the CPC's Support Element. The AOFA0001 report that is returned shows an application name in the format APPLNAME(*netid.nau*), where *netid* is the CPC's netid, and *nau* is the CPC's nau.

The command response reports from the processor hardware are available as ProcOps ISQ900I messages with a console indicator of SC. Note that the message

originator following the message identifier is either a ProcOps target system name, or a target hardware name together with an LPAR name. In order to get a copy of such hardware messages on your screen as ISQ901I messages, use the ISQXMON command.

Restrictions and Limitations

The RESERVE common command is only supported for SNMP connections. When issuing a RESERVE for other ProcOps connection types, it will be rejected.

The RESERVE hardware command works only for ProcOps sessions to the Support Element of the addressed CPC. ProcOps sessions to an HMC are not supported and the RESERVE command will fail.

The RESERVE hardware command is available for machine types from 2064 onwards.

The RESERVE hardware command is not available for machine types 967x or older S/390 CMOS processor types. For these machine types the RESERVE command will fail.

Return Codes

The ISQCCMD command (described on page 345) generates the return codes for common command processing.

RESTART

Purpose

The RESTART command causes the target system processor to perform the restart function. This function consists of loading the restart program status word (PSW).

Syntax

```

▶▶—ISQCCMD—
  target_system_ProcOps_name
  target_hardware_name.LPAR_name
  group_name
  subgroup_name
—RESTART—
  CPU(cp_number)
▶▶
  
```

Requirements

Processor operations must be active for this command to complete successfully.

The addressed target system must be initialized for this command to complete successfully.

Parameters

For a definition of *target_system_ProcOps_name*, *target_hardware_name.LPAR_name*, *group_name*, and *subgroup_name*, refer to “ISQCCMD” on page 345.

CPU

Indicates that a central processor is to be restarted.

cp_number

Specifies the central processor address.

RESTART

Valid values are 0, 1, 2, 3, 4, 5, 6, 7, 8 or 9. The *cp_number* variable is dependent on the type, model and configuration of the processor targeted. The following processors are supported: zSeries and 390-CMOS.

No space is allowed between the keyword CPU and the left parenthesis.

Defaults

This command defaults to the current central processor on the addressed target hardware if a central processor is not specified. Depending on the processor, the current central processor may be the default specified on the processor's OPRCTL panel.

To find out this value issue the following command string:

```
ISQSEND target SC PROFILE OP(READ) TYPE(Load) CNAME(profile_name)
```

Usage

The RESTART command is normally used to return the processor to an active processing state from a QUIESCE or SHUTDOWN condition.

The RESTART command can also be used to recover from various system problems.

RESTART of a VM Guest System

Purpose: For a guest machine a CP SYSTEM RESTART command is sent.

Restrictions and Limitations: The CPU parameter is not supported.

Restrictions and Limitations

- The values for the CPU keyword cannot exceed what is physically installed in the processor.
- For SNMP-connected target hardware the CPU keyword is not supported.

Return Codes

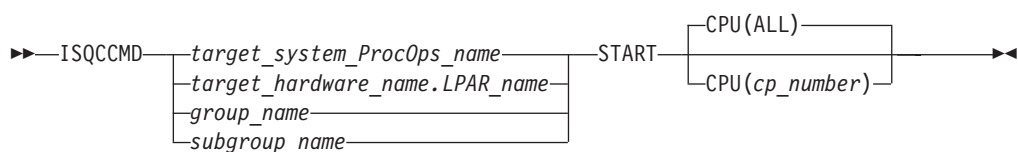
The ISQCCMD command (described on page 345) generates the return codes for common command processing.

START

Purpose

The START command causes the target system processor to perform the start function. This function consists of returning the operating system to the operating state from the stopped state initiated by the STOP command.

Syntax



Requirements

Processor operations must be active for this command to complete successfully.

The addressed target system must be initialized for this command to complete successfully.

Parameters

For a definition of *target_system_ProcOps_name*, *target_hardware_name.LPAR_name*, *group_name*, and *subgroup_name*, refer to “ISQCCMD” on page 345.

CPU(ALL)

Specifies all central processors are to be started. This is the default. No space is allowed between the keyword CPU and the left parenthesis.

CPU(*cp_number*)

Specifies the number of the central processor to be started.

Valid values are 0, 1, 2, 3, 4, 5, 6, 7, 8 or 9. The *cp_number* variable is dependent on the type, model and configuration of the processor targeted. The following processors are supported: zSeries and 390-CMOS.

No space is allowed between the keyword CPU and the left parenthesis.

Defaults

The START command defaults to CPU(ALL).

Usage

The START command is equivalent to pressing the START key at a target system.

Use the START command to cancel the effects of the STOP command and allow the operating system to run again.

START of a VM Guest System

Purpose: For a guest machine the CP BEGIN command is entered.

Restrictions and Limitations

- The values for the CPU number cannot exceed what is physically installed in the processor.
- This command is not supported for coupling facility target systems.
- For SNMP-connected target hardware the CPU keyword is not supported.

Return Codes

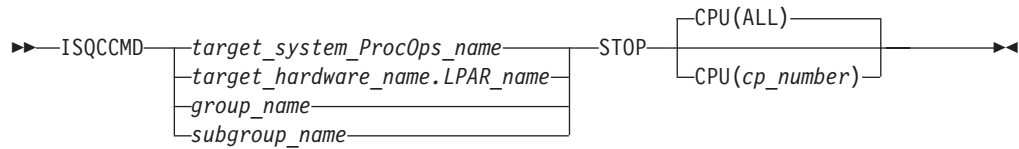
The ISQCCMD command (described on page 345) generates the return codes for common command processing.

STOP

Purpose

The STOP command causes the target system processor to perform the stop function. This function consists of placing the processor in the stopped state at the end of the current unit of operation.

Syntax



Requirements

Processor operations must be active for this command to complete successfully.

The addressed target system must be initialized for this command to complete successfully.

Parameters

For a definition of *target_system_ProcOps_name*, *target_hardware_name.LPAR_name*, *group_name*, and *subgroup_name*, refer to “ISQCCMD” on page 345.

CPU(ALL)

Specifies that all central processors are to be stopped. This is the default. No space is allowed between the keyword CPU and the left parenthesis.

CPU(*cp_number*)

Specifies the number of the central processor to be stopped.

Valid values are 0, 1, 2, 3, 4, 5, 6, 7, 8 or 9. The *cp_number* variable is dependent on the type, model and configuration of the processor targeted. The following processors are supported: zSeries and 390-CMOS.

No space is allowed between the keyword CPU and the left parenthesis.

Defaults

The STOP command defaults to CPU(ALL).

Usage

Use the STOP command to temporarily halt normal operations. You can use this command to interrupt processing to perform various hardware maintenance functions (such as cleaning the heads of a tape drive) and then continue processing from the point at which it stopped.

STOP of a VM Guest System

Purpose: For a guest machine the CP STOP command is entered. (This will place the guest machine in a CP READ state, and a message is issued to this effect.)

Restrictions and Limitations

- The values for the CPU keyword cannot exceed what is physically installed in the processor.
- This command is not supported for coupling facility target systems.
- For SNMP-connected target hardware the CPU keyword is not supported.

Return Codes

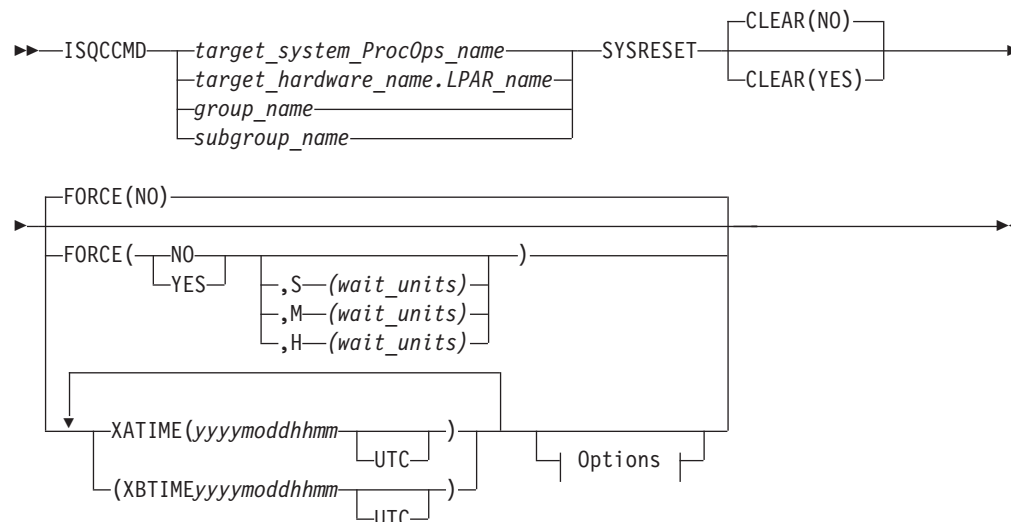
The ISQCCMD command (described on page 345) generates the return codes for common command processing.

SYSRESET

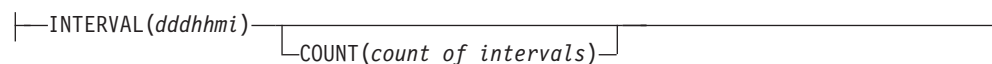
Purpose

The SYSRESET command causes the target system processor to perform the system reset function. This function consists of resetting and initializing the processor.

Syntax



Options:



Requirements

Processor operations must be active for this command to complete successfully.

The addressed target system must be initialized for this command to complete successfully.

Parameters

For a definition of *target_system_ProcOps_name*, *target_hardware_name.LPAR_name*, *group_name*, and *subgroup_name*, refer to “ISQCCMD” on page 345.

CLEAR(NO)

Indicates that the option of clearing storage is not being specified. This is the default value. No space is allowed between the keyword CLEAR and the left parenthesis.

CLEAR(YES)

Indicates that the option of clearing storage is being specified. No space is allowed between the keyword CLEAR and the left parenthesis.

FORCE

Requests conditional processing of commands that are disruptive to the operating system control program and application work that is in progress. Use of this operand is based on the operating state of the target processor.

SYSRESET

NO

Specifies that processing of the command is to continue *only* if the target CPU control program is not in the operating state. Specify FORCE(NO) in a situation where you would *not* want to upset the control program work-in-progress.

YES

Specifies that processing of the command is to continue *even* if the target CPU control program is in the operating state. Specify FORCE(YES) in a situation where disruption of the control program work-in-progress is not important, such as in recovery situations.

S Specifies that the timeout value is measured in seconds.

M Specifies that the timeout value is measured in minutes.

H specifies that the timeout value is measured in hours.

wait-units

Specifies an optional timeout value in 1-to-5 decimal digits, ranging from 0 to 65535. This value provides the OCF with an interval for delaying the acceptance of, or rejection of, the command. The presence of this value in the operand causes the OCF to signal a quiesce event to the operating system control program, for those operating systems that support this action.

A timeout value is only allowed on timed command requests.

When a timeout value is specified with FORCE(NO), the associated command is held pending until the control program enters a quiesced state, or until the timeout value expires. If the timeout value expires, the command is treated as a FORCE(NO) with no timeout value.

When a timeout value is specified with FORCE(YES), the associated command is held pending until the control program enters a quiesced state, or until the timeout value expires. If the timeout value expires, the command is treated as a FORCE(YES) with no timeout value.

The default, if FORCE is not explicitly stated, is FORCE(NO).

FORCE(NO) requires that the associated command *fail* when useful work is taking place. For SYSRESET the formal fail criteria is *operating* when FORCE(NO) is specified or when FORCE defaults to NO. The command will fail whenever the processor is in this state.

XATIME

Specifies a time *<at or after>* which the associated command may begin processing. The time specified is determined by the OCF clock of the receiving support element.

yyyy

Specifies a year, in 4 decimal digits. It must be greater than 1988.

mo Specifies a month of the year, in 2 decimal digits, from 01 to 12.

dd Specifies a day of the month, in 2 decimal digits, from 01 to 31.

hh Specifies an hour of the day, in 2 decimal digits, from 00 to 23.

mi Specifies a number of minutes, in 2 decimal digits, from 00 to 59.

UTC

If present, indicates that the time is coordinated universal time.

The system must be power-on reset in LPAR mode before sending a scheduled request for a secondary OCF. If it is not, the request is rejected.

The default, if XATIME is not explicitly stated, is for the command to be processed immediately.

When XATIME is not accompanied by an XBTIME, there is no end time by which command processing must be started.

XBTIME

Specifies a time *<at or before>* which the associated command must begin processing. A combination of XATIME and XBTIME specifies a “timing-window” within which processing is to be attempted.

yyyy

Specifies a year, in 4 decimal digits. It must be greater than 1988.

mo Specifies a month of the year, in 2 decimal digits, from 01 to 12.

dd Specifies a day of the month, in 2 decimal digits, from 01 to 31.

hh Specifies an hour of the day, in 2 decimal digits, from 00 to 23.

mi Specifies a number of minutes, in 2 decimal digits, from 00 to 59.

UTC

Indicates that the time is coordinated universal time.

The system must be power-on reset in LPAR mode before sending a scheduled request for a secondary OCF. If it is not, the request is rejected.

When XBTIME is not accompanied by an XATIME, the command may be processed immediately.

INTERVAL

Indicates that the associated command is to be processed repeatedly. It specifies the time span between processing repetitions. The specified value is added to XATIME, XBTIME, or both (if both are present in the command), to determine the next processing time.

ddd

Specifies a number of days, in 3 decimal digits, from 000 to 048.

hh Specifies a number of hours, in 2 decimal digits, from 00 to 23.

mi Specifies a number of minutes, in 2 decimal digits, from 00 to 59.

Notes:

1. The default, if INTERVAL is not explicitly stated, is one execution of the command.
2. INTERVAL is only valid if XATIME or XBTIME, or both, are also present in the command.
3. Within a given timing-window, there may be only one repetition of a command.

COUNT

Specifies the number of times, based on specified timing controls, that processing of an operations command should be attempted. Timing controls are provided through the combined use of the XATIME, XBTIME, INTERVAL, and COUNT operands.

SYSRESET

count-of-intervals

Is a decimal value, from 1 to 65535. This value indicates the maximum number of times that processing is to be attempted and is decremented after each processing attempt. When the count has been decremented to zero, the request is removed from the timed list.

The default value, if COUNT is not explicitly stated, is for the timing-window interval to be repeated forever, or until cancelled.

Use of the COUNT operand requires that INTERVAL, and a combination of either XATIME or XBTIME.

Defaults

The SYSRESET command defaults to FORCE(NO) and to CLEAR(NO).

Usage

Issue SYSRESET to recover a processor from a machine stop condition. This command places the processor into the operating state from the check-stop state.

If you do not specify FORCE(YES), the SYSRESET command checks to make sure it will not be disruptive by performing the following processing:

- If the target system runs in a logical partition and the same logical partition name is initialized to another target system in the same target hardware, the SYSRESET command is rejected and processing of the command halts.
- On a non-partitioned target system, if the target hardware has another target system initialized to it, the SYSRESET command is rejected and processing of the command halts.

SYSRESET of a VM Guest System

Purpose: For a guest machine the CP SYSTEM RESET command is entered.

Parameters:

CLEAR

If CLEAR(YES) is specified for a guest machine, a CP SYSTEM CLEAR is issued.

FORCE(NO)

Guest status is checked. If NOT OPERATING then a CP SYSTEM RESET command is issued.

Restrictions and Limitations: XATIME, XBTIME, INTERVAL, COUNT and the S, H, M timeout values of the FORCE parameter are not supported.

Restrictions and Limitations

This command is not supported for coupling facility target systems.

For SNMP-connected target hardware, the CLEAR parameter is supported by the zSeries processor family.

SNMP-connected target hardware cannot process the following parameters:

INTERVAL
XATIME
XBTIME

The S, H, M timeout values of the FORCE parameter

Return Codes

The ISQCCMD command (described on page 345) generates the return codes for common command processing.

SYSRESET

Host-based Commands

ISQCCMD

Purpose

The ISQCCMD command issues a common command.

Syntax

```
▶▶ ISQCCMD target_system_ProcOps_name target_hardware_name.LPAR_name common_command ▶▶  
           group_name  
           subgroup_name  
           target_hardware_name
```

Requirements

Processor operations must be active.

The addressed target system must be initialized unless the specified common command is ACTIVATE (described on page 293).

Parameters

target_system_ProcOps_name

Is the processor operations name of the target system.

target_hardware_name.LPAR_name

Is the identifier of the target system in SNMP message format.

group_name

Is the name of the group of which subgroup(s) and target system(s) are members.

subgroup_name

Is the name of the subgroup of which the target system(s) are members.

target_hardware_name

Is the name of the target hardware definition associated with the target system.

common_command

Represents the common command and any associated parameters to be processed. Multiple parameters are separated from each other by a blank space.

Defaults

None.

Usage

Use the ISQCCMD command to issue a common command to the specified target system.

Restrictions and Limitations

- *Target_hardware_name* is valid only for the common commands DEACTIVATE and CBU.
- *Group_name* or *subgroup_name* must be processor operations-enabled as defined in the SA z/OS customization dialogs to be a valid parameter.

Specifying an SNMP timeout value

For target hardware connections of type SNMP, the default timeout value of three minutes can be modified by setting the NetView task global variable ISQ.SNMP.WAIT to another value. The timeout format is hh:mm:ss, where 'hh' represents the hours of the timeout, 'mm' the minutes and 'ss' of the period to wait for hardware command completion before terminating ISQCCMD. The value of the variable is checked each time a ISQCCMD request for a SNMP connected target system is performed. If the timeout variable is not set, or its contents has an invalid format, the default value of three minutes is used.

In the following REXX example a timeout value of 8 minutes and 30 seconds is set prior calling ISQCCMD to perform an EXTERNAL interrupt hardware command:

```

/*REXX*/
tme = 'ISQ.SNMP.WAIT'           /* SNMP timeout varname */
mytgt = 'KEY6'                  /* our TGT system name */
Interpret tme=" '00:08:30'"     /* Set timeout to use */
'GLOBALV PUTT 'tme              /* Update task variable*/
Say 'SNMP Timeout value set to 'Tglobal(tme) /* Send info msg */
'ISQCCMD 'mytgt' EXTINT'       /* External irpt to Sys*/
If RC > 0 Then Do              /* Error occured */
End                             /* ...more to add */
Else Do                         /* All went well */
End                             /* ...more to add */

```

Return Codes

- | | |
|----|---|
| 4 | Command processing has been accepted. |
| 8 | Command processing has been rejected. |
| 12 | Command processing has failed. |
| 32 | The processor operations environment does not exist; the ISQCCMD command was not processed. |

ISQCHK

Purpose

The ISQCHK command checks whether processor operations is active.

Syntax

```

  >> ISQCHK _____ <<<
           |-----|
           |command_name|

```

Requirements

None.

Parameters

command_name

Is the name of an automation procedure.

Defaults

None.

Usage

This command is intended for use in automation procedures to determine whether processor operations is active. It provides a method of exiting from the automation procedure cleanly when processor operations is not active. If you issue ISQCHK from an operator station and processor operations is running, you will receive no response.

The optional *command_name* parameter is placed in the text of the error message generated when processor operations is not active. This identifies the automation procedure that cannot run because processor operations is not active.

For example, place the following statements near the beginning of a processor operations automation procedure written in REXX:

```
'ISQCHK STARTALL'  
If RC<>0 then; Exit;
```

If you issue the STARTALL command when processor operations is not active, the error message will inform you that “the STARTALL command” cannot be run until processor operations is active, rather than simply informing you “the command” cannot be run until processor operations is active.

You can issue ISQCHK from an operator station task (OST) or from automation.

Restrictions and Limitations

None.

Return Codes

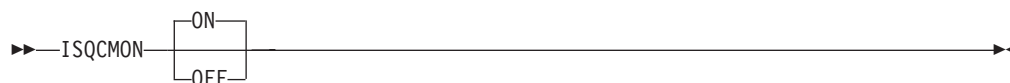
0	Processor operations is active.
32	Processor operations is not active.

ISQCMON

Purpose

The ISQCMON command causes the current NetView task to be added to or removed from the list of tasks to receive processor operations communications management messages.

Syntax



Requirements

None.

Parameters

ON

Adds the current NetView task to the list of tasks to receive processor operations communications management messages. This is the default.

OFF

Removes the current NetView task from the list of tasks to receive processor operations communications management messages.

Defaults

ISQCMON defaults to ON, adding you to the list.

Usage

You can issue ISQCMON when processor operations is not running to add or delete yourself from the interested operators list for messages relating to the control of processor operations-managed resources. These messages are not associated with a specific target system.

Messages not associated with a specific target system are sent only to operators who used ISQCMON to place themselves on the interested operators list for such messages. These messages are not sent to the ISQXMON interested operator list. You are automatically added to the ISQCMON interested operator list when you issue the ISQSTART command (described on page 355).

Refer to *IBM Tivoli System Automation for z/OS User's Guide* for further information about these two types of messages and interested operator lists.

Restrictions and Limitations

Do not issue this command with ISQEXEC.

Return Codes

- | | |
|---|---|
| 0 | The ISQCMON command completed successfully. |
| 8 | You used incorrect command syntax. |

ISQEXEC

Purpose

The ISQEXEC command sends a command to a target control task to be processed. Commands sent by ISQEXEC are processed by the target control task in the order in which they are presented.

Syntax

```

▶▶—ISQEXEC—target_system_name—SC—
                                [OC]  [command_name]

```

Requirements

The requirements for this command to complete successfully are:

- Processor operations must be active.
- The target system specified with *target_system_name* must be initialized.

Parameters

target_system_name

Specifies the name of the target system.

SC

Specifies the active system console connection.

OC

Specifies the active operator console connection.

command

Is the name of the user automation command to be processed.

Defaults

None.

Usage

The main advantage of the ISQEXEC command is that it frees the operator station task (OST) for other work because commands issued by ISQEXEC are processed by a target control task rather than in the OST.

You can require that a set of commands to a target connection are processed in the order in which the commands are presented (that is, serially). ISQEXEC is processed by a target control task, which ensures that the commands are processed in the correct order. A set of commands to be processed serially can be packaged in an automation procedure and be called by the ISQEXEC command, for example:

```
ISQEXEC target_system_name console_connection exec_name exec_operands
```

You can write automation procedures that issue ISQSEND commands. ISQSEND sends commands to a target system. You can enter the ISQEXEC command in the NCCF command line to cause an automation procedure to be processed.

Restrictions and Limitations

The following restrictions or limitations apply to this command:

- Do not issue ISQXDST, ISQHELP, or ISQXOPT with ISQEXEC.
- Do not issue any user automation with ISQEXEC that results in a full-screen panel.
- ISQEXEC does not lock a target console connection; the serialized commands can be interrupted by commands from other tasks. See "Usage."

Return Codes

- | | |
|----|---|
| 0 | The ISQEXEC command completed successfully and it caused the command to be queued to a target control task. |
| 8 | The command syntax is not correct. |
| 10 | The specified target system was not initialized. |
| 12 | An internal error occurred. |
| 32 | The processor operations environment does not exist. The ISQEXEC command was not processed. |

Return Codes

Return codes are not applicable because the ISQHELP command cannot be issued from a program.

ISQIPSWT

Purpose

The ISQIPSWT command is used to switch IP addresses stored in the processor operations variables:

SEADDR The IP address or host name of the SE (or HMC) that the target hardware is connected to. This value is used by processor operations as the primary information to connect to the target hardware.

HMCADDR The IP address or host name that is used by processor operations as alternate information to connect to the target hardware.

This command can be used, for example, to switch to the secondary SE network adapter card if the connection to the primary adapter card of the SE fails.

Syntax

```

  >> ISQIPSWT target-hardware-name [FORCE(NO)] [FORCE(YES)] >>
  
```

Requirements

Processor operations must be active.

For the target hardware, both variables SEADDR and HMCADDR must be set (that is, not be blank).

Parameters

target-hardware-name

Is the name of the target hardware.

FORCE

FORCE(NO)

Check the connection to SEADDR; switch IP addresses only if the connection to SEADDR fails.

FORCE(YES)

Switch IP addresses even if the current SEADDR can still be connected.

Defaults

If no FORCE parameter is specified, FORCE(NO) is assumed by the command.

Usage

It is assumed that the processor operations variable HMCADDR contains the IP address or host name of the secondary network adapter card of the SE.

ISQIPSWT

Use the ISQIPSWT command to switch the connection address that is used to connect to the target hardware. By default, processor operations will use the value that is stored in the variable SEADDR to connect to the target hardware. Upon execution, the command will:

- Close active systems running on the target hardware
- Switch values between processor operations variables SEADDR and HMCADDR
- Re-start the previously closed systems using the alternate IP address

In order to restore the original settings, simply execute ISQIPSWT command again.

Restrictions and Limitations

The command can be executed only for target hardware connected using SNMP.

The specified target hardware name must be defined for processor operations.

Return Codes

- | | |
|----|---|
| 0 | Command executed successfully. |
| 4 | Target hardware name blank or invalid. |
| 5 | Invalid FORCE option specified. |
| 6 | Processor operations variable SEADDR or HMCADDR is (or both are) blank. |
| 8 | Error occurred retrieving a processor operations variable. |
| 9 | Connection to SEADDR still active and FORCE(YES) not specified. |
| 10 | Connection test to alternate address (HMCADDR) failed. |
| 12 | Target hardware name is not SNMP connected. |
| 14 | Reactivate of systems failed. |
| 32 | Processor operations not started or active. |

ISQOVRD

Purpose

The ISQOVRD command unconditionally removes a target console lock.

Syntax

```
▶▶—ISQOVRD—target_system_ProcOps_name—▶▶  
                                  ┌—OC—┐  
                                  └—SC—┘
```

Requirements

The requirements for this command to complete successfully are:

- The use of this command usually requires special authorization.
- Processor operations must be active.
- The *target_system_ProcOps_name* syntax requires that the addressed target system be initialized.

Parameters

target_system_ProcOps_name
Is the name of the target system.

OC
Specifies the active operator console (not valid for the coupling facility).

SC
Specifies the active system console

Defaults

None.

Usage

The ISQOVRD command removes the console lock established by any command or automation procedure.

This command is intended to be used for emergencies only. Overriding a reserve can cause processing to fail, with unpredictable results.

Restrictions and Limitations

The following restrictions or limitations apply to this command:

- This command does not establish a console lock for the issuing operator, it simply removes the lock on the console.
- This command does not interrupt or cancel any command or automation procedure currently running.

Return Codes

- | | |
|----|--|
| 0 | The ISQOVRD command completed successfully; the lock has been removed. |
| 4 | You used syntax that is not valid, specified a target system name that is not valid, or specified a target system that is not initialized. |
| 8 | A NetView CNMLOCK service problem occurred. |
| 32 | The processor operations environment does not exist; the ISQOVRD command was not processed. |

ISQSEND

Purpose

The ISQSEND command sends a command to a target system for execution, using the processor operations target hardware connection and the console integration facility.

Note: This is an Application Programming Interface.

Syntax

```

▶▶ [NVASIS] ISQSEND [target_system_ProcOps_name] [OC] command ▶▶
   [target_hardware_name.LPAR_name] [SC]

```

Requirements

The requirements for this command to complete successfully are:

- Processor operations must be active.
- The addressed target system connection must have been initialized.

Parameters

target_system_ProcOps_name

Is the name of the target system.

target_hardware_name.LPAR_name

Is the identifier of the target system in SNMP message format.

OC

Specifies the active operator console.

SC

Specifies the active system console.

command

Is the command to be processed and any parameters associated with that command. These include processor commands and operating system commands. Use the ISQSEND command to send operating system commands and operations management commands. If you want to pass the command text in lower or mixed case, prefix the ISQSEND command with NETVASIS.

Note: Operations management commands, for example, PROFILE, or QUERY READ (CPCDATA) are only supported for NetView connections (NVCs). For further information, refer to *S/390 Managing your Processors*.

Defaults

None.

Usage

For target systems running on processors supported by processor operations, operating system commands can be entered through ISQSEND. The commands are transmitted to the operating system through console integration, an interface provided by the operating system and the processor hardware support element.

Restrictions and Limitations

The following restrictions or limitations apply to this command:

- - With SA z/OS, the ISQSEND command is the only way to send data to the operating system of a target through the console integration connection. The information passed to the target system is not interpreted by SA z/OS.
- The successful ISQSEND completion does not indicate the successful completion of the command itself. It only indicates that the command was successfully delivered to the receiver. Your automation routines should interpret the asynchronous message responses of the command to determine the command execution results.
- Note, that the operating systems supporting console integration may have commands to activate or deactivate this functionality or may provide facilities and commands to prevent response messages from being routed to console integration. For MVS operating systems, the VARY CN(*),DEACTIVATE / V CN(*),ACTIVATE commands are available for console integration deactivation and reactivation.

Return Codes

Return codes do not indicate whether messages were generated. You may receive an error message from the SE or HMC some time after the ISQSEND command completes with a return code of zero. This usually occurs if the ISQSEND command completes successfully, but what was issued by ISQSEND did not.

0	The ISQSEND command completed successfully and the message was sent.
8	The message was not sent, the message was sent with errors, or the specified target system was not initialized.
32	The processor operations environment does not exist; the ISQSEND command was not processed.

ISQSTART

Purpose

The ISQSTART command starts processor operations. It establishes the processor operations environment with the NetView program and permits the control of target systems with processor operations commands. This command can be issued from an automation routine.

Syntax

```

▶▶—ISQSTART—┬──────────────────┬──────────┬──────────────────▶▶
              │ data_set_name    │         │         │
              └──────────────────┘         │         │
              AOF_CTL_FILE_NAME          │         │

```

Requirements

The NetView program must have at least read authority to the data set containing the control file.

You may need special authorization to use this command.

Parameters

data_set_name

Is the name of the data set that contains the control file produced by the customization dialogs Build Processor Control file function. It cannot be a partitioned data set (PDS) member. The control file is in a proprietary, non-readable format.

AOF_CTL_FILE_NAME

This SA z/OS common global variable name contains the data set name from the customization dialog Processor Control file build. This is an alternative way of starting Processor Operations. The Processor Control file data set name is provided through the automation control file (ACF) of the Processor Operations focal point system.

DEBUG

Provides additional diagnostics, which are written to the NetView log.

Defaults

There are no defaults for this command when processor operations is first started — you must provide the data set name for initial startup. When restarting, this command defaults to using the same data set specified the previous time the command was issued.

Usage

To perform an initial start, specify a data set name. To perform a restart, do not specify a data set name. The data set name is specified with the configuration dialogs during installation or customization.

An initial start loads the specified configuration control file created with the configuration dialogs during installation and starts all processor operations tasks to establish the processor operations tasking environment. The configuration file also indicates which, if any, target systems should be initialized (not the IPL process).

In addition to starting processor operations initially, an initial start lets you change the processor operations configuration, by specifying a different data set name. (During installation, the installer may have gone through the configuration dialogs several times defining multiple processor operations configurations and generating a different control file for each.) To change the processor operations configuration, use the ISQSTOP command to stop processor operations before issuing the ISQSTART command with the data set name to initiate the initial start.

You usually do a restart after a processor operations task has failed to restart all processor operations tasks to re-establish the processor operations tasking environment. If the processor operations environment has not already been established by a previous ISQSTART command that specified a data set name, then the restart will fail.

When you issue ISQSTART, it adds you to the interested operators list accessed by the ISQCMON command. This list is for messages not associated with a specific target system. The messages relate to the control of processor operations-managed resources.

Restrictions and Limitations

The following restrictions or limitations apply to this command:

- If the AOF_CTL_FILE_NAME start parameter is used, SA z/OS on the ProcOps focal point system must be fully initialized, otherwise ISQSTART processing will be suspended. If the SA z/OS initialization completes within a 5 minute suspension period, ISQSTART processing will be continued. If not, the ISQSTART command terminates without being processed.

Note that this restriction also applies if ISQSTART is issued while an ACF REFRESH is in progress on the ProcOps focal point system.

- A restart re-establishes the previous configuration. The processor operations environment must exist (an initial start must have already been performed) before a restart can be performed.
- Processor Operations must be stopped before an initial start can be performed.
- The *data_set_name* cannot be DEBUG.
- The specified *data_set_name* must be a sequential data set.
- The DEBUG parameter is restricted to IBM service use only.

Return Codes

0	Command accepted.
4	You used incorrect syntax.
8	An internal command error occurred.

ISQSTOP

Purpose

The ISQSTOP command stops processor operations. It can be issued in an automation routine.

Syntax

```

▶▶ ISQSTOP [DEBUG]

```

Requirements

You may require special authorization to use this command.

Processor operations must be active.

Parameters

DEBUG

Provides additional diagnostics, which are written to the NetView log.

Defaults

None.

Usage

The ISQSTOP command immediately stops the processor operations environment and all processor operations tasks. If you do not have the shutdown of processor operations automated via SA z/OS, issue ISQSTOP and ISQSTART as part of normal shutdown procedures to restart failed processor operations tasks or to establish a new operating environment (see the ISQSTART command).

Restrictions and Limitations

The ISQSTOP command does not shut down target systems.

All current processor operations status information is lost when you issue ISQSTOP. You should exit any displays presented by the ISQXDST, or ISQXOPT commands before stopping processor operations.

Return Codes

0	The ISQSTOP command completed successfully.
4	You used incorrect syntax.
8	An internal command error occurred.
32	The processor operations environment does not exist; the ISQSTOP command was not processed.

TGT

Indicates that the variable following it is the name of the target system.

target_system_ProcOps_name

Is the name of the target system.

OCF

Indicates that the variable following it is the name of the target system's secondary operations command facility (OCF). A secondary OCF is used on an OCF-based processor in LPAR mode to represent a logical partition and to process commands for that CPC image (logical partition). The name of the secondary OCF is specified on the "Target System Description" panel for OCF-based processors in the configuration dialogs. On a System/390[®] microprocessor cluster, the name of the secondary OCF is the same as the name of the logical partition and of the Image profile used to activate the partition.

ocf_name

Is the name of the target system's secondary OCF.

THW

Indicates that the variable following it is the name of the target hardware.

target_hardware_name

Is the name of the target hardware.

LUN

Indicates that the variable following it is the logical unit name.

luname

Is the logical unit name.

GRP

Indicates that the variable following is a group or subgroup name.

group_name

Is the name of the group of which the subgroup is a member.

subgroup_name

Is the name of the subgroup of which the target system is a member.

keyword

Is the name of the SA z/OS value to be retrieved or set. Table 4 on page 365 identifies the SA z/OS values that can be read or changed by the ISQVARS command.

MSG

Indicates the SA z/OS value is to be displayed on the console as line-mode output.

variable

Is the name of the NetView variable whose value is to be set to that of the specified SA z/OS keyword. Local variable names are most commonly used when values are being read and written from within automation procedures. The names of the SA z/OS values are defined in Table 4 on page 365.

PUT

Specifies that you want to set the value of a SA z/OS keyword to either the current value of a specified NetView local variable or to a value specified in the command string.

PUTL

Specifies that you want to set the value of a SA z/OS keyword to either the

current value of a specified NetView local variable or to a value specified in the command string. This keyword is the same as the PUT keyword. This is the default if you specify PUT.

PUTT

Specifies that you want to set the value of a SA z/OS keyword to either the current value of a specified NetView task variable or to a value specified in the command string.

PUTC

Specifies that you want to set the value of a SA z/OS keyword to either the current value of a specified NetView common variable or to a value specified in the command string.

TGT

Indicates that the variable following it is the name of the target system.

target_system_ProcOps_name

Is the name of the target system.

THW

Indicates that the variable following it is the name of the target hardware.

target_hardware_name

Is the name of the target hardware.

LUN

Indicates that the variable following it is the logical unit name.

luname

Is the logical unit name.

GRP

Indicates that the variable following is a group or subgroup name.

group_name

Is the name of the group of which the subgroup is a member.

subgroup_name

Is the name of the subgroup of which the target system is a member.

keyword

Is the name of the SA z/OS keyword whose value is to be retrieved or set. Table 4 on page 365 identifies the values that can be read or changed by the ISQVARS command.

'value'

Is the value to be assigned to the SA z/OS keyword. The straight single quotation marks are required.

variable

Is the name of the NetView variable which contains the value to which the SA z/OS keyword is to be set (PUT). Local variable names are most commonly used when SA z/OS values are being read and written from within automation procedures. The keywords used for SA z/OS values are defined in Table 4 on page 365.

LIST

Indicates the keyword following it identifies which list is being referenced. This keyword is valid from automation programming only.

TGTLIST

Refers to the list of defined target system names.

THWLIST

Refers to the list of defined target hardware names.

GRPLIST

Refers to the list of defined target group names.

SBGLIST

Refers to the list of defined target subgroup names.

variable

Is the name of the NetView variable whose value is to be set to that of the specified SA z/OS keyword. Local variable names are most commonly used when values are being read and written from within automation procedures. The names of the SA z/OS values are defined in Table 4 on page 365.

Defaults

None.

Usage

There are several ways to specify the desired information:

Target system name

```
get|put TGT target_system_ProcOps_name keyword...
```

Target hardware name

```
get|put THW target_hardware_name keyword...
```

Group name

```
get|put GRP group_name keyword...
```

Subgroup name

```
get|put GRP subgroup_name keyword...
```

LU name

```
get|put LUN luname keyword...
```

OCF name

```
get OCF ocf_name keyword...
```

Return a list

```
get LIST keyword...
```

You can display (on the NetView console) the value of a NetView variable by using the MSG keyword.

The ISQVARS command allows access to SA z/OS values. Values relating to target systems or ports require the name of the component (target system processor operations name or port name). The *keyword* is a processor operations-defined character string identifying the name of the processor operations value.

If issued from a program, a NetView variable is specified to contain the SA z/OS value.

- In the GET case, the specified NetView variable (*variable*) is set to the specified SA z/OS value (*keyword*).
- In the PUT case, the specified SA z/OS value is set to the current value of the specified NetView variable, or to the value specified within straight single quotation marks.

For example, assume target system names *system1*, *system2*, and *system3* have been defined. The following command:

```
ISQVARS GET LIST TGTLIST TARGETS
```

will place the following character string into the NetView local variable *targets*:

system1 system2 system3

Restrictions and Limitations

The following restrictions or limitations apply to this command:

- SA z/OS values are defined through the use of configuration panels during installation. Not all of these values can be changed by the ISQVARS command. Table 4 on page 365 identifies the SA z/OS values that can be changed by the ISQVARS command.
- Any changes you make to a SA z/OS value with the ISQVARS command remain in effect only for the current session of SA z/OS. Stopping and then starting SA z/OS resets the variables.
- GET LIST is valid only from within automation programming. You cannot issue GET LIST from an OST.
- GET LIST has the following length restrictions:
 - The NetView variable is restricted to 32767 bytes when a REXX command processor calls the ISQVARS command using the NetView *local* variable form (GET|GETL LIST). The ISQVARS command truncates the data to this length if necessary.
 - The NetView variable is restricted to 255 bytes when a REXX command processor, high-level language, or NetView command list calls the ISQVARS command using the NetView *task* variable form or NetView *common* variable form (GETT|GETC LIST). The ISQVARS command truncates the data to this length if necessary.

Caution: Use ISQVARS with care. Value changes are made immediately and may seriously affect the running of SA z/OS.

Return Codes

- | | |
|-----|---|
| 0 | Processed without errors. |
| 30 | The processor operations environment does not exist; the ISQVARS command was not processed. |
| 32 | The processor operations environment does not exist; the ISQVARS command was not processed. |
| 131 | You did not enter enough parameters. |
| 132 | The second argument you specified is unknown. |
| 133 | You specified a form of the command that is not valid with the <i>list</i> option. |
| 134 | <i>msg</i> and <i>list</i> options are mutually exclusive. |
| 135 | Neither get nor put were specified. |
| 136 | You used an uneven number of single straight quotation marks. |
| 137 | You used single straight quotation marks other than for the last argument. |
| 138 | Unable to write to the specified variable. |
| 139 | Unable to read the specified variable. |
| 140 | The PUT function completed successfully. |
| 141 | <i>msg</i> is a keyword and cannot be used as a variable name. |
| 142 | Variable answer could not contain all of the data, variable truncated to 255 bytes. |
| 143 | Variable answer could not contain all of the data, variable truncated to 32767 bytes. |
| 144 | Addressed port not initialized to a target system. |
| 145 | System console not defined for addressed target system. |
| 161 | You specified a target hardware name that is not valid. |
| 162 | You specified an unknown keyword. |
| 163 | You specified a target system name that is not valid. |
| 166 | You specified a keyword restricted to LPAR systems. |

- 167 The specified port is not connected to an operator console.
- 168 The specified port is not connected to a system console.
- 169 IOCDs cannot be located, system is in LPAR mode.
- 170 The port definition and the target hardware definition in the SA z/OS configuration panels conflict with one another — the system console cannot be found.
- 171 The port definition and the target hardware definition in the SA z/OS configuration panels conflict with one another — the operator console cannot be found.
- 172 You specified a keyword that is not valid for the PUT function.
- 173 NetView CNMLOCK failure.
- 174 Internal locking sequence error.
- 175 Unable to obtain lock for PUT function.
- 176 You specified a PUT function with non-hexadecimal characters for a keyword field that can contain only hexadecimal characters; the command is ignored.
- 177 You specified a PUT function with non-integer characters for a keyword field that can contain only integer characters; the command is ignored.
- 178 Unknown operating system type for specified target system.
- 179 The specified keyword only valid if the addressed target system is running the MVS or VM operating systems.
- 182 You tried to write (PUT) values to a keyword field that are not valid values for that field.
- 183 You tried to write (PUT) a value that is too large for the keyword field to which it is being written.
- 184 You tried to write (PUT) a time offset value that is not valid.
- 185 You specified a parameter that cannot be used with the keyword you specified (the parameter values that can be specified are *list*, *tgt*, or *thw*).
- 186 It is not valid to change the internal variable you specified from its current status value to the status value you specified.
- 187 You cannot use the ISQVARS command to change the current value of the specified internal variable.
- 188 It indicates that the status of the target system or logical partition cannot be identified.
- 189 You specified a logical partition name that is not valid.
- 191 You specified a variable that requires a qualified name (such as *target.lpar*), but the qualified name you provided is not valid.
- 192 Logical partition name missing. You specified a target hardware name, but it was not followed by a logical partition name (such as *target.lpar*).
- 193 The memory requested is larger than the maximum that can be installed.
- 194 The system name entered is not a valid target system name, but it is a valid target hardware name.

Authorization

SA z/OS provides keywords you can use to define your configuration and to determine the status of the elements in your configuration.

When you develop automation routines, you need to read these keyword values and perhaps write to them as well. For example, a routine may change the primary IPL address used by automation. Assuming the old address was 03FE, the following command changes the address to 0123:

```
ISQVARS PUT TGT SILVER pip1a '0123'
```

This section explains the keywords and the valid values each keyword accepts. It also identifies the SA z/OS messages that trigger SA z/OS automation to update the keyword values. You may want to use these status messages to begin your own automation routines.

Variable Value Lengths

In addition to using the correct form of ISQVARS for the variable type, you must be aware of the length limits of variables for your particular programming environment. This is a particular concern when you are retrieving long data strings such as lists of defined target systems. If you are programming in REXX, the variable value length limit is 32 KB. For other programming environments supported by NetView, the variable value length limit is 256 bytes.

Keyword Valid Values

This column shows the values of SA z/OS keywords. You can retrieve or change these values by use of the ISQVARS command if they are valid values.

In Table 4 on page 365, the SA z/OS values are sorted according to the contents of the *Name* column, which identifies the keyword name of the value. The column *Access* indicates the type of access allowed for the keyword through the ISQVARS command. A keyword may have either read-only access, designated by *read* (GET), or read/write access, designated by *write* (PUT).

The column **ISQVARS** indicates which command keyword you should use after the GET or PUT keyword of the ISQVARS command to access the SA z/OS value.

SA z/OS Keywords and Status Messages

Table 4 lists the ISQVARS keywords sorted by keyword name.

Table 4. ISQVARS Keywords Sorted by Keyword Name

Keyword Description	Name	Access	ISQVARS	Valid Values and Comments
Last activated THWNAME	acthw	write	LUN	Allows the obtaining or setting of the last target hardware (THWNAME) to be activated for a specified LUNAME corresponding to a NetView Connection Path. The setting of the THWNAME needs to be done before the THWNAME can be obtained. If PUT specified, input must be equal to a valid THWNAME.
THW: active target system name	atsname	read	OCF or THW	When OCF, name of active target system associated with OCF. When THW, name of active target system initialized on the specified target hardware; one name for XA, ESA, and 370, multiple names for LPAR-mode target hardware.
Backup focal point	backfp	read	THW	Backup focal point NetView domainid
Target hardware connection type	ctype	read	THW	Type of processor operations NVC or SNMP to focal-point NetView
IPL message: response to duplicate volume IEA212A IPL message	dvol	write	TGT	A list of zero to 12 three-digit hexadecimal control unit addresses, separated from each other by one or more blanks. These addresses identify the devices to be left online (MVS only).
Group name list	grplist	read	GET LIST	A list of group names. The names are separated by one or more blanks.
Hardware Management Console Address	hmcaddr	write	THW	IP address or hostname of a HMC where the THW is defined. Before changing the value of this variable, make sure that all target systems that share this address as their target hardware connection have been closed using the ISQXCLS command. The modified address value will only be used if no more connections are active from the ProcOps FP to the HMC. Issue command ISQXIII to restart the connections with the changed address.
Target hardware processor type	htype	read	TGT or THW	9672, 9674, 3000, 2003, eServer, or zSeries machine type nbr
LPAR: partition initial state	ilpars	read	TGT	ACTIVE or INACTIVE (LPAR target systems only).
IPL message: response to master catalog action IEA347A IPL message	iplmsgmc	write	TGT	75 characters (MVS only).
IPL message: response to IEA101A IPL message	iplmsgsp	write	TGT	75 characters (MVS only).
IPL message: VM IPL start message	iplmsgvm	write	TGT	75 characters (VM only).

ISQVARS

Table 4. ISQVARS Keywords Sorted by Keyword Name (continued)

Keyword Description	Name	Access	ISQVARS	Valid Values and Comments
LPAR: partition name in use?	lparact	read	THW	Null (not logically partitioned) or name of the initialized target system that has the specified LPAR name, in the form <i>target_hardware_name.LPAR_name</i> . The variable contains the name of the initialized target system that has LPAR name or a null value if none of the target systems initialized to the target hardware have that LPAR name.
NetView connection path LUNAME	npplu	read	TGT or THW	SNA LUNAME for connection to an OCF-based processor support element
NetView connection path NETID	npnetid	read	TGT or THW	SNA NETID for connection to OCF-based processor support element
NetView connection path Target Hardware Names	npthw	read	LUN	Returns all defined target hardware names for an NVC/SNMP connection.
NetView connection status summary	nvcs	write	THW	Valid values are: NVC SESSION PROBLEM, ACTIVE, NVC SESSION BUSY, SNMP SESSION PROBLEM or blank. For read, you may also get CLOSED and DORMANT in addition to the values that you can write.
Operator console lock	oclockn	read	TGT	Name of operator who issued the lock; blank if not set.
Operator console status	ocstat	read	TGT	ACTIVE, CLOSED, UNKNOWN, LINK ERROR, UNDEFINED, and CONSOLE LOST
Target operating system type	ostype	read	TGT	MVS, VM, LINUX, VSE, or CF
IPL: primary IPL address	pipla	write	TGT	Specifies the device address to be used for the IPL
IPL: primary IPL CP address	piplcpua	write	TGT	Specifies the central processor address (no longer used).
IPL: primary IPL parameter	piplp	write	TGT	8 characters allowed.
LPAR: partition status	pnstatus	write	TGT	I (inactive) or A (active).
Primary focal point	primfp	read	THW	Primary focal-point NetView domainid.
Subgroup name list	sbglist	read	GET LIST	A list of subgroup names. The names are separated by one or more blanks.
System console lock	sclockn	read	TGT	Name of operator who issued the lock; blank if not set.
System console status	scstat	read	TGT	NVC SESSION BUSY, NVC SESSION PROBLEM, SNMP SESSION PROBLEM, ACTIVE, CLOSED, DORMANT, and blank.

Table 4. ISQVARS Keywords Sorted by Keyword Name (continued)

Keyword Description	Name	Access	ISQVARS	Valid Values and Comments
Support Element address	seaddr	write	THW	IP address or hostname of THWs Support Element Before changing the value of this variable, make sure that all target systems that share this address as their target hardware connection have been closed using the ISQXCLS command. The modified address value will only be used if no more connections are active from the ProcOps FP to the HMC. Issue command ISQXIII to restart the connections with the changed address.
LPAR: partition automatic IPL	taipl	write	TGT	Y or N.
Target system attention	tattn	write	TGT	Blank, DCCF, EXCEPTIONS, DISABLED WAIT, SERIOUS ALERT, ALERT, and ENV ALERT.
Authorization token	tauth	read	TGT or THW	Authorization token or SNMP community name of the processor support element or HMC.
Target system description	tdesc	read	TGT	
Desired Image profile	tdipf	write	TGT	Desired Image profile name for the specified target system name.
Desired Load profile	tdlpf	write	TGT	Desired Load profile name for the specified target system name.
Desired Reset profile	tdrpf	write	TGT	Desired Reset profile name for the specified target hardware name.
Status Panel Error Message	temsg	write	TGT or THW	Status panel error message line.
Target System Group name	tgrp	read	TGT or GRP	Target system names within a group and subgroup(s) associated with this group or the group name(s) for a target system.
Target system name list	tgtlist	read	GET LIST	A list of target system names. The names are separated by one or more blanks.
Target hardware name list	thwlist	read	GET LIST	A list of target hardware names. The names are separated by one or more blanks.
Target hardware name	thwname	read	TGT	Name of target hardware definition associated with the specified target system.
Target hardware status	thwstat	write	TGT	Blank, LPAR DEFINITION PROBLEM, TARGET HARDWARE PROBLEM, POWERED OFF, POWER-ON RESET REQUIRED, SERVICE, POWERSAVE, SERVICE REQUIRED, and DEGRADED.
Target time offset	timeoff	write	TGT	A number in the range of -23 through +23 the TGT time deviates from FP.
Status Panel Info Message	timsg	write	TGT or THW	Status panel informational message line.
Target system initialized?	tinit	read	TGT	YES or NO
LPAR: partition name	tlpar	read	TGT	Null or LPAR name for the specified target system if the target system is not in an LPAR. Use the TGT form of the command.
Target system mode	tmode	read	TGT	ESA, LINUX, or CF.

ISQVARS

Table 4. ISQVARS Keywords Sorted by Keyword Name (continued)

Keyword Description	Name	Access	ISQVARS	Valid Values and Comments
Target system console status summary	toca	read	TGT	Blank.
Target system console status summary	tocb	read	TGT	Blank.
Target system console status summary	tsca	read	TGT	Blank. SNMP SESSION PROBLEM, NVC SESSION BUSY, and NVC SESSION PROBLEM
Target system console status summary	tscb	read	TGT	Blank.
Target system name	tsname	read	THW or OCF	When THW, names of all defined target systems on specified target hardware name, whether initialized or not (one name for XA, ESA*, and 370, multiple names for LPAR-mode target hardware). When OCF, the target system name associated with a secondary OCF name.
Target system status	tstat	write	TGT	UNDECIDABLE UNKNOWN, INITIALIZED, IPL COMPLETE, LOAD FAILED, IPL FAILED, CLOSED, WAITING FOR IEA101A MESSAGE, WAITING FOR IEA347A MESSAGE, WAITING FOR VM START MESSAGE, STAGE-1 ACTIVATE COMPLETE and NOT ACTIVE.
Target System SubGroup name	tsubgrp	read	TGT or GRP	Target system names within a subgroup or the subgroup name(s) for a target system.
Group processor operations-enabled indicator	vgrp	read	GET	Y or N.
Subgroup processor operations-enabled indicator	vsubgrp	read	GET	Y or N.

ISQVARS Resource Type: The ISQVARS command syntax also includes a resource type. Use the correct resource type (TGT, THW, LIST, PUT LUN, or PUT GRP) for the requested keyword.

Automation from Status Messages

When SA z/OS processor operations detects a status change for any element of your SA z/OS configuration, it updates the appropriate status table variables and may generate a message or an alert. You can create a routine and a NetView automation table entry to automate the operator response to these status change messages. For the recommended operator response to each of these messages, refer to *IBM Tivoli System Automation for z/OS Messages and Codes*.

ISQXCLS

Purpose

For a screen-oriented processor the ISQXCLS command closes a target system or some part of the processor operations environment. Closing a target system

ISQXCLS

- 12 A NetView or processor operations service problem occurred.
- 16 A severe error occurred.
- 32 The processor operations environment does not exist; the ISQXCLS command was not processed.

ISQXDRL

Purpose

The ISQXDRL command displays the outstanding MVS requests from a target system; the command is rejected for operating systems other than MVS. ISQXDRL issues the following MVS command to the active operator console port of the target system, and sends the response to the requesting NetView operator:

```
D R,L,CN=(ALL)
```

Syntax

```
▶▶—ISQXDRL—target_system_ProcOps_name—————▶▶
```

Requirements

The requirements for this command to complete successfully are:

- Processor operations must be active.
- The addressed target system must have a status of INITIALIZED.
- The addressed target system must be running MVS.
- The operator console must not be locked by another task.
- You must be on the interested operators list for the operator console to see the reply messages.

Parameters

target_system_ProcOps_name

Is the name of the target system. It is a required parameter, and must be a valid target system name.

Defaults

None.

Usage

The ISQXDRL command provides a convenient alternative to using the passthrough facility to issue the MVS D R,L command.

Each line of the MVS response to the D R,L command is displayed as a single-line message. Processor operations does not trap the responses. There is no prefix to the message lines and the last line is followed by a line of dashes. Other messages to the operator may be interspersed with these messages, especially for the last line of dashes. The line of dashes may be issued some time after the last real line of output from the MVS command.

Restrictions and Limitations

The ISQXDRL command works only when issued to systems running MVS.

Return Codes

- 0 The ISQXDRL command completed successfully.
- 4 You used syntax that is not valid, specified a target system that is not running MVS, or specified a target system that is not initialized.
- 8 A problem occurred during the processing of the ISQSEND command or the console is locked by another task.
- 32 The processor operations environment does not exist; the ISQXDRL command was not processed.

ISQXDST

Purpose

The ISQXDST command displays status panels, which provide the following information:

- Status summary (all target systems)
- Individual target hardware status
- Individual target system status
- Connection path status
- Interested operator list

Syntax

```

>> ISQXDST [target_system_ProcOps_name]

```

Requirements

Processor operations must be active.

Parameters

target_system_ProcOps_name

Is the name of a valid target system for which you want to see individual target system status. If omitted, the summary status of all target systems is displayed.

See “Examples” on page 372 for a description of the status values for target systems.

Defaults

The status summary panel that shows the overall status of all target systems.

Usage

Issue the ISQXDST command from an operator console to access the processor operations status facility. If you issue the command to access the status summary panel, you will be able to use the status facility to view multiple panels for multiple target systems without exiting the status facility. Refer to *IBM Tivoli System Automation for z/OS Defining Automation Policy* and to *IBM Tivoli System Automation for z/OS User's Guide* for more information about how to set up and use the status facility.

To display the Status Summary, issue:

```
ISQXDST
```

ISQXDST

To display the status of a specific target system, issue:

```
ISQXDST target_system_ProcOps_name
```

If you enter the status facility by issuing the ISQXDST command with no other parameters, all of the status panels give you access to the other status panels supported by the status facility. Some of these status panels cannot be directly accessed by command. Refer to *IBM Tivoli System Automation for z/OS User's Guide* for further information about how to use the status panels.

Restrictions and Limitations

The following restrictions or limitations apply to this command:

- Do not issue this command with ISQEXEC or from an automation procedure.
- You can issue the ISQXDST command only from an operator console.

Return Codes

Return codes are not applicable because the ISQXDST command cannot be issued from a program.

Examples

```
ISQESUM          SA z/OS Proc-Ops Target Status Summary      Updates: Dynamic
Control file in use: SATEST.SYSTEM.V22.IPSFO.ISQCNTL        NMC Bridge: INACTIVE
I isqxiii C isqxcls 0 isqxopt  A,B view netlogs E events     Debug Mode: OFF
Cmd  Target System  Status      Focal Points - Primary: IPSFO Backup: IPUFM

          CFA          CLOSED
          CFB          CLOSED
          CFF          CLOSED
          CF1          UNKNOWN
          CF61         INITIALIZED
          CF62         INITIALIZED
          KEYA         STAGE-1 ACTIVATE COMPLETE
          KEYB         IPL COMPLETE
          KEYC         IPL COMPLETE
          LNX0L11     NOT ACTIVE
          TEL01FE     LOAD FAILED

Enter=Static  PF1=Help  PF3=Exit  PF4=Tgt Sys Summary  PF5=Debug On/Off
PF6=Roll     PF7=Up    PF8=Down  PF9=Tgt HW Summary  PF11=PATH Details
```

Figure 155. ISQXDST Status Summary Panel

The following values can be displayed on the ISQXDST panel to describe the status of target systems:

CLOSED

(green) The target system has been closed.

DCCF (red) Target system attention status indicating a DCCF message has been detected.

DISABLED WAIT

(red) Target system attention status indicating a disabled wait condition has been detected.

INITIALIZED

(green) The target system has been successfully initialized.

IPL COMPLETE

(green, yellow, or red) For a TPF or VSE system, the Load or Load Clear process started. For an MVS system, processor operations automation responded to the IEA347A message. For a VM system, processor operations automation responded to the VM start message. If this condition is displayed in red, this is to attract your attention to the fact that something is wrong (such as processor operations lost its communication link with the target system) rather than that the IPL process failed. This condition will revert to being displayed in green when the problem is corrected.

IPL FAILED

(red) MVS only — Error messages were generated during the initial program load process.

LOAD FAILED

(red) The Load or Load Clear operation did not complete successfully.

NOT ACTIVE

(yellow) Activate response was received from the target and did not indicate that stage-1 activation was completed.

NOT OPERATING

(red) Target hardware indicates a not operating condition for the image. No CP status is available for problem determination.

NVC SESSION BUSY

(red) NVC Path Only: An attempt to use the NetView Connection returned a Busy condition. Retry the request.

NVC SESSION PROBLEM

(red) NVC Path Only: An attempt to use the NetView Connection returned an error. Use command FOCALPT to determine sphere of control for SPCS and ALERT of the SE.

POWER-ON RESET REQUIRED

(red) A POWER-ON RESET of the target system hardware is required before a BCP load.

POWERED OFF

(red) The target hardware is physically powered off.

POWERSAVE

(red) SNMP Path Only: Power utility for the target hardware failed. Target hardware put in power save state.

SERIOUS ALERT

(red) SNMP Path Only: Target system attention status indicating a serious alert has been detected.

SERVICE

(red) SNMP Path Only: Service status enabled for the target hardware.

SNMP SESSION PROBLEM

(red) SNMP Path Only: An attempt to use the SNMP Connection returned an error.

STAGE-1 ACTIVATE COMPLETE

(yellow) The support element power-on reset has occurred but the load is not yet complete.

ISQXDST

UNDECIDABLE

(yellow) SNMP Path Only: The target hardware is not communicating with the support element or the support element is not communicating with the HMC.

UNKNOWN

(green) No attempt has been made to initialize or activate this target system. This status can be set only by a cold start of processor operations.

WAITING FOR IEA101A START MESSAGE

(yellow or red) MVS only: ACTIVATE, ISQXIPL, or ISQXLOD command processing has completed for an MVS system and processor operations is waiting for the IEA101A message on the operator console. If this condition is displayed in red, this is to attract your attention to the fact that something is wrong (such as processor operations lost its communication link with the target system) rather than that processor operations has been waiting for the message too long.

WAITING FOR IEA347A MESSAGE

(yellow or red) MVS only: processor operations has replied to the IEA101A message and is waiting for the IEA347A message on the operator console. If this condition is displayed in red, this is to attract your attention to the fact that something is wrong (such as processor operations lost its communication link with the target system) rather than that processor operations has been waiting for the message too long.

WAITING FOR VM START MESSAGE

(yellow or red) VM only: processor operations is waiting for the first VM IPL message on the operator console. ISQXLOD, ISQXIPL, or ACTIVATE command processing has completed for a VM system and processor operations is waiting for the first VM IPL message on the operator console. If this condition is displayed in red, this is to attract your attention to the fact that something is wrong (such as processor operations lost its communication link with the target system) rather than that processor operations has been waiting for the message too long.

ISQXIII

Purpose

The ISQXIII command initializes (or re-initializes) a target system, or a target system connection. When initializing a target system, ISQXIII establishes a connection to the target processor and enables its console connections.

Syntax

►►—ISQXIII—*target_system_ProcOps_name*—►►

OC
SC

Requirements

The requirements for this command to complete successfully are:

- Processor operations must be active.
- The addressed target system must have a status of UNKNOWN or CLOSED.

- The addressed target system must be initialized if you use the *target_system_ProcOps_name console_designator* syntax.
- No associated console connection can be locked by another task.

Parameters

target_system_ProcOps_name

Is the name of the target system. This is a required parameter, and must be a valid target system name.

OC

Specifies the active operator console (not valid for the coupling facility).

SC

Specifies the system console connection.

Defaults

None.

Usage

Issue the ISQXIII command to a target system to prepare it for processor operations monitoring and control.

Initializing a Target System

Initializing a target system starts communication with the target hardware and enables the console connections. It also updates the interested operator lists for consoles at the target system. The interested operator lists are updated because an operator can join an interested operator list by issuing the ISQXMON command after processor operations has been started but before the target system has been initialized.

The ACTIVATE common command initializes a target system and its associated console connections as part of their larger procedures.

Note: If the Reset profile of the associated processor specifies that multiple LPARs should be activated, initializing *one* of these LPARs causes the initialization of *all the other* LPARs that are specified. In this case, one ISQ461I message for each initialized target system is issued.

Restrictions and Limitations

The following restrictions or limitations apply:

- To re-initialize a target system, you must first close it with the ISQXCLS command (described on page 368).
- To initialize a console connection, the target system must have been initialized previously.

Return Codes

- 0 The ISQXIII command processed successfully and the processor operations environment for the specified target system has been initialized or re-initialized.
- 4 During initialization of a target system one or more of the following problems occurred:
 - No system consoles could be contacted.
 - No operator consoles could be contacted.

ISQXIII

- 8 You used syntax that is not valid, specified a target system that is not initialized.
- 12 An internal error occurred.
- 16 A severe error occurred.
- 32 The processor operations environment does not exist; the ISQXIII command was not processed.

ISQXLOC

Purpose

The ISQXLOC command locks access to a console to serialize operations to that console with other operator tasks.

Syntax

```
▶▶—ISQXLOC—target_system_ProcOps_name—

|    |
|----|
| OC |
| SC |

—▶▶
```

Requirements

The requirements for this command to complete successfully are:

- Processor operations must be active.
- The console must not be locked by another task.

Parameters

target_system_ProcOps_name

Is the name of the target system.

OC

Specifies the active operator console (not valid for the coupling facility).

SC

Specifies the active system console (not valid for the OCF-based processors).

Defaults

None.

Usage

All processor operations commands that require serialization automatically lock the console when they start and unlock the console when they complete.

The lock is a logical entity that prevents processor operations operations from being sent to the console—they are rejected unless issued by the same task that issued the ISQXLOC command—until the lock is removed by the ISQXUNL command (described on page 383).

If you are going to issue several commands to a target system, you can issue the ISQXLOC command to lock access to the console to ensure the commands are processed without interruption by commands from other tasks. When you are finished with this sequence of commands, issue the ISQXUNL command to unlock access to the console.

If the ISQXLOC command is issued within an automation procedure, or within a set of called automation procedures, then the locked console should be unlocked (using the ISQXUNL command) after all processing of the automation procedure is completed. It is not normally necessary to lock a console for the processing of an automation procedure because of the serialization of the ISQEXEC command.

Any change in lock status is reflected in the status facility.

Restrictions and Limitations

The following restrictions or limitations apply to this command:

- The parameters are not checked for validity.
- Once obtained by a task, another task cannot obtain the lock until it is released by the owning task.
- An ISQXLOC command issued from within a locked sequence of commands is rejected.

Return Codes

- | | |
|----|--|
| 0 | The ISQXLOC command completed successfully. |
| 4 | The console was already locked by the current task. |
| 8 | You used syntax that is not valid, specified a target system name that is not valid, or specified a target system that is not initialized. |
| 12 | The console is locked by another task. |
| 32 | The processor operations environment does not exist; the ISQXLOC command was not processed. |

Return codes greater than 8 not listed above — an error occurred in the NetView CNMLOCK service.

ISQXMON

Purpose

The ISQXMON command adds you to or deletes you from the interested operator list for a port or a target system console. When added, you can monitor a console and receive all message traffic for that console.

Syntax

```

▶▶—ISQXMON—target_system_ProcOps_name—

|    |
|----|
| OC |
| SC |

—

|     |
|-----|
| ON  |
| OFF |

—▶▶

```

Requirements

Processor operations must be active.

Parameters

target_system_ProcOps_name

Is the name of the target system you want to monitor. The name must be a valid target system name.

OC

Specifies the operator console connection (not valid for the coupling facility).

SC

Specifies the system console connection.

ON

Indicates you are to be added to the list of interested operators.

OFF

Indicates whether you are to be deleted from the list of interested operators.

Defaults

None.

Usage

If you are using the NVC or SNMC connections, the console integration messages will be routed to the SC list and *not* the OC list.

The ISQXMON command may be issued at any time after processor operations has been started. It does not require that the target system is active.

Interested operator lists are maintained by console connection. There are two lists for each target system — one for the operator console and one for the system console. The maximum number of interested operators is 12 per console (but only 10 can be specified through the configuration dialogs).

Note: VSE operating in the unattended node support mode suppresses messages to the operator console. See the *VSE/SP Unattended Node Support* and *VSE/ESA™ 1.1.0 Unattended Node Support* books for more information about VSE operating in this mode.

Specifying the system console of a logically partitioned system means you will see messages for all target systems running on that target hardware. Conversely, you must issue ISQXMON OFF for the system consoles of all target systems running on the logically partitioned hardware to stop receiving any traffic through that port because the other logical partitions are using the same system console connection.

You will receive only one copy of a message generated by target hardware, even if you are on multiple lists for logically partitioned target hardware (each of the target systems on that hardware).

Restrictions and Limitations

The following restrictions or limitations apply:

- If several target systems have the same port defined as their system console (for example, in a PR/SM system), and you issue ISQXMON ON for the system console of one of those targets, you receive all messages from the port.
- Similarly, if you issue ISQXMON OFF for the system console of one of the target systems that is not logically partitioned, you cease to receive any messages from that port. If you issue ISQXMON OFF for the system console of one of the logically partitioned target systems, you receive messages from that logical partition because other logical partitions are using the same port. You will continue to monitor all traffic for that console until you have issued ISQXMON OFF for all of the logical partitions using that port.

- There is a maximum of 12 interested operators per console.
- A NetView group name cannot be added or removed from a list with the ISQXMON command.
- There can be no more than 256 unique operator names in all interested operator lists.

Return Codes

- | | |
|----|--|
| 0 | The ISQXMON command processed successfully. The operator issuing the ISQXMON command has been added to or deleted from the interested operators list of the specified console, as requested. |
| 4 | You specified incorrect command syntax. |
| 6 | The interested operator list is full. |
| 8 | You specified a NetView group name for the list to which you want to be added as an interested operator. |
| 16 | An internal error occurred. |
| 32 | The processor operations environment does not exist; the ISQXMON command was not processed. |

ISQXOPT

Purpose

The ISQXOPT command displays target system information. Some information can be changed at this panel.

Syntax

►►—ISQXOPT—*target_system_ProcOps_name*—◄◄

Requirements

Processor operations must be active.

Parameters

target_system_ProcOps_name

Is the name of the target system. It must be a valid target system name of 8 characters or less.

Defaults

None.

Usage

Issue ISQXOPT *target_system_ProcOps_name* to display a full-screen panel that shows the values of the variables that define the operation of a specific target system, such as initial program load parameters and the responses to IPL messages. The following fields cannot be modified:

- Hardware mode
- Partition
- Target mode
- Operating system
- Hardware type
- Automatic response selection

Examples of this panel are shown in the following:

- Figure 156 in basic-mode using an OCF-based processor
- Figure 157 in LPAR mode using an OCF-based processor

```

ISQHOPT      SA z/OS - Target System Options

      Modifiable options specified for target system      KEY6B
Hardware Mode:      Basic Mode Target Mode:  ESA      ...
                  ... Time Offset: +00
Operating System:  MVS      Hardware Type: eServer
Target description: KEY6 on Basic Mode HW

Image Profile Name  KEY6
Load Profile Name
Reset Profile Name  KEY6BSC

Auto resp sel      Y

Response to IEA101A:

Response to IEA347A:

Required addresses:

PF1= Help PF3= End PF6= Roll Enter= Process changes

```

Figure 156. Sample System Options Panel for an OCF-Based Processor in a Basic-Mode MVS Target System

```

ISQHOPT1     SA z/OS - Target System Options

      Modifiable options specified for target system      KEY6
Hardware Mode:      LPAR Partition:      KEY6 Target Mode: ESA
Operating System:  MVS Hardware Type: 9672 Time Offset: +00

Target description:

Image Profile Name  KEY6
Load Profile Name
Reset Profile Name
Secondary OCF Name  KEY6

Auto resp sel      Y      ...
                  ... (Only valid for Operating System MVS)

Response to IEA101A:

Response to IEA347A:

Required addresses:

PF1= Help PF3= End PF6= Roll Enter= Process changes

```

Figure 157. Sample System Options Panel for an OCF-Based Processor in LPAR-Mode MVS Target System

Issuing this command for a non-existent target system results in a panel for a Basic-mode system with a message that the specified target system does not exist. You can recover from this condition by simply typing in the name of the desired target system in the first field of the panel and pressing the Enter key. You can also type over the name of a valid target system on a valid panel and press the Enter key to change the display to that for a different target system.

Some variables can be changed by typing a new value over the old value and pressing Enter. When the variable is updated, the ISQXOPT panel is displayed again and another variable can be updated.

The information contained in the panel is retrieved, and the NetView View command presents the panel. The information you enter is checked and error messages are generated if the information is not valid. These error messages, which identify the field with the problem, are displayed on a separate panel that shows all error messages for all fields.

Restrictions and Limitations

- You cannot issue the ISQXOPT command from within a program.
- You must issue the ISQXOPT command from an NCCF command line.

Return Codes

Return codes are not applicable because you cannot issue this command from within a program.

ISQXPSM

Purpose

The ISQXPSM command starts and stops the ProcOps Service Machine or returns its VM CP status from the system where it is running. In addition, PSM commands can be forwarded to the PSM for execution with this command.

Syntax

```

>> ISQXPSM—target_hardware_name—START—
|
|—STOP—
|
|—STATUS—
|
|—CMD—(— PSM_command —)

```

PSM_command:

```

|—ISQACT—MH—
|
|—ISQCLEAR—M—
|
|
|—ISQQUERY—QE—
|
|—ISQSTATUS—
|
|—ISQTRACE—MSERV—ON—
|
|
|
|—CSERV—OFF—
|
|—MH—
|
|—LOGGER—
|
|—CNSERVER—
|
|—TCP/IP—

```

Requirements

The requirements for this command to complete successfully are:

- Processor operations must be active.
- To issue a START, STOP, or STATUS command:
 1. The hosting VM system and the PSM name must be defined in ProcOps.

2. The VM host system of the PSM, associated with the specified *target_hardware_name*, must have been initialized with the ProcOps ISQXIII command.
 3. A VM user—having the authority to issue XAUTOLOG, FORCE, and QUERY commands—must be logged on to the console via SE/HMC.
- To issue a CMD command, the PSM must be active.

Parameters

target_hardware_name

The name of a processor of type PSM.

START

Starts the PSM virtual machine that is specified in *target_hardware_name*.

STOP

Stops the PSM virtual machine that is specified in *target_hardware_name*.

STATUS

Returns the VM CP status for the PSM virtual machine that is specified in *target_hardware_name*.

CMD

Forwards a PSM command to the ProcOps Service Machine of the specified target hardware for execution and returns the result.

PSM_command

One of the PSM diagnosis and service commands that is listed in the syntax fragment.

Defaults

None.

Usage

Refer to “PSM Commands” on page 385 for information about the PSM commands that are available.

Restrictions and Limitations

Only a subset of the available PSM commands can be used with the CMD option of ISQXPSM. In order to use the full set of the commands, a VM user must be logged on as PSM and enter the commands at the PSM console.

Return Codes

- | | |
|---|---|
| 0 | The ISQXPSM command completed successfully. |
| 4 | <ul style="list-style-type: none"> • No VM host system has been defined for this PSM. • The PSM’s VM host target system has not initialized. • The PSM has not been defined for the specified target hardware. • The specified target hardware type is not PSM. • There is an error in parameter list. |
| 6 | Authorization error. Either the user ID that was checked to access the specified target hardware has not been authorized, or the allowed access level is not sufficient. |
| 8 | |

- ISQSEND returned an error while processing a START, STOP, or STATUS request.
 - Error while waiting for the response of a START, STOP, or STATUS request.
- 32 The ProcOps environment does not exist; the ISQXPSM command was not processed.

ISQXUNL

Purpose

The ISQXUNL command cancels a console lock instituted by the ISQXLOC command.

Syntax

```
▶▶—ISQXUNL—target_system_ProcOps_name—OC  
SC▶▶
```

Requirements

The requirements for this command to complete successfully are:

- Processor operations must be active.
- The addressed console must not be locked by another task.
- The *target_system_ProcOps_name* syntax requires that the addressed target system be initialized.

Parameters

target_system_ProcOps_name

Is the name of the target system for the specified console.

OC

Specifies the active operator console (not valid for the coupling facility).

SC

Specifies the active system console (not valid for OCF-based processors).

Defaults

None.

Usage

The ISQXUNL command removes a console lock established by the ISQXLOC command (described on page 376). Any change in lock status is reflected in the status facility.

Restrictions and Limitations

The ISQXUNL command is effective only when issued from the same task that issued ISQXLOC to establish the console lock.

Return Codes

- 0 The ISQXUNL command completed successfully.
- 4 The specified console was not locked.

ISQXUNL

- 8 One of the following was specified:
- Invalid syntax
 - Invalid target system name
 - Target system that is not initialized
- 12 The console is locked by another task.
- 32 The processor operations environment does not exist; the ISQXUNL command was not processed.

For return codes greater than 12 that are not listed, a NetView CNMLOCK service problem occurred.

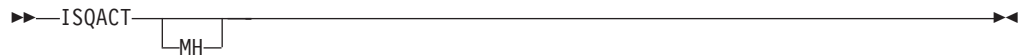
PSM Commands

Special Requests

The following special requests may be executed by the PSM Command Server. To issue these requests you must be logged on to the PSM. The individual requests are:

- "ISQACT" on page 385
- "ISQCLEAR" on page 385
- "ISQMSG" on page 385
- "ISQPSM" on page 386
- "ISQQUERY" on page 386
- "ISQSTATUS" on page 386
- "ISQTRACE" on page 386
- "STOPALL" on page 387

ISQACT



ISQACT is used to activate a thread after it has stopped.

MH indicates the Message Handler thread is to be reactivated. This is useful in cases where the MH threads fails, or terminates itself.

ISQCLEAR



ISQCLEAR empties the Messages Queue or Commands Queue. All entries are emptied. The queue itself is not deleted.

ISQMSG



ISQMSG is used to change the way that messages are displayed to the console user logged on the PSM. If these messages are also routed to NetView[®] it also alters the form of the messages.

If INDENT ON is specified this alters the indentation of each message. Messages issued by different threads are indented by different amounts. This makes it easier

to see the flow of a thread because all its messages are indented by the same amount. Trace messages (activated by an ISQTRACE request) are also indented. Messages from the Main Thread are not indented. Messages that are issued as responses to PSM requests are not indented. If an indented message spills over to another line, the continuation line is not indented.

INDENT OFF causes all non-trace messages to be displayed without indentation. The initial setting for the PSM is INDENT OFF. This initial setting is set each time the PSM Control Program is started.

If MSGID OFF is specified, this causes each non-trace message to be displayed without its message id. This may be useful when INDENT ON is in effect, because it reduces the length of each message and reduces the spilling of message text to subsequent lines. MSGID ON causes all non-trace messages to be displayed with their message ids. The initial setting for the PSM is ON. Trace messages do not have message ids.

ISQPSM

▶▶—ISQPSM—▶▶

The ISQPSM command starts the PSM server. This command should only be entered after the PSM server has been stopped successfully with a STOPALL command and the PSM virtual machine is in CMS mode.

ISQQUERY

▶▶—ISQQUERY—▶▶
┌ Q
└ E

ISQQUERY displays:

- How many entries are in the Message Queue (Q operand)
- A list of current events and event monitors (E operand)

Listing the current events and event monitors is useful in problem determination.

ISQSTATUS

▶▶—ISQSTATUS—▶▶

ISQSTATUS gives the status of important components of the PSM operation.

ISQTRACE

▶▶—ISQTRACE—*component*—┌ ON
└ OFF—▶▶

ISQTRACE is used to start or stop PSM tracing of a component of the PSM. Trace messages are always written to the VM console.

The value of *component* may be one of:

MSERV

Message server thread.

CSERV

Command server thread.

MH Message handler thread.

LOGGER

Logger thread.

CNSERVER

Console server thread.

TCPIP Selected TCPIP requests within the Message Server and Command Server threads.

If any trace is set on, regular messages issued to the VM console as part of the VMCONIO stream are sent to the VM console, and are no longer routed back to ProcOps NetView.

Trace settings are maintained when a PSM is stopped. If the PSM is then restarted (without a re-logon of the CMS machine) the previous trace settings are retained.

When a PSM virtual machine is started all traces are set off.

STOPALL

▶▶—STOPALL—▶▶

STOPALL stops all threads and terminates the PSM control program. The PSM virtual machine remains active.

Appendix A. Definitions for I/O Operations Commands

This appendix provides additional information for using I/O operations commands.

ESCON/FICON Director Switch

The following is an example of a diagram that is used in this document to illustrate an ESCON director (or switch, as it is usually called).

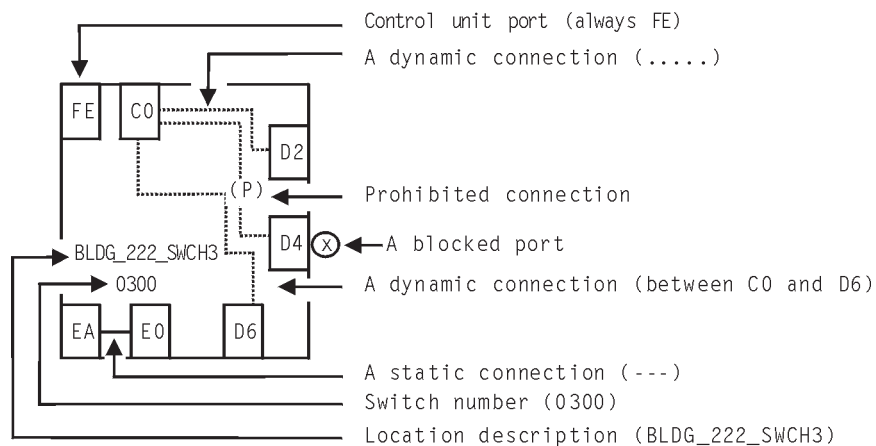


Figure 158. Sample of an ESCON Director Diagram.

Switch Identifiers

A switch device number is a hexadecimal number containing up to four digits with any leading 0's (zeros) padded by I/O operations. The ADDRESS parameter of the IODEVICE macro in the I/O Definition File (IODF) specifies the switch device number.

In many I/O operations commands, a switch device number is required in the input to identify a switch that is allocated to the issuing I/O operations (primary host). The program also displays the switch device number on output.

Two related terms apply in this context:

- A *logical switch number* (LSN) is a 2-digit hexadecimal number that is assigned with the SWITCH parameter on the CHPID macro of the IOCP. I/O operations does not use an LSN as input, but it does display an LSN in the output of many of its Display and Query commands.
- Hardware Configuration Definition (HCD) uses the term switch identifier (Switch ID) which is identical with the switch's LSN.

Note: In a cascaded switch environment, it is recommended that all switches are defined to the HCD including their device numbers. This allows I/O operations to show the LSN also for cascaded switches.

Logical Switch Number (LSN)

An LSN is a 2-digit hexadecimal number that is assigned with the SWITCH parameter on the CHPID macro of the IOCP. I/O operations does not use an LSN as input, but it does display an LSN in the output of many of its display and query commands. Note that the LSN will show "--" when this value is not valid. This can happen only to cascaded switches that have no channel attachment -- which is normally the case -- to the channel subsystem that I/O operations is running on. For this reason, it is recommended that all switches are defined to the Hardware Configuration Definition (HCD) including their device numbers. This allows I/O operations to resolve the LSN also for the above-mentioned switches.

In many I/O operations commands, a switch device number is required in the input to identify a switch that is allocated to the issuing I/O operations (primary host). The program also displays the switch device number on output.

Chain and Unchain a Switchable Path

A *chained path* is a path that passes statically (without dynamic connections) through one switch, which is called the *passthru switch* in the chain, and ends in a second, or *destination switch*. The two switches must be physically linked to each other. The ports in a chained path can be designated as the:

- A** Port to which the I/O interface of the channel is physically attached in a CH chain and the I/O interface of the control unit is attached in a CU chain.
- M** Port to which the A port is statically connected in the passthru switch.
- E** Port that ends the chain in the destination switch.
- D** Is the destination link address of the chain as defined in the I/O definition file (IODF) or I/O control data set (IOCDS). As you can see, port D is simultaneously port E in a CU chain, but not in a CH chain.

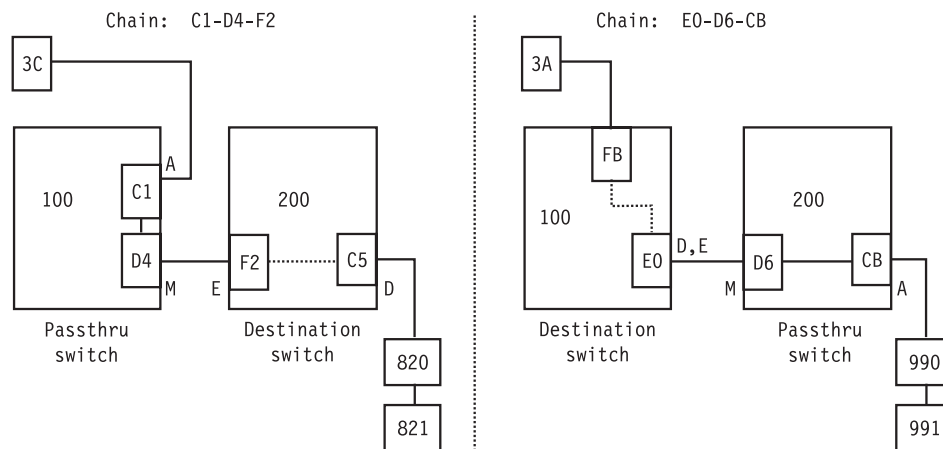


Figure 159. Examples of Chained Paths.

Chaining a Path

1. You must define a chained path to I/O operations, and remove this definition when it is no longer needed.

2. The I/O operations used to define a chain or remove its definition must have dynamic access via CNC channel to the control unit port (CUP) on both switches in the chained path. (In Directors, the CUP address is X'FE'.)
3. I/O operations will *not* permit you to define, or remove the definition of, a chain if it can foresee that the chain command would fail these precursory checks:

- Remove the last path to the specified switch(es) in a Block, Connect, or Chain command
- Affect an unimplemented port
- Affect the control unit port (CUP) except to assign it a port name
- Allow a port to connect dynamically to itself
- Connect a port statically to itself or to more than one other port
- Connect a port that is not installed.
- Disconnect 2 ports that are not statically connected
- Chain a port that is already part of a different chain
- Chain ports so that they would create a loop

Chaining can affect the vary path requests that I/O operations issues. See "Processing a Vary Path Request" on page 405 for more information.

4. If you intend to define a chain that includes a parallel channel operating in block mode with a CV converter, such as an ESCON Converter Model 2 (9035) attached, use these guidelines for selecting noforce, nocheck, or force. The guidelines should help you decide whether to select NOForce, NOCheck, or Force as an option in a connectivity command that affects a CV converter.

If the path is not chained and the foregoing requirements are met, you can enter a connectivity command with either the NOForce option or the NOCheck option.

- If you specify NOForce, I/O operations will check for an operational CV converter in the path and process the command under the set of rules that apply.
 - a. If the CV converter is operational, I/O operations will:
 - 1) Fail a Block, Connect, Remove Switch, or Chain command that affects the port.
 - 2) Fail a Prohibit command that affects the path to the CV converter.
 - b. If the CV converter is not operational, I/O operations will:
 - 1) Issue a warning if an Unblock, Disconnect, RESTORE SWITCH, or Unchain command is entered that affects the port.
 - 2) Issue a warning if an Allow command is entered that affects the path to the CV converter.
- If you specify NOCheck, I/O operations will not check for a CV, and will process the command under the set of rules that apply.

If the path is chained and the foregoing requirements are met, you must specify NOCheck or Force to unchain the path or to block any of the ports in the path.

5. Make sure the channel I/O interface, the control unit I/O interface, and the link between the two switches are all attached properly. Ports A, M, E, and D in Figure 159 on page 390 are determined by these attachments. Also make sure the destination link address (port D) is defined properly in the IODF or IOCDS.
6. Remember that defining a chain and removing a defined chain can affect all the participants in the issuing I/O operations' consensus vary-path processing.

Two Scenarios for a CH Chain in a CNC Path

Configuration:

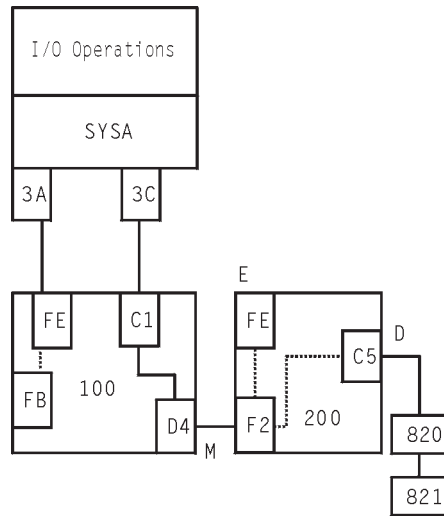


Figure 160. Chain - Scenario 1.

Procedure:

```
VARY PATH(200,3C),OFFLINE,FORCE
CF CHP(3C),OFFLINE,FORCE
```

```
CONNECT (C1) (D4) 100
```

```
CF CHP(3C),ONLINE
VARY PATH(200,3C),ONLINE,FORCE
```

```
RESET S 200
CHAIN (F2) 200 (D4) (C1) 100
```

To remove the definition, enter:

```
UNCHAIN (F2) 200 (D4) (C1) 100 VARY FORCE NOB
```

The Force option is required because the Unchain command removes the last path to the CUP on the destination switch.

If you do not configure CHPID 3C offline, enter:

```
BLOCK (C1) 100
```

Configuration:

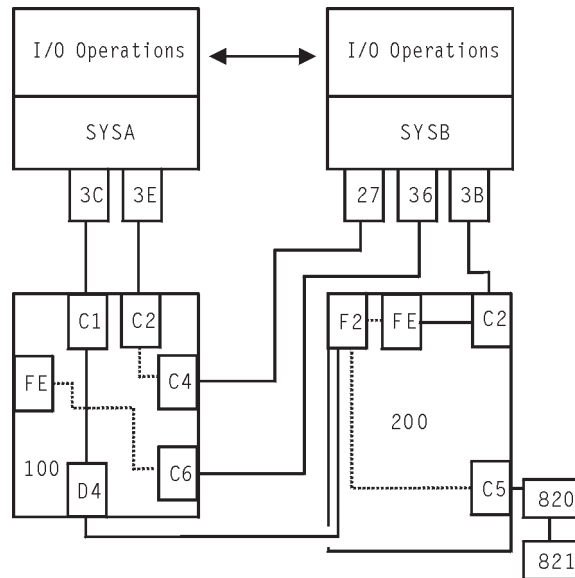


Figure 161. Chain - Scenario 2.

Procedure:

Enter from SYSA:

```
VARY PATH(200,3C),OFFLINE,FORCE
CF CHP(3C),OFFLINE,FORCE
```

Then, enter from SYSB:

```
CHAIN (F2) 200 (D4) (C1) 100
```

Finally, enter from SYSA:

```
CF CHP(3C),ONLINE
VARY PATH(200,3C),ONLINE,FORCE
RESET S 200
```

To remove the definition, enter from SYSB:

```
UNCHAIN (F2) 200 (D4) (C1) 100 VARY FORCE NOB
```

The Force option is required because the Unchain command removes the last path to the CUP on the destination switch. If you do not configure CHPID 3C offline, enter:

```
BLOCK (C1) 100
```

When a Command Fails

If you receive a message that a command failed, you first make sure I/O operations is running. Then, you should try to determine why the command failed, so you can correct it or report the problem to IBM.

- Make sure I/O operations is started. In MVS/ESA, to check if I/O operations has been started on the primary host, enter `display jobs, ESCON_Manager_procedure_name`. If I/O operations's procedure name appears in the list, I/O operations has been started.
- Determine why the command failed. If a command does not complete successfully, I/O operations issues an error message indicating a host did not

perform the command or a switch failed to perform the command, or both. Return codes and reason codes are issued when commands fail when using the API.

- Use the DISPLAY RESULTS command. This command displays information to help you quickly determine if the problem is host-related, switch-related, or both. A command can fail for one or more reasons, including switch-related or I/O operations-related problems.

The error message you receive might not provide you with sufficient information to determine the reasons why your command failed. If you need more information to understand the problem, you can display information about your configuration status to determine the specific reasons.

- Correct the command failure. Once you have determined the cause of a command failure and the present configuration status, you can begin to correct the problem using backout, reset, force, or other options.

A “Partially-ESCON” Path

A partially-ESCON path is a path in which either the channel or the control unit in the I/O path is not an ESCON object.

To ensure system integrity when processing its switching commands, I/O operations relies on node descriptor (ND) or node element descriptor (NED) data from the ESCON objects involved. In a switchable partially-ESCON path, therefore, I/O operations cannot always ensure the same degree of system integrity that it can for “fully” ESCON paths.

Channel Types

Types of channels:

CFR	Coupling facility receiver
CFS	Coupling facility sender
CFP	Coupling facility peer channel
CBR	Integrated Cluster Bus receiver
CBS	Integrated Cluster Bus sender
CBP	Integrated Cluster Bus peer
CNC_P	A point-to-point ESCON channel
CNS_S	A switchable ESCON channel
CTC_P	A point-to-point channel-to-channel channel
CTC_S	A switchable channel-to-channel channel
CVC_P	A point-to-point converted channel
CBY_P	A point-to-point byte converter channel
FC	A FICON point-to-point channel
FC_S	A FICON switched channel
FCV	A FICON-to-ESCON bridge
FC_?	A FICON incomplete

Note: The last character of the DCM managed channels’ acronyms is ‘M’, for example, FCM or CNCSM.

ICR	Internal coupling receiver
ICS	Internal coupling sender
ICP	Internal coupling peer
OSA	An open systems adapter channel
BLOCK	A parallel channel operating in block mode
BYTE	A parallel channel operating in byte mode
UNDEF	A channel that is not defined

Types Of Channels

I/O operations supports the following channel operational modes:

- ESCON Multiple Image Facility (EMIF) mode
- Logical Partition (LPAR) reconfigurable mode
- LPAR non-reconfigurable mode
- Basic mode

I/O operations can display, or return data on, all the channels known to it. For ESCON channels and for parallel channels operating in block mode, the program can be used to change the connectivity between these resources and others in their paths.

ESCON Channels

I/O operations supports the following types of ESCON channels.

An ESCON (CNC) Channel

A CNC channel path is used to transfer data between a host system image and an ESCON control unit. I/O operations can display data about a CNC channel path and change its connectivity.

An ESCON Channel-to-Channel (CTC) Channel

When a CTC channel is defined to one system image, or host, it can communicate with a CNC channel defined on another host so that the two system images can communicate with each other for *intersystem communication*. The CTC channel views each CNC channel with which it communicates as a pseudo control unit, and vice versa.

An ESCON Channel Operating in Converted (CVC) Mode

A CVC channel path transfers data in blocks and a CBY channel path transfers data by bytes. A CVC or CBY channel path is an ESCON channel that has been converted so that it can interface with an ESCON Converter Model 1 (9034), or equivalent, for communication with a parallel control unit.

A CVC or CBY path always resembles a point-to-point parallel path, regardless whether it passes through a switch or not. Thus, a switchable CVC or CBY path must pass through a switch as a static connection.

A Parallel Channel

I/O operations can display information about parallel channels that operate in either byte (BY) or block (BL) mode. I/O operations can also change connectivity to a parallel channel operating in block mode.

Coupling Facility Channels

I/O operations can display and return data about a Coupling Facility Receiver (CFR) channel and a Coupling Facility Sender (CFS) channel. However, I/O operations does not provide connectivity control for these types of channels.

OSA Channels

The OSA channel provides an S/390 internal channel attachment to local area networks (LANs) that support Internet protocols such as fiber distributed data interface (FDDI), token ring, Ethernet, and high speed serial interface (HSSI).

Making Connectivity Changes

You can use I/O operations as the single point of control for I/O connectivity changes in the active I/O configurations under its management.

In addition to an I/O operations base program running on a host, the host must be able to play a role with a group of hosts.

To develop safe procedures to protect your system's connectivity, you need to understand the functional characteristics of the dynamic switches that you control with SA z/OS. For example, the local console of IBM ESCON Directors has a setting that allows you to choose how the switch is restarted. If your operating procedures are to restart:

- From the same configuration that was most recently active on the ESCON Director, use the ESCON Director's ACTIVE=SAVED setting
- From a fixed IPL file, regardless of what was most recently active on the ESCON Director, you can set the ESCON Director to use that file

But note that your use of SA z/OS varies accordingly. Changes that you make through SA z/OS are only automatically restored after events like power failures if the ESCON Directors are set to ACTIVE=SAVED; if they are not, consider using SA z/OS functions to update each ESCON Director's IPL file in accordance with your updates directly to the active configuration.

ESCON resources are self-defining. The relevant data is contained in a node descriptor (ND) of a port or an ESCON channel and in a node element descriptor (NED) of a switch device. I/O operations uses this data to ensure system integrity in its commands. It can also use the serial number of an ESCON resource to identify it.

When only the channel or the control unit is an ESCON unit, the non-ESCON unit can impose some limitations on I/O operations' ability to ensure coordination between the logical definition of the unit and its physical presence. (Unlike ESCON units, a non-ESCON unit is not self-defining.)

NOForce|NOCheck|Force Option Set

With your choice among NOForce, NOCheck, and Force, you determine the stringency with which I/O operations forces the completion of a switching connectivity command under two conditions:

- If any of I/O operations's relevant vary path requests fail.
- If I/O operations checked and detected the presence of a protocol converter (CV) between the I/O interface of a parallel channel operating in block mode and the port on a dynamic switch. (NOForce is required for the REMOVE CHP and RESTORE CHP commands. NOCheck has an identical effect on these 2 commands.)

NOForce: (IBM-supplied default) instructs I/O operations to send a connectivity command to the specified switch(es) only if all of the following conditions have been met:

1. The results of consensus vary-path processing results are unanimously affirmative.
2. If a CV converter has been detected in the parallel channel path, completion of the command will not potentially interrupt dynamic data transfer through the specified switch(es).

3. If the command is disrupting a CVC channel, that CHPID has been configured offline.

If you specify NOForce, you must also specify Vary. NOForce requires the UPDATE level of authorization if I/O operations is secured by RACF or an equivalent program.

NOCheck: instructs I/O operations to send a connectivity command to the specified switch(es) only if all of the following conditions listed below have been met:

1. The results of consensus vary-path processing results are unanimously affirmative.
2. If the command is disrupting a CVC channel, that CHPID has been configured offline.

If you specify NOCheck, you must also specify Vary. NOCheck requires the UPDATE level of authorization if I/O operations is secured by RACF or an equivalent program. Commands entered at the system console automatically receive the highest, or control, authorization level.

Force: instructs I/O operations to send a connectivity command to the specified switch(es).

- If you specify Force, you must specify NOBackout.
- You cannot specify Force on a Remove Chp or Restore Chp command.
- Force requires the control level of authorization if I/O operations is secured by RACF or equivalent.

Backout|Nobackout Option Set

By choosing between BACkout and NOBACkout, you can determine whether I/O operations will attempt to reverse, or to back out, its successful vary path offline requests if at least one relevant path could not be varied offline successfully.

- If the changes could be backed out, pathing status is returned to the state before the command was processed.
- If the changes are not backed out, pathing status may be mixed. (You can enter a DISPLAY RESULTS or DISPLAY VARY command to study the resulting status.)

BACkout (IBM-supplied default): instructs I/O operations to attempt to back out the vary path offline requests that were successful under a number of error conditions, such as: requests if at least one path affected by the command could not be varied offline successfully. Some of the conditions that would require I/O operations to attempt to back out vary path requests are:

- At least one relevant vary path offline request was not successful. For example, a voting I/O operations has returned a negative vote or the time limit for consensus processing was reached before all votes were returned.
- A switch affected by the connectivity command responded negatively.
- A channel could not be configured offline successfully with a Remove Chp command.

If you select BACkout, you cannot select Force.

NOBACkout: instructs I/O operations to not reverse any vary path requests that have been completed successfully during command processing or that are still in progress. You must specify NOBackout if you specify either NOVary or Force.

Restore (Enable) a Switch

When the system operator completes a maintenance procedure and turns power to the unit on, you enter the RESTORE SWITCH command and specify the switch device number.

The I/O operations at which you issued the command (the issuing I/O operations) first allocates, or attaches the switch. Then it activates the configuration for the switch that the unit is programmed to select whenever power is turned on to it. Finally, it ensures all the paths in the selected configuration are varied online.

I/O operations informs you the command completed successfully. (If it completed unsuccessfully, you can enter the DISPLAY RESULTS command to obtain more data.)

Switch Ports

CH	A CNC or CVC CHPID is defined for this port.
CU	A control unit is assigned to this port.
CHCH	More than one CNC or CVC CHPID is assigned to this port.
CHCU	Both a CHPID and a control unit are assigned to this port. CHCU is valid if the CHPID is a CTC channel. I/O operations does not report such a dual assignment as a configuration mismatch. However, CHCU is not a valid combination for any other type of CHPID. I/O operations does report such a dual assignment as a configuration mismatch.
CV	An ESCON Converter Model 2 (CV converter) is attached to this port. A CV converter (9035) converts ESCON protocol to a parallel CHPID operating in block or byte mode.
CVCH	A CV converter and an ESCON channel (CNC or CVC) are both assigned to this port. I/O operations reports such a dual assignment as a configuration mismatch.
CVCU	A CV converter and a control unit are assigned to this port. I/O operations reports such a dual assignment as a configuration mismatch.
ISL	An Inter-Switch-Link is connected to this port.

Logical Tokens

A *logical token* is an identifier created by hardware configuration description (HCD) for each I/O resource that is defined in an input output definition file (IODF). If two or more systems share an IODF, they will have the same logical token for the same I/O resource.

Allow/Prohibit Mask of a Port

Each port is either allowed to have, or prohibited from having, a dynamic connection with another port on the same switch.

Collectively, these pairs of connectivity attributes form an *allow/prohibit mask*.

- A Designates the ports for which a dynamic connection is allowed
- P Designates the ports for which a dynamic connection is prohibited

An allow/prohibit mask is displayed by I/O operations as part of a matrix of a switch configuration. The program displays switch matrixes in its sample I/O

operations ISPF (ESCM ISPF) dialog and at a graphic workstation. See examples in *IBM Tivoli System Automation for z/OS User's Guide*.

An ESCON-in-Converted-Mode (CVC) Path

An ESCON converted channel (CVC) is an ESCON channel that has been initialized to operate in converted mode to allow data to be transferred between its host and a parallel control unit.

A protocol converter such as the ESCON Converter Model 1, or equivalent, must be attached to the control unit. This type of converter is transparent to I/O operations.

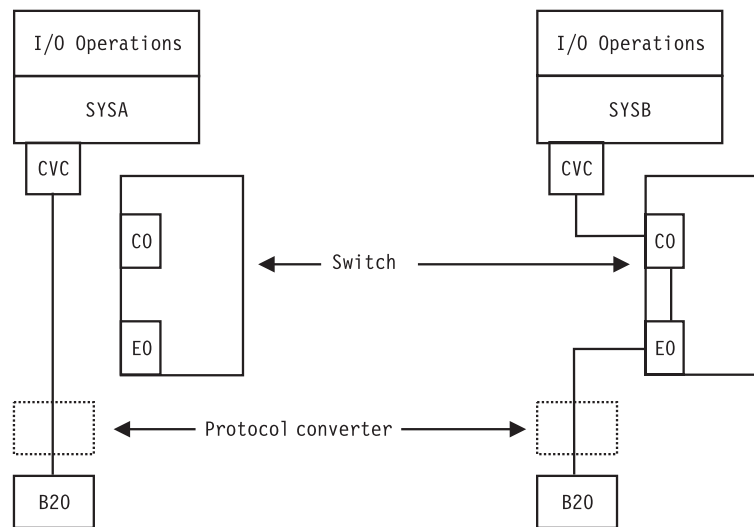


Figure 162. ESCON-in-Converted-Mode - Sample

Physical Tokens

A *physical token* is a 32-byte field that describes an I/O resource. Information in the physical token comes from either a node element descriptor (NED) or a node descriptor (ND). A NED is a 32-byte field that describes a node element of an I/O resource. A NED is associated with a physical control unit or device. A ND is a 32-byte field that describes a node interface of an I/O resource. A ND identifies a physical CHPID. When a physical token is input, the first 4 bytes are not used for comparison.

Using Port Names as a Tool in Switching Commands

When you enter a switching command, you change the port attributes that control data transfer on the ports of the switch through which the path passes. The single switch or the pair of chained switches in a switchable path must be allocated to the issuing I/O operations (primary host) in the command. To facilitate the connectivity management of these switchable paths, I/O operations lets you assign, or write, a name of up to 24 characters to each addressable port on a switch.

A *port name* can consist of character strings, each of which identifies one of the resources in the path leading to or from the port. If you use the same character string in more than one port name, that character string effectively serves as a *generic name*.

Port Switching Commands

You can change connections of ports on a switch with these commands:

- ALLOW
- BLOCK
- CONNECT
- DISCONNECT
- PROHIBIT
- UNBLOCK

The following examples help to illustrate the hierarchy of port attributes.

PROHIBIT

Example `p (C0) (EA) 0100`

Explanation Prohibits data from being transferred dynamically between C0 and EA. Dynamic data transfer between C0 and D4 is not affected.

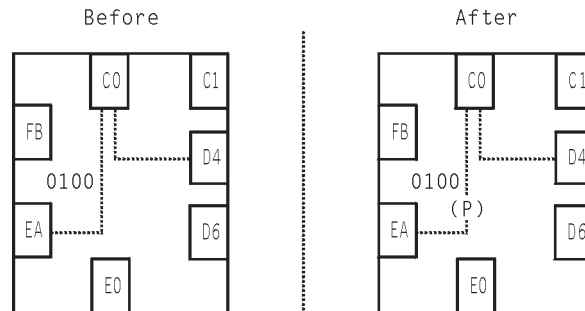


Figure 164. PROHIBIT Command Example

CONNECT

Example `c (C0) (EA) 0100`

Explanation Statically connects C0 and EA for exclusive data transfer, despite the prohibition of a dynamic connection between these two ports. However, data cannot be transferred between C0 and D4.

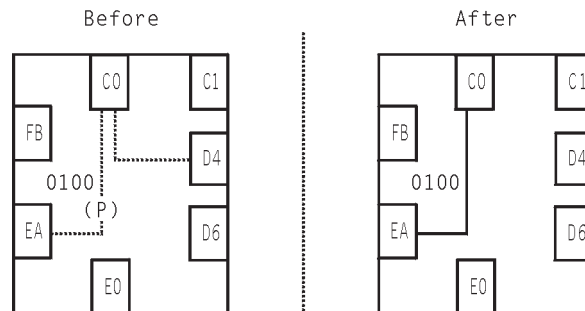


Figure 165. CONNECT Command Example

BLOCK

Example `b (C0) 0100`

Explanation Blocks all data transfer through C0, regardless of its other connectivity. Data cannot be transferred between C0 and either D4 or EA.

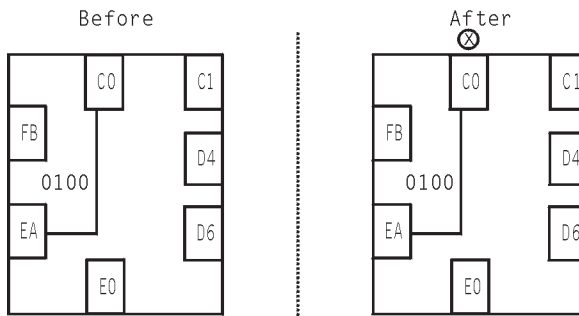


Figure 166. BLOCK Command Example

UNBLOCK

Example u (C0) 0100

Explanation Unblocks C0, so that the static connection is again in effect.

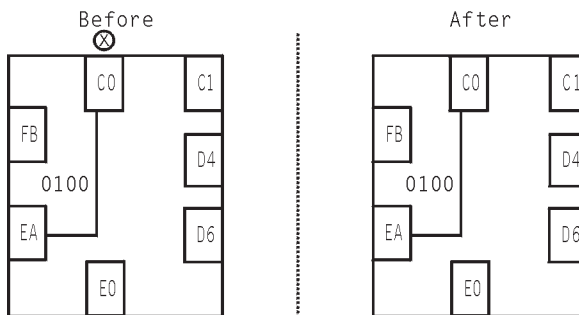


Figure 167. UNBLOCK Command Example

DISCONNECT

Example n (C0) (EA) 0100

Explanation Removes the static connection between C0 and EA, but data cannot be transferred between these two ports because they are still prohibited from having a dynamic connection. However, data can now be transferred between C0 and D4.

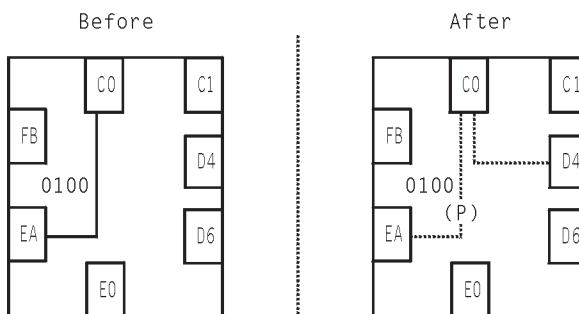


Figure 168. ALLOW Command Example

ALLOW

Example a (C0) (EA) 0100

Explanation Allows data to be transferred dynamically between C0 and EA.

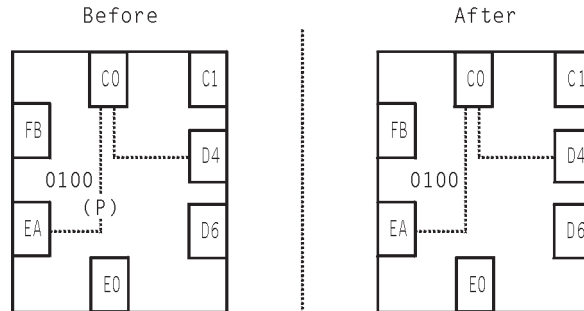


Figure 169. ALLOW Command Example

A Parallel Channel in Block (BL) Mode

Requirements for a Parallel Channel

- The parallel channel must be operating in block (BL) mode.
- The control unit in the path must be an ESCON-capable and “cooperating” control unit.
- The path can be switchable or nonswitchable.
- If the path is switchable:
 - A protocol converter, such as the ESCON Model 2 (9035), or equivalent, must be attached between the channel I/O interface and the switch.
 - The switch must be allocated to the issuing I/O operations.

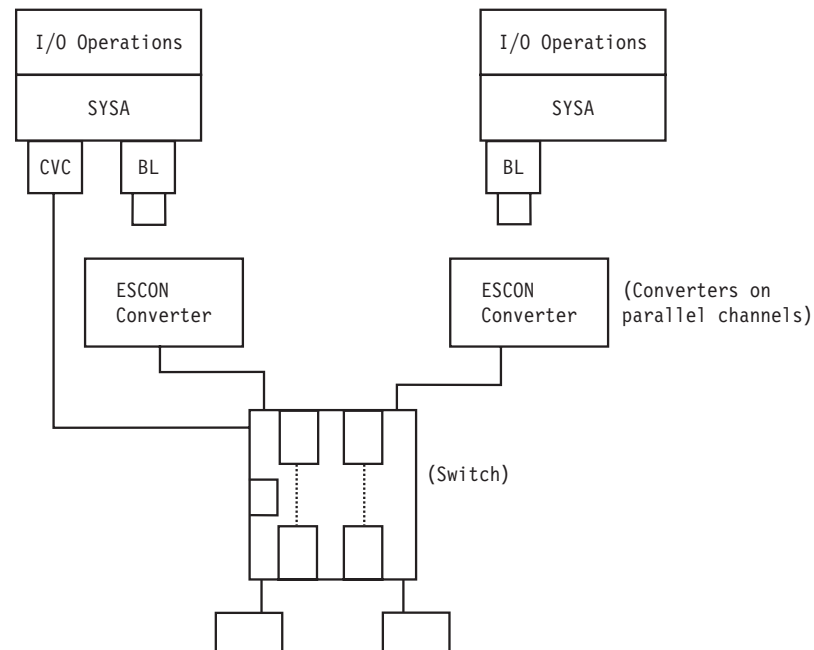


Figure 170. Parallel Channel in Block Mode - Sample.

Switching Commands

The members of a group (domain) must be either:

- The issuing I/O operations, which is the base program (primary host) at which you enter, or to which you send, the command.
- An I/O operations base program that shares access to at least one dynamic switch in common with the issuing I/O operations.

If the switching command contains Vary (path) as an implicit or explicit option, the issuing I/O operations broadcasts the request to the other base programs. Each base program issues the appropriate vary path requests to its own system (host) image. The results must be known by the issuing I/O operations within a preset time interval. After the results are in or when the time interval expires, the issuing I/O operations determines whether it and the voters have reached the consensus that all the vary path requests completed successfully. If so, the issuing I/O operations proceeds with command processing.

Notes:

1. Because an issuing I/O operations is also called the primary host, or the primary I/O operations host, a voter is also called a secondary host, or a secondary I/O operations host.
2. A voter is *active* if it has not been excluded, or reset, from voting, by the Reset Host command.
3. A voter is *inactive* if it has been excluded by a Reset Host Off command.
4. A voter is *purged* if it has been excluded by a Reset Host Purge command. To I/O operations, a purged voter simply does not exist.
5. The preset time interval is either the IBM-supplied default of 60 seconds or a time interval set with the Reset Timeout command.

A Simple Way to Modify a Switch Matrix

When a switch matrix is displayed, you can make changes on it; you do not have to enter commands on the command line. In fact, you can invoke the DISPLAY RESULTS command, which is described more fully on page 261. Refer to *IBM Tivoli System Automation for z/OS User's Guide* for information about a switch matrix.

Port Addresses

A port address is a two-digit hexadecimal number that identifies an addressable port on a switch.

Switch Unique Identifier

You can use the DISPLAY SWITCH command to display the 26-character switch unique identifier. The format is:

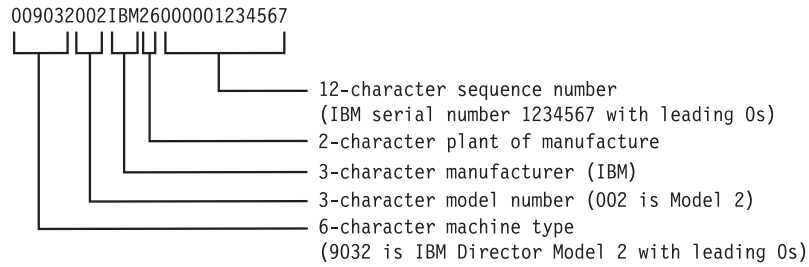


Figure 171. Switch Unique Identifier Format.

Processing a Vary Path Request

When you have chosen Vary as a connectivity option, the issuing I/O operations and its active voting constituency issue the appropriate vary path requests to their host operating system images. The host images comply with the appropriate VARY PATH ON|OFF commands.

General Rules

I/O operations adheres to the following rules. When the vary path processing has been completed successfully, these rules are of only moderate interest to you. However, if one or more requests failed, you need to know these rules to help you analyze the cause of the failure.

- If I/O operations knows that the appropriate vary path requests have already been performed, it takes no action. For example, if a port is blocked, all paths are varied offline. If a Prohibit command is then entered for the blocked port, no further action is taken for that port.
- If two port attributes are to be changed with the same Writeport or Writeswch command, the hierarchy remains in effect. (See “Port Switching Commands” on page 401 for more information on port hierarchy.) For example, if you specify that a port be both blocked and disconnected with the same command, I/O operations will perform the vary path processing needed to block that port and disconnect it.
- To keep I/O path disruption to a minimum should a command fail, I/O operations varies:
 - Offline *before* it sends a command to a switch.
 - Online *after* it sends a command to a switch.

A chained path adds another level of complexity to these rules. Paths through all three ports involved in a chain might be affected by the same connectivity command. For example, the command might affect the middle port’s connectivity. However, vary path processing might be required for the port on the destination switch that ends the chain.

If a CV converter is in the chained path, you must specify NOCheck or Force as a connectivity option if you want to block any of the 3 ports involved or you want to unchain the chain. (If you specify NOForce, the command will fail.)

VTAM Application Name

For communication among I/O operations base programs, I/O operations uses VTAM. To participate in this intersystem communication, therefore, a base program must be defined as an application according to the rules for VTAM definitions. For information on these definitions, refer to the I/O operations program directory for the host operating system on which you intend to use the application.

VTAM returns the VTAM application name to a base program when it is started, thus identifying that base program. The base program uses its *VTAM application name* as its *host name* to register itself to the members of its group when it allocates each dynamic switch.

To get a list of the VTAM (application), or host, names known to an issuing I/O operations (primary host), enter the Display Host command as D H * or view the pages of that host's online notebook.

To remove or restore a base program (host) from participating in consensus vary-path processing, use the Reset Host command. (This command has three options: Off, Purge, and On.)

Appendix B. General Considerations for I/O Operations Commands

Table 5 lists the I/O operations commands in alphabetical order with a cross-reference that shows where they can be used and the access authorization levels they require.

Notes:

1. Access authorization is not required, although it is very advisable.
2. Authorization level is not checked for I/O operations commands that are entered at the system console. The control level of authorization is assumed.
3. RACF profiles are defined in class FACILITY.
4. The cross-references in the following table are described below:

- C** Control authorization level is required.
- G** Function is generated implicitly, but RACF, or equivalent, authorization is required if I/O operations is used in conjunction with a security program.
- I** Command function is generated implicitly as part of a G function. RACF, or equivalent, authorization does not apply.
- R** Read authorization level is required.
- U** Update authorization level is required.
- UC** Update authorization level is required for the NOForce|NOCheck options. Control level is required for the Force option.
- Y** Command must be entered explicitly. RACF authorization is required.
- The command is not available, neither explicitly nor implicitly.

Table 5. Commands, Their Availability and Access Authorization Levels

RACF Profile Name	RACF Authorization Level							Command Name
		Application Program Interface (API)						
			Switch Configuration Matrix (SA z/OS Workstation and I/O Operations ISPF Dialog)					
				I/O Operations ISPF Dialog Command				
					Graphic View Window			
					System Console			
Not Applicable	-	-	-	-	-	Y	System Commands to Start/Stop	
IHV.ALLOW	UC	Y	I	Y	Y	Y	ALLOW	
IHV.BLOCK	UC	Y	I	Y	Y	Y	BLOCK	
IHV.CHAIN	UC	Y	-	Y	-	Y	CHAIN	
IHV.CONNECT	UC	Y	I	Y	Y	Y	CONNECT	
IHV.DELETE.FILE	C	Y	G	-	G	-		
IHV.DISCONNECT	UC	Y	I	Y	Y	Y	DISCONNECT	
IHV.CHP	R	Y	-	Y	I	Y	DISPLAY CHP	
IHV.DEV	R	Y	-	Y	I	Y	DISPLAY DEV	

Table 5. Commands, Their Availability and Access Authorization Levels (continued)

RACF Profile Name	RACF Authorization Level							Command Name
	Application Program Interface (API)							
	Switch Configuration Matrix (SA z/OS Workstation and I/O Operations ISPF Dialog)							
	I/O Operations ISPF Dialog Command							
	Graphic View Window							
	System Console							
IHV.HOST	R	Y	-	Y	I	Y	DISPLAY HOST	
IHV.NAME	R	Y	I	Y	I	Y	DISPLAY NAME	
IHV.PORT	R	Y	I	Y	I	Y	DISPLAY PORT	
IHV.RESULTS	R	Y	-	Y	-	Y	DISPLAY RESULTS	
IHV.SWITCH	R	Y	I	Y	I	Y	DISPLAY SWITCH	
IHV.TIMEOUT	R	Y	-	Y	-	Y	DISPLAY TIMEOUT	
IHV.VARY	R	Y	-	Y	-	Y	DISPLAY VARY	
IHV.GETLOCK	C	Y	-	Y	G	Y	"GETLOCK I/O operations"	
IHV.LOGREC	C	Y	-	Y	-	Y	"LOGREC I/O operations"	
IHV.PROHIBIT	UC	Y	I	Y	Y	Y	"PROHIBIT I/O operations"	
IHV.QUERY.ENTITY	R	Y	-	-	G	-	"QUERY ENTITY HOST I/O operations"	
IHV.QUERY.FILE	R	Y	G	-	G	-	"QUERY FILE I/O operations"	
IHV.QUERY.INTERFACE	R	Y	-	-	G	-	"QUERY INTERFACE CNTLUNIT"	
IHV.QUERY.RELATION	R	Y	-	-	G	-	"QUERY RELATION HOST"	
IHV.QUERY.SWITCH	R	Y	G	-	G	-	"QUERY SWITCH I/O operations"	
IHV.REMOVE.CHP	UC	Y	-	Y	Y	Y	"REMOVE CHP I/O operations"	
IHV.REMOVE.DEV	UC	Y	-	Y	G	-	"REMOVE and RESTORE DEV" .br "REMOVE and RESTORE DEV (API)"	
IHV.REMOVE.SWITCH	UC	Y	-	Y	-	Y	"REMOVE SWITCH I/O operations"	
IHV.RESET.HOST	C	Y	-	Y	Y	Y	"RESET HOST I/O operations"	
IHV.RESET.SWITCH	C	Y	-	Y	Y	Y	"RESET SWITCH I/O operations"	
IHV.RESET.TIMEOUT	C	Y	-	Y	-	Y	"RESET TIMEOUT I/O operations"	
IHV.RESTORE.CHP	U	Y	-	Y	Y	Y	"RESTORE CHP I/O operations"	
IHV.RESTORE.DEV	UC	Y	-	Y	G	-	"REMOVE and RESTORE DEV" .br "REMOVE and RESTORE DEV (API)"	
IHV.RESTORE.SWITCH	UC	Y	-	Y	-	Y	"RESTORE SWITCH I/O operations"	
IHV.SYNCH.SWITCH	C	Y	-	Y	Y	Y	"SYNCH SWITCH I/O operations"	
IHV.UNBLOCK	UC	Y	I	Y	Y	Y	"UNBLOCK I/O operations"	
IHV.UNCHAIN	UC	Y	-	Y	-	Y	"UNCHAIN I/O operations"	
IHV.UNLOCK	UC	Y	-	Y	G	Y	"UNLOCK I/O operations"	
IHV.WRITE	C	Y	I	Y	G	Y	"WRITE I/O operations"	
IHV.WRITEFILE	C	Y	G	-	G	-	"WRITEFILE I/O operations"	
IHV.WRITEPORT	UC	Y	-	-	-	-	"WRITEPORT I/O operations"	
IHV.WRITESWCH	UC	Y	G	-	G	-	"WRITESWCH I/O operations"	

General Information and Tips for Using Multisystem Commands

1. If you are entering an array or table, it must be fully contained in a single variable, by itself, and with no leading blanks (trailing blanks are acceptable because they will be ignored). Without this restriction, you could enter an array or table that has bytes that look like blanks, will be parsed as blanks, and will make the results unpredictable.
2. Release 3 array elements are checked for validity because they are all character data. Tables are not checked for validity because numeric data is assumed to be hexadecimal (and so can never be invalid). Tables are not subject to translation and only the RNUMs are taken from the table.
3. For Release 3, host application names will be checked for validity. Valid names follow MVS member name rules.

Note: This only applies to Query commands.

Info like xxxx(n and
xxxx(n) is interpreted as Release 2 only when "xxxx"
is not a defined object type
For Release 3, xxxx can be HOST, RNUM, PTOK, LTOK, and so on.

"HOST()" and "XSYS()" are interpreted as an error (no name is
included between the beginning and ending parenthesis)

4. Release 2 EXECs and programs should function with Release 3 as long as the EXEC or program is using the returned HDR_SIZE and ROW_SIZE (or Format_id) to parse through the output structure, with the following exceptions:
 - a. A summary ROW for each host will be returned as the FIRST row for each responder host that is returning data (does not have a command start failure). This ROW is marked by RCODE='5100FFFF'x and contains (currently) status bits.
 - b. Query Interface Switch/CntlUnit commands change their output structures to move the switch/control unit description into every row instead of having it reside in the header; with multihost responses, there is no way to resolve which switch description would have stayed in the command header (each host could have a different description of the switch/control unit).
5. For Release 3 table input, the responder must be the same as the host targeted to return the response.
6. For Query Interface commands (only), when the interface is not found on the entity1 switch/cu, row rcode='5100 0016'x.
7. Query Interface Switch returns no rows when the switch being queried is closed. Also, Query Interface CntlUnit returns no rows when the PID for the control unit is not valid.
8. The lock owner field in the QEH command is only valid when the responder host is the same as the object/entity host. For example, if you issue a Query Entity Host Value HOST(*) SCOPE Value HOST(*) command, the QEH that is returned will contain #hosts x #hosts ROWs (because each host will return all the hosts it knows about) but the only valid lockowner fields will be where:
QEH.ROW(i).RESPONDER.APPLNAME = QEH.ROW(i).APPL_NAME.

General Considerations for Using the Query Entity|Interface|Relations Commands

1. **Input for Query Entity and Query Interface commands** A Query Relation table can be input for all Query Entity and Query Interface Switch commands.
2. **Data returned** For the Query Entity, Query Interface, and Query Relation commands, use the self-description data (header size, row size, format ID) that is returned with each output structure to parse the data.
3. **Duplicate rows** No duplicate rows will be returned unless an array or table is used as the second entity asking for duplicate information to be returned. This implies that unless complete pathing (host-to-device or CHPID-to-device) is specified in your command, you could be getting summary data back.
For example, assume your configuration contains CHPIDs *10*, *11*, and *12*, each with a path to control unit *100*. Additionally, control unit *100* has devices *100-107* on it.
A **Query Relation CU 100 Chp Value *** (tell me all CHPIDs that access device *100*) would return 3 data QRO.ROWS to describe the 3 paths (CHPID *10* to device *100*, CHPID *11* to device *100* and CHPID *12* to device *100*). These are examples of complete path definitions.
If you issue **Query Relation CU 100 Dev Value 100** (tell me whether device *100* is defined to be on CU *100*), only 1 data QRO.ROW is returned (not 3) indicating that there is a logical relationship between the 2 entities but not complete details (paths) on the relation because the command did not ask for complete pathing.
4. **Multiple rows**
A single array entry could generate more than 1 row returned. For example, the relation between a device and a host will return as many rows as there are CHPIDs that access the given device.
5. **Rules for columns of data** Although the same structure is returned for every Query Relation command, different columns of data are returned for the different variations of the commands. The following rules apply:
 - a. STATBITS are set for every command.
 - b. The columns between HOST and DEVICE are command-dependent; that is, Query Relation Host-Host commands return only the HOST column, Query Relation Host-Chp commands return both the HOST and CHPID columns, Query Relation Host-Switch commands return HOST, CHPID, PORTIN, SWDEVN, and LSN columns (note that STATBITS are required to validate PORTIN and SWDEVN as these might or might not be known), and so on.
 - c. Like entities are not allowed except host-to-host relations, which indicate VTAM relations, and switch-to-switch relations, which indicate chaining relations.
 - d. Data for a secondary host (voting I/O operations) will be marked INCOMPLETE because data bases are not shared among participating I/O operations.
 - e. When no host is named in a command, the primary host (issuing I/O operations) is assumed.
6. **Sorting of output** Sorting is done only if you specify Value or Range as options for the format of the output. If you specify Array or Table, I/O operations returns data in the same order as the input array or table.
7. **Chpid filtering of pathing information is handled as follows:**

- a. If a channel is reserved to a partition that is not the one you are running on, the channel will appear as not defined.
- b. I/O operations only returns paths where the Chpid is not reserved to another partition.

8. Reason codes that are related to Return codes

In addition to the return codes (RCs) and reason codes that are also returned for the Display and the Query Switch commands, such as CHSC data refreshed, lock indicators, switch configurations, and so on, the following combinations are unique to the Query commands:

- With RC = 4, a reason code of X'51001004' indicates that some host has at least one summary row bit set.
- For RC = 8, a Getmain failure occurred.
- With RC = 20, a reason code of X'51xxyyyy' indicates that I/O operations has detected an internal error. You should report this problem to IBM.

9. Overflow conditions

In the Query Entity, Query Interface, and Query Relation commands the header and summary rows of the output contains a bit to indicate that an overflow condition was detected in the response buffer.

- **If you entered a Query Entity or Query Interface command:**

Enter another (similar) command to retrieve the subset of data that has not been returned.

For example, if the command that overflowed was **Query Entity Dev Value *** and the last device entry returned to you is (device number) 743, the next command you should issue is **Query Entity Dev Range 744-***.

If you are using an array (or table) as input for a command, you should continue to use the array/table form of command but adjust your array/table input to begin at the (*output_num_rows+1*) element in your next array command.

- **If you entered a Query Relation command:**

When translating your original command to a new format due to an overflow return/reason code, you might need to begin your new command with the last value returned for the second entity (not the one after the last value returned) or some pathing information could be lost.

For example, assume you have the following partial configuration:

Host = *IHVAPPL1* CHPIDs = *1,2,3,4,5* CntlUnits = *100* (accessed by CHPIDs *1,2,3*), *200* (accessed by CHPIDs *3,4,5*) Devices = *100-10F* (off CU *100*), *200-20F* (off CU *200*)

Assume (for the purposes of this example only) that 7 is the maximum number of rows that can be returned with any Query Relation command (in reality this number is more on the order of 2700).

You issue **Query Relation Host IHVAPPL1 Dev Value *** to request all the IOCDS paths defined for this host.

I/O operations returns 7 rows describing paths (*1,100*), (*2,100*), (*3,100*), (*1,101*), (*2,101*), (*3,101*) and (*1,102*) with RC and RSN indicating overflow and the MORE_DATA bit in the output table set.

Because you only received 1 of 3 rows (paths) back for device *102*, you must now use the command **Query Relation Host IHVAPPL1 Dev Range 102-*** to retrieve the pathing information for this host.

10. Chaining

Chaining is indicated in an AEAM for a port by virtue of the log_class=switch (port) and the LOGICAL bit being set.

If the path is chained, the switch that appears in the row for a path is either:

- a. The dynamic switch in the chain, or (if there is no dynamic switch)
 - b. The switch that the CHPID for the path is defined (in IOCDS) to be on (by the SWITCH= parameter).
11. **“Physical” rules with respect to the EAM/AEAM are:**
- a. EAM.LOGICAL or AEAM.LOGICAL = 1 (binary) means the entity is defined in the IOCDS. Additionally, Chain commands are considered logical definition data so they are also included in “logical” data.
 - b. PHYSICAL (current, history and not valid) means “according to link level data” (node element descriptors [NEDs] or node descriptors [NDs]).
 - c. Physical OTHERS bits (and NDs) are set when the interface for an entity being queried does not have the same validity as the entity itself (as represented in the physical ID). OTHER_NDs are validated by AEAM bits (OTHERS bits are never set in EAMs). The OTHER_ND that is returned contains a ND for the attached entity that is causing the PID to be “more valid” than the interface being queried.
 - d. Logical OTHER bit (and value) is set when the interface for an entity being queried does not have an IOCDS path defined to it on the interface being queried (that is, a physical-only path to the entity) but the entity is defined in the IOCDS and is accessible by other paths. The OTHER_LOG field will be set to the smallest logical value for the entity (for example, if control units 100 and 200 are hung off a port in a physical-only relationship but are defined to have other (IOCDS) paths elsewhere, the LOG_OTHER bit would be set for the (QIS) port’s AEAM and the OTHER_LOG would contain 100).
12. **P_AMB, when on, means at least one of the following:**
- a. All the (IOCP/IODF) defined interfaces to the control unit do not have the same WWID (only valid NDs are checked).
 - b. For switches only: Even if all the WWIDs in the interfaces for the CNTL match, if the CNTLPID.WWID is different from the SWITPID.WWID (which is obtained from the NED), then the CNTLPID is marked P_AMB and remains REFLECTED.
 - c. For CHPIDs only: When the attached ND’s WWID is not the same as the PID.WWID of the switch that it is supposed to be attached to.

Glossary

This glossary includes terms and definitions from:

- The *IBM Dictionary of Computing* New York: McGraw-Hill, 1994.
- The *American National Standard Dictionary for Information Systems*, ANSI X3.172-1990, copyright 1990 by the American National Standards Institute (ANSI). Copies can be purchased from the American National Standards Institute, 1430 Broadway, New York, New York 10018. Definitions are identified by the symbol (A) after the definition.
- The *Information Technology Vocabulary* developed by Subcommittee 1, Joint Technical Committee 1, of the International Organization for Standardization and the International Electrotechnical Commission (ISO/IEC JTC1/SC1). Definitions of published parts of this vocabulary are identified by the symbol (I) after the definition; definitions taken from draft international standards, committee drafts, and working papers being developed by ISO/IEC JTC1/SC1 are identified by the symbol (T) after the definition, indicating that final agreement has not yet been reached among the participating National Bodies of SC1.

The following cross-references are used in this glossary:

Contrast with. This refers to a term that has an opposed or substantively different meaning.

Deprecated term for. This indicates that the term should not be used. It refers to a preferred term, which is defined in its proper place in the glossary.

See. This refers the reader to multiple-word terms in which this term appears.

See also. This refers the reader to terms that have a related, but not synonymous, meaning.

Synonym for. This indicates that the term has the same meaning as a preferred term, which is defined in the glossary.

Synonymous with. This is a backward reference from a defined term to all other terms that have the same meaning.

A

ACF. Automation control file.

ACF/NCP. Advanced Communications Function for the Network Control Program. See *Advanced Communications Function* and *Network Control Program*.

ACF/VTAM. Advanced Communications Function for the Virtual Telecommunications Access Method. Synonym for *VTAM*. See *Advanced Communications Function* and *Virtual Telecommunications Access Method*.

active monitoring. In SA z/OS, the acquiring of resource status information by soliciting such information at regular, user-defined intervals. See also *passive monitoring*.

adapter. Hardware card that enables a device, such as a workstation, to communicate with another device, such as a monitor, a printer, or some other I/O device.

Address Space Workflow. In RMF, a measure of how a job uses system resources and the speed at which the job moves through the system. A low workflow indicates that a job has few of the resources it needs and is contending with other jobs for system resources. A high workflow indicates that a job has all the resources it needs to execute.

adjacent hosts. Systems connected in a peer relationship using adjacent NetView sessions for purposes of monitoring and control.

adjacent NetView. In SA z/OS, the system defined as the communication path between two SA z/OS systems that do not have a direct link. An adjacent NetView is used for message forwarding and as a communication link between two SA z/OS systems. For example, the adjacent NetView is used when sending responses from a focal point to a remote system.

Advanced Communications Function (ACF). A group of IBM licensed programs (principally VTAM, TCAM, NCP, and SSP) that use the concepts of Systems Network Architecture (SNA), including distribution of function and resource sharing.

advanced program-to-program communication (APPC). A set of inter-program communication services that support cooperative transaction processing in a Systems Network Architecture (SNA) network. APPC is the implementation, on a given system, of SNA's logical unit type 6.2.

alert. (1) In SNA, a record sent to a system problem management focal point or to a collection point to communicate the existence of an alert condition. (2) In NetView, a high-priority event that warrants immediate

attention. A database record is generated for certain event types that are defined by user-constructed filters.

alert condition. A problem or impending problem for which some or all of the process of problem determination, diagnosis, and resolution is expected to require action at a control point.

alert focal-point system. See entry for NPDA focal-point system under *focal—point system*.

alert threshold. An application or volume service value that determines the level at which SA z/OS changes the associated icon in the graphical interface to the alert color. SA z/OS may also issue an alert. See *warning threshold*.

AMC. (1) Automation Manager Configuration (2) The Auto Msg Classes entry type

APF. Authorized program facility.

API. Application programming interface.

APPC. Advanced program-to-program communications.

application. An z/OS subsystem or job monitored by SA z/OS.

Application entry. A construct, created with the customization dialogs, used to represent and contain policy for an application.

application group. A named set of applications. An application group is part of an SA z/OS enterprise definition and is used for monitoring purposes.

ApplicationGroup entry. A construct, created with the customization dialogs, used to represent and contain policy for an application group.

application program. (1) A program written for or by a user that applies to the user's work, such as a program that does inventory or payroll. (2) A program used to connect and communicate with stations in a network, enabling users to perform application-oriented activities.

ARM. Automatic restart management.

ASCB. Address space control block.

ASCB status. An application status derived by SA z/OS running a routine (the ASCB checker) that searches the z/OS address space control blocks (ASCBs) for address spaces with a particular job name. The job name used by the ASCB checker is the job name defined in the customization dialog for the application.

ASCII (American National Standard Code for Information Interchange). The standard code, using a coded character set consisting of 7-bit coded characters

(8-bit including parity check), for information interchange among data processing systems, data communication systems, and associated equipment. The ASCII set consists of control characters and graphic characters. (A)

ASF. Automation status file.

assist mode facility. An SA z/OS facility that uses SDF and enables interaction with automation before SA z/OS takes an automation action. SDF prompts the operator with a suggested action, then provides options for using that action, modifying and using the action, or canceling the action. Also called assist mode, it is enabled using the customization dialogs, or dynamically.

authorized program facility (APF). A facility that permits identification of programs that are authorized to use restricted functions.

automated function. SA z/OS automated functions are automation operators, NetView autotasks that are assigned to perform specific automation functions. However, SA z/OS defines its own synonyms, or *automated function names*, for the NetView autotasks, and these function names are referred to in the sample policy databases provided by SA z/OS. For example, the automation operator AUTBASE corresponds to the SA z/OS automated function BASEOPER.

automated console operations (ACO). The concept (versus a product) of using computers to perform a large subset of tasks ordinarily performed by operators, or assisting operators in performing these tasks.

automatic restart management. A z/OS recovery function that improves the availability of specified subsystems and applications by automatically restarting them under certain circumstances. Automatic restart management is a function of the Cross-System Coupling Facility (XCF) component of z/OS.

automatic restart management element name. In MVS 5.2 or later, z/OS automatic restart management requires the specification of a unique sixteen character name for each address space that registers with it. All automatic restart management policy is defined in terms of the element name, including SA z/OS's interface with it.

automation. The automatic initiation of actions in response to detected conditions or events. SA z/OS provides automation for z/OS applications, z/OS components, and remote systems that run z/OS. SA z/OS also provides tools that can be used to develop additional automation.

automation agent. In SA z/OS, the automation function is split up between the automation manager and the automation agents. The observing, reacting and doing parts are located within the NetView address

space, and are known as the *automation agents*. The automation agents are responsible for:

- recovery processing
- message processing
- active monitoring; they propagate status changes to the automation manager

automation configuration file. The data set that consists of:

- the automation control file (ACF)
- the automation manager configuration file (AMC)
- the NetView automation table (AT)
- the MPFLSTSA member

automation control file (ACF). In SA z/OS, a file that contains system-level automation policy information. There is one master automation control file for each NetView system on which SA z/OS is installed. Additional policy information and all resource status information is contained in the policy database (PDB). The SA z/OS customization dialogs must be used to build the automation control files. They must not be edited manually.

automation flags. In SA z/OS, the automation policy settings that determine the operator functions that are automated for a resource and the times during which automation is active. When SA z/OS is running, automation is controlled by automation flag policy settings and override settings (if any) entered by the operator. Automation flags are set using the customization dialogs.

automation manager. In SA z/OS, the automation function is split up between the automation manager and the automation agents. The coordination, decision making and controlling functions are processed by each sysplex's *automation manager*.

The automation manager contains a model of all of the automated resources within the sysplex. The automation agents feed the automation manager with status information and perform the actions that the automation manager tells them to.

The automation manager provides *sysplex-wide* automation.

Automation Manager Configuration. The Automation Manager Configuration file (AMC) contains an image of the automated systems in a sysplex or of a standalone system.

Automation NetView. In SA z/OS the NetView that performs routine operator tasks with command procedures or uses other ways of automating system and network management, issuing automatic responses to messages and management services units.

automation operator. NetView automation operators are NetView autotasks that are assigned to perform specific automation functions. See also *automated*

function. NetView automation operators may receive messages and process automation procedures. There are no logged-on users associated with automation operators. Each automation operator is an operating system task and runs concurrently with other NetView tasks. An automation operator could be set up to handle JES2 messages that schedule automation procedures, and an automation statement could route such messages to the automation operator. Similar to *operator station task*. SA z/OS message monitor tasks and target control tasks are automation operators.

automation policy. The policy information governing automation for individual systems. This includes automation for applications, z/OS subsystems, z/OS data sets, and z/OS components.

automation policy settings. The automation policy information contained in the automation control file. This information is entered using the customization dialogs. You can display or modify these settings using the customization dialogs.

automation procedure. A sequence of commands, packaged as a NetView command list or a command processor written in a high-level language. An automation procedure performs automation functions and runs under NetView.

automation status file. In SA z/OS, a file containing status information for each automated subsystem, component or data set. This information is used by SA z/OS automation when taking action or when determining what action to take. In Release 2 and above of AOC/MVS, status information is also maintained in the operational information base.

automation table (AT). See *NetView automation table*.

autotask. A NetView automation task that receives messages and processes automation procedures. There are no logged-on users associated with autotasks. Each autotask is an operating system task and runs concurrently with other NetView tasks. An autotask could be set up to handle JES2 messages that schedule automation procedures, and an automation statement could route such messages to the autotasks. Similar to *operator station task*. SA z/OS message monitor tasks and target control tasks are autotasks. Also called *automation operator*.

available. In VTAM programs, pertaining to a logical unit that is active, connected, enabled, and not at its session limit.

B

basic mode. A central processor mode that does not use logical partitioning. Contrast with *logically partitioned (LPAR) mode*.

BCP Internal Interface. Processor function of CMOS-390, zSeries processor families. It allows the communication between basic control programs such as z/OS and the processor support element in order to exchange information or to perform processor control functions. Programs using this function can perform hardware operations such as ACTIVATE or SYSTEM RESET.

beaconing. The repeated transmission of a frame or messages (beacon) by a console or workstation upon detection of a line break or outage.

BookManager. An IBM product that lets users view softcopy documents on their workstations.

C

central processor (CP). The part of the computer that contains the sequencing and processing facilities for instruction execution, initial program load (IPL), and other machine operations.

central processor complex (CPC). A physical collection of hardware that consists of central storage, one or more central processors, timers, and channels.

central site. In a distributed data processing network, the central site is usually defined as the focal point for alerts, application design, and remote system management tasks such as problem management.

CFR/CFS and ISC/ISR. I/O operations can display and return data about integrated system channels (ISC) connected to a coupling facility and coupling facility receiver (CFR) channels and coupling facility sender (CFS) channels.

channel. A path along which signals can be sent; for example, data channel, output channel. See also *link*.

channel path identifier. A system-unique value assigned to each channel path.

CHPID. In SA z/OS, channel path ID; the address of a channel.

CHPID port. A label that describes the system name, logical partitions, and channel paths.

channel-attached. (1) Attached directly by I/O channels to a host processor (for example, a channel-attached device). (2) Attached to a controlling unit by cables, rather than by telecommunication lines. Contrast with *link-attached*. Synonymous with *local*.

CI. Console integration.

CICS/VS. Customer Information Control System for Virtual Storage.

CLIST. Command list.

clone. A set of definitions for application instances that are derived from a basic application definition by substituting a number of different system-specific values into the basic definition.

clone ID. A generic means of handling system-specific values such as the MVS SYSCLONE or the VTAM subarea number. Clone IDs can be substituted into application definitions and commands to customize a basic application definition for the system that it is to be instantiated on.

CNC. A channel path that transfers data between a host system image and an ESCON control unit. It can be point-to-point or switchable.

command. A request for the performance of an operation or the execution of a particular program.

command facility. The component of NetView that is a base for command processors that can monitor, control, automate, and improve the operation of a network. The successor to NCCF.

command list (CLIST). (1) A list of commands and statements, written in the NetView command list language or the REXX language, designed to perform a specific function for the user. In its simplest form, a command list is a list of commands. More complex command lists incorporate variable substitution and conditional logic, making the command list more like a conventional program. Command lists are typically interpreted rather than being compiled. (2) In SA z/OS, REXX command lists that can be used for automation procedures.

command procedure. In NetView, either a command list or a command processor.

command processor. A module designed to perform a specific function. Command processors, which can be written in assembler or a high-level language (HLL), are issued as commands.

Command Tree/2. An OS/2-based program that helps you build commands on an OS/2 window, then routes the commands to the destination you specify (such as a 3270 session, a file, a command line, or an application program). It provides the capability for operators to build commands and route them to a specified destination.

common commands. The SA z/OS subset of the CPC operations management commands.

common routine. One of several SA z/OS programs that perform frequently used automation functions. Common routines can be used to create new automation procedures.

Common User Access (CUA) architecture. Guidelines for the dialog between a human and a workstation or terminal.

communication controller. A type of communication control unit whose operations are controlled by one or more programs stored and executed in the unit or by a program executed in a processor to which the controller is connected. It manages the details of line control and the routing of data through a network.

communication line. Deprecated term for *telecommunication line*.

connectivity view. In SA z/OS, a display that uses graphic images for I/O devices and lines to show how they are connected.

console automation. The process of having NetView facilities provide the console input usually handled by the operator.

console connection. In SA z/OS, the 3270 or ASCII (serial) connection between a PS/2 computer and a target system. Through this connection, the workstation appears (to the target system) to be a console.

console integration (CI). A hardware facility that if supported by an operating system, allows operating system messages to be transferred through an internal hardware interface for display on a system console. Conversely, it allows operating system commands entered at a system console to be transferred through an internal hardware interface to the operating system for processing.

consoles. Workstations and 3270-type devices that manage your enterprise.

Control units. Hardware units that control I/O operations for one or more devices. You can view information about control units through I/O operations, and can start or stop data going to them by blocking and unblocking ports.

controller. A unit that controls I/O operations for one or more devices.

couple data set. A data set that is created through the XCF couple data set format utility and, depending on its designated type, is shared by some or all of the z/OS systems in a sysplex. See also *sysplex couple data set* and *XCF couple data set*.

coupling facility. The hardware element that provides high-speed caching, list processing, and locking functions in a sysplex.

CP. Central processor.

CPC. Central processor complex.

CPC operations management commands. A set of commands and responses for controlling the operation of System/390 CPCs.

CPC subset. All or part of a CPC. It contains the minimum *resource* to support a single control program.

CPCB. Command processor control block; an I/O operations internal control block that contains information about the command being processed.

CPU. Central processing unit. Deprecated term for *processor*.

cross-system coupling facility (XCF). XCF is a component of z/OS that provides functions to support cooperation between authorized programs running within a sysplex.

CTC. The channel-to-channel (CTC) channel can communicate with a CTC on another host for intersystem communication.

Customer Information Control System (CICS). A general-purpose transactional program that controls online communication between terminal users and a database for a large number of end users on a real-time basis.

customization dialogs. The customization dialogs are an ISPF application. They are used to customize the enterprise policy, like, for example, the enterprise resources and the relationships between resources, or the automation policy for systems in the enterprise. How to use these dialogs is described in *IBM Tivoli System Automation for z/OS Customizing and Programming*.

CVC. A channel operating in converted (CVC) mode transfers data in blocks and a CBY channel path transfers data in bytes. Converted CVC or CBY channel paths can communicate with a parallel control unit. This resembles a point-to-point parallel path and dedicated connection, regardless whether it passes through a switch.

D

DASD. Direct access storage device.

data services task (DST). The NetView subtask that gathers, records, and manages data in a VSAM file or a network device that contains network management information.

data set. The major unit of data storage and retrieval, consisting of a collection of data in one of several prescribed arrangements and described by control information to which the system has access.

data set members. Members of partitioned data sets that are individually named elements of a larger file that can be retrieved by name.

DBCS. Double-byte character set.

DCCF. Disabled console communication facility.

DCF. Document composition facility.

DELAY Report. An RMF report that shows the activity of each job in the system and the hardware and software resources that are delaying each job.

Devices. You can see information about all devices (such as printers, tape or disk drives, displays, or communications controllers) attached to a particular switch, and control paths and jobs to devices.

DEVR Report. An RMF report that presents information about the activity of I/O devices that are delaying jobs.

dialog. Interactive 3270 panels.

direct access storage device (DASD). A device in which the access time is effectively independent of the location of the data; for example, a disk.

disabled console communication facility (DCCF). A z/OS component that provides limited-function console communication during system recovery situations.

display. (1) To present information for viewing, usually on the screen of a workstation or on a hardcopy device. (2) Deprecated term for *panel*.

disk operating system (DOS). (1) An operating system for computer systems that use disks and diskettes for auxiliary storage of programs and data. (2) Software for a personal computer that controls the processing of programs. For the IBM Personal Computer, the full name is Personal Computer Disk Operating System (PCDOS).

distribution manager. The component of the NetView program that enables the host system to use, send, and delete files and programs in a network of computers.

domain. (1) An access method and its application programs, communication controllers, connecting lines, modems, and attached workstations. (2) In SNA, a system services control point (SSCP) and the physical units (PUs), logical units (LUs), links, link stations, and associated resources that the SSCP can control by means of activation requests and deactivation requests.

double-byte character set (DBCS). A character set, such as Kanji, in which each character is represented by a 2-byte code.

DP enterprise. Data processing enterprise.

DSIPARM. This file is a collection of members of NetView's customization.

DST. Data Services Task.

E

EBCDIC. Extended binary-coded decimal interchange code. A coded character set consisting of 8-bit coded characters.

ECB. Event control block. A control block used to represent the status of an event.

EMCS. Extended multiple console support.

enterprise. An organization, such as a business or a school, that uses data processing.

enterprise monitoring. Enterprise monitoring is used by SA z/OS to update the *NetView Management Console (NMC)* resource status information that is stored in the *Resource Object Data Manager (RODM)*. Resource status information is acquired by enterprise monitoring of the *Resource Measurement Facility (RMF) Monitor III* service information at user-defined intervals. SA z/OS stores this information in its operational information base, where it is used to update the information presented to the operator in graphic displays.

entries. Resources, such as processors, entered on panels.

entry type. Resources, such as processors or applications, used for automation and monitoring.

environment. Data processing enterprise.

error threshold. An automation policy setting that specifies when SA z/OS should stop trying to restart or recover an application, subsystem or component, or offload a data set.

ESA. Enterprise Systems Architecture.

eServer. Processor family group designator used by the SA z/OS customization dialogs to define a target hardware as member of the zSeries or 390-CMOS processor families.

event. (1) In NetView, a record indicating irregularities of operation in physical elements of a network. (2) An occurrence of significance to a task; for example, the completion of an asynchronous operation, such as an input/output operation. (3) Events are part of a trigger condition, in a way that if all events of a trigger condition have occurred, a *STARTUP* or *SHUTDOWN* of an application is performed.

exception condition. An occurrence on a system that is a deviation from normal operation. SA z/OS monitoring highlights exception conditions and allows an SA z/OS enterprise to be managed by exception.

extended recovery facility (XRF). A facility that minimizes the effect of failures in z/OS, VTAM, the host processor, or high availability applications during sessions between high availability applications and designated terminals. This facility provides an alternate subsystem to take over sessions from the failing subsystem.

F

fallback system. See *secondary system*.

field. A collection of bytes within a record that are logically related and are processed as a unit.

file manager commands. A set of SA z/OS commands that read data from or write data to the automation control file or the operational information base. These commands are useful in the development of automation that uses SA z/OS facilities.

focal point. In NetView, the focal-point domain is the central host domain. It is the central control point for any management services element containing control of the network management data.

focus host. A processor with the role in the context of a unified system image

focal point system. (1) A system that can administer, manage, or control one or more target systems. There are a number of different focal point systems associated with IBM automation products. (2) **NMC focal point system.** The NMC focal point system is a NetView system with an attached workstation server and LAN that gathers information about the state of the network. This focal point system uses RODM to store the data it collects in the data model. The information stored in RODM can be accessed from any LAN-connected workstation with NetView Management Console installed. (3) **NPDA focal point system.** This is a NetView system that collects all the NPDA alerts that are generated within your enterprise. It is supported by NetView. If you have SA z/OS installed the NPDA focal point system must be the same as your NMC focal point system. The NPDA focal point system is also known as the *alert focal point system*. (4) **SA z/OS Processor Operations focal point system.** This is a NetView system that has SA z/OS host code installed. The SA z/OS Processor Operations focal point system receives messages from the systems and operator consoles of the machines that it controls. It provides full systems and operations console function for its target systems. It can be used to IPL these systems. Note that some restrictions apply to the Hardware Management Console for an S/390 microprocessor cluster. (5) **SA z/OS SDF focal point system.** The SA z/OS SDF focal point system is an SA z/OS NetView system that collects status information from other SA z/OS NetViews within your enterprise. (6) **Status focal point system.** In NetView, the system to which STATMON, VTAM and NLDM send status information on network resources. If you have a NMC focal point, it must be on the same system as the Status focal point. (7) **Hardware Management Console.** Although not listed as a focal point, the Hardware Management Console acts as a focal point for the console functions of an S/390 microprocessor cluster. Unlike all the other focal points in this definition, the

Hardware Management Console runs on a LAN-connected workstation,

frame. For a System/390 microprocessor cluster, a frame contains one or two central processor complexes (CPCs), support elements, and AC power distribution.

full-screen mode. In NetView, a form of panel presentation that makes it possible to display the contents of an entire workstation screen at once. Full-screen mode can be used for fill-in-the-blanks prompting. Contrast with *line mode*.

G

gateway session. A NetView-NetView Task session with another system in which the SA z/OS outbound gateway operator logs onto the other NetView session without human operator intervention. Each end of a gateway session has both an inbound and outbound gateway operator.

generic alert. Encoded alert information that uses code points (defined by IBM and possibly customized by users or application programs) stored at an alert receiver, such as NetView.

generic routines. In SA z/OS, a set of self-contained automation routines that can be called from the NetView automation table, or from user-written automation procedures.

group. A collection of target systems defined through configuration dialogs. An installation might set up a group to refer to a physical site or an organizational or application entity.

group entry. A construct, created with the customization dialogs, used to represent and contain policy for a group.

group entry type. A collection of target systems defined through the customization dialog. An installation might set up a group to refer to a physical site or an organizational entity. Groups can, for example, be of type STANDARD or SYSPLEX.

H

Hardware Management Console. A console used by the operator to monitor and control a System/390 microprocessor cluster.

Hardware Management Console Application (HWMCA). A direct-manipulation object-oriented graphical user interface that provides single point of control and single system image for hardware elements. HWMCA provides customer grouping support, aggregated and real-time system status using colors, consolidated hardware messages support, consolidated operating system messages support, consolidated

service support, and hardware commands targeted at a single system, multiple systems, or a customer group of systems.

heartbeat. In SA z/OS, a function that monitors the validity of the status forwarding path between remote systems and the NMC focal point, and monitors the availability of remote z/OS systems, to ensure that status information displayed on the SA z/OS workstation is current.

help panel. An online panel that tells you how to use a command or another aspect of a product.

hierarchy. In the NetView program, the resource types, display types, and data types that make up the organization, or levels, in a network.

high-level language (HLL). A programming language that does not reflect the structure of any particular computer or operating system. For the NetView program, the high-level languages are PL/I and C.

HLL. High-level language.

host system. In a coupled system or distributed system environment, the system on which the facilities for centralized automation run. SA z/OS publications refer to target systems or focal-point systems instead of hosts.

host (primary processor). The processor at which you enter a command (also known as the *issuing processor*).

HWMCA. Hardware Management Console Application. Application for the graphic hardware management console that monitors and controls a central processor complex. It is attached to a target processor (a system 390 microprocessor cluster) as a dedicated system console. This microprocessor uses OCF to process commands.

I

images. A grouping of processors and I/O devices that you define. You can define a single-image mode that allows a multiprocessor system to function as one central processor image.

IMS/VS. Information Management System/Virtual Storage.

inbound. In SA z/OS, messages sent to the focal-point system from the PC or target system.

inbound gateway operator. The automation operator that receives incoming messages, commands, and responses from the outbound gateway operator at the sending system. The inbound gateway operator handles communications with other systems using a gateway session.

Information Management System/Virtual Storage (IMS/VS). A database/data communication (DB/DC) system that can manage complex databases and networks. Synonymous with IMS.

INGEIO PROC. The I/O operations default procedure name; part of the SYS1.PROCLIB.

initial program load (IPL). (1) The initialization procedure that causes an operating system to commence operation. (2) The process by which a configuration image is loaded into storage at the beginning of a workday or after a system malfunction. (3) The process of loading system programs and preparing a system to run jobs.

initialize automation. SA z/OS-provided automation that issues the correct z/OS start command for each subsystem when SA z/OS is initialized. The automation ensures that subsystems are started in the order specified in the automation control file and that prerequisite applications are functional.

input/output support processor (IOSP). The hardware unit that provides I/O support functions for the primary support processor and maintenance support functions for the processor controller.

Interactive System Productivity Facility (ISPF). An IBM licensed program that serves as a full-screen editor and dialog manager. Used for writing application programs, it provides a means of generating standard screen panels and interactive dialogs between the application programmer and the terminal user.

interested operator list. The list of operators who are to receive messages from a specific target system.

internal token. A *logical token* (LTOK); name by which the I/O resource or object is known; stored in IODF.

IOCDs. I/O configuration data set. The data set that describes the I/O configuration.

I/O Ops. I/O operations.

IOSP. Input/Output Support Processor.

I/O operations. The part of SA z/OS that provides you with a single point of logical control for managing connectivity in your active I/O configurations. I/O operations takes an active role in detecting unusual conditions and lets you view and change paths between a processor and an I/O device, using dynamic switching (the ESCON director). Also known as I/O Ops.

I/O resource number. Combination of channel path identifier (CHPID), device number, etc. See internal token.

IPL. Initial program load.

ISA. Industry Standard Architecture.

ISPF. Interactive System Productivity Facility.

ISPF console. From this 3270-type console you are logged onto ISPF to use the runtime panels for I/O operations and SA z/OS customization panels.

issuing host. See *primary host*; the base program at which you enter a command for processing.

J

JCL. Job control language.

JES. Job entry subsystem.

job. (1) A set of data that completely defines a unit of work for a computer. A job usually includes all necessary computer programs, linkages, files, and instructions to the operating system. (2) An address space.

job control language (JCL). A problem-oriented language designed to express statements in a job that are used to identify the job or describe its requirements to an operating system.

job entry subsystem (JES). A facility for spooling, job queuing, and managing I/O. In SA z/OS publications, JES refers to JES2 or JES3, unless distinguished as being either one or the other.

K

Kanji. An ideographic character set used in Japanese. See also *double-byte character set*.

L

LAN. Local area network.

line mode. A form of screen presentation in which the information is presented a line at a time in the message area of the terminal screen. Contrast with *full-screen mode*.

link. (1) In SNA, the combination of the link connection and the link stations joining network nodes; for example, a System/370 channel and its associated protocols, a serial-by-bit connection under the control of synchronous data link control (SDLC). (2) In SA z/OS, link connection is the physical medium of transmission.

link-attached. Describes devices that are physically connected by a telecommunication line. Contrast with *channel-attached*.

Linux for zSeries and S/390. UNIX-like open source operating system conceived by Linus Torvalds and developed across the internet.

local. Pertaining to a device accessed directly without use of a telecommunication line. Synonymous with *channel-attached*.

local area network (LAN). (1) A network in which a set of devices is connected for communication. They can be connected to a larger network. See also *token ring*. (2) A network in which communications are limited to a moderately-sized geographic area such as a single office building, warehouse, or campus, and that do not generally extend across public rights-of-way.

logical partition (LP). A subset of the processor hardware that is defined to support an operating system. See also *logically partitioned (LPAR) mode*.

logical switch number (LSN). Assigned with the switch parameter of the CHPID macro of the IOCP.

logical token (LTOK). Resource number of an object in the IODF.

logical unit (LU). In SNA, a port through which an end user accesses the SNA network and the functions provided by system services control points (SSCPs). An LU can support at least two sessions — one with an SSCP and one with another LU — and may be capable of supporting many sessions with other LUs. See also *physical unit (PU)* and *system services control point (SSCP)*.

logical unit (LU) 6.2. A type of logical unit that supports general communications between programs in a distributed processing environment. LU 6.2 is characterized by (a) a peer relationship between session partners, (b) efficient use of a session for multiple transactions, (c) comprehensive end-to-end error processing, and (d) a generic application program interface (API) consisting of structured verbs that are mapped into a product implementation. Synonym for advanced program-to-program communications (APPC).

logically partitioned (LPAR) mode. A central processor mode that enables an operator to allocate system processor hardware resources among several logical partitions. Contrast with *basic mode*.

LOGR. The sysplex logger.

LP. Logical partition.

LPAR. Logically partitioned (mode).

LU. Logical unit.

LU-LU session. In SNA, a session between two logical units (LUs) in an SNA network. It provides communication between two end users, or between an end user and an LU services component.

LU 6.2. Logical unit 6.2.

LU 6.2 session. A session initiated by VTAM on behalf of an LU 6.2 application program, or a session initiated by a remote LU in which the application program specifies that VTAM is to control the session by using the APPCCMD macro.

M

MAT. Deprecated term for NetView Automation Table.

MCA. Micro Channel* architecture.

MCS. Multiple console support.

member. A specific function (one or more modules/routines) of a multisystem application that is defined to XCF and assigned to a group by the multisystem application. A member resides on one system in the sysplex and can use XCF services to communicate (send and receive data) with other members of the same group.

message automation table (MAT). Deprecated term for NetView Automation Table.

message class. A number that SA z/OS associates with a message to control routing of the message. During automated operations, the classes associated with each message issued by SA z/OS are compared to the classes assigned to each notification operator. Any operator with a class matching one of the message's classes receives the message.

message forwarding. The SA z/OS process of sending messages generated at an SA z/OS target system to the SA z/OS focal-point system.

message group. Several messages that are displayed together as a unit.

message monitor task. A task that starts and is associated with a number of communications tasks. Message monitor tasks receive inbound messages from a communications task, determine the originating target system, and route the messages to the appropriate target control tasks.

message processing facility (MPF). A z/OS table that screens all messages sent to the z/OS console. The MPF compares these messages with a customer-defined list of messages on which to automate, suppress from the z/OS console display, or both, and marks messages to automate or suppress. Messages are then broadcast on the subsystem interface (SSI).

message suppression. The ability to restrict the amount of message traffic displayed on the z/OS console.

Micro Channel architecture. The rules that define how subsystems and adapters use the Micro Channel bus in a computer. The architecture defines the services that each subsystem can or must provide.

microprocessor. A processor implemented on one or a small number of chips.

migration. Installation of a new version or release of a program to replace an earlier version or release.

MP. Multiprocessor.

MPF. Message processing facility.

MPFLSTSA. The MPFLST member that is built by SA z/OS.

Multiple Virtual Storage (MVS). An IBM licensed program. MVS, which is the predecessor of OS/390, is an operating system that controls the running of programs on a System/390 or System/370 processor. MVS includes an appropriate level of the Data Facility Product (DFP) and Multiple Virtual Storage/Enterprise Systems Architecture System Product Version 5 (MVS/ESA SP5).

multiprocessor (MP). A CPC that can be physically partitioned to form two operating processor complexes.

multisystem application. An application program that has various functions distributed across z/OS images in a multisystem environment.

multisystem environment. An environment in which two or more z/OS images reside in one or more processors, and programs on one image can communicate with programs on the other images.

MVS. Multiple Virtual Storage, predecessor of z/OS.

MVS image. A single occurrence of the MVS/ESA operating system that has the ability to process work.

MVS/JES2. Multiple Virtual Storage/Job Entry System 2. A z/OS subsystem that receives jobs into the system, converts them to internal format, selects them for execution, processes their output, and purges them from the system. In an installation with more than one processor, each JES2 processor independently controls its job input, scheduling, and output processing.

MVS/ESA. Multiple Virtual Storage/Enterprise Systems Architecture.

N

NAU. (1) Network accessible unit. (2) Network addressable unit.

NCCF. Network Communications Control Facility.

NCP. (1) Network Control Program (IBM licensed program). Its full name is Advanced Communications Function for the Network Control Program. Synonymous with *ACF/NCP*. (2) Network control program (general term).

NetView. An IBM licensed program used to monitor a network, manage it, and diagnose network problems. NetView consists of a command facility that includes a presentation service, command processors, automation based on command lists, and a transaction processing structure on which the session monitor, hardware monitor, and terminal access facility (TAF) network management applications are built.

network accessible unit (NAU). A logical unit (LU), physical unit (PU), control point (CP), or system services control point (SSCP). It is the origin or the destination of information transmitted by the path control network. Synonymous with *network addressable unit*.

network addressable unit (NAU). Synonym for *network accessible unit*.

NetView automation procedures. A sequence of commands, packaged as a NetView command list or a command processor written in a high-level language. An automation procedure performs automation functions and runs under the NetView program.

NetView automation table (AT). A table against which the NetView program compares incoming messages. A match with an entry triggers the specified response. SA z/OS entries in the NetView automation table trigger an SA z/OS response to target system conditions. Formerly known as the message automation table (MAT).

NetView Command list language. An interpretive language unique to NetView that is used to write command lists.

NetView (NCCF) console. A 3270-type console for NetView commands and runtime panels for system operations and processor operations.

NetView Graphic Monitor Facility (NGMF). Deprecated term for NetView Management Console.

NetView hardware monitor. The component of NetView that helps identify network problems, such as hardware, software, and microcode, from a central control point using interactive display techniques. Formerly called *network problem determination application*.

NetView log. The log in which NetView records events pertaining to NetView and SA z/OS activities.

NetView message table. See *NetView automation table*.

NetView Management Console (NMC). A function of the NetView program that provides a graphic, topological presentation of a network that is controlled by the NetView program. It provides the operator different views of a network, multiple levels of graphical detail, and dynamic resource status of the network. This function consists of a series of graphic

windows that allows you to manage the network interactively. Formerly known as the NetView Graphic Monitor Facility (NGMF).

NetView-NetView task (NNT). The task under which a cross-domain NetView operator session runs. Each NetView program must have a NetView-NetView task to establish one NNT session. See also *operator station task*.

NetView-NetView Task session. A session between two NetView programs that runs under a NetView-NetView Task. In SA z/OS, NetView-NetView Task sessions are used for communication between focal point and remote systems.

NetView paths via logical unit (LU 6.2). A type of network-accessible port (VTAM connection) that enables end users to gain access to SNA network resources and communicate with each other. LU 6.2 permits communication between processor operations and the workstation.

network. (1) An interconnected group of nodes. (2) In data processing, a user application network. See *SNA network*.

Network Communications Control Facility (NCCF). The operations control facility for the network. NCCF consists of a presentation service, command processors, automation based on command lists, and a transaction processing structure on which the network management applications NLDM and NPDA are built. NCCF is a precursor to the NetView command facility.

Network Control Program (NCP). An IBM licensed program that provides communication controller support for single-domain, multiple-domain, and interconnected network capability. Its full name is Advanced Communications Function for the Network Control Program.

Networking NetView. In SA z/OS the NetView that performs network management functions, such as managing the configuration of a network. In SA z/OS it is common to also route alerts to the Networking NetView.

Network Problem Determination Application (NPDA). An NCCF application that helps you identify network problems, such as hardware, software, and microcode, from a central control point using interactive display methods. The alert manager for the network. The precursor of the NetView hardware monitor.

NGMF. Deprecated term for NetView Management Console.

NGMF focal-point system. Deprecated term for NMC focal point system.

NIP. Nucleus initialization program.

NMC focal point system. See *focal point system*

NMC workstation. The NMC workstation is the primary way to dynamically monitor SA z/OS systems. From the windows, you see messages, monitor status, view trends, and react to changes before they cause problems for end users. You can use multiple windows to monitor multiple views of the system.

NNT. NetView-NetView task.

notification message. An SA z/OS message sent to a human notification operator to provide information about significant automation actions. Notification messages are defined using the customization dialogs.

notification operator. A NetView console operator who is authorized to receive SA z/OS notification messages. Authorization is made through the customization dialogs.

NPDA. Network Problem Determination Application.

NPDA focal-point system. See *focal-point system*.

NTRI. NCP/token-ring interconnection.

nucleus initialization program (NIP). The program that initializes the resident control program; it allows the operator to request last-minute changes to certain options specified during system generation.

O

objective value. An average Workflow or Using value that SA z/OS can calculate for applications from past service data. SA z/OS uses the objective value to calculate warning and alert thresholds when none are explicitly defined.

OCA. In SA z/OS, operator console A, the active operator console for a target system. Contrast with *OCB*.

OCB. In SA z/OS, operator console B, the backup operator console for a target system. Contrast with *OCA*.

OCF. Operations command facility.

OCF-based processor. A central processor complex that uses an operations command facility for interacting with human operators or external programs to perform operations management functions on the CPC.

OPC/A. Operations Planning and Control/Advanced.

OPC/ESA. Operations Planning and Control/Enterprise Systems Architecture.

operating system (OS). Software that controls the execution of programs and that may provide services such as resource allocation, scheduling, input/output

control, and data management. Although operating systems are predominantly software, partial hardware implementations are possible. (T)

operations. The real-time control of a hardware device or software function.

operations command facility (OCF). A facility of the central processor complex that accepts and processes operations management commands.

Operations Planning and Control/Advanced (OPC/A). A set of IBM licensed programs that automate, plan, and control batch workload. OPC/A analyzes system and workload status and submits jobs accordingly.

Operations Planning and Control/ESA (OPC/ESA). A set of IBM licensed programs that automate, plan, and control batch workload. OPC/ESA analyzes system and workload status and submits jobs accordingly. The successor to OPC/A.

operator. (1) A person who keeps a system running. (2) A person or program responsible for managing activities controlled by a given piece of software such as z/OS, the NetView program, or IMS. (3) A person who operates a device. (4) In a language statement, the lexical entity that indicates the action to be performed on operands.

operator console. (1) A functional unit containing devices that are used for communications between a computer operator and a computer. (T) (2) A display console used for communication between the operator and the system, used primarily to specify information concerning application programs and I/O operations and to monitor system operation. (3) In SA z/OS, a console that displays output from and sends input to the operating system (z/OS, LINUX, VM, VSE). Also called *operating system console*. In the SA z/OS operator commands and configuration dialogs, OC is used to designate a target system operator console.

operator station task (OST). The NetView task that establishes and maintains the online session with the network operator. There is one operator station task for each network operator who logs on to the NetView program.

operator view. A set of group, system, and resource definitions that are associated together for monitoring purposes. An operator view appears as a graphic display in the graphical interface showing the status of the defined groups, systems, and resources.

OperatorView entry. A construct, created with the customization dialogs, used to represent and contain policy for an operator view.

OS. Operating system.

z/OS component. A part of z/OS that performs a specific z/OS function. In SA z/OS, component refers to entities that are managed by SA z/OS automation.

z/OS subsystem. Software products that augment the z/OS operating system. JES and TSO/E are examples of z/OS subsystems. SA z/OS includes automation for some z/OS subsystems.

z/OS system. A z/OS image together with its associated hardware, which collectively are often referred to simply as a system, or z/OS system.

OSA. I/O operations can display the open system adapter (OSA) channel logical definition, physical attachment, and status. You can configure an OSA channel on or off.

OST. Operator station task.

outbound. In SA z/OS, messages or commands from the focal-point system to the target system.

outbound gateway operator. The automation operator that establishes connections to other systems. The outbound gateway operator handles communications with other systems through a gateway session. The automation operator sends messages, commands, and responses to the inbound gateway operator at the receiving system.

P

page. (1) The portion of a panel that is shown on a display surface at one time. (2) To transfer instructions, data, or both between real storage and external page or auxiliary storage.

panel. (1) A formatted display of information that appears on a terminal screen. Panels are full-screen 3270-type displays with a monospaced font, limited color and graphics. (2) By using SA z/OS panels you can see status, type commands on a command line using a keyboard, configure your system, and passthru to other consoles. See also *help panel*. (3) In computer graphics, a display image that defines the locations and characteristics of display fields on a display surface. Contrast with *screen*.

parallel channels. Parallel channels operate in either byte (BY) or block (BL) mode. You can change connectivity to a parallel channel operating in block mode.

parameter. (1) A variable that is given a constant value for a specified application and that may denote the application. (2) An item in a menu for which the user specifies a value or for which the system provides a value when the menu is interpreted. (3) Data passed to a program or procedure by a user or another program, namely as an operand in a language statement, as an item in a menu, or as a shared data structure.

partition. (1) A fixed-size division of storage. (2) In VSE, a division of the virtual address area that is available for program processing. (3) On an IBM Personal Computer fixed disk, one of four possible storage areas of variable size; one can be accessed by DOS, and each of the others may be assigned to another operating system.

partitionable CPC. A CPC that can be divided into 2 independent CPCs. See also *physical partition*, *single-image mode*, *MP*, *side*.

partitioned data set (PDS). A data set in direct access storage that is divided into partitions, called *members*, each of which can contain a program, part of a program, or data.

passive monitoring. In SA z/OS, the receiving of unsolicited messages from z/OS systems and their resources. These messages can prompt updates to resource status displays. See also *active monitoring*.

PCE. Processor controller. Also known as the “support processor” or “service processor” in some processor families.

PDB. Policy Database

PDS. Partitioned data set.

physical partition. Part of a CPC that operates as a CPC in its own right, with its own copy of the operating system.

physical unit (PU). In SNA, the component that manages and monitors the resources (such as attached links and adjacent link stations) of a node, as requested by a system services control point (SSCP) through an SSCP-PU session. An SSCP activates a session with the physical unit to indirectly manage, through the PU, resources of the node such as attached links.

physically partitioned (PP) configuration. A mode of operation that allows a multiprocessor (MP) system to function as two or more independent CPCs having separate power, water, and maintenance boundaries. Contrast with *single-image (SI) configuration*.

POI. Program operator interface.

policy. The automation and monitoring specifications for an SA z/OS enterprise. See *IBM Tivoli System Automation for z/OS Defining Automation Policy*.

policy database. The database where the automation policy is recorded. Also known as the PDB.

POR. Power-on reset.

port. (1) System hardware to which the I/O devices are attached. (2) On an ESCON switch, a port is an addressable connection. The switch routes data through the ports to the channel or control unit. Each port has a name that can be entered into a switch matrix, and you

can use commands to change the switch configuration. (3) An access point (for example, a logical unit) for data entry or exit. (4) A functional unit of a node through which data can enter or leave a data network. (5) In data communication, that part of a data processor that is dedicated to a single data channel for the purpose of receiving data from or transmitting data to one or more external, remote devices. (6) power-on reset (POR) (7) A function that re-initializes all the hardware in a CPC and loads the internal code that enables the CPC to load and run an operating system.

PP. Physically partitioned (configuration).

PPT. Primary POI task.

primary host. The base program at which you enter a command for processing.

primary POI task (PPT). The NetView subtask that processes all unsolicited messages received from the VTAM program operator interface (POI) and delivers them to the controlling operator or to the command processor. The PPT also processes the initial command specified to execute when NetView is initialized and timer request commands scheduled to execute under the PPT.

primary system. A system is a primary system for an application if the application is normally meant to be running there. SA z/OS starts the application on all the primary systems defined for it.

problem determination. The process of determining the source of a problem; for example, a program component, machine failure, telecommunication facilities, user or contractor-installed programs or equipment, environment failure such as a power loss, or user error.

processor controller. Hardware that provides support and diagnostic functions for the central processors.

processor operations. The part of SA z/OS that monitors and controls processor (hardware) operations. Processor operations provides a connection from a focal-point system to a target system. Through NetView on the focal-point system, processor operations automates operator and system consoles for monitoring and recovering target systems. Also known as ProcOps.

processor operations control file. Named by your system programmer, this file contains configuration and customization information. The programmer records the name of this control file in the processor operations file generation panel ISQDPG01.

Processor Resource/Systems Manager (PR/SM). The feature that allows the processor to use several operating system images simultaneously and provides logical partitioning capability. See also *LPAR*.

ProcOps. Processor operations.

ProcOps Service Machine (PSM). The PSM is a CMS user on a VM host system. It runs a CMS multitasking application that serves as "virtual hardware" for ProcOps. ProcOps communicates via the PSM with the VM guest systems that are defined as target systems within ProcOps.

product automation. Automation integrated into the base of SA z/OS for the products DB2, CICS, IMS, OPC (formerly called *features*).

program to program interface (PPI). A NetView function that allows user programs to send or receive data buffers from other user programs and to send alerts to the NetView hardware monitor from system and application programs.

protocol. In SNA, the meanings of, and the sequencing rules for, requests and responses used for managing the network, transferring data, and synchronizing the states of network components.

proxy resource. A resource defined like an entry type APL representing a processor operations target system.

PR/SM. Processor Resource/Systems Manager.

PSM. ProcOps Service Machine.

PU. Physical unit.

R

remote system. A system that receives resource status information from an SA z/OS focal-point system. An SA z/OS remote system is defined as part of the same SA z/OS enterprise as the SA z/OS focal-point system to which it is related.

requester. A requester is a workstation software, which enables users to log on to a domain, that is, to the server(s) belonging to this domain, and use the resources in this domain. After the log on to a domain, users can access the shared resources and use the processing capability of the server(s). Because the bigger part of shared resources is on the server(s), users can reduce hardware investment.

resource. (1) Any facility of the computing system or operating system required by a job or task, and including main storage, input/output devices, the processing unit, data sets, and control or processing programs. (2) In NetView, any hardware or software that provides function to the network. (3) In SA z/OS, any z/OS application, z/OS component, job, device, or target system capable of being monitored or automated through SA z/OS.

Resource Access Control Facility (RACF). A program that can provide data security for all your resources. RACF protects data from accidental or deliberate unauthorized disclosure, modification, or destruction.

resource group. A physically partitionable portion of a processor. Also known as a *side*.

Resource Monitoring Facility (RMF) Monitor III. A program that measures and reports on the availability and activity of system hardware and software resources, such as processors, devices, storage, and address spaces. RMF can issue online reports about system performance problems as they occur.

Resource Object Data Manager (RODM). A data cache manager designed to support process control and automation applications. RODM provides an in-memory data cache for maintaining real-time data in an address space that is accessible by multiple applications. RODM also allows an application to query an object and receive a rapid response and act on it.

resource token. A unique internal identifier of an ESCON resource or resource number of the object in the IODF.

restart automation. SA z/OS-provided automation that monitors subsystems to ensure that they are running. If a subsystem fails, SA z/OS attempts to restart it according to the policy in the automation control file.

Restructured Extended Executor (REXX). An interpretive language used to write command lists.

return code. A code returned from a program used to influence the issuing of subsequent instructions.

REXX. Restructured Extended Executor.

REXX procedure. A command list written with the Restructured Extended Executor (REXX), which is an interpretive language.

RMF. Resource Measurement Facility.

RODM. Resource Object Data Manager.

S

SAF. Security Authorization Facility.

SA z/OS. System Automation for z/OS

SA z/OS customization dialogs. An ISPF application through which the SA z/OS policy administrator defines policy for individual z/OS systems and builds automation control data and RODM load function files.

SA z/OS customization focal point system. See *focal point system*.

SA z/OS data model. The set of objects, classes and entity relationships necessary to support the function of SA z/OS and the NetView automation platform.

SA z/OS enterprise. The group of systems and resources defined in the customization dialogs under one enterprise name. An SA z/OS enterprise consists of connected z/OS systems running SA z/OS.

SA z/OS focal point system. See *focal point system*.

SA z/OS policy. The description of the systems and resources that make up an SA z/OS enterprise, together with their monitoring and automation definitions.

SA z/OS policy administrator. The member of the operations staff who is responsible for defining SA z/OS policy.

SA z/OS satellite. If you are running two NetViews on an z/OS system to split the automation and networking functions of NetView, it is common to route alerts to the Networking NetView. For SA z/OS to process alerts properly on the Networking NetView, you must install a subset of SA z/OS code, called an *SA z/OS satellite* on the Networking NetView.

SA z/OS SDF focal point system. See *focal point system*.

SCA. In SA z/OS, system console A, the active system console for a target hardware. Contrast with *SCB*.

SCB. In SA z/OS, system console B, the backup system console for a target hardware. Contrast with *SCA*.

screen. Deprecated term for display panel.

screen handler. In SA z/OS, software that interprets all data to and from a full-screen image of a target system. The interpretation depends on the format of the data on the full-screen image. Every processor and operating system has its own format for the full-screen image. A screen handler controls one PS/2 connection to a target system.

SDF. Status Display Facility.

SDLC. Synchronous data link control.

SDSF. System Display and Search Facility.

secondary system. A system is a secondary system for an application if it is defined to automation on that system, but the application is not normally meant to be running there. Secondary systems are systems to which an application can be moved in the event that one or more of its primary systems are unavailable. SA z/OS does not start the application on its secondary systems.

server. A server is a workstation that shares resources, which include directories, printers, serial devices, and computing powers.

service language command (SLC). The line-oriented command language of processor controllers or service processors.

service processor (SVP). The name given to a processor controller on smaller System/370 processors.

service period. Service periods allow the users to schedule the availability of applications. A service period is a set of time intervals (service windows), during which an application should be active.

service threshold. An SA z/OS policy setting that determines when to notify the operator of deteriorating service for a resource. See also *alert threshold* and *warning threshold*.

session. In SNA, a logical connection between two network addressable units (NAUs) that can be activated, tailored to provide various protocols, and deactivated, as requested. Each session is uniquely identified in a transmission header by a pair of network addresses identifying the origin and destination NAUs of any transmissions exchanged during the session.

session monitor. The component of the NetView program that collects and correlates session-related data and provides online access to this information. The successor to NLDM.

shutdown automation. SA z/OS-provided automation that manages the shutdown process for subsystems by issuing shutdown commands and responding to prompts for additional information.

side. A part of a partitionable CPC that can run as a physical partition and is typically referred to as the A-side or the B-side.

Simple Network Management Protocol (SNMP). An IP based industry standard protocol to monitor and control resources in an IP network.

single image. A processor system capable of being physically partitioned that has not been physically partitioned. Single-image systems can be target hardware processors.

single-image (SI) mode. A mode of operation for a multiprocessor (MP) system that allows it to function as one CPC. By definition, a uniprocessor (UP) operates in single-image mode. Contrast with *physically partitioned (PP) configuration*.

SLC. Service language command.

SMP/E. System Modification Program Extended.

SNA. Systems Network Architecture.

SNA network. In SNA, the part of a user-application network that conforms to the formats and protocols of systems network architecture. It enables reliable

transfer of data among end users and provides protocols for controlling the resources of various network configurations. The SNA network consists of network addressable units (NAUs), boundary function components, and the path control network.

SNMP. Simple Network Management Protocol (a TCP/IP protocol). A protocol that allows network management by elements, such as gateways, routers, and hosts. This protocol provides a means of communication between network elements regarding network resources.

solicited message. An SA z/OS message that directly responds to a command. Contrast with *unsolicited message*.

SSCP. System services control point.

SSI. Subsystem interface.

start automation. SA z/OS-provided automation that manages and completes the startup process for subsystems. During this process, SA z/OS replies to prompts for additional information, ensures that the startup process completes within specified time limits, notifies the operator of problems, if necessary, and brings subsystems to an UP (or ready) state.

startup. The point in time at which a subsystem or application is started.

status. The measure of the condition or availability of the resource.

status focal-point system. See *focal—point system*.

status display facility (SDF). The system operations part of SA z/OS that displays status of resources such as applications, gateways, and write-to-operator messages (WTOs) on dynamic color-coded panels. SDF shows spool usage problems and resource data from multiple systems.

steady state automation. The routine monitoring, both for presence and performance, of subsystems, applications, volumes and systems. Steady state automation may respond to messages, performance exceptions and discrepancies between its model of the system and reality.

structure. A construct used by z/OS to map and manage storage on a coupling facility. See cache structure, list structure, and lock structure.

subgroup. A named set of systems. A subgroup is part of an SA z/OS enterprise definition and is used for monitoring purposes.

SubGroup entry. A construct, created with the customization dialogs, used to represent and contain policy for a subgroup.

| **subplex.** Situations where the physical sysplex has
| been divided into subentities, for example, a test
| sysplex and a production sysplex. This may be done to
| isolate the test environment from the production
| environment.

subsystem. (1) A secondary or subordinate system, usually capable of operating independent of, or asynchronously with, a controlling system. (2) In SA z/OS, an z/OS application or subsystem defined to SA z/OS.

subsystem interface. The z/OS interface over which all messages sent to the z/OS console are broadcast.

support element. A hardware unit that provides communications, monitoring, and diagnostic functions to a central processor complex (CPC).

support processor. Another name given to a processor controller on smaller System/370 processors; see *service processor*.

SVP. Service processor.

switches. ESCON directors are electronic units with ports that dynamically switch to route data to I/O devices. The switches are controlled by I/O operations commands that you enter on a workstation.

switch identifier. The switch device number (swchdevn), the logical switch number (LSN) and the switch name

symbolic destination name (SDN). Used locally at the workstation to relate to the VTAM application name.

synchronous data link control (SDLC). A discipline for managing synchronous, code-transparent, serial-by-bit information transfer over a link connection. Transmission exchanges may be duplex or half-duplex over switched or nonswitched links. The configuration of the link connection may be point-to-point, multipoint, or loop. SDLC conforms to subsets of the Advanced Data Communication Control Procedures (ADCCP) of the American National Standards Institute and High-Level Data Link Control (HDLC) of the International Standards Organization.

SYSINFO Report. An RMF report that presents an overview of the system, its workload, and the total number of jobs using resources or delayed for resources.

SysOps. System operations.

sysplex. A set of z/OS systems communicating and cooperating with each other through certain multisystem hardware components (coupling devices and timers) and software services (couple data sets).

In a sysplex, z/OS provides the coupling services that handle the messages, data, and status for the parts of a multisystem application that has its workload spread

across two or more of the connected processors, sysplex timers, coupling facilities, and couple data sets (which contains policy and states for automation).

A Parallel Sysplex is a sysplex that includes a coupling facility.

sysplex application group. A sysplex application group is a grouping of applications that can run on any system in a sysplex.

sysplex couple data set. A couple data set that contains sysplex-wide data about systems, groups, and members that use XCF services. All z/OS systems in a sysplex must have connectivity to the sysplex couple data set. See also *couple data set*.

Sysplex Timer. An IBM unit that synchronizes the time-of-day (TOD) clocks in multiple processors or processor sides. External Time Reference (ETR) is the z/OS generic name for the IBM Sysplex Timer (9037).

system. In SA z/OS, system means a focal point system (z/OS) or a target system (MVS, VM, VSE, LINUX, or CF).

System Automation for z/OS. The full name for SA z/OS.

System Automation for OS/390. The full name for SA OS/390, the predecessor to System Automation for z/OS.

system console. (1) A console, usually having a keyboard and a display screen, that is used by an operator to control and communicate with a system. (2) A logical device used for the operation and control of hardware functions (for example, IPL, alter/display, and reconfiguration). The system console can be assigned to any of the physical displays attached to a processor controller or support processor. (3) In SA z/OS, the hardware system console for processor controllers or service processors of processors connected using SA z/OS. In the SA z/OS operator commands and configuration dialogs, SC is used to designate the system console for a target hardware processor.

System Display and Search Facility (SDSF). An IBM licensed program that provides information about jobs, queues, and printers running under JES2 on a series of panels. Under SA z/OS you can select SDSF from a pull-down menu to see the resources' status, view the z/OS system log, see WTOR messages, and see active jobs on the system.

System entry. A construct, created with the customization dialogs, used to represent and contain policy for a system.

System Modification Program/Extended (SMP/E). An IBM licensed program that facilitates the process of installing and servicing an z/OS system.

system operations. The part of SA z/OS that monitors and controls system operations applications and subsystems such as NetView, SDSF, JES, RMF, TSO, RODM, ACF/VTAM, CICS, IMS, and OPC. Also known as SysOps.

system services control point (SSCP). In SNA, the focal point within an SNA network for managing the configuration, coordinating network operator and problem determination requests, and providing directory support and other session services for end users of the network. Multiple SSCPs, cooperating as peers, can divide the network into domains of control, with each SSCP having a hierarchical control relationship to the physical units and logical units within its domain.

Systems Network Architecture (SNA). The description of the logical structure, formats, protocols, and operational sequences for transmitting information units through, and controlling the configuration and operation of, networks.

System/390 microprocessor cluster. A configuration that consists of central processor complexes (CPCs) and may have one or more integrated coupling facilities.

T

TAF. Terminal access facility.

target. A processor or system monitored and controlled by a focal-point system.

target control task. In SA z/OS, target control tasks process commands and send data to target systems and workstations through communications tasks. A target control task (a NetView autotask) is assigned to a target system when the target system is initialized.

target hardware. In SA z/OS, the physical hardware on which a target system runs. It can be a single-image or physically partitioned processor. Contrast with *target system*.

target system. (1) In a distributed system environment, a system that is monitored and controlled by the focal-point system. Multiple target systems can be controlled by a single focal-point system. (2) In SA z/OS, a computer system attached to the focal-point system for monitoring and control. The definition of a target system includes how remote sessions are established, what hardware is used, and what operating system is used.

task. (1) A basic unit of work to be accomplished by a computer. (2) In the NetView environment, an operator station task (logged-on operator), automation operator (autotask), application task, or user task. A NetView task performs work in the NetView environment. All

SA z/OS tasks are NetView tasks. See also *communications task*, *message monitor task*, and *target control task*.

telecommunication line. Any physical medium, such as a wire or microwave beam, that is used to transmit data.

terminal access facility (TAF). (1) A NetView function that allows you to log onto multiple applications either on your system or other systems. You can define TAF sessions in the SA z/OS customization panels so you don't have to set them up each time you want to use them. (2) In NetView, a facility that allows a network operator to control a number of subsystems. In a full-screen or operator control session, operators can control any combination of subsystems simultaneously.

terminal emulation. The capability of a microcomputer or personal computer to operate as if it were a particular type of terminal linked to a processing unit to access data.

threshold. A value that determines the point at which SA z/OS automation performs a predefined action. See *alert threshold*, *warning threshold*, and *error threshold*.

time of day (TOD). Typically refers to the time-of-day clock.

Time Sharing Option (TSO). An optional configuration of the operating system that provides conversational time sharing from remote stations. It is an interactive service on z/OS, MVS/ESA, and MVS/XA.

Time-Sharing Option/Extended (TSO/E). An option of z/OS that provides conversational timesharing from remote terminals. TSO/E allows a wide variety of users to perform many different kinds of tasks. It can handle short-running applications that use fewer sources as well as long-running applications that require large amounts of resources.

timers. A NetView command that issues a command or command processor (list of commands) at a specified time or time interval.

TOD. Time of day.

token ring. A network with a ring topology that passes tokens from one attaching device to another; for example, the IBM Token-Ring Network product.

TP. Transaction program.

transaction program. In the VTAM program, a program that performs services related to the processing of a transaction. One or more transaction programs may operate within a VTAM application program that is using the VTAM application program interface (API). In that situation, the transaction program would request services from the applications

program using protocols defined by that application program. The application program, in turn, could request services from the VTAM program by issuing the APPCCMD macro instruction.

transitional automation. The actions involved in starting and stopping subsystems and applications that have been defined to SA z/OS. This can include issuing commands and responding to messages.

translating host. Role played by a host that turns a resource number into a token during a unification process.

trigger. Triggers, in combination with events and service periods, are used to control the starting and stopping of applications in a single system or a parallel sysplex.

TSO. Time Sharing Option.

TSO console. From this 3270-type console you are logged onto TSO or ISPF to use the runtime panels for I/O operations and SA z/OS customization panels.

TSO/E. TSO Extensions.

U

UCB. The unit control block; an MVS/ESA data area that represents a device and that is used for allocating devices and controlling I/O operations.

unsolicited message. An SA z/OS message that is not a direct response to a command. Contrast with *solicited message*.

user task. An application of the NetView program defined in a NetView TASK definition statement.

Using. An RMF Monitor III definition. Jobs getting service from hardware resources (processors or devices) are **using** these resources. The use of a resource by an address space can vary from 0% to 100% where 0% indicates no use during a Range period, and 100% indicates that the address space was found using the resource in every sample during that period. See also *Workflow*.

V

view. In the NetView Graphic Monitor Facility, a graphical picture of a network or part of a network. A view consists of nodes connected by links and may also include text and background lines. A view can be displayed, edited, and monitored for status information about network resources.

Virtual Storage Extended (VSE). An IBM licensed program whose full name is Virtual Storage Extended/Advanced Function. It is an operating system that controls the execution of programs.

Virtual Telecommunications Access Method (VTAM). An IBM licensed program that controls communication and the flow of data in an SNA network. It provides single-domain, multiple-domain, and interconnected network capability. Its full name is Advanced Communications Function for the Virtual Telecommunications Access Method. Synonymous with *ACF/VTAM*.

VM/ESA. Virtual Machine/Enterprise Systems Architecture.

VM Second Level Systems Support. With this function, Processor Operations is able to control VM second level systems (VM guest systems) in the same way that it controls systems running on real hardware.

volume. A direct access storage device (DASD) volume or a tape volume that serves a system in an SA z/OS enterprise.

volume entry. A construct, created with the customization dialogs, used to represent and contain policy for a volume.

volume group. A named set of volumes. A volume group is part of a system definition and is used for monitoring purposes.

volume group entry. An construct, created with the customization dialogs, used to represent and contain policy for a volume group.

Volume Workflow. The SA z/OS Volume Workflow variable is derived from the RMF Resource Workflow definition, and is used to measure the performance of volumes. SA z/OS calculates Volume Workflow using:

$$\text{Volume Workflow \%} = \frac{\text{accumulated Using}}{\text{accumulated Using} + \text{accumulated Delay}} * 100$$

The definition of **Using** is the percentage of time when a job has had a request accepted by a channel for the volume, but the request is not yet complete.

The definition of **Delay** is the delay that waiting jobs experience because of contention for the volume. See also *Address Space Workflow*.

VSE. Virtual Storage Extended.

VTAM. Virtual Telecommunications Access Method.

W

warning threshold. An application or volume service value that determines the level at which SA z/OS changes the associated icon in the graphical interface to the warning color. See *alert threshold*.

workflow. See *Address Space Workflow* and *Volume Workflow*.

workstation. In SA z/OS workstation means the *graphic workstation* that an operator uses for day-to-day operations.

write-to-operator (WTO). A request to send a message to an operator at the z/OS operator console. This request is made by an application and is handled by the WTO processor, which is part of the z/OS supervisor program.

write-to-operator-with-reply (WTOR). A request to send a message to an operator at the z/OS operator console that requires a response from the operator. This request is made by an application and is handled by the WTO processor, which is part of the z/OS supervisor program.

WTO. Write-to-Operator.

WTOR. Write-to-Operator-with-Reply.

WWV. The US National Institute of Standards and Technology (NIST) radio station that provides standard time information. A second station, known as WWVB, provides standard time information at a different frequency.

X

XCF. Cross-system coupling facility.

XCF couple data set. The name for the sysplex couple data set prior to MVS/ESA System Product Version 5 Release 1. See also *sysplex couple data set*.

XCF group. A set of related members that a multisystem application defines to XCF. A member is a specific function, or instance, of the application. A member resides on one system and can communicate with other members of the same group across the sysplex.

XRF. Extended recovery facility.

Numerics

390-CMOS. Processor family group designator used in the SA z/OS processor operations documentation and in the online help to identify any of the following S/390 CMOS processor machine types: 9672, 9674, 2003, 3000, or 7060. SA z/OS processor operations uses the OCF facility of these processors to perform operations management functions. See *OCF-based processor*.

Index

A

- accessibility xi
- ACF command dialog 14
- ACF file manager command 14
- ACTIVATE command
 - description 293
 - of a VM guest system 297
 - status checks 324
- active
 - ACTIVE=SAVED on ESCD 396
- adding
 - your userid to the interested operator list 377
- additional parameters
 - for system operations commands 10
- ALLOW command 242
- alternate CDS
 - allocating 153
 - spare volumes 154
 - turn into primary CDS 154
- AOCHELP command dialog 17
- AOCTRACE command dialog 19
- AOFDEBUG command 19
- API
 - Query command rules 410
- application 5
 - related events 32, 35
- application group
 - setting status or attribute of 130
- assigning names
 - WRITE command 287
- assist mode 229
- attribute
 - of a resource or application group, setting 130
- attribute hierarchy 401
- attributes 405
- authorization levels 407
- automatic connectivity checks 391
- automation
 - from status message 368
 - keywords 363
 - turning flags on or off 77
- automation control file
 - saving 15
 - warm startup 15
- automation control file WARM start 14
- automation manager
 - initiating diagnostic functions 77
 - operation mode, controlling 75
 - showing details about 75
- automation manager commands
 - INGAMS 71
 - INGEVENT 106
 - INGFILT 107
 - INGINFO 122
 - INGLIST 125
 - INGMOVE 135
 - INGRELS 171
 - INGREQ 174
 - INGRPT 183

- automation manager commands
 - (continued)
 - INGSCHED 185
 - INGSCESS 196
 - INGSET 200
 - INGSTR 204
 - INGTOPO 216
 - INGTRIG 217
 - INGVOTE 220
- automation operators
 - determining active 25

B

- backout option 397
- backout processing 394
- BLOCK command 245

C

- cancelling a console lock
 - with ISQXUNL 381, 383
- casceded switch
 - FICON 242
- CBU command
 - description 306
- CCNTL command
 - description 307
- CFRM policy
 - pending changes 100, 154
 - policy switch 94
- chain
 - planning 390
 - ports 390
- CHAIN command 247
- chained path
 - examples 390
 - vary path requests 405
- changing values 358
- channel
 - CVC 399
 - DISPLAY CHP command 251
 - parallel 403
 - REMOVE CHP command 271
- closing
 - a target system with ISQXCLS 368
- command
 - authorization level 407
 - availability 407
- command failures 393
- command output
 - port I/O definition 398
- command routing mechanism 193
- commands
 - ACF 14
 - ACTIVATE 293
 - ACTIVATE, of a VM guest system 297
 - ALLOW 242
 - AOCHELP 17

commands (continued)

- AOCTRACE 19
- AOFDEBUG 19
- BLOCK 245
- CBU 306
- CCNTL 307
- CHAIN 247
- common 291
- CONNECT 249
- CPCDATA 309
- DEACTIVATE 310
- DEACTIVATE, of a VM guest system 313
- DISCONNECT 250
- DISPACF 23
- DISPAOPS 25
- DISPASF 26
- DISPASST 28
- DISPAUTO 30
- DISPERRS 31
- DISPEVT 32
- DISPEVTS 35
- DISPFGLS 37
- DISPGW 40
- DISPINFO 45
- DISPLAY CHP 251
- DISPLAY DEV 253
- DISPLAY HOST 255
- DISPLAY NAME 257
- DISPLAY PORT 259
- DISPLAY RESULTS 261
- DISPLAY SWITCH 264
- DISPLAY TIMEOUT 266
- DISPLAY VARY 266
- DISPMSGs 47
- DISPMTR 49
- DISPSCHD 52
- DISPSTAT 57
- DISPSYS 62
- DISPTREE 63
- DISPTRG 65
- DISPWTOR 67
- DRAINJES 68
- EXPLAIN 69
- EXTINT 314
- EXTINT, for a VM guest system 315
- GETLOCK 268
- host-based 291
- ICNTL 316
- INGAMS 71
- INGAUTO 77
- INGCF 81
- INGCF DRAIN 87
- INGCF ENABLE 94
- INGCF PATH 97
- INGCF STRUCTURE 98
- INGCFL 101
- INGCICS 102
- INGEVENT 106
- INGFILT 107
- INGGROUP 111

commands (*continued*)

INGHIST 117
 INGIMS 119
 INGINFO 122
 INGLIST 125
 INGLKUP 132
 INGMOVE 135
 INGNTFY 138
 INGOPC 141
 INGPLEX 149
 INGPLEX CDS 153
 INGPLEX CONSOLE 161
 INGPLEX IPL 164
 INGPLEX SDUMP 165
 INGPLEX SLIP 170
 INGPLEX SVCDUMP 167
 INGPLEX SYTEM 160
 INGRELS 171
 INGREQ 174
 INGRPT 183
 INGSCHED 185
 INGSEND 193
 INGSESS 196
 INGSET 200
 INGSTR 204
 INGTHRES 210
 INGTIMER 214
 INGTOPO 216
 INGTRIG 217
 INGVOTE 220
 ISQACT 385
 ISQCCMD 345
 ISQCLEAR 385
 ISQCMON 347
 ISQEXEC 348
 ISQHELP 350
 ISQIPSWT 351
 ISQMSG 385
 ISQOVRD 352
 ISQPSM 386
 ISQQUERY 386
 ISQSEND 353
 ISQSTART 355
 ISQSTATUS 386
 ISQSTOP 357
 ISQTRACE 386
 ISQVARS 358
 ISQXCLS 368
 ISQXDRL 370
 ISQXDST 371
 ISQXIII 374
 ISQXLOC 376
 ISQXMON 377
 ISQXOPT 379
 ISQXPSM 381
 ISQXUNL 383
 JES2 223
 LOAD 320
 LOAD, for a VM guest system 324
 LOGREC 268
 MONITOR 224
 OPCAQRY 225
 PROFILE 325
 PROHIBIT 269
 PSM 292
 Query rules 410
 REMOVE CHP 271

commands (*continued*)

REMOVE SWITCH 273
 RESERVE 333
 RESET HOST 275
 RESET SWITCH 278
 RESET TIMEOUT 278
 RESTART 227
 RESTART, of a VM guest system 336
 RESTORE CHP 279
 RESTORE SWITCH 281
 RESYNC 228
 SETASST 229
 SETHOLD 232
 SETSTATE 233
 SETTIMER 236
 START 336
 START, of a VM guest system 337
 STOP 337
 STOP, of a VM guest system 338
 STOPALL 387
 SYNC SWITCH 282
 SYSRESET 339
 SYSRESET, of a VM guest system 342
 types 291
 UNBLOCK 283
 UNCHAIN 284
 UNLOCK 286
 varying paths 405
 WRITE 287

common commands 291
 ACTIVATE of a VM guest system 297
 commands
 processor operations
 commands 291
 DEACTIVATE 310
 DEACTIVATE of a VM guest system 313
 EXTINT 314
 EXTINT, for a VM guest system 315
 ISQCCMD 345
 LOAD for a VM guest system 324
 RESTART 335
 RESTART of a VM guest system 336
 START 336
 START of a VM guest system 337
 STOP 337
 STOP of a VM guest system 338
 SYSRESET 339
 SYSRESET of a VM guest system 342

configuration data
 refreshing, sysplex-wide 76
 CONNECT command 249

connectivity
 backout option 397
 chained paths 405
 force option 397
 making changes to 396
 nobackout option 397
 nocheck option 397
 noforce | nocheck | force 396
 port attributes 405
 UNBLOCK command 283
 varying paths 405

console

cancelling a lock with ISQXUNL 381, 383
 consoles
 closing with ISQXCLS 368
 locking access 376
 controlling
 automation manager's operation mode 75
 converter
 CVC channel 399
 converter in CVC path 399
 couple data set (CDS)
 alternate CDS
 allocating 153
 spare volumes 154
 turn into primary CDS 154
 coupling facility
 channels 395
 coupling facility (CF)
 draining 87
 enabling 94
 populating 94
 receiver path 83
 sender path 88, 94
 states 83
 CPCDATA command
 description 309
 CRM 193
 CU chain 390
 CV converter
 support 403
 CVC channel 399

D

D R,L command (MVS) 370
 DEACTIVATE command
 command 310
 of a VM guest system 313
 reinitialize 314
 deleting
 your userid from the interested operator list 377
 destination switch 390
 details
 about the automation manager, showing 75
 device
 DISPLAY DEV command. 253
 diagnostic functions
 initiating for automation manager 77
 disability xi
 disabling a switch 400
 DISCONNECT command 250
 DISPACF command dialog 23
 DISPAOPS command 25
 DISPASF command 26
 DISPASST command 28
 DISPAUTO command 30
 DISPERRS command 31
 DISPEVT command 32
 DISPEVTS command 35
 DISPFLGS command 37
 DISPGW command 40
 DISPINFO command 45
 DISPLAY CHP command 251

DISPLAY HOST command 255
 DISPLAY NAME 257
 DISPLAY PORT command 259
 DISPLAY RESULTS command 261
 display results of commands 261
 DISPLAY SWITCH command 264
 DISPLAY TIMEOUT command 266
 DISPLAY VARY command 266
 displaying
 target system information 379
 displaying outstanding MVS
 requests 370
 displaying status panels
 with ISQXDST 371
 DISPMSG command 47
 DISPMTR command 49
 DISPNTFY command
 See INGNTFY command 138
 DISPSCHD command 52
 DISPSTAT command 57
 DISPSYS command 62
 DISPTREE command 63
 DISPTRG command 65
 DISPWTOR command 67
 distributed feature code
 starting with ISQXIII 374
 DRAINJES command dialog 68
 duplexing
 system-managed 100
 user-managed 100
 dynamic connection
 PROHIBIT 269

E

enter a console command for
 automation 353
 error recovery 394
 establish processor operations
 environment 355
 event
 related application 32, 35
 EXPLAIN command 69
 EXTINT command 314
 for a VM guest system 315

F

failed commands 393
 FICON cascaded switches 242
 FICON switches 242
 file manager commands
 ACF 14
 flags 77
 focal-point ports
 disable 314
 force option 397

G

gateway sessions 40
 generic routine
 INGTIMER 214
 GETLOCK command 268
 getting help
 ISQHELP command 350

H

hardware status 400
 help
 EXPLAIN command dialog 69
 for commands 17
 with a command 350
 hierarchy of port attributes 401
 host
 primary 404
 host response timeout 278
 host-based commands 291

I

I/O operations
 inter-I/O operations
 communication 275
 I/O operations commands
 ALLOW 242
 BLOCK 245
 CHAIN 247
 CONNECT 249
 DISCONNECT 250
 DISPLAY CHP 251
 DISPLAY DEV 253
 DISPLAY HOST 255
 DISPLAY NAME 257
 DISPLAY PORT 259
 DISPLAY RESULTS 261
 DISPLAY SWITCH 264
 DISPLAY TIMEOUT 266
 DISPLAY VARY 266
 GETLOCK 268
 LOGREC 268
 PROHIBIT 269
 REMOVE CHP 271
 REMOVE SWITCH 273
 RESET HOST 275
 RESET SWITCH 278
 RESET TIMEOUT 278
 RESTORE CHP 279
 RESTORE SWITCH 281
 SYNC SWITCH 282
 UNBLOCK 283
 UNCHAIN 284
 UNLOCK 286
 WRITE 287
 ICNTL command
 description 316
 identifier
 switch 390
 IEA101A message 365, 368
 IEA212A message 365
 IEA347A message 365, 368
 INGAMS command 71
 INGAUTO command 77
 INGCF command 81
 authorizations 82
 DRAIN 87
 ENABLE 94
 PATH 97
 STRUCTURE 98
 INGCF command 101
 INGCICS command 102
 INGEVENT command 106
 INGFLT command 107

INGGROUP command 111
 INGHIST command 117
 INGIMS command 119
 INGINFO command 122
 INGLIST command 125
 INGLKUP 132
 INGMOVE command 135
 INGNTFY command 138
 INGOPC command 141
 INGPLEX command 149
 CDS 153
 CONSOLE 161
 IPL 164
 SDUMP 165
 SLIP 170
 SVCDUMP 167
 SYSTEM 160
 INGRELS command 171
 INGREQ command 174
 INGRPT command 183
 INGSCHED command 185
 INGSEND command 193
 INGSEND command dialog 193
 INGSESS command 196
 INGSET command 200
 INGSTR command 204
 INGTHRES command 210
 INGTIMER command 214
 INGTOPO command 216
 INGTRIG command 217
 INGVOTE command 220
 initial status determination 228
 initializing
 a target system
 with ISQXIII 374
 initiating
 automation manager diagnostic
 functions 77
 interested operator list
 adding or deleting your userid 377
 ISQSTART command 348
 viewing 371
 intersystem communication
 DISPLAY HOST command 255
 DISPLAY TIMEOUT 266
 intersystem communications 275
 IODF 83
 IPL
 ACTIVATE common command 293
 LOAD common command 320
 ISQACT command 385
 ISQCCMD command 345
 ISQCHK command 346
 ISQCLEAR command 385
 ISQCMON command 347
 issued by ISQSTART 356
 ISQEXEC command 348
 usage with ISQXLOC 377
 ISQHELP command 350
 ISQIPSWT command 351
 ISQMSG command 385
 ISQOVRD command 352
 ISQPSM command 386
 ISQQUERY command 386
 ISQSEND command 353
 limited by ISQXCLS 369
 ISQSTART command 355

ISQSTATUS command 386
 ISQSTOP command 357
 ISQTRACE command 386
 ISQVARS command 358, 365
 called by ISQXOPT 381
 ISQXCLS command 368
 ISQXDRL command 370
 ISQXDST command 371
 target system status values 372
 ISQXIII command 374
 ISQXIPL command
 check status 324
 ISQXLOC command 376
 usage with ISQXUNL 383
 ISQXMON command 377
 ISQXOPT command 379
 ISQXPSM command 381
 description 381
 ISQXUNL command 383
 description 383
 usage with ISQXLOC 376

J

JES2
 command 223
 draining resources 68

K

keyboard xi
 keywords
 ISQVARS 365
 sorted by keyword name 365
 keywords and status messages 365

L

LOAD command 320
 for a VM guest system 324
 locking console access 376
 locks
 cancelling a console lock 381, 383
 logical switch number 389, 390
 logical tokens 398
 logical-to-physical coordination 282
 LOGREC command 268
 LSN 390

M

mask
 allow | prohibit 398
 message holding parameters 232
 messages
 IEA101A 365, 368
 IEA212A 365
 IEA347A 365, 368
 ISQCMON command 347
 status 363, 365
 MONITOR command 224
 MVS
 displaying outstanding requests 370
 MVS commands
 D R,L command 370

MVS commands (*continued*)
 QUIESCE 314
 MVSESA.RELOAD.ACTION flag 16
 MVSESA.RELOAD.CONFIRM flag 16

N

name
 generic 399
 port 399
 VTAM 406
 names
 WRITE command 287
 naming a port 399
 NetView
 establishing processor operations 355
 RMTCMD 193
 NetView commands
 View 381
 NetView save/restore facility 15
 nobackout option 397
 nocheck option 397
 noforce option 396

O

OPCAQRY command 225
 operation mode
 of automation manager,
 controlling 75
 OPRCTL panel 336
 OUTDSN parameter 13
 OUTMODE parameter 12
 outstanding WTORS
 displaying 67

P

panels
 AOHELP 18
 AOCTRACE 21, 22
 authorized message receivers 48
 Automation Operators 26
 autoterm status 70
 Command Dialogs 11, 12
 Command Response 24, 28
 Command Response Display 224
 DISPAOPS 26
 DISPASF 28
 DISPASST 29
 DISPAUTO 30
 DISPERRS 31, 32
 DISPEVT 32, 34
 DISPEVTS 35, 36, 37
 DISPFLGS 37, 39
 DISPGW 40, 41, 43, 44
 DISPINFO 45, 46, 47
 DISPMSGS 47, 48
 DISPMTR 49, 50
 DISPSCHD 52, 54
 DISPSFLT 56
 DISPSTAT 57, 59, 61
 DISPSYS 62, 63
 DISPTREE 63, 65
 DISPTRG 65, 66
 DISPWTOR 67, 68

panels (*continued*)

EVJFILT 148
 EXPLAIN 69, 70
 gateway display 41, 43, 44
 INGAMS 73, 75, 76, 77
 INGAUTO 77
 INGCICS 47
 INGCICS, REQ=BROADCAST 105
 INGCICS, REQ=CMD 104
 INGCICS, REQ=INFO 105
 INGFILT 110
 INGHIST 119
 INGIMS 121, 122
 INGINFO 5, 124
 INGLIST 128, 131
 INGLKUP 134
 INGMOVE 136, 138
 INGNTFY 138, 140
 INGOPC 144
 INGOPC, filter selection 148
 INGOPC, REQ=LIST
 TYPE=APPL 146
 INGOPC, REQ=LIST TYPE=CAL 148
 INGOPC, REQ=LIST TYPE=OP 146
 INGOPC, REQ=LIST TYPE=SR 147
 INGOPC, REQ=LIST TYPE=WS 147
 INGRELS 173, 174
 INGREQ 181, 182
 INGSCHED 189, 190, 191, 192
 INGSESS 198, 199
 INGTHRES 213, 214, 237
 INGTRIG 219, 220
 INGVOTE 222
 ISQXDST 372
 OPCAQRY 226
 RESYNC 228
 SETASST 229
 SETHOLD 232
 SETSTATE 233, 236
 SETTIMER 236, 237
 Target System Options 380
 TIMER 237
 parallel channel
 support 403
 parameters
 additional, for system operations
 commands
 OUTDSN 13
 OUTMODE 12
 TARGET 10
 passthru switch 390
 path
 chain 390
 pending policy changes 100, 154
 physical tokens 399
 policy
 switch 154
 port
 allow | prohibit mask 398
 name 399
 port attributes 405
 status 400
 Port address
 DISPLAY PORT command 259
 port attribute hierarchy 401
 port I/O definition 398
 port name 399

- port name (*continued*)
 - assigning (WRITE command) 287
 - DISPLAY NAME command 257
- primary host 404
- problems
 - correcting 394
 - issuing ISQSEND with ISQXDRL 371
- processing failures 394
- processing lock
 - UNLOCK command 286
- processor operations
 - check if active 346
 - issuing commands 291
 - stopping 357
- processor operations commands
 - ACTIVATE 293
 - ACTIVATE, of a VM guest system 297
 - CBU 306
 - CCNTL 307
 - CPCDATA 309
 - DEACTIVATE 310
 - DEACTIVATE, of a VM guest system 313
 - EXTINT 314
 - EXTINT, for a VM guest system 315
 - ICNTL 316
 - ISQCCMD 345
 - ISQCHK 346
 - ISQCMON 347
 - ISQEXEC 348
 - ISQHELP 350
 - ISQIPSWT 351
 - ISQOVRD 352
 - ISQSEND 353
 - ISQSTART 355
 - ISQSTOP 357
 - ISQVARS 358
 - ISQXCLS 368
 - ISQXDRL 370
 - ISQXDST 371
 - ISQXIII 374
 - ISQXLOC 376
 - ISQXMON 377
 - ISQXOPT 379
 - ISQXPSM 381
 - ISQXUNL 383
 - LOAD 320
 - LOAD, for a VM guest system 324
 - PROFILE 325
 - RESERVE 333
 - RESTART 335
 - RESTART, of a VM guest system 336
 - START 336
 - START, of a VM guest system 337
 - STOP 337
 - STOP, of a VM guest system 338
 - SYSRESET 339
 - SYSRESET, of a VM guest system 342
- PROFILE command
 - description 325
- program status word (PSW)
 - loading 335
- PROHIBIT command 269
- PSM commands 292, 385
 - ISQACT 385

PSM commands (*continued*)

- ISQCLEAR 385
- ISQMSG 385
- ISQPSM 386
- ISQQUERY 386
- ISQSTATUS 386
- ISQTRACE 386
- STOPALL 387

Q

- Query commands
 - rules 410
- QUIESCE command (MVS) 314
- quiescing a ESCON Director
 - REMOVE SWITCH 273

R

- rebuild 88, 99
 - system-managed 88, 99
 - user-managed 88, 99
- receiver path 83
- recovery automation flag 77
- refreshing
 - configuration data sysplex-wide 76
- refreshing configuration data,
 - INGAMS 71
- reload action flag 16
- reload confirm flag 16
- RELOAD.ACTION flag 16
- RELOAD.CONFIRM flag 16
- REMOVE CHP command 271
- REMOVE SWITCH command 273
- removing
 - a switch 400
- RESERVE command
 - description 333
- RESET HOST command 275
- RESET SWITCH command 278
- RESET TIMEOUT command 278
- resetting
 - target processor 339
- resource 3
 - setting status or attribute of 130
- resources, specifying 4
- RESTART command 227, 335
 - of a VM guest system 336
- RESTORE CHP command 279
- RESTORE SWITCH command 281
- restoring
 - a switch 398
- restrictions on ISQCMON
 - do not issue with ISQEXEC 348
- restrictions on VSE
 - no operator console messages 378
- restrictions with ISQSTOP 357
- restrictions with ISQXDST.
 - do not issue from an automation procedure 372
 - do not issue with ISQEXEC 372
- RESYNC command 228
- ROUTE command 193
- routine monitor 224
- routing commands
 - with INGSEND 193

S

- saved
 - ACTIVE=SAVED on ESCD 396
- saving an automation control file 15
- sender path 88, 94
- service language commands
 - entering with ISQSEND 354
- SETASST command 229
- SETHOLD command 232
- SETSTATE command 233
- SETTIMER command 236
- setting
 - attribute of a resource or application group 130
 - status of a resource or application group 130
- shortcut keys xi
- showing
 - details about the automation manager 75
- shutdown procedure 357
- simulate pressing a console key 353
- SLIP TRAP 170
- specifying resources 4
- START command 336
 - of a VM guest system 337
- starting
 - a target processor 336
- static connection
 - DISCONNECT command 250
- static connections 249
- status
 - changing with SETSTATE 233
 - displaying status panels 371
 - gateways 40
 - of a resource or application group, setting 130
 - target systems 371
 - values for target systems 372
- status messages 368
- status of automation control file 14
- STOP command 337
 - of a VM guest system 338
- STOPALL command 387
- stopping
 - processor operations 357
 - target processors 337
- structure
 - conditions 84, 101
 - deallocation 88, 99
 - duplexing
 - system-managed 100
 - user-managed 100
 - pending policy changes 100, 154
 - rebuild 88, 99
 - system-managed 88, 99
 - user-managed 88, 99
- subsystem 5
- switch
 - chained 390
 - disabling 400
 - FICON 242
 - FICON cascaded 242
 - logical switch number (LSN) 389, 390
 - port 398
 - removing 400

- switch (*continued*)
 - restoring 398
 - switch identifier 390
- switch chain 247
- switch data
 - DISPLAY SWITCH 264
- switch device number 390
- switch log
 - LOGREC command 268
- SYNC SWITCH command 282
- syntax diagrams
 - format 5
- sysplex
 - sysplex timer 62
- sysplex timer
 - displaying information 62
- sysplex-wide
 - refreshing configuration data 76
- SYSRESET command 339
 - of a VM guest system 342
- system operations commands
 - ACF 14
 - additional parameters 10
 - OUTDSN 13
 - OUTMODE 12
 - TARGET 10
 - AOCHELP 17
 - AOCTRACE 19
 - DISPACF 23
 - DISPAOPS 25
 - DISPASF 26
 - DISPASST 28
 - DISPAUTO 30
 - DISPERRS 31
 - DISPEVT 32
 - DISPEVTS 35
 - DISPFLGS 37
 - DISPGW 40
 - DISPINFO 45
 - DISPMSGs 47
 - DISPMTR 49
 - DISPSCHD 52
 - DISPSTAT 57
 - DISPSYS 62
 - DISPTREE 63
 - DISPTRG 65
 - DISPWTOR 67
 - DRAINJES 68
 - EXPLAIN 69
 - general info 9
 - INGAMS 71
 - INGAUTO 77
 - INGCICS 102
 - INGEVENT 106
 - INGFILT 107
 - INGGROUP 111
 - INGHIST 117
 - INGIMS 119
 - INGINFO 122
 - INGLIST 125
 - INGLKUP 132
 - INGMOVE 135
 - INGNTFY 138
 - INGOPC 141
 - INGRELS 171
 - INGREQ 174
 - INGRPT 183

- system operations commands (*continued*)
 - INGSCHED 185
 - INGSEND 193
 - INGSESS 196
 - INGSET 200
 - INGSTR 204
 - INGTHRES 210
 - INGTOPO 216
 - INGTRIG 217
 - INGVOTE 220
 - JES2 223
 - MONITOR 224
 - OPCAQRY 225
 - RESTART 227
 - RESYNC 228
 - SETASST 229
 - SETHOLD 232
 - SETSTATE 233
 - SETTIMER 236
- system parameters 62
- system-managed duplexing 100
- system-managed rebuild 88, 99

T

- target console lock
 - removing with ISQOVRD 352
- target control task
 - ISQEXEC 348
- TARGET parameter 10
- target processor
 - starting 336
- target processors
 - resetting 339
 - stopping 337
- target system
 - displaying and changing information 379
- target system processor
 - restarting 335
- thresholds
 - setting 210
- timeout value
 - changing 278
- tokens
 - logical 398
 - physical 399
- trace
 - with AOCTRACE command 19

U

- UNBLOCK command 283
- UNCHAIN command 284
- UNLOCK command 286
- updating I/O operations information
 - about an ESCON Director 278
- user-managed duplexing 100
- user-managed rebuild 88, 99

V

- vary path request
 - chained path 405
 - display failed varys 266
 - port attributes 405

- Vary Path requests
 - viewing failed requests 266
- varying paths 405
- View command (NetView) 381
- VM guest system
 - ACTIVATE command 297
 - DEACTIVATE command 313
 - EXTINT command 315
 - LOAD command 324
 - RESTART command 336
 - START command 337
 - STOP command 338
 - SYSRESET command 342
- VTAM
 - name 406

W

- warm startup 15
- wildcards 4
- WRITE command 287
- WTORs
 - displaying outstanding WTORs 67

Readers' Comments — We'd Like to Hear from You

IBM Tivoli System Automation for z/OS
Operator's Commands
Version 3 Release 1

Publication No. SC33-8265-01

Overall, how satisfied are you with the information in this book?

	Very Satisfied	Satisfied	Neutral	Dissatisfied	Very Dissatisfied
Overall satisfaction	<input type="checkbox"/>	<input type="checkbox"/>	<input type="checkbox"/>	<input type="checkbox"/>	<input type="checkbox"/>

How satisfied are you that the information in this book is:

	Very Satisfied	Satisfied	Neutral	Dissatisfied	Very Dissatisfied
Accurate	<input type="checkbox"/>	<input type="checkbox"/>	<input type="checkbox"/>	<input type="checkbox"/>	<input type="checkbox"/>
Complete	<input type="checkbox"/>	<input type="checkbox"/>	<input type="checkbox"/>	<input type="checkbox"/>	<input type="checkbox"/>
Easy to find	<input type="checkbox"/>	<input type="checkbox"/>	<input type="checkbox"/>	<input type="checkbox"/>	<input type="checkbox"/>
Easy to understand	<input type="checkbox"/>	<input type="checkbox"/>	<input type="checkbox"/>	<input type="checkbox"/>	<input type="checkbox"/>
Well organized	<input type="checkbox"/>	<input type="checkbox"/>	<input type="checkbox"/>	<input type="checkbox"/>	<input type="checkbox"/>
Applicable to your tasks	<input type="checkbox"/>	<input type="checkbox"/>	<input type="checkbox"/>	<input type="checkbox"/>	<input type="checkbox"/>

Please tell us how we can improve this book:

Thank you for your responses. May we contact you? Yes No

When you send comments to IBM, you grant IBM a nonexclusive right to use or distribute your comments in any way it believes appropriate without incurring any obligation to you.

Name

Address

Company or Organization

Phone No.



Fold and Tape

Please do not staple

Fold and Tape



NO POSTAGE
NECESSARY
IF MAILED IN THE
UNITED STATES

BUSINESS REPLY MAIL

FIRST-CLASS MAIL PERMIT NO. 40 ARMONK, NEW YORK

POSTAGE WILL BE PAID BY ADDRESSEE

IBM Deutschland Entwicklung GmbH
Department 3248
Schoenaicher Strasse 220
D-71032 Boeblingen
Federal Republic of Germany



Fold and Tape

Please do not staple

Fold and Tape



Program Number: 5698-SA3

Printed in USA

SC33-8265-01



Spine information:



IBM Tivoli System Automation
for z/OS

Operator's Commands

Version 3 Release 1 SC33-8265-01