

New Introduction for
JES2 System Programmers

SHARE Winter 2001, Long Beach - Session # 2661

John Hutchinson

IBM Washington Systems Center

hutchjm@us.ibm.com



- ▶ Your experienced JES2 system programmer just left!
- ▶ Now YOU have to care for JES along with everything else! - You never paid much attention to JES, and wonder why you even needed one(?)
- ▶ Here's how to keep JES2 alive and healthy (and keep your job.)
- ▶ Don't touch it? NO! - Read on ...

What you need to know to be a good JES2 Systems Programmer?



- **How your company uses JES2.**
 - ▶ Understand how JES2 supports it
 - ▶ Configuration options
- **How to keep JES2 alive and healthy.**
 - ▶ Customized for your environment
 - ▶ Available & Secure
 - ▶ Well Managed
 - ▶ Up-to-date, Maintained, & Well Tested
 - ▶ Performing like a Top
- **References** (where to turn for help)

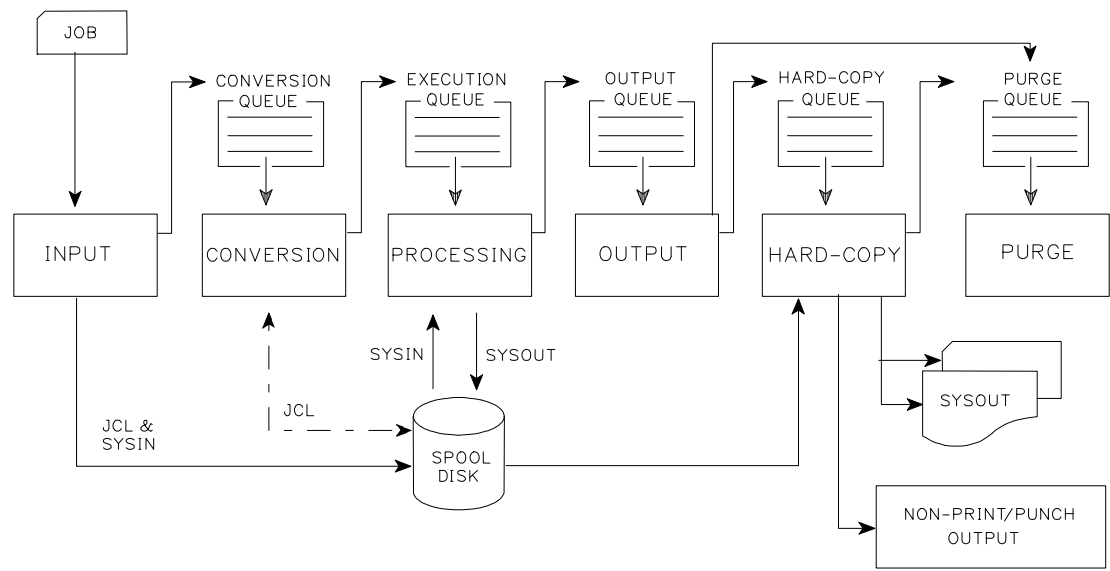
Why do you need JES, anyway?

JES2



- **Enter Jobs, TSO Users, Started Tasks**
 - ▶ From local & remote readers, other NJE nodes, off load, internal (programmable) readers
 - ▶ Provide temporary storage for I/O files (Spool)
- **Schedule Batch Job Execution**
 - ▶ Manage (queue) jobs before and after execution
 - ▶ Balance Work between multiple Systems & Nodes
- **Distribute Output**
 - ▶ Printers, punches, remotes, NJE nodes, off load, and Programmable interfaces (PSO, SAPI)
- **History ...**
 - ▶ Efficiently manage system resources

Phases of Job Processing



Each queue is input to specific JES2 processors (represented by PCEs - Process Control Elements)

JES2 Queuing Mechanisms



■ Job Queuing & Selection

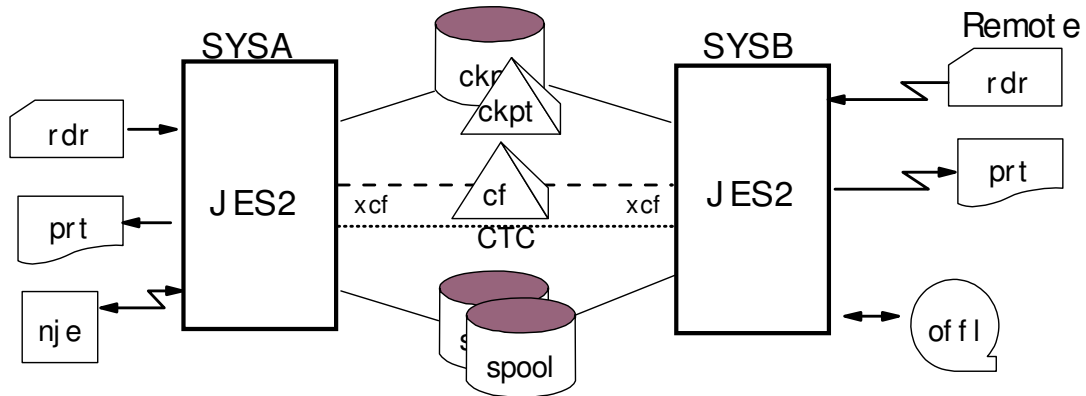
- ▶ 38 Execution Class Queues (A-Z, 0-9, STC, TSU)
 - Ordered FI FO within Priority (may be Priority Aged - optional)
- ▶ Jobs (JQEs) Selected First-come-First-served by Job Queue PCEs (CNVTs, XEQs, HOPEs, XMITs, PURGs) across the MAS
 - Using \$QGET, Work-Select Tables, Exit 49/14, ...

■ Output Queuing & Selection

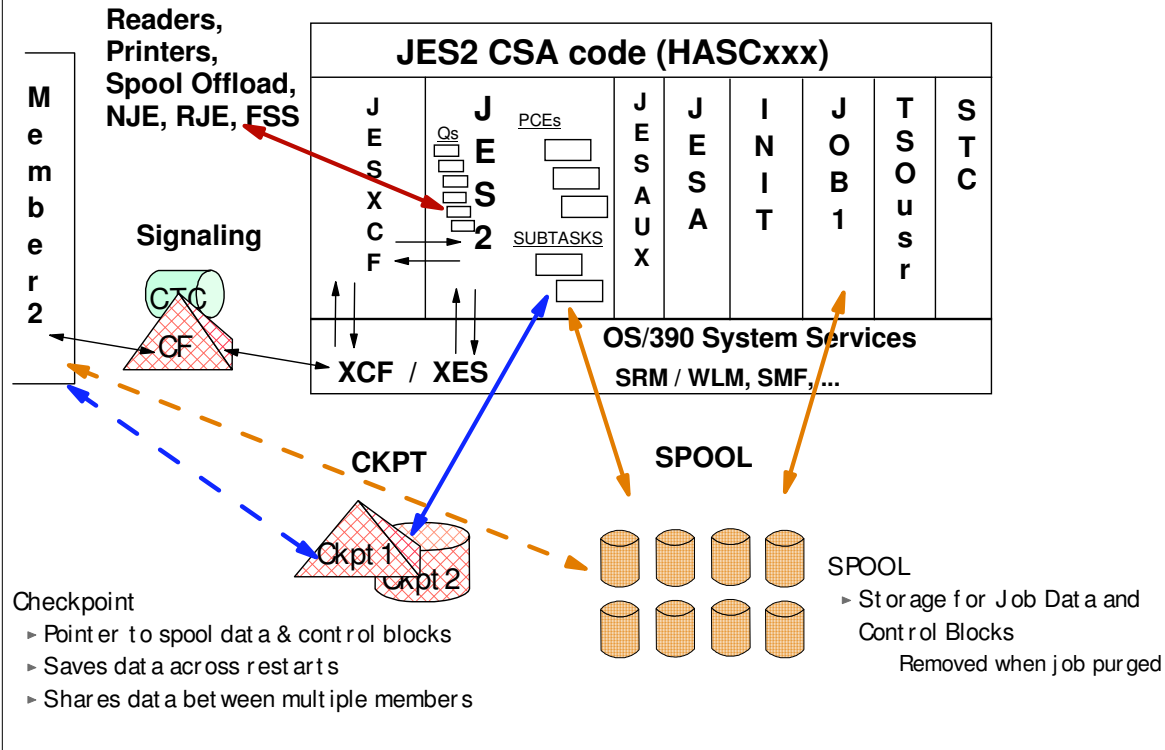
- ▶ 110 Output Qs (Hold, NJE, 36 local (A-Z, 0-9), 36 Rmt, 36 Ustr)
 - Ordered FI FO within Prty within User/ Dest ID (may be Priority Aged)
- ▶ Output Elements (JOEs) selected First-come-First-served by Output Queue PCEs (PRTs, PUNs, XMITs, FSSs) across MAS
 - Using \$#GET, PSO, SAPI, WS Tables (no Exits)

JES2 Multi- Access Spool (MAS)

- **"MAS" Complex can have up to 32 Members:**
 - ▶ Must be in the same Sysplex (Timer, XCF, CDS)
 - Parallel sysplex NOT required (only for Ckpt on coupling facility)
 - ▶ Must be "Compatible" (usually + or - 3 Releases)
 - ▶ Are Peer-Coupled; no master-slave; Devices anywhere
 - ▶ Share Queues by taking turns reading/writing Checkpoint



JES2 has many Parts ...



Customizing your JES2 Environment



1. JES2 InitParms

- ▶ Take the defaults unless you know differently

2. JES2 Exits (see session #s 2661, 2662, 2663)

- ▶ Requires skills w/ ALC & JES2 Internals
- ▶ MVS Exits (SMF, TSO, PSF) also available
- ▶ Use only when necessary

3. JES2 Table Pairs

- ▶ Used by many JES2 processes (WS, Init, PCE, ...)
- ▶ IBM, Installation, Vendor tables

4. JES2 Source Code ...

JES2 Initialization



- **Automatically Started if Primary Subsystem**
 - ▶ Make your JES2 procedure "bullet-proof"
 - ▶ Specify options: 'warm,noreq'
 - Cold-start, Warm-start (single or all member), Hot-start
- **Initialization Parameters**
 - ▶ Define size, attributes & status of JES2 resources
 - ▶ Use the IBM defaults unless you know better
 - ▶ Customer specific processing options & Devices
- **Organize your init deck; share it between members**
 - ▶ Global parms: Spool, Checkpoint, JobClass, defs
 - ▶ Devices: Local, Remote
 - ▶ System-specific (use &symbolics in a MAS environment)

Sample JES2 procedure



```

//JES2   PROC DSN1='SYS1.PROCLIB',          * PRIMARY PROCLIB      *
//          DSN2='SYS2.USRPROC',          * USER PROCLIB        *
//          STEPLIB='SYS1.JES2.SHASLINK', * JES2 PGM LIBRARY    *
//          PGN=20,                        * PERFORM FOR JES2    *
//          TYPE=HAS,                      * DEFAULT NAME ALTERNATE *
//          PARMSUF=, LOCLSUF=, NJESUF=,   * PARM MEMBER SUFFIXES *
//          MBR=JES2PARM,                 * EMERGENCY PARMS     *
//          OPT='WARM,NOREQ'              * REPLY TO INIT OPTIONS *
//IEFPROC EXEC PGM=HASJES20,DPRTY=(15,15),TIME=1440,
//          PARM=(&OPT.),                 * INIT. OPTIONS       *
//          PERFORM=&PGN                   * PERF. GROUP FOR RMF *
//STEPLIB DD DSN=&STEPLIB,DISP=SHR
//PROC00 DD DSN=&DSN1,DISP=SHR
//          DD DSN=&DSN2,DISP=SHR
//PROC01 DD DSN=&DSN2,DISP=SHR              * ALTERNATE PROCLIB *
//HASPPARM DD DSN=SYS1.PROCLIB(&TYPE.PARM&PARMSUF),DISP=SHR
//          DD DSN=SYS1.PROCLIB(&TYPE.LOCL&LOCLSUF),DISP=SHR
//          DD DSN=SYS1.PROCLIB(&TYPE.NJE&NJESUF),DISP=SHR
//OTHER   DD DSN=SYS1.PROCLIB(&MBR),DISP=SHR * ALTERNATE PARMS   *
//HASPLIST DD DDNAME=IEFRDOR              * LISTING FILE       *

```

■ Testing the JES2 proc ...

- ▶ "start JES2" on top of an already running JES2 (it won't get far)
- ▶ Use Poly-JES (more later)

JES2 Start-up Options



- **Cold- Start {Format }**
 - ▶ Was done the very first time your installation started JES2
 - ▶ All spooled jobs and data are lost {SPOOL space formatted}
- **All- Member Warm Start**
 - ▶ IPL & Restart of JES2 with no other members active
 - ▶ Rebuild damaged control blocks (seldom required)
- **Single System Warm Start (or Quick Start)**
 - ▶ Single system Restart of JES2 after IPL or JES2 quiesced
- **Hot Start**
 - ▶ Restart JES2 after ABEND without an IPL
 - ▶ Jobs running before ABEND continue running (may wait on JES2 for TGs, etc.)

JES2 I nit Parm s - samples



CKPTDEF CKPT1=(STR=xxxx, I NUSE=YES),
CKPT2=(DSN=SYS1.JES2.CKPT1, VOL=CKPTV1),
NEWCKPT1=(DSN=SYS1.JES2.CKPTBK1),
NEWCKPT2=(DSN=SYS1.JES2.CKPTBK2), ...

SPOOLDEF DSNAME=SYS1.HASPACE, VOLUME= SPOL, SPOOLNUM=32,
TGBPERVL=255, TGSIZE=30, TRKCELL=12, FENCE= ...

MASDEF HOLD=50, DORM=(50, 500)

JOBCLASS(*) JOURNAL=NO, SWA=ABOVE, ...

PCEDEF xxxNUM=10

NODE29 NAME=WSCJES2

PRINTER(3) xxxNUM=10

LINE(10-30) UNIT=SNA

Plus many more

JES2 Parameter Changes



- **Most Parms can be Changed or Added Dynamically**
 - ▶ \$T and \$ADD Commands
 - ▶ System Display & Search Facility (SDSF) program product
 - ▶ Keep your init deck up-t o-dat e as you change them
- **Notable Exceptions (non- dynamic parms):**
 - ▶ **Hot- Start:** PCENUMs, some Device settings
 - ▶ **Single- member Warm start (I PL):** Exits
 - ▶ **All- Member Warm start:** CKPTDEF
 - ▶ **Cold- start Parms:** SPOOLDEF

Availability Issues



- **JES2 System Availability**
 - ▶ Thoroughly test all maintenance & exits in all your environments
 - ▶ Use JES2 automated restart functions - minimize JES2 downtime
- **Reliable Spool** (Job input & output, JCL, & Control Blocks)
 - ▶ Use reliable DASD (or use hardware duplexing)
 - ▶ Minimum volume fencing can limit the damage (but hurt performance)
 - ▶ Spool Offload can be used to archive important jobs/ SYSOUT
 - ▶ Use \$SSPOOL; \$PSPOOL to add and delete - Never use DFDSS, etc.!
- **Protect your Checkpoints** (contain the pointers to all spool data)
 - ▶ Always use CKPT1 & CKPT2, NEWCKPT1 & NEWCKPT2
 - ▶ Use Reconfiguration Dialog to recover or move - Never use DFDSS!
- **Other operations - wide range of JES2 Commands**
 - ▶ Watch out for Unauthorized & Dangerous Commands: \$PJQ
- **Secure all these with SAF/ RACF**

JES2 Security



- **Protect System Data Sets (RACF DSNAMES profiles)**
 - ▶ Spool, Checkpoint, Spool Offload
 - ▶ Program Libraries, Parmlibs (init deck), Proclibs
- **Use SAF/ RACF classes instead of JES2 parms**
 - ▶ Input Sources - JESINPUT, NODES
 - ▶ Job Submission & Cancel - JESJOBS
 - ▶ Output Printers & Transmission - WRITER
 - ▶ Commands - OPERCMDS
 - ▶ Spool Data - JESSPOOL
 - ▶ Exits (36, 37) can be used to override, but not recommended
- **See "JES2 Init & Tuning Guide" (chapter 7)**
 - ▶ Also "RACF Security Administrator's Guide"

JES2 Systems Management



■ Systems Management Facility (SMF) records

▶ Controlled by SMF and JES2 parameter settings

▶ Job related:

- Purge (26)
- Output (6)
- NJE Sysout Transmission (57)

▶ RJE/ NJE Line/ Session:

- Start Line, RMT Signon (BSC - 47, SNA - 52)
- Stop Line, RMT Signoff (BSC - 48, SNA - 53)
- Line or RMT Password Error (BSC - 49, SNA - 54)

▶ JES2 Subsystem:

- Start (43)
- Stop (45)

New JES2 features



- **I nitiat ors**
 - ▶ WLM initiat or management - Rel.4 \$ACTI VATE
- **Routing jobs to specific resources**
 - ▶ Scheduling Environment s (WLM) - Rel.4 \$ACTI VATE
- **NJE Networks**
 - ▶ Subnet s, Dynamic Connect s, \$DPATH, \$DCONN
- **RJE workst ations**
 - ▶ Dynamic Changes, Enhanced Diagnost ics
- **Spool Offload**
 - ▶ Archive abilit ies enhanced wit h Rel. 1
- **FTP site filetype=jes**
 - ▶ put , dir , get - enhanced wit h OS/ 390 R.10 Comm. Server

JES2 Maintenance



- **JES2 is "Source- Maintained"**
 - ▶ Use SMP/ E set-up jobs in SHASSAMP
- **Stay Current on JES2 Maintenance!**
 - ▶ Latest RSU level if possible
 - ▶ Avoids re-discovery of errors
 - If you have problems, IBM service may want you to get current and re-creat e problem
- **Read the PSP bucket**
 - ▶ Upgrade= OS390Rnn, Subset = JES2
 - ▶ Upgrade= ZOSV1Rnn, Subset = JES2
 - ▶ Review HI PERs

Testing - use "Poly- JES"



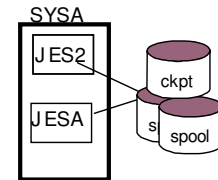
... also known as "Secondary JES", or "Alternative JES"

■ Configurations: Same MAS as Primary, or Separate

– Each subsystem in an MVS system requires a unique ComChar

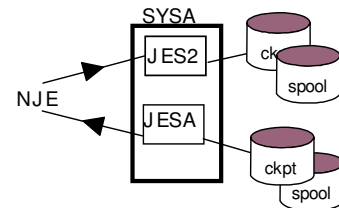
a. Member of Primary MAS:

- Share Spool, Checkpoint, Queues, ...
- Load modules usually the same



b. Separate MAS (Separate NJE Node):

- Own Spool, Ckpt, Queues, Load Modules,...
- Connect to Primary JES via NJE
- More isolated for "risky" testing



Debugging



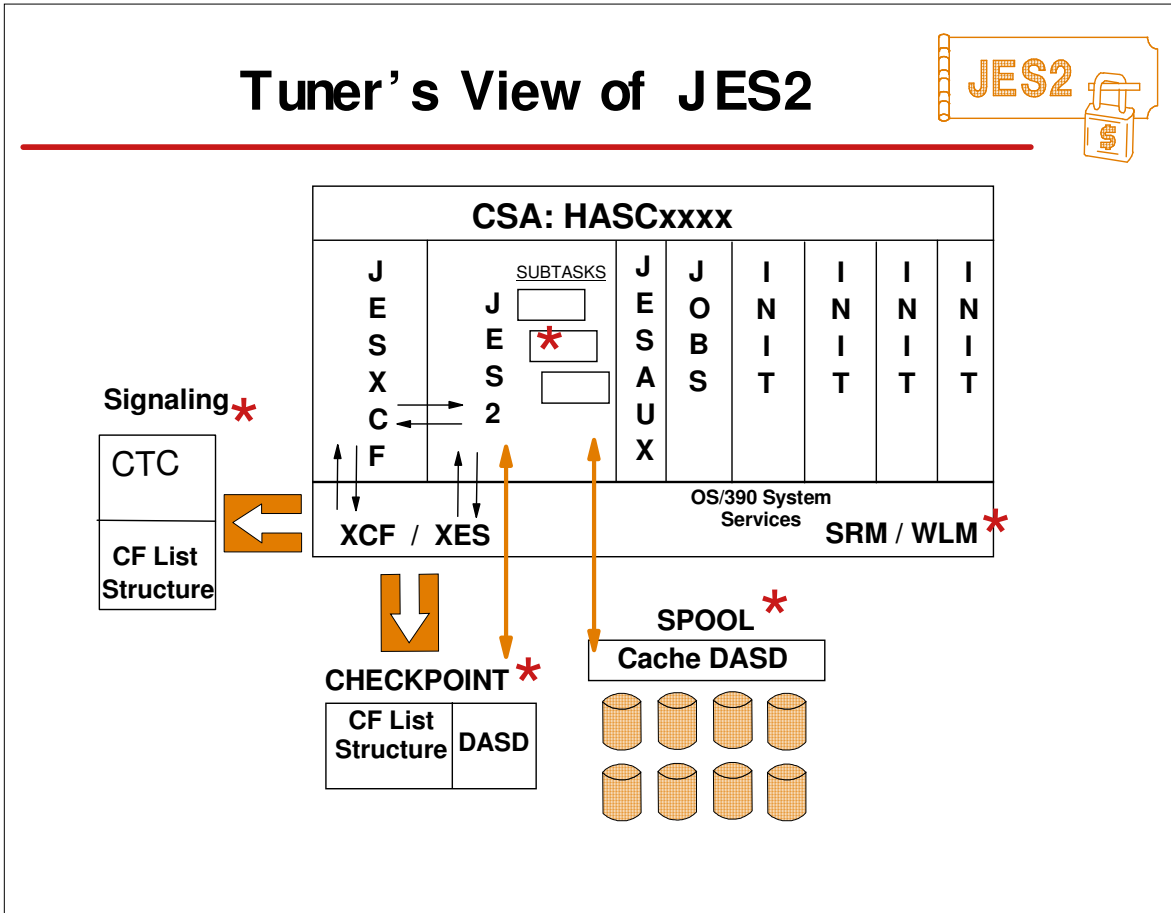
- **Recognizing a Problem:**
 - ▶ Messages, Commands, SDSF, Syslog, User phone call
- **Diagnosis - Use these before you need them**
 - ▶ Commands/ Messages (eg, \$ HASP088 ABEND Analysis)
 - ▶ \$TRACE (I Ds) & f o r m a t t e r s
 - ▶ DEBUG Facility
 - ▶ Dumps - I PCS - JES2 Formatters
 - Multi-system dumps (OS/ 390 Rel. 10)
 - ▶ LogRec - SymRecs - EREP
 - ▶ CTRACE - under direction of IBM Level 2
 - ▶ FSS, GTF, VTAM, NCP, etc. Traces
- **See "JES2 Diagnosis" & "JES2 Messages"**

JES2 I PCS Support



- **You must be proactive to install JES2 I PCS.**
 - ▶ Make sure JES2 I PCS support works before you need it
 - ▶ Set up for all combinations of JES2 and MVS releases
- **Use the correct libraries for JES2 ctl blocks:**
 - ▶ SHASPARM in the PARMLIB concatenation
 - ▶ SHASMI G in the STEPLIB concatenation
 - ▶ SHASPNL0 in the I SPPLIB concatenation
- **For more information, see:**
 - ▶ "JES2 Diagnosis"
 - ▶ "JES2 Migration Notebook"
 - ▶ "MVS I PCS Customization"
 - ▶ Enhancements in APAR OW33073 (SUP0005)

Tuner's View of JES2



Performance



- **In general, JES2 takes minimal Resources**
 - ▶ Exceptions: Large Q's, Many Devices, Exits, OEM subsystems
- **Monitoring JES2 Performance**
 - ▶ SDSF, RMF, \$TRACE (1, 2, 17, 20, 30, 31)
 - ▶ Main Task CPU utilization detailed with \$D PERFDATA cmd
 - ▶ Watch "Sympathy Sickness" (delays caused by other members)
- **Tuning JES2**
 - ▶ Spool most important
 - ▶ Make sure you have enough resources (TGs, JQEs, JOEs, Bufs)
 - ▶ Checkpoint performance is usually not an issue
- **Don't worry - be happy**
 - ▶ Get Baseline #s - Know your "Happy Values"

JES2 Capacity Planning



■ As workload grows, so does ...

▶ JES2 internal capacity requirements

- # of Jobs
- # of Output Elements
- Spool Space
- Checkpoint Size

▶ JES2 CPU, I/O, & Storage Activity

- Devices, Initiators
- Buffers
- Queue length

▶ # of Members in the MAS Complex

- Spool Contention
- Checkpoint Contention
- Systems Management Complexity

Summary



1. Understand the peculiarities of JES2

- ▶ Read and Experiment
- ▶ Test with Poly-JES

2. Keep it simple ...

- ▶ Minimize Mods & Exits
- ▶ Discourage non-standard uses

3. Automate the management of JES

- ▶ Set it up once; keep it up forever

Appendix



- **History of JES2**
- **Current Releases**
- **Reference Material**
 - ▶ [Books, ...](#)

32 Flavors of JES2 !



HASP

HASP I V.1 OS/MFT-I
 HASP I V.2 RJE (STR)
 HASP II V.1 MVT-II, MVT
 HASP II V.2 BSC RJE
 HASP II V.3 S/370
 HASP II V.4 SVS + PRPQs

MVS

JES2 R.2 MVS
 JES2 R.3 Shared Spool
 JES2 R.4 3800, SNA RJE
 JES2 R.4.1 3790 MLU RJE

NJE

NJE R.1 NJE
 NJE R.2 3790 RJE
 NJE R.3 SNA NJE

MVS/SP

SP 130/210 Exits, Spool Offload
 SP 133/211 Dynamic Spool
 SP 134/212 AFP
 SP 136/215 Spool Constraint Relief
 SP 2.2.0 Checkpt Enhancements
 SP 3.1.1 Constraint Relief, CSO
 SP 3.1.3 RACF Security
 SP 4.1.0 Output, NJE
 SP 4.2.0 APPC, Dynamic I/O
 SP 4.3.0 CUPRI MD Quality
 SP 5.1.0 Parallel (32-Way MAS)
 SP 5.2.0 Sysplex, ARM, JobQ

OS/390

OS/390 1.1 OS/390 Packaging
 OS/390 1.3 SAPI
 OS/390 2.4 WLM Batch
 OS/390 2.5 Open Print
 OS/390 2.7 FiCon Channel support
 OS/390 2.8 CF Auto- Rebuild Ckpt
 OS/390 2.10 Spool Fencing, Zap Job

z/OS

z/OS V1.R1 = OS/390 R. 10

Current JES2 Releases



■ FMI Ds, Birthdays & Obituaries

JES2 Rel.#	FMID	First Available	No Longer Available	End of Service
MVS/SP 5.1	HJE5510	6/94	6/95	1/2001
MVS/SP 5.2	HJE5520	6/95	3/00	3/2001
OS/390 R.1/2	HJE6601	3/96	3/97	1/2001
OS/390 R.3	HJE6603	3/97	9/97	3/2001
OS/390 R.4	HJE6604	9/97	3/98	3/2001
OS/390 R.5/6	HJE6605	3/98	3/99	9/2001
OS/390 R.7	HJE6607	3/99	9/99	3/2002
OS/390 R.8/9	HJE6608	9/99	9/00	9/2002
OS/390 R.10	HJE7703	9/00		3/2004
z/OS R.1	HJE7703	3/01		3/2004

JES2/ MVS Compatibility



MVS BCP Releases

JES2 Rel: MVS/SP			OS/390 JES2						
	5.1.0	5.2.0	R.1/2	R.3	R.4	R.5/6	R.7	R.8/9	R.10
MVS/SP 5.1.0	x								
MVS/SP 5.2.0	x	x							
OS/390 R.1	X	X	X						
OS/390 R.2	X	X	X						
OS/390 R.3	X	X	X	X					
OS/390 R.4	X	X	X	X	X				
OS/390 R.5	X	X	X	X	X	X			
OS/390 R.6	X	X	X	X	X	X			
OS/390 R.7	X	X	X	X	X	X	X		
OS/390 R.8	X	X	X	X	X	X	X	X	
OS/390 R.9	X	X	X	X	X	X	X	X	
OS/390 R.10						X	X	X	X

"JES release will coexist w/BCP if JES can coexist w/JES from that BCP."

References



- **Education:**
 - ▶ JES2 for OS/390 Facilities & Implementation (ES710)
- **JES2 Library:** Hard-copy, CDROM, WWW
- **JES2 Source Code:** xx.SHASSRC & xx.SHASMAC
- **JES2 Samples:** xx.SHASSAMP
- **www.ibm.com/support/TechDocs - Flashes, ..**
- **IBMLink (Q & A), Forums, Listserv- JES2, ..**
- **SHARE Presentations**
- **Other JES2 SysProgs: SHARE & local user groups, your predecessor!**

OS/390 JES2 LIBRARY



- GC28-1794 JES2 Introduction *
- GC28-1797 JES2 Migration
- SC28-1791 JES2 Initialization & Tuning Guide
- SC28-1792 JES2 Initialization & Tuning Reference
- GC28-1796 JES2 Messages
- GC28-1790 JES2 Commands
- GX22-0041 JES2 Commands Summary
- SC28-1793 JES2 Installation Exits
- SC28-1795 JES2 Macros
- SY28-1086 JES2 Diagnosis
- SY28-1096 JES2 Data Areas, V.1 \$A - \$E *
- SY28-1097 JES2 Data Areas, V.2 \$F - \$O *
- SY28-1098 JES2 Data Areas, V.3 \$P - \$X *

* Soft-copy only

OS/390 Soft copy Books



- <http://www.s390.ibm.com/products/softcopy>
- **OS/390 Online Collection**
 - ◆ CD-ROMs: SK2T-6700 (Unlicensed only)
 - ◆ Available on Tape (Optional, No-Charge)
- **S/390 Rainbow Books Collection**
 - ◆ CD-ROM: SK2T-2177
 - ◆ 300+ Systems Center Technical Bulletins in BookManager and PDF formats
 - ◆ RedBooks (I TSC), Orange (WSC), Yellow (NS)

All Updated Quarterly

Other JES2- Related Documents



- ▶ NJE Formats & Protocols, SC23-0070-3
- ▶ VSE to OS/390 Migration Notebook, SG24-2043
- ▶ DFW & Dual Copy - JES2 Spool & Checkpoint, GG66-3230
- ▶ NJE with JES2 and Other Systems, GG22-9339-1
- ▶ SDSF/ RACF 1.9.2 Conversion, GG24-4085 (soft copy only)
- ▶ MVS/ESA JES2 Exit Coding, GG24-4127 (soft copy only)
- **Deleted (obsolete) - save your old copies**
 - ▶ ~~OS/390 R.4 Implementation, SG24-2089~~
 - ▶ ~~OS/390 R.5 Implementation, SG24-5151~~
 - ▶ ~~JES2 MAS in Sysplex Environment, GG66-3263~~
 - ▶ ~~MVS Parallel Sysplex Config. Cookbk, SG24-4706~~
 - ▶ ~~MVS/ESA JES2 V.5 Implementation, GG24-4583~~

OS/390 Web Sites



- **OS/390 Coexistence, Migration info**
 - ▶ <http://www.s390.ibm.com/stories/year2000/coexist.html>
- **OS/390 Publications (view, print, order books)**
 - ▶ <http://www.s390.ibm.com/os390/bkserv>
- **JES2 home page (under construction)**
- **SDSF home page**
 - ▶ <http://www.s390.ibm.com/products/sdsf>
- **Advanced Tech. Support (Washington System Center)**
 - ▶ <http://www.ibm.com/support/techdocs> (Flashes, Papers etc.)
- **SHARE Proceedings**
 - ▶ <http://www.share.org>
- **Redbooks**
 - ▶ <http://www.redbooks.ibm.com>

Questions

