



CICSplex System Manager
Banco Bilbao Vizcaya Argentaria Brasil

Luiz Eduardo Siqueira
Suporte Técnico

Av. Antônio Carlos Magalhães, 2728, bloco B, 2o. Andar
Itaigara
41.850-000 - Salvador, Bahia

tel.: (71) 354-7451

fax: (71) 354-7684



Ambiente

CICSplex BBVA Brasil Altamira

LPAR BRA1 Produção

8 CICS TS 1.3 (1 TOR + 6 AOR + 1 QOR) Produção

1 CICS TS 1.2 ImagePlus

1 CICS TS 1.3 CICSplex Web User Interface

LPAR BRD1 Desenvolvimento

3 CICS TS 1.3 (1 TOR + 2 AOR) Desenvolvimento

3 CICS TS 1.3 (1 TOR + 2 AOR) Testes Integrados

3 CICS TS 1.3 (1 TOR + 2 AOR) Qualidade

3 CICS TS 1.3 (1 TOR + 2 AOR) Formação

1 CICS TS 1.3 Help Desk

1 CICS TS 1.2 ImagePlus

CICSplex BBVA Brasil Legado

LPAR BRA1 Produção

2 CICS TS 1.3 Produção (1 TOR-AOR + 1 AOR) migrando de 5 CICS/ESA 4.1

LPAR BRD1 Desenvolvimento

1 CICS TS 1.3 Desenvolvimento

1 CICS TS 1.3 Testes Integrados

1 CICS TS 1.3 Qualidade

1 CICS TS 1.3 Formação



Componentes do CICSplex System Manager

Coordinating Address Space (CAS)

Executa como um OS/390 Subsystem, CPSM, cuja principal função é o suporte ao TSO ISPF End User Interface. Provê ainda serviços de verificação de autorização sobre os recursos do CICSplex e dos CICS. Há um único CAS por imagem do OS/390.

CICSplex System Manager Address Space (CMAS)

Reside num CICS e é o componente responsável pelo gerenciamento dos recursos dos CICS do complexo, chamados Managed Application Systems (MAS), podendo ser locais (LMAS) ou remotos (RMAS). Cada MAS contém o CICSplex SM Agent Code com implementação de funções do CICSplex SM. Pode haver um ou mais CMAS por imagem

Environment Services System Services (ESSS)

A comunicação entre CMAS, CAS e MAS, bem como entre CMAS e NetView, é feita através deste componente, que é um OS/390 address space criado automaticamente durante o primeiro start de um CMAS.



CICSplex SM no BBVA Brasil

Primeira geração - Julho a Outubro de 1999

Importação dos recursos definidos nos CICS CSD's, funcionando como uma alternativa ao repositório do próprio CICS, não incorporava qualquer inteligência e exigia a definição múltipla de todos os recursos. Dois CICSplex, BRA1 Produção e BRD1 Desenvolvimento com repositórios independentes.

Segunda geração - Outubro de 1999 a Agosto de 2000

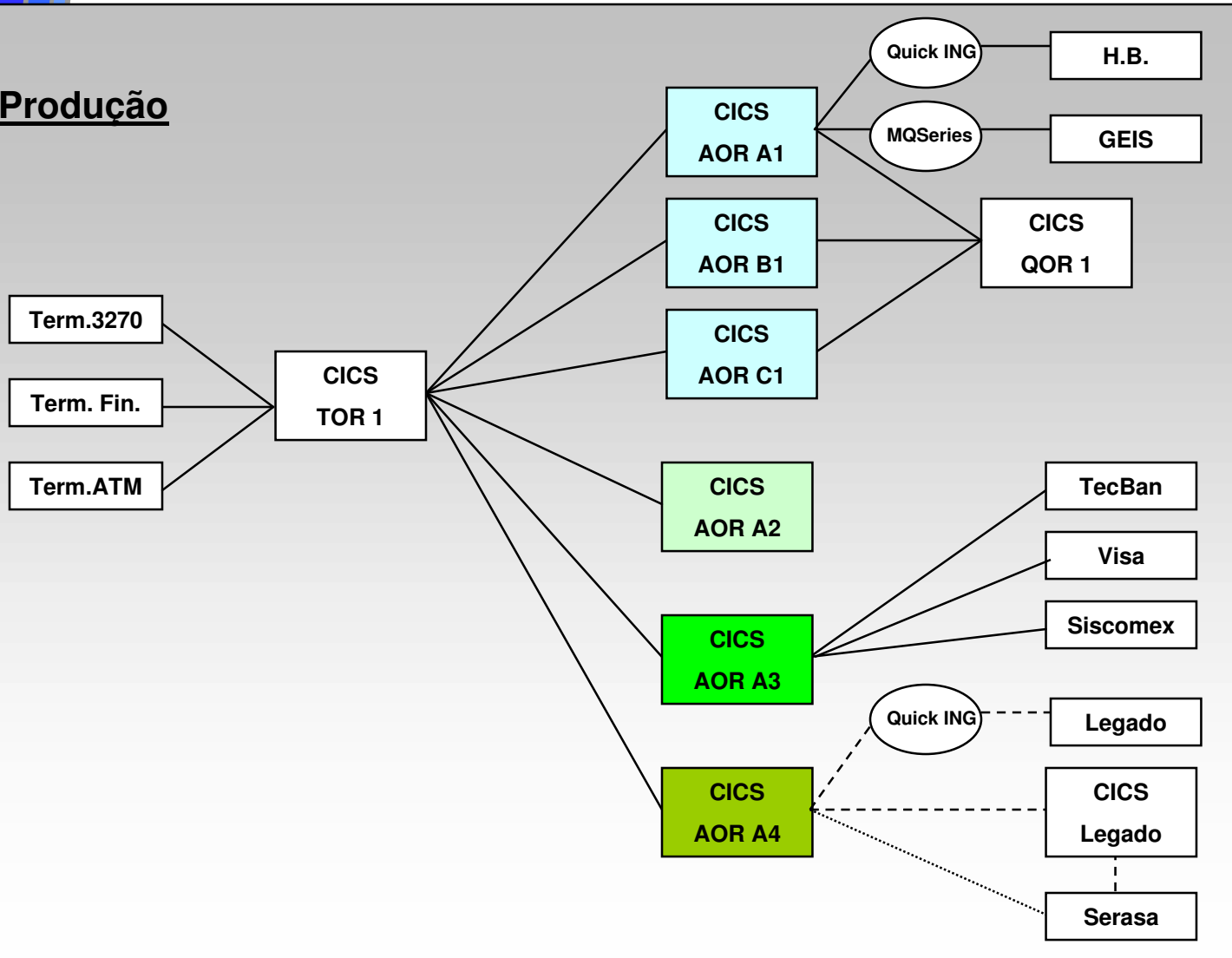
Full Business Application Services, introduziu definições de Resource Assignments para designação dos recursos para os CICS e CICS Groups, através dos conceitos de Target System e Related System. Incorporou WorkLoad manager com balanceamento dinâmico de carga. Mantidos os dois CICSplex com seus repositórios independentes.

Terceira geração - a partir de Agosto de 2000

Construída em Julho e Agosto de 2000 a partir das definições contidas nos repositórios de Produção e Desenvolvimento, constitui um CICSplex único com um Maintenance Point também único e dois repositórios, um em cada LPAR, sincronizados via conexão LU 6.2. Cada definição de recurso alcança todos os CICS do complexo.

CICSplex BBVA Brasil

Produção



GRUPO 1
Trato com clientes
Contas Pessoais
Pessoas

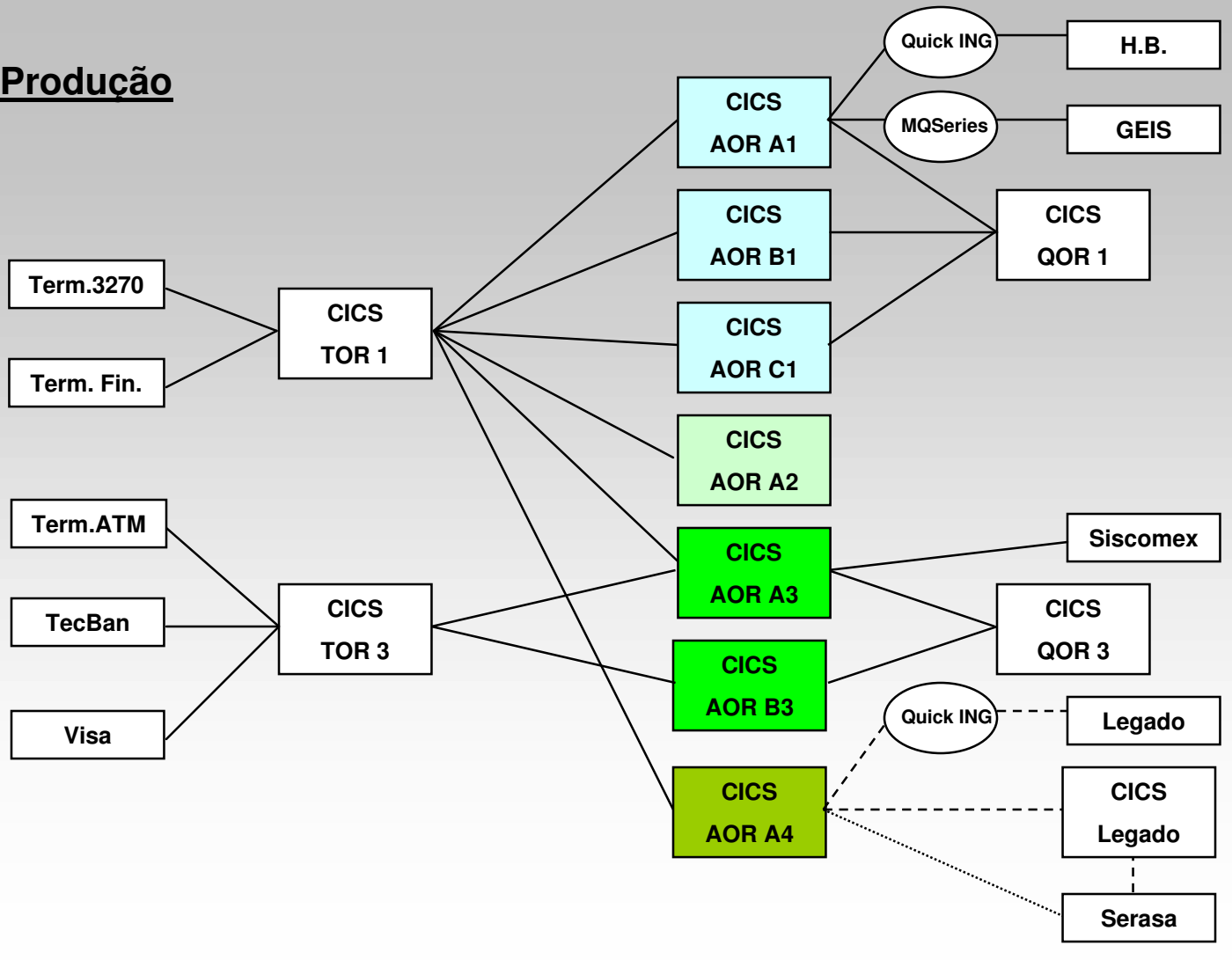
GRUPO 2
Internas do Banco
Sem trato com clientes
Contabilidade

GRUPO 3
Meios de pagamento

GRUPO 4
Monitoração de entradas
em Produção
Novos aplicativos
Correções
Outros sistemas
Convivência
Transferências
Domiciliações
Estrangeiros

CICSplex BBVA Brasil

Produção



GRUPO 1
Trato com clientes
Contas Pessoais
Pessoas

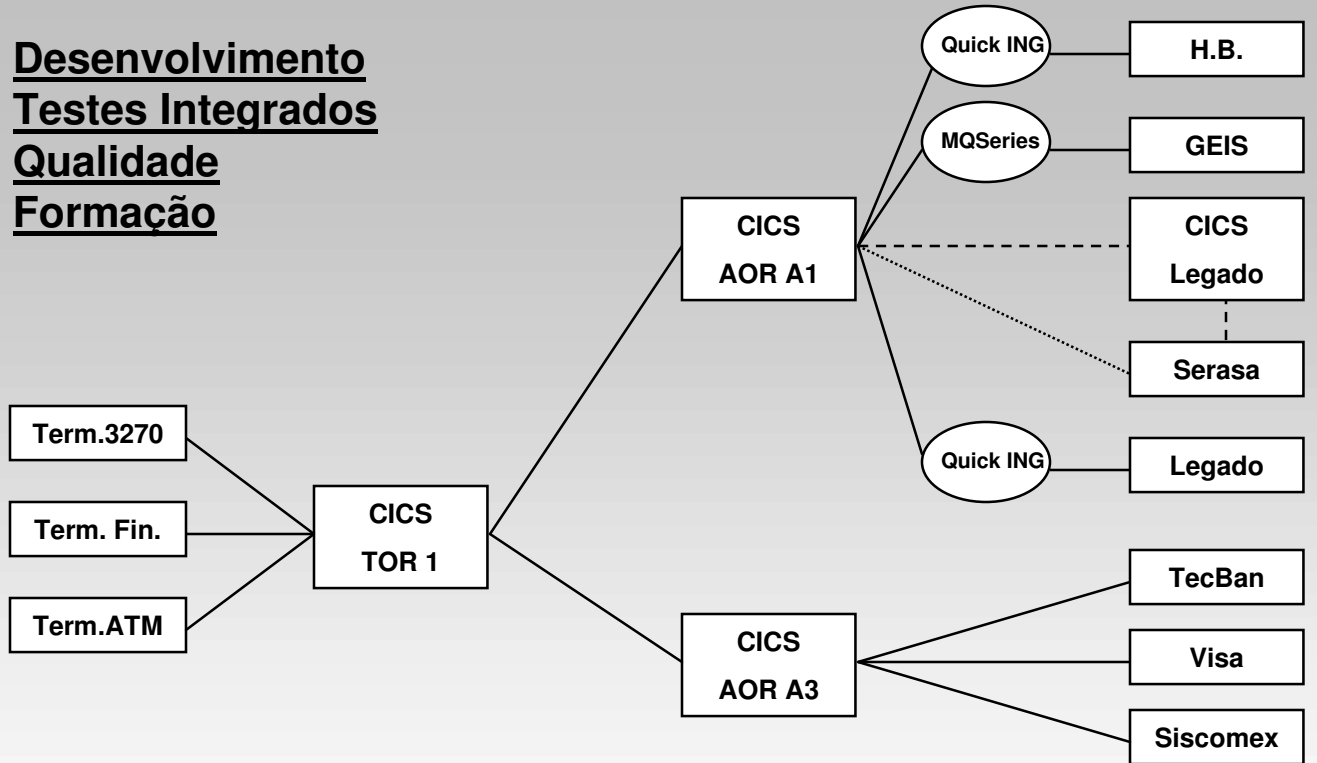
GRUPO 2
Internas do Banco
Sem trato com clientes
Contabilidade

GRUPO 3
Meios de pagamento

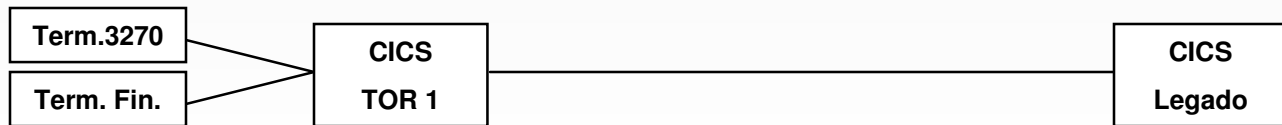
GRUPO 4
Monitoração de entradas
em Produção
Novos aplicativos
Correções
Outros sistemas
Convivência
Transferências
Domiciliações
Estrangeiros

CICSplex BBVA Brasil

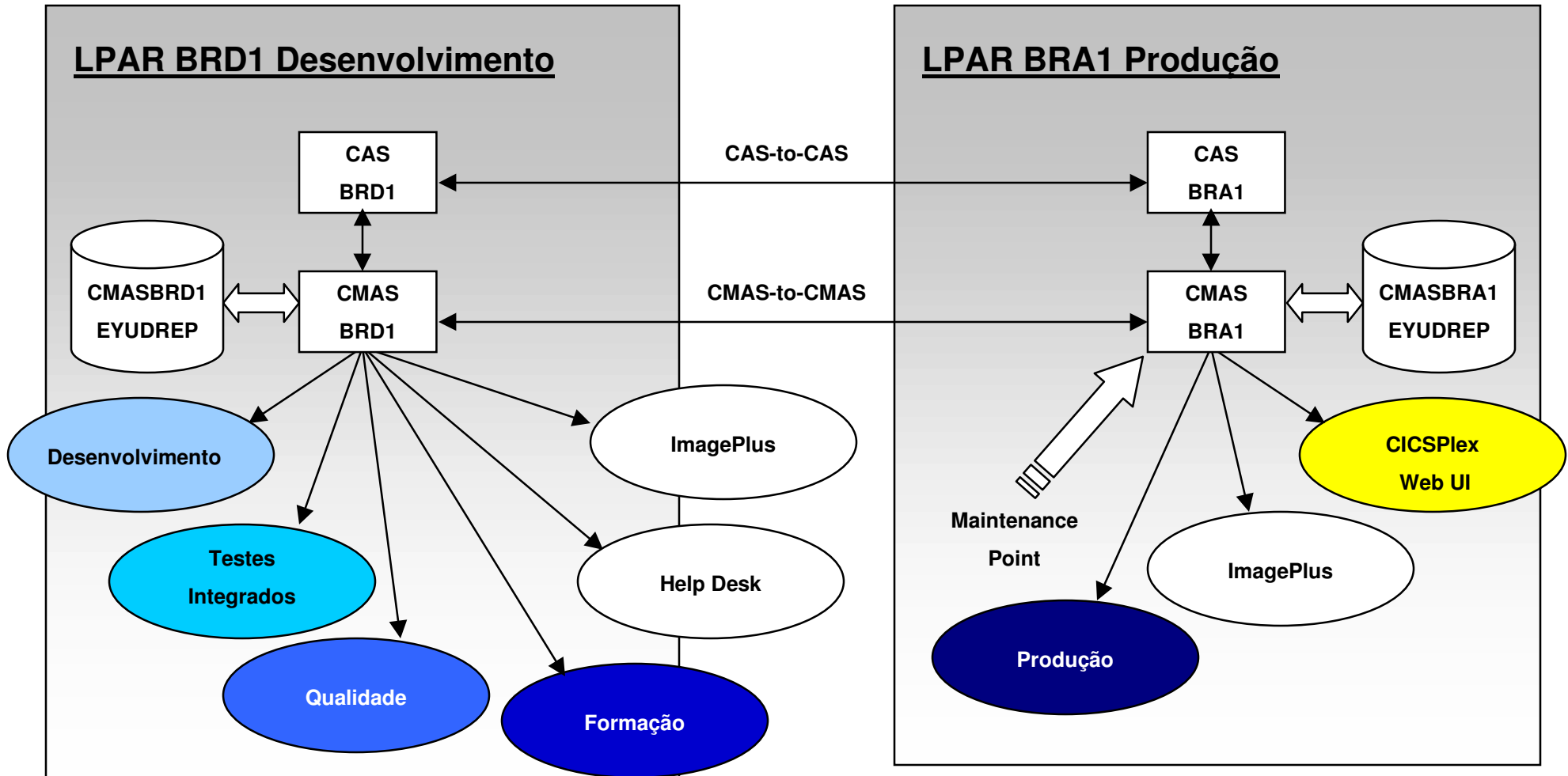
Desenvolvimento
Testes Integrados
Qualidade
Formação



Help Desk



CICSplex BBVA Brasil



CAS: Coordinating Address Space

CMAS: CICSplex SM Address Space

CICSplex BBVA Brasil

CICS Groups

AORD	CICSDBA1 CICSDBA3
------	----------------------

AORT	CICSTBA1 CICSTBA3
------	----------------------

AORQ	CICSQBA1 CICSQBA3
------	----------------------

AORF	CICSFBA1 CICSFBA3
------	----------------------

AORP1	CICSPBA1 CICSPBB1 CICSPBC1
-------	----------------------------------

AORP3	CICSPBA3 CICSPBB3
-------	----------------------

AORP	AORP1 AORP3 CICSPBA2 CICSPBA4
------	--

AORX	AORD AORT AORQ AORF AORP
------	--------------------------------------

AORX1	CICSDBA1 CICSTBA1 CICSQBA1 CICSFBA1 AORP1
-------	---

AORX2	CICSDBA1 CICSTBA1 CICSQBA1 CICSFBA1 CICSPBA2
-------	--

AORX3	CICSDBA3 CICSTBA3 CICSQBA3 CICSFBA3 AORP3
-------	---

AORX4	CICSDBA1 CICSTBA1 CICSQBA1 CICSFBA1 CICSPBA4
-------	--

ODMX	CICSDBI1 CICSPBI1
------	----------------------

TORX1	CICSDBT1 CICSTBT1 CICSQBT1 CICSFBT1 CICSPBT1
-------	--

TORX	TORX1 CICSPBT3
------	-------------------

ALLD	AORD CICSDBT1
------	------------------

ALLT	AORT CICSTBT1
------	------------------

ALLQ	AORQ CICSQBT1
------	------------------

ALLF	AORF CICSFBT1
------	------------------

ALLP	AORP CICSPBT1
------	------------------

ALLX	AORX TORX
------	--------------



TSO ISPF End User Interface

```
-----CICSplex System Manager-----
OPTION  ==> 1

0  PROFILE      - User Session Parameters
1  PLEXMGR      - List of Service Points
2  CPSM         - CICSplex SM

      Default Criteria for CPSM:

Context          ==> BRA1
Scope           ==> BRA1
Warning Record Count ==> 0          0 for no checking
Require Set     ==> NO             YES, NO

      Licensed Materials - Property of IBM
      5655-147 (C) Copyright IBM Corp. 1994, 1999.
      All Rights Reserved. U.S. Government Users
      Restricted Rights - Use, Duplication or Disclosure
      restricted by GSA ADP Schedule Contract with IBM Corp.
```



TSO ISPF End User Interface Context PLEXMGR

```
28SEP2000 19:08:28 ----- INFORMATION DISPLAY -----
COMMAND ==> casdef                                SCROLL ==>
CSR
CURR WIN ==> 1          ALT WIN ==>
>W1 =PLEXOVER=====BRA1=====*=====28SEP2000==19:08:28====PLEXMGR=====8
C Context  Product  Description                                Status  Server
-----
  BRA1     CPSM     CICSplex Service Point                    Active  CMASBR**
  BRA1     PLEXMGR  Target Manager                            Active  PLEXMGR
  BRA9     CPSM     CICSplex Service Point                    Active  CMASBR**
  BRD1     PLEXMGR  Target Manager                            Active  PLEXMGR
  CMASBRA1 CPSM     CMAS Service Point                       Active  CMASBRA1
  CMASBRA9 CPSM     CMAS Service Point                       Active  CMASBRA9
  CMASBRD1 CPSM     CMAS Service Point                       Active  CMASBRD1
  CMASBRD9 CPSM     CMAS Service Point                       Active  CMASBRD9
```



TSO ISPF End User Interface Context PLEXMGR

```
28SEP2000 19:15:58 ----- INFORMATION DISPLAY -----
COMMAND ==> edit                                SCROLL ==> CSR
CURR WIN ==> 1          ALT WIN ==>
>W1 =CASDEF=====BRA1=====*(00 BROWSE          )=====PLEXMGR=====2
CMD CAS      Cur Description                      Status          VTAM
--- Name---- Sys -----                          -----         ApplName
cha BRA1     Yes Brasil Producao                 Installed       CASBRA1
      BRD1     No  Brasil Desenvolvimento         Installed       CASBRD1
```

```
----- CHANGE CAS SYSTEM DEFINITION -----
COMMAND ==>

CAS System Name    ==> BRA1      (Recommended same as MVS System Name)
  Description      ==> Brasil Producao

System Identification Information:
  MVS System Name  ==> BRA1      SMF Id           ==> BRA1
  SysPlex Name     ==> SYSPBBV   Subsystem Id     ==> CPSM

System Communication Information:
  VTAM Appl Name   ==> CASBRA1
  XCF Group Name   ==> EYUGROUP

Enter END to change the CAS System Definition.
Enter CANCEL to leave without changing.
```



TSO ISPF End User Interface

Context CMAS

```
28SEP2000 19:11:23 ----- INFORMATION DISPLAY -----
COMMAND ===>                                     SCROLL ===> CSR
CURR WIN ===> 1          ALT WIN ===>
  W1 =MENU=====CMASBRA1=*=====28SEP2000==19:11:23====CPSM=====16
CMD Name          Description
-----
ANALYSIS          Real Time Analysis Operations Views
s CONFIG          CMAS Configuration Operations Views
MONITOR           Monitoring Views
OPERATE           Operations Views
TOPOLOGY          Topology Operations Views
WORKLOAD          Workload Operations Views
=====
ADMSAM            RTA System Availability Monitoring Administration Views
ADMRRM            RTA MAS Resource Monitoring Administration Views
ADMMPM            RTA Analysis Point Monitoring Administration Views
ADMCONFIG         CMAS Configuration Administration Views
ADMMON            Monitor Administration Views
ADMTOPOL          Topology Administration Views
ADMWLM            Workload Manager Administration Views
ADMBAS            Business Application Services Administration Views
ADMRES            Business Application Services Resource Views
```



TSO ISPF End User Interface

Context CMAS

```

28SEP2000 19:24:12 ----- INFORMATION DISPLAY -----
COMMAND ===>                                     SCROLL ===> CSR
CURR WIN ===> 1          ALT WIN ===>
  W1 =MENU=====CMASBRA1=*=====28SEP2000==19:24:12====CPSM=====6
CMD Name          Description
-----
  CONFIG          CMAS Configuration Operations Views
s  CICSplex       CMASs Managing CICSplex
   CMAS           CMASs Known to Local CMAS
   CMASplex       CICSplexes Managed by CMAS
   CMTMLNK        CMAS-to-CMAS Links
   CMTPLNK        CMAS-to-MAS Links
  
```

```

28SEP2000 19:25:12 ----- INFORMATION DISPLAY -----
COMMAND ===>                                     SCROLL ===> CSR
CURR WIN ===> 1          ALT WIN ===>
  W1 =CICSplex=====CMASBRA1=*=====28SEP2000==19:25:12====CPSM=====2
CMD CICSplex CMAS      Status  MP  Access  Transit  Transit
-----
   BRA1       CMASBRA1 ACTIVE   YES LOCAL          0
   BRA1       CMASBRD1 ACTIVE   NO  ADJACENT        0
  
```



TSO ISPF End User Interface

Context CMAS

```

28SEP2000 19:29:00 ----- INFORMATION DISPLAY -----
COMMAND ===>                                     SCROLL ===> CSR
CURR WIN ===> 1          ALT WIN ===>
W1 =MENU=====CMASBRA1=*=====28SEP2000==19:29:00====CPSM=====6
CMD Name          Description
-----
ADMCONFG          CMAS Configuration Administration Views
  BATCHREP        Batched Repository Updates
s  CPLEXDEF        CICSplex Definitions
  CPLXCMAS        CMAS in CICSplex Definitions
  CMTCMDEF        CMAS-to-CMAS Link Definitions
  CMTPMDEF        CMAS-to-RMAS Link Definitions
  
```

```

28SEP2000 19:29:52 ----- INFORMATION DISPLAY -----
COMMAND ===>                                     SCROLL ===> CSR
CURR WIN ===> 1          ALT WIN ===>
W1 =CPLEXDEF=====CMASBRA1=*=====28SEP2000==19:29:52====CPSM=====1
CMD Name          Mon  Time Zone Day  Cmd Res Xmp ROD Description
---  ----- Intv Zone Adj  Save Chk Chk Chk ---  -----
BRA1          480 Z          0 NO   NO  NO  NO  NO  CICSplex BBVA Brasil
  
```



TSO ISPF End User Interface Context CICSPlex

```
28SEP2000 19:32:23 ----- INFORMATION DISPLAY -----
COMMAND ===>                                     SCROLL ===> CSR
CURR WIN ===> 1          ALT WIN ===>
  W1 =MENU=====BRAl====*=====28SEP2000==19:32:23====CPSM=====16
CMD Name          Description
-----
ANALYSIS          Real Time Analysis Operations Views
CONFIG            CMAS Configuration Operations Views
MONITOR           Monitoring Views
OPERATE           Operations Views
TOPOLOGY          Topology Operations Views
WORKLOAD          Workload Operations Views
=====
ADMSAM            RTA System Availability Monitoring Administration Views
ADMRRM            RTA MAS Resource Monitoring Administration Views
ADMMPM            RTA Analysis Point Monitoring Administration Views
ADMCONFIG         CMAS Configuration Administration Views
ADMMON            Monitor Administration Views
s ADMTOPOL        Topology Administration Views
ADMWLM            Workload Manager Administration Views
ADMBAS            Business Application Services Administration Views
ADMRES            Business Application Services Resource Views
```




TSO ISPF End User Interface Context CICSPlex

```
28SEP2000 19:36:07 ----- INFORMATION DISPLAY -----
COMMAND ===>                                     SCROLL ===> CSR
CURR WIN ===> 1           ALT WIN ===>
  W1 =MENU=====BRA1=====*=====28SEP2000==19:36:07====CPSM=====5
CMD Name           Description
-----
  ADMTOPOL         Topology Administration Views
s  CICSSYS         CICS System Definitions
  CICSGRP          CICS System Group Definitions
  SYSGRPC          Members of CICS System Groups
  PERIODEF         Time Period Definitions
```

```
28SEP2000 19:37:54 ----- INFORMATION DISPLAY -----
COMMAND ===>                                     SCROLL ===> CSR
CURR WIN ===> 1           ALT WIN ===>
  W1 =CICSSYS=====BRA1=====*=====28SEP2000==19:37:50====CPSM=====24
CMD CICS           Description                    Model
--- System -----
  CICSPBA1 AOR A1 Producao
  CICSPBA2 AOR A2 Producao
  CICSPBA3 AOR A3 Producao
  CICSPBA4 AOR A4 Producao
  CICSPBQ1 QOR Q1 Producao
upd CICSPBT1 TOR T1 Producao
```



TSO ISPF End User Interface Context CICSplex

```
----- Update System - General Attributes - for BRA1 -----  
COMMAND ==>  
  
System Name          CICSPBT1  
Description ==> TOR T1 Producao  
  
Primary CMAS or Generic ==> CMASBRA1    CMAS to which CICS normally connects  
Active Period or Generic ==>           Hours of Operation  
APPLID               ==> CICSPBT1      VTAM application ID  
SYSIDNT              ==> PBT1        System communication ID  
  
                        SECURITY  
CICS Command Checking ==> *          Simulated CICS Cmd Checks (YES, NO, or *)  
CICS Resource Checking ==> *          Simulated CICS Res Checks (YES, NO, or *)  
Exemption Checking   ==> *          Check for Exempt Users (YES, NO, or *)  
  
                        TIME  
Time Zone             ==> *          Time Zone for System (B-Z or *)  
Time Zone Offset     ==> *          Time Zone Offset for System (0-59 or *)  
Daylight Savings Time ==> *          Daylight Savings for System (YES, NO, or *)  
  
Type DOWN or UP to view other System screens.  
Press ENTER to update the System.  
Type END or CANCEL to cancel without updating.
```



TSO ISPF End User Interface Context CICSplex

```
----- Update System - Workload Attributes - for BRA1 -----  
COMMAND ==>  
  
System name      CICSPT1  
Description      TOR T1 Producao  
  
Routing support active ==> YES          (YES, NO)  
Workload specification WLMSPBT1      Current WLMSPEC if a routing region  
Specification source  EXPLICIT       Type of link to WLMSPEC  
System group name     System group if implicit source  
  
Target routing at startup ==> NO       (YES, NO)  
  
Type DOWN or UP to view other System screens.  
Press ENTER to update the System.  
Type END or CANCEL to cancel without updating.
```



TSO ISPF End User Interface Context CICSPlex

```
----- Update System - Analysis Attributes - for BRA1 -----  
COMMAND ===>  
  
System name      CICSPBT1  
Description      TOR T1 Producao  
  
Analysis active  ===> YES      Activate at startup (YES, NO, SAM, MRM)  
Analysis specification      Current RTASPEC  
Specification source      Type of link to RTASPEC  
System group name      System group if implicit source  
  
System availability management:  


|          | Action or<br>Generic | Action<br>Inherit | Severity | Severity<br>Inherit |
|----------|----------------------|-------------------|----------|---------------------|
| SAM      | ===>                 | ===> NO           | ===>     | ===> NO             |
| SOS      | ===>                 | ===> NO           | ===>     | ===> NO             |
| SYSDUMP  | ===>                 | ===> NO           | ===>     | ===> NO             |
| TRANDUMP | ===>                 | ===> NO           | ===>     | ===> NO             |
| MAXTASK  | ===>                 | ===> NO           | ===>     | ===> NO             |
| STALL    | ===>                 | ===> NO           | ===>     | ===> NO             |

  
Type DOWN or UP to view other System Screens.  
Press ENTER to update the System.  
Type END or CANCEL to cancel without updating.
```



TSO ISPF End User Interface Context CICSplex

```
----- Update System - Monitor Attributes - for BRA1 -----  
COMMAND ===>  
  
System name      CICSPT1  
Description      TOR T1 Producao  
  
Monitoring active    ===> *           Activate at startup (YES, NO, or *)  
Monitor specification  Current MONSPEC definition  
Specification source  Type of link to MONSPEC  
System group name     System group if implicit source  
Data retention period ===>           Data retained after termination  
  
Resource Sample Intervals:  
CICS Region         ===>           Connections           ===>  
Global              ===>           Files                 ===>  
DB2                 ===>           Journals              ===>  
                                                             Programs            ===>  
                                                             Terminals             ===>  
                                                             Transactions         ===>  
                                                             TD Queues            ===>  
  
Type DOWN or UP to view other System screens.  
Press ENTER to update the System.  
Type END or CANCEL to cancel without updating.
```



TSO ISPF End User Interface Context CICSplex

```
----- Update System - BAS Attributes - for BRA1 -----  
COMMAND ===>  
  
System name      CICSPBT1  
Description      TOR T1 Producao  
  
Install Resources ===> COLDONLY      (NEVER, ALWAYS, COLDONLY, WARMLY)  
  
Recovery Action  ===> CONTINUE      (CONTINUE, PROMPT, TERMINATE, IMMEDIATE, NORMAL)  
  
Model System     ===>                System whose SYSLINKS are to be copied  
  
Type DOWN or UP to view other System screens.  
Press ENTER to update the System.  
Type END or CANCEL to cancel without updating.
```



TSO ISPF End User Interface Context CICSplex

```
29SEP2000 11:41:43 ----- INFORMATION DISPLAY -----
COMMAND ===>                                SCROLL ===> CSR
CURR WIN ===> 1          ALT WIN ===>
  W1 =MENU=====BRA1=====BRA1=====29SEP2000==11:41:43====CPSM=====11
CMD Name          Description
-----
ADMBAS           Business Application Services Administration Views
s  RESDESC       Resource Descriptions
   RASINDSC      Resource Assignments in Description
   RESINDSC      Resource Groups in Description
   RASGNDEF      Resource Assignment
   RDSCPROC      Resource Description Process
   SYSRES        CICS System Resources
   SYSLINK       CICS System Links
   RASPROC       Resource Assignment Process
   RESGROUP      Resource Groups
   RESINGRP      Resources in Resource Group
```



TSO ISPF End User Interface Context CICSPlex

```
29SEP2000 11:45:25 ----- INFORMATION DISPLAY -----
COMMAND ==>                                     SCROLL ==> CSR
CURR WIN ==> 1          ALT WIN ==>
  W1 =RESDESC=====BRA1=====BRA1=====29SEP2000==11:44:55====CPSM=====76
CMD Name      Scope Scope      Description
-----
$TC           YES  $TC      Tabelas Corporativas
$TF           YES  $TF      Tarifas
$TP           YES  $TP      Fundos
$UG           YES  $UG      Emprestimos
$UK           YES  $UK      Emprestimos/Convivencia
$UT           YES  $UT      Garantias
$VG           YES  $VG      Viagens
$VL           YES  $VL      Valores
ATM           YES  ATM      Terminais ATM
B24           YES  B24      Banco 24 Horas
CGR           YES  CGR      Terminais CGR
CIC           YES  CIC      CICS Resources
DB2           YES  DB2      DB2 Connections
FIN           YES  FIN      Terminais Financeiros
HSM           YES  HSM      Host Security Module
ING           YES  ING      Quick ING
ISR           YES  ISR      Isreg
LEG           YES  LEG      Legado entrante
```




TSO ISPF End User Interface Context CICSPlex

```
29SEP2000 11:46:49 ----- INFORMATION DISPLAY -----
COMMAND ===>                                     SCROLL ===> CSR
CURR WIN ===> 1          ALT WIN ===>
  W1 =RESGROUP=====BRA1=====BRA1=====29SEP2000==11:46:32====CPSM=====224
CMD NAME      Description                          Restype  ResVer  Pattern
-----
XTIGW        Quick ING Workbench
XTISR        Isreg
XTURA        Terminais URA
XTVIA        SmartTest
XU$QG        Arquitetura Central
XUVIA        SmartTest
XX$QG        Arquitetura Central
XXATM        Terminais ATM
XXB24        Banco 24 Horas
XXHSM        Host Security Module
XXIGC        Quick ING Client Interface
XXPRT        Terminais Impressoras
XXTCP        TCP/IP CICS Sockets
XXVIA        SmartTest
XXVIC        Visa Cards
XXWEB        CICS Web Support
X1IGU        Quick ING Users
X1VIA        SmartTest
```



TSO ISPF End User Interface Context CICSPlex

```
----- MAP of RESGROUP XTIGW ----- Row 1 of 32
COMMAND ==>                               Scroll ==> CSR
RESGROUP      RESTYPE      RESDEF
-----
XTIGW      +- DB2TDEF      +- Q0TS          1
           |               +- Q0XQ          1
           |- MAPDEF      +- INGQMCD       1
           |               |- INGQMCD       1
           |               |- INGQMQL       1
           |               |- INGQMSD       1
           |               |- INGQMSS       1
           |               |- INGQMTS       1
           |               |- INGQMWB       1
           |               |- INGQMXL       1
           |               +- INGQMXQ       1
           |- PROGDEF     +- INGQAQAD      1
           |               |- INGQAQAE      1
           |               |- INGQAQOD      1
           |               |- INGQAQQL      1
           |               |- INGQAQQS      1
           |               |- INGQCLQD      1
           |               |- INGQEXEQ      1
           |               |- INGQSLQD      1
           |               |- INGQSTAQ      1
```



TSO ISPF End User Interface Context CICSPlex

```
29SEP2000 12:53:49 ----- INFORMATION DISPLAY -----
COMMAND ==>
CURR WIN ==> 1          ALT WIN ==>
W1 =SYSLINK=====BRA1=====BRA1=====29SEP2000==12:53:42=====CPSM=====17
CMD Primary  Secondar ConnDef  Ver SessDef  Ver
---  -----  -----  ---  -----  ---
CICSDBT1 CICSDBA1 MRO          1 T1AX      1
CICSDBT1 CICSDBA3 MRO          1 T1AX      1
CICSFBT1 CICSFBA1 MRO          1 T1AX      1
CICSFBT1 CICSFBA3 MRO          1 T1AX      1
CICSPBA1 CICSPBQ1 MRO          1 A1Q1      1
CICSPBB1 CICSPBQ1 MRO          1 A1Q1      1
CICSPBC1 CICSPBQ1 MRO          1 A1Q1      1
CICSPBT1 CICSPBA1 MRO          1 T1A1      1
CICSPBT1 CICSPBA2 MRO          1 T1A2      1
CICSPBT1 CICSPBA3 MRO          1 T1A3      1
CICSPBT1 CICSPBA4 MRO          1 T1A4      1
CICSPBT1 CICSPBB1 MRO          1 T1A1      1
CICSPBT1 CICSPBC1 MRO          1 T1A1      1
CICSQBT1 CICSQBA1 MRO          1 T1AX      1
CICSQBT1 CICSQBA3 MRO          1 T1AX      1
CICSTBT1 CICSTBA1 MRO          1 T1AX      1
CICSTBT1 CICSTBA3 MRO          1 T1AX      1
```

TSO ISPF End User Interface

Context CICSPlex

```

29SEP2000 13:03:49 ----- INFORMATION DISPLAY -----
COMMAND ===>
CURR WIN ===> 1          ALT WIN ===>
>W1 =RASGNDEF=====BRA1=====BRA1=====29SEP2000==13:03:46====CPSM=====16
CMD Name      ResGroup ResType  Target  Usage Related  Description
-----
DA$TCD2E  XA$TC    DB2EDEF  AORD    LOCAL          Tabelas Corporativas
DA$TCFIL  DA$TC    FILEDEF  AORD    REMOT CICSDBT1  Tabelas Corporativas
DT$TCTRA  XA$TC    TRANDEF  CICSDBT1 REMOT CICSDBA1  Tabelas Corporativas
FA$TCD2E  XA$TC    DB2EDEF  AORF    LOCAL          Tabelas Corporativas
FA$TCFIL  FA$TC    FILEDEF  AORF    REMOT CICSFBT1  Tabelas Corporativas
FT$TCTRA  XA$TC    TRANDEF  CICSFBT1 REMOT CICSFBA1  Tabelas Corporativas
PA$TCD2E  XA$TC    DB2EDEF  AORP    LOCAL          Tabelas Corporativas
PA$TCFIL  PA$TC    FILEDEF  AORP    REMOT CICSPBT1  Tabelas Corporativas
PT$TCTRA  XA$TC    TRANDEF  CICSPBT1 REMOT AORP      Tabelas Corporativas
QA$TCD2E  XA$TC    DB2EDEF  AORQ    LOCAL          Tabelas Corporativas
QA$TCFIL  QA$TC    FILEDEF  AORQ    REMOT CICSQBT1  Tabelas Corporativas
QT$TCTRA  XA$TC    TRANDEF  CICSQBT1 REMOT CICSQBA1  Tabelas Corporativas
TA$TCD2E  XA$TC    DB2EDEF  AORT    LOCAL          Tabelas Corporativas
TA$TCFIL  TA$TC    FILEDEF  AORT    REMOT CICSTBT1  Tabelas Corporativas
TT$TCTRA  XA$TC    TRANDEF  CICSTBT1 REMOT CICSTBA1  Tabelas Corporativas
XA$TCD2T  XA$TC    DB2TDEF  AORX1   LOCAL          Tabelas Corporativas

```



TSO ISPF End User Interface Context CICSPlex

```
29SEP2000 13:09:19 ----- INFORMATION DISPLAY -----
COMMAND ===>                                     SCROLL ===> CSR
CURR WIN ===> 1          ALT WIN ===>
  W1 =MENU=====BRA1=====BRA1=====29SEP2000==13:09:19====CPSM=====31
CMD Name          Description
-----
ADMRES           Business Application Services Resource Views
  CONNDEF        Connection Definitions
  DB2CDEF        DB2 Connection Definitions
  DB2EDEF        DB2 Entry Definitions
  DB2TDEF        DB2 Transaction Definitions
  DOCDEF         Document Template Definitions
  ENQMDEF        Global Enqueue definitions
  FENODDEF       FEPI Node List definitions
  FEPOODEF       FEPI Pool definitions
  FEPRODEF       FEPI PropertySet definitions
  FETRGDEF       FEPI Target List definitions
  FILEDEF        File Definitions
  FSEGDEF        File Key Segment Definitions
  JRNLDEF        Journal Definitions
  JRNMDEF        Journal Model Definitions
  LSRDEF         LSR Pool Definitions
  MAPDEF         Map Set Definitions
  PARTDEF        Partner Definitions
```



TSO ISPF End User Interface Context CICSPlex

```
29SEP2000 13:10:55 ----- INFORMATION DISPLAY -----
COMMAND ===>                                     SCROLL ===> CSR
CURR WIN ===> 1          ALT WIN ===>
  W1 =MENU=====BRA1=====BRA1=====29SEP2000==13:09:19=====CPSM=====31
CMD Name          Description
-----
PROCDEF           Processtype Definitions
PROFDEF           Profile Definitions
PROGDEF           Program Definitions
PRTNDEF           Partition Set Definitions
RQMDEF            Request Model Definitions
SESSDEF           Session Definitions
TCPDEF            TCP/IP Service Definitions
TDQDEF            Transient Data Queue Definitions
TERMDEF           Terminal Definitions
s  TRANDEF        Transaction Definitions
TRNCLDEF          Transaction Class Definitions
TSMDEF            Temporary Storage Model Definitions
TYPTMDEF          Typeterm Definitions
```



TSO ISPF End User Interface Context CICSPlex

```
29SEP2000 13:15:06 ----- INFORMATION DISPLAY -----
COMMAND ==>
CURR WIN ==> 1          ALT WIN ==>
W1 =TRANDEF=====BRA1=====BRA1=====29SEP2000==13:15:00====CPSM=====66
CMD Name      Ver      Created      Changed      Description
-----
TC00          1  7/20/00 19:47  7/20/00 19:47  Menu Principal
TC01          1  7/20/00 19:47  7/20/00 19:47  Menu de Tabelas Gerais
TC02          1  7/20/00 19:47  7/20/00 19:47  Manut. de Dados de Tabelas
TC03          1  7/20/00 19:47  7/20/00 19:47  Cons. de Dados de Tabelas
TC04          1  7/20/00 19:47  7/20/00 19:47  Selecao de Tabelas
TC05          1  7/20/00 19:47  7/20/00 19:47  Selecao de Chaves
TC06          1  7/20/00 19:47  7/20/00 19:47  Menu Sist. Tab. Gerais/Estrut.
upd TC07          1  7/20/00 19:47  7/20/00 19:47  Manut. Caracteristicas Tabela
TC08          1  7/20/00 19:47  7/20/00 19:47  Avita/Inativa Tabelas Gerais
TC09          1  7/20/00 19:47  7/20/00 19:47  Selecao Tabelas/Campos
TC10          1  7/20/00 19:47  7/20/00 19:47  Manut. Rel. Tabelas/Campos
TC11          1  7/20/00 19:47  7/20/00 19:47  Manut. Caracteristicas Campo
TC12          1  7/20/00 19:47  7/20/00 19:47  Selecao de Campos
TC13          1  7/20/00 19:47  7/20/00 19:47  Cons. Caracteristicas Tabelas
TC14          1  7/20/00 19:47  7/20/00 19:47  Atualiza Centros Manut/Cons.
TC16          1  7/20/00 19:47  7/20/00 19:47  Cons. Relacoes Tabelas/Campos
TC17          1  7/20/00 19:47  7/20/00 19:47  Cons. Caracteristicas Campos
TC20          1  7/20/00 19:47  7/20/00 19:47  Menu Calendario
```



TSO ISPF End User Interface

Context CICSPlex

```
----- Update Transaction Definition for BRA1 Page 1 -----  
COMMAND ===>  
Name          TC07          Version      1  
Description    ===> Manut. Caracteristicas Tabela  
Created       7/20/00  19:47      Changed     7/20/00  19:47  
User Data     ===>  
  
Program        ===> QC1CENT      Name program to process transaction  
Twasize        ===> 0          Transaction work area size (0-32767, blank)  
Profile        ===> DFHCICST    Profile definition name  
Partitionset   ===>           Application partition set (name, KEEP, OWN)  
Status         ===> ENABLED    Transaction status (ENABLED, DISABLED)  
Taskdataloc    ===> ANY          Task storage location (BELOW, ANY)  
Taskdatakey    ===> USER      Task storage key (USER, CICS)  
Storageclear   ===> NO          Clear task life-time storage (YES, NO)  
Runaway        ===> SYSTEM    Max tasktime (SYSTEM, 0-2700000, blank)  
Shutdown       ===> DISABLED  Status during shutdown (DISABLED, ENABLED)  
Isolate        ===> YES       Isolate user storage (YES, NO)  
  
Press ENTER to update TRANDEF.  
Press UP or DOWN to view other screens.  
Type END or CANCEL to cancel without updating.
```


TSO ISPF End User Interface

Context CICSPlex

```

----- MAP of TRANDEF TC07 ----- Row 1 of 19
COMMAND ==>                               Scroll ==> CSR
  RESDESC      RASINDSC      RASGNDEF      RESGROUP      RESTYPE      RESDEF
-----
  $TC          --- <-----> +- DT$TCTRA +- XA$TC    --- TRANDEF --- TC07    1
-----
  $TC          --- <-----> +- FT$TCTRA -|
-----
  $TC          --- <-----> +- PT$TCTRA -|
-----
  $TC          --- <-----> +- QT$TCTRA -|
-----
  $TC          --- <-----> +- TT$TCTRA +-
-----
  
```

TSO ISPF End User Interface

Context CICSPlex

```

----- MAP of TRANDEF TC07 ----- Row 1 of 19
COMMAND ==>                               Scroll ==> CSR
(S) CSYSDEF      SCOPE      SCOPETYP      RESDESC      RASINDSC      RASGNDEF
(G) CSYSGRP
-----
(S) CICSDBA1 --- RELATED  +- TRANDEF  --- $TC      --- <-----> +- DT$TCTRA -+
(S) CICSDBT1 --- TARGET  +-
(S) CICSFBA1 --- RELATED  +- TRANDEF  --- $TC      --- <-----> +- FT$TCTRA -|
(S) CICSFBT1 --- TARGET  +-
(G) AORP        --- RELATED  +- TRANDEF  --- $TC      --- <-----> +- PT$TCTRA -|
(S) CICSPBT1 --- TARGET  +-
(S) CICSQBA1 --- RELATED  +- TRANDEF  --- $TC      --- <-----> +- QT$TCTRA -|
(S) CICSQBT1 --- TARGET  +-
(S) CICSTBA1 --- RELATED  +- TRANDEF  --- $TC      --- <-----> +- TT$TCTRA -+
(S) CICSTBT1 --- TARGET  +-
  
```



TSO ISPF End User Interface Context CICSPlex

```
29SEP2000 18:05:24 ----- INFORMATION DISPLAY -----
COMMAND ==>                                     SCROLL ==> CSR
CURR WIN ==> 1          ALT WIN ==>
  W1 =MENU=====BRA1=====BRA1=====29SEP2000==18:05:24====CPSM=====10
CMD Name          Description
-----
ADMWLM           Workload Manager Administration Views
s  WLMSPEC       Workload Specifications
   WLMGROUP      Workload Groups
   WLMDEF        Workload Definitions
   TRANGRP       Transaction Groups
   =====
   WLMSCOPE      Members Associated with Workload Specifications
   WLMINSPC      Workload Groups in Specifications
   WLMINGRP      Workload Definitions in Groups
   DTRINGRP      Transactions in Transaction Groups
```

TSO ISPF End User Interface

Context CICSPlex

```

29SEP2000 18:06:27 ----- INFORMATION DISPLAY -----
COMMAND ==>                                     SCROLL ==> CSR
CURR WIN ==> 1          ALT WIN ==>
>W1 =WLMSPEC=====BRA1=====BRA1=====29SEP2000==18:06:27====CPSM=====1
CMD Name      Affinity Affinity  Target   Cre Match  Event      Description
--- -----  Relation Lifetime  Scope--- Aff Key--- Name-----
      WLMSPBT1                AORP     N/A USERID          TOR 1 Producao
  
```

```

29SEP2000 18:10:31 ----- INFORMATION DISPLAY -----
COMMAND ==>                                     SCROLL ==> CSR
CURR WIN ==> 1          ALT WIN ==>
>W1 =WLMDEF=====BRA1=====BRA1=====29SEP2000==18:10:31====CPSM=====1
CMD Def       Trangrp  Luname      Userid   Process  Target    Description
--- Name----- Name-----  Type----- Scope---
      WLM DPBA4  WLM TLEG   *          *        *          CICSPBA4  CICSPBA4  Aff
  
```

```

29SEP2000 18:12:04 ----- INFORMATION DISPLAY -----
COMMAND ==>                                     SCROLL ==> CSR
CURR WIN ==> 1          ALT WIN ==>
W1 =DTRINGRP=====BRA1=====BRA1=====29SEP2000==18:12:04====CPSM=====19
CMD Trangrp  Trans      PCONV
--- Name----- Name----- Mode-----
      WLM TLEG  B021
      WLM TLEG  B044
  
```



TSO ISPF End User Interface Context CICSPlex

```
29SEP2000 18:16:25 ----- INFORMATION DISPLAY -----
COMMAND ===>                                     SCROLL ===> CSR
CURR WIN ===> 1          ALT WIN ===>
  W1 =MENU=====BRAl=====BRAl=====29SEP2000==18:16:21====CPSM=====19
CMD Name          Description
-----
OPERATE           Operations Views
CICSBTS           CICS BTS Views
CONNECT           Connection Views
DOCTEMP           Document Template Views
DB2               DB2 and DBCTL Views
ENQUEUE           Global Enqueue Views
EXIT              Exit Views
FEPI              FEPI Views
FILE              File Views
JOURNAL           Journal Views
PROGRAM           Program Views
s REGION          CICS Region Views
TASK              Task Views
TCPIPS            TCP/IP Service Views
TDQ               Transient Data Queue Views
TEMPSTOR          Temporary Storage Queue Views
TERMINAL          Terminal Views
TRANS             Transaction Views
```



TSO ISPF End User Interface Context CICSPlex

```
29SEP2000 18:19:27 ----- INFORMATION DISPLAY -----
COMMAND  ==>                                     SCROLL ==> CSR
CURR WIN ==> 1          ALT WIN ==>
  W1 =MENU=====BRAl=====BRAl=====29SEP2000==18:19:27====CPSM=====12
CMD Name          Description
-----
OPERATE          Operations Views
  REGION         CICS Region Views
    CICSDSA      Dynamic Storage Areas
    CICSDSAS     Dynamic Storage Area Summary
s    CICSRGN      CICS Systems
    CICSRGNS     CICS System Summary
    SYSDUMP      System Dump Codes
    SYSDUMPS     System Dump Code Summary
    TRANDUMP     Transaction Dump Codes
    TRANDUMS     Transaction Dump Code Summary
    TRNCLS       Transaction Classes
    TRNCLSS     Transaction Class Summary
```

TSO ISPF End User Interface

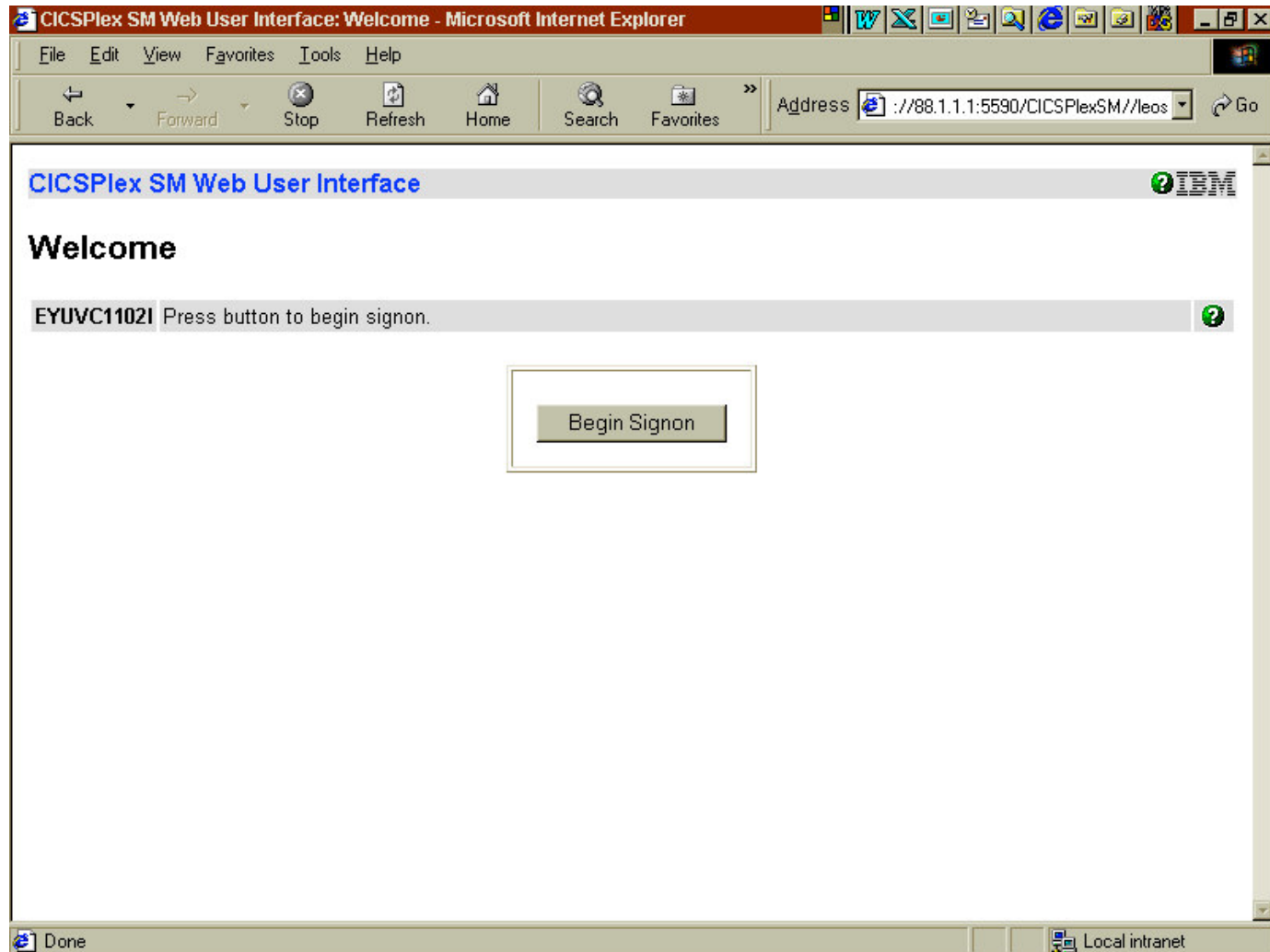
Context CICSPlex

```

29SEP2000 18:21:36 ----- INFORMATION DISPLAY -----
COMMAND ==> SCROLL ==> CSR
CURR WIN ==> 1 ALT WIN ==>
>W1 =CICSRGN=====BRA1=====BRA1=====29SEP2000==18:21:36====CPSM=====24
CMD CICS Job MVS Act CICS CICS CPU Page Page T
--- System-- Name---- Loc- Tas Status----- Rel- Time----- In----- Out----- S
CICSDBA1 CICSDBA1 BRD1 10 ACTIVE 0530 00:32:50.9 3112 22
CICSDBA3 CICSDBA3 BRD1 6 ACTIVE 0530 00:00:49.6 1311 8
CICSDBI1 CICSDBI1 BRD1 5 ACTIVE 0520 00:01:35.7 3845 611
CICSDBT1 CICSDBT1 BRD1 8 ACTIVE 0530 00:05:32.8 2351 285
CICSEBT1 CICSEBT1 BRD1 5 ACTIVE 0530 00:04:15.6 24802 1168
CICSFBA1 CICSFBA1 BRD1 6 ACTIVE 0530 00:04:16.1 1831 113
CICSFBA3 CICSFBA3 BRD1 6 ACTIVE 0530 00:00:21.3 1452 132
CICSFBT1 CICSFBT1 BRD1 6 ACTIVE 0530 00:00:43.1 1246 12
CICSPBA1 CICSPBA1 BRA1 12 ACTIVE 0530 06:06:54.4 1 0
CICSPBA2 CICSPBA2 BRA1 9 ACTIVE 0530 05:17:27.0 4 0
CICSPBA3 CICSPBA3 BRA1 14 ACTIVE 0530 05:29:06.9 248 0
CICSPBA4 CICSPBA4 BRA1 16 ACTIVE 0530 05:34:33.1 126 0
CICSPBB1 CICSPBB1 BRA1 13 ACTIVE 0530 05:47:09.7 3 0
CICSPBC1 CICSPBC1 BRA1 10 ACTIVE 0530 05:44:22.5 3 0
CICSPBI1 CICSPBI1 BRA1 5 ACTIVE 0520 00:02:48.2 554 0
CICSPBQ1 CICSPBQ1 BRA1 32 ACTIVE 0530 02:03:47.5 0 0
CICSPBT1 CICSPBT1 BRA1 37 ACTIVE 0530 00:53:58.5 2 0
CICSPBW1 CICSPBW1 BRA1 4 ACTIVE 0530 00:00:19.7 197 30

```

Web User Interface



Web User Interface

The screenshot shows a Microsoft Internet Explorer browser window titled "CICSPlex SM Web User Interface: Signon - Microsoft Internet Explorer". The page content includes a header "CICSPlex SM Web User Interface" with an IBM logo, a main heading "Sign on to CICSPBW1", and a message "EYUVC1003I Please enter a password." with a help icon. A central form contains the following fields and controls:

User:	<input type="text" value="LEOS"/>
Password:	<input type="password" value="*****"/>
New Password:	<input type="text"/>
Verify New Password:	<input type="text"/>
Reconnect:	<input type="checkbox"/>
	<input type="button" value="Signon"/> <input type="button" value="Clear"/>

The browser's status bar at the bottom shows "Done" and "Local intranet".

Web User Interface

CICSPlex SM Web User Interface - CICSPBW1 - LEOS - Microsoft Internet Explorer

CICSPlex SM Web User Interface

Web User Interface Starter Set

EYUVC10001 Signon by User LEOS successful. Last access at 13:02:32 on 29/09/2000. Your password will expire in 29 days.

CMAS context: Context: Scope:

CICSPlex operations

- [Operations views](#)
- [Monitoring views](#)
- [Active workload views](#)
- [Real Time Analysis \(RTA\) outstanding events](#)

CMAS operations

- [CMAS operations views](#)

EYUSTARTMENU

http://88.1.1.1:5590/CICSPLEXSM//LEOS/MENU/EYUSTARTOPERATE?STUB=B4B7C8DB0007FC0101010000001B Local intranet

Web User Interface

The screenshot shows a web browser window titled "CICSPlex SM Web User Interface - CICSPBW1 - LEOS - Microsoft Internet Explorer". The main content area is titled "CICSPlex SM Web User Interface" and features a navigation sidebar on the left and a main menu of "Operations views" on the right.

Operations views

Context: Scope:

Operations views

- [CICS region views](#)
- [Connection views](#)
- [DB2 and DBCTL views](#)
- [Exit views](#)
- [FEPI views](#)
- [File views](#)
- [Journal views](#)
- [Program views](#)
- [Task views](#)
- [Temporary storage queue views](#)
- [Terminal views](#)
- [Transient data queue views](#)

Navigation Sidebar:

- Open
 - [Home](#)
 - [Repeat last menu](#)
- [CICSPlex operations](#)
- [CMAS operations](#)
- Special
 - [View Editor](#)
 - [New window](#)
 - [Sign off](#)

The browser's address bar shows the URL: `http://88.1.1.1:5590/CICSPLEXSM/LEOS/MENU/EYUSTARTREGION?STUB=B4B7C96225AE53C3010100000001B4B`. The status bar indicates "Local intranet".

Web User Interface

CICSPlex SM Web User Interface - CICSPBW1 - LEOS - Microsoft Internet Explorer

CICSPlex SM Web User Interface

CICS Region Views

Context: Scope:

CICS Region Views

- [Dynamic storage areas](#)
- [CICS regions](#)
- [CICS System dump codes](#)
- [Transaction classes](#)
- [Transaction dump codes](#)

Related resources

- [CICS region monitoring views](#)

EYUSTARTREGION

Local intranet

Web User Interface

CICSplex SM Web User Interface - CICSBW1 - LEOS - Microsoft Internet Explorer

CICSplex SM Web User Interface

CICS region

EYUVC12801 23 records collected at 29/09/2000 13:36:24.

Context: Scope: Automatic refresh 60 Refresh

23 records, page 1 of 1.

	CICS Region	Job name	VTAM application ID	MVS system ID	Activity keypoint (AKP) frequency	Maximum number of active tasks	Maximum number of active and suspended tasks	Current number of tasks	CICS status
<input type="checkbox"/>	CICSDBA1	CICSDBA1	CICSDBA1	BRD1	7000	Not applicable	150	8	Active
<input type="checkbox"/>	CICSDBA3	CICSDBA3	CICSDBA3	BRD1	7000	Not applicable	100	6	Active
<input type="checkbox"/>	CICSDBI1	CICSDBI1	CICSDBI1	BRD1	7000	Not applicable	100	5	Active
<input type="checkbox"/>	CICSDBT1	CICSDBT1	CICSDBT1	BRD1	7000	Not applicable	450	6	Active
<input type="checkbox"/>	CICSEBT1	CICSEBT1	CICSEBT1	BRD1	7000	Not applicable	450	5	Active
<input type="checkbox"/>	CICSFBA1	CICSFBA1	CICSFBA1	BRD1	7000	Not applicable	150	6	Active

Done Local intranet

Web User Interface

CICSPlex SM Web User Interface

CICS region

CICS Region	CICSPBW1
Job name	CICSPBW1
VTAM application ID	CICSPBW1
MVS system ID	BRA1
Activity keypoint (AKP) frequency	<input type="text" value="7000"/>
Maximum number of active tasks	Not applicable
Maximum number of active and suspended tasks	<input type="text" value="100"/>
Current number of tasks	7
CICS status	Active

[General information](#)
[Task activity](#)
[Dump and Trace](#)
[Communications](#)
[Monitoring and Statistics](#)
[Program usage](#)
[Temporary Storage Information](#)
[Transient Data Information](#)
[Storage Information](#)
[Transaction Class Information](#)
[Global User Exits Information](#)
[Task Related User Exits Information](#)

Shutdown CICS Region... Request system dump...

Local intranet

Web User Interface

CICS region

General information

CICS system name	CICSPBW1
Job name	CICSPBW1
VTAM application ID	CICSPBW1
CICS system ID	PBW1

CICS System Context

CICS Transaction Server level	010300
CICS Release	0530
Operating system	X
OS/390 level	020700
Operating system release	7
MVS system name	BRA1
Date on which CICS started	0100272
CICS start time	28/09/2000 14:19:26
Startup type	Coldstart

Region Activity

Total number of tasks	196
Current number of tasks	10
Total CPU time used	00:00:16,260
Number of page-in requests	167
Number of page-out requests	30

The interface includes a left-hand navigation menu with options like 'Home', 'Repeat last menu', 'CICSplex operations', 'CMAS operations', 'View Editor', 'New window', and 'Sign off'. The status bar at the bottom shows 'Done' and 'Local intranet'.

Web User Interface

CICSplex SM Web User Interface - CICS PBW1 - LEOS - Microsoft Internet Explorer

CICSplex SM Web User Interface

Active task

EYUVC1280I 7 records collected at 29/09/2000 13:41:53.

Context: Scope: Automatic refresh 60

Task ID:

7 records, page 1 of 1.

	CICS system name	Task ID	User ID	Time task has been suspended	Task priority	Dispatch status	VTAM LU name	Unit of work ID
<input type="checkbox"/>	CICSPBW1	0000020	CICSPBW1	00:00:00,000	255	Running		B4B691E119F1280100000
<input type="checkbox"/>	CICSPBW1	0000022	CICSPBW1	00:00:00,000	255	Suspended		B4B691E1C58AD34300000
<input type="checkbox"/>	CICSPBW1	0000024	CICSPBW1	00:00:07,340	255	Suspended		B4B691E2D736AF0500000
<input type="checkbox"/>	CICSPBW1	0000027	CICSPBW1	00:00:09,437	255	Suspended		B4B691E580681E4300000
<input type="checkbox"/>	CICSPBW1	0000151	LEOS	00:00:00,000	150	Suspended		B4B7C8DA30A3F1C600000
<input type="checkbox"/>	CICSPBW1	0000213	CICSPBW1	00:00:00,000	253	Suspended		B4B7CB416FB23EC400000
<input type="checkbox"/>	CICSPBW1	0000214	CICSPBW1	00:00:00,000	75	Suspended		B4B7CB41724A6AC400000

7 records, page 1 of 1.

Local intranet

Web User Interface

CICSPlex SM Web User Interface

CICS region

Monitoring and Statistics

CICS system name	CICSPBW1
Job name	CICSPBW1
VTAM application ID	CICSPBW1
CICS system ID	PBW1

Monitoring

Monitor status	<input type="checkbox"/> On
Performance class monitoring status	<input type="checkbox"/> Perf
Exception class monitoring status	<input type="checkbox"/> Noexcept
SYSEVENT monitoring status	<input type="checkbox"/> Noevent
Separate conversational task performance records	<input type="checkbox"/> Noconverse
Performance record at syncpoint	<input type="checkbox"/> Nosyncpoint
Performance record interval	<input type="checkbox"/> 0000000
Subsystem ID used on SYSEVENT class records	CICS
Time zone for performance class records	Gmt

Statistics

Interval statistics recording status	<input type="checkbox"/> Off
Statistics recording interval	<input type="checkbox"/> 0030000

Done Local intranet

Web User Interface

CICSplex SM Web User Interface - CICS PBW1 - LEOS - Microsoft Internet Explorer

CICSplex SM Web User Interface

Dynamic storage area

EYUVC1280I 8 records collected at 29/09/2000 13:46:02.

Context: Scope:

Dynamic storage area (DSA) name:

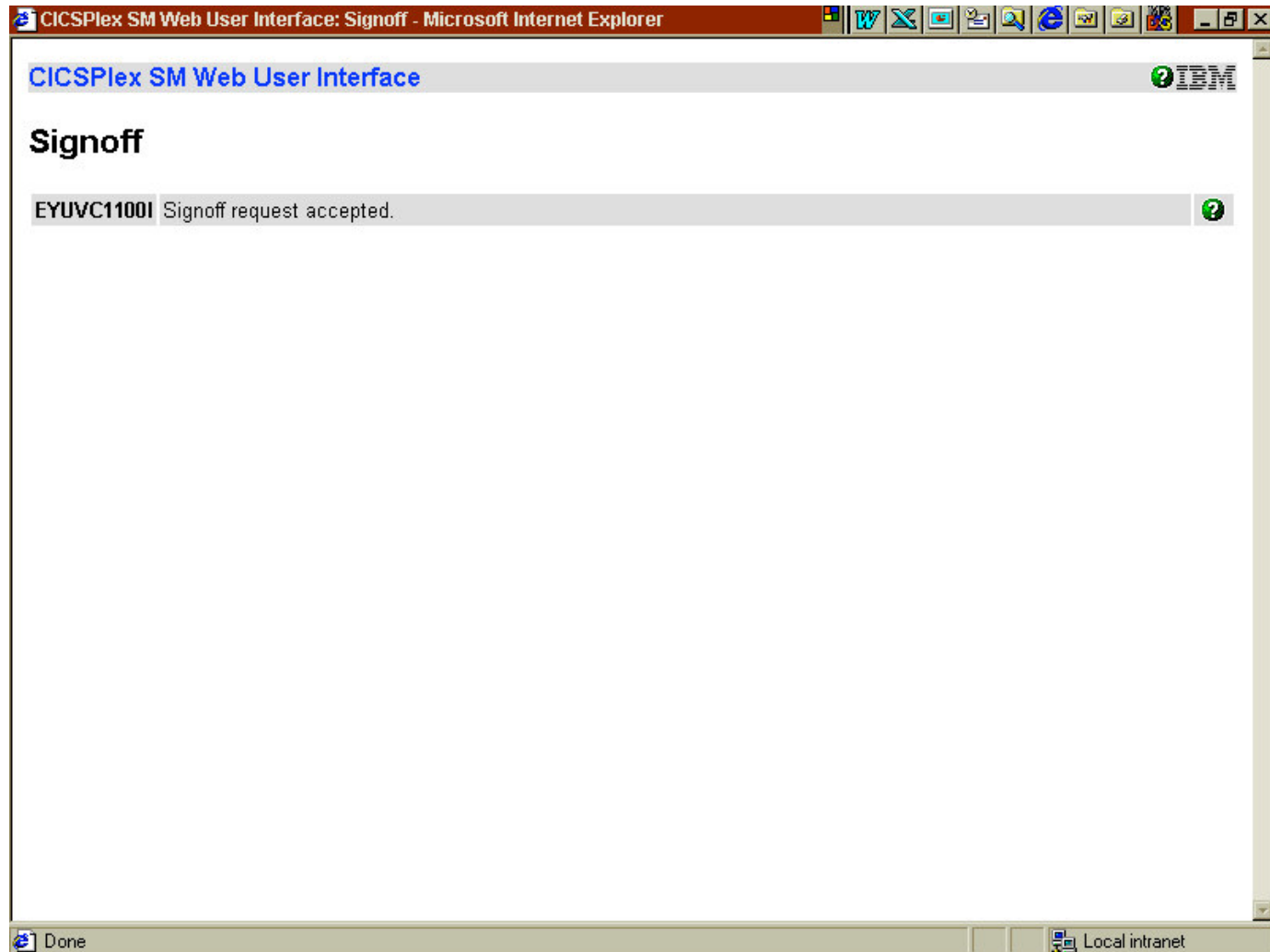
Automatic refresh

8 records, page 1 of 1.

	CICS system name	Dynamic storage area (DSA) name	Subpool size	Cushion size	Storage occupied by not-in-use programs	Number of GETMAIN requests	Number of FREEMAIN requests	Number of Add Subpool requests	Number of Delete Subpool requests
<input type="checkbox"/>	CICSPBW1	CDSA	524288	65536	0	19	5	196	190
<input type="checkbox"/>	CICSPBW1	ECDSA	11534336	131072	4672	199222	193116	196	190
<input type="checkbox"/>	CICSPBW1	ERDSA	17825792	262144	372192	0	0	0	0
<input type="checkbox"/>	CICSPBW1	ESDSA	1048576	131072	0	171	168	0	0
<input type="checkbox"/>	CICSPBW1	EUDSA	1048576	0	0	171	168	196	190
<input type="checkbox"/>	CICSPBW1	RDSA	262144	65536	7888	0	0	0	0
<input type="checkbox"/>	CICSPBW1	SDSA	262144	65536	0	33	31	0	0
<input type="checkbox"/>	CICSPBW1	UDSA	0	0	0	0	0	196	190

Done Local intranet

Web User Interface



BBVA Banco
