

RS/6000 SP



Planning Volume 2, Control Workstation and Software Environment

RS/6000 SP



Planning Volume 2, Control Workstation and Software Environment

Note!

Before using this information and the product it supports, read the information in "Notices" on page xv.

Fifth Edition (October 1999)

This edition applies to version 3 release 1 modification 1 of the IBM Parallel System Support Programs for AIX (PSSP) Licensed Program (product number 5765-D51), which runs on the IBM RS/6000 SP system, and to all subsequent releases and modifications until otherwise indicated in new editions. This edition replaces GA22-7281-03. Significant changes or additions to the text and illustrations are indicated by a vertical line (|) to the left of the change.

Order publications through your IBM representative or the IBM branch office serving your locality. Publications are not stocked at the address below.

IBM welcomes your comments. A form for readers' comments may be provided at the back of this publication, or you may address your comments to the following address:

International Business Machines Corporation
Department 55JA, Mail Station P384
522 South Road
Poughkeepsie, NY 12601-5400
United States of America

FAX (United States and Canada): 1+914+432-9405
FAX (Other Countries):
Your international Access Code +1+914+432+9405

IBMLink (United States customers only): IBMUSM10(MHVRCFS)
IBM Mail Exchange: USIB6TC9 at IBMMAIL
Internet e-mail: mhvrdfs@us.ibm.com

If you would like a reply, be sure to include your name, address, telephone number, or FAX number.

Make sure to include the following in your comment or note:

- Title and order number of this book
- Page number or topic related to your comment

When you send information to IBM, you grant IBM a nonexclusive right to use or distribute the information in any way it believes appropriate without incurring any obligation to you.

© Copyright International Business Machines Corporation 1997, 1999. All rights reserved.

US Government Users Restricted Rights – Use, duplication or disclosure restricted by GSA ADP Schedule Contract with IBM Corp.

Contents

Notices	xv
Trademarks	xvi
Publicly Available Software	xvii
About This Book	xix
Who Should Use This Book	xx
Typographic Conventions	xx
Software Level Notation	xx

Part 1. Planning Your System 1

Chapter 1. Introduction to System Planning	3
Planning Services	3
Hardware Overview	4
Processor Nodes	4
Extension Nodes	5
Frames	6
SP Switch	6
Control Workstation	7
Network Connectivity and I/O Adapters	7
SP Expansion I/O Unit	8
Software Overview	8
AIX	8
PSSP	9
What's New in AIX and PSSP?	9
What's New in AIX 4.3.2?	10
What's New in PSSP 3.1.1?	11
SP Planning Issues	17
Using SP Books for Planning	17
Chapter 2. Defining the System that Fits Your Needs	21
Question 1: Why Do You Need an SP System?	22
Parallel Computing	22
Choosing a Switch	23
Question 2: Do You Want a Preloaded SP or the Default Version?	24
Standard Default Order Service	24
SP Customization Services	24
What You Get as a Package	25
Contacting the Customized Solution Organization	25
Listing Your Applications	26
Question 3: What Related IBM Program Products Do You Need?	26
IBM Parallel Environment for AIX	27
IBM Parallel Engineering and Scientific Subroutine Library	28
IBM High Availability Cluster Multi-Processing	28
IBM LoadLeveler	28
Network Tape Products	28
IBM Client Input Output/Sockets (CLIO/S)	29
IBM General Parallel File System for AIX	29
Selecting IBM Program Products	29

Question 4: What Levels of AIX Do You Need?	30
Considering New Features Released	31
Considering Migration and Coexistence	31
Recording Your Decision for Question 4	32
Question 5: What Type of Network Connectivity Do You Need?	32
Network Connections Using an Extension Node	33
Question 6: What are Your Disk Storage Requirements?	34
Disk Space for Users' Home Directories	34
Disk Space for System Programs	34
Disk Space for Databases	35
Disk Requirements for the Virtual Shared Disk Component of PSSP	35
File System Requirements	35
Boot/Install Requirements	36
Multiple Boot Requirements	36
Mirrored Root Volume Group Requirements	36
External Disk Storage	36
External Disk Storage Worksheet	39
Question 7: What are Your Reliability and Availability Requirements?	39
High Availability Control Workstation	39
System Partitions	40
Question 8: How Many Nodes Do You Need?	41
System-Wide Worksheets	45
Completing the SP Node Layout Worksheets	47
Hardware Configuration by Frame	49
Networking Information	50
Question 9: Defining Your System Images	54
Specifying More Than One System Image	54
Question 10: What Do You Need for Your Control Workstation?	59
Software and Hardware Requirements for Control Workstations	60
Control Workstation Minimum Hardware Requirements	63
Hardware Controller Interface Planning	64
Chapter 3. Defining the Configuration that Fits Your Needs	69
Planning Your Site Environment	69
Using the Site Environment Worksheet	70
Understanding Network Install Image Choices	70
Understanding Time Service Choices – Network Time Protocol (NTP)	70
Understanding User Directory Mounting Choices – AIX Automounter	72
Understanding Print Management Choices	73
Understanding User Account Management Choices	74
Understanding System File Management Choices – File Collections	75
Understanding Accounting Choices	76
Understanding LPP Source Directory Name Choices	77
Planning Your System Network	78
System Topology Considerations	78
Boot/Install Server Requirements	78
Single Frame Systems	79
Multiple Frame Systems	80
Future Expansion Considerations and Large Scale Configuration	83
Location and Reference Rate of Customer Data	83
Home Directory Server Planning	84
Authentication Servers	84
Understanding Node Hard Disk Choices	84
Determining Space Requirements	85

Estimating Requirements for lppsource	85
Estimating the Node Installation Image Requirements	86
Other installp Image Requirements	86
Combining the Space Requirements	86
Planning Your Network Configuration	89
Name, Address, and Network Integration Planning	89
Understanding the SP Networks	90
Planning Considerations for Network Router Nodes	92
Planning Considerations for the SP Switch Router	93
Planning Considerations for an SP-attached Server	94
Planning Considerations for an SP-controlled Netfinity Server	94
Choosing a Valid Switch Port	94
Understanding Node Numbering and Switch Port Numbering	95
Slot Numbers	96
Frame Numbers and Switch Numbers	96
Node Placement	97
Node Numbering	99
Switch Port Numbering	100
Switch Port Numbering for a Switchless SP	102
IP Assignment	102
Chapter 4. Planning for a High Availability Control Workstation	103
Overall System View of a High Availability Control Workstation	103
Benefits of a High Availability Control Workstation	105
Difference Between Fault Tolerance and High Availability	105
Fault Tolerance	105
High Availability	105
IBM's Approach to High Availability for Control Workstations	106
Eliminating the Control Workstation as a Single Point of Failure	106
Consequences of a High Availability Control Workstation Failure	107
System Stability With High Availability Control Workstation	108
Related Options and Limitations for Control Workstations	108
Uninterruptable Power Supply	108
Power Independence	108
Single Control Workstation with Disk Mirroring	108
Spare Ethernet Adapters	109
Frame Supervisor Changes	109
Limits and Restrictions	109
Completing Planning Worksheets for High Availability Control Workstation	110
Software Requirements for HACWS Control Workstation Configurations	111
Required High Availability Control Workstation Components	111
Planning Your High Availability Control Workstation Network Configuration	112
Chapter 5. Planning for Virtual Shared Disks	117
Planning for IBM Virtual Shared Disk and Recoverable Virtual Shared Disk	
Optional Components of PSSP	117
Planning for Virtual Shared Disk Communications	118
Chapter 6. Planning SP System Partitions	121
What is System Partitioning	121
How Do You Partition the System?	121
Default System Partition	122
Benefits of System Partitions	122
Example 1 – The basic 16-node system	122

Using a Switch in a Partition	124
The Physical Makeup of a Switch Board	124
Systems With a Low Cost Switch	126
Switchless Systems	126
Example 2 – A Switchless System	126
The System Partitioning Aid	127
Accessing Data Across System Partitions	128
The Relationship of SP Resources to System Partitions	128
Single Point of Control with System Partitions	128
The SDR in a Partitioned System	129
Networking Considerations	129
Running Multiple Levels of Software Within a Partition	129
Overview of Rules Affecting Resources and System Partitions	130
System Partitioning for Systems with Multiple Node Types	131
Example 3 – An SP with 3 frames, 2 switches, and various node sizes	133
System Partitioning Configuration Directory Structure	135
Chapter 7. Planning for Security	139
Choosing Remote Command Authentication Methods	139
Installing and Initializing Authentication	140
Planning for Kerberos V4	140
Establishing Authorization for Installation and Configuration	141
Deciding on Your Authentication Configuration	141
Selecting the Authentication Options to Install	145
Creating the Authentication Configuration Files	146
Deciding on Authentication Realms	147
Planning for Kerberos V5 Authentication with DCE	147
Deciding in which Cell to Configure Authentication	148
Planning DCE Master Servers	148
Being Authorized to Install DCE	148
Planning Use of AIX Remote Commands	148
Planning for Standard AIX Authentication	148
Checklists for Authentication Planning	148
Using SP or Kerberos V4 Authentication Servers	149
Using AFS Authentication Servers	149
Authentication Worksheets	150
Chapter 8. Planning to Record and Diagnose System Problems	151
Configuring the AIX Error Log	151
Configuring the BSD Syslog	151
Control Workstation	151
SP Nodes	151
PSSP System Logs	152
Finding and Using Error Messages	152
Getting Help from IBM	152
Finding Service Information	153
Calling IBM for Help	153
Sending Problem Data to IBM	153
Opening a Problem Management Record (PMR)	154
IBM Tools for Problem Resolution	154
Service Director for RS/6000	154
NetView for AIX	156
EMEA Service Planning Applications	156

Chapter 9. Planning for Performance Monitoring	157
Chapter 10. Planning for PSSP-Related LPPs	159
Planning for Parallel Environment	159
Planning for Parallel ESSL	160
Planning for High Availability Cluster Multi-Processing (HACMP)	160
Planning for LoadLeveler	161
Compatibility	161
Planning for a Highly Available LoadLeveler Cluster	161
Performance Monitoring of LoadLeveler	161
Planning Your LoadLeveler Configuration	162
Planning for NetTAPE	162
Planning for IBM Client Input Output/Sockets (CLIO/S)	163
Planning for General Parallel File System (GPFS)	164

Part 2. Customizing Your System 167

Chapter 11. Planning for Expanding or Modifying Your System	169
Questions to Answer Before Expanding/Modifying/Ordering Your System	169
How large do I want my system to grow?	170
How do I reduce system down time?	170
What must I understand before adding switches?	171
What network topology topics do I need to consider?	171
What control workstation topics do I need to consider?	172
What system partitioning topics should I consider?	172
What expansion frame topics should I consider?	172
What boot/install server topics should I consider?	173
Scenario 1: Expanding the Sample System by Adding a Node	173
Scenario 2: Expanding the Sample System by Adding a Frame	173
Frame Expansion Possibilities	173
General Concerns for Adding a Frame	174
Scenario 3: Expanding the Sample System by Adding a Switch	177
The Switch Scenario	177
Chapter 12. Planning for Migration	179
Developing Your Migration Goals	180
Planning Base Software Requirements	181
Planning How Many Nodes to Migrate	182
Planning Migration Stages	183
Developing Your Migration Strategy	183
Using System Partitions for Migration	184
Using Coexistence for Migration	185
Migration and Coexistence Limitations	185
IP Performance Tuning	196
Root Volume Group Mirroring	197
Boot/Install Servers and Other Resources	197
Changes in Recent Levels of PSSP	197
HACWS Migration Strategy	201
AIX and PSSP Migration Options	201
Reviewing Your Migration Steps	202
Chapter 13. Consolidating Management of SP and Netfinity Systems	205
SP-Controlled Netfinity Overview	205

	Planning to Connect Netfinity Servers	206
	Hardware Models Supported	206
	Software Requirements	206
	Physical Environment	207
	Service, Support and Ordering	207

Part 3. Appendixes 209

Appendix A. The System Partitioning Aid - A Brief Tutorial	211
The GUI - "spsyspar"	211
Tool Bar Actions	215
The CLI - "sysparaid"	220
Example 3 of Chapter 5	223
The CLI	229
Other files and data	231
Appendix B. System Partitioning	235
8 Switch Port System	235
Layout for 4_4 Partition of 8 Switch Port System with a SP Switch-8	235
Layout for 8 Partition of 8 Switch Port System with a SP Switch-8	235
16 Switch Port System	235
Layouts for 8_8 Partition of 16 Switch Port System	235
Layouts for 4_4_8 Partition of 16 Switch Port System	236
Layouts for 4_12 Partition of 16 Switch Port System	237
Layouts for 4_4_4_4 Partition of 16 Switch Port System	238
Layouts for 16 Partition of 16 Switch Port System	238
32 Switch Port System	238
Layouts for 8_24 Partition of 32 Switch Port System	238
Layouts for 4_28 Partition of 32 Switch Port System	240
Layouts for 16_16 Partition of 32 Switch Port System	242
Layouts for 32 Partition of 32 Switch Port System	242
48 Switch Port System	242
Layouts for 16_32 Partition of 48 Switch Port System	242
Layouts for 48 Partition of 48 Switch Port System	243
64 Switch Port System	243
Layouts for 16_48 Partition of 64 Switch Port System	243
Layouts for 32_32 Partition of 64 Switch Port System	244
Layouts for 64 Partition of 64 Switch Port System	244
80 Switch Port System With 0 Intermediate Switch Boards	244
Layouts for 16_64 Partition	244
Layouts for 32_48 Partition	245
Layouts for 80 Partition	247
80 Switch Port System With Intermediate Switch Boards	247
Layouts for 16_16_48 Partition	247
Layouts for 16_64 Partition	248
Layouts for 80 Partition	249
96 Switch Port System	249
Layouts for 32_64 Partition	249
Layouts for 16_32_48 Partition	249
Layouts for 16_80 Partition	250
Layouts for 96 Partition	251
112 Switch Port System	251
Layouts for 48_64 Partition	251

Layouts for 16_48_48 Partition	252
Layouts for 16_96 Partition	253
Layouts for 112 Partition	254
128 Switch Port System	254
Layouts for 16_48_64 Partition	254
Layouts for 16_112 Partition	256
Layouts for 64_64 Partition	257
Layouts for 128 Partition	257
Appendix C. SP System Planning Worksheets	259
Glossary of Terms and Abbreviations	279
Bibliography	287
Finding Documentation on the World Wide Web	287
Accessing PSSP Documentation Online	287
Manual Pages for Public Code	288
RS/6000 SP Planning Publications	288
RS/6000 SP Hardware Publications	288
RS/6000 SP Switch Router Publications	288
RS/6000 SP Software Publications	289
AIX and Related Product Publications	290
Red Books	291
Non-IBM Publications	291
Index	293

Figures

1.	Typical Uses of an SP system (not to scale)	22
2.	Node Layout Example for the ABC Corporation	47
3.	A Node Layout Example with Communications Information	48
4.	Ethernet Topology with One Adapter for a Single-Frame SP System	79
5.	Ethernet Topology with Two Adapters for Single-Frame SP System	80
6.	Method 1 Ethernet Topology for Multi-Frame SP System	81
7.	Method 2 Ethernet Topology for Multi-Frame SP System	81
8.	Method 3 Ethernet Topology for Multi-Frame SP System	82
9.	Boot Server Frame Approach	83
10.	Node Slot Assignment	96
11.	Supported Switched Frame Configurations Showing Switch Port Assignments	98
12.	Node Numbering for an SP System	100
13.	Switch Port Numbering for an SP Switch-8 and Short Frame	101
14.	Switch Port Numbering Sequence	102
15.	High Availability Control Workstation with Disk Mirroring	104
16.	Initial Control Workstation Network Configuration	113
17.	Starting HACMP	113
18.	Control Workstation Failover	114
19.	Adding a System Partition	115
20.	Simple 1-Frame System	123
21.	Partitioned 1-Frame System	124
22.	Full Switch Board	125
23.	Nodes 11,12,15,16 Partitioned Off	126
24.	One Sparse Frame with No Switch	127
25.	One Frame with Slots Numbered	131
26.	Varied Node, 1-Frame System	132
27.	Three Frames with 2 Switches	133
28.	The Directory Structure of System Partition Information	137
29.	The Control Workstation as Primary Kerberos V4 Authentication Server	142
30.	The Control Workstation as Secondary Kerberos V4 Authentication Server	143
31.	The Control Workstation as Client of Kerberos V4 Authentication Server	144
32.	Using AFS Authentication Services on the SP System	145
33.	Sample System: 3-frames, 1-switch	170
34.	System Partitioning Aid Main Window	212
35.	Sample 1-Frame System (1 wide, 10 thin, and 1 high nodes)	213
36.	Main Window for Sample System	214
37.	Notebook for Node 8 of Sample System	215
38.	Notebook for Partition Alpha of Sample System	216
39.	Alpha Notebook for Sample System	217
40.	Descending Sort in Nodes Pane (Icon View)	219
41.	Filter Menu with "1*" Filter Specified for Nodes Pane	220
42.	File infile.template Provided with PSSP	222
43.	File my_part_in	222
44.	Three Frames with 2 Switches	224
45.	Main Window for Example 3 of Chapter 5	225
46.	System Partitioning for Example 3 of Chapter 5	227
47.	System Partitioning for Example 3 of Chapter 5	228
48.	Dialog Box for Specifying Name of New Layout	229

49.	Message Issued when New Layout is Saved	229
50.	CLI Input File from spsyspar	230
51.	Alternate CLI Input File	231
52.	Switch Chips Allocated to System Partition Par1	232
53.	Performance Numbers for System Partition Par1	233
54.	SP Node Layout Worksheet.	264

Tables

1.	Preliminary List of Applications for ABC Corporation	26
2.	IBM Program Products Ordered by ABC Corporation	30
3.	Direct Migration Paths	31
4.	Operating System Level Selected by ABC Corporation	32
5.	Disk Storage Subsystems	38
6.	ABC Corporations's External Disk Storage Needs	39
7.	Requirements for the High Availability Control Workstation	40
8.	Function Checklist	41
9.	The Basic SP Frame and Switch Topology	44
10.	Summary of Currently Orderable SP Nodes and SP-attached Servers	45
11.	Overall System Information	46
12.	ABC Corporations's Choices for Hardware Configuration by Frame	50
13.	ABC Corporation's SP Ethernet	51
14.	ABC Corporation's Additional Adapters	52
15.	ABC Corporation's Choices for the Switch Configuration Worksheet	53
16.	Sample Switch Configuration Worksheet for SP-attached Server in Switchless SP	54
17.	ABC Corporation's Specifying the System Images	56
18.	File Set List for PSSP 3.1.1	57
19.	Supported Control Workstations	62
20.	ABC Corporations's SP Control Workstation Image	66
21.	ABC Corporations's SP Control Workstation Network	67
22.	Network Install Image Choices	70
23.	Time Service Choices	72
24.	User Directory Mounting Choices - System Automounter Support	73
25.	Print Management Choices	74
26.	User Account Management Choices	75
27.	System File Management Choices	76
28.	Accounting Choices	77
29.	LPP Source Directory Choices	78
30.	Space Required for the Chosen installp Images	87
31.	Space Used by Individual File Sets	87
32.	Sample Switch Port Numbers for the SP Switch-8	101
33.	Effect of Failure of Non-High Availability Control Workstation on Mandatory Software	106
34.	Effect of Control Workstation Failure on User Data on the Control Workstation	107
35.	Direct Migration Paths Supported	181
36.	Supported IBM LPPs per Supported PSSP and AIX Release	181
37.	Levels of PSSP and AIX Supported in a Mixed System Partition	186
38.	HACMP Levels Supported During Migration Only	189
39.	Supported Recoverable Virtual Shared Disk Levels	191
40.	Supported GPFS Levels	192
41.	Migration Paths Supported for Parallel Environment	193
42.	Supported Parallel Environment LPP Levels	194
43.	Supported Xprofiler Levels	194
44.	Supported LoadLeveler Levels	196
45.	List of SP Planning Worksheets	259
46.	Preliminary List of Applications	260
47.	IBM Program Products to Order	261

48.	External Disk Storage Needs	262
49.	Overall System Information	263
50.	Hardware Configuration by Frame	265
51.	SP Ethernet Node Network Configuration	266
52.	SP Additional Adapters Node Network Configuration	267
53.	Switch Configuration Worksheet	268
54.	Specifying the System Images (SPIMG)	269
55.	File Set List for PSSP 3.1.1	270
56.	Control Workstation Image Worksheet	273
57.	Time Zones	274
58.	Control Workstation Network Worksheet	275
59.	Site Environment Worksheet	276
60.	PSSP or Other Kerberos Authentication Servers	277
61.	Local Realm Information, PSSP Authentication Server	278
62.	AFS Authentication Servers	278

Notices

This information was developed for products and services offered in the U.S.A.

IBM may not offer the products, services, or features discussed in this document in other countries. Consult your local IBM representative for information on the products and services currently available in your area. Any reference to an IBM product, program, or service is not intended to state or imply that only that IBM product, program, or service may be used. Any functionally equivalent product, program, or service that does not infringe any IBM intellectual property right may be used instead. However, it is the user's responsibility to evaluate and verify the operation of any non-IBM product, program, or service.

IBM may have patents or pending patent applications covering subject matter described in this document. The furnishing of this document does not give you any license to these patents. You can send license inquiries, in writing, to:

IBM Director of Licensing
IBM Corporation
North Castle Drive
Armonk, NY 10504-1785
U.S.A.

For license inquiries regarding double-byte (DBCS) information, contact the IBM Intellectual Property Department in your country or send inquiries, in writing, to:

IBM World Trade Asia Corporation
Licensing
2-31 Roppongi 3-chome, Minato-ku
Tokyo 106, Japan

The following paragraph does not apply to the United Kingdom or any other country where such provisions are inconsistent with local law:

INTERNATIONAL BUSINESS MACHINES CORPORATION PROVIDES THIS PUBLICATION "AS IS" WITHOUT WARRANTY OF ANY KIND, EITHER EXPRESS OR IMPLIED, INCLUDING, BUT NOT LIMITED TO, THE IMPLIED WARRANTIES OF NON-INFRINGEMENT, MERCHANTABILITY OR FITNESS FOR A PARTICULAR PURPOSE. Some states do not allow disclaimer of express or implied warranties in certain transactions, therefore, this statement may not apply to you.

This information could include technical inaccuracies or typographical errors. Changes are periodically made to the information herein; these changes will be incorporated in new editions of the publication. IBM may make improvements and/or changes in the product(s) and/or the program(s) described in this publication at any time without notice.

Any references in this information to non-IBM Web sites are provided for convenience only and do not in any manner serve as an endorsement of those Web sites. The materials at those Web sites are not part of the materials for this IBM product and use of those Web sites is at your own risk.

IBM may use or distribute any of the information you supply in any way it believes appropriate without incurring any obligation to you.

Licensees of this program who wish to have information about it for the purpose of enabling: (i) the exchange of information between independently created programs and other programs (including this one) and (ii) the mutual use of the information which has been exchanged, should contact:

IBM Corporation
Department LJEB/P905
522 South Road
Poughkeepsie, NY 12601-5400
U.S.A.

Such information may be available, subject to appropriate terms and conditions, including in some cases, payment of a fee.

The licensed program described in this document and all licensed material available for it are provided by IBM under terms of the IBM Customer Agreement, IBM International Program License Agreement or any equivalent agreement between us.

This information contains examples of data and reports used in daily business operations. To illustrate them as completely as possible, the examples include the names of individuals, companies, brands, and products. All of these names are fictitious and any similarity to the names and addresses used by an actual business enterprise is entirely coincidental.

COPYRIGHT LICENSE:

This information contains sample application programs in source language, which illustrates programming techniques on various operating platforms. You may copy, modify, and distribute these sample programs in any form without payment to IBM for the purposes of developing, using, marketing, or distributing application programs conforming to the application programming interface for the operating platform for which the sample programs are written. These examples have not been thoroughly tested under all conditions. IBM, therefore, cannot guarantee or imply reliability, serviceability, or function of these programs. You may copy, modify, and distribute these sample programs in any form without payment to IBM for the purposes of developing, using, marketing, or distributing application programs conforming to IBM's application programming interfaces.

If you are viewing this information softcopy, the photographs and color illustrations may not appear.

Trademarks

The following terms are trademarks of the IBM Corporation in the United States or other countries or both:

ADSTAR	NQS/MVS
AIX	POWERparallel
DATABASE 2	POWERserver
DB2	POWERstation
ES/9000	PowerPC
ESCON	RS/6000
HACMP/6000	RS/6000 Scalable POWERparallel Systems
IBM	Scalable POWERparallel Systems
IBMLink	Service Director
LoadLeveler	SP
MVS/ESA	System/370
Magstar	System/390
Micro Channel	TURBOWAYS
Netfinity	

Approach, Domino, and Lotus Notes are trademarks of Lotus Development Corporation in the United States or other countries or both.

Microsoft, Windows, Windows NT, and the Windows logo are trademarks or registered trademarks of Microsoft Corporation in the United States, other countries, or both.

Netscape is a registered trademark of Netscape Communications Corporation in the United States, other countries, or both.

NetView, Tivoli, Tivoli Enterprise Console, and Tivoli Ready are trademarks of Tivoli Systems Inc. in the United States, other countries, or both.

Pentium and Pentium II Xeon are trademarks or registered trademarks of Intel Corporation in the United States, other countries, or both.

UNIX is a registered trademark in the United States, other countries, or both and is licensed exclusively through X/Open Company Limited.

Other company, product, and service names may be the trademarks or service marks of others.

Publicly Available Software

The PSSP product includes software that is publicly available:

expect	Programmed dialogue with interactive programs
Kerberos	Provides authentication of the execution of remote commands
NTP	Network Time Protocol
Perl	Practical Extraction and Report Language
SUP	Software Update Protocol
Tcl	Tool Command Language
TclX	Tool Command Language Extended
Tk	Tcl-based Tool Kit for X-windows

This book discusses the use of these products only as they apply specifically to the SP system. The distribution for these products includes the source code and associated documentation. (Kerberos does not ship source code.)

/usr/lpp/ssp/public contains the compressed **tar** files of the publicly available software. (IBM has made minor modifications to the versions of Tcl and Tk used in the SP system to improve their security characteristics. Therefore, the IBM-supplied versions do not match exactly the versions you may build from the compressed **tar** files.) All copyright notices in the documentation must be respected. You can find version and distribution information for each of these products that are part of your selected install options in the **/usr/lpp/ssp/README/ssp.public.README** file.

About This Book

This book helps you plan for the installation of new software or migration to new levels of existing software on your IBM RS/6000 Scalable POWERparallel (SP) system. It tells you what your control workstation and SP system software options are, what to consider for integrating the SP system into your existing computing network, what decisions you need to make, and what information to prepare and record to facilitate the successful installation or migration of software on your SP system. A hardware overview is included and hardware considerations are discussed throughout the book, but only as they relate to the successful operation of the control workstation and software environment.

Do not attempt to install, expand, or migrate your SP system without first reading this book. Read this book and complete the worksheets in Appendix C, SP System Planning Worksheets as you plan your control workstation and software environment.

Your software choices can lead to hardware requirements. Work closely with your hardware planners. *IBM RS/6000 SP: Planning Volume 1, Hardware and Physical Environment* provides information to help you understand hardware requirements, plan your physical environment, and prepare your site for hardware installation.

For a list of related books and information about accessing online information, see the Bibliography in the back of the book.

This book applies to PSSP Version 3 Release 1 Modification 1. To find out what version of PSSP is running on your control workstation (node 0), enter the following:

```
sp1st_versions -t -n0
```

In response, the system displays something similar to:

```
0 PSSP-3.1
```

Since this is a planning book, you might want to know what you have running on the nodes so that you can plan for your next install or upgrade. To find out what version of PSSP is running on the nodes on your system, enter the following from your control workstation:

```
sp1st_versions -t -G
```

In response, the system displays something similar to:

```
1 PSSP-3.1  
3 PSSP-3.1  
7 PSSP-2.4  
8 PSSP-2.2
```

Save Your Old Manuals

If you are running mixed levels of PSSP, be sure to maintain and refer to the appropriate documentation for whatever versions of PSSP you are running.

Who Should Use This Book

This book is intended for experienced computer professionals responsible for planning and preparing for the network, control, and system installation of a new SP system or the expansion or migration of an existing SP system.

This book assumes that you have a working knowledge of AIX or UNIX and experience with network systems. In addition, you should already know what the basic SP and AIX features are, and have a basic understanding of computer systems, networks, and applications.

Typographic Conventions

This book uses the following typographic conventions:

Typographic	Usage
Bold	Bold words or characters represent system elements that you must use literally, such as commands, flags, and path names.
<i>Italic</i>	<ul style="list-style-type: none">• <i>Italic</i> words or characters represent variable values that you must supply.• <i>Italics</i> are also used for book titles and for general emphasis in text.
Constant width	Examples and information that the system displays appear in constant width typeface. All references to the hypothetical customer, Corporation ABC, and any choices made by Corporation ABC are in this font.
[]	Brackets enclose optional items in format and syntax descriptions.
{ }	Braces enclose a list from which you must choose an item in format and syntax descriptions.
	A vertical bar separates items in a list of choices. (In other words, it means “or.”)
< >	Angle brackets (less-than and greater-than) enclose the name of a key on the keyboard. For example, <Enter> refers to the key on your terminal or workstation that is labeled with the word Enter.
...	An ellipsis indicates that you can repeat the preceding item one or more times.
<Ctrl-x>	The notation <Ctrl-x> indicates a control character sequence. For example, <Ctrl-c> means that you hold down the control key while pressing <c>.
\	The continuation character is used in coding examples in this book for formatting purposes.

Software Level Notation

The meaning of notation when a software level is given in this book is demonstrated by the following examples:

AIX 4.3 Any level of AIX version 4 release 3 and any modification level

AIX 4.2.1 Only AIX version 4 release 2 modification level 1

AIX 4.2.1 (or later) AIX version 4 release 2 modification 1 or later modification levels

PSSP 2.4 or later PSSP version 2 release 4 with any modification level or later version and modification levels.

Part 1. Planning Your System

Chapter 1. Introduction to System Planning

IBM RS/6000 SP Systems are not just hardware and software. SP systems are also a continually changing set of human requirements. In order to get the highest level of performance out of your SP system, you need to plan for all of the internal and external activities. SP system planning produces the solid foundation you will need for managing your RS/6000 SP system as it evolves over time. Some of the basic areas you have to plan for include:

- Network design
- The physical equipment and its operational software
- Operational environments
- System partitions
- Migration and coexistence on existing systems
- Security and authentication
- Defining user accounts
- Backup procedures

This chapter gets your project team started on these planning tasks; moreover, it familiarizes them with the SP system and how it can be integrated into your operational environment.

If you have an SP system and want to move to a newer level of AIX and PSSP software, you need to plan for migration, possibly using coexistence or system partitioning.

You can choose to contract with IBM to plan and install your SP system. Contact your IBM representative if you want help with these tasks.

Save Your Old Manuals

If you are running mixed levels of PSSP in a system partition, be sure to maintain and refer to the appropriate documentation for whatever versions of PSSP you are running.

Planning Services

This optional IBM service provides a specialist on site to assist you with planning your implementation. Activities offered with this service include:

- Planning for integrating PSSP into your network.
- Defining name service requirements.
- Defining volume group and file system.
- Planning for migration.
- Defining accounting practices and policies.
- Defining security policies.

For further details, call 1-800-CALLAIX.

IBM representatives and IBM Business Partners can find additional information on selecting the right type of node for a customer's system in the document *Node Selection for the IBM SP System - Factors to Consider* at Web site http://www.rs6000.ibm.com/resource/technology/sp_papers/spnodes.html

Hardware Overview

The basic hardware components of an SP system are:

- Processor nodes
- Frames
- Optional switch
- A control workstation
- Network connectivity adapters

These components connect to each other, comprising the SP system, by the SP administrative network (also known as the SP Ethernet network). They connect to your existing computer network through a Local Area Network (LAN), making the SP system accessible from any network-attached workstation.

Hardware is described in Volume 1.

This is merely an overview of the physical features. Each type of hardware has its set of requirements. Be sure to see the book *IBM RS/6000 SP: Planning Volume 1, Hardware and Physical Environment* for physical specifications and requirements.

Processor Nodes

SP processor nodes have been available for mounting within short or tall SP frames. As of PSSP 3.1, *SP-attached servers* are also supported. SP-attached servers are other IBM RS/6000 servers that can be attached to the SP system and can logically function as SP processor nodes, but are not physically SP nodes mounted in an SP frame; for example, the RS/6000 Enterprise Server S70 or S70 Advanced.

SP processor nodes that get mounted in frames are available in three types: thin nodes, wide nodes, and high nodes. The frame spaces into which nodes fit are called drawers. A tall frame has eight drawers, while a short frame has four drawers. Each drawer is further divided into two slots. One slot can hold one thin node. A single thin node in a drawer, one that is not paired with another thin node in the same drawer, must occupy the odd numbered slot. A wide node occupies one drawer (two slots) and a high node occupies two drawers (four slots). The SP system is scalable from one to 128 processor nodes that can be contained in multiple SP frames. The maximum number of high nodes supported ranges from 64 to 128 depending on the high nodes you use. Systems that can have from 129 to 512 nodes are available by special bid.

SP-attached servers do not mount in an SP frame. They connect to the SP directly by the SP Ethernet network and connect to the control workstation with two RS-232 cables. You can think of them as *self-framed*. There is limited hardware control and monitoring from the control workstation because they have no SP frame supervisor or SP node supervisor. Except for the physical differences, once installed, they function like an SP node, running PSSP software and interacting with other nodes

of the SP system. The number of SP-attached servers in an SP system is limited according to the restrictions for SP frames, since each one logically, though not physically, is managed by the PSSP components as though it occupies a separate SP frame. The maximum number of SP-attached servers supported in an SP system is sixteen.

Keep in mind

Unless otherwise explicitly stated, the information in this book about SP nodes in general applies to SP-attached servers as well.

An SP-controlled Netfinity server is not an SP-attached server. A Netfinity server is *SP-controlled* when it is connected to an SP control workstation that runs the SP/Netfinity Server Consolidation component of PSSP, resulting in a single point of control for both the SP and Netfinity systems. PSSP does not run on Netfinity servers nor do the processor nodes in this discussion interact with Netfinity servers in any way. Consider the Netfinity server when you do control workstation planning. See also Chapter 13, "Consolidating Management of SP and Netfinity Systems" on page 205 for more information.

SP processor nodes are uniprocessor or symmetric multiprocessor (SMP) systems available with varying levels of function, capacity, and performance. Each processor node includes memory, direct access storage devices (DASD), and a method for Ethernet connection. The type of node and optional equipment it contains can lead to other requirements.

You should base your choice of processor nodes on the function and performance you require today and in the foreseeable future. Thin nodes are typically configured as compute nodes, while wide nodes are more often used as servers to provide high-bandwidth data access. High nodes are typically used for database operations and for applications with extensive use of floating point. SP-attached S70 and S70 Advanced servers are particularly suitable in SP systems with large serial databases. However, no rigid rule governs the logical configuration of a node. You can configure any physical node type for the logical functions that best serve your computing requirements.

Note: Remember that this is an overview. See "Question 8: How Many Nodes Do You Need?" on page 41 in Chapter 2, Defining the System that Fits Your Needs for planning information about the particular SP nodes and SP-attached servers that you can order.

Extension Nodes

Extension nodes are non-standard nodes that extend the capabilities of the SP system, but cannot be used in all of the same ways as standard SP nodes.

A specific type of extension node is a dependent node. A dependent node depends on SP processor nodes for certain functions, but much of the switch related protocol that standard nodes use is implemented on the SP Switch.

A physical dependent node, such as an SP Switch Router, can support multiple dependent node adapters. If a dependent node like an SP Switch Router contains more than one dependent node adapter, it can route data between SP system partitions. Data transmission is accomplished by linking the dependent node

adapters in the SP Switch Router with valid switch ports on an SP Switch. If these SP Switches are located in different SP system partitions, data can be routed at high speed between the system partitions.

The SP Switch Router can be used to scale your SP system into larger systems through high speed external networks such as a FDDI backbone. It can also dramatically speed up TCP/IP, file transfers, remote procedure calls, and relational database functions.

Extension Nodes **require** a control workstation (CWS), primary node, and a primary backup node operating PSSP 2.3 or later.

Frames

SP frames have spaces into which the nodes fit. These spaces are called drawers. A tall frame has eight drawers, while a short frame has four drawers. Each drawer is further divided into two slots. One slot can hold one thin node or SP Expansion I/O Unit. A wide node occupies one drawer (two slots) and a high node occupies two drawers (four slots). An internal power system is included with each frame. Frames get equipped with the optional processor nodes and switches that you order.

SP processor nodes can be multiply mounted in a standard tall or short frame. SP-attached servers are conceptually *self-framed*. They do not sit in an SP frame, but they get connected to a tall SP frame. SP-attached servers are not supported with short frames.

The maximum number of frames supported on an SP system is 128. SP-attached servers apply 1-to-1 in the count of frames. The maximum number of SP nodes in a 128-frame system is 128. You can have up to sixteen SP-attached servers. The maximum number of high nodes supported in a 128-frame system varies depending on which high nodes you have. You can have up to 128 of the new POWER3 Symmetric MultiProcessor (SMP) High nodes while the older 604e High nodes are limited to 64.

SP Switch

Switches are used to connect nodes, providing the message passing network through which SP processor nodes communicate with a minimum of four disjoint paths between any pair of nodes. The switch currently supported is known as the SP Switch.

The SP Switch provides low latency, high-bandwidth communication between nodes. It consists of a switch assembly and the internal cables and ports to support connection to eight or sixteen processor nodes in a system (one switch per frame). The SP Switch offers the following capabilities:

- Interframe connectivity and communication
- Scalability up to 256 node connections, including intermediate switch frames
- Constant bandwidth and latency between node pairs
- Support for Internet Protocol (IP) communication between nodes
- IP Address Resolution Protocol (ARP) support
- Support for dedicated or multi-user environments
- Error detection and retry
- High availability
- Fault isolation

- Concurrent maintenance for nodes
- Improved switch chip bandwidth

Adapters are required to connect each SP processor node, SP-attached server, and extension node to the SP Switch subsystem. See the book *IBM RS/6000 SP: Planning Volume 1, Hardware and Physical Environment* for which adapter is required per node or SP-attached server.

Note: The High Performance Switch series of switches are not supported by PSSP 3.1 and you cannot mix a High Performance switch with an SP Switch in an SP system, not even in separate system partitions. To use PSSP 3.1 or any nodes introduced since PSSP 2.4, you must convert all your switches to SP Switches.

Control Workstation

The SP system requires a customer-supplied IBM RS/6000 workstation with a color monitor. The control workstation serves as a central point of control with the PSSP and other optional software for managing and maintaining the SP processor nodes and related hardware and software. The control workstation connects to each frame with an RS-232 cable to provide hardware control functions. It also connects to an SP-attached server with two RS-232 cables, but the hardware control is minimal because these servers do not have an SP frame or SP node supervisor. A system administrator can log in to the control workstation from any other workstation on the network to perform system management, monitoring, and control tasks.

The control workstation also acts as a boot/install server for other servers or nodes in the SP system. If you have a Netfinity server running Windows NT, you can make it *SP-controlled* when you connect it to the control workstation and use the SP/Netfinity Server Consolidation component of PSSP, resulting in a single point of control for both the SP and Netfinity systems. See Chapter 13, "Consolidating Management of SP and Netfinity Systems" on page 205 for more information.

In addition, the control workstation can be set up as an authentication server. For example, it can be the Kerberos V4 primary server, with the master database and administration service as well as the ticket-granting service. Or it can be set up as a Kerberos V4 secondary server, with a backup database and just the ticket-granting service.

The High Availability Control Workstation option enables you to have two control workstations, one as primary and the other as secondary, for automatic failover and reintegration to a backup control workstation in the event that the primary control workstation becomes unavailable. See Chapter 4, "Planning for a High Availability Control Workstation" on page 103 for more information.

Network Connectivity and I/O Adapters

Network connectivity for the SP system is supplied by various adapters, some built in, some optional, that can provide connection to I/O devices, networks of workstations, and mainframe networks. Ethernet, FDDI, token-ring, HIPPI, SCSI, FCS, and ATM are some types of adapters that can be used as part of an SP system.

The SP Ethernet is the network that connects all nodes to each other and to the control workstation in the SP system. A 15 meter (50 feet) Ethernet cable is provided with each frame to use in the wiring of this network. Additional optional

adapters such as Ethernet, FDDI, and token-ring are automatically configured on each node. Other optional supported adapters can be individually configured on each node.

Note: See the book *IBM RS/6000 SP: Planning Volume 1, Hardware and Physical Environment* for information with respect to required and optional adapters.

SP Expansion I/O Unit

An SP Expansion I/O Unit is designed to satisfy the needs of customers running applications with a greater demand for internal DASD, external DASD, and network connectivity than is available in the node alone. The unit expands the capacity of a node by providing eight PCI slots and up to four hard disks. These hard disks are considered internal DASD of the associated node.

The SP Expansion I/O Unit has the following characteristics and restrictions:

- It is available only for connecting to a POWER3 SMP **high** node.
- It connects to a POWER3 SMP high node directly by cable.
- Up to six SP Expansion I/O Units can connect to one POWER3 SMP high node.
- Each unit is about the size of a thin node and occupies a thin node slot in a tall SP frame (it is not supported in a short frame).
- It can be in any tall frame in the SP system, not necessarily in the same frame as the node to which it connects.
- It is irrelevant to SP system partitioning. Only the node to which it is connected is considered to be in a system partition.
- It does not support connection to an SP Switch. The node to which it is connected can be connected to an SP Switch.
- It does not support twin-tailed internal I/O.

Software Overview

The SP system software infrastructure includes:

- AIX, the base operating system
- PSSP, the higher-level set of support programs and interfaces that enables you to take advantage of the powerful parallel processing features of the SP system
- Other IBM system and application software products
- Independent software vendor products

AIX

AIX provides operating system functions such as the AIXwindows user interface, extended real-time support, network installation management, advanced file system support, physical disk space management, and a platform for application development and execution. AIX provides UNIX functionality and conformance to industry standards for open systems. AIX capabilities that can be exploited for system management on an SP system include the following:

- The Network Installation Management (NIM) environment provides the ability to install an AIX **mksysb** image over the network.

- The Logical Volume Manager (LVM) improves data management productivity, enables files to span multiple disk drives, and provides, through disk mirroring, a high availability option for critical data.
- The System Management Interface Tool (SMIT) provides a single, consistent, and expandable interface to system management commands.
- The System Resource Controller (SRC) simplifies the management of subsystems and daemons.
- Security features include a shadow password file and comprehensive auditing facilities.
- AIX device support lets you add and delete devices at any time without disrupting the system.

PSSP

PSSP is a comprehensive suite of applications to manage an SP system as a full-function parallel processing system. It provides a single point of control for administrative tasks and helps increase productivity by letting administrators view, monitor, and control system operation. Most functions are base components of PSSP while others are optional; they come with PSSP, but you choose whether to install and use them. As of PSSP 3.1, the following are available as optional components:

- High Availability Control Workstation (HACWS) lets your control workstation be a single point of control while keeping it from becoming a single point of failure.
- The virtual shared disk management components:
 - IBM Virtual Shared Disk makes data on physical disks accessible from multiple nodes in virtual shared disks that you create; otherwise, the data is accessible only from the node connected to the disk.
 - Recoverable Virtual Shared Disk makes virtual shared disks automatically recoverable on the event of a failure.
 - Hashed Shared Disk stripes your data across multiple virtual shared disks and multiple nodes.
- Performance Toolbox Parallel Extension (PTPE)
 - Extends the Performance Toolbox for AIX software, enabling it to monitor SP-specific hardware and software performance information.

See the book *PSSP: Administration Guide* for a summary of the PSSP components.

What's New in AIX and PSSP?

New RS/6000 SP systems come with AIX 4.3.2 (or later) and PSSP 3.1.1 on installation media. The following sections briefly describe selected functions in AIX 4.3 and PSSP 3.1 as a whole, as well as the latest modifications in PSSP 3.1.1 in particular. The AIX features included are those of significant general interest or that relate particularly to PSSP. You should plan to order the system level that supports the functions you need.

What's New in AIX 4.3.2?

AIX 4.3 is an evolutionary step in scalability, compatibility, connectivity, interoperability, and usability. It is feature-rich and the base for all future AIX enhancements through the year 2000. It has reliability, scalability, application binary compatibility across all AIX Version 4 releases, and concurrent 32 and 64-bit functionality. The following is a partial summary of what is available in AIX 4.3.2:

- Support for the latest RS/6000 systems, SP nodes and adapters, graphics adapters, and I/O products including enhanced graphics capabilities based on OpenGL and graPHIGS APIs
- A computing environment supporting 64-bit exploitation.
- 32-bit or 64-bit application coexistence and concurrent execution for those who plan to implement 64-bit technology in the future.
- A high level of application binary compatibility with previous releases of AIX Version 4 that helps protect your investment in existing RS/6000 computing environments.
- Enhanced 64-bit scalability and functionality
Includes support for 32 GB real memory, 512 MB of kernel data space, 2 GB application executable size, 128 disks in a volume group, and 512 logical volumes in a volume group.
- Increased network computing and Web server capacity, scalability, and performance from enhancements to the networking subsystem, the TCP/IP stack, Directory Services, and the I/O subsystem
- AIX Fast Connect for Windows provides base file and print sharing between AIX and Windows allowing AIX to participate in the Microsoft Network Neighborhood.
- AIX Fast Connect for OS/2 provides file and print sharing support for OS/2 clients and Windows clients.
- IPv6 gateway capability (**not supported on SP nodes or SP-attached servers**)
- Improved network security with Internet Key Exchange
- Support for multiple authentication methods within the AIX remote commands.
- The Network Installation Management (NIM) component of AIX supports Distributed Computing Environment (DCE) authentication for remote commands.
- Security with AIX Version 4.3 Information Technology Security Evaluation Criteria and International Computer Security Association Virtual Private Network certifications
- The Tivoli Ready capabilities from Tivoli Systems, Inc. when the Tivoli Management Agent (TMA) is installed from the Bonus Pack
- Euro currency symbol support with extended internationalization features including a full set of Unicode locales
- Search capability on documents that use Double Byte Character Set (DBCS)
- An Internet- and intranet-ready operating environment.
- Online HTML-based AIX publications.

- Year 2000 support with current Program Temporary Fixes

Additional technology is available with Bonus Packs.

Note: Most AIX features are either compatible or transparent on the SP system. A few are notable because they are either exploited, heavily used, or are not supported on the SP system. **Those that are not supported must not be used on the SP system.** Results are unpredictable and you will not get support if problems occur. The notable features categorized by their relationship to PSSP 3.1 are:

- Exploited – Cluster feature Bulletproof SRC
- Compatible – Scalability feature LVM big VGDA
- Not Supported – Network computing feature IPv6

The following are also notable:

- PSSP does not exploit 64-bit architecture, but you can run 64-bit applications on your SP system.
- PSSP has not had C2 security evaluation.

What's New in PSSP 3.1.1?

Version 3 Release 1 of PSSP provides enhanced quality and support for the enablement of new SP nodes and AIX 4.3.2. Functional enhancements, with the latest modification level PSSP 3.1.1, include the following:

- Support for new hardware
- User space task support
- Disk support
- High Availability Control Workstation support with HACMP/ES
- 64-bit tolerance
- Migration and coexistence support
- New security capabilities
- SP TaskGuides
- Improved and consistent graphical user interfaces
- Virtual shared disk usability improvements
- Event monitoring in Tivoli Management Environment
- Workload management improvements
- Switch management and diagnosis improvements
- Packaging changes
- PSSP-related product enhancements

Support for New Hardware

Newly announced hardware and support, includes the following:

- The POWER3 Symmetric MultiProcessor (SMP) thin, wide, and high nodes are PCI-based 64-bit SMP nodes with integrated fast ethernet that are ideal for applications having significant floating-point content, such as seismic processing, engineering analysis, scientific research, chemical modeling, and electronic design automation.
- New 64-bit architecture SP-attached servers, the RS/6000 Enterprise Server S70 and the RS/6000 Enterprise Server S70 Advanced, are high-end RS/6000 PCI-based 64-bit SMPs that attach independently to the SP system (not

contained in an SP frame). They are particularly suitable in SP systems with large serial databases.

- An array of conversion options to convert your old nodes to newer POWER3 SMP nodes.
- 332 MHz SMP Thin nodes are offered as single nodes
- The SP Expansion I/O Unit can be connected to a POWER3 SMP **high** node to expand internal DASD as well as external DASD and network connectivity. This unit connects directly by cable to the node and occupies a thin node slot in a drawer of a tall SP frame.
- The new RS/6000 SP System Attachment Adapter connects an SP-attached server to an SP Switch.
- The SP Switch MX2 Adapter replaces the SP Switch MX Adapter.
- Other PCI SSA adapters
- 4.5 and 9.1 GB Ultra-SCSI disk drives
- Support for SP-controlled IBM Netfinity Servers. For SP customers who also use or would like to use Netfinity servers, this new component of the PSSP software enables you to make the control workstation a single point of control for managing both systems.

See *IBM RS/6000 SP: Planning Volume 1, Hardware and Physical Environment* for complete hardware description.

User Space Task Support

This allows up to four user space tasks per node, enabling applications that use the message passing interface (MPI) protocol to exploit SMP nodes or servers and realize significant performance improvements. Applications using the LAPI User Space API or Parallel Environment MPI 2.4 and LoadLeveler 2.1 can start up to four user space tasks per node. These tasks can be from the same or from different parallel jobs. This allows parallel applications to exploit the symmetric multiprocessors on the node or SP-attached server without restructuring or recompiling. A user space MPI or LAPI parallel job can consist of up to 1024 tasks (up to 2048 tasks for the MPI/IP library).

Disk Support

IBM delivers disks in pairs as a standard feature with POWER3 SMP nodes and new 332 MHz SMP nodes. This is to encourage you to use the disk mirroring support in AIX and PSSP to help you achieve high availability and reliability on your SP system. Enhancements include the following:

- You can mirror root volume groups to prevent a single disk from becoming a single point of failure.
- Automatic mirroring of root volume group on internal disk pairs of POWER3 SMP **high** nodes during installation, is provided by default.
- You can have alternate volume groups so you can boot a single node with different versions of software.
- You can boot from an external disk. This is designed to support mirroring of root volume group on SP nodes that do not have an internal hard drive. The disk subsystem can be either SCSI or SSA.

High Availability Control Workstation with HACMP/ES

The HACWS component of PSSP 3.1 supports HACMP with the Enhanced Scalability feature (HACMP/ES 4.3) on the control workstation.

64-bit Tolerance

Support is provided for PSSP to coexist with 64-bit applications on the SP system though 64-bit applications cannot call upon PSSP components to interact with 64-bit data. PSSP components do not yet exploit 64-bit processing.

Migration and Coexistence Support

Support is provided for upgrading to PSSP 3.1 running on AIX 4.3.2.

Support is provided for the coexistence of the earlier, but still supported, releases of PSSP in a system partition with PSSP 3.1.

New Security Capabilities

These include the following:

- Better Security for File Collections

PSSP creates and maintains a per-collection **host** file for each file collection shipped with the SP system. This host file is used by the file collections server (available in public code **supfilesrv**) to grant access to the collection where the **host** file resides. Permission to access the SP file collections (user.admin, sup.admin, node.root, and power_system) is granted automatically only to nodes of your SP system.

You can grant permissions to other workstations and you can define your own file collections to be distributed.

- PSSP can use the AIX authenticated remote commands.
- The system administrator can set multiple authentication methods for the remote commands on a system partition.
- The distributed shell (dsh) command allows the optional forwarding of DCE credentials to processes on target nodes. You must install and configure DCE client code on the SP control workstation and nodes.
- The parallel management tools which are built on dsh will forward any DCE credentials so these tools can be used to access DCE services, specifically DFS files.

SP TaskGuides

SP TaskGuides are a form of advanced online assistance designed to walk you through complex or infrequently performed tasks. Each TaskGuide does not simply list the required steps. It actually performs the steps for you, automating the steps to the highest degree possible and prompting you for input only when absolutely necessary. You might recognize them as *wizards*.

The following TaskGuides are available:

- Set Site Environment Information
- Add Frames
- Configure New Nodes
- Create Node Image

Graphical User Interfaces

The SP System Monitor (SPMON) has been replaced by the SP Perspectives graphical user interface, which has achieved complete functional equivalence and consistency. The following are some of the improvements:

- You can display multiple windows, multiple panes of the same type, and see the panes in an icon or table view.
- Using table view, you can see objects along with a set of attributes in tabular form in the pane.
- Visual indication of monitoring is shown directly on the pane.
- You can filter by monitor state, so that only the nodes of most interest or that have a problem for a particular condition are displayed. In addition, you can acknowledge a bad or unknown monitoring state for a particular node so that it is removed from the aggregate monitoring state.
- The node status page in the Properties notebook of the Hardware Perspective has been enhanced to include such controls as power on, power off, fence, unfence, and network boot.
- An automatic refresh capability has been added to reflect SDR and subsystem state changes.
- The Event Perspective, the graphical user interface for the event and problem management components of PSSP, has the following additional improvements:
 - The capability to load a set of pre-defined event definitions.
 - A new pane for creating, viewing, modifying, and deleting conditions.
 - Each resource variable is provided with a thorough description and examples for defining expressions. The information can be easily retrieved from the Event Perspective through a new resource variable dialog or from the command line.
 - The capability to use a wild-card in selecting resources so the resulting list adapts to configuration changes.
 - Event forwarding to the Tivoli Enterprise Console.
 - Actions can take place on a group of nodes.
- The IBM Virtual Shared Disk Perspective, the graphical user interface for the virtual shared disk management components of PSSP (IBM Virtual Shared Disk, Recoverable Virtual Shared Disk, and Hashed Shared Disk), has the following additional improvements:
 - It supports most tasks related to virtual shared disks, including the equivalent of the commands *createvsd* and *removevsd*. Any command not directly supported as an action, can be run from within the IBM Virtual Shared Disk Perspective.
 - Displays have been redesigned to support a larger number of virtual shared disks and improve usability.
 - Refresh capability has been added so you can see virtual shared disk configuration or state changes shortly after they occur.
 - You can control the Recoverable Virtual Shared Disk subsystem.

- You can monitor virtual shared disk and device driver statistics. Some are automatically available, and you can make others of your choice available, for monitoring of virtual shared disks on a per node basis.
- New National Language Support makes these graphical user interfaces available in simplified Chinese, traditional Chinese, Korean, and Japanese.

IBM Virtual Shared Disk Usability

IBM Recoverable Virtual Shared Disk, previously a licensed program product (LPP), is an optional component of PSSP. The following usability improvements have been added:

- The Recoverable Virtual Shared Disk component of PSSP can dynamically refresh the virtual shared disk configuration with the system still active. This means that nodes and virtual shared disks can be added to or removed from an active configuration without having to stop all applications and unconfigure all the existing virtual shared disks.
- If you do maintain multiple levels of the PSSP or IBM Recoverable Virtual Shared Disk software along with PSSP 3.1 in the same system partition, you can restrict the level at which the IBM Recoverable Virtual Shared Disk subsystem will run.
- You can make virtual shared disk and device driver statistics of your choice available to the Event Management subsystem of PSSP for monitoring of virtual shared disks on a per node basis.
- The *PSSP: Managing Shared Disks* book has been revised and reorganized to enhance new and existing topics.

Event Monitoring in Tivoli Management Environment

Improvements provide event forwarding from PSSP to the Tivoli Management Environment (TME). The TME 10 administrator can select the SP events to monitor and the PSSP event management component forwards those events to the Tivoli Enterprise Console.

Workload Management

Workload management changes have been made to eliminate the control workstation as a point of failure for parallel jobs and improve the efficiency of managing workload that uses the SP Switch:

- The job management functions previously provided by the PSSP Resource Manager have been removed from PSSP and built into LoadLeveler 2.1, thereby eliminating the control workstation as a point of failure for parallel jobs.
- The switch table management for user space parallel jobs, also previously provided by the Resource Manager, is now the Job Switch Resource Table Services of PSSP 3.1. These services provide a way to load, unload, clean, and query Job Switch Resource Tables. LoadLeveler 2.1 uses these services when scheduling and starting user space jobs.

Switch Management and Diagnosis

An *autojoin* feature automatically brings nodes back on the switch by default when they are rebooted. You can now disable and enable the autojoin feature on a system partition boundary.

Improvements have been made to switch and switch adapter diagnostic capabilities and to support new hardware. A centralized log is provided which contains summary information from all nodes.

Packaging Changes

The following packaging changes have been made:

- The Event Manager and Group Services application interfaces of PSSP have been categorized as the RS/6000 Cluster Technology (RSCT) components of PSSP.
- Before PSSP 3.1, IBM Recoverable Virtual Shared Disk was a separate LPP. The High Availability Control WorkStation and the Performance Toolbox Parallel Extensions components were priced features which you had to order if you wanted them. They are now optional components of PSSP. You will receive them with PSSP 3.1, but you choose whether or not to install them.
- The switch table management for user space parallel jobs, previously provided by the PSSP Resource Manager has been repackaged as *Job Switch Resource Table Services* (file set *ssp.st*) in PSSP 3.1. As application program interfaces, these services are available to be used by any workload management tool to manipulate Job Switch Resource Tables.
- The Resource Manager job management daemons have been removed from PSSP 3.1 and added to LoadLeveler 2.1, resulting in more efficient workload management. The Resource Manager (file set *ssp.jm*) still contains the commands and library necessary to support back level system partitions from the control workstation.
- SP System delivery

Your SP system software is delivered on CD-ROM for installation.

With your first or upgrade order, you will receive all the associated software, hardware, documentation and brand management messages. You will get the SP Resource Center which you can optionally install. It has links to online PSSP publications and other useful information.

PSSP-Related Products

The following PSSP-related products have been enhanced:

- General Parallel File System
- High Availability Cluster Multi-Processing with and without the Enhanced Scalability feature (HACMP and HACMP/ES)
- LoadLeveler

SP Planning Issues

If you are new to SP systems, you should read all of this book. The planning steps you take depend on what you have now and what SP system configuration you want to have. Chapter 2, “Defining the System that Fits Your Needs” on page 21 helps you define an SP that meets your needs. The following list contains some of the major issues you need to consider when setting up your SP system.

- The type of computing your SP system will perform.
- Future expansion (scaling) plans for your system.
- The number of nodes you will need.
- The type of nodes you will need.
- The type of RS/6000 you can use for a control workstation.
- High Availability (system backup) requirements for data and hardware.
- Migration for system upgrades.
- The ability to use partitioning and coexistence as migration tools.
- Coexistence requirements and limitations.
- Possible operational benefits from using the Parallel Environment.
- The amount and type of data storage.
- External network connections for your SP system.

Remember, as your planning begins to shape your SP system, you will need to work closely with your hardware planners. Each software decision you make might create a corresponding requirement in hardware such as:

- Cables to connect frames, control workstations and extension nodes.
- The number and types of nodes will affect power and cooling requirements.
- Data recovery and connections to external systems will influence the types of adapters ordered.

Using SP Books for Planning

To help you plan your SP system, there are two volumes in the library. Work closely with your hardware planner and these two volumes because choices of hardware can lead to requirements on software, and choices of software can lead to requirements on hardware.

Planning books are available in the *IBM RS/6000 SP* library:

- Use the book *Planning Volume 1, Hardware and Physical Environment* to plan or check that you have the correct physical configuration and environment for your SP system.
- Use this book, *Planning Volume 2, Control Workstation and Software Environment*, to help you plan and make your decisions about which components to install, which nodes to use for what purposes, and how to plan system expansions and software upgrades using migration, coexistence, and system partitioning. This book is organized in the following manner:

- | – Chapter 1, as you might have already seen, is a high level overview of the
| SP system, introducing the hardware, software, and services that are
| available to you.
- | – Chapters 2 through 10 address subjects you need to attend to when
| planning a new SP system or when planning to use a PSSP function or
| PSSP-related LPP for the first time on an SP system you already have.
 - | - Chapter 2 leads you through a list of questions you need to address.
| As it does, you are introduced to the PSSP components and
| PSSP-related LPPs that warrant your consideration during the planning
| phase, without yet burdening you with planning details. It also tells you
| more about some hardware options from which to choose. Make these
| choices with respect to what you need to support the software you are
| considering. When you are done with Chapter 2, you should have a
| good idea of which hardware and software is to comprise your SP
| system. You will also have prepared some of the information you need
| to do a software install or migration.
 - | - Chapter 3 guides you through what you need to consider and what
| rules to follow in deciding how to configure and layout your SP
| hardware, software, and network from an operational control
| workstation and software environment point of view. This chapter helps
| you prepare more of the information that you need to do a software
| install or migration.
 - | - Chapters 4 through 10 cover PSSP components and related LPPs,
| some for a second time, this time giving you or directing you to
| planning details, requirements, and dependencies. Read each chapter
| to learn more about the subject before you make a final choice or
| proceed to installation or migration.
- | – Chapters 11 through 13 are useful for considering growth, but they address
| activities that are primarily for customizing a system you already have:
 - | - Chapter 11 addresses what to consider if you want to expand your SP
| system.
 - | - Chapter 12 discusses what to consider before migrating to the newest
| version of the PSSP software.
 - | - Chapter 13 tells you how you can have your SP control workstation
| also be the single point of control for an IBM Netfinity server system as
| well.

To help you administer and use your SP system, the following are available in the PSSP library:

- Use the book *Installation and Migration Guide* for new installations or upgrades of the PSSP software.
- Use the book *Managing Shared Disks* for planning, installing, and using the optional components of PSSP with which you can create, use, monitor, and manage virtual shared disks. The components are IBM Virtual Shared Disk, Hashed Shared Disk and Recoverable Virtual Shared Disk.
- Use the book *Administration Guide* for the day-to-day operation and management of your system.

- Use the book *Performance Monitoring Guide and Reference* for monitoring performance of your system.
- Use the book *Command and Technical Reference* for PSSP command descriptions and technical reference.
- Use the book *Diagnosis Guide* to help you diagnose problems.
- Use the book *Messages Guide* to get information about messages; what might have caused them and how to respond to them.

Chapter 2. Defining the System that Fits Your Needs

This chapter helps you define a new RS/6000 SP system that meets your hardware and software computing needs. You will be asked to answer many questions about the type of system you want and you will be instructed to complete a set of worksheets as you progress through the questions.

Decision making is an iterative and recursive process. Therefore, you might find yourself modifying answers to questions you previously answered. Reviewing and modifying your plans is a necessary part of a thorough planning process. The output of this exercise should be a completed layout of your system hardware and software that will help you to prepare for your installation.

Contact Your Network Administrator

Connecting your SP system to a network has important benefits because networking information is critical to the success of the RS/6000 SP system installation. Network planning might seem at times to be complex but it is a necessary part of a thorough planning process. It is important to consider networking information early in the process so do not delay contacting your network administrator.

As you plan your SP system you will make many decisions. The remainder of this chapter poses several questions for you to answer. Review these questions and become familiar with the type of information you need to gather throughout the planning process.

This chapter contains sample worksheets for a hypothetical corporation called the ABC Corporation. Review these sample worksheets to see the decisions that the ABC Corporation made. Whenever decisions made by the ABC Corporation are shown, they will be in constant width font to help distinguish them from the regular text.

Your decisions will most likely be different from those of the ABC Corporation. This is natural since every company is different and the decisions you make must meet the needs of your corporation.

As you go through these questions, fill in your copies of the worksheets in Appendix C, "SP System Planning Worksheets" on page 259 with the information about your system. First, make several copies of all the worksheets. You might change your mind as you go through the worksheets. You will need original copies plus your completed worksheets later when you want to add to your system. Your completed worksheets serve to prepare you with much of the information you need during installation and configuration of your SP frames, SP nodes, and SP-attached servers as well as for installation or migration and configuration of the SP software. The book *PSSP: Installation and Migration Guide* instructs you through that process.

Question 1: Why Do You Need an SP System?

Why do you need an SP system? For LAN consolidation? For data mining? For engineering or scientific computing? See Figure 1 for some typical uses of an SP system.

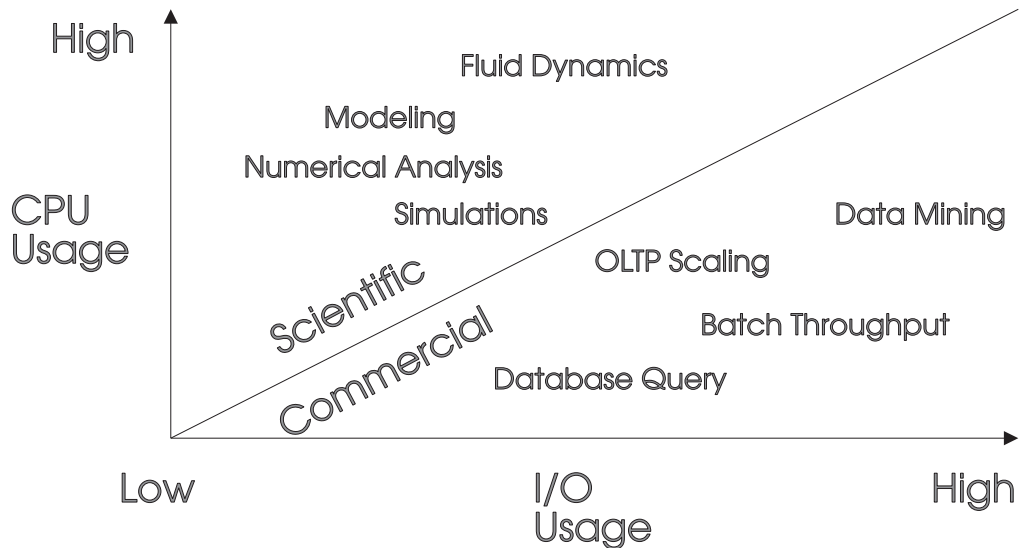


Figure 1. Typical Uses of an SP system (not to scale)

What applications do you want to run on this system? Each SP node is a powerful uniprocessor or SMP running the AIX operating system and some special SP support programs. Thousands of IBM RS/6000 applications can run unchanged on the RS/6000 SP with a single point of control for system management.

Parallel Computing

Along with this question, you need to decide whether you want to reap the benefits that parallel computing offers by running parallel applications. Parallel computing involves breaking a serial application into its logical parts and running those parts simultaneously. As a result, you can solve large, complex problems quickly.

Parallel applications can be broadly classified into two classes by considering whether the parallelism can be achieved through the use of a "middleware" software layer or whether the application developer needs to explicitly parallelize the problem by working with the source code and adding directives and code to achieve speedup.

Examples of a parallelized software layer are a parallel relational database such as DB2 Parallel Edition, or the Parallel Engineering and Scientific Subroutine Library (Parallel ESSL), which lets you execute an SQL statement, or call a matrix multiplication routine, and achieve problem speedup without having to specify how to achieve the parallelism.

An example of explicit parallelism is taking an existing serial FORTRAN program and adding calls to a message passing library to distribute the computations among the nodes of the RS/6000 SP system. In this case, various parallel tools such as compilers, libraries and debuggers are required.

Choosing a Switch

Now that you have considered the types of applications you will run on the system, you are ready to decide whether you can benefit from an SP Switch.

Hardware planning is described in Volume 1.

This book covers switch planning only in the context of system configuration. For physical planning regarding switch wiring, cabling, and allowing for future hardware expansion, see the book *IBM RS/6000 SP: Planning Volume 1, Hardware and Physical Environment*.

SP Switch

The optional SP Switch provides low latency, high-bandwidth communication between nodes, supplying a minimum of four paths between any pair of nodes. Switches dramatically speed up TCP/IP, file transfers, remote procedure calls, and relational database functions. It consists of a switch assembly and the internal cables to support connection to processor nodes in a system (one switch per frame). The SP Switch Adapter connects SP nodes and the SP System Attachment Adapter connects SP-attached servers to the SP Switch subsystem. SP Switch capabilities include:

- Interframe connectivity and communication
- Scalability up to 128 node connections, including intermediate switch frames
- Constant bandwidth and latency between node pairs
- Support for Internet Protocol (IP) communication between nodes
- IP Address Resolution Protocol (ARP) support
- Support for dedicated user space access (via message passing libraries) and multiuser environments (via IP)
- Error detection and retry
- Fault isolation
- Concurrent maintenance for nodes

The following table shows your SP Switch options:

Switch Feature	Description
SP Switch	This switch (feature code 4011) offers 32 connections, 16 internal and 16 external. It connects all the processor nodes, providing enhanced scalable high-performance communication between processor nodes for parallel job execution.
SP Switch-8	This switch (feature code 4008) offers 8 internal connections to provide enhanced functions for small systems (up to 8 total nodes). It does not support scaling to larger systems.

High Performance Switch

The High Performance Switch series predates the SP Switch and is not supported by PSSP 3.1. If you plan on adding any of the nodes introduced since PSSP 2.4 or you plan to install or migrate your control workstation or any node to PSSP 3.1, you must convert all your switches to the SP Switch.

Switch Incompatibility

Although supported levels of PSSP prior to 3.1 might support both the SP Switch and the High Performance Switch, the two switch networks are not compatible physically and cannot be mixed within an SP system, not even in a partitioned SP system.

Question 2: Do You Want a Preloaded SP or the Default Version?

You have the option of ordering your SP with default software that you must load or you can order one that IBM has preloaded with software to meet your organization's specific needs. There are manufacturing-based services available from which you can choose when you decide to order an SP.

Standard Default Order Service

By default, every SP system is delivered with the most current software level, including Program Temporary Fix (PTF), of AIX and PSSP. You will receive a MKSYSB backup on installation media for the control workstation and nodes. You also receive a node image on tape for backup purposes. These are delivered with your SP system. The MKSYSB for the control workstation contains installed versions of AIX and PSSP and can have a LoadLeveler install image.

The version of AIX and PSSP installed is determined by one of the following feature codes:

- FC #9433: AIX 4.3.2 (or later) and PSSP 3.1.1
- FC #9434: AIX 4.3.2 and PSSP 2.4
- FC #9424: AIX 4.2.1 and PSSP 2.4
- FC #9422: AIX 4.2.1 and PSSP 2.2

Note: If you do not specify a feature code, IBM will provide AIX 4.3.2 (or later) and PSSP 3.1.1.

You will do the loading and customization work including network configuration and the installation of any additional Licensed Program Products (LPPs). You will have to do a complete installation of **all** MKSYSB images for **both** the nodes **and** the control workstation.

SP Customization Services

Customization services based on cost-recovery charges are available both in-house and on-site according to your requirements. The Customized Solutions Group has a team of professionals who are skilled in the delivery of the following services:

- Pre-install Planning which includes a review of the control workstation, frame, network, and node configurations, the control workstation support matrix, and planning for SP frame upgrades.

- Design reviews focused on how to implement application suites on specific SP hardware configuration.
- High Availability Control Workstation (HACWS) customization.
- High Availability Cluster Multi-Processing (HACMP) customization and integration. This includes a complete integration from pre-sales consulting and design sessions through on-site integration.
- Oracle Parallel Query installation, customization, and integration.
- Lotus Notes server integration and Lotus Notes implementation with HACMP.
- DB/2 Parallel Edition implementation.

What You Get as a Package

Backup tapes, installation media, and instructions that simplify installation are shipped with your SP system. They are in clear plastic inside the wooden shipping container. The contents and the instructions vary depending on your order:

- With the standard default order service the SP nodes are not preloaded. You receive installation media that contains the PSSP and AIX software with instructions for you to load the workstation and the nodes. Use the MKSYSB backup for the control workstation and nodes. You also receive a node image on tape for backup purposes.
- With customized service the SP nodes might be preloaded, with the software and networking parameters per your order, or you might have onsite service. In any case, you receive a customized MKSYSB for the control workstation and the instructions to load the workstation. You also receive a node image on tape for backup purposes.

To further modify or customize your nodes, see the books *PSSP: Installation and Migration Guide* and *PSSP: Administration Guide*.

Contacting the Customized Solution Organization

If you have questions about these preload services, please contact the Poughkeepsie Customized Solution Organization. You can call, send a note, or request an instructional package. In any messages you send or leave on the phone, include your name, phone number, user ID, and order number. A member of the Customized Solution Department will then work with you to help make your installation a success.

To contact the Customized Solution Organization:

- from the US, do any of the following:
 - call 1-800-426-4955 and select option 2
 - have your IBM representative send a note to VM userid JUSTASK at PKEDVM9
 - have your IBM representative request instruction files by typing on the command line of a VM session:


```
REQUEST SP2INST FROM SP2INST AT KGNVMC
```
- from EMEA, do any of the following:
 - call 33-4-6734-4679

- have your IBM representative send a note to VM userid SP2LOAD at MOPVMA
- have your IBM representative request instruction files by typing on the command line of a VM session:

```
REQUEST SP2INST FROM SP2INST AT MOPVMA
```
- from any other location, call your IBM representative.

Listing Your Applications

Though you've only just started considering the software, begin a list of the applications you want on your SP system. If you already know that you want the services of the Customized Solution Organization, contact them. Whether or not you use the custom service, use the worksheets in this book as you progress in the planning process.

List on your copy of Worksheet 1, "Preliminary List of Applications" in Table 46 on page 260, the applications you are considering. Indicate that you want parallel processing or that you need a switch for better application performance by marking the **Parallel** and **Need Switch** columns respectively. Use a "?" if you are not sure yet. If you think of additional applications, you can add them to this list at any time.

The hypothetical customer, Corporation ABC, considered their application requirements and filled in Table 1.

Table 1. Preliminary List of Applications for ABC Corporation

SP Preliminary List of Applications – Worksheet 1		
Application	Parallel	Need Switch
DB2 Parallel Edition	y	y
AIX Performance Toolkit		
Customer Written Application	y	y

Save your list. You'll use it again in the planning process.

Question 3: What Related IBM Program Products Do You Need?

There are two sets of IBM licensed program products from which you must decide what to order. One set includes programs that are part of your SP environment and the other includes programs that are for the AIX operating system, like C and C++ compilers that run on each node.

An IBM C or C++ compiler is required for PSSP 3.1. The compiler is necessary for service of the PSSP software. Also, without the compiler's preprocessor, dump diagnosis tools such as **crash** will not work effectively. You need at least one

concurrent use license, but if you intend to do C development work, you need to decide how many users you want to support at a given time and acquire enough licenses for them. You can choose any of the following:

- IBM C for AIX 4.4
- VisualAge C++ Professional 4.0 for AIX

Note: PSSP does not support the incremental compiler and runtime libraries. It only supports the batch C and C++ 3.6.6 compilers and runtime libraries that are included in this VisualAge package.

PSSP is comprised of software components that are an integral part of your SP system. It is the software that makes a collection of RS/6000 nodes into an SP system. PSSP helps a system administrator manage the SP system. It provides a single point of control for administrative tasks and helps increase productivity by letting administrators view, monitor, and control system operation.

Some components of PSSP are optional. You will receive all of the PSSP software but you can choose whether or not to install and use the optional components. For instance, you might want to consider the following optional components when planning your SP system:

- High Availability Control Workstation (HACWS)
- IBM Virtual Shared Disk and Recoverable Virtual Shared Disk
- Performance Toolbox Parallel Extensions (PTPE)

In addition, there are many LPPs available to run on your SP that can add to the productivity of your enterprise. You can see a list on the Internet at the Web site <http://www.rs6000.ibm.com/software/Apps/LPPmap.html>

Some LPPs in the SP software suite are particularly closely related to PSSP. Each of those products is briefly described here. If you think one of the following products might provide a service you want on your SP, see Chapter 10, “Planning for PSSP-Related LPPs” on page 159 for planning information. If you do decide to seriously consider ordering any of them for an existing system, be sure to carefully read Chapter 12, “Planning for Migration” on page 179 for possible release level dependencies. If you have more questions, ask your IBM representative. At the end of this section, you will find a worksheet where you can list the program products you want.

IBM Parallel Environment for AIX

The IBM Parallel Environment for AIX program product provides support for parallel application development and execution for the RS/6000 SP or on a single RS/6000 processor or a TCP/IP-networked cluster of IBM RS/6000 processors. The Parallel Environment product contains tools to support the development and analysis of parallel applications written in FORTRAN, C, or C++, and also provides a user-friendly runtime environment for their execution. Parallel Environment 2.4 has support for the Message Passing Library (MPL) subroutines, the Message Passing Interface (MPI) standard, and the Low Level Applications Programming Interface (LAPI).

Nodes operating at PSSP 2.3 or later and AIX 4.2.1 or later, support the Parallel Environment. If you plan to develop applications using the LAPI component of PSSP 3.1, you must use Parallel Environment 2.4.

IBM Parallel Engineering and Scientific Subroutine Library

Parallel Engineering and Scientific Subroutine Library (Parallel ESSL) is a library of parallel subroutines which extend the library provided by the ESSL LPP. Parallel ESSL subroutines make it easier for developers, especially those not proficient in advanced parallel processing techniques, to create or convert applications to take advantage of the parallel processors of the SP system.

Parallel ESSL accelerates applications by substituting comparable math subroutines and in-line code with high performance, highly-tuned subroutines. Both new and current numerically intensive applications can call Parallel ESSL subroutines. The design of Parallel ESSL centers on exploiting SP operational characteristics and the architecture of the SP system.

If you choose to use Parallel ESSL, you also need to order Parallel Environment and ESSL.

IBM High Availability Cluster Multi-Processing

IBM's tool for building UNIX-based mission-critical computing platforms is the High Availability Cluster Multi-Processing for AIX (HACMP) software package. HACMP ensures that critical resources are available for processing. Currently, you can run HACMP on the SP with or without the Enhanced Scalability feature (HACMP/ES). HACMP/ES builds on the Event Management and Group Services components of PSSP to scale HACMP function.

Typically, HACMP is run on the control workstation only if HACWS is being used. HACMP/ES is run on the SP nodes. As of PSSP 3.1, HACMP/ES 4.3 is also supported on the control workstation when HACWS is being used.

IBM LoadLeveler

LoadLeveler is an IBM software product that provides workload management of both interactive and batch processing on your RS/6000 SP system or RS/6000 workstations. The LoadLeveler software lets you build, submit, and process both serial and parallel jobs. LoadLeveler 2.1 can be included with your new SP order. You choose whether to use it or not.

Network Tape Products

IBM provides two complementary network tape products for AIX:

- **IBM Network Tape Access and Control System for AIX (NetTAPE)**
- **IBM NetTAPE Tape Library Connection (NetTAPE TLC)**

NetTAPE, along with NetTAPE TLC, improves and simplifies tape operations management and tape device access in RS/6000 SP systems. These products are intended for:

- Customers who want transparent tape access across their remote AIX systems, especially accounts with 3494/3495 Tape Library Data Server
- Customers who need to transfer data to and from tape servers and tape clients

Flexibility benefits include:

- Access to remote tape devices on workstations

- Centralized tape device operation
- Support of multiple tape formats, allowing mainframe-created tapes to be processed on workstations and vice versa
- Application programming interfaces (APIs) available for C and FORTRAN

IBM Client Input Output/Sockets (CLIO/S)

Client Input Output/Sockets provides high-speed transparent data transfer and tape access between MVS/ESA systems and AIX systems or between AIX systems. It provides a set of user commands and application programming interfaces that run on either MVS or AIX.

IBM General Parallel File System for AIX

General Parallel File System (GPFS) for AIX provides concurrent shared access to files spanning multiple disk drives located on multiple nodes. This LPP provides file system service to parallel and serial applications on the SP system. Your SP system must be utilizing the IBM Virtual Shared Disk and Recoverable Virtual Shared Disk optional components of PSSP 3.1.

Using GPFS, your SP system performance improves by:

- Allowing multiple processes simultaneous access to the same file through standard AIX file calls.
- Increasing aggregate bandwidth of file system and balancing disk loading.
- Allowing concurrent read and write actions, important in parallel processing.
- Guaranteeing data consistency by a sophisticated token management system.
- Simplifying administration through simple, multiple node file system commands that function across the entire SP system.

You might want to consider using GPFS as a replacement for IBM Parallel I/O File System for AIX (PIOFS), since PIOFS is not supported on AIX 4.3.

Selecting IBM Program Products

Our sample customer, Corporation ABC, selected the products marked in Table 2 on page 30. You can mark the products that you want in your copy of Worksheet 2, "IBM Program Products to Order with AIX 4.3.2" in Table 47 on page 261.

Table 2. IBM Program Products Ordered by ABC Corporation

IBM Program Products to Order with AIX 4.3.2 – Worksheet 2			
Order	Program Product	Program Number	Level
	IBM C for AIX	5765-C64	4.4
x	IBM VisualAge C++ Professional for AIX (batch C and C++ 3.6.6)	5765-D52	4.0
x	IBM Parallel System Support Programs for AIX (PSSP)	5765-D51	3.1.1
		5765-529	2.4
		5765-529	2.2
x	IBM Parallel Environment for AIX	5765-543	2.4
		5765-543	2.3
		5765-543	2.2
	IBM Parallel Engineering and Scientific Subroutine Library (Parallel ESSL) for AIX	5765-C41	2.1.1
	IBM Engineering and Scientific Subroutine Library for AIX	5765-C42	3.1.1
	IBM High Availability Cluster Multi-Processing for AIX with or without the enhanced scalability feature (HACMP or HACMP/ES)	5765-D28	4.3
		5765-A86	4.2
	IBM LoadLeveler for AIX	5765-D61	2.1
		5765-145	1.3
	IBM Network Tape Access and Control System (NetTAPE) for AIX	5765-637	1.2
	IBM NetTAPE Tape Library Connection for AIX	5765-643	1.2
x	IBM Client Input Output/Sockets (CLIO/S) for AIX	5648-129	2.2
	IBM General Parallel File System for AIX	5765-B95	1.2
		5765-B95	1.1
	IBM Recoverable Virtual Shared Disk for AIX	5765-646	2.1.1
		5765-646	2.1
		5765-444	1.2

Note: Before PSSP 3.1, IBM Recoverable Virtual Shared Disk was a separate LPP. The High Availability Control WorkStation and the Performance Toolbox Parallel Extensions components were priced features which you had to order if you wanted them. They are now optional components of PSSP. You will receive them with PSSP 3.1, but you choose whether or not to install them.

Question 4: What Levels of AIX Do You Need?

New RS/6000 SP systems come with AIX 4.3.2 (or later) and PSSP 3.1.1 on installation media. Before you can make this decision, you need to consider what existing and new hardware and software features you need and what they require. If you are not planning an entirely new system but are adding to an existing one, you especially need to consider the current migration and coexistence support to best understand the requirements.

Considering New Features Released

You should plan to order the system level which supports the functions and hardware you need. You might need to stay at earlier levels of AIX to support specific hardware you already have installed. On the other hand, you might want to use the newest hardware which might require the newest software as well. PSSP 3.1 is supported on AIX 4.3.2 (or later). PSSP 3.1 is compiled on AIX 4.3.1 and is supported by the binary compatibility and the 32 and 64-bit application coexistence and concurrent execution capabilities of AIX 4.3.2. PSSP does not yet exploit 64-bit addressability and cannot be called for services by any 64-bit applications, but you might want it so your other applications can exploit it. Before deciding on software levels, consider the new features available in the new releases. See “What's New in AIX and PSSP?” on page 9 for partial summaries of new features.

Considering Migration and Coexistence

Migration addresses upgrading AIX, PSSP, and PSSP-related LPP software on an existing RS/6000 SP from supported levels to the new level. Coexistence refers to a product's ability to support multiple levels of AIX, PSSP, and PSSP-related LPPs in the same system partition. Coexistence is important in the ability to migrate one node at a time and is a key component of migration.

Support is provided for migrating to PSSP 3.1 running on AIX 4.3.2. Table 3 lists the direct migration paths to PSSP 3.1 that are available.

From	To
PSSP 2.2 and AIX 4.1.5, 4.2.1	PSSP 3.1.1 and AIX 4.3.2
PSSP 2.3 and AIX 4.2.1, 4.3.2	PSSP 3.1.1 and AIX 4.3.2
PSSP 2.4 and AIX 4.2.1, 4.3.2	PSSP 3.1.1 and AIX 4.3.2
PSSP 3.1 and AIX 4.3.2	PSSP 3.1.1 and AIX 4.3.2
Note: Upgrading from PSSP 3.1 to PSSP 3.1.1 involves application of PTFs, not a full-scale migration process.	

Coexistence is supported in the same system partition or a single default system partition (the entire SP system) for nodes running any combination of:

- PSSP 3.1.1 and AIX 4.3.2
- PSSP 3.1 and AIX 4.3.2
- PSSP 2.4 and AIX 4.2.1 or 4.3
- PSSP 2.3 and AIX 4.2.1 or 4.3
- PSSP 2.2 and AIX 4.1.5 or 4.2.1

For information on planning for migration and coexistence, see Chapter 12, “Planning for Migration” on page 179.

Recording Your Decision for Question 4

Now you should know which level of AIX you need. If you need more than one level, you might require system partitions which are discussed in more detail in Chapter 6, "Planning SP System Partitions" on page 121.

ABC's worksheet appears in Table 4.

Check	AIX	PSSP
x	AIX 4.3.2	PSSP 3.1.1
	AIX 4.3.2	PSSP 2.4
	AIX 4.2.1	PSSP 2.4
	AIX 4.2.1	PSSP 2.2

Question 5: What Type of Network Connectivity Do You Need?

In order to answer this question, you need to consult with your network administrator to decide how this system will connect into your existing computing network. Also consult with your hardware planner regarding which adapters work with the node types you are considering (see the book *IBM RS/6000 SP: Planning Volume 1, Hardware and Physical Environment*).

Review the following questions to determine the type of network connectivity your organization needs:

- Do you currently have a TCP/IP network?
- Do you intend to connect this network to the network of the SP and its control workstation?
- What type of physical Ethernet LAN do you require? The default is BNC thin but thick is available.
- Do you have a TCP/IP address range? What is the address range and how is it subnetted? What subnet masks are employed? Will the address range be sufficient to cover the addresses of the SP and RS/6000 control workstations? Remember to think about the future. For instance, you might start with a 10-node system but plan to grow to 100 nodes. Be sure to define an address range that is big enough to accommodate your future needs.
- Do you have a domain name? If so, what is it? How are IP addresses resolved to names and vice versa? Do you have DNS, NIS, or */etc/hosts*? How are your domain name servers configured?
- What is the topology of your TCP/IP network? Where do you intend to connect the RS/6000 workstations and the SP into the network?

For the SP system and the control workstations, also consider the following:

- The RS/6000 SP with a switch has a minimum of two networks, the SP Ethernet network that connects each node to the control workstation and the switch network. The two networks must each be assigned unique TCP/IP network addresses. If you have a switch, you must also plan for the switch network.

- In addition to the SP Ethernet network and the switch network, often additional communications adapters such as ATM or FDDI adapters are installed in the SP nodes. If this is the case, then separate TCP/IP network addresses need to be assigned. Have these networks been considered?
- What domain name will be assigned to the SP?
- What IP networks, addresses, subnet masks and default gateways will be assigned to the SP networks?
- Will machines be configured as primary and secondary name servers?
- What MVS considerations are there? If you currently have an MVS system, and if you plan to move large amounts of data (many gigabytes) between the MVS and the SP systems, you might need CLIO/S. CLIO/S provides high-speed, low-overhead transfers over fast channel-to-channel connections. Planning for CLIO/S requires participation by both MVS and SP system planners. For more information on CLIO/S, refer to “Planning for IBM Client Input Output/Sockets (CLIO/S)” on page 163.
- What SP-attached server considerations are there? If you plan to add an SP-attached server which is otherwise already in use and connected to an IPv6 network, you must remove it from the IPv6 network before attaching it to the SP system. For more information about an SP-attached server, see page on page 43.
- What SP-controlled server considerations are there? If you use or would like to use an IBM Netfinity server, you might want to consolidate management of the SP and Netfinity systems by connecting it to the control workstation and using the SP/Netfinity Server Consolidation component of PSSP. See Chapter 13, “Consolidating Management of SP and Netfinity Systems” on page 205.

You might not have laid out your system requirements quite far enough yet to be able to answer all these questions fully. But do start to think about them and know that you will have to come back to them and fill in all the network information when the layout plan is complete. Also, “Planning Your Network Configuration” on page 89 will help you understand the SP network capabilities.

Your answers to this question are applied in the collection of worksheets for “Question 8: How Many Nodes Do You Need?” on page 41.

Network Connections Using an Extension Node

To provide higher bandwidth communications, an SP Switch Router can be connected to the SP Switch via the SP Switch Router Adapter. The SP Switch Router Adapter provides a high performance, full duplex interface between the SP Switch and the SP Switch Router.

When the SP Switch Router Adapter is installed in an SP Switch Router, it allows the SP Switch Router to be used as a networking gateway for the SP system. The SP Switch Router can be populated with additional adapters for standard network interfaces, including the types:

- Ethernet
- FDDI
- ATM
- SONET

- HIPPI
- HSSI

More than one SP Switch Router Adapter can be installed in an SP Switch Router. These SP Switch Routers can be connected to the same SP system, system partition, or to other SP systems. When multiple SP Switch Router Adapters are installed and connected to more than one SP system or system partition, they can be used to provide a high-bandwidth link between SP systems or system partitions and to provide the SP systems or system partitions with a shared set of interfaces to external networks.

Each SP Switch Router Adapter requires one available node switch port on the SP Switch that meets the criteria for valid extension node ports as described in Chapter 3, “Defining the Configuration that Fits Your Needs” on page 69. A 10 meter SP Switch cable and a 10 meter ground strap are provided (other lengths are available) for connecting the SP Switch Router Adapter, located in the SP Switch Router chassis, to the SP Switch.

Question 6: What are Your Disk Storage Requirements?

Consult with your system administrator to answer this question. You need to understand your existing environment to be able to project your future disk requirements. In planning how much disk space you need, you should be aware of the following considerations that relate to internal and external disk storage.

Study these considerations and record your answers. Later you will enter them in your copy of the worksheet, “Hardware Configuration by Frame” in Table 50 on page 265.

Disk Space for Users' Home Directories

You need to decide whether you will serve your users' home directories from an existing server or from a new server.

Disk Space for System Programs

Installing AIX and some subset of PSSP and related products consumes disk storage on each node. Use the tables in “Determining Space Requirements” on page 85 to calculate the disk storage needed for AIX and PSSP and the related products.

Think about the program products and applications you plan to install. How much space do you need for **/usr**, **/**, and other file systems? For the **/spdata** file system, note that you will need extra space on the control workstation and boot/install servers if you maintain more than one level of AIX or PSSP on the system.

Will your applications be installed in one root volume group (rootvg) with the base AIX programs or will they be installed elsewhere? Will you want to use alternate root volume groups and mirrored root volume groups? Maybe you plan to boot from external disks. These considerations might help you decide whether to add additional internal or external disks. Adding additional disks gives you the flexibility to preserve the application installation in the event that a node requires a reinstallation or a service upgrade.

Disk Space for Databases

Will you install any databases on your system? How many? How large? Are they production or development databases? What is the high availability strategy and do you require twin-tailed disks? What is the data protection and disk failure recovery strategy? Do you require disk mirroring or RAID 1 or RAID 5?

For each database you need to determine:

- How much temporary space you need.
- How much space you need for logs.
- How much space you need for the database definition and data dictionary.
- How much space you need for rollback files.

If you plan to use twin-tailed disks or disk mirroring, you must also take into account what types and how many adapters you will need. This might later determine the node models you need because thin nodes have fewer adapter slots.

Disk Requirements for the Virtual Shared Disk Component of PSSP

IBM Virtual Shared Disk is a subsystem that lets you assign volume groups located on any physical disks in any node within a partition. Once the volume group has been assigned to a virtual shared disk, application programs running in any node within that partition can access the virtual shared disk as if it were a disk located in the node running the application.

If an application exploits the use of a virtual shared disk, you should **not** place anything on that virtual shared disk except volume groups. Other file systems located on virtual shared disk portions of a physical disk will cause problems. For the same reason, you should not create AIX Journaled File Systems (JFSs) on volume groups that contain virtual shared disks.

Another optional component, the Recoverable Virtual Shared Disk, enhances the Virtual Shared Disk function by recovering information that would otherwise be lost if a virtual shared disk node or communication adapter were to fail. However, Recoverable Virtual Shared Disk will only support recovering information from virtual shared disks. It will not recover data from non-virtual shared disk portions of the physical disk. HACMP/ES is another product which you can use to failover file systems.

All virtual shared disks should be defined on external disk storage drives. Data residing on an internal disk that is not twin-tailed to another disk will be lost if the node containing that internal disk fails. That data loss will occur whether or not the Recoverable Virtual Shared Disk software is in use.

File System Requirements

You should plan ahead of time for expected growth of all your file systems. Also, you should monitor your file system growth periodically and adjust your plans when necessary.

Boot/Install Requirements

The number of boot/install servers and the network layout of their Ethernet connections can affect the efficiency of your system. See “System Topology Considerations” on page 78 for recommended boot/install configurations for various system sizes.

Multiple Boot Requirements

Definable multiple boot images (alternate root volume groups) provide you with the fall back mechanism for SP systems or system partitions in case a problem is found in the system software, hardware, or application software. This requires one disk or set of disks, each holding a complete and different image of the operating system. If you want alternate boot system images, make sure you plan for enough disk space.

Mirrored Root Volume Group Requirements

One way to significantly increase the availability of your SP system is to establish redundant copies of the operating system image using the disk mirroring feature of AIX. Mirroring the root volume group means that there will be multiple copies of the operating system image available to a workstation or node. Mirrored system images are distributed so that a node can remain in operation even after one of the mirrored units fails. IBM encourages you to mirror your root volume group.

When you install a node, you choose how many copies to make of the root volume group. AIX supports one (the original), two (the original plus a mirror), or three (the original plus two mirrors) copies of a volume group. IBM urges you to mirror the root volume group by choosing at least two copies. PSSP 3.1 provides commands to facilitate mirroring on the SP system. The book *PSSP: Administration Guide* has information about mirroring a root volume group.

To mirror a root volume group, you need one disk or set of disks for each copy, depending on how many are needed to contain one complete system image. IBM, with a desire to provide a system having improved availability, delivers all new POWER3 SMP nodes and 332 MHz SMP nodes with disk pairs as a standard feature. IBM urges you to use the extra disk for a mirror of the root volume group when you install your system.

Note: When you install a POWER3 SMP high node, the root volume group is automatically mirrored using the two internal disk drives by default. Each of these disks have the capacity to contain one complete system image. You must override the default setting during the install process if the node is configured without the two internal drives or if you choose to not use mirroring.

External Disk Storage

If external disk storage is part of your system solution, you need to decide which of the external disk subsystems available for the SP best satisfies your needs.

Disk options offer the following trade-offs in price, performance, and availability:

- For availability, you can use either a RAID subsystem with RAID 1 or RAID 5 support or you can use mirroring.
- For best performance when availability is needed, you can use mirroring or RAID 1, but these require twice the disk.

- For low cost and availability, you can use RAID 5, but there is a performance penalty for write operations. One write requires 4 I/Os: a read and a write to two separate disks in the RAID array. An N+P RAID 5 array, comprised of N+1 disks, offers N disks worth of storage, therefore it does not require twice as much disk.

Also, use of RAID 5 arrays and hot spares affect the relationship between *raw storage* and *available and protected storage*. RAID 5 arrays, designated in the general case as N+P arrays, provide N disks worth of storage. For example, an array of 8 disks is a 7+P RAID 5 array, providing 7 disks worth of available protected storage. A hot spare provides no additional usable storage but provides a disk which quickly replaces a failed disk in the RAID 5 array. All disks in a RAID 5 array should be the same size, otherwise disk space will be wasted.

- For low cost when availability due to disk failure is not an issue, you can use what is known as JBOD (Just a Bunch of Disk).

After you choose a disk option, be sure to get enough disk drives to satisfy the I/O requirements of your applications, taking into account if you are using the Recoverable Virtual Shared Disk optional component of PSSP, mirroring, or RAID 5 and whether I/O is random or sequential.

Table 5 on page 38 has more information on disk storage choices.

<i>Table 5. Disk Storage Subsystems</i>	
Disk Storage	Description.
2100	<p>The Versatile Storage Server (VSS) offers the ability to share disks with up to 64 hosts via Ultra SCSI connections. The hosts can be RS/6000, NT, AS/400, and other UNIX platforms. The VSS has a protected storage capacity of up to 2 TB. It can be connected via multiple Ultra SCSI busses (up to 16) for increased throughput and has up to 6 GB of read cache. Internally, SSA disks are configured in RAID 5 arrays with fast write cache for availability. The 7133 is an integral part of VSS. Your existing 7133 SSA disks can be placed under control of the VSS. They can remain in their current racks or they can be placed in the VSS enclosures.</p> <p>Disks are configured into 6+P+S or 7+P RAID 5 arrays with at least one hot spare per loop and typically one 7133 drawer per SSA loop. These RAID 5 arrays are then divided into LUNs with valid LUN sizes of 0.5, 1, 2, 4, 8, 12, 16, 20, 24, 28, and 32 GB. Each LUN is an hdisk on the RS/6000.</p>
7027	<p>The 7027 High Capacity Storage Drawer provides up to a maximum of 67.5 GB of disk storage plus three tape or CD-ROM bays, all in a single rack drawer. Supporting SCSI-2 Fast/Wide single-ended and SCSI-2 Fast/Wide differential, the 7027 can attach to Micro Channel-based RS/6000 systems. Offering hot-swap disk and remote power-on capabilities, the 7027 is the ideal replacement for the IBM 7134. It offers exceptional performance in storage expansion and growth. The 24/48 GB 4mm DDS-2 Tape Autoloader Internal provides an internal, 8-bit, SCSI-2 Fast/Wide SE device for backing up system DASD. Using hardware compression, up to 48GB of data can be backed up.</p>
7131	<p>This SSA multi-storage tower provides expandable storage at low cost. The tower has five hot swappable slots for 2.2, 4.5, or 9.1 GB disk drives for a maximum 45.5 GB capacity. Two towers can provide a low cost mirrored solution.</p>
7133	<p>If you require high performance, the 7133 Serial Storage Architecture (SSA) Disk might be the subsystem for you. SSA provides better interconnect performance than SCSI, and offers hot pluggable drives, cables, and redundant power supplies. RAID 5, including hot spares, is supported on some adapters and loop cabling provides redundant data paths to the disk. Two loops of up to 48 disks are supported on each adapter. However, for best performance of randomly accessed drives, you should have only 16 drives (one drawer or 7133) in a loop.</p>
7137	<p>The 7137 subsystem supports both RAID 0 and RAID 5 modes. It can hold from 4 to 33 GB of data (29 GB maximum in RAID 5 mode). The 7137 is the low end model of RAID support. Connection is via SCSI adapters. If performance is not critical but reliability and low cost are important, this is a good choice.</p>

In summary, to determine what configuration best suits your needs, you must be prepared with the following information:

- The amount of storage space you need for your data.
- The protection strategy (mirroring, RAID 5), if any.
- The I/O rate you require for storage performance.
- Any other requirements, like multi-host connections or if you plan to use the Recoverable Virtual Shared Disk component of PSSP which needs twin-tailed external disks.

Note: You can find more information about the available storage subsystems on the Internet at the Web site <http://www.storage.ibm.com>

External Disk Storage Worksheet

The following table shows how the ABC Corporation specified their external disk storage needs. Record your external disk storage needs on your copy of Worksheet 3, Table 48 on page 262. You will also apply that information in Worksheet 4, the “SP Planning Worksheet” in Table 49 on page 263.

<i>Table 6. ABC Corporations's External Disk Storage Needs</i>			
External Disk Storage – Worksheet 3			
Disk Subsystem	Adapters (# - type)	Number of Disks	Disk Size
2100 VSS (SSA)			
7027 (SCSI)			
7131 (SSA)			
7131 (SCSI)			
7133 (SSA)	4 - 6215 PCI SSA-EL	32	9.1GB
7133 (SCSI)			
7137 (SCSI)			
Note: The 7027 SCSI or the 7131 SSA can be configured as external boot disks. Complete the entries for the external disk subsystems you require.			

Question 7: What are Your Reliability and Availability Requirements?

What are your reliability and availability requirements? Who is going to use the SP? For some users reliability is not worth the cost. For others it is worth any cost and extremely important to keep the production system up and running. Two of the functions in PSSP that assist in reliability and availability are the High Availability Control Workstation and system partitions.

Systems that use the SP Switch for connectivity also offer enhanced availability.

High Availability Control Workstation

One function providing enhanced reliability is the High Availability Control Workstation (HACWS). It supports a second control workstation that effectively eliminates the control workstation as a single point of failure. When the primary control workstation becomes unavailable, either through a planned event or a hardware or software failure, this SP high availability component detects the loss and shifts the workload off that component and to a backup control workstation.

To provide this extra reliability and eliminate the control workstation as a single point of failure, you need both extra hardware and software as summarized in Table 7 on page 40.

<i>Table 7. Requirements for the High Availability Control Workstation</i>	
Software	An additional AIX license
	The HACWS optional component of PSSP
	2 licenses for the HACMP LPP (without the enhanced scalability feature unless you use HACMP/ES 4.3)
Hardware	A second control workstation
	HACWS Connectivity Feature

Planning and using the HACWS will be simpler if you configure your backup control workstation identical to the primary control workstation. Some components must be identical, others can be similar. Wait until the last question about control workstation hardware and software to specify the components. For now, you need only decide if you need HACWS support. For more information, refer to Chapter 4, “Planning for a High Availability Control Workstation” on page 103.

System Partitions

Partitioning your system can aid in system availability. This support lets you logically divide the SP into non-overlapping groups of nodes called system partitions. You can then use a system partition to test new levels of AIX, PSSP, LPPs, application programs, or other software on a system that is currently running a production workload without disrupting that workload. The partitioning solution assumes that there are nodes available for the test system partition. A minimum system partition must consist of at least two drawers (or four slots).

You might not have to partition your system just for installation and testing. Coexistence support, which allows you to migrate one node of your system at a time, also promotes system availability. With coexistence, you are permitted to have multiple levels of PSSP operating within a single system partition. However, if you plan to use authentication methods for security in PSSP 3.1, the same set of methods must be enabled on all nodes within one system partition. Therefore the control workstation and all the nodes in a system partition must have PSSP 3.1 at the completion of your migration process.

A good use for system partitions is to create multiple production environments with the same non-interfering characteristics that benefit a testing partition. With system partitions the environments are sufficiently isolated so that the workload in one environment is not adversely affected by the workload in the other. They might be especially useful to isolate services which have critical implications to job performance, for example the switch. System partitions let you isolate switch traffic in one system partition from the switch traffic in other system partitions.

Initially, the system is a single partition. The number of system partitions you can define is dependent upon the size of your SP system. See Chapter 6, “Planning SP System Partitions” on page 121 for more information about system partitions. If you decide you want system partitions, study that chapter in more detail before completing your system plan. For now, you need to decide only if it is something you want or need and how many system partitions you think you'll need (you can come back and modify these answers if you learn new information that affects your decision).

Table 8. Function Checklist	
Check	Function
	Do you want the redundancy of a High Availability Control Workstation?
	How many system partitions do you want?
x	• Will you run PSSP 3.1?
x	• Will you run PSSP 2.4?
	• Will you run PSSP 2.3?
	• Will you run PSSP 2.2?
Note: Review coexistence limitations in Chapter 12, "Planning for Migration" on page 179 to help you decide if you must partition your system.	

Question 8: How Many Nodes Do You Need?

Your answer to this question might be based on financial limits or it might be based on performance requirements. Keep in mind that the SP is "scalable" which means that you can add more nodes later. Your answers to the prior questions should have helped you determine the type of work for which you will be using the SP. For example, if you previously determined that you want to divide your system into partitions, this can affect the number of nodes you require. Since the SP is scalable, you can select fewer nodes now and add more later or select more now and scale down later.

Some helpful hardware reference information is included here to help you select nodes. For complete hardware information, see the book *IBM RS/6000 SP: Planning Volume 1, Hardware and Physical Environment*.

To decide which and how many nodes you need, you must consider the overall capacity of each node keeping in mind your functional, performance, networking, communication, and data transmission requirements, together with the software that you have selected to satisfy your needs, and which nodes you need to handle those combined demands. There are SP processor nodes that can be mounted in an SP frame (thin, wide, and high), there are the SP-attached servers which can function just like SP processor nodes but are not in an SP frame, and there is the SP Switch Router to handle high data transmission demands. You can choose from the following:

- Thin Node

Thin nodes are designed for customers who require the highest number of processors per frame at the higher levels of computational performance. There are three nodes of the thin type; the 200 MHz POWER3 SMP, the 332 MHz SMP, and the 160 MHz processor nodes.

The POWER3 SMP thin node can have one or two 64-bit 200 MHz processors, 256 MB to 4 GB of memory, two 32-bit PCI slots, a slot for the SP Switch MX2 adapter, integrated Ethernet, 4.5 GB to 18.2 GB of mirrored internal DASD, integrated Ultra SCSI, and an external RS-232 connection with active heartbeat used only by the HACMP application. This node is available as a single node. It does not have to be used in a pair. When it is a single node in a drawer, it must be in the odd-numbered slot.

The 332 MHz SMP thin node is an IBM RS/6000 PowerPC offering two or four SMPs (within two processor card slots), 256 MB to 3 GB of memory (within two card slots), integrated Ethernet (10BaseT or 10Base2), an integrated SCSI-2 bus, one or two DASD bays, and two PCI adapter slots. This node is available as a single node. It does not have to be used in a pair. When it is a single node in a drawer, it must be in the odd-numbered slot.

The 160 MHz thin node has 128 KB data cache and a 128-bit memory bus with two paths for memory and the integer and floating point units. The 160 MHz node performs well for most commercial applications. It supports four micro channel architecture (MCA) adapter slots and up to two SCSI disks packaged internally. This node is not available as a single. It must be used in a pair inside the same drawer.

All thin nodes are supported in any SP frame, with or without either SP Switch.

- Wide Node

Wide nodes greatly expand the I/O and network server functions of the SP system. Wide nodes occupy two slots in a frame and have more attachment options than thin nodes to increase DASD and network connectivity.

The POWER3 SMP wide node has one or two 64-bit 200 MHz processors, 256 MB to 4 GB of memory, ten PCI slots (two 32-bit and eight 64-bit), a slot for the SP Switch MX2 adapter, integrated Ethernet, and 4.5 GB to 36.4 GB of mirrored internal DASD, integrated Ultra SCSI, and an external RS-232 connection with active heartbeat used only by the HACMP application. This node is supported in any SP frame, with or without either SP Switch.

The 332 MHz SMP wide node has the same components as the 332 MHz SMP thin node but with ten PCI slots; three 64-bit slots and seven 32-bit slots.

- High Node

The POWER3 SMP high node can have two, four, six, or eight 630FP (floating point) processors running at 222 MHz, 1 to 16 GB of memory, five PCI slots (one 32-bit and four 64-bit), a slot for the SP Switch MX2 adapter, integrated 10/100 Ethernet, 9.1 to 18.2 GB of mirrored internal DASD, integrated Ultra SCSI, and an external RS-232 connection with active heartbeat used only by the HACMP application. It can have up to six SP Expansion I/O Units connected directly by cable for increased internal DASD and connectivity to external DASD and networks. On the other hand, you can choose to have no internal DASD and use only external DASD, even for booting.

The POWER3 SMP high node occupies two full drawers of a tall frame. The POWER3 SMP high node is supported only in tall frames with or without an SP Switch. If you use it with a switch, it must be the SP Switch with 16 ports. It is not supported with the SP Switch-8.

- Extension Node

Configuring a system using extension nodes requires special planning with respect to processor nodes. (The only unit currently in this category is the SP Switch Router which is also considered to be a dependent node.)

Regardless of which processor node types you use, if you have a fully populated switch and you are ordering an SP Switch Router, you have to reduce your node count by one. This is necessary to have a switch port available for the SP Switch Router Adapter.

If you have decided to include extension nodes in your system, you must ensure that your system provides the switch ports needed by each one. For instance, each SP Switch Router Adapter in an SP Switch Router must be connected to a valid switch port on the SP switch. In other words, each dependent node logically occupies a slot in an SP frame and physically occupies the switch port corresponding to that slot. A processor node must not be assigned to the same slot, although a wide or high node can overlay the slot. Read from “Planning Considerations for the SP Switch Router” on page 93 in Chapter 3, Defining the Configuration that Fits Your Needs for a discussion of valid extension node slots.

- SP-attached server

Introduced with PSSP 3.1 is support for attaching the RS/6000 Enterprise Server S70 or the RS/6000 Enterprise Server S70 Advanced to the SP system. Each is a high-end RS/6000 PCI-based 64-bit SMP computer that supports concurrent 32- and 64-bit applications. These servers excel in online transaction processing, enterprise server resource planning, server consolidation, supply chain management, and large database server applications. Check the RS/6000 Web site for information that might help you decide which is best for your needs.

The following are some characteristics that are significant to SP software and configuration planning:

- It functions like a standard SP processor node, running all PSSP software and PSSP-related LPPs honoring all the coexistence rules, but it is not physically in an SP frame (it has no frame or node supervisor).
- 64-bit processing is not exploited by PSSP but you can run 64-bit applications on this server that do not require any PSSP services.
- It connects to the SP directly via the SP administrative network (the SP Ethernet) and it connects to the control workstation directly with two RS-232 cables.
- When used in an SP with a switched configuration, it must be connected to the SP Switch via the SP System Attachment Adapter. It is not supported with an SP Switch-8.
- If the server you plan to attach to the SP is otherwise already in use and connected to an IPv6 network, you must remove it from the IPv6 network before attaching it to the SP system.
- Since it has no SP frame supervisor or SP node supervisor, there is only limited control and monitoring from the control workstation. It is otherwise treated functionally by PSSP as if it is in an SP frame. You must assign it a frame number and a switch port number. After you assign it a frame number, a node number is automatically generated based on the frame number. Be sure to read and understand the information regarding SP-attached servers in “Planning Your Network Configuration” on page 89 and in “Understanding Node Numbering and Switch Port Numbering” on page 95.

There are four SP frame models for the RS/6000 SP system which you can populate with optional nodes and switches to create the system configuration of your choice. Your layout can range from a single-frame entry system to a highly-parallel, large-scalable system. The frame models are listed in Table 9 on page 44.

<i>Table 9. The Basic SP Frame and Switch Topology</i>	
Frame Model	Description
500	Short base frame, power supply, additional equipment: <ul style="list-style-type: none"> • up to eight nodes, type is optional, one drawer required, one node required to become a functional SP • SP Switch-8 optional, nodes must be in sequence and not interspersed with empty drawers
550	Tall base frame, power supply, additional equipment: <ul style="list-style-type: none"> • up to sixteen nodes, type is optional, one drawer required, one node required to become a functional SP • SP Switch optional, nodes can be in any sequence and interspersed with empty drawers • SP Switch-8 optional, nodes must be in sequence and not interspersed with empty drawers. • scalable up to 128 nodes with SP Switch
1500	Short expansion frame, same support as short base frame but has no prerequisite of a node
1550	Tall expansion frame, same support as tall base frame but has no prerequisite of a node.
Note: If you plan to add any new node to a frame you already have, your frame might need a power upgrade.	

Table 10 on page 45 summarizes the nodes that you can currently order. See the book *IBM RS/6000 SP: Planning Volume 1, Hardware and Physical Environment* for more node information.

<i>Table 10. Summary of Currently Orderable SP Nodes and SP-attached Servers</i>					
Type (min nodes to drawer)	Speed in MHz	Architecture supported	Min to Max Memory	Min to Max Internal Disk Space	New with PSSP
POWER3 High (1-2)	222	64-bit SMP	1GB to 16GB	9.1GB to 18.2GB mirrored	3.1.1
POWER3 Wide (1-1)	200	64-bit SMP	256MB to 4GB	4.5GB to 36.4GB mirrored	3.1
POWER3 Thin (1-1/2)	200	64-bit SMP	256MB to 4GB	4.5GB to 18.2GB mirrored	3.1
SP-attached	262	64-bit SMP	512MB to 32GB	4.5GB to 218GB	3.1
SP-attached	125	64-bit SMP	512MB to 16GB	4.5GB to 218GB	3.1
Wide (1 - 1)	332	32-bit SMP	256MB to 3GB	4.5GB to 36.4GB	2.4
Thin (1 - 1/2)	332	32-bit SMP	256MB to 3GB	4.5GB to 18.2GB	2.4
Thin (2 - 1)	160	32-bit UP	64MB to 1GB	4.5GB to 18.2GB	2.3
SMP = symmetric multiprocessor, UP = uniprocessor					
Note: Up to six SP Expansion I/O Units can connect to a POWER3 SMP high node to increase internal DASD and connectivity to external DASD and networks.					

System-Wide Worksheets

Now it's time to take all the information you have thought about and start to lay out your system requirements on detailed worksheets. These worksheets are an invaluable tool for helping you plan your configuration and installation in detail. If you have not done so already, make copies of the worksheets in Appendix C, "SP System Planning Worksheets" on page 259. The worksheets in this chapter have been filled out for a hypothetical customer, the ABC Corporation. ABC's system-wide selections are in the "SP Planning Worksheet" in Table 11 on page 46.

Note: Be sure to check the book *IBM RS/6000 SP: Planning Volume 1, Hardware and Physical Environment* for requirements of other hardware based on your choice of SP model. For instance, you cannot combine High Performance Switch and SP Switch adapters.

Table 11. Overall System Information

SP Planning – Worksheet 4		
Company Name: ABC Corporation	Date: July 20, 1999	
Customer Number: 999999		
Customer Contact: Jim Smith	Phone: 1-800-555-5678	
IBM Contact: Susann Burns	Phone: 1-800-555-6789	
<i>Complete the following by entering quantities to order:</i>		
Frames	Nodes	Nodes
500 (short):	332 MHz Wide: 2	222 MHz High: 1
1500 (short):	332 MHz Thin:	200 MHz Wide: 2
550 (tall): 2	160 MHz Thin Pair:	200 MHz Thin: 1
1550 (tall):	125 MHz (S70) SP-attach:	262 MHz (S7A) SP-attach:
SP Switch		
8-port:	16-port: 1	
SP Switch Adapter:	SP Switch MX2 Adapter: 6	SP System Attachment Adapter:
SP Switch Router: 1	SP Switch Router Adapter: 1	
SP Expansion I/O Units: 1		
External Storage Units:	<i>Type</i>	<i>Quantity</i>
	7133	32
Network Media Cards:	<i>Type</i>	<i>Quantity</i>
<i>Fill in the remainder of this chart after you place your order.</i>		
	<i>System Number</i>	<i>Purchase Order Number</i>
RS/6000 SP:		
Control Workstation:		
Peripherals:		

Fill in your copy of Worksheet 4, "SP Planning" in Table 49 on page 263 with the heading information, the SP model, the number of frames and switches, and the number of each node type you need. If you selected an external disk in "Question 6: What are Your Disk Storage Requirements?" on page 34, copy the information from that table to your Worksheet 4. Once you place your order you can fill in the order numbers for easy reference.

Completing the SP Node Layout Worksheets

To complete your Node Layout Worksheets, first draw a diagram of your SP system. Then add network information to that diagram. After that, write your network information into the worksheets. Fill in as many copies of Worksheet 5, Figure 54 on page 264, as you need. The ABC Corporation drew the network shown in Figure 2 and Figure 3 on page 48.

Complete the SP Node Layout Worksheets as follows:

1. For each frame, fill in the frame number and the switch number on the lines marked **Frame** and **Switch** at the bottom of the diagram.
2. Write the unique ID numbers, such as node number and expansion number. Indicate whether each node is a wide, thin, or high node using a unique identifier for each. For example, you might represent wide nodes with a *w*, thin nodes with a *t*, and high nodes with an *h*. Slot numbers are already present in each frame diagram. Wide nodes occupy two slots and use the odd slot number. High nodes occupy four slots and use the lowest odd slot number in the set. Cross out the even slot numbers in wide nodes and the three excess slots in high nodes except those to be used by an extension node or SP-attached server.

If you are planning an SP Expansion I/O Unit, extension node, or SP-attached server, make up an indicator for each of them and mark the slots they use. An SP Expansion I/O Unit physically occupies a slot but leaves the switch port free, while an extension node or SP-attached server only logically occupies the slot but uses the associated switch port. You can use the same slot for both an SP Expansion I/O Unit and either an extension node or an SP-attached server.

Figure 2 shows a single frame with numbered slots (terms in parentheses are switch port numbers) for the ABC Corporation.

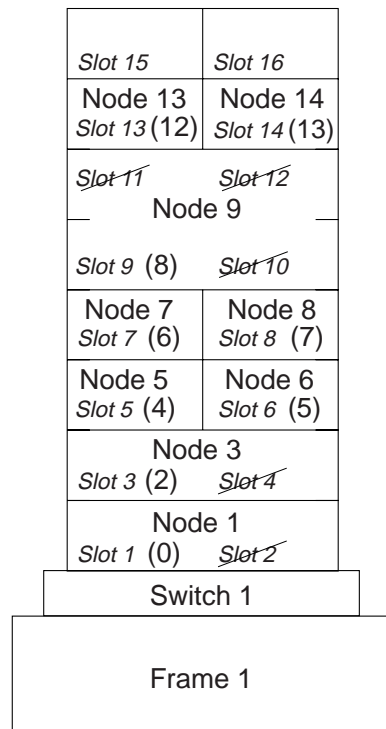


Figure 2. Node Layout Example for the ABC Corporation

For instruction on node and switch port numbering, see “Understanding Node Numbering and Switch Port Numbering” on page 95.

3. Sketch your SP Ethernet connections to each node and to the control workstation. Indicate specific adapter connections (for example, en0 and en1 connections). Refer to “System Topology Considerations” on page 78 for Ethernet tuning considerations.
4. Sketch additional network connections.

At this point, your layout might look something like that in Figure 3.

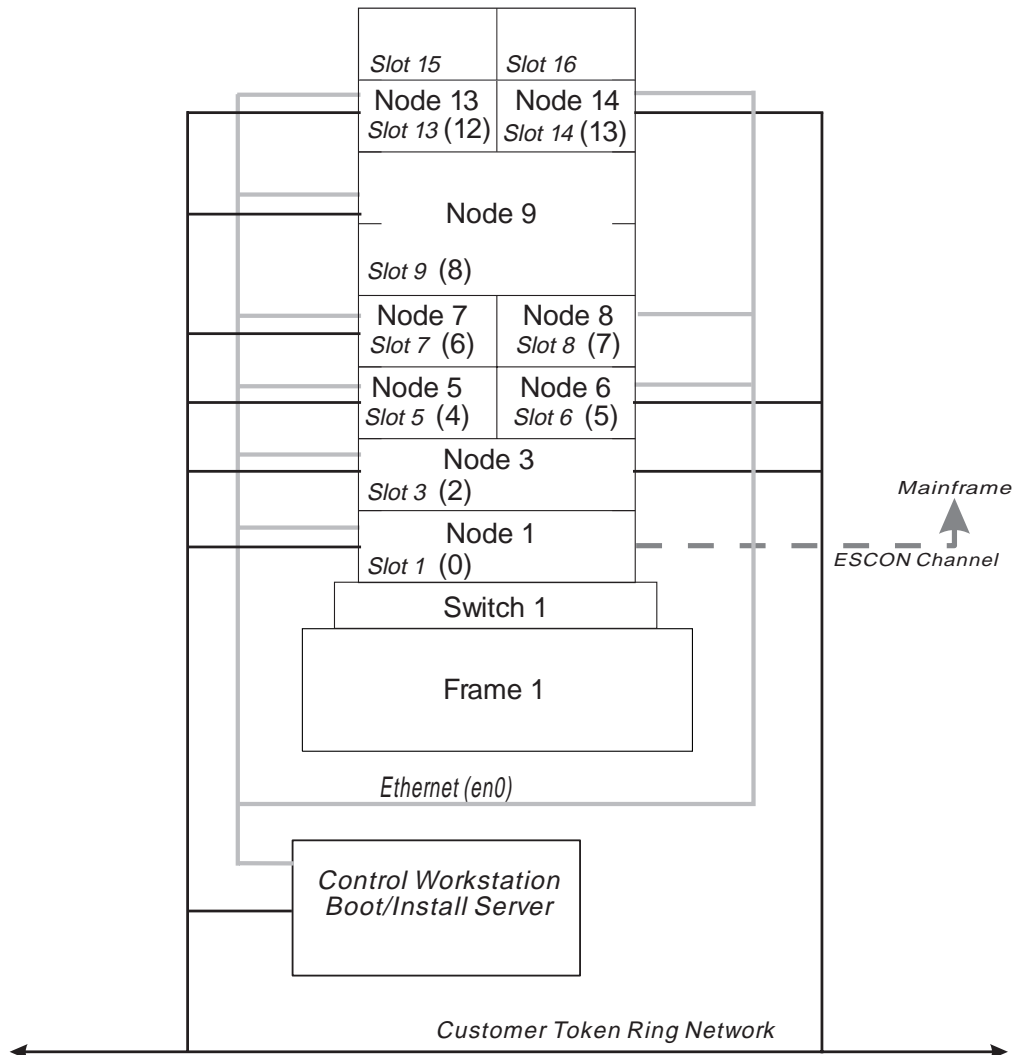


Figure 3. A Node Layout Example with Communications Information

5. Sketch connections to any routers, gateways, or other networks.
6. Indicate network addresses, netmasks and hostnames for each subnet and node address on each node interface.

Hardware Configuration by Frame

You need to record the hardware configuration of your frames. At the same time you decide what types and how many nodes and other units you want, you also need to decide and keep track of how much processor memory and how much internal disk storage each processor node will have. Each of these values will affect the performance of your system, so choose carefully.

| After you decide on this information, fill in your copy of Worksheet 7, "Hardware
| Configuration by Frame" in Table 50 on page 265. Use this worksheet for
| SP-attached servers and SP-controlled Netfinity servers as well. To be thorough,
| also include SP Expansion I/O Units, leaving blank any entries that do not apply.
| You need multiple copies of this worksheet depending on what is to comprise your
| SP system. Complete a copy for each SP frame, SP-attached server, and
| SP-controlled Netfinity server.

The ABC Corporation made the choices in Table 12 on page 50.

Table 12. ABC Corporations's Choices for Hardware Configuration by Frame

SP Hardware Configuration by Frame – Worksheet 7					
Frame Number: 1			Switch Number: 1		
	Node or Expansion Number	Node Type or Associated Node Frame/Slot	Processor Memory	Internal Disk	Additional Adapters
Slot 1	1	wide	3GB	36.4GB mirrored	TokenRing(1), SSA(4), Ethernet(1), ESCON(1)
Slot 2	--				
Slot 3	3	wide	4GB	36.4GB mirrored	TokenRing(1), SSA(4), Ethernet(1)
Slot 4	--				
Slot 5	5	thin	4GB	18.2GB mirrored	TokenRing(1), SSA(2)
Slot 6	6	thin	4GB	18.2GB mirrored	TokenRing(1), SSA(2)
Slot 7	7	thin	3GB	18.2GB mirrored	TokenRing(1), Ultra SCSI(2)
Slot 8	8	thin	3GB	18.2GB mirrored	
Slot 9	9	high	16GB	18.2GB mirrored	TokenRing(1), SSA(8), Ethernet(4), FDDI(2), SCSI(4)
Slot 10	—				
Slot 11	—				
Slot 12	—				
Slot 13	13	thin	3GB	18.2GB mirrored	TokenRing(1), Ultra SCSI(2)
Slot 14	14	thin	3GB	18.2GB mirrored	TokenRing(1), Ultra SCSI(2)
Slot 15	15	1/9			
Slot 16	—				

Networking Information

Each adapter in each node, workstation, and router has an IP address. Each of these addresses has a separate name associated with it.

During installation and configuration, all addresses, including the router addresses, must be resolvable into names. Likewise, all names both long and short, must be resolvable into addresses. If your network administrator or support group provides name-to-address resolution through DNS, NIS, or some other means, then they need to plan for the addition of all these names to their servers before the system arrives. You must specify these names during configuration to be set in the PSSP System Data Repository (SDR). Since AIX is case sensitive, the names must match exactly.

Host Names

Independent of any of the network adapters, each processor has a *host name*. Usually the host name of a processor is the name given to one of the network adapters in the processor.

While completing these worksheets, keep in mind that the host name in the worksheet is referring to the name given to that adapter. You need to select which of these adapter host names is to be the one given to the processor. An application might require that the processor host name be the name associated with the adapter over which its traffic will flow. Mark the column of the adapter that will be the host name.

The ABC Corporation completed the “Node Network Configuration Worksheets” starting with Table 13. They chose to plan only the additional token ring and ESCON connections at this time, reserving the other adapters for future growth.

Table 13. ABC Corporation's SP Ethernet			
SP Ethernet Node Network Configuration – Worksheet 8			
Company Name: ABC Corporation			Date: July 20, 1999
Frame Number: 1			
Token Ring Speed: 16			
Associated Node Slot	SP Ethernet Netmask: 255.255.255.192 (en0 adapters)		Default Route
	Hostname	IP Address	
1	spnode01	129.40.60.1	129.40.60.125
2	--		
3	spnode03	129.40.60.3	129.40.60.125
4	--		
5	spnode05	129.40.60.5	129.40.60.125
6	spnode06	129.40.60.6	129.40.60.125
7	spnode07	129.40.60.7	129.40.60.125
8	spnode08	129.40.60.8	129.40.60.125
9	spnode09	129.40.60.9	129.40.60.125
10	--		
11	--		
12	--		
13	spnode13	129.40.60.13	129.40.60.125
14	spnode14	129.40.60.14	129.40.60.125
15	--		
16	--		

Notes:

1. AIX is case sensitive. If name-to-address resolution is provided via DNS, NIS or some other means, the names in the SDR must match exactly. Otherwise, use lower case for the hostname and addresses.
2. Wide nodes occupy two frame slots and use the *odd-numbered* slot number.
3. High nodes occupy four frame slots (2 drawers) and use the lowest odd-numbered slot number.

Table 14. ABC Corporation's Additional Adapters

SP Additional Adapters Node Network Configuration – Worksheet 9				
Company Name: ABC Corporation			Date: July 20, 1999	
Frame Number: 1				
Token Ring Speed: 16				
Associated Node Slot	Additional Adapters Netmask: 255.255.255.192			Default Route
	Adapter Name	Hostname	IP Address	
1	tr0	sptok01	129.40.61.1	129.40.60.125
2	--			
3	tr0	sptok03	129.40.61.3	129.40.60.125
4	--			
5	tr0	sptok05	129.40.61.5	129.40.60.125
6	tr0	sptok06	129.40.61.6	129.40.60.125
7	tr0	sptok07	129.40.61.7	129.40.60.125
8				
9	tr0	sptok09	129.40.61.9	129.40.60.125
10	--			
11	--			
12	--			
13	tr0	sptok13	129.40.61.13	129.40.60.125
14	tr0	sptok14	129.40.61.14	129.40.60.125
15	--			
16	--			

Notes:

1. AIX is case sensitive. If name-to-address resolution is provided via DNS, NIS or some other means, the names in the SDR must match exactly. Otherwise, use lower case for the hostname and addresses.
2. Wide nodes occupy two frame slots and use the *odd-numbered* slot number.
3. High nodes occupy four frame slots (2 drawers) and use the lowest odd-numbered slot number.

Review your network topology and fill in your copies of the worksheets starting with Table 51 on page 266. Be sure to make extra copies before you complete them. You need a copy for each frame you configured. If you have additional network adapters planned for some or all of your nodes, you need to plan their network information also.

Switch Worksheet

The advantage of an SP Switch is that it has its own subnet. You need to plan this switch network whenever you plan to use any of the following:

- An SP Switch
- System partitioning
- An SP-attached server

Do you plan to enable ARP over the switch? If not, you need to derive the switch IP addresses from the address of the first node plus the switch port number.

Make copies of the switch configuration worksheet in Table 53 on page 268 before you start. See “Switch Port Numbering” on page 100 and “IP Assignment” on page 102 for additional guidance. The hypothetical ABC Corporation filled out the following worksheet.

<i>Table 15. ABC Corporation's Choices for the Switch Configuration Worksheet</i>			
Switch Configuration – Worksheet 10			
Frame Number: 1 Switch Number: 1 Netmask: 255.255.255.192			
Slot Number	Switch Port Number	Switch Adapter Hostname	Switch Adapter IP Address
Slot 1	0	spsw01	129.40.62.1
Slot 2	--		
Slot 3	2	spsw03	129.40.62.3
Slot 4	--		
Slot 5	4	spsw05	129.40.62.5
Slot 6	5	spsw06	129.40.62.6
Slot 7	6	spsw07	129.40.62.7
Slot 8	7	spsw08	129.40.62.8
Slot 9	8	spsw08	129.40.62.9
Slot 10	--		
Slot 11	--		
Slot 12	--		
Slot 13	12	spsw13	129.40.62.13
Slot 14	13	spsw14	129.40.62.14
Slot 15	--		
Slot 16	--		

Note: Refer to Table 13 on page 51 to see how this table would be completed.

Even in a switchless system, you need to fill in the switch worksheet to set Switch Port Number when you plan to use an SP-attached server. This is because of the limited hardware interface to SP-attached servers. The SP functions cannot derive all the information that it needs like it can for SP nodes. During the SP installation and configuration process of your frames and nodes you will be asked to supply that number along with other values you are preparing during this planning phase.

If you do plan to have an SP-attached server in your SP system, you might want to give it a reasonable number to use in case you add an SP Switch in the future. The worksheet for that node might be similar to that in Table 16 on page 54.

Table 16. Sample Switch Configuration Worksheet for SP-attached Server in Switchless SP

Switch Configuration – Worksheet 10			
Frame Number: 4		Switch Number:	Netmask:
Slot Number	Switch Port Number	Switch Adapter Hostname	Switch Adapter IP Address
Slot 1	27		
Slot 2			
⋮			
Slot 16			

Question 9: Defining Your System Images

After determining the quantity and the type of nodes you need, you can decide which system image you want installed on which nodes. The system image is the collection of SP software components that is stored at a node. You can have a different system image on every node, the same system image on every node, or any combination in between. As you make this decision, there are performance and system management implications to consider.

The most significant implication is that if all the node images are the same, the installation and backup or restore functions are simpler. As discussed in the disk storage question, whether you install your applications on each node or on one node greatly affects the amount of disk storage space required for each node. While local node copies of applications offer faster performance, they require separate upgrades and system backups.

If you decided to have system partitions, you need to decide how many partitions you want and which nodes go with which partition. To fully understand partitioning, read Chapter 6, “Planning SP System Partitions” on page 121 before you make any decisions about system partitions.

You can also have one or more alternate root volume groups defined on any of the nodes. This allows you to easily switch between multiple system images on the node. The node can assume any one of several different *personalities*. Remember that the alternate root volume groups on a node cannot share a disk. You must have at least one disk for each root volume group.

Specifying More Than One System Image

Worksheets 11 and 12 help you lay out each system image that you want to define for the SP nodes. The control workstation is defined in the next section. Make a copy of both worksheets for each image or alternate image that you plan to have. Use Worksheet 11 for AIX and its options, IBM licensed program products, and other program products you choose to have in your system image. Use Worksheet 12 to select the optional components of PSSP that you choose to install. The ssp image is included for informational purposes. It contains all the base components of PSSP that are not optional.

IBM provides one or more minimal system images (SPIMG) with the PSSP installation media. It might or might not contain all the parts of AIX that you want

installed on each node. For example, it does not contain AIX windows support. The ***Read This First*** document that you receive with PSSP will give you the latest information on the minimal image file sets. Make certain you use the listing for the PSSP level on your system.

When you come to the question about where you want to install the rootvg, you are deciding on which internal disk drive the SPIMG should be placed. You might be planning to install external disks, but IBM suggests that the SPIMG be placed on an internal drive.

To specify system images, the ABC Corporation filled out Worksheet 11, Table 17 on page 56. To specify PSSP components, they filled out Worksheet 12, Table 18 on page 57.

Table 18 (Page 1 of 3). File Set List for PSSP 3.1.1

PSSP 3.1.1 File Sets – Worksheet 12		
System Image Name spimg1		
	File Set	Description
x	PSSP image of AIX spimg:	
	spimg.432	Single file with mksysb image of minimal AIX 432 system
x	PSSP image rsct.basic: Base components of PSSP	
	rsct.basic.hacmp	RSCT basic function (HACMP realm)
	rsct.basic.rte	RSCT basic function (all realms)
	rsct.basic.sp	RSCT basic function (SP realm)
x	PSSP image rsct.clients: Base components of PSSP	
	rsct.clients.hacmp	RSCT client function (HACMP realm)
	rsct.clients.rte	RSCT client function (all realms)
	rsct.clients.sp	RSCT client function (SP realm)
x	PSSP image ssp: Base components of PSSP	
	ssp.authent	SP Authentication Server
	ssp.basic	SP System Support Package
	ssp.clients	SP Authenticated Client Commands
	ssp.css	SP Communication Subsystem Package
	ssp.docs	SP man pages, PDF files, and HTML files
	ssp.gui	SP System Monitor Graphical User Interface
	ssp.ha_topsvcs.compat	Compatability for ssp.ha and ssp.topsvcs clients
	ssp.jm	SP Job Manager Package
	ssp.perlpkg	SP PERL distribution package
	ssp.pman	SP Problem Management
	ssp.public	Public Code compressed tarfiles
	ssp.spmgr	SP Extension Node SNMP Manager
	ssp.st	Switch Table API package
	ssp.sysctl	SP sysctl package
	ssp.sysman	Optional System Management programs
	ssp.tecad	SP HA TEC Event Adapter package
	ssp.tguides	SP TaskGuides
	ssp.top	SP Communication Subsystem Topology package
	ssp.unicode	SP Supervisor microcode package
	PSSP image ssp.hacws: Optional component	
	ssp.hacws	SP High Availability Control Workstation
x	PSSP image ptpe:	
	ptpe.docs	Performance Toolbox Parallel Extensions Publications
	ptpe.program	Performance Toolbox Parallel Extensions Component
x	PSSP image vsd: Components for managing virtual shared disks	

Table 18 (Page 2 of 3). File Set List for PSSP 3.1.1

PSSP 3.1.1 File Sets – Worksheet 12		
	vsd.cmi	IBM Virtual Shared Disk Centralized Management Interface (SMIT)
	vsd.hsd	Hashed Shared Disk data striping device driver
	vsd.rvsd.hc	Recoverable Virtual Shared Disk Connection Manager
	vsd.rvsd.rvsdd	Recoverable Virtual Shared Disk daemon
	vsd.rvsd.scripts	Recoverable Virtual Shared Disk recovery scripts
	vsd.sysctl	IBM Virtual Shared Disk sysctl commands
	vsd.vsdd	IBM Virtual Shared Disk device driver
	PSSP images for other graphical user interfaces: Each file set is its own separate image.	
x	ssp.ptpegui	SP Performance Monitor GUI
x	ssp.vsdgui	IBM Virtual Shared Disk Perspectives GUI
x	PSSP image ssp.resctr: Resource Center with links to online publications and other information.	
	ssp.resctr.rte	SP Resource Center
	PSSP images for National Language Support of graphical user interfaces: Each file set is its own separate image.	
	ssp.help.ja_JP.gui	SP Perspectives GUI help information - Japanese
	ssp.help.ko_KR.gui	SP Perspectives GUI help information - Korean
	ssp.help.zh_CN.gui	SP Perspectives GUI help information - Simplified Chinese
	ssp.help.zh_TW.gui	SP Perspectives GUI help information - Traditional Chinese
	ssp.loc.ja_JP.gui	SP Perspectives GUI locale information - Japanese
	ssp.loc.ko_KR.gui	SP Perspectives GUI locale information - Korean
	ssp.loc.zh_CN.gui	SP Perspectives GUI locale information - Simplified Chinese
	ssp.loc.zh_TW.gui	SP Perspectives GUI locale information - Traditional Chinese
	ssp.msg.ja_JP.gui	SP Perspectives GUI messages - Japanese
	ssp.msg.ko_KR.gui	SP Perspectives GUI messages - Korean
	ssp.msg.zh_CN.gui	SP Perspectives GUI messages - Simplified Chinese
	ssp.msg.zh_TW.gui	SP Perspectives GUI messages - Traditional Chinese
	ssp.ptpegui.loc.ja_JP	SP Performance Monitor GUI locale information - Japanese
	ssp.ptpegui.loc.ko_KR	SP Performance Monitor GUI locale information - Korean
	ssp.ptpegui.loc.zh_CN	SP Performance Monitor GUI locale information - Simplified Chinese
	ssp.ptpegui.loc.zh_TW	SP Performance Monitor GUI locale information - Traditional Chinese
	ssp.ptpegui.msg.ja_JP	SP Performance Monitor GUI messages - Japanese
	ssp.ptpegui.msg.ko_KR	SP Performance Monitor GUI messages - Korean
	ssp.ptpegui.msg.zh_CN	SP Performance Monitor GUI messages - Simplified Chinese
	ssp.ptpegui.msg.zh_TW	SP Performance Monitor GUI messages - Traditional Chinese
	ssp.top.loc.ja_JP.gui	SP Perspectives System Partitioning Aid GUI locale information - Japanese
	ssp.top.loc.ko_KR.gui	SP Perspectives System Partitioning Aid GUI locale information - Korean
	ssp.top.loc.zh_CN.gui	SP Perspectives System Partitioning Aid GUI locale information - Simplified Chinese

Table 18 (Page 3 of 3). File Set List for PSSP 3.1.1

PSSP 3.1.1 File Sets – Worksheet 12		
ssp.top.loc.zh_TW.gui	SP Perspectives System Partitioning Aid GUI locale information - Traditional Chinese	
ssp.top.msg.ja_JP.gui	SP Perspectives System Partitioning Aid GUI messages - Japanese	
ssp.top.msg.ko_KR.gui	SP Perspectives System Partitioning Aid GUI messages - Korean	
ssp.top.msg.zh_CN.gui	SP Perspectives System Partitioning Aid GUI messages - Simplified Chinese	
ssp.top.msg.zh_TW.gui	SP Perspectives System Partitioning Aid GUI messages - Traditional Chinese	
ssp.vsdgui.loc.ja_JP	IBM Virtual Shared Disk Perspective locale information - Japanese	
ssp.vsdgui.loc.ko_KR	IBM Virtual Shared Disk Perspective locale information - Korean	
ssp.vsdgui.loc.zh_CN	IBM Virtual Shared Disk Perspective locale information - Simplified Chinese	
ssp.vsdgui.loc.zh_TW	IBM Virtual Shared Disk Perspective locale information - Traditional Chinese	
ssp.vsdgui.msg.ja_JP	IBM Virtual Shared Disk Perspective messages - Japanese	
ssp.vsdgui.msg.ko_KR	IBM Virtual Shared Disk Perspective messages - Korean	
ssp.vsdgui.msg.zh_CN	IBM Virtual Shared Disk Perspective messages - Simplified Chinese	
ssp.vsdgui.msg.zh_TW	IBM Virtual Shared Disk Perspective messages - Traditional Chinese	
<p>Note: You can choose to install complete images or only selected file sets. Keep in mind that some optional components require others. See the respective planning and migration sections in this book for dependencies. For information on which file sets to install on the control workstation and which to install on a node, see the books <i>PSSP: Installation and Migration Guide</i> and <i>PSSP: Managing Shared Disks</i>.</p>		

Question 10: What Do You Need for Your Control Workstation?

When planning your control workstation you can consider it as a server to the SP system applications. The subsystems running on the control workstation are the SP server applications for the SP nodes. The nodes are clients of the control workstation server applications. The control workstation serves as a single point of control for these server applications that provide configuration data, security, hardware monitoring, diagnostics, and, optionally, job scheduling data and a time source.

As in all servers the reliability of the servers will affect the availability of the clients. In this case the availability of the SP system as a whole is affected. See “Eliminating the Control Workstation as a Single Point of Failure” on page 106 for more details and what happens when a single control workstation configuration has a control workstation failure. When configuring your control workstation, availability of the resources should be a key consideration.

IBM offers multiple ways to configure the control workstation and each way enables a different level of reliability for the control workstation and the SP system:

- Single control workstation without using AIX fault tolerant functions.

This configuration has no redundant or backup functions. Its advantage is a configuration that costs less and is less complex. Its disadvantage is that a single hardware or software component failure can affect the availability of the SP system.

- Single control workstation that utilizes AIX fault tolerant functions.

This configuration has some redundant or backup functions but does not protect against all failures. Its disadvantage is that most software failures and base system hardware failures are not protected against. Its advantage is that, although it is a slightly more costly configuration than the single control workstation without using AIX fault tolerant functions, it is still less costly than an HACWS configuration.

- An HACWS (High Availability Control Workstation) configuration.

This configuration provides the most reliability for the control workstation and the SP system. All hardware and software components are redundant, which allows recovery from any single failure. Its disadvantage is that it costs more than the previous two control workstation configurations. Its advantage is that the SP system is better suited for production environments with this feature enabled.

For more information on planning for HACWS, see Chapter 4, “Planning for a High Availability Control Workstation” on page 103.

Software and Hardware Requirements for Control Workstations

The control workstation and some of its software are *not* part of the SP package and must be ordered separately. Make sure you have ordered them in time to arrive when the rest of your SP does. To coordinate delivery of the SP and control workstation, your IBM representative should link the SP and control workstation orders with a System Order Number.

Required Software

The following software is required on the control workstation:

- AIX 4.3.2 (or later) server (5765-C34)
- PSSP 3.1.1 (5765-D51)
- At least one of the following:
 - C for AIX 4.4
 - VisualAge C++ Professional 4.0 for AIX

Note: PSSP does not support the incremental compiler and runtime libraries. It only supports the batch C and C++ 3.6.6 compilers and runtime libraries that are included in this VisualAge package.

Compilers are necessary for IBM service of PSSP. Also, without the compiler, dump diagnosis tools like **crash** cannot work effectively. At least one concurrent use license is required for the SP system. Concurrent licensing allows the one license to float across the SP nodes and the control workstation. You can order the license as part of the SP system. It is not required directly on the control workstation if a license server for AIX for C and C++ exists somewhere in the network and the SP is included in the license server's cell.

Optional Software

Some PSSP components and related LPPs are optional but when you do choose to use them, some must be installed on the control workstation while others can optionally be installed on the control workstation. While the *PSSP: Installation and Migration* book has the complete list of what can be installed on the control workstation, certain choices have implications that you need to consider during

planning. They are identified here as they relate to your plans for the control workstation.

The following are optional but if you use them, they must be installed on your control workstation:

- HACWS

See “Software Requirements for HACWS Control Workstation Configurations” on page 111.

- IBM Virtual Shared Disk and Recoverable Virtual Shared Disk

See Chapter 5, “Planning for Virtual Shared Disks” on page 117. Also see the book *PSSP: Managing Shared Disks* to plan your virtual shared disks and which software to install on the control workstation and on the nodes.

- PTPE

See Chapter 9, “Planning for Performance Monitoring” on page 157.

- AIX DCE

If you plan to use AIX DCE authentication methods as part of security on your SP, you must order and install the AIX DCE product. See Chapter 7, “Planning for Security” on page 139.

- PSSP graphical user interfaces

These include the SP Perspectives and other optional interfaces such as:

- Hardware Perspective
- Event Perspective
- Performance Monitor
- IBM Virtual Shared Disk Perspective
- System Partitioning Aid
- SP TaskGuides
- SP Resource Center
- SP Perspectives Launch Pad
- Perspectives online help
- Netfinity Services Manager

In addition to installing the correct filesets, you must establish proper authorizations for actions that these interfaces might issue to operate on nodes.

The following are provided with the SP system but you need to consider them during this planning phase if you want to use them:

- Service Director for RS/6000

If you plan to use it, consider whether you want to install it on the control workstation or somewhere else. Service Director is a set of IBM software applications that monitor the health of your SP system. Service Director analyzes AIX error logs and runs diagnostics against those error logs. You can define which systems have the Service Director clients and servers and the level of error log forwarding or network access. See “Service Director for RS/6000” on page 154 for requirements and planning.

- SP/Netfinity Server Consolidation

If you use, or would like to use, an IBM Netfinity server, you can connect it to the SP control workstation and use this component of PSSP to have a single point of control for managing both systems. See Chapter 13, “Consolidating Management of SP and Netfinity Systems” on page 205.

Supported Control Workstations

The SP system requires an IBM RS/6000 workstation as a point-of-control for managing, monitoring, and maintaining the SP frames and individual processor nodes. The control workstation you supply connects to each frame and to the SP Ethernet.

Table 19. Supported Control Workstations

MCA	<ul style="list-style-type: none"> • RS/6000 7012 Models 37T, 370, 375, 380, 39H, 390, 397, G30, and G40 • RS/6000 7013 Models 570, 58H, 580, 59H, 590, 591, 595, J30, J40, and J50 (Note 1) • RS/6000 7015 Models 97B, 970, 98B, 980, 990, R30, R40, and R50 (Notes 1, 2) • RS/6000 7030 Models 3AT, 3BT, 3CT
PCI	<ul style="list-style-type: none"> • RS/6000 7024 Models E20 and E30 (Note 3) • RS/6000 7025 Model F30 (Notes 3, 4) • RS/6000 7025 Model F40 (Notes 5, 6) • RS/6000 7025 Model F50 (Note 5) • RS/6000 7026 Models H10 and H50 (Notes 5, 6) • RS/6000 7043 Models 140 and 240 (Notes 5, 7)
<p>Notes:</p> <ol style="list-style-type: none"> 1. Requires a 7010 Model 150 X-Station and display. Other models and manufacturers that meet or exceed this model can be used. An ASCII terminal is required as the console. 2. Installed in either the 7015-99X or 7015-R00 Rack. 3. Supported by PSSP 2.2 and later 4. On systems introduced since PSSP 2.4, either the 8-port (#2493) or 128-port (#2944) PCI bus asynchronous adapter should be used for frame controller connections. IBM strongly suggests you use the support processor option (#1001). If you use this option, the frames must be connected to a serial port on an asynchronous adapter and not to the serial port on the control workstation planar board. 5. The native RS-232 ports on the system planar can not be used as tty ports for the hardware controller interface. The 8-port asynchronous adapter EIA-232/ RS-422, PCI bus (#2943) or the 128-port Asynchronous Controller (#2944) are the only RS-232 adapters that are supported. These adapters require AIX 4.2.1 or AIX 4.3 on the control workstation. 6. IBM strongly suggests you use the support processor option (#1001). 7. The 7043 can only be used on SP systems with up to four frames. This limitation applies to the number of frames and not the number of nodes. This number includes expansion frames. The 7043 cannot be used for SP systems with SP-attached servers such as RS/6000 Enterprise Servers Models S70 or S70 Advanced. 	

See Chapter 4, “Planning for a High Availability Control Workstation” on page 103 for more planning information about the control workstation.

Control Workstation Minimum Hardware Requirements

The minimum requirements for the control workstation are:

- At least 128MB of main memory. An extra 64MB of memory should be added for each additional system partition. For SP systems with more than 80 nodes 256MB is required, 512MB of memory is recommended.
- Four GB of disk storage. If the SP is going to use an HACWS configuration, you can configure 2GB of disk storage in the rootvg volume group and 2GB in an external volume group.

Because the control workstation is used as a Network Installation Manager (NIM) server, the number of unique file sets required for all the nodes in the SP system might be larger than a normal single system. You should plan to reserve 2GB of disk storage for the file sets, and 2GB for the operating system. This will allow adequate space for future maintenance, system **mksysb** images and LPP growth. Keep in mind that if you have nodes at different levels of PSSP or AIX, each node requires its own LPP source which will take up extra space.

A good rule of thumb to use for disk planning for a production system is 4GB for the rootvg to accommodate additional logging and /tmp space, plus 1GB for each AIX release and modification level for lppsource files. Additional disk space should be added for mksysb images for the nodes.

If you plan on using rootvg mirroring, then for one mirror, double the number of physical disks you estimated so far. For two mirrors, triple the estimate.

- Physically installed with the RS-232 cable to within 12 meters of each SP frame.
- Physically installed with two RS-232 cables to within 12 meters of each SP-attached server, such as an RS/6000 Enterprise Server Model S70 or S70 Advanced.
- Equipped with the following I/O devices and adapters:
 - A 3.5 inch diskette drive
 - Four or eight millimeter (or equivalent) tape drive
 - A SCSI CD-ROM device
 - One RS-232 port for each SP frame
 - Keyboard and mouse
 - Color graphics adapter and color monitor. An X-station model 150 and display are required if an RS/6000 that does not support a color graphics adapter is used.
 - An appropriate network adapter for your external communication network. The adapter does not have to be on the control workstation. If it is not on the control workstation, the SP Ethernet must extend to another host that is not part of the SP system. A backup control workstation does not satisfy this requirement. This additional connection is used to access the control workstation from the network when the SP nodes are down.
 - SP Ethernet adapters for connection to the SP Ethernet

The number of Ethernet adapters required depends completely on the Ethernet topology you use on your SP system. The following types of Ethernet adapters can be used:

- Ethernet adapters with thin BNC
Each Ethernet adapter of this type can have only 30 network stations on a given Ethernet cable. The control workstation and any routers are included in the 30 stations.
- Ethernet adapters with twisted pair (RJ45/AUI). A network hub or switch is required.
- 10/100 Mbps Ethernet adapters. A network hub or switch is required.

HACWS Minimum Requirements

The following requirements are in addition to the previous requirements:

- 2 Supported RS/6000 workstations
Each of these RS/6000s must have the same set of I/O required for control workstations as listed above. They can be different models but the tty configuration **must** be exactly the same on each control workstation. The disks should be of the same type and configured the same way on both control workstations to allow the hdiskx numbers to be consistent between the two control workstations.
- External disk storage that is supported by HACMP and the control workstation being used:
 - 2 external disk controllers and mirrored disks are strongly recommended but not required. If a single external disk controller is used the control workstation single point of failure has not been eliminated but moved to the disk subsystem.
- The HACWS connectivity feature #1245 on each SP frame
- An additional RS-232 connection for HACMP communication is needed if target mode SCSI is not being used for the HACMP communication.

Hardware Controller Interface Planning

Each frame of the SP must be attached to the control workstation by an RS-232 line connected to a serial port on the workstation.

Note: IBM strongly suggests that you use asynchronous adapter cards instead of the native RS-232 ports on the system units. Several RS/6000 systems do not support the use of the native serial ports for the frame controller connections. See the book *IBM RS/6000 SP: Planning Volume 1, Hardware and Physical Environment* for additional hardware planning.

To connect a control workstation to an SP-attached server, such as an RS/6000 Enterprise Server S70 or S70 Advanced, you need two RS-232 lines. One connects from a serial port on the control workstation to a hardware controller serial port on the operator panel (SAMI) and another to the serial terminal port. If you plan to use an SP-attached server in an HACWS configuration, see Chapter 4, “Planning for a High Availability Control Workstation” on page 103, particularly “Limits and Restrictions” on page 109, for other considerations.

On HACWS configurations one of these native serial ports can be used for HACMP communication.

The native serial ports can be used for remote service via Service Director for RS/6000.

Complete one set of worksheets for each control workstation you will configure. The ABC Corporation completed Worksheet 13 in Table 20 on page 66, and Worksheet 15, in Table 21 on page 67.

You should complete your copies of Worksheet 13, "SP Control Workstation" in Table 56 on page 273, Worksheet 14, "Select a Time Zone" in Table 57 on page 274, and Worksheet 15, "SP Control Workstation Network" in Table 58 on page 275.

Table 20. ABC Corporations's SP Control Workstation Image

SP Control Workstation Image – Worksheet 13		
SP Control Workstation Image:		
	<i>Control Workstation Name</i>	cws01
	<i>Model</i>	7025-F50
	<i>Install rootvg on disk</i>	dsk01
	<i>Disk Space</i>	4GB
	<i>Memory Size</i>	128MB
Hardware Options and Adapters:		
	Type	Quantity
	<i>ATM</i>	
	<i>Ethernet</i>	1
	<i>FDDI</i>	
	<i>Token ring (speed 16Mbps)</i>	1
	<i>Multiport Serial Adapters</i>	
	<i>8 mm tape drive</i>	1
	<i>CD-ROM</i>	1
IBM Licensed Products:		
	AIX	
	PSSP	
	IBM C and C++ Compilers	
	LoadLeveler	
Other Applications:		
	NFS	

Chapter 3. Defining the Configuration that Fits Your Needs

This chapter provides the information you need to plan to configure your system before installing it. The following sections discuss some of the system planning issues you need to consider and decisions you need to make. Planning and configuring your SP system software has an impact on the SP site plan you select. Your choice of software applications drives your DASD usage. The physical layout is addressed to the extent of which layouts are supported and which rules apply that relate to the software environment.

With this chapter, you will complete the worksheets in Table 59 on page 276, Table 55 on page 270, and Figure 54 on page 264. You will use the completed worksheets to:

- Review your installation plan with your IBM hardware and software installation team.
- Help you configure your system during the installation.

Make copies of the worksheets before you begin.

Planning Your Site Environment

You plan your site environment by entering site configuration information on the control workstation through SMIT panels or by using the **spsitenv** command. SMIT is the System Management Interface Tool, supplied as part of the PSSP software.

The installation and configuration scripts read the configuration information data and customize the SP configuration according to your choices. The entries you put on the worksheet are the entries you'll make on the SMIT panels. Site environment data includes:

- The name of the default network install image
- Your method of time service, the name of your time servers, and the version of NTP in use
- Whether you want to have the SP services configure and manage the Automounter
- User Admin information and how you want to use RS/6000 SP User Management
- Whether you want RS/6000 SP File Collection Management and where it will run
- Whether you want to use RS/6000 SP Accounting
- Whether you use the default lppsource directory for AIX file sets (If you change the directory name you must also change it in the Site Environment Data label.)

You can easily change the choices discussed in the following sections any time after the installation. If you are unsure about any of these options, you can safely select the defaults, then change your selections later.

Using the Site Environment Worksheet

The following sections help you make decisions about your site environment. These sections are listed in the same order as the items in the **SP Site Environment Worksheet** on page 276. A brief description of the function of each area along with a discussion of the alternatives should give you enough information to fill out the worksheet. Detailed information about these and other system administration issues is in the section on managing the SP system in the book *PSSP: Administration Guide*.

Remember, the defaults are designed to provide a workable SP system. You can change them later, if necessary.

Understanding Network Install Image Choices

The *install_image* attribute lets you specify the name of the default network install image to be used for any SP node when the install image field is not set. The default is **bos.obj.ssp.432**, shipped with the SP System.

If you configure one or more nodes of your SP System as boot/install servers, each will act as an intermediate repository for a network install image of the AIX operating system. This network install image is a single file that occupies significant space on the file system of the boot/install server on which it resides.

You can reclaim this disk space by setting *remove_image* to **true**, which deletes this network install image after all new installation processes complete. Alternatively, you can retain the image to improve the speed of a successive install that uses this same image.

Note: This does not apply to the control workstation. The network install images are never automatically deleted from the control workstation.

Site Environment Worksheet Entries

You can set two attributes for these options. *install_image* lets you set the name of the default image. *remove_image* specifies what to do with the image after all installations are complete.

<i>Table 22. Network Install Image Choices</i>	
	Worksheet Entries To Be Filled In
To do this ...	<i>remove_image</i>
Remove the network install image after all installs have completed	true
Do not remove the network install image	false (default)
Note:	
<ul style="list-style-type: none">• Change default attribute values to suit your environment.• Blank entries imply that you make no substitutions for these values.	

Understanding Time Service Choices – Network Time Protocol (NTP)

By default the SP system uses Network Time Protocol (NTP) to synchronize the time-of-day clocks on the control workstation and SP nodes. There are several ways in which you might currently be synchronizing the time-of-day in your existing computing environment:

- You might already be using NTP, either locally or through the Internet

- You might be using some other time service software
- You might not have an established method for synchronizing the system clocks on the computing systems throughout your environment.

Kerberos ticket expiration depends on proper time synchronization, so the SP system provides several options for time keeping:

- If you have an established NTP time server, you can use it to synchronize and manage time on the SP system.
- You can choose an NTP time server from the Internet.
- You can run NTP locally on the SP system to generate a consensus time.
- You can choose not to use NTP at all, relying on another method at your site.

Note

The SP machines do not have system batteries. If you choose not to use NTP, you must have another way to manage clock synchronization.

- You cannot choose the control workstation or backup control workstation to be the time master.

See the book *PSSP: Administration Guide* for managing NTP.

High Availability Control Workstation Considerations

If you install a High Availability Control Workstation and you select **timemaster** as your site's existing NTP time server, both control workstations must use the site time server.

If you install a High Availability Control Workstation and use the Internet configuration, both control workstations get time from the Internet. Both control workstations need access to the Internet.

Site Environment Worksheet Entries

There are three attributes to set for NTP. *ntp_version* defaults to **3** (the version shipped with the SP System). If your installation is using an earlier version of NTP, change this value. The other two attributes are described in Table 23 on page 72.

<i>Table 23. Time Service Choices</i>		
	Worksheet Entries To Be Filled In ...	
To do this ...	<i>ntp_config</i>	<i>ntp_server</i>
Use your site's existing NTP time server to synchronize the SP system clocks.	timemaster	<i>hostname</i> of your current NTP time server
Use an NTP time service from the Internet to synchronize the SP system clocks.	internet	<i>hostnames</i> of time servers on the Internet*
Run NTP locally on the SP to generate a consensus time.	consensus (default)	
Do not use NTP on the SP; instead, use some other method to synchronize system clocks.	none	
Note: <ul style="list-style-type: none"> • Change default attribute values to suit your environment. • Blank entries imply that you make no substitutions for these values. • * Refer to README.public in /usr/lpp/ssp/public for information on Internet time servers. 		

Understanding User Directory Mounting Choices – AIX Automounter

An automounter is an automatic file system that dynamically mounts users' home directories and other file systems when a user accesses the files and unmounts them after a specified period of inactivity. The automounter manages directories specifically defined in the automounter map files. Using an automounter will minimize system hangs and, through mapping, will also provide a method of sharing common file system mount information across many systems.

Automounter daemons run independently on the control workstation and on every node in the SP system. Since these daemons run independently, you will be able to simultaneously run different automounters, if you have different levels of PSSP on your system. Also, a system configuration variable gives you the option of turning off the automount daemons on all or none of the system partitions.

Automounter Considerations

As of PSSP 2.3, the automounter daemon known as Amd was replaced by an AIX resident automounter which has since then been replaced again. It still remains that while both the AIX automounter and Amd provide the same basic functions, Amd offers customization options not offered by the AIX automounter. Therefore, if you have a complex Amd configuration, you might not find equivalent functions using the AIX automounter.

Implementation of the AIX resident automounter requires PSSP 2.3 (or later) on the control workstations. Booting the control workstation creates all automounter directories, map files, and logs needed by the system. Booting the control workstation also converts any existing user directory Amd map files into AIX resident automounter map files. If you have modified the user directory map files prior to upgrading your system, these conversion utilities might fail. All other map files will need to be converted manually by the customer.

Booting the SP nodes invokes a similar process creating node directories and logs. Map files are downloaded from the control workstation to the nodes during node boot. Once it has been created, the user directory automounter map is updated

automatically as users are added and deleted from the system provided you have configured SP User Management Services on the control workstation.

The AIX automounter uses NFS (Network File Systems) to mount or AIX to link directories. Nodes running PSSP 2.3 or later operate the AIX automounter by default. Pre-PSSP 2.3 nodes still run Amd and Amd will still be included with PSSP 2.2 packages. However, Amd is no longer supported by IBM for PSSP 2.3 or later. Therefore, it is up to your System Administrator to supply and maintain this software if you wish to run Amd on nodes operating at PSSP 2.3 or later. As an alternative to the AIX automounter and Amd, you can also provide your own technique for directory access.

One method of directory access would be to leave the SP automounter support turned on and replace the default SP function with support you provide for using your own automounter. You would do this using a set of user customization scripts that would be recognized by the SP. Another method would be setting the configuration variable so that the automounter daemon is off for the entire system. You would then have to provide some other means for users to access their home directories. Alternatively, since the use of an automounter is optional, you might choose to not use an automounter on your SP system.

See the chapter on managing Automount in the book *PSSP: Administration Guide*.

Site Environment Worksheet Entries

Only one attribute applies to the Automount option.

<i>Table 24. User Directory Mounting Choices - System Automounter Support</i>	
	Worksheet Entries To Be Filled In
To do this ...	<i>amd_config</i>
Use AIX Automounter supplied with SP Parallel System Support Programs	true (default)
Use some other means of mounting user directories to the SP	false
Note:	
<ul style="list-style-type: none"> • Change default attribute values to suit your environment. • Blank entries imply that you make no substitutions for these values. 	

Understanding Print Management Choices

The SP Print Management System has been removed as of PSSP 2.3. That is, the SP Print Management System cannot be configured on nodes running PSSP 2.3 (or later). IBM suggests the use of Printing Systems Manager (PSM) for AIX as a more general solution to managing printing on the SP system.

However, if you are running earlier versions of PSSP on some of your nodes, the SP Print Management System is still supported on those nodes. Because of that, SP systems with pre-PSSP 2.3 nodes will have Print Management configured on the control workstation (even if the control workstation is at PSSP 2.3 or later) for coexistence support.

If you are running mixed levels of PSSP in your system, be sure to maintain and refer to the appropriate documentation for whatever versions of PSSP you are running.

On nodes running PSSP 2.2 or earlier, the SP Print Management System programs bypass the standard AIX print command subsystem and route print output to one or more print servers. When spooling printer output, Print Management operates in either **open** or **secure** mode.

Open mode requires all users to have **rsh** privileges to the print hosts. Secure mode denies users **rsh** privileges; however, it requires the use of a special user account, with a default userid of **prtld**, to transfer the jobs to the print host. In secure mode, all print jobs are *owned* by this special user account. Your third option is to not use the SP print subsystem and use some other means of handling print output from your SP system. Standard AIX print queue support might be adequate for small systems.

Site Environment Worksheet Entries

You have three options for handling print output.

<i>Table 25. Print Management Choices</i>		
	Worksheet Entries To Be Filled In ...	
To do this ...	<i>print_config</i>	<i>print_id</i>
Use the SP print subsystem in open mode	open	
Use the SP print subsystem in secure mode	secure	prtld (default) (userid of your print host)
Do not use the SP print subsystem	false (default)	
Note:		
<ul style="list-style-type: none"> • Change default attribute values to suit your environment. • Blank entries imply that you make no substitutions for these values. 		

Understanding User Account Management Choices

User account management for the SP system is designed to fit in with your current computing environment. If you already have procedures in place for managing user accounts, you can configure the SP system to use them. Alternatively, you can use the set of commands and tools provided with the SP for this purpose. The SP uses a single **/etc/passwd** file replicated across all nodes in the SP system using the file collection technology. If you are using Network Information Service (NIS), these commands will utilize NIS. A set of customer commands is provided to interface to this function.

These options are offered to help you manage user accounts. These involve passwords and directory paths. Read the brief descriptions that follow and record your choices on the Site Environment Worksheet.

Password Management

The *passwd_file* lets you specify the name of your password file.

The default name of the password file is **/etc/passwd**.

The *passwd_file_loc* attribute should contain the hostname of the machine where you maintain your password file. This defaults to your control workstation. The value of the *passwd_file_loc* cannot be one of the nodes in the SP system.

Home Directories

Specify a default location for user home directories in the *homedir_server* attribute. If you are using Amd, the user management commands will use this hostname when building Amd maps. If you do not specify a default, the user management commands assume the host on which you enter the commands. You can override this value when adding or modifying a user account with the **spmkuser** and **spchuser** commands.

Use the *homedir_path* attribute to specify the path of user home directories. The default base path for user home directories is */home/localHostname*. Change this value if you wish to set a different path as the default for your site. You can also override the default path with the **home** attribute on the **spmkuser** and **spchuser** commands.

See the chapter on managing accounts in the book *PSSP: Administration Guide*.

Site Environment Worksheet Entries

Five attributes apply to SP User Management, but four of them are used only if you set *usermgmt_config* to **true**.

Table 26. User Account Management Choices					
	Worksheet Entries To Be Filled In ...				
To do this ...	<i>usermgmt_config</i>	<i>passwd_file_loc</i>	<i>passwd_file</i>	<i>homedir_server</i>	<i>homedir_path</i>
Do not use the SP user account management software	false				
Use the SP user account management software	true (default)	password server hostname (ctl wkstn - default)	name of the password file (/etc/passwd) (default)	hostname of the home directory server (ctl wkstn) (default)	/home/ <name of your home directory server>
Note:					
<ul style="list-style-type: none"> • Change default attribute values to suit your environment. • Blank entries imply that you make no substitutions for these values. 					

Understanding System File Management Choices – File Collections

The SP file collection technology simplifies the task of maintaining duplicate files across the nodes of the SP system. File collections provide a single point of control for maintaining a consistent version of one or more files across the entire system. You can make changes to the files in one place and the system replicates the updates on the other copies.

The files that are required on the control workstation, the file servers and the SP nodes are grouped into file collections. A file collection consists of a directory of files which includes special master files that define and control the collection.

The file collection structure is created along with the initial installation and configuration of your SP system. You must decide which files to specify for replication.

See the chapter on managing file collections in the book *PSSP: Administration Guide*.

Site Environment Worksheet Entries

The SP system gives you the option of using file collections or not using them. If you choose to use them you must specify a unique (unused) userid for the file collection daemon along with a unique (unused) port through which to communicate.

	Worksheet Entries To Be Filled In ...		
To do this ...	<i>filecoll_config</i>	<i>supman_uid</i>	<i>supfilesrv_port</i>
Do not use the SP file collection technology	false		
Use the SP file collection technology	true (default)	unique user ID (default 102 , username supman)	unique port number (default 8431)

Understanding Accounting Choices

The accounting utility lets you collect and report on individual and group use of the SP system. This accounting information can be used to bill users of the system resources or monitor selected aspects of the system's operation.

Because the level of hardware resources is probably not distributed evenly across your SP system, you might want to charge different rates for different nodes. SP accounting lets you define *classes* or groups of nodes for which accounting data is merged, providing a single report for the nodes in that class. In addition, you can suppress or disable the collection of accounting data. Individual nodes within a class can be enabled or disabled for accounting.

Site Environment Worksheet Entries

The following attributes apply to SP accounting, but are used only if you set *spacct_enable* to **true**. Use *spacct_actnode_thresh* to specify the minimum percentage of nodes for which accounting data must be present. Use *spacct_exclusive_enable* to specify whether, by default, separate accounting records are generated when a LoadLeveler job requests exclusive use of a node.

Use *acct_master* to specify which node is to act as the accounting master. The default value is **0** (the control workstation).

Table 28. Accounting Choices				
	Worksheet Entries To Be Filled In ...			
To do this ...	<i>spacct_enable</i>	<i>spacct_actnode_thresh</i>	<i>spacct_exclusive_enable</i>	<i>acct_master</i>
Do not use the SP accounting	false (default)			
Use the SP accounting	true	80	false (default)	0
Note:				
<ul style="list-style-type: none"> • Change default attribute values to suit your environment. • Blank entries imply that you make no substitutions for these values. 				

For information on this utility and how to set up an accounting system, see the chapter on accounting in the books *PSSP: Administration Guide* and *AIX Version 4 System Management Guide*.

Understanding LPP Source Directory Name Choices

The *cw_lppsource_name* attribute lets you specify the name of the directory to which the AIX file sets (the LPP source) will be copied.

You must ensure that the AIX level of the LPP source (indicated by the value given to *cw_lppsource_name*) matches the AIX level installed on your control workstation.

The attribute value makes up just one part of the directory name in the form:

```
/spdata/sys1/install/<cw_lppsource_name>/lppsource
```

where *cw_lppsource_name* is the new lpp source name for the control workstation (such as aix432 if that is what you choose to call the subdirectory with the AIX 4.3.2 LPP source). Keep in mind that the *setup_server* program looks for and uses this name later in the installation process. By default, it is set to the string "default", so that if you use that as your subdirectory name, you do not have to change the value of *cw_lppsource_name*. If you do not provide a name, *setup_server* assumes the value is **default**.

See the chapter on preparing the control workstation in the book *PSSP: Installation and Migration Guide*.

Site Environment Worksheet Entries

Only one attribute applies to the LPP source directory name option.

Note: The lppsource name specified here might or might not be the same that is used by the nodes. Be sure to specify the appropriate lppsource name to be used by the nodes when installing your system.

<i>Table 29. LPP Source Directory Choices</i>	
	Worksheet Entries To Be Filled In
To do this ...	<i>cw_lppsource_name</i>
Use aix432 to uniquely identify the new lpp source subdirectory	aix432
Use default as the default lpp source subdirectory	
Note:	
<ul style="list-style-type: none"> • Change default attribute values to suit your environment. • Blank entries imply that you make no substitutions for these values. 	

Planning Your System Network

This section contains some hints, tips and other information to help in tuning the SP system. These sections provide specific information on the SP and its subsystems. By no means is this section complete and comprehensive, but it addresses some SP-specific considerations. See the book *AIX Version 4 Performance Tuning Guide* for additional AIX tuning information.

System Topology Considerations

When configuring larger systems, you need to consider several topics when setting up your network. These are the SP Ethernet, the outside network connections, the routers, the gateways, and the switch traffic.

The SP Ethernet is the network that connects a control workstation to each of the nodes in the SP that are to be operated and managed by that control workstation using PSSP. When configuring the SP Ethernet, the most important consideration is the number of subnets you configure. Because of the limitation on the number of simultaneous network installs, the routing through the SP Ethernet can be complicated. Usually the amount of traffic on this network is low.

If you connect the SP Ethernet to your external network, you must make sure that the user traffic does not overload the SP Ethernet network. If your outside network is a high speed network like FDDI or HIPPI, routing the traffic to the SP Ethernet can overload it. For gateways to FDDI and other high speed networks, you should route traffic over the switch network. You should configure routers or gateways to distribute the network traffic so that one network or subnet is not a bottleneck. If the SP Ethernet is overloaded by user traffic, move the user traffic to another network.

If you expect a lot of traffic, then you should configure several gateways. You can monitor all the traffic on these networks using the standard network monitoring tools. For more information on these tools, refer to the *AIX Version 4 Performance Tuning Guide* publication.

Boot/Install Server Requirements

When planning your SP Ethernet topology you should consider your network install server requirements. The network install process uses the SP Ethernet for transferring the install image from the install server to the SP nodes. Running lots of concurrent network installs can exceed the capacity of the SP Ethernet. The following are suggested guidelines for designing the SP Ethernet topology for efficient network installs. Many of the configuration options will require additional

network hardware beyond the minimal node and control workstation requirements. There are also network addressing issues to consider.

The following requirements exist for all configurations:

- Each boot/install server's en0 Ethernet adapter must be directly connected to each of the control workstations' Ethernet adapters.
- The Ethernet adapter configured as en0 must always be in the SP node's lowest hardware slot of all Ethernets.
- The NIM clients that are served by boot/install servers must be on the same subnet as the boot/install server's Ethernet adapter.
- NIM clients must have a route to the control workstation over the SP Ethernet.
- The control workstation must have a route to the NIM clients over the SP Ethernet.

Single Frame Systems

For small systems, you can use the control workstation as the network install server. This means that the SP Ethernet is a single network connecting all nodes to the control workstation. When installing the nodes, you should limit yourself to installing 8 nodes at a time because this is the limit of acceptable throughput on the Ethernet. Figure 4 shows an Ethernet topology for a single-frame system.

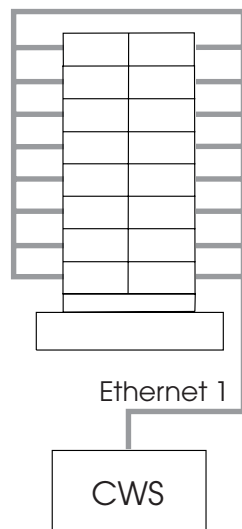


Figure 4. Ethernet Topology with One Adapter for a Single-Frame SP System

An alternate way to configure your system is to install a second Ethernet adapter in your control workstation, if you have an available I/O slot, and use two Ethernet segments to the SP nodes. Each network should be connected to half of the SP nodes. When network installing the frame, you can install all 16 nodes at the same time. Figure 5 on page 80 shows this alternate Ethernet topology for a single-frame system.

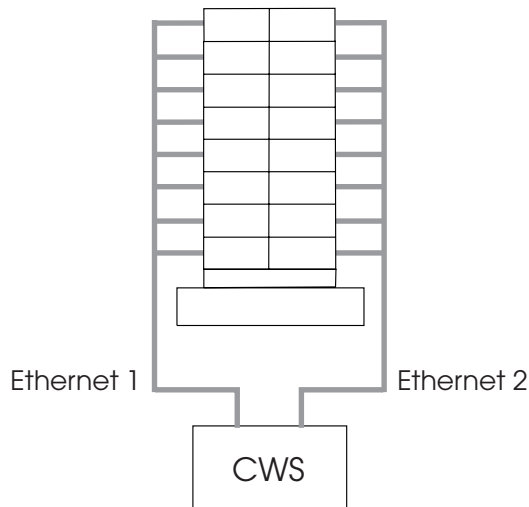


Figure 5. Ethernet Topology with Two Adapters for Single-Frame SP System

You have to set up your SP Ethernet routing so nodes on one Ethernet can communicate to nodes on the other network. You also need to set up your network mask so that each SP Ethernet is its own subnet within a larger network address. Consult your local Network Administrator about getting and assigning network addresses and network masks.

Multiple Frame Systems

For multiple frame systems, you want to spread the network traffic over multiple Ethernets, and keep the maximum number of simultaneous installs per network to eight. You can use the control workstation to network install specific SP nodes which will be the network install servers for the rest of nodes.

Following are three ways to accomplish this.

1. The first method uses a control workstation with one Ethernet adapter for each frame of the system, and one associated SP Ethernet per frame. So, if you have a system with four frames as in Figure 6 on page 81, the control workstation must have enough I/O slots for four Ethernet adapters, and each adapter connects one of the four SP frame Ethernet segments to the control workstation. Using this method, you install the first eight nodes on a frame at a time, or up to 32 nodes if you use all four Ethernet segments simultaneously. Running two installs will install up to 64 nodes. Figure 6 on page 81 shows an Ethernet topology for this multi-frame system.

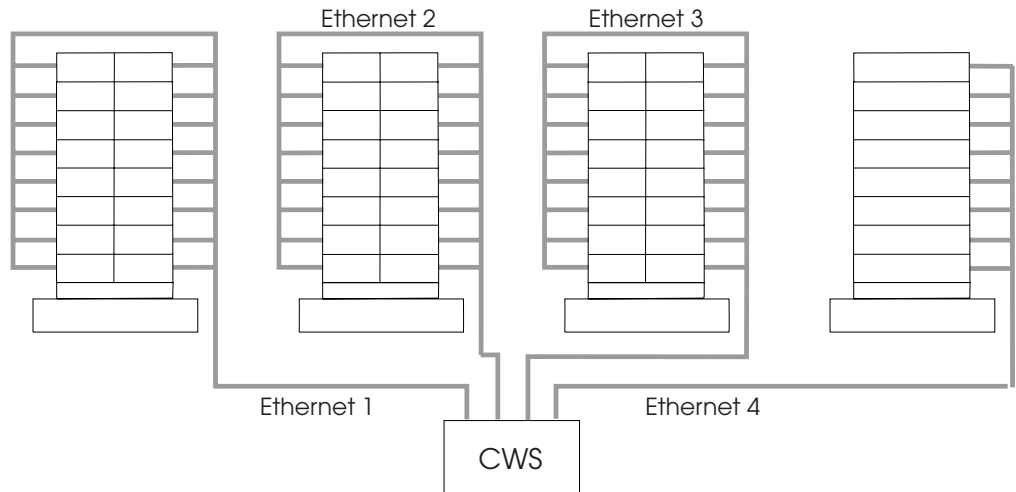


Figure 6. Method 1 Ethernet Topology for Multi-Frame SP System

Once again, you will have to set up your SP Ethernet routing so nodes on one Ethernet can communicate to nodes on another. You also need to set up your network mask so that each SP Ethernet is its own subnet within a larger network address. Consult your local Network Administrator about getting and assigning network addresses and network masks.

This method is applicable up to the number of slots your control workstation has available.

2. A second approach designates the first node in each frame as a network install server, and then the remaining nodes of that frame are set to be installed by that node. This means that, from the control workstation, you will have an SP Ethernet segment connected to one node on each frame. Then the network install node in each frame has a second Ethernet card installed which is connected to an Ethernet card in the rest of the nodes in the frame. Figure 7 shows an Ethernet topology for this multi-frame system.

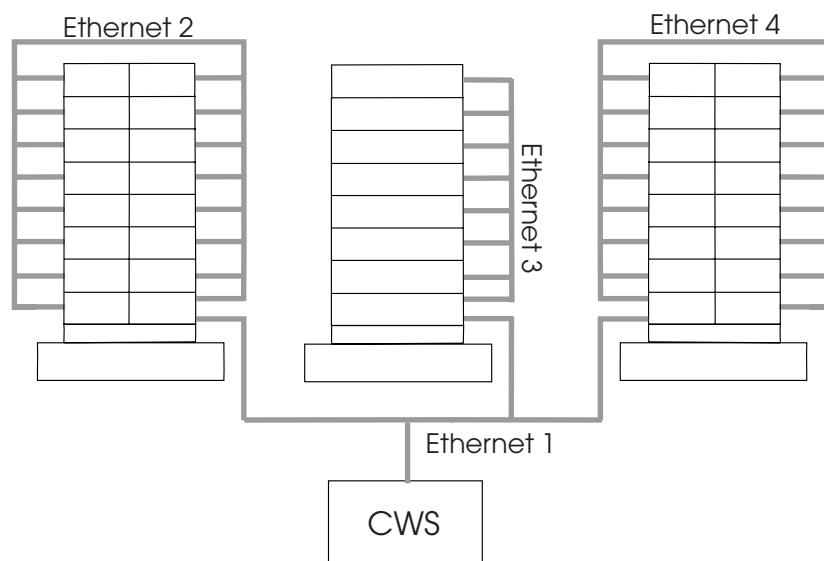


Figure 7. Method 2 Ethernet Topology for Multi-Frame SP System

When using this method, installing the nodes requires that you first install the network install node in each frame. The second set of installs will install up to eight additional nodes on the frame. The last install, if needed, installs the rest of the nodes in each frame.

Be forewarned that this configuration usually brings performance problems due to two phenomena:

- a. All SP Ethernet traffic (installs, SDR activity, POE, etc.) is routed through the control workstation. The single control workstation Ethernet adapter becomes a bottleneck, eventually.
- b. An application running on a node which produces a high volume of SP Ethernet traffic (for example, LoadLeveler) causes all subnet routing to go through the one control workstation Ethernet adapter. Moving the subject application to the control workstation can cut that traffic in half, but the control workstation must be large enough to accommodate that application.

You can improve the performance here by adding an external router, similar to that described in method 3.

3. A third method adds an external router to the topology of the previous approach. This router is made part of each of the frame Ethernets, so that traffic to the outside need not go through the control workstation. You can do this only if the control workstation can also be attached externally, providing another route between nodes and the control workstation. Figure 8 shows this Ethernet topology for such a multi-frame system.

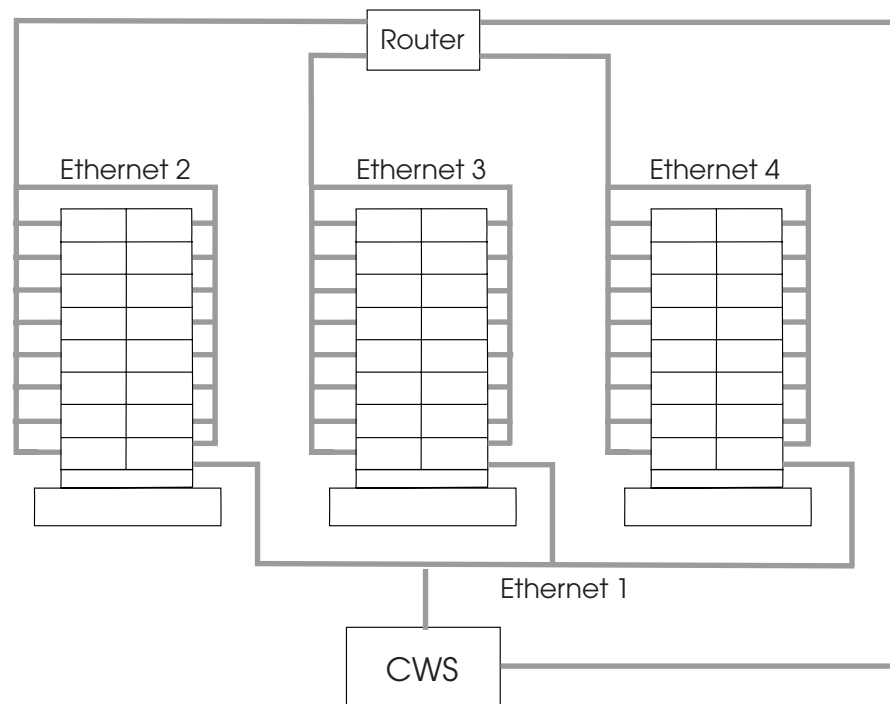


Figure 8. Method 3 Ethernet Topology for Multi-Frame SP System

An alternative to the router in this configuration is an Ethernet switch, which could have a high-speed network connection to the control workstation.

Future Expansion Considerations and Large Scale Configuration

If your configuration will grow over time to a large configuration, you might want to dedicate your network install nodes in a different manner.

For very large configurations you might want to dedicate a frame of nodes as designated network install nodes, as shown in Figure 9. In this configuration, each SP Ethernet from the control workstation is connected to up to eight network install nodes in a frame. These network install nodes are in turn connected to additional frames.

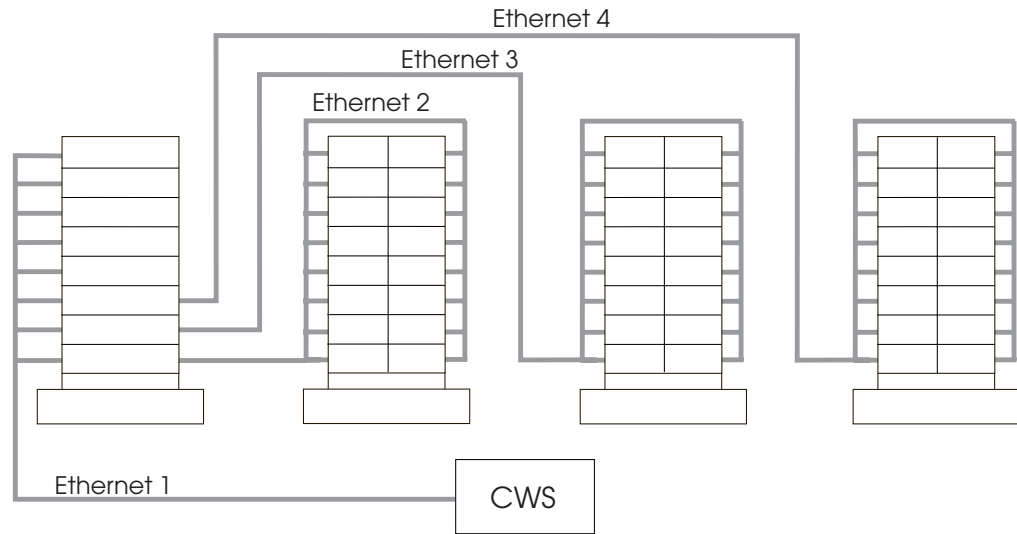


Figure 9. Boot Server Frame Approach

The advantage of this is that when you add an additional frame to your SP configuration, all you need to do is connect the new frame to one of the network install nodes, and reconfigure the system.

The network install procedure for this system is the same as for multiple frame systems. You first install the network install servers at a rate of eight per SP Ethernet segment. The network install servers then install eight other nodes until all nodes are installed.

The network address usually used for the SP Ethernet is a class C internet address. This address has a limit of 256 individual addresses before you need to add additional network addresses for the SP Ethernet. If your system is expected to grow beyond this number of nodes, you should plan with your Network Administrator additional network addresses for future SP Ethernet expansion. This will save you from having to re-assign the SP Ethernet addresses when you reach the address limit.

Location and Reference Rate of Customer Data

Customer application data can be delivered to applications running on the SP from file servers. These file servers can be either internal SP nodes or separate external systems. The location of the data, how often you refer to it, and whether it is accessed in read-only or both read and write modes affect the performance of applications using this data. Applications that have a high data reference rate, especially those that read and write data, benefit from having the data closely located to the node on which the application executes. The “co-location” of data

and applications minimizes the amount of network processing required to move the data to and from its file server.

Home Directory Server Planning

When planning for home directory servers, you must determine how much traffic will be generated by requests from the nodes to the server. Because some home directories are NFS, AFS, or DFS-mounted, you need to determine the amount of traffic in operations per second.

If the amount of traffic is greater than the capacity of a single network, you need to add additional networks and divide the number of nodes per network to the server. If the amount of traffic is greater than the capacity on the server, you need to configure additional servers, each connected to all networks.

Authentication Servers

When you install the SP system, you must define one or more authentication servers. Authentication provides a more secure SP system by verifying the identity of clients that access key systems management facilities.

For instance, your SP system's control workstation can be a Kerberos V4 authentication server, as can other independent workstations. In this case, the SP nodes should not be used as secondary servers. At least one secondary server is suggested for improved availability and possibly improved performance. You can install and configure PSSP authentication servers or integrate your SP system into an existing authentication domain, such as an AFS cell. If you choose to use AFS (Version 3.4 for AIX) authentication servers, note in particular the section on the assignment of TCP/IP port numbers in the `/etc/services` file.

You should carefully consider whether the SP control workstation will be an authentication server. You might want to set up your servers on independent RS/6000 workstations that are isolated by physical location or have limited network access. Your primary authentication server must be installed and operating before you install and configure your control workstation, unless the control workstation will be the primary server.

In PSSP 3.1, you have authentication options in addition to the required use of Kerberos V4. See Chapter 7, "Planning for Security" on page 139 for more options and planning information.

If you need still more information, see the books *AIX Version 4 System Management Guide* and *PSSP: Administration Guide*.

Understanding Node Hard Disk Choices

The `pv_list` attribute in the SDR specifies on which disks to create the root volume group (**rootvg** by default) and to transfer the **mksysb** image during AIX network installation of a node. The default value of this attribute is **hdisk0** with one exception. For the POWER3 SMP high node, the default is the SCSI disk locations of the two internal disks delivered with the node. Also by default for POWER3 SMP high nodes, the two internal disks will be used for mirroring with two copies of the root volume group. If your POWER3 SMP high node is not configured with the two internal disks, you must override the default. Depending on your nodes and environment, you might have the installation include additional hard disks.

You can use more than one disk when the **mksysb** image is larger than the disk can hold or when you need the root volume group to span multiple disks. If you do not have either of these circumstances, you should not install on more than one disk. If you do use more than one disk, keep in mind that the first disk in a node is not necessarily **hdisk0**. When you boot up a node, the first disk found is **hdisk0**. If you have a fast, wide external disk attached to a node, it can come up as **hdisk0**.

If you have another disk, you can define a different root volume group on that disk and import it. This lets you reinstall the node and import the volume group without having to back up and restore the data on the non-install disk.

Check your disks to ensure your install image is on internal disks. With bootable external disk support, you can have the install image on external disk. However, IBM suggests you still keep the install image on internal disk for efficiency.

To see the value of the *pv_list* attribute, run the **splstdata** command with the **-v** option. To change the *pv_list* attribute, use the **spchvgobj** command with the **-h** option. See the book *PSSP: Command and Technical Reference* for more information on the **spchvgobj** command. See the book *PSSP: Administration Guide* for more information about managing root volume groups, including mirroring the root volume group and alternate root volume groups.

Determining Space Requirements

Your SP install package includes standard installation images plus optional images that you order. You must sum the estimated sizes of all the products you plan to install. The example installation plan in Table 30 on page 87 includes images of:

- The minimum AIX file sets (**spimg**)
- The required PSSP components (**rsct.basic**, **rsct.clients**, **ssp**)
- The optional PSSP components and graphical user interfaces, in this case the Resource Center (**ssp.resctr**), PTPE (**ptpe**, **ssp.ptpegui**), IBM Virtual Shared Disk, Hashed Shared Disk, and Recoverable Virtual Shared Disk (**vsd**, **ssp.vsdgui**)
- Each optional PSSP-related LPP, in this case LoadLeveler (**LoadL**).

Use this example to understand how to determine and record your space requirements.

Estimating Requirements for lppsource

The **lppsource** is a required resource for NIM, the network installation management facility used to install AIX on the nodes. The **lppsource** contains the AIX file sets. The amount of space this resource needs depends on how you use the resource. For instance, if you plan to use DCE authentication, the DCE install files must be added to the **lppsource** directory.

You can download all of the AIX file sets from the AIX installation media. Although this takes more space than the minimal required file sets, this might save time and effort if you intend to use **installp** for additional file sets that are not already installed on your nodes. IBM suggests this method because it makes it easier to perform additional **installp** installations.

Alternatively, you can download only the AIX file sets required by NIM to perform the `mksysb` installations on the nodes. The list of the minimal AIX file sets required appears in the book *PSSP: Installation and Migration Guide*, which tells you how to download the file sets.

Downloading all of the AIX file sets requires approximately 1.5GB of disk space. Downloading only the minimal AIX file sets requires approximately 500MB.

You also need to determine which `lppsource` levels you need. In general, you need one `lppsource` level for each AIX level that you intend to install. Each level uses approximately the same amount.

Estimating the Node Installation Image Requirements

When installing the nodes, a `mksysb` image (`spimg`) is installed. The `mksysb` image is stored on the control workstation. A typical `mksysb` image is generally in a size range from about 91MB to about 800MB. If you intend to install one image on some nodes and another image on other nodes then you must also account for the extra space required by multiple images.

Other installp Image Requirements

If you want to install additional LPPs that are not part of the AIX installation media and are not included in PSSP, then you should also include the space that they require in your calculations. For example, LoadLeveler and IBM C and C++ Compilers are additional LPP's that require space.

Combining the Space Requirements

All these resources reside in a directory typically called `spdata`. Use the following algorithm to estimate the amount of additional space you need for `/spdata`:

$$\text{lppsource} + \text{mksysb_image} + \text{pssp_image} + \text{optional_images} = \text{total_space}$$

For example, the minimum space needed on the control workstation for `/spdata` to contain `lppsource` plus only the required images is:

$$\begin{aligned} 500\text{MB} + 91\text{MB} + 166\text{MB} &= 757\text{MB} \\ \text{lppsource} + \text{spimg mksysb} + \text{ssp} &= \text{minimum space} \end{aligned}$$

Table 30 on page 87 summarizes the amount of space required for the install images chosen in the example installation plan. See Table 31 on page 87 for the amount of space used by individual file sets.

<i>Table 30. Space Required for the Chosen installp Images</i>		
Space Required for Storing installp Images		
installp Image	Space Required	Description
spimg	91 MB AIX 4.3.2	This is the minimal AIX image. AIX must be on the control workstation.
rsct.basic	19 MB rsct.basic.rte, rsct.basic.sp	This has the RSCT basic components required in all realms and in the SP realm on the control workstation.
rsct.clients	470 KB rsct.clients.rte, rsct.clients.sp	This has the RSCT client components required in all realms and in the SP realm.
ssp	146.5 MB	This has the base PSSP components. It must be on the control workstation.
ssp.resctr	4 MB	The Resource Center image is optional on the control workstation and nodes.
ptpe and ssp.ptpegui	15 MB	The Performance Toolbox Parallel Extensions image and graphical user interface must be on the control workstation when used.
vsd and ssp.vsdgui	3.6 MB	The IBM Virtual Shared Disk, Hashed Shared Disk, and Recoverable Virtual Shared Disk optional image must be on the control workstation and nodes that will have or use virtual shared disks. The ssp.vsdgui image is the IBM Virtual Shared Disk Perspective. It must be on the control workstation and is optional on nodes.
LoadL	167 KB	This is an LPP image which must be on the control workstation when used.

<i>Table 31 (Page 1 of 3). Space Used by Individual File Sets</i>	
File Set	Total Storage
PSSP minimal AIX image: spimg	
spimg.432	91MB
PSSP image: rsct.basic	
rsct.basic.hacmp	161KB
rsct.basic.rte	17.8MB
rsct.basic.sp	1.2MB
PSSP image: rsct.clients	
rsct.clients.hacmp	14KB
rsct.clients.rte	448KB
rsct.clients.sp	22KB
PSSP image: ssp	
ssp.authent	575KB
ssp.basic	5.2MB
ssp.clients	8.0MB
ssp.css	8.0MB
ssp.docs	67MB
ssp.gui	28MB

Table 31 (Page 2 of 3). Space Used by Individual File Sets

File Set	Total Storage
ssp.ha_topsvcs.compat	1KB
ssp.jm	550KB
ssp.perlpkg	8MB
ssp.pman	972KB
ssp.public	13.4MB
ssp.spmgr	828KB
ssp.st	590KB
ssp.sysctl	844KB
ssp.sysman	1.1MB
ssp.tecad	191KB
ssp.tguides	1.1MB
ssp.top	1.4MB
ssp.top.gui	1.2MB
ssp.unicode	576KB
PSSP image: ssp.hacws	
ssp.hacws	131KB
PSSP image: ptpe	
ptpe.docs	7.2MB
ptpe.program	6.1MB
PSSP image: vsd	
vsd.cmi	109KB
vsd.hsd	172KB
vsd.rvsd.hc	295KB
vsd.rvsd.rvsdd	306KB
vsd.rvsd.scripts	191KB
vsd.sysctl	391KB
vsd.vsd	446KB
PSSP images for other graphical user interfaces	
ssp.ptpegui	1.6MB
ssp.vsdgui	1.7MB
PSSP image ssp.resctr for the Resource Center	
ssp.resctr.rte	4MB
PSSP images for National Language Support of graphical user interfaces	
ssp.help.ja_JP.gui	947KB
ssp.help.ko_KR.gui	947KB
ssp.help.zh_CN.gui	947KB
ssp.help.zh_TW.gui	947KB
ssp.loc.ja_JP.gui	331KB
ssp.loc.ko_KR.gui	331KB
ssp.loc.zh_CN.gui	331KB
ssp.loc.zh_TW.gui	331KB
ssp.msg.ja_JP.gui	75KB
ssp.msg.ko_KR.gui	75KB

Table 31 (Page 3 of 3). Space Used by Individual File Sets

File Set	Total Storage
ssp.msg.zh_CN.gui	75KB
ssp.msg.zh_TW.gui	75KB
ssp.ptpegui.loc.ja_JP	92KB
ssp.ptpegui.loc.ko_KR	92KB
ssp.ptpegui.loc.zh_CN	92KB
ssp.ptpegui.loc.zh_TW	92KB
ssp.ptpegui.msg.ja_JP	18.2KB
ssp.ptpegui.msg.ko_KR	18.2KB
ssp.ptpegui.msg.zh_CN	18.2KB
ssp.ptpegui.msg.zh_TW	18.2KB
ssp.top.loc.ja_JP.gui	93KB
ssp.top.loc.ko_KR.gui	93KB
ssp.top.loc.zh_CN.gui	93KB
ssp.top.loc.zh_TW.gui	93KB
ssp.top.msg.ja_JP.gui	15KB
ssp.top.msg.ko_KR.gui	15KB
ssp.top.msg.zh_CN.gui	15KB
ssp.top.msg.zh_TW.gui	15KB
ssp.vsdgui.loc.ja_JP	147KB
ssp.vsdgui.loc.ko_KR	147KB
ssp.vsdgui.loc.zh_CN	147KB
ssp.vsdgui.loc.zh_TW	147KB
ssp.vsdgui.msg.ja_JP	19KB
ssp.vsdgui.msg.ko_KR	19KB
ssp.vsdgui.msg.zh_CN	19KB
ssp.vsdgui.msg.zh_TW	19KB

Note: The total storage can cross multiple file systems.

Planning Your Network Configuration

This section discusses what you need to know to plan your network configuration. Instructions for completing the remaining system planning worksheets begin in Chapter 2, “Defining the System that Fits Your Needs” on page 21. All the worksheets are summarized in Appendix C, “SP System Planning Worksheets” on page 259.

Name, Address, and Network Integration Planning

You **must assign** IP addresses and host names for each network connection **on each node and on the control workstation** in your SP system. This repeats information contained in “Completing the SP Node Layout Worksheets” on page 47. This repetition is necessary because of the information's importance.

Because you probably want to attach the SP system to your site networks, you need to plan how to do this. You need to decide:

- What routers and gateways you will use

- What default and network routes you need on your nodes
- How you will establish these default and network routes (that is, using **routed** or **gated** daemons or using explicit route statements).

You need to ensure that all of the addresses you assign are unique within your site network and within any outside networks to which you are attached, such as the Internet. Also, you need to plan how names and addresses will be resolved on your systems (that is, using DNS name servers, NIS maps, **/etc/host** files or some other method).

Note

All names and addresses of all IP interfaces on your nodes must be resolvable on the control workstation and on independent workstations set up as authentication servers before you install and configure the SP.

Once you have set the host names and IP addresses on the control workstation, you should not change them.

Some name resolution facilities let you map multiple IP interfaces to the same hostname. For the SP, IBM suggests that you assign unique hostnames to each IP interface on your nodes.

Understanding the SP Networks

You can connect many different types of LANs to the SP system but regardless of how many you use, the LANS fall into one of the following categories:

SP Ethernet

SP Ethernet is the name of the LAN that connects all SP nodes to the control workstation. For each node, ensure that the SDR `reliable_hostname` attribute is identical to the default host name returned by the `host` command for its SP Ethernet IP addresses. For example, if the `en0` IP address of a node is 129.40.133.75, and `'host 129.40.133.75'` gives the default host name of `k65n11.ppd.pok.ibm.com`, then it also should be the host name given as the `reliable_hostname` attribute in the SDR. The PSSP components use this connection as the SP administrative network for installs and other SP functions.

In order for PSSP installation to function, you must connect the SP Ethernet to the Ethernet adapter in the SP node's lowest hardware slot of all the Ethernet adapters on that node. When a node is network booted, it will select the lowest Ethernet adapter from which it will perform the install. This Ethernet adapter must be on the same subnet of an Ethernet adapter on the node's boot/install server. In nodes which have one, the integrated Ethernet adapter is always the lowest Ethernet adapter. Be sure to maintain this relationship when adding Ethernet adapters to a node.

You can attach the SP Ethernet to other site networks and use it for other site-specific functions. You assign all addresses and names used for the SP Ethernet.

You can make the connections from the control workstation to the nodes in one of three ways. The method you choose should be one that optimizes network

performance for the functions required of the SP Ethernet by your site. The three connection methods are:

- Single-subnet, single-stage SP Ethernet in which one interface on the control workstation connects to all SP nodes.
- Multi-subnet, single-stage SP Ethernet. There is more than one interface on the control workstation and each connects to a subset of the SP nodes.
- Multi-subnet, multi-stage SP Ethernet. A set of nodes, acting as routers to the remaining nodes on separate subnets, connects directly to the control workstation.

See “System Topology Considerations” on page 78 for sample configurations illustrating these connection methods.

The SP boot/install servers must be on the same subnet as their clients. In the case of a multi-stage, multi-subnet SP Ethernet, the control workstation is the boot/install server for the first node in each frame and those nodes are the boot/install servers for the other nodes in the frames.

Also, when booting from the network, nodes broadcast their host request over their en0 interface. Therefore, en0 of the node must be the Ethernet that is connected to the boot/install network.

Additional LANs

The SP Ethernet can provide a means to connect all nodes and the control workstation to your site networks. However, it is likely that you will want to connect your SP nodes to site networks through other network interfaces. If the SP Ethernet is used for other networking purposes, the amount of external traffic must be limited. If too much traffic is generated on the SP Ethernet, the administration of the SP nodes might be severely impacted. For example, problems might occur with network installs, diagnostic function, and maintenance mode access. In an extreme case, if too much external traffic occurs, the nodes will hang when broadcasting for the network.

Ethernet, Fiber Distributed Data Interface (FDDI), and token-ring are also configured by the SP. Other network adapters must be configured manually. These connections can provide increased network performance in user file serving and other network related functions. You need to assign all the addresses and names associated with these additional networks.

IP over the Switch

If your SP has a switch and you want to use IP for communications over the switch, each node needs to have an IP address and name assigned for its switch interface, the **css0** adapter. If hosts outside the SP switch network need to communicate over the switch using IP with nodes in the SP system, those hosts must have a route to the switch network through one of the SP nodes.

If you are not enabling ARP on the switch, specify the switch network subnet mask and the starting node's IP address. After the first address is selected, subsequent node addresses are based on the switch port number assigned. See “Understanding Node Numbering and Switch Port Numbering” on page 95. Unlike all other network interfaces, which can have sets of nodes divided into several different subnets, the switch IP network must be one contiguous subnet which includes all the nodes in the system.

If you want to assign your switch IP addresses as you do your other adapters, you must enable ARP for the **css0** adapter. If you enable ARP for the **css0** adapter, you can use whatever IP addresses you wish, and those IP addresses do not have to be in the same subnet for the whole system. They must all be resolvable by the host command on the control workstation.

Subnetting Considerations

All but the simplest SP system configurations will likely include several subnets. Thoughtful use of netmasks in planning your networks can economize on the use of network addresses. Refer to *AIX Version 4 System Management Guide: Communications and Networks*, for information about Internet addresses and subnets.

As an example, consider an SP Ethernet, where none of the six subnets making up the SP Ethernet have more than 16 nodes on them. A netmask of 255.255.255.224 provides 30 discrete addresses per subnet, which is the smallest range that is usable in the wiring as shown. Using 255.255.255.224 as a netmask, we can then allocate the address ranges as follows:

- 129.34.130.1-31 to the control workstation to node 1 subnet
- 129.34.130.33-63 to the frame 1 subnet
- 129.34.130.65-96 to frame 2

In the same example, if we used 255.255.255.0 as our netmask, then we would have to use six separate Class C network addresses to satisfy the same wiring configuration (that is, 129.34.130.x, 129.34.131.x, 129.34.132.x, and so on).

Planning Considerations for Network Router Nodes

If you are ordering an SP Switch Router and the SP Switch Router Adapter for routing purposes in your environment, the next few paragraphs on using standard nodes as a network router might not be applicable to your SP configuration. However, if you are not ordering the SP Switch Router, then this section describes some considerations for using your nodes as network routers.

When planning router nodes on your system, several factors can help determine the number of routers needed and their placement in the SP configuration. The number of routers you need can vary depending on your network type. (In some environments, router nodes might also be called gateway nodes.)

For nodes that use Ethernet or token ring as the routed network, a customer network running at full bandwidth results in a lightly loaded CPU on the router node. For nodes that use FDDI as the customer routed network, a customer network running at or near maximum bandwidth results in high CPU utilization on the router node. For this reason, you should not assign any additional role in the computing environment, such as a node in a parallel job, to a router using FDDI as the customer network. You also should not connect more than one FDDI to a router node.

Applications, such as POE and the Resource Manager, should run on nodes other than FDDI routers. However, Ethernet and token ring gateways can run with these applications.

For systems that use Ethernet or token-ring routers, traffic can be routed through the SP Ethernet but careful monitoring of the SP Ethernet will be needed to prevent

traffic coming through the router from impacting other users of the SP Ethernet. For FDDI networks, traffic should be routed across the switch to the destination nodes. The amount of traffic coming in through the FDDI network can be up to 10 times the bandwidth the SP Ethernet can handle.

Information about configuring network adapters, and tuning the various network tunables on the nodes is in *PSSP: Administration Guide*.

Planning Considerations for the SP Switch Router

The SP Switch Router is by type, an extension node, more specifically a dependent node. The SP Switch Router gives you high speed access to other systems. Without the SP Switch Router, you would need to dedicate a standard node to performing external network router functions. Also, because the SP Switch Router is external to the frame, it does not take up valuable processor space.

The SP Switch Router has two optional sizes. The smaller unit has four internal slots and the larger unit has sixteen. One slot must be occupied by an SP Switch Router Adapter card which provides the SP connection. The other slots can be filled with any combination of network connection cards including the types:

- Ethernet
- FDDI
- ATM
- SONET
- HIPPI
- HSSI
- Additional SP Switch Router Adapters

Additional SP Switch Router Adapters are needed for communicating between system partitions and other SP systems. These cards provide switching rates of from four to sixteen gigabits per second between the router and the external network.

To attach an extension node to an SP switch, configuration information must be specified on the control workstation. Communication of switch configuration information between the control workstation and the SP Switch Router takes place over the SP system's administrative Ethernet and requires use of the UDP port number 162 on the control workstation. If this port is in use, a new communication port will have to be configured into both the control workstation and the SNMP agent supporting the extension node.

The SP Switch Router requires PSSP 2.3 or later on both the primary node and the primary backup node. Using the SP Switch Router Adapter, the SP Switch Router can be connected to an SP Switch (8-port or 16-port).

The SP Switch Router Adapter in the SP Switch Router can be attached to an SP switch to improve throughput of data coming into and going out of the RS/6000 SP system. Each SP Switch Router Adapter in the SP Switch Router requires a valid unused switch port in the SP system. See "Choosing a Valid Switch Port" on page 94.

Planning Considerations for an SP-attached Server

An SP-attached server (such as the RS/6000 Enterprise Server S70 or S70 Advanced) is not mounted in an SP frame and it has no frame or node supervisor. It is directly attached to the SP via the SP Ethernet and to the control workstation with two RS-232 cables.

Whether the SP configuration is switched or switchless, an SP-attached server requires a valid unused switch port in the switch chip of an existing SP frame. An SP-attached server is not supported with an SP Switch-8 but if your SP system has a 16-port SP Switch, you must connect the server to the SP Switch network via an SP System Attachment Adapter. This adapter also requires a valid unused switch port in the existing SP frame. See “Choosing a Valid Switch Port.”

You must assign a frame number to an SP-attached server. Be sure to read and understand the information regarding SP-attached servers in “Understanding Node Numbering and Switch Port Numbering” on page 95.

Planning Considerations for an SP-controlled Netfinity Server

An SP-controlled Netfinity server is not mounted in an SP frame. It is directly attached to the control workstation with an RS-232 cable but not to the SP Ethernet. Unlike the SP-attached server, it does not run the PSSP software and it does not interact with SP nodes. It is part of the SP network configuration only because some PSSP components need to recognize it for management and display purposes as a Netfinity node in a frame.

You must assign a frame and node number to an SP-controlled Netfinity server. Be sure to read and understand the information regarding numbering and placement in “Understanding Node Numbering and Switch Port Numbering” on page 95. See Chapter 13, “Consolidating Management of SP and Netfinity Systems” on page 205 for more planning information.

Choosing a Valid Switch Port

Each SP Switch Router Adapter in the SP Switch Router and each SP System Attachment Adapter for an SP-attached server requires a valid unused switch port in the SP system. A valid unused switch port is a switch port that meets the rules for configuring frames and switches.

There are two basic sets of rules for choosing a valid switch port:

1. Rules for selecting a valid switch port associated with ***an empty node slot***.
2. Rules for selecting a valid switch port associated with ***an unused node slot*** created by a wide or high node position which is either the second half of a wide node or one of the last three positions of a high node.

These rules are discussed further in this chapter.

Examples of using an empty node slot position

One example of using an empty node slot position is a single frame system with fourteen thin nodes located in slots 1 through 14. This system has two unused node slots in position 15 and 16. These two empty node slots have corresponding switch ports which provide valid connections for an SP Switch Router Adapter or an SP System Attachment Adapter.

Another example is a logical pair, two frame system with one shared switch. The first frame is fully populated with eight wide nodes. The second frame has three wide nodes in slots 1, 3, and 5 (see later sections in this chapter for explanations of node numbering schemes). The only valid switch ports in this configuration would be those switch ports associated with node slots 7, 9, 11, 13, and 15 in the second frame.

In a logical system with four frames holding fourteen high nodes sharing one switch, there will only be two empty node positions (see the Frames section of Chapter 1 for clarification). In this example, the first three frames are fully populated with four high nodes in each frame. The last frame has two high nodes and two empty high node slots. This means the system has two valid switch ports associated with node slot numbers 9 and 13.

Examples of using node slot positions within a wide node or high node

The first example is a single frame fully populated with eight wide nodes. These wide nodes occupy the odd numbered node slots. Therefore, all of the even number slots are said to be unoccupied and would have valid switch ports associated with them. These ports can be used for an SP Switch Router Adapter or an SP System Attachment Adapter.

A second example is a single frame system with twelve thin nodes in slots 1 through 12 and a high node in slot 13. A high node occupies four slots but only uses one switch port. Therefore, the only valid switch ports in this configuration are created by the three unused node slots occupied by the high node. In other words, the switch ports are associated with node slots 14, 15, and 16.

Understanding Node Numbering and Switch Port Numbering

Thin, wide, and high nodes can coexist in the same frame and in the same SP system partition. However, when you use nodes with varied physical node sizes, you must very carefully consider the set of supported frame configurations. Extension nodes (like an SP Switch Router), SP-attached servers (like an RS/6000 Enterprise Server S70), SP-controlled Netfinity servers, and SP Expansion I/O Units must also be accommodated. Use the information in this section for:

- Deciding where to place your nodes, servers, and expansion I/O units
- Deciding how to sequence your frames
- Assigning IP addresses to the nodes and servers
- Assigning IP addresses to the interfaces of the nodes and the SP Switch

Hardware planning is described in Volume 1.

This book covers switch planning only in the context of system configuration. For physical planning regarding switch wiring, cabling, and allowing for future hardware expansion, see the book *IBM RS/6000 SP: Planning Volume 1, Hardware and Physical Environment*.

Slot Numbers

Each tall SP frame contains eight drawers which have two slots each for a total of 16 slots. The short SP frame has only four drawers and eight slots. When viewing a tall SP frame from the front, the 16 slots are numbered sequentially from bottom left to top right.

The position of a node in an SP system is sensed by the hardware. That position is the slot to which it is wired. That slot is the *slot number* of the node.

- A thin node occupies a single slot in a drawer and its slot number is the corresponding slot. (See thin nodes in Figure 10.)
- A wide node occupies two slots and its slot number is the odd-numbered slot. (See the wide nodes in Figure 10.)
- A high node occupies four consecutive slots in a frame. Its slot number is the first (lowest number) of these slots.
- An SP Expansion I/O Unit is not a node but a unit that expands the I/O capacity of the node to which it is connected. It can be connected to a POWER3 SMP high node housed in the same frame or in a separate frame. In either case, it occupies a slot in a frame that a thin node might otherwise occupy and its slot number is the corresponding slot.

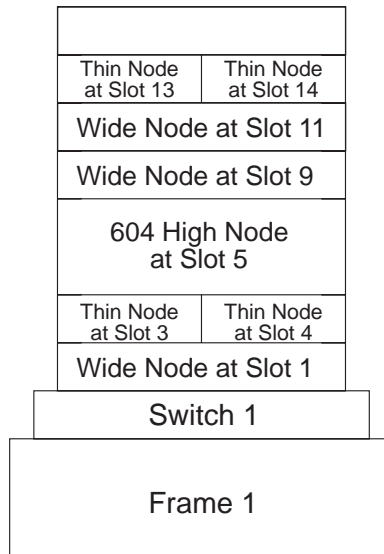


Figure 10. Node Slot Assignment

Frame Numbers and Switch Numbers

The administrator establishes the frame numbers when the system is installed. Each frame is referenced by the tty port to which the frame supervisor is attached and is assigned a numeric identifier. The order in which the frames are numbered determines the sequence in which they are examined during the configuration process. This order is used to assign global identifiers to the switch ports, nodes, and SP Expansion I/O Units. This is also the order used to determine which frames share a switch.

For this discussion:

- A frame that has nodes and a switch is a *switched frame*.
- A frame with nodes and no switch is a *non-switched expansion frame*.
- A frame that has only switches is a *switch-only frame*.
- A frame that has only SP Expansion I/O Units (no nodes and no switch), is a *non-node frame*.

If you have switch-only frames, you must configure them as the last frames in your SP system. Assign high frame numbers to switch-only frames to allow for future expansion.

Node Placement

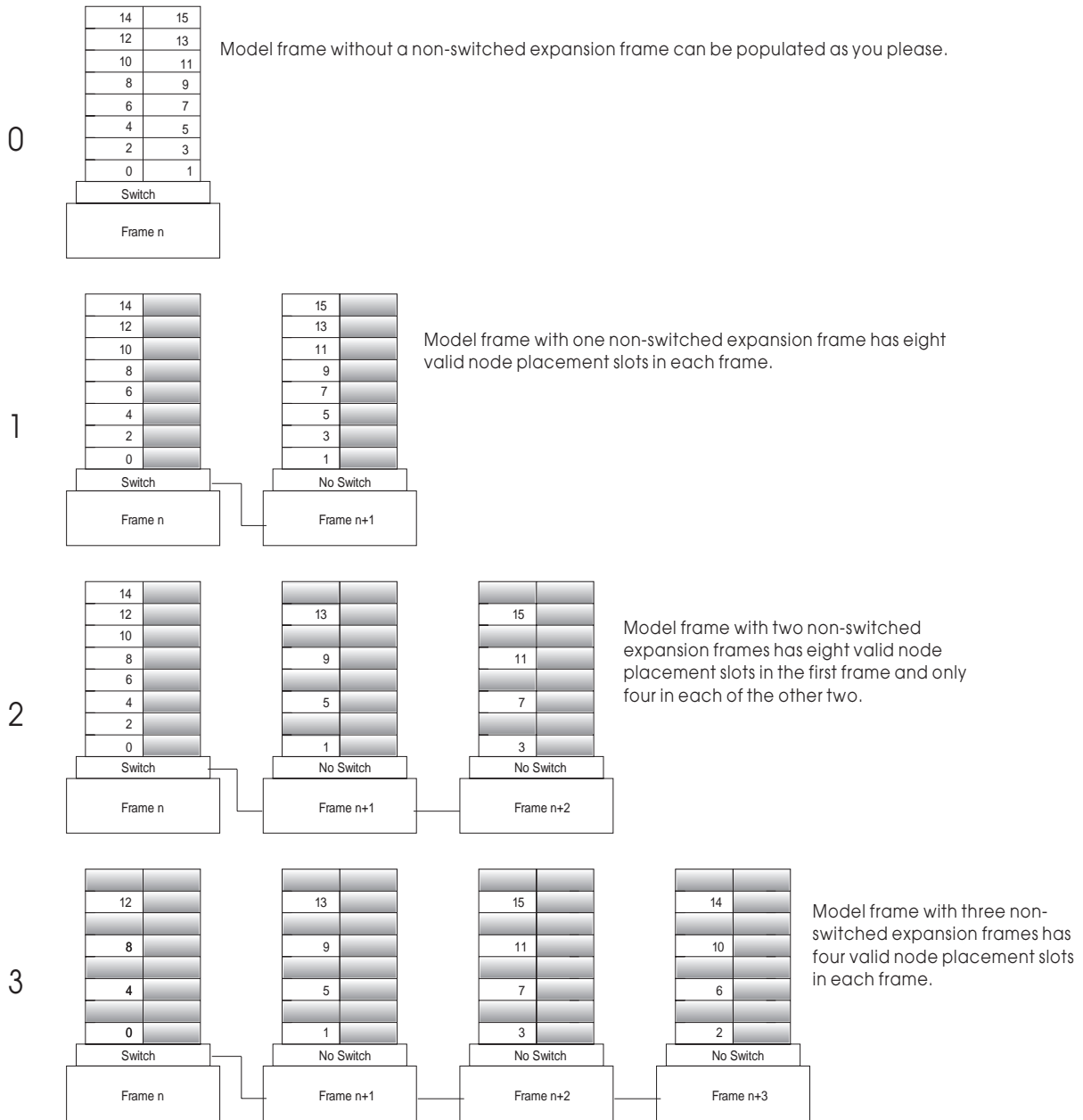
In order to properly plan your SP system, you must understand the supported frame and switch configurations and the distribution of the switch port assignments in each of the supported configurations.

The PSSP system supports four possible frame and switch configurations. Think of each configuration as a *switch capsule* which is comprised of a switched frame and its possible companion non-switched expansion frames. A non-switched expansion frame is a successor frame within the switch capsule that has SP nodes using switch ports of the switched frame.

Figure 11 on page 98 has four switch capsules, illustrating the four frame and switch configurations that are supported and the switch port number assignments in each. In the figure, no shading indicates a valid slot in which a node can be placed, the number in the slot represents that node's switch port assignment, and shading indicates that a node cannot be placed in that slot.

The four switch capsules can be repeated and mixed throughout your SP system. For example, consider an SP system with a switched frame followed by two non-switched expansion frames. They in turn might be followed by another switched frame and one more non-switched expansion frame. That SP system is therefore comprised of one switch capsule matching configuration 2 followed by another switch capsule matching configuration 1.

In every configuration that follows the first, the switch port assignments are incremented to allow for the switches that reside in numerically lower frames. In the previous example, the frames in the first switch capsule (matching configuration 2) are assigned switch port numbers 0 through 15 and the frames in the second switch capsule (matching configuration 1) are assigned switch port numbers 16 through 31.



Switch

No Switch

No Switch

Frame n

Frame n+1

Frame n+2

Switch

No Switch

No Switch

No Switch

Frame n

Frame n+1

Frame n+2

Frame n+3

Figure 11. Supported Switched Frame Configurations Showing Switch Port Assignments

Keep in mind that any non-switched expansion frames must have frame numbers that immediately follow their associated switched frame without any gaps. For instance, if a system has a switched frame numbered 1, and two non-switched expansion frames attached to the switch on frame 1, the non-switched expansion frames must be numbered frame 2 and frame 3.

Frame numbers can be skipped between switched frames and IBM suggests you skip numbers to allow for future expansion. For example, consider a system that has a switched frame with four high nodes and another switched frame with 16 thin nodes. To accommodate future expansion, you would be wise to assign number 1 to the high node frame and number 5 to the thin node frame. This allows for the future addition of up to three non-switched expansion frames to the high node frame without disrupting the system. If the thin node frame had been numbered

frame 2, the addition of a non-switched expansion frame would require you to reconfigure the thin node frame and all of its nodes.

An SP-attached server is managed by the PSSP components as though it is in a frame of its own. However, it does not enter into the determination of the frame and switch configuration of your SP system. It has the following additional characteristics:

- It is the only node in its frame. It occupies slot number 1 but uses the full 16 slot numbers. Therefore, 16 is added to the node number of the SP-attached server to derive the next node number in the sequence.
- It cannot be the first frame.
- It connects to a switch port of an existing SP frame.
- It cannot be within a switch capsule (between a switched frame and any non-switched expansion frame using that switch). Give it a frame number that fits between switch capsules.

SP Expansion I/O Units also do not enter into the determination of the frame and switch configuration. They do not connect to a switch so the switch port corresponding to the slot occupied by an SP Expansion I/O Unit is available to be otherwise used, for instance by an SP-attached server or SP Switch Router. The nodes to which SP Expansion I/O Units are connected must honor the placement convention. The expansion units however can be placed in any unoccupied slot of a frame with nodes or in a non-node frame that is set aside for them. Give a non-node frame a frame number that fits between switch capsules.

Node Numbering

A *node number* is a global ID assigned to a node. It is the primary means by which an administrator can reference a specific node in the system. Node numbers are assigned for all nodes regardless of node or frame type. Replace *node number* with *expansion number* for the global ID of an SP Expansion I/O Unit. Global IDs are assigned using the following formula:

$$node_number = ((frame_number - 1) \times 16) + slot_number$$

where *slot_number* is the lowest slot number occupied by the node or unit. Each type is considered to occupy one slot or a consecutive sequence of slots. For each type, there is an integer *n* such that a thin node or expansion unit occupies slot *n*, a wide node occupies slots *n, n+1*, and a high node occupies *n, n+1, n+2, n+3*. An SP-attached server or SP-controlled Netfinity server is considered to be one node in one frame. For single thin nodes (not in a pair), wide nodes, and high nodes, *n* must be odd. For an SP-attached server or SP-controlled Netfinity server, *n* is 1. Use *n* in place of *slot_number* in the formula.

Node numbers are assigned independent of whether the frame is fully populated. Figure 12 on page 100 demonstrates node numbering. Frame 4 represents an SP-attached server in a position where it does not interrupt the switched frame and companion non-switched expansion frame configuration. It can use a switch port on frame 2 which is left available by the high nodes in frame 3. Its node number is determined by using the formula.

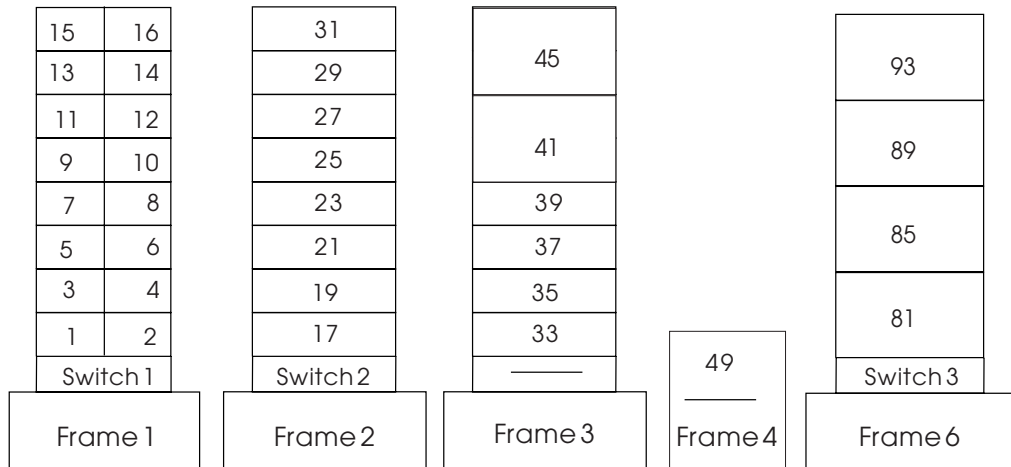


Figure 12. Node Numbering for an SP System

Switch Port Numbering

In a switched system, the switch boards are attached to each other to form a larger communication fabric. Each switch provides some number of ports to which a node can connect (16 ports for an SP Switch, and 8 ports for the SP Switch-8.) In larger systems, additional switch boards (intermediate switch boards) must be introduced to provide for switch board connectivity; such boards do not provide node switch ports.

Switch boards are numbered sequentially starting with 1 from the frame with the lowest frame number to that with the highest frame number. Each full switch board contains a range of 16 *switch port numbers* (also known as switch node numbers) that can be assigned. These ranges are also in sequential order with their switch board number. For example, switch board 1 contains switch port numbers 0 through 15.

Switch port numbers are used internally in PSSP software as a direct index into the switch topology and to determine routes between switch nodes.

Switch Port Numbering for an SP Switch

The SP Switch has 16 ports. Whether a node is connected to a switch within its frame or to a switch outside of its frame, you can evaluate the following formula to determine the switch port number to which a node is attached:

$$\text{switch_port_number} = ((\text{switch_number} - 1) \times 16) + \text{switch_port_assigned}$$

where *switch_number* is the number of the switch board to which the node is connected and *switch_port_assigned* is the number assigned to the port on the switch board (0 to 15) to which the node is connected. This is demonstrated in Figure 14 on page 102.

For additional explanation with switch port numbers, see Chapter 6, Planning SP System Partitions, particularly “Example 3 – An SP with 3 frames, 2 switches, and various node sizes” on page 133.

Switch Port Numbering for an SP Switch-8

Node numbers for short and tall frames are assigned using the same algorithm. See “Node Numbering” on page 99.

Note: Extension nodes must be placed into a valid switch port location as verified in the SDR Syspar_map. See “Choosing a Valid Switch Port” on page 94.

However, for the SP Switch-8, a different algorithm is used for assigning nodes their switch port numbers. A system with this switch contains only switch port numbers 0 through 7.

The following algorithm is used to assign nodes their switch port numbers in systems with eight port switches:

1. Assign the node in slot 1 to **switch_port_number = 0**. Increment **switch_port_number** by 1.
2. Check the next slot. If there is a node in the slot, assign it the current **switch_port_number**, then increment the number by 1.

Repeat until you reach the last slot in the frame or switch port number 7, whichever comes first.

Figure 13 and Table 32 contain sample switch port numbers for a system with a short frame and an eight port switch.

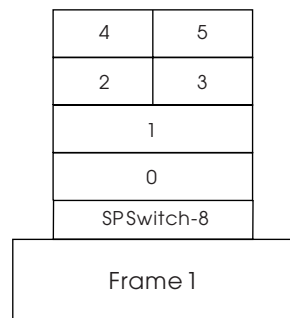


Figure 13. Switch Port Numbering for an SP Switch-8 and Short Frame

Slot Number	Populated?	Node Number	Switch Port Number
1	Yes	1	0
2	No		
3	Yes	3	1
4	No		
5	Yes	5	2
6	Yes	6	3
7	Yes	7	4
8	Yes	8	5
9 - 16*	No		

* Slot numbers 9-16 are used only for tall models.

Chapter 4. Planning for a High Availability Control Workstation

Note: For specific information on planning your control workstation, refer to “Question 10: What Do You Need for Your Control Workstation?” on page 59.

Planning for a High Availability Control Workstation requires planning for both hardware and software. For hardware planning information see the book *IBM RS/6000 SP: Planning Volume 1, Hardware and Physical Environment*. That book describes the hardware components and cabling you need to install and run the High Availability Control Workstation software successfully. For software requirements, see “Software Requirements for HACWS Control Workstation Configurations” on page 111.

The design of the SP High Availability Control Workstation component is modeled on the High Availability Cluster Multi-Processing for RS/6000 (HACMP) licensed program product. HACWS uses HACMP running on two RS/6000 control workstations in a two-node rotating configuration. HACWS uses an external DASD that is accessed non-concurrently between the two control workstations for storage of SP related data. There is also a dual RS-232 frame supervisor card with a connection from each control workstation to each SP frame in your configuration. This HACWS configuration provides automated detection, notification, and recovery of control workstation failures.

| SP-attached servers and SP-controlled Netfinity servers can be used in your SP
| system with HACWS but there is no dual RS-232 cabling support for them. See
| “Limits and Restrictions” on page 109.

Overall System View of a High Availability Control Workstation

The SP system looks similar except that there are two control workstations connected to the SP Ethernet and TTY network. The frame supervisor TTY network is modified to add a standby link. The second control workstation is the backup. Figure 15 on page 104 shows a logical view of a High Availability Control Workstation. The figure shows disk mirroring, an important part of high availability planning.

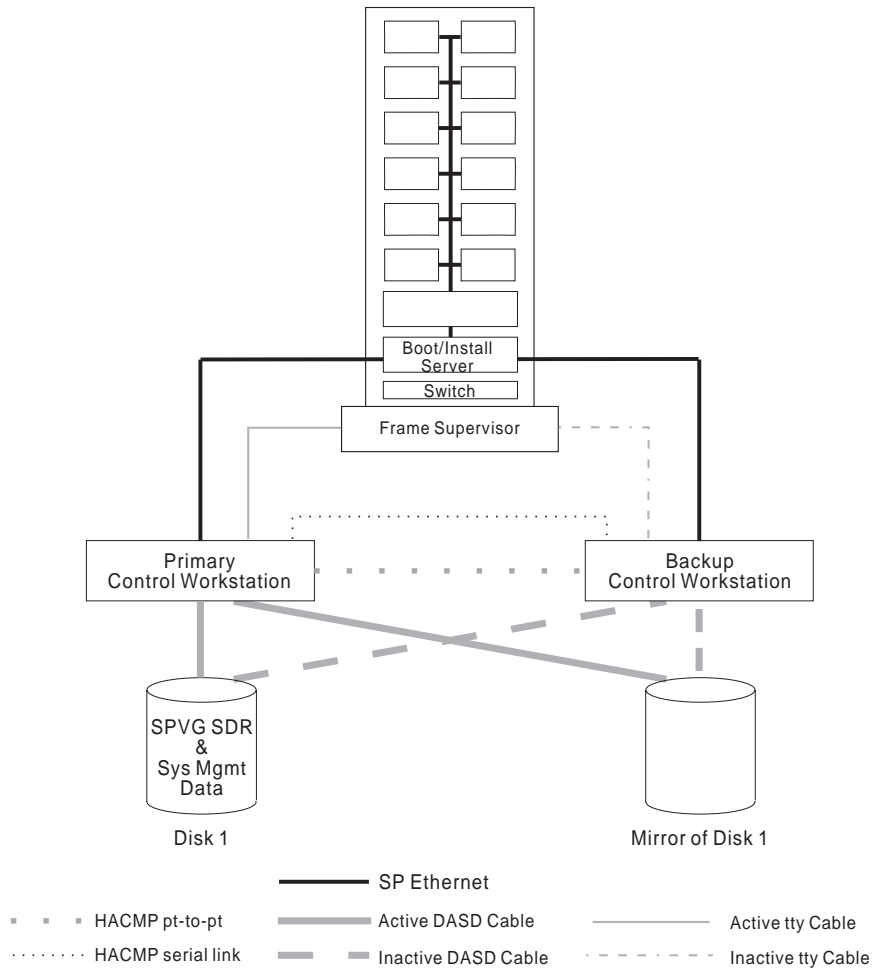


Figure 15. High Availability Control Workstation with Disk Mirroring

If the primary control workstation fails, there is a disruptive failover that switches the external disk storage, performs IP and hardware address takeover, restarts the control workstation applications, remounts file systems, resumes hardware monitoring, and lets clients reconnect to obtain services or to update control workstation data. This means that there is only one active control workstation at any time.

The primary and backup control workstations are also connected on a private point-to-point network and a serial TTY link or target mode SCSI. The backup control workstation assumes the IP address, IP aliases, and hardware address of the primary control workstation. This lets client applications run without changes. The client application, however, must initiate reconnects when a network connection fails.

The SP data is stored in a separate volume group on the external disk storage.

The backup control workstation can run other unrelated applications if desired. However, if the application on the backup control workstation takes significant resource, that application might have to be stopped during failover and reintegration periods.

Benefits of a High Availability Control Workstation

High Availability Control Workstation is a major component of the effort to reduce the possibility of single point of failure opportunities in the SP. There are already redundant power supplies and replaceable nodes. However, there are also many elements of hardware and software that could fail on a control workstation. With a High Availability Control Workstation, your SP system will have the added security of a backup control workstation. Also, High Availability Control Workstation allows your control workstation to be powered down for maintenance or updating without affecting the entire SP system.

Difference Between Fault Tolerance and High Availability

Before planning whether to use High Availability Control Workstation, read the following section to understand the difference between high availability and fault tolerance.

Fault Tolerance

The *fault tolerant* or *continuous availability* model relies on specialized hardware to detect a hardware fault and instantaneously switch to a redundant hardware component — whether the failed component is a processor, memory board, power supply, I/O subsystem, or storage subsystem.

Although this cutover is apparently seamless and offers non-stop service, a high premium is paid in both hardware cost and performance because the redundant components do no processing.

More importantly, the fault tolerant model does not address software failures, by far the most common reason for down time.

High Availability

The *high availability* or *fault resiliency* model views availability not as a series of replicated physical components, but rather as a set of system-wide, shared resources that cooperate to provide essential services.

High availability combines software with industry-standard hardware to minimize down time by quickly restoring services when a system, component, or application fails. While not instantaneous, restoring services is rapid, often less than a minute.

The distinguishing factor between fault tolerance and high availability is that a fault tolerant environment offers no service interruption, versus a minimal service interruption in a highly available environment. Many sites are willing to absorb a small amount of down time with high availability rather than pay the much higher cost of providing fault tolerance. Moreover, in most highly available configurations, the backup processors are available for use during normal operation.

IBM's Approach to High Availability for Control Workstations

For the reasons already mentioned, IBM has taken the high availability approach to control workstation support for the SP system. The control workstation is a suitable candidate for high availability because it can typically withstand a short interruption, but must be restored quickly. In the SP configuration, the control workstation has been a possible single point of failure.

Eliminating the Control Workstation as a Single Point of Failure

A *single point of failure* exists when a critical function is provided by a single component. If that component fails, the system has no other way to provide that function and essential services become unavailable.

The key facet of a highly available system is its ability to detect and respond to changes that could impair essential services. The SP software with High Availability Control Workstation lets a system continue to provide services critical to an installation even though a key system component — the control workstation — is no longer available. When the control workstation becomes unavailable, through either a planned or inadvertent event, the SP high availability component is able to detect the loss and shift that component's workload to a backup control workstation.

Refer to the following tables for some of the consequences of failure of a control workstation that has not been backed up.

Major Software Component	Effect on SP System
Hardware Monitor	<ol style="list-style-type: none">1. No control of SP hardware except for the on/off switch on a node, and the use of the service laptop connected to a frame supervisor cable.2. Nodes cannot be hot-plugged in or out of the frames controlled by the failed control workstation.
SDR	<ol style="list-style-type: none">1. Current running jobs continue to completion.2. No new parallel jobs can start.3. The Resource Manager daemons die because they cannot make contact with the SDR.4. Serial jobs can continue to be started.5. No hardware or software configuration changes can occur.6. No installations can be started.7. A switch fault will not complete processing, and the switch will remain in service mode if a fault occurs while the control workstation is unavailable.8. No cluster shutdowns can occur.9. A node can still be powered off and on manually, but this causes a switch fault.

<i>Table 33 (Page 2 of 2). Effect of Failure of Non-High Availability Control Workstation on Mandatory Software</i>	
Major Software Component	Effect on SP System
Kerberos Authentication Server (if no backup server exists)	<ol style="list-style-type: none"> 1. Users cannot obtain new tickets via kinit. 2. Background processes using rcmdtgt to get ticket will fail. 3. Users cannot change passwords. 4. New users cannot be added to the authentication database.
Diagnostics	Diagnostics cannot be run on node boot disks.
File Collections Master	No new distributed file updates can occur.
Availability subsystems (hats, hags, haem)	These subsystems will not restart upon node reboot.

<i>Table 34. Effect of Control Workstation Failure on User Data on the Control Workstation</i>	
Major Software Component	Effect on SP System
User Management	You cannot make changes to a user data base stored on the control workstation.
Hardware Logging Daemon	<ol style="list-style-type: none"> 1. Hardware logging immediately stops. 2. Nodes cannot be hot plugged.
Error Logging Alerts	If sent by mail will be put in the node mail spool.
Accounting Master	<ol style="list-style-type: none"> 1. No consolidated accounting records are kept during down time. 2. Records are consolidated after the control workstation comes up.
User File Server	<ol style="list-style-type: none"> 1. Running jobs might fail. 2. Jobs might not be able to access needed data.

Consequences of a High Availability Control Workstation Failure

When a failure occurs in a High Availability Control Workstation, the following steps take place automatically:

- The external disk storage is switched to the backup control workstation.
- The hardware and IP addresses are switched to the backup control workstation.
- The control workstation applications are restarted.
- The file systems are remounted.
- Hardware monitoring is resumed.
- Clients are allowed to reconnect to obtain data or to update control workstation data.

Note: See “Limits and Restrictions” on page 109 for limitations with respect to SP-attached servers and SP-controlled Netfinity servers.

System Stability With High Availability Control Workstation

When a control workstation fails, it causes significant loss of function in configuration, systems management, hardware monitoring, and the ability to handle a switch fault. The reliability of the whole system is compromised by the chance of a switch fault during a control workstation outage. Using the High Availability Control Workstation increases the mean time before failure (MTBF) of the entire system.

The failover is disruptive. Applications at the control workstation that are interrupted will not resume automatically and must be restarted. The interruption is momentary. Applications within nodes, that require no communication with the control workstation might not notice the failover. Applications relying on data from the SDR will be momentarily interrupted. Having a backup control workstation available prevents this problem.

Occasionally, you might need to take a control workstation down to maintain the hardware or software or to repair or update a component of the system. Using High Availability Control Workstation lets you schedule this upkeep without taking the entire system down. The serviceability of the SP is increased by the service time for the control workstation, which increases the mean time to repair (MTTR) of the system as a whole.

Related Options and Limitations for Control Workstations

Some configuration options that can make your control workstation more available are separate from the High Availability Control Workstation product. They include disk mirroring, uninterruptible power supplies, and dual disk controllers both internal and external. You must also be aware of any frame supervisor changes, HACWS limits and restrictions, and complete the related HACMP planning worksheets.

Uninterruptable Power Supply

An Uninterruptable Power Supply can supply electricity to a device to keep it running when main power is interrupted or is unreliable. Usually an Uninterruptible Power Supply is not the sole source of power. Rather, it is typically used to smooth a fluctuating source or to provide enough power to enable a device to shut down gracefully. You can use an Uninterruptible Power Supply in conjunction with all other means of assuring control workstation reliability. See the RS/6000 General Services Document *Site and Hardware Planning Information* for the power consumption requirements of your control workstation.

Power Independence

Each control workstation should be attached to a different electrical power source or breaker panel if possible. They should at least be on separate circuits so that maintenance or failures in main power can affect only one control workstation.

Single Control Workstation with Disk Mirroring

The process of mirroring occurs when each block of data written to one disk is also written to another disk. You always have a copy of your data in case one disk or disk adapter fails. As a middle ground to availability you can decide to have a single control workstation and mirror the root volume group to provide better availability of the control workstation. This involves two or three times the number

of disks needed for the root volume group, depending on whether you want one or two mirrors of the original. See the discussion on mirroring in the book *AIX System Management Guide: Operating System and Devices*. That book describes the AIX support for mirroring root volume groups. See the book *PSSP: Administration Guide* for additional SP-specific support of mirroring root volume groups.

Spare Ethernet Adapters

You can cable spare SP Ethernet adapters into the existing Ethernet LAN segments for the SP and leave them in a defined but unavailable configuration state. When an Ethernet adapter fails, you can unconfigure the failing adapter and configure the spare Ethernet adapter for that LAN segment. You can use the spare adapter until the failed one is repaired or replaced. Note that the spare Ethernet adapter still counts as one of the stations in the 30 total stations you can have on an Ethernet LAN segment.

Frame Supervisor Changes

Check with your IBM representative for information about ordering the necessary hardware.

Limits and Restrictions

The High Availability Control Workstation support has the following limitations and restrictions:

- You cannot split the load across a primary and backup control workstation. Only one or the other provides all the function at any given time.
- The primary and backup control workstations must each be an RS/6000 machine. You cannot use a node at your SP as a backup control workstation.
- The backup control workstation cannot be used as the control workstation for another SP system.
- The backup control workstation cannot be a shared backup of two primary control workstations.

There is a one-to-one relationship of primary to backup control workstations; a single primary and backup control workstation combination can be used to control only one SP system.

- If your primary control workstation is a PSSP authentication server, the backup control workstation must be a secondary authentication server.
- An SP-controlled Netfinity server is connected directly to the control workstation. If you use it with High Availability Control Workstation support, you have to manually change the connection whenever a failover occurs.

The following apply if you use SP-attached servers and High Availability Control Workstation support:

- The S70 and S70 Advanced SP-attached servers are directly attached to the control workstation through two RS-232 serial connections. There is no dual RS-232 hardware support for these connections like there is for SP frames. These servers can only be attached to one control workstation at a time. Therefore, when a control workstation fails or scheduled downtime occurs, and the backup control workstation becomes active, you will lose hardware monitoring and control and serial terminal support for your SP-attached servers. The specific functions that are lost include:

- Power on and off control
- Reboot control
- Serial port communications for s1term
- Nodecond support to obtain the hardware ethernet address and to network boot the node
- Monitoring of the following Hardmon variables and state data (whether using the SP Perspectives graphical user interface, commands (like **hmmon**, **spmon**, **sphardware**), or RSCT resource variables):
 - diagByte
 - hardwareStatus
 - lcd1
 - lcd2
 - LCDhasMessage
 - nodefail1
 - nodeLinkOpen1
 - nodepower
 - serialLinkOpen
 - spcn
 - SPCNhasMessage
 - src
 - SRChasMessage
 - timeTicks
- The ability to make configuration changes related to the SP-attached servers. For example, you cannot add new SP-attached servers when the backup is the primary control workstation.
- The SP-attached servers will have the SP Ethernet connection from the backup control workstation, so PSSP components requiring this connection will still work correctly. This includes components such as the availability subsystems, user management, logging, authentication, the SDR, file collections, accounting and others.

Completing Planning Worksheets for High Availability Control Workstation

You will have to complete the following worksheets in the High Availability Cluster Multi-Processing for RS/6000 documentation:

- Shared Volume Group/File System Worksheet (Non-Concurrent)
- Defining Shared LVM Components for Non-Concurrent Access

As you complete the High Availability Cluster Multi-Processing for RS/6000 planning and installation steps, take the Non-Concurrent option whenever you are given the choice.

See the book *HACMP: Planning Guide*, for complete planning information.

Software Requirements for HACWS Control Workstation Configurations

The software requirements for the control workstation include:

- Two AIX server licenses.
- Two licenses for IBM C for AIX 4.3 or IBM C and C++ Compilers, 3.6.

If the compiler's license server is on the control workstation the backup control workstation should also have a license server with at least one license. If there is no license server on the backup control workstation, an outage on the primary control workstation will not allow the SP system access to a compiler license.

- Two licenses and software sets for High Availability Cluster Multi-Processing for AIX (HACMP).

This is the high availability feature of HACMP. Both the client and server option must be installed on both control workstations. You must purchase two licenses.

- PSSP 3.1 optional component HACWS

This is the customization software that is required for HACMP support of the control workstation. It comes with your order of PSSP 3.1 as an optionally installable component. Install a copy on both control workstations.

Required High Availability Control Workstation Components

Once you decide that the High Availability Control Workstation is right for your installation, you must order the following components:

- An AIX server license for each control workstation.

AIX 4.3.2 (or later) is required for PSSP 3.1. Refer to the *Read This First* document for the latest information on what levels of AIX are supported with PSSP 3.1.

- The High Availability Control Workstation optional component of PSSP 3.1 with any related cables, hardware, and software your SP system might need.
- Two licenses for HACMP (Do not use the Enhanced Scalability feature unless you use HACMP 4.3 or later.)

You can use any level of HACMP that is supported with the level of AIX that is supported with PSSP 3.1. Refer to the appropriate HACMP documentation for the latest information on what levels of HACMP are supported with the level of AIX you are using or considering with PSSP 3.1.

Planning and using the backup control workstation will be simpler if you configure your backup control workstation identical to the primary control workstation. Some components must be identical, others can be similar. For example, the TTY assignments on each must be identical and should be configured in the same slots on each. If you have the same number and type of disks on each, your planning and operation will be simpler. Otherwise you might have to plan recovery scripts that address HD0 on one control workstation and HD3 on the other.

Planning Your High Availability Control Workstation Network Configuration

Planning your HACWS network configuration is a complex task which requires understanding the basic HACMP concepts. These concepts are explained in the HACMP publications. This section demonstrates how to plan your HACWS network configuration through a hypothetical situation. Additional specific HACWS network requirements are also described in this section.

Assume that your system has a single control workstation named *dutchess.xyz.com* and it will serve as the primary control workstation after you install HACWS. The workstation you add will become the backup control workstation. The name of the backup control workstation is *ulster.xyz.com*.

The SP nodes get control workstation services by accessing the network interface whose name matches the hostname of the primary control workstation. In this example, the SP nodes get control workstation services by accessing *dutchess.xyz.com*. If the primary control workstation fails and the backup control workstation takes over, the backup control workstation assumes the network identity of *dutchess.xyz.com*.

The *dutchess.xyz.com* network interface gets configured on the control workstation currently providing the control workstation services. HACMP refers to *dutchess.xyz.com* as a **service address** (or service interface). The primary control workstation must use a different network address when it reboots in order to avoid a network address conflict between the two control workstations. HACMP refers to this alternate network address as a **boot address** (or boot interface). In this example, the boot address of the primary control workstation is *dutchess_bt.xyz.com*.

In addition, HACWS requires that the backup control workstation must always be reachable via a network interface whose name matches its hostname. In this example, this name is *ulster.xyz.com*. This network interface does not get identified to HACMP. If you have no available adapter upon which to configure the *ulster.xyz.com* network interface, you can use an IP address alias.

Each control workstation in this example configuration contains one ethernet adapter, connected to the SP Ethernet network. After the two control workstations are booted and before HACMP is started, their network configuration looks like the one illustrated in Figure 16 on page 113.

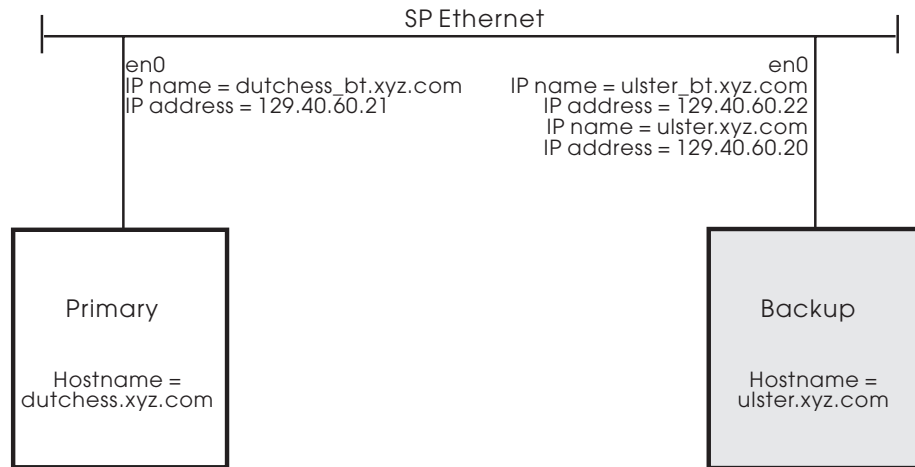


Figure 16. Initial Control Workstation Network Configuration

At this point, neither machine is providing control workstation services, so the *dutchess.xyz.com* network interface is not available. The ethernet adapter on the primary is configured with its boot address *dutchess_bt.xyz.com* and the ethernet adapter on the backup is configured with its boot address *ulster_bt.xyz.com*. Since there is only one network adapter, the network interface *ulster.xyz.com* must be configured as an IP address alias on the backup control workstation.

Note: Both IP addresses 129.40.60.22 and 129.40.60.20 are assigned to the adapter **en0** on the backup control workstation. If another network adapter is available, you do not have to use an IP address alias.

When the operator starts HACMP on both control workstations, the first control workstation to start HACMP becomes the active control workstation. (The operator selects the machine to become the active control workstation by starting HACMP on it first.) If HACMP is first started on the primary control workstation and then on the backup control workstation, the network configuration looks like the one illustrated in Figure 17.

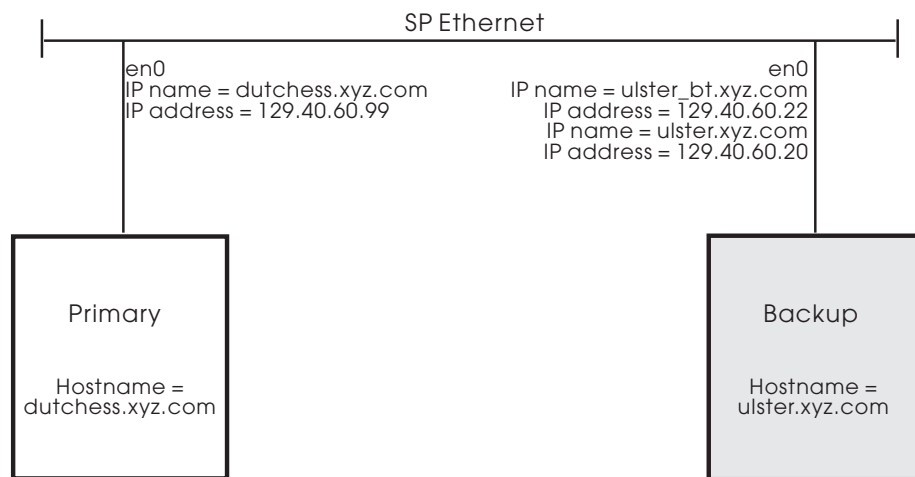


Figure 17. Starting HACMP

The only change to the network configuration is that the **boot address** *dutchess_bt.xyz.com* on the primary control workstation has been replaced by the **service address** *dutchess.xyz.com*.

If the primary control workstation should fail and the backup control workstation take over, the network interface looks like the one illustrated in Figure 18 on page 114.

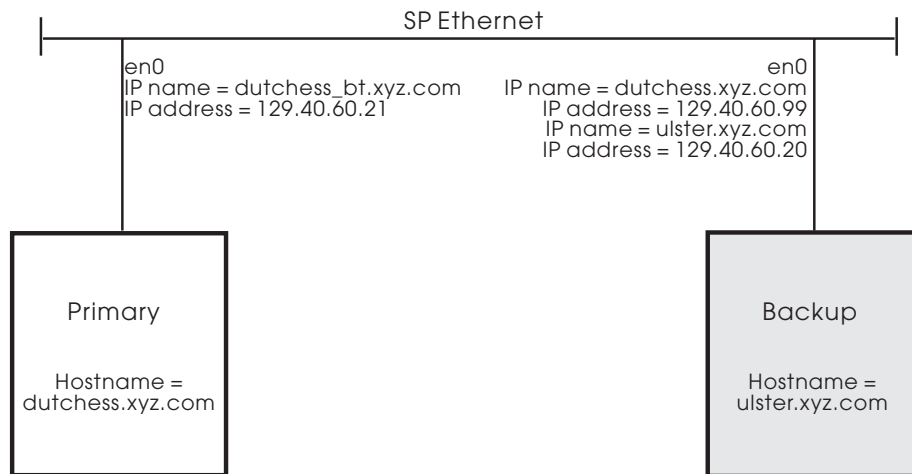


Figure 18. Control Workstation Failover

If the primary control workstation is still running, then its ethernet adapter is back on its boot address *dutchess_bt.xyz.com*, and the boot address *ulster_bt.xyz.com* on the backup control workstation has been replaced by the service address *dutchess.xyz.com*. The SP nodes continue to get control workstation services by accessing *dutchess.xyz.com*.

Note: The network interface *ulster.xyz.com* remains configured on the backup control workstation.

You can identify multiple network interfaces to move back and forth between the two control workstations along with the control workstation services. Some possible reasons for doing this are:

- You have an SP system with a large number of nodes and multiple ethernet adapters on the control workstation connected to the SP Ethernet network.
- You want the control workstation to provide a separate network interface for each SP system partition.
- You want a network interface on an external network to allow workstations outside of the SP system to transparently access the active control workstation.

Each of these network interfaces is effectively a service address. However, the number of service addresses identified to HACMP cannot exceed the number of network adapters. Use IP address aliasing to make up the difference.

In this example, each control workstation has only one network adapter. Since *dutchess.xyz.com* is defined to HACMP as a service address, any additional “effective” service addresses must be configured using IP address aliases. If you added an SP system partition whose network interface name on the control workstation is *columbia.xyz.com* to this example configuration, it would look like Figure 19 on page 115 when the backup control workstation is active.

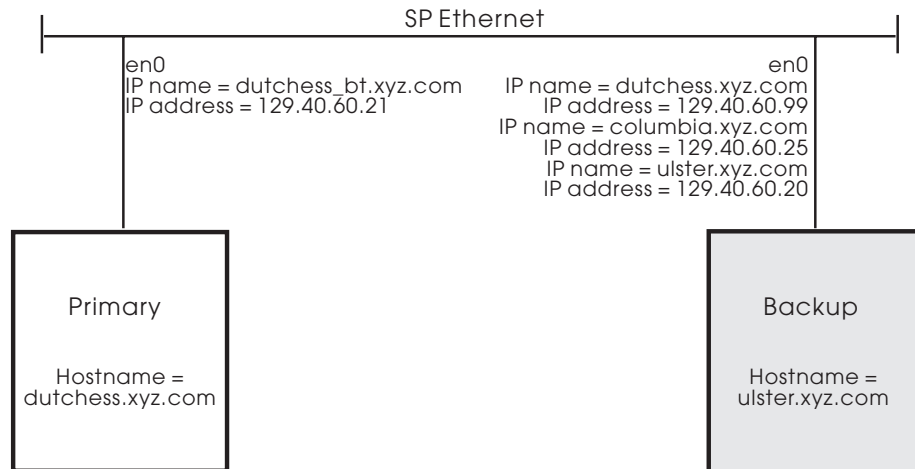


Figure 19. Adding a System Partition

The HACMP service address *dutchess.xyz.com* is configured on adapter **en0** on the backup control workstation and the network interfaces *columbia.xyz.com* and *ulster.xyz.com* are configured on adapter **en0** as IP address aliases. The service address *dutchess.xyz.com* is identified to HACMP. **For each service address that is identified to HACMP, there must be boot addresses for both control workstations.** The boot address *dutchess_bt.xyz.com* is identified to HACMP for the primary control workstation, and the boot address *ulster_bt.xyz.com* is identified to HACMP for the backup control workstation

At this point, if you have not done so already, you need to do the following:

1. Determine the control workstation service addresses for your configuration.
2. Determine which service addresses should be identified to HACMP and which service addresses need to be configured using IP address aliases. **The hostname of the primary control workstation (*dutchess.xyz.com*) must always be identified to HACMP as a service address.** Remember the number of service addresses identified to HACMP cannot exceed the number of network adapters.
3. Determine the boot addresses for your configuration. The number of boot addresses on each control workstation will match the number of service addresses defined to HACMP. For example, if you identify three service addresses to HACMP, then you need to identify six boot addresses — three boot addresses on each control workstation.
4. Make sure the hostname of the backup control workstation (*ulster.xyz.com*) is always a valid network interface on the backup control workstation.
5. If your site uses a name server, make sure that all of these network interfaces have been added to your name server.

Chapter 5. Planning for Virtual Shared Disks

This chapter discusses planning for using the optional components of PSSP that help you create and use virtual shared disks.

Without special programming, a physical disk connected to a node can only be accessed by applications running on that node. The IBM Virtual Shared Disk component lets you define virtual shared disks and provides the special programming to allow applications running on other nodes to access information on the virtual shared disks. The Recoverable Virtual Shared Disk component lets you configure nodes as primary and secondary server nodes of virtual shared disks. Recoverable Virtual Shared Disk provides transparent failover to a secondary server node if the primary server node for a set of virtual shared disks fails. Communication adapter recovery is also provided, allowing SP Switch adapter or Ethernet adapter failure to be treated the same as node failure; that is, control of connected twin-tailed volumes is passed to the backup server.

See Chapter 12, "Planning for Migration" on page 179 for versions supported, coexistence, or migration information.

Planning for IBM Virtual Shared Disk and Recoverable Virtual Shared Disk Optional Components of PSSP

IBM Virtual Shared Disk is an optional component of PSSP that lets application programs executing on different nodes of a cluster access a raw logical volume as if it were local at each of the nodes. Actually, the logical volume is located at *one* of the nodes called a *server* node.

Recoverable Virtual Shared Disk is another optional component of PSSP that works in cooperation with the Virtual Shared Disk component of PSSP. It offers continuous access to data with transparent recovery in the event of the failure of an SP node, disk, disk adapter, disk cable or communication adapter.

The Recoverable Virtual Shared Disk component lets you configure nodes as primary and secondary virtual shared disk server nodes. It provides transparent failover to a secondary server node if the primary server node for a set of virtual shared disks fails. Communication adapter recovery is provided by allowing SP Switch adapter or Ethernet adapter failure to be treated the same as node failure; that is, control of connected twin-tailed volumes is passed to the backup server.

You should plan how you are going to use the Virtual Shared Disk and Recoverable Virtual Shared Disk software before you install the hardware. Each virtual shared disk cluster must be in the same system partition. You can have separate virtual shared disk clusters in separate system partitions, but they cannot communicate directly with each other. See Chapter 6, "Planning SP System Partitions" on page 121 for system partition planning information.

The Recoverable Virtual Shared Disk software requires twin-tailed disk storage which must be installed before you define or use the virtual shared disks. It also requires a minimum of two SP nodes.

For additional planning and complete information on creating and using virtual shared disks, see the book *PSSP: Managing Shared Disks*.

Planning for Virtual Shared Disk Communications

When you define virtual shared disks, you specify the SP Switch or other connection method. See the book *PSSP: Administration Guide* for detailed node and disk connection information. See the book *IBM AIX Version 4.3 System Management Guide: Operating System and Devices* to read about the Logical Volume Manager component of AIX if you are not already familiar with it.

In the design of the Logical Volume Manager component of AIX, each logical partition maps to one physical partition and each physical partition maps to a number of disk sectors. The design of Logical Volume Manager limits the number of physical partitions that Logical Volume Manager can track per disk to 1016. In most cases, not all the 1016 tracking partitions are used by a disk. The default size of each physical partition during a **mkvg** command is 4 MB, which implies that individual disks up to 4 GB can be included into a volume group.

If a disk larger than 4 GB is added to a volume group (based on usage of the default 4 MB size for the physical partition), the disk addition fails. The warning message provided will be: *The physical partition size of <number A> requires the creation of <number B> partitions for hdiskX.*

The system limitation is 1016 physical partitions per disk. Specify a larger physical partition size in order to create a volume group on this disk. Note that the size of the partition determines the granularity by which logical volumes (and file systems) could be increased in size in a given volume group definition. Moreover, this setting could not be overridden once a volume group is defined. If you intend to dedicate DASD for a database with large tables on external DASD, you should consider using a large partition size.

There are two instances where this limitation is enforced:

1. You try to use **mkvg** to create a volume group and the number of physical partitions on a disk in the volume group exceeds 1016. The workaround to this limitation is to select from the physical partition size ranges of: 1, 2, (4), 8, 16, 32, 64, 128, 256 Megabytes and use the **mkvg -s** option.
2. The disk that violates the 1016 limitation attempts to join a pre-existing volume group with the **extendvg** command.

You can recreate the volume group with a larger partition size allowing the new disk to work or create a stand-alone volume group consisting of a larger physical size for the new disk. If the install code detects that the rootvg drive is larger than 4 GB, it will change the **mkvg -s** value until the entire disk capacity can be mapped to the available 1016 tracks. This install change also implies that all other disks added to rootvg, regardless of size, will also be defined at that physical partition size. For RAID systems, the `/dev/hdiskX` name used by Logical Volume Manager in AIX might really consist of many non-4 GB disks. In this case, the 1016 requirement still exists. Logical Volume Manager is unaware of the size of the individual disks that really make up `/dev/hdiskX`. Logical Volume Manager bases the 1016 limitation on the AIX-recognized size of `/dev/hdiskX`, and not the real physical disks that make up `/dev/hdiskX`.

In some instances, you will experience a problem adding a new disk to an existing volume group or in creating a new volume group. The warning message provided by Logical Volume Manager will be: *Not enough descriptor area space left in this volume group.*

Either try adding a smaller PV or use another volume group. On every disk in a volume group, there exists an area called the volume group descriptor area (VGDA). This space allows you to take a volume group to another AIX system and importvg the volume group into the AIX system. The VGDA contains the names of disks that make up the volume group, their physical sizes, partition mapping, logical volumes that exist in the volume group, and other pertinent LVM management information. When you create a volume group, the mkvg command defaults to allowing the new volume group to have a maximum of 32 disks in a volume group. However, as bigger disks have become more prevalent, this 32 disk limit is usually not achieved because the space in the VGDA is used up faster, as it accounts for the capacity on the bigger disks. This maximum VGDA space, for 32 disks, is a fixed size which is part of the LVM design. Large disks require more management mapping space in the VGDA, causing the number and size of available disks to be added to the existing volume group to shrink. When a disk is added to a volume group, not only does the new disk get a copy of the updated VGDA, but all existing drives in the volume group must be able to accept the new, updated VGDA. The exception to this description of the maximum VGDA is rootvg. In order to provide AIX users more free disk space, when rootvg is created, mkvg does not use the maximum limit of 32 disks that are allowed into a volume group. Instead in AIX 3.2, the number of disks picked in the install menu of AIX is used as the reference number by mkvg -d during the creation of rootvg. For AIX 4.1, this -d number is 7 for one disk and one more for each additional disk picked. For example, if two disks are picked, the number is 8 and if three disks are picked, the number is 9, and so on. This limit does not prohibit you from adding more disks to rootvg during post-install. The amount of free space left in a VGDA, and the number size of the disks added to a volume group, depends on the size and number of disks already defined for a volume group. If you require more VGDA space in the rootvg, then use the **mksysb** and **migratepv** commands to reconstruct and reorganize your rootvg (the only way to change the -d limitation is recreation of a volume group).

Note: IBM recommends that you do not place user data onto rootvg disks. This separation provides an extra degree of system integrity.

The logical volume control block (LVCB) is the first 512 bytes of a logical volume. This area holds important information such as the creation date of the logical volume, information about mirrored copies, and possible mount points in the journaled filesystem (JFS). Certain Logical Volume Manager commands are required to update the LVCB, as part of the algorithms in Logical Volume Manager. The old LVCB is read and analyzed to see if it is a valid. If the information is valid LVCB information, the LVCB is updated. If the information is not valid, the LVCB update is not performed and the following warning message is issued: *Warning, cannot write lv control block data*

Most of the time, this is a result of database programs accessing raw logical volumes (and bypassing the JFS) as storage media. When this occurs, the information for the database is literally written over the LVCB. Although this might seem fatal, it is not the case. Once the LVCB is overwritten, you can still do the following:

- Expand a logical volume

- Create mirrored copies of the logical volume
- Remove the logical volume
- Create a journaled filesystem to mount the logical volume.

There are limitations to deleting LVCBs. The logical volumes with deleted LVCB's face possible, incomplete importation into other AIX systems. During an `importvg`, the Logical Volume Manager command scans the LVCB's of all defined logical volumes in a volume group for information concerning the logical volumes. If the LVCB is deleted, the imported volume group will still define the logical volume to the new AIX system, which, is accessing this volume group, and you can still access the raw logical volume. However, any journaled file system information is lost and the associated mount point will not be imported into the new AIX system. You must create new mount points and the availability of previous data stored in the filesystem is not assured. Also, during this import of logical volume with an erased LVCB, some non-jfs information concerning the logical volume, which is displayed by the `lslv` command, cannot be found. When this occurs, the system uses default logical volume information to populate the logical volume's ODM information. Therefore, some output from `lslv` will be inconsistent with the real logical volume. If any logical volume copies still exist on the original disks, the information will not be correctly reflected in the ODM database. Use `rmivcopy` and `mkivcopy` commands to rebuild any logical volume copies and synchronize the ODM.

Chapter 6. Planning SP System Partitions

This chapter describes how to plan for system partitioning. It describes the predefined system partitioning layouts shipped with the SP system software and introduces you to the System Partitioning Aid which allows you to create new system partitioning layouts which better suit your needs. System partitioning can apply to any system, whether it contains a switch or not.

For more specific information on how to partition your system, see *PSSP: Administration Guide*.

What is System Partitioning

System partitioning is the process of dividing your system into non-overlapping sets of nodes in order to make your system more efficient and more tailored to your needs. System partitions are usually relatively static and long-lived entities.

A system partition is, at the most elementary level, a group of nodes (not including the control workstation). In essence, a system partition is a subset of an SP system which consists of sufficient pieces (nodes, control workstation, data, commands, and so on) to form a logical SP subsystem.

With system partitions, you can ensure that switch applications running on one group of nodes are not inadvertently affected by activity on other nodes in the system.

Dependent nodes and SP-attached servers should be considered the same as standard nodes when planning a system partition.

System partitioning affects communication which occurs over the switch only; other communication paths are unaffected. System partitioning also provides environmental controls that allow the system administrator to control and monitor only the current system partition.

How Do You Partition the System?

Your SP system has a particular configuration defined by its frames and nodes. The SP comes with a set of predefined system partition layouts for each standard configuration. These layouts have been selected in a way which meets minimal throughput capabilities. In addition, the SP comes with the System Partitioning Aid software that allows you to construct your own layouts. If none of the predefined layouts meets your system partitioning needs, you can define your own using the System Partitioning Aid or you can submit a Request for Price Quote (RPQ) to IBM to request additional layouts. See your IBM representative for more information on the RPQ process.

Default System Partition

Taking advantage of system partitioning is something you do by choice. However, the partitioning atmosphere is always present to some extent. In the beginning, when you have installed the PSSP software, but before you intentionally partition your system, there is one system partition that contains all of the nodes and its name is the same as the name of the control workstation. This is the *default* or *persistent* system partition. It always exists. When you choose a different partition layout, one of the resulting partitions is this default system partition. A new system partition is formed by taking nodes from existing system partitions and collecting them as a new group.

Benefits of System Partitions

You gain several benefits from using system partitions. You can:

- Run switch-based applications on a set of nodes without interfering with switch work on another set, regardless of application or node failures. In particular, you can isolate switch traffic, preventing it from affecting switch traffic in another system partition.
- Separate a test area for application development from your production area.
- Install and test new releases and migrate applications without affecting current work.
- Have one operator manage, at a system level, more than one logical system from a single control workstation.
- Separate system administration for each partition.

Change Management and Non-Disruptive Migration

You can test new levels of AIX, PSSP, LPPs, application programs, or other software on a system currently running a production workload without disrupting that workload. Such a system partitioning solution assumes that there are spare nodes available to set aside in a test system partition. This solution lets you run migration scenarios on the test partition nodes without interfering with day-to-day operations on the rest of the system. You can form and manage system partitions and then customize the partitions with software.

Multiple Production Environments

You might also need to create multiple production environments with the same non-interfering characteristics as in “Change Management and Non-Disruptive Migration.” With system partitions these environments are sufficiently isolated so that the workload in one environment is not adversely affected by the workload in another environment. This is especially true for services whose usage is not monitored and for which there is no charge, but which have critical impact on performance of jobs, such as the switch. System partitions let you isolate switch traffic in one system partition from the switch traffic in other system partitions.

Example 1 – The basic 16-node system

Figure 20 on page 123 shows a simple 16-node system that contains one frame, one switch board, and 16 thin nodes installed. In this example, the nodes are named Node01, Node02, and so on up through Node16. You can name your nodes any way you want, but the nodes are also known by *node numbers*, and the node

numbers are assigned in the same manner as they are named in this example: from bottom left to top right.

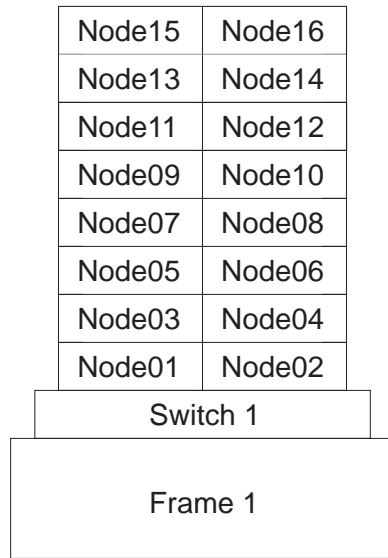


Figure 20. Simple 1-Frame System

Assume that you own this system, and that your day-to-day operations revolve around software called Application A, Version 1. Also, assume that you are interested in upgrading to Version 2 of Application A, and want to try out the new version while still relying on Version 1.

After evaluating your current workload, you determine that any 12 nodes are sufficient to perform your normal activity and, therefore, you decide to set 4 nodes aside to try out Version 2. This means you want to partition your 16-node system into 2 subsystems: a 12-node system partition and a 4-node system partition.

When you consult the predefined layouts shipped with your system, you find that several 4_12-layouts are provided for your 16-node system, and you decide to go with the following (listing node numbers rather than node names):

	Partition 1		Partition 2
	-----		-----
nodes	1,2,3,4,5,6		nodes 11,12,15,16
	7,8,9,10,13,14		

You adopt this configuration using a simple SMIT panel, and begin running your production load on Partition 1. Your choice is pictured in Figure 21 on page 124.

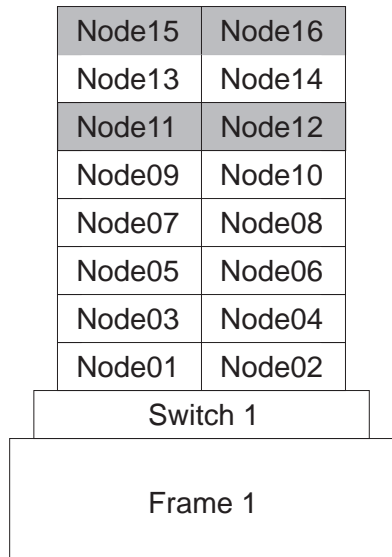


Figure 21. Partitioned 1-Frame System

Next you install Version 2 of Application A (together with any prerequisite software and hardware) on the nodes of Partition 2, provide Partition 2 with suitable test data, and begin executing trial runs of Version 2 on Partition 2.

Again, the switch-intensive portions of the applications of interest (Application A, Version 1 and Application A, Version 2) will run independently in their respective partitions. That is, your daily production runs and the Version 2 trial runs will not affect each other — in regard to switch performance. This is because the 4_12-layouts provided were constructed with that goal.

Using a Switch in a Partition

The SP system supports the following switches:

- SP Switch
- SP Switch-8

The Physical Makeup of a Switch Board

Actually, your choice in Example 1 was not necessarily as simple as suggested. A full *switch board* consists of 8 *switch chips* as shown in Figure 22 on page 125. Each chip has 8 *ports* to which nodes and other switch chips can connect.

Precisely 4 of the switch chips can have nodes connected to them, as on the left side of the board in Figure 22 on page 125. These chips are called *node switch chips*. Due to physical choices made in the SP frame, the nodes are connected as shown in the figure. Notice the following:

1. Nodes 1, 2, 5 and 6 are attached to switch chip 5.

Note: Nodes connected to the same chip can communicate with each other via that chip.

2. Nodes 3, 4, 7 and 8 are attached to switch chip 6.
3. Nodes 9, 10, 13 and 14 are attached to switch chip 4.

4. Nodes 11, 12, 15 and 16 are attached to switch chip 7.
5. There are no direct links among chips 4-7, nor among chips 0-3.
6. Each of chips 4-7 is directly connected to all of chips 0-3. Therefore, for example, the nodes on switch chip 4 can communicate with the nodes on switch chip 7 via any of chips 0-3.

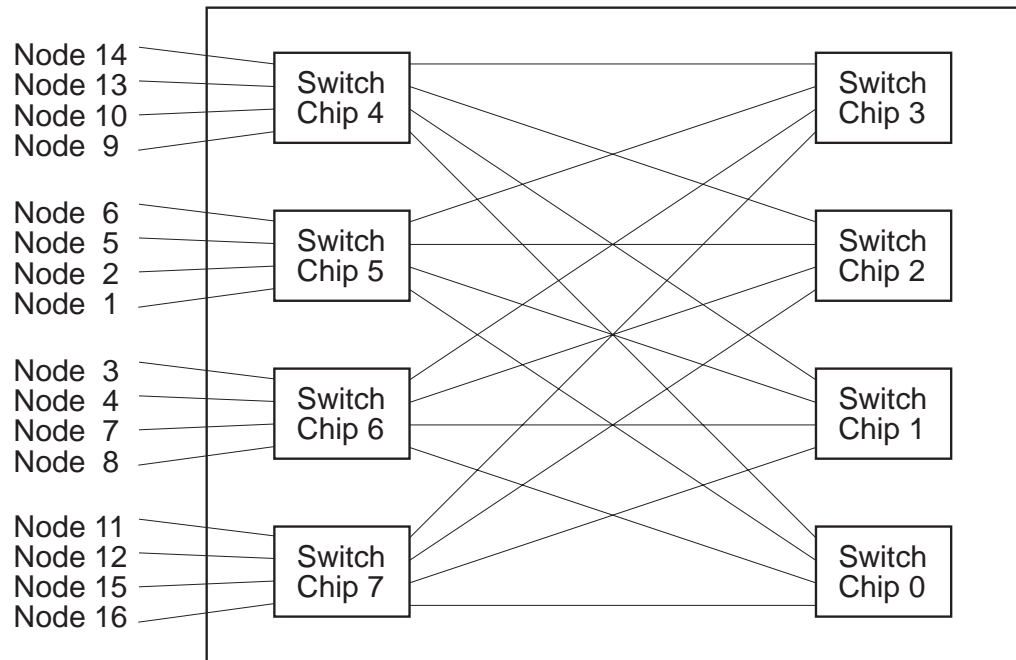


Figure 22. Full Switch Board

Chips 0-3 are called *link switch chips*, and are also used in multi-frame systems to connect the various switch boards to each other using ports not shown in the figure.

Systems with switches are assumed to be used in performance-critical parallel computing. One major objective in partitioning a system with a switch is to keep the switch communication traffic in one switch partition from interfering with that of another. In order to ensure this, each switch chip is placed completely in one system partition.

Any link which joins switch chips in different partitions is disabled, so traffic of one partition cannot enter the physical bounds of another partition. The result of the partitioning choice you made in Example 1 is shown in Figure 23 on page 126. Notice that the links from Chip 7 are missing in the diagram, indicating they have been logically removed from the active configuration, or disabled.

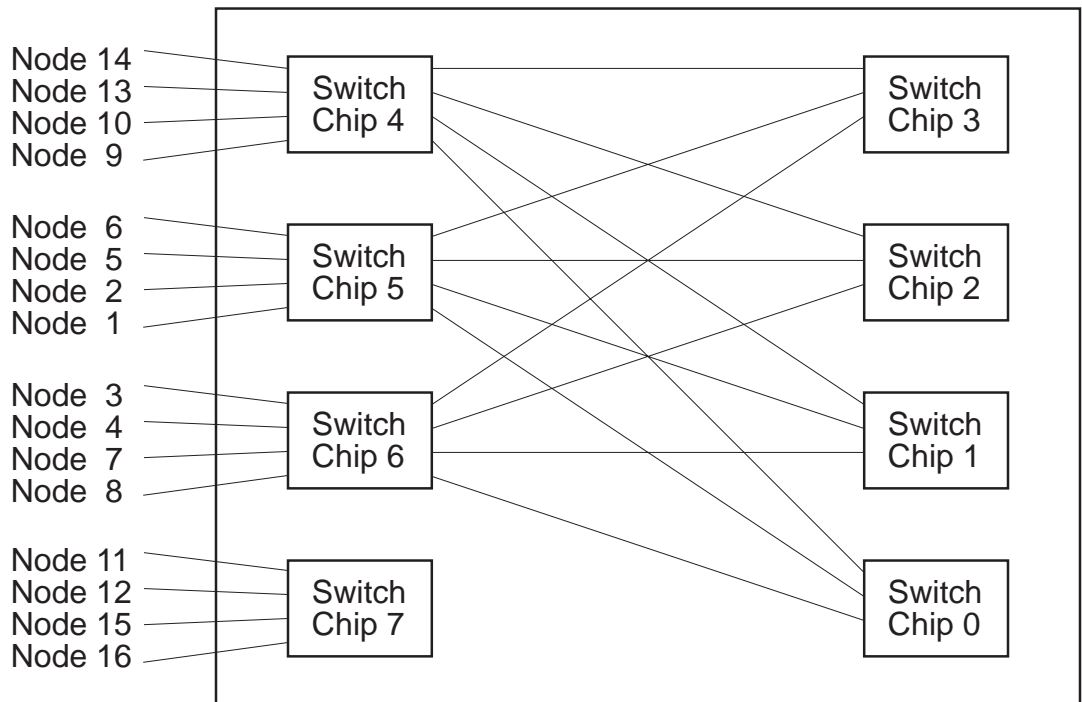


Figure 23. Nodes 11,12,15,16 Partitioned Off

Systems With a Low Cost Switch

If your system contains the low cost SP Switch-8, your system partitioning capabilities are restricted. The SP Switch-8, has only 2 chips with nodes attached. So, if you have the maximum 8 nodes attached to the switch, you have 2 possible configurations: a single-partition 8-node system, or 2 system partitions of 4 nodes each.

Switchless Systems

One main consideration when planning for system partitions is the use of a switch. Partitioning, however, is also applicable to switchless systems. If you have a switchless system, and later add a switch, you might have to rethink your system partition choice. In fact you might want to reinstall `ssp.top` so that any special switchless configurations you have constructed are removed from the system.

If you choose one of the supplied layouts, your partitioning choice is "switch smart": your layout will still be usable when the switch arrives. This is because the predefined layouts are constrained to be usable in a system with a switch.

Such a layout might be unsatisfactory, however, for your switchless environment, in which case you can use the System Partitioning Aid to build your own layout.

Example 2 – A Switchless System

Figure 24 on page 127 shows a switchless system having one frame and only 7 nodes. Partitioning this system might be helpful for migration testing similar to that discussed in Example 1. In this case, since there is no switch, we are not bound by switch chip-related rules. We can assign nodes to partitions in any way we want.

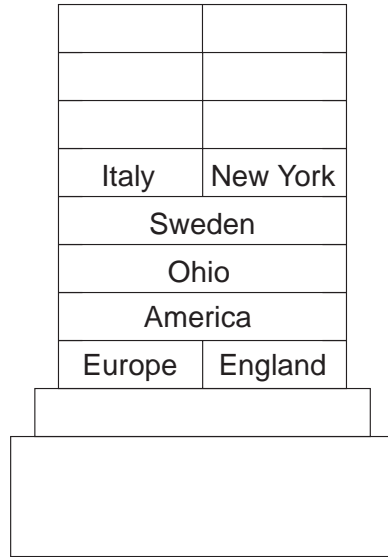


Figure 24. One Sparse Frame with No Switch

For example, suppose you wanted to divide the system into 2 pieces as follows:

1. In Partition 1, group the Europe node and its affiliates, which are Italy, Sweden, and England.
2. In Partition 2, group the America node and its affiliates, which are New York and Ohio.

Using node numbers, you have:

Partition 1 ----- nodes 1,2,7,9	Partition 2 ----- nodes 3,5,10
---------------------------------------	--------------------------------------

This configuration does not match any of the predefined layouts. Therefore, you would use the System Partitioning Aid to construct it.

The System Partitioning Aid

The System Partitioning Aid allows you to create a new system partition layout. In other words, if none of the layouts shipped with the SP meets your needs, you can use the System Partitioning Aid to generate one that does; and you can save this new layout for future reference.

The System Partitioning Aid provides both a Graphical User Interface (GUI) and command line interface. If you are an "experienced partitioner" or you have a simple system environment, the command line interface might serve your needs. While learning, or for more complex situations, you might find the GUI interface more beneficial.

The System Partitioning Aid supports the partitioning of systems with up to 128 nodes, whether switchless or switched (contains one or more switches). However, any SP system must be switch-wise homogeneous: system partitioning does not support the joining of switched and switchless systems.

Details on the System Partitioning Aid appear in the books *PSSP: Administration Guide* and *PSSP: Command and Technical Reference*. The system partitioning

examples in this chapter should help you understand the value of the System Partitioning Aid.

Accessing Data Across System Partitions

In addition to the restrictions on switch traffic, as illustrated in Example 1, data cannot generally be shared across system partitions. Therefore:

- Access to PSSP Virtual Shared Disks and pseudo-tape devices across system partitions is not supported.
- Twin-tailed disks cannot span system partitions.
- A physical file system, that is, the logical volumes containing the files, cannot span system partitions.
- You can use a distributed file system to mount filesystems across partition boundaries, just as you would use a distributed file system from one SP to another. Keep in mind that doing this might affect nodes in both partitions in terms of both CPU and network utilization.

The Relationship of SP Resources to System Partitions

The SP can have a variety of both hardware and software resources associated with it. This section discusses how these resources interact with each other with regard to system partitions.

Single Point of Control with System Partitions

You manage a partitioned SP system from a single point of control using the control workstation. There is one common administrative domain from which you can restrict interaction to one system partition.

The Common Administrative Domain

From an administrative point of view, each partition is a logical SP system within one common administrative domain. This means that:

- Only one control workstation is needed. (If using a High Availability Control Workstation, two workstations are available, but only one is used as the control workstation at any point in time.)
- The hardware monitor allows an administrator to control and monitor the entire system or a system partition. The administrator can issue commands that affect one, several, or all system partitions.
- There is one Kerberos V4 realm for the entire system.
- There is one DCE cell (Kerberos V5 realm) for the entire system.
- There is one user name space for the entire system.
- There is one accounting master for the entire system.
- The boot/install functions of a server node ignore system partition boundaries. However, a boot/install server must be at the same or later AIX and PSSP level as the nodes it is serving.

The SP_NAME Environment Variable

The entire SP is one administrative domain for the system administrator, who manages the system partitions as logical SP systems. An administrator restricts interaction to a specific system partition by setting the SP_NAME environment variable to the name or IP address of that system partition.

On the control workstation, the administrator is in an environment for one system partition at a time, as defined by the SP_NAME environment variable. Any task performed at the control workstation that requires information from the SDR gets the information for the current system partition. The operator must either set the SP_NAME environment variable or issue a command that sets it. If SP_NAME is not set, the environment is the default (or persistent) system partition.

The SDR in a Partitioned System

The SDR contains data about the entire SP system. Generally, this data is separated into *system* (global) and *partitioned* classes. Requests made to the SDR, whether in software or manually, require an appropriate name or IP address for the system partition. If no such identifier is specified, the value of SP_NAME is used.

On the control workstation, the administrator is in an environment for one system partition at a time as identified by the SP_NAME environment variable. Any task performed at the control workstation that gets information from the SDR gets the information for the current system partition. Also, all global data (data affecting **all** system partitions) is accessible from any system partition.

Networking Considerations

System partitioning does not require physical changes to the networking configurations of a system. You should consider certain effects that might warrant a physical change.

Ethernet interference, causing slower performance, might occur between nodes on the same physical Ethernet subnetwork. If these nodes are in different system partitions, an action such as booting all the nodes in one system partition might adversely affect the other system partition. You should consider creating system partitions aligned on the physical Ethernet subnetwork boundaries. This is fairly straightforward for system partitioning where the partitioning is on frame boundaries.

There is no connectivity over the switch between system partitions. This means that a gateway node with routing set up to the switch network might require routing changes if the gateway is to remain a gateway for more than one system partition. You can do this using explicit host routes on the gateway node, or by enabling ARP on all system partitions and redefining the IP addresses within a system partition as a different subnetwork.

Running Multiple Levels of Software Within a Partition

Remember that a system partition is an SP system — essentially a smaller SP carved out of the whole one. You cannot expect the smaller SP to do what the larger cannot. However, more flexibility was introduced with *coexistence* to support migration and make it easier to upgrade production applications.

With coexistence, nodes can still be divided into partitions. However, coexistence lets each node within that partition run its own individual version of PSSP. Within that node, any software that operates under that node's version of PSSP will still function. Even though the nodes are running a variety of PSSP levels, the SP system still functions normally. Therefore, depending on migration and coexistence limitations of the software you have or plan to install, you might be able to migrate your SP system one node at a time.

For additional information on this support, including supported levels and limitations, see Chapter 12, "Planning for Migration" on page 179.

Overview of Rules Affecting Resources and System Partitions

The SP resources must conform to certain rules if they are to be a part of a system partition. The following list provides an overview of these rules:

- An un-partitioned SP is treated as a single system partition.
- The number of system partitions you can define depends upon the size of your SP and on the way that nodes are connected. In order to achieve isolation between system partitions, the nodes connected to the same switch chip belong to the same partition.
- Each system partition in a system with an SP Switch has a primary node, for switch initialization, and a backup primary node.
- Each system partition has an associated topology file which defines the portion of the switch network that it owns. Switch initialization occurs within a system partition — for that portion of the switch fabric defined by the corresponding topology file.
- Switch operations and message traffic are managed within a system partition.
- The Resource Manager is now in LoadLeveler. You can have multiple system partitions in a LoadLeveler cluster but user space jobs must be in only one system partition.
- The IBM Virtual Shared Disk support and the pseudo-tape device driver cannot cross system partition boundaries. The IBM Recoverable Virtual Shared Disks and twin-tailed disks must be connected to nodes within the same system partition.

A physical file system, that is, the logical volumes containing the files, cannot span system partitions.

- Each system partition has subsystems that are system partition-sensitive because they operate within a partition rather than throughout the entire system. These subsystems (such as hats and hags) are managed by the Syspar Controller which operates through the **syspar_ctrl** command. This command provides a single interface to control system partition-sensitive subsystem scripts. For more information see *PSSP: Administration Guide*.
- HACMP clusters do not span system partition boundaries.

System Partitioning for Systems with Multiple Node Types

The physical types supported in the SP system for running PSSP are: thin, wide, and high nodes in SP frames, and SP-attached servers. The physical type affects the membership possibilities in a system partition. To understand how you can run multiple node types within a system partition, you need to understand the concepts of *node slots* and *switch chips*. A node slot is the space that one thin node can occupy in an SP frame. Every node or SP-attached server gets connected to one port on the switch chip.

Thin Node Frames

There are 16 node slots in an SP frame. Figure 25 shows how the slots are numbered in a frame. In Example 1, we considered a 1-frame system of 16 thin nodes. In that case, there is one node per slot, and the number of a node is precisely the number of the slot it occupies.

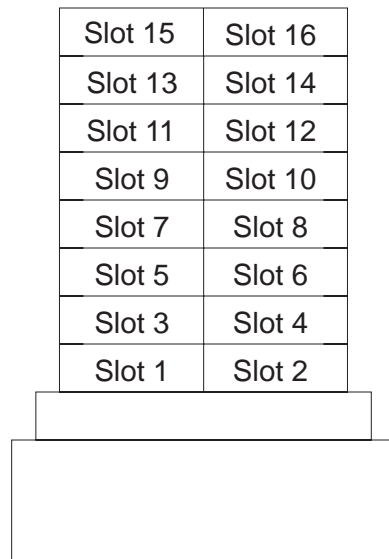


Figure 25. One Frame with Slots Numbered

Partitioning with Wide and High Nodes

A wide node occupies two adjacent slots (a drawer) and a high node occupies four adjacent slots (2 adjacent drawers). The correspondence between node numbers and slot numbers is a topic of Example 3. For now, remember a node's node number is the lowest numbered slot that it occupies. As you plan your system partitions, think in terms of slots. Then you can decide what combination of thin, wide, and high nodes you want to occupy those slots.

Figure 26 on page 132 shows a frame populated with 3 wide, 1 high, and 6 thin nodes. The nodes in that figure have been given simple names using their node number. Note that nodes 2, 8, 10, 11, 12, and 14 do not exist. The preceding discussion expands to the following complete summary for the slots of the frame in Figure 25:

- Slots 1 and 2 contain wide node 1
- Slot 3 contains thin node 3
- Slot 4 contains thin node 4
- Slot 5 contains thin node 5

- Slot 6 contains thin node 6
- Slots 7 and 8 contain wide node 7
- Slots 9, 10, 11, and 12 contain high node 9
- Slots 13 and 14 contain wide node 13
- Slot 15 contains thin node 15
- Slot 16 contains thin node 16

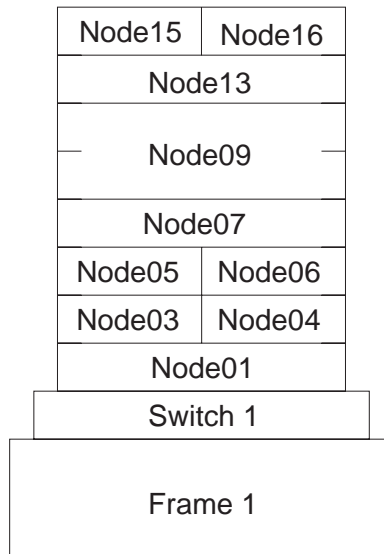


Figure 26. Varied Node, 1-Frame System

In a switched SP, the switch chip is the basic building block of a system partition: if a switch chip is placed in a partition, then any nodes connected to that chip's *node switch ports* are members of that partition, also. So, any system partition in a switched SP is physically comprised of switch chips, any nodes attached to ports on those chips, and the links that join those nodes and chips.

A system partition can be no smaller than a switch chip and the nodes attached to it which occupy some number of slots in the SP system. Following are examples of possible scenarios of nodes attached to a single switch chip:

- Four thin nodes attached (4 slots)
 - Three thin nodes attached (3 slots) and one unused node switch port
 - Two wide nodes attached (4 slots) and 2 unused node switch ports
 - One wide node and two thin nodes attached (4 slots) and 1 unused node switch port
 - One wide node and one thin node attached (2 slots) and 2 unused node switch ports
 - One high node and two thin nodes attached (6 slots) and 1 unused node switch port
- Note:** A high node occupies 4 adjacent slots. The high node is attached to one switch chip at one port.
- One high node and one wide node attached (6 slots) and 2 unused switch ports

In practice, every slot is assigned to some chip, via fictitious nodes if necessary, so that if that slot is later filled with a node, it is not a major reconfiguration event.

SP-attached Server

An SP-attached server is not in an SP frame, but it is managed by the PSSP components as though it is in a frame. The SP-attached server is always viewed as occupying slot one in its frame. Its frame is considered to have 16 node slots, just like SP frames. However, because it must attach to an existing SP frame, it must occupy a port in the switch chip whether or not it also connects to an SP Switch.

Example 3 – An SP with 3 frames, 2 switches, and various node sizes

Figure 27 shows a 3-frame system containing wide nodes, thin nodes and high nodes. The nodes have been named in accordance with their frame and slot location.

Note: Keep in mind that you probably cannot order the system discussed in this example. This system has nodes located in legitimate locations, but the models available to order from IBM might not include this configuration. Over time, however, you might add, delete, and move nodes of your system such that you might arrive at a similar system and be faced with similar considerations.

There is a switch in each of frames one and three. Frame two is sharing the first frame's switch, which is possible because the configuration of frames one and two is an example of configuration number 1 in Figure 11 on page 98. You can connect a maximum of 16 nodes to a switch board. Since Frames 1 and 2 have only 11 nodes total, there is room for future expansion.

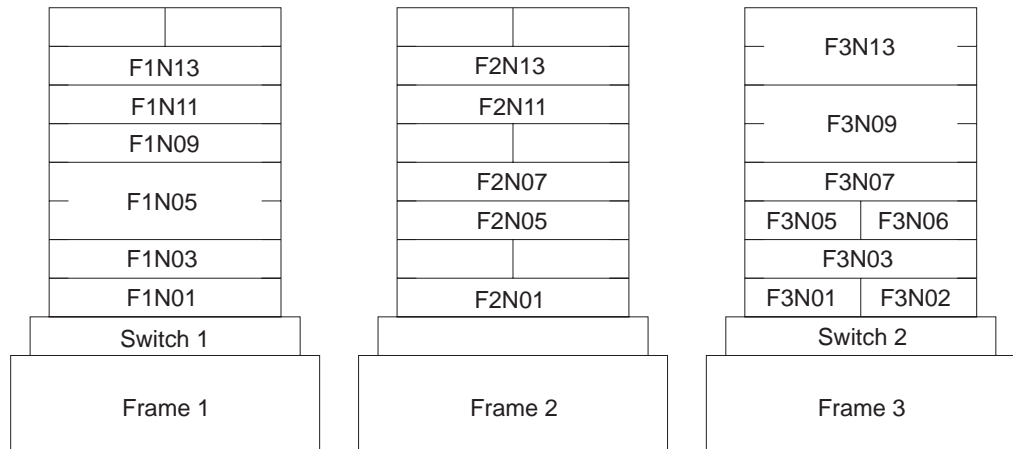


Figure 27. Three Frames with 2 Switches

The nodes in a system are assigned node numbers sequentially across the frames, bottom left to top right, except that node numbers are skipped to accommodate later expansion and node shifting. Put another way, the first 16 node numbers are assigned to the 16 slots of the first frame, the next 16 node numbers to the 16 slots of the second frame, and so on. The following are cases where node numbers are skipped:

1. A wide node takes up two slots

For example:

- there is no F1N14, or node number 14, because wide node F1N13 occupies both slots 13 and 14 of Frame 1

- there is no F2N08, or node number 24, because wide node F2N07 occupies both of slots 7 and 8 of Frame 2
2. A high node takes up four slots
- For example:
- F1N06, F1N07 and F1N08 (node numbers 6-8) cannot exist because high node F1N05 takes up all of slots 5-8 in Frame 1
3. A slot is left empty
- For example:
- there is no F1N15, or node number 15, because slot 15 in Frame 1 is unoccupied
 - there is no F2N03, or node number 19, because slot 3 of Frame 2 is unoccupied

So, how do the nodes in this system attach to the switches? Each switch can have 16 nodes attached. Therefore, the system has 32 *node switch ports*. The system needs to know to which of these ports each node is connected. These node switch ports are numbered 0 through 31. The system understands the *switch port number* of a node to be the number of the node switch port to which the node is connected. The switch port number of a node is sometimes called its *switch node number*.

In the 16-node system of Example 1, a node's switch port number is one less than its node number, because switch port numbers start at zero. Therefore, node number 1 has switch port 0, and so on through node number 16 which has switch port number 15.

Note: Although this discussion might sound complicated, it really isn't. Just keep in mind that a node generally sits in the midst of a large system and, at any point in time, you might care about any one of the following:

- Where does the node sit in its frame? (slot number)
- What is the node's position relative to all the rest of the nodes in the system? (node number)
- Where does the node connect to the switch fabric? (switch port number, or switch node number)

You can ascertain the current node number mapping for a system under operation by issuing the command **sysparaid -i**.

When possible, switch connections are made as illustrated in Example 1. Therefore, in Frame 1 of Figure 27 on page 133, F1N03 sits in slot 3, is node number 3 and has switch port number 2. The wide node F1N01 is node number 1 and uses switch port number 0.

There is no node number 2, so switch port number 1 is not used by Frame 1. However, F2N01 in Frame 2 needs a switch port, and is a likely candidate to take the place of the missing node number 2 on Switch 1. So, F2N02 occupies slot 1 of Frame 2, is node number 17 in the system, and uses switch port number 1.

Continuing along this track, F1N05 uses switch port number 4 and F2N05 uses switch port 5. Switch port 6 is unused since there is no F1N07, but switch port 7 is used by F2N07.

Switch port numbers continue with the next switch of the system. So, F3N01 uses switch port 16, F3N02 uses switch port 17, and so on. However, the F3N01 is node number 33 and F3N02 is node number 34.

Now, assume you want to partition this system as follows:

```
Partition 1 - F1N01, F2N01, F1N05, F2N05,  
             F1N03, F2N07  
Partition 2 - F1N09, F1N13, F2N13  
             F1N11, F2N11  
Partition 3 - F3N01, F3N02, F3N05, F3N06,  
             F3N03, F3N07,  
             F3N09, F3N13
```

The nodes are listed in this order on purpose – by switch chip. This layout is not among the predefined ones shipped with the SP. You can use the System Partitioning Aid to help specify this layout. First, recognize that for this system to ever have been operational, the system was installed and its specific makeup (existing frames, existing switches, node names, node types, node numbers, switch port numbers), was stored in the SDR. The System Partitioning Aid has that data to build upon. To specify the system partitioning layout you want, do one of the following:

- Invoke the System Partitioning Aid from the command line, specifying the partitions via node lists in an input file. For more information see the book *PSSP: Command and Technical Reference*.
- Bring up the graphical user interface of the System Partitioning Aid, by using the **spsyspar** command, and select the nodes for each partition using a pointer device.

This interface is also available under the *SP Perspectives* graphical user interface.

You can plan a system partitioning layout before it is realized. This topic is discussed in Appendix A, “The System Partitioning Aid - A Brief Tutorial” on page 211.

The System Partitioning Aid will not allow you to do something inappropriate like split a switch chip among partitions; nor define a partition having extremely poor bandwidth or reliability over the switch. (See the *PSSP: Administration Guide* for additional information on such restrictions.) When you are satisfied, the System Partitioning Aid will save your layout information in an appropriate directory. Note that layouts are classified based on chip assignments and the maximum number of nodes which can be attached to those chips. Therefore, this layout would be saved as an 8_8_16-layout. (8+8+16 = 32 is the maximum number of nodes you can attach to 2 switches.)

System Partitioning Configuration Directory Structure

System partitioning is supported by the SP software's `ssp.top` option. You can choose to install this support when you install PSSP on the control workstation. This provides the system with a directory of predefined system partitioning layouts, as well as the System Partitioning Aid, a tool for building additional layouts. The directory is represented in Figure 28 on page 137. An introduction to the System

Partitioning Aid is provided in Appendix A, "The System Partitioning Aid - A Brief Tutorial" on page 211.

For system partitioning purposes, a system is cataloged by its switch configuration. The number of used node slots in the system and the type of nodes the system contains play a role in how you want to partition your system. *However, the quantity and kinds of switches determine your options.*

A switch board to which nodes are connected is called a *Node Switch Board* or *NSB*. In larger systems, it becomes impossible to adequately connect all pairs of NSB switch boards to each other. Additional switch boards are inserted to provide additional connectivity. These "extra" switch boards have no nodes attached, just other switch boards. Such a switch board is called an *Intermediate Switch Board* or *ISB*.

For example, the 1-frame system considered in Example 1 is classified as a 1nsb0isb system. It has 1 NSB and 0 ISBs. The system of Example 3 had 3 frames, but only 2 switch boards. It is a 2nsb0isb system.

The **syspar_configs** directory within the **spdata** file system contains all system partition configuration information. Figure 28 on page 137 shows this directory structure. In this figure, subdirectory 2nsb0isb is expanded to illustrate the predefined layouts available for such systems:

1. The system has a maximum of 32 nodes, 2 switches with up to 16 nodes each.
2. Using the predefined layouts shipped with the SP, the system can be configured as (partitioned into) 4_28, 8_24, or 16_16 subsystems; or it can be used as an undivided 32-node system.

"Example 3 – An SP with 3 frames, 2 switches, and various node sizes" on page 133 illustrates how to construct a new 8_8_16 layout. You could use the System Partitioning Aid to save this layout, in which case, the System Partitioning Aid would introduce a corresponding new config.8_8_16 directory in the 2nsb0isb subtree. Within that new config-level directory, a layout subdirectory would be introduced named layout.<name_desired> where <name_desired> is a name we specified to the System Partitioning Aid.

"Example 2 – A Switchless System" on page 126 illustrates (implicitly) how to construct a new, switchless 4_12 layout. Although only 7 nodes were available, you had a full frame for which the maximum size system is 16; categorization is based on the maximum number of nodes and any unlisted nodes go in the last partition. If you use the System Partitioning Aid to save this layout, the System Partitioning Aid would save it in the 1nsb0isb subtree as 1nsb0isb/config.4_12/layout/layout.<name_desired> where <name_desired> is a name you specify to the System Partitioning Aid.

3. For the 4_28 case, there are 8 different layouts available, one for each of the 8 node switch chips in the 2 switches.
4. For each available layout, the corresponding subdirectory contains a description file (layout.desc) and the specifics of the individual system partitions; the partition's nodelist file and topology file.

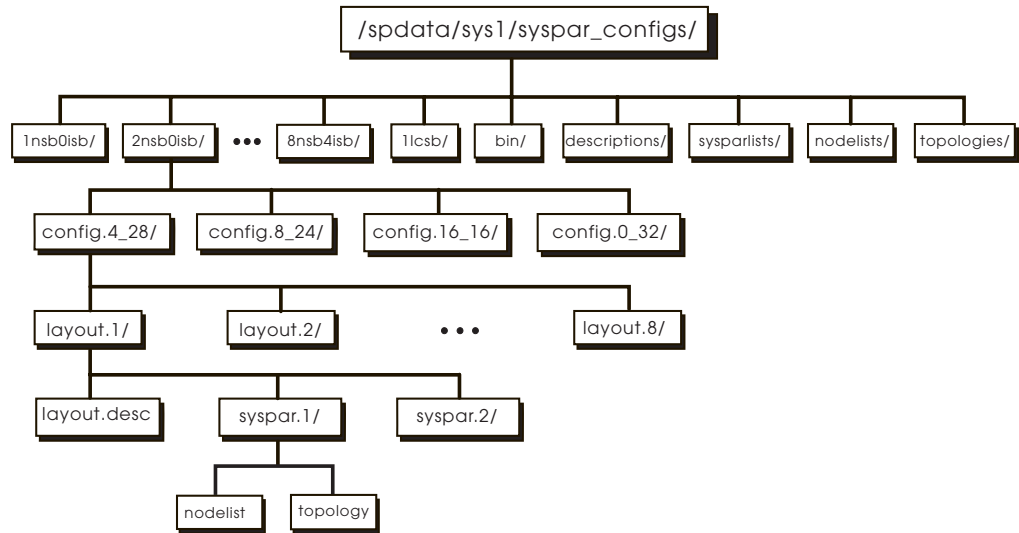


Figure 28. The Directory Structure of System Partition Information

The higher-level directories **descriptions**, **sysparlists**, **nodelists**, and **topologies** contain the files common to various configuration layouts. For predefined layouts, the low-level files **layout.desc**, **nodes.syspar**, **nodelist**, and **topology** are actually links into these higher-level directories. For layouts constructed via the System Partitioning Aid, no links are used; the actual files are stored at these lower levels.

The specifics of each of the predefined configurations are in Appendix B, “System Partitioning” on page 235. Consult that information as you complete the worksheets in Appendix C, “SP System Planning Worksheets” on page 259.

Chapter 7. Planning for Security

Analyzing company resources and protecting these resources is part of the administrator's duties. Your resources with regard to PSSP include the following:

- System and application data, user programs, and user data
- Communication devices and communication access methods
- Login permissions – specifically, who can log in, when, and how much resource each user can have
- Authentication, passwords, and Kerberos tickets

This chapter describes what you need to consider when planning for security, assuming you already understand security terminology, concepts, and functions. To learn security terminology and how authentication services work in the SP see the book *PSSP: Administration Guide*.

Choosing Remote Command Authentication Methods

Authentication allows networked applications (applications that have client and server parts executing on different hosts) to securely determine their mutual identities. This service is provided by one or more authentication servers (daemons) running on systems that are accessible from application client server systems, providing credentials that they use to perform the authentication task. When there is more than one authentication server system, one is the primary server and all others are secondary servers.

The SP system uses the AIX authenticated remote commands (**rsh**, **rcp**, **rlogin**, **telnet**, and **ftp**), which support multiple authentication methods. These commands are used by SP installation and configuration scripts and are available for general use. The SP System Monitor command-line interface, the SP Perspectives graphical user interface, and the remote execution facilities of **dsh** and **sysctl** also use authentication services.

In order to use the AIX authenticated remote commands within your SP, an administrator will have to select:

1. The *authentication methods* to be enabled for each SP system partition;
 - Kerberos V5 (with DCE)
 - Kerberos V4
 - Standard AIX
2. The *types of authorization* to be used for root user access via the authenticated remote commands within each SP system partition;
 - Kerberos V4
 - Standard AIX

You must use Kerberos V4. You can optionally also use one or both of Kerberos V5 (with DCE) and Standard AIX authentication.

Although the AIX remote commands support Kerberos V5 authentication, the SP installation and configuration scripts do not automatically install and configure DCE. AIX DCE 2.2 (or later) provides a protocol compatible with Kerberos V5. You must order, install, and configure DCE if you choose to use Kerberos V5 for

authentication. Standard AIX authentication comes with the AIX 4.3.2 operating system.

The steps for authorizing user access vary according to the authentication method used. For all methods, user access is based on the contents of a file:

- **.klogin** – authentication based on Kerberos V4
- **.k5login** – authentication based on Kerberos V5 with DCE
- **.rhosts** – Standard AIX authentication based on IP address or user password

Installing and Initializing Authentication

Installing and initializing authentication servers and clients requires defining at least one user who is fully authorized to perform the tasks. This is not as simple as having root authority on the control workstation. You need to plan for establishing the proper authorizations.

Note: The Network Installation Manager (NIM) is used during the installation of all SP nodes. NIM requires the use of either DCE or Standard AIX authentication and root user authorization only during the time of the actual installation.

Each node within a system partition must use the same set of authentication methods enabled in that partition. Each system partition can use a different set of authentication methods. The set of authentication methods enabled on the control workstation must be the union of all the authentication methods enabled in each system partition plus any other method currently set.

As the authorized system administrator, you can use the command **chauthpar** or the SMIT user interface to enable one or more authentication methods per system partition. You can use the command **lsauthpar** to list the authentication methods that are currently enabled for a system partition.

In each system partition for which you chose to use Kerberos V5, you must install and configure AIX DCE 2.2 (or later). See “Planning for Kerberos V5 Authentication with DCE” on page 147.

Planning for Kerberos V4

Planning the installation and configuration of Kerberos V4 involves:

- Establishing authorization for Installation and Configuration
- Deciding on your authentication configuration
- Selecting authentication options to install
- Creating the authentication configuration files
- Deciding on authentication realms

Establishing Authorization for Installation and Configuration

With Kerberos V4, you must define at least one user principal authorized to perform installation tasks. A system administrator, logged on as **root**, must assume the identity of this principal. When you use authentication services provided by AFS or another Kerberos implementation, this principal should already exist in the authentication database. For SP authentication services and other Kerberos V4 implementations, the administrator's principal can have any name with an instance of **admin**. An AFS principal has administrative authority if it has an **admin** attribute in its definition.

Deciding on Your Authentication Configuration

This section describes the various ways you can configure an SP system in an authentication realm. The following sections illustrate the possible authentication configurations used with the control workstation. The configurations also include other RS/6000 workstations on which you install SP authentication services, and non-RS/6000 workstations, when the authentication servers are configured in each of the supported manners. The control workstation and the SP nodes are always in a single authentication realm, which may optionally include other workstations and even other SP systems. The authentication servers can be on any workstation in the realm, but not on SP nodes. If you have AFS installed on your workstations, you can choose to use AFS servers for authentication, but are not required to do so. If you do not use AFS, you can use SP authentication servers or other Kerberos V4 servers. The SP nodes will have authentication services installed for all authentication configurations.

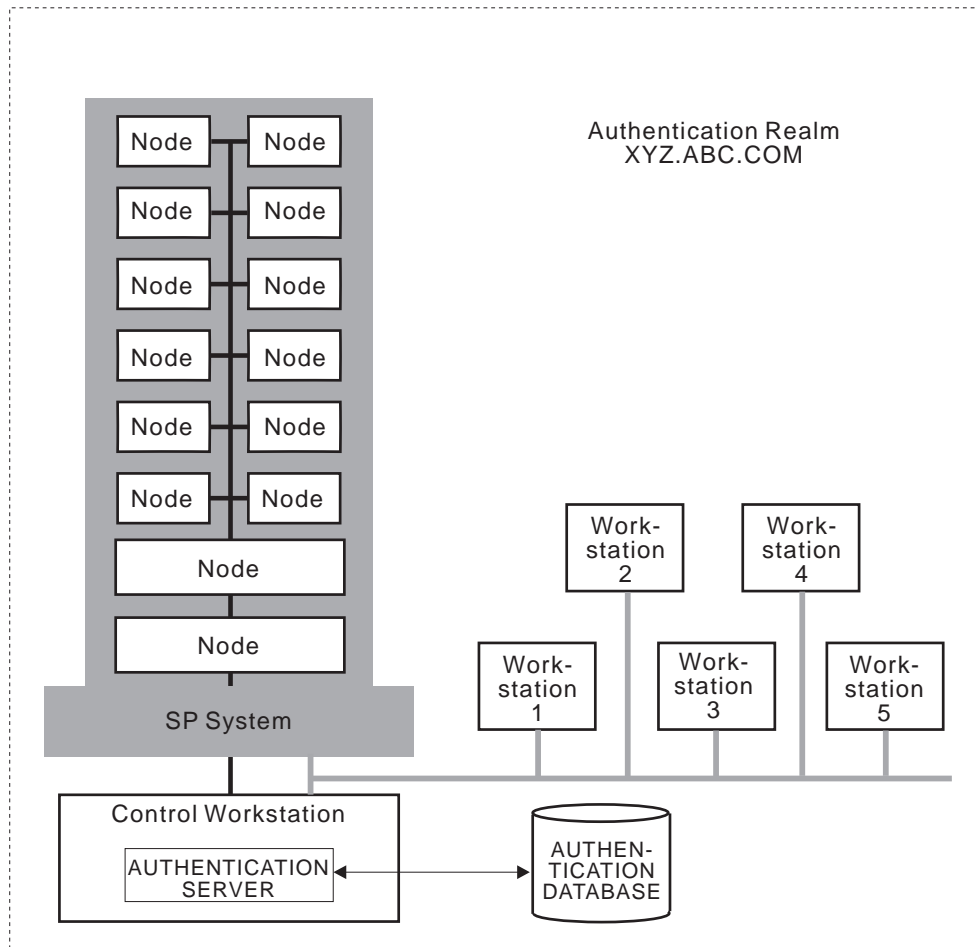


Figure 29. The Control Workstation as Primary Kerberos V4 Authentication Server

CWS-Primary

Figure 29 illustrates this configuration as follows:

- The control workstation is the primary authentication server, with the SP authentication server (fileset ssp.authent) and authenticated services (fileset ssp.client) installed.
- Other RS/6000 workstations can be secondary authentication servers, with the SP authentication server installed.
- Other RS/6000 workstations can have SP authenticated services installed.

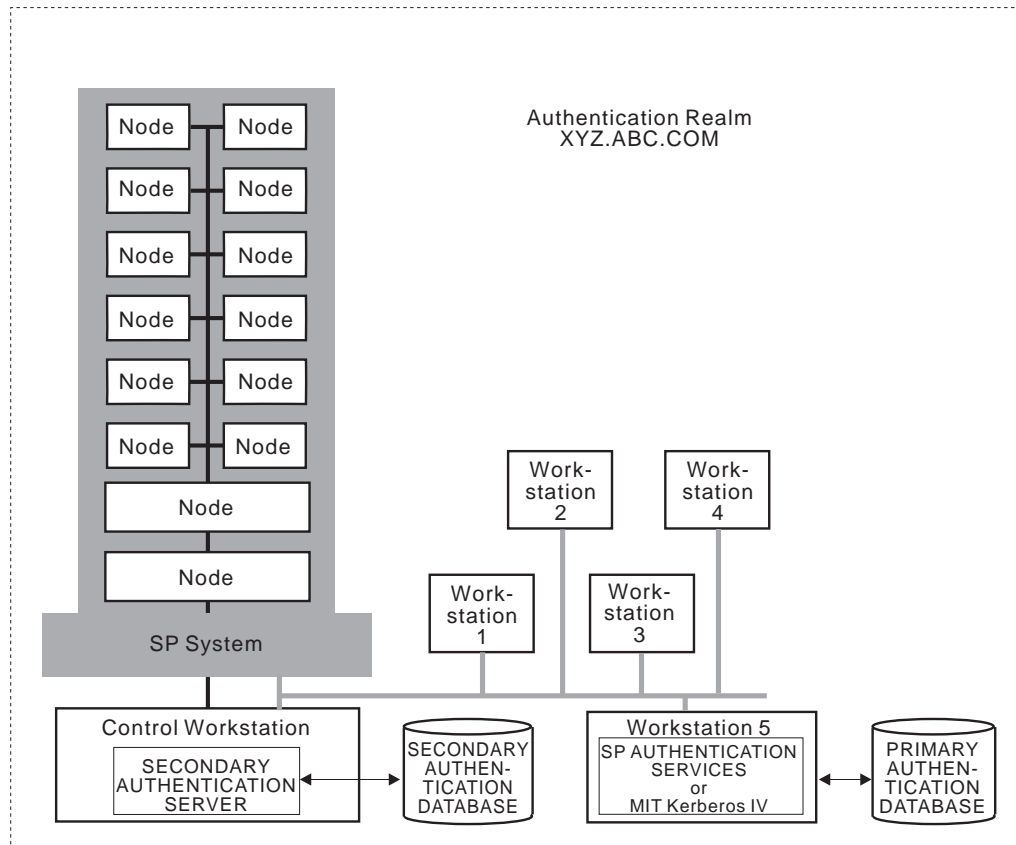


Figure 30. The Control Workstation as Secondary Kerberos V4 Authentication Server

CWS-Secondary

Figure 30 illustrates this configuration as follows:

- The primary authentication server is one of the following:
 - An RS/6000 workstation with the SP authentication server (fileset ssp.authent) and authenticated services (fileset ssp.clients) installed
 - A workstation with another Kerberos V4 implementation
- The control workstation is a secondary authentication server, with the SP authentication server and authenticated services installed.
- Other RS/6000 workstations can be secondary authentication servers, with the SP authentication server installed.
- Other RS/6000 workstations can have SP authenticated services installed.

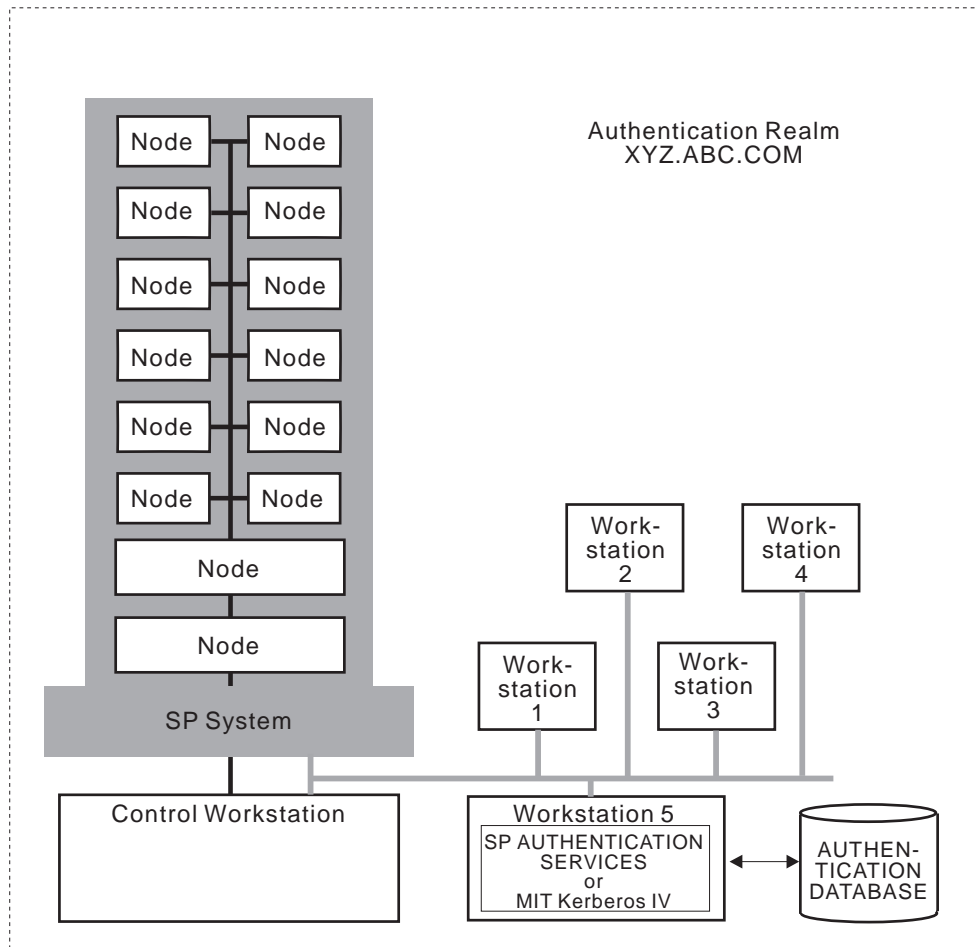


Figure 31. The Control Workstation as Client of Kerberos V4 Authentication Server

CWS-Client

Figure 31 illustrates this configuration as follows:

- The primary authentication server is one of the following:
 - An RS/6000 workstation with the SP authentication server (fileset ssp.authent) and authentication services (fileset ssp.clients) installed
 - A workstation with another Kerberos V4 implementation
- Other RS/6000 workstations can be secondary authentication servers, with the SP authentication server installed.
- The control workstation has SP authenticated services installed.
- Other RS/6000 workstations can have SP authenticated services installed.

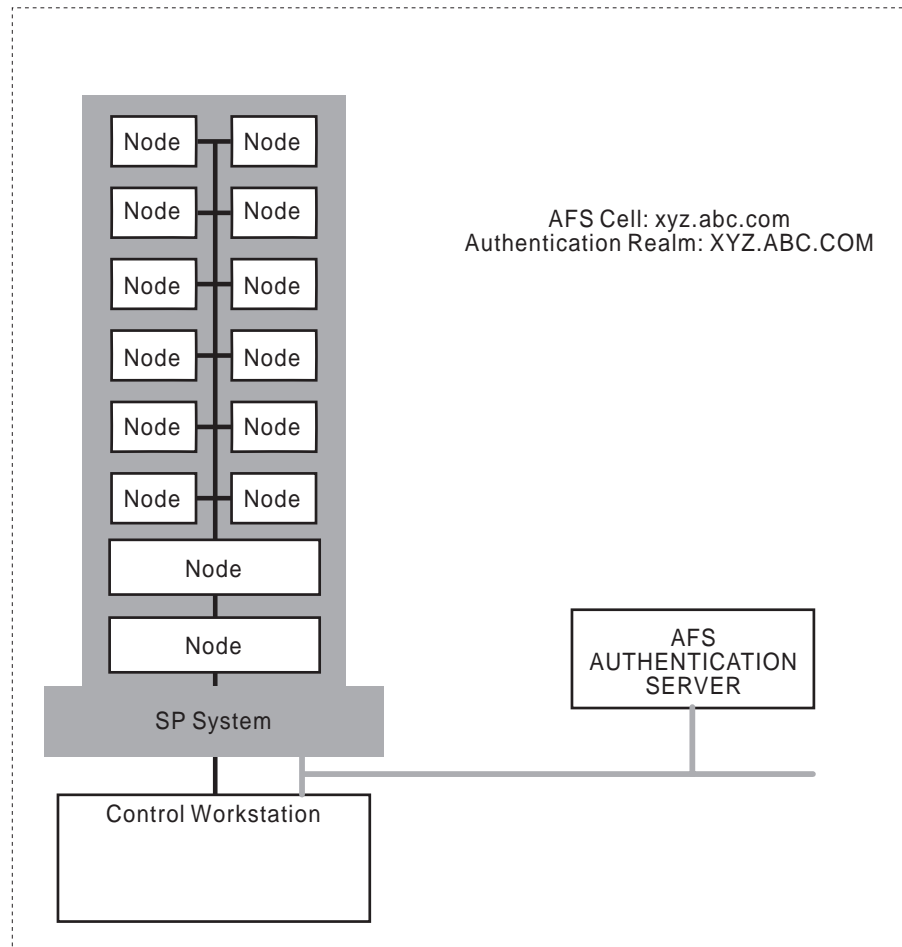


Figure 32. Using AFS Authentication Services on the SP System

AFS Server

Figure 32 illustrates this configuration as follows:

- The authentication servers are AFS servers, on the control workstation or other workstations.
- All workstations, including the control workstation, have AFS client services installed.
- The control workstation has SP authenticated services (fileset ssp.clients) installed.
- Other RS/6000 workstations can have SP authenticated services installed.

Selecting the Authentication Options to Install

Selecting SP options for installation depends on where the authentication server is located. SP authentication code is distributed in two separately installable options. **ssp.authent** contains only parts required on a system that is to be an authentication server. The remainder of Kerberos and authenticated services is distributed in **ssp.clients**.

You must install **ssp.clients** on the SP control workstation, even in the case where you intend to use AFS or Kerberos V4 authentication. You should also install it on any other RS/6000 workstation that you plan to be an authentication server or from which you plan to perform system management tasks using System Monitor

commands, AIX remote commands, or the **sysctl** remote command execution facility. Workstations using Kerberos V4 authentication do not require **ssp.clients** if they are not using SP system management tools. All SP nodes will have **ssp.clients** installed.

You must install **ssp.authent** on the control workstation, if it is to be an authentication server, either primary or secondary. You can also install **ssp.authent** on any other RS/6000 workstation that you plan to be an authentication server. You will not be able to install it if the system already has a Kerberos V4 implementation installed. If you want to install the SP authentication facilities, you must first remove the other Kerberos implementation.

Creating the Authentication Configuration Files

For some of these configurations, you need to create a configuration file (**/etc/krb.conf**) that lists the local realm name and all server hostnames. The following list identifies the cases in which you must provide the **/etc/krb.conf** file, and shows simple examples:

- CWS-Primary** Optional - you must supply the file only if there will be one or more secondary servers on RS/6000 workstations. If the **/etc/krb.conf** file is not supplied, **setup_authent** creates a file listing the local host as the primary server. For example:
- ```
XYZ.COM
XYZ.COM spcw.xyz.com admin server
XYZ.COM ksecondary.xyz.com
```
- CWS-Secondary** Required - control workstation is listed as a secondary server. This requires that the **krb.conf** file is first created on the primary authentication server and is copied to the control workstation. For example:
- ```
XYZ.COM
XYZ.COM kprimary.xyz.com admin server
XYZ.COM spcw.xyz.com
```
- CWS-Client** Required - control workstation is not listed in configuration file. This requires that the **krb.conf** file is first created on the primary authentication server and is copied to the control workstation. For example:
- ```
XYZ.COM
XYZ.COM kprimary.xyz.com admin server
XYZ.COM ksecondary.xyz.com
```
- CWS-AFS** None - file is derived automatically from AFS configuration files. AFS uses the configuration files **/usr/vice/etc/CellServDb** and **/usr/vice/etc/ThisCell**.

Refer to the file format man pages **krb.conf** in *PSSP: Command and Technical Reference* for more information and examples.



## Deciding on Authentication Realms

If you are using AFS authentication servers, your authentication realms are the same as your AFS cells. The name of the local realm for the SP system will be automatically set to the name of the AFS cell of the control workstation, and is converted to upper case.

When you are not using AFS, the following considerations apply. A SP system must be installed in a single authentication realm. This is the case if you are installing SP authentication on only the control workstation. The authentication realm could be an existing realm, consisting of systems using another Kerberos implementation, to which you add the SP system. You can give the realm any name you like or default the authentication realm name to the domain part of the server's hostname, converted to upper case.

Whenever you have additional SP systems or other workstations using authenticated services, you must decide whether you want them all in the same realm, sharing a single set of principals in one master authentication database. Generally a single realm is easier to manage and easier for users who don't have to concern themselves with selecting the correct realm when identifying a principal.

If there is to be any use of authenticated services between two different authentication realms, each realm must have a unique name. If you choose to have multiple realms, and there are systems in both whose hostnames have the same domain part, you can configure only one using the default authentication realm name. If there is any chance that you would add additional authentication realms and want to use authenticated services between systems in them, it is best to create your own non-default and meaningful realm names when you plan your configuration.

See the section on working with authentication realms in *PSSP: Administration Guide* for more information.

---

## Planning for Kerberos V5 Authentication with DCE

Planning the installation and configuration of Kerberos V5 involves:

- Deciding in which cell to configure authentication
- Planning DCE master servers
- Being Authorized to Install and Configure DCE
- Planning use of AIX remote commands

If you want to use DCE, you will need to:

1. Obtain the DCE product to be installed.
2. Install and configure DCE on the control workstation and nodes in each system partition that is to use DCE.
3. Enable the Kerberos V5 authentication method.

## Deciding in which Cell to Configure Authentication

In order to install and configure DCE within a system partition, you must do one of the following:

- Install and configure the control workstation as a DCE server.
- Install and configure the control workstation as a DCE client. This implies the DCE server is available on a system external to the SP.

You must install and configure DCE clients on nodes within any SP system partition that is configured to use DCE authentication. IBM suggests you install only DCE clients on nodes.

## Planning DCE Master Servers

The DCE master servers for a given cell must exist either on the SP control workstation or on a system external to the SP. They cannot be on SP nodes if any partitions within the SP are configured for DCE within that cell. SP nodes or the SP control workstation can be configured to run backup (secondary) DCE servers.

## Being Authorized to Install DCE

Only the *root* user on the SP control workstation can select to install and configure DCE for an SP system partition. Installation and configuration of DCE clients on the SP nodes requires a user with DCE cell administrator privileges. This might not be the person with root authority on the SP control workstation. Plan activities to authorize the appropriate people and assign the installation and configuration tasks respectively.

## Planning Use of AIX Remote Commands

To use Kerberos V5 authentication within the AIX remote commands, DCE principals must be authorized to access an SP node with an AIX user id. This authorization is controlled through the use of a *.k5login* file in the AIX user's home directory. The *.k5login* file can be created and maintained by each user or by a system administrator.

---

## Planning for Standard AIX Authentication

There are no special installation or configuration considerations to use Standard AIX authentication. It comes with your AIX 4.3.1 (or later) operating system. Standard AIX authentication is based on IP address or a user password. Access is based on the contents of a file in the user's home directory. The *.rhosts* file contains the list of authorized source host names and user names.

---

## Checklists for Authentication Planning

Use each checklist that applies to an authentication method that you plan to enable.

## Using SP or Kerberos V4 Authentication Servers

Decide what authentication realms your network will have.

For each realm:

1. Decide on the name of the realm.
2. Determine the administrative principal you will use for installing the SP authentication on the control workstation and other RS/6000 workstations. Either this administrative user or another that you define later must be assigned UID 0 in order to perform SP installation tasks that require both root privileges and Kerberos administrative authority.
3. Decide which system is the primary server.

If it will be an SP authentication server:

- Make sure no other Kerberos system is installed.

Otherwise, it must be an existing (primary) Kerberos server.

- Make sure the authentication server is installed and running.
- Make sure the kshell service (rsh/rcp daemon) is available.
- Make sure that network interfaces and name resolution are set up to allow it to access the primary server.

4. Decide which systems will be secondary servers.
5. Make sure that network interfaces and name resolution are set up to allow it to access the primary server and the SP system.

If any

- Decide how you will order the entries in the **/etc/krb.conf** configuration file.
- Decide how often you want to automatically propagate the authentication database from the primary server to the secondaries.
- For each secondary server
  - Make sure no other Kerberos system is installed.
  - Make sure that network interfaces and name resolution are set up to allow it to access the primary server.

6. Identify any other RS/6000 systems that will be clients.

If any other RS/6000 systems will be clients:

- Decide how you will order the entries in the **/etc/krb.conf** configuration file.
- Make sure that network interfaces and name resolution are set up to allow it to access the primary server and the SP system.

## Using AFS Authentication Servers

If you choose to use AFS authentication services with your SP system, take into account the following unique considerations:

1. Any RS/6000 workstation on which you are installing the SP authentication support, including the control workstation, must have already been set up as either an AFS client system or as an AFS server.

2. If the AFS configuration files, **CellServDB** and **ThisCell**, are installed in a directory other than **/usr/vice/etc**, or if the **kas** program is not installed in **/usr/afsws/etc** or **/usr/afs/etc**, you must create symbolic links at the directory level so the SP **setup\_authent** program can find these files.
3. You must have a user defined with the AFS **admin** attribute that can be used during SP authentication setup and installation. This user will also be the default user defined with administrative authority in the System Monitor's access control list file. You can add other administrators later.
4. In order for users to use the authentication service on the SP nodes, you must also install AFS client services on those systems. See the instructions for AFS client customization of the SP nodes in the sample file **afscient.cust** in the *PSSP: Administration Guide*
5. The authentication server (**kaserver**) in AFS 3.4 for AIX 4.1 accepts Kerberos V4 protocol requests using the well-defined **udp** port assigned to the **kerberos** service. AIX 4.1 assigns the Kerberos V5 port number 88 to work with DCE. PSSP authentication services based on Kerberos V4, uses a default port number of 750. The PSSP commands use the service name **kerberos4** to avoid this conflict with the Kerberos V5 service name. For PSSP authentication commands to communicate with an AFS 3.4 **kaserver** on AIX 4.1, you must do one of the following steps:
  - Stop the **kaserver**, redefine the **udp** port number for the **kerberos** service to 750 on the AFS Authentication server system, then restart the **kaserver**.
  - Add a statement to **/etc/services** that defines the **udp** port for the **kerberos4** service as 88 on the SP control workstation and on any other independent workstation that will be a client system for PSSP authenticated services.

---

## Authentication Worksheets

Copy and complete Worksheet 17 Table 60 on page 277 with your authentication information. If you use PSSP authentication servers, fill out Table 61 on page 278. If you use an AFS authentication server, fill out Table 62 on page 278.

Be aware that these worksheets ask you for passwords. Keep these worksheets, when filled out, in a secure location.

---

## Chapter 8. Planning to Record and Diagnose System Problems

---

### Configuring the AIX Error Log

The AIX Error Log facility is configured by default to be 1 MB in size. When the log fills up, it wraps around and overwrites existing entries. The SP software is utilizing the AIX Error Log frequently. Therefore, you should set the size to at least 4MB. You can do this once for all nodes with the **dsh** command after the nodes are installed.

```
dsh -a /usr/lib/errdemon -s 4096000
```

---

### Configuring the BSD Syslog

#### Control Workstation

The SP installation configures the Berkeley Software Distribution (BSD) syslog subsystem on the control workstation only to write all syslog messages for its daemons to the **daemon.notice** facility. (All kernel error messages are logged via the AIX Error Log Facility.) If the control workstation already has the **daemon.notice** facility configured, it does not change the previous configuration.

#### SP Nodes

The BSD syslog facility is not configured on the SP nodes when it is installed. By default, AIX does not configure the BSD syslog. The configuration file for BSD syslog is **/etc/syslog.conf**. Configure the syslog if you want entries made there. Note also that any SP error logs are also written to the AIX Error Log and usually contain more information about probable cause and possible recovery or diagnostic actions. In AIX, the predominant error logging facility is the AIX error log and only code that was ported from 'other sources' contains the calls to syslog and logger. The AIX kernel does not use syslog for error logging.

The File Collections facilities can be used to manage the **/etc/syslog.conf** file if all the nodes have the same configuration file. Administrators should be aware that the amount of information that syslog collects may consume network resources on an SP system if they are forwarded to a single node. Additionally, the SP multiplexes the **/dev/console** tty cables onto a single cable per frame. If **/dev/console** is used for syslog messages performance problems might occur. If you want syslog messages, IBM recommends that they be logged on a per-node basis, and that you use tools such as **dsh** and **sysctl** to view and manage them.

See the *PSSP: Diagnosis Guide* for more information about error logging.

---

## PSSP System Logs

The various PSSP 3.1 components create logs during normal operations in the following directories:

```
/var/adm/SPlogs/*
/var/adm/SPlogs/amd/*
/var/adm/SPlogs/auth_inst/*
/var/adm/SPlogs/auth_install/*
/var/adm/SPlogs/auto/*
/var/adm/SPlogs/cs/*
/var/adm/SPlogs/csd/*
/var/adm/SPlogs/css/*
/var/adm/SPlogs/filec/*
/var/adm/SPlogs/filec/logs/*
/var/adm/SPlogs/kerberos/*
/var/adm/SPlogs/pman/*
/var/adm/SPlogs/s7*
/var/adm/SPlogs/sdr/*
/var/adm/SPlogs/spacs/*
/var/adm/SPlogs/spmgr/*
/var/adm/SPlogs/spmon/*
/var/adm/SPlogs/spmon/nc/*
/var/adm/SPlogs/st/*
/var/adm/SPlogs/sysctl/*
/var/adm/SPlogs/sysman/*
/var/adm/SPlogs/SPconfig/*
/var/ha/log/hags*
/var/ha/log/em*
/var/ha/log/hats*
```

See the *PSSP: Diagnosis Guide* book for details on log information.

---

## Finding and Using Error Messages

Most error messages generated by the SP are listed and explained in the *PSSP: Messages Guide*. The book lists the messages in numerical order. Each message should have a part labeled “User Response” that describes the actions, if any, that you should take when you encounter the message. If the information in a message does not help resolve the problem, you should have users follow a pre-defined path for resolving the problem.

---

## Getting Help from IBM

| Before you call for help, check if all the latest service has been applied to your SP  
| system. Then see the relevant discussion in the book *PSSP: Diagnosis Guide* to  
| help you diagnose problems before placing a call. If you still require help from IBM  
| in resolving an SP system or an SP-controlled Netfinity system problem, you can  
| call IBM. You might be asked to send relevant data and to open a problem  
| management record (PMR) for tracking purposes.

## Finding Service Information

IBM suggests you purchase a 24 x 7 service plan when you consolidate Netfinity servers with the SP system. A warranty upgrade is available to provide 24 x 7 service with four hour or two hour on-site service response to meet your critical needs. To purchase, or upgrade to this support, contact your local IBM representative, or call 1-800-IBM-4YOU (426-4968).

A Web site contains all the service bulletins and flashes as well as PTF and APAR reports for all current releases of PSSP, LoadLeveler, Parallel Environment, and NetTAPE. The Web address is <http://www.rs6000.ibm.com/support/sp/>

## Calling IBM for Help

You can get assistance by calling IBM Support. Before you call, be sure you have the following information:

1. Your access code (customer number). This number was entered on Worksheet 4, "SP Planning" in Table 49 on page 263.
2. The SP product number, for example:
  - For a problem with PSSP 3.1, use product number: 5765-D51
  - For a problem with LoadLeveler 2.1, use product number: 5765-D61

Similarly, each product has its own order number that will speed the correct routing of your call. See Table 36 on page 181.

3. The name and version of the operating system you are using.
4. Any relevant machine type and serial numbers.
5. A telephone number where you can be reached.

The person with whom you speak will ask for the above information and then give you a time period during which an IBM SP representative will call you back.

In the United States:

The number for IBM software support is **1-800-237-5511**.

The number for IBM AIX support is **1-800-CALL-AIX**.

The number for IBM hardware support is **1-800-IBM-SERV**.

The number for the IBM PC Help Center is **1-800-772-2227**

Outside the United States, contact your local IBM Service Center.

## Sending Problem Data to IBM

You might be asked to produce a system dump and send it to the IBM support office. Refer to *PSSP: Administration Guide* for instructions on how to produce this information.

## Customers Within the United States

To send the data to IBM, label the tape or diskette with the problem number and mail it to:

IBM RS/6000 Scalable POWERparallel Systems  
Dept. 39KA, M/S P961, Bldg. 415  
522 South Road  
Poughkeepsie, N.Y. 12601-5400

ATTN: APAR Processing

## Customers Outside the United States

Your local IBM Service Center can provide you with the address to use.

## Opening a Problem Management Record (PMR)

A PMR is an online software record used to keep track of software problems reported by customers.

Follow your local support or service procedures for opening a PMR.

**Note:** To aid in quick problem determination and resolution, it will be very useful to have the SDR data specific to the problem included in the PMR. You can obtain the SDR data using the **splstdata** command. Use the appropriate command flag to view data relevant to the problem. For example:

|                     |                           |
|---------------------|---------------------------|
| <b>splstdata -e</b> | Lists environment choices |
| <b>splstdata -n</b> | Lists node information    |
| <b>splstdata -s</b> | Lists switch information  |

For more information on **splstdata**, refer to *PSSP: Command and Technical Reference*.

---

## IBM Tools for Problem Resolution

IBM offers several tools to help you with efficient problem resolution. Service Director for RS/6000 is standard with the SP while others are separate software packages.

### Service Director for RS/6000

Service Director is a set of IBM software applications that monitor the health of your SP system. Service Director analyzes AIX error logs and runs diagnostics against those error logs. You can define which systems have the Service Director clients and servers. You can also define the level of error log forwarding or network access.

During error conditions, Service Director analyzes the severity of the fault and determines whether or not to capture fault information. Depending on how you configure Service Director, the IBM support center and the responsible system administrator at your location receive E-mail containing the fault information. If a Service Request Number is created, a record of that is created, the product automatically sends a message (call home) to IBM and a PMR is opened. Upon



receiving the fault notification, IBM will automatically dispatch a service engineer with the parts needed to correct the problem, if such an action is needed.

## **Planning the Service Director's Physical Environment**

Service Director requires a local server. The local server must have:

- An available S1 serial port.
- 5 MB of free disk space.

Typically, the local server is the control workstation. However, if the control workstation does not have an available serial port, any other workstation on the LAN can act as the local host.

The local host uses the required serial port for a modem interface. The modem is then used to transmit fault messages to IBM and your system administrator over local phone lines. All new RS/6000 SP systems include a modem package as part of the ship group. This package includes:

- An IBM compatible modem (minimum 9600 bps baud rate).
- A 9 pin to 25 pin serial cable.
- A 25 pin extension cable fifteen meters long.

You **must** supply the following:

- An external, analog phone line.
- A telephone extension cable capable of reaching the modem from the phone jack.

In addition to the local host's physical requirements, **all** nodes in your SP system **must** have the client version of Service Director installed. This **requires** 1.5 MB of free disk space on each node.

## **Planning Service Director's Software Environment**

SP systems require Service Director 2.1 (or later). The disks and documentation you will need to install Service Director are included with the modem equipment in the ship group package sent with all new SP systems. In addition to the disk space requirements listed above, Service Director 2.1 has the following prerequisites:

- AIX 4.1 or later.
- IBM Diagnostics must be active on all workstations and nodes.
- Error logging must be active on all workstations and nodes.

Service Director can be installed concurrently. During installation, you will be presented with several customization options for system analysis scheduling and error notification. Once installed, Service Director runs dynamically under AIX and is capable of using the local server to display a structured view of problem management information. This information includes:

- Recent hardware events.
- A history of past hardware events.
- Statistical analysis of problems logged into Service Director.
- Client node status may be viewed remotely from the local server.

Service Director error logs are maintained in each node and are not consolidated in the local server.

**Note:** Operating system upgrades can introduce new error logs. Therefore, Service Director software upgrades might be needed when you upgrade PSSP and AIX.

### **Considering Security**

Service Director accesses only system error logs, system diagnostic data, and vital product data (VPD) files. All information that is transmitted to IBM is also routed by E-mail to the system administrator that you assign. Service Director disables the login capability on the assigned serial port and the modem configuration will not permit auto-answer. **No customer-unique data is ever accessed.**

## **NetView for AIX**

NetView for AIX manages multi-vendor networks by polling the base AIX SNMP daemon agents to gather information for display and action by network control desk. It performs the following functions:

- Automatic discovery of the network (creating and maintaining topological network maps)
- Performance management for monitoring network status, displaying critical network resource status and statistical summaries for analysis and corrective actions
- Fault management for verifying the integrity of the network, utilizing threshold and filtering algorithms for easier alert notification, and defining and implementing corrective actions to SNMP traps

Note that NetView for AIX is not supported on the control workstation.

## **EMEA Service Planning Applications**

The EMEA Service Planning offering, available directly from EMEA, runs a set of application programs managed by **cron** and the AIX Error Notification Facility to collect data from the ErrorLog, Syslog, **/var/adm**, and **/tmp** from individual nodes. The data is stored at the control workstation. The application, if required by events in the logs, calls the support center and opens a PMR.

---

## Chapter 9. Planning for Performance Monitoring

Performance Toolbox Parallel Extension (PTPE) is a performance monitor for the SP system. This optional component of PSSP collects and provides performance data for SP hardware and software. When installed on your SP, PTPE allows easy access to performance information about both SP hardware and software. This information is available as both run-time (current) and archived (historical) data that you can analyze, manipulate, print, and import to a database.

PTPE is designed as an extension of Performance Toolbox for AIX (PTX), the preferred performance monitor for AIX systems. PTPE gives Performance Toolbox access to SP hardware and software statistics, and makes Performance Toolbox easier to use when monitoring a large system. All this is done while retaining the same familiar interfaces to the performance data that you have come to expect from Performance Toolbox for AIX.

PTPE builds on the capabilities of PTX, adding monitoring functions specific to the SP system. PTPE requires IBM Performance Toolbox for AIX, program number 5765-654. You must install the Agent Component on each node that you want to monitor and install the Performance Manager on at least one node in the network you want to monitor.

You can use PTPE to examine the current performance state of any node in your SP system. PTPE collects and archives performance statistics for each SP node. It calculates averages for common performance information for all SP nodes. All PTPE data is available for display to help you evaluate performance of the SP at both the node and system level.

The translation table consumes 13,200,012 bytes (roughly 12.6 MB). As a result, the filesystem containing the `/var/adm/ptpe` directory needs to have at least 13 MB available space when PTPE is installed and started for the first time. If this space is not available, PTPE will not start. Once PTPE has successfully started, the complete table space is reserved in the directory even if 50,000 statistics aren't available (so PTPE can assimilate new statistics if they become available at a later time).

Administrators should set up a logical volume, containing at least 4 LP's (16 MB) on each node where PTPE is to run. Create a new filesystem for the logical volume, and mount the filesystem over the `/var/adm/ptpe` directory. This will ensure that PTPE has enough DASD to start.

Administrators also need to become part of the `perfmon` user group, and thoughtfully lay out the monitoring hierarchy.

See the *PSSP: Performance Monitoring Guide and Reference* book for how to monitor performance of your system.



---

## Chapter 10. Planning for PSSP-Related LPPs

This chapter briefly discusses planning information for PSSP-related Licensed Program Products (LPPs) that should be considered when planning your SP system. See Chapter 12, “Planning for Migration” on page 179 for versions supported, coexistence, or migration information. For complete detailed information on the individual LPPs, see their books which are listed in “Bibliography” on page 287.

---

### Planning for Parallel Environment

The IBM Parallel Environment for AIX program product is designed to help you develop parallel programs and execute them on the IBM RS/6000 SP System or a networked cluster of RS/6000 processors.

The main Parallel Environment components are:

- **The Communications Low-Level Application Programming Interface (LAPI)**, which is designed to provide optimal communication performance on the SP Switch.
- **Message Passing and Collective Communications Application Programming Interface (API) Subroutine Library**, which helps application developers parallelize their code.
- **Parallel Operating Environment**, which provides the ability to create and execute parallel application programs.
- **Parallel Debuggers**, which assist in debugging parallel applications.
- **Visualization Tool**, a trace generation and display system to visualize performance characteristics of your program and system.

Nodes operating at PSSP 2.3 or later and AIX 4.2.1 or later, support the Parallel Environment. If you plan to develop applications using the LAPI component of PSSP 3.1, you must use Parallel Environment 2.4.

Be aware that parts of the Parallel Environment installation steps might interact with or be affected by PSSP component installations, particularly the switch services component of PSSP (**ssp.css**) and the authenticated services (**ssp.clients**). See *PE: Installation Guide* for details on planning for and installing Parallel Environment, particularly if you are interested in any of the following:

- Installing Parallel Environment on a Control Workstation.
- Installing Parallel Environment to run off the rack, with the **ssp.clients** fileset.
- Installing the switch services component of PSSP (**ssp.css**) after Parallel Environment has been installed.

---

## Planning for Parallel ESSL

Parallel ESSL is a scalable mathematical subroutine library that supports parallel processing applications on the SP system and on clusters of RS/6000 workstations. Parallel ESSL supports the Single Program Multiple Data programming model and provides subroutines in six major areas of mathematical computations. It is tuned for optimal performance on the SP system with the SP Switch (16-port or 8-port).

Parallel ESSL provides subroutines in the following computational areas:

- Level 2 PBLAS
- Level 3 PBLAS
- Linear Algebraic Equations
- Eigensystem Analysis and Singular Value Analysis
- Fourier Transforms
- Random Number Generation

The subroutines run under the AIX operating system and can be called from application programs written in Fortran, C, C++, and High Performance Fortran (HPF). On the SP, Parallel System Support Programs (PSSP) is also required.

For communication, Parallel ESSL includes the Basic Linear Algebra Communications Subprograms (BLACS), which use the Parallel Environment (PE) Message Passing Interface (MPI). Communications using the User Space (US) require either the SP Switch or SP Switch-8. Communications using the Internet Protocol (IP) can use Ethernet, Token Ring, FDDI, SP Switch, or SP Switch-8.

To order IBM Parallel ESSL for AIX, specify program number 5765-C41. Parallel ESSL requires IBM ESSL for AIX, program number 5765-C42.

---

## Planning for High Availability Cluster Multi-Processing (HACMP)

IBM's tool for building UNIX-based mission-critical computing platforms is the High Availability Cluster Multi-Processing (HACMP) for AIX software package. HACMP ensures that critical resources are available for processing. Currently there are two variations of the product which run on the SP, HACMP and HACMP with Enhanced Scalability (HACMP/ES). HACMP/ES builds on the Event Management and Group Services components of PSSP to scale HACMP function. Typically, HACMP is run on the control workstation only if HACWS is being used. HACMP can also be run on the SP nodes.

The HACMP/ES software consists of a Cluster Manager that builds on the Event Management and Group Services facilities of PSSP to allow HACMP to scale up to 32 SP nodes. It allows customers to use these facilities to define their own HACMP events. The Event Management and Group Services facilities provide detection and notification for loss of a node, network, or adapter. The HACMP/ES software then drives the appropriate HACMP recovery action. Similarly, the customer can define a recovery program and have the HACMP/ES software execute it in response to any event that the Event Management component of PSSP can process using the PSSP resource monitor facilities.

The HACMP/ES software provides recovery programs for all of the HACMP events and provides the ability to run recovery actions in response to customer-defined events. Any event that the PSSP Event Manager component can monitor and

detect can be used to drive a recovery action. HACMP/ES has a dependency on PSSP's Group Services which is only in PSSP 2.4 or later.

See *HACMP: Planning Guide*, for complete planning information.

---

## Planning for LoadLeveler

LoadLeveler is an IBM software product that provides workload management of both interactive and batch processing on your RS/6000 SP system or RS/6000 workstations. The LoadLeveler software lets you build, submit, and process both serial and parallel jobs. LoadLeveler 2.1 is included with your new SP order. You choose whether to use it or not.

LoadLeveler is an integral piece of the total System Management solution on the RS/6000 SP. LoadLeveler can take advantage of features provided in PSSP, such as event management, performance monitoring, and SP Switch management. LoadLeveler will also interoperate with other schedulers to support batch job processing on other hardware platforms. These schedulers can include Network Queuing System (NQS) and the IBM Network Queuing System/MVS (NQS/MVS).

## Compatibility

The current release is LoadLeveler 2.1. It is available for AIX 4.3.

LoadLeveler 2.1 and LoadLeveler 1.3 are not compatible. There have been changes to the protocol used between daemons and changes in the format of the `job_queue`. You must upgrade all LoadLeveler nodes to LoadLeveler 2.1 or maintain two separate LoadLeveler clusters, one for LoadLeveler 2.1 and one for LoadLeveler 1.3.

In order to migrate from LoadLeveler 1.3 to LoadLeveler 2.1, you must drain the `startd` and `schedd` daemons in the cluster, shutdown LoadLeveler, install LoadLeveler 2.1, convert the `job_queue` file, and then restart LoadLeveler. For detailed instructions, see the README file distributed with LoadLeveler 2.1.

## Planning for a Highly Available LoadLeveler Cluster

LoadLeveler provides features within the product for automatic recovery in the event of failure of the central manager in the batch configuration and of the domain nameserver running Interactive Network Dispatcher in the interactive configuration. Additionally, the availability of individual compute nodes and filesystems in the LoadLeveler cluster can be enhanced by using the High Availability Cluster Multi-Processing (HACMP) product as well as the High Availability Control Workstation (HACWS) optional feature of PSSP. For details on how to configure LoadLeveler for high availability, refer to the ITSO Redbook *Implementing High Availability on the RS/6000 SP*.

## Performance Monitoring of LoadLeveler

LoadLeveler can use the Performance Toolbox Parallel Extensions (PTPE) optional component of PSSP to collect performance information on scheduling and executing nodes.

## Planning Your LoadLeveler Configuration

In general, planning the LoadLeveler installation for workload management requires making the following configuration decisions. You must decide what is suitable to your environment.

- Select a node to serve as central manager and one or more alternate central managers. The central manager can be any node in the cluster. In selecting one, consider the current workload and network access. Note that no new work can be performed while the central manager is down, and no queries can be made about any of the running jobs without the central manager.
- Determine which nodes will be scheduling nodes, execution nodes, submit-only nodes, and public submit nodes.
- Determine where to locate home and local directories. For maximum performance, keep the log, spool, and execute directories in a local file system.
- Determine if LoadLeveler daemons should communicate over the switch. It may not be desirable in your environment to have the daemons communicate over the switch. You need to evaluate the network traffic in your system to determine if LoadLeveler IP communications over the switch is desirable.
- Determine if HACMP is necessary to provide failover capability of individual compute nodes or the switch. If using LoadLeveler in conjunction with HACMP, decide which nodes will be grouped together for backup purposes. (HACMP can only provide capability for up to eight nodes.) Each backup node needs to know which set of seven nodes it will back up. This relationship is defined in the form of HACMP resource groups.
- Determine if your SP workload includes parallel jobs and if they will involve the SP Switch. If so, you will need to perform additional configuration activities. See the LoadLeveler publication for details.

Other planning considerations:

1. LoadLeveler requires a **common name space** for the entire LoadLeveler cluster. To run jobs on any machine in the LoadLeveler cluster, you must have the same uid (system ID number for a user) and gid (system ID number for a group) on every machine in the cluster. If you do not have a user ID on one machine, your jobs will not run on that machine.
2. LoadLeveler works in conjunction with the NFS or AFS filesystems. Allowing users to share filesystems to obtain a single, network-wide image, is one way to make managing LoadLeveler easier.
3. Some nodes in the LoadLeveler cluster might have special software installed that you might need to run your jobs successfully. You should configure LoadLeveler to distinguish those nodes from other nodes using, for example, job classes.

---

## Planning for NetTAPE

IBM provides two network tape products for AIX that are supported across a network of RS/6000 SP or RS/6000 Family Systems workstations, or both:

- IBM Network Tape Access and Control System for AIX (NetTAPE) 1.2
- IBM NetTAPE Tape Library Connection (NetTAPE TLC) 1.2

NetTAPE improves and simplifies tape operations management and tape device access in networks, providing a single-system image to users of data stored on tape. NetTAPE supports multiple standard record formats such as Variable,



Variable Block, Variable Block Spanned, and Fixed Block. There are APIs for customization as well as ADSM enhancements for remote tape support and external library support.

You must install the NetTAPE product on each node where a physical tape drive is attached. The size of the install image is about 38 MB. NetTAPE has the following prerequisites:

- AIX Version 4.1, AIX Version 4.2, AIX 4.3, or subsequent compatible releases
- One or more of the following hardware:
  - RS/6000 SP
  - RS/6000 Family Systems
  - Any TCP/IP hardware
  - IBM tape devices
  - Ampex 310 Tape Device

NetTAPE TLC builds on NetTAPE, adding support for robotic tape library devices. These devices include the IBM 3494 and IBM 3495 Tape Library Data Servers, IBM Magstar MP 3575 Tape Library Dataserver, and many other libraries and autochanger devices supported by ADSM device drivers.

The NetTAPE TLC product only needs to be installed on the node where the library server is running. The size of the install image is about 6 MB. NetTAPE TLC requires the following prerequisites:

- NetTAPE
- One or more of the following hardware:
  - IBM Tape Libraries
  - StorageTek Tape Libraries
  - Other SCSI-attached libraries or autochangers

---

## Planning for IBM Client Input Output/Sockets (CLIO/S)

Client Input Output/Sockets 2.2 provides high-speed transparent data transfer and tape access between MVS/ESA systems and AIX systems or between AIX systems. It provides a set of user commands and application programming interfaces that run on either MVS or AIX. CLIO/S is compatible with and complementary to NetTAPE when comprehensive tape access across both AIX and MVS is required.

If you currently have an MVS system, and if you plan to move large amounts of data (many gigabytes) between the MVS system and the SP, you might need CLIO/S. CLIO/S provides high-speed, low-overhead transfers over fast channel-to-channel connections. These channel to channel connections **require** the IBM ESCON Channel Adapter or the IBM Block Multiplexer Channel Adapter cards (and associated microcode) in the SP.

Planning for CLIO/S requires participation by both MVS and SP system planners. The main issues to consider in the planning stage include:

- Look at how frequently your data base is either loaded, backed up, or restored.
- Look at the current size and projected future size of your data base.

- CLIO/S data transfer is accomplished by moving MVS data files directly into AIX, bypassing the TCP/IP stacks in the MVS system.

Some workloads might be distributed across several nodes. Doing so requires individual channel adapter cards for each node connected directly to the MVS system.

Other nodes can be connected indirectly to MVS. This is done by routing node to node connections through the SP switch. In this case, the SP node that is directly attached, receives data from the MVS system. The data is then routed indirectly from MVS to other SP nodes via the SP switch.

Some systems might require intermediate data storage between the MVS and AIX systems while other systems will allow direct data transfer.

---

## Planning for General Parallel File System (GPFS)

General Parallel File System for AIX provides concurrent shared access to files spanning multiple disk drives located on multiple nodes. This LPP provides file system service to parallel and serial applications on the SP.

You can modify your GPFS configuration after it has been set, but your reward for a little consideration before installation is a more efficient file system.

Hardware and Operating Environment Considerations:

- GPFS requires Recoverable Virtual Shared Disk 2.1 or later. Therefore Virtual Shared Disk, another optional component of PSSP, is also required. If Recoverable Virtual Shared Disk is on multiple nodes within a system partition, each node must have the same level (2.1 or later).
- If you are using twin-tailed disks, you must select an alternate node as a backup Virtual Shared Disk server.
- Do you have sufficient disks and adapters to provide the needed storage capacity and required I/O time?

File Size Considerations:

- How much data will be stored and how large will your files become?
- How often will the files be accessed?
- Do your applications handle large amounts of data in single read/write operations or is the opposite true?
- How many files do you anticipate handling in the future?

Data Recovery Considerations:

- Node Failure:
  1. You must enable the High Availability Services option (mandatory for GPFS).
  2. GPFS automatically reconfigures itself to continue operations without the failing node.
- Virtual Shared Disk Server and Disk Failure: Your recovery strategy depends on your answer to the question, 'Is your primary concern loss of data, loss of access to data, or do you need protection from both server and disk failure?'

1. If data loss is your concern, a RAID device might be the best solution.
  2. If data access is your concern, twin-tailed disks could be your solution.
  3. If both data loss and access are potential problems, first consider mirroring at the logical volume manager for data recovery. If mirroring does not fit your system needs, another option is *replication*, which automatically creates and maintains copies of all file information.
- Connectivity Failure: Adapter failure is treated as a node failure.

Details on implementing these strategies and other methods can be found in the IBM publication *IBM General Parallel File System for AIX: Installation and Administration Guide*.



---

## Part 2. Customizing Your System



---

## Chapter 11. Planning for Expanding or Modifying Your System

As your organization's processing needs and resources change, you might find that your current system setup no longer meets your needs. You might want to add, remove, or upgrade nodes, frames, or switches. Your changing needs might require you to perform other hardware or software modifications to your system. Planning ahead when you first configure your system can make future changes easier.

This chapter discusses the most common topics to consider prior to expanding or modifying your system. In addition, several sample scenarios illustrate the most common ways of expanding your system.

The book *PSSP: Installation and Migration Guide* discusses how to add, delete, or replace hardware in your system. Prior to expanding or modifying your system in any way, you should read this chapter to understand how to plan for the change. Careful planning will help ensure your system is back up and running as soon as possible.

The book *IBM RS/6000 SP: Planning Volume 1, Hardware and Physical Environment* discusses site planning considerations such as planning for additional floor space or power concerns. Be sure to consult that book prior to expanding or modifying your system.

**Note:** There are many different ways that you can configure your system and each configuration requires you to plan for system setup. IBM tests and supports the most common configurations. Keep in mind that the more complex your specific configuration, the chances are less that IBM has tested that configuration. If you decide to expand or modify your configuration in a manner that is not addressed in this chapter or book, you should consult with your IBM representative prior to modifying your setup.

---

### Questions to Answer Before Expanding/Modifying/Ordering Your System

This section poses some of the most common questions to consider prior to ordering or changing your system. These topics are illustrated in the scenarios presented later in this chapter.

To use an example, consider the expansion of the existing 3-frame system pictured in Figure 33 on page 170. This system has frames numbered 1, 2, and 4. Each frame has several unused node slots. Frames 1 and 4 have a switch, but Frame 2 does not. Frame 2 is a *non-switched expansion frame* whose nodes use the switch in Frame 1.

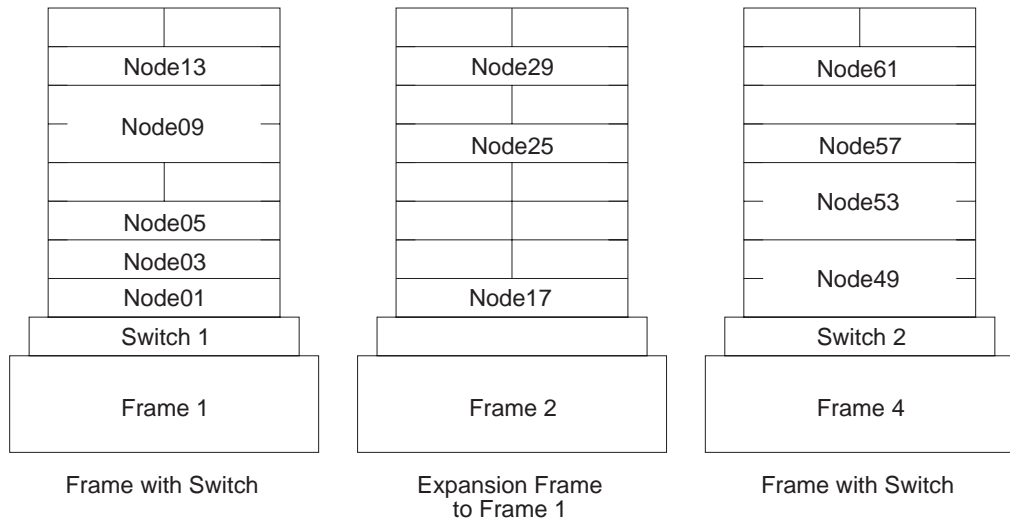


Figure 33. Sample System: 3-frames, 1-switch

## How large do I want my system to grow?

Before you expand your system, plan ahead for how large you want your system to eventually grow. Planning will encourage you to leave unused frame numbers for future expansion, and will help you avoid having to move nodes between frames.

You can make the Sample System grow by doing any of the following:

- Insert nodes or SP Expansion I/O Units in empty slots
- Add a frame (perhaps Frame 3, 5, or 6) which might have more SP nodes or it might be an SP-attached server, an SP-controlled Netfinity server, a non-node frame with only SP Expansion I/O Units, or a switch-only frame with nothing but SP Switches.
- Install a switch in Frame 2.
- Add an SP Switch Router.

## How do I reduce system down time?

Expanding a system can require that the system be shut down for an extended period of time. When adding a frame or switch to the system, there is often a great deal of cable wiring required. If you know that you want your system to grow in the future by adding nodes, frames, or switches, you might want to consider purchasing some of the hardware in advance. By purchasing in advance, you can set up the hardware and cables with the future in mind to avoid probable cable rewiring, node movement, and reconfiguration complexities at a later date. This can substantially reduce the amount of time your system will be down during future expansion activity.

Notice in the Sample System that all 8 of the nodes in Frames 1 and 2 could reside in a single frame, but then many expansion choices would require adding a frame, moving nodes, cabling frames to each other, and so on. Such modifications cannot be done without considerable down time. However, the chosen configuration allows for some expansion without any major difficulties.



## What must I understand before adding switches?

If you are thinking about increasing the number of switches in your system, at least one of the following is pertinent when expanding from:

- 1 switch to 2 switches

Cables need to be added, but the first switch could continue running until the new switch is ready for installation tests.

- 2 switches to 3 switches, or 3 switches to 4 switches

Cables must be rerouted. This scenario can cause a significant amount of system down-time. For highest availability, consider installing more frames initially, with empty slots for future node additions.

- 4 switches to 5 or more switches

Addition of a switch-only frame requires re-cabling, typically taking several days to accomplish. This is a complex scenario that requires detailed planning.

- 6 to 8 switches

Once configured with a switch-only frame, additional frames can be added without cabling changes to other frames. With careful planning, system outages can be reduced, although installation tests do require checking the entire switch network.

You cannot add an SP Switch to an SP Switch-8. You would have to convert from the SP Switch-8 to the SP Switch.

## What network topology topics do I need to consider?

Whenever you modify your system by adding additional hardware, your network topology is affected. This section discusses networking topics you should consider prior to adding any hardware to your system:

- Nameserver

Every node in your system has a name assigned to it which is resolved by the nameserver you are using. The nameserver translates the symbolic name assigned to a node into its internet address. As you contemplate adding nodes to your system, plan ahead for the names you will assign to the nodes and how your nameserver will resolve them.

- Available addresses

Nodes have internet addresses assigned to them, as well as names. While you are planning to add nodes to your system, you need to also plan for the additional internet addresses that will be assigned to these nodes. In addition, while planning the addresses for these network interfaces, you might reserve additional addresses for expansion the next time your system grows.

If you are using a netmask that limits the number of addresses you can have, you can change your netmask to free up addresses, or you can elect to use a different subnet.

## What control workstation topics do I need to consider?

You need to be certain that the control workstation is capable of supporting whatever you plan to add. It must have sufficient processor speed, DASD, and other hardware, such as serial ports and Ethernet adapters. You might need to replace the control workstation. See Chapter 2, "Question 10: What Do You Need for Your Control Workstation?" on page 59.

## What system partitioning topics should I consider?

Migration install enhancements do not require the system to be partitioned, but there are many situations when partitions might be advantageous, including:

- Testing new levels of software or equipment in isolation.
- Grouping common resources together for critical production workloads. Isolation might be necessary, all or part of the time, for; security, separation of workloads, reduced performance interference between workloads, and to allow for more orderly migration.
- Handling changes in total system workloads, particularly when large parallel jobs are being run.
- Introducing major new applications.

The simplest planning guideline with regard to partitioning is to group nodes together in a common frame(s) if they are to belong to the same partition. Even with the new *System Partitioning Aid* (see Chapter 6, "Planning SP System Partitions" on page 121) there are some restrictions on subdividing switches. Bounding system partitions along frame boundaries also makes adding expansion frames easier, and keeps the system more available.

## What expansion frame topics should I consider?

In some configurations, a frame can exist that contains nodes and a switch, but the nodes do not use all of the node switch ports. For example, a frame filled with eight wide nodes only uses eight node switch ports, leaving eight ports free. You can add one or more non-switched expansion frames immediately after such a frame to allow the nodes in the non-switched expansion frames to take advantage of these unused switch ports. In the Sample System, Frame 2 is a non-switched expansion frame and frame number 3 has been reserved for the addition of a second non-switched expansion frame to share Frame 1's switch.

Similarly, if a frame having a switch is filled with four high nodes, only 4 node switch ports are occupied, leaving 12 unused. Up to 3 non-switched expansion frames can be inserted to make use of these 12 ports. For example, a single frame might be inserted containing any of 4 wide nodes, 4 high nodes, or some mixture of wide and high node types.

Note that the non-switched expansion frame's number is dependent upon the frame to which it is attached. If the frame containing a switch is number 1, the first associated non-switched expansion frame must be numbered 2, the second 3, and the third 4. Therefore, if you foresee adding non-switched expansion frames to your system in the future, number your frames to allow for the insertion of non-switched expansion frames. Otherwise, the frames which immediately follow must be completely reconfigured.

If your system is organized for partitioning, you might want to leave unused slots for additional nodes, adding an extra frame if necessary; or by leaving gaps in the frame numbers to allow specific frame additions. This is particularly useful if the partition needs a mix of thin, wide, and high nodes.

Again, plan ahead for growth when you assign network addresses. This is easier to manage if you have reserved space for growth in your frame and partition layout.

## What boot/install server topics should I consider?

Generally, you might want to have one boot/install server for every sixteen nodes.

---

### Scenario 1: Expanding the Sample System by Adding a Node

Note in the Sample System that slots 5, 6, 7 and 8 of Frame 2 are empty. You can install a wide or high Node 21 at slot 5 of Frame 2. Further, if proper cabling has been used, only Nodes 1, 17 and 5 are connected to the switch chip to which Node 21 would normally connect; that is, Node 21's normal switch port on Switch 1 is unused. (See Chapter 6, "Planning SP System Partitions" on page 121 for more information on node switch port assignment.) So, you can indeed physically install Node 21 in this system as if it were there originally.

To install this new node in the system, and start it running on the switch:

1. Physically install the new node, including cabling to the switch.
2. Enter the new node's network data into the SDR.
3. Install the software on the node using a mksysb image.
4. Perform post-install customization.
  - Add required PTFs
  - Adjust file systems
  - Configure applications
  - Perform installation tests.
5. Bring the new node up on the switch by using the **Eunfence** command.
6. Perform switch installation test.

---

### Scenario 2: Expanding the Sample System by Adding a Frame

Before addressing specific examples for the Sample System, review the possibilities for frame expansion, and general concerns.

#### Frame Expansion Possibilities

When you add a frame to your system, you can add the frame at the end of your system, between two existing frames, or even at the beginning. A special case of the first two possibilities is a non-switched expansion frame.

#### Non-switched Expansion Frames

In some configurations, a frame might exist that contains nodes and a switch but the nodes do not use up all the switch ports. One or more non-switched expansion frames can be added, immediately following this frame, whose nodes will share the preceding frame's switch.

### **Adding a frame at the end of the system**

If you have not planned ahead for other expansion, IBM suggests that you add frames only to the end of your system. Otherwise you will have to reconfigure the SDR, and perhaps have to move nodes to accommodate your needs.

### **Adding a frame in between two existing frames**

This is fairly straight forward if the frame number was reserved. This is true whether the new frame is a switched or a non-switched expansion frame. However, if the frame number was not reserved, there can be much work to do. The new frame splits the old system into 2 pieces, and the second piece (the higher numbered frames) must be redefined to the system. Further, for a switched system, some amount of recabling will be necessary, prior to the cabling of the new frame to the existing system.

### **Adding a frame to the beginning of a system**

If your system has a switch, the first frame in the system must have a switch. Therefore, if you plan on inserting the additional frame in the first position in your system, that frame must contain a switch.

If your system does not have a switch, you can insert the additional frame in the first position without any such restriction.

Beyond this item, this case has some of the same overhead as the previous case: the entire old system is the "second piece".

## **General Concerns for Adding a Frame**

The following are topics you need to consider when adding a new frame to your system.

#### 1. Control workstation

When adding a frame to a system, you need to ensure that the control workstation has enough spare serial ports to support the additional frames. One serial port is required for each additional frame, two for an SP-attached server. If you do not have enough ports, you need to upgrade the control workstation.

If you use HACWS, there are two control workstations to consider.

#### 2. Frames in the existing configuration

You need to consider the existing configuration and plan your new configuration by following the rules explained in "Understanding Node Numbering and Switch Port Numbering" on page 95. Be careful to not interrupt a switch capsule.

#### 3. Types of nodes in the existing configuration

You need to consider what types of nodes you already have and what types you will be adding in the additional frame. For example, consider how thin, wide, and high nodes work together.

#### 4. Switch

You need to consider the implications involved if your system has a switch.

- If you currently have one switch and are adding a second switch, you need to add the cables for the second switch. During this time, the first switch might be able to run until the new frame is ready for installation tests.

- If you currently have two switches and add a third switch or you have three switches and add a fourth switch, you need to add and, perhaps, reroute cables. This scenario can cause a significant amount of system down time. For highest availability, consider installing more frames with empty slots for future node additions.

## 5. SP Ethernet Network

You need to consider the ethernet network being used. Ask yourself whether you want to separate the ethernet into multiple subnets. For example, do you want to have one network per frame with one boot/install server per frame or do you want to boot all of the frames from the control workstation?

Also, consider the bandwidth of the default thin wire ethernet. This ethernet can load approximately 8 nodes at a time. With larger systems, there are higher technology ethernets available that can allow you to load software at a faster rate than with the thin wire ethernet.

## 6. IP Addresses

Your decision for the previous concern will play a role in planning for IP addresses. You need to ensure that the nodes that will occupy the additional frame will have IP addresses. If you are using a netmask that limits the number of addresses you can have, you can either modify your netmask to free up addresses or you can use a different subnet.

## 7. System Partitioning

If you have a partitioned switched system, and the new frame is a non-switched expansion frame, you might not need to re-partition, because partitioning for a switched system assumes the maximum number of nodes are present; so the nodes in the non-switched expansion frame are already accommodated. However, at this point you might decide you do not like where the new nodes have implicitly resided, in which case you must re-partition.

If the new frame has its own switch, then you are increasing the number of switches in the system. If your system is partitioned, in this case you will need to re-partition the system because partitioning had not previously accounted for these new nodes.

If you have a partitioned switchless system, you must re-partition, because partitioning in this case is based on the number of nodes actually installed.

## Scenario 2-A: Adding a Non-Switched Expansion Frame to the Sample System

**Note:** See “Node Placement” on page 97, particularly Figure 11 on page 98, for the specifics on valid node placement, and Chapter 6, “Planning SP System Partitions” on page 121 for more information on assignment of nodes to switch ports.

Consider Frame 1 of the Sample System. It has only 5 nodes so 11 node switch ports are available for other nodes to use. Given Frame 1's configuration, 8 ports are actually set aside for Frame 1 so 8 ports are available for expansion frames. Frame 2 uses only 3, but reserves at least 4. Specifically, Frame 2's nodes are located such that a second expansion frame of 4 nodes is valid. You can insert a Frame 3 with up to 4 nodes and cable all these nodes to Frame 1's switch.

Therefore, you need to accomplish the following:

1. Install the new hardware, and attach the new frame to the control workstation via a 232 port.
2. Cable the new nodes to the Frame 1 switch.
3. Run the **spframe** command to establish the SDR entries for the new nodes.
4. Enter the new nodes' network data into the SDR.
5. Install the software on the new nodes using a mksysb image.
6. Perform post-install customization.
  - Add required PTFs
  - Adjust file systems
  - Configure applications
7. Bring the new nodes up on the switch by using the **Eunfence** command.
8. Perform installation tests.

### Scenario 2-B: Adding a Frame at the End of the Sample System

For the Sample System, you could add a Frame 5 which is a non-switched expansion frame for Frame 4. Frame 4's switch has several unused ports and Frame 4 has only 4 nodes located such that Frame 4 can be expanded by as many as 3 frames. So, Frame 5 would be the first of these expansion frames. This expansion would be done like that in Scenario 2-A.

Alternatively, you might want to add a frame after Frame 4 which has its own switch. Given the preceding discussion, you might want to designate the new switched expansion frame as Frame 8 (or 6 or 7). You should do this to reserve space for non-switched expansion frames to come later. This case is more complicated, because you are adding a new switch, thereby changing an important part of the system. The following modifications must be made to the 2-A list:

- In addition to cabling the new nodes to the new switch, the new switch must be cabled to the existing switches.
- After adjusting the file systems in post-install customization, you must select a new switch configuration to indicate the new switch structure.
- Before bringing up the switch, use the **Eclock** command to get the system switches synchronized.
- Bringing the new nodes up on the switch requires use of the **Estart** command, at least on any partition containing new nodes.

### Scenario 2-C: Adding a Frame in Between Two Existing Frames

Suppose you wanted to insert a frame between Frames 1 and 2, where this new frame will also be a non-switched expansion frame to Frame 1. To accomplish this expansion, first delete Frame 2 from the system, then add Frame 2 (the new frame) and Frame 3 (the previous Frame 2) to the system. Note that the old Frame 2 nodes will be rebuilt as Frame 3 nodes. You must:

1. Save mksysb images of the original Frame 2 nodes; one image per unique node.
2. Use the **spdelfram** command to remove Frame 2 configuration data from the SDR.
3. Add the new Frame 2 as in Scenario 2-A above.
4. Add the new Frame 3 as in Scenario 2-A, using the newly saved mksysb images as appropriate.

---

## Scenario 3: Expanding the Sample System by Adding a Switch

Before going through the scenario, review the list of topics to consider when planning to add a switch. See “The Physical Makeup of a Switch Board” on page 124 to understand how a switch works.

### 1. Switch type

What type of switch will you be adding? The table below describes the types available. You cannot add an SP Switch to expand an SP system that already has an SP Switch-8. You must convert the SP Switch-8 to an SP Switch.

If you are adding any of the switches in the table, an IBM Customer Engineer installs the switch hardware on your system.

### 2. Frame support

Prior to adding the switch, you need to consider which frames the switch will support and record your information on the Switch Configuration Worksheet.

| Switch Feature | Description                                                                                                                                                                                                                             |
|----------------|-----------------------------------------------------------------------------------------------------------------------------------------------------------------------------------------------------------------------------------------|
| SP Switch      | This switch (feature code 4011) offers 32 connections, 16 internal and 16 external. It connects all the processor nodes, providing enhanced scalable high-performance communication between processor nodes for parallel job execution. |
| SP Switch-8    | This switch (feature code 4008) offers 8 internal connections to provide enhanced functions for small systems (up to 8 total nodes). It does not support scaling to larger systems.                                                     |

## The Switch Scenario

The Sample System has 3 frames, but only 2 switches. Frame 2 has no switch since it is a non-switched expansion frame using Frame 1's switch. Suppose you choose to give Frame 2 its own switch – apparently a preliminary step to further changes. So, Frame 2 will no longer be a non-switched expansion frame. To synchronize the switches, do the following:

1. Quiesce switch traffic.
2. Install the new switch in Frame 2.
3. Re-cable the nodes of Frame 2 to the new switch.
4. Cable the new switch (now Switch 2) in Frame 2 to the switches in Frames 1 and 4, and re-cable the switch in Frame 4 (now Switch 3) to the switch in Frame 1.
5. Choose a new switch configuration which matches the expanded system.
6. Use **Eclock** to synchronize the switches.
7. Set the nodes of Frame 2 to the "customize" boot status. Then reboot the Frame 2 nodes, or run **pssp\_script**, to get the these nodes recustomized for their new switch.
8. Use the **Estart** command, once for each system partition, to bring up the new switch fabric.
9. Perform install tests to assure the new hardware and connections perform correctly.





---

## Chapter 12. Planning for Migration

This chapter includes factors to consider when planning to migrate an existing IBM RS/6000 SP system. Migration addresses upgrading the software from supported levels of PSSP and AIX to PSSP 3.1.1 and AIX 4.3.2. Refer to other chapters in this book for information pertaining to reconfiguring or expanding an existing SP system or to new SP system installations.

**Note:** Upgrading from PSSP 3.1 to PSSP 3.1.1 involves application of PTFs, not a full-scale migration process. Keep in mind that, according to the software level notation used in this book, PSSP 3.1 implies **any modification level** of PSSP 3.1 unless the modification level is explicitly stated.

Migrating an IBM RS/6000 SP to newer software levels is a relatively complex task, but these complexities (and risks) can be minimized by thoroughly planning each migration phase before beginning the migration.

The principle migration planning phases are:

- Developing your migration goals:

Briefly discusses considerations such as what software is supported at various migration endpoints and how to plan your SP system configuration in preparation for migration.

- Developing your migration strategy:

Briefly discusses system requirements and migration options you need to consider while planning your migration goals and the steps you need to complete to achieve those goals. Note that understanding coexistence and the advantages and disadvantages of system partitioning will help you refine your migration strategy.

- Reviewing your migration steps:

Briefly summarizes the high level migration steps and provides a transition to the detailed migration information which is provided in *PSSP: Installation and Migration Guide*.

The *PSSP: Installation and Migration Guide* describes the specific steps to be completed in implementing a software migration. Other books that might be beneficial for your planning phase include:

- Other PSSP books (such as Administration Guide, Managing Shared Disks).
- The AIX Installation Guide.
- The ITSO Redbook *AIX Version 4.3 Differences Guide*. It has many references to more documents.
- The ITSO Redbook *AIX Version 4.2 Differences Guide*.
- The ITSO Redbook *A Holistic Approach to AIX 4.1 Migration, Planning Guide*.
- Books for IBM LPPs and other products you might be using.

The underlying migration support provided in PSSP 3.1.1 has not changed. The base support for the mechanics of performing a migration also have not changed. However, there might be some new considerations for you that arise from varying levels of PSSP, AIX, related LPPs, and hardware that you might already have or

that you plan to install on your SP. For instance, the POWER3 SMP Thin and Wide nodes can run with PSSP 3.1.0 while the POWER3 SMP High node requires PSSP 3.1.1. Be sure to carefully consider the software requirements relative to your hardware and to read information throughout this chapter pertaining to the PSSP components or related LPPs that you use, particularly in “Migration and Coexistence Limitations” on page 185.

---

## Developing Your Migration Goals

Before you begin planning the actual system migration steps, you must understand your current system configuration and the system requirements that led you to that configuration. Also, before planning begins, you should review prior system plans for unmet goals. Assessing the priority of the goals or why they were not met can influence how you will conduct the current system migration.

Similarly, while the configuration worksheets in this book are generally not required for performing a software migration, there can be merit in reviewing your previous set, and possibly reviewing or completing the current worksheets. For example, this might be appropriate when evaluating the use of system partitions or coexistence in your current systems or as part of your planned migration strategy, or in determining any changes to your boot/install server configuration.

The underlying task in planning your migration is to determine where you want to be and what staging will allow you to ultimately reach that goal. There are general factors that drive the requirement for migrating to new software levels, including both advantages (such as, new function, performance) and possible impacts or disadvantages (such as, production down-time, stability). The fact that you are planning a migration implies that these factors have already been considered.

Another factor that will influence your migration plans involves the dependencies and limitations that exist between applications. For example, if you plan to run the General Parallel File System component, you must also run your system with the IBM Virtual Shared Disk and Recoverable Virtual Shared Disk optional components of PSSP. Besides co-requisite software limitations, other limitations might involve operating systems, system software, and applications which might operate in your current system environment but not in the migrated environment.

These software requirements, weighed against your SP's workload, generally drive three key components of your migration goals:

1. Planning your base software requirements.
2. Planning how many nodes you will migrate.
3. Planning your migration in verifiable stages.

Understanding coexistence support and possibly doing some system partitioning can help you fully develop your SP system's efficiency. However, you must fully assess your system so that you will have all of the information that you need to plan the steps of your migration.

A full migration plan involves breaking your migration tasks down into distinct, verifiable (and recoverable) steps, and planning the requirements for each migration step. A well-planned migration has the added benefit of minimizing system downtime.

# Planning Base Software Requirements

## Supported Migration Paths

A direct migration path to PSSP 3.1.1 is provided on AIX 4.3.2 from each of the PSSP and AIX levels shown in Table 35.

| From                                                                                                                 | To                       |
|----------------------------------------------------------------------------------------------------------------------|--------------------------|
| PSSP 2.2 and AIX 4.1.5, 4.2.1                                                                                        | PSSP 3.3.1 and AIX 4.3.2 |
| PSSP 2.3 and AIX 4.2.1, 4.3.2                                                                                        | PSSP 3.1.1 and AIX 4.3.2 |
| PSSP 2.4 and AIX 4.2.1, 4.3.2                                                                                        | PSSP 3.1.1 and AIX 4.3.2 |
| PSSP 3.1 and AIX 4.3.2                                                                                               | PSSP 3.1.1 and AIX 4.3.2 |
| <b>Note:</b> Upgrading from PSSP 3.1 to PSSP 3.1.1 involves application of PTFs, not a full-scale migration process. |                          |

If your SP contains a control workstation or node that is currently at a PSSP or AIX level not listed in the **From** column of Table 35, you must migrate to one of the listed combinations before you can migrate to PSSP 3.1.1. How to actually migrate is documented in the book *PSSP: Installation and Migration Guide*.

Some optional components of PSSP and PSSP-related LPPs have dependencies on certain levels of other components or products. Be sure to read “Migration and Coexistence Limitations” on page 185 in this chapter.

## Supported Software Levels

PSSP 3.1 is supported on AIX 4.3.2. More specifically, it is compiled on AIX 4.3.1 and runs on AIX 4.3.2 due to the support of 32-bit and 64-bit application coexistence and concurrent execution. Your installation's current operational requirements should give you a good understanding of the software requirements that will exist in your SP system after it has been migrated to PSSP 3.1.

In addition to the operational requirements placed on your system software, some IBM RS/6000 licensed program products also have PSSP release level dependencies. The following table summarizes those dependencies.

| PSSP and AIX                                              | IBM LPPs                                                                                                                                                                                                                                                                                                                                                                                                                                                                                                                         |
|-----------------------------------------------------------|----------------------------------------------------------------------------------------------------------------------------------------------------------------------------------------------------------------------------------------------------------------------------------------------------------------------------------------------------------------------------------------------------------------------------------------------------------------------------------------------------------------------------------|
| PSSP 3.1.1 (5765-D51) and AIX 4.3.2 (or later) (5765-C34) | <ul style="list-style-type: none"> <li>• LoadLeveler 2.1 (5765-D61)</li> <li>• Parallel Environment 2.4, 2.3 (5765-543)</li> <li>• Engineering and Scientific Subroutine Library (ESSL) 3.1 or later (5765-C42)</li> <li>• Parallel ESSL 2.1 or later (5765-C41)</li> <li>• General Parallel File System 1.2 (5765-B95)</li> <li>• CLIO/S 2.2</li> <li>• Network Tape Access and Control System 1.2 (5765-637)</li> <li>• NetTAPE Tape Library Connection 1.2 (5765-643)</li> <li>• HACMP/ES and HACMP 4.3 (5765-D28)</li> </ul> |

Table 36 (Page 2 of 2). Supported IBM LPPs per Supported PSSP and AIX Release

| PSSP and AIX                                                                                                                                                                                                                                                                                                                                                                                    | IBM LPPs                                                                                                                                                                                                                                                                                                                                                                                                                                                                                                                                                                                                                                                     |
|-------------------------------------------------------------------------------------------------------------------------------------------------------------------------------------------------------------------------------------------------------------------------------------------------------------------------------------------------------------------------------------------------|--------------------------------------------------------------------------------------------------------------------------------------------------------------------------------------------------------------------------------------------------------------------------------------------------------------------------------------------------------------------------------------------------------------------------------------------------------------------------------------------------------------------------------------------------------------------------------------------------------------------------------------------------------------|
| <p><b>Note:</b> Before PSSP 3.1, IBM Recoverable Virtual Shared Disk was a separate LPP. The High Availability Control WorkStation and the Performance Toolbox Parallel Extensions components were priced features which you had to order if you wanted them. They are now optional components of PSSP. You will receive them with PSSP 3.1, but you choose whether or not to install them.</p> |                                                                                                                                                                                                                                                                                                                                                                                                                                                                                                                                                                                                                                                              |
| <p>PSSP 2.4 (5765-529) and AIX 4.2.1 or AIX 4.3 (5765-655 or 5765-C34)</p>                                                                                                                                                                                                                                                                                                                      | <ul style="list-style-type: none"> <li>• LoadLeveler 2.1 (5765-D61), 1.3 (5765-145)</li> <li>• Parallel Environment 2.3 (5765-543)</li> <li>• Parallel ESSL 2.1 (5765-C41)</li> <li>• General Parallel File System 1.1 (5765-B95)</li> <li>• Recoverable Virtual Shared Disk 2.1.1 (5765-646)</li> <li>• PIOFS 1.2 (5765-297)</li> <li>• Performance Toolbox Parallel Extensions (priced feature of PSSP)</li> <li>• CLIO/S 2.2</li> <li>• Network Tape Access and Control System 1.2 (5765-637)</li> <li>• NetTAPE Tape Library Connection 1.2 (5765-643)</li> <li>• HACMP/ES and HACMP 4.2 (5765-A86)</li> <li>• HACWS (priced feature of PSSP)</li> </ul> |
| <p>PSSP 2.2 (5765-529) and AIX 4.2.1 or AIX 4.2.0 (5765-655 or 5765-C34)</p>                                                                                                                                                                                                                                                                                                                    | <ul style="list-style-type: none"> <li>• LoadLeveler 1.3</li> <li>• Parallel Environment 2.2</li> <li>• PVMe 2.2</li> <li>• Parallel ESSL 1.2 (5765-422)</li> <li>• PIOFS 1.2</li> <li>• Performance Toolbox Parallel Extensions (priced feature of PSSP)</li> <li>• Recoverable Virtual Shared Disk 1.2 (5765-444)</li> <li>• CLIO/S 2.2</li> <li>• NetTAPE 1.1.1</li> <li>• HACMP 4.2</li> </ul>                                                                                                                                                                                                                                                           |
| <p>PSSP 2.2 (5765-529) and AIX 4.1.5 (5765-393 or 5765-C34)</p>                                                                                                                                                                                                                                                                                                                                 | <ul style="list-style-type: none"> <li>• LoadLeveler 1.2.1 and 1.3</li> <li>• Parallel Environment 2.2</li> <li>• PVMe 2.2</li> <li>• Parallel ESSL 1.2</li> <li>• PIOFS 1.2</li> <li>• Performance Toolbox Parallel Extensions (priced feature of PSSP)</li> <li>• Recoverable Virtual Shared Disk 1.2</li> <li>• CLIO/S 2.2</li> <li>• NetTAPE 1.1.1</li> <li>• HACWS (priced feature of PSSP)</li> <li>• HACMP 4.2</li> </ul>                                                                                                                                                                                                                             |

Refer to other IBM documentation for information on AIX requirements for other LPPs in the IBM RS/6000 software catalog.

## Planning How Many Nodes to Migrate

Subject to your requirements, you might migrate your entire SP system or just part of it. IBM offers flexibility with features that help when migrating your system – coexistence and system partitioning:

- Coexistence refers to support within each product that allows for mixed levels of PSSP and AIX in the same SP system partition. Coexistence is independent

of system partitioning. Coexistence is an important factor in the ability to migrate one node at a time and, as such, is a key feature of migration.

- System partitioning is a mechanism for dividing an SP system into logical systems. The definition of these logical systems is a function of the switch chip which results in the system partitions being isolated across the switch.

Consider coexistence and system partitioning while evaluating your system requirements. Think about what applications you need to run and what levels of PSSP and AIX are needed to support those applications. Then, factoring in your current SP configuration, determine how many nodes you will need to run each type of workload. Important considerations and other relevant information on these two features is provided in “Developing Your Migration Strategy.”

**Note:** Before migrating any nodes, the control workstation must be migrated to the highest PSSP and AIX levels you plan to run on any one of the nodes.

## Planning Migration Stages

Some migrations have service prerequisites of program temporary fixes (PTFs) that need to be applied to your system. Refer to the **Read This First** document for specific information. These services can be applied well in advance and they must be done before migrating to PSSP 3.1.

When possible, you should plan your migration with multiple stages, breaking them down into distinct steps that can be easily defined, executed, and verified. You should plan a reasonable amount of time to complete each step, define validation steps and periods, and be prepared for recovery or to back out should a step not go as planned. Proper migration staging can better ensure an effective and successful migration, while minimizing system down time. Note that you can also distribute system down time over a longer period by migrating a few nodes at a time, subject to your requirements.

There are three main high-level recommendations for doing this:

1. Migrate the control workstation then validate the IBM RS/6000 SP system.
2. Migrate a subset of the nodes then validate the IBM RS/6000 SP system.
3. Migrate and validate the remainder of your SP system according to plan.

For example, you want to minimize the amount of change to your control workstation at one time and also minimize your service window. To migrate to PSSP 3.1 from PSSP 2.3 and AIX 4.2.1, first migrate only AIX. Then validate your SP system (still at the PSSP 2.3 level). Then upgrade PSSP after you are satisfied and scheduling permits. This involves upgrading AIX 4.2.1 to AIX 4.3.2, from which you can then migrate PSSP 2.3 to PSSP 3.1.

---

## Developing Your Migration Strategy

The intent of this stage of your migration planning activity is to focus primarily on the scope of your migration in terms of the number of nodes, and the methodology to be employed in doing this. You should be entering this planning stage with a basic definition of what you want to migrate (e.g., how many and which nodes), and possibly with some thoughts on how you'd like to go about this.

If you are migrating an entire IBM RS/6000 SP system or an existing system partition, the next two sections on coexistence and system partitions might be unnecessary. If, on the other hand, you are interested in migrating a subset of your IBM RS/6000 system and you are not familiar with the options available to you, the information in those sections on using multiple system partitions and coexistence for migration might be beneficial.

Coexistence and system partitioning are options that can provide flexibility in the number of nodes that you need to migrate at any one time. Your migration goals might suggest the use of multiple system partitions, coexistence, a combination of the two, or neither. Understanding the advantages and disadvantages of coexistence and system partitioning will help you assess their suitability for your needs.

Other factors that will influence your migration strategy include:

- Coexistence limitations on PSSP and the IBM LPPs that will run at each level
- IP performance tuning
- Root volume group mirroring
- Setting up boot/install servers and other resources
- Changes in recent levels of PSSP
- Migration approach options

Each of these factors is discussed later.

## Using System Partitions for Migration

The IBM RS/6000 SP supports multiple system partitions, which effectively subdivides an IBM RS/6000 SP into logical systems. These logical systems have two primary features:

1. Switch traffic in a system partition is isolated to nodes within that system partition.
2. Multiple system partitions can run different levels of AIX and IBM RS/6000 SP software.

These features facilitate migrating RS/6000 nodes in relative isolation from the rest of the system. Using these features, you can define a system test partition for newly migrated nodes. After the migration is complete and you have validated system performance, the nodes can be returned to production.

You have the ability to use system partitioning for migration due to the fact that switch traffic in a system partition is isolated to nodes within that system partition. This factor stems from the SP switch architecture, in which the switch chip connects nodes in a specific sequence. The switch chip therefore becomes the basic building block for a system partition and establishes a minimum partition size that depends on the partition's node types. It is this partition size that sets the granularity with which an SP system can be upgraded to new software levels. Coexistence, described in the next section, can provide even finer granularity within a system partition.

See Chapter 6, "Planning SP System Partitions" on page 121 for additional information on the use of system partitions.

## Using Coexistence for Migration

In traditional IBM RS/6000 SP system partitions, all nodes within a single system partition generally run the same levels of operating system and system support software. However, different partitions can run different levels of operating system and system support software. Therefore multiple release levels of LPPs like Parallel Environment can run on an IBM RS/6000 SP without restriction as long as each different release level is within a separate system partition.

For many installations with the need to migrate a small number of nodes, the system partition approach is not viable. This is true in a small system (in terms of number of nodes), or a system with a migration requirement that includes migrating less nodes than can be represented by a system partition, possibly only one node (such as for LAN consolidation). It might also be that the switch isolation function is not desired. Coexistence is aimed specifically at providing additional flexibility for migration scenarios where system partitioning is not desired.

With PSSP 3.1, coexistence support is provided for multiple levels of PSSP and coordinating levels of AIX in the same system partition. However, there are requirements and certain limitations that must be understood and adhered to in considering the use of coexistence. Some of the IBM RS/6000 SP-related LPPs are not supported or are restricted in a mixed system partition. For example, the IBM RS/6000 SP parallel processing products (such as Parallel Environment) are generally not supported in mixed system partitions. Inter-node communication over the switch using TCP/IP is supported, but user space communication is not available in a coexistence configuration. The supported coexistence configurations and the limitations that apply to these coexistence configurations are described in the remainder of this section.

## Migration and Coexistence Limitations

PSSP 3.1 is supported on AIX 4.3.2. More specifically, it is compiled on AIX 4.3.1 and runs on AIX 4.3.2 due to the support of 32-bit and 64-bit application coexistence and concurrent execution. This means PSSP does not yet exploit the 64-bit features of AIX 4.3.2 but it does not prevent you from exploiting AIX 4.3.2 with your other software. However, PSSP components cannot interact with 64-bit software or data.

PSSP 3.1 supports multiple levels of AIX and PSSP in the same system partition (remember that an unpartitioned system is actually one default system partition). However, only certain combinations of PSSP and AIX are now supported to coexist in a system partition.

Coexistence is supported in the same system partition or a single default system partition (the entire SP system) for nodes running any combination of:

- PSSP 3.1 and AIX 4.3.2
- PSSP 2.4 and AIX 4.2.1 or AIX 4.3.2
- PSSP 2.3 and AIX 4.2.1 or AIX 4.3.2
- PSSP 2.2 and AIX 4.1.5 or AIX 4.2.1

Table 37 on page 186 lists the levels of PSSP and corresponding levels of AIX that are supported in a mixed system partition.

| Product  | AIX 4.1.5 | AIX 4.2.1 | AIX 4.3.2 |
|----------|-----------|-----------|-----------|
| PSSP 3.1 |           |           | S         |
| PSSP 2.4 |           | S         | S         |
| PSSP 2.3 |           | S         | S         |
| PSSP 2.2 | S         | S         |           |

In general, any combination of the PSSP levels listed in Table 37 can coexist in a system partition and you can migrate to a new level of PSSP or AIX one node at a time. However, some PSSP components and related LPPs do still have some limitations. Also, many software products have PSSP and AIX dependencies — you must ensure that the proper release levels of these products are used on nodes running the coordinating supported PSSP and AIX levels. The following products or components of PSSP have notable exceptions that might restrict your ability to migrate one node at a time or might limit your coexistence options.

**Note:** Prior to migrating any node, the control workstation must be migrated to the highest level of PSSP and AIX that you intend to have on your system. Program Temporary Fixes (PTFs) might be required. See the Read This First document for latest updates

### Switch Management and TCP/IP Over the Switch

The switch support component of PSSP (CSS), provides for switch management and TCP/IP over the switch between nodes in a mixed partition. Certain hardware, new nodes and adapters, might require a specific level of PSSP. For instance, the 332 MHz SMP Wide and Thin Nodes and the SP Switch MX Adapter require PSSP 2.4 or later.

**Note:** A coexistence PTF must be applied to PSSP 2.2, 2.3, and 2.4 before migrating to PSSP 3.1.

**Coexistence Statement:** For IP communication over the switch:

- Nodes attached to an SP Switch can coexist in a mixed system partition running any combination of the supported levels of PSSP. If the SP Switch is attached to a dependent node, the primary node and backup primary node must be running PSSP 2.3 or later. If a node with an earlier level of PSSP (PSSP 2.2) is allowed to become the primary node for the SP Switch, then the dependent node connection to the SP Switch will be disabled automatically. If the SP Switch is not attached to a dependent node, the primary node and backup primary node can be running PSSP 2.2 or later.
- An SP Switch and a High Performance Switch **cannot** coexist in the same RS/6000 SP System.

**Note:** If you are using Parallel Environment, refer to the PE coexistence statement for more limitations that might apply.

**Migration Statement:** Switch support does not interfere with migrating one node at a time. Converting from High Performance Switch to an SP Switch is a hardware configuration change, not a migration change. Since the High Performance series of switches are not supported in PSSP 3.1, you must convert all your switches to the SP Switch before migrating to PSSP 3.1.



More of switch management has been automated. If you have switch commands in local scripts and procedures, you should consider removing them and rely on the automation now available in PSSP 3.1. On the other hand, if you prefer, you can turn off automatic switching. You will have to turn it off any time you boot the control workstation.

### **Extension Node Support**

Extension Node support in PSSP 3.1 will function in a mixed system partition of nodes running any combination of the supported PSSP levels however, the control workstation, the primary node and the primary backup node **must** be running PSSP 2.3 or later. If a node with PSSP 2.2 is allowed to become the primary node for the SP Switch, the dependent node connection to the SP Switch will be disabled automatically. In the event of a failure it is the administrator's responsibility to override the newly assigned primary or primary backup (to ensure it is a node running PSSP 2.3 or later).

### **The RS/6000 Cluster Technology Components**

RS/6000 Cluster Technology (RSCT) is a repackaging of the PSSP high availability components of PSSP: Event Management, Group Services and Topology Services. RSCT consists of two install images, `rsct.basic` and `rsct.clients`, that are included in the PSSP 3.1 product. These install images are also included in the HACMP 4.3 licensed program product, which can be installed on clusters of RS/6000 workstations or on SP nodes and SP-attached servers. Both PSSP 3.1 and HACMP 4.3 require the RSCT components.

When PSSP 3.1 is installed on the control workstation or SP nodes and SP-attached servers, the RSCT components interoperate with any existing PSSP high availability components on nodes containing prior supported levels of the PSSP product. In other words, RSCT supports coexistence in a mixed system partition running any combination of the supported levels of PSSP. RSCT also supports node by node migration from the supported levels of PSSP to PSSP 3.1. However, you need to be aware of several considerations.

**Event Management:** When you monitor hardware or virtual shared disks via the problem management component or the SP Perspectives graphical user interface, they are using the Event Management services. PSSP 3.1 supports new hardware that was not supported in prior releases. In order to monitor this new hardware, after you install PSSP 3.1 on the control workstation you must perform the procedure *Activating the Configuration Data in the SDR*. The procedure is documented in the Event Management subsystem chapter of the book *PSSP: Administration Guide*.

**Group Services:** Programmers writing to the Group Services API and also systems administrators with systems using the Group Services API need to be aware that all nodes must be at PSSP 3.1 in order to use the Group Services API functions that were introduced in PSSP 3.1. If a system partition contains nodes with an earlier release of PSSP, the level of Group Services functionality supported in that system partition is only that of the earliest PSSP release. For example, if the system partition contains some nodes at PSSP 2.4 and others at PSSP 3.1, then the Group Services function is that of PSSP 2.4 until all nodes get migrated to PSSP 3.1.

**Performance Toolbox for AIX, Agent Component (perfagent):** The Agent Component (PAIDE), a part of the IBM Performance Toolbox for AIX LPP, has been a prerequisite of prior releases of PSSP. In particular, the file set perfagent.server, a component of PAIDE, contained functions needed by the Event Management component of PSSP. As of AIX 4.3.2, the needed function is no longer in a separate LPP (perfagent.server). It comes with AIX 4.3.2 in file set perfagent.tools which you must be sure to install. Before you upgrade a node to PSSP 3.1, the node must have AIX 4.3.2 installed, including the file set perfagent.tools. If you upgrade a node with PSSP 2.3 or 2.4 to AIX 4.3.2 before upgrading to PSSP 3.1, then PAIDE must be upgraded to 2.2.32.0.

## High Availability Cluster Multi-Processing

IBM's tool for building UNIX-based mission-critical computing platforms is the High Availability Cluster Multi-Processing for AIX (HACMP) licensed program product. The HACMP product ensures that critical resources are available for processing. Currently HACMP is one product with several features, one of which is the Enhanced Scalability feature referred to as HACMP/ES.

**Note:** Except in statements that are explicitly about HACMP without HACMP/ES, all statements made for HACMP apply to HACMP/ES as well.

While PSSP 3.1 has no direct requirement for HACMP, if you install hardware anywhere in the SP system that requires PSSP 3.1, regardless of system partitioning, and you already use or are planning to use HACMP, you must also install and use HACMP 4.3. If you migrate to PSSP 3.1 without changing your hardware, you can continue to use HACMP 4.2.2. Refer to the appropriate HACMP documentation for the latest information on which levels of HACMP you need on your SP system.

If you have existing HACMP clusters, you can migrate to the HACMP/ES feature and re-use all of your existing configuration definitions and customized scripts.

HACMP 4.3 can be run on the SP nodes and SP-attached servers. HACMP and HACMP/ES should not both be run on the same node. Typically, HACMP is run on the control workstation only if HACWS is being used. HACMP/ES 4.3 can run on the control workstation but prior levels can only run on nodes, not on SP-attached servers and not on the control workstation.

HACMP has a dependency on the RSCT Group Services. RSCT Event Management is included in the HACMP install stack.

**Coexistence Statement:** *HACMP 4.3 is not compatible with any of its lower level versions.* While there is a version compatibility function to allow HACMP 4.3 to coexist in a cluster with HACMP 4.2 or HACMP 4.1, this function is intended as a migration aid only. Once the migration is completed, each processor in the HACMP cluster must be at the same AIX and HACMP release levels, including all PTFs.

HACMP and HACMP/ES can coexist in a mixed system partition containing nodes running the supported combinations of PSSP with the following conditions:

- *HACMP nodes and HACMP/ES nodes cannot coexist in the same cluster.*

HACMP nodes and HACMP/ES nodes can coexist in the same mixed system partition provided that the nodes running HACMP are in an HACMP cluster and those running HACMP/ES are in an HACMP/ES cluster. Any given node can be in only one cluster.

- HACMP and HACMP/ES clusters do not interoperate.

**Migration Statement:** Table 38 lists the levels of PSSP and corresponding levels of AIX in which HACMP levels can coexist during migration only.

| Table 38. HACMP Levels Supported During Migration Only                                                                                                                                                           |           |           |           |          |          |          |          |
|------------------------------------------------------------------------------------------------------------------------------------------------------------------------------------------------------------------|-----------|-----------|-----------|----------|----------|----------|----------|
| Product                                                                                                                                                                                                          | AIX 4.1.5 | AIX 4.2.1 | AIX 4.3.2 | PSSP 2.2 | PSSP 2.3 | PSSP 2.4 | PSSP 3.1 |
| HACMP 4.3.1, 4.3.0                                                                                                                                                                                               |           |           | S         |          |          |          | S        |
| HACMP 4.2.2, 4.2.1                                                                                                                                                                                               |           | S         | S         |          | S        | S        | S        |
| HACMP 4.2.0, 4.1.1, 4.1.0                                                                                                                                                                                        | S         | S         | S         | S        | S        | S        | S        |
| <b>Note:</b> HACMP 4.3 is not compatible with previous releases. The HACMP version compatibility function exists only to ease migration, not to provide long-term compatibility between versions of the product. |           |           |           |          |          |          |          |

HACMP 4.3 on the SP requires AIX 4.3.2 (or later) and PSSP 3.1. You have the following migration options:

- Migrating from HACMP/6000 1.2, 2.1, or 3.1 to HACMP 4.3.1 involves taking configuration snapshots, bringing down the cluster, reinstalling HACMP on all nodes in the cluster, and bringing it back up again.
- Migrating from HACMP 4.1 or 4.2, or 4.3.0 to HACMP 4.3.1 also involves reinstalling HACMP on all nodes in the cluster; however the version compatibility function allows you to upgrade the cluster one node at a time without taking the entire cluster offline.
- Due to HACMP dependencies on levels of AIX, migrating one node at a time might require you to upgrade AIX, PSSP, and HACMP on the node all during the same service window.

### IBM Virtual Shared Disk

IBM Virtual Shared Disk, an optional component of PSSP, can coexist and interoperate in a mixed system partition with any combination of the supported levels of PSSP but, the level of IBM Virtual Shared Disk function in the configuration is that of the earliest version of PSSP in the system partition. For example, if you have a mixed system partition with nodes running PSSP 3.1 and PSSP 2.2, the level of IBM Virtual Shared Disk function available is that of PSSP 2.2.

IBM Virtual Shared Disk does not interfere with migrating one node at a time.

### IBM Recoverable Virtual Shared Disk

Planning to migrate IBM Recoverable Virtual Shared Disk calls for careful consideration. You need to remember that before PSSP 3.1, IBM Recoverable Virtual Shared Disk was a separate licensed program product. Now it is an optional component which comes with PSSP 3.1 but you must choose to install it. Also, it had and still has dependencies on other optionally installable components of PSSP.

You also need to remember that IBM Recoverable Virtual Shared Disk must run at the earliest installed level of PSSP in the system partition. Now that it comes with PSSP 3.1, you can install the PSSP 3.1 Recoverable Virtual Shared Disk option but you must use the new **rvsdrestrict** command to choose the specific level that Recoverable Virtual Shared Disk is to run.

**Recoverable Virtual Shared Disk Coexistence:** The Recoverable Virtual Shared Disk component of PSSP 3.1 can coexist and interoperate with IBM Recoverable Virtual Shared Disk 1.2, 2.1, and 2.1.1 LPPs in a mixed system partition with any combination of the following groupings:

1. Recoverable Virtual Shared Disk optional component with PSSP 3.1
2. IBM Recoverable Virtual Shared Disk 2.1.1 with PSSP 2.4, or 3.1
3. IBM Recoverable Virtual Shared Disk 2.1 with PSSP 2.3, 2.4, or 3.1
4. IBM Recoverable Virtual Shared Disk 1.2 with PSSP 2.2, 2.3, 2.4, or 3.1

The following is an example of an 8-node single system partition SP, where Recoverable Virtual Shared Disk 3.1 will coexist and interoperate successfully at the IBM Recoverable Virtual Shared Disk 2.1 level. It must operate at the 2.1 level because there are nodes in the system partition that are installed with IBM Recoverable Virtual Shared Disk 2.1 (in the example IBM Recoverable Virtual Shared Disk is abbreviated **rvsd** and IBM Virtual Shared Disk is abbreviated **vsd**):

1. PSSP 3.1 with the **rvsd** option
2. PSSP 2.4 with **rvsd** 2.1.1
3. PSSP 2.4, with no **rvsd** or **vsd** installed
4. PSSP 2.3 with **rvsd** 2.1
5. PSSP 2.3 with **rvsd** 2.1
6. PSSP 2.3, with no **rvsd** or **vsd** installed
7. PSSP 2.2, with no **rvsd** or **vsd** installed
8. PSSP 2.2, with no **rvsd** or **vsd** installed

### **PSSP Migration**

- When migrating from IBM Recoverable Virtual Shared Disk 1.2 and PSSP 2.2 to PSSP 3.1 with the Recoverable Virtual Shared Disk option, you can migrate one node at a time but you must migrate both IBM Recoverable Virtual Shared Disk and PSSP at the same time. (Also see “IBM Recoverable Virtual Shared Disk Migration.”)
- When migrating from IBM Recoverable Virtual Shared Disk 2.1 and PSSP 2.3 or 2.4 to PSSP 3.1, you can migrate the PSSP level one node at a time. If you want to migrate to PSSP 3.1 and not migrate from IBM Recoverable Virtual Shared Disk 2.1, you can apply a service PTF to allow that.

### **IBM Recoverable Virtual Shared Disk Migration**

- In order to exploit the new functions available in the Recoverable Virtual Shared Disk option of PSSP 3.1, all nodes in a system partition must be running PSSP 3.1 with the Recoverable Virtual Shared Disk component. Recoverable Virtual Shared Disk requires the IBM Virtual Shared Disk optional component be running also.
- After the last node is migrated to PSSP 3.1 with the Recoverable Virtual Shared Disk option, all nodes in the system partition must have the Recoverable Virtual Shared Disk subsystem reset. This requires stopping and

starting applications (like ORACLE), but that can occur in a service window of less than four hours (approximately ten minutes). A new command **rvsdrestrict** allows the administrator to select the level at which the Recoverable Virtual Shared Disk subsystem is to run in a mixed system partition. If any node in the system partition has a level earlier than that set by the command, the Recoverable Virtual Shared Disk subsystem will not be activated on that node.

**IBM Recoverable Virtual Shared Disk Levels Supported:** Table 39 shows the supported levels. The **rvsdrestrict** command allows you to choose the specific level that Recoverable Virtual Shared Disk is to run without your having to reinstall that level.

*Table 39. Supported Recoverable Virtual Shared Disk Levels*

| Recoverable Virtual Shared Disk | AIX 4.1.5 | AIX 4.2.1 | AIX 4.3.2 | PSSP 2.2 | PSSP 2.3 | PSSP 2.4 | PSSP 3.1 |
|---------------------------------|-----------|-----------|-----------|----------|----------|----------|----------|
| 3.1                             |           |           | S         |          |          |          | S        |
| 2.1.1                           |           | S         | S         |          |          | S        | S        |
| 2.1                             |           | S         | S         |          | S        | S        | S        |
| 1.2                             | S         | S         | S         | S        | S        | S        | S        |

### General Parallel File System for AIX (GPFS)

A file system managed by the GPFS LPP can only be accessed from within the system partition. GPFS 1.2 changes the locking semantics which control access to data and as a result requires that all nodes be at the same level. The task of migrating one node at a time is not supported.

**GPFS Coexistence:** GPFS 1.2 will not coexist or interoperate in a system partition with nodes using GPFS 1.1. It cannot coexist in a mixed system partition — it works only with PSSP 3.1 and AIX 4.3.2. However, all applications which execute on GPFS 1.1 will execute on GPFS 1.2 and all file systems created with GPFS 1.1 can be used with GPFS 1.2 and can be upgraded to a GPFS 1.2 file system.

GPFS 1.1 is supported on PSSP 2.4 and on PSSP 3.1. GPFS 1.1 requires the IBM Recoverable Virtual Shared Disk 2.1 or later level of function. To get the IBM Recoverable Virtual Shared Disk 2.1 level of function, all nodes in the system partition that are running IBM Recoverable Virtual Shared Disk must be running the 2.1 or later level and PSSP 2.3, 2.4, or 3.1. If any node is running PSSP 2.2, even if IBM Recoverable Virtual Shared Disk is not installed on that node, IBM Recoverable Virtual Shared Disk will run at the 1.2 level and GPFS will not work in that configuration.

Neither GPFS 1.1 or GPFS 1.2 can coexist with the multi-media file system of the Media Streamer and Video Changer offerings.

The following is an example of a 4-node single system partition SP where GPFS 1.1 and IBM Recoverable Virtual Shared Disk 2.1 will coexist and operate successfully:

1. PSSP 3.1 with Recoverable Virtual Shared Disk 2.1 and GPFS 1.1
2. PSSP 2.4 with Recoverable Virtual Shared Disk 2.1 and GPFS 1.1

3. PSSP 2.3, with Recoverable Virtual Shared Disk 2.1
4. PSSP 2.3, with no Recoverable Virtual Shared Disk, Virtual Shared Disk, or GPFS installed

The following is an example of a 4-node single system partition SP where GPFS 1.1 does **not** work properly because IBM Recoverable Virtual Shared Disk is running at the 1.2 level due to a node running PSSP 2.2:

1. PSSP 3.1 with Recoverable Virtual Shared Disk 2.1 and GPFS 1.1
2. PSSP 2.4 with Recoverable Virtual Shared Disk 2.1 and GPFS 1.1
3. PSSP 2.3, with Recoverable Virtual Shared Disk 2.1
4. PSSP 2.2, with no Recoverable Virtual Shared Disk, Virtual Shared Disk, or GPFS installed

**GPFS Migration:** GPFS 1.1 works on PSSP 2.4 and PSSP 3.1. This allows for node by node migration from PSSP 2.4 to PSSP 3.1 without your having to change the level of GPFS that is running on the node. Remember, however, that GPFS 1.1 is dependent on the IBM Recoverable Virtual Shared Disk 2.1 or later level of function.

You cannot migrate one node at a time to GPFS 1.2. All nodes must be rebooted.

**GPFS Levels Supported:** Table 40 shows the supported levels.

| <i>Table 40. Supported GPFS Levels</i> |                      |                      |                      |                     |                     |                     |                     |
|----------------------------------------|----------------------|----------------------|----------------------|---------------------|---------------------|---------------------|---------------------|
| <b>GPFS</b>                            | <b>AIX<br/>4.1.5</b> | <b>AIX<br/>4.2.1</b> | <b>AIX<br/>4.3.2</b> | <b>PSSP<br/>2.2</b> | <b>PSSP<br/>2.3</b> | <b>PSSP<br/>2.4</b> | <b>PSSP<br/>3.1</b> |
| 1.2                                    |                      |                      | S                    |                     |                     |                     | S                   |
| 1.1                                    |                      | S                    | S                    |                     |                     | S                   | S                   |

## Parallel Environment

Parallel applications, like IBM Parallel Environment for AIX, are not supported in a mixed system partition. This applies to their use for either IP or user space communication. All the nodes involved in a parallel job must be running the same level of Parallel Environment.

Parallel Environment is comprised of:

- Parallel Operating Environment (POE)
- Message Passing Libraries (MPI, MPL)
- Parallel Utilities which facilitate file manipulations (MPI sample programs)

**Note:** See “LoadLeveler” on page 195 for associations between Parallel Environment and LoadLeveler.

**Coexistence in Parallel Environment:** Coexistence combinations are as follows:

- Parallel Environment 2.4 and PSSP 3.1
- Parallel Environment 2.4 and PSSP 2.4 (with restrictions)
- Parallel Environment 2.4 and PSSP 2.3 (with restrictions)
- Parallel Environment 2.3 and PSSP 3.1 (with restrictions)
- Parallel Environment 2.3 and PSSP 2.4
- Parallel Environment 2.3 and PSSP 2.3

where restrictions in all cases are:

No use of Parallel ESSL

No explicit use of non-blocking collective communications to the MPI standard

No functions that are new in PE 2.4 (like MPI-IO, MUSPPA, 1024 user space tasks)

**Migration in Parallel Environment:** Parallel Environment does not support node by node migration. Limitations are as follows:

- All nodes in the system partition need to be migrated to a new level of PE within the same service window.
- You can run a particular level of PE with plus or minus one level of AIX or PSSP so you can migrate to a new level of AIX or PSSP without having to change to a new level of PE.
- Applications using **threads** can migrate from PSSP 2.4 to PSSP 3.1 through binary compatibility without recompiling but they might not pick up the D7 libpthreads.a (shr.o) library. If this problem occurs, recompile with the D10 libpthreads.a (shr.) which links to libmpi\_r.l and libmpi\_rd10.a to correct the problem.
- Since Parallel Environment 2.3 can run on both PSSP 2.3 and 2.4, a node by node migration from PSSP 2.3 to 2.4 can be performed.
- You should migrate AIX, then PSSP, then PE. The migration paths available are:

| From                                | To                                  |
|-------------------------------------|-------------------------------------|
| AIX 4.2.1, PSSP 2.3, PE 2.3         | AIX 4.2.1, PSSP 2.3+PTF, PE 2.3+PTF |
| AIX 4.2.1, PSSP 2.3, PE 2.3         | AIX 4.2.1, PSSP 2.4, PE 2.3+PTF     |
| AIX 4.2.1, PSSP 2.3+PTF, PE 2.3+PTF | AIX 4.3.2, PSSP 2.4, PE 2.3+PTF     |
| AIX 4.2.1, PSSP 2.4, PE 2.3+PTF     | AIX 4.3.2, PSSP 2.4, PE 2.3+PTF     |
| AIX 4.3.2, PSSP 2.4, PE 2.3+PTF     | AIX 4.3.2, PSSP 3.1, PE2.3+PTF      |
| AIX 4.3.2, PSSP 2.4, PE 2.3+PTF     | AIX 4.3.2, PSSP 3.1, PE 2.4         |

- MPI of PE 2.3 works with MPCl of PSSP 2.3, 2.4, or 3.1.
- MPI of PE 2.4 requires MPCl of PSSP 3.1
- Within PE, PE level n does not interoperate with PE level n-1.

**Parallel Environment Levels Supported:** Table 42 on page 194 shows the supported levels.

| Parallel Environment                          | AIX 4.1.5 | AIX 4.2.1 | AIX 4.3.2 | PSSP 2.2 | PSSP 2.3 | PSSP 2.4 | PSSP 3.1 |
|-----------------------------------------------|-----------|-----------|-----------|----------|----------|----------|----------|
| 2.4                                           |           |           | S         |          | R        | R        | S        |
| 2.3                                           |           | S         | S         |          | S        | R        | R        |
| 2.2                                           | S         | S         |           | S        |          |          |          |
| S = supported, R= supported with restrictions |           |           |           |          |          |          |          |

## Parallel Tools

Parallel Tools include:

- Parallel debuggers (PDBX, PEDB, which are dependent on POE)
- Visualization and performance monitoring tools (VT, which is dependent on POE)
- Application performance analysis tool (Xprofiler)

These tools are shipped with Parallel Environment which requires that all the nodes involved in a parallel job be running the same level of Parallel Environment. These have the same coexistence limitations as stated for “Parallel Environment” on page 192 with the exception of Xprofiler.

Xprofiler was introduced in Parallel Environment 2.3 and has no dependency on PSSP. It does not interoperate with other instances of Xprofiler but it does not interfere with coexistence or migration in PSSP. Table 43 shows the supported levels.

| Xprofiler | AIX 4.1.5 | AIX 4.2.1 | AIX 4.3.2 | PSSP 2.2 | PSSP 2.3 | PSSP 2.4 | PSSP 3.1 |
|-----------|-----------|-----------|-----------|----------|----------|----------|----------|
| 1.1       |           |           | S         | S        | S        | S        | S        |
| 1.0       |           | S         | S         | S        | S        | S        | S        |

## Parallel ESSL for AIX

Parallel ESSL is not supported in a mixed system partition except for system partitions with PSSP 2.3 and PSSP 2.4. This applies to their use for either IP or user space communication. Which level of Parallel ESSL runs on a particular level of PSSP and AIX is based on which level of PE runs on that particular level of PSSP and AIX, as follows:

- Parallel ESSL 2.1 supports PE 2.3 or PE 2.4
- Parallel ESSL 1.2.1 supports PE 2.2 or PE 2.3

Parallel ESSL is not directly dependent on any level of PSSP or AIX.

Parallel ESSL coexistence and migration is however, the same as for Parallel Environment because it is dependent on the Parallel Environment LPP. It also requires the ESSL LPP.



## Performance Toolbox Parallel Extensions

The Performance Toolbox Parallel Extensions for AIX software, a separate LPP before PSSP 3.1, is now an optional component of PSSP 3.1.

The IBM Performance Toolbox for AIX (PTX) licensed program product (containing the Manager Component and the Agent Component (PAIDE) with perfagent) has been a prerequisite of PTPE and still is. Both PTX components must be installed on the control workstation, while just the Agent Component must be installed on all the nodes. (See “Performance Toolbox for AIX, Agent Component (perfagent)” on page 188.)

PTPE also depends on the RSCT Event Management component of PSSP. PTPE requires a PTF in order to communicate with the Event Management subsystem of PSSP 3.1. The PTF is backward compatible, so it can be applied to PTPE running on nodes with earlier levels of PSSP.

To get the 3.1 level of PTPE, you must install the PTPE optional component when you migrate to PSSP 3.1. It cannot be installed on back levels of PSSP.

PTPE can coexist in a mixed system partition running any combination of the supported levels of PSSP. PTPE supports node by node migration. PTPE does not support DCE configurations.

## LoadLeveler

LoadLeveler in general is not compatible with earlier levels of LoadLeveler. LoadLeveler 2.1 can coexist with some restrictions in a mixed system partition of nodes running some combinations of the supported PSSP levels as long as all nodes are running LoadLeveler 2.1.

LoadLeveler does not support node by node migration. LoadLeveler provides other mechanisms for migration, including the use of separate LoadLeveler clusters.

**Coexistence within LoadLeveler:** SP system partitions and LoadLeveler clusters do not necessarily share the same boundaries. The same level of LoadLeveler must be installed on all nodes and workstations within a LoadLeveler cluster. In addition, the level installed on submit-only machines must be the same as the level on the machine to which a job is being submitted. However, different levels of LoadLeveler can coexist but not interoperate within an SP system partition if they are part of separate LoadLeveler clusters.

**Coexistence of LoadLeveler with Parallel Environment:** When LoadLeveler and Parallel Environment exist on the same node, they must be at one of the following combinations:

- LoadLeveler 2.1 with Parallel Environment 2.4
- LoadLeveler 1.3 with Parallel Environment 2.3
- LoadLeveler 1.3 with Parallel Environment 2.2

**Coexistence of LoadLeveler and Parallel Environment with PSSP:**

LoadLeveler 2.1 and Parallel Environment 2.4 fully support PSSP 3.1. LoadLeveler 2.1 and Parallel Environment 2.4 support other levels of PSSP with restrictions as follows:

- PSSP 2.4 and PSSP 2.3 but the Resource Manager component of PSSP must be turned off
- PSSP 2.3 without Multiple User Space Process Per Adapter functionality and you can only use ethernet adapters and IP for parallel jobs submitted by LoadLeveler.

**LoadLeveler Levels Supported:** Table 44 shows the supported levels.

| LoadLeveler                                    | AIX 4.1.5 | AIX 4.2.1 | AIX 4.3.2 | PSSP 2.2 | PSSP 2.3 | PSSP 2.4 | PSSP 3.1 |
|------------------------------------------------|-----------|-----------|-----------|----------|----------|----------|----------|
| 2.1                                            |           |           | S         |          | R        | R        | S        |
| 1.3                                            | S         | S         | S         | S        | S        | S        |          |
| S = supported, R = supported with restrictions |           |           |           |          |          |          |          |

### CLIO/S 2.2 and NetTAPE 1.2

These products have the following support:

- Do not require a specific level of PSSP
- Do work in a mixed system partition of any combination of the supported levels of PSSP
- Do not interfere with node by node migration to supported levels of PSSP or AIX
- CLIO/S 2.2 cannot coexist with earlier levels of CLIO/S
- NetTAPE 1.2 and NetTAPE TLC 1.2 can coexist in a mixed system partition with supported combinations of PSSP

**Note:** Service PTFs might be required for running on AIX 4.2.1 or 4.3.2

## IP Performance Tuning

This section presents some high-level considerations related to performance of TCP/IP over the switch in a coexistence environment. Note that these are simply important factors to be considered in approaching tuning, and that the IBM RS/6000 SP organization has not conducted significant performance evaluation studies in this area.

In general, with all else being equal, the goal for performance achieved between nodes running different levels of PSSP should be the performance delivered by the earlier level of PSSP (each release of PSSP has included performance improvements). Traditional tuning considerations, such as those derived from the performance characteristics of different IBM RS/6000 SP node types and installation/application communication patterns will still apply. For example, the switch throughput is limited to the speed of the slowest node in an IP connection. With coexistence, tuning activities might also need to reflect the levels of PSSP on the particular nodes running (communicating) in a mixed system partition.

There are two main areas where this might come into play:

1. Tuning for AIX - tuning methodologies typically employed for different releases.

2. Tuning for the switch - appropriate settings for the adapter device driver buffer pools.

In tuning for the switch, the values used for the switch adapter/device driver IP buffer pools are the primary considerations. The `rpoolsize` and `spoolsize` parameters available in PSSP 2.2, PSSP 2.3 (PTF needed, see the Read This First document for latest updates), and PSSP 2.4 are changed using the `chgcss` command. The aggregate pool size is a function of the size of kernel memory.

In summary, the recommended approach for factoring coexistence into your overall IBM RS/6000 SP tuning strategy is to start with the above general approach to tuning for mixed levels of AIX/PSSP. Consider the other characteristics that influence performance for your specific configuration, making trade-offs if necessary. Then, as with any performance tuning strategy, make refinements based on your results or as your IBM RS/6000 SP migration strategy progresses.

**Note:** See performance tuning information on the web at <http://www.rs6000.ibm.com/support/sp>

## Root Volume Group Mirroring

If you already have root volume group mirroring on SP nodes or on servers that you now want to attach to the SP system, enter the mirroring information into the SDR *prior* to either migrating a node to PSSP 3.1 or attaching a server; for example, an S70. Failure to enter existing root volume group mirroring information will result in the root volume group being *unmirrored* during migration to PSSP 3.1 or attaching an S70 to a PSSP 3.1 system.

## Boot/Install Servers and Other Resources

Your boot/install server must be at the highest level of AIX and PSSP that it is to serve.

Your migration plan must also consider additional resources; for example, additional DASD to support multiple levels of software, particularly if you plan to use coexistence. In that case, plan on allocating 2 GB of disk for each level of AIX and PSSP being served by your control workstation or boot/install server. The space is used for additional directories, specifically:

- multiple AIX `mksysb` subdirectories under: `/spdata/sys1/install/images/...`
- multiple AIX subdirectories under: `/spdata/sys1/install/default/...` or `/spdata/sys1/install/customized_name/...`  
which include: `lppsource/` and `spot/`
- multiple PSSP subdirectories under: `/spdata/sys1/install/pssplpp/...`

## Changes in Recent Levels of PSSP

Here are some recent changes in PSSP, PSSP-related LPPs, or AIX support that might affect your migration plans.

## AIX Support

Information about AIX 4.3 can be found in the redbook *AIX Version 4.3 Differences Guide*. It has many references to more documents.

TCP/IP Internet Protocol Version 6 (IPv6) extends the maximum number of IP addresses from 32 bit addressing to 128 bit addressing. IPv6 is compatible with the current base of IPv4 host and routers. IPv6 and IPv4 hosts and routers can *tunnel* IPv6 datagrams over regions of IPv4 routing topology by encapsulating them within IPv4 packets. IPv6 is an evolutionary change from IPv4 and allows a mixture of the new and the old to coexist on the same network.

**Restriction:** IPv6 is not supported by PSSP. It cannot be used with SP adapters and is incompatible with the RSCT components. If you are adding an SP-attached server to your SP, be sure that the server you are attaching does not use IPv6.

## Security Support

Beginning in AIX 4.3.1 the AIX Remote Command suite was enhanced to support DCE. The suite includes **rsh**, **rcp**, **rlogin**, **telnet**, and **ftp**. PSSP 3.1 uses these enhanced AIX commands. For SP migration purposes, the AIX remote commands, **rsh** and **rcp**, were enhanced to call an SP-supplied Kerberos V4 set of rsh and rcp subroutines. The AIX `/usr/bin/rsh` and the `/usr/bin/rcp` on the SP will support multiple authentication methods, including: standard AIX authentication, Kerberos V4, and DCE (with Kerberos V5).

In PSSP 3.1, the `/usr/lpp/ssp/rcmd/bin/rsh` and `/usr/lpp/ssp/rcmd/bin/rcp` commands are symbolic links to the AIX `/usr/bin/rsh` and `/usr/bin/rcp` commands respectively. You should be aware of the following with respect to the **rsh** and **rcp** command changes in PSSP 3.1:

- The Kerberos V4 authentication method must be configured for the SP system management commands that use the **rsh** and **rcp** commands to function properly. When the control workstation is upgraded to AIX 4.3.2, Kerberos V4 and standard AIX authentication will automatically be enabled as authentication methods on the control workstation. They are also automatically enabled for the node when you upgrade a node to AIX 4.3.2.
- If you install DCE and choose it as an authentication method, your applications which do not support DCE will experience authentication error messages from DCE before the system proceeds to try using the next authentication method configured. You can change those applications to support DCE, handle the messages, or take a risk and use the environment variable `K5MUTE` which suppresses *all* messages.
- If you turn the AIX authentication method off, applications requiring the function will fail. The result is the same as disabling the AIX **rsh** and **rcp** commands in a pre-AIX 4.3.1 system.

You should review the AIX man pages for this suite of AIX remote commands.

Migration might proceed as follows:

1. Upgrade the control workstation to AIX 4.3.2 (as usual). Kerberos V4 and standard AIX authentication methods are automatically enabled on the control workstation.

2. Upgrade the nodes to AIX 4.3.2 (as usual). Kerberos V4 and standard AIX authentication methods are automatically enabled on the nodes.
3. Upgrade the control workstation to PSSP 3.1 (as usual). Configure all SP system partitions such that:
  - Kerberos V4 is installed and configured.
  - Kerberos V4 is selected as an authorization method for *root rsh*
  - Kerberos V4 and standard AIX authentication are enabled as authentication methods. Kerberos V5 must not be enabled as an authentication method.
4. Upgrade the nodes to PSSP 3.1 (as usual). The node sets its authentication and authorization methods to match those set for the system partition in which it resides.
5. After all nodes have AIX 4.3.2 and PSSP 3.1, you can choose to install DCE, select DCE or standard AIX or both for *root rsh*, enable Kerberos V5 authentication and disable or keep standard AIX authentication in partitions.
6. If you change the authentication installation or authorization options in a partition, run **rc.authent** on each of the nodes in the partition to make the changes take effect on the node either by using the **dsh** command or by booting each node.

### **IBM Parallel I/O File System for AIX**

Parallel I/O File System for AIX (PIOFS) is a high performance file system for the SP. It scales in file input/output performance, just as the RS/6000 SP scales in computing performance, by striping files across multiple server nodes.

PIOFS exploits the architecture of the SP on AIX 4.2 but is not supported on AIX 4.3. You can use GPFS in place of PIOFS with AIX 4.3.

### **High Performance Switch**

As of PSSP 3.1, the High Performance switch is not supported. If you use that switch, you must convert all your switches to the SP Switch or you cannot migrate to PSSP 3.1.

### **Resource Manager**

The job management daemons have been removed from the PSSP 3.1 Resource Manager and added to LoadLeveler 2.1. The PSSP 3.1 Resource Manager (file set *ssp.jm*) still has the commands and library necessary to support from the control workstation any system partitions using the Resource Manager of back level versions of PSSP.

A PSSP 3.1 control workstation can support system partitions with earlier levels of PSSP running Resource Manager. A pre-PSSP 3.1 Resource Manager can coexist in a mixed system partition with nodes running any combination of PSSP 2.2, 2.3, or 2.4. It cannot coexist in any system partition with PSSP 3.1 and LoadLeveler 2.1. The pre-PSSP 3.1 Resource Manager must be stopped before LoadLeveler 2.1 is started.

The PSSP 3.1 Resource Manager will not allow a node with PSSP 3.1 to be configured within a parallel pool.

The Resource Manager supports migration of the control workstation from PSSP 2.2, 2.3, or 2.4 to 3.1. Existing Resource Manager configuration files are preserved

during migration of the control workstation. Any node being migrated to PSSP 3.1 must first be removed from a pre-PSSP 3.1 Resource Manager configuration in the system partition. If the node being migrated to 3.1 is running the Resource Manager, then another node that is not to be migrated must be identified in the configuration file as the new Resource Manager server node.

If you do not need to support mixed level system partitions, IBM suggests that you deinstall the `ssp.jm` file set. This fileset will not be automatically manipulated by the PSSP 3.1 installation and configuration procedures.

If you have been using the Resource Manager for interactive parallel jobs and have not been using LoadLeveler, you will now need to use LoadLeveler or some comparable tool.

If you have been using the Resource Manager to manipulate the switch table you now need to use the Job Switch Resource Table services.

### **PVMe**

As of PSSP 2.4, PVMe is no longer supported. MPI is the strategic direction IBM has recognized for message passing codes. IBM does not support it, but if your application cannot be migrated to use the MPI protocol then you might want to look at the Oak Ridge version of PVM.

### **Automounter**

As of PSSP 2.3, the Amd automount daemon, which is freely available under license, is replaced by the native AIX automounter support, which is available as part of NFS in the Network Support Facilities of AIX Base Operating System (BOS) Runtime. Amd uses map files to define the automounter control. These map files are not compatible with the AIX automounter and must be converted.

If your current installation has the Amd configuration turned on and is using the SP User management Services (SP site environment variables `amd_config` and `usermgmt_config` are both **true**), the SP maintains a user home directory map file for the `/u` file system. If you have not modified the `/etc/amd/amd-maps/amd.u` map file, the PSSP System Management Software will automatically convert this map file for you when migrating to PSSP 2.3 or later.

If you have modified the `amd.u` Amd map file, added your own map files for additional automounter support, or in any other way customized your Amd installation, you will need to consider the impact of automounter conversion in planning your migration to PSSP 2.3 or later. You will need to manually convert your Amd map files to AIX Automount map files. Please refer to the following AIX publications for information on the AIX automounter and map file format:

**AIX command reference:** *automount* command

**System Management Guide: Communications and Networks:** Mounting an NFS File System using the automount daemon

**System Management Guide: Communications and Networks:** *NIS Automounter*

If you find it impossible to convert your current installation to use the AIX automount daemon, you can provide your own automounter support through a set

of user customization scripts. See "Managing the Automounter" chapter of the SP Administration Guide for more details.

### **Print Management**

As of PSSP 2.3, the SP Print Management Subsystem is no longer supported. IBM recommends the use of Printing Systems Manager (PSM) for AIX as a more general solution for managing printing on the IBM RS/6000 SP. Note that the SP Print Management Subsystem is still supported on nodes of an IBM RS/6000 SP that are running PSSP 2.2, even if the IBM RS/6000 SP system has been partially migrated to later levels of PSSP.

## **HACWS Migration Strategy**

High Availability Control Work Station (HACWS), an optional component of PSSP, only runs on the RS/6000 SP control workstations. An HACWS configuration at the PSSP 3.1 level requires the following software on both control workstations:

- PSSP 3.1 (including the ssp.hacws 3.1.0.0 file set).
- AIX 4.3.2 (or later). Refer to the Read This First document for the latest information on what levels of AIX are supported with PSSP 3.1.
- Any level of HACMP 4.2 or later that is supported with the level of AIX that is supported with PSSP 3.1. Refer to the appropriate HACMP documentation for the latest information on what levels of HACMP are supported with the level of AIX you are using or considering with PSSP 3.1.

Whether or not you need to upgrade all three of these at the same time depends on your software levels before migration. You can choose to upgrade your HACWS configuration a little at a time, stopping along the way to run your system long enough to become confident that it is stable before proceeding to the next phase.

**Note:** Before you migrate the control workstation to PSSP 3.1, you must apply a coexistence PTF to all the nodes. See the Read This First document for the latest PTF requirements.

For more information see the book *PSSP: Installation and Migration Guide*.

## **AIX and PSSP Migration Options**

There are three main ways to migrate your system each with their own advantages:

1. Migration install - preserves base configuration
2. Overwrite install - provides a clean start
3. Migration then re-install - migrate one node then use this image to re-install remaining nodes

After performing any needed system preparation steps, the next step in migrating your IBM RS/6000 SP system is to migrate the control workstation to the appropriate level of AIX and PSSP. That is, the control workstation must be migrated to AIX 4.3.2 and PSSP 3.1 before migrating any of the nodes.

For example, to migrate to PSSP 3.1 from PSSP 2.2 and AIX 4.1.5, first migrate only AIX. Then validate your SP system (still at the PSSP 2.2 level). Then upgrade PSSP after you are satisfied and scheduling permits. This involves upgrading AIX 4.1.5 to AIX 4.3.2, from which you can then migrate PSSP 2.2 to PSSP 3.1.

For systems running unsupported levels of PSSP, or if an overwrite install is desired, the control workstation migration must include both AIX and PSSP upgrades before the SP system can be returned to production.

**Note:** Both upgrades must be done in the same service window.

After the control workstation has been migrated to AIX 4.3.2 and PSSP 3.1, and the system has been validated, the nodes can be migrated. Start the node migration with boot/install servers if applicable. The same basic migration options exist for migrating the nodes, such as:

- AIX Migration
- PSSP Migration
- AIX and PSSP Migration (done in the same service window)

Also, you can optionally migrate one node, then use the mksysb from that node to install the remaining nodes to be migrated.

---

## Reviewing Your Migration Steps

This section summarizes the key components of a migration. These components should be reviewed and assessed, considered from a sizing and impact point of view, and qualified with respect to your overall migration goals and strategy. Additional details on these steps can be found in the *IBM Parallel System Support Programs for AIX: Installation and Migration Guide*.

1. Determine your migration goals (which nodes, how many nodes)
2. Determine your migration strategy. Be certain that you understand coexistence limitations.
3. Plan your migration windows
4. Plan your recovery procedures
5. Gather necessary materials:
  - new release levels of AIX and PSSP
  - documentation - AIX, PSSP, LPP and other products required AIX and PSSP service (for older levels)
  - new release levels of other products used
  - any additional DASD required, resources (e.g., tape) for backups
6. Create system backups - control workstation, nodes to be migrated
7. Conduct the migration, in stages as applicable:
  - a. Apply required service to nodes prior to migration (required PTFs are necessary for coexistence to work)
  - b. Prepare the control workstation (such as DASD, PTF service, archive the SDR)
  - c. Migrate the control workstation to the latest level of PSSP (and AIX if necessary), validate
  - d. Partition the system (might be necessary due to coexistence limitations)



- e. Migrate a test node to the latest level of PSSP (optional but highly recommended)
- f. Migrate boot/install servers to the latest level of PSSP (and AIX if necessary)
- g. Migrate any remaining nodes to the latest level of PSSP (and AIX if necessary)

**Note:** Each step should be completed and verified before going on to the next step.

8. Perform postmigration activities



---

## Chapter 13. Consolidating Management of SP and Netfinity Systems

This chapter is of interest to SP customers who also use, or would like to use, Netfinity servers and want the control workstation to be a single point of control for managing both systems.

This section has an introduction to the Netfinity server and information to help you plan the installation of your Netfinity server and software.

---

### SP-Controlled Netfinity Overview

The Netfinity servers are a class of servers with Intel processors running a Windows NT platform that are ideal for e-business applications. These servers include enhancements from the world of mainframes to deliver high levels of speed, reliability, scalability and management. You can make the control workstation a single point of control for managing both systems even though Netfinity uses the Windows NT platform and the SP uses the AIX platform. A Netfinity server is *SP-controlled* when it is connected to an SP control workstation that runs the SP/Netfinity Server Consolidation component of PSSP, resulting in a single point of control for both the SP and Netfinity systems.

The Netfinity server remains outside the physical covers of the SP system. The PSSP components see it as housed in its own frame and call it a Netfinity node. Frequently executed hardware control and management tasks are consolidated at a single point of control for both the Netfinity and SP nodes. More complex tasks are managed by existing Windows NT or SP solutions on the respective platform, but are available to be initiated by the administrator from the control workstation.

This consolidation allows you to perform the following from the control workstation:

- Turn a Netfinity node on and off.
- Monitor a Netfinity node.
- Manage a Netfinity node.

***SP nodes do not interact with Netfinity nodes.*** While this support for Netfinity servers offers an information processing solution that consolidates management of both from the control workstation, PSSP does not run on Netfinity servers nor do SP nodes or SP-attached servers interact with SP-controlled Netfinity servers in any way. ***This solution does not provide:***

- Support for running PSSP software on the Netfinity nodes.
- Support for the SP switch connection between SP and Netfinity nodes.
- Failover support between SP and Netfinity nodes.
- Intermixing of SP nodes and Netfinity nodes within the same physical SP frame.
- Support of non-IBM Intel-based servers.

---

## Planning to Connect Netfinity Servers

This section provides information that will help you plan the installation of your Netfinity server. It includes descriptions of the Netfinity server hardware and software components and requirements.

For the latest planning information, see the Web site  
<http://www.pc.ibm.com/us/netfinity>

## Hardware Models Supported

The following IBM Netfinity rack-mounted server models are supported:

### Netfinity 5500

- Up to 2-way SMP at 450 MHz, 400MHz, or 350MHz (100MHz front side bus)
- Pentium II processors with 512KB L2 Cache
- Support for a maximum of 1GB (100MHz) ECC SDRAM DIMMs memory
- 6 hot-swap disk bays and 7 expansion slots (4 hot-swap PCI)
- Dual channel Wide Ultra SCSI RAID Controller (integrated)
- Netfinity Advanced System Management processor
- 10/100 Mbps Ethernet (integrated)

### Netfinity 7000M10

- Up to 4-way Pentium II Xeon processors with 512KB or 1MB Level 2 cache
- Up to 8GB ECC, 8-way interleaved memory
- Netfinity Advanced System Management PCI Adapter
- Light path diagnostics
- 12 available hot-plug PCI slots
- Hot-plug power supplies, cooling fans and hard disk drive bays

### *The minimum requirements are the following:*

- One Pentium II processor
- Internal hard drive (This does not come with the Netfinity server and must be purchased separately.)
- Network Card (An Ethernet card is included with the 5500 model.)
- 128MB of RAM

The Netfinity servers can be ordered through third party distribution centers. For more information see the Web site <http://www.pc.ibm.com/us/netfinity>

## Software Requirements

The following software is required for consolidated management of the SP and Netfinity server:

- Netscape 4.0.4 or later on the control workstation.
- All Netfinity servers must be running one of the following:
  - Windows NT 4.0 Server

- Windows NT 4.0 Server, Enterprise Edition
- Windows NT 4.0 Terminal Server Edition
- NT Service Pack 3 or later (for *NT Server* and *NT Server, Enterprise Edition* only; do not apply standard NT service packs to *NT Terminal Server Edition*).
- Netfinity Services Manager. (included in the ServerGuide software shipped with every Netfinity server).

The following additional software options enable you to have more complete management capability as you make use of Windows NT products:

- Web Administration for Microsoft Windows NT Server (Windows NT Administration).
- Citrix MetaFrame 1.0 Server add-on to NT Terminal Server running on the Netfinity server and, Citrix MetaFrame AIX Client running on the control workstation.

**Note:** To use the Citrix application, you must use *Windows NT Terminal Server Edition* (not *NT Server* or *NT Server, Enterprise Edition*) on the Netfinity server .

## Physical Environment

Physical requirements vary and must be understood relative to your SP system. For specific hardware environment requirements for the Netfinity servers, see the online documentation available at the Web site [http://www.pc.ibm.com/us/netfinity/tech\\_library.html](http://www.pc.ibm.com/us/netfinity/tech_library.html)

Netfinity servers are limited in their location by the 15 meter RS-232 cable between each Netfinity and the control workstation.

## Service, Support and Ordering

IBM suggests you purchase a 24 x 7 service plan when you consolidate Netfinity servers with the SP system. A warranty upgrade is available to provide 24 x 7 service with four hour or two hour on-site service response to meet your critical needs. To purchase, or upgrade to this support, contact your local IBM representative, or call 1-800-IBM-4YOU (426-4968).

To see the latest service information or to request support, see “Getting Help from IBM” on page 152. Be sure to have your machine type and serial number ready before you place a call.

The Netfinity servers can be ordered through third party distribution centers. For more information, see the Web site <http://www.pc.ibm.com/us/netfinity>

The RS-232 cable (part #31L7197) may be ordered by calling the Maintenance, Parts and Warranty Center at 1-800-388-7080. You will need one cable per Netfinity server to be installed.



---

## Part 3. Appendixes





---

## Appendix A. The System Partitioning Aid - A Brief Tutorial

PSSP includes a tool to facilitate system partitioning activity. The objectives of this application are to enhance understanding of system partitioning, and to allow you to create system partitioning configurations beyond those provided with PSSP. This application, called the *System Partitioning Aid*, is provided in two forms:

**sysparaid**                    a command line interface (CLI) which is text-file based;  
**spsyspar**                    a graphical user interface (GUI) which provides capability to view graphical representations of system partitioning layout alternatives, and to dynamically create new alternatives.

The GUI makes use of the command line interface, and uses the *SP Perspectives* code for graphics support. Both interfaces allow you to verify candidate layouts, and allow you to save a new, valid layout to disk. The new layout is then available to be made the active configuration at a later date. This allows you to plan ahead for configuration changes.

This appendix describes the GUI, and then the CLI version of this application. This is the order of exposure recommended for the inexperienced partitioner. In addition, this appendix presents a partitioning exercise which addresses the example in Chapter 5 of this document.

---

### The GUI - "spsyspar"

The GUI version of the System Partitioning Aid provides a dynamic view of the system partitioning layout, allowing you to modify the layout interactively.

The command **spsyspar** brings up the window shown in Figure 34 on page 212. This window consists of five screen areas:

|                               |                                                                                                                          |
|-------------------------------|--------------------------------------------------------------------------------------------------------------------------|
| <b>Pull Down Menu Bar</b>     | Menus provide pull down access to actions.                                                                               |
| <b>Tool Bar</b>               | Icons provide immediate execution of certain actions.                                                                    |
| <b>Nodes Pane</b>             | Graphic representation of targeted system partitioning layout.                                                           |
| <b>System partitions Pane</b> | Iconic representation of system partitions in the current layout.                                                        |
| <b>Information Area</b>       | Displays information about the object or screen area at the current cursor location. (Resides at very bottom of window.) |

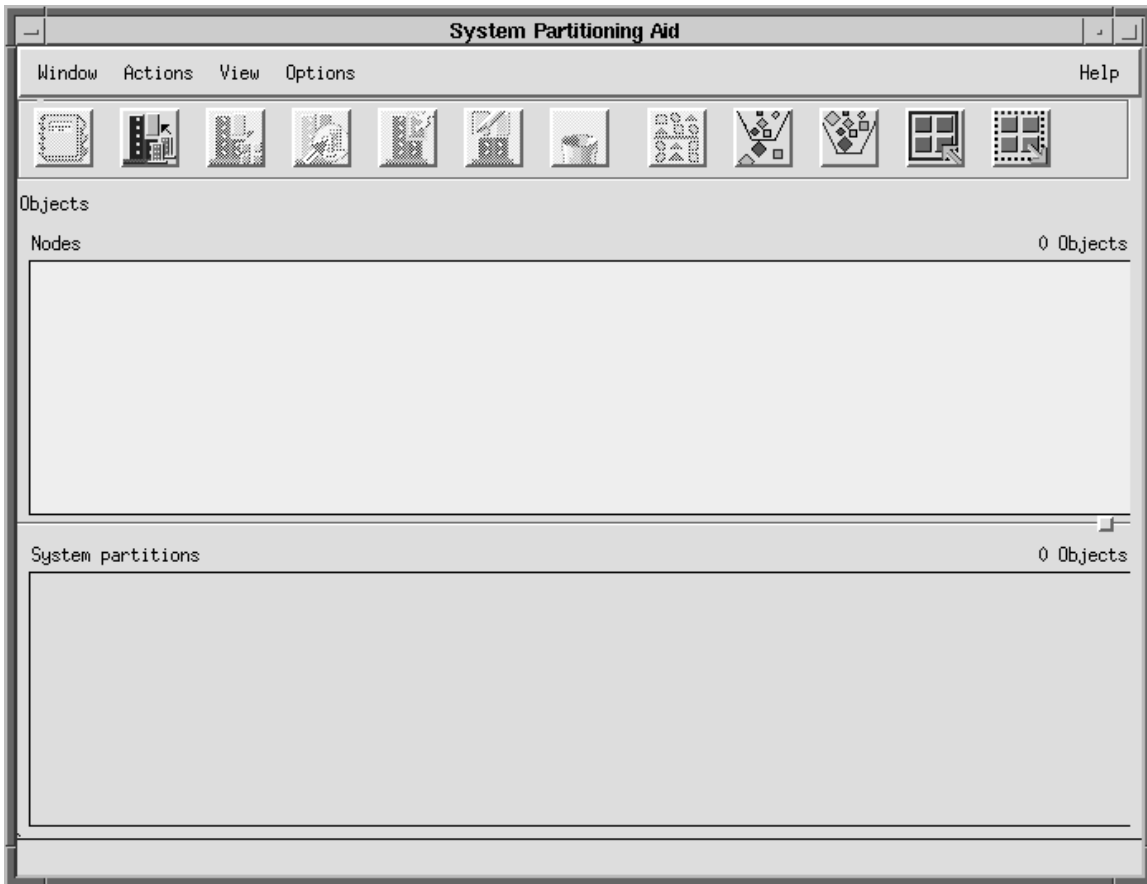


Figure 34. System Partitioning Aid Main Window

In Figure 34, the Nodes and System Partitions panes are empty. If an SDR exists, **spsyspar** treats the active system partitioning layout as the current target, and pictures it in the object panes. So, on an active system, **spsyspar** does not come up with empty panes: the Nodes pane contains the frames and nodes of the system, and the System partitions pane contains system partition icons.

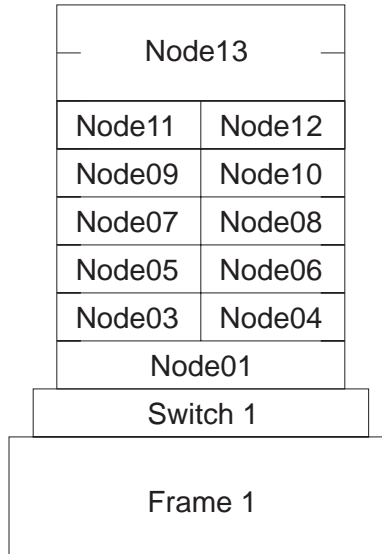


Figure 35. Sample 1-Frame System (1 wide, 10 thin, and 1 high nodes)

For example, assume you invoked **spsyspar** on the control workstation for the 1-frame system pictured in Figure 35, where there is 1 wide node, 10 thin nodes and 1 high node. If the active system partitioning layout has the bottom half of the frame in system partition "Alpha" and the top half in system partition "Beta", then **spsyspar** presents the window shown in Figure 36 on page 214. A single frame is presented in the Nodes pane, with the nodes pictured as defined (thin, wide, or high) in the SDR. Icons for partitions Alpha and Beta are shown in the System partitions pane.

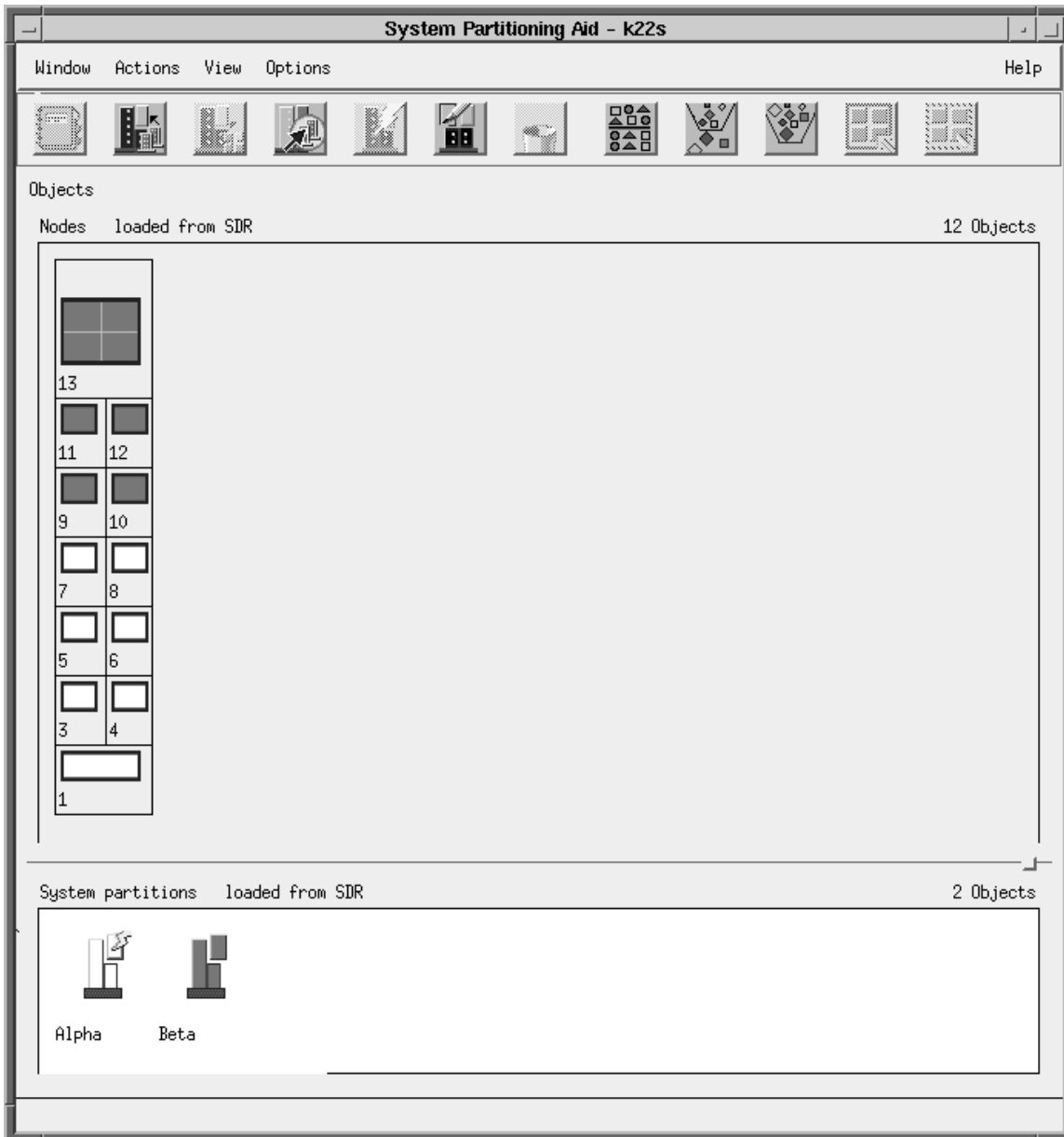


Figure 36. Main Window for Sample System

The **spsyspar** window is a standard window which you can move and size like any other window. The Nodes and System partitions panes become scrollable when appropriate. Also, the division of real estate between these two panes is controlled via the small box located between them and at the right side of the window; that box is called a "sash".

In Figure 36, notice that the title of the window contains " - k22s". "k22s" is the name of the control workstation of the target system. Also, if you look closely at the "System partition" pane of Figure 36, you'll see that the Alpha partition is marked with a "lightening bolt". This signifies that Alpha is the *active partition*. Hence, any partition-specific activity, such as assignment of nodes, would be directed at partition Alpha. In addition, the brighter colored System partitions pane is the pane of "focus". This affects the choices available from the Tool Bar and the Pull Down Menu - items not applicable for the current focus are grayed out.

## Tool Bar Actions

The Tool Bar consists of several icons which allow you to execute important actions. These actions are also available through the Pull Down Menu Bar.

### View and Modify Information About Selected Objects (Notebook)

The availability of the icons of the Tool Bar is generally affected by the nodes and/or system partitions previously selected. Actions which are not available appear grayed-out. For example, if you clicked on node 8 in the Nodes pane, and then select the first Tool Bar icon, which pictures a notebook, a new window comes up named "View Node 8" containing data relevant to node 8. This window appears in Figure 37.

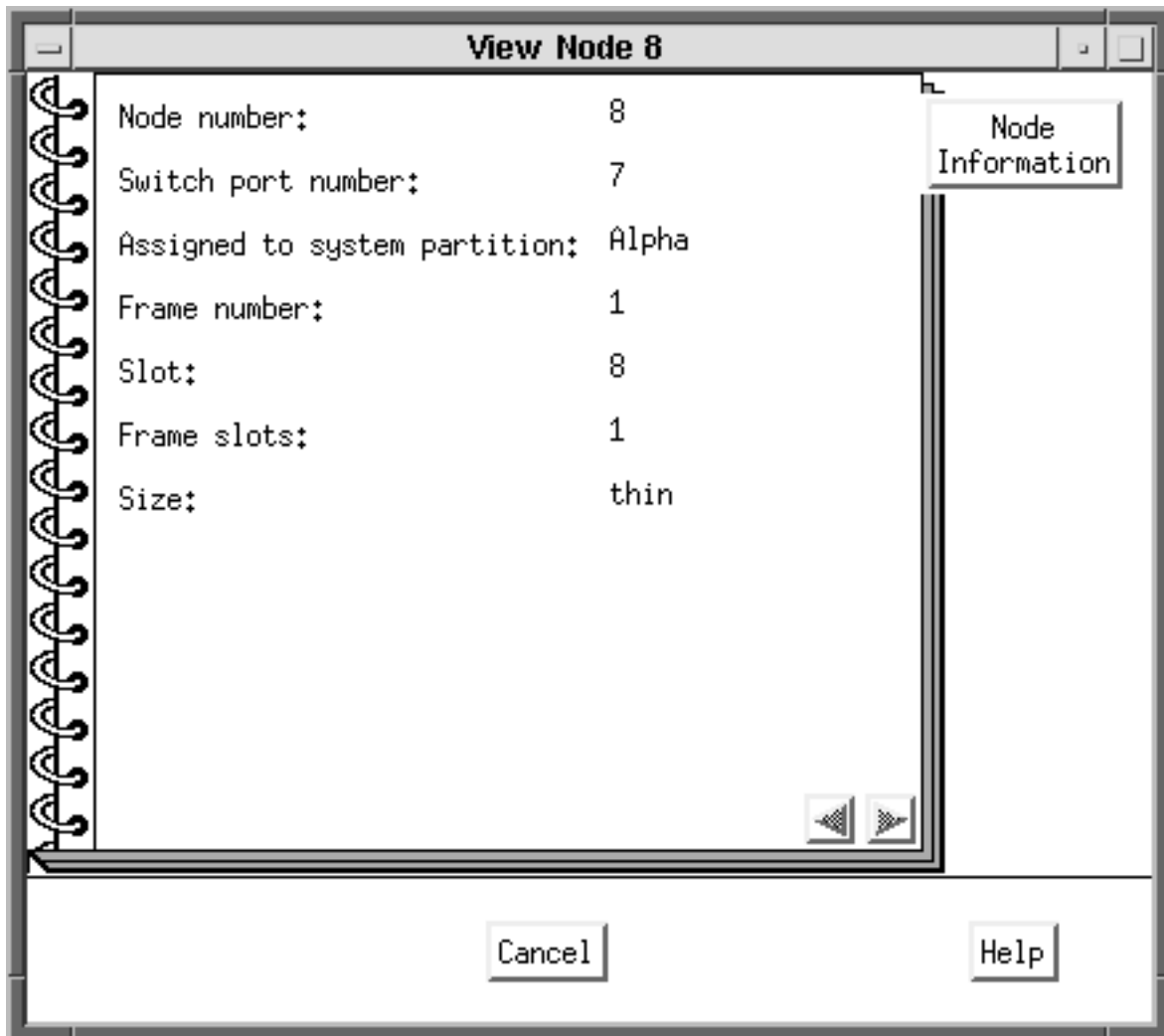


Figure 37. Notebook for Node 8 of Sample System

If you instead click on partition Alpha in the system partitions pane, and then select the notebook icon, you get a window named "View/Modify System Partition Alpha", which contains data for system partition Alpha. This system partition notebook is more complicated than a node notebook, and contains each of the following pages, which are shown in Figure 38 on page 216 for this example:

**Definition** partition name and description, together with current **spsyspar** session parameters

**Nodes**  
**Topology File**  
**Chip Allocation**

a list of information for the nodes in this partition view of the topology file specifying this partition switch chips allocated to this partition, if the configuration was not shipped by IBM

**Performance**

performance numbers for this partition, if the configuration was not shipped by IBM

**Note:** A configuration is either one of those shipped by IBM with PSSP in the directory `/spdata/sys1/syspar_configs`, or it was added later by a user of the System Partitioning Aid. The configurations shipped by IBM satisfy certain minimal bandwidth criteria, but partitions created using the System Partitioning Aid may not satisfy that criteria. Configurations created via the System Partitioning Aid are evaluated for correctness and performance. Hence, provision is made for the "Chip Allocation" and "Performance" pages of the system partition notebook to record such data for a user-created layout.

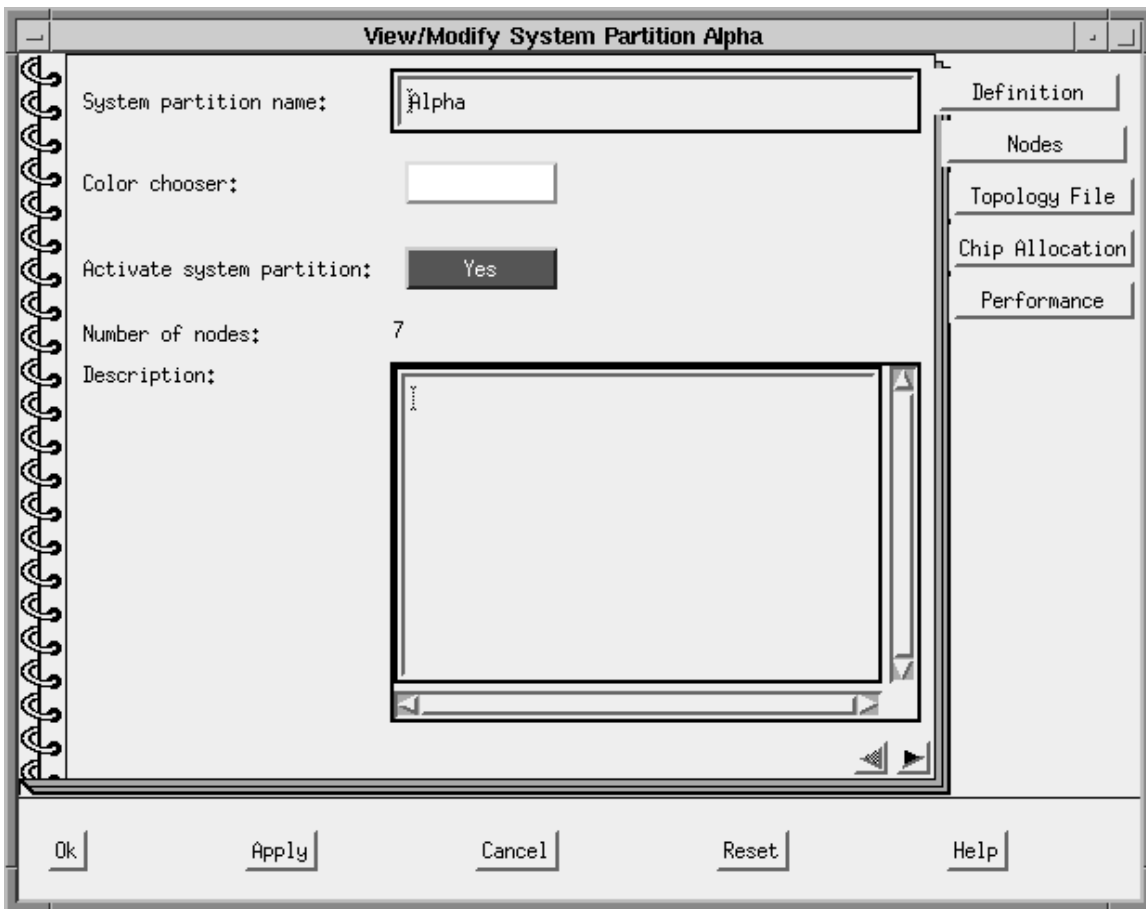


Figure 38. Notebook for Partition Alpha of Sample System

You can modify each attribute on the "Definition" page of the partition notebook, except the number of nodes. The other pages of the notebook are read-only.

## Display Previously Defined and User Generated System Configurations

Select the second icon on the Tool Bar to display available system partitioning configurations. The resulting dialog box appears in Figure 39 and displays the configurations that you can select. Clicking on one of these configurations expands that configuration to show the corresponding layouts available - both those shipped by IBM and the ones created by users. In Figure 39, configuration 8\_8 has been expanded showing there are three layouts available under this configuration.

If you click on a layout and press the "Open" button, **spsyspar** now treats that layout as the target system. This makes **spsyspar** useful in planning for future expansion. If the layout is for a configuration which matches the real system, the user has a choice of seeing nodes pictured as defined in the SDR. The default, and the only possibility if the SDR is unavailable, is to show only thin nodes with all slots populated, since **spsyspar** cannot know the correct node types to show, and so depicts all nodes as thin.

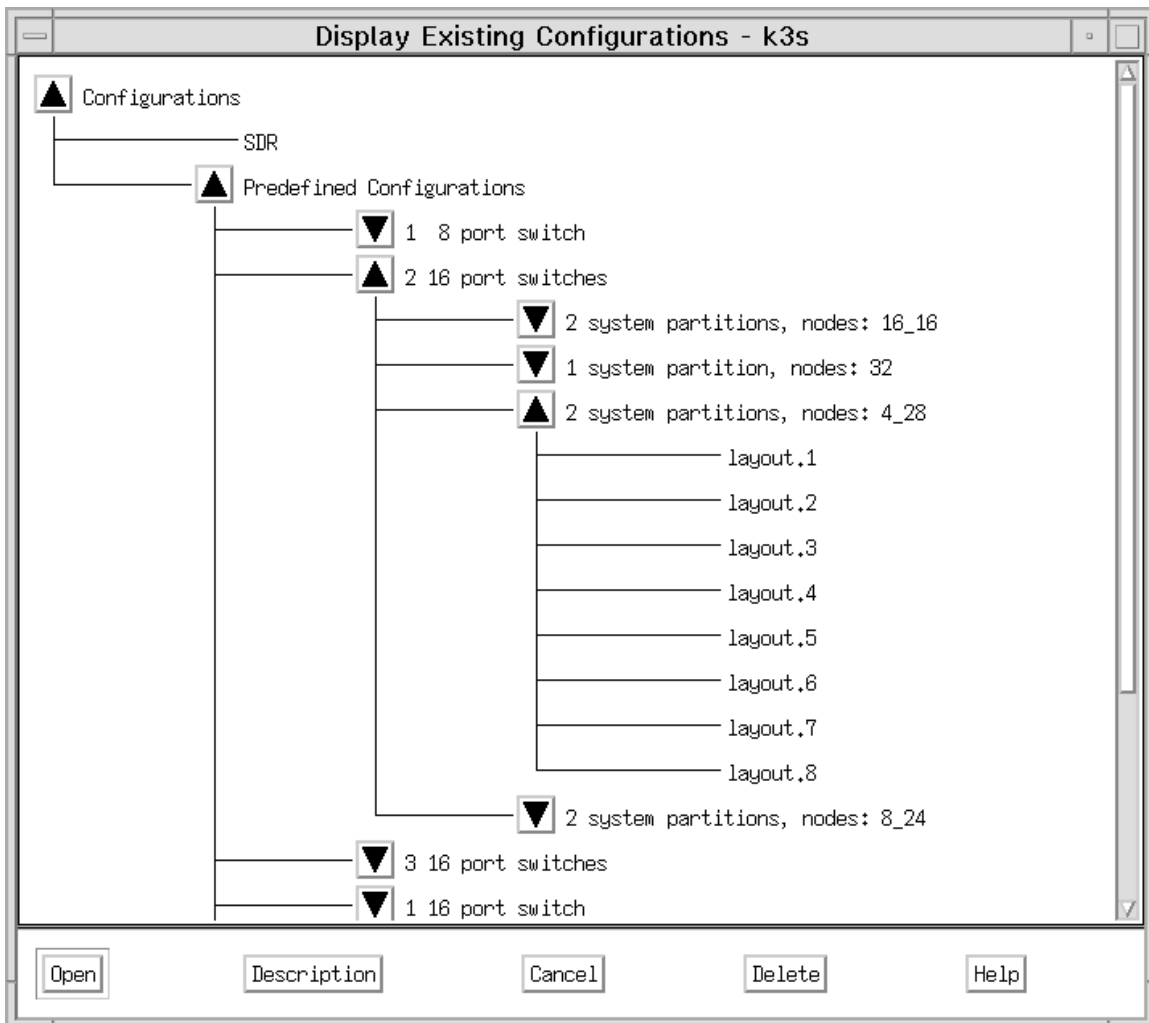


Figure 39. Alpha Notebook for Sample System

You also have the opportunity to read the description of a layout, or delete a layout created by a user. By looking at the description for layout.3 under configuration '2

system partitions, nodes: 4\_28', you would see it is equivalent to the layout depicted in Figure 36 on page 214.

### **Place Selected Nodes into an Active Partition**

You can set the active partition by selecting a partition in the System Partitions pane and then choosing "Select Active". Then, under the "Actions" pull down, select "System Partitions". (See also the description for the fifth icon below.) Once an active partition is set, you may select nodes in the nodes pane and then select the third icon. This moves any selected nodes into the active partition. In addition, any nodes attached to the same switch chip(s) as the node(s) selected are also placed in the active partition. A message appears informing the user that this has happened.

In our example, if Beta is the active partition, and node 1 is selected, then clicking on the third icon moves nodes 1, 5, and 6 from partition Alpha to partition Beta.

### **Generate Files Used to Define System Configuration**

The fourth icon checks whether the current system partition layout is equivalent to one which already exists, and if not, builds the corresponding layout in the appropriate location on disk. Then this new layout may be chosen as the active configuration at a later time.

### **Activate a System Partition for Node Assignment**

The fifth icon provides an alternate way of setting the active partition. This is equivalent to choosing "Select Active" under the "Actions" pull down. The current active partition is marked with a lightening bolt.

### **Define a New System Partition**

The sixth icon brings up a "Define System Partition" dialog box which is actually the "Definition" page in a new system partition's notebook. You can specify the name, description, and color of the new partition. Of course, this new partition has no nodes yet, because you must first perform a "Place selected nodes ..." for this new partition. The new partition is also set as the active one to prepare for specifying member nodes.

### **Remove Selected System Partition**

The seventh icon deletes the selected system partition from the current layout. If the selected partition has nodes assigned and is currently the active partition, you cannot delete the partition until all nodes of the partition have been reassigned to another partition(s). If the selected partition has no nodes assigned and is currently the active partition, it cannot be deleted until a different partition becomes the active partition.

### **Sort the Objects in the Current Pane**

The eighth icon sorts the node or system partition objects in the respective pane, depending on which pane is currently active. For the Nodes pane, this makes sense and is only available for use if the icon view of the nodes has been set via the "View" Pull Down Menu item. The icon view dispenses with frames and simply represents all the nodes as independent entities. The icon view of the Nodes pane has been selected in Figure 40 on page 219, and the nodes have sorted in descending order.



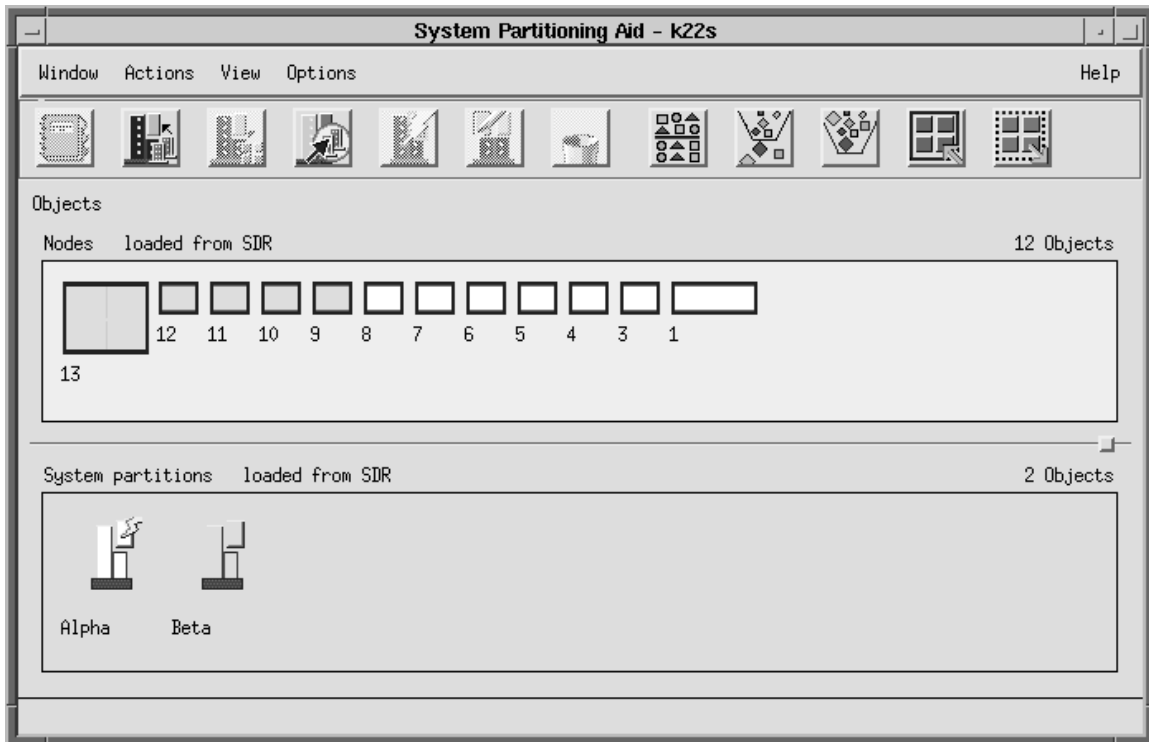


Figure 40. Descending Sort in Nodes Pane (Icon View)

### Filter the Objects in the Current Pane

The ninth icon allows you to define a filter, and uses that filter to control which objects in the active pane are seen. In our example, if the node pane is selected, specifying the filter "1\*" for inclusion as shown in Figure 41 on page 220 causes the frame to be redrawn with only nodes 1, 10, 11, 12, and 13 shown. Alternatively, you may select those nodes in the Nodes pane, and choose the "Filter by what is selected" option on the "Filter Nodes" dialog window.

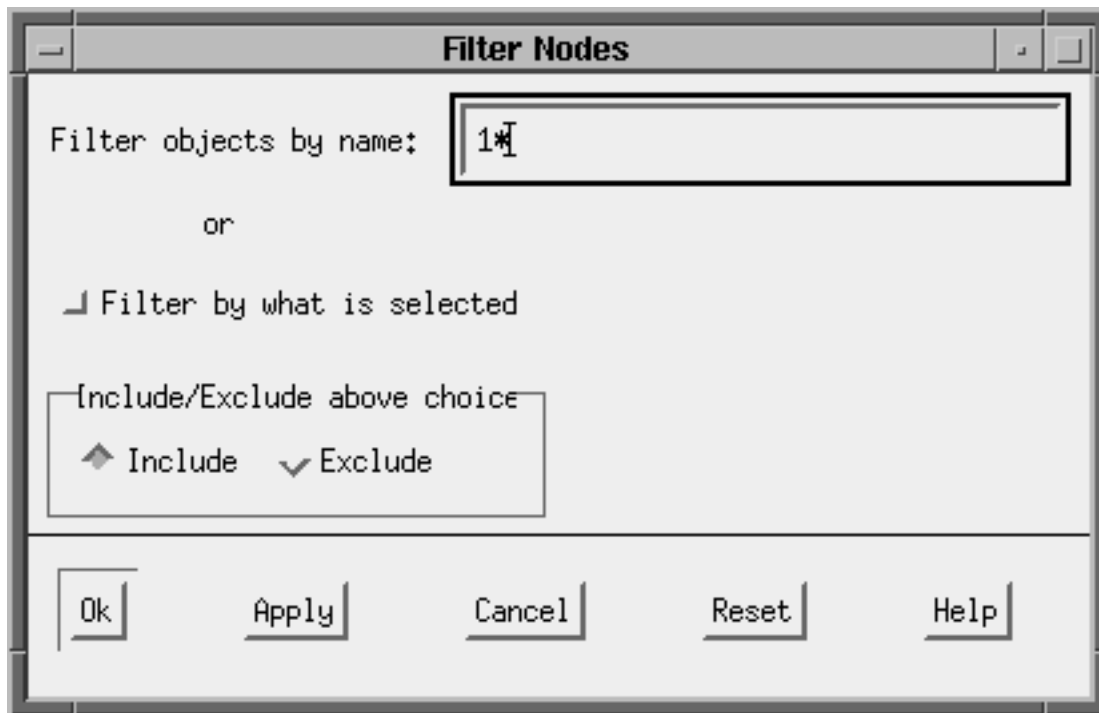


Figure 41. Filter Menu with "1\*" Filter Specified for Nodes Pane

If you select the System partitions pane, specifying the filter B\* for inclusion results in only the Beta system partition being shown: both in the Nodes pane and the partitions pane. A filter may be imposed on each pane.

### Remove Any Filter Being Applied to the Objects in the Current Pane

The tenth icon undoes any filtering for the currently active pane.

### Select All Objects in the Current Pane

The eleventh icon applies only to the Nodes pane. It marks all the nodes as if they had been sequentially selected. Then, you may deselect nodes one at a time to achieve the desired combination.

### Deselect all Objects in the Current Pane

The twelfth icon also applies only to the Nodes pane. It clears all selections from the pane so you can start from the beginning again.

---

## The CLI - "sysparaid"

Use the command **sysparaid** to verify the validity of a system partitioning configuration without invoking the GUI. Optionally, you may request the corresponding layout files be constructed and saved for activation later.

The CLI **sysparaid** is invoked by the GUI **spsyspar** to handle a graphically specified layout. In that case the **spsyspar** code constructs the necessary input data and option specifications for the user.

When working with **sysparaid** directly, you must provide these inputs and options. The syntax for the CLI is shown below. For complete syntax, refer to "SP Command and Technical Reference".

```
sysparaid [-s layout_name | a_fully_qualified_path]
 input_file [topology_file]
```

where:

- *input\_file*

is the input file specifying the system partitions.

- *topology\_file*

is an optional topology file to be used in evaluating the candidate system partitioning layout. This file is the master topology file for the target system, and is necessary when this file is not present in the **/spdata/sys1/syspar\_configs/topologies** directory.

- -s

Specifies that the configuration layout data is to be saved for later use. If *layout\_name* is specified as a simple string, the results are stored at the appropriate location in the system partition directory tree, under the directory named *layout.layout\_name*. If *a\_fully\_qualified\_path* is specified, the results are stored at that location only.

The input file must specify the size of the system, number of partitions to be used, which nodes are in which partition and so on. The format of the input file is shown in Figure 42 on page 222 and the file shown is shipped with PSSP in **ssp.top** as "inpfile.template" in the directory **/spdata/sys1/syspar\_configs/bin**.

Recall the Sample System of Figure 35 on page 213, and the Alpha and Beta partitions of Figure 36 on page 214. An input file for **sysparaid** which specifies that layout is the file "my\_part\_in" presented in Figure 43 on page 222.

This file is a template for the input file to the System Partitioning Aid. Copy this into a new file, fill all fields as described. Frame Type of 16 slot frames is tall and that of 8 slot frames is short. Select one of the four keywords provided for Switch type. Nodes may be identified using either node numbers or switch port numbers. Select one of the two options provided for Node Numbering Scheme. System Partition Name, Number of Nodes in the System Partition and list of nodes in the System Partition must be provided for all system partitions. The node list can be provided in one of the following formats:

- A list with one entry on each line
- A range of the form X - Y
- A combination of the above options
- For the last partition the keyword remaining\_nodes may be used provided all nodes or switch ports not in the last system partition have been specified in other system partitions.

Comment lines enclosed between /\* and \*/ may be deleted. New comments may be added provided they follow the comment convention.

```

Number of Nodes in System:
Number of Frames in System:
Frame Type: tall short
Switch Type: HiPS SP LC8 SP8 NA
Number of Switches in Node Frames:
Number of Switches in Switch Only Frames:
Number of System Partitions:
Node Numbering Scheme: node_number switch_port_number
System Partition Name:
Number of Nodes in System Partition:
List of nodes in system partition
```

Figure 42. File *infile.template* Provided with PSSP

```
Number of Nodes in System: 12
Number of Frames in System: 1
Frame Type: tall
Switch Type: SP
 Number of Switches in Node Frames: 1
 Number of Switches in Switch Only Frames: 0
 Number of System Partitions: 2
 Node Numbering Scheme: node_number
 System Partition Name: Alpha
 Number of Nodes in System Partition: 7
 List of nodes in system partition
 1
 3 - 8
 System Partition Name: Beta
 Number of Nodes in System Partition: 5
 List of nodes in system partition
 9 - 13
```

Figure 43. File *my\_part\_in*

You could execute **sysparaid** as follows to check for validity:

```
sysparaid my_part_in
```

(If the global system topology file is not present in the **/spdata/sys1/syspar\_configs/topologies** directory, you must provide that topology file.) **sysparaid** examines the inputs and recognizes that this layout is equivalent to the layout shipped by IBM as:

```
/spdata/sys1/syspar_configs/1nsb0isb/config.8_8/layout.3
```

If **sysparaid** did not find an existing equivalent layout, it would report that the layout is valid, and you could rerun **sysparaid** specifying the **-s** (save) option with a directory in which to place the results. The results would consist of

|                       |                                                                     |
|-----------------------|---------------------------------------------------------------------|
| <b>layout.desc</b>    | file describing this system partitioning layout;                    |
| <b>nodes.syspar</b>   | file with shorthand listing of partition contents;                  |
| <b>spa.snapshot</b>   | file listing ownership of switch chips by partition;                |
| <b>syspar.1.Alpha</b> | directory for Alpha - node list, topology, snapshot, metrics files; |
| <b>syspar.2.Beta</b>  | directory for Beta - node list, topology, snapshot, metrics files.  |

---

## Example 3 of Chapter 5

The picture of the 3-frame system discussed in Chapter 5 is reproduced in Figure 44 on page 224 below. Suppose you plan to have this system at some point in the future, and wish to partition it in the manner described in “Example 3 – An SP with 3 frames, 2 switches, and various node sizes” on page 133:

```
Partition 1 - F1N01, F2N01, F1N05, F2N05,
 F1N03, F2N07
Partition 2 - F1N09, F1N13, F2N13
 F1N11, F2N11
Partition 3 - F3N01, F3N02, F3N05, F3N06,
 F3N03, F3N07,
 F3N09, F3N13
```

This layout is not one of those shipped by IBM, and so you would create it using the System Partitioning Aid. Further, if this system is not "in hand", then **spsyspar** cannot picture the system correctly, and shows only thin nodes.

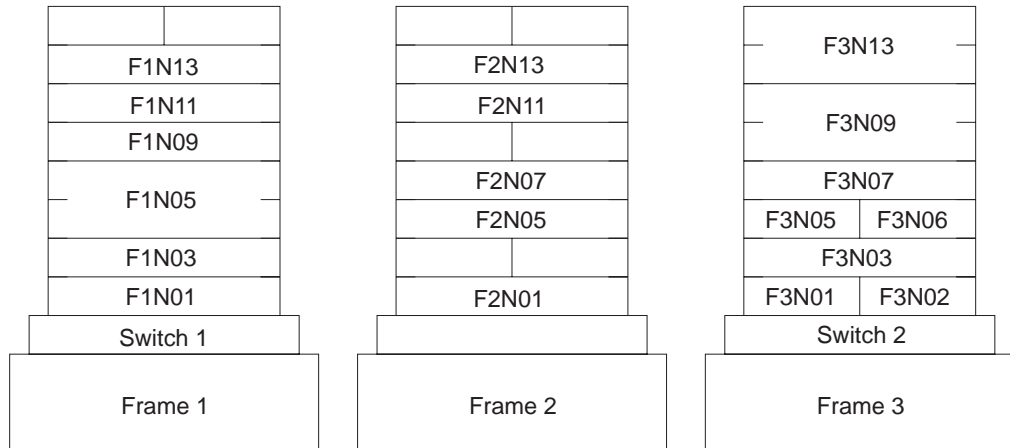


Figure 44. Three Frames with 2 Switches

1. Start by bringing up **spsyspar**.
2. Click on the "Display previously defined ..." icon. (The second Tool Bar icon.)
3. Select the "2 16 port switches" and select the "32" configuration. You find there is only one such layout. Select this layout and open it. You now have a 2-frame, 32-node system as shown in Figure 45 on page 225. The system partition name "alice blue" is a default choice, which matches the default color chosen by the tool.

Understand that the first frame in the figure really represents both of Frames 1 and 2: Frame 2 is an expansion frame for Frame 1 since it shares Frame 1's switch. Also, the nodes in the second frame pictured would be in Frame 3 of the real system, and would be numbered starting at 33, rather than 16. Once you complete this exercise, you will save a layout which you can use correctly once the real system is available. Partitioning is based on switch chips, not on node numbers.

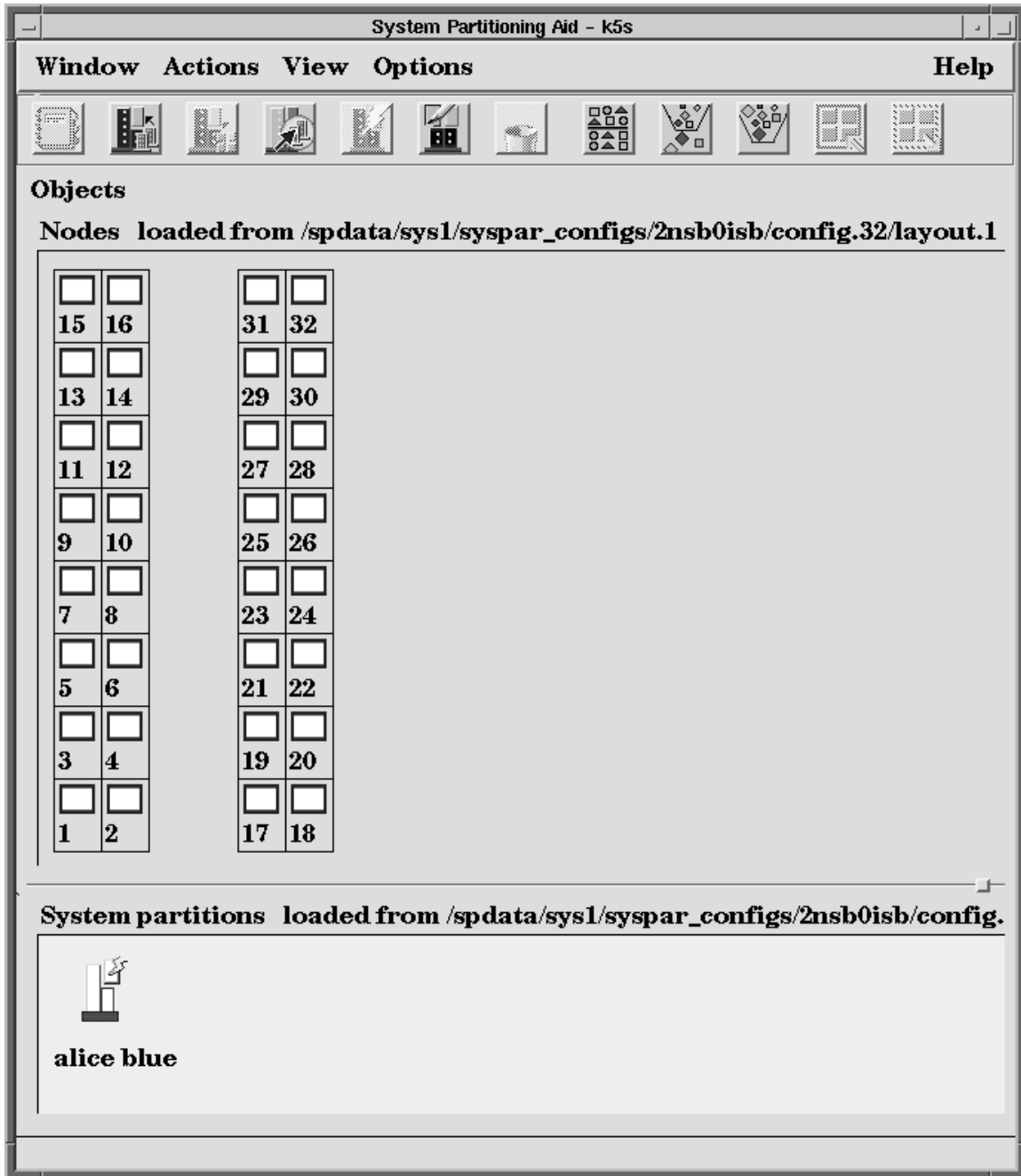


Figure 45. Main Window for Example 3 of Chapter 5

Your objective for system partitions is to divide the system pictured in Figure 45 into 3 pieces: the lower half of Frame 1, the upper half of Frame 1, and Frame 2. You may perform the following tasks to accomplish this, and arrive at Figure 46 on page 227:

1. In the notebook for the existing partition (the default partition) change the partition name to "Par1".
2. Select the "Define a new system partition" icon (the one with the pencil) and define a new partition with name "Par2".
3. Repeat the previous step for "Par3".

4. Make Par2 active. (Use the lightning bolt icon)
5. Select node 9 and then assign it to Par2. (Third icon.) Note that nodes 9, 10, 13 and 14 move to Par2 because they all connect to the same switch chip.
6. Select on node 12, and then assign it to Par2. (Third icon.) Nodes 11, 15 and 16 also join Par2.
7. Make Par3 active. (Use the lightning bolt icon)
8. Select nodes 21, 23, 25, and 27, and assign these nodes to Par3 by clicking on the third icon. Notice that all the Frame 3 nodes are placed in Par3 due to the sharing of switch chips.



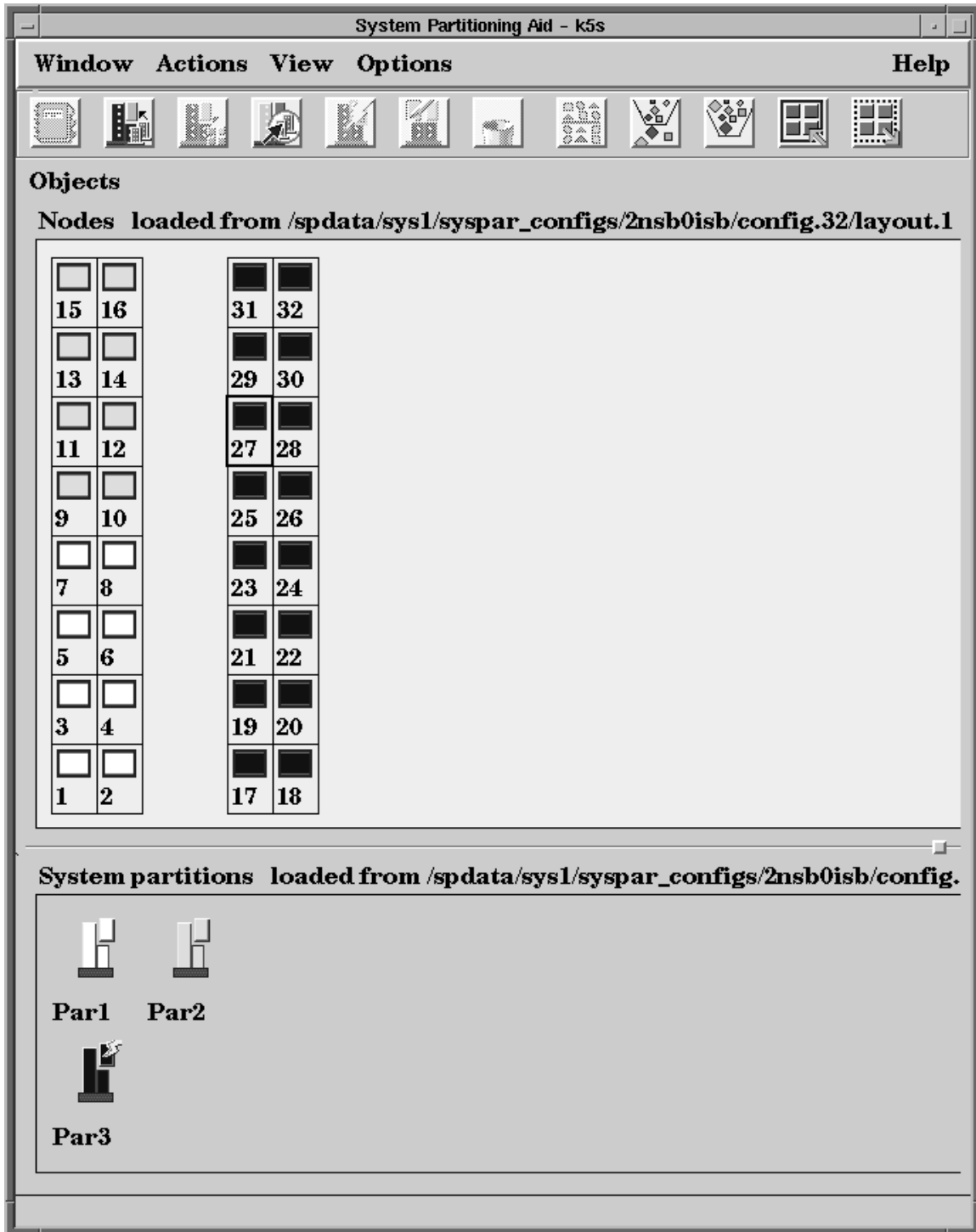


Figure 46. System Partitioning for Example 3 of Chapter 5

To make the system represented look more like our system, you can use filtering on the Nodes pane. To do this, follow these steps:

1. Select all the nodes which should be in the system.
2. Select the filtering icon, and choose "Filter by what is selected."

The result is depicted in Figure 47 on page 228. For the real system, Nodes 5, 25 and 29 will be high. Figure 47 on page 228 looks good in this respect. However, Nodes 6 and 8 distort our perception of Node 5.

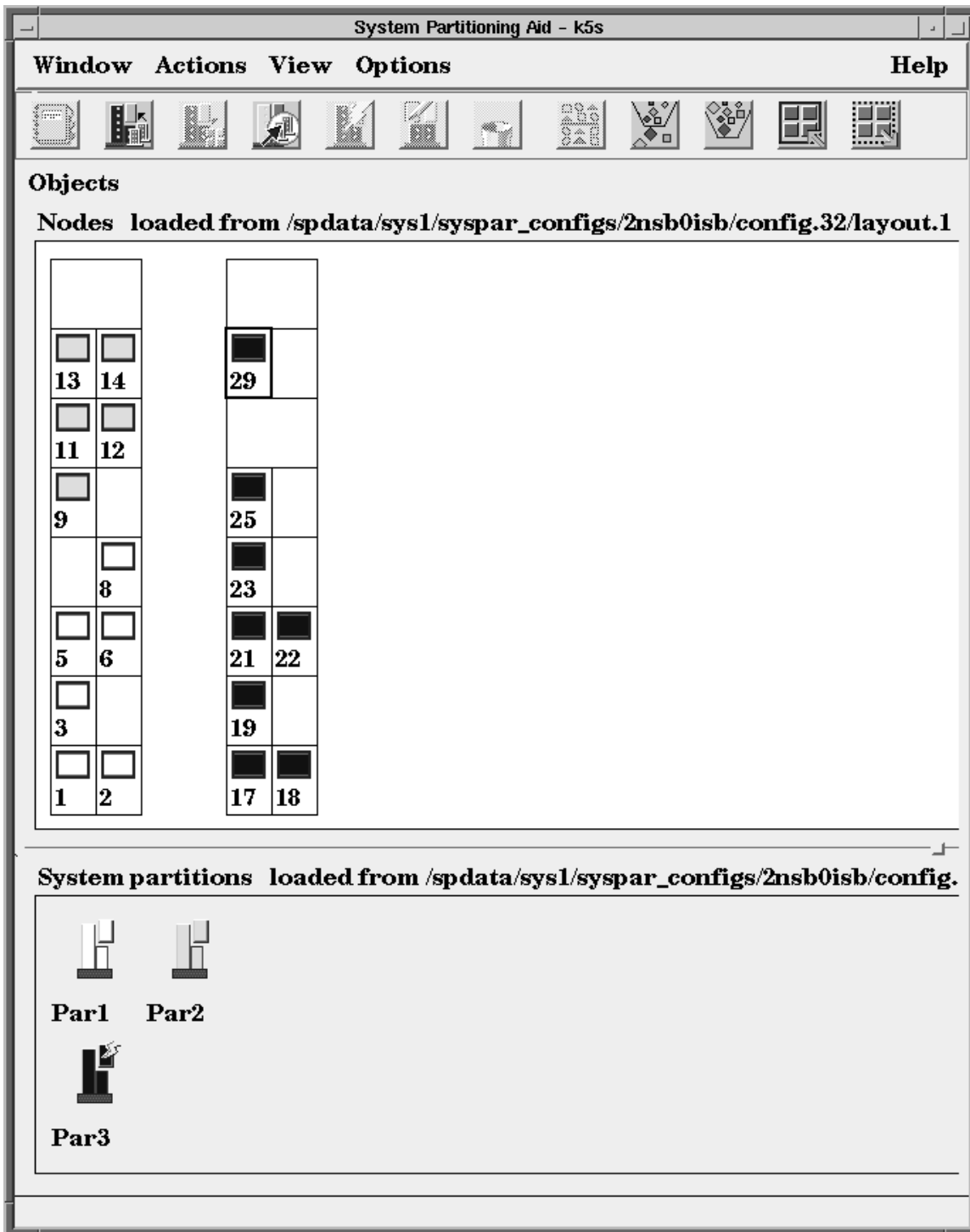


Figure 47. System Partitioning for Example 3 of Chapter 5

Validate and save the new layout by clicking on the fourth Tool Bar icon, "Generate files used to define system configuration." The resulting window appears in

Figure 48 on page 229. The code wants to store this new layout as an 8\_8\_16 configuration of a 2nsb0isb system, which is correct. (If you remove the filter you applied earlier, you indeed see partitions of 8, 8 and 16 nodes.) You can choose the directory extension, (the example uses directory extension "mine\_1"). Therefore, the name of the directory containing the new layout is "layout.mine\_1".

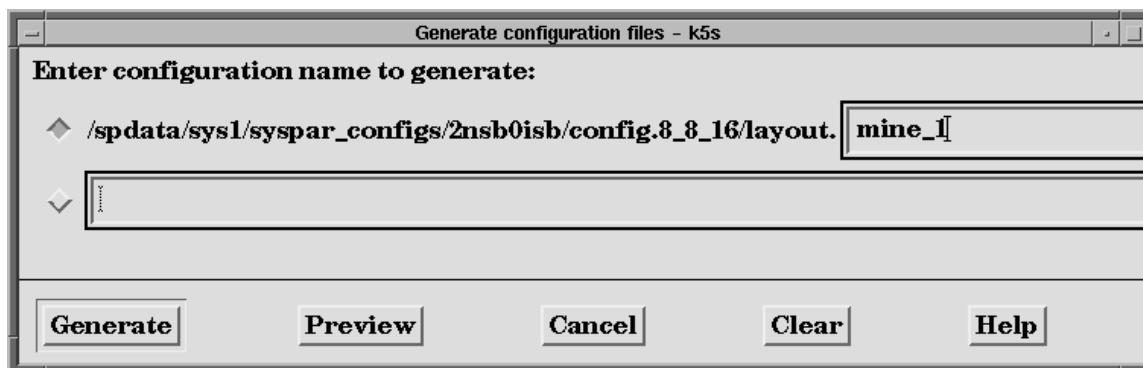


Figure 48. Dialog Box for Specifying Name of New Layout

Click on "Generate" and receive the message in the following figure. Note the warning about losing the configuration. You should backup the layouts you create before reinstalling PSSP or **ssp.top**.

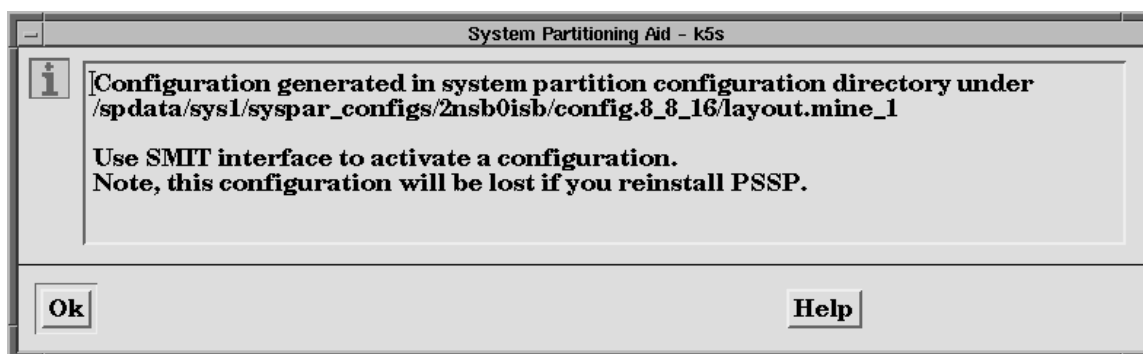


Figure 49. Message Issued when New Layout is Saved

## The CLI

Recall that the GUI (**spsyspar**) invokes the CLI (**sysparaid**) to validate and save a new layout. The previous GUI activity finished the job by issuing the command:

```
spsyspar -s mine_1 inputfile
```

where *inputfile* is as shown in Figure 50 on page 230. (**spsyspar** chooses the correct global topology file based on the "Number of Switches ..." entries in this input file.)

```
Number of Nodes in System: 32
Number of Frames in System: 2
Frame Type: tall
Switch Type: SP
Number of Switches in Node Frames: 2
Number of Switches in Switch Only Frames: 0
Number of System Partitions: 3
Node Numbering Scheme: switch_port_number
System Partition Name: Par1
Number of Nodes in System Partition: 8
0-7
System Partition Name: Par2
Number of Nodes in System Partition: 8
8 - 15
System Partition Name: Par3
Number of Nodes in System Partition: 16
16 - 31
```

*Figure 50. CLI Input File from spsyspar*

If you use the CLI directly, you can use an input file similar to that in Figure 50, but representing the facts more precisely:

- The system has 3 frames and 2 switches.
- Existing nodes in the bottom half of Frames 1 and 2 are in Par1.
- Existing nodes in the top of Frames 1 and 2 are in Par2.
- Existing nodes in Frame 3 are in Par3.

Figure 51 on page 231 is the appropriate input file.

```
Number of Nodes in System: 19
Number of Frames in System: 3
Frame Type: tall
Switch Type: SP
Number of Switches in Node Frames: 2
Number of Switches in Switch Only Frames: 0
Number of System Partitions: 3
Node Numbering Scheme: switch_port_number
System Partition Name: Par1
Number of Nodes in System Partition: 6
0-2
4-6
System Partition Name: Par2
Number of Nodes in System Partition: 5
8
10-13
System Partition Name: Par3
Number of Nodes in System Partition: 8
16 - 18
20 - 22
24
28
```

Figure 51. Alternate CLI Input File

## Other files and data

When you save a new layout, supplemental files are saved in the respective directory. These include chip allocation files and performance files. For example, if you look at the **layout.mine\_1** directory saved earlier, the **syspar.2.Par1** subdirectory contains the files **spa.snapshot** and **spa.metrics**.

The **spa.snapshot** data is available for viewing in the GUI as the "Chip Allocation" page of Par1's notebook. (First icon.) This GUI presentation is produced in Figure 52 on page 232. Par1 is completely contained in Frames 1 and 2 and so only uses Switch 1, denoted NSB 1 (Node Switch Board 1) in **spa.snapshot**. The 2 chips on the left are the node-attached chips, and the 2 chips on the right provide connectivity between those chips. A rule which **sysparaid** adheres to is any 2 node chips in a partition must have 2 link switch chips through which to communicate. This guarantees minimal, acceptable bandwidth and reliability characteristics.

A summary of the chip assignments for all partitions is stored in an **spa.snapshot** file at the **layout.mine\_1** directory level.

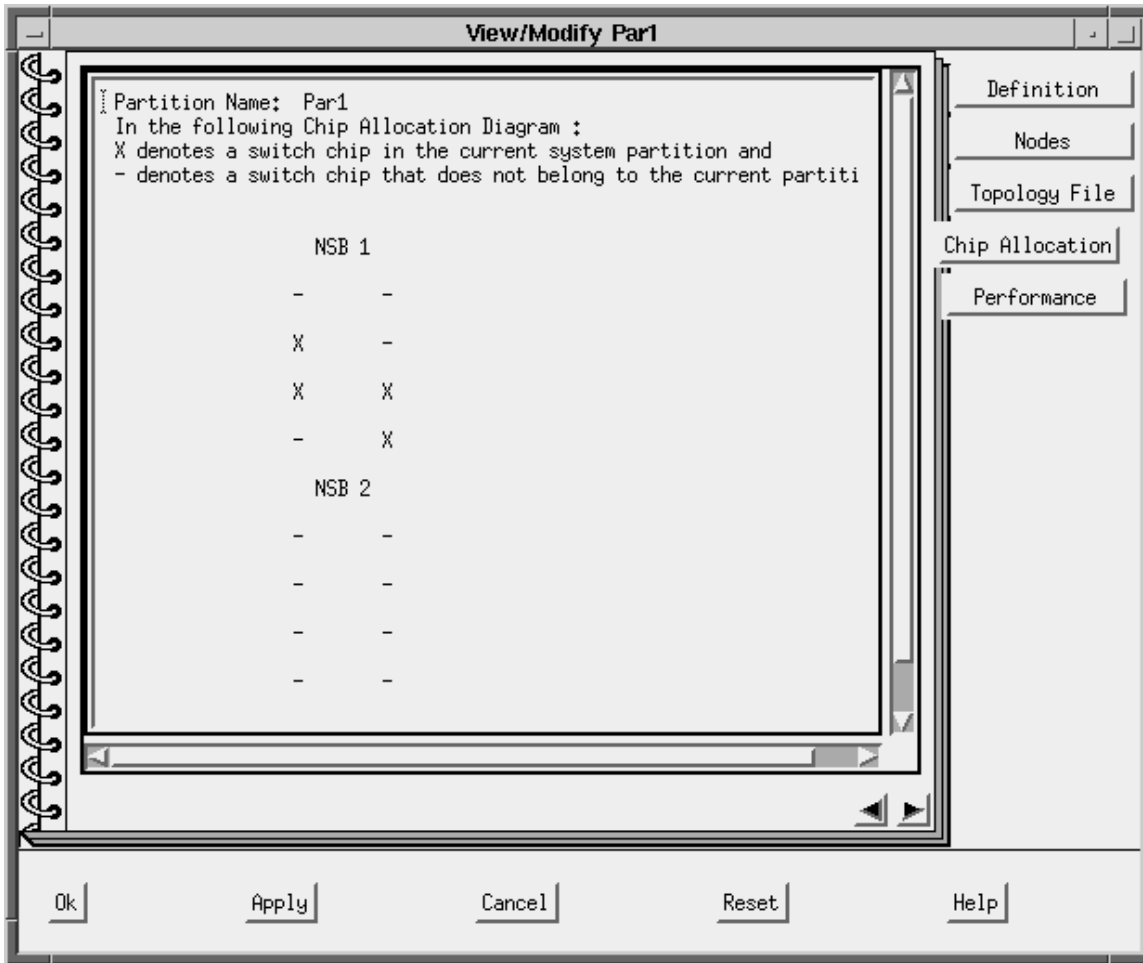


Figure 52. Switch Chips Allocated to System Partition Par1

The spa.metrics data is available in the GUI on the "Performance" page of Par1's notebook. This GUI presentation is given in Figure 53 on page 233. Chips 5 and 6 are the node chips of Figure 52. The bandwidth numbers for Par1 are less than 100%. This measure is a comparison to the unpartitioned case where all 4 link switch chips would be available for the nodes on chips 5 and 6 to communicate through. So, in some cases, total traffic throughput between nodes of Par1 is cut by as much as half from the unpartitioned case. On average, that communication is only cut to 87.5%, since some of the nodes are on the same chip.

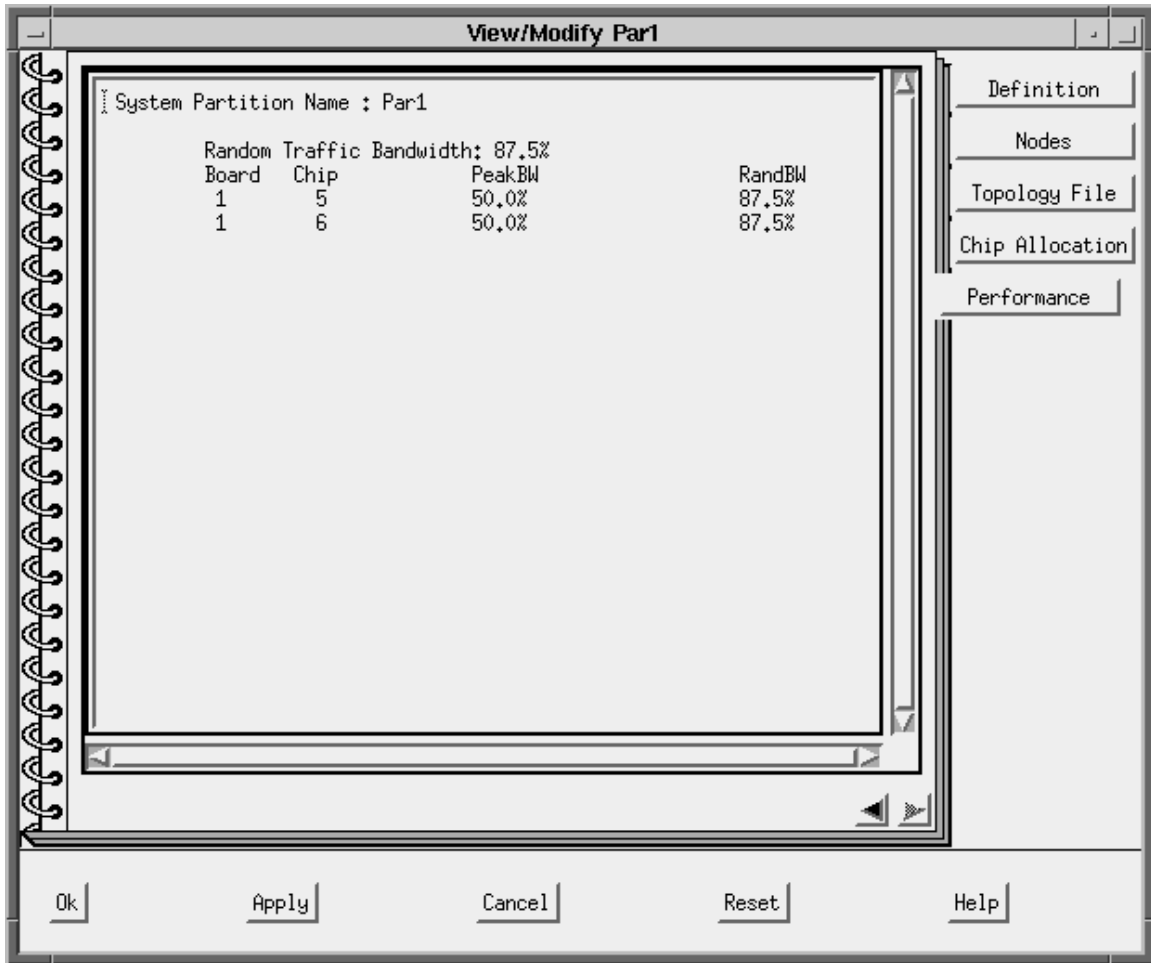


Figure 53. Performance Numbers for System Partition Par1





---

## Appendix B. System Partitioning

This appendix contains a description for each of the system partitioning layouts, ordered by system size, that IBM provides.

---

### 8 Switch Port System

#### Layout for 4\_4 Partition of 8 Switch Port System with a SP Switch-8

This layout is the only layout choice for a 4\_4 system partition configuration of an 8 switch port system with no intermediate switch boards.

##### Layout 1

This is the description of the only layout choice for a 4\_4 system partition configuration of an 8 switch port system with no intermediate switch boards.

*Partition 1 contains switch\_port\_numbers:* 0, 1, 4, 5

*Partition 2 contains switch\_port\_numbers:* 2, 3, 6, 7

#### Layout for 8 Partition of 8 Switch Port System with a SP Switch-8

This layout is the only layout choice for an 8 system partition configuration of an 8 switch port system with no intermediate switch boards.

##### Layout 1

This is the description of the only layout choice for an 8 system partition configuration of an 8 switch port system with no intermediate switch boards.

*Partition 1 contains switch\_port\_numbers:* 0 - 7

---

### 16 Switch Port System

#### Layouts for 8\_8 Partition of 16 Switch Port System

The following are the layout choices for an 8\_8 system partition of a 16 switch port system with no intermediate switch boards:

##### Layout 1

This is the description of one of the layout choices for an 8\_8 system partition configuration of a 16 switch port system with no intermediate switch boards.

*Partition 1 contains switch\_port\_numbers:* 0, 1, 4, 5, 8, 9, 12, 13

*Partition 2 contains switch\_port\_numbers:* 2, 3, 6, 7, 10, 11, 14, 15

## Layout 2

This is the description of the layout choices for an 8\_8 system partition configuration of a 16 switch port system with no intermediate switch boards.

**Partition 1 contains switch\_port\_numbers:** 0, 1, 4, 5, 10, 11, 14, 15

**Partition 2 contains switch\_port\_numbers:** 2, 3, 6 - 9, 12, 13

## Layout 3

**Partition 1 contains switch\_port\_numbers:** 0 - 7

**Partition 2 contains switch\_port\_numbers:** 8 - 15

## Layouts for 4\_4\_8 Partition of 16 Switch Port System

The following are the layout choices for a 4\_4\_8 system partition of a 16 switch port system with no intermediate switch boards.

### Layout 1

This is the description of the layout choices for a 4\_4\_8 system partition configuration of a 16 switch port system with no intermediate switch boards.

**Partition 1 contains switch\_port\_numbers:** 0, 1, 4, 5

**Partition 2 contains switch\_port\_numbers:** 8, 9, 12, 13

**Partition 3 contains switch\_port\_numbers:** 2, 3, 6, 7, 10, 11, 14, 15

### Layout 2

This is the description of the layout choices for a 4\_4\_8 system partition configuration of a 16 switch port system with no intermediate switch boards.

**Partition 1 contains switch\_port\_numbers:** 0, 1, 4, 5

**Partition 2 contains switch\_port\_numbers:** 2, 3, 6, 7

**Partition 3 contains switch\_port\_numbers:** 8 - 15

### Layout 3

This is the description of the layout choices for a 4\_4\_8 system partition configuration of a 16 switch port system with no intermediate switch boards.

**Partition 1 contains switch\_port\_numbers:** 0, 1, 4, 5

**Partition 2 contains switch\_port\_numbers:** 10, 11, 14, 15

**Partition 3 contains switch\_port\_numbers:** 2, 3, 6 - 9, 12, 13

### Layout 4

This is the description of the layout choices for a 4\_4\_8 system partition configuration of a 16 switch port system with no intermediate switch boards.

**Partition 1 contains switch\_port\_numbers:** 2, 3, 6, 7

**Partition 2 contains switch\_port\_numbers:** 8, 9, 12, 13

**Partition 3 contains switch\_port\_numbers:** 0, 1, 4, 5, 10, 11, 14, 15

### **Layout 5**

**Partition 1 contains switch\_port\_numbers:** 2, 3, 6, 7

**Partition 2 contains switch\_port\_numbers:** 10, 11, 14, 15

**Partition 3 contains switch\_port\_numbers:** 0, 1, 4, 5, 8, 9, 12, 13

### **Layout 6**

This is the description of the layout choices for a 4\_4\_8 system partition configuration of a 16 switch port system with no intermediate switch boards.

**Partition 1 contains switch\_port\_numbers:** 8, 9, 12, 13

**Partition 2 contains switch\_port\_numbers:** 10, 11, 14, 15

**Partition 3 contains switch\_port\_numbers:** 0 - 7

## **Layouts for 4\_12 Partition of 16 Switch Port System**

The following are the layout choices for a 4\_12 system partition of a 16 switch port system.

### **Layout 1**

This is the description of the layout choices for a 16 switch port system with no intermediate switch boards.

**Partition 1 contains switch\_port\_numbers:** 0, 1, 4, 5

**Partition 2 contains switch\_port\_numbers:** 2, 3, 6 - 15

### **Layout 2**

This is the description of the layout choices for a 4\_12 system partition configuration of a 16 switch port system with no intermediate switch boards.

**Partition 1 contains switch\_port\_numbers:** 8, 9, 12, 13

**Partition 2 contains switch\_port\_numbers:** 0 - 7, 10, 11, 14, 15

### **Layout 3**

This is the description of the layout choices for a 16 switch port system with no intermediate switch boards.

**Partition 1 contains switch\_port\_numbers:** 2, 3, 6, 7

**Partition 2 contains switch\_port\_numbers:** 0, 1, 4, 5, 8 - 15

### **Layout 4**

This is the description of the layout choices for a 4\_12 system partition configuration of a 16 switch port system with no intermediate switch boards.

**Partition 1 contains switch\_port\_numbers:** 10, 11, 14, 15

**Partition 2 contains switch\_port\_numbers:** 0 - 9, 12, 13

## Layouts for 4\_4\_4\_4 Partition of 16 Switch Port System

This layout is the only layout choice for a 4\_4\_4\_4 system partition of a 16 switch port system.

### Layout 1

This is the description of the layout choices for a 4\_4\_4\_4 system partition configuration of a 16 switch port system with no intermediate switch boards.

**Partition 1 contains switch\_port\_numbers:** 0, 1, 4, 5

**Partition 2 contains switch\_port\_numbers:** 8, 9, 12, 13

**Partition 3 contains switch\_port\_numbers:** 2, 3, 6, 7

**Partition 4 contains switch\_port\_numbers:** 10, 11, 14, 15

## Layouts for 16 Partition of 16 Switch Port System

This layout is the only layout choice for a 16 system partition of an 16 switch port system.

### Layout 1

This is the description of the layout choices for a 16 system partition configuration of a 16 switch port system with no intermediate switch boards.

**Partition 1 contains switch\_port\_numbers:** 0 - 15

---

## 32 Switch Port System

### Layouts for 8\_24 Partition of 32 Switch Port System

The following are the layout choices for an 8\_24 system partition of a 32 switch port system.

#### Layout 1

This is the description of the layout choices for an 8\_24 system partition configuration of a 32 switch port system with no intermediate switch boards.

**Partition 1 contains switch\_port\_numbers:** 0, 1, 4, 5, 8, 9, 12, 13

**Partition 2 contains switch\_port\_numbers:** 2, 3, 6, 7, 10, 11, 14 - 31

#### Layout 2

This is the description of the layout choices for an 8\_24 system partition configuration of a 32 switch port system with no intermediate switch boards.

**Partition 1 contains switch\_port\_numbers:** 2, 3, 6, 7, 10, 11, 14, 15

**Partition 2 contains switch\_port\_numbers:** 0, 1, 4, 5, 8, 9, 12, 13, 16 - 31

### **Layout 3**

This is the description of the layout choices for an 8\_24 system partition configuration of a 32 switch port system with no intermediate switch boards.

**Partition 1 contains switch\_port\_numbers:** 0, 1, 4, 5, 10, 11, 14, 15

**Partition 2 contains switch\_port\_numbers:** 2, 3, 6 - 9, 12, 13, 16 - 31

### **Layout 4**

This is the description of the layout choices for an 8\_24 system partition configuration of a 32 switch port system with no intermediate switch boards.

**Partition 1 contains switch\_port\_numbers:** 2, 3, 6 - 9, 12, 13

**Partition 2 contains switch\_port\_numbers:** 0, 1, 4, 5, 10, 11, 14 - 31

### **Layout 5**

This is the description of the layout choices for an 8\_24 system partition configuration of a 32 switch port system with no intermediate switch boards.

**Partition 1 contains switch\_port\_numbers:** 8 - 15

**Partition 2 contains switch\_port\_numbers:** 0 - 7, 16 - 31

### **Layout 6**

This is the description of the layout choices for an 8\_24 system partition configuration of a 32 switch port system with no intermediate switch boards.

**Partition 1 contains switch\_port\_numbers:** 0 - 7

**Partition 2 contains switch\_port\_numbers:** 8 - 31

### **Layout 7**

This is the description of the layout choices for an 8\_24 system partition configuration of a 32 switch port system with no intermediate switch boards.

**Partition 1 contains switch\_port\_numbers:** 16, 17, 20, 21, 24, 25, 28, 29

**Partition 2 contains switch\_port\_numbers:** 0 - 15, 18, 19, 22, 23, 26, 27, 30, 31

### **Layout 8**

This is the description of the layout choices for an 8\_24 system partition configuration of a 32 switch port system with no intermediate switch boards.

**Partition 1 contains switch\_port\_numbers:** 18, 19, 22, 23, 26, 27, 30, 31

**Partition 2 contains switch\_port\_numbers:** 0 - 17, 20, 21, 24, 25, 28, 29

### **Layout 9**

This is the description of the layout choices for an 8\_24 system partition configuration of a 32 switch port system with no intermediate switch boards.

**Partition 1 contains switch\_port\_numbers:** 16, 17, 20, 21, 26, 27, 30, 31

**Partition 2 contains switch\_port\_numbers:** 0 - 15, 18, 19, 22 - 25, 28, 29

### **Layout 10**

This is the description of the layout choices for an 8\_24 system partition configuration of a 32 switch port system with no intermediate switch boards.

**Partition 1 contains switch\_port\_numbers:** 18, 19, 22 - 25, 28, 29

**Partition 2 contains switch\_port\_numbers:** 0 - 17, 20, 21, 26, 27, 30, 31

### **Layout 11**

This is the description of the layout choices for an 8\_24 system partition configuration of a 32 switch port system with no intermediate switch boards.

**Partition 1 contains switch\_port\_numbers:** 24 - 31

**Partition 2 contains switch\_port\_numbers:** 0 - 23

### **Layout 12**

This is the description of the layout choices for an 8\_24 system partition configuration of a 32 switch port system with no intermediate switch boards.

**Partition 1 contains switch\_port\_numbers:** 16 - 23

**Partition 2 contains switch\_port\_numbers:** 0 - 15, 24 - 31

## **Layouts for 4\_28 Partition of 32 Switch Port System**

The following are the layout choices for a 4\_28 system partition of a 32 switch port system.

### **Layout 1**

This is the description of the layout choices for a 4\_28 system partition configuration of a 32 switch port system with no intermediate switch boards.

**Partition 1 contains switch\_port\_numbers:** 0, 1, 4, 5

**Partition 2 contains switch\_port\_numbers:** 2, 3, 6 - 31

### **Layout 2**

This is the description of the layout choices for a 4\_28 system partition configuration of a 32 switch port system with no intermediate switch boards.

**Partition 1 contains switch\_port\_numbers:** 8, 9, 12, 13

**Partition 2 contains switch\_port\_numbers:** 0 - 7, 10, 11, 14 - 31

### **Layout 3**

This is the description of the layout choices for a 4\_28 system partition configuration of a 32 switch port system with no intermediate switch boards.

**Partition 1 contains switch\_port\_numbers:** 2, 3, 6, 7

**Partition 2 contains switch\_port\_numbers:** 0, 1, 4, 5, 8 - 31

### **Layout 4**

This is the description of the layout choices for a 4\_28 system partition configuration of a 32 switch port system with no intermediate switch boards.

**Partition 1 contains switch\_port\_numbers:** 10, 11, 14, 15

**Partition 2 contains switch\_port\_numbers:** 0 - 9, 12, 13, 16 - 31

### **Layout 5**

This is the description of the layout choices for a 4\_28 system partition configuration of a 32 switch port system with no intermediate switch boards.

**Partition 1 contains switch\_port\_numbers:** 16, 17, 20, 21

**Partition 2 contains switch\_port\_numbers:** 0 - 15, 18, 19, 22 - 31

### **Layout 6**

This is the description of the layout choices for a 4\_28 system partition configuration of a 32 switch port system with no intermediate switch boards.

**Partition 1 contains switch\_port\_numbers:** 24, 25, 28, 29

**Partition 2 contains switch\_port\_numbers:** 0 - 23, 26, 27, 30, 31

### **Layout 7**

This is the description of the layout choices for a 4\_28 system partition configuration of a 32 switch port system with no intermediate switch boards.

**Partition 1 contains switch\_port\_numbers:** 18, 19, 22, 23

**Partition 2 contains switch\_port\_numbers:** 0 - 17, 20, 21, 24 - 31

### **Layout 8**

This is the description of the layout choices for a 4\_28 system partition configuration of a 32 switch port system with no intermediate switch boards.

**Partition 1 contains switch\_port\_numbers:** 26, 27, 30, 31

**Partition 2 contains switch\_port\_numbers:** 0 - 25, 28, 29

## Layouts for 16\_16 Partition of 32 Switch Port System

This layout is the only layout choice for a 16\_16 system partition of a 32 switch port system.

### Layout 1

This is the description of the layout choices for a 16\_16 system partition configuration of a 32 switch port system with no intermediate switch boards.

*Partition 1 contains switch\_port\_numbers:* 0 - 15

*Partition 2 contains switch\_port\_numbers:* 16 - 31

## Layouts for 32 Partition of 32 Switch Port System

This layout is the only layout choice for a 32 system partition of a 32 switch port system.

### Layout 1

This is the description of the layout choices for a 32 system partition configuration of a 32 switch port system with no intermediate switch boards.

*Partition 1 contains switch\_port\_numbers:* 0 - 31

---

## 48 Switch Port System

### Layouts for 16\_32 Partition of 48 Switch Port System

The following are the layout choices for a 16\_32 system partition of a 48 switch port system.

#### Layout 1

This is the description of the layout choices for a 16\_32 system partition configuration of a 48 switch port system with no intermediate switch boards.

*Partition 1 contains switch\_port\_numbers:* 0 - 31

*Partition 2 contains switch\_port\_numbers:* 32 - 47

#### Layout 2

This is the description of the layout choices for a 16\_32 system partition configuration of a 48 switch port system with no intermediate switch boards.

*Partition 1 contains switch\_port\_numbers:* 0 - 15, 32 - 47

*Partition 2 contains switch\_port\_numbers:* 16 - 31

#### Layout 3

This is the description of the layout choices for a 16\_32 system partition configuration of a 48 switch port system with no intermediate switch boards.

*Partition 1 contains switch\_port\_numbers:* 16 - 47

*Partition 2 contains switch\_port\_numbers:* 0 - 15



## Layouts for 48 Partition of 48 Switch Port System

This layout is the only layout choice for a 48 system partition of a 48 switch port system.

### Layout 1

This is the description of the layout choices for a 48 system partition configuration of a 48 switch port system with no intermediate switch boards.

*Partition 1 contains switch\_port\_numbers: 0 - 47*

---

## 64 Switch Port System

### Layouts for 16\_48 Partition of 64 Switch Port System

The following are the layout choices for a 16\_48 system partition of a 64 switch port system.

#### Layout 1

This is the description of the layout choices for a 16\_48 system partition configuration of a 64 switch port system with no intermediate switch boards.

*Partition 1 contains switch\_port\_numbers: 0 - 47*

*Partition 2 contains switch\_port\_numbers: 48 - 63*

#### Layout 2

This is the description of the layout choices for a 16\_48 system partition configuration of a 64 switch port system with no intermediate switch boards.

*Partition 1 contains switch\_port\_numbers: 0 - 31, 48 - 63*

*Partition 2 contains switch\_port\_numbers: 32 - 47*

#### Layout 3

This is the description of the layout choices for a 16\_48 system partition configuration of a 64 switch port system with no intermediate switch boards.

*Partition 1 contains switch\_port\_numbers: 0 - 15, 32 - 63*

*Partition 2 contains switch\_port\_numbers: 16 - 31*

#### Layout 4

This is the description of the layout choices for a 16\_48 system partition configuration of a 64 switch port system with no intermediate switch boards.

*Partition 1 contains switch\_port\_numbers: 16 - 63*

*Partition 2 contains switch\_port\_numbers: 0 - 15*

## Layouts for 32\_32 Partition of 64 Switch Port System

The following are the layout choices for a 32\_32 system partition of a 64 switch port system.

### Layout 1

This is the description of the layout choices for a 32\_32 system partition configuration of a 64 switch port system with no intermediate switch boards.

*Partition 1 contains switch\_port\_numbers:* 0 - 31

*Partition 2 contains switch\_port\_numbers:* 32 - 63

### Layout 2

This is the description of the layout choices for a 32\_32 system partition configuration of a 64 switch port system with no intermediate switch boards.

*Partition 1 contains switch\_port\_numbers:* 0 - 15, 32 - 47

*Partition 2 contains switch\_port\_numbers:* 16 - 31, 48 - 63

### Layout 3

This is the description of the layout choices for a 32\_32 system partition configuration of a 64 switch port system with no intermediate switch boards.

*Partition 1 contains switch\_port\_numbers:* 0 - 15, 48 - 63

*Partition 2 contains switch\_port\_numbers:* 16 - 47

## Layouts for 64 Partition of 64 Switch Port System

This layout is the only layout choice for a 64 system partition of a 64 switch port system.

### Layout 1

This is the description of the layout choices for a 64 system partition configuration of a 64 switch port system with no intermediate switch boards.

*Partition 1 contains switch\_port\_numbers:* 0 - 63

---

## 80 Switch Port System With 0 Intermediate Switch Boards

### Layouts for 16\_64 Partition

The following are the layout choices for a 16\_64 system partition of a 80 switch port system.

#### Layout 1

This is the description of the layout choices for a 16\_64 system partition configuration of an 80 switch port system with no intermediate switch boards.

*Partition 1 contains switch\_port\_numbers:* 0 - 63

*Partition 2 contains switch\_port\_numbers:* 64 - 79

## Layout 2

This is the description of the layout choices for a 16\_64 system partition configuration of an 80 switch port system with no intermediate switch boards.

**Partition 1 contains switch\_port\_numbers:** 0 - 47, 64 - 79

**Partition 2 contains switch\_port\_numbers:** 48 - 63

## Layout 3

This is the description of the layout choices for a 16\_64 system partition configuration of an 80 switch port system with no intermediate switch boards.

**Partition 1 contains switch\_port\_numbers:** 0 - 31, 48 - 79

**Partition 2 contains switch\_port\_numbers:** 32 - 47

## Layout 4

This is the description of the layout choices for a 16\_64 system partition configuration of an 80 switch port system with no intermediate switch boards.

**Partition 1 contains switch\_port\_numbers:** 0 - 15, 32 - 79

**Partition 2 contains switch\_port\_numbers:** 16 - 31

## Layout 5

This is the description of the layout choices for a 16\_64 system partition configuration of an 80 switch port system with no intermediate switch boards.

**Partition 1 contains switch\_port\_numbers:** 16 - 79

**Partition 2 contains switch\_port\_numbers:** 0 - 15

## Layouts for 32\_48 Partition

The following are the layout choices for a 32\_48 system partition of an 80 switch port system.

### Layout 1

This is the description of the layout choices for a 32\_48 system partition configuration of an 80 switch port system with no intermediate switch boards.

**Partition 1 contains switch\_port\_numbers:** 0 - 31

**Partition 2 contains switch\_port\_numbers:** 32 - 79

### Layout 2

This is the description of the layout choices for a 32\_48 system partition configuration of an 80 switch port system with no intermediate switch boards.

**Partition 1 contains switch\_port\_numbers:** 0 - 15, 32 - 47

**Partition 2 contains switch\_port\_numbers:** 16 - 31, 48 - 79

### **Layout 3**

This is the description of the layout choices for a 32\_48 system partition configuration of a 80 switch port system with no intermediate switch boards.

**Partition 1 contains switch\_port\_numbers:** 0 - 15, 48 - 63

**Partition 2 contains switch\_port\_numbers:** 16 - 47, 64 - 79

### **Layout 4**

This is the description of the layout choices for a 32\_48 system partition configuration of an 80 switch port system with no intermediate switch boards.

**Partition 1 contains switch\_port\_numbers:** 0 - 15, 64 - 79

**Partition 2 contains switch\_port\_numbers:** 16 - 63

### **Layout 5**

This is the description of the layout choices for a 32\_48 system partition configuration of an 80 switch port system with no intermediate switch boards.

**Partition 1 contains switch\_port\_numbers:** 16 - 47

**Partition 2 contains switch\_port\_numbers:** 0 - 15, 48 - 79

### **Layout 6**

This is the description of the layout choices for a 32\_48 system partition configuration of an 80 switch port system with no intermediate switch boards.

**Partition 1 contains switch\_port\_numbers:** 16 - 31, 48 - 63

**Partition 2 contains switch\_port\_numbers:** 0 - 15, 32 - 47, 64 - 79

### **Layout 7**

This is the description of the layout choices for a 32\_48 system partition configuration of an 80 switch port system with no intermediate switch boards.

**Partition 1 contains switch\_port\_numbers:** 16 - 31, 64 - 79

**Partition 2 contains switch\_port\_numbers:** 0 - 15, 32 - 63

### **Layout 8**

This is the description of the layout choices for a 32\_48 system partition configuration of an 80 switch port system with no intermediate switch boards.

**Partition 1 contains switch\_port\_numbers:** 32 - 63

**Partition 2 contains switch\_port\_numbers:** 0 - 31, 64 - 79

### **Layout 9**

This is the description of the layout choices for a 32\_48 system partition configuration of an 80 switch port system with no intermediate switch boards.

*Partition 1 contains switch\_port\_numbers:* 32 - 47

*Partition 2 contains switch\_port\_numbers:* 64 - 79

### **Layout 10**

This is the description of the layout choices for a 32\_48 system partition configuration of an 80 switch port system with no intermediate switch boards.

*Partition 1 contains switch\_port\_numbers:* 48 - 79

*Partition 2 contains switch\_port\_numbers:* 0 - 47

## **Layouts for 80 Partition**

This layout is the only layout choice for an 80 system partition of an 80 switch port system.

### **Layout 1**

This is the description of the layout choices for an 80 partition of an 80 switch port system with no intermediate switch boards.

*Partition 1 contains switch\_port\_numbers:* 0 - 79

---

## **80 Switch Port System With Intermediate Switch Boards**

### **Layouts for 16\_16\_48 Partition**

The following are the layout choices for a 16\_16\_48 system partition of an 80 switch port system.

#### **Layout 1**

This is the description of the layout choices for a 16\_16\_48 partition of an 80 switch port system with 4 intermediate switch boards.

*Partition 1 contains switch\_port\_numbers:* 0 - 15

*Partition 2 contains switch\_port\_numbers:* 16 - 63

*Partition 3 contains switch\_port\_numbers:* 64 - 79

#### **Layout 2**

This is the description of the layout choices for a 16\_16\_48 system partition configuration of an 80 switch port system with 4 intermediate switch boards.

*Partition 1 contains switch\_port\_numbers:* 16 - 31

*Partition 2 contains switch\_port\_numbers:* 0 - 15, 32 - 63

*Partition 3 contains switch\_port\_numbers:* 64 - 79

### **Layout 3**

This is the description of the layout choices for a 16\_16\_48 partition of an 80 switch port system with 4 intermediate switch boards.

*Partition 1 contains switch\_port\_numbers:* 32 - 47

*Partition 2 contains switch\_port\_numbers:* 0 - 31, 48 - 63

*Partition 3 contains switch\_port\_numbers:* 64 - 79

### **Layout 4**

This is the description of the layout choices for a 16\_16\_48 partition of an 80 switch port system with 4 intermediate switch boards.

*Partition 1 contains switch\_port\_numbers:* 48 - 63

*Partition 2 contains switch\_port\_numbers:* 0 - 47

*Partition 3 contains switch\_port\_numbers:* 64 - 79

## **Layouts for 16\_64 Partition**

The following are the layout choices for a 16\_64 system partition of an 80 switch port system.

### **Layout 1**

This is the description of the layout choices for a 16\_64 partition of an 80 switch port system with 4 intermediate switch boards.

*Partition 1 contains switch\_port\_numbers:* 64 - 79

*Partition 2 contains switch\_port\_numbers:* 0 - 63

### **Layout 2**

This is the description of the layout choices for a 16\_64 partition of an 80 switch port system with 4 intermediate switch boards.

*Partition 1 contains switch\_port\_numbers:* 48 - 63

*Partition 2 contains switch\_port\_numbers:* 0 - 47, 64 - 79

### **Layout 3**

This is the description of the layout choices for a 16\_64 partition of an 80 switch port system with 4 intermediate switch boards.

*Partition 1 contains switch\_port\_numbers:* 32 - 47

*Partition 2 contains switch\_port\_numbers:* 0 - 31, 48 - 79

### **Layout 4**

This is the description of the layout choices for a 16\_64 partition of an 80 switch port system with 4 intermediate switch boards.

*Partition 1 contains switch\_port\_numbers:* 16 - 31

*Partition 2 contains switch\_port\_numbers:* 0 - 15, 32 - 79

### **Layout 5**

This is the description of the layout choices for a 16\_64 partition of an 80 switch port system with 4 intermediate switch boards.

*Partition 1 contains switch\_port\_numbers:* 0 - 15

*Partition 2 contains switch\_port\_numbers:* 16 - 79

## **Layouts for 80 Partition**

This layout is the only layout choice for an 80 system partition of an 80 switch port system.

### **Layout 1**

This is the description of the layout choices for an 80 system partition configuration of an 80 switch port system with 4 intermediate switch boards.

*Partition 1 contains switch\_port\_numbers:* 0 - 79

---

## **96 Switch Port System**

### **Layouts for 32\_64 Partition**

This layout is the only layout choice for a 32\_64 system partition of a 96 switch port system.

### **Layout 1**

This is the description of the layout choices for a 32\_64 system partition configuration of a 96 switch port system with 4 intermediate switch boards.

*Partition 1 contains switch\_port\_numbers:* 64 - 95

*Partition 2 contains switch\_port\_numbers:* 0 - 63

### **Layouts for 16\_32\_48 Partition**

The following are the layout choices for a 16\_32\_48 system partition of a 96 switch port system.

### **Layout 1**

This is the description of the layout choices for a 16\_32\_48 system partition configuration of a 96 switch port system with 4 intermediate switch boards.

*Partition 1 contains switch\_port\_numbers:* 0 - 15

*Partition 2 contains switch\_port\_numbers:* 16 - 63

**Partition 3 contains switch\_port\_numbers:** 64 - 95

### **Layout 2**

This is the description of the layout choices for a 16\_32\_48 system partition configuration of a 96 switch port system with 4 intermediate switch boards.

**Partition 1 contains switch\_port\_numbers:** 16 - 31

**Partition 2 contains switch\_port\_numbers:** 0 - 15, 32 - 63

**Partition 3 contains switch\_port\_numbers:** 64 - 95

### **Layout 3**

This is the description of the layout choices for a 16\_32\_48 system partition configuration of a 96 switch port system with 4 intermediate switch boards.

**Partition 1 contains switch\_port\_numbers:** 32 -47

**Partition 2 contains switch\_port\_numbers:** 0 - 31, 48 - 63

**Partition 3 contains switch\_port\_numbers:** 64 - 95

### **Layout 4**

This is the description of the layout choices for a 16\_32\_48 system partition configuration of a 96 switch port system with 4 intermediate switch boards.

**Partition 1 contains switch\_port\_numbers:** 48 - 63

**Partition 2 contains switch\_port\_numbers:** 0 - 47

**Partition 3 contains switch\_port\_numbers:** 64 - 95

## **Layouts for 16\_80 Partition**

The following are the layout choices for a 16\_80 system partition of a 96 switch port system.

### **Layout 1**

This is the description of the layout choices for a 16\_80 system partition configuration of a 96 switch port system with 4 intermediate switch boards.

**Partition 1 contains switch\_port\_numbers:** 0 - 15

**Partition 2 contains switch\_port\_numbers:** 16 - 95

### **Layout 2**

This is the description of the layout choices for a 16\_80 system partition configuration of a 96 switch port system with 4 intermediate switch boards.

**Partition 1 contains switch\_port\_numbers:** 16 - 31

**Partition 2 contains switch\_port\_numbers:** 0 - 15, 32 - 95



### **Layout 3**

This is the description of the layout choices for a 16\_80 system partition configuration of a 96 switch port system with 4 intermediate switch boards.

*Partition 1 contains switch\_port\_numbers:* 32 - 47

*Partition 2 contains switch\_port\_numbers:* 0 - 31, 48 - 95

### **Layout 4**

This is the description of the layout choices for a 16\_80 system partition configuration of a 96 switch port system with 4 intermediate switch boards.

*Partition 1 contains switch\_port\_numbers:* 48 - 63

*Partition 2 contains switch\_port\_numbers:* 0 - 47, 64 - 95

### **Layout 5**

This is the description of the layout choices for a 16\_80 system partition configuration of a 96 switch port system with 4 intermediate switch boards.

*Partition 1 contains switch\_port\_numbers:* 64 - 79

*Partition 2 contains switch\_port\_numbers:* 0 - 63, 80 - 95

### **Layout 6**

This is the description of the layout choices for a 16\_80 system partition configuration of a 96 switch port system with 4 intermediate switch boards.

*Partition 1 contains switch\_port\_numbers:* 80 - 95

*Partition 2 contains switch\_port\_numbers:* 0 - 79

## **Layouts for 96 Partition**

This layout is the only layout choice for a 96 system partition of a 96 switch port system.

### **Layout 1**

This is the description of the layout choices for a 96 system partition configuration of a 96 switch port system with 4 intermediate switch boards.

*Partition 1 contains switch\_port\_numbers:* 0 - 95

---

## **112 Switch Port System**

### **Layouts for 48\_64 Partition**

This layout is the only layout choice for a 48\_64 system partition of a 112 switch port system.

### **Layout 1**

This is the description of the layout choices for breakup is one of the layout choices for a 48\_64 partition with 4 intermediate switch boards.

*Partition 1 contains switch\_port\_numbers: 0 - 63*

*Partition 2 contains switch\_port\_numbers: 64 - 111*

## **Layouts for 16\_48\_48 Partition**

The following are the layout choices for a 16\_48\_48 system partition of a 112 switch port system.

### **Layout 1**

This is the description of the layout choices for a 16\_48\_48 system partition configuration of a 112 switch port system with 4 intermediate switch boards.

*Partition 1 contains switch\_port\_numbers: 16 - 63*

*Partition 2 contains switch\_port\_numbers: 64 - 111*

*Partition 3 contains switch\_port\_numbers: 0 - 15*

### **Layout 2**

This is the description of the layout choices for a 16\_48\_48 system partition configuration of a 112 switch port system with 4 intermediate switch boards.

*Partition 1 contains node slots: 0 - 15, 32 - 63*

*Partition 2 contains switch\_port\_numbers: 64 - 111*

*Partition 3 contains switch\_port\_numbers: 16 - 31*

### **Layout 3**

This is the description of the layout choices for a 16\_48\_48 system partition configuration of a 112 switch port system with 4 intermediate switch boards.

*Partition 1 contains switch\_port\_numbers: 0 - 31, 48 - 63*

*Partition 2 contains switch\_port\_numbers: 64 - 111*

*Partition 3 contains switch\_port\_numbers: 32 - 47*

### **Layout 4**

This is the description of the layout choices for a 16\_48\_48 system partition configuration of a 112 switch port system with 4 intermediate switch boards.

*Partition 1 contains switch\_port\_numbers: 0 - 47*

*Partition 2 contains switch\_port\_numbers: 64 - 111*

*Partition 3 contains switch\_port\_numbers: 48 - 63*

## Layouts for 16\_96 Partition

The following are the layout choices for a 16\_96 system partition of a 112 switch port system.

### Layout 1

This is the description of the layout choices for a 16\_96 system partition configuration of a 112 switch port system with 4 intermediate switch boards.

**Partition 1 contains switch\_port\_numbers:** 0 - 15

**Partition 2 contains switch\_port\_numbers:** 16 - 111

### Layout 2

This is the description of the layout choices for a 16\_96 system partition configuration of a 112 switch port system with 4 intermediate switch boards.

**Partition 1 contains switch\_port\_numbers:** 16 - 31

**Partition 2 contains switch\_port\_numbers:** 0 - 15, 32 - 111

### Layout 3

This is the description of the layout choices for a 16\_96 system partition configuration of a 112 switch port system with 4 intermediate switch boards.

**Partition 1 contains switch\_port\_numbers:** 32 - 47

**Partition 2 contains switch\_port\_numbers:** 0 - 31, 48 - 111

### Layout 4

This is the description of the layout choices for a 16\_96 system partition configuration of a 112 switch port system with 4 intermediate switch boards.

**Partition 1 contains switch\_port\_numbers:** 48 - 63

**Partition 2 contains switch\_port\_numbers:** 0 - 47, 64 - 111

### Layout 5

This is the description of the layout choices for a 16\_96 system partition configuration of a 112 switch port system with 4 intermediate switch boards.

**Partition 1 contains switch\_port\_numbers:** 64 - 79

**Partition 2 contains switch\_port\_numbers:** 0 - 63, 80 - 111

### Layout 6

This is the description of the layout choices for a 16\_96 system partition configuration of a 112 switch port system with 4 intermediate switch boards.

**Partition 1 contains switch\_port\_numbers:** 80 - 95

**Partition 2 contains switch\_port\_numbers:** 0 - 79, 96 - 111

### **Layout 7**

This is the description of the layout choices for a 16\_96 system partition configuration of a 112 switch port system with 4 intermediate switch boards.

*Partition 1 contains switch\_port\_numbers: 96 - 111*

*Partition 2 contains switch\_port\_numbers: 0 - 95*

## **Layouts for 112 Partition**

This layout is the only layout choice for a 112 system partition of a 112 switch port system.

### **Layout 1**

This is the description of the layout choices for a 112 system partition configuration of a 112 switch port system with 4 intermediate switch boards.

*Partition 1 contains switch\_port\_numbers: 0 - 111*

---

## **128 Switch Port System**

### **Layouts for 16\_48\_64 Partition**

The following are the layout choices for a 16\_48\_64 system partition of a 128 switch port system.

#### **Layout 1**

This is the description of the layout choices for a 16\_48\_64 system partition configuration of a 128 switch port system with 4 intermediate switch boards.

*Partition 1 contains switch\_port\_numbers: 64 - 127*

*Partition 2 contains switch\_port\_numbers: 16 - 63*

*Partition 3 contains switch\_port\_numbers: 0 - 15*

#### **Layout 2**

This is the description of the layout choices for a 16\_48\_64 system partition configuration of a 128 switch port system with 4 intermediate switch boards.

*Partition 1 contains switch\_port\_numbers: 64 - 127*

*Partition 2 contains switch\_port\_numbers: 0 - 15, 32 - 63*

*Partition 3 contains switch\_port\_numbers: 16 - 31*

#### **Layout 3**

This is the description of the layout choices for a 16\_48\_64 system partition configuration of a 128 switch port system with 4 intermediate switch boards.

*Partition 1 contains switch\_port\_numbers: 64 - 127*

*Partition 2 contains switch\_port\_numbers: 0 - 31, 48 - 63*

**Partition 3 contains switch\_port\_numbers:** 32 - 47

#### **Layout 4**

This is the description of the layout choices for a 16\_48\_64 system partition configuration of a 128 switch port system with 4 intermediate switch boards.

**Partition 1 contains switch\_port\_numbers:** 64 - 127

**Partition 2 contains switch\_port\_numbers:** 0 - 47

**Partition 3 contains switch\_port\_numbers:** 48 - 63

#### **Layout 5**

This is the description of the layout choices for a 16\_48\_64 system partition configuration of a 128 switch port system with 4 intermediate switch boards.

**Partition 1 contains switch\_port\_numbers:** 0 - 63

**Partition 2 contains switch\_port\_numbers:** 80 - 127

**Partition 3 contains switch\_port\_numbers:** 64 - 79

#### **Layout 6**

This is the description of the layout choices for a 16\_48\_64 system partition configuration of a 128 switch port system with 4 intermediate switch boards.

**Partition 1 contains switch\_port\_numbers:** 0 - 63

**Partition 2 contains switch\_port\_numbers:** 64 - 79, 96 - 127

**Partition 3 contains switch\_port\_numbers:** 80 - 95

#### **Layout 7**

This is the description of the layout choices for a 16\_48\_64 system partition configuration of a 128 switch port system with 4 intermediate switch boards.

**Partition 1 contains switch\_port\_numbers:** 0 - 63

**Partition 2 contains switch\_port\_numbers:** 64 - 95, 112 - 127

**Partition 3 contains switch\_port\_numbers:** 96 - 111

#### **Layout 8**

This is the description of the layout choices for a 16\_48\_64 system partition configuration of a 128 switch port system with 4 intermediate switch boards.

**Partition 1 contains switch\_port\_numbers:** 0 - 63

**Partition 2 contains switch\_port\_numbers:** 64 - 111

**Partition 3 contains switch\_port\_numbers:** 112 - 127

## Layouts for 16\_112 Partition

The following are the layout choices for a 16\_112 system partition of a 128 switch port system.

### Layout 1

This is the description of the layout choices for a 16\_112 system partition configuration of a 128 switch port system with 4 intermediate switch boards.

**Partition 1 contains switch\_port\_numbers:** 16 - 127

**Partition 2 contains switch\_port\_numbers:** 0 - 15

### Layout 2

This is the description of the layout choices for a 16\_112 system partition configuration of a 128 switch port system with 4 intermediate switch boards.

**Partition 1 contains switch\_port\_numbers:** 0 - 15, 32 - 127

**Partition 2 contains switch\_port\_numbers:** 16 - 31

### Layout 3

This is the description of the layout choices for a 16\_112 system partition configuration of a 128 switch port system with 4 intermediate switch boards.

**Partition 1 contains switch\_port\_numbers:** 0 - 31, 48 - 127

**Partition 2 contains switch\_port\_numbers:** 32 - 47

### Layout 4

This is the description of the layout choices for a 16\_112 system partition configuration of a 128 switch port system with 4 intermediate switch boards.

**Partition 1 contains switch\_port\_numbers:** 0 - 47, 64 - 127

**Partition 2 contains switch\_port\_numbers:** 48 - 63

### Layout 5

This is the description of the layout choices for a 16\_112 system partition configuration of a 128 switch port system with 4 intermediate switch boards.

**Partition 1 contains switch\_port\_numbers:** 0 - 63, 80 - 127

**Partition 2 contains switch\_port\_numbers:** 64 - 79

### Layout 6

This is the description of the layout choices for a 16\_112 system partition configuration of a 128 switch port system with 4 intermediate switch boards.

**Partition 1 contains switch\_port\_numbers:** 0 - 79, 96 - 127

**Partition 2 contains switch\_port\_numbers:** 80 - 95

### **Layout 7**

This is the description of the layout choices for a 16\_112 system partition configuration of a 128 switch port system with 4 intermediate switch boards.

***Partition 1 contains switch\_port\_numbers:*** 0 - 95, 112 - 127

***Partition 2 contains switch\_port\_numbers:*** 96 - 111

### **Layout 8**

This is the description of the layout choices for a 16\_112 system partition configuration of a 128 switch port system with 4 intermediate switch boards.

***Partition 1 contains switch\_port\_numbers:*** 0 - 111

***Partition 2 contains switch\_port\_numbers:*** 112 - 127

## **Layouts for 64\_64 Partition**

This layout is the only layout choice for a 64\_64 system partition of an 128 switch port system.

### **Layout 1**

This is the description of the layout choices for a 64\_64 system partition configuration of a 128 switch port system with 4 intermediate switch boards.

***Partition 1 contains switch\_port\_numbers:*** 0 - 63

***Partition 2 contains switch\_port\_numbers:*** 64 - 127

## **Layouts for 128 Partition**

This layout is the only layout choice for a 128 system partition of a 128 switch port system.

### **Layout 1**

This is the description of the layout choices for a 128 system partition configuration of a 128 switch port system with 4 intermediate switch boards.

***Partition 1 contains switch\_port\_numbers:*** 0 - 127





---

## Appendix C. SP System Planning Worksheets

This chapter contains the following SP system planning worksheets:

| <b>Number</b> | <b>Name</b>                                      | <b>Page</b> |
|---------------|--------------------------------------------------|-------------|
| 1             | SP Preliminary Application List                  | 260         |
| 2             | IBM Program Products                             | 261         |
| 3             | External Disk Storage Needs                      | 262         |
| 4             | SP Planning                                      | 263         |
| 5             | SP Node Layout Diagram                           | 264         |
| 7             | SP Hardware Configuration by Frame               | 265         |
| 8             | SP Node Network Configuration                    | 266         |
| 9             | SP Additional Adapter Node Network Configuration | 266         |
| 10            | Switch Configuration                             | 268         |
| 11            | SP System Image Worksheet (SPIMG)                | 269         |
| 12            | PSSP 3.1.1 File Sets                             | 270         |
| 13            | SP Control Workstation Image                     | 273         |
| 14            | Select a Time Zone                               | 274         |
| 15            | SP Control Workstation Network                   | 275         |
| 16            | SP Site Environment                              | 276         |
| 17            | SP Authentication Worksheets                     | 277         |

Make copies of these worksheets as required. Instructions for using the worksheets are contained in Chapter 2, "Defining the System that Fits Your Needs" on page 21, in Chapter 3, "Defining the Configuration that Fits Your Needs" on page 69, and in Chapter 7, "Planning for Security" on page 139.





Table 48. External Disk Storage Needs

| External Disk Storage - Worksheet 3                                 |                     |                 |           |
|---------------------------------------------------------------------|---------------------|-----------------|-----------|
| Disk Subsystem                                                      | Adapters (# - type) | Number of Disks | Disk Size |
| 2100 VSS (SSA)                                                      |                     |                 |           |
| 7027 (SCSI)                                                         |                     |                 |           |
| 7131 (SSA)                                                          |                     |                 |           |
| 7131 (SCSI)                                                         |                     |                 |           |
| 7133 (SSA)                                                          |                     |                 |           |
| 7133 (SCSI)                                                         |                     |                 |           |
| 7137 (SCSI)                                                         |                     |                 |           |
| <b>Note:</b> Complete for the external disk subsystems you require. |                     |                 |           |

|                                                                        |                           |                               |
|------------------------------------------------------------------------|---------------------------|-------------------------------|
| <i>Table 49. Overall System Information</i>                            |                           |                               |
| <b>SP Planning - Worksheet 4</b>                                       |                           |                               |
| <b>Company Name:</b>                                                   | <b>Date:</b>              |                               |
| <b>Customer Number:</b>                                                |                           |                               |
| <b>Customer Contact:</b>                                               | <b>Phone:</b>             |                               |
| <b>IBM Contact:</b>                                                    | <b>Phone:</b>             |                               |
| <i>Complete the following by entering quantities to order:</i>         |                           |                               |
| <b>Frames</b>                                                          | <b>Nodes</b>              | <b>Nodes</b>                  |
| 500 (short):                                                           | 332 MHz Wide:             | 222 MHz High:                 |
| 1500 (short):                                                          | 332 MHz Thin:             | 200 MHz Wide:                 |
| 550 (tall):                                                            | 160 MHz Thin Pair:        | 200 MHz Thin:                 |
| 1550 (tall):                                                           | 125 MHz (S70) SP-attach:  | 262 MHz (S7A) SP-attach:      |
| <b>SP Switch</b>                                                       |                           |                               |
| 8-port:                                                                | 16-port:                  |                               |
| SP Switch Adapter:                                                     | SP Switch MX2 Adapter:    | SP System Attachment Adapter: |
| SP Switch Router:                                                      | SP Switch Router Adapter: |                               |
| <b>SP Expansion I/O Units:</b>                                         |                           |                               |
| <b>External Storage Units:</b>                                         | <i>Type</i>               | <i>Quantity</i>               |
|                                                                        |                           |                               |
|                                                                        |                           |                               |
|                                                                        |                           |                               |
| <b>Network Media Cards:</b>                                            | <i>Type</i>               | <i>Quantity</i>               |
|                                                                        |                           |                               |
|                                                                        |                           |                               |
| <i>Fill in the remainder of this chart after you place your order.</i> |                           |                               |
|                                                                        | <i>System Number</i>      | <i>Purchase Order Number</i>  |
| RS/6000 SP:                                                            |                           |                               |
| Control Workstation:                                                   |                           |                               |
| Peripherals:                                                           |                           |                               |
|                                                                        |                           |                               |
|                                                                        |                           |                               |
|                                                                        |                           |                               |

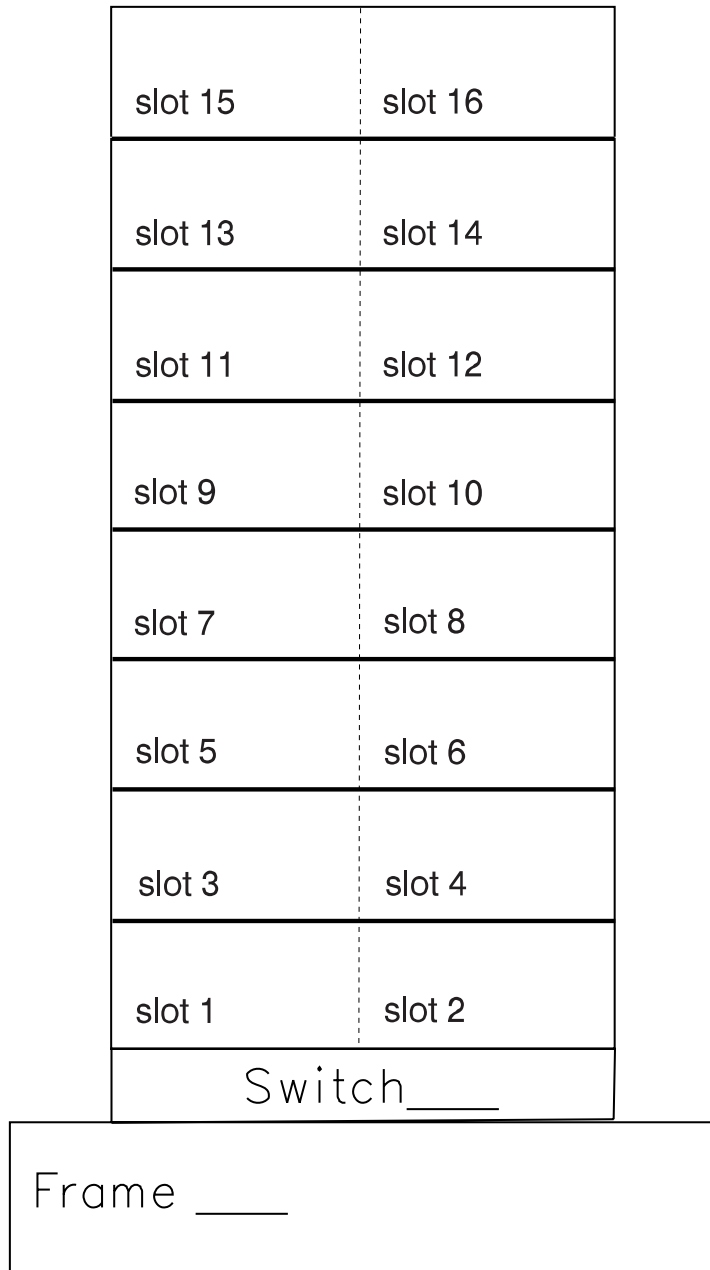


Figure 54. SP Node Layout Worksheet.

Table 50. Hardware Configuration by Frame

| SP Hardware Configuration by Frame - Worksheet 7 |                          |                                         |                  |               |                     |
|--------------------------------------------------|--------------------------|-----------------------------------------|------------------|---------------|---------------------|
| Frame Number:                                    |                          |                                         | Switch Number:   |               |                     |
|                                                  | Node or Expansion Number | Node Type or Associated Node Frame/Slot | Processor Memory | Internal Disk | Additional Adapters |
| Slot 1                                           |                          |                                         |                  |               |                     |
| Slot 2                                           |                          |                                         |                  |               |                     |
| Slot 3                                           |                          |                                         |                  |               |                     |
| Slot 4                                           |                          |                                         |                  |               |                     |
| Slot 5                                           |                          |                                         |                  |               |                     |
| Slot 6                                           |                          |                                         |                  |               |                     |
| Slot 7                                           |                          |                                         |                  |               |                     |
| Slot 8                                           |                          |                                         |                  |               |                     |
| Slot 9                                           |                          |                                         |                  |               |                     |
| Slot 10                                          |                          |                                         |                  |               |                     |
| Slot 11                                          |                          |                                         |                  |               |                     |
| Slot 12                                          |                          |                                         |                  |               |                     |
| Slot 13                                          |                          |                                         |                  |               |                     |
| Slot 14                                          |                          |                                         |                  |               |                     |
| Slot 15                                          |                          |                                         |                  |               |                     |
| Slot 16                                          |                          |                                         |                  |               |                     |

Table 51. SP Ethernet Node Network Configuration

| SP Ethernet Node Network Configuration - Worksheet 8 |                                            |            |               |
|------------------------------------------------------|--------------------------------------------|------------|---------------|
| Company Name:                                        |                                            | Date:      |               |
| Frame Number:                                        |                                            |            |               |
| Token Ring Speed:                                    |                                            |            |               |
| Associated Node Slot                                 | SP Ethernet Netmask: <i>(en0 adapters)</i> |            | Default Route |
|                                                      | Hostname                                   | IP Address |               |
| 1                                                    |                                            |            |               |
| 2                                                    |                                            |            |               |
| 3                                                    |                                            |            |               |
| 4                                                    |                                            |            |               |
| 5                                                    |                                            |            |               |
| 6                                                    |                                            |            |               |
| 7                                                    |                                            |            |               |
| 8                                                    |                                            |            |               |
| 9                                                    |                                            |            |               |
| 10                                                   |                                            |            |               |
| 11                                                   |                                            |            |               |
| 12                                                   |                                            |            |               |
| 13                                                   |                                            |            |               |
| 14                                                   |                                            |            |               |
| 15                                                   |                                            |            |               |
| 16                                                   |                                            |            |               |

**Notes:**

1. AIX is case sensitive. If name-to-address resolution is provided via DNS, NIS or some other means, the names in the SDR must match exactly. Otherwise, use lower case for the hostname and addresses.
2. Wide nodes occupy two frame slots and use the *odd-numbered* slot number.
3. High nodes occupy four frame slots (2 drawers) and use the lowest odd-numbered slot number.



Table 52. SP Additional Adapters Node Network Configuration

| SP Additional Adapters Node Network Configuration - Worksheet 9 |                             |          |            |               |
|-----------------------------------------------------------------|-----------------------------|----------|------------|---------------|
| Company Name:                                                   |                             |          | Date:      |               |
| Frame Number:                                                   |                             |          |            |               |
| Token Ring Speed:                                               |                             |          |            |               |
| Associated Node Slot                                            | Additional Adapter Netmask: |          |            | Default Route |
|                                                                 | Adapter Name                | Hostname | IP Address |               |
| 1                                                               |                             |          |            |               |
| 2                                                               |                             |          |            |               |
| 3                                                               |                             |          |            |               |
| 4                                                               |                             |          |            |               |
| 5                                                               |                             |          |            |               |
| 6                                                               |                             |          |            |               |
| 7                                                               |                             |          |            |               |
| 8                                                               |                             |          |            |               |
| 9                                                               |                             |          |            |               |
| 10                                                              |                             |          |            |               |
| 11                                                              |                             |          |            |               |
| 12                                                              |                             |          |            |               |
| 13                                                              |                             |          |            |               |
| 14                                                              |                             |          |            |               |
| 15                                                              |                             |          |            |               |
| 16                                                              |                             |          |            |               |

**Notes:**

1. AIX is case sensitive. If name-to-address resolution is provided via DNS, NIS or some other means, the names in the SDR must match exactly. Otherwise, use lower case for the hostname and addresses.
2. Wide nodes occupy two frame slots and use the *odd-numbered* slot number.
3. High nodes occupy four frame slots (2 drawers) and use the lowest odd-numbered slot number.

Table 53. Switch Configuration Worksheet

| Switch Configuration - Worksheet 10                   |                    |                         |                           |
|-------------------------------------------------------|--------------------|-------------------------|---------------------------|
| Frame Number: ____ Switch Number: ____ Netmask: _____ |                    |                         |                           |
| Slot Number                                           | Switch Port Number | Switch Adapter Hostname | Switch Adapter IP Address |
| Slot 1                                                |                    |                         |                           |
| Slot 2                                                |                    |                         |                           |
| Slot 3                                                |                    |                         |                           |
| Slot 4                                                |                    |                         |                           |
| Slot 5                                                |                    |                         |                           |
| Slot 6                                                |                    |                         |                           |
| Slot 7                                                |                    |                         |                           |
| Slot 8                                                |                    |                         |                           |
| Slot 9                                                |                    |                         |                           |
| Slot 10                                               |                    |                         |                           |
| Slot 11                                               |                    |                         |                           |
| Slot 12                                               |                    |                         |                           |
| Slot 13                                               |                    |                         |                           |
| Slot 14                                               |                    |                         |                           |
| Slot 15                                               |                    |                         |                           |
| Slot 16                                               |                    |                         |                           |



Table 55 (Page 1 of 3). File Set List for PSSP 3.1.1

| <b>PSSP 3.1.1 File Sets — Worksheet 12</b>                          |                                                         |
|---------------------------------------------------------------------|---------------------------------------------------------|
| System Image Name: _____                                            |                                                         |
| File Set                                                            | Description                                             |
| <b>PSSP image of AIX spimg:</b>                                     |                                                         |
| spimg.432                                                           | Single file with mksysb image of minimal AIX 432 system |
| <b>PSSP image rsct.basic:</b> Base components of PSSP               |                                                         |
| rsct.basic.hacmp                                                    | RSCT basic function (HACMP realm)                       |
| rsct.basic.rte                                                      | RSCT basic function (all realms)                        |
| rsct.basic.sp                                                       | RSCT basic function (SP realm)                          |
| <b>PSSP image rsct.clients:</b> Base components of PSSP             |                                                         |
| rsct.clients.hacmp                                                  | RSCT client function (HACMP realm)                      |
| rsct.clients.rte                                                    | RSCT client function (all realms)                       |
| rsct.clients.sp                                                     | RSCT client function (SP realm)                         |
| <b>PSSP image ssp:</b> Base components of PSSP                      |                                                         |
| ssp.authent                                                         | SP Authentication Server                                |
| ssp.basic                                                           | SP System Support Package                               |
| ssp.clients                                                         | SP Authenticated Client Commands                        |
| ssp.css                                                             | SP Communication Subsystem Package                      |
| ssp.docs                                                            | SP man pages, PDF files, and HTML files                 |
| ssp.gui                                                             | SP Perspectives GUI                                     |
| ssp.ha_topsvcs.compat                                               | Compatability for ssp.ha and ssp.topsvcs clients        |
| ssp.jm                                                              | SP Job Manager Package                                  |
| ssp.perlpkg                                                         | SP PERL distribution package                            |
| ssp.pman                                                            | SP Problem Management                                   |
| ssp.public                                                          | Public Code compressed tarfiles                         |
| ssp.spmgr                                                           | SP Extension Node SNMP Manager                          |
| ssp.st                                                              | Switch Table API package                                |
| ssp.sysctl                                                          | SP sysctl package                                       |
| ssp.sysman                                                          | Optional System Management programs                     |
| ssp.tecad                                                           | SP HA TEC Event Adapter package                         |
| ssp.tguides                                                         | SP TaskGuides                                           |
| ssp.top                                                             | SP Communication Subsystem Topology package             |
| ssp.unicode                                                         | SP Supervisor microcode package                         |
| <b>PSSP image ssp.hacws:</b> Optional component                     |                                                         |
| ssp.hacws                                                           | SP High Availability Control Workstation                |
| <b>PSSP image ptpe:</b>                                             |                                                         |
| ptpe.docs                                                           | Performance Toolbox Parallel Extensions Publications    |
| ptpe.program                                                        | Performance Toolbox Parallel Extensions Component       |
| <b>PSSP image vsd:</b> Components for managing virtual shared disks |                                                         |

Table 55 (Page 2 of 3). File Set List for PSSP 3.1.1

| <b>PSSP 3.1.1 File Sets — Worksheet 12</b>                                                                              |                       |                                                                                     |
|-------------------------------------------------------------------------------------------------------------------------|-----------------------|-------------------------------------------------------------------------------------|
|                                                                                                                         | vsd.cmi               | IBM Virtual Shared Disk Centralized Management Interface (SMIT)                     |
|                                                                                                                         | vsd.hsd               | Hashed Shared Disk data striping device driver                                      |
|                                                                                                                         | vsd.rvsd.hc           | Recoverable Virtual Shared Disk Connection Manager                                  |
|                                                                                                                         | vsd.rvsd.rvsdd        | Recoverable Virtual Shared Disk daemon                                              |
|                                                                                                                         | vsd.rvsd.scripts      | Recoverable Virtual Shared Disk recovery scripts                                    |
|                                                                                                                         | vsd.sysctl            | IBM Virtual Shared Disk sysctl commands                                             |
|                                                                                                                         | vsd.vsd               | IBM Virtual Shared Disk device driver                                               |
| <b>PSSP images for other graphical user interfaces:</b> Each file set is its own separate image.                        |                       |                                                                                     |
|                                                                                                                         | ssp.ptpegui           | SP Performance Monitor GUI                                                          |
|                                                                                                                         | ssp.vsdgui            | IBM Virtual Shared Disk Perspectives GUI                                            |
| <b>PSSP image ssp.resctr:</b> Resource Center with links to online publications and other information.                  |                       |                                                                                     |
|                                                                                                                         | ssp.resctr.rte        | SP Resource Center                                                                  |
| <b>PSSP images for National Language Support of graphical user interfaces:</b> Each file set is its own separate image. |                       |                                                                                     |
|                                                                                                                         | ssp.help.ja_JP.gui    | SP Perspectives GUI help information - Japanese                                     |
|                                                                                                                         | ssp.help.ko_KR.gui    | SP Perspectives GUI help information - Korean                                       |
|                                                                                                                         | ssp.help.zh_CN.gui    | SP Perspectives GUI help information - Simplified Chinese                           |
|                                                                                                                         | ssp.help.zh_TW.gui    | SP Perspectives GUI help information - Traditional Chinese                          |
|                                                                                                                         | ssp.loc.ja_JP.gui     | SP Perspectives GUI locale information - Japanese                                   |
|                                                                                                                         | ssp.loc.ko_KR.gui     | SP Perspectives GUI locale information - Korean                                     |
|                                                                                                                         | ssp.loc.zh_CN.gui     | SP Perspectives GUI locale information - Simplified Chinese                         |
|                                                                                                                         | ssp.loc.zh_TW.gui     | SP Perspectives GUI locale information - Traditional Chinese                        |
|                                                                                                                         | ssp.msg.ja_JP.gui     | SP Perspectives GUI messages - Japanese                                             |
|                                                                                                                         | ssp.msg.ko_KR.gui     | SP Perspectives GUI messages - Korean                                               |
|                                                                                                                         | ssp.msg.zh_CN.gui     | SP Perspectives GUI messages - Simplified Chinese                                   |
|                                                                                                                         | ssp.msg.zh_TW.gui     | SP Perspectives GUI messages - Traditional Chinese                                  |
|                                                                                                                         | ssp.ptpegui.loc.ja_JP | SP Performance Monitor GUI locale information - Japanese                            |
|                                                                                                                         | ssp.ptpegui.loc.ko_KR | SP Performance Monitor GUI locale information - Korean                              |
|                                                                                                                         | ssp.ptpegui.loc.zh_CN | SP Performance Monitor GUI locale information - Simplified Chinese                  |
|                                                                                                                         | ssp.ptpegui.loc.zh_TW | SP Performance Monitor GUI locale information - Traditional Chinese                 |
|                                                                                                                         | ssp.ptpegui.msg.ja_JP | SP Performance Monitor GUI messages - Japanese                                      |
|                                                                                                                         | ssp.ptpegui.msg.ko_KR | SP Performance Monitor GUI messages - Korean                                        |
|                                                                                                                         | ssp.ptpegui.msg.zh_CN | SP Performance Monitor GUI messages - Simplified Chinese                            |
|                                                                                                                         | ssp.ptpegui.msg.zh_TW | SP Performance Monitor GUI messages - Traditional Chinese                           |
|                                                                                                                         | ssp.top.loc.ja_JP.gui | SP Perspectives System Partitioning Aid GUI locale information - Japanese           |
|                                                                                                                         | ssp.top.loc.ko_KR.gui | SP Perspectives System Partitioning Aid GUI locale information - Korean             |
|                                                                                                                         | ssp.top.loc.zh_CN.gui | SP Perspectives System Partitioning Aid GUI locale information - Simplified Chinese |

Table 55 (Page 3 of 3). File Set List for PSSP 3.1.1

| PSSP 3.1.1 File Sets — Worksheet 12                                                                                                                                                                                                                                                                                                                                                              |                       |                                                                                      |
|--------------------------------------------------------------------------------------------------------------------------------------------------------------------------------------------------------------------------------------------------------------------------------------------------------------------------------------------------------------------------------------------------|-----------------------|--------------------------------------------------------------------------------------|
|                                                                                                                                                                                                                                                                                                                                                                                                  | ssp.top.loc.zh_TW.gui | SP Perspectives System Partitioning Aid GUI locale information - Traditional Chinese |
|                                                                                                                                                                                                                                                                                                                                                                                                  | ssp.top.msg.ja_JP.gui | SP Perspectives System Partitioning Aid GUI messages - Japanese                      |
|                                                                                                                                                                                                                                                                                                                                                                                                  | ssp.top.msg.ko_KR.gui | SP Perspectives System Partitioning Aid GUI messages - Korean                        |
|                                                                                                                                                                                                                                                                                                                                                                                                  | ssp.top.msg.zh_CN.gui | SP Perspectives System Partitioning Aid GUI messages - Simplified Chinese            |
|                                                                                                                                                                                                                                                                                                                                                                                                  | ssp.top.msg.zh_TW.gui | SP Perspectives System Partitioning Aid GUI messages - Traditional Chinese           |
|                                                                                                                                                                                                                                                                                                                                                                                                  | ssp.vsdgui.loc.ja_JP  | IBM Virtual Shared Disk Perspective locale information - Japanese                    |
|                                                                                                                                                                                                                                                                                                                                                                                                  | ssp.vsdgui.loc.ko_KR  | IBM Virtual Shared Disk Perspective locale information - Korean                      |
|                                                                                                                                                                                                                                                                                                                                                                                                  | ssp.vsdgui.loc.zh_CN  | IBM Virtual Shared Disk Perspective locale information - Simplified Chinese          |
|                                                                                                                                                                                                                                                                                                                                                                                                  | ssp.vsdgui.loc.zh_TW  | IBM Virtual Shared Disk Perspective locale information - Traditional Chinese         |
|                                                                                                                                                                                                                                                                                                                                                                                                  | ssp.vsdgui.msg.ja_JP  | IBM Virtual Shared Disk Perspective messages - Japanese                              |
|                                                                                                                                                                                                                                                                                                                                                                                                  | ssp.vsdgui.msg.ko_KR  | IBM Virtual Shared Disk Perspective messages - Korean                                |
|                                                                                                                                                                                                                                                                                                                                                                                                  | ssp.vsdgui.msg.zh_CN  | IBM Virtual Shared Disk Perspective messages - Simplified Chinese                    |
|                                                                                                                                                                                                                                                                                                                                                                                                  | ssp.vsdgui.msg.zh_TW  | IBM Virtual Shared Disk Perspective messages - Traditional Chinese                   |
| <p><b>Note:</b> You can choose to install complete images or only selected file sets. Keep in mind that some optional components require others. See the respective planning and migration sections in this book for dependencies. For information on which file sets are installed on the control workstation and the node, see chapter 2 of <i>PSSP: Installation and Migration Guide</i>.</p> |                       |                                                                                      |

Table 56. Control Workstation Image Worksheet

| <b>SP Control Workstation Image - Worksheet 13</b> |                                  |                 |
|----------------------------------------------------|----------------------------------|-----------------|
| <b>SP Control Workstation Image:</b>               |                                  |                 |
|                                                    | <i>Control Workstation Name</i>  |                 |
|                                                    | <i>Model</i>                     |                 |
|                                                    | <i>Install rootvg on disk</i>    |                 |
|                                                    | <i>Disk Space</i>                |                 |
|                                                    | <i>Memory Size</i>               |                 |
| <b>Hardware Options and Adapters:</b>              |                                  |                 |
|                                                    | <b>Type</b>                      | <b>Quantity</b> |
|                                                    | <i>ATM</i>                       |                 |
|                                                    | <i>Ethernet</i>                  |                 |
|                                                    | <i>FDDI</i>                      |                 |
|                                                    | <i>Token ring (speed 16Mbps)</i> |                 |
|                                                    | <i>Multiport Serial Adapters</i> |                 |
|                                                    | <i>8 mm tape drive</i>           |                 |
|                                                    | <i>CD-ROM</i>                    |                 |
| <b>IBM Licensed Products:</b>                      |                                  |                 |
|                                                    |                                  |                 |
|                                                    |                                  |                 |
|                                                    |                                  |                 |
|                                                    |                                  |                 |
|                                                    |                                  |                 |
|                                                    |                                  |                 |
|                                                    |                                  |                 |
|                                                    |                                  |                 |
|                                                    |                                  |                 |
|                                                    |                                  |                 |
| <b>Other Applications:</b>                         |                                  |                 |
|                                                    | NFS                              |                 |
|                                                    |                                  |                 |
|                                                    |                                  |                 |
|                                                    |                                  |                 |
|                                                    |                                  |                 |
|                                                    |                                  |                 |

Table 57. Time Zones

| Select a Time Zone - Worksheet 14 |             |        |                     |                                    |
|-----------------------------------|-------------|--------|---------------------|------------------------------------|
| Select                            | Time Zone   | Select | Time Zone           | Description                        |
|                                   | (CUT0)      |        | (CUT0GDT)           | Coordinated Universal Time (CUT)   |
|                                   | (GMT0)      |        | (GMT0BST)           | United Kingdom (CUT)               |
|                                   | (AZOREST1)  |        | (AZOREST1AZORED)    | Azores; Cape Verde (CUT -1)        |
|                                   | (FALKST2)   |        | (FALKST2FALKDT)     | Falkland Islands (CUT -2)          |
|                                   | (GRNLNDST3) |        | (GRNLNDST3GRNLNDDT) | Greenland; East Brazil (CUT -3)    |
|                                   | (AST4)      |        | (AST4ADT)           | Central Brazil (CUT -4)            |
|                                   | (EST5)      |        | (EST5EDT)           | Eastern U.S.; Colombia (CUT -5)    |
|                                   | (CST6)      |        | (CST6CDT)           | Central U.S.; Honduras (CUT -6)    |
|                                   | (MST7)      |        | (MST7MDT)           | Mountain U.S. (CUT -7)             |
|                                   | (PST8)      |        | (PST8PDT)           | Pacific U.S.; Yukon (CUT -8)       |
|                                   | (AST9)      |        | (AST9ADT)           | Alaska (CUT -9)                    |
|                                   | (HST10)     |        | (HST10HDT)          | Hawaii; Aleutian (CUT-10)          |
|                                   | (BST11)     |        | (BST11BDT)          | Bering Straits (CUT-11)            |
|                                   | (NZST-12)   |        | (NZST-12NZDT)       | New Zealand (CUT+12)               |
|                                   | (MET-11M)   |        | (MET-11METDT)       | Solomon Islands (CUT+11)           |
|                                   | (EET-10E)   |        | (EET-10EETDT)       | Eastern Australia (CUT+10)         |
|                                   | (JST-9)     |        | (JST-9JDT)          | Japan (CUT +9)                     |
|                                   | (KORST-9)   |        | (KORST-9KORDT)      | Korea (CUT +9)                     |
|                                   | (WAUST-8)   |        | (WAUST-8WAUDT)      | Western Australia (CUT +8)         |
|                                   | (TAIST-8)   |        | (TAIST-8TAIDT)      | Taiwan (CUT +8)                    |
|                                   | (THAIST-7)  |        | (THAIST-7THAIDT)    | Thailand (CUT +7)                  |
|                                   | (TASHST-6)  |        | (TASHST-6TASHDT)    | Tashkent; Central Asia (CUT +6)    |
|                                   | (PAKST-5)   |        | (PAKST-5PAKDT)      | Pakistan (CUT +5)                  |
|                                   | (WST-4)     |        | (WST-4WDT)          | Gorki; Central Asia; Oman (CUT +4) |
|                                   | (MEST-3)    |        | (MEST-3MEDT)        | Turkey (CUT +3)                    |
|                                   | (SAUST-3)   |        | (SAUST-3SAUDT)      | Saudi Arabia (CUT +3)              |
|                                   | (WET-2)     |        | (WET-2WET)          | Finland (CUT +2)                   |
|                                   | (USAST-2)   |        | (USAST-2USADT)      | South Africa (CUT +2)              |
|                                   | (NFT-1)     |        | (NFT-1DFT)          | Norway; France (CUT +1)            |





Table 59. Site Environment Worksheet

| SP Site Environment - Worksheet 16                                                                                                                                                                                                                                                                                                                                |                           |                                  |                    |
|-------------------------------------------------------------------------------------------------------------------------------------------------------------------------------------------------------------------------------------------------------------------------------------------------------------------------------------------------------------------|---------------------------|----------------------------------|--------------------|
| <b>Company Name:</b>                                                                                                                                                                                                                                                                                                                                              |                           | <b>Date:</b>                     |                    |
| <b>System Name:</b>                                                                                                                                                                                                                                                                                                                                               |                           | <b>Control Workstation Name:</b> |                    |
| <b>SMIT Dialog Field Name (1)</b>                                                                                                                                                                                                                                                                                                                                 | <b>Site Attribute (2)</b> | <b>Default Value</b>             | <b>Your Choice</b> |
| Default Network Install Image                                                                                                                                                                                                                                                                                                                                     | install_image             | bos.obj.ssp.432                  |                    |
| Remove Install Image After Installs                                                                                                                                                                                                                                                                                                                               | remove_image              | false                            |                    |
| NTP Installation                                                                                                                                                                                                                                                                                                                                                  | ntp_config                | consensus                        |                    |
| NTP Server Hostname                                                                                                                                                                                                                                                                                                                                               | ntp_server                |                                  |                    |
| NTP Version                                                                                                                                                                                                                                                                                                                                                       | ntp_version               | 3                                |                    |
| Amd Configuration                                                                                                                                                                                                                                                                                                                                                 | amd_config                | true                             |                    |
| Print Management Configuration                                                                                                                                                                                                                                                                                                                                    | print_config              | false                            |                    |
| Print System Secure Mode Login Name                                                                                                                                                                                                                                                                                                                               | print_id                  |                                  |                    |
| User Administration Interface                                                                                                                                                                                                                                                                                                                                     | usermgmt_config           | true                             |                    |
| Password File Server Hostname                                                                                                                                                                                                                                                                                                                                     | passwd_file_loc           | control workstation hostname     |                    |
| Password File Location                                                                                                                                                                                                                                                                                                                                            | passwd_file               | /etc/passwd                      |                    |
| Home Directory Server Hostname                                                                                                                                                                                                                                                                                                                                    | homedir_server            | control workstation hostname     |                    |
| Home Directory Path                                                                                                                                                                                                                                                                                                                                               | homedir_path              | /home/<control workstation>      |                    |
| File Collection Management                                                                                                                                                                                                                                                                                                                                        | filecoll_config           | true                             |                    |
| Home Collection Daemon uid                                                                                                                                                                                                                                                                                                                                        | supman_uid                | 102                              |                    |
| Home Collection Port                                                                                                                                                                                                                                                                                                                                              | supfilesrv_port           | 8431                             |                    |
| SP Accounting Enabled                                                                                                                                                                                                                                                                                                                                             | spacct_enable             | false                            |                    |
| SP Accounting Active Node Threshold                                                                                                                                                                                                                                                                                                                               | spacct_node               | 80                               |                    |
| SP Exclusive Use Accounting Enabled                                                                                                                                                                                                                                                                                                                               | spacct_exclusive_enable   | false                            |                    |
| Accounting Master                                                                                                                                                                                                                                                                                                                                                 | acct_master               | 0                                |                    |
| Control Workstation LPP source name                                                                                                                                                                                                                                                                                                                               | cw_lppsource_name         | default (3)                      |                    |
| <p><b>Notes:</b></p> <ol style="list-style-type: none"> <li>1. This is the name that appears on the SMIT dialog.</li> <li>2. This is the attribute name to use on the <b>spsitenv</b> command.</li> <li>3. You must ensure that the AIX level of the LPP source (indicated by this value) matches the AIX level installed on your control workstation.</li> </ol> |                           |                                  |                    |

| Table 60. PSSP or Other Kerberos Authentication Servers |                 |               |                     |                    |
|---------------------------------------------------------|-----------------|---------------|---------------------|--------------------|
| Authentication - Worksheet 17                           |                 |               |                     |                    |
|                                                         | Hostname (long) | Default realm | Control workstation | SP Authentication? |
| Primary Server                                          |                 |               |                     |                    |
| Secondary Servers                                       |                 |               |                     |                    |
|                                                         |                 |               |                     |                    |
| Client Systems                                          |                 |               |                     |                    |
|                                                         |                 |               |                     |                    |
|                                                         |                 |               |                     |                    |
|                                                         |                 |               |                     |                    |

**hostname** Fully qualified hostname. For example, kgn.east.abc.com

**default realm** Domain portion of hostname in upper case. For example, EAST.ABC.COM

**control workstation?**

- y This workstation is the SP control workstation for the system being installed.
- n This workstation is *not* the SP control workstation for the system being installed.

Any of the secondary servers or client systems could be control workstations for other SP systems, but enter y only for this system's control workstation.

**SP Authentication**

- y This workstation will run an SP authentication server.
- n This workstation has a different MIT Kerberos V4 server installed.

This option is not applicable to client systems. You must install **ssp.authent** on all workstations for which you enter y.

| <i>Table 61. Local Realm Information, PSSP Authentication Server</i> |        |                        |
|----------------------------------------------------------------------|--------|------------------------|
| <b>Local realm name</b>                                              |        | <b>Master password</b> |
| <b>Administrative principal</b>                                      | .admin | Password               |
| <b>other principals</b>                                              | name   | password               |
|                                                                      | name   | password               |
|                                                                      | name   | password               |
|                                                                      | name   | password               |
|                                                                      | name   | password               |
|                                                                      | name   | password               |
|                                                                      | name   | password               |
|                                                                      | name   | password               |

| <i>Table 62. AFS Authentication Servers</i>            |  |
|--------------------------------------------------------|--|
| <b>administrative principal</b>                        |  |
| <b>Password</b>                                        |  |
| <b>Directory containing CellServDB, ThisCell files</b> |  |
| <b>Directory containing kas command</b>                |  |

- local realm**                      The name of your local realm.  
If blank, the local realm is the default realm you entered for the primary server.
- administrative principal**    The name you will use as the primary administrator of the authentication database.
- password**                        The master password of the primary authentication server using SP authentication. Once you have written this password on the chart, be sure to keep the chart in a secure environment.

---

## Glossary of Terms and Abbreviations

This glossary includes terms and definitions from:

- The *IBM Dictionary of Computing*, New York: McGraw-Hill, 1994.
- The *American National Standard Dictionary for Information Systems*, ANSI X3.172-1990, copyright 1990 by the American National Standards Institute (ANSI). Copies can be purchased from the American National Standards Institute, 1430 Broadway, New York, New York 10018. Definitions are identified by the symbol (A) after the definition.
- The *ANSI/EIA Standard - 440A: Fiber Optic Terminology* copyright 1989 by the Electronics Industries Association (EIA). Copies can be purchased from the Electronic Industries Association, 2001 Pennsylvania Avenue N.W., Washington, D.C. 20006. Definitions are identified by the symbol (E) after the definition.
- The *Information Technology Vocabulary* developed by Subcommittee 1, Joint Technical Committee 1, of the International Organization for Standardization and the International Electrotechnical Commission (ISO/IEC JTC1/SC1). Definitions of published parts of this vocabulary are identified by the symbol (I) after the definition; definitions taken from draft international standards, committee drafts, and working papers being developed by ISO/IEC JTC1/SC1 are identified by the symbol (T) after the definition, indicating that final agreement has not yet been reached among the participating National Bodies of SC1.

The following cross-references are used in this glossary:

**Contrast with.** This refers to a term that has an opposed or substantively different meaning.

**See.** This refers the reader to multiple-word terms in which this term appears.

**See also.** This refers the reader to terms that have a related, but not synonymous, meaning.

**Synonym for.** This indicates that the term has the same meaning as a preferred term, which is defined in the glossary.

This section contains some of the terms that are commonly used in the SP publications.

IBM is grateful to the American National Standards Institute (ANSI) for permission to reprint its definitions from the American National Standard *Vocabulary for Information Processing* (Copyright 1970 by American National Standards Institute, Incorporated), which was prepared by Subcommittee X3K5 on Terminology and Glossary of the American National Standards

Committee X3. ANSI definitions are preceded by an asterisk (\*).

Other definitions in this glossary are taken from *IBM Vocabulary for Data Processing, Telecommunications, and Office Systems* (SC20-1699) and *IBM DATABASE 2 Application Programming Guide for TSO Users* (SC26-4081).

### A

**adapter.** An adapter is a mechanism for attaching parts. For example, an adapter could be a part that electrically or physically connects a device to a computer or to another device. In the SP system, network connectivity is supplied by various adapters, some optional, that can provide connection to I/O devices, networks of workstations, and mainframe networks. Ethernet, FDDI, token-ring, HiPPI, SCSI, FCS, and ATM are examples of adapters that can be used as part of an SP system.

**address.** A character or group of characters that identifies a register, a device, a particular part of storage, or some other data source or destination.

**AFS.** A distributed file system that provides authentication services as part of its file system creation.

**AIX.** Abbreviation for Advanced Interactive Executive, IBM's licensed version of the UNIX operating system. AIX is particularly suited to support technical computing applications, including high function graphics and floating point computations.

**Amd.** Berkeley Software Distribution automount daemon.

**API.** Application Programming Interface. A set of programming functions and routines that provide access between the Application layer of the OSI seven-layer model and applications that want to use the network. It is a software interface.

**application.** The use to which a data processing system is put; for example, a payroll application, an airline reservation application.

**application data.** The data that is produced using an application program.

**ARP.** Address Resolution Protocol.

**ATM.** Asynchronous Transfer Mode. (See *TURBOWAYS 100 ATM Adapter*.)

**Authentication.** The process of validating the identity of a user or server.

**Authorization.** The process of obtaining permission to perform specific actions.

## B

**batch processing.** \* (1) The processing of data or the accomplishment of jobs accumulated in advance in such a manner that each accumulation thus formed is processed or accomplished in the same run. \* (2) The processing of data accumulating over a period of time. \* (3) Loosely, the execution of computer programs serially. (4) Computer programs executed in the background.

**BMCA.** Block Multiplexer Channel Adapter. The block multiplexer channel connection allows the RS/6000 to communicate directly with a host System/370 or System/390; the host operating system views the system unit as a control unit.

**BOS.** The AIX Base Operating System.

## C

**call home function.** The ability of a system to call the IBM support center and open a PMR to have a repair scheduled.

**CDE.** Common Desktop Environment. A graphical user interface for UNIX.

**charge feature.** An optional feature for either software or hardware for which there is a charge.

**CLI.** Command Line Interface.

**client.** \* (1) A function that requests services from a server and makes them available to the user. \* (2) A term used in an environment to identify a machine that uses the resources of the network.

**Client Input/Output Sockets (CLIO/S).** A software package that enables high-speed data and tape access between SP systems, AIX systems, and ES/9000 mainframes.

**CLIO/S.** Client Input/Output Sockets.

**CMI.** Centralized Management Interface provides a series of SMIT menus and dialogues used for defining and querying the SP system configuration.

**connectionless.** A communication process that takes place without first establishing a connection.

**connectionless network.** A network in which the sending logical node must have the address of the receiving logical node before information interchange can begin. The packet is routed through nodes in the network based on the destination address in the packet. The originating source does not receive an acknowledgment that the packet was received at the destination.

**control workstation.** A single point of control allowing the administrator or operator to monitor and manage the SP system using the IBM AIX Parallel System Support Programs.

**css.** Communication subsystem.

## D

**daemon.** A process, not associated with a particular user, that performs system-wide functions such as administration and control of networks, execution of time-dependent activities, line printer spooling and so forth.

**DASD.** Direct Access Storage Device. Storage for input/output data.

**DCE.** Distributed Computing Environment.

**DFS.** distributed file system. A subset of the IBM Distributed Computing Environment.

**DNS.** Domain Name Service. A hierarchical name service which maps high level machine names to IP addresses.

## E

**Error Notification Object.** An object in the SDR that is matched with an error log entry. When an error log entry occurs that matches the Notification Object, a user-specified action is taken.

**ESCON.** Enterprise Systems Connection. The ESCON channel connection allows the RS/6000 to communicate directly with a host System/390; the host operating system views the system unit as a control unit.

**Ethernet.** (1) Ethernet is the standard hardware for TCP/IP local area networks in the UNIX marketplace. It is a 10-megabit per second baseband type LAN that allows multiple stations to access the transmission medium at will without prior coordination, avoids contention by using carrier sense and deference, and resolves contention by collision detection (CSMA/CD). (2) A passive coaxial cable whose interconnections contain devices or components, or both, that are all active. It uses CSMA/CD technology to provide a best-effort delivery system.

**Ethernet network.** A baseband LAN with a bus topology in which messages are broadcast on a coaxial cabling using the carrier sense multiple access/collision detection (CSMA/CD) transmission method.

**event.** In Event Management, the notification that an expression evaluated to true. This evaluation occurs each time an instance of a resource variable is observed.

**expect.** Programmed dialogue with interactive programs.

**expression.** In Event Management, the relational expression between a resource variable and other elements (such as constants or the previous value of an instance of the variable) that, when true, generates an event. An example of an expression is  $X < 10$  where X represents the resource variable `IBM.PSSP.aixos.PagSp.%total free` (the percentage of total free paging space). When the expression is true, that is, when the total free paging space is observed to be less than 10%, the Event Management subsystem generates an event to notify the appropriate application.

## F

**failover.** Also called failover, the sequence of events when a primary or server machine fails and a secondary or backup machine assumes the primary workload. This is a disruptive failure with a short recovery time.

**fall back.** Also called fallback, the sequence of events when a primary or server machine takes back control of its workload from a secondary or backup machine.

**FDDI.** Fiber Distributed Data Interface.

**Fiber Distributed Data Interface (FDDI).** An American National Standards Institute (ANSI) standard for 100-megabit-per-second LAN using optical fiber cables. An FDDI local area network (LAN) can be up to 100 km (62 miles) and can include up to 500 system units. There can be up to 2 km (1.24 miles) between system units and concentrators.

**file.** \* A set of related records treated as a unit, for example, in stock control, a file could consist of a set of invoices.

**file name.** A CMS file identifier in the form of 'filename filetype filemode' (like: TEXT DATA A).

**file server.** A centrally located computer that acts as a storehouse of data and applications for numerous users of a local area network.

**File Transfer Protocol (FTP).** The Internet protocol (and program) used to transfer files between hosts. It is

an application layer protocol in TCP/IP that uses TELNET and TCP protocols to transfer bulk-data files between machines or hosts.

**foreign host.** Any host on the network other than the local host.

**FTP.** File transfer protocol.

## G

**gateway.** An intelligent electronic device interconnecting dissimilar networks and providing protocol conversion for network compatibility. A gateway provides transparent access to dissimilar networks for nodes on either network. It operates at the session presentation and application layers.

## H

**HACMP.** High Availability Cluster Multi-Processing for AIX.

**HACWS.** High Availability Control Workstation function, based on HACMP, provides for a backup control workstation for the SP system.

| **HAL.** Hardware Abstraction Layer, a communication  
| device interface that provides communication channels  
| for processes.

**Hashed Shared Disk (HSD).** The data striping device for the IBM Virtual Shared Disk. The device driver lets application programs stripe data across physical disks in multiple IBM Virtual Shared Disks, thus reducing I/O bottlenecks.

**help key.** In the SP graphical interface, the key that gives you access to the SP graphical interface help facility.

**High Availability Cluster Multi-Processing.** An IBM facility to cluster nodes or components to provide high availability by eliminating single points of failure.

**HiPPI.** High Performance Parallel Interface. RS/6000 units can attach to a HiPPI network as defined by the ANSI specifications. The HiPPI channel supports burst rates of 100 Mbps over dual simplex cables; connections can be up to 25 km in length as defined by the standard and can be extended using third-party HiPPI switches and fiber optic extenders.

**home directory.** The directory associated with an individual user.

**host.** A computer connected to a network, and providing an access method to that network. A host provides end-user services.

## I

**instance vector.** Obsolete term for resource identifier.

**Intermediate Switch Board.** Switches mounted in the Sp Switch expansion frame.

**Internet.** A specific inter-network consisting of large national backbone networks such as APARANET, MILNET, and NSFnet, and a myriad of regional and campus networks all over the world. The network uses the TCP/IP protocol suite.

**Internet Protocol (IP).** (1) A protocol that routes data through a network or interconnected networks. IP acts as an interface between the higher logical layers and the physical network. This protocol, however, does not provide error recovery, flow control, or guarantee the reliability of the physical network. IP is a connectionless protocol. (2) A protocol used to route data from its source to its destination in an Internet environment.

**IP address.** A 32-bit address assigned to devices or hosts in an IP internet that maps to a physical address. The IP address is composed of a network and host portion.

**ISB.** Intermediate Switch Board.

## K

**Kerberos.** A service for authenticating users in a network environment.

**kernel.** The core portion of the UNIX operating system which controls the resources of the CPU and allocates them to the users. The kernel is memory-resident, is said to run in "kernel mode" and is protected from user tampering by the hardware.

## L

**LAN.** (1) Acronym for Local Area Network, a data network located on the user's premises in which serial transmission is used for direct data communication among data stations. (2) Physical network technology that transfers data at a high speed over short distances. (3) A network in which a set of devices is connected to another for communication and that can be connected to a larger network.

**local host.** The computer to which a user's terminal is directly connected.

**log database.** A persistent storage location for the logged information.

**log event.** The recording of an event.

**log event type.** A particular kind of log event that has a hierarchy associated with it.

**logging.** The writing of information to persistent storage for subsequent analysis by humans or programs.

## M

**mask.** To use a pattern of characters to control retention or elimination of portions of another pattern of characters.

**menu.** A display of a list of available functions for selection by the user.

**Motif.** The graphical user interface for OSF, incorporating the X Window System. Also called OSF/Motif.

**MTBF.** Mean time between failure. This is a measure of reliability.

**MTTR.** Mean time to repair. This is a measure of serviceability.

## N

**naive application.** An application with no knowledge of a server that fails over to another server. Client to server retry methods are used to reconnect.

**network.** An interconnected group of nodes, lines, and terminals. A network provides the ability to transmit data to and receive data from other systems and users.

**NFS.** Network File System. NFS allows different systems (UNIX or non-UNIX), different architectures, or vendors connected to the same network, to access remote files in a LAN environment as though they were local files.

**NIM.** Network Installation Management is provided with AIX to install AIX on the nodes.

**NIM client.** An AIX system installed and managed by a NIM master. NIM supports three types of clients:

- Standalone
- Diskless
- Dataless

**NIM master.** An AIX system that can install one or more NIM clients. An AIX system must be defined as a NIM master before defining any NIM clients on that system. A NIM master manages the configuration database containing the information for the NIM clients.



**NIM object.** A representation of information about the NIM environment. NIM stores this information as objects in the NIM database. The types of objects are:

- Network
- Machine
- Resource

**NIS.** Network Information System.

**node.** In a network, the point where one or more functional units interconnect transmission lines. A computer location defined in a network. The SP system can house several different types of nodes for both serial and parallel processing. These node types can include thin nodes, wide nodes, 604 high nodes, as well as other types of nodes both internal and external to the SP frame.

**Node Switch Board.** Switches mounted on frames that contain nodes.

**NSB.** Node Switch Board.

**NTP.** Network Time Protocol.

## O

**ODM.** Object Data Manager. In AIX, a hierarchical object-oriented database for configuration data.

## P

**parallel environment.** A system environment where message passing or SP resource manager services are used by the application.

**Parallel Environment.** A licensed IBM program used for message passing applications on the SP or RS/6000 platforms.

**parallel processing.** A multiprocessor architecture which allows processes to be allocated to tightly coupled multiple processors in a cooperative processing environment, allowing concurrent execution of tasks.

**parameter.** \* (1) A variable that is given a constant value for a specified application and that may denote the application. \* (2) An item in a menu for which the operator specifies a value or for which the system provides a value when the menu is interpreted. \* (3) A name in a procedure that is used to refer to an argument that is passed to the procedure. \* (4) A particular piece of information that a system or application program needs to process a request.

**partition.** See system partition.

**Perl.** Practical Extraction and Report Language.

**perspective.** The primary window for each SP Perspectives application, so called because it provides a unique view of an SP system.

**pipe.** A UNIX utility allowing the output of one command to be the input of another. Represented by the | symbol. It is also referred to as filtering output.

**PMR.** Problem Management Report.

**POE.** Formerly Parallel Operating Environment, now Parallel Environment for AIX.

**port.** (1) An end point for communication between devices, generally referring to physical connection. (2) A 16-bit number identifying a particular TCP or UDP resource within a given TCP/IP node.

**predicate.** Obsolete term for expression.

**Primary node or machine.** (1) A device that runs a workload and has a standby device ready to assume the primary workload if that primary node fails or is taken out of service. (2) A node on the SP Switch that initializes, provides diagnosis and recovery services, and performs other operations to the switch network. (3) In IBM Virtual Shared Disk function, when physical disks are connected to two nodes (twin-tailed), one node is designated as the primary node for each disk and the other is designated the secondary, or backup, node. The primary node is the server node for IBM Virtual Shared Disks defined on the physical disks under normal conditions. The secondary node can become the server node for the disks if the primary node is unavailable (off-line or down).

**Problem Management Report.** The number in the IBM support mechanism that represents a service incident with a customer.

**process.** \* (1) A unique, finite course of events defined by its purpose or by its effect, achieved under defined conditions. \* (2) Any operation or combination of operations on data. \* (3) A function being performed or waiting to be performed. \* (4) A program in operation. For example, a daemon is a system process that is always running on the system.

**protocol.** A set of semantic and syntactic rules that defines the behavior of functional units in achieving communication.

## R

**RAID.** Redundant array of independent disks.

**rearm expression.** In Event Management, an expression used to generate an event that alternates with an original event expression in the following way: the event expression is used until it is true, then the

rearm expression is used until it is true, then the event expression is used, and so on. The rearm expression is commonly the inverse of the event expression (for example, a resource variable is on or off). It can also be used with the event expression to define an upper and lower boundary for a condition of interest.

**rearm predicate.** Obsolete term for rearm expression.

**remote host.** See *foreign host*.

**resource.** In Event Management, an entity in the system that provides a set of services. Examples of resources include hardware entities such as processors, disk drives, memory, and adapters, and software entities such as database applications, processes, and file systems. Each resource in the system has one or more attributes that define the state of the resource.

**resource identifier.** In Event Management, a set of elements, where each element is a name/value pair of the form name=value, whose values uniquely identify the copy of the resource (and by extension, the copy of the resource variable) in the system.

**resource monitor.** A program that supplies information about resources in the system. It can be a command, a daemon, or part of an application or subsystem that manages any type of system resource.

**resource variable.** In Event Management, the representation of an attribute of a resource. An example of a resource variable is IBM.AIX.PagSp.%totalfree, which represents the percentage of total free paging space. IBM.AIX.PagSp specifies the resource name and %totalfree specifies the resource attribute.

**RISC.** Reduced Instruction Set Computing (RISC), the technology for today's high performance personal computers and workstations, was invented in 1975. Uses a small simplified set of frequently used instructions for rapid execution.

**rlogin (remote LOGIN).** A service offered by Berkeley UNIX systems that allows authorized users of one machine to connect to other UNIX systems across a network and interact as if their terminals were connected directly. The rlogin software passes information about the user's environment (for example, terminal type) to the remote machine.

**RPC.** Acronym for Remote Procedure Call, a facility that a client uses to have a server execute a procedure call. This facility is composed of a library of procedures plus an XDR.

**RSH.** A variant of RLOGIN command that invokes a command interpreter on a remote UNIX machine and passes the command line arguments to the command interpreter, skipping the LOGIN step completely. See also *rlogin*.

## S

**SCSI.** Small Computer System Interface.

**Secondary node.** In IBM Virtual Shared Disk function, when physical disks are connected to two nodes (twin-tailed), one node is designated as the primary node for each disk and the other is designated as the secondary, or backup, node. The secondary node acts as the server node for the IBM Virtual Shared disks defined on the physical disks if the primary node is unavailable (off-line or down).

**server.** (1) A function that provides services for users. A machine may run client and server processes at the same time. (2) A machine that provides resources to the network. It provides a network service, such as disk storage and file transfer, or a program that uses such a service. (3) A device, program, or code module on a network dedicated to providing a specific service to a network. (4) On a LAN, a data station that provides facilities to other data stations. Examples are file server, print server, and mail server.

**shell.** The shell is the primary user interface for the UNIX operating system. It serves as command language interpreter, programming language, and allows foreground and background processing. There are three different implementations of the shell concept: Bourne, C and Korn.

**Small Computer System Interface (SCSI).** An input and output bus that provides a standard interface for the attachment of various direct access storage devices (DASD) and tape drives to the RS/6000.

**Small Computer Systems Interface Adapter (SCSI Adapter).** An adapter that supports the attachment of various direct-access storage devices (DASD) and tape drives to the RS/6000.

**SMIT.** The System Management Interface Toolkit is a set of menu driven utilities for AIX that provides functions such as transaction login, shell script creation, automatic updates of object database, and so forth.

**SNMP.** Simple Network Management Protocol. (1) An IP network management protocol that is used to monitor attached networks and routers. (2) A TCP/IP-based protocol for exchanging network management information and outlining the structure for communications among network devices.

**socket.** (1) An abstraction used by Berkeley UNIX that allows an application to access TCP/IP protocol functions. (2) An IP address and port number pairing. (3) In TCP/IP, the Internet address of the host computer on which the application runs, and the port number it uses. A TCP/IP application is identified by its socket.

**standby node or machine.** A device that waits for a failure of a primary node in order to assume the identity of the primary node. The standby machine then runs the primary's workload until the primary is back in service.

**subnet.** Shortened form of subnetwork.

**subnet mask.** A bit template that identifies to the TCP/IP protocol code the bits of the host address that are to be used for routing for specific subnetworks.

**subnetwork.** Any group of nodes that have a set of common characteristics, such as the same network ID.

**subsystem.** A software component that is not usually associated with a user command. It is usually a daemon process. A subsystem will perform work or provide services on behalf of a user request or operating system request.

**SUP.** Software Update Protocol.

**switch capsule.** A group of SP frames consisting of a switched frame and its companion non-switched frames.

**Sysctl.** Secure System Command Execution Tool. An authenticated client/server system for running commands remotely and in parallel.

**syslog.** A BSD logging system used to collect and manage other subsystem's logging data.

**System Administrator.** The user who is responsible for setting up, modifying, and maintaining the SP system.

**system partition.** A group of nonoverlapping nodes on a switch chip boundary that act as a logical SP system.

## T

**tar.** Tape ARchive, is a standard UNIX data archive utility for storing data on tape media.

**TaskGuides.** SP TaskGuides are a form of advanced online assistance designed to walk you through complex or infrequently performed tasks. Each TaskGuide does not simply list the required steps. It actually performs the steps for you, automating the steps to the highest degree possible and prompting you for input only when absolutely necessary. You might recognize them as *wizards*.

**Tcl.** Tool Command Language.

**TclIX.** Tool Command Language Extended.

**TCP.** Acronym for Transmission Control Protocol, a stream communication protocol that includes error recovery and flow control.

**TCP/IP.** Acronym for Transmission Control Protocol/Internet Protocol, a suite of protocols designed to allow communication between networks regardless of the technologies implemented in each network. TCP provides a reliable host-to-host protocol between hosts in packet-switched communications networks and in interconnected systems of such networks. It assumes that the underlying protocol is the Internet Protocol.

**Telnet.** Terminal Emulation Protocol, a TCP/IP application protocol that allows interactive access to foreign hosts.

**Tk.** Tcl-based Tool Kit for X Windows.

**TMPCP.** Tape Management Program Control Point.

**token-ring.** (1) Network technology that controls media access by passing a token (special packet or frame) between media-attached machines. (2) A network with a ring topology that passes tokens from one attaching device (node) to another. (3) The IBM Token-Ring LAN connection allows the RS/6000 system unit to participate in a LAN adhering to the IEEE 802.5 Token-Passing Ring standard or the ECMA standard 89 for Token-Ring, baseband LANs.

**transaction.** An exchange between the user and the system. Each activity the system performs for the user is considered a transaction.

**transceiver (transmitter-receiver).** A physical device that connects a host interface to a local area network, such as Ethernet. Ethernet transceivers contain electronics that apply signals to the cable and sense collisions.

**transfer.** To send data from one place and to receive the data at another place. Synonymous with move.

**transmission.** \* The sending of data from one place for reception elsewhere.

**TURBOWAYS 100 ATM Adapter.** An IBM high-performance, high-function intelligent adapter that provides dedicated 100 Mbps ATM (asynchronous transfer mode) connection for high-performance servers and workstations.

## U

**UDP.** User Datagram Protocol.

**UNIX operating system.** An operating system developed by Bell Laboratories that features multiprogramming in a multiuser environment. The UNIX operating system was originally developed for use on minicomputers, but has been adapted for mainframes and microcomputers. **Note:** The AIX operating system is IBM's implementation of the UNIX operating system.

**user.** Anyone who requires the services of a computing system.

**User Datagram Protocol (UDP).** (1) In TCP/IP, a packet-level protocol built directly on the Internet Protocol layer. UDP is used for application-to-application programs between TCP/IP host systems. (2) A transport protocol in the Internet suite of protocols that provides unreliable, connectionless datagram service. (3) The Internet Protocol that enables an application programmer on one machine or process to send a datagram to an application program on another machine or process.

**user ID.** A nonnegative integer, contained in an object of type *uid\_t*, that is used to uniquely identify a system user.

## V

**Virtual Shared Disk, IBM.** The function that allows application programs executing at different nodes of a system partition to access a raw logical volume as if it were local at each of the nodes. In actuality, the logical volume is local at only one of the nodes (the server node).

## W

**workstation.** \* (1) A configuration of input/output equipment at which an operator works. \* (2) A terminal or microcomputer, usually one that is connected to a mainframe or to a network, at which a user can perform applications.

## X

**X Window System.** A graphical user interface product.

---

## Bibliography

This bibliography helps you find product documentation related to the RS/6000 SP hardware and software products.

You can find most of the IBM product information for RS/6000 SP products on the World Wide Web. Formats for both viewing and downloading are available.

PSSP documentation is shipped with the PSSP product in a variety of formats and can be installed on your system. The man pages for public code that PSSP includes are also available online.

You can order hard copies of the product documentation from IBM. This bibliography lists the titles that are available and their order numbers.

Finally, this bibliography contains a list of non-IBM publications that discuss parallel computing and other topics related to the RS/6000 SP.

---

## Finding Documentation on the World Wide Web

Most of the RS/6000 SP hardware and software books are available from the IBM RS/6000 Web site at:

<http://www.rs6000.ibm.com>

You can view a book or download a Portable Document Format (PDF) version of it. At the time this manual was published, the Web address of the "RS/6000 SP Product Documentation Library" page was:

[http://www.rs6000.ibm.com/resource/aix\\_resource/sp\\_books](http://www.rs6000.ibm.com/resource/aix_resource/sp_books)

However, the structure of the RS/6000 Web site can change over time.

---

## Accessing PSSP Documentation Online

On the same medium as the PSSP product code, IBM ships PSSP man pages, HTML files, and PDF files. In order to use these publications, you must first install the **ssp.docs** file set.

To view the PSSP HTML publications, you need access to an HTML document browser such as Netscape. The HTML files and an index that links to them are installed in the **/usr/lpp/ssp/html** directory. Once installed, you can also view the HTML files from the RS/6000 SP Resource Center.

If you have installed the SP Resource Center on your SP system, you can access it by entering the **/usr/lpp/ssp/bin/resource\_center** command. If you have the SP Resource Center on CD-ROM, see the **readme.txt** file for information about how to run it.

To view the PSSP PDF publications, you need access to the Adobe Acrobat Reader 3.0.1. The Acrobat Reader is shipped with the AIX Version 4.3 Bonus Pack.

To successfully print a large PDF file (approximately 300 or more pages) from the Adobe Acrobat reader, you may need to select the "Download Fonts Once" button on the Print window.

---

## Manual Pages for Public Code

The following manual pages for public code are available in this product:

|                             |                                                                                                                                    |
|-----------------------------|------------------------------------------------------------------------------------------------------------------------------------|
| <b>SUP</b>                  | /usr/lpp/ssp/man/man1/sup.1                                                                                                        |
| <b>NTP</b>                  | /usr/lpp/ssp/man/man8/xntpd.8<br>/usr/lpp/ssp/man/man8/xntpd.8                                                                     |
| <b>Perl (Version 4.036)</b> | /usr/lpp/ssp/perl/man/perl.man<br>/usr/lpp/ssp/perl/man/h2ph.man<br>/usr/lpp/ssp/perl/man/s2p.man<br>/usr/lpp/ssp/perl/man/a2p.man |
| <b>Perl (Version 5.003)</b> | Man pages are in the /usr/lpp/ssp/perl5/man/man1 directory                                                                         |

Manual pages and other documentation for **Tcl**, **TclX**, **Tk**, and **expect** can be found in the compressed **tar** files located in the **/usr/lpp/ssp/public** directory.

---

## RS/6000 SP Planning Publications

This section lists the IBM product documentation for planning for the IBM RS/6000 SP hardware and software.

*IBM RS/6000 SP:*

- *Planning, Volume 1, Hardware and Physical Environment, GA22-7280*
- *Planning, Volume 2, Control Workstation and Software Environment, GA22-7281*

---

## RS/6000 SP Hardware Publications

This section lists the IBM product documentation for the IBM RS/6000 SP hardware.

*IBM RS/6000 SP:*

- *Planning, Volume 1, Hardware and Physical Environment, GA22-7280*
- *Planning, Volume 2, Control Workstation and Software Environment, GA22-7281*
- *Maintenance Information, Volume 1, Installation and Relocation, GA22-7375*
- *Maintenance Information, Volume 2, Maintenance Analysis Procedures, GA22-7376*
- *Maintenance Information, Volume 3, Locations and Service Procedures, GA22-7377*
- *Maintenance Information, Volume 4, Parts Catalog, GA22-7378*

---

## RS/6000 SP Switch Router Publications

The RS/6000 SP Switch Router is based on the Ascend GRF switched IP router product from Ascend Communications, Inc.. You can order the SP Switch Router as the IBM 9077.

The following publications are shipped with the SP Switch Router. You can also order these publications from IBM using the order numbers shown.

- *Ascend GRF Getting Started, GA22-7368*
- *Ascend GRF Configuration Guide, GA22-7366*
- *Ascend GRF Reference Guide, GA22-7367*
- *IBM SP Switch Router Adapter Guide, GA22-7310.*

---

## RS/6000 SP Software Publications

This section lists the IBM product documentation for software products related to the IBM RS/6000 SP. These products include:

- IBM Parallel System Support Programs for AIX (PSSP)
- IBM LoadLeveler for AIX (LoadLeveler)
- IBM Parallel Environment for AIX (Parallel Environment)
- IBM General Parallel File System for AIX (GPFS)
- IBM Engineering and Scientific Subroutine Library (ESSL) for AIX
- IBM Parallel ESSL for AIX
- IBM High Availability Cluster Multi-Processing for AIX (HACMP)
- IBM Client Input Output/Sockets (CLIO/S)
- IBM Network Tape Access and Control System for AIX (NetTAPE)

### PSSP Publications

*IBM RS/6000 SP:*

- *Planning, Volume 2, Control Workstation and Software Environment, GA22-7281*

*PSSP:*

- *Installation and Migration Guide, GA22-7347*
- *Administration Guide, SA22-7348*
- *Managing Shared Disks, SA22-7349*
- *Performance Monitoring Guide and Reference, SA22-7353*
- *Diagnosis Guide, GA22-7350*
- *Command and Technical Reference, SA22-7351*
- *Messages Reference, GA22-7352*

*RS/6000 Cluster Technology (RSCT):*

- *Event Management Programming Guide and Reference, SA22-7354*
- *Group Services Programming Guide and Reference, SA22-7355*

As an alternative to ordering the individual books, you can use SBOF-8587 to order the PSSP software library.

### LoadLeveler Publications

*LoadLeveler:*

- *Using and Administering, SA22-7311*
- *Diagnosis and Messages Guide, GA22-7277*

### GPFS Publications

*GPFS:*

- *Installation and Administration Guide, SA22-7278*

### Parallel Environment Publications

*Parallel Environment:*

- *Installation Guide, GC28-1981*

- *Hitchhiker's Guide*, GC23-3895
- *Operation and Use, Volume 1*, SC28-1979
- *Operation and Use, Volume 2*, SC28-1980
- *MPI Programming and Subroutine Reference*, GC23-3894
- *MPL Programming and Subroutine Reference*, GC23-3893
- *Messages*, GC28-1982

As an alternative to ordering the individual books, you can use SBOF-8588 to order the PE library.

#### **Parallel ESSL and ESSL Publications**

- *ESSL Products: General Information*, GC23-0529
- *Parallel ESSL: Guide and Reference*, SA22-7273
- *ESSL: Guide and Reference*, SA22-7272

#### **HACMP Publications**

HACMP:

- *Concepts and Facilities*, SC23-4276
- *Planning Guide*, SC23-4277
- *Installation Guide*, SC23-4278
- *Administration Guide*, SC23-4279
- *Troubleshooting Guide*, SC23-4280
- *Programming Locking Applications*, SC23-4281
- *Programming Client Applications*, SC23-4282
- *Master Index and Glossary*, SC23-4285
- *HANFS for AIX Installation and Administration Guide*, SC23-4283
- *Enhanced Scalability Installation and Administration Guide*, SC23-4284

#### **CLIO/S Publications**

CLIO/S:

- *General Information*, GC23-3879
- *User's Guide and Reference*, GC28-1676

#### **NetTAPE Publications**

NetTAPE:

- *General Information*, GC23-3990
- *User's Guide and Reference*, available from your IBM representative

---

## **AIX and Related Product Publications**

For the latest information on AIX and related products, including RS/6000 hardware products, see *AIX and Related Products Documentation Overview*, SC23-2456. You can order a hard copy of the book from IBM. You can also view it online from the "AIX Online Publications and Books" page of the RS/6000 Web site at:

[http://www.rs6000.ibm.com/resource/aix\\_resource/Pubs](http://www.rs6000.ibm.com/resource/aix_resource/Pubs)



---

## Red Books

IBM's International Technical Support Organization (ITSO) has published a number of redbooks related to the RS/6000 SP. For a current list, see the ITSO Web site at:

<http://www.redbooks.ibm.com>

---

## Non-IBM Publications

Here are some non-IBM publications that you may find helpful.

- Almasi, G., Gottlieb, A., *Highly Parallel Computing*, Benjamin-Cummings Publishing Company, Inc., 1989.
- Foster, I., *Designing and Building Parallel Programs*, Addison-Wesley, 1995.
- Gropp, W., Lusk, E., Skjellum, A., *Using MPI*, The MIT Press, 1994.
- Message Passing Interface Forum, *MPI: A Message-Passing Interface Standard, Version 1.1*, University of Tennessee, Knoxville, Tennessee, June 6, 1995.
- Message Passing Interface Forum, *MPI-2: Extensions to the Message-Passing Interface, Version 2.0*, University of Tennessee, Knoxville, Tennessee, July 18, 1997.
- Ousterhout, John K., *Tcl and the Tk Toolkit*, Addison-Wesley, Reading, MA, 1994, ISBN 0-201-63337-X.
- Pfister, Gregory, F., *In Search of Clusters*, Prentice Hall, 1998.



---

# Index

## A

ABC Corporation, used in examples 21  
about this book xix  
accounting choices 76  
acct\_master 76  
adapters, network connectivity 7  
AFS  
    authentication servers, choosing 149  
AIX 8  
AIX 4.3.2, new function 10  
AIX level selection 30  
application planning worksheet 260  
applications, preliminary list 26  
audience of this book xx  
authentication  
    AFS servers, choosing 149  
    authentication methods 139  
    choosing a configuration 141  
    configurations 141  
    creating configuration files 146  
    deciding on realms 147  
    initializing 140  
    installing 140  
    planning checklists 148  
    selecting options to install 145  
    servers 84  
    setting up configurations 141  
    worksheet 278  
automount daemon 73  
availability requirements 39

## B

backup control workstation 110  
boot/install server 78, 173

## C

calling IBM for help 153  
choosing a switch  
    SP Switch, benefits 23  
Client Input Output/Sockets 29  
Client Input Output/Sockets (CLIO/S) 163  
CLIO/S 196  
coexistence 129  
commands  
    dsh 151  
configuration planning 69  
connectivity adapters, network 7  
connectivity, network 32  
control workstation 7  
    configuration decisions 108

control workstation (*continued*)  
    disk mirroring 108  
    failure scenario 107  
    function with High Availability Control  
        Workstation 108  
    hardware requirements 60, 62  
    maintenance with High Availability Control  
        Workstation 108  
    minimum hardware requirements 63  
    planning for 103  
    planning for a backup 110  
    planning for High Availability Control  
        Workstation 107  
    planning site environment 69  
    reliability 108  
    requirements 59  
    single point of failure 106  
    software requirements 60  
    worksheet 274  
control workstation network workstation 274  
control workstation system images worksheet 274  
control workstation worksheet 275

## D

data access across system partitions 128  
decisions to make 21  
default (persistent) system partitions 121  
defining the system 21  
directory structure, system partitions 135  
disk mirroring 108  
disk space  
    installation image requirements 86  
    lppsource 85  
    system programs 34  
    users' home directories 34  
disk storage 34

## E

EMEA Service Planning 156  
environment variable  
    SP\_NAME 129  
error messages, finding and using 152  
estimate the installation image requirements 86  
Ethernet 90  
Event Management 187  
expansion frames 172  
expansion I/O unit 8  
expansion unit  
    numbering 99

extension node 41  
extension node support 187  
external disk storage needs worksheet 262  
external disk storage worksheet 39

## F

fault tolerance definition 103  
filecoll-config 76  
finding and using error messages 152  
frame  
    frame description 6  
    frame numbers 98  
    node placement 97  
    non-switched expansion frames 96  
    sp expansion i/o unit placement 99  
    sp-attached server placement 99  
    supported configurations 97  
    switch-only frame 96  
    switched frame 96  
frame supervisor changes 109  
future expansion, network install server 83

## G

General Parallel File System 191  
General Parallel File System (GPFS) 164  
General Parallel File System for AIX 29  
GPFS 29  
Group Services 187

## H

HACWS 39  
hard disk choices for nodes 84  
hardware configuration by frame 49  
hardware configuration by node worksheet 265  
hardware overview 4  
hardware requirements  
    control workstation 60, 62, 63  
help  
    calling IBM 153  
    getting from IBM 152  
High Availability Cluster Multi-Processing 28, 188  
High Availability Control Workstation  
    control workstation maintenance 108  
    description 39  
    failure scenario with High Availability Control Workstation 107  
    limits and restrictions 109  
    minimum requirements 64  
    new function 39  
    no loss of control workstation function 108  
    ordering 105  
    planning 107  
    system stability 108

High Availability Control Workstation (*continued*)  
    time services considerations 71  
    worksheet 110  
High Availability Control Workstation changes to the control workstation  
    frame supervisor changes 109  
high availability definition 103  
high node 4, 41  
high performance switch 7, 24  
home directory server planning 84  
homedir\_path 75  
homedir\_server 75  
host name 50

## I

IBM C for AIX, requirement 26  
IBM parallel system support programs for AIX (PSSP) 9  
IBM Program Products worksheet 261  
IBM Virtual Shared Disk 117  
IBM, getting help from 152  
installation image requirements 86  
installation worksheets  
    network install image choices 70  
    time service choices 70  
installation, planning for 69  
installp image requirements 86  
IP address assignment to nodes 95  
IP addresses 89, 91, 129

## K

kernel-to-kernel interface 118

## L

large scale configurations, network install server 83  
listing your applications 26  
LoadLeveler 28, 161, 195  
location of customer data 83  
lpp source directory name choices 77  
lppsource  
    disk space requirements 85

## M

management of system partitions 128  
manual pages for public code 288  
messages, finding and using 152  
migration  
    planning 179  
migration and coexistence limitations 185  
    CLIO/S 196  
    Event Management 187  
    extension node support 187  
    General Parallel File System 191

- migration and coexistence limitations (*continued*)
  - Group Services 187
  - High Availability Cluster Multi-Processing 188
  - LoadLeveler 195
  - NetTAPE 196
  - Parallel Environment 192
  - perfagent 188
  - Performance Toolbox Parallel Extensions 195
  - Recoverable Virtual Shared Disk 189
  - RS/6000 Cluster Technology Components 187
  - switch support 186
  - Virtual Shared Disk 189
- minimum requirements, High Availability Control Workstation 64
- mirroring 36
- monitoring, performance 157
- Motif 103
- multiple frame systems, network install server 80
- multiple production environments 122

## N

- Netfinity
  - planning 205
- Netfinity server 5
- NetTAPE 28, 162, 196
- NetTAPE Tape Library Connection 28
- NetTAPE TLC 28
- network connectivity 32
- network connectivity adapters 7
- network install image choices 70
- network install image choices, worksheet 70
- network install server planning
  - future expansion 83
  - large scale configurations 83
  - multiple frame systems 80
  - single frame systems 79
- network planning 89
- Network Tape Access and Control System 28
- network time protocol (NTP) 71
- networking considerations for partitioning 129
- new function
  - High Availability Control Workstation 39
- new hardware support 11
- node
  - determining how many nodes needed 41
  - high nodes 45
  - node configuration worksheet 51
  - node hard disk choices 84
  - node layout worksheet instructions 47
  - node numbering 95
  - node slot 131
  - numbering 99
  - placement 96, 97
  - thin nodes 45
  - wide nodes 45

- node layout worksheet 263
- nodes, processor 4
- non-disruptive management 122
- non-switched expansion frames 173
- numbering
  - expansion unit 99
  - node 99
- numbering nodes 95
- numbering switches 95

## O

- ordering the High Availability Control Workstation 105
- other installp image requirements 86
- overall system view of a High Availability Control Workstation 103
- overview
  - hardware 4
  - software 8

## P

- parallel computing 22
- Parallel Engineering and Scientific Subroutine Library 28
- parallel environment 27, 192
- Parallel Environment for AIX 159
- Parallel ESSL 28
- Parallel I/O File System for AIX 199
- Parallel System Support Programs for AIX (PSSP), IBM 9
- partitioning
  - SP-attached server 133
  - thin node 131
- partitions
  - benefits 122
  - change management 122
  - data access 128
  - default system partition 121
  - description 121
  - multiple production environments 122
  - networking considerations 129
  - single point of control 128
  - switchless systems 126
  - System Partitioning Aid 127
  - understanding the switch board 124
- passwd\_file 75
- PE 27
- perfagent 188
- Performance Toolbox Parallel Extension (PTPE) 157
- PIOFS 199
- planning
  - for High Availability Control Workstation 107
  - for installation and configuration 69
  - migration 179
  - network 89

- planning (*continued*)
  - partitions 127
  - questions to ask 21
  - server 78
  - site environment 69
- planning for
  - CLIO/S 163
  - GPFS 164
  - High Availability Cluster Multi-Processing (HACMP) 160
  - High Availability Cluster Multi-Processing Enhanced Scalability (HACMP/ES) 160
  - LoadLeveler 161
  - NetTAPE 162
  - Performance Toolbox Parallel Extension (PTPE) 157
- planning for security 139
- power independence 108
- preloaded SP or default version 24
- prerequisite knowledge for this book xx
- print management choices 74
- problem management record (PMR) 154
- problem resolution
  - EMEA Service Planning 156
  - Service Director for RS/6000 154
- processor memory 49
- processor nodes 4
- programs, related IBM 26
- PSSP 9
- PSSP 1.2 and 2.1 components list worksheet 272
- PSSP 3.1.1, new function 11
- PSSP print subsystem 74
- PSSP system logs
  - table 152
- PTPE 195

## Q

### Question

1. why do you need an SP system? 22
  10. what do you need for your control workstation? 59
  2. Do you want a preloaded SP or the default version? 24
  3. what related IBM program products do you need? 26
  4. what levels of AIX do you need? 30
  5. what type of network connectivity do you need? 32
  6. what are your disk storage requirements? 34
  7. what are your reliability and availability requirements? 39
  8. how many nodes do you need? 41
  9. defining your system images 54
- questions for planning decisions 21

## R

- recent changes, migration
  - AIX support 198
  - automounter 200
  - High Performance Switch 199
  - Parallel I/O File System for AIX 199
  - print management 201
  - PVMe 200
  - resource manager 199
  - Security 198
- Recoverable Virtual Shared Disk 117, 189
- reference rate of customer data 83
- related program products 26
- related programs
  - Client Input Output/Sockets 29
  - General Parallel File System for AIX 29
  - High Availability Cluster Multi-Processing 28
  - LoadLeveler 28
  - NetTAPE Tape Library Connection 28
  - Network Tape Access and Control System 28
  - Parallel Engineering and Scientific Subroutine Library 28
  - parallel environment 27
- reliability requirements 39
- requirements
  - availability 39
  - control workstation requirements 59
  - IBM C for AIX, 26
  - reliability 39
- RS/6000 Cluster Technology components 187

## S

- SDR and system partitions 129
- security
  - planning 139
- sending problem data to IBM 153
- server planning 78
- server planning, home directory 84
- servers, authentication 84
- Service Director for RS/6000 154
- single frame systems, network install server 79
- single point of control with system partitions 128
- single point of failure 106
- site environment choices 70, 71, 73, 74, 75, 76, 77
- site environment planning 69
- site environment worksheet 275
- slot numbers 96
- SMIT 69
- software migration 179
- software overview 8
- software requirements
  - control workstation 60
- SP Switch 6
  - SP Switch, benefits 23

- SP system planning worksheet 263
- SP-attached server 4, 41
  - frame 6
  - limits and restrictions 109
- SP-controlled Netfinity server
  - limits and restrictions 109
- SP\_NAME environment variable 129
- spacct\_actnode\_thresh 76
- spacct\_enable 76
- spacct\_exclusive\_enable 76
- spchuser command 75
  - home attribute 75
- sprkuser command 75
  - home attribute 75
- spsitenv 69
- supfiesrv\_port 76
- supman\_uid 76
- switch 91
  - description of 6
  - switch, incompatibility 24
  - worksheet 267
- switch numbers 98
- switch port numbering 95, 100
- switch support 186
- switch, high performance 7, 24
- switch, SP 6, 23
- switch, SP-attached server 7
- switchless systems
  - system partitions partition 126
- system definition 21
- system file management choices 76
- system images 54
  - requirements 59
- system partitions 40
  - benefits 122
  - boot/install server requirements 78
  - change management 122
  - coexistence 129
  - data access 128
  - default (persistent) system partitions 121
  - directory structure 135
  - management of a system 128
  - multiple production environments 122
  - overview 121
  - switchless systems 126
  - the SDR 129
- system stability, High Availability Control Workstation 108

**T**

- thin node 41
- time service choices 70, 71
- time services considerations and High Availability Control Workstation 71

- trademarks xvi
- tuning considerations 78

## U

- understanding accounting 76
- understanding lppsource name 77
- understanding node hard disk choices 84
- understanding user account management choices 74
- uninterruptable power supply 108
- user account management choices 74, 75
- user directory mounting choices 73
- usermgmt-config 75
- uses for an SP system 22
- uses for system partitions 122

## V

- virtual shared disk 189
  - kernel-to-kernel interface 118
- virtual shared disks 117

## W

- wide node 41
- worksheet
  - completing for High Availability Control Workstation 110
  - external disk storage 39
- worksheet entries
  - Automount choices 72
  - Automount choices, worksheet 72
- worksheets
  - application planning 260
  - authentication 278
  - authentication planning 150
  - control workstation network 274
  - control workstation system images 274
  - copying 21
  - external disk storage needs 262
  - hardware configuration by node 265
  - IBM Program Products 261
  - node layout diagram 263
  - node layout instructions 47
  - PSSP 1.2 and 2.1 components list 272
  - site environment 275
  - SP Control Workstation Worksheet 275
  - SP Node Configuration Worksheet 51
  - SP system planning 263
  - Switch Configuration 267
- workstation, control 7

## X

- X-Windows 103

---

# Communicating Your Comments to IBM

RS/6000 SP  
Planning Volume 2, Control Workstation  
and Software Environment  
Publication No. GA22-7281-04

If you especially like or dislike anything about this book, please use one of the methods listed below to send your comments to IBM. Whichever method you choose, make sure you send your name, address, and telephone number if you would like a reply.

Feel free to comment on specific errors or omissions, accuracy, organization, subject matter, or completeness of this book. However, the comments you send should pertain to only the information in this manual and the way in which the information is presented. To request additional publications, or to ask questions or make comments about the functions of IBM products or systems, you should talk to your IBM representative or to your IBM authorized remarketer.

When you send comments to IBM, you grant IBM a nonexclusive right to use or distribute your comments in any way it believes appropriate without incurring any obligation to you.

If you are mailing a reader's comment form (RCF) from a country other than the United States, you can give the RCF to the local IBM branch office or IBM representative for postage-paid mailing.

- If you prefer to send comments by mail, use the RCF at the back of this book.
- If you prefer to send comments by FAX, use this number:
  - FAX: (International Access Code)+1+914+432-9405
- If you prefer to send comments electronically, use one of these network IDs:
  - IBM Mail Exchange: USIB6TC9 at IBMMAIL
  - Internet e-mail: mhvrcfs@us.ibm.com

Make sure to include the following in your note:

- Title and publication number of this book
- Page number or topic to which your comment applies

Optionally, if you include your telephone number, we will be able to respond to your comments by phone.



---

# Reader's Comments — We'd Like to Hear from You

**RS/6000 SP**  
**Planning Volume 2, Control Workstation**  
**and Software Environment**  
**Publication No. GA22-7281-04**

You may use this form to communicate your comments about this publication, its organization, or subject matter, with the understanding that IBM may use or distribute whatever information you supply in any way it believes appropriate without incurring any obligation to you. Your comments will be sent to the author's department for whatever review and action, if any, are deemed appropriate.

**Note:** Copies of IBM publications are not stocked at the location to which this form is addressed. Please direct any requests for copies of publications, or for assistance in using your IBM system, to your IBM representative or to the IBM branch office serving your locality.

Today's date: \_\_\_\_\_

What is your occupation?

Newsletter number of latest Technical Newsletter (if any) concerning this publication:

How did you use this publication?

- |                          |                               |                          |                        |
|--------------------------|-------------------------------|--------------------------|------------------------|
| <input type="checkbox"/> | As an introduction            | <input type="checkbox"/> | As a text (student)    |
| <input type="checkbox"/> | As a reference manual         | <input type="checkbox"/> | As a text (instructor) |
| <input type="checkbox"/> | For another purpose (explain) |                          |                        |

---

Is there anything you especially like or dislike about the organization, presentation, or writing in this manual? Helpful comments include general usefulness of the book; possible additions, deletions, and clarifications; specific errors and omissions.

Page Number:                      Comment:

\_\_\_\_\_  
Name

\_\_\_\_\_  
Address

\_\_\_\_\_  
Company or Organization

\_\_\_\_\_  
Phone No.



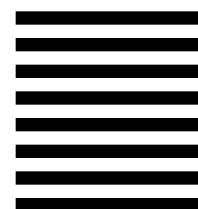
Fold and Tape

Please do not staple

Fold and Tape



NO POSTAGE  
NECESSARY  
IF MAILED IN THE  
UNITED STATES



# BUSINESS REPLY MAIL

FIRST-CLASS MAIL PERMIT NO. 40 ARMONK, NEW YORK

POSTAGE WILL BE PAID BY ADDRESSEE

IBM Corporation  
Department 55JA, Mail Station P384  
522 South Road  
Poughkeepsie NY 12601-5400



Fold and Tape

Please do not staple

Fold and Tape





Program Number: 5765-D51



Printed in the United States of America  
on recycled paper containing 10%  
recovered post-consumer fiber.

GA22-7281-04

