



SQL Reference, Volume 2
Updated April, 2009

Note

Before using this information and the product it supports, read the general information under Appendix B, "Notices," on page 915.

Edition Notice

This document contains proprietary information of IBM. It is provided under a license agreement and is protected by copyright law. The information contained in this publication does not include any product warranties, and any statements provided in this manual should not be interpreted as such.

You can order IBM publications online or through your local IBM representative.

- To order publications online, go to the IBM Publications Center at www.ibm.com/shop/publications/order
- To find your local IBM representative, go to the IBM Directory of Worldwide Contacts at www.ibm.com/planetwide

To order DB2 publications from DB2 Marketing and Sales in the United States or Canada, call 1-800-IBM-4YOU (426-4968).

When you send information to IBM, you grant IBM a nonexclusive right to use or distribute the information in any way it believes appropriate without incurring any obligation to you.

© Copyright International Business Machines Corporation 1993, 2009.

US Government Users Restricted Rights – Use, duplication or disclosure restricted by GSA ADP Schedule Contract with IBM Corp.

Contents

About this book	v
Who should use this book	v
How this book is structured	v
How to read the syntax diagrams	v
Conventions used in this manual	vii
Error conditions.	vii
Highlighting conventions.	vii
Related documentation	viii

Statements	1
SQL statements	1
How SQL statements are invoked	8
About SQL control statements	12
Function, method, and procedure designators	15
ALLOCATE CURSOR	18
ALTER AUDIT POLICY	19
ALTER BUFFERPOOL	22
ALTER DATABASE PARTITION GROUP	24
ALTER DATABASE.	28
ALTER FUNCTION	31
ALTER HISTOGRAM TEMPLATE.	33
ALTER METHOD	34
ALTER NICKNAME	35
ALTER PROCEDURE (External)	43
ALTER PROCEDURE (Sourced)	45
ALTER PROCEDURE (SQL).	46
ALTER SECURITY LABEL COMPONENT	47
ALTER SECURITY POLICY	50
ALTER SEQUENCE	54
ALTER SERVER	57
ALTER SERVICE CLASS	60
ALTER TABLE	66
ALTER TABLESPACE.	111
ALTER THRESHOLD	120
ALTER TRUSTED CONTEXT	126
ALTER TYPE (Structured)	134
ALTER USER MAPPING	140
ALTER VIEW	142
ALTER WORK ACTION SET	144
ALTER WORK CLASS SET	155
ALTER WORKLOAD.	160
ALTER WRAPPER	166
ALTER XSROBJECT	167
ASSOCIATE LOCATORS	168
AUDIT	169
BEGIN DECLARE SECTION	173
CALL	174
CASE	179
CLOSE	181
COMMENT	183
COMMIT.	194
Compound SQL (Dynamic).	195
Compound SQL (Embedded)	200
Compound SQL (Procedure)	203
CONNECT (Type 1)	211

CONNECT (Type 2)	218
CREATE ALIAS	224
CREATE AUDIT POLICY	227
CREATE BUFFERPOOL	230
CREATE DATABASE PARTITION GROUP	233
CREATE EVENT MONITOR	235
CREATE FUNCTION.	253
CREATE FUNCTION (External Scalar)	254
CREATE FUNCTION (External Table)	278
CREATE FUNCTION (OLE DB External Table)	295
CREATE FUNCTION (Sourced or Template)	303
CREATE FUNCTION (SQL Scalar, Table, or Row)	314
CREATE FUNCTION MAPPING	323
CREATE HISTOGRAM TEMPLATE	327
CREATE INDEX	329
CREATE INDEX EXTENSION.	344
CREATE METHOD	351
CREATE NICKNAME	356
CREATE PROCEDURE	367
CREATE PROCEDURE (External)	367
CREATE PROCEDURE (Sourced).	381
CREATE PROCEDURE (SQL)	386
CREATE ROLE	391
CREATE SCHEMA	392
CREATE SECURITY LABEL COMPONENT	394
CREATE SECURITY LABEL	397
CREATE SECURITY POLICY	398
CREATE SEQUENCE.	400
CREATE SERVICE CLASS	404
CREATE SERVER	411
CREATE TABLE	415
CREATE TABLESPACE	482
CREATE THRESHOLD	495
CREATE TRANSFORM	503
CREATE TRIGGER	506
CREATE TRUSTED CONTEXT	518
CREATE TYPE (Array)	524
CREATE TYPE (Distinct)	525
CREATE TYPE (Structured)	532
CREATE TYPE MAPPING	554
CREATE USER MAPPING	560
CREATE VARIABLE	561
CREATE VIEW.	564
CREATE WORK ACTION SET	577
CREATE WORK CLASS SET	584
CREATE WORKLOAD	589
CREATE WRAPPER	596
DECLARE CURSOR	597
DECLARE GLOBAL TEMPORARY TABLE	603
DELETE	610
DESCRIBE	616
DESCRIBE INPUT.	616
DESCRIBE OUTPUT	619
DISCONNECT	623
DROP	625
END DECLARE SECTION	655

EXECUTE IMMEDIATE	656
EXECUTE	658
EXPLAIN	663
FETCH	668
FLUSH EVENT MONITOR	670
FLUSH OPTIMIZATION PROFILE CACHE	671
FLUSH PACKAGE CACHE	672
FOR	673
FREE LOCATOR	675
GET DIAGNOSTICS	676
GOTO	678
GRANT (Database Authorities)	680
GRANT (Exemption)	683
GRANT (Global Variable Privileges)	686
GRANT (Index Privileges)	687
GRANT (Package Privileges)	689
GRANT (Role)	692
GRANT (Routine Privileges)	694
GRANT (Schema Privileges)	697
GRANT (Security Label)	699
GRANT (Sequence Privileges)	702
GRANT (Server Privileges)	704
GRANT (SETSESSIONUSER Privilege)	705
GRANT (Table Space Privileges)	707
GRANT (Table, View, or Nickname Privileges)	709
GRANT (Workload Privileges)	715
GRANT (XSR Object Privileges)	716
IF	717
INCLUDE	719
INSERT	720
ITERATE	729
LEAVE	730
LOCK TABLE	731
LOOP	732
MERGE	733
OPEN	742
PREPARE	746
REFRESH TABLE	755
RELEASE (Connection)	757
RELEASE SAVEPOINT	759
RENAME TABLESPACE	759
RENAME	760
REPEAT	762
RESIGNAL	764
RETURN	766
REVOKE (Database Authorities)	767
REVOKE (Exemption)	771
REVOKE (Global Variable Privileges)	773
REVOKE (Index Privileges)	775
REVOKE (Package Privileges)	776
REVOKE (Role)	778
REVOKE (Routine Privileges)	781
REVOKE (Schema Privileges)	784
REVOKE (Security Label)	785
REVOKE (Sequence Privileges)	787
REVOKE (Server Privileges)	789
REVOKE (SETSESSIONUSER Privilege)	790
REVOKE (Table Space Privileges)	792
REVOKE (Table, View, or Nickname Privileges)	793
REVOKE (Workload Privileges)	798
REVOKE (XSR Object Privileges)	800

ROLLBACK	800
SAVEPOINT	802
SELECT INTO	805
SELECT	807
SET COMPILATION ENVIRONMENT	807
SET CONNECTION	808
SET CURRENT DECFLOAT ROUNDING MODE	809
SET CURRENT DEFAULT TRANSFORM GROUP	811
SET CURRENT DEGREE	812
SET CURRENT EXPLAIN MODE	813
SET CURRENT EXPLAIN SNAPSHOT	816
SET CURRENT FEDERATED ASYNCHRONY	818
SET CURRENT IMPLICIT XMLPARSE OPTION	819
SET CURRENT ISOLATION	820
SET CURRENT LOCK TIMEOUT	821
SET CURRENT MAINTAINED TABLE TYPES FOR OPTIMIZATION	822
SET CURRENT MDC ROLLOUT MODE	824
SET CURRENT OPTIMIZATION PROFILE	825
SET CURRENT PACKAGE PATH	828
SET CURRENT PACKAGESET	832
SET CURRENT QUERY OPTIMIZATION	833
SET CURRENT REFRESH AGE	835
SET ENCRYPTION PASSWORD	837
SET EVENT MONITOR STATE	838
SET INTEGRITY	840
SET PASSTHRU	857
SET PATH	858
SET ROLE	860
SET SCHEMA	861
SET SERVER OPTION	863
SET SESSION AUTHORIZATION	864
SET variable	867
SIGNAL	873
TRANSFER OWNERSHIP	875
UPDATE	889
VALUES INTO	899
VALUES	900
WHENEVER	900
WHILE	901

Appendix A. Overview of the DB2 technical information 905

DB2 technical library in hardcopy or PDF format	905
Ordering printed DB2 books	908
Displaying SQL state help from the command line processor	909
Accessing different versions of the DB2 Information Center	909
Displaying topics in your preferred language in the DB2 Information Center	909
Updating the DB2 Information Center installed on your computer or intranet server	910
DB2 tutorials	912
DB2 troubleshooting information	912
Terms and Conditions	912

Appendix B. Notices 915

Index 919

About this book

The SQL Reference in its two volumes defines the SQL language used by DB2[®] Database for Linux[®], UNIX[®], and Windows[®]. It includes:

- Information about relational database concepts, language elements, functions, and the forms of queries (Volume 1)
- Information about the syntax and semantics of SQL statements (Volume 2)

Who should use this book

This book is intended for anyone who wants to use the Structured Query Language (SQL) to access a database. It is primarily for programmers and database administrators, but it can also be used by those who access databases through the command line processor (CLP).

This book is a reference rather than a tutorial. It assumes that you will be writing application programs and therefore presents the full functions of the database manager.

How this book is structured

The second volume of the SQL Reference contains information about the syntax and semantics of SQL statements.

- “Statements” contains syntax diagrams, semantic descriptions, rules, and examples of all SQL statements, including SQL procedure statements.

How to read the syntax diagrams

The following information will help you to understand the structure of syntax diagrams:

Read the syntax diagrams from left to right and top to bottom, following the path of the line.

The **▶—** symbol indicates the beginning of a syntax diagram.

The **—▶** symbol indicates that the syntax is continued on the next line.

The **▶—** symbol indicates that the syntax is continued from the previous line.

The **—▶** symbol indicates the end of a syntax diagram.

Syntax fragments start with the **|—** symbol and end with the **—|** symbol.

Required items appear on the horizontal line (the main path).

▶—required_item—▶

Optional items appear below the main path.

How to read the syntax diagrams

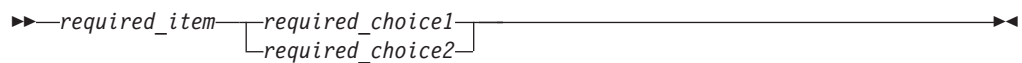


If an optional item appears above the main path, that item has no effect on execution, and is used only for readability.

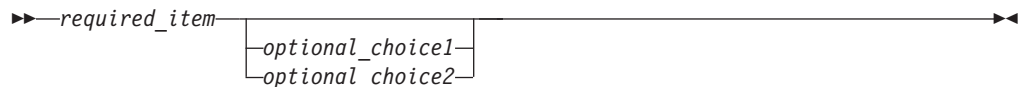


If you can choose from two or more items, they appear in a stack.

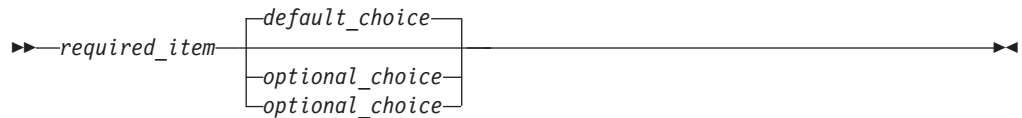
If you *must* choose one of the items, one item of the stack appears on the main path.



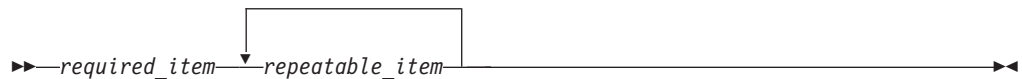
If choosing one of the items is optional, the entire stack appears below the main path.



If one of the items is the default, it will appear above the main path, and the remaining choices will be shown below.



An arrow returning to the left, above the main line, indicates an item that can be repeated. In this case, repeated items must be separated by one or more blanks.



If the repeat arrow contains a comma, you must separate repeated items with a comma.

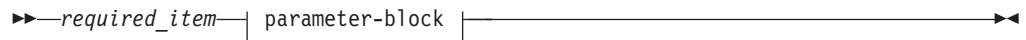


A repeat arrow above a stack indicates that you can make more than one choice from the stacked items or repeat a single choice.

Keywords appear in uppercase (for example, FROM). They must be spelled exactly as shown. Variables appear in lowercase (for example, column-name). They represent user-supplied names or values in the syntax.

If punctuation marks, parentheses, arithmetic operators, or other such symbols are shown, you must enter them as part of the syntax.

Sometimes a single variable represents a larger fragment of the syntax. For example, in the following diagram, the variable `parameter-block` represents the whole syntax fragment that is labeled **parameter-block**:



parameter-block:



Adjacent segments occurring between “large bullets” (●) may be specified in any sequence.



The above diagram shows that `item2` and `item3` may be specified in either order. Both of the following are valid:

```
required_item item1 item2 item3 item4
required_item item1 item3 item2 item4
```

Conventions used in this manual

Error conditions

An error condition is indicated within the text of the manual by listing the SQLSTATE associated with the error in parentheses. For example:

A duplicate signature returns an SQL error (SQLSTATE 42723).

Highlighting conventions

The following conventions are used in this book.

Bold	Indicates commands, keywords, and other items whose names are predefined by the system.
<i>Italics</i>	Indicates one of the following: <ul style="list-style-type: none">Names or values (variables) that must be supplied by the userGeneral emphasisThe introduction of a new termA reference to another source of information

Highlighting conventions

Monospace	Indicates one of the following: <ul style="list-style-type: none">• Files and directories• Information that you are instructed to type at a command prompt or in a window• Examples of specific data values• Examples of text similar to what might be displayed by the system• Examples of system messages
-----------	---

Related documentation

The following publications might prove useful when you are preparing applications:

- *Getting Started with Database Application Development*
 - Provides an introduction to DB2 application development, including platform prerequisites; supported development software; and guidance on the benefits and limitations of the supported programming APIs.
- *DB2 for i5/OS SQL Reference*
 - This book defines SQL as supported by DB2 Query Manager and SQL Development Kit on System i™. It contains reference information for the tasks of system administration, database administration, application programming, and operation. This manual includes syntax, usage notes, keywords, and examples for each of the SQL statements used on i5/OS® systems running DB2.
- *DB2 for z/OS SQL Reference*
 - This book defines SQL used in DB2 for z/OS®. It provides query forms, SQL statements, SQL procedure statements, DB2 limits, SQLCA, SQLDA, catalog tables, and SQL reserved words for z/OS systems running DB2.
- *DB2 Spatial Extender User's Guide and Reference*
 - This book discusses how to write applications to create and use a geographic information system (GIS). Creating and using a GIS involves supplying a database with resources and then querying the data to obtain information such as locations, distances, and distributions within areas.
- *IBM SQL Reference*
 - This book contains all the common elements of SQL that span IBM's database products. It provides limits and rules that assist in preparing portable programs using IBM® databases. This manual provides a list of SQL extensions and incompatibilities among the following standards and products: SQL92E, XPG4-SQL, IBM-SQL, and the IBM relational database products.
- *American National Standard X3.135-1992, Database Language SQL*
 - Contains the ANSI standard definition of SQL.
- *ISO/IEC 9075:1992, Database Language SQL*
 - Contains the 1992 ISO standard definition of SQL.
- *ISO/IEC 9075-2:2003, Information technology -- Database Languages -- SQL -- Part 2: Foundation (SQL/Foundation)*
 - Contains a large portion of the 2003 ISO standard definition of SQL.
- *ISO/IEC 9075-4:2003, Information technology -- Database Languages -- SQL -- Part 4: Persistent Stored Modules (SQL/PSM)*
 - Contains the 2003 ISO standard definition for SQL procedure control statements.

Statements

SQL statements

The following tables list the SQL statements classified by type:

- SQL schema statements (Table 1)
- SQL data change statements (Table 2 on page 5)
- SQL data statements (Table 3 on page 5)
- SQL transaction statements (Table 4 on page 6)
- SQL connection statements (Table 5 on page 6)
- SQL dynamic statements (Table 6 on page 6)
- SQL session statements (Table 7 on page 6)
- SQL embedded host language statements (Table 8 on page 7)
- SQL control statements (Table 9 on page 8)

Table 1. SQL schema statements

SQL Statement	Purpose
"ALTER AUDIT POLICY" on page 19	Modifies the definition of an audit policy at the current server.
"ALTER BUFFERPOOL" on page 22	Changes the definition of a buffer pool.
"ALTER DATABASE" on page 28	Adds new storage paths to the collection of paths that are used for automatic storage table spaces.
"ALTER DATABASE PARTITION GROUP" on page 24	Changes the definition of a database partition group.
"ALTER FUNCTION" on page 31	Modifies an existing function by changing the properties of the function.
"ALTER HISTOGRAM TEMPLATE" on page 33	Modifies the template describing the type of histogram that can be used to override one or more of the default histograms of a service class or a work class.
"ALTER METHOD" on page 34	Modifies an existing method by changing the method body associated with the method.
"ALTER NICKNAME" on page 35	Changes the definition of a nickname.
"ALTER PROCEDURE (External)" on page 43	Modifies an existing external procedure by changing the properties of the procedure.
"ALTER PROCEDURE (Sourced)" on page 45	Modifies an existing sourced procedure by changing the data type of one or more parameters of the sourced procedure.
"ALTER PROCEDURE (SQL)" on page 46	Modifies an existing SQL procedure by changing the properties of the procedure.
"ALTER SECURITY LABEL COMPONENT" on page 47	Modifies a security label component.
"ALTER SECURITY POLICY" on page 50	Modifies a security policy.
"ALTER SEQUENCE" on page 54	Changes the definition of a sequence.
"ALTER SERVER" on page 57	Changes the definition of a data source in a federated system.
"ALTER SERVICE CLASS" on page 60	Changes the definition of a service class.
"ALTER TABLE" on page 66	Changes the definition of a table.
"ALTER TABLESPACE" on page 111	Changes the definition of a table space.

SQL statements

Table 1. SQL schema statements (continued)

SQL Statement	Purpose
"ALTER THRESHOLD" on page 120	Changes the definition of a threshold.
"ALTER TRUSTED CONTEXT" on page 126	Changes the definition of a trusted context at the current server.
"ALTER TYPE (Structured)" on page 134	Changes the definition of a structured type.
"ALTER USER MAPPING" on page 140	Changes the definition of a user authorization mapping.
"ALTER VIEW" on page 142	Changes the definition of a view by altering a reference type column to add a scope.
"ALTER WORK ACTION SET" on page 144	Adds, alters, or drops work actions within a work action set.
"ALTER WORK CLASS SET" on page 155	Adds, alters, or drops work classes within a work class set.
"ALTER WORKLOAD" on page 160	Changes a workload.
"ALTER WRAPPER" on page 166	Updates the options that, along with a wrapper module, are used to access data sources of a specific type.
"ALTER XSROBJECT" on page 167	Enables or disables decomposition support for a specific XML schema.
"AUDIT" on page 169	Determines the audit policy that is to be used for a particular database or database object at the current server.
"COMMENT" on page 183	Replaces or adds a comment to the description of an object.
"CREATE ALIAS" on page 224	Defines an alias for a table, view, or another alias.
"CREATE AUDIT POLICY" on page 227	Defines an auditing policy at the current server.
"CREATE BUFFERPOOL" on page 230	Creates a new buffer pool.
"CREATE DATABASE PARTITION GROUP" on page 233	Defines a database partition group.
"CREATE EVENT MONITOR" on page 235	Specifies events in the database to monitor.
"CREATE FUNCTION" on page 253	Registers a user-defined function.
"CREATE FUNCTION (External Scalar)" on page 254	Registers a user-defined external scalar function.
"CREATE FUNCTION (External Table)" on page 278	Registers a user-defined external table function.
"CREATE FUNCTION (OLE DB External Table)" on page 295	Registers a user-defined OLE DB external table function.
"CREATE FUNCTION (Sourced or Template)" on page 303	Registers a user-defined sourced function.
"CREATE FUNCTION (SQL Scalar, Table, or Row)" on page 314	Registers and defines a user-defined SQL function.
"CREATE FUNCTION MAPPING" on page 323	Defines a function mapping.
"CREATE HISTOGRAM TEMPLATE" on page 327	Defines a template describing the type of histogram that can be used to override one or more of the default histograms of a service class or a work class.
"CREATE INDEX" on page 329	Defines an index on a table.
"CREATE INDEX EXTENSION" on page 344	Defines an extension object for use with indexes on tables with structured or distinct type columns.
"CREATE METHOD" on page 351	Associates a method body with a previously defined method specification.
"CREATE NICKNAME" on page 356	Defines a nickname.

Table 1. SQL schema statements (continued)

SQL Statement	Purpose
"CREATE PROCEDURE" on page 367	Registers a procedure.
"CREATE PROCEDURE (External)" on page 367	Registers an external procedure.
"CREATE PROCEDURE (Sourced)" on page 381	Registers a procedure (the sourced procedure) that is based on another procedure (the source procedure). In a federated system, a federated procedure is a sourced procedure whose source procedure is at a supported data source.
"CREATE PROCEDURE (SQL)" on page 386	Registers an SQL procedure.
"CREATE ROLE" on page 391	Defines a role at the current server.
"CREATE SCHEMA" on page 392	Defines a schema.
"CREATE SECURITY LABEL COMPONENT" on page 394	Creates a component that is to be used as part of a security policy.
"CREATE SECURITY LABEL" on page 397	Creates a security label.
"CREATE SECURITY POLICY" on page 398	Creates a security policy.
"CREATE SEQUENCE" on page 400	Defines a sequence.
"CREATE SERVER" on page 411	Defines a data source to a federated database.
"CREATE SERVICE CLASS" on page 404	Defines a service class.
"CREATE TABLE" on page 415	Defines a table.
"CREATE TABLESPACE" on page 482	Defines a table space.
"CREATE THRESHOLD" on page 495	Defines a threshold.
"CREATE TRANSFORM" on page 503	Defines transformation functions.
"CREATE TRIGGER" on page 506	Defines a trigger.
"CREATE TRUSTED CONTEXT" on page 518	Defines a trusted context at the current server.
"CREATE TYPE (Array)" on page 524	Defines an array type.
"CREATE TYPE (Distinct)" on page 525	Defines a distinct data type.
"CREATE TYPE (Structured)" on page 532	Defines a structured data type.
"CREATE TYPE MAPPING" on page 554	Defines a mapping between data types.
"CREATE USER MAPPING" on page 560	Defines a mapping between user authorizations.
"CREATE VARIABLE" on page 561	Defines a global variable.
"CREATE VIEW" on page 564	Defines a view of one or more table, view or nickname.
"CREATE WORK ACTION SET" on page 577	Defines a work action set and work actions within the work action set.
"CREATE WORK CLASS SET" on page 584	Defines a work class set.
"CREATE WORKLOAD" on page 589	Defines a workload.
"CREATE WRAPPER" on page 596	Registers a wrapper.
"DROP" on page 625	Deletes objects in the database.
"GRANT (Database Authorities)" on page 680	Grants authorities on the entire database.
"GRANT (Exemption)" on page 683	Grants an exemption on an access rule for a specified label-based access control (LBAC) security policy.
"GRANT (Global Variable Privileges)" on page 686	Grants one or more privileges on a created global variable.
"GRANT (Index Privileges)" on page 687	Grants the CONTROL privilege on indexes in the database.

SQL statements

Table 1. SQL schema statements (continued)

SQL Statement	Purpose
"GRANT (Package Privileges)" on page 689	Grants privileges on packages in the database.
"GRANT (Role)" on page 692	Grants roles to users, groups, or to other roles.
"GRANT (Routine Privileges)" on page 694	Grants privileges on a routine (function, method, or procedure).
"GRANT (Schema Privileges)" on page 697	Grants privileges on a schema.
"GRANT (Security Label)" on page 699	Grants a label-based access control (LBAC) security label for read access, write access, or for both read and write access.
"GRANT (Sequence Privileges)" on page 702	Grants privileges on a sequence.
"GRANT (Server Privileges)" on page 704	Grants privileges to query a specific data source.
"GRANT (SETSESSIONUSER Privilege)" on page 705	Grants the privilege to use the SET SESSION AUTHORIZATION statement.
"GRANT (Table Space Privileges)" on page 707	Grants privileges on a table space.
"GRANT (Table, View, or Nickname Privileges)" on page 709	Grants privileges on tables, views and nicknames.
"GRANT (Workload Privileges)" on page 715	Grants the USAGE privilege on a workload.
"GRANT (XSR Object Privileges)" on page 716	Grants the USAGE privilege on an XSR object.
"REFRESH TABLE" on page 755	Refreshes the data in a materialized query table.
"RENAME" on page 760	Renames an existing table.
"RENAME TABLESPACE" on page 759	Renames an existing table space.
"REVOKE (Database Authorities)" on page 767	Revokes authorities from the entire database.
"REVOKE (Exemption)" on page 771	Revokes the exemption on an access rule for a specified label-based access control (LBAC) security policy.
"REVOKE (Global Variable Privileges)" on page 773	Revokes one or more privileges on a created global variable.
"REVOKE (Index Privileges)" on page 775	Revokes the CONTROL privilege on given indexes.
"REVOKE (Package Privileges)" on page 776	Revokes privileges from given packages in the database.
"REVOKE (Role)" on page 778	Revokes roles from users, groups, or other roles.
"REVOKE (Routine Privileges)" on page 781	Revokes privileges on a routine (function, method, or procedure).
"REVOKE (Schema Privileges)" on page 784	Revokes privileges on a schema.
"REVOKE (Security Label)" on page 785	Revokes a label-based access control (LBAC) security label for read access, write access, or for both read and write access.
"REVOKE (Sequence Privileges)" on page 787	Revokes privileges on a sequence.
"REVOKE (Server Privileges)" on page 789	Revokes privileges to query a specific data source.
"REVOKE (SETSESSIONUSER Privilege)" on page 790	Revokes the privilege to use the SET SESSION AUTHORIZATION statement.
"REVOKE (Table Space Privileges)" on page 792	Revokes the USE privilege on a given table space.
"REVOKE (Table, View, or Nickname Privileges)" on page 793	Revokes privileges from given tables, views or nicknames.
"REVOKE (Workload Privileges)" on page 798	Revokes the USAGE privilege on a workload.
"REVOKE (XSR Object Privileges)" on page 800	Revokes the USAGE privilege on an XSR object.

Table 1. SQL schema statements (continued)

SQL Statement	Purpose
"SET INTEGRITY" on page 840	Sets the set integrity pending state and checks data for constraint violations.
"TRANSFER OWNERSHIP" on page 875	Transfers ownership of a database object.

Table 2. SQL data change statements

SQL Statement	Purpose
"DELETE" on page 610	Deletes one or more rows from a table.
"INSERT" on page 720	Inserts one or more rows into a table.
"MERGE" on page 733	Updates a target (a table or view) using data from a source (result of a table reference).
"UPDATE" on page 889	Updates the values of one or more columns in one or more rows of a table.

Table 3. SQL data statements

SQL Statement	Purpose
"ALLOCATE CURSOR" on page 18	Allocates a cursor for the result set identified by the result set locator variable.
"ASSOCIATE LOCATORS" on page 168	Gets the result set locator value for each result set returned by a procedure.
"CLOSE" on page 181	Closes a cursor.
"DECLARE CURSOR" on page 597	Defines an SQL cursor.
"DELETE" on page 610	Deletes one or more rows from a table.
"FETCH" on page 668	Assigns values of a row to host variables.
"FLUSH EVENT MONITOR" on page 670	Writes out the active internal buffer of an event monitor.
"FLUSH PACKAGE CACHE" on page 672	Removes all cached dynamic SQL statements currently in the package cache.
"FREE LOCATOR" on page 675	Removes the association between a locator variable and its value.
"INSERT" on page 720	Inserts one or more rows into a table.
"LOCK TABLE" on page 731	Either prevents concurrent processes from changing a table or prevents concurrent processes from using a table.
"MERGE" on page 733	Updates a target (a table or view) using data from a source (result of a table reference).
"OPEN" on page 742	Prepares a cursor that will be used to retrieve values when the FETCH statement is issued.
"SELECT INTO" on page 805	Specifies a result table of no more than one row and assigns the values to host variables.
"SET variable" on page 867	Assigns values to NEW transition variables.
"UPDATE" on page 889	Updates the values of one or more columns in one or more rows of a table.
"VALUES INTO" on page 899	Specifies a result table of no more than one row and assigns the values to host variables.

SQL statements

Table 4. SQL transaction statements

SQL Statement	Purpose
"COMMIT" on page 194	Terminates a unit of work and commits the database changes made by that unit of work.
"RELEASE SAVEPOINT" on page 759	Releases a savepoint within a transaction.
"ROLLBACK" on page 800	Terminates a unit of work and backs out the database changes made by that unit of work.
"SAVEPOINT" on page 802	Sets a savepoint within a transaction.

Table 5. SQL connection statements

SQL Statement	Purpose
"CONNECT (Type 1)" on page 211	Connects to an application server according to the rules for remote unit of work.
"CONNECT (Type 2)" on page 218	Connects to an application server according to the rules for application-directed distributed unit of work.
"DISCONNECT" on page 623	Terminates one or more connections when there is no active unit of work.
"RELEASE (Connection)" on page 757	Places one or more connections in the release-pending state.
"SET CONNECTION" on page 808	Changes the state of a connection from dormant to current, making the specified location the current server.

Table 6. SQL dynamic statements

SQL Statement	Purpose
"DESCRIBE" on page 616	Obtains information about an object.
"DESCRIBE INPUT" on page 616	Obtains information about the input parameter markers of a prepared statement.
"DESCRIBE OUTPUT" on page 619	Obtains information about a prepared statement or information about the select list columns in a prepared SELECT statement.
"EXECUTE" on page 658	Executes a prepared SQL statement.
"EXECUTE IMMEDIATE" on page 656	Prepares and executes an SQL statement.
"PREPARE" on page 746	Prepares an SQL statement (with optional parameters) for execution.

Table 7. SQL session statements

SQL Statement	Purpose
"DECLARE GLOBAL TEMPORARY TABLE" on page 603	Defines the Global Temporary Table.
"EXPLAIN" on page 663	Captures information about the chosen access plan.
"SET COMPILATION ENVIRONMENT" on page 807	Changes the current compilation environment in the connection to match the values contained in the compilation environment provided by a deadlock event monitor.
"SET CURRENT DECFLOAT ROUNDING MODE" on page 809	Verifies that the specified rounding mode is the value that is currently set for the CURRENT DECFLOAT ROUNDING MODE special register.
"SET CURRENT DEFAULT TRANSFORM GROUP" on page 811	Changes the value of the CURRENT DEFAULT TRANSFORM GROUP special register.
"SET CURRENT DEGREE" on page 812	Changes the value of the CURRENT DEGREE special register.

Table 7. SQL session statements (continued)

SQL Statement	Purpose
"SET CURRENT EXPLAIN MODE" on page 813	Changes the value of the CURRENT EXPLAIN MODE special register.
"SET CURRENT EXPLAIN SNAPSHOT" on page 816	Changes the value of the CURRENT EXPLAIN SNAPSHOT special register.
"SET CURRENT FEDERATED ASYNCHRONY" on page 818	Changes the value of the CURRENT FEDERATED ASYNCHRONY special register.
"SET CURRENT IMPLICIT XMLPARSE OPTION" on page 819	Changes the value of the CURRENT IMPLICIT XMLPARSE OPTION special register.
"SET CURRENT ISOLATION" on page 820	Changes the value of the CURRENT ISOLATION special register.
"SET CURRENT LOCK TIMEOUT" on page 821	Changes the value of the CURRENT LOCK TIMEOUT special register.
"SET CURRENT MAINTAINED TABLE TYPES FOR OPTIMIZATION" on page 822	Changes the value of the CURRENT MAINTAINED TABLE TYPES FOR OPTIMIZATION special register.
"SET CURRENT MDC ROLLOUT MODE" on page 824	Assigns a value to the CURRENT MDC ROLLOUT MODE special register.
"SET CURRENT OPTIMIZATION PROFILE" on page 825	Assigns a value to the CURRENT OPTIMIZATION PROFILE special register.
"SET CURRENT PACKAGE PATH" on page 828	Assigns a value to the CURRENT PACKAGE PATH special register.
"SET CURRENT PACKAGESET" on page 832	Sets the schema name for package selection.
"SET CURRENT QUERY OPTIMIZATION" on page 833	Changes the value of the CURRENT QUERY OPTIMIZATION special register.
"SET CURRENT REFRESH AGE" on page 835	Changes the value of the CURRENT REFRESH AGE special register.
"SET ENCRYPTION PASSWORD" on page 837	Sets the password for encryption.
"SET EVENT MONITOR STATE" on page 838	Activates or deactivates an event monitor.
"SET PASSTHRU" on page 857	Opens a session for submitting data source native SQL directly to the data source.
"SET PATH" on page 858	Changes the value of the CURRENT PATH special register.
"SET ROLE" on page 860	Verifies that the authorization ID of the session is a member of a specific role.
"SET SCHEMA" on page 861	Changes the value of the CURRENT SCHEMA special register.
"SET SERVER OPTION" on page 863	Sets server option settings.
"SET SESSION AUTHORIZATION" on page 864	Changes the value of the SESSION USER special register.

Table 8. SQL embedded host language statements

SQL Statement	Purpose
"BEGIN DECLARE SECTION" on page 173	Marks the beginning of a host variable declaration section.
"END DECLARE SECTION" on page 655	Marks the end of a host variable declaration section.
"GET DIAGNOSTICS" on page 676	Used to obtain information about the previously executed SQL statement.
"INCLUDE" on page 719	Inserts code or declarations into a source program.
"RESIGNAL" on page 764	Used to resignal an error or warning condition.
"SIGNAL" on page 873	Used to signal an error or warning condition.

SQL statements

Table 8. SQL embedded host language statements (continued)

SQL Statement	Purpose
"WHENEVER" on page 900	Defines actions to be taken on the basis of SQL return codes.

Table 9. SQL control statements

SQL Statement	Purpose
"CALL" on page 174	Calls a procedure.
"CASE" on page 179	Selects an execution path based on multiple conditions.
"Compound SQL (Dynamic)" on page 195	Combines one or more other SQL statements into an dynamic block.
"Compound SQL (Embedded)" on page 200	Combines one or more other SQL statements into an executable block.
"Compound SQL (Procedure)" on page 203	Groups other statements together in an SQL procedure.
"FOR" on page 673	Executes a statement or group of statements for each row of a table.
"GOTO" on page 678	Used to branch to a user-defined label within an SQL procedure.
"IF" on page 717	Selects an execution path based on the evaluation of a condition.
"ITERATE" on page 729	Causes the flow of control to return to the beginning of a labelled loop.
"LEAVE" on page 730	Transfers program control out of a loop or a compound statement.
"LOOP" on page 732	Repeats the execution of a statement or a group of statements.
"REPEAT" on page 762	Executes a statement or group of statements until a search condition is true.
"RESIGNAL" on page 764	Used to resignal an error or warning condition.
"RETURN" on page 766	Used to return from a routine.
"SIGNAL" on page 873	Used to signal an error or warning condition.
"WHILE" on page 901	Repeats the execution of a statement or group of statements while a specified condition is true.

How SQL statements are invoked

SQL statements are classified as executable or non-executable.

An *executable statement* can be invoked in four ways. It can be:

- Embedded in an application program
- Embedded in an SQL procedure.
- Prepared and executed dynamically
- Issued interactively

Depending on the statement, some or all of these methods can be used. (Statements embedded in REXX™ are prepared and executed dynamically.)

A *non-executable statement* can only be embedded in an application program.

Another SQL statement construct is the select-statement. A *select-statement* can be invoked in three ways. It can be:

- Included in DECLARE CURSOR, and executed implicitly by OPEN, FETCH and CLOSE (static invocation)

- Prepared dynamically, referenced in DECLARE CURSOR, and executed implicitly by OPEN, FETCH and CLOSE (dynamic invocation)
- Issued interactively

Embedding a statement in an application program

SQL statements can be included in a source program that will be submitted to a precompiler. Such statements are said to be *embedded* in the program. An embedded statement can be placed anywhere in the program where a host language statement is allowed. Each embedded statement must be preceded by the keywords EXEC SQL.

An executable statement embedded in an application program is executed every time a statement of the host language would be executed if it were specified in the same place. Thus, a statement within a loop is executed every time the loop is executed, and a statement within a conditional construct is executed only when the condition is satisfied.

An embedded statement can contain references to host variables. A host variable referenced in this way can be used in two ways. It can be used:

- As input (the current value of the host variable is used in the execution of the statement)
- As output (the variable is assigned a new value as a result of executing the statement)

In particular, all references to host variables in expressions and predicates are effectively replaced by current values of the variables; that is, the variables are used as input.

All executable statements should be followed by a test of the SQL return code. Alternatively, the WHENEVER statement (which is itself non-executable) can be used to change the flow of control immediately after the execution of an embedded statement.

All objects referenced in data manipulation language (DML) statements must exist when the statements are bound to a database.

An embedded non-executable statement is processed only by the precompiler. The precompiler reports any errors encountered in the statement. The statement is *never* processed during program execution; therefore, such statements should not be followed by a test of the SQL return code.

Statements can be included in the SQL-procedure-body portion of the CREATE PROCEDURE statement. Such statements are said to be embedded in the SQL procedure. Whenever an SQL statement description refers to a *host-variable*, an *SQL-variable* can be used if the statement is embedded in an SQL procedure.

Dynamic preparation and execution

An application program can dynamically build an SQL statement in the form of a character string placed in a host variable. In general, the statement is built from some data available to the program (for example, input from a workstation). The statement (not a select-statement) constructed can be prepared for execution by means of the (embedded) PREPARE statement, and executed by means of the

How SQL statements are invoked

(embedded) EXECUTE statement. Alternatively, an (embedded) EXECUTE IMMEDIATE statement can be used to prepare and execute the statement in one step.

A statement that is going to be dynamically prepared must not contain references to host variables. It can instead contain parameter markers. (For rules concerning parameter markers, see "PREPARE".) When the prepared statement is executed, the parameter markers are effectively replaced by current values of the host variables specified in the EXECUTE statement. Once prepared, a statement can be executed several times with different values for the host variables. Parameter markers are not allowed in the EXECUTE IMMEDIATE statement.

Successful or unsuccessful execution of the statement is indicated by the setting of an SQL return code in the SQLCA after the EXECUTE (or EXECUTE IMMEDIATE) statement completes. The SQL return code should be checked, as described above. For more information, see "SQL return codes (SQLCODE and SQLSTATE)" on page 11.

Static invocation of a select-statement

A select-statement can be included as a part of the (non-executable) DECLARE CURSOR statement. Such a statement is executed every time the cursor is opened by means of the (embedded) OPEN statement. After the cursor is open, the result table can be retrieved, one row at a time, by successive executions of the FETCH statement.

Used in this way, the select-statement can contain references to host variables. These references are effectively replaced by the values that the variables have when the OPEN statement executes.

Dynamic invocation of a select-statement

An application program can dynamically build a select-statement in the form of a character string placed in a host variable. In general, the statement is built from some data available to the program (for example, a query obtained from a workstation). The statement so constructed can be prepared for execution by means of the (embedded) PREPARE statement, and referenced by a (non-executable) DECLARE CURSOR statement. The statement is then executed every time the cursor is opened by means of the (embedded) OPEN statement. After the cursor is open, the result table can be retrieved, one row at a time, by successive executions of the FETCH statement.

Used in this way, the select-statement must not contain references to host variables. It can contain parameter markers instead. The parameter markers are effectively replaced by the values of the host variables specified in the OPEN statement.

Interactive invocation

A capability for entering SQL statements from a workstation is part of the architecture of the database manager. A statement entered in this way is said to be issued interactively. Such a statement must be an executable statement that does not contain parameter markers or references to host variables, because these make sense only in the context of an application program.

SQL use with other host systems

SQL statement syntax exhibits minor variations among different types of host systems (DB2 for z/OS, DB2 for System i, DB2 Database for Linux, UNIX, and Windows). Regardless of whether the SQL statements in an application are static or dynamic, it is important — if the application is meant to access different database host systems — to ensure that the SQL statements and precompile/bind options are supported on the database systems that the application will access.

Further information about SQL statements used in other host systems can be found in the *DB2 for i5/OS SQL Reference* and the *DB2 for z/OS SQL Reference*.

SQL return codes (SQLCODE and SQLSTATE)

An application program containing executable SQL statements can use either SQLCODE or SQLSTATE values to handle return codes from SQL statements. There are two ways in which an application can get access to these values.

- Include a structure named SQLCA. The SQLCA includes an integer variable named SQLCODE and a character string variable named SQLSTATE. In REXX, an SQLCA is provided automatically. In other languages, an SQLCA can be obtained by using the INCLUDE SQLCA statement.
- If LANGLEVEL SQL92E is specified as a precompile option, a variable named SQLCODE or SQLSTATE can be declared in the SQL declare section of the program. If neither of these variables is declared in the SQL declare section, it is assumed that a variable named SQLCODE is declared elsewhere in the program. With LANGLEVEL SQL92E, the program should not have an INCLUDE SQLCA statement.

An SQLCODE is set by the database manager after each SQL statement executes. All database managers conform to the ISO/ANSI SQL standard, as follows:

- If SQLCODE = 0 and SQLWARN0 is blank, execution was successful.
- If SQLCODE = 100, “no data” was found. For example, a FETCH statement returned no data, because the cursor was positioned after the last row of the result table.
- If SQLCODE > 0 and not = 100, execution was successful with a warning.
- If SQLCODE = 0 and SQLWARN0 = 'W', execution was successful, but one or more warning indicators were set.
- If SQLCODE < 0, execution was not successful.

The meaning of SQLCODE values other than 0 and 100 is product-specific.

An SQLSTATE is set by the database manager after each SQL statement executes. Application programs can check the execution of SQL statements by testing SQLSTATE instead of SQLCODE. SQLSTATE provides common codes for common error conditions. Application programs can test for specific errors or classes of errors. The coding scheme is the same for all IBM database managers, and is based on the ISO/ANSI SQL92 standard.

SQL comments

Static SQL statements can include host language or SQL comments. Dynamic SQL statements can include SQL comments. There are two types of SQL comments:

How SQL statements are invoked

simple comments

Simple comments are introduced by two consecutive hyphens (--) and end with the end of line.

bracketed comments

Bracketed comments are introduced by /* and end with */.

The following rules apply to the use of simple comments:

- The two hyphens must be on the same line and must not be separated by a space.
- Simple comments can be started wherever a space is valid (except within a delimiter token or between 'EXEC' and 'SQL').
- Simple comments cannot be continued to the next line.
- In COBOL, the hyphens must be preceded by a space.

The following rules apply to the use of bracketed comments:

- The /* must be on the same line and must not be separated by a space.
- The */ must be on the same line and must not be separated by a space.
- Bracketed comments can be started wherever a space is valid (except within a delimiter token or between 'EXEC' and 'SQL').
- Bracketed comments can be continued to subsequent lines.

Example 1: This example shows how to include simple comments in a statement:

```
CREATE VIEW PRJ_MAXPER      -- PROJECTS WITH MOST SUPPORT PERSONNEL
AS SELECT PROJNO, PROJNAME -- NUMBER AND NAME OF PROJECT
FROM PROJECT
WHERE DEPTNO = 'E21'      -- SYSTEMS SUPPORT DEPT CODE
AND PRSTAFF > 1
```

Example 2: This example shows how to include bracketed comments in a statement:

```
CREATE VIEW PRJ_MAXPER      /* PROJECTS WITH MOST SUPPORT
                             PERSONNEL */
AS SELECT PROJNO, PROJNAME /* NUMBER AND NAME OF PROJECT */
FROM PROJECT
WHERE DEPTNO = 'E21'      /* SYSTEMS SUPPORT DEPT CODE */
AND PRSTAFF > 1
```

About SQL control statements

Control statements are SQL statements that allow structured query language to be used in a manner similar to writing a program in a structured programming language. SQL control statements provide the capability to control the logic flow, declare, and set variables, and handle warnings and exceptions. Some SQL control statements include other nested SQL statements. SQL control statements can be used in the body of a routine, trigger or a dynamic compound statement.

References to SQL parameters, SQL variables, and global variables

SQL parameters, SQL variables, and global variables can be referenced anywhere in an SQL procedure statement where an expression or variable can be specified. Host variables cannot be specified in SQL routines, SQL triggers or dynamic compound statements. SQL parameters can be referenced anywhere in the routine, and can be qualified with the routine name. SQL variables can be referenced anywhere in the compound statement in which they are declared, and can be qualified with the label name specified at the beginning of the compound statement. Global variables

can be referenced within any expression as long as the expression is not required to be deterministic. The following scenarios require deterministic expressions, which preclude the use of global variables:

- Check constraints
- Definitions of generated columns
- Refresh immediate MQTs

All SQL parameters, SQL variables, and global variables are considered nullable. The name of an SQL parameter, SQL variable, or global variable in an SQL routine can be the same as the name of a column in a table or view referenced in the routine. The name of an SQL variable can also be the same as the name of another SQL variable declared in the same routine. This can occur when the two SQL variables are declared in different compound statements. The compound statement that contains the declaration of an SQL variable determines the scope of that variable. For more information, see “Compound SQL (Procedure)”.

The name of an SQL variable or SQL parameter in an SQL routine can be the same as the name of an identifier used in certain SQL statements. If the name is not qualified, the following rules describe whether the name refers to the identifier or to the SQL parameter or SQL variable:

- In the SET PATH and SET SCHEMA statements, the name is checked as an SQL parameter or SQL variable. If not found as an SQL variable or SQL parameter, it is used as an identifier.
- In the CONNECT, DISCONNECT, RELEASE, and SET CONNECTION statements, the name is used as an identifier.

Names that are the same should be explicitly qualified. Qualifying a name clearly indicates whether the name refers to a column, SQL variable, SQL parameter, or global variable. If the name is not qualified, or qualified but still ambiguous, the following rules describe whether the name refers to a column, an SQL variable, an SQL parameter, or a global variable:

- If the tables and views specified in an SQL routine body exist at the time the routine is created, the name is first checked as a column name. If not found as a column, it is then checked as an SQL variable in the compound statement, then checked as an SQL parameter, and then, finally, checked as a global variable.
- If the referenced tables or views do not exist at the time the routine is created, the name is first checked as an SQL variable in the compound statement, then as an SQL parameter, and then as a global variable. The variable can be declared within the compound statement that contains the reference, or within a compound statement in which that compound statement is nested. If two SQL variables are within the same scope and have the same name, which can happen if they are declared in different compound statements, the SQL variable that is declared in the innermost compound statement is used. If not found, it is assumed to be a column.

References to labels

Labels can be specified on most SQL procedure statements. The compound statement that contains the statement that defines a label determines the scope of that label name. A label name must be unique within the compound statement in which it is defined, including any labels defined in compound statements that are nested within that compound statement (SQLSTATE 42734). The label must not be

About SQL control statements

the same as a label specified on the compound statement itself (SQLSTATE 42734), or the same as the name of the routine that contains the SQL procedure statement (SQLSTATE 42734).

A label name can only be referenced within the compound statement in which it is defined, including any compound statements that are nested within that compound statement. A label can be used to qualify the name of an SQL variable, or it can be specified as the target of a GOTO, LEAVE, or ITERATE statement.

References to SQL condition names

The name of an SQL condition can be the same as the name of another SQL condition declared in the same routine. This can occur when the two SQL conditions are declared in different compound statements. The compound statement that contains the declaration of an SQL condition name determines the scope of that condition name. A condition name must be unique within the compound statement in which it is declared, excluding any declarations in compound statements that are nested within that compound statement (SQLSTATE 42734). A condition name can only be referenced within the compound statement in which it is declared, including any compound statements that are nested within that compound statement. When there is a reference to a condition name, the condition that is declared in the innermost compound statement is the condition that is used. For more information, see “Compound SQL (Procedure)”.

References to SQL statement names

The name of an SQL statement can be the same as the name of another SQL statement declared in the same routine. This can occur when the two SQL statements are declared in different compound statements. The compound statement that contains the declaration of an SQL statement name determines the scope of that statement name. A statement name must be unique within the compound statement in which it is declared, excluding any declarations in compound statements that are nested within that compound statement (SQLSTATE 42734). A statement name can only be referenced within the compound statement in which it is declared, including any compound statements that are nested within that compound statement. When there is a reference to a statement name, the statement that is declared in the innermost compound statement is the statement that is used. For more information, see “Compound SQL (Procedure)”.

References to SQL cursor names

The name of an SQL cursor can be the same as the name of another SQL cursor declared in the same routine. This can occur when the two SQL cursors are declared in different compound statements. The compound statement that contains the declaration of an SQL cursor determines the scope of that cursor name. A cursor name must be unique within the compound statement in which it is declared, excluding any declarations in compound statements that are nested within that compound statement (SQLSTATE 42734). A cursor name can only be referenced within the compound statement in which it is declared, including any compound statements that are nested within that compound statement. When there is a reference to a cursor name, the cursor that is declared in the innermost compound statement is the cursor that is used. For more information, see “Compound SQL (Procedure)”.

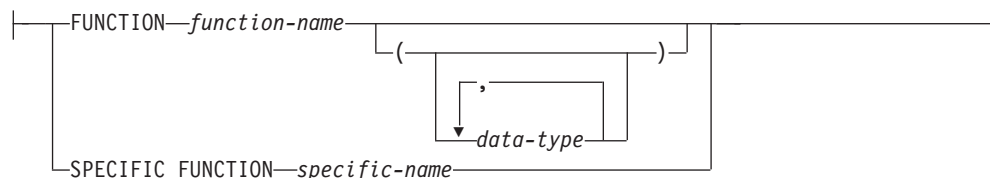
Function, method, and procedure designators

The following sections describe syntax fragments that are used to uniquely identify a function, method, or procedure.

Function designator

A function designator uniquely identifies a single function. Function designators typically appear in DDL statements for functions (such as DROP or ALTER).

function-designator:



FUNCTION *function-name*

Identifies a particular function, and is valid only if there is exactly one function instance with the name *function-name* in the schema. The identified function can have any number of parameters defined for it. In dynamic SQL statements, the CURRENT SCHEMA special register is used as a qualifier for an unqualified object name. In static SQL statements, the QUALIFIER precompile/bind option implicitly specifies the qualifier for unqualified object names. If no function by this name exists in the named or implied schema, an error (SQLSTATE 42704) is raised. If there is more than one instance of the function in the named or implied schema, an error (SQLSTATE 42725) is raised.

FUNCTION *function-name* (*data-type*,...)

Provides the function signature, which uniquely identifies the function. The function resolution algorithm is not used.

function-name

Specifies the name of the function. In dynamic SQL statements, the CURRENT SCHEMA special register is used as a qualifier for an unqualified object name. In static SQL statements, the QUALIFIER precompile/bind option implicitly specifies the qualifier for unqualified object names.

(*data-type*,...)

Values must match the data types that were specified (in the corresponding position) on the CREATE FUNCTION statement. The number of data types, and the logical concatenation of the data types, is used to identify the specific function instance.

If a data type is unqualified, the type name is resolved by searching the schemas on the SQL path. This also applies to data type names specified for a REFERENCE type.

It is not necessary to specify the length, precision, or scale for the parameterized data types. Instead, an empty set of parentheses can be coded to indicate that these attributes are to be ignored when looking for a data type match.

FLOAT() cannot be used (SQLSTATE 42601), because the parameter value indicates different data types (REAL or DOUBLE).

Function, method, and procedure designators

If length, precision, or scale is coded, the value must exactly match that specified in the CREATE FUNCTION statement.

A type of `FLOAT(n)` does not need to match the defined value for *n*, because $0 < n < 25$ means REAL, and $24 < n < 54$ means DOUBLE. Matching occurs on the basis of whether the type is REAL or DOUBLE.

If no function with the specified signature exists in the named or implied schema, an error (SQLSTATE 42883) is raised.

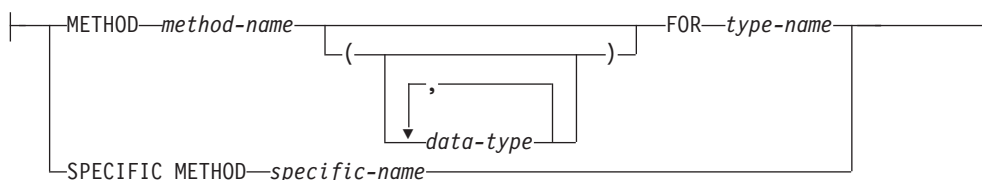
SPECIFIC FUNCTION *specific-name*

Identifies a particular user-defined function, using the name that is specified or defaulted to at function creation time. In dynamic SQL statements, the CURRENT SCHEMA special register is used as a qualifier for an unqualified object name. In static SQL statements, the QUALIFIER precompile/bind option implicitly specifies the qualifier for unqualified object names. The *specific-name* must identify a specific function instance in the named or implied schema; otherwise, an error (SQLSTATE 42704) is raised.

Method designator

A method designator uniquely identifies a single method. Method designators typically appear in DDL statements for methods (such as DROP or ALTER).

method-designator:



METHOD *method-name*

Identifies a particular method, and is valid only if there is exactly one method instance with the name *method-name* for the type *type-name*. The identified method can have any number of parameters defined for it. If no method by this name exists for the type, an error (SQLSTATE 42704) is raised. If there is more than one instance of the method for the type, an error (SQLSTATE 42725) is raised.

METHOD *method-name* (*data-type*,...)

Provides the method signature, which uniquely identifies the method. The method resolution algorithm is not used.

method-name

Specifies the name of the method for the type *type-name*.

(*data-type*,...)

Values must match the data types that were specified (in the corresponding position) on the CREATE TYPE statement. The number of data types, and the logical concatenation of the data types, is used to identify the specific method instance.

If a data type is unqualified, the type name is resolved by searching the schemas on the SQL path. This also applies to data type names specified for a REFERENCE type.

Function, method, and procedure designators

It is not necessary to specify the length, precision, or scale for the parameterized data types. Instead, an empty set of parentheses can be coded to indicate that these attributes are to be ignored when looking for a data type match.

FLOAT() cannot be used (SQLSTATE 42601), because the parameter value indicates different data types (REAL or DOUBLE).

If length, precision, or scale is coded, the value must exactly match that specified in the CREATE TYPE statement.

A type of FLOAT(*n*) does not need to match the defined value for *n*, because $0 < n < 25$ means REAL, and $24 < n < 54$ means DOUBLE. Matching occurs on the basis of whether the type is REAL or DOUBLE.

If no method with the specified signature exists for the type in the named or implied schema, an error (SQLSTATE 42883) is raised.

FOR *type-name*

Names the type with which the specified method is to be associated. The name must identify a type already described in the catalog (SQLSTATE 42704). In dynamic SQL statements, the CURRENT SCHEMA special register is used as a qualifier for an unqualified object name. In static SQL statements, the QUALIFIER precompile/bind option implicitly specifies the qualifier for unqualified object names.

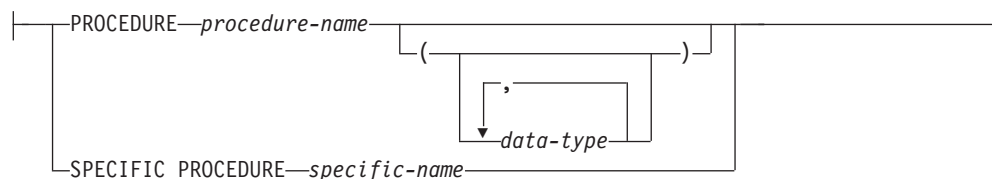
SPECIFIC METHOD *specific-name*

Identifies a particular method, using the name that is specified or defaulted to at method creation time. In dynamic SQL statements, the CURRENT SCHEMA special register is used as a qualifier for an unqualified object name. In static SQL statements, the QUALIFIER precompile/bind option implicitly specifies the qualifier for unqualified object names. The *specific-name* must identify a specific method instance in the named or implied schema; otherwise, an error (SQLSTATE 42704) is raised.

Procedure designator

A procedure designator uniquely identifies a single procedure. Procedure designators typically appear in DDL statements for procedures (such as DROP or ALTER).

procedure-designator:



PROCEDURE *procedure-name*

Identifies a particular procedure, and is valid only if there is exactly one procedure instance with the name *procedure-name* in the schema. The identified procedure can have any number of parameters defined for it. In dynamic SQL statements, the CURRENT SCHEMA special register is used as a qualifier for an unqualified object name. In static SQL statements, the QUALIFIER precompile/bind option implicitly specifies the qualifier for unqualified object names. If no procedure by this name exists in the named or implied schema,

Function, method, and procedure designators

an error (SQLSTATE 42704) is raised. If there is more than one instance of the procedure in the named or implied schema, an error (SQLSTATE 42725) is raised.

PROCEDURE *procedure-name (data-type,...)*

Provides the procedure signature, which uniquely identifies the procedure. The procedure resolution algorithm is not used.

procedure-name

Specifies the name of the procedure. In dynamic SQL statements, the CURRENT SCHEMA special register is used as a qualifier for an unqualified object name. In static SQL statements, the QUALIFIER precompile/bind option implicitly specifies the qualifier for unqualified object names.

(data-type,...)

Values must match the data types that were specified (in the corresponding position) on the CREATE PROCEDURE statement. The number of data types, and the logical concatenation of the data types, is used to identify the specific procedure instance.

If a data type is unqualified, the type name is resolved by searching the schemas on the SQL path. This also applies to data type names specified for a REFERENCE type.

It is not necessary to specify the length, precision, or scale for the parameterized data types. Instead, an empty set of parentheses can be coded to indicate that these attributes are to be ignored when looking for a data type match.

FLOAT() cannot be used (SQLSTATE 42601), because the parameter value indicates different data types (REAL or DOUBLE).

If length, precision, or scale is coded, the value must exactly match that specified in the CREATE PROCEDURE statement.

A type of FLOAT(*n*) does not need to match the defined value for *n*, because $0 < n < 25$ means REAL, and $24 < n < 54$ means DOUBLE. Matching occurs on the basis of whether the type is REAL or DOUBLE.

If no procedure with the specified signature exists in the named or implied schema, an error (SQLSTATE 42883) is raised.

SPECIFIC PROCEDURE *specific-name*

Identifies a particular procedure, using the name that is specified or defaulted to at procedure creation time. In dynamic SQL statements, the CURRENT SCHEMA special register is used as a qualifier for an unqualified object name. In static SQL statements, the QUALIFIER precompile/bind option implicitly specifies the qualifier for unqualified object names. The *specific-name* must identify a specific procedure instance in the named or implied schema; otherwise, an error (SQLSTATE 42704) is raised.

ALLOCATE CURSOR

The ALLOCATE CURSOR statement allocates a cursor for the result set identified by the result set locator variable. For more information about result set locator variables, see the description of the ASSOCIATE LOCATORS statement.

Invocation

This statement can only be embedded in an SQL procedure. It is not an executable statement and cannot be dynamically prepared.

Authorization

None required.

Syntax

►►—ALLOCATE—*cursor-name*—CURSOR FOR RESULT SET—*rs-locator-variable*—◀◀

Description

cursor-name

Names the cursor. The name must not identify a cursor that has already been declared in the source SQL procedure (SQLSTATE 24502).

CURSOR FOR RESULT SET *rs-locator-variable*

Names a result set locator variable that has been declared in the source SQL procedure, according to the rules for declaring result set locator variables. For more information on declaring SQL variables, see “Compound SQL (Procedure statement”.

The result set locator variable must contain a valid result set locator value, as returned by the ASSOCIATE LOCATORS SQL statement (SQLSTATE 0F001).

Rules

- The following rules apply when using an allocated cursor:
 - An allocated cursor cannot be opened with the OPEN statement (SQLSTATE 24502).
 - An allocated cursor cannot be used in a positioned UPDATE or DELETE statement (SQLSTATE 42828).
 - An allocated cursor can be closed with the CLOSE statement. Closing an allocated cursor closes the associated cursor.
 - Only one cursor can be allocated to each result set.
- Allocated cursors last until a rollback operation, an implicit close, or an explicit close.
- A commit operation destroys allocated cursors that are not defined WITH HOLD.
- Destroying an allocated cursor closes the associated cursor in the SQL procedure.

Examples

This SQL procedure example defines and associates cursor C1 with the result set locator variable LOC1 and the related result set returned by the SQL procedure:

```
ALLOCATE C1 CURSOR FOR RESULT SET LOC1;
```

ALTER AUDIT POLICY

The ALTER AUDIT POLICY statement modifies the definition of an audit policy at the current server.

ALTER AUDIT POLICY

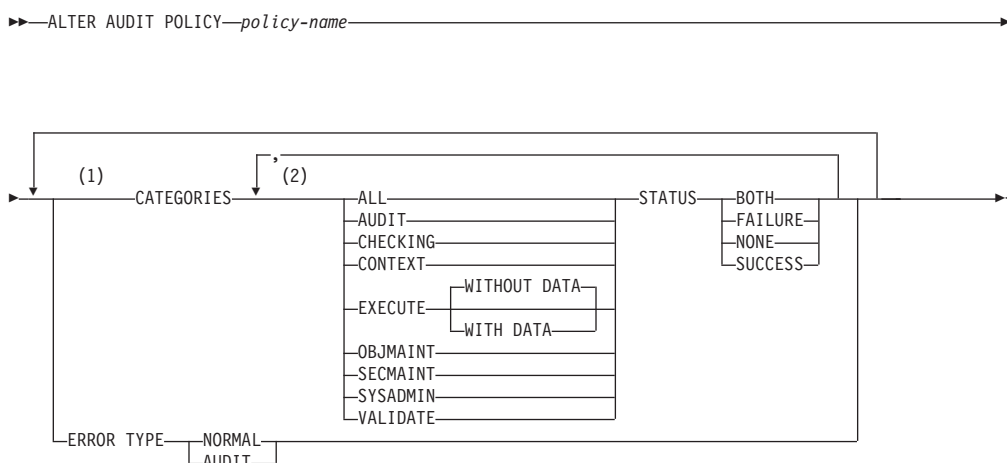
Invocation

This statement can be embedded in an application program or issued interactively. It is an executable statement that can be dynamically prepared only if DYNAMICRULES run behavior is in effect for the package (SQLSTATE 42509).

Authorization

The privileges held by the authorization ID of the statement must include SECADM authority.

Syntax



Notes:

- 1 Each of the CATEGORIES and ERROR TYPE clauses can be specified at most once (SQLSTATE 42614).
- 2 Each category can be specified at most once (SQLSTATE 42614), and no other category can be specified if ALL is specified (SQLSTATE 42601).

Description

policy-name

Identifies the audit policy that is to be altered. This is a one-part name. It is an SQL identifier (either ordinary or delimited). The name must uniquely identify an existing audit policy at the current server (SQLSTATE 42704).

CATEGORIES

A list of one or more audit categories for which a new status value is specified. If ALL is not specified, the STATUS of any category that is not explicitly specified remains unchanged.

ALL

Sets all categories to the same status. The EXECUTE category is WITHOUT DATA.

AUDIT

Generates records when audit settings are changed or when the audit log is accessed.

CHECKING

Generates records during authorization checking of attempts to access or manipulate database objects or functions.

CONTEXT

Generates records to show the operation context when a database operation is performed.

EXECUTE

Generates records to show the execution of SQL statements.

WITHOUT DATA or WITH DATA

Specifies whether or not input data values provided for any host variables and parameter markers should be logged as part of the EXECUTE category.

WITHOUT DATA

Input data values provided for any host variables and parameter markers are not logged as part of the EXECUTE category.

WITH DATA

Input data values provided for any host variables and parameter markers are logged as part of the EXECUTE category. Not all input values are logged; specifically, LOB, LONG, XML, and structured type parameters appear as the null value. Date, time, and timestamp fields are logged in ISO format. The input data values are converted to the database code page before being logged. If code page conversion fails, no errors are returned and the unconverted data is logged.

OBJMAINT

Generates records when data objects are created or dropped.

SECMAINT

Generates records when object privileges, database privileges, or DBADM authority is granted or revoked. Records are also generated when the database manager security configuration parameters **sysadm_group**, **sysctrl_group**, or **sysmaint_group** are modified.

SYSADMIN

Generates records when operations requiring SYSADM, SYSMAINT, or SYSCTRL authority are performed.

VALIDATE

Generates records when users are authenticated or when system security information related to a user is retrieved.

STATUS

Specifies a status for the specified category.

BOTH

Successful and failing events will be audited.

FAILURE

Only failing events will be audited.

SUCCESS

Only successful events will be audited.

NONE

No events in this category will be audited.

ALTER AUDIT POLICY

ERROR TYPE

Specifies whether audit errors are to be returned or ignored.

NORMAL

Any errors generated by the audit are ignored and only the SQLCODEs for errors associated with the operation being performed are returned to the application.

AUDIT

All errors, including errors occurring within the audit facility itself, are returned to the application.

Rules

- An AUDIT-exclusive SQL statement must be followed by a COMMIT or ROLLBACK statement (SQLSTATE 5U021). AUDIT-exclusive SQL statements are:
 - AUDIT
 - CREATE AUDIT POLICY, ALTER AUDIT POLICY, or DROP (AUDIT POLICY)
 - DROP (ROLE) or DROP (TRUSTED CONTEXT) if the role or trusted context is associated with an audit policy
- An AUDIT-exclusive SQL statement cannot be issued within a global transaction (SQLSTATE 51041) such as, for example, an XA transaction.

Notes

- Only one uncommitted AUDIT-exclusive SQL statement is allowed at a time across all database partitions. If an uncommitted AUDIT-exclusive SQL statement is executing, subsequent AUDIT-exclusive SQL statements wait until the current AUDIT-exclusive SQL statement commits or rolls back.
- Changes are written to the system catalog, but do not take effect until they are committed, even for the connection that issues the statement.
- If the audit policy that is being altered is currently associated with a database object, the changes do not take effect until the next unit of work for the application that is affected by the change. For example, if the audit policy is in use for the database, no current units of work will see the change to the policy until after a COMMIT or a ROLLBACK statement for that unit of work completes.

Example

Alter the SECMAINT, CHECKING, and VALIDATE categories of an audit policy named DBAUDPRF to audit both successes and failures.

```
ALTER AUDIT POLICY DBAUDPRF
  CATEGORIES SECMAINT STATUS BOTH,
             CHECKING STATUS BOTH,
             VALIDATE STATUS BOTH
```

ALTER BUFFERPOOL

The ALTER BUFFERPOOL statement is used to do the following:

- Modify the size of the buffer pool on all database partitions or on a single database partition
- Enable or disable automatic sizing of the buffer pool
- Add this buffer pool definition to a new database partition group
- Modify the block area of the buffer pool for block-based I/O

ALTER BUFFERPOOL

AUTOMATIC

Enables self tuning for this buffer pool. The database manager adjusts the size of the buffer pool in response to workload requirements. When AUTOMATIC is specified, the DBPARTITIONNUM clause cannot be specified (SQLSTATE 42601).

ADD DATABASE PARTITION GROUP *db-partition-group-name*

Adds this database partition group to the list of database partition groups to which the buffer pool definition is applicable. For any database partition in the database partition group that does not already have the buffer pool defined, the buffer pool is created on the database partition using the default size specified for the buffer pool. Table spaces in *db-partition-group-name* may specify this buffer pool. The database partition group must currently exist in the database (SQLSTATE 42704).

NUMBLOCKPAGES *number-of-pages*

Specifies the number of pages that should exist in the block-based area. The number of pages must not be greater than 98 percent of the number of pages for the buffer pool (SQLSTATE 54052). Specifying the value 0 disables block I/O. The actual value of NUMBLOCKPAGES used will be a multiple of BLOCKSIZE.

BLOCKSIZE *number-of-pages*

Specifies the number of pages in a block. The block size must be a value between 2 and 256 (SQLSTATE 54053). The default value is 32.

Notes

- Only the buffer pool size can be changed dynamically (immediately). All other changes are deferred, and will only come into effect after the database is reactivated.
- If the statement is executed as deferred, the following is true: Although the buffer pool definition is transactional and the changes to the buffer pool definition will be reflected in the catalog tables on commit, no changes to the actual buffer pool will take effect until the next time the database is started. The current attributes of the buffer pool will exist until then, and there will not be any impact to the buffer pool in the interim. Tables created in table spaces of new database partition groups will use the default buffer pool. The statement is IMMEDIATE by default when that keyword applies.
- There should be enough real memory on the machine for the total of all the buffer pools, as well as for the rest of the database manager and application requirements.
- **Compatibilities**
 - For compatibility with previous versions of DB2:
 - NODE can be specified in place of DBPARTITIONNUM
 - NODEGROUP can be specified in place of DATABASE PARTITION GROUP

ALTER DATABASE PARTITION GROUP

The ALTER DATABASE PARTITION GROUP statement is used to:

- add one or more database partitions to a database partition group
- drop one or more database partitions from a database partition group.

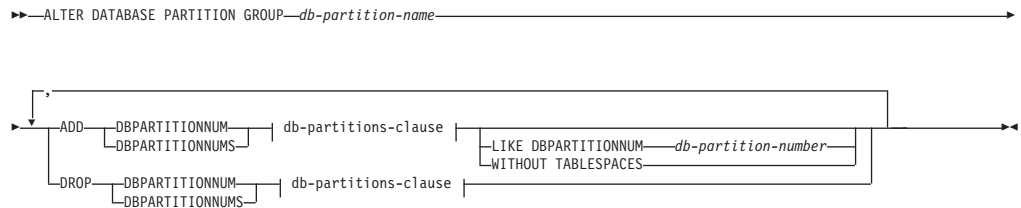
Invocation

This statement can be embedded in an application program or issued interactively. It is an executable statement that can be dynamically prepared only if DYNAMICRULES run behavior is in effect for the package (SQLSTATE 42509).

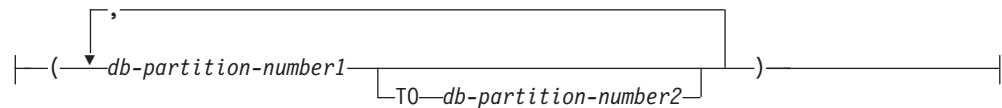
Authorization

The authorization ID of the statement must have SYSCTRL or SYSADM authority.

Syntax



db-partitions-clause:



Description

db-partition-name

Names the database partition group. This is a one-part name. It is an SQL identifier (either ordinary or delimited). It must be a database partition group described in the catalog. IBMCATGROUP and IBMTEMPGROUP cannot be specified (SQLSTATE 42832).

ADD DBPARTITIONNUM

Specifies the specific database partition or partitions to add to the database partition group. DBPARTITIONNUMS is a synonym for DBPARTITIONNUM. Any specified database partition must not already be defined in the database partition group (SQLSTATE 42728).

DROP DBPARTITIONNUM

Specifies the specific database partition or partitions to drop from the database partition group. DBPARTITIONNUMS is a synonym for DBPARTITIONNUM. Any specified database partition must already be defined in the database partition group (SQLSTATE 42729).

db-partitions-clause

Specifies the database partition or partitions to be added or dropped.

db-partition-number1

Specify a specific database partition number.

TO *db-partition-number2*

Specify a range of database partition numbers. The value of *db-partition-number2* must be greater than or equal to the value of *db-partition-number1* (SQLSTATE 428A9).

ALTER DATABASE PARTITION GROUP

LIKE DBPARTITIONNUM *db-partition-number*

Specifies that the containers for the existing table spaces in the database partition group will be the same as the containers on the specified *db-partition-number*. The specified database partition must be a partition that existed in the database partition group prior to this statement, and that is not included in a DROP DBPARTITIONNUM clause of the same statement.

For table spaces that are defined to use automatic storage (that is, table spaces that were created with the MANAGED BY AUTOMATIC STORAGE clause of the CREATE TABLESPACE statement, or for which no MANAGED BY clause was specified at all), the containers will not necessarily match those from the specified partition. Instead, containers will automatically be assigned by the database manager based on the storage paths that are associated with the database, and this might or might not result in the same containers being used. The size of each table space is based on the initial size that was specified when the table space was created, and might not match the current size of the table space on the specified partition.

WITHOUT TABLESPACES

Specifies that the containers for existing table spaces in the database partition group are not created on the newly added database partition or partitions. The ALTER TABLESPACE statement using the *db-partitions-clause* must be used to define containers for use with the table spaces that are defined on this database partition group. If this option is not specified, the default containers are specified on newly added database partitions for each table space defined on the database partition group.

This option is ignored for table spaces that are defined to use automatic storage (that is, table spaces that were created with the MANAGED BY AUTOMATIC STORAGE clause of the CREATE TABLESPACE statement, or for which no MANAGED BY clause was specified at all). There is no way to defer container creation for these table spaces. Containers will automatically be assigned by the database manager based on the storage paths that are associated with the database. The size of each table space will be based on the initial size that was specified when the table space was created.

Rules

- Each database partition specified by number must be defined in the `db2nodes.cfg` file (SQLSTATE 42729).
- Each *db-partition-number* listed in the *db-partitions-clause* must be for a unique database partition (SQLSTATE 42728).
- A valid database partition number is between 0 and 999 inclusive (SQLSTATE 42729).
- A database partition cannot appear in both the ADD and DROP clauses (SQLSTATE 42728).
- There must be at least one database partition remaining in the database partition group. The last database partition cannot be dropped from a database partition group (SQLSTATE 428C0).
- If neither the LIKE DBPARTITIONNUM clause nor the WITHOUT TABLESPACES clause is specified when adding a database partition, the default is to use the lowest database partition number of the existing database partitions in the database partition group (say it is 2) and proceed as if LIKE DBPARTITIONNUM 2 had been specified. For an existing database partition to be used as the default, it must have containers defined for all the table spaces in the database partition group (column IN_USE of SYSCAT.DBPARTITIONGROUPDEF is not 'T').

Notes

- When a database partition is added to a database partition group, a catalog entry is made for the database partition (see SYSCAT.DBPARTITIONGROUPDEF). The distribution map is changed immediately to include the new database partition, along with an indicator (IN_USE) that the database partition is in the distribution map if either:
 - no table spaces are defined in the database partition group or
 - no tables are defined in the table spaces defined in the database partition group and the WITHOUT TABLESPACES clause was not specified.The distribution map is not changed and the indicator (IN_USE) is set to indicate that the database partition is not included in the distribution map if either:
 - Tables exist in table spaces in the database partition group or
 - Table spaces exist in the database partition group and the WITHOUT TABLESPACES clause was specified (unless all of the table spaces are defined to use automatic storage, in which case the WITHOUT TABLESPACES clause is ignored)To change the distribution map, the REDISTRIBUTE DATABASE PARTITION GROUP command must be used. This redistributes any data, changes the distribution map, and changes the indicator. Table space containers need to be added before attempting to redistribute data if the WITHOUT TABLESPACES clause was specified.
- When a database partition is dropped from a database partition group, the catalog entry for the database partition (see SYSCAT.DBPARTITIONGROUPDEF) is updated. If there are no tables defined in the table spaces defined in the database partition group, the distribution map is changed immediately to exclude the dropped database partition and the entry for the database partition in the database partition group is dropped. If tables exist, the distribution map is not changed and the indicator (IN_USE) is set to indicate that the database partition is waiting to be dropped. The REDISTRIBUTE DATABASE PARTITION GROUP command must be used to redistribute the data and drop the entry for the database partition from the database partition group.
- *Compatibilities*
 - For compatibility with previous versions of DB2:
 - NODE can be specified in place of DBPARTITIONNUM
 - NODES can be specified in place of DBPARTITIONNUMS
 - NODEGROUP can be specified in place of DATABASE PARTITION GROUP

Example

Assume that you have a six-partition database that has the following database partitions: 0, 1, 2, 5, 7, and 8. Two database partitions (3 and 6) are added to the system.

- Assume that you want to add database partitions 3 and 6 to a database partition group called MAXGROUP, and have table space containers like those on database partition 2. The statement is as follows:

```
ALTER DATABASE PARTITION GROUP MAXGROUP
ADD DBPARTITIONNUMS (3,6)LIKE DBPARTITIONNUM 2
```

ALTER DATABASE PARTITION GROUP

- Assume that you want to drop database partition 1 and add database partition 6 to database partition group MEDGROUP. You will define the table space containers separately for database partition 6 using ALTER TABLESPACE. The statement is as follows:

```
ALTER DATABASE PARTITION GROUP MEDGROUP
ADD DBPARTITIONNUM(6)WITHOUT TABLESPACES
DROP DBPARTITIONNUM(1)
```

ALTER DATABASE

The ALTER DATABASE statement adds new storage paths to the collection of paths that are used for automatic storage table spaces. An automatic storage table space is a table space that has been created using automatic storage; that is, the MANAGED BY AUTOMATIC STORAGE clause has been specified on the CREATE TABLESPACE statement, or no MANAGED BY clause has been specified at all. If a database is enabled for automatic storage, container and space management characteristics of its table spaces can be completely determined by the database manager.

Invocation

The statement can be embedded in an application program or issued interactively. It is an executable statement that can be dynamically prepared only if DYNAMICRULES run behavior is in effect for the package (SQLSTATE 42509).

Authorization

The privileges held by the authorization ID of the statement must include either SYSADM or SYSCTRL authority.

Syntax

```
▶▶ ALTER DATABASE database-name ADD STORAGE ON 'storage-location' ▶▶
```

Description

database-name

An optional value specifying the name of the database that is to be altered. If specified, the value must match the name of the database to which the application is currently connected (not the alias that the client might have cataloged); otherwise, an error is returned (SQLSTATE 42961).

ADD STORAGE ON

Specifies that one or more new storage locations are to be added to the collection of storage locations that are used for automatic storage table spaces.

'storage-location'

A string constant that specifies either an absolute path or the letter name of a drive (Windows operating systems only) on which containers for automatic storage table spaces are to be created.

Rules

- If automatic storage is not defined for the database (that is, the `AUTOMATIC STORAGE NO` clause was specified on the `CREATE DATABASE` command), new storage paths cannot be added (SQLSTATE 55060).
- The storage path must exist and be accessible (SQLSTATE 57019). Similarly, in a partitioned database environment, the storage path must exist and be accessible on every database partition (SQLSTATE 57019).

Notes

- When adding new storage paths:
 - Existing regular and large table spaces using automatic storage will not initially use these new paths. The database manager might choose to create new table space containers on these paths only if an out-of-space condition occurs.
 - Existing temporary table spaces using automatic storage might use these new paths immediately. If a temporary table space is not in use at the time of an `ADD STORAGE ON` operation, new containers might be created on those storage paths immediately. However, if the temporary table space is in use, new containers will not be created until there are no more users of the table space.
- Although `ADD STORAGE` is an operation that is logged, whether or not it is redone during a rollforward operation depends on how the database was restored. If the restore operation does not redefine the storage paths that are associated with the database, the log record that contains the storage path definition is redone, and the storage paths that are described in the log record are added during the rollforward operation. However, if the storage paths *are* redefined during the restore operation, the rollforward operation will not redo this log record, because it is assumed that you have already set up the storage paths. This behavior also applies to high availability disaster recovery (HADR) environments: the log record will not be redone if the storage paths were redefined when the standby system was set up.
- Do not use the `ADD STORAGE` clause to add storage paths to a database while a new database partition is being added. If new storage paths are added during or after a database partition has been added, but before that new partition has been started, the new storage paths will not be reflected on the new database partition, and the database partitions will be out of synchronization.
- When free space is calculated for a storage path on a database partition, the database manager checks for the existence of the following directories or mount points within the storage path, and will use the first one that is found.

```
<storage path>/<instance name>/NODE####/<database name>
<storage path>/<instance name>/NODE####
<storage path>/<instance name>
<storage path>
```

Where:

- `<storage path>` is a storage path associated with the database
- `<instance name>` is the instance under which the database resides
- `NODE####` corresponds to the database partition number (for example, `NODE0000` or `NODE0001`)
- `<database name>` is the name of the database

File systems can be mounted at a point beneath the storage path, and the database manager will recognize that the actual amount of free space available for table space containers might not be the same amount that is associated with the storage path directory itself.

ALTER DATABASE

Consider an example in which two logical database partitions exist on one physical machine, and there is a single storage path (/db2data). Each database partition will use this storage path, but you might want to isolate the data from each partition within its own file system. In this case, a separate file system can be created for each partition and it can be mounted at /db2data/<instance>/NODE####. When creating containers on the storage path and determining free space, the database manager will not retrieve free space information for /db2data, but instead will retrieve it for the corresponding /db2data/<instance>/NODE#### directory.

- In general, the same storage paths must be used for each partition in a multi-partition database. One exception to this is the case in which database partition expressions are used within the storage path. Doing this allows the database partition number to be reflected in the storage path, such that the resulting path name is different on each partition.

You use the argument “ \$N” ([blank]\$N) to indicate a database partition expression. A database partition expression can be used anywhere in the storage path, and multiple database partition expressions can be specified. Terminate the database partition expression with a space character; whatever follows the space is appended to the storage path after the database partition expression is evaluated. If there is no space character in the storage path after the database partition expression, it is assumed that the rest of the string is part of the expression. The argument can only be used in one of the following forms.

Table 10. Arguments for Creating Storage Paths. Operators are evaluated from left to right. The database partition number in the examples is assumed to be 10.

Syntax	Example	Value
[blank]\$N	" \$N"	10
[blank]\$N+[number]	" \$N+100"	110
[blank]\$N%[number]	" \$N%5" ^a	0
[blank]\$N+[number]%[number]	" \$N+1%5"	1
[blank]\$N%[number]+[number]	" \$N%4+2"	4

^a % represents the modulus operator.

Examples

Example 1: Add two paths under the /db2 directory (/db2/filesystem1 and /db2/filesystem2) and a third path named /filesystem3 to the space for automatic storage table spaces that is associated with the currently connected database.

```
ALTER DATABASE ADD STORAGE ON '/db2/filesystem1', '/db2/filesystem2',  
                               '/filesystem3'
```

Example 2: Add drives D and E to the space for automatic storage table spaces that is associated with the SAMPLE database.

```
ALTER DATABASE SAMPLE ADD STORAGE ON 'D:', 'E:\'
```

Example 3: Add directory F:\DB2DATA and drive G to the space for automatic storage table spaces that is associated with the currently connected database.

```
ALTER DATABASE ADD STORAGE ON 'F:\DB2DATA', 'G:'
```

Example 4: Add a storage path that uses a database partition expression to differentiate the storage paths on each of the database partitions.


```
ALTER DATABASE ADD STORAGE ON '/dataForPartition $N'
```

The storage path that would be used on database partition 0 is /dataForPartition0; on database partition 1, it would be /dataForPartition1; and so on.

ALTER FUNCTION

The ALTER FUNCTION statement modifies the properties of an existing function.

Invocation

This statement can be embedded in an application program or issued through the use of dynamic SQL statements. It is an executable statement that can be dynamically prepared only if DYNAMICRULES run behavior is in effect for the package (SQLSTATE 42509).

Authorization

The privileges held by the authorization ID of the statement must include at least one of the following:

- ALTERIN privilege on the schema of the function
- Owner of the function, as recorded in the OWNER column of the SYSCAT.ROUTINES catalog view
- SYSADM or DBADM authority

To alter the EXTERNAL NAME of a function, the privileges held by the authorization ID of the statement must also include at least one of the following:

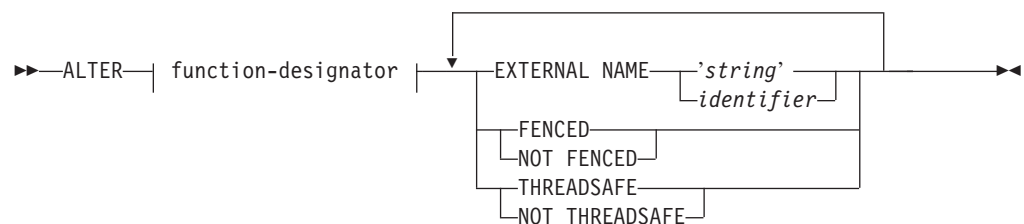
- CREATE_EXTERNAL_ROUTINE authority on the database
- SYSADM or DBADM authority

To alter a function to be not fenced, the privileges held by the authorization ID of the statement must also include at least one of the following:

- CREATE_NOT_FENCED_ROUTINE authority on the database
- SYSADM or DBADM authority

To alter a function to be fenced, no additional authorities or privileges are required.

Syntax



ALTER FUNCTION

Description

function-designator

Uniquely identifies the function to be altered. For more information, see “Function, method, and procedure designators” on page 15.

EXTERNAL NAME *'string' or identifier*

Identifies the name of the user-written code that implements the function. This option can only be specified when altering external functions (SQLSTATE 42849).

FENCED or NOT FENCED

Specifies whether the function is considered safe to run in the database manager operating environment's process or address space (NOT FENCED), or not (FENCED). Most functions have the option of running as FENCED or NOT FENCED.

If a function is altered to be FENCED, the database manager insulates its internal resources (for example, data buffers) from access by the function. In general, a function running as FENCED will not perform as well as a similar one running as NOT FENCED.

CAUTION:

Use of NOT FENCED for functions that were not adequately coded, reviewed, and tested can compromise the integrity of DB2. DB2 takes some precautions against many of the common types of inadvertent failures that might occur, but cannot guarantee complete integrity when NOT FENCED user-defined functions are used.

A function declared as NOT THREADSAFE cannot be altered to be NOT FENCED (SQLSTATE 42613).

If a function has any parameters defined AS LOCATOR, and was defined with the NO SQL option, the function cannot be altered to be FENCED (SQLSTATE 42613).

This option cannot be altered for LANGUAGE OLE, OLEDB, or CLR functions (SQLSTATE 42849).

THREADSAFE or NOT THREADSAFE

Specifies whether the function is considered safe to run in the same process as other routines (THREADSAFE), or not (NOT THREADSAFE).

If the function is defined with LANGUAGE other than OLE and OLEDB:

- If the function is defined as THREADSAFE, the database manager can invoke the function in the same process as other routines. In general, to be threadsafe, a function should not use any global or static data areas. Most programming references include a discussion of writing threadsafe routines. Both FENCED and NOT FENCED functions can be THREADSAFE.
- If the function is defined as NOT THREADSAFE, the database manager will never simultaneously invoke the function in the same process as another routine. Only a fenced function can be NOT THREADSAFE (SQLSTATE 42613).

This option may not be altered for LANGUAGE OLE or OLEDB functions (SQLSTATE 42849).

Notes

- It is not possible to alter a function that is in the SYSIBM, SYSFUN, or SYSPROC schema (SQLSTATE 42832).

- Functions declared as LANGUAGE SQL, sourced functions, or template functions cannot be altered (SQLSTATE 42917).

Example

The function MAIL() has been thoroughly tested. To improve its performance, alter the function to be not fenced.

```
ALTER FUNCTION MAIL() NOT FENCED
```

ALTER HISTOGRAM TEMPLATE

The ALTER HISTOGRAM TEMPLATE statement is used to modify the template describing the type of histogram that can be used to override one or more of the default histograms of a service class or a work class.

Invocation

This statement can be embedded in an application program or issued interactively. It is an executable statement that can be dynamically prepared only if DYNAMICRULES run behavior is in effect for the package (SQLSTATE 42509).

Authorization

The privileges held by the authorization ID of the statement must include SYSADM or DBADM authority.

Syntax

```
►►—ALTER HISTOGRAM TEMPLATE—template-name—HIGH BIN VALUE—bigint-constant—◄◄
```

Description

template-name

Names the histogram template. This is a one-part name. It is an SQL identifier (either ordinary or delimited). The name must identify an existing histogram template at the current server (SQLSTATE 42704). The template name can be the default system histogram template SYSDEFAULTHISTOGRAM.

HIGH BIN VALUE *bigint-constant*

Specifies the top value of the second to last bin (the last bin has an unbounded top value). The units depend on how the histogram is used. The maximum value is 268 435 456.

Rules

- A workload management (WLM)-exclusive SQL statement must be followed by a COMMIT or a ROLLBACK statement (SQLSTATE 5U021). WLM-exclusive SQL statements are:
 - CREATE HISTOGRAM TEMPLATE, ALTER HISTOGRAM TEMPLATE, or DROP (HISTOGRAM TEMPLATE)
 - CREATE SERVICE CLASS, ALTER SERVICE CLASS, or DROP (SERVICE CLASS)
 - CREATE THRESHOLD, ALTER THRESHOLD, or DROP (THRESHOLD)
 - CREATE WORK ACTION SET, ALTER WORK ACTION SET, or DROP (WORK ACTION SET)

ALTER HISTOGRAM TEMPLATE

- CREATE WORK CLASS SET, ALTER WORK CLASS SET, or DROP (WORK CLASS SET)
- CREATE WORKLOAD, ALTER WORKLOAD, or DROP (WORKLOAD)
- GRANT (Workload Privileges) or REVOKE (Workload Privileges)
- A WLM-exclusive SQL statement cannot be issued within a global transaction (SQLSTATE 51041) such as, for example, an XA transaction.

Notes

- Only one uncommitted WLM-exclusive SQL statement at a time is allowed across all partitions. If an uncommitted WLM-exclusive SQL statement is executing, subsequent WLM-exclusive SQL statements will wait until the current WLM-exclusive SQL statement commits or rolls back.
- Changes are written to the system catalog, but do not take effect until they are committed, even for the connection that issues the statement.

Example

Change the high bin value of a histogram template named LIFETIMETEMP.

```
ALTER HISTOGRAM TEMPLATE LIFETIMETEMP
HIGH BIN VALUE 90000
```

ALTER METHOD

The ALTER METHOD statement modifies an existing method by changing the method body associated with the method.

Invocation

This statement can be embedded in an application program or issued through the use of dynamic SQL statements. It is an executable statement that can be dynamically prepared only if DYNAMICRULES run behavior is in effect for the package (SQLSTATE 42509).

Authorization

The privileges held by the authorization ID of the statement must include at least one of the following:

- CREATE_EXTERNAL_ROUTINE authority on the database, and at least one of:
 - ALTERIN privilege on the schema of the type
 - Owner of the type, as recorded in the OWNER column of the SYSCAT.DATATYPES catalog view
- SYSADM or DBADM authority

Syntax

```
➤➤ ALTER | method-designator | EXTERNAL NAME 'string' | identifier ➤➤
```

Description

method-designator

Uniquely identifies the method to be altered. For more information, see “Function, method, and procedure designators” on page 15.

EXTERNAL NAME *'string'* or *identifier*

Identifies the name of the user-written code that implements the method. This option can only be specified when altering external methods (SQLSTATE 42849).

Notes

- It is not possible to alter a method that is in the SYSIBM, SYSFUN, or SYSPROC schema (SQLSTATE 42832).
- Methods declared as LANGUAGE SQL cannot be altered (SQLSTATE 42917).
- Methods declared as LANGUAGE CLR cannot be altered (SQLSTATE 42849).
- The specified method must have a body before it can be altered (SQLSTATE 42704).

Example

Alter the method DISTANCE() in the structured type ADDRESS_T to use the library newaddresslib.

```
ALTER METHOD DISTANCE()
FOR TYPE ADDRESS_T
EXTERNAL NAME 'newaddresslib!distance2'
```

ALTER NICKNAME

The ALTER NICKNAME statement modifies the nickname information associated with a data source object (such as a table, view, or file). This statement modifies the information that is stored in the federated database by:

- Altering the local column names for the columns of the data source object
- Altering the local data types for the columns of the data source object
- Adding, setting, or dropping nickname and column options
- Adding or dropping a primary key
- Adding or dropping one or more unique, referential, or check constraints
- Altering one or more referential or check constraint attributes
- Altering the caching of data at a federated server

Invocation

This statement can be embedded in an application program or issued through the use of dynamic SQL statements. It is an executable statement that can be dynamically prepared only if DYNAMICRULES run behavior is in effect for the package (SQLSTATE 42509).

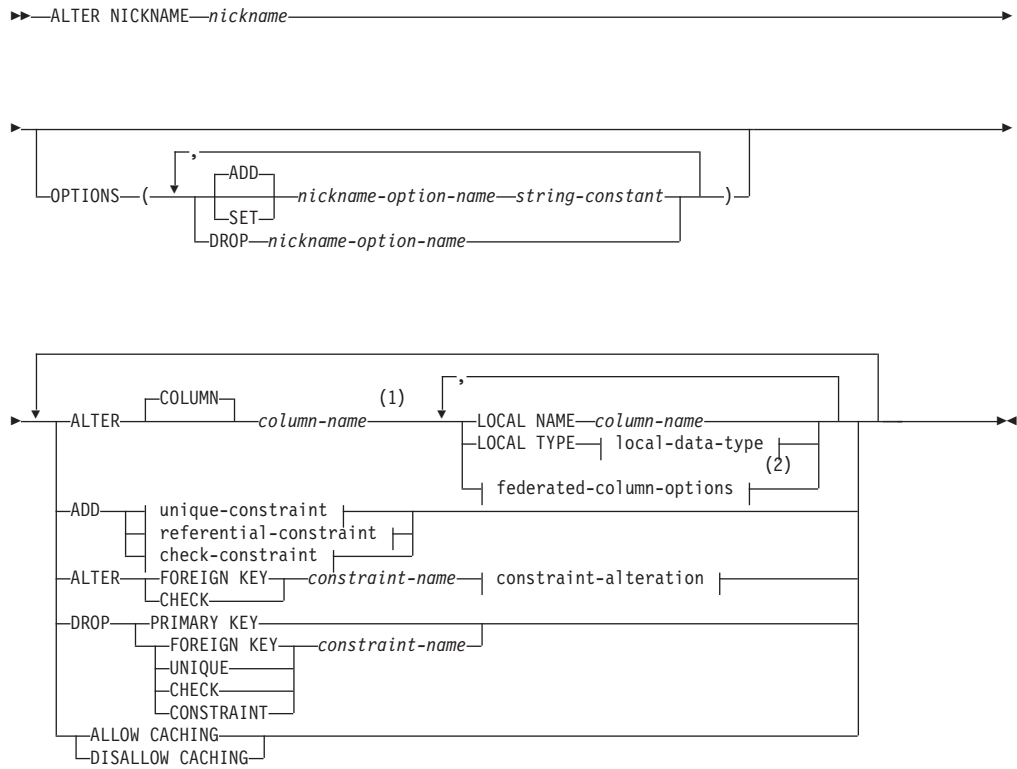
Authorization

The privileges held by the authorization ID of the statement must include at least one of the following:

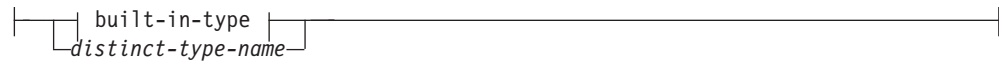
- ALTER privilege on the nickname specified in the statement
- CONTROL privilege on the nickname specified in the statement
- ALTERIN privilege on the schema, if the schema name of the nickname exists
- Owner of the nickname, as recorded in the OWNER column of the SYSCAT.TABLES catalog view
- SYSADM or DBADM authority

ALTER NICKNAME

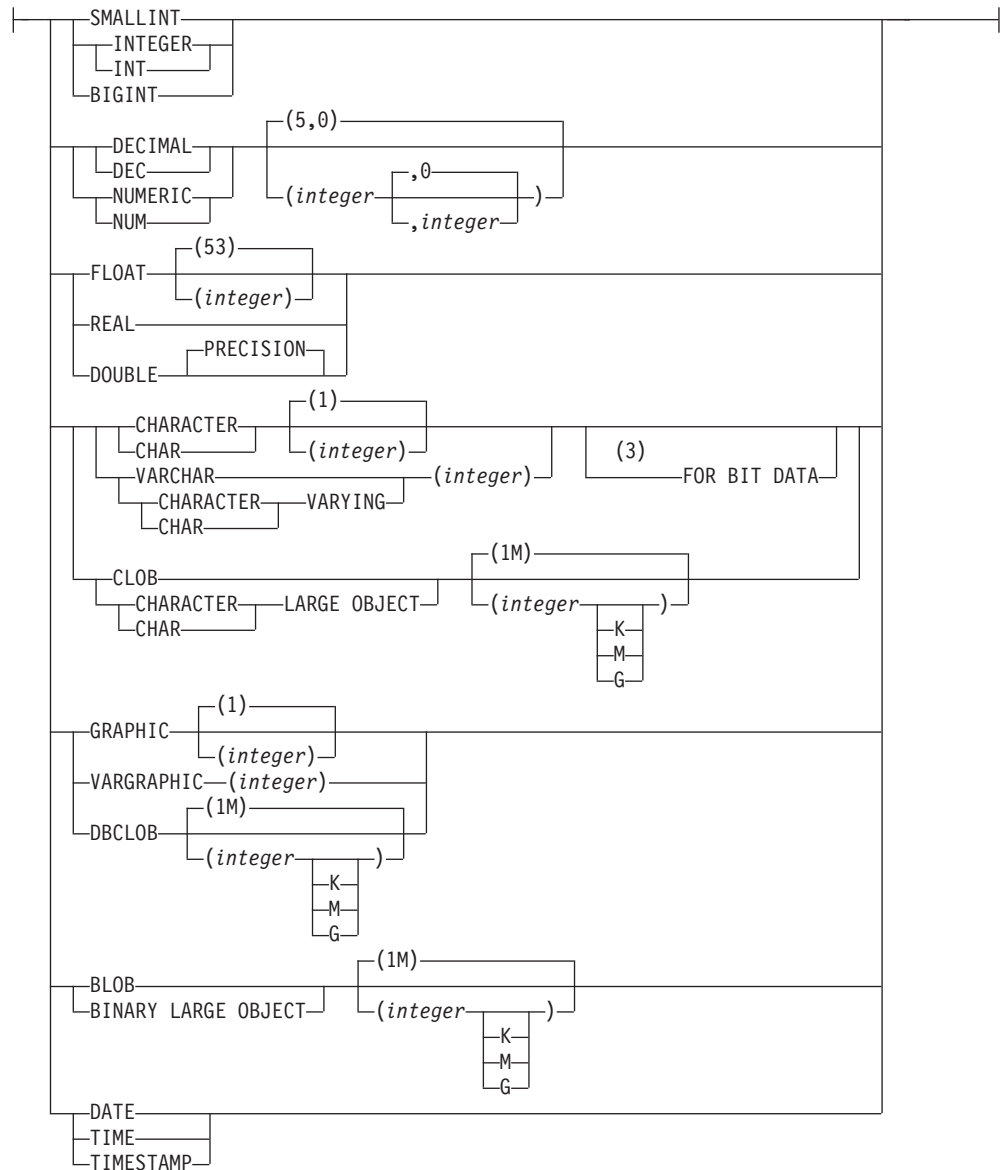
Syntax



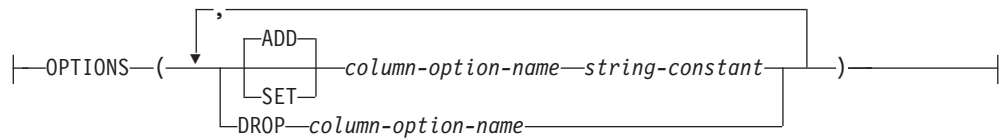
local-data-type:



built-in-type:



federated-column-options:



unique-constraint:



ALTER NICKNAME

▶ | constraint-attributes |

referential-constraint:

| CONSTRAINT *constraint-name* FOREIGN KEY ((*column-name*))

▶ | references-clause |

references-clause:

| REFERENCES *table-name* ((*column-name*))

▶ | constraint-attributes |

check-constraint:

| CONSTRAINT *constraint-name* CHECK (*check-condition*)

▶ | constraint-attributes |

check-condition:

| *search-condition* |
| functional-dependency |

functional-dependency:

| *column-name* DETERMINED BY ((*column-name*))

constraint-attributes:

| ● NOT ENFORCED ● |
| ENABLE QUERY OPTIMIZATION |
| (4) |
| DISABLE QUERY OPTIMIZATION |

constraint-alteration:**Notes:**

- 1 You cannot specify both the ALTER COLUMN clause and an ADD, ALTER, or DROP informational constraint clause in the same ALTER NICKNAME statement.
- 2 If you need to specify the federated-column-options clause in addition to the LOCAL NAME parameter, the LOCAL TYPE parameter, or both, you must specify the federated-column-options clause last.
- 3 The FOR BIT DATA clause can be specified in any order with the other column constraints that follow.
- 4 DISABLE QUERY OPTIMIZATION is not supported for a unique or primary key constraint.

Description*nickname*

Identifies the nickname for the data source object (such as a table, view, or file) that contains the column being altered. It must be a nickname described in the catalog.

OPTIONS

Indicates the nickname options that are added, set, or dropped when the nickname is altered.

ADD

Adds a nickname option.

SET

Changes the setting of a nickname option.

nickname-option-name

Names a nickname option that is to be added or set.

string-constant

Specifies the setting for *nickname-option-name* as a character string constant.

DROP *nickname-option-name*

Drops a nickname option.

ALTER COLUMN *column-name*

Names the column to be altered. The *column-name* is the federated server's current name for the column of the table or view at the data source. The *column-name* must identify an existing column of the nickname (SQLSTATE 42703). You cannot reference the same column name multiple times in the same ALTER NICKNAME statement (SQLSTATE 42711).

LOCAL NAME *column-name*

Specifies a new name, *column-name*, by which the federated server is to reference the column to be altered. The new name cannot be qualified, and the same name cannot be used for more than one column of the nickname (SQLSTATE 42711).

ALTER NICKNAME

LOCAL TYPE *local-data-type*

Specifies a new local data type to which the data type of the column that is to be altered will map. The new type is denoted by *local-data-type*.

Some wrappers only support a subset of the SQL data types. For descriptions of specific data types, see the description of the “CREATE TABLE” statement.

OPTIONS

Indicates what column options are to be added, set, or dropped for the column specified after the COLUMN keyword.

ADD

Adds a column option.

SET

Changes the setting of a column option.

column-option-name

Names a column option that is to be added or set.

string-constant

Specifies the setting for *column-option-name* as a character string constant.

DROP *column-option-name*

Drops a column option.

ADD *unique-constraint*

Defines a unique constraint. See the description of the “CREATE NICKNAME” statement.

ADD *referential-constraint*

Defines a referential constraint. See the description of the “CREATE NICKNAME” statement.

ADD *check-constraint*

Defines a check constraint. See the description of the “CREATE NICKNAME” statement.

ALTER FOREIGN KEY *constraint-name*

Alters the constraint attributes of the referential constraint *constraint-name*. For a description of the constraint attributes, see the “CREATE NICKNAME” statement. The *constraint-name* must identify an existing referential constraint (SQLSTATE 42704).

ALTER CHECK *constraint-name*

Alters the constraint attributes of the check constraint *constraint-name*. The *constraint-name* must identify an existing check constraint (SQLSTATE 42704).

constraint-alteration

Provides options for changing the attributes associated with referential or check constraints.

ENABLE QUERY OPTIMIZATION

The constraint can be used for query optimization under appropriate circumstances.

DISABLE QUERY OPTIMIZATION

The constraint cannot be used for query optimization.

DROP PRIMARY KEY

Drops the definition of the primary key and all referential constraints that are dependent upon this primary key. The nickname must have a primary key.

DROP FOREIGN KEY *constraint-name*

Drops the referential constraint *constraint-name*. The *constraint-name* must identify an existing referential constraint defined on the nickname.

DROP UNIQUE *constraint-name*

Drops the definition of the unique constraint *constraint-name* and all referential constraints that are dependent upon this unique constraint. The *constraint-name* must identify an existing unique constraint.

DROP CHECK *constraint-name*

Drops the check constraint *constraint-name*. The *constraint-name* must identify an existing check constraint defined on the nickname.

DROP CONSTRAINT *constraint-name*

Drops the constraint *constraint-name*. The *constraint-name* must identify an existing check constraint, referential constraint, primary key, or unique constraint defined on the nickname.

ALLOW CACHING or DISALLOW CACHING

Specifies whether or not data for this nickname can be cached at the federated server.

ALLOW CACHING

Specifies that data for this nickname can be cached at the federated server.

DISALLOW CACHING

Specifies that data for this nickname cannot be cached at the federated server. A materialized query table definition cannot refer to a nickname that disallows caching, and this clause cannot be specified for a nickname that is referenced in the fullselect of a materialized query table definition (SQLSTATE 42917).

Rules

- If a nickname is used in a view, SQL method, or SQL function, or informational constraints are defined on it, the ALTER NICKNAME statement cannot be used to change the local names or data types for the columns in the nickname (SQLSTATE 42893). The statement can be used, however, to add, set, or drop column options, nickname options, or informational constraints.
- If a nickname is referenced by a materialized query table definition, the ALTER NICKNAME statement cannot be used to change the local names, data types, column options, or nickname options (SQLSTATE 42893). Moreover, the statement cannot be used to disable caching (SQLSTATE 42917). The statement can be used, however, to add, alter, or drop informational constraints.
- A column option cannot be specified more than once in the same ALTER NICKNAME statement (SQLSTATE 42853). When a column option is enabled, reset, or dropped, any other column options that are in use are not affected.
- For relational nicknames, the ALTER NICKNAME statement within a given unit of work (UOW) cannot be processed under either of the following conditions (SQLSTATE 55007):
 - A nickname referenced in this statement has a cursor open on it in the same UOW
 - Either an INSERT, DELETE, or UPDATE statement is already issued in the same UOW against the nickname that is referenced in this statement
- For non-relational nicknames, the ALTER NICKNAME statement within a given unit of work (UOW) cannot be processed under any of the following conditions (SQLSTATE 55007):

ALTER NICKNAME

- A nickname referenced in this statement has a cursor open on it in the same UOW
- A nickname referenced in this statement is already referenced by a SELECT statement in the same UOW
- Either an INSERT, DELETE, or UPDATE statement has already been issued in the same UOW against the nickname that is referenced in this statement

Notes

- If the ALTER NICKNAME statement is used to change the local name for a column of a nickname, queries against that column must reference it by its new name.
- When the local specification of a column's data type is changed, the database manager invalidates any statistics (HIGH2KEY, LOW2KEY, and so on) gathered for that column.
- Specify the DISALLOW CACHING clause for nicknames whose data source object is protected. This ensures that each time the nickname is used, data for the appropriate authorization ID is returned from the data source at query execution time.

Examples

Example 1: The nickname NICK1 references a DB2 for System i table called T1. Also, COL1 is the local name that references this table's first column, C1. Rename the local name for C1 from COL1 to NEWCOL.

```
ALTER NICKNAME NICK1
ALTER COLUMN COL1
LOCAL NAME NEWCOL
```

Example 2: The nickname EMPLOYEE references a DB2 for z/OS table called EMP. Also, SALARY is the local name that references EMP_SAL, one of this table's columns. The column's data type, FLOAT, maps to the local data type, DOUBLE. Change the mapping so that FLOAT maps to DECIMAL (10, 5).

```
ALTER NICKNAME EMPLOYEE
ALTER COLUMN SALARY
LOCAL TYPE DECIMAL(10,5)
```

Example 3: Indicate that in an Oracle table, a column with the data type of VARCHAR does not have trailing blanks. The nickname for the table is NICK2, and the local name for the column is COL1.

```
ALTER NICKNAME NICK2
ALTER COLUMN COL1
OPTIONS (ADD VARCHAR_NO_TRAILING_BLANKS 'Y')
```

Example 4: Alter the fully qualified path for the table-structured file, drugdata1.txt, for the nickname DRUGDATA1. Use the FILE_PATH nickname option and change the path from the current value of '/user/pat/drugdata1.txt' to '/usr/kelly/data/drugdata1.txt'.

```
ALTER NICKNAME DRUGDATA1
OPTIONS (SET FILE_PATH '/usr/kelly/data/drugdata1.txt')
```

ALTER PROCEDURE (External)

The ALTER PROCEDURE (External) statement modifies an existing external procedure by changing the properties of the procedure.

Invocation

This statement can be embedded in an application program or issued through the use of dynamic SQL statements. It is an executable statement that can be dynamically prepared only if DYNAMICRULES run behavior is in effect for the package (SQLSTATE 42509).

Authorization

The privileges held by the authorization ID of the statement must include at least one of the following:

- ALTERIN privilege on the schema of the procedure
- Owner of the procedure, as recorded in the OWNER column of the SYSCAT.ROUTINES catalog view
- SYSADM or DBADM authority

To alter the EXTERNAL NAME of a procedure, the privileges held by the authorization ID of the statement must also include at least one of the following:

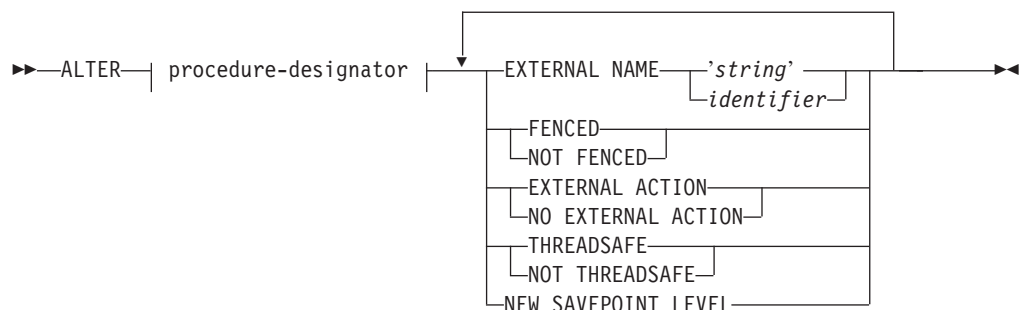
- CREATE_EXTERNAL_ROUTINE authority on the database
- SYSADM or DBADM authority

To alter a procedure to be not fenced, the privileges held by the authorization ID of the statement must also include at least one of the following:

- CREATE_NOT_FENCED_ROUTINE authority on the database
- SYSADM or DBADM authority

To alter a procedure to be fenced, no additional authorities or privileges are required.

Syntax



Description

procedure-designator

Identifies the procedure to alter. The *procedure-designator* must identify a procedure that exists at the current server. The owner of the procedure and all

ALTER PROCEDURE (External)

privileges on the procedure are preserved. For more information, see “Function, method, and procedure designators” on page 15.

EXTERNAL NAME *'string'* or *identifier*

Identifies the name of the user-written code that implements the procedure.

FENCED or NOT FENCED

Specifies whether the procedure is considered safe to run in the database manager operating environment's process or address space (NOT FENCED), or not (FENCED). Most procedures have the option of running as FENCED or NOT FENCED.

If a procedure is altered to be FENCED, the database manager insulates its internal resources (for example, data buffers) from access by the procedure. In general, a procedure running as FENCED will not perform as well as a similar one running as NOT FENCED.

CAUTION:

Use of NOT FENCED for procedures that were not adequately coded, reviewed, and tested can compromise the integrity of DB2. DB2 takes some precautions against many of the common types of inadvertent failures that might occur, but cannot guarantee complete integrity when NOT FENCED stored procedures are used.

A procedure declared as NOT THREADSAFE cannot be altered to be NOT FENCED (SQLSTATE 42613).

If a procedure has any parameters defined AS LOCATOR, and was defined with the NO SQL option, the procedure cannot be altered to be FENCED (SQLSTATE 42613).

This option cannot be altered for LANGUAGE OLE or CLR procedures (SQLSTATE 42849).

EXTERNAL ACTION or NO EXTERNAL ACTION

Specifies whether the procedure takes some action that changes the state of an object not managed by the database manager (EXTERNAL ACTION), or not (NO EXTERNAL ACTION). If NO EXTERNAL ACTION is specified, the system can use certain optimizations that assume the procedure has no external impact.

THREADSAFE or NOT THREADSAFE

Specifies whether the procedure is considered safe to run in the same process as other routines (THREADSAFE), or not (NOT THREADSAFE).

If the procedure is defined with LANGUAGE other than OLE:

- If the procedure is defined as THREADSAFE, the database manager can invoke the procedure in the same process as other routines. In general, to be threadsafe, a procedure should not use any global or static data areas. Most programming references include a discussion of writing threadsafe routines. Both FENCED and NOT FENCED procedures can be THREADSAFE.
- If the procedure is defined as NOT THREADSAFE, the database manager will never invoke the procedure in the same process as another routine. Only a fenced procedure can be NOT THREADSAFE (SQLSTATE 42613).

This option cannot be altered for LANGUAGE OLE procedures (SQLSTATE 42849).

NEW SAVEPOINT LEVEL

Specifies that a new savepoint level is to be created for the procedure. A

ALTER PROCEDURE (External)

savepoint level refers to the scope of reference for any savepoint-related statement, as well as to the name space used for comparison and reference of any savepoint names.

The savepoint level for a procedure can only be altered to NEW SAVEPOINT LEVEL.

Rules

- It is not possible to alter a procedure that is in the SYSIBM, SYSFUN, or SYSPROC schema (SQLSTATE 42832).

Example

Alter the procedure PARTS_ON_HAND() to be not fenced.

```
ALTER PROCEDURE PARTS_ON_HAND() NOT FENCED
```

ALTER PROCEDURE (Sourced)

The ALTER PROCEDURE (Sourced) statement modifies an existing sourced procedure by changing the data type of one or more parameters of the sourced procedure.

Invocation

This statement can be embedded in an application program or issued through the use of dynamic SQL statements. It is an executable statement that can be dynamically prepared only if DYNAMICRULES run behavior is in effect for the package (SQLSTATE 42509).

Authorization

The privileges held by the authorization ID of the statement must include at least one of the following:

- ALTERIN privilege on the schema of the procedure
- Owner of the procedure, as recorded in the OWNER column of the SYSCAT.ROUTINES catalog view
- SYSADM or DBADM authority

Syntax

▶▶—ALTER—| procedure-designator |—————▶

▶—ALTER PARAMETER—| parameter-alteration |—————▶

parameter-alteration:

|—parameter-name—SET DATA TYPE—data-type—|

ALTER PROCEDURE (Sourced)

Description

procedure-designator

Uniquely identifies the procedure to be altered. The identified procedure must be a sourced procedure (SQLSTATE 42849). For more information, see “Function, method, and procedure designators” on page 15.

parameter-name

Identifies the parameter to be altered. The *parameter-name* must identify an existing parameter of the procedure (SQLSTATE 42703). The name must not identify a parameter that is otherwise being altered in the same ALTER PROCEDURE statement (SQLSTATE 42713).

data-type

Specifies the new local data type of the parameter. SQL data type specifications and abbreviations that are valid for the *data-type* definition of a CREATE TABLE statement can be specified. BLOB, CLOB, DBCLOB, DECFLOAT, XML, REFERENCE, and user-defined types are not supported (SQLSTATE 42815).

Example

Assume that federated procedure FEDEMPLOYEE has been created for a remote Oracle procedure named 'EMPLOYEE'. The data type of an input parameter named SALARY maps to a DOUBLE(8) in DB2. Alter the data type of this parameter to DECIMAL(5,2).

```
ALTER PROCEDURE FEDEMPLOYEE
ALTER PARAMETER SALARY
SET DATA TYPE DECIMAL(5,2)
```

ALTER PROCEDURE (SQL)

The ALTER PROCEDURE (SQL) statement modifies an existing SQL procedure by changing the properties of the procedure.

Invocation

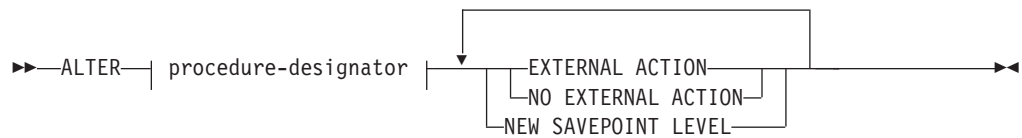
This statement can be embedded in an application program or issued through the use of dynamic SQL statements. It is an executable statement that can be dynamically prepared only if DYNAMICRULES run behavior is in effect for the package (SQLSTATE 42509).

Authorization

The privileges held by the authorization ID of the statement must include at least one of the following:

- ALTERIN privilege on the schema of the procedure
- Owner of the procedure, as recorded in the OWNER column of the SYSCAT.ROUTINES catalog view
- SYSADM or DBADM authority

Syntax



Description

procedure-designator

Identifies the procedure to alter. The *procedure-designator* must identify a procedure that exists at the current server. The owner of the procedure and all privileges on the procedure are preserved. For more information, see “Function, method, and procedure designators” on page 15.

EXTERNAL ACTION or NO EXTERNAL ACTION

Specifies whether the procedure takes some action that changes the state of an object not managed by the database manager (EXTERNAL ACTION), or not (NO EXTERNAL ACTION). If NO EXTERNAL ACTION is specified, the system can use certain optimizations that assume the procedure has no external impact.

NEW SAVEPOINT LEVEL

Specifies that a new savepoint level is to be created for the procedure. A savepoint level refers to the scope of reference for any savepoint-related statement, as well as to the name space used for comparison and reference of any savepoint names.

The savepoint level for a procedure can only be altered to NEW SAVEPOINT LEVEL.

Rules

- It is not possible to alter a procedure that is in the SYSIBM, SYSFUN, or SYSPROC schema (SQLSTATE 42832).

Example

Alter the procedure MEDIAN_RESULT_SET to indicate that it has no external action.

```
ALTER PROCEDURE MEDIAN_RESULT_SET(DOUBLE)
NO EXTERNAL ACTION
```

ALTER SECURITY LABEL COMPONENT

The ALTER SECURITY LABEL COMPONENT statement modifies a security label component.

Invocation

This statement can be embedded in an application program or issued interactively. It is an executable statement that can be dynamically prepared only if DYNAMICRULES run behavior is in effect for the package (SQLSTATE 42509).

string-constant

Specifies a string constant value of an existing element in the array component (SQLSTATE 42704).

ROOT or UNDER

For a tree component, specifies where the element is to be added in the tree structure of node element values for the security label component.

ROOT

The element to be added is to be considered the root node of the tree.

UNDER *string-constant*

The element to be added is an immediate child of the element identified by the *string-constant*. The *string-constant* value must be an existing element in the tree component (SQLSTATE 42704).

OVER *string-constant,...*

The element to be added is an immediate child of every element identified by the list of *string-constant* values. Each *string-constant* value must be an existing element in the tree component (SQLSTATE 42704).

Rules

- Element names cannot contain any of these characters (SQLSTATE 42601):
 - Opening parenthesis - (
 - Closing parenthesis -)
 - Comma - ,
 - Colon - :
- An element name can have no more than 32 bytes (SQLSTATE 42622).
- If a security label component is a set or a tree, no more than 64 elements can be part of that component.
- If the component is an array, it might or might not be possible to arrive at an array whose total number of elements matches the total number of elements that could be specified when creating a security label component of type array (65 535). DB2 assigns an encoded value to the new element from within the interval into which the new element is added. Depending on the pattern followed when adding elements to an array component, the number of possible values that can be assigned from within a particular interval might be quickly exhausted if several elements are inserted into that interval.
- BEFORE and AFTER must only be specified for a security label component that is an array (SQLSTATE 42613).
- ROOT and UNDER must only be specified for a security label component that is a tree (SQLSTATE 42613).

Notes

- For a set component, there is no order to the elements in the set.

Examples

Example 1: Add the element 'High classified' to the LEVEL security label array component between the elements 'Secret' and 'Classified'.

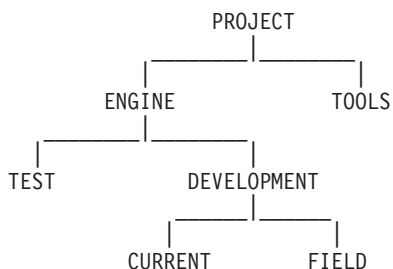
```
ALTER SECURITY LABEL COMPONENT LEVEL
ADD ELEMENT 'High classified' BEFORE 'Classified'
```

Example 2: Add the element 'Funding' to the COMPARTMENTS security label set component.

ALTER SECURITY LABEL COMPONENT

```
ALTER SECURITY LABEL COMPONENT COMPARTMENTS
ADD ELEMENT 'Funding'
```

Example 3: Add the elements 'ENGINE' and 'TOOLS' to the GROUPS security label array component. The following diagram shows where these new elements are to be placed.



```
ALTER SECURITY LABEL COMPONENT GROUPS
ADD ELEMENT 'TOOLS' UNDER 'PROJECT'
```

```
ALTER SECURITY LABEL COMPONENT GROUPS
ADD ELEMENT 'ENGINE' UNDER 'PROJECT'
OVER 'TEST', 'DEVELOPMENT'
```

ALTER SECURITY POLICY

The ALTER SECURITY POLICY statement modifies a security policy.

Invocation

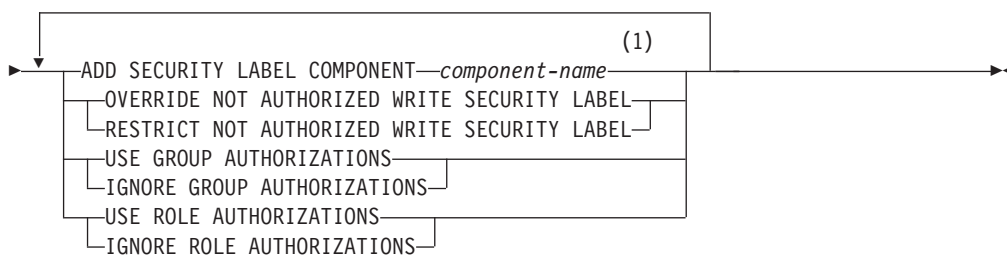
This statement can be embedded in an application program or issued interactively. It is an executable statement that can be dynamically prepared only if DYNAMICRULES run behavior is in effect for the package (SQLSTATE 42509).

Authorization

The privileges held by the authorization ID of the statement must include SECADM authority.

Syntax

```
▶▶ALTER SECURITY POLICY—security-policy-name————▶▶
```



Notes:

- 1 Only the ADD SECURITY LABEL COMPONENT clause can be specified more than once.

Description*security-policy-name*

Specifies the name of the security policy to be altered. The name must identify an existing security policy at the current server (SQLSTATE 42710).

ADD SECURITY LABEL COMPONENT *component-name*

Adds a security label component to the security policy. The same security component must not be specified more than once for the security policy (SQLSTATE 42713). The security policy cannot currently be in use by a table (SQLSTATE 42893).

OVERRIDE NOT AUTHORIZED WRITE SECURITY LABEL or RESTRICT NOT AUTHORIZED WRITE SECURITY LABEL

Specifies the action taken when a user is not authorized to write the explicitly specified security label that is provided in the INSERT or UPDATE statement issued against a table that is protected with this security policy. A user's security label and exemption credentials determine the user's authorization to write an explicitly provided security label.

OVERRIDE NOT AUTHORIZED WRITE SECURITY LABEL

Indicates that the value of the user's security label, rather than the explicitly specified security label, is used for write access during an insert or update operation.

RESTRICT NOT AUTHORIZED WRITE SECURITY LABEL

Indicates that the insert or update operation will fail if the user is not authorized to write the explicitly specified security label that is provided in the INSERT or UPDATE statement (SQLSTATE 42519).

USE GROUP AUTHORIZATION or IGNORE GROUP AUTHORIZATION

Specifies whether or not security labels and exemptions granted to groups, directly or indirectly, are considered for any access attempt.

USE GROUP AUTHORIZATION

Indicates that any security labels or exemptions granted to groups, directly or indirectly, are considered.

IGNORE GROUP AUTHORIZATION

Indicates that any security labels or exemptions granted to groups are not considered.

USE ROLE AUTHORIZATION or IGNORE ROLE AUTHORIZATION

Specifies whether or not security labels and exemptions granted to roles, directly or indirectly, are considered for any access attempt.

USE ROLE AUTHORIZATION

Indicates that any security labels or exemptions granted to roles, directly or indirectly, are considered.

IGNORE ROLE AUTHORIZATION

Indicates that any security labels or exemptions granted to roles are not considered.

Rules

- If a user does not directly hold a security label for write access, an error is returned in the following situations (SQLSTATE 42519):
 - A value for the row security label column is not explicitly provided as part of the SQL statement

ALTER SECURITY POLICY

- The `OVERRIDE NOT AUTHORIZED WRITE SECURITY LABEL` option is in effect for the security policy, and the user is not allowed to write a data object with the provided security label

Notes

- New components are logically added at the end of the existing security label definition contained by the modified policy. Existing security labels defined for this security policy are modified to contain the new component as part of their definition with no element in their value for this component.
- *Cache invalidation when changing NOT AUTHORIZED WRITE SECURITY LABEL:* Changing the `NOT AUTHORIZED WRITE SECURITY LABEL` to a new value will cause the invalidation of any cached dynamic or static SQL statements that are dependent on any table that is protected by the security policy being altered.
- Because the session authorization ID is the focus authorization ID for label-based access control, security labels granted to groups or to roles that are accessible through groups are eligible for consideration for all types of SQL statements, including static SQL.
- If more than one security label or exemption is available to a user with associated groups or roles at the time of a read or write access attempt, those security labels and exemptions will be evaluated for eligibility based on the following rules:
 - If the security policy enables only role authorizations for consideration, all security labels and exemptions granted to roles of which the user authorization ID is a direct or indirect member will be considered. Security labels and exemptions granted to roles for which membership is only accessible through the groups associated with the user authorization ID will not be considered.
 - If the security policy enables only group authorizations for consideration, all security labels and exemptions granted to groups associated with the user authorization ID will be considered. Security labels and exemptions granted to roles for which membership is only accessible through the groups associated with the user authorization ID will not be considered.
 - If the security policy enables both group and role authorizations for consideration, any security labels and exemptions granted to roles accessible to the user indirectly through groups associated with the user authorization ID will be considered.
 - Role authorizations that are accessible to the user only through `PUBLIC` will not be considered at any time.
- If more than one security label is eligible for consideration during an access attempt, the values provided for each security label are merged at the individual component level to form a security label that reflects the combination of all available values at each component piece of the security policy. This is the security label value that will be used for the access attempt.

The mechanisms for combining security labels vary by component type. The components of the resultant security label are as follows:

 - Set components contain the union of all unique values encountered in the eligible security labels
 - Array components contain the highest order element encountered in the eligible security labels
 - Tree components contain the union of all unique values encountered in the eligible security labels

- If more than one exemption is eligible for consideration during an access attempt, all found exemptions are applied to the access attempt.

Examples

Example 1: Alter a security policy named DATA_ACCESS to add a new component named REGION.

```
ALTER SECURITY POLICY DATA_ACCESS
ADD COMPONENT REGION
```

Example 2: Alter a security policy named DATA_ACCESS to allow access through security labels granted to roles.

```
ALTER SECURITY POLICY DATA_ACCESS
USE ROLE AUTHORIZATIONS
```

Example 3: Show the eligible security labels that would be considered depending on the settings for group or role authorizations in a security policy. The security policy SECUR_POL has an array component and a set component, consisting of the following elements:

Array = {TS, S, C, U}
Set = {A, B, X, Y}

The following security labels are defined for SECUR_POL:

Security label L1 = C:A
Security label L2 = S:B
Security label L3 = TS:X
Security label L4 = U:Y

User Paul is a member of role R1 and group G1. Group G1 is a member of role R2. Security label L1 is granted to Paul. Security label L2 is granted to role R1. Security label L3 is granted to group G1. Security label L4 is granted to role R2. The following table shows what security labels would be considered for any access attempt by Paul, depending on the different possible settings of the security policy SECUR_POL.

Table 11. Security labels considered as a function of security policy settings

	Roles Enabled	Roles Disabled
Groups Enabled	L1, L2, L3, L4	L1, L3
Groups Disabled	L1, L2	L1

The following table shows the value of the combined security label for any access attempt by Paul, depending on the different settings of the security policy SECUR_POL.

Table 12. Combined security labels as a function of security policy settings

	Roles Enabled	Roles Disabled
Groups Enabled	TS:(A, B, X, Y)	TS:(A, X)
Groups Disabled	S:(A, B)	C:A

ALTER SEQUENCE

The ALTER SEQUENCE statement can be used to change a sequence in any of these ways:

- Restarting the sequence
- Changing the increment between future sequence values
- Setting or eliminating the minimum or maximum values
- Changing the number of cached sequence numbers
- Changing the attribute that determines whether the sequence can cycle or not
- Changing whether sequence numbers must be generated in order of request

Invocation

This statement can be embedded in an application program or issued through the use of dynamic SQL statements. It is an executable statement that can be dynamically prepared only if DYNAMICRULES run behavior is in effect for the package (SQLSTATE 42509).

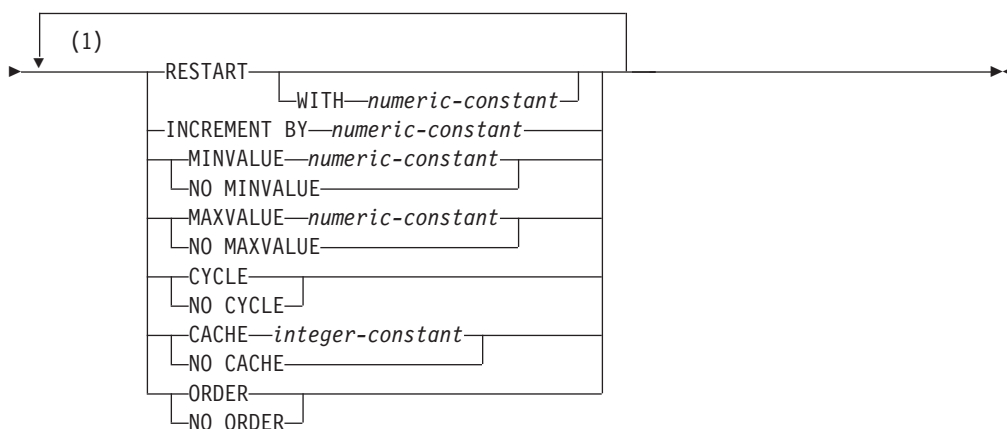
Authorization

The privileges held by the authorization ID of the statement must include at least one of the following:

- ALTER privilege on the sequence to be altered
- ALTERIN privilege on the schema implicitly or explicitly specified
- SYSADM or DBADM authority

Syntax

►► ALTER SEQUENCE *sequence-name* ◀◀



Notes:

- 1 The same clause must not be specified more than once.

Description

sequence-name

Identifies the sequence that is to be changed. The name, including the implicit or explicit schema qualifier, must uniquely identify an existing sequence at the current server. If no sequence by this name exists in the explicitly or implicitly specified schema, an error (SQLSTATE 42704) is returned. *sequence-name* must not be a sequence generated by the system for an identity column (SQLSTATE 428FB).

RESTART

Restarts the sequence. If *numeric-constant* is not specified, the sequence is restarted at the value specified implicitly or explicitly as the starting value on the CREATE SEQUENCE statement that originally created the sequence.

WITH *numeric-constant*

Restarts the sequence with the specified value. This value can be any positive or negative value that could be assigned to a column of the data type associated with the sequence (SQLSTATE 42815), without non-zero digits existing to the right of the decimal point (SQLSTATE 428FA).

INCREMENT BY *numeric-constant*

Specifies the interval between consecutive values of the sequence. This value can be any positive or negative value that could be assigned to a column of the data type associated with the sequence (SQLSTATE 42815), and does not exceed the value of a large integer constant (SQLSTATE 42820), without non-zero digits existing to the right of the decimal point (SQLSTATE 428FA).

If this value is negative, then this is a descending sequence. If this value is 0 or positive, this is an ascending sequence after the ALTER statement.

MINVALUE or NO MINVALUE

Specifies the minimum value at which a descending sequence either cycles or stops generating values, or an ascending sequence cycles to after reaching the maximum value.

MINVALUE *numeric-constant*

Specifies the numeric constant that is the minimum value. This value can be any positive or negative value that could be assigned to a column of the data type associated with the sequence (SQLSTATE 42815), without non-zero digits existing to the right of the decimal point (SQLSTATE 428FA), but the value must be less than or equal to the maximum value (SQLSTATE 42815).

NO MINVALUE

For an ascending sequence, the value is the original starting value. For a descending sequence, the value is the minimum value of the data type associated with the sequence.

MAXVALUE or NO MAXVALUE

Specifies the maximum value at which an ascending sequence either cycles or stops generating values, or a descending sequence cycles to after reaching the minimum value.

MAXVALUE *numeric-constant*

Specifies the numeric constant that is the maximum value. This value can be any positive or negative value that could be assigned to a column of the data type associated with the sequence (SQLSTATE 42815), without non-zero digits existing to the right of the decimal point (SQLSTATE 428FA), but the value must be greater than or equal to the minimum value (SQLSTATE 42815).

ALTER SEQUENCE

NO MAXVALUE

For an ascending sequence, the value is the maximum value of the data type associated with the sequence. For a descending sequence, the value is the original starting value.

CYCLE or NO CYCLE

Specifies whether the sequence should continue to generate values after reaching either its maximum or minimum value. The boundary of the sequence can be reached either with the next value landing exactly on the boundary condition, or by overshooting the value.

CYCLE

Specifies that values continue to be generated for this sequence after the maximum or minimum value has been reached. If this option is used, after an ascending sequence reaches its maximum value, it generates its minimum value; or after a descending sequence reaches its minimum value, it generates its maximum value. The maximum and minimum values for the sequence determine the range that is used for cycling.

When CYCLE is in effect, then duplicate values can be generated by DB2 for the sequence.

NO CYCLE

Specifies that values will not be generated for the sequence once the maximum or minimum value for the sequence has been reached.

CACHE or NO CACHE

Specifies whether to keep some preallocated values in memory for faster access. This is a performance and tuning option.

CACHE *integer-constant*

Specifies the maximum number of sequence values that are preallocated and kept in memory. Preallocating and storing values in the cache reduces synchronous I/O to the log when values are generated for the sequence.

In the event of a system failure, all cached sequence values that have not been used in committed statements are lost (that is, they will never be used). The value specified for the CACHE option is the maximum number of sequence values that could be lost in case of system failure.

The minimum value is 2 (SQLSTATE 42815).

NO CACHE

Specifies that values of the sequence are not to be preallocated. It ensures that there is not a loss of values in the case of a system failure, shutdown or database deactivation. When this option is specified, the values of the sequence are not stored in the cache. In this case, every request for a new value for the sequence results in synchronous I/O to the log.

ORDER or NO ORDER

Specifies whether the sequence numbers must be generated in order of request.

ORDER

Specifies that the sequence numbers are generated in order of request.

NO ORDER

Specifies that the sequence numbers do not need to be generated in order of request.

Notes

- Only future sequence numbers are affected by the ALTER SEQUENCE statement.

- The data type of a sequence cannot be changed. Instead, drop and recreate the sequence specifying the desired data type for the new sequence.
- All cached values are lost when a sequence is altered.
- After restarting a sequence or changing to CYCLE, it is possible for sequence numbers to be duplicate values of ones generated by the sequence previously.
- *Compatibilities*
 - For compatibility with previous versions of DB2 and for consistency:
 - A comma can be used to separate multiple sequence options.
 - The following syntax is also supported:
 - NOMINVALUE, NOMAXVALUE, NOCYCLE, NOCACHE, and NOORDER

Examples

Example 1: A possible reason for specifying RESTART without a numeric value would be to reset the sequence to the START WITH value. In this example, the goal is to generate the numbers from 1 up to the number of rows in the table and then inserting the numbers into a column added to the table using temporary tables. Another use would be to get results back where all the resulting rows are numbered:

```
ALTER SEQUENCE ORG_SEQ RESTART
SELECT NEXT VALUE FOR ORG_SEQ, ORG.* FROM ORG
```

ALTER SERVER

The ALTER SERVER statement is used to:

- Modify the definition of a specific data source, or the definition of a category of data sources.
- Make changes in the configuration of a specific data source, or the configuration of a category of data sources—changes that will persist over multiple connections to the federated database.

In this statement, the word SERVER and the parameter names that start with *server-* refer only to data sources in a federated system. They do not refer to the federated server in such a system, or to DRDA[®] application servers.

Invocation

This statement can be embedded in an application program or issued through the use of dynamic SQL statements. It is an executable statement that can be dynamically prepared only if DYNAMICRULES run behavior is in effect for the package (SQLSTATE 42509).

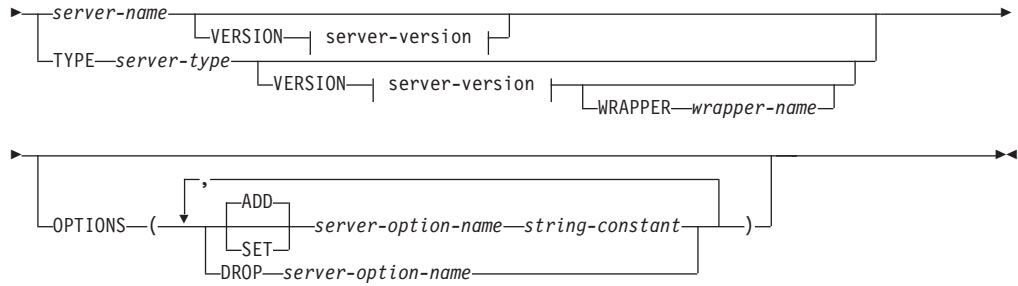
Authorization

The privileges held by the authorization ID of the statement must include SYSADM or DBADM authority.

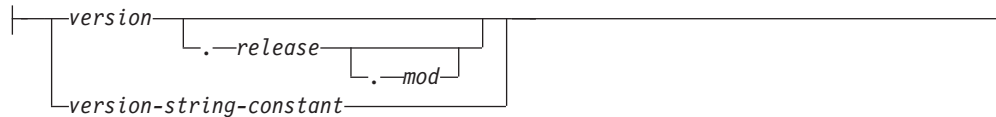
Syntax

▶▶—ALTER SERVER—▶▶

ALTER SERVER



server-version:



Description

server-name

Identifies the federated server's name for the data source to which the changes being requested are to apply. The data source must be one that is described in the catalog.

VERSION

After *server-name*, VERSION and its parameter specify a new version of the data source that *server-name* denotes.

version

Specifies the version number. The value must be an integer.

release

Specifies the number of the release of the version denoted by *version*. The value must be an integer.

mod

Specifies the number of the modification of the release denoted by *release*. The value must be an integer.

version-string-constant

Specifies the complete designation of the version. The *version-string-constant* can be a single value (for example, '8i'); or it can be the concatenated values of *version*, *release* and, if applicable, *mod* (for example, '8.0.3').

TYPE *server-type*

Specifies the type of data source to which the changes being requested are to apply.

VERSION

After *server-type*, VERSION and its parameter specify the version of the data sources for which server options are to be enabled, reset, or dropped.

WRAPPER *wrapper-name*

Specifies the name of the wrapper that the federated server uses to interact with data sources of the type and version denoted by *server-type* and *server-version*. The wrapper must be listed in the catalog.

OPTIONS

Indicates what server options are to be enabled, reset, or dropped for the data

source denoted by *server-name*, or for the category of data sources denoted by *server-type* and its associated parameters.

ADD

Enables a server option.

SET

Changes the setting of a server option.

server-option-name

Names a server option that is to be enabled or reset.

string-constant

Specifies the setting for *server-option-name* as a character string constant.

DROP *server-option-name*

Drops a server option.

Notes

- A server option cannot be specified more than once in the same ALTER SERVER statement (SQLSTATE 42853). When a server option is enabled, reset, or dropped, any other server options that are in use are not affected.
- An ALTER SERVER statement within a given unit of work (UOW) cannot be processed (SQLSTATE 55007) under either of the following conditions:
 - The statement references a single data source, and the UOW already includes one of the following:
 - A SELECT statement that references a nickname for a table or view within this data source
 - An open cursor on a nickname for a table or view within this data source
 - Either an INSERT, DELETE, or UPDATE statement issued against a nickname for a table or view within this data source
 - The statement references a category of data sources (for example, all data sources of a specific type and version), and the UOW already includes one of the following:
 - A SELECT statement that references a nickname for a table or view within one of these data sources
 - An open cursor on a nickname for a table or view within one of these data sources
 - Either an INSERT, DELETE, or UPDATE statement issued against a nickname for a table or view within one of these data sources
- If the server option is set to one value for a type of data source, and set to another value for an instance of this type, the second value overrides the first one for the instance. For example, assume that PLAN_HINTS is set to 'Y' for server type ORACLE, and to 'N' for an Oracle data source named DELPHI. This configuration causes plan hints to be enabled at all Oracle data sources except DELPHI.
- You can only alter set or alter drop server options for a category of data sources that was enabled by a prior alter add server option operation (SQLSTATE 42704).
- When altering the server version, DB2 does not verify that the specified server version matches the remote server version. Specifying an incorrect server version can result in SQL errors when you access nicknames that belong to the DB2 server definition. This is most likely when you specify a server version that is

ALTER SERVER

later than the remote server version. In that case, when you access nicknames that belong to the server definition, DB2 might send SQL that the remote server does not recognize.

Examples

Example 1: Ensure that when authorization IDs are sent to your Oracle 8.0.3 data sources, the case of the IDs will remain unchanged. Also, assume that the local federated server CPU is twice as fast as the data source CPU. Inform the optimizer of this statistic.

```
ALTER SERVER
  TYPE ORACLE
  VERSION 8.0.3
  OPTIONS
    (ADD FOLD_ID 'N',
     SET CPU_RATIO '2.0')
```

Example 2: Indicate that the Documentum data source called DCTM_SVR_ASIA has been changed to Version 4.

```
ALTER SERVER DCTM_SVR_ASIA
  VERSION 4
```

ALTER SERVICE CLASS

The ALTER SERVICE CLASS statement alters the definition of a service class.

Invocation

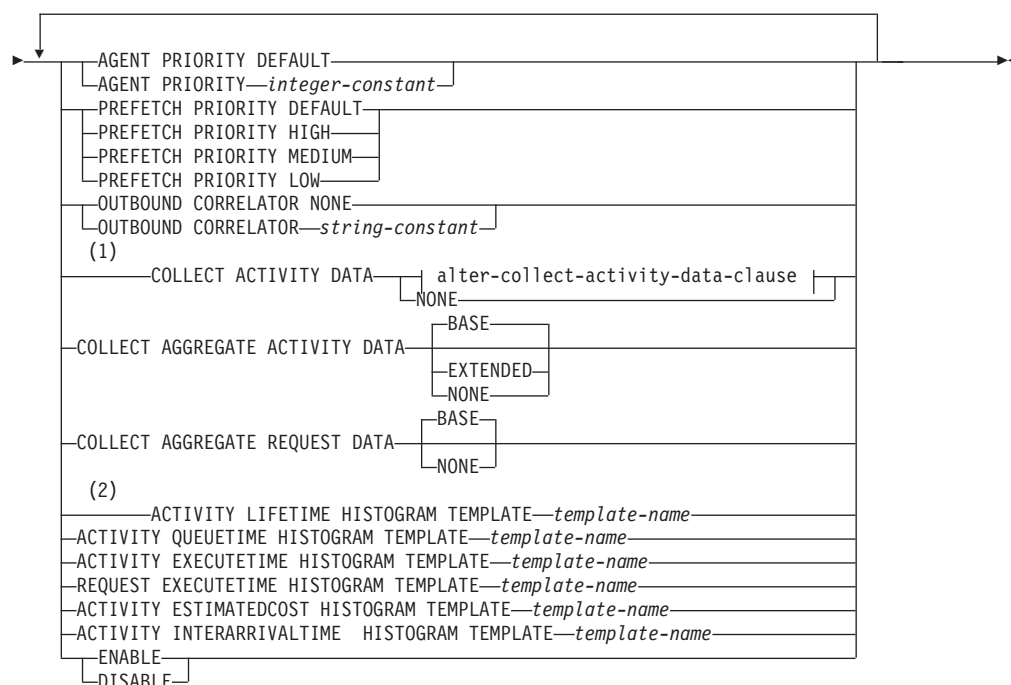
This statement can be embedded in an application program or issued through the use of dynamic SQL statements. It is an executable statement that can be dynamically prepared only if DYNAMICRULES run behavior is in effect for the package (SQLSTATE 42509).

Authorization

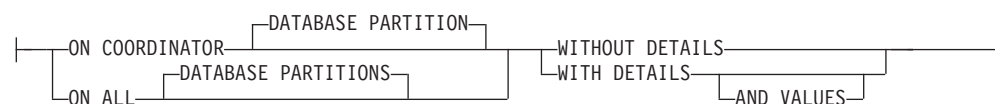
The privileges held by the authorization ID of the statement must include SYSADM or DBADM authority.

Syntax

```
▶▶—ALTER SERVICE CLASS—service-class-name—┐—service-superclass-name—┘▶
```



alter-collect-activity-data-clause:



Notes:

- 1 The COLLECT clauses are only valid for a service subclass.
- 2 The HISTOGRAM TEMPLATE clauses are only valid for a service subclass.

Description

service-class-name

Identifies the service class that is to be altered. This is a one-part name. It is an SQL identifier (either ordinary or delimited). The *service-class-name* must identify a service class that exists in the database (SQLSTATE 42704). To alter a service subclass, the *service-superclass-name* must be specified using the UNDER clause.

UNDER *service-superclass-name*

This clause is used only for altering a service subclass. The *service-superclass-name* identifies the service superclass of the service subclass and must identify a service superclass that exists in the database (SQLSTATE 42704).

AGENT PRIORITY DEFAULT or AGENT PRIORITY *integer-constant*

Specifies the relative (delta) operating system priority of agents running in the service class or the normal priority of threads running in DB2. The default value is DEFAULT. When set to DEFAULT, no special action is taken, and agents in the service class are scheduled according to the normal priority that the operating system schedules all DB2 threads. When this parameter is set to a value other than DEFAULT, agents are set to a priority that is equal to the

ALTER SERVICE CLASS

normal priority plus AGENT PRIORITY when the next activity begins. For example, if the normal priority is 20 and AGENT PRIORITY is set to -10, the priority of agents in the service class is set to $20 - 10 = 10$.

On UNIX operating systems and Linux, valid values are DEFAULT and -20 to 20 (SQLSTATE 42615). Negative values denote a higher relative priority. Positive values denote a lower relative priority.

On Windows operating systems, valid values are DEFAULT and -6 to 6 (SQLSTATE 42615). Negative values denote a lower relative priority. Positive values denote a higher relative priority.

If AGENT PRIORITY is DEFAULT for a service subclass, it inherits the AGENT PRIORITY value of its parent superclass. AGENT PRIORITY cannot be altered for a default subclass (SQLSTATE 5U032). AGENT PRIORITY must be set to DEFAULT if OUTBOUND CORRELATOR is set (SQLSTATE 42613).

Note: On AIX®, the instance owner must have CAP_NUMA_ATTACH and CAP_PROPAGATE capabilities to set a higher relative priority for agents in a service class using AGENT PRIORITY. To grant these capabilities, logon as root and run the following command:

```
chuser capabilities=CAP_NUMA_ATTACH,CAP_PROPAGATE
```

PREFETCH PRIORITY

This parameter controls the priority with which agents in the service class can submit their prefetch requests. Valid values are HIGH, MEDIUM, LOW, or DEFAULT (SQLSTATE 42615). HIGH, MEDIUM, and LOW mean that prefetch requests will be submitted to the high, medium, and low priority queues, respectively. Prefetchers empty the priority queue in order from high to low. Agents in the service class submit their prefetch requests at the PREFETCH PRIORITY level when the next activity begins. If PREFETCH PRIORITY is altered after a prefetch request is submitted, the request priority does not change. The default value is DEFAULT, which is internally mapped to MEDIUM for service superclasses. If DEFAULT is set for a service subclass, it inherits the PREFETCH PRIORITY of its parent superclass.

PREFETCH PRIORITY cannot be altered for a default subclass (SQLSTATE 5U032).

OUTBOUND CORRELATOR NONE or OUTBOUND CORRELATOR

string-constant

Specifies whether or not to associate threads from this service class to an external workload manager service class.

If OUTBOUND CORRELATOR is set to a *string-constant* for the service superclass and OUTBOUND CORRELATOR NONE is set for a service subclass, the service subclass inherits the OUTBOUND CORRELATOR of its parent. OUTBOUND CORRELATOR must be set to NONE if the AGENT PRIORITY is not set to DEFAULT (SQLSTATE 42613).

OUTBOUND CORRELATOR NONE

For a service superclass, specifies that there is no external workload manager service class association with this service class, and for a service subclass, specifies that the external workload manager service class association is the same as its parent.

OUTBOUND CORRELATOR *string-constant*

Specifies the *string-constant* that is to be used as a correlator to associate threads from this service class to an external workload manager service

class. The external workload manager must be active (SQLSTATE 5U030). The external workload manager should be set up to recognize the value of *string-constant*.

COLLECT ACTIVITY DATA

Specifies that information about each activity that executes in this service class is to be sent to the activities event monitor, if one is active, when the activity completes. The COLLECT ACTIVITY DATA clause is only valid for a service subclass.

alter-collect-activity-data-clause

ON COORDINATOR DATABASE PARTITION

Specifies that activity data is only to be collected at the database partition of the coordinator of the activity.

ON ALL DATABASE PARTITIONS

Specifies that activity data is to be collected at all database partitions where the activity is processed. However, activity details and values will only be collected at the database partition of the coordinator.

WITHOUT DETAILS

Specifies that data about each activity that executes in the service class should be sent to the activities event monitor, if one is active, when the activity completes execution. Statement and compilation environment are not sent to the event monitor.

WITH DETAILS

Specifies that statement and compilation environment data is to be sent to the activities event monitor, if one is active, for those activities that have them.

AND VALUES

Specifies that input data values are to be sent to the activities event monitor, if one is active, for those activities that have them.

NONE

Specifies that activity data should not be collected for each activity that executes in this service class.

COLLECT AGGREGATE ACTIVITY DATA

Specifies that aggregate activity data should be captured for this service class and sent to the statistics event monitor, if one is active. This information is collected periodically on an interval that is specified by the **wlm_collect_int** database configuration parameter. The default is COLLECT AGGREGATE ACTIVITY DATA BASE. The COLLECT AGGREGATE ACTIVITY DATA clause is only valid for a service subclass.

BASE

Specifies that basic aggregate activity data should be captured for this service class and sent to the statistics event monitor, if one is active. Basic aggregate activity data includes:

- Estimated activity cost high watermark
- Rows returned high watermark
- Temporary table space usage high watermark
- Activity life time histogram
- Activity queue time histogram
- Activity execution time histogram

ALTER SERVICE CLASS

EXTENDED

Specifies that all aggregate activity data should be captured for this service class and sent to the statistics event monitor, if one is active. This includes all basic aggregate activity data plus:

- Activity data manipulation language (DML) estimated cost histogram
- Activity DML inter-arrival time histogram

NONE

Specifies that no aggregate activity data should be captured for this service class.

COLLECT AGGREGATE REQUEST DATA

Specifies that aggregate request data should be captured for this service class and sent to the statistics event monitor, if one is active. This information is collected periodically on an interval specified by the `wlm_collect_int` database configuration parameter. The default is COLLECT AGGREGATE REQUEST DATA NONE. The COLLECT AGGREGATE REQUEST DATA clause is valid only for a service subclass.

BASE

Specifies that basic aggregate request data should be captured for this service class and sent to the statistics event monitor, if one is active.

NONE

Specifies that no aggregate request data should be captured for this service class.

ACTIVITY LIFETIME HISTOGRAM TEMPLATE *template-name*

Specifies the template that describes the histogram used to collect statistical data about the duration, in microseconds, of DB2 activities running in the service class during a specific interval. This time includes both time queued and time executing. This information is only collected when the COLLECT AGGREGATE ACTIVITY DATA clause is specified, with either the BASE or EXTENDED option. This clause is only valid for a service subclass.

ACTIVITY QUEUE TIME HISTOGRAM TEMPLATE *template-name*

Specifies the template that describes the histogram used to collect statistical data about the length of time, in microseconds, that DB2 activities running in the service class are queued during a specific interval. This information is only collected when the COLLECT AGGREGATE ACTIVITY DATA clause is specified, with either the BASE or EXTENDED option. This clause is only valid for a service subclass.

ACTIVITY EXECUTE TIME HISTOGRAM TEMPLATE *template-name*

Specifies the template that describes the histogram used to collect statistical data about the length of time, in microseconds, that DB2 activities running in the service class are executing during a specific interval. This time does not include the time spent queued. Activity execution time is collected in this histogram at the coordinator database partition only. The time does not include idle time. Idle time is the time between the execution of requests belonging to the same activity when no work is being done. An example of idle time is the time between the end of opening a cursor and the start of fetching from that cursor. This information is only collected when the COLLECT AGGREGATE ACTIVITY DATA clause is specified, with either the BASE or EXTENDED option. This clause is only valid for a service subclass.

REQUEST EXECUTE TIME HISTOGRAM TEMPLATE *template-name*

Specifies the template that describes the histogram used to collect statistical data about the length of time, in microseconds, that DB2 requests running in

the service class are executing during a specific interval. This time does not include the time spent queued. Request execution time is collected in this histogram on each database partition where the request executes. This information is only collected when the COLLECT AGGREGATE REQUEST DATA clause is specified with the BASE option. This clause is only valid for a service subclass.

ACTIVITY ESTIMATEDCOST HISTOGRAM TEMPLATE *template-name*

Specifies the template that describes the histogram used to collect statistical data about the estimated cost, in timerons, of DML activities running in the service class. This information is only collected when the COLLECT AGGREGATE ACTIVITY DATA clause is specified with the EXTENDED option. This clause is only valid for a service subclass.

ACTIVITY INTERARRIVALTIME HISTOGRAM TEMPLATE *template-name*

Specifies the template that describes the histogram used to collect statistical data about the length of time, in microseconds, between the arrival of one DML activity and the arrival of the next DML activity. This information is only collected when the COLLECT AGGREGATE ACTIVITY DATA clause is specified with the EXTENDED option. This clause is only valid for a service subclass.

ENABLE or DISABLE

Specifies whether or not connections and activities can be mapped to the service class.

ENABLE

Connections and activities can be mapped to the service class.

DISABLE

Connections and activities cannot be mapped to the service class. New connections or activities that are mapped to a disabled service class will be rejected (SQLSTATE 5U028). When a service superclass is disabled, its service subclasses are also disabled. When the service superclass is re-enabled, its service subclasses return to states that are defined in the system catalog. A default service class cannot be disabled (SQLSTATE 5U032).

Rules

- A workload management (WLM)-exclusive SQL statement must be followed by a COMMIT or a ROLLBACK statement (SQLSTATE 5U021). WLM-exclusive SQL statements are:
 - CREATE HISTOGRAM TEMPLATE, ALTER HISTOGRAM TEMPLATE, or DROP (HISTOGRAM TEMPLATE)
 - CREATE SERVICE CLASS, ALTER SERVICE CLASS, or DROP (SERVICE CLASS)
 - CREATE THRESHOLD, ALTER THRESHOLD, or DROP (THRESHOLD)
 - CREATE WORK ACTION SET, ALTER WORK ACTION SET, or DROP (WORK ACTION SET)
 - CREATE WORK CLASS SET, ALTER WORK CLASS SET, or DROP (WORK CLASS SET)
 - CREATE WORKLOAD, ALTER WORKLOAD, or DROP (WORKLOAD)
 - GRANT (Workload Privileges) or REVOKE (Workload Privileges)
- A WLM-exclusive SQL statement cannot be issued within a global transaction (SQLSTATE 51041) such as, for example, an XA transaction.

ALTER SERVICE CLASS

Notes

- Only one uncommitted WLM-exclusive SQL statement at a time is allowed across all partitions. If an uncommitted WLM-exclusive SQL statement is executing, subsequent WLM-exclusive SQL statements will wait until the current WLM-exclusive SQL statement commits or rolls back.
- Changes are written to the system catalog, but do not take effect until after a COMMIT statement, even for the connection that issues the statement.
- After the ALTER SERVICE CLASS statement is committed, changes to AGENT PRIORITY, PREFETCH PRIORITY, OUTBOUND CORRELATOR, and COLLECT take effect for the next new activity in the service class. Existing activities in the service class continue to complete their work using the old settings.

Examples

Example 1: Alter the agent priority of agents in service superclass PETSALLES to raise it from DEFAULT to the highest possible value (shown for UNIX and Linux operating systems; on Windows operating systems, substitute 6).

```
ALTER SERVICE CLASS PETSALLES AGENT PRIORITY -20
```

Example 2: Alter service superclass BARNSALLES and add an outbound correlator 'osLowPriority'. Threads running in the service superclass and its service subclasses will have the outbound correlator 'osLowPriority' associated with them.

```
ALTER SERVICE CLASS BARNSALLES OUTBOUND CORRELATOR 'osLowPriority'
```

ALTER TABLE

The ALTER TABLE statement alters the definition of a table.

Invocation

This statement can be embedded in an application program or issued through the use of dynamic SQL statements. It is an executable statement that can be dynamically prepared only if DYNAMICRULES run behavior is in effect for the package (SQLSTATE 42509).

Authorization

The privileges held by the authorization ID of the statement must include at least one of the following:

- ALTER privilege on the table to be altered
- CONTROL privilege on the table to be altered
- ALTERIN privilege on the schema of the table
- SYSADM or DBADM authority

To create or drop a foreign key, the privileges held by the authorization ID of the statement must include one of the following on the parent table:

- REFERENCES privilege on the table
- REFERENCES privilege on each column of the specified parent key
- CONTROL privilege on the table
- SYSADM or DBADM authority

To drop the primary key or a unique constraint on table T, the privileges held by the authorization ID of the statement must include at least one of the following on every table that is a dependent of this parent key of T:

- ALTER privilege on the table
- CONTROL privilege on the table
- ALTERIN privilege on the schema of the table
- SYSADM or DBADM authority

To alter a table to become a materialized query table (using a fullselect), the privileges held by the authorization ID of the statement must include at least one of the following:

- CONTROL privilege on the table
- SYSADM or DBADM authority

and at least one of the following on each table or view identified in the fullselect (excluding group privileges):

- SELECT privilege and ALTER privilege (including group privileges) on the table or view
- CONTROL privilege on the table or view
- SELECT privilege on the table or view, and ALTERIN privilege (including group privileges) on the schema of the table or view
- SYSADM or DBADM authority

To alter a table so that it is no longer a materialized query table, the privileges held by the authorization ID of the statement must include at least one of the following on each table or view identified in the fullselect used to define the materialized query table:

- ALTER privilege on the table or view
- CONTROL privilege on the table or view
- ALTERIN privilege on the schema of the table or view
- SYSADM or DBADM authority

To add a column of type DB2SECURITYLABEL to a table, the privileges held by the authorization ID of the statement must include at least a security label from the security policy associated with the table.

To remove the security policy from a table, the privileges held by the authorization ID of the statement must include SECADM authority.

To alter a table to attach a data partition, the privileges held by the authorization ID of the statement must also include at least one of the following on the source table:

- SELECT privilege on the table and DROPIN privilege on the schema of the table
- CONTROL privilege on the table
- SYSADM or DBADM authority

and at least one of the following on the target table:

- ALTER and INSERT privileges on the table
- CONTROL privilege on the table
- SYSADM or DBADM authority

ALTER TABLE

To alter a table to detach a data partition, the privileges held by the authorization ID of the statement must also include at least one of the following on the target table of the detached partition:

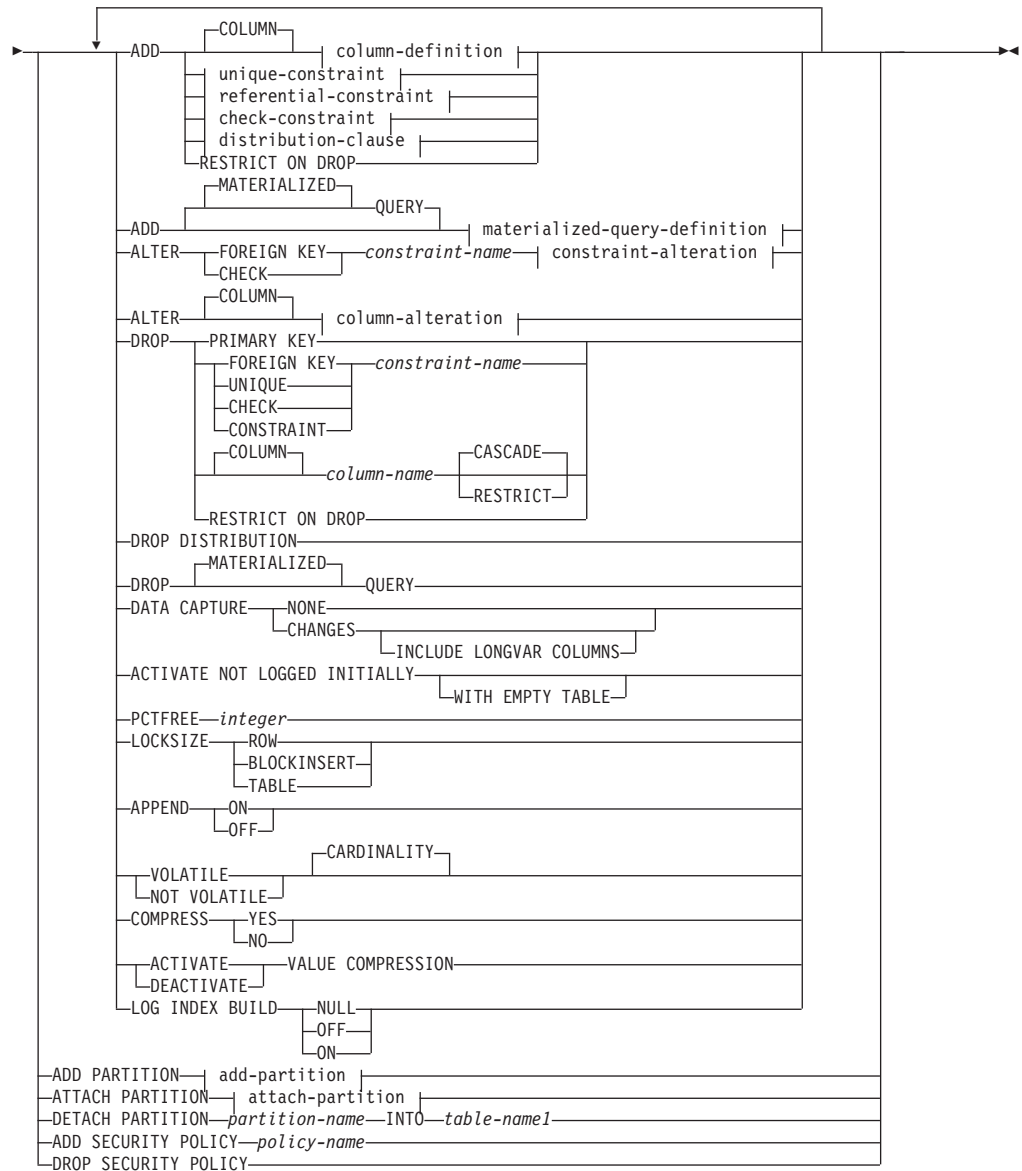
- CREATETAB authority on the database, and USE privilege on the table spaces used by the table, as well as one of:
 - IMPLICIT_SCHEMA authority on the database, if the implicit or explicit schema name of the new table does not exist
 - CREATEIN privilege on the schema, if the schema name of the new table refers to an existing schema
- SYSADM or DBADM authority

and at least one of the following on the source table:

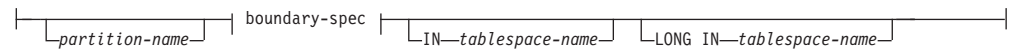
- SELECT, ALTER, and DELETE privileges on the table
- CONTROL privilege on the table
- SYSADM or DBADM authority

Syntax

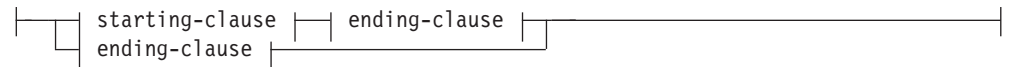
▶▶—ALTER TABLE—*table-name*—————▶▶



add-partition:

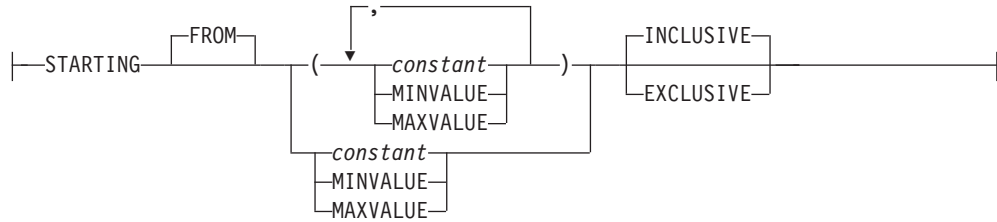


boundary-spec:

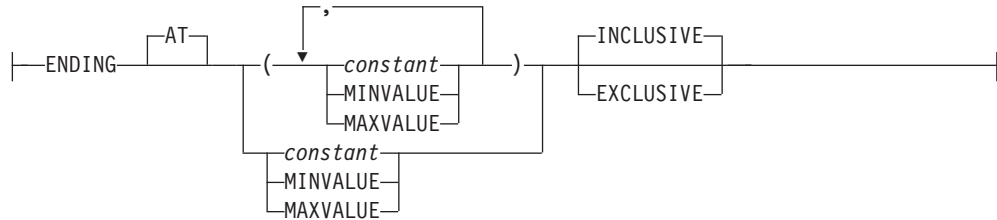


starting-clause:

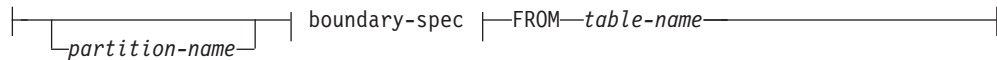
ALTER TABLE



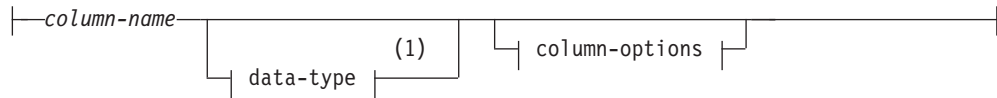
ending-clause:



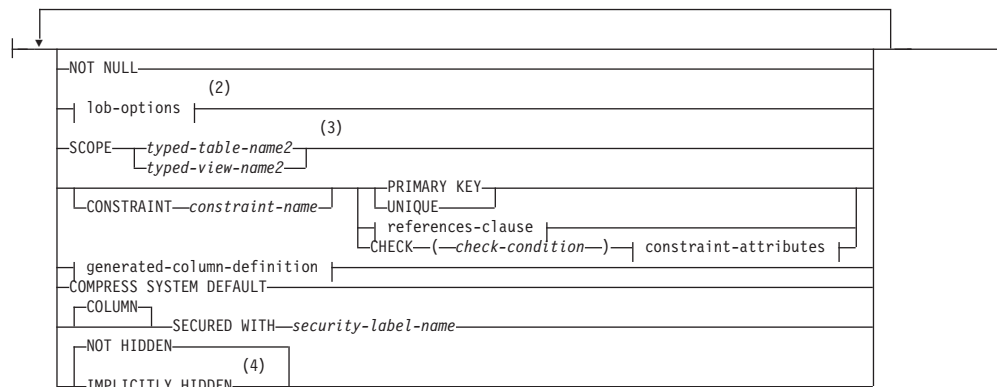
attach-partition:



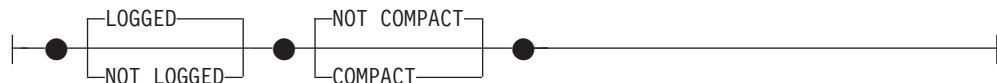
column-definition:



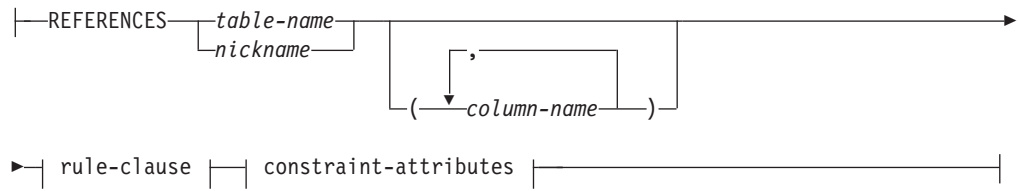
column-options:



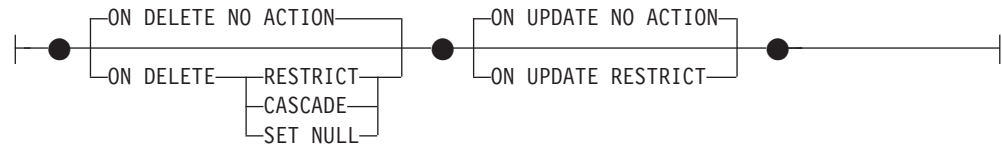
lob-options:



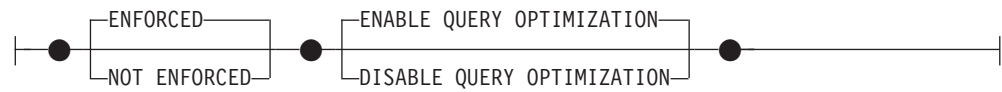
references-clause:



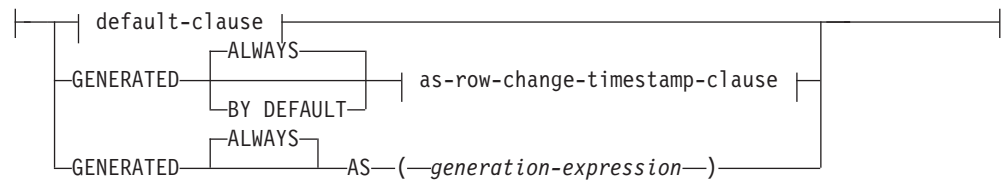
rule-clause:



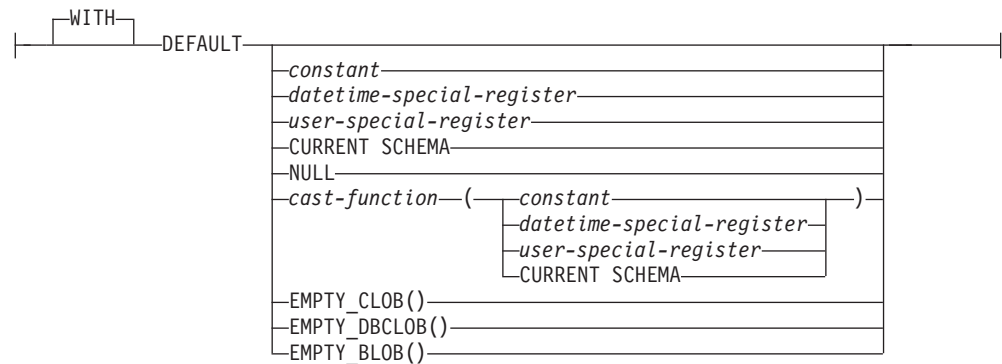
constraint-attributes:



generated-column-definition:



default-clause:



unique-constraint:

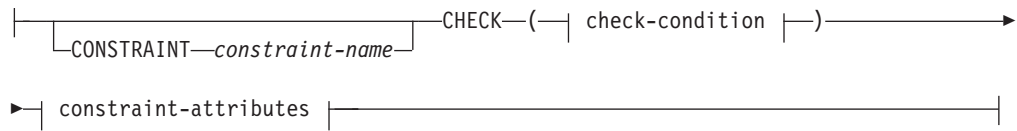


ALTER TABLE

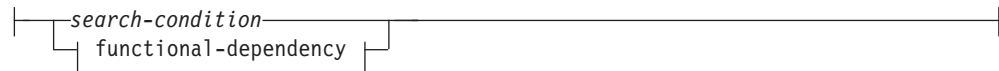
referential-constraint:



check-constraint:



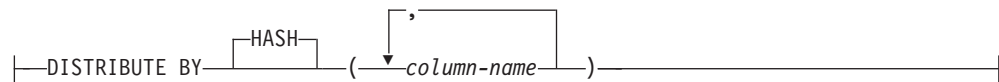
check-condition:



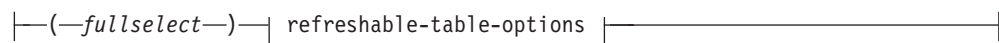
functional-dependency:



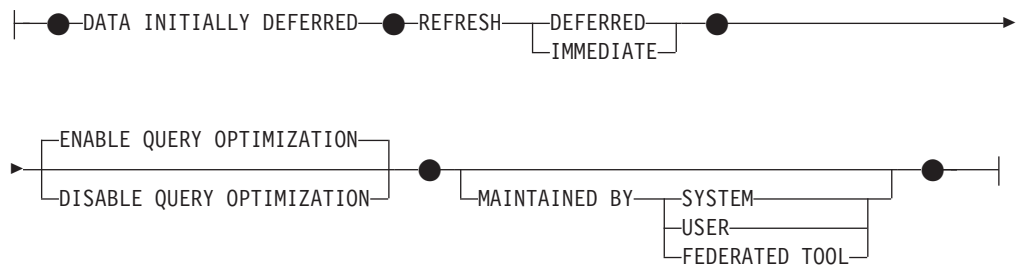
distribution-clause:



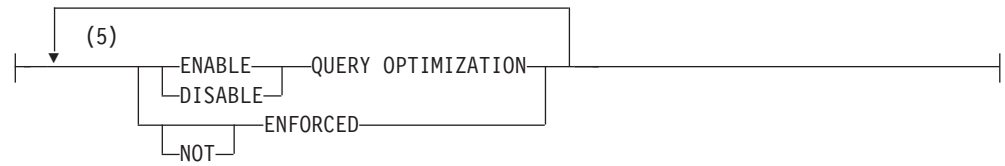
materialized-query-definition:



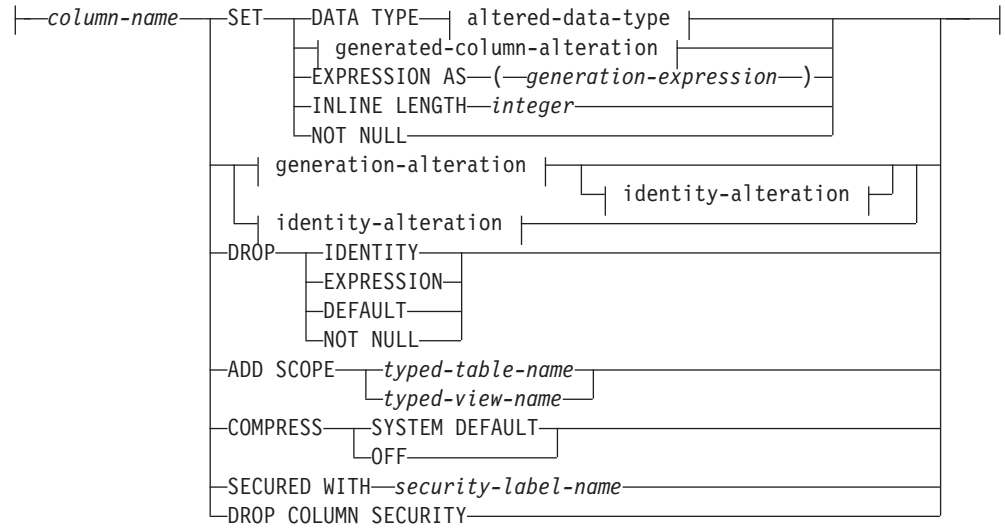
refreshable-table-options:



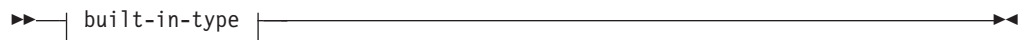
constraint-alteration:



column-alteration:

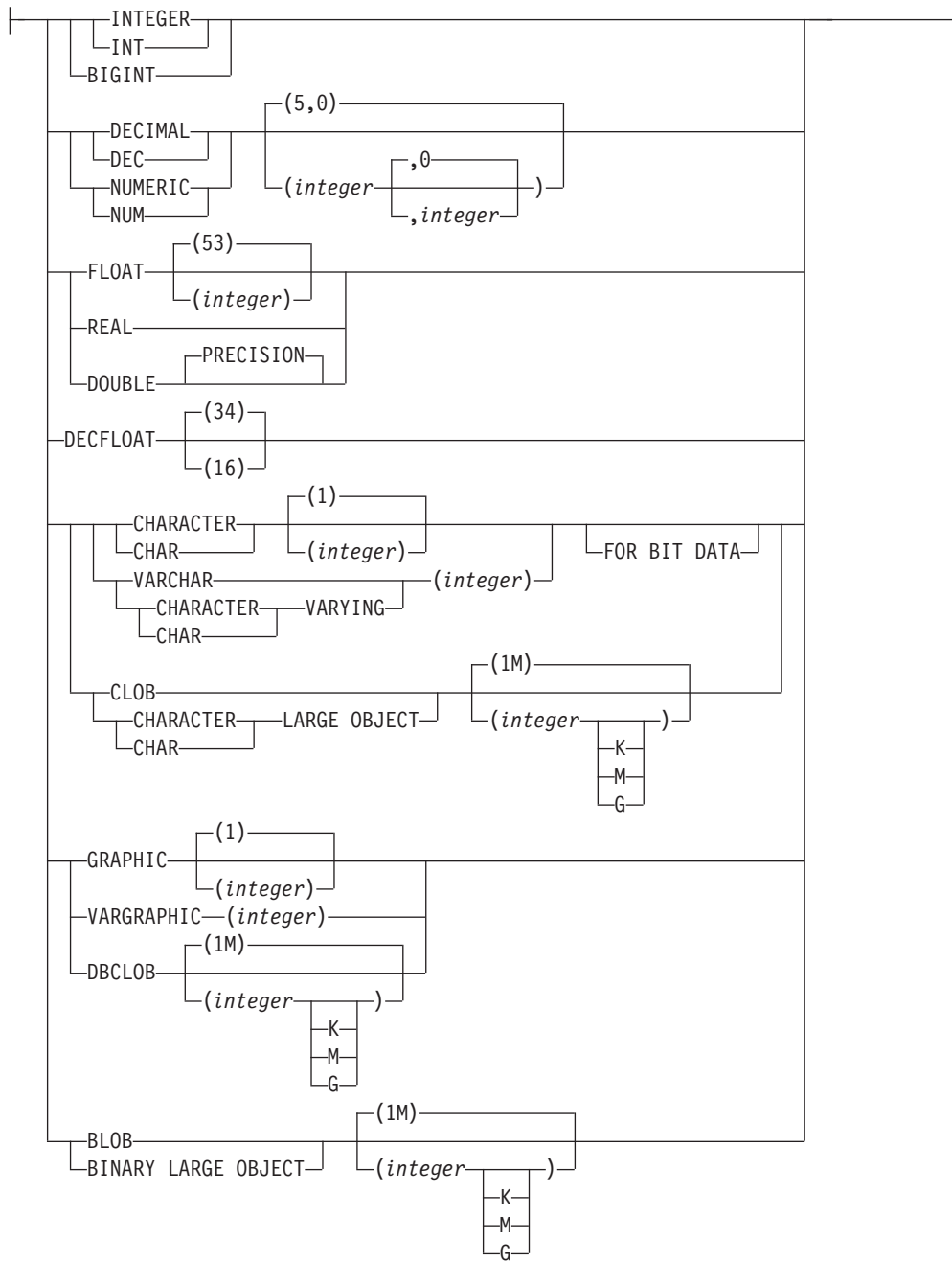


altered-data-type:

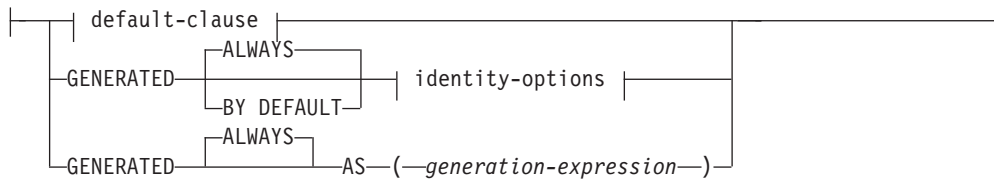


built-in-type:

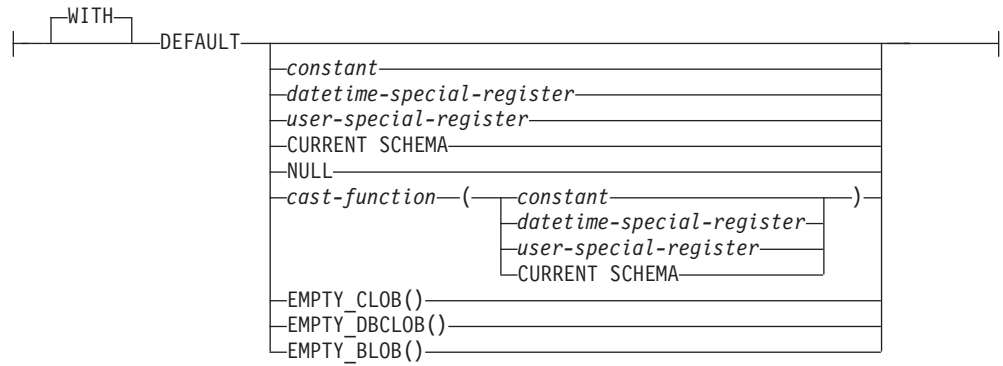
ALTER TABLE



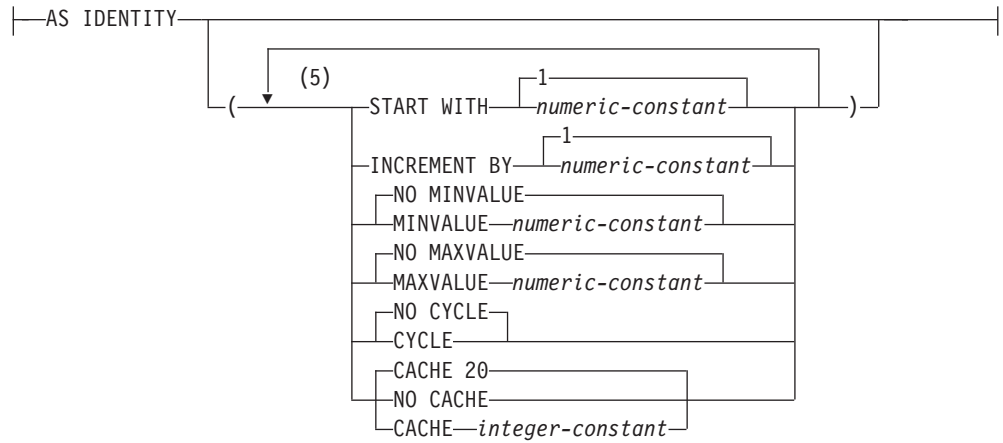
generated-column-alteration:



default-clause:



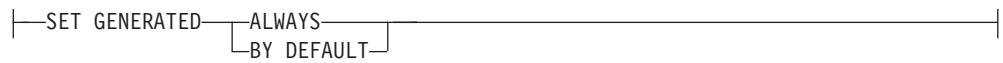
identity-options:



as-row-change-timestamp-clause:

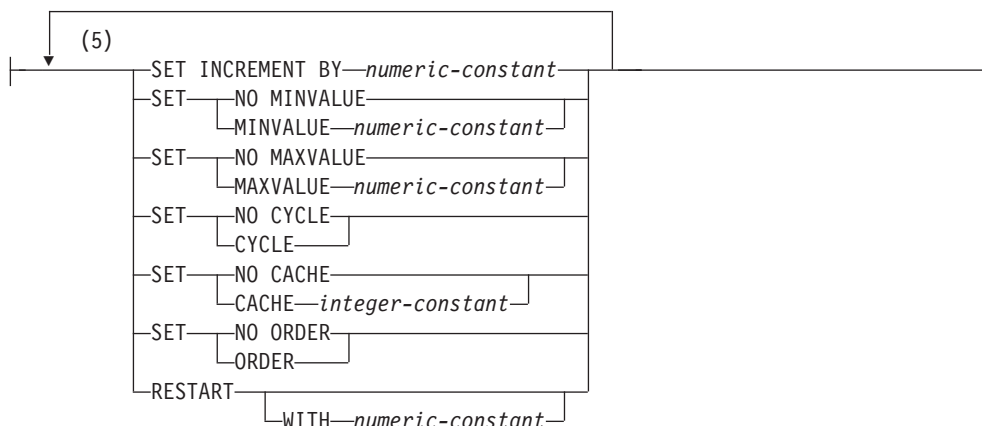


generation-alteration:



identity-alteration:

ALTER TABLE



Notes:

- 1 If the first column option chosen is *generated-column-definition*, *data-type* can be omitted; it will be computed by the generation expression.
- 2 The *lob-options* clause only applies to large object types (CLOB, DBCLOB, and BLOB), and to distinct types that are based on large object types.
- 3 The SCOPE clause only applies to the REF type.
- 4 IMPLICITLY HIDDEN can only be specified if ROW CHANGE TIMESTAMP is also specified.
- 5 The same clause must not be specified more than once.
- 6 Data type is optional for a row change timestamp column.

Description

table-name

The *table-name* must identify a table that exists at the current server. It cannot be a nickname (SQLSTATE 42809) and must not be a view, a catalog table, or a declared temporary table (SQLSTATE 42995).

If *table-name* identifies a materialized query table, alterations are limited to adding or dropping the materialized query table, activating not logged initially, adding or dropping RESTRICT ON DROP, and changing pctfree, locksize, append, or volatile.

If *table-name* identifies a range-clustered table, alterations are limited to adding, changing, or dropping constraints, activating not logged initially, adding or dropping RESTRICT ON DROP, changing locksize, data capture, or volatile, and setting column default values.

ADD PARTITION *add-partition*

Adds one or more data partitions to a partitioned table. If the specified table is not a partitioned table, an error is returned (SQLSTATE 428FT). The number of data partitions must not exceed 32 767.

partition-name

Names the data partition. The name must not be the same as any other data partition for the table (SQLSTATE 42710). If this clause is not specified, the name will be 'PART' followed by the character form of an integer value to make the name unique for the table.

boundary-spec

Specifies the range of values for the new data partition. This range must

not overlap that of an existing data partition (SQLSTATE 56016). For a description of the starting-clause and the ending-clause, see “CREATE TABLE”.

If the starting-clause is omitted, the new data partition is assumed to be at the end of the table. If the ending-clause is omitted, the new data partition is assumed to be at the start of the table. If the first column of the partitioning key is DESC, these assumptions are reversed.

IN *tablespace-name*

Specifies the table space where the data partition is to be stored. The named table space must have the same page size, be in the same database partition group, and manage space in the same way as the other table spaces of the partitioned table (SQLSTATE 42838). This can be a table space that is already being used for another data partition of the same table, or a table space that is currently not being used by this table, but it must be a table space on which the authorization ID of the statement holds the USE privilege (SQLSTATE 42727). If this clause is not specified, the table space of the first visible or attached data partition of the table is used.

LONG IN *tablespace-name*

Specifies the table space where the data partition containing long column data is to be stored. The named table space must have the same page size, be in the same database partition group, and manage space in the same way as the other table spaces and data partitions of the partitioned table (SQLSTATE 42838); it must be a table space on which the authorization ID of the statement holds the USE privilege. The page size and extent size for the named table space can be different from the page size and extent size of the other data partitions of the partitioned table.

For rules governing the use of the LONG IN clause with partitioned tables, see “Large object behavior in partitioned tables”.

ATTACH PARTITION *attach-partition*

Attaches another table as a new data partition. The data object of the table being attached becomes a new partition of the table being attached to. There is no data movement involved. The table is placed in set integrity pending state, and referential integrity checking is deferred until execution of a SET INTEGRITY statement. The ALTER TABLE ATTACH operation does not allow the use of the IN or LONG IN clause. The placement of LOBs for that data partition is determined at the time the source table is created. For rules governing the use of the LONG IN clause with partitioned tables, see “Large object behavior in partitioned tables”.

partition-name

Names the data partition. The name must not be the same as any other data partition for the table (SQLSTATE 42710). If this clause is not specified, the name will be ‘PART’ followed by the character form of an integer value to make the name unique for the table.

boundary-spec

Specifies the range of values for the new data partition. This range must not overlap that of an existing data partition (SQLSTATE 56016). For a description of the starting-clause and the ending-clause, see “CREATE TABLE”.

If the starting-clause is omitted, the new data partition is assumed to be at the end of the table. If the ending-clause is omitted, the new data partition is assumed to be at the start of the table.

ALTER TABLE

FROM *table-name1*

Specifies the table that is to be used as the source of data for the new partition. The table definition of *table-name1* cannot have multiple data partitions, and it must match the altered table in the following ways (SQLSTATE 428G3):

- The number of columns must be the same.
- The data types of the columns in the same ordinal position in the table must be the same.
- The nullability characteristic of the columns in the same ordinal position in the table must be the same.
- If the data is also distributed, it must be distributed over the same database partition group using the same distribution method.
- If the data in either table is organized, the organization must match.

After the data from *table-name1* is successfully attached, an operation equivalent to `DROP TABLE table-name1` is performed to remove this table, which no longer has data, from the database.

DETACH PARTITION *partition-name* **INTO** *table-name1*

Detaches the data partition *partition-name* from the altered table, and uses the data partition to create a new table named *table-name1*. The data partition is logically attached to the new table without any data movement. The specified data partition cannot be the last remaining partition of the table being altered (SQLSTATE 428G2).

ADD SECURITY POLICY *policy-name*

Adds a security policy to the table. The security policy must exist at the current server (SQLSTATE 42704). The table must not already have a security policy (SQLSTATE 55065), and must not be a typed table (SQLSTATE 428DH), materialized query table (MQT), or staging table (SQLSTATE 428FG).

DROP SECURITY POLICY

Removes the security policy and all LBAC protection from the table. The table specified by *table-name* must be protected by a security policy (SQLSTATE 428GT). If the table has a column with data type `DB2SECURITYLABEL`, the data type is changed to `VARCHAR (128) FOR BIT DATA`. If the table has one or more protected columns, those columns become unprotected.

ADD *column-definition*

Adds a column to the table. The table must not be a typed table (SQLSTATE 428DH). For all existing rows in the table, the value of the new column is set to its default value. The new column is the last column of the table; that is, if initially there are *n* columns, the added column is column *n+1*.

Adding the new column must not make the total byte count of all columns exceed the maximum record size.

column-name

Is the name of the column to be added to the table. The name cannot be qualified. Existing column names in the table cannot be used (SQLSTATE 42711).

data-type

Is one of the data types listed under “CREATE TABLE”.

NOT NULL

Prevents the column from containing null values. The *default-clause* must also be specified (SQLSTATE 42601).

NOT HIDDEN or IMPLICITLY HIDDEN

Specifies whether or not the column is to be defined as hidden. The hidden attribute determines whether the column is included in an implicit reference to the table, or whether it can be explicitly referenced in SQL statements. The default is NOT HIDDEN.

NOT HIDDEN

Specifies that the column is included in implicit references to the table, and that the column can be explicitly referenced.

IMPLICITLY HIDDEN

Specifies that the column is not visible in SQL statements unless the column is explicitly referenced by name. For example, assuming that a table includes a column defined with the IMPLICITLY HIDDEN clause, the result of a SELECT * does not include the implicitly hidden column. However, the result of a SELECT that explicitly refers to the name of an implicitly hidden column will include that column in the result table.

IMPLICITLY HIDDEN must only be specified for a ROW CHANGE TIMESTAMP column (SQLSTATE 42867). The ROW CHANGE TIMESTAMP FOR *table-designator* expression will resolve to an IMPLICITLY HIDDEN ROW CHANGE TIMESTAMP column. Therefore, a ROW CHANGE TIMESTAMP column can be added to a table as IMPLICITLY HIDDEN, and existing applications that do a SELECT * from this table will not need to be modified to handle the column. Using the expression, new applications can always access the column without knowing the column name.

lob-options

Specifies options for LOB data types. See *lob-options* in "CREATE TABLE".

SCOPE

Specify a scope for a reference type column.

typed-table-name2

The name of a typed table. The data type of *column-name* must be REF(S), where S is the type of *typed-table-name2* (SQLSTATE 428DM). No checking is done of the default value for *column-name* to ensure that the value actually references an existing row in *typed-table-name2*.

typed-view-name2

The name of a typed view. The data type of *column-name* must be REF(S), where S is the type of *typed-view-name2* (SQLSTATE 428DM). No checking is done of the default value for *column-name* to ensure that the values actually references an existing row in *typed-view-name2*.

CONSTRAINT *constraint-name*

Names the constraint. A *constraint-name* must not identify a constraint that was already specified within the same ALTER TABLE statement, or as the name of any other existing constraint on the table (SQLSTATE 42710).

If the constraint name is not specified by the user, an 18 byte long identifier unique within the identifiers of the existing constraints defined on the table is generated by the system. (The identifier consists of "SQL" followed by a sequence of 15 numeric characters that are generated by a timestamp-based function.)

ALTER TABLE

When used with a PRIMARY KEY or UNIQUE constraint, the *constraint-name* may be used as the name of an index that is created to support the constraint. See Notes[®] for details on index names associated with unique constraints.

PRIMARY KEY

This provides a shorthand method of defining a primary key composed of a single column. Thus, if PRIMARY KEY is specified in the definition of column C, the effect is the same as if the PRIMARY KEY(C) clause were specified as a separate clause. The column cannot contain null values, so the NOT NULL attribute must also be specified (SQLSTATE 42831).

See PRIMARY KEY within the description of the *unique-constraint* below.

UNIQUE

This provides a shorthand method of defining a unique key composed of a single column. Thus, if UNIQUE is specified in the definition of column C, the effect is the same as if the UNIQUE(C) clause were specified as a separate clause.

See UNIQUE within the description of the *unique-constraint* below.

references-clause

This provides a shorthand method of defining a foreign key composed of a single column. Thus, if a references-clause is specified in the definition of column C, the effect is the same as if that references-clause were specified as part of a FOREIGN KEY clause in which C is the only identified column.

See *references-clause* in "CREATE TABLE".

CHECK (*check-condition*)

This provides a shorthand method of defining a check constraint that applies to a single column. See *check-condition* in "CREATE TABLE".

generated-column-definition

For details on column generation, see "CREATE TABLE".

default-clause

Specifies a default value for the column.

WITH

An optional keyword.

DEFAULT

Provides a default value in the event a value is not supplied on INSERT or is specified as DEFAULT on INSERT or UPDATE. If a specific default value is not specified following the DEFAULT keyword, the default value depends on the data type of the column as shown in Table 13 on page 81. If a column is defined as an XML or structured type, then a DEFAULT clause cannot be specified.

If a column is defined using a distinct type, then the default value of the column is the default value of the source data type cast to the distinct type.

Table 13. Default Values (when no value specified)

Data Type	Default Value
Numeric	0
Fixed-length character string	Blanks
Varying-length character string	A string of length 0
Fixed-length graphic string	Double-byte blanks
Varying-length graphic string	A string of length 0
Date	For existing rows, a date corresponding to January 1, 0001. For added rows, the current date.
Time	For existing rows, a time corresponding to 0 hours, 0 minutes, and 0 seconds. For added rows, the current time.
Timestamp	For existing rows, a date corresponding to January 1, 0001, and a time corresponding to 0 hours, 0 minutes, 0 seconds and 0 microseconds. For added rows, the current timestamp.
Binary string (blob)	A string of length 0

Omission of DEFAULT from a *column-definition* results in the use of the null value as the default for the column.

Specific types of values that can be specified with the DEFAULT keyword are as follows.

constant

Specifies the constant as the default value for the column. The specified constant must:

- represent a value that could be assigned to the column in accordance with the rules of assignment as described in Chapter 3
- not be a floating-point constant unless the column is defined with a floating-point data type
- be a numeric constant or a decimal floating-point special value if the data type of the column is decimal floating-point. Floating-point constants are first interpreted as DOUBLE and then converted to decimal floating-point. For DECFLOAT(16) columns, decimal constants must have a precision less than or equal to 16.
- not have non-zero digits beyond the scale of the column data type if the constant is a decimal constant (for example, 1.234 cannot be the default for a DECIMAL(5,2) column)
- be expressed with no more than 254 bytes including the quote characters, any introducer character such as the X for a hexadecimal constant, and characters from the fully qualified function name and parentheses when the constant is the argument of a *cast-function*.

datetime-special-register

Specifies the value of the datetime special register (CURRENT DATE, CURRENT TIME, or CURRENT TIMESTAMP) at the time of INSERT, UPDATE, or LOAD as the default for the

ALTER TABLE

column. The data type of the column must be the data type that corresponds to the special register specified (for example, data type must be DATE when CURRENT DATE is specified). For existing rows, the value is the current date, current time or current timestamp when the ALTER TABLE statement is processed.

user-special-register

Specifies the value of the user special register (CURRENT USER, SESSION_USER, SYSTEM_USER) at the time of INSERT, UPDATE, or LOAD as the default for the column. The data type of the column must be a character string with a length not less than the length attribute of a user special register. Note that USER can be specified in place of SESSION_USER and CURRENT_USER can be specified in place of CURRENT_USER. For existing rows, the value is the CURRENT_USER, SESSION_USER, or SYSTEM_USER of the ALTER TABLE statement.

CURRENT SCHEMA

Specifies the value of the CURRENT SCHEMA special register at the time of INSERT, UPDATE, or LOAD as the default for the column. If CURRENT SCHEMA is specified, the data type of the column must be a character string with a length greater than or equal to the length attribute of the CURRENT SCHEMA special register. For existing rows, the value of the CURRENT SCHEMA special register at the time the ALTER TABLE statement is processed.

NULL

Specifies NULL as the default for the column. If NOT NULL was specified, DEFAULT NULL must not be specified within the same column definition.

cast-function

This form of a default value can only be used with columns defined as a distinct type, BLOB or datetime (DATE, TIME or TIMESTAMP) data type. For distinct type, with the exception of distinct types based on BLOB or datetime types, the name of the function must match the name of the distinct type for the column. If qualified with a schema name, it must be the same as the schema name for the distinct type. If not qualified, the schema name from function resolution must be the same as the schema name for the distinct type. For a distinct type based on a datetime type, where the default value is a constant, a function must be used and the name of the function must match the name of the source type of the distinct type with an implicit or explicit schema name of SYSIBM. For other datetime columns, the corresponding datetime function may also be used. For a BLOB or a distinct type based on BLOB, a function must be used and the name of the function must be BLOB with an implicit or explicit schema name of SYSIBM.

constant

Specifies a constant as the argument. The constant must conform to the rules of a constant for the source type of

the distinct type or for the data type if not a distinct type. If the cast-function is BLOB, the constant must be a string constant.

datetime-special-register

Specifies CURRENT DATE, CURRENT TIME, or CURRENT TIMESTAMP. The source type of the distinct type of the column must be the data type that corresponds to the specified special register.

user-special-register

Specifies CURRENT USER, SESSION_USER, or SYSTEM_USER. The data type of the source type of the distinct type of the column must be a string data type with a length of at least 8 bytes. If the *cast-function* is BLOB, the length attribute must be at least 8 bytes.

CURRENT SCHEMA

Specifies the value of the CURRENT SCHEMA special register. The data type of the source type of the distinct type of the column must be a character string with a length greater than or equal to the length attribute of the CURRENT SCHEMA special register. If the cast-function is BLOB, the length attribute must be at least 8 bytes.

EMPTY_CLOB(), EMPTY_DBCLOB(), or EMPTY_BLOB()

Specifies a zero-length string as the default for the column. The column must have the data type that corresponds to the result data type of the function.

If the value specified is not valid, an error (SQLSTATE 42894) is returned.

GENERATED

Specifies that DB2 generates values for the column.

ALWAYS

Specifies that DB2 will always generate a value for the column when a row is inserted into the table, or whenever the result value of the *generation-expression* might change. The result of the expression is stored in the table. GENERATED ALWAYS is the recommended option unless data propagation or unload and reload operations are being performed. GENERATED ALWAYS is the required option for generated columns.

BY DEFAULT

Specifies that DB2 will generate a value for the column when a row is inserted into the table, or updated, specifying DEFAULT for the column, unless an explicit value is specified. BY DEFAULT is the recommended option when using data propagation or performing unload and reload operations.

AS (*generation-expression*)

Specifies that the definition of the column is based on an expression. Requires that the table be put in set integrity pending state, using the SET INTEGRITY statement with the OFF option. After the ALTER TABLE statement, the SET INTEGRITY statement with the IMMEDIATE CHECKED and FORCE GENERATED options must be used to update and check all the values in that

ALTER TABLE

column against the new expression. For details on specifying a column with a *generation-expression*, see “CREATE TABLE”.

COMPRESS SYSTEM DEFAULT

Specifies that system default values (that is, the default values used for the data types when no specific values are specified) are to be stored using minimal space. If the VALUE COMPRESSION clause is not specified, a warning is returned (SQLSTATE 01648) and system default values are not stored using minimal space.

Allowing system default values to be stored in this manner causes a slight performance penalty during insert and update operations on the column because of extra checking that is done.

The base data type must not be a DATE, TIME, TIMESTAMP, XML, or structured data type (SQLSTATE 42842). If the base data type is a varying-length string, this clause is ignored. String values of length 0 are automatically compressed if a table has been set with VALUE COMPRESSION.

COLUMN SECURED WITH *security-label-name*

Identifies a security label that exists for the security policy that is associated with the table. The name must not be qualified (SQLSTATE 42601). The table must have a security policy associated with it (SQLSTATE 55064).

ADD *unique-constraint*

Defines a unique or primary key constraint. A primary key or unique constraint cannot be added to a table that is a subtable (SQLSTATE 429B3). If the table is a supertable at the top of the hierarchy, the constraint applies to the table and all its subtables.

CONSTRAINT *constraint-name*

Names the primary key or unique constraint. For more information, see *constraint-name* in “CREATE TABLE”.

UNIQUE (*column-name...*)

Defines a unique key composed of the identified columns. The identified columns must be defined as NOT NULL. Each *column-name* must identify a column of the table and the same column must not be identified more than once. The name cannot be qualified. The number of identified columns must not exceed 64, and the sum of their stored lengths must not exceed the index key length limit for the page size. For column stored lengths, see “Byte Counts” in “CREATE TABLE”. For key length limits, see “SQL limits”. No LOB, distinct type based on any of these types, or structured type can be used as part of a unique key, even if the length attribute of the column is small enough to fit within the index key length limit for the page size (SQLSTATE 54008). The set of columns in the unique key cannot be the same as the set of columns of the primary key or another unique key (SQLSTATE 01543). (If LANGLEVEL is SQL92E or MIA, an error is returned, SQLSTATE 42891.) Any existing values in the set of identified columns must be unique (SQLSTATE 23515).

A check is performed to determine whether an existing index matches the unique key definition (ignoring any INCLUDE columns in the index). An index definition matches if it identifies the same set of columns without regard to the order of the columns or the direction (ASC/DESC) specifications. If a matching index definition is found, the description of the index is changed to indicate that it is required by the system and it is changed to unique (after ensuring uniqueness) if it was a non-unique

index. If the table has more than one matching index, an existing unique index is selected (the selection is arbitrary). If no matching index is found, a unique bidirectional index will automatically be created for the columns, as described in CREATE TABLE. See Notes for details on index names associated with unique constraints.

PRIMARY KEY *...(column-name,)*

Defines a primary key composed of the identified columns. Each *column-name* must identify a column of the table, and the same column must not be identified more than once. The name cannot be qualified. The number of identified columns must not exceed 64, and the sum of their stored lengths must not exceed the index key length limit for the page size. For column stored lengths, see “Byte Counts” in “CREATE TABLE”. For key length limits, see “SQL limits”. The table must not have a primary key and the identified columns must be defined as NOT NULL. No LOB, distinct type based on any of these types, or structured type may be used as part of a primary key, even if the length attribute of the column is small enough to fit within the index key length limit for the page size (SQLSTATE 54008). The set of columns in the primary key cannot be the same as the set of columns in a unique key (SQLSTATE 01543). (If LANGLEVEL is SQL92E or MIA, an error is returned, SQLSTATE 42891.) Any existing values in the set of identified columns must be unique (SQLSTATE 23515).

A check is performed to determine if an existing index matches the primary key definition (ignoring any INCLUDE columns in the index). An index definition matches if it identifies the same set of columns without regard to the order of the columns or the direction (ASC/DESC) specifications. If a matching index definition is found, the description of the index is changed to indicate that it is the primary index, as required by the system, and it is changed to unique (after ensuring uniqueness) if it was a non-unique index. If the table has more than one matching index, an existing unique index is selected (the selection is arbitrary). If no matching index is found, a unique bidirectional index will automatically be created for the columns, as described in CREATE TABLE. See Notes for details on index names associated with unique constraints.

Only one primary key can be defined on a table.

ADD *referential-constraint*

Defines a referential constraint. See *referential-constraint* in “CREATE TABLE”.

ADD *check-constraint*

Defines a check constraint or functional dependency. See *check-constraint* in “CREATE TABLE”.

ADD *distribution-clause*

Defines a distribution key. The table must be defined in a table space on a single-partition database partition group (SQLSTATE 55037) and must not already have a distribution key (SQLSTATE 42889). If a distribution key already exists for the table, the existing key must be dropped before adding the new distribution key. A distribution key cannot be added to a table that is a subtable (SQLSTATE 428DH) or to a table with a column of data type XML (SQLSTATE 42997).

DISTRIBUTE BY HASH (*column-name...*)

Defines a distribution key using the specified columns. Each *column-name* must identify a column of the table, and the same column must not be identified more than once. The name cannot be qualified. A column cannot

ALTER TABLE

be used as part of a distribution key if the data type of the column is a BLOB, CLOB, DBCLOB, XML, distinct type on any of these types, or structured type.

ADD RESTRICT ON DROP

Specifies that the table cannot be dropped, and that the table space that contains the table cannot be dropped.

ADD MATERIALIZED QUERY

materialized-query-definition

Changes a regular table to a materialized query table for use during query optimization. The table specified by *table-name* must not:

- Be previously defined as a materialized query table
- Be a typed table
- Have any constraints, unique indexes, or triggers defined
- Reference a nickname that is marked with caching disabled
- Be referenced in the definition of another materialized query table
- Be referenced in the definition of a view that is enabled for query optimization

If *table-name* does not meet these criteria, an error is returned (SQLSTATE 428EW).

fullselect

Defines the query in which the table is based. The columns of the existing table must:

- have the same number of columns
- have exactly the same data types
- have the same column names in the same ordinal positions

as the result columns of *fullselect* (SQLSTATE 428EW). For details about specifying the *fullselect* for a materialized query table, see "CREATE TABLE". One additional restriction is that *table-name* cannot be directly or indirectly referenced in the fullselect.

refreshable-table-options

Specifies the refreshable options for altering a materialized query table.

DATA INITIALLY DEFERRED

The data in the table must be validated using the REFRESH TABLE or SET INTEGRITY statement.

REFRESH

Indicates how the data in the table is maintained.

DEFERRED

The data in the table can be refreshed at any time using the REFRESH TABLE statement. The data in the table only reflects the result of the query as a snapshot at the time the REFRESH TABLE statement is processed. Materialized query tables defined with this attribute do not allow INSERT, UPDATE, or DELETE statements (SQLSTATE 42807).

IMMEDIATE

The changes made to the underlying tables as part of a DELETE, INSERT, or UPDATE are cascaded to the materialized query table. In this case, the content of the table, at any point-in-time, is the same as if the specified subselect is

processed. Materialized query tables defined with this attribute do not allow INSERT, UPDATE, or DELETE statements (SQLSTATE 42807).

ENABLE QUERY OPTIMIZATION

The materialized query table can be used for query optimization.

DISABLE QUERY OPTIMIZATION

The materialized query table will not be used for query optimization. The table can still be queried directly.

MAINTAINED BY

Specifies whether the data in the materialized query table is maintained by the system, user, or replication tool.

SYSTEM

Specifies that the data in the materialized query table is maintained by the system.

USER

Specifies that the data in the materialized query table is maintained by the user. The user is allowed to perform update, delete, or insert operations against user-maintained materialized query tables. The REFRESH TABLE statement, used for system-maintained materialized query tables, cannot be invoked against user-maintained materialized query tables. Only a REFRESH DEFERRED materialized query table can be defined as MAINTAINED BY USER.

FEDERATED_TOOL

Specifies that the data in the materialized query table is maintained by the replication tool. The REFRESH TABLE statement, used for system-maintained materialized query tables, cannot be invoked against federated_tool-maintained materialized query tables. Only a REFRESH DEFERRED materialized query table can be defined as MAINTAINED BY FEDERATED_TOOL.

ALTER FOREIGN KEY *constraint-name*

Alters the constraint attributes of the referential constraint *constraint-name*. The *constraint-name* must identify an existing referential constraint (SQLSTATE 42704).

ALTER CHECK *constraint-name*

Alters the constraint attributes of the check constraint or functional dependency *constraint-name*. The *constraint-name* must identify an existing check constraint or functional dependency (SQLSTATE 42704).

constraint-alteration

Options for changing attributes associated with referential or check constraints.

ENABLE QUERY OPTIMIZATION or DISABLE QUERY OPTIMIZATION

Specifies whether the constraint or functional dependency can be used for query optimization under appropriate circumstances.

ENABLE QUERY OPTIMIZATION

The constraint is assumed to be true and can be used for query optimization.

DISABLE QUERY OPTIMIZATION

The constraint cannot be used for query optimization.

ALTER TABLE

ENFORCED or NOT ENFORCED

Specifies whether the constraint is enforced by the database manager during normal operations such as insert, update, or delete.

ENFORCED

Change the constraint to ENFORCED. ENFORCED cannot be specified for a functional dependency (SQLSTATE 42621).

NOT ENFORCED

Change the constraint to NOT ENFORCED. This should only be specified if the table data is independently known to conform to the constraint. Query results might be unpredictable if the data does not actually conform to the constraint.

ALTER *column-alteration*

Alters the definition of a column. Only the specified attributes will be altered; others will remain unchanged. Columns of a typed table cannot be altered (SQLSTATE 428DH).

column-name

Specifies the name of the column that is to be altered. The *column-name* must identify an existing column of the table (SQLSTATE 42703). The name must not be qualified. The name must not identify a column that is otherwise being added, altered, or dropped in the same ALTER TABLE statement (SQLSTATE 42711).

SET DATA TYPE *altered-data-type*

Specifies the new data type of the column. The new data type must be compatible with the existing data type of the column (SQLSTATE 42837). For more information on built-in data types, see "CREATE TABLE". Table 14 lists the compatible data types. The "Reorg recommended" column identifies the data type alterations that will require table reorganization before a table can again be fully accessed (SQLSTATE 57016). In such cases, the column being altered cannot be part of a table containing an XML data type column (SQLSTATE 42997).

The data type of an identity column cannot be altered (SQLSTATE 42997).

The table cannot have data capture enabled (SQLSTATE 42997).

The specified length, precision, or scale can be greater than or equal to (but not less than) the existing length, precision, or scale (SQLSTATE 42837).

Table 14. Compatible Data Types

From type	To type	Valid for table partitioning key column	Valid for MDC organizing dimension column	Valid for distribution key column	Reorg recommended
SMALLINT	INTEGER	yes	yes	yes	yes
SMALLINT	BIGINT	yes	yes	yes	yes
SMALLINT	DECIMAL (<i>p</i> , <i>m</i>); <i>p-m</i> > 4	yes	yes	no	yes
SMALLINT	REAL	yes	yes	no	yes
SMALLINT	DOUBLE	yes	yes	no	yes
SMALLINT	DECFLOAT(16) or DECFLOAT(34)	yes	yes	no	yes
INTEGER	BIGINT	yes	yes	yes	yes

Table 14. Compatible Data Types (continued)

From type	To type	Valid for table partitioning key column	Valid for MDC organizing dimension column	Valid for distribution key column	Reorg recommended
INTEGER	DECIMAL (p, m); $p-m > 9$	yes	yes	no	yes
INTEGER	DOUBLE	yes	yes	no	yes
INTEGER	DECFLOAT(16) or DECFLOAT(34)	yes	yes	no	yes
BIGINT	DECIMAL (p, m); $p-m > 19$	yes	yes	no	yes
BIGINT	DECFLOAT(34)	yes	yes	no	yes
REAL	DOUBLE	yes	yes	yes	yes
REAL	DECFLOAT(16) or DECFLOAT(34)	yes	yes	no	yes
DOUBLE	DECFLOAT(16) or DECFLOAT(34)	yes	yes	no	yes
DECIMAL (n, m)	DECIMAL (p, q); $p \geq n$; $q \geq m$; $(p-q) \geq (n-m)$	yes	yes	no	yes
DECIMAL (n, m); $n \leq 15$	DECFLOAT(16)	yes	yes	no	yes
DECIMAL (n, m)	DECFLOAT(34)	yes	yes	no	yes
DECFLOAT(16)	DECFLOAT(34)	yes	yes	yes	yes
CHARACTER (n)	CHARACTER ($n+x$)	no	yes	yes	yes
CHARACTER (n)	VARCHAR ($n+x$)	no	yes	yes	yes
VARCHAR (n)	CHARACTER ($n+x$)	no	yes	yes	yes
VARCHAR (n)	VARCHAR ($n+x$)	no	yes	yes	no
GRAPHIC (n)	GRAPHIC ($n+x$)	no	yes	yes	yes
GRAPHIC (n)	VARGRAPHIC ($n+x$)	no	yes	yes	yes
VARGRAPHIC (n)	VARGRAPHIC ($n+x$)	no	yes	yes	no
VARGRAPHIC (n)	GRAPHIC ($n+x$)	no	yes	yes	yes
BLOB (n)	BLOB ($n+x$)	n/a	n/a	n/a	yes
CLOB (n)	CLOB ($n+x$)	n/a	n/a	n/a	yes
DBCLOB (n)	DBCLOB ($n+x$)	n/a	n/a	n/a	yes

Altering a column must not make the total byte count of all columns exceed the maximum record size (SQLSTATE 54010). If the column is used in a unique constraint or an index, the new length must not cause the sum of the stored lengths for the unique constraint or index to exceed the index key length limit for the page size (SQLSTATE 54008). For column stored lengths, see “Byte Counts” in “CREATE TABLE”. For key length limits, see “SQL limits”.

ALTER TABLE

Table 15. Cascaded Effects of Altering a Column

Operation	Effect
Altering a column that is referenced by a view or check constraint	The object is regenerated during alter processing. In the case of a view, function or method resolution for the object might be different after the alter operation, changing the semantics of the object. In the case of a check constraint, if the semantics of the object will change as a result of the alter operation, the operation fails.
Altering a column in a table that has a dependent package, trigger, or SQL routine	The object is marked invalid, and is revalidated on next use.
Altering the type of a column in a table that is referenced by an XSROBJECT enabled for decomposition	The XSROBJECT is marked inoperative for decomposition. Re-enabling the XSROBJECT might require readjustment of its mappings; following this, issue an ALTER XSROBJECT ENABLE DECOMPOSITION statement against the XSROBJECT.
Altering a column that is referenced in the default expression of a global variable	The default expression of the global variable is validated during alter processing. If a user-defined function used in the default expression cannot be resolved, the operation fails.

SET *generated-column-alteration*

Specifies the technique used to generate a value for the column. This can be in the form of a specific default value, an expression, or defining the column as an identity column. If an existing default for the column results from a different generation technique, that default must be dropped, which can be done in the same *column-alteration* using one of the DROP clauses.

default-clause

Specifies a new default value for the column that is to be altered. The column must not already be defined as the identity column or have a generation expression defined (SQLSTATE 42837). The specified default value must represent a value that could be assigned to the column in accordance with the rules for assignment as described in “Assignments and comparisons”. Altering the default value does not change the value that is associated with this column for existing rows.

GENERATED ALWAYS or GENERATED BY DEFAULT

Specifies when the database manager is to generate values for the column. GENERATED BY DEFAULT specifies that a value is only to be generated when a value is not provided, or the DEFAULT keyword is used in an assignment to the column. GENERATED ALWAYS specifies that the database manager is to always generate a value for the column. GENERATED BY DEFAULT cannot be specified with a *generation-expression*.

identity-options

Specifies that the column is the identity column for the table. The column must not already be defined as the identity column, cannot have a generation expression, or cannot have an explicit default (SQLSTATE 42837). A table can only have a single identity column (SQLSTATE 428C1). The column must be specified as not nullable (SQLSTATE 42997), and the data type associated with the column must be an exact numeric data type with a scale of zero

(SQLSTATE 42815). An exact numeric data type is one of: SMALLINT, INTEGER, BIGINT, DECIMAL, or NUMERIC with a scale of zero, or a distinct type based on one of these types. For details on identity options, see “CREATE TABLE”.

AS (*generation-expression*)

Specifies that the definition of the column is based on an expression. The column must not already be defined with a generation expression, cannot be the identity column, or cannot have an explicit default (SQLSTATE 42837). The *generation-expression* must conform to the same rules that apply when defining a generated column. The result data type of the *generation-expression* must be assignable to the data type of the column (SQLSTATE 42821). The column must not be referenced in the distribution key column or in the ORGANIZE BY clause (SQLSTATE 42997).

SET EXPRESSION AS (*generation-expression*)

Changes the expression for the column to the specified *generation-expression*. SET EXPRESSION AS requires the table to be put in set integrity pending state, using the SET INTEGRITY statement with the OFF option. After the ALTER TABLE statement, the SET INTEGRITY statement with the IMMEDIATE CHECKED and FORCE GENERATED options must be used to update and check all the values in that column against the new expression. The column must already be defined as a generated column based on an expression (SQLSTATE 42837), and must not have appeared in the PARTITIONING KEY, DIMENSIONS, or KEY SEQUENCE clauses of the table (SQLSTATE 42997). The *generation-expression* must conform to the same rules that apply when defining a generated column. The result data type of the *generation-expression* must be assignable to the data type of the column (SQLSTATE 42821).

SET INLINE LENGTH *integer*

Changes the inline length of an existing structured or XML type column. The inline length indicates the maximum byte size of an instance of a structured or XML type to store in the base table row. Instances of structured or XML types that cannot be stored inline in the base table row are stored separately, similar to the way that LOB values are handled.

The data type of *column-name* must be a structured or XML type (SQLSTATE 42842).

The default inline length for a structured-type column is the inline length of its type (specified explicitly or by default in the CREATE TYPE statement). If the inline length of a structured type is less than 292, the value 292 is used for the inline length of the column.

The explicit inline length value can only be increased (SQLSTATE -1); must be at least 292; and cannot exceed 32672 (SQLSTATE 54010).

Altering the column must not make the total byte count of all columns exceed the maximum record size (SQLSTATE 54010).

Data that is already stored separately from the rest of the row will not be moved inline into the base table row by this statement. To take advantage of the altered inline length of a structured type column, invoke the REORG command against the specified table after altering the inline length of its column. To take advantage of the altered inline length of an XML type

ALTER TABLE

column in an existing table, you must update all rows with an UPDATE statement. The REORG command has no effect on the row storage of XML documents.

SET NOT NULL

Specifies that the column cannot contain null values. No value for this column in existing rows of the table can be the null value (SQLSTATE 23502). This clause is not allowed if the column is specified in the foreign key of a referential constraint with a DELETE rule of SET NULL, and no other nullable columns exist in the foreign key (SQLSTATE 42831). Altering this attribute for a column requires table reorganization before further table access is allowed (SQLSTATE 57016). Note that because this operation requires validation of table data, it cannot be performed when the table is in reorg pending state (SQLSTATE 57016). The column being altered cannot be part of a table containing an XML data type column (SQLSTATE 42997). The table cannot have data capture enabled (SQLSTATE 42997).

FOR EACH ROW ON UPDATE AS ROW CHANGE TIMESTAMP

Specifies that the column is a timestamp column for the table. A value is generated for the column in each row that is inserted, and for any row in which any column is updated. The value that is generated for a ROW CHANGE TIMESTAMP column is a timestamp that corresponds to the insert or update time for that row. If multiple rows are inserted or updated with a single statement, the value of the ROW CHANGE TIMESTAMP column might be different for each row.

A table can only have one ROW CHANGE TIMESTAMP column (SQLSTATE 428C1). If *data-type* is specified, it must be `TIMESTAMP` (SQLSTATE 42842). A ROW CHANGE TIMESTAMP column cannot have a `DEFAULT` clause (SQLSTATE 42623). `NOT NULL` must be specified for a ROW CHANGE TIMESTAMP column (SQLSTATE 42831).

SET GENERATED ALWAYS or GENERATED BY DEFAULT

Specifies when the database manager is to generate values for the column. `GENERATED BY DEFAULT` specifies that a value is only to be generated when a value is not provided or the `DEFAULT` keyword is used in an assignment to the column. `GENERATED ALWAYS` specifies that the database manager is to always generate a value for the column. The column must already be defined as a generated column based on an identity column; that is, defined with the `AS IDENTITY` clause (SQLSTATE 42837).

identity-alteration

Alters the identity attributes of the column. The column must be an identity column.

SET INCREMENT BY *numeric-constant*

Specifies the interval between consecutive values of the identity column. The next value to be generated for the identity column will be determined from the last assigned value with the increment applied. The column must already be defined with the `IDENTITY` attribute (SQLSTATE 42837).

This value can be any positive or negative value that could be assigned to this column (SQLSTATE 42815), and does not exceed the value of a large integer constant (SQLSTATE 42820), without non-zero digits existing to the right of the decimal point (SQLSTATE 428FA).

If this value is negative, this is a descending sequence after the ALTER statement. If this value is 0 or positive, this is an ascending sequence after the ALTER statement.

SET NO MINVALUE or MINVALUE *numeric-constant*

Specifies the minimum value at which a descending identity column either cycles or stops generating values, or the value to which an ascending identity column cycles after reaching the maximum value. The column must exist in the specified table (SQLSTATE 42703), and must already be defined with the IDENTITY attribute (SQLSTATE 42837).

NO MINVALUE

For an ascending sequence, the value is the original starting value. For a descending sequence, the value is the minimum value of the data type of the column.

MINVALUE *numeric-constant*

Specifies the numeric constant that is the minimum value. This value can be any positive or negative value that could be assigned to this column (SQLSTATE 42815), without non-zero digits existing to the right of the decimal point (SQLSTATE 428FA), but the value must be less than or equal to the maximum value (SQLSTATE 42815).

SET NO MAXVALUE or MAXVALUE *numeric-constant*

Specifies the maximum value at which an ascending identity column either cycles or stops generating values, or the value to which a descending identity column cycles after reaching the minimum value. The column must exist in the specified table (SQLSTATE 42703), and must already be defined with the IDENTITY attribute (SQLSTATE 42837).

NO MAXVALUE

For an ascending sequence, the value is the maximum value of the data type of the column. For a descending sequence, the value is the original starting value.

MAXVALUE *numeric-constant*

Specifies the numeric constant that is the maximum value. This value can be any positive or negative value that could be assigned to this column (SQLSTATE 42815), without non-zero digits existing to the right of the decimal point (SQLSTATE 428FA), but the value must be greater than or equal to the minimum value (SQLSTATE 42815).

SET NO CYCLE or CYCLE

Specifies whether this identity column should continue to generate values after generating either its maximum or minimum value. The column must exist in the specified table (SQLSTATE 42703), and must already be defined with the IDENTITY attribute (SQLSTATE 42837).

NO CYCLE

Specifies that values will not be generated for the identity column once the maximum or minimum value has been reached.

CYCLE

Specifies that values continue to be generated for this column after the maximum or minimum value has been reached. If this option is used, then after an ascending identity column reaches the

ALTER TABLE

maximum value, it generates its minimum value; or after a descending sequence reaches the minimum value, it generates its maximum value. The maximum and minimum values for the identity column determine the range that is used for cycling.

When CYCLE is in effect, duplicate values can be generated for an identity column. Although not required, if unique values are desired, a single-column unique index defined using the identity column will ensure uniqueness. If a unique index exists on such an identity column and a non-unique value is generated, an error occurs (SQLSTATE 23505).

SET NO CACHE or CACHE *integer-constant*

Specifies whether to keep some pre-allocated values in memory for faster access. This is a performance and tuning option. The column must already be defined with the IDENTITY attribute (SQLSTATE 42837).

NO CACHE

Specifies that values for the identity column are not to be pre-allocated. In a data sharing environment, if the identity values *must* be generated in order of request, the NO CACHE option must be used.

When this option is specified, the values of the identity column are not stored in the cache. In this case, every request for a new identity value results in synchronous I/O to the log.

CACHE *integer-constant*

Specifies how many values of the identity sequence are pre-allocated and kept in memory. When values are generated for the identity column, pre-allocating and storing values in the cache reduces synchronous I/O to the log.

If a new value is needed for the identity column and there are no unused values available in the cache, the allocation of the value requires waiting for I/O to the log. However, when a new value is needed for the identity column and there is an unused value in the cache, the allocation of that identity value can happen more quickly by avoiding the I/O to the log.

In the event of a database deactivation, either normally or due to a system failure, all cached sequence values that have not been used in committed statements are lost (that is, they will never be used). The value specified for the CACHE option is the maximum number of values for the identity column that could be lost in case of system failure.

The minimum value is 2 (SQLSTATE 42815).

SET NO ORDER or ORDER

Specifies whether the identity column values must be generated in order of request. The column must exist in the specified table (SQLSTATE 42703), and must already be defined with the IDENTITY attribute (SQLSTATE 42837).

NO ORDER

Specifies that the identity column values do not need to be generated in order of request.

ORDER

Specifies that the identity column values must be generated in order of request.

RESTART or RESTART WITH *numeric-constant*

Resets the state of the sequence associated with the identity column. If **WITH *numeric-constant*** is not specified, the sequence for the identity column is restarted at the value that was specified, either implicitly or explicitly, as the starting value when the identity column was originally created.

The column must exist in the specified table (SQLSTATE 42703), and must already be defined with the **IDENTITY** attribute (SQLSTATE 42837). **RESTART** does *not* change the original **START WITH** value.

The *numeric-constant* is an exact numeric constant that can be any positive or negative value that could be assigned to this column (SQLSTATE 42815), without non-zero digits existing to the right of the decimal point (SQLSTATE 428FA). The *numeric-constant* will be used as the next value for the column.

DROP IDENTITY

Drops the identity attributes of the column, making the column a simple numeric data type column. **DROP IDENTITY** is not allowed if the column is not an identity column (SQLSTATE 42837).

DROP EXPRESSION

Drops the generated expression attributes of the column, making the column a non-generated column. **DROP EXPRESSION** is not allowed if the column is not a generated expression column (SQLSTATE 42837).

DROP DEFAULT

Drops the current default for the column. The specified column must have a default value (SQLSTATE 42837).

DROP NOT NULL

Drops the **NOT NULL** attribute of the column, allowing the column to have the null value. This clause is not allowed if the column is specified in the primary key, or in a unique constraint of the table (SQLSTATE 42831). Altering this attribute for a column requires table reorganization before further table access is allowed (SQLSTATE 57016). The column being altered cannot be part of a table containing an XML data type column (SQLSTATE 42997). The table cannot have data capture enabled (SQLSTATE 42997).

ADD SCOPE

Add a scope to an existing reference type column that does not already have a scope defined (SQLSTATE 428DK). If the table being altered is a typed table, the column must not be inherited from a supertable (SQLSTATE 428DJ).

typed-table-name

The name of a typed table. The data type of *column-name* must be **REF(S)**, where *S* is the type of *typed-table-name* (SQLSTATE 428DM). No checking is done of any existing values in *column-name* to ensure that the values actually reference existing rows in *typed-table-name*.

typed-view-name

The name of a typed view. The data type of *column-name* must be **REF(S)**, where *S* is the type of *typed-view-name* (SQLSTATE 428DM). No

ALTER TABLE

checking is done of any existing values in *column-name* to ensure that the values actually reference existing rows in *typed-view-name*.

COMPRESS

Specifies whether or not default values for this column are to be stored more efficiently.

SYSTEM DEFAULT

Specifies that system default values (that is, the default values used for the data types when no specific values are specified) are to be stored using minimal space. If the table is not already set with the VALUE COMPRESSION attribute activated, a warning is returned (SQLSTATE 01648), and system default values are not stored using minimal space.

Allowing system default values to be stored in this manner causes a slight performance penalty during insert and update operations on the column because of the extra checking that is done.

Existing data in the column is not changed. Consider offline table reorganization to enable existing data to take advantage of storing system default values using minimal space.

OFF

Specifies that system default values are to be stored in the column as regular values. Existing data in the column is not changed. Offline reorganization is recommended to change existing data.

The base data type must not be DATE, TIME or TIMESTAMP (SQLSTATE 42842). If the base data type is a varying-length string, this clause is ignored. String values of length 0 are automatically compressed if a table has been set with VALUE COMPRESSION.

If the table being altered is a typed table, the column must not be inherited from a supertable (SQLSTATE 428DJ).

SECURED WITH *security-label-name*

Identifies a security label that exists for the security policy that is associated with the table. The name must not be qualified (SQLSTATE 42601). The table must have a security policy associated with it (SQLSTATE 55064).

DROP COLUMN SECURITY

Alters a column to make it a non-protected column.

DROP PRIMARY KEY

Drops the definition of the primary key and all referential constraints dependent on this primary key. The table must have a primary key (SQLSTATE 42888).

DROP FOREIGN KEY *constraint-name*

Drops the referential constraint *constraint-name*. The *constraint-name* must identify a referential constraint (SQLSTATE 42704). For information on implications of dropping a referential constraint see Notes.

DROP UNIQUE *constraint-name*

Drops the definition of the unique constraint *constraint-name* and all referential constraints dependent on this unique constraint. The *constraint-name* must identify an existing UNIQUE constraint (SQLSTATE 42704). For information on implications of dropping a unique constraint, see Notes.

DROP CHECK *constraint-name*

Drops the check constraint *constraint-name*. The *constraint-name* must identify an existing check constraint defined on the table (SQLSTATE 42704).

DROP CONSTRAINT *constraint-name*

Drops the constraint *constraint-name*. The *constraint-name* must identify an existing check constraint, referential constraint, primary key, or unique constraint defined on the table (SQLSTATE 42704). For information on implications of dropping a constraint, see Notes.

DROP COLUMN

Drops the identified column from the table. The table must not be a typed table (SQLSTATE 428DH). The table cannot have data capture enabled (SQLSTATE 42997). If you drop a column, you must reorganize the table before you can UPDATE, INSERT, DELETE or perform an INDEX scan against the table (SQLSTATE 57016).

column-name

Identifies the column that is to be dropped. The column name must not be qualified. The name must identify a column of the specified table (SQLSTATE 42703). The name must not identify the only column of the table (SQLSTATE 42814). The name must not identify a column that is part of the table's distribution key, table partitioning key, or organizing dimensions (SQLSTATE 42997). The name must not identify a column that is part of a table containing an XML data type column (SQLSTATE 42997).

CASCADE

Specifies that any views, indexes, triggers, SQL functions, constraints, or global variables that are dependent on the column being dropped are also dropped, or that any decomposition-enabled XSROBJECTs that are dependent on the table containing the column are made inoperative for decomposition. A trigger is dependent on the column if it is referenced in the UPDATE OF column list, or anywhere in the triggered action. A decomposition-enabled XSROBJECT is dependent on a table if it contains a mapping of an XML element or attribute to the table. If an SQL function or global variable is dependent on another database object, it might not be possible to drop the function or global variable by means of the CASCADE option. CASCADE is the default.

RESTRICT

Specifies that the column cannot be dropped if any views, indexes, triggers, constraints, or global variables are dependent on the column, or if any decomposition-enabled XSROBJECT is dependent on the table that contains the column (SQLSTATE 42893). A trigger is dependent on the column if it is referenced in the UPDATE OF column list, or anywhere in the triggered action. A decomposition-enabled XSROBJECT is dependent on a table if it contains a mapping of an XML element or attribute to the table. The first dependent object that is detected is identified in the administration log.

Table 16. Cascaded Effects of Dropping a Column

Operation	RESTRICT Effect	CASCADE Effect
Dropping a column that is referenced by a view or a trigger	Dropping the column is not allowed.	The object and all objects that are dependent on that object are dropped.

ALTER TABLE

Table 16. Cascaded Effects of Dropping a Column (continued)

Operation	RESTRICT Effect	CASCADE Effect
Dropping a column that is referenced in the key of an index	If all columns that are referenced in the index are dropped in the same ALTER TABLE statement, dropping the index is allowed. Otherwise, dropping the column is not allowed.	The index is dropped.
Dropping a column that is referenced in a unique constraint	If all columns that are referenced in the unique constraint are dropped in the same ALTER TABLE statement, and the unique constraint is not referenced by a referential constraint, the columns and the constraint are dropped. (The index that is used to satisfy the constraint is also dropped.) Otherwise, dropping the column is not allowed.	The unique constraint and any referential constraints that reference that unique constraint are dropped. (Any indexes that are used by those constraints are also dropped).
Dropping a column that is referenced in a referential constraint	If all columns that are referenced in the referential constraint are dropped in the same ALTER TABLE statement, the columns and the constraint are dropped. Otherwise, dropping the column is not allowed.	The referential constraint is dropped.
Dropping a column that is referenced by a system-generated column that is not being dropped.	Dropping the column is not allowed.	Dropping the column is not allowed.
Dropping a column that is referenced in a check constraint	Dropping the column is not allowed.	The check constraint is dropped.
Dropping a column that is referenced in a decomposition-enabled XSROBJECT	Dropping the column is not allowed.	The XSROBJECT is marked inoperative for decomposition. Re-enabling the XSROBJECT might require readjustment of its mappings; following this, issue an ALTER XSROBJECT ENABLE DECOMPOSITION statement against the XSROBJECT.
Dropping a column that is referenced in the default expression of a global variable	Dropping the column is not allowed.	The global variable is dropped, unless the dropping of the global variable is disallowed because there are other objects, which do not allow the cascade, that depend on the global variable.

DROP RESTRICT ON DROP

Removes the restriction, if there is one, on dropping the table and the table space that contains the table.

DROP DISTRIBUTION

Drops the distribution definition for the table. The table must have a distribution definition (SQLSTATE 428FT). The table space for the table must be defined on a single partition database partition group.

DROP MATERIALIZED QUERY

Changes a materialized query table so that it is no longer considered to be a materialized query table. The table specified by *table-name* must be defined as a materialized query table that is not replicated (SQLSTATE 428EW). The definition of the columns of *table-name* is not changed, but the table can no longer be used for query optimization, and the REFRESH TABLE statement can no longer be used.

DATA CAPTURE

Indicates whether extra information for data replication is to be written to the log.

If the table is a typed table, then this option is not supported (SQLSTATE 428DH for root tables or 428DR for other subtables).

Data capture is incompatible with row compression (SQLSTATE 42997).

NONE

Indicates that no extra information will be logged.

CHANGES

Indicates that extra information regarding SQL changes to this table will be written to the log. This option is required if this table will be replicated and the Capture program is used to capture changes for this table from the log.

If the table is defined to allow data on a database partition other than the catalog partition (multiple partition database partition group, or database partition group with database partitions other than the catalog partition), then this option is not supported (SQLSTATE 42997).

If the schema name (implicit or explicit) of the table is longer than 18 bytes, this option is not supported (SQLSTATE 42997).

INCLUDE LONGVAR COLUMNS

Allows data replication utilities to capture changes made to LONG VARCHAR or LONG VARGRAPHIC columns. The clause may be specified for tables that do not have any LONG VARCHAR or LONG VARGRAPHIC columns since it is possible to ALTER the table to include such columns.

ACTIVATE NOT LOGGED INITIALLY

Activates the NOT LOGGED INITIALLY attribute of the table for this current unit of work.

Any changes made to the table by an INSERT, DELETE, UPDATE, CREATE INDEX, DROP INDEX, or ALTER TABLE in the same unit of work after the table is altered by this statement are not logged. Any changes made to the system catalog by the ALTER statement in which the NOT LOGGED INITIALLY attribute is activated are logged. Any subsequent changes made in the same unit of work to the system catalog information are logged.

ALTER TABLE

At the completion of the current unit of work, the NOT LOGGED INITIALLY attribute is deactivated and all operations that are done on the table in subsequent units of work are logged.

If using this feature to avoid locks on the catalog tables while inserting data, it is important that only this clause be specified on the ALTER TABLE statement. Use of any other clause in the ALTER TABLE statement will result in catalog locks. If no other clauses are specified for the ALTER TABLE statement, then only a SHARE lock will be acquired on the system catalog tables. This can greatly reduce the possibility of concurrency conflicts for the duration of time between when this statement is executed and when the unit of work in which it was executed is ended.

If the table is a typed table, this option is only supported on the root table of the typed table hierarchy (SQLSTATE 428DR).

For more information about the NOT LOGGED INITIALLY attribute, see the description of this attribute in "CREATE TABLE".

Note: If non-logged activity occurs against a table that has the NOT LOGGED INITIALLY attribute activated, and if a statement fails (causing a rollback), or a ROLLBACK TO SAVEPOINT is executed, the entire unit of work is rolled back (SQL1476N). Furthermore, the table for which the NOT LOGGED INITIALLY attribute was activated is marked inaccessible after the rollback has occurred and can only be dropped. Therefore, the opportunity for errors within the unit of work in which the NOT LOGGED INITIALLY attribute is activated should be minimized.

WITH EMPTY TABLE

Causes all data currently in table to be removed. Once the data has been removed, it cannot be recovered except through use of the RESTORE facility. If the unit of work in which this alter statement was issued is rolled back, the table data will not be returned to its original state.

When this action is requested, no DELETE triggers defined on the affected table are fired. Any indexes that exist on the table are also deleted.

A partitioned table with attached data partitions cannot be emptied (SQLSTATE 42928).

PCTFREE *integer*

Specifies the percentage of each page that is to be left as free space during a load or a table reorganization operation. The first row on each page is added without restriction. When additional rows are added to a page, at least *integer* percent of the page is left as free space. The PCTFREE value is considered only by the load and table reorg utilities. The value of *integer* can range from 0 to 99. A PCTFREE value of -1 in the system catalog (SYSCAT.TABLES) is interpreted as the default value. The default PCTFREE value for a table page is 0. If the table is a typed table, this option is only supported on the root table of the typed table hierarchy (SQLSTATE 428DR).

LOCKSIZE

Indicates the size (granularity) of locks used when the table is accessed. Use of this option in the table definition will not prevent normal lock escalation from occurring. If the table is a typed table, this option is only supported on the root table of the typed table hierarchy (SQLSTATE 428DR).

ROW

Indicates the use of row locks. This is the default lock size when a table is created.

BLOCKINSERT

Indicates the use of block locks during insert operations. This means that the appropriate exclusive lock is acquired on the block before insertion, and row locking is not done on the inserted row. This option is useful when separate transactions are inserting into separate cells in the table. Transactions inserting into the same cells can still do so concurrently, but will insert into distinct blocks, and this can impact the size of the cell if more blocks are needed. This option is only valid for MDC tables (SQLSTATE 628N).

TABLE

Indicates the use of table locks. This means that the appropriate share or exclusive lock is acquired on the table, and that intent locks (except intent none) are not used. For partitioned tables, this lock strategy is applied to both the table lock and the data partition locks for any data partitions that are accessed. Use of this value can improve the performance of queries by limiting the number of locks that need to be acquired. However, concurrency is also reduced, because all locks are held over the complete table.

APPEND

Indicates whether data is appended to the end of the table data or placed where free space is available in data pages. If the table is a typed table, this option is only supported on the root table of the typed table hierarchy (SQLSTATE 428DR).

ON

Indicates that table data will be appended and information about free space on pages will not be kept. The table must not have a clustered index (SQLSTATE 428CA).

OFF

Indicates that table data will be placed where there is available space. This is the default when a table is created.

The table should be reorganized after setting APPEND OFF since the information about available free space is not accurate and may result in poor performance during insert.

VOLATILE CARDINALITY or NOT VOLATILE CARDINALITY

Indicates to the optimizer whether or not the cardinality of table *table-name* can vary significantly at run time. Volatility applies to the number of rows in the table, not to the table itself. **CARDINALITY** is an optional keyword. The default is **NOT VOLATILE**.

VOLATILE

Specifies that the cardinality of table *table-name* can vary significantly at run time, from empty to large. To access the table, the optimizer will use an index scan (rather than a table scan, regardless of the statistics) if that index is index-only (all referenced columns are in the index), or that index is able to apply a predicate in the index scan. The list prefetch access method will not be used to access the table. If the table is a typed table, this option is only supported on the root table of the typed table hierarchy (SQLSTATE 428DR).

NOT VOLATILE

Specifies that the cardinality of *table-name* is not volatile. Access plans to this table will continue to be based on existing statistics and on the current optimization level.

ALTER TABLE

COMPRESS

Specifies whether or not data compression applies to the rows of the table.

YES

Specifies that data row compression is enabled. Insert and update operations on the table will be subject to compression. If no compression dictionary for the table exists, a compression dictionary is automatically created and rows are subject to compression after the table is sufficiently populated with data. If there is an existing compression dictionary for the table, compression is reactivated to use this dictionary, and rows are subject to compression.

NO

Specifies that data row compression is disabled. Insert and update operations on the table will no longer be subject to compression. Any rows in the table that are in compressed format remain in compressed format until they are converted to non-compressed format when they are updated. A non-inplace reorganization of the table decompresses all rows that are compressed. If a compression dictionary exists, it is discarded during table reinitialization or truncation (such as, for example, a replace operation).

VALUE COMPRESSION

This determines the row format that is to be used. Each data type has a different byte count depending on the row format that is used. For more information, see “Byte Counts” in “CREATE TABLE”. An update operation causes an existing row to be changed to the new row format. Offline table reorganization is recommended to improve the performance of update operations on existing rows. This can also result in the table taking up less space. If the row size, calculated using the appropriate column in the table named “Byte Counts of Columns by Data Type” (see “CREATE TABLE”), would no longer fit within the row size limit, as indicated in the table named “Limits for Number of Columns and Row Size In Each Table Space Page Size”, an error is returned (SQLSTATE 54010). If the table is a typed table, this option is only supported on the root table of the typed table hierarchy (SQLSTATE 428DR).

ACTIVATE

The NULL value is stored using three bytes. This is the same or less space than when VALUE COMPRESSION is not active for columns of all data types, with the exception of CHAR(1). Whether or not a column is defined as nullable has no affect on the row size calculation. The zero-length data values for columns whose data type is VARCHAR, VARGRAPHIC, LONG VARCHAR, LONG VARGRAPHIC, CLOB, DBCLOB, or BLOB are to be stored using two bytes only, which is less than the storage required when VALUE COMPRESSION is not active. When a column is defined using the COMPRESS SYSTEM DEFAULT option, this also allows the system default value for the column to be stored using three bytes of total storage. The row format that is used to support this determines the byte counts for each data type, and tends to cause data fragmentation when updating to or from NULL, a zero-length value, or the system default value.

DEACTIVATE

The NULL value is stored with space set aside for possible future updates. This space is not set aside for varying-length columns. It also does not support efficient storage of system default values for a column. If columns already exist with the COMPRESS SYSTEM DEFAULT attribute, a warning is returned (SQLSTATE 01648).

LOG INDEX BUILD

Specifies the level of logging that is to be performed during create, recreate, or reorganize index operations on this table.

NULL

Specifies that the value of the **logindexbuild** database configuration parameter will be used to determine whether or not index build operations are to be completely logged. This is the default when the table is created.

OFF

Specifies that any index build operations on this table will be logged minimally. This value overrides the setting of the **logindexbuild** database configuration parameter.

ON

Specifies that any index build operations on this table will be logged completely. This value overrides the setting of the **logindexbuild** database configuration parameter.

Rules

- Any unique or primary key constraint defined on the table must be a superset of the distribution key, if there is one (SQLSTATE 42997).
- Primary or unique keys cannot be subsets of dimensions (SQLSTATE 429BE).
- A column can only be referenced in one ADD, ALTER, or DROP COLUMN clause in a single ALTER TABLE statement (SQLSTATE 42711).
- A column length or data type cannot be altered, nor can the column be dropped, if the table has any materialized query tables that are dependent on the table (SQLSTATE 42997).
- VARCHAR and VARGRAPHIC columns that have been altered to be greater than 4000 and 2000, respectively, must not be used as input parameters in functions in the SYSFUN schema (SQLSTATE 22001).
- A column length cannot be altered if the table has any views enabled for query optimization that are dependent on the table (SQLSTATE 42997).
- The table must be put in set integrity pending state, using the SET INTEGRITY statement with the OFF option (SQLSTATE 55019), before:
 - Adding a column with a generation expression
 - Altering the generated expression of a column
 - Changing a column to have a generated expression
- A column of data type XML cannot be added to a table if there are type 1 indexes on that table (SQLSTATE 42997). The indexes can be converted to type 2 indexes using the REORG INDEXES command with the CONVERT option.
- An existing column cannot be altered to become of type DB2SECURITYLABEL (SQLSTATE 42837).
- Defining a column of type DB2SECURITYLABEL fails if the table does not have a security policy associated with it (SQLSTATE 55064).
- A column of type DB2SECURITYLABEL cannot be altered or dropped (SQLSTATE 42817).
- An ALTER TABLE operation to mark a table as protected fails if there exists an MQT that depends on that table (SQLSTATE 55067).
- Attaching a partition to a protected partitioned table fails if the source table and the target table are not protected using the same security policy, have the same row security label column, and have the same set of protected columns (SQLSTATE 428GE).

ALTER TABLE

- If a generated column is referenced in a table partitioning key, the generated column expression cannot be altered (SQLSTATE 42837).

Notes

- A *REORG-recommended operation* has occurred when changes resulting from an ALTER TABLE statement affect the row format of the data. When this occurs, most subsequent operations on the table are restricted until a table reorganization operation completes successfully. Up to three ALTER TABLE statements of this type can execute against a table before reorganization must be done (SQLSTATE 57016). Multiple alterations that would constitute a REORG-recommended operation can be made as part of a single ALTER TABLE statement (one per column); this is considered to be a single REORG-recommended operation. For example, dropping two columns in a single ALTER TABLE statement is not considered to be two REORG-recommended operations. Dropping two columns in two separate ALTER TABLE statements, however, would be regarded as two statements that contain REORG-recommended operations.
- The following table operations are allowed after a successful REORG-recommended operation has occurred:
 - ALTER TABLE, where no row data validation is required. However, the following operations are not allowed (SQLSTATE 57007):
 - ADD CHECK CONSTRAINT
 - ADD REFERENTIAL CONSTRAINT
 - ADD UNIQUE CONSTRAINT
 - ALTER COLUMN SET NOT NULL
 - DROP TABLE
 - RENAME TABLE
 - REORG TABLE
 - TRUNCATE TABLE
 - Table scan access of table data
- Altering a table to make it a materialized query table will put the table in set integrity pending state. If the table is defined as REFRESH IMMEDIATE, the table must be taken out of set integrity pending state before INSERT, DELETE, or UPDATE commands can be invoked on the table referenced by the fullselect. The table can be taken out of set integrity pending state by using REFRESH TABLE or SET INTEGRITY, with the IMMEDIATE CHECKED option, to completely refresh the data in the table based on the fullselect. If the data in the table accurately reflects the result of the fullselect, the IMMEDIATE UNCHECKED option of SET INTEGRITY can be used to take the table out of set integrity pending state.
- Altering a table to change it to a REFRESH IMMEDIATE materialized query table will cause any packages with INSERT, DELETE, or UPDATE usage on the table referenced by the fullselect to be invalidated.
- Altering a table to change from a materialized query table to a regular table will cause any packages dependent on the table to be invalidated.
- Altering a table to change from a MAINTAINED BY FEDERATED_TOOL materialized query table to a regular table will not cause any change in the subscription setup of the replication tool. Because a subsequent change to a MAINTAINED BY SYSTEM materialized query table will cause the replication tool to fail, you must change the subscription setting when changing a MAINTAINED BY FEDERATED_TOOL materialized query table.

- If a deferred materialized query table is associated with a staging table, the staging table will be dropped if the materialized query table is altered to a regular table.
- ADD column clauses are processed prior to all other clauses. Other clauses are processed in the order that they are specified.
- Any columns added through an alter table operation will not automatically be added to any existing view of the table.
- Adding or attaching a data partition to a partitioned table, or detaching a data partition from a partitioned table causes any packages that are dependent on that table to be invalidated.
- To drop the partitioning for a table, the table must be dropped and then recreated.
- To drop the organization for a table, the table must be dropped and then recreated.
- When an index is automatically created for a unique or primary key constraint, the database manager will try to use the specified constraint name as the index name with a schema name that matches the schema name of the table. If this matches an existing index name or no name for the constraint was specified, the index is created in the SYSIBM schema with a system-generated name formed of "SQL" followed by a sequence of 15 numeric characters generated by a timestamp based function.
- When an index is created on a partitioned table with attached data partitions, the index will not include the data in the attached data partitions. Use the SET INTEGRITY statement to maintain all indexes for all attached data partitions.
- Any table that may be involved in a DELETE operation on table T is said to be *delete-connected* to T. Thus, a table is delete-connected to T if it is a dependent of T or it is a dependent of a table in which deletes from T cascade.
- A package has an insert (update/delete) usage on table T if records are inserted into (updated in/deleted from) T either directly by a statement in the package, or indirectly through constraints or triggers executed by the package on behalf of one of its statements. Similarly, a package has an update usage on a column if the column is modified directly by a statement in the package, or indirectly through constraints or triggers executed by the package on behalf of one of its statements.
- In a federated system, a remote base table that was created using transparent DDL can be altered. However, transparent DDL does impose some limitations on the modifications that can be made:
 - A remote base table can only be altered by adding new columns or specifying a primary key.
 - Specific clauses supported by transparent DDL include:
 - ADD COLUMN *column-definition*
 - NOT NULL and PRIMARY KEY in the *column-options* clause
 - ADD *unique-constraint* (PRIMARY KEY only)
 - You cannot specify a comment on an existing column in a remote base table.
 - An existing primary key in a remote base table cannot be altered or dropped.
 - Altering a remote base table invalidates any packages that are dependent on the nickname associated with that remote base table.
 - The remote data source must support the changes being requested through the ALTER TABLE statement. Depending on how the data source responds to requests it does not support, an error might be returned or the request might be ignored.

ALTER TABLE

- An attempt to alter a remote base table that was not created using transparent DDL returns an error.
- Any changes, whether implicit or explicit, to primary key, unique keys, or foreign keys might have the following effects on packages, indexes, and other foreign keys.
 - If a primary key or unique key is added:
 - There is no effect on packages, foreign keys, or existing unique keys. (If the primary or unique key uses an existing unique index that was created in a previous version and has not been converted to support deferred uniqueness, the index is converted, and packages with update usage on the associated table are invalidated.)
 - If a primary key or unique key is dropped:
 - The index is dropped if it was automatically created for the constraint. Any packages dependent on the index are invalidated.
 - The index is set back to non-unique if it was converted to unique for the constraint and it is no longer system-required. Any packages dependent on the index are invalidated.
 - The index is set to no longer system required if it was an existing unique index used for the constraint. There is no effect on packages.
 - All dependent foreign keys are dropped. Further action is taken for each dependent foreign key, as specified in the next item.
 - If a foreign key is added, dropped, or altered from NOT ENFORCED to ENFORCED (or ENFORCED to NOT ENFORCED):
 - All packages with an insert usage on the object table are invalidated.
 - All packages with an update usage on at least one column in the foreign key are invalidated.
 - All packages with a delete usage on the parent table are invalidated.
 - All packages with an update usage on at least one column in the parent key are invalidated.
 - If a foreign key or a functional dependency is altered from ENABLE QUERY OPTIMIZATION to DISABLE QUERY OPTIMIZATION:
 - All packages with dependencies on the constraint for optimization purposes are invalidated.
- Adding a column to a table will result in invalidation of all packages with insert usage on the altered table. If the added column is the first user-defined structured type column in the table, packages with DELETE usage on the altered table will also be invalidated.
- Adding a check or referential constraint to a table that already exists and that is not in set integrity pending state, or altering the existing check or referential constraint from NOT ENFORCED to ENFORCED on an existing table that is not in set integrity pending state will cause the existing rows in the table to be immediately evaluated against the constraint. If the verification fails, an error is returned (SQLSTATE 23512). If a table is in set integrity pending state, adding a check or referential constraint, or altering a constraint from NOT ENFORCED to ENFORCED will not immediately lead to the enforcement of the constraint. Issue the SET INTEGRITY statement with the IMMEDIATE CHECKED option to begin enforcing the constraint.
- Adding, altering, or dropping a check constraint will result in invalidation of all packages with either an insert usage on the object table, an update usage on at least one of the columns involved in the constraint, or a select usage exploiting the constraint to improve performance.

- Adding a distribution key invalidates all packages with an update usage on at least one of the columns of the distribution key.
- A distribution key that was defined by default as the first column of the primary key is not affected by dropping the primary key and adding a different primary key.
- Dropping a column or changing its data type removes all runstats information from the table being altered. Runstats should be performed on the table after it is again accessible. The statistical profile of the table is preserved if the table does not contain a column that was explicitly dropped.
- Altering a column (to increase its length or change its data type or nullability attribute) or dropping a column invalidates all packages that reference (directly or indirectly through a referential constraint or trigger) its table.
- Altering a column (to increase its length or change its data type or nullability attribute) regenerates views (except typed views) that are dependent on its table. If a problem occurs while regenerating such a view, an error is returned (SQLSTATE 56098). Any typed views that are dependent on the table are marked inoperative.
- Altering a column to increase its length or change its data type marks all dependent triggers and SQL functions as invalid; they are implicitly recompiled on next use. If a problem occurs while regenerating such an object, an error is returned (SQLSTATE 56098).
- Altering a column (to increase its length or change its data type or nullability attribute) might cause errors (SQLSTATE 54010) while processing a trigger or an SQL function when a statement involving the trigger or SQL function is prepared or bound. This can occur if the row length based on the sum of the lengths of the transition variables and transition table columns is too long. If such a trigger or SQL function is dropped, a subsequent attempt to recreate it returns an error (SQLSTATE 54040).
- Altering a structured or XML type column to increase the inline length will invalidate all packages that reference the table, either directly or indirectly through a referential constraint or trigger.
- Altering a structured or XML type column to increase the inline length will regenerate views that are dependent on the table.
- Changing the LOCKSIZE for a table will result in invalidation of all packages that have a dependency on the altered table.
- Changing VOLATILE or NOT VOLATILE CARDINALITY will result in invalidation of all packages that have a dependency on the altered table.
- **Replication:** Exercise caution when increasing the length or changing the data type of a column. The change data table that is associated with an application table might already be at or near the DB2 row size limit. The change data table should be altered before the application table, or the two tables should be altered within the same unit of work, to ensure that the alteration can be completed for both tables. Consideration should be given to copies, which might also be at or near the row size limit, or reside on platforms which lack the ability to increase the length of an existing column.
If the change data table is not altered before the Capture program processes log records with the altered attributes, the Capture program will likely fail. If a copy containing the altered column is not altered before the subscription maintaining the copy runs, the subscription will likely fail.
- When detaching a partition from a protected table, the target table automatically created by DB2 will be protected in exactly the same way the source table is protected.

ALTER TABLE

- When a table is altered such that it becomes protected with row level granularity, any cached dynamic SQL sections that depend on such a table are invalidated. Similarly, any packages that depend on such a table are also invalidated.
- When a column of a table, T, is altered such that it becomes a protected column, any cached dynamic SQL sections that depend on table T are invalidated. Similarly, any packages that depend on table T are also invalidated.
- When a column of a table, T, is altered such that it becomes a non protected column, any cached dynamic SQL sections that depend on table T are invalidated. Similarly, any packages that depend on table T are also invalidated.
- For existing rows in the table, the value of the security label column defaults to the security label for write access of the session authorization ID at the time the ALTER statement that adds a row security label column is executed.
- **Considerations for implicitly hidden columns:** A column that is defined as implicitly hidden can be explicitly referenced in an ALTER TABLE statement. For example, an implicitly hidden column can be altered or specified as part of a referential constraint, check constraint, or materialized query table definition.
- **Compatibilities**
 - For compatibility with previous versions of DB2:
 - The ADD keyword is optional for:
 - Unnamed PRIMARY KEY constraints
 - Unnamed referential constraints
 - Referential constraints whose name follows the phrase FOREIGN KEY
 - The CONSTRAINT keyword can be omitted from a *column-definition* defining a references-clause
 - *constraint-name* can be specified following FOREIGN KEY (without the CONSTRAINT keyword)
 - SET SUMMARY AS can be specified in place of SET MATERIALIZED QUERY AS
 - SET MATERIALIZED QUERY AS DEFINITION ONLY can be specified in place of DROP MATERIALIZED QUERY
 - SET MATERIALIZED QUERY AS (fullselect) can be specified in place of ADD MATERIALIZED QUERY (fullselect)
 - ADD PARTITIONING KEY can be specified in place of ADD DISTRIBUTE BY HASH; the optional USING HASHING clause can also still be specified in this case
 - DROP PARTITIONING KEY can be specified in place of DROP DISTRIBUTION
 - The LONG VARCHAR and LONG VARGRAPHIC data types continue to be supported but are deprecated and not recommended, especially for portable applications
 - For compatibility with previous versions of DB2 and for consistency:
 - A comma can be used to separate multiple options in the *identity-alteration* clause
 - For compatibility with DB2 for z/OS:
 - PART can be specified in place of PARTITION
 - VALUES can be specified in place of ENDING AT[®]
 - The following syntax is also supported:
 - NOMINVALUE, NOMAXVALUE, NOCYCLE, NOCACHE, and NOORDER

Examples

Example 1: Add a new column named RATING, which is one character long, to the DEPARTMENT table.

```
ALTER TABLE DEPARTMENT
ADD RATING CHAR(1)
```

Example 2: Add a new column named SITE_NOTES to the PROJECT table. Create SITE_NOTES as a varying-length column with a maximum length of 1000 bytes. The values of the column do not have an associated character set and therefore should not be converted.

```
ALTER TABLE PROJECT
ADD SITE_NOTES VARCHAR(1000) FOR BIT DATA
```

Example 3: Assume a table called EQUIPMENT exists defined with the following columns:

Column Name	Data Type
EQUIP_NO	INT
EQUIP_DESC	VARCHAR(50)
LOCATION	VARCHAR(50)
EQUIP_OWNER	CHAR(3)

Add a referential constraint to the EQUIPMENT table so that the owner (EQUIP_OWNER) must be a department number (DEPTNO) that is present in the DEPARTMENT table. DEPTNO is the primary key of the DEPARTMENT table. If a department is removed from the DEPARTMENT table, the owner (EQUIP_OWNER) values for all equipment owned by that department should become unassigned (or set to null). Give the constraint the name DEPTQUIP.

```
ALTER TABLE EQUIPMENT
ADD CONSTRAINT DEPTQUIP
FOREIGN KEY (EQUIP_OWNER)
REFERENCES DEPARTMENT
ON DELETE SET NULL
```

Also, an additional column is needed to allow the recording of the quantity associated with this equipment record. Unless otherwise specified, the EQUIP_QTY column should have a value of 1 and must never be null.

```
ALTER TABLE EQUIPMENT
ADD COLUMN EQUIP_QTY
SMALLINT NOT NULL DEFAULT 1
```

Example 4: Alter table EMPLOYEE. Add the check constraint named REVENUE defined so that each employee must make a total of salary and commission greater than \$30,000.

```
ALTER TABLE EMPLOYEE
ADD CONSTRAINT REVENUE
CHECK (SALARY + COMM > 30000)
```

Example 5: Alter table EMPLOYEE. Drop the constraint REVENUE which was previously defined.

```
ALTER TABLE EMPLOYEE
DROP CONSTRAINT REVENUE
```

Example 6: Alter a table to log SQL changes in the default format.

```
ALTER TABLE SALARY1
DATA CAPTURE NONE
```

ALTER TABLE

Example 7: Alter a table to log SQL changes in an expanded format.

```
ALTER TABLE SALARY2
  DATA CAPTURE CHANGES
```

Example 8: Alter the EMPLOYEE table to add 4 new columns with default values.

```
ALTER TABLE EMPLOYEE
  ADD COLUMN HEIGHT MEASURE DEFAULT MEASURE(1)
  ADD COLUMN BIRTHDAY BIRTHDATE DEFAULT DATE('01-01-1850')
  ADD COLUMN FLAGS BLOB(1M) DEFAULT BLOB(X'01')
  ADD COLUMN PHOTO PICTURE DEFAULT BLOB(X'00')
```

The default values use various function names when specifying the default. Since MEASURE is a distinct type based on INTEGER, the MEASURE function is used. The HEIGHT column default could have been specified without the function since the source type of MEASURE is not BLOB or a datetime data type. Since BIRTHDATE is a distinct type based on DATE, the DATE function is used (BIRTHDATE cannot be used here). For the FLAGS and PHOTO columns the default is specified using the BLOB function even though PHOTO is a distinct type. To specify a default for BIRTHDAY, FLAGS and PHOTO columns, a function must be used because the type is a BLOB or a distinct type sourced on a BLOB or datetime data type.

Example 9: A table called CUSTOMERS is defined with the following columns:

Column Name	Data Type
BRANCH_NO	SMALLINT
CUSTOMER_NO	DECIMAL(7)
CUSTOMER_NAME	VARCHAR(50)

In this table, the primary key is made up of the BRANCH_NO and CUSTOMER_NO columns. To distribute the table, you will need to create a distribution key for the table. The table must be defined in a table space on a single-node database partition group. The primary key must be a superset of the distribution key columns: at least one of the columns of the primary key must be used as the distribution key. Make BRANCH_NO the distribution key as follows:

```
ALTER TABLE CUSTOMERS
  ADD DISTRIBUTE BY HASH (BRANCH_NO)
```

Example 10: A remote table EMPLOYEE was created in a federated system using transparent DDL. Alter the remote table EMPLOYEE to add the columns PHONE_NO and WORK_DEPT; also add a primary key on the existing column EMP_NO and the new column WORK_DEPT.

```
ALTER TABLE EMPLOYEE
  ADD COLUMN PHONE_NO CHAR(4) NOT NULL
  ADD COLUMN WORK_DEPT CHAR(3)
  ADD PRIMARY KEY (EMP_NO, WORK_DEPT)
```

Example 11: Alter the DEPARTMENT table to add a functional dependency FD1, then drop the functional dependency FD1 from the DEPARTMENT table.

```
ALTER TABLE DEPARTMENT
  ADD CONSTRAINT FD1
  CHECK ( DEPTNAME DETERMINED BY DEPTNO) NOT ENFORCED

ALTER TABLE DEPARTMENT
  DROP CHECK FD1
```

Example 12: Change the default value for the WORKDEPT column in the EMPLOYEE table to 123.


```
ALTER TABLE EMPLOYEE
ALTER COLUMN WORKDEPT
SET DEFAULT '123'
```

Example 13: Associate the security policy DATA_ACCESS with the table EMPLOYEE.

```
ALTER TABLE EMPLOYEE
ADD SECURITY POLICY DATA_ACCESS
```

Example 14: Alter the table EMPLOYEE to protect the SALARY column.

```
ALTER TABLE EMPLOYEE
ALTER COLUMN SALARY
SECURED WITH EMPLOYEESECLABEL
```

Example 15: Assume that you have a table named SALARY_DATA that is defined with the following columns:

Column Name	Data Type
-----	-----
EMP_NAME	VARCHAR(50) NOT NULL
EMP_ID	SMALLINT NOT NULL
EMP_POSITION	VARCHAR(100) NOT NULL
SALARY	DECIMAL(5,2)
PROMOTION_DATE	DATE NOT NULL

Change this table to allow salaries to be stored in a DECIMAL(6,2) column, make PROMOTION_DATE an optional field that can be set to the null value, and remove the EMP_POSITION column.

```
ALTER TABLE SALARY_DATA
ALTER COLUMN SALARY SET DATA TYPE DECIMAL(6,2)
ALTER COLUMN PROMOTION_DATE DROP NOT NULL
DROP COLUMN EMP_POSITION
```

ALTER TABLESPACE

The ALTER TABLESPACE statement is used to modify an existing table space in the following ways:

- Add a container to, or drop a container from a DMS table space; that is, a table space created with the MANAGED BY DATABASE option.
- Modify the size of a container in a DMS table space.
- Add a container to an SMS table space on a database partition that currently has no containers.
- Modify the PREFETCHSIZE setting for a table space.
- Modify the BUFFERPOOL used for tables in the table space.
- Modify the OVERHEAD setting for a table space.
- Modify the TRANSFERRATE setting for a table space.
- Modify the file system caching policy for a table space.

Invocation

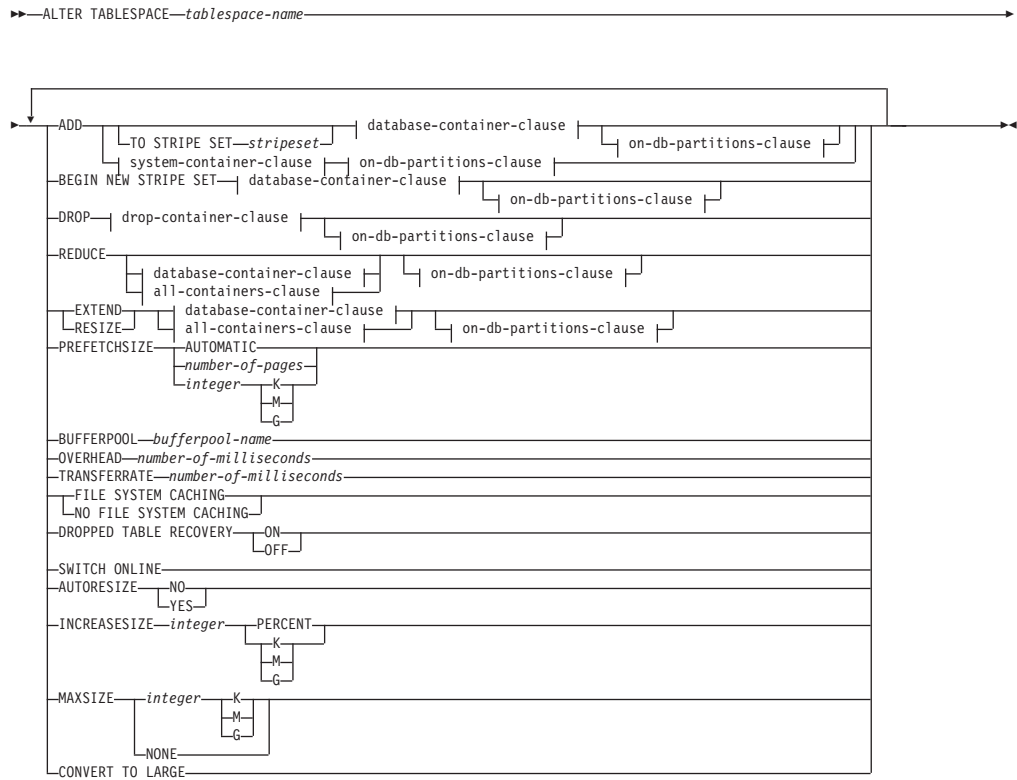
This statement can be embedded in an application program or issued interactively. It is an executable statement that can be dynamically prepared only if DYNAMICRULES run behavior is in effect for the package (SQLSTATE 42509).

ALTER TABLESPACE

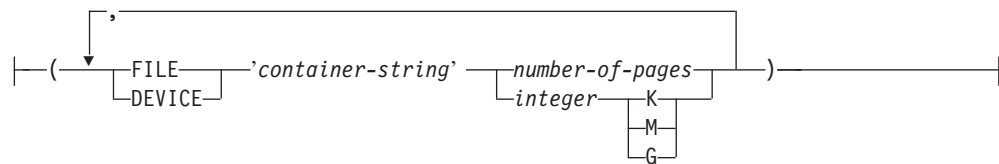
Authorization

The privileges held by the authorization ID of the statement must include SYSCTRL or SYSADM authority.

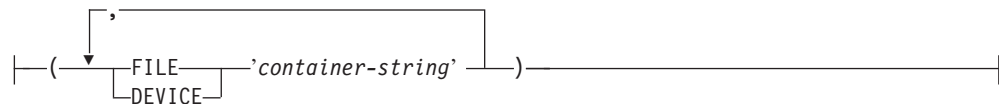
Syntax



database-container-clause:

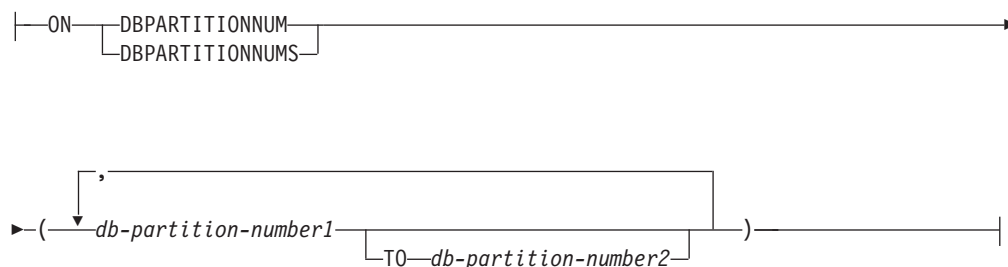
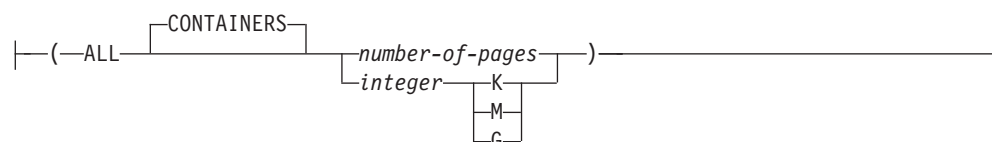


drop-container-clause:



system-container-clause:



on-db-partitions-clause:**all-containers-clause:****Description**

tablespace-name

Names the table space. This is a one-part name. It is a long SQL identifier (either ordinary or delimited).

ADD

Specifies that one or more new containers are to be added to the table space.

TO STRIPE SET *stripeset*

Specifies that one or more new containers are to be added to the table space, and that they will be placed into the given stripe set.

BEGIN NEW STRIPE SET

Specifies that a new stripe set is to be created in the table space, and that one or more containers are to be added to this new stripe set. Containers that are subsequently added using the ADD option will be added to this new stripe set unless TO STRIPE SET is specified.

DROP

Specifies that one or more containers are to be dropped from the table space.

REDUCE

For non-automatic storage table spaces, specifies that existing containers are to be reduced in size. The size specified is the size by which the existing container is decreased. If the *all-containers-clause* is specified, all containers in the table space will decrease by this size. If the reduction in size will result in a table space size that is smaller than the current high water mark, an attempt will be made to reduce the high water mark before attempting to reduce the containers. For non-automatic storage table spaces, the REDUCE clause must be followed by a *database-container-clause* or an *all-containers-clause*.

For automatic storage table spaces, specifies that the current high water mark is to be reduced, if possible, and that the size of the table space is to be reduced to the new high water mark. For automatic storage table spaces, the REDUCE clause must not be followed by a *database-container-clause* or an *all-containers-clause*.

ALTER TABLESPACE

EXTEND

Specifies that existing containers are to be increased in size. The size specified is the size by which the existing container is increased. If the *all-containers-clause* is specified, all containers in the table space will increase by this size.

RESIZE

Specifies that the size of existing containers is to be changed. The size specified is the new size for the container. If the *all-containers-clause* is specified, all containers in the table space will be changed to this size. If the operation affects more than one container, these containers must all either increase in size, or decrease in size. It is not possible to increase some while decreasing others (SQLSTATE 429BC).

database-container-clause

Adds one or more containers to a DMS table space. The table space must identify a DMS table space that already exists at the application server.

drop-container-clause

Drops one or more containers from a DMS table space. The table space must identify a DMS table space that already exists at the application server.

system-container-clause

Adds one or more containers to an SMS table space on the specified database partitions. The table space must identify an SMS table space that already exists at the application server. There must not be any containers on the specified database partitions for the table space (SQLSTATE 42921).

on-db-partitions-clause

Specifies one or more database partitions for the corresponding container operations.

all-containers-clause

Extends, reduces, or resizes all of the containers in a DMS table space. The table space must identify a DMS table space that already exists at the application server.

PREFETCHSIZE

Specifies to read in data needed by a query prior to it being referenced by the query, so that the query need not wait for I/O to be performed.

AUTOMATIC

Specifies that the prefetch size of a table space is to be updated automatically; that is, the prefetch size will be managed by DB2, using the following formula:

$$\begin{aligned} \text{Prefetch size} = & \\ & (\text{number of containers}) * \\ & (\text{number of physical disks per container}) * \\ & (\text{extent size}) \end{aligned}$$

The number of physical disks per container defaults to 1, unless a value is specified through the DB2_PARALLEL_IO registry variable.

DB2 will update the prefetch size automatically whenever the number of containers in a table space changes (following successful execution of an ALTER TABLESPACE statement that adds or drops one or more containers). The prefetch size is updated at database start-up.

Automatic updating of the prefetch size can be turned off by specifying a numeric value in the PREFETCHSIZE clause.

number-of-pages

Specifies the number of PAGESIZE pages that will be read from the table space when data prefetching is being performed. The prefetch size value can also be specified as an integer value followed by K (for kilobytes), M (for megabytes), or G (for gigabytes). If specified in this way, the floor of the number of bytes divided by the page size is used to determine the number of pages value for prefetch size.

BUFFERPOOL *bufferpool-name*

The name of the buffer pool used for tables in this table space. The buffer pool must currently exist in the database (SQLSTATE 42704). The database partition group of the table space must be defined for the bufferpool (SQLSTATE 42735).

OVERHEAD *number-of-milliseconds*

Any numeric literal (integer, decimal, or floating point) that specifies the I/O controller overhead and disk seek and latency time, in milliseconds. The number should be an average for all containers that belong to the table space, if not the same for all containers. This value is used to determine the cost of I/O during query optimization.

TRANSFERRATE *number-of-milliseconds*

Any numeric literal (integer, decimal, or floating point) that specifies the time to read one page (4K or 8K) into memory, in milliseconds. The number should be an average for all containers that belong to the table space, if not the same for all containers. This value is used to determine the cost of I/O during query optimization.

FILE SYSTEM CACHING or NO FILE SYSTEM CACHING

Specifies whether or not I/O operations will be cached at the file system level. Connections to the database must be terminated before a new caching policy takes effect. Note that I/O access to long or LOB data is buffered for both SMS and DMS containers.

FILE SYSTEM CACHING

All I/O operations in the target table space will be cached at the file system level.

NO FILE SYSTEM CACHING

All I/O operations will bypass the file system level cache.

DROPPED TABLE RECOVERY

Specifies whether or not tables that have been dropped from *tablespace-name* can be recovered using the RECOVER DROPPED TABLE ON option of the ROLLFORWARD DATABASE command. For partitioned tables, dropped table recovery is always on, even if dropped table recovery is turned off for non-partitioned tables in one or more table spaces.

ON

Specifies that dropped tables can be recovered.

OFF

Specifies that dropped tables cannot be recovered.

SWITCH ONLINE

Specifies that table spaces in OFFLINE state are to be brought online if their containers have become accessible. If the containers are not accessible, an error is returned (SQLSTATE 57048).

AUTORESIZE

Specifies whether or not the auto-resize capability of a database managed

ALTER TABLESPACE

space (DMS) table space or an automatic storage table space is to be enabled. Auto-resizable table spaces automatically increase in size when they become full.

NO

Specifies that the auto-resize capability of a DMS table space or an automatic storage table space is to be disabled. If the auto-resize capability is disabled, any values that have been previously specified for INCREASESIZE or MAXSIZE will not be kept.

YES

Specifies that the auto-resize capability of a DMS table space or an automatic storage table space is to be enabled.

INCREASESIZE *integer* PERCENT or INCREASESIZE *integer* K | M | G

Specifies the amount, per database partition, by which a table space that is enabled for auto-resize will automatically be increased when the table space is full, and a request for space has been made. The integer value must be followed by:

- PERCENT to specify the amount as a percentage of the table space size at the time that a request for space is made. When PERCENT is specified, the integer value must be between 0 and 100 (SQLSTATE 42615).
- K (for kilobytes), M (for megabytes), or G (for gigabytes) to specify the amount in bytes

Note that the actual value used might be slightly smaller or larger than what was specified, because the database manager strives to maintain consistent growth across containers in the table space.

MAXSIZE *integer* K | M | G or MAXSIZE NONE

Specifies the maximum size to which a table space that is enabled for auto-resize can automatically be increased.

integer

Specifies a hard limit on the size, per database partition, to which a DMS table space or an automatic storage table space can automatically be increased. The integer value must be followed by K (for kilobytes), M (for megabytes), or G (for gigabytes). Note that the actual value used might be slightly smaller than what was specified, because the database manager strives to maintain consistent growth across containers in the table space.

NONE

Specifies that the table space is to be allowed to grow to file system capacity, or to the maximum table space size (described in “SQL limits”).

CONVERT TO LARGE

Modifies an existing regular DMS table space to be a large DMS table space. The table space and its contents are locked during conversion. This option can only be used on regular DMS table spaces. If an SMS table space, a temporary table space, or the system catalog table space is specified, an error is returned (SQLSTATE 560CF). You cannot convert a table space that contains a data partition of a partitioned table that has data partitions in another table space (SQLSTATE 560CF). Conversion cannot be reversed after being committed. If tables in the table space are defined with DATA CAPTURE CHANGES, consider the storage and capacity limits of the target table and table space.

Rules

- The BEGIN NEW STRIPE SET clause cannot be specified in the same statement as ADD, DROP, EXTEND, REDUCE, and RESIZE, unless those clauses are being directed to different database partitions (SQLSTATE 429BC).
- The stripe set value specified with the TO STRIPE SET clause must be within the valid range for the table space being altered (SQLSTATE 42615).
- When adding or removing space from the table space, the following rules must be followed:
 - EXTEND and RESIZE can be used in the same statement, provided that the size of each container is increasing (SQLSTATE 429BC).
 - REDUCE and RESIZE can be used in the same statement, provided that the size of each container is decreasing (SQLSTATE 429BC).
 - EXTEND and REDUCE cannot be used in the same statement, unless they are being directed to different database partitions (SQLSTATE 429BC).
 - ADD cannot be used with REDUCE or DROP in the same statement, unless they are being directed to different database partitions (SQLSTATE 429BC).
 - DROP cannot be used with EXTEND or ADD in the same statement, unless they are being directed to different database partitions (SQLSTATE 429BC).
- The AUTORESIZE, INCREASESIZE, or MAXSIZE clause cannot be specified for system managed space (SMS) table spaces, temporary table spaces that were created using automatic storage, or DMS table spaces that are defined to use raw device containers (SQLSTATE 42601).
- The INCREASESIZE or MAXSIZE clause cannot be specified if the table space is not auto-resizable (SQLSTATE 42601).
- When specifying a new maximum size for a table space, the value must be larger than the current size on each database partition (SQLSTATE 560B0).
- Container operations (ADD, EXTEND, RESIZE, DROP, or BEGIN NEW STRIPE SET) cannot be performed on automatic storage table spaces, because the database manager is controlling the space management of such table spaces (SQLSTATE 42858).
- Raw device containers cannot be added to an auto-resizable DMS table space (SQLSTATE 42601).
- The CONVERT TO LARGE clause cannot be specified in the same statement as any other clause (SQLSTATE 429BC).

Notes

- Each container definition requires 53 bytes plus the number of bytes necessary to store the container name. The combined length of all container names for the table space cannot exceed 20 480 bytes (SQLSTATE 54034).
- Default container operations are container operations that are specified in the ALTER TABLESPACE statement, but that are not explicitly directed to a specific database partition. These container operations are sent to any database partition that is not listed in the statement. If these default container operations are not sent to any database partition, because all database partitions are explicitly mentioned for a container operation, a warning is returned (SQLSTATE 1758W).
- Once space has been added or removed from a table space, and the transaction is committed, the contents of the table space may be rebalanced across the containers. Access to the table space is not restricted during rebalancing.
- If the table space is in OFFLINE state and the containers have become accessible, the user can disconnect all applications and connect to the database again to

ALTER TABLESPACE

bring the table space out of OFFLINE state. Alternatively, SWITCH ONLINE option can bring the table space up (out of OFFLINE) while the rest of the database is still up and being used.

- If adding more than one container to a table space, it is recommended that they be added in the same statement so that the cost of rebalancing is incurred only once. An attempt to add containers to the same table space in separate ALTER TABLESPACE statements within a single transaction will result in an error (SQLSTATE 55041).
- Any attempts to extend, reduce, resize, or drop containers that do not exist will raise an error (SQLSTATE 428B2).
- When extending, reducing, or resizing a container, the container type must match the type that was used when the container was created (SQLSTATE 428B2).
- An attempt to change container sizes in the same table space, using separate ALTER TABLESPACE statements but within a single transaction, will raise an error (SQLSTATE 55041).
- In a partitioned database if more than one database partition resides on the same physical node, the same device or specific path cannot be specified for such database partitions (SQLSTATE 42730). For this environment, either specify a unique *container-string* for each database partition or use a relative path name.
- Although the table space definition is transactional and the changes to the table space definition are reflected in the catalog tables on commit, the buffer pool with the new definition cannot be used until the next time the database is started. The buffer pool in use, when the ALTER TABLESPACE statement was issued, will continue to be used in the interim.
- The REDUCE, RESIZE, or DROP option attempts to free unused extents, if necessary, for DMS table spaces, and the REDUCE option attempts to free unused extents for automatic storage table spaces. The removal of unused extents allows the table space high water mark to be reduced to a value that accurately represents the amount of space used, which, in turn, enables larger reductions in table space size.
- **Conversion to large DMS table spaces:**
 - After conversion, it is recommended that you issue the COMMIT statement and then increase the storage capacity of the table space.
 - If the table space is enabled for auto-resize, the MAXSIZE table space attribute should be increased, unless it is already set to NONE.
 - If the table space is not enabled for auto-resize:
 - Enable auto-resize by issuing the ALTER TABLESPACE statement with the AUTORESIZE YES option, or
 - Add more storage by adding stripe sets, extending the size of existing containers, or both
 - Indexes for tables in a converted table space must be reorganized or rebuilt before they can support large record identifiers (RIDs).
 - The indexes can be reorganized using the REORG INDEXES ALL command (without the CLEANUP ONLY clause). Specify the ALLOW NO ACCESS option for partitioned tables.
 - Alternatively, the tables can be reorganized (not INPLACE), which will rebuild all indexes and enable the tables to support more than 255 rows per page.
 - Any rebuilt Type 1 index is automatically converted to a Type 2 index.

- To determine which tables do not yet support large RIDs, use the ADMIN_GET_TAB_INFO table function.
- *Compatibilities*
 - For compatibility with versions earlier than Version 8, the keyword:
 - NODE can be substituted for DBPARTITIONNUM
 - NODES can be substituted for DBPARTITIONNUMS

Examples

Example 1: Add a device to the PAYROLL table space.

```
ALTER TABLESPACE PAYROLL
  ADD (DEVICE '/dev/rhdisk9' 10000)
```

Example 2: Change the prefetch size and I/O overhead for the ACCOUNTING table space.

```
ALTER TABLESPACE ACCOUNTING
  PREFETCHSIZE 64
  OVERHEAD 19.3
```

Example 3: Create a table space TS1, then resize the containers so that all of the containers have 2000 pages. (Three different ALTER TABLESPACE statements that will accomplish this resizing are shown.)

```
CREATE TABLESPACE TS1
  MANAGED BY DATABASE
  USING (FILE '/conts/cont0' 1000,
        DEVICE '/dev/rcont1' 500,
        FILE 'cont2' 700)
ALTER TABLESPACE TS1
  RESIZE (FILE '/conts/cont0' 2000,
        DEVICE '/dev/rcont1' 2000,
        FILE 'cont2' 2000)
```

OR

```
ALTER TABLESPACE TS1
  RESIZE (ALL 2000)
```

OR

```
ALTER TABLESPACE TS1
  EXTEND (FILE '/conts/cont0' 1000,
        DEVICE '/dev/rcont1' 1500,
        FILE 'cont2' 1300)
```

Example 4: Extend all of the containers in the DATA_TS table space by 1000 pages.

```
ALTER TABLESPACE DATA_TS
  EXTEND (ALL 1000)
```

Example 5: Resize all of the containers in the INDEX_TS table space to 100 megabytes (MB).

```
ALTER TABLESPACE INDEX_TS
  RESIZE (ALL 100 M)
```

Example 6: Add three new containers. Extend the first container, and resize the second.

ALTER TABLESPACE

```
ALTER TABLESPACE TSO
  ADD (FILE 'cont2' 2000, FILE 'cont3' 2000)
  ADD (FILE 'cont4' 2000)
  EXTEND (FILE 'cont0' 100)
  RESIZE (FILE 'cont1' 3000)
```

Example 7: Table space TSO exists on database partitions 0, 1 and 2. Add a new container to database partition 0. Extend all of the containers on database partition 1. Resize a container on all database partitions other than the ones that were explicitly specified (that is, database partitions 0 and 1).

```
ALTER TABLESPACE TSO
  ADD (FILE 'A' 200) ON DBPARTITIONNUM (0)
  EXTEND (ALL 200) ON DBPARTITIONNUM (1)
  RESIZE (FILE 'B' 500)
```

The RESIZE clause is the default container clause in this example, and will be executed on database partition 2, because other operations are being explicitly sent to database partitions 0 and 1. If, however, there had only been these two database partitions, the statement would have succeeded, but returned a warning (SQL1758W) that default containers had been specified but not used.

Example 8: Enable the auto-resize option for table space DMS_TS1, and set its maximum size to 256 megabytes.

```
ALTER TABLESPACE DMS_TS1
  AUTORESIZE YES MAXSIZE 256 M
```

Example 9: Enable the auto-resize option for table space AUTOSTORE1, and change its growth rate to 5%.

```
ALTER TABLESPACE AUTOSTORE1
  AUTORESIZE YES INCREASESIZE 5 PERCENT
```

Example 10: Change the growth rate for an auto-resizable table space named MY_TS to 512 kilobytes, and set its maximum size to be as large as possible.

```
ALTER TABLESPACE MY_TS
  INCREASESIZE 512 K MAXSIZE NONE
```

ALTER THRESHOLD

The ALTER THRESHOLD statement alters the definition of a threshold.

Invocation

This statement can be embedded in an application program or issued through the use of dynamic SQL statements. It is an executable statement that can be dynamically prepared only if DYNAMICRULES run behavior is in effect for the package (SQLSTATE 42509).

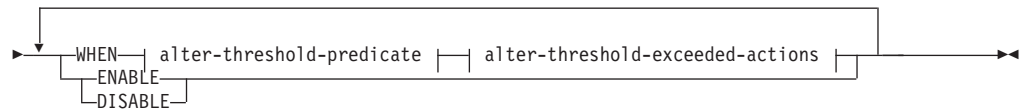
Authorization

The privileges held by the authorization ID of the statement must include SYSADM or DBADM authority.

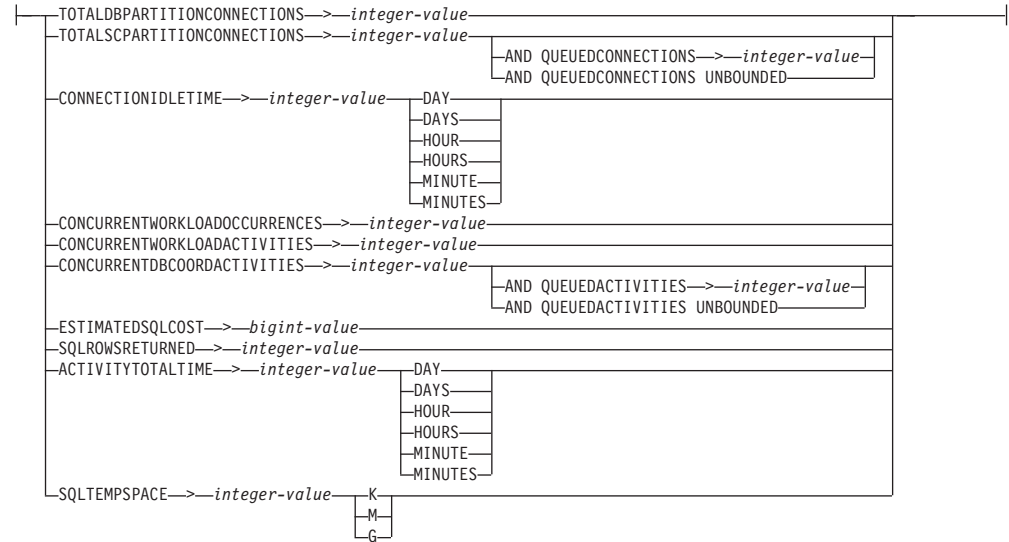
Syntax

►►—ALTER THRESHOLD—*threshold-name*—►►

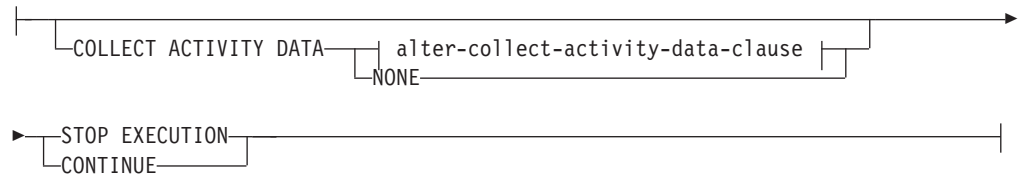
ALTER THRESHOLD



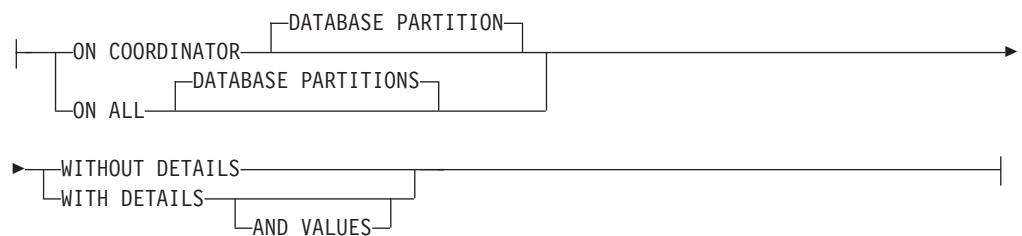
altered-threshold-predicate:



alter-threshold-exceeded-actions:



alter-collect-activity-data-clause:



Description

threshold-name

Identifies the threshold to be altered. This is a one-part name. It is an SQL identifier (either ordinary or delimited). The name must uniquely identify an existing threshold at the current server (SQLSTATE 42704).

ALTER THRESHOLD

WHEN *alter-threshold-predicate*

Replaces the existing upper bound value in the threshold condition with a new upper bound value. The condition of the threshold cannot be changed to a different one.

TOTALDBPARTITIONCONNECTIONS > *integer-value*

This condition defines an upper bound on the number of coordinator connections that can run concurrently on a database partition. This value can be any positive integer, including zero (SQLSTATE 42820). A value of zero means that any new coordinator connection will be prevented from connecting. All currently running or queued connections will continue.

TOTALSCPARTITIONCONNECTIONS > *integer-value*

This condition defines an upper bound on the number of coordinator connections that can run concurrently on a database partition in a specific service superclass. This value can be any positive integer, including zero (SQLSTATE 42820). A value of zero means that any new connection will be prevented from joining the service class. All currently running or queued connections will continue.

AND QUEUEDCONNECTIONS > *integer-value* or AND QUEUEDCONNECTIONS UNBOUNDED

Specifies a queue size for when the maximum number of coordinator connections is exceeded. This value can be any positive integer, including zero (SQLSTATE 42820). A value of zero means that no coordinator connections are queued. Specifying UNBOUNDED will queue every connection that exceeds the specified maximum number of coordinator connections, and the *threshold-exceeded-actions* will never be executed.

CONNECTIONIDLETIME > *integer-value* (DAY | DAYS | HOUR | HOURS | MINUTE | MINUTES)

This condition defines an upper bound for the amount of time the database manager will allow a connection to remain idle. This value can be any non-zero positive integer (SQLSTATE 42820). Use a valid duration keyword to specify an appropriate unit of time for *integer-value*. This condition is logically enforced at the coordinator database partition.

If you specify the STOP EXECUTION action with CONNECTIONIDLETIME thresholds, the connection for the application is dropped when the threshold is exceeded. Any subsequent attempt by the application to access the data server will not receive SQLSTATE 5U026.

Because the minimum granularity for this threshold is five minutes, specified values are rounded up to the closest non-zero multiple of five minutes. In cases where the rounding generates an overflow or underflow, the closest value in the integer range is selected.

The maximum value for this threshold is 2 147 400 seconds. Any value specified that has a seconds equivalent larger than 2 147 400 seconds will be set to this number of seconds.

Changes to the DB2CHECKCLIENTINTERVAL registry variable causing less frequent checks might affect the granularity of this threshold.

CONCURRENTWORKLOADOCCURRENCES > *integer-value*

This condition defines an upper bound on the number of concurrent occurrences for the workload on each database partition. This value can be any non-zero positive integer (SQLSTATE 42820).

CONCURRENTWORKLOADACTIVITIES > *integer-value*

This condition defines an upper bound on the number of concurrent coordinator activities and nested activities for the workload on each database partition. This value can be any non-zero positive integer (SQLSTATE 42820).

Each nested activity must satisfy the following conditions:

- It must be a recognized coordinator activity. Any nested coordinator activity that does not fall within the recognized types of activities will not be counted. Similarly, nested subagent activities, such as remote node requests, are not counted.
- It must be directly invoked from user logic, such as a user-written procedure issuing SQL statements.

Consequently, nested coordinator activities that were automatically started under the invocation of a DB2 utility or routines in the SYSIBM, SYSFUN, or SYSPROC schemas are not counted towards the upper bound specified by this threshold.

Internal SQL activities, such as those generated by the setting of a constraint or the refreshing of a materialized query table, are also not counted by this threshold, because they are initiated by the database manager and not directly invoked by user logic.

CONCURRENTDBCOORDACTIVITIES > *integer-value*

This condition defines an upper bound on the number of recognized database coordinator activities that can run concurrently on all database partitions in the specified domain. This value can be any positive integer, including zero (SQLSTATE 42820). A value of zero means that any new database coordinator activities will be prevented from executing. All currently running or queued database coordinator activities will continue.

Important: CONCURRENTDBCOORDACTIVITIES thresholds can result in queue-based contention that requires external intervention. For more information see the "CONCURRENTDBCOORDACTIVITIES threshold".

AND QUEUEDACTIVITIES > *integer-value* or **AND QUEUEDACTIVITIES UNBOUNDED**

Specifies a queue size for when the maximum number of database coordinator activities is exceeded. This value can be any positive integer, including zero (SQLSTATE 42820). A value of zero means that no database coordinator activities are queued. Specifying UNBOUNDED will queue every database coordinator activity that exceeds the specified maximum number of database coordinator activities, and the *threshold-exceeded-actions* will never be executed.

ESTIMATEDSQLCOST > *bigint-value*

This condition defines an upper bound for the optimizer-assigned cost (in timerons) of an activity. This value can be any non-zero positive big integer (SQLSTATE 42820). This condition is enforced at the coordinator database partition. Activities tracked by this condition are:

- Coordinator activities of type data manipulation language (DML)
- Nested DML activities that are invoked from user logic. Consequently, DML activities that can be initiated by the database manager (such as utilities, procedures, or internal SQL) are not tracked by this condition (unless their cost is included in the parent's estimate, in which case they are indirectly tracked).

ALTER THRESHOLD

SQLROWSRETURNED > *integer-value*

This condition defines an upper bound for the number of rows returned to a client application from the application server. This value can be any non-zero integer (SQLSTATE 42820). This condition is enforced at the coordinator database partition. Activities tracked by this condition are:

- Coordinator activities of type DML
- Nested DML activities that are derived from user logic. Activities that are initiated by the database manager through a utility, procedure, or internal SQL are not affected by this condition.

Result sets returned from within a procedure are treated separately as individual activities. There is no aggregation of the rows that are returned by the procedure itself.

ACTIVITYTOTALTIME > *integer-value* (**DAY** | **DAYS** | **HOUR** | **HOURS** | **MINUTE** | **MINUTES**)

This condition defines an upper bound for the amount of time the database manager will allow an activity to execute, including the time the activity was queued. This value can be any non-zero positive integer (SQLSTATE 42820). Use a valid duration keyword to specify an appropriate unit of time for *integer-value*. This condition is logically enforced at the coordinator database partition.

Because the minimum granularity for this threshold is five minutes, specified values are rounded up to the closest non-zero multiple of five minutes. In cases where the rounding generates an overflow or underflow, the closest value in the integer range is selected.

The maximum value for this threshold is 2 147 400 seconds. Any value specified that has a seconds equivalent larger than 2 147 400 seconds will be set to this number of seconds.

Changes to the DB2CHECKCLIENTINTERVAL registry variable causing less frequent checks might affect the granularity of this threshold.

SQLTEMPSPACE > *integer-value* (**K** | **M** | **G**)

This condition defines an upper bound for the size of a system temporary table space on any database partition. This value can be any non-zero positive integer (SQLSTATE 42820).

If *integer-value* *K* (in either upper- or lowercase) is specified, the maximum size is 1024 times *integer-value*. If *integer-value* *M* is specified, the maximum size is 1 048 576 times *integer-value*. If *integer-value* *G* is specified, the maximum size is 1 073 741 824 times *integer-value*.

Activities tracked by this condition are:

- Coordinator activities of type DML and corresponding subagent work (subsection execution)
- Nested DML activities that are derived from user logic and their corresponding subagent work (subsection execution). Activities that are initiated by the database manager through a utility, procedure, or internal SQL are not affected by this condition.

alter-threshold-exceeded-actions

Specifies what action is to be taken when a condition is exceeded. Each time that a condition is exceeded, an event is recorded in the threshold violations event monitor, if one is active.

COLLECT ACTIVITY DATA

Specifies that data about each activity that exceeded the threshold is to be sent to the activities event monitor, if one is active, when the activity completes.

alter-collect-activity-data-clause

ON COORDINATOR DATABASE PARTITION

Specifies that the activity data is to be collected only at the database partition of the coordinator of the activity.

ON ALL DATABASE PARTITIONS

Specifies that the activity data is to be collected at all database partitions on which the activity is processed. For predictive thresholds, activity information is collected at all partitions only if you also specify the CONTINUE action for exceeded thresholds. For reactive thresholds, the ON ALL DATABASE PARTITIONS clause has no effect and activity information is always collected only at the coordinator partition. For both predictive and reactive thresholds, any activity details or values will be collected only at the coordinator partition.

WITHOUT DETAILS

Specifies that data about each activity that exceeds the threshold should be sent to the activities event monitor, if one is active, when the activity completes. Statement and compilation environment information are not sent to the event monitor.

WITH DETAILS

Specifies that statement and compilation environment information are to be sent to the activities event monitor, if one is active, for those activities that have them.

AND VALUES

Specifies that input data values are to be sent to the activities event monitor, if one is active, for those activities that have them.

NONE

Specifies that activity data should not be collected for each activity that exceeds the threshold.

STOP EXECUTION

The execution of the activity is stopped and an error is returned (SQLSTATE 5U026).

CONTINUE

The execution of the activity is not stopped. When the condition also has a queue, this option causes queuing to extend beyond the size of the queue.

ENABLE or DISABLE

Specifies whether or not the threshold is enabled for use by the database manager.

ENABLE

The threshold is used by the database manager to restrict the execution of database activities. Currently running database activities will continue to execute without the restriction of this threshold.

DISABLE

The threshold is not used by the database manager to restrict the execution of database activities. New database activities will not be restricted by this

ALTER THRESHOLD

threshold. Thresholds with a queue, for example TOTALSCPARTITIONCONNECTIONS or CONCURRENTDBCOORDACTIVITIES, must be disabled before they can be dropped.

Notes

- The new value for a threshold affects only DB2 activities that start executing after the alter operation commits.

Example

Alter the threshold MAXBIGQUERIESCONCURRENCY to a maximum of three activities rather than two.

```
ALTER THRESHOLD MAXBIGQUERIESCONCURRENCY
  WHEN CONCURRENTDBCOORDACTIVITIES > 3
  STOP EXECUTION
```

Because this is a threshold with a queue, the threshold cannot be dropped unless it is disabled, as follows:

```
ALTER THRESHOLD MAXBIGQUERIESCONCURRENCY DISABLE
```

ALTER TRUSTED CONTEXT

The ALTER TRUSTED CONTEXT statement modifies the definition of a trusted context at the current server.

Invocation

This statement can be embedded in an application program or issued interactively. It is an executable statement that can be dynamically prepared only if DYNAMICRULES run behavior is in effect for the package (SQLSTATE 42509).

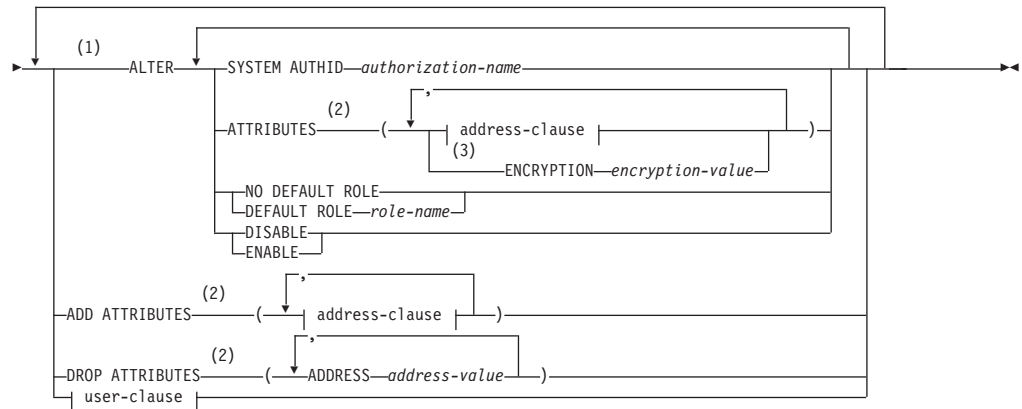
Authorization

The privileges held by the authorization ID of the statement must include SECADM authority.

Syntax

```
▶▶ALTER TRUSTED CONTEXT—context-name————▶▶
```

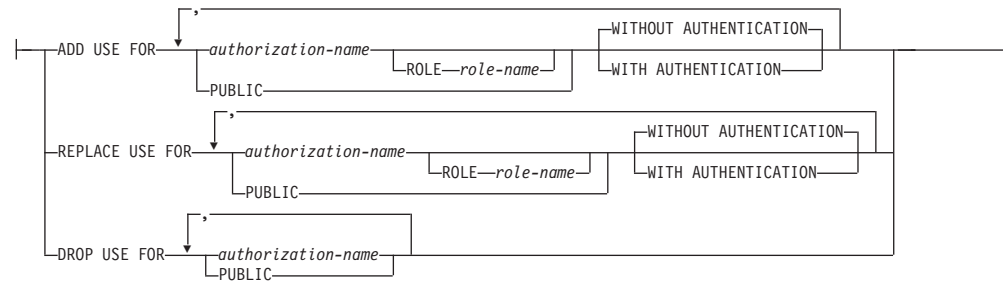

ALTER TRUSTED CONTEXT



address-clause:



user-clause:



Notes:

- 1 Each of the ATTRIBUTES, DEFAULT ROLE, ENABLE, and WITH USE clauses can be specified at most once (SQLSTATE 42614).
- 2 Each attribute name and corresponding value must be unique (SQLSTATE 4274D).
- 3 ENCRYPTION cannot be specified more than once (SQLSTATE 42614); however, WITH ENCRYPTION can be specified for each ADDRESS that is specified.

Description

context-name

Identifies the trusted context that is to be altered. This is a one-part name. It is an SQL identifier (either ordinary or delimited). The *context-name* must identify a trusted context that exists at the current server (SQLSTATE 42704).

ALTER

Alters the options and attributes of a trusted context.

SYSTEM AUTHID authorization-name

Specifies that the context is a connection established by system authorization ID *authorization-name*, which must not be associated with an

ALTER TRUSTED CONTEXT

existing trusted context (SQLSTATE 428GL). It cannot be the authorization ID of the statement (SQLSTATE 42502).

ATTRIBUTES (...)

Specifies a list of one or more connection trust attributes, upon which the trusted context is defined, that are to be modified. Existing values for the specified attributes are replaced with the new values. If an attribute is not currently part of the trusted context definition, an error is returned (SQLSTATE 4274C). Attributes that are not specified retain their previous values.

ADDRESS *address-value*

Specifies the actual communication address used by the client to communicate with the database server. The only protocol supported is TCP/IP. Previous ADDRESS values for the specified trusted context are removed. The ADDRESS attribute can be specified multiple times, but each *address-value* pair must be unique for the set of attributes (SQLSTATE 4274D).

When establishing a trusted connection, if multiple values are defined for the ADDRESS attribute of a trusted context, a candidate connection is considered to match this attribute if the address used by the connection matches any of the defined values for the ADDRESS attribute of the trusted context.

address-value

Specifies a string constant that contains the value to be associated with the ADDRESS trust attribute. The *address-value* must be an IPv4 address, an IPv6 address, or a secure domain name.

- An IPv4 address must not contain leading spaces and is represented as a dotted decimal address. An example of an IPv4 address is 9.112.46.111. The value 'localhost' or its equivalent representation '127.0.0.1' will not result in a match; the real IPv4 address of the host must be specified instead.
- An IPv6 address must not contain leading spaces and is represented as a colon hexadecimal address. An example of an IPv6 address is 2001:0DB8:0000:0000:0008:0800:200C:417A. IPv4-mapped IPv6 addresses (for example, ::ffff:192.0.2.128) will not result in a match. Similarly, 'localhost' or its IPv6 short representation '::1' will not result in a match.
- A domain name is converted to an IP address by the domain name server where a resulting IPv4 or IPv6 address is determined. An example of a domain name is corona.torolab.ibm.com. When a domain name is converted to an IP address, the result of this conversion could be a set of one or more IP addresses. In this case, an incoming connection is said to match the ADDRESS attribute of a trusted context object if the IP address from which the connection originates matches any of the IP addresses to which the domain name was converted. When creating a trusted context object, it is advantageous to provide domain name values for the ADDRESS attribute instead of static IP addresses, particularly in Dynamic Host Configuration Protocol (DHCP) environments. With DHCP, a device can have a different IP address each time it connects to the network. So, if a static IP address is provided for the ADDRESS attribute of a trusted context object, some device might acquire a trusted connection unintentionally. Providing

domain names for the ADDRESS attribute of a trusted context object avoids this problem in DHCP environments.

WITH ENCRYPTION *encryption-value*

Specifies the minimum level of encryption of the data stream or network encryption for this specific *address-value*. This *encryption-value* overrides the global ENCRYPTION attribute setting for this specific *address-value*.

encryption-value

Specifies a string constant that contains the value to be associated with the ENCRYPTION trust attribute for this specific *address-value*. The *encryption-value* must be one of the following (SQLSTATE 42615):

- NONE, no specific level of encryption is required
- LOW, a minimum of light encryption is required; the authentication type on the database manager must be DATA_ENCRYPT if an incoming connection is to match the encryption setting for this specific address
- HIGH, Secure Sockets Layer (SSL) encryption must be used for data communication between the DB2 client and the DB2 server if an incoming connection is to match the encryption setting for this specific address

ENCRYPTION *encryption-value*

Specifies the minimum level of encryption of the data stream or network encryption. The default is NONE.

encryption-value

Specifies a string constant that contains the value to be associated with the ENCRYPTION trust attribute for this specific *address-value*. The *encryption-value* must be one of the following (SQLSTATE 42615):

- NONE, no specific level of encryption is required for an incoming connection to match the ENCRYPTION attribute of this trusted context object
- LOW, a minimum of light encryption is required; the authentication type on the database manager must be DATA_ENCRYPT if an incoming connection is to match the ENCRYPTION attribute of this trusted context object
- HIGH, Secure Sockets Layer (SSL) encryption must be used for data communication between the DB2 client and the DB2 server if an incoming connection is to match the ENCRYPTION attribute of this trusted context object

For details about the ENCRYPTION trust attribute, see "CREATE TRUSTED CONTEXT".

NO DEFAULT ROLE or DEFAULT ROLE *role-name*

Specifies whether or not a default role is associated with a trusted connection that is based on this trusted context. If a trusted connection for this context is active, the change comes into effect on the next switch user request or a new connection request.

NO DEFAULT ROLE

Specifies that the trusted context does not have a default role.

ALTER TRUSTED CONTEXT

DEFAULT ROLE *role-name*

Specifies that *role-name* is the default role for the trusted context. The *role-name* must identify a role that exists at the current server (SQLSTATE 42704). This role is used with the user in a trusted connection, based on this trusted context, when the user does not have a user-specific role defined as part of the definition of the trusted context.

ENABLE or DISABLE

Specifies whether the trusted context is enabled or disabled.

ENABLE

Specifies that the trusted context is enabled.

DISABLE

Specifies that the trusted context is disabled. A trusted context that is disabled is not considered when a trusted connection is established.

ADD ATTRIBUTES

Specifies a list of one or more additional trust attributes on which the trusted context is defined.

ADDRESS *address-value*

Specifies the actual communication address used by the client to communicate with the database server. The only protocol supported is TCP/IP. The ADDRESS attribute can be specified multiple times, but each *address-value* pair must be unique for the set of attributes (SQLSTATE 4274D).

When establishing a trusted connection, if multiple values are defined for the ADDRESS attribute of a trusted context, a candidate connection is considered to match this attribute if the address used by the connection matches any of the defined values for the ADDRESS attribute of the trusted context.

address-value

Specifies a string constant that contains the value to be associated with the ADDRESS trust attribute. The *address-value* must be an IPv4 address, an IPv6 address, or a secure domain name.

- An IPv4 address must not contain leading spaces and is represented as a dotted decimal address. An example of an IPv4 address is 9.112.46.111. The value 'localhost' or its equivalent representation '127.0.0.1' will not result in a match; the real IPv4 address of the host must be specified instead.
- An IPv6 address must not contain leading spaces and is represented as a colon hexadecimal address. An example of an IPv6 address is 2001:0DB8:0000:0000:0800:200C:417A. IPv4-mapped IPv6 addresses (for example, ::ffff:192.0.2.128) will not result in a match. Similarly, 'localhost' or its IPv6 short representation '::1' will not result in a match.
- A domain name is converted to an IP address by the domain name server, where a resulting IPv4 or IPv6 address is determined. An example of a domain name is corona.torolab.ibm.com.

WITH ENCRYPTION *encryption-value*

Specifies the minimum level of encryption of the data stream or network encryption for this specific *address-value*. This *encryption-value* overrides the global ENCRYPTION attribute setting for this specific *address-value*.

encryption-value

Specifies a string constant that contains the value to be associated with the ENCRYPTION trust attribute for this specific *address-value*. The *encryption-value* must be one of the following (SQLSTATE 42615):

- NONE, no specific level of encryption is required
- LOW, a minimum of light encryption is required; the authentication type on the database manager must be DATA_ENCRYPT if an incoming connection is to match the encryption setting for this specific address
- HIGH, Secure Sockets Layer (SSL) encryption must be used for data communication between the DB2 client and the DB2 server if an incoming connection is to match the ENCRYPTION attribute of this trusted context object

DROP ATTRIBUTES

Specifies that one or more attributes are to be dropped from the definition of the trusted context. If the attribute and attribute value pair is not currently part of the trusted context definition, an error is returned (SQLSTATE 4274C).

ADDRESS *address-value*

Specifies that the identified communication address is to be removed from the definition of the trusted context. The *address-value* specifies a string constant that contains the value of an existing ADDRESS trust attribute.

ADD USE FOR

Specifies additional users who can use a trusted connection based on this trusted context. If the definition of a trusted context allows access by PUBLIC and a list of users, the specifications for a user override the specifications for PUBLIC.

authorization-name

Specifies that the trusted connection can be used by the specified *authorization-name*. The *authorization-name* must not identify an authorization ID that is already defined to use the trusted context, and must not be specified more than once in the ADD USE FOR clause (SQLSTATE 428GM). It must also not be the authorization ID of the statement (SQLSTATE 42502).

ROLE *role-name*

Specifies that *role-name* is the role to be used for the user. The *role-name* must identify a role that exists at the current server (SQLSTATE 42704). The role explicitly specified for the user overrides any default role associated with the trusted context.

PUBLIC

Specifies that a trusted connection that is based on this trusted context can be used by any user. PUBLIC must not already be defined to use the trusted context, and PUBLIC must not be specified more than once in the ADD USE FOR clause (SQLSTATE 428GM).

WITHOUT AUTHENTICATION or WITH AUTHENTICATION

Specifies whether or not switching the current user on a trusted connection based on this trusted context requires authentication.

WITHOUT AUTHENTICATION

Specifies that switching the current user on a trusted connection based on this trusted context to this user does not require authentication.

ALTER TRUSTED CONTEXT

WITH AUTHENTICATION

Specifies that switching the current user on a trusted connection based on this trusted context to this user requires authentication.

REPLACE USE FOR

Specifies that the way in which a particular user or PUBLIC uses the trusted context is to change.

authorization-name

Specifies the *authorization-name* of the user whose use of the trusted connection is to change. The trusted context must already be defined to allow use by the *authorization-name* (SQLSTATE 428GN), and *authorization-name* must not be specified more than once in the REPLACE USE FOR clause (SQLSTATE 428GM). It must also not be the authorization ID of the statement (SQLSTATE 42502).

ROLE *role-name*

Specifies that *role-name* is the role for the user. The *role-name* must identify a role that exists at the current server (SQLSTATE 42704). The role explicitly specified for the user overrides any default role associated with the trusted context.

PUBLIC

Specifies that the attributes for use of the trusted connection by PUBLIC are to change. The trusted context must already be defined to allow use by PUBLIC (SQLSTATE 428GN), and PUBLIC must not be specified more than once in the REPLACE USE FOR clause (SQLSTATE 428GM).

WITHOUT AUTHENTICATION or WITH AUTHENTICATION

Specifies whether or not switching the current user on a trusted connection based on this trusted context requires authentication.

WITHOUT AUTHENTICATION

Specifies that switching the current user on a trusted connection based on this trusted context to this user does not require authentication.

WITH AUTHENTICATION

Specifies that switching the current user on a trusted connection based on this trusted context to this user requires authentication.

DROP USE FOR

Specifies who can no longer use the trusted context. The users who are removed from the definition of the trusted context are those users who are currently allowed to use the trusted context. If one or more, but not all, users can be removed from the definition of the trusted context, the specified users are removed and a warning is returned (SQLSTATE 01682). If none of the specified users can be removed from the definition of the trusted context, an error is returned (SQLSTATE 428GN).

authorization-name

Removes the ability of the specified authorization ID to use this trusted context.

PUBLIC

Removes the ability of all users (except the system authorization ID and individual authorization IDs that have been explicitly enabled) to use this trusted context.

Rules

- A trusted context-exclusive SQL statement must be followed by a COMMIT or a ROLLBACK statement (SQLSTATE 5U021). Trusted context-exclusive SQL statements are:
 - CREATE TRUSTED CONTEXT, ALTER TRUSTED CONTEXT, or DROP (TRUSTED CONTEXT)
- A trusted context-exclusive SQL statement cannot be issued within a global transaction; for example, an XA transaction or a global transaction that is initiated as part of two-phase commit for federated transactions (SQLSTATE 51041).

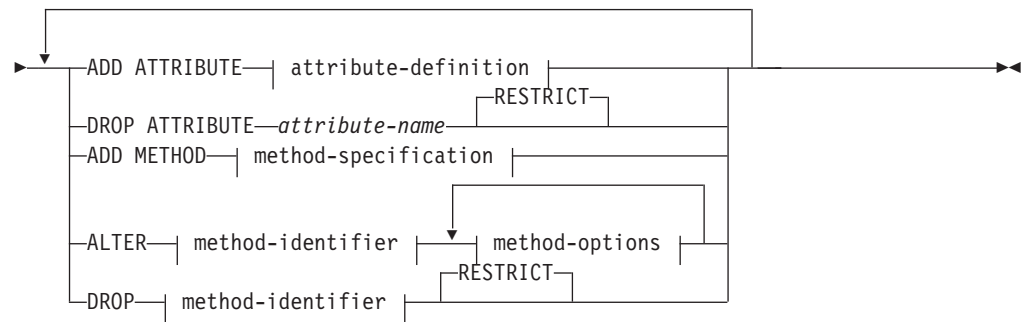
Notes

- When providing an IP address as part of a trusted context definition, the address must be in the format that is in effect for the network. For example, providing an address in an IPv6 format when the network is IPv4 will not result in a match. In a mixed environment, it is advantageous to specify both the IPv4 and the IPv6 representations of the address, or better yet, to specify a secure domain name (for example, corona.torolab.ibm.com), which hides the address format details.
- Only one uncommitted trusted context-exclusive SQL statement is allowed at a time across all database partitions. If an uncommitted trusted context-exclusive SQL statement is executing, subsequent trusted context-exclusive SQL statements will wait until the current trusted context-exclusive SQL statement commits or rolls back.
- Changes are written to the system catalog but do not take effect until they are committed, even for the connection that issues the statement.
- **Order of operations:** The order of operations within an ALTER TRUSTED CONTEXT statement is:
 - DROP
 - ALTER
 - ADD ATTRIBUTES
 - ADD USE FOR
 - REPLACE USE FOR
- **Effect of changes on existing trusted connections:** If trusted connections exist for the trusted context being altered, the connections remain trusted with the definition in effect prior to the ALTER TRUSTED CONTEXT statement until the next switch user request or the connection terminates. If the trusted context is disabled while trusted connections for this context are active, the connections remain trusted until the next switch user request or the connection terminates. If trust attributes are changed with the ALTER TRUSTED CONTEXT statement, trusted connections that exist at the time of the ALTER TRUSTED CONTEXT statement that use the trusted context are allowed to continue.
- **Role privileges:** If there is no role associated with the user or the trusted context, only the privileges associated with the user are applicable. This is the same as not being in a trusted context.

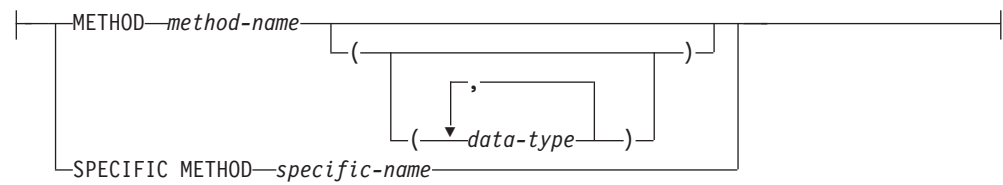
Examples

Example 1: Assume that trusted context APPSERVER exists and that it is enabled. Issue an ALTER TRUSTED CONTEXT statement to allow Bill to use the trusted context APPSERVER, but put the trusted context in the disabled state.

ALTER TYPE (Structured)



method-identifier:



method-options:



Description

type-name

Identifies the structured type to be changed. It must be an existing type defined in the catalog (SQLSTATE 42704), and the type must be a structured type (SQLSTATE 428DP). In dynamic SQL statements, the CURRENT SCHEMA special register is used as a qualifier for an unqualified object name. In static SQL statements, the QUALIFIER precompile/bind option implicitly specifies the qualifier for unqualified object names.

ADD ATTRIBUTE

Adds an attribute after the last attribute of the existing structured type.

attribute-definition

Defines the attributes of the structured type.

attribute-name

Specifies a name for the attribute. The name cannot be the same as any other attribute of this structured type (including inherited attributes) or any subtype of this structured type (SQLSTATE 42711).

A number of names used as keywords in predicates are reserved for system use, and may not be used as an *attribute-name* (SQLSTATE 42939). The names are SOME, ANY, ALL, NOT, AND, OR, BETWEEN, NULL, LIKE, EXISTS, IN, UNIQUE, OVERLAPS, SIMILAR, MATCH and the comparison operators.

data-type 1

Specifies the data type of the attribute. It is one of the data types listed under CREATE TABLE, other than XML (SQLSTATE 42601). The data

ALTER TYPE (Structured)

type must identify an existing data type (SQLSTATE 42704). If *data-type* is specified without a schema name, the type is resolved by searching the schemas on the SQL path. The description of various data types is given in “CREATE TABLE”. If the attribute data type is a reference type, the target type of the reference must be a structured type that exists (SQLSTATE 42704).

To prevent type definitions that, at run time, would permit an instance of the type to directly, or indirectly, contain another instance of the same type or one of its subtypes, there is a restriction that a type may not be defined such that one of its attribute types directly or indirectly uses itself (SQLSTATE 428EP).

lob-options

Specifies the options associated with LOB types (or distinct types based on LOB types). For a detailed description of *lob-options*, see “CREATE TABLE”.

DROP ATTRIBUTE

Drops an attribute of the existing structured type.

attribute-name

The name of the attribute. The attribute must exist as an attribute of the type (SQLSTATE 42703).

RESTRICT

Enforces the rule that no attribute can be dropped if *type-name* is used as the type of an existing table, view, column, attribute nested inside the type of a column, or an index extension.

ADD METHOD *method-specification*

Adds a method specification to the type identified by *type-name*. The method cannot be used until a separate CREATE METHOD statement is used to give the method a body. For more information about *method-specification*, see “CREATE TYPE (Structured)”.

ALTER *method-identifier*

Uniquely identifies an instance of a method that is to be altered. The specified method may or may not have an existing method body. Methods declared as LANGUAGE SQL cannot be altered (SQLSTATE 42917).

method-identifier

METHOD *method-name*

Identifies a particular method, and is valid only if there is exactly one method instance with the name *method-name* for the type *type-name*. The identified method can have any number of parameters defined for it. If no method by this name exists for the type, an error (SQLSTATE 42704) is raised. If there is more than one instance of the method for the type, an error (SQLSTATE 42725) is raised.

METHOD *method-name* (*data-type*,...)

Provides the method signature, which uniquely identifies the method. The method resolution algorithm is not used.

method-name

Specifies the name of the method for the type *type-name*.

(*data-type*,...)

Values must match the data types that were specified (in the corresponding position) on the CREATE TYPE statement. The

number of data types, and the logical concatenation of the data types, is used to identify the specific method instance.

If a data type is unqualified, the type name is resolved by searching the schemas on the SQL path. This also applies to data type names specified for a REFERENCE type.

It is not necessary to specify the length, precision, or scale for the parameterized data types. Instead, an empty set of parentheses can be coded to indicate that these attributes are to be ignored when looking for a data type match.

FLOAT() cannot be used (SQLSTATE 42601), because the parameter value indicates different data types (REAL or DOUBLE).

If length, precision, or scale is coded, the value must exactly match that specified in the CREATE TYPE statement.

A type of FLOAT(*n*) does not need to match the defined value for *n*, because $0 < n < 25$ means REAL, and $24 < n < 54$ means DOUBLE. Matching occurs on the basis of whether the type is REAL or DOUBLE.

If no method with the specified signature exists for the type in the named or implied schema, an error (SQLSTATE 42883) is raised.

SPECIFIC METHOD *specific-name*

Identifies a particular method, using the name that is specified or defaulted to at method creation time. In dynamic SQL statements, the CURRENT SCHEMA special register is used as a qualifier for an unqualified object name. In static SQL statements, the QUALIFIER precompile/bind option implicitly specifies the qualifier for unqualified object names. The *specific-name* must identify a specific method instance in the named or implied schema; otherwise, an error (SQLSTATE 42704) is raised.

method-options

Specifies the options that are to be altered for the method.

FENCED or NOT FENCED

Specifies whether the method is considered safe to run in the database manager operating environment's process or address space (NOT FENCED), or not (FENCED). Most methods have the option of running as FENCED or NOT FENCED.

If a method is altered to be FENCED, the database manager insulates its internal resources (for example, data buffers) from access by the method. In general, a method running as FENCED will not perform as well as a similar one running as NOT FENCED.

CAUTION:

Use of NOT FENCED for methods that were not adequately coded, reviewed, and tested can compromise the integrity of DB2. DB2 takes some precautions against many of the common types of inadvertent failures that might occur, but cannot guarantee complete integrity when NOT FENCED methods are used.

A method declared as NOT THREADSAFE cannot be altered to be NOT FENCED (SQLSTATE 42613).

ALTER TYPE (Structured)

If a method has any parameters defined AS LOCATOR, and was defined with the NO SQL option, the method cannot be altered to be FENCED (SQLSTATE 42613).

This option cannot be altered for LANGUAGE OLE methods (SQLSTATE 42849).

THREADSAFE or NOT THREADSAFE

Specifies whether a method is considered safe to run in the same process as other routines (THREADSAFE), or not (NOT THREADSAFE).

If the method is defined with LANGUAGE other than OLE:

- If the method is defined as THREADSAFE, the database manager can invoke the method in the same process as other routines. In general, to be threadsafe, a method should not use any global or static data areas. Most programming references include a discussion of writing threadsafe routines. Both FENCED and NOT FENCED methods can be THREADSAFE. If the method is defined with LANGUAGE OLE, THREADSAFE may not be specified (SQLSTATE 42613).
- If the method is defined as NOT THREADSAFE, the database manager will never invoke the method in the same process as another routine. Only a fenced method can be NOT THREADSAFE (SQLSTATE 42613).

DROP *method-identifier*

Uniquely identifies an instance of a method that is to be dropped. The specified method must not have an existing method body (SQLSTATE 428ER). Use the DROP METHOD statement to drop the method body before using ALTER TYPE DROP METHOD. Methods implicitly generated by the CREATE TYPE statement (such as mutators and observers) cannot be dropped (SQLSTATE 42917).

RESTRICT

Indicates that the specified method is restricted from having an existing method body. Use the DROP METHOD statement to drop the method body before using ALTER TYPE DROP METHOD.

Rules

- Adding or dropping an attribute is not allowed for type *type-name* (SQLSTATE 55043) if either:
 - The type or one of its subtypes is the type of an existing table or view.
 - There exists a column of a table whose type directly or indirectly uses *type-name*. The terms *directly uses* and *indirectly uses* are defined in “Structured types”.
 - The type or one of its subtypes is used in an index extension.
- A type may not be altered by adding attributes so that the total number of attributes for the type, or any of its subtypes, exceeds 4082 (SQLSTATE 54050).
- ADD ATTRIBUTE option:
 - ADD ATTRIBUTE generates observer and mutator methods for the new attribute. These methods are similar to those generated when a structured type is created (see “CREATE TYPE (Structured)”). If these methods conflict with or override any existing methods or functions, the ALTER TYPE statement fails (SQLSTATE 42745).
 - If the INLINE LENGTH for the type (or any of its subtypes) was explicitly specified by the user with a value less than 292, and the attributes added cause the specified inline length to be less than the size of the result of the

constructor function for the altered type (32 bytes plus 10 bytes per attribute), then an error results (SQLSTATE 42611).

- DROP ATTRIBUTE option:
 - An attribute that is inherited from an existing supertype cannot be dropped (SQLSTATE 428DJ).
 - DROP ATTRIBUTE drops the mutator and observer methods of the dropped attributes, and checks dependencies on those dropped methods.
- DROP METHOD option:
 - An original method that is overridden by other methods cannot be dropped (SQLSTATE -2).

Notes

- It is not possible to alter a method that is in the SYSIBM, SYSFUN, or SYSPROC schema (SQLSTATE 42832).
- When a type is altered by adding or dropping an attribute, all packages are invalidated that depend on functions or methods that use this type or a subtype of this type as a parameter or a result.
- When an attribute is added to or dropped from a structured type:
 - If the INLINE LENGTH of the type was calculated by the system when the type was created, the INLINE LENGTH values are automatically modified for the altered type, and all of its subtypes to account for the change. The INLINE LENGTH values are also automatically (recursively) modified for all structured types where the INLINE LENGTH was calculated by the system and the type includes an attribute of any type with a changed INLINE LENGTH.
 - If the INLINE LENGTH of any type affected by adding or dropping attributes was explicitly specified by a user, then the INLINE LENGTH for that particular type is not changed. Special care must be taken for explicitly specified inline lengths. If it is likely that a type will have attributes added later on, then the inline length, for any uses of that type or one of its subtypes in a column definition, should be large enough to account for the possible increase in length of the instantiated object.
 - If new attributes are to be made visible to application programs, existing transform functions must be modified to match the new structure of the data type.
- In a partitioned database environment, the use of SQL in external user-defined functions or methods is not supported (SQLSTATE 42997).
- *Privileges*

The EXECUTE privilege is not given for any methods explicitly specified in the ALTER TYPE statement until a method body is defined using the CREATE METHOD statement. The owner of the user-defined type has the ability to drop the method specification using the ALTER TYPE statement.

Examples

Example 1: The ALTER TYPE statement can be used to permit a cycle of mutually referencing types and tables. Consider mutually referencing tables named EMPLOYEE and DEPARTMENT.

The following sequence would allow the types and tables to be created.

```
CREATE TYPE DEPT ...
CREATE TYPE EMP ... (including attribute named DEPTREF of type REF(DEPT))
ALTER TYPE DEPT ADD ATTRIBUTE MANAGER REF(EMP)
```

ALTER TYPE (Structured)

```
CREATE TABLE DEPARTMENT OF DEPT ...
CREATE TABLE EMPLOYEE OF EMP (DEPTREF WITH OPTIONS SCOPE DEPARTMENT)
ALTER TABLE DEPARTMENT ALTER COLUMN MANAGER ADD SCOPE EMPLOYEE
```

The following sequence would allow these tables and types to be dropped.

```
DROP TABLE EMPLOYEE (the MANAGER column in DEPARTMENT becomes unscoped)
DROP TABLE DEPARTMENT
ALTER TYPE DEPT DROP ATTRIBUTE MANAGER
DROP TYPE EMP
DROP TYPE DEPT
```

Example 2: The ALTER TYPE statement can be used to create a type with an attribute that references a subtype.

```
CREATE TYPE EMP ...
CREATE TYPE MGR UNDER EMP ...
ALTER TYPE EMP ADD ATTRIBUTE MANAGER REF(MGR)
```

Example 3: The ALTER TYPE statement can be used to add an attribute. The following statement adds the SPECIAL attribute to the EMP type. Because the inline length was not specified on the original CREATE TYPE statement, DB2 recalculates the inline length by adding 13 (10 bytes for the new attribute + attribute length + 2 bytes for a non-LOB attribute).

```
ALTER TYPE EMP ...
ADD ATTRIBUTE SPECIAL CHAR(1)
```

Example 4: The ALTER TYPE statement can be used to add a method associated with a type. The following statement adds a method called BONUS.

```
ALTER TYPE EMP ...
ADD METHOD BONUS (RATE DOUBLE)
  RETURNS INTEGER
  LANGUAGE SQL
  CONTAINS SQL
  NO EXTERNAL ACTION
  DETERMINISTIC
```

Note that the BONUS method cannot be used until a CREATE METHOD statement is issued to create the method body. If it is assumed that type EMP includes an attribute called SALARY, then the following is an example of a method body definition.

```
CREATE METHOD BONUS(RATE DOUBLE) FOR EMP
  RETURN CAST(SELF.SALARY * RATE AS INTEGER)
```

ALTER USER MAPPING

The ALTER USER MAPPING statement is used to change the authorization ID or password that is used at a data source for a specified federated server authorization ID.

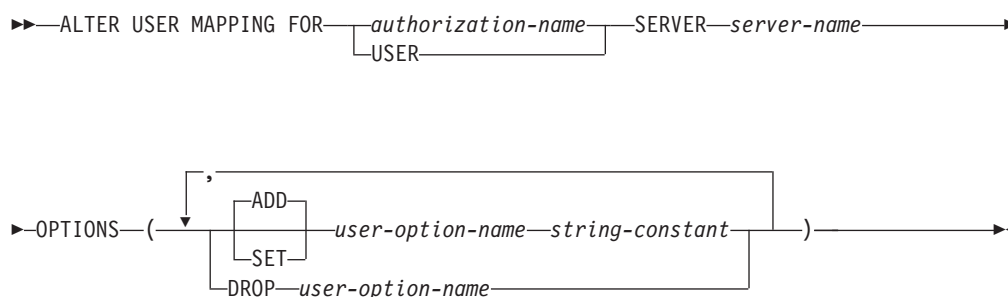
Invocation

This statement can be embedded in an application program or issued through the use of dynamic SQL statements. It is an executable statement that can be dynamically prepared only if DYNAMICRULES run behavior is in effect for the package (SQLSTATE 42509).

Authorization

If the authorization ID of the statement is different from the authorization name that is mapped to the data source, the privileges held by the authorization ID of the statement must include SYSADM or DBADM authority. Otherwise, if the authorization ID and the authorization name match, no authorities or privileges are required.

Syntax



Description

authorization-name

Specifies the authorization name under which a user or application connects to a federated database.

USER

The value in the special register USER. When USER is specified, then the authorization ID of the ALTER USER MAPPING statement will be mapped to the data source authorization ID that is specified in the REMOTE_AUTHID user option.

SERVER *server-name*

Identifies the data source accessible under the remote authorization ID that maps to the local authorization ID that's denoted by *authorization-name* or referenced by USER.

OPTIONS

Indicates what user options are to be enabled, reset, or dropped for the mapping that is being altered.

ADD

Enables a user option.

SET

Changes the setting of a user option.

user-option-name

Names a user option that is to be enabled or reset.

string-constant

Specifies the setting for *user-option-name* as a character string constant.

DROP *user-option-name*

Drops a user option.

ALTER USER MAPPING

Notes

- A user option cannot be specified more than once in the same ALTER USER MAPPING statement (SQLSTATE 42853). When a user option is enabled, reset, or dropped, any other user options that are in use are not affected.
- An ALTER USER MAPPING statement within a given unit of work (UOW) cannot be processed (SQLSTATE 55007) if the UOW already includes one of the following:
 - A SELECT statement that references a nickname for a table or view at the data source that is to be included in the mapping
 - An open cursor on a nickname for a table or view at the data source that is to be included in the mapping
 - Either an INSERT, DELETE, or UPDATE issued against a nickname for a table or view at the data source that is to be included in the mapping.

Examples

Example 1: Jim uses a local database to connect to an Oracle data source called ORACLE1. He accesses the local database under the authorization ID KLEEWEIN; KLEEWEIN maps to CORONA, the authorization ID under which he accesses ORACLE1. Jim is going to start accessing ORACLE1 under a new ID, JIMK. So KLEEWEIN now needs to map to JIMK.

```
ALTER USER MAPPING FOR KLEEWEIN
SERVER ORACLE1
OPTIONS ( SET REMOTE_AUTHID 'JIMK' )
```

Example 2: Mary uses a federated database to connect to a DB2 for z/OS data source called DORADO. She uses one authorization ID to access DB2 and another to access DORADO, and she has created a mapping between these two IDs. She has been using the same password with both IDs, but now decides to use a separate password, ZNYQ, with the ID for DORADO. Accordingly, she needs to map her federated database password to ZNYQ.

```
ALTER USER MAPPING FOR MARY
SERVER DORADO
OPTIONS ( ADD REMOTE_PASSWORD 'ZNYQ' )
```

ALTER VIEW

The ALTER VIEW statement modifies an existing view by:

- Altering a reference type column to add a scope
- Enabling or disabling a view for use in query optimization

Invocation

This statement can be embedded in an application program or issued through the use of dynamic SQL statements. It is an executable statement that can be dynamically prepared only if DYNAMICRULES run behavior is in effect for the package (SQLSTATE 42509).

Authorization

The privileges held by the authorization ID of the statement must include at least one of the following:

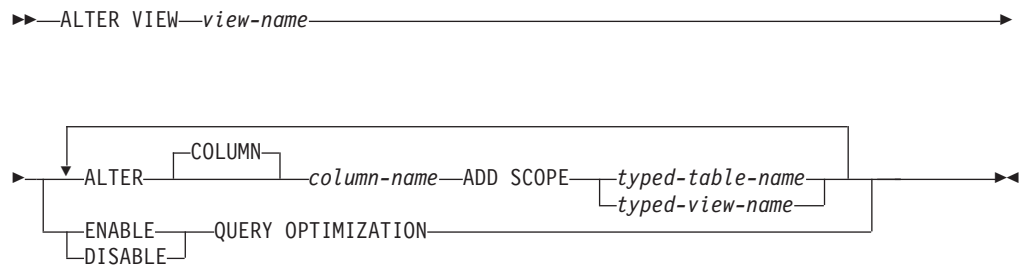
- ALTERIN privilege on the schema of the view

- Owner of the view to be altered
- CONTROL privilege on the view to be altered
- SYSADM or DBADM authority

To enable or disable a view for use in query optimization, the privileges held by the authorization ID of the statement must also include at least one of the following for each of the tables or underlying tables of views that are referenced in the FROM clause of the view fullselect:

- ALTER privilege on the table
- ALTERIN privilege on the schema of the table
- SYSADM or DBADM authority

Syntax



Description

view-name

Specifies the view that is to be changed. It must be a view that is described in the catalog.

ALTER COLUMN *column-name*

Specifies the name of the column that is to be altered. The *column-name* must identify an existing column of the view (SQLSTATE 42703). The name cannot be qualified.

ADD SCOPE

Adds a scope to an existing reference type column that does not already have a scope defined (SQLSTATE 428DK). The column must not be inherited from a superview (SQLSTATE 428DJ).

typed-table-name

Specifies the name of a typed table. The data type of *column-name* must be REF(S), where S is the type of *typed-table-name* (SQLSTATE 428DM). No checking is done of any existing values in *column-name* to ensure that the values actually reference existing rows in *typed-table-name*.

typed-view-name

Specifies the name of a typed view. The data type of *column-name* must be REF(S), where S is the type of *typed-view-name* (SQLSTATE 428DM). No checking is done of any existing values in *column-name* to ensure that the values actually reference existing rows in *typed-view-name*.

ENABLE QUERY OPTIMIZATION or DISABLE QUERY OPTIMIZATION

Specifies whether or not the view and any associated statistics are to be used to improve the optimization of queries. DISABLE QUERY OPTIMIZATION is the default when a view is created.

ALTER VIEW

ENABLE QUERY OPTIMIZATION

Specifies that the view includes statistics that can be used to improve the optimization of queries that involve this view or queries that include subqueries similar to the fullselect of this view.

DISABLE QUERY OPTIMIZATION

Specifies that the view and any associated statistics are not to be used to improve the optimization of queries.

Rules

- A view cannot be enabled for query optimization if:
 - The view directly or indirectly references a materialized query table (MQT). Note that an MQT or statistical view can reference a statistical view.
 - It is a typed view

Notes

- To be considered for optimizing a query, a view:
 - Cannot contain aggregation or distinct operations
 - Cannot contain union, except, or intersect operations
 - Cannot contain scalar aggregate (OLAP) functions
- If a view is altered to disable query optimization, cached query plans that used the view for query optimization are invalidated. If a view is altered to enable query optimization, cached query plans are invalidated if they reference the same tables as the newly enabled view references, either directly or indirectly through other views. The invalidation of these cached query plans results in implicit revalidation that takes the view's changed query optimization property into account.

The query optimization property for a view has no impact on static embedded SQL statements.

ALTER WORK ACTION SET

The ALTER WORK ACTION SET statement alters a work action set by adding, altering, or dropping work actions within the work action set.

Invocation

This statement can be embedded in an application program or issued interactively. It is an executable statement that can be dynamically prepared only if DYNAMICRULES run behavior is in effect for the package (SQLSTATE 42509).

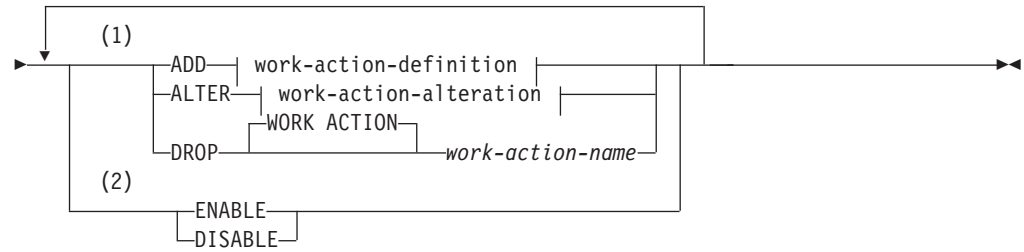
Authorization

The privileges held by the authorization ID of the statement must include SYSADM or DBADM authority.

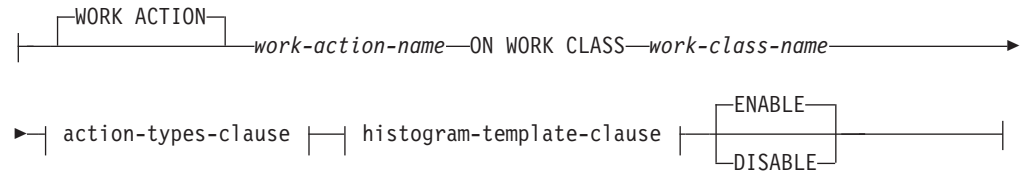
Syntax

►►—ALTER WORK ACTION SET—*work-action-set-name*—►►

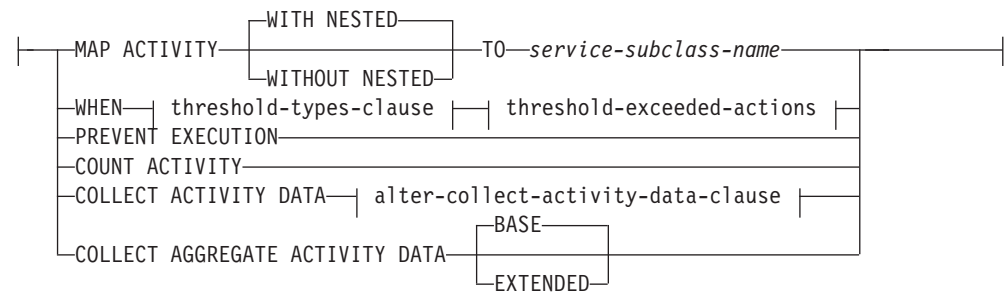
ALTER WORK ACTION SET



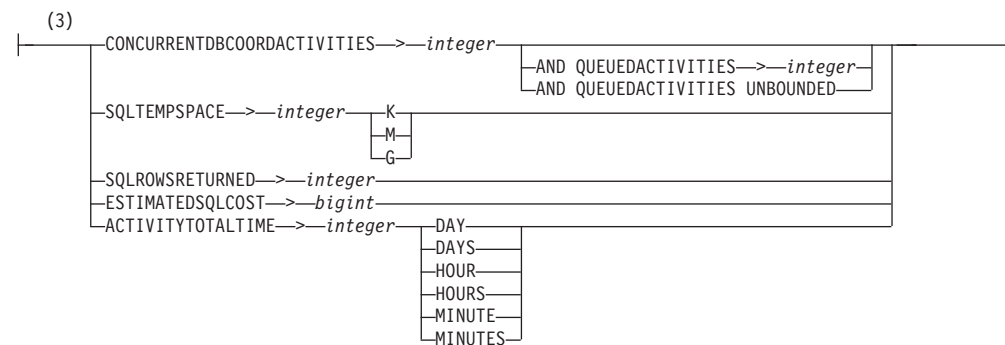
work-action-definition:



action-types-clause:



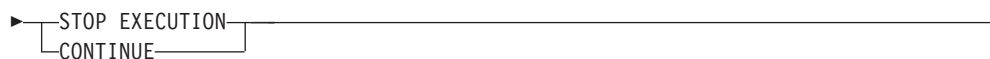
threshold-types-clause:



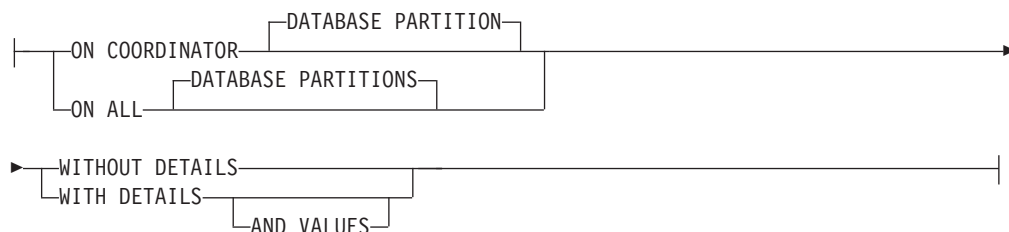
threshold-exceeded-actions:



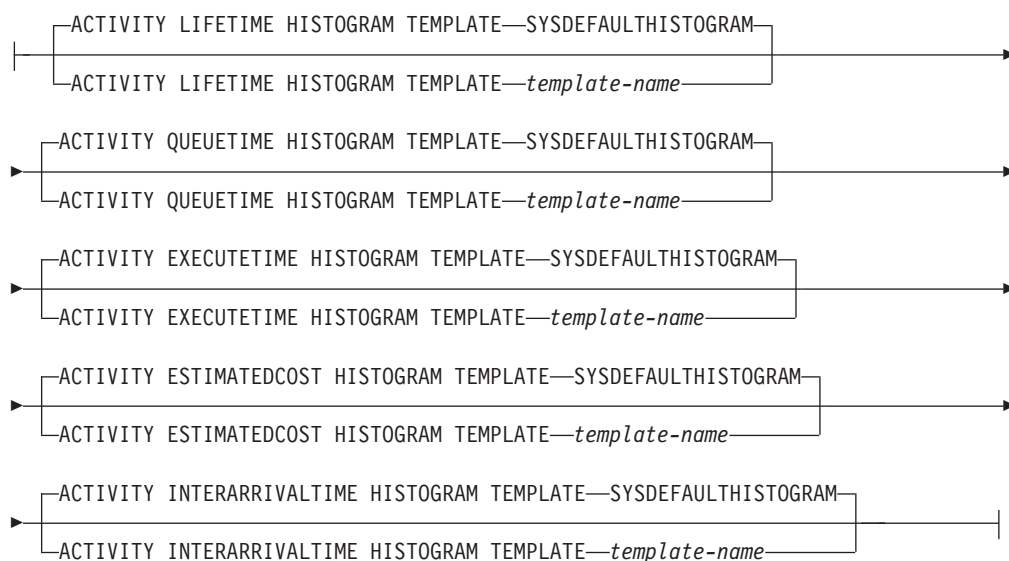
ALTER WORK ACTION SET



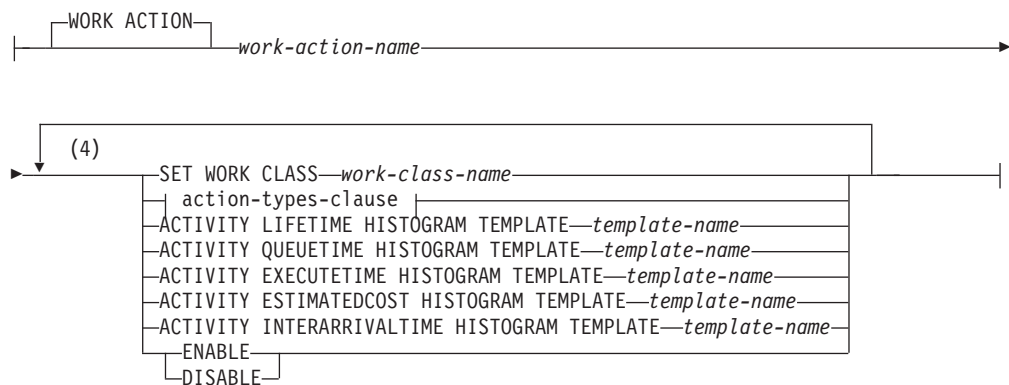
alter-collect-activity-data-clause:



histogram-template-clause:



work-action-alteration:



Notes:

- 1 The ADD, ALTER, and DROP clauses are processed in the order in which they are specified.

- 2 The ENABLE or DISABLE clause can only be specified once in the same statement.
- 3 Only one work action of the same threshold type can be applied to a single work class at a time. When altering a threshold work action, the threshold predicate cannot be changed.
- 4 The same clause must not be specified more than once.

Description

work-action-set-name

Identifies the work action set that is to be altered. This is a one-part name. It is an SQL identifier (either ordinary or delimited). The *work-action-set-name* must identify a work action set that exists at the current server (SQLSTATE 42704).

ADD

Adds a work action to the work action set.

WORK ACTION *work-action-name*

Names the work action. The *work-action-name* must not identify a work action that already exists at the current server under this work action set (SQLSTATE 42710). The *work-action-name* cannot begin with 'SYS' (SQLSTATE 42939).

ON WORK CLASS *work-class-name*

Specifies the work class that identifies the database activities to which this work action will apply. The *work-class-name* must exist in the *work-class-set-name* at the current server (SQLSTATE 42704).

MAP ACTIVITY

Specifies a work action of mapping the activity. This action can only be specified if the object for which this work action set is defined is a service superclass (SQLSTATE 5U034).

WITH NESTED or WITHOUT NESTED

Specifies whether or not activities that are nested under this activity are mapped to the service subclass. The default is WITH NESTED.

WITH NESTED

All database activities that have a nesting level of zero that are classified under the work class, and all database activities nested under this activity, are mapped to the service subclass; that is, activities with a nesting level greater than zero are run under the same service class as activities with a nesting level of zero.

WITHOUT NESTED

Only database activities that have a nesting level of zero that are classified under the work class are mapped to the service subclass. Database activities that are nested under this activity are handled according to their activity type.

TO *service-subclass-name*

Specifies the service subclass to which activities are to be mapped. The *service-subclass-name* must already exist in the *service-superclass-name* at the current server (SQLSTATE 42704). The *service-subclass-name* cannot be the default service subclass, SYSDEFAULTSUBCLASS (SQLSTATE 5U018).

WHEN

Specifies the threshold that will be applied to the database activity that is associated with the work class for which this work action is defined. A

ALTER WORK ACTION SET

threshold can only be specified if the database manager object for which this work action set is defined is a database (SQLSTATE 5U034). None of these thresholds apply to internal database activities initiated by the database manager or to database activities generated by administrative SQL routines.

threshold-types-clause

For a description of valid threshold types, see “CREATE THRESHOLD” statement.

threshold-exceeded-actions

For a description of valid threshold-exceeded actions, see “CREATE THRESHOLD” statement.

PREVENT EXECUTION

Specifies that none of the database activities associated with the work class for which this work action is defined will be allowed to run (SQLSTATE 5U033).

COUNT ACTIVITY

Specifies that all of the database activities associated with the work class are to be run and that each time one is run, the counter for the work class will be incremented.

COLLECT ACTIVITY DATA

Specifies that data about each activity associated with the work class for which this work action is defined is to be sent to the activities event monitor, if one is active, when the activity completes.

alter-collect-activity-data-clause

ON COORDINATOR DATABASE PARTITION

Specifies that the activity data is to be collected only at the database partition of the coordinator of the activity.

ON ALL DATABASE PARTITIONS

Specifies that the activity data is to be collected at all database partitions on which the activity is processed. For predictive thresholds, activity information is collected at all partitions only if you also specify the CONTINUE action for exceeded thresholds. For reactive thresholds, the ON ALL DATABASE PARTITIONS clause has no effect and activity information is always collected only at the coordinator partition. For both predictive and reactive thresholds, any activity details or values will be collected only at the coordinator partition.

WITHOUT DETAILS

Specifies that data about each activity that is associated with the work class for which this work action is defined should be sent to the activities event monitor, if one is active, when the activity completes. Statement and compilation environment information are not sent to the event monitor.

WITH DETAILS

Specifies that statement and compilation environment information are to be sent to the activities event monitor, if one is active, for those activities that have them.

AND VALUES

Specifies that input data values are to be sent to the activities event monitor, if one is active, for those activities that have them.

NONE

Specifies that activity data should not be collected for each activity that is associated with the work class for which this work action is defined.

COLLECT AGGREGATE ACTIVITY DATA

Specifies that aggregate activity data is to be captured for activities that are associated with the work class for which this work action is defined and sent to the statistics event monitor, if one is active. This information is collected periodically on an interval that is specified by the **wlm_collect_int** database configuration parameter. The default is COLLECT AGGREGATE ACTIVITY DATA BASE. This clause cannot be specified for a work action defined in a work action set that is applied to a database.

BASE

Specifies that basic aggregate activity data should be captured for activities associated with the work class for which this work action is defined and sent to the statistics event monitor, if one is active. Basic aggregate activity data includes:

- Estimated activity cost high watermark
- Rows returned high watermark
- Temporary table space usage high watermark
- Activity life time histogram
- Activity queue time histogram
- Activity execution time histogram

EXTENDED

Specifies that all aggregate activity data should be captured for activities associated with the work class for which this work action is defined and sent to the statistics event monitor, if one is active. This includes all basic aggregate activity data plus:

- Activity data manipulation language (DML) estimated cost histogram
- Activity DML inter-arrival time histogram

ENABLE or DISABLE

Specifies whether or not the work action is to be considered when database activities are submitted. The default is ENABLE.

ENABLE

Specifies that the work action is enabled and will be considered when database activities are submitted.

DISABLE

Specifies that the work action is disabled and will not be considered when database activities are submitted.

histogram-template-clause

Specifies histogram templates to use when collecting aggregate activity data for activities associated with the work class to which this work action is assigned. Aggregate activity data is only collected for the work class when the work action type is COLLECT AGGREGATE ACTIVITY DATA.

ALTER WORK ACTION SET

ACTIVITY LIFETIME HISTOGRAM TEMPLATE *template-name*

Specifies the template that describes the histogram used to collect statistical data about the duration, in microseconds, of DB2 activities—associated with the work class to which this work action is assigned—running during a specific interval. This time includes both time queued and time executing. The default is SYSDEFAULTHISTOGRAM. This information is only collected when the COLLECT AGGREGATE ACTIVITY DATA clause is specified, with either the BASE or EXTENDED option.

ACTIVITY QUEUE TIME HISTOGRAM TEMPLATE *template-name*

Specifies the template that describes the histogram used to collect statistical data about the length of time, in microseconds, that DB2 activities—associated with the work class to which this work action is assigned—are queued during a specific interval. The default is SYSDEFAULTHISTOGRAM. This information is only collected when the COLLECT AGGREGATE ACTIVITY DATA clause is specified, with either the BASE or EXTENDED option.

ACTIVITY EXECUTION TIME HISTOGRAM TEMPLATE *template-name*

Specifies the template that describes the histogram used to collect statistical data about the length of time, in microseconds, that DB2 activities—associated with the work class to which this work action is assigned—are executing during a specific interval. This time does not include the time spent queued. Activity execution time is collected in this histogram at each database partition where the activity executes. On the activity's coordinator database partition, this is the end-to-end execution time (that is, the life time less the time spent queued). On non-coordinator database partitions, this is the time that these partitions spend working on behalf of the activity. During the execution of a given activity, DB2 might present work to a remote database partition more than once, and each time the remote partition will collect the execution time for that occurrence of the activity. Therefore, the counts in the execution time histogram might not represent the actual number of unique activities that executed on a database partition. The default is SYSDEFAULTHISTOGRAM. This information is only collected when the COLLECT AGGREGATE ACTIVITY DATA clause is specified, with either the BASE or EXTENDED option.

ACTIVITY ESTIMATED COST HISTOGRAM TEMPLATE *template-name*

Specifies the template that describes the histogram used to collect statistical data about the estimated cost, in timerons, of DML activities associated with the work class to which this work action is assigned. The default is SYSDEFAULTHISTOGRAM. This information is only collected when the COLLECT AGGREGATE ACTIVITY DATA clause is specified with the EXTENDED option.

ACTIVITY INTERARRIVAL TIME HISTOGRAM TEMPLATE

template-name

Specifies the template that describes the histogram used to collect statistical data about the length of time, in microseconds, between the arrival of one DML activity and the arrival of the next DML activity, for any activity associated with the work class to which this work action is assigned. The default is SYSDEFAULTHISTOGRAM. This information is only collected when the COLLECT AGGREGATE ACTIVITY DATA clause is specified with the EXTENDED option.

ALTER

Alters the definition of the work action. You can change the work class to which this work action applies, and the action that is to be applied to the database activity that falls within the work class.

WORK ACTION *work-action-name*

Identifies the work action. The *work-action-name* must identify a work action that exists at the current server under this work action set (SQLSTATE 42704).

SET WORK CLASS *work-class-name*

Specifies the work class that identifies the database activities to which this work action will apply. The *work-class-name* must exist in the *work-class-set-name* at the current server (SQLSTATE 42704).

MAP ACTIVITY

Specifies a work action of mapping the activity. This action can only be specified if the object for which this work action set is defined is a service superclass (SQLSTATE 5U034).

WITH NESTED or WITHOUT NESTED

Specifies whether or not activities that are nested under this activity are mapped to the service subclass. The default is WITH NESTED.

WITH NESTED

All database activities that have a nesting level of zero that are classified under the work class, and all database activities nested under this activity are mapped to the service subclass.

WITHOUT NESTED

Only database activities that have a nesting level of zero that are classified under the work class are mapped to the service subclass. Database activities that are nested under this activity are handled according to their activity type.

TO *service-subclass-name*

Specifies the service subclass to which activities are to be mapped. The *service-subclass-name* must already exist in the *service-superclass-name* at the current server (SQLSTATE 42704). The *service-subclass-name* cannot be the default service subclass, SYSDEFAULTSUBCLASS (SQLSTATE 5U018).

WHEN

Specifies the threshold that will be applied to the database activity that is associated with the work class for which this work action is defined. A threshold can only be specified if the database manager object for which this work action set is defined is a database (SQLSTATE 5U034). None of these thresholds apply to internal database activities initiated by the database manager or to database activities generated by administrative SQL routines.

threshold-types-clause

For a description of valid threshold types, see "CREATE THRESHOLD" statement.

threshold-exceeded-actions

For a description of valid threshold-exceeded actions, see "CREATE THRESHOLD" statement.

ALTER WORK ACTION SET

PREVENT EXECUTION

Specifies that none of the database activities associated with the work class for which this work action is defined will be allowed to run (SQLSTATE 5U033).

COUNT ACTIVITY

Specifies that all of the database activities associated with the work class are to be run and that each time one is run, the counter for the work class will be incremented.

COLLECT ACTIVITY DATA

Specifies that data about each activity associated with the work class for which this work action is defined is to be sent to the activities event monitor, if one is active, when the activity completes.

alter-collect-activity-data-clause

ON COORDINATOR DATABASE PARTITION

Specifies that the activity data is to be collected only at the database partition of the coordinator of the activity.

ON ALL DATABASE PARTITIONS

Specifies that the activity data is to be collected at all database partitions on which the activity is processed. For predictive thresholds, activity information is collected at all partitions only if you also specify the CONTINUE action for exceeded thresholds. For reactive thresholds, the ON ALL DATABASE PARTITIONS clause has no effect and activity information is always collected only at the coordinator partition. For both predictive and reactive thresholds, any activity details or values will be collected only at the coordinator partition.

WITHOUT DETAILS

Specifies that data about each activity that is associated with the work class for which this work action is defined should be sent to the activities event monitor, if one is active, when the activity completes. Statement and compilation environment information are not sent to the event monitor.

WITH DETAILS

Specifies that statement and compilation environment information are to be sent to the activities event monitor, if one is active, for those activities that have them.

AND VALUES

Specifies that input data values are to be sent to the activities event monitor, if one is active, for those activities that have them.

NONE

Specifies that activity data should not be collected for each activity that is associated with the work class for which this work action is defined.

COLLECT AGGREGATE ACTIVITY DATA

Specifies that aggregate activity data is to be captured for activities that are associated with the work class for which this work action is defined and sent to the statistics event monitor, if one is active. This information is collected periodically on an interval that is specified by the **wlm_collect_int** database configuration parameter. The default is

COLLECT AGGREGATE ACTIVITY DATA BASE. This clause cannot be specified for a work action defined in a work action set that is applied to a database.

BASE

Specifies that basic aggregate activity data should be captured for activities associated with the work class for which this work action is defined and sent to the statistics event monitor, if one is active. Basic aggregate activity data includes:

- Estimated activity cost high watermark
- Rows returned high watermark
- Temporary table space usage high watermark
- Activity life time histogram
- Activity queue time histogram
- Activity execution time histogram

EXTENDED

Specifies that all aggregate activity data should be captured for activities associated with the work class for which this work action is defined and sent to the statistics event monitor, if one is active. This includes all basic aggregate activity data plus:

- Activity DML estimated cost histogram
- Activity DML inter-arrival time histogram

ACTIVITY LIFETIME HISTOGRAM TEMPLATE *template-name*

Specifies the template that describes the histogram used to collect statistical data about the duration, in microseconds, of DB2 activities—associated with the work class to which this work action is assigned—running during a specific interval. This time includes both time queued and time executing. The default is SYSDEFAULTHISTOGRAM. This information is only collected when the COLLECT AGGREGATE ACTIVITY DATA clause is specified, with either the BASE or EXTENDED option.

ACTIVITY QUEUETIME HISTOGRAM TEMPLATE *template-name*

Specifies the template that describes the histogram used to collect statistical data about the length of time, in microseconds, that DB2 activities—associated with the work class to which this work action is assigned—are queued during a specific interval. The default is SYSDEFAULTHISTOGRAM. This information is only collected when the COLLECT AGGREGATE ACTIVITY DATA clause is specified, with either the BASE or EXTENDED option.

ACTIVITY EXECUTETIME HISTOGRAM TEMPLATE *template-name*

Specifies the template that describes the histogram used to collect statistical data about the length of time, in microseconds, that DB2 activities—associated with the work class to which this work action is assigned—are executing during a specific interval. This time does not include the time spent queued. Activity execution time is collected in this histogram at each database partition where the activity executes. On the activity's coordinator database partition, this is the end-to-end execution time (that is, the life time less the time spent queued). On non-coordinator database partitions, this is the time that these partitions spend working on behalf of the activity. During the execution of a given activity, DB2 might present work to a remote database partition more than once, and each time the remote partition will collect the execution time for that occurrence of the activity. Therefore, the counts in the execution time histogram might

ALTER WORK ACTION SET

not represent the actual number of unique activities that executed on a database partition. The default is SYSDEFAULTHISTOGRAM. This information is only collected when the COLLECT AGGREGATE ACTIVITY DATA clause is specified, with either the BASE or EXTENDED option.

ACTIVITY ESTIMATEDCOST HISTOGRAM TEMPLATE *template-name*

Specifies the template that describes the histogram used to collect statistical data about the estimated cost, in timerons, of data manipulation language (DML) activities associated with the work class to which this work action is assigned. The default is SYSDEFAULTHISTOGRAM. This information is only collected when the COLLECT AGGREGATE ACTIVITY DATA clause is specified with the EXTENDED option.

ACTIVITY INTERARRIVALTIME HISTOGRAM TEMPLATE *template-name*

Specifies the template that describes the histogram used to collect statistical data about the length of time, in microseconds, between the arrival of one DML activity and the arrival of the next DML activity, for any activity associated with the work class to which this work action is assigned. The default is SYSDEFAULTHISTOGRAM. This information is only collected when the COLLECT AGGREGATE ACTIVITY DATA clause is specified with the EXTENDED option.

ENABLE or DISABLE

Specifies whether or not the work action is to be considered when database activities are submitted.

ENABLE

Specifies that the work action is enabled and will be considered when database activities are submitted.

DISABLE

Specifies that the work action is disabled and will not be considered when database activities are submitted.

DROP *work-action-name*

Drops the work action from the work action set. The *work-action-name* must identify a work action that exists at the current server under this work action set (SQLSTATE 42704).

ENABLE or DISABLE

Specifies whether or not the work action set is to be considered when database activities are submitted.

ENABLE

Specifies that the work action set is enabled and will be considered when database activities are submitted.

DISABLE

Specifies that the work action set is disabled and will not be considered when database activities are submitted.

Rules

- A workload management (WLM)-exclusive SQL statement must be followed by a COMMIT or a ROLLBACK statement (SQLSTATE 5U021). WLM-exclusive SQL statements are:
 - CREATE HISTOGRAM TEMPLATE, ALTER HISTOGRAM TEMPLATE, or DROP (HISTOGRAM TEMPLATE)
 - CREATE SERVICE CLASS, ALTER SERVICE CLASS, or DROP (SERVICE CLASS)

- CREATE THRESHOLD, ALTER THRESHOLD, or DROP (THRESHOLD)
- CREATE WORK ACTION SET, ALTER WORK ACTION SET, or DROP (WORK ACTION SET)
- CREATE WORK CLASS SET, ALTER WORK CLASS SET, or DROP (WORK CLASS SET)
- CREATE WORKLOAD, ALTER WORKLOAD, or DROP (WORKLOAD)
- GRANT (Workload Privileges) or REVOKE (Workload Privileges)
- A WLM-exclusive SQL statement cannot be issued within a global transaction (SQLSTATE 51041) such as, for example, an XA transaction.

Notes

- Changes are written to the system catalog, but do not take effect until they are committed, even for the connection that issues the statement.

Examples

Example 1: Alter the DATABASE_ACTIONS work action set and add two work actions using the work class LARGE_SELECTS. For the work action ONE_CONCURRENT_SELECT, apply a concurrency threshold of 1 to control the number of activities that can run at one time, and allow a maximum of 3 to be queued. For work action BIG_ROWS_RETURNED, limit the number of rows that can be returned by database activities that fall within that class to 1 000 000.

```
ALTER WORK ACTION SET DATABASE_ACTIONS
ADD WORK ACTION ONE_CONCURRENT_SELECT ON WORK CLASS LARGE_SELECTS
  WHEN CONCURRENTDBCOORDACTIVITIES > 1 AND QUEUEDACTIVITIES > 3 STOP EXECUTION
ADD WORK ACTION BIG_ROWS_RETURNED ON WORK CLASS LARGE_SELECTS
  WHEN SQLROWSRETURNED > 1000000 STOP EXECUTION
```

Example 2: Alter the ADMIN_APPS_ACTIONS work action set to alter the MAP_SELECTS work action to map all activities that run in super service class ADMIN_APPS under the work class SELECT_CLASS to the service subclass ALL_SELECTS. Also add a new work action called MAP_UPDATES that maps all activities that would run in the work class UPDATE_CLASS to the service subclass ALL_SELECTS.

```
ALTER WORK ACTION SET ADMIN_APPS_ACTIONS
ALTER WORK ACTION MAP_SELECTS MAP ACTIVITY TO ALL_SELECTS
ADD WORK ACTION MAP_UPDATES ON WORK CLASS UPDATE_CLASS
  MAP ACTIVITY TO ALL_SELECTS
```

ALTER WORK CLASS SET

The ALTER WORK CLASS SET statement adds, alters, or drops work classes within a work class set.

Invocation

This statement can be embedded in an application program or issued interactively. It is an executable statement that can be dynamically prepared only if DYNAMICRULES run behavior is in effect for the package (SQLSTATE 42509).

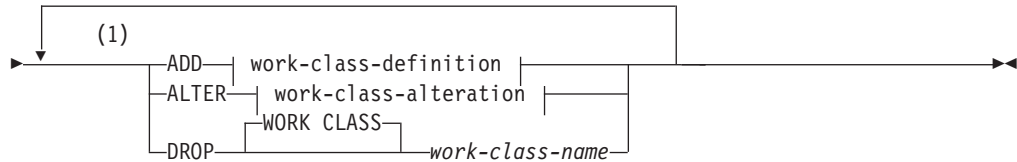
Authorization

The privileges held by the authorization ID of the statement must include SYSADM or DBADM authority.

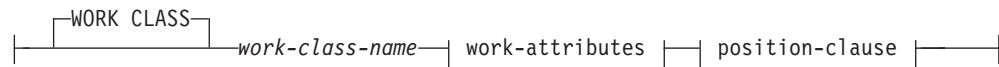
ALTER WORK CLASS SET

Syntax

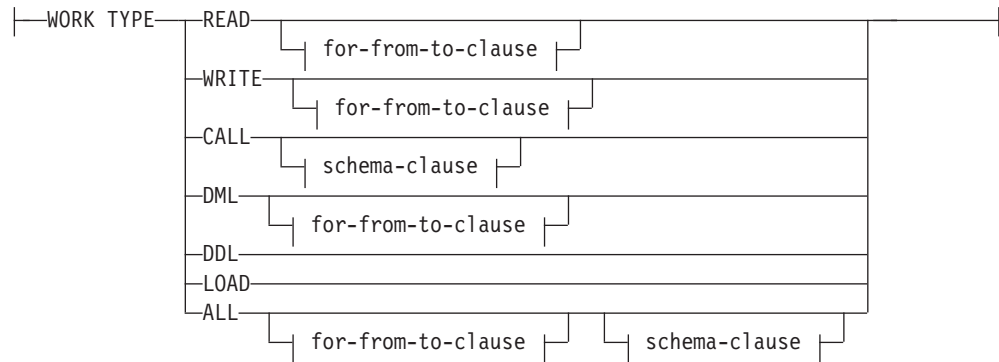
▶ ALTER WORK CLASS SET *work-class-set-name* ▶



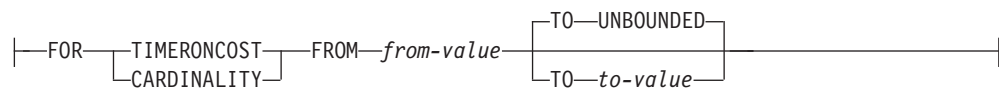
work-class-definition:



work-attributes:



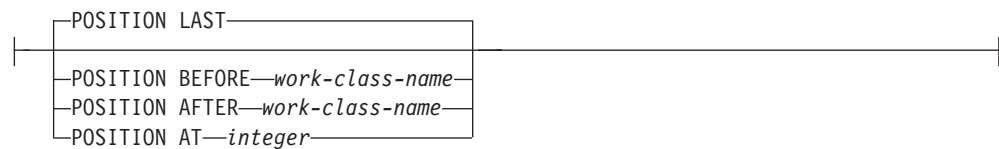
for-from-to-clause:

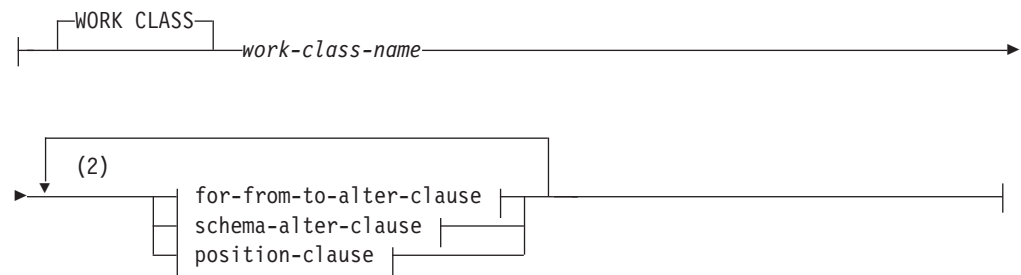
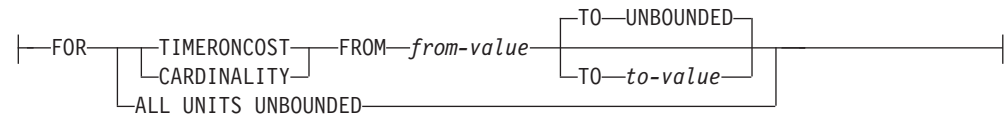


schema-clause:



position-clause:



work-class-alteration:**for-from-to-alter-clause:****schema-alter-clause:****Notes:**

- 1 The ADD, ALTER, and DROP clauses are processed in the order in which they are specified.
- 2 The same clause must not be specified more than once.

Description*work-class-set-name*

Identifies the work class set that is to be altered. This is a one-part name. It is an SQL identifier (either ordinary or delimited). The *work-class-set-name* must identify a work class set that exists at the current server (SQLSTATE 42704).

ADD

Adds a work class to the work class set. For details, see “CREATE WORK CLASS SET”.

ALTER

Alters the database activity attributes and the position of a specific work class within the work class set.

WORK CLASS *work-class-name*

Identifies the work class to be altered. The *work-class-name* must identify a work class that exists within the work class set at the current server (SQLSTATE 42704).

DROP

Drops the work class from the work class set.

WORK CLASS *work-class-name*

Identifies the work class to be dropped. The *work-class-name* must identify a work class that exists within the work class set at the current server (SQLSTATE 42704). A work class cannot be dropped if there is a work

ALTER WORK CLASS SET

action in any of the work action sets associated with this work class set that is dependent on it (SQLSTATE 42893).

for-to-from-alter-clause

FOR

Indicates the type of information that is being specified in the FROM *from-value* TO *to-value* clause. The FOR clause is only used for the following work types:

- READ
- WRITE
- DML
- ALL

TIMERONCOST

The estimated cost of the work, in timerons. This value is used to determine whether the work falls within the range specified in the FROM *from-value* TO *to-value* clause.

CARDINALITY

The estimated cardinality of the work. This value is used to determine whether the work falls within the range specified in the FROM *from-value* TO *to-value* clause.

FROM *from-value* TO UNBOUNDED or FROM *from-value* TO *to-value*

Specifies the range of either timeron value (for estimated cost) or cardinality within which the database activity must fall if it is to be part of this work class. The range is inclusive of *from-value* and *to-value*. This range is only used for the following work types:

- READ
- WRITE
- DML
- ALL

FROM *from-value* TO UNBOUNDED

The *from-value* must be zero or a positive DOUBLE value (SQLSTATE 5U019). The range has no upper bound.

FROM *from-value* TO *to-value*

The *from-value* must be zero or a positive DOUBLE value and the *to-value* must be a positive DOUBLE value. The *from-value* must be smaller than or equal to the *to-value* (SQLSTATE 5U019).

ALL UNITS UNBOUNDED

Indicates that no range is to be specified in the FROM *from-value* TO *to-value* clause, and that all work that falls within the specified work type is to be included.

schema-alter-clause

ROUTINES

This clause is only used if the work type is CALL or ALL and the database activity is a CALL statement.

IN SCHEMA *schema-name*

Specifies the schema name of the procedure that the CALL statement will be calling.

ALL

Specifies that all schemas are included.

position-clause

POSITION

Specifies where this work class is to be placed within the work class set, which determines the order in which work classes are evaluated. When performing work class assignment at run time, the database manager first determines the work class set that is associated with the object, either the database or a service superclass. The first matching work class within that work class set is then selected. If this keyword is not specified, the work class is placed in the last position.

LAST

Specifies that the work class is to be placed last in the ordered list of work classes within the work class set.

BEFORE *work-class-name*

Specifies that the work class is to be placed before work class *work-class-name* in the list. The *work-class-name* must identify a work class in the work class set that exists at the current server (SQLSTATE 42704).

AFTER *work-class-name*

Specifies that the work class is to be placed after work class *work-class-name* in the list. The *work-class-name* must identify a work class in the work class set that exists at the current server (SQLSTATE 42704).

AT *position*

Specifies the absolute position at which the work class is to be placed within the work class set in the ordered list of work classes. This value can be any positive integer value (SQLSTATE 42615). If *position* is greater than the number of existing work classes plus one, the work class is placed at the last position within the work class set.

Rules

- A workload management (WLM)-exclusive SQL statement must be followed by a COMMIT or a ROLLBACK statement (SQLSTATE 5U021). WLM-exclusive SQL statements are:
 - CREATE HISTOGRAM TEMPLATE, ALTER HISTOGRAM TEMPLATE, or DROP (HISTOGRAM TEMPLATE)
 - CREATE SERVICE CLASS, ALTER SERVICE CLASS, or DROP (SERVICE CLASS)
 - CREATE THRESHOLD, ALTER THRESHOLD, or DROP (THRESHOLD)
 - CREATE WORK ACTION SET, ALTER WORK ACTION SET, or DROP (WORK ACTION SET)
 - CREATE WORK CLASS SET, ALTER WORK CLASS SET, or DROP (WORK CLASS SET)
 - CREATE WORKLOAD, ALTER WORKLOAD, or DROP (WORKLOAD)
 - GRANT (Workload Privileges) or REVOKE (Workload Privileges)
- A WLM-exclusive SQL statement cannot be issued within a global transaction (SQLSTATE 51041) such as, for example, an XA transaction.

Notes

- Changes are written to the system catalog, but do not take effect until they are committed, even for the connection that issues the statement.

ALTER WORK CLASS SET

Examples

Example 1: Alter work class set LARGE_QUERIES and set the two existing work classes to have each range starting at 100 000, keeping the range unbounded. Add a third work class for all SELECT statements that have an estimated timeron cost greater than or equal to 10 000, and position this work class to take priority over the existing two work classes.

```
ALTER WORK CLASS SET LARGE_QUERIES
ALTER WORK CLASS LARGE_ESTIMATED_COST
  FOR TIMERONCOST FROM 100000 TO UNBOUNDED
ALTER WORK CLASS LARGE_CARDINALITY
  FOR CARDINALITY FROM 100000 TO UNBOUNDED
ADD WORK CLASS LARGE_SELECTS WORK TYPE READ
  FOR TIMERONCOST FROM 10000 TO UNBOUNDED POSITION AT 1
```

Example 2: Alter a work class set named DML_STATEMENTS to add a work class that represents all DML SELECT statements that contain a DELETE, INSERT, MERGE, or UPDATE statement.

```
ALTER WORK CLASS SET DML_STATEMENTS
  ADD WORK CLASS UPDATE_CLASS WORK TYPE WRITE
```

ALTER WORKLOAD

The ALTER WORKLOAD statement alters a workload.

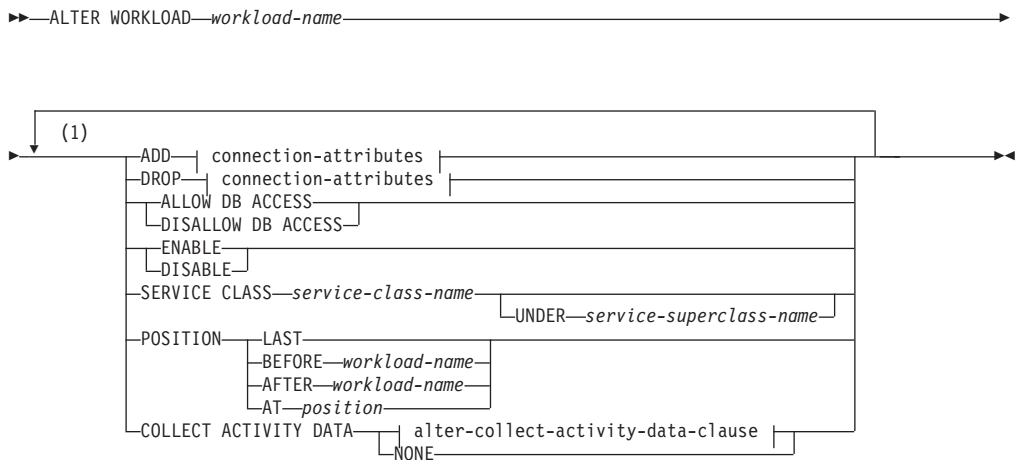
Invocation

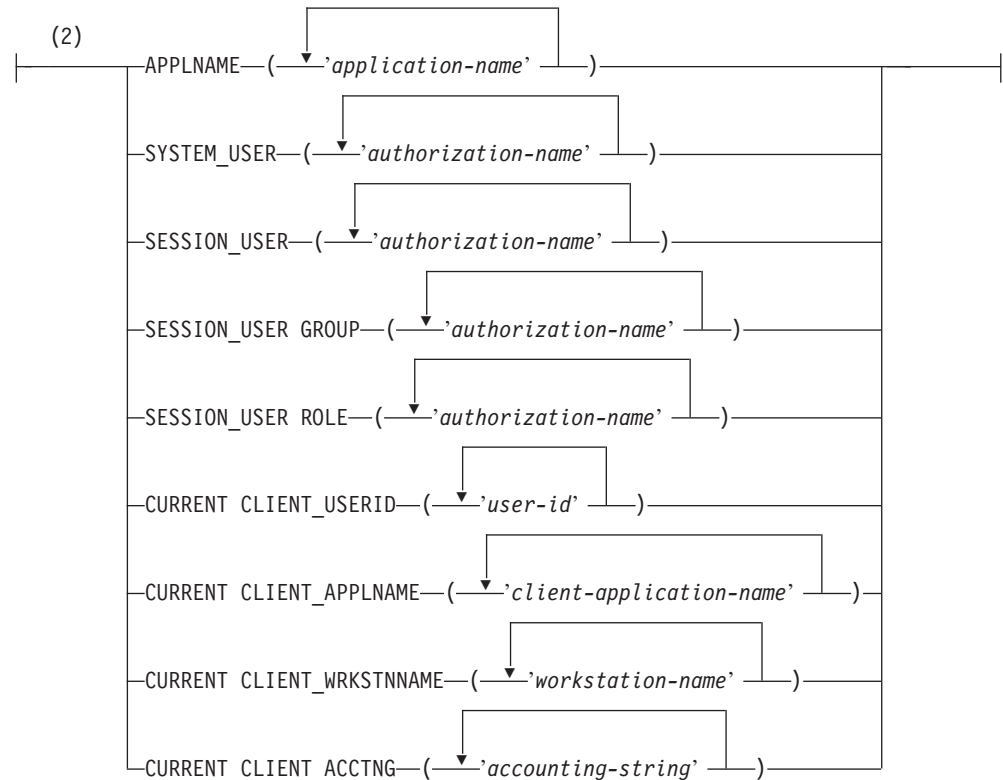
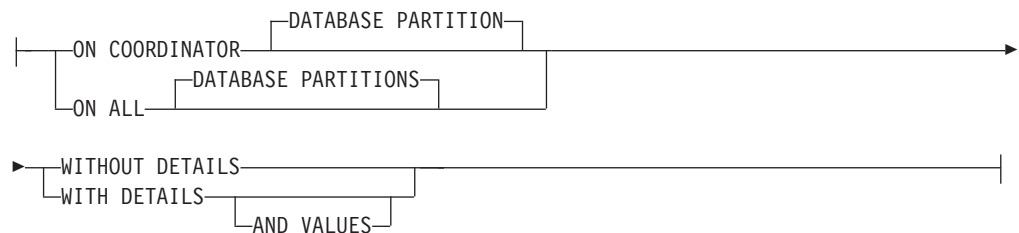
This statement can be embedded in an application program or issued interactively. It is an executable statement that can be dynamically prepared only if DYNAMICRULES run behavior is in effect for the package (SQLSTATE 42509).

Authorization

The privileges held by the authorization ID of the statement must include SYSADM or DBADM authority.

Syntax



connection-attributes:**alter-collect-activity-data-clause:****Notes:**

- 1 The same clause must not be specified more than once.
- 2 Each connection attribute clause can only be specified once.

Description*workload-name*

Identifies the workload that is to be altered. This is a one-part name. It is an SQL identifier (either ordinary or delimited). The *workload-name* must identify a workload that exists at the current server (SQLSTATE 42704).

ADD connection-attributes

Adds one or more connection attribute values to the definition of the workload. Each specified connection attribute value must not already be defined for the workload (SQLSTATE 5U039). The ADD option cannot be

ALTER WORKLOAD

specified if *workload-name* is 'SYSDEFAULTUSERWORKLOAD' or 'SYSDEFAULTADMWORKLOAD' (SQLSTATE 42832).

DROP *connection-attributes*

Drops one or more connection attribute values from the definition of the workload. Each specified connection attribute value must be defined for the workload (SQLSTATE 5U040). The DROP option cannot be specified if *workload-name* is 'SYSDEFAULTUSERWORKLOAD' or 'SYSDEFAULTADMWORKLOAD' (SQLSTATE 42832). There must be at least one defined connection attribute value. The last connection attribute value cannot be dropped (SQLSTATE 5U022).

connection-attributes

Specifies connection attribute values for the workload.

APPLNAME (*'application-name', ...*)

Specifies one or more applications for the APPLNAME connection attribute. An application name cannot appear more than once in the list (SQLSTATE 42713). The *application-name* is case sensitive and is equivalent to the value shown in the "Application name" field in system monitor output and in output from the LIST APPLICATIONS command.

SYSTEM_USER (*'authorization-name', ...*)

Specifies one or more authorization IDs for the SYSTEM_USER connection attribute. An authorization ID cannot appear more than once in the list (SQLSTATE 42713).

SESSION_USER (*'authorization-name', ...*)

Specifies one or more authorization IDs for the SESSION_USER connection attribute. An authorization ID cannot appear more than once in the list (SQLSTATE 42713).

SESSION_USER GROUP (*'authorization-name', ...*)

Specifies one or more authorization IDs for the SESSION_USER GROUP connection attribute. An authorization ID cannot appear more than once in the list (SQLSTATE 42713).

SESSION_USER ROLE (*'authorization-name', ...*)

Specifies one or more authorization IDs for the SESSION_USER ROLE connection attribute. The roles of a session authorization ID in this context refer to all the roles that are available to the session authorization ID, regardless of how the roles were obtained. An authorization ID cannot appear more than once in the list (SQLSTATE 42713).

CURRENT_CLIENT_USERID (*'user-id', ...*)

Specifies one or more client user IDs for the CURRENT_CLIENT_USERID connection attribute. A client user ID cannot appear more than once in the list (SQLSTATE 42713).

CURRENT_CLIENT_APPLNAME (*'client-application-name', ...*)

Specifies one or more applications for the CURRENT_CLIENT_APPLNAME connection attribute. An application name cannot appear more than once in the list (SQLSTATE 42713). The *client-application-name* is case sensitive and is equivalent to the value shown in the "TP Monitor client application name" field in system monitor output.

CURRENT_CLIENT_WRKSTNNAME (*'workstation-name', ...*)

Specifies one or more client workstation names for the CURRENT_CLIENT_WRKSTNNAME connection attribute. A client workstation name cannot appear more than once in the list (SQLSTATE 42713).

CURRENT CLIENT_ACCTNG (*'accounting-string', ...*)

Specifies one or more client accounting strings for the CURRENT CLIENT_ACCTNG connection attribute. A client accounting string cannot appear more than once in the list (SQLSTATE 42713).

ALLOW DB ACCESS or **DISALLOW DB ACCESS**

Specifies whether or not a workload occurrence associated with this workload is allowed access to the database.

ALLOW DB ACCESS

Specifies that workload occurrences associated with this workload are allowed access to the database.

DISALLOW DB ACCESS

Specifies that workload occurrences associated with this workload are not allowed access to the database. The next unit of work associated with this workload will be rejected (SQLSTATE 5U020). Workload occurrences that are already running are allowed to complete. This option cannot be specified if *workload-name* is 'SYSDEFAULTADMWORKLOAD' (SQLSTATE 42832).

ENABLE or **DISABLE**

Specifies whether or not this workload will be considered when a workload is chosen.

ENABLE

Specifies that the workload is enabled and will be considered when a workload is chosen.

DISABLE

Specifies that the workload is disabled and will not be considered when a workload is chosen. This option cannot be specified if *workload-name* is SYSDEFAULTUSERWORKLOAD or SYSDEFAULTADMWORKLOAD (SQLSTATE 42832).

SERVICE CLASS *service-class-name*

Specifies that requests associated with this workload are to be executed in the service class *service-class-name*. The *service-class-name* must identify a service class that exists at the current server (SQLSTATE 42704). The *service-class-name* cannot be 'SYSDEFAULTSUBCLASS', 'SYSDEFAULTSYSTEMCLASS', or 'SYSDEFAULTMAINTENANCECLASS' (SQLSTATE 5U032). This option cannot be specified if *workload-name* is 'SYSDEFAULTADMWORKLOAD' (SQLSTATE 42832).

UNDER *service-superclass-name*

This clause is used when specifying a service subclass. The *service-superclass-name* identifies the service superclass of *service-class-name*. The *service-superclass-name* must identify a service superclass that exists at the current server (SQLSTATE 42704). The *service-superclass-name* cannot be 'SYSDEFAULTSYSTEMCLASS' or 'SYSDEFAULTMAINTENANCECLASS' (SQLSTATE 5U032).

POSITION

Specifies where this workload is to be placed within the ordered list of workloads. At run time, this list is searched in order for the first workload that matches the required connection attributes. This option cannot be specified if *workload-name* is 'SYSDEFAULTUSERWORKLOAD' or 'SYSDEFAULTADMWORKLOAD' (SQLSTATE 42832).

ALTER WORKLOAD

LAST

Specifies that the workload is to be last in the list, before the default workloads SYSDEFAULTUSERWORKLOAD and SYSDEFAULTADMWORKLOAD.

BEFORE *relative-workload-name*

Specifies that the workload is to be placed before workload *relative-workload-name* in the list. The *relative-workload-name* must identify a workload that exists at the current server (SQLSTATE 42704). The BEFORE option cannot be specified if *relative-workload-name* is 'SYSDEFAULTUSERWORKLOAD' or 'SYSDEFAULTADMWORKLOAD' (SQLSTATE 42832).

AFTER *relative-workload-name*

Specifies that the workload is to be placed after workload *relative-workload-name* in the list. The *relative-workload-name* must identify a workload that exists at the current server (SQLSTATE 42704). The AFTER option cannot be specified if *relative-workload-name* is 'SYSDEFAULTUSERWORKLOAD' or 'SYSDEFAULTADMWORKLOAD' (SQLSTATE 42832).

AT *position*

Specifies the absolute position at which the workload is to be placed in the list. This value can be any positive integer value (SQLSTATE 42615). If *position* is greater than the number of existing workloads plus one, the workload is placed at the last position, just before SYSDEFAULTUSERWORKLOAD and SYSDEFAULTADMWORKLOAD.

COLLECT ACTIVITY DATA

Specifies that data about each activity associated with this workload is to be sent to the activities event monitor, if one is active, when the activity completes.

alter-collect-activity-data-clause

ON COORDINATOR DATABASE PARTITION

Specifies that the activity data is to be collected only at the database partition of the coordinator of the activity.

ON ALL DATABASE PARTITIONS

Specifies that the activity data is to be collected at all database partitions on which the activity is processed; however any activity details or values will be collected only at the database partition of the coordinator of the activity.

WITHOUT DETAILS

Specifies that data about each activity that is associated with this workload is to be sent to the activities event monitor, if one is active, when the activity completes execution. Statement and compilation environment are not sent to the event monitor.

WITH DETAILS

Specifies that statement and compilation environment information are to be sent to the activities event monitor, if one is active, for those activities that have them.

AND VALUES

Specifies that input data values are to be sent to the activities event monitor, if one is active, for those activities that have them.

NONE

Specifies that activity data should not be collected for each activity that is associated with this workload.

Rules

- A workload management (WLM)-exclusive SQL statement must be followed by a COMMIT or a ROLLBACK statement (SQLSTATE 5U021). WLM-exclusive SQL statements are:
 - CREATE HISTOGRAM TEMPLATE, ALTER HISTOGRAM TEMPLATE, or DROP (HISTOGRAM TEMPLATE)
 - CREATE SERVICE CLASS, ALTER SERVICE CLASS, or DROP (SERVICE CLASS)
 - CREATE THRESHOLD, ALTER THRESHOLD, or DROP (THRESHOLD)
 - CREATE WORK ACTION SET, ALTER WORK ACTION SET, or DROP (WORK ACTION SET)
 - CREATE WORK CLASS SET, ALTER WORK CLASS SET, or DROP (WORK CLASS SET)
 - CREATE WORKLOAD, ALTER WORKLOAD, or DROP (WORKLOAD)
 - GRANT (Workload Privileges) or REVOKE (Workload Privileges)
- A WLM-exclusive SQL statement cannot be issued within a global transaction (SQLSTATE 51041) such as, for example, an XA transaction.

Notes

- Changes are written to the system catalog, but do not take effect until they are committed, even for the connection that issues the statement. For newly submitted workload occurrences, changes take effect after the ALTER WORKLOAD statement commits. For active workload occurrences, changes take effect at the beginning of the next unit of work.
- If the DISABLE option is specified, the workload is disabled after the statement commits. The workload is not considered the next time that a workload is chosen. If there is an active workload occurrence associated with this workload when the ALTER WORKLOAD statement commits, it continues to run until the end of the current unit of work. At the beginning of the next unit of work, a workload re-evaluation takes place, and the connection becomes associated with a different workload.

Examples

Example 1: The workload PAYROLL is currently positioned such that the workload INVENTORY is considered first when DB2 chooses a workload at run time. Alter the evaluation order so that PAYROLL will be considered first.

```
ALTER WORKLOAD PAYROLL
  POSITION BEFORE INVENTORY
```

Example 2: Alter the evaluation order so that the workload BENCHMARK is evaluated by DB2 before any other workload in the catalog.

```
ALTER WORKLOAD BENCHMARK
  POSITION AT 1
```

Example 3: The workload REPORTS was created with APPLNAME set to appl1, appl2, and appl3, and SYSTEM_USER set to BOB and MARY. Alter the workload to add a new application, appl4 to the application name list, and remove appl2, because it should no longer be mapped to REPORTS.

ALTER WORKLOAD

```
ALTER WORKLOAD REPORTS
ADD APPLNAME ('app14')
DROP APPLNAME ('app12')
```

ALTER WRAPPER

The ALTER WRAPPER statement is used to update the properties of a wrapper.

Invocation

This statement can be embedded in an application program or issued through the use of dynamic SQL statements. It is an executable statement that can be dynamically prepared only if DYNAMICRULES run behavior is in effect for the package (SQLSTATE 42509).

Authorization

The privileges held by the authorization ID of the statement must include SYSADM or DBADM authority.

Syntax

```
▶—ALTER WRAPPER—wrapper-name—OPTIONS—▶
```

```
▶—(—  
  ADD—  
  SET—  
  DROP—  
  wrapper-option-name—string-constant—  
  wrapper-option-name—  
)—▶
```

Description

wrapper-name
Specifies the name of the wrapper.

OPTIONS

Indicates what wrapper options are to be enabled, reset, or dropped.

ADD

Enables a server option.

SET

Changes the setting of a wrapper option.

wrapper-option-name

Names a wrapper option that is to be enabled or reset. Currently the only supported wrapper option name is DB2_FENCED.

string-constant

Specifies the setting for *wrapper-option-name* as a character string constant. Valid values are 'Y' or 'N'. The default value for relational wrappers is 'N', and the default value for non-relational wrappers is 'Y'.

DROP *wrapper-option-name*

Drops a wrapper option.

Notes

- Execution of the ALTER WRAPPER statement does not include checking the validity of wrapper-specific options.
- An ALTER WRAPPER statement within a given unit of work (UOW) cannot be processed (SQLSTATE 55007) if the UOW already includes one of the following:
 - A SELECT statement that references a nickname that belongs to the wrapper.
 - An open cursor on a nickname that belongs to the wrapper.
 - An INSERT, DELETE, or UPDATE statement issued against a nickname that belongs to the wrapper.

Examples

Example 1: Set the DB2_FENCED option on for wrapper NET8.

```
ALTER WRAPPER NET8 OPTIONS (SET DB2_FENCED 'Y')
```

ALTER XSROBJECT

This statement is used to either enable or disable the decomposition support for a specific XML schema. Annotated XML schemas can be used to decompose XML documents into relational tables, if decomposition has been enabled for those XML schemas.

Invocation

The ALTER XSROBJECT statement can be embedded in an application program or issued through the use of dynamic SQL statements. It is an executable statement that can be dynamically prepared only if the DYNAMICRULES run behavior is in effect for the package (SQLSTATE 42509).

Authorization

One of the following authorities is required:

- SYSADM or DBADM
- ALTERIN on the SQL schema
- Ownership of the XSR object to be altered

Syntax

```
▶▶ ALTER XSROBJECT xsobject-name [ ENABLE DECOMPOSITION | DISABLE DECOMPOSITION ] ▶▶
```

Description

xsobject-name

Identifies the XSR object to be altered. The *xsobject-name*, including the implicit or explicit schema qualifier, must uniquely identify an existing XSR object at the current server. If no XSR object with this identifier exists, an error is returned (SQLSTATE 42704).

ENABLE DECOMPOSITION or DISABLE DECOMPOSITION

Enables or disables the use of the XSR object for decomposition. The identified XSR object must be an XML schema (SQLSTATE 42809). In order to enable decomposition, the XML schema needs to be annotated with decomposition

ALTER XSROBJECT

rules (SQLSTATE 225DE) and the objects referenced by the decomposition rules must exist at the current server (SQLSTATE 42704).

Notes:

- When decomposition for an XSR object is disabled, all related catalog entries are removed.
- Decomposition support for an XSR object will be disabled if any objects the XSR object depends on (such as tables) are dropped or altered to become incompatible with the XSR object.

ASSOCIATE LOCATORS

The ASSOCIATE LOCATORS statement gets the result set locator value for each result set returned by a stored procedure.

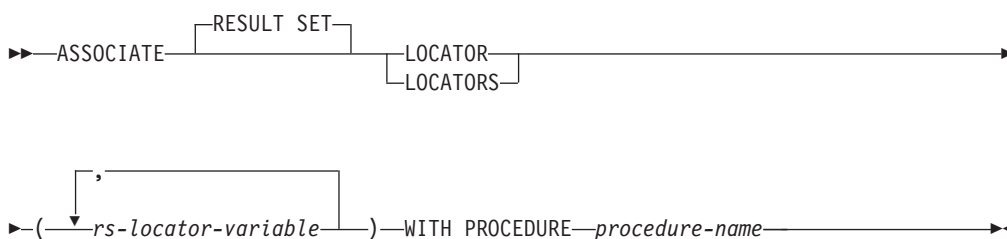
Invocation

This statement can only be embedded in an SQL procedure. It is not an executable statement and cannot be dynamically prepared.

Authorization

None required.

Syntax



Description

rs-locator-variable

Specifies a result set locator variable that has been declared in a compound SQL (Procedure) statement.

WITH PROCEDURE

Identifies the stored procedure that returns result set locators by the specified procedure name.

procedure-name

A procedure name is a qualified or unqualified name.

A fully qualified procedure name is a two-part name. The first part is an identifier that contains the schema name of the stored procedure. The last part is an identifier that contains the name of the stored procedure. A period must separate each of the parts. Any or all of the parts can be a delimited identifier.

If the procedure name is unqualified, it has only one name because the implicit schema name is not added as a qualifier to the procedure name. Successful execution of the ASSOCIATE LOCATOR statement only requires

that the unqualified procedure name in the statement be the same as the procedure name in the most recently executed CALL statement that was specified with an unqualified procedure name. The implicit schema name for the unqualified name in the CALL statement is not considered in the match. The rules for how the procedure name must be specified are described below.

When the ASSOCIATE LOCATORS statement is executed, the procedure name or specification must identify a stored procedure that the requester has already invoked using the CALL statement. The procedure name in the ASSOCIATE LOCATORS statement must be specified the same way that it was specified on the CALL statement. For example, if a two-part name was specified on the CALL statement, you must use a two-part name in the ASSOCIATE LOCATORS statement.

Notes

- If the number of result set locator variables that are listed in the ASSOCIATE LOCATORS statement is less than the number of locators returned by the stored procedure, all variables in the statement are assigned a value, and a warning is issued.
- If the number of result set locator variables that are listed in the ASSOCIATE LOCATORS statement is greater than the number of locators returned by the stored procedure, the extra variables are assigned a value of 0.
- If a stored procedure is called more than once from the same caller, only the most recent result sets are accessible.
- Result set locator values are available for a procedure that is called using an EXECUTE statement executing the CALL statement that was previously prepared by the PREPARE statement. Result set locator values, however, are not available for a procedure that is called using an EXECUTE IMMEDIATE statement.

Examples

The statements in the following examples are assumed to be embedded in SQL Procedures.

Example 1: Use result set locator variables LOC1 and LOC2 to get the result set locator values for the two result sets returned by stored procedure P1. Assume that the stored procedure is called with a one-part name.

```
CALL P1;  
ASSOCIATE RESULT SET LOCATORS (LOC1, LOC2)  
WITH PROCEDURE P1;
```

Example 2: Repeat the scenario in Example 1, but use a two-part name to specify an explicit schema name for the stored procedure to ensure that stored procedure P1 in schema MYSCHEMA is used.

```
CALL MYSCHEMA.P1;  
ASSOCIATE RESULT SET LOCATORS (LOC1, LOC2)  
WITH PROCEDURE MYSCHEMA.P1;
```

AUDIT

The AUDIT statement determines the audit policy that is to be used for a particular database or database object at the current server. Whenever the object is in use, it is audited according to that policy.

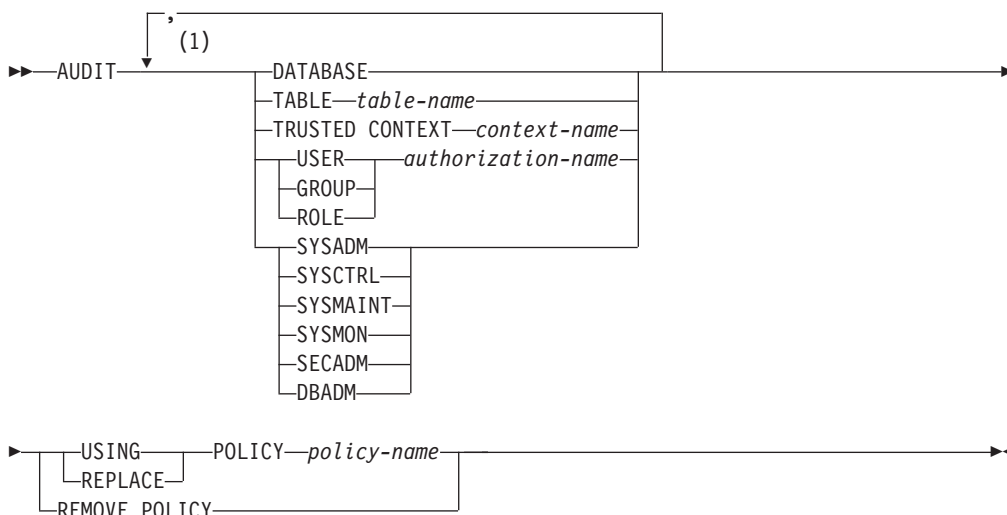
Invocation

This statement can be embedded in an application program or issued interactively. It is an executable statement that can be dynamically prepared only if DYNAMICRULES run behavior is in effect for the package (SQLSTATE 42509).

Authorization

The privileges held by the authorization ID of the statement must include SECADM authority.

Syntax



Notes:

- 1 Each clause (with the same object name, if applicable) can be specified at most once (SQLSTATE 42713).

Description

DATABASE

Specifies that an audit policy is to be associated with or removed from the database at the current server. All auditable events that occur within the database are audited according to the associated audit policy.

TABLE *table-name*

Specifies that an audit policy is to be associated with or removed from *table-name*. The *table-name* must identify a table, materialized query table (MQT), or nickname that exists at the current server (SQLSTATE 42704). It cannot be a view, a catalog table, a declared temporary table (SQLSTATE 42995), or a typed table (SQLSTATE 42997). Only EXECUTE category audit events, with or without data, will be generated when the table is accessed, even if the policy indicates that other categories should be audited.

TRUSTED CONTEXT *context-name*

Specifies that an audit policy is to be associated with or removed from *context-name*. The *context-name* must identify a trusted context that exists at the current server (SQLSTATE 42704). All auditable events that happen within the

trusted connection defined by the trusted context *context-name* will be audited according to the associated audit policy.

USER *authorization-name*

Specifies that an audit policy is to be associated with or removed from the user with authorization ID *authorization-name*. All auditable events that are initiated by *authorization-name* will be audited according to the associated audit policy.

GROUP *authorization-name*

Specifies that an audit policy is to be associated with or removed from the group with authorization ID *authorization-name*. All auditable events that are initiated by users who are members of *authorization-name* will be audited according to the associated audit policy. If user membership in a group cannot be determined, the policy will not apply to that user.

ROLE *authorization-name*

Specifies that an audit policy is to be associated with or removed from the role with authorization ID *authorization-name*. The *authorization-name* must identify a role that exists at the current server (SQLSTATE 42704). All auditable events that are initiated by users who are members of *authorization-name* will be audited according to the associated audit policy. Indirect role membership through other roles or groups is valid.

SYSADM, SYSMANT, SYSCTRL, SYSMON, DBADM or SECADM

Specifies that an audit policy is to be associated with or removed from the specified authority. All auditable events that are initiated by a user who holds the specified authority, even if that authority is not required for the event, will be audited according to the associated audit policy.

USING, REMOVE, or REPLACE

Specifies whether the audit policy should be used, removed, or replaced for the specified object.

USING

Specifies that the audit policy is to be used for the specified object. An existing audit policy must not already be defined for the object (SQLSTATE 5U041). If an audit policy already exists, it must be removed or replaced.

REMOVE

Specifies that the audit policy is to be removed from the specified object. Use of the object will no longer be audited according to the audit policy. The association is deleted from the catalog when the audit policy is removed from the object.

REPLACE

Specifies that the audit policy is to replace an existing audit policy for the specified object. This combines both REMOVE and USING options into one step to ensure that there is no period of time in which an audit policy does not apply to the specified object. If a policy was not in use for the specified object, REPLACE is equivalent to USING.

POLICY *policy-name*

Specifies the audit policy that is to be used to determine audit settings. The *policy-name* must identify an existing audit policy at the current server (SQLSTATE 42704).

Rules

- An AUDIT-exclusive SQL statement must be followed by a COMMIT or ROLLBACK statement (SQLSTATE 5U021). AUDIT-exclusive SQL statements are:
 - AUDIT

AUDIT

- CREATE AUDIT POLICY, ALTER AUDIT POLICY, or DROP (AUDIT POLICY)
- DROP (ROLE or TRUSTED CONTEXT if it is associated with an audit policy)
- An AUDIT-exclusive SQL statement cannot be issued within a global transaction (SQLSTATE 51041) such as, for example, an XA transaction.
- An object can be associated with no more than one policy (SQLSTATE 5U042).

Notes

- Changes are written to the catalog, but do not take effect until after a COMMIT statement executes.
- Changes do not take effect until the next unit of work that references the object to which the audit policy applies. For example, if the audit policy is in use for the database, no current units of work will begin auditing according to the policy until after a COMMIT or a ROLLBACK statement completes.
- Views accessing a table that is associated with an audit policy are audited according to the underlying table's policy.
- The audit policy that applies to a table does not apply to a materialized query table (MQT) based on that table. It is recommended that if you associate an audit policy with a table, you also associate that policy with any MQT based on that table. The compiler might automatically use an MQT, even though an SQL statement references the base table; however, the audit policy in use for the base table will still be in effect.
- When a switch user operation is performed within a trusted context, all audit policies are re-evaluated according to the new user, and no policies from the old user are used for the current session. This applies specifically to audit policies associated directly with the user, the user's group or role memberships, and the user's authorities. For example, if the current session was audited because the previous user was a member of an audited role, and the switched-to user is not a member of that role, that policy no longer applies to the session.
- When a SET SESSION USER statement is executed, the audit policies associated with the original user (and that user's group and role memberships and authorities) are combined with the policies that are associated with the user specified in the SET SESSION USER statement. The audit policies associated with the original user are still in effect, as are the policies for the user specified in the SET SESSION USER statement. If multiple SET SESSION USER statements are issued within a session, only the audit policies associated with the original user and the current user are considered.
- If the object with which an audit policy is associated is dropped, the association to the audit policy is removed from the catalog and no longer exists. If that object is recreated at some later time, the object will not be audited according to the policy that was associated with it when the object was dropped.

Examples

Example 1: Use the audit policy DBAUDPRF to determine the audit settings for the database at the current server.

```
AUDIT DATABASE USING POLICY DBAUDPRF
```

Example 2: Remove the audit policy from the EMPLOYEE table.

```
AUDIT TABLE EMPLOYEE REMOVE POLICY
```

Example 3: Use the audit policy POWERUSERS to determine the audit settings for the authorities SYSADM, DBADM, and SECADM, as well as the group DBAS.

AUDIT SYSADM, DBADM, SECADM, GROUP DBAS USING POLICY POWERUSERS

Example 4: Replace the audit policy for the role TELLER with the new policy TELLERPRF.

```
AUDIT ROLE TELLER REPLACE POLICY TELLERPRF
```

BEGIN DECLARE SECTION

The BEGIN DECLARE SECTION statement marks the beginning of a host variable declare section.

Invocation

This statement can only be embedded in an application program. It is not an executable statement. It must not be specified in REXX.

Authorization

None required.

Syntax

```
▶▶—BEGIN DECLARE SECTION—————▶▶
```

Description

The BEGIN DECLARE SECTION statement may be coded in the application program wherever variable declarations can appear in accordance with the rules of the host language. It is used to indicate the beginning of a host variable declaration section. A host variable section ends with an END DECLARE SECTION statement.

Rules

- The BEGIN DECLARE SECTION and the END DECLARE SECTION statements must be paired and may not be nested.
- SQL statements cannot be included within the declare section.
- Variables referenced in SQL statements must be declared in a declare section in all host languages other than REXX. Furthermore, the section must appear before the first reference to the variable. Generally, host variables are not declared in REXX with the exception of LOB locators and file reference variables. In this case, they are not declared within a BEGIN DECLARE SECTION.
- Variables declared outside a declare section should not have the same name as variables declared within a declare section.
- LOB data types must have their data type and length preceded with the SQL TYPE IS keywords.

Examples

Example 1: Define the host variables hv_smint (smallint), hv_vchar24 (varchar(24)), hv_double (double), hv_blob_50k (blob(51200)), hv_struct (of structured type "struct_type" as blob(10240)) in a C program.

```
EXEC SQL BEGIN DECLARE SECTION;
       short hv_smint;
```

BEGIN DECLARE SECTION

```
struct {
short hv_vchar24_len;
char hv_vchar24_value[24];
} hv_vchar24;
double hv_double;
SQL TYPE IS BLOB(50K) hv_blob_50k;
SQL TYPE IS struct_type AS BLOB(10k) hv_struct;
EXEC SQL END DECLARE SECTION;
```

Example 2: Define the host variables HV-SMINT (smallint), HV-VCHAR24 (varchar(24)), HV-DEC72 (dec(7,2)), and HV-BLOB-50k (blob(51200)) in a COBOL program.

```
WORKING-STORAGE SECTION.
EXEC SQL BEGIN DECLARE SECTION END-EXEC.
01 HV-SMINT PIC S9(4) COMP-4.
01 HV-VCHAR24.
49 HV-VCHAR24-LENGTH PIC S9(4) COMP-4.
49 HV-VCHAR24-VALUE PIC X(24).
01 HV-DEC72 PIC S9(5)V9(2) COMP-3.
01 HV-BLOB-50K USAGE SQL TYPE IS BLOB(50K).
EXEC SQL END DECLARE SECTION END-EXEC.
```

Example 3: Define the host variables HVSMINT (smallint), HVVCHAR24 (char(24)), HVDOUBLE (double), and HVBLOB50k (blob(51200)) in a Fortran program.

```
EXEC SQL BEGIN DECLARE SECTION
INTEGER*2 HVSMINT
CHARACTER*24 HVVCHAR24
REAL*8 HVDOUBLE
SQL TYPE IS BLOB(50K) HVBLOB50K
EXEC SQL END DECLARE SECTION
```

Note: In Fortran, if the expected value is greater than 254 bytes, then a CLOB host variable should be used.

Example 4: Define the host variables HVSMINT (smallint), HVBLOB50K (blob(51200)), and HVCLOBLOC (a CLOB locator) in a REXX program.

```
DECLARE :HVCLOBLOC LANGUAGE TYPE CLOB LOCATOR
call sqlexec 'FETCH c1 INTO :HVSMINT, :HVBLOB50K'
```

Note that the variables HVSMINT and HVBLOB50K were implicitly defined by using them in the FETCH statement.

CALL

The CALL statement calls a procedure or a foreign procedure.

Invocation

This statement can be embedded in an application program or issued through the use of dynamic SQL statements. It is an executable statement that can be dynamically prepared.

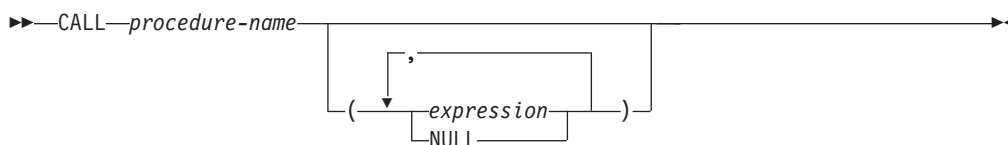
Authorization

The privileges held by the authorization ID of the statement must include at least one of the following:

- EXECUTE privilege on the procedure
- SYSADM or DBADM authority

If a matching procedure exists that the authorization ID of the statement is not authorized to execute, an error is returned (SQLSTATE 42501).

Syntax



Description

procedure-name

Specifies the procedure that is to be called. It must be a procedure that is described in the catalog. The specific procedure to invoke is chosen using procedure resolution. (For more details, see the “Notes” section of this statement.)

expression or NULL

Each specification of *expression* or NULL is an argument of the CALL. The *n*th argument of the CALL statement corresponds to the *n*th parameter defined in the CREATE PROCEDURE statement for the procedure.

Each argument of the CALL must be compatible with the corresponding parameter in the procedure definition as follows:

- IN parameter
 - The argument must be assignable to the parameter.
 - The assignment of a string argument uses the storage assignment rules.
- OUT parameter
 - The argument must be a single variable or parameter marker (SQLSTATE 42886).
 - The argument must be assignable to the parameter.
 - The assignment of a string argument uses the retrieval assignment rules.
- INOUT parameter
 - The argument must be a single variable or parameter marker (SQLSTATE 42886).
 - The argument must be assignable to the parameter.
 - The assignment of a string argument uses the storage assignment rules on invocation and the retrieval assignment rules on return.

Notes

• *Parameter assignments:*

When the CALL statement is executed, the value of each of its arguments is assigned (using storage assignment) to the corresponding parameter of the procedure. Control is passed to the procedure according to the calling conventions of the host language. When execution of the procedure is complete, the value of each parameter of the procedure is assigned (using storage assignment) to the corresponding argument of the CALL statement defined as OUT or INOUT. If an error is returned by the procedure, OUT arguments are

CALL

undefined and INOUT arguments are unchanged. For details on the assignment rules, see “Assignments and comparisons”.

When the CALL statement is in an SQL procedure and is calling another SQL procedure, assignment of XML parameters is done by reference. When an XML argument is passed by reference, the input node trees, if any, are used directly from the XML argument, preserving all properties, including document order, the original node identities, and all parent properties.

- ***Procedure signatures:***

A procedure is identified by its schema, a procedure name, and the number of parameters. This is called a procedure signature, which must be unique within the database. There can be more than one procedure with the same name in a schema, provided that the number of parameters is different for each procedure.

- ***SQL path:***

A procedure can be invoked by referring to a qualified name (schema and procedure name), followed by an optional list of arguments enclosed by parentheses. A procedure can also be invoked without the schema name, resulting in a choice of possible procedures in different schemas with the same number of parameters. In this case, the SQL path is used to assist in procedure resolution. The SQL path is a list of schemas that is searched to identify a procedure with the same name and number of parameters. For static CALL statements, SQL path is specified using the FUNCPATH bind option. For dynamic CALL statements, SQL path is the value of the CURRENT PATH special register.

- ***Procedure resolution:***

Given a procedure invocation, the database manager must decide which of the possible procedures with the same name to call. Procedure resolution is done using the steps that follow.

1. Find all procedures from the catalog (SYSCAT.ROUTINES), such that all of the following are true:
 - For invocations where the schema name was specified (that is, qualified references), the schema name and the procedure name match the invocation name.
 - For invocations where the schema name was not specified (that is, unqualified references), the procedure name matches the invocation name, and has a schema name that matches one of the schemas in the SQL path.
 - The number of defined parameters matches the invocation.
 - The invoker has the EXECUTE privilege on the procedure.
2. Choose the procedure whose schema is earliest in the SQL path.

If there are no candidate procedures remaining after step 1, an error is returned (SQLSTATE 42884).

- ***Retrieving the DB2_RETURN_STATUS from an SQL procedure:***

If an SQL procedure successfully issues a RETURN statement with a status value, this value is returned in the first SQLERRD field of the SQLCA. If the CALL statement is issued in an SQL procedure, use the GET DIAGNOSTICS statement to retrieve the DB2_RETURN_STATUS value. The value is -1 if the SQLSTATE indicates an error. The value is 0 if no error is returned and the RETURN statement was not specified in the procedure.

- ***Returning result sets from procedures:***

If the calling program is written using CLI, JDBC, or SQLJ, or the caller is an SQL procedure, result sets can be returned directly to the caller. The procedure

indicates that a result set is to be returned by declaring a cursor on that result set, opening a cursor on the result set, and leaving the cursor open when exiting the procedure.

At the end of a procedure:

- For every cursor that has been left open, a result set is returned to the caller or (for WITH RETURN TO CLIENT cursors) directly to the client.
- Only unread rows are passed back. For example, if the result set of a cursor has 500 rows, and 150 of those rows have been read by the procedure at the time the procedure is terminated, rows 151 through 500 will be returned to the caller or application (as appropriate).

If the procedure was invoked from CLI or JDBC, and more than one cursor is left open, the result sets can only be processed in the order in which the cursors were opened.

- ***Improving performance:***

The values of all arguments are passed from the application to the procedure. To improve the performance of this operation, host variables that correspond to OUT parameters and have lengths of more than a few bytes should be set to NULL before the CALL statement is executed.

- ***Nesting CALL statements:***

Procedures can be called from routines as well as application programs. When a procedure is called from a routine, the call is considered to be nested.

If a procedure returns any query result sets, the result sets are returned as follows:

- RETURN TO CALLER result sets are visible only to the program that is at the previous nesting level.
- RETURN TO CLIENT results sets are visible only if the procedure was invoked from a set of nested procedures. If a function or method occurs anywhere in the call chain, the result set is not visible. If the result set is visible, it is only visible to the client application that made the initial procedure call.

Consider the following example:

```
Client program:
EXEC SQL CALL PROCA;
```

```
  PROCA:
EXEC SQL CALL PROCB;
```

```
    PROCB:
EXEC SQL DECLARE B1 CURSOR WITH RETURN TO CLIENT ...;
EXEC SQL DECLARE B2 CURSOR WITH RETURN TO CALLER ...;
EXEC SQL DECLARE B3 CURSOR FOR SELECT UDFA FROM T1;
```

```
      UDFA:
EXEC SQL CALL PROCC;
```

```
        PROCC:
EXEC SQL DECLARE C1 CURSOR WITH RETURN TO CLIENT ...;
EXEC SQL DECLARE C2 CURSOR WITH RETURN TO CALLER ...;
```

From procedure PROCB:

- Cursor B1 is visible in the client application, but not visible in procedure PROCA.
- Cursor B2 is visible in PROCA, but not visible to the client.

From procedure PROCC:

CALL

- Cursor C1 is visible to neither UDFA nor to the client application. (Because UDFA appears in the call chain between the client and PROCC, the result set is not returned to the client.)
- Cursor C2 is visible in UDFA, but not visible to any of the higher procedures.
- *Nesting procedures within triggers, dynamic compound statements, functions, or methods:*

When a procedure is called within a trigger, dynamic compound statement, function, or method:

- The procedure must not issue a COMMIT or a ROLLBACK statement.
- Result sets returned from the procedure cannot be accessed.
- If the procedure is defined as READS SQL DATA or MODIFIES SQL DATA, no statement in the procedure can access a table that is being modified by the statement that invoked the procedure (SQLSTATE 57053). If the procedure is defined as MODIFIES SQL DATA, no statement in the procedure can modify a table that is being read or modified by the statement that invoked the procedure (SQLSTATE 57053).

When a procedure is called within a function or method:

- The procedure has the same table access restrictions as the invoking function or method.
- Savepoints defined before the function or method was invoked will not be visible to the procedure, and savepoints defined inside the procedure will not be visible outside the function or method.
- RETURN TO CLIENT result sets returned from the procedure cannot be accessed from the client.

- *Compatibilities:*

- There is an older form of the CALL statement that can be embedded in an application by precompiling the application with the CALL_RESOLUTION DEFERRED option. This option is not available for SQL procedures and federated procedures.

Examples

Example 1:

A Java™ procedure is defined in the database using the following statement:

```
CREATE PROCEDURE PARTS_ON_HAND (IN PARTNUM INTEGER,
                                OUT COST DECIMAL(7,2),
                                OUT QUANTITY INTEGER)
    EXTERNAL NAME 'parts!onhand'
    LANGUAGE JAVA
    PARAMETER STYLE DB2GENERAL;
```

A Java application calls this procedure using the following code fragment:

```
...
CallableStatement stpCall;

String sql = "CALL PARTS_ON_HAND (?, ?, ?)";

stpCall = con.prepareStatement(sql); /*con is the connection */

stpCall.setInt(1, hvPartnum);
stpCall.setBigDecimal(2, hvCost);
stpCall.setInt(3, hvQuantity);

stpCall.registerOutParameter(2, Types.DECIMAL, 2);
```

```

stpCall.registerOutParameter(3, Types.INTEGER);

stpCall.execute();

hvCost = stpCall.getBigDecimal(2);
hvQuantity = stpCall.getInt(3);
...

```

This application code fragment will invoke the Java method `onhand` in class `parts`, because the procedure name specified on the `CALL` statement is found in the database and has the external name `parts!onhand`.

Example 2:

There are six `FOO` procedures, in four different schemas, registered as follows (note that not all required keywords appear):

```

CREATE PROCEDURE AUGUSTUS.FOO (INT) SPECIFIC FOO_1 ...
CREATE PROCEDURE AUGUSTUS.FOO (DOUBLE, DECIMAL(15, 3)) SPECIFIC FOO_2 ...
CREATE PROCEDURE JULIUS.FOO (INT) SPECIFIC FOO_3 ...
CREATE PROCEDURE JULIUS.FOO (INT, INT, INT) SPECIFIC FOO_4 ...
CREATE PROCEDURE CAESAR.FOO (INT, INT) SPECIFIC FOO_5 ...
CREATE PROCEDURE NERO.FOO (INT,INT) SPECIFIC FOO_6 ...

```

The procedure reference is as follows (where `I1` and `I2` are `INTEGER` values):

```
CALL FOO(I1, I2)
```

Assume that the application making this reference has an SQL path established as:

```
"JULIUS", "AUGUSTUS", "CAESAR"
```

Following through the algorithm...

The procedure with specific name `FOO_6` is eliminated as a candidate, because the schema `"NERO"` is not included in the SQL path. `FOO_1`, `FOO_3`, and `FOO_4` are eliminated as candidates, because they have the wrong number of parameters. The remaining candidates are considered in order, as determined by the SQL path. Note that the types of the arguments and parameters are ignored. The parameters of `FOO_5` exactly match the arguments in the `CALL`, but `FOO_2` is chosen because `"AUGUSTUS"` appears before `"CAESAR"` in the SQL path.

CASE

The `CASE` statement selects an execution path based on multiple conditions. This statement should not be confused with the `CASE` expression, which allows an expression to be selected based on the evaluation of one or more conditions.

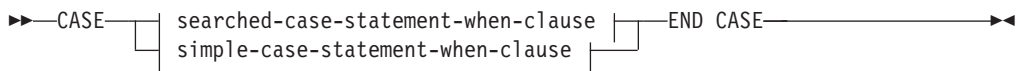
Invocation

This statement can only be embedded in an SQL procedure. It is not an executable statement and cannot be dynamically prepared.

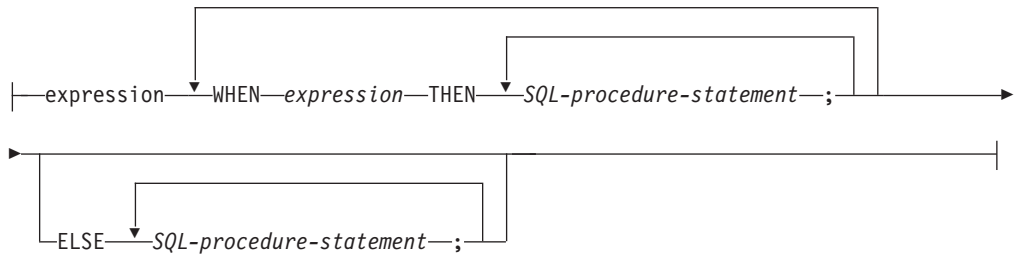
Authorization

No privileges are required to invoke the `CASE` statement. However, the privileges held by the authorization ID of the statement must include all necessary privileges to invoke the SQL statements and expressions that are embedded in the `CASE` statement.

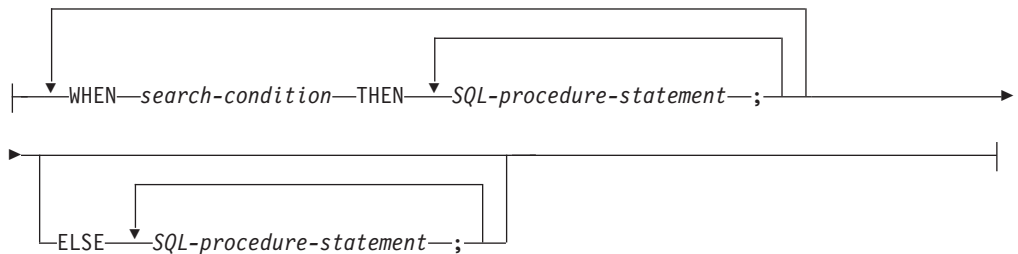
Syntax



simple-case-statement-when-clause:



searched-case-statement-when-clause:



Description

CASE

Begins a *case-statement*.

simple-case-statement-when-clause

The value of the *expression* prior to the first WHEN keyword is tested for equality with the value of each *expression* that follows the WHEN keyword. If the search condition is true, the THEN statement is executed. If the result is unknown or false, processing continues to the next search condition. If the result does not match any of the search conditions, and an ELSE clause is present, the statements in the ELSE clause are processed.

searched-case-statement-when-clause

The *search-condition* following the WHEN keyword is evaluated. If it evaluates to true, the statements in the associated THEN clause are processed. If it evaluates to false, or unknown, the next *search-condition* is evaluated. If no *search-condition* evaluates to true and an ELSE clause is present, the statements in the ELSE clause are processed.

SQL-procedure-statement

Specifies a statement that should be invoked. See *SQL-procedure-statement* in “Compound SQL (Procedure)”.

END CASE

Ends a *case-statement*.

Notes

- If none of the conditions specified in the WHEN are true, and an ELSE clause is not specified, an error is issued at runtime, and the execution of the case statement is terminated (SQLSTATE 20000).
- Ensure that your CASE statement covers all possible execution conditions.

Examples

Depending on the value of SQL variable `v_workdept`, update column DEPTNAME in table DEPARTMENT with the appropriate name.

The following example shows how to do this using the syntax for a *simple-case-statement-when-clause*:

```

CASE v_workdept
  WHEN 'A00'
    THEN UPDATE department
    SET deptname = 'DATA ACCESS 1';
  WHEN 'B01'
    THEN UPDATE department
    SET deptname = 'DATA ACCESS 2';
  ELSE UPDATE department
    SET deptname = 'DATA ACCESS 3';
END CASE

```

The following example shows how to do this using the syntax for a *searched-case-statement-when-clause*:

```

CASE
  WHEN v_workdept = 'A00'
    THEN UPDATE department
    SET deptname = 'DATA ACCESS 1';
  WHEN v_workdept = 'B01'
    THEN UPDATE department
    SET deptname = 'DATA ACCESS 2';
  ELSE UPDATE department
    SET deptname = 'DATA ACCESS 3';
END CASE

```

CLOSE

The CLOSE statement closes a cursor. If a result table was created when the cursor was opened, that table is destroyed.

Invocation

This statement can be embedded in an application program or issued interactively. It is an executable statement that cannot be dynamically prepared.

Authorization

None required. For the authorization required to use a cursor, see “DECLARE CURSOR”.

Syntax

```

▶—CLOSE—cursor-name—┐
                        └─WITH RELEASE─┘

```

Description

cursor-name

Identifies the cursor to be closed. The *cursor-name* must identify a declared cursor as explained in the DECLARE CURSOR statement. When the CLOSE statement is executed, the cursor must be in the open state.

WITH RELEASE

The release of all locks that have been held for the cursor is attempted. Note that not all of the locks are necessarily released; these locks may be held for other operations or activities.

Notes

- At the end of a unit of work, all cursors that belong to an application process and that were declared without the WITH HOLD option are implicitly closed.
- The WITH RELEASE clause has no effect when closing cursors defined in functions or methods. The clause also has no effect when closing cursors defined in procedures called from functions or methods.
- The WITH RELEASE clause has no effect for cursors that are operating under isolation levels CS or UR. When specified for cursors that are operating under isolation levels RS or RR, WITH RELEASE terminates some of the guarantees of those isolation levels. Specifically, if the cursor is opened again, an RS cursor may experience the 'nonrepeatable read' phenomenon and an RR cursor may experience either the 'nonrepeatable read' or 'phantom' phenomenon. If a cursor that was originally either RR or RS is reopened after being closed using the WITH RELEASE clause, new locks will be acquired.
- Special rules apply to cursors within a procedure that have not been closed before returning to the calling program.
- While a cursor is open (that is, it has not been closed yet), any changes to sequence values as a result of statements involving that cursor (for example, a FETCH or an UPDATE using the cursor that includes a NEXT VALUE expression for a sequence) will not result in an update to PREVIOUS VALUE for those sequences as seen by that cursor. The PREVIOUS VALUE values for these affected sequences are updated when the cursor is closed explicitly with the CLOSE statement. In a partitioned database environment, if a cursor is closed implicitly by a commit or a rollback, the PREVIOUS VALUE may not be updated with the most recently generated value for the sequence.

Example

A cursor is used to fetch one row at a time into the C program variables dnum, dname, and mnum. Finally, the cursor is closed. If the cursor is reopened, it is again located at the beginning of the rows to be fetched.

```

EXEC SQL DECLARE C1 CURSOR FOR
  SELECT DEPTNO, DEPTNAME, MGRNO
  FROM TDEPT
  WHERE ADMRDEPT = 'A00';

EXEC SQL OPEN C1;

```


COMMENT

ALIAS	<i>alias-name</i>
AUDIT POLICY	<i>policy-name</i>
COLUMN	<i>table-name.column-name</i> <i>view-name.column-name</i>
CONSTRAINT	<i>table-name.constraint-name</i>
FUNCTION	<i>function-name</i> (, <i>data-type</i>)
SPECIFIC FUNCTION	<i>specific-name</i>
FUNCTION MAPPING	<i>function-mapping-name</i>
HISTOGRAM TEMPLATE	<i>template-name</i> (1)
INDEX	<i>index-name</i>
NICKNAME	<i>nickname</i>
DATABASE PARTITION GROUP	<i>db-partition-group-name</i>
PACKAGE	<i>schema-name.</i> <i>package-id</i> VERSION <i>version-id</i>
PROCEDURE	<i>procedure-name</i> (, <i>data-type</i>)
ROLE	<i>role-name</i>
SPECIFIC PROCEDURE	<i>specific-name</i>
SCHEMA	<i>schema-name</i>
SECURITY LABEL	<i>sec-label-name</i>
SECURITY LABEL COMPONENT	<i>label-comp-name</i>
SECURITY POLICY	<i>label-pol-name</i>
SERVER	<i>server-name</i>
SERVER OPTION	<i>server-option-name</i> FOR remote-server
SERVICE CLASS	<i>service-class-name</i> UNDER <i>service-superclass-name</i>
TABLE	<i>table-name</i> <i>view-name</i>
TABLESPACE	<i>tablespace-name</i>
THRESHOLD	<i>threshold-name</i>
TRIGGER	<i>trigger-name</i>
TRUSTED CONTEXT	<i>context-name</i>
TYPE	<i>type-name</i>
TYPE MAPPING	<i>type-mapping-name</i>
VARIABLE	<i>variable-name</i>
WORK ACTION SET	<i>work-action-set-name</i>
WORK CLASS SET	<i>work-class-set-name</i>
WORKLOAD	<i>workload-name</i>
WRAPPER	<i>wrapper-name</i>
XSROBJECT	<i>xsrobject-name</i>

remote-server:

SERVER	<i>server-name</i>
SERVER TYPE	<i>server-type</i> VERSION <i>server-version</i> WRAPPER <i>wrapper-name</i>

server-version:

<i>version</i>	<i>release</i> <i>mod</i>
<i>version-string-constant</i>	

Notes:

- 1 *Index-name* can be the name of either an index or an index specification.

Description**ALIAS** *alias-name*

Indicates a comment will be added or replaced for an alias. The *alias-name* must identify an alias that exists at the current server (SQLSTATE 42704). The comment replaces the value of the REMARKS column of the SYSCAT.TABLES catalog view for the row that describes the alias.

AUDIT POLICY *policy-name*

Indicates a comment will be added or replaced for an audit policy. The *policy-name* must identify an audit policy that exists at the current server (SQLSTATE 42704). The comment replaces the value of the REMARKS column of the SYSCAT.AUDITPOLICIES catalog view for the row that describes the audit policy.

COLUMN *table-name.column-name* or *view-name.column-name*

Indicates that a comment for a column will be added or replaced. The *table-name.column-name* or *view-name.column-name* combination must identify a column and table combination that exists at the current server (SQLSTATE 42704), but must not identify a global temporary table (SQLSTATE 42995). The comment replaces the value of the REMARKS column of the SYSCAT.COLUMNS catalog view for the row that describes the column.

CONSTRAINT *table-name.constraint-name*

Indicates a comment will be added or replaced for a constraint. The *table-name.constraint-name* combination must identify a constraint and the table that it constrains; they must exist at the current server (SQLSTATE 42704). The comment replaces the value of the REMARKS column of the SYSCAT.TABCONST catalog view for the row that describes the constraint.

FUNCTION

Indicates a comment will be added or replaced for a function. The function instance specified must be a user-defined function or function template that exists at the current server.

There are several different ways available to identify the function instance:

FUNCTION *function-name*

Identifies the particular function, and is valid only if there is exactly one function with the *function-name*. The function thus identified may have any number of parameters defined for it. In dynamic SQL statements, the CURRENT SCHEMA special register is used as a qualifier for an unqualified object name. In static SQL statements the QUALIFIER precompile/bind option implicitly specifies the qualifier for unqualified object names. If no function by this name exists in the named or implied schema, an error (SQLSTATE 42704) is raised. If there is more than one specific instance of the function in the named or implied schema, an error (SQLSTATE 42725) is raised.

FUNCTION *function-name (data-type,...)*

Provides the function signature, which uniquely identifies the function to be commented upon. The function selection algorithm is *not* used.

function-name

Gives the function name of the function to be commented upon. In dynamic SQL statements, the CURRENT SCHEMA special register is used as a qualifier for an unqualified object name. In static SQL

COMMENT

statements the QUALIFIER precompile/bind option implicitly specifies the qualifier for unqualified object names.

(data-type,...)

Must match the data types that were specified on the CREATE FUNCTION statement in the corresponding position. The number of data types, and the logical concatenation of the data types is used to identify the specific function for which to add or replace the comment.

If the *data-type* is unqualified, the type name is resolved by searching the schemas on the SQL path. This also applies to data type names specified for a REFERENCE type.

It is not necessary to specify the length, precision or scale for the parameterized data types. Instead an empty set of parentheses may be coded to indicate that these attributes are to be ignored when looking for a data type match.

FLOAT() cannot be used (SQLSTATE 42601) since the parameter value indicates different data types (REAL or DOUBLE).

However, if length, precision, or scale is coded, the value must exactly match that specified in the CREATE FUNCTION statement.

A type of FLOAT(n) does not need to match the defined value for n since $0 < n < 25$ means REAL and $24 < n < 54$ means DOUBLE. Matching occurs based on whether the type is REAL or DOUBLE.

(Note that the FOR BIT DATA attribute is not considered part of the signature for matching purposes. So, for example, a CHAR FOR BIT DATA specified in the signature would match a function defined with CHAR only, and vice versa.)

If no function with the specified signature exists in the named or implied schema, an error (SQLSTATE 42883) is raised.

SPECIFIC FUNCTION *specific-name*

Indicates that comments will be added or replaced for a function (see FUNCTION for other methods of identifying a function). Identifies the particular user-defined function that is to be commented upon, using the specific name either specified or defaulted to at function creation time. In dynamic SQL statements, the CURRENT SCHEMA special register is used as a qualifier for an unqualified object name. In static SQL statements the QUALIFIER precompile/bind option implicitly specifies the qualifier for unqualified object names. The *specific-name* must identify a specific function instance in the named or implied schema; otherwise, an error (SQLSTATE 42704) is raised.

It is not possible to comment on a function that is in the SYSIBM, SYSFUN, or SYSPROC schema (SQLSTATE 42832).

The comment replaces the value of the REMARKS column of the SYSCAT.ROUTINES catalog view for the row that describes the function.

FUNCTION MAPPING *function-mapping-name*

Indicates a comment will be added or replaced for a function mapping. The *function-mapping-name* must identify a function mapping that exists at the current server (SQLSTATE 42704). The comment replaces the value for the REMARKS column of the SYSCAT.FUNCMAPPINGS catalog view for the row that describes the function mapping.

HISTOGRAM TEMPLATE *template-name*

Indicates a comment will be added or replaced for a histogram template. The *template-name* must identify a histogram template that exists at the current server (SQLSTATE 42704). The comment replaces the value for the REMARKS column of the SYSCAT.HISTOGRAMTEMPLATES catalog view for the row that describes the histogram template.

INDEX *index-name*

Indicates a comment will be added or replaced for an index or index specification. The *index-name* must identify either a distinct index or an index specification that exists at the current server (SQLSTATE 42704). The comment replaces the value for the REMARKS column of the SYSCAT.INDEXES catalog view for the row that describes the index or index specification.

NICKNAME *nickname*

Indicates a comment will be added or replaced for a nickname. The *nickname* must be a nickname that exists at the current server (SQLSTATE 42704). The comment replaces the value for the REMARKS column of the SYSCAT.TABLES catalog view for the row that describes the nickname.

DATABASE PARTITION GROUP *db-partition-group-name*

Indicates a comment will be added or replaced for a database partition group. The *db-partition-group-name* must identify a distinct database partition group that exists at the current server (SQLSTATE 42704). The comment replaces the value for the REMARKS column of the SYSCAT.DBPARTITIONGROUPS catalog view for the row that describes the database partition group.

PACKAGE *schema-name.package-id*

Indicates that a comment will be added or replaced for a package. If a schema name is not specified, the package ID is implicitly qualified by the default schema. The schema name and package ID, together with the implicitly or explicitly specified version ID, must identify a package that exists at the current server (SQLSTATE 42704). The comment replaces the value for the REMARKS column of the SYSCAT.PACKAGES catalog view for the row that describes the package.

VERSION *version-id*

Identifies which package version is to be commented on. If a value is not specified, the version defaults to the empty string. If multiple packages with the same package name but different versions exist, only one package version can be commented on in one invocation of the COMMENT statement. Delimit the version identifier with double quotation marks when it:

- Is generated by the VERSION(AUTO) precompiler option
- Begins with a digit
- Contains lowercase or mixed-case letters

If the statement is invoked from an operating system command prompt, precede each double quotation mark delimiter with a back slash character to ensure that the operating system does not strip the delimiters.

PROCEDURE

Indicates a comment will be added or replaced for a procedure. The procedure instance specified must be a procedure that exists at the current server.

There are several different ways available to identify the procedure instance:

PROCEDURE *procedure-name*

Identifies the particular procedure, and is valid only if there is exactly one procedure with the *procedure-name* in the schema. The procedure thus

COMMENT

identified may have any number of parameters defined for it. In dynamic SQL statements, the CURRENT SCHEMA special register is used as a qualifier for an unqualified object name. In static SQL statements the QUALIFIER precompile/bind option implicitly specifies the qualifier for unqualified object names. If no procedure by this name exists in the named or implied schema, an error (SQLSTATE 42704) is raised. If there is more than one specific instance of the procedure in the named or implied schema, an error (SQLSTATE 42725) is raised.

PROCEDURE *procedure-name* (*data-type*,...)

This is used to provide the procedure signature, which uniquely identifies the procedure to be commented upon.

procedure-name

Gives the procedure name of the procedure to be commented upon. In dynamic SQL statements, the CURRENT SCHEMA special register is used as a qualifier for an unqualified object name. In static SQL statements the QUALIFIER precompile/bind option implicitly specifies the qualifier for unqualified object names.

(*data-type*,...)

Must match the data types that were specified on the CREATE PROCEDURE statement in the corresponding position. For federated procedures, the data type must match the local catalog information. The number of data types, and the logical concatenation of the data types is used to identify the specific procedure for which to add or replace the comment.

If the *data-type* is unqualified, the type name is resolved by searching the schemas on the SQL path. This also applies to data type names specified for a REFERENCE type.

It is not necessary to specify the length, precision or scale for the parameterized data types. Instead an empty set of parentheses may be coded to indicate that these attributes are to be ignored when looking for a data type match.

FLOAT() cannot be used (SQLSTATE 42601) since the parameter value indicates different data types (REAL or DOUBLE).

However, if length, precision, or scale is coded, the value must exactly match that specified in the CREATE PROCEDURE statement or the local catalog information, in the case of a federated procedure.

A type of FLOAT(n) does not need to match the defined value for n since $0 < n < 25$ means REAL and $24 < n < 54$ means DOUBLE. Matching occurs based on whether the type is REAL or DOUBLE.

If no procedure with the specified signature exists in the named or implied schema, an error (SQLSTATE 42883) is raised.

SPECIFIC PROCEDURE *specific-name*

Indicates that comments will be added or replaced for a procedure (see PROCEDURE for other methods of identifying a procedure). Identifies the particular procedure that is to be commented upon, using the specific name either specified or defaulted to at procedure creation time. In dynamic SQL statements, the CURRENT SCHEMA special register is used as a qualifier for an unqualified object name. In static SQL statements the QUALIFIER precompile/bind option implicitly specifies the qualifier for

unqualified object names. The *specific-name* must identify a specific procedure instance in the named or implied schema; otherwise, an error (SQLSTATE 42704) is raised.

It is not possible to comment on a procedure that is in the SYSIBM, SYSFUN, or SYSPROC schema (SQLSTATE 42832).

The comment replaces the value of the REMARKS column of the SYSCAT.ROUTINES catalog view for the row that describes the procedure.

ROLE *role-name*

Indicates a comment will be added or replaced for a role. The *role-name* must identify a role that exists at the current server (SQLSTATE 42704). The comment replaces the value of the REMARKS column of the SYSCAT.ROLES catalog view for the row that describes the role.

SCHEMA *schema-name*

Indicates a comment will be added or replaced for a schema. The *schema-name* must identify a schema that exists at the current server (SQLSTATE 42704). The comment replaces the value of the REMARKS column of the SYSCAT.SCHEMATA catalog view for the row that describes the schema.

SECURITY LABEL *sec-label-name*

Indicates that a comment will be added or replaced for the security label named *sec-label-name*. The name must be qualified with a security policy and must identify a security label that exists at the current server (SQLSTATE 42704). The comment replaces the value for the REMARKS column of the SYSCAT.SECURITYLABELS catalog view for the row that describes the security label.

SECURITY LABEL COMPONENT *label-comp-name*

Indicates that a comment will be added or replaced for the security label component named *label-comp-name*. The *label-comp-name* must identify a security label component that exists at the current server (SQLSTATE 42704). The comment replaces the value for the REMARKS column of the SYSCAT.SECURITYLABELCOMPONENTS catalog view for the row that describes the security label component.

SECURITY POLICY *label-pol-name*

Indicates that a comment will be added or replaced for the security policy named *label-pol-name*. The *label-pol-name* must identify a security policy that exists at the current server (SQLSTATE 42704). The comment replaces the value for the REMARKS column of the SYSCAT.SECURITYPOLICIES catalog view for the row that describes the security policy.

SERVER *server-name*

Indicates a comment will be added or replaced for a data source. The *server-name* must identify a data source that exists at the current server (SQLSTATE 42704). The comment replaces the value for the REMARKS column of the SYSCAT.SERVERS catalog view for the row that describes the data source.

SERVER OPTION *server-option-name* **FOR** *remote-server*

Indicates a comment will be added or replaced for a server option.

server-option-name

Identifies a server option. This option must be one that exists at the current server (SQLSTATE 42704). The comment replaces the value for the REMARKS column of the SYSCAT.SERVEROPTIONS catalog view for the row that describes the server option.

COMMENT

remote-server

Describes the data source to which the *server-option* applies.

SERVER *server-name*

Names the data source to which the *server-option* applies. The *server-name* must identify a data source that exists at the current server.

TYPE *server-type*

Specifies the type of data source—for example, DB2 for z/OS or Oracle—to which the *server-option* applies. The *server-type* can be specified in either lower- or uppercase; it will be stored in uppercase in the catalog.

VERSION

Specifies the version of the data source identified by *server-name*.

version

Specifies the version number. *version* must be an integer.

release

Specifies the number of the release of the version denoted by *version*. *release* must be an integer.

mod

Specifies the number of the modification of the release denoted by *release*. *mod* must be an integer.

version-string-constant

Specifies the complete designation of the version. The *version-string-constant* can be a single value (for example, '8i'); or it can be the concatenated values of *version*, *release*, and, if applicable, *mod* (for example, '8.0.3').

WRAPPER *wrapper-name*

Identifies the wrapper that is used to access the data source referenced by *server-name*.

SERVICE CLASS *service-class-name*

Indicates a comment will be added or replaced for a service class. The *service-class-name* must identify a service class that exists at the current server (SQLSTATE 42704). To add or replace a comment for a service subclass, the *service-superclass-name* must be specified using the UNDER clause. The comment replaces the value for the REMARKS column of the SYSCAT.SERVICECLASSES catalog view for the row that describes the service class.

UNDER *service-superclass-name*

Specifies the service superclass of the service subclass when adding or replacing a comment for a service subclass. The *service-superclass-name* must identify a service superclass that exists at the current server (SQLSTATE 42704).

TABLE *table-name* **or** *view-name*

Indicates a comment will be added or replaced for a table or view. The *table-name* or *view-name* must identify a table or view (not an alias or nickname) that exists at the current server (SQLSTATE 42704) and must not identify a declared temporary table (SQLSTATE 42995). The comment replaces the value for the REMARKS column of the SYSCAT.TABLES catalog view for the row that describes the table or view.

TABLESPACE *tablespace-name*

Indicates a comment will be added or replaced for a table space. The

tablespace-name must identify a distinct table space that exists at the current server (SQLSTATE 42704). The comment replaces the value for the REMARKS column of the SYSCAT.TABLESPACES catalog view for the row that describes the table space.

THRESHOLD *threshold-name*

Indicates a comment will be added or replaced for a threshold. The *threshold-name* must identify a threshold that exists at the current server (SQLSTATE 42704). The comment replaces the value for the REMARKS column of the SYSCAT.THRESHOLDS catalog view for the row that describes the threshold.

TRIGGER *trigger-name*

Indicates a comment will be added or replaced for a trigger. The *trigger-name* must identify a distinct trigger that exists at the current server (SQLSTATE 42704). The comment replaces the value for the REMARKS column of the SYSCAT.TRIGGERS catalog view for the row that describes the trigger.

TRUSTED CONTEXT *context-name*

Indicates a comment will be added or replaced for a trusted context. The *context-name* must identify a trusted context that exists at the current server (SQLSTATE 42704). The comment replaces the value for the REMARKS column of the SYSCAT.CONTEXTS catalog view for the row that describes the trusted context.

TYPE *type-name*

Indicates a comment will be added or replaced for a user-defined type. The *type-name* must identify a user-defined type that exists at the current server (SQLSTATE 42704). The comment replaces the value of the REMARKS column of the SYSCAT.DATATYPES catalog view for the row that describes the user-defined type.

In dynamic SQL statements, the CURRENT SCHEMA special register is used as a qualifier for an unqualified object name. In static SQL statements the QUALIFIER precompile/bind option implicitly specifies the qualifier for unqualified object names.

TYPE MAPPING *type-mapping-name*

Indicates a comment will be added or replaced for a user-defined data type mapping. The *type-mapping-name* must identify a data type mapping that exists at the current server (SQLSTATE 42704). The comment replaces the value for the REMARKS column of the SYSCAT.TYPEMAPPINGS catalog view for the row that describes the mapping.

VARIABLE *variable-name*

Indicates a comment will be added or replaced for a global variable. The *variable-name* must identify a global variable that exists at the current server (SQLSTATE 42704). The comment replaces the value for the REMARKS column of the SYSCAT.VARIABLES catalog view for the row that describes the variable.

WORK ACTION SET *work-action-set-name*

Indicates a comment will be added or replaced for a work action set. The *work-action-set-name* must identify a work action set that exists at the current server (SQLSTATE 42704). The comment replaces the value for the REMARKS column of the SYSCAT.WORKACTIONSETS catalog view for the row that describes the work action set.

WORK CLASS SET *work-class-set-name*

Indicates a comment will be added or replaced for a work class set. The

COMMENT

work-class-set-name must identify a work class set that exists at the current server (SQLSTATE 42704). The comment replaces the value for the REMARKS column of the SYSCAT.WORKCLASSETS catalog view for the row that describes the work class set.

WORKLOAD *workload-name*

Indicates that a comment will be added or replaced for a workload. The *workload-name* must identify a workload that exists at the current server (SQLSTATE 42704). The comment replaces the value for the REMARKS column of the SYSCAT.WORKLOADS catalog view for the row that describes the workload.

WRAPPER *wrapper-name*

Indicates a comment will be added or replaced for a wrapper. The *wrapper-name* must identify a wrapper that exists at the current server (SQLSTATE 42704). The comment replaces the value for the REMARKS column of the SYSCAT.WRAPPERS catalog view for the row that describes the wrapper.

XSROBJECT *xsobject-name*

Indicates a comment will be added or replaced for an XSR object. The *xsobject-name* must identify an XSR object that exists at the current server (SQLSTATE 42704). The comment replaces the value for the REMARKS column of the SYSCAT.XSROBJECTS catalog view for the row that describes the XSR object.

IS *string-constant*

Specifies the comment to be added or replaced. The *string-constant* can be any character string constant of up to 254 bytes. (Carriage return and line feed each count as 1 byte.)

table-name | view-name ({ *column-name* **IS** *string-constant* } ...)

This form of the COMMENT statement provides the ability to specify comments for multiple columns of a table or view. The column names must not be qualified, each name must identify a column of the specified table or view, and the table or view must exist at the current server. The *table-name* cannot be a declared temporary table (SQLSTATE 42995).

A comment cannot be made on a column of an inoperative view (SQLSTATE 51024).

Notes

- **Compatibilities**
 - For compatibility with previous versions of DB2:
 - NODEGROUP can be specified in place of DATABASE PARTITION GROUP
 - DISTINCT TYPE *type-name* can be specified in place of TYPE *type-name*
 - DATA TYPE *type-name* can be specified in place of TYPE *type-name*

Examples

Example 1: Add a comment for the EMPLOYEE table.

```
COMMENT ON TABLE EMPLOYEE
  IS 'Reflects first quarter reorganization'
```

Example 2: Add a comment for the EMP_VIEW1 view.

```
COMMENT ON TABLE EMP_VIEW1
  IS 'View of the EMPLOYEE table without salary information'
```

Example 3: Add a comment for the EDLEVEL column of the EMPLOYEE table.

```
COMMENT ON COLUMN EMPLOYEE.EDLEVEL
IS 'highest grade level passed in school'
```

Example 4: Add comments for two different columns of the EMPLOYEE table.

```
COMMENT ON EMPLOYEE
(WORKDEPT IS 'see DEPARTMENT table for names',
EDLEVEL IS 'highest grade level passed in school' )
```

Example 5: Pellow wants to comment on the CENTRE function, which he created in his PELLOW schema, using the signature to identify the specific function to be commented on.

```
COMMENT ON FUNCTION CENTRE (INT,FLOAT)
IS 'Frank''s CENTRE fctn, uses Chebychev method'
```

Example 6: McBride wants to comment on another CENTRE function, which she created in the PELLOW schema, using the specific name to identify the function instance to be commented on:

```
COMMENT ON SPECIFIC FUNCTION PELLOW.FOCUS92 IS
'Louise''s most triumphant CENTRE function, uses the
Brownian fuzzy-focus technique'
```

Example 7: Comment on the function ATOMIC_WEIGHT in the CHEM schema, where it is known that there is only one function with that name:

```
COMMENT ON FUNCTION CHEM.ATOMIC_WEIGHT
IS 'takes atomic nbr, gives atomic weight'
```

Example 8: Eigler wants to comment on the SEARCH procedure, which he created in his EIGLER schema, using the signature to identify the specific procedure to be commented on.

```
COMMENT ON PROCEDURE SEARCH (CHAR,INT)
IS 'Frank''s mass search and replace algorithm'
```

Example 9: Macdonald wants to comment on another SEARCH function, which he created in the EIGLER schema, using the specific name to identify the procedure instance to be commented on:

```
COMMENT ON SPECIFIC PROCEDURE EIGLER.DESTROY IS
'Patrick''s mass search and destroy algorithm'
```

Example 10: Comment on the procedure OSMOSIS in the BIOLOGY schema, where it is known that there is only one procedure with that name:

```
COMMENT ON PROCEDURE BIOLOGY.OSMOSIS
IS 'Calculations modelling osmosis'
```

Example 11: Comment on an index specification named INDEXSPEC.

```
COMMENT ON INDEX INDEXSPEC
IS 'An index specification that indicates to the optimizer
that the table referenced by nickname NICK1 has an index.'
```

Example 12: Comment on the wrapper whose default name is NET8.

```
COMMENT ON WRAPPER NET8
IS 'The wrapper for data sources associated with
Oracle's Net8 client software.'
```

Example 13: Create a comment on the XML schema HR.EMPLOYEE.

```
COMMENT ON XSROBJECT HR.EMPLOYEE
IS 'This is the base XML Schema for employee data.'
```

COMMENT

Example 14: Create a comment for trusted context APPSERVER.

```
COMMENT ON TRUSTED CONTEXT APPSERVER
IS 'WebSphere Server'
```

COMMIT

The COMMIT statement terminates a unit of work and commits the database changes that were made by that unit of work.

Invocation

This statement can be embedded in an application program or issued through the use of dynamic SQL statements. It is an executable statement that can be dynamically prepared.

Authorization

None required.

Syntax



Description

The unit of work in which the COMMIT statement is executed is terminated and a new unit of work is initiated. All changes made by the following statements executed during the unit of work are committed: ALTER, COMMENT, CREATE, DROP, GRANT, LOCK TABLE, REVOKE, SET INTEGRITY, SET Variable, and the data change statements (INSERT, DELETE, MERGE, UPDATE), including those nested in a query.

The following statements, however, are not under transaction control and changes made by them are independent of the COMMIT statement:

- SET CONNECTION
- SET CURRENT DEFAULT TRANSFORM GROUP
- SET CURRENT DEGREE
- SET CURRENT EXPLAIN MODE
- SET CURRENT EXPLAIN SNAPSHOT
- SET CURRENT LOCK TIMEOUT
- SET CURRENT PACKAGESET
- SET CURRENT QUERY OPTIMIZATION
- SET CURRENT REFRESH AGE
- SET EVENT MONITOR STATE
- SET PASSTHRU

Note: Although the SET PASSTHRU statement is not under transaction control, the passthru session initiated by the statement is under transaction control.

- SET PATH
- SET SCHEMA

- SET SERVER OPTION

All locks acquired by the unit of work subsequent to its initiation are released, except necessary locks for open cursors that are declared WITH HOLD. All open cursors not defined WITH HOLD are closed. Open cursors defined WITH HOLD remain open, and the cursor is positioned before the next logical row of the result table. (A FETCH must be performed before a positioned UPDATE or DELETE statement is issued.) All LOB locators are freed. Note that this is true even when the locators are associated with LOB values retrieved via a cursor that has the WITH HOLD property.

All savepoints set within the transaction are released.

The following statements behave differently than other data definition language (DDL) and data control language (DCL) statements. Changes made by these statements do not take effect until the statement is committed, even for the current connection that issues the statement. Only one of these statements can be issued by any application at a time, and only one of these statements is allowed within any one unit of work. Each statement must be followed by a COMMIT or a ROLLBACK statement before another one of these statements can be issued.

- CREATE SERVICE CLASS, ALTER SERVICE CLASS, or DROP (SERVICE CLASS)
- CREATE THRESHOLD, ALTER THRESHOLD, or DROP (THRESHOLD)
- CREATE WORK ACTION, ALTER WORK ACTION, or DROP (WORK ACTION)
- CREATE WORK CLASS, ALTER WORK CLASS, or DROP (WORK CLASS)
- CREATE WORKLOAD, ALTER WORKLOAD, or DROP (WORKLOAD)
- GRANT (Workload Privileges) or REVOKE (Workload Privileges)

Notes

- It is strongly recommended that each application process explicitly ends its unit of work before terminating. If the application program ends normally without a COMMIT or ROLLBACK statement then the database manager attempts a commit or rollback depending on the application environment.
- For information on the impact of COMMIT on cached dynamic SQL statements, see "EXECUTE".
- For information on potential impacts of COMMIT on declared temporary tables, see "DECLARE GLOBAL TEMPORARY TABLE".

Example

Commit alterations to the database made since the last commit point.

```
COMMIT WORK
```

Compound SQL (Dynamic)

A compound statement groups other statements together into an executable block. SQL variables can be declared within a dynamically prepared atomic compound statement.

Compound SQL (Dynamic)

Invocation

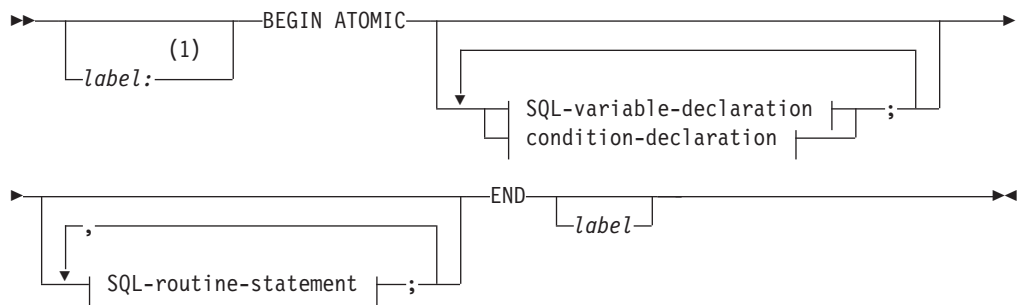
This statement can be embedded in a trigger, SQL function, or SQL method, or issued through the use of dynamic SQL statements. It is an executable statement that can be dynamically prepared.

Authorization

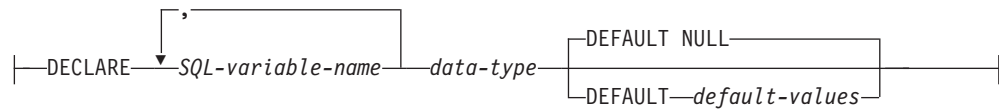
No privileges are required to invoke a dynamic compound statement. However, the privileges held by the authorization ID of the statement must include all necessary privileges to invoke the SQL statements that are embedded in the compound statement.

Syntax

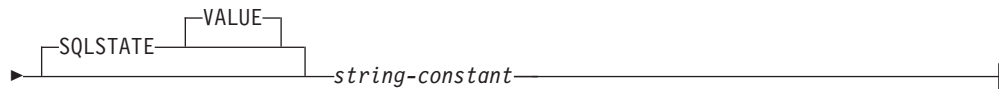
dynamic-compound-statement



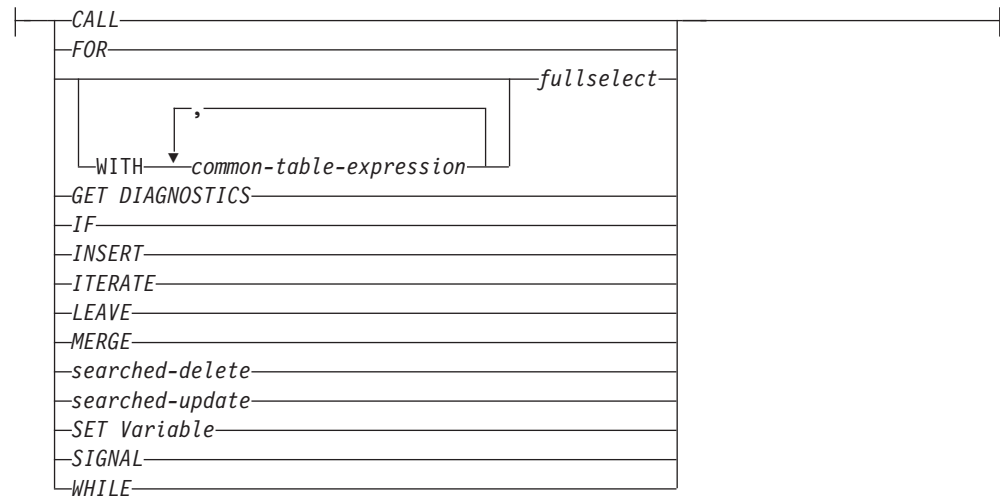
SQL-variable-declaration:



condition-declaration:



SQL-routine-statement:

**Notes:**

- 1 A label can only be specified when the statement is in a function, method, or trigger definition.

Description*label*

Defines the label for the code block. If the beginning label is specified, it can be used to qualify SQL variables declared in the dynamic compound statement and can also be specified on a LEAVE statement. If the ending label is specified, it must be the same as the beginning label.

ATOMIC

ATOMIC indicates that, if an error occurs in the compound statement, all SQL statements in the compound statement will be rolled back, and any remaining SQL statements in the compound statement are not processed.

SQL-routine-statement

Specifies the SQL statements that are to be used within the dynamic compound statement. The RETURN statement can also be used within a dynamic compound statement that is within an SQL function or SQL method. A searched update, searched delete, insert, or merge operation on nicknames inside compound SQL is not supported.

SQL-variable-declaration

Declares a variable that is local to the dynamic compound statement.

SQL-variable-name

Defines the name of a local variable. DB2 converts all SQL variable names to uppercase. The name cannot be the same as:

- Another SQL variable within the compound statement
- A parameter name

If an SQL statement contains an identifier with the same name as an SQL variable and a column reference, DB2 interprets the identifier as a column.

data-type

Specifies the data type of the variable. XML types are not supported (SQLSTATE 429BB), and array types are not supported (SQLSTATE 42815).

DEFAULT *default-values* or NULL

Defines the default for the SQL variable. The variable is initialized when

Compound SQL (Dynamic)

the dynamic compound statement is called. If a default value is not specified, the variable is initialized to NULL.

condition-declaration

Declares a condition name and corresponding SQLSTATE value.

condition-name

Specifies the name of the condition. The condition name must be unique within the compound statement in which it is declared, excluding any declarations in compound statements that are nested within that compound statement (SQLSTATE 42734). A condition name can only be referenced within the compound statement in which it is declared, including any compound statements that are nested within that compound statement (SQLSTATE 42737).

FOR SQLSTATE *string-constant*

Specifies the SQLSTATE associated with the condition. The *string-constant* must be specified as five characters enclosed by single quotation marks, and cannot be '00000'.

Notes

- Dynamic compound statements are compiled by DB2 as one single statement. This statement is effective for short scripts involving little control flow logic but significant dataflow. For larger constructs with requirements for nested complex control flow or condition handling, a better choice is to use SQL procedures. For more details on using SQL procedures, see "CREATE PROCEDURE".
- A procedure called within a compound statement must not issue a COMMIT or a ROLLBACK statement (SQLSTATE 42985).
- **Table access restrictions:**
If a procedure is defined as READS SQL DATA or MODIFIES SQL DATA, no statement in the procedure can access a table that is being modified by the compound statement that invoked the procedure (SQLSTATE 57053). If the procedure is defined as MODIFIES SQL DATA, no statement in the procedure can modify a table that is being read or modified by the compound statement that invoked the procedure (SQLSTATE 57053).

Examples

Example 1:

This example illustrates how inline SQL PL can be used in a data warehousing scenario for data cleansing.

The example introduces three tables. The "target" table contains the cleansed data. The "except" table stores rows that cannot be cleansed (exceptions) and the "source" table contains the raw data to be cleansed.

A simple SQL function called "discretize" is used to classify and modify the data. It returns NULL for all bad data. The Dynamic Compound statement then cleanses the data. It walks all rows of the source table in a FOR-loop and decides whether the current row gets inserted into the "target" or the "except" table, depending on the result of the "discretize" function. More elaborate mechanisms (multistage cleansing) are possible with this technique.

The same code can be written using an SQL Procedure or any other procedure or application in a host language. However, the dynamic compound statement offers

a unique advantage in that the FOR-loop does not open a cursor and the single row inserts are not really single row inserts. In fact, the logic is effectively a multi-table insert from a shared select.

This is achieved by compilation of the dynamic compound as a single statement. Similar to a view whose body is integrated into the query that uses it and then is compiled and optimized as a whole within the query context, the DB2 optimizer compiles and optimizes both the control and data flow together. The whole logic is therefore executed within DB2's runtime. No data is moved outside of the core DB2 engine, as would be done for a procedure.

The first step is to create the required tables:

```
CREATE TABLE target
(pk INTEGER NOT NULL
PRIMARY KEY, c1 INTEGER)
```

This creates a table called TARGET to contain the cleansed data.

```
CREATE TABLE except
(pk INTEGER NOT NULL
PRIMARY KEY, c1 INTEGER)
```

This creates a table called EXCEPT to contain the exceptions.

```
CREATE TABLE source
(pk INTEGER NOT NULL
PRIMARY KEY, c1 INTEGER)
```

This creates a table called SOURCE to hold the data that is to be cleansed.

Next, we create a "discretize" function to cleanse the data by throwing out all values outside [0..1000] and aligning them to steps of 10.

```
CREATE FUNCTION discretize(raw INTEGER) RETURNS INTEGER
RETURN CASE
WHEN raw < 0 THEN CAST(NULL AS INTEGER)
WHEN raw > 1000 THEN NULL
ELSE ((raw / 10) * 10) + 5
END
```

Then we insert the values:

```
INSERT INTO source (pk, c1)
VALUES (1, -5),
(2, NULL),
(3, 1200),
(4, 23),
(5, 10),
(6, 876)
```

Invoke the function:

```
BEGIN ATOMIC
FOR row AS
SELECT pk, c1, discretize(c1) AS d FROM source
DO
IF row.d is NULL THEN
INSERT INTO except VALUES(row.pk, row.c1);
ELSE
INSERT INTO target VALUES(row.pk, row.d);
END IF;
END FOR;
END
```

Compound SQL (Dynamic)

And test the results:

```
SELECT * FROM except ORDER BY 1
PK      C1
-----
       1      -5
       2       -
       3     1200
3 record(s) selected.
```

```
SELECT * FROM target ORDER BY 1
PK      C1
-----
       4      25
       5      15
       6     875
3 record(s) selected.
```

The final step is to clean up:

```
DROP FUNCTION discretize
DROP TABLE source
DROP TABLE target
DROP TABLE except
```

Compound SQL (Embedded)

Combines one or more other SQL statements (*sub-statements*) into an executable block.

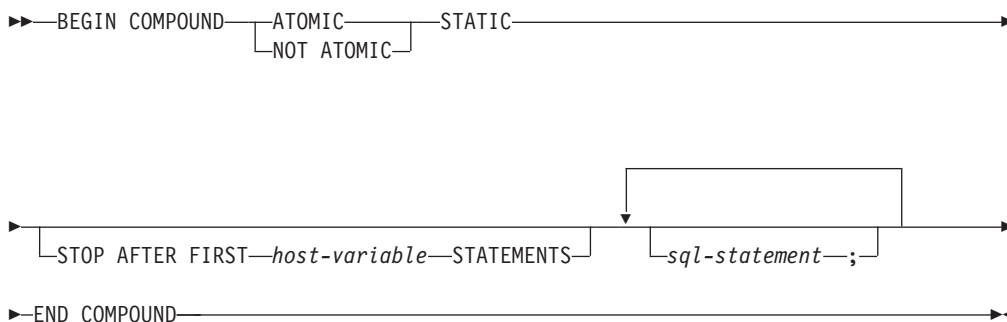
Invocation

This statement can only be embedded in an application program. The entire Compound SQL statement construct is an executable statement that cannot be dynamically prepared. The statement is not supported in REXX.

Authorization

No privileges are required to invoke an embedded compound statement. However, the privileges held by the authorization ID of the statement must include all necessary privileges to invoke the SQL statements that are embedded in the compound statement.

Syntax



Description

ATOMIC

Specifies that, if any of the sub-statements within the Compound SQL statement fail, then all changes made to the database by any of the sub-statements, including changes made by successful sub-statements, are undone.

NOT ATOMIC

Specifies that, regardless of the failure of any sub-statements, the Compound SQL statement will not undo any changes made to the database by the other sub-statements.

STATIC

Specifies that input variables for all sub-statements retain their original value. For example, if

```
SELECT ... INTO :abc ...
```

is followed by:

```
UPDATE T1 SET C1 = 5 WHERE C2 = :abc
```

the UPDATE statement will use the value that :abc had at the start of the execution of the Compound SQL statement, not the value that follows the SELECT INTO.

If the same variable is set by more than one sub-statement, the value of that variable following the Compound SQL statement is the value set by the last sub-statement.

Note: Non-static behavior is not supported. This means that the sub-statements should be viewed as executing non-sequentially and sub-statements should not have interdependencies.

STOP AFTER FIRST

Specifies that only a certain number of sub-statements will be executed.

host-variable

A small integer that specifies the number of sub-statements to be executed.

STATEMENTS

Completes the STOP AFTER FIRST *host-variable* clause.

sql-statement

All executable statements except the following can be contained within an embedded static compound SQL statement:

CALL	FETCH
CLOSE	OPEN
CONNECT	PREPARE
Compound SQL	RELEASE (Connection)
DESCRIBE	ROLLBACK
DISCONNECT	SET CONNECTION
EXECUTE IMMEDIATE	SET variable

Note: INSERT, UPDATE, and DELETE are not supported in compound SQL for use with nicknames.

If a COMMIT statement is included, it must be the last sub-statement. If COMMIT is in this position, it will be issued even if the STOP AFTER FIRST *host-variable* STATEMENTS clause indicates that not all of the sub-statements are to be executed. For example, suppose COMMIT is the last sub-statement in a

Compound SQL (Embedded)

compound SQL block of 100 sub-statements. If the STOP AFTER FIRST STATEMENTS clause indicates that only 50 sub-statements are to be executed, then COMMIT will be the 51st sub-statement.

An error will be returned if COMMIT is included when using CONNECT TYPE 2 or running in an XA distributed transaction processing environment (SQLSTATE 25000).

Rules

- DB2® Connect™ does not support SELECT statements selecting LOB columns in a compound SQL block.
- No host language code is allowed within a Compound SQL statement; that is, no host language code is allowed between the sub-statements that make up the Compound SQL statement.
- Only NOT ATOMIC Compound SQL statements will be accepted by DB2 Connect.
- Compound SQL statements cannot be nested.
- A prepared COMMIT statement is not allowed in an ATOMIC Compound SQL statement

Notes

One SQLCA is returned for the entire Compound SQL statement. Most of the information in that SQLCA reflects the values set by the application server when it processed the last sub-statement. For instance:

- The SQLCODE and SQLSTATE are normally those for the last sub-statement (the exception is described in the next point).
- If a 'no data found' warning (SQLSTATE '02000') is returned, that warning is given precedence over any other warning so that a WHENEVER NOT FOUND exception can be acted upon. (This means that the SQLCODE, SQLERRML, SQLERRMC, and SQLERRP fields in the SQLCA that is eventually returned to the application are those from the sub-statement that triggered the 'no data found' warning. If there is more than one 'no data found' warning within the Compound SQL statement, the fields for the last sub-statement will be the fields that are returned.)
- The SQLWARN indicators are an accumulation of the indicators set for all sub-statements.

If one or more errors occurred during NOT ATOMIC Compound SQL execution and none of these are of a serious nature, the SQLERRMC will contain information on up to a maximum of seven of these errors. The first token of the SQLERRMC will indicate the total number of errors that occurred. The remaining tokens will each contain the ordinal position and the SQLSTATE of the failing sub-statement within the Compound SQL statement. The format is a character string of the form:

nnnXssscccc

with the substring starting with X repeating up to six more times and the string elements defined as follows.

- nnn** The total number of statements that produced errors. (If the number would exceed 999, counting restarts at zero.) This field is left-justified and padded with blanks.
- X** The token separator X'FF'.
- sss** The ordinal position of the statement that caused the error. (If the number

would exceed 999, counting restarts at zero.) For example, if the first statement failed, this field would contain the number one left-justified ('1').

cccc The SQLSTATE of the error.

The second SQLERRD field contains the number of statements that failed (returned negative SQLCODEs).

The third SQLERRD field in the SQLCA is an accumulation of the number of rows affected by all sub-statements.

The fourth SQLERRD field in the SQLCA is a count of the number of successful sub-statements. If, for example, the third sub-statement in a Compound SQL statement failed, the fourth SQLERRD field would be set to 2, indicating that 2 sub-statements were successfully processed before the error was encountered.

The fifth SQLERRD field in the SQLCA is an accumulation of the number of rows updated or deleted due to the enforcement of referential integrity constraints for all sub-statements that triggered such constraint activity.

Examples

Example 1: In a C program, issue a Compound SQL statement that updates both the ACCOUNTS and TELLERS tables. If there is an error in any of the statements, undo the effect of all statements (ATOMIC). If there are no errors, commit the current unit of work.

```
EXEC SQL BEGIN COMPOUND ATOMIC STATIC
  UPDATE ACCOUNTS SET ABALANCE = ABALANCE + :delta
  WHERE AID = :aid;
  UPDATE TELLERS SET TBALANCE = TBALANCE + :delta
  WHERE TID = :tid;
  INSERT INTO TELLERS (TID, BID, TBALANCE) VALUES (:i, :branch_id, 0);
  COMMIT;
END COMPOUND;
```

Example 2: In a C program, insert 10 rows of data into the database. Assume the host variable :nbr contains the value 10 and S1 is a prepared INSERT statement. Further, assume that all the inserts should be attempted regardless of errors (NOT ATOMIC).

```
EXEC SQL BEGIN COMPOUND NOT ATOMIC STATIC STOP AFTER FIRST :nbr STATEMENTS
  EXECUTE S1 USING DESCRIPTOR :sqlda0;
  EXECUTE S1 USING DESCRIPTOR :sqlda1;
  EXECUTE S1 USING DESCRIPTOR :sqlda2;
  EXECUTE S1 USING DESCRIPTOR :sqlda3;
  EXECUTE S1 USING DESCRIPTOR :sqlda4;
  EXECUTE S1 USING DESCRIPTOR :sqlda5;
  EXECUTE S1 USING DESCRIPTOR :sqlda6;
  EXECUTE S1 USING DESCRIPTOR :sqlda7;
  EXECUTE S1 USING DESCRIPTOR :sqlda8;
  EXECUTE S1 USING DESCRIPTOR :sqlda9;
END COMPOUND;
```

Compound SQL (Procedure)

A procedure compound statement groups other statements together in an SQL procedure. You can declare SQL variables, cursors, and condition handlers within a compound statement.

Compound SQL (Procedure)

Invocation

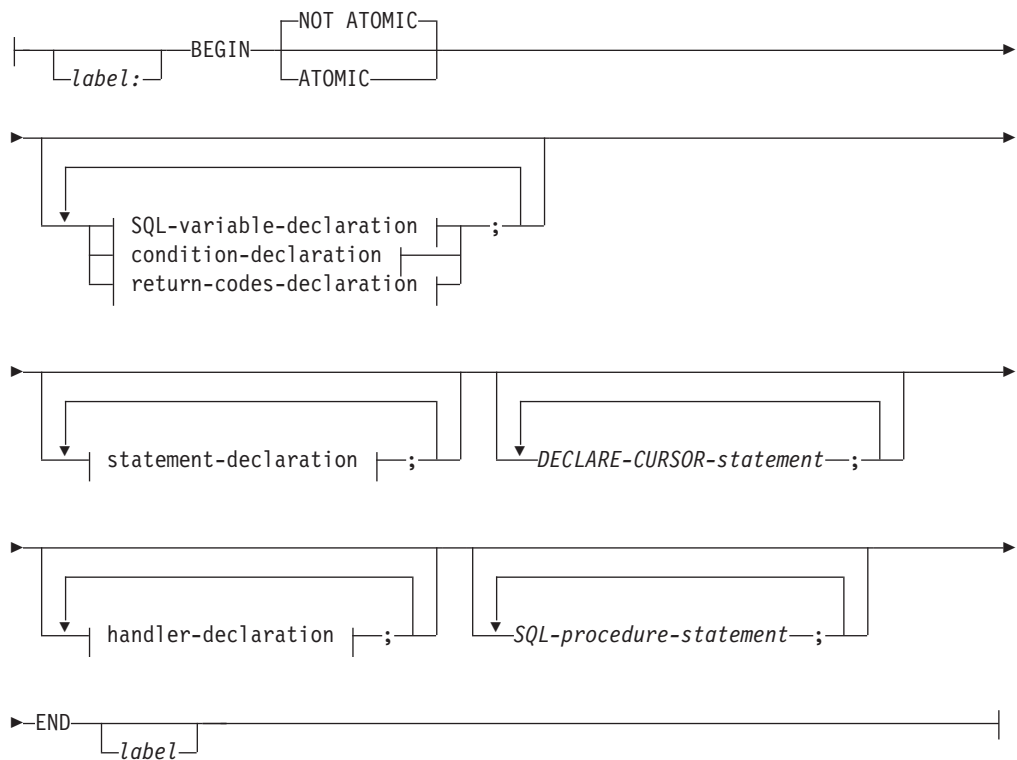
This statement can only be embedded in an SQL procedure. It is not an executable statement and cannot be dynamically prepared.

Authorization

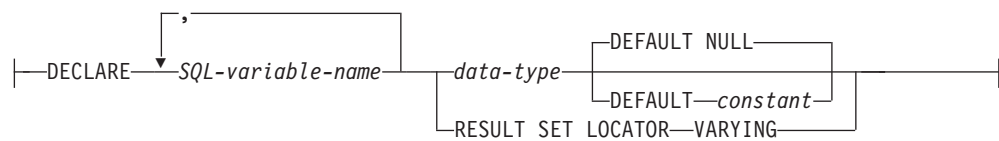
No privileges are required to invoke a procedure compound statement. However, the privileges held by the authorization ID of the statement must include all necessary privileges to invoke the SQL statements that are embedded in the compound statement. For the authorization required to use a cursor, see "DECLARE CURSOR".

Syntax

procedure-compound-statement:

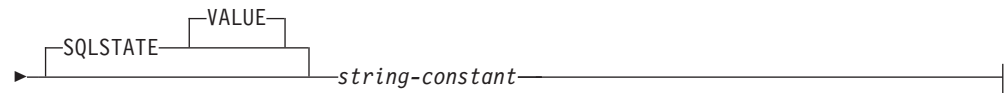


SQL-variable-declaration:



condition-declaration:

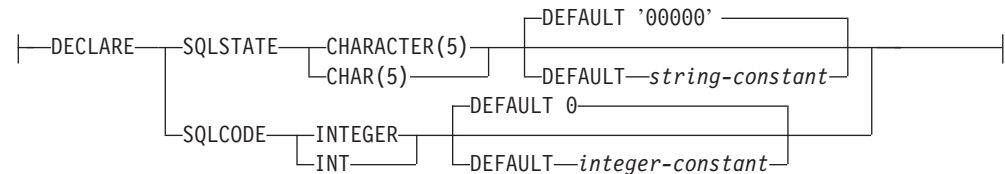




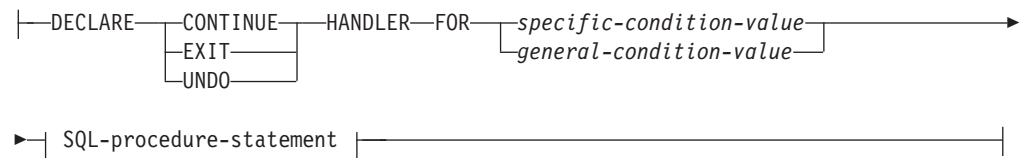
statement-declaration:



return-codes-declaration:



handler-declaration:



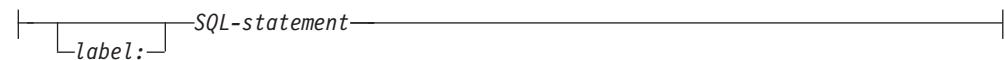
specific-condition-value:



general-condition-value:



SQL-procedure-statement:



Description

label

Defines the label for the code block. If the beginning label is specified, it can be

Compound SQL (Procedure)

used to qualify SQL variables declared in the compound statement and can also be specified on a LEAVE statement. If the ending label is specified, it must be the same as the beginning label.

ATOMIC or NOT ATOMIC

ATOMIC indicates that if an unhandled exception condition occurs in the compound statement, all SQL statements in the compound statement will be rolled back. NOT ATOMIC indicates that an unhandled exception condition within the compound statement does not cause the compound statement to be rolled back.

SQL-variable-declaration

Declares a variable that is local to the compound statement.

SQL-variable-name

Defines the name of a local variable. DB2 converts all SQL variable names to uppercase. The name cannot be the same as another SQL variable within the same compound statement and cannot be the same as a parameter name. SQL variable names should not be the same as column names. If an SQL statement contains an identifier with the same name as an SQL variable and a column reference, DB2 interprets the identifier as a column. If the compound statement where the variable is declared is labeled, then uses of the variable can be qualified with the label. For example, variable V declared in compound statement labeled C can be referred to as C.V.

data-type

Specifies the data type of the variable. REFERENCE and user-defined structured types are not supported (SQLSTATE 429BB).

DEFAULT *constant* or NULL

Defines the default for the SQL variable. The variable is initialized when the SQL procedure is called. If a default value is not specified, the variable is initialized to NULL.

RESULT_SET_LOCATOR VARYING

Specifies the data type for a result set locator variable.

condition-declaration

Declares a condition name and corresponding SQLSTATE value.

condition-name

Specifies the name of the condition. The condition name must be unique within the compound statement in which it is declared, excluding any declarations in compound statements that are nested within that compound statement (SQLSTATE 42734). A condition name can only be referenced within the compound statement in which it is declared, including any compound statements that are nested within that compound statement (SQLSTATE 42737).

FOR SQLSTATE *string-constant*

Specifies the SQLSTATE that is associated with the condition. The string-constant must be specified as five characters enclosed in single quotes, and cannot be '00000'.

statement-declaration

Declares a list of one or more names that are local to the compound statement. A statement name cannot be the same as another statement name within the same compound statement.

return-codes-declaration

Declares special variables called SQLSTATE and SQLCODE that are set automatically to the value returned after processing an SQL statement. Both the SQLSTATE and SQLCODE variables can only be declared in the outermost compound statement of the SQL procedure body. These variables may be declared only once per SQL procedure.

declare-cursor-statement

Declares a cursor in the procedure body. Each cursor must have a unique name within the compound statement in which it is declared, excluding any declarations in compound statements that are nested within that compound statement (SQLSTATE 42734). The cursor can be referenced only from within the compound statement in which it is declared, including any compound statements that are nested within that compound statement (SQLSTATE 34000).

Use an OPEN statement to open the cursor, and a FETCH statement to read rows using the cursor. To return result sets from the SQL procedure to the client application, the cursor must be declared using the WITH RETURN clause. The following example returns one result set to the client application:

```
CREATE PROCEDURE RESULT_SET()
LANGUAGE SQL
RESULT SETS 1
BEGIN
  DECLARE C1 CURSOR WITH RETURN FOR
  SELECT id, name, dept, job
  FROM staff;
  OPEN C1;
END
```

Note: To process result sets, you must write your client application using one of the DB2 Call Level Interface (DB2 Call Level Interface), Open Database Connectivity (ODBC), Java Database Connectivity (JDBC), or embedded SQL for Java (SQLJ) application programming interfaces.

For more information on declaring a cursor, see “DECLARE CURSOR”.

handler-declaration

Specifies a *handler*, an *SQL-procedure-statement* to execute when an exception or completion condition occurs in the compound statement. *SQL-procedure-statement* is a statement that executes when the handler receives control.

A handler is active for the set of *SQL-procedure-statements* that follow the set of *handler-declarations* within the compound statement in which the handler is declared, including any nested compound statements.

There are three types of condition handlers:

CONTINUE

After the handler is invoked successfully, control is returned to the SQL statement that follows the statement that raised the exception. If the error that raised the exception is a FOR, IF, CASE, WHILE, or REPEAT statement (but not an SQL-procedure-statement within one of these), then control returns to the statement that follows END FOR, END IF, END CASE, END WHILE, or END REPEAT.

EXIT

After the handler is invoked successfully, control is returned to the end of the compound statement that declared the handler.

UNDO

Before the handler is invoked, any SQL changes that were made in the compound statement are rolled back. After the handler is invoked

Compound SQL (Procedure)

successfully, control is returned to the end of the compound statement that declared the handler. If UNDO is specified, the compound statement where the handler is declared must be ATOMIC.

The conditions that cause the handler to be activated are defined in the handler-declaration as follows:

specific-condition-value

Specifies that the handler is a *specific condition handler*.

SQLSTATE *string*

Specifies an SQLSTATE for which the handler is invoked. The first two characters of the SQLSTATE value must not be "00".

condition-name

Specifies a condition name for which the handler is invoked. The condition name must be previously defined in a condition declaration.

general-condition-value

Specifies that the handler is a *general condition handler*.

SQLEXCEPTION

Specifies that the handler is invoked when an exception condition occurs. An exception condition is represented by an SQLSTATE value whose first two characters are not "00", "01", or "02".

SQLWARNING

Specifies that the handler is invoked when a warning condition occurs. A warning condition is represented by an SQLSTATE value whose first two characters are "01".

NOT FOUND

Specifies that the handler is invoked when a NOT FOUND condition occurs. A NOT FOUND condition is represented by an SQLSTATE value whose first two characters are "02".

SQL-procedure-statement

Specifies the SQL procedure statement.

label

Specifies a label for the SQL procedure statement. The label must be unique within a list of SQL procedure statements, including any compound statements nested within the list. Note that compound statements that are not nested can use the same label. A list of SQL procedure statements is possible in a number of SQL control statements.

SQL-statement

All executable SQL statements can be contained within the body of an SQL procedure, with the exception of the following:

- ALTER
- CONNECT
- CREATE any object other than indexes, tables, or views
- DESCRIBE
- DISCONNECT
- DROP any object other than indexes, tables, or views
- FLUSH EVENT MONITOR
- REFRESH TABLE
- RELEASE (connection only)

- RENAME TABLE
- RENAME TABLESPACE
- REVOKE
- SET CONNECTION
- SET INTEGRITY
- SET PASSTHRU
- SET SERVER OPTION

The following statements are only supported in the scope of an SQL procedure:

- ALLOCATE CURSOR
- ASSOCIATE LOCATORS
- CASE
- GOTO
- LOOP
- Compound SQL (Procedure)
- REPEAT
- RESIGNAL

Rules

- ATOMIC compound statements cannot be nested.
- The following rules apply to handler declarations:
 - A handler declaration cannot contain the same *condition-name* or SQLSTATE value more than once, and cannot contain an SQLSTATE value and a *condition-name* that represent the same SQLSTATE value.
 - Where two or more condition handlers are declared in a compound statement:
 - No two handler declarations may specify the same general condition category (SQLEXCEPTION, SQLWARNING, NOT FOUND).
 - No two handler declarations may specify the same specific condition, either as an SQLSTATE value or as a *condition-name* that represents the same value.
 - A handler is activated when it is the most appropriate handler for an exception or completion condition. The most appropriate handler is determined based on the following considerations:
 - The scope of a handler declaration *H* is the list of *SQL-procedure-statement* that follows the handler declarations contained within the compound statement in which *H* appears. This means that the scope of *H* does not include the statements contained in the body of the condition handler *H*, implying that a condition handler cannot handle conditions that arise inside its own body. Similarly, for any two handlers *H1* and *H2* declared in the same compound statement, *H1* will not handle conditions arising in the body of *H2*, and *H2* will not handle conditions arising in the body of *H1*.
 - A handler for a *specific-condition-value* or a *general-condition-value* *C* declared in an inner scope takes precedence over another handler for *C* declared in an enclosing scope.
 - When a specific handler for condition *C* and a general handler which would also handle *C* are declared in the same scope, the specific handler takes precedence over the general handler.

Compound SQL (Procedure)

If an exception condition occurs for which there is no appropriate handler, the SQL procedure containing the failing statement is terminated with an unhandled exception condition. If a completion condition occurs for which there is no appropriate handler, execution continues with the next SQL statement.

- Referencing variables or parameters of data type XML in SQL procedures after a commit or rollback operation occurs, without first assigning new values to these variables, is not supported (SQLSTATE 560CE).

Notes

- *XML assignments:* Assignment to parameters and variables of data type XML is done by value. When XML values are assigned by value, a copy is made by effectively performing the following actions for each item in the sequence:
 - The node tree, if any, is copied from the original XML value, maintaining the document order
 - New node identities are assigned to each node
 - The parent property of the root node, if any, is set to empty

Passing parameters of data type XML in a CALL statement to an SQL procedure is done by reference. When XML values are passed by reference, the input node trees, if any, are used directly from the XML argument, preserving all properties, including document order, the original node identities, and all parent properties.

Examples

Create a procedure body with a compound statement that performs the following actions:

1. Declares SQL variables
2. Declares a cursor to return the salary of employees in a department determined by an IN parameter. In the SELECT statement, casts the data type of the *salary* column from a DECIMAL into a DOUBLE.
3. Declares an EXIT handler for the condition NOT FOUND (end of file) which assigns the value '6666' to the OUT parameter medianSalary
4. Select the number of employees in the given department into the SQL variable numRecords
5. Fetch rows from the cursor in a WHILE loop until 50% + 1 of the employees have been retrieved
6. Return the median salary

```
CREATE PROCEDURE DEPT_MEDIAN
(IN deptNumber SMALLINT, OUT medianSalary DOUBLE)
LANGUAGE SQL
BEGIN
  DECLARE v_numRecords INTEGER DEFAULT 1;
  DECLARE v_counter INTEGER DEFAULT 0;
  DECLARE c1 CURSOR FOR
    SELECT CAST(salary AS DOUBLE) FROM staff
    WHERE DEPT = deptNumber
    ORDER BY salary;
  DECLARE EXIT HANDLER FOR NOT FOUND
    SET medianSalary = 6666;
  -- initialize OUT parameter
  SET medianSalary = 0;
  SELECT COUNT(*) INTO v_numRecords FROM staff
  WHERE DEPT = deptNumber;
  OPEN c1;
  WHILE v_counter < (v_numRecords / 2 + 1) DO
    FETCH c1 INTO medianSalary;
```

```

        SET v_counter = v_counter + 1;
    END WHILE;
    CLOSE c1;
END

```

The following example illustrates the flow of execution in a hypothetical case where an UNDO handler is activated from another condition as the result of RESIGNAL:

```

CREATE PROCEDURE A()
LANGUAGE SQL
CS1: BEGIN ATOMIC
    DECLARE C CONDITION FOR SQLSTATE '12345';
    DECLARE D CONDITION FOR SQLSTATE '23456';

    DECLARE UNDO HANDLER FOR C
    H1: BEGIN
        -- Rollback after error, perform final cleanup, and exit
        -- procedure A.

        -- ...

        -- When this handler completes, execution continues after
        -- compound statement CS1; procedure A will terminate.
    END;

    -- Perform some work here ...
    CS2: BEGIN
        DECLARE CONTINUE HANDLER FOR D
        H2: BEGIN
            -- Perform local recovery, then forward the error
            -- condition to the outer handler for additional
            -- processing.

            -- ...

            RESIGNAL C; -- will activate UNDO handler H1; execution
            -- WILL NOT return here. Any local cursors
            -- declared in H2 and CS2 will be closed.
        END;

        -- Perform some more work here ...

        -- Simulate raising of condition D by some SQL statement
        -- in compound statement CS2:
        SIGNAL D; -- will activate H2
    END;
END

```

CONNECT (Type 1)

The CONNECT (Type 1) statement connects an application process to the identified application server according to the rules for remote unit of work.

An application process can only be connected to one application server at a time. This is called the *current server*. A default application server may be established when the application requester is initialized. If implicit connect is available and an application process is started, it is implicitly connected to the default application server. The application process can explicitly connect to a different application server by issuing a CONNECT statement. A connection lasts until a CONNECT RESET statement or a DISCONNECT statement is issued or until another CONNECT statement changes the application server.

CONNECT (Type 1)

Invocation

Although an interactive SQL facility might provide an interface that gives the appearance of interactive execution, this statement can only be embedded within an application program. It is an executable statement that cannot be dynamically prepared.

Authorization

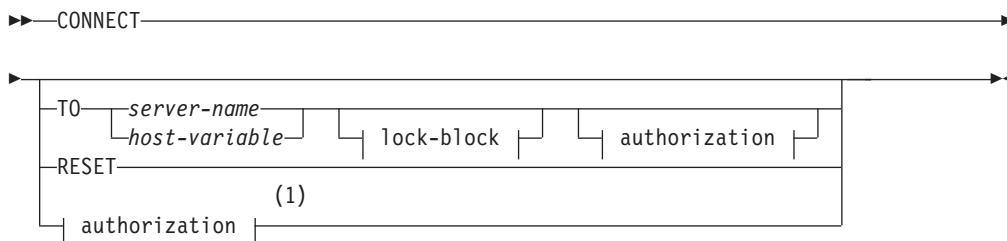
CONNECT processing goes through two levels of access control. Both levels must be satisfied for the connection to be successful.

The first level of access control is authentication, where the user ID associated with the connection must be successfully authenticated according to the authentication method set up for the server. At successful authentication, a DB2 authorization ID is derived from the connection user ID according to the authentication plug-in in effect for the server. This DB2 authorization ID must then pass the second level of access control for the connection, that is, authorization. To do so, this authorization ID must hold at least one of the following authorities:

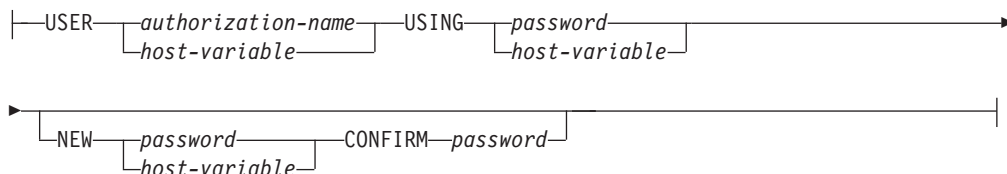
- CONNECT authority
- DBADM authority
- SYSADM authority
- SYSCTRL authority
- SYSMANT authority

Note: For a partitioned database, the user and group definitions must be identical across all database partitions.

Syntax



authorization:



lock-block:**Notes:**

- 1 This form is only valid if implicit connect is enabled.

Description**CONNECT (with no operand)**

Returns information about the current server. The information is returned in the SQLERRP field of the SQLCA as described in “Successful Connection”.

If a connection state exists, the authorization ID and database alias are placed in the SQLERRMC field of the SQLCA. If the authorization ID is longer than 8 bytes, it will be truncated to 8 bytes, and the truncation will be flagged in the SQLWARN0 and SQLWARN1 fields of the SQLCA, with ‘W’ and ‘A’, respectively. If the database configuration parameter **dyn_query_mgmt** is enabled, then the SQLWARN0 and SQLWARN7 fields of the SQLCA will be flagged with ‘W’ and ‘E’, respectively.

If no connection exists and implicit connect is possible, then an attempt to make an implicit connection is made. If implicit connect is not available, this attempt results in an error (no existing connection). If no connection, then the SQLERRMC field is blank.

The territory code and code page of the application server are placed in the SQLERRMC field (as they are with a successful CONNECT statement).

This form of CONNECT:

- Does not require the application process to be in the connectable state.
- If connected, does not change the connection state.
- If unconnected and implicit connect is available, a connection to the default application server is made. In this case, the country or region code and code page of the application server are placed in the SQLERRMC field, like a successful CONNECT statement.
- If unconnected and implicit connect is not available, the application process remains unconnected.
- Does not close cursors.

TO *server-name* or *host-variable*

Identifies the application server by the specified *server-name* or a *host-variable* which contains the server-name.

If a *host-variable* is specified, it must be a character string variable with a length attribute that is not greater than 8, and it must not include an indicator variable. The *server-name* that is contained within the *host-variable* must be left-justified and must not be delimited by quotation marks.

Note that the *server-name* is a database alias identifying the application server. It must be listed in the application requester’s local directory.

When the CONNECT statement is executed, the application process must be in the connectable state.

Successful Connection:

CONNECT (Type 1)

If the CONNECT statement is successful:

- All open cursors are closed, all prepared statements are destroyed, and all locks are released from the previous application server.
- The application process is disconnected from its previous application server, if any, and connected to the identified application server.
- The actual name of the application server (not an alias) is placed in the CURRENT SERVER special register.
- Information about the application server is placed in the SQLERRP field of the SQLCA. If the application server is an IBM product, the information has the form *pppvrrm*, where:
 - *ppp* identifies the product as follows:
 - DSN for DB2 for z/OS
 - ARI for DB2 Server for VSE & VM
 - QSQ for DB2 for i5/OS
 - SQL for DB2 Database for Linux, UNIX, and Windows
 - *vv* is a two-digit version identifier, such as '08'
 - *rr* is a two-digit release identifier, such as '01'
 - *m* is a one-character modification level identifier, such as '0'.

This release (Version 9.5) of DB2 Database for Linux, UNIX, and Windows is identified as 'SQL09050'.

- The SQLERRMC field of the SQLCA is set to contain the following values (separated by X'FF')
1. the country or region code of the application server (or blanks if using DB2 Connect),
 2. the code page of the application server (or CCSID if using DB2 Connect),
 3. the authorization ID (up to first 8 bytes only),
 4. the database alias,
 5. the platform type of the application server. Currently identified values are:

Token Server

QAS DB2 for System i

QDB2 DB2 for z/OS

QDB2/6000
DB2 Database for AIX

QDB2/HPUX
DB2 Database for HP-UX

QDB2/LINUX
DB2 Database for Linux

QDB2/NT
DB2 Database for Windows

QDB2/SUN
DB2 Database for Solaris Operating System

QSQLDS/VM
DB2 Server for VM

QSQLDS/VSE

DB2 Server for VSE

6. The agent ID. It identifies the agent executing within the database manager on behalf of the application. This field is the same as the **agent_id** element returned by the database monitor.
 7. The agent index. It identifies the index of the agent and is used for service.
 8. Database partition number. For a non-partitioned database, this is always 0, if present.
 9. The code page of the application client.
 10. Number of database partitions in a partitioned database. If the database cannot be distributed, the value is 0 (zero). Token is present only with Version 5 or later.
- The SQLERRD(1) field of the SQLCA indicates the maximum expected difference in length of mixed character data (CHAR data types) when converted to the database code page from the application code page. A value of 0 or 1 indicates no expansion; a value greater than 1 indicates a possible expansion in length; a negative value indicates a possible contraction.
 - The SQLERRD(2) field of the SQLCA indicates the maximum expected difference in length of mixed character data (CHAR data types) when converted to the application code page from the database code page. A value of 0 or 1 indicates no expansion; a value greater than 1 indicates a possible expansion in length; a negative value indicates a possible contraction.
 - The SQLERRD(3) field of the SQLCA indicates whether or not the database on the connection is updatable. A database is initially updatable, but is changed to read-only if a unit of work determines the authorization ID cannot perform updates. The value is one of:
 - 1 - updatable
 - 2 - read-only
 - The SQLERRD(4) field of the SQLCA returns certain characteristics of the connection. The value is one of:
 - 0 N/A (only possible if running from a down-level client that is one-phase commit and is an updater).
 - 1 one-phase commit.
 - 2 one-phase commit; read-only (only applicable to connections to DRDA1 databases in a TP Monitor environment).
 - 3 two-phase commit.
 - The SQLERRD(5) field of the SQLCA returns the authentication type for the connection. The value is one of:
 - 0 Authenticated on the server.
 - 1 Authenticated on the client.
 - 2 Authenticated using DB2 Connect.
 - 4 Authenticated on the server with encryption.
 - 5 Authenticated using DB2 Connect with encryption.
 - 7 Authenticated using an external Kerberos security mechanism.
 - 9 Authenticated using an external GSS API plug-in security mechanism.

CONNECT (Type 1)

11 Authenticated on the server, which accepts encrypted data.

255 Authentication not specified.

- The SQLERRD(6) field of the SQLCA returns the database partition number of the database partition to which the connection was made if the database is distributed. Otherwise, a value of 0 is returned.
- The SQLWARN1 field in the SQLCA will be set to 'A' if the authorization ID of the successful connection is longer than 8 bytes. This indicates that truncation has occurred. The SQLWARN0 field in the SQLCA will be set to 'W' to indicate this warning.
- The SQLWARN7 field in the SQLCA will be set to 'E' if the database configuration parameter **dyn_query_mgmt** for the database is enabled. The SQLWARN0 field in the SQLCA will be set to 'W' to indicate this warning.

Unsuccessful Connection:

If the CONNECT statement is unsuccessful:

- The SQLERRP field of the SQLCA is set to the name of the module at the application requester that detected the error. The first three characters of the module name identify the product.
- If the CONNECT statement is unsuccessful because the application process is not in the connectable state, the connection state of the application process is unchanged.
- If the CONNECT statement is unsuccessful because the *server-name* is not listed in the local directory, an error message (SQLSTATE 08001) is issued and the connection state of the application process remains unchanged:
 - If the application requester was not connected to an application server then the application process remains unconnected.
 - If the application requester was already connected to an application server, the application process remains connected to that application server. Any further statements are executed at that application server.
- If the CONNECT statement is unsuccessful for any other reason, the application process is placed into the unconnected state.

IN SHARE MODE

Allows other concurrent connections to the database and prevents other users from connecting to the database in exclusive mode.

IN EXCLUSIVE MODE

Prevents concurrent application processes from executing any operations at the application server, unless they have the same authorization ID as the user holding the exclusive lock. This option is not supported by DB2 Connect.

ON SINGLE DBPARTITIONNUM

Specifies that the coordinator database partition is connected in exclusive mode and all other database partitions are connected in share mode. This option is only effective in a partitioned database.

RESET

Disconnects the application process from the current server. A commit operation is performed. If implicit connect is available, the application process remains unconnected until an SQL statement is issued.

USER *authorization-name* **or** *host-variable*

Identifies the user ID trying to connect to the application server. If a *host-variable* is specified, it must be a character string variable that does not

include an indicator variable. The user ID that is contained within the *host-variable* must be left justified and must not be delimited by quotation marks.

USING *password* or *host-variable*

Identifies the password of the user ID trying to connect to the application server. The *password* or *host-variable* can be up to 14 bytes long. If a host variable is specified, it must be a character string variable with a length attribute not greater than 14, and it must not include an indicator variable.

NEW *password/host-variable* **CONFIRM** *password*

Identifies the new password that should be assigned to the user ID identified by the USER option. The *password* or *host-variable* can be up to 14 bytes long. If a host variable is specified, it must be a character string variable with a length attribute not greater than 14, and it must not include an indicator variable. The system on which the password will be changed depends on how the user authentication has been set up. New passwords can be assigned using this clause on the following servers for the indicated (and later) releases: DB2® Universal Database™ Version 8 on AIX and Windows operating systems, DB2 Version 9.1 Fix Pack 3 or later on Linux operating systems, DB2 for z/OS Version 7, and DB2 for i5/OS V6R1. To support the changing passwords for DB2 database products on Linux, the DB2 instance must be configured to use the security plug-ins IBMOSchgpwdclient and IBMOSchgpwdserver.

Notes

- It is good practice for the first SQL statement executed by an application process to be the CONNECT statement.
- If a CONNECT statement is issued to the current application server with a different user ID and password then the conversation is deallocated and reallocated. All cursors are closed by the database manager (with the loss of the cursor position if the WITH HOLD option was used).
- If a CONNECT statement is issued to the current application server with the same user ID and password then the conversation is not deallocated and reallocated. Cursors, in this case, are not closed.
- To use a multiple-partition partitioned database environment, the user or application must connect to one of the database partitions listed in the db2nodes.cfg file. You should try to ensure that not all users use the same database partition as the coordinator partition.
- The *authorization-name* SYSTEM cannot be explicitly specified in the CONNECT statement. However, on Windows operating systems, local applications running under the Local System Account can implicitly connect to the database, such that the user ID is SYSTEM.
- When connecting to Windows Server explicitly, the *authorization-name* or user *host-variable* can be specified using the Microsoft® Windows Security Account Manager (SAM)-compatible name. The qualifier must be a NetBIOS style name, which has a maximum length of 15 bytes. For example, 'Domain\User'.
- **Compatibilities**
 - For compatibility with previous versions of DB2:
 - NODE can be specified in place of DBPARTITIONNUM

Examples

Example 1: In a C program, connect to the application server TOROLAB, using database alias TOROLAB, user ID FERMAT, and password THEOREM.

```
EXEC SQL CONNECT TO TOROLAB USER FERMAT USING THEOREM;
```

CONNECT (Type 1)

Example 2: In a C program, connect to an application server whose database alias is stored in the host variable APP_SERVER (varchar(8)). Following a successful connection, copy the 3-character product identifier of the application server to the variable PRODUCT (char(3)).

```
EXEC SQL CONNECT TO :APP_SERVER;  
if (strcmp(SQLSTATE, '00000', 5))  
    strcpy(PRODUCT, sqlca.sqlerrp, 3);
```

CONNECT (Type 2)

The CONNECT (Type 2) statement connects an application process to the identified application server and establishes the rules for application-directed distributed unit of work. This server is then the current server for the process.

Most aspects of a CONNECT (Type 1) statement also apply to a CONNECT (Type 2) statement. Rather than repeating that material here, this section describes only those elements of Type 2 that differ from Type 1.

Invocation

Although an interactive SQL facility might provide an interface that gives the appearance of interactive execution, this statement can only be embedded within an application program. It is an executable statement that cannot be dynamically prepared.

Authorization

CONNECT processing goes through two levels of access control. Both levels must be satisfied for the connection to be successful.

The first level of access control is authentication, where the user ID associated with the connection must be successfully authenticated according to the authentication method set up for the server. At successful authentication, a DB2 authorization ID is derived from the connection user ID according to the authentication plug-in in effect for the server. This DB2 authorization ID must then pass the second level of access control for the connection, that is, authorization. To do so, this authorization ID must hold at least one of the following authorities:

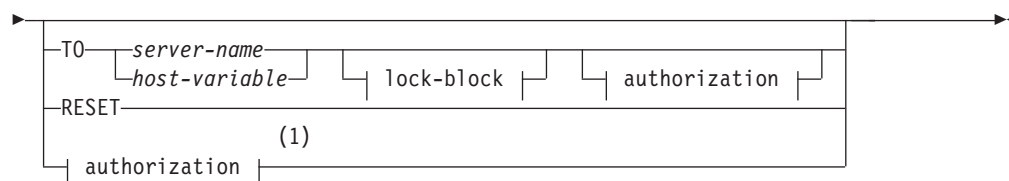
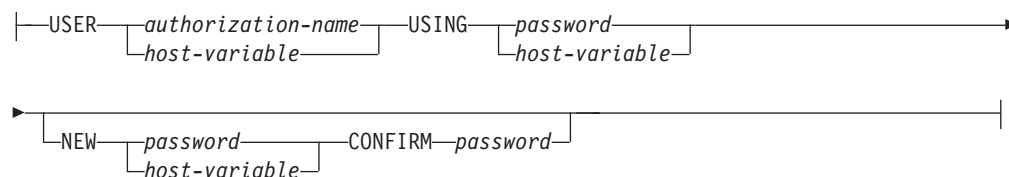
- CONNECT authority
- DBADM authority
- SYSADM authority
- SYSCTRL authority
- SYSMANT authority

Note: For a partitioned database, the user and group definitions must be identical across all database partitions.

Syntax

The selection between Type 1 and Type 2 is determined by precompiler options. For an overview of these options, see “Connecting to distributed relational databases”.

▶▶—CONNECT—————▶

**authorization:****lock-block:****Notes:**

- 1 This form is only valid if implicit connect is enabled.

Description**TO** *server-name/host-variable*

The rules for coding the name of the server are the same as for Type 1.

If the SQLRULES(STD) option is in effect, the *server-name* must not identify an existing connection of the application process, otherwise an error (SQLSTATE 08002) is raised.

If the SQLRULES(DB2) option is in effect and the *server-name* identifies an existing connection of the application process, that connection is made current and the old connection is placed into the dormant state. That is, the effect of the CONNECT statement in this situation is the same as that of a SET CONNECTION statement.

For information about the specification of SQLRULES, see “Options that Govern Distributed Unit of Work Semantics”.

Successful Connection

If the CONNECT statement is successful:

- A connection to the application server is either created (or made non-dormant) and placed into the current and held states.
- If the CONNECT TO is directed to a different server than the current server, then the current connection is placed into the dormant state.
- The CURRENT SERVER special register and the SQLCA are updated in the same way as for CONNECT (Type 1).

Unsuccessful Connection

If the CONNECT statement is unsuccessful:

CONNECT (Type 2)

- No matter what the reason for failure, the connection state of the application process and the states of its connections are unchanged.
- As with an unsuccessful Type 1 CONNECT, the SQLERRP field of the SQLCA is set to the name of the module at the application requester or server that detected the error.

CONNECT (with no operand), IN SHARE/EXCLUSIVE MODE, USER, and USING

If a connection exists, Type 2 behaves like a Type 1. The authorization ID and database alias are placed in the SQLERRMC field of the SQLCA. If a connection does not exist, no attempt to make an implicit connection is made and the SQLERRP and SQLERRMC fields return a blank. (Applications can check if a current connection exists by checking these fields.)

A CONNECT with no operand that includes USER and USING can still connect an application process to a database using the DB2DBDFT environment variable. This method is equivalent to a Type 2 CONNECT RESET, but permits the use of a user ID and password.

RESET

Equivalent to an explicit connect to the default database if it is available. If a default database is not available, the connection state of the application process and the states of its connections are unchanged.

Availability of a default database is determined by installation options, environment variables, and authentication settings.

Rules

- As outlined in “Options that Govern Distributed Unit of Work Semantics”, a set of connection options governs the semantics of connection management. Default values are assigned to every preprocessed source file. An application can consist of multiple source files precompiled with different connection options.

Unless a SET CLIENT command or API has been executed first, the connection options used when preprocessing the source file containing the first SQL statement executed at run time become the effective connection options.

If a CONNECT statement from a source file preprocessed with different connection options is subsequently executed without the execution of any intervening SET CLIENT command or API, an error (SQLSTATE 08001) is returned. Note that once a SET CLIENT command or API has been executed, the connection options used when preprocessing all source files in the application are ignored.

Example 1 in the “Examples” section of this statement illustrates these rules.

- Although the CONNECT statement can be used to establish or switch connections, CONNECT with the USER/USING clause will only be accepted when there is no current or dormant connection to the named server. The connection must be released before issuing a connection to the same server with the USER/USING clause, otherwise it will be rejected (SQLSTATE 51022). Release the connection by issuing a DISCONNECT statement or a RELEASE statement followed by a COMMIT statement.

Notes

- Implicit connect is supported for the first SQL statement in an application with Type 2 connections. In order to execute SQL statements on the default database, first the CONNECT RESET or the CONNECT USER/USING statement must be used to establish the connection. The CONNECT statement with no operands

will display information about the current connection if there is one, but will not connect to the default database if there is no current connection.

- The *authorization-name* SYSTEM cannot be explicitly specified in the CONNECT statement. However, on Windows operating systems, local applications running under the Local System Account can implicitly connect to the database, such that the user ID is SYSTEM.
- When connecting to Windows Server explicitly, the *authorization-name* or user *host-variable* can be specified using the Microsoft Windows Security Account Manager (SAM)-compatible name. The qualifier must be a NetBIOS style name, which has a maximum length of 15 bytes. For example, 'Domain\User'.

Comparing Type 1 and Type 2 CONNECT Statements:

The semantics of the CONNECT statement are determined by the CONNECT precompiler option or the SET CLIENT API (see "Options that Govern Distributed Unit of Work Semantics"). CONNECT Type 1 or CONNECT Type 2 can be specified and the CONNECT statements in those programs are known as Type 1 and Type 2 CONNECT statements, respectively. Their semantics are described below:

Use of CONNECT:

Type 1	Type 2
Each unit of work can only establish connection to one application server.	Each unit of work can establish connection to multiple application servers.
The current unit of work must be committed or rolled back before allowing a connection to another application server.	The current unit of work need not be committed or rolled back before connecting to another application server.
The CONNECT statement establishes the current connection. Subsequent SQL requests are forwarded to this connection until changed by another CONNECT.	Same as Type 1 CONNECT if establishing the first connection. If switching to a dormant connection and SQLRULES is set to STD, then the SET CONNECTION statement must be used instead.
Connecting to the current connection is valid and does not change the current connection.	Same as Type 1 CONNECT if the SQLRULES precompiler option is set to DB2. If SQLRULES is set to STD, then the SET CONNECTION statement must be used instead.
Connecting to another application server disconnects the current connection. The new connection becomes the current connection. Only one connection is maintained in a unit of work.	Connecting to another application server puts the current connection into the <i>dormant state</i> . The new connection becomes the current connection. Multiple connections can be maintained in a unit of work. If the CONNECT is for an application server on a dormant connection, it becomes the current connection. Connecting to a dormant connection using CONNECT is only allowed if SQLRULES(DB2) was specified. If SQLRULES(STD) was specified, then the SET CONNECTION statement must be used instead.

CONNECT (Type 2)

Type 1	Type 2
SET CONNECTION statement is supported for Type 1 connections, but the only valid target is the current connection.	SET CONNECTION statement is supported for Type 2 connections to change the state of a connection from dormant to current.

Use of **CONNECT...USER...USING**:

Type 1	Type 2
Connecting with the USER...USING clauses disconnects the current connection and establishes a new connection with the given authorization name and password.	Connecting with the USER/USING clause will only be accepted when there is no current or dormant connection to the same named server.

Use of **Implicit CONNECT, CONNECT RESET, and Disconnecting**:

Type 1	Type 2
CONNECT RESET can be used to disconnect the current connection.	CONNECT RESET is equivalent to connecting to the default application server explicitly if one has been defined in the system. Connections can be disconnected by the application at a successful COMMIT. Prior to the commit, use the RELEASE statement to mark a connection as release-pending. All such connections will be disconnected at the next COMMIT. An alternative is to use the precompiler options DISCONNECT(EXPLICIT), DISCONNECT(CONDITIONAL), DISCONNECT(AUTOMATIC), or the DISCONNECT statement instead of the RELEASE statement.
After using CONNECT RESET to disconnect the current connection, if the next SQL statement is not a CONNECT statement, then it will perform an implicit connect to the default application server if one has been defined in the system.	CONNECT RESET is equivalent to an explicit connect to the default application server if one has been defined in the system.
It is an error to issue consecutive CONNECT RESETs.	It is an error to issue consecutive CONNECT RESETs ONLY if SQLRULES(STD) was specified because this option disallows the use of CONNECT to existing connection.
CONNECT RESET also implicitly commits the current unit of work.	CONNECT RESET does not commit the current unit of work.
If an existing connection is disconnected by the system for whatever reasons, then subsequent non-CONNECT SQL statements to this database will receive an SQLSTATE of 08003.	If an existing connection is disconnected by the system, COMMIT, ROLLBACK, and SET CONNECTION statements are still permitted.
The unit of work will be implicitly committed when the application process terminates successfully.	Same as Type 1.

Type 1

All connections (only one) are disconnected when the application process terminates.

Type 2

All connections (current, dormant, and those marked for release pending) are disconnected when the application process terminates.

CONNECT Failures:**Type 1**

Regardless of whether there is a current connection when a CONNECT fails (with an error other than server-name not defined in the local directory), the application process is placed in the unconnected state. Subsequent non-CONNECT statements receive an SQLSTATE of 08003.

Type 2

If there is a current connection when a CONNECT fails, the current connection is unaffected.

If there was no current connection when the CONNECT fails, then the program is then in an unconnected state. Subsequent non-CONNECT statements receive an SQLSTATE of 08003.

Examples*Example 1:*

This example illustrates the use of multiple source programs (shown in the boxes), some preprocessed with different connection options (shown above the code), and one of which contains a SET CLIENT API call.

PGM1: CONNECT(2) SQLRULES(DB2) DISCONNECT(CONDITIONAL)

```
...
exec sql CONNECT TO OTTAWA;
exec sql SELECT col1 INTO :hv1
FROM tb11;
...
```

PGM2: CONNECT(2) SQLRULES(STD) DISCONNECT(AUTOMATIC)

```
...
exec sql CONNECT TO QUEBEC;
exec sql SELECT col1 INTO :hv1
FROM tb12;
...
```

PGM3: CONNECT(2) SQLRULES(STD) DISCONNECT(EXPLICIT)

```
...
SET CLIENT CONNECT 2 SQLRULES DB2 DISCONNECT EXPLICIT 1
exec sql CONNECT TO LONDON;
exec sql SELECT col1 INTO :hv1
FROM tb13;
...
```

¹ Note: not the actual syntax of the SET CLIENT API

PGM4: CONNECT(2) SQLRULES(DB2) DISCONNECT(CONDITIONAL)

```
...
exec sql CONNECT TO REGINA;
exec sql SELECT col1 INTO :hv1
FROM tb14;
...
```

CONNECT (Type 2)

If the application executes PGM1 then PGM2:

- connect to OTTAWA runs: connect=2, sqlrules=DB2, disconnect=CONDITIONAL
- connect to QUEBEC fails with SQLSTATE 08001 because both SQLRULES and DISCONNECT are different.

If the application executes PGM1 then PGM3:

- connect to OTTAWA runs: connect=2, sqlrules=DB2, disconnect=CONDITIONAL
- connect to LONDON runs: connect=2, sqlrules=DB2, disconnect=EXPLICIT

This is OK because the SET CLIENT API is run before the second CONNECT statement.

If the application executes PGM1 then PGM4:

- connect to OTTAWA runs: connect=2, sqlrules=DB2, disconnect=CONDITIONAL
- connect to REGINA runs: connect=2, sqlrules=DB2, disconnect=CONDITIONAL

This is OK because the preprocessor options for PGM1 are the same as those for PGM4.

Example 2:

This example shows the interrelationships of the CONNECT (Type 2), SET CONNECTION, RELEASE, and DISCONNECT statements. S0, S1, S2, and S3 represent four servers.

Sequence	Statement	Current Server	Dormant Connections	Release Pending
0	• No statement	• None	• None	• None
1	• SELECT * FROM TBLA	• S0 (default)	• None	• None
2	• CONNECT TO S1 • SELECT * FROM TBLB	• S1 • S1	• S0 • S0	• None • None
3	• CONNECT TO S2 • UPDATE TBLC SET ...	• S2 • S2	• S0, S1 • S0, S1	• None • None
4	• CONNECT TO S3 • SELECT * FROM TBLD	• S3 • S3	• S0, S1, S2 • S0, S1, S2	• None • None
5	• SET CONNECTION S2	• S2	• S0, S1, S3	• None
6	• RELEASE S3	• S2	• S0, S1	• S3
7	• COMMIT	• S2	• S0, S1	• None
8	• SELECT * FROM TBLE	• S2	• S0, S1	• None
9	• DISCONNECT S1 • SELECT * FROM TBLF	• S2 • S2	• S0 • S0	• None • None

CREATE ALIAS

The CREATE ALIAS statement defines an alias for a table, view, nickname, or another alias.

Invocation

This statement can be embedded in an application program or issued through the use of dynamic SQL statements. It is an executable statement that can be dynamically prepared only if DYNAMICRULES run behavior is in effect for the package (SQLSTATE 42509).

Authorization

The privileges held by the authorization ID of the statement must include at least one of the following:

- IMPLICIT_SCHEMA authority on the database, if the implicit or explicit schema name of the alias does not exist
- CREATEIN privilege on the schema, if the schema name of the alias refers to an existing schema
- SYSADM or DBADM authority

Privileges required to use the referenced object through its alias are identical to the privileges required to use the object directly.

Syntax

```

▶▶—CREATE—ALIAS—alias-name—FOR—table-name—▶▶
                               |
                               |—view-name—
                               |
                               |—nickname—
                               |
                               |—alias-name2—

```

Description

alias-name

Names the alias. The name must not identify a table, view, nickname, or alias that exists in the current database.

If a two-part name is specified, the schema name cannot begin with 'SYS' (SQLSTATE 42939).

The rules for defining an alias name are the same as those used for defining a table name.

FOR *table-name*, *view-name*, *nickname*, or *alias-name2*

Identifies the table, view, nickname, or alias for which *alias-name* is defined. If another alias name is supplied (*alias-name2*), then it must not be the same as the new *alias-name* being defined (in its fully-qualified form). The *table-name* cannot be a declared temporary table (SQLSTATE 42995).

Notes

- The definition of the newly created alias is stored in SYSCAT.TABLES.
- An alias can be defined for an object that does not exist at the time of the definition. If it does not exist, a warning is issued (SQLSTATE 01522). However, the referenced object must exist when a SQL statement containing the alias is compiled, otherwise an error is issued (SQLSTATE 52004).
- An alias can be defined to refer to another alias as part of an alias chain but this chain is subject to the same restrictions as a single alias when used in an SQL statement. An alias chain is resolved in the same way as a single alias. If an alias used in a view definition, a statement in a package, or a trigger points to an

CREATE ALIAS

alias chain, then a dependency is recorded for the view, package, or trigger on each alias in the chain. Repetitive cycles in an alias chain are not allowed and are detected at alias definition time.

- Creating an alias with a schema name that does not already exist will result in the implicit creation of that schema provided the authorization ID of the statement has `IMPLICIT_SCHEMA` authority. The schema owner is `SYSIBM`. The `CREATEIN` privilege on the schema is granted to `PUBLIC`.
- *Compatibilities*
 - For compatibility with DB2 for z/OS:
 - `SYNONYM` can be specified in place of `ALIAS`

Examples

Example 1: HEDGES attempts to create an alias for a table T1 (both unqualified).

```
CREATE ALIAS A1 FOR T1
```

The alias `HEDGES.A1` is created for `HEDGES.T1`.

Example 2: HEDGES attempts to create an alias for a table (both qualified).

```
CREATE ALIAS HEDGES.A1 FOR MCKNIGHT.T1
```

The alias `HEDGES.A1` is created for `MCKNIGHT.T1`.

Example 3: HEDGES attempts to create an alias for a table (alias in a different schema; HEDGES is not a `DBADM`; HEDGES does not have `CREATEIN` on schema `MCKNIGHT`).

```
CREATE ALIAS MCKNIGHT.A1 FOR MCKNIGHT.T1
```

This example fails (`SQLSTATE 42501`).

Example 4: HEDGES attempts to create an alias for an undefined table (both qualified; `FUZZY.WUZZY` does not exist).

```
CREATE ALIAS HEDGES.A1 FOR FUZZY.WUZZY
```

This statement succeeds but with a warning (`SQLSTATE 01522`).

Example 5: HEDGES attempts to create an alias for an alias (both qualified).

```
CREATE ALIAS HEDGES.A1 FOR MCKNIGHT.T1
CREATE ALIAS HEDGES.A2 FOR HEDGES.A1
```

The first statement succeeds (as per example 2).

The second statement succeeds and an alias chain is created, consisting of `HEDGES.A2` which refers to `HEDGES.A1` which refers to `MCKNIGHT.T1`. Note that it does not matter whether or not HEDGES has any privileges on `MCKNIGHT.T1`. The alias is created regardless of the table privileges.

Example 6: Designate A1 as an alias for the nickname `FUZZYBEAR`.

```
CREATE ALIAS A1 FOR FUZZYBEAR
```

Example 7: A large organization has a finance department numbered `D108` and a personnel department numbered `D577`. `D108` keeps certain information in a table that resides at a `DB2 RDBMS`. `D577` keeps certain records in a table that resides at

an Oracle RDBMS. A DBA defines the two RDBMSs as data sources within a federated system, and gives the tables the nicknames of DEPTD108 and DEPTD577, respectively. A federated system user needs to create joins between these tables, but would like to reference them by names that are more meaningful than their alphanumeric nicknames. So the user defines FINANCE as an alias for DEPTD108 and PERSONNEL as an alias for DEPTD577.

```
CREATE ALIAS FINANCE FOR DEPTD108
CREATE ALIAS PERSONNEL FOR DEPTD577
```

CREATE AUDIT POLICY

The CREATE AUDIT POLICY statement defines an auditing policy at the current server. The policy determines what categories are to be audited; it can then be applied to other database objects to determine how the use of those objects is to be audited.

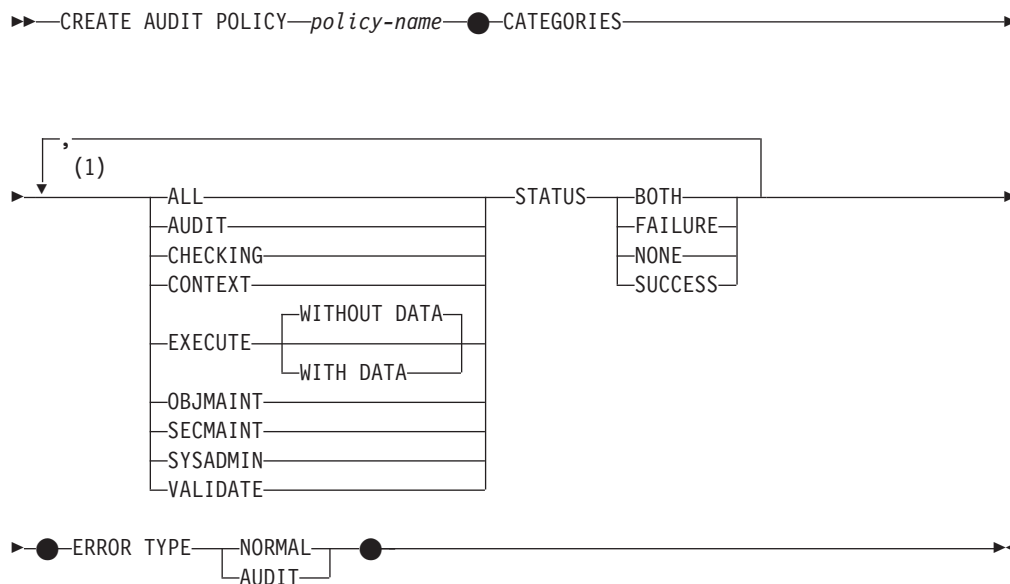
Invocation

This statement can be embedded in an application program or issued interactively. It is an executable statement that can be dynamically prepared only if DYNAMICRULES run behavior is in effect for the package (SQLSTATE 42509).

Authorization

The privileges held by the authorization ID of the statement must include SECADM authority.

Syntax



Notes:

- Each category can be specified at most once (SQLSTATE 42614), and no other category can be specified if ALL is specified (SQLSTATE 42601).

CREATE AUDIT POLICY

Description

policy-name

Names the audit policy. This is a one-part name. It is an SQL identifier (either ordinary or delimited). The *policy-name* must not identify an audit policy already described in the catalog (SQLSTATE 42710). The name must not begin with the characters 'SYS' (SQLSTATE 42939).

CATEGORIES

A list of one or more audit categories for which a status is specified. If ALL is not specified, the STATUS of any category that is not explicitly specified is set to NONE.

ALL

Sets all categories to the same status. The EXECUTE category is WITHOUT DATA.

AUDIT

Generates records when audit settings are changed or when the audit log is accessed.

CHECKING

Generates records during authorization checking of attempts to access or manipulate database objects or functions.

CONTEXT

Generates records to show the operation context when a database operation is performed.

EXECUTE

Generates records to show the execution of SQL statements.

WITHOUT DATA or WITH DATA

Specifies whether or not input data values provided for any host variables and parameter markers should be logged as part of the EXECUTE category.

WITHOUT DATA

Input data values provided for any host variables and parameter markers are not logged as part of the EXECUTE category. WITHOUT DATA is the default.

WITH DATA

Input data values provided for any host variables and parameter markers are logged as part of the EXECUTE category. Not all input values are logged; specifically, LOB, LONG, XML, and structured type parameters appear as the null value. Date, time, and timestamp fields are logged in ISO format. The input data values are converted to the database code page before being logged. If code page conversion fails, no errors are returned and the unconverted data is logged.

OBJMAINT

Generates records when data objects are created or dropped.

SECMAINT

Generates records when object privileges, database privileges, or DBADM authority is granted or revoked. Records are also generated when the database manager security configuration parameters **sysadm_group**, **sysctrl_group**, or **sysmaint_group** are modified.

SYSADMIN

Generates records when operations requiring SYSADM, SYSMANT, or SYSCTRL authority are performed.

VALIDATE

Generates records when users are authenticated or when system security information related to a user is retrieved.

STATUS

Specifies a status for the specified category.

BOTH

Successful and failing events will be audited.

FAILURE

Only failing events will be audited.

SUCCESS

Only successful events will be audited.

NONE

No events in this category will be audited.

ERROR TYPE

Specifies whether audit errors are to be returned or ignored.

NORMAL

Any errors generated by the audit are ignored and only the SQLCODEs for errors associated with the operation being performed are returned to the application.

AUDIT

All errors, including errors occurring within the audit facility itself, are returned to the application.

Rules

- An AUDIT-exclusive SQL statement must be followed by a COMMIT or ROLLBACK statement (SQLSTATE 5U021). AUDIT-exclusive SQL statements are:
 - AUDIT
 - CREATE AUDIT POLICY, ALTER AUDIT POLICY, or DROP (AUDIT POLICY)
 - DROP (ROLE or TRUSTED CONTEXT if it is associated with an audit policy)
- An AUDIT-exclusive SQL statement cannot be issued within a global transaction (SQLSTATE 51041) such as, for example, an XA transaction.

Notes

- Only one uncommitted AUDIT-exclusive SQL statement is allowed at a time across all database partitions. If an uncommitted AUDIT-exclusive SQL statement is executing, subsequent AUDIT-exclusive SQL statements wait until the current AUDIT-exclusive SQL statement commits or rolls back.
- Changes are written to the system catalog, but do not take effect until they are committed, even for the connection that issues the statement.

Example

Create an audit policy to audit successes and failures for the AUDIT and OBJMAINT categories; only failures for the SECMAINT, CHECKING, and VALIDATE categories, and no events for the other categories.

CREATE AUDIT POLICY

```
CREATE AUDIT POLICY DBAUDPRF
  CATEGORIES AUDIT STATUS BOTH,
             SECMAINT STATUS FAILURE,
             OBJMAINT STATUS BOTH,
             CHECKING STATUS FAILURE,
             VALIDATE STATUS FAILURE
  ERROR TYPE NORMAL
```

CREATE BUFFERPOOL

The CREATE BUFFERPOOL statement defines a new buffer pool to be used by the database manager.

In a partitioned database, a default buffer pool definition is specified for each database partition, with the capability to override the size on specific database partitions. Also, in a partitioned database, the buffer pool is defined on all database partitions unless database partition groups are specified. If database partition groups are specified, the buffer pool will only be created on database partitions that are in those database partition groups.

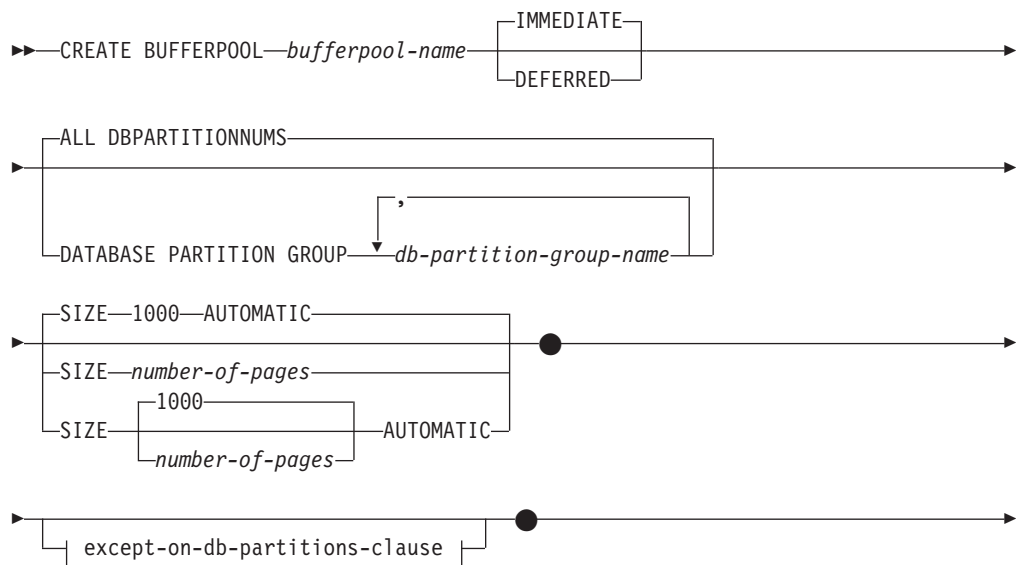
Invocation

This statement can be embedded in an application program or issued interactively. It is an executable statement that can be dynamically prepared only if DYNAMICRULES run behavior is in effect for the package (SQLSTATE 42509).

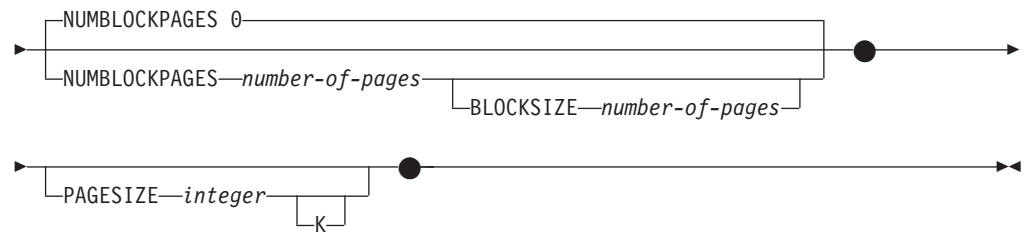
Authorization

The privileges held by the authorization ID of the statement must include SYSCTRL or SYSADM authority.

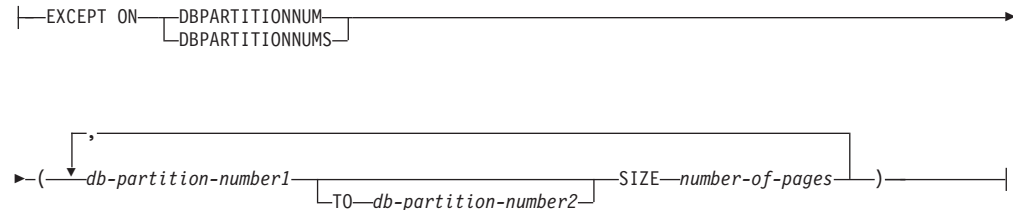
Syntax



CREATE BUFFERPOOL



except-on-db-partitions-clause:



Description

bufferpool-name

Names the buffer pool. This is a one-part name. It is an SQL identifier (either ordinary or delimited). The *bufferpool-name* must not identify a buffer pool that already exists in the catalog (SQLSTATE 42710). The *bufferpool-name* must not begin with the characters 'SYS' (SQLSTATE 42939).

IMMEDIATE or DEFERRED

Indicates whether or not the buffer pool will be created immediately.

IMMEDIATE

The buffer pool will be created immediately. If there is not enough reserved space in the database shared memory to allocate the new buffer pool (SQLSTATE 01657) the statement is executed as DEFERRED.

DEFERRED

The buffer pool will be created when the database is deactivated (all applications need to be disconnected from the database). Reserved memory space is not needed; DB2 will allocate the required memory from the system.

ALL DBPARTITIONNUMS

This buffer pool will be created on all database partitions in the database.

DATABASE PARTITION GROUP *db-partition-group-name, ...*

Identifies the database partition group or groups to which the buffer pool definition applies. If this parameter is specified, the buffer pool will only be created on database partitions in these database partition groups. Each database partition group must currently exist in the database (SQLSTATE 42704). If the DATABASE PARTITION GROUP clause is not specified, this buffer pool will be created on all database partitions (and on any database partitions that are subsequently added to the database).

SIZE

Specifies the size of the buffer pool. For a partitioned database, this will be the default size for all database partitions on which the buffer pool exists. The default is 1000 pages.

CREATE BUFFERPOOL

number-of-pages

The number of pages for the new buffer pool.

AUTOMATIC

Enables self tuning for this buffer pool. The database manager adjusts the size of the buffer pool in response to workload requirements. The implicit or explicit number of pages specified is used as the initial size of the buffer pool.

NUMBLOCKPAGES *number-of-pages*

Specifies the number of pages that should exist in the block-based area. The number of pages must not be greater than 98 percent of the number of pages for the buffer pool (SQLSTATE 54052). Specifying the value 0 disables block I/O. The actual value of NUMBLOCKPAGES used will be a multiple of BLOCKSIZE.

BLOCKSIZE *number-of-pages*

Specifies the number of pages in a block. The block size must be a value between 2 and 256 (SQLSTATE 54053). The default value is 32.

except-on-db-partitions-clause

Specifies the database partition or partitions for which the size of the buffer pool will be different than the default. If this clause is not specified, all database partitions will have the same size as specified for this buffer pool.

EXCEPT ON DBPARTITIONNUMS

Keywords that indicate that specific database partitions are specified. DBPARTITIONNUM is a synonym for DBPARTITIONNUMS.

db-partition-number1

Specifies a database partition number that is included in the database partitions for which the buffer pool is created.

TO *db-partition-number2*

Specify a range of database partition numbers. The value of *db-partition-number2* must be greater than or equal to the value of *db-partition-number1* (SQLSTATE 428A9). All database partitions between and including the specified database partition numbers must be included in the database partitions for which the buffer pool is created (SQLSTATE 42729).

SIZE *number-of-pages*

The size of the buffer pool specified as the number of pages.

PAGESIZE *integer* [K]

Defines the size of pages used for the buffer pool. The valid values for *integer* without the suffix K are 4096, 8192, 16 384, or 32 768. The valid values for *integer* with the suffix K are 4, 8, 16, or 32. Any number of spaces is allowed between *integer* and K, including no space. If the page size is not one of these values, an error is returned (SQLSTATE 428DE).

The default value is provided by the **pagesize** database configuration parameter, which is set when the database is created.

Notes

- If the buffer pool is created using the DEFERRED option, any table space created in this buffer pool will use a small system buffer pool of the same page size, until next database activation. The database has to be restarted for the buffer pool to become active and for table space assignments to the new buffer pool to take effect. The default option is IMMEDIATE.

- There should be enough real memory on the machine for the total of all the buffer pools, as well as for the rest of the database manager and application requirements. If DB2 is unable to obtain memory for the regular buffer pools, it will attempt to start up with small system buffer pools, one for each page size (4K, 8K, 16K and 32K). In this situation, a warning will be returned to the user (SQLSTATE 01626), and the pages from all table spaces will use the system buffer pools.
- *Compatibilities*
 - For compatibility with previous versions of DB2:
 - NODE can be specified in place of DBPARTITIONNUM
 - NODES can be specified in place of DBPARTITIONNUMS
 - NODEGROUP can be specified in place of DATABASE PARTITION GROUP

CREATE DATABASE PARTITION GROUP

The CREATE DATABASE PARTITION GROUP statement defines a new database partition group within the database, assigns database partitions to the database partition group, and records the database partition group definition in the system catalog.

Invocation

This statement can be embedded in an application program or issued interactively. It is an executable statement that can be dynamically prepared only if DYNAMICRULES run behavior is in effect for the package (SQLSTATE 42509).

Authorization

The privileges held by the authorization ID of the statement must include SYSCTRL or SYSADM authority.

Syntax

```

▶▶—CREATE DATABASE PARTITION GROUP—db-partition-group-name—————▶▶
|
| ON ALL DBPARTITIONNUMS—————▶▶
|
| ON —DBPARTITIONNUMS— ( —db-partition-number1— —db-partition-number2— )
|   |DBPARTITIONNUM|

```

Description

db-partition-group-name

Names the database partition group. This is a one-part name. It is an SQL identifier (either ordinary or delimited). The *db-partition-group-name* must not identify a database partition group that already exists in the catalog (SQLSTATE 42710). The *db-partition-group-name* must not begin with the characters 'SYS' or 'IBM' (SQLSTATE 42939).

ON ALL DBPARTITIONNUMS

Specifies that the database partition group is defined over all database partitions defined to the database (db2nodes.cfg file) at the time the database partition group is created.

CREATE DATABASE PARTITION GROUP

If a database partition is added to the database system, the ALTER DATABASE PARTITION GROUP statement should be issued to include this new database partition in a database partition group (including IBMDEFAULTGROUP). Furthermore, the REDISTRIBUTE DATABASE PARTITION GROUP command must be issued to move data to the database partition.

ON DBPARTITIONNUMS

Specifies the database partitions that are in the database partition group. DBPARTITIONNUM is a synonym for DBPARTITIONNUMS.

db-partition-number1

Specify a database partition number. (A *node-name* of the form NODEnnnnn can be specified for compatibility with the previous version.)

TO *db-partition-number2*

Specify a range of database partition numbers. The value of *db-partition-number2* must be greater than or equal to the value of *db-partition-number1* (SQLSTATE 428A9). All database partitions between and including the specified database partition numbers are included in the database partition group.

Rules

- Each database partition specified by number must be defined in the `db2nodes.cfg` file (SQLSTATE 42729).
- Each *db-partition-number* listed in the ON DBPARTITIONNUMS clause must be appear at most once (SQLSTATE 42728).
- A valid *db-partition-number* is between 0 and 999 inclusive (SQLSTATE 42729).

Notes

- This statement creates a distribution map for the database partition group. A distribution map identifier (PMAP_ID) is generated for each distribution map. This information is recorded in the catalog and can be retrieved from SYSCAT.DBPARTITIONGROUPS and SYSCAT.PARTITIONMAPS. Each entry in the distribution map specifies the target database partition on which all rows that are hashed reside. For a single-partition database partition group, the corresponding distribution map has only one entry. For a multiple partition database partition group, the corresponding distribution map has 4096 entries, where the database partition numbers are assigned to the map entries in a round-robin fashion, by default.
- **Compatibilities**
 - For compatibility with previous versions of DB2:
 - NODE can be specified in place of DBPARTITIONNUM
 - NODES can be specified in place of DBPARTITIONNUMS
 - NODEGROUP can be specified in place of DATABASE PARTITION GROUP

Examples

Assume that you have a partitioned database with six database partitions defined as 0, 1, 2, 5, 7, and 8.

- Assume that you want to create a database partition group called MAXGROUP on all six database partitions. The statement is as follows:

```
CREATE DATABASE PARTITION GROUP MAXGROUP ON ALL DBPARTITIONNUMS
```

- Assume that you want to create a database partition group called MEDGROUP on database partitions 0, 1, 2, 5, and 8. The statement is as follows:

CREATE DATABASE PARTITION GROUP

```
CREATE DATABASE PARTITION GROUP MEDGROUP
ON DBPARTITIONNUMS( 0 TO 2, 5, 8)
```

- Assume that you want to create a single-partition database partition group MINGROUP on database partition 7. The statement is as follows:

```
CREATE DATABASE PARTITION GROUP MINGROUP
ON DBPARTITIONNUM (7)
```

CREATE EVENT MONITOR

The CREATE EVENT MONITOR statement defines a monitor that will record certain events that occur when using the database. The definition of each event monitor also specifies where the database should record the events.

Invocation

This statement can be embedded in an application program or issued interactively. It is an executable statement that can be dynamically prepared only if DYNAMICRULES run behavior is in effect for the package (SQLSTATE 42509).

Authorization

The privileges held by the authorization ID of the statement must include either SYSADM or DBADM authority.

Syntax

```
►► CREATE EVENT MONITOR event-monitor-name FOR
```

```
┌ nonwlm-event-monitor
└ wlm-event-monitor
```

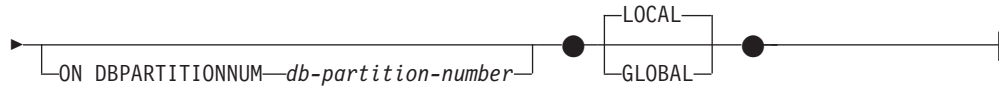
nonwlm-event-monitor:

```
┌ DATABASE
├ TABLES
├ DEADLOCKS
│   ┌ WITH DETAILS
│   │   ┌ HISTORY
│   │   └ VALUES
├ TABLESPACES
├ BUFFERPOOLS
├ CONNECTIONS
├ STATEMENTS
│   └ WHERE event-condition
└ TRANSACTIONS
```

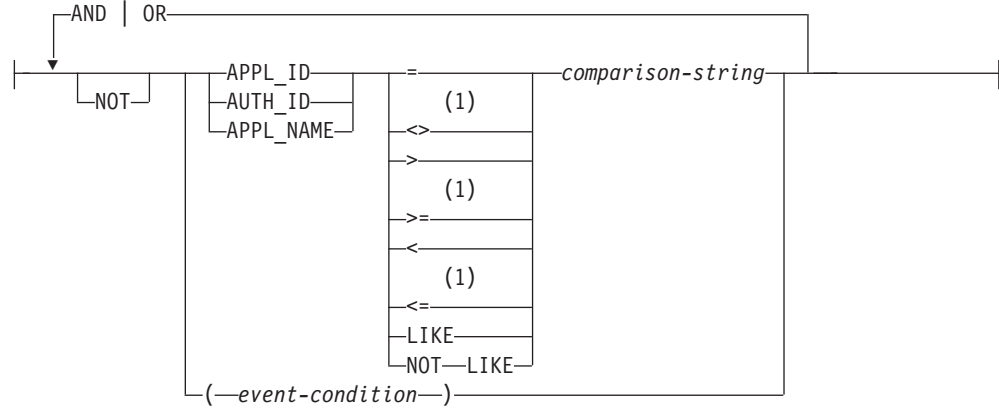
```
► WRITE TO ┌ TABLE evm-group-info
           ├── PIPE pipe-name
           └── FILE path-name file-options
```

```
● ┌ MANUALSTART
  └ AUTOSTART
```

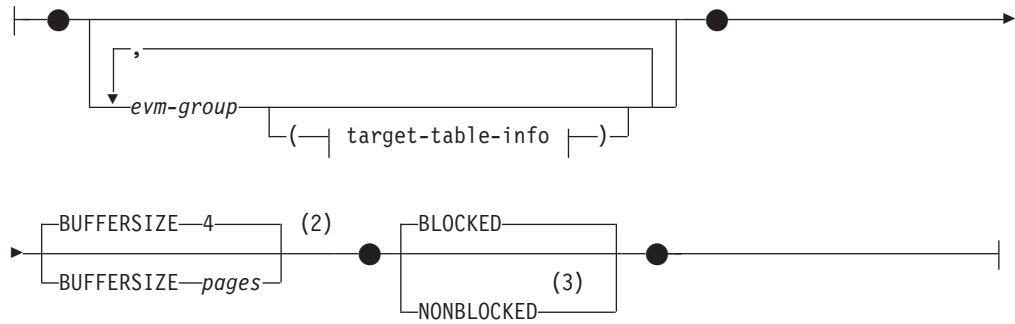
CREATE EVENT MONITOR



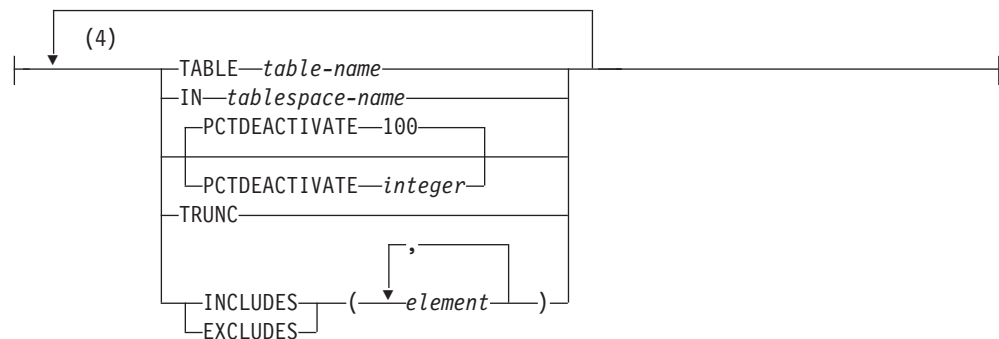
event-condition:



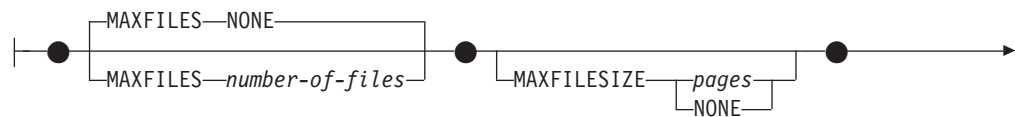
evm-group-info:



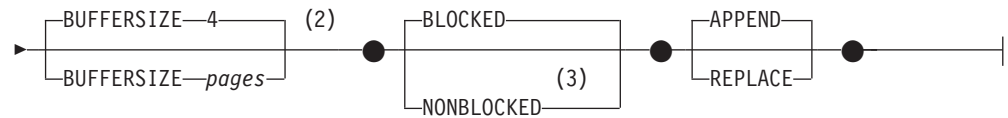
target-table-info:



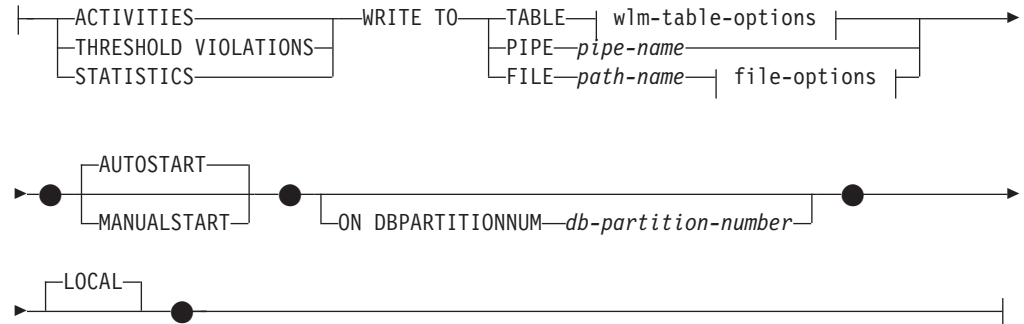
file-options:



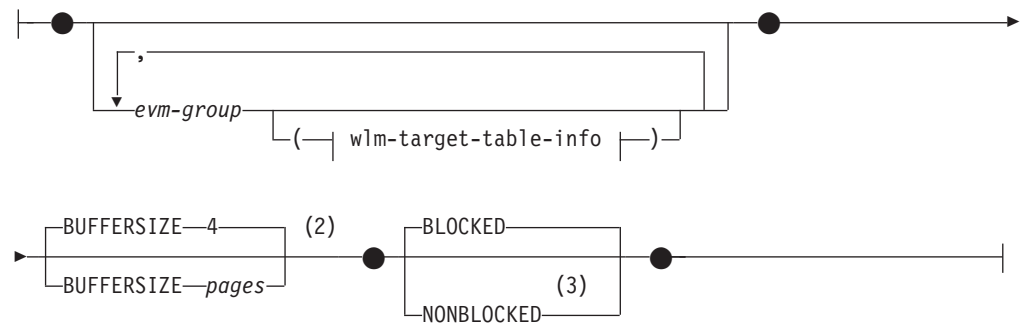
CREATE EVENT MONITOR



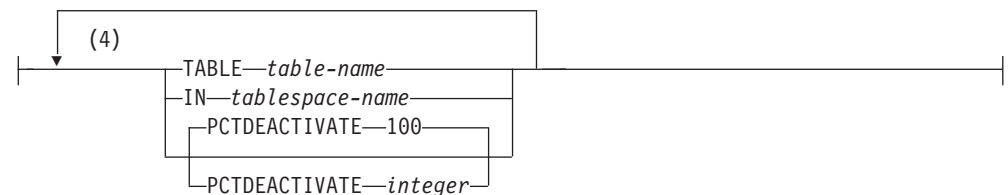
wlm-event-monitor:



wlm-table-options:



wlm-target-table-info:



Notes:

- 1 Other forms of these operators are also supported.
- 2 The BUFFER clause is only applicable to the statistics event monitor, the threshold violations event monitor, and to non-workload management (WLM) event monitors (SQLSTATE 42613).
- 3 The NONBLOCKED keyword is only applicable to the statistics event monitor, the threshold violations event monitor, and to non-WLM event monitors (SQLSTATE 42613).
- 4 Each clause can be specified only once.

CREATE EVENT MONITOR

Description

event-monitor-name

Name of the event monitor. This is a one-part name. It is an SQL identifier (either ordinary or delimited). The *event-monitor-name* must not identify an event monitor that already exists in the catalog (SQLSTATE 42710).

FOR

Introduces the type of event to record.

DATABASE

Specifies that the event monitor records a database event when the last application disconnects from the database.

TABLES

Specifies that the event monitor records a table event for each active table when the last application disconnects from the database. For partitioned tables, a table event is recorded for each data partition of each active table. An active table is a table that has changed since the first connection to the database.

DEADLOCKS

Specifies that the event monitor records a deadlock event whenever a deadlock occurs.

WITH DETAILS

Specifies that the event monitor is to generate a more detailed deadlock connection event for each application that is involved in a deadlock. This additional detail includes:

- Information about the statement that the application was executing when the deadlock occurred, such as the statement text
- The locks held by the application when the deadlock occurred. In a partitioned database environment, this includes only those locks that are held on the database partition on which the application was waiting for its lock when the deadlock occurred. For partitioned tables, this includes the data partition identifier.

HISTORY

Specifies that the event monitor data will also include:

- The history of all statements in the current unit of work at the participating node (including WITH HOLD cursors opened in previous units of work). SELECT statements issued at the uncommitted read (UR) isolation level are not included in the statement history.
- The statement compilation environment for each SQL statement in binary format (if available)

VALUES

Specifies that the event monitor data will also include:

- The data values used as input variables for each SQL statement. These data values will not include LOB data, long data, structured type data, or XML data.

Only one of: DEADLOCKS, DEADLOCKS WITH DETAILS, DEADLOCKS WITH DETAILS HISTORY, or DEADLOCKS WITH DETAILS HISTORY VALUES can be specified in a single CREATE EVENT MONITOR statement (SQLSTATE 42613).

TABLESPACES

Specifies that the event monitor records a table space event for each table space when the last application disconnects from the database.

BUFFERPOOLS

Specifies that the event monitor records a buffer pool event when the last application disconnects from the database.

ACTIVITIES

Specifies that the event monitor records an activity event when an activity finishes executing, or before the completion of execution if the event is triggered by the `WLM_CAPTURE_ACTIVITY_IN_PROGRESS` procedure. The activity must either:

- Belong to a service class or workload that has `COLLECT ACTIVITY DATA` set
- Belong to a work class whose associated work action is `COLLECT ACTIVITY DATA`
- Be identified as the activity that violated a threshold whose `COLLECT ACTIVITY DATA` clause was specified
- Have been identified in a call to the `WLM_CAPTURE_ACTIVITY_IN_PROGRESS` procedure prior to completing

THRESHOLD VIOLATIONS

Specifies that the event monitor records a threshold violation event when a threshold is violated. Such events can be recorded at any point in the life of an activity, not just at completion.

STATISTICS

Specifies that the event monitor records a service class, workload, or work class event:

- Every *period* minutes, where *period* is the value of the `wlm_collect_int` database configuration parameter
- When the `wlm_collect_stats` procedure is called

CONNECTIONS

Specifies that the event monitor records a connection event when an application disconnects from the database.

STATEMENTS

Specifies that the event monitor records a statement event whenever a SQL statement finishes executing.

TRANSACTIONS

Specifies that the event monitor records a transaction event whenever a transaction completes (that is, whenever there is a commit or rollback operation).

WHERE event-condition

Defines a filter that determines which connections cause a `CONNECTION`, `STATEMENT` or `TRANSACTION` event to occur. If the result of the event condition is `TRUE` for a particular connection, then that connection will generate the requested events.

This clause is a special form of the `WHERE` clause that should not be confused with a standard search condition.

To determine if an application will generate events for a particular event monitor, the `WHERE` clause is evaluated:

CREATE EVENT MONITOR

- For each active connection when an event monitor is first turned on
- Subsequently for each new connection to the database at connect time

The WHERE clause is not evaluated for each event.

If no WHERE clause is specified, all events of the specified event type will be monitored.

The event-condition must not exceed 32 678 bytes in length in the database code page (SQLSTATE 22001).

APPL_ID

Specifies that the application ID of each connection should be compared with the *comparison-string* in order to determine if the connection should generate CONNECTION, STATEMENT or TRANSACTION events (whichever was specified).

AUTH_ID

Specifies that the authorization ID of each connection should be compared with the *comparison-string* in order to determine if the connection should generate CONNECTION, STATEMENT or TRANSACTION events (whichever was specified).

APPL_NAME

Specifies that the application program name of each connection should be compared with the *comparison-string* in order to determine if the connection should generate CONNECTION, STATEMENT or TRANSACTION events (whichever was specified).

The application program name is the first 20 bytes of the application program file name, after the last path separator.

comparison-string

A string to be compared with the APPL_ID, AUTH_ID, or APPL_NAME of each application that connects to the database. *comparison-string* must be a string constant (that is, host variables and other string expressions are not permitted).

WRITE TO

Introduces the target for the data.

TABLE

Indicates that the target for the event monitor data is a set of database tables. The event monitor separates the data stream into one or more logical data groups and inserts each group into a separate table. Data for groups having a target table is kept, whereas data for groups not having a target table is discarded. Each monitor element contained within a group is mapped to a table column with the same name. Only elements that have a corresponding table column are inserted into the table. Other elements are discarded.

evm-group-info

Defines the target table for a logical data group. This clause should be specified for each grouping that is to be recorded. However, if no evm-group-info clauses are specified, all groups for the event monitor type are recorded.

evm-group

Identifies the logical data group for which a target table is being defined. The value depends upon the type of event monitor, as shown in the following table:

Type of Event Monitor	evm-group Value
Database	<ul style="list-style-type: none"> • DB • CONTROL¹ • DBMEMUSE
Tables	<ul style="list-style-type: none"> • TABLE • CONTROL¹
Deadlocks	<ul style="list-style-type: none"> • CONNHEADER • DEADLOCK • DLCONN • CONTROL¹
Deadlocks with details	<ul style="list-style-type: none"> • CONNHEADER • DEADLOCK • DLCONN² • DLLOCK³ • CONTROL¹
Deadlocks with details history	<ul style="list-style-type: none"> • CONNHEADER • DEADLOCK • DLCONN² • DLLOCK³ • STMTHIST • CONTROL¹
Deadlocks with details history values	<ul style="list-style-type: none"> • CONNHEADER • DEADLOCK • DLCONN² • DLLOCK³ • STMTHIST • STMTVALS • CONTROL¹
Tablespaces	<ul style="list-style-type: none"> • TABLESPACE • CONTROL¹
Bufferpools	<ul style="list-style-type: none"> • BUFFERPOOL • CONTROL¹
Connections	<ul style="list-style-type: none"> • CONNHEADER • CONN • CONTROL¹ • CONNMEMUSE
Statements	<ul style="list-style-type: none"> • CONNHEADER • STMT • SUBSECTION⁴ • CONTROL¹
Transactions	<ul style="list-style-type: none"> • CONNHEADER • XACT • CONTROL¹

CREATE EVENT MONITOR

Type of Event Monitor	evm-group Value
Activities	<ul style="list-style-type: none">• ACTIVITY• ACTIVITYSTMT• ACTIVITYVALS• CONTROL
Statistics	<ul style="list-style-type: none">• QSTATS• SCSTATS• WCSTATS• WLSTATS• HISTOGRAMBIN• CONTROL
Threshold violations	<ul style="list-style-type: none">• THRESHOLDVIOLATIONS• CONTROL

¹ Logical data groups dbheader (conn_time element only), start and overflow, are all written to the CONTROL group. The overflow group is written if the event monitor is non-blocked and events were discarded.

² Corresponds to the DETAILED_DLCONN event.

³ Corresponds to the LOCK logical data groups that occur within each DETAILED_DLCONN event.

⁴ Created only for partitioned database environments.

target-table-info

Identifies the target table for the group. If a value for *target-table-info* is not specified, CREATE EVENT MONITOR processing proceeds as follows:

- A derived table name is used (described below).
- A default table space is chosen (described below).
- All elements are included.
- PCTDEACTIVATE and TRUNC are not specified.

TABLE *table-name*

Specifies the name of the target table. The target table must be a non-partitioned table. If the name is unqualified, the table schema defaults to the schema for the current authorization ID. If no name is provided, the unqualified name is derived from *evm-group* and *event-monitor-name* as follows:

```
substring(evm-group CONCAT " "
        CONCAT event-monitor-name, 1, 128)
```

IN *tablespace-name*

Defines the table space in which the table is to be created. If no table space name is provided, the table space is chosen as follows:

```
IF table space IBMDEFAULTGROUP over which the user
has USE privilege exists
THEN choose it
ELSE IF a table space over which the user
```

```

has USE privilege exists
THEN choose it
ELSE issue an error (SQLSTATE 42727)

```

PCTDEACTIVATE *integer*

If a table is being created in a DMS table space, the PCTDEACTIVATE parameter specifies how full the table space must be before the event monitor automatically deactivates. The specified value, which represents a percentage, can range from 0 to 100. The default value is 100 (meaning that the event monitor deactivates when the table space becomes completely full). This option cannot be specified with SMS table spaces.

It is recommended that when a target table space has auto-resize enabled the PCTDEACTIVATE be set to 100.

TRUNC

Specifies that the STMT_TEXT and STMT_VALUE_DATA columns are defined as VARCHAR(*n*), where *n* is the largest size that can fit into the table row. In this case, any data that is longer than *n* bytes is truncated. The following example illustrates how the value of *n* is calculated.

Assume that:

- The table is created in a table space that uses 32K pages.
- The total length of all the other columns in the table equals 357 bytes.

In this case, the maximum row size for a table is 32677 bytes. Therefore, the element would be defined as VARCHAR(32316); that is, 32677 - 357 - 4. If TRUNC is not specified, the column will be defined as CLOB(64K). Note that STMT_TEXT is found in the STMT event group, the STMT_HISTORY event group, and the DLCONN event group (for deadlocks with details event monitors). STMT_VALUE_DATA is found in the DATA_VALUE event group.

INCLUDES

Specifies that the following elements are to be included in the table.

EXCLUDES

Specifies that the following elements are *not* to be included in the table.

element

Identifies a monitor element. Element information can be provided in one of the following forms:

- Specify no element information. In this case, all elements are included in the CREATE TABLE statement.
- Specify the elements to include in the form: INCLUDES (element1, element2, ..., element*n*). Only table columns are created for these elements.
- Specify the elements to exclude in the form: EXCLUDES (element1, element2, ..., element*n*). Only table columns are created for all elements except these.

CREATE EVENT MONITOR

Use the `db2evtbl` command to build a `CREATE EVENT MONITOR` statement that includes a complete list of elements for a group.

BUFFERSIZE *pages*

Specifies the size of the event monitor buffers (in units of 4K pages). Table event monitors insert all data from a buffer, and issues a `COMMIT` once the buffer has been processed. The larger the buffers, the larger the commit scope used by the event monitor. Highly active event monitors should have larger buffers than relatively inactive event monitors. When a monitor is started, two buffers of the specified size are allocated. Event monitors use double buffering to permit asynchronous I/O.

The default size of each buffer is 4 pages (two 16K buffers are allocated). The minimum size is 1 page. The maximum size of the buffers is limited by the size of the monitor heap, because the buffers are allocated from that heap. If many event monitors are being used at the same time, increase the size of the `mon_heap_sz` database manager configuration parameter.

BLOCKED

Specifies that each agent that generates an event should wait for an event buffer to be written out to disk if the agent determines that both event buffers are full. `BLOCKED` should be selected to guarantee no event data loss. This is the default option.

NONBLOCKED

Specifies that each agent that generates an event should not wait for the event buffer to be written out to disk if the agent determines that both event buffers are full. `NONBLOCKED` event monitors do not slow down database operations to the extent of `BLOCKED` event monitors. However, `NONBLOCKED` event monitors are subject to data loss on highly active systems.

PIPE

Specifies that the target for the event monitor data is a named pipe. The event monitor writes the data to the pipe in a single stream (that is, as if it were a single, infinitely long file). When writing the data to a pipe, an event monitor does not perform blocked writes. If there is no room in the pipe buffer, then the event monitor will discard the data. It is the monitoring application's responsibility to read the data promptly if it wishes to ensure no data loss.

pipe-name

The name of the pipe (FIFO on AIX) to which the event monitor will write the data.

The naming rules for pipes are platform specific. On UNIX operating systems, pipe names are treated like file names. As a result, relative pipe names are permitted, and are treated like relative path-names (see *path-name* below). On Windows, however, there is a special syntax for a pipe name and, as a result, absolute pipe names are required.

The existence of the pipe will not be checked at event monitor creation time. It is the responsibility of the monitoring application to have created and opened the pipe for reading at the time that the event monitor is activated. If the pipe is not available at this time, then the event monitor will turn itself off, and will log an error. (That is, if the event monitor was activated at database start time as a result of the

AUTOSTART option, then the event monitor will log an error in the system error log.) If the event monitor is activated via the SET EVENT MONITOR STATE SQL statement, then that statement will fail (SQLSTATE 58030).

FILE

Indicates that the target for the event monitor data is a file (or set of files). The event monitor writes out the stream of data as a series of 8 character numbered files, with the extension "evt". (for example, 00000000.evt, 00000001.evt, and 00000002.evt). The data should be considered to be one logical file even though the data is broken up into smaller pieces (that is, the start of the data stream is the first byte in the file 00000000.evt; the end of the data stream is the last byte in the file nnnnnnnn.evt).

The maximum size of each file can be defined as well as the maximum number of files. An event monitor will never split a single event record across two files. However, an event monitor may write related records in two different files. It is the responsibility of the application that uses this data to keep track of such related information when processing the event files.

path-name

The name of the directory in which the event monitor should write the event files data. The path must be known at the server; however, the path itself could reside on another database partition (for example, on a UNIX system, this might be an NFS mounted file). A string constant must be used when specifying the *path-name*.

The directory does not have to exist at CREATE EVENT MONITOR time. However, a check is made for the existence of the target path when the event monitor is activated. At that time, if the target path does not exist, an error (SQLSTATE 428A3) is raised.

If an absolute path (a path that starts with the root directory on AIX, or a disk identifier on Windows) is specified, the specified path will be the one used. If a relative path (a path that does not start with the root) is specified, then the path relative to the DB2EVENT directory in the database directory will be used.

When a relative path is specified, the DB2EVENT directory is used to convert it into an absolute path. Thereafter, no distinction is made between absolute and relative paths. The absolute path is stored in the SYSCAT.EVENTMONITORS catalog view.

It is possible to specify two or more event monitors that have the same target path. However, once one of the event monitors has been activated for the first time, and as long as the target directory is not empty, it will be impossible to activate any of the other event monitors.

file-options

Specifies the options for the file format.

MAXFILES NONE

Specifies that there is no limit to the number of event files that the event monitor will create. This is the default.

MAXFILES *number-of-files*

Specifies that there is a limit on the number of event monitor files that will exist for a particular event monitor at any time. Whenever an event monitor has to create another file, it will check to make

CREATE EVENT MONITOR

sure that the number of .evt files in the directory is less than *number-of-files*. If this limit has already been reached, then the event monitor will turn itself off.

If an application removes the event files from the directory after they have been written, then the total number of files that an event monitor can produce can exceed *number-of-files*. This option has been provided to allow a user to guarantee that the event data will not consume more than a specified amount of disk space.

MAXFILESIZE *pages*

Specifies that there is a limit to the size of each event monitor file. Whenever an event monitor writes a new event record to a file, it checks that the file will not grow to be greater than *pages* (in units of 4K pages). If the resulting file would be too large, then the event monitor switches to the next file. The default for this option is:

- Windows - 200 4K pages
- UNIX - 1000 4K pages

The number of pages must be greater than at least the size of the event buffer in pages. If this requirement is not met, then an error (SQLSTATE 428A4) is raised.

MAXFILESIZE NONE

Specifies that there is no set limit on a file's size. If MAXFILESIZE NONE is specified, then MAXFILES 1 must also be specified. This option means that one file will contain all of the event data for a particular event monitor. In this case the only event file will be 00000000.evt.

BUFFERSIZE *pages*

Specifies the size of the event monitor buffers (in units of 4K pages). All event monitor file I/O is buffered to improve the performance of the event monitors. The larger the buffers, the less I/O will be performed by the event monitor. Highly active event monitors should have larger buffers than relatively inactive event monitors. When the monitor is started, two buffers of the specified size are allocated. Event monitors use double buffering to permit asynchronous I/O.

The default size of each buffer is 4 pages (two 16K buffers are allocated). The minimum size is 1 page. The maximum size of the buffers is limited by the value of the MAXFILESIZE parameter, as well as the size of the monitor heap, because the buffers are allocated from that heap. If many event monitors are being used at the same time, increase the size of the **mon_heap_sz** database manager configuration parameter.

Event monitors that write their data to a pipe also have two internal (non-configurable) buffers that are each 1 page in size. These buffers are also allocated from the monitor heap (MON_HEAP). For each active event monitor that has a pipe target, increase the size of the database heap by 2 pages.

BLOCKED

Specifies that each agent that generates an event should wait for an event buffer to be written out to disk if the agent determines that both event buffers are full. BLOCKED should be selected to guarantee no event data loss. This is the default option.

NONBLOCKED

Specifies that each agent that generates an event should not wait for the event buffer to be written out to disk if the agent determines that both event buffers are full. NONBLOCKED event monitors do not slow down database operations to the extent of BLOCKED event monitors. However, NONBLOCKED event monitors are subject to data loss on highly active systems.

APPEND

Specifies that if event data files already exist when the event monitor is turned on, then the event monitor will append the new event data to the existing stream of data files. When the event monitor is reactivated, it will resume writing to the event files as if it had never been turned off. APPEND is the default option.

The APPEND option does not apply at CREATE EVENT MONITOR time, if there is existing event data in the directory where the newly created event monitor is to write its event data.

REPLACE

Specifies that if event data files already exist when the event monitor is turned on, then the event monitor will erase all of the event files and start writing data to file 00000000.evt.

MANUALSTART

Specifies that the event monitor must be activated manually using the SET EVENT MONITOR STATE statement. After a MANUALSTART event monitor has been activated, it can be deactivated only by using the SET EVENT MONITOR STATE statement or by stopping the instance. This is the default behavior of non-WLM event monitors except the DB2DETAILDEADLOCK event monitor.

AUTOSTART

Specifies that the event monitor is to be automatically activated whenever the database partition on which the event monitor runs is activated. This is the default behavior of WLM event monitors and the DB2DETAILDEADLOCK event monitor.

ON DBPARTITIONNUM *db-partition-number*

Specifies the database partition on which a file or pipe event monitor is to run. When the monitoring scope is defined as LOCAL, data is only collected on the specified partition. When the monitoring scope is defined as GLOBAL, all database partitions collect data and report to the database partition with the specified number. The I/O component will physically run on the specified database partition, writing records to the specified file or pipe.

This clause is not valid for table event monitors. In a partitioned database environment, write-to-table event monitors will run and write events on all database partitions where table spaces for target tables are defined.

If this clause is not specified, the currently connected database partition number (for the application) is used.

LOCAL

The event monitor reports only on the database partition that is running. It gives a partial trace of the database activity. This is the default.

This clause is not valid for table event monitors.

CREATE EVENT MONITOR

GLOBAL

The event monitor reports on all database partitions. For a partitioned database, only DEADLOCKS event monitors can be defined as GLOBAL.

This clause is not valid for table event monitors.

Rules

- Each of the event types (DATABASE, TABLES, DEADLOCKS,...) can only be specified once in a particular event monitor definition.

Notes

- Event monitor definitions are recorded in the SYSCAT.EVENTMONITORS catalog view. The events themselves are recorded in the SYSCAT.EVENTS catalog view. The names of target tables are recorded in the SYSCAT.EVENTTABLES catalog view.
- There is a performance impact when using DEADLOCKS WITH DETAILS rather than DEADLOCKS. When a deadlock occurs, the database manager requires extra time to record the extra deadlock information.
- A CONNHEADER event is normally written whenever a connection is established. However, if an event monitor is created only for DEADLOCKS WITH DETAILS, a CONNHEADER event will only be written the first time that the connection participates in a deadlock.
- In a database with multiple database partitions, the ON DBPARTITIONNUM clause can be used with FILE and PIPE event monitors having a DEADLOCKS event type to indicate where the event monitor itself should reside; information from other database partitions, if relevant, is sent to that location for processing.
- In a database with multiple database partitions, a deadlock event monitor will receive information about applications that have locks participating in the deadlock from all the database partitions on which those participating locks existed. If the database partition to which the application is connected (the application coordinator partition) is not one of the participating database partitions, no information about a deadlock event will be received from that database partition.
- The BUFFERSIZE parameter restricts the size of STMT, STMT_HISTORY, DATA_VALUE, and DETAILED_DLCONN events. If a STMT or a STMT_HISTORY event cannot fit within a buffer, it is truncated by truncating statement text. If a DETAILED_DLCONN event cannot fit within a buffer, it is truncated by removing locks. If it still cannot fit, statement text is truncated. If a DATA_VAL event cannot fit within a buffer, the data value is truncated.
Event monitors WITH DETAILS HISTORY VALUES (and, to a lesser extent, WITH DETAILS HISTORY) use a significant amount of monitor heap space to track statements and their data values. For more information, see the description of the **mon_heap_sz** database manager configuration parameter.
- If the database partition on which the event monitor is to run is not active, event monitor activation occurs when that database partition next activates.
- After an event monitor is activated, it behaves like an autostart event monitor until that event monitor is explicitly deactivated or the instance is recycled. That is, if an event monitor is active when a database partition is deactivated, and that database partition is subsequently reactivated, the event monitor is also explicitly reactivated.
- *Write to table event monitors:*
 - General Notes:

CREATE EVENT MONITOR

- All target tables are created when the CREATE EVENT MONITOR statement executes.
 - If the creation of a table fails for any reason, an error is passed back to the application program, and the CREATE EVENT MONITOR statement fails.
 - A target table can only be used by one event monitor. During CREATE EVENT MONITOR processing, if a target table is found to have already been defined for use by another event monitor, the CREATE EVENT MONITOR statement fails, and an error is passed back to the application program. A table is defined for use by another event monitor if the table name matches a value found in the SYSCAT.EVENTTABLES catalog view.
 - During CREATE EVENT MONITOR processing, if a table already exists, but is *not* defined for use by another event monitor, no table is created, and processing continues. A warning is passed back to the application program.
 - Any table spaces must exist before the CREATE EVENT MONITOR statement is executed. The CREATE EVENT MONITOR statement does not create table spaces.
 - If specified, the LOCAL and GLOBAL keywords are ignored. With WRITE TO TABLE event monitors, an event monitor output process or thread is started on each database partition in the instance, and each of these processes reports data only for the database partition on which it is running.
 - The following event types from the flat monitor log file or pipe format are not recorded by write to table event monitors:
 - LOG_STREAM_HEADER
 - LOG_HEADER
 - DB_HEADER (Elements db_name and db_path are not recorded. The element conn_time is recorded in CONTROL.)
 - In a partitioned database environment, data is only written to target tables on the database partitions where their table spaces exist. If a table space for a target table does not exist on some database partition, data for that target table is ignored. This behavior allows users to choose a subset of database partitions for monitoring, by creating a table space that exists only on certain database partitions.

In a partitioned database environment, if some target tables do not reside on a database partition, but other target tables do reside on that same database partition, only the data for the target tables that do reside on that database partition is recorded.
 - Users must manually prune all target tables.
- Table Columns:
- Column names in a table match an event monitor element identifier. Monitor variables of type sqlm_time (elapsed time) are an exception. The column names for such types are TYPE_NAME_S, and TYPE_NAME_MS, representing the columns that store the time in seconds and microseconds, respectively. Any event monitor element that does *not* have a corresponding target table column is ignored.
 - Use the db2evtbl command to build a CREATE EVENT MONITOR command that includes a complete list of elements for a group.
 - The types of columns being used for monitor elements correlate to the following mapping:

SQLM_TYPE_STRING	CHAR[n], VARCHAR[n] or CLOB(n) (If the data in the event monitor record exceeds <i>n</i> bytes,
------------------	--

CREATE EVENT MONITOR

SQLM_TYPE_U8BIT and SQLM_TYPE_8BIT SMALLINT, INTEGER or BIGINT
 SQLM_TYPE_16BIT and SQLM_TYPE_U16BIT SMALLINT, INTEGER or BIGINT
 SQLM_TYPE_32BIT and SQLM_TYPE_U32BIT INTEGER or BIGINT
 SQLM_TYPE_U64BIT and SQLM_TYPE_64BIT BIGINT
 sqlm_timestamp TIMESTAMP
 sqlm_time(elapsed time) BIGINT
 sqlca:
 sqlerrmc VARCHAR[72]
 sqlstate CHAR[5]
 sqlwarn CHAR[11]
 other fields INTEGER or BIGINT

- Columns are defined to be NOT NULL.
- Because the performance of tables with CLOB columns is inferior to tables that have VARCHAR columns, consider using the TRUNC keyword when specifying the STMT *evm-group* value (or the DLCONN *evm-group* value, if using the DEADLOCKS WITH DETAILS event type).
- Unlike other target tables, the columns in the CONTROL table do not match monitor element identifiers. Columns are defined as follows:

Column Name	Data Type	Nullable	Description
PARTITION_KEY	INTEGER	N	Distribution key (partitioned database only)
PARTITION_NUMBER	INTEGER	N	Database partition number (partitioned database only)
EVMONNAME	VARCHAR(128)	N	Name of the event monitor
MESSAGE	VARCHAR(128)	N	Describes the nature of the MESSAGE_TIME column. This can be one of the following: <ul style="list-style-type: none"> - FIRST_CONNECT (the time of the first connect to the database after activation) - EVMON_START (the time that the event monitor listed in EVMONNAME was started) - OVERFLOWS:<i>n</i> (denotes that <i>n</i> records were discarded because of buffer overflow) - LAST_DROPPED_RECORD (the last time that an overflow occurred)
MESSAGE_TIME	TIMESTAMP	N	Timestamp

- In a partitioned database environment, the first column of each table is named PARTITION_KEY, is NOT NULL, and is of type INTEGER. This column is used as the distribution key for the table. The value of this column is chosen so that each event monitor process inserts data into the database partition on which the process is running; that is, insert operations are performed locally on the database partition where the event monitor process is running. On any database partition, the PARTITION_KEY field will contain the same value. This means that if a database partition is dropped and data redistribution is performed, all data on the dropped database partition will go to one other database partition instead of being evenly distributed. Therefore, before removing a database partition, consider deleting all table rows on that database partition.
- In a partitioned database environment, a column named PARTITION_NUMBER can be defined for each table. This column is NOT NULL and is of type INTEGER. It contains the number of the database partition on which the data was inserted. Unlike the PARTITION_KEY

column, the PARTITION_NUMBER column is not mandatory. The PARTITION_NUMBER column is not allowed in a non-partitioned database environment.

- Table Attributes:
 - Default table attributes are used. Besides distribution key (partitioned databases only), no extra options are specified when creating tables.
 - Indexes on the table can be created.
 - Extra table attributes (such as volatile, RI, triggers, constraints, and so on) can be added, but the event monitor process (or thread) will ignore them.
 - If "not logged initially" is added as a table attribute, it is turned off at the first COMMIT, and is not set back on.
- Event Monitor Activation:
 - When an event monitor activates, all target table names are retrieved from the SYSCAT.EVENTTABLES catalog view.
 - In a partitioned database environment, activation processing occurs on every database partition of the instance. On a particular database partition, activation processing determines the table spaces and database partition groups for each target table. The event monitor only activates on a database partition if at least one target table exists on that database partition. Moreover, if some target table is not found on a database partition, that target table is flagged so that data destined for that table is dropped during runtime processing.
 - If a target table does not exist when the event monitor activates (or, in a partitioned database environment, if the table space does not reside on a database partition), activation continues, and data that would otherwise be inserted into this table is ignored.
 - Activation processing validates each target table. If validation fails, activation of the event monitor fails, and messages are written to the administration log.
 - During activation in a partitioned database environment, the CONTROL table rows for FIRST_CONNECT and EVMON_START are only inserted on the catalog database partition. This requires that the table space for the control table exist on the catalog database partition. If it does not exist on the catalog database partition, these inserts are not performed.
 - In a partitioned database environment, if a partition is not yet active when a write to table event monitor is activated, the event monitor will be activated the next time that partition is activated.
- Run Time:
 - An event monitor runs with DBADM authority.
 - If, while an event monitor is active, an insert operation into a target table fails:
 - Uncommitted changes are rolled back.
 - A message is written to the administration log.
 - The event monitor is deactivated.
 - If an event monitor is active, it performs a local COMMIT when it has finished processing an event monitor buffer.
 - In a partitioned database environment, the actual statement text, which can be up to 65 535 bytes in length, is only stored (in the STMT or DLCONN table) by the event monitor process running on the application coordinator database partition. On other database partitions, this value has zero length.

CREATE EVENT MONITOR

- In a non-partitioned database environment, all write to table event monitors are deactivated when the last application terminates (and the database has not been explicitly activated). In a partitioned database environment, write to table event monitors are deactivated when the catalog partition deactivates.
 - The DROP EVENT MONITOR statement does not drop target tables.
 - Whenever a write-to-table event monitor activates, it will acquire IN table locks on each target table in order to prevent them from being modified while the event monitor is active. Table locks are maintained on all tables while the event monitor is active. If exclusive access is required on any of the target tables (for example, when a utility is to be run), first deactivate the event monitor to release the table locks before attempting such access.
- **Compatibilities**
 - For compatibility with previous versions of DB2:
 - NODE can be specified in place of DBPARTITIONNUM
 - Commas can be used to separate multiple options in the *target-table-info* clause or the *wlm-target-table-info* clause

Examples

Example 1: The following example creates an event monitor called SMITHPAY. This event monitor, will collect event data for the database as well as for the SQL statements performed by the PAYROLL application owned by the JSMITH authorization ID. The data will be appended to the absolute path /home/jsmith/event/smithpay/. A maximum of 25 files will be created. Each file will be a maximum of 1 024 4K pages long. The file I/O will be non-blocked.

```
CREATE EVENT MONITOR SMITHPAY
FOR DATABASE, STATEMENTS
WHERE APPL_NAME = 'PAYROLL' AND AUTH_ID = 'JSMITH'
WRITE TO FILE '/home/jsmith/event/smithpay'
MAXFILES 25
MAXFILESIZE 1024
NONBLOCKED
APPEND
```

Example 2: The following example creates an event monitor called DEADLOCKS_EVTS. This event monitor will collect deadlock events and will write them to the relative path DLOCKS. One file will be written, and there is no maximum file size. Each time the event monitor is activated, it will append the event data to the file 00000000.evt if it exists. The event monitor will be started each time the database is started. The I/O will be blocked by default.

```
CREATE EVENT MONITOR DEADLOCK_EVTS
FOR DEADLOCKS
WRITE TO FILE 'DLOCKS'
MAXFILES 1
MAXFILESIZE NONE
AUTOSTART
```

Example 3: This example creates an event monitor called DB_APPLS. This event monitor collects connection events, and writes the data to the named pipe /home/jsmith/aplpipe.

```
CREATE EVENT MONITOR DB_APPLS
FOR CONNECTIONS
WRITE TO PIPE '/home/jsmith/aplpipe'
```

Example 4: This example, which assumes a partitioned database environment, creates an event monitor called FOO. This event monitor collects SQL statement events and writes them to SQL tables with the following derived names:

- CONNHEADER_FOO
- STMT_FOO
- SUBSECTION_FOO
- CONTROL_FOO

Because no table space information is supplied, all tables will be created in a table space selected by the system, based on the rules described under the `IN tablespace-name` clause. All tables include all elements for their group (that is, columns are defined whose names are equivalent to the element names.)

```
CREATE EVENT MONITOR FOO
FOR STATEMENTS
WRITE TO TABLE
```

Example 5: This example, which assumes a partitioned database environment, creates an event monitor called BAR. This event monitor collects SQL statement and transaction events and writes them to tables as follows:

- Any data from the STMT group is written to table MYDEPT.MYSTMTINFO. The table is created in table space MYTABLESPACE. Create columns only for the following elements: ROWS_READ, ROWS_WRITTEN, and STMT_TEXT. Any other elements of the group will be discarded.
- Any data from the SUBSECTION group is written to table MYDEPT.MYSUBSECTIONINFO. The table is created in table space MYTABLESPACE. The table includes all columns, except START_TIME, STOP_TIME, and PARTIAL_RECORD.
- Any data from the XACT group is written to table XACT_BAR. Because no table space information is supplied, the table will be created in a table space selected by the system, based on the rules described under the `IN tablespace-name` clause. This table includes all elements contained in the XACT group.
- No tables are created for connheader or control; all data for these groups are discarded.

```
CREATE EVENT MONITOR BAR
FOR STATEMENTS, TRANSACTIONS
WRITE TO TABLE
  STMT(TABLE MYDEPT.MYSTMTINFO IN MYTABLESPACE
        INCLUDES(ROWS_READ, ROWS_WRITTEN, STMT_TEXT)),
  STMT(TABLE MYDEPT.MYSTMTINFO IN MYTABLESPACE
        EXCLUDES(START_TIME, STOP_TIME, PARTIAL_RECORD)),
XACT
```

CREATE FUNCTION

The `CREATE FUNCTION` statement is used to register or define a user-defined function or function template at the current server.

There are five different types of functions that can be created using this statement. Each of these is described separately.

- **External Scalar.** The function is written in a programming language and returns a scalar value. The external executable is registered in the database, along with various attributes of the function.

CREATE FUNCTION

- **External Table.** The function is written in a programming language and returns a complete table. The external executable is registered in the database along with various attributes of the function.
- **OLE DB External Table.** A user-defined OLE DB external table function is registered in the database to access data from an OLE DB provider.
- **Sourced or Template.** A source function is implemented by invoking another function (either built-in, external, SQL, or source) that is already registered in the database.

It is possible to create a partial function, called a *function template*, which defines what types of values are to be returned, but which contains no executable code. The user maps it to a data source function within a federated system, so that the data source function can be invoked from a federated database. A function template can be registered only with an application server that is designated as a federated server.

- **SQL Scalar, Table or Row.** The function body is written in SQL and defined together with the registration in the database. It returns a scalar value, a table, or a single row.

CREATE FUNCTION (External Scalar)

The CREATE FUNCTION (External Scalar) statement is used to register a user-defined external scalar function at the current server. A *scalar function* returns a single value each time it is invoked, and is in general valid wherever an SQL expression is valid.

Invocation

This statement can be embedded in an application program or issued through the use of dynamic SQL statements. It is an executable statement that can be dynamically prepared only if DYNAMICRULES run behavior is in effect for the package (SQLSTATE 42509).

Authorization

The privileges held by the authorization ID of the statement must include at least one of the following:

- CREATE_EXTERNAL_ROUTINE authority on the database and at least one of the following:
 - IMPLICIT_SCHEMA authority on the database, if the schema name of the function does not refer to an existing schema
 - CREATEIN privilege on the schema, if the schema name of the function refers to an existing schema
- SYSADM or DBADM authority

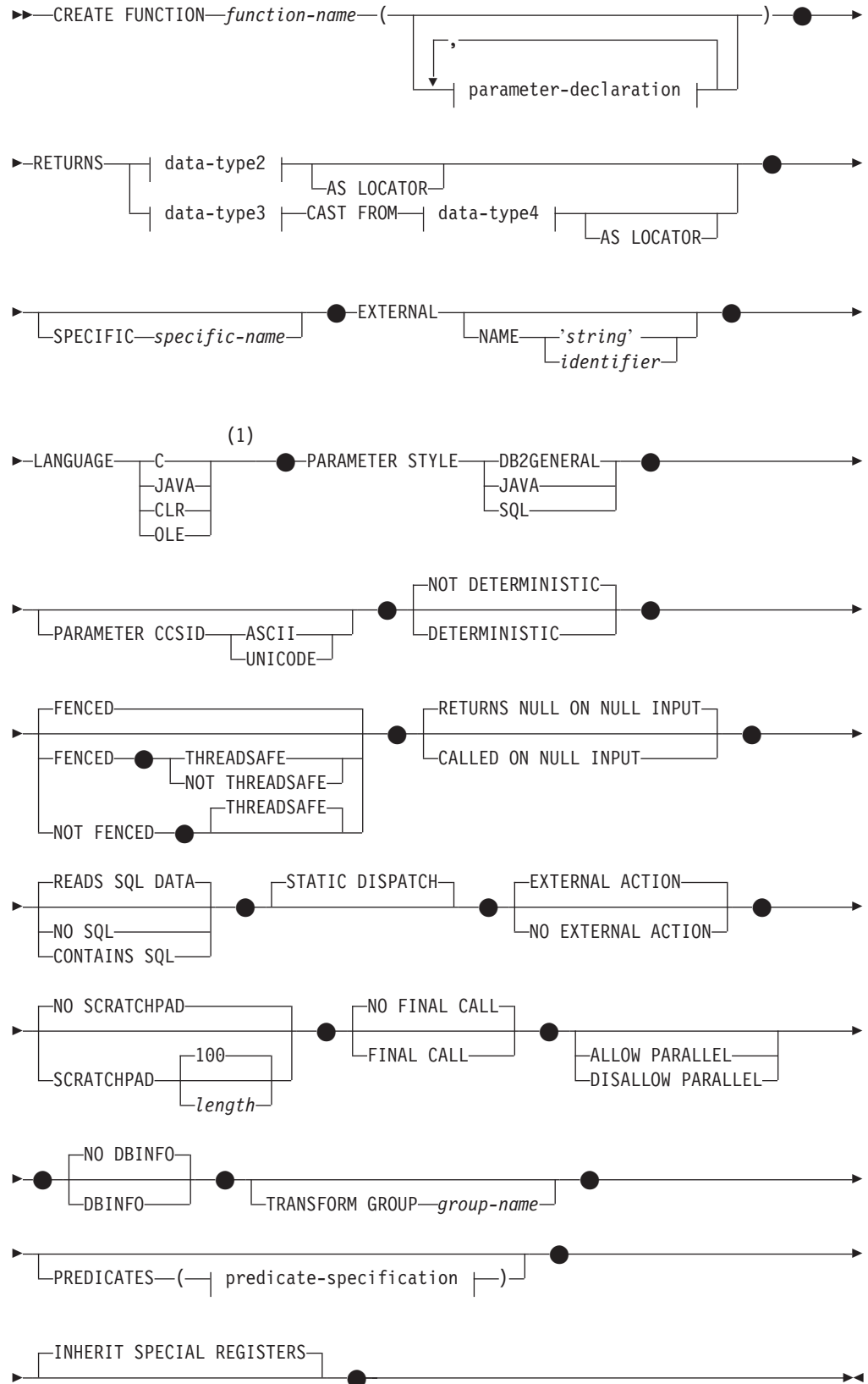
To create a not-fenced function, the privileges held by the authorization ID of the statement must also include at least one of the following:

- CREATE_NOT_FENCED_ROUTINE authority on the database
- SYSADM or DBADM authority

To create a fenced function, no additional authorities or privileges are required.

CREATE FUNCTION (External Scalar)

Syntax

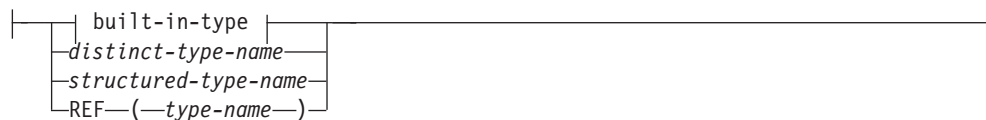


CREATE FUNCTION (External Scalar)

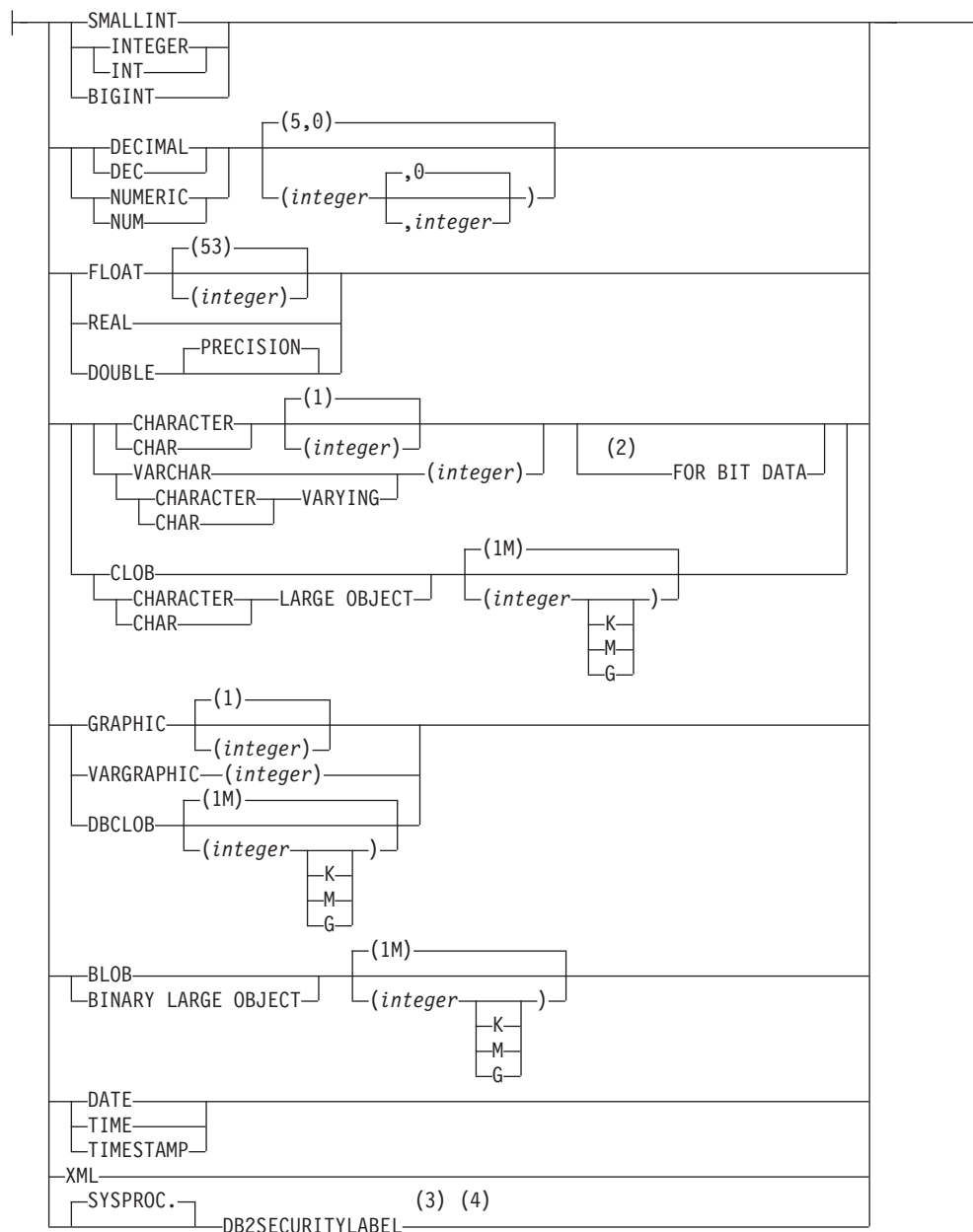
parameter-declaration:



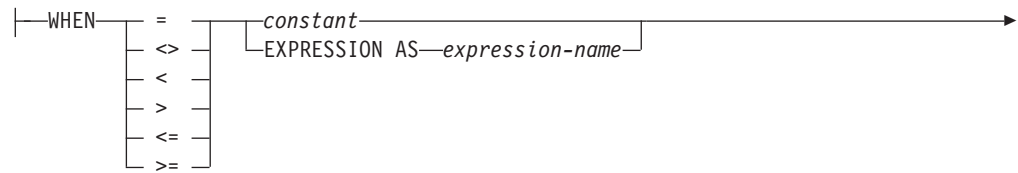
data-type1, data-type2, data-type3, data-type4:



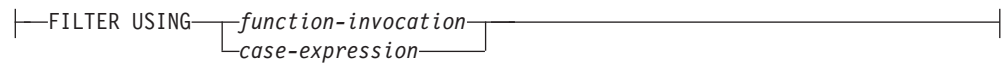
built-in-type:



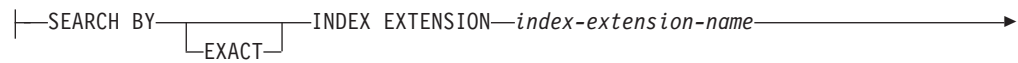
predicate-specification:



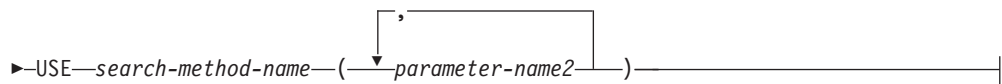
data-filter:



index-exploitation:



exploitation-rule:



Notes:

- 1 LANGUAGE SQL is also supported.
- 2 The FOR BIT DATA clause can be specified in any order with the other column constraints that follow.
- 3 DB2SECURITYLABEL is the built-in distinct type that must be used to define the row security label column of a protected table.
- 4 For a column of type DB2SECURITYLABEL, NOT NULL WITH DEFAULT is implicit and cannot be explicitly specified (SQLSTATE 42842). The default value for a column of type DB2SECURITYLABEL is the session authorization ID's security label for write access.

CREATE FUNCTION (External Scalar)

Description

function-name

Names the function being defined. It is a qualified or unqualified name that designates a function. The unqualified form of *function-name* is an SQL identifier (with a maximum length of 128). In dynamic SQL statements, the CURRENT SCHEMA special register is used as a qualifier for an unqualified object name. In static SQL statements the QUALIFIER precompile/bind option implicitly specifies the qualifier for unqualified object names. The qualified form is a *schema-name* followed by a period and an SQL identifier. The qualified name must not be the same as the data type of the first parameter, if that first parameter is a structured type.

The name, including the implicit or explicit qualifiers, together with the number of parameters and the data type of each parameter (without regard for any length, precision or scale attributes of the data type) must not identify a function or method described in the catalog (SQLSTATE 42723). The unqualified name, together with the number and data types of the parameters, while of course unique within its schema, need not be unique across schemas.

If a two-part name is specified, the *schema-name* cannot begin with 'SYS'. Otherwise, an error (SQLSTATE 42939) is raised.

A number of names used as keywords in predicates are reserved for system use, and cannot be used as a *function-name*. The names are SOME, ANY, ALL, NOT, AND, OR, BETWEEN, NULL, LIKE, EXISTS, IN, UNIQUE, OVERLAPS, SIMILAR, MATCH, and the comparison operators. Failure to observe this rule will lead to an error (SQLSTATE 42939).

In general, the same name can be used for more than one function if there is some difference in the signature of the functions.

Although there is no prohibition against it, an external user-defined function should not be given the same name as a built-in function, unless it is an intentional override. To give a function having a different meaning the same name (for example, LENGTH, VALUE, MAX), with consistent arguments, as a built-in scalar or column function, is to invite trouble for dynamic SQL statements, or when static SQL applications are rebound; the application may fail, or perhaps worse, may appear to run successfully while providing a different result.

(parameter-declaration,...)

Identifies the number of input parameters of the function, and specifies the data type of each parameter. One entry in the list must be specified for each parameter that the function will expect to receive. No more than 90 parameters are allowed (SQLSTATE 54023).

It is possible to register a function that has no parameters. In this case, the parentheses must still be coded, with no intervening data types. For example:

```
CREATE FUNCTION WOOFER() ...
```

No two identically-named functions within a schema are permitted to have exactly the same type for all corresponding parameters. Lengths, precisions, and scales are not considered in this type comparison. Therefore, CHAR(8) and CHAR(35) are considered to be the same type, as are DECIMAL(11,2) and DECIMAL (4,3). For a Unicode database, CHAR(13) and GRAPHIC(8) are considered to be the same type. There is some further bundling of types that causes them to be treated as the same type for this purpose, such as DECIMAL and NUMERIC. A duplicate signature returns an error (SQLSTATE 42723).

CREATE FUNCTION (External Scalar)

parameter-name

Specifies an optional name for the input parameter. Parameter names are required to reference the parameters of a function in the *index-exploitation* clause of a predicate specification. The name cannot be the same as any other *parameter-name* in the parameter list (SQLSTATE 42734).

data-type1

Specifies the data type of the input parameter. The data type can be a built-in data type, a distinct type, a structured type, or a reference type. For a more complete description of each built-in data type, see “CREATE TABLE”. Some data types are not supported in all languages. For details on the mapping between SQL data types and host language data types, see “Data types that map to SQL data types in embedded SQL applications”.

- A datetime type parameter is passed as a character data type, and the data is passed in the ISO format.
- DECIMAL (and NUMERIC) are invalid with LANGUAGE C and OLE (SQLSTATE 42815).
- DECFLOAT is invalid with LANGUAGE C, COBOL, CLR, JAVA, and OLE (SQLSTATE 42815).
- XML is invalid with LANGUAGE OLE.
- Because the XML value that is seen inside a function is a serialized version of the XML value that is passed as a parameter in the function call, parameters of type XML must be declared using the syntax XML AS CLOB(*n*).
- CLR does not support DECIMAL scale greater than 28 (SQLSTATE 42613).
- Array types cannot be specified (SQLSTATE 42815).

For a user-defined distinct type, the length, precision, or scale attributes for the parameter are those of the source type of the distinct type (those specified on CREATE TYPE). A distinct type parameter is passed as the source type of the distinct type. If the name of the distinct type is unqualified, the database manager resolves the schema name by searching the schemas in the SQL path.

For a user-defined structured type, the appropriate transform functions must exist in the associated transform group.

For a reference type, the parameter can be specified as REF(*type-name*) if the parameter is unscoped.

AS LOCATOR

Specifies that a locator to the value of the parameter is passed to the function instead of the actual value. Specify AS LOCATOR only for parameters with a LOB data type or a distinct type based on a LOB data type (SQLSTATE 42601). Passing locators instead of values can result in fewer bytes being passed to the function, especially when the value of the parameter is very large.

The AS LOCATOR clause has no effect on determining whether data types can be promoted, nor does it affect the function signature, which is used in function resolution.

If the function is FENCED and has the NO SQL option, the AS LOCATOR clause cannot be specified (SQLSTATE 42613).

RETURNS

This mandatory clause identifies the output of the function.

CREATE FUNCTION (External Scalar)

data-type2

Specifies the data type of the output.

In this case, exactly the same considerations apply as for the parameters of external functions described above under *data-type1* for function parameters.

AS LOCATOR

For LOB types or distinct types which are based on LOB types, the AS LOCATOR clause can be added. This indicates that a LOB locator is to be passed from the UDF instead of the actual value.

data-type3 **CAST FROM** *data-type4*

Specifies the data type of the output.

This form of the RETURNS clause is used to return a different data type to the invoking statement from the data type that was returned by the function code. For example, in

```
CREATE FUNCTION GET_HIRE_DATE(CHAR(6))  
RETURNS DATE CAST FROM CHAR(10)  
...
```

the function code returns a CHAR(10) value to the database manager, which, in turn, converts it to a DATE and passes that value to the invoking statement. The *data-type4* must be castable to the *data-type3* parameter. If it is not castable, an error (SQLSTATE 42880) is raised.

Since the length, precision or scale for *data-type3* can be inferred from *data-type4*, it not necessary (but still permitted) to specify the length, precision, or scale for parameterized types specified for *data-type3*. Instead empty parentheses may be used (for example VARCHAR() may be used). FLOAT() cannot be used (SQLSTATE 42601) since parameter value indicates different data types (REAL or DOUBLE).

Distinct types, array types, and structured types are not valid as the type specified in *data-type4* (SQLSTATE 42815).

The cast operation is also subject to run-time checks that might result in conversion errors being raised.

AS LOCATOR

For *data-type4* specifications that are LOB types or distinct types which are based on LOB types, the AS LOCATOR clause can be added. This indicates that a LOB locator is to be passed back from the UDF instead of the actual value.

SPECIFIC *specific-name*

Provides a unique name for the instance of the function that is being defined. This specific name can be used when sourcing on this function, dropping the function, or commenting on the function. It can never be used to invoke the function. The unqualified form of *specific-name* is an SQL identifier (with a maximum length of 128). The qualified form is a *schema-name* followed by a period and an SQL identifier. The name, including the implicit or explicit qualifier, must not identify another function instance or method specification that exists at the application server; otherwise an error (SQLSTATE 42710) is raised.

The *specific-name* may be the same as an existing *function-name*.

If no qualifier is specified, the qualifier that was used for *function-name* is used. If a qualifier is specified, it must be the same as the explicit or implicit qualifier of *function-name* or an error (SQLSTATE 42882) is raised.

CREATE FUNCTION (External Scalar)

If *specific-name* is not specified, a unique name is generated by the database manager. The unique name is SQL followed by a character timestamp, SQLyymmddhhmssxxx.

EXTERNAL

This clause indicates that the CREATE FUNCTION statement is being used to register a new function based on code written in an external programming language and adhering to the documented linkage conventions and interface.

If NAME clause is not specified "NAME *function-name*" is assumed.

NAME 'string'

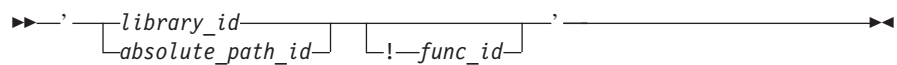
This clause identifies the name of the user-written code which implements the function being defined.

The 'string' option is a string constant with a maximum of 254 bytes. The format used for the string is dependent on the LANGUAGE specified.

- For LANGUAGE C:

The *string* specified is the library name and function within the library, which the database manager invokes to execute the user-defined function being created. The library (and the function within the library) do not need to exist when the CREATE FUNCTION statement is executed. However, when the function is used in an SQL statement, the library and function within the library must exist and be accessible from the database server machine; otherwise, an error is returned (SQLSTATE 42724).

The *string* can be specified as follows:



Extraneous blanks are not permitted within the single quotation marks.

library_id

Identifies the library name containing the function. The database manager will look for the library as follows:

- On UNIX systems, if 'myfunc' was given as the *library_id*, and the database manager is being run from /u/production, the database manager will look for the function in library /u/production/sqlib/function/myfunc.
- On Windows operating systems, the database manager will look for the function in a directory path that is specified by the LIBPATH or PATH environment variable.

absolute_path_id

Identifies the full path name of the file containing the function.

On UNIX systems, for example, '/u/jchui/mylib/myfunc' would cause the database manager to look in /u/jchui/mylib for the myfunc shared library.

On Windows operating systems, 'd:\mylib\myfunc.dll' would cause the database manager to load the dynamic link library, myfunc.dll, from the d:\mylib directory. If an absolute path ID is being used to identify the routine body, be sure to append the .dll extension.

! *func_id*

Identifies the entry point name of the function to be invoked. The ! serves as a delimiter between the library ID and the function ID.

CREATE FUNCTION (External Scalar)

On a UNIX system, for example, 'mymod!func8' would direct the database manager to look for the library \$inst_home_dir/sql/lib/function/mymod and to use entry point func8 within that library.

On Windows operating systems, 'mymod!func8' would direct the database manager to load the mymod.dll file and to call the func8() function in the dynamic link library (DLL).

If the string is not properly formed, an error is returned (SQLSTATE 42878).

The body of every external function should be in a directory that is available on every database partition.

- For LANGUAGE JAVA:

The *string* specified contains the optional jar file identifier, class identifier and method identifier, which the database manager invokes to execute the user-defined function being created. The class identifier and method identifier do not need to exist when the CREATE FUNCTION statement is executed. If a *jar_id* is specified, it must exist when the CREATE FUNCTION statement is executed. However, when the function is used in an SQL statement, the method identifier must exist and be accessible from the database server machine; otherwise, an error is returned (SQLSTATE 42724).

The *string* can be specified as follows:

```
→ ' _____class_id_____ . _____method_id_____ ' →  
    | _____| | _____|  
    | jar_id : | | |  
    | _____| | _____|
```

Extraneous blanks are not permitted within the single quotation marks.

jar_id

Identifies the jar identifier given to the jar collection when it was installed in the database. It can be either a simple identifier, or a schema qualified identifier. Examples are 'myJar' and 'mySchema.myJar'.

class_id

Identifies the class identifier of the Java object. If the class is part of a package, the class identifier part must include the complete package prefix, for example, 'myPacks.UserFuncs'. The Java virtual machine will look in directory '.../myPacks/UserFuncs/' for the classes. On Windows operating systems, the Java virtual machine will look in directory '...\myPacks\UserFuncs\'.

method_id

Identifies the method name of the Java object to be invoked.

- For LANGUAGE CLR:

The *string* specified represents the .NET assembly (library or executable), the class within that assembly, and the method within the class that the database manager invokes to execute the function being created. The module, class, and method do not need to exist when the CREATE FUNCTION statement is executed. However, when the function is used in an SQL statement, the module, class, and method must exist and be accessible from the database server machine; otherwise, an error is returned (SQLSTATE 42724).

C++ routines that are compiled with the '/clr' compiler option to indicate that they include managed code extensions must be cataloged as 'LANGUAGE CLR' and not 'LANGUAGE C'. DB2 needs to know that

CREATE FUNCTION (External Scalar)

the .NET infrastructure is being utilized in a user-defined function in order to make necessary runtime decisions. All user-defined functions using the .NET infrastructure must be cataloged as 'LANGUAGE CLR'. The *string* can be specified as follows:

►► '—*assembly*—:—*class_id*—!—*method_id*—' ◀◀

The name must be enclosed by single quotation marks. Extraneous blanks are not permitted.

assembly

Identifies the DLL or other assembly file in which the class resides. Any file extensions (such as .dll) must be specified. If the full path name is not given, the file must reside in the function directory of the DB2 install path (for example, c:\sqlib\function). If the file resides in a subdirectory of the install function directory, the subdirectory can be given before the file name rather than specifying the full path. For example, if your install directory is c:\sqlib and your assembly file is c:\sqlib\function\myprocs\mydotnet.dll, it is only necessary to specify 'myprocs\mydotnet.dll' for the assembly. The case sensitivity of this parameter is the same as the case sensitivity of the file system.

class_id

Specifies the name of the class within the given assembly in which the method that is to be invoked resides. If the class resides within a namespace, the full namespace must be given in addition to the class. For example, if the class EmployeeClass is in namespace MyCompany.ProcedureClasses, then MyCompany.ProcedureClasses.EmployeeClass must be specified for the class. Note that the compilers for some .NET languages will add the project name as a namespace for the class, and the behavior may differ depending on whether the command line compiler or the GUI compiler is used. This parameter is case sensitive.

method_id

Specifies the method within the given class that is to be invoked. This parameter is case sensitive.

- For LANGUAGE OLE:

The *string* specified is the OLE programmatic identifier (progid) or class identifier (clsid), and method identifier, which the database manager invokes to execute the user-defined function being created. The programmatic identifier or class identifier, and method identifier do not need to exist when the CREATE FUNCTION statement is executed. However, when the function is used in an SQL statement, the method identifier must exist and be accessible from the database server machine; otherwise, an error is returned (SQLSTATE 42724).

The *string* can be specified as follows:

►► '—*progid*—!—*method_id*—' ◀◀
 └—*clsid*—┘

Extraneous blanks are not permitted within the single quotation marks.

progid

Identifies the programmatic identifier of the OLE object.

CREATE FUNCTION (External Scalar)

progid is not interpreted by the database manager but only forwarded to the OLE APIs at run time. The specified OLE object must be creatable and support late binding (also called IDispatch-based binding).

clsid

Identifies the class identifier of the OLE object to create. It can be used as an alternative for specifying a *progid* in the case that an OLE object is not registered with a *progid*. The *clsid* has the form:

{nnnnnnnn-nnnn-nnnn-nnnn-nnnnnnnnnnn}

where 'n' is an alphanumeric character. *clsid* is not interpreted by the database manager but only forwarded to the OLE APIs at run time.

method_id

Identifies the method name of the OLE object to be invoked.

NAME *identifier*

This *identifier* specified is an SQL identifier. The SQL identifier is used as the *library-id* in the string. Unless it is a delimited identifier, the identifier is folded to upper case. If the identifier is qualified with a schema name, the schema name portion is ignored. This form of NAME can only be used with LANGUAGE C.

LANGUAGE

This mandatory clause is used to specify the language interface convention to which the user-defined function body is written.

C This means the database manager will call the user-defined function as if it were a C function. The user-defined function must conform to the C language calling and linkage convention as defined by the standard ANSI C prototype.

JAVA This means the database manager will call the user-defined function as a method in a Java class.

CLR This means the database manager will call the user-defined function as a method in a .NET class. At this time, LANGUAGE CLR is only supported for user-defined functions running on Windows operating systems. NOT FENCED cannot be specified for a CLR routine (SQLSTATE 42601).

OLE This means the database manager will call the user-defined function as if it were a method exposed by an OLE automation object. The user-defined function must conform with the OLE automation data types and invocation mechanism, as described in the *OLE Automation Programmer's Reference*.

LANGUAGE OLE is only supported for user-defined functions stored in DB2 for Windows operating systems. THREADSAFE may not be specified for UDFs defined with LANGUAGE OLE (SQLSTATE 42613).

PARAMETER STYLE

This clause is used to specify the conventions used for passing parameters to and returning the value from functions.

DB2GENERAL

Used to specify the conventions for passing parameters to and returning the value from external functions that are defined as a method in a Java class. This can only be specified when LANGUAGE JAVA is used.

The value DB2GENRL may be used as a synonym for DB2GENERAL.

JAVA

This means that the function will use a parameter passing convention that conforms to the Java language and SQLJ Routines specification. This can only be specified when LANGUAGE JAVA is used, no structured data types are specified as parameters, and no CLOB, BLOB, or DBCLOB data types are specified as return types (SQLSTATE 429B8). PARAMETER STYLE JAVA functions do not support the FINAL CALL, SCRATCHPAD, or DBINFO clause.

SQL

Used to specify the conventions for passing parameters to and returning the value from external functions that conform to C language calling and linkage conventions, methods exposed by OLE automation objects, or public static methods of a .NET object. This must be specified when LANGUAGE C, LANGUAGE CLR, or LANGUAGE OLE is used.

PARAMETER CCSID

Specifies the encoding scheme to use for all string data passed into and out of the function. If the PARAMETER CCSID clause is not specified, the default is PARAMETER CCSID UNICODE for Unicode databases, and PARAMETER CCSID ASCII for all other databases.

ASCII

Specifies that string data is encoded in the database code page. If the database is a Unicode database, PARAMETER CCSID ASCII cannot be specified (SQLSTATE 56031). When the function is invoked, the application code page for the function is the database code page.

UNICODE

Specifies that string data is encoded in Unicode. If the database is a Unicode database, character data is in UTF-8, and graphic data is in UCS-2. If the database is not a Unicode database, character data is in UTF-8. In either case, when the function is invoked, the application code page for the function is 1208.

If the database is not a Unicode database, and a function with PARAMETER CCSID UNICODE is created, the function cannot have any graphic types, the XML type, or user-defined types (SQLSTATE 560C1).

If the database is not a Unicode database, and the alternate collating sequence has been specified in the database configuration, functions can be created with either PARAMETER CCSID ASCII or PARAMETER CCSID UNICODE. All string data passed into and out of the function will be converted to the appropriate code page.

This clause cannot be specified with LANGUAGE OLE, LANGUAGE JAVA, or LANGUAGE CLR (SQLSTATE 42613).

DETERMINISTIC or NOT DETERMINISTIC

This optional clause specifies whether the function always returns the same results for given argument values (DETERMINISTIC) or whether the function depends on some state values that affect the results (NOT DETERMINISTIC). That is, a DETERMINISTIC function must always return the same result from successive invocations with identical inputs. Optimizations taking advantage of the fact that identical inputs always produce the same results are prevented by specifying NOT DETERMINISTIC. An example of a NOT DETERMINISTIC function would be a random-number generator. An example of a DETERMINISTIC function would be a function that determines the square root of the input.

CREATE FUNCTION (External Scalar)

FENCED or NOT FENCED

This clause specifies whether or not the function is considered “safe” to run in the database manager operating environment’s process or address space.

If a function is registered as FENCED, the database manager protects its internal resources (for example, data buffers) from access by the function. Most functions will have the option of running as FENCED or NOT FENCED. In general, a function running as FENCED will not perform as well as a similar one running as NOT FENCED.

CAUTION:

Use of NOT FENCED for functions not adequately coded, reviewed and tested can compromise the integrity of DB2. DB2 takes some precautions against many of the common types of inadvertent failures that might occur, but cannot guarantee complete integrity when NOT FENCED user-defined functions are used.

Only FENCED can be specified for a function with LANGUAGE OLE or NOT THREADSAFE (SQLSTATE 42613).

If the function is FENCED and has the NO SQL option, the AS LOCATOR clause cannot be specified (SQLSTATE 42613).

Either SYSADM authority, DBADM authority, or a special authority (CREATE_NOT_FENCED_ROUTINE) is required to register a user-defined function as NOT FENCED.

LANGUAGE CLR user-defined functions cannot be created when specifying the NOT FENCED clause (SQLSTATE 42601).

THREADSAFE or NOT THREADSAFE

Specifies whether the function is considered safe to run in the same process as other routines (THREADSAFE), or not (NOT THREADSAFE).

If the function is defined with LANGUAGE other than OLE:

- If the function is defined as THREADSAFE, the database manager can invoke the function in the same process as other routines. In general, to be threadsafe, a function should not use any global or static data areas. Most programming references include a discussion of writing threadsafe routines. Both FENCED and NOT FENCED functions can be THREADSAFE.
- If the function is defined as NOT THREADSAFE, the database manager will never simultaneously invoke the function in the same process as another routine.

For FENCED functions, THREADSAFE is the default if the LANGUAGE is JAVA or CLR. For all other languages, NOT THREADSAFE is the default. If the function is defined with LANGUAGE OLE, THREADSAFE may not be specified (SQLSTATE 42613).

For NOT FENCED functions, THREADSAFE is the default. NOT THREADSAFE cannot be specified (SQLSTATE 42613).

RETURNS NULL ON NULL INPUT or CALLED ON NULL INPUT

This optional clause may be used to avoid a call to the external function if any of the arguments is null. If the user-defined function is defined to have no parameters, then of course this null argument condition cannot arise, and it does not matter how this specification is coded.

If RETURNS NULL ON NULL INPUT is specified, and if, at execution time, any one of the function’s arguments is null, then the user-defined function is not called and the result is the null value.

CREATE FUNCTION (External Scalar)

If CALLED ON NULL INPUT is specified, then regardless of whether any arguments are null, the user-defined function is called. It can return a null value or a normal (non-null) value. But responsibility for testing for null argument values lies with the UDF.

The value NULL CALL may be used as a synonym for CALLED ON NULL INPUT for backwards and family compatibility. Similarly, NOT NULL CALL may be used as a synonym for RETURNS NULL ON NULL INPUT.

NO SQL, CONTAINS SQL, READS SQL DATA

Indicates whether the function issues any SQL statements and, if so, what type.

NO SQL

Indicates that the function cannot execute any SQL statements (SQLSTATE 38001).

CONTAINS SQL

Indicates that SQL statements that neither read nor modify SQL data can be executed by the function (SQLSTATE 38004 or 42985). Statements that are not supported in any function return a different error (SQLSTATE 38003 or 42985).

READS SQL DATA

Indicates that some SQL statements that do not modify SQL data can be included in the function (SQLSTATE 38002 or 42985). Statements that are not supported in any function return a different error (SQLSTATE 38003 or 42985).

STATIC DISPATCH

This optional clause indicates that at function resolution time, DB2 chooses a function based on the static types (declared types) of the parameters of the function.

EXTERNAL ACTION or NO EXTERNAL ACTION

Specifies whether the function takes an action that changes the state of an object that the database manager does not manage. An example of an external action is sending a message or writing a record to a file. The default is EXTERNAL ACTION.

EXTERNAL ACTION

Specifies that the function takes an action that changes the state of an object that the database manager does not manage.

A function with external actions might return incorrect results if the function is executed by parallel tasks. For example, if the function sends a note for each initial call to it, one note is sent for each parallel task instead of once for the function. Specify the DISALLOW PARALLEL clause for functions that do not work correctly with parallelism.

NO EXTERNAL ACTION

Specifies that the function does not take any action that changes the state of an object that the database manager does not manage. The database manager uses this information during optimization of SQL statements.

NO SCRATCHPAD or SCRATCHPAD *length*

This optional clause may be used to specify whether a scratchpad is to be provided for an external function. (It is strongly recommended that user-defined functions be re-entrant, so a scratchpad provides a means for the function to “save state” from one call to the next.)

CREATE FUNCTION (External Scalar)

If `SCRATCHPAD` is specified, then at first invocation of the user-defined function, memory is allocated for a scratchpad to be used by the external function. This scratchpad has the following characteristics:

- *length*, if specified, sets the size of the scratchpad in bytes; this value must be between 1 and 32 767 (SQLSTATE 42820). The default size is 100 bytes.
- It is initialized to all X'00's.
- Its scope is the SQL statement. There is one scratchpad per reference to the external function in the SQL statement. So if the UDFX function in the following statement is defined with the `SCRATCHPAD` keyword, three scratchpads would be assigned.

```
SELECT A, UDFX(A) FROM TABLEB
WHERE UDFX(A) > 103 OR UDFX(A) < 19
```

If `ALLOW PARALLEL` is specified or defaulted to, then the scope is different from the above. If the function is executed in multiple database partitions, a scratchpad would be assigned in each database partition where the function is processed, for each reference to the function in the SQL statement. Similarly, if the query is executed with intra-partition parallelism enabled, more than three scratchpads may be assigned.

- It is persistent. Its content is preserved from one external function call to the next. Any changes made to the scratchpad by the external function on one call will be there on the next call. The database manager initializes scratchpads at the beginning of execution of each SQL statement. The database manager may reset scratchpads at the beginning of execution of each subquery. The system issues a final call before resetting a scratchpad if the `FINAL CALL` option is specified.
- It can be used as a central point for system resources (for example, memory) which the external function might acquire. The function could acquire the memory on the first call, keep its address in the scratchpad, and refer to it in subsequent calls.

(In such a case where system resource is acquired, the `FINAL CALL` keyword should also be specified; this causes a special call to be made at end-of-statement to allow the external function to free any system resources acquired.)

If `SCRATCHPAD` is specified, then on each invocation of the user-defined function an additional argument is passed to the external function which addresses the scratchpad.

If `NO SCRATCHPAD` is specified then no scratchpad is allocated or passed to the external function.

`SCRATCHPAD` is not supported for `PARAMETER STYLE JAVA` functions.

FINAL CALL or NO FINAL CALL

This optional clause specifies whether a final call is to be made to an external function. The purpose of such a final call is to enable the external function to free any system resources it has acquired. It can be useful in conjunction with the `SCRATCHPAD` keyword in situations where the external function acquires system resources such as memory and anchors them in the scratchpad. If `FINAL CALL` is specified, then at execution time:

- An additional argument is passed to the external function which specifies the type of call. The types of calls are:
 - Normal call: SQL arguments are passed and a result is expected to be returned.

CREATE FUNCTION (External Scalar)

- First call: the first call to the external function for this reference to the user-defined function in this SQL statement. The first call is a normal call.
- Final call: a final call to the external function to enable the function to free up resources. The final call is not a normal call. This final call occurs at the following times:
 - End-of-statement: This case occurs when the cursor is closed for cursor-oriented statements, or when the statement is through executing otherwise.
 - End-of-parallel-task: This case occurs when the function is executed by parallel tasks.
 - End-of-transaction or interrupt: This case occurs when the normal end-of-statement does not occur. For example, the logic of an application may for some reason bypass the close of the cursor. During this type of final call, no SQL statements may be issued except for CLOSE cursor (SQLSTATE 38505). This type of final call is indicated with a special value in the "call type" argument.

If a commit operation occurs while a cursor defined as WITH HOLD is open, a final call is made at the subsequent close of the cursor or at the end of the application.

If NO FINAL CALL is specified then no "call type" argument is passed to the external function, and no final call is made.

FINAL CALL is not supported for PARAMETER STYLE JAVA functions.

ALLOW PARALLEL or DISALLOW PARALLEL

This optional clause specifies whether, for a single reference to the function, the invocation of the function can be parallelized. In general, the invocations of most scalar functions should be parallelizable, but there may be functions (such as those depending on a single copy of a scratchpad) that cannot. If either ALLOW PARALLEL or DISALLOW PARALLEL are specified for a scalar function, then DB2 will accept this specification. The following questions should be considered in determining which keyword is appropriate for the function.

- Are all the UDF invocations completely independent of each other? If YES, then specify ALLOW PARALLEL.
- Does each UDF invocation update the scratchpad, providing value(s) that are of interest to the next invocation? (For example, the incrementing of a counter.) If YES, then specify DISALLOW PARALLEL or accept the default.
- Is there some external action performed by the UDF which should happen only on one database partition? If YES, then specify DISALLOW PARALLEL or accept the default.
- Is the scratchpad used, but only so that some expensive initialization processing can be performed a minimal number of times? If YES, then specify ALLOW PARALLEL.

In any case, the body of every external function should be in a directory that is available on every database partition.

The default value is ALLOW PARALLEL, except if one or more of the following options is specified in the statement.

- NOT DETERMINISTIC
- EXTERNAL ACTION
- SCRATCHPAD
- FINAL CALL

CREATE FUNCTION (External Scalar)

If any of these options is specified or implied, the default value is `DISALLOW PARALLEL`.

INHERIT SPECIAL REGISTERS

This optional clause specifies that updatable special registers in the function will inherit their initial values from the environment of the invoking statement. For a function invoked in the select-statement of a cursor, the initial values are inherited from the environment when the cursor is opened. For a routine invoked in a nested object (for example a trigger or view), the initial values are inherited from the runtime environment (not inherited from the object definition).

No changes to the special registers are passed back to the invoker of the function.

Non-updatable special registers, such as the datetime special registers, reflect a property of the statement currently executing, and are therefore set to their default values.

NO DBINFO or DBINFO

This optional clause specifies whether certain specific information known by DB2 will be passed to the UDF as an additional invocation-time argument (DBINFO) or not (NO DBINFO). NO DBINFO is the default. DBINFO is not supported for LANGUAGE OLE (SQLSTATE 42613) or PARAMETER STYLE JAVA.

If DBINFO is specified, then a structure is passed to the UDF which contains the following information:

- Data base name - the name of the currently connected database.
- Application ID - unique application ID which is established for each connection to the database.
- Application Authorization ID - the application run-time authorization ID, regardless of the nested UDFs in between this UDF and the application.
- Code page - identifies the database code page.
- Schema name - under the exact same conditions as for Table name, contains the name of the schema; otherwise blank.
- Table name - if and only if the UDF reference is either the right-hand side of a SET clause in an UPDATE statement or an item in the VALUES list of an INSERT statement, contains the unqualified name of the table being updated or inserted; otherwise blank.
- Column name - under the exact same conditions as for Table name, contains the name of the column being updated or inserted; otherwise blank.
- Database version/release - identifies the version, release and modification level of the database server invoking the UDF.
- Platform - contains the server's platform type.
- Table function result column numbers - not applicable to external scalar functions.

TRANSFORM GROUP *group-name*

Indicates the transform group to be used for user-defined structured type transformations when invoking the function. A transform is required if the function definition includes a user-defined structured type as either a parameter or returns data type. If this clause is not specified, the default group name `DB2_FUNCTION` is used. If the specified (or default) *group-name* is not defined for a referenced structured type, an error is raised (SQLSTATE 42741).

CREATE FUNCTION (External Scalar)

If a required FROM SQL or TO SQL transform function is not defined for the given group-name and structured type, an error is raised (SQLSTATE 42744).

The transform functions, both FROM SQL and TO SQL, whether designated or implied, must be SQL functions which properly transform between the structured type and its built in type attributes.

PREDICATES

Defines the filtering or index extension exploitation performed when this function is used in a predicate. A predicate-specification allows the optional SELECTIVITY clause of a search-condition to be specified. If the PREDICATES clause is specified, the function must be defined as DETERMINISTIC with NO EXTERNAL ACTION (SQLSTATE 42613). If the PREDICATES clause is specified, and the database is not a Unicode database, PARAMETER CCSID UNICODE must not be specified (SQLSTATE 42613).

WHEN *comparison-operator*

Introduces a specific use of the function in a predicate with a comparison operator ("*=*", "*<*", "*>*", "*>=*", "*<=*", "*<>*").

constant

Specifies a constant value with a data type comparable to the RETURNS type of the function (SQLSTATE 42818). When a predicate uses this function with the same comparison operator and this constant, the specified filtering and index exploitation will be considered by the optimizer.

EXPRESSION AS *expression-name*

Provides a name for an expression. When a predicate uses this function with the same comparison operator and an expression, filtering and index exploitation may be used. The expression is assigned an expression name so that it can be used as a search function argument. The *expression-name* cannot be the same as any *parameter-name* of the function being created (SQLSTATE 42711). When an expression is specified, the type of the expression is identified.

FILTER USING

Allows specification of an external function or a case expression to be used for additional filtering of the result table.

function-invocation

Specifies a filter function that can be used to perform additional filtering of the result table. This is a version of the defined function (used in the predicate) that reduces the number of rows on which the user-defined predicate must be executed, to determine if rows qualify. If the results produced by the index are close to the results expected for the user-defined predicate, applying the filtering function may be redundant. If not specified, data filtering is not performed.

This function can use any *parameter-name*, the *expression-name*, or constants as arguments (SQLSTATE 42703), and returns an integer (SQLSTATE 428E4). A return value of 1 means the row is kept, otherwise it is discarded.

This function must also:

- Not be defined with LANGUAGE SQL (SQLSTATE 429B4)
- Not be defined with NOT DETERMINISTIC or EXTERNAL ACTION (SQLSTATE 42845)
- Not have a structured data type as the data type of any of the parameters (SQLSTATE 428E3)

CREATE FUNCTION (External Scalar)

- Not include a subquery (SQLSTATE 428E4)
- Not include an XMLQUERY or XMLEXISTS expression (SQLSTATE 428E4)

If an argument invokes another function or method, these rules are also enforced for this nested function or method. However, system-generated observer methods are allowed as arguments to the filter function (or any function or method used as an argument), as long as the argument evaluates to a built-in data type.

The definer of the function must have EXECUTE privilege on the specified filter function.

The *function-invocation* clause must not exceed 65 536 bytes in length in the database code page (SQLSTATE 22001).

case-expression

Specifies a case expression for additional filtering of the result table. The *searched-when-clause* and *simple-when-clause* can use *parameter-name*, *expression-name*, or a constant (SQLSTATE 42703). An external function with the rules specified in FILTER USING *function-invocation* may be used as a result-expression. Any function or method referenced in the *case-expression* must also conform to the four rules listed under *function-invocation*.

Subqueries and XMLQUERY or XMLEXISTS expressions cannot be used anywhere in the *case-expression* (SQLSTATE 428E4).

The case expression must return an integer (SQLSTATE 428E4). A return value of 1 in the result-expression means that the row is kept; otherwise it is discarded.

The *case-invocation* clause must not exceed 65 536 bytes in length in the database code page (SQLSTATE 22001).

index-exploitation

Defines a set of rules in terms of the search method of an index extension that can be used to exploit the index.

SEARCH BY INDEX EXTENSION *index-extension-name*

Identifies the index extension. The *index-extension-name* must identify an existing index extension.

EXACT

Indicates that the index lookup is exact in terms of the predicate evaluation. Use EXACT to tell DB2 that neither the original user-defined predicate function or the filter need to be applied after the index lookup. The EXACT predicate is useful when the index lookup returns the same results as the predicate.

If EXACT is not specified, then the original user-defined predicate is applied after index lookup. If the index is expected to provide only an approximation of the predicate, do not specify the EXACT option.

If the index lookup is not used, then the filter function and the original predicate have to be applied.

exploitation-rule

Describes the search targets and search arguments and how they can be used to perform the index search through a search method defined in the index extension.

CREATE FUNCTION (External Scalar)

WHEN KEY (*parameter-name1*)

This defines the search target. Only one search target can be specified for a key. The *parameter-name1* value identifies parameter names of the defined function (SQLSTATE 42703 or 428E8).

The data type of *parameter-name1* must match that of the source key specified in the index extension (SQLSTATE 428EY). The match must be exact for built-in and distinct data types and within the same structured type hierarchy for structured types.

This clause is true when the values of the named parameter are columns that are covered by an index based on the index extension specified.

USE *search-method-name*(*parameter-name2*,...)

This defines the search argument. It identifies which search method to use from those defined in the index extension. The *search-method-name* must match a search method defined in the index extension (SQLSTATE 42743). The *parameter-name2* values identify parameter names of the defined function or the *expression-name* in the EXPRESSION AS clause (SQLSTATE 42703). It must be different from any parameter name specified in the search target (SQLSTATE 428E9). The number of parameters and the data type of each *parameter-name2* must match the parameters defined for the search method in the index extension (SQLSTATE 42816). The match must be exact for built-in and distinct data types and within the same structured type hierarchy for structured types.

Notes

- Determining whether one data type is castable to another data type does not consider length or precision and scale for parameterized data types such as CHAR and DECIMAL. Therefore, errors may occur when using a function as a result of attempting to cast a value of the source data type to a value of the target data type. For example, VARCHAR is castable to DATE but if the source type is actually defined as VARCHAR(5), an error will occur when using the function.
- When choosing the data types for the parameters of a user-defined function, consider the rules for promotion that will affect its input values (see “Promotion of data types”). For example, a constant which may be used as an input value could have a built-in data type different from the one expected and, more significantly, may not be promoted to the data type expected. Based on the rules for promotion, it is generally recommended to use the following data types for parameters:
 - INTEGER instead of SMALLINT
 - DOUBLE instead of REAL
 - VARCHAR instead of CHAR
 - VARGRAPHIC instead of GRAPHIC
- For portability of UDFs across platforms the following data types should not be used:
 - FLOAT- use DOUBLE or REAL instead.
 - NUMERIC- use DECIMAL instead.
 - LONG VARCHAR- use CLOB (or BLOB) instead.
- A function and a method may not be in an overriding relationship (SQLSTATE 42745). For more information about overriding, see “CREATE TYPE (Structured)”.

CREATE FUNCTION (External Scalar)

- A function may not have the same signature as a method (comparing the first *parameter-type* of the function with the *subject-type* of the method) (SQLSTATE 42723).
- Creating a function with a schema name that does not already exist will result in the implicit creation of that schema provided the authorization ID of the statement has IMPLICIT_SCHEMA authority. The schema owner is SYSIBM. The CREATEIN privilege on the schema is granted to PUBLIC.
- In a partitioned database environment, the use of SQL in external user-defined functions or methods is not supported (SQLSTATE 42997).
- Only routines defined as NO SQL can be used to define an index extension (SQLSTATE 428F8).
- If the function allows SQL, the external program must not attempt to access any federated objects (SQLSTATE 55047).
- A Java routine defined as NOT FENCED will be invoked as if it had been defined as FENCED THREADSAFE.
- XML parameters are only supported in LANGUAGE JAVA external functions when the PARAMETER STYLE DB2GENERAL clause is specified.
- **Table access restrictions**

If a function is defined as READS SQL DATA, no statement in the function can access a table that is being modified by the statement which invoked the function (SQLSTATE 57053). For example, suppose the user-defined function BONUS() is defined as READS SQL DATA. If the statement UPDATE EMPLOYEE SET SALARY = SALARY + BONUS(EMPNO) is invoked, no SQL statement in the BONUS function can read from the EMPLOYEE table.

- **Privileges**
 - The definer of a function always receives the EXECUTE privilege WITH GRANT OPTION on the function, as well as the right to drop the function.
 - When the function is used in an SQL statement, the function definer must have the EXECUTE privilege on any packages used by the function.
- **Compatibilities**
 - For compatibility with DB2 for z/OS:
 - The following syntax is accepted as the default behavior:
 - ASUTIME NO LIMIT
 - NO COLLID
 - PROGRAM TYPE SUB
 - STAY RESIDENT NO
 - CCSID UNICODE in a Unicode database
 - CCSID ASCII in a non-Unicode database if PARAMETER CCSID UNICODE is not specified
 - For compatibility with previous versions of DB2:
 - PARAMETER STYLE DB2SQL can be specified in place of PARAMETER STYLE SQL
 - NOT VARIANT can be specified in place of DETERMINISTIC, and VARIANT can be specified in place of NOT DETERMINISTIC
 - NULL CALL can be specified in place of CALLED ON NULL INPUT, and NOT NULL CALL can be specified in place of RETURNS NULL ON NULL INPUT

Examples

Example 1: Pellow is registering the CENTRE function in his PELLOW schema. Let those keywords that will default do so, and let the system provide a function specific name:

```
CREATE FUNCTION CENTRE (INT,FLOAT)
  RETURNS FLOAT
  EXTERNAL NAME 'mod!middle'
  LANGUAGE C
  PARAMETER STYLE SQL
  DETERMINISTIC
  NO SQL
  NO EXTERNAL ACTION
```

Example 2: Now, McBride (who has DBADM authority) is registering another CENTRE function in the PELLOW schema, giving it an explicit specific name for subsequent data definition language use, and explicitly providing all keyword values. Note also that this function uses a scratchpad and presumably is accumulating data there that affects subsequent results. Since DISALLOW PARALLEL is specified, any reference to the function is not parallelized and therefore a single scratchpad is used to perform some one-time only initialization and save the results.

```
CREATE FUNCTION PELLOW.CENTRE (FLOAT, FLOAT, FLOAT)
  RETURNS DECIMAL(8,4) CAST FROM FLOAT
  SPECIFIC FOCUS92
  EXTERNAL NAME 'effects!focalpt'
  LANGUAGE C PARAMETER STYLE SQL
  DETERMINISTIC FENCED NOT NULL CALL NO SQL NO EXTERNAL ACTION
  SCRATCHPAD NO FINAL CALL
  DISALLOW PARALLEL
```

Example 3: The following is the C language user-defined function program written to implement the rule:

```
output = 2 * input - 4
```

returning NULL if and only if the input is null. It could be written even more simply (that is, without null checking), if the CREATE FUNCTION statement had used NOT NULL CALL. The CREATE FUNCTION statement:

```
CREATE FUNCTION ntest1 (SMALLINT)
  RETURNS SMALLINT
  EXTERNAL NAME 'ntest1!nudft1'
  LANGUAGE C PARAMETER STYLE SQL
  DETERMINISTIC NOT FENCED NULL CALL
  NO SQL NO EXTERNAL ACTION
```

The program code:

```
#include "sqlsystem.h"
/* NUDFT1 IS A USER_DEFINED SCALAR FUNCTION */
/* udft1 accepts smallint input
and produces smallint output
implementing the rule:
if (input is null)
set output = null;
else
set output = 2 * input - 4;
*/
void SQL_API_FN nudft1
(short *input, /* ptr to input arg */
short *output, /* ptr to where result goes */
short *input_ind, /* ptr to input indicator var */
short *output_ind, /* ptr to output indicator var */
```

CREATE FUNCTION (External Scalar)

```
char sqlstate[6], /* sqlstate, allows for null-term */
char fname[28], /* fully qual func name, nul-term */
char finst[19], /* func specific name, null-term */
char msgtext[71]) /* msg text buffer, null-term */
{
/* first test for null input */
if (*input_ind == -1)
{
/* input is null, likewise output */
*output_ind = -1;
}
else
{
/* input is not null. set output to 2*input-4 */
*output = 2 * (*input) - 4;
/* and set out null indicator to zero */
*output_ind = 0;
}
/* signal successful completion by leaving sqlstate as is */
/* and exit */
return;
}
/* end of UDF: NUDFT1 */
```

Example 4: The following registers a Java UDF which returns the position of the first vowel in a string. The UDF is written in Java, is to be run fenced, and is the findvwl method of class javaUDFs.

```
CREATE FUNCTION findv ( CLOB(100K))
RETURNS INTEGER
FENCED
LANGUAGE JAVA
PARAMETER STYLE JAVA
EXTERNAL NAME 'javaUDFs.findvwl'
NO EXTERNAL ACTION
CALLED ON NULL INPUT
DETERMINISTIC
NO SQL
```

Example 5: This example outlines a user-defined predicate WITHIN that takes two parameters, g1 and g2, of type SHAPE as input:

```
CREATE FUNCTION within (g1 SHAPE, g2 SHAPE)
RETURNS INTEGER
LANGUAGE C
PARAMETER STYLE SQL
NOT VARIANT
NOT FENCED
NO SQL
NO EXTERNAL ACTION
EXTERNAL NAME 'db2sefn!SDESpatialRelations'
PREDICATES
WHEN = 1
FILTER USING mbrOverlap(g1..xmin, g1..ymin, g1..xmax, g1..max,
g2..xmin, g2..ymin, g2..xmax, g2..ymax)
SEARCH BY INDEX EXTENSION gridIndex
WHEN KEY(g1) USE withinExp1Rule(g2)
WHEN KEY(g2) USE withinExp1Rule(g1)
```

The description of the WITHIN function is similar to that of any user-defined function, but the following additions indicate that this function can be used in a user-defined predicate.

- **PREDICATES WHEN = 1** indicates that when this function appears as
within(g1, g2) = 1

CREATE FUNCTION (External Scalar)

in the WHERE clause of a DML statement, the predicate is to be treated as a user-defined predicate and the index defined by the index extension *gridIndex* should be used to retrieve rows that satisfy this predicate. If a constant is specified, the constant specified during the DML statement has to match exactly the constant specified in the create index statement. This condition is provided mainly to cover Boolean expression where the result type is either a 1 or a 0. For other cases, the EXPRESSION clause is a better choice.

- **FILTER USING mbrOverlap** refers to a filtering function *mbrOverlap*, which is a cheaper version of the WITHIN predicate. In the above example, the *mbrOverlap* function takes the minimum bounding rectangles as input and quickly determines if they overlap or not. If the minimum bounding rectangles of the two input shapes do not overlap, then *g1* will not be contained with *g2*. Therefore the tuple can be safely discarded, avoiding the application of the expensive WITHIN predicate.
- The **SEARCH BY INDEX EXTENSION** clause indicates that combinations of index extension and search target can be used for this user-defined predicate.

Example 6: This example outlines a user-defined predicate *DISTANCE* that takes two parameters, *P1* and *P2*, of type *POINT* as input:

```
CREATE FUNCTION distance (P1 POINT, P2 POINT)
  RETURNS INTEGER
  LANGUAGE C
  PARAMETER STYLE SQL
  NOT VARIANT
  NOT FENCED
  NO SQL
  NO EXTERNAL ACTION
  EXTERNAL NAME 'db2sefn!SDEDistances'
  PREDICATES
  WHEN > EXPRESSION AS distExpr
  SEARCH BY INDEX EXTENSION gridIndex
  WHEN KEY(P1) USE distanceGrRule(P2, distExpr)
  WHEN KEY(P2) USE distanceGrRule(P1, distExpr)
```

The description of the *DISTANCE* function is similar to that of any user-defined function, but the following additions indicate that when this function is used in a predicate, that predicate is a user-defined predicate.

- **PREDICATES WHEN > EXPRESSION AS distExpr** is another valid predicate specification. When an expression is specified in the WHEN clause, the result type of that expression is used for determining if the predicate is a user-defined predicate in the DML statement. For example:

```
SELECT T1.C1
  FROM T1, T2
 WHERE distance (T1.P1, T2.P1) > T2.C2
```

The predicate specification *distance* takes two parameters as input and compares the results with *T2.C2*, which is of type *INTEGER*. Since only the data type of the right hand side expression matters, (as opposed to using a specific constant), it is better to choose the EXPRESSION clause in the CREATE FUNCTION DDL for specifying a wildcard as the comparison value.

Alternatively, the following is also a valid user-defined predicate:

```
SELECT T1.C1
  FROM T1, T2
 WHERE distance(T1.P1, T2.P1) > distance (T1.P2, T2.P2)
```

There is currently a restriction that only the right hand side is treated as the expression; the term on the left hand side is the user-defined function for the user-defined predicate.

CREATE FUNCTION (External Scalar)

- The **SEARCH BY INDEX EXTENSION** clause indicates that combinations of index extension and search target can be used for this user-defined-predicate. In the case of the distance function, the expression identified as `distExpr` is also one of the search arguments that is passed to the range-producer function (defined as part of the index extension). The expression identifier is used to define a name for the expression so that it is passed to the range-producer function as an argument.

CREATE FUNCTION (External Table)

The **CREATE FUNCTION (External Table)** statement is used to register a user-defined external table function at the current server.

A *table function* can be used in the **FROM** clause of a **SELECT**, and returns a table to the **SELECT** by returning one row at a time.

Invocation

This statement can be embedded in an application program or issued through the use of dynamic SQL statements. It is an executable statement that can be dynamically prepared only if **DYNAMICRULES** run behavior is in effect for the package (SQLSTATE 42509).

Authorization

The privileges held by the authorization ID of the statement must include at least one of the following:

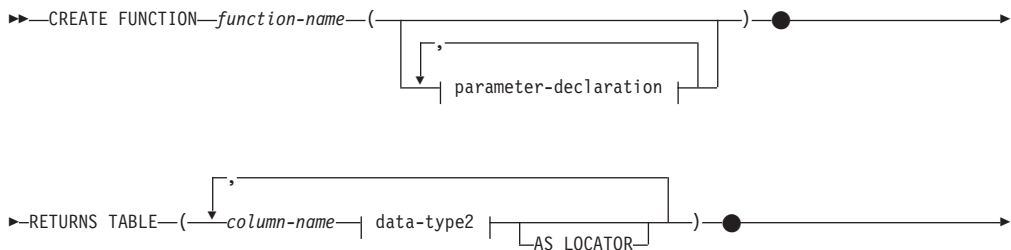
- **CREATE_EXTERNAL_ROUTINE** authority on the database and at least one of the following:
 - **IMPLICIT_SCHEMA** authority on the database, if the implicit or explicit schema name of the function does not exist
 - **CREATEIN** privilege on the schema, if the schema name of the function exists
- **SYSADM** or **DBADM** authority

To create a not-fenced function, the privileges held by the authorization ID of the statement must also include at least one of the following:

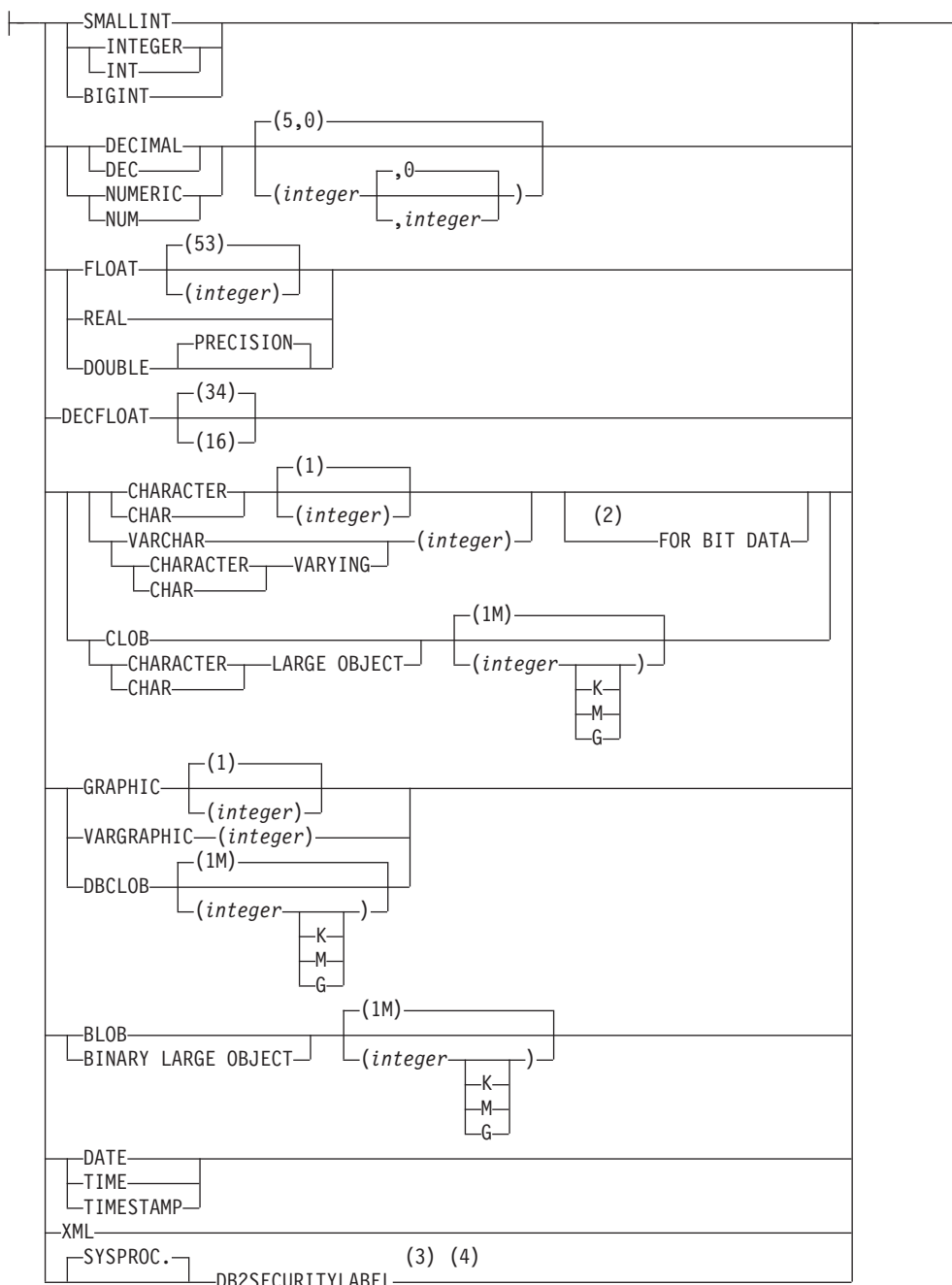
- **CREATE_NOT_FENCED_ROUTINE** authority on the database
- **SYSADM** or **DBADM** authority

To create a fenced function, no additional authorities or privileges are required.

Syntax



CREATE FUNCTION (External Table)



Notes:

- 1 For information on creating LANGUAGE OLE DB external table functions, see "CREATE FUNCTION (OLE DB External Table)". For information on creating LANGUAGE SQL table functions, see "CREATE FUNCTION (SQL Scalar, Table, or Row)".
- 2 The FOR BIT DATA clause can be specified in any order with the other column constraints that follow.
- 3 DB2SECURITYLABEL is the built-in distinct type that must be used to define the row security label column of a protected table.
- 4 For a column of type DB2SECURITYLABEL, NOT NULL WITH DEFAULT is

implicit and cannot be explicitly specified (SQLSTATE 42842). The default value for a column of type DB2SECURITYLABEL is the session authorization ID's security label for write access.

Description

function-name

Names the function being defined. It is a qualified or unqualified name that designates a function. The unqualified form of *function-name* is an SQL identifier (with a maximum length of 128). In dynamic SQL statements, the CURRENT SCHEMA special register is used as a qualifier for an unqualified object name. In static SQL statements the QUALIFIER precompile/bind option implicitly specifies the qualifier for unqualified object names. The qualified form is a *schema-name* followed by a period and an SQL identifier. The qualified name must not be the same as the data type of the first parameter, if that first parameter is a structured type.

The name, including the implicit or explicit qualifiers, together with the number of parameters and the data type of each parameter (without regard for any length, precision or scale attributes of the data type) must not identify a function described in the catalog (SQLSTATE 42723). The unqualified name, together with the number and data types of the parameters, while of course unique within its schema, need not be unique across schemas.

If a two-part name is specified, the *schema-name* cannot begin with 'SYS' (SQLSTATE 42939).

A number of names used as keywords in predicates are reserved for system use, and cannot be used as a *function-name* (SQLSTATE 42939). The names are SOME, ANY, ALL, NOT, AND, OR, BETWEEN, NULL, LIKE, EXISTS, IN, UNIQUE, OVERLAPS, SIMILAR, MATCH, and the comparison operators.

The same name can be used for more than one function if there is some difference in the signature of the functions. Although there is no prohibition against it, an external user-defined table function should not be given the same name as a built-in function.

(parameter-declaration,...)

Identifies the number of input parameters of the function, and specifies the data type of each parameter. One entry in the list must be specified for each parameter that the function will expect to receive. No more than 90 parameters are allowed (SQLSTATE 54023).

It is possible to register a function that has no parameters. In this case, the parentheses must still be coded, with no intervening data types. For example:

```
CREATE FUNCTION WOOFER() ...
```

No two identically-named functions within a schema are permitted to have exactly the same type for all corresponding parameters. Lengths, precisions, and scales are not considered in this type comparison. Therefore, CHAR(8) and CHAR(35) are considered to be the same type, as are DECIMAL(11,2) and DECIMAL (4,3). For a Unicode database, CHAR(13) and GRAPHIC(8) are considered to be the same type. There is some further bundling of types that causes them to be treated as the same type for this purpose, such as DECIMAL and NUMERIC. A duplicate signature returns an error (SQLSTATE 42723).

parameter-name

Specifies an optional name for the input parameter. The name cannot be the same as any other *parameter-name* in the parameter list (SQLSTATE 42734).

CREATE FUNCTION (External Table)

data-type1

Specifies the data type of the input parameter. The data type can be a built-in data type, a distinct type, a structured type, or a reference type. For a more complete description of each built-in data type, see “CREATE TABLE”. Some data types are not supported in all languages. For details on the mapping between SQL data types and host language data types, see “Data types that map to SQL data types in embedded SQL applications”.

- A datetime type parameter is passed as a character data type, and the data is passed in the ISO format.
- DECIMAL (and NUMERIC) are invalid with LANGUAGE C and OLE (SQLSTATE 42815).
- XML is invalid with LANGUAGE OLE.
- Because the XML value that is seen inside a function is a serialized version of the XML value that is passed as a parameter in the function call, parameters of type XML must be declared using the syntax XML AS CLOB(*n*).
- CLR does not support DECIMAL scale greater than 28 (SQLSTATE 42613).
- Array types cannot be specified (SQLSTATE 42815).

For a user-defined distinct type, the length, precision, or scale attributes for the parameter are those of the source type of the distinct type (those specified on CREATE TYPE). A distinct type parameter is passed as the source type of the distinct type. If the name of the distinct type is unqualified, the database manager resolves the schema name by searching the schemas in the SQL path.

For a user-defined structured type, the appropriate transform functions must exist in the associated transform group.

For a reference type, the parameter can be specified as REF(*type-name*) if the parameter is unscoped.

AS LOCATOR

Specifies that a locator to the value of the parameter is passed to the function instead of the actual value. Specify AS LOCATOR only for parameters with a LOB data type or a distinct type based on a LOB data type (SQLSTATE 42601). Passing locators instead of values can result in fewer bytes being passed to the function, especially when the value of the parameter is very large.

The AS LOCATOR clause has no effect on determining whether data types can be promoted, nor does it affect the function signature, which is used in function resolution.

If the function is FENCED and has the NO SQL option, the AS LOCATOR clause cannot be specified (SQLSTATE 42613).

RETURNS TABLE

Specifies that the output of the function is a table. The parentheses that follow this keyword delimit a list of the names and types of the columns of the table, resembling the style of a simple CREATE TABLE statement which has no additional specifications (constraints, for example). No more than 255 columns are allowed (SQLSTATE 54011).

column-name

Specifies the name of this column. The name cannot be qualified and the same name cannot be used for more than one column of the table.

data-type2

Specifies the data type of the column, and can be any data type supported for a parameter of a UDF written in the particular language, except for structured types (SQLSTATE 42997).

AS LOCATOR

When *data-type2* is a LOB type or distinct type based on a LOB type, the use of this option indicates that the function is returning a locator for the LOB value that is instantiated in the result table.

The valid types for use with this clause are discussed in "CREATE FUNCTION (External Scalar)".

SPECIFIC *specific-name*

Provides a unique name for the instance of the function that is being defined. This specific name can be used when sourcing on this function, dropping the function, or commenting on the function. It can never be used to invoke the function. The unqualified form of *specific-name* is an SQL identifier (with a maximum length of 128). The qualified form is a *schema-name* followed by a period and an SQL identifier. The name, including the implicit or explicit qualifier, must not identify another function instance that exists at the application server; otherwise an error (SQLSTATE 42710) is raised.

The *specific-name* may be the same as an existing *function-name*.

If no qualifier is specified, the qualifier that was used for *function-name* is used. If a qualifier is specified, it must be the same as the explicit or implicit qualifier of *function-name* or an error (SQLSTATE 42882) is raised.

If *specific-name* is not specified, a unique name is generated by the database manager. The unique name is SQL followed by a character timestamp, SQLyymmddhhmmssxxx.

EXTERNAL

This clause indicates that the CREATE FUNCTION statement is being used to register a new function based on code written in an external programming language and adhering to the documented linkage conventions and interface.

If NAME clause is not specified "NAME *function-name*" is assumed.

NAME '*string*'

This clause identifies the user-written code that implements the function being defined.

The '*string*' option is a string constant with a maximum of 254 bytes. The format used for the string is dependent on the LANGUAGE specified.

- For LANGUAGE C:

The *string* specified is the library name and function within the library, which the database manager invokes to execute the user-defined function being created. The library (and the function within the library) do not need to exist when the CREATE FUNCTION statement is executed. However, when the function is used in an SQL statement, the library and function within the library must exist and be accessible from the database server machine.

The *string* can be specified as follows:

```

▶▶ ' library_id !func_id '
      └───┬──────────┘ └──┬──────────┘
        absolute_path_id  !
    
```

Extraneous blanks are not permitted within the single quotation marks.

CREATE FUNCTION (External Table)

library_id

Identifies the library name containing the function. The database manager will look for the library as follows:

- On UNIX systems, if 'myfunc' was given as the *library_id*, and the database manager is being run from /u/production, the database manager will look for the function in library /u/production/sqllib/function/myfunc.
- On Windows operating systems, the database manager will look for the function in a directory path that is specified by the LIBPATH or PATH environment variable.

absolute_path_id

Identifies the full path name of the file containing the function.

On UNIX systems, for example, '/u/jchui/mylib/myfunc' would cause the database manager to look in /u/jchui/mylib for the myfunc shared library.

On Windows operating systems, 'd:\mylib\myfunc.dll' would cause the database manager to load the dynamic link library, myfunc.dll, from the d:\mylib directory. If an absolute path ID is being used to identify the routine body, be sure to append the .dll extension.

! func_id

Identifies the entry point name of the function to be invoked. The ! serves as a delimiter between the library ID and the function ID.

On a UNIX system, for example, 'mymod!func8' would direct the database manager to look for the library \$inst_home_dir/sqllib/function/mymod and to use entry point func8 within that library.

On Windows operating systems, 'mymod!func8' would direct the database manager to load the mymod.dll file and to call the func8() function in the dynamic link library (DLL).

If the string is not properly formed, an error is returned (SQLSTATE 42878).

In any case, the body of every external function should be in a directory that is available on every database partition.

- For LANGUAGE JAVA:

The *string* specified contains the optional jar file identifier, class identifier and method identifier, which the database manager invokes to execute the user-defined function being created. The class identifier and method identifier do not need to exist when the CREATE FUNCTION statement is executed. If a *jar_id* is specified, it must exist when the CREATE FUNCTION statement is executed. However, when the function is used in an SQL statement, the method identifier must exist and be accessible from the database server machine.

The *string* can be specified as follows:

→ ' [*jar_id* ':'] *class_id* ['.'] *method_id* ' →

Extraneous blanks are not permitted within the single quotation marks.

jar_id

Identifies the jar identifier given to the jar collection when it was

CREATE FUNCTION (External Table)

installed in the database. It can be either a simple identifier, or a schema qualified identifier. Examples are 'myJar' and 'mySchema.myJar'

class_id

Identifies the class identifier of the Java object. If the class is part of a package, the class identifier part must include the complete package prefix, for example, 'myPacks.UserFuncs'. The Java virtual machine will look in directory '.../myPacks/UserFuncs/' for the classes. On Windows 32-bit operating systems, the Java virtual machine will look in directory '...\myPacks\UserFuncs\.'

method_id

Identifies the method name of the Java object to be invoked.

• For LANGUAGE CLR:

The *string* specified represents the .NET assembly (library or executable), the class within that assembly, and the method within the class that the database manager invokes to execute the function being created. The module, class, and method do not need to exist when the CREATE FUNCTION statement is executed. However, when the function is used in an SQL statement, the module, class, and method must exist and be accessible from the database server machine; otherwise, an error is returned (SQLSTATE 42724).

C++ routines that are compiled with the '/clr' compiler option to indicate that they include managed code extensions must be cataloged as 'LANGUAGE CLR' and not 'LANGUAGE C'. DB2 needs to know that the .NET infrastructure is being utilized in a user-defined function in order to make necessary runtime decisions. All user-defined functions using the .NET infrastructure must be cataloged as 'LANGUAGE CLR'.

The *string* can be specified as follows:

►► '—assembly—:—class_id—!—method_id—' ◀◀

The name must be enclosed by single quotation marks. Extraneous blanks are not permitted.

assembly

Identifies the DLL or other assembly file in which the class resides. Any file extensions (such as .dll) must be specified. If the full path name is not given, the file must reside in the function directory of the DB2 install path (for example, c:\sqllib\function). If the file resides in a subdirectory of the install function directory, the subdirectory can be given before the file name rather than specifying the full path. For example, if your install directory is c:\sqllib and your assembly file is c:\sqllib\function\myprocs\mydotnet.dll, it is only necessary to specify 'myprocs\mydotnet.dll' for the assembly. The case sensitivity of this parameter is the same as the case sensitivity of the file system.

class_id

Specifies the name of the class within the given assembly in which the method that is to be invoked resides. If the class resides within a namespace, the full namespace must be given in addition to the class. For example, if the class EmployeeClass is in namespace MyCompany.ProcedureClasses, then MyCompany.ProcedureClasses.EmployeeClass must be specified for the class. Note that the compilers for some .NET languages will add

CREATE FUNCTION (External Table)

the project name as a namespace for the class, and the behavior may differ depending on whether the command line compiler or the GUI compiler is used. This parameter is case sensitive.

method_id

Specifies the method within the given class that is to be invoked. This parameter is case sensitive.

- For LANGUAGE OLE:

The *string* specified is the OLE programmatic identifier (progid) or class identifier (clsid), and method identifier, which the database manager invokes to execute the user-defined function being created. The programmatic identifier or class identifier, and method identifier do not need to exist when the CREATE FUNCTION statement is executed. However, when the function is used in an SQL statement, the method identifier must exist and be accessible from the database server machine; otherwise, an error is returned (SQLSTATE 42724).

The *string* can be specified as follows:

▶▶ '—*progid*—!*method_id*—' ▶▶
 └──*clsid*──┘

Extraneous blanks are not permitted within the single quotation marks.

progid

Identifies the programmatic identifier of the OLE object.

progid is not interpreted by the database manager but only forwarded to the OLE APIs at run time. The specified OLE object must be creatable and support late binding (also called IDispatch-based binding).

clsid

Identifies the class identifier of the OLE object to create. It can be used as an alternative for specifying a *progid* in the case that an OLE object is not registered with a *progid*. The *clsid* has the form:

{nnnnnnnn-nnnn-nnnn-nnnn-nnnnnnnnnnn}

where 'n' is an alphanumeric character. *clsid* is not interpreted by the database manager but only forwarded to the OLE APIs at run time.

method_id

Identifies the method name of the OLE object to be invoked.

NAME *identifier*

This clause identifies the name of the user-written code which implements the function being defined. The *identifier* specified is an SQL identifier. The SQL identifier is used as the *library-id* in the string. Unless it is a delimited identifier, the identifier is folded to upper case. If the identifier is qualified with a schema name, the schema name portion is ignored. This form of NAME can only be used with LANGUAGE C.

LANGUAGE

This mandatory clause is used to specify the language interface convention to which the user-defined function body is written.

- C** This means the database manager will call the user-defined function as if it were a C function. The user-defined function must conform to the C language calling and linkage convention as defined by the standard ANSI C prototype.

JAVA This means the database manager will call the user-defined function as a method in a Java class.

CLR This means the database manager will call the user-defined function as a method in a .NET class. At this time, LANGUAGE CLR is only supported for user-defined functions running on Windows operating systems. NOT FENCED cannot be specified for a CLR routine (SQLSTATE 42601).

OLE This means the database manager will call the user-defined function as if it were a method exposed by an OLE automation object. The user-defined function must conform with the OLE automation data types and invocation mechanism, as described in the *OLE Automation Programmer's Reference*.

LANGUAGE OLE is only supported for user-defined functions stored in DB2 for Windows 32-bit operating systems.

For information on creating LANGUAGE OLE DB external table functions, see "CREATE FUNCTION (OLE DB External Table)".

PARAMETER STYLE

This clause is used to specify the conventions used for passing parameters to and returning the value from functions.

DB2GENERAL

Used to specify the conventions for passing parameters to and returning the value from external functions that are defined as a method in a Java class. This can only be specified when LANGUAGE JAVA is used.

SQL

Used to specify the conventions for passing parameters to and returning the value from external functions that conform to C language calling and linkage conventions, methods exposed by OLE automation objects, or public static methods of a .NET object. This must be specified when LANGUAGE C, LANGUAGE CLR, or LANGUAGE OLE is used.

PARAMETER CCSID

Specifies the encoding scheme to use for all string data passed into and out of the function. If the PARAMETER CCSID clause is not specified, the default is PARAMETER CCSID UNICODE for Unicode databases, and PARAMETER CCSID ASCII for all other databases.

ASCII

Specifies that string data is encoded in the database code page. If the database is a Unicode database, PARAMETER CCSID ASCII cannot be specified (SQLSTATE 56031). When the function is invoked, the application code page for the function is the database code page.

UNICODE

Specifies that string data is encoded in Unicode. If the database is a Unicode database, character data is in UTF-8, and graphic data is in UCS-2. If the database is not a Unicode database, character data is in UTF-8. In either case, when the function is invoked, the application code page for the function is 1208.

If the database is not a Unicode database, and a function with PARAMETER CCSID UNICODE is created, the function cannot have any graphic types or user-defined types (SQLSTATE 560C1).

If the database is not a Unicode database, table functions can be created with PARAMETER CCSID UNICODE, but the following rules apply:

CREATE FUNCTION (External Table)

- The alternate collating sequence must be specified in the database configuration before creating the table function (SQLSTATE 56031). PARAMETER CCSID UNICODE table functions collate with the alternate collating sequence specified in the database configuration.
- Tables or table functions created with CCSID ASCII, and tables or table functions created with CCSID UNICODE, cannot both be used in a single SQL statement (SQLSTATE 53090). This applies to tables and table functions referenced directly in the statement, as well as to tables and table functions referenced indirectly (such as, for example, through referential integrity constraints, triggers, materialized query tables, and tables in the body of views).
- Table functions created with PARAMETER CCSID UNICODE cannot be referenced in SQL functions or SQL methods (SQLSTATE 560C0).
- An SQL statement that references a table function created with PARAMETER CCSID UNICODE cannot invoke an SQL function or SQL method (SQLSTATE 53090).
- Graphic types, the XML type, and user-defined types cannot be used as parameters to PARAMETER CCSID UNICODE table functions (SQLSTATE 560C1).
- Statements that reference a PARAMETER CCSID UNICODE table function can only be invoked from a DB2 Version 8.1 or later client (SQLSTATE 42997).
- SQL statements are always interpreted in the database code page. In particular, this means that every character in literals, hex literals, and delimited identifiers must have a representation in the database code page; otherwise, the character will be replaced with the substitution character.

If the database is not a Unicode database, and the alternate collating sequence has been specified in the database configuration, functions can be created with either PARAMETER CCSID ASCII or PARAMETER CCSID UNICODE. All string data passed into and out of the function will be converted to the appropriate code page.

This clause cannot be specified with LANGUAGE OLE, LANGUAGE JAVA, or LANGUAGE CLR (SQLSTATE 42613).

DETERMINISTIC or NOT DETERMINISTIC

This optional clause specifies whether the function always returns the same results for given argument values (DETERMINISTIC) or whether the function depends on some state values that affect the results (NOT DETERMINISTIC). That is, a DETERMINISTIC function must always return the same table from successive invocations with identical inputs. Optimizations taking advantage of the fact that identical inputs always produce the same results are prevented by specifying NOT DETERMINISTIC. An example of a table function that is non-deterministic is one that references special registers, global variables, non-deterministic functions, or sequences in a way that affects the table function result table.

FENCED or NOT FENCED

This clause specifies whether or not the function is considered “safe” to run in the database manager operating environment’s process or address space (NOT FENCED), or not (FENCED).

If a function is registered as FENCED, the database manager protects its internal resources (for example, data buffers) from access by the function. Most

functions will have the option of running as FENCED or NOT FENCED. In general, a function running as FENCED will not perform as well as a similar one running as NOT FENCED.

CAUTION:

Use of NOT FENCED for functions not adequately coded, reviewed and tested can compromise the integrity of DB2. DB2 takes some precautions against many of the common types of inadvertent failures that might occur, but cannot guarantee complete integrity when NOT FENCED user defined functions are used.

Only FENCED can be specified for a function with LANGUAGE OLE or NOT THREADSAFE (SQLSTATE 42613).

If the function is FENCED and has the NO SQL option, the AS LOCATOR clause cannot be specified (SQLSTATE 42613).

Either SYSADM authority, DBADM authority, or a special authority (CREATE_NOT_FENCED_ROUTINE) is required to register a user-defined function as NOT FENCED.

LANGUAGE CLR user-defined functions cannot be created when specifying the NOT FENCED clause (SQLSTATE 42601).

THREADSAFE or NOT THREADSAFE

Specifies whether the function is considered safe to run in the same process as other routines (THREADSAFE), or not (NOT THREADSAFE).

If the function is defined with LANGUAGE other than OLE:

- If the function is defined as THREADSAFE, the database manager can invoke the function in the same process as other routines. In general, to be threadsafe, a function should not use any global or static data areas. Most programming references include a discussion of writing threadsafe routines. Both FENCED and NOT FENCED functions can be THREADSAFE.
- If the function is defined as NOT THREADSAFE, the database manager will never simultaneously invoke the function in the same process as another routine.

For FENCED functions, THREADSAFE is the default if the LANGUAGE is JAVA or CLR. For all other languages, NOT THREADSAFE is the default. If the function is defined with LANGUAGE OLE, THREADSAFE may not be specified (SQLSTATE 42613).

For NOT FENCED functions, THREADSAFE is the default. NOT THREADSAFE cannot be specified (SQLSTATE 42613).

RETURNS NULL ON NULL INPUT or CALLED ON NULL INPUT

This optional clause may be used to avoid a call to the external function if any of the arguments is null. If the user-defined function is defined to have no parameters, then of course this null argument condition cannot arise, and it does not matter how this specification is coded.

If RETURNS NULL ON NULL INPUT is specified, and if, at table function OPEN time, any of the function's arguments are null, then the user-defined function is not called. The result of the attempted table function scan is the empty table (a table with no rows).

If CALLED ON NULL INPUT is specified, then regardless of whether any arguments are null, the user-defined function is called. It can return a null value or a normal (non-null) value. But responsibility for testing for null argument values lies with the UDF.

CREATE FUNCTION (External Table)

The value `NULL CALL` may be used as a synonym for `CALLED ON NULL INPUT` for backwards and family compatibility. Similarly, `NOT NULL CALL` may be used as a synonym for `RETURNS NULL ON NULL INPUT`.

NO SQL, CONTAINS SQL, READS SQL DATA

Indicates whether the function issues any SQL statements and, if so, what type.

NO SQL

Indicates that the function cannot execute any SQL statements (SQLSTATE 38001). If the `ALLOW PARALLEL`, `EXECUTE ON ALL DATABASE PARTITIONS`, and `RESULT TABLE DISTRIBUTED` clauses are all specified, `NO SQL` is the only option allowed.

CONTAINS SQL

Indicates that SQL statements that neither read nor modify SQL data can be executed by the function (SQLSTATE 38004 or 42985). Statements that are not supported in any function return a different error (SQLSTATE 38003 or 42985).

READS SQL DATA

Indicates that some SQL statements that do not modify SQL data can be included in the function (SQLSTATE 38002 or 42985). Statements that are not supported in any function return a different error (SQLSTATE 38003 or 42985).

STATIC DISPATCH

This optional clause indicates that at function resolution time, DB2 chooses a function based on the static types (declared types) of the parameters of the function.

EXTERNAL ACTION or NO EXTERNAL ACTION

Specifies whether the function takes an action that changes the state of an object that the database manager does not manage. An example of an external action is sending a message or writing a record to a file. The default is `EXTERNAL ACTION`.

EXTERNAL ACTION

Specifies that the function takes an action that changes the state of an object that the database manager does not manage.

A function with external actions might return incorrect results if the function is executed by parallel tasks. For example, if the function sends a note for each initial call to it, one note is sent for each parallel task instead of once for the function. Specify the `DISALLOW PARALLEL` clause for functions that do not work correctly with parallelism.

NO EXTERNAL ACTION

Specifies that the function does not take any action that changes the state of an object that the database manager does not manage. The database manager uses this information during optimization of SQL statements.

NO SCRATCHPAD or SCRATCHPAD *length*

This optional clause may be used to specify whether a scratchpad is to be provided for an external function. (It is strongly recommended that user-defined functions be re-entrant, so a scratchpad provides a means for the function to “save state” from one call to the next.)

If `SCRATCHPAD` is specified, then at first invocation of the user-defined function, memory is allocated for a scratchpad to be used by the external function. This scratchpad has the following characteristics:

CREATE FUNCTION (External Table)

- *length*, if specified, sets the size of the scratchpad in bytes and must be between 1 and 32 767 (SQLSTATE 42820). The default value is 100.
- It is initialized to all X'00's.
- Its scope is the SQL statement. There is one scratchpad per reference to the external function in the SQL statement. So if the UDFX function in the following statement is defined with the SCRATCHPAD keyword, two scratchpads would be assigned.

```
SELECT A.C1, B.C2
FROM TABLE (UDFX(:hv1)) AS A,
TABLE (UDFX(:hv1)) AS B
WHERE ...
```

- It is persistent. It is initialized at the beginning of the execution of the statement, and can be used by the external table function to preserve the state of the scratchpad from one call to the next. If the FINAL CALL keyword is also specified for the UDF, then the scratchpad is NEVER altered by DB2, and any resources anchored in the scratchpad should be released when the special FINAL call is made.

If NO FINAL CALL is specified or defaulted, then the external table function should clean up any such resources on the CLOSE call, as DB2 will re-initialize the scratchpad on each OPEN call. This determination of FINAL CALL or NO FINAL CALL and the associated behavior of the scratchpad could be an important consideration, particularly if the table function will be used in a subquery or join, since that is when multiple OPEN calls can occur during the execution of a statement.

- It can be used as a central point for system resources (for example, memory) which the external function might acquire. The function could acquire the memory on the first call, keep its address in the scratchpad, and refer to it in subsequent calls.

(As outlined above, the FINAL CALL/NO FINAL CALL keyword is used to control the re-initialization of the scratchpad, and also dictates when the external table function should release resources anchored in the scratchpad.)

If SCRATCHPAD is specified, then on each invocation of the user-defined function an additional argument is passed to the external function which addresses the scratchpad.

If NO SCRATCHPAD is specified then no scratchpad is allocated or passed to the external function.

FINAL CALL or NO FINAL CALL

This optional clause specifies whether a final call (and a separate first call) is to be made to an external function. It also controls when the scratchpad is re-initialized. If NO FINAL CALL is specified, then DB2 can only make three types of calls to the table function: open, fetch and close. However, if FINAL CALL is specified, then in addition to open, fetch and close, a first call and a final call can be made to the table function.

For external table functions, the call-type argument is ALWAYS present, regardless of which option is chosen.

If the final call is being made because of an interrupt or end-of-transaction, the UDF may not issue any SQL statements except for CLOSE cursor (SQLSTATE 38505). A special value is passed in the "call type" argument for these special final call situations.

CREATE FUNCTION (External Table)

DISALLOW PARALLEL or ALLOW PARALLEL EXECUTE ON ALL DATABASE PARTITIONS RESULT TABLE DISTRIBUTED

Specifies whether or not, for a single reference to the function, the invocation of the function is to be parallelized.

DISALLOW PARALLEL

Specifies that on each invocation of the function, DB2 invokes the function on a single database partition.

ALLOW PARALLEL EXECUTE ON ALL DATABASE PARTITIONS RESULT TABLE DISTRIBUTED

Specifies that on each invocation of the function, DB2 invokes the function on all database partitions. The union of the result sets obtained on each database partition is returned. The function cannot execute SQL statements (the NO SQL clause must also be specified).

NO DBINFO or DBINFO

This optional clause specifies whether certain specific information known to DB2 is to be passed to the function as an additional invocation-time argument (DBINFO) or not (NO DBINFO). NO DBINFO is the default. DBINFO is not supported for LANGUAGE OLE (SQLSTATE 42613).

If DBINFO is specified, a structure containing the following information is passed to the function:

- Database name - the name of the currently connected database
- Application ID - the unique application ID that is established for each connection to the database
- Application authorization ID - the application runtime authorization ID, regardless of any nested functions between this function and the application
- Code page - the database code page
- Schema name - not applicable to external table functions
- Table name - not applicable to external table functions
- Column name - not applicable to external table functions
- Database version or release - the version, release, and modification level of the database server that is invoking the function
- Platform - the server's platform type
- Table function result column numbers - an array of result column numbers that is used by the statement referencing the function; this information enables the function to return only required column values instead of all column values
- Database partition number - the number of the database partition on which the external table function is invoked; in a single database partition environment, this value is 0

CARDINALITY *integer*

This optional clause provides an estimate of the expected number of rows to be returned by the function for optimization purposes. Valid values for *integer* range from 0 to 9 223 372 036 854 775 807 inclusive.

If the CARDINALITY clause is not specified for a table function, DB2 will assume a finite value as a default- the same value assumed for tables for which the RUNSTATS utility has not gathered statistics.

Warning: If a function does, in fact, have infinite cardinality — that is, it returns a row every time it is called to do so, and never returns the "end-of-table" condition — then queries that require the end-of-table condition to correctly function will be infinite, and will have to be interrupted. Examples

of such queries are those that contain a GROUP BY or an ORDER BY clause. Writing such UDFs is not recommended.

TRANSFORM GROUP *group-name*

Indicates the transform group to be used for user-defined structured type transformations when invoking the function. A transform is required if the function definition includes a user-defined structured type as a parameter data type. If this clause is not specified, the default group name DB2_FUNCTION is used. If the specified (or default) *group-name* is not defined for a referenced structured type, an error results (SQLSTATE 42741). If a required FROM SQL transform function is not defined for the given group-name and structured type, an error results (SQLSTATE 42744).

INHERIT SPECIAL REGISTERS

This optional clause specifies that updatable special registers in the function will inherit their initial values from the environment of the invoking statement. For a function invoked in the select-statement of a cursor, the initial values are inherited from the environment when the cursor is opened. For a routine invoked in a nested object (for example a trigger or view), the initial values are inherited from the runtime environment (not inherited from the object definition).

No changes to the special registers are passed back to the invoker of the function.

Non-updatable special registers, such as the datetime special registers, reflect a property of the statement currently executing, and are therefore set to their default values.

Rules

- In a partitioned database environment, the use of SQL in external user-defined functions or methods is not supported (SQLSTATE 42997).
- Only routines defined as NO SQL can be used to define an index extension (SQLSTATE 428F8).
- If the function allows SQL, the external program must not attempt to access any federated objects (SQLSTATE 55047).
- **Table access restrictions** If a function is defined as READS SQL DATA, no statement in the function can access a table that is being modified by the statement which invoked the function (SQLSTATE 57053). For example, suppose the user-defined function BONUS() is defined as READS SQL DATA. If the statement UPDATE EMPLOYEE SET SALARY = SALARY + BONUS(EMPNO) is invoked, no SQL statement in the BONUS function can read from the EMPLOYEE table.

Notes

- When choosing the data types for the parameters of a user-defined function, consider the rules for promotion that will affect its input values. For example, a constant which may be used as an input value could have a built-in data type that is different from the one expected and, more significantly, may not be promoted to the data type expected. Based on the rules for promotion, it is generally recommended to use the following data types for parameters:
 - INTEGER instead of SMALLINT
 - DOUBLE instead of REAL
 - VARCHAR instead of CHAR
 - VARGRAPHIC instead of GRAPHIC

CREATE FUNCTION (External Table)

- For portability of UDFs across platforms, it is recommended to use the following data types:
 - DOUBLE or REAL instead of FLOAT
 - DECIMAL instead of NUMERIC
 - CLOB (or BLOB) instead of LONG VARCHAR
- Creating a function with a schema name that does not already exist will result in the implicit creation of that schema provided the authorization ID of the statement has IMPLICIT_SCHEMA authority. The schema owner is SYSIBM. The CREATEIN privilege on the schema is granted to PUBLIC.
- A Java routine defined as NOT FENCED will be invoked as if it had been defined as FENCED THREADSAFE.
- *Privileges*
 - The definer of a function always receives the EXECUTE privilege WITH GRANT OPTION on the function, as well as the right to drop the function.
 - When the function is used in an SQL statement, the function definer must have the EXECUTE privilege on any packages used by the function.
- *Compatibilities*
 - For compatibility with DB2 for z/OS:
 - The following syntax is accepted as the default behavior:
 - ASUTIME NO LIMIT
 - NO COLLID
 - PROGRAM TYPE SUB
 - STAY RESIDENT NO
 - CCSID UNICODE in a Unicode database
 - CCSID ASCII in a non-Unicode database if PARAMETER CCSID UNICODE is not specified
 - For compatibility with previous versions of DB2:
 - PARAMETER STYLE DB2SQL can be specified in place of PARAMETER STYLE SQL
 - NOT VARIANT can be specified in place of DETERMINISTIC
 - VARIANT can be specified in place of NOT DETERMINISTIC
 - NULL CALL can be specified in place of CALLED ON NULL INPUT
 - NOT NULL CALL can be specified in place of RETURNS NULL ON NULL INPUT
 - DB2GENRL can be specified in place of DB2GENERAL.

Examples

Example 1: The following registers a table function written to return a row consisting of a single document identifier column for each known document in a text management system. The first parameter matches a given subject area and the second parameter contains a given string.

Within the context of a single session, the UDF will always return the same table, and therefore it is defined as DETERMINISTIC. Note the RETURNS clause which defines the output from DOCMATCH. FINAL CALL must be specified for each table function. In addition, the DISALLOW PARALLEL keyword is added as table functions cannot operate in parallel. Although the size of the output for DOCMATCH is highly variable, CARDINALITY 20 is a representative value, and is specified to help the DB2 optimizer.

CREATE FUNCTION (External Table)

```
CREATE FUNCTION DOCMATCH (VARCHAR(30), VARCHAR(255))
  RETURNS TABLE (DOC_ID CHAR(16))
  EXTERNAL NAME '/common/docfuncs/rajiv/udfmatch'
  LANGUAGE C
  PARAMETER STYLE SQL
  NO SQL
  DETERMINISTIC
  NO EXTERNAL ACTION
  NOT FENCED
  SCRATCHPAD
  FINAL CALL
  DISALLOW PARALLEL
  CARDINALITY 20
```

Example 2: The following registers an OLE table function that is used to retrieve message header information and the partial message text of messages in Microsoft Exchange.

```
CREATE FUNCTION MAIL()
  RETURNS TABLE (TIMERECEIVED DATE,
                 SUBJECT VARCHAR(15),
                 SIZE INTEGER,
                 TEXT VARCHAR(30))
  EXTERNAL NAME 'tfmail.header!list'
  LANGUAGE OLE
  PARAMETER STYLE SQL
  NOT DETERMINISTIC
  FENCED
  CALLED ON NULL INPUT
  SCRATCHPAD
  FINAL CALL
  NO SQL
  EXTERNAL ACTION
  DISALLOW PARALLEL
```

CREATE FUNCTION (OLE DB External Table)

The CREATE FUNCTION (OLE DB External Table) statement is used to register a user-defined OLE DB external table function to access data from an OLE DB provider.

A *table function* can be used in the FROM clause of a SELECT.

Invocation

This statement can be embedded in an application program or issued through the use of dynamic SQL statements. It is an executable statement that can be dynamically prepared only if DYNAMICRULES run behavior is in effect for the package (SQLSTATE 42509).

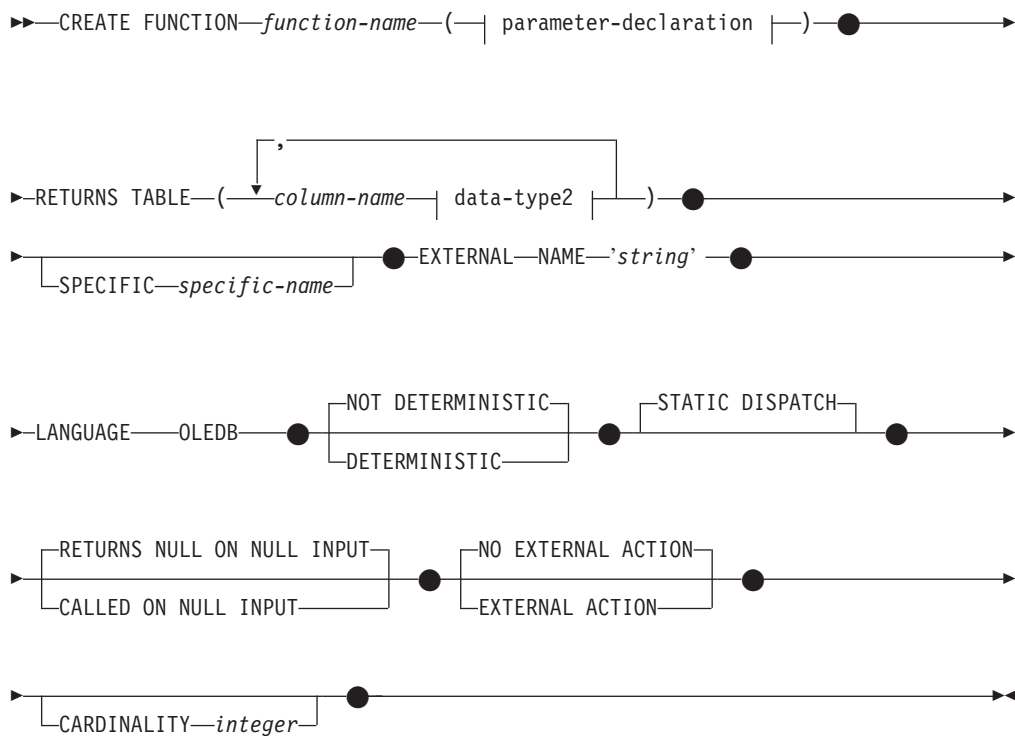
Authorization

The privileges held by the authorization ID of the statement must include at least one of the following:

- CREATE_EXTERNAL_ROUTINE authority on the database and at least one of the following:
 - IMPLICIT_SCHEMA authority on the database, if the implicit or explicit schema name of the function does not exist
 - CREATEIN privilege on the schema, if the schema name of the function exists
- SYSADM or DBADM authority

CREATE FUNCTION (OLE DB External Table)

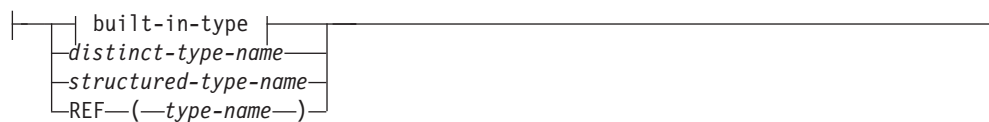
Syntax



parameter-declaration:

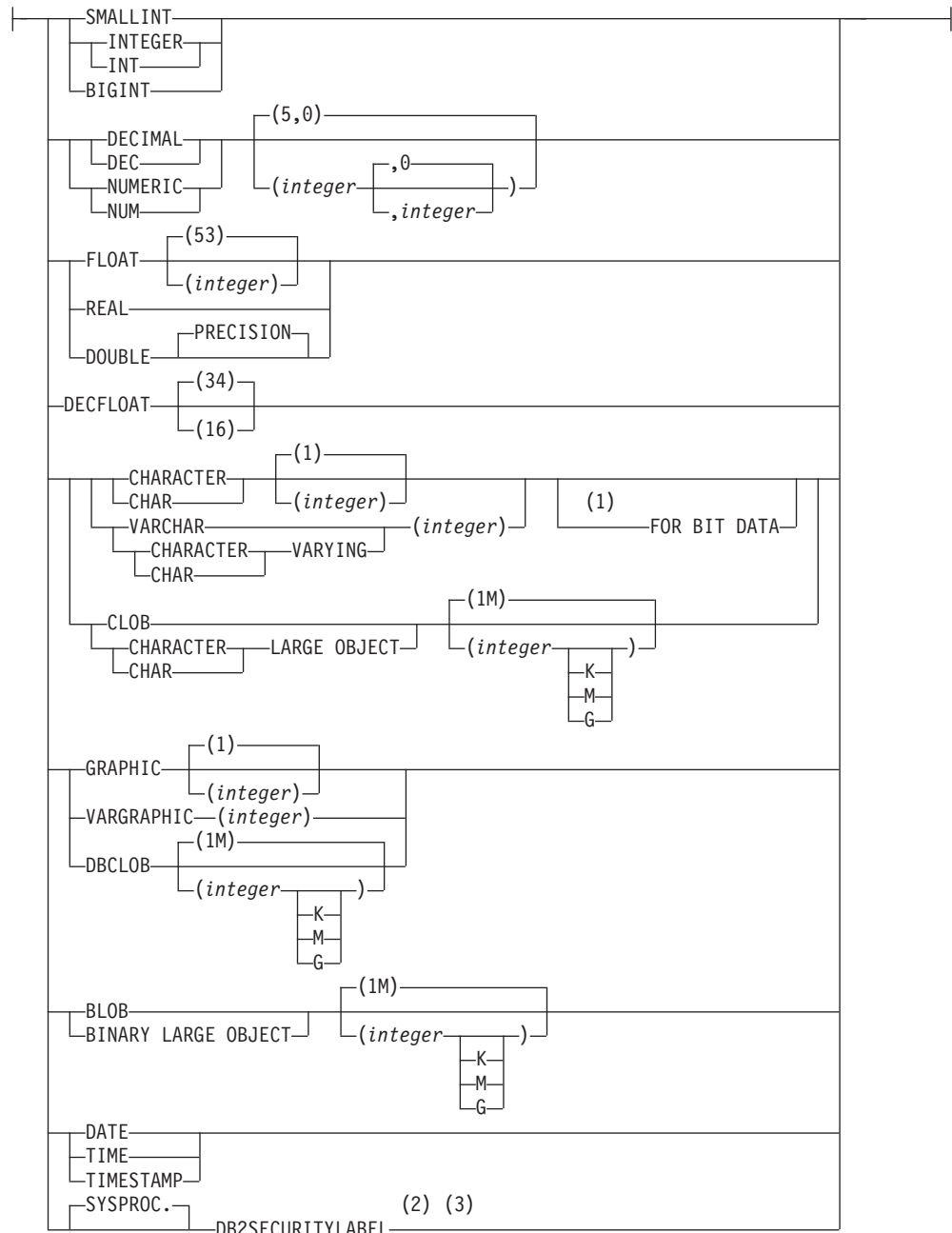


data-type1, data-type2:



built-in-type:

CREATE FUNCTION (OLE DB External Table)



Notes:

- 1 The FOR BIT DATA clause can be specified in any order with the other column constraints that follow.
- 2 DB2SECURITYLABEL is the built-in distinct type that must be used to define the row security label column of a protected table.
- 3 For a column of type DB2SECURITYLABEL, NOT NULL WITH DEFAULT is implicit and cannot be explicitly specified (SQLSTATE 42842). The default value for a column of type DB2SECURITYLABEL is the session authorization ID's security label for write access.

CREATE FUNCTION (OLE DB External Table)

Description

function-name

Names the function being defined. It is a qualified or unqualified name that designates a function. The unqualified form of *function-name* is an SQL identifier (with a maximum length of 18). In dynamic SQL statements, the CURRENT SCHEMA special register is used as a qualifier for an unqualified object name. In static SQL statements the QUALIFIER precompile/bind option implicitly specifies the qualifier for unqualified object names. The qualified form is a *schema-name* followed by a period and an SQL identifier.

The name, including the implicit or explicit qualifiers, together with the number of parameters and the data type of each parameter (without regard for any length, precision or scale attributes of the data type) must not identify a function described in the catalog (SQLSTATE 42723). The unqualified name, together with the number and data types of the parameters, while of course unique within its schema, need not be unique across schemas.

If a two-part name is specified, the *schema-name* cannot begin with 'SYS' (SQLSTATE 42939).

A number of names used as keywords in predicates are reserved for system use, and cannot be used as a *function-name* (SQLSTATE 42939). The names are SOME, ANY, ALL, NOT, AND, OR, BETWEEN, NULL, LIKE, EXISTS, IN, UNIQUE, OVERLAPS, SIMILAR, MATCH, and the comparison operators.

The same name can be used for more than one function if there is some difference in the signature of the functions. Although there is no prohibition against it, an external user-defined table function should not be given the same name as a built-in function.

(parameter-declaration,...)

Identifies the input parameter of the function, and specifies the data type of the parameter. If no input parameter is specified, data is retrieved from the external source possibly subsetting through query optimization. The input parameter passes command text to an OLE DB provider.

It is possible to register a function that has no parameters. In this case, the parentheses must still be coded, with no intervening data types. For example:

```
CREATE FUNCTION WOOFER() ...
```

No two identically-named functions within a schema are permitted to have exactly the same type for all corresponding parameters. Lengths, precisions, and scales are not considered in this type comparison. Therefore, CHAR(8) and CHAR(35) are considered to be the same type. For a Unicode database, CHAR(13) and GRAPHIC(8) are considered to be the same type. A duplicate signature returns an error (SQLSTATE 42723).

parameter-name

Specifies an optional name for the input parameter.

data-type1

Specifies the data type of the input parameter. The data type can be any character or graphic string data type or a distinct type based on a character or graphic string data type. Parameters of type XML are not supported (SQLSTATE 42815).

For a more complete description of each built-in data type, see "CREATE TABLE".

For a user-defined distinct type, the length, precision, or scale attributes for the parameter are those of the source type of the distinct type (those

CREATE FUNCTION (OLE DB External Table)

rowset

Identifies the rowset (table) exposed by the OLE DB provider. Fully qualified table names must be provided for OLE DB providers that support catalog or schema names.

connectstring

String version of the initialization properties needed to connect to a data source. The basic format of a connection string is based on the ODBC connection string. The string contains a series of keyword/value pairs separated by semicolons. The equal sign (=) separates each keyword and its value. Keywords are the descriptions of the OLE DB initialization properties (property set DBPROPSET_DBINIT) or provider-specific keywords.

COLLATING_SEQUENCE

Specifies whether the data source uses the same collating sequence as DB2 Database for Linux, UNIX, and Windows. For details, see “CREATE SERVER”. Valid values are as follows:

- Y = Same collating sequence
- N = Different collating sequence

If **COLLATING_SEQUENCE** is not specified, the data source is assumed to have a different collating sequence than DB2 Database for Linux, UNIX, and Windows.

If *server* is provided, *connectstring* or **COLLATING_SEQUENCE** are not allowed in the external name. They are defined as server options **CONNECTSTRING** and **COLLATING_SEQUENCE**. If no *server* is provided, a *connectstring* must be provided. If *rowset* is not provided, the table function must have an input parameter to pass through command text to the OLE DB provider.

LANGUAGE OLEDB

This means the database manager will deploy a built-in generic OLE DB consumer to retrieve data from the OLE DB provider. No table function implementation is required by the developer.

LANGUAGE OLEDB table functions can be created on any platform, but only executed on platforms supported by Microsoft OLE DB.

DETERMINISTIC or NOT DETERMINISTIC

This optional clause specifies whether the function always returns the same results for given argument values (**DETERMINISTIC**) or whether the function depends on some state values that affect the results (**NOT DETERMINISTIC**). That is, a **DETERMINISTIC** function must always return the same table from successive invocations with identical inputs. Optimizations taking advantage of the fact that identical inputs always produce the same results are prevented by specifying **NOT DETERMINISTIC**.

STATIC DISPATCH

This optional clause indicates that at function resolution time, DB2 chooses a function based on the static types (declared types) of the parameters of the function.

RETURNS NULL ON NULL INPUT or CALLED ON NULL INPUT

This optional clause may be used to avoid a call to the external function if any of the arguments is null. If the user-defined function is defined to have no parameters, then of course this null argument condition cannot arise.

CREATE FUNCTION (OLE DB External Table)

If RETURNS NULL ON NULL INPUT is specified and if at execution time any one of the function's arguments is null, the user-defined function is not called and the result is the empty table; that is, a table with no rows.

If CALLED ON NULL INPUT is specified, then at execution time regardless of whether any arguments are null, the user-defined function is called. It can return an empty table or not, depending on its logic. But responsibility for testing for null argument values lies with the UDF.

The value NULL CALL may be used as a synonym for CALLED ON NULL INPUT for backwards and family compatibility. Similarly, NOT NULL CALL may be used as a synonym for RETURNS NULL ON NULL INPUT.

NO EXTERNAL ACTION or EXTERNAL ACTION

Specifies whether the function takes an action that changes the state of an object that the database manager does not manage. An example of an external action is sending a message or writing a record to a file. The default is NO EXTERNAL ACTION.

NO EXTERNAL ACTION

Specifies that the function does not take any action that changes the state of an object that the database manager does not manage. The database manager uses this information during optimization of SQL statements.

EXTERNAL ACTION

Specifies that the function takes an action that changes the state of an object that the database manager does not manage.

CARDINALITY *integer*

This optional clause provides an estimate of the expected number of rows to be returned by the function for optimization purposes. Valid values for *integer* range from 0 to 2 147 483 647 inclusive.

If the CARDINALITY clause is not specified for a table function, DB2 will assume a finite value as a default- the same value assumed for tables for which the RUNSTATS utility has not gathered statistics.

Warning: If a function does, in fact, have infinite cardinality — that is, it returns a row every time it is called to do so, and never returns the "end-of-table" condition — then queries that require the end-of-table condition to correctly function will be infinite, and will have to be interrupted. Examples of such queries are those that contain a GROUP BY or an ORDER BY clause. Writing such UDFs is not recommended.

Notes

- FENCED, FINAL CALL, SCRATCHPAD, PARAMETER STYLE SQL, DISALLOW PARALLEL, NO DBINFO, NOT THREADSAFE, and NO SQL are implicit in the statement and can be specified.
- When choosing the data types for the parameters of a user-defined function, consider the rules for promotion that will affect its input values. For example, a constant which may be used as an input value could have a built-in data type that is different from the one expected and, more significantly, may not be promoted to the data type expected. Based on the rules for promotion, it is generally recommended to use the following data types for parameters:
 - VARCHAR instead of CHAR
 - VARGRAPHIC instead of GRAPHIC
- For portability of UDFs across platforms, it is recommended to use the following data types:

CREATE FUNCTION (OLE DB External Table)

- DOUBLE or REAL instead of FLOAT
- DECIMAL instead of NUMERIC
- CLOB (or BLOB) instead of LONG VARCHAR
- Creating a function with a schema name that does not already exist will result in the implicit creation of that schema provided the authorization ID of the statement has IMPLICIT_SCHEMA authority. The schema owner is SYSIBM. The CREATEIN privilege on the schema is granted to PUBLIC.
- *Privileges*

The definer of a function always receives the EXECUTE privilege WITH GRANT OPTION on the function, as well as the right to drop the function.
- *Compatibilities*
 - For compatibility with previous versions of DB2:
 - NOT VARIANT can be specified in place of DETERMINISTIC
 - VARIANT can be specified in place of NOT DETERMINISTIC
 - NULL CALL can be specified in place of CALLED ON NULL INPUT
 - NOT NULL CALL can be specified in place of RETURNS NULL ON NULL INPUT

Examples

Example 1: The following registers an OLE DB table function, which retrieves order information from a Microsoft Access database. The connection string is defined in the external name.

```
CREATE FUNCTION orders ()
  RETURNS TABLE (orderid INTEGER,
                 customerid CHAR(5),
                 employeid INTEGER,
                 orderdate TIMESTAMP,
                 requireddate TIMESTAMP,
                 shippeddate TIMESTAMP,
                 shipvia INTEGER,
                 freight DEC(19,4))

LANGUAGE OLEDB
EXTERNAL NAME '!orders!Provider=Microsoft.Jet.OLEDB.3.51;
              Data Source=c:\sql11ib\samples\oledb\nwind.mdb
!COLLATING_SEQUENCE=Y';
```

Example 2: The following registers an OLE DB table function, which retrieves customer information from an Oracle database. The connection string is provided through a server definition. The table name is fully qualified in the external name. The local user john is mapped to the remote user dave. Other users will use the guest user ID in the connection string.

```
CREATE SERVER spirit
  WRAPPER OLEDB
  OPTIONS (CONNECTSTRING 'Provider=MSDAORA;Persist Security Info=False;
                        User ID=guest;password=pwd;Locale Identifier=1033;
                        OLE DB Services=CLIENTCURSOR;Data Source=spirit');

CREATE USER MAPPING FOR john
  SERVER spirit
  OPTIONS (REMOTE_AUTHID 'dave', REMOTE_PASSWORD 'mypwd');

CREATE FUNCTION customers ()
  RETURNS TABLE (customer_id INTEGER,
                 name VARCHAR(20),
                 address VARCHAR(20),
                 city VARCHAR(20),
```


CREATE FUNCTION (OLE DB External Table)

```
state VARCHAR(5),
zip_code INTEGER)
LANGUAGE OLEDB
EXTERNAL NAME 'spirit!demo.customer';
```

Example 3: The following registers an OLE DB table function, which retrieves information about stores from a MS SQL Server 7.0 database. The connection string is provided in the external name. The table function has an input parameter to pass through command text to the OLE DB provider. The rowset name does not need to be specified in the external name. The query example passes in SQL statement text to retrieve the top three stores.

```
CREATE FUNCTION favorites (varchar(600))
RETURNS TABLE (store_id CHAR (4),
name VARCHAR (41),
sales INTEGER)

SPECIFIC favorites
LANGUAGE OLEDB
EXTERNAL NAME '!!Provider=SQLOLEDB.1;Persist Security Info=False;
User ID=sa;Initial Catalog=pubs;Data Source=WALTZ;
Locale Identifier=1033;Use Procedure for Prepare=1;
Auto Translate=False;Packet Size=4096;Workstation ID=WALTZ;
OLE DB Services=CLIENTCURSOR;';

SELECT *
FROM TABLE (favorites
(' select top 3 sales.stor_id as store_id, ' CONCAT
' stores.stor_name as name, ' CONCAT
' sum(sales.qty) as sales ' CONCAT
' from sales, stores ' CONCAT
' where sales.stor_id = stores.stor_id ' CONCAT
' group by sales.stor_id, stores.stor_name ' CONCAT
' order by sum(sales.qty) desc ')) as f;
```

CREATE FUNCTION (Sourced or Template)

The CREATE FUNCTION (Sourced or Template) statement is used to:

- Register a user-defined function, based on another existing scalar or column function, at the current server.
- Register a function template with an application server that is designated as a federated server. A *function template* is a partial function that contains no executable code. The user creates it for the purpose of mapping it to a data source function. After the mapping is created, the user can specify the function template in queries submitted to the federated server. When such a query is processed, the federated server will invoke the data source function to which the template is mapped, and return values whose data types correspond to those in the RETURNS portion of the template's definition.

Invocation

This statement can be embedded in an application program or issued through the use of dynamic SQL statements. It is an executable statement that can be dynamically prepared only if DYNAMICRULES run behavior is in effect for the package (SQLSTATE 42509).

Authorization

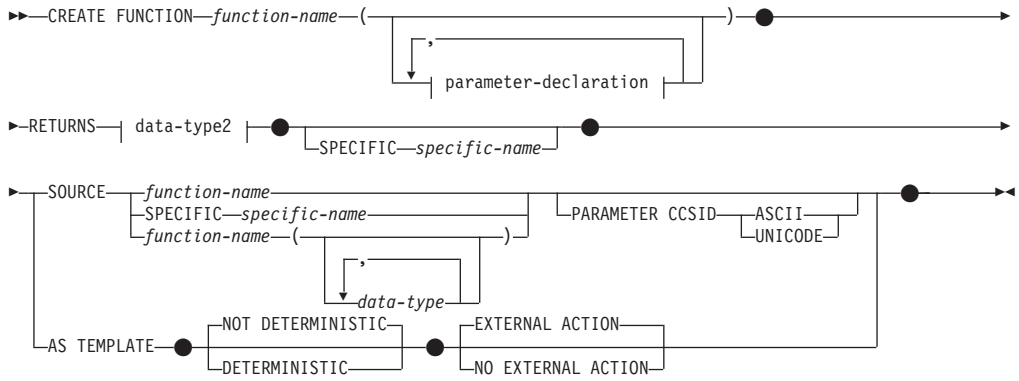
The privileges held by the authorization ID of the statement must include at least one of the following:

CREATE FUNCTION (Sourced or Template)

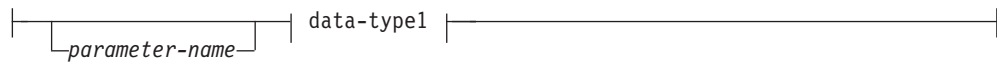
- IMPLICIT_SCHEMA authority on the database, if the implicit or explicit schema name of the function does not exist
- CREATEIN privilege on the schema, if the schema name of the function exists
- SYSADM or DBADM authority

The privileges held by the authorization ID of the statement must also include EXECUTE privilege on the source function if the authorization ID of the statement does not have SYSADM or DBADM authority, and the SOURCE clause is specified.

Syntax



parameter-declaration:

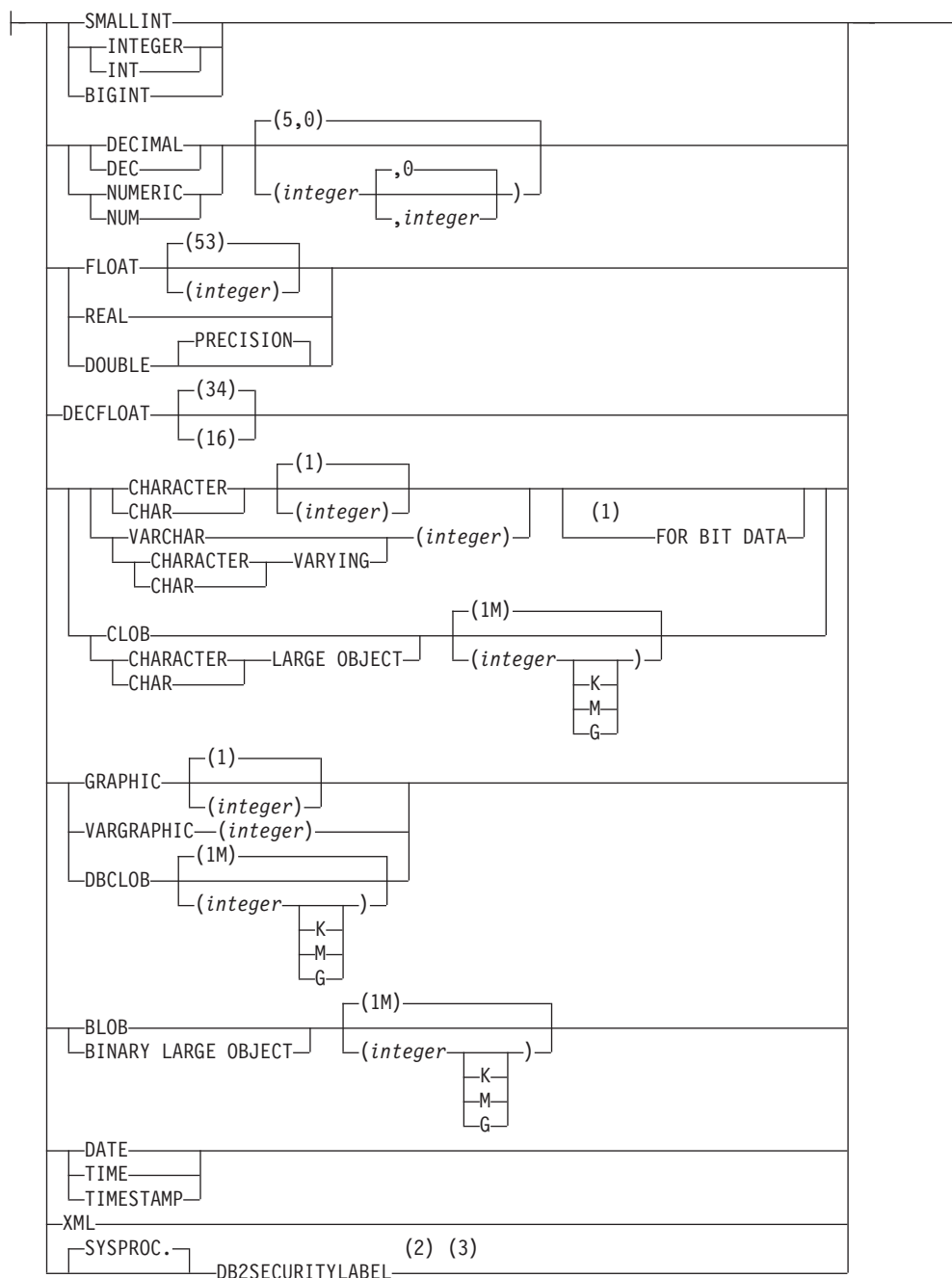


data-type1, data-type2:



built-in-type:

CREATE FUNCTION (Sourced or Template)



Notes:

- 1 The FOR BIT DATA clause can be specified in any order with the other column constraints that follow.
- 2 DB2SECURITYLABEL is the built-in distinct type that must be used to define the row security label column of a protected table.
- 3 For a column of type DB2SECURITYLABEL, NOT NULL WITH DEFAULT is implicit and cannot be explicitly specified (SQLSTATE 42842). The default value for a column of type DB2SECURITYLABEL is the session authorization ID's security label for write access.

CREATE FUNCTION (Sourced or Template)

Description

function-name

Names the function or function template being defined. It is a qualified or unqualified name that designates a function. The unqualified form of *function-name* is an SQL identifier (with a maximum length of 18). In dynamic SQL statements, the CURRENT SCHEMA special register is used as a qualifier for an unqualified object name. In static SQL statements the QUALIFIER precompile/bind option implicitly specifies the qualifier for unqualified object names. The qualified form is a *schema-name* followed by a period and an SQL identifier.

The name, including the implicit or explicit qualifiers, together with the number of parameters and the data type of each parameter (without regard for any length, precision or scale attributes of the data type) must not identify a function or function template described in the catalog (SQLSTATE 42723). The unqualified name, together with the number and data types of the parameters, while of course unique within its schema, need not be unique across schemas.

If a two-part name is specified, the *schema-name* cannot begin with 'SYS' (SQLSTATE 42939).

A number of names used as keywords in predicates are reserved for system use, and cannot be used as a *function-name* (SQLSTATE 42939). The names are SOME, ANY, ALL, NOT, AND, OR, BETWEEN, NULL, LIKE, EXISTS, IN, UNIQUE, OVERLAPS, SIMILAR, MATCH, and the comparison operators.

When naming a user-defined function that is sourced on an existing function with the purpose of supporting the same function with a user-defined distinct type, the same name as the sourced function may be used. This allows users to use the same function with a user-defined distinct type without realizing that an additional definition was required. In general, the same name can be used for more than one function if there is some difference in the signature of the functions.

(parameter-declaration,...)

Identifies the number of input parameters of the function or function template, and specifies the data type of each parameter. One entry in the list must be specified for each parameter that the function or function template will expect to receive. No more than 90 parameters are allowed (SQLSTATE 54023).

It is possible to register a function that has no parameters. In this case, the parentheses must still be coded, with no intervening data types. For example:

```
CREATE FUNCTION WOOFER() ...
```

No two identically-named functions within a schema are permitted to have exactly the same type for all corresponding parameters. This restriction also applies to a function and function template with the same name within the same schema. Lengths, precisions, and scales are not considered in this type comparison. Therefore, CHAR(8) and CHAR(35) are considered to be the same type, as are DECIMAL(11,2) and DECIMAL (4,3). For a Unicode database, CHAR(13) and GRAPHIC(8) are considered to be the same type. There is some further bundling of types that causes them to be treated as the same type for this purpose, such as DECIMAL and NUMERIC. A duplicate signature returns an error (SQLSTATE 42723).

parameter-name

Specifies an optional name for the input parameter. The name cannot be the same as any other *parameter-name* in the parameter list (SQLSTATE 42734).

CREATE FUNCTION (Sourced or Template)

data-type1

Specifies the data type of the input parameter. The data type can be a built-in data type, a distinct type, or a structured type.

Any valid SQL data type can be used if it is castable to the type of the corresponding parameter of the function identified in the SOURCE clause (for information, see “Casting between data types”). However, this checking does not guarantee that an error will not occur when the function is invoked.

For a more complete description of each built-in data type, see “CREATE TABLE”.

- A datetime type parameter is passed as a character data type, and the data is passed in the ISO format.
- Array types cannot be specified (SQLSTATE 42879).
- A reference type specified as REF(*type-name*) cannot be specified (SQLSTATE 42879).

For a user-defined distinct type, the length, precision, or scale attributes for the parameter are those of the source type of the distinct type (those specified on CREATE TYPE). A distinct type parameter is passed as the source type of the distinct type. If the name of the distinct type is unqualified, the database manager resolves the schema name by searching the schemas in the SQL path.

For a user-defined structured type, the appropriate transform functions must exist in the associated transform group.

Because the function is sourced, it is not necessary (but still permitted) to specify length, precision, or scale for the parameterized data types. Empty parentheses can be used instead; for example, CHAR(). A *parameterized data type* is any one of the data types that can be defined with a specific length, scale, or precision. The parameterized data types are the string data types and the decimal data types.

With a function template, empty parentheses can also be used instead of specifying length, precision, or scale for the parameterized data types. It is recommended to use empty parentheses for the parameterized data types. If you use empty parentheses, the length, precision, or scale is the same as that of the remote function, which is determined when the function template is mapped to a remote function by creating a function mapping. If you omit parentheses altogether, the default length for the data type is used (see “CREATE TABLE”).

RETURNS

This mandatory clause identifies the output of the function or function template.

data-type2

Specifies the data type of the output.

With a sourced scalar function, any valid SQL data type is acceptable, as is a distinct type, provided it is castable from the result type of the source function. An array type cannot be specified as the data type of a parameter (SQLSTATE 42879).

The parameter of a parameterized type need not be specified, as above for parameters of a sourced function. Instead, empty parentheses can be used; for example, VARCHAR().

CREATE FUNCTION (Sourced or Template)

For additional considerations and rules that apply to the specification of the data type in the RETURNS clause when the function is sourced on another, see the “Rules” section of this statement.

With a function template, empty parentheses are not allowed (SQLSTATE 42611). Length, precision, or scale must be specified for the parameterized data types. It is recommended to specify the same length, precision, or scale as that of the remote function.

SPECIFIC *specific-name*

Provides a unique name for the instance of the function that is being defined. This specific name can be used when sourcing on this function, dropping the function, or commenting on the function. It can never be used to invoke the function. The unqualified form of *specific-name* is an SQL identifier (with a maximum length of 18). The qualified form is a *schema-name* followed by a period and an SQL identifier. The name, including the implicit or explicit qualifier, must not identify another function instance that exists at the application server; otherwise an error (SQLSTATE 42710) is returned.

The *specific-name* may be the same as an existing *function-name*.

If no qualifier is specified, the qualifier that was used for *function-name* is used. If a qualifier is specified, it must be the same as the explicit or implicit qualifier of *function-name* or an error (SQLSTATE 42882) is returned.

If *specific-name* is not specified, a unique name is generated by the database manager. The unique name is SQL followed by a character timestamp, SQLyymmddhhmmssxxx.

SOURCE

Specifies that the function being created is to be implemented by another function (the source function) already known to the database manager. The source function can be either a built-in function (except for COALESCE, DATAPARTITIONNUM, DBPARTITIONNUM, GREATEST, HASHEDVALUE, LEAST, MAX (scalar), MIN (scalar), NULLIF, NVL, RAISE_ERROR, RID, RID_BIT, TYPE_ID, TYPE_NAME, TYPE_SCHEMA, or VALUE) or a previously created user-defined scalar function.

The SOURCE clause may be specified only for scalar or column functions; it may not be specified for table functions.

The SOURCE clause provides the identity of the other function.

function-name

Identifies the particular function that is to be used as the source and is valid only if there is exactly one specific function in the schema with this *function-name* for which the authorization ID of the statement has EXECUTE privilege. This syntax variant is not valid for a source function that is a built-in function.

If an unqualified name is provided, then the current SQL path (the value of the CURRENT PATH special register) is used to locate the function. The first schema in the SQL path that has a function with this name for which the authorization ID of the statement has EXECUTE privilege is selected.

If no function by this name exists in the named schema or if the name is not qualified and there is no function with this name in the SQL path, an error (SQLSTATE 42704) is returned. If there is more than one authorized specific instance of the function in the named or located schema, an error (SQLSTATE 42725) is returned. If a function by this name exists and the

CREATE FUNCTION (Sourced or Template)

authorization ID of the statement does not have EXECUTE privilege on this function, an error (SQLSTATE 42501) is returned.

SPECIFIC *specific-name*

Identifies the particular user-defined function that is to be used as the source, by the *specific-name* either specified or defaulted to at function creation time. This syntax variant is not valid for a source function that is a built-in function.

If an unqualified name is provided, the current SQL path is used to locate the function. The first schema in the SQL path that has a function with this specific name for which the authorization ID of the statement has EXECUTE privilege is selected.

If no function by this *specific-name* exists in the named schema or if the name is not qualified and there is no function with this *specific-name* in the SQL path, an error (SQLSTATE 42704) is returned. If a function by this *specific-name* exists, and the authorization ID of the statement does not have EXECUTE privilege on this function, an error (SQLSTATE 42501) is returned.

function-name (*data-type*,...)

Provides the function signature, which uniquely identifies the source function. This is the only valid syntax variant for a source function that is a built-in function.

The rules for function resolution are applied to select one function from the functions with the same function name, given the data types specified in the SOURCE clause. However, the data type of each parameter in the function selected must have the exact same type as the corresponding data type specified in the source function.

function-name

Gives the function name of the source function. If an unqualified name is provided, then the schemas of the user's SQL path are considered.

data-type

Must match the data type that was specified on the CREATE FUNCTION statement in the corresponding position (comma separated).

It is not necessary to specify the length, precision or scale for the parameterized data types. Instead an empty set of parentheses may be coded to indicate that these attributes are to be ignored when looking for a data type match. For example, DECIMAL() will match a parameter whose data type was defined as DECIMAL(7,2)).

FLOAT() cannot be used (SQLSTATE 42601), because the parameter value indicates different data types (REAL or DOUBLE).

However, if length, precision, or scale is coded, the value must exactly match that specified in the CREATE FUNCTION statement. This can be useful in assuring that the intended function will be used. Note also that synonyms for data types will be considered a match (for example DEC and NUMERIC will match).

A type of FLOAT(n) does not need to match the defined value for n, because $0 < n < 25$ means REAL and $24 < n < 54$ means DOUBLE. Matching occurs based on whether the type is REAL or DOUBLE.

CREATE FUNCTION (Sourced or Template)

If no function with the specified signature exists in the named or implied schema, an error (SQLSTATE 42883) is returned.

PARAMETER CCSID

Specifies the encoding scheme to use for all string data passed into and out of the function. If the PARAMETER CCSID clause is not specified, the default is PARAMETER CCSID UNICODE for Unicode databases, and PARAMETER CCSID ASCII for all other databases.

ASCII

Specifies that string data is encoded in the database code page. If the database is a Unicode database, PARAMETER CCSID ASCII cannot be specified (SQLSTATE 56031). When the function is invoked, the application code page for the function is the database code page.

UNICODE

Specifies that string data is encoded in Unicode. If the database is a Unicode database, character data is in UTF-8, and graphic data is in UCS-2. If the database is not a Unicode database, character data is in UTF-8. In either case, when the function is invoked, the application code page for the function is 1208.

The PARAMETER CCSID clause must specify the same encoding scheme as the source function (SQLSTATE 53090).

AS TEMPLATE

Indicates that this statement will be used to create a function template, not a function with executable code.

NOT DETERMINISTIC or DETERMINISTIC

Specifies whether the function returns the same results for identical input arguments. The default is NOT DETERMINISTIC.

NOT DETERMINISTIC

Specifies that the function might not return the same result each time that the function is invoked with the same input arguments. The function depends on some state values that affect the results. The database manager uses this information during optimization of SQL statements. An example of a function that is not deterministic is one that generates random numbers.

A function that is not deterministic might receive incorrect results if it is executed by parallel tasks.

DETERMINISTIC

Specifies that the function always returns the same result each time that the function is invoked with the same input arguments. The database manager uses this information during optimization of SQL statements. An example of a function that is deterministic is one that calculates the square root of the input argument.

EXTERNAL ACTION or NO EXTERNAL ACTION

Specifies whether the function takes an action that changes the state of an object that the database manager does not manage. An example of an external action is sending a message or writing a record to a file. The default is EXTERNAL ACTION.

EXTERNAL ACTION

Specifies that the function takes an action that changes the state of an object that the database manager does not manage. EXTERNAL

CREATE FUNCTION (Sourced or Template)

ACTION must be implicitly or explicitly specified if the SQL routine body invokes a function that is defined with EXTERNAL ACTION (SQLSTATE 428C2).

A function with external actions might return incorrect results if the function is executed by parallel tasks. For example, if the function sends a note for each initial call to it, one note is sent for each parallel task instead of once for the function.

NO EXTERNAL ACTION

Specifies that the function does not take any action that changes the state of an object that the database manager does not manage. The database manager uses this information during optimization of SQL statements.

Rules

- For convenience, in this section we will call the function being created CF and the function identified in the SOURCE clause SF, no matter which of the three allowable syntaxes was used to identify SF.
 - The unqualified name of CF and the unqualified name of SF can be different.
 - A function named as the source of another function can, itself, use another function as its source. Extreme care should be exercised when exploiting this facility, because it could be very difficult to debug an application if an indirectly invoked function returns an error.
 - The following clauses are invalid if specified in conjunction with the SOURCE clause (because CF will inherit these attributes from SF):
 - CAST FROM ...,
 - EXTERNAL ...,
 - LANGUAGE ...,
 - PARAMETER STYLE ...,
 - DETERMINISTIC / NOT DETERMINISTIC,
 - FENCED / NOT FENCED,
 - RETURNS NULL ON NULL INPUT / CALLED ON NULL INPUT
 - EXTERNAL ACTION / NO EXTERNAL ACTION
 - NO SQL / CONTAINS SQL / READS SQL DATA
 - SCRATCHPAD / NO SCRATCHPAD
 - FINAL CALL / NO FINAL CALL
 - RETURNS TABLE (...)
 - CARDINALITY ...
 - ALLOW PARALLEL / DISALLOW PARALLEL
 - DBINFO / NO DBINFO
 - THREADSAFE / NOT THREADSAFE
 - INHERIT SPECIAL REGISTERS

An error (SQLSTATE 42613) will result from violation of these rules.

- The number of input parameters in CF must be the same as those in SF; otherwise an error (SQLSTATE 42624) is returned.
- It is not necessary for CF to specify length, precision, or scale for a parameterized data type in the case of:
 - The function's input parameters,
 - Its RETURNS parameter

CREATE FUNCTION (Sourced or Template)

Instead, empty parentheses may be specified as part of the data type (for example: VARCHAR()) in order to indicate that the length/precision/scale will be the same as those of the source function, or determined by the casting.

However, if length, precision, or scale is specified then the value in CF is checked against the corresponding value in SF as outlined below for input parameters and returns value.

- The specification of the input parameters of CF are checked against those of SF. The data type of each parameter of CF must either be the same as or be *castable* to the data type of the corresponding parameter of SF. If any parameter is not the same type or castable, an error (SQLSTATE 42879) is returned.

Note that this rule provides no guarantee against an error occurring when CF is used. An argument that matches the data type and length or precision attributes of a CF parameter may not be assignable if the corresponding SF parameter has a shorter length or less precision. In general, parameters of CF should not have length or precision attributes that are greater than the attributes of the corresponding SF parameters.

- The specifications for the RETURNS data type of CF are checked against that of SF. The final RETURNS data type of SF, after any casting, must either be the same as or castable to the RETURNS data type of CF. Otherwise an error (SQLSTATE 42866) is returned.

Note that this rule provides no guarantee against an error occurring when CF is used. A result value that matches the data type and length or precision attributes of the SF RETURNS data type may not be assignable if the CF RETURNS data type has a shorter length or less precision. Caution should be used when choosing to specify the RETURNS data type of CF as having length or precision attributes that are less than the attributes of the SF RETURNS data type.

Notes

- Determining whether one data type is castable to another data type does not consider length or precision and scale for parameterized data types such as CHAR and DECIMAL. Therefore, errors may occur when using a function as a result of attempting to cast a value of the source data type to a value of the target data type. For example, VARCHAR is castable to DATE but if the source type is actually defined as VARCHAR(5), an error will occur when using the function.
- When choosing the data types for the parameters of a user-defined function, consider the rules for promotion that will affect its input values (see “Promotion of data types”). For example, a constant which may be used as an input value could have a built-in data type different from the one expected and, more significantly, may not be promoted to the data type expected. Based on the rules for promotion, it is generally recommended to use the following data types for parameters:
 - INTEGER instead of SMALLINT
 - DOUBLE instead of REAL
 - VARCHAR instead of CHAR
 - VARGRAPHIC instead of GRAPHIC
- Creating a function with a schema name that does not already exist will result in the implicit creation of that schema provided the authorization ID of the statement has IMPLICIT_SCHEMA authority. The schema owner is SYSIBM. The CREATEIN privilege on the schema is granted to PUBLIC.
- For a federated server to recognize a data source function, the function must map to a counterpart at the federated database. If the database contains no counterpart, the user must create the counterpart and then the mapping.

CREATE FUNCTION (Sourced or Template)

The counterpart can be a function (scalar or source) or a function template. If the user creates a function and the required mapping, then, each time a query that specifies the function is processed, DB2 (1) compares strategies for invoking it with strategies for invoking the data source function, and (2) invokes the function that is expected to require less overhead.

If the user creates a function template and the mapping, then each time a query that specifies the template is processed, DB2 invokes the data source function that it maps to, provided that an access plan for invoking this function exists.

- **Privileges**

The definer of a function always receives the EXECUTE privilege on the function, as well as the right to drop the function. The definer of the function is also given the WITH GRANT OPTION if any one of the following is true:

- The source function is a built-in function.
- The definer of the function has EXECUTE WITH GRANT OPTION on the source function.
- The function is a template.

Examples

Example 1: Some time after the creation of Pellow's original CENTRE external scalar function, another user wants to create a function based on it, except this function is intended to accept only integer arguments.

```
CREATE FUNCTION MYCENTRE (INTEGER, INTEGER)
  RETURNS FLOAT
  SOURCE PELLOW.CENTRE (INTEGER, FLOAT)
```

Example 2: A distinct type, HATSIZE, has been created based on the built-in INTEGER data type. It would be useful to have an AVG function to compute the average hat size of different departments. This is easily done as follows:

```
CREATE FUNCTION AVG (HATSIZE) RETURNS HATSIZE
  SOURCE SYSIBM.AVG (INTEGER)
```

The creation of the distinct type has generated the required cast function, allowing the cast from HATSIZE to INTEGER for the argument and from INTEGER to HATSIZE for the result of the function.

Example 3: In a federated system, a user wants to invoke an Oracle UDF that returns table statistics in the form of values with double-precision floating points. The federated server can recognize this function only if there is a mapping between the function and a federated database counterpart. But no such counterpart exists. The user decides to provide one in the form of a function template, and to assign this template to a schema called NOVA. The user uses the following code to register the template with the federated server.

```
CREATE FUNCTION NOVA.STATS (DOUBLE, DOUBLE)
  RETURNS DOUBLE
  AS TEMPLATE DETERMINISTIC NO EXTERNAL ACTION
```

Example 4: In a federated system, a user wants to invoke an Oracle UDF that returns the dollar amounts that employees of a particular organization earn as bonuses. The federated server can recognize this function only if there is a mapping between the function and a federated database counterpart. No such counterpart exists; thus, the user creates one in the form of a function template. The user uses the following code to register this template with the federated server.

CREATE FUNCTION (Sourced or Template)

```
CREATE FUNCTION BONUS ()  
  RETURNS DECIMAL (8,2)  
  AS TEMPLATE DETERMINISTIC NO EXTERNAL ACTION
```

CREATE FUNCTION (SQL Scalar, Table, or Row)

The CREATE FUNCTION (SQL Scalar, Table, or Row) statement is used to define a user-defined SQL scalar, table, or row function. A *scalar function* returns a single value each time it is invoked, and is generally valid wherever an SQL expression is valid. A *table function* can be used in a FROM clause and returns a table. A *row function* can be used as a transform function and returns a row.

Invocation

This statement can be embedded in an application program or issued through the use of dynamic SQL statements. It is an executable statement that can be dynamically prepared only if DYNAMICRULES run behavior is in effect for the package (SQLSTATE 42509).

Authorization

The privileges held by the authorization ID of the statement must include at least one of the following:

- For each table, view, or nickname identified in any fullselect:
 - CONTROL privilege on that table, view, or nickname, or
 - SELECT privilege on that table, view, or nicknameand at least one of the following:
 - IMPLICIT_SCHEMA authority on the database, if the implicit or explicit schema name of the function does not exist
 - CREATEIN privilege on the schema, if the schema name of the function refers to an existing schema
- SYSADM or DBADM authority

Group privileges other than PUBLIC are not considered for any table or view specified in the CREATE FUNCTION statement.

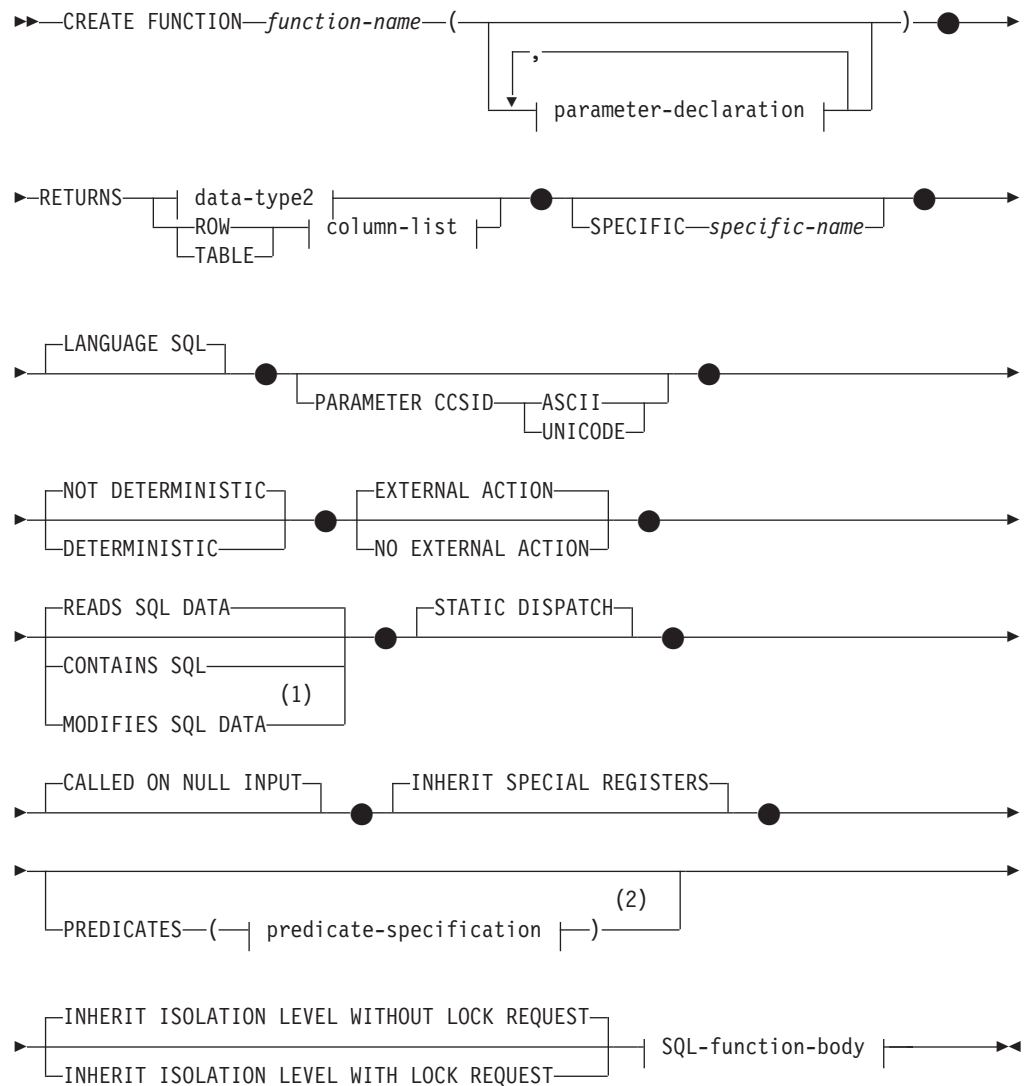
Authorization requirements of the data source for the table or view referenced by the nickname are applied when the function is invoked. The authorization ID of the connection can be mapped to a different remote authorization ID.

If a function definer can only create the function because the definer has SYSADM authority, the definer is granted implicit DBADM authority for the purpose of creating the function.

If the authorization ID of the statement does not have SYSADM or DBADM authority, the privileges held by the authorization ID of the statement must also include all of the privileges necessary to invoke the SQL statements that are specified in the function body.

Syntax

CREATE FUNCTION (SQL Scalar, Table, or Row)



parameter-declaration:

| *parameter-name* | data-type1 |

data-type1, data-type2, data-type3:

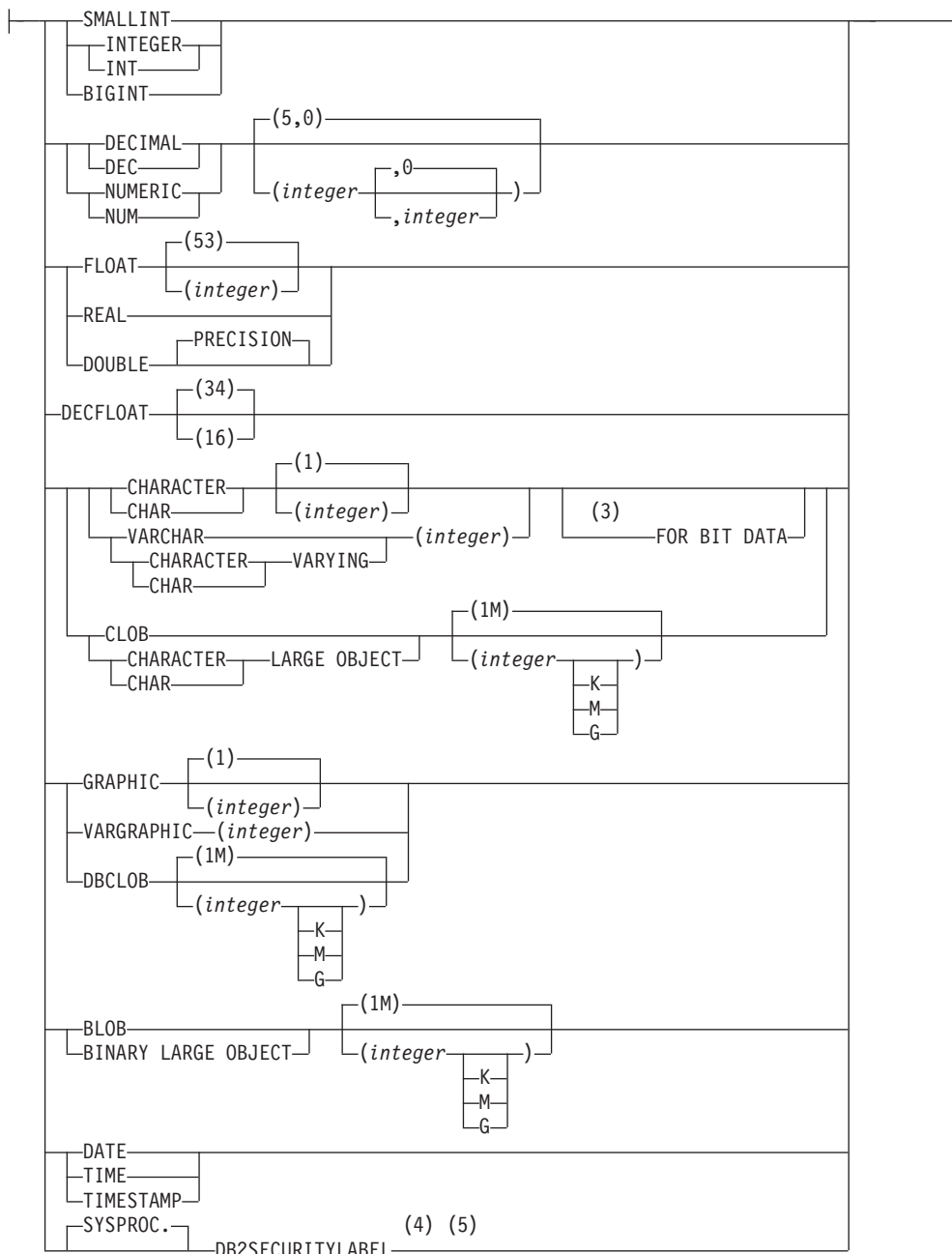
|

- built-in-type
- distinct-type-name*
- structured-type-name*
- REF (*type-name*)

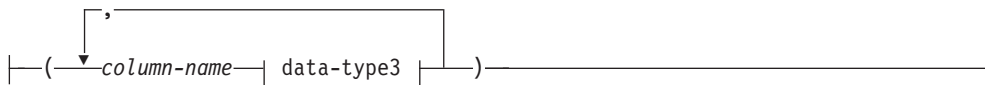
|

built-in-type:

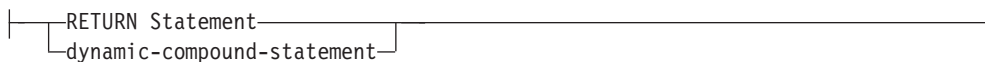
CREATE FUNCTION (SQL Scalar, Table, or Row)



column-list:



SQL-function-body:



CREATE FUNCTION (SQL Scalar, Table, or Row)

Notes:

- 1 Valid only if RETURNS specifies a table (*TABLE column-list*)
- 2 Valid only if RETURNS specifies a scalar result (*data-type2*)
- 3 The FOR BIT DATA clause can be specified in any order with the other column constraints that follow.
- 4 DB2SECURITYLABEL is the built-in distinct type that must be used to define the row security label column of a protected table.
- 5 For a column of type DB2SECURITYLABEL, NOT NULL WITH DEFAULT is implicit and cannot be explicitly specified (SQLSTATE 42842). The default value for a column of type DB2SECURITYLABEL is the session authorization ID's security label for write access.

Description

function-name

Names the function being defined. It is a qualified or unqualified name that designates a function. The unqualified form of *function-name* is an SQL identifier (with a maximum length of 18). In dynamic SQL statements, the CURRENT SCHEMA special register is used as a qualifier for an unqualified object name. In static SQL statements the QUALIFIER precompile/bind option implicitly specifies the qualifier for unqualified object names. The qualified form is a *schema-name* followed by a period and an SQL identifier.

The name, including the implicit or explicit qualifiers, together with the number of parameters and the data type of each parameter (without regard for any length, precision or scale attributes of the data type) must not identify a function described in the catalog (SQLSTATE 42723). The unqualified name, together with the number and data types of the parameters, while of course unique within its schema, need not be unique across schemas.

If a two-part name is specified, the *schema-name* cannot begin with 'SYS' (SQLSTATE 42939).

A number of names used as keywords in predicates are reserved for system use, and cannot be used as a *function-name* (SQLSTATE 42939). The names are SOME, ANY, ALL, NOT, AND, OR, BETWEEN, NULL, LIKE, EXISTS, IN, UNIQUE, OVERLAPS, SIMILAR, MATCH, and the comparison operators.

The same name can be used for more than one function if there is some difference in the signature of the functions. Although there is no prohibition against it, an external user-defined table function should not be given the same name as a built-in function.

(parameter-declaration,...)

Identifies the number of input parameters of the function, and specifies the data type of each parameter. One entry in the list must be specified for each parameter that the function will expect to receive. No more than 90 parameters are allowed (SQLSTATE 54023).

It is possible to register a function that has no parameters. In this case, the parentheses must still be coded, with no intervening data types. For example:

```
CREATE FUNCTION WOOFER() ...
```

No two identically-named functions within a schema are permitted to have exactly the same type for all corresponding parameters. Lengths, precisions, and scales are not considered in this type comparison. Therefore, CHAR(8) and CHAR(35) are considered to be the same type, as are DECIMAL(11,2) and

CREATE FUNCTION (SQL Scalar, Table, or Row)

DECIMAL (4,3), as well as DECFLOAT(16) and DECFLOAT(34). For a Unicode database, CHAR(13) and GRAPHIC(8) are considered to be the same type. There is some further bundling of types that causes them to be treated as the same type for this purpose, such as DECIMAL and NUMERIC. A duplicate signature returns an error (SQLSTATE 42723).

parameter-name

Specifies a name for the input parameter. The name cannot be the same as any other *parameter-name* in the parameter list (SQLSTATE 42734).

data-type1

Specifies the data type of the input parameter. The data type can be a built-in data type, a distinct type, a structured type, or a reference type.

For a more complete description of each built-in data type, see “CREATE TABLE”.

- Array or XML data types cannot be specified (SQLSTATE 42815).
- A datetime type parameter is passed as a character data type, and the data is passed in the ISO format.

For a user-defined distinct type, the length, precision, or scale attributes for the parameter are those of the source type of the distinct type (those specified on CREATE TYPE). A distinct type parameter is passed as the source type of the distinct type. If the name of the distinct type is unqualified, the database manager resolves the schema name by searching the schemas in the SQL path.

For a reference type, the parameter can be specified as REF(*type-name*) if the parameter is unscoped. The system does not attempt to infer the scope of the parameter or result. Inside the body of the function, a reference type can be used in a dereference operation only by first casting it to have a scope. Similarly, a reference returned by an SQL function can be used in a dereference operation only by first casting it to have a scope.

RETURNS

This mandatory clause identifies the type of output of the function.

data-type2

Specifies the data type of the output.

In this statement, exactly the same considerations apply as for the parameters of SQL functions described above under *data-type1* for function parameters.

ROW *column-list*

Specifies that the output of the function is a single row. If the function returns more than one row, an error is raised (SQLSTATE 21505). The *column-list* must include at least two columns (SQLSTATE 428F0).

A row function can only be used as a transform function for a structured type (having one structured type as its parameter and returning only base types).

TABLE *column-list*

Specifies that the output of the function is a table.

column-list

The list of column names and data types returned for a ROW or TABLE function

CREATE FUNCTION (SQL Scalar, Table, or Row)

column-name

Specifies the name of this column. The name cannot be qualified and the same name cannot be used for more than one column of the row.

data-type3

Specifies the data type of the column, and can be any data type supported by a parameter of the SQL function.

SPECIFIC *specific-name*

Provides a unique name for the instance of the function that is being defined. This specific name can be used when sourcing on this function, dropping the function, or commenting on the function. It can never be used to invoke the function. The unqualified form of *specific-name* is an SQL identifier (with a maximum length of 18). The qualified form is a *schema-name* followed by a period and an SQL identifier. The name, including the implicit or explicit qualifier, must not identify another function instance that exists at the application server; otherwise an error is raised (SQLSTATE 42710).

The *specific-name* may be the same as an existing *function-name*.

If no qualifier is specified, the qualifier that was used for *function-name* is used. If a qualifier is specified, it must be the same as the explicit or implicit qualifier of *function-name* or an error is raised (SQLSTATE 42882).

If *specific-name* is not specified, a unique name is generated by the database manager. The unique name is SQL followed by a character timestamp, SQLyymmddhhmmssxxx.

LANGUAGE SQL

Specifies that the function is written using SQL.

PARAMETER CCSID

Specifies the encoding scheme to use for all string data passed into and out of the function. If the PARAMETER CCSID clause is not specified, the default is PARAMETER CCSID UNICODE for Unicode databases, and PARAMETER CCSID ASCII for all other databases.

ASCII

Specifies that string data is encoded in the database code page. If the database is a Unicode database, PARAMETER CCSID ASCII cannot be specified (SQLSTATE 56031).

UNICODE

Specifies that character data is in UTF-8, and that graphic data is in UCS-2. If the database is not a Unicode database, PARAMETER CCSID UNICODE cannot be specified (SQLSTATE 56031).

DETERMINISTIC or NOT DETERMINISTIC

This optional clause specifies whether the function always returns the same results for given argument values (DETERMINISTIC) or whether the function depends on some state values that affect the results (NOT DETERMINISTIC). That is, a DETERMINISTIC function must always return the same table from successive invocations with identical inputs. Optimizations taking advantage of the fact that identical inputs always produce the same results are prevented by specifying NOT DETERMINISTIC.

EXTERNAL ACTION or NO EXTERNAL ACTION

Specifies whether the function takes an action that changes the state of an object that the database manager does not manage. An example of an external action is sending a message or writing a record to a file. The default is EXTERNAL ACTION.

CREATE FUNCTION (SQL Scalar, Table, or Row)

EXTERNAL ACTION

Specifies that the function takes an action that changes the state of an object that the database manager does not manage.

NO EXTERNAL ACTION

Specifies that the function does not take any action that changes the state of an object that the database manager does not manage. The database manager uses this information during optimization of SQL statements.

CONTAINS SQL, READS SQL DATA, or MODIFIES SQL DATA

Indicates what type of SQL statements can be executed.

CONTAINS SQL

Indicates that SQL statements that neither read nor modify SQL data can be executed by the function (SQLSTATE 42985).

READS SQL DATA

Indicates that SQL statements that do not modify SQL data can be executed by the function (SQLSTATE 42985).

MODIFIES SQL DATA

Indicates that all SQL statements supported in *dynamic-compound-statement* can be executed by the function.

STATIC DISPATCH

This optional clause indicates that at function resolution time, DB2 chooses a function based on the static types (declared types) of the parameters of the function.

CALLED ON NULL INPUT

This clause indicates that the function is called regardless of whether any of its arguments are null. It can return a null value or a non-null value. Responsibility for testing null argument values lies with the user-defined function.

The phrase NULL CALL may be used in place of CALLED ON NULL INPUT.

INHERIT SPECIAL REGISTERS

This optional clause indicates that updatable special registers in the function will inherit their initial values from the environment of the invoking statement. For a function that is invoked in the select-statement of a cursor, the initial values are inherited from the environment when the cursor is opened. For a routine that is invoked in a nested object (for example, a trigger or a view), the initial values are inherited from the runtime environment (not the object definition).

No changes to the special registers are passed back to the caller of the function.

Some special registers, such as the datetime special registers, reflect a property of the statement currently executing, and are therefore never inherited from the caller.

PREDICATES

For predicates using this function, this clause identifies those that can exploit the index extensions, and can use the optional SELECTIVITY clause for the predicate's search condition. If the PREDICATES clause is specified, the function must be defined as DETERMINISTIC with NO EXTERNAL ACTION (SQLSTATE 42613). If the PREDICATES clause is specified, and the database is not a Unicode database, PARAMETER CCSID UNICODE must not be specified (SQLSTATE 42613).

CREATE FUNCTION (SQL Scalar, Table, or Row)

predicate-specification

For details on predicate specification, see “CREATE FUNCTION (External Scalar)”.

INHERIT ISOLATION LEVEL WITHOUT LOCK REQUEST or INHERIT ISOLATION LEVEL WITH LOCK REQUEST

Specifies whether or not a lock request can be associated with the isolation-clause of the statement when the function inherits the isolation level of the statement that invokes the function. The default is INHERIT ISOLATION LEVEL WITHOUT LOCK REQUEST.

INHERIT ISOLATION LEVEL WITHOUT LOCK REQUEST

Specifies that, as the function inherits the isolation level of the invoking statement, it cannot be invoked in the context of an SQL statement which includes a lock-request-clause as part of a specified isolation-clause (SQLSTATE 42601).

INHERIT ISOLATION LEVEL WITH LOCK REQUEST

Specifies that, as the function inherits the isolation level of the invoking statement, it also inherits the specified lock-request-clause.

SQL-function-body

Specifies the body of the function. Parameter names can be referenced in the SQL-function-body. Parameter names may be qualified with the function name to avoid ambiguous references.

If the SQL-function-body is a dynamic compound statement, it must contain at least one RETURN statement, and a RETURN statement must be executed when the function is called (SQLSTATE 42632). If the function is a table or row function, it can contain only one RETURN statement, which must be the last statement in the dynamic compound statement (SQLSTATE 429BD).

Notes

- Resolution of function calls inside the function body is done according to the SQL path that is effective for the CREATE FUNCTION statement and does not change after the function is created.
- If an SQL function contains multiple references to any of the date or time special registers, all references return the same value, and it will be the same value returned by the register invocation in the statement that called the function.
- The body of an SQL function cannot contain a recursive call to itself or to another function or method that calls it, since such a function could not exist to be called.
- The following rules are enforced by all statements that create functions or methods:
 - A function may not have the same signature as a method (comparing the first *parameter-type* of the function with the *subject-type* of the method).
 - A function and a method may not be in an overriding relationship. That is, if the function were a method with its first parameter as subject, it must not override, or be overridden by, another method. For more information about overriding methods, see the “CREATE TYPE (Structured)” statement.
 - Because overriding does not apply to functions, it is permissible for two functions to exist such that, if they were methods, one would override the other.

For the purpose of comparing parameter-types in the above rules:

- Parameter-names, lengths, AS LOCATOR, and FOR BIT DATA are ignored.
- A subtype is considered to be different from its supertype.

CREATE FUNCTION (SQL Scalar, Table, or Row)

- *Table access restrictions*

If a function is defined as READS SQL DATA, no statement in the function can access a table that is being modified by the statement that invoked the function (SQLSTATE 57053). For example, suppose the user-defined function BONUS() is defined as READS SQL DATA. If the statement UPDATE EMPLOYEE SET SALARY = SALARY + BONUS(EMPNO) is invoked, no SQL statement in the BONUS function can read from the EMPLOYEE table.

If a function defined with MODIFIES SQL DATA contains nested CALL statements, read access to the tables being modified by the function (by either the function definition or the statement that invoked the function) is not allowed (SQLSTATE 57053).

- *Privileges*

The definer of a function always receives the EXECUTE privilege on the function, as well as the right to drop the function. The definer of a function is also given the WITH GRANT OPTION on the function if the definer has WITH GRANT OPTION on all privileges required to define the function, or if the definer has SYSADM or DBADM authority.

The definer of a function only acquires privileges if the privileges from which they are derived exist at the time the function is created. The definer must have these privileges either directly, or because PUBLIC has the privileges. Privileges held by groups of which the function definer is a member are not considered. When using the function, the connected user's authorization ID must have the valid privileges on the table or view that the nickname references at the data source.

- *Compatibilities*

- For compatibility with DB2 for z/OS:
 - The following syntax is accepted as the default behavior:
 - CCSID UNICODE in a Unicode database
 - CCSID ASCII in a non-Unicode database
- For compatibility with previous versions of DB2:
 - NULL CALL can be specified in place of CALLED ON NULL INPUT

Examples

Example 1: Define a scalar function that returns the tangent of a value using the existing sine and cosine functions.

```
CREATE FUNCTION TAN (X DOUBLE)
  RETURNS DOUBLE
  LANGUAGE SQL
  CONTAINS SQL
  NO EXTERNAL ACTION
  DETERMINISTIC
  RETURN SIN(X)/COS(X)
```

Example 2: Define a transform function for the structured type PERSON.

```
CREATE FUNCTION FROMPERSON (P PERSON)
  RETURNS ROW (NAME VARCHAR(10), FIRSTNAME VARCHAR(10))
  LANGUAGE SQL
  CONTAINS SQL
  NO EXTERNAL ACTION
  DETERMINISTIC
  RETURN VALUES (P..NAME, P..FIRSTNAME)
```

CREATE FUNCTION (SQL Scalar, Table, or Row)

Example 3: Define a table function that returns the employees in a specified department number.

```
CREATE FUNCTION DEPTEMPLOYEES (DEPTNO CHAR(3))
  RETURNS TABLE (EMPNO CHAR(6),
                 LASTNAME VARCHAR(15),
                 FIRSTNAME VARCHAR(12))

LANGUAGE SQL
READS SQL DATA
NO EXTERNAL ACTION
DETERMINISTIC
RETURN
  SELECT EMPNO, LASTNAME, FIRSTNAME
  FROM EMPLOYEE
  WHERE EMPLOYEE.WORKDEPT = DEPTEMPLOYEES.DEPTNO
```

Example 4: Define a scalar function that reverses a string.

```
CREATE FUNCTION REVERSE(INSTR VARCHAR(4000))
  RETURNS VARCHAR(4000)
  DETERMINISTIC NO EXTERNAL ACTION CONTAINS SQL
  BEGIN ATOMIC
  DECLARE REVSTR, RESTSTR VARCHAR(4000) DEFAULT '';
  DECLARE LEN INT;
  IF INSTR IS NULL THEN
  RETURN NULL;
  END IF;
  SET (RESTSTR, LEN) = (INSTR, LENGTH(INSTR));
  WHILE LEN > 0 DO
  SET (REVSTR, RESTSTR, LEN)
    = (SUBSTR(RESTSTR, 1, 1) CONCAT REVSTR,
       SUBSTR(RESTSTR, 2, LEN - 1),
       LEN - 1);
  END WHILE;
  RETURN REVSTR;
END
```

Example 4: Define the table function from Example 4 with auditing.

```
CREATE FUNCTION DEPTEMPLOYEES (DEPTNO CHAR(3))
  RETURNS TABLE (EMPNO CHAR(6),
                 LASTNAME VARCHAR(15),
                 FIRSTNAME VARCHAR(12))

LANGUAGE SQL
MODIFIES SQL DATA
NO EXTERNAL ACTION
DETERMINISTIC
BEGIN ATOMIC
  INSERT INTO AUDIT
  VALUES (USER,
          'Table: EMPLOYEE Prd: DEPTNO = ' CONCAT DEPTNO);
  RETURN
  SELECT EMPNO, LASTNAME, FIRSTNAME
  FROM EMPLOYEE
  WHERE EMPLOYEE.WORKDEPT = DEPTEMPLOYEES.DEPTNO
END
```

CREATE FUNCTION MAPPING

The CREATE FUNCTION MAPPING statement is used to:

- Define a mapping between a federated database function or function template and a data source function. The mapping can associate the federated database function or template with a function at:
 - A specified data source

CREATE FUNCTION MAPPING

- A range of data sources; for example, all data sources of a particular type and version
- Disable a default mapping between a federated database function and a data source function.

If multiple function mappings are applicable to a function, the most recent one is applied.

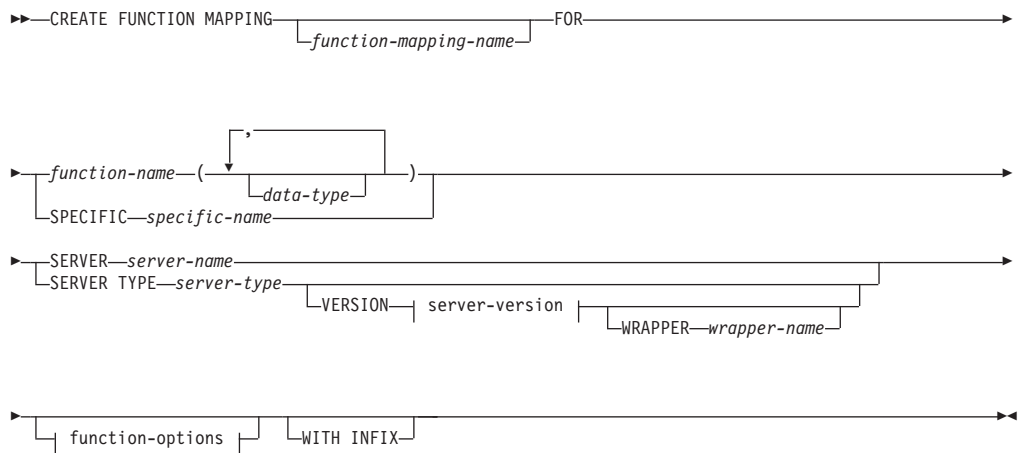
Invocation

This statement can be embedded in an application program or issued through the use of dynamic SQL statements. It is an executable statement that can be dynamically prepared only if DYNAMICRULES run behavior is in effect for the package (SQLSTATE 42509).

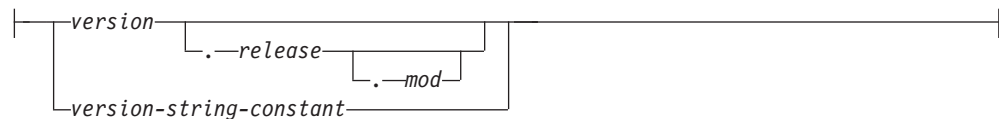
Authorization

The privileges held by the authorization ID of the statement must include SYSADM or DBADM authority.

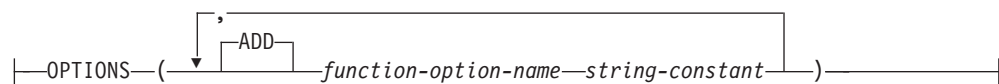
Syntax



server-version:



function-options:



Description*function-mapping-name*

Names the function mapping. The name must not identify a function mapping that is already described in the catalog (SQLSTATE 42710).

If the *function-mapping-name* is omitted, a system-generated unique name is assigned.

function-name

Specifies the qualified or unqualified name of the federated database function or federated database function template from which to map.

data-type

For a function or function template that has input parameters, *data-type* specifies the data type of each parameter. The *data type* cannot be DECFLOAT, LONG VARCHAR, LONG VARGRAPHIC, XML, or a user-defined type.

Empty parentheses can be used instead of specifying length, precision, or scale for the parameterized data types. It is recommended to use empty parentheses for the parameterized data types; for example, CHAR(). A parameterized data type is any one of the data types that can be defined with a specific length, scale, or precision. The parameterized data types are the string data types and the decimal data types. If you specify length, precision, or scale, it must be the same as that of the function template. If you omit parentheses altogether, the default length for the data type is used (see the description of the CREATE TABLE statement).

SPECIFIC *specific-name*

Identifies the function or function template from which to map. Specify *specific-name* to create a convenient function name.

SERVER *server-name*

Names the data source containing the function that is being mapped.

SERVER TYPE *server-type*

Identifies the type of data source containing the function that is being mapped.

VERSION

Identifies the version of the data source denoted by *server-type*.

version

Specifies the version number. The value must be an integer.

release

Specifies the number of the release of the version denoted by *version*. The value must be an integer.

mod

Specifies the number of the modification of the release denoted by *release*. The value must be an integer.

version-string-constant

Specifies the complete designation of the version. The *version-string-constant* can be a single value (for example, '8i'); or it can be the concatenated values of *version*, *release* and, if applicable, *mod* (for example, '8.0.3').

WRAPPER *wrapper-name*

Specifies the name of the wrapper that the federated server uses to interact with data sources of the type and version denoted by *server-type* and *server-version*.

CREATE FUNCTION MAPPING

OPTIONS

Indicates what function mapping options are to be enabled.

ADD

Enables one or more function mapping options.

function-option-name

Names a function mapping option that applies either to the function mapping or to the data source function included in the mapping.

string-constant

Specifies the setting for *function-option-name* as a character string constant.

WITH INFIX

Specifies that the data source function be generated in infix format. The federated database system converts prefix notation to the infix notation that is used by the remote data source.

Notes

- A federated database function or function template can map to a data source function if:
 - The federated database function or template has the same number of input parameters as the data source function.
 - The data types that are defined for the federated function or template are compatible with the corresponding data types defined for the data source function.
- If a distributed request references a DB2 function that maps to a data source function, the optimizer develops strategies for invoking either function when the request is processed. The DB2 function is invoked if doing so requires less overhead than invoking the data source function. Otherwise, if invoking the DB2 function requires more overhead, the data source function is invoked.
- If a distributed request references a DB2 function template that maps to a data source function, only the data source function can be invoked when the request is processed. The template cannot be invoked because it has no executable code.
- Default function mappings can be rendered inoperable by disabling them (they cannot be dropped). To disable a default function mapping, code the CREATE FUNCTION MAPPING statement so that it specifies the name of the DB2 function within the mapping and sets the DISABLE option to 'Y'.
- Functions in the SYSIBM schema do not have a specific name. To override the default function mapping for a function in the SYSIBM schema, specify *function-name* using the explicit qualifier SYSIBM; for example, SYSIBM.LENGTH().
- A CREATE FUNCTION MAPPING statement within a given unit of work (UOW) cannot be processed (SQLSTATE 55007) under either of the following conditions:
 - The statement references a single data source, and the UOW already includes one of the following:
 - A SELECT statement that references a nickname for a table or view within this data source
 - An open cursor on a nickname for a table or view within this data source
 - Either an INSERT, DELETE, or UPDATE statement issued against a nickname for a table or view within this data source
 - The statement references a category of data sources (for example, all data sources of a specific type and version), and the UOW already includes one of the following:

- A SELECT statement that references a nickname for a table or view within one of these data sources
- An open cursor on a nickname for a table or view within one of these data sources
- Either an INSERT, DELETE, or UPDATE statement issued against a nickname for a table or view within one of these data sources

Examples

Example 1: Map a function template to a UDF that all Oracle data sources can access. The template is called STATS and belongs to a schema called NOVA. The Oracle UDF is called STATISTICS and belongs to a schema called STAR.

```
CREATE FUNCTION MAPPING MY_ORACLE_FUN1
FOR NOVA.STATS (DOUBLE, DOUBLE)
SERVER TYPE ORACLE
OPTIONS (REMOTE_NAME 'STAR.STATISTICS')
```

Example 2: Map a function template called BONUS to a UDF, also called BONUS, that is used at an Oracle data source called ORACLE1.

```
CREATE FUNCTION MAPPING MY_ORACLE_FUN2
FOR BONUS()
SERVER ORACLE1
OPTIONS (REMOTE_NAME 'BONUS')
```

Example 3: Assume that there is a default function mapping between the WEEK system function that is defined to the federated database and a similar function that is defined to Oracle data sources. When a query that requests Oracle data and that references WEEK is processed, either WEEK or its Oracle counterpart will be invoked, depending on which one is estimated by the optimizer to require less overhead. The DBA wants to find out how performance would be affected if only WEEK were invoked for such queries. To ensure that WEEK is invoked each time, the DBA must disable the mapping.

```
CREATE FUNCTION MAPPING
FOR SYSFUN.WEEK(INT)
SERVER TYPE ORACLE
OPTIONS (DISABLE 'Y')
```

Example 4: Map the federated function UCASE(CHAR) to a UDF that is used at an Oracle data source called ORACLE2. Include the estimated number of instructions per invocation of the Oracle UDF.

```
CREATE FUNCTION MAPPING MY_ORACLE_FUN4
FOR SYSFUN.UCASE(CHAR)
SERVER ORACLE2
OPTIONS
(REMOTE_NAME 'UPPERCASE',
INSTS_PER_INVOC '1000')
```

CREATE HISTOGRAM TEMPLATE

The CREATE HISTOGRAM TEMPLATE statement defines a template describing the type of histogram that can be used to override one or more of the default histograms of a service class or a work class.

Invocation

This statement can be embedded in an application program or issued interactively. It is an executable statement that can be dynamically prepared only if

CREATE HISTOGRAM TEMPLATE

DYNAMICRULES run behavior is in effect for the package (SQLSTATE 42509).

Authorization

The privileges held by the authorization ID of the statement must include SYSADM or DBADM authority.

Syntax

```
►►—CREATE HISTOGRAM TEMPLATE—template-name—HIGH BIN VALUE—bigint-constant—►►
```

Description

template-name

Names the histogram template. This is a one-part name. It is an SQL identifier (either ordinary or delimited). The name must not identify an existing histogram template at the current server (SQLSTATE 42710). The name must not begin with the characters 'SYS' (SQLSTATE 42939).

HIGH BIN VALUE *bigint-constant*

Specifies the top value of the second to last bin (the last bin has an unbounded top value). The units depend on how the histogram is used. The maximum value is 268 435 456.

Rules

- A workload management (WLM)-exclusive SQL statement must be followed by a COMMIT or a ROLLBACK statement (SQLSTATE 5U021). WLM-exclusive SQL statements are:
 - CREATE HISTOGRAM TEMPLATE, ALTER HISTOGRAM TEMPLATE, or DROP (HISTOGRAM TEMPLATE)
 - CREATE SERVICE CLASS, ALTER SERVICE CLASS, or DROP (SERVICE CLASS)
 - CREATE THRESHOLD, ALTER THRESHOLD, or DROP (THRESHOLD)
 - CREATE WORK ACTION SET, ALTER WORK ACTION SET, or DROP (WORK ACTION SET)
 - CREATE WORK CLASS SET, ALTER WORK CLASS SET, or DROP (WORK CLASS SET)
 - CREATE WORKLOAD, ALTER WORKLOAD, or DROP (WORKLOAD)
 - GRANT (Workload Privileges) or REVOKE (Workload Privileges)
- A WLM-exclusive SQL statement cannot be issued within a global transaction (SQLSTATE 51041) such as, for example, an XA transaction.

Notes

- Only one uncommitted WLM-exclusive SQL statement at a time is allowed across all partitions. If an uncommitted WLM-exclusive SQL statement is executing, subsequent WLM-exclusive SQL statements will wait until the current WLM-exclusive SQL statement commits or rolls back.
- Changes are written to the system catalog, but do not take effect until they are committed, even for the connection that issues the statement.

Example

Create a histogram template named LIFETIMETEMP on service class PAYROLL in service superclass ADMIN that will override the default activity lifetime histogram template with a new high bin value of 90 000, which represents 90 000 microseconds. This will produce a histogram with exponentially increasing bin ranges, ending with a bin whose range is 90 000 to infinity.

```
CREATE HISTOGRAM TEMPLATE LIFETIMETEMP
HIGH BIN VALUE 90000

CREATE SERVICE CLASS PAYROLL
UNDER ADMIN ACTIVITY LIFETIME HISTOGRAM TEMPLATE LIFETIMETEMP
```

CREATE INDEX

The CREATE INDEX statement is used to:

- Define an index on a DB2 table. An index can be defined on XML data, or on relational data.
- Create an index specification (metadata that indicates to the optimizer that a data source table has an index)

Invocation

This statement can be embedded in an application program or issued through the use of dynamic SQL statements. It is an executable statement that can be dynamically prepared only if DYNAMICRULES run behavior is in effect for the package (SQLSTATE 42509).

Authorization

The privileges held by the authorization ID of the statement must include at least one of the following:

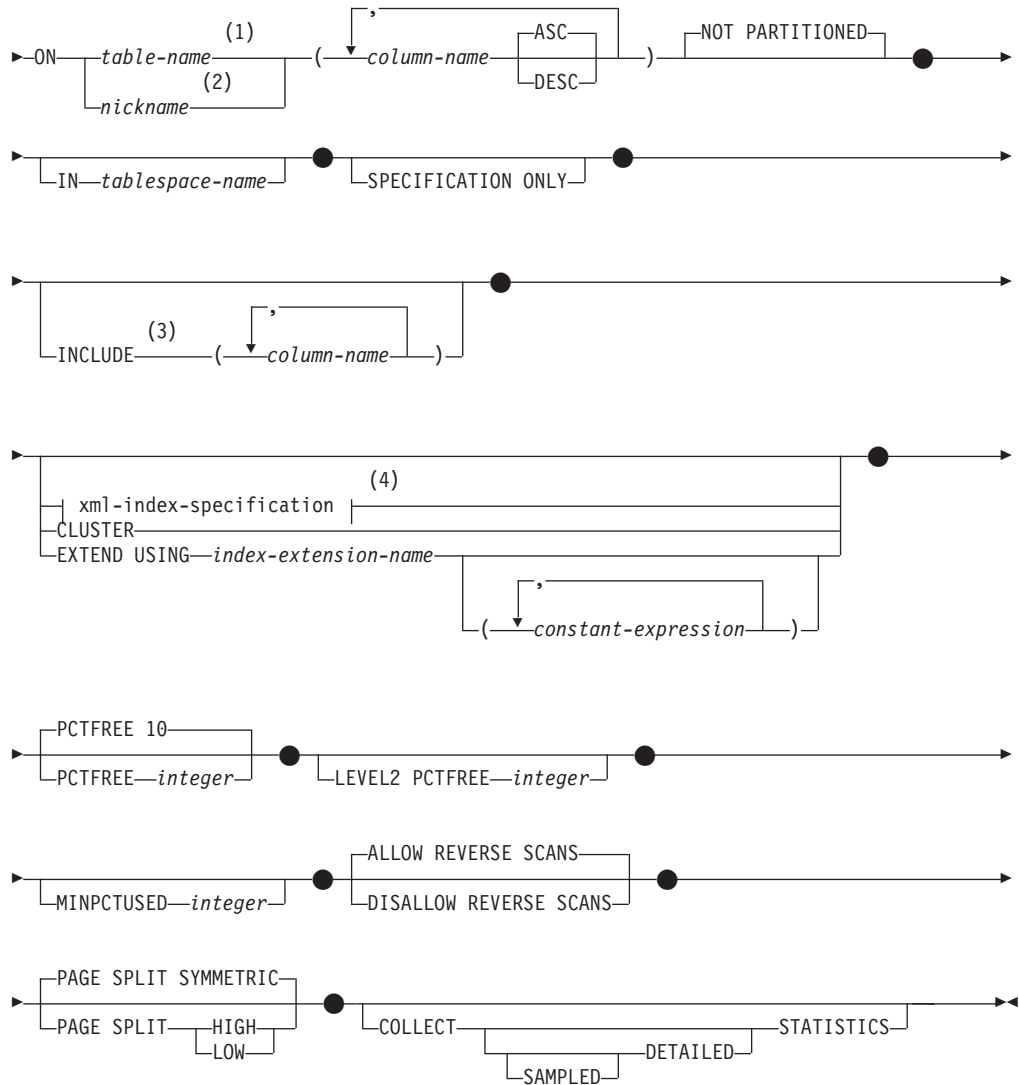
- One of:
 - CONTROL privilege on the table or nickname on which the index is defined
 - INDEX privilege on the table or nickname on which the index is defined
 and one of:
 - IMPLICIT_SCHEMA authority on the database, if the implicit or explicit schema name of the index does not exist
 - CREATEIN privilege on the schema, if the schema name of the index refers to an existing schema
- SYSADM or DBADM authority

No explicit privilege is required to create an index on a declared temporary table.

Syntax

```
▶▶ CREATE [UNIQUE] INDEX index-name →
```

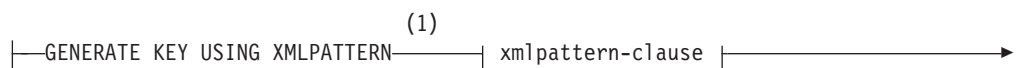
CREATE INDEX



Notes:

- 1 In a federated system, *table-name* must identify a table in the federated database. It cannot identify a data source table.
- 2 If *nickname* is specified, the CREATE INDEX statement creates an index specification. In this case, INCLUDE, *xml-index-specification*, CLUSTER, EXTEND USING, PCTFREE, MINPCTUSED, DISALLOW REVERSE SCANS, ALLOW REVERSE SCANS, PAGE SPLIT, or COLLECT STATISTICS cannot be specified.
- 3 The INCLUDE clause can only be specified if UNIQUE is specified.
- 4 If *xml-index-specification* is specified, *column-name* DESC, INCLUDE, or CLUSTER cannot be specified.

xml-index-specification:



► xmltype-clause

Notes:

- 1 The alternative syntax GENERATE KEYS USING XMLPATTERN can be used.

xmlpattern-clause:

' namespace-declaration pattern-expression '

namespace-declaration:

DECLARE NAMESPACE namespace-prefix=namespace-uri ;
 DECLARE DEFAULT ELEMENT NAMESPACE namespace-uri

pattern-expression:

/ forward-axis
 //
 xmlname-test
 xmlkind-test

forward-axis:

child::
 @
 attribute::
 descendant::
 self::
 descendant-or-self::

xmlname-test:

xml-qname
 xml-wildcard

xml-wildcard:

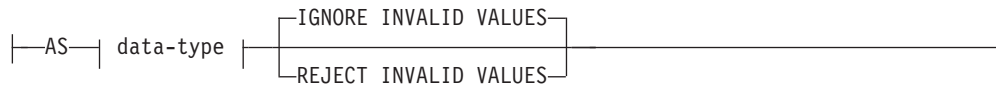
*
 xml-namespace-prefix:*
 *:xml-ncname

CREATE INDEX

xmlkind-test:



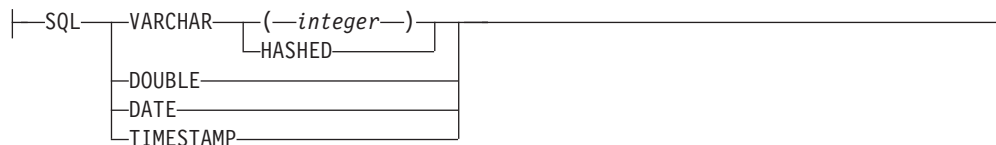
xmltype-clause:



data-type:



sql-data-type:



Description

UNIQUE

If **ON** *table-name* is specified, **UNIQUE** prevents the table from containing two or more rows with the same value of the index key. The uniqueness is enforced at the end of the SQL statement that updates rows or inserts new rows.

The uniqueness is also checked during the execution of the **CREATE INDEX** statement. If the table already contains rows with duplicate key values, the index is not created.

If the index is on an XML column (the index is an index over XML data), the uniqueness applies to values with the specified *pattern-expression* for all rows of the table. Uniqueness is enforced on each value after the value has been converted to the specified *sql-data-type*. Because converting to the specified *sql-data-type* might result in a loss of precision or range, or different values might be hashed to the same key value, multiple values that appear to be unique in the XML document might result in duplicate key errors. The uniqueness of character strings depends on XQuery semantics where trailing blanks are significant. Therefore, values that would be duplicates in SQL but differ in trailing blanks are considered unique values in an index over XML data.

When **UNIQUE** is used, null values are treated as any other values. For example, if the key is a single column that may contain null values, that column may contain no more than one null value.

If the **UNIQUE** option is specified, and the table has a distribution key, the columns in the index key must be a superset of the distribution key. That is, the columns specified for a unique index key must include all the columns of the distribution key (SQLSTATE 42997).

Primary or unique keys cannot be subsets of dimensions (SQLSTATE 429BE).

If ON *nickname* is specified, UNIQUE should be specified only if the data for the index key contains unique values for every row of the data source table. The uniqueness will not be checked.

For an index over XML data, UNIQUE can be specified only if the specified *pattern-expression* specifies a single complete path and does not contain a descendant or descendant-or-self axis, *"/ /"*, an *xml-wildcard*, *node()*, or *processing-instruction()* (SQLSTATE 429BS).

INDEX *index-name*

Names the index or index specification. The name, including the implicit or explicit qualifier, must not identify an index or index specification that is described in the catalog, or an existing index on a declared temporary table (SQLSTATE 42704). The qualifier must not be SYSIBM, SYSCAT, SYSFUN, or SYSSTAT (SQLSTATE 42939).

The implicit or explicit qualifier for indexes on declared global temporary tables must be SESSION (SQLSTATE 428EK).

ON *table-name* or *nickname*

The *table-name* identifies a table on which an index is to be created. The table must be a base table (not a view), a materialized query table described in the catalog, or a declared temporary table. The name of a declared temporary table must be qualified with SESSION. The *table-name* must not identify a catalog table (SQLSTATE 42832). If UNIQUE is specified and *table-name* is a typed table, it must not be a subtable (SQLSTATE 429B3).

nickname is the nickname on which an index specification is to be created. The *nickname* references either a data source table whose index is described by the index specification, or a data source view that is based on such a table. The *nickname* must be listed in the catalog.

column-name

For an index, *column-name* identifies a column that is to be part of the index key. For an index specification, *column-name* is the name by which the federated server references a column of a data source table.

Each *column-name* must be an unqualified name that identifies a column of the table. Up to 64 columns can be specified. If *table-name* is a typed table, up to 63 columns can be specified. If *table-name* is a subtable, at least one *column-name* must be introduced in the subtable; that is, not inherited from a supertable (SQLSTATE 428DS). No *column-name* can be repeated (SQLSTATE 42711).

The sum of the stored lengths of the specified columns must not be greater than the index key length limit for the page size. For key length limits, see "SQL limits". If *table-name* is a typed table, the index key length limit is further reduced by 4 bytes. Note that this length limit can be reduced even more by system overhead, which varies according to the data type of the column and whether or not the column is nullable. For more information on overhead affecting this limit, see "Byte Counts" in "CREATE TABLE".

Note that this length can be reduced by system overhead, which varies according to the data type of the column and whether it is nullable. For more information on overhead affecting this limit, see "Byte Counts" in "CREATE TABLE".

No LOB column, LONG VARCHAR column, LONG VARGRAPHIC column, or distinct type column based on a LOB, LONG VARCHAR, or LONG VARGRAPHIC can be used as part of an index, even if the length attribute of

CREATE INDEX

the column is small enough to fit within the index key length limit for the page size (SQLSTATE 54008). A structured type column can only be specified if the EXTEND USING clause is also specified (SQLSTATE 42962). If the EXTEND USING clause is specified, only one column can be specified, and the type of the column must be a structured type or a distinct type that is not based on a LOB, LONG VARCHAR, or LONG VARGRAPHIC (SQLSTATE 42997).

If an index has only one column, and that column has the XML data type, and the GENERATE KEY USING XMLPATTERN clause is also specified, the index is an index over XML data. A column with the XML data type can be specified only if the GENERATE KEY USING XMLPATTERN clause is also specified (SQLSTATE 42962). If the GENERATE KEY USING XMLPATTERN clause is specified, only one column can be specified, and the type of the column must be XML.

ASC

Specifies that index entries are to be kept in ascending order of the column values; this is the default setting. ASC cannot be specified for indexes that are defined with EXTEND USING (SQLSTATE 42601).

DESC

Specifies that index entries are to be kept in descending order of the column values. DESC cannot be specified for indexes that are defined with EXTEND USING, or if the index is an index over XML data (SQLSTATE 42601).

NOT PARTITIONED

Indicates that a single index should be created that spans all of the data partitions defined for the table. The *table-name* must identify a table defined with data partitions (SQLSTATE 53036).

IN *tablespace-name*

Specifies the table space in which the index is to be created. This clause is only supported for indexes on partitioned tables. You can specify this clause even if the INDEX IN clause was specified when the table was created. This will override that clause.

The table space specified by *tablespace-name* must be in the same database partition group as the data table spaces for the table and manage space in the same way as the other table spaces of the partitioned table (SQLSTATE 42838); it must be a table space on which the authorization ID of the statement holds the USE privilege.

If the IN clause is not specified, the index is created in the table space that was specified by the INDEX IN clause on the CREATE TABLE statement. If no INDEX IN clause was specified, the table space of the first visible or attached data partition of the table is used. This is the first partition in the list of data partitions that are sorted on the basis of range specifications. If the IN clause is not specified, the authorization ID of the statement is not required to have the USE privilege on the default table space.

SPECIFICATION ONLY

Indicates that this statement will be used to create an index specification that applies to the data source table referenced by *nickname*. SPECIFICATION ONLY must be specified if *nickname* is specified (SQLSTATE 42601). It cannot be specified if *table-name* is specified (SQLSTATE 42601).

If the index specification applies to an index that is unique, DB2 does not verify that the column values in the remote table are unique. If the remote

column values are not unique, queries against the nickname that include the index column might return incorrect data or errors.

This clause cannot be used when creating an index on a declared temporary table (SQLSTATE 42995).

INCLUDE

This keyword introduces a clause that specifies additional columns to be appended to the set of index key columns. Any columns included with this clause are not used to enforce uniqueness. These included columns might improve the performance of some queries through index only access. The columns must be distinct from the columns used to enforce uniqueness (SQLSTATE 42711). UNIQUE must be specified when INCLUDE is specified (SQLSTATE 42613). The limits for the number of columns and sum of the length attributes apply to all of the columns in the unique key and in the index.

This clause cannot be used with declared temporary tables (SQLSTATE 42995).

column-name

Identifies a column that is included in the index but not part of the unique index key. The same rules apply as defined for columns of the unique index key. The keywords ASC or DESC may be specified following the column-name but have no effect on the order.

INCLUDE cannot be specified for indexes that are defined with EXTEND USING, if *nickname* is specified, or if the index is an XML values index (SQLSTATE 42601).

xml-index-specification

Specifies how index keys are generated from XML documents that are stored in an XML column. *xml-index-specification* cannot be specified if there is more than one index column, or if the column does not have the XML data type.

This clause only applies to XML columns (SQLSTATE 429BS).

GENERATE KEY USING XMLPATTERN *xmlpattern-clause*

Specifies the parts of an XML document that are to be indexed. XML pattern values are the indexed values generated by the *xmlpattern-clause*. List data type nodes are not supported in the index. If a node is qualified by the *xmlpattern-clause* and an XML schema exists that specifies that the node is a list data type, then the list data type node cannot be indexed (SQLSTATE 23526 for CREATE INDEX statements, or SQLSTATE 23525 for INSERT and UPDATE statements).

xmlpattern-clause

Contains a pattern expression that identifies the nodes that are to be indexed. It consists of an optional *namespace-declaration* and a required *pattern-expression*.

namespace-declaration

If the pattern expression contains qualified names, a *namespace-declaration* must be specified to define namespace prefixes. A default namespace can be defined for unqualified names.

DECLARE NAMESPACE *namespace-prefix=namespace-uri*

Maps *namespace-prefix*, which is an NCName, to *namespace-uri*, which is a string literal. The *namespace-declaration* can contain multiple *namespace-prefix-to-namespace-uri* mappings. The

namespace-prefix must be unique within the list of *namespace-declaration* (SQLSTATE 10503).

DECLARE DEFAULT ELEMENT NAMESPACE *namespace-uri*

Declares the default namespace URI for unqualified element names or types. If no default namespace is declared, unqualified names of elements and types are in no namespace. Only one default namespace can be declared (SQLSTATE 10502).

pattern-expression

Specifies the nodes in an XML document that are indexed. The *pattern-expression* can contain pattern-matching characters (*). It is similar to a path expression in XQuery, but supports a subset of the XQuery language that is supported by DB2.

/ (forward slash)

Separates path expression steps.

// (double forward slash)

This is the abbreviated syntax for */descendant-or-self::node()/*. You cannot use *// (double forward slash)* if you also specify UNIQUE.

forward-axis

child::

Specifies children of the context node. This is the default, if no other forward axis is specified.

@ Specifies attributes of the context node. This is the abbreviated syntax for *attribute::*.

attribute::

Specifies attributes of the context node.

descendant::

Specifies the descendants of the context node. You cannot use *descendant::* if you also specify UNIQUE.

self::

Specifies just the context node itself.

descendant-or-self::

Specifies the context node and the descendants of the context node. You cannot use *descendant-or-self::* if you also specify UNIQUE.

xmlname-test

Specifies the node name for the step in the path using a qualified XML name (*xml-qname*) or a wildcard (*xml-wildcard*).

xml-ncname

An XML name as defined by XML 1.0. It cannot include a colon character.

xml-qname

Specifies a qualified XML name (also known as a QName) that can have two possible forms:

- *xml-namespace:xml-ncname*, where the *xml-namespace* is an *xml-ncname* that identifies an in-scope namespace

- `xml-ncname`, which indicates that the default namespace should be applied as the implicit `xml-nsprefix`

xml-wildcard

Specifies an `xml-qname` as a wildcard that can have three possible forms:

- `*` (a single asterisk character) indicates any `xml-qname`
- `xml-nsprefix:*` indicates any `xml-ncname` within the specified namespace
- `*:xml-ncname` indicates a specific XML name in any in-scope namespace

You cannot use *xml-wildcard* if you also specify `UNIQUE`.

xmlkind-test

Use these options to specify what types of nodes you pattern match. The following options are available to you:

node()

Matches any node. You cannot use *node()* if you also specify `UNIQUE`.

text()

Matches any text node.

comment()

Matches any comment node.

processing-instruction()

Matches any processing instruction node. You cannot use *processing-instruction()* if you also specify `UNIQUE`.

*xmltype-clause***AS data-type**

Specifies the data type to which indexed values are converted before they are stored. Values are converted to the index XML data type that corresponds to the specified index SQL data type.

Table 17. Corresponding index data types

Index XML data type	Index SQL data type
<code>xs:string</code>	<code>VARCHAR(integer)</code> , <code>VARCHAR HASHED</code>
<code>xs:double</code>	<code>DOUBLE</code>
<code>xs:date</code>	<code>DATE</code>
<code>xs:dateTime</code>	<code>TIMESTAMP</code>

For `VARCHAR(integer)` and `VARCHAR HASHED`, the value is converted to an `xs:string` value using the XQuery function `fn:string`. The length attribute of `VARCHAR(integer)` is applied as a constraint to the resulting `xs:string` value. An index SQL data type of `VARCHAR HASHED` applies a hash algorithm to the resulting `xs:string` value to generate a hash code that is inserted into the index.

For indexes using the data types `DOUBLE`, `DATE`, and `TIMESTAMP`, the value is converted to the index XML data type using the XQuery cast expression.

If the index is unique, the uniqueness of the value is enforced after the value is converted to the indexed type.

data-type

The following data type is supported:

sql-data-type

Supported SQL data types are:

VARCHAR(*integer*)

If this form of VARCHAR is specified, DB2 uses *integer* as a constraint. If document nodes that are to be indexed have values that are longer than *integer*, the documents are not inserted into the table if the index already exists. If the index does not exist, the index is not created. *integer* is a value between 1 and a page size-dependent maximum. Table 18 shows the maximum value for each page size.

Table 18. Maximum length of document nodes by page size

Page size	Maximum length of document node (bytes)
4KB	817
8KB	1841
16KB	3889
32KB	7985

XQuery semantics are used for string comparisons, where trailing blanks are significant. This differs from SQL semantics, where trailing blanks are insignificant during comparisons.

VARCHAR HASHED

Specify VARCHAR HASHED to handle indexing of arbitrary length character strings. The length of an indexed string has no limit. DB2 generates an eight-byte hash code over the entire string. Indexes that use these hashed character strings can be used only for equality lookups. XQuery semantics are used for string equality comparisons, where trailing blanks are significant. This differs from SQL semantics, where trailing blanks are insignificant during comparisons. The hash on the string preserves XQuery semantics for equality and not SQL semantics.

DOUBLE

Specifies that the data type DOUBLE is used for indexing numeric values. Unbounded decimal types and 64 bit integers may lose precision when they are stored as a DOUBLE value. The values for DOUBLE may include the special numeric values *NaN*, *INF*, *-INF*, *+0*, and *-0*, even though the SQL data type DOUBLE itself does not support these values.

DATE

Specifies that the data type DATE is used for indexing XML values. Note that the XML schema data type for

xs:date allows greater precision than the SQL data type. If an out-of-range value is encountered, an error is returned.

TIMESTAMP

Specifies that the data type `TIMESTAMP` is used for indexing XML values. Note that the XML schema data type for `xs:dateTime` allows greater precision than the SQL data type. If an out-of range value is encountered, an error is returned.

IGNORE INVALID VALUES

Specifies that XML pattern values that are invalid for the target index XML data type are ignored and that the corresponding values in the stored XML documents are not indexed by the `CREATE INDEX` statement. By default, invalid values are ignored. During insert and update operations, the invalid XML pattern values are not indexed, but XML documents are still inserted into the table. No error or warning is raised, because specifying these data types is not a constraint on the XML pattern values (XQuery expressions that search for the specific XML index data type will not consider these values).

The index can ignore only invalid XML pattern values for the index XML data type. Valid values must conform to the DB2 representation of the value for the index XML data type, or an error is returned. An XML pattern value associated with the index XML data type `xs:string` is always valid. However, the additional length constraint of the associated index SQL data type `VARCHAR(integer)` data type can still raise an error, if the maximum length is exceeded. If an error is returned, XML data is not inserted or updated in the table if the index already exists (SQLSTATE 23525). If the index does not exist, the index is not created (SQLSTATE 23526).

REJECT INVALID VALUES

Specifies that all XML pattern values must be valid for the index XML data type. If any XML pattern value cannot be cast to the index XML data type, an error is returned. XML data is not inserted or updated in the table if the index already exists (SQLSTATE 23525). If the index does not exist, the index is not created (SQLSTATE 23526).

CLUSTER

Specifies that the index is the clustering index of the table. The cluster factor of a clustering index is maintained or improved dynamically as data is inserted into the associated table, by attempting to insert new rows physically close to the rows for which the key values of this index are in the same range. Only one clustering index may exist for a table so `CLUSTER` may not be specified if it was used in the definition of any existing index on the table (SQLSTATE 55012). A clustering index may not be created on a table that is defined to use append mode (SQLSTATE 428D8).

`CLUSTER` is disallowed if *nickname* is specified, or if the index is an index over XML data (SQLSTATE 42601). This clause cannot be used with declared temporary tables (SQLSTATE 42995) or range-clustered tables (SQLSTATE 429BG).

EXTEND USING *index-extension-name*

Names the *index-extension* used to manage this index. If this clause is specified, then there must be only one *column-name* specified and that column must be a structured type or a distinct type (SQLSTATE 42997). The *index-extension-name* must name an index extension described in the catalog (SQLSTATE 42704). For a distinct type, the column must exactly match the type of the corresponding source key parameter in the index extension. For a structured type column, the type of the corresponding source key parameter must be the same type or a supertype of the column type (SQLSTATE 428E0).

This clause cannot be used with declared temporary tables (SQLSTATE 42995).

constant-expression

Identifies values for any required arguments for the index extension. Each expression must be a constant value with a data type that exactly matches the defined data type of the corresponding index extension parameters, including length or precision, and scale (SQLSTATE 428E0). This clause must not exceed 32 768 bytes in length in the database code page (SQLSTATE 22001).

PCTFREE *integer*

Specifies what percentage of each index page to leave as free space when building the index. The first entry in a page is added without restriction. When additional entries are placed in an index page at least *integer* percent of free space is left on each page. The value of *integer* can range from 0 to 99. If a value greater than 10 is specified, only 10 percent free space will be left in non-leaf pages. The default is 10.

PCTFREE is disallowed if *nickname* is specified (SQLSTATE 42601). This clause cannot be used with declared temporary tables (SQLSTATE 42995).

LEVEL2 PCTFREE *integer*

Specifies what percentage of each index level 2 page to leave as free space when building the index. The value of *integer* can range from 0 to 99. If LEVEL2 PCTFREE is not set, a minimum of 10 or PCTFREE percent of free space is left on all non-leaf pages. If LEVEL2 PCTFREE is set, *integer* percent of free space is left on level 2 intermediate pages, and a minimum of 10 or *integer* percent of free space is left on level 3 and higher intermediate pages.

LEVEL2 PCTFREE is disallowed if *nickname* is specified (SQLSTATE 42601). This clause cannot be used with declared temporary tables (SQLSTATE 42995).

MINPCTUSED *integer*

Indicates whether index leaf pages are merged online, and the threshold for the minimum percentage of space used on an index leaf page. If, after a key is removed from an index leaf page, the percentage of space used on the page is at or below *integer* percent, an attempt is made to merge the remaining keys on this page with those of a neighboring page. If there is sufficient space on one of these pages, the merge is performed and one of the pages is deleted. The value of *integer* can be from 0 to 99. A value of 50 or below is recommended for performance reasons. Specifying this option will have an impact on update and delete performance. For type 2 indexes, merging is only done during update and delete operations when there is an exclusive table lock. If an exclusive table lock does not exist, keys are marked as pseudo deleted during update and delete operations, and no merging is done. Consider using the CLEANUP ONLY ALL option of REORG INDEXES to merge leaf pages instead of using the MINPCTUSED option of CREATE INDEX.

MINPCTUSED is disallowed if *nickname* is specified (SQLSTATE 42601). This clause cannot be used with declared temporary tables (SQLSTATE 42995).

DISALLOW REVERSE SCANS

Specifies that an index only supports forward scans or scanning of the index in the order that was defined at index creation time.

DISALLOW REVERSE SCANS cannot be specified together with *nickname* (SQLSTATE 42601).

ALLOW REVERSE SCANS

Specifies that an index can support both forward and reverse scans; that is, scanning of the index in the order that was defined at index creation time, and scanning in the opposite order.

ALLOW REVERSE SCANS cannot be specified together with *nickname* (SQLSTATE 42601).

PAGE SPLIT

Specifies an index split behavior. The default is SYMMETRIC.

SYMMETRIC

Specifies that pages are to be split roughly in the middle.

HIGH

Specifies an index page split behavior that uses the space on index pages efficiently when the values of the index keys being inserted follow a particular pattern. For a subset of index key values, the leftmost column or columns of the index must contain the same value, and the rightmost column or columns of the index must contain values that increase with each insertion. For details, see “Options on the CREATE INDEX statement”.

LOW

Specifies an index page split behavior that uses the space on index pages efficiently when the values of the index keys being inserted follow a particular pattern. For a subset of index key values, the leftmost column or columns of the index must contain the same value, and the rightmost column or columns of the index must contain values that decrease with each insertion. For details, see “Options on the CREATE INDEX statement”.

COLLECT STATISTICS

Specifies that basic index statistics are to be collected during index creation.

DETAILED

Specifies that extended index statistics (CLUSTERFACTOR and PAGE_FETCH_PAIRS) are also to be collected during index creation.

SAMPLED

Specifies that sampling can be used when compiling extended index statistics.

Rules

- The CREATE INDEX statement will fail (SQLSTATE 01550) if attempting to create an index that matches an existing index.

Two index descriptions are considered duplicates if:

- the set of columns (both key and include columns) and their order in the index is the same as that of an existing index AND
- the ordering attributes are the same AND
- both the previously existing index and the one being created are non-unique OR the previously existing index is unique AND

CREATE INDEX

- if both the previously existing index and the one being created are unique, the key columns of the index being created are the same or a superset of key columns of the previously existing index.

For indexes over XML data, the index descriptions are not considered duplicates if the index names are different, even if the indexed XML column, the XML patterns, and the data type, including its options, are identical.

- Unique indexes on system-maintained MQTs are not supported (SQLSTATE 42809).
- The COLLECT STATISTICS options are not supported if a nickname is specified (SQLSTATE 42601).

Notes

- Indexes over XML data do not support concurrent write access while CREATE INDEX is executing.
- For relational indexes only: Concurrent read/write access to the table is permitted while an index is being created. Once the index has been built, changes that were made to the table during index creation time are forward-fitted to the new index. Write access to the table is then briefly blocked while index creation completes, after which the new index becomes available.
To circumvent this default behavior, use the LOCK TABLE statement to explicitly lock the table before issuing a CREATE INDEX statement. (The table can be locked in either SHARE or EXCLUSIVE mode, depending on whether read access is to be allowed.)
- If the named table already contains data, CREATE INDEX creates the index entries for it. If the table does not yet contain data, CREATE INDEX creates a description of the index; the index entries are created when data is inserted into the table.
- Once the index is created and data is loaded into the table, it is advisable to issue the RUNSTATS command. The RUNSTATS command updates statistics collected on the database tables, columns, and indexes. These statistics are used to determine the optimal access path to the tables. By issuing the RUNSTATS command, the database manager can determine the characteristics of the new index. If data has been loaded before the CREATE INDEX statement is issued, it is recommended that the COLLECT STATISTICS option on the CREATE INDEX statement be used as an alternative to the RUNSTATS command.
- Creating an index with a schema name that does not already exist will result in the implicit creation of that schema provided the authorization ID of the statement has IMPLICIT_SCHEMA authority. The schema owner is SYSIBM. The CREATEIN privilege on the schema is granted to PUBLIC.
- The optimizer can recommend indexes prior to creating the actual index.
- If an index specification is being defined for a data source table that has an index, the name of the index specification does not have to match the name of the index.
- The optimizer uses index specifications to improve access to the data source tables that the specifications apply to.
- *Compatibilities*
 - For compatibility with DB2 for z/OS:
 - The following syntax is tolerated and ignored:
 - CLOSE
 - DEFINE
 - FREEPAGE

- GBPCACHE
- PIECESIZE
- TYPE 2
- using-block
- The following syntax is accepted as the default behavior:
 - COPY NO
 - DEFER NO

Examples

Example 1: Create an index named UNIQUE_NAM on the PROJECT table. The purpose of the index is to ensure that there are not two entries in the table with the same value for project name (PROJNAME). The index entries are to be in ascending order.

```
CREATE UNIQUE INDEX UNIQUE_NAM
ON PROJECT(PROJNAME)
```

Example 2: Create an index named JOB_BY_DPT on the EMPLOYEE table. Arrange the index entries in ascending order by job title (JOB) within each department (WORKDEPT).

```
CREATE INDEX JOB_BY_DPT
ON EMPLOYEE (WORKDEPT, JOB)
```

Example 3: The nickname EMPLOYEE references a data source table called CURRENT_EMP. After this nickname was created, an index was defined on CURRENT_EMP. The columns chosen for the index key were WORKDEPT and JOB. Create an index specification that describes this index. Through this specification, the optimizer will know that the index exists and what its key is. With this information, the optimizer can improve its strategy to access the table.

```
CREATE UNIQUE INDEX JOB_BY_DEPT
ON EMPLOYEE (WORKDEPT, JOB)
SPECIFICATION ONLY
```

Example 4: Create an extended index type named SPATIAL_INDEX on a structured type column location. The description in index extension GRID_EXTENSION is used to maintain SPATIAL_INDEX. The literal is given to GRID_EXTENSION to create the index grid size.

```
CREATE INDEX SPATIAL_INDEX ON CUSTOMER (LOCATION)
EXTEND USING (GRID_EXTENSION ('x'000100100010001000400010'))
```

Example 5: Create an index named IDX1 on a table named TAB1, and collect basic index statistics on index IDX1.

```
CREATE INDEX IDX1 ON TAB1 (co11) COLLECT STATISTICS
```

Example 6: Create an index named IDX2 on a table named TAB1, and collect detailed index statistics on index IDX2.

```
CREATE INDEX IDX2 ON TAB1 (co12) COLLECT DETAILED STATISTICS
```

Example 7: Create an index named IDX3 on a table named TAB1, and collect detailed index statistics on index IDX3 using sampling.

```
CREATE INDEX IDX3 ON TAB1 (co13) COLLECT SAMPLED DETAILED STATISTICS
```

Example 8: Create a unique index named A_IDX on a partitioned table named MYNUMBERDATA in table space IDX_TBSP.

CREATE INDEX

```
CREATE UNIQUE INDEX A_IDX ON MYNUMBERDATA (A) IN IDX_TBSP
```

Example 9: Create a non-unique index named B_IDX on a partitioned table named MYNUMBERDATA in table space IDX_TBSP.

```
CREATE INDEX B_IDX ON MYNUMBERDATA (B)
NOT PARTITIONED IN IDX_TBSP
```

Example 10: Create an index over XML data on a table named COMPANYINFO, which contains an XML column named COMPANYDOCS. The XML column COMPANYDOCS contains a large number of XML documents similar to the one below:

```
<company name="Company1">
  <emp id="31201" salary="60000" gender="Female">
    <name>
      <first>Laura</first>
      <last>Brown</last>
    </name>
    <dept id="M25">
      Finance
    </dept>
  </emp>
</company>
```

Users of the COMPANYINFO table often need to retrieve employee information using the employee ID. An index like the following one can make that retrieval more efficient.

```
CREATE INDEX EMPINDEX ON COMPANYINFO(COMPANYDOCS)
GENERATE KEY USING XMLPATTERN '/company/emp/@id'
AS SQL DOUBLE
```

Example 11: The following index is logically equivalent to the index created in the previous example, except that it uses unabbreviated syntax.

```
CREATE INDEX EMPINDEX ON COMPANYINFO(COMPANYDOCS)
GENERATE KEY USING XMLPATTERN '/child::company/child::emp/attribute::id'
AS SQL DOUBLE
```

Example 12: Create an index on a column named DOC, indexing only the book title as a VARCHAR(100). Because the book title should be unique across all books, the index must be unique.

```
CREATE UNIQUE INDEX MYDOCSIDX ON MYDOCS(DOC)
GENERATE KEY USING XMLPATTERN '/book/title'
AS SQL VARCHAR(100)
```

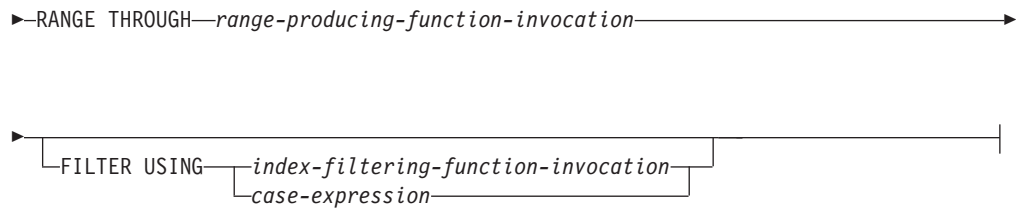
Example 13: Create an index on a column named DOC, indexing the chapter number as a DOUBLE. This example includes namespace declarations.

```
CREATE INDEX MYDOCSIDX ON MYDOCS(DOC)
GENERATE KEY USING XMLPATTERN
'declare namespace b="http://www.foobar.com/book/";
declare namespace c="http://acme.org/chapters";
/b:book/c:chapter/@number'
AS SQL DOUBLE
```

CREATE INDEX EXTENSION

The CREATE INDEX EXTENSION statement defines an extension object for use with indexes on tables that have structured type or distinct type columns.

CREATE INDEX EXTENSION



Description

index-extension-name

Names the index extension. The name, including the implicit or explicit qualifier, must not identify an index extension described in the catalog. If a two-part *index-extension-name* is specified, the schema name cannot begin with 'SYS'; otherwise, an error is returned (SQLSTATE 42939).

parameter-name1

Identifies a parameter that is passed to the index extension at CREATE INDEX time to define the actual behavior of this index extension. The parameter that is passed to the index extension is called an *instance parameter*, because that value defines a new instance of an index extension.

parameter-name1 must be unique within the definition of the index extension. No more than 90 parameters are allowed. If this limit is exceeded, an error (SQLSTATE 54023) is returned.

data-type1

Specifies the data type of each parameter. One entry in the list must be specified for each parameter that the index extension will expect to receive. The only SQL data types that can be specified are those that can be used as constants, such as VARCHAR, INTEGER, DECIMAL, DOUBLE, or VARGRAPHIC (SQLSTATE 429B5). The decimal floating-point data type cannot be specified (SQLSTATE 429B5). The parameter value that is received by the index extension at CREATE INDEX must match *data-type1* exactly, including length, precision, and scale (SQLSTATE 428E0).

index-maintenance

Specifies how the index keys of a structured or distinct type column are maintained. Index maintenance is the process of transforming the source column to a target key. The transformation process is defined using a table function that has previously been defined in the database.

FROM SOURCE KEY (*parameter-name2 data-type2*)

Specifies a structured data type or distinct type for the source key column that is supported by this index extension.

parameter-name2

Identifies the parameter that is associated with the source key column. A source key column is the index key column (defined in the CREATE INDEX statement) with the same data type as *data-type2*.

data-type2

Specifies the data type for *parameter-name2*; *data-type2* must be a user-defined structured type or a distinct type that is not sourced on LOB, XML, DECFLOAT, LONG VARCHAR, or LONG VARGRAPHIC (SQLSTATE 42997). When the index extension is associated with the index at CREATE INDEX time, the data type of the index key column must:

- Exactly match *data-type2* if it is a distinct type; or
 - Be the same type or a subtype of *data-type2* if it is a structured type
- Otherwise, an error is returned (SQLSTATE 428E0).

GENERATE KEY USING *table-function-invocation*

Specifies how the index key is generated using a user-defined table function. Multiple index entries may be generated for a single source key data value. An index entry cannot be duplicated from a single source key data value (SQLSTATE 22526). The function can use *parameter-name1*, *parameter-name2*, or a constant as arguments. If the data type of *parameter-name2* is a structured data type, only the observer methods of that structured type can be used in its arguments (SQLSTATE 428E3). The output of the GENERATE KEY function must be specified in the TARGET KEY specification. The output of the function can also be used as input for the index filtering function specified on the FILTER USING clause.

The function used in *table-function-invocation* must:

- Resolve to a table function (SQLSTATE 428E4)
- Not be defined with PARAMETER CCSID UNICODE if this database is not a Unicode database (SQLSTATE 428E4)
- Not be defined with LANGUAGE SQL (SQLSTATE 428E4)
- Not be defined with NOT DETERMINISTIC (SQLSTATE 428E4) or EXTERNAL ACTION (SQLSTATE 428E4)
- Be defined with NO SQL (SQLSTATE 428E4)
- Not have a structured data type, LOB, XML, LONG VARCHAR, or LONG VARGRAPHIC (SQLSTATE 428E3) in the data type of the parameters, with the exception of system-generated observer methods
- Not include a subquery (SQLSTATE 428E3)
- Not include an XMLQUERY or XMLEXISTS expression (SQLSTATE 428E3)
- Return columns with data types that follow the restrictions for data types of columns of an index defined without the EXTEND USING clause

If an argument invokes another operation or routine, it must be an observer method (SQLSTATE 428E3).

The definer of the index extension must have EXECUTE privilege on this function.

index-search

Specifies how searching is performed by providing a mapping of the search arguments to search ranges.

WITH TARGET KEY

Specifies the target key parameters that are the output of the key generation function specified on the GENERATE KEY USING clause.

parameter-name3

Identifies the parameter associated with a given target key. *parameter-name3* corresponds to the columns of the RETURNS table as specified in the table function of the GENERATE KEY USING clause. The number of parameters specified must match the number of columns returned by that table function (SQLSTATE 428E2).

data-type3

Specifies the data type for each corresponding *parameter-name3*. *data-type3*

CREATE INDEX EXTENSION

must exactly match the data type of each corresponding output column of the RETURNS table, as specified in the table function of the GENERATE KEY USING clause (SQLSTATE 428E2), including the length, precision, and type.

SEARCH METHODS

Introduces the search methods that are defined for the index.

search-method-definition

Specifies the method details of the index search. It consists of a method name, the search arguments, a range producing function, and an optional index filter function.

WHEN *method-name*

The name of a search method. This is an SQL identifier that relates to the method name specified in the index exploitation rule (found in the PREDICATES clause of a user-defined function). A *search-method-name* can be referenced by only one WHEN clause in the search method definition (SQLSTATE 42713).

parameter-name4

Identifies the parameter of a search argument. These names are for use in the RANGE THROUGH and FILTER USING clauses.

data-type4

The data type associated with a search parameter.

RANGE THROUGH *range-producing-function-invocation*

Specifies an external table function that produces search ranges. This function uses *parameter-name1*, *parameter-name4*, or a constant as arguments and returns a set of search ranges.

The table function used in *range-producing-function-invocation* must:

- Resolve to a table function (SQLSTATE 428E4)
- Not include a subquery (SQLSTATE 428E3) or SQL function (SQLSTATE 428E4) in its arguments
- Not include an XMLQUERY or XMLEXISTS expression in its arguments (SQLSTATE 428E3)
- Not be defined with PARAMETER CCSID UNICODE if this database is not a Unicode database (SQLSTATE 428E4)
- Not be defined with LANGUAGE SQL (SQLSTATE 428E4)
- Not be defined with NOT DETERMINISTIC or EXTERNAL ACTION (SQLSTATE 428E4)
- Be defined with NO SQL (SQLSTATE 428E4)

The number and types of this function's results must relate to the results of the table function specified in the GENERATE KEY USING clause (SQLSTATE 428E1) by:

- Returning up to twice as many columns as returned by the key transformation function
- Having an even number of columns, in which the first half of the return columns defines the start of the range (start key values), and the second half of the return columns defines the end of the range (stop key values)
- Having each start key column with the same type as the corresponding stop key column
- Having the type of each start key column be the same as the corresponding key transformation function column

More precisely, let $a_1:t_1, \dots, a_n:t_n$ be the function result columns and data types of the key transformation function. The function result columns of the *range-producing-function-invocation* must be $b_1:t_1, \dots, b_m:t_m, c_1:t_1, \dots, c_m:t_m$, where $m \leq n$ and the "b" columns are the start key columns and the "c" columns are the stop key columns.

When the *range-producing-function-invocation* returns a null value as the start or stop key value, the semantics are undefined.

The definer of the index extension must have EXECUTE privilege on this function.

FILTER USING

Allows specification of an external function or a case expression to be used for filtering index entries that were returned after applying the range-producing function.

index-filtering-function-invocation

Specifies an external function to be used for filtering index entries. This function uses the *parameter-name1*, *parameter-name3*, *parameter-name4*, or a constant as arguments (SQLSTATE 42703) and returns an integer (SQLSTATE 428E4). If the value returned is 1, the row corresponding to the index entry is retrieved from the table. Otherwise, the index entry is not considered for further processing.

If not specified, index filtering is not performed.

The function used in the *index-filtering-function-invocation* must:

- Not be defined with PARAMETER CCSID UNICODE if this database is not a Unicode database (SQLSTATE 428E4)
- Not be defined with LANGUAGE SQL (SQLSTATE 429B4)
- Not be defined with NOT DETERMINISTIC or EXTERNAL ACTION (SQLSTATE 42845)
- Be defined with NO SQL (SQLSTATE 428E4)
- Not have a structured data type in the data type of any of the parameters (SQLSTATE 428E3)
- Not include a subquery (SQLSTATE 428E3)
- Not include an XMLQUERY or XMLEXISTS expression (SQLSTATE 428E3)

If an argument invokes another function or method, these rules are also enforced for this nested function or method. However, system-generated observer methods are allowed as arguments to the filter function (or any function or method used as an argument), as long as the argument results in a built-in data type.

The definer of the index extension must have EXECUTE privilege on this function.

case-expression

Specifies a case expression for filtering index entries. Either *parameter-name1*, *parameter-name3*, *parameter-name4*, or a constant (SQLSTATE 42703) can be used in the *searched-when-clause* and *simple-when-clause*. An external function with the rules specified in FILTER USING *index-filtering-function-invocation* may be used in *result-expression*. Any function referenced in the *case-expression* must also conform to the rules listed under *index-filtering-function-invocation*. In addition, subqueries and XMLQUERY or XMLEXISTS expressions cannot be used anywhere else in the *case-expression* (SQLSTATE 428E4). The case expression must return

CREATE INDEX EXTENSION

an integer (SQLSTATE 428E4). A return value of 1 in the *result-expression* means that the index entry is kept; otherwise, the index entry is discarded.

Notes

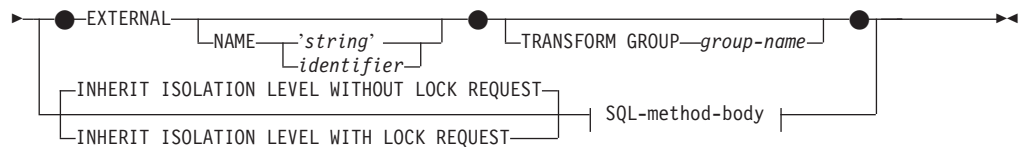
- Creating an index extension with a schema name that does not already exist will result in the implicit creation of that schema, provided the authorization ID of the statement has IMPLICIT_SCHEMA authority. The schema owner is SYSIBM. The CREATEIN privilege on the schema is granted to PUBLIC.

Examples

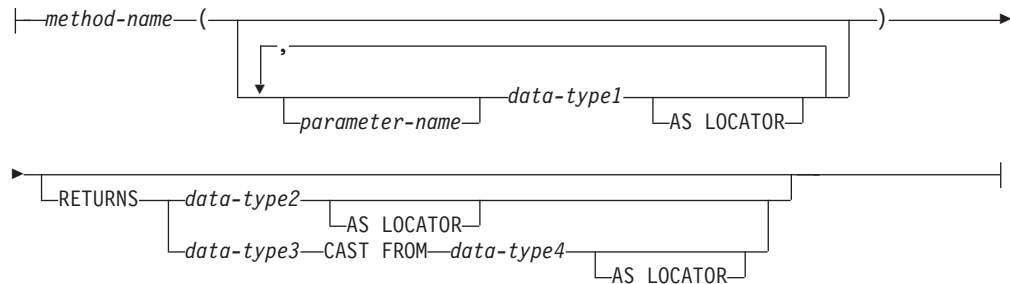
Example 1: The following creates an index extension called *grid_extension* that uses a structured type SHAPE column in a table function called *gridEntry* to generate seven index target keys. This index extension also provides two index search methods to produce search ranges when given a search argument.

```
CREATE INDEX EXTENSION GRID_EXTENSION (LEVELS VARCHAR(20) FOR BIT DATA)
FROM SOURCE KEY (SHAPECOL SHAPE)
GENERATE KEY USING GRIDENTRY(SHAPECOL..MBR..XMIN,
                              SHAPECOL..MBR..YMIN,
                              SHAPECOL..MBR..XMAX,
                              SHAPECOL..MBR..YMAX,
                              LEVELS)
WITH TARGET KEY (LEVEL INT, GX INT, GY INT,
                  XMIN INT, YMIN INT, XMAX INT, YMAX INT)
SEARCH METHODS
WHEN SEARCHFIRSTBYSECOND (SEARCHARG SHAPE)
RANGE THROUGH GRIDRANGE(SEARCHARG..MBR..XMIN,
                           SEARCHARG..MBR..YMIN,
                           SEARCHARG..MBR..XMAX,
                           SEARCHARG..MBR..YMAX,
                           LEVELS)
FILTER USING
CASE WHEN (SEARCHARG..MBR..YMIN > YMAX) OR
            (SEARCHARG..MBR..YMAX < YMIN) THEN 0
ELSE CHECKDUPLICATE(LEVEL, GX, GY,
                     XMIN, YMIN, XMAX, YMAX,
                     SEARCHARG..MBR..XMIN,
                     SEARCHARG..MBR..YMIN,
                     SEARCHARG..MBR..XMAX,
                     SEARCHARG..MBR..YMAX,
                     LEVELS)
END
WHEN SEARCHSECONDBYFIRST (SEARCHARG SHAPE)
RANGE THROUGH GRIDRANGE(SEARCHARG..MBR..XMIN,
                           SEARCHARG..MBR..YMIN,
                           SEARCHARG..MBR..XMAX,
                           SEARCHARG..MBR..YMAX,
                           LEVELS)
FILTER USING
CASE WHEN (SEARCHARG..MBR..YMIN > YMAX) OR
            (SEARCHARG..MBR..YMAX < YMIN) THEN 0
ELSE MBROVERLAP(XMIN, YMIN, XMAX, YMAX,
                  SEARCHARG..MBR..XMIN,
                  SEARCHARG..MBR..YMIN,
                  SEARCHARG..MBR..XMAX,
                  SEARCHARG..MBR..YMAX)
END
```


CREATE METHOD



method-signature:



SQL-method-body:



Description

METHOD

Identifies an existing method specification that is associated with a user-defined structured type. The method-specification can be identified through one of the following means:

method-name

Names the method specification for which a method body is being defined. The implicit schema is the schema of the subject type (*type-name*). There must be only one method specification for *type-name* that has this *method-name* (SQLSTATE 42725).

method-signature

Provides the method signature which uniquely identifies the method to be defined. The method signature must match the method specification that was provided on the CREATE TYPE or ALTER TYPE statement (SQLSTATE 42883).

method-name

Names the method specification for which a method body is being defined. The implicit schema is the schema of the subject type (*type-name*).

parameter-name

Identifies the parameter name. If parameter names are provided in the method signature, they must be exactly the same as the corresponding parts of the matching method specification. Parameter names are supported in this statement solely for documentation purposes.

data-type1

Specifies the data type of each parameter. Array types are not supported (SQLSTATE 42815).

AS LOCATOR

For the LOB types or distinct types which are based on a LOB type, the AS LOCATOR clause can be added.

RETURNS

This clause identifies the output of the method. If a RETURNS clause is provided in the method signature, it must be exactly the same as the corresponding part of the matching method specification on CREATE TYPE. The RETURNS clause is supported in this statement solely for documentation purposes.

data-type2

Specifies the data type of the output. Array types are not supported (SQLSTATE 42815).

AS LOCATOR

For LOB types or distinct types which are based on LOB types, the AS LOCATOR clause can be added. This indicates that a LOB locator is to be returned by the method instead of the actual value.

data-type3 **CAST FROM** *data-type4*

This form of the RETURNS clause is used to return a different data type to the invoking statement from the data type that was returned by the function code.

AS LOCATOR

For LOB types or distinct types which are based on LOB types, the AS LOCATOR clause can be used to indicate that a LOB locator is to be returned from the method instead of the actual value.

FOR *type-name*

Names the type for which the specified method is to be associated. The name must identify a type already described in the catalog. (SQLSTATE 42704) In dynamic SQL statements, the CURRENT SCHEMA special register is used as a qualifier for an unqualified object name. In static SQL statements the QUALIFIER precompile/bind option implicitly specifies the qualifier for unqualified object names.

SPECIFIC METHOD *specific-name*

Identifies the particular method, using the specific name either specified or defaulted to at CREATE TYPE time. The specific-name must identify a method specification in the named or implicit schema; otherwise, an error is raised (SQLSTATE 42704).

EXTERNAL

This clause indicates that the CREATE METHOD statement is being used to register a method, based on code written in an external programming language, and adhering to the documented linkage conventions and interface. The matching method-specification in CREATE TYPE must specify a LANGUAGE other than SQL. When the method is invoked, the subject of the method is passed to the implementation as an implicit first parameter.

If the NAME clause is not specified, "NAME *method-name*" is assumed.

NAME

This clause identifies the name of the user-written code which implements the method being defined.

CREATE METHOD

'string'

The *'string'* option is a string constant with a maximum of 254 bytes. The format used for the string is dependent on the LANGUAGE specified. For more information on the specific language conventions, see "CREATE FUNCTION (External Scalar) statement".

identifier

This identifier specified is an SQL identifier. The SQL identifier is used as the library-id in the string. Unless it is a delimited identifier, the identifier is folded to upper case. If the identifier is qualified with a schema name, the schema name portion is ignored. This form of NAME can only be used with LANGUAGE C (as defined in the method-specification on CREATE TYPE).

TRANSFORM GROUP *group-name*

Indicates the transform group that is used for user-defined structured type transformations when invoking the method. A transform is required since the method definition includes a user-defined structured type.

It is strongly recommended that a transform group name be specified; if this clause is not specified, the default group-name used is DB2_FUNCTION. If the specified (or default) group-name is not defined for a referenced structured type, an error results (SQLSTATE 42741). Likewise, if a required FROM SQL or TO SQL transform function is not defined for the given group-name and structured type, an error results (SQLSTATE 42744).

INHERIT ISOLATION LEVEL WITHOUT LOCK REQUEST or INHERIT ISOLATION LEVEL WITH LOCK REQUEST

Specifies whether or not a lock request can be associated with the isolation-clause of the statement when the method inherits the isolation level of the statement that invokes the method. The default is INHERIT ISOLATION LEVEL WITHOUT LOCK REQUEST.

INHERIT ISOLATION LEVEL WITHOUT LOCK REQUEST

Specifies that, as the method inherits the isolation level of the invoking statement, it cannot be invoked in the context of an SQL statement which includes a lock-request-clause as part of a specified isolation-clause (SQLSTATE 42601).

INHERIT ISOLATION LEVEL WITH LOCK REQUEST

Specifies that, as the method inherits the isolation level of the invoking statement, it also inherits the specified lock-request-clause.

SQL-method-body

The SQL-method-body defines how the method is implemented if the method specification in CREATE TYPE is LANGUAGE SQL.

The SQL-method-body must comply with the following parts of method specification:

- DETERMINISTIC or NOT DETERMINISTIC (SQLSTATE 428C2)
- EXTERNAL ACTION or NO EXTERNAL ACTION (SQLSTATE 428C2)
- CONTAINS SQL or READS SQL DATA (SQLSTATE 42985)

Parameter names can be referenced in the SQL-method-body. The subject of the method is passed to the method implementation as an implicit first parameter named SELF.

For additional details, see "Compound SQL (Dynamic) statement" and "RETURN statement".

Rules

- The method specification must be previously defined using the CREATE TYPE or ALTER TYPE statement before CREATE METHOD can be used (SQLSTATE 42723).
- If the method being created is an overriding method, those packages that are dependent on the following methods are invalidated:
 - The original method
 - Other overriding methods that have as their subject a supertype of the method being created
- The XML data type cannot be used in a method.

Notes

- If the method allows SQL, the external program must not attempt to access any federated objects (SQLSTATE 55047).

- *Privileges*

The definer of a method always receives the EXECUTE privilege on the method, as well as the right to drop the method.

If an EXTERNAL method is created, the definer of the method always receives the EXECUTE privilege WITH GRANT OPTION.

If an SQL method is created, the definer of the method will only be given the EXECUTE privilege WITH GRANT OPTION on the method when the definer has WITH GRANT OPTION on all privileges required to define the method, or if the definer has SYSADM or DBADM authority. The definer of an SQL method only acquires privileges if the privileges from which they are derived exist at the time the method is created. The definer must have these privileges either directly, or because PUBLIC has the privileges. Privileges held by groups of which the method definer is a member are not considered. When using the method, the connected user's authorization ID must have the valid privileges on the table or view that the nickname references at the data source.

- *Table access restrictions*

If a method is defined as READS SQL DATA, no statement in the method can access a table that is being modified by the statement which invoked the method (SQLSTATE 57053).

Examples

Example 1:

```
CREATE METHOD BONUS (RATE DOUBLE)
FOR EMP
RETURN SELF..SALARY * RATE
```

Example 2:

```
CREATE METHOD SAMEZIP (addr address_t)
RETURNS INTEGER
FOR address_t
RETURN
(CASE
WHEN (self..zip = addr..zip)
THEN 1
ELSE 0
END)
```

Example 3:

CREATE METHOD

```
CREATE METHOD DISTANCE (address_t)
  FOR address_t
  EXTERNAL NAME 'addresslib!distance'
  TRANSFORM GROUP func_group
```

CREATE NICKNAME

The CREATE NICKNAME statement defines a nickname for a data source object.

Invocation

This statement can be embedded in an application program or issued through the use of dynamic SQL statements. It is an executable statement that can be dynamically prepared only if DYNAMICRULES run behavior is in effect for the package (SQLSTATE 42509).

Authorization

The privileges held by the authorization ID of the statement must include at least one of the following:

- CREATETAB authority on the federated database, as well as one of:
 - IMPLICIT_SCHEMA authority on the federated database, if the implicit or explicit schema name of the nickname does not exist
 - CREATEIN privilege on the schema, if the schema name of the nickname refers to an existing schema
- SYSADM or DBADM authority

For data sources that require a user mapping, the privileges held by the authorization ID at the data source must include the privilege to select data from the object that the nickname represents.

Syntax

```
CREATE NICKNAME nickname FOR remote-object-name
                | non-relational-data-definition |
OPTIONS (ADD nickname-option-name string-constant)
```

non-relational-data-definition:

```
nickname-column-list FOR SERVER server-name
```

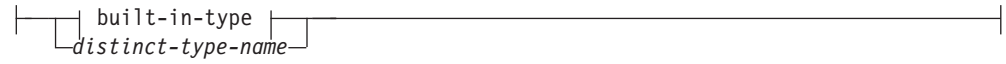
nickname-column-list:

```
(nickname-column-definition
  | unique-constraint
  | referential-constraint
  | check-constraint )
```

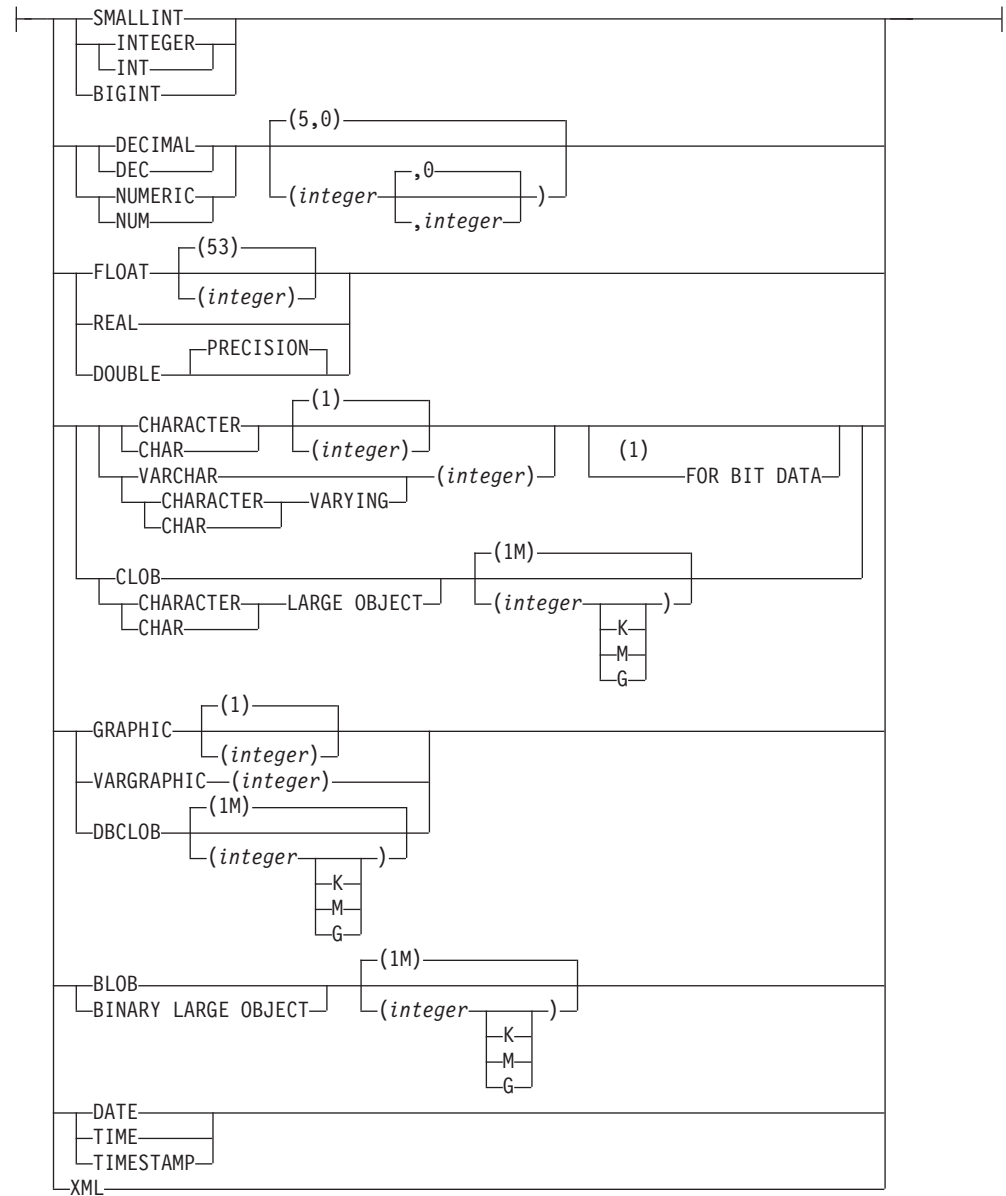
nickname-column-definition:



local-data-type:

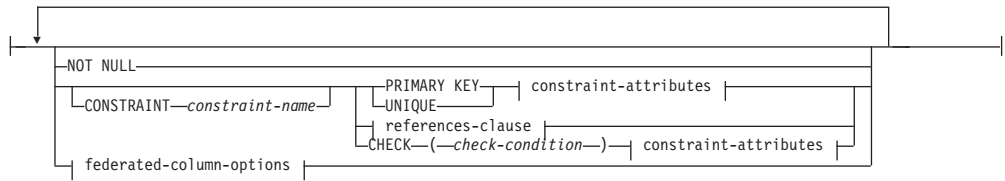


built-in-type:

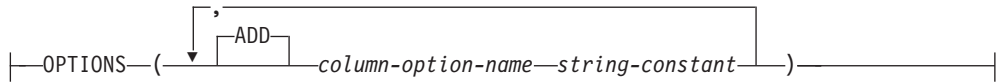


nickname-column-options:

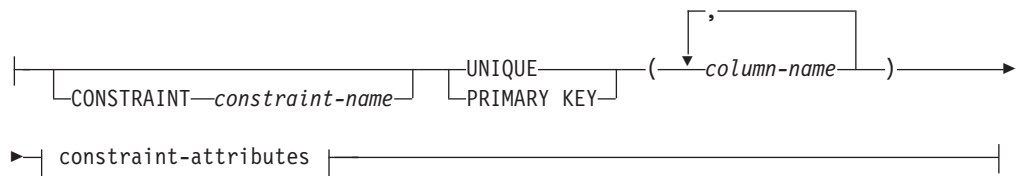
CREATE NICKNAME



federated-column-options:



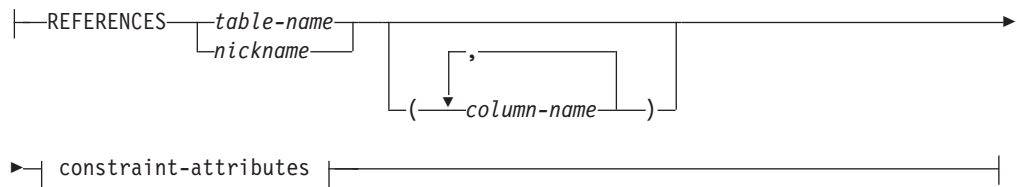
unique-constraint:



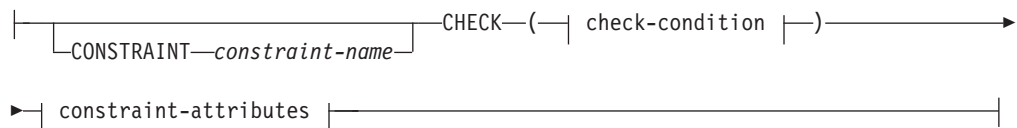
referential-constraint:



references-clause:



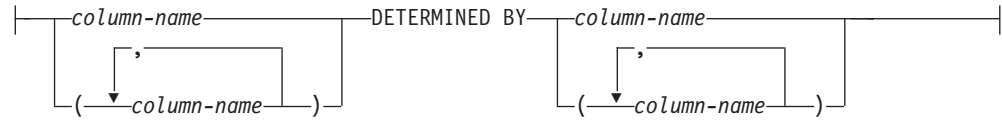
check-constraint:



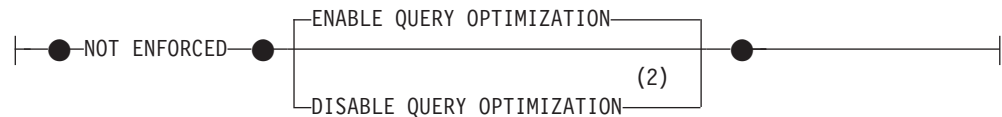
check-condition:



functional-dependency:



constraint-attributes:



Notes:

- 1 The FOR BIT DATA clause can be specified in any order with the other column constraints that follow.
- 2 DISABLE QUERY OPTIMIZATION is not supported for a unique or primary key constraint.

Description

nickname

Specifies a nickname, the identifier used by the federated server for the data source object. The nickname, including the implicit or explicit qualifier, must not identify a table, view, nickname, or alias described in the catalog. The data source object cannot be a DB2 alias. The schema name must not begin with 'SYS' (SQLSTATE 42939).

FOR *remote-object-name*

Specifies an identifier. For data sources that support schema names, this is a three-part identifier with the format *data-source-name.remote-schema-name.remote-table-name*. For data sources that do not support schema names, this is a two-part identifier with the format *data-source-name.remote-table-name*.

data-source-name

Names the data source that contains the table or view for which the nickname is being created. The *data-source-name* is the same name that was assigned to the *server-name* in the CREATE SERVER statement.

remote-schema-name

Names the schema to which the table or view belongs. If the remote schema name contains any special or lowercase characters, it must be enclosed by double quotation marks.

remote-table-name

Names the specific data source object (such as a table or a view) for which the nickname is being created. The table cannot be a declared temporary table (SQLSTATE 42995). If the remote table name contains any special or lowercase characters, it must be enclosed by double quotation marks.

CREATE NICKNAME

non-relational-data-definition

Defines the data that is to be accessed through a nonrelational wrapper.

nickname-column-definition

Defines the local attributes of the column for the nickname. Some wrappers require these attributes to be specified, while other wrappers allow the attributes to be determined from the data source.

column-name

Specifies the local name for the column. The name might be different than the corresponding column of the *remote-object-name*.

local-data-type

Specifies the local data type for the column. Some wrappers only support a subset of the SQL data types. For descriptions of specific data types, see "CREATE TABLE" .

nickname-column-options

Specifies additional options related to columns of the nickname.

NOT NULL

Specifies that the column does not allow null values.

CONSTRAINT *constraint-name*

Names the constraint. A *constraint-name* must not identify a constraint that was already specified within the same CREATE NICKNAME statement (SQLSTATE 42710).

If this clause is omitted, an 18 byte long identifier that is unique among the identifiers of existing constraints defined on the nickname is generated by the system. (The identifier consists of 'SQL' followed by a sequence of 15 numeric characters generated by a timestamp-based function.)

When used with a PRIMARY KEY or UNIQUE constraint, the *constraint-name* can be used as the name of an index specification that is created to support the constraint.

PRIMARY KEY

This provides a shorthand method of defining a primary key composed of a single column. Thus, if PRIMARY KEY is specified in the definition of column C, the effect is the same as if the PRIMARY KEY(C) clause is specified as a separate clause.

See PRIMARY KEY under *unique-constraint* below.

UNIQUE

This provides a shorthand method of defining a unique key composed of a single column. Thus, if UNIQUE is specified in the definition of column C, the effect is the same as if the UNIQUE(C) clause is specified as a separate clause.

See UNIQUE under *unique-constraint* below.

references-clause

This provides a shorthand method of defining a foreign key composed of a single column. Thus, if a *references-clause* is specified in the definition of column C, the effect is the same as if that *references-clause* were specified as part of a FOREIGN KEY clause in which C is the only identified column.

See *references-clause* under *referential-constraint* below.

CHECK (*check-condition*)

This provides a shorthand method of defining a check constraint that applies to a single column. See CHECK (*check-condition*) below.

OPTIONS

Indicates the column options that are added when the nickname is created. Some wrappers require that certain column options be specified.

ADD

Adds a column option.

column-option-name

Specifies the name of the option.

string-constant

Specifies the setting for *column-option-name* as a character string constant.

unique-constraint

Defines a unique or primary key constraint.

CONSTRAINT *constraint-name*

Names the primary key or unique constraint.

UNIQUE (*column-name,...*)

Defines a unique key composed of the identified columns. The identified columns must be defined as NOT NULL. Each *column-name* must identify a column of the nickname and the same column must not be identified more than once.

The number of identified columns must not exceed 64, and the sum of their stored lengths must not exceed the index key length limit for the page size. For column stored lengths, see "Byte Counts" in "CREATE TABLE". For key length limits, see "SQL and XQuery limits". No LOB column, distinct type column based on a LOB, or structured type column can be used as part of a unique key, even if the length attribute of the column is small enough to fit within the index key length limit for the page size (SQLSTATE 54008).

The set of columns in the unique key cannot be the same as the set of columns in the primary key or another unique key (SQLSTATE 01543). (If LANGLEVEL is SQL92E or MIA, an error is returned, SQLSTATE 42891.)

The description of the nickname as recorded in the catalog includes the unique key and its index specification. An index specification will automatically be created for the columns in the sequence specified with ascending order for each column. The name of the index specification will be the same as the *constraint-name* if this does not conflict with an existing index or index specification in the schema where the nickname is created. If the name of the index specification conflicts, the name will be 'SQL' followed by a character timestamp (*yymmddhhmmssxxx*), with SYSIBM as the schema name.

PRIMARY KEY (*column-name,...*)

Defines a primary key composed of the identified columns. The clause must not be specified more than once, and the identified columns must be defined as NOT NULL. Each *column-name* must identify a column of the nickname, and the same column must not be identified more than once.

The number of identified columns must not exceed 64, and the sum of their stored lengths must not exceed the index key length limit for the

CREATE NICKNAME

page size. For column stored lengths, see “Byte Counts” in “CREATE TABLE”. For key length limits, see “SQL and XQuery limits”. No LOB column, distinct type column based on a LOB, or structured type column can be used as part of a primary key, even if the length attribute of the column is small enough to fit within the index key length limit for the page size (SQLSTATE 54008).

The set of columns in the primary key cannot be the same as the set of columns in a unique key (SQLSTATE 01543). (If LANGLEVEL is SQL92E or MIA, an error is returned, SQLSTATE 42891.)

Only one primary key can be defined on a nickname.

The description of the nickname as recorded in the catalog includes the primary key and its index specification. An index specification will automatically be created for the columns in the sequence specified with ascending order for each column. The name of the index specification will be the same as the *constraint-name* if this does not conflict with an existing index or index specification in the schema where the nickname is created. If the name of the index specification conflicts, the name will be ‘SQL’, followed by a character timestamp (*yymmddhhmmssxxx*), with SYSIBM as the schema name.

referential-constraint

Defines a referential constraint.

CONSTRAINT *constraint-name*

Names the referential constraint.

FOREIGN KEY (*column-name,...*)

Defines a referential constraint with the specified *constraint-name*.

Let N1 denote the object nickname of the statement. The foreign key of the referential constraint is composed of the identified columns. Each name in the list of column names must identify a column of N1, and the same column must not be identified more than once.

The number of identified columns must not exceed 64, and the sum of their stored lengths must not exceed the index key length limit for the page size. For column stored lengths, see “Byte Counts” in “CREATE TABLE”. For key length limits, see “SQL and XQuery limits”. Foreign keys can be defined on variable length columns whose length is greater than 255 bytes. No LOB column, distinct type column based on a LOB, or structured type column can be used as part of a foreign key (SQLSTATE 42962). There must be the same number of foreign key columns as there are in the parent key, and the data types of the corresponding columns must be compatible (SQLSTATE 42830). Two column descriptions are compatible if they have compatible data types (both columns are numeric, character string, graphic, datetime, or have the same distinct type).

references-clause

Specifies the parent table or the parent nickname, and the parent key for the referential constraint.

REFERENCES *table-name or nickname*

The table or nickname specified in a REFERENCES clause must identify a base table or a nickname that is described in the catalog, but must not identify a catalog table.

A referential constraint is a duplicate if its foreign key, parent key, and parent table or parent nickname are the same as the foreign key, parent

key, and parent table or parent nickname of a previously specified referential constraint. Duplicate referential constraints are ignored, and a warning is returned (SQLSTATE 01543).

In the following discussion, let N2 denote the identified parent table or parent nickname, and let N1 denote the nickname being created (or altered). N1 and N2 may be the same nickname.

The specified foreign key must have the same number of columns as the parent key of N2, and the description of the *n*th column of the foreign key must be comparable to the description of the *n*th column of that parent key. Datetime columns are not considered to be comparable to string columns for the purposes of this rule.

The referential constraint specified by a FOREIGN KEY clause defines a relationship in which N2 is the parent and N1 is the dependent.

(column-name,...)

The parent key of a referential constraint is composed of the identified columns. Each *column-name* must be an unqualified name that identifies a column of N2. The same column must not be identified more than once.

The list of column names must match the set of columns (in any order) of the primary key or a unique constraint that exists on N2 (SQLSTATE 42890). If a column name list is not specified, N2 must have a primary key (SQLSTATE 42888). Omission of the column name list is an implicit specification of the columns of that primary key in the sequence originally specified.

constraint-attributes

Defines attributes associated with referential integrity or check constraints.

NOT ENFORCED

The constraint is not enforced by the database manager during normal operations, such as insert, update, or delete.

ENABLE QUERY OPTIMIZATION

The constraint is assumed to be true and can be used for query optimization under appropriate circumstances.

DISABLE QUERY OPTIMIZATION

The constraint cannot be used for query optimization.

check-constraint

Defines a check constraint. A *check-constraint* is a *search-condition* that must evaluate to not false or that defines a functional dependency between columns.

CONSTRAINT *constraint-name*

Names the check constraint.

CHECK (*check-condition*)

Defines a check constraint. The *check-condition* must be true or unknown for every row of the nickname.

search-condition

The *search-condition* has the following restrictions:

- A column reference must be to a column of the nickname being created.
- The *search-condition* cannot contain a TYPE predicate.
- It cannot contain any of the following (SQLSTATE 42621):

CREATE NICKNAME

- Subqueries
- Dereference operations or Deref functions where the scoped reference argument is other than the object identifier (OID) column
- CAST specifications with a SCOPE clause
- Column functions
- Functions that are not deterministic
- Functions defined to have an external action
- User-defined functions defined with either CONTAINS SQL or READS SQL DATA
- Host variables
- Parameter markers
- Special registers
- Global variables
- References to generated columns other than the identity column

functional-dependency

Defines a functional dependency between columns.

The parent set of columns contains the identified columns that immediately precede the DETERMINED BY clause. The child set of columns contains the identified columns that immediately follow the DETERMINED BY clause. All of the restrictions on the *search-condition* apply to parent set and child set columns, and only simple column references are allowed in the set of columns (SQLSTATE 42621). The same column must not be identified more than once in the functional dependency (SQLSTATE 42709). The data type of the column must not be a LOB data type, a distinct type based on a LOB data type, or a structured type (SQLSTATE 42962). No column in the child set of columns can be a nullable column (SQLSTATE 42621).

If a check constraint is specified as part of a *column-definition*, a column reference can only be made to the same column. Check constraints specified as part of a nickname definition can have column references identifying columns previously defined in the CREATE NICKNAME statement. Check constraints are not checked for inconsistencies, duplicate conditions, or equivalent conditions. Therefore, contradictory or redundant check constraints can be defined, resulting in possible errors at execution time.

FOR SERVER *server-name*

Specifies a server that was registered using the CREATE SERVER statement. This server will be used to access the data for the nickname.

OPTIONS

Indicates the nickname options that are enabled when the nickname is created.

ADD

Adds a nickname option.

nickname-option-name

Specifies the name of the option.

string-constant

Specifies the setting for *nickname-option-name* as a character string constant.

Notes

- Examples of relational data source objects are: tables and views. Examples of nonrelational data source objects are: Documentum objects or registered tables, text files (.txt), objects that you can run a BLAST search on, and Microsoft Excel files (.xls).
- The data source object that the nickname references must already exist at the data source denoted by the first qualifier in *remote-object-name*.
- The list of supported data source data types varies from wrapper to wrapper. The data source data types that correspond to the following DB2 data types are not supported by any of the wrappers: XML, DECFLOAT, structured types, and REF types. When the CREATE NICKNAME statement specifies a *remote-object-name* that has columns with unsupported data types, an error is returned.

LONG VARCHAR and LONG VARGRAPHIC data source data types are mapped to CLOB and DBCLOB data types, respectively. LONG VARCHAR FOR BIT DATA is mapped to BLOB.

- The maximum allowable length of DB2 index names is 128 bytes. If a nickname is being created for a relational table that has an index whose name exceeds this length, the entire name is not cataloged. Rather, DB2 truncates it to 128 bytes. If the string formed by these characters is not unique within the schema to which the index belongs, DB2 attempts to make it unique by replacing the last character with 0. If the result is still not unique, DB2 changes the last character to 1. DB2 repeats this process with numbers 2 through 9 and, if necessary, with numbers 0 through 9 for the name's 127th character, 126th character, and so on, until a unique name is generated. To illustrate: The 130-byte name of an index on a data source table is AREALLY...REALLYLONGNAME. The names AREALLY...REALLYLONGNA and AREALLY...REALLYLONGN0 already exist in the schema to which this index belongs. The new name is over 128 bytes; therefore, DB2 truncates it to AREALLY...REALLYLONGNA. Because this name already exists in the schema, DB2 changes the truncated version to AREALLY...REALLYLONGN0. And because this name also exists, DB2 changes the truncated version to AREALLY...REALLYLONGN1. This name does not already exist in the schema, so DB2 accepts it as a new name.
- When a nickname is created for a data source object, DB2 stores the names of the nickname columns in the catalog. When the data source object is a table or a view, DB2 makes the nickname column names the same as the table or view column names. If a name exceeds the maximum allowable length for DB2 column names, DB2 truncates the name to this length. If the truncated version is not unique among the other column names in the table or view, DB2 makes it unique by following the procedure described in the preceding paragraph.
- If the data source object has indexes defined, index specifications for each index are created when the nickname is created. Index specifications are not created at the data source for indexes that have:
 - Duplicate column names
 - More than 64 columns
 - More than 1024 bytes in the sum of the length of the index key parts
- If the definition of a remote data source object is changed (for example, a column is deleted or a data type is changed), the nickname should be dropped and recreated; otherwise, errors might occur when the nickname is used in an SQL statement.

CREATE NICKNAME

Examples

Example 1: Create a nickname for a view, DEPARTMENT, that is in a schema called HEDGES. This view is stored in a DB2 for z/OS data source called OS390A.

```
CREATE NICKNAME DEPT
FOR OS390A.HEDGES.DEPARTMENT
```

Example 2: Select all records from the view for which a nickname was created in Example 1. The view must be referenced by its nickname. The remote view can be referenced using the name by which it is known at the data source only in pass-through sessions.

```
SELECT * FROM DEPT                                Valid after nickname DEPT is created

SELECT * FROM OS390A.HEDGES.DEPARTMENT           Invalid
```

Example 3: Create a nickname for the remote table JAPAN that is in a schema called salesdata. Because the schema name and table name on the data source are stored in lowercase, specify the remote schema name and table name with double quotation marks:

```
CREATE NICKNAME JPSALES
FOR asia."salesdata"."japan"
```

Example 4: Create a nickname for the table-structured file DRUGDATA1.TXT. Include the FILE_PATH, COLUMN DELIMITER, KEY_COLUMN, and VALIDATE_DATA_FILE nickname options in the statement.

```
CREATE NICKNAME DRUGDATA1
(Dcode          INTEGER,
DRUG            CHAR(20),
MANUFACTURER   CHAR(20))
FOR SERVER biochem_lab
OPTIONS
(FILE_PATH      '/usr/pat/DRUGDATA1.TXT',
COLUMN_DELIMITER ', ',
KEY_COLUMN     'DCODE',
SORTED        'Y',
VALIDATE_DATA_FILE 'Y')
```

Example 5: Create the parent nickname CUSTOMERS over multiple XML files under the specified directory path /home/db2user. Include the following options:

- Column options:
 - XPATH column option for the VARCHAR(5) column named ID, indicating the element or attribute in the XML file(s) from which the column data is extracted
 - XPATH column option for the VARCHAR(16) column named NAME, indicating the element or attribute in the XML file(s) from which the column data is extracted
 - XPATH column option for the VARCHAR(30) column named ADDRESS, indicating the element or attribute in the XML file(s) from which the column data is extracted
 - PRIMARY_KEY column option for the VARCHAR(16) column named CID, which identifies the customers nickname as a parent nickname in a hierarchy of nicknames
- Nickname options:
 - DIRECTORY_PATH nickname option to indicate the location of the XML files that provide the data

- XPATH nickname option to indicate the element in the XML files where the data begins
- STREAMING nickname option to indicate that the XML source data is separated and processed element by element. In this example, the element is a customer record.

```
CREATE NICKNAME customers
(id      VARCHAR(5)  OPTIONS(XPATH './@id'),
 name   VARCHAR(16) OPTIONS(XPATH './name'),
 address VARCHAR(30) OPTIONS(XPATH './address/@street'),
 cid    VARCHAR(16) OPTIONS(PRIMARY_KEY 'YES'))
FOR SERVER xml_server
OPTIONS
(DIRECTORY_PATH '/home/db2user',
 XPATH '//customer',
 STREAMING 'YES')
```

CREATE PROCEDURE

The CREATE PROCEDURE statement defines a procedure at the current server.

Three different types of procedures can be created using this statement. Each of these types is described separately.

- External. The procedure body is written in a programming language. The external executable is referenced by a procedure defined at the current server, along with various attributes of the procedure.
- Sourced. The procedure body is part of the source procedure, which is referenced by the sourced procedure that is defined at the current server, along with various attributes of the procedure. A sourced procedure whose source procedure is at a data source is also called a *federated procedure*.
- SQL. The procedure body is written in SQL and defined at the current server, along with various attributes of the procedure.

CREATE PROCEDURE (External)

The CREATE PROCEDURE (External) statement defines an external procedure at the current server.

Invocation

This statement can be embedded in an application program or issued through the use of dynamic SQL statements. It is an executable statement that can be dynamically prepared only if DYNAMICRULES run behavior is in effect for the package (SQLSTATE 42509).

Authorization

The privileges held by the authorization ID of the statement must include at least one of the following:

- CREATE_EXTERNAL_ROUTINE authority on the database and at least one of the following:
 - IMPLICIT_SCHEMA authority on the database, if the schema name of the procedure does not refer to an existing schema
 - CREATEIN privilege on the schema, if the schema name of the procedure refers to an existing schema

CREATE PROCEDURE (External)

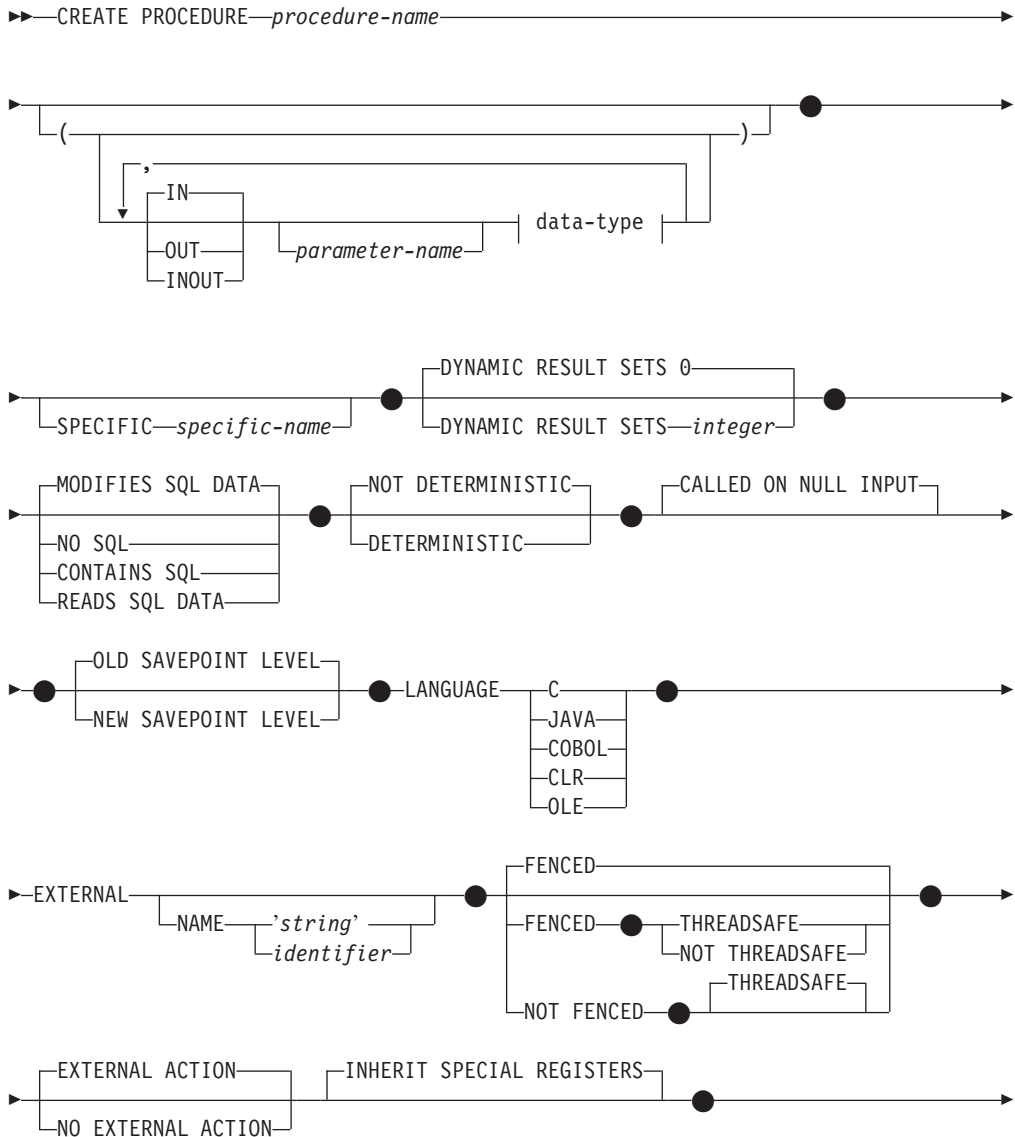
- SYSADM or DBADM authority

To create a not-fenced procedure, the privileges held by the authorization ID of the statement must also include at least one of the following:

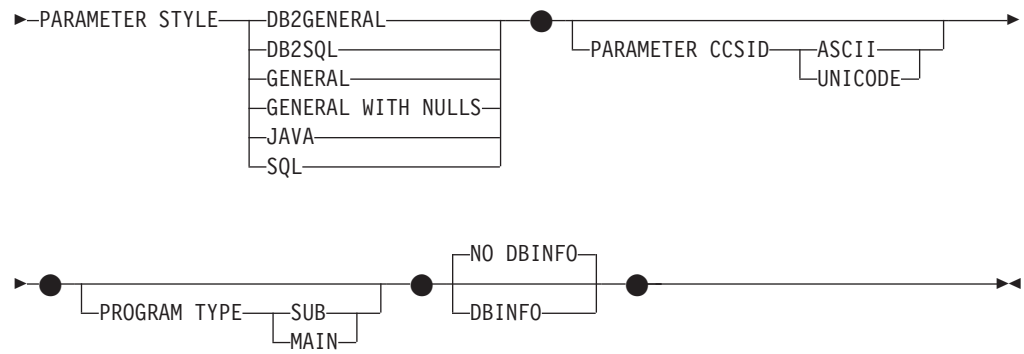
- CREATE_NOT_FENCED_ROUTINE authority on the database
- SYSADM or DBADM authority

To create a fenced procedure, no additional authorities or privileges are required.

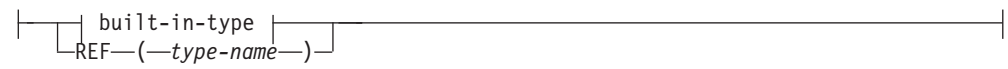
Syntax



CREATE PROCEDURE (External)

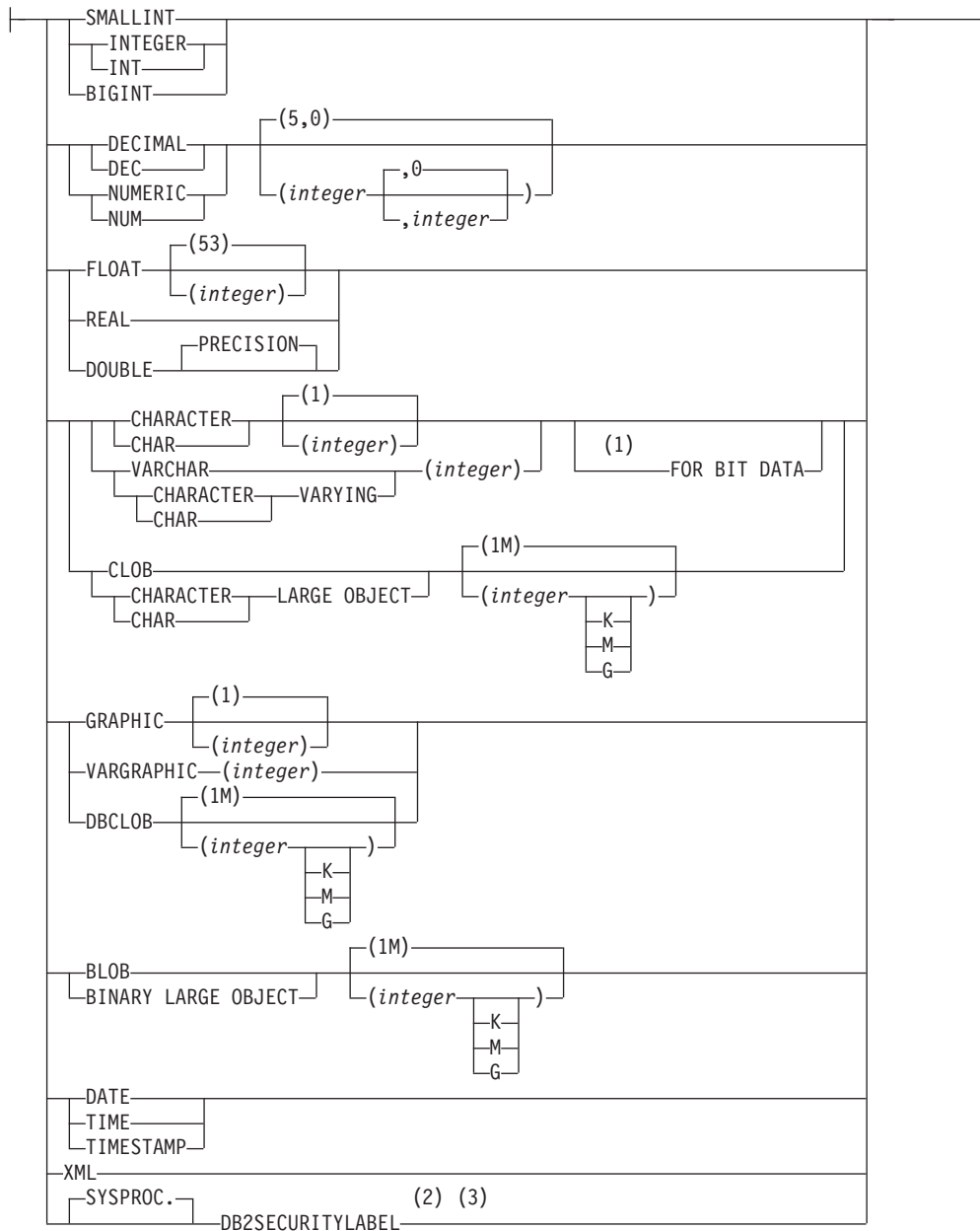


data-type:



built-in-type:

CREATE PROCEDURE (External)



Notes:

- 1 The FOR BIT DATA clause can be specified in any order with the other column constraints that follow.
- 2 DB2SECURITYLABEL is the built-in distinct type that must be used to define the row security label column of a protected table.
- 3 For a column of type DB2SECURITYLABEL, NOT NULL WITH DEFAULT is implicit and cannot be explicitly specified (SQLSTATE 42842). The default value for a column of type DB2SECURITYLABEL is the session authorization ID's security label for write access.

Description

procedure-name

Names the procedure being defined. It is a qualified or unqualified name that designates a procedure. The unqualified form of *procedure-name* is an SQL

identifier (with a maximum length of 128). In dynamic SQL statements, the CURRENT SCHEMA special register is used as a qualifier for an unqualified object name. In static SQL statements the QUALIFIER precompile/bind option implicitly specifies the qualifier for unqualified object names. The qualified form is a *schema-name* followed by a period and an SQL identifier.

The name, including the implicit or explicit qualifiers, together with the number of parameters must not identify a procedure described in the catalog (SQLSTATE 42723). The unqualified name, together with the number of the parameters, need not be unique across schemas.

If a two-part name is specified, the *schema-name* cannot begin with 'SYS' (SQLSTATE 42939).

(**IN** | **OUT** | **INOUT** *parameter-name data-type*,...)

Identifies the parameters of the procedure, and specifies the mode, data type, and optional name of each parameter. One entry in the list must be specified for each parameter that the procedure will expect.

No two identically-named procedures within a schema are permitted to have exactly the same number of parameters. A duplicate signature returns an SQL error (SQLSTATE 42723).

For example, given the statements:

```
CREATE PROCEDURE PART (IN NUMBER INT, OUT PART_NAME CHAR(35)) ...  
CREATE PROCEDURE PART (IN COST DECIMAL(5,3), OUT COUNT INT) ...
```

the second statement will fail, because the number of parameters in the procedure is the same, even if the data types are not.

If an error is returned by the procedure, OUT parameters are undefined and INOUT parameters are unchanged.

IN Identifies the parameter as an input parameter to the procedure. Any changes made to the parameter within the procedure are not available to the calling SQL application when control is returned. The default is IN.

OUT

Identifies the parameter as an output parameter for the procedure.

INOUT

Identifies the parameter as both an input and output parameter for the procedure.

parameter-name

Optionally specifies the name of the parameter. The parameter name must be unique for the procedure (SQLSTATE 42734).

data-type

Specifies the data type of the parameter.

- SQL data type specifications and abbreviations, which may be specified in the *data-type* definition of a CREATE TABLE statement and have a correspondence in the language that is being used to write the procedure, may be specified.
- User-defined data types are not supported (SQLSTATE 42601).
- LONG VARCHAR and LONG VARGRAPHIC are not supported as parameter types for external procedures.
- XML is invalid with LANGUAGE OLE.

CREATE PROCEDURE (External)

- Because the XML value that is seen inside a procedure is a serialized version of the XML value that is passed as a parameter in the procedure call, parameters of type XML must be declared using the syntax XML AS CLOB(*n*).
- CLR does not support DECIMAL scale greater than 28 (SQLSTATE 42613).
- Decimal floating-point is not supported with languages C, Java COBOL, CLR, and OLE (SQLSTATE 42613).
- Parameters of the array type are supported only in Java procedures (SQLSTATE 42815).

SPECIFIC *specific-name*

Provides a unique name for the instance of the procedure that is being defined. This specific name can be used when dropping the procedure or commenting on the procedure. It can never be used to invoke the procedure. The unqualified form of *specific-name* is an SQL identifier (with a maximum length of 128). The qualified form is a *schema-name* followed by a period and an SQL identifier. The name, including the implicit or explicit qualifier, must not identify another routine instance that exists at the application server; otherwise an error (SQLSTATE 42710) is raised.

The *specific-name* may be the same as an existing *procedure-name*.

If no qualifier is specified, the qualifier that was used for *procedure-name* is used. If a qualifier is specified, it must be the same as the explicit or implicit qualifier of *procedure-name* or an error (SQLSTATE 42882) is raised.

If *specific-name* is not specified, a unique name is generated by the database manager. The unique name is 'SQL' followed by a character timestamp: 'SQLyymmddhhmmssxxx'.

DYNAMIC RESULT SETS *integer*

Indicates the estimated upper bound of returned result sets for the procedure.

NO SQL, CONTAINS SQL, READS SQL DATA, MODIFIES SQL DATA

Indicates whether the procedure issues any SQL statements and, if so, what type.

NO SQL

Indicates that the procedure cannot execute any SQL statements (SQLSTATE 38001).

CONTAINS SQL

Indicates that SQL statements that neither read nor modify SQL data can be executed by the procedure (SQLSTATE 38004). Statements that are not supported in any procedure return a different error (SQLSTATE 38003).

READS SQL DATA

Indicates that some SQL statements that do not modify SQL data can be included in the procedure (SQLSTATE 38002 or 42985). Statements that are not supported in any procedure return a different error (SQLSTATE 38003).

MODIFIES SQL DATA

Indicates that the procedure can execute any SQL statement except statements that are not supported in procedures (SQLSTATE 38003).

DETERMINISTIC or NOT DETERMINISTIC

This clause specifies whether the procedure always returns the same results for given argument values (DETERMINISTIC) or whether the procedure depends on some state values that affect the results (NOT DETERMINISTIC). That is, a

DETERMINISTIC procedure must always return the same result from successive invocations with identical inputs.

This clause currently does not impact processing of the procedure.

CALLED ON NULL INPUT

CALLED ON NULL INPUT always applies to procedures. This means that the procedure is called regardless of whether any arguments are null. Any OUT or INOUT parameter can return a null value or a normal (non-null) value. Responsibility for testing for null argument values lies with the procedure.

OLD SAVEPOINT LEVEL or NEW SAVEPOINT LEVEL

Specifies whether or not this procedure establishes a new savepoint level for savepoint names and effects. OLD SAVEPOINT LEVEL is the default behavior. For more information about savepoint levels, see the “Rules” section in the description of the SAVEPOINT statement.

LANGUAGE

This mandatory clause is used to specify the language interface convention to which the procedure body is written.

C This means the database manager will call the procedure as if it were a C procedure. The procedure must conform to the C language calling and linkage convention as defined by the standard ANSI C prototype.

JAVA

This means the database manager will call the procedure as a method in a Java class.

COBOL

This means the database manager will call the procedure as if it were a COBOL procedure.

CLR

This means the database manager will call the procedure as a method in a .NET class. At this time, LANGUAGE CLR is only supported for procedures running on Windows operating systems. NOT FENCED cannot be specified for a CLR routine (SQLSTATE 42601).

OLE

This means the database manager will call the procedure as if it were a method exposed by an OLE automation object. The stored-procedure must conform with the OLE automation data types and invocation mechanism. Also, the OLE automation object needs to be implemented as an in-process server (DLL). These restrictions are outlined in the *OLE Automation Programmer's Reference*.

LANGUAGE OLE is only supported for procedures stored in DB2 for Windows operating systems. THREADSAFE may not be specified for procedures defined with LANGUAGE OLE (SQLSTATE 42613).

EXTERNAL

This clause indicates that the CREATE PROCEDURE statement is being used to register a new procedure based on code written in an external programming language and adhering to the documented linkage conventions and interface.

If the NAME clause is not specified, “NAME *procedure-name*” is assumed. If the NAME clause is not formatted correctly, an error is returned (SQLSTATE 42878).

CREATE PROCEDURE (External)

NAME 'string'

This clause identifies the name of the user-written code which implements the procedure being defined.

The 'string' option is a string constant with a maximum of 254 bytes. The format used for the string is dependent on the LANGUAGE specified.

- For LANGUAGE C:

The *string* specified is the library name and procedure within the library, which the database manager invokes to execute the procedure being CREATED. The library (and the procedure within the library) do not need to exist when the CREATE PROCEDURE statement is performed. However, when the procedure is called, the library and procedure within the library must exist and be accessible from the database server machine.

►—' library_id !proc_id—►

The name must be enclosed by single quotation marks. Extraneous blanks are not permitted.

library_id

Identifies the library name containing the procedure. The database manager will look for the library as follows:

- On UNIX systems, if 'myfunc' was given as the *library_id*, and the database manager is being run from /u/production, the database manager will look for the procedure in library /u/production/sqllib/function/myproc if FENCED is specified, or /u/production/sqllib/function/unfenced/myproc if NOT FENCED is specified.
- On Windows operating systems, the database manager will look for the function in a directory path that is specified by the LIBPATH or PATH environment variable.

Stored procedures located in any of these directories do not use any of the registered attributes.

absolute_path_id

Identifies the full path name of the procedure.

On UNIX systems, for example, '/u/jchui/mylib/myproc' would cause the database manager to look in /u/jchui/mylib for the myproc procedure.

On Windows operating systems, 'd:\mylib\myproc.dll' would cause the database manager to load the file myproc.dll from the d:\mylib directory. If an absolute path ID is being used to identify the routine body, be sure to append the .dll extension.

!proc_id

Identifies the entry point name of the procedure to be invoked. The exclamation point (!) serves as a delimiter between the library ID and the procedure ID. '!proc8' would direct the database manager to look for the library in the location specified by *absolute_path_id*, and to use entry point proc8 within that library.

If the string is not properly formed, an error is returned (SQLSTATE 42878).

CREATE PROCEDURE (External)

The body of every procedure should be in a directory that is mounted and available on every database partition.

- For LANGUAGE JAVA:

The *string* specified contains the optional jar file identifier, class identifier and method identifier, which the database manager invokes to execute the procedure being CREATED. The class identifier and method identifier do not need to exist when the CREATE PROCEDURE statement is performed. If a *jar_id* is specified, it must exist when the CREATE PROCEDURE statement is performed. However, when the procedure is called, the class identifier and the method identifier must exist and be accessible from the database server machine, otherwise an error is returned (SQLSTATE 42884).

►► ' jar_id :- class_id . ! method_id ' ◀◀

The name must be enclosed by single quotation marks. Extraneous blanks are not permitted.

jar_id

Identifies the jar identifier given to the jar collection when it was installed in the database. It can be either a simple identifier or a schema qualified identifier. Examples are 'myJar' and 'mySchema.myJar'.

class_id

Identifies the class identifier of the Java object. If the class is part of a package, the class identifier part must include the complete package prefix, for example, 'myPacks.StoredProcs'. The Java virtual machine will look in directory './myPacks/StoredProcs/' for the classes. In Windows operating systems, the Java virtual machine will look in directory '..\myPacks\StoredProcs\.'

method_id

Identifies the method name with the Java class to be invoked.

- For LANGUAGE CLR:

The *string* specified represents the .NET assembly (library or executable), the class within that assembly, and the method within the class that the database manager invokes to execute the procedure being created. The module, class, and method do not need to exist when the CREATE PROCEDURE statement is executed. However, when the procedure is called, the module, class, and method must exist and be accessible from the database server machine, otherwise an error is returned (SQLSTATE 42284).

C++ routines that are compiled with the '/clr' compiler option to indicate that they include managed code extensions must be cataloged as 'LANGUAGE CLR' and not 'LANGUAGE C'. DB2 needs to know that the .NET infrastructure is being utilized in a procedure in order to make necessary runtime decisions. All procedures using the .NET infrastructure must be cataloged as 'LANGUAGE CLR'.

►► ' -assembly-:-class_id-!-method_id-' ◀◀

The name must be enclosed by single quotation marks. Extraneous blanks are not permitted.

CREATE PROCEDURE (External)

assembly

Identifies the DLL or other assembly file in which the class resides. Any file extensions (such as .dll) must be specified. If the full path name is not given, the file must reside in the function directory of the DB2 install path (for example, c:\sqlib\function). If the file resides in a subdirectory of the install function directory, the subdirectory can be given before the file name rather than specifying the full path. For example, if your install directory is c:\sqlib and your assembly file is c:\sqlib\function\myprocs\mydotnet.dll, it is only necessary to specify 'myprocs\mydotnet.dll' for the assembly. The case sensitivity of this parameter is the same as the case sensitivity of the file system.

class_id

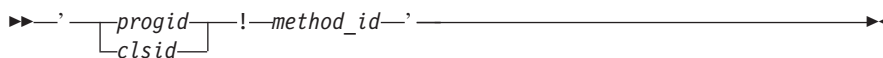
Specifies the name of the class within the given assembly in which the method that is to be invoked resides. If the class resides within a namespace, the full namespace must be given in addition to the class. For example, if the class EmployeeClass is in namespace MyCompany.ProcedureClasses, then MyCompany.ProcedureClasses.EmployeeClass must be specified for the class. Note that the compilers for some .NET languages will add the project name as a namespace for the class, and the behavior may differ depending on whether the command line compiler or the GUI compiler is used. This parameter is case sensitive.

method_id

Specifies the method within the given class that is to be invoked. This parameter is case sensitive.

- For LANGUAGE OLE:

The string specified is the OLE programmatic identifier (*progid*) or class identifier (*clsid*), and method identifier (*method_id*), which the database manager invokes to execute the procedure being created by the statement. The programmatic identifier or class identifier, and the method identifier do not need to exist when the CREATE PROCEDURE statement is executed. However, when the procedure is used in the CALL statement, the method identifier must exist and be accessible from the database server machine, otherwise an error results (SQLSTATE 42724).

►► '  ' ►►

The name must be enclosed by single quotation marks. Extraneous blanks are not permitted.

progid

Identifies the programmatic identifier of the OLE object.

A *progid* is not interpreted by the database manager, but only forwarded to the OLE automation controller at run time. The specified OLE object must be creatable and support late binding (also known as IDispatch-based binding). By convention, *progids* have the following format:

<program_name>.<component_name>.<version>

Because this is only a convention, and not a rule, *progids* may in fact have a different format.

clsid

Identifies the class identifier of the OLE object to create. It can be used as an alternative for specifying a progid in the case that an OLE object is not registered with a progid. The *clsid* has the form:

{nnnnnnnn-nnnn-nnnn-nnnn-nnnnnnnnnnn}

where 'n' is an alphanumeric character. A *clsid* is not interpreted by the database manager, but only forwarded to the OLE APIs at run time.

method_id

Identifies the method name of the OLE object to be invoked.

NAME *identifier*

This *identifier* specified is an SQL identifier. The SQL identifier is used as the *library-id* in the string. Unless it is a delimited identifier, the identifier is folded to upper case. If the identifier is qualified with a schema name, the schema name portion is ignored. This form of NAME can only be used with LANGUAGE C.

FENCED or NOT FENCED

This clause specifies whether the procedure is considered "safe" to run in the database manager operating environment's process or address space (NOT FENCED), or not (FENCED).

If a procedure is registered as FENCED, the database manager protects its internal resources (for example, data buffers) from access by the procedure. All procedures have the option of running as FENCED or NOT FENCED. In general, a procedure running as FENCED will not perform as well as a similar one running as NOT FENCED.

CAUTION:

Use of NOT FENCED for procedures that have not been adequately checked out can compromise the integrity of DB2. DB2 takes some precautions against many of the common types of inadvertent failures that could occur, but cannot guarantee complete integrity when NOT FENCED procedures are used.

Either SYSADM authority, DBADM authority, or a special authority (CREATE_NOT_FENCED) is required to register a procedure as NOT FENCED. Only FENCED can be specified for a procedure with LANGUAGE OLE or NOT THREADSAFE.

LANGUAGE CLR procedures cannot be created when specifying the NOT FENCED clause (SQLSTATE 42601).

THREADSAFE or NOT THREADSAFE

Specifies whether the procedure is considered safe to run in the same process as other routines (THREADSAFE), or not (NOT THREADSAFE).

If the procedure is defined with LANGUAGE other than OLE:

- If the procedure is defined as THREADSAFE, the database manager can invoke the procedure in the same process as other routines. In general, to be threadsafe, a procedure should not use any global or static data areas. Most programming references include a discussion of writing threadsafe routines. Both FENCED and NOT FENCED procedures can be THREADSAFE.
- If the procedure is defined as NOT THREADSAFE, the database manager will never invoke the procedure in the same process as another routine.

CREATE PROCEDURE (External)

For FENCED procedures, THREADSAFE is the default if the LANGUAGE is JAVA or CLR. For all other languages, NOT THREADSAFE is the default. If the procedure is defined with LANGUAGE OLE, THREADSAFE may not be specified (SQLSTATE 42613).

For NOT FENCED procedures, THREADSAFE is the default. NOT THREADSAFE cannot be specified (SQLSTATE 42613).

EXTERNAL ACTION or NO EXTERNAL ACTION

Specifies whether the procedure takes some action that changes the state of an object not managed by the database manager (EXTERNAL ACTION), or not (NO EXTERNAL ACTION). The default is EXTERNAL ACTION. If NO EXTERNAL ACTION is specified, the system can use certain optimizations that assume the procedure has no external impact.

INHERIT SPECIAL REGISTERS

This optional clause specifies that updatable special registers in the procedure will inherit their initial values from the environment of the invoking statement.

No changes to the special registers are passed back to the caller of the procedure.

Non-updatable special registers, such as the datetime special registers, reflect a property of the statement currently executing, and are therefore set to their default values.

PARAMETER STYLE

This clause is used to specify the conventions used for passing parameters to and returning the value from procedures.

DB2GENERAL

This means that the procedure will use a parameter passing convention that is defined for use with Java methods. This can only be specified when LANGUAGE JAVA is used.

DB2SQL

In addition to the parameters on the CALL statement, the following arguments are passed to the procedure:

- A vector containing a null indicator for each parameter on the CALL statement
- The SQLSTATE to be returned to DB2
- The qualified name of the procedure
- The specific name of the procedure
- The SQL diagnostic string to be returned to DB2

This can only be specified when LANGUAGE C, COBOL, CLR, or OLE is used.

GENERAL

This means that the procedure will use a parameter passing mechanism by which the procedure receives the parameters specified on the CALL. The parameters are passed directly, as expected by the language; the SQLDA structure is not used. This can only be specified when LANGUAGE C, COBOL, or CLR is used.

Null indicators are *not* directly passed to the program.

GENERAL WITH NULLS

In addition to the parameters on the CALL statement specified under GENERAL, another argument is passed to the procedure. This additional argument is a vector of null indicators, one for each of the parameters on

the CALL statement. In C, this would be an array of short integers. This can only be specified when LANGUAGE C, COBOL, or CLR is used.

JAVA

This means that the procedure will use a parameter passing convention that conforms to the Java language and SQLJ Routines specification. IN/OUT and OUT parameters will be passed as single entry arrays to facilitate returning values. This can only be specified when LANGUAGE JAVA is used.

PARAMETER STYLE JAVA procedures do not support the DBINFO or PROGRAM TYPE clauses.

SQL

In addition to the parameters on the CALL statement, the following arguments are passed to the procedure:

- A null indicator for each parameter on the CALL statement
- The SQLSTATE to be returned to DB2
- The qualified name of the procedure
- The specific name of the procedure
- The SQL diagnostic string to be returned to DB2

This can only be specified when LANGUAGE C, COBOL, CLR, or OLE is used.

PARAMETER CCSID

Specifies the encoding scheme to use for all string data passed into and out of the procedure. If the PARAMETER CCSID clause is not specified, the default is PARAMETER CCSID UNICODE for Unicode databases, and PARAMETER CCSID ASCII for all other databases.

ASCII

Specifies that string data is encoded in the database code page. If the database is a Unicode database, PARAMETER CCSID ASCII cannot be specified (SQLSTATE 56031). When the procedure is invoked, the application code page for the procedure is the database code page.

UNICODE

Specifies that string data is encoded in Unicode. If the database is a Unicode database, character data is in UTF-8, and graphic data is in UCS-2. If the database is not a Unicode database, character data is in UTF-8. In either case, when the procedure is invoked, the application code page for the procedure is 1208.

If the database is not a Unicode database, and a procedure with PARAMETER CCSID UNICODE is created, the procedure cannot have any graphic types, the XML type, or user-defined types (SQLSTATE 560C1). PARAMETER CCSID UNICODE procedures can only be called from a DB2 Version 8.1 or later client (SQLSTATE 42997).

If the database is not a Unicode database, and the alternate collating sequence has been specified in the database configuration, procedures can be created with either PARAMETER CCSID ASCII or PARAMETER CCSID UNICODE. All data passed into and out of the procedure will be converted to the appropriate code page.

This clause cannot be specified with LANGUAGE OLE, LANGUAGE JAVA, or LANGUAGE CLR (SQLSTATE 42613).

CREATE PROCEDURE (External)

PROGRAM TYPE

Specifies whether the procedure expects parameters in the style of a main routine or a subroutine. The default is SUB.

SUB

The procedure expects the parameters to be passed as separate arguments.

MAIN

The procedure expects the parameters to be passed as an argument counter, and a vector of arguments (argc, argv). The name of the procedure to be invoked must also be "main". Stored procedures of this type must still be built in the same fashion as a shared library, rather than a stand-alone executable. PROGRAM TYPE MAIN is only valid when the LANGUAGE clause specifies one of: C, COBOL, or CLR.

DBINFO or NO DBINFO

Specifies whether specific information known by DB2 is passed to the procedure when it is invoked as an additional invocation-time argument (DBINFO) or not (NO DBINFO). NO DBINFO is the default. DBINFO is not supported for LANGUAGE OLE (SQLSTATE 42613). It is also not supported for PARAMETER STYLE JAVA or DB2GENERAL.

If DBINFO is specified, a structure containing the following information is passed to the procedure:

- Data base name - the name of the currently connected database.
- Application ID - unique application ID which is established for each connection to the database.
- Application Authorization ID - the application run-time authorization ID.
- Code page - identifies the database code page.
- Database version/release - identifies the version, release and modification level of the database server invoking the procedure.
- Platform - contains the server's platform type.

The DBINFO structure is common for all external routines and contains additional fields that are not relevant to procedures.

Notes

- Creating a procedure with a schema name that does not already exist results in the implicit creation of that schema, provided the authorization ID of the statement has IMPLICIT_SCHEMA authority. The schema owner is SYSIBM. The CREATEIN privilege on the schema is granted to PUBLIC.
- A Java routine defined as NOT FENCED will be invoked as if it had been defined as FENCED THREADSAFE.
- A procedure that is called from within a dynamic compound statement will execute as if it were created specifying NEW SAVEPOINT LEVEL, even if OLD SAVEPOINT LEVEL was specified or defaulted to when the procedure was created.
- XML parameters are only supported in LANGUAGE JAVA external procedures when the PARAMETER STYLE DB2GENERAL clause is specified.
- *Privileges*
 - The definer of a procedure always receives the EXECUTE privilege WITH GRANT OPTION on the procedure, as well as the right to drop the procedure.
 - When the procedure is used in an SQL statement, the procedure definer must have the EXECUTE privilege on any packages used by the procedure.

- *Compatibilities*
 - For compatibility with DB2 for z/OS:
 - The following syntax is accepted as the default behavior:
 - ASUTIME NO LIMIT
 - COMMIT ON RETURN NO
 - NO COLLID
 - STAY RESIDENT NO
 - CCSID UNICODE in a Unicode database
 - CCSID ASCII in a non-Unicode database if PARAMETER CCSID UNICODE is not specified
 - For compatibility with previous versions of DB2:
 - RESULT SETS can be specified in place of DYNAMIC RESULT SETS.
 - NULL CALL can be specified in place of CALLED ON NULL INPUT.
 - DB2GENRL can be specified in place of DB2GENERAL.
 - SIMPLE CALL can be specified in place of GENERAL.
 - SIMPLE CALL WITH NULLS can be specified in place of GENERAL WITH NULLS.
 - PARAMETER STYLE DB2DARI is supported.

Examples

Example 1: Create the procedure definition for a procedure, written in Java, that is passed a part number and that returns the cost of the part and the quantity that is currently available.

```
CREATE PROCEDURE PARTS_ON_HAND (IN PARTNUM INTEGER,  
    OUT COST DECIMAL(7,2),  
    OUT QUANTITY INTEGER)  
EXTERNAL NAME 'parts.onhand'  
LANGUAGE JAVA PARAMETER STYLE JAVA
```

Example 2: Create the procedure definition for a procedure, written in C, that is passed an assembly number and returns the number of parts that make up the assembly, total part cost, and a result set that lists the part numbers, quantity, and unit cost of each part.

```
CREATE PROCEDURE ASSEMBLY_PARTS (IN ASSEMBLY_NUM INTEGER,  
    OUT NUM_PARTS INTEGER,  
    OUT COST DOUBLE)  
EXTERNAL NAME 'parts!assembly'  
DYNAMIC RESULT SETS 1 NOT FENCED  
LANGUAGE C PARAMETER STYLE GENERAL
```

CREATE PROCEDURE (Sourced)

The CREATE PROCEDURE (Sourced) statement registers a procedure (the *sourced procedure*) that is based on another procedure (the *source procedure*). In a federated system, a *federated procedure* is a sourced procedure whose source procedure is at a supported data source.

Invocation

This statement can be embedded in an application program or issued through the use of dynamic SQL statements. It is an executable statement that can be

CREATE PROCEDURE (Sourced)

dynamically prepared only if DYNAMICRULES run behavior is in effect for the package (SQLSTATE 42509).

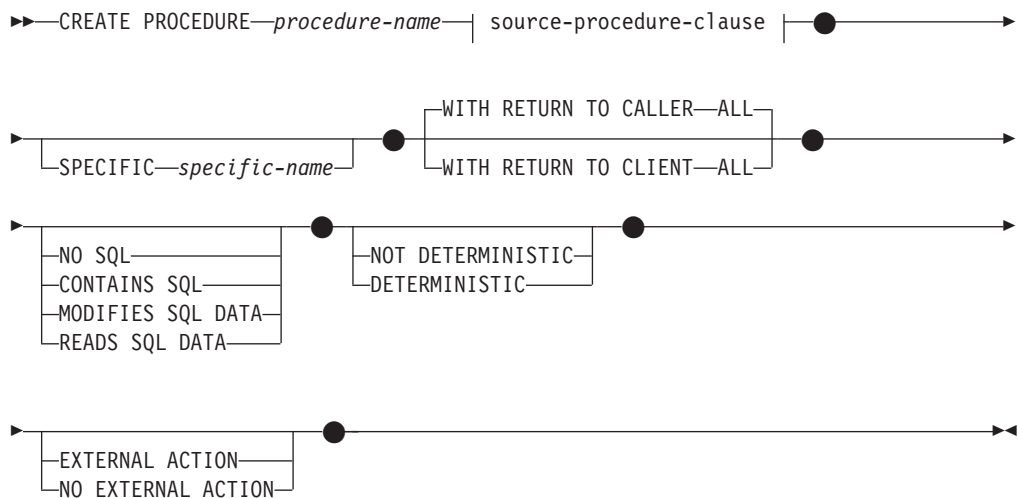
Authorization

The privileges held by the authorization ID of the statement must include at least one of the following:

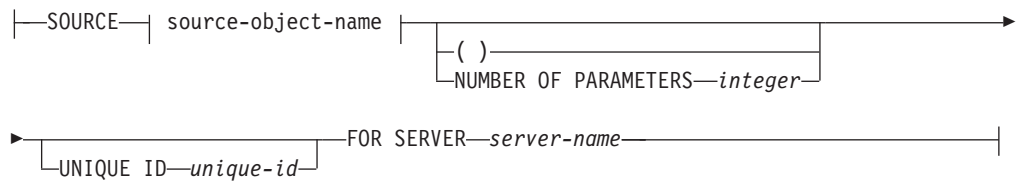
- IMPLICIT_SCHEMA authority on the database, if the schema name of the procedure does not refer to an existing schema
- CREATEIN privilege on the schema, if the schema name of the procedure refers to an existing schema
- SYSADM or DBADM authority

For data sources that require a user mapping, the privileges held at the data source by the authorization ID of the statement must include the privilege to select the procedure's description from the remote catalog tables.

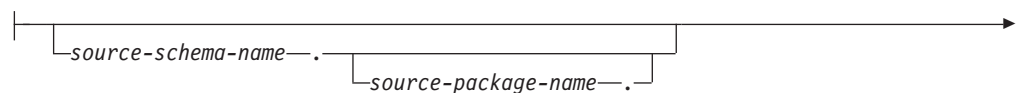
Syntax



source-procedure-clause:



source-object-name:



► *source-procedure-name* _____ |

Description

procedure-name

Names the sourced procedure being defined. It is a qualified or unqualified name that designates a procedure. The unqualified form of *procedure-name* is an SQL identifier (with a maximum length of 128). In dynamic SQL statements, the CURRENT SCHEMA special register is used as a qualifier for an unqualified object name. In static SQL statements, the QUALIFIER precompile or bind option implicitly specifies the qualifier for unqualified object names. The qualified form is a *schema-name* followed by a period and an SQL identifier.

The name, including the implicit or explicit qualifiers, together with the number of parameters, must not identify a procedure that is described in the catalog (SQLSTATE 42723). The unqualified name, together with the number of parameters, need not be unique across schemas.

If a two-part name is specified, the *schema-name* cannot begin with 'SYS' (SQLSTATE 42939).

In a federated system, *procedure-name* is the name of the procedure on the federated server.

SOURCE *source-object-name*

Specifies the source procedure that is used by the procedure being defined. In a federated system, the source procedure is a procedure that is located at a supported data source.

source-schema-name

Identifies the schema name of the source procedure. If a schema name is used to identify the source procedure, the *source-schema-name* must be specified in the CREATE PROCEDURE (Sourced) statement. If the *source-schema-name* contains any special or lowercase characters, it must be enclosed by double quotation marks.

source-package-name

Identifies the package name of the source procedure. The *source-package-name* applies only to Oracle data sources. If a package name is used to identify the source procedure, the *source-package-name* must be specified in the CREATE PROCEDURE (Sourced) statement. If the *source-package-name* contains any special or lowercase characters, it must be enclosed by double quotation marks.

source-procedure-name

Identifies the procedure name of the source procedure. If the *source-procedure-name* contains any special or lowercase characters, it must be enclosed by double quotation marks.

() Indicates that the number of parameters is zero.

NUMBER OF PARAMETERS *integer*

Specifies the number of parameters for the source procedure. The minimum value for *integer* is 0, and the maximum value is 32 767.

UNIQUE ID *string-constant*

Provides a way to uniquely identify the source procedure when there are multiple procedures at the data source with the identical name, schema, and

CREATE PROCEDURE (Sourced)

number of parameters. The *string-constant* value, which has a maximum length of 128, is interpreted uniquely by each data source.

FOR SERVER *server-name*

Specifies a server definition that was registered using the CREATE SERVER statement.

SPECIFIC *specific-name*

Provides a unique name for the instance of the sourced procedure that is being defined. This specific name can be used when dropping the sourced procedure or commenting on the sourced procedure. This name can never be used to invoke the sourced procedure. The unqualified form of *specific-name* is an SQL identifier with a maximum length of 18. The qualified form of *specific-name* is a *schema-name* followed by a period and an SQL identifier. The *specific-name* value, including the implicit or explicit qualifier, must not identify another procedure instance that exists at the application server; otherwise an error is returned (SQLSTATE 42710).

The *specific-name* can be the same as an existing *procedure-name*.

If no qualifier is specified, the qualifier that was used for *procedure-name* is used. If a qualifier is specified, it must be the same as the explicit or implicit qualifier for *procedure-name*, or an error is returned (SQLSTATE 42882).

If *specific-name* is not specified, a unique name is generated by the database manager. The unique name is 'SQL' followed by a character timestamp: 'SQLyymmddhhmmssxx'.

WITH RETURN TO CALLER or **WITH RETURN TO CLIENT**

Indicates where the result set from the source procedure is handled. Only one result set is returned to the caller or client. If the source procedure is coded to return more than one result set, only the first result set is returned to the caller or client. The default is WITH RETURN TO CALLER.

WITH RETURN TO CALLER ALL

Specifies that the result set from the source procedure is returned to the caller.

WITH RETURN TO CLIENT ALL

Specifies that the result set from the source procedure is returned directly to the client application. Applicable only when the dynamic result sets value at the data source is greater than 0, and in the case of a nested procedure call.

NO SQL, CONTAINS SQL, MODIFIES SQL DATA, READS SQL DATA

Indicates the level of data access for SQL statements that are included in the sourced procedure. Because the source procedure for the sourced procedure is not located on the federated server, the specified level is not enforced during execution of the source procedure at the data source. If there is discrepancy between what is specified for the sourced procedure and what the source procedure actually does at the data source, data inconsistency might occur. If this option is not explicitly specified, the value for the source procedure is used. If this option is not available at the data source, the default is MODIFIES SQL DATA. If this option is explicitly specified but does not match the value for the source procedure, an error is returned (SQLSTATE 428GS).

DETERMINISTIC or **NOT DETERMINISTIC**

Specifies whether the sourced procedure always returns the same results for given argument values (DETERMINISTIC), or whether the sourced procedure depends on some stated values that affect the results (NOT DETERMINISTIC). A DETERMINISTIC sourced procedure must always return the same result

from successive invocations with identical inputs. This clause currently does not impact the processing of the procedure. If this option is not explicitly specified, the value for the source procedure is used. If this option is not available at the data source, the default is NOT DETERMINISTIC. If this option is explicitly specified, but does not match the value for the source procedure, an error is returned (SQLSTATE 428GS).

EXTERNAL ACTION or NO EXTERNAL ACTION

Specifies whether the sourced procedure takes some action that changes the state of an object that is not managed by the database manager (EXTERNAL ACTION), or does not (NO EXTERNAL ACTION). If the NO EXTERNAL ACTION clause is specified, the federated database uses optimization that assumes that the sourced procedure has no external impact. If this option is not explicitly specified, the value for the source procedure is used. If this option is not available at the data source, the default is EXTERNAL ACTION. If this option is explicitly specified but does not match the value for the source procedure, an error is returned (SQLSTATE 428GS).

Rules

- If the *source-object-name*, along with the NUMBER OF PARAMETERS and UNIQUE ID clauses do not identify a procedure at the data source, an error is returned (SQLSTATE 42883); if more than one procedure is identified, an error is returned (SQLSTATE 42725).
- If the UNIQUE ID clause is specified and the data source does not support unique IDs, an error is returned (SQLSTATE 42883).

Notes

- Before a federated procedure can be registered for a data source, the federated server must be configured to access that data source. This configuration includes: registering the wrapper for the data source, creating the server definition for the data source, and creating the user mappings between the federated server and the data source server for the data sources that require user mapping.
- Unlike SQL and external procedures defined at the federated server, federated procedures do not inherit the special registers of the caller, even those whose *remote-object-name* refers to a procedure on a DB2 data source.
- If the definition of the source procedure is changed (for example, a parameter data type is changed), the federated procedure should be dropped and recreated; otherwise, errors might occur when the federated procedure is invoked.
- If the length of the source procedure parameter is longer than 128, the parameter name of the federated procedure is truncated to 128 bytes.
- **Compatibilities**
 - The DataJoiner[®] syntax for Create Stored Procedure Nickname is not supported. In the new Version 9 syntax, parameter type mapping is handled similarly to nicknames: A catalog look-up determines the remote data type. The local parameter type is determined through forward type mapping.

Examples

Example 1: Create a federated procedure named FEDEMPLOYEE for an Oracle procedure named EMPLOYEE, using the remote schema name USER1, the remote package name P1 at the federated server S1, and returning the result set to the client.

CREATE PROCEDURE (Sourced)

```
CREATE PROCEDURE FEDEMPLOYEE SOURCE USER1.P1.EMPLOYEE
FOR SERVER S1 WITH RETURN TO CLIENT ALL
```

CREATE PROCEDURE (SQL)

The CREATE PROCEDURE (SQL) statement defines an SQL procedure at the current server.

Invocation

This statement can be embedded in an application program or issued through the use of dynamic SQL statements. It is an executable statement that can be dynamically prepared only if DYNAMICRULES run behavior is in effect for the package (SQLSTATE 42509).

Authorization

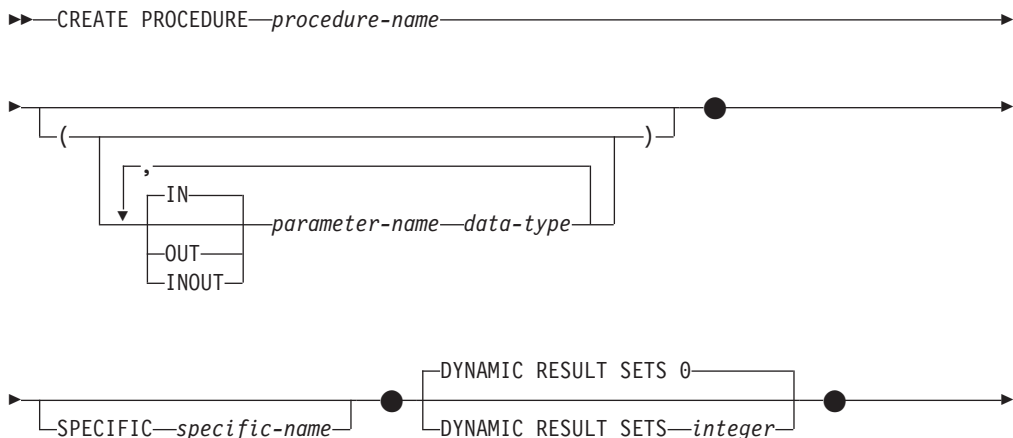
The privileges held by the authorization ID of the statement must include at least one of the following:

- BINDADD privilege on the database, and one of the following:
 - IMPLICIT_SCHEMA authority on the database, if the implicit or explicit schema name of the procedure does not exist
 - CREATEIN privilege on the schema, if the schema name of the procedure refers to an existing schema
- SYSADM or DBADM authority

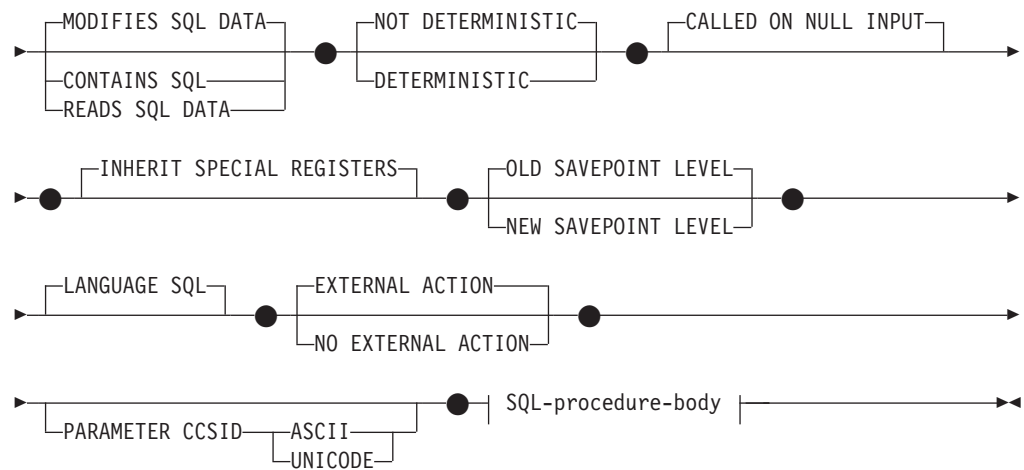
If a procedure definer can only create the procedure because the definer has SYSADM authority, the definer is granted implicit DBADM authority for the purpose of creating the procedure.

If the authorization ID of the statement does not have SYSADM or DBADM authority, the privileges held by the authorization ID of the statement must also include all of the privileges necessary to invoke the SQL statements that are specified in the procedure body.

Syntax



CREATE PROCEDURE (SQL)



SQL-procedure-body:

|—SQL-procedure-statement—|

Description

procedure-name

Names the procedure being defined. It is a qualified or unqualified name that designates a procedure. The unqualified form of *procedure-name* is an SQL identifier (with a maximum length of 128). In dynamic SQL statements, the CURRENT SCHEMA special register is used as a qualifier for an unqualified object name. In static SQL statements, the QUALIFIER precompile/bind option implicitly specifies the qualifier for unqualified object names. The qualified form is a *schema-name* followed by a period and an SQL identifier.

The name, including the implicit or explicit qualifiers, together with the number of parameters, must not identify a procedure described in the catalog (SQLSTATE 42723). The unqualified name, together with the number of parameters, is unique within its schema, but does not need to be unique across schemas.

If a two-part name is specified, the *schema-name* cannot begin with 'SYS'; otherwise, an error is returned (SQLSTATE 42939).

(IN | OUT | INOUT *parameter-name data-type*,...)

Identifies the parameters of the procedure, and specifies the mode, name, and data type of each parameter. One entry in the list must be specified for each parameter that the procedure will expect.

It is possible to register a procedure that has no parameters. In this case, the parentheses must still be coded, with no intervening data types. For example:

```
CREATE PROCEDURE SUBWOOFER() ...
```

No two identically-named procedures within a schema are permitted to have exactly the same number of parameters. A duplicate signature raises an SQL error (SQLSTATE 42723).

For example, given the statements:

```
CREATE PROCEDURE PART (IN NUMBER INT, OUT PART_NAME CHAR(35)) ...  
CREATE PROCEDURE PART (IN COST DECIMAL(5,3), OUT COUNT INT) ...
```

CREATE PROCEDURE (SQL)

the second statement will fail because the number of parameters in the procedure is the same, even if the data types are not.

IN | OUT | INOUT

Specifies the mode of the parameter.

If an error is returned by the procedure, OUT parameters are undefined and INOUT parameters are unchanged.

IN Identifies the parameter as an input parameter to the procedure. Any changes made to the parameter within the procedure are not available to the calling SQL application when control is returned. The default is IN.

OUT Identifies the parameter as an output parameter for the procedure.

INOUT

Identifies the parameter as both an input and output parameter for the procedure.

parameter-name

Specifies the name of the parameter. The parameter name must be unique for the procedure (SQLSTATE 42734).

data-type

Specifies the data type of the parameter.

- SQL data type specifications and abbreviations that can be specified in the *data-type* definition of a CREATE TABLE statement, and that have a correspondence in the language that is being used to write the procedure, may be specified.
- LONG VARCHAR, LONG VARGRAPHIC, REFERENCE, and user-defined structured types are not supported (SQLSTATE 429BB).

SPECIFIC *specific-name*

Provides a unique name for the instance of the procedure that is being defined. This specific name can be used when dropping the procedure or commenting on the procedure. It can never be used to invoke the procedure. The unqualified form of *specific-name* is an SQL identifier (with a maximum length of 18). The qualified form is a *schema-name* followed by a period and an SQL identifier. The name, including the implicit or explicit qualifier, must not identify another procedure instance that exists at the application server; otherwise an error (SQLSTATE 42710) is raised.

The *specific-name* can be the same as an existing *procedure-name*.

If no qualifier is specified, the qualifier that was used for *procedure-name* is used. If a qualifier is specified, it must be the same as the explicit or implicit qualifier for *procedure-name*, or an error (SQLSTATE 42882) is raised.

If *specific-name* is not specified, a unique name is generated by the database manager. The unique name is 'SQL' followed by a character timestamp: 'SQLyymmddhhmmssxx'.

DYNAMIC RESULT SETS *integer*

Indicates the estimated upper bound of returned result sets for the procedure.

CONTAINS SQL, READS SQL DATA, MODIFIES SQL DATA

Indicates the level of data access for SQL statements included in the procedure.

CONTAINS SQL

Indicates that SQL statements that neither read nor modify SQL data can

be executed by the procedure (SQLSTATE 38004 or 42985). Statements that are not supported in procedures might return a different error (SQLSTATE 38003 or 42985).

READS SQL DATA

Indicates that some SQL statements that do not modify SQL data can be included in the procedure (SQLSTATE 38002 or 42985). Statements that are not supported in procedures might return a different error (SQLSTATE 38003 or 42985).

MODIFIES SQL DATA

Indicates that the procedure can execute any SQL statement except statements that are not supported in procedures (SQLSTATE 38003 or 42985).

If the **BEGIN ATOMIC** clause is used in a compound SQL procedure, the procedure can only be created if it is defined as **MODIFIES SQL DATA**.

DETERMINISTIC or NOT DETERMINISTIC

This clause specifies whether the procedure always returns the same results for given argument values (**DETERMINISTIC**) or whether the procedure depends on some state values that affect the results (**NOT DETERMINISTIC**). That is, a **DETERMINISTIC** procedure must always return the same result from successive invocations with identical inputs.

This clause currently does not impact processing of the procedure.

CALLED ON NULL INPUT

CALLED ON NULL INPUT always applies to procedures. This means that the procedure is called regardless of whether any arguments are null. Any **OUT** or **INOUT** parameter can return a null value or a normal (non-null) value. Responsibility for testing for null argument values lies with the procedure.

INHERIT SPECIAL REGISTERS

This optional clause specifies that updatable special registers in the procedure will inherit their initial values from the environment of the invoking statement. For a routine invoked in a nested object (for example a trigger or view), the initial values are inherited from the runtime environment (not inherited from the object definition).

No changes to the special registers are passed back to the caller of the procedure.

Non-updatable special registers, such as the datetime special registers, reflect a property of the statement currently executing, and are therefore set to their default values.

OLD SAVEPOINT LEVEL or NEW SAVEPOINT LEVEL

Specifies whether or not this procedure establishes a new savepoint level for savepoint names and effects. **OLD SAVEPOINT LEVEL** is the default behavior. For more information about savepoint levels, see "Rules" in "SAVEPOINT".

LANGUAGE SQL

This clause is used to specify that the procedure body is written in the SQL language.

EXTERNAL ACTION or NO EXTERNAL ACTION

Specifies whether the procedure takes some action that changes the state of an object not managed by the database manager (**EXTERNAL ACTION**), or not (**NO EXTERNAL ACTION**). The default is **EXTERNAL ACTION**. If **NO**

CREATE PROCEDURE (SQL)

EXTERNAL ACTION is specified, the system can use certain optimizations that assume the procedure has no external impact.

PARAMETER CCSID

Specifies the encoding scheme to use for all string data passed into and out of the procedure. If the PARAMETER CCSID clause is not specified, the default is PARAMETER CCSID UNICODE for Unicode databases, and PARAMETER CCSID ASCII for all other databases.

ASCII

Specifies that string data is encoded in the database code page. If the database is a Unicode database, PARAMETER CCSID ASCII cannot be specified (SQLSTATE 56031).

UNICODE

Specifies that character data is in UTF-8, and that graphic data is in UCS-2. If the database is not a Unicode database, PARAMETER CCSID UNICODE cannot be specified (SQLSTATE 56031).

SQL-procedure-body

Specifies the SQL statement that is the body of the SQL procedure. Multiple SQL-procedure-statements can be specified within a procedure-compound-statement. See *SQL-procedure-statement* in “Compound SQL (Procedure)”.

Rules

- A procedure that is called from within a dynamic compound statement will execute as if it were created specifying NEW SAVEPOINT LEVEL, even if OLD SAVEPOINT LEVEL was specified or defaulted to when the procedure was created.

Notes

- Creating a procedure with a schema name that does not already exist will result in the implicit creation of that schema, provided that the authorization ID of the statement has IMPLICIT_SCHEMA authority. The schema owner is SYSIBM. The CREATEIN privilege on the schema is granted to PUBLIC.
- *Privileges*
The definer of a procedure always receives the EXECUTE privilege WITH GRANT OPTION on the procedure, as well as the right to drop the procedure.
- *Compatibilities*
 - For compatibility with DB2 for z/OS:
 - The following syntax is accepted as the default behavior:
 - ASUTIME NO LIMIT
 - COMMIT ON RETURN NO
 - NO COLLID
 - STAY RESIDENT NO
 - For compatibility with previous versions of DB2:
 - RESULT SETS can be specified in place of DYNAMIC RESULT SETS.
 - NULL CALL can be specified in place of CALLED ON NULL INPUT.

Examples

Example 1: Create an SQL procedure that returns the median staff salary. Return a result set containing the name, position, and salary of all employees who earn more than the median salary.


```

CREATE PROCEDURE MEDIAN_RESULT_SET (OUT medianSalary DOUBLE)
  RESULT SETS 1
  LANGUAGE SQL
BEGIN
  DECLARE v_numRecords INT DEFAULT 1;
  DECLARE v_counter INT DEFAULT 0;

  DECLARE c1 CURSOR FOR
    SELECT CAST(salary AS DOUBLE)
      FROM staff
      ORDER BY salary;
  DECLARE c2 CURSOR WITH RETURN FOR
    SELECT name, job, CAST(salary AS INTEGER)
      FROM staff
      WHERE salary > medianSalary
      ORDER BY salary;

  DECLARE EXIT HANDLER FOR NOT FOUND
    SET medianSalary = 6666;

  SET medianSalary = 0;
  SELECT COUNT(*) INTO v_numRecords
    FROM STAFF;
  OPEN c1;
  WHILE v_counter < (v_numRecords / 2 + 1)
  DO
    FETCH c1 INTO medianSalary;
    SET v_counter = v_counter + 1;
  END WHILE;
  CLOSE c1;
  OPEN c2;
END

```

CREATE ROLE

The CREATE ROLE statement defines a role at the current server.

Invocation

This statement can be embedded in an application program or issued through the use of dynamic SQL statements. It is an executable statement that can be dynamically prepared only if DYNAMICRULES run behavior is in effect for the package (SQLSTATE 42509).

Authorization

The privileges held by the authorization ID of the statement must include SECADM authority.

Syntax

►►—CREATE ROLE—*role-name*—◄◄

Description

role-name

Names the role. This is a one-part name. It is an SQL identifier (either ordinary or delimited). The name must not identify an existing role at the current server (SQLSTATE 42710). The name must not begin with the characters 'SYS' and must not be 'DBADM', 'NONE', 'NULL', 'PUBLIC', or 'SECADM' (SQLSTATE 42939).

CREATE ROLE

Example

Create a role named DOCTOR.

```
CREATE ROLE DOCTOR
```

CREATE SCHEMA

The CREATE SCHEMA statement defines a schema. It is also possible to create some objects and grant privileges on objects within the statement.

Invocation

This statement can be embedded in an application program or issued through the use of dynamic SQL statements. It is an executable statement that can be dynamically prepared only if DYNAMICRULES run behavior is in effect for the package (SQLSTATE 42509).

Authorization

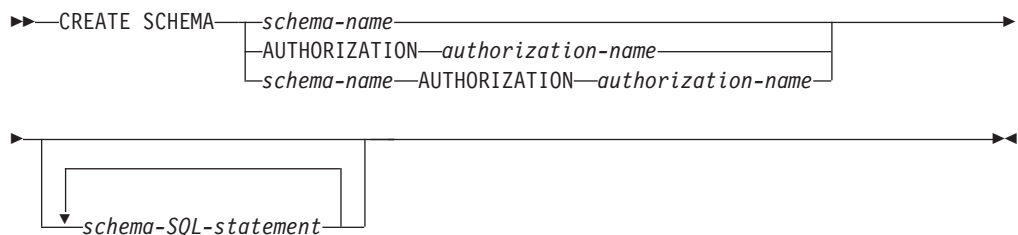
An authorization ID that holds SYSADM or DBADM authority can create a schema with any valid *schema-name* or *authorization-name*.

An authorization ID that does not hold SYSADM or DBADM authority can only create a schema with a *schema-name* or *authorization-name* that matches the authorization ID of the statement.

If the statement includes a *schema-SQL-statement*, the privileges held by the *authorization-name* (which, if not specified, defaults to the authorization ID of the statement) must include at least one of the following:

- The privileges required to perform each *schema-SQL-statement*
- SYSADM or DBADM authority

Syntax



Description

schema-name

Names the schema. The name must not identify a schema already described in the catalog (SQLSTATE 42710). The name cannot begin with 'SYS' (SQLSTATE 42939). The owner of the schema is the authorization ID that issued the statement.

AUTHORIZATION *authorization-name*

Identifies the user who is the owner of the schema. The value of *authorization-name* is also used to name the schema. The *authorization-name* must not identify a schema already described in the catalog (SQLSTATE 42710).

schema-name **AUTHORIZATION** *authorization-name*

Identifies a schema called *schema-name*, whose owner is *authorization-name*. The *schema-name* must not identify a schema already described in the catalog (SQLSTATE 42710). The *schema-name* cannot begin with 'SYS' (SQLSTATE 42939).

schema-SQL-statement

SQL statements that can be included as part of the CREATE SCHEMA statement are:

- CREATE TABLE statement, excluding typed tables and materialized query tables
- CREATE VIEW statement, excluding typed views
- CREATE INDEX statement
- COMMENT statement
- GRANT statement

Notes

- The owner of the schema is determined as follows:
 - If an AUTHORIZATION clause is specified, the specified *authorization-name* is the schema owner
 - If an AUTHORIZATION clause is not specified, the authorization ID that issued the CREATE SCHEMA statement is the schema owner.
- The schema owner is assumed to be a user (not a group).
- When the schema is explicitly created with the CREATE SCHEMA statement, the schema owner is granted CREATEIN, DROPIN, and ALTERIN privileges on the schema with the ability to grant these privileges to other users.
- The definer of any object created as part of the CREATE SCHEMA statement is the schema owner. The schema owner is also the grantor for any privileges granted as part of the CREATE SCHEMA statement.
- Unqualified object names in any SQL statement within the CREATE SCHEMA statement are implicitly qualified by the name of the created schema.
- If the CREATE statement contains a qualified name for the object being created, the schema name specified in the qualified name must be the same as the name of the schema being created (SQLSTATE 42875). Any other objects referenced within the statements may be qualified with any valid schema name.
- It is recommended not to use "SESSION" as a schema name. Since declared temporary tables must be qualified by "SESSION", it is possible to have an application declare a temporary table with a name identical to that of a persistent table. An SQL statement that references a table with the schema name "SESSION" will resolve (at statement compile time) to the declared temporary table rather than a persistent table with the same name. Since an SQL statement is compiled at different times for static embedded and dynamic embedded SQL statements, the results depend on when the declared temporary table is defined. If persistent tables, views or aliases are not defined with a schema name of "SESSION", these issues do not require consideration.

Examples

Example 1: As a user with DBADM authority, create a schema called RICK with the user RICK as the owner.

```
CREATE SCHEMA RICK AUTHORIZATION RICK
```

CREATE SCHEMA

Example 2: Create a schema that has an inventory part table and an index over the part number. Give authority on the table to user JONES.

```
CREATE SCHEMA INVENTORY

CREATE TABLE PART (PARTNO SMALLINT NOT NULL,
DESCR VARCHAR(24),
QUANTITY INTEGER)

CREATE INDEX PARTIND ON PART (PARTNO)

GRANT ALL ON PART TO JONES
```

Example 3: Create a schema called PERS with two tables that each have a foreign key that references the other table. This is an example of a feature of the CREATE SCHEMA statement that allows such a pair of tables to be created without the use of the ALTER TABLE statement.

```
CREATE SCHEMA PERS

CREATE TABLE ORG (DEPTNUMB SMALLINT NOT NULL,
DEPTNAME VARCHAR(14),
MANAGER SMALLINT,
DIVISION VARCHAR(10),
LOCATION VARCHAR(13),
CONSTRAINT PKEYDNO
PRIMARY KEY (DEPTNUMB),
CONSTRAINT FKEYMGR
FOREIGN KEY (MANAGER)
REFERENCES STAFF (ID) )

CREATE TABLE STAFF (ID SMALLINT NOT NULL,
NAME VARCHAR(9),
DEPT SMALLINT,
JOB VARCHAR(5),
YEARS SMALLINT,
SALARY DECIMAL(7,2),
COMM DECIMAL(7,2),
CONSTRAINT PKEYID
PRIMARY KEY (ID),
CONSTRAINT FKEYDNO
FOREIGN KEY (DEPT)
REFERENCES ORG (DEPTNUMB) )
```

CREATE SECURITY LABEL COMPONENT

The CREATE SECURITY LABEL COMPONENT statement defines a component that is to be used as part of a security policy.

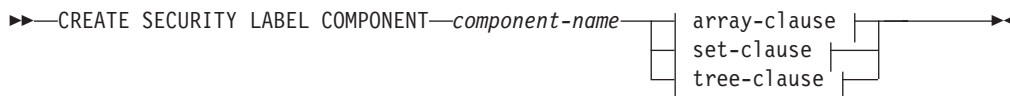
Invocation

This statement can be embedded in an application program or issued interactively. It is an executable statement that can be dynamically prepared only if DYNAMICRULES run behavior is in effect for the package (SQLSTATE 42509).

Authorization

The privileges held by the authorization ID of the statement must include SECADM authority.

Syntax



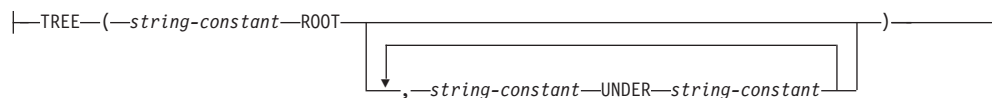
array-clause:



set-clause:



tree-clause:



Description

component-name

Names the security label component. This is a one-part name. The name must not identify an existing security label component at the current server (SQLSTATE 42710).

ARRAY

Specifies an ordered set of elements.

string-constant,...

One or more string constant values that make up the set of valid values for this security label component. The order in which the array elements appear is important. The first element ranks higher than the second element. The second element ranks higher than the third element and so on.

SET

Specifies an unordered set of elements.

string-constant,...

One or more string constant values that make up the set of valid values for this security label component. The order of the elements is not important.

TREE

Specifies a tree structure of node elements.

string-constant

One or more string constant values that make up the set of valid values for this security label component.

CREATE SECURITY LABEL COMPONENT

ROOT

Specifies that the *string-constant* that follows the keyword is the root node element of the tree.

UNDER

Specifies that the *string-constant* before the **UNDER** keyword is a child of the *string-constant* that follows the **UNDER** keyword. An element must be defined as either being the root element or as being the child of another element before it can be used as a parent, otherwise an error (SQLSTATE 42704) is returned.

Rules

These rules apply to all three types of component (ARRAY, SET, and TREE):

- Element names cannot contain any of these characters:
 - Opening parenthesis - (
 - Closing parenthesis -)
 - Comma - ,
 - Colon - :
- An element name can have no more than 32 bytes (SQLSTATE 42622).
- If a security label component is a set or a tree, no more than 64 elements can be part of that component.
- A CREATE SECURITY LABEL COMPONENT statement can specify at most 65 535 elements for a security label component of type array.
- No element name can be used more than once in the same component (SQLSTATE 42713).

Examples

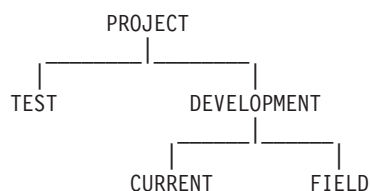
Example 1: Create an ARRAY type security label component named LEVEL. The component has the following four elements, listed in order of decreasing rank: Top Secret, Secret, Classified, and Unclassified.

```
CREATE SECURITY LABEL COMPONENT LEVEL
  ARRAY ['Top Secret', 'Secret', 'Classified', 'Unclassified']
```

Example 2: Create a SET type security label component named COMPARTMENTS. The component has the following three elements: Research, Analysis, and Collection.

```
CREATE SECURITY LABEL COMPONENT COMPARTMENTS
  SET {'Collection', 'Research', 'Analysis'}
```

Example 3: Create a TREE type security label component named GROUPS. GROUPS has five elements: PROJECT, TEST, DEVELOPMENT, CURRENT, AND FIELD. The following diagram shows the relationship of these elements to one another:



```
CREATE SECURITY LABEL COMPONENT GROUPS
  TREE (
```

```

    'PROJECT' ROOT,
    'TEST' UNDER 'PROJECT',
    'DEVELOPMENT' UNDER 'PROJECT',
    'CURRENT' UNDER 'DEVELOPMENT',
    'FIELD' UNDER 'DEVELOPMENT'
)

```

CREATE SECURITY LABEL

The CREATE SECURITY LABEL statement defines a security label.

Invocation

This statement can be embedded in an application program or issued interactively. It is an executable statement that can be dynamically prepared only if DYNAMICRULES run behavior is in effect for the package (SQLSTATE 42509).

Authorization

The privileges held by the authorization ID of the statement must include SECADM authority.

Syntax

►► CREATE SECURITY LABEL—*security-label-name*—————►

►► COMPONENT—*component-name*—*string-constant*—————►

Description

security-label-name

Names the security label. The name must be qualified with a security policy (SQLSTATE 42704), and must not identify an existing security label for this security policy (SQLSTATE 42710).

COMPONENT *component-name*

Specifies the name of a security label component. If the component is not part of the security policy *security-policy-name*, an error is returned (SQLSTATE 4274G). If a component is specified twice in the same statement, an error is returned (SQLSTATE 42713).

string-constant,...

Specifies a valid element for the security component. A valid element is one that was specified when the security component was created. If the element is invalid, an error is returned (SQLSTATE 4274F).

CREATE SECURITY LABEL

Examples

Example 1: Create a security label named EMPLOYEESECLABEL that is part of the DATA_ACCESS security policy, and that has the element Top Secret for the LEVEL component and the elements Research and Analysis for the COMPARTMENTS component.

```
CREATE SECURITY LABEL DATA_ACCESS.EMPLOYEESECLABEL
  COMPONENT LEVEL 'Top Secret',
  COMPONENT COMPARTMENTS 'Research', 'Analysis'
```

Example 2: Create a security label named EMPLOYEESECLABELREAD that has the element Top Secret for the LEVEL component and the element Research for the COMPARTMENTS component.

```
CREATE SECURITY LABEL DATA_ACCESS.EMPLOYEESECLABELREAD
  COMPONENT LEVEL 'Top Secret',
  COMPONENT COMPARTMENTS 'Research'
```

Example 3: Create a security label named EMPLOYEESECLABELWRITE that has the element Analysis for the COMPARTMENTS component and a null value for the LEVEL component. Assume that the security policy named DATA_ACCESS is the same security policy that is used in examples 1 and 2.

```
CREATE SECURITY LABEL DATA_ACCESS.EMPLOYEESECLABELWRITE
  COMPONENT COMPARTMENTS 'Analysis'
```

Example 4: Create a security label named BEGINNER that is part of an existing CLASSPOLICY security policy, and that has the element Trainee for the TRUST component and the element Morning for the SECTIONS component.

```
CREATE SECURITY LABEL CLASSPOLICY.BEGINNER
  COMPONENT TRUST 'Trainee',
  COMPONENT SECTIONS 'Morning'
```

CREATE SECURITY POLICY

The CREATE SECURITY POLICY statement defines a security policy.

Invocation

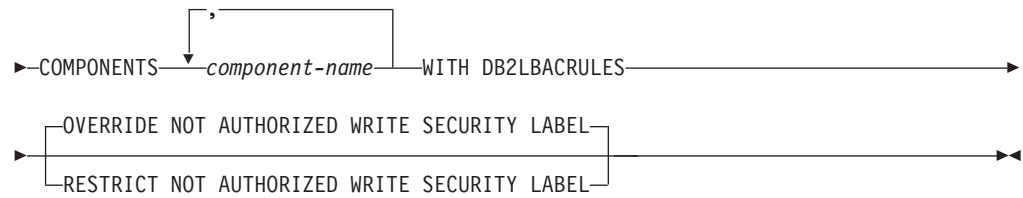
This statement can be embedded in an application program or issued interactively. It is an executable statement that can be dynamically prepared only if DYNAMICRULES run behavior is in effect for the package (SQLSTATE 42509).

Authorization

The privileges held by the authorization ID of the statement must include SECADM authority.

Syntax

```
→ CREATE SECURITY POLICY security-policy-name →
```

Description

security-policy-name

Names the security policy. This is a one-part name. The name must not identify an existing security policy at the current server (SQLSTATE 42710).

COMPONENTS *component-name,...*

Identifies a security label component. The name must identify a security label component that already exists at the current server (SQLSTATE 42704). The same security component must not be specified more than once for the security policy (SQLSTATE 42713). No more than 16 security label components can be specified for a security policy (SQLSTATE 54062).

WITH DB2LBACRULES

Indicates what rule set that will be used when comparing security labels that are part of this security policy. There is currently only one rule set: DB2LBACRULES.

OVERRIDE NOT AUTHORIZED WRITE SECURITY LABEL or RESTRICT NOT AUTHORIZED WRITE SECURITY LABEL

Specifies the action that is to be taken when a user is not authorized to write the explicitly specified security label that is provided in the INSERT or UPDATE statement issued against a table that is protected with this security policy. A user's security label and exemption credentials determine the user's authorization to write an explicitly provided security label. The default is **OVERRIDE NOT AUTHORIZED WRITE SECURITY LABEL**.

OVERRIDE NOT AUTHORIZED WRITE SECURITY LABEL

Indicates that the value of the user's security label, rather than the explicitly specified security label, is to be used for write access during an insert or update operation.

RESTRICT NOT AUTHORIZED WRITE SECURITY LABEL

Indicates that the insert or update operation will fail if the user is not authorized to write the explicitly specified security label that is provided in the INSERT or UPDATE statement (SQLSTATE 42519).

Notes

- **DB2LBACRULES rule set:** DB2LBACRULES is a predefined set of rules that includes the following rules: DB2LBACREADARRAY, DB2LBACREADSET, DB2LBACREADTREE, DB2LBACWRITEARRAY, DB2LBACWRITASET, DB2LBACWRITETREE.
- Group and role authorizations are not considered by default when a security policy is created. Use the ALTER SECURITY POLICY statement to change this behavior and have them considered.

CREATE SECURITY POLICY

Examples

Example 1: Create a security policy named DATA_ACCESS that uses the DB2LBACRULES rule set and has two components: LEVEL and COMPARTMENTS, in that order. Assume that both components already exist.

```
CREATE SECURITY POLICY DATA_ACCESS
  COMPONENTS LEVEL, COMPARTMENTS
  WITH DB2LBACRULES
```

Example 2: Create a security policy named CONTRIBUTIONS that has the components MEMBER and BADGE, which are assumed to already exist.

```
CREATE SECURITY POLICY CONTRIBUTIONS
  COMPONENTS MEMBER, BADGE
  WITH DB2LBACRULES
```

CREATE SEQUENCE

The CREATE SEQUENCE statement defines a sequence at the application server.

Invocation

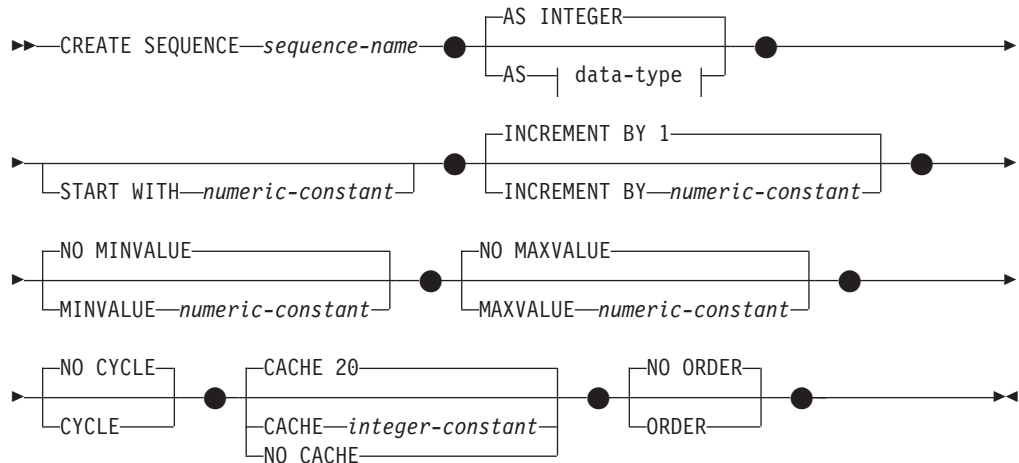
This statement can be embedded in an application program or issued through the use of dynamic SQL statements. It is an executable statement that can be dynamically prepared only if DYNAMICRULES run behavior is in effect for the package (SQLSTATE 42509).

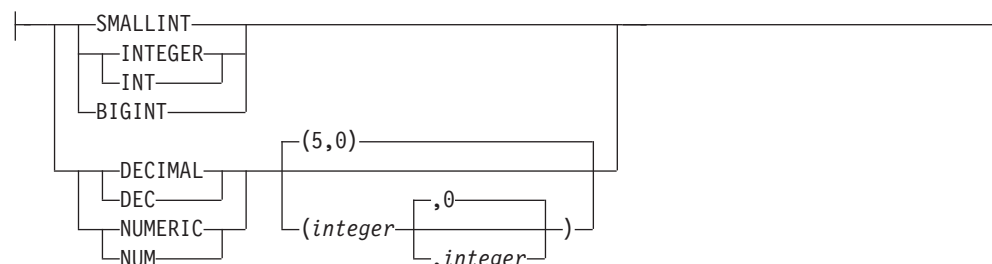
Authorization

The privileges held by the authorization ID of the statement must include at least one of the following:

- IMPLICIT_SCHEMA authority on the database, if the implicit or explicit schema name of the sequence does not exist
- CREATEIN privilege on the schema, if the schema name of the sequence refers to an existing schema
- SYSADM or DBADM authority

Syntax



data-type:**built-in-type:****Description***sequence-name*

Names the sequence. The combination of name, and the implicit or explicit schema name must not identify an existing sequence at the current server (SQLSTATE 42710).

The unqualified form of *sequence-name* is an SQL identifier. The qualified form is a qualifier followed by a period and an SQL identifier. The qualifier is a schema name.

If the sequence name is explicitly qualified with a schema name, the schema name cannot begin with 'SYS' or an error (SQLSTATE 42939) is raised.

AS data-type

Specifies the data type to be used for the sequence value. The data type can be any exact numeric type (SMALLINT, INTEGER, BIGINT or DECIMAL) with a scale of zero, or a user-defined distinct type or reference type for which the source type is an exact numeric type with a scale of zero (SQLSTATE 42815). The default is INTEGER.

START WITH numeric-constant

Specifies the first value for the sequence. This value can be any positive or negative value that could be assigned to a column of the data type associated with the sequence (SQLSTATE 42815), without non-zero digits existing to the right of the decimal point (SQLSTATE 428FA). The default is MINVALUE for ascending sequences and MAXVALUE for descending sequences.

This value is not necessarily the value that a sequence would cycle to after reaching the maximum or minimum value of the sequence. The START WITH clause can be used to start a sequence outside the range that is used for cycles. The range used for cycles is defined by MINVALUE and MAXVALUE.

INCREMENT BY numeric-constant

Specifies the interval between consecutive values of the sequence. This value can be any positive or negative value that could be assigned to a column of the data type associated with the sequence (SQLSTATE 42815), and does not exceed the value of a large integer constant (SQLSTATE 42820), without non-zero digits existing to the right of the decimal point (SQLSTATE 428FA).

If this value is negative, this is a descending sequence. If this value is 0 or positive, this is an ascending sequence. The default is 1.

CREATE SEQUENCE

MINVALUE or NO MINVALUE

Specifies the minimum value at which a descending sequence either cycles or stops generating values, or an ascending sequence cycles to after reaching the maximum value.

MINVALUE *numeric-constant*

Specifies the numeric constant that is the minimum value. This value can be any positive or negative value that could be assigned to a column of the data type associated with the sequence (SQLSTATE 42815), without non-zero digits existing to the right of the decimal point (SQLSTATE 428FA), but the value must be less than or equal to the maximum value (SQLSTATE 42815).

NO MINVALUE

For an ascending sequence, the value is the START WITH value, or 1 if START WITH is not specified. For a descending sequence, the value is the minimum value of the data type associated with the sequence. This is the default.

MAXVALUE or NO MAXVALUE

Specifies the maximum value at which an ascending sequence either cycles or stops generating values, or a descending sequence cycles to after reaching the minimum value.

MAXVALUE *numeric-constant*

Specifies the numeric constant that is the maximum value. This value can be any positive or negative value that could be assigned to a column of the data type associated with the sequence (SQLSTATE 42815), without non-zero digits existing to the right of the decimal point (SQLSTATE 428FA), but the value must be greater than or equal to the minimum value (SQLSTATE 42815).

NO MAXVALUE

For an ascending sequence, the value is the maximum value of the data type associated with the sequence. For a descending sequence, the value is the START WITH value, or -1 if START WITH is not specified.

CYCLE or NO CYCLE

Specifies whether the sequence should continue to generate values after reaching either its maximum or minimum value. The boundary of the sequence can be reached either with the next value landing exactly on the boundary condition, or by overshooting it.

CYCLE

Specifies that values continue to be generated for this sequence after the maximum or minimum value has been reached. If this option is used, after an ascending sequence reaches its maximum value it generates its minimum value; after a descending sequence reaches its minimum value it generates its maximum value. The maximum and minimum values for the sequence determine the range that is used for cycling.

When CYCLE is in effect, then duplicate values can be generated for the sequence.

NO CYCLE

Specifies that values will not be generated for the sequence once the maximum or minimum value for the sequence has been reached. This is the default.

CACHE or NO CACHE

Specifies whether to keep some preallocated values in memory for faster access. This is a performance and tuning option.

CACHE *integer-constant*

Specifies the maximum number of sequence values that are preallocated and kept in memory. Preallocating and storing values in the cache reduces synchronous I/O to the log when values are generated for the sequence.

In the event of a system failure, all cached sequence values that have not been used in committed statements are lost (that is, they will never be used). The value specified for the CACHE option is the maximum number of sequence values that could be lost in case of system failure.

The minimum value is 2 (SQLSTATE 42815). The default value is CACHE 20.

NO CACHE

Specifies that values of the sequence are not to be preallocated. It ensures that there is not a loss of values in the case of a system failure, shutdown or database deactivation. When this option is specified, the values of the sequence are not stored in the cache. In this case, every request for a new value for the sequence results in synchronous I/O to the log.

NO ORDER or ORDER

Specifies whether the sequence numbers must be generated in order of request.

ORDER

Specifies that the sequence numbers are generated in order of request.

NO ORDER

Specifies that the sequence numbers do not need to be generated in order of request. This is the default.

Notes

- It is possible to define a constant sequence, that is, one that would always return a constant value. This could be done by specifying an INCREMENT value of zero and a START WITH value that does not exceed MAXVALUE, or by specifying the same value for START WITH, MINVALUE and MAXVALUE. For a constant sequence, each time NEXT VALUE is invoked for the sequence, the same value is returned. A constant sequence can be used as a numeric global variable. ALTER SEQUENCE can be used to adjust the values that will be generated for a constant sequence.
- A sequence can be cycled manually by using the ALTER SEQUENCE statement. If NO CYCLE is implicitly or explicitly specified, the sequence can be restarted or extended using the ALTER SEQUENCE statement to cause values to continue to be generated once the maximum or minimum value for the sequence has been reached.
- A sequence can be explicitly defined to cycle by specifying the CYCLE keyword. Use the CYCLE option when defining a sequence to indicate that the generated values should cycle once the boundary is reached. When a sequence is defined to automatically cycle (that is, CYCLE was explicitly specified), the maximum or minimum value generated for a sequence might not be the actual MAXVALUE or MINVALUE specified, if the increment is a value other than 1 or -1. For example, the sequence defined with START WITH=1, INCREMENT=2, MAXVALUE=10 will generate a maximum value of 9, and will not generate the value 10. When defining a sequence with CYCLE, carefully consider the impact of the values for MINVALUE, MAXVALUE and START WITH.

CREATE SEQUENCE

- Caching sequence numbers implies that a range of sequence numbers can be kept in memory for fast access. When an application accesses a sequence that can allocate the next sequence number from the cache, the sequence number allocation can happen quickly. However, if an application accesses a sequence that cannot allocate the next sequence number from the cache, the sequence number allocation may require having to wait for I/O operations to persistent storage. The choice of the value for CACHE should be done keeping in mind the performance and application requirements tradeoffs.
- The definer of a sequences is granted ALTER and USAGE privileges with the grant option. The owner of the sequence can drop the sequence.
- **Compatibilities**
 - For compatibility with previous versions of DB2:
 - A comma can be used to separate multiple sequence options
 - The following syntax is also supported:
 - NOMINVALUE, NOMAXVALUE, NOCYCLE, NOCACHE, and NOORDER.

Examples

Example 1: Create a sequence called ORG_SEQ that starts at 1, increments by 1, does not cycle, and caches 24 values at a time:

```
CREATE SEQUENCE ORG_SEQ
  START WITH 1
  INCREMENT BY 1
  NO MAXVALUE
  NO CYCLE
  CACHE 24
```

CREATE SERVICE CLASS

The CREATE SERVICE CLASS statement defines a service class.

Invocation

This statement can be embedded in an application program or issued through the use of dynamic SQL statements. It is an executable statement that can be dynamically prepared only if DYNAMICRULES run behavior is in effect for the package (SQLSTATE 42509).

Authorization

The privileges held by the authorization ID of the statement must include SYSADM or DBADM authority.

Syntax

```
▶▶—CREATE SERVICE CLASS—service-class-name—————▶▶
```

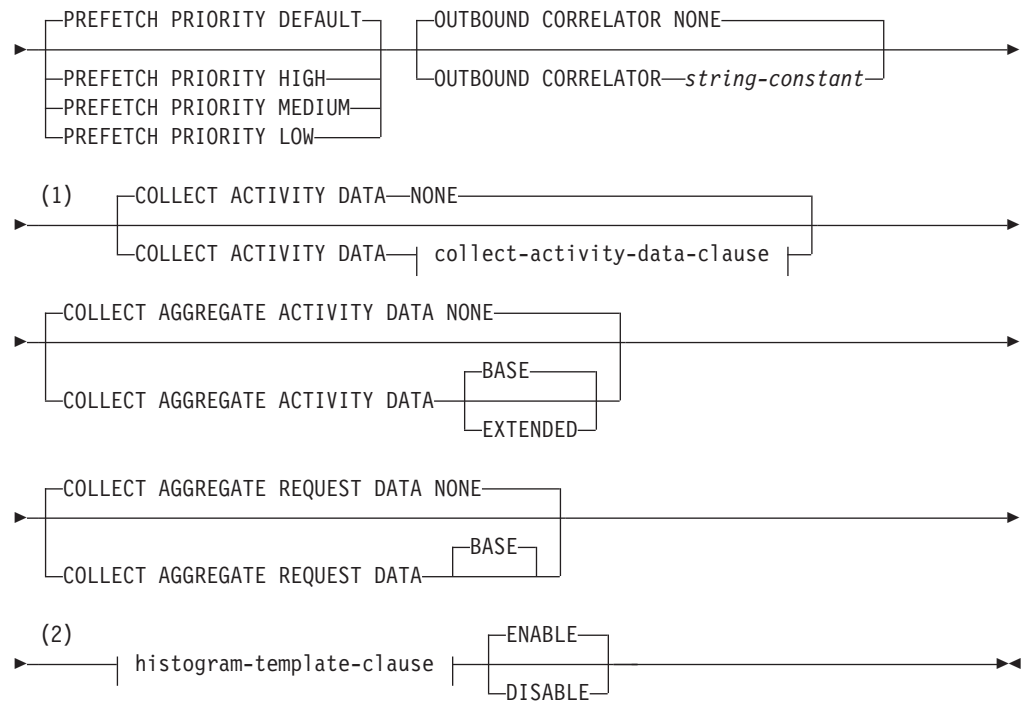


```
▶———[UNDER—service-superclass-name]———▶▶
```

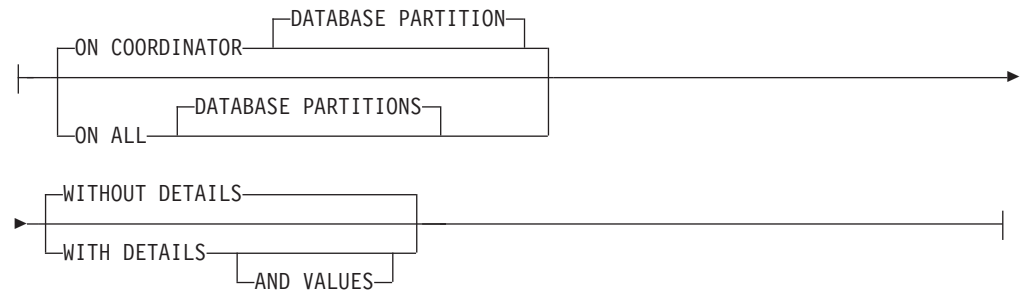
AGENT PRIORITY DEFAULT———▶▶

AGENT PRIORITY—*integer-constant*———▶▶

CREATE SERVICE CLASS



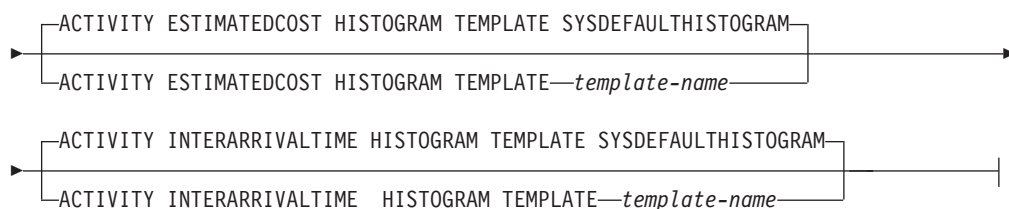
collect-activity-data-clause:



histogram-template-clause:



CREATE SERVICE CLASS



Notes:

- 1 The COLLECT clauses are only valid for a service subclass.
- 2 The HISTOGRAM TEMPLATE clauses are only valid for a service subclass.

Description

service-class-name

Names the service class. This is a one-part name. It is an SQL identifier (either ordinary or delimited). If the service class is a service superclass, the *service-class-name* must not identify a service superclass that already exists in the catalog (SQLSTATE 42710). If the service class is a service subclass, the *service-class-name* must not identify a service subclass that already exists under the service superclass (SQLSTATE 42710). If the service class is a service subclass, the *service-class-name* must not be the same as its service superclass (SQLSTATE 42710). The name must not begin with the characters 'SYS' (SQLSTATE 42939).

UNDER *service-superclass-name*

Specifies that the service class is a subclass of service superclass *service-superclass-name*. If UNDER is not specified, the service class is a service superclass. The *service-superclass-name* must identify a service superclass that exists for the database (SQLSTATE 42704). The service superclass cannot be a default service class (SQLSTATE 5U029).

AGENT PRIORITY DEFAULT or **AGENT PRIORITY** *integer-constant*

Specifies the relative (delta) operating system priority of agents running in the service class or the normal priority of threads running in DB2. The default value is DEFAULT. When set to DEFAULT, no special action is taken, and agents in the service class are scheduled according to the normal priority that the operating system schedules all DB2 threads. When this parameter is set to a value other than DEFAULT, agents are set to a priority that is equal to the normal priority plus AGENT PRIORITY when the next activity begins. For example, if the normal priority is 20 and AGENT PRIORITY is set to -10, the priority of agents in the service class is set to $20 - 10 = 10$.

On UNIX operating systems and Linux, valid values are DEFAULT and -20 to 20 (SQLSTATE 42615). Negative values denote a higher relative priority. Positive values denote a lower relative priority.

On Windows operating systems, valid values are DEFAULT and -6 to 6 (SQLSTATE 42615). Negative values denote a lower relative priority. Positive values denote a higher relative priority.

If AGENT PRIORITY is DEFAULT for a service subclass, it inherits the AGENT PRIORITY value of its parent superclass. AGENT PRIORITY cannot be altered for a default subclass (SQLSTATE 5U032). AGENT PRIORITY must be set to DEFAULT if OUTBOUND CORRELATOR is set (SQLSTATE 42613).

Note: On AIX, the instance owner must have CAP_NUMA_ATTACH and CAP_PROPAGATE capabilities to set a higher relative priority for agents in a service class using AGENT PRIORITY. To grant these capabilities, logon as root and run the following command:

```
chuser capabilities=CAP_NUMA_ATTACH,CAP_PROPAGATE
```

PREFETCH PRIORITY

This parameter controls the priority with which agents in the service class can submit their prefetch requests. Valid values are HIGH, MEDIUM, LOW, or DEFAULT (SQLSTATE 42615). HIGH, MEDIUM, and LOW mean that prefetch requests will be submitted to the high, medium, and low priority queues, respectively. Prefetchers empty the priority queue in order from high to low. Agents in the service class submit their prefetch requests at the PREFETCH PRIORITY level when the next activity begins. If PREFETCH PRIORITY is altered after a prefetch request is submitted, the request priority does not change. The default value is DEFAULT, which is internally mapped to MEDIUM for service superclasses. If DEFAULT is set for a service subclass, it inherits the PREFETCH PRIORITY of its parent superclass.

PREFETCH PRIORITY cannot be altered for a default subclass (SQLSTATE 5U032).

OUTBOUND CORRELATOR NONE or OUTBOUND CORRELATOR

string-constant

Specifies whether or not to associate threads from this service class to an external workload manager service class.

If OUTBOUND CORRELATOR is set to a *string-constant* for the service superclass and OUTBOUND CORRELATOR NONE is set for a service subclass, the service subclass inherits the OUTBOUND CORRELATOR of its parent. OUTBOUND CORRELATOR must be set to NONE if the AGENT PRIORITY is not set to DEFAULT (SQLSTATE 42613). The default is OUTBOUND CORRELATOR NONE.

OUTBOUND CORRELATOR NONE

For a service superclass, specifies that there is no external workload manager service class association with this service class, and for a service subclass, specifies that the external workload manager service class association is the same as its parent.

OUTBOUND CORRELATOR *string-constant*

Specifies the *string-constant* that is to be used as a correlator to associate threads from this service class to an external workload manager service class. The external workload manager must be active (SQLSTATE 5U030). The external workload manager should be set up to recognize the value of *string-constant*.

COLLECT ACTIVITY DATA

Specifies that information about each activity that executes in this service class is to be sent to the activities event monitor, if one is active, when the activity completes. The default is COLLECT ACTIVITY DATA NONE. The COLLECT ACTIVITY DATA clause is only valid for a service subclass.

NONE

Specifies that activity data should not be collected for each activity that executes in this service class.

ON COORDINATOR DATABASE PARTITION

Specifies that activity data is only to be collected at the database partition of the coordinator of the activity.

CREATE SERVICE CLASS

ON ALL DATABASE PARTITIONS

Specifies that activity data is to be collected at all database partitions where the activity is processed. However, activity details and values will only be collected at the database partition of the coordinator.

WITHOUT DETAILS

Specifies that data about each activity that executes in the service class should be sent to the activities event monitor, if one is active, when the activity completes execution. Statement and compilation environment are not sent to the event monitor.

WITH DETAILS

Specifies that statement and compilation environment data is to be sent to the activities event monitor, if one is active, for those activities that have them.

AND VALUES

Specifies that input data values are to be sent to the activities event monitor, if one is active, for those activities that have them.

COLLECT AGGREGATE ACTIVITY DATA

Specifies that aggregate activity data should be captured for this service class and sent to the statistics event monitor, if one is active. This information is collected periodically on an interval that is specified by the **wlm_collect_int** database configuration parameter. The default when COLLECT AGGREGATE ACTIVITY DATA is not specified is COLLECT AGGREGATE ACTIVITY DATA NONE. The default when COLLECT AGGREGATE ACTIVITY DATA is specified is COLLECT AGGREGATE ACTIVITY DATA BASE. The COLLECT AGGREGATE ACTIVITY DATA clause is only valid for a service subclass.

BASE

Specifies that basic aggregate activity data should be captured for this service class and sent to the statistics event monitor, if one is active. Basic aggregate activity data includes:

- Estimated activity cost high watermark
- Rows returned high watermark
- Temporary table space usage high watermark
- Activity life time histogram
- Activity queue time histogram
- Activity execution time histogram

EXTENDED

Specifies that all aggregate activity data should be captured for this service class and sent to the statistics event monitor, if one is active. This includes all basic aggregate activity data plus:

- Activity data manipulation language (DML) estimated cost histogram
- Activity DML inter-arrival time histogram

NONE

Specifies that no aggregate activity data should be captured for this service class.

COLLECT AGGREGATE REQUEST DATA

Specifies that aggregate request data should be captured for this service class and sent to the statistics event monitor, if one is active. This information is collected periodically on an interval specified by the **wlm_collect_int** database

configuration parameter. The default is COLLECT AGGREGATE REQUEST DATA NONE. The COLLECT AGGREGATE REQUEST DATA clause is valid only for a service subclass.

BASE

Specifies that basic aggregate request data should be captured for this service class and sent to the statistics event monitor, if one is active.

NONE

Specifies that no aggregate request data should be captured for this service class.

histogram-template-clause

Specifies the histogram templates to use when collecting aggregate activity data for activities executing in the service class. The HISTOGRAM TEMPLATE clause is only valid for a service subclass.

ACTIVITY LIFETIME HISTOGRAM TEMPLATE *template-name*

Specifies the template that describes the histogram used to collect statistical data about the duration, in microseconds, of DB2 activities running in the service class during a specific interval. This time includes both time queued and time executing. The default is SYSDEFAULTHISTOGRAM. This information is only collected when the COLLECT AGGREGATE ACTIVITY DATA clause is specified, with either the BASE or EXTENDED option.

ACTIVITY QUEUE TIME HISTOGRAM TEMPLATE *template-name*

Specifies the template that describes the histogram used to collect statistical data about the length of time, in microseconds, that DB2 activities running in the service class are queued during a specific interval. The default is SYSDEFAULTHISTOGRAM. This information is only collected when the COLLECT AGGREGATE ACTIVITY DATA clause is specified, with either the BASE or EXTENDED option.

ACTIVITY EXECUTE TIME HISTOGRAM TEMPLATE *template-name*

Specifies the template that describes the histogram used to collect statistical data about the length of time, in microseconds, that DB2 activities running in the service class are executing during a specific interval. This time does not include the time spent queued. Activity execution time is collected in this histogram at the coordinator database partition only. The time does not include idle time. Idle time is the time between the execution of requests belonging to the same activity when no work is being done. An example of idle time is the time between the end of opening a cursor and the start of fetching from that cursor. The default is SYSDEFAULTHISTOGRAM. This information is only collected when the COLLECT AGGREGATE ACTIVITY DATA clause is specified, with either the BASE or EXTENDED option. Only activities at nesting level 0 are considered for inclusion in the histogram.

REQUEST EXECUTE TIME HISTOGRAM TEMPLATE *template-name*

Specifies the template that describes the histogram used to collect statistical data about the length of time, in microseconds, that DB2 requests running in the service class are executing during a specific interval. This time does not include the time spent queued. Request execution time is collected in this histogram on each database partition where the request executes. The default is SYSDEFAULTHISTOGRAM. This information is only collected when the COLLECT AGGREGATE REQUEST DATA clause is specified with the BASE option.

CREATE SERVICE CLASS

ACTIVITY ESTIMATEDCOST HISTOGRAM TEMPLATE *template-name*

Specifies the template that describes the histogram used to collect statistical data about the estimated cost, in timerons, of DML activities running in the service class. The default is SYSDEFAULTHISTOGRAM. This information is only collected when the COLLECT AGGREGATE ACTIVITY DATA clause is specified with the EXTENDED option. Only activities at nesting level 0 are considered for inclusion in the histogram.

ACTIVITY INTERARRIVALTIME HISTOGRAM TEMPLATE *template-name*

Specifies the template that describes the histogram used to collect statistical data about the length of time, in microseconds, between the arrival of one DML activity and the arrival of the next DML activity. The default is SYSDEFAULTHISTOGRAM. This information is only collected when the COLLECT AGGREGATE ACTIVITY DATA clause is specified with the EXTENDED option.

ENABLE or DISABLE

Specifies whether or not connections and activities can be mapped to the service class. The default is ENABLE.

ENABLE

Connections and activities can be mapped to the service class.

DISABLE

Connections and activities cannot be mapped to the service class. New connections or activities that are mapped to a disabled service class will be rejected (SQLSTATE 5U028). When a service superclass is disabled, its service subclasses are also disabled. When the service superclass is re-enabled, its service subclasses return to states that are defined in the system catalog. A default service class cannot be disabled (SQLSTATE 5U032).

Rules

- The maximum number of service subclasses that can be created under a service superclass is 61 (SQLSTATE 5U027).
- The maximum number of service superclasses that can be created for a database is 64 (SQLSTATE 5U027).
- A workload management (WLM)-exclusive SQL statement must be followed by a COMMIT or a ROLLBACK statement (SQLSTATE 5U027). WLM-exclusive SQL statements are:
 - CREATE HISTOGRAM TEMPLATE, ALTER HISTOGRAM TEMPLATE, or DROP (HISTOGRAM TEMPLATE)
 - CREATE SERVICE CLASS, ALTER SERVICE CLASS, or DROP (SERVICE CLASS)
 - CREATE THRESHOLD, ALTER THRESHOLD, or DROP (THRESHOLD)
 - CREATE WORK ACTION SET, ALTER WORK ACTION SET, or DROP (WORK ACTION SET)
 - CREATE WORK CLASS SET, ALTER WORK CLASS SET, or DROP (WORK CLASS SET)
 - CREATE WORKLOAD, ALTER WORKLOAD, or DROP (WORKLOAD)
 - GRANT (Workload Privileges) or REVOKE (Workload Privileges)
- A WLM-exclusive SQL statement cannot be issued within a global transaction (SQLSTATE 51041) such as, for example, an XA transaction.

Notes

- A default subclass, SYSDEFAULTSUBCLASS, is automatically created for every service superclass.
- Only one uncommitted WLM-exclusive SQL statement at a time is allowed across all partitions. If an uncommitted WLM-exclusive SQL statement is executing, subsequent WLM-exclusive SQL statements will wait until the current WLM-exclusive SQL statement commits or rolls back.
- Changes are written to the system catalog, but do not take effect until after a COMMIT statement, even for the connection that issues the statement.

Examples

Example 1: Create a service superclass named PETSALLES. The default subclass for PETSALLES is automatically created.

```
CREATE SERVICE CLASS PETSALLES
```

Example 2: Create a service subclass named DOGSALES under service superclass PETSALLES. Set service class DOGSALES as disabled.

```
CREATE SERVICE CLASS DOGSALES UNDER PETSALLES DISABLE
```

Example 3: Create a service superclass named BARNSALES with a prefetcher priority of LOW. The default subclass for BARNSALES is automatically created. Prefetch requests submitted by agents in the BARNSALES service class will go to the low priority prefetch queue.

```
CREATE SERVICE CLASS BARNSALES PREFETCH PRIORITY LOW
```

CREATE SERVER

The CREATE SERVER statement defines a data source to a federated database. In this statement, the term SERVER and the parameter names that start with *server-* refer only to data sources in a federated system. They do not refer to the federated server in such a system, or to DRDA application servers.

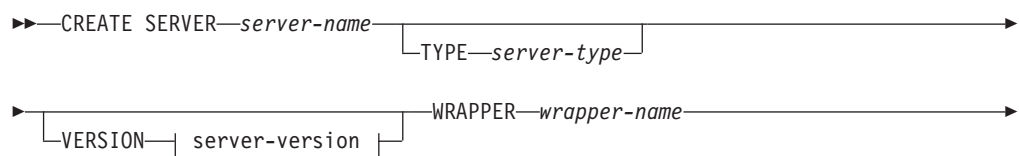
Invocation

This statement can be embedded in an application program or issued through the use of dynamic SQL statements. It is an executable statement that can be dynamically prepared only if DYNAMICRULES run behavior is in effect for the package (SQLSTATE 42509).

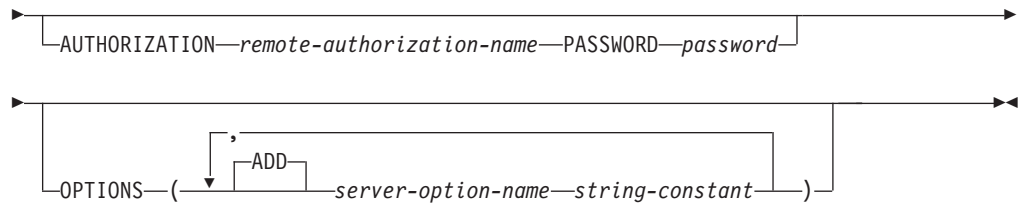
Authorization

The privileges held by the authorization ID of the statement must include SYSADM or DBADM authority.

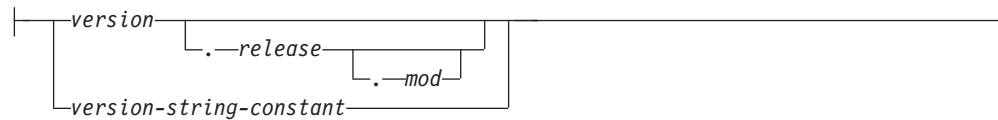
Syntax



CREATE SERVER



server-version:



Description

server-name

Names the data source that is being defined to the federated database. The name must not identify a data source that is described in the catalog. The *server-name* must not be the same as the name of any table space in the federated database.

A server definition for relational data sources usually represents a remote database. Some relational database management systems, such as Oracle, do not allow multiple databases within each instance. Instead, each instance represents a server within a federated system.

For nonrelational data sources, the purpose of a server definition varies from data source to data source. Some server definitions map to a search type and daemon, a web site, or a web server. For other nonrelational data sources, a server definition is created because the hierarchy of federated objects requires that data source files (identified by nicknames) are associated with a specific server object.

TYPE *server-type*

Specifies the type of data source denoted by *server-name*. This parameter is required by some wrappers.

VERSION

Specifies the version of the data source denoted by *server-name*. This parameter is required by some wrappers.

version

Specifies the version number. The value must be an integer.

release

Specifies the number of the release of the version denoted by *version*. The value must be an integer.

mod

Specifies the number of the modification of the release denoted by *release*. The value must be an integer.

version-string-constant

Specifies the complete designation of the version. The *version-string-constant* can be a single value (for example, '8i'); or it can be the concatenated values of *version*, *release* and, if applicable, *mod* (for example, '8.0.3').

WRAPPER *wrapper-name*

Names the wrapper that the federated server uses to interact with the server object specified by *server-name*.

AUTHORIZATION *remote-authorization-name*

Required only for DB2 family data sources. Specifies the authorization ID under which any necessary actions are performed at the data source when the CREATE SERVER statement is processed. This authorization ID is not used when establishing subsequent connections to the server.

This ID must hold the authority (BINDADD or its equivalent) that the necessary actions require. If the *remote-authorization-name* is specified in mixed or lowercase characters (and the remote data source has case sensitive authorization names), the *remote-authorization-name* should be enclosed by double quotation marks.

PASSWORD *password*

Required only for DB2 family data sources. Specifies the password associated with the authorization ID represented by *remote-authorization-name*. If the *password* is specified in mixed or lowercase characters (and the remote data source has case sensitive passwords), the *password* should be enclosed by double quotation marks.

OPTIONS

Indicates the options that are enabled when the server definition is created. Server options are used to configure the server definition. Some server options can be used to create the server definition for any data source. Some server options are specific to a particular data source.

ADD

Enables one or more server options.

server-option-name

Names a server option that will be used to either configure or provide information about the data source denoted by *server-name*.

string-constant

Specifies the setting for *server-option-name* as a character string constant.

Notes

- The *password* should be specified when the data source requires a password. If any letters in *password* must be in lowercase, enclose *password* in quotation marks.
- If the CREATE SERVER statement is used to define a DB2 family instance as a data source, DB2 may need to bind certain packages to that instance. If binding is required, the *remote-authorization-name* in the statement must have BIND authority. The time required for the bind operation to complete is dependent on data source speed and network connection speed.
- DB2 does not verify that the specified server version matches the remote server version. Specifying an incorrect server version can result in SQL errors when you access nicknames that belong to the DB2 server definition. This is most likely when you specify a server version that is later than the remote server version. In that case, when you access nicknames that belong to the server definition, DB2 might send SQL that the remote server does not recognize.

CREATE SERVER

Examples

Example 1: Register a server definition to access a DB2 for z/OS and OS/390®, Version 7.1 data source. CRANDALL is the name assigned to the DB2 for z/OS and OS/390 server definition. DRDA is the name of the wrapper used to access this data source. In addition, specify that:

- GERALD and drowssap are the authorization ID and password under which packages are bound at CRANDALL when this statement is processed.
- The alias for the DB2 for z/OS and OS/390 database that was specified with the CATALOG DATABASE statement is CLIENTS390.
- The authorization IDs and passwords under which CRANDALL can be accessed are to be sent to CRANDALL in uppercase.
- CLIENTS390 and the federated database use the same collating sequence.

```
CREATE SERVER CRANDALL
  TYPE DB2/ZOS
  VERSION 7.1
  WRAPPER DRDA
  AUTHORIZATION "GERALD"
  PASSWORD drowssap
  OPTIONS
    (DBNAME 'CLIENTS390',
     FOLD_ID 'U',
     FOLD_PW 'U',
     COLLATING_SEQUENCE 'Y')
```

Example 2: Register a server definition to access an Oracle 9 data source. CUSTOMERS is the name assigned to the Oracle server definition. NET8 is the name of the wrapper used to access this data source. In addition, specify that:

- ABC is the name of the node where the Oracle database server resides.
- The CPU for the federated server runs twice as fast as the CPU that supports CUSTOMERS.
- The I/O devices at the federated server process data one and a half times as fast as the I/O devices at CUSTOMERS.

```
CREATE SERVER CUSTOMERS
  TYPE ORACLE
  VERSION 9
  WRAPPER NET8
  OPTIONS
    (NODE 'ABC',
     CPU_RATIO '2.0',
     IO_RATIO '1.5')
```

Example 3: Register a server definition for the Excel wrapper. The server definition is required to preserve the hierarchy of federated objects. BIOCHEM_LAB is the name assigned to the Excel server definition. EXCEL_2000_WRAPPER is the name of the wrapper used to access this data source.

```
CREATE SERVER BIOCHEM_DATA
  WRAPPER EXCEL_2000_WRAPPER
```

Example 4: Register a server definition to access a BLAST data source. BLAST_SERVER is the name assigned to the BLAST server definition. The type of search that this server definition supports is the BLASTn search type. VERSION is the version of the BLAST search program. BLAST_WRAPPER is the name of the wrapper used to access this data source. In addition, specify that:

- NODE is the host name of the server on which the BLAST daemon process runs.

- The port number on which the BLAST daemon listens for job requests submitted by the BLAST wrapper is 4007.

```
CREATE SERVER BLAST_SERVER
  TYPE BLASTn
  VERSION 2.1.2
  WRAPPER BLAST_WRAPPER
  OPTIONS
    (NODE 'big.rs.company.com',
     DAEMON_PORT '4007')
```

CREATE TABLE

The CREATE TABLE statement defines a table. The definition must include its name and the names and attributes of its columns. The definition can include other attributes of the table, such as its primary key or check constraints.

To declare a global temporary table, use the DECLARE GLOBAL TEMPORARY TABLE statement.

Invocation

This statement can be embedded in an application program or issued through the use of dynamic SQL statements. It is an executable statement that can be dynamically prepared only if DYNAMICRULES run behavior is in effect for the package (SQLSTATE 42509).

Authorization

The privileges held by the authorization ID of the statement must include at least one of the following:

- CREATETAB authority on the database and USE privilege on the table space, as well as one of:
 - IMPLICIT_SCHEMA authority on the database, if the implicit or explicit schema name of the table does not exist
 - CREATEIN privilege on the schema, if the schema name of the table refers to an existing schema
- SYSADM or DBADM authority

If a subtable is being defined, the authorization ID must be the same as the owner of the root table of the table hierarchy.

To define a foreign key, the privileges held by the authorization ID of the statement must include one of the following on the parent table:

- REFERENCES privilege on the table
- REFERENCES privilege on each column of the specified parent key
- CONTROL privilege on the table
- SYSADM or DBADM authority

To define a materialized query table (using a fullselect), the privileges held by the authorization ID of the statement must include at least one of the following on each table or view identified in the fullselect (excluding group privileges):

- SELECT privilege on the table or view, and ALTER privilege (including group privileges) if REFRESH DEFERRED or REFRESH IMMEDIATE is specified
- CONTROL privilege on the table or view

CREATE TABLE

- SYSADM or DBADM authority

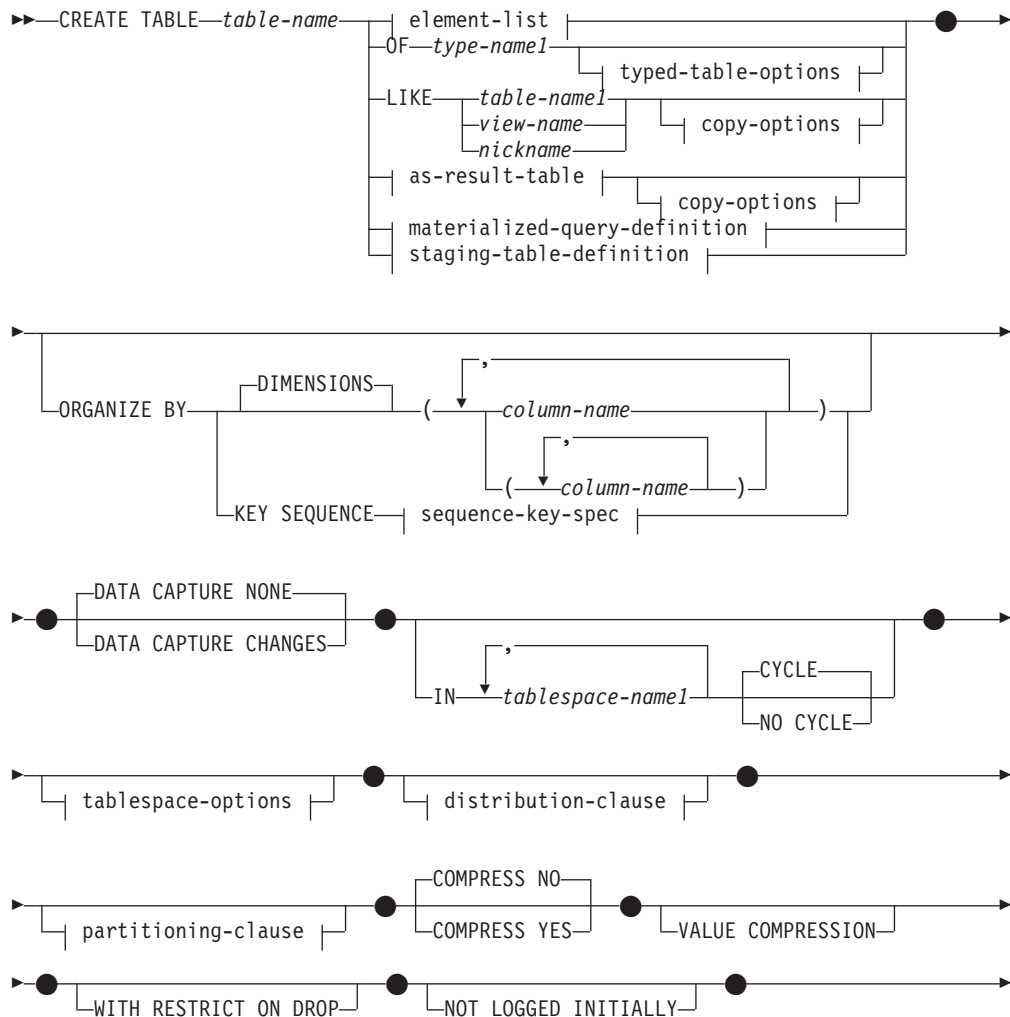
To define a staging table associated with a materialized query table, the privileges held by the authorization ID of the statement must include at least one of the following on the materialized query table:

- ALTER and SELECT privilege
- CONTROL privilege
- SYSADM or DBADM authority

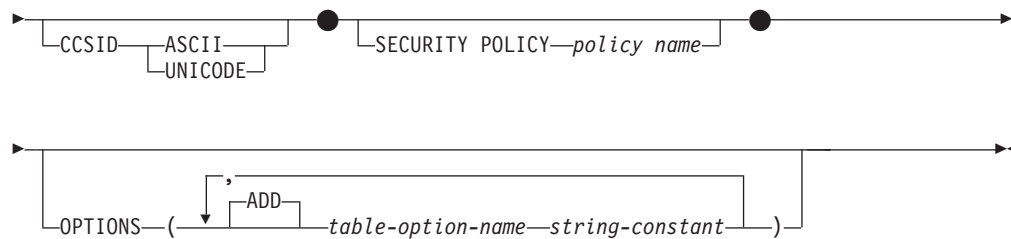
and at least one of the following on each table or view identified in the fullselect of the materialized query table (excluding group privileges):

- SELECT privilege and ALTER privilege (including group privileges) on the table or view
- CONTROL privilege on the table or view
- SELECT privilege on the table or view, and ALTERIN privilege (including group privileges) on the schema of the table or view
- SYSADM or DBADM authority

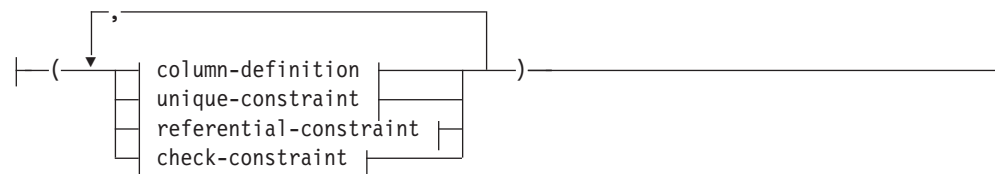
Syntax



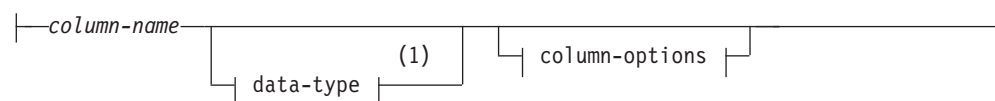
CREATE TABLE



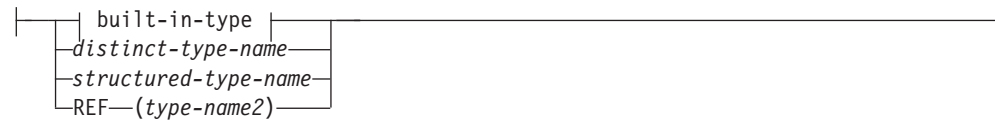
element-list:



column-definition:

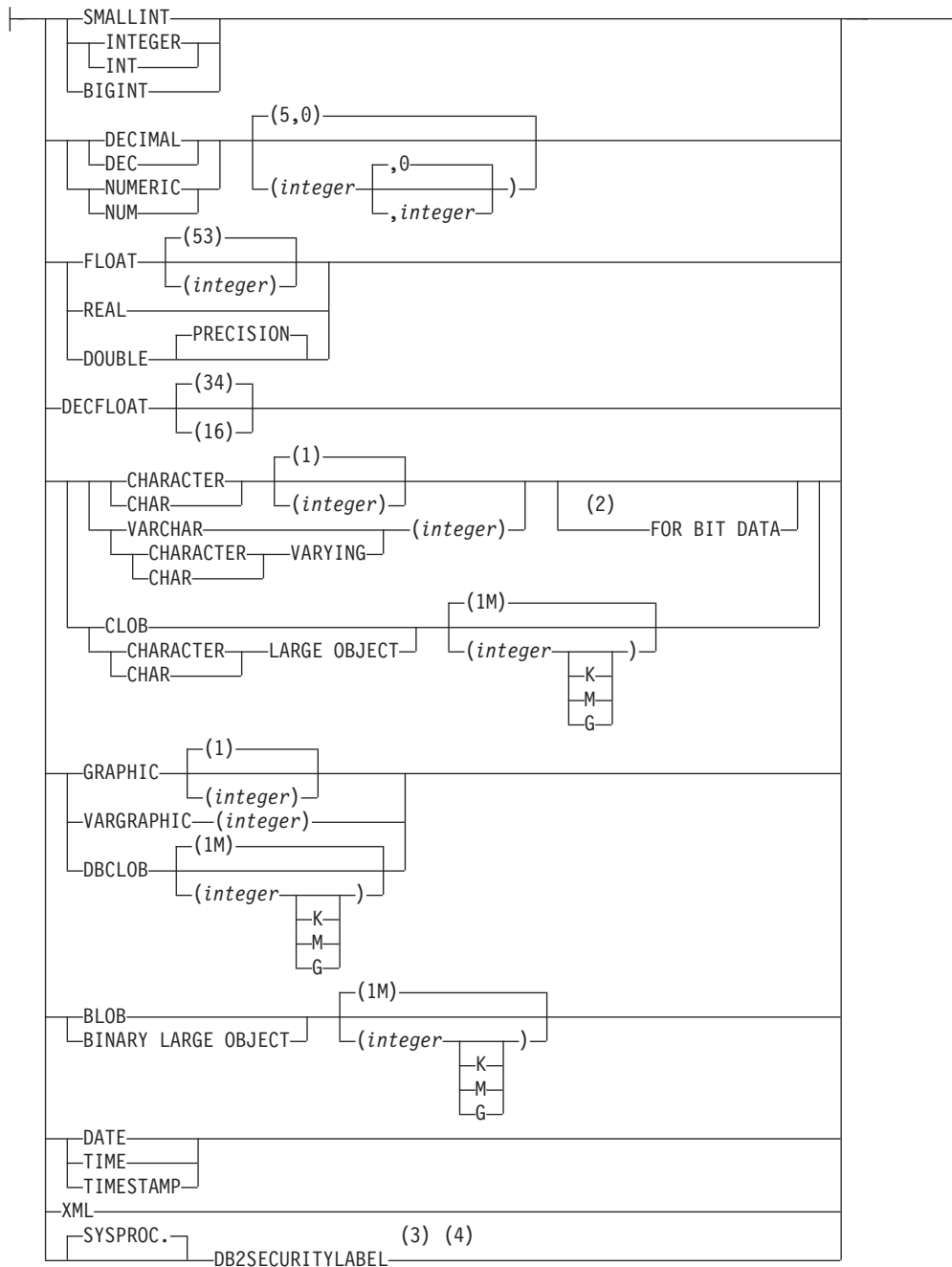


data-type:



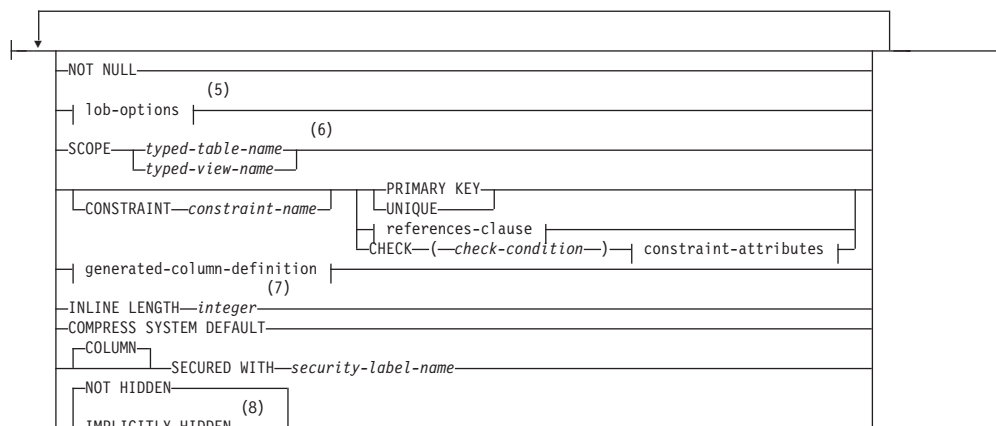
built-in-type:

CREATE TABLE

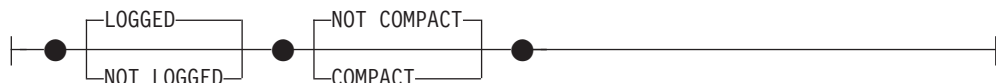


column-options:

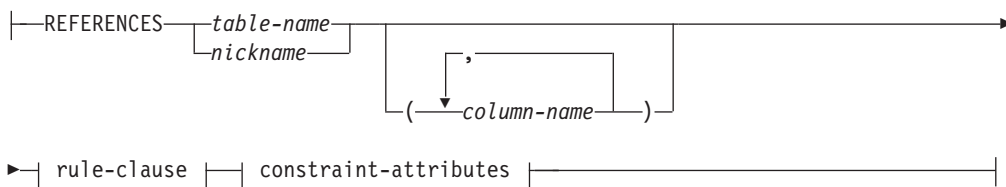
CREATE TABLE



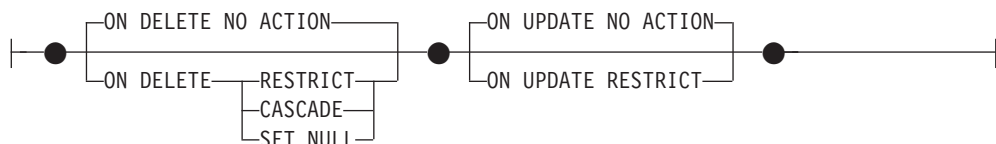
lob-options:



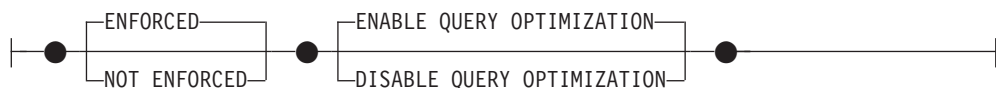
references-clause:



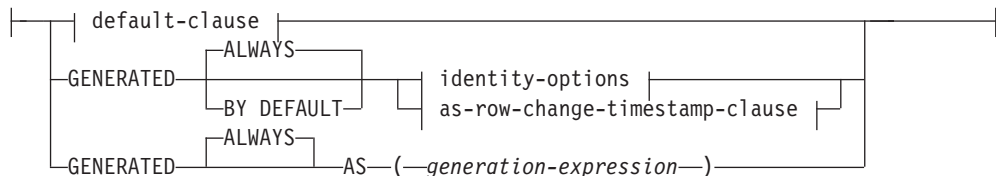
rule-clause:



constraint-attributes:

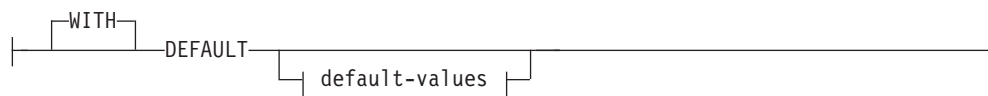


generated-column-definition:

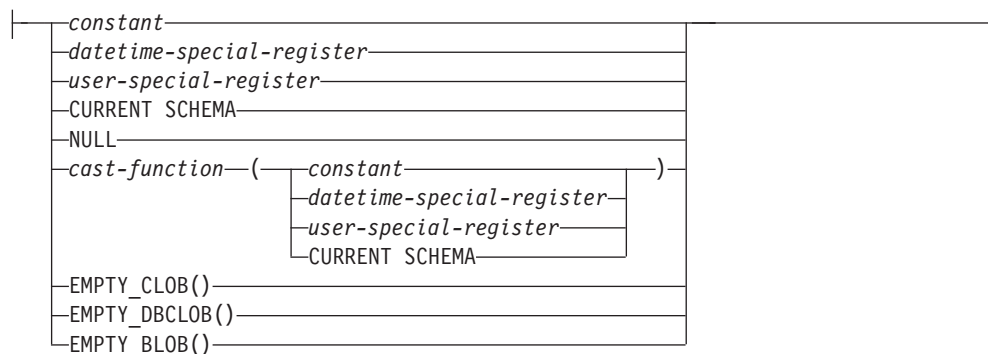


CREATE TABLE

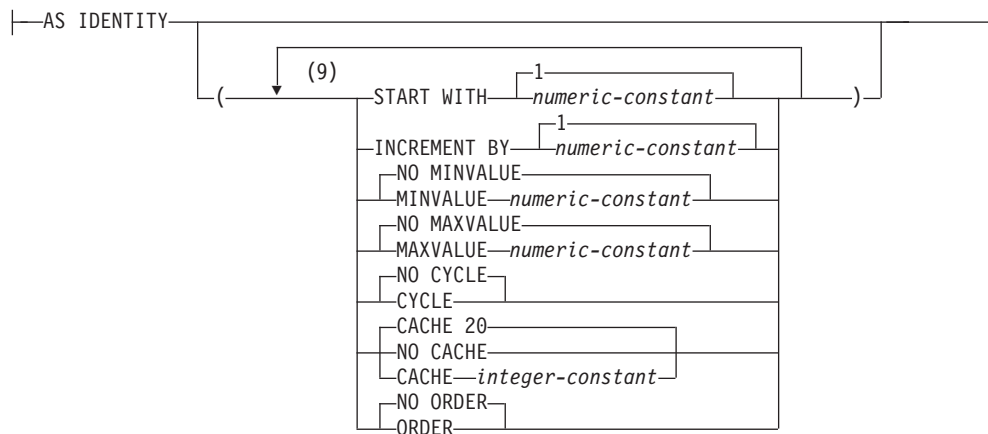
default-clause:



default-values:



identity-options:



as-row-change-timestamp-clause:



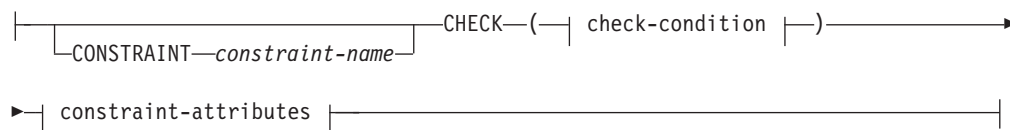
unique-constraint:



referential-constraint:



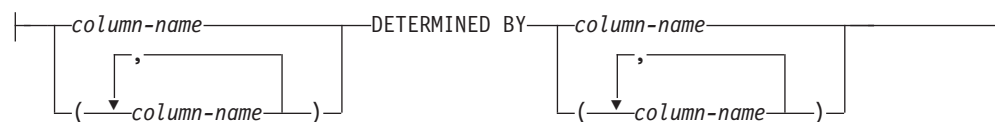
check-constraint:



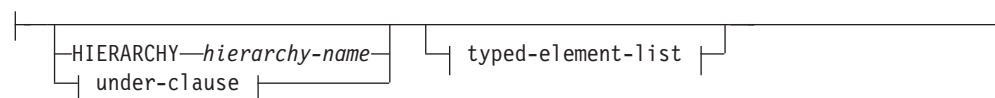
check-condition:



functional-dependency:



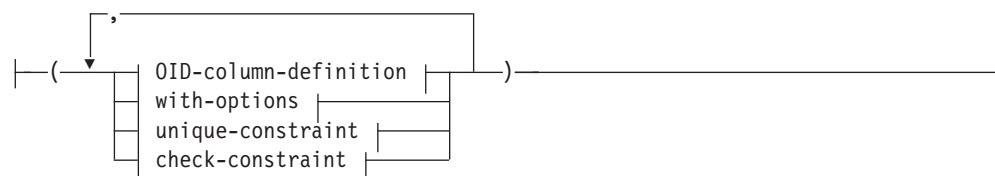
typed-table-options:



under-clause:



typed-element-list:



OID-column-definition:



CREATE TABLE

with-options:

| *column-name* WITH OPTIONS | column-options |

as-result-table:

| AS (*fullselect*) WITH NO DATA |
| (*column-name*) |

materialized-query-definition:

| AS (*fullselect*) |
| (*column-name*) |

▶ refreshable-table-options |

copy-options:

● | INCLUDING | EXCLUDING | COLUMN | DEFAULTS | ●

▶ EXCLUDING IDENTITY | INCLUDING IDENTITY | COLUMN ATTRIBUTES | ●

refreshable-table-options:

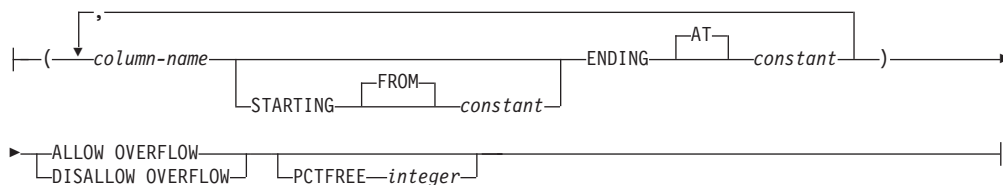
● DATA INITIALLY DEFERRED ● REFRESH DEFERRED IMMEDIATE ●

▶ ENABLE QUERY OPTIMIZATION | DISABLE QUERY OPTIMIZATION | MAINTAINED BY SYSTEM USER FEDERATED_TOOL ●

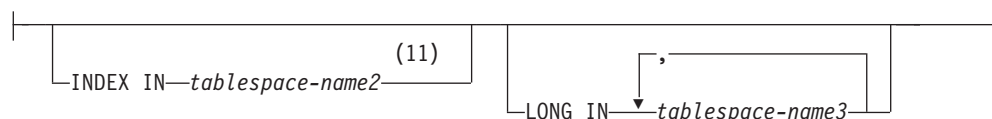
staging-table-definition:

| FOR *table-name2* PROPAGATE IMMEDIATE |
| (*staging-column-name*) |

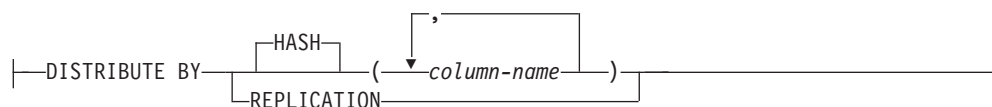
sequence-key-spec:



tablespace-options:



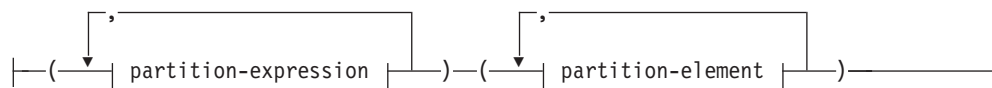
distribution-clause:



partitioning-clause:



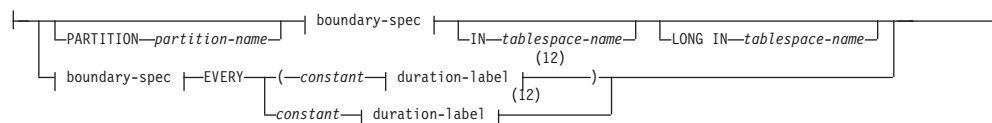
range-partition-spec:



partition-expression:

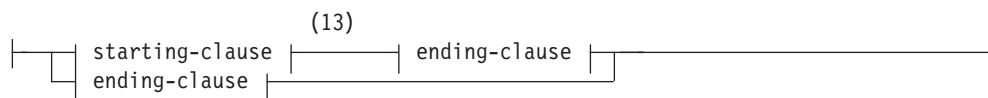


partition-element:

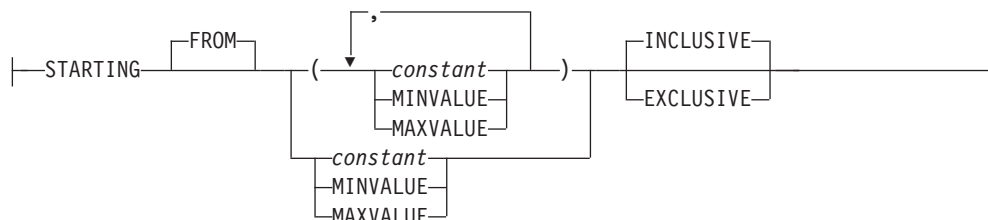


CREATE TABLE

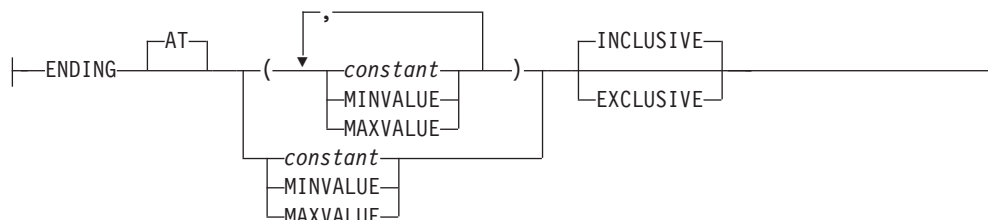
boundary-spec:



starting-clause:



ending-clause:



duration-label:



Notes:

- 1 If the first column-option chosen is a generated-column-definition with a generation-expression, then the data-type can be omitted. It will be determined from the resulting data type of the generation-expression.
- 2 The FOR BIT DATA clause can be specified in any order with the other column constraints that follow.
- 3 DB2SECURITYLABEL is the built-in distinct type that must be used to define the row security label column of a protected table.

- 4 For a column of type DB2SECURITYLABEL, NOT NULL WITH DEFAULT is implicit and cannot be explicitly specified (SQLSTATE 42842). The default value for a column of type DB2SECURITYLABEL is the session authorization ID's security label for write access.
- 5 The lob-options clause only applies to large object types (BLOB, CLOB and DBCLOB) and distinct types based on large object types.
- 6 The SCOPE clause only applies to the REF type.
- 7 INLINE LENGTH applies only to columns defined as structured or XML types.
- 8 IMPLICITLY HIDDEN can only be specified if ROW CHANGE TIMESTAMP is also specified.
- 9 The same clause must not be specified more than once.
- 10 Data type is optional for a row change timestamp column.
- 11 Specifying which table space will contain a table's indexes can be done when the table is created. If the table is a range partitioned table, the index table space can be specified with the IN clause of the CREATE INDEX statement.
- 12 This syntax for a partition-element is valid if there is only one partition-expression with a numeric or datetime data type.
- 13 The first partition-element must include a starting-clause and the last partition-element must include an ending-clause.

Description

System-maintained materialized query tables and user-maintained materialized query tables are referred to by the common term *materialized query table*, unless there is a need to identify each one separately.

table-name

Names the table. The name, including the implicit or explicit qualifier, must not identify a table, view, nickname, or alias described in the catalog. The schema name must not be SYSIBM, SYSCAT, SYSFUN, or SYSSTAT (SQLSTATE 42939).

element-list

Defines the elements of a table. This includes the definition of columns and constraints on the table.

column-definition

Defines the attributes of a column.

column-name

Names a column of the table. The name cannot be qualified, and the same name cannot be used for more than one column of the table (SQLSTATE 42711).

A table may have the following:

- A 4K page size with a maximum of 500 columns, where the byte counts of the columns must not be greater than 4 005.
- An 8K page size with a maximum of 1 012 columns, where the byte counts of the columns must not be greater than 8 101.
- A 16K page size with a maximum of 1 012 columns, where the byte counts of the columns must not be greater than 16 293.

CREATE TABLE

- A 32K page size with a maximum of 1 012 columns, where the byte counts of the columns must not be greater than 32 677.

For more details, see Row Size.

data-type

Specifies the data type of the column.

built-in-type

For built-in types, use one of the following types.

SMALLINT

For a small integer.

INTEGER or INT

For a large integer.

BIGINT

For a big integer.

DECIMAL(*precision-integer*, *scale-integer*) or DEC(*precision-integer*, *scale-integer*)

For a decimal number. The first integer is the precision of the number; that is, the total number of digits; it may range from 1 to 31. The second integer is the scale of the number; that is, the number of digits to the right of the decimal point; it may range from 0 to the precision of the number.

If precision and scale are not specified, the default values of 5,0 are used. The words **NUMERIC** and **NUM** can be used as synonyms for **DECIMAL** and **DEC**.

FLOAT(*integer*)

For a single or double-precision floating-point number, depending on the value of the *integer*. The value of the integer must be in the range 1 through 53. The values 1 through 24 indicate single precision and the values 25 through 53 indicate double-precision.

You can also specify:

REAL For single precision floating-point.

DOUBLE

For double-precision floating-point.

DOUBLE PRECISION

For double-precision floating-point.

FLOAT

For double-precision floating-point.

DECFLOAT(*precision-integer*)

For a decimal floating-point number. The value of *precision-integer* is the precision of the number; that is, the total number of digits, which can be 16 or 34.

If the precision is not specified, a default value of 34 is used.

CHARACTER(*integer*) or CHAR(*integer*) or CHARACTER or CHAR

For a fixed-length character string of length *integer*, which may range from 1 to 254. If the length specification is omitted, a length of 1 character is assumed.

VARCHAR(*integer*), or CHARACTER VARYING(*integer*), or CHAR VARYING(*integer*)

For a varying-length character string of maximum length *integer*, which may range from 1 to 32 672.

FOR BIT DATA

Specifies that the contents of the column are to be treated as bit (binary) data. During data exchange with other systems, code page conversions are not performed. Comparisons are done in binary, irrespective of the database collating sequence.

CLOB or CHARACTER (CHAR) LARGE OBJECT(*integer* [*K* | *M* | *G*])

For a character large object string of the specified maximum length in bytes.

The meaning of the *integer* *K* | *M* | *G* is the same as for BLOB.

If the length specification is omitted, a length of 1 048 576 (1 megabyte) is assumed.

To create CLOB strings greater than 1 gigabyte, you must specify the NOT LOGGED option.

It is not possible to specify the FOR BIT DATA clause for CLOB columns. However, a CHAR FOR BIT DATA string can be assigned to a CLOB column, and a CHAR FOR BIT DATA string can be concatenated with a CLOB string.

GRAPHIC(*integer*)

For a fixed-length graphic string of length *integer* which may range from 1 to 127. If the length specification is omitted, a length of 1 is assumed.

VARGRAPHIC(*integer*)

For a varying-length graphic string of maximum length *integer*, which may range from 1 to 16 336.

DBCLOB(*integer* [*K* | *M* | *G*])

For a double-byte character large object string of the specified maximum length in double-byte characters.

The meaning of the *integer* *K* | *M* | *G* is similar to that for BLOB. The differences are that the number specified is the number of double-byte characters, and that the maximum size is 1 073 741 823 double-byte characters.

If the length specification is omitted, a length of 1 048 576 double-byte characters is assumed.

To create DBCLOB strings greater than 1 gigabyte, you must specify the NOT LOGGED option.

BLOB or BINARY LARGE OBJECT(*integer* [*K* | *M* | *G*])

For a binary large object string of the specified maximum length in bytes.

The length may be in the range of 1 byte to 2 147 483 647 bytes.

If *integer* by itself is specified, that is the maximum length.

If *integer* *K* (in either upper- or lowercase) is specified, the maximum length is 1 024 times *integer*. The maximum value for *integer* is 2 097 152.

CREATE TABLE

If *integer M* is specified, the maximum length is 1 048 576 times *integer*. The maximum value for *integer* is 2 048.

If *integer G* is specified, the maximum length is 1 073 741 824 times *integer*. The maximum value for *integer* is 2.

If a multiple of K, M or G that calculates out to 2 147 483 648 is specified, the actual value used is 2 147 483 647 (or 2 gigabytes minus 1 byte), which is the maximum length for a LOB column.

If the length specification is omitted, a length of 1 048 576 (1 megabyte) is assumed.

To create BLOB strings greater than 1 gigabyte, you must specify the NOT LOGGED option.

Any number of spaces is allowed between the integer and K, M, or G, and a space is not required. For example, all of the following are valid:

BLOB(50K) BLOB(50 K) BLOB (50 K)

DATE

For a date.

TIME

For a time.

TIMESTAMP

For a timestamp.

XML

For an XML document. Only well-formed XML documents can be inserted into an XML column. Columns can be of type XML only if the database instance has a single database partition (SQLSTATE 42997).

An XML column has the following restrictions:

- The column cannot be part of any index except an index over XML data. Therefore, it cannot be included as a column of a primary key or unique constraint (SQLSTATE 42962).
- The column cannot be a foreign key of a referential constraint (SQLSTATE 42962).
- A default value (WITH DEFAULT) cannot be specified for the column (SQLSTATE 42613). If the column is nullable, the default for the column is the null value.
- The column cannot be used in a table with a distribution key (SQLSTATE 42997).
- The column cannot be used in a range-clustered table (SQLSTATE 429BG).
- The column cannot be used in a range-partitioned table (SQLSTATE 42997).
- The column cannot be referenced in a check constraint except in a VALIDATED predicate (SQLSTATE 42621).

When a column of type XML is created, an XML path index is created on that column. A table-level XML region index is also created when the first column of type XML is created. The name of these indexes is 'SQL' followed by a character timestamp (*yyymmddhhmmssxx*). The schema name is SYSIBM.

SYSPROC.DB2SECURITYLABEL

This is a built-in distinct type that must be used to define the row security label column of a protected table. The underlying data type of a column of the built-in distinct type DB2SECURITYLABEL is VARCHAR(128) FOR BIT DATA. A table can have at most one column of type DB2SECURITYLABEL (SQLSTATE 428C1).

distinct-type-name

For a user-defined type that is a distinct type. If a distinct type name is specified without a schema name, the distinct type name is resolved by searching the schemas on the SQL path (defined by the FUNCPATH preprocessing option for static SQL and by the CURRENT PATH register for dynamic SQL).

If a column is defined using a distinct type, then the data type of the column is the distinct type. The length and the scale of the column are respectively the length and the scale of the source type of the distinct type.

If a column defined using a distinct type is a foreign key of a referential constraint, then the data type of the corresponding column of the primary key must have the same distinct type.

structured-type-name

For a user-defined type that is a structured type. If a structured type name is specified without a schema name, the structured type name is resolved by searching the schemas on the SQL path (defined by the FUNCPATH preprocessing option for static SQL, and by the CURRENT PATH register for dynamic SQL).

If a column is defined using a structured type, then the static data type of the column is the structured type. The column may include values with a dynamic type that is a subtype of *structured-type-name*.

A column defined using a structured type cannot be used in a primary key, unique constraint, foreign key, index key or distribution key (SQLSTATE 42962).

If a column is defined using a structured type, and contains a reference-type attribute at any level of nesting, that reference-type attribute is unscoped. To use such an attribute in a dereference operation, it is necessary to specify a SCOPE explicitly, using a CAST specification.

REF (*type-name2*)

For a reference to a typed table. If *type-name2* is specified without a schema name, the type name is resolved by searching the schemas on the SQL path (defined by the FUNCPATH preprocessing option for static SQL and by the CURRENT PATH register for dynamic SQL). The underlying data type of the column is based on the representation data type specified in the REF USING clause of the CREATE TYPE statement for *type-name2* or the root type of the data type hierarchy that includes *type-name2*.

column-options

Defines additional options related to columns of the table.

NOT NULL

Prevents the column from containing null values.

CREATE TABLE

If NOT NULL is not specified, the column can contain null values, and its default value is either the null value or the value provided by the WITH DEFAULT clause.

NOT HIDDEN or IMPLICITLY HIDDEN

Specifies whether or not the column is to be defined as hidden. The hidden attribute determines whether the column is included in an implicit reference to the table, or whether it can be explicitly referenced in SQL statements. The default is NOT HIDDEN.

NOT HIDDEN

Specifies that the column is included in implicit references to the table, and that the column can be explicitly referenced.

IMPLICITLY HIDDEN

Specifies that the column is not visible in SQL statements unless the column is explicitly referenced by name. For example, assuming that a table includes a column defined with the IMPLICITLY HIDDEN clause, the result of a SELECT * does not include the implicitly hidden column. However, the result of a SELECT that explicitly refers to the name of an implicitly hidden column will include that column in the result table.

IMPLICITLY HIDDEN must only be specified for a ROW CHANGE TIMESTAMP column (SQLSTATE 42867). The ROW CHANGE TIMESTAMP FOR *table-designator* expression will resolve to an IMPLICITLY HIDDEN ROW CHANGE TIMESTAMP column.

IMPLICITLY HIDDEN must not be specified for all columns of the table (SQLSTATE 428GU).

lob-options

Specifies options for LOB data types.

LOGGED

Specifies that changes made to the column are to be written to the log. The data in such columns is then recoverable with database utilities (such as RESTORE DATABASE). LOGGED is the default.

LOBs greater than 1 gigabyte cannot be logged (SQLSTATE 42993).

NOT LOGGED

Specifies that changes made to the column are not to be logged.

NOT LOGGED has no effect on a commit or rollback operation; that is, the database's consistency is maintained even if a transaction is rolled back, regardless of whether or not the LOB value is logged. The implication of not logging is that during a roll forward operation, after a backup or load operation, the LOB data will be replaced by zeros for those LOB values that would have had log records replayed during the roll forward. During crash recovery, all committed changes and changes rolled back will reflect the expected results.

COMPACT

Specifies that the values in the LOB column should take up minimal disk space (free any extra disk pages in the last group used by the LOB value), rather than leave any leftover space at the end of the LOB storage area that might facilitate subsequent

append operations. Note that storing data in this way may cause a performance penalty in any append (length-increasing) operations on the column.

NOT COMPACT

Specifies some space for insertions to assist in future changes to the LOB values in the column. This is the default.

SCOPE

Identifies the scope of the reference type column.

A scope must be specified for any column that is intended to be used as the left operand of a dereference operator or as the argument of the Deref function. Specifying the scope for a reference type column may be deferred to a subsequent ALTER TABLE statement to allow the target table to be defined, usually in the case of mutually referencing tables.

typed-table-name

The name of a typed table. The table must already exist or be the same as the name of the table being created (SQLSTATE 42704). The data type of *column-name* must be REF(*S*), where *S* is the type of *typed-table-name* (SQLSTATE 428DM). No checking is done of values assigned to *column-name* to ensure that the values actually reference existing rows in *typed-table-name*.

typed-view-name

The name of a typed view. The view must already exist or be the same as the name of the view being created (SQLSTATE 42704). The data type of *column-name* must be REF(*S*), where *S* is the type of *typed-view-name* (SQLSTATE 428DM). No checking is done of values assigned to *column-name* to ensure that the values actually reference existing rows in *typed-view-name*.

CONSTRAINT *constraint-name*

Names the constraint. A *constraint-name* must not identify a constraint that was already specified within the same CREATE TABLE statement. (SQLSTATE 42710).

If this clause is omitted, an 18 byte long identifier that is unique among the identifiers of existing constraints defined on the table is generated by the system. (The identifier consists of "SQL" followed by a sequence of 15 numeric characters generated by a timestamp-based function.)

When used with a PRIMARY KEY or UNIQUE constraint, the *constraint-name* may be used as the name of an index that is created to support the constraint.

PRIMARY KEY

This provides a shorthand method of defining a primary key composed of a single column. Thus, if PRIMARY KEY is specified in the definition of column *C*, the effect is the same as if the PRIMARY KEY(*C*) clause is specified as a separate clause.

A primary key cannot be specified if the table is a subtable (SQLSTATE 429B3) because the primary key is inherited from the supertable.

A ROW CHANGE TIMESTAMP column cannot be used as part of a primary key (SQLSTATE 429BV).

CREATE TABLE

See PRIMARY KEY within the description of the *unique-constraint* below.

UNIQUE

This provides a shorthand method of defining a unique key composed of a single column. Thus, if UNIQUE is specified in the definition of column C, the effect is the same as if the UNIQUE(C) clause is specified as a separate clause.

A unique constraint cannot be specified if the table is a subtable (SQLSTATE 429B3) since unique constraints are inherited from the supertable.

See UNIQUE within the description of the *unique-constraint* below.

references-clause

This provides a shorthand method of defining a foreign key composed of a single column. Thus, if a references-clause is specified in the definition of column C, the effect is the same as if that references-clause were specified as part of a FOREIGN KEY clause in which C is the only identified column.

See *references-clause* under *referential-constraint* below.

CHECK (*check-condition*)

This provides a shorthand method of defining a check constraint that applies to a single column. See CHECK (*check-condition*) below.

generated-column-definition

Specifies a generated value for the column.

default-clause

Specifies a default value for the column.

WITH

An optional keyword.

DEFAULT

Provides a default value in the event a value is not supplied on INSERT or is specified as DEFAULT on INSERT or UPDATE. If a default value is not specified following the DEFAULT keyword, the default value depends on the data type of the column as shown in "ALTER TABLE".

If a column is defined as XML, a default value cannot be specified (SQLSTATE 42613). The only possible default is NULL.

If the column is based on a column of a typed table, a specific default value must be specified when defining a default. A default value cannot be specified for the object identifier column of a typed table (SQLSTATE 42997).

If a column is defined using a distinct type, then the default value of the column is the default value of the source data type cast to the distinct type.

If a column is defined using a structured type, the *default-clause* cannot be specified (SQLSTATE 42842).

Omission of DEFAULT from a *column-definition* results in the use of the null value as the default for the column. If such a column is defined NOT NULL, then the column does not have a valid default.

default-values

Specific types of default values that can be specified are as follows.

constant

Specifies the constant as the default value for the column. The specified constant must:

- represent a value that could be assigned to the column in accordance with the rules of assignment
- not be a floating-point constant unless the column is defined with a floating-point data type
- be a numeric constant or a decimal floating-point special value if the data type of the column is a decimal floating-point. Floating-point constants are first interpreted as DOUBLE and then converted to decimal floating-point if the target column is DECFLOAT. For DECFLOAT(16) columns, decimal constants having precision greater than 16 digits will be rounded using the rounding modes specified by the CURRENT DECFLOAT ROUNDING MODE special register.
- not have non-zero digits beyond the scale of the column data type if the constant is a decimal constant (for example, 1.234 cannot be the default for a DECIMAL(5,2) column)
- be expressed with no more than 254 bytes including the quote characters, any introducer character such as the X for a hexadecimal constant, and characters from the fully qualified function name and parentheses when the constant is the argument of a *cast-function*

datetime-special-register

Specifies the value of the datetime special register (CURRENT DATE, CURRENT TIME, or CURRENT TIMESTAMP) at the time of INSERT, UPDATE, or LOAD as the default for the column. The data type of the column must be the data type that corresponds to the special register specified (for example, data type must be DATE when CURRENT DATE is specified).

user-special-register

Specifies the value of the user special register (CURRENT USER, SESSION_USER, SYSTEM_USER) at the time of INSERT, UPDATE, or LOAD as the default for the column. The data type of the column must be a character string with a length not less than the length attribute of a user special register. Note that USER can be specified in place of SESSION_USER and CURRENT_USER can be specified in place of CURRENT_USER.

CURRENT SCHEMA

Specifies the value of the CURRENT SCHEMA special register at the time of INSERT, UPDATE, or LOAD as the

CREATE TABLE

default for the column. If CURRENT SCHEMA is specified, the data type of the column must be a character string with a length greater than or equal to the length attribute of the CURRENT SCHEMA special register.

NULL

Specifies NULL as the default for the column. If NOT NULL was specified, DEFAULT NULL may be specified within the same column definition but will result in an error on any attempt to set the column to the default value.

cast-function

This form of a default value can only be used with columns defined as a distinct type, BLOB or datetime (DATE, TIME or TIMESTAMP) data type. For distinct type, with the exception of distinct types based on BLOB or datetime types, the name of the function must match the name of the distinct type for the column. If qualified with a schema name, it must be the same as the schema name for the distinct type. If not qualified, the schema name from function resolution must be the same as the schema name for the distinct type. For a distinct type based on a datetime type, where the default value is a constant, a function must be used and the name of the function must match the name of the source type of the distinct type with an implicit or explicit schema name of SYSIBM. For other datetime columns, the corresponding datetime function may also be used. For a BLOB or a distinct type based on BLOB, a function must be used and the name of the function must be BLOB with an implicit or explicit schema name of SYSIBM.

constant

Specifies a constant as the argument. The constant must conform to the rules of a constant for the source type of the distinct type or for the data type if not a distinct type. If the *cast-function* is BLOB, the constant must be a string constant.

datetime-special-register

Specifies CURRENT DATE, CURRENT TIME, or CURRENT TIMESTAMP. The source type of the distinct type of the column must be the data type that corresponds to the specified special register.

user-special-register

Specifies CURRENT USER, SESSION_USER, or SYSTEM_USER. The data type of the source type of the distinct type of the column must be a string data type with a length of at least 8 bytes. If the *cast-function* is BLOB, the length attribute must be at least 8 bytes.

CURRENT SCHEMA

Specifies the value of the CURRENT SCHEMA special register. The data type of the source type of the distinct type of the column must be a character string with a length greater than or equal to the length attribute of

the CURRENT SCHEMA special register. If the cast-function is BLOB, the length attribute must be at least 8 bytes.

EMPTY_CLOB(), EMPTY_DBCLOB(), or EMPTY_BLOB()

Specifies a zero-length string as the default for the column. The column must have the data type that corresponds to the result data type of the function.

If the value specified is not valid, an error is returned (SQLSTATE 42894).

GENERATED

Indicates that DB2 generates values for the column. GENERATED must be specified if the column is to be considered an IDENTITY column or a ROW CHANGE TIMESTAMP column.

ALWAYS

Specifies that DB2 will always generate a value for the column when a row is inserted into the table, or whenever the result value of the *generation-expression* changes. The result of the expression is stored in the table. GENERATED ALWAYS is the recommended value unless data propagation or unload and reload operations are being done. GENERATED ALWAYS is the required value for generated columns.

BY DEFAULT

Specifies that DB2 will generate a value for the column when a row is inserted, or updated specifying the DEFAULT clause, unless an explicit value is specified. BY DEFAULT is the recommended value when using data propagation or performing an unload and reload operation.

Although not explicitly required, to ensure uniqueness of the values, define a unique single-column index on generated IDENTITY columns.

AS IDENTITY

Specifies that the column is to be the identity column for this table. A table can only have a single IDENTITY column (SQLSTATE 428C1). The IDENTITY keyword can only be specified if the data type associated with the column is an exact numeric type with a scale of zero, or a user-defined distinct type for which the source type is an exact numeric type with a scale of zero (SQLSTATE 42815). SMALLINT, INTEGER, BIGINT, or DECIMAL with a scale of zero, or a distinct type based on one of these types, are considered exact numeric types. By contrast, single- and double-precision floating points are considered approximate numeric data types. Reference types, even if represented by an exact numeric type, cannot be defined as identity columns.

An identity column is implicitly NOT NULL. An identity column cannot have a DEFAULT clause (SQLSTATE 42623).

START WITH *numeric-constant*

Specifies the first value for the identity column. This value can be any positive or negative value that could be assigned to this column (SQLSTATE 42815), without non-zero digits existing to

CREATE TABLE

the right of the decimal point (SQLSTATE 428FA). The default is MINVALUE for ascending sequences, and MAXVALUE for descending sequences.

INCREMENT BY *numeric-constant*

Specifies the interval between consecutive values of the identity column. This value can be any positive or negative value that could be assigned to this column (SQLSTATE 42815), and does not exceed the value of a large integer constant (SQLSTATE 42820), without non-zero digits existing to the right of the decimal point (SQLSTATE 428FA).

If this value is negative, this is a descending sequence. If this value is 0, or positive, this is an ascending sequence. The default is 1.

NO MINVALUE or MINVALUE

Specifies the minimum value at which a descending identity column either cycles or stops generating values, or an ascending identity column cycles to after reaching the maximum value.

NO MINVALUE

For an ascending sequence, the value is the START WITH value, or 1 if START WITH was not specified. For a descending sequence, the value is the minimum value of the data type of the column. This is the default.

MINVALUE *numeric-constant*

Specifies the numeric constant that is the minimum value. This value can be any positive or negative value that could be assigned to this column (SQLSTATE 42815), without non-zero digits existing to the right of the decimal point (SQLSTATE 428FA), but the value must be less than or equal to the maximum value (SQLSTATE 42815).

NO MAXVALUE or MAXVALUE

Specifies the maximum value at which an ascending identity column either cycles or stops generating values, or a descending identity column cycles to after reaching the minimum value.

NO MAXVALUE

For an ascending sequence, the value is the maximum value of the data type of the column. For a descending sequence, the value is the START WITH value, or -1 if START WITH was not specified. This is the default.

MAXVALUE *numeric-constant*

Specifies the numeric constant that is the maximum value. This value can be any positive or negative value that could be assigned to this column (SQLSTATE 42815), without non-zero digits existing to the right of the decimal point (SQLSTATE 428FA), but the value must be greater than or equal to the minimum value (SQLSTATE 42815).

NO CYCLE or CYCLE

Specifies whether this identity column should continue to generate values after generating either its maximum or minimum value.

NO CYCLE

Specifies that values will not be generated for the identity column once the maximum or minimum value has been reached. This is the default.

CYCLE

Specifies that values continue to be generated for this column after the maximum or minimum value has been reached. If this option is used, after an ascending identity column reaches the maximum value, it generates its minimum value; or after a descending sequence reaches the minimum value, it generates its maximum value. The maximum and minimum values for the identity column determine the range that is used for cycling.

When CYCLE is in effect, DB2 may generate duplicate values for an identity column. Although not explicitly required, a unique, single-column index should be defined on the generated column to ensure uniqueness of the values, if unique values are desired. If a unique index exists on such an identity column and a non-unique value is generated, an error occurs (SQLSTATE 23505).

NO CACHE or CACHE

Specifies whether to keep some pre-allocated values in memory for faster access. If a new value is needed for the identity column, and there are none available in the cache, then the end of the new cache block must be logged. However, when a new value is needed for the identity column, and there is an unused value in the cache, then the allocation of that identity value is faster, because no logging is necessary. This is a performance and tuning option.

NO CACHE

Specifies that values for the identity column are not to be pre-allocated.

When this option is specified, the values of the identity column are not stored in the cache. In this case, every request for a new identity value results in synchronous I/O to the log.

CACHE *integer-constant*

Specifies how many values of the identity sequence are to be pre-allocated and kept in memory. When values are generated for the identity column, pre-allocating and storing values in the cache reduces synchronous I/O to the log.

If a new value is needed for the identity column and there are no unused values available in the cache, the allocation of the value involves waiting for I/O to the log. However, when a new value is needed for the identity column and there is an unused value in the cache, the allocation of that identity value can happen more quickly by avoiding the I/O to the log.

In the event of a database deactivation, either normally or due to a system failure, all cached sequence values that have not been used in committed statements are *lost*; that

is, they will never be used. The value specified for the CACHE option is the maximum number of values for the identity column that could be lost in case of database deactivation. (If a database is not explicitly activated, using the ACTIVATE command or API, when the last application is disconnected from the database, an implicit deactivation occurs.)

The minimum value is 2 (SQLSTATE 42815). The default value is CACHE 20.

NO ORDER or ORDER

Specifies whether the identity values must be generated in order of request.

NO ORDER

Specifies that the values do not need to be generated in order of request. This is the default.

ORDER

Specifies that the values must be generated in order of request.

FOR EACH ROW ON UPDATE AS ROW CHANGE TIMESTAMP

Specifies that the column is a timestamp column for the table. A value is generated for the column in each row that is inserted, and for any row in which any column is updated. The value that is generated for a ROW CHANGE TIMESTAMP column is a timestamp that corresponds to the insert or update time for that row. If multiple rows are inserted or updated with a single statement, the value of the ROW CHANGE TIMESTAMP column might be different for each row.

A table can only have one ROW CHANGE TIMESTAMP column (SQLSTATE 428C1). If *data-type* is specified, it must be TIMESTAMP (SQLSTATE 42842). A ROW CHANGE TIMESTAMP column cannot have a DEFAULT clause (SQLSTATE 42623). NOT NULL must be specified for a ROW CHANGE TIMESTAMP column (SQLSTATE 42831).

GENERATED ALWAYS AS (*generation-expression*)

Specifies that the definition of the column is based on an expression. (If the expression for a GENERATED ALWAYS column includes a user-defined external function, changing the executable for the function (such that the results change for given arguments) can result in inconsistent data. This can be avoided by using the SET INTEGRITY statement to force the generation of new values.) The *generation-expression* cannot contain any of the following (SQLSTATE 42621):

- Subqueries
- XMLQUERY or XMLEXISTS expressions
- Column functions
- Dereference operations or Deref functions
- User-defined or built-in functions that are non-deterministic
- User-defined functions using the EXTERNAL ACTION option
- User-defined functions that are not defined with NO SQL
- Host variables or parameter markers

- Special registers
- Global variables
- References to columns defined later in the column list
- References to other generated columns
- References to columns of type XML

The data type for the column is based on the result data type of the *generation-expression*. A CAST specification can be used to force a particular data type and to provide a scope (for a reference type only). If *data-type* is specified, values are assigned to the column according to the appropriate assignment rules. A generated column is implicitly considered nullable, unless the NOT NULL column option is used. The data type of a generated column and the result data type of the *generation-expression* must have equality defined (see “Assignments and comparisons”). This excludes columns and generation expressions of type LOB data types; XML; structured types; and distinct types based on any of these types (SQLSTATE 42962).

INLINE LENGTH *integer*

This option is valid only for a column defined using a structured or XML type type (SQLSTATE 42842).

For a column of type XML, *integer* indicates the maximum byte size of the internal representation of an XML document to store in the base table row. XML documents that have a larger internal representation are stored separately from the base table row in an auxiliary storage object. This takes place automatically. There is no default inline length for XML type columns.

For a structured type column, *integer* indicates the maximum byte size of an instance of a structured type to store inline with the rest of the values in the row. Instances of structured types that cannot be stored inline are stored separately from the base table row, similar to the way that LOB values are handled. This takes place automatically. The default INLINE LENGTH for a structured-type column is the inline length of its type (specified explicitly or by default in the CREATE TYPE statement). If INLINE LENGTH of the structured type is less than 292, the value 292 is used for the INLINE LENGTH of the column.

Note: The inline lengths of subtypes are not counted in the default inline length, meaning that instances of subtypes may not fit inline unless an explicit INLINE LENGTH is specified at CREATE TABLE time to account for existing and future subtypes.

The explicit INLINE LENGTH value must be at least 292 and cannot exceed 32673 (SQLSTATE 54010).

COMPRESS SYSTEM DEFAULT

Specifies that system default values are to be stored using minimal space. If the VALUE COMPRESSION clause is not specified, a warning is returned (SQLSTATE 01648), and system default values are not stored using minimal space.

Allowing system default values to be stored in this manner causes a slight performance penalty during insert and update operations on the column because of extra checking that is done.

CREATE TABLE

The base data type must not be a DATE, TIME, TIMESTAMP, XML, or structured data type (SQLSTATE 42842). If the base data type is a varying-length string, this clause is ignored. String values of length 0 are automatically compressed if a table has been set with VALUE COMPRESSION.

COLUMN SECURED WITH *security-label-name*

Identifies a security label that exists for the security policy that is associated with the table. The name must not be qualified (SQLSTATE 42601). The table must have a security policy associated with it (SQLSTATE 55064).

unique-constraint

Defines a unique or primary key constraint. If the table has a distribution key, any unique or primary key must be a superset of the distribution key. A unique or primary key constraint cannot be specified for a table that is a subtable (SQLSTATE 429B3). Primary or unique keys cannot be subsets of dimensions (SQLSTATE 429BE). If the table is a root table, the constraint applies to the table and all its subtables.

CONSTRAINT *constraint-name*

Names the primary key or unique constraint.

UNIQUE (*column-name,...*)

Defines a unique key composed of the identified columns. The identified columns must be defined as NOT NULL. Each *column-name* must identify a column of the table and the same column must not be identified more than once.

The number of identified columns must not exceed 64, and the sum of their stored lengths must not exceed the index key length limit for the page size. For column stored lengths, see Byte Counts. For key length limits, see "SQL limits". No LOB, XML, distinct type based on one of these types, or structured type can be used as part of a unique key, even if the length attribute of the column is small enough to fit within the index key length limit for the page size (SQLSTATE 54008).

The set of columns in the unique key cannot be the same as the set of columns in the primary key or another unique key (SQLSTATE 01543). (If LANGLEVEL is SQL92E or MIA, an error is returned, SQLSTATE 42891.)

A unique constraint cannot be specified if the table is a subtable (SQLSTATE 429B3), because unique constraints are inherited from the supertable.

The description of the table as recorded in the catalog includes the unique key and its unique index. A unique bidirectional index, which allows forward and reverse scans, will automatically be created for the columns in the sequence specified with ascending order for each column. The name of the index will be the same as the *constraint-name* if this does not conflict with an existing index in the schema where the table is created. If the index name conflicts, the name will be SQL, followed by a character timestamp (*yymmddhhmmssxxx*), with SYSIBM as the schema name.

PRIMARY KEY (*column-name,...*)

Defines a primary key composed of the identified columns. The clause must not be specified more than once, and the identified columns must be defined as NOT NULL. Each *column-name* must identify a column of the table, and the same column must not be identified more than once.

The number of identified columns must not exceed 64, and the sum of their stored lengths must not exceed the index key length limit for the page size. For column stored lengths, see Byte Counts. For key length limits, see “SQL limits”. No LOB, XML, distinct type based on one of these types, or structured type can be used as part of a primary key, even if the length attribute of the column is small enough to fit within the index key length limit for the page size (SQLSTATE 54008).

The set of columns in the primary key cannot be the same as the set of columns in a unique key (SQLSTATE 01543). (If LANGLEVEL is SQL92E or MIA, an error is returned, SQLSTATE 42891.)

Only one primary key can be defined on a table.

A primary key cannot be specified if the table is a subtable (SQLSTATE 429B3) because the primary key is inherited from the supertable.

The description of the table as recorded in the catalog includes the primary key and its primary index. A unique bidirectional index, which allows forward and reverse scans, will automatically be created for the columns in the sequence specified with ascending order for each column. The name of the index will be the same as the *constraint-name* if this does not conflict with an existing index in the schema where the table is created. If the index name conflicts, the name will be SQL, followed by a character timestamp (*yymmddhhmmssxxx*), with SYSIBM as the schema name.

If the table has a distribution key, the columns of a *unique-constraint* must be a superset of the distribution key columns; column order is unimportant.

referential-constraint

Defines a referential constraint.

CONSTRAINT *constraint-name*

Names the referential constraint.

FOREIGN KEY (*column-name,...*)

Defines a referential constraint with the specified *constraint-name*.

Let T1 denote the object table of the statement. The foreign key of the referential constraint is composed of the identified columns. Each name in the list of column names must identify a column of T1 and the same column must not be identified more than once.

The number of identified columns must not exceed 64, and the sum of their stored lengths must not exceed the index key length limit for the page size. For column stored lengths, see Byte Counts. For key length limits, see “SQL limits”. No LOB, XML, distinct type based on one of these types, or structured type column can be used as part of a foreign key (SQLSTATE 42962). There must be the same number of foreign key columns as there are in the parent key and the data types of the corresponding columns must be compatible (SQLSTATE 42830). Two column descriptions are compatible if they have compatible data types (both columns are numeric, character strings, graphic, date/time, or have the same distinct type).

references-clause

Specifies the parent table or the parent nickname, and the parent key for the referential constraint.

CREATE TABLE

REFERENCES *table-name* or *nickname*

The table or nickname specified in a REFERENCES clause must identify a base table or a nickname that is described in the catalog, but must not identify a catalog table.

A referential constraint is a duplicate if its foreign key, parent key, and parent table or parent nickname are the same as the foreign key, parent key, and parent table or parent nickname of a previously specified referential constraint. Duplicate referential constraints are ignored, and a warning is returned (SQLSTATE 01543).

In the following discussion, let T2 denote the identified parent table, and let T1 denote the table being created (or altered). (T1 and T2 may be the same table).

The specified foreign key must have the same number of columns as the parent key of T2 and the description of the *n*th column of the foreign key must be comparable to the description of the *n*th column of that parent key. Datetime columns are not considered to be comparable to string columns for the purposes of this rule.

(*column-name*,...)

The parent key of a referential constraint is composed of the identified columns. Each *column-name* must be an unqualified name that identifies a column of T2. The same column must not be identified more than once.

The list of column names must match the set of columns (in any order) of the primary key or a unique constraint that exists on T2 (SQLSTATE 42890). If a column name list is not specified, then T2 must have a primary key (SQLSTATE 42888). Omission of the column name list is an implicit specification of the columns of that primary key in the sequence originally specified.

The referential constraint specified by a FOREIGN KEY clause defines a relationship in which T2 is the parent and T1 is the dependent.

rule-clause

Specifies what action to take on dependent tables.

ON DELETE

Specifies what action is to take place on the dependent tables when a row of the parent table is deleted. There are four possible actions:

- NO ACTION (default)
- RESTRICT
- CASCADE
- SET NULL

The delete rule applies when a row of T2 is the object of a DELETE or propagated delete operation and that row has dependents in T1. Let *p* denote such a row of T2.

- If RESTRICT or NO ACTION is specified, an error occurs and no rows are deleted.
- If CASCADE is specified, the delete operation is propagated to the dependents of *p* in T1.
- If SET NULL is specified, each nullable column of the foreign key of each dependent of *p* in T1 is set to null.

SET NULL must not be specified unless some column of the foreign key allows null values. Omission of the clause is an implicit specification of ON DELETE NO ACTION.

If T1 is delete-connected to T2 through multiple paths, defining two SET NULL rules with overlapping foreign key definitions is not allowed. For example: T1 (i1, i2, i3). Rule1 with foreign key (i1, i2) and Rule2 with foreign key (i2, i3) is not allowed.

The firing order of the rules is:

1. RESTRICT
2. SET NULL OR CASCADE
3. NO ACTION

If any row in T1 is affected by two different rules, an error occurs and no rows are deleted.

A referential constraint cannot be defined if it would cause a table to be delete-connected to itself by a cycle involving two or more tables, and where one of the delete rules is RESTRICT or SET NULL (SQLSTATE 42915).

A referential constraint that would cause a table to be delete-connected to either itself or another table by multiple paths can be defined, except in the following cases (SQLSTATE 42915):

- A table must not be both a dependent table in a CASCADE relationship (self-referencing, or referencing another table), and have a self-referencing relationship in which the delete rule is RESTRICT or SET NULL.
- A key overlaps another key when at least one column in one key is the same as a column in the other key. When a table is delete-connected to another table through multiple relationships with overlapping foreign keys, those relationships must have the same delete rule, and none of the delete rules can be SET NULL.
- When a table is delete-connected to another table through multiple relationships, and at least one of those relationships is specified with a delete rule of SET NULL, the foreign key definitions of these relationships must not contain any distribution key or multidimensional clustering (MDC) key column.
- When two tables are delete-connected to the same table through CASCADE relationships, the two tables must not be delete-connected to each other if the delete rule of the last relationship in each delete-connected path is RESTRICT or SET NULL.

If any row in T1 is affected by different delete rules, the result would be the effect of all the actions specified by these rules. AFTER triggers and CHECK constraints on T1 will also see the effect of all the actions. An example of this is a row that is targeted to be set null through one delete-connected path to an ancestor table, and targeted to be deleted by a second delete-connected path to the same ancestor table. The result would be the deletion of the row. AFTER DELETE triggers on this descendant table would be activated, but AFTER UPDATE triggers would not.

In applying the above rules to referential constraints, in which either the parent table or the dependent table is a member of a

CREATE TABLE

typed table hierarchy, all the referential constraints that apply to any table in the respective hierarchies are taken into consideration.

ON UPDATE

Specifies what action is to take place on the dependent tables when a row of the parent table is updated. The clause is optional. ON UPDATE NO ACTION is the default and ON UPDATE RESTRICT is the only alternative.

The difference between NO ACTION and RESTRICT is described in the “Notes” section.

check-constraint

Defines a check constraint. A *check-constraint* is a *search-condition* that must evaluate to not false or a functional dependency that is defined between columns.

CONSTRAINT *constraint-name*

Names the check constraint.

CHECK (*check-condition*)

Defines a check constraint. The *search-condition* must be true or unknown for every row of the table.

search-condition

The *search-condition* has the following restrictions:

- A column reference must be to a column of the table being created.
- The *search-condition* cannot contain a TYPE predicate.
- The *search-condition* cannot contain any of the following (SQLSTATE 42621):
 - Subqueries
 - XMLQUERY or XMLEXISTS expressions
 - Dereference operations or Deref functions where the scoped reference argument is other than the object identifier (OID) column
 - CAST specifications with a SCOPE clause
 - Column functions
 - Functions that are not deterministic
 - Functions defined to have an external action
 - User-defined functions defined with either CONTAINS SQL or READS SQL DATA
 - Host variables
 - Parameter markers
 - Special registers
 - Global variables
 - References to generated columns other than the identity column
 - References to columns of type XML (except in a VALIDATED predicate)
 - An error tolerant *nested-table-expression*

functional-dependency

Defines a functional dependency between columns.

column-name **DETERMINED BY** *column-name* **or** (*column-name*,...)
DETERMINED BY (*column-name*,...)

The parent set of columns contains the identified columns that immediately precede the DETERMINED BY clause. The child set of columns contains the identified columns that immediately follow the DETERMINED BY clause. All of the restrictions on the *search-condition* apply to parent set and child set columns, and only simple column references are allowed in the set of columns (SQLSTATE 42621). The same column must not be identified more than once in the functional dependency (SQLSTATE 42709). The data type of the column must not be a LOB data type, a distinct type based on a LOB data type, an XML data type, or a structured type (SQLSTATE 42962). A ROW CHANGE TIMESTAMP column cannot be used as part of a primary key (SQLSTATE 429BV). No column in the child set of columns can be a nullable column (SQLSTATE 42621).

If a check constraint is specified as part of a *column-definition*, a column reference can only be made to the same column. Check constraints specified as part of a table definition can have column references identifying columns previously defined in the CREATE TABLE statement. Check constraints are not checked for inconsistencies, duplicate conditions, or equivalent conditions. Therefore, contradictory or redundant check constraints can be defined, resulting in possible errors at execution time.

The *search-condition* "IS NOT NULL" can be specified; however, it is recommended that nullability be enforced directly, using the NOT NULL attribute of a column. For example, CHECK (salary + bonus > 30000) is accepted if salary is set to NULL, because CHECK constraints must be either satisfied or unknown, and in this case, salary is unknown. However, CHECK (salary IS NOT NULL) would be considered false and a violation of the constraint if salary is set to NULL.

Check constraints with *search-condition* are enforced when rows in the table are inserted or updated. A check constraint defined on a table automatically applies to all subtables of that table.

A functional dependency is not enforced by the database manager during normal operations such as insert, update, delete, or set integrity. The functional dependency might be used during query rewrite to optimize queries. Incorrect results might be returned if the integrity of a functional dependency is not maintained.

constraint-attributes

Defines attributes associated with referential integrity or check constraints.

ENFORCED or NOT ENFORCED

Specifies whether the constraint is enforced by the database manager during normal operations such as insert, update, or delete. The default is ENFORCED.

ENFORCED

The constraint is enforced by the database manager. ENFORCED cannot be specified for a functional dependency (SQLSTATE 42621). ENFORCED cannot be specified when a referential constraint refers to a nickname (SQLSTATE 428G7).

CREATE TABLE

NOT ENFORCED

The constraint is not enforced by the database manager. This should only be specified if the table data is independently known to conform to the constraint.

ENABLE QUERY OPTIMIZATION or DISABLE QUERY OPTIMIZATION

Specifies whether the constraint or functional dependency can be used for query optimization under appropriate circumstances. The default is ENABLE QUERY OPTIMIZATION.

ENABLE QUERY OPTIMIZATION

The constraint is assumed to be true and can be used for query optimization.

DISABLE QUERY OPTIMIZATION

The constraint cannot be used for query optimization.

OF *type-name1*

Specifies that the columns of the table are based on the attributes of the structured type identified by *type-name1*. If *type-name1* is specified without a schema name, the type name is resolved by searching the schemas on the SQL path (defined by the FUNCPTH preprocessing option for static SQL and by the CURRENT PATH register for dynamic SQL). The type name must be the name of an existing user-defined type (SQLSTATE 42704) and it must be an instantiable structured type (SQLSTATE 428DP) with at least one attribute (SQLSTATE 42997).

If UNDER is not specified, an object identifier column must be specified (refer to the *OID-column-definition*). This object identifier column is the first column of the table. The object ID column is followed by columns based on the attributes of *type-name1*.

HIERARCHY *hierarchy-name*

Names the hierarchy table associated with the table hierarchy. It is created at the same time as the root table of the hierarchy. The data for all subtables in the typed table hierarchy is stored in the hierarchy table. A hierarchy table cannot be directly referenced in SQL statements. A *hierarchy-name* is a *table-name*. The *hierarchy-name*, including the implicit or explicit schema name, must not identify a table, nickname, view, or alias described in the catalog. If the schema name is specified, it must be the same as the schema name of the table being created (SQLSTATE 428DQ). If this clause is omitted when defining the root table, a name is generated by the system. This name consists of the name of the table being created, followed by a unique suffix, such that the identifier is unique among the identifiers of existing tables, views, and nicknames.

UNDER *supertable-name*

Indicates that the table is a subtable of *supertable-name*. The supertable must be an existing table (SQLSTATE 42704) and the table must be defined using a structured type that is the immediate supertype of *type-name1* (SQLSTATE 428DB). The schema name of *table-name* and *supertable-name* must be the same (SQLSTATE 428DQ). The table identified by *supertable-name* must not have any existing subtable already defined using *type-name1* (SQLSTATE 42742).

The columns of the table include the object identifier column of the supertable with its type modified to be REF(*type-name1*), followed by columns based on the attributes of *type-name1* (remember that the type includes the attributes of its supertype). The attribute names cannot be the same as the OID column name (SQLSTATE 42711).

Other table options, including table space, data capture, not logged initially, and distribution key options cannot be specified. These options are inherited from the supertable (SQLSTATE 42613).

INHERIT SELECT PRIVILEGES

Any user or group holding a SELECT privilege on the supertable will be granted an equivalent privilege on the newly created subtable. The subtable definer is considered to be the grantor of this privilege.

typed-element-list

Defines the additional elements of a typed table. This includes the additional options for the columns, the addition of an object identifier column (root table only), and constraints on the table.

OID-column-definition

Defines the object identifier column for the typed table.

REF IS *OID-column-name* USER GENERATED

Specifies that an object identifier (OID) column is defined in the table as the first column. An OID is required for the root table of a table hierarchy (SQLSTATE 428DX). The table must be a typed table (the OF clause must be present) that is not a subtable (SQLSTATE 42613). The name for the column is defined as *OID-column-name* and cannot be the same as the name of any attribute of the structured type *type-name1* (SQLSTATE 42711). The column is defined with type REF(*type-name1*), NOT NULL and a system required unique index (with a default index name) is generated. This column is referred to as the *object identifier column* or *OID column*. The keywords USER GENERATED indicate that the initial value for the OID column must be provided by the user when inserting a row. Once a row is inserted, the OID column cannot be updated (SQLSTATE 42808).

with-options

Defines additional options that apply to columns of a typed table.

column-name

Specifies the name of the column for which additional options are specified. The *column-name* must correspond to the name of a column of the table that is not also a column of a supertable (SQLSTATE 428DJ). A column name can only appear in one WITH OPTIONS clause in the statement (SQLSTATE 42613).

If an option is already specified as part of the type definition (in CREATE TYPE), the options specified here override the options in CREATE TYPE.

WITH OPTIONS *column-options*

Defines options for the specified column. See *column-options* described earlier. If the table is a subtable, primary key or unique constraints cannot be specified (SQLSTATE 429B3).

LIKE *table-name1* or *view-name* or *nickname*

Specifies that the columns of the table have exactly the same name and description as the columns of the identified table (*table-name1*), view (*view-name*) or nickname (*nickname*). The name specified after LIKE must identify a table, view or nickname that exists in the catalog, or a declared temporary table. A typed table or typed view cannot be specified (SQLSTATE 428EC).

The use of LIKE is an implicit definition of *n* columns, where *n* is the number of columns in the identified table (including implicitly hidden columns), view,

CREATE TABLE

or nickname. A column of the new table that corresponds to an implicitly hidden column in the existing table will also be defined as implicitly hidden.

- If a table is identified, then the implicit definition includes the column name, data type, hidden attribute, and nullability characteristic of each of the columns of *table-name1*. If EXCLUDING COLUMN DEFAULTS is not specified, then the column default is also included.
- If a view is identified, then the implicit definition includes the column name, data type, and nullability characteristic of each of the result columns of the fullselect defined in *view-name*.
- If a nickname is identified, then the implicit definition includes the column name, data type, and nullability characteristic of each column of *nickname*.
- If a protected table is identified in the LIKE clause, the new table inherits the same security policy and protected columns as the identified table.

Column default and identity column attributes may be included or excluded, based on the copy-attributes clauses. The implicit definition does not include any other attributes of the identified table, view or nickname. Thus the new table does not have any unique constraints, foreign key constraints, triggers, or indexes. The table is created in the table space implicitly or explicitly specified by the IN clause, and the table has any other optional clause only if the optional clause is specified.

copy-options

These options specify whether or not to copy additional attributes of the source result table definition (table, view or fullselect).

INCLUDING COLUMN DEFAULTS

Column defaults for each updatable column of the source result table definition are copied. Columns that are not updatable will not have a default defined in the corresponding column of the created table.

If LIKE *table-name* is specified and *table-name* identifies a base table or declared temporary table, then INCLUDING COLUMN DEFAULTS is the default.

EXCLUDING COLUMN DEFAULTS

Columns defaults are not copied from the source result table definition.

This clause is the default, except when LIKE *table-name* is specified and *table-name* identifies a base table or declared temporary table.

INCLUDING IDENTITY COLUMN ATTRIBUTES

Identity column attributes are copied from the source result table definition, if possible. It is possible to copy the identity column attributes, if the element of the corresponding column in the table, view, or fullselect is the name of a table column, or the name of a view column which directly or indirectly maps to the name of a base table column with the identity property. In all other cases, the columns of the new table will not get the identity property. For example:

- the select-list of the fullselect includes multiple instances of an identity column name (that is, selecting the same column more than once)
- the select list of the fullselect includes multiple identity columns (that is, it involves a join)
- the identity column is included in an expression in the select list
- the fullselect includes a set operation (union, except, or intersect).

EXCLUDING IDENTITY COLUMN ATTRIBUTES

Identity column attributes are not copied from the source result table definition.

as-result-table

column-name

Names the columns in the table. If a list of column names is specified, it must consist of as many names as there are columns in the result table of the *fullselect*. Each *column-name* must be unique and unqualified. If a list of column names is not specified, the columns of the table inherit the names of the columns of the result table of the *fullselect*.

A list of column names must be specified if the result table of the *fullselect* has duplicate column names of an unnamed column (SQLSTATE 42908). An unnamed column is a column derived from a constant, function, expression, or set operation that is not named using the AS clause of the select list.

AS

Introduces the query that is used for the definition of the table.

fullselect

Defines the query on which the table is based. The resulting column definitions are the same as those for a view defined with the same query. A column of the new table that corresponds to an implicitly hidden column of a base table referenced in the *fullselect* is not considered hidden in the new table.

Every select list element must have a name (use the AS clause for expressions). The *as-result-table* defines attributes of the table.

The *fullselect* cannot include a *data-change-table-reference* clause (SQLSTATE 428FL).

Any valid *fullselect* that does not reference a typed table or a typed view can be specified.

WITH NO DATA

The query is used only to define the table. The table is not populated using the results of the query.

The columns of the table are defined based on the definitions of the columns that result from the *fullselect*. If the *fullselect* references a single table in the FROM clause, select list items that are columns of that table are defined using the column name, data type, and nullability characteristic of the referenced table.

materialized-query-definition

column-name

Names the columns in the table. If a list of column names is specified, it must consist of as many names as there are columns in the result table of the *fullselect*. Each *column-name* must be unique and unqualified. If a list of column names is not specified, the columns of the table inherit the names of the columns of the result table of the *fullselect*.

A list of column names must be specified if the result table of the *fullselect* has duplicate column names of an unnamed column (SQLSTATE 42908). An unnamed column is a column derived from a constant, function, expression, or set operation that is not named using the AS clause of the select list.

CREATE TABLE

AS

Introduces the query that is used for the definition of the table and that determines the data to be included in the table.

fullselect

Defines the query on which the table is based. The resulting column definitions are the same as those for a view defined with the same query. A column of the new table that corresponds to an implicitly hidden column of a base table referenced in the fullselect is not considered hidden in the new table.

Every select list element must have a name (use the AS clause for expressions). The *materialized-query-definition* defines attributes of the materialized query table. The option chosen also defines the contents of the fullselect as follows.

The fullselect cannot include a *data-change-table-reference* clause (SQLSTATE 428FL).

When REFRESH DEFERRED or REFRESH IMMEDIATE is specified, the fullselect cannot include (SQLSTATE 428EC):

- References to a materialized query table, declared temporary table, or typed table in any FROM clause
- References to a view where the fullselect of the view violates any of the listed restrictions on the fullselect of the materialized query table
- Expressions that are a reference type (or distinct type based on this type)
- Functions that have any of the following attributes:
 - EXTERNAL ACTION
 - LANGUAGE SQL
 - CONTAINS SQL
 - READS SQL DATA
 - MODIFIES SQL DATA
- Functions that depend on physical characteristics (for example, DBPARTITIONNUM, HASHEDVALUE, RID_BIT, RID)
- A ROW CHANGE expression or reference to a ROW CHANGE TIMESTAMP column of the row
- Table or view references to system objects (Explain tables also should not be specified)
- Expressions that are a structured type, LOB type (or a distinct type based on a LOB type), or XML type
- References to a protected table or protected nickname

When DISTRIBUTE BY REPLICATION is specified, the following restrictions apply:

- The GROUP BY clause is not allowed.
- The materialized query table must only reference a single table; that is, it cannot include a join.

When REFRESH IMMEDIATE is specified:

- The query must be a subselect, with the exception that UNION ALL is supported in the input table expression of a GROUP BY.
- The query cannot be recursive.
- The query cannot include:
 - References to a nickname

- Functions that are not deterministic
- Scalar fullselects
- Predicates with fullselects
- Special registers
- Global variables
- SELECT DISTINCT
- An error tolerant *nested-table-expression*
- If the FROM clause references more than one table or view, it can only define an inner join without using the explicit INNER JOIN syntax.
- When a GROUP BY clause is specified, the following considerations apply:
 - The supported column functions are SUM, COUNT, COUNT_BIG and GROUPING (without DISTINCT). The select list must contain a COUNT(*) or COUNT_BIG(*) column. If the materialized query table select list contains SUM(X), where X is a nullable argument, the materialized query table must also have COUNT(X) in its select list. These column functions cannot be part of any expressions.
 - A HAVING clause is not allowed.
 - If in a multiple partition database partition group, the distribution key must be a subset of the GROUP BY items.
- The materialized query table must not contain duplicate rows, and the following restrictions specific to this uniqueness requirement apply, depending upon whether or not a GROUP BY clause is specified.
 - When a GROUP BY clause is specified, the following uniqueness-related restrictions apply:
 - All GROUP BY items must be included in the select list.
 - When the GROUP BY contains GROUPING SETS, CUBE, or ROLLUP, the GROUP BY items and associated GROUPING column functions in the select list must form a unique key of the result set. Thus, the following restrictions must be satisfied:
 - No grouping sets can be repeated. For example, ROLLUP(X,Y), X is not allowed, because it is equivalent to GROUPING SETS((X,Y), (X), (X)).
 - If X is a nullable GROUP BY item that appears within GROUPING SETS, CUBE, or ROLLUP, then GROUPING(X) must appear in the select list.
 - When a GROUP BY clause is not specified, the following uniqueness-related restrictions apply:
 - The materialized query table's uniqueness requirement is achieved by deriving a unique key for the materialized view from one of the unique key constraints defined in each of the underlying tables. Therefore, the underlying tables must have at least one unique key constraint defined on them, and the columns of these keys must appear in the select list of the materialized query table definition.
- When MAINTAINED BY FEDERATED_TOOL is specified, only references to nicknames are allowed in a FROM clause.

When REFRESH DEFERRED is specified:

- If the materialized query table is created with the intention of providing it with an associated staging table in a later statement, the fullselect of

CREATE TABLE

the materialized query table must follow the same restrictions and rules as a fullselect used to create a materialized query table with the REFRESH IMMEDIATE option.

- If the query is recursive, the materialized query table is not used to optimize the processing of queries.

A materialized query table whose fullselect contains a GROUP BY clause is summarizing data from the tables referenced in the fullselect. Such a materialized query table is also known as a *summary table*. A summary table is a specialized type of materialized query table.

refreshable-table-options

Define the refreshable options of the materialized query table attributes.

DATA INITIALLY DEFERRED

Data is not inserted into the table as part of the CREATE TABLE statement. A REFRESH TABLE statement specifying the *table-name* is used to insert data into the table.

REFRESH

Indicates how the data in the table is maintained.

DEFERRED

The data in the table can be refreshed at any time using the REFRESH TABLE statement. The data in the table only reflects the result of the query as a snapshot at the time the REFRESH TABLE statement is processed. System-maintained materialized query tables defined with this attribute do not allow INSERT, UPDATE, or DELETE statements (SQLSTATE 42807). User-maintained materialized query tables defined with this attribute do allow INSERT, UPDATE, or DELETE statements.

IMMEDIATE

The changes made to the underlying tables as part of a DELETE, INSERT, or UPDATE are cascaded to the materialized query table. In this case, the content of the table, at any point-in-time, is the same as if the specified *subselect* is processed. Materialized query tables defined with this attribute do not allow INSERT, UPDATE, or DELETE statements (SQLSTATE 42807).

ENABLE QUERY OPTIMIZATION

The materialized query table can be used for query optimization under appropriate circumstances.

DISABLE QUERY OPTIMIZATION

The materialized query table will not be used for query optimization. The table can still be queried directly.

MAINTAINED BY

Specifies whether the data in the materialized query table is maintained by the system, user, or replication tool. The default is SYSTEM.

SYSTEM

Specifies that the data in the materialized query table is maintained by the system.

USER

Specifies that the data in the materialized query table is maintained by the user. The user is allowed to perform update, delete, or insert operations against user-maintained materialized query tables.

The REFRESH TABLE statement, used for system-maintained materialized query tables, cannot be invoked against user-maintained materialized query tables. Only a REFRESH DEFERRED materialized query table can be defined as MAINTAINED BY USER.

FEDERATED_TOOL

Specifies that the data in the materialized query table is maintained by the replication tool. The REFRESH TABLE statement, used for system-maintained materialized query tables, cannot be invoked against federated_tool-maintained materialized query tables. Only a REFRESH DEFERRED materialized query table can be defined as MAINTAINED BY FEDERATED_TOOL.

staging-table-definition

Defines the query supported by the staging table indirectly through an associated materialized query table. The underlying tables of the materialized query table are also the underlying tables for its associated staging table. The staging table collects changes that need to be applied to the materialized query table to synchronize it with the contents of the underlying tables.

staging-column-name

Names the columns in the staging table. If a list of column names is specified, it must consist of *two* more names than there are columns in the materialized query table for which the staging table is defined. If the materialized query table is a replicated materialized query table, or the query defining the materialized query table does not contain a GROUP BY clause, the list of column names must consist of *three* more names than there are columns in the materialized query table for which the staging table is defined. Each column name must be unique and unqualified. If a list of column names is not specified, the columns of the table inherit the names of the columns of the associated materialized query table. The additional columns are named GLOBALTRANSID and GLOBALTRANSTIME, and if a third column is necessary, it is named OPERATIONTYPE.

Table 19. Extra Columns Appended in Staging Tables

Column Name	Data Type	Column Description
GLOBALTRANSID	CHAR(8) FOR BIT DATA	The global transaction ID for each propagated row
GLOBALTRANSTIME	CHAR(13) FOR BIT DATA	The timestamp of the transaction
OPERATIONTYPE	INTEGER	Operation for the propagated row, either insert, update, or delete.

A list of column names must be specified if any of the columns of the associated materialized query table duplicates any of the generated column names (SQLSTATE 42711).

FOR *table-name2*

Specifies the materialized query table that is used for the definition of the staging table. The name, including the implicit or explicit schema, must identify a materialized query table that exists at the current server defined with REFRESH DEFERRED. The fullselect of the associated materialized

CREATE TABLE

query table must follow the same restrictions and rules as a fullselect used to create a materialized query table with the REFRESH IMMEDIATE option.

The contents of the staging table can be used to refresh the materialized query table, by invoking the REFRESH TABLE statement, if the contents of the staging table are consistent with the associated materialized query table and the underlying source tables.

PROPAGATE IMMEDIATE

The changes made to the underlying tables as part of a delete, insert, or update operation are cascaded to the staging table in the same delete, insert, or update operation. If the staging table is not marked inconsistent, its content, at any point-in-time, is the delta changes to the underlying table since the last refresh materialized query table.

ORGANIZE BY DIMENSIONS (*column-name,...*)

Specifies a dimension for each column or group of columns used to cluster the table data. The use of parentheses within the dimension list specifies that a group of columns is to be treated as one dimension. The DIMENSIONS keyword is optional. A table whose definition specifies this clause is known as a multidimensional clustering (MDC) table.

A clustering block index is automatically maintained for each specified dimension, and a block index, consisting of all columns used in the clause, is maintained if none of the clustering block indexes includes them all. The set of columns used in the ORGANIZE BY clause must follow the rules for the CREATE INDEX statement.

Each column name specified in the ORGANIZE BY clause must be defined for the table (SQLSTATE 42703). A dimension cannot occur more than once in the dimension list (SQLSTATE 42709). The dimensions cannot contain a ROW CHANGE TIMESTAMP column (SQLSTATE 429BV). The table must not include any columns with data type XML (SQLSTATE 42601).

Pages of the table are arranged in blocks of equal size, which is the extent size of the table space, and all rows of each block contain the same combination of dimension values.

A table can be both a multidimensional clustering (MDC) table and a partitioned table. Columns in such a table can be used in both the *range-partition-spec* and in the MDC key. Note that table partitioning is multi-column, not multidimensional.

ORGANIZE BY KEY SEQUENCE *sequence-key-spec*

Specifies that the table is organized in ascending key sequence with a fixed size based on the specified range of key sequence values. A table organized in this way is referred to as a *range-clustered table*. Each possible key value in the defined range has a predetermined location in the physical table. The storage required for a range-clustered table must be available when the table is created, and must be sufficient to contain the number of rows in the specified range multiplied by the row size (for details on determining the space requirement, see Row Size and Byte Counts).

column-name

Specifies a column of the table that is included in the unique key that determines the sequence of the range-clustered table. The data type of the column must be SMALLINT, INTEGER, or BIGINT (SQLSTATE 42611), and the columns must be defined as NOT NULL (SQLSTATE 42831). The same

column must not be identified more than once in the sequence key. The number of identified columns must not exceed 64 (SQLSTATE 54008).

A unique index entry will automatically be created in the catalog for the columns in the key sequence specified with ascending order for each column. The name of the index will be SQL, followed by a character timestamp (*yymmddhhmmssxxx*), with SYSIBM as the schema name. An actual index object is not created in storage, because the table organization is ordered by this key. If a primary key or a unique constraint is defined on the same columns as the range-clustered table sequence key, this same index entry is used for the constraint.

For the key sequence specification, a check constraint exists to reflect the column constraints. If the DISALLOW OVERFLOW clause is specified, the name of the check constraint will be RCT, and the check constraint is enforced. If the ALLOW OVERFLOW clause is specified, the name of the check constraint will be RCT_OFLOW, and the check constraint is not enforced.

STARTING FROM *constant*

Specifies the constant value at the low end of the range for *column-name*. Values less than the specified constant are only allowed if the ALLOW OVERFLOW option is specified. If *column-name* is a SMALLINT or INTEGER column, the constant must be an INTEGER constant. If *column-name* is a BIGINT column, the constant must be an INTEGER or BIGINT constant (SQLSTATE 42821). If a starting constant is not specified, the default value is 1.

ENDING AT *constant*

Specifies the constant value at the high end of the range for *column-name*. Values greater than the specified constant are only allowed if the ALLOW OVERFLOW option is specified. The value of the ending constant must be greater than the starting constant. If *column-name* is a SMALLINT or INTEGER column, the constant must be an INTEGER constant. If *column-name* is a BIGINT column, the constant must be an INTEGER or BIGINT constant (SQLSTATE 42821).

ALLOW OVERFLOW

Specifies that the range-clustered table allows rows with key values that are outside of the defined range of values. When a range-clustered table is created to allow overflows, the rows with key values outside of the range are placed at the end of the defined range without any predetermined order. Operations involving these overflow rows are less efficient than operations on rows having key values within the defined range.

DISALLOW OVERFLOW

Specifies that the range-clustered table does not allow rows with key values that are not within the defined range of values (SQLSTATE 23513). Range-clustered tables that disallow overflows will always maintain all rows in ascending key sequence.

PCTFREE *integer*

Specifies the percentage of each page that is to be left as free space. The first row on each page is added without restriction. When additional rows are added to a page, at least *integer* percent of the page is left as free space. The value of *integer* can range from 0 to 99. A PCTFREE value of -1 in the system catalog (SYSCAT.TABLES) is interpreted as the default value. The default PCTFREE value for a table page is 0.

CREATE TABLE

DATA CAPTURE

Indicates whether extra information for inter-database data replication is to be written to the log. This clause cannot be specified when creating a subtable (SQLSTATE 42613).

If the table is a typed table, then this option is not supported (SQLSTATE 428DH or 42HDR).

Data capture is incompatible with row compression (SQLSTATE 42997).

NONE

Indicates that no extra information will be logged.

CHANGES

Indicates that extra information regarding SQL changes to this table will be written to the log. This option is required if this table will be replicated and the Capture program is used to capture changes for this table from the log.

If the schema name (implicit or explicit) of the table is longer than 18 bytes, this option is not supported (SQLSTATE 42997).

IN *tablespace-name1,...*

Identifies the table spaces in which the table will be created. The table spaces must exist, they must be in the same database partition group, and they must be all regular DMS or all large DMS or all SMS table spaces (SQLSTATE 42838) on which the authorization ID of the statement holds the USE privilege.

A maximum of one IN clause is allowed at the table level. All data table spaces used by a table must have the same page size and extent size. If they do not all have the same prefetch size, a warning is returned. If all table spaces have AUTOMATIC prefetch size, no warning is returned.

If only one table space is specified, all table parts are stored in this table space. This clause cannot be specified when creating a subtable (SQLSTATE 42613), because the table space is inherited from the root table of the table hierarchy. If this clause is not specified, a table space for the table is determined as follows:

```
IF table space IBMDEFAULTGROUP (over which the user
  has USE privilege) exists with sufficient page size
  THEN choose it
ELSE IF a table space (over which the user has USE privilege)
  exists with sufficient page size (see below when
  multiple table spaces qualify)
  THEN choose it
ELSE return an error (SQLSTATE 42727)
```

If more than one table space is identified by the ELSE IF condition, choose the table space with the smallest sufficient page size. If more than one table space qualifies, choose the table space in the following order of preference, depending on to whom the USE privilege was granted:

1. The authorization ID
2. A group to which the authorization ID belongs
3. PUBLIC

If more than one table space still qualifies, the final choice is made by the database manager.

Table space determination can change if:

- Table spaces are dropped or created
- USE privileges are granted or revoked

Partitioned tables can have their data partitions spread across multiple table spaces. When multiple table spaces are specified, all of the table spaces must exist, and they must all be either SMS or regular DMS or large DMS table spaces (SQLSTATE 42838). The authorization ID of the statement must hold the USE privilege on all of the specified table spaces.

The sufficient page size of a table is determined by either the byte count of the row or the number of columns. For more information, see Row Size.

When a table is placed in a large table space:

- The table can be larger than a table in a regular table space. For details on table and table space limits, see “SQL limits”.
- The table can support more than 255 rows per data page, which can improve space utilization on data pages.
- Indexes that are defined on the table will require an additional 2 bytes per row entry, compared to indexes defined on a table that resides in a regular table space.

CYCLE or NO CYCLE

Specifies whether or not the number of data partitions with no explicit table space can exceed the number of specified data partitions.

CYCLE

Specifies that if the number of data partitions with no explicit table space exceeds the number of specified data partitions, the table spaces are assigned to data partitions in a round-robin fashion.

NO CYCLE

Specifies that the number of data partitions with no explicit table space must not exceed the number of specified data partitions (SQLSTATE 428G1). This option prevents the round-robin assignment of table spaces to data partitions.

tablespace-options

Specifies the table space in which indexes or long column values are to be stored. For details on types of table spaces, see “CREATE TABLESPACE”.

INDEX IN *tablespace-name2*

Identifies the table space in which any indexes on the table are to be created. The specified table space must exist; it must be a DMS table space if the table has data in DMS table spaces, or an SMS table space if the partitioned table has data in SMS table spaces; it must be a table space on which the authorization ID of the statement holds the USE privilege; and it must be in the same database partition group as *tablespace-name1* (SQLSTATE 42838).

Specifying which table space will contain indexes can be done when a table is created or, in the case of partitioned tables, it can be done by specifying the IN clause of the CREATE INDEX statement. Checking for the USE privilege on the table space is done at table creation time, not when an index is created later.

LONG IN *tablespace-name3*

Identifies the table spaces in which the values of any long columns are to be stored. Long columns include those with LOB data types, XML type, distinct types with any of these as source types, or any columns defined with user-defined structured types whose values cannot be stored inline. This option is allowed only if the IN clause identifies a DMS table space.

CREATE TABLE

The specified table space must exist. It can be a regular table space if it is the same table space in which the data is stored; otherwise, it must be a large DMS table space on which the authorization ID of the statement holds the USE privilege. It must also be in the same database partition group as *tablespace-name1* (SQLSTATE 42838).

Specifying which table space will contain long, LOB, or XML columns can only be done when a table is created. Checking for the USE privilege is done at table creation time, not when a long or LOB column is added later.

For rules governing the use of the LONG IN clause with partitioned tables, see “Large object behavior in partitioned tables”.

distribution-clause

Specifies the database partitioning or the way the data is distributed across multiple database partitions.

DISTRIBUTE BY HASH (*column-name,...*)

Specifies the use of the default hashing function on the specified columns, called a *distribution key*, as the distribution method across database partitions. The *column-name* must be an unqualified name that identifies a column of the table (SQLSTATE 42703). The same column must not be identified more than once (SQLSTATE 42709). No column whose data type is BLOB, CLOB, DBCLOB, XML, distinct type based on any of these types, or structured type can be used as part of a distribution key (SQLSTATE 42962). The distribution key cannot contain a ROW CHANGE TIMESTAMP column (SQLSTATE 429BV). A distribution key cannot be specified for a table that is a subtable (SQLSTATE 42613), because the distribution key is inherited from the root table in the table hierarchy or a table with a column of data type XML (SQLSTATE 42997). If this clause is not specified, and the table resides in a multiple partition database partition group with multiple database partitions, the distribution key is defined as follows:

- If the table is a typed table, the object identifier column is the distribution key.
- If a primary key is defined, the first column of the primary key is the distribution key.
- Otherwise, the first column whose data type is valid for a distribution key becomes the distribution key.

The columns of the distribution key must be a subset of the columns that make up any unique constraints.

If none of the columns satisfies the requirements for a default distribution key, the table is created without one. Such tables are allowed only in table spaces that are defined on single-partition database partition groups.

For tables in table spaces that are defined on single-partition database partition groups, any collection of columns with data types that are valid for a distribution key can be used to define the distribution key. If you do not specify this clause, no distribution key is created.

For restrictions related to the distribution key, see Rules.

DISTRIBUTE BY REPLICATION

Specifies that the data stored in the table is physically replicated on each database partition of the database partition group for the table spaces in which the table is defined. This means that a copy of all of the data in the

table exists on each database partition. This option can only be specified for a materialized query table (SQLSTATE 42997).

partitioning-clause

Specifies how the data is partitioned within a database partition.

PARTITION BY RANGE *range-partition-spec*

Specifies the range partitioning scheme for the table.

partition-expression

Specifies the key data over which the range is defined to determine the target data partition of the data.

column-name

Identifies a column of the data partitioning key. The *column-name* must be an unqualified name that identifies a column of the table (SQLSTATE 42703). The same column must not be identified more than once (SQLSTATE 42709). No column with a data type that is a BLOB, CLOB, DBCLOB, distinct type based on any of these types, or structured type can be used as part of a table partitioning key (SQLSTATE 42962).

The numeric literals used in the range specification are governed by the rules for numeric literals. All of the numeric literals (except the decimal floating-point special values) used in ranges corresponding to numeric columns are interpreted as integer, floating-point or decimal constants, in accordance with the rules specified for numeric constants. As a result, for decimal floating-point columns, the minimum and maximum numeric constant value that can be used in the range specification of a data partition is the smallest DOUBLE value and the largest DOUBLE value, respectively. Decimal floating-point special values can be used in the range specification. All decimal floating-point special values are interpreted as greater than MINVALUE and less than MAXVALUE.

The range partitioning columns cannot contain a ROW CHANGE TIMESTAMP column (SQLSTATE 429BV). The number of identified columns must not exceed 16 (SQLSTATE 54008).

NULLS LAST

Indicates that null values compare high.

NULLS FIRST

Indicates that null values compare low.

partition-element

Specifies ranges for a data partitioning key and the table space where rows of the table in the range will be stored.

PARTITION *partition-name*

Names the data partition. The name must not be the same as any other data partition for the table (SQLSTATE 42710). If this clause is not specified, the name will be 'PART' followed by the character form of an integer value to make the name unique for the table.

boundary-spec

Specifies the boundaries of a range partition. The lowest range partition must include a starting-clause, and the highest range partition must include an ending-clause (SQLSTATE 56016). Range partitions between the lowest and the highest can include either a

CREATE TABLE

starting-clause, ending-clause, or both clauses. If only the ending-clause is specified, the previous range partition must also have included an ending-clause (SQLSTATE 56016).

starting-clause

Specifies the low end of the range for a data partition. There must be at least one starting value specified and no more values than the number of columns in the data partitioning key (SQLSTATE 53038). If there are fewer values specified than the number of columns, the remaining values are implicitly MINVALUE.

STARTING FROM

Introduces the *starting-clause*.

constant

Specifies a constant value with a data type that is assignable to the data type of the *column-name* to which it corresponds (SQLSTATE 53045). The value must not be in the range of any other boundary-spec for the table (SQLSTATE 56016).

MINVALUE

Specifies a value that is lower than the lowest possible value for the data type of the *column-name* to which it corresponds.

MAXVALUE

Specifies a value that is greater than the greatest possible value for the data type of the *column-name* to which it corresponds.

INCLUSIVE

Indicates that the specified range values are to be included in the data partition.

EXCLUSIVE

Indicates that the specified *constant* values are to be excluded from the data partition. This specification is ignored when MINVALUE or MAXVALUE is specified.

ending-clause

Specifies the high end of the range for a data partition. There must be at least one starting value specified and no more values than the number of columns in the data partitioning key (SQLSTATE 53038). If there are fewer values specified than the number of columns, the remaining values are implicitly MAXVALUE.

ENDING AT

Introduces the *ending-clause*.

constant

Specifies a constant value with a data type that is assignable to the data type of the *column-name* to which it corresponds (SQLSTATE 53045). The value must not be in the range of any other boundary-spec for the table (SQLSTATE 56016).

MINVALUE

Specifies a value that is lower than the lowest possible value for the data type of the *column-name* to which it corresponds.

MAXVALUE

Specifies a value that is greater than the greatest possible value for the data type of the *column-name* to which it corresponds.

INCLUSIVE

Indicates that the specified range values are to be included in the data partition.

EXCLUSIVE

Indicates that the specified *constant* values are to be excluded from the data partition. This specification is ignored when MINVALUE or MAXVALUE is specified.

IN *tablespace-name*

Specifies the table space where the data partition is to be stored. The named table space must have the same page size, be in the same database partition group, and manage space in the same way as the other table spaces of the partitioned table (SQLSTATE 42838); it must be a table space on which the authorization ID of the statement holds the USE privilege. If this clause is not specified, a table space is assigned by default in a round-robin fashion from the list of table spaces specified for the table.

If the LONG IN clause is not specified on the CREATE TABLE statement, large objects are placed in the same table space as the data partition.

If the INDEX IN clause is not specified on the CREATE TABLE or the CREATE INDEX statement, the index is placed in the same table space as the first visible or attached partition of the table.

LONG IN *tablespace-name*

Specifies the table space where the data partition containing long column data is to be stored. The named table space must have the same page size, be in the same database partition group, and manage space in the same way as the other table spaces and data partitions of the partitioned table (SQLSTATE 42838); it must be a table space on which the authorization ID of the statement holds the USE privilege. The page size and extent size for the named table space can be different from the page size and extent size of the other data partitions of the partitioned table.

EVERY (*constant*)

Specifies the width of each data partition range when using the automatically generated form of the syntax. Data partitions will be created starting at the STARTING FROM value and containing this number of values in the range. This form of the syntax is only supported for tables that are partitioned by a single numeric or datetime column (SQLSTATE 53038).

If the partitioning key column is a numeric type, the starting value of the first partition is the value specified in the starting-clause. The ending value for the first and all other partitions is calculated by adding the starting value of the partition to the increment value

CREATE TABLE

specified as *constant* in the EVERY clause. The starting value for all other partitions is calculated by taking the starting value for the previous partition and adding the increment value specified as *constant* in the EVERY clause.

If the partitioning key column is a DATE or a TIMESTAMP, the starting value of the first partition is the value specified in the starting-clause. The ending value for the first and all other partitions is calculated by adding the starting value of the partition to the increment value specified as a labeled duration in the EVERY clause. The starting value for all other partitions is calculated by taking the starting value for the previous partition and adding the increment value specified as a labeled duration in the EVERY clause.

For a numeric column, the EVERY value must be a positive numeric constant, and for a datetime column, the EVERY value must be a labeled duration (SQLSTATE 53045).

COMPRESS

Specifies whether or not data compression applies to the rows of the table.

YES

Specifies that data row compression is enabled. Insert and update operations on the table will be subject to compression. After the table is sufficiently populated with data, a compression dictionary is automatically created and rows are subject to compression.

NO

Specifies that data row compression is disabled.

VALUE COMPRESSION

This determines the row format that is to be used. Each data type has a different byte count depending on the row format that is used. For more information, see Byte Counts. If the table is a typed table, this option is only supported on the root table of the typed table hierarchy (SQLSTATE 428DR).

The NULL value is stored using three bytes. This is the same or less space than when VALUE COMPRESSION is not active for columns of all data types, with the exception of CHAR(1). Whether or not a column is defined as nullable has no affect on the row size calculation. The zero-length data values for columns whose data type is VARCHAR, VARGRAPHIC, LONG VARCHAR, LONG VARGRAPHIC, CLOB, DBCLOB, BLOB, or XML are to be stored using two bytes only, which is less than the storage required when VALUE COMPRESSION is not active. When a column is defined using the COMPRESS SYSTEM DEFAULT option, this also allows the system default value for the column to be stored using three bytes of total storage. The row format that is used to support this determines the byte counts for each data type, and tends to cause data fragmentation when updating to or from NULL, a zero-length value, or the system default value.

WITH RESTRICT ON DROP

Indicates that the table cannot be dropped, and that the table space that contains the table cannot be dropped.

NOT LOGGED INITIALLY

Any changes made to the table by an Insert, Delete, Update, Create Index, Drop Index, or Alter Table operation in the same unit of work in which the table is created are not logged. For other considerations when using this option, see the "Notes" section of this statement.

All catalog changes and storage related information are logged, as are all operations that are done on the table in subsequent units of work.

Note: If non-logged activity occurs against a table that has the NOT LOGGED INITIALLY attribute activated, and if a statement fails (causing a rollback), or a ROLLBACK TO SAVEPOINT is executed, the entire unit of work is rolled back (SQL1476N). Furthermore, the table for which the NOT LOGGED INITIALLY attribute was activated is marked inaccessible after the rollback has occurred, and can only be dropped. Therefore, the opportunity for errors within the unit of work in which the NOT LOGGED INITIALLY attribute is activated should be minimized.

CCSID

Specifies the encoding scheme for string data stored in the table. If the CCSID clause is not specified, the default is CCSID UNICODE for Unicode databases, and CCSID ASCII for all other databases.

ASCII

Specifies that string data is encoded in the database code page. If the database is a Unicode database, CCSID ASCII cannot be specified (SQLSTATE 56031).

UNICODE

Specifies that string data is encoded in Unicode. If the database is a Unicode database, character data is in UTF-8, and graphic data is in UCS-2. If the database is not a Unicode database, character data is in UTF-8.

If the database is not a Unicode database, tables can be created with CCSID UNICODE, but the following rules apply:

- The alternate collating sequence must be specified in the database configuration before creating the table (SQLSTATE 56031). CCSID UNICODE tables collate with the alternate collating sequence specified in the database configuration.
- Tables or table functions created with CCSID ASCII, and tables or table functions created with CCSID UNICODE, cannot both be used in a single SQL statement (SQLSTATE 53090). This applies to tables and table functions referenced directly in the statement, as well as to tables and table functions referenced indirectly (such as, for example, through referential integrity constraints, triggers, materialized query tables, and tables in the body of views).
- Tables created with CCSID UNICODE cannot be referenced in SQL functions or SQL methods (SQLSTATE 560C0).
- An SQL statement that references a table created with CCSID UNICODE cannot invoke an SQL function or SQL method (SQLSTATE 53090).
- Graphic types, the XML type, and user-defined types cannot be used in CCSID UNICODE tables (SQLSTATE 560C1).
- Tables cannot have both the CCSID UNICODE clause and the DATA CAPTURE CHANGES clause specified (SQLSTATE 42613).
- The Explain tables cannot be created with CCSID UNICODE (SQLSTATE 55002).
- Declared global temporary tables cannot be created with CCSID UNICODE (SQLSTATE 56031).
- CCSID UNICODE tables cannot be created in a CREATE SCHEMA statement (SQLSTATE 53090).

CREATE TABLE

- The exception table for a load operation must have the same CCSID as the target table for the operation (SQLSTATE 428A5).
- The exception table for a SET INTEGRITY statement must have the same CCSID as the target table for the statement (SQLSTATE 53090).
- The target table for event monitor data must not be declared as CCSID UNICODE (SQLSTATE 55049).
- Statements that reference a CCSID UNICODE table can only be invoked from a DB2 Version 8.1 or later client (SQLSTATE 42997).
- SQL statements are always interpreted in the database code page. In particular, this means that every character in literals, hex literals, and delimited identifiers must have a representation in the database code page; otherwise, the character will be replaced with the substitution character.

Host variables in the application are always in the application code page, regardless of the CCSID of any tables in the SQL statements that are invoked. DB2 will perform code page conversions as necessary to convert data between the application code page and the section code page. The registry variable DB2CODEPAGE can be set at the client to change the application code page.

SECURITY POLICY

Names the security policy to be associated with the table.

policy-name

Identifies a security policy that already exists at the current server (SQLSTATE 42704).

OPTIONS (ADD *table-option-name string-constant*, ...)

Table options are used to identify the remote base table. The *table-option-name* is the name of the option. The *string-constant* specifies the setting for the table option. The *string-constant* must be enclosed in single quotation marks.

The remote server (the server name that was specified in the CREATE SERVER statement) must be specified in the OPTIONS clause. The OPTIONS clause can also be used to override the schema or the unqualified name of the remote base table that is being created.

It is recommended that a schema name be specified. If a remote schema name is not specified, the qualifier for the table name is used. If the table name has no qualifier, the authorization ID of the statement is used.

If an unqualified name for the remote base table is not specified, *table-name* is used.

Rules

- The sum of the byte counts of the columns, including the inline lengths of all structured or XML type columns, must not be greater than the row size limit that is based on the page size of the table space (SQLSTATE 54010). For more information, see Byte Counts. For typed tables, the byte count is applied to the columns of the root table of the table hierarchy, and every additional column introduced by every subtable in the table hierarchy (additional subtable columns must be considered nullable for byte count purposes, even if defined as not nullable). There is also an additional 4 bytes of overhead to identify the subtable to which each row belongs.
- The number of columns in a table cannot exceed 1 012 (SQLSTATE 54011). For typed tables, the total number of attributes of the types of all of the subtables in the table hierarchy cannot exceed 1010.

- An object identifier column of a typed table cannot be updated (SQLSTATE 42808).
- Any unique or primary key constraint defined on the table must be a superset of the distribution key (SQLSTATE 42997).
- The following rules only apply to multiple database partition databases.
 - Tables composed only of columns with types LOB, XML, a distinct type based on one of these types, or a structured type can only be created in table spaces that are defined on single-partition database partition groups.
 - The distribution key definition of a table in a table space that is defined on a multiple partition database partition group cannot be altered.
 - The distribution key column of a typed table must be the OID column.
 - Columns of type XML cannot be used.
 - Partitioned staging tables are not supported.
- The following restrictions apply to range-clustered tables:
 - A range-clustered table cannot be specified in a database with multiple database partitions (SQLSTATE 42997).
 - A clustering index cannot be created.
 - Altering the table to add a column is not supported.
 - Altering the table to change the data type of a column is not supported.
 - Altering the table to change PCTFREE is not supported.
 - Altering the table to set APPEND ON is not supported.
 - DETAILED statistics are not available.
 - The load utility cannot be used to populate the table.
 - Columns cannot be of type XML.
- A table is not protected unless it has a security policy associated with it and it includes either a column of type DB2SECURITYLABEL or a column defined with the SECURED WITH clause. The former indicates that the table is a protected table with **row level granularity** and the latter indicates that the table is a protected table with **column level granularity**.
- Declaring a column of type DB2SECURITYLABEL fails if the table does not have a security policy associated with it (SQLSTATE 55064).
- A security policy cannot be added to a typed table (SQLSTATE 428DH), materialized query table, or staging table (SQLSTATE 428FG).
- An error tolerant *nested-table-expression* cannot be specified in the fullselect of a *materialized-query-definition* (SQLSTATE 428GG).

Notes

- Creating a table with a schema name that does not already exist will result in the implicit creation of that schema provided the authorization ID of the statement has IMPLICIT_SCHEMA authority. The schema owner is SYSIBM. The CREATEIN privilege on the schema is granted to PUBLIC.
- If a foreign key is specified:
 - All packages with a delete usage on the parent table are invalidated.
 - All packages with an update usage on at least one column in the parent key are invalidated.
- Creating a subtable causes invalidation of all packages that depend on any table in table hierarchy.
- VARCHAR and VARGRAPHIC columns that are greater than 4 000 and 2 000 respectively should not be used as input parameters in functions in SYSFUN

CREATE TABLE

schema. Errors will occur when the function is invoked with an argument value that exceeds these lengths (SQLSTATE 22001).

- The use of NO ACTION or RESTRICT as delete or update rules for referential constraints determines when the constraint is enforced. A delete or update rule of RESTRICT is enforced *before* all other constraints, including those referential constraints with modifying rules such as CASCADE or SET NULL. A delete or update rule of NO ACTION is enforced *after* other referential constraints. One example where different behavior is evident involves the deletion of rows from a view that is defined as a UNION ALL of related tables.

```
Table T1 is a parent of table T3; delete rule as noted below.  
Table T2 is a parent of table T3; delete rule CASCADE.
```

```
CREATE VIEW V1 AS SELECT * FROM T1 UNION ALL SELECT * FROM T2
```

```
DELETE FROM V1
```

If table T1 is a parent of table T3 with a delete rule of RESTRICT, a restrict violation will be raised (SQLSTATE 23001) if there are any child rows for parent keys of T1 in T3.

If table T1 is a parent of table T3 with a delete rule of NO ACTION, the child rows may be deleted by the delete rule of CASCADE when deleting rows from T2 before the NO ACTION delete rule is enforced for the deletes from T1. If deletes from T2 did not result in deleting all child rows for parent keys of T1 in T3, then a constraint violation will be raised (SQLSTATE 23504).

Note that the SQLSTATE returned is different depending on whether the delete or update rule is RESTRICT or NO ACTION.

- For tables in table spaces defined on multiple partition database partition groups, table collocation should be considered when choosing the distribution keys. Following is a list of items to consider:
 - The tables must be in the same database partition group for collocation. The table spaces may be different, but must be defined in the same database partition group.
 - The distribution keys of the tables must have the same number of columns, and the corresponding key columns must be database partition-compatible for collocation.
 - The choice of distribution key also has an impact on performance of joins. If a table is frequently joined with another table, you should consider the joining column(s) as a distribution key for both tables.
- The NOT LOGGED INITIALLY option is useful for situations where a large result set needs to be created with data from an alternate source (another table or a file) and recovery of the table is not necessary. Using this option will save the overhead of logging the data. The following considerations apply when this option is specified:
 - When the unit of work is committed, all changes that were made to the table during the unit of work are flushed to disk.
 - When you run the rollforward utility and it encounters a log record that indicates that a table in the database was either populated by the Load utility or created with the NOT LOGGED INITIALLY option, the table will be marked as unavailable. The table will be dropped by the rollforward utility if it later encounters a DROP TABLE log. Otherwise, after the database is recovered, an error will be issued if any attempt is made to access the table (SQLSTATE 55019). The only operation permitted is to drop the table.
 - Once such a table is backed up as part of a database or table space back up, recovery of the table becomes possible.

- A REFRESH DEFERRED system-maintained materialized query table defined with ENABLE QUERY OPTIMIZATION can be used to optimize the processing of queries if CURRENT REFRESH AGE is set to ANY and CURRENT MAINTAINED TABLE TYPES FOR OPTIMIZATION is set such that it includes system-maintained materialized query tables. A REFRESH DEFERRED user-maintained materialized query table defined with ENABLE QUERY OPTIMIZATION can be used to optimize the processing of queries if CURRENT REFRESH AGE is set to ANY and CURRENT MAINTAINED TABLE TYPES FOR OPTIMIZATION is set such that it includes user-maintained materialized query tables. A REFRESH IMMEDIATE materialized query table defined with ENABLE QUERY OPTIMIZATION is always considered for optimization. For this optimization to be able to use a REFRESH DEFERRED or a REFRESH IMMEDIATE materialized query table, the fullselect must conform to certain rules in addition to those already described. The fullselect must:
 - be a subselect with a GROUP BY clause or a subselect with a single table reference
 - not include DISTINCT anywhere in the select list
 - not include any special registers
 - not include any global variables
 - not include functions that are not deterministic.

If the query specified when creating a materialized query table does not conform to these rules, a warning is returned (SQLSTATE 01633).

- If a materialized query table is defined with REFRESH IMMEDIATE, or a staging table is defined with PROPAGATE IMMEDIATE, it is possible for an error to occur when attempting to apply the change resulting from an insert, update, or delete operation on an underlying table. The error will cause the failure of the insert, update, or delete operation on the underlying table.
- Materialized query tables or staging tables cannot be used as exception tables when constraints are checked in bulk, such as during load operations or during execution of the SET INTEGRITY statement.
- Certain operations cannot be performed on a table that is referenced by a materialized query table defined with REFRESH IMMEDIATE, or defined with REFRESH DEFERRED with an associated staging table:
 - IMPORT REPLACE cannot be used.
 - ALTER TABLE NOT LOGGED INITIALLY WITH EMPTY TABLE cannot be done.
- In a federated system, nicknames for relational data sources or local tables can be used as the underlying tables to create a materialized query table. Nicknames for non-relational data sources are not supported. When a nickname is one of the underlying tables, the REFRESH DEFERRED option must be used. System-maintained materialized query tables that reference nicknames are not supported in a partitioned database environment.
- **Transparent DDL:** In a federated system, a remote base table can be created, altered, or dropped using DB2 SQL. This capability is known as *transparent DDL*. Before a remote base table can be created on a data source, the federated server must be configured to access that data source. This configuration includes creating the wrapper for the data source, supplying the server definition for the server where the remote base table will be located, and creating the user mappings between the federated server and the data source. Transparent DDL does impose some limitations on what can be included in the CREATE TABLE statement:
 - Only columns and a primary key can be created on the remote base table.

CREATE TABLE

- Specific clauses supported by transparent DDL include:
 - *column-definition* and *unique-constraint* in the *element-list* clause
 - NOT NULL and PRIMARY KEY in the *column-options* clause
 - OPTIONS
- The remote data source must support:
 - The remote column data types to which the DB2 column data types are mapped
 - The primary key option in the CREATE TABLE statement

Depending on how the data source responds to requests it does not support, an error might be returned or the request might be ignored.

When a remote base table is created using transparent DDL, a nickname is automatically created for that remote base table.

- A referential constraint may be defined in such a way that either the parent table or the dependent table is a part of a table hierarchy. In such a case, the effect of the referential constraint is as follows:
 1. Effects of INSERT, UPDATE, and DELETE statements:
 - If a referential constraint exists, in which PT is a parent table and DT is a dependent table, the constraint ensures that for each row of DT (or any of its subtables) that has a non-null foreign key, a row exists in PT (or one of its subtables) with a matching parent key. This rule is enforced against any action that affects a row of PT or DT, regardless of how that action is initiated.
 2. Effects of DROP TABLE statements:
 - for referential constraints in which the dropped table is the parent table or dependent table, the constraint is dropped
 - for referential constraints in which a supertable of the dropped table is the parent table the rows of the dropped table are considered to be deleted from the supertable. The referential constraint is checked and its delete rule is invoked for each of the deleted rows.
 - for referential constraints in which a supertable of the dropped table is the dependent table, the constraint is not checked. Deletion of a row from a dependent table cannot result in violation of a referential constraint.
- **Privileges:** When any table is created, the definer of the table is granted CONTROL privilege. When a subtable is created, the SELECT privilege that each user or group has on the immediate supertable is automatically granted on the subtable with the table definer as the grantor.
- **Row Size:** The maximum number of bytes allowed in the row of a table is dependent on the page size of the table space in which the table is created (*tblspace-name1*). The following list shows the row size limit and number of columns limit associated with each table space page size.

Table 20. Limits for Number of Columns and Row Size in Each Table Space Page Size

Page Size	Row Size Limit	Column Count Limit
4K	4 005	500
8K	8 101	1 012
16K	16 293	1 012
32K	32 677	1 012

The actual number of columns for a table can be further limited by the following formula:

Total Columns * 8 + Number of LOB Columns * 12 <= Row Size Limit for Page Size

- **Byte Counts:** The following table contains the byte counts of columns by data type. This is used to calculate the row size. The byte counts depend on whether or not VALUE COMPRESSION is active. When VALUE COMPRESSION is not active, the byte counts also depend on whether or not the column is nullable.

If a table is based on a structured type, an additional 4 bytes of overhead is reserved to identify rows of subtables, regardless of whether or not subtables are defined. Additional subtable columns must be considered nullable for byte count purposes, even if defined as not nullable.

Table 21. Byte Counts of Columns by Data Type

Data type	VALUE COMPRESSION is active ¹		VALUE COMPRESSION is not active	
			Column is nullable	Column is not nullable
SMALLINT	4		3	2
INTEGER	6		5	4
BIGINT	10		9	8
REAL	6		5	4
DOUBLE	10		9	8
DECIMAL	The integral part of $(p/2)+3$, where p is the precision		The integral part of $(p/2)+2$, where p is the precision	
DECFLOAT(16)	10		9	8
DECFLOAT(34)	18		17	16
CHAR(n)	$n+2$		$n+1$	n
VARCHAR(n)	$n+2$		$n+5$ (within a table)	$n+4$ (within a table)
LONG VARCHAR ²	22		25	24
GRAPHIC(n)	$n*2+2$		$n*2+1$	$n*2$
VARGRAPHIC(n)	$n*2+2$		$n*2+5$ (within a table)	$n*2+4$ (within a table)
LONG VARGRAPHIC ²	22		25	24
DATE	6		5	4
TIME	5		4	3
TIMESTAMP	12		11	10
XML (without INLINE LENGTH specified)	82		85	84
XML (with INLINE LENGTH specified)	INLINE LENGTH +2		INLINE LENGTH +4	
Maximum LOB ³ length 1024	70		73	72
Maximum LOB length 8192	94		97	96
Maximum LOB length 65 536	118		121	120
Maximum LOB length 524 000	142		145	144
Maximum LOB length 4 190 000	166		169	168
Maximum LOB length 134 000 000	198		201	200

CREATE TABLE

Table 21. Byte Counts of Columns by Data Type (continued)

Data type	VALUE COMPRESSION is	VALUE COMPRESSION is not active	
	active ¹	Column is nullable	Column is not nullable
Maximum LOB length 536 000 000	222	225	224
Maximum LOB length 1 070 000 000	254	257	256
Maximum LOB length 1 470 000 000	278	281	280
Maximum LOB length 2 147 483 647	314	317	316

¹ There is an additional 2 bytes of storage used by each row when VALUE COMPRESSION is active for that row.

² The LONG VARCHAR and LONG VARGRAPHIC data types are supported but are deprecated and might be removed in a future release.

³ Each LOB value has a *LOB descriptor* in the base record that points to the location of the actual value. The size of the descriptor varies according to the maximum length defined for the column.

For a *distinct type*, the byte count is equivalent to the length of the source type of the distinct type. For a *reference type*, the byte count is equivalent to the length of the built-in data type on which the reference type is based. For a *structured type*, the byte count is equivalent to the `INLINE LENGTH + 4`. The `INLINE LENGTH` is the value specified (or implicitly calculated) for the column in the *column-options* clause.

The row sizes for the following sample tables assume that VALUE COMPRESSION is not specified:

```
DEPARTMENT 63 (0 + 3 + 33 + 7 + 3 + 17)
ORG         57 (0 + 3 + 19 + 2 + 15 + 18)
```

If VALUE COMPRESSION were to be specified, the row sizes would change to:

```
DEPARTMENT 69 (2 + 5 + 31 + 8 + 5 + 18)
ORG         53 (2 + 4 + 16 + 4 + 12 + 15)
```

- **Storage Byte Counts:** The following table contains the storage byte counts of columns by data type for data values. The byte counts depend on whether or not VALUE COMPRESSION is active. When VALUE COMPRESSION is not active, the byte counts also depend on whether or not the column is nullable. The values in the table represent the amount of storage (in bytes) that is used to store the value.

Table 22. Storage Byte Counts Based on Row Format, Data Type, and Data Value

Data value →	NULL	NULL	zero-length	system default ²	all other data values	all other data values	all other data values
	not active	active ¹	active ¹	active ¹	not active	not active	active ¹
Column nullability →	nullable	nullable	n/a	n/a	nullable	not nullable	n/a
Data type							
SMALLINT	3	3	-	3	3	2	4
INTEGER	5	3	-	3	5	4	6
BIGINT	9	3	-	3	9	8	10
REAL	5	3	-	3	5	4	6
DOUBLE	9	3	-	3	9	8	10

Table 22. Storage Byte Counts Based on Row Format, Data Type, and Data Value (continued)

Data value →	NULL	NULL	zero-length	system default ²	all other data values	all other data values	all other data values
VALUE COMPRES- SION →	not active	active ¹	active ¹	active ¹	not active	not active	active ¹
Column nullability →	nullable	nullable	n/a	n/a	nullable	not nullable	n/a
Data type							
DECIMAL	The integral part of $(p/2)+2$, where p is the precision	3	-	3	The integral part of $(p/2)+2$, where p is the precision	The integral part of $(p/2)+1$, where p is the precision	The integral part of $(p/2)+3$, where p is the precision
DECFLOAT(16)	9	3	-	3	9	8	10
DECFLOAT(34)	17	3	-	3	17	16	18
CHAR(n)	$n+1$	3	-	3	$n+1$	n	$n+2$
VARCHAR(n)	5	3	2	2	$N+5$, where N is the number of bytes in the data	$N+4$, where N is the number of bytes in the data	$N+2$, where N is the number of bytes in the data
LONG VARCHAR ³	5	3	2	2	25	24	22
GRAPHIC(n)	$n*2+1$	3	-	3	$n*2+1$	$n*2$	$n*2+2$
VARGRAPHIC(n)	5	3	2	2	$N*2+5$, where N is the number of bytes in the data	$N*2+4$, where N is the number of bytes in the data	$N*2+2$, where N is the number of bytes in the data
LONG VARGRAPHIC ³	5	3	2	2	25	24	22
DATE	5	3	-	-	5	4	6
TIME	4	3	-	-	4	3	5
TIMESTAMP	11	3	-	-	11	10	12
Maximum LOB ² length 1024	5	3	2	2	$(60 \text{ to } 68)+5$	$(60 \text{ to } 68)+4$	$(60 \text{ to } 68)+2$
Maximum LOB length 8192	5	3	2	2	$(60 \text{ to } 92)+5$	$(60 \text{ to } 92)+4$	$(60 \text{ to } 92)+2$
Maximum LOB length 65 536	5	3	2	2	$(60 \text{ to } 116)+5$	$(60 \text{ to } 116)+4$	$(60 \text{ to } 116)+2$
Maximum LOB length 524 000	5	3	2	2	$(60 \text{ to } 140)+5$	$(60 \text{ to } 140)+4$	$(60 \text{ to } 140)+2$
Maximum LOB length 4 190 000	5	3	2	2	$(60 \text{ to } 164)+5$	$(60 \text{ to } 164)+4$	$(60 \text{ to } 164)+2$
Maximum LOB length 134 000 000	5	3	2	2	$(60 \text{ to } 196)+5$	$(60 \text{ to } 196)+4$	$(60 \text{ to } 196)+2$
Maximum LOB length 536 000 000	5	3	2	2	$(60 \text{ to } 220)+5$	$(60 \text{ to } 220)+4$	$(60 \text{ to } 220)+2$

CREATE TABLE

Table 22. Storage Byte Counts Based on Row Format, Data Type, and Data Value (continued)

Data value →	NULL	NULL	zero-length	system default ²	all other data values	all other data values	all other data values
VALUE COMPRESSION →	not active	active ¹	active ¹	active ¹	not active	not active	active ¹
Column nullability →	nullable	nullable	n/a	n/a	nullable	not nullable	n/a
Data type							
Maximum LOB length 1 070 000 000	5	3	2	2	(60 to 252)+5	(60 to 252)+4	(60 to 252)+2
Maximum LOB length 1 470 000 000	5	3	2	2	(60 to 276)+5	(60 to 276)+4	(60 to 276)+2
Maximum LOB length 2 147 483 647	5	3	2	2	(60 to 312)+5	(60 to 312)+4	(60 to 312)+2
XML	5	3	-	-	85	84	82

¹ There is an additional 2 bytes of storage used by each row when VALUE COMPRESSION is active for that row.

² When COMPRESS SYSTEM DEFAULT is specified for the column.

³The LONG VARCHAR and LONG VARGRAPHIC data types are supported but are deprecated and might be removed in a future release.

- **Dimension Columns:** Because each distinct value of a dimension column is assigned to a different block of the table, clustering on an expression may be desirable, such as "INTEGER(ORDER_DATE)/100". In this case, a generated column can be defined for the table, and this generated column may then be used in the ORGANIZE BY DIMENSIONS clause. If the expression is monotonic with respect to a column of the table, DB2 may use the dimension index to satisfy range predicates on that column. For example, if the expression is simply *column-name + some-positive-constant*, it is monotonic increasing. User-defined functions, certain built-in functions, and using more than one column in an expression, prevent monotonicity or its detection.

Dimensions involving generated columns whose expressions are non-monotonic, or whose monotonicity cannot be determined, can still be created, but range queries along slice or cell boundaries of these dimensions are not supported. Equality and IN predicates *can* be processed by slices or cells.

A generated column is monotonic if the following is true with respect to the generating function, fn:

- Monotonic increasing.

For every possible pair of values x1 and x2, if x2>x1, then fn(x2)>fn(x1). For example:

SALARY - 10000

- Monotonic decreasing.

For every possible pair of values x1 and x2, if x2>x1, then fn(x2)<fn(x1). For example:

-SALARY

- Monotonic non-decreasing.

For every possible pair of values x1 and x2, if x2>x1, then fn(x2)>=fn(x1). For example:

SALARY/1000

- Monotonic non-increasing.

For every possible pair of values x_1 and x_2 , if $x_2 > x_1$, then $fn(x_2) \leq fn(x_1)$. For example:

-SALARY/1000

The expression "PRICE*DISCOUNT" is not monotonic, because it involves more than one column of the table.

- **Range-clustered tables:** Organizing a table by key sequence is effective for certain types of tables. The table should have an integer key that is tightly clustered (dense) over the range of possible values. The columns of this integer key must not be nullable, and the key should logically be the primary key of the table. The organization of a range-clustered table precludes the need for a separate unique index object, providing direct access to the row for a specified key value, or a range of rows for a specified range of key values. The allocation of all the space for the complete set of rows in the defined key sequence range is done during table creation, and must be considered when defining a range-clustered table. The storage space is not available for any other use, even though the rows are initially marked deleted. If the full key sequence range will be populated with data only over a long period of time, this table organization may not be an appropriate choice.
- A table can have at most one security policy.
- DB2 enforces referential integrity constraints that are defined on protected tables. Constraints violations in this case can be difficult to debug, because DB2 will not allow you to see what row has caused a violation if you do not have the appropriate security label or exemptions credentials.
- When defining the order of columns in a table, frequently updated columns should be placed at the end of the definition to minimize the amount of data logged for updates. This includes ROW CHANGE TIMESTAMP columns. ROW CHANGE TIMESTAMP columns are guaranteed to be updated on each row update.
- **Security and replication:** Replication can cause data rows from a protected table to be replicated outside of the database. Care must be taken when setting up replication for a protected table, because DB2 cannot protect data that is outside of the database.
- **Compatibilities**
 - For compatibility with previous versions of DB2:
 - The CONSTRAINT keyword can be omitted from a *column-definition* defining a references-clause
 - *constraint-name* can be specified following FOREIGN KEY (without the CONSTRAINT keyword)
 - SUMMARY can optionally be specified after CREATE
 - DEFINITION ONLY can be specified in place of WITH NO DATA
 - The PARTITIONING KEY clause can be specified in place of the DISTRIBUTE BY clause
 - REPLICATED can be specified in place of DISTRIBUTE BY REPLICATION
 - For compatibility with previous versions of DB2, and for consistency:
 - A comma can be used to separate multiple options in the *identity-options* clause
 - For compatibility with DB2 for z/OS:
 - The following syntax is accepted as the default behavior:
 - IN database-name.tablespace-name
 - IN DATABASE database-name

CREATE TABLE

- FOR MIXED DATA
- FOR SBCS DATA
- PART can be specified in place of PARTITION
- PARTITION *partition-number* can be specified instead of PARTITION *partition-name*. A *partition-number* must not identify a partition that was previously specified in the CREATE TABLE statement. If a *partition-number* is not specified, a unique partition number is generated by the database manager.
- VALUES can be specified in place of ENDING AT
- The following syntax is also supported:
 - NOMINVALUE, NOMAXVALUE, NOCYCLE, NOCACHE, and NOORDER

Examples

Example 1: Create table TDEPT in the DEPARTX table space. DEPTNO, DEPTNAME, MGRNO, and ADMRDEPT are column names. CHAR means the column will contain character data. NOT NULL means that the column cannot contain a null value. VARCHAR means the column will contain varying-length character data. The primary key consists of the column DEPTNO.

```
CREATE TABLE TDEPT
(DEPTNO CHAR(3) NOT NULL,
DEPTNAME VARCHAR(36) NOT NULL,
MGRNO CHAR(6),
ADMRDEPT CHAR(3) NOT NULL,
PRIMARY KEY(DEPTNO))
IN DEPARTX
```

Example 2: Create table PROJ in the SCHED table space. PROJNO, PROJNAME, DEPTNO, RESPEMP, PRSTAFF, PRSTDATE, PRENDATE, and MAJPROJ are column names. CHAR means the column will contain character data. DECIMAL means the column will contain packed decimal data. 5,2 means the following: 5 indicates the number of decimal digits, and 2 indicates the number of digits to the right of the decimal point. NOT NULL means that the column cannot contain a null value. VARCHAR means the column will contain varying-length character data. DATE means the column will contain date information in a three-part format (year, month, and day).

```
CREATE TABLE PROJ
(PROJNO CHAR(6) NOT NULL,
PROJNAME VARCHAR(24) NOT NULL,
DEPTNO CHAR(3) NOT NULL,
RESPEMP CHAR(6) NOT NULL,
PRSTAFF DECIMAL(5,2) ,
PRSTDATE DATE ,
PRENDATE DATE ,
MAJPROJ CHAR(6) NOT NULL)
IN SCHED
```

Example 3: Create a table called EMPLOYEE_SALARY where any unknown salary is considered 0. No table space is specified, so that the table will be created in a table space selected by the system based on the rules described for the *IN tablespace-name1* clause.

```
CREATE TABLE EMPLOYEE_SALARY
(DEPTNO CHAR(3) NOT NULL,
DEPTNAME VARCHAR(36) NOT NULL,
EMPNO CHAR(6) NOT NULL,
SALARY DECIMAL(9,2) NOT NULL WITH DEFAULT)
```

Example 4: Create distinct types for total salary and miles and use them for columns of a table created in the default table space. In a dynamic SQL statement assume the CURRENT SCHEMA special register is JOHNDOE and the CURRENT PATH is the default ("SYSIBM","SYSFUN","JOHNDOE").

If a value for SALARY is not specified it must be set to 0 and if a value for LIVING_DIST is not specified it must be set to 1 mile.

```
CREATE TYPE JOHNDOE.T_SALARY AS INTEGER WITH COMPARISONS

CREATE TYPE JOHNDOE.MILES AS FLOAT WITH COMPARISONS

CREATE TABLE EMPLOYEE
  (ID          INTEGER NOT NULL,
   NAME       CHAR (30),
   SALARY     T_SALARY NOT NULL WITH DEFAULT,
   LIVING_DIST MILES   DEFAULT MILES(1) )
```

Example 5: Create distinct types for image and audio and use them for columns of a table. No table space is specified, so that the table will be created in a table space selected by the system based on the rules described for the IN *tablespace-name1* clause. Assume the CURRENT PATH is the default.

```
CREATE TYPE IMAGE AS BLOB (10M)

CREATE TYPE AUDIO AS BLOB (1G)

CREATE TABLE PERSON
  (SSN      INTEGER NOT NULL,
   NAME     CHAR (30),
   VOICE    AUDIO,
   PHOTO    IMAGE)
```

Example 6: Create table EMPLOYEE in the HUMRES table space. The constraints defined on the table are the following:

- The values of department number must lie in the range 10 to 100.
- The job of an employee can only be either 'Sales', 'Mgr' or 'Clerk'.
- Every employee that has been with the company since 1986 must make more than \$40,500.

Note: If the columns included in the check constraints are nullable they could also be NULL.

```
CREATE TABLE EMPLOYEE
  (ID          SMALLINT NOT NULL,
   NAME       VARCHAR(9),
   DEPT       SMALLINT CHECK (DEPT BETWEEN 10 AND 100),
   JOB        CHAR(5) CHECK (JOB IN ('Sales','Mgr','Clerk')),
   HIREDATE   DATE,
   SALARY     DECIMAL(7,2),
   COMM       DECIMAL(7,2),
   PRIMARY KEY (ID),
   CONSTRAINT YEARSAL CHECK (YEAR(HIREDATE) > 1986
    OR SALARY > 40500)
  )
  IN HUMRES
```

Example 7: Create a table that is wholly contained in the PAYROLL table space.

```
CREATE TABLE EMPLOYEE .....
  IN PAYROLL
```

CREATE TABLE

Example 8: Create a table with its data part in ACCOUNTING and its index part in ACCOUNT_IDX.

```
CREATE TABLE SALARY.....
  IN ACCOUNTING INDEX IN ACCOUNT_IDX
```

Example 9: Create a table and log SQL changes in the default format.

```
CREATE TABLE SALARY1 .....
```

or

```
CREATE TABLE SALARY1 .....
```

Example 10: Create a table and log SQL changes in an expanded format.

```
CREATE TABLE SALARY2 .....
```

Example 11: Create a table EMP_ACT in the SCHED table space. EMPNO, PROJNO, ACTNO, EMPTIME, EMSTDATE, and EMENDATE are column names. Constraints defined on the table are:

- The value for the set of columns, EMPNO, PROJNO, and ACTNO, in any row must be unique.
- The value of PROJNO must match an existing value for the PROJNO column in the PROJECT table and if the project is deleted all rows referring to the project in EMP_ACT should also be deleted.

```
CREATE TABLE EMP_ACT
(EMPNO      CHAR(6) NOT NULL,
 PROJNO     CHAR(6) NOT NULL,
 ACTNO      SMALLINT NOT NULL,
 EMPTIME    DECIMAL(5,2),
 EMSTDATE   DATE,
 EMENDATE   DATE,
 CONSTRAINT EMP_ACT_UNIQ UNIQUE (EMPNO,PROJNO,ACTNO),
 CONSTRAINT FK_ACT_PROJ FOREIGN KEY (PROJNO)
                    REFERENCES PROJECT (PROJNO) ON DELETE CASCADE
)
IN SCHED
```

A unique index called EMP_ACT_UNIQ is automatically created in the same schema to enforce the unique constraint.

Example 12: Create a table that is to hold information about famous goals for the ice hockey hall of fame. The table will list information about the player who scored the goal, the goaltender against who it was scored, the date and place, and a description. The description column is nullable.

```
CREATE TABLE HOCKEY_GOALS
( BY_PLAYER   VARCHAR(30) NOT NULL,
  BY_TEAM     VARCHAR(30) NOT NULL,
  AGAINST_PLAYER VARCHAR(30) NOT NULL,
  AGAINST_TEAM VARCHAR(30) NOT NULL,
  DATE_OF_GOAL DATE NOT NULL,
  DESCRIPTION CLOB(5000) )
```

Example 13: Suppose an exception table is needed for the EMPLOYEE table. One can be created using the following statement.

```
CREATE TABLE EXCEPTION_EMPLOYEE AS
(SELECT EMPLOYEE.*,
CURRENT_TIMESTAMP AS TIMESTAMP,
CAST (' ' AS CLOB(32K)) AS MSG
FROM EMPLOYEE
) WITH NO DATA
```

Example 14: Given the following table spaces with the indicated attributes:

TBSPACE	PAGESIZE	USER	USERAUTH
DEPT4K	4096	BOBBY	Y
PUBLIC4K	4096	PUBLIC	Y
DEPT8K	8192	BOBBY	Y
DEPT8K	8192	RICK	Y
PUBLIC8K	8192	PUBLIC	Y

- If RICK creates the following table, it is placed in table space PUBLIC4K since the byte count is less than 4005; but if BOBBY creates the same table, it is placed in table space DEPT4K, since BOBBY has USE privilege because of an explicit grant:

```
CREATE TABLE DOCUMENTS
(SUMMARY VARCHAR(1000),
REPORT VARCHAR(2000))
```

- If BOBBY creates the following table, it is placed in table space DEPT8K since the byte count is greater than 4005, and BOBBY has USE privilege because of an explicit grant. However, if DUNCAN creates the same table, it is placed in table space PUBLIC8K, since DUNCAN has no specific privileges:

```
CREATE TABLE CURRICULUM
(SUMMARY VARCHAR(1000),
REPORT VARCHAR(2000),
EXERCISES VARCHAR(1500))
```

Example 15: Create a table with a LEAD column defined with the structured type EMP. Specify an INLINE LENGTH of 300 bytes for the LEAD column, indicating that any instances of LEAD that cannot fit within the 300 bytes are stored outside the table (separately from the base table row, similar to the way LOB values are handled).

```
CREATE TABLE PROJECTS (PID INTEGER,
LEAD EMP INLINE LENGTH 300,
STARTDATE DATE,
...)
```

Example 16: Create a table DEPT with five columns named DEPTNO, DEPTNAME, MGRNO, ADMRDEPT, and LOCATION. Column DEPT is to be defined as an IDENTITY column such that DB2 will always generate a value for it. The values for the DEPT column should begin with 500 and increment by 1.

```
CREATE TABLE DEPT
(DEPTNO SMALLINT NOT NULL
GENERATED ALWAYS AS IDENTITY
(START WITH 500, INCREMENT BY 1),
DEPTNAME VARCHAR(36) NOT NULL,
MGRNO CHAR(6),
ADMRDEPT SMALLINT NOT NULL,
LOCATION CHAR(30))
```

Example 17: Create a SALES table that is distributed on the YEAR column, and that has dimensions on the REGION and YEAR columns. Data will be distributed across database partitions according to hashed values of the YEAR column. On

CREATE TABLE

each database partition, data will be organized into extents based on unique combinations of values of the REGION and YEAR columns on those database partitions.

```
CREATE TABLE SALES
  (CUSTOMER  VARCHAR(80),
   REGION    CHAR(5),
   YEAR      INTEGER)
DISTRIBUTE BY HASH (YEAR)
ORGANIZE BY DIMENSIONS (REGION, YEAR)
```

Example 18: Create a SALES table with a PURCHASEYEARMONTH column that is generated from the PURCHASEDATE column. Use an expression to create a column that is monotonic with respect to the original PURCHASEDATE column, and is therefore suitable for use as a dimension. The table is distributed on the REGION column, and organized within each database partition into extents according to the PURCHASEYEARMONTH column; that is, different regions will be on different database partitions, and different purchase months will belong to different cells (or sets of extents) within those database partitions.

```
CREATE TABLE SALES
  (CUSTOMER  VARCHAR(80),
   REGION    CHAR(5),
   PURCHASEDATE DATE,
   PURCHASEYEARMONTH INTEGER
                        GENERATED ALWAYS AS (INTEGER(PURCHASEDATE)/100))
DISTRIBUTE BY HASH (REGION)
ORGANIZE BY DIMENSIONS (PURCHASEYEARMONTH)
```

Example 19: Create a CUSTOMER table with a CUSTOMERNUMDIM column that is generated from the CUSTOMERNUM column. Use an expression to create a column that is monotonic with respect to the original CUSTOMERNUM column, and is therefore suitable for use as a dimension. The table is organized into cells according to the CUSTOMERNUMDIM column, so that there is a different cell in the table for every 50 customers. If a unique index were created on CUSTOMERNUM, customer numbers would be clustered in such a way that each set of 50 values would be found in a particular set of extents in the table.

```
CREATE TABLE CUSTOMER
  (CUSTOMERNUM INTEGER,
   CUSTOMERNAME VARCHAR(80),
   ADDRESS      VARCHAR(200),
   CITY         VARCHAR(50),
   COUNTRY      VARCHAR(50),
   CODE         VARCHAR(15),
   CUSTOMERNUMDIM INTEGER
                        GENERATED ALWAYS AS (CUSTOMERNUM/50))
ORGANIZE BY DIMENSIONS (CUSTOMERNUMDIM)
```

Example 20: Create a remote base table called EMPLOYEE on the Oracle server, ORASERVER. A nickname, named EMPLOYEE, which refers to this newly created remote base table, will also automatically be created.

```
CREATE TABLE EMPLOYEE
  (EMP_NO    CHAR(6)    NOT NULL,
   FIRST_NAME VARCHAR(12) NOT NULL,
   MID_INT   CHAR(1)   NOT NULL,
   LAST_NAME VARCHAR(15) NOT NULL,
   HIRE_DATE DATE,
   JOB       CHAR(8),
   SALARY    DECIMAL(9,2),
   PRIMARY KEY (EMP_NO))
```



```

OPTIONS
  (REMOTE_SERVER 'ORASERVER',
   REMOTE_SCHEMA 'J15USER1',
   REMOTE_TABNAME 'EMPLOYEE')

```

The following CREATE TABLE statements show how to specify the table name, or the table name and the explicit remote base table name, to get the desired case. The lowercase identifier, employee, is used to illustrate the implicit folding of identifiers.

Create a remote base table called EMPLOYEE (uppercase characters) on an Informix® server, and create a nickname named EMPLOYEE (uppercase characters) on that table:

```

CREATE TABLE employee
  (EMP_NO CHAR(6) NOT NULL,
   ...)
OPTIONS
  (REMOTE_SERVER 'INFX_SERVER')

```

If the REMOTE_TABNAME option is not specified, and *table-name* is not delimited, the remote base table name will be in uppercase characters, even if the remote data source normally stores names in lowercase characters.

Create a remote base table called employee (lowercase characters) on an Informix server, and create a nickname named EMPLOYEE (uppercase characters) on that table:

```

CREATE TABLE employee
  (EMP_NO CHAR(6) NOT NULL,
   ...)
OPTIONS
  (REMOTE_SERVER 'INFX_SERVER',
   REMOTE_TABNAME 'employee')

```

When creating a table at a remote data source that supports delimited identifiers, use the REMOTE_TABNAME option and a character string constant that specifies the table name in the desired case.

Create a remote base table called employee (lowercase characters) on an Informix server, and create a nickname named employee (lowercase characters) on that table:

```

CREATE TABLE "employee"
  (EMP_NO CHAR(6) NOT NULL,
   ...)
OPTIONS
  (REMOTE_SERVER 'INFX_SERVER')

```

If the REMOTE_TABNAME option is not specified, and *table-name* is delimited, the remote base table name will be identical to *table-name*.

Example 21: Create a range-clustered table that can be used to locate a student using a student ID. For each student record, include the school ID, program ID, student number, student ID, student first name, student last name, and student grade point average (GPA).

```

CREATE TABLE STUDENTS
  (SCHOOL_ID    INTEGER NOT NULL,
   PROGRAM_ID   INTEGER NOT NULL,
   STUDENT_NUM  INTEGER NOT NULL,
   STUDENT_ID   INTEGER NOT NULL,
   FIRST_NAME   CHAR(30),

```

CREATE TABLE

```
        LAST_NAME    CHAR(30),
        GPA          DOUBLE)
ORGANIZE BY KEY SEQUENCE
(STUDENT_ID
  STARTING FROM 1
  ENDING AT 1000000)
DISALLOW OVERFLOW
```

The size of each record is the sum of the columns, plus alignment, plus the range-clustered table row header. In this case, the row size is 98 bytes: 4 + 4 + 4 + 4 + 30 + 30 + 8 + 3 (for nullable columns) + 1 (for alignment) + 10 (for the header). With a 4-KB page size (or 4096 bytes), after accounting for page overhead, there are 4038 bytes available, enough room for 41 records per page. Allowing for 1 million student records, there is a need for (1 million divided by 41 records per page) 24 391 pages. With two additional pages for table overhead, the final number of 4-KB pages that are allocated when the table is created is 24 393.

Example 22: Create a table named DEPARTMENT with a functional dependency that has no specified constraint name.

```
CREATE TABLE DEPARTMENT
(DEPTNO    SMALLINT    NOT NULL,
 DEPTNAME  VARCHAR(36) NOT NULL,
 MGRNO     CHAR(6),
 ADMRDEPT  SMALLINT    NOT NULL,
 LOCATION  CHAR(30),
CHECK (DEPTNAME DETERMINED BY DEPTNO) NOT ENFORCED)
```

Example 23: Create a table with protected rows.

```
CREATE TABLE TOASTMASTERS
(PERFORMANCE DB2SECURITYLABEL,
 POINTS      INTEGER,
 NAME        VARCHAR(50))
SECURITY POLICY CONTRIBUTIONS
```

Example 24: Create a table with protected columns.

```
CREATE TABLE TOASTMASTERS
(PERFORMANCE CHAR(8),
 POINTS      INTEGER COLUMN SECURED WITH CLUBPOSITION,
 NAME        VARCHAR(50))
SECURITY POLICY CONTRIBUTIONS
```

Example 25: Create a table with protected rows and columns.

```
CREATE TABLE TOASTMASTERS
(PERFORMANCE DB2SECURITYLABEL,
 POINTS      INTEGER COLUMN SECURED WITH CLUBPOSITION,
 NAME        VARCHAR(50))
SECURITY POLICY CONTRIBUTIONS
```

Example 26: Large objects for a partitioned table reside, by default, in the same table space as the data. This default behavior can be overridden by using the LONG IN clause to specify one or more table spaces for the large objects. Create a table named DOCUMENTS whose large object data is to be stored (in a round-robin fashion for each data partition) in table spaces TBSP1 and TBSP2.

```
CREATE TABLE DOCUMENTS
(ID INTEGER,
 CONTENTS CLOB)
LONG IN TBSP1, TBSP2
PARTITION BY RANGE (ID)
(STARTING 1 ENDING 1000
 EVERY 100)
```

Alternatively, use the long form of the syntax to explicitly identify a large table space for each data partition. In this example, the CLOB data for the first data partition is placed in LARGE_TBSP3, and the CLOB data for the remaining data partitions is spread across LARGE_TBSP1 and LARGE_TBSP2 in a round-robin fashion.

```
CREATE TABLE DOCUMENTS
  (ID INTEGER,
   CONTENTS CLOB)
LONG IN LARGE_TBSP1, LARGE_TBSP2
PARTITION BY RANGE (ID)
  (STARTING 1 ENDING 100
   IN TBSP1 LONG IN LARGE_TBSP3,
   STARTING 101 ENDING 1000
   EVERY 100)
```

Example 27: Create a partitioned table named ACCESSNUMBERS having two data partitions. The row (10, NULL) is to be placed in the first partition, and the row (NULL, 100) is to be placed in the second (last) data partition.

```
CREATE TABLE ACCESSNUMBERS
  (AREA INTEGER,
   EXCHANGE INTEGER)
PARTITION BY RANGE (AREA NULLS LAST, EXCHANGE NULLS FIRST)
  (STARTING (1,1) ENDING (10,100),
   STARTING (11,1) ENDING (MAXVALUE,MAXVALUE))
```

Because null values in the second column are sorted first, the row (11, NULL) would sort below the low boundary of the last data partition (11, 1); attempting to insert this row returns an error. The row (12, NULL) would fall within the last data partition.

Example 28: Create a table named RATIO having a single data partition and partitioning column PERCENT.

```
CREATE TABLE RATIO
  (PERCENT INTEGER)
PARTITION BY RANGE (PERCENT)
  (STARTING (MINVALUE) ENDING (MAXVALUE))
```

This table definition allows any integer value for column PERCENT to be inserted. The following definition for the RATIO table allows any integer value between 1 and 100 inclusive to be inserted into column PERCENT.

```
CREATE TABLE RATIO
  (PERCENT INTEGER)
PARTITION BY RANGE (PERCENT)
  (STARTING 0 EXCLUSIVE ENDING 100 INCLUSIVE)
```

Example 29: Create a table named MYDOCS with two columns: one is an identifier, and the other stores XML documents.

```
CREATE TABLE MYDOCS
  (ID INTEGER,
   DOC XML)
IN HLTBSPACE
```

Example 30: Create a table named NOTES with four columns, including one for storing XML-based notes.

```
CREATE TABLE NOTES
  (ID INTEGER,
   DESCRIPTION VARCHAR(255),
   CREATED TIMESTAMP,
   NOTE XML)
```

CREATE TABLE

Example 31: Create a table, EMP_INFO, that contains a phone number and address for each employee. Include a ROW CHANGE TIMESTAMP column in the table to track the modification of employee information.

```
CREATE TABLE EMP_INFO
(EMPNO          CHAR(6) NOT NULL,
 EMP_INFOCHANGE NOT NULL GENERATED ALWAYS
   FOR EACH ROW ON UPDATE
   AS ROW CHANGE TIMESTAMP,
 EMP_ADDRESS    VARCHAR(300),
 EMP_PHONENO    CHAR(4),
 PRIMARY KEY (EMPNO) )
```

CREATE TABLESPACE

The CREATE TABLESPACE statement defines a new table space within the database, assigns containers to the table space, and records the table space definition and attributes in the catalog.

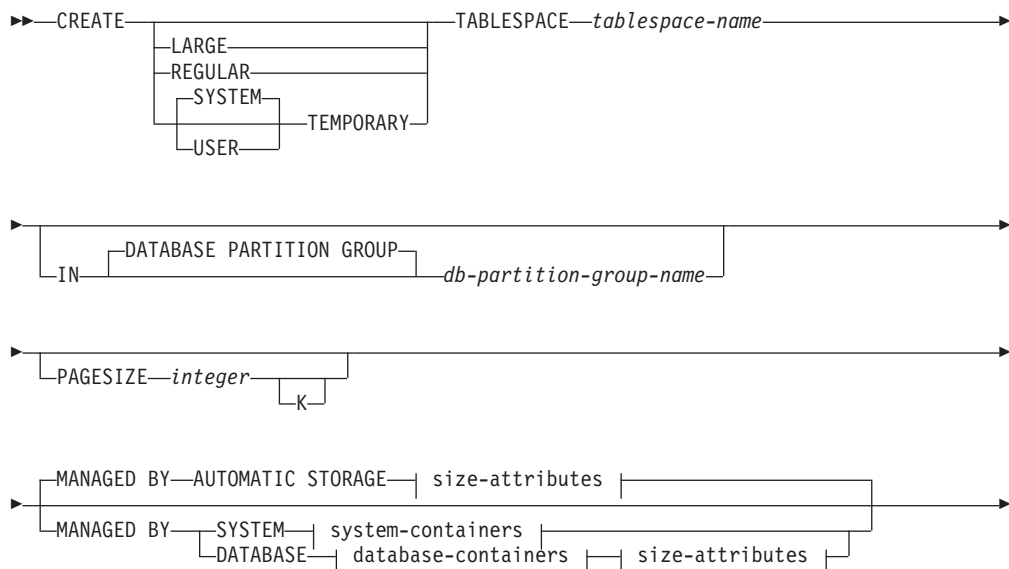
Invocation

This statement can be embedded in an application program or issued interactively. It is an executable statement that can be dynamically prepared only if DYNAMICRULES run behavior is in effect for the package (SQLSTATE 42509).

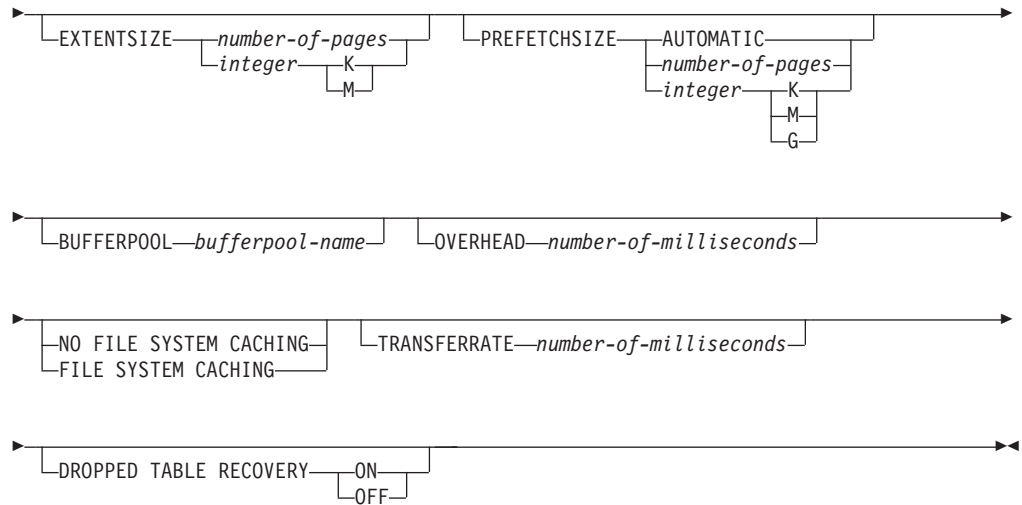
Authorization

The privileges held by the authorization ID of the statement must include SYSCTRL or SYSADM authority.

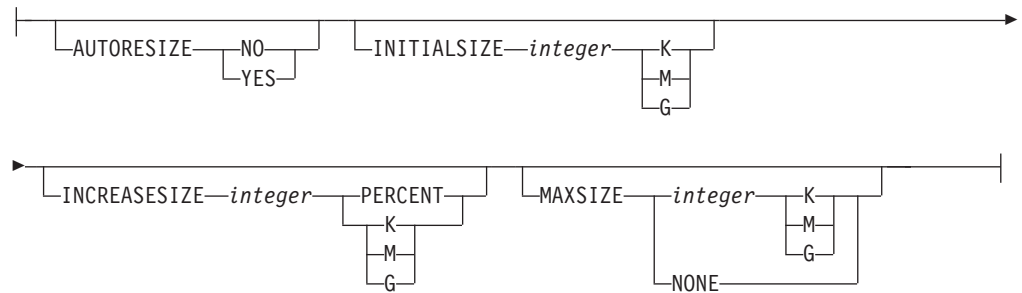
Syntax



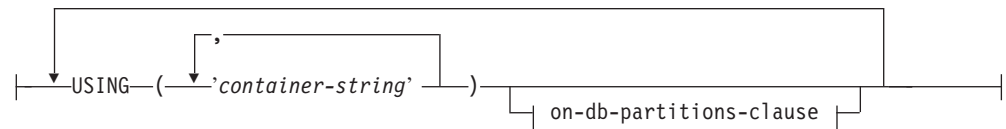
CREATE TABLESPACE



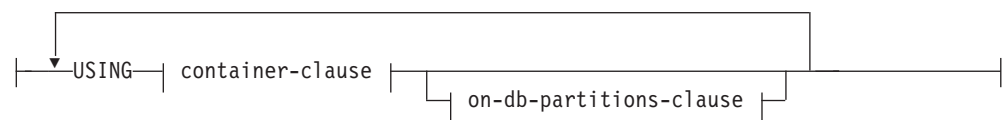
size-attributes:



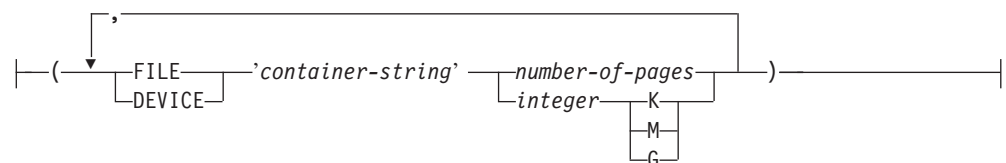
system-containers:



database-containers:

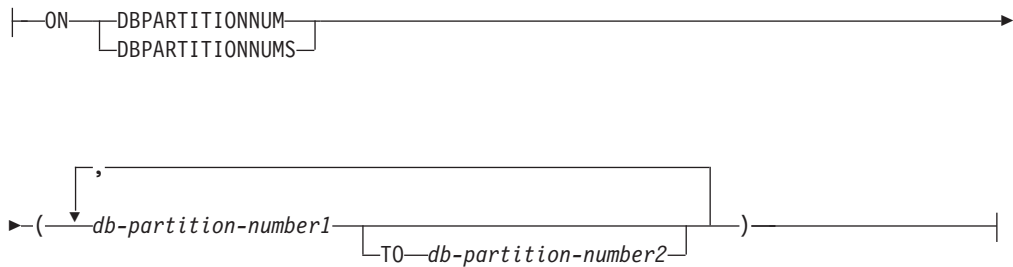


container-clause:



CREATE TABLESPACE

on-db-partitions-clause:



Description

LARGE, REGULAR, SYSTEM TEMPORARY, or USER TEMPORARY

Specifies the type of table space that is to be created. If no type is specified, the default is determined by the MANAGED BY clause.

LARGE

Stores all permanent data. This type is only allowed on database managed space (DMS) table spaces. It is also the default type for DMS table spaces when no type is specified. When a table is placed in a large table space:

- The table can be larger than a table in a regular table space. For details on table and table space limits, see “SQL limits”.
- The table can support more than 255 rows per data page, which can improve space utilization on data pages.
- Indexes that are defined on the table will require an additional 2 bytes per row entry, compared to indexes defined on a table that resides in a regular table space.

REGULAR

Stores all permanent data. This type applies to both DMS and SMS table spaces. This is the only type allowed for SMS table spaces, and it is also the default type for SMS table spaces when no type is specified.

SYSTEM TEMPORARY

Stores temporary tables, work areas used by the database manager to perform operations such as sorts or joins. A database must always have at least one SYSTEM TEMPORARY table space, because temporary tables can only be stored in such a table space. A temporary table space is created automatically when a database is created.

USER TEMPORARY

Stores declared global temporary tables. No user temporary table spaces exist when a database is created. To allow the definition of declared temporary tables, at least one user temporary table space should be created with appropriate USE privileges.

tablespace-name

Names the table space. This is a one-part name. It is an SQL identifier (either ordinary or delimited). The *tablespace-name* must not identify a table space that already exists in the catalog (SQLSTATE 42710). The *tablespace-name* must not begin with the characters 'SYS' (SQLSTATE 42939).

IN DATABASE PARTITION GROUP *db-partition-group-name*

Specifies the database partition group for the table space. The database partition group must exist. The only database partition group that can be

specified when creating a SYSTEM TEMPORARY table space is IBMTEMPGROUP. The DATABASE PARTITION GROUP keywords are optional.

If the database partition group is not specified, the default database partition group (IBMDEFAULTGROUP) is used for REGULAR, LARGE, and USER TEMPORARY table spaces. For SYSTEM TEMPORARY table spaces, the default database partition group IBMTEMPGROUP is used.

PAGESIZE *integer* [K]

Defines the size of pages used for the table space. The valid values for *integer* without the suffix K are 4 096, 8 192, 16 384, or 32 768. The valid values for *integer* with the suffix K are 4, 8, 16, or 32. Any number of spaces is allowed between *integer* and K, including no space. An error occurs if the page size is not one of these values (SQLSTATE 428DE), or if the page size is not the same as the page size of the buffer pool that is associated with the table space (SQLSTATE 428CB).

The default value is provided by the **pagesize** database configuration parameter, which is set when the database is created.

MANAGED BY AUTOMATIC STORAGE

Specifies that the table space is to be an automatic storage table space. If automatic storage is not defined for the database, an error is returned (SQLSTATE 55060).

An automatic storage table space is created as either a system managed space (SMS) table space or a database managed space (DMS) table space. When DMS is chosen and the type of table space is not specified, the default behavior is to create a large table space. With an automatic storage table space, the database manager determines which containers are to be assigned to the table space, based upon the storage paths that are associated with the database.

size-attributes

Specify the size attributes for an automatic storage table space or a DMS table space that is not an automatic storage table space. SMS table spaces are not auto-resizable.

AUTORESIZE

Specifies whether or not the auto-resize capability of a DMS table space or an automatic storage table space is to be enabled. Auto-resizable table spaces automatically increase in size when they become full. The default is NO for DMS table spaces and YES for automatic storage table spaces.

NO

Specifies that the auto-resize capability of a DMS table space or an automatic storage table space is to be disabled.

YES

Specifies that the auto-resize capability of a DMS table space or an automatic storage table space is to be enabled.

INITIALSIZE *integer* K | M | G

Specifies the initial size, per database partition, of an automatic storage table space. This option is only valid for automatic storage table spaces. The integer value must be followed by K (for kilobytes), M (for megabytes), or G (for gigabytes). Note that the actual value used might be slightly smaller than what was specified, because the database manager strives to maintain a consistent size across containers in the table space. Moreover, if the table space is auto-resizable and the initial size is not large enough to contain meta-data that must be added to the new table space,

CREATE TABLESPACE

DB2 will continue to extend the table space by `INCREASESIZE` until there is enough space. If the table space is auto-resizable, but the `INITIALSIZE` clause is not specified, the database manager determines an appropriate value.

`INCREASESIZE integer PERCENT` or `INCREASESIZE integer K | M | G`

Specifies the amount, per database partition, by which a table space that is enabled for auto-resize will automatically be increased when the table space is full, and a request for space has been made. The integer value must be followed by:

- `PERCENT` to specify the amount as a percentage of the table space size at the time that a request for space is made. When `PERCENT` is specified, the integer value must be between 0 and 100 (SQLSTATE 42615).
- `K` (for kilobytes), `M` (for megabytes), or `G` (for gigabytes) to specify the amount in bytes

Note that the actual value used might be slightly smaller or larger than what was specified, because the database manager strives to maintain consistent growth across containers in the table space. If the table space is auto-resizable, but the `INCREASESIZE` clause is not specified, the database manager determines an appropriate value.

`MAXSIZE integer K | M | G` or `MAXSIZE NONE`

Specifies the maximum size to which a table space that is enabled for auto-resize can automatically be increased. If the table space is auto-resizable, but the `MAXSIZE` clause is not specified, the default is `NONE`.

integer

Specifies a hard limit on the size, per database partition, to which a DMS table space or an automatic storage table space can automatically be increased. The integer value must be followed by `K` (for kilobytes), `M` (for megabytes), or `G` (for gigabytes). Note that the actual value used might be slightly smaller than what was specified, because the database manager strives to maintain consistent growth across containers in the table space.

NONE

Specifies that the table space is to be allowed to grow to file system capacity, or to the maximum table space size (described in “SQL limits”).

MANAGED BY SYSTEM

Specifies that the table space is to be an SMS table space. When the type of table space is not specified, the default behavior is to create a regular table space.

system-containers

Specify the containers for an SMS table space.

USING (*'container-string',...*)

For an SMS table space, identifies one or more containers that will belong to the table space and in which the table space data will be stored. The *container-string* cannot exceed 240 bytes in length.

Each *container-string* can be an absolute or relative directory name.

The directory name, if not absolute, is relative to the database directory, and can be a path name alias (a symbolic link on UNIX systems) to storage

that is not physically associated with the database directory. For example, `<dbdir>/work/c1` could be a symbolic link to a separate file system.

If any component of the directory name does not exist, it is created by the database manager. When a table space is dropped, all components created by the database manager are deleted. If the directory identified by *container-string* exists, it must not contain any files or subdirectories (SQLSTATE 428B2).

The format of *container-string* is dependent on the operating system. On Windows operating systems, an absolute directory path name begins with a drive letter and a colon (:); on UNIX systems, an absolute path name begins with a forward slash (/). A relative path name on any platform does not begin with an operating system-dependent character.

Remote resources (such as LAN-redirected drives or NFS-mounted file systems) are currently only supported when using Network Appliance Filers, IBM iSCSI, IBM Network Attached Storage, Network Appliance iSCSI, NEC iStorage S2100, S2200, or S4100, or NEC Storage NS Series with a Windows DB2 server. Note that NEC Storage NS Series is only supported with the use of an uninterrupted power supply (UPS); continuous UPS (rather than standby) is recommended. An NFS-mounted file system on AIX must be mounted in uninterruptible mode using the `-o nointr` option.

on-db-partitions-clause

Specifies the database partition or partitions on which the containers are created in a partitioned database. If this clause is not specified, then the containers are created on the database partitions in the database partition group that are not explicitly specified in any other *on-db-partitions-clauses*. For a SYSTEM TEMPORARY table space defined on database partition group IBMTEMPGROUP, when the *on-db-partitions-clause* is not specified, the containers will also be created on all new database partitions added to the database.

MANAGED BY DATABASE

Specifies that the table space is to be a DMS table space. When the type of table space is not specified, the default behavior is to create a large table space.

database-containers

Specify the containers for a DMS table space.

USING

Introduces a container-clause.

container-clause

Specifies the containers for a DMS table space.

(FILE|DEVICE 'container-string' number-of-pages,...)

For a DMS table space, identifies one or more containers that will belong to the table space and in which the table space data will be stored. The type of the container (either FILE or DEVICE) and its size (in PAGESIZE pages) are specified. The size can also be specified as an integer value followed by K (for kilobytes), M (for megabytes) or G (for gigabytes). If specified in this way, the floor of the number of bytes divided by the pagesize is used to determine the number of pages for the container. A mixture of FILE and DEVICE containers can be specified. The *container-string* cannot exceed 254 bytes in length.

For a FILE container, *container-string* must be an absolute or relative file name. The file name, if not absolute, is relative to the database directory. If any component of the directory name does not exist, it is

CREATE TABLESPACE

created by the database manager. If the file does not exist, it will be created and initialized to the specified size by the database manager. When a table space is dropped, all components created by the database manager are deleted.

Note: If the file exists, it is overwritten, and if it is smaller than specified, it is extended. The file will not be truncated if it is larger than specified.

For a DEVICE container, *container-string* must be a device name. The device must already exist.

All containers must be unique across all databases. A container can belong to only one table space. The size of the containers can differ; however, optimal performance is achieved when all containers are the same size. The exact format of *container-string* is dependent on the operating system.

Remote resources (such as LAN-redirected drives or NFS-mounted file systems) are currently only supported when using Network Appliance Filers, IBM iSCSI, IBM Network Attached Storage, Network Appliance iSCSI, NEC iStorage S2100, S2200, or S4100, or NEC Storage NS Series with a Windows DB2 server. Note that NEC Storage NS Series is only supported with the use of an uninterrupted power supply (UPS); continuous UPS (rather than standby) is recommended..

on-db-partitions-clause

Specifies the database partition or partitions on which the containers are created in a partitioned database. If this clause is not specified, then the containers are created on the database partitions in the database partition group that are not explicitly specified in any other *on-db-partitions-clause*. For a SYSTEM TEMPORARY table space defined on database partition group IBMTEMPGROUP, when the *on-db-partitions-clause* is not specified, the containers will also be created on all new database partitions added to the database.

on-db-partitions-clause

Specifies the database partitions on which containers are created in a partitioned database.

ON DBPARTITIONNUMS

Keywords indicating that individual database partitions are specified. DBPARTITIONNUM is a synonym for DBPARTITIONNUMS.

db-partition-number1

Specify a database partition number.

TO *db-partition-number2*

Specify a range of database partition numbers. The value of *db-partition-number2* must be greater than or equal to the value of *db-partition-number1* (SQLSTATE 428A9). Containers are to be created on each database partition between and including the specified values. A specified database partition must be in the database partition group for the table space.

The database partition specified by number, and every database partition within the specified range of database partitions must exist in the database partition group for the table space (SQLSTATE 42729). A database partition number can only appear explicitly or within a range in exactly one *on-db-partitions-clause* for the statement (SQLSTATE 42613).

EXTENTSIZE *number-of-pages*

Specifies the number of PAGESIZE pages that will be written to a container before skipping to the next container. The extent size value can also be specified as an integer value followed by K (for kilobytes) or M (for megabytes). If specified in this way, the floor of the number of bytes divided by the page size is used to determine the value for the extent size. The database manager cycles repeatedly through the containers as data is stored.

The default value is provided by the **dft_extent_sz** database configuration parameter, which has a valid range of 2-256 pages.

PREFETCHSIZE

Specifies to read in data needed by a query prior to it being referenced by the query, so that the query need not wait for I/O to be performed.

The default value is provided by the **dft_prefetch_sz** database configuration parameter.

AUTOMATIC

Specifies that the prefetch size of a table space is to be updated automatically; that is, the prefetch size will be managed by DB2, using the following formula:

$$\begin{aligned} \text{Prefetch size} = & \\ & (\text{number of containers}) * \\ & (\text{number of physical disks per container}) * \\ & (\text{extent size}) \end{aligned}$$

The number of physical disks per container defaults to 1, unless a value is specified through the DB2_PARALLEL_IO registry variable.

DB2 will update the prefetch size automatically whenever the number of containers in a table space changes (following successful execution of an ALTER TABLESPACE statement that adds or drops one or more containers). The prefetch size is updated at database start-up.

number-of-pages

Specifies the number of PAGESIZE pages that will be read from the table space when data prefetching is being performed. The prefetch size value can also be specified as an integer value followed by K (for kilobytes), M (for megabytes), or G (for gigabytes). If specified in this way, the floor of the number of bytes divided by the page size is used to determine the number of pages value for prefetch size.

BUFFERPOOL *bufferpool-name*

The name of the buffer pool used for tables in this table space. The buffer pool must exist (SQLSTATE 42704). If not specified, the default buffer pool (IBMDEFAULTBP) is used. The page size of the buffer pool must match the page size specified (or defaulted) for the table space (SQLSTATE 428CB). The database partition group of the table space must be defined for the buffer pool (SQLSTATE 42735).

OVERHEAD *number-of-milliseconds*

Specifies the I/O controller overhead and disk seek and latency time. This value is used to determine the cost of I/O during query optimization. The value of *number-of-milliseconds* is any numeric literal (integer, decimal, or floating point). If this value is not the same for all containers, the number should be the average for all containers that belong to the table space.

CREATE TABLESPACE

For a database that was created in Version 9 or later, the default I/O controller overhead and disk seek and latency time is 7.5 milliseconds. For a database that was migrated from a previous version of DB2 to Version 9 or later, the default is 12.67 milliseconds.

FILE SYSTEM CACHING or NO FILE SYSTEM CACHING

Specifies whether or not I/O operations are to be cached at the file system level. If neither option is specified, the default is:

- FILE SYSTEM CACHING for JFS on AIX, Linux System z™, all non-VxFS file systems on Solaris, HPUX, SMS temporary table space files on all platforms, and all LOB and large data
- NO FILE SYSTEM CACHING on all other platforms and file system types

FILE SYSTEM CACHING

Specifies that all I/O operations in the target table space are to be cached at the file system level.

NO FILE SYSTEM CACHING

Specifies that all I/O operations are to bypass the file system-level cache.

TRANSFERRATE *number-of-milliseconds*

Specifies the time to read one page into memory. This value is used to determine the cost of I/O during query optimization. The value of *number-of-milliseconds* is any numeric literal (integer, decimal, or floating point). If this value is not the same for all containers, the number should be the average for all containers that belong to the table space.

For a database that was created in Version 9 or later, the default time to read one page into memory is 0.06 milliseconds. For a database that was migrated from a previous version of DB2 to Version 9 or later, the default is 0.18 milliseconds.

DROPPED TABLE RECOVERY

Indicates whether dropped tables in the specified table space can be recovered using the RECOVER DROPPED TABLE option of the ROLLFORWARD DATABASE command. This clause can only be specified for a regular or large table space (SQLSTATE 42613).

ON

Specifies that dropped tables can be recovered. This has been the default since Version 8.

OFF

Specifies that dropped tables cannot be recovered. This is the default in Version 7.

Rules

- If automatic storage is not defined for the database, an error is returned (SQLSTATE 55060).
- The INITIALSIZE clause cannot be specified with the MANAGED BY SYSTEM or MANAGED BY DATABASE clause (SQLSTATE 42601).
- The AUTORESIZE, INCREASESIZE, or MAXSIZE clause cannot be specified with the MANAGED BY SYSTEM clause (SQLSTATE 42601).
- The AUTORESIZE, INITIALSIZE, INCREASESIZE, or MAXSIZE clause cannot be specified for the creation of a temporary automatic storage table space (SQLSTATE 42601).

- The INCREASESIZE or MAXSIZE clause cannot be specified if the table space is not auto-resizable (SQLSTATE 42601).
- AUTORESIZE cannot be enabled for DMS table spaces that are defined to use raw device containers (SQLSTATE 42601).
- A table space must initially be large enough to hold five extents (SQLSTATE 57011).
- The maximum size of a table space must be larger than its initial size (SQLSTATE 560B0).
- Container operations (ADD, EXTEND, RESIZE, DROP, or BEGIN NEW STRIPE SET) cannot be performed on automatic storage table spaces, because the database manager is controlling the space management of such table spaces (SQLSTATE 42858).
- Each container definition requires 53 bytes plus the number of bytes necessary to store the container name. The combined length of all container names for the table space cannot exceed 20 480 bytes (SQLSTATE 54034).
- For a partitioned database, if more than one database partition resides on the same physical node, the same device or path cannot be specified for more than one database partition (SQLSTATE 42730). In this environment, either specify a unique *container-string* for each database partition, or use a relative path name.

Notes

- Choosing between a database-managed space or a system-managed space for a table space is a fundamental choice involving trade-offs.
- When more than one TEMPORARY table space exists in the database, they are used in round-robin fashion to balance their usage.
- You can specify a database partition expression for container string syntax when creating either SMS or DMS containers. You would typically specify the database partition expression when using multiple logical database partitions in the partitioned database system. This ensures that container names are unique across database partition servers. When the expression is specified, the database partition number is part of the container name or, if additional arguments are specified, the result of the argument is part of the container name.

You use the argument “ \$N” ([blank]\$N) to indicate a database partition expression. A database partition expression can be used anywhere in the container name, and multiple database partition expressions can be specified. Terminate the database partition expression with a space character; whatever follows the space is appended to the container name after the database partition expression is evaluated. If there is no space character in the container name after the database partition expression, it is assumed that the rest of the string is part of the expression. The argument can only be used in one of the following forms.

Table 23. Arguments for Creating Containers. Operators are evaluated from left to right. The database partition number in the examples is assumed to be 5.

Syntax	Example	Value
[blank]\$N	" \$N"	5
[blank]\$N+[number]	" \$N+1011"	1016
[blank]\$N%[number]	" \$N%3" ^a	2
[blank]\$N+[number]%[number]	" \$N+12%13"	4
[blank]\$N%[number]+[number]	" \$N%3+20"	22

^a % represents the modulus operator.

CREATE TABLESPACE

For example:

```
CREATE TABLESPACE TS1 MANAGED BY DATABASE USING  
(device '/dev/rcont $N' 20000)
```

On a two database partition system, the following containers would be created:

```
/dev/rcont0 - on DATABASE PARTITION 0  
/dev/rcont1 - on DATABASE PARTITION 1
```

```
CREATE TABLESPACE TS2 MANAGED BY DATABASE USING  
(file '/DB2/containers/TS2/container $N+100' 10000)
```

On a four database partition system, the following containers would be created:

```
/DB2/containers/TS2/container100 - on DATABASE PARTITION 0  
/DB2/containers/TS2/container101 - on DATABASE PARTITION 1  
/DB2/containers/TS2/container102 - on DATABASE PARTITION 2  
/DB2/containers/TS2/container103 - on DATABASE PARTITION 3
```

```
CREATE TABLESPACE TS3 MANAGED BY SYSTEM USING  
( '/TS3/cont $N%2', '/TS3/cont $N%2+2')
```

On a two database partition system, the following containers would be created:

```
/TS3/cont0 - On DATABASE PARTITION 0  
/TS3/cont2 - On DATABASE PARTITION 0  
/TS3/cont1 - On DATABASE PARTITION 1  
/TS3/cont3 - On DATABASE PARTITION 1
```

If database partition = 5, the containers:

```
'/dbdir/node $N /cont1'  
'/ $N+1000 /file1'  
' $N%10 /container'  
'/dir/ $N2000 /dmscont'
```

are created as:

```
'/dbdir/node5/cont1'  
'/1005/file1'  
'5/container'  
'/dir/2000/dmscont'
```

- An automatic storage table space is created as either an SMS table space or a DMS table space. DMS is chosen for large and regular table spaces, and SMS is chosen for temporary table spaces. Note that this behavior cannot be depended upon, because it might change in a future release. When DMS is chosen and the type of table space is not specified, the default behavior is to create a large table space.
- The creation of an automatic storage table space does not include container definitions. The database manager automatically determines the location and size, if applicable, of the containers on the basis of the storage paths that are associated with the database. The database manager will attempt to grow large and regular table spaces, as necessary, provided that the maximum size has not been reached. This might involve extending existing containers or adding containers to a new stripe set. Every time that the database is activated, the database manager automatically reconfigures the number and location of the containers for temporary table spaces that are not in an abnormal state.
- A large or regular automatic storage table space will not use new storage paths (see the description of the ALTER DATABASE statement) until there is no more space in one of the existing storage paths that the table space is using.

Temporary automatic storage table spaces can only use the new storage paths once the database has been deactivated and then reactivated.

- *Compatibilities*

- For compatibility with previous versions of DB2:
 - NODE can be specified in place of DBPARTITIONNUM
 - NODES can be specified in place of DBPARTITIONNUMS
 - NODEGROUP can be specified in place of DATABASE PARTITION GROUP
 - LONG can be specified in place of LARGE

Examples

Example 1: Create a large DMS table space on a UNIX system using three devices of 10 000 4K pages each. Specify their I/O characteristics.

```
CREATE TABLESPACE PAYROLL
  MANAGED BY DATABASE
  USING (DEVICE '/dev/rhdisk6' 10000,
        DEVICE '/dev/rhdisk7' 10000,
        DEVICE '/dev/rhdisk8' 10000)
  OVERHEAD 12.67
  TRANSFERRATE 0.18
```

Example 2: Create a regular SMS table space on Windows using three directories on three separate drives, with a 64-page extent size, and a 32-page prefetch size.

```
CREATE TABLESPACE ACCOUNTING
  MANAGED BY SYSTEM
  USING ('d:\acc_tbsp', 'e:\acc_tbsp', 'f:\acc_tbsp')
  EXTENTSIZE 64
  PREFETCHSIZE 32
```

Example 3: Create a system temporary DMS table space on a UNIX system using two files of 50 000 pages each, and a 256-page extent size.

```
CREATE TEMPORARY TABLESPACE TEMPSPACE2
  MANAGED BY DATABASE
  USING (FILE 'dbtmp/tempspace2.f1' 50000,
        FILE 'dbtmp/tempspace2.f2' 50000)
  EXTENTSIZE 256
```

Example 4: Create a large DMS table space in database partition group ODDNODEGROUP (database partitions 1, 3, and 5) on a UNIX system. Use the device /dev/rhdisk0 for 10 000 4K pages on each database partition. Specify a database partition-specific device with 40 000 4K pages for each database partition.

```
CREATE TABLESPACE PLANS
  MANAGED BY DATABASE
  USING (DEVICE '/dev/rhdisk0' 10000, DEVICE '/dev/rn1hd01' 40000)
  ON DBPARTITIONNUM (1)
  USING (DEVICE '/dev/rhdisk0' 10000, DEVICE '/dev/rn3hd03' 40000)
  ON DBPARTITIONNUM (3)
  USING (DEVICE '/dev/rhdisk0' 10000, DEVICE '/dev/rn5hd05' 40000)
  ON DBPARTITIONNUM (5)
```

Example 5: Create a large automatic storage table space named DATATS, allowing the system to make all decisions with respect to table space size and growth.

```
CREATE TABLESPACE DATATS
```

or

CREATE TABLESPACE

```
CREATE TABLESPACE DATATS
  MANAGED BY AUTOMATIC STORAGE
```

Example 6: Create a system temporary automatic storage table space named TEMPDATA.

```
CREATE TEMPORARY TABLESPACE TEMPDATA
```

or

```
CREATE TEMPORARY TABLESPACE TEMPDATA
  MANAGED BY AUTOMATIC STORAGE
```

Example 7: Create a large automatic storage table space named USERSPACE3 with an initial size of 100 megabytes and a maximum size of 1 gigabyte.

```
CREATE TABLESPACE USERSPACE3
  INITIALSIZE 100 M
  MAXSIZE 1 G
```

Example 8: Create a large automatic storage table space named LARGEDATA with a growth rate of 10 percent (that is, its total size increases by 10 percent each time that it is automatically resized) and a maximum size of 512 megabytes. Instead of specifying the INITIALSIZE clause, let the database manager determine an appropriate initial size for the table space.

```
CREATE LARGE TABLESPACE LARGEDATA
  INCREASESIZE 10 PERCENT
  MAXSIZE 512 M
```

Example 9: Create a large DMS table space named USERSPACE4 with two file containers (each container being 1 megabyte in size), a growth rate of 2 megabytes, and a maximum size of 100 megabytes.

```
CREATE TABLESPACE USERSPACE4
  MANAGED BY DATABASE USING (FILE '/db2/file1' 1 M, FILE '/db2/file2' 1 M)
  AUTORESIZE YES
  INCREASESIZE 2 M
  MAXSIZE 100 M
```

Example 10: Create large DMS table spaces, using RAW devices on a Windows operating system.

- To specify entire physical drives, use the `\\.\physical-drive` format:

```
CREATE TABLESPACE TS1
  MANAGED BY DATABASE USING (DEVICE '\\.\PhysicalDrive5' 10000,
  DEVICE '\\.\PhysicalDrive6' 10000)
```

- To specify logical partitions by using drive letters:

```
CREATE TABLESPACE TS2
  MANAGED BY DATABASE USING (DEVICE '\\.\G:' 10000,
  DEVICE '\\.\H:' 10000)
```

- To specify logical partitions by using volume global unique identifiers (GUIDs), use the `db2listvolumes` utility to retrieve the volume GUID for each local partition, then copy the GUID for the logical partition that you want into the table space container clause:

```
CREATE TABLESPACE TS3
  MANAGED BY DATABASE USING (
  DEVICE '\\?\Volume{2ca6a0c1-8542-11d8-9734-00096b5322d2}\ ' 20000M)
```

You might prefer to use volume GUIDs over the drive letter format if you have more partitions than available drive letters on the machine.

- To specify logical partitions by using junction points (or volume mount points), mount the RAW partition to another NTFS-formatted volume as a junction point, then specify the path to the junction point on the NTFS volume as the container path. For example:

```
CREATE TABLESPACE TS4
  MANAGED BY DATABASE USING (DEVICE 'C:\JUNCTION\DISK_1' 10000,
    DEVICE 'C:\JUNCTION\DISK_2' 10000)
```

DB2 first queries the partition to see whether there is a file system on it; if yes, the partition is not treated as a RAW device, and DB2 performs normal file system I/O operations on the partition.

CREATE THRESHOLD

The CREATE THRESHOLD statement defines a threshold.

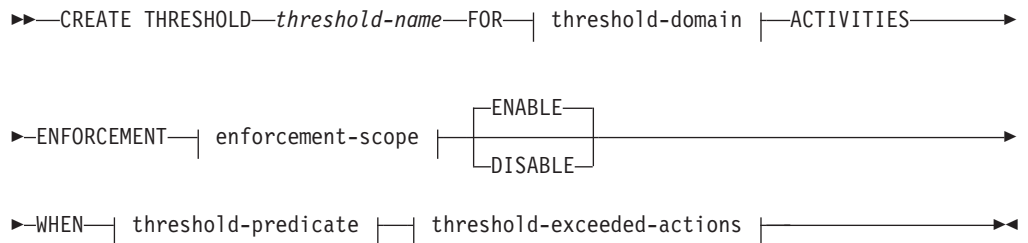
Invocation

This statement can be embedded in an application program or issued through the use of dynamic SQL statements. It is an executable statement that can be dynamically prepared only if DYNAMICRULES run behavior is in effect for the package (SQLSTATE 42509).

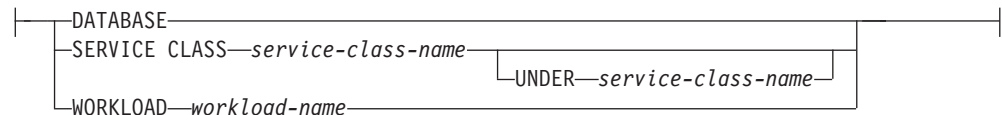
Authorization

The privileges held by the authorization ID of the statement must include SYSADM or DBADM authority.

Syntax



threshold-domain:

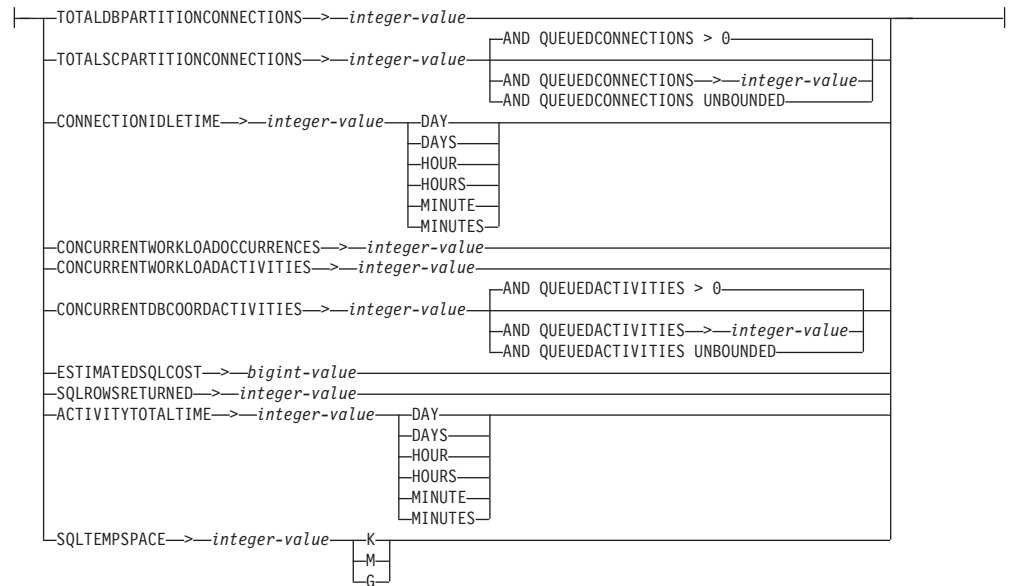


enforcement-scope:

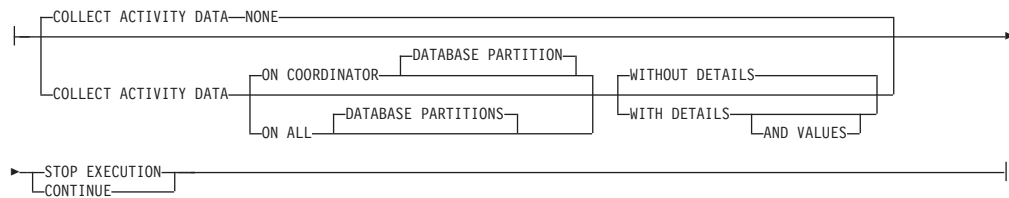


CREATE THRESHOLD

threshold-predicate:



threshold-exceeded-actions:



Description

threshold-name

Names the threshold. This is a one-part name. It is an SQL identifier (either ordinary or delimited). The *threshold-name* must not identify a threshold that already exists at the current server (SQLSTATE 42710). The name must not begin with the characters 'SYS' (SQLSTATE 42939).

FOR *threshold-domain* ACTIVITIES

Specifies the definition domain of the threshold.

DATABASE

This threshold applies to any activity in the database.

SERVICE CLASS *service-class-name*

This threshold applies to activities executing in service class *service-class-name*. If UNDER is not specified, *service-class-name* must identify an existing service superclass (SQLSTATE 42704). If UNDER is specified, *service-class-name* must identify an existing service subclass of the service superclass specified after the UNDER keyword (SQLSTATE 42704).

UNDER *service-class-name*

Specifies a service superclass. The *service-class-name* must identify an existing service superclass (SQLSTATE 42704).

WORKLOAD *workload-name*

This threshold applies to the specified workload. The *workload-name* must identify an existing workload (SQLSTATE 42704).

ENFORCEMENT *enforcement-scope*

The enforcement scope of the threshold.

DATABASE

The threshold is enforced across all database partitions within the definition domain; that is, all database partitions of the database, and all database partitions of the service class.

DATABASE PARTITION

The threshold is enforced on a per database partition basis. There is no coordination across all database partitions to enforce the threshold.

WORKLOAD OCCURRENCE

The threshold is enforced only within a workload occurrence. Two workload occurrences running concurrently on the same database partition will each have their own running count for this threshold.

ENABLE or DISABLE

Specifies whether or not the threshold is enabled for use by the database manager.

ENABLE

The threshold is used by the database manager to restrict the execution of database activities.

DISABLE

The threshold is not used by the database manager to restrict the execution of database activities.

WHEN *threshold-predicate*

Specifies the condition of the threshold.

TOTALDBPARTITIONCONNECTIONS > *integer-value*

This condition defines an upper bound on the number of coordinator connections that can run concurrently on a database partition. This value can be any positive integer, including zero (SQLSTATE 42820). A value of zero means that any new coordinator connection will be prevented from connecting. All currently running or queued connections will continue. The definition domain for this condition must be DATABASE, and the enforcement scope must be DATABASE PARTITION (SQLSTATE 5U037).

TOTALSPARTITIONCONNECTIONS > *integer-value*

This condition defines an upper bound on the number of coordinator connections that can run concurrently on a database partition in a specific service superclass. This value can be any positive integer, including zero (SQLSTATE 42820). A value of zero means that any new connection will be prevented from joining the service class. All currently running or queued connections will continue. The definition domain for this condition must be SERVICE SUPERCLASS, and the enforcement scope must be DATABASE PARTITION (SQLSTATE 5U037).

AND QUEUEDCONNECTIONS > *integer-value* **or AND QUEUEDCONNECTIONS UNBOUNDED**

Specifies a queue size for when the maximum number of coordinator connections is exceeded. This value can be any positive integer, including zero (SQLSTATE 42820). A value of zero means that no coordinator connections are queued. Specifying UNBOUNDED will

CREATE THRESHOLD

queue every connection that exceeds the specified maximum number of coordinator connections, and the *threshold-exceeded-actions* will never be executed. The default is zero.

CONNECTIONIDLETIME > *integer-value* (DAY | DAYS | HOUR | HOURS | MINUTE | MINUTES)

This condition defines an upper bound for the amount of time the database manager will allow a connection to remain idle. This value can be any non-zero positive integer (SQLSTATE 42820). Use a valid duration keyword to specify an appropriate unit of time for *integer-value*. The definition domain for this condition must be DATABASE or SERVICE SUPERCLASS, and the enforcement scope must be DATABASE (SQLSTATE 5U037). This condition is logically enforced at the coordinator database partition.

If you specify the STOP EXECUTION action with CONNECTIONIDLETIME thresholds, the connection for the application is dropped when the threshold is exceeded. Any subsequent attempt by the application to access the data server will not receive SQLSTATE 5U026.

Because the minimum granularity for this threshold is five minutes, specified values are rounded up to the closest non-zero multiple of five minutes. In cases where the rounding generates an overflow or underflow, the closest value in the integer range is selected.

The maximum value for this threshold is 2 147 400 seconds. Any value specified that has a seconds equivalent larger than 2 147 400 seconds will be set to this number of seconds.

Changes to the DB2CHECKCLIENTINTERVAL registry variable causing less frequent checks might affect the granularity of this threshold.

CONCURRENTWORKLOADOCCURRENCES > *integer-value*

This condition defines an upper bound on the number of concurrent occurrences for the workload on each database partition. This value can be any non-zero positive integer (SQLSTATE 42820). The definition domain for this condition must be WORKLOAD and the enforcement scope must be DATABASE PARTITION (SQLSTATE 5U037).

CONCURRENTWORKLOADACTIVITIES > *integer-value*

This condition defines an upper bound on the number of concurrent coordinator activities and nested activities for the workload on each database partition. This value can be any non-zero positive integer (SQLSTATE 42820). The definition domain for this condition must be WORKLOAD and the enforcement scope for this condition must be WORKLOAD OCCURRENCE (SQLSTATE 5U037).

Each nested activity must satisfy the following conditions:

- It must be a recognized coordinator activity. Any nested coordinator activity that does not fall within the recognized types of activities will not be counted. Similarly, nested subagent activities, such as remote node requests, are not counted.
- It must be directly invoked from user logic, such as a user-written procedure issuing SQL statements.

Consequently, nested coordinator activities that were automatically started under the invocation of a DB2 utility or routines in the SYSIBM, SYSFUN, or SYSPROC schemas are not counted towards the upper bound specified by this threshold.

Internal SQL activities, such as those initiated by the setting of a constraint or the refreshing of a materialized query table, are also not counted by this threshold, because they are initiated by the database manager and not directly invoked by user logic.

CONCURRENTDBCOORDACTIVITIES > *integer-value*

This condition defines an upper bound on the number of recognized database coordinator activities that can run concurrently on all database partitions in the specified domain. This value can be any positive integer, including zero (SQLSTATE 42820). A value of zero means that any new database coordinator activities will be prevented from executing. All currently running or queued database coordinator activities will continue. The definition domain for this condition must be DATABASE, work action (a threshold for a work action definition domain is created using a CREATE WORK ACTION SET or ALTER WORK ACTION SET statement), SERVICE SUPERCLASS, or SERVICE SUBCLASS, and the enforcement scope must be DATABASE (SQLSTATE 5U037).

Important: CONCURRENTDBCOORDACTIVITIES thresholds can result in queue-based contention that requires external intervention. For more information see the "CONCURRENTDBCOORDACTIVITIES threshold".

AND QUEUEDACTIVITIES > *integer-value* or **AND QUEUEDACTIVITIES UNBOUNDED**

Specifies a queue size for when the maximum number of database coordinator activities is exceeded. This value can be any positive integer, including zero (SQLSTATE 42820). A value of zero means that no database coordinator activities are queued. Specifying UNBOUNDED will queue every database coordinator activity that exceeds the specified maximum number of database coordinator activities, and the *threshold-exceeded-actions* will never be executed. The default is zero.

ESTIMATEDSQLCOST > *bigint-value*

This condition defines an upper bound for the optimizer-assigned cost (in timerons) of an activity. This value can be any non-zero positive big integer (SQLSTATE 42820). The definition domain for this condition must be DATABASE, work action (a threshold for a work action definition domain is created using a CREATE WORK ACTION SET or ALTER WORK ACTION SET statement), SERVICE SUPERCLASS, or SERVICE SUBCLASS, and the enforcement scope must be DATABASE (SQLSTATE 5U037). This condition is enforced at the coordinator database partition. Activities tracked by this condition are:

- Coordinator activities of type data manipulation language (DML)
- Nested DML activities that are invoked from user logic. Consequently, DML activities that can be initiated by the database manager (such as utilities, procedures, or internal SQL) are not tracked by this condition (unless their cost is included in the parent's estimate, in which case they are indirectly tracked).

SQLROWSRETURNED > *integer-value*

This condition defines an upper bound for the number of rows returned to a client application from the application server. This value can be any non-zero integer (SQLSTATE 42820). The definition domain for this condition must be DATABASE, work action (a threshold for a work action definition domain is created using a CREATE WORK ACTION SET or ALTER WORK ACTION SET statement), SERVICE SUPERCLASS, or

CREATE THRESHOLD

SERVICE SUBCLASS, and the enforcement scope must be DATABASE (SQLSTATE 5U037). This condition is enforced at the coordinator database partition. Activities tracked by this condition are:

- Coordinator activities of type DML
- Nested DML activities that are derived from user logic. Activities that are initiated by the database manager through a utility, procedure, or internal SQL are not affected by this condition.

Result sets returned from within a procedure are treated separately as individual activities. There is no aggregation of the rows that are returned by the procedure itself.

ACTIVITYTOTALTIME > *integer-value* (DAY | DAYS | HOUR | HOURS | MINUTE | MINUTES)

This condition defines an upper bound for the amount of time the database manager will allow an activity to execute, including the time the activity was queued. This value can be any non-zero positive integer (SQLSTATE 42820). Use a valid duration keyword to specify an appropriate unit of time for *integer-value*. The definition domain for this condition must be DATABASE, work action (a threshold for a work action definition domain is created using a CREATE WORK ACTION SET or ALTER WORK ACTION SET statement), SERVICE SUPERCLASS, or SERVICE SUBCLASS, and the enforcement scope must be DATABASE (SQLSTATE 5U037). This condition is logically enforced at the coordinator database partition.

Because the minimum granularity for this threshold is five minutes, specified values are rounded up to the closest non-zero multiple of five minutes. In cases where the rounding generates an overflow or underflow, the closest value in the integer range is selected.

The maximum value for this threshold is 2 147 400 seconds. Any value specified that has a seconds equivalent larger than 2 147 400 seconds will be set to this number of seconds.

Changes to the DB2CHECKCLIENTINTERVAL registry variable causing less frequent checks might affect the granularity of this threshold.

SQLTEMPSPACE > *integer-value* (K | M | G)

This condition defines an upper bound for the size of a system temporary table space on any database partition. This value can be any non-zero positive integer (SQLSTATE 42820).

If *integer-value* K (in either upper- or lowercase) is specified, the maximum size is 1024 times *integer-value*. If *integer-value* M is specified, the maximum size is 1 048 576 times *integer-value*. If *integer-value* G is specified, the maximum size is 1 073 741 824 times *integer-value*.

The definition domain for this condition must be DATABASE, work action (a threshold for a work action definition domain is created using a CREATE WORK ACTION SET or ALTER WORK ACTION SET statement), SERVICE SUPERCLASS, or SERVICE SUBCLASS, and the enforcement scope must be DATABASE PARTITION (SQLSTATE 5U037). Activities tracked by this condition are:

- Coordinator activities of type DML and corresponding subagent work (subsection execution)
- Nested DML activities that are derived from user logic and their corresponding subagent work (subsection execution). Activities that are

initiated by the database manager through a utility, procedure, or internal SQL are not affected by this condition.

threshold-exceeded-actions

Specifies what action is to be taken when a condition is exceeded. Each time that a condition is exceeded, an event is recorded in the threshold violations event monitor, if one is active.

STOP EXECUTION

The execution of the activity is stopped and an error is returned (SQLSTATE 5U026).

CONTINUE

The execution of the activity is not stopped.

COLLECT ACTIVITY DATA

Specifies that data about each activity that exceeded the threshold is to be sent to the activities event monitor, if one is active, when the activity completes. The default is COLLECT ACTIVITY DATA NONE. If COLLECT ACTIVITY DATA is specified, the default is WITHOUT DETAILS.

NONE

Specifies that activity data should not be collected for each activity that exceeds the threshold.

ON COORDINATOR DATABASE PARTITION

Specifies that the activity data is to be collected only at the database partition of the coordinator of the activity.

ON ALL DATABASE PARTITIONS

Specifies that the activity data is to be collected at all database partitions on which the activity is processed. For predictive thresholds, activity information is collected at all partitions only if you also specify the CONTINUE action for exceeded thresholds. For reactive thresholds, the ON ALL DATABASE PARTITIONS clause has no effect and activity information is always collected only at the coordinator partition. For both predictive and reactive thresholds, any activity details or values will be collected only at the coordinator partition.

WITHOUT DETAILS

Specifies that data about each activity that exceeds the threshold should be sent to the activities event monitor, if one is active, when the activity completes. Statement and compilation environment information are not sent to the event monitor.

WITH DETAILS

Specifies that statement and compilation environment information are to be sent to the activities event monitor, if one is active, for those activities that have them.

AND VALUES

Specifies that input data values are to be sent to the activities event monitor, if one is active, for those activities that have them.

Notes

- *Threshold exceeded action of CONTINUE and event monitor data:* Event monitor data is collected only once per partition when a threshold condition has been exceeded. If the threshold exceeded action is CONTINUE, the activity continues executing and no further event monitor data is collected for that threshold at the affected partition. For example, consider a time threshold of 10

CREATE THRESHOLD

minutes with an action of CONTINUE. After an activity exceeds the 10-minute upper bound, event monitor data is collected for the threshold at the affected partition.

- *Quiescing a service class:* The TOTALSCPARTITIONCONNECTIONS threshold condition can be used to simulate quiescing service classes that cannot normally be quiesced (for example, the default user class, or the default system class). This is useful, because thresholds do not apply to users with DBADM authority running in the SYSDEFAULTADMWORKLOAD, whereas a quiesced service class is not available to anyone. Consequently, default service classes cannot be quiesced directly but only through a threshold that allows users with DBADM authority to join them when connected to the database using the SYSDEFAULTADMWORKLOAD.

Examples

Example 1: Create a threshold that enforces a maximum temporary table space usage of 50M (per database partition) to any activity in the database. Any activity that violates this threshold is to be stopped.

```
CREATE THRESHOLD DBMAX50MEGTEMPSPACE
FOR DATABASE ACTIVITIES
ENFORCEMENT DATABASE PARTITION
WHEN SQLTEMPSPACE > 50 M
STOP EXECUTION
```

Example 2: Create a second threshold to limit the default runtime of any activity in the database to a maximum of 1 hour. Any activity that violates this threshold is to be stopped.

```
CREATE THRESHOLD DBMAX1HOURRUNTIME
FOR DATABASE ACTIVITIES
ENFORCEMENT DATABASE
WHEN ACTIVITYTOTALTIME > 1 HOUR
STOP EXECUTION
```

Example 3: Assume that a service superclass named BIGQUERIES was created to host queries using more temporary space than average and running longer than 1 hour. The thresholds defined inside this service class will override the values that were set above at the database level. Note how activities violating the thresholds inside this superclass are allowed to continue executing, but detailed information is collected for further analysis.

```
CREATE THRESHOLD BIGQUERIESMAX500MEGTEMPSPACE
FOR SERVICE CLASS BIGQUERIES ACTIVITIES
ENFORCEMENT DATABASE PARTITION
WHEN SQLTEMPSPACE > 500 M
COLLECT ACTIVITY DATA WITH DETAILS AND VALUES
CONTINUE

CREATE THRESHOLD BIGQUERIESLONGRUNNINGTIME
FOR SERVICE CLASS BIGQUERIES ACTIVITIES
ENFORCEMENT DATABASE
WHEN ACTIVITYTOTALTIME > 10 HOURS
COLLECT ACTIVITY DATA WITH DETAILS AND VALUES
CONTINUE
```

Example 4: Assuming the existence of a workload named PAYROLL, create a threshold that enforces the maximum number of activities within the workload to be less than or equal to 10.

CREATE TRANSFORM

FOR *type-name*

Specifies a name for the user-defined structured type for which the transform group is being defined.

In dynamic SQL statements, the CURRENT SCHEMA special register is used as a qualifier for an unqualified *type-name*. In static SQL statements the QUALIFIER precompile/bind option implicitly specifies the qualifier for an unqualified *type-name*. The *type-name* must be the name of an existing user-defined type (SQLSTATE 42704), and it must be a structured type (SQLSTATE 42809). The structured type or any other structured type in the same type hierarchy must not have transforms already defined with the given group-name (SQLSTATE 42739).

group-name

Names the transform group. This is a one-part name. It is an SQL identifier (either ordinary or delimited). The *group-name* must not identify a transform group that already exists in the catalog for the specified *type-name* (SQLSTATE 42739). The *group-name* must not begin with the characters 'SYS' (SQLSTATE 42939). At most, one of each of the FROM SQL and TO SQL function designations can be specified for any given group (SQLSTATE 42628).

TO SQL

Defines the specific function used to transform a value to the SQL user-defined structured type format. The function must have all its parameters as built-in data types and the returned type is *type-name*.

FROM SQL

Defines the specific function used to transform a value to a built in data type value representing the SQL user-defined structured type. The function must have one parameter of data type *type-name*, and return a built-in data type (or set of built-in data types).

WITH *function-designator*

Uniquely identifies the transform function.

If FROM SQL is specified, *function-designator* must identify a function that meets the following requirements:

- There is one parameter of type *type-name*.
- The return type is a built-in type, or a row whose columns all have built-in types.
- The signature specifies either LANGUAGE SQL or the use of another FROM SQL transform function that has LANGUAGE SQL.

If TO SQL is specified, *function-designator* must identify a function that meets the following requirements:

- All parameters have built-in types.
- The return type is *type-name*.
- The signature specifies either LANGUAGE SQL or the use of another TO SQL transform function that has LANGUAGE SQL.

If *function-designator* identifies a function that does not meet these requirements (according to its use as a FROM SQL or a TO SQL transform function), an error is raised (SQLSTATE 428DC).

Methods (even if specified with FUNCTION ACCESS) cannot be specified as transforms through *function-designator*. Instead, only functions that are defined by the CREATE FUNCTION statement can act as transforms (SQLSTATE 42704 or 42883).

For more information, see “Function, method, and procedure designators” on page 15 “Function, method, and procedure designators” on page 15.

Rules

- The one or more built-in types that are returned from the FROM SQL function should directly correspond to the one or more built-in types that are parameters of the TO SQL function. This is a logical consequence of the inverse relationship between these two functions. If this relationship between the FROM transform and the TO transform does not hold, an error is raised (SQLSTATE -3).

Notes

- When a transform group is not specified in an application program (using the TRANSFORM GROUP precompile or bind option for static SQL, or the SET CURRENT DEFAULT TRANSFORM GROUP statement for dynamic SQL), the transform functions in the transform group 'DB2_PROGRAM' are used (if defined) when the application program is retrieving or sending host variables that are based on the user-defined structured type identified by *type-name*. When retrieving a value of data type *type-name*, the FROM SQL transform is invoked to transform the structured type to the built-in data type returned by the transform function. Similarly, when sending a host variable that will be assigned to a value of data type *type-name*, the TO SQL transform is invoked to transform the built-in data type value to the structured type value. If a user-defined transform group is not specified, or a 'DB2_PROGRAM' group is not defined (for the given structured type), an error is raised (SQLSTATE 42741).
- The built-in data type representation for a structured type host variable must be assignable:
 - from the result of the FROM SQL transform function for the structured type as defined by the specified TRANSFORM GROUP option of the precompile command (using retrieval assignment rules) and
 - to the parameter of the TO SQL transform function for the structured type as defined by the specified TRANSFORM GROUP option of the precompile command (using storage assignment rules).

If a host variable is not assignment compatible with the type required by the applicable transform function, an error is raised (for bind-in: SQLSTATE 42821; for bind-out: SQLSTATE 42806). For errors that result from string assignments, see “String Assignments”.

- The transform functions identified in the default transform group named 'DB2_FUNCTION' are used whenever a user-defined function not written in SQL is invoked using the data type *type-name* as a parameter or returns type. This applies when the function does not specify the TRANSFORM GROUP clause. When invoking the function with an argument of data type *type-name*, the FROM SQL transform is executed to transform the structured type to the built-in data type returned by the transform function. Similarly, when the returns data type of the function is of data type *type-name*, the TO SQL transform is invoked to transform the built-in data type value returned from the external function program into the structured type value.
- If a structured type contains an attribute that is also a structured type, the associated transform functions must recursively expand (or assemble) all nested structured types. This means that the results or parameters of the transform functions consist only of the set of built-in types representing all base attributes of the subject structured type (including all its nested structured types). There is no “cascading” of transform functions for handling nested structured types.

CREATE TRANSFORM

- The functions identified in this statement are resolved according to the rules outlined above at the execution of this statement. When these functions are used (implicitly) in subsequent SQL statements, they do not undergo another resolution process. The transform functions defined in this statement are recorded exactly as they are resolved in this statement.
- When attributes or subtypes of a given type are created or dropped, the transform functions for the user-defined structured type must also be changed.
- For a given transform group, the FROM SQL and TO SQL transforms can be specified in either the same *group-name* clause, in separate *group-name* clauses, or in separate CREATE TRANSFORM statements. The only restriction is that a given FROM SQL or TO SQL transform designation may not be redefined without first dropping the existing group definition. This allows you to define, for example, a FROM SQL transform for a given group first, and the corresponding TO SQL transform for the same group at a later time.

Examples

Example 1: Create two transform groups that associate the user-defined structured type polygon with transform functions customized for C and Java, respectively.

```
CREATE TRANSFORM FOR POLYGON
  mystruct1 (FROM SQL WITH FUNCTION myxform_sqlstruct,
            TO SQL WITH FUNCTION myxform_structsql)
  myjava1   (FROM SQL WITH FUNCTION myxform_sqljava,
            TO SQL WITH FUNCTION myxform_javasql)
```

CREATE TRIGGER

The CREATE TRIGGER statement defines a trigger in the database.

Invocation

This statement can be embedded in an application program or issued through the use of dynamic SQL statements. It is an executable statement that can be dynamically prepared only if DYNAMICRULES run behavior is in effect for the package (SQLSTATE 42509).

Authorization

The privileges held by the authorization ID of the statement must include at least one of the following:

- ALTER privilege on the table on which the BEFORE or AFTER trigger is defined
- CONTROL privilege on the view on which the INSTEAD OF TRIGGER is defined
- Owner of the view on which the INSTEAD OF trigger is defined
- ALTERIN privilege on the schema of the table or view on which the trigger is defined
- SYSADM or DBADM authority

and one of:

- IMPLICIT_SCHEMA authority on the database, if the implicit or explicit schema name of the trigger does not exist
- CREATEIN privilege on the schema, if the schema name of the trigger refers to an existing schema

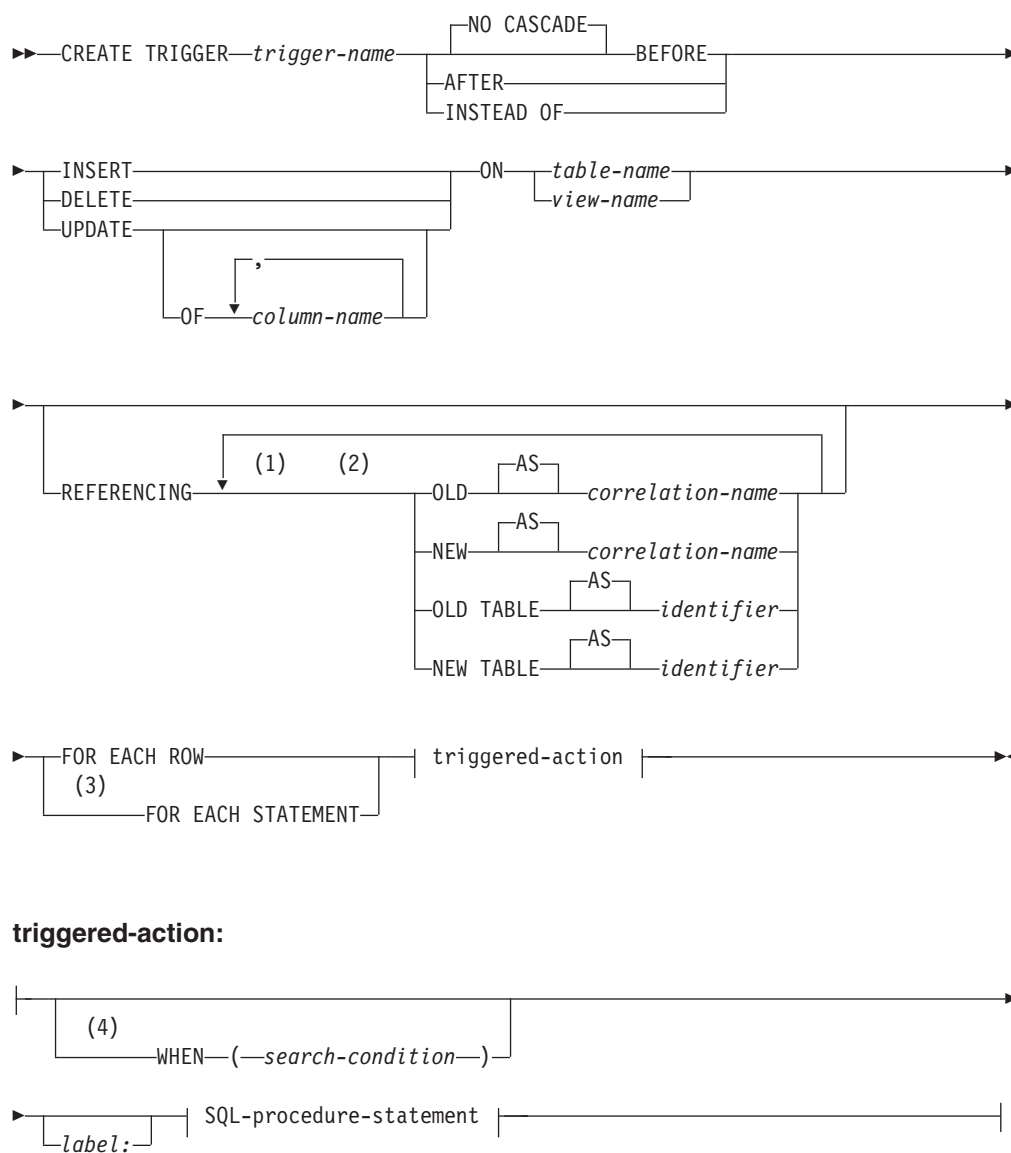
CREATE TRIGGER

If the authorization ID of the statement does not have SYSADM or DBADM authority, the privileges (excluding group privileges) held by the authorization ID of the statement must include all of the following, as long as the trigger exists:

- SELECT privilege on the table on which the trigger is defined, if any transition variables or tables are specified
- SELECT privilege on any table or view referenced in the triggered action condition
- Necessary privileges to invoke the triggered SQL statements specified

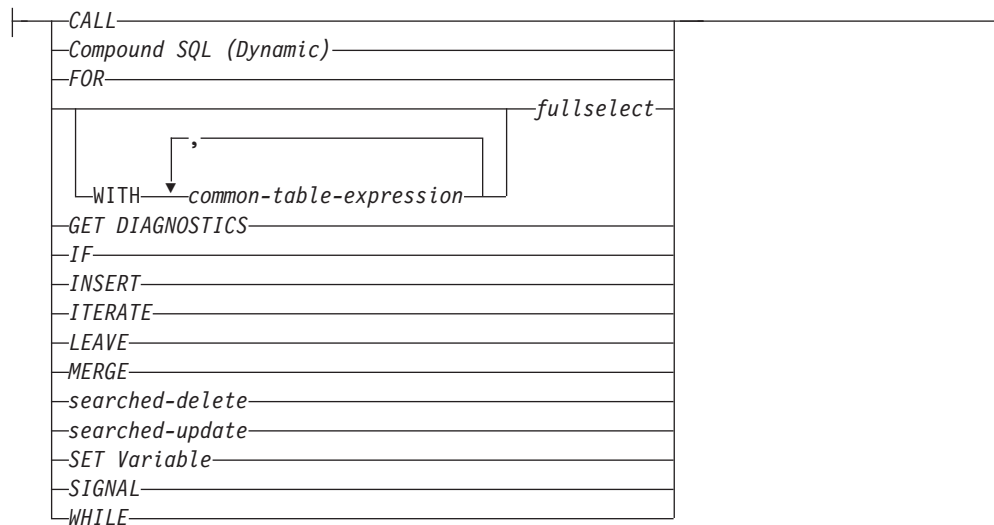
If a trigger definer can only create the trigger because the definer has SYSADM authority, the definer is granted explicit DBADM authority for the purpose of creating the trigger.

Syntax



CREATE TRIGGER

SQL-procedure-statement:



Notes:

- 1 OLD and NEW can only be specified once each.
- 2 OLD TABLE and NEW TABLE can only be specified once each, and only for AFTER triggers or INSTEAD OF triggers.
- 3 FOR EACH STATEMENT may not be specified for BEFORE triggers or INSTEAD OF triggers.
- 4 WHEN condition may not be specified for INSTEAD OF triggers.

Description

trigger-name

Names the trigger. The name, including the implicit or explicit schema name, must not identify a trigger already described in the catalog (SQLSTATE 42710). If a two-part name is specified, the schema name cannot begin with 'SYS' (SQLSTATE 42939).

NO CASCADE BEFORE

Specifies that the associated triggered action is to be applied before any changes caused by the actual update of the subject table are applied to the database. It also specifies that the triggered action of the trigger will not cause other triggers to be activated.

AFTER

Specifies that the associated triggered action is to be applied after the changes caused by the actual update of the subject table are applied to the database.

INSTEAD OF

Specifies that the associated triggered action replaces the action against the subject view. Only one INSTEAD OF trigger is allowed for each kind of operation on a given subject view (SQLSTATE 428FP).

INSERT

Specifies that the triggered action associated with the trigger is to be executed whenever an INSERT operation is applied to the subject table or subject view.

DELETE

Specifies that the triggered action associated with the trigger is to be executed whenever a DELETE operation is applied to the subject table or subject view.

UPDATE

Specifies that the triggered action associated with the trigger is to be executed whenever an UPDATE operation is applied to the subject table or subject view, subject to the columns specified or implied.

If the optional *column-name* list is not specified, every column of the table is implied. Therefore, omission of the *column-name* list implies that the trigger will be activated by the update of any column of the table.

OF *column-name,...*

Each *column-name* specified must be a column of the base table (SQLSTATE 42703). If the trigger is a BEFORE trigger, the *column-name* specified cannot be a generated column other than the identity column (SQLSTATE 42989). No *column-name* can appear more than once in the *column-name* list (SQLSTATE 42711). The trigger will only be activated by the update of a column that is identified in the *column-name* list. This clause cannot be specified for an INSTEAD OF trigger (SQLSTATE 42613).

ON*table-name*

Designates the subject table of the BEFORE trigger or AFTER trigger definition. The name must specify a base table or an alias that resolves to a base table (SQLSTATE 42704 or 42809). The name must not specify a catalog table (SQLSTATE 42832), a materialized query table (SQLSTATE 42997), a declared temporary table (SQLSTATE 42995), or a nickname (SQLSTATE 42809).

view-name

Designates the subject view of the INSTEAD OF trigger definition. The name must specify an untyped view or an alias that resolves to an untyped view with no columns of type XML (SQLSTATE 42704 or 42809). The name must not specify a catalog view (SQLSTATE 42832). The name must not specify a view that is defined using WITH CHECK OPTION (a symmetric view), or a view on which a symmetric view has been defined, directly or indirectly (SQLSTATE 428FQ).

REFERENCING

Specifies the correlation names for the *transition variables* and the table names for the *transition tables*. Correlation names identify a specific row in the set of rows affected by the triggering SQL operation. Table names identify the complete set of affected rows. Each row affected by the triggering SQL operation is available to the triggered action by qualifying columns with *correlation-names* specified as follows.

OLD AS *correlation-name*

Specifies a correlation name which identifies the row state prior to the triggering SQL operation.

NEW AS *correlation-name*

Specifies a correlation name which identifies the row state as modified by the triggering SQL operation and by any SET statement in a BEFORE trigger that has already executed.

A NEW AS correlation name can be of type XML.

CREATE TRIGGER

The complete set of rows affected by the triggering SQL operation is available to the triggered action by using a temporary table name specified as follows.

OLD TABLE AS *identifier*

Specifies a temporary table name which identifies the set of affected rows prior to the triggering SQL operation.

NEW TABLE AS *identifier*

Specifies a temporary table name which identifies the affected rows as modified by the triggering SQL operation and by any SET statement in a BEFORE trigger that has already executed.

The following rules apply to the REFERENCING clause:

- None of the OLD and NEW correlation names and the OLD TABLE and NEW TABLE names can be identical (SQLSTATE 42712).
- Only one OLD and one NEW *correlation-name* may be specified for a trigger (SQLSTATE 42613).
- Only one OLD TABLE and one NEW TABLE *identifier* may be specified for a trigger (SQLSTATE 42613).
- The OLD *correlation-name* and the OLD TABLE *identifier* can only be used if the trigger event is either a DELETE operation or an UPDATE operation (SQLSTATE 42898). If the operation is a DELETE operation, OLD *correlation-name* captures the value of the deleted row. If it is an UPDATE operation, it captures the value of the row before the UPDATE operation. The same applies to the OLD TABLE *identifier* and the set of affected rows.
- The NEW *correlation-name* and the NEW TABLE *identifier* can only be used if the trigger event is either an INSERT operation or an UPDATE operation (SQLSTATE 42898). In both operations, the value of NEW captures the new state of the row as provided by the original operation and as modified by any BEFORE trigger that has executed to this point. The same applies to the NEW TABLE *identifier* and the set of affected rows.
- OLD TABLE or NEW TABLE identifiers cannot be defined in a BEFORE trigger (SQLSTATE 42898).
- A NEW transition variable cannot be defined in an AFTER trigger (SQLSTATE 42987).
- OLD or NEW correlation names cannot be defined in a FOR EACH STATEMENT trigger (SQLSTATE 42899).
- Transition tables cannot be modified (SQLSTATE 42807).
- The total of the references to the transition table columns and transition variables in the triggered-action cannot exceed the limit for the number of columns in a table or the sum of their lengths cannot exceed the maximum length of a row in a table (SQLSTATE 54040).
- The scope of each *correlation-name* and each *identifier* is the entire trigger definition.

FOR EACH ROW

Specifies that the triggered action is to be applied once for each row of the subject table or subject view that is affected by the triggering SQL operation.

FOR EACH STATEMENT

Specifies that the triggered action is to be applied only once for the whole statement. This type of trigger granularity cannot be specified for a BEFORE trigger or an INSTEAD OF trigger (SQLSTATE 42613). If specified, an UPDATE or DELETE trigger is activated, even if no rows are affected by the triggering UPDATE or DELETE statement.

triggered-action

Specifies the action to be performed when a trigger is activated. A triggered action is composed of an *SQL-procedure-statement* and by an optional condition for the execution of the *SQL-procedure-statement*.

WHEN

(search-condition)

Specifies a condition that is true, false, or unknown. The *search-condition* provides a capability to determine whether or not a certain triggered action should be executed. The associated action is performed only if the specified search condition evaluates as true. If the WHEN clause is omitted, the associated *SQL-procedure-statement* is always performed.

The WHEN clause cannot be specified for INSTEAD OF triggers (SQLSTATE 42613).

A reference to a transition variable with an XML data type can be used only in a VALIDATED predicate.

label:

Specifies the label for an SQL procedure statement. The label must be unique within a list of SQL procedure statements, including any compound statements nested within the list. Note that compound statements that are not nested can use the same label. A list of SQL procedure statements is possible in a number of SQL control statements.

Only the FOR statement, WHILE statement, and the dynamic compound statement can include a label.

SQL-procedure-statement

Specifies the SQL statement that is to be part of the triggered action. A searched update, searched delete, insert, or merge operation on nicknames inside compound SQL is not supported.

The triggered action of a BEFORE trigger on a column of type XML can invoke the XMLVALIDATE function through a SET statement, leave values of type XML unchanged, or assign them to NULL using a SET statement.

The *SQL-procedure-statement* must not contain a statement that is not supported (SQLSTATE 42987).

The *SQL-procedure-statement* cannot reference an undefined transition variable (SQLSTATE 42703), a federated object (SQLSTATE 42997), or a declared temporary table (SQLSTATE 42995).

The *SQL-procedure-statement* in a BEFORE trigger cannot:

- Be a CALL statement that invokes a procedure defined with MODIFIES SQL DATA, or a MERGE statement (SQLSTATE 42987)
- Reference a materialized query table defined with REFRESH IMMEDIATE (SQLSTATE 42997)
- Reference a generated column other than the identity column in the NEW transition variable (SQLSTATE 42989).

Notes

- Adding a trigger to a table that already has rows in it will not cause any triggered actions to be activated. Thus, if the trigger is designed to enforce constraints on the data in the table, those constraints may not be satisfied by the existing rows.

CREATE TRIGGER

- If the events for two triggers occur simultaneously (for example, if they have the same event, activation time, and subject tables), then the first trigger created is the first to execute.
- If a column is added to the subject table after triggers have been defined, the following rules apply:
 - If the trigger is an UPDATE trigger that was specified without an explicit column list, then an update to the new column will cause the activation of the trigger.
 - The column will not be visible in the triggered action of any previously defined trigger.
 - The OLD TABLE and NEW TABLE transition tables will not contain this column. Thus, the result of performing a "SELECT *" on a transition table will not contain the added column.
- If a column is added to any table referenced in a triggered action, the new column will not be visible to the triggered action.
- The result of a fullselect specified in a *SQL-procedure-statement* is not available inside or outside of the trigger.
- A procedure called within a triggered compound statement must not issue a COMMIT or a ROLLBACK statement (SQLSTATE 42985).
- A procedure that contains a reference to a nickname in a searched UPDATE statement, a searched DELETE statement, or an INSERT statement is not supported (SQLSTATE 25000).
- **Table access restrictions:**

If a procedure is defined as READS SQL DATA or MODIFIES SQL DATA, no statement in the procedure can access a table that is being modified by the compound statement that invoked the procedure (SQLSTATE 57053). If the procedure is defined as MODIFIES SQL DATA, no statement in the procedure can modify a table that is being read or modified by the compound statement that invoked the procedure (SQLSTATE 57053).
- A BEFORE DELETE trigger defined on a table involved in a cycle of cascaded referential constraints should not include references to the table on which it is defined or any other table modified by cascading during the evaluation of the cycle of referential integrity constraints. The results of such a trigger are data dependent and therefore may not produce consistent results.

In its simplest form, this means that a BEFORE DELETE trigger on a table with a self-referencing referential constraint and a delete rule of CASCADE should not include any references to the table in the *triggered-action*.
- The creation of a trigger causes certain packages to be marked invalid:
 - If an UPDATE trigger without an explicit column list is created, then packages with an update usage on the target table or view are invalidated.
 - If an UPDATE trigger with a column list is created, then packages with update usage on the target table are only invalidated if the package also has an update usage on at least one column in the *column-name* list of the CREATE TRIGGER statement.
 - If an INSERT trigger is created, packages that have an insert usage on the target table or view are invalidated.
 - If a delete trigger is created, packages that have a delete usage on the target table or view are invalidated.
- A package remains invalid until the application program is explicitly bound or rebound, or it is executed and the database manager automatically rebinds it.

- **Inoperative triggers:** An *inoperative trigger* is a trigger that is no longer available and is therefore never activated. A trigger becomes inoperative if:
 - a privilege that the creator of the trigger is required to have for the trigger to execute is revoked
 - an object such as a table, view or alias, upon which the triggered action is dependent, is dropped
 - a view, upon which the triggered action is dependent, becomes inoperative
 - an alias that is the subject table of the trigger is dropped.

In practical terms, an inoperative trigger is one in which a trigger definition has been dropped as a result of cascading rules for DROP or REVOKE statements. For example, when an view is dropped, any trigger with an *SQL-procedure-statement* defined using that view is made inoperative.

When a trigger is made inoperative, all packages with statements performing operations that were activating the trigger will be marked invalid. When the package is rebound (explicitly or implicitly) the inoperative trigger is completely ignored. Similarly, applications with dynamic SQL statements performing operations that were activating the trigger will also completely ignore any inoperative triggers.

The trigger name can still be specified in the DROP TRIGGER and COMMENT ON TRIGGER statements.

An inoperative trigger may be recreated by issuing a CREATE TRIGGER statement using the definition text of the inoperative trigger. This trigger definition text is stored in the TEXT column of the SYSCAT.TRIGGERS catalog view. Note that there is no need to explicitly drop the inoperative trigger in order to recreate it. Issuing a CREATE TRIGGER statement with the same *trigger-name* as an inoperative trigger will cause that inoperative trigger to be replaced with a warning (SQLSTATE 01595).

Inoperative triggers are indicated by an X in the VALID column of the SYSCAT.TRIGGERS catalog view.

- **Errors executing triggers:** Errors that occur during the execution of triggered SQL statements are returned using SQLSTATE 09000 unless the error is considered severe. If the error is severe, the severe error SQLSTATE is returned. The SQLERRMC field of the SQLCA for non-severe error will include the trigger name, SQLCODE, SQLSTATE and as many tokens as will fit from the tokens of the failure.

The *SQL-procedure-statement* could include a SIGNAL SQLSTATE statement or a RAISE_ERROR function. In both these cases, the SQLSTATE returned is the one specified in the SIGNAL SQLSTATE statement or the RAISE_ERROR condition.

- Creating a trigger with a schema name that does not already exist will result in the implicit creation of that schema provided the authorization ID of the statement has IMPLICIT_SCHEMA authority. The schema owner is SYSIBM. The CREATEIN privilege on the schema is granted to PUBLIC.
- A value generated by the database manager for an identity column is generated before the execution of any BEFORE triggers. Therefore, the generated identity value is visible to BEFORE triggers.
- A value generated by the database manager for a ROW CHANGE TIMESTAMP column is generated after the execution of all BEFORE triggers. Therefore, the ROW CHANGE TIMESTAMP value is not visible to BEFORE triggers.
- A value generated by the database manager for a generated by expression column is generated after the execution of all BEFORE triggers. Therefore, the value generated by the expression is not visible to BEFORE triggers.

CREATE TRIGGER

- **Read-only views:** The addition of an INSTEAD OF trigger for a view affects the read only characteristic of the view. If a read-only view has a dependency relationship with an INSTEAD OF trigger, the type of operation that is defined for the INSTEAD OF trigger defines whether the view is deletable, insertable, or updatable.
- **Transition variable values and INSTEAD OF triggers:** The initial values for new transition variables or new transition table columns that are visible in an INSTEAD OF INSERT trigger are set as follows:
 - If a value is explicitly specified for a column in the insert operation, the corresponding new transition variable is that explicitly specified value.
 - If a value is not explicitly specified for a column in the insert operation or the DEFAULT clause is specified, the corresponding new transition variable is:
 - the default value of the underlying table column if the view column is updatable (without the INSTEAD OF trigger)
 - otherwise, the null value

The initial values for new transition variables that are visible in an INSTEAD OF UPDATE trigger are set as follows:

- If a value is explicitly specified for a column in the update operation, the corresponding new transition variable is that explicitly specified value.
 - If the DEFAULT clause is explicitly specified for a column in the update operation, the corresponding new transition variable is:
 - the default value of the underlying table column if the view column is updatable (without the INSTEAD OF trigger)
 - otherwise, the null value
 - Otherwise, the corresponding new transition variable is the existing value of the column in the row.
- **Triggers and typed tables:** A BEFORE or AFTER trigger can be attached to a typed table at any level of a table hierarchy. If an SQL statement activates multiple triggers, the triggers will be executed in their creation order, even if they are attached to different tables in the typed table hierarchy.

When a trigger is activated, its transition variables (OLD, NEW, OLD TABLE and NEW TABLE) may contain rows of subtables. However, they will contain only columns defined on the table to which they are attached.

Effects of INSERT, UPDATE, and DELETE statements:

- Row triggers: When an SQL statement is used to INSERT, UPDATE, or DELETE a table row, it activates row-triggers attached to the most specific table containing the row, and all supertables of that table. This rule is always true, regardless of how the SQL statement accesses the table. For example, when issuing an UPDATE EMP command, some of the updated rows may be in the subtable MGR. For EMP rows, the row-triggers attached to EMP and its supertables are activated. For MGR rows, the row-triggers attached to MGR and its supertables are activated.
- Statement triggers: An INSERT, UPDATE, or DELETE statement activates statement-triggers attached to tables (and their supertables) that could be affected by the statement. This rule is always true, regardless of whether any actual rows in these tables were affected. For example, on an INSERT INTO EMP command, statement-triggers for EMP and its supertables are activated. As another example, on either an UPDATE EMP or DELETE EMP command, statement triggers for EMP and its supertables and subtables are activated, even if no subtable rows were updated or deleted. Likewise, a UPDATE

ONLY (EMP) or DELETE ONLY (EMP) command will activate statement-triggers for EMP and its supertables, but not statement-triggers for subtables.

Effects of DROP TABLE statements: A DROP TABLE statement does not activate any triggers that are attached to the table being dropped. However, if the dropped table is a subtable, all the rows of the dropped table are considered to be deleted from its supertables. Therefore, for a table T:

- Row triggers: DROP TABLE T activates row-type delete-triggers that are attached to all supertables of T, for each row of T.
- Statement triggers: DROP TABLE T activates statement-type delete-triggers that are attached to all supertables of T, regardless of whether T contains any rows.

Actions on Views: To predict what triggers are activated by an action on a view, use the view definition to translate that action into an action on base tables. For example:

1. An SQL statement performs UPDATE V1, where V1 is a typed view with a subview V2. Suppose V1 has underlying table T1, and V2 has underlying table T2. The statement could potentially affect rows in T1, T2, and their subtables, so statement triggers are activated for T1 and T2 and all their subtables and supertables.
 2. An SQL statement performs UPDATE V1, where V1 is a typed view with a subview V2. Suppose V1 is defined as SELECT ... FROM ONLY(T1) and V2 is defined as SELECT ... FROM ONLY(T2). Since the statement cannot affect rows in subtables of T1 and T2, statement triggers are activated for T1 and T2 and their supertables, but not their subtables.
 3. An SQL statement performs UPDATE ONLY(V1), where V1 is a typed view defined as SELECT ... FROM T1. The statement can potentially affect T1 and its subtables. Therefore, statement triggers are activated for T1 and all its subtables and supertables.
 4. An SQL statement performs UPDATE ONLY(V1), where V1 is a typed view defined as SELECT ... FROM ONLY(T1). In this case, T1 is the only table that can be affected by the statement, even if V1 has subviews and T1 has subtables. Therefore, statement triggers are activated only for T1 and its supertables.
- **MERGE statement and triggers:** The MERGE statement can execute update, delete, and insert operations. The applicable UPDATE, DELETE, or INSERT triggers are activated for the MERGE statement when an update, delete, or insert operation is executed.
 - **Compatibilities**
 - For compatibility with previous versions of DB2:
 - OLD_TABLE can be specified in place of OLD TABLE, and NEW_TABLE can be specified in place of NEW TABLE
 - MODE DB2SQL can be specified following FOR EACH ROW or FOR EACH STATEMENT

Examples

Example 1: Create two triggers that will result in the automatic tracking of the number of employees a company manages. The triggers will interact with the following tables:

- EMPLOYEE table with these columns: ID, NAME, ADDRESS, and POSITION.

CREATE TRIGGER

- COMPANY_STATS table with these columns: NBEMP, NBPRODUCT, and REVENUE.

The first trigger increments the number of employees each time a new person is hired; that is, each time a new row is inserted into the EMPLOYEE table:

```
CREATE TRIGGER NEW_HIRED
AFTER INSERT ON EMPLOYEE
FOR EACH ROW
UPDATE COMPANY_STATS SET NBEMP = NBEMP + 1
```

The second trigger decrements the number of employees each time an employee leaves the company; that is, each time a row is deleted from the table EMPLOYEE:

```
CREATE TRIGGER FORMER_EMP
AFTER DELETE ON EMPLOYEE
FOR EACH ROW
UPDATE COMPANY_STATS SET NBEMP = NBEMP - 1
```

Example 2: Create a trigger that ensures that whenever a parts record is updated, the following check and (if necessary) action is taken:

- If the on-hand quantity is less than 10% of the maximum stocked quantity, then issue a shipping request ordering the number of items for the affected part to be equal to the maximum stocked quantity minus the on-hand quantity.

The trigger will interact with the PARTS table with these columns: PARTNO, DESCRIPTION, ON_HAND, MAX_STOCKED, and PRICE.

ISSUE_SHIP_REQUEST is a user-defined function that sends an order form for additional parts to the appropriate company.

```
CREATE TRIGGER REORDER
AFTER UPDATE OF ON_HAND, MAX_STOCKED ON PARTS
REFERENCING NEW AS N
FOR EACH ROW
WHEN (N.ON_HAND < 0.10 * N.MAX_STOCKED)
BEGIN ATOMIC
VALUES(ISSUE_SHIP_REQUEST(N.MAX_STOCKED - N.ON_HAND, N.PARTNO));
END
```

Example 3: Create a trigger that will cause an error when an update occurs that would result in a salary increase greater than ten percent of the current salary.

```
CREATE TRIGGER RAISE_LIMIT
AFTER UPDATE OF SALARY ON EMPLOYEE
REFERENCING NEW AS N OLD AS O
FOR EACH ROW
WHEN (N.SALARY > 1.1 * O.SALARY)
SIGNAL SQLSTATE '75000' SET MESSAGE_TEXT='Salary increase>10%'
```

Example 4: Consider an application which records and tracks changes to stock prices. The database contains two tables, CURRENTQUOTE and QUOTEHISTORY.

```
Tables: CURRENTQUOTE (SYMBOL, QUOTE, STATUS)
        QUOTEHISTORY (SYMBOL, QUOTE, QUOTE_TIMESTAMP)
```

When the QUOTE column of CURRENTQUOTE is updated, the new quote should be copied, with a timestamp, to the QUOTEHISTORY table. Also, the STATUS column of CURRENTQUOTE should be updated to reflect whether the stock is:

1. rising in value;
2. at a new high for the year;
3. dropping in value;

4. at a new low for the year;
5. steady in value.

CREATE TRIGGER statements that accomplish this are as follows.

- Trigger Definition to set the status:

```
CREATE TRIGGER STOCK_STATUS
NO CASCADE BEFORE UPDATE OF QUOTE ON CURRENTQUOTE
REFERENCING NEW AS NEWQUOTE OLD AS OLDQUOTE
FOR EACH ROW
BEGIN ATOMIC
  SET NEWQUOTE.STATUS =
  CASE
    WHEN NEWQUOTE.QUOTE >
      (SELECT MAX(QUOTE) FROM QUOTEHISTORY
       WHERE SYMBOL = NEWQUOTE.SYMBOL
        AND YEAR(QUOTE_TIMESTAMP) = YEAR(CURRENT DATE) )
    THEN 'High'
    WHEN NEWQUOTE.QUOTE <
      (SELECT MIN(QUOTE) FROM QUOTEHISTORY
       WHERE SYMBOL = NEWQUOTE.SYMBOL
        AND YEAR(QUOTE_TIMESTAMP) = YEAR(CURRENT DATE) )
    THEN 'Low'
    WHEN NEWQUOTE.QUOTE > OLDQUOTE.QUOTE
    THEN 'Rising'
    WHEN NEWQUOTE.QUOTE < OLDQUOTE.QUOTE
    THEN 'Dropping'
    WHEN NEWQUOTE.QUOTE = OLDQUOTE.QUOTE
    THEN 'Steady'
  END;
END;
```

- Trigger Definition to record change in QUOTEHISTORY table:

```
CREATE TRIGGER RECORD_HISTORY
AFTER UPDATE OF QUOTE ON CURRENTQUOTE
REFERENCING NEW AS NEWQUOTE
FOR EACH ROW
BEGIN ATOMIC
  INSERT INTO QUOTEHISTORY
  VALUES (NEWQUOTE.SYMBOL, NEWQUOTE.QUOTE, CURRENT_TIMESTAMP);
END
```

Example 5: Create a trigger that overrides any changes to the location field in the employee record in the org table. This trigger would be useful if new employee records acquired when a smaller company was purchased are processed and the target location allocated to the employee is 'Toronto' and the new target location is 'Los Angeles'. The before trigger will ensure that regardless what value the application allocates for this field, that the final resultant value is 'Los Angeles'.

```
CREATE TRIGGER LOCATION_TRIGGER
NO CASCADE
BEFORE UPDATE ON ORG
REFERENCING
  OLD AS PRE
  NEW AS POST
FOR EACH ROW
WHEN (POST.LOCATION = 'Toronto')
  SET POST.LOCATION = 'Los Angeles';
END
```

Example 6: Create a BEFORE trigger that automatically validates XML documents containing new product descriptions before they are inserted into the PRODUCT table of the SAMPLE database:

CREATE TRIGGER

```
CREATE TRIGGER NEWPROD NO CASCADE BEFORE INSERT ON PRODUCT
REFERENCING NEW AS N
FOR EACH ROW
BEGIN ATOMIC
  SET (N.DESRIPTION) = XMLVALIDATE(N.DESRIPTION
  ACCORDING TO XMLSCHEMA ID product);
END
```

CREATE TRUSTED CONTEXT

The CREATE TRUSTED CONTEXT statement defines a trusted context at the current server.

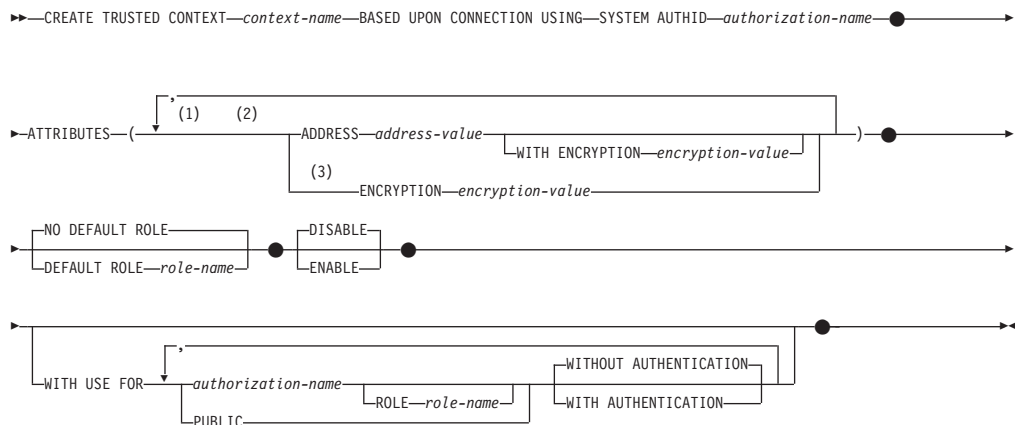
Invocation

This statement can be embedded in an application program or issued interactively. It is an executable statement that can be dynamically prepared only if DYNAMICRULES run behavior is in effect for the package (SQLSTATE 42509).

Authorization

The privileges held by the authorization ID of the statement must include SECADM authority.

Syntax



Notes:

- 1 Each of the ATTRIBUTES, DEFAULT ROLE, ENABLE, and WITH USE clauses can be specified at most once (SQLSTATE 42614).
- 2 Each attribute name and corresponding value must be unique (SQLSTATE 4274D).
- 3 ENCRYPTION cannot be specified more than once (SQLSTATE 42614); however, WITH ENCRYPTION can be specified for each ADDRESS that is specified.

Description

context-name

Names the trusted context. This is a one-part name. It is an SQL identifier (either ordinary or delimited). The name must not identify a trusted context

that already exists at the current server (SQLSTATE 42710). The name must not begin with the characters 'SYS' (SQLSTATE 42939).

BASED UPON CONNECTION USING SYSTEM AUTHID *authorization-name*
Specifies that the context is a connection established by system authorization ID *authorization-name*, which must not be associated with an existing trusted context (SQLSTATE 428GL). It cannot be the authorization ID of the statement (SQLSTATE 42502).

ATTRIBUTES (...)

Specifies a list of one or more connection trust attributes upon which the trusted context is defined.

ADDRESS *address-value*

Specifies the actual communication address used by the client to communicate with the database server. The only protocol supported is TCP/IP. The ADDRESS attribute can be specified multiple times, but each *address-value* pair must be unique for the set of attributes (SQLSTATE 4274D).

When establishing a trusted connection, if multiple values are defined for the ADDRESS attribute of a trusted context, a candidate connection is considered to match this attribute if the address used by the connection matches any of the defined values for the ADDRESS attribute of the trusted context.

address-value

Specifies a string constant that contains the value to be associated with the ADDRESS trust attribute. The *address-value* must be an IPv4 address, an IPv6 address, or a secure domain name.

- An IPv4 address must not contain leading spaces and is represented as a dotted decimal address. An example of an IPv4 address is 9.112.46.111. The value 'localhost' or its equivalent representation '127.0.0.1' will not result in a match; the real IPv4 address of the host must be specified instead.
- An IPv6 address must not contain leading spaces and is represented as a colon hexadecimal address. An example of an IPv6 address is 2001:0DB8:0000:0008:0800:200C:417A. IPv4-mapped IPv6 addresses (for example, ::ffff:192.0.2.128) will not result in a match. Similarly, 'localhost' or its IPv6 short representation ':::1' will not result in a match.
- A domain name is converted to an IP address by the domain name server where a resulting IPv4 or IPv6 address is determined. An example of a domain name is corona.torolab.ibm.com. When a domain name is converted to an IP address, the result of this conversion could be a set of one or more IP addresses. In this case, an incoming connection is said to match the ADDRESS attribute of a trusted context object if the IP address from which the connection originates matches any of the IP addresses to which the domain name was converted. When creating a trusted context object, it is advantageous to provide domain name values for the ADDRESS attribute instead of static IP addresses, particularly in Dynamic Host Configuration Protocol (DHCP) environments. With DHCP, a device can have a different IP address each time it connects to the network. So, if a static IP address is provided for the ADDRESS attribute of a trusted context object, some device might acquire a trusted

CREATE TRUSTED CONTEXT

connection unintentionally. Providing domain names for the ADDRESS attribute of a trusted context object avoids this problem in DHCP environments.

WITH ENCRYPTION *encryption-value*

Specifies the minimum level of encryption of the data stream or network encryption for this specific *address-value*. This *encryption-value* overrides the global ENCRYPTION attribute setting for this specific *address-value*.

encryption-value

Specifies a string constant that contains the value to be associated with the ENCRYPTION trust attribute for this specific *address-value*. The *encryption-value* must be one of the following (SQLSTATE 42615):

- NONE, no specific level of encryption is required
- LOW, a minimum of light encryption is required; the authentication type on the database manager must be DATA_ENCRYPT if an incoming connection is to match the encryption setting for this specific address
- HIGH, Secure Sockets Layer (SSL) encryption must be used for data communication between the DB2 client and the DB2 server if an incoming connection is to match the encryption setting for this specific address

ENCRYPTION *encryption-value*

Specifies the minimum level of encryption of the data stream or network encryption. The default is NONE.

encryption-value

Specifies a string constant that contains the value to be associated with the ENCRYPTION trust attribute for this specific *address-value*. The *encryption-value* must be one of the following (SQLSTATE 42615):

- NONE, no specific level of encryption is required for an incoming connection to match the ENCRYPTION attribute of this trusted context object
- LOW, a minimum of light encryption is required; the authentication type on the database manager must be DATA_ENCRYPT if an incoming connection is to match the ENCRYPTION attribute of this trusted context object
- HIGH, Secure Sockets Layer (SSL) encryption must be used for data communication between the DB2 client and the DB2 server if an incoming connection is to match the ENCRYPTION attribute of this trusted context object

The following table summarizes when a trusted context can be used, depending on the encryption used by the existing connection. If the trusted context cannot be used for the connection, a warning is returned (SQLSTATE 01679) and the SQLWARN8 field of the SQLCA is set to 'Y', indicating that the connection is a regular (non-trusted) connection.

Table 24. Encryption and trusted contexts

Encryption used by existing connection	ENCRYPTION value for trusted context	Can the trusted context be used for the connection?
No encryption	'NONE'	Yes
No encryption	'LOW'	No
No encryption	'HIGH'	No
Low encryption (DATA_ENCRYPT)	'NONE'	Yes
Low encryption (DATA_ENCRYPT)	'LOW'	Yes
Low encryption (DATA_ENCRYPT)	'HIGH'	No
High encryption (SSL)	'NONE'	Yes
High encryption (SSL)	'LOW'	Yes
High encryption (SSL)	'HIGH'	Yes

NO DEFAULT ROLE or DEFAULT ROLE *role-name*

Specifies whether or not a default role is associated with a trusted connection that is based on this trusted context. The default is NO DEFAULT ROLE.

NO DEFAULT ROLE

Specifies that the trusted context does not have a default role.

DEFAULT ROLE *role-name*

Specifies that *role-name* is the default role for the trusted context. The *role-name* must identify a role that exists at the current server (SQLSTATE 42704). This role is used with the user in a trusted connection, based on this trusted context, when the user does not have a user-specific role defined as part of the definition of the trusted context.

DISABLE or ENABLE

Specifies whether the trusted context is created in the enabled or disabled state. The default is DISABLE.

DISABLE

Specifies that the trusted context is created in the disabled state. A trusted context that is disabled is not considered when a trusted connection is established.

ENABLE

Specifies that the trusted context is created in the enabled state.

WITH USE FOR

Specifies who can use a trusted connection that is based on this trusted context.

authorization-name

Specifies that the trusted connection can be used by the specified *authorization-name*. The *authorization-name* must not be specified more than once in the WITH USE FOR clause (SQLSTATE 428GM). It must also not be the authorization ID of the statement (SQLSTATE 42502). If the definition of a trusted context allows access by both PUBLIC and a list of users, the specifications for a user override the specifications for PUBLIC. For example, assume that a trusted context is defined that allows access by both PUBLIC WITH AUTHENTICATION and JOE WITHOUT

CREATE TRUSTED CONTEXT

AUTHENTICATION. If the trusted context is used by JOE, authentication is not required. However, if the trusted context is used by GEORGE, authentication is required.

ROLE *role-name*

Specifies that *role-name* is the role to be used for the user when a trusted connection is using the trusted context. The *role-name* must identify a role that exists at the current server (SQLSTATE 42704). The role explicitly specified for the user overrides any default role associated with the trusted context.

PUBLIC

Specifies that a trusted connection that is based on this trusted context can be used by any user. PUBLIC must not be specified more than once (SQLSTATE 428GM). All users using such a trusted connection make use of the privileges associated with the default role for the associated trusted context. If a default role is not defined for the trusted context, there is no role associated with the users that use a trusted connection based on this trusted context.

WITHOUT AUTHENTICATION or WITH AUTHENTICATION

Specifies whether or not switching the user on a trusted connection requires authentication of the user. The default is WITHOUT AUTHENTICATION.

WITHOUT AUTHENTICATION

Specifies that switching the current user on a trusted connection to this user does not require authentication.

WITH AUTHENTICATION

Specifies that switching the current user on a trusted connection to this user requires authentication.

Rules

- A trusted context-exclusive SQL statement must be followed by a COMMIT or a ROLLBACK statement (SQLSTATE 5U021). Trusted context-exclusive SQL statements are:
 - CREATE TRUSTED CONTEXT, ALTER TRUSTED CONTEXT, or DROP (TRUSTED CONTEXT)
- A trusted context-exclusive SQL statement cannot be issued within a global transaction; for example, an XA transaction or a global transaction that is initiated as part of two-phase commit for federated transactions (SQLSTATE 51041).

Notes

- When providing an IP address as part of a trusted context definition, the address must be in the format that is in effect for the network. For example, providing an address in an IPv6 format when the network is IPv4 will not result in a match. In a mixed environment, it is advantageous to specify both the IPv4 and the IPv6 representations of the address, or better yet, to specify a secure domain name (for example, corona.torolab.ibm.com), which hides the address format details.
- *Specifying a role in the definition of a trusted context:* The definition of a trusted context can designate a role for a specific authorization ID, and a default role to be used for authorization IDs for which a specific role has not been specified in the definition of the trusted context. This role can be used with a

trusted connection based on the trusted context, but it does not make the role available outside of a trusted connection based on the trusted context.

- When issuing a data manipulation language (DML) SQL statement using a trusted connection, the privileges held by a context-assigned role in effect for the authorization ID within the definition of the associated trusted context are considered in addition to other privileges directly held by the authorization ID of the statement, or indirectly by other roles held by the authorization ID of the statement.
- The privileges held by a context-assigned role in effect for the authorization ID within the definition of the associated trusted context are not considered for data definition language (DDL) SQL statements. For example, to create an object, the authorization ID of the statement must be able to do so without including the privileges held by the context-assigned role.
- When installing a new application that authenticates to DB2 using the same credentials as an existing application on the same machine, and which takes advantage of a trusted context, the new application might also take advantage of the same trusted context object (inheriting the trusted context role, for example). This might not be the security administrator's intention. The security administrator might want to turn on the DB2 audit facility to find out what applications are taking advantage of trusted context objects.
- Only one uncommitted trusted context-exclusive SQL statement is allowed at a time across all database partitions. If an uncommitted trusted context-exclusive SQL statement is executing, subsequent trusted context-exclusive SQL statements will wait until the current trusted context-exclusive SQL statement commits or rolls back.
- Changes are written to the system catalog, but do not take effect until they are committed, even for the connection that issues the statement.

Examples

Example 1: Create a trusted context such that the current user on a trusted connection based on this trusted context can be switched to two different user IDs. When the current user of the connection is switched to user ID JOE, authentication is not required. However, authentication is required when the current user of the connection is switched to user ID BOB. Note that the trusted context has a default role called *context-role*. This implies that users working within the confines of this trusted context inherit the privileges associated with role *context-role*.

```
CREATE TRUSTED CONTEXT APPSERVER
  BASED UPON CONNECTION USING SYSTEM AUTHID WRJAIBI
  DEFAULT ROLE CONTEXT_ROLE
  ENABLE
  ATTRIBUTES (ADDRESS '9.26.113.204')
  WITH USE FOR JOE WITHOUT AUTHENTICATION
  BOB WITH AUTHENTICATION
```

Example 2: Create a trusted context such that the current user of a trusted connection based on this trusted context can be switched to any user ID without authentication.

```
CREATE TRUSTED CONTEXT SECUREROLE
  BASED UPON CONNECTION USING SYSTEM AUTHID PBIRD
  ENABLE
  ATTRIBUTES (ADDRESS '9.26.113.204')
  WITH USE FOR PUBLIC WITHOUT AUTHENTICATION
```

Example 3: Create a trusted context such that the current user of a trusted connection based on this trusted context can be switched to any user ID without

CREATE TRUSTED CONTEXT

authentication. The difference between this trusted context and the trusted context created in example 2, is that this trusted context has an additional attribute called ENCRYPTION. The ENCRYPTION attribute setting for trusted context SECUREROLEENCRYPT states that the encryption setting used by a connection must be at least "low encryption" (see Table 24 on page 521) to match this trusted context attribute.

```
CREATE TRUSTED CONTEXT SECUREROLEENCRYPT
  BASED UPON CONNECTION USING SYSTEM AUTHID SHARPER
  ENABLE
  ATTRIBUTES (ADDRESS '9.26.113.204'
             ENCRYPTION 'LOW')
  WITH USE FOR PUBLIC WITHOUT AUTHENTICATION
```

Example 4: Create a trusted context, such that connections made by user WRJAIBI from addresses 9.26.146.201 and 9.26.146.203 are trusted when no encryption is used, but a connection made by user WRJAIBI from address 9.26.146.202 requires a LOW level of encryption to be trusted.

```
CREATE TRUSTED CONTEXT WALIDLOCSENSITIVE
  BASED UPON CONNECTION USING SYSTEM AUTHID WRJAIBI
  ENABLE
  ATTRIBUTES (ADDRESS '9.26.146.201',
             ADDRESS '9.26.146.202' WITH ENCRYPTION 'LOW',
             ADDRESS '9.26.146.203'
             ENCRYPTION 'NONE')
```

CREATE TYPE (Array)

The CREATE TYPE (Array) statement defines an array type. An array type is based on one of the built-in data types.

Invocation

This statement can be embedded in an application program or issued through the use of dynamic SQL statements. It is an executable statement that can be dynamically prepared only if DYNAMICRULES run behavior is in effect for the package (SQLSTATE 42509).

Authorization

The privileges held by the authorization ID of the statement must include at least one of the following:

- IMPLICIT_SCHEMA authority on the database, if the schema name of the array type does not refer to an existing schema
- CREATE_IN privilege on the schema, if the schema name of the array type refers to an existing schema
- SYSADM or DBADM authority

Syntax

```
▶▶ CREATE TYPE type-name AS data-type | ARRAY [ integer-constant ] ▶▶
```

Description

type-name

Names the type. The name, including the implicit or explicit qualifier, must not identify any other type (built-in or user-defined) that already exists at the current server. The unqualified name must not be the same as the name of a built-in data type or BOOLEAN, BINARY or VARBINARY (SQLSTATE 42918).

A number of names used as keywords in predicates are reserved for system use, and cannot be used as a *type-name* (SQLSTATE 42939). The names are SOME, ANY, ALL, NOT, AND, OR, BETWEEN, NULL, LIKE, EXISTS, IN, UNIQUE, OVERLAPS, SIMILAR, MATCH, and the comparison operators.

If a two-part *type-name* is specified, the schema name must not begin with the characters 'SYS' (SQLSTATE 42939).

data-type

Specifies the data type of the array elements. It is one of the data types described in "CREATE TABLE", other than LONG VARCHAR, LONG VARGRAPHIC, REFERENCE, SYSPROC.DB2SECURITYLABEL, XML, or user-defined types (SQLSTATE 429C2).

ARRAY [*integer-constant*]

Specifies that the type is an array with a maximum cardinality of *integer-constant*. The value must be a positive number greater than zero and less than the largest positive integer value (SQLSTATE 42820). The default is the largest positive integer value (2 147 483 647).

The cardinality of an array on a given system is limited by the total amount of memory available to DB2 applications. As such, although arrays of large cardinalities can be created, not all elements might be available for use.

Examples

Example 1: Create an array type named PHONENUMBERS with a maximum of 5 elements that are of the DECIMAL(10, 0) data type.

```
CREATE TYPE PHONENUMBERS AS DECIMAL(10,0)
ARRAY[5]
```

Example 2: Create an array type named NUMBERS with the default number of elements in the schema GENERIC.

```
CREATE TYPE GENERIC.NUMBERS AS BIGINT
ARRAY[]
```

CREATE TYPE (Distinct)

The CREATE TYPE (Distinct) statement defines a distinct type. The distinct type is always sourced on one of the built-in data types. Successful execution of the statement also generates functions to cast between the distinct type and its source type and, optionally, generates support for the comparison operators (=, <>, <, <=, >, and >=) for use with the distinct type.

Invocation

This statement can be embedded in an application program or issued through the use of dynamic SQL statements. It is an executable statement that can be dynamically prepared only if DYNAMICRULES run behavior is in effect for the package (SQLSTATE 42509).

CREATE TYPE (Distinct)

Authorization

The privileges held by the authorization ID of the statement must include as least one of the following:

- IMPLICIT_SCHEMA authority on the database, if the schema name of the distinct type does not refer to an existing schema
- CREATEIN privilege on the schema, if the schema name of the distinct type refers to an existing schema
- SYSADM or DBADM authority

Syntax

►► CREATE TYPE *distinct-type-name* AS _____►

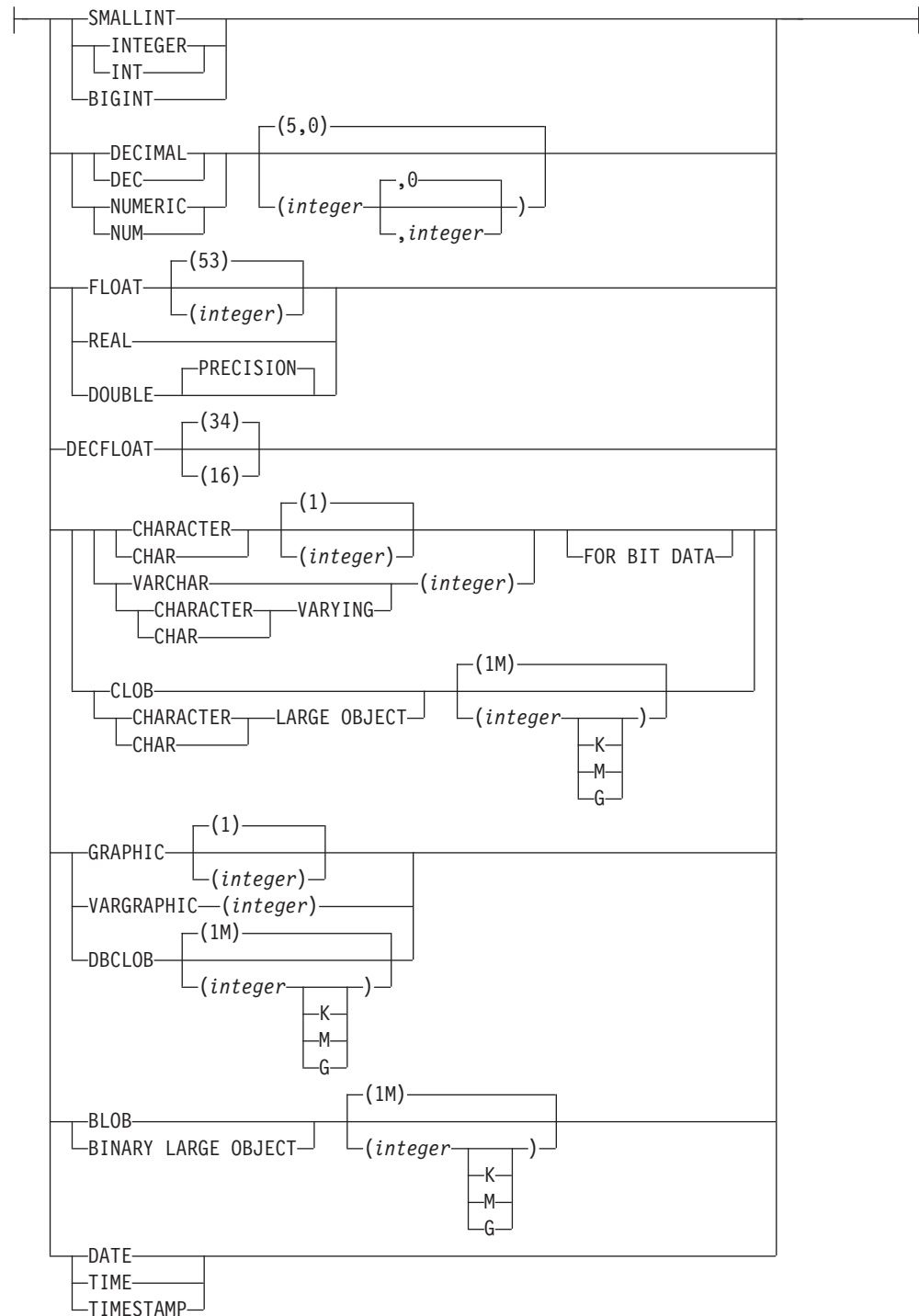
►| source-data-type | WITH COMPARISONS _____►
(1)

source-data-type:

►►| built-in-type | _____►

built-in-type:

CREATE TYPE (Distinct)



Notes:

- 1 Required for all source-data-types except LOBs for which comparisons are not supported.

Description

distinct-type-name

Names the distinct type. The name, including the implicit or explicit qualifier, must not identify any other type (built-in or user-defined) that already exists at

CREATE TYPE (Distinct)

the current server. The unqualified name must not be the same as the name of a built-in data type or BOOLEAN, BINARY, or VARBINARY (SQLSTATE 42918). The unqualified name should also not be ARRAY, INTERVAL, or ROWID.

In dynamic SQL statements, the CURRENT SCHEMA special register is used as a qualifier for an unqualified object name. In static SQL statements the QUALIFIER precompile/bind option implicitly specifies the qualifier for unqualified object names. The qualified form is a *schema-name* followed by a period and an SQL identifier.

A number of names used as keywords in predicates are reserved for system use, and cannot be used as a *distinct-type-name* (SQLSTATE 42939). The names are SOME, ANY, ALL, NOT, AND, OR, BETWEEN, NULL, LIKE, EXISTS, IN, UNIQUE, OVERLAPS, SIMILAR, MATCH, and the comparison operators.

If a two-part *distinct-type-name* is specified, the schema name must not begin with the characters 'SYS' (SQLSTATE 42939).

source-data-type

Specifies the data type used as the basis for the internal representation of the distinct type. The data type must be a built-in data type. For more information on built-in data types, see "CREATE TABLE". The source data type cannot be of type XML or an ARRAY type (SQLSTATE 42601). For portability of applications across platforms, use the following recommended data type names:

- DOUBLE or REAL instead of FLOAT
- DECIMAL instead of NUMERIC
- VARCHAR, BLOB, or CLOB instead of LONG VARCHAR
- VARGRAPHIC or DBCLOB instead of LONG VARGRAPHIC

WITH COMPARISONS

Specifies that system-generated comparison operators are to be created for comparing two instances of a distinct type. These keywords should not be specified if the source-data-type is BLOB, CLOB, or DBCLOB, otherwise a warning is returned (SQLSTATE 01596) and the comparison operators will not be generated. For all other source-data-types, the WITH COMPARISONS keywords are required.

Notes

• Privileges

The definer of the user-defined type always receives the EXECUTE privilege WITH GRANT OPTION on all functions automatically generated for the distinct type.

EXECUTE privilege on all functions automatically generated during the CREATE TYPE (Distinct) statement is granted to PUBLIC.

- Creating a distinct type with a schema name that does not already exist will result in the implicit creation of that schema provided the authorization ID of the statement has IMPLICIT_SCHEMA authority. The schema owner is SYSIBM. The CREATEIN privilege on the schema is granted to PUBLIC.
- The following functions are generated to cast to and from the source type:
 - One function to convert from the distinct type to the source type
 - One function to convert from the source type to the distinct type
 - One function to convert from INTEGER to the distinct type if the source type is SMALLINT

- one function to convert from VARCHAR to the distinct type if the source type is CHAR
- one function to convert from VARGRAPHIC to the distinct type if the source type is GRAPHIC.

In general these functions will have the following format:

```
CREATE FUNCTION source-type-name (distinct-type-name)
RETURNS source-type-name ...
```

```
CREATE FUNCTION distinct-type-name (source-type-name)
RETURNS distinct-type-name ...
```

In cases in which the source type is a parameterized type, the function to convert from the distinct type to the source type will have as function name the name of the source type without the parameters (see Table 25 for details). The type of the return value of this function will include the parameters given on the CREATE TYPE (Distinct) statement. The function to convert from the source type to the distinct type will have an input parameter whose type is the source type including its parameters. For example,

```
CREATE TYPE T_SHOESIZE AS CHAR(2)
WITH COMPARISONS
```

```
CREATE TYPE T_MILES AS DOUBLE
WITH COMPARISONS
```

will generate the following functions:

```
FUNCTION CHAR (T_SHOESIZE) RETURNS CHAR (2)
```

```
FUNCTION T_SHOESIZE (CHAR (2))
RETURNS T_SHOESIZE
```

```
FUNCTION DOUBLE (T_MILES) RETURNS DOUBLE
```

```
FUNCTION T_MILES (DOUBLE) RETURNS T_MILES
```

The schema of the generated cast functions is the same as the schema of the distinct type. No other function with this name and with the same signature may already exist in the database (SQLSTATE 42710).

The following table gives the names of the functions to convert from the distinct type to the source type and from the source type to the distinct type for all predefined data types.

Table 25. CAST functions on distinct types

Source Type Name	Function Name	Parameter	Return-type
CHAR	<i>distinct-type-name</i>	CHAR (<i>n</i>)	<i>distinct-type-name</i>
	CHAR	<i>distinct-type-name</i>	CHAR (<i>n</i>)
	<i>distinct-type-name</i>	VARCHAR (<i>n</i>)	<i>distinct-type-name</i>
VARCHAR	<i>distinct-type-name</i>	VARCHAR (<i>n</i>)	<i>distinct-type-name</i>
	VARCHAR	<i>distinct-type-name</i>	VARCHAR (<i>n</i>)
CLOB	<i>distinct-type-name</i>	CLOB (<i>n</i>)	<i>distinct-type-name</i>
	CLOB	<i>distinct-type-name</i>	CLOB (<i>n</i>)
BLOB	<i>distinct-type-name</i>	BLOB (<i>n</i>)	<i>distinct-type-name</i>
	BLOB	<i>distinct-type-name</i>	BLOB (<i>n</i>)

CREATE TYPE (Distinct)

Table 25. CAST functions on distinct types (continued)

Source Type Name	Function Name	Parameter	Return-type
GRAPHIC	<i>distinct-type-name</i>	GRAPHIC (<i>n</i>)	<i>distinct-type-name</i>
	GRAPHIC	<i>distinct-type-name</i>	GRAPHIC (<i>n</i>)
VARGRAPHIC	<i>distinct-type-name</i>	VARGRAPHIC (<i>n</i>)	<i>distinct-type-name</i>
	VARGRAPHIC	<i>distinct-type-name</i>	VARGRAPHIC (<i>n</i>)
DBCLOB	<i>distinct-type-name</i>	DBCLOB (<i>n</i>)	<i>distinct-type-name</i>
	DBCLOB	<i>distinct-type-name</i>	DBCLOB (<i>n</i>)
SMALLINT	<i>distinct-type-name</i>	SMALLINT	<i>distinct-type-name</i>
	<i>distinct-type-name</i>	INTEGER	<i>distinct-type-name</i>
	SMALLINT	<i>distinct-type-name</i>	SMALLINT
INTEGER	<i>distinct-type-name</i>	INTEGER	<i>distinct-type-name</i>
	INTEGER	<i>distinct-type-name</i>	INTEGER
BIGINT	<i>distinct-type-name</i>	BIGINT	<i>distinct-type-name</i>
	BIGINT	<i>distinct-type-name</i>	BIGINT
DECIMAL	<i>distinct-type-name</i>	DECIMAL (<i>p,s</i>)	<i>distinct-type-name</i>
	DECIMAL	<i>distinct-type-name</i>	DECIMAL (<i>p,s</i>)
NUMERIC	<i>distinct-type-name</i>	DECIMAL (<i>p,s</i>)	<i>distinct-type-name</i>
	DECIMAL	<i>distinct-type-name</i>	DECIMAL (<i>p,s</i>)
REAL	<i>distinct-type-name</i>	REAL	<i>distinct-type-name</i>
	<i>distinct-type-name</i>	DOUBLE	<i>distinct-type-name</i>
	REAL	<i>distinct-type-name</i>	REAL
FLOAT(<i>n</i>) where <i>n</i> ≤24	<i>distinct-type-name</i>	REAL	<i>distinct-type-name</i>
	<i>distinct-type-name</i>	DOUBLE	<i>distinct-type-name</i>
	REAL	<i>distinct-type-name</i>	REAL
FLOAT(<i>n</i>) where <i>n</i> >24	<i>distinct-type-name</i>	DOUBLE	<i>distinct-type-name</i>
	DOUBLE	<i>distinct-type-name</i>	DOUBLE
	DOUBLE	<i>distinct-type-name</i>	DOUBLE
FLOAT	<i>distinct-type-name</i>	DOUBLE	<i>distinct-type-name</i>
	DOUBLE	<i>distinct-type-name</i>	DOUBLE
DOUBLE	<i>distinct-type-name</i>	DOUBLE	<i>distinct-type-name</i>
	DOUBLE	<i>distinct-type-name</i>	DOUBLE
DOUBLE PRECISION	<i>distinct-type-name</i>	DOUBLE	<i>distinct-type-name</i>
	DOUBLE	<i>distinct-type-name</i>	DOUBLE
DECFLOAT	<i>distinct-type-name</i>	DECFLOAT(<i>n</i>)	<i>distinct-type-name</i>
	DECFLOAT	<i>distinct-type-name</i>	DECFLOAT(<i>n</i>)
DATE	<i>distinct-type-name</i>	DATE	<i>distinct-type-name</i>
	DATE	<i>distinct-type-name</i>	DATE
TIME	<i>distinct-type-name</i>	TIME	<i>distinct-type-name</i>
	TIME	<i>distinct-type-name</i>	TIME
TIMESTAMP	<i>distinct-type-name</i>	TIMESTAMP	<i>distinct-type-name</i>
	TIMESTAMP	<i>distinct-type-name</i>	TIMESTAMP

Table 25. CAST functions on distinct types (continued)

Source Type Name	Function Name	Parameter	Return-type
------------------	---------------	-----------	-------------

Note: NUMERIC and FLOAT are not recommended when creating a user-defined type for a portable application. DECIMAL and DOUBLE should be used instead.

The functions described in the above table are the only functions that are generated automatically when distinct types are defined. Consequently, none of the built-in functions (AVG, MAX, LENGTH, and so on) are supported on distinct types until the CREATE FUNCTION statement is used to register user-defined functions for the distinct type, and those user-defined functions are sourced on the appropriate built-in functions. In particular, note that it is possible to register user-defined functions that are sourced on the built-in column functions.

When a distinct type is created using the WITH COMPARISONS clause, system-generated comparison operators are created. Creation of these comparison operators will generate entries in the SYSCAT.ROUTINES catalog view for the new functions.

The schema name of the distinct type must be included in the SQL path or the FUNCPATH BIND option for successful use of these operators and cast functions in SQL statements.

- **Compatibilities**

- For compatibility with previous versions of DB2:
 - CREATE DISTINCT TYPE can be specified in place of CREATE TYPE
 - The LONG VARCHAR and LONG VARGRAPHIC data types and cast functions are supported but are deprecated and might be removed in a future release. The WITH COMPARISONS clause continues to not support the LONG VARCHAR and LONG VARGRAPHIC data types.

Examples

Example 1: Create a distinct type named SHOESIZE that is based on an INTEGER data type.

```
CREATE TYPE SHOESIZE AS INTEGER WITH COMPARISONS
```

This will also result in the creation of comparison operators (=, <>, <, <=, >, >=) and cast functions INTEGER(SHOESIZE) returning INTEGER and SHOESIZE(INTEGER) returning SHOESIZE.

Example 2: Create a distinct type named MILES that is based on a DOUBLE data type.

```
CREATE TYPE MILES AS DOUBLE WITH COMPARISONS
```

This will also result in the creation of comparison operators (=, <>, <, =, >, >=) and cast functions DOUBLE(MILES) returning DOUBLE and MILES(DOUBLE) returning MILES.

CREATE TYPE (Structured)

The CREATE TYPE statement defines a user-defined structured type. A user-defined structured type may include zero or more attributes. A structured type may be a subtype allowing attributes to be inherited from a supertype. Successful execution of the statement generates methods, for retrieving and updating values of attributes. Successful execution of the statement also generates functions, for constructing instances of a structured type used in a column, for casting between the reference type and its representation type, and for supporting the comparison operators (=, <>, <, <=, >, and >=) on the reference type.

The CREATE TYPE statement also defines any method specifications for user-defined methods to be used with the user-defined structured type.

Invocation

This statement can be embedded in an application program or issued through the use of dynamic SQL statements. It is an executable statement that can be dynamically prepared only if DYNAMICRULES run behavior is in effect for the package (SQLSTATE 42509).

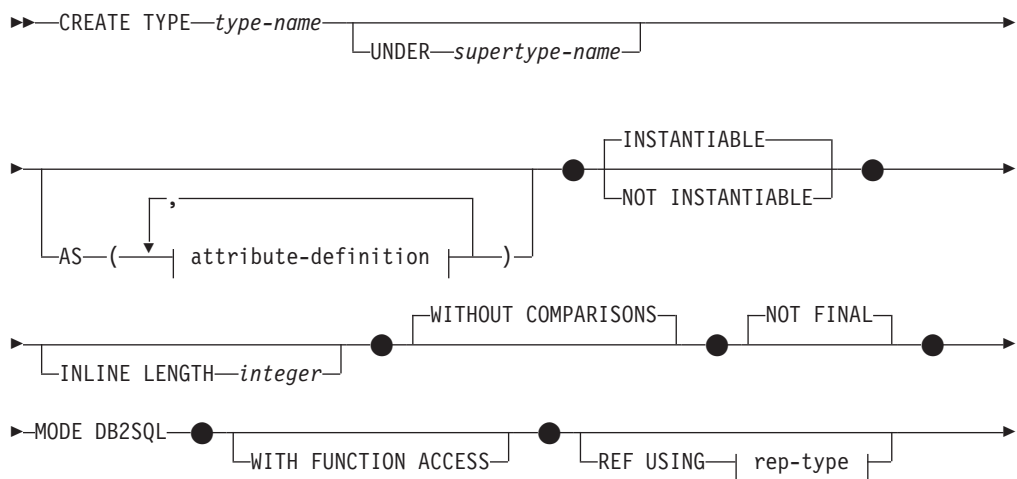
Authorization

The privileges held by the authorization ID of the statement must include at least one of the following:

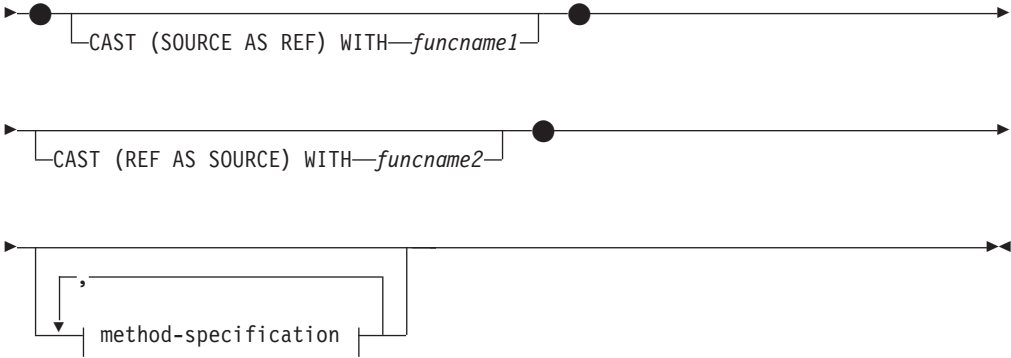
- IMPLICIT_SCHEMA authority on the database, if the schema name of the type does not refer to an existing schema
- CREATEIN privilege on the schema, if the schema name of the type refers to an existing schema
- SYSADM or DBADM authority

If UNDER is specified, and the authorization ID of the statement is not the same as the owner of the root type of the type hierarchy, SYSADM or DBADM authority is required.

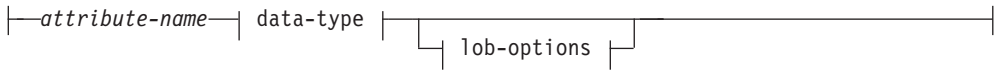
Syntax



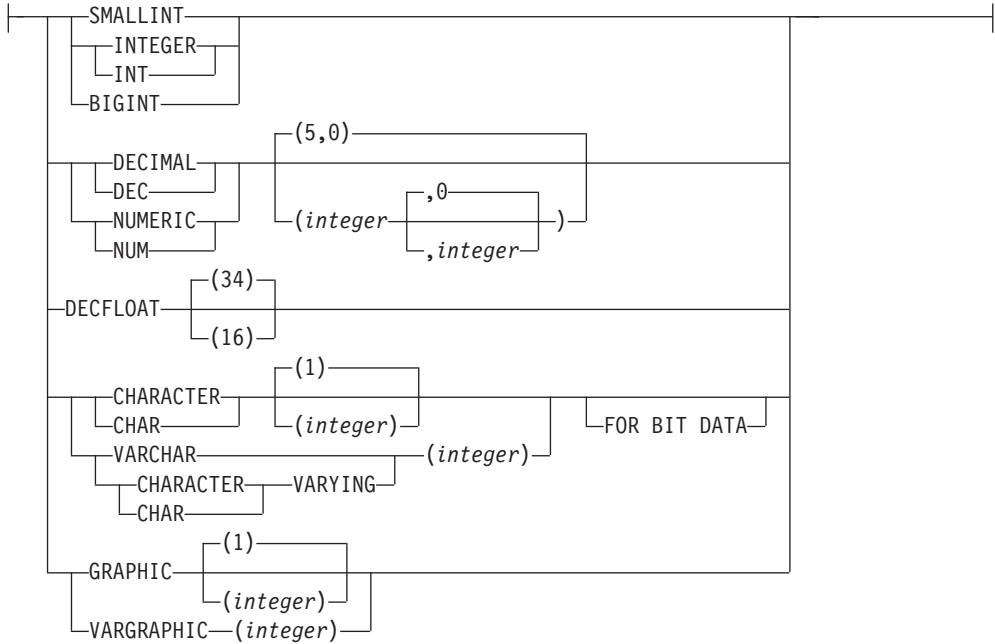
CREATE TYPE (Structured)



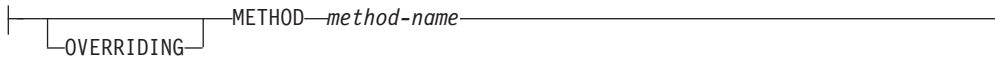
attribute-definition:



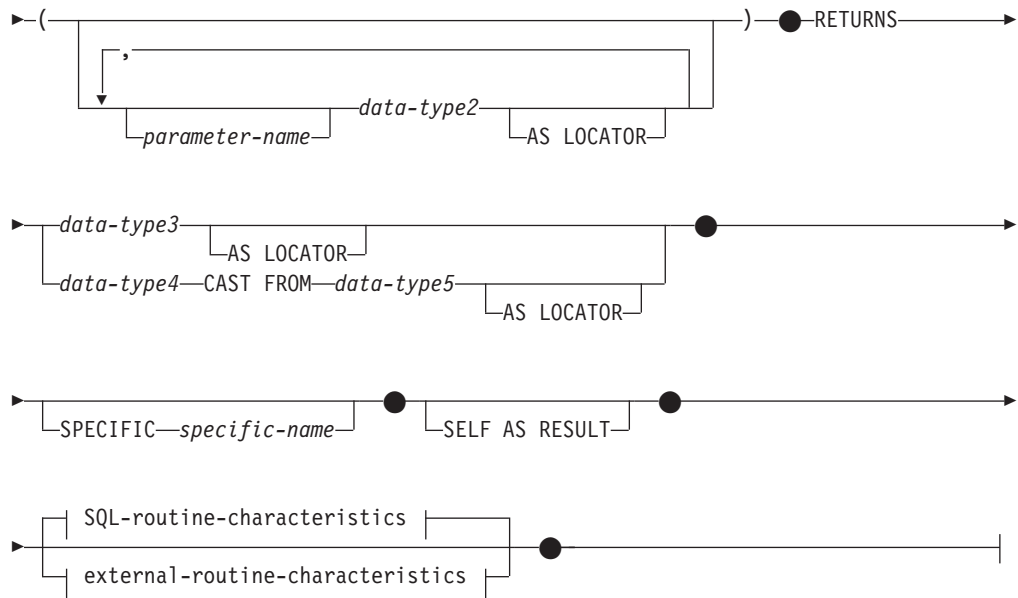
rep-type:



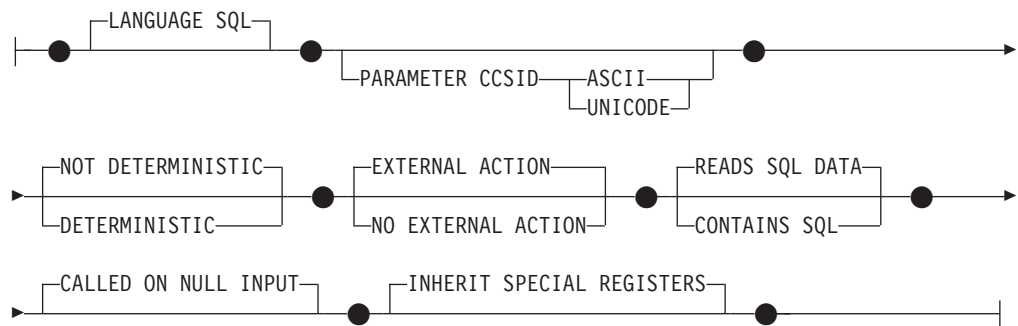
method-specification:



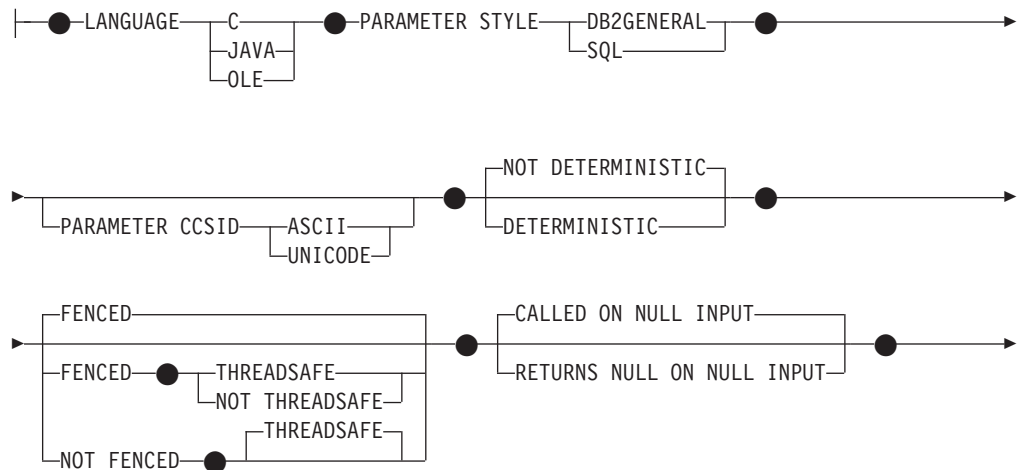
CREATE TYPE (Structured)



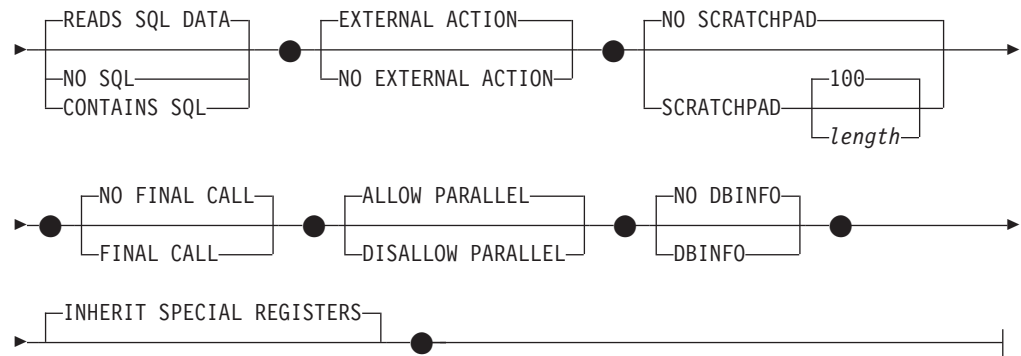
SQL-routine-characteristics:



external-routine-characteristics:



CREATE TYPE (Structured)



Description

type-name

Names the type. The name, including the implicit or explicit qualifier, must not identify any other type (built-in, structured, or distinct) that already exists at the current server. The unqualified name must not be the same as the name of a built-in data type, BINARY, VARBINARY, or BOOLEAN (SQLSTATE 42918). The unqualified name should also not be ARRAY, INTERVAL, or ROWID. In dynamic SQL statements, the CURRENT SCHEMA special register is used as a qualifier for an unqualified object name. In static SQL statements, the QUALIFIER precompile or bind option implicitly specifies the qualifier for unqualified object names.

A number of names used as keywords in predicates are reserved for system use, and cannot be used as a *type-name* (SQLSTATE 42939). The names are SOME, ANY, ALL, NOT, AND, OR, BETWEEN, NULL, LIKE, EXISTS, IN, UNIQUE, OVERLAPS, SIMILAR, MATCH, and the comparison operators.

If a two-part *type-name* is specified, the schema name must not begin with the characters 'SYS' (SQLSTATE 42939).

UNDER *supertype-name*

Specifies that this structured type is a subtype under the specified *supertype-name*. The *supertype-name* must identify an existing structured type (SQLSTATE 42704). If *supertype-name* is specified without a schema name, the type is resolved by searching the schemas on the SQL path. The structured type includes all the attributes of the supertype followed by the additional attributes given in the *attribute-definition*.

attribute-definition

Defines the attributes of the structured type.

attribute-name

The name of an attribute. The *attribute-name* cannot be the same as any other attribute of this structured type or any supertype of this structured type (SQLSTATE 42711).

A number of names used as keywords in predicates are reserved for system use, and cannot be used as an *attribute-name* (SQLSTATE 42939). The names are SOME, ANY, ALL, NOT, AND, OR, BETWEEN, NULL, LIKE, EXISTS, IN, UNIQUE, OVERLAPS, SIMILAR, MATCH, and the comparison operators.

data-type

The data type of the attribute. It is one of the data types listed under "CREATE TABLE", other than XML (SQLSTATE 42601). The data type must identify an existing data type (SQLSTATE 42704). If *data-type* is

CREATE TYPE (Structured)

specified without a schema name, the type is resolved by searching the schemas on the SQL path. The description of various data types is given in "CREATE TABLE". If the attribute data type is a reference type, the target type of the reference must be a structured type that exists, or is created by this statement (SQLSTATE 42704).

To prevent type definitions that would, at run time, permit an instance of the type to directly or indirectly contain another instance of the same type or one of its subtypes, a type cannot be defined such that one of its attribute types directly or indirectly uses itself (SQLSTATE 428EP).

lob-options

Specifies the options associated with LOB types (or distinct types based on LOB types). For a detailed description of *lob-options*, see "CREATE TABLE".

INSTANTIABLE or NOT INSTANTIABLE

Determines whether an instance of the structured type can be created.

Implications of not instantiable structured types are:

- no constructor function is generated for a non-instantiable type
- a non-instantiable type cannot be used as the type of a table or view (SQLSTATE 428DP)
- a non-instantiable type can be used as the type of a column (only null values or instances of instantiable subtypes can be inserted into the column).

To create instances of a non-instantiable type, instantiable subtypes must be created. If NOT INSTANTIABLE is specified, no instance of the new type can be created.

INLINE LENGTH *integer*

This option indicates the maximum size (in bytes) of a structured type column instance to store inline with the rest of the values in the row of a table. Instances of a structured type or its subtypes, that are larger than the specified inline length, are stored separately from the base table row, similar to the way that LOB values are handled.

If the specified INLINE LENGTH is smaller than the size of the result of the constructor function for the newly-created type (32 bytes plus 10 bytes per attribute) and smaller than 292 bytes, an error results (SQLSTATE 429B2). Note that the number of attributes includes all attributes inherited from the supertype of the type.

The INLINE LENGTH for the type, whether specified or a default value, is the default inline length for columns that use the structured type. This default can be overridden at CREATE TABLE time.

INLINE LENGTH has no meaning when the structured type is used as the type of a typed table.

The default INLINE LENGTH for a structured type is calculated by the system. In the formula given below, the following terms are used:

short attribute

refers to an attribute with any of the following data types: SMALLINT, INTEGER, BIGINT, REAL, DOUBLE, FLOAT, DATE, or TIME. Also included are distinct types or reference types based on these types.

non-short attribute

refers to an attribute of any of the remaining data types, or distinct types based on those data types.

The system calculates the default inline length as follows:

CREATE TYPE (Structured)

1. Determine the added space requirements for non-short attributes using the following formula:

$$\text{space_for_non_short_attributes} = \text{SUM}(\text{attributelength} + n)$$

n is defined as:

- 0 bytes for nested structured type attributes
- 2 bytes for non-LOB attributes
- 9 bytes for LOB attributes

attributelength is based on the data type specified for the attribute as shown in Table 26.

2. Calculate the total default inline length using the following formula:

$$\text{default_length}(\text{structured_type}) = (\text{number_of_attributes} * 10) + 32 + \text{space_for_non_short_attributes}$$

$\text{number_of_attributes}$ is the total number of attributes for the structured type, including attributes that are inherited from its supertype. However, $\text{number_of_attributes}$ does not include any attributes defined for any subtype of structured_type .

Table 26. Byte Counts for Attribute Data Types

Attribute Data Type	Byte Count
DECIMAL	The integral part of $(p / 2) + 1$, where p is the precision
DECFLOAT(n)	If n is 16, the byte count is 8; if n is 34, the byte count is 16
CHAR(n)	n
VARCHAR(n)	n
GRAPHIC(n)	$n * 2$
VARGRAPHIC(n)	$n * 2$
TIMESTAMP	10
LOB type	Each LOB attribute has a LOB descriptor in the structured type instance that points to the location of the actual value. The size of the descriptor varies according to the maximum length defined for the LOB attribute (see Table 27).
Distinct type	Length of the source type of the distinct type
Reference type	Length of the built-in data type on which the reference type is based
Structured type	$\text{inline_length}(\text{attribute_type})$

Table 27. LOB Descriptor Size as a Function of the Maximum LOB Length

Maximum LOB Length	LOB Descriptor Size
1024	72
8192	96
65 536	120
524 000	144
4 190 000	168
134 000 000	200
536 000 000	224
1 070 000 000	256
1 470 000 000	280

CREATE TYPE (Structured)

Table 27. LOB Descriptor Size as a Function of the Maximum LOB Length (continued)

Maximum LOB Length	LOB Descriptor Size
2 147 483 647	316

WITHOUT COMPARISONS

Indicates that there are no comparison functions supported for instances of the structured type.

NOT FINAL

Indicates that the structured type may be used as a supertype.

MODE DB2SQL

This clause is required and allows for direct invocation of the constructor function on this type.

WITH FUNCTION ACCESS

Indicates that all methods of this type and its subtypes, including methods created in the future, can be accessed using functional notation. This clause can be specified only for the root type of a structured type hierarchy (the UNDER clause is not specified) (SQLSTATE 42613). This clause is provided to allow the use of functional notation for those applications that prefer this form of notation over method invocation notation.

REF USING *rep-type*

Defines the built-in data type used as the representation (underlying data type) for the reference type of this structured type and all its subtypes. This clause can only be specified for the root type of a structured type hierarchy (UNDER clause is not specified) (SQLSTATE 42613). The *rep-type* cannot be a REAL, FLOAT, DECFLOAT, BLOB, CLOB, DBCLOB, array type, or structured type, and must have a length less than or equal to 32 672 bytes (SQLSTATE 42613).

If this clause is not specified for the root type of a structured type hierarchy, then REF USING VARCHAR(16) FOR BIT DATA is assumed.

CAST (SOURCE AS REF) WITH *funcname1*

Defines the name of the system-generated function that casts a value with the data type *rep-type* to the reference type of this structured type. A schema name must not be specified as part of *funcname1* (SQLSTATE 42601). The cast function is created in the same schema as the structured type. If the clause is not specified, the default value for *funcname1* is *type-name* (the name of the structured type). A function signature matching *funcname1(rep-type)* must not already exist in the same schema (SQLSTATE 42710).

CAST (REF AS SOURCE) WITH *funcname2*

Defines the name of the system-generated function that casts a reference type value for this structured type to the data type *rep-type*. A schema name must not be specified as part of *funcname2* (SQLSTATE 42601). The cast function is created in the same schema as the structured type. If the clause is not specified, the default value for *funcname2* is *rep-type* (the name of the representation type).

method-specification

Defines the methods for this type. A method cannot actually be used until it is given a body with a CREATE METHOD statement (SQLSTATE 42884).

OVERRIDING

Specifies that the method being defined overrides a method of a supertype of the type being defined. Overriding enables one to re-implement

methods in subtypes, thereby providing more specific functionality. Overriding is not supported for the following types of methods:

- Table and row methods
- External methods declared with `PARAMETER STYLE JAVA`
- Methods that can be used as predicates in an index extension
- System-generated mutator or observer methods

Attempting to override such a method will result in an error (SQLSTATE 42745).

If a method is to be a valid overriding method, there must already exist one original method for one of the proper supertypes of the type being defined, and the following relationships must exist between the overriding method and the original method:

- The method name of the method being defined and the original method are equivalent.
- The method being defined and the original method have the same number of parameters.
- The data type of each parameter of the method being defined and the data type of the corresponding parameters of the original method are identical. This requirement excludes the implicit `SELF` parameter.

If such an original method does not exist, an error is returned (SQLSTATE 428FV).

The overriding method inherits the following attributes from the original method:

- Language
- Determinism indication
- External action indication
- An indication whether this method should be called if any of its arguments is the null value
- Result cast (if specified in the original method)
- `SELF AS RESULT` indication
- The SQL-data access or `CONTAINS SQL` indication
- For external methods:
 - Parameter style
 - Locator indication of the parameters and of the result (if specified in the original method)
 - `FENCED`, `SCRATCHPAD`, `FINAL CALL`, `ALLOW PARALLEL`, and `DBINFO` indication
 - `INHERIT SPECIAL REGISTER` and `THREADSAFE` indication

method-name

Names the method being defined. It must be an unqualified SQL identifier (SQLSTATE 42601). The method name is implicitly qualified with the schema used for `CREATE TYPE`.

A number of names used as keywords in predicates are reserved for system use, and cannot be used as a *method-name* (SQLSTATE 42939). The names are `SOME`, `ANY`, `ALL`, `NOT`, `AND`, `OR`, `BETWEEN`, `NULL`, `LIKE`, `EXISTS`, `IN`, `UNIQUE`, `OVERLAPS`, `SIMILAR`, `MATCH`, and the comparison operators.

CREATE TYPE (Structured)

In general, the same name can be used for more than one method if there is some difference in their signatures.

parameter-name

Identifies the parameter name. It cannot be SELF, which is the name for the implicit subject parameter of a method (SQLSTATE 42734). If the method is an SQL method, all its parameters must have names (SQLSTATE 42629). If the method being declared overrides another method, the parameter name must be exactly the same as the name of the corresponding parameter of the overridden method; otherwise, an error is returned (SQLSTATE 428FV).

data-type2

Specifies the data type of each parameter. One entry in the list must be specified for each parameter that the method will expect to receive. No more than 90 parameters are allowed, including the implicit SELF parameter. If this limit is exceeded, an error is raised (SQLSTATE 54023).

You can specify SQL data types and abbreviations that can be specified as a column type in the CREATE TABLE statement, and that have equivalents in the language that is being used to write the method. For details on the mapping between SQL data types and host language data types, see the topic that pertains to your language from the list of related topics below.

Note: If the SQL data type in question is a structured type, there is no default mapping to a host language data type. A user-defined transform function must be used to create a mapping between the structured type and the host language data type.

DECIMAL (or NUMERIC) and decimal floating-point are invalid with LANGUAGE C and OLE (SQLSTATE 42815).

XML data types cannot be used (SQLSTATE 42815).

REF may be specified, but it does not have a defined scope. Inside the body of the method, a reference-type can be used in a path-expression only by first casting it to have a scope. Similarly, a reference returned by a method can be used in a path-expression only by first casting it to have a scope.

AS LOCATOR

For LOB types or distinct types which are based on a LOB type, the AS LOCATOR clause can be added. This indicates that a LOB locator is to be passed to the method instead of the actual value. This saves greatly in the number of bytes passed to the method, and may save as well in performance, particularly in the case where only a few bytes of the value are actually of interest to the method.

An error is raised (SQLSTATE 42601) if AS LOCATOR is specified for a type other than a LOB or a distinct type based on a LOB.

If the method is FENCED, or if LANGUAGE is SQL, the AS LOCATOR clause cannot be specified (SQLSTATE 42613).

If the method being declared overrides another method, the AS LOCATOR indication of the parameter must match exactly the AS LOCATOR indication of the corresponding parameter of the overridden method (SQLSTATE 428FV).

If the method being declared overrides another method, the FOR BIT DATA indication of each parameter must match exactly the FOR BIT DATA indication of the corresponding parameter of the overridden method. (SQLSTATE 428FV).

RETURNS

This mandatory clause identifies the method's result.

data-type3

Specifies the data type of the method's result. In this case, exactly the same considerations apply as for the parameters of methods described above under *data-type2*.

AS LOCATOR

For LOB types or distinct types which are based on LOB types, the AS LOCATOR clause can be added. This indicates that a LOB locator is to be passed from the method instead of the actual value.

An error is raised (SQLSTATE 42601) if AS LOCATOR is specified for a type other than a LOB or a distinct type based on a LOB.

If the method is FENCED, or if LANGUAGE is SQL, the AS LOCATOR clause cannot be specified (SQLSTATE 42613).

If the method being defined overrides another method, this clause cannot be specified (SQLSTATE 428FV).

If the method overrides another method, *data-type3* must be a subtype of the data type of the result of the overridden method if this data type is a structured type; otherwise both data types must be identical (SQLSTATE 428FV).

data-type4 **CAST FROM** *data-type5*

Specifies the data type of the method's result.

This clause is used to return a different data type to the invoking statement from the data type returned by the method code. The *data-type5* must be castable to the *data-type4* parameter. If it is not castable, an error is returned (SQLSTATE 42880).

Because the length, precision, or scale for *data-type4* can be inferred from *data-type5*, it is not necessary (but still permitted) to specify the length, precision, or scale for parameterized types specified for *data-type4*. Instead, empty parentheses can be used, such as VARCHAR(), for example. FLOAT() cannot be used (SQLSTATE 42601), because the parameter value indicates different data types (REAL or DOUBLE).

A distinct type is not valid as the type specified in *data-type5* (SQLSTATE 42815). XML is not valid as the type specified in *data-type4* or *data-type5* (SQLSTATE 42815).

The cast operation is also subject to runtime checks that might result in conversion errors being returned.

AS LOCATOR

For LOB types or distinct types which are based on LOB types, the AS LOCATOR clause can be added. This indicates that a LOB locator is to be passed from the method instead of the actual value.

An error is raised (SQLSTATE 42601) if AS LOCATOR is specified for a type other than a LOB or a distinct type based on a LOB.

CREATE TYPE (Structured)

If the method is `FENCED`, or if `LANGUAGE` is `SQL`, the `AS LOCATOR` clause cannot be specified (SQLSTATE 42613).

If the method being defined overrides another method, this clause cannot be specified (SQLSTATE 428FV).

If the method being defined overrides another method, the `FOR BIT DATA` clause cannot be specified (SQLSTATE 428FV).

SPECIFIC *specific-name*

Provides a unique name for the instance of the method that is being defined. This specific name can be used when creating the method body or dropping the method. It can never be used to invoke the method. The unqualified form of *specific-name* is an SQL identifier (with a maximum length of 18). The qualified form is a schema-name followed by a period and an SQL identifier. The name, including the implicit or explicit qualifier, must not identify another specific method name that exists at the application server; otherwise an error is raised (SQLSTATE 42710).

The *specific-name* may be the same as an existing *method-name*.

If no qualifier is specified, the qualifier that was used for *type-name* is used. If a qualifier is specified, it must be the same as the explicit or implicit qualifier of *type-name* or an error is raised (SQLSTATE 42882).

If *specific-name* is not specified, a unique name is generated by the database manager. The unique name is SQL followed by a character timestamp, `SQLyymmddhhmmssxxx`.

SELF AS RESULT

Identifies this method as a type-preserving method, which means the following:

- The declared return type must be the same as the declared subject-type (SQLSTATE 428EQ).
- When an SQL statement is compiled and resolves to a type preserving method, the static type of the result of the method is the same as the static type of the subject argument.
- The method must be implemented in such a way that the dynamic type of the result is the same as the dynamic type of the subject argument (SQLSTATE 2200G), and the result cannot be NULL (SQLSTATE 22004).

If the method being defined overrides another method, this clause cannot be specified (SQLSTATE 428FV).

SQL-routine-characteristics

Specifies the characteristics of the method body that will be defined for this type using `CREATE METHOD`.

LANGUAGE SQL

This clause is used to indicate that the method is written in SQL with a single `RETURN` statement. The method body is specified using the `CREATE METHOD` statement.

PARAMETER CCSID

Specifies the encoding scheme to use for all string data passed into and out of the SQL method. If the `PARAMETER CCSID` clause is not specified, the default is `PARAMETER CCSID UNICODE` for Unicode databases, and `PARAMETER CCSID ASCII` for all other databases.

ASCII

Specifies that string data is encoded in the database code page. If the database is a Unicode database, PARAMETER CCSID ASCII cannot be specified (SQLSTATE 56031).

UNICODE

Specifies that character data is in UTF-8, and that graphic data is in UCS-2. If the database is not a Unicode database, PARAMETER CCSID UNICODE cannot be specified (SQLSTATE 56031).

NOT DETERMINISTIC or DETERMINISTIC

This optional clause specifies whether the method always returns the same results for given argument values (DETERMINISTIC) or whether the method depends on some state values that affect the results (NOT DETERMINISTIC). That is, a DETERMINISTIC method must always return the same result from successive invocations with identical inputs. Optimizations taking advantage of the fact that identical inputs always produce the same results are prevented by specifying NOT DETERMINISTIC. NOT DETERMINISTIC must be explicitly or implicitly specified if the body of the method accesses a special register, or calls another non-deterministic routine (SQLSTATE 428C2).

EXTERNAL ACTION or NO EXTERNAL ACTION

This optional clause specifies whether or not the method takes some action that changes the state of an object not managed by the database manager. Optimizations that assume methods have no external impacts are prevented by specifying EXTERNAL ACTION. For example: sending a message, ringing a bell, or writing a record to a file.

READS SQL DATA or CONTAINS SQL

Indicates what type of SQL statements can be executed. Because the SQL statement supported is the RETURN statement, the distinction has to do with whether or not the expression is a subquery.

READS SQL DATA

Indicates that SQL statements that do not modify SQL data can be executed by the method (SQLSTATE 42985). Nicknames cannot be referenced in the SQL statement (SQLSTATE 42997).

CONTAINS SQL

Indicates that SQL statements that neither read nor modify SQL data can be executed by the method (SQLSTATE 42985).

CALLED ON NULL INPUT

This optional clause indicates that regardless of whether any arguments are null, the user-defined method is called. It can return a null value or a normal (non-null) value. However, responsibility for testing for null argument values lies with the method.

If the method being defined overrides another method, this clause cannot be specified (SQLSTATE 428FV).

NULL CALL can be used as a synonym for CALLED ON NULL INPUT.

INHERIT SPECIAL REGISTERS

This optional clause specifies that updatable special registers in the method will inherit their initial values from the environment of the invoking statement. For a method invoked in the select-statement of a cursor, the initial values are inherited from the environment in which the cursor is

CREATE TYPE (Structured)

opened. For a routine invoked in a nested object (for example a trigger or view), the initial values are inherited from the run-time environment (not inherited from the object definition).

No changes to the special registers are passed back to the invoker of the function.

Non-updatable special registers, such as the datetime special registers, reflect a property of the statement currently executing, and are therefore set to their default values.

external-routine-characteristics

LANGUAGE

This mandatory clause is used to specify the language interface convention to which the user-defined method body is written.

C This means the database manager will call the user-defined method as if it were a C function. The user-defined method must conform to the C language calling and linkage convention as defined by the standard ANSI C prototype.

JAVA

This means the database manager will call the user-defined method as a method in a Java class.

OLE

This means the database manager will call the user-defined method as if it were a method exposed by an OLE automation object. The method must conform with the OLE automation data types and invocation mechanism as described in the *OLE Automation Programmer's Reference*.

LANGUAGE OLE is only supported for user-defined methods stored in Windows 32-bit operating systems. THREADSAFE may not be specified for methods defined with LANGUAGE OLE (SQLSTATE 42613).

PARAMETER STYLE

This clause is used to specify the conventions used for passing parameters to and returning the value from methods.

DB2GENERAL

Used to specify the conventions for passing parameters to and returning the value from external methods that are defined as a method in a Java class. This can only be specified when LANGUAGE JAVA is used.

The value DB2GENRL may be used as a synonym for DB2GENERAL.

SQL

Used to specify the conventions for passing parameters to and returning the value from external methods that conform to C language calling and linkage conventions or methods exposed by OLE automation objects. This must be specified when either LANGUAGE C or LANGUAGE OLE is used.

PARAMETER CCSID

Specifies the encoding scheme to use for all string data passed into and out of the external method. If the PARAMETER CCSID clause is not specified, the default is PARAMETER CCSID UNICODE for Unicode databases, and PARAMETER CCSID ASCII for all other databases.

ASCII

Specifies that string data is encoded in the database code page. If the database is a Unicode database, PARAMETER CCSID ASCII cannot be specified (SQLSTATE 56031).

UNICODE

Specifies that character data is in UTF-8, and that graphic data is in UCS-2. If the database is not a Unicode database, PARAMETER CCSID UNICODE cannot be specified (SQLSTATE 56031).

This clause cannot be specified with LANGUAGE OLE (SQLSTATE 42613).

DETERMINISTIC or NOT DETERMINISTIC

This optional clause specifies whether the method always returns the same results for given argument values (DETERMINISTIC) or whether the method depends on some state values that affect the results (NOT DETERMINISTIC). That is, a DETERMINISTIC method must always return the same result from successive invocations with identical inputs. Optimizations taking advantage of the fact that identical inputs always produce the same results are prevented by specifying NOT DETERMINISTIC. An example of a type that is non-deterministic is one that references special registers, global variables, or non-deterministic functions in a way that affects the result type.

FENCED or NOT FENCED

This clause specifies whether the method is considered "safe" to run in the database manager operating environment's process or address space (NOT FENCED), or not (FENCED).

If a method is registered as FENCED, the database manager protects its internal resources (data buffers, for example) from access by the method. Most methods will have the option of running as FENCED or NOT FENCED. In general, a method running as FENCED will not perform as well as a similar one running as NOT FENCED.

CAUTION:

Use of NOT FENCED for methods not adequately checked out can compromise the integrity of DB2. DB2 takes some precautions against many of the common types of inadvertent failures that might occur, but cannot guarantee complete integrity when NOT FENCED user-defined methods are used.

Only FENCED can be specified for a method with LANGUAGE OLE or NOT THREADSAFE (SQLSTATE 42613).

If the method is FENCED and has the NO SQL option, the AS LOCATOR clause cannot be specified (SQLSTATE 42613).

Either SYSADM authority, DBADM authority, or a special authority (CREATE_NOT_FENCED_ROUTINE) is required to register a method as NOT FENCED.

THREADSAFE or NOT THREADSAFE

Specifies whether the method is considered "safe" to run in the same process as other routines (THREADSAFE), or not (NOT THREADSAFE).

If the method is defined with LANGUAGE other than OLE:

- If the method is defined as THREADSAFE, the database manager can invoke the method in the same process as other routines. In general, to be threadsafe, a method should not use any global or static data areas.

CREATE TYPE (Structured)

Most programming references include a discussion of writing threadsafe routines. Both FENCED and NOT FENCED methods can be THREADSAFE.

- If the method is defined as NOT THREADSAFE, the database manager will never invoke the method in the same process as another routine.

For FENCED methods, THREADSAFE is the default if the LANGUAGE is JAVA. For all other languages, NOT THREADSAFE is the default. If the method is defined with LANGUAGE OLE, THREADSAFE may not be specified (SQLSTATE 42613).

For NOT FENCED methods, THREADSAFE is the default. NOT THREADSAFE cannot be specified (SQLSTATE 42613).

RETURNS NULL ON NULL INPUT or CALLED ON NULL INPUT

This optional clause may be used to avoid a call to the external method if any of the non-subject arguments is null.

If RETURNS NULL ON NULL INPUT is specified, and if at execution time any one of the method's arguments is null, the method is not called and the result is the null value.

If CALLED ON NULL INPUT is specified, then regardless of the number of null arguments, the method is called. It can return a null value or a normal (non-null) value. However, responsibility for testing for null argument values lies with the method.

The value NULL CALL may be used as a synonym for CALLED ON NULL INPUT for backwards and family compatibility. Similarly, NOT NULL CALL may be used as a synonym for RETURNS NULL ON NULL INPUT.

There are two cases in which this specification is ignored:

- If the subject argument is null, in which case the method is not executed and the result is null
- If the method is defined to have no parameters, in which case this null argument condition cannot occur.

NO SQL, CONTAINS SQL, READS SQL DATA

Indicates whether the method issues any SQL statements and, if so, what type.

NO SQL

Indicates that the method cannot execute any SQL statements (SQLSTATE 38001).

CONTAINS SQL

Indicates that SQL statements that neither read nor modify SQL data can be executed by the method (SQLSTATE 38004 or 42985). Statements that are not supported in any method return a different error (SQLSTATE 38003 or 42985).

READS SQL DATA

Indicates that some SQL statements that do not modify SQL data can be included in the method (SQLSTATE 38002 or 42985). Statements that are not supported in any method return a different error (SQLSTATE 38003 or 42985).

EXTERNAL ACTION or NO EXTERNAL ACTION

This optional clause specifies whether or not the method takes some action that changes the state of an object not managed by the database manager.

Optimizations that assume methods have no external impacts are prevented by specifying EXTERNAL ACTION.

NO SCRATCHPAD or SCRATCHPAD *length*

This optional clause may be used to specify whether a scratchpad is to be provided for an external method. It is strongly recommended that methods be re-entrant, so a scratchpad provides a means for the method to "save state" from one call to the next.

If SCRATCHPAD is specified, then at the first invocation of the user-defined method, memory is allocated for a scratchpad to be used by the external method. This scratchpad has the following characteristics:

- *length*, if specified, sets the size in bytes of the scratchpad and must be between 1 and 32 767 (SQLSTATE 42820). The default value is 100.
- It is initialized to all X'00's.
- Its scope is the SQL statement. There is one scratchpad per reference to the external method in the SQL statement.

So, if method X in the following statement is defined with the SCRATCHPAD keyword, three scratchpads would be assigned.

```
SELECT A, X..(A) FROM TABLEB
WHERE X..(A) > 103 OR X..(A) < 19
```

If ALLOW PARALLEL is specified or defaulted to, then the scope is different from the above. If the method is executed on multiple database partitions, a scratchpad would be assigned on each database partition where the method is processed, for each reference to the method in the SQL statement. Similarly, if the query is executed with intra-partition parallelism enabled, more than three scratchpads may be assigned.

The scratchpad is persistent. Its content is preserved from one external method call to the next. Any changes made to the scratchpad by the external method on one call will be present on the next call. The database manager initializes scratchpads at the beginning of execution of each SQL statement. The database manager may reset scratchpads at the beginning of execution of each subquery. The system issues a final call before resetting a scratchpad if the FINAL CALL option is specified.

The scratchpad can be used as a central point for system resources (memory, for example) which the external method might acquire. The method could acquire the memory on the first call, keep its address in the scratchpad, and refer to it in subsequent calls.

In such a case where system resource is acquired, the FINAL CALL keyword should also be specified; this causes a special call to be made at end-of-statement to allow the external method to free any system resources acquired.

If SCRATCHPAD is specified, then on each invocation of the user-defined method, an additional argument is passed to the external method which addresses the scratchpad.

If NO SCRATCHPAD is specified, then no scratchpad is allocated or passed to the external method.

NO FINAL CALL or FINAL CALL

This optional clause specifies whether a final call is to be made to an external method. The purpose of such a final call is to enable the external method to free any system resources it has acquired. It can be useful in

CREATE TYPE (Structured)

conjunction with the SCRATCHPAD keyword in situations where the external method acquires system resources such as memory and anchors them in the scratchpad.

If FINAL CALL is specified, then at execution time, an additional argument is passed to the external method which specifies the type of call. The types of calls are:

- Normal call: SQL arguments are passed and a result is expected to be returned.
- First call: the first call to the external method for this specific reference to the method in this specific SQL statement. The first call is a normal call.
- Final call: a final call to the external method to enable the method to free up resources. The final call is not a normal call. This final call occurs at the following times:
 - End-of-statement: this case occurs when the cursor is closed for cursor-oriented statements, or when the statement is through executing otherwise.
 - End-of-transaction: This case occurs when the normal end-of-statement does not occur. For example, the logic of an application may for some reason bypass the close of the cursor.

If a commit operation occurs while a cursor defined as WITH HOLD is open, a final call is made at the subsequent close of the cursor or at the end of the application.

If NO FINAL CALL is specified, then no "call type" argument is passed to the external method, and no final call is made.

ALLOW PARALLEL or DISALLOW PARALLEL

This optional clause specifies whether, for a single reference to the method, the invocation of the method can be parallelized. In general, the invocations of most scalar methods should be parallelizable, but there may be methods (such as those depending on a single copy of a scratchpad) that cannot. If either ALLOW PARALLEL or DISALLOW PARALLEL are specified for a method, then DB2 will accept this specification.

The following questions should be considered in determining which keyword is appropriate for the method:

- Are all the method invocations completely independent of each other? If YES, then specify ALLOW PARALLEL.
- Does each method invocation update the scratchpad, providing value(s) that are of interest to the next invocation (the incrementing of a counter, for example)? If YES, then specify DISALLOW PARALLEL or accept the default.
- Is there some external action performed by the method which should happen only on one database partition? If YES, then specify DISALLOW PARALLEL or accept the default.
- Is the scratchpad used, but only so that some expensive initialization processing can be performed a minimal number of times? If YES, then specify ALLOW PARALLEL.

In any case, the body of every external method should be in a directory that is available on every database partition.

The syntax diagram indicates that the default value is ALLOW PARALLEL. However, the default is DISALLOW PARALLEL if one or more of the following options is specified in the statement:

- NOT DETERMINISTIC
- EXTERNAL ACTION
- SCRATCHPAD
- FINAL CALL

NO DBINFO or DBINFO

This optional clause specifies whether certain specific information known by DB2 will be passed to the method as an additional invocation-time argument (DBINFO), or not (NO DBINFO). NO DBINFO is the default. DBINFO is not supported for LANGUAGE OLE (SQLSTATE 42613). If the method being defined overrides another method, this clause cannot be specified (SQLSTATE 428FV).

If DBINFO is specified, a structure that contains the following information is passed to the method:

- Database name - the name of the currently connected database.
- Application ID - unique application ID which is established for each connection to the database.
- Application Authorization ID - the application runtime authorization ID, regardless of the nested methods in between this method and the application.
- Code page - identifies the database code page.
- Schema name - under the exact same conditions as for Table name, contains the name of the schema; otherwise blank.
- Table name - if and only if the method reference is either the right-hand side of a SET clause in an UPDATE statement, or an item in the VALUES list of an INSERT statement, contains the unqualified name of the table being updated or inserted; otherwise blank.
- Column name - under the exact same conditions as for Table name, contains the name of the column being updated or inserted; otherwise blank.
- Database version/release - identifies the version, release and modification level of the database server invoking the method.
- Platform - contains the server's platform type.
- Table method result column numbers - not applicable to methods.

INHERIT SPECIAL REGISTERS

This optional clause specifies that special registers in the method will inherit their initial values from the calling statement. For cursors, the initial values are inherited from the time that the cursor is opened.

No changes to the special registers are passed back to the caller of the method.

Some special registers, such as the datetime special registers, reflect a property of the statement currently executing, and are therefore never inherited from the caller.

Notes

- Creating a structured type with a schema name that does not already exist will result in the implicit creation of that schema provided the authorization ID of

CREATE TYPE (Structured)

the statement has `IMPLICIT_SCHEMA` authority. The schema owner is `SYSIBM`. The `CREATEIN` privilege on the schema is granted to `PUBLIC`.

- A structured subtype defined with no attributes defines a subtype that inherits all its attributes from the supertype. If neither an `UNDER` clause nor any other attribute is specified, then the type is a root type of a type hierarchy without any attributes.
- The addition of a new subtype to a type hierarchy may cause packages to be invalidated. A package may be invalidated if it depends on a supertype of the new type. Such a dependency is the result of the use of a `TYPE` predicate or a `TREAT` specification.
- A structured type may have no more than 4082 attributes (SQLSTATE 54050).
- A method specification is not allowed to have the same signature as a function (comparing the first parameter-type of the function with the subject-type of the method).
- No original method may override another method, or be overridden by an original method (SQLSTATE 42745). Furthermore, a function and a method cannot be in an overriding relationship. This means that if the function were considered to be a method with its first parameter as subject *S*, it must not override another method in any supertype of *S*, and it must not be overridden by another method in any subtype of *S* (SQLSTATE 42745).
- Creation of a structured type automatically generates a set of functions and methods for use with the type. All the functions and methods are generated in the same schema as the structured type. If the signature of the generated function or method conflicts with or overrides the signature of an existing function in this schema, the statement fails (SQLSTATE 42710). The generated functions or methods cannot be dropped without dropping the structured type (SQLSTATE 42917). The following functions and methods are generated:

- Functions

- Reference Comparisons

Six comparison functions with names `=`, `<>`, `<`, `<=`, `>`, `>=` are generated for the reference type `REF(type-name)`. Each of these functions takes two parameters of type `REF(type-name)` and returns `true`, `false`, or `unknown`. The comparison operators for `REF(type-name)` are defined to have the same behavior as the comparison operators for the underlying data type of `REF(type-name)`. (All references in a type hierarchy have the same reference representation type. This enables `REF(S)` and `REF(T)` to be compared, provided that *S* and *T* have a common supertype. Because uniqueness of the `OID` column is enforced only within a table hierarchy, it is possible that a value of `REF(T)` in one table hierarchy may be "equal" to a value of `REF(T)` in another table hierarchy, even though they reference different rows.)

The scope of the reference type is not considered in the comparison.

- Cast functions

Two cast functions are generated to cast between the generated reference type `REF(type-name)` and the underlying data type of this reference type.

- The name of the function to cast from the underlying type to the reference type is the implicit or explicit *funcname1*.

The format of this function is:

```
CREATE FUNCTION funcname1 (rep-type)  
RETURNS REF(type-name) ...
```

- The name of the function to cast from the reference type to the underlying type of the reference type is the implicit or explicit *funcname2*.

The format of this function is:

```
CREATE FUNCTION funcname2 ( REF(type-name) )
RETURNS rep-type ...
```

For some *rep-types*, there are additional cast functions generated with *funcname1* to handle casting from constants.

- If *rep-type* is SMALLINT, the additional generated cast function has the format:

```
CREATE FUNCTION funcname1 (INTEGER)
RETURNS REF(type-name)
```

- If *rep-type* is CHAR(n), the additional generated cast function has the format:

```
CREATE FUNCTION funcname1 ( VARCHAR(n))
RETURNS REF(type-name)
```

- If *rep-type* is GRAPHIC(n), the additional generated cast function has the format:

```
CREATE FUNCTION funcname1 (VARGRAPHIC(n))
RETURNS REF(type-name)
```

The schema name of the structured type must be included in the SQL path for successful use of these operators and cast functions in SQL statements.

- Constructor function

The constructor function is generated to allow a new instance of the type to be constructed. This new instance will have null for all attributes of the type, including attributes that are inherited from a supertype.

The format of the generated constructor function is:

```
CREATE FUNCTION type-name ( )
RETURNS type-name
...
```

If NOT INSTANTIABLE is specified, no constructor function is generated.

- Methods

- Observer methods

An observer method is defined for each attribute of the structured type. For each attribute, the observer method returns the type of the attribute. If the subject is null, the observer method returns a null value of the attribute type.

For example, the attributes of an instance of the structured type ADDRESS can be observed using C1..STREET, C1..CITY, C1..COUNTRY, and C1..CODE.

The method signature of the generated observer method is as if the following statement had been executed:

```
CREATE TYPE type-name
...
METHOD attribute-name()
RETURNS attribute-type
```

where *type-name* is the structured type name.

- Mutator methods

A type-preserving mutator method is defined for each attribute of the structured type. Use mutator methods to change attributes within an instance of a structured type. For each attribute, the mutator method returns a copy of the subject modified by assigning the argument to the named attribute of the copy.

CREATE TYPE (Structured)

For example, an instance of the structured type ADDRESS can be mutated using C1..CODE('M3C1H7'). If the subject is null, the mutator method raises an error (SQLSTATE 2202D).

The method signature of the generated mutator method is as if the following statement had been executed:

```
CREATE TYPE type-name
...
METHOD attribute-name (attribute-type)
RETURNS type-name
```

If the attribute data type is SMALLINT, REAL, CHAR, or GRAPHIC, an additional mutator method is generated in order to support mutation using constants:

- If *attribute-type* is SMALLINT, the additional mutator supports an argument of type INTEGER.
- If *attribute-type* is REAL, the additional mutator supports an argument of type DOUBLE.
- If *attribute-type* is CHAR, the additional mutator supports an argument of type VARCHAR.
- If *attribute-type* is GRAPHIC, the additional mutator supports an argument of type VARGRAPHIC.
- If the structured type is used as a column type, the length of an instance of the type can be no more than 1 GB in length at runtime (SQLSTATE 54049).
- When creating a new subtype for an existing structured type (for use as a column type), any transform functions already written in support of existing related structured types should be re-examined and updated as necessary. Whether the new type is in the same hierarchy as a given type, or in the hierarchy of a nested type, it is likely that the existing transform function associated with this type will need to be modified to include some or all of the new attributes introduced by the new subtype. Generally speaking, because it is the set of transform functions associated with a given type (or type hierarchy) that enables UDF and client application access to the structured type, the transform functions should be written to support *all* of the attributes in a given composite hierarchy (that is, including the transitive closure of all subtypes and their nested structured types).

When a new subtype of an existing type is created, all packages dependent on methods that are defined in supertypes of the type being created, and that are eligible for overriding, are invalidated.

- **Table access restrictions**

If a method is defined as READS SQL DATA, no statement in the method can access a table that is being modified by the statement which invoked the method (SQLSTATE 57053). For example, suppose the method BONUS() is defined as READS SQL DATA. If the statement UPDATE DEPTINFO SET SALARY = SALARY + EMP..BONUS() is invoked, no SQL statement in the BONUS method can read from the EMPLOYEE table.

- **Privileges**

- The definer of the user-defined type always receives the EXECUTE privilege WITH GRANT OPTION on all methods and functions automatically generated for the structured type. The EXECUTE privilege is not granted on any methods explicitly specified in the CREATE TYPE statement until a method body is defined using the CREATE METHOD statement. The definer of the user-defined type does have the right to drop the method specification

using the ALTER TYPE statement. EXECUTE privilege on all functions automatically generated during the CREATE TYPE (Distinct) statement is granted to PUBLIC.

- When an external method is used in an SQL statement, the method definer must have the EXECUTE privilege on any packages used by the method.
- In a partitioned database environment, the use of SQL in external user-defined functions or methods is not supported (SQLSTATE 42997).
- Only routines defined as NO SQL can be used to define an index extension (SQLSTATE 428F8).
- A Java routine defined as NOT FENCED will be invoked as if it had been defined as FENCED THREADSAFE.
- *Compatibilities*
 - For compatibility with DB2 for z/OS:
 - The following syntax is tolerated:
 - NOT VARIANT can be specified in place of DETERMINISTIC
 - VARIANT can be specified in place of NOT DETERMINISTIC
 - NULL CALL can be specified in place of CALLED ON NULL INPUT
 - NOT NULL CALL can be specified in place of RETURNS NULL ON NULL INPUT
 - The following syntax is accepted as the default behavior for external methods:
 - ASUTIME NO LIMIT
 - NO COLLID
 - PROGRAM TYPE SUB
 - STAY RESIDENT NO
 - CCSID UNICODE in a Unicode database
 - CCSID ASCII in a non-Unicode database if PARAMETER CCSID UNICODE is not specified
 - The following syntax is accepted as the default behavior for SQL methods:
 - CCSID UNICODE in a Unicode database
 - CCSID ASCII in a non-Unicode database
 - For compatibility with previous versions of DB2:
 - PARAMETER STYLE DB2SQL can be specified in place of PARAMETER STYLE SQL

Examples

Example 1: Create a type for department.

```
CREATE TYPE DEPT AS
  (DEPT_NAME  VARCHAR(20),
   MAX_EMPS  INT)
  REF_USING INT
  MODE DB2SQL
```

Example 2: Create a type hierarchy consisting of a type for employees and a subtype for managers.

```
CREATE TYPE EMP AS
  (NAME      VARCHAR(32),
   SERIALNUM INT,
   DEPT      REF(DEPT),
   SALARY    DECIMAL(10,2))
```

CREATE TYPE (Structured)

```
MODE DB2SQL

CREATE TYPE MGR UNDER EMP AS
(BONUS    DECIMAL(10,2))
MODE DB2SQL
```

Example 3: Create a type hierarchy for addresses. Addresses are intended to be used as types of columns. The inline length is not specified, so DB2 will calculate a default length. Encapsulate within the address type definition an external method that calculates how close this address is to a given input address. Create the method body using the CREATE METHOD statement.

```
CREATE TYPE address_t AS
(STREET   VARCHAR(30),
NUMBER   CHAR(15),
CITY     VARCHAR(30),
STATE    VARCHAR(10))
NOT FINAL
MODE DB2SQL
METHOD SAMEZIP (addr address_t)
RETURNS INTEGER
LANGUAGE SQL
DETERMINISTIC
CONTAINS SQL
NO EXTERNAL ACTION,

METHOD DISTANCE (address_t)
RETURNS FLOAT
LANGUAGE C
DETERMINISTIC
PARAMETER STYLE SQL
NO SQL
NO EXTERNAL ACTION

CREATE TYPE germany_addr_t UNDER address_t AS
(FAMILY_NAME VARCHAR(30))
NOT FINAL
MODE DB2SQL

CREATE TYPE us_addr_t UNDER address_t AS
(ZIP VARCHAR(10))
NOT FINAL
MODE DB2SQL
```

Example 4: Create a type that has nested structured type attributes.

```
CREATE TYPE PROJECT AS
(PROJ_NAME VARCHAR(20),
PROJ_ID   INTEGER,
PROJ_MGR  MGR,
PROJ_LEAD EMP,
LOCATION   ADDR_T,
AVAIL_DATE DATE)
MODE DB2SQL
```

CREATE TYPE MAPPING

The CREATE TYPE MAPPING statement defines a mapping between the following data types:

- The data type of a column in a data source table or view that is going to be defined to a federated database
- A corresponding data type that is already defined to the federated database

The mapping can associate the federated database data type with a data type at:

- A specified data source
- A range of data sources; for example, all data sources of a particular type and version

A data type mapping must be created only if an existing one is not adequate.

If multiple type mappings are applicable when creating a nickname or creating a table (transparent DDL), the most recent one is applied.

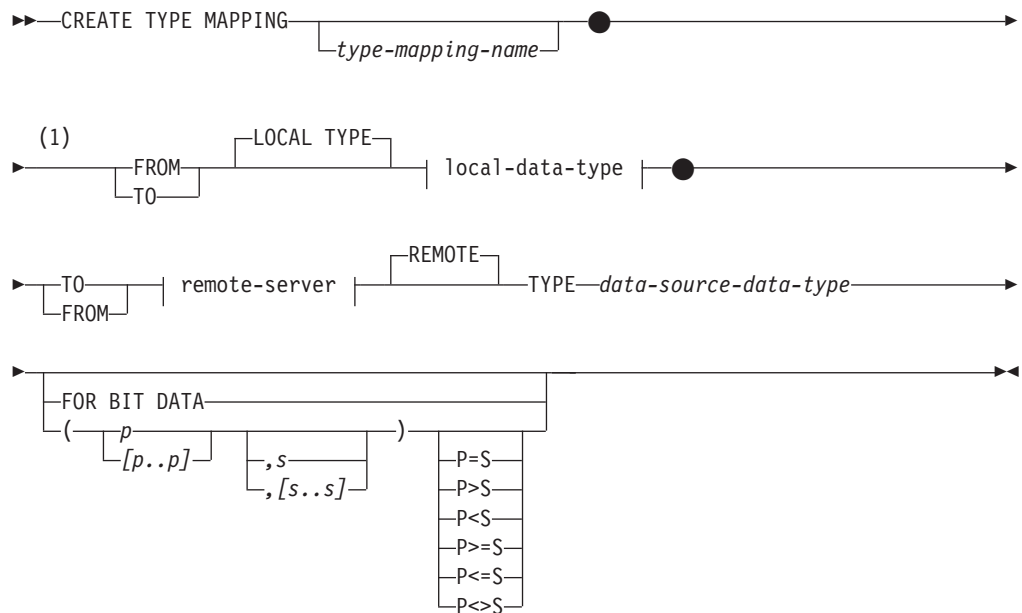
Invocation

This statement can be embedded in an application program or issued through the use of dynamic SQL statements. It is an executable statement that can be dynamically prepared only if DYNAMICRULES run behavior is in effect for the package (SQLSTATE 42509).

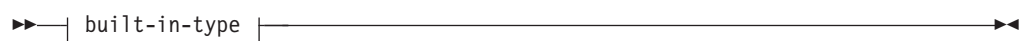
Authorization

The privileges held by the authorization ID of the statement must include SYSADM or DBADM authority.

Syntax

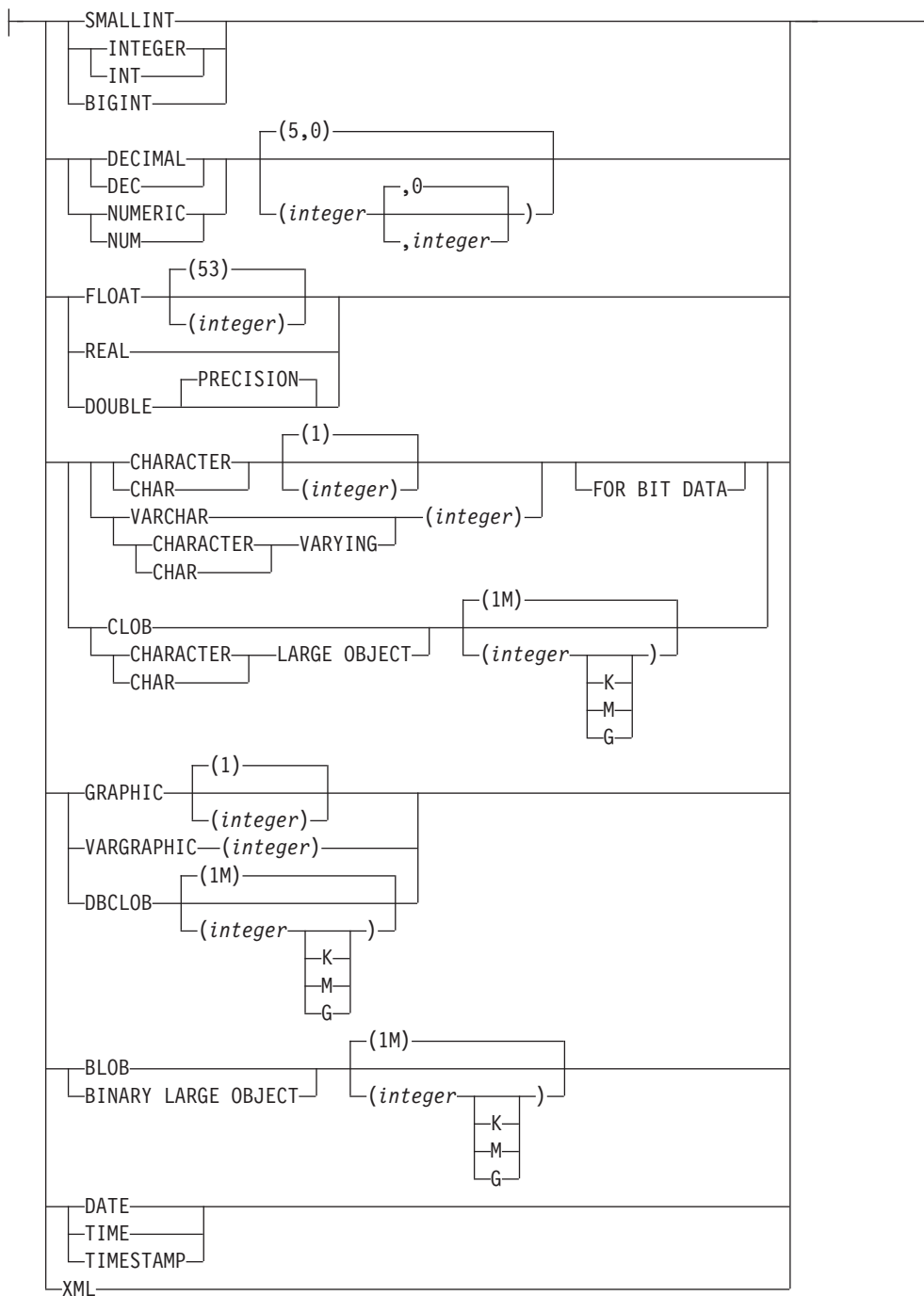


local-data-type:



built-in-type:

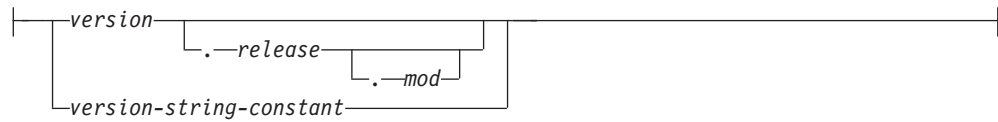
CREATE TYPE MAPPING



remote-server:



server-version:

**Notes:**

- 1 Both a TO and a FROM keyword must be present in the CREATE TYPE MAPPING statement.

Description*type-mapping-name*

Names the data type mapping. The name must not identify a data type mapping that is already described in the catalog. A unique name is generated if *type-mapping-name* is not specified.

FROM or TO

Specifies a reverse or forward type mapping.

FROM

Specifies a forward type mapping when followed by *local-data-type* or a reverse type mapping when followed by *remote-server*.

TO

Specifies a forward type mapping when followed by *remote-server* or a reverse type mapping when followed by *local-data-type*.

local-data-type

Identifies a data type that is defined to a federated database. If *local-data-type* is specified without a schema name, the type name is resolved by searching the schemas in the SQL path.

Empty parentheses can be used for the parameterized data types. A parameterized data type is any one of the data types that can be defined with a specific length, scale, or precision. If empty parentheses are specified in a forward type mapping, such as, for example, CHAR(), the length is determined from the column length on the remote table. If empty parentheses are specified in a reverse type mapping, the type mapping is applied to the data type with any length. If you omit parentheses altogether, the default length for the data type is used.

FLOAT() cannot be used (SQLSTATE 42601), because the parameter value indicates different data types (REAL or DOUBLE).

The *local-data-type* cannot be DECFLOAT, LONG VARCHAR, LONG VARCHARIC, or a user-defined type (SQLSTATE 42611).

SERVER *server-name*

Names the data source to which *data-source-data-type* is defined.

SERVER TYPE *server-type*

Identifies the type of data source to which *data-source-data-type* is defined.

VERSION

Identifies the version of the data source to which *data-source-data-type* is defined.

version

Specifies the version number. The value must be an integer.

CREATE TYPE MAPPING

release

Specifies the number of the release of the version denoted by *version*. The value must be an integer.

mod

Specifies the number of the modification of the release denoted by *release*. The value must be an integer.

version-string-constant

Specifies the complete designation of the version. The *version-string-constant* can be a single value (for example, '8i'); or it can be the concatenated values of *version*, *release* and, if applicable, *mod* (for example, '8.0.3').

WRAPPER *wrapper-name*

Specifies the name of the wrapper that the federated server uses to interact with data sources of the type and version denoted by *server-type* and *server-version*.

TYPE *data-source-data-type*

Specifies the data source data type that is being mapped to or from the local data type.

Empty parentheses can be used for the parameterized data types. If empty parentheses are specified in a forward type mapping, such as, for example, CHAR(), the type mapping is applied to the data type with any length. If empty parentheses are specified in a reverse type mapping, the length is determined from the column length specified in the transparent DDL. If you omit parentheses altogether, the default length for the data type is used.

The *data-source-data-type* must be a built-in data type. User-defined types are not allowed.

If *server-name* is specified with a type mapping, or existing servers are affected by the type mapping, *data-source-data-type*, *p*, and *s* are verified when creating the type mapping (SQLSTATE 42611).

- p* If *p* is specified, only the data type whose length or precision equals *p* is affected by the type mapping.

[p1..p2]

For forward type mapping only. For a decimal data type, *p1* and *p2* specify the minimum and maximum number of digits that a value can have. For string data types, *p1* and *p2* specify the minimum and maximum number of characters that a value can have. In all cases, the maximum must equal or exceed the minimum; and both numbers must be valid with respect to the data type.

- s* If *s* is specified, only the data type whose scale equals *s* is affected by the type mapping.

[s1..s2]

For forward type mapping only. For a decimal data type, *s1* and *s2* specify the minimum and maximum number of digits allowed to the right of the decimal point. The maximum must equal or exceed the minimum, and both numbers must be valid with respect to the data type.

P [operand] S

For a decimal data type, P [*operand*] S specifies a comparison between the precision and the number of digits allowed to the right of the decimal point.

For example, the operand = indicates that the type mapping is applied if the precision and the number of digits allowed in the decimal fraction are the same.

FOR BIT DATA

Indicates whether *data-source-data-type* is for bit data. These keywords are required if the data source type column contains binary values. The database manager will determine this attribute if it is not specified for a character data type.

Notes

- A CREATE TYPE MAPPING statement within a given unit of work (UOW) cannot be processed (SQLSTATE 55007) under either of the following conditions:
 - The statement references a single data source, and the UOW already includes one of the following:
 - A SELECT statement that references a nickname for a table or view within this data source
 - An open cursor on a nickname for a table or view within this data source
 - Either an INSERT, DELETE, or UPDATE statement issued against a nickname for a table or view within this data source
 - The statement references a category of data sources (for example, all data sources of a specific type and version), and the UOW already includes one of the following:
 - A SELECT statement that references a nickname for a table or view within one of these data sources
 - An open cursor on a nickname for a table or view within one of these data sources
 - Either an INSERT, DELETE, or UPDATE statement issued against a nickname for a table or view within one of these data sources
- When multiple type mappings are applicable, the most recent one will be used. You can retrieve the creation time for a type mapping by querying the CREATE_TIME column of the SYSCAT.TYP mappings catalog view.

Examples

Example 1: Create a forward type mapping between the Oracle data type DATE and the data type SYSIBM.DATE. For all of the nicknames that are created after this mapping is defined, Oracle columns of data type DATE will map to DB2 columns of data type DATE.

```
CREATE TYPE MAPPING MY_ORACLE_DATE
FROM LOCAL TYPE SYSIBM.DATE
TO SERVER TYPE ORACLE
REMOTE TYPE DATE
```

Example 2: Create a forward type mapping between data type SYSIBM.DECIMAL(10,2) and the Oracle data type NUMBER([10..38],2) at data source ORACLE1. If there is a column in the Oracle table of data type NUMBER(11,2), it will be mapped to a column of data type DECIMAL(10,2), because 11 is between 10 and 38.

```
CREATE TYPE MAPPING MY_ORACLE_DEC
FROM LOCAL TYPE SYSIBM.DECIMAL(10,2)
TO SERVER ORACLE1
REMOTE TYPE NUMBER([10..38],2)
```


a federated database. The *authorization_name* is mapped to the REMOTE_AUTHID user mapping option.

USER

The value in the USER special register. When USER is specified, the authorization ID issuing the CREATE USER MAPPING statement is mapped to the REMOTE_AUTHID user mapping option.

SERVER *server-name*

Names the server object for the data source that the *authorization-name* can access. The *server-name* is the local name for the remote server that is registered with the federated database.

OPTIONS

Indicates the options that are enabled when the user mapping is created.

ADD

Enables one or more user mapping options.

user-mapping-option-name

Specifies the name of the option.

string-constant

Specifies the setting for the *user-mapping-option-name* as a character string constant.

Notes

- User mappings are required only for the following data sources: the DB2 family of products, Documentum, Informix, Microsoft SQL Server, ODBC, Oracle, Sybase, and Teradata.
- The REMOTE_PASSWORD option is always required for a user mapping.

Examples

Example 1: Register a user mapping to the DB2 for z/OS data source server object SERVER390. Map the authorization name for the local federated database to the user ID and password for SERVER390. The authorization name is RSPALTEN. The user ID for SERVER390 is SYSTEM. The password for SERVER390 is MANAGER.

```
CREATE USER MAPPING FOR RSPALTEN
  SERVER SERVER390
  OPTIONS
  (REMOTE_AUTHID 'SYSTEM',
   REMOTE_PASSWORD 'MANAGER')
```

Example 2: Register a user mapping to the Oracle data source server object ORACLE1. MARCR is the authorization name for the local federated database and the user ID for ORACLE1. Because the authorization name and the user ID are the same, the REMOTE_AUTHID option does not need to be specified in the user mapping. The password for MARCR on ORACLE1 is NZXCZY .

```
CREATE USER MAPPING FOR MARCR
  SERVER ORACLE1
  OPTIONS
  (REMOTE_PASSWORD 'NZXCZY')
```

CREATE VARIABLE

The CREATE VARIABLE statement defines a global variable.

CREATE VARIABLE

Invocation

This statement can be embedded in an application program or issued interactively. It is an executable statement that can be dynamically prepared only if DYNAMICRULES run behavior is in effect for the package (SQLSTATE 42509).

Authorization

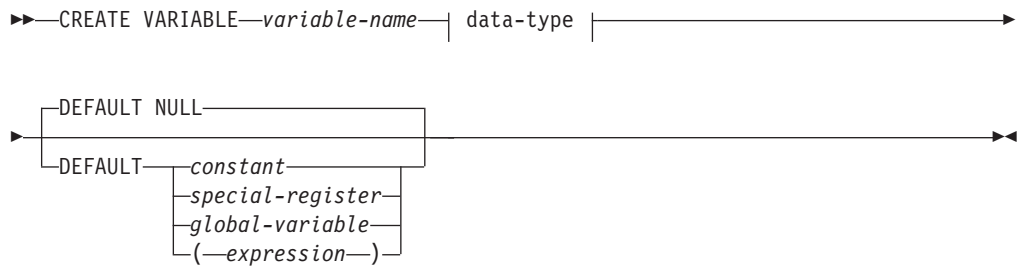
The privileges held by the authorization ID of the statement must include at least one of the following:

- IMPLICIT_SCHEMA authority on the database, if the implicit or explicit schema name of the variable does not exist
- CREATEIN privilege on the schema, if the schema name of the variable refers to an existing schema
- SYSADM or DBADM authority

and any privileges that are necessary to execute the default expression.

Group privileges are not considered when checking authorization for objects referenced in the expression clause.

Syntax



data-type:



Description

variable-name

Names the global variable. The name, including an implicit or explicit qualifier, must not identify a global variable that already exists at the current server (SQLSTATE 42710). If a qualifier is not specified, the current schema is implicitly assigned.

data-type

Specifies the data type of the global variable. The data type can be a built-in data type, a distinct type, or a reference type.

built-in-data-type

Specifies a built-in data type. See “CREATE TABLE” for the description of built-in data types. Note that CLOB, DBCLOB, BLOB, LONG VARCHAR, LONG VARGRAPHIC, XML, ARRAY, or structured types cannot be specified for global variables (SQLSTATE 42611).

FOR BIT DATA can be specified as part of character string data types.

distinct-type-name

Specifies a distinct type. The length, precision, and scale of the global variable are, respectively, the length, precision, and scale of the source type of the distinct type. If a *distinct-type-name* is specified without a schema name, the *distinct-type-name* is resolved by searching the schemas in the SQL path. The same limitations that apply to build-in types apply to the source type of the distinct type.

reference-type-name

Specifies a reference type. The length, precision, and scale of the global variable are, respectively, the length, precision, and scale of the source type of the reference type. If a *reference-type-name* is specified without a schema name, the *reference-type-name* is resolved by searching the schemas in the SQL path. The same limitations that apply to build-in types apply to the source type of the reference type.

DEFAULT

Specifies a default value for the global variable. The value can be a constant, a special register, a global variable, an expression, or the keyword NULL. The expression can be any expression of the type described in “Expressions”. If a default value is not specified, the variable is initialized to the null value. The maximum size of the expression is 64K.

The default expression must not modify SQL data (SQLSTATE 428FL) or perform external action (SQLSTATE 42845). The expression must be assignment-compatible with the data type of the variable.

Notes

- Global variables have a session scope. This means that, although they are available to all sessions that are active on the database, their value is private for each session.
- Modifications to the value of a global variable are not under transaction control. The value of the global variable is preserved when a transaction ends with either a COMMIT or a ROLLBACK statement.
- **Privileges to use a global variable:** An attempt to read from or to write to a global variable created by this statement requires that the authorization ID attempting this action hold the appropriate privilege on the global variable. The definer of the variable is implicitly granted all privileges on the variable.
- **Setting of the default value:** A created global variable is instantiated to its default value when it is first referenced within its given scope. Note that if a global variable is referenced in a statement, it is instantiated independently of the control flow for that statement.
- **Using a newly created session global variable:** If a global variable is created within a session, it cannot be used by other sessions until the unit of work has committed. However, the new global variable can be used within the session that created the variable before the unit of work commits.

Examples

Example 1: Create a global variable to indicate what printer to use for the session.

```
CREATE VARIABLE MYSCHEMA.MYJOB_PRINTER VARCHAR(30)
DEFAULT 'Default printer'
```

Example 2: Create a global variable to indicate the department where an employee works.

CREATE VARIABLE

```
CREATE VARIABLE SCHEMA1.GV_DEPTNO INTEGER
  DEFAULT ((SELECT DEPTNO FROM HR.EMPLOYEES
            WHERE EMPUSER = SESSION_USER))
```

Example 3: Create a global variable to indicate the security level of the current user.

```
CREATE VARIABLE SCHEMA2.GV_SECURITY_LEVEL INTEGER
  DEFAULT (GET_SECURITY_LEVEL (SESSION_USER))
```

CREATE VIEW

The CREATE VIEW statement defines a view on one or more tables, views or nicknames.

Invocation

This statement can be embedded in an application program or issued through the use of dynamic SQL statements. It is an executable statement that can be dynamically prepared only if DYNAMICRULES run behavior is in effect for the package (SQLSTATE 42509).

Authorization

The privileges held by the authorization ID of the statement must include at least one of the following:

- For each table, view, or nickname identified in any fullselect:
 - CONTROL privilege on that table or view, or
 - SELECT privilege on that table or view

and at least one of the following:

- IMPLICIT_SCHEMA authority on the database, if the implicit or explicit schema name of the view does not exist
- CREATEIN privilege on the schema, if the schema name of the view refers to an existing schema

If creating a subview, the authorization ID of the statement must:

- Be the same as the owner of the root table of the table hierarchy
- Have SELECT WITH GRANT privilege on the underlying table of the subview, or the superview must not have SELECT privilege granted to any user other than the view definer

If WITH ROW MOVEMENT is specified:

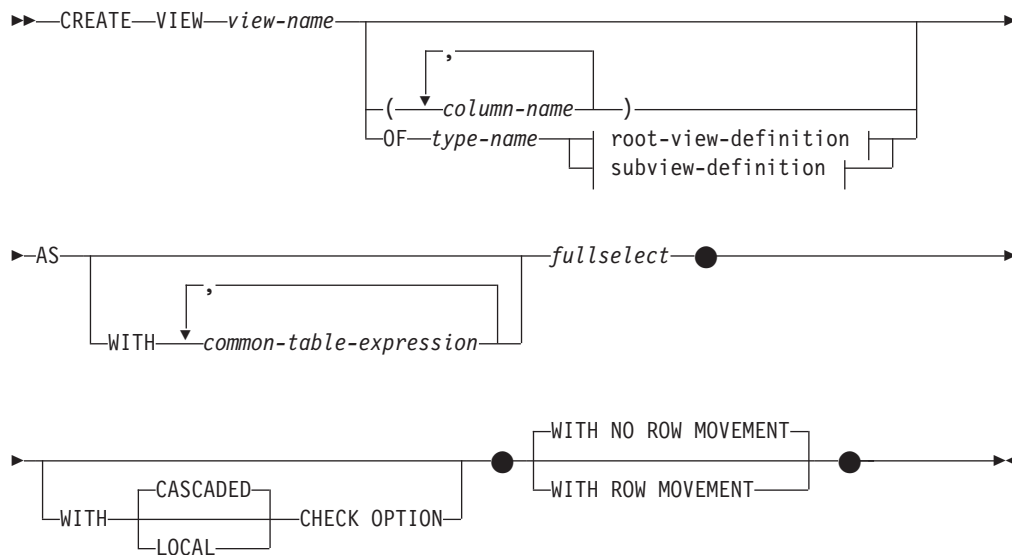
- UPDATE privilege on that table or view
- SYSADM or DBADM authority

Group privileges are not considered for any table or view specified in the CREATE VIEW statement.

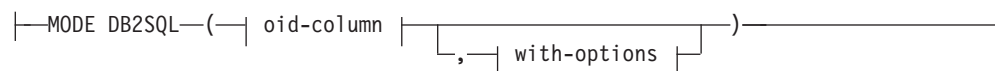
Privileges are not considered when defining a view on a federated database nickname. Authorization requirements of the data source for the table or view referenced by the nickname are applied when the query is processed. The authorization ID of the statement can be mapped to a different remote authorization ID.

If a view definer can only create the view because the definer has SYSADM authority, the definer is granted explicit DBADM authority for the purpose of creating the view.

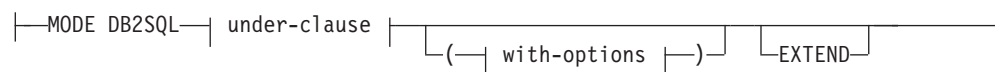
Syntax



root-view-definition:



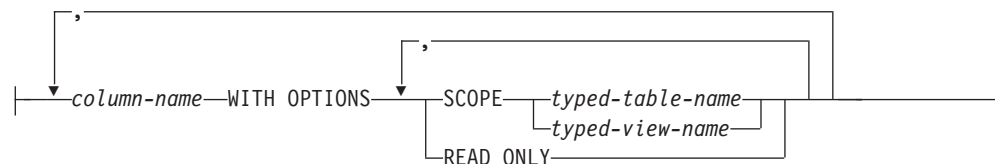
subview-definition:



oid-column:



with-options:



under-clause:



Description

view-name

Names the view. The name, including the implicit or explicit qualifier, must not identify a table, view, nickname or alias described in the catalog. The qualifier must not be SYSIBM, SYSCAT, SYSFUN, or SYSSTAT (SQLSTATE 42939).

The name can be the same as the name of an inoperative view (see Inoperative views). In this case the new view specified in the CREATE VIEW statement will replace the inoperative view. The user will get a warning (SQLSTATE 01595) when an inoperative view is replaced. No warning is returned if the application was bound with the bind option SQLWARN set to NO.

column-name

Names the columns in the view. If a list of column names is specified, it must consist of as many names as there are columns in the result table of the fullselect. Each *column-name* must be unique and unqualified. If a list of column names is not specified, the columns of the view inherit the names of the columns of the result table of the fullselect.

A list of column names must be specified if the result table of the fullselect has duplicate column names or an unnamed column (SQLSTATE 42908). An unnamed column is a column derived from a constant, function, expression, or set operation that is not named using the AS clause of the select list.

OF *type-name*

Specifies that the columns of the view are based on the attributes of the structured type identified by *type-name*. If *type-name* is specified without a schema name, the type name is resolved by searching the schemas on the SQL path (defined by the FUNCPATH preprocessing option for static SQL and by the CURRENT PATH register for dynamic SQL). The type name must be the name of an existing user-defined type (SQLSTATE 42704) and it must be a structured type that is instantiable (SQLSTATE 428DP).

MODE DB2SQL

This clause is used to specify the mode of the typed view. This is the only valid mode currently supported.

UNDER *superview-name*

Indicates that the view is a subview of *superview-name*. The superview must be an existing view (SQLSTATE 42704) and the view must be defined using a structured type that is the immediate supertype of *type-name* (SQLSTATE 428DB). The schema name of *view-name* and *superview-name* must be the same (SQLSTATE 428DQ). The view identified by *superview-name* must not have any existing subview already defined using *type-name* (SQLSTATE 42742).

The columns of the view include the object identifier column of the superview with its type modified to be REF(*type-name*), followed by columns based on the attributes of *type-name* (remember that the type includes the attributes of its supertype).

INHERIT SELECT PRIVILEGES

Any user or group holding a SELECT privilege on the superview will be granted an equivalent privilege on the newly created subview. The subview definer is considered to be the grantor of this privilege.

OID-column

Defines the object identifier column for the typed view.

REF IS *OID-column-name* USER GENERATED

Specifies that an object identifier (OID) column is defined in the view as the first column. An OID is required for the root view of a view hierarchy (SQLSTATE 428DX). The view must be a typed view (the OF clause must be present) that is not a subview (SQLSTATE 42613). The name for the column is defined as *OID-column-name* and cannot be the same as the name of any attribute of the structured type *type-name* (SQLSTATE 42711). The first column specified in *fullselect* must be of type REF(*type-name*) (you may need to cast it so that it has the appropriate type). If UNCHECKED is not specified, it must be based on a not nullable column on which uniqueness is enforced through an index (primary key, unique constraint, unique index, or OID-column). This column will be referred to as the *object identifier column* or *OID column*. The keywords USER GENERATED indicate that the initial value for the OID column must be provided by the user when inserting a row. Once a row is inserted, the OID column cannot be updated (SQLSTATE 42808).

UNCHECKED

Defines the object identifier column of the typed view definition to assume uniqueness even though the system can not prove this uniqueness. This is intended for use with tables or views that are being defined into a typed view hierarchy where the user knows that the data conforms to this uniqueness rule but it does not comply with the rules that allow the system to prove uniqueness. UNCHECKED option is mandatory for view hierarchies that range over multiple hierarchies or legacy tables or views. By specifying UNCHECKED, the user takes responsibility for ensuring that each row of the view has a unique OID. If the user fails to ensure this property, and a view contains duplicate OID values, then a path-expression or Deref operator involving one of the non-unique OID values may result in an error (SQLSTATE 21000).

with-options

Defines additional options that apply to columns of a typed view.

column-name **WITH OPTIONS**

Specifies the name of the column for which additional options are specified. The *column-name* must correspond to the name of an attribute defined in (not inherited by) the *type-name* of the view. The column must be a reference type (SQLSTATE 42842). It cannot correspond to a column that also exists in the superview (SQLSTATE 428DJ). A column name can only appear in one WITH OPTIONS SCOPE clause in the statement (SQLSTATE 42613).

SCOPE

Identifies the scope of the reference type column. A scope must be specified for any column that is intended to be used as the left operand of a dereference operator or as the argument of the Deref function.

Specifying the scope for a reference type column may be deferred to a subsequent ALTER VIEW statement (if the scope is not inherited) to allow the target table or view to be defined, usually in the case of mutually referencing views and tables. If no scope is specified for a reference type column of the view and the underlying table or view column was scoped, then the underlying column's scope is inherited by the reference type column. The column remains unscoped if the underlying table or view column did not have a scope. See "Notes" on page 571 for more information about scope and reference type columns.

CREATE VIEW

typed-table-name

The name of a typed table. The table must already exist or be the same as the name of the table being created (SQLSTATE 42704). The data type of *column-name* must be REF(*S*), where *S* is the type of *typed-table-name* (SQLSTATE 428DM). No checking is done of any existing values in *column-name* to ensure that the values actually reference existing rows in *typed-table-name*.

typed-view-name

The name of a typed view. The view must already exist or be the same as the name of the view being created (SQLSTATE 42704). The data type of *column-name* must be REF(*S*), where *S* is the type of *typed-view-name* (SQLSTATE 428DM). No checking is done of any existing values in *column-name* to ensure that the values actually reference existing rows in *typed-view-name*.

READ ONLY

Identifies the column as a read-only column. This option is used to force a column to be read-only so that subview definitions can specify an expression for the same column that is implicitly read-only.

AS

Identifies the view definition.

WITH *common-table-expression*

Defines a common table expression for use with the fullselect that follows. A common table expression cannot be specified when defining a typed view.

fullselect

Defines the view. At any time, the view consists of the rows that would result if the SELECT statement were executed. The fullselect must not reference host variables, parameter markers, or declared temporary tables. However, a parameterized view can be created as an SQL table function.

The fullselect cannot include an SQL data change statement in the FROM clause (SQLSTATE 428FL).

For Typed Views and Subviews: The *fullselect* must conform to the following rules otherwise an error is returned (SQLSTATE 428EA unless otherwise specified).

- The fullselect must not include references to the DBPARTITIONNUM or HASHEDVALUE functions, non-deterministic functions, or functions defined to have external action.
- The body of the view must consist of a single subselect, or a UNION ALL of two or more subselects. Let each of the subselects participating directly in the view body be called a *branch* of the view. A view may have one or more branches.
- The FROM-clause of each branch must consist of a single table or view (not necessarily typed), called the *underlying* table or view of that branch.
- The underlying table or view of each branch must be in a separate hierarchy (that is, a view cannot have multiple branches with their underlying tables or views in the same hierarchy).
- None of the branches of a typed view definition may specify GROUP BY or HAVING.
- If the view body contains UNION ALL, the root view in the hierarchy must specify the UNCHECKED option for its OID column.

For a hierarchy of views and subviews: Let BR1 and BR2 be any branches that appear in the definitions of views in the hierarchy. Let T1 be the underlying table or view of BR1, and let T2 be the underlying table or view of BR2. Then:

- If T1 and T2 are not in the same hierarchy, then the root view in the view hierarchy must specify the UNCHECKED option for its OID column.
- If T1 and T2 are in the same hierarchy, then BR1 and BR2 must contain predicates or ONLY-clauses that are sufficient to guarantee that their row-sets are disjoint.

For typed subviews defined using EXTEND AS: For every branch in the body of the subview:

- The underlying table of each branch must be a (not necessarily proper) subtable of some underlying table of the immediate superview.
- The expressions in the SELECT list must be assignable to the non-inherited columns of the subview (SQLSTATE 42854).

For typed subviews defined using AS without EXTEND:

- For every branch in the body of the subview, the expressions in the SELECT-list must be assignable to the declared types of the inherited and non-inherited columns of the subview (SQLSTATE 42854).
- The OID-expression of each branch over a given hierarchy in the subview must be equivalent (except for casting) to the OID-expression in the branch over the same hierarchy in the root view.
- The expression for a column not defined (implicitly or explicitly) as READ ONLY in a superview must be equivalent in all branches over the same underlying hierarchy in its subviews.

WITH CHECK OPTION

Specifies the constraint that every row that is inserted or updated through the view must conform to the definition of the view. A row that does not conform to the definition of the view is a row that does not satisfy the search conditions of the view.

WITH CHECK OPTION must not be specified if any of the following conditions is true:

- The view is read-only (SQLSTATE 42813). If WITH CHECK OPTION is specified for an updatable view that does not allow inserts, the constraint applies to updates only.
- The view references the DBPARTITIONNUM or HASHEDVALUE function, a non-deterministic function, or a function with external action (SQLSTATE 42997).
- A nickname is the update target of the view.
- A view that has an INSTEAD OF trigger defined on it is the update target of the view (SQLSTATE 428FQ).

If WITH CHECK OPTION is omitted, the definition of the view is not used in the checking of any insert or update operations that use the view. Some checking might still occur during insert or update operations if the view is directly or indirectly dependent on another view that includes WITH CHECK OPTION. Because the definition of the view is not used, rows might be inserted or updated through the view that do not conform to the definition of the view.

CASCADED

The WITH CASCADED CHECK OPTION constraint on a view *V* means that *V* inherits the search conditions as constraints from any updatable

CREATE VIEW

view on which *V* is dependent. Furthermore, every updatable view that is dependent on *V* is also subject to these constraints. Thus, the search conditions of *V* and each view on which *V* is dependent are ANDed together to form a constraint that is applied for an insert or update of *V* or of any view dependent on *V*.

LOCAL

The WITH LOCAL CHECK OPTION constraint on a view *V* means the search condition of *V* is applied as a constraint for an insert or update of *V* or of any view that is dependent on *V*.

The difference between CASCADED and LOCAL is shown in the following example. Consider the following updatable views (substituting for *Y* from column headings of the table that follows):

```
V1 defined on table T
V2 defined on V1 WITH Y CHECK OPTION
V3 defined on V2
V4 defined on V3 WITH Y CHECK OPTION
V5 defined on V4
```

The following table shows the search conditions against which inserted or updated rows are checked:

	Y is LOCAL	Y is CASCADED
V1 checked against:	no view	no view
V2 checked against:	V2	V2, V1
V3 checked against:	V2	V2, V1
V4 checked against:	V2, V4	V4, V3, V2, V1
V5 checked against:	V2, V4	V4, V3, V2, V1

Consider the following updatable view which shows the impact of the WITH CHECK OPTION using the default CASCADED option:

```
CREATE VIEW V1 AS SELECT COL1 FROM T1 WHERE COL1 > 10
```

```
CREATE VIEW V2 AS SELECT COL1 FROM V1 WITH CHECK OPTION
```

```
CREATE VIEW V3 AS SELECT COL1 FROM V2 WHERE COL1 < 100
```

The following INSERT statement using *V1* will succeed because *V1* does not have a WITH CHECK OPTION and *V1* is not dependent on any other view that has a WITH CHECK OPTION.

```
INSERT INTO V1 VALUES(5)
```

The following INSERT statement using *V2* will result in an error because *V2* has a WITH CHECK OPTION and the insert would produce a row that did not conform to the definition of *V2*.

```
INSERT INTO V2 VALUES(5)
```

The following INSERT statement using *V3* will result in an error even though it does not have WITH CHECK OPTION because *V3* is dependent on *V2* which does have a WITH CHECK OPTION (SQLSTATE 44000).

```
INSERT INTO V3 VALUES(5)
```

The following INSERT statement using *V3* will succeed even though it does not conform to the definition of *V3* (*V3* does not have a WITH CHECK OPTION); it does conform to the definition of *V2* which does have a WITH CHECK OPTION.

```
INSERT INTO V3 VALUES(200)
```

WITH NO ROW MOVEMENT or WITH ROW MOVEMENT

Specifies the action to take for an updatable UNION ALL view when a row is updated in a way that violates a check constraint on the underlying table. The default is WITH NO ROW MOVEMENT.

WITH NO ROW MOVEMENT

Specifies that an error (SQLSTATE 23513) is to be returned if a row is updated in a way that violates a check constraint on the underlying table.

WITH ROW MOVEMENT

Specifies that an updated row is to be moved to the appropriate underlying table, even if it violates a check constraint on that table.

Row movement involves deletion of the rows that violate the check constraint, and insertion of those rows back into the view. The WITH ROW MOVEMENT clause can only be specified for UNION ALL views whose columns are all updatable (SQLSTATE 429BJ). If a row is inserted (perhaps after trigger activation) into the same underlying table from which it was deleted, an error is returned (SQLSTATE 23524). A view defined using the WITH ROW MOVEMENT clause must not contain nested UNION ALL operations, except in the outermost fullselect (SQLSTATE 429BJ).

Notes

- Creating a view with a schema name that does not already exist will result in the implicit creation of that schema provided the authorization ID of the statement has IMPLICIT_SCHEMA authority. The schema owner is SYSIBM. The CREATEIN privilege on the schema is granted to PUBLIC.
- View columns inherit the NOT NULL WITH DEFAULT attribute from the base table or view except when columns are derived from an expression. When a row is inserted or updated into an updatable view, it is checked against the constraints (primary key, referential integrity, and check) if any are defined on the base table.
- A new view cannot be created if it uses an inoperative view in its definition. (SQLSTATE 51024).
- This statement does not support declared temporary tables (SQLSTATE 42995).
- **Deletable views:** A view is *deletable* if an INSTEAD OF trigger for the delete operation has been defined for the view, or if all of the following are true:
 - each FROM clause of the outer fullselect identifies only one base table (with no OUTER clause), deletable view (with no OUTER clause), deletable nested table expression, or deletable common table expression (cannot identify a nickname)
 - the outer fullselect does not include a VALUES clause
 - the outer fullselect does not include a GROUP BY clause or HAVING clause
 - the outer fullselect does not include column functions in the select list
 - the outer fullselect does not include SET operations (UNION, EXCEPT or INTERSECT) with the exception of UNION ALL
 - the base tables in the operands of a UNION ALL must not be the same table and each operand must be deletable
 - the select list of the outer fullselect does not include DISTINCT
- **Updatable views:** A column of a view is *updatable* if an INSTEAD OF trigger for the update operation has been defined for the view, or if all of the following are true:

CREATE VIEW

- the view is deletable (independent of an INSTEAD OF trigger for delete), the column resolves to a column of a base table (not using a dereference operation), and the READ ONLY option is not specified
- all the corresponding columns of the operands of a UNION ALL have exactly matching data types (including length or precision and scale) and matching default values if the fullselect of the view includes a UNION ALL

A view is updatable if *any* column of the view is updatable.

- **Insertable views:**

- A view is insertable if an INSTEAD OF trigger for the insert operation has been defined for the view, or at least one column of the view is updatable (independent of an INSTEAD OF trigger for update), and the fullselect of the view does not include UNION ALL.
- A given row can be inserted into a view (including a UNION ALL) if, and only if, it fulfills the check constraints of exactly one of the underlying base tables.
- To insert into a view that includes non-updatable columns, those columns must be omitted from the column list.

- **Read-only views:** A view is *read-only* if it is *not* deletable, updatable, or insertable.

The READONLY column in the SYSCAT.VIEWS catalog view indicates if a view is read-only without considering INSTEAD OF triggers.

- Common table expressions and nested table expressions follow the same set of rules for determining whether they are deletable, updatable, insertable, or read-only.

- **Inoperative views:** An *inoperative view* is a view that is no longer available for SQL statements. A view becomes inoperative if:

- A privilege, upon which the view definition is dependent, is revoked.
- An object such as a table, nickname, alias or function, upon which the view definition is dependent, is dropped.
- A view, upon which the view definition is dependent, becomes inoperative.
- A view that is the superview of the view definition (the subview) becomes inoperative.

In practical terms, an inoperative view is one in which the view definition has been unintentionally dropped. For example, when an alias is dropped, any view defined using that alias is made inoperative. All dependent views also become inoperative and packages dependent on the view are no longer valid.

Until the inoperative view is explicitly recreated or dropped, a statement using that inoperative view cannot be compiled (SQLSTATE 51024) with the exception of the CREATE ALIAS, CREATE VIEW, DROP VIEW, and COMMENT ON TABLE statements. Until the inoperative view has been explicitly dropped, its qualified name cannot be used to create another table or alias (SQLSTATE 42710).

An inoperative view may be recreated by issuing a CREATE VIEW statement using the definition text of the inoperative view. This view definition text is stored in the TEXT column of the SYSCAT.VIEWS catalog. When recreating an inoperative view, it is necessary to explicitly grant any privileges required on that view by others, due to the fact that all authorization records on a view are deleted if the view is marked inoperative. Note that there is no need to explicitly drop the inoperative view in order to recreate it. Issuing a CREATE VIEW statement with the same *view-name* as an inoperative view will cause that inoperative view to be replaced, and the CREATE VIEW statement will return a warning (SQLSTATE 01595).

Inoperative views are indicated by an X in the VALID column of the SYSCAT.VIEWS catalog view and an X in the STATUS column of the SYSCAT.TABLES catalog view.

- **Privileges:**

The definer of a view always receives the SELECT privilege on the view as well as the right to drop the view. The definer of a view will get CONTROL privilege on the view only if the definer has CONTROL privilege on every base table, view, or nickname identified in the fullselect, or if the definer has SYSADM or DBADM authority.

The definer of the view is granted INSERT, UPDATE, column level UPDATE or DELETE privileges on the view if the view is not read-only and the definer has the corresponding privileges on the underlying objects.

For a view defined WITH ROW MOVEMENT, the definer acquires the UPDATE privilege on the view only if the definer has the UPDATE privilege on all columns of the view, as well as INSERT and DELETE privileges on all underlying tables or views.

The definer of a view only acquires privileges if the privileges from which they are derived exist at the time the view is created. The definer must have these privileges either directly or because PUBLIC has these privilege. Privileges are not considered when defining a view on a federated server nickname. However, when using a view on a nickname, the user's authorization ID must have valid select privileges on the table or view that the nickname references at the data source. Otherwise, an error is returned. Privileges held by groups of which the view definer is a member, are not considered.

When a subview is created, the SELECT privileges held on the immediate superview are automatically granted on the subview.

- **Scope and REF columns:**

When selecting a reference type column in the fullselect of a view definition, consider the target type and scope that is required.

- If the required target type and scope is the same as the underlying table or view, the column can simply be selected.
- If the scope needs to be changed, use the WITH OPTIONS SCOPE clause to define the required scope table or view.
- If the target type of the reference needs to be changed, the column must be cast first to the representation type of the reference and then to the new reference type. The scope in this case can be specified in the cast to the reference type or using the WITH OPTIONS SCOPE clause. For example, assume you select column Y defined as REF(TYP1) SCOPE TAB1. You want this to be defined as REF(VTYP1) SCOPE VIEW1. The select list item would be as follows:

```
CAST(CAST(Y AS VARCHAR(16) FOR BIT DATA) AS REF(VTYP1) SCOPE VIEW1)
```

- **Identity columns:** A column of a view is considered an identity column, if the element of the corresponding column in the fullselect of the view definition is the name of an identity column of a table, or the name of a column of a view which directly or indirectly maps to the name of an identity column of a base table.

In all other cases, the columns of a view will not get the identity property. For example:

- the select-list of the view definition includes multiple instances of the name of an identity column (that is, selecting the same column more than once)
- the view definition involves a join

CREATE VIEW

- a column in the view definition includes an expression that refers to an identity column
- the view definition includes a UNION

When inserting into a view for which the select list of the view definition directly or indirectly includes the name of an identity column of a base table, the same rules apply as if the INSERT statement directly referenced the identity column of the base table.

- **Federated views:** A federated view is a view that includes a reference to a nickname somewhere in the fullselect. The presence of such a nickname changes the authorization model used for the view when the view is subsequently referenced in a query.

When the view is created, no privilege checking is done to determine whether the view definer has access to the underlying data source table or view of a nickname. Privilege checking of references to tables or views at the federated database are handled as usual, requiring the view definer to have at least SELECT privilege on such objects.

When a federated view is subsequently referenced in a query, the nicknames result in queries against the data source, and the authorization ID that issued the query (or the remote authorization ID to which it maps) must have the necessary privileges to access the data source table or view. The authorization ID that issues the query referencing the federated view is not required to have any additional privileges on tables or views (non-federated) that exist at the federated server.

- **ROW MOVEMENT, triggers and constraints:** When a view that is defined using the WITH ROW MOVEMENT clause is updated, the sequence of trigger and constraints operations is as follows:
 1. BEFORE UPDATE triggers are activated for all rows being updated, including rows that will eventually be moved.
 2. The update operation is processed.
 3. Constraints are processed for all updated rows.
 4. AFTER UPDATE triggers (both row-level and statement-level) are activated in creation order, for all rows that satisfy the constraints after the update operation. Because this is an UPDATE statement, all UPDATE statement-level triggers are activated for all underlying tables.
 5. BEFORE DELETE triggers are activated for all rows that did not satisfy the constraints after the update operation (these are the rows that are to be moved).
 6. The delete operation is processed.
 7. Constraints are processed for all deleted rows.
 8. AFTER DELETE triggers (both row-level and statement-level) are activated in creation order, for all deleted rows. Statement-level triggers are activated for only those tables that are involved in the delete operation.
 9. BEFORE INSERT triggers are activated for all rows being inserted (that is, the rows being moved). The new transition tables for the BEFORE INSERT triggers contain the input data provided by the user.
 10. The insert operation is processed.
 11. Constraints are processed for all inserted rows.
 12. AFTER INSERT triggers (both row-level and statement-level) are activated in creation order, for all inserted rows. Statement-level triggers are activated for only those tables that are involved in the insert operation.

- *Nested UNION ALL views:* A view defined with UNION ALL and based, either directly or indirectly, on a view that is also defined with UNION ALL cannot be updated if either view is defined using the WITH ROW MOVEMENT clause (SQLSTATE 429BK).
- *Considerations for implicitly hidden columns:* It is possible that the result table of the fullselect will include a column of the base table that is defined as implicitly hidden. This can occur when the implicitly hidden column is explicitly referenced in the fullselect of the view definition. However, the corresponding column of the view does not inherit the implicitly hidden attribute. Columns of a view cannot be defined as hidden.
- *Compatibilities:*
 - For compatibility with previous versions of DB2:
 - The FEDERATED keyword can be specified between the keywords CREATE and VIEW. The FEDERATED keyword is ignored, however, because a warning is no longer returned if federated objects are used in the view definition.

Examples

Example 1: Create a view named MA_PROJ upon the PROJECT table that contains only those rows with a project number (PROJNO) starting with the letters 'MA'.

```
CREATE VIEW MA_PROJ AS SELECT *
FROM PROJECT
WHERE SUBSTR(PROJNO, 1, 2) = 'MA'
```

Example 2: Create a view as in example 1, but select only the columns for project number (PROJNO), project name (PROJNAME) and employee in charge of the project (RESPEMP).

```
CREATE VIEW MA_PROJ
AS SELECT PROJNO, PROJNAME, RESPEMP
FROM PROJECT
WHERE SUBSTR(PROJNO, 1, 2) = 'MA'
```

Example 3: Create a view as in example 2, but, in the view, call the column for the employee in charge of the project IN_CHARGE.

```
CREATE VIEW MA_PROJ
(PROJNO, PROJNAME, IN_CHARGE)
AS SELECT PROJNO, PROJNAME, RESPEMP
FROM PROJECT
WHERE SUBSTR(PROJNO, 1, 2) = 'MA'
```

Note: Even though only one of the column names is being changed, the names of all three columns in the view must be listed in the parentheses that follow MA_PROJ.

Example 4: Create a view named PRJ_LEADER that contains the first four columns (PROJNO, PROJNAME, DEPTNO, RESPEMP) from the PROJECT table together with the last name (LASTNAME) of the person who is responsible for the project (RESPEMP). Obtain the name from the EMPLOYEE table by matching EMPNO in EMPLOYEE to RESPEMP in PROJECT.

```
CREATE VIEW PRJ_LEADER
AS SELECT PROJNO, PROJNAME, DEPTNO, RESPEMP, LASTNAME
FROM PROJECT, EMPLOYEE
WHERE RESPEMP = EMPNO
```

CREATE VIEW

Example 5: Create a view as in example 4, but in addition to the columns PROJNO, PROJNAME, DEPTNO, RESPEMP, and LASTNAME, show the total pay (SALARY + BONUS + COMM) of the employee who is responsible. Also select only those projects with mean staffing (PRSTAFF) greater than one.

```
CREATE VIEW PRJ_LEADER
(PROJNO, PROJNAME, DEPTNO, RESPEMP, LASTNAME, TOTAL_PAY )
AS SELECT PROJNO, PROJNAME, DEPTNO, RESPEMP, LASTNAME, SALARY+BONUS+COMM
FROM PROJECT, EMPLOYEE
WHERE RESPEMP = EMPNO
AND PRSTAFF > 1
```

Specifying the column name list could be avoided by naming the expression SALARY+BONUS+COMM as TOTAL_PAY in the fullselect.

```
CREATE VIEW PRJ_LEADER
AS SELECT PROJNO, PROJNAME, DEPTNO, RESPEMP,
LASTNAME, SALARY+BONUS+COMM AS TOTAL_PAY
FROM PROJECT, EMPLOYEE
WHERE RESPEMP = EMPNO AND PRSTAFF > 1
```

Example 6: Given the set of tables and views shown in the following figure: User ZORPIE (who does not have either DBADM or SYSADM authority) has been

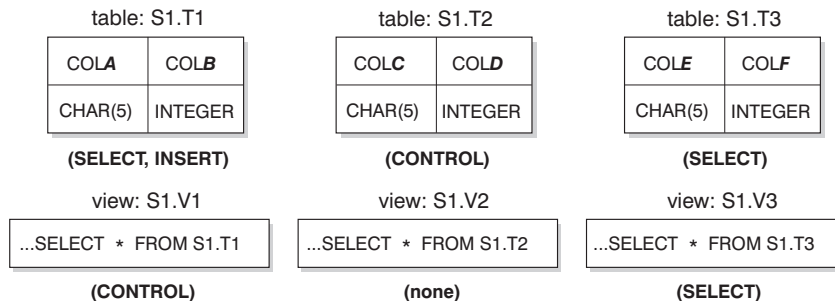


Figure 1. Tables and Views for Example 6

granted the privileges shown in brackets below each object:

- ZORPIE will get CONTROL privilege on the view that she creates with:

```
CREATE VIEW VA AS SELECT * FROM S1.V1
```

because she has CONTROL on S1.V1. (CONTROL on S1.V1 must have been granted to ZORPIE by someone with DBADM or SYSADM authority.) It does not matter which, if any, privileges she has on the underlying base table.

- ZORPIE will not be allowed to create the view:

```
CREATE VIEW VB AS SELECT * FROM S1.V2
```

because she has neither CONTROL nor SELECT on S1.V2. It does not matter that she has CONTROL on the underlying base table (S1.T2).

- ZORPIE will get CONTROL privilege on the view that she creates with:

```
CREATE VIEW VC (COLA, COLB, COLC, COLD)
AS SELECT * FROM S1.V1, S1.T2
WHERE COLA = COLC
```

because the fullselect of ZORPIE.VC references view S1.V1 and table S1.T2 and she has CONTROL on both of these. Note that the view VC is read-only, so ZORPIE does not get INSERT, UPDATE or DELETE privileges.

- ZORPIE will get SELECT privilege on the view that she creates with:

```
CREATE VIEW VD (COLA,COLB, COLE, COLF)
AS SELECT * FROM S1.V1, S1.V3
WHERE COLA = COLE
```

because the fullselect of ZORPIE.VD references the two views S1.V1 and S1.V3, one on which she has only SELECT privilege, and one on which she has CONTROL privilege. She is given the lesser of the two privileges, SELECT, on ZORPIE.VD.

- ZORPIE will get INSERT, UPDATE and DELETE privilege WITH GRANT OPTION and SELECT privilege on the view VE in the following view definition.

```
CREATE VIEW VE
AS SELECT * FROM S1.V1
WHERE COLA > ANY
(SELECT COLE FROM S1.V3)
```

ZORPIE's privileges on VE are determined primarily by her privileges on S1.V1. Since S1.V3 is only referenced in a subquery, she only needs SELECT privilege on S1.V3 to create the view VE. The definer of a view only gets CONTROL on the view if they have CONTROL on all objects referenced in the view definition. ZORPIE does not have CONTROL on S1.V3, consequently she does not get CONTROL on VE.

CREATE WORK ACTION SET

The CREATE WORK ACTION SET statement defines a work action set and work actions within the work action set.

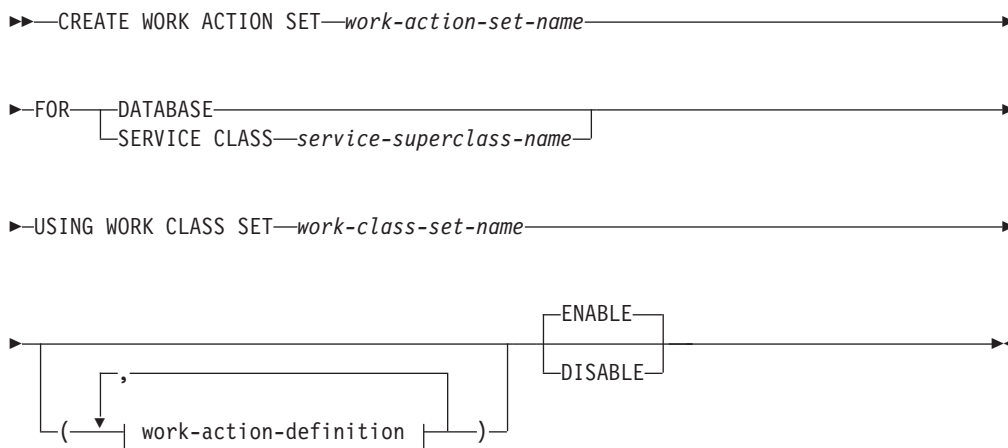
Invocation

This statement can be embedded in an application program or issued interactively. It is an executable statement that can be dynamically prepared only if DYNAMICRULES run behavior is in effect for the package (SQLSTATE 42509).

Authorization

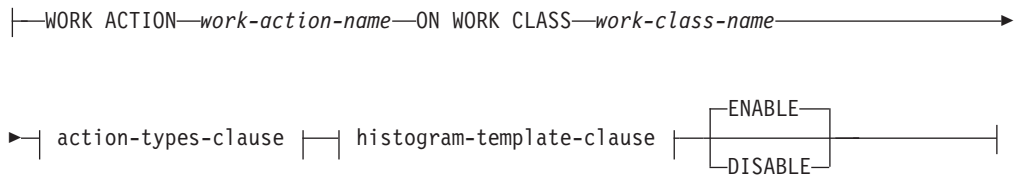
The privileges held by the authorization ID of the statement must include SYSADM or DBADM authority.

Syntax

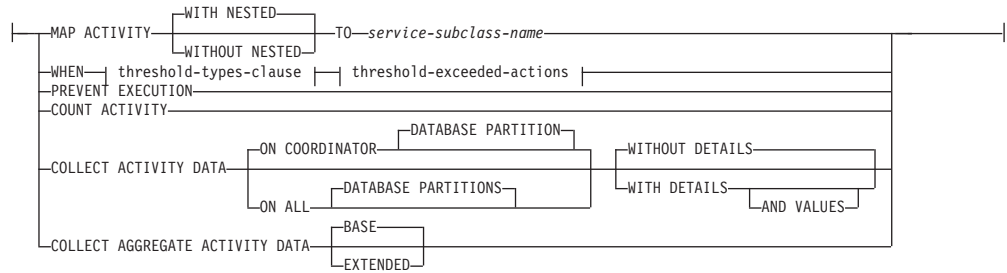


CREATE WORK ACTION SET

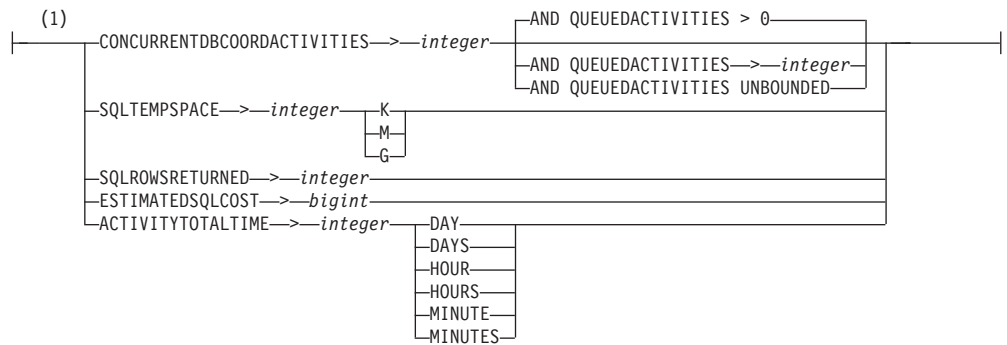
work-action-definition:



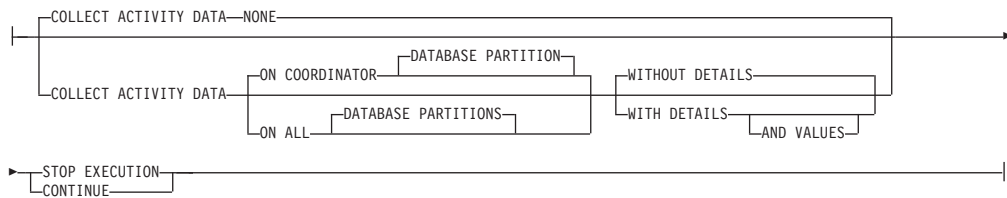
action-types-clause:



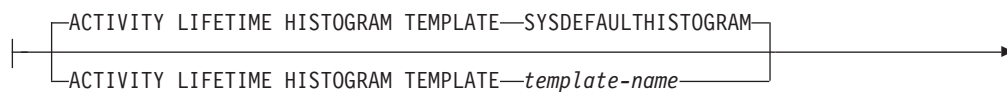
threshold-types-clause:



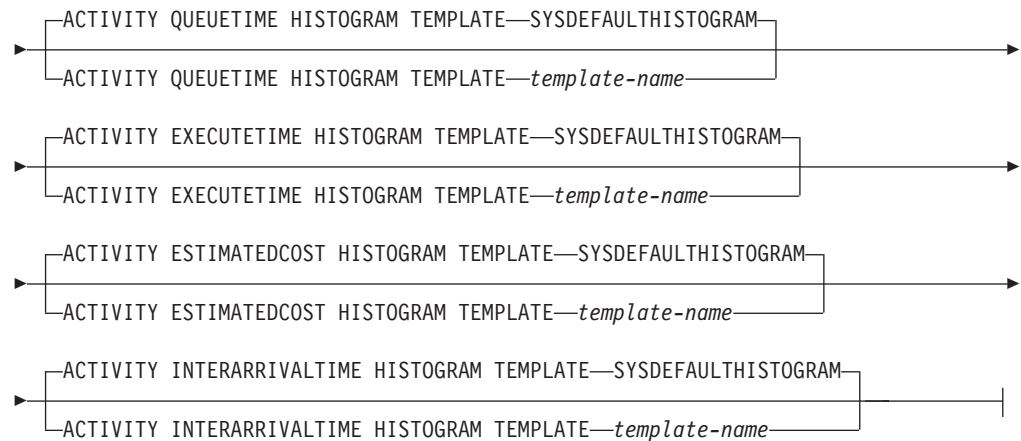
threshold-exceeded-actions:



histogram-template-clause:



CREATE WORK ACTION SET



Notes:

- 1 Only one work action of the same threshold type can be applied to a single work class at a time.

Description

work-action-set-name

Names the work action set. This is a one-part name. It is an SQL identifier (either ordinary or delimited). The *work-action-set-name* must not identify a work action set that already exists at the current server (SQLSTATE 42710). The name must not begin with the characters 'SYS' (SQLSTATE 42939).

FOR

Specifies the database manager object to which the actions in this work action set will apply. Each database manager object can have only one work action set defined for it (SQLSTATE 5U017).

DATABASE

The actions in this work action set are to apply to the database. If DATABASE is specified, the MAP ACTIVITY action cannot be specified (SQLSTATE 5U034).

SERVICE CLASS *service-superclass-name*

The actions in this work action set are to apply to *service-superclass-name*. If SERVICE CLASS is specified, threshold actions cannot be specified (SQLSTATE 5U034). The *service-superclass-name* must exist at the current server (SQLSTATE 42704). The *service-superclass-name* must not be a service subclass and cannot be any of the following classes (SQLSTATE 5U032):

- The system service class (SYSDEFAULTSYSTEMCLASS)
- The maintenance service class (SYSDEFAULTMAINTENANCECLASS)
- The default user service class (SYSDEFAULTUSERCLASS)

USING WORK CLASS SET *work-class-set-name*

Specifies the work class set containing the work classes that will classify database activities on which to perform actions. The *work-class-set-name* must exist at the current server (SQLSTATE 42704).

work-action-definition

Specifies the definition of the work action.

WORK ACTION *work-action-name*

Names the work action. The *work-action-name* must not identify a work

CREATE WORK ACTION SET

action that already exists at the current server under this work action set (SQLSTATE 42710). The *work-action-name* cannot begin with 'SYS' (SQLSTATE 42939).

ON WORK CLASS *work-class-name*

Specifies the work class that identifies the database activities to which this work action will apply. The *work-class-name* must exist in the *work-class-set-name* at the current server (SQLSTATE 42704).

MAP ACTIVITY

Specifies a work action of mapping the activity. This action can only be specified if the object for which this work action set is defined is a service superclass (SQLSTATE 5U034).

WITH NESTED or WITHOUT NESTED

Specifies whether or not activities that are nested under this activity are mapped to the service subclass. The default is WITH NESTED.

WITH NESTED

All database activities that have a nesting level of zero that are classified under the work class, and all database activities nested under this activity, are mapped to the service subclass; that is, activities with a nesting level greater than zero are run under the same service class as activities with a nesting level of zero.

WITHOUT NESTED

Only database activities that have a nesting level of zero that are classified under the work class are mapped to the service subclass. Database activities that are nested under this activity are handled according to their activity type.

TO *service-subclass-name*

Specifies the service subclass to which activities are to be mapped. The *service-subclass-name* must already exist in the *service-superclass-name* at the current server (SQLSTATE 42704). The *service-subclass-name* cannot be the default service subclass, SYSDEFAULTSUBCLASS (SQLSTATE 5U018).

WHEN

Specifies the threshold that will be applied to the database activity that is associated with the work class for which this work action is defined. A threshold can only be specified if the database manager object for which this work action set is defined is a database (SQLSTATE 5U034). None of these thresholds apply to internal database activities initiated by the database manager or to database activities generated by administrative SQL routines.

threshold-types-clause

For a description of valid threshold types, see "CREATE THRESHOLD" statement.

threshold-exceeded-actions

For a description of valid threshold-exceeded actions, see "CREATE THRESHOLD" statement.

PREVENT EXECUTION

Specifies that none of the database activities associated with the work class for which this work action is defined will be allowed to run (SQLSTATE 5U033).

COUNT ACTIVITY

Specifies that all of the database activities associated with the work class for which this work action is defined are to be run and that each time one is run, the counter for the work class will be incremented.

COLLECT ACTIVITY DATA

Specifies that data about each activity associated with the work class for which this work action is defined is to be sent to the activities event monitor, if one is active, when the activity completes. The default is COLLECT ACTIVITY DATA WITHOUT DETAILS.

ON COORDINATOR DATABASE PARTITION

Specifies that the activity data is to be collected only at the database partition of the coordinator of the activity.

ON ALL DATABASE PARTITIONS

Specifies that the activity data is to be collected at all database partitions on which the activity is processed. For predictive thresholds, activity information is collected at all partitions only if you also specify the CONTINUE action for exceeded thresholds. For reactive thresholds, the ON ALL DATABASE PARTITIONS clause has no effect and activity information is always collected only at the coordinator partition. For both predictive and reactive thresholds, any activity details or values will be collected only at the coordinator partition.

WITHOUT DETAILS

Specifies that data about each activity associated with the work class for which this work action is defined is to be sent to the activities event monitor, if one is active, when the activity completes. Statement and compilation environment information is not sent to the event monitor.

WITH DETAILS

Specifies that statement and compilation environment information is to be sent to the activities event monitor, if one is active, for those activities that have them.

AND VALUES

Specifies that input data values are to be sent to the activities event monitor, if one is active, for those activities that have them.

COLLECT AGGREGATE ACTIVITY DATA

Specifies that aggregate activity data is to be captured for activities that are associated with the work class for which this work action is defined and sent to the statistics event monitor, if one is active. This information is collected periodically on an interval that is specified by the `wlm_collect_int` database configuration parameter. The default is COLLECT AGGREGATE ACTIVITY DATA BASE. This clause cannot be specified for a work action defined in a work action set that is applied to a database.

BASE

Specifies that basic aggregate activity data should be captured for activities associated with the work class for which this work action is defined and sent to the statistics event monitor, if one is active. Basic aggregate activity data includes:

- Estimated activity cost high watermark

CREATE WORK ACTION SET

- Rows returned high watermark
- Temporary table space usage high watermark
- Activity life time histogram
- Activity queue time histogram
- Activity execution time histogram

EXTENDED

Specifies that all aggregate activity data should be captured for activities associated with the work class for which this work action is defined and sent to the statistics event monitor, if one is active. This includes all basic aggregate activity data plus:

- Activity data manipulation language (DML) estimated cost histogram
- Activity DML inter-arrival time histogram

ENABLE or DISABLE

Specifies whether or not the work action is to be considered when database activities are submitted. The default is ENABLE.

ENABLE

Specifies that the work action is enabled and will be considered when database activities are submitted.

DISABLE

Specifies that the work action is disabled and will not be considered when database activities are submitted.

ENABLE or DISABLE

Specifies whether or not the work action set is to be considered when database activities are submitted. The default is ENABLE.

ENABLE

Specifies that the work action set is enabled and will be considered when database activities are submitted.

DISABLE

Specifies that the work action set is disabled and will not be considered when database activities are submitted.

histogram-template-clause

Specifies histogram templates to use when collecting aggregate activity data for activities associated with the work class to which this work action is assigned. Aggregate activity data is only collected for the work class when the work action type is COLLECT AGGREGATE ACTIVITY DATA.

ACTIVITY LIFETIME HISTOGRAM TEMPLATE *template-name*

Specifies the template that describes the histogram used to collect statistical data about the duration, in microseconds, of DB2 activities—associated with the work class to which this work action is assigned—running during a specific interval. This time includes both time queued and time executing. The default is SYSDEFAULTHISTOGRAM. This information is only collected when the COLLECT AGGREGATE ACTIVITY DATA clause is specified, with either the BASE or EXTENDED option.

ACTIVITY QUEUETIME HISTOGRAM TEMPLATE *template-name*

Specifies the template that describes the histogram used to collect statistical data about the length of time, in microseconds, that DB2 activities—associated with the work class to which this work action is assigned—are queued during a specific interval. The default is

SYSDEFAULTHISTOGRAM. This information is only collected when the COLLECT AGGREGATE ACTIVITY DATA clause is specified, with either the BASE or EXTENDED option.

ACTIVITY EXECUTETIME HISTOGRAM TEMPLATE *template-name*

Specifies the template that describes the histogram used to collect statistical data about the length of time, in microseconds, that DB2 activities—associated with the work class to which this work action is assigned—are executing during a specific interval. This time does not include the time spent queued. Activity execution time is collected in this histogram at each database partition where the activity executes. On the activity's coordinator database partition, this is the end-to-end execution time (that is, the life time less the time spent queued). On non-coordinator database partitions, this is the time that these partitions spend working on behalf of the activity. During the execution of a given activity, DB2 might present work to a remote database partition more than once, and each time the remote partition will collect the execution time for that occurrence of the activity. Therefore, the counts in the execution time histogram might not represent the actual number of unique activities that executed on a database partition. The default is SYSDEFAULTHISTOGRAM. This information is only collected when the COLLECT AGGREGATE ACTIVITY DATA clause is specified, with either the BASE or EXTENDED option.

ACTIVITY ESTIMATEDCOST HISTOGRAM TEMPLATE *template-name*

Specifies the template that describes the histogram used to collect statistical data about the estimated cost, in timerons, of DML activities associated with the work class to which this work action is assigned. The default is SYSDEFAULTHISTOGRAM. This information is only collected when the COLLECT AGGREGATE ACTIVITY DATA clause is specified with the EXTENDED option.

ACTIVITY INTERARRIVALTIME HISTOGRAM TEMPLATE *template-name*

Specifies the template that describes the histogram used to collect statistical data about the length of time, in microseconds, between the arrival of one DML activity and the arrival of the next DML activity, for any activity associated with the work class to which this work action is assigned. The default is SYSDEFAULTHISTOGRAM. This information is only collected when the COLLECT AGGREGATE ACTIVITY DATA clause is specified with the EXTENDED option.

Rules

- A workload management (WLM)-exclusive SQL statement must be followed by a COMMIT or a ROLLBACK statement (SQLSTATE 5U021). WLM-exclusive SQL statements are:
 - CREATE HISTOGRAM TEMPLATE, ALTER HISTOGRAM TEMPLATE, or DROP (HISTOGRAM TEMPLATE)
 - CREATE SERVICE CLASS, ALTER SERVICE CLASS, or DROP (SERVICE CLASS)
 - CREATE THRESHOLD, ALTER THRESHOLD, or DROP (THRESHOLD)
 - CREATE WORK ACTION SET, ALTER WORK ACTION SET, or DROP (WORK ACTION SET)
 - CREATE WORK CLASS SET, ALTER WORK CLASS SET, or DROP (WORK CLASS SET)
 - CREATE WORKLOAD, ALTER WORKLOAD, or DROP (WORKLOAD)
 - GRANT (Workload Privileges) or REVOKE (Workload Privileges)

CREATE WORK ACTION SET

- A WLM-exclusive SQL statement cannot be issued within a global transaction (SQLSTATE 51041) such as, for example, an XA transaction.

Notes

- Changes are written to the system catalog, but do not take effect until they are committed, even for the connection that issues the statement.

Examples

Example 1: Create a work action set named DATABASE_ACTIONS to apply to all database activities. Use the LARGE_QUERIES work class set and define the following work actions. Work action ONE_CONCURRENT_QUERY has a threshold action that allows one concurrent query to run on the system at a time for queries that fall within the LARGE_ESTIMATED_COST work class. If that threshold is exceeded, the database manager is to queue the activity, but is not to allow more than one database activity to be queued at a time. If the queue threshold is exceeded, the database activity is not to be allowed to run. Work action TWO_CONCURRENT_QUERIES has a threshold action that allows two concurrent queries to execute at the same time for queries that fall within the LARGE_CARDINALITY work class, and allows no more than two to be queued. If more than two queries are to be queued, the database activity is to continue putting the queries in the queue and is to collect the database activity data in the activities event monitor, if one is active.

```
CREATE WORK ACTION SET DATABASE_ACTIONS
FOR DATABASE USING WORK CLASS SET LARGE_QUERIES
(WORK ACTION ONE_CONCURRENT_QUERY ON WORK CLASS LARGE_ESTIMATED_COST
WHEN CONCURRENTDBCOORDACTIVITIES > 1 AND QUEUEDACTIVITIES > 1
STOP EXECUTION,
WORK ACTION TWO_CONCURRENT_QUERIES ON WORK CLASS LARGE_CARDINALITY
WHEN CONCURRENTDBCOORDACTIVITIES > 2 AND QUEUEDACTIVITIES > 2
COLLECT ACTIVITY DATA CONTINUE)
```

Example 2: Create a work action set named ADMIN_APPS_ACTIONS with one work action named MAP_SELECTS that is to apply to database activities that run under service superclass ADMIN_APPS. The work action is to map all database activity that falls within the SELECT_CLASS work class to service subclass SELECTS_SERVICE_CLASS, which is in the DML_SELECTS work class set.

```
CREATE WORK ACTION SET ADMIN_APPS_ACTIONS
FOR SERVICE CLASS ADMIN_APPS USING
WORK CLASS SET DML_SELECTS
(WORK ACTION MAP_SELECTS ON WORK CLASS SELECT_CLASS
MAP TO SELECTS_SERVICE_CLASS)
```

CREATE WORK CLASS SET

The CREATE WORK CLASS SET statement defines a work class set.

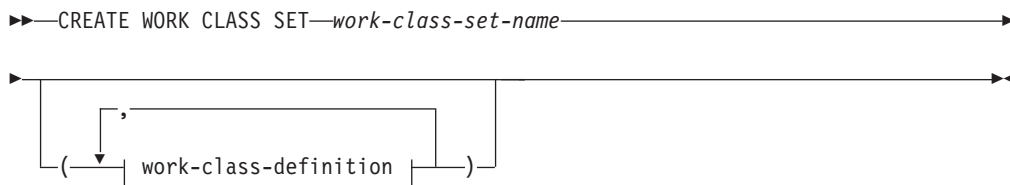
Invocation

This statement can be embedded in an application program or issued interactively. It is an executable statement that can be dynamically prepared only if DYNAMICRULES run behavior is in effect for the package (SQLSTATE 42509).

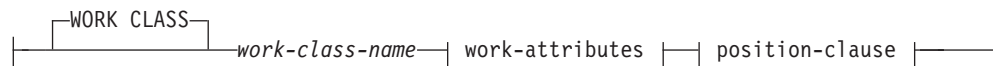
Authorization

The privileges held by the authorization ID of the statement must include SYSADM or DBADM authority.

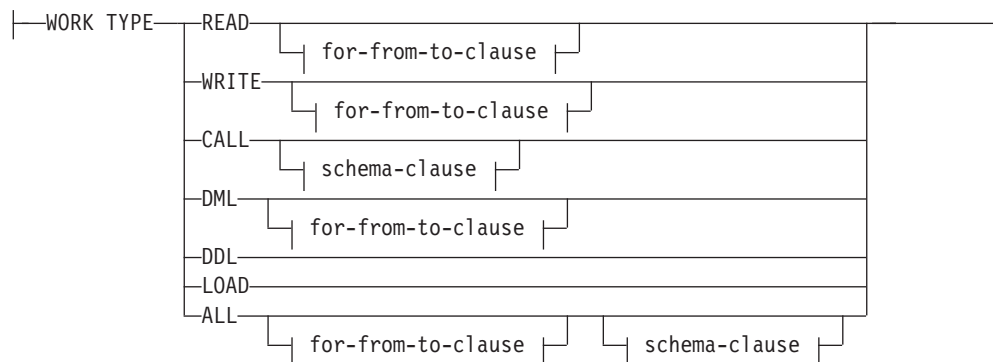
Syntax



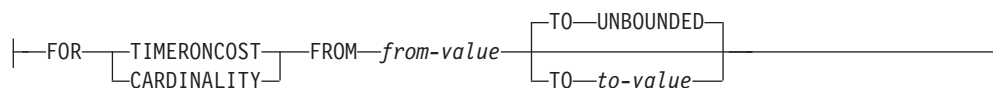
work-class-definition:



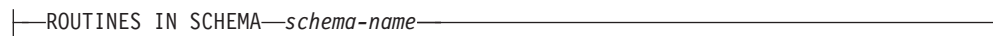
work-attributes:



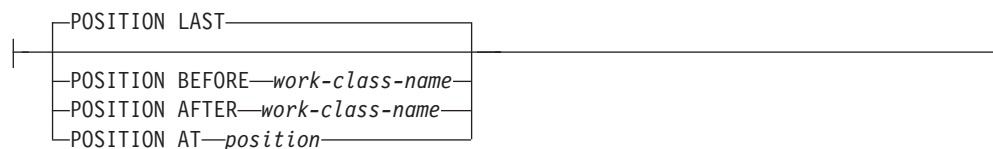
for-from-to-clause:



schema-clause:



position-clause:



Description

work-class-set-name

Names the work class set. This is a one-part name. It is an SQL identifier (either ordinary or delimited). The *work-class-set-name* must not identify a work

CREATE WORK CLASS SET

class set that already exists at the current server (SQLSTATE 42710). The name must not begin with the characters 'SYS' (SQLSTATE 42939).

work-class-definition

Specifies the definition of the work class.

WORK CLASS *work-class-name*

Names the work class. The *work-class-name* must not identify a work class that already exists within the work class set at the current server (SQLSTATE 42710). The *work-class-name* cannot begin with 'SYS' (SQLSTATE 42939).

work-attributes

The attributes of the database activity must match all of the attributes specified in this work class if that activity is to be associated with this work class.

WORK TYPE

Specifies the type of database activity.

READ

This activity includes the following statements:

- All SELECT or SELECT INTO statements that do not contain a DELETE, INSERT, MERGE, or UPDATE statement, and all VALUES INTO statements
- All XQuery statements

WRITE

This activity includes the following statements:

- UPDATE
- DELETE
- INSERT
- MERGE
- All SELECT statements that contain a DELETE, INSERT, or UPDATE statement, and all VALUES INTO statements
- All XQuery statements

CALL

Includes the CALL statement. A CALL statement is considered for a work class with a work type of CALL or ALL.

DML

Includes the statements listed under READ and WRITE.

DDL

This activity includes the following statements:

- ALTER
- CREATE
- COMMENT
- DECLARE GLOBAL TEMPORARY TABLE
- DROP
- FLUSH PACKAGE CACHE
- GRANT
- REFRESH TABLE
- RENAME
- REVOKE

- SET INTEGRITY

LOAD

DB2 load operations.

ALL

All recognized workload management (WLM) activity that falls under any one of the keywords described above.

FOR

Indicates the type of information that is being specified in the FROM *from-value* TO *to-value* clause. The FOR clause is only used for the following work types:

- READ
- WRITE
- DML
- ALL

TIMERONCOST

The estimated cost of the work, in timerons. This value is used to determine whether the work falls within the range specified in the FROM *from-value* TO *to-value* clause.

CARDINALITY

The estimated cardinality of the work. This value is used to determine whether the work falls within the range specified in the FROM *from-value* TO *to-value* clause.

FROM *from-value* TO UNBOUNDED or FROM *from-value* TO *to-value*

Specifies the range of either timeron value (for estimated cost) or cardinality within which the database activity must fall if it is to be part of this work class. The range is inclusive of *from-value* and *to-value*. If this clause is not specified for the work class, all work that falls within the specified work type will be included (that is, the default is FROM 0 TO UNBOUNDED). This range is only used for the following work types:

- READ
- WRITE
- DML
- ALL

FROM *from-value* TO UNBOUNDED

The *from-value* must be zero or a positive DOUBLE value (SQLSTATE 5U019). The range has no upper bound.

FROM *from-value* TO *to-value*

The *from-value* must be zero or a positive DOUBLE value and the *to-value* must be a positive DOUBLE value. The *from-value* must be smaller than or equal to the *to-value* (SQLSTATE 5U019).

*schema-clause***ROUTINES IN SCHEMA *schema-name***

Specifies the schema name of the procedure that the CALL statement will be calling. This clause is only used if the work type is CALL or ALL and the database activity is a CALL statement. If no value is specified, all schemas are included.

position-clause

CREATE WORK CLASS SET

POSITION

Specifies where this work class is to be placed within the work class set, which determines the order in which work classes are evaluated. When performing work class assignment at run time, the database manager first determines the work class set that is associated with the object, either the database or a service superclass. The first matching work class within that work class set is then selected. If this keyword is not specified, the work class is placed in the last position.

LAST

Specifies that the work class is to be placed last in the ordered list of work classes within the work class set. This is the default.

BEFORE *work-class-name*

Specifies that the work class is to be placed before work class *work-class-name* in the list. The *work-class-name* must identify a work class in the work class set that exists at the current server (SQLSTATE 42704).

AFTER *work-class-name*

Specifies that the work class is to be placed after work class *work-class-name* in the list. The *work-class-name* must identify a work class in the work class set that exists at the current server (SQLSTATE 42704).

AT *position*

Specifies the absolute position at which the work class is to be placed within the work class set in the ordered list of work classes. This value can be any positive integer value (SQLSTATE 42615). If *position* is greater than the number of existing work classes plus one, the work class is placed at the last position within the work class set.

Rules

- A workload management (WLM)-exclusive SQL statement must be followed by a COMMIT or a ROLLBACK statement (SQLSTATE 5U021). WLM-exclusive SQL statements are:
 - CREATE HISTOGRAM TEMPLATE, ALTER HISTOGRAM TEMPLATE, or DROP (HISTOGRAM TEMPLATE)
 - CREATE SERVICE CLASS, ALTER SERVICE CLASS, or DROP (SERVICE CLASS)
 - CREATE THRESHOLD, ALTER THRESHOLD, or DROP (THRESHOLD)
 - CREATE WORK ACTION SET, ALTER WORK ACTION SET, or DROP (WORK ACTION SET)
 - CREATE WORK CLASS SET, ALTER WORK CLASS SET, or DROP (WORK CLASS SET)
 - CREATE WORKLOAD, ALTER WORKLOAD, or DROP (WORKLOAD)
 - GRANT (Workload Privileges) or REVOKE (Workload Privileges)
- A WLM-exclusive SQL statement cannot be issued within a global transaction (SQLSTATE 51041) such as, for example, an XA transaction.

Notes

- Changes are written to the system catalog, but do not take effect until they are committed, even for the connection that issues the statement.

Examples

Example 1: Create a work class set named LARGE_QUERIES that has a set of work classes representing all DML with an estimated cost greater than 9999 and an estimated cardinality greater than 1000.

```
CREATE WORK CLASS SET LARGE_QUERIES
(WORK CLASS LARGE_ESTIMATED_COST WORK TYPE DML
FOR TIMERONCOST FROM 9999 TO UNBOUNDED,
WORK CLASS LARGE_CARDINALITY WORK TYPE DML
FOR CARDINALITY FROM 1000 TO UNBOUNDED)
```

Example 2: Create a work class set named DML_SELECTS that has a work class representing all DML SELECT statements that do not contain a DELETE, INSERT, MERGE, or UPDATE statement.

```
CREATE WORK CLASS SET DML_SELECTS
(WORK CLASS SELECT_CLASS WORK TYPE READ)
```

CREATE WORKLOAD

The CREATE WORKLOAD statement defines a workload.

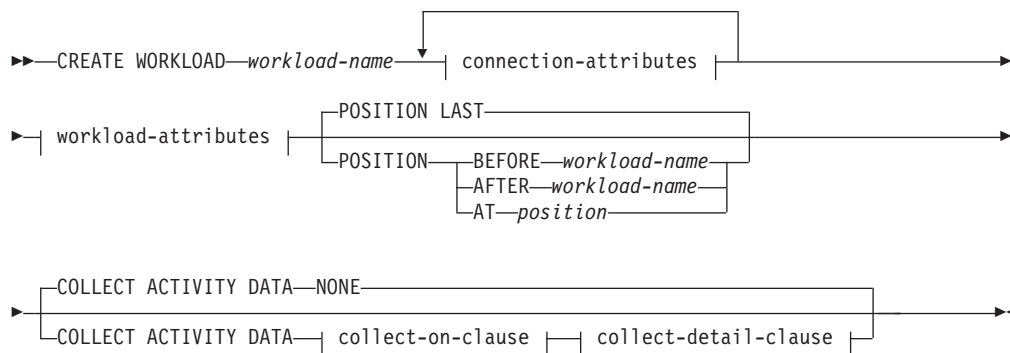
Invocation

This statement can be embedded in an application program or issued interactively. It is an executable statement that can be dynamically prepared only if DYNAMICRULES run behavior is in effect for the package (SQLSTATE 42509).

Authorization

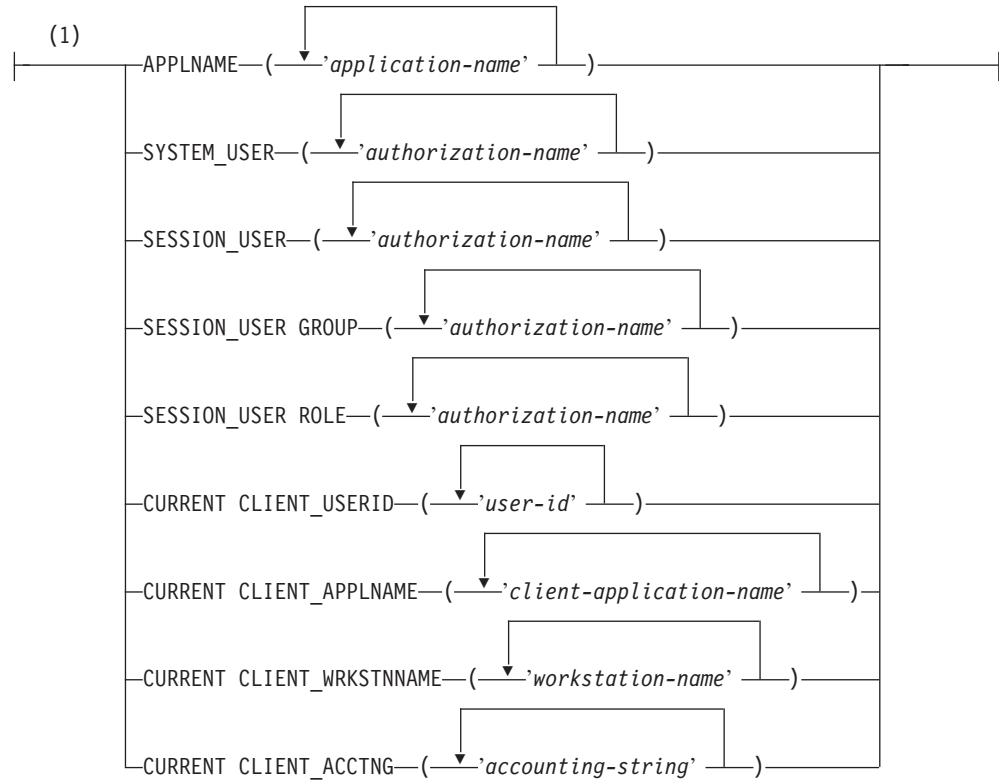
The privileges held by the authorization ID of the statement must include SYSADM or DBADM authority.

Syntax

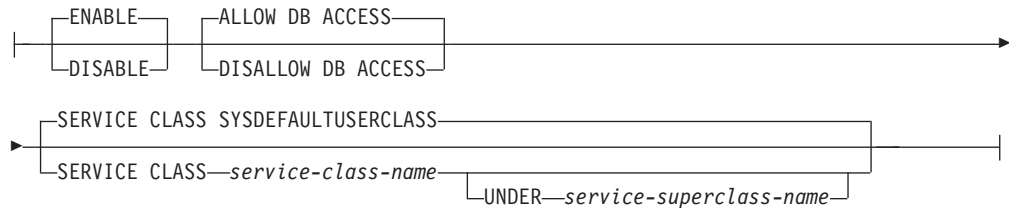


connection-attributes:

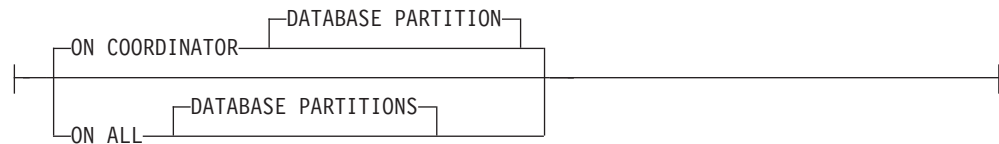
CREATE WORKLOAD



workload-attributes:



collect-on-clause:



collect-detail-clause:



Notes:

- 1 Each connection attribute clause can only be specified once.

Description

workload-name

Names the workload. This is a one-part name. It is an SQL identifier (either ordinary or delimited). The *workload-name* must not identify a workload that already exists at the current server (SQLSTATE 42710). The name must not begin with the characters 'SYS' (SQLSTATE 42939).

connection-attributes

The attributes of the connection must match all attributes specified in this workload definition if it is to be associated with this workload when the connection is established. If a list of values is specified for a connection attribute in the workload definition, the corresponding attribute of the connection must match at least one of the values in the list. If a connection attribute is not specified in the workload definition, the connection can have any value for the corresponding connection attribute.

APPLNAME (*'application-name', ...*)

Specifies one or more applications for the APPLNAME connection attribute. An application name cannot appear more than once in the list (SQLSTATE 42713). The *application-name* is case sensitive and is equivalent to the value shown in the "Application name" field in system monitor output and in output from the LIST APPLICATIONS command.

SYSTEM_USER (*'authorization-name', ...*)

Specifies one or more authorization IDs for the SYSTEM_USER connection attribute. An authorization ID cannot appear more than once in the list (SQLSTATE 42713).

SESSION_USER (*'authorization-name', ...*)

Specifies one or more authorization IDs for the SESSION_USER connection attribute. An authorization ID cannot appear more than once in the list (SQLSTATE 42713).

SESSION_USER GROUP (*'authorization-name', ...*)

Specifies one or more authorization IDs for the SESSION_USER GROUP connection attribute. An authorization ID cannot appear more than once in the list (SQLSTATE 42713).

SESSION_USER ROLE (*'authorization-name', ...*)

Specifies one or more authorization IDs for the SESSION_USER ROLE connection attribute. The roles of a session authorization ID in this context refer to all the roles that are available to the session authorization ID, regardless of how the roles were obtained. An authorization ID cannot appear more than once in the list (SQLSTATE 42713).

CURRENT_CLIENT_USERID (*'user-id', ...*)

Specifies one or more client user IDs for the CURRENT_CLIENT_USERID connection attribute. A client user ID cannot appear more than once in the list (SQLSTATE 42713).

CURRENT_CLIENT_APPLNAME (*'client-application-name', ...*)

Specifies one or more applications for the CURRENT_CLIENT_APPLNAME connection attribute. An application name cannot appear more than once in the list (SQLSTATE 42713). The *client-application-name* is case sensitive and is equivalent to the value shown in the "TP Monitor client application name" field in system monitor output.

CURRENT_CLIENT_WRKSTNNAME (*'workstation-name', ...*)

Specifies one or more client workstation names for the CURRENT

CREATE WORKLOAD

CLIENT_WRKSTNNAME connection attribute. A client workstation name cannot appear more than once in the list (SQLSTATE 42713).

CURRENT CLIENT_ACCTNG (*'accounting-string', ...*)

Specifies one or more client accounting strings for the CURRENT CLIENT_ACCTNG connection attribute. A client accounting string cannot appear more than once in the list (SQLSTATE 42713).

workload-attributes

Specifies attributes of the workload.

ENABLE or DISABLE

Specifies whether or not this workload will be considered when a workload is chosen. The default is ENABLE.

ENABLE

Specifies that the workload is enabled and will be considered when a workload is chosen.

DISABLE

Specifies that the workload is disabled and will not be considered when a workload is chosen.

ALLOW DB ACCESS or DISALLOW DB ACCESS

Specifies whether or not a workload occurrence associated with this workload is allowed access to the database. The default is ALLOW DB ACCESS.

ALLOW DB ACCESS

Specifies that workload occurrences associated with this workload are allowed access to the database.

DISALLOW DB ACCESS

Specifies that workload occurrences associated with this workload are not allowed access to the database. The next unit of work associated with this workload will be rejected (SQLSTATE 5U020). Workload occurrences that are already running are allowed to complete.

SERVICE CLASS *service-class-name*

Specifies that requests associated with this workload are to be executed in the service class *service-class-name*. The *service-class-name* must identify a service class that exists at the current server (SQLSTATE 42704). The *service-class-name* cannot be 'SYSDEFAULTSUBCLASS', 'SYSDEFAULTSYSTEMCLASS', or 'SYSDEFAULTMAINTENANCECLASS' (SQLSTATE 5U032). The default is SYSDEFAULTUSERCLASS.

UNDER *service-superclass-name*

This clause is used when specifying a service subclass. The *service-superclass-name* identifies the service superclass of *service-class-name*. The *service-superclass-name* must identify a service superclass that exists at the current server (SQLSTATE 42704). The *service-superclass-name* cannot be 'SYSDEFAULTSYSTEMCLASS' or 'SYSDEFAULTMAINTENANCECLASS' (SQLSTATE 5U032).

POSITION

Specifies where this workload is to be placed within the ordered list of workloads. At run time, this list is searched in order for the first workload that matches the required connection attributes. The default is LAST.

LAST

Specifies that the workload is to be last in the list, before the default workloads SYSDEFAULTUSERWORKLOAD and SYSDEFAULTADMWORKLOAD.

BEFORE *relative-workload-name*

Specifies that the workload is to be placed before workload *relative-workload-name* in the list. The *relative-workload-name* must identify a workload that exists at the current server (SQLSTATE 42704). The BEFORE option cannot be specified if *relative-workload-name* is 'SYSDEFAULTUSERWORKLOAD' or 'SYSDEFAULTADMWORKLOAD' (SQLSTATE 42832).

AFTER *relative-workload-name*

Specifies that the workload is to be placed after workload *relative-workload-name* in the list. The *relative-workload-name* must identify a workload that exists at the current server (SQLSTATE 42704). The AFTER option cannot be specified if *relative-workload-name* is 'SYSDEFAULTUSERWORKLOAD' or 'SYSDEFAULTADMWORKLOAD' (SQLSTATE 42832).

AT *position*

Specifies the absolute position at which the workload is to be placed in the list. This value can be any positive integer value (SQLSTATE 42615). If *position* is greater than the number of existing workloads plus one, the workload is placed at the last position, just before SYSDEFAULTUSERWORKLOAD and SYSDEFAULTADMWORKLOAD.

COLLECT ACTIVITY DATA

Specifies that data about each activity associated with this workload is to be sent to the activities event monitor, if one is active, when the activity completes. The default is COLLECT ACTIVITY DATA NONE.

collect-on-clause

Specifies where the activity data is to be collected. The default is ON COORDINATOR DATABASE PARTITION.

ON COORDINATOR DATABASE PARTITION

Specifies that the activity data is to be collected only at the database partition of the coordinator of the activity.

ON ALL DATABASE PARTITIONS

Specifies that the activity data is to be collected at all database partitions on which the activity is processed; however any activity details or values will be collected only at the database partition of the coordinator of the activity.

NONE

Specifies that activity data should not be collected for each activity that is associated with this workload.

collect-detail-clause

Specifies what type of activity data is to be collected. The default is WITHOUT DETAILS.

WITHOUT DETAILS

Specifies that data about each activity that is associated with this workload is to be sent to the activities event monitor, if one is active, when the activity completes execution. Statement and compilation environment are not sent to the event monitor.

CREATE WORKLOAD

WITH DETAILS

Specifies that statement and compilation environment information are to be sent to the activities event monitor, if one is active, for those activities that have them.

AND VALUES

Specifies that input data values are to be sent to the activities event monitor, if one is active, for those activities that have them.

Rules

- A workload management (WLM)-exclusive SQL statement must be followed by a COMMIT or a ROLLBACK statement (SQLSTATE 5U021). WLM-exclusive SQL statements are:
 - CREATE HISTOGRAM TEMPLATE, ALTER HISTOGRAM TEMPLATE, or DROP (HISTOGRAM TEMPLATE)
 - CREATE SERVICE CLASS, ALTER SERVICE CLASS, or DROP (SERVICE CLASS)
 - CREATE THRESHOLD, ALTER THRESHOLD, or DROP (THRESHOLD)
 - CREATE WORK ACTION SET, ALTER WORK ACTION SET, or DROP (WORK ACTION SET)
 - CREATE WORK CLASS SET, ALTER WORK CLASS SET, or DROP (WORK CLASS SET)
 - CREATE WORKLOAD, ALTER WORKLOAD, or DROP (WORKLOAD)
 - GRANT (Workload Privileges) or REVOKE (Workload Privileges)
- A WLM-exclusive SQL statement cannot be issued within a global transaction (SQLSTATE 51041) such as, for example, an XA transaction.

Notes

- Changes are written to the system catalog, but do not take effect until they are committed, even for the connection that issues the statement.
- When a database connection is established, the database manager looks for a matching workload based on the connection attributes that were specified in the POSITION clause (in order of specification). If a matching workload is found, the database manager checks whether the current session user has USAGE privilege on that workload. If the session user does not have USAGE privilege on the workload, the database manager looks for the next matching workload. If the session user has USAGE privilege on this workload, the connection is associated with the workload. If a matching workload is not found, the connection is associated with the default user workload, SYSDEFAULTUSERWORKLOAD. If the session user does not have USAGE privilege on SYSDEFAULTUSERWORKLOAD, an error is returned (SQLSTATE 42501).
- The workload association is re-evaluated at the beginning of each new unit of work if the database manager detects one of the following conditions:
 - The connection attributes have changed. This can happen if any of the following events has occurred:
 - The set client information API (sqleseti) has been invoked and it changed the connection attributes that were included in the workload definition. Note that although the client information can be set by the end user so that it could initiate a workload re-evaluation, the workload remapping itself cannot happen if the session user does not have the USAGE privilege on the workload.

- The SET SESSION AUTHORIZATION statement has been invoked and it changed the current session user.
- The roles that are available to a session user have changed.
- A workload is created.
- A workload is dropped.
- A workload is altered.
- The USAGE privilege on a workload is granted to a user, group, or role.
- The USAGE privilege on a workload is revoked from a user, group, or role.

If the workload re-evaluation results in no workload reassignment, the current workload occurrence continues to run; that is, a new workload occurrence will not be started.

- A connection cannot be reassigned to a different workload when an activity is still active. Examples of such activities are a load operation, an executing procedure, or statements that maintain resources across multiple units of work, such as an open WITH HOLD cursor. The current workload occurrence continues to run until all executing activities complete. Workload reassignment occurs at the beginning of the next unit of work.
- After a service class has been referenced by a workload, it cannot be dropped until it is no longer referenced by any workload. Either of the following actions can be taken to remove a service class reference from a workload:
 - Alter the workload to change the service class name
 - Drop the workload
- After a role has been referenced by a workload, it cannot be dropped until it is no longer referenced by any workload. Either of the following actions can be taken to remove a role reference from a workload:
 - Alter the workload to remove the role
 - Drop the workload

Examples

Example 1: Create a workload named CAMPAIGN for requests that are submitted by a session user belonging to group FINANCE. These requests are to be executed in the default user service class SYSDEFAULTUSERCLASS.

```
CREATE WORKLOAD CAMPAIGN
SESSION_USER GROUP ('FINANCE')
```

Example 2: Create a workload named PAYROLL for a session user with role HR that has the CURRENT CLIENT_APPLNAME special register set to SALARYSYS. Units of work associated with this workload are to be executed in service class MEDIUMSC that is under the service superclass HRSC. When a workload is chosen at run time, this workload should be evaluated only after the workload CAMPAIGN has been evaluated and determined to not match.

```
CREATE WORKLOAD PAYROLL
SESSION_USER ROLE ('HR')
CURRENT_CLIENT_APPLNAME ('SALARYSYS') SERVICE CLASS MEDIUMSC
UNDER HRSC POSITION AFTER CAMPAIGN
```

Example 3: An occurrence of workload CAMPAIGN (from example 1) is currently running on the system. Create a workload named NEWCAMPAIGN, also for requests that are submitted by a session user belonging to group FINANCE, but only those requests submitted through application DB2BP.EXE. Requests associated with this workload are to be executed in service class MARKETINGSC. NEWCAMPAIGN should be evaluated before CAMPAIGN.

CREATE WORKLOAD

```
CREATE WORKLOAD NEWCAMPAIGN
  SESSION_USER GROUP ('FINANCE')
  APPLNAME ('DB2BP.EXE') SERVICE CLASS MARKETINGSVC
  POSITION BEFORE CAMPAIGN
```

The running workload occurrence of CAMPAIGN continues to run until the current unit of work completes, at which time a workload re-evaluation takes place, and the connection could then be remapped to workload NEWCAMPAIGN.

Example 4: Create a workload named REPORTS for requests that are submitted through application appl1, appl2, or appl3 by system user BOB or MARY.

```
CREATE WORKLOAD REPORTS
  APPLNAME ('appl1', 'appl2', 'appl3')
  SYSTEM_USER ('BOB', 'MARY')
```

CREATE WRAPPER

The CREATE WRAPPER statement registers a wrapper with a federated server. A wrapper is a mechanism by which a federated server can interact with certain types of data sources.

Invocation

This statement can be embedded in an application program or issued through the use of dynamic SQL statements. It is an executable statement that can be dynamically prepared only if DYNAMICRULES run behavior is in effect for the package (SQLSTATE 42509).

Authorization

The privileges held by the authorization ID of the statement must include SYSADM or DBADM authority.

Syntax

```
▶▶ CREATE WRAPPER wrapper-name [ LIBRARY library-name ]
[ OPTIONS ( [ ADD ] wrapper-option-name string-constant ) ]
```

Description

wrapper-name

Names the wrapper. It can be:

- A predefined name. If a predefined name is specified, the federated server automatically assigns a default value to *library-name*.
- A user-supplied name. If a user-supplied name is provided, it is necessary to also specify the appropriate *library-name* to be used with that wrapper and operating system.

LIBRARY *library-name*

Names the file that contains the wrapper library module.

The library name can be specified as an absolute path name or simply the base name (without the path). If only the base name is specified, the library should reside in the lib (UNIX) or the bin (Windows) subdirectory of the DB2 install path. The *library-name* must be enclosed in single quotation marks.

The LIBRARY option is only necessary when a user-supplied *wrapper-name* is used. This option should not be used when a predefined *wrapper-name* is given.

OPTIONS (ADD *wrapper-option-name string-constant, ...*)

Wrapper options are used to configure the wrapper or to define how DB2 uses the wrapper. The *wrapper-option-name* is the name of the option. The *string-constant* specifies the setting for the wrapper option. The *string-constant* must be enclosed in single quotation marks. Some wrapper options can be used by all wrappers and some options are specific to a particular wrapper.

Examples

Example 1: Register the NET8 wrapper on a federated server to access Oracle data sources. *NET8* is the predefined name for one of the two wrappers that you can use to access Oracle data sources.

```
CREATE WRAPPER NET8
```

Example 2: Register a wrapper on a DB2 federated server that uses the Linux operating system to access ODBC data sources. Assign the name *odbc* to the wrapper that is being registered in the federated database. The full path of the library that contains the ODBC Driver Manager is defined in the wrapper option *MODULE '/usr/lib/odbc.so'*.

```
CREATE WRAPPER odbc OPTIONS (MODULE '/usr/lib/odbc.so')
```

Example 3: Register a wrapper on a DB2 federated server that uses the Windows operating system to access ODBC data sources. The library name for the ODBC wrapper is *'db2rcodbc.dll'*.

```
CREATE WRAPPER odbc LIBRARY 'db2rcodbc.dll'
```

Example 4: Register a wrapper on a DB2 federated server that uses the AIX operating system to access Entrez data sources. Designate *entrez_wrapper* as the name for the wrapper. On AIX federated servers, *libdb2lsentrez.a* is the library file for the Entrez wrapper. The EMAIL option is required when an Entrez wrapper is registered with the federated server.

```
CREATE WRAPPER entrez_wrapper LIBRARY 'libdb2lsentrez.a'
OPTIONS (EMAIL 'jeff@someplace.com')
```

DECLARE CURSOR

The DECLARE CURSOR statement defines a cursor.

Invocation

Although an interactive SQL facility might provide an interface that gives the appearance of interactive execution, this statement can only be embedded within an application program. It is not an executable statement and cannot be dynamically prepared.

DECLARE CURSOR

Authorization

The term “SELECT statement of the cursor” is used to specify the authorization rules. The SELECT statement of the cursor is one of the following:

- The prepared select-statement identified by *statement-name*
- The specified *select-statement*

For each table or view identified (either directly or by using an alias) in the SELECT statement of the cursor, the privileges held by the authorization ID of the statement must include at least one of the following:

- For each table or view identified in the *select-statement*:
 - SELECT privilege on the table or view, or
 - CONTROL privilege on the table or view
- SYSADM or DBADM authority

If the *select-statement* contains an SQL data change statement, the authorization requirements of that statement also apply to the DECLARE CURSOR statement.

If *statement-name* is specified:

- The authorization ID of the statement is the run-time authorization ID.
- The authorization check is performed when the select-statement is prepared.
- The cursor cannot be opened unless the select-statement is successfully prepared.

If *select-statement* is specified:

- GROUP privileges are not checked.
- The authorization ID of the statement is the authorization ID specified during program preparation.

Syntax

```
►► DECLARE cursor-name CURSOR ● | holdability | ● | returnability | ● ►►  
► FOR { select-statement | statement-name } ►►
```

holdability:

```
| [ WITHOUT HOLD | WITH HOLD ] |
```

returnability:

```
| [ WITHOUT RETURN | WITH RETURN [ TO CALLER | TO CLIENT ] ] |
```


Description

cursor-name

Specifies the name of the cursor created when the source program is run. The name must not be the same as the name of another cursor declared in the source program. The cursor must be opened before use.

WITHOUT HOLD or WITH HOLD

Specifies whether or not the cursor should be prevented from being closed as a consequence of a commit operation.

WITHOUT HOLD

Does not prevent the cursor from being closed as a consequence of a commit operation. This is the default.

WITH HOLD

Maintains resources across multiple units of work. The effect of the WITH HOLD cursor attribute is as follows:

- For units of work ending with COMMIT:
 - Open cursors defined WITH HOLD remain open. The cursor is positioned before the next logical row of the results table.

If a DISCONNECT statement is issued after a COMMIT statement for a connection with WITH HOLD cursors, the held cursors must be explicitly closed or the connection will be assumed to have performed work (simply by having open WITH HELD cursors even though no SQL statements were issued) and the DISCONNECT statement will fail.
 - All locks are released, except locks protecting the current cursor position of open WITH HOLD cursors. The locks held include the locks on the table, and for parallel environments, the locks on rows where the cursors are currently positioned. Locks on packages and dynamic SQL sections (if any) are held.
 - Valid operations on cursors defined WITH HOLD immediately following a COMMIT request are:
 - FETCH: Fetches the next row of the cursor.
 - CLOSE: Closes the cursor.
 - UPDATE and DELETE CURRENT OF CURSOR are valid only for rows that are fetched within the same unit of work.
 - LOB locators are freed.
 - The set of rows modified by:
 - A data change statement
 - Routines that modify SQL data embedded within open WITH HOLD cursors
 is committed.
- For units of work ending with ROLLBACK:
 - All open cursors are closed.
 - All locks acquired during the unit of work are released.
 - LOB locators are freed.
- For special COMMIT case:
 - Packages can be recreated either explicitly, by binding the package, or implicitly, because the package has been invalidated and then

DECLARE CURSOR

dynamically recreated the first time it is referenced. All held cursors are closed during package rebind. This might result in errors during subsequent execution.

WITHOUT RETURN or WITH RETURN

Specifies whether or not the result table of the cursor is intended to be used as a result set that will be returned from a procedure.

WITHOUT RETURN

Specifies that the result table of the cursor is not intended to be used as a result set that will be returned from a procedure.

WITH RETURN

Specifies that the result table of the cursor is intended to be used as a result set that will be returned from a procedure. WITH RETURN is relevant only if the DECLARE CURSOR statement is contained with the source code for a procedure. In other cases, the precompiler might accept the clause, but it has no effect.

Within an SQL procedure, cursors declared using the WITH RETURN clause that are still open when the SQL procedure ends, define the result sets from the SQL procedure. All other open cursors in an SQL procedure are closed when the SQL procedure ends. Within an external procedure (one not defined using LANGUAGE SQL), the default for all cursors is WITH RETURN TO CALLER. Therefore, all cursors that are open when the procedure ends will be considered result sets. Cursors that are returned from a procedure cannot be declared as scrollable cursors.

TO CALLER

Specifies that the cursor can return a result set to the caller. For example, if the caller is another procedure, the result set is returned to that procedure. If the caller is a client application, the result set is returned to the client application.

TO CLIENT

Specifies that the cursor can return a result set to the client application. This cursor is invisible to any intermediate nested procedures. If a function, method, or trigger called the procedure either directly or indirectly, result sets cannot be returned to the client and the cursor will be closed after the procedure finishes.

select-statement

Identifies the SELECT statement of the cursor. The *select-statement* must not include parameter markers, but can include references to host variables. The declarations of the host variables must precede the DECLARE CURSOR statement in the source program.

statement-name

The SELECT statement of the cursor is the prepared SELECT statement identified by the *statement-name* when the cursor is opened. The *statement-name* must not be identical to a *statement-name* specified in another DECLARE CURSOR statement of the source program.

For an explanation of prepared SELECT statements, see "PREPARE".

Notes

- A program called from another program, or from a different source file within the same program, cannot use the cursor that was opened by the calling program.

- Unnested procedures, with LANGUAGE other than SQL, will have WITH RETURN TO CALLER as the default behavior if DECLARE CURSOR is specified without a WITH RETURN clause, and the cursor is left open in the procedure. This provides compatibility with procedures from previous versions that allow procedures to return result sets to applicable client applications. To avoid this behavior, close all cursors opened in the procedure.
- If the SELECT statement of a cursor contains CURRENT DATE, CURRENT TIME, or CURRENT TIMESTAMP, all references to these special registers will yield the same respective datetime value on each FETCH. This value is determined when the cursor is opened.
- For more efficient processing of data, the database manager can block data for read-only cursors when retrieving data from a remote server. The use of the FOR UPDATE clause helps the database manager decide whether a cursor is updatable or not. Updatability is also used to determine the access path selection as well. If a cursor is not going to be used in a Positioned UPDATE or DELETE statement, it should be declared as FOR READ ONLY.
- A cursor in the open state designates a result table and a position relative to the rows of that table. The table is the result table specified by the SELECT statement of the cursor.
- A cursor is *deletable* if each of the following is true:
 - each FROM clause of the outer fullselect identifies only one base table or deletable view (cannot identify a nested or common table expression or a nickname) without use of the OUTER clause
 - the outer fullselect does not include a VALUES clause
 - the outer fullselect does not include a GROUP BY clause or HAVING clause
 - the outer fullselect does not include column functions in the select list
 - the outer fullselect does not include SET operations (UNION, EXCEPT, or INTERSECT) with the exception of UNION ALL
 - the select list of the outer fullselect does not include DISTINCT
 - the outer fullselect does not include an ORDER BY clause (even if the ORDER BY clause is nested in a view), and the FOR UPDATE clause has not been specified
 - the select-statement does not include a FOR READ ONLY clause
 - the FROM clause of the outer fullselect does not include a *data-change-table-reference*
 - one or more of the following is true:
 - the FOR UPDATE clause is specified
 - the cursor is statically defined, unless the STATICREADONLY bind option is YES
 - the LANGLEVEL bind option is MIA or SQL92E

A column in the select list of the outer fullselect associated with a cursor is *updatable* if each of the following is true:

- the cursor is deletable
- the column resolves to a column of the base table
- the LANGLEVEL bind option is MIA, SQL92E or the select-statement includes the FOR UPDATE clause (the column must be specified explicitly or implicitly in the FOR UPDATE clause)

A cursor is *read-only* if it is not deletable.

A cursor is *ambiguous* if each of the following is true:

- the select-statement is dynamically prepared

DECLARE CURSOR

- the select-statement does not include either the FOR READ ONLY clause or the FOR UPDATE clause
- the LANGLEVEL bind option is SAA1
- the cursor otherwise satisfies the conditions of a deletable cursor

An ambiguous cursor is considered read-only if the BLOCKING bind option is ALL, otherwise it is considered updatable.

- Cursors in procedures that are called by application programs written using CLI can be used to define result sets that are returned directly to the client application. Cursors in SQL procedures can also be returned to a calling SQL procedure only if they are defined using the WITH RETURN clause.
- Cursors declared in routines that are invoked directly or indirectly from a cursor declared WITH HOLD, do not inherit the WITH HOLD option. Thus, unless the cursor in the routine is explicitly defined WITH HOLD, a COMMIT in the application will close it.

Consider the following application and two UDFs:

Application:

```
DECLARE APPCUR CURSOR WITH HOLD FOR SELECT UDF1() ...  
OPEN APPCUR  
FETCH APPCUR ...  
COMMIT
```

UDF1:

```
DECLARE UDF1CUR CURSOR FOR SELECT UDF2() ...  
OPEN UDF1CUR  
FETCH UDF1CUR ...
```

UDF2:

```
DECLARE UDF2CUR CURSOR WITH HOLD FOR SELECT UDF2() ...  
OPEN UDF2CUR  
FETCH UDF2CUR ...
```

After the application fetches cursor APPCUR, all three cursors are open. When the application issues the COMMIT statement, APPCUR remains open, because it was declared WITH HOLD. In UDF1, however, the cursor UDF1CUR is closed, because it was not defined with the WITH HOLD option. When the cursor UDF1CUR is closed, all routine invocations in the corresponding select-statement complete (receiving a final call, if so defined). UDF2 completes, which causes UDF2CUR to close.

Examples

Example 1: The DECLARE CURSOR statement associates the cursor name C1 with the results of the SELECT.

```
EXEC SQL DECLARE C1 CURSOR FOR  
SELECT DEPTNO, DEPTNAME, MGRNO  
FROM DEPARTMENT  
WHERE ADMRDEPT = 'A00';
```

Example 2: Assume that the EMPLOYEE table has been altered to add a generated column, WEEKLYPAY, that calculates the weekly pay based on the yearly salary. Declare a cursor to retrieve the system-generated column value from a row to be inserted.

```
EXEC SQL DECLARE C2 CURSOR FOR  
SELECT E.WEEKLYPAY  
FROM NEW TABLE
```

```
(INSERT INTO EMPLOYEE
(EMPNO, FIRSTNAME, MIDINIT, LASTNAME, EDLEVEL, SALARY)
VALUES('000420', 'Peter', 'U', 'Bender', 16, 31842) AS E;
```

DECLARE GLOBAL TEMPORARY TABLE

The DECLARE GLOBAL TEMPORARY TABLE statement defines a temporary table for the current session. The declared temporary table description does not appear in the system catalog. It is not persistent and cannot be shared with other sessions. Each session that defines a declared global temporary table of the same name has its own unique description of the temporary table. When the session terminates, the rows of the table are deleted, and the description of the temporary table is dropped.

Invocation

This statement can be embedded in an application program or issued through the use of dynamic SQL statements. It is an executable statement that can be dynamically prepared.

Authorization

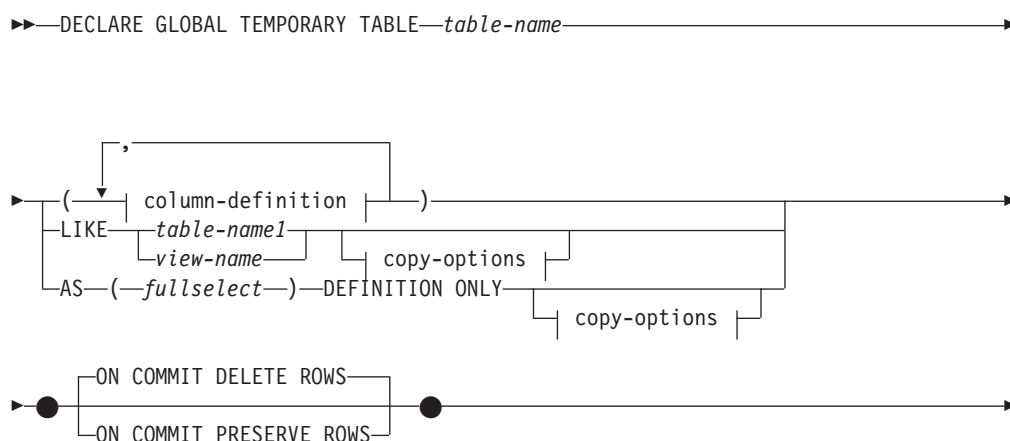
The privileges held by the authorization ID of the statement must include at least one of the following:

- USE privilege on the USER TEMPORARY table space
- SYSADM or DBADM authority

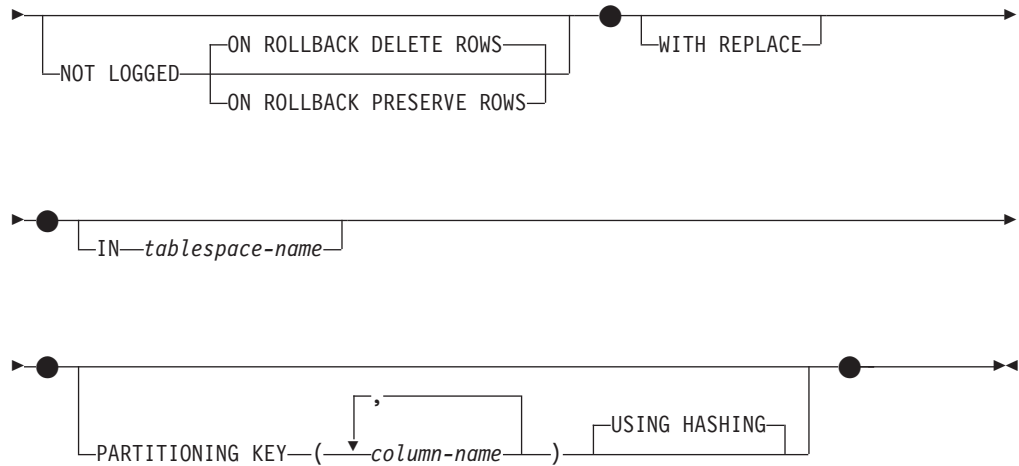
When defining a table using LIKE or a fullselect, the privileges held by the authorization ID of the statement must also include at least one of the following on each identified table or view:

- SELECT privilege on the table or view
- CONTROL privilege on the table or view
- SYSADM or DBADM authority

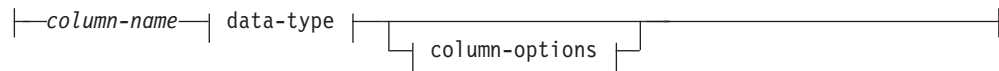
Syntax



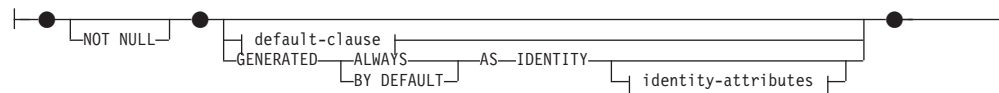
DECLARE GLOBAL TEMPORARY TABLE



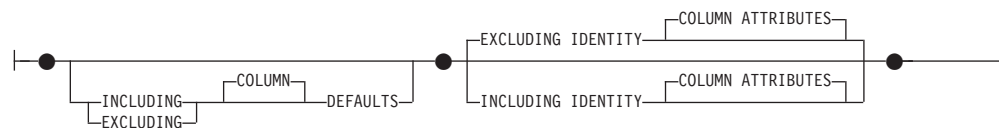
column-definition:



column-options:



copy-options:



Description

table-name

Names the temporary table. The qualifier, if specified explicitly, must be `SESSION`, otherwise an error is returned (SQLSTATE 428EK). If the qualifier is not specified, `SESSION` is implicitly assigned.

Each session that defines a declared global temporary table with the same *table-name* has its own unique description of that declared global temporary table. The `WITH REPLACE` clause must be specified if *table-name* identifies a declared temporary table that already exists in the session (SQLSTATE 42710).

It is possible that a table, view, alias, or nickname already exists in the catalog, with the same name and the schema name `SESSION`. In this case:

- A declared global temporary table *table-name* may still be defined without any error or warning

DECLARE GLOBAL TEMPORARY TABLE

- Any references to `SESSION.table-name` will resolve to the declared global temporary table rather than the `SESSION.table-name` already defined in the catalog.

column-definition

Defines the attributes of a column of the temporary table.

column-name

Names a column of the table. The name cannot be qualified, and the same name cannot be used for more than one column of the table (SQLSTATE 42711).

A table may have the following:

- A 4K page size with a maximum of 500 columns, where the byte counts of the columns must not be greater than 4 005.
- An 8K page size with a maximum of 1 012 columns, where the byte counts of the columns must not be greater than 8 101.
- A 16K page size with a maximum of 1 012 columns, where the byte counts of the columns must not be greater than 16 293.
- A 32K page size with a maximum of 1 012 columns, where the byte counts of the columns must not be greater than 32 677.

For more details, see “Row Size” in “CREATE TABLE”.

data-type

For allowable types, see *data-type* in “CREATE TABLE”. Note that BLOB, CLOB, DBCLOB, LONG VARCHAR, LONG VARGRAPHIC, XML, reference, and structured types cannot be used with declared global temporary tables (SQLSTATE 42962). This restriction includes distinct types that are sourced on these types.

FOR BIT DATA can be specified as part of character string data types.

column-options

Defines additional options related to the columns of the table.

NOT NULL

Prevents the column from containing null values. For specification of null values, see NOT NULL in “CREATE TABLE”.

default-clause

For specification of defaults, see *default-clause* in “CREATE TABLE”.

IDENTITY and *identity-attributes*

For specification of identity columns, see IDENTITY and *identity-attributes* in “CREATE TABLE”.

LIKE *table-name1* or *view-name*

Specifies that the columns of the table have exactly the same name and description as the columns of the identified table (*table-name1*) or view (*view-name*), or nickname (*nickname*). The name specified after LIKE must identify a table, view or nickname that exists in the catalog or a declared temporary table. A typed table or typed view cannot be specified (SQLSTATE 428EC).

The use of LIKE is an implicit definition of *n* columns, where *n* is the number of columns in the identified table (including implicitly hidden columns) or view. A column of the new table that corresponds to an implicitly hidden column in the existing table is also defined as implicitly hidden.

DECLARE GLOBAL TEMPORARY TABLE

- If a table is identified, then the implicit definition includes the column name, data type and nullability characteristic of each of the columns of *table-name1*. If EXCLUDING COLUMN DEFAULTS is not specified, then the column default is also included.
- If a view is identified, then the implicit definition includes the column name, data type, and nullability characteristic of each of the result columns of the fullselect defined in *view-name*.

Column default and identity column attributes may be included or excluded, based on the copy-attributes clauses.

If a protected table is identified in the LIKE clause, the new table is not made a protected table.

When a table is identified in the LIKE clause and that table contains a ROW CHANGE TIMESTAMP column, the corresponding column of the new table inherits only the data type of the ROW CHANGE TIMESTAMP column. The new column is not considered to be a generated column.

The names used for *table-name1* and *view-name* cannot be the same as the name of the global temporary table that is being created (SQLSTATE 428EC).

AS (*fullselect*) DEFINITION ONLY

Specifies that the columns of the table have the same name and description as the columns that would appear in the derived result table of the fullselect if the fullselect were to be executed. The use of AS (*fullselect*) is an implicit definition of *n* columns for the declared global temporary table, where *n* is the number of columns that would result from the fullselect.

The implicit definition includes the following attributes of the *n* columns (if applicable to the data type):

- Column name
- Data type, length, precision, and scale
- Nullability

The following attributes are not included (the default value and identity attributes can be included by using the *copy-options*):

- Default value
- Identity attributes
- ROW CHANGE TIMESTAMP

The implicit definition does not include any other optional attributes of the tables or views referenced in the fullselect.

Every select list element must have a unique name (SQLSTATE 42711). The AS clause can be used in the select clause to provide unique names. The fullselect must not result in a column having a LOB data type. The fullselect must not refer to host variables or include parameter markers.

copy-options

These options specify whether or not to copy additional attributes of the source result table definition (table, view, or fullselect).

INCLUDING COLUMN DEFAULTS

Column defaults for each updatable column of the source result table definition are copied. Columns that are not updatable will not have a default defined in the corresponding column of the created table.

DECLARE GLOBAL TEMPORARY TABLE

If LIKE *table-name1* is specified, and *table-name1* identifies a base table or declared temporary table, then INCLUDING COLUMN DEFAULTS is the default.

EXCLUDING COLUMN DEFAULTS

Column defaults are not copied from the source result table definition.

This clause is the default, except when LIKE *table-name* is specified and *table-name* identifies a base table or declared temporary table.

INCLUDING IDENTITY COLUMN ATTRIBUTES

If available, identity column attributes (START WITH, INCREMENT BY, and CACHE values) are copied from the source's result table definition. It is possible to copy these attributes if the element of the corresponding column in the table, view, or fullselect is the name of a column of a table, or the name of a column of a view, which directly or indirectly maps to the column name of a base table with the identity property. In all other cases, the columns of the new temporary table will not get the identity property. For example:

- the select list of the fullselect includes multiple instances of the name of an identity column (that is, selecting the same column more than once)
- the select list of the fullselect includes multiple identity columns (that is, it involves a join)
- the identity column is included in an expression in the select list
- the fullselect includes a set operation (union, except, or intersect).

EXCLUDING IDENTITY COLUMN ATTRIBUTES

Identity column attributes are not copied from the source result table definition.

ON COMMIT

Specifies the action taken on the global temporary table when a COMMIT operation is performed.

DELETE ROWS

All rows of the table will be deleted if no WITH HOLD cursor is open on the table. This is the default.

PRESERVE ROWS

Rows of the table will be preserved.

NOT LOGGED

Specifies that insert, update, or delete operations against the table are not to be logged, but that the creation or dropping of the table is to be logged. During a ROLLBACK (or ROLLBACK TO SAVEPOINT) operation:

- If the table had been created within a unit of work (or savepoint), the table is dropped
- If the table had been dropped within a unit of work (or savepoint), the table is recreated, but without any data

ON ROLLBACK

Specifies the action that is to be taken on the not logged global temporary table when a ROLLBACK (or ROLLBACK TO SAVEPOINT) operation is performed.

DELETE ROWS

If the table data has been changed, all the rows will be deleted. This is the default.

PRESERVE ROWS

Rows of the table will be preserved.

DECLARE GLOBAL TEMPORARY TABLE

WITH REPLACE

Indicates that, in the case that a declared global temporary table already exists with the specified name, the existing table is replaced with the temporary table defined by this statement (and all rows of the existing table are deleted).

When WITH REPLACE is not specified, then the name specified must not identify a declared global temporary table that already exists in the current session (SQLSTATE 42710).

IN *tablespace-name*

Identifies the table space in which the global temporary table will be instantiated. The table space must exist and be a USER TEMPORARY table space (SQLSTATE 42838), over which the authorization ID of the statement has USE privilege (SQLSTATE 42501). If this clause is not specified, a table space for the table is determined by choosing the USER TEMPORARY table space with the smallest sufficient page size over which the authorization ID of the statement has USE privilege. When more than one table space qualifies, preference is given according to who was granted the USE privilege:

1. the authorization ID
2. a group to which the authorization ID belongs
3. PUBLIC

If more than one table space still qualifies, the final choice is made by the database manager. When no USER TEMPORARY table space qualifies, an error is raised (SQLSTATE 42727).

Determination of the table space may change when:

- table spaces are dropped or created
- USE privileges are granted or revoked.

The sufficient page size of a table is determined by either the byte count of the row or the number of columns. For more details, see “Row Size” in “CREATE TABLE”.

PARTITIONING KEY (*column-name,...*)

Specifies the distribution key that is to be used when data in the table is distributed. Each *column-name* must identify a column of the table and the same column must not be identified more than once.

If this clause is not specified, and this table resides in a multiple partition database partition group, then the distribution key is defined as the first column of declared temporary table.

For declared temporary tables, in table spaces defined on single-partition database partition groups, any collection of columns can be used to define the distribution key. If you do not specify this parameter, no distribution key is created.

USING HASHING

Specifies the use of the hashing function as the method for data distribution. This is the only supported distribution method.

Notes

- A user temporary table space must exist before a user-defined temporary table can be declared (SQLSTATE 42727).
- **Referencing a declared global temporary table:** The description of a declared global temporary table does not appear in the DB2 catalog (SYSCAT.TABLES); therefore, it is not persistent and is not shareable across database connections.

DECLARE GLOBAL TEMPORARY TABLE

This means that each session that defines a declared global temporary table called *table-name* has its own possibly unique description of that declared global temporary table.

In order to reference the declared global temporary table in an SQL statement (other than the DECLARE GLOBAL TEMPORARY TABLE statement), the table must be explicitly or implicitly qualified by the schema name SESSION. If *table-name* is not qualified by SESSION, declared global temporary tables are not considered when resolving the reference.

A reference to SESSION.*table-name* in a connection that has not declared a global temporary table by that name will attempt to resolve from persistent objects in the catalog. If no such object exists, an error occurs (SQLSTATE 42704).

- When binding a package that has static SQL statements that refer to tables implicitly or explicitly qualified by SESSION, those statements will not be bound statically. When these statements are invoked, they will be incrementally bound, regardless of the VALIDATE option chosen while binding the package. At runtime, each table reference will be resolved to a declared temporary table, if it exists, or a permanent table. If neither exists, an error will be raised (SQLSTATE 42704).
- **Privileges:** When a declared global temporary table is defined, the definer of the table is granted all table privileges on the table, including the ability to drop the table. Additionally, these privileges are granted to PUBLIC. (None of the privileges are granted with the GRANT option, and none of the privileges appear in the catalog table.) This enables any SQL statement in the session to reference a declared global temporary table that has already been defined in that session.
- **Instantiation and Termination:** For the explanations below, P denotes a session and T is a declared global temporary table in the session P:
 - An empty instance of T is created as a result of the DECLARE GLOBAL TEMPORARY TABLE statement that is executed in P.
 - Any SQL statement in P can make reference to T; and any reference to T in P is a reference to that same instance of T.
 - If a DECLARE GLOBAL TEMPORARY TABLE statement is specified within the SQL procedure compound statement (defined by BEGIN and END), the scope of the declared global temporary table is the connection, not just the compound statement, and the table is known outside of the compound statement. The table is not implicitly dropped at the END of the compound statement. A declared global temporary table cannot be defined multiple times by the same name in other compound statements in that session, unless the table has been explicitly dropped.
 - Assuming that the ON COMMIT DELETE ROWS clause was specified implicitly or explicitly, then when a commit operation terminates a unit of work in P, and there is no open WITH HOLD cursor in P that is dependent on T, the commit includes the operation DELETE FROM SESSION.T.
 - When a rollback operation terminates a unit of work or a savepoint in P, and that unit of work or savepoint includes a modification to SESSION.T:
 - If NOT LOGGED was specified, the rollback includes the operation DELETE from SESSION.T unless ON ROLLBACK PRESERVE ROWS was also specified
 - If NOT LOGGED was not specified, the changes to T are undone

When a rollback operation terminates a unit of work or a savepoint in P, and that unit of work or savepoint includes the declaration of SESSION.T, then the rollback includes the operation DROP SESSION.T.

DECLARE GLOBAL TEMPORARY TABLE

If a rollback operation terminates a unit of work or a savepoint in P, and that unit of work or savepoint includes the drop of a declared temporary table SESSION.T, then the rollback will undo the drop of the table. If NOT LOGGED was specified, then the table will also have been emptied.

- When the application process that declared T terminates or disconnects from the database, T is dropped and its instantiated rows are destroyed.
- When the connection to the server at which T was declared terminates, T is dropped and its instantiated rows are destroyed.
- **Restrictions on the Use of Declared Global Temporary Tables:** Declared global temporary tables cannot:
 - Be specified in an ALTER, COMMENT, GRANT, LOCK, RENAME or REVOKE statement (SQLSTATE 42995).
 - Be referenced in a CREATE ALIAS, CREATE FUNCTION (SQL Scalar, Table, or Row), CREATE TRIGGER, or CREATE VIEW statement (SQLSTATE 42995).
 - Be specified in referential constraints (SQLSTATE 42995).
- **Compatibilities**
 - For compatibility with DB2 for z/OS:
 - The following syntax is accepted as the default behavior:
 - CCSID ASCII
 - CCSID UNICODE

DELETE

The DELETE statement deletes rows from a table, nickname, or view, or the underlying tables, nicknames, or views of the specified fullselect. Deleting a row from a nickname deletes the row from the data source object to which the nickname refers. Deleting a row from a view deletes the row from the table on which the view is based if no INSTEAD OF trigger is defined for the delete operation on this view. If such a trigger is defined, the trigger will be executed instead.

There are two forms of this statement:

- The *Searched* DELETE form is used to delete one or more rows (optionally determined by a search condition).
- The *Positioned* DELETE form is used to delete exactly one row (as determined by the current position of a cursor).

Invocation

A DELETE statement can be embedded in an application program or issued through the use of dynamic SQL statements. It is an executable statement that can be dynamically prepared.

Authorization

To execute either form of this statement, the privileges held by the authorization ID of the statement must include at least one of the following:

- DELETE privilege on the table, view, or nickname from which rows are to be deleted
- CONTROL privilege on the table, view, or nickname from which rows are to be deleted

- SYSADM or DBADM authority

To execute a Searched DELETE statement, the privileges held by the authorization ID of the statement must also include at least one of the following for each table, view, or nickname referenced by a subquery:

- SELECT privilege
- CONTROL privilege
- SYSADM or DBADM authority

If the package used to process the statement is precompiled with SQL92 rules (option LANGLEVEL with a value of SQL92E or MIA), and the searched form of a DELETE statement includes a reference to a column of the table or view in the *search-condition*, the privileges held by the authorization ID of the statement must also include at least one of the following:

- SELECT privilege
- CONTROL privilege
- SYSADM or DBADM authority

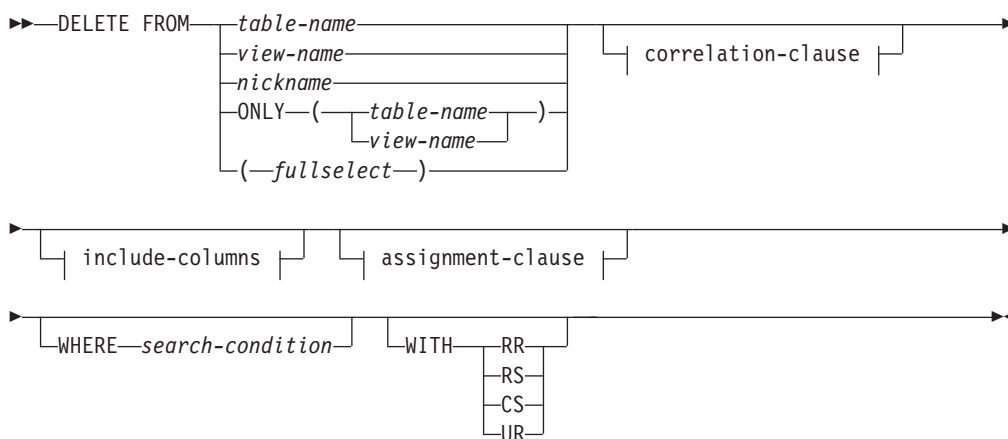
If the specified table or view is preceded by the ONLY keyword, the privileges held by the authorization ID of the statement must also include the SELECT privilege for every subtable or subview of the specified table or view.

Group privileges are not checked for static DELETE statements.

If the target of the delete operation is a nickname, the privileges on the object at the data source are not considered until the statement is executed at the data source. At this time, the authorization ID that is used to connect to the data source must have the privileges required for the operation on the object at the data source. The authorization ID of the statement can be mapped to a different authorization ID at the data source.

Syntax

searched-delete:



include-columns:

DELETE

| INCLUDE (*column-name* *data-type*) |

positioned-delete:

▶ DELETE FROM *table-name* | *view-name* | *nickname* | ONLY (*table-name* | *view-name*) | *correlation-clause* |

▶ WHERE CURRENT OF *cursor-name* ▶

correlation-clause:

| AS | *correlation-name* | (*column-name*) |

Description

FROM *table-name*, *view-name*, *nickname*, or (*fullselect*)

Identifies the object of the delete operation. The name must identify a table or view that exists in the catalog, but it must not identify a catalog table, a catalog view, a system-maintained materialized query table, or a read-only view.

If *table-name* is a typed table, rows of the table or any of its proper subtables may get deleted by the statement.

If *view-name* is a typed view, rows of the underlying table or underlying tables of the view's proper subviews may get deleted by the statement. If *view-name* is a regular view with an underlying table that is a typed table, rows of the typed table or any of its proper subtables may get deleted by the statement.

If the object of the delete operation is a fullselect, the fullselect must be deletable, as defined in the "Deletable views" Notes item in the description of the CREATE VIEW statement.

Only the columns of the specified table can be referenced in the WHERE clause. For a positioned DELETE, the associated cursor must also have specified the table or view in the FROM clause without using ONLY.

FROM ONLY (*table-name*)

Applicable to typed tables, the ONLY keyword specifies that the statement should apply only to data of the specified table and rows of proper subtables cannot be deleted by the statement. For a positioned DELETE, the associated cursor must also have specified the table in the FROM clause using ONLY. If *table-name* is not a typed table, the ONLY keyword has no effect on the statement.

FROM ONLY (*view-name*)

Applicable to typed views, the ONLY keyword specifies that the statement should apply only to data of the specified view and rows of proper subviews cannot be deleted by the statement. For a positioned DELETE, the associated

cursor must also have specified the view in the FROM clause using ONLY. If *view-name* is not a typed view, the ONLY keyword has no effect on the statement.

correlation-clause

Can be used within the *search-condition* to designate a table, view, nickname, or fullselect. For a description of *correlation-clause*, see “table-reference” in the description of “Subselect”.

include-columns

Specifies a set of columns that are included, along with the columns of *table-name* or *view-name*, in the intermediate result table of the DELETE statement when it is nested in the FROM clause of a fullselect. The *include-columns* are appended at the end of the list of columns that are specified for *table-name* or *view-name*.

INCLUDE

Specifies a list of columns to be included in the intermediate result table of the DELETE statement.

column-name

Specifies a column of the intermediate result table of the DELETE statement. The name cannot be the same as the name of another include column or a column in *table-name* or *view-name* (SQLSTATE 42711).

data-type

Specifies the data type of the include column. The data type must be one that is supported by the CREATE TABLE statement.

assignment-clause

See the description of *assignment-clause* under the UPDATE statement. The same rules apply. The *include-columns* are the only columns that can be set using the *assignment-clause* (SQLSTATE 42703).

WHERE

Specifies a condition that selects the rows to be deleted. The clause can be omitted, a search condition specified, or a cursor named. If the clause is omitted, all rows of the table or view are deleted.

search-condition

Each *column-name* in the search condition, other than in a subquery must identify a column of the table or view.

The *search-condition* is applied to each row of the table, view, or nickname, and the deleted rows are those for which the result of the *search-condition* is true.

If the search condition contains a subquery, the subquery can be thought of as being executed each time the *search condition* is applied to a row, and the results used in applying the *search condition*. In actuality, a subquery with no correlated references is executed once, whereas a subquery with a correlated reference may have to be executed once for each row. If a subquery refers to the object table of a DELETE statement or a dependent table with a delete rule of CASCADE or SET NULL, the subquery is completely evaluated before any rows are deleted.

CURRENT OF *cursor-name*

Identifies a cursor that is defined in a DECLARE CURSOR statement of the program. The DECLARE CURSOR statement must precede the DELETE statement.

DELETE

The table, view, or nickname named must also be named in the FROM clause of the SELECT statement of the cursor, and the result table of the cursor must not be read-only. (For an explanation of read-only result tables, see “DECLARE CURSOR”.)

When the DELETE statement is executed, the cursor must be positioned on a row: that row is the one deleted. After the deletion, the cursor is positioned before the next row of its result table. If there is no next row, the cursor is positioned after the last row.

WITH

Specifies the isolation level used when locating the rows to be deleted.

RR

Repeatable Read

RS

Read Stability

CS

Cursor Stability

UR

Uncommitted Read

The default isolation level of the statement is the isolation level of the package in which the statement is bound. The WITH clause has no effect on nicknames, which always use the default isolation level of the statement.

Rules

- **Triggers:** DELETE statements may cause triggers to be executed. A trigger may cause other statements to be executed, or may raise error conditions based on the deleted rows. If a DELETE statement on a view causes an INSTEAD OF trigger to fire, referential integrity will be checked against the updates performed in the trigger, and not against the underlying tables of the view that caused the trigger to fire.
- **Referential Integrity:** If the identified table or the base table of the identified view is a parent, the rows selected for delete must not have any dependents in a relationship with a delete rule of RESTRICT, and the DELETE must not cascade to descendent rows that have dependents in a relationship with a delete rule of RESTRICT.

If the delete operation is not prevented by a RESTRICT delete rule, the selected rows are deleted. Any rows that are dependents of the selected rows are also affected:

- The nullable columns of the foreign keys of any rows that are their dependents in a relationship with a delete rule of SET NULL are set to the null value.
- Any rows that are their dependents in a relationship with a delete rule of CASCADE are also deleted, and the above rules apply, in turn, to those rows.

The delete rule of NO ACTION is checked to enforce that any non-null foreign key refers to an existing parent row after the other referential constraints have been enforced.

- **Security Policy:** If the identified table or the base table of the identified view is protected with a security policy, the session authorization ID must have the label-based access control (LBAC) credentials that allow:
 - Write access to all protected columns (SQLSTATE 42512)

- Read and write access to all of the rows that are selected for deletion (SQLSTATE 42519)

Notes

- If an error occurs during the execution of a multiple row DELETE, no changes are made to the database.
- Unless appropriate locks already exist, one or more exclusive locks are acquired during the execution of a successful DELETE statement. Issuing a COMMIT or ROLLBACK statement will release the locks. Until the locks are released by a commit or rollback operation, the effect of the delete operation can only be perceived by:
 - The application process that performed the deletion
 - Another application process using isolation level UR.

The locks can prevent other application processes from performing operations on the table.

- If an application process deletes a row on which any of its cursors are positioned, those cursors are positioned before the next row of their result table. Let C be a cursor that is positioned before row R (as a result of an OPEN, a DELETE through C, a DELETE through some other cursor, or a searched DELETE). In the presence of INSERT, UPDATE, and DELETE operations that affect the base table from which R is derived, the next FETCH operation referencing C does not necessarily position C on R. For example, the operation can position C on R', where R' is a new row that is now the next row of the result table.
- SQLERRD(3) in the SQLCA shows the number of rows that qualified for the delete operation. In the context of an SQL procedure statement, the value can be retrieved using the ROW_COUNT variable of the GET DIAGNOSTICS statement. SQLERRD(5) in the SQLCA shows the number of rows affected by referential constraints and by triggered statements. It includes rows that were deleted as a result of a CASCADE delete rule and rows in which foreign keys were set to NULL as the result of a SET NULL delete rule. With regards to triggered statements, it includes the number of rows that were inserted, updated, or deleted.
- If an error occurs that prevents deleting all rows matching the search condition and all operations required by existing referential constraints, no changes are made to the table and the error is returned.
- For nicknames, the external server option iud_app_svpt_enforce poses an additional limitation. Refer to the Federated documentation for more information.
- For some data sources, the SQLCODE -20190 may be returned on a delete against a nickname because of potential data inconsistency. Refer to the Federated documentation for more information.

Examples

Example 1: Delete department (DEPTNO) 'D11' from the DEPARTMENT table.

```
DELETE FROM DEPARTMENT
WHERE DEPTNO = 'D11'
```

Example 2: Delete all the departments from the DEPARTMENT table (that is, empty the table).

```
DELETE FROM DEPARTMENT
```

DELETE

Example 3: Delete from the EMPLOYEE table any sales rep or field rep who didn't make a sale in 1995.

```
DELETE FROM EMPLOYEE
WHERE LASTNAME NOT IN
(SELECT SALES_PERSON
 FROM SALES
 WHERE YEAR(SALES_DATE)=1995)
AND JOB IN ('SALESREP','FIELDREP')
```

Example 4: Delete all the duplicate employee rows from the EMPLOYEE table. An employee row is considered to be a duplicate if the last names match. Keep the employee row with the smallest first name in lexical order.

```
DELETE FROM
(SELECT ROWNUMBER() OVER (PARTITION BY LASTNAME ORDER BY FIRSTNAME)
 FROM EMPLOYEE) AS E(RN)
WHERE RN = 1
```

DESCRIBE

The DESCRIBE statement obtains information about an object. There are two types of information that can be obtained with this statement. Each of these is described separately.

- Input parameter markers of a prepared statement. Gets information about the input parameter markers in a prepared statement. This information is put into a descriptor.
- The output of a prepared statement. Gets information about a prepared statement or information about the select list columns in a prepared SELECT statement. This information is put into a descriptor.

DESCRIBE INPUT

The DESCRIBE INPUT statement obtains information about the input parameter markers of a prepared statement.

Invocation

This statement can only be embedded in an application program. It is an executable statement that cannot be dynamically prepared.

Authorization

None required.

Syntax

```
➤—DESCRIBE INPUT—statement-name—INTO—descriptor-name—➤
```

Description

statement-name

Identifies the prepared statement. When the DESCRIBE INPUT statement is executed, the name must identify a statement that has been prepared by the application process at the current server.

For a CALL statement, the information returned describes the input parameters, defined as IN or INOUT, of the procedure. Input parameter markers are always considered nullable, regardless of usage.

INTO *descriptor-name*

Identifies an SQL descriptor area (SQLDA). Before the DESCRIBE INPUT statement is executed, the following variable in the SQLDA must be set:

SQLN Specifies the number of SQLVAR occurrences provided in the SQLDA. SQLN must be set to a value greater than or equal to zero before the DESCRIBE INPUT statement is executed.

When the DESCRIBE INPUT statement is executed, the database manager assigns values to the variables of the SQLDA as follows:

SQLDAID

The first 6 bytes are set to 'SQLDA ' (that is, 5 letters followed by the space character).

The seventh byte, defined as SQLDOUBLED, is set based on the parameter markers described:

- If the SQLDA contains two SQLVAR entries for every input parameter, the seventh byte is set to '2'. This technique is used to accommodate LOB or structured type input parameters.
- Otherwise, the seventh byte is set to the space character.

The seventh byte is set to the space character if there is not enough room in the SQLDA to contain the description of all input parameter markers.

The eighth byte is set to the space character.

SQLDABC

Length of the SQLDA in bytes.

SQLD The number of IN and INOUT parameters of the procedure.

SQLVAR

If the value of SQLD is 0, or greater than the value of SQLN, no values are assigned to occurrences of SQLVAR.

If the value of SQLD is n , where n is greater than 0 but less than or equal to the value of SQLN, values are assigned to the first n occurrences of SQLVAR. The values describe parameter markers for the input parameters of the procedure. The first occurrence of SQLVAR describes the first input parameter marker, the second occurrence of SQLVAR describes the second input parameter marker, and so on.

Base SQLVAR

SQLTYPE

A code showing the data type of the parameter and whether or not it can contain null values.

SQLLEN

A length value depending on the data type of the parameter. SQLLEN is 0 for LOB data types.

SQLNAME

If the SQLVAR corresponds to a parameter marker that is not part of an expression in the parameter list of a procedure, sqlname contains the name of the parameter if one was specified on the CREATE PROCEDURE statement.

DESCRIBE INPUT

Secondary SQLVAR

These variables are only used if the number of SQLVAR entries are doubled to accommodate LOB, distinct type, structured type, or reference type parameters.

SQLLONGLEN

The length attribute of a BLOB, CLOB, or DBCLOB parameter.

SQLDATATYPE_NAME

For any user-defined type (distinct or structured) parameter, the database manager sets this to the fully qualified user-defined type name. For a reference type parameter, the database manager sets this to the fully qualified user-defined type name of the target type of the reference. Otherwise, schema name is SYSIBM and the type name is the name in the TYPENAME column of the SYSCAT.DATATYPES catalog view.

Notes

- **Preparing the SQLDA:** Before the DESCRIBE INPUT statement is executed, the SQLDA must be allocated and the value of SQLN must be set to a value greater than or equal to zero to indicate how many occurrences of SQLVAR are provided in the SQLDA. Enough storage must be allocated to contain SQLN occurrences. To obtain the description of the input parameter markers in the prepared statement, the number of occurrences of SQLVAR must not be less than the number of input parameter markers. Furthermore, if the input parameter markers include LOBs or structured types, the number of occurrences of SQLVAR should be two times the number of input parameter markers.
- Code page conversions between extended UNIX code (EUC) code pages and DBCS code pages, or between Unicode and non-Unicode code pages, can result in expansion or contraction of character lengths.
- If a structured type is being selected, but no FROM SQL transform is defined (either because no TRANSFORM GROUP was specified using the CURRENT DEFAULT TRANSFORM GROUP special register (SQLSTATE 428EM), or because the named group does not have a FROM SQL transform function defined (SQLSTATE 42744)), an error is returned.
- **Allocating the SQLDA:** Among the possible ways to allocate the SQLDA are the three described below.

First Technique: Allocate an SQLDA with enough occurrences of SQLVAR to accommodate any select list that the application will have to process. If the table contains any LOB, distinct type, structured type, or reference type columns, the number of SQLVARs should be double the maximum number of columns; otherwise the number should be the same as the maximum number of columns. Having done the allocation, the application can use this SQLDA repeatedly.

This technique uses a large amount of storage that is never deallocated, even when most of this storage is not used for a particular select list.

Second Technique: Repeat the following two steps for every processed select list:

1. Execute a DESCRIBE INPUT statement with an SQLDA that has no occurrences of SQLVAR; that is, an SQLDA for which SQLN is zero. The value returned for SQLD is the number of columns in the result table. This is either the required number of occurrences of SQLVAR or half the required number. Because there were no SQLVAR entries, a warning with SQLSTATE 01005 will be issued. If the SQLCODE accompanying that warning is equal to one of +237, +238 or +239, the number of SQLVAR entries should be double the value returned in SQLD. (The return of these positive SQLCODEs

assumes that the SQLWARN bind option setting was YES (return positive SQLCODEs). If SQLWARN was set to NO, +238 is still returned to indicate that the number of SQLVAR entries must be double the value returned in SQLD.)

2. Allocate an SQLDA with enough occurrences of SQLVAR. Then execute the DESCRIBE statement again, using this new SQLDA.

This technique allows better storage management than the first technique, but it doubles the number of DESCRIBE INPUT statements.

Third Technique: Allocate an SQLDA that is large enough to handle most, and perhaps all, select lists but is also reasonably small. Execute DESCRIBE INPUT and check the SQLD value. Use the SQLD value for the number of occurrences of SQLVAR to allocate a larger SQLDA, if necessary.

This technique is a compromise between the first two techniques. Its effectiveness depends on a good choice of size for the original SQLDA.

Example

Execute a DESCRIBE INPUT statement with an SQLDA that has enough SQLVAR occurrences to describe any number of input parameters a prepared statement might have. Assume that five parameter markers at most will need to be described and that the input data does not contain LOBs.

```

    /* STMT1_STR contains INSERT statement with VALUES clause */
EXEC SQL PREPARE STMT1_NAME FROM :STMT1_STR;
... /* code to set SQLN to 5 and to allocate the SQLDA */
EXEC SQL DESCRIBE INPUT STMT1_NAME INTO :SQLDA;
.
.
.

```

This example uses the first technique described under “Allocating the SQLDA” in “DESCRIBE OUTPUT”.

DESCRIBE OUTPUT

The DESCRIBE OUTPUT statement obtains information about a prepared statement.

Invocation

This statement can only be embedded in an application program. It is an executable statement that cannot be dynamically prepared.

Authorization

None required.

Syntax

```

▶▶—DESCRIBE—OUTPUT—statement-name—INTO—descriptor-name—◀◀

```

Description

statement-name

Identifies the prepared statement. When the DESCRIBE OUTPUT statement is

DESCRIBE OUTPUT

executed, the name must identify a statement that has been prepared by the application process at the current server.

If the prepared statement is a SELECT or VALUES INTO statement, the information returned describes the columns in its result table. If the prepared statement is a CALL statement, the information returned describes the output parameters, defined as OUT or INOUT, of the procedure.

INTO *descriptor-name*

Identifies an SQL descriptor area (SQLDA). Before the DESCRIBE OUTPUT statement is executed, the following variable in the SQLDA must be set:

SQLN Specifies the number of SQLVAR occurrences provided in the SQLDA. SQLN must be set to a value greater than or equal to zero before the DESCRIBE OUTPUT statement is executed.

When the DESCRIBE OUTPUT statement is executed, the database manager assigns values to the variables of the SQLDA as follows:

SQLDAID

The first 6 bytes are set to 'SQLDA ' (that is, 5 letters followed by the space character).

The seventh byte, defined as SQLDOUBLED, is set based on the results columns or parameter markers described:

- If the SQLDA contains two SQLVAR entries for every column or output parameter, the seventh byte is set to '2'. This technique is used to accommodate LOB, distinct type, structured type, or reference type columns, or output parameters.
- Otherwise, the seventh byte is set to the space character.

The seventh byte is set to the space character if there is not enough room in the SQLDA to contain the description of all result columns or output parameter markers.

The eighth byte is set to the space character.

SQLDABC

Length of the SQLDA in bytes.

SQLD If the prepared statement is a SELECT, SQLD is set to the number of columns in its result table. If the prepared statement is a CALL statement, SQLD is set to the number of OUT and INOUT parameters of the procedure. Otherwise, SQLD is set to 0.

SQLVAR

If the value of SQLD is 0, or greater than the value of SQLN, no values are assigned to occurrences of SQLVAR.

If the value of SQLD is n , where n is greater than 0 but less than or equal to the value of SQLN, values are assigned to SQLTYPE, SQLLEN, SQLNAME, SQLLONGLEN, and SQLDATATYPE_NAME for the first n occurrences of SQLVAR. These values describe either columns of the result table or parameter markers for the output parameters of the procedure. The first occurrence of SQLVAR describes the first column or output parameter marker, the second occurrence of SQLVAR describes the second column or output parameter marker, and so on.

Base SQLVAR

SQLTYPE

A code showing the data type of the column or parameter and whether or not it can contain null values.

SQLLEN

A length value depending on the data type of the column or parameter. SQLLEN is 0 for LOB data types.

SQLNAME

The sqlname is derived as follows:

- If the SQLVAR corresponds to a derived column for a simple column reference in the select list of a select-statement, sqlname is the name of the column.
- If the SQLVAR corresponds to a parameter marker that is not part of an expression in the parameter list of a procedure, sqlname contains the name of the parameter if one was specified on CREATE PROCEDURE.
- Otherwise sqlname contains an ASCII numeric literal value that represents the SQLVAR's position within the SQLDA.

Secondary SQLVAR

These variables are only used if the number of SQLVAR entries is doubled to accommodate LOB, distinct type, structured type, or reference type columns or parameters.

SQLLONGLEN

The length attribute of a BLOB, CLOB, or DBCLOB column or parameter.

SQLDATATYPE_NAME

For any user-defined type (distinct or structured) column or parameter, the database manager sets this to the fully qualified user-defined type name. For a reference type column or parameter, the database manager sets this to the fully qualified user-defined type name of the target type of the reference. Otherwise, schema name is SYSIBM and the type name is the name in the TYPENAME column of the SYSCAT.DATATYPES catalog view.

Notes

- Before the DESCRIBE OUTPUT statement is executed, the value of SQLN must be set to indicate how many occurrences of SQLVAR are provided in the SQLDA and enough storage must be allocated to contain SQLN occurrences. For example, to obtain the description of the columns of the result table of a prepared SELECT statement, the number of occurrences of SQLVAR must not be less than the number of columns.
- If a LOB of a large size is expected, then remember that manipulating this large object will affect application memory. Given this condition, consider using locators or file reference variables. Modify the SQLDA after the DESCRIBE OUTPUT statement is executed but prior to allocating storage so that an SQLTYPE of SQL_TYP_xLOB is changed to SQL_TYP_xLOB_LOCATOR or SQL_TYP_xLOB_FILE with corresponding changes to other fields such as SQLLEN. Then allocate storage based on SQLTYPE and continue.
- Code page conversions between extended UNIX code (EUC) code pages and DBCS code pages, or between Unicode and non-Unicode code pages, can result in the expansion and contraction of character lengths.

DESCRIBE OUTPUT

- If a structured type is being selected, but no FROM SQL transform is defined (either because no TRANSFORM GROUP was specified using the CURRENT DEFAULT TRANSFORM GROUP special register (SQLSTATE 428EM), or because the named group does not have a FROM SQL transform function defined (SQLSTATE 42744)), an error is returned.
- **Allocating the SQLDA:** Among the possible ways to allocate the SQLDA are the three described below.

First Technique: Allocate an SQLDA with enough occurrences of SQLVAR to accommodate any select list that the application will have to process. If the table contains any LOB, distinct type, structured type, or reference type columns, the number of SQLVARs should be double the maximum number of columns; otherwise the number should be the same as the maximum number of columns. Having done the allocation, the application can use this SQLDA repeatedly.

This technique uses a large amount of storage that is never deallocated, even when most of this storage is not used for a particular select list.

Second Technique: Repeat the following two steps for every processed select list:

1. Execute a DESCRIBE OUTPUT statement with an SQLDA that has no occurrences of SQLVAR; that is, an SQLDA for which SQLN is zero. The value returned for SQLD is the number of columns in the result table. This is either the required number of occurrences of SQLVAR or half the required number. Because there were no SQLVAR entries, a warning with SQLSTATE 01005 will be issued. If the SQLCODE accompanying that warning is equal to one of +237, +238 or +239, the number of SQLVAR entries should be double the value returned in SQLD. (The return of these positive SQLCODEs assumes that the SQLWARN bind option setting was YES (return positive SQLCODEs). If SQLWARN was set to NO, +238 is still returned to indicate that the number of SQLVAR entries must be double the value returned in SQLD.)
2. Allocate an SQLDA with enough occurrences of SQLVAR. Then execute the DESCRIBE OUTPUT statement again, using this new SQLDA.

This technique allows better storage management than the first technique, but it doubles the number of DESCRIBE OUTPUT statements.

Third Technique: Allocate an SQLDA that is large enough to handle most, and perhaps all, select lists but is also reasonably small. Execute DESCRIBE and check the SQLD value. Use the SQLD value for the number of occurrences of SQLVAR to allocate a larger SQLDA, if necessary.

This technique is a compromise between the first two techniques. Its effectiveness depends on a good choice of size for the original SQLDA.

- *Considerations for implicitly hidden columns:* A DESCRIBE OUTPUT statement returns only information about an implicitly hidden column if the column is explicitly specified as part of the SELECT list of the final result table of the query being described. If implicitly hidden columns are not part of the result table of a query, a DESCRIBE OUTPUT statement that returns information about that query will not contain information about any implicitly hidden columns.

Example

In a C program, execute a DESCRIBE OUTPUT statement with an SQLDA that has no occurrences of SQLVAR. If SQLD is greater than zero, use the value to allocate an SQLDA with the necessary number of occurrences of SQLVAR and then execute a DESCRIBE statement using that SQLDA.

```
EXEC SQL BEGIN DECLARE SECTION;  
char stmt1_str[200];  
EXEC SQL END DECLARE SECTION;
```



```

EXEC SQL INCLUDE SQLDA;
EXEC SQL DECLARE DYN_CURSOR CURSOR FOR STMT1_NAME;

... /* code to prompt user for a query, then to generate */
    /* a select-statement in the stmt1_str */
EXEC SQL PREPARE STMT1_NAME FROM :stmt1_str;

... /* code to set SQLN to zero and to allocate the SQLDA */
EXEC SQL DESCRIBE STMT1_NAME INTO :sqlda;

... /* code to check that SQLD is greater than zero, to set */
    /* SQLN to SQLD, then to re-allocate the SQLDA */
EXEC SQL DESCRIBE STMT1_NAME INTO :sqlda;

... /* code to prepare for the use of the SQLDA */
    /* and allocate buffers to receive the data */
EXEC SQL OPEN DYN_CURSOR;

... /* loop to fetch rows from result table */
EXEC SQL FETCH DYN_CURSOR USING DESCRIPTOR :sqlda;
.
.
.

```

DISCONNECT

The DISCONNECT statement destroys one or more connections when there is no active unit of work (that is, after a commit or rollback operation). If a single connection is the target of the DISCONNECT statement, the connection is destroyed only if the database has participated in an existing unit of work, regardless of whether there is an active unit of work. For example, if several other databases have done work, but the target in question has not, it can still be disconnected without destroying the connection.

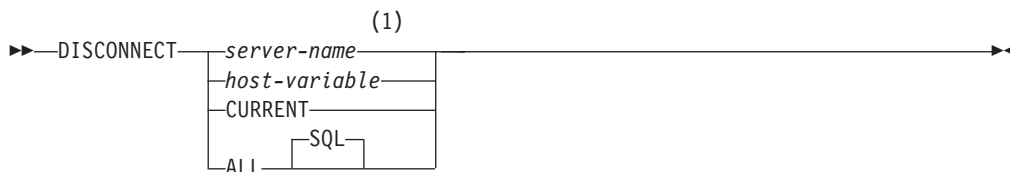
Invocation

Although an interactive SQL facility might provide an interface that gives the appearance of interactive execution, this statement can only be embedded within an application program. It is an executable statement that cannot be dynamically prepared.

Authorization

None required.

Syntax



Notes:

- 1 Note that an application server named CURRENT or ALL can only be identified by a host variable.

DISCONNECT

Description

server-name or *host-variable*

Identifies the application server by the specified *server-name* or a *host-variable* which contains the *server-name*.

If a *host-variable* is specified, it must be a character string variable with a length attribute that is not greater than 8, and it must not include an indicator variable. The *server-name* that is contained within the *host-variable* must be left-justified and must not be delimited by quotation marks.

Note that the *server-name* is a database alias identifying the application server. It must be listed in the application requester's local directory.

The specified database-alias or the database-alias contained in the host variable must identify an existing connection of the application process. If the database-alias does not identify an existing connection, an error (SQLSTATE 08003) is raised.

CURRENT

Identifies the current connection of the application process. The application process must be in the connected state. If not, an error (SQLSTATE 08003) is raised.

ALL

Indicates that all existing connections of the application process are to be destroyed. An error or warning does not occur if no connections exist when the statement is executed. The optional keyword SQL is included to be consistent with the syntax of the RELEASE statement.

Rules

- Generally, the DISCONNECT statement cannot be executed while within a unit of work. If attempted, an error (SQLSTATE 25000) is raised. The exception to this rule is if a single connection is specified to be disconnected and the database has not participated in an existing unit of work. In this case, it does not matter if there is an active unit of work when the DISCONNECT statement is issued.
- The DISCONNECT statement cannot be executed at all in the Transaction Processing (TP) Monitor environment (SQLSTATE 25000). Only valid when using the DB2 Transaction Manager.

Notes

- If the DISCONNECT statement is successful, each identified connection is destroyed.

If the DISCONNECT statement is unsuccessful, the connection state of the application process and the states of its connections are unchanged.

- If DISCONNECT is used to destroy the current connection, the next executed SQL statement should be CONNECT or SET CONNECTION.
- Type 1 CONNECT semantics do not preclude the use of DISCONNECT. However, though DISCONNECT CURRENT and DISCONNECT ALL can be used, they will not result in a commit operation like a CONNECT RESET statement would do.

If *server-name* or *host-variable* is specified in the DISCONNECT statement, it must identify the current connection because Type 1 CONNECT only supports one connection at a time. Generally, DISCONNECT will fail if within a unit of work with the exception noted in "Rules".

- Resources are required to create and maintain remote connections. Thus, a remote connection that is not going to be reused should be destroyed as soon as possible.
- Connections can also be destroyed during a commit operation because the connection option is in effect. The connection option could be `AUTOMATIC`, `CONDITIONAL`, or `EXPLICIT`, which can be set as a precompiler option or through the `SET CLIENT API` at run time. For information about the specification of the `DISCONNECT` option, see “Distributed relational databases”.

Examples

Example 1: The SQL connection to `IBMSTHDB` is no longer needed by the application. The following statement should be executed after a commit or rollback operation to destroy the connection.

```
EXEC SQL DISCONNECT IBMSTHDB;
```

Example 2: The current connection is no longer needed by the application. The following statement should be executed after a commit or rollback operation to destroy the connection.

```
EXEC SQL DISCONNECT CURRENT;
```

Example 3: The existing connections are no longer needed by the application. The following statement should be executed after a commit or rollback operation to destroy all the connections.

```
EXEC SQL DISCONNECT ALL;
```

DROP

The `DROP` statement deletes an object. Any objects that are directly or indirectly dependent on that object are either deleted or made inoperative. Whenever an object is deleted, its description is deleted from the catalog, and any packages that reference the object are invalidated.

Invocation

This statement can be embedded in an application program or issued through the use of dynamic SQL statements. It is an executable statement that can be dynamically prepared only if `DYNAMICRULES` run behavior is in effect for the package (`SQLSTATE 42509`).

Authorization

When dropping objects that allow two-part names, the privileges held by the authorization ID of the statement must include at least one of the following:

- `DROPIN` privilege on the schema for the object
- Owner of the object, as recorded in the `OWNER` column of the catalog view for the object
- `CONTROL` privilege on the object (applicable only to indexes, index specifications, nicknames, packages, tables, and views)
- Owner of the user-defined type, as recorded in the `OWNER` column of the `SYSCAT.DATATYPES` catalog view (applicable only when dropping a method that is associated with a user-defined type)
- `SYSADM` or `DBADM` authority

DROP

When dropping a table or view hierarchy, the privileges held by the authorization ID of the statement must include one of the above privileges for each of the tables or views in the hierarchy.

When dropping a schema, the authorization ID of the statement must hold SYSADM or DBADM authority, or be the schema owner, as recorded in the OWNER column of the SYSCAT.SCHEMATA catalog view.

When dropping a buffer pool, database partition group, histogram template, or table space, the authorization ID of the statement must hold SYSADM or SYSCTRL authority.

When dropping a data type mapping, event monitor, function mapping, server definition, service class, work action set, work class set, workload, threshold, histogram, or wrapper, the authorization ID of the statement must hold SYSADM or DBADM authority.

When dropping a user mapping, the authorization ID of the statement must hold SYSADM or DBADM authority, if this authorization ID is different from the federated database authorization name within the mapping. Otherwise, if the authorization ID and the authorization name match, no authorities or privileges are required.

When dropping a transform, the authorization ID of the statement must hold SYSADM or DBADM authority, or must be the owner of *type-name*.

When dropping an audit policy, a role, a security label, a security label component, a security policy, or a trusted context, the authorization ID of the statement must hold SECADM authority.

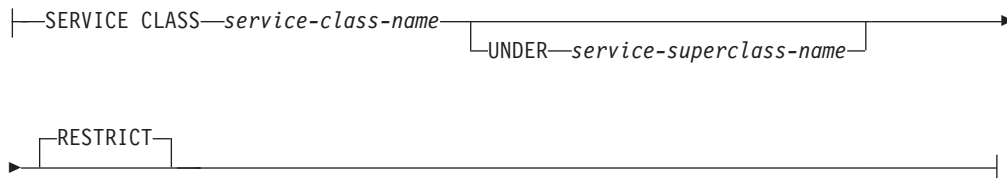
Syntax

►►—DROP—————►

ALIAS	<i>alias-name</i>
AUDIT POLICY	<i>policy-name</i>
BUFFERPOOL	<i>bufferpool-name</i>
EVENT MONITOR	<i>event-monitor-name</i>
FUNCTION	<i>function-name</i> ((<i>data-type</i>)) RESTRICT
SPECIFIC FUNCTION	<i>specific-name</i> RESTRICT
FUNCTION MAPPING	<i>function-mapping-name</i>
HISTOGRAM TEMPLATE	<i>template-name</i> (1)
INDEX	<i>index-name</i>
INDEX EXTENSION	<i>index-extension-name</i> RESTRICT
METHOD	<i>method-name</i> ((<i>datatype</i>)) FOR <i>type-name</i> RESTRICT
SPECIFIC METHOD	<i>specific-name</i> RESTRICT
NICKNAME	<i>nickname</i>
DATABASE PARTITION GROUP	<i>db-partition-group-name</i>
PACKAGE	<i>schema-name.</i> <i>package-id</i> VERSION <i>version-id</i> RESTRICT
PROCEDURE	<i>procedure-name</i> ((<i>data-type</i>)) RESTRICT
ROLE	<i>role-name</i>
SPECIFIC PROCEDURE	<i>specific-name</i> RESTRICT
SCHEMA	<i>schema-name</i> RESTRICT
SECURITY LABEL	<i>security-label-name</i> RESTRICT
SECURITY LABEL COMPONENT	<i>sec-label-comp-name</i> RESTRICT
SECURITY POLICY	<i>security-policy-name</i> RESTRICT
SEQUENCE	<i>sequence-name</i> RESTRICT
SERVER	<i>server-name</i>
TABLE	<i>table-name</i>
TABLE HIERARCHY	<i>root-table-name</i>
TABLESPACE	<i>tablespace-name</i>
TABLESPACES	
TRANSFORM	ALL FOR <i>type-name</i>
TRANSFORMS	<i>group-name</i>
THRESHOLD	<i>threshold-name</i>
TRIGGER	<i>trigger-name</i>
TRUSTED CONTEXT	<i>context-name</i>
TYPE	<i>type-name</i> RESTRICT
TYPE MAPPING	<i>type-mapping-name</i>
USER MAPPING FOR	<i>authorization-name</i> SERVER <i>server-name</i> USER RESTRICT
VARIABLE	<i>variable-name</i> RESTRICT
VIEW	<i>view-name</i>
VIEW HIERARCHY	<i>root-view-name</i>
WORK ACTION SET	<i>work-action-set-name</i>
WORK CLASS SET	<i>work-class-set-name</i> RESTRICT
WORKLOAD	<i>workload-name</i>
WRAPPER	<i>wrapper-name</i>
XSRBJECT	<i>xsubject-name</i>

DROP

service-class:



Notes:

- 1 *Index-name* can be the name of either an index or an index specification.

Description

ALIAS *alias-name*

Identifies the alias that is to be dropped. The *alias-name* must identify an alias that is described in the catalog (SQLSTATE 42704). The specified alias is deleted.

All tables, views, and triggers that reference the alias are made inoperative. (This includes both the table referenced in the ON clause of the CREATE TRIGGER statement, and all tables referenced within the triggered SQL statements.)

AUDIT POLICY *policy-name*

Identifies the audit policy that is to be dropped. The *policy-name* must identify an audit policy that exists at the current server (SQLSTATE 42704). The audit policy must not be associated with any database objects (SQLSTATE 42893). The specified audit policy is deleted from the catalog.

BUFFERPOOL *bufferpool-name*

Identifies the buffer pool that is to be dropped. The *bufferpool-name* must identify a buffer pool that is described in the catalog (SQLSTATE 42704). There can be no table spaces assigned to the buffer pool (SQLSTATE 42893). The IBMDEFAULTBP buffer pool cannot be dropped (SQLSTATE 42832). Buffer pool memory is released immediately, to be used by DB2. Disk storage may not be released until the next connection to the database.

EVENT MONITOR *event-monitor-name*

Identifies the event monitor that is to be dropped. The *event-monitor-name* must identify an event monitor that is described in the catalog (SQLSTATE 42704).

If the identified event monitor is active, an error is returned (SQLSTATE 55034); otherwise, the event monitor is deleted. Note that if an event monitor has been previously activated using the SET EVENT MONITOR STATE statement, and the database has been deactivated and subsequently reactivated, use the SET EVENT MONITOR STATE statement to deactivate the event monitor before issuing the DROP statement.

If there are event files in the target path of a WRITE TO FILE event monitor that is being dropped, the event files are not deleted. However, if a new event monitor that specifies the same target path is created, the event files are deleted.

When dropping WRITE TO TABLE event monitors, table information is removed from the SYSCAT.EVENTTABLES catalog view, but the tables themselves are not dropped.

FUNCTION

Identifies an instance of a user-defined function (either a complete function or a function template) that is to be dropped. The function instance specified must be a user-defined function described in the catalog. Functions implicitly generated by the CREATE TYPE (Distinct) statement cannot be dropped.

There are several different ways available to identify the function instance:

FUNCTION *function-name*

Identifies the particular function, and is valid only if there is exactly one function instance with the *function-name*. The function thus identified may have any number of parameters defined for it. In dynamic SQL statements, the CURRENT SCHEMA special register is used as a qualifier for an unqualified object name. In static SQL statements the QUALIFIER precompile/bind option implicitly specifies the qualifier for unqualified object names. If no function by this name exists in the named or implied schema, an error is returned (SQLSTATE 42704). If there is more than one specific instance of the function in the named or implied schema, an error is returned (SQLSTATE 42725).

FUNCTION *function-name (data-type,...)*

Provides the function signature, which uniquely identifies the function to be dropped. The function selection algorithm is not used.

function-name

Gives the function name of the function to be dropped. In dynamic SQL statements, the CURRENT SCHEMA special register is used as a qualifier for an unqualified object name. In static SQL statements the QUALIFIER precompile/bind option implicitly specifies the qualifier for unqualified object names.

(data-type,...)

Must match the data types that were specified on the CREATE FUNCTION statement in the corresponding position. The number of data types, and the logical concatenation of the data types is used to identify the specific function instance which is to be dropped.

If the *data-type* is unqualified, the type name is resolved by searching the schemas on the SQL path. This also applies to data type names specified for a REFERENCE type.

It is not necessary to specify the length, precision or scale for the parameterized data types. Instead, an empty set of parentheses may be coded to indicate that these attributes are to be ignored when looking for a data type match.

FLOAT() cannot be used (SQLSTATE 42601) since the parameter value indicates different data types (REAL or DOUBLE).

If length, precision, or scale is coded, the value must exactly match that specified in the CREATE FUNCTION statement.

A type of FLOAT(n) does not need to match the defined value for n since $0 < n < 25$ means REAL and $24 < n < 54$ means DOUBLE. Matching occurs based on whether the type is REAL or DOUBLE.

RESTRICT

The RESTRICT keyword enforces the rule that the function is not to be dropped if any of the following dependencies exists:

- Another routine is sourced on the function.
- A view uses the function.

DROP

- A trigger uses the function.
- A materialized query table uses the function in its definition.

RESTRICT is the default behavior.

If no function with the specified signature exists in named or implied schema, an error is returned (SQLSTATE 42883).

SPECIFIC FUNCTION *specific-name*

Identifies the particular user-defined function that is to be dropped, using the specific name either specified or defaulted to at function creation time. In dynamic SQL statements, the CURRENT SCHEMA special register is used as a qualifier for an unqualified object name. In static SQL statements the QUALIFIER precompile/bind option implicitly specifies the qualifier for unqualified object names. The *specific-name* must identify a specific function instance in the named or implied schema; otherwise, an error is returned (SQLSTATE 42704).

RESTRICT

The RESTRICT keyword enforces the rule that the function is not to be dropped if any of the following dependencies exists:

- Another routine is sourced on the function.
- A view uses the function.
- A trigger uses the function.

RESTRICT is the default behavior.

It is not possible to drop a function that is in the SYSIBM, SYSFUN, or the SYSPROC schema (SQLSTATE 42832).

Other objects can be dependent upon a function. All such dependencies must be removed before the function can be dropped, with the exception of packages which are marked inoperative. An attempt to drop a function with such dependencies will result in an error (SQLSTATE 42893). See “Rules” on page 643 for a list of these dependencies.

If the function can be dropped, it is dropped.

Any package dependent on the specific function being dropped is marked as inoperative. Such a package is not implicitly rebound. It must either be rebound by use of the BIND or REBIND command, or it must be re-prepared by use of the PREP command.

FUNCTION MAPPING *function-mapping-name*

Identifies the function mapping that is to be dropped. The *function-mapping-name* must identify a user-defined function mapping that is described in the catalog (SQLSTATE 42704). The function mapping is deleted from the database.

Default function mappings cannot be dropped, but can be disabled by using the CREATE FUNCTION MAPPING statement. Dropping a user-defined function mapping that was created to override a default function mapping reinstates the default function mapping.

Packages having a dependency on a dropped function mapping are invalidated.

HISTOGRAM TEMPLATE *template-name*

Identifies the histogram template that is to be dropped. The *template-name* must identify a histogram template that exists at the current server (SQLSTATE

42704). The *template-name* cannot be SYSDEFAULTHISTOGRAM (SQLSTATE 42832). The histogram template cannot be dropped if a service class or a work action is dependent on it (SQLSTATE 42893). The specified histogram template is deleted from the catalog.

INDEX *index-name*

Identifies the index or index specification that is to be dropped. The *index-name* must identify an index or index specification that is described in the catalog (SQLSTATE 42704). It cannot be an index that is required by the system for a primary key or unique constraint, for a replicated materialized query table, or for an XML column (SQLSTATE 42917). The specified index or index specification is deleted.

Packages having a dependency on a dropped index or index specification are invalidated.

INDEX EXTENSION *index-extension-name* **RESTRICT**

Identifies the index extension that is to be dropped. The *index-extension-name* must identify an index extension that is described in the catalog (SQLSTATE 42704). The **RESTRICT** keyword enforces the rule that no index can be defined that depends on this index extension definition (SQLSTATE 42893).

METHOD

Identifies a method body that is to be dropped. The method body specified must be a method described in the catalog (SQLSTATE 42704). Method bodies that are implicitly generated by the **CREATE TYPE** statement cannot be dropped.

DROP METHOD deletes the body of a method, but the method specification (signature) remains as a part of the definition of the subject type. After dropping the body of a method, the method specification can be removed from the subject type definition by **ALTER TYPE DROP METHOD**.

There are several ways available to identify the method body to be dropped:

METHOD *method-name*

Identifies the particular method to be dropped, and is valid only if there is exactly one method instance with name *method-name* and subject type *type-name*. Thus, the method identified may have any number of parameters. If no method by this name exists for the type *type-name*, an error is returned (SQLSTATE 42704). If there is more than one specific instance of the method for the named data type, an error is returned (SQLSTATE 42725).

METHOD *method-name* (*data-type*,...)

Provides the method signature, which uniquely identifies the method to be dropped. The method selection algorithm is not used.

method-name

The method name of the method to be dropped for the specified type. The name must be an unqualified identifier.

(*data-type*, ...)

Must match the data types that were specified in the corresponding positions of the method-specification of the **CREATE TYPE** or **ALTER TYPE** statement. The number of data types and the logical concatenation of the data types are used to identify the specific method instance which is to be dropped.

If the *data-type* is unqualified, the type name is resolved by searching the schemas on the SQL path.

DROP

It is not necessary to specify the length, precision or scale for the parameterized data types. Instead, an empty set of parentheses may be coded to indicate that these attributes are to be ignored when looking for a data type match.

FLOAT() cannot be used (SQLSTATE 42601) since the parameter value indicates different data types (REAL or DOUBLE).

However, if length, precision, or scale is coded, the value must exactly match that specified in the CREATE TYPE statement.

A type of FLOAT(n) does not need to match the defined value for n since $0 < n < 25$ means REAL and $24 < n < 54$ means DOUBLE. Matching occurs based on whether the type is REAL or DOUBLE.

If no method with the specified signature exists for the named data type, an error is returned (SQLSTATE 42883).

FOR *type-name*

Names the type for which the specified method is to be dropped. The name must identify a type already described in the catalog (SQLSTATE 42704). In dynamic SQL statements, the CURRENT SCHEMA special register is used as a qualifier for an unqualified type name. In static SQL statements, the QUALIFIER precompile/bind option implicitly specifies the qualifier for unqualified type names.

RESTRICT

The RESTRICT keyword enforces the rule that the method is not to be dropped if any of the following dependencies exists:

- Another routine is sourced on the method.
- A view uses the method.
- A trigger uses the method.

RESTRICT is the default behavior.

SPECIFIC METHOD *specific-name*

Identifies the particular method that is to be dropped, using a name either specified or defaulted to at CREATE TYPE or ALTER TYPE time. If the specific name is unqualified, the CURRENT SCHEMA special register is used as a qualifier for an unqualified specific name in dynamic SQL. In static SQL statements the QUALIFIER precompile/bind option implicitly specifies the qualifier for an unqualified specific name. The specific-name must identify a method; otherwise, an error is returned (SQLSTATE 42704).

RESTRICT

The RESTRICT keyword enforces the rule that the method is not to be dropped if any of the following dependencies exists:

- Another routine is sourced on the method.
- A view uses the method.
- A trigger uses the function.

RESTRICT is the default method.

Other objects can be dependent upon a method. All such dependencies must be removed before the method can be dropped, with the exception of packages which will be marked inoperative if the drop is successful. An attempt to drop a method with such dependencies will result in an error (SQLSTATE 42893).

If the method can be dropped, it will be dropped.

Any package dependent on the specific method being dropped is marked as inoperative. Such a package is not implicitly re-bound. Either it must be re-bound by use of the BIND or REBIND command, or it must be re-prepared by use of the PREP command.

If the specific method being dropped overrides another method, all packages dependent on the overridden method — and on methods that override this method in supertypes of the specific method being dropped — are invalidated.

NICKNAME *nickname*

Identifies the nickname that is to be dropped. The nickname must be listed in the catalog (SQLSTATE 42704). The nickname is deleted from the database.

All information about the columns and indexes associated with the nickname is deleted from the catalog. Any materialized query tables that are dependent on the nickname are dropped. Any index specifications that are dependent on the nickname are dropped. Any views that are dependent on the nickname are marked inoperative. Any packages that are dependent on the dropped index specifications or inoperative views are invalidated. The data source table that the nickname references is not affected.

If an SQL function or method is dependent on a nickname, that nickname cannot be dropped (SQLSTATE 42893).

DATABASE PARTITION GROUP *db-partition-group-name*

Identifies the database partition group that is to be dropped. The *db-partition-group-name* parameter must identify a database partition group that is described in the catalog (SQLSTATE 42704). This is a one-part name.

Dropping a database partition group drops all table spaces defined in the database partition group. All existing database objects with dependencies on the tables in the table spaces (such as packages, referential constraints, and so on) are dropped or invalidated (as appropriate), and dependent views and triggers are made inoperative.

System-defined database partition groups cannot be dropped (SQLSTATE 42832).

If a DROP DATABASE PARTITION GROUP statement is issued against a database partition group that is currently undergoing a data redistribution, the drop database partition group operation fails, and an error is returned (SQLSTATE 55038). However, a partially redistributed database partition group can be dropped. A database partition group can become partially redistributed if a REDISTRIBUTE DATABASE PARTITION GROUP command does not execute to completion. This can happen if it is interrupted by either an error or a FORCE APPLICATION ALL command. (For a partially redistributed database partition group, the REBALANCE_PMAP_ID in the SYSCAT.DBPARTITIONGROUPS catalog is not -1.)

PACKAGE *schema-name.package-id*

Identifies the package that is to be dropped. If a schema name is not specified, the package identifier is implicitly qualified by the default schema. The schema name and package identifier, together with the implicitly or explicitly specified version identifier, must identify a package that is described in the catalog (SQLSTATE 42704). The specified package is deleted. If the package being dropped is the only package identified by *schema-name.package-id* (that is, there are no other versions), all privileges on the package are also deleted.

VERSION *version-id*

Identifies which package version is to be dropped. If a value is not specified, the version defaults to the empty string. If multiple packages

DROP

with the same package name but different versions exist, only one package version can be dropped in one invocation of the DROP statement. Delimit the version identifier with double quotation marks when it:

- Is generated by the VERSION(AUTO) precompiler option
- Begins with a digit
- Contains lowercase or mixed-case letters

If the statement is invoked from an operating system command prompt, precede each double quotation mark delimiter with a back slash character to ensure that the operating system does not strip the delimiters.

PROCEDURE

Identifies an instance of a procedure that is to be dropped. The procedure instance specified must be a procedure described in the catalog.

There are several different ways available to identify the procedure instance:

PROCEDURE *procedure-name*

Identifies the particular procedure to be dropped, and is valid only if there is exactly one procedure instance with the *procedure-name* in the schema. The procedure thus identified may have any number of parameters defined for it. If no procedure by this name exists in the named or implied schema, an error is returned (SQLSTATE 42704). In dynamic SQL statements, the CURRENT SCHEMA special register is used as a qualifier for an unqualified object name. In static SQL statements the QUALIFIER precompile/bind option implicitly specifies the qualifier for unqualified object names. If there is more than one specific instance of the procedure in the named or implied schema, an error (SQLSTATE 42725) is returned.

PROCEDURE *procedure-name (data-type,...)*

Provides the procedure signature, which uniquely identifies the procedure to be dropped. The procedure selection algorithm is not used. For federated procedures, the signature information is not specified on the CREATE PROCEDURE statement, but the information is available in the system catalog.

procedure-name

Gives the procedure name of the procedure to be dropped. In dynamic SQL statements, the CURRENT SCHEMA special register is used as a qualifier for an unqualified object name. In static SQL statements the QUALIFIER precompile/bind option implicitly specifies the qualifier for unqualified object names.

(data-type,...)

Must match the data types that were specified on the CREATE PROCEDURE statement in the corresponding position, except for federated procedures, where the data type must match what is stored in the local catalog for the corresponding parameter. The number of data types, and the logical concatenation of the data types is used to identify the specific procedure instance which is to be dropped.

If the *data-type* is unqualified, the type name is resolved by searching the schemas on the SQL path. This also applies to data type names specified for a REFERENCE type.

It is not necessary to specify the length, precision or scale for the parameterized data types. Instead, an empty set of parentheses may be coded to indicate that these attributes are to be ignored when looking for a data type match.

FLOAT() cannot be used (SQLSTATE 42601) since the parameter value indicates different data types (REAL or DOUBLE).

However, if length, precision, or scale is coded, the value must exactly match that specified in the CREATE PROCEDURE statement or, for federated procedures, it must exactly match what is stored in the local catalog for the corresponding parameter.

A type of FLOAT(n) does not need to match the defined value for n since 0<n<25 means REAL and 24<n<54 means DOUBLE. Matching occurs based on whether the type is REAL or DOUBLE.

RESTRICT

The RESTRICT keyword prevents the procedure from being dropped if a trigger definition, an SQL function, or an SQL method contains a CALL statement with the name of the procedure. RESTRICT is the default behavior.

If no procedure with the specified signature exists in named or implied schema, an error (SQLSTATE 42883) is returned.

ROLE *role-name*

Identifies the role that is to be dropped. The *role-name* must identify a role that already exists at the current server (SQLSTATE 42704). The *role-name* must not identify a role, or a role that contains *role-name*, if the role has either EXECUTE privilege on a routine or USAGE privilege on a sequence, and an SQL object other than a package is dependent on the routine or sequence (SQLSTATE 42893). The owner of the SQL object is either *authorization-name* or any user who is a member of *authorization-name*, where *authorization-name* is a role.

A DROP ROLE statement fails (SQLSTATE 42893) if any of the following is true for the role to be dropped:

- A workload exists such that one of the values for the connection attribute SESSION_USER ROLE is *role-name*
- A trusted context using *role-name* exists

The specified role is deleted from the catalog.

SPECIFIC PROCEDURE *specific-name*

Identifies the particular procedure that is to be dropped, using the specific name either specified or defaulted to at procedure creation time. In dynamic SQL statements, the CURRENT SCHEMA special register is used as a qualifier for an unqualified object name. In static SQL statements the QUALIFIER precompile/bind option implicitly specifies the qualifier for unqualified object names. The *specific-name* must identify a specific procedure instance in the named or implied schema; otherwise, an error is returned (SQLSTATE 42704).

RESTRICT

The RESTRICT keyword prevents the procedure from being dropped if a trigger definition, an SQL function, or an SQL method contains a CALL statement with the name of the procedure. RESTRICT is the default behavior.

It is not possible to drop a procedure that is in the SYSIBM, SYSFUN, or the SYSPROC schema (SQLSTATE 42832).

SCHEMA *schema-name* RESTRICT

Identifies the particular schema to be dropped. The *schema-name* must identify a schema that is described in the catalog (SQLSTATE 42704). The RESTRICT

DROP

keyword enforces the rule that no objects can be defined in the specified schema for the schema to be deleted from the database (SQLSTATE 42893).

SECURITY LABEL *security-label-name*

Identifies the security label to be dropped. The name must be qualified with a security policy (SQLSTATE 42704) and must identify a security label that exists at the current server (SQLSTATE 42704).

RESTRICT

This option, which is the default, prevents the security label from being dropped if any of the following dependencies exist (SQLSTATE 42893):

- One or more authorization IDs currently hold the security label for read access
- One or more authorization IDs currently hold the security label for write access
- The security label is currently being used to protect one or more columns

SECURITY LABEL COMPONENT *sec-label-comp-name*

Identifies the security label component to be dropped. The *sec-label-comp-name* must identify a security label component that is described in the catalog (SQLSTATE 42704).

RESTRICT

This option, which is the default, prevents the security label component from being dropped if any of the following dependencies exist (SQLSTATE 42893):

- One or more security policies that include the security label component are currently defined

SECURITY POLICY *security-policy-name*

Identifies the security policy to be dropped. The *security-policy-name* must identify a security policy that exists at the current server (SQLSTATE 42704).

RESTRICT

This option, which is the default, prevents the security policy from being dropped if any of the following dependencies exist (SQLSTATE 42893):

- One or more tables are associated with this security policy
- One or more authorization IDs hold an exemption on one of the rules in this security policy
- One or more security labels are defined for this security policy

SEQUENCE *sequence-name*

Identifies the particular sequence that is to be dropped. The *sequence-name*, along with the implicit or explicit schema name, must identify an existing sequence at the current server. If no sequence by this name exists in the explicitly or implicitly specified schema, an error is returned (SQLSTATE 42704).

RESTRICT

This option, which is the default, prevents the sequence from being dropped if any of the following dependencies exist:

- A trigger exists such that a NEXT VALUE or PREVIOUS VALUE expression in the trigger specifies the sequence (SQLSTATE 42893).
- An SQL function or an SQL method exists such that a NEXT VALUE expression in the routine body specifies the sequence (SQLSTATE 42893).

SERVER *server-name*

Identifies the data source whose definition is to be dropped from the catalog. The *server-name* must identify a data source that is described in the catalog (SQLSTATE 42704). The definition of the data source is deleted.

All nicknames for tables and views residing at the data source are dropped. Any index specifications dependent on these nicknames are dropped. Any user-defined function mappings, user-defined type mappings, and user mappings that are dependent on the dropped server definition are also dropped. All packages dependent on the dropped server definition, function mappings, nicknames, and index specifications are invalidated. All federated procedures that are dependent on the server definition are also dropped.

SERVICE CLASS *service-class-name*

Identifies the service class to be dropped. The *service-class-name* must identify a service class that is described in the catalog (SQLSTATE 42704). To drop a service subclass, the *service-superclass-name* must be specified using the UNDER clause.

UNDER *service-superclass-name*

Specifies the service superclass of the service subclass when dropping a service subclass. The *service-superclass-name* must identify a service superclass that is described in the catalog (SQLSTATE 42704).

RESTRICT

This keyword enforces the rule that the service class is not to be dropped if any of the following dependencies exists:

- The service class is a service superclass and there is a user defined service subclass under the service class (SQLSTATE 5U031). The service subclass must first be dropped.
- The service class is a service superclass and there is a work action set mapping to the service class (SQLSTATE 5U031). The work action set must first be dropped.
- The service class is a service subclass and there is a work action mapping to the service class (SQLSTATE 5U031). The work action must first be dropped.
- The service class has a workload mapping (SQLSTATE 5U031). The workload mapping must first be removed. Remove the workload mapping by dropping the workload or altering the workload to not map to the service class.
- The service class has an associated threshold (SQLSTATE 5U031). The threshold must first be dropped.
- The service class must be disabled (SQLSTATE 5U031).

RESTRICT is the default behavior.

TABLE *table-name*

Identifies the base table or declared temporary table that is to be dropped. The *table-name* must identify a table that is described in the catalog or, if it is a declared temporary table, the *table-name* must be qualified by the schema name SESSION and exist in the application (SQLSTATE 42704). The subtables of a typed table are dependent on their supertables. All subtables must be dropped before a supertable can be dropped (SQLSTATE 42893). The specified table is deleted from the database.

All indexes, primary keys, foreign keys, check constraints, materialized query tables, and staging tables referencing the table are dropped. All views and triggers that reference the table are made inoperative. (This includes both the

DROP

table referenced in the ON clause of the CREATE TRIGGER statement, and all tables referenced within the triggered SQL statements.) All packages depending on any object dropped or marked inoperative will be invalidated. This includes packages dependent on any supertables above the subtable in the hierarchy. Any reference columns for which the dropped table is defined as the scope of the reference become unscoped.

Packages are not dependent on declared temporary tables, and therefore are not invalidated when such a table is dropped.

In a federated system, a remote table that was created using transparent DDL can be dropped. Dropping a remote table also drops the nickname associated with that table, and invalidates any packages that are dependent on that nickname.

When a subtable is dropped from a table hierarchy, the columns associated with the subtable are no longer accessible although they continue to be considered with respect to limits on the number of columns and size of the row. Dropping a subtable has the effect of deleting all the rows of the subtable from the supertables. This may result in activation of triggers or referential integrity constraints defined on the supertables.

When a declared temporary table is dropped, and its creation preceded the active unit of work or savepoint, then the table will be functionally dropped and the application will not be able to access the table. However, the table will still reserve some space in its table space and will prevent that USER TEMPORARY table space from being dropped or the database partition group of the USER TEMPORARY table space from being redistributed until the unit of work is committed or savepoint is ended. Dropping a declared temporary table causes the data in the table to be destroyed, regardless of whether DROP is committed or rolled back.

A table cannot be dropped if it has the RESTRICT ON DROP attribute.

A newly detached table is initially inaccessible. This prevents the table from being read, modified, or dropped until the SET INTEGRITY statement can be run to incrementally refresh MQTs or to complete any processing for foreign key constraints. After the SET INTEGRITY statement executes against all dependent tables, the table is fully accessible, its detached attribute is reset, and it can be dropped.

TABLE HIERARCHY *root-table-name*

Identifies the typed table hierarchy that is to be dropped. The *root-table-name* must identify a typed table that is the root table in the typed table hierarchy (SQLSTATE 428DR). The typed table identified by *root-table-name* and all of its subtables are deleted from the database.

All indexes, materialized query tables, staging tables, primary keys, foreign keys, and check constraints referencing the dropped tables are dropped. All views and triggers that reference the dropped tables are made inoperative. All packages depending on any object dropped or marked inoperative will be invalidated. Any reference columns for which one of the dropped tables is defined as the scope of the reference become unscoped.

Unlike dropping a single subtable, dropping the table hierarchy does not result in the activation of delete triggers of any tables in the hierarchy nor does it log the deleted rows.

TABLESPACE or TABLESPACES *tablespace-name*

Identifies the table spaces that are to be dropped; *tablespace-name* must identify a table space that is described in the catalog (SQLSTATE 42704). This is a one-part name.

The table spaces will not be dropped (SQLSTATE 55024) if there is any table that stores at least one of its parts in a table space being dropped, and has one or more of its parts in another table space that is not being dropped (these tables would need to be dropped first), or if any table that resides in the table space has the RESTRICT ON DROP attribute.

Objects whose names are prefixed with 'SYS' are system-defined objects and, with the exception of the SYSTOOLSPACE and SYSTOOLSTMPSPACE table spaces, cannot be dropped (SQLSTATE 42832).

A SYSTEM TEMPORARY table space cannot be dropped (SQLSTATE 55026) if it is the only temporary table space that exists in the database. A USER TEMPORARY table space cannot be dropped if there is a declared temporary table created in it (SQLSTATE 55039). Even if a declared temporary table has been dropped, the USER TEMPORARY table space will still be considered to be in use until the unit of work containing the DROP TABLE statement has been committed.

Dropping a table space drops all objects that are defined in the table space. All existing database objects with dependencies on the table space, such as packages, referential constraints, and so on, are dropped or invalidated (as appropriate), and dependent views and triggers are made inoperative.

Containers that were created by a user are not deleted. Any directories in the path of the container name that were created by the database manager during CREATE TABLESPACE execution are deleted. All containers that are below the database directory are deleted. When the DROP TABLESPACE statement is committed, the DMS file containers or SMS containers for the specified table space are deleted, if possible. If the containers cannot be deleted (because they are being kept open by another agent, for example), the files are truncated to zero length. After all connections are terminated, or the DEACTIVATE DATABASE command is issued, these zero-length files are deleted.

THRESHOLD *threshold-name*

Identifies the threshold that is to be dropped. The *threshold-name* must identify a threshold that exists at the current server (SQLSTATE 42704). This is a one-part name. Thresholds with a queue, for example TOTALSCPARTITIONCONNECTIONS and CONCURRENTDBCOORDACTIVITIES, must be disabled before they can be dropped (SQLSTATE 5U025). The specified threshold is deleted from the catalog.

TRIGGER *trigger-name*

Identifies the trigger that is to be dropped. The *trigger-name* must identify a trigger that is described in the catalog (SQLSTATE 42704). The specified trigger is deleted.

Dropping triggers causes certain packages to be marked invalid.

If *trigger-name* specifies an INSTEAD OF trigger on a view, another trigger may depend on that trigger through an update against the view.

TRANSFORM ALL FOR *type-name*

Indicates that all transforms groups defined for the user-defined data type *type-name* are to be dropped. The transform functions referenced in these groups are not dropped. In dynamic SQL statements, the CURRENT SCHEMA

DROP

special register is used as a qualifier for an unqualified object name. In static SQL statements, the QUALIFIER precompile/bind option implicitly specifies the qualifier for unqualified object names. The *type-name* must identify a user-defined type described in the catalog (SQLSTATE 42704).

If there are not transforms defined for *type-name*, an error is returned (SQLSTATE 42740).

DROP TRANSFORM is the inverse of CREATE TRANSFORM. It causes the transform functions associated with certain groups, for a given datatype, to become undefined. The functions formerly associated with these groups still exist and can still be called explicitly, but they no longer have the transform property, and are no longer invoked implicitly for exchanging values with the host language environment.

The transform group is not dropped if there is a user-defined function (or method) written in a language other than SQL that has a dependency on one of the group's transform functions defined for the user-defined type *type-name* (SQLSTATE 42893). Such a function has a dependency on the transform function associated with the referenced transform group defined for type *type-name*. Packages that depend on a transform function associated with the named transform group are marked inoperative.

TRANSFORMS *group-name* FOR *type-name*

Indicates that the specified transform group for the user-defined data type *type-name* is to be dropped. The transform functions referenced in this group are not dropped. In dynamic SQL statements, the CURRENT SCHEMA special register is used as a qualifier for an unqualified object name. In static SQL statements, the QUALIFIER precompile/bind option implicitly specifies the qualifier for unqualified object names. The *type-name* must identify a user-defined type described in the catalog (SQLSTATE 42704), and the *group-name* must identify an existing transform group for *type-name*.

TRIGGER *trigger-name*

Identifies the trigger that is to be dropped. The *trigger-name* must identify a trigger that is described in the catalog (SQLSTATE 42704). The specified trigger is deleted.

Dropping triggers causes certain packages to be marked invalid.

If *trigger-name* specifies an INSTEAD OF trigger on a view, another trigger may depend on that trigger through an update against the view.

TRUSTED CONTEXT *context-name*

Identifies the trusted context that is to be dropped. The *context-name* must identify a trusted context that exists at the current server (SQLSTATE 42704). If the trusted context is dropped while trusted connections for this context are active, those connections remain trusted until they terminate or until the next reuse attempt. If an attempt is made to switch the user on these trusted connections, an error is returned (SQLSTATE 42517). The specified trusted context is deleted from the catalog.

TYPE *type-name*

Identifies the user-defined type to be dropped. In dynamic SQL statements, the CURRENT SCHEMA special register is used as a qualifier for an unqualified object name. In static SQL statements the QUALIFIER precompile/bind option implicitly specifies the qualifier for unqualified object names. For a structured type, the associated reference type is also dropped. The *type-name* must identify a user-defined type described in the catalog.

RESTRICT

The type is not dropped (SQLSTATE 42893) if any of the following is true:

- The type is used as the type of a column of a table or view.
- The type has a subtype.
- The type is a structured type used as the data type of a typed table or a typed view.
- The type is an attribute of another structured type.
- There exists a column of a table whose type might contain an instance of *type-name*. This can occur if *type-name* is the type of the column or is used elsewhere in the column's associated type hierarchy. More formally, for any type T, T cannot be dropped if there exists a column of a table whose type directly or indirectly uses *type-name*.
- The type is the target type of a reference-type column of a table or view, or a reference-type attribute of another structured type.
- The type, or a reference to the type, is a parameter type or a return value type of a function or method.
- The type is a parameter type or is used in the body of an SQL procedure.
- The type, or a reference to the type, is used in the body of an SQL function or method, but it is not a parameter type or a return value type.
- The type is used in a check constraint, trigger, view definition, or index extension.

If RESTRICT is not specified, the behavior is the same as RESTRICT, except for functions and methods that use the type.

Functions that use the type: If the user-defined type can be dropped, then for every function, F (with specific name SF), that has parameters or a return value of the type being dropped or a reference to the type being dropped, the following DROP FUNCTION statement is effectively executed:

```
DROP SPECIFIC FUNCTION SF
```

It is possible that this statement also would cascade to drop dependent functions. If all of these functions are also in the list to be dropped because of a dependency on the user-defined type, the drop of the user-defined type will succeed (otherwise it fails with SQLSTATE 42893).

Methods that use the type: If the user-defined type can be dropped, then for every method, M of type T1 (with specific name SM), that has parameters or a return value of the type being dropped or a reference to the type being dropped, the following statements are effectively executed:

```
DROP SPECIFIC METHOD SM  
ALTER TYPE T1 DROP SPECIFIC METHOD SM
```

The existence of objects that are dependent on these methods may cause the DROP TYPE operation to fail.

All packages that are dependent on methods defined in supertypes of the type being dropped, and that are eligible for overriding, are invalidated.

TYPE MAPPING *type-mapping-name*

Identifies the user-defined data type mapping to be dropped. The *type-mapping-name* must identify a data type mapping that is described in the catalog (SQLSTATE 42704). The data type mapping is deleted from the database.

DROP

No additional objects are dropped.

USER MAPPING FOR *authorization-name* | **USER SERVER** *server-name*

Identifies the user mapping to be dropped. This mapping associates an authorization name that is used to access the federated database with an authorization name that is used to access a data source. The first of these two authorization names is either identified by the *authorization-name* or referenced by the special register USER. The *server-name* identifies the data source that the second authorization name is used to access.

The *authorization-name* must be listed in the catalog (SQLSTATE 42704). The *server-name* must identify a data source that is described in the catalog (SQLSTATE 42704). The user mapping is deleted.

No additional objects are dropped.

VARIABLE *variable-name*

Identifies the global variable that is to be dropped. The *variable-name* must identify a global variable that exists at the current server (SQLSTATE 42704).

RESTRICT

This keyword enforces the rule that the global variable cannot be dropped if it is referenced in a function, method, trigger, or view (SQLSTATE 42893). RESTRICT is the default behavior.

VIEW *view-name*

Identifies the view that is to be dropped. The *view-name* must identify a view that is described in the catalog (SQLSTATE 42704). The subviews of a typed view are dependent on their superviews. All subviews must be dropped before a superview can be dropped (SQLSTATE 42893).

The specified view is deleted. The definition of any view or trigger that is directly or indirectly dependent on that view is marked inoperative. Any materialized query table or staging table that is dependent on any view that is marked inoperative is dropped. Any packages dependent on a view that is dropped or marked inoperative will be invalidated. This includes packages dependent on any superviews above the subview in the hierarchy. Any reference columns for which the dropped view is defined as the scope of the reference become unscoped.

VIEW HIERARCHY *root-view-name*

Identifies the typed view hierarchy that is to be dropped. The *root-view-name* must identify a typed view that is the root view in the typed view hierarchy (SQLSTATE 428DR). The typed view identified by *root-view-name* and all of its subviews are deleted from the database.

The definition of any view or trigger that is directly or indirectly dependent on any of the dropped views is marked inoperative. Any packages dependent on any view or trigger that is dropped or marked inoperative will be invalidated. Any reference columns for which a dropped view or view marked inoperative is defined as the scope of the reference become unscoped.

WORK ACTION SET *work-action-set-name*

Identifies the work action set that is to be dropped. The *work-action-set-name* must identify a work action set that exists at the current server (SQLSTATE 42704). All work actions that are contained by the *work-action-set-name* are also dropped.

WORK CLASS SET *work-class-set-name*

Identifies the work class set that is to be dropped. The *work-class-set-name* must

identify a work class set that exists at the current server (SQLSTATE 42704). All work classes that are contained by the *work-class-set-name* are also dropped.

RESTRICT

This keyword enforces the rule that the work class set is not to be dropped if it is associated with any work action set (SQLSTATE 42893). RESTRICT is the default behavior.

WORKLOAD *workload-name*

Identifies the workload that is to be dropped. This is a one-part name. The *workload-name* must identify a workload that exists at the current server (SQLSTATE 42704). SYSDEFAULTUSERWORKLOAD or SYSDEFAULTADMWORKLOAD cannot be dropped (SQLSTATE 42832). A workload must be disabled and must not have active workload occurrences associated with it before it can be dropped (SQLSTATE 5U023). The specified workload is deleted from the catalog.

WRAPPER *wrapper-name*

Identifies the wrapper to be dropped. The *wrapper-name* must identify a wrapper that is described in the catalog (SQLSTATE 42704). The wrapper is deleted.

All server definitions, user-defined function mappings, and user-defined data type mappings that are dependent on the wrapper are dropped. All user-defined function mappings, nicknames, user-defined data type mappings, and user mappings that are dependent on the dropped server definitions are also dropped. Any index specifications dependent on the dropped nicknames are dropped, and any views dependent on these nicknames are marked inoperative. All packages dependent on the dropped objects and inoperative views are invalidated. All federated procedures that are dependent on the dropped server definitions are also dropped.

XSRBJECT *xsobject-name*

Identifies the XSR object to be dropped. The *xsobject-name* must identify an XSR object that is described in the catalog (SQLSTATE 42704).

Check constraints that reference the XSR object are dropped. All triggers and views referencing the XSR object are marked inoperative. Packages having a dependency on a dropped XSR object are invalidated.

Rules

Dependencies: Table 28 on page 644 shows the dependencies that objects have on each other. Not all dependencies are explicitly recorded in the catalog. For example, there is no record of the constraints on which a package has dependencies. Four different types of dependencies are shown:

- R** Restrict semantics. The underlying object cannot be dropped as long as the object that depends on it exists.
- C** Cascade semantics. Dropping the underlying object causes the object that depends on it (the depending object) to be dropped as well. However, if the depending object cannot be dropped because it has a Restrict dependency on some other object, the drop of the underlying object will fail.
- X** Inoperative semantics. Dropping the underlying object causes the object that depends on it to become inoperative. It remains inoperative until a user takes some explicit action.
- A** Automatic Invalidation/Revalidation semantics. Dropping the underlying

DROP

object causes the object that depends on it to become invalid. The database manager attempts to revalidate the invalid object.

A package used by a function or a method, or by a procedure that is called directly or indirectly from a function or method, will only be automatically revalidated if the routine is defined as MODIFIES SQL DATA. If the routine is not MODIFIES SQL DATA, an error is returned (SQLSTATE 56098).

Some DROP statement parameters and objects are not shown in Table 28 because they would result in blank rows or columns:

- EVENT MONITOR, PACKAGE, PROCEDURE, SCHEMA, TYPE MAPPING, and USER MAPPING DROP statements do not have object dependencies.
- Alias, buffer pool, distribution key, privilege, and procedure object types do not have DROP statement dependencies.
- A DROP SERVER, DROP FUNCTION MAPPING, or DROP TYPE MAPPING statement in a given unit of work (UOW) cannot be processed under either of the following conditions:
 - The statement references a single data source, and the UOW already includes a SELECT statement that references a nickname for a table or view within this data source (SQLSTATE 55006).
 - The statement references a category of data sources (for example, all data sources of a specific type and version), and the UOW already includes a SELECT statement that references a nickname for a table or view within one of these data sources (SQLSTATE 55006).

Table 28. Dependencies

	Object Type																				
	D										B										
	F	U	N	C	T	I	O	N	S	A	P	R	S	E	T	V	A	B	E	R	W
	G	L	O	B	A	N	X	N	E	R	O	C	I	C	L	H	T	S	I	P	O
	I	N	D	X	E	M	O	M	G	A	N	K	R	V	A	O	G	Y	I	I	I
	N	N	E	O	O	O	M	U	G	E	S	L	C	L	E	P	N	N	E	O	E
Statement	T	N	G	E	X	N	D	E	P	E ³¹	R	S	E	E	D	R	E	G	G	W	N
ALTER FUNCTION	-	-	-	-	-	-	-	-	-	A	-	-	-	-	-	-	-	-	-	-	-
ALTER METHOD	-	-	-	-	-	-	-	-	-	A	-	-	-	-	-	-	-	-	-	-	-
ALTER NICKNAME, altering the local name or the local type	R ³³	R	-	-	-	-	R	-	-	A	-	-	R	-	-	-	-	-	-	R	-

Table 28. Dependencies (continued)

Statement	Object Type																								
	C	O	N	F	S	T	R	A	I	N	O	N	D	E	P	E	R	S	E	T	W	O	R	K	X
ALTER NICKNAME, altering a column option or a nickname option	-	-	-	-	-	-	-	-	-	-	-	-	-	-	A	-	-	R	-	-	-	-	-	-	-
ALTER NICKNAME, adding, altering, or dropping a constraint	-	-	-	-	-	-	-	-	-	-	-	-	-	-	A	-	-	-	-	-	-	-	-	-	-
ALTER PROCEDURE	-	-	-	-	-	-	-	-	-	-	-	-	-	-	A	-	-	-	-	-	-	-	-	-	-
ALTER SERVER	-	-	-	-	-	-	-	-	-	-	-	-	-	-	A	-	-	-	-	-	-	-	-	-	-
ALTER TABLE ALTER COLUMN	-	A	-	A	-	-	-	-	-	-	-	-	-	-	A	-	-	-	-	A	-	-	-	-	X ³⁴
ALTER TABLE DROP COLUMN	C	C	-	C	C	-	-	-	-	-	-	-	-	-	-	-	-	-	C	-	-	-	C	-	X ³⁴
ALTER TABLE DROP CONSTRAINT	C	-	-	-	-	-	-	-	-	-	-	-	-	-	A ¹	-	-	-	-	-	-	-	-	-	
ALTER TABLE DROP PARTITIONING KEY	-	-	-	-	-	-	-	-	-	R ²⁰	A ¹	-	-	-	-	-	-	-	-	-	-	-	-	-	
ALTER TYPE ADD ATTRIBUTE	-	-	-	-	-	R	-	-	-	-	A ²³	-	-	-	R ²⁴	-	-	-	-	-	-	-	R ¹⁴	-	
ALTER TYPE ALTER METHOD	-	-	-	-	-	-	-	-	-	-	A	-	-	-	-	-	-	-	-	-	-	-	-	-	
ALTER TYPE DROP ATTRIBUTE	-	-	-	-	-	R	-	-	-	-	A ²³	-	-	-	R ²⁴	-	-	-	-	-	-	-	R ¹⁴	-	
ALTER TYPE ADD METHOD	-	-	-	-	-	-	-	-	-	-	-	-	-	-	-	-	-	-	-	-	-	-	-	-	
ALTER TYPE DROP METHOD	-	-	-	-	-	-	-	R ²⁷	-	-	-	-	-	-	-	-	-	-	-	-	-	-	-	-	
CREATE METHOD	-	-	-	-	-	-	-	-	-	-	A ²⁸	-	-	-	-	-	-	-	-	-	-	-	-	-	
CREATE TYPE	-	-	-	-	-	-	-	-	-	-	A ²⁹	-	-	-	-	-	-	-	-	-	-	-	-	-	

DROP

Table 28. Dependencies (continued)

Statement	Object Type																																
	C	O	N	F	S	T	R	A	I	N	O	N	D	E	P	E	S	R	S	E	L	C	L	E	P	N	G	W	N	T	D	T	
DROP ALIAS	-	R	-	R	-	-	-	-	-	-	A ³	-	-	R ³	-	-	X ³	-	-	-	X ³	-	-	-	X ³	-	-	-	-	-	-		
DROP BUFFERPOOL	-	-	-	-	-	-	-	-	-	-	-	-	-	-	-	-	R	-	-	-	-	-	-	-	-	-	-	-	-	-	-		
DROP DATABASE PARTITION GROUP	-	-	-	-	-	-	-	-	-	-	-	-	-	-	-	-	C	-	-	-	-	-	-	-	-	-	-	-	-	-	-		
DROP FUNCTION	R	R ⁷	R	R	-	R	R ⁷	-	-	X	-	-	R	-	-	R	-	-	-	R	-	-	-	R	-	-	-	-	-	-	-		
DROP FUNCTION MAPPING	-	-	-	-	-	-	-	-	-	A	-	-	-	-	-	-	-	-	-	-	-	-	-	-	-	-	-	-	-	-	-		
DROP INDEX	R	-	-	-	-	-	-	-	-	A	-	-	-	-	-	-	-	-	-	-	-	-	-	-	-	R ¹⁷	-	-	-	-	-		
DROP INDEX EXTENSION	-	R	-	R	R	-	-	-	-	-	-	-	-	-	-	-	-	-	-	-	-	-	-	-	-	-	-	-	-	-	-		
DROP METHOD	R	R ⁷	R	R	-	R	R	-	-	X/A ³⁰	-	-	R	-	-	R	-	-	-	R	-	-	-	R	-	-	-	R	-	-	-	-	
DROP NICKNAME	-	R	-	R	C	-	R	-	-	A	-	-	C ¹¹	-	-	-	-	-	-	-	-	-	-	-	-	X ¹⁶	-	-	-	-	-		
DROP PROCEDURE	-	R ⁷	-	R	-	-	R ⁷	-	-	A	-	-	-	-	-	-	-	-	R	-	-	-	-	-	-	-	-	-	-	-	-		
DROP SEQUENCE	-	R	-	-	-	-	R	-	-	A	-	-	-	-	-	-	-	-	R	-	-	-	-	-	-	-	-	-	-	-	-	-	
DROP SERVER	-	C ²¹	C ¹⁹	-	-	-	-	C	-	A	-	-	-	-	-	-	-	-	-	-	-	-	-	-	C ¹⁹	C	-	-	-	-	-	-	
DROP SERVICE CLASS	-	-	-	-	-	-	-	-	-	-	-	-	-	R ³⁵	-	-	R ³⁵	-	-	-	-	-	-	-	-	-	R ³⁵	-	R ³⁵	-	-	-	
DROP TABLE ³²	C	R	-	R	C	-	-	-	-	A ⁹	-	-	RC ¹¹	-	-	X ¹⁶	-	-	-	X ¹⁶	-	-	-	-	X ¹⁶	-	-	-	-	-	X ³⁴		
DROP TABLE HIERARCHY	C	R	-	R	C	-	-	-	-	A ⁹	-	-	RC ¹¹	-	-	X ¹⁶	-	-	-	X ¹⁶	-	-	-	-	X ¹⁶	-	-	-	-	-	-		
DROP TABLESPACE	-	-	-	-	C ⁶	-	-	-	-	-	-	-	-	CR ⁶	-	-	-	-	-	-	-	-	-	-	-	-	-	-	-	-	-		
DROP TRANSFORM	-	R	-	-	-	-	-	-	-	X	-	-	-	-	-	-	-	-	-	-	-	-	-	-	-	-	-	-	-	-	-		
DROP TRIGGER	-	-	-	-	-	-	-	-	-	A ¹	-	-	-	-	-	-	-	-	X ²⁶	-	-	-	-	-	-	-	-	-	-	-	-	-	
DROP TYPE	R ¹³	R ⁵	-	R	-	R	-	-	-	A ¹²	-	-	R ¹⁸	-	-	R ¹³	R ⁴	-	-	R ¹⁴	-	-	-	-	R	-	-	-	R ¹⁴	-	-	-	-
DROP VARIABLE	-	-	R	R	-	-	R	-	-	A	-	-	-	-	-	-	-	-	R	-	-	-	-	-	-	R	-	-	-	-	-		
DROP VIEW	-	R	-	R	-	-	-	-	-	A ²	-	-	-	-	-	-	-	-	X ¹⁶	-	-	-	-	-	-	X ¹⁵	-	-	-	-	-	-	

Table 28. Dependencies (continued)

Statement	Object Type																																			
	C	O	N	F	S	T	A	R	C	P	I	B	D	I	H	A	O	A	V	A	B	A	O	G	Y	I	I	I	I	S	O	E	A	C	T	
DROP VIEW HIERARCHY	-	R	-	R	-	-	-	-	-	A ²	-	-	-	-	-	-	-	-	-	-	-	-	X ¹⁶	-	-	-	X ¹⁶	-	-	-	-	-	-	-	-	-
DROP WORK CLASS SET	-	-	-	-	-	-	-	-	-	-	-	-	-	-	-	-	-	-	-	-	-	-	-	-	-	-	-	-	-	-	-	-	-	R ³⁶	-	-
DROP WRAPPER	-	-	C	-	-	-	-	-	-	-	C	-	-	-	-	-	-	-	-	-	-	-	-	-	-	C	-	-	-	-	-	-	-	-	-	-
DROP XSROBJECT	C	-	-	-	-	-	-	-	-	A	-	-	-	-	-	-	-	-	-	-	-	-	X	-	-	-	X	-	-	-	-	-	-	-	-	-
REVOKE a privilege ¹⁰	-	CR ²⁵	-	-	-	-	CR ²⁵	-	-	A ¹	-	-	CX ⁸	-	-	X	-	-	-	-	-	-	X	-	-	-	X ⁸	-	-	-	-	-	-	-	-	-

- 1 This dependency is implicit in depending on a table with these constraints, triggers, or a distribution key.
- 2 If a package has an INSERT, UPDATE, or DELETE statement acting upon a view, then the package has an insert, update or delete usage on the underlying base table of the view. In the case of UPDATE, the package has an update usage on each column of the underlying base table that is modified by the UPDATE.

If a package has a statement acting on a typed view, creating or dropping any view in the same view hierarchy will invalidate the package.
- 3 If a package, materialized query table, staging table, view, or trigger uses an alias, it becomes dependent both on the alias and the object that the alias references. If the alias is in a chain, a dependency is created on each alias in the chain.

Aliases themselves are not dependent on anything. It is possible for an alias to be defined on an object that does not exist.
- 4 A user-defined type T can depend on another user-defined type B, if T:
 - names B as the data type of an attribute
 - has an attribute of REF(B)
 - has B as a supertype.
- 5 Dropping a user-defined type cascades to dropping the functions and methods that use the type as a parameter, a result type, or in the function or method body. If the user-defined type is a structured type, any methods that are associated with the type are also dropped. Dropping these

DROP

functions and methods will not be prevented by the fact that the type and function or method depend on each other.

6 Dropping a table space or a list of table spaces causes all the tables that are completely contained within the given table space or list to be dropped. However, if a table spans table spaces (indexes, long columns, or data partitions in different table spaces) and those table spaces are not in the list being dropped, the table spaces cannot be dropped as long as the table exists.

7 A function can depend on another specific function if the depending function names the base function in a `SOURCE` clause. A function or method can also depend on another specific function or method if the depending routine is written in SQL and uses the base routine in its body. An external method, or an external function with a structured type parameter or returns type will also depend on one or more transform functions.

8 Only loss of `SELECT` privilege will cause a materialized query table to be dropped or a view to become inoperative. If the view that is made inoperative is included in a typed view hierarchy, all of its subviews also become inoperative.

9 If a package has an `INSERT`, `UPDATE`, or `DELETE` statement acting on table `T`, then the package has an insert, update or delete usage on `T`. In the case of `UPDATE`, the package has an update usage on each column of `T` that is modified by the `UPDATE`.

If a package has a statement acting on a typed table, creating or dropping any table in the same table hierarchy will invalidate the package.

10 Dependencies do not exist at the column level because privileges on columns cannot be revoked individually.

If a package, trigger or view includes the use of `OUTER(Z)` in the `FROM` clause, there is a dependency on the `SELECT` privilege on every subtable or subview of `Z`. Similarly, if a package, trigger, or view includes the use of `DEREF(Y)` where `Y` is a reference type with a target table or view `Z`, there is a dependency on the `SELECT` privilege on every subtable or subview of `Z`.

11 A materialized query table is dependent on the underlying tables or nicknames specified in the `fullselect` of the table definition.

Cascade semantics apply to dependent materialized query tables.

A subtable is dependent on its supertables up to the root table. A supertable cannot be dropped until all of its subtables are dropped.

12 A package can depend on structured types as a result of using the `TYPE` predicate or the subtype-treatment expression (`TREAT expression AS data-type`). The package has a dependency on the subtypes of each structured type specified in the right side of the `TYPE` predicate, or the right side of the `TREAT` expression. Dropping or creating a structured type that alters the subtypes on which the package is dependent causes invalidation.

All packages that are dependent on methods defined in supertypes of the type being dropped, and that are eligible for overriding, are invalidated.

13 A check constraint or trigger is dependent on a type if the type is used

anywhere in the constraint or trigger. There is no dependency on the subtypes of a structured type used in a TYPE predicate within a check constraint or trigger.

- 14 A view is dependent on a type if the type is used anywhere in the view definition (this includes the type of typed view). There is no dependency on the subtypes of a structured type used in a TYPE predicate within a view definition.
- 15 A subview is dependent on its superview up to the root view. A superview cannot be dropped until all its subviews are dropped. Refer to ¹⁶ for additional view dependencies.
- 16 A trigger or view is also dependent on the target table or target view of a dereference operation or Deref function. A trigger or view with a FROM clause that includes OUTER(Z) is dependent on all the subtables or subviews of Z that existed at the time the trigger or view was created.
- 17 A typed view can depend on the existence of a unique index to ensure the uniqueness of the object identifier column.
- 18 A table may depend on a user defined data type (distinct or structured) because the type is:
- used as the type of a column
 - used as the type of the table
 - used as an attribute of the type of the table
 - used as the target type of a reference type that is the type of a column of the table or an attribute of the type of the table
 - directly or indirectly used by a type that is the column of the table.
- 19 Dropping a server cascades to drop the function mappings and type mappings created for that named server.
- 20 If the distribution key is defined on a table in a multiple partition database partition group, the distribution key is required.
- 21 If a dependent OLE DB table function has "R" dependent objects (see DROP FUNCTION), then the server cannot be dropped.
- 22 An SQL function or method can depend on the objects referenced by its body.
- 23 When an attribute A of type TA of *type-name* T is dropped, the following DROP statements are effectively executed:
- ```

Mutator method: DROP METHOD A (TA) FOR T
Observer method: DROP METHOD A () FOR T
ALTER TYPE T
 DROP METHOD A(TA)
 DROP METHOD A()

```
- 24 A table may depend on an attribute of a user-defined structured data type in the following cases:
1. The table is a typed table that is based on *type-name* or any of its subtypes.
  2. The table has an existing column of a type that directly or indirectly refers to *type-name*.
- 25 A REVOKE of SELECT privilege on a table or view that is used in the body of an SQL function or method body causes an attempt to drop the function or method body, if the function or method body defined no longer has the SELECT privilege. If such a function or method body is used in a

## DROP

view, trigger, function, or method body, it cannot be dropped, and the REVOKE is restricted as a result. Otherwise, the REVOKE cascades and drops such functions.

26 A trigger depends on an INSTEAD OF trigger when it modifies the view on which the INSTEAD OF trigger is defined, and the INSTEAD OF trigger fires.

27 A method declaration of an original method that is overridden by other methods cannot be dropped.(SQLSTATE -2).

28 If the method of the method body being created is declared to override another method, all packages dependent on the overridden method, and on methods that override this method in supertypes of the method being created, are invalidated.

29 When a new subtype of an existing type is created, all packages dependent on methods that are defined in supertypes of the type being created, and that are eligible for overriding (for example, no mutators or observers), are invalidated.

30 If the specific method of the method body being dropped is declared to override another method, all packages dependent on the overridden method, and on methods that override this method in supertypes of the specific method being dropped, are invalidated.

31 Cached dynamic SQL has the same semantics as packages.

32 When a remote base table is dropped using the DROP TABLE statement, both the nickname and the remote base table are dropped.

33 A primary key or unique keys that are not referenced by a foreign key do not restrict the altering of a nickname local name or local type.

34 An XSROBJECT can become inoperative for decomposition as a result of changes to a table that is associated with the XML schema for decomposition. Changes that could impact decomposition are: dropping the table or dropping a column of the table, or changing a column of the table. The decomposition status of the XML schema can be reset by issuing an ALTER XSROBJECT statement to enable or disable decomposition for the XML schema.

35

- A service class cannot be dropped if any threshold is mapped to it (SQLSTATE 5U031).
- A service class cannot be dropped if any workload is mapped to it (SQLSTATE 5U031).
- A service superclass cannot be dropped until all of its user-defined service subclasses have been dropped (SQLSTATE 5U031).
- A service superclass cannot be dropped if any work action set is mapped to it (SQLSTATE 5U031).
- A service subclass cannot be dropped if any work action is mapped to it (SQLSTATE 5U031).

36 A work class set cannot be dropped until the work action set that is defined on it has been dropped.

## Notes

- It is valid to drop a user-defined function while it is in use. Also, a cursor can be open over a statement which contains a reference to a user-defined function, and while this cursor is open the function can be dropped without causing the cursor fetches to fail.
- If a package which depends on a user-defined function is executing, it is not possible for another authorization ID to drop the function until the package completes its current unit of work. At that point, the function is dropped and the package becomes inoperative. The next request for this package results in an error indicating that the package must be explicitly rebound.
- The removal of a function body (this is very different from dropping the function) can occur while an application which needs the function body is executing. This may or may not cause the statement to fail, depending on whether the function body still needs to be loaded into storage by the database manager on behalf of the statement.
- In addition to the dependencies recorded for any explicitly specified UDF, the following dependencies are recorded when transforms are implicitly required:
  1. When the structured type parameter or result of a function or method requires a transform, a dependency is recorded for the function or method on the required TO SQL or FROM SQL transform function.
  2. When an SQL statement included in a package requires a transform function, a dependency is recorded for the package on the designated TO SQL or FROM SQL transform function.

Since the above describes the only circumstances under which dependencies are recorded due to implicit invocation of transforms, no objects other than functions, methods, or packages can have a dependency on implicitly invoked transform functions. On the other hand, explicit calls to transform functions (in views and triggers, for example) do result in the usual dependencies of these other types of objects on transform functions. As a result, a DROP TRANSFORM statement may also fail due to these "explicit" type dependencies of objects on the transform(s) being dropped (SQLSTATE 42893).

- Since the dependency catalogs do not distinguish between depending on a function as a transform versus depending on a function by explicit function call, it is suggested that explicit calls to transform functions are not written. In such an instance, the transform property on the function cannot be dropped, or packages will be marked inoperative, simply because they contain explicit invocations in an SQL expression.
- System created sequences for IDENTITY columns cannot be dropped using the DROP SEQUENCE statement.
- When a sequence is dropped, all privileges on the sequence are also dropped and any packages that refer to the sequence are invalidated.
- For relational nicknames, the DROP NICKNAME statement within a given unit of work (UOW) cannot be processed under either of the following conditions (SQLSTATE 55007):
  - A nickname referenced in this statement has a cursor open on it in the same UOW
  - Either an INSERT, DELETE, or UPDATE statement is already issued in the same UOW against the nickname that is referenced in this statement
- For non-relational nicknames, the DROP NICKNAME statement within a given unit of work (UOW) cannot be processed under any of the following conditions (SQLSTATE 55007):

## DROP

- A nickname referenced in this statement has a cursor open on it in the same UOW
- A nickname referenced in this statement is already referenced by a SELECT statement in the same UOW
- Either an INSERT, DELETE, or UPDATE statement has already been issued in the same UOW against the nickname that is referenced in this statement
- A DROP SERVER statement (SQLSTATE 55006), or a DROP FUNCTION MAPPING or DROP TYPE MAPPING statement (SQLSTATE 55007) within a given unit of work (UOW) cannot be processed under either of the following conditions:
  - The statement references a single data source, and the UOW already includes one of the following:
    - A SELECT statement that references a nickname for a table or view within this data source
    - An open cursor on a nickname for a table or view within this data source
    - Either an INSERT, DELETE, or UPDATE statement issued against a nickname for a table or view within this data source
  - The statement references a category of data sources (for example, all data sources of a specific type and version), and the UOW already includes one of the following:
    - A SELECT statement that references a nickname for a table or view within one of these data sources
    - An open cursor on a nickname for a table or view within one of these data sources
    - Either an INSERT, DELETE, or UPDATE statement issued against a nickname for a table or view within one of these data sources
- The DROP WORKLOAD statement does not take effect until it is committed, even for the connection that issues the statement.
- Only one of these statements can be issued by any application at a time, and only one of these statements is allowed within any one unit of work. Each statement must be followed by a COMMIT or a ROLLBACK statement before another one of these statements can be issued (SQLSTATE 5U021).
  - CREATE HISTOGRAM TEMPLATE, ALTER HISTOGRAM TEMPLATE, or DROP (HISTOGRAM TEMPLATE)
  - CREATE SERVICE CLASS, ALTER SERVICE CLASS, or DROP (SERVICE CLASS)
  - CREATE THRESHOLD, ALTER THRESHOLD, or DROP (THRESHOLD)
  - CREATE WORK ACTION, ALTER WORK ACTION, or DROP (WORK ACTION)
  - CREATE WORK CLASS, ALTER WORK CLASS, or DROP (WORK CLASS)
  - CREATE WORKLOAD, ALTER WORKLOAD, or DROP (WORKLOAD)
  - GRANT (Workload Privileges) or REVOKE (Workload Privileges)
- **Compatibilities**
  - For compatibility with previous versions of DB2:
    - NODEGROUP can be specified in place of DATABASE PARTITION GROUP
    - DISTINCT TYPE *type-name* can be specified in place of TYPE *type-name*
    - DATA TYPE *type-name* can be specified in place of TYPE *type-name*
  - For compatibility with DB2 for z/OS:

- SYNONYM can be specified in place of ALIAS
- PROGRAM can be specified in place of PACKAGE

## Examples

*Example 1:* Drop table TDEPT.

```
DROP TABLE TDEPT
```

*Example 2:* Drop the view VDEPT.

```
DROP VIEW VDEPT
```

*Example 3:* The authorization ID HEDGES attempts to drop an alias.

```
DROP ALIAS A1
```

The alias HEDGES.A1 is removed from the catalogs.

*Example 4:* Hedges attempts to drop an alias, but specifies T1 as the alias-name, where T1 is the name of an existing table (not the name of an alias).

```
DROP ALIAS T1
```

This statement fails (SQLSTATE 42809).

*Example 5:*

Drop the BUSINESS\_OPS database partition group. To drop the database partition group, the two table spaces (ACCOUNTING and PLANS) in the database partition group must first be dropped.

```
DROP TABLESPACE ACCOUNTING
DROP TABLESPACE PLANS
DROP DATABASE PARTITION GROUP BUSINESS_OPS
```

*Example 6:* Pellow wants to drop the CENTRE function, which he created in his PELLOW schema, using the signature to identify the function instance to be dropped.

```
DROP FUNCTION CENTRE (INT,FLOAT)
```

*Example 7:* McBride wants to drop the FOCUS92 function, which she created in the PELLOW schema, using the specific name to identify the function instance to be dropped.

```
DROP SPECIFIC FUNCTION PELLOW.FOCUS92
```

*Example 8:* Drop the function ATOMIC\_WEIGHT from the CHEM schema, where it is known that there is only one function with that name.

```
DROP FUNCTION CHEM.ATOMIC_WEIGHT
```

*Example 9:* Drop the trigger SALARY\_BONUS, which caused employees under a specified condition to receive a bonus to their salary.

```
DROP TRIGGER SALARY_BONUS
```

*Example 10:* Drop the distinct data type named shoesize, if it is not currently in use.

```
DROP TYPE SHOESIZE
```

*Example 11:* Drop the SMITHPAY event monitor.

## DROP

```
DROP EVENT MONITOR SMITHPAY
```

*Example 12:* Drop the schema from Example 2 under CREATE SCHEMA using RESTRICT. Notice that the table called PART must be dropped first.

```
DROP TABLE PART
DROP SCHEMA INVENTORY RESTRICT
```

*Example 13:* Macdonald wants to drop the DESTROY procedure, which he created in the EIGLER schema, using the specific name to identify the procedure instance to be dropped.

```
DROP SPECIFIC PROCEDURE EIGLER.DESTROY
```

*Example 14:* Drop the procedure OSMOSIS from the BIOLOGY schema, where it is known that there is only one procedure with that name.

```
DROP PROCEDURE BIOLOGY.OSMOSIS
```

*Example 15:* User SHAWN used one authorization ID to access the federated database and another to access the database at an Oracle data source called ORACLE1. A mapping was created between the two authorizations, but SHAWN no longer needs to access the data source. Drop the mapping.

```
DROP USER MAPPING FOR SHAWN SERVER ORACLE1
```

*Example 16:* An index of a data source table that a nickname references has been deleted. Drop the index specification that was created to let the optimizer know about this index.

```
DROP INDEX INDEXSPEC
```

*Example 17:* Drop the MYSTRUCT1 transform group.

```
DROP TRANSFORM MYSTRUCT1 FOR POLYGON
```

*Example 18:* Drop the method BONUS for the EMP data type in the PERSONNEL schema.

```
DROP METHOD BONUS (SALARY DECIMAL(10,2)) FOR PERSONNEL.EMP
```

*Example 19:* Drop the sequence ORG\_SEQ, with restrictions.

```
DROP SEQUENCE ORG_SEQ
```

*Example 20:* A remote table EMPLOYEE was created in a federated system using transparent DDL. Access to the table is no longer needed. Drop the remote table EMPLOYEE.

```
DROP TABLE EMPLOYEE
```

*Example 21:* Drop the function mapping BONUS\_CALC and reinstate the default function mapping (if one exists).

```
DROP FUNCTION MAPPING BONUS_CALC
```

*Example 22:* Drop the security label component LEVEL.

```
DROP SECURITY LABEL COMPONENT LEVEL
```

*Example 23:* Drop the security label EMPLOYEESECLABEL of the security policy DATA\_ACCESS.

```
DROP SECURITY LABEL DATA_ACCESS.EMPLOYEESECLABEL
```

*Example 24:* Drop the security policy DATA\_ACCESS.



```
DROP SECURITY POLICY DATA_ACCESS
```

*Example 25:* Drop the security label component GROUPS.

```
DROP SECURITY LABEL COMPONENT GROUPS
```

*Example 26:* Drop the XML schema EMPLOYEE located in the SQL schema HR.

```
DROP XSROBJECT HR.EMPLOYEE
```

*Example 27:* Drop service subclass DOGSALES under service superclass PETALES.

```
DROP SERVICE CLASS DOGSALES UNDER PETALES
```

*Example 28:* Drop service superclass PETALES, which has no user-defined service subclasses. The default subclass for service class PETALES is automatically dropped.

```
DROP SERVICE CLASS PETALES
```

---

## END DECLARE SECTION

The END DECLARE SECTION statement marks the end of a host variable declare section.

### Invocation

This statement can only be embedded in an application program. It is not an executable statement. It must not be specified in REXX.

### Authorization

None required.

### Syntax

```
▶▶—END DECLARE SECTION—————▶▶
```

### Description

The END DECLARE SECTION statement can be coded in the application program wherever declarations can appear according to the rules of the host language. It indicates the end of a host variable declaration section. A host variable section starts with a BEGIN DECLARE SECTION statement.

The BEGIN DECLARE SECTION and the END DECLARE SECTION statements must be paired and may not be nested.

Host variable declarations can be specified by using the SQL INCLUDE statement. Otherwise, a host variable declaration section must not contain any statements other than host variable declarations.

Host variables referenced in SQL statements must be declared in a host variable declare section in all host languages, other than REXX. Furthermore, the declaration of each variable must appear before the first reference to the variable.

Variables declared outside a declare section should not have the same name as variables declared within a declare section.

---

## EXECUTE IMMEDIATE

The EXECUTE IMMEDIATE statement:

- Prepares an executable form of an SQL statement from a character string form of the statement.
- Executes the SQL statement.

EXECUTE IMMEDIATE combines the basic functions of the PREPARE and EXECUTE statements. It can be used to prepare and execute SQL statements that contain neither host variables nor parameter markers.

### Invocation

This statement can only be embedded in an application program. It is an executable statement that cannot be dynamically prepared.

### Authorization

The authorization rules are those defined for the specified SQL statement.

The authorization ID of the statement might be affected by the DYNAMICRULES bind option.

### Syntax

►►—EXECUTE IMMEDIATE—*host-variable*—►►

### Description

*host-variable*

A host variable must be specified, and it must identify a host variable that is described in the program in accordance with the rules for declaring character-string variables. It must be a character-string variable that is less than the maximum statement size of 2 097 152 bytes. Note that a CLOB(2097152) can contain a maximum size statement, but a VARCHAR cannot. The value of the identified host variable is called the statement string.

The statement string must be one of the following SQL statements:

- ALTER
- CALL
- COMMENT
- COMMIT
- CREATE
- DECLARE GLOBAL TEMPORARY TABLE
- DELETE
- DROP
- GRANT
- INSERT
- LOCK TABLE
- REFRESH TABLE
- RELEASE SAVEPOINT

- RENAME TABLE
- RENAME TABLESPACE
- REVOKE
- ROLLBACK
- SAVEPOINT
- SET CURRENT DEFAULT TRANSFORM GROUP
- SET CURRENT DEGREE
- SET CURRENT EXPLAIN MODE
- SET CURRENT EXPLAIN SNAPSHOT
- SET CURRENT MAINTAINED TABLE TYPES FOR OPTIMIZATION
- SET CURRENT QUERY OPTIMIZATION
- SET CURRENT REFRESH AGE
- SET ENCRYPTION PASSWORD
- SET EVENT MONITOR STATE
- SET INTEGRITY
- SET PASSTHRU
- SET PATH
- SET SCHEMA
- SET SERVER OPTION
- UPDATE

The statement string must not include parameter markers or references to host variables, and must not begin with EXEC SQL. It must not contain a statement terminator, with the exception of the CREATE TRIGGER and CREATE PROCEDURE statements. A CREATE TRIGGER statement can contain semi-colons (;) to separate triggered SQL statements. A CREATE PROCEDURE statement can contain semi-colons to separate SQL statements in the SQL procedure body. The procedure named in a CALL statement must not have any OUT or INOUT parameters (SQLSTATE 07007).

When an EXECUTE IMMEDIATE statement is executed, the specified statement string is parsed and checked for errors. If the SQL statement is invalid, it is not executed, and the error condition that prevents its execution is reported in the SQLCA. If the SQL statement is valid, but an error occurs during its execution, that error condition is reported in the SQLCA.

## Notes

- Statement caching affects the behavior of an EXECUTE IMMEDIATE statement.

## Example

Use C program statements to move an SQL statement to the host variable qstring (char[80]), and prepare and execute whatever SQL statement is in the host variable qstring.

```

if (strcmp(accounts,"BIG") == 0)
 strcpy (qstring,"INSERT INTO WORK TABLE SELECT *
 FROM EMP_ACT WHERE ACTNO < 100");
else
 strcpy (qstring,"INSERT INTO WORK TABLE SELECT *
 FROM EMP_ACT WHERE ACTNO >= 100");

```

## EXECUTE IMMEDIATE

```
·
·
·
EXEC SQL EXECUTE IMMEDIATE :qstring;
```

---

## EXECUTE

The EXECUTE statement executes a prepared SQL statement.

### Invocation

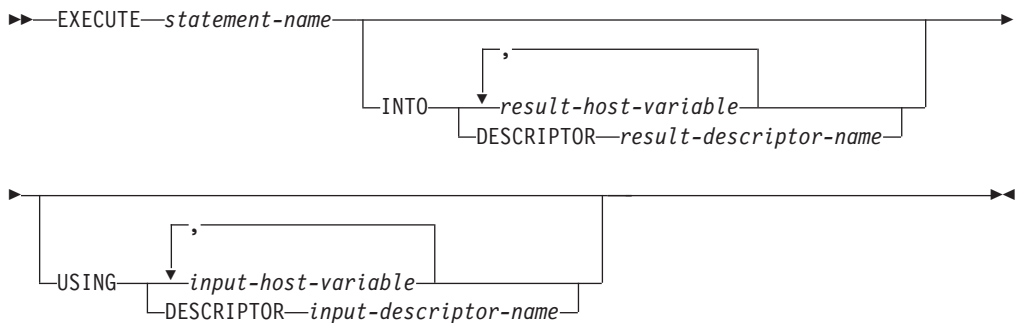
This statement can only be embedded in an application program. It is an executable statement that cannot be dynamically prepared.

### Authorization

For statements where authorization checking is performed at statement execution time (DDL, GRANT, and REVOKE statements), the privileges held by the authorization ID of the statement must include those required to execute the SQL statement specified by the PREPARE statement. The authorization ID of the statement might be affected by the DYNAMICRULES bind option.

For statements where authorization checking is performed at statement preparation time (DML), no authorization is required to use this statement.

### Syntax



### Description

*statement-name*

Identifies the prepared statement to be executed. The *statement-name* must identify a statement that was previously prepared, and the prepared statement cannot be a SELECT statement.

#### INTO

Introduces a list of host variables which are used to receive values from output parameter markers (question marks) in the prepared statement.

For a dynamic CALL statement, parameter markers appearing in OUT and INOUT arguments to the procedure are output parameter markers. If any output parameter markers appear in the statement, the INTO clause must be specified (SQLSTATE 07007).

*result-host-variable, ...*

Identifies a host variable that is declared in the program in accordance with the rules for declaring host variables. The number of variables must

be the same as the number of output parameter markers in the prepared statement. The *n*th variable corresponds to the *n*th parameter marker in the prepared statement. Locator variables and file reference variables, where appropriate, can be provided as the destination for parameter markers.

**DESCRIPTOR** *result-descriptor-name*

Identifies an output SQLDA that must contain a valid description of host variables.

Before the EXECUTE statement is processed, the user must set the following fields in the input SQLDA:

- SQLN to indicate the number of SQLVAR occurrences provided in the SQLDA
- SQLDABC to indicate the number of bytes of storage allocated for the SQLDA
- SQLD to indicate the number of variables used in the SQLDA when processing the statement
- SQLVAR occurrences to indicate the attributes of the variables.

The SQLDA must have enough storage to contain all SQLVAR occurrences.

If LOB or structured data type output data must be accommodated, there must be two SQLVAR entries for every parameter marker.

SQLD must be set to a value greater than or equal to zero and less than or equal to SQLN.

**USING**

Introduces a list of host variables for which values are substituted for the input parameter markers (question marks) in the prepared statement.

For a dynamic CALL statement, parameter markers appearing in IN and INOUT arguments to the procedure are input parameter markers. For all other dynamic statements, all the parameter markers are input parameter markers. If any output parameter markers appear in the statement, the USING clause must be specified (SQLSTATE 07004).

*input-host-variable, ...*

Identifies a host variable that is declared in the program in accordance with the rules for declaring host variables. The number of variables must be the same as the number of input parameter markers in the prepared statement. The *n*th variable corresponds to the *n*th parameter marker in the prepared statement. Locator variables and file reference variables, where appropriate, can be provided as the source of values for parameter markers.

**DESCRIPTOR** *input-descriptor-name*

Identifies an input SQLDA that must contain a valid description of host variables.

Before the EXECUTE statement is processed, the user must set the following fields in the input SQLDA:

- SQLN to indicate the number of SQLVAR occurrences provided in the SQLDA
- SQLDABC to indicate the number of bytes of storage allocated for the SQLDA
- SQLD to indicate the number of variables used in the SQLDA when processing the statement
- SQLVAR occurrences to indicate the attributes of the variables.

## EXECUTE

The SQLDA must have enough storage to contain all SQLVAR occurrences. Therefore, the value in SQLDABC must be greater than or equal to  $16 + \text{SQLN} * (N)$ , where N is the length of an SQLVAR occurrence.

If LOB or structured data type input data must be accommodated, there must be two SQLVAR entries for every parameter marker.

SQLD must be set to a value greater than or equal to zero and less than or equal to SQLN.

### Notes

- Before the prepared statement is executed, each input parameter marker is effectively replaced by the value of its corresponding host variable. For a typed parameter marker, the attributes of the target variable are those specified by the CAST specification. For an untyped parameter marker, the attributes of the target variable are determined according to the context of the parameter marker. Let V denote an input host variable that corresponds to parameter marker P. The value of V is assigned to the target variable for P in accordance with the rules for assigning a value to a column. Thus:

- V must be compatible with the target.
- If V is a string, its length must not be greater than the length attribute of the target.
- If V is a number, the absolute value of its integral part must not be greater than the maximum absolute value of the integral part of the target.
- If the attributes of V are not identical to the attributes of the target, the value is converted to conform to the attributes of the target.

When the prepared statement is executed, the value used in place of P is the value of the target variable for P. For example, if V is CHAR(6) and the target is CHAR(8), the value used in place of P is the value of V padded with two blanks.

- For a dynamic CALL statement, after the prepared statement is executed, the returned value of each OUT and INOUT argument is assigned to the host variable corresponding to the output parameter marker used for the argument. For a typed parameter marker, the attributes of the target variable are those specified by the CAST specification. For an untyped parameter marker, the attributes of the target variable are those specified by the definition of the parameter of the procedure.

Let V denote an output host variable that corresponds to parameter marker P, which is used for argument A of a procedure. The value of A is assigned to V in accordance with the rules for retrieving a value from a column. Thus:

- V must be compatible with A.
- If V is a string, its length must not be less than the length of A, or the value of A will be truncated.
- If V is a number, the maximum absolute value of its integral part must not be less than the absolute value of the integral part of A.
- If the attributes of V are not identical to the attributes of A, the value of A is converted to conform to the attributes of V.

- **Dynamic SQL Statement Caching:** The information required to execute dynamic and static SQL statements is placed in the database package cache when static SQL statements are first referenced or when dynamic SQL statements are first prepared. This information stays in the package cache until it becomes invalid, the cache space is required for another statement, or the database is shut down.

When an SQL statement is executed or prepared, the package information relevant to the application issuing the request is loaded from the system catalog into the package cache. The actual executable section for the individual SQL statement is also placed into the cache: static SQL sections are read in from the system catalog and placed in the package cache when the statement is first referenced; dynamic SQL sections are placed directly in the cache after they have been created. Dynamic SQL sections can be created by an explicit statement, such as PREPARE or EXECUTE IMMEDIATE. Once created, sections for dynamic SQL statements may be recreated by an implicit prepare of the statement by the system if the original section has been deleted for space management reasons, or has become invalid due to changes in the environment.

Each SQL statement is cached at the database level and can be shared among applications. Static SQL statements are shared among applications using the same package; dynamic SQL statements are shared among applications using the same compilation environment, and the exact same statement text. The text of each SQL statement issued by an application is cached locally within the application for use if an implicit prepare is required. Each PREPARE statement in the application program can cache one statement. All EXECUTE IMMEDIATE statements in an application program share the same space, and only one cached statement exists for all these EXECUTE IMMEDIATE statements at a time. If the same PREPARE or any EXECUTE IMMEDIATE statement is issued multiple times with a different SQL statement each time, only the last statement will be cached for reuse. The optimal use of the cache is to issue a number of different PREPARE statements once at the start of the application, and then to issue an EXECUTE or OPEN statement as required.

With the caching of dynamic SQL statements, once a statement has been created, it can be reused over multiple units of work without the need to prepare the statement again. The system will recompile the statement, as required, if environment changes occur.

The following events are examples of environment or data object changes that can cause cached dynamic statements to be implicitly prepared on the next PREPARE, EXECUTE, EXECUTE IMMEDIATE, or OPEN request:

- ALTER FUNCTION
- ALTER METHOD
- ALTER NICKNAME
- ALTER PROCEDURE
- ALTER SERVER
- ALTER TABLE
- ALTER TABLESPACE
- ALTER TYPE
- CREATE FUNCTION
- CREATE FUNCTION MAPPING
- CREATE INDEX
- CREATE METHOD
- CREATE PROCEDURE
- CREATE TABLE
- CREATE TEMPORARY TABLESPACE
- CREATE TRIGGER
- CREATE TYPE
- DROP (all objects)

## EXECUTE

- RUNSTATS on any table or index
- Any action that causes a view to become inoperative
- UPDATE of statistics in any system catalog table
- SET CURRENT DEGREE
- SET PATH
- SET QUERY OPTIMIZATION
- SET SCHEMA
- SET SERVER OPTION

The following list outlines the behavior that can be expected from cached dynamic SQL statements:

- *PREPARE Requests*: Subsequent preparations of the same statement will not incur the cost of compiling the statement if the section is still valid. The cost and cardinality estimates for the current cached section will be returned. These values may differ from the values returned from any previous PREPARE for the same SQL statement. There will be no need to issue a PREPARE statement subsequent to a COMMIT or ROLLBACK statement.
- *EXECUTE Requests*: EXECUTE statements may occasionally incur the cost of implicitly preparing the statement if it has become invalid since the original PREPARE. If a section is implicitly prepared, it will use the current environment and not the environment of the original PREPARE statement.
- *EXECUTE IMMEDIATE Requests*: Subsequent EXECUTE IMMEDIATE statements for the same statement will not incur the cost of compiling the statement if the section is still valid.
- *OPEN Requests*: OPEN requests for dynamically defined cursors may occasionally incur the cost of implicitly preparing the statement if it has become invalid since the original PREPARE statement. If a section is implicitly prepared, it will use the current environment and not the environment of the original PREPARE statement.
- *FETCH Requests*: No behavior changes should be expected.
- *ROLLBACK*: Only those dynamic SQL statements prepared or implicitly prepared during the unit of work affected by the rollback operation will be invalidated.
- *COMMIT*: Dynamic SQL statements will not be invalidated, but any acquired locks will be freed. Cursors not defined as WITH HOLD cursors will be closed and their locks freed. Open WITH HOLD cursors will hold onto their package and section locks to protect the active section both during and after commit processing.

If an error occurs during an implicit prepare, an error will be returned for the request causing the implicit prepare (SQLSTATE 56098).

### Examples

*Example 1*: In this C example, an INSERT statement with parameter markers is prepared and executed. Host variables h1 - h4 correspond to the format of TDEPT.

```
strcpy (s,"INSERT INTO TDEPT VALUES(?,?,?,?)");
EXEC SQL PREPARE DEPT_INSERT FROM :s;
.
.
.
.
.
.
.
.
EXEC SQL EXECUTE DEPT_INSERT USING :h1, :h2,
:h3, :h4;
```



*Example 2:* This EXECUTE statement uses an SQLDA.

```
EXECUTE S3 USING DESCRIPTOR :sqlda3
```

*Example 3:* Given a procedure to award an employee a bonus:

```
CREATE PROCEDURE GIVE_BONUS (IN EMPNO INTEGER,
 IN DEPTNO INTEGER,
 OUT CHEQUE INTEGER,
 INOUT BONUS DEC(6,0))
...

```

Dynamically call the procedure from a C application. The procedure takes the following host variables as input:

- *employee*, the ID number of the employee
- *dept*, the department number
- *bonus*, the desired bonus for the employee

The procedure returns the following values to the host variables:

- *cheque\_no*, the ID number from the cheque
- *bonus*, the actual bonus amount (after any adjustments)

```
strcpy (s, "CALL GIVE_BONUS(?, ?, ?, ?)");
EXEC SQL PREPARE DO_BONUS FROM :s;
.
.
/* Check for successful execution and put values into
 :employee, :dept, and :bonus */
.
.
EXEC SQL EXECUTE DO_BONUS INTO :cheque_no, :bonus
 USING :employee, :dept, :bonus;
.
.
/* Check for successful execution and process the
 values returned in :cheque_no and :bonus */
```

---

## EXPLAIN

The EXPLAIN statement captures information about the access plan chosen for the supplied explainable statement and places this information into the explain tables.

An *explainable statement* can either be a valid XQuery statement or one of the following SQL statements: CALL, Compound SQL (Dynamic), DELETE, INSERT, MERGE, REFRESH, SELECT, SELECT INTO, SET INTEGRITY, UPDATE, VALUES, or VALUES INTO.

### Invocation

This statement can be embedded in an application program or issued interactively. It is an executable statement that can be dynamically prepared.

The statement to be explained is not executed.

### Authorization

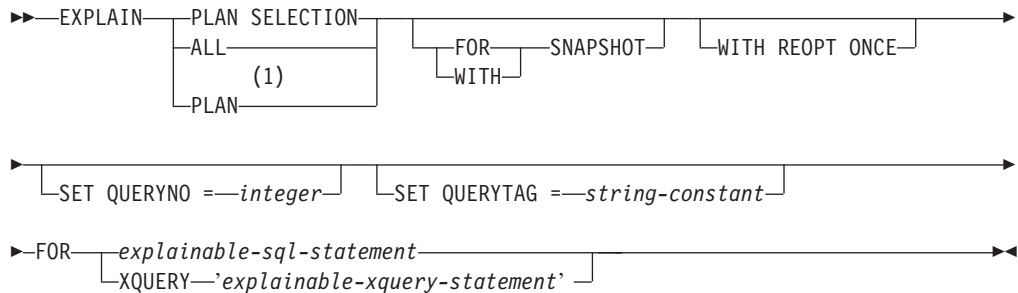
The authorization rules are those defined for the query statement specified in the EXPLAIN statement. For example, if a DELETE statement is used as the explainable statement, the authorization rules for the DELETE statement are applied when the DELETE statement is explained.

## EXPLAIN

The authorization rules for static EXPLAIN statements are those that apply to static versions of the statement passed as the explainable statement. Dynamically prepared EXPLAIN statements use the authorization rules for the dynamic preparation of the statement passed as the explainable statement.

The current authorization ID must have INSERT privilege on the explain tables.

### Syntax



### Notes:

- 1 The PLAN option is supported only for syntax toleration of existing DB2 for z/OS EXPLAIN statements. There is no PLAN table. Specifying PLAN is equivalent to specifying PLAN SELECTION.

### Description

#### PLAN SELECTION

Indicates that the information from the plan selection phase of query compilation is to be inserted into the explain tables.

#### ALL

Specifying ALL is equivalent to specifying PLAN SELECTION.

#### PLAN

The PLAN option provides syntax toleration for existing database applications from other systems. Specifying PLAN is equivalent to specifying PLAN SELECTION.

#### FOR SNAPSHOT

This clause indicates that only an explain snapshot is to be taken and placed into the SNAPSHOT column of the EXPLAIN\_STATEMENT table. No other explain information is captured other than that present in the EXPLAIN\_INSTANCE and EXPLAIN\_STATEMENT tables.

The explain snapshot information is intended for use with Visual Explain.

#### WITH SNAPSHOT

This clause indicates that, in addition to the regular explain information, an explain snapshot is to be taken.

The default behavior of the EXPLAIN statement is to only gather regular explain information and not the explain snapshot.

The explain snapshot information is intended for use with Visual Explain.

#### default (neither FOR SNAPSHOT nor WITH SNAPSHOT specified)

Puts explain information into the explain tables. No snapshot is taken for use with Visual Explain.

**WITH REOPT ONCE**

This clause indicates that the specified *explainable statement* is to be reoptimized using the values for host variables, parameter markers, special registers, or global variables that were previously used to reoptimize this statement with REOPT ONCE. The explain tables will be populated with the new access plan. If the user has DBADM authority, or the database registry variable DB2\_VIEW\_REOPT\_VALUES is set to YES, the EXPLAIN\_PREDICATE table will also be populated with the values if they are used to reoptimize the statement.

**SET QUERYNO = integer**

Associates *integer*, via the QUERYNO column in the EXPLAIN\_STATEMENT table, with the *explainable statement*. The integer value supplied must be a positive value.

If this clause is not specified for a dynamic EXPLAIN statement, a default value of one (1) is assigned. For a static EXPLAIN statement, the default value assigned is the statement number assigned by the precompiler.

**SET QUERYTAG = string-constant**

Associates *string-constant*, via the QUERYTAG column in the EXPLAIN\_STATEMENT table, with the *explainable statement*. *string-constant* can be any character string up to 20 bytes in length. If the value supplied is less than 20 bytes in length, the value is padded on the right with blanks to the required length.

If this clause is not specified for an EXPLAIN statement, blanks are used as the default value.

**FOR explainable-sql-statement**

Specifies the SQL statement to be explained. This statement can be any valid CALL, Compound SQL (Dynamic), DELETE, INSERT, MERGE, REFRESH, SELECT, SELECT INTO, SET INTEGRITY, UPDATE, VALUES, or VALUES INTO SQL statement. If the EXPLAIN statement is embedded in a program, the *explainable-sql-statement* can contain references to host variables (these variables must be defined in the program). Similarly, if EXPLAIN is being dynamically prepared, the *explainable-sql-statement* can contain parameter markers.

The *explainable-sql-statement* must be a valid SQL statement that could be prepared and executed independently of the EXPLAIN statement. It cannot be a statement name or host variable. SQL statements referring to cursors defined through CLP are not valid for use with this statement.

To explain dynamic SQL within an application, the entire EXPLAIN statement must be dynamically prepared.

**FOR XQUERY 'explainable-xquery-statement'**

Specifies the XQUERY statement to be explained. This statement can be any valid XQUERY statement.

If the EXPLAIN statement is embedded in a program, the *'explainable-xquery-statement'* can contain references to host variables, provided that the host variables are not used in the top level XQUERY statement, but are passed in through an XMLQUERY function, by an XMLEXISTS predicate, or by an XMLTABLE function. The host variables must be defined in the program.

Similarly, if EXPLAIN is being dynamically prepared, the *'explainable-xquery-statement'* can contain parameter markers, provided that the same restrictions as for passing host variables are followed.

## EXPLAIN

Alternatively, the DB2 XQUERY function `db2-fn:sqlquery` can be used to embed SQL statements with references to host variables and parameter markers.

The *'explainable-xquery-statement'* must be a valid XQUERY statement that could be prepared and executed independently of the EXPLAIN statement. Query statements referring to cursors defined through CLP are not valid for use with this statement.

### Notes

The Explain facility uses the following IDs as the schema when qualifying explain tables that it is populating:

- The session authorization ID for dynamic SQL
- The statement authorization ID for static SQL

The schema can be associated with a set of explain tables, or aliases that point to a set of explain tables under a different schema. If no explain tables are found under the schema, the Explain facility checks for explain tables under the SYSTOOLS schema and attempts to use those tables.

The following table shows the interaction of the snapshot keywords and the explain information.

| Keyword Specified | Capture Explain Information? | Take Snapshot for Visual Explain? |
|-------------------|------------------------------|-----------------------------------|
| none              | Yes                          | No                                |
| FOR SNAPSHOT      | No                           | Yes                               |
| WITH SNAPSHOT     | Yes                          | Yes                               |

If neither the FOR SNAPSHOT nor the WITH SNAPSHOT clause is specified, an explain snapshot is not taken.

The explain tables must be created by the user prior to invocation of the EXPLAIN statement. The information generated by this statement is stored in the explain tables, in the schema that is designated at the time the statement is compiled.

If any errors occur during the compilation of the *explainable statement* supplied, then no information is stored in the explain tables.

The access plan generated for the *explainable statement* is not saved and thus, cannot be invoked at a later time. The explain information for the *explainable statement* is inserted when the EXPLAIN statement itself is compiled.

For a static EXPLAIN query statement, the information is inserted into the explain tables at bind time and during an explicit rebind. During precompilation, the static EXPLAIN statements are commented out in the modified application source file. At bind time, the EXPLAIN statements are stored in the SYSCAT.STATEMENTS catalog. When the package is run, the EXPLAIN statement is not executed. Note that the section numbers for all statements in the application will be sequential and will include the EXPLAIN statements. An alternative to using a static EXPLAIN statement is to use a combination of the EXPLAIN and EXPLSNAP BIND or PREP options. Static EXPLAIN statements can be used to cause the explain tables to be populated for one specific static query statement out of many; simply prefix the target statement with the appropriate EXPLAIN statement syntax and bind the

application without using either of the explain BIND or PREP options. The EXPLAIN statement can also be used when it is advantageous to set the QUERYNO or QUERYTAG field at the time of the actual explain invocation.

Static EXPLAIN statements in an SQL procedure are evaluated when the procedure is compiled.

For an incremental bind EXPLAIN query statement, the explain tables are populated when the EXPLAIN statement is submitted for compilation. When the package is run, the EXPLAIN statement performs no processing (though the statement will be successful). When populating the explain tables, the explain table qualifier and authorization ID used during population will be those of the package owner. The EXPLAIN statement can also be used when it is advantageous to set the QUERYNO or QUERYTAG field at the time of the actual explain invocation.

For dynamic EXPLAIN statements, the explain tables are populated at the time the EXPLAIN statement is submitted for compilation. An EXPLAIN statement can be prepared with the PREPARE statement but, if executed, will perform no processing (though the statement will be successful). An alternative to issuing dynamic EXPLAIN statements is to use a combination of the CURRENT EXPLAIN MODE and CURRENT EXPLAIN SNAPSHOT special registers to explain dynamic query statements. The EXPLAIN statement should be used when it is advantageous to set the QUERYNO or QUERYTAG field at the time of the actual EXPLAIN invocation.

If the REOPT bind option is set to ONCE, and either the CURRENT EXPLAIN MODE or the CURRENT EXPLAIN SNAPSHOT special register is set to REOPT, the execution of static and dynamic query statements containing host variables, special registers, parameter markers, or global variables will cause explain information to be captured for the statement only when the statement is reoptimized. Alternatively, if the REOPT bind option is set to ALWAYS, explain information will be captured every time these statements are executed.

## Examples

*Example 1:* Explain a simple SELECT statement and tag with QUERYNO = 13.

```
EXPLAIN PLAN SET QUERYNO = 13
FOR SELECT C1
FROM T1
```

*Example 2:* Explain a simple SELECT statement and tag with QUERYTAG = 'TEST13'.

```
EXPLAIN PLAN SELECTION SET QUERYTAG = 'TEST13'
FOR SELECT C1
FROM T1
```

*Example 3:* Explain a simple SELECT statement and tag with QUERYNO = 13 and QUERYTAG = 'TEST13'.

```
EXPLAIN PLAN SELECTION SET QUERYNO = 13 SET QUERYTAG = 'TEST13'
FOR SELECT C1
FROM T1
```

*Example 4:* Attempt to get explain information when explain tables do not exist.

```
EXPLAIN ALL FOR SELECT C1
FROM T1
```

## EXPLAIN

This statement will fail because the explain tables have not been defined (SQLSTATE 42704).

*Example 5:* The following statement will succeed if it is found in the package cache and has already been compiled using REOPT ONCE.

```
EXPLAIN ALL WITH REOPT ONCE FOR SELECT C1
FROM T1
WHERE C1 = :<host variable>
```

*Example 6:* The following example uses the db2-fn:xmlcolumn function, which takes the case-sensitive name of an XML column as an argument and returns an XML sequence that is the concatenation of XML column values.

Consider a table called BUSINESS.CUSTOMER with an XML column called INFO. A simple XQuery that returns all documents from the INFO column is :

```
EXPLAIN PLAN SELECTION
FOR XQUERY 'db2-fn:xmlcolumn ("BUSINESS.CUSTOMER.INFO")'
```

If a column value is null, then the resulting return sequence for that row will be empty.

---

## FETCH

The FETCH statement positions a cursor on the next row of its result table and assigns the values of that row to host variables.

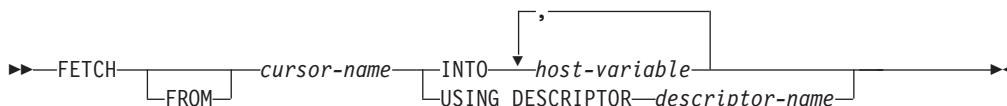
### Invocation

Although an interactive SQL facility might provide an interface that gives the appearance of interactive execution, this statement can only be embedded within an application program. It is an executable statement that cannot be dynamically prepared.

### Authorization

For the authorization required to use a cursor, see "DECLARE CURSOR".

### Syntax



### Description

*cursor-name*

Identifies the cursor to be used in the fetch operation. The *cursor-name* must identify a declared cursor, as explained in "DECLARE CURSOR". The DECLARE CURSOR statement must precede the FETCH statement in the source program. When the FETCH statement is executed, the cursor must be in the open state.

If the cursor is currently positioned on or after the last row of the result table:

- SQLCODE is set to +100, and SQLSTATE is set to '02000'.

- The cursor is positioned after the last row.
- Values are not assigned to host variables.

If the cursor is currently positioned before a row, it will be repositioned on that row, and values will be assigned to host variables as specified by INTO or USING.

If the cursor is currently positioned on a row other than the last row, it will be repositioned on the next row and values of that row will be assigned to host variables as specified by INTO or USING.

**INTO** *host-variable, ...*

Identifies one or more host variables that must be described in accordance with the rules for declaring host variables. The first value in the result row is assigned to the first host variable in the list, the second value to the second host variable, and so on. For LOB values in the select-list, the target can be a regular host variable (if it is large enough), a locator variable, or a file-reference variable.

**USING DESCRIPTOR** *descriptor-name*

Identifies an SQLDA that must contain a valid description of zero or more host variables.

Before the FETCH statement is processed, the user must set the following fields in the SQLDA:

- SQLN to indicate the number of SQLVAR occurrences provided in the SQLDA.
- SQLDABC to indicate the number of bytes of storage allocated for the SQLDA.
- SQLD to indicate the number of variables used in the SQLDA when processing the statement.
- SQLVAR occurrences to indicate the attributes of the variables.

The SQLDA must have enough storage to contain all SQLVAR occurrences. Therefore, the value in SQLDABC must be greater than or equal to  $16 + \text{SQLN} * (\text{N})$ , where N is the length of an SQLVAR occurrence.

If LOB or structured type result columns need to be accommodated, there must be two SQLVAR entries for every select-list item (or column of the result table).

SQLD must be set to a value greater than or equal to zero and less than or equal to SQLN.

The *n*th variable identified by the INTO clause or described in the SQLDA corresponds to the *n*th column of the result table of the cursor. The data type of each variable must be compatible with its corresponding column.

Each assignment to a variable is made according to specific rules. If the number of variables is less than the number of values in the row, the SQLWARN3 field of the SQLDA is set to 'W'. Note that there is no warning if there are more variables than the number of result columns. If an assignment error occurs, the value is not assigned to the variable, and no more values are assigned to variables. Any values that have already been assigned to variables remain assigned.

**Notes**

- An open cursor has three possible positions:
  - Before a row
  - On a row

## FETCH

- After the last row.
- If a cursor is on a row, that row is called the current row of the cursor. A cursor referenced in an UPDATE or DELETE statement must be positioned on a row. A cursor can only be on a row as a result of a FETCH statement.
- When retrieving into LOB locators in situations where it is not necessary to retain the locator across FETCH statements, it is good practice to issue a FREE LOCATOR statement before issuing the next FETCH statement, as locator resources are limited.
- It is possible for an error to occur that makes the state of the cursor unpredictable.
- It is possible that a warning may not be returned on a FETCH. It is also possible that the returned warning applies to a previously fetched row. This occurs as a result of optimizations such as the use of system temporary tables or pushdown operators.
- Statement caching affects the behavior of an EXECUTE IMMEDIATE statement.
- DB2 CLI supports additional fetching capabilities. For instance when a cursor's result table is read-only, the SQLFetchScroll() function can be used to position the cursor at any spot within that result table.
- For an updatable cursor, a lock is obtained on a row when it is fetched.
- If the cursor definition contains an SQL data change statement or invokes a routine that modifies SQL data, an error during the fetch operation does not cause the modified rows to be rolled back, even if the error results in the cursor being closed.

### Examples

*Example 1:* In this C example, the FETCH statement fetches the results of the SELECT statement into the program variables dnum, dname, and mnum. When no more rows remain to be fetched, the not found condition is returned.

```
EXEC SQL DECLARE C1 CURSOR FOR
 SELECT DEPTNO, DEPTNAME, MGRNO FROM TDEPT
 WHERE ADMRDEPT = 'A00';

EXEC SQL OPEN C1;

while (SQLCODE==0) {
 EXEC SQL FETCH C1 INTO :dnum, :dname, :mnum;
}

EXEC SQL CLOSE C1;
```

*Example 2:* This FETCH statement uses an SQLDA.

```
FETCH CURS USING DESCRIPTOR :sqlda3
```

---

## FLUSH EVENT MONITOR

The FLUSH EVENT MONITOR statement writes current database monitor values for all active monitor types associated with event monitor *event-monitor-name* to the event monitor I/O target. Hence, at any time a partial event record is available for event monitors that have low record generation frequency (such as a database event monitor). Such records are noted in the event monitor log with a *partial record* identifier.

When an event monitor is flushed, its active internal buffers are written to the event monitor output object.



## Invocation

This statement can be embedded in an application program or issued interactively. It is an executable statement that can be dynamically prepared.

## Authorization

The privileges held by the authorization ID of the statement must include SYSADM or DBADM authority.

## Syntax

```
►►—FLUSH—EVENT—MONITOR—event-monitor-name—┬───┬───►
 | |
 └─┬─┘
 BUFFER
```

## Description

*event-monitor-name*

Name of the event monitor. This is a one-part name. It is an ordinary identifier.

### BUFFER

Indicates that the event monitor buffers are to be written out. If BUFFER is specified, then a partial record is not generated. Only the data already present in the event monitor buffers are written out.

## Notes

- Flushing out the event monitor will not cause the event monitor values to be reset. This means that the event monitor record that would have been generated if no flush was performed, will still be generated when the normal monitor event is triggered.

---

## FLUSH OPTIMIZATION PROFILE CACHE

Multiple statements can be compiled using the same optimization profile. To make optimization profile processing more efficient, the optimization profile is processed the first time it is used to optimize a statement, and the output is stored in the optimization profile cache. Subsequent references to the optimization profile use the processed version in the optimization profile cache.

An optimization profile should be removed from the optimization profile cache when the version stored in SYSTOOLS.OPT\_PROFILE has been updated. When the old version is removed from the cache, the new version will be used upon optimization of subsequent statements that use the optimization profile.

## Invocation

This statement can be embedded in an application program or issued through the use of dynamic SQL statements. It is an executable statement that can be dynamically prepared.

## Authorization

The privileges held by the authorization ID of the statement must include either SYSADM or DBADM authority (SQLSTATE 42502).

## FLUSH OPTIMIZATION PROFILE CACHE

### Syntax

```
▶▶—FLUSH OPTIMIZATION PROFILE CACHE—
 ALL
 optimization-profile-name
▶▶
```

### Description

*optimization-profile-name*

Specifies the name of the optimization profile to be flushed from the optimization profile cache. If the name specified is unqualified, the value of the CURRENT DEFAULT SCHEMA register is used as the implicit qualifier.

#### ALL

Specifies that all profiles on all active database partitions be flushed from the optimization profile cache.

### Notes

- The FLUSH OPTIMIZATION PROFILE CACHE statement removes all or a single optimization profile from the optimization profile cache. It also causes the logical invalidation of any cached dynamic SQL statements that were prepared with that optimization profile.
- New access plans for any invalidated dynamic plans are regenerated when the next request for the same SQL statement is made.
- Packages that reference an optimization profile removed from the optimization profile cache by this statement must be explicitly bound again to allow new access plans to be generated.

### Examples

*Example 1:* The optimization profile "Rick"."Foo" is flushed from the optimization profile cache.

```
SET CURRENT SCHEMA = 'Rick'
FLUSH OPTIMIZATION PROFILE CACHE "Foo"
```

*Example 2:* The optimization profile JOHN.ALL is removed from the optimization profile cache.

```
SET CURRENT SCHEMA = 'Rick'
FLUSH OPTIMIZATION PROFILE CACHE JOHN.ALL
```

### Messages

- No errors are issued if the optimization profile cache is empty or if the specified optimization profiles (specified explicitly or implicitly) do not exist in the optimization profile cache.

---

## FLUSH PACKAGE CACHE

The FLUSH PACKAGE CACHE statement removes all cached dynamic SQL statements currently in the package cache. This statement causes the logical invalidation of any cached dynamic SQL statement and forces the next request for the same SQL statement to be implicitly compiled by DB2.

## Invocation

This statement can be embedded in an application program or issued through the use of dynamic SQL statements. It is an executable statement that can be dynamically prepared.

## Authorization

The privileges held by the authorization ID of the statement must include SYSADM or DBADM authority.

## Syntax

```
▶▶—FLUSH PACKAGE CACHE—DYNAMIC—▶▶
```

## Notes

- This statement affects all cached dynamic SQL entries in the package cache on all active database partitions.
- As cached dynamic SQL statements are invalidated, the package cache memory used for the cached entry will be freed if the entry is not in use when the FLUSH PACKAGE CACHE statement executes.
- Any cached dynamic SQL statement currently in use will be allowed to continue to exist in the package cache until it is no longer needed by its current user; the next new user of the same statement will force an implicit prepare of the statement by DB2, and the new user will execute the new version of the cached dynamic SQL statement.

---

## FOR

The FOR statement executes a statement or group of statements for each row of a table.

## Invocation

This statement can be embedded in an SQL procedure or dynamic compound statement. It is not an executable statement and cannot be dynamically prepared.

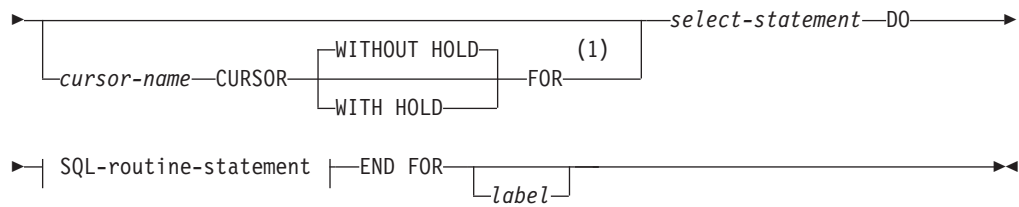
## Authorization

No privileges are required to invoke the FOR statement. However, the authorization ID of the statement must hold the necessary privileges to invoke the SQL statements that are embedded in the FOR statement. For the authorization required to use a cursor, see “DECLARE CURSOR”.

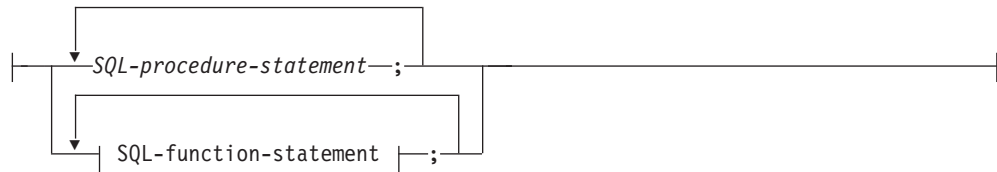
## Syntax

```
▶▶ [label:] FOR for-loop-name AS —▶▶
```

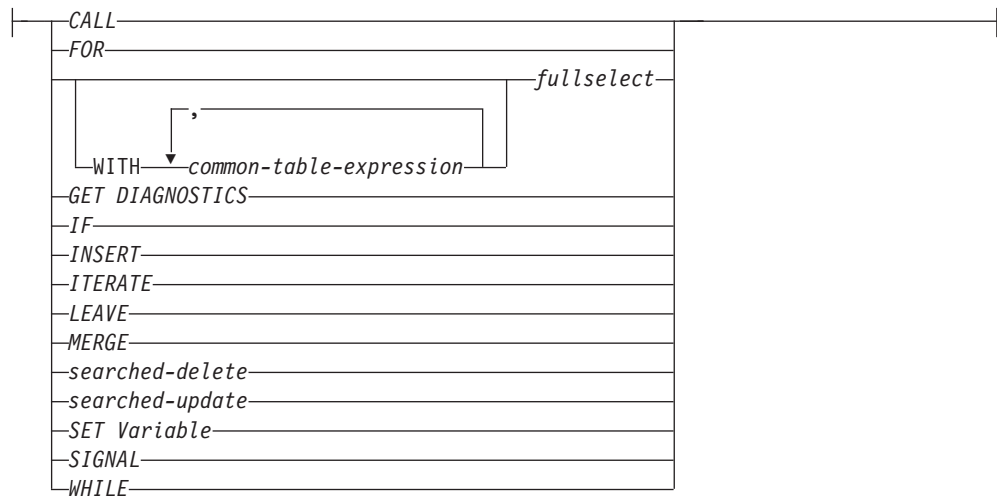
# FOR



## SQL-routine-statement:



## SQL-function-statement:



## Notes:

- 1 This option can only be used in the context of an SQL procedure.

## Description

### *label*

Specifies the label for the FOR statement. If the beginning label is specified, that label can be used in LEAVE and ITERATE statements. If the ending label is specified, it must be the same as the beginning label.

### *for-loop-name*

Specifies a label for the implicit compound statement generated to implement the FOR statement. It follows the rules for the label of a compound statement except that it cannot be used with an ITERATE or LEAVE statement within the FOR statement. The *for-loop-name* is used to qualify the column names returned by the specified *select-statement*.

### *cursor-name*

Names the cursor that is used to select rows from the result table of the

SELECT statement. If not specified, DB2 generates a unique cursor name. For a description of WITHOUT HOLD or WITH HOLD, see “DECLARE CURSOR”.

*select-statement*

Specifies the SELECT statement of the cursor. All columns in the select list must have a name and there cannot be two columns with the same name.

In a trigger, function, method, or dynamic compound statement, the *select-statement* must consist of only a *fullselect* with optional common table expressions.

*SQL-procedure-statement*

Specifies one or more statements to be invoked for each row of the table. *SQL-procedure-statement* is only applicable when in the context of an SQL procedure. See *SQL-procedure-statement* in “Compound SQL (Procedure)”.

*SQL-function-statement*

Specifies one or more statements to be invoked for each row of the table. A searched-update, searched-delete, or INSERT operation on nicknames is not supported. *SQL-function-statement* is only applicable when in the context of an SQL function or SQL method.

## Rules

- The select list must consist of unique column names and the table specified in the select list must exist when the procedure is created, or it must be a table created in a previous SQL procedure statement.
- The cursor specified in a for-statement cannot be referenced outside the for-statement and cannot be specified in an OPEN, FETCH, or CLOSE statement.

## Examples

In the following example, the for-statement is used to iterate over the entire employee table. For each row in the table, the SQL variable fullname is set to the last name of the employee, followed by a comma, the first name, a blank space, and the middle initial. Each value for fullname is inserted into table tnames.

```
BEGIN ATOMIC
 DECLARE fullname CHAR(40);
 FOR v1 AS
 SELECT firstnme, midinit, lastname FROM employee
 DO
 SET fullname = lastname CONCAT ', '
 CONCAT firstnme CONCAT ' ' CONCAT midinit;
 INSERT INTO tnames VALUES (fullname);
 END FOR;
END
```

---

## FREE LOCATOR

The FREE LOCATOR statement removes the association between a locator variable and its value.

### Invocation

This statement can be embedded in an application program or issued through the use of dynamic SQL statements. It is an executable statement that can be dynamically prepared.

## FREE LOCATOR

### Authorization

None required.

### Syntax

```
▶▶ FREE LOCATOR variable-name ▶▶
```

A syntax diagram for the FREE LOCATOR statement. It shows the keyword 'FREE LOCATOR' followed by a list of 'variable-name's enclosed in square brackets. The list is terminated by a semicolon. The entire statement is enclosed in a double-headed arrow.

### Description

**LOCATOR** *variable-name*, ...

Identifies one or more locator variables that must be declared in accordance with the rules for declaring locator variables.

The locator-variable must currently have a locator assigned to it. That is, a locator must have been assigned during this unit of work (by a CALL, FETCH, SELECT INTO, or VALUES INTO statement) and must not subsequently have been freed (by a FREE LOCATOR statement); otherwise, an error is returned (SQLSTATE 0F001).

If more than one locator is specified, all locators that can be freed will be freed, regardless of errors detected in other locators in the list.

### Example

In a COBOL program, free the BLOB locator variables TKN-VIDEO and TKN-BUF and the CLOB locator variable LIFE-STORY-LOCATOR.

```
EXEC SQL
FREE LOCATOR :TKN-VIDEO, :TKN-BUF, :LIFE-STORY-LOCATOR
END-EXEC.
```

---

## GET DIAGNOSTICS

The GET DIAGNOSTICS statement is used to obtain information about the previously executed SQL statement.

### Invocation

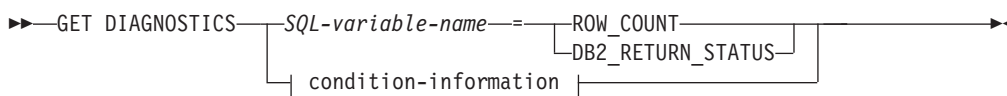
This statement can be embedded in an SQL procedure or dynamic compound statement. It is not an executable statement and cannot be dynamically prepared.

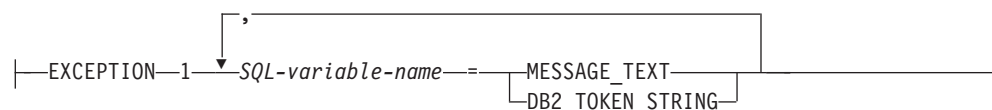
### Authorization

None required.

### Syntax

```
▶▶ GET DIAGNOSTICS SQL-variable-name = ROW_COUNT | DB2_RETURN_STATUS | condition-information ▶▶
```

A syntax diagram for the GET DIAGNOSTICS statement. It shows the keyword 'GET DIAGNOSTICS' followed by an equals sign and a list of options: 'SQL-variable-name', 'ROW\_COUNT', 'DB2\_RETURN\_STATUS', and 'condition-information'. The list is enclosed in square brackets. The entire statement is enclosed in a double-headed arrow.

**condition-information:****Description***SQL-variable-name*

Identifies the variable that is the assignment target. If ROW\_COUNT or DB2\_RETURN\_STATUS is specified, the variable must be an integer variable. Otherwise, the variable must be CHAR or VARCHAR. SQL variables can be defined in a compound statement.

**ROW\_COUNT**

Identifies the number of rows associated with the previous SQL statement. If the previous SQL statement is a DELETE, INSERT, or UPDATE statement, ROW\_COUNT identifies the number of rows that qualified for the operation. If the previous statement is a PREPARE statement, ROW\_COUNT identifies the *estimated* number of result rows in the prepared statement.

**DB2\_RETURN\_STATUS**

Identifies the status value returned from the procedure associated with the previously executed SQL statement, provided that the statement was a CALL statement invoking a procedure that returns a status. If the previous statement is not such a statement, then the value returned has no meaning and could be any integer.

**condition-information**

Specifies that the error or warning information for the previously executed SQL statement is to be returned. If information about an error is needed, the GET DIAGNOSTICS statement must be the first statement specified in the handler that will handle the error. If information about a warning is needed, and if the handler will get control of the warning condition, the GET DIAGNOSTICS statement must be the first statement specified in that handler. If the handler will *not* get control of the warning condition, the GET DIAGNOSTICS statement must be the next statement executed. This option can only be specified in the context of an SQL Procedure (SQLSTATE 42601).

**MESSAGE\_TEXT**

Identifies any error or warning message text returned from the previously executed SQL statement. The message text is returned in the language of the database server where the statement is processed. If the statement completed with an SQLCODE of zero, an empty string is returned for a VARCHAR variable or blanks are returned for a CHAR variable.

**DB2\_TOKEN\_STRING**

Identifies any error or warning message tokens returned from the previously executed SQL statement. If the statement completed with an SQLCODE of zero, or if the SQLCODE had no tokens, an empty string is returned for a VARCHAR variable or blanks are returned for a CHAR variable.

**Notes**

- The GET DIAGNOSTICS statement does not change the contents of the diagnostics area (SQLCA). If an SQLSTATE or SQLCODE special variable is

## GET DIAGNOSTICS

declared in the SQL procedure, these are set to the SQLSTATE or SQLCODE returned from issuing the GET DIAGNOSTICS statement.

- *Compatibilities*
  - For compatibility with previous versions of DB2:
    - RETURN\_STATUS can be specified in place of DB2\_RETURN\_STATUS.

### Examples

In an SQL procedure, execute a GET DIAGNOSTICS statement to determine how many rows were updated.

```
CREATE PROCEDURE sqlprocg (IN deptnbr VARCHAR(3))
 LANGUAGE SQL
 BEGIN
 DECLARE SQLSTATE CHAR(5);
 DECLARE rcount INTEGER;
 UPDATE CORPDATA.PROJECT
 SET PRSTAFF = PRSTAFF + 1.5
 WHERE DEPTNO = deptnbr;
 GET DIAGNOSTICS rcount = ROW_COUNT;
-- At this point, rcount contains the number of rows that were updated.
...
 END
```

Within an SQL procedure, handle the returned status value from the invocation of a procedure called TRYIT that could either explicitly RETURN a positive value indicating a user failure, or encounter SQL errors that would result in a negative return status value. If the procedure is successful, it returns a value of zero.

```
CREATE PROCEDURE TESTIT ()
 LANGUAGE SQL
 A1:BEGIN
 DECLARE RETVAL INTEGER DEFAULT 0;
 ...
 CALL TRYIT;
 GET DIAGNOSTICS RETVAL = DB2_RETURN_STATUS;
 IF RETVAL <> 0 THEN
 ...
 LEAVE A1;
 ELSE
 ...
 END IF;
 END A1
```

---

## GOTO

The GOTO statement is used to branch to a user-defined label within an SQL procedure.

### Invocation

This statement can only be embedded in an SQL procedure. It is not an executable statement and cannot be dynamically prepared.

### Authorization

None required.



## Syntax

► `GOTO label` ◄

## Description

*label*

Specifies a labelled statement where processing is to continue. The labelled statement and the GOTO statement must be in the same scope:

- If the GOTO statement is defined in a FOR statement, *label* must be defined inside the same FOR statement, excluding a nested FOR statement or nested compound statement
- If the GOTO statement is defined in a compound statement, *label* must be defined inside the same compound statement, excluding a nested FOR statement or nested compound statement
- If the GOTO statement is defined in a handler, *label* must be defined in the same handler, following the other scope rules
- If the GOTO statement is defined outside of a handler, *label* must not be defined within a handler.

If *label* is not defined within a scope that the GOTO statement can reach, an error is returned (SQLSTATE 42736).

## Notes

- It is recommended that the GOTO statement be used sparingly. This statement interferes with normal processing sequences, thus making a routine more difficult to read and maintain. Before using a GOTO statement, determine whether another statement, such as IF or LEAVE, can be used in place, to eliminate the need for a GOTO statement.

## Examples

In the following compound statement, the parameters *rating* and *v\_empno* are passed into the procedure, which then returns the output parameter *return\_parm* as a date duration. If the employee's time in service with the company is less than 6 months, the GOTO statement transfers control to the end of the procedure, and *new\_salary* is left unchanged.

```
CREATE PROCEDURE adjust_salary
 (IN v_empno CHAR(6),
 IN rating INTEGER)
 OUT return_parm DECIMAL (8,2))
MODIFIES SQL DATA
LANGUAGE SQL
BEGIN
 DECLARE new_salary DECIMAL (9,2)
 DECLARE service DECIMAL (8,2)
 SELECT SALARY, CURRENT_DATE - HIREDATE
 INTO new_salary, service
 FROM EMPLOYEE
 WHERE EMPNO = v_empno
 IF service < 600
 THEN GOTO EXIT
 END IF
 IF rating = 1
 THEN SET new_salary = new_salary + (new_salary * .10)
 ELSE IF rating = 2
 THEN SET new_salary = new_salary + (new_salary * .05)
 END IF
```

## GOTO

```
UPDATE EMPLOYEE
 SET SALARY = new_salary
 WHERE EMPNO = v_empno
EXIT: SET return_parm = service
END
```

---

## GRANT (Database Authorities)

This form of the GRANT statement grants authorities that apply to the entire database (rather than privileges that apply to specific objects within the database).

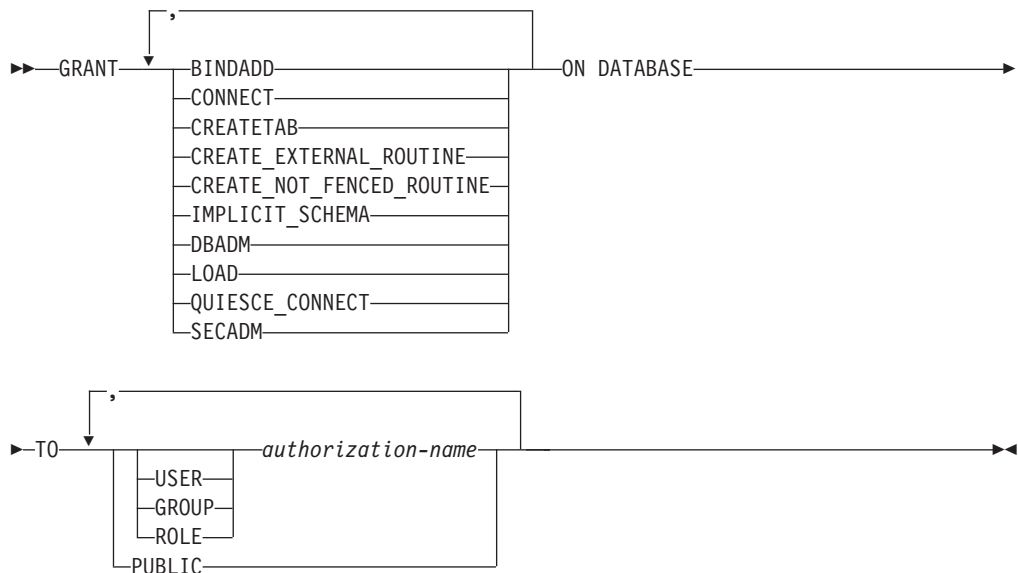
### Invocation

This statement can be embedded in an application program or issued through the use of dynamic SQL statements. It is an executable statement that can be dynamically prepared only if DYNAMICRULES run behavior is in effect for the package (SQLSTATE 42509).

### Authorization

To grant DBADM authority or SECADM authority, SYSADM is required. To grant other authorities, either DBADM or SYSADM authority is required.

### Syntax



### Description

#### BINDADD

Grants the authority to create packages. The creator of a package automatically has the CONTROL privilege on that package and retains this privilege even if the BINDADD authority is subsequently revoked.

#### CONNECT

Grants the authority to access the database.

#### CREATETAB

Grants the authority to create base tables. The creator of a base table

automatically has the CONTROL privilege on that table. The creator retains this privilege even if the CREATETAB authority is subsequently revoked.

There is no explicit authority required for view creation. A view can be created at any time if the authorization ID of the statement used to create the view has either CONTROL or SELECT privilege on each base table of the view.

### CREATE\_EXTERNAL\_ROUTINE

Grants the authority to register external routines. Care must be taken that routines so registered will not have adverse side effects. (For more information, see the description of the THREADSAFE clause on the CREATE or ALTER routine statements.)

Once an external routine has been registered, it continues to exist, even if CREATE\_EXTERNAL\_ROUTINE is subsequently revoked.

### CREATE\_NOT\_FENCED\_ROUTINE

Grants the authority to register routines that execute in the database manager's process. Care must be taken that routines so registered will not have adverse side effects. (For more information, see the description of the FENCED clause on the CREATE or ALTER routine statements.)

Once a routine has been registered as not fenced, it continues to run in this manner, even if CREATE\_NOT\_FENCED\_ROUTINE is subsequently revoked.

CREATE\_EXTERNAL\_ROUTINE is automatically granted to an *authorization-name* that is granted CREATE\_NOT\_FENCED\_ROUTINE authority.

### IMPLICIT\_SCHEMA

Grants the authority to implicitly create a schema.

### DBADM

Grants the database administrator authority and all other database authorities except for security administrator authority (SECADM). A database administrator holds nearly all privileges on nearly all objects in the database. The only exceptions are those privileges that are part of the security administrator authority.

A database administrator can grant any privilege that is part of database administrator authority to others.

All database authorities except for SECADM are implicitly and automatically granted to an *authorization-name* that is granted DBADM authority.

### LOAD

Grants the authority to load in this database. This authority gives a user the right to use the LOAD utility in this database. SYSADM and DBADM also have this authority by default. However, if a user only has LOAD authority (not SYSADM or DBADM), the user is also required to have table-level privileges. In addition to LOAD privilege, the user is required to have:

- INSERT privilege on the table for LOAD with mode INSERT, TERMINATE (to terminate a previous LOAD INSERT), or RESTART (to restart a previous LOAD INSERT)
- INSERT and DELETE privilege on the table for LOAD with mode REPLACE, TERMINATE (to terminate a previous LOAD REPLACE), or RESTART (to restart a previous LOAD REPLACE)
- INSERT privilege on the exception table, if such a table is used as part of LOAD

## GRANT (Database Authorities)

### QUIESCE\_CONNECT

Grants the authority to access the database while it is quiesced.

### SECADM

Grants the security administrator authority. The SECADM authority can only be granted to a user. It cannot be granted to a group, a role (SQLSTATE 42521), or to PUBLIC (SQLSTATE 42508). The authority allows the holder to:

- Create and drop security objects such as audit policies, roles, security labels, security label components, security policies, and trusted contexts
- Grant and revoke roles, security labels, and exemptions
- Grant and revoke the SETSESSIONUSER privilege
- Execute TRANSFER OWNERSHIP on objects owned by others

Unlike other database authorities, the SYSADM authority does not allow the holder to perform the preceding actions.

### TO

Specifies to whom the authorities are granted.

### USER

Specifies that the *authorization-name* identifies a user.

### GROUP

Specifies that the *authorization-name* identifies a group name.

### ROLE

Specifies that the *authorization-name* identifies a role name. The role name must exist at the current server (SQLSTATE 42704).

*authorization-name,...*

Lists the authorization IDs of one or more users, groups, or roles.

The list of authorization IDs cannot include the authorization ID of the user issuing the statement (SQLSTATE 42502).

### PUBLIC

Grants the authorities to a set of users (authorization IDs). For more information, see “Authorization, privileges and object ownership”. DBADM cannot be granted to PUBLIC.

## Rules

- For each *authorization-name* specified, if neither USER, GROUP, nor ROLE is specified, then:
  - If the security plug-in in effect for the instance cannot determine the status of the *authorization-name*, an error is returned (SQLSTATE 56092).
  - If the *authorization-name* is defined as ROLE in the database, and as either GROUP or USER according to the security plug-in in effect, an error is returned (SQLSTATE 56092).
  - If the *authorization-name* is defined according to the security plug-in in effect as both USER and GROUP, an error is returned (SQLSTATE 56092).
  - If the *authorization-name* is defined according to the security plug-in in effect as USER only, or if it is undefined, USER is assumed.
  - If the *authorization-name* is defined according to the security plug-in in effect as GROUP only, GROUP is assumed.
  - If the *authorization-name* is defined in the database as ROLE only, ROLE is assumed.

### Notes

- DBADM authority cannot be granted to the special group PUBLIC. Therefore, granting DBADM authority to a role *role-name* fails if *role-name* is granted to PUBLIC either directly or indirectly (SQLSTATE 42508).
  - Role *role-name* is granted directly to PUBLIC if the following statement has been issued:

```
GRANT ROLE role-name TO PUBLIC
```
  - Role *role-name* is granted indirectly to PUBLIC if the following statements have been issued:

```
GRANT ROLE role-name TO ROLE role-name2
GRANT ROLE role-name2 TO PUBLIC
```
- *Compatibilities*
  - For compatibility with previous versions of DB2:
    - CREATE\_NOT\_FENCED can be specified in place of CREATE\_NOT\_FENCED\_ROUTINE

### Examples

*Example 1:* Give the users WINKEN, BLINKEN, and NOD the authority to connect to the database.

```
GRANT CONNECT ON DATABASE TO USER WINKEN, USER BLINKEN, USER NOD
```

*Example 2:* Grant BINDADD authority on the database to a group named D024. There is both a group and a user called D024 in the system.

```
GRANT BINDADD ON DATABASE TO GROUP D024
```

Observe that, the GROUP keyword must be specified; otherwise, an error will occur since both a user and a group named D024 exist. Any member of the D024 group will be allowed to bind packages in the database, but the D024 user will not be allowed (unless this user is also a member of the group D024, had been granted BINDADD authority previously, or BINDADD authority had been granted to another group of which D024 was a member).

*Example 3:* Give user Walid security administrator authority.

```
GRANT SECADM ON DATABASE TO USER Walid
```

---

## GRANT (Exemption)

This form of the GRANT statement grants to a user, group, or role an exemption on an access rule for a specified label-based access control (LBAC) security policy. When the user holding the exemption accesses data in a table protected by that security policy the indicated rule will not be enforced when deciding if they can access the data.

### Invocation

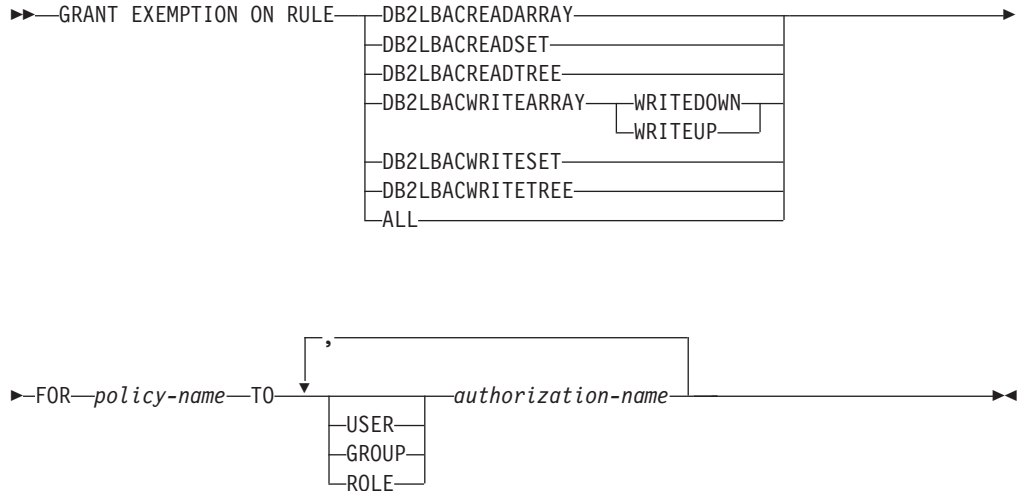
This statement can be embedded in an application program or issued through the use of dynamic SQL statements. It is an executable statement that can be dynamically prepared only if DYNAMICRULES run behavior is in effect for the package (SQLSTATE 42509).

## GRANT (Exemption)

### Authorization

The privileges held by the authorization ID of the statement must include SECADM authority.

### Syntax



### Description

#### EXEMPTION ON RULE

Grants an exemption on an access rule.

#### DB2LBACREADARRAY

Grants an exemption on the predefined DB2LBACREADARRAY rule.

#### DB2LBACREADSET

Grants an exemption on the predefined DB2LBACREADSET rule.

#### DB2LBACREADTREE

Grants an exemption on the predefined DB2LBACREADTREE rule.

#### DB2LBACWRITEARRAY

Grants an exemption on the predefined DB2LBACWRITEARRAY rule.

#### WRITEDOWN

Specifies that the exemption only applies to write down.

#### WRITEUP

Specifies that the exemption only applies to write up.

#### DB2LBACWRITESET

Grants an exemption on the predefined DB2LBACWRITESET rule.

#### DB2LBACWRITETREE

Grants an exemption on the predefined DB2LBACWRITETREE rule.

#### ALL

Grants an exemption on all of the predefined rules.

#### FOR *policy-name*

Identifies the security policy for which the exemption is being granted. The exemption will only be effective for tables that are protected by this security policy. The name must identify a security policy already described in the catalog (SQLSTATE 42704).

**TO**

Specifies to whom the exemption is granted.

**USER**

Specifies that the *authorization-name* identifies a user.

**GROUP**

Specifies that the *authorization-name* identifies a group name.

**ROLE**

Specifies that the *authorization-name* identifies a role name. The role name must exist at the current server (SQLSTATE 42704).

*authorization-name*,...

Lists the authorization IDs of one or more users, groups, or roles.

**Rules**

- For each *authorization-name* specified, if neither USER, GROUP, nor ROLE is specified, then:
  - If the security plug-in in effect for the instance cannot determine the status of the *authorization-name*, an error is returned (SQLSTATE 56092).
  - If the *authorization-name* is defined as ROLE in the database, and as either GROUP or USER according to the security plug-in in effect, an error is returned (SQLSTATE 56092).
  - If the *authorization-name* is defined according to the security plug-in in effect as both USER and GROUP, an error is returned (SQLSTATE 56092).
  - If the *authorization-name* is defined according to the security plug-in in effect as USER only, or if it is undefined, USER is assumed.
  - If the *authorization-name* is defined according to the security plug-in in effect as GROUP only, GROUP is assumed.
  - If the *authorization-name* is defined in the database as ROLE only, ROLE is assumed.
- If the security policy is not defined to consider access through groups or roles, any exemption granted to a group or role is ignored when access is attempted.

**Notes**

- By default when a security policy is created, only exemptions granted to an individual user are considered. To have groups or roles considered for the security policy, you must issue the ALTER SECURITY POLICY statement and specify USE GROUP AUTHORIZATION or USE ROLE AUTHORIZATION as applicable.

**Examples**

*Example 1:* Grant an exemption on access rule DB2LBACREADSET for security policy DATA\_ACCESS to user WALID.

```
GRANT EXEMPTION ON RULE DB2LBACREADSET FOR DATA_ACCESS TO USER WALID
```

*Example 2:* Grant an exemption on access rule DB2LBACWRITEARRAY with the WRITEDOWN option for security policy DATA\_ACCESS to user BOBBY.

```
GRANT EXEMPTION ON RULE DB2LBACWRITEARRAY WRITEDOWN
FOR DATA_ACCESS TO USER BOBBY
```

*Example 3:* Grant an exemption on access rule DB2LBACWRITEARRAY with the WRITEUP option for security policy DATA\_ACCESS to user BOBBY.

## GRANT (Exemption)

```
GRANT EXEMPTION ON RULE DB2LBACWRITEARRAY WRITEUP
FOR DATA_ACCESS TO USER BOBBY
```

---

## GRANT (Global Variable Privileges)

This form of the GRANT statement grants one or more privileges on a created global variable.

### Invocation

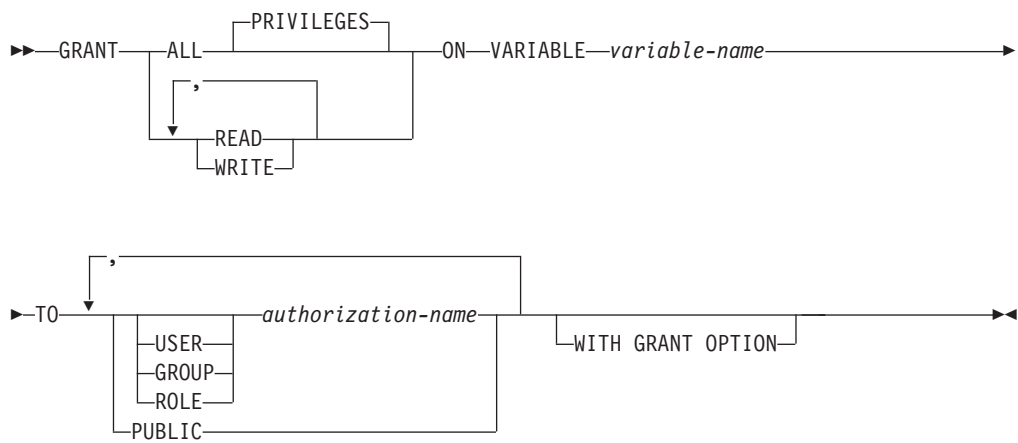
This statement can be embedded in an application program or issued interactively. It is an executable statement that can be dynamically prepared.

### Authorization

The privileges held by the authorization ID of the statement must include at least one of the following:

- The WITH GRANT OPTION for each identified privilege on the global variable
- SYSADM or DBADM authority

### Syntax



### Description

#### ALL PRIVILEGES

Grants all privileges on the specified global variable.

#### READ

Grants the privilege to read the value of the specified global variable.

#### WRITE

Grants the privilege to assign a value to the specified global variable.

#### ON VARIABLE *variable-name*

Identifies the global variable on which one or more privileges are to be granted. The *variable-name*, including an implicit or explicit qualifier, must identify a global variable that exists at the current server (SQLSTATE 42704).

#### TO

Specifies to whom the privileges are granted.

#### USER

Specifies that the *authorization-name* identifies a user.



### GROUP

Specifies that the *authorization-name* identifies a group.

### ROLE

Specifies that the *authorization-name* identifies an existing role at the current server (SQLSTATE 42704).

### *authorization-name*,...

Lists the authorization IDs of one or more users, groups, or roles. The list of authorization IDs cannot include the authorization ID of the user issuing the statement (SQLSTATE 42502).

### PUBLIC

Grants the specified privileges to a set of users (authorization IDs). For more information, see “Authorization, privileges, and object ownership”.

### WITH GRANT OPTION

Allows the specified *authorization-name* to grant the privileges to others. If the WITH GRANT OPTION clause is omitted, the specified *authorization-name* cannot grant the privileges to others unless that authority has been received from some other source.

### Rules

- For each *authorization-name* specified, if none of the keywords USER, GROUP, or ROLE is specified:
  - If the security plug-in in effect for the instance cannot determine the status of the *authorization-name*, an error is returned (SQLSTATE 56092).
  - If the *authorization-name* is defined as ROLE in the database and as either GROUP or USER in the operating system, an error is returned (SQLSTATE 56092).
  - If the *authorization-name* is defined as both USER and GROUP according to the security plug-in in effect, an error is returned (SQLSTATE 56092).
  - If the *authorization-name* is defined as USER only according to the security plug-in in effect, or if it is undefined, USER is assumed.
  - If the *authorization-name* is defined as GROUP only according to the security plug-in in effect, GROUP is assumed.
  - If the *authorization-name* is defined in the database as ROLE only, ROLE is assumed.

### Example

Grant the READ and WRITE privilege on global variable MYSCHEMA.MYJOB\_PRINTER to user ZUBIRI.

```
GRANT READ, WRITE ON VARIABLE MYSCHEMA.MYJOB_PRINTER TO ZUBIRI
```

---

## GRANT (Index Privileges)

This form of the GRANT statement grants the CONTROL privilege on indexes.

### Invocation

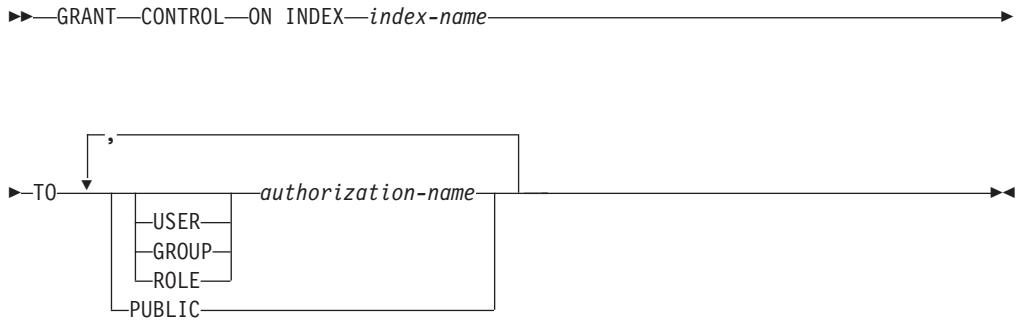
This statement can be embedded in an application program or issued through the use of dynamic SQL statements. It is an executable statement that can be dynamically prepared only if DYNAMICRULES run behavior is in effect for the package (SQLSTATE 42509).

## GRANT (Index Privileges)

### Authorization

The privileges held by the authorization ID of the statement must include DBADM or SYSADM authority.

### Syntax



### Description

#### CONTROL

Grants the privilege to drop the index. This is the CONTROL authority for indexes, which is automatically granted to creators of indexes.

#### ON INDEX *index-name*

Identifies the index for which the CONTROL privilege is to be granted.

#### TO

Specifies to whom the privileges are granted.

#### USER

Specifies that the *authorization-name* identifies a user.

#### GROUP

Specifies that the *authorization-name* identifies a group name.

#### ROLE

Specifies that the *authorization-name* identifies a role name. The role name must exist at the current server (SQLSTATE 42704).

#### *authorization-name*,...

Lists the authorization IDs of one or more users, groups, or roles.

The list of authorization IDs cannot include the authorization ID of the user issuing the statement (SQLSTATE 42502).

#### PUBLIC

Grants the privileges to a set of users (authorization IDs). For more information, see "Authorization, privileges and object ownership".

### Rules

- For each *authorization-name* specified, if neither USER, GROUP, nor ROLE is specified, then:
  - If the security plug-in in effect for the instance cannot determine the status of the *authorization-name*, an error is returned (SQLSTATE 56092).
  - If the *authorization-name* is defined as ROLE in the database, and as either GROUP or USER according to the security plug-in in effect, an error is returned (SQLSTATE 56092).

- If the *authorization-name* is defined according to the security plug-in in effect as both USER and GROUP, an error is returned (SQLSTATE 56092).
- If the *authorization-name* is defined according to the security plug-in in effect as USER only, or if it is undefined, USER is assumed.
- If the *authorization-name* is defined according to the security plug-in in effect as GROUP only, GROUP is assumed.
- If the *authorization-name* is defined in the database as ROLE only, ROLE is assumed.

### Example

```
GRANT CONTROL ON INDEX DEPTIDX TO USER KIESLER
```

---

## GRANT (Package Privileges)

This form of the GRANT statement grants privileges on a package.

### Invocation

This statement can be embedded in an application program or issued through the use of dynamic SQL statements. It is an executable statement that can be dynamically prepared only if DYNAMICRULES run behavior is in effect for the package (SQLSTATE 42509).

### Authorization

The privileges held by the authorization ID of the statement must include at least one of the following:

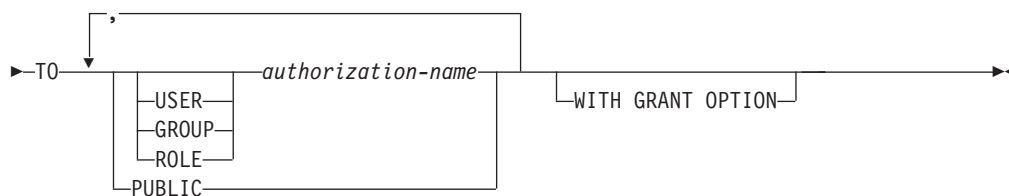
- CONTROL privilege on the referenced package
- The WITH GRANT OPTION for each identified privilege on *package-name*
- SYSADM or DBADM authority

SYSADM or DBADM authority is required to grant the CONTROL privilege.

### Syntax



## GRANT (Package Privileges)



### Notes:

- 1 RUN can be used as a synonym for EXECUTE.
- 2 PROGRAM can be used as a synonym for PACKAGE.

## Description

### BIND

Grants the privilege to bind a package. The BIND privilege allows a user to re-issue the BIND command against that package, or to issue the REBIND command. It also allows a user to create a new version of an existing package.

In addition to the BIND privilege, a user must hold the necessary privileges on each table referenced by static DML statements contained in a program. This is necessary, because authorization on static DML statements is checked at bind time.

### CONTROL

Grants the privilege to rebind, drop, or execute the package, and extend package privileges to other users. The CONTROL privilege for packages is automatically granted to creators of packages. A package owner is the package binder, or the ID specified with the OWNER option at bind/precompile time.

BIND and EXECUTE are automatically granted to an *authorization-name* that is granted CONTROL privilege.

CONTROL grants the ability to grant the above privileges (except for CONTROL) to others.

### EXECUTE

Grants the privilege to execute the package.

### ON PACKAGE *schema-name.package-id*

Specifies the name of the package on which privileges are to be granted. If a schema name is not specified, the package ID is implicitly qualified by the default schema. The granting of a package privilege applies to all versions of the package (that is, to all packages that share the same package ID and package schema).

### TO

Specifies to whom the privileges are granted.

#### USER

Specifies that the *authorization-name* identifies a user.

#### GROUP

Specifies that the *authorization-name* identifies a group name.

#### ROLE

Specifies that the *authorization-name* identifies a role name. The role name must exist at the current server (SQLSTATE 42704).

*authorization-name*,...

Lists the authorization IDs of one or more users, groups, or roles.

## GRANT (Package Privileges)

The list of authorization IDs cannot include the authorization ID of the user issuing the statement (SQLSTATE 42502).

### PUBLIC

Grants the privileges to a set of users (authorization IDs). For more information, see “Authorization, privileges and object ownership”.

### WITH GRANT OPTION

Allows the specified *authorization-name* to GRANT the privileges to others.

If the specified privileges include CONTROL, the WITH GRANT OPTION applies to all of the applicable privileges except for CONTROL (SQLSTATE 01516).

## Rules

- For each *authorization-name* specified, if neither USER, GROUP, nor ROLE is specified, then:
  - If the security plug-in in effect for the instance cannot determine the status of the *authorization-name*, an error is returned (SQLSTATE 56092).
  - If the *authorization-name* is defined as ROLE in the database, and as either GROUP or USER according to the security plug-in in effect, an error is returned (SQLSTATE 56092).
  - If the *authorization-name* is defined according to the security plug-in in effect as both USER and GROUP, an error is returned (SQLSTATE 56092).
  - If the *authorization-name* is defined according to the security plug-in in effect as USER only, or if it is undefined, USER is assumed.
  - If the *authorization-name* is defined according to the security plug-in in effect as GROUP only, GROUP is assumed.
  - If the *authorization-name* is defined in the database as ROLE only, ROLE is assumed.

## Notes

- Package privileges apply to all versions of a package (that is, all packages that share the same package ID and package schema). It is not possible to restrict access to only one version. Because CONTROL privilege is implicitly granted to the binder of a package, if two different users bind two versions of a package, then both users will implicitly be granted access to each other’s package.

## Examples

*Example 1:* Grant the EXECUTE privilege on PACKAGE CORPDATA.PKGA to PUBLIC.

```
GRANT EXECUTE
ON PACKAGE CORPDATA.PKGA
TO PUBLIC
```

*Example 2:* GRANT EXECUTE privilege on package CORPDATA.PKGA to a user named EMPLOYEE. There is neither a group nor a user called EMPLOYEE.

```
GRANT EXECUTE ON PACKAGE
CORPDATA.PKGA TO EMPLOYEE
```

or

```
GRANT EXECUTE ON PACKAGE
CORPDATA.PKGA TO USER EMPLOYEE
```

### GRANT (Role)

This form of the GRANT statement grants roles to users, groups, or to other roles.

#### Invocation

This statement can be embedded in an application program or issued through the use of dynamic SQL statements. It is an executable statement that can be dynamically prepared only if DYNAMICRULES run behavior is in effect for the package (SQLSTATE 42509).

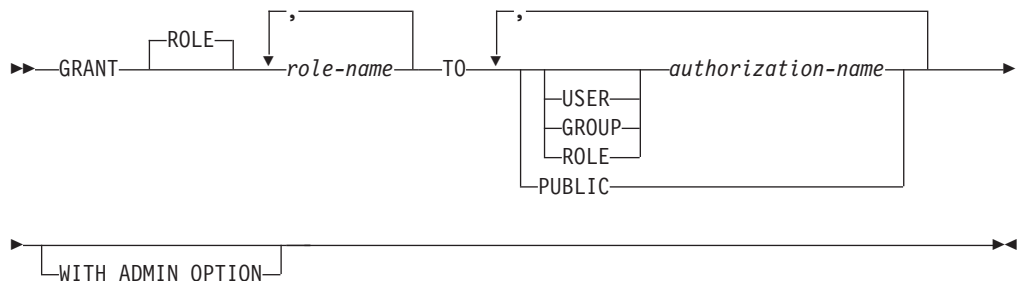
#### Authorization

The privileges held by the authorization ID of the statement must include at least one of the following:

- The WITH ADMIN OPTION on the role
- SECADM authority

SECADM authority is required to grant the WITH ADMIN OPTION to an *authorization-name*.

#### Syntax



#### Description

**ROLE** *role-name*,...

Identifies one or more roles to be granted. Each *role-name* must identify an existing role at the current server (SQLSTATE 42704).

**TO**

Specifies to whom the role is granted.

**USER**

Specifies that the *authorization-name* identifies a user.

**GROUP**

Specifies that the *authorization-name* identifies a group.

**ROLE**

Specifies that the *authorization-name* identifies an existing role at the current server (SQLSTATE 42704).

*authorization-name*,...

Lists the authorization IDs of one or more users, groups, or roles. The list of authorization IDs cannot include the authorization ID of the user issuing the statement (SQLSTATE 42502).

**PUBLIC**

Grants the specified roles to a set of users (authorization IDs). For more information, see “Authorization, privileges, and object ownership”.

**WITH ADMIN OPTION**

Allows the specified *authorization-name* to grant or revoke the *role-name* to or from others, or to associate a comment with the role. It does not allow the specified *authorization-name* to drop the role.

**Rules**

- For each *authorization-name* specified, if none of the keywords USER, GROUP, or ROLE is specified:
  - If the security plug-in in effect for the instance cannot determine the status of the *authorization-name*, an error is returned (SQLSTATE 56092).
  - If the *authorization-name* is defined as ROLE in the database and as either GROUP or USER in the operating system, an error is returned (SQLSTATE 56092).
  - If the *authorization-name* is defined as both USER and GROUP according to the security plug-in in effect, an error is returned (SQLSTATE 56092).
  - If the *authorization-name* is defined as USER only according to the security plug-in in effect, or if it is undefined, USER is assumed.
  - If the *authorization-name* is defined as GROUP only according to the security plug-in in effect, GROUP is assumed.
  - If the *authorization-name* is defined in the database as ROLE only, ROLE is assumed.
- Hierarchies of roles can be built by granting one role to another role. However, cycles are not allowed (SQLSTATE 428GF). For example, if role R1 is granted to another role R2, then role R2 (or some other role R<sub>n</sub> that contains R2) cannot be granted back to R1, because this would produce a cycle.

**Notes**

- When role R1 is granted to another role R2, then R2 contains R1.
- DBADM authority cannot be granted to PUBLIC. Therefore:
  - Granting role R1 to PUBLIC fails (SQLSTATE 42508) if role R1 holds DBADM authority either directly or indirectly.
    - Role R1 holds DBADM authority directly if the following statement has been issued:
 

```
GRANT DBADM ON DATABASE TO ROLE R1
```
    - Role R1 holds DBADM authority indirectly if the following statements have been issued:
 

```
GRANT DBADM ON DATABASE TO ROLE R2
```

```
GRANT ROLE R2 TO ROLE R1
```
  - Granting role R1, which holds DBADM authority, to role R2 fails (SQLSTATE 42508) if role R2 is granted to PUBLIC either directly or indirectly.
    - Role R2 is granted to PUBLIC directly if the following statement has been issued:
 

```
GRANT ROLE R2 TO PUBLIC
```
    - Role R2 is granted to PUBLIC indirectly if the following statements have been issued:

## GRANT (Role)

```
GRANT ROLE R2 TO ROLE R3
```

```
GRANT ROLE R3 TO PUBLIC
```

### Examples

*Example 1:* Grant role INTERN to role DOCTOR and role DOCTOR to role SPECIALIST.

```
GRANT ROLE INTERN TO ROLE DOCTOR
```

```
GRANT ROLE DOCTOR TO ROLE SPECIALIST
```

*Example 2:* Grant role INTERN to PUBLIC.

```
GRANT ROLE INTERN TO PUBLIC
```

*Example 3:* Grant role SPECIALIST to user BOB and group TORONTO.

```
GRANT ROLE SPECIALIST TO USER BOB, GROUP TORONTO
```

---

## GRANT (Routine Privileges)

This form of the GRANT statement grants privileges on a routine (function, method, or procedure).

### Invocation

This statement can be embedded in an application program or issued through the use of dynamic SQL statements. It is an executable statement that can be dynamically prepared only if DYNAMICRULES run behavior is in effect for the package (SQLSTATE 42509).

### Authorization

The privileges held by the authorization ID of the statement must include at least one of the following:

- The WITH GRANT OPTION for EXECUTE on the routine
- SYSADM or DBADM authority

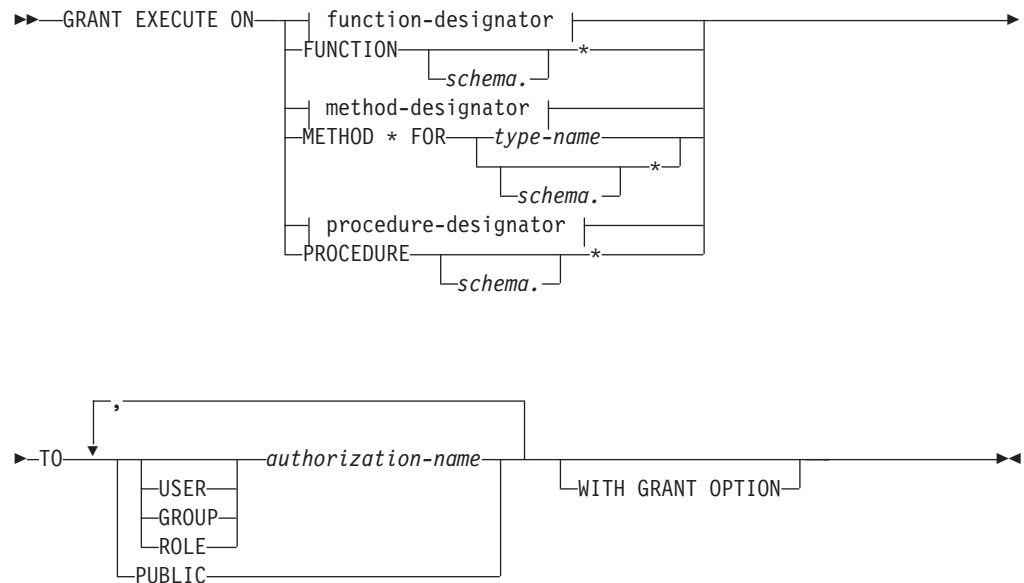
To grant all routine EXECUTE privileges in the schema or type, the privileges held by the authorization ID of the statement must include at least one of the following:

- The WITH GRANT OPTION for EXECUTE on all existing and future routines (of the specified type) in the specified schema
- SYSADM or DBADM authority

### Syntax



## GRANT (Routine Privileges)



### Description

#### EXECUTE

Grants the privilege to run the identified user-defined function, method, or procedure.

#### *function-designator*

Uniquely identifies the function.

#### **FUNCTION** *schema.\**

Identifies all the functions in the schema, including any functions that may be created in the future. In dynamic SQL statements, if a schema is not specified, the schema in the CURRENT SCHEMA special register will be used. In static SQL statements, if a schema is not specified, the schema in the QUALIFIER precompile/bind option will be used.

#### *method-designator*

Uniquely identifies the method.

#### **METHOD \***

Identifies all the methods for the type *type-name*, including any methods that may be created in the future.

#### **FOR** *type-name*

Names the type in which the specified method is found. The name must identify a type already described in the catalog (SQLSTATE 42704). In dynamic SQL statements, the value of the CURRENT SCHEMA special register is used as a qualifier for an unqualified type name. In static SQL statements, the QUALIFIER precompile/bind option implicitly specifies the qualifier for unqualified type names. An asterisk (`*`) can be used in place of *type-name* to identify all types in the schema, including any types that may be created in the future.

#### *procedure-designator*

Uniquely identifies the procedure.

#### **PROCEDURE** *schema.\**

Identifies all the procedures in the schema, including any procedures that may be created in the future. In dynamic SQL statements, if a schema is not specified, the schema in the CURRENT SCHEMA special register will be used.

## GRANT (Routine Privileges)

In static SQL statements, if a schema is not specified, the schema in the QUALIFIER precompile/bind option will be used.

### TO

Specifies to whom the EXECUTE privilege is granted.

### USER

Specifies that the *authorization-name* identifies a user.

### GROUP

Specifies that the *authorization-name* identifies a group name.

### ROLE

Specifies that the *authorization-name* identifies a role name. The role name must exist at the current server (SQLSTATE 42704).

*authorization-name*,...

Lists the authorization IDs of one or more users, groups, or roles.

### PUBLIC

Grants the EXECUTE privilege to a set of users (authorization IDs). For more information, see “Authorization, privileges and object ownership”.

### WITH GRANT OPTION

Allows the specified *authorization-names* to GRANT the EXECUTE privilege to others.

If the WITH GRANT OPTION is omitted, the specified *authorization-name* can only grant the EXECUTE privilege to others if they:

- have SYSADM or DBADM authority or
- received the ability to grant the EXECUTE privilege from some other source.

## Rules

- It is not possible to grant the EXECUTE privilege on a function or method defined with schema 'SYSIBM' or 'SYSFUN' (SQLSTATE 42832).
- For each *authorization-name* specified, if neither USER, GROUP, nor ROLE is specified, then:
  - If the security plug-in in effect for the instance cannot determine the status of the *authorization-name*, an error is returned (SQLSTATE 56092).
  - If the *authorization-name* is defined as ROLE in the database, and as either GROUP or USER according to the security plug-in in effect, an error is returned (SQLSTATE 56092).
  - If the *authorization-name* is defined according to the security plug-in in effect as both USER and GROUP, an error is returned (SQLSTATE 56092).
  - If the *authorization-name* is defined according to the security plug-in in effect as USER only, or if it is undefined, USER is assumed.
  - If the *authorization-name* is defined according to the security plug-in in effect as GROUP only, GROUP is assumed.
  - If the *authorization-name* is defined in the database as ROLE only, ROLE is assumed.
- In general, the GRANT statement will process the granting of privileges that the authorization ID of the statement is allowed to grant, returning a warning (SQLSTATE 01007) if one or more privileges was not granted. If the package used for processing the statement was precompiled with LANGLEVEL set to SQL92E or MIA, and no privileges were granted, a warning is returned (SQLSTATE 01007). If the grantor has no privileges on the object of the grant operation, an error is returned (SQLSTATE 42501).

### Examples

*Example 1:* Grant the EXECUTE privilege on function CALC\_SALARY to user JONES. Assume that there is only one function in the schema with function name CALC\_SALARY.

```
GRANT EXECUTE ON FUNCTION CALC_SALARY TO JONES
```

*Example 2:* Grant the EXECUTE privilege on procedure VACATION\_ACCR to all users at the current server.

```
GRANT EXECUTE ON PROCEDURE VACATION_ACCR TO PUBLIC
```

*Example 3:* Grant the EXECUTE privilege on function DEPT\_TOTALS to the administrative assistant and give the assistant the ability to grant the EXECUTE privilege on this function to others. The function has the specific name DEPT85\_TOT. Assume that the schema has more than one function named DEPT\_TOTALS.

```
GRANT EXECUTE ON SPECIFIC FUNCTION DEPT85_TOT
TO ADMIN_A WITH GRANT OPTION
```

*Example 4:* Grant the EXECUTE privilege on function NEW\_DEPT\_HIRES to HR (Human Resources). The function has two input parameters of type INTEGER and CHAR(10), respectively. Assume that the schema has more than one function named NEW\_DEPT\_HIRES.

```
GRANT EXECUTE ON FUNCTION NEW_DEPT_HIRES (INTEGER, CHAR(10)) TO HR
```

*Example 5:* Grant the EXECUTE privilege on method SET\_SALARY of type EMPLOYEE to user JONES.

```
GRANT EXECUTE ON METHOD SET_SALARY FOR EMPLOYEE TO JONES
```

---

## GRANT (Schema Privileges)

This form of the GRANT statement grants privileges on a schema.

### Invocation

This statement can be embedded in an application program or issued through the use of dynamic SQL statements. It is an executable statement that can be dynamically prepared only if DYNAMICRULES run behavior is in effect for the package (SQLSTATE 42509).

### Authorization

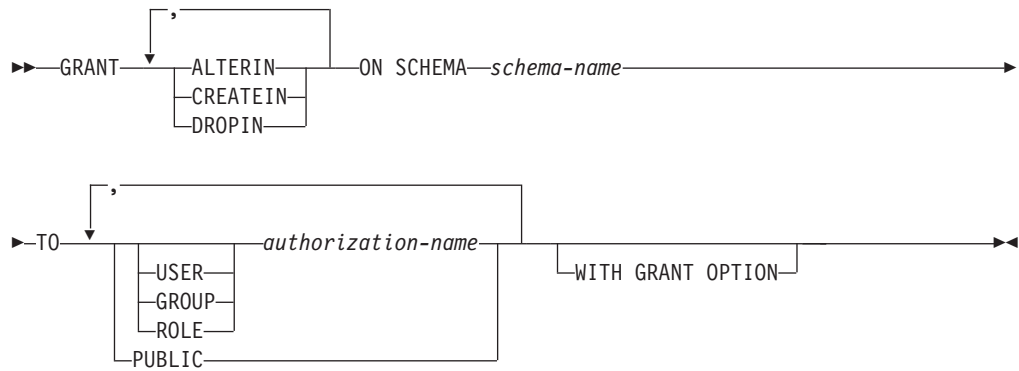
The privileges held by the authorization ID of the statement must include at least one of the following:

- The WITH GRANT OPTION for each identified privilege on *schema-name*
- SYSADM or DBADM authority

No user can grant privileges on any of the following schema names: SYSIBM, SYSCAT, SYSFUN, or SYSSTAT (SQLSTATE 42501).

### Syntax

## GRANT (Schema Privileges)



### Description

#### ALTERIN

Grants the privilege to alter or comment on all objects in the schema. The owner of an explicitly created schema automatically receives ALTERIN privilege.

#### CREATEIN

Grants the privilege to create objects in the schema. Other authorities or privileges required to create the object (such as CREATETAB) are still required. The owner of an explicitly created schema automatically receives CREATEIN privilege. An implicitly created schema has CREATEIN privilege automatically granted to PUBLIC.

#### DROPIN

Grants the privilege to drop all objects in the schema. The owner of an explicitly created schema automatically receives DROPIN privilege.

#### ON SCHEMA *schema-name*

Identifies the schema on which the privileges are to be granted.

#### TO

Specifies to whom the privileges are granted.

#### USER

Specifies that the *authorization-name* identifies a user.

#### GROUP

Specifies that the *authorization-name* identifies a group name.

#### ROLE

Specifies that the *authorization-name* identifies a role name. The role name must exist at the current server (SQLSTATE 42704).

#### *authorization-name*,...

Lists the authorization IDs of one or more users, groups, or roles.

The list of authorization IDs cannot include the authorization ID of the user issuing the statement (SQLSTATE 42502).

#### PUBLIC

Grants the privileges to a set of users (authorization IDs). For more information, see "Authorization, privileges and object ownership".

#### WITH GRANT OPTION

Allows the specified *authorization-names* to GRANT the privileges to others.

If the WITH GRANT OPTION is omitted, the specified *authorization-names* can only grant the privileges to others if they:

- have DBADM authority or
- received the ability to grant privileges from some other source.

### Rules

- For each *authorization-name* specified, if neither USER, GROUP, nor ROLE is specified, then:
  - If the security plug-in in effect for the instance cannot determine the status of the *authorization-name*, an error is returned (SQLSTATE 56092).
  - If the *authorization-name* is defined as ROLE in the database, and as either GROUP or USER according to the security plug-in in effect, an error is returned (SQLSTATE 56092).
  - If the *authorization-name* is defined according to the security plug-in in effect as both USER and GROUP, an error is returned (SQLSTATE 56092).
  - If the *authorization-name* is defined according to the security plug-in in effect as USER only, or if it is undefined, USER is assumed.
  - If the *authorization-name* is defined according to the security plug-in in effect as GROUP only, GROUP is assumed.
  - If the *authorization-name* is defined in the database as ROLE only, ROLE is assumed.
- In general, the GRANT statement will process the granting of privileges that the authorization ID of the statement is allowed to grant, returning a warning (SQLSTATE 01007) if one or more privileges was not granted. If no privileges were granted, an error is returned (SQLSTATE 42501). (If the package used for processing the statement was precompiled with LANGLEVEL set to SQL92E for MIA, a warning is returned (SQLSTATE 01007), unless the grantor has no privileges on the object of the grant operation.)

### Examples

*Example 1:* Grant user JSINGLETON to the ability to create objects in schema CORPDATA.

```
GRANT CREATEIN ON SCHEMA CORPDATA TO JSINGLETON
```

*Example 2:* Grant user IHAKES the ability to create and drop objects in schema CORPDATA.

```
GRANT CREATEIN, DROPIN ON SCHEMA CORPDATA TO IHAKES
```

---

## GRANT (Security Label)

This form of the GRANT statement grants a label-based access control (LBAC) security label to a user, group, or role for read access, write access, or for both read and write access.

### Invocation

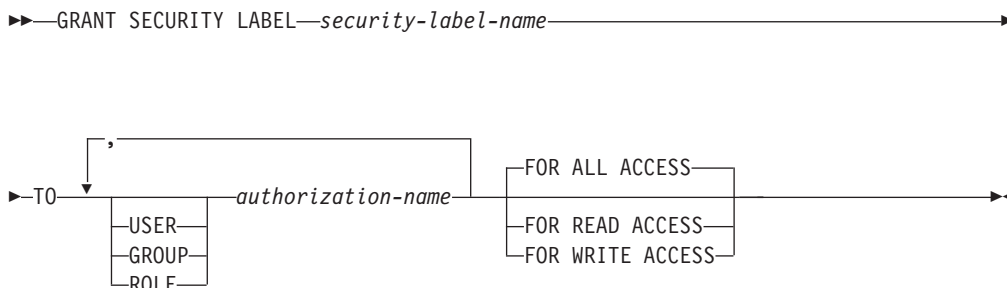
This statement can be embedded in an application program or issued through the use of dynamic SQL statements. It is an executable statement that can be dynamically prepared only if DYNAMICRULES run behavior is in effect for the package (SQLSTATE 42509).

## GRANT (Security Label)

### Authorization

The privileges held by the authorization ID of the statement must include SECADM authority.

### Syntax



### Description

#### SECURITY LABEL *security-label-name*

Grants the security label *security-label-name*. The name must be qualified with a security policy (SQLSTATE 42704) and must identify a security label that exists at the current server (SQLSTATE 42704).

#### TO

Specifies to whom the specified security label is granted.

#### USER

Specifies that the *authorization-name* identifies a user.

#### GROUP

Specifies that the *authorization-name* identifies a group name.

#### ROLE

Specifies that the *authorization-name* identifies a role name. The role name must exist at the current server (SQLSTATE 42704).

*authorization-name*,...

Lists the authorization IDs of one or more users, groups, or roles.

#### FOR ALL ACCESS

Indicates that the security label is to be granted for both read access and write access.

#### FOR READ ACCESS

Indicates that the security label is to be granted for read access only.

#### FOR WRITE ACCESS

Indicates that the security label is to be granted for write access only.

### Rules

- For each *authorization-name* specified, if neither USER, GROUP, nor ROLE is specified, then:
  - If the security plug-in in effect for the instance cannot determine the status of the *authorization-name*, an error is returned (SQLSTATE 56092).
  - If the *authorization-name* is defined as ROLE in the database, and as either GROUP or USER according to the security plug-in in effect, an error is returned (SQLSTATE 56092).

- If the *authorization-name* is defined according to the security plug-in in effect as both USER and GROUP, an error is returned (SQLSTATE 56092).
- If the *authorization-name* is defined according to the security plug-in in effect as USER only, or if it is undefined, USER is assumed.
- If the *authorization-name* is defined according to the security plug-in in effect as GROUP only, GROUP is assumed.
- If the *authorization-name* is defined in the database as ROLE only, ROLE is assumed.
- For any given security policy, an *authorization-name* can be granted at most one security label from that policy for read access and one for write access. If the grantee already holds a security label for the type of access (read or write) indicated and that is part of the security policy that qualifies *security-label-name*, an error is returned (SQLSTATE 428GR).
- If the security policy is not defined to consider access through groups or roles, any security label granted to a group or role is ignored when access is attempted.
- If an *authorization-name* holds different security labels for read access and write access, the security labels must meet the following criteria (SQLSTATE 428GQ):
  - If any component in the security labels is of type ARRAY then the value for that component must be the same in both security labels.
  - If any component in the security labels is of type SET then every element in the value for that component in the write security label must also be part of the value for that component in the read security label.
  - If any component in the security labels is of type TREE then every element in the value for that component in the write security label must be the same as or a descendent of one of the elements in the value for that same component in the read security label.

### Notes

- By default when a security policy is created, only security labels granted to an individual user are considered. To have groups or roles considered for the security policy, you must issue the ALTER SECURITY POLICY statement and specify USE GROUP AUTHORIZATION or USE ROLE AUTHORIZATION as applicable.

### Examples

*Example 1:* The following statement grants two security labels to user GUYLAINE. The security label EMPLOYEESECLABELREAD is granted for read access and the security label EMPLOYEESECLABELWRITE is granted for write access. Both security labels are part of the security policy DATA\_ACCESS.

```
GRANT SECURITY LABEL DATA_ACCESS.EMPLOYEESECLABELREAD
TO USER GUYLAINE FOR READ ACCESS
```

```
GRANT SECURITY LABEL DATA_ACCESS.EMPLOYEESECLABELWRITE
TO USER GUYLAINE FOR WRITE ACCESS
```

The same user is now granted the security label BEGINNER for both read and write access. This does not cause an error, because BEGINNER is part of the security policy CLASSPOLICY, and the security labels already held are part of the security policy DATA\_ACCESS.

```
GRANT SECURITY LABEL CLASSPOLICY.BEGINNER
TO USER GUYLAINE FOR ALL ACCESS
```

## GRANT (Sequence Privileges)

This form of the GRANT statement grants privileges on a sequence.

### Invocation

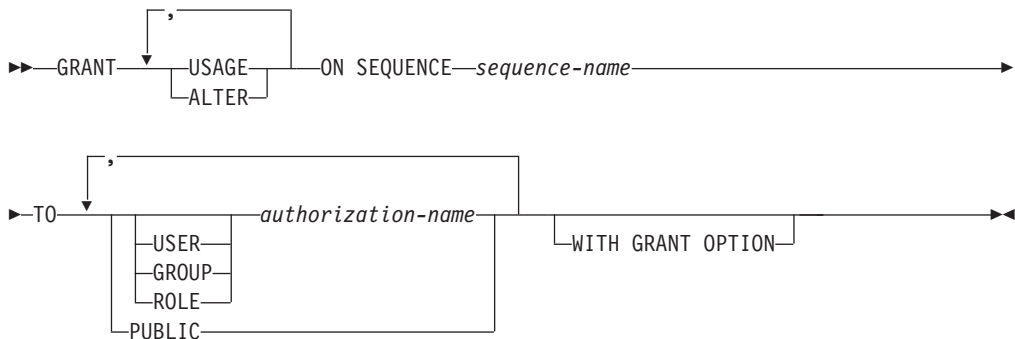
This statement can be embedded in an application program or issued through the use of dynamic SQL statements. It is an executable statement that can be dynamically prepared only if DYNAMICRULES run behavior is in effect for the package (SQLSTATE 42509).

### Authorization

The privileges held by the authorization ID of the statement must include at least one of the following:

- The WITH GRANT OPTION for each identified privilege on *sequence-name*
- SYSADM or DBADM authority

### Syntax



### Description

#### USAGE

Grants the privilege to reference a sequence using *nextval-expression* or *prevval-expression*.

#### ALTER

Grants the privilege to alter sequence properties using the ALTER SEQUENCE statement.

#### ON SEQUENCE *sequence-name*

Identifies the sequence on which the specified privileges are to be granted. The sequence name, including an implicit or explicit schema qualifier, must uniquely identify an existing sequence at the current server. If no sequence by this name exists, an error (SQLSTATE 42704) is returned.

#### TO

Specifies to whom the specified privileges are granted.

#### USER

Specifies that the *authorization-name* identifies a user.

#### GROUP

Specifies that the *authorization-name* identifies a group name.



## GRANT (Sequence Privileges)

### ROLE

Specifies that the *authorization-name* identifies a role name. The role name must exist at the current server (SQLSTATE 42704).

*authorization-name*,...

Lists the authorization IDs of one or more users, groups, or roles.

### PUBLIC

Grants the specified privileges to a set of users (authorization IDs). For more information, see “Authorization, privileges and object ownership”.

### WITH GRANT OPTION

Allows the specified *authorization-name* to grant the specified privileges to others.

If the WITH GRANT OPTION is omitted, the specified *authorization-name* can only grant the specified privileges to others if they:

- have SYSADM or DBADM authority or
- received the ability to grant the specified privileges from some other source.

### Rules

- For each *authorization-name* specified, if neither USER, GROUP, nor ROLE is specified, then:
  - If the security plug-in in effect for the instance cannot determine the status of the *authorization-name*, an error is returned (SQLSTATE 56092).
  - If the *authorization-name* is defined as ROLE in the database, and as either GROUP or USER according to the security plug-in in effect, an error is returned (SQLSTATE 56092).
  - If the *authorization-name* is defined according to the security plug-in in effect as both USER and GROUP, an error is returned (SQLSTATE 56092).
  - If the *authorization-name* is defined according to the security plug-in in effect as USER only, or if it is undefined, USER is assumed.
  - If the *authorization-name* is defined according to the security plug-in in effect as GROUP only, GROUP is assumed.
  - If the *authorization-name* is defined in the database as ROLE only, ROLE is assumed.
- In general, the GRANT statement will process the granting of privileges that the authorization ID of the statement is allowed to grant, returning a warning (SQLSTATE 01007) if one or more privileges is not granted. If no privileges are granted, an error is returned (SQLSTATE 42501). (If the package used for processing the statement was precompiled with LANGLEVEL set to SQL92E or MIA, a warning is returned (SQLSTATE 01007), unless the grantor has no privileges on the object of the grant operation.)

### Example

*Example 1:* Grant any user the USAGE privilege on a sequence called ORG\_SEQ.

```
GRANT USAGE ON SEQUENCE ORG_SEQ TO PUBLIC
```

*Example 2:* Grant user BOBBY the ability to alter a sequence called GENERATE\_ID, and to grant this privilege to others.

```
GRANT ALTER ON SEQUENCE GENERATE_ID TO BOBBY WITH GRANT OPTION
```

---

# GRANT (Server Privileges)

This form of the GRANT statement grants the privilege to access and use a specified data source in pass-through mode.

### Invocation

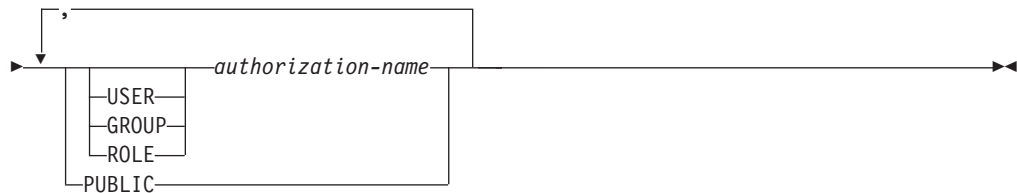
This statement can be embedded in an application program or issued through the use of dynamic SQL statements. It is an executable statement that can be dynamically prepared only if DYNAMICRULES run behavior is in effect for the package (SQLSTATE 42509).

### Authorization

The privileges held by the authorization ID of the statement must include DBADM or SYSADM authority.

### Syntax

►► GRANT PASSTHRU ON SERVER—*server-name*—TO—►►



### Description

*server-name*

Names the data source for which the privilege to use in pass-through mode is being granted. *server-name* must identify a data source that is described in the catalog.

**TO**

Specifies to whom the privilege is granted.

**USER**

Specifies that the *authorization-name* identifies a user.

**GROUP**

Specifies that the *authorization-name* identifies a group name.

**ROLE**

Specifies that the *authorization-name* identifies a role name. The role name must exist at the current server (SQLSTATE 42704).

*authorization-name,...*

Lists the authorization IDs of one or more users, groups, or roles.

The list of authorization IDs cannot include the authorization ID of the user issuing the statement (SQLSTATE 42502).

### PUBLIC

Grants to a set of users (authorization IDs) the privilege to pass through to *server-name*. For more information, see “Authorization, privileges and object ownership”.

### Rules

- For each *authorization-name* specified, if neither USER, GROUP, nor ROLE is specified, then:
  - If the security plug-in in effect for the instance cannot determine the status of the *authorization-name*, an error is returned (SQLSTATE 56092).
  - If the *authorization-name* is defined as ROLE in the database, and as either GROUP or USER according to the security plug-in in effect, an error is returned (SQLSTATE 56092).
  - If the *authorization-name* is defined according to the security plug-in in effect as both USER and GROUP, an error is returned (SQLSTATE 56092).
  - If the *authorization-name* is defined according to the security plug-in in effect as USER only, or if it is undefined, USER is assumed.
  - If the *authorization-name* is defined according to the security plug-in in effect as GROUP only, GROUP is assumed.
  - If the *authorization-name* is defined in the database as ROLE only, ROLE is assumed.

### Examples

*Example 1:* Give R. Smith and J. Jones the privilege to pass through to data source SERVALL. Their authorization IDs are RSMITH and JJONES.

```
GRANT PASSTHRU ON SERVER SERVALL
TO USER RSMITH,
USER JJONES
```

*Example 2:* Grant the privilege to pass through to data source EASTWING to a group whose authorization ID is D024. There is a user whose authorization ID is also D024.

```
GRANT PASSTHRU ON SERVER EASTWING TO GROUP D024
```

The GROUP keyword must be specified; otherwise, an error will occur because D024 is a user’s ID as well as the specified group’s ID (SQLSTATE 56092). Any member of group D024 will be allowed to pass through to EASTWING. Therefore, if user D024 belongs to the group, this user will be able to pass through to EASTWING.

---

## GRANT (SETSESSIONUSER Privilege)

This form of the GRANT statement grants the SETSESSIONUSER privilege to one or more authorization IDs. The privilege allows the holder to use the SET SESSION AUTHORIZATION statement to set the session authorization to one of a set of specified authorization IDs.

### Invocation

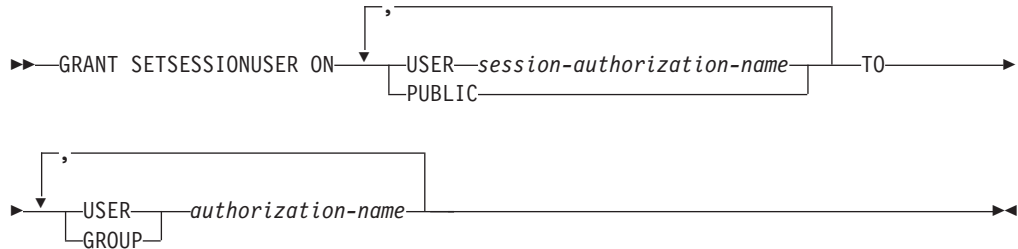
This statement can be embedded in an application program or issued through the use of dynamic SQL statements. It is an executable statement that can be dynamically prepared only if DYNAMICRULES run behavior is in effect for the package (SQLSTATE 42509).

## GRANT (SETSESSIONUSER Privilege)

### Authorization

The privileges held by the authorization ID of the statement must include SECADM authority.

### Syntax



### Description

#### SETSESSIONUSER ON

Grants the privilege to assume the identity of a new authorization ID.

#### USER *session-authorization-name*

Specifies the authorization ID that the *authorization-name* will be able to assume, using the SET SESSION AUTHORIZATION statement. The *session-authorization-name* must identify a user, not a group.

#### PUBLIC

Specifies that the grantee will be able to assume any valid authorization ID, using the SET SESSION AUTHORIZATION statement.

#### TO

Specifies to whom the privilege is granted.

#### USER

Specifies that the *authorization-name* identifies a user.

#### GROUP

Specifies that the *authorization-name* identifies a group.

*authorization-name*,...

Lists the authorization IDs of one or more users or groups.

The list of authorization IDs cannot include the authorization ID of the user issuing the statement (SQLSTATE 42502).

### Rules

- For each *authorization-name* specified, if neither USER nor GROUP is specified, then:
  - If the security plug-in in effect for the instance cannot determine the status of the *authorization-name*, an error is returned (SQLSTATE 56092).
  - If the *authorization-name* is defined according to the security plug-in in effect as both USER and GROUP, an error is returned (SQLSTATE 56092).
  - If the *authorization-name* is defined according to the security plug-in in effect as USER only, or if it is undefined, USER is assumed.
  - If the *authorization-name* is defined according to the security plug-in in effect as GROUP only, GROUP is assumed.

## Examples

*Example 1:* The following statement grants user PAUL the ability to set the session authorization to user WALID and therefore to execute statements as WALID.

```
GRANT SETSESSIONUSER ON USER WALID
 TO USER PAUL
```

*Example 2:* The following statement grants user GUYLAINE the ability to set the session authorization to user BOBBY. It also grants her the ability to set the session authorization to users RICK and KEVIN.

```
GRANT SETSESSIONUSER ON USER BOBBY, USER RICK, USER KEVIN
 TO USER GUYLAINE
```

*Example 3:* The following statement grants user WALID and everyone in the groups ADMINS and ACCTG the ability to set the session authorization to any user.

```
GRANT SETSESSIONUSER ON PUBLIC TO USER WALID, GROUP ADMINS, ACCTG
```

---

## GRANT (Table Space Privileges)

This form of the GRANT statement grants privileges on a table space.

### Invocation

This statement can be embedded in an application program or issued through the use of dynamic SQL statements. It is an executable statement that can be dynamically prepared only if DYNAMICRULES run behavior is in effect for the package (SQLSTATE 42509).

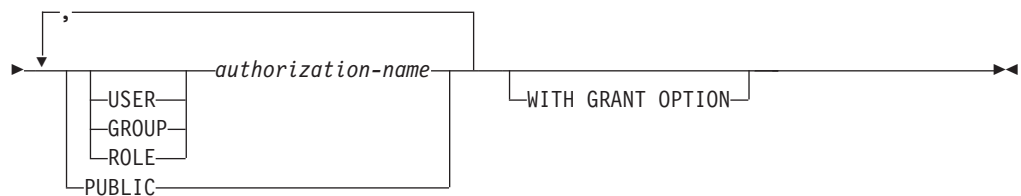
### Authorization

The privileges held by the authorization ID of the statement must include at least one of the following:

- The WITH GRANT OPTION for use of the table space
- SYSADM, SYSCTRL, or DBADM authority

### Syntax

```
►► GRANT USE OF TABLESPACE tablespace-name TO _____►
```



### Description

#### USE

Grants the privilege to specify or default to the table space when creating a table. The creator of a table space automatically receives USE privilege with grant option.

## GRANT (Table Space Privileges)

### OF TABLESPACE *tablespace-name*

Identifies the table space on which the USE privilege is to be granted. The table space cannot be SYSCATSPACE (SQLSTATE 42838) or a system temporary table space (SQLSTATE 42809).

### TO

Specifies to whom the USE privilege is granted.

### USER

Specifies that the *authorization-name* identifies a user.

### GROUP

Specifies that the *authorization-name* identifies a group name.

### ROLE

Specifies that the *authorization-name* identifies a role name. The role name must exist at the current server (SQLSTATE 42704).

### *authorization-name*

Lists the authorization IDs of one or more users, groups, or roles.

The list of authorization IDs cannot include the authorization ID of the user issuing the statement (SQLSTATE 42502).

### PUBLIC

Grants the USE privilege to a set of users (authorization IDs). For more information, see “Authorization, privileges and object ownership”.

### WITH GRANT OPTION

Allows the specified *authorization-name* to GRANT the USE privilege to others.

If the WITH GRANT OPTION is omitted, the specified *authorization-name* can only GRANT the USE privilege to others if they:

- have SYSADM or DBADM authority or
- received the ability to GRANT the USE privilege from some other source.

## Rules

- For each *authorization-name* specified, if neither USER, GROUP, nor ROLE is specified, then:
  - If the security plug-in in effect for the instance cannot determine the status of the *authorization-name*, an error is returned (SQLSTATE 56092).
  - If the *authorization-name* is defined as ROLE in the database, and as either GROUP or USER according to the security plug-in in effect, an error is returned (SQLSTATE 56092).
  - If the *authorization-name* is defined according to the security plug-in in effect as both USER and GROUP, an error is returned (SQLSTATE 56092).
  - If the *authorization-name* is defined according to the security plug-in in effect as USER only, or if it is undefined, USER is assumed.
  - If the *authorization-name* is defined according to the security plug-in in effect as GROUP only, GROUP is assumed.
  - If the *authorization-name* is defined in the database as ROLE only, ROLE is assumed.

## Examples

*Example 1:* Grant user BOBBY the ability to create tables in table space PLANS and to grant this privilege to others.

**GRANT USE OF TABLESPACE PLANS TO BOBBY WITH GRANT OPTION**

## GRANT (Table, View, or Nickname Privileges)

This form of the GRANT statement grants privileges on a table, view, or nickname.

### Invocation

This statement can be embedded in an application program or issued through the use of dynamic SQL statements. It is an executable statement that can be dynamically prepared only if DYNAMICRULES run behavior is in effect for the package (SQLSTATE 42509).

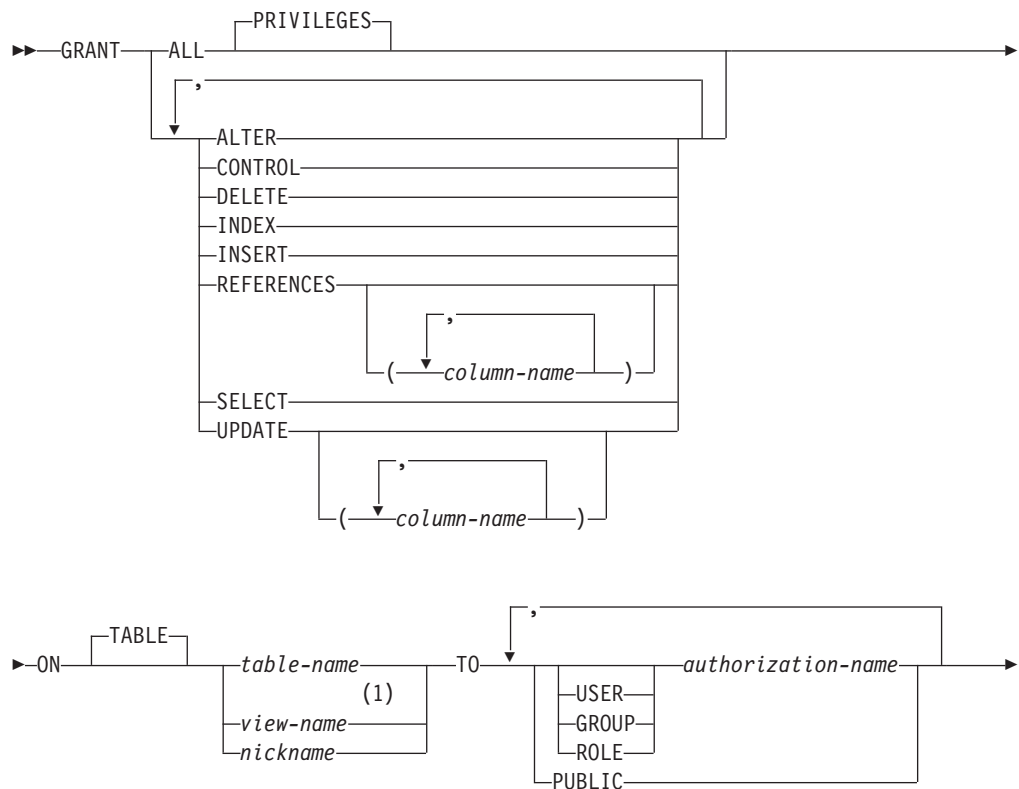
### Authorization

The privileges held by the authorization ID of the statement must include at least one of the following:

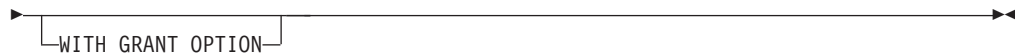
- CONTROL privilege on the referenced table, view, or nickname
- The WITH GRANT OPTION for each identified privilege. If ALL is specified, the authorization ID must have some grantable privilege on the identified table, view, or nickname.
- SYSADM or DBADM authority

DBADM or SYSADM authority is required to grant the CONTROL privilege, or to grant privileges on catalog tables and views.

### Syntax



## GRANT (Table, View, or Nickname Privileges)



### Notes:

- 1 ALTER, INDEX, and REFERENCES privileges are not applicable to views.

### Description

#### ALL or ALL PRIVILEGES

Grants all the appropriate privileges, except CONTROL, on the base table, view, or nickname named in the ON clause.

If the authorization ID of the statement has CONTROL privilege on the table, view, or nickname, or DBADM or SYSADM authority, then all the privileges applicable to the object (except CONTROL) are granted. Otherwise, the privileges granted are all those grantable privileges that the authorization ID of the statement has on the identified table, view, or nickname.

If ALL is not specified, one or more of the keywords in the list of privileges must be specified.

#### ALTER

Grants the privilege to:

- Add columns to a base table definition.
- Create or drop a primary key or unique constraint on a base table.
- Create or drop a foreign key on a base table.

The REFERENCES privilege on each column of the parent table is also required.

- Create or drop a check constraint on a base table.
- Create a trigger on a base table.
- Add, reset, or drop a column option for a nickname.
- Change a nickname column name or data type.
- Add or change a comment on a base table or a nickname.

#### CONTROL

Grants:

- All of the appropriate privileges in the list, that is:
  - ALTER, CONTROL, DELETE, INSERT, INDEX, REFERENCES, SELECT, and UPDATE to base tables
  - CONTROL, DELETE, INSERT, SELECT, and UPDATE to views
  - ALTER, CONTROL, INDEX, and REFERENCES to nicknames
- The ability to grant the above privileges (except for CONTROL) to others.
- The ability to drop the base table, view, or nickname.

This ability cannot be extended to others on the basis of holding CONTROL privilege. The only way that it can be extended is by granting the CONTROL privilege itself and that can only be done by someone with SYSADM or DBADM authority.

- The ability to execute the RUNSTATS utility on the table and indexes.
- The ability to execute the REORG utility on the table.
- The ability to issue the SET INTEGRITY statement against a base table, materialized query table, or staging table.



## GRANT (Table, View, or Nickname Privileges)

The definer of a base table, materialized query table, staging table, or nickname automatically receives the CONTROL privilege.

The definer of a view automatically receives the CONTROL privilege if the definer holds the CONTROL privilege on all tables, views, and nicknames identified in the fullselect.

### DELETE

Grants the privilege to delete rows from the table or updatable view.

### INDEX

Grants the privilege to create an index on a table, or an index specification on a nickname. This privilege cannot be granted on a view. The creator of an index or index specification automatically has the CONTROL privilege on the index or index specification (authorizing the creator to drop the index or index specification). In addition, the creator retains the CONTROL privilege even if the INDEX privilege is revoked.

### INSERT

Grants the privilege to insert rows into the table or updatable view and to run the IMPORT utility.

### REFERENCES

Grants the privilege to create and drop a foreign key referencing the table as the parent.

If the authorization ID of the statement has one of:

- DBADM or SYSADM authority
- CONTROL privilege on the table
- REFERENCES WITH GRANT OPTION on the table

then the grantee(s) can create referential constraints using all columns of the table as parent key, even those added later using the ALTER TABLE statement. Otherwise, the privileges granted are all those grantable column REFERENCES privileges that the authorization ID of the statement has on the identified table.

The privilege can be granted on a nickname, although foreign keys cannot be defined to reference nicknames.

### REFERENCES (*column-name,...*)

Grants the privilege to create and drop a foreign key using only those columns specified in the column list as a parent key. Each *column-name* must be an unqualified name that identifies a column of the table identified in the ON clause. Column level REFERENCES privilege cannot be granted on typed tables, typed views, or nicknames (SQLSTATE 42997).

### SELECT

Grants the privilege to:

- Retrieve rows from the table or view.
- Create views on the table.
- Run the EXPORT utility against the table or view.

### UPDATE

Grants the privilege to use the UPDATE statement on the table or updatable view identified in the ON clause.

If the authorization ID of the statement has one of:

- DBADM or SYSADM authority
- CONTROL privilege on the table or view
- UPDATE WITH GRANT OPTION on the table or view

## GRANT (Table, View, or Nickname Privileges)

then the grantee(s) can update all updatable columns of the table or view on which the grantor has with grant privilege as well as those columns added later using the ALTER TABLE statement. Otherwise, the privileges granted are all those grantable column UPDATE privileges that the authorization ID of the statement has on the identified table or view.

### UPDATE (*column-name*,...)

Grants the privilege to use the UPDATE statement to update only those columns specified in the column list. Each *column-name* must be an unqualified name that identifies a column of the table or view identified in the ON clause. Column level UPDATE privilege cannot be granted on typed tables, typed views, or nicknames (SQLSTATE 42997).

### ON TABLE *table-name* or *view-name* or *nickname*

Specifies the table, view, or nickname on which privileges are to be granted.

No privileges may be granted on an inoperative view or an inoperative materialized query table (SQLSTATE 51024). No privileges may be granted on a declared temporary table (SQLSTATE 42995).

### TO

Specifies to whom the privileges are granted.

### USER

Specifies that the *authorization-name* identifies a user.

### GROUP

Specifies that the *authorization-name* identifies a group name.

### ROLE

Specifies that the *authorization-name* identifies a role name. The role name must exist at the current server (SQLSTATE 42704).

### *authorization-name*,...

Lists the authorization IDs of one or more users, groups, or roles. (Previous restrictions on grants to the authorization ID of the user issuing the statement have been removed.)

A privilege that is granted to a group is not used for authorization checking:

- On static DML statements in a package
- On a base table while processing a CREATE VIEW statement
- On a base table while processing a CREATE TABLE statement for a materialized query table

In DB2 Database for Linux, UNIX, and Windows, table privileges granted to groups only apply to statements that are dynamically prepared. For example, if the INSERT privilege on the PROJECT table has been granted to group D204 but not UBIQUITY (a member of D204) UBIQUITY could issue the statement:

```
EXEC SQL EXECUTE IMMEDIATE :INSERT_STRING;
```

where the content of the string is:

```
INSERT INTO PROJECT (PROJNO, PROJNAME, DEPTNO, RESPEMP)
VALUES ('AD3114', 'TOOL PROGRAMMING', 'D21', '000260');
```

but could not precompile or bind a program with the statement:

```
EXEC SQL INSERT INTO PROJECT (PROJNO, PROJNAME, DEPTNO, RESPEMP)
VALUES ('AD3114', 'TOOL PROGRAMMING', 'D21', '000260');
```

## GRANT (Table, View, or Nickname Privileges)

### PUBLIC

Grants the privileges to a set of users (authorization IDs). For more information, see “Authorization, privileges and object ownership”. (Previous restrictions on the use of privileges granted to PUBLIC for static SQL statements and the CREATE VIEW statement have been removed.)

### WITH GRANT OPTION

Allows the specified *authorization-names* to GRANT the privileges to others.

If the specified privileges include CONTROL, the WITH GRANT OPTION applies to all the applicable privileges except for CONTROL (SQLSTATE 01516).

### Rules

- For each *authorization-name* specified, if neither USER, GROUP, nor ROLE is specified, then:
  - If the security plug-in in effect for the instance cannot determine the status of the *authorization-name*, an error is returned (SQLSTATE 56092).
  - If the *authorization-name* is defined as ROLE in the database, and as either GROUP or USER according to the security plug-in in effect, an error is returned (SQLSTATE 56092).
  - If the *authorization-name* is defined according to the security plug-in in effect as both USER and GROUP, an error is returned (SQLSTATE 56092).
  - If the *authorization-name* is defined according to the security plug-in in effect as USER only, or if it is undefined, USER is assumed.
  - If the *authorization-name* is defined according to the security plug-in in effect as GROUP only, GROUP is assumed.
  - If the *authorization-name* is defined in the database as ROLE only, ROLE is assumed.
- In general, the GRANT statement will process the granting of privileges that the authorization ID of the statement is allowed to grant, returning a warning (SQLSTATE 01007) if one or more privileges was not granted. If no privileges were granted, an error is returned (SQLSTATE 42501). (If the package used for processing the statement was precompiled with LANGLEVEL set to SQL92E or MIA, a warning is returned (SQLSTATE 01007), unless the grantor has no privileges on the object of the grant operation.) If CONTROL privilege is specified, privileges will only be granted if the authorization ID of the statement has SYSADM or DBADM authority (SQLSTATE 42501).

### Notes

- Privileges may be granted independently at every level of a table hierarchy. A user with a privilege on a supertable may affect the subtables. For example, an update specifying the supertable *T* may show up as a change to a row in the subtable *S* of *T* done by a user with UPDATE privilege on *T* but without UPDATE privilege on *S*. A user can only operate directly on the subtable if the necessary privilege is held on the subtable.
- Granting nickname privileges has no effect on data source object (table or view) privileges. Typically, data source privileges are required for the table or view that a nickname references when attempting to retrieve data.
- **Compatibilities**
  - For compatibility with DB2 for z/OS:
    - The following syntax is tolerated and ignored:
      - PUBLIC AT ALL LOCATIONS

## GRANT (Table, View, or Nickname Privileges)

### Examples

*Example 1:* Grant all privileges on the table WESTERN\_CR to PUBLIC.

```
GRANT ALL ON WESTERN_CR
TO PUBLIC
```

*Example 2:* Grant the appropriate privileges on the CALENDAR table so that users PHIL and CLAIRE can read it and insert new entries into it. Do not allow them to change or remove any existing entries.

```
GRANT SELECT, INSERT ON CALENDAR
TO USER PHIL, USER CLAIRE
```

*Example 3:* Grant all privileges on the COUNCIL table to user FRANK and the ability to extend all privileges to others.

```
GRANT ALL ON COUNCIL
TO USER FRANK WITH GRANT OPTION
```

*Example 4:* GRANT SELECT privilege on table CORPDATA.EMPLOYEE to a user named JOHN. There is a user called JOHN and no group called JOHN.

```
GRANT SELECT ON CORPDATA.EMPLOYEE TO JOHN
```

or

```
GRANT SELECT
ON CORPDATA.EMPLOYEE TO USER JOHN
```

*Example 5:* GRANT SELECT privilege on table CORPDATA.EMPLOYEE to a group named JOHN. There is a group called JOHN and no user called JOHN.

```
GRANT SELECT ON CORPDATA.EMPLOYEE TO JOHN
```

or

```
GRANT SELECT ON CORPDATA.EMPLOYEE TO GROUP JOHN
```

*Example 6:* GRANT INSERT and SELECT on table T1 to both a group named D024 and a user named D024.

```
GRANT INSERT, SELECT ON TABLE T1
TO GROUP D024, USER D024
```

In this case, both the members of the D024 group and the user D024 would be allowed to INSERT into and SELECT from the table T1. Also, there would be two rows added to the SYSCAT.TABAUTH catalog view.

*Example 7:* GRANT INSERT, SELECT, and CONTROL on the CALENDAR table to user FRANK. FRANK must be able to pass the privileges on to others.

```
GRANT CONTROL ON TABLE CALENDAR
TO FRANK WITH GRANT OPTION
```

The result of this statement is a warning (SQLSTATE 01516) that CONTROL was not given the WITH GRANT OPTION. Frank now has the ability to grant any privilege on CALENDAR including INSERT and SELECT as required. FRANK cannot grant CONTROL on CALENDAR to other users unless he has SYSADM or DBADM authority.

*Example 8:* User JON created a nickname for an Oracle table that had no index. The nickname is ORAREM1. Later, the Oracle DBA defined an index for this table. User SHAWN now wants DB2 to know that this index exists, so that the optimizer

## GRANT (Table, View, or Nickname Privileges)

can devise strategies to access the table more efficiently. SHAWN can inform DB2 of the index by creating an index specification for ORAREM1. Give SHAWN the index privilege on this nickname, so that he can create the index specification.

```
GRANT INDEX ON NICKNAME ORAREM1
TO USER SHAWN
```

---

## GRANT (Workload Privileges)

This form of the GRANT statement grants the USAGE privilege on a workload.

### Invocation

This statement can be embedded in an application program or issued through the use of dynamic SQL statements. It is an executable statement that can be dynamically prepared only if DYNAMICRULES run behavior is in effect for the package (SQLSTATE 42509).

### Authorization

The privileges held by the authorization ID of the statement must include SYSADM or DBADM authority.

### Syntax

```
►► GRANT USAGE ON WORKLOAD workload-name ►►
```

```
►► TO authorization-name ►►
```

```
┌───┴───┐
│ USER │
│ GROUP │
│ ROLE │
└───┴───┘
PUBLIC
```

### Description

#### USAGE

Grants the privilege to use a workload. Units of work that are submitted by a user will only be mapped to a workload on which the user has USAGE privilege. A user with SYSADM or DBADM authority automatically has USAGE privilege on any workload that exists at the current server.

#### ON WORKLOAD *workload-name*

Identifies the workload on which the USAGE privilege is to be granted. This is a one-part name. The *workload-name* must identify a workload that exists at the current server (SQLSTATE 42704). The name cannot be 'SYSDEFAULTADMWORKLOAD' (SQLSTATE 42832).

#### TO

Specifies to whom the USAGE privilege is granted.

#### USER

Specifies that the *authorization-name* identifies a user.

#### GROUP

Specifies that the *authorization-name* identifies a group.

## GRANT (Workload Privileges)

### ROLE

Specifies that the *authorization-name* identifies an existing role at the current server (SQLSTATE 42704).

*authorization-name*,...

Lists the authorization IDs of one or more users, groups, or roles. The list of authorization IDs cannot include the authorization ID of the user issuing the statement (SQLSTATE 42502).

### PUBLIC

Grants the USAGE privilege to a set of users (authorization IDs). For more information, see “Authorization, privileges, and object ownership”.

## Rules

- For each *authorization-name* specified, if none of the keywords USER, GROUP, or ROLE is specified:
  - If the security plug-in in effect for the instance cannot determine the status of the *authorization-name*, an error is returned (SQLSTATE 56092).
  - If the *authorization-name* is defined as ROLE in the database and as either GROUP or USER in the operating system, an error is returned (SQLSTATE 56092).
  - If the *authorization-name* is defined as both USER and GROUP according to the security plug-in in effect, an error is returned (SQLSTATE 56092).
  - If the *authorization-name* is defined as USER only according to the security plug-in in effect, or if it is undefined, USER is assumed.
  - If the *authorization-name* is defined as GROUP only according to the security plug-in in effect, GROUP is assumed.
  - If the *authorization-name* is defined in the database as ROLE only, ROLE is assumed.

## Notes

- The GRANT statement does not take effect until it is committed, even for the connection that issues the statement.
- If the database is created with the RESTRICT option, the USAGE privilege of the default user workload, SYSDEFAULTUSERWORKLOAD, must be granted explicitly by a user that has DBADM authority. If the database is created without the RESTRICT option, the USAGE privilege of SYSDEFAULTUSERWORKLOAD is granted to PUBLIC at database creation time.

## Example

Grant user LISA the ability to use the workload CAMPAIGN.

```
GRANT USAGE ON WORKLOAD CAMPAIGN TO USER LISA
```

---

## GRANT (XSR Object Privileges)

This form of the GRANT statement grants USAGE privilege on an XSR object.

## Invocation

The GRANT statement can be embedded in an application program or issued through the use of dynamic SQL statements. It is an executable statement that can be dynamically prepared only if the DYNAMICRULES run behavior is in effect for the package (SQLSTATE 42509).

## Authorization

One of the following authorities is required:

- SYSADM or DBADM
- Ownership of the XSR object

## Syntax

```
►► GRANT USAGE ON XSROBJECT xsobject-name TO PUBLIC ◀◀
```

## Description

**ON XSROBJECT** *xsobject-name*

This name identifies the XSR object for which the USAGE privilege is granted. The *xsobject-name*, including the implicit or explicit schema qualifier, must uniquely identify an existing XSR object at the current server. If no XSR object by this name exists, an error is returned (SQLSTATE 42704).

**TO PUBLIC**

Grants the USAGE privilege to a set of users (authorization IDs). For more information, see “Authorization, privileges and object ownership”.

## Example

Grant every user the usage privilege on the XML schema MYSCHEMA:

```
GRANT USAGE ON XSROBJECT MYSCHEMA TO PUBLIC
```

## IF

The IF statement selects an execution path based on the evaluation of a condition.

## Invocation

This statement can be embedded in an SQL procedure or dynamic compound statement. It is not an executable statement and cannot be dynamically prepared.

## Authorization

No privileges are required to invoke the IF statement. However, the authorization ID of the statement must hold the necessary privileges to invoke the SQL statements and search conditions that are embedded in the IF statement.

## Syntax

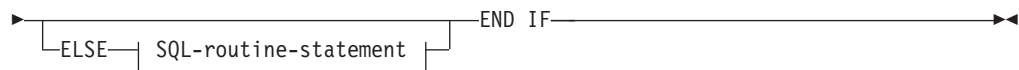
```
►► IF search-condition THEN | SQL-routine-statement | ◀◀
```

```

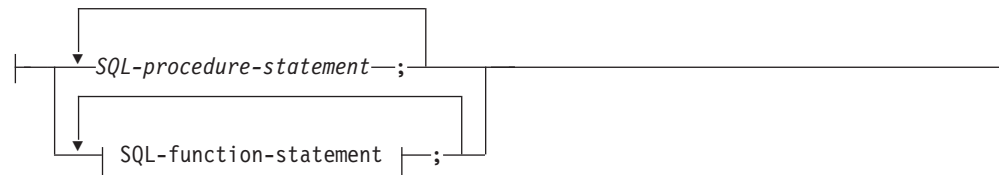
┌───┐
│ │
│ │
└───┘
┌───┐
│ ELSEIF search-condition THEN | SQL-routine-statement | ◀◀
└───┘

```

## IF



### SQL-routine-statement:



## Description

### *search-condition*

Specifies the condition for which an SQL statement should be invoked. If the condition is unknown or false, processing continues to the next search condition, until either a condition is true or processing reaches the ELSE clause.

### *SQL-procedure-statement*

Specifies the statement to be invoked if the preceding *search-condition* is true. *SQL-procedure-statement* is only applicable when in the context of an SQL procedure. See *SQL-procedure-statement* in “Compound SQL (Procedure)”.

### *SQL-function-statement*

Specifies the statement to be invoked if the preceding *search-condition* is true. *SQL-function-statement* is only applicable when in the context of an SQL function or SQL method. See *SQL-function-statement* in “FOR”.

## Examples

The following SQL procedure accepts two IN parameters: an employee number *employee\_number* and an employee rating *rating*. Depending on the value of *rating*, the employee table is updated with new values in the salary and bonus columns.

```
CREATE PROCEDURE UPDATE_SALARY_IF
 (IN employee_number CHAR(6), INOUT rating SMALLINT)
LANGUAGE SQL
BEGIN
 DECLARE not_found CONDITION FOR SQLSTATE '02000';
 DECLARE EXIT HANDLER FOR not_found
 SET rating = -1;
 IF rating = 1
 THEN UPDATE employee
 SET salary = salary * 1.10, bonus = 1000
 WHERE empno = employee_number;
 ELSEIF rating = 2
 THEN UPDATE employee
 SET salary = salary * 1.05, bonus = 500
 WHERE empno = employee_number;
 ELSE UPDATE employee
 SET salary = salary * 1.03, bonus = 0
 WHERE empno = employee_number;
 END IF;
END
```



---

## INCLUDE

The INCLUDE statement inserts declarations into a source program.

### Invocation

This statement can only be embedded in an application program. It is not an executable statement.

### Authorization

None required.

### Syntax



### Description

#### SQLCA

Indicates the description of an SQL communication area (SQLCA) is to be included.

#### SQLDA

Indicates the description of an SQL descriptor area (SQLDA) is to be included.

#### *name*

Identifies an external file containing text that is to be included in the source program being precompiled. It can be an SQL identifier without a file name extension or a literal enclosed by single quotation marks ( ' '). An SQL identifier assumes the filename extension of the source file being precompiled. If a file name extension is not provided by a literal enclosed by quotation marks, none is assumed.

### Notes

- When a program is precompiled, the INCLUDE statement is replaced by source statements. Thus, the INCLUDE statement should be specified at a point in the program such that the resulting source statements are acceptable to the compiler.
- The external source file must be written in the host language specified by *name*. If it is greater than 18 bytes or contains characters that are not allowed in an SQL identifier, it must be enclosed by single quotation marks. INCLUDE *name* statements may be nested though not cyclical (for example, if A and B are modules and A contains an INCLUDE *name* statement, then it is not valid for A to call B and then B to call A).
- When the LANGLEVEL precompile option is specified with the SQL92E value, INCLUDE SQLCA should not be specified. SQLSTATE and SQLCODE variables may be defined within the host variable declare section.

### Example

Include an SQLCA in a C program.

## INCLUDE

```
EXEC SQL INCLUDE SQLCA;

EXEC SQL DECLARE C1 CURSOR FOR
 SELECT DEPTNO, DEPTNAME, MGRNO FROM TDEPT
 WHERE ADMRDEPT = 'A00';

EXEC SQL OPEN C1;

while (SQLCODE==0) {
 EXEC SQL FETCH C1 INTO :dnum, :dname, :mnum;

 (Print results)

}

EXEC SQL CLOSE C1;
```

---

## INSERT

The INSERT statement inserts rows into a table, nickname, or view, or the underlying tables, nicknames, or views of the specified fullselect. Inserting a row into a nickname inserts the row into the data source object to which the nickname refers. Inserting a row into a view also inserts the row into the table on which the view is based, if no INSTEAD OF trigger is defined for the insert operation on this view. If such a trigger is defined, the trigger will be executed instead.

### Invocation

This statement can be embedded in an application program or issued through the use of dynamic SQL statements. It is an executable statement that can be dynamically prepared.

### Authorization

The privileges held by the authorization ID of the statement must include at least one of the following:

- INSERT privilege on the target table, view, or nickname
- CONTROL privilege on the target table, view, or nickname
- SYSADM or DBADM authority

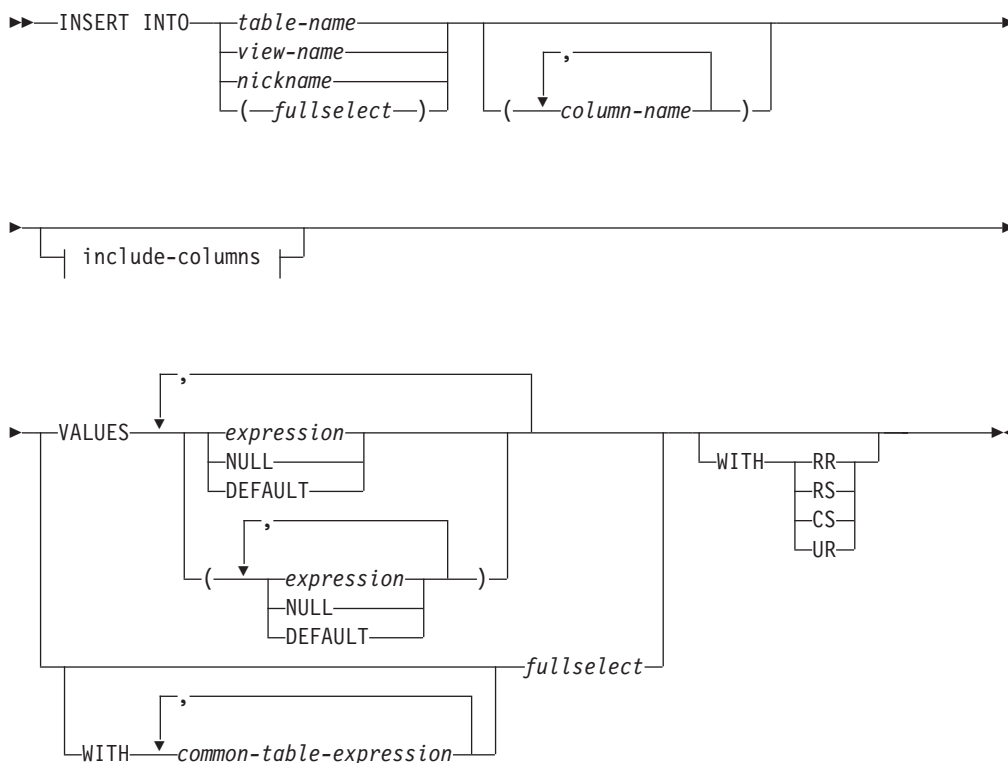
In addition, for each table, view, or nickname referenced in any fullselect used in the INSERT statement, the privileges held by the authorization ID of the statement must include at least one of the following:

- SELECT privilege
- CONTROL privilege
- SYSADM or DBADM authority

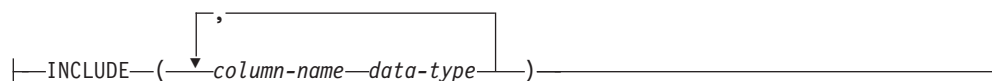
GROUP privileges are not checked for static INSERT statements.

If the target of the insert operation is a nickname, the privileges on the object at the data source are not considered until the statement is executed at the data source. At this time, the authorization ID that is used to connect to the data source must have the privileges required for the operation on the object at the data source. The authorization ID of the statement can be mapped to a different authorization ID at the data source.

## Syntax



### include-columns:



## Description

**INTO** *table-name, view-name, nickname, or (fullselect)*

Identifies the object of the insert operation. The name must identify a table, view or nickname that exists at the application server, but it must not identify a catalog table, a system-maintained materialized query table, a view of a catalog table, or a read-only view, unless an INSTEAD OF trigger is defined for the insert operation on the subject view. Rows inserted into a nickname are placed in the data source object to which the nickname refers.

If the object of the insert operation is a fullselect, the fullselect must be insertable, as defined in the “Insertable views” Notes item in the description of the CREATE VIEW statement.

If no INSTEAD OF trigger exists for the insert operation on this view, a value cannot be inserted into a view column that is derived from:

- A constant, expression, or scalar function
- The same base table column as some other column of the view

If the object of the insert operation is a view with such columns, a list of column names must be specified, and the list must not identify these columns.

## INSERT

A row can be inserted into a view or a fullselect that is defined using a UNION ALL if the row satisfies the check constraints of exactly one of the underlying base tables. If a row satisfies the check constraints of more than one table, or no table at all, an error is returned (SQLSTATE 23513).

*(column-name,...)*

Specifies the columns for which insert values are provided. Each name must identify a column of the specified table, view, or nickname, or a column in the fullselect. The same column must not be identified more than once. A column that cannot accept inserted values (for example, a column based on an expression) must not be identified.

Omission of the column list is an implicit specification of a list in which every column of the table (that is not implicitly hidden) or view, or every item in the select-list of the fullselect is identified in left-to-right order. This list is established when the statement is prepared and, therefore, does not include columns that were added to a table after the statement was prepared.

*include-columns*

Specifies a set of columns that are included, along with the columns of *table-name* or *view-name*, in the intermediate result table of the INSERT statement when it is nested in the FROM clause of a fullselect. The *include-columns* are appended at the end of the list of columns that are specified for *table-name* or *view-name*.

### INCLUDE

Specifies a list of columns to be included in the intermediate result table of the INSERT statement. This clause can only be specified if the INSERT statement is nested in the FROM clause of a fullselect.

*column-name*

Specifies a column of the intermediate result table of the INSERT statement. The name cannot be the same as the name of another include column or a column in *table-name* or *view-name* (SQLSTATE 42711).

*data-type*

Specifies the data type of the include column. The data type must be one that is supported by the CREATE TABLE statement.

### VALUES

Introduces one or more rows of values to be inserted.

Each host variable named must be described in the program in accordance with the rules for declaring host variables.

The number of values for each row must equal the number of names in the implicit or explicit column list and the columns identified in the INCLUDE clause. The first value is inserted in the first column in the list, the second value in the second column, and so on.

### expression

An *expression* can be any expression defined in "Expressions".

### NULL

Specifies the null value and should only be specified for nullable columns.

### DEFAULT

Specifies that the default value is to be used. The result of specifying DEFAULT depends on how the column was defined, as follows:

- If the column was defined as a generated column based on an expression, the column value is generated by the system, based on that expression.

- If the IDENTITY clause is used, the value is generated by the database manager.
- If the ROW CHANGE TIMESTAMP clause is used, the value for each inserted row is generated by the database manager as a timestamp that is unique for the table partition within the database partition.
- If the WITH DEFAULT clause is used, the value inserted is as defined for the column (see *default-clause* in “CREATE TABLE”).
- If the NOT NULL clause is used and the GENERATED clause is not used, or the WITH DEFAULT clause is not used or DEFAULT NULL is used, the DEFAULT keyword cannot be specified for that column (SQLSTATE 23502).
- When inserting into a nickname, the DEFAULT keyword will be passed through the INSERT statement to the data source only if the data source supports the DEFAULT keyword in its query language syntax.

**WITH** *common-table-expression*

Defines a common table expression for use with the fullselect that follows.

*fullselect*

Specifies a set of new rows in the form of the result table of a fullselect. There may be one, more than one, or none. If the result table is empty, SQLCODE is set to +100 and SQLSTATE is set to '02000'.

When the base object of the INSERT and the base object of the fullselect or any subquery of the fullselect, are the same table, the fullselect is completely evaluated before any rows are inserted.

The number of columns in the result table must equal the number of names in the column list. The value of the first column of the result is inserted in the first column in the list, the second value in the second column, and so on.

**WITH**

Specifies the isolation level at which the fullselect is executed.

**RR**

Repeatable Read

**RS**

Read Stability

**CS**

Cursor Stability

**UR**

Uncommitted Read

The default isolation level of the statement is the isolation level of the package in which the statement is bound. The WITH clause has no effect on nicknames, which always use the default isolation level of the statement.

**Rules**

- **Triggers:** INSERT statements may cause triggers to be executed. A trigger may cause other statements to be executed, or may raise error conditions based on the inserted values. If an insert operation into a view causes an INSTEAD OF trigger to fire, validity, referential integrity, and constraints will be checked against the updates that are performed in the trigger, and not against the view that caused the trigger to fire, or its underlying tables.
- **Default values:** The value inserted in any column that is not in the column list is either the default value of the column or null. Columns that do not allow null

## INSERT

values and are not defined with NOT NULL WITH DEFAULT must be included in the column list. Similarly, if you insert into a view, the value inserted into any column of the base table that is not in the view is either the default value of the column or null. Hence, all columns of the base table that are not in the view must have either a default value or allow null values. The only value that can be inserted into a generated column defined with the GENERATED ALWAYS clause is DEFAULT (SQLSTATE 428C9).

- **Length:** If the insert value of a column is a number, the column must be a numeric column with the capacity to represent the integral part of the number. If the insert value of a column is a string, the column must either be a string column with a length attribute at least as great as the length of the string, or a datetime column if the string represents a date, time, or timestamp.
- **Assignment:** Insert values are assigned to columns in accordance with specific assignment rules.
- **Validity:** If the table named, or the base table of the view named, has one or more unique indexes, each row inserted into the table must conform to the constraints imposed by those indexes. If a view whose definition includes WITH CHECK OPTION is named, each row inserted into the view must conform to the definition of the view. For an explanation of the rules governing this situation, see "CREATE VIEW".
- **Referential Integrity:** For each constraint defined on a table, each non-null insert value of the foreign key must be equal to a primary key value of the parent table.
- **Check Constraint:** Insert values must satisfy the check conditions of the check constraints defined on the table. An INSERT to a table with check constraints defined has the constraint conditions evaluated once for each row that is inserted.
- **XML values:** A value that is inserted into an XML column must be a well-formed XML document (SQLSTATE 2200M).
- **Security Policy:** If the identified table or the base table of the identified view is protected with a security policy, the session authorization ID must have the label-based access control (LBAC) credentials that allow:
  - Write access to all protected columns for which a data value is explicitly provided (SQLSTATE 42512)
  - Write access for any explicit value provided for a DB2SECURITYLABEL column for security policies that were created with the RESTRICT NOT AUTHORIZED WRITE SECURITY LABEL option (SQLSTATE 23523)

The session authorization ID must also have been granted a security label for write access for the security policy if an implicit value is used for a DB2SECURITYLABEL column (SQLSTATE 23523), which can happen when:

- A value for the DB2SECURITYLABEL column is not explicitly provided
- A value for the DB2SECURITYLABEL column is explicitly provided but the session authorization ID does not have write access for that value, and the security policy is created with the OVERRIDE NOT AUTHORIZED WRITE SECURITY LABEL option

### Notes

- After execution of an INSERT statement, the value of the third variable of the SQLERRD(3) portion of the SQLCA indicates the number of rows that were passed to the insert operation. In the context of an SQL procedure statement, the value can be retrieved using the ROW\_COUNT variable of the GET DIAGNOSTICS statement. SQLERRD(5) contains the count of all triggered insert, update and delete operations.

- Unless appropriate locks already exist, one or more exclusive locks are acquired at the execution of a successful INSERT statement. Until the locks are released, an inserted row can only be accessed by:
  - The application process that performed the insert.
  - Another application process using isolation level UR through a read-only cursor, SELECT INTO statement, or subselect used in a subquery.
- For further information about locking, see the description of the COMMIT, ROLLBACK, and LOCK TABLE statements.
- If an application is running against a partitioned database, and it is bound with option INSERT BUF, then INSERT with VALUES statements which are not processed using EXECUTE IMMEDIATE may be buffered. DB2 assumes that such an INSERT statement is being processed inside a loop in the application's logic. Rather than execute the statement to completion, it attempts to buffer the new row values in one or more buffers. As a result the actual insertions of the rows into the table are performed later, asynchronous with the application's INSERT logic. Be aware that this asynchronous insertion may cause an error related to an INSERT to be returned on some other SQL statement that follows the INSERT in the application.

This has the potential to dramatically improve INSERT performance, but is best used with clean data, due to the asynchronous nature of the error handling.

- When a row is inserted into a table that has an identity column, DB2 generates a value for the identity column.
  - For a GENERATED ALWAYS identity column, DB2 always generates the value.
  - For a GENERATED BY DEFAULT column, if a value is not explicitly specified (with a VALUES clause, or subselect), DB2 generates a value.

The first value generated by DB2 is the value of the START WITH specification for the identity column.

- When a value is inserted for a user-defined distinct type identity column, the entire computation is done in the source type, and the result is cast to the distinct type before the value is actually assigned to the column. (There is no casting of the previous value to the source type prior to the computation.)
- When inserting into a GENERATED ALWAYS identity column, DB2 will always generate a value for the column, and users must not specify a value at insertion time. If a GENERATED ALWAYS identity column is listed in the column-list of the INSERT statement, with a non-DEFAULT value in the VALUES clause, an error occurs (SQLSTATE 428C9).

For example, assuming that EMPID is defined as an identity column that is GENERATED ALWAYS, then the command:

```
INSERT INTO T2 (EMPID, EMPNAME, EMPADDR)
VALUES (:hv_valid_emp_id, :hv_name, :hv_addr)
```

will result in an error.

- When inserting into a GENERATED ALWAYS ROW CHANGE TIMESTAMP column, DB2 will always generate a value for the column, and users must not specify a value at insertion time (SQLSTATE 428C9). The value generated by DB2 is unique for each row inserted on the database partition.
- When inserting into a GENERATED BY DEFAULT column, DB2 will allow an actual value for the column to be specified within the VALUES clause, or from a subselect. However, when a value is specified in the VALUES clause, DB2 does not perform any verification of the value. To guarantee uniqueness of IDENTITY column values, a unique index on the identity column must be created.

## INSERT

When inserting into a table with a GENERATED BY DEFAULT identity column, without specifying a column list, the VALUES clause can specify the DEFAULT keyword to represent the value for the identity column. DB2 will generate the value for the identity column.

```
INSERT INTO T2 (EMPID, EMPNAME, EMPADDR)
VALUES (DEFAULT, :hv_name, :hv_addr)
```

In this example, EMPID is defined as an identity column, and thus the value inserted into this column is generated by DB2.

- The rules for inserting into an identity column with a subselect are similar to those for an insert with a VALUES clause. A value for an identity column may only be specified if the identity column is defined as GENERATED BY DEFAULT.

For example, assume T1 and T2 are tables with the same definition, both containing columns *intcol1* and *identcol2* (both are type INTEGER and the second column has the identity attribute). Consider the following insert:

```
INSERT INTO T2
SELECT *
FROM T1
```

This example is logically equivalent to:

```
INSERT INTO T2 (intcol1,identcol2)
SELECT intcol1, identcol2
FROM T1
```

In both cases, the INSERT statement is providing an explicit value for the identity column of T2. This explicit specification can be given a value for the identity column, but the identity column in T2 must be defined as GENERATED BY DEFAULT. Otherwise, an error will result (SQLSTATE 428C9).

If there is a table with a column defined as a GENERATED ALWAYS identity, it is still possible to propagate all other columns from a table with the same definition. For example, given the example tables T1 and T2 described above, the *intcol1* values from T1 to T2 can be propagated with the following SQL:

```
INSERT INTO T2 (intcol1)
SELECT intcol1
FROM T1
```

Note that, because *identcol2* is not specified in the column-list, it will be filled in with its default (generated) value.

- When inserting a row into a single column table where the column is defined as a GENERATED ALWAYS identity column or a ROW CHANGE TIMESTAMP column, it is possible to specify a VALUES clause with the DEFAULT keyword. In this case, the application does not provide any value for the table, and DB2 generates the value for the identity or ROW CHANGE TIMESTAMP column.

```
INSERT INTO IDTABLE
VALUES(DEFAULT)
```

Assuming the same single column table for which the column has the identity attribute, to insert multiple rows with a single INSERT statement, the following INSERT statement could be used:

```
INSERT INTO IDTABLE
VALUES (DEFAULT), (DEFAULT), (DEFAULT), (DEFAULT)
```



- When DB2 generates a value for an identity column, that generated value is consumed; the next time that a value is needed, DB2 will generate a new value. This is true even when an INSERT statement involving an identity column fails or is rolled back.

For example, assume that a unique index has been created on the identity column. If a duplicate key violation is detected in generating a value for an identity column, an error occurs (SQLSTATE 23505) and the value generated for the identity column is considered to be consumed. This can occur when the identity column is defined as GENERATED BY DEFAULT and the system tries to generate a new value, but the user has explicitly specified values for the identity column in previous INSERT statements. Reissuing the same INSERT statement in this case can lead to success. DB2 will generate the next value for the identity column, and it is possible that this next value will be unique, and that this INSERT statement will be successful.

- If the maximum value for the identity column is exceeded (or minimum value for a descending sequence) in generating a value for an identity column, an error occurs (SQLSTATE 23522). In this situation, the user would have to DROP and CREATE a new table with an identity column having a larger range (that is, change the data type or increment value for the column to allow for a larger range of values).

For example, an identity column may have been defined with a data type of SMALLINT, and eventually the column runs out of assignable values. To redefine the identity column as INTEGER, the data would need to be unloaded, the table would have to be dropped and recreated with a new definition for the column, and then the data would be reloaded. When the table is redefined, it needs to specify a START WITH value for the identity column such that the next value generated by DB2 will be the next value in the original sequence. To determine the end value, issue a query using MAX of the identity column (for an ascending sequence), or MIN of the identity column (for a descending sequence), before unloading the data.

## Examples

*Example 1:* Insert a new department with the following specifications into the DEPARTMENT table:

- Department number (DEPTNO) is 'E31'
- Department name (DEPTNAME) is 'ARCHITECTURE'
- Managed by (MGRNO) a person with number '00390'
- Reports to (ADMRDEPT) department 'E01'.

```
INSERT INTO DEPARTMENT
VALUES ('E31', 'ARCHITECTURE', '00390', 'E01')
```

*Example 2:* Insert a new department into the DEPARTMENT table as in example 1, but do not assign a manager to the new department.

```
INSERT INTO DEPARTMENT (DEPTNO, DEPTNAME, ADMRDEPT)
VALUES ('E31', 'ARCHITECTURE', 'E01')
```

*Example 3:* Insert two new departments using one statement into the DEPARTMENT table as in example 2, but do not assign a manager to the new department.

```
INSERT INTO DEPARTMENT (DEPTNO, DEPTNAME, ADMRDEPT)
VALUES ('B11', 'PURCHASING', 'B01'),
('E41', 'DATABASE ADMINISTRATION', 'E01')
```

## INSERT

*Example 4:* Create a temporary table MA\_EMP\_ACT with the same columns as the EMP\_ACT table. Load MA\_EMP\_ACT with the rows from the EMP\_ACT table with a project number (PROJNO) starting with the letters 'MA'.

```
CREATE TABLE MA_EMP_ACT
 (EMPNO CHAR(6) NOT NULL,
 PROJNO CHAR(6) NOT NULL,
 ACTNO SMALLINT NOT NULL,
 EMPTIME DEC(5,2),
 EMSTDATE DATE,
 EMENDATE DATE)
INSERT INTO MA_EMP_ACT
 SELECT * FROM EMP_ACT
 WHERE SUBSTR(PROJNO, 1, 2) = 'MA'
```

*Example 5:* Use a C program statement to add a skeleton project to the PROJECT table. Obtain the project number (PROJNO), project name (PROJNAME), department number (DEPTNO), and responsible employee (RESPEMP) from host variables. Use the current date as the project start date (PRSTDATE). Assign a NULL value to the remaining columns in the table.

```
EXEC SQL INSERT INTO PROJECT (PROJNO, PROJNAME, DEPTNO, RESPEMP, PRSTDATE)
 VALUES (:PRJNO, :PRJNM, :DPTNO, :REMP, CURRENT DATE);
```

*Example 6:* Specify an INSERT statement as the *data-change-table-reference* within a SELECT statement. Define an extra include column whose values are specified in the VALUES clause, which is then used as an ordering column for the inserted rows.

```
SELECT inorder.ordernum
 FROM (INSERT INTO orders(custno)INCLUDE (insertnum integer)
 VALUES(:cnum1, 1), (:cnum2, 2)) InsertedOrders
 ORDER BY insertnum;
```

*Example 7:* Use a C program statement to add a document to the DOCUMENTS table. Obtain values for the document ID (DOCID) column and the document data (XMLDOC) column from a host variable that binds to an SQL TYPE IS XML AS BLOB\_FILE.

```
EXEC SQL INSERT INTO DOCUMENTS
 (DOCID, XMLDOC) VALUES (:docid, :xmldoc)
```

*Example 8:* For the following INSERT statements, assume that table SALARY\_INFO is defined with three columns, and that the last column is an implicitly hidden ROW CHANGE TIMESTAMP column. In the following statement, the implicitly hidden column is explicitly referenced in the column list and a value is provided for it in the VALUES clause.

```
INSERT INTO SALARY_INFO (LEVEL, SALARY, UPDATE_TIME)
 VALUES (2, 30000, CURRENT_TIMESTAMP)
```

The following INSERT statement uses an implicit column list. An implicit column list does not include implicitly hidden columns, so the VALUES clause only contains values for the other two columns.

```
INSERT INTO SALARY_INFO VALUES (2, 30000)
```

In this case, the UPDATE\_TIME column must be defined to have a default value, and that default value is used for the row that is inserted.

## ITERATE

The ITERATE statement causes the flow of control to return to the beginning of a labelled loop.

### Invocation

This statement can be embedded in an SQL procedure or dynamic compound statement. It is not an executable statement and cannot be dynamically prepared.

### Authorization

None required.

### Syntax

►►—ITERATE—*label*—◄◄

### Description

*label*

Specifies the label of the FOR, LOOP, REPEAT, or WHILE statement to which DB2 passes the flow of control.

### Examples

This example uses a cursor to return information for a new department. If the *not\_found* condition handler was invoked, the flow of control passes out of the loop. If the value of *v\_dept* is 'D11', an ITERATE statement passes the flow of control back to the top of the LOOP statement. Otherwise, a new row is inserted into the DEPARTMENT table.

```
CREATE PROCEDURE ITERATOR()
LANGUAGE SQL
BEGIN
 DECLARE v_dept CHAR(3);
 DECLARE v_deptname VARCHAR(29);
 DECLARE v_admdept CHAR(3);
 DECLARE at_end INTEGER DEFAULT 0;
 DECLARE not_found CONDITION FOR SQLSTATE '02000';
 DECLARE c1 CURSOR FOR
 SELECT deptno, deptname, admrdept
 FROM department
 ORDER BY deptno;
 DECLARE CONTINUE HANDLER FOR not_found
 SET at_end = 1;
 OPEN c1;
 ins_loop:
 LOOP
 FETCH c1 INTO v_dept, v_deptname, v_admdept;
 IF at_end = 1 THEN
 LEAVE ins_loop;
 ELSEIF v_dept = 'D11' THEN
 ITERATE ins_loop;
 END IF;
 INSERT INTO department (deptno, deptname, admrdept)
 VALUES ('NEW', v_deptname, v_admdept);
 END LOOP;
 CLOSE c1;
END
```

---

## LEAVE

The LEAVE statement transfers program control out of a loop or a compound statement.

### Invocation

This statement can be embedded in an SQL procedure or dynamic compound statement. It is not an executable statement and cannot be dynamically prepared.

### Authorization

None required.

### Syntax

►►—LEAVE—*label*—◄◄

### Description

*label*

Specifies the label of the compound, FOR, LOOP, REPEAT, or WHILE statement to exit.

### Notes

- When a LEAVE statement transfers control out of a compound statement, all open cursors in the compound statement, except cursors that are used to return result sets, are closed.

### Examples

This example contains a loop that fetches data for cursor *c1*. If the value of SQL variable *at\_end* is not zero, the LEAVE statement transfers control out of the loop.

```
CREATE PROCEDURE LEAVE_LOOP(OUT counter INTEGER)
LANGUAGE SQL
BEGIN
 DECLARE v_counter INTEGER;
 DECLARE v_firstname VARCHAR(12);
 DECLARE v_midinit CHAR(1);
 DECLARE v_lastname VARCHAR(15);
 DECLARE at_end SMALLINT DEFAULT 0;
 DECLARE not_found CONDITION FOR SQLSTATE '02000';
 DECLARE c1 CURSOR FOR
 SELECT firstname, midinit, lastname
 FROM employee;
 DECLARE CONTINUE HANDLER for not_found
 SET at_end = 1;
 SET v_counter = 0;
 OPEN c1;
 fetch_loop:
 LOOP
 FETCH c1 INTO v_firstname, v_midinit, v_lastname;
 IF at_end <> 0 THEN LEAVE fetch_loop;
 END IF;
 SET v_counter = v_counter + 1;
```

```

END LOOP fetch_loop;
SET counter = v_counter;
CLOSE c1;
END

```

---

## LOCK TABLE

The LOCK TABLE statement prevents concurrent application processes from using or changing a table.

### Invocation

This statement can be embedded in an application program or issued through the use of dynamic SQL statements. It is an executable statement that can be dynamically prepared.

### Authorization

The privileges held by the authorization ID of the statement must include at least one of the following:

- SELECT privilege on the table
- CONTROL privilege on the table
- SYSADM or DBADM authority

### Syntax

```

▶▶ LOCK TABLE table-name | nickname IN SHARE | EXCLUSIVE MODE

```

### Description

*table-name* or *nickname*

Identifies the table or nickname. The *table-name* must identify a table that exists at the application server, but it must not identify a catalog table, or a declared temporary table (SQLSTATE 42995). If the *table-name* is a typed table, it must be the root table of the table hierarchy (SQLSTATE 428DR). When a nickname is specified, DB2 will lock the underlying object (that is, a table or view) of the data source to which the nickname refers.

#### IN SHARE MODE

Prevents concurrent application processes from executing any but read-only operations on the table.

#### IN EXCLUSIVE MODE

Prevents concurrent application processes from executing any operations on the table. Note that EXCLUSIVE MODE does not prevent concurrent application processes that are running at isolation level Uncommitted Read (UR) from executing read-only operations on the table.

### Notes

- Locking is used to prevent concurrent operations. A lock is not necessarily acquired during execution of the LOCK TABLE statement if a suitable lock already exists. The lock that prevents concurrent operations is held at least until termination of the unit of work.



*SQL-procedure-statement*

Specifies the SQL statements that are to be invoked in the loop.  
*SQL-procedure-statement* is only applicable when in the context of an SQL procedure. See *SQL-procedure-statement* in “Compound SQL (Procedure)”.

*SQL-function-statement*

Specifies the SQL statements that are to be invoked in the loop.  
*SQL-function-statement* is only applicable when in the context of an SQL function or SQL method. See *SQL-function-statement* in “FOR”.

**Examples**

This procedure uses a LOOP statement to fetch values from the employee table. Each time the loop iterates, the OUT parameter *counter* is incremented and the value of *v\_midinit* is checked to ensure that the value is not a single space (' '). If *v\_midinit* is a single space, the LEAVE statement passes the flow of control outside of the loop.

```
CREATE PROCEDURE LOOP_UNTIL_SPACE(OUT counter INTEGER)
LANGUAGE SQL
BEGIN
 DECLARE v_counter INTEGER DEFAULT 0;
 DECLARE v_firstname VARCHAR(12);
 DECLARE v_midinit CHAR(1);
 DECLARE v_lastname VARCHAR(15);
 DECLARE c1 CURSOR FOR
 SELECT firstame, midinit, lastname
 FROM employee;
 DECLARE CONTINUE HANDLER FOR NOT FOUND
 SET counter = -1;
 OPEN c1;
 fetch_loop:
 LOOP
 FETCH c1 INTO v_firstname, v_midinit, v_lastname;
 IF v_midinit = ' ' THEN
 LEAVE fetch_loop;
 END IF;
 SET v_counter = v_counter + 1;
 END LOOP fetch_loop;
 SET counter = v_counter;
 CLOSE c1;
END
```

---

**MERGE**

The MERGE statement updates a target (a table or view, or the underlying tables or views of a fullselect) using data from a source (result of a table reference). Rows in the target that match the source can be deleted or updated as specified, and rows that do not exist in the target can be inserted. Updating, deleting or inserting a row in a view updates, deletes or inserts the row in the tables on which the view is based.

**Invocation**

This statement can be embedded in an application program or issued through the use of dynamic SQL statements. It is an executable statement that can be dynamically prepared.

# MERGE

## Authorization

The privileges held by the authorization ID of the statement must include at least one of the following:

- If an insert operation is specified, INSERT privilege on the table or view; if a delete operation is specified, DELETE privilege on the table or view; and if an update operation is specified, either:
  - UPDATE privilege on the table or view
  - UPDATE privilege on each column that is to be updated
- CONTROL privilege on the table
- SYSADM or DBADM authority

The privileges held by the authorization ID of the statement must also include at least one of the following:

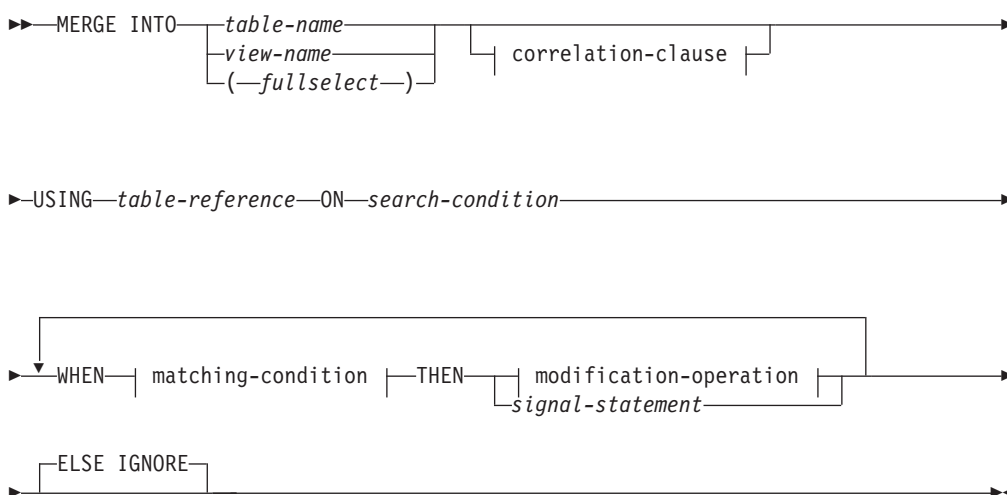
- SELECT privilege on every table or view identified in the *table-reference*
- CONTROL privilege on the tables or views identified in the *table-reference*
- SYSADM or DBADM authority

If *search-condition*, *insert-operation*, or *assignment-clause* includes a subquery, the privileges held by the authorization ID of the statement must also include at least one of the following:

- SELECT privilege on every table or view identified in the subquery
- CONTROL privilege on the tables or views identified in the subquery
- SYSADM or DBADM authority

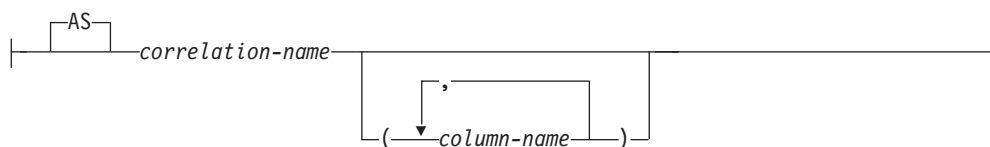
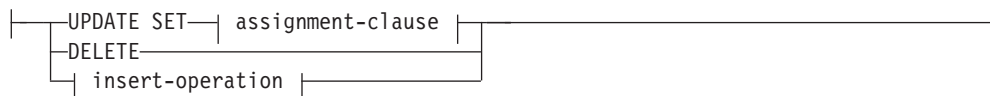
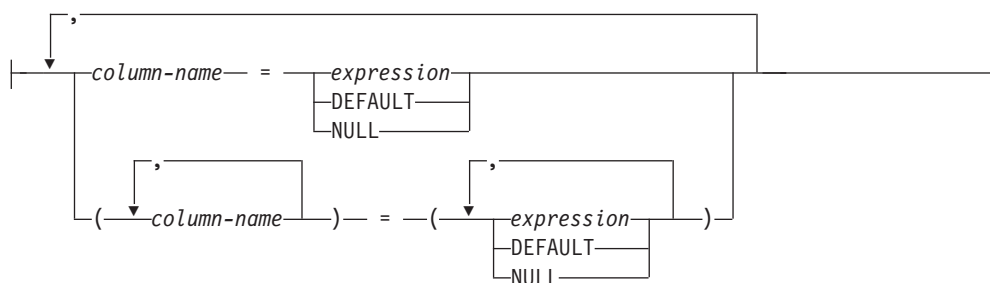
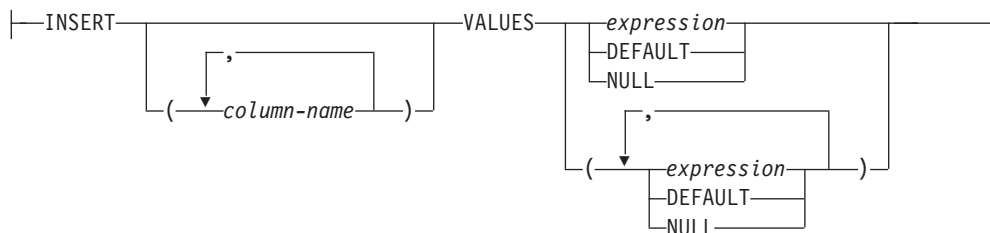
If an expression that refers to a function is specified, the privilege set must include any authority that is necessary to execute the function.

## Syntax



### correlation-clause:



**matching-condition:****modification-operation:****assignment-clause:****insert-operation:****Description**

*table-name, view-name, or (fullselect)*

Identifies the target of the update, delete, or insert operations of the merge. The name must identify a table or view that exists at the current server, but it must not identify a catalog table, a system-maintained materialized query table, a view of a catalog table, a read-only view, or a view that directly or indirectly contains a WHERE clause that references a subquery or a routine defined with NOT DETERMINISTIC or EXTERNAL ACTION (SQLSTATE 42807).

## MERGE

If the target of the merge operation is a fullselect, the fullselect must be updatable, deletable, or insertable as defined in the “Updatable views”, “Deletable views”, or “Insertable views” Notes items in the description of the CREATE VIEW statement.

### correlation-clause

Can be used within *search-condition* or on the right side of an *assignment-clause* to designate a table, view, or fullselect. For a description of *correlation-clause*, see “table-reference” in the description of “Subselect”.

### USING *table-reference*

Specifies a set of rows as a result table to be merged into the target. If the result table is empty, a warning is returned (SQLSTATE 02000).

### ON *search-condition*

Specifies which rows from *table-reference* are to be used in the update and delete operation of the merge, and which rows are to be used in the insert operation of the merge. The *search-condition* is applied to each row of the target table and result table of the *table-reference*. For those rows of the result table of the *table-reference* where the result of the *search-condition* is true, the specified update or delete operation is performed. For those rows of the result table of the *table-reference* where the result of the *search-condition* is not true, the specified insert operation is performed.

The *search-condition* has the following restrictions (SQLSTATE 42972):

- It cannot contain any subqueries, scalar or otherwise
- It cannot include any dereference operations or the Deref function where the reference value is other than the object identifier column
- It cannot include an SQL function
- It cannot include an XMLQUERY or XMLEXISTS expression
- Any column that is referenced in an expression of the *search-condition* must be a column of the target table, view, or *table-reference*
- Any function that is referenced in an expression of the *join-condition* of a full outer join must be deterministic and have no external action

### WHEN *matching-condition*

Specifies the condition under which the *modification-operation* or the *signal-statement* is executed. Each *matching-condition* is evaluated in order of specification. Rows for which the *matching-condition* evaluates to true are not considered in subsequent matching conditions.

### MATCHED

Indicates the operation to be performed on the rows where the ON search condition is true. Only UPDATE, DELETE, or *signal-statement* can be specified after THEN.

### AND *search-condition*

Specifies a further search condition to be applied against the rows that matched the ON search condition for the operation to be performed after THEN.

### NOT MATCHED

Indicates the operation to be performed on the rows where the ON search condition is false or unknown. Only INSERT or *signal-statement* can be specified after THEN.

**AND** *search-condition*

Specifies a further search condition to be applied against the rows that did not match the ON search condition for the operation to be performed after THEN.

**THEN** *modification-operation*

Specifies the operation to execute when the *matching-condition* evaluates to true.

**UPDATE SET**

Specifies the update operation to be executed for the rows where the *matching-condition* evaluates to true.

*assignment-clause*

Specifies a list of column updates.

*column-name*

Identifies a column to be updated. The *column-name* must identify a column of the specified table or view, but not a view column derived from a scalar function, constant, or expression. A column must not be specified more than once (SQLSTATE 42701).

A view column derived from the same column as another column of the view can be updated, but both columns cannot be updated in the same MERGE statement (SQLSTATE 42701).

*expression*

Indicates the new value of the column. The *expression* must not include a column function (SQLSTATE 42903).

An *expression* can contain references to columns of the *table-name* or *view-name*. For each row that is updated, the value of such a column in an expression is the value of the column in the row before the row is updated.

**DEFAULT**

The default value assigned to the column. DEFAULT can be specified only for columns that have a default value. For information about default values of data types, see the description of the DEFAULT clause in the "CREATE TABLE" statement.

DEFAULT must be specified for a column that was defined as GENERATED ALWAYS. A valid value can be specified for a column that was defined as GENERATED BY DEFAULT.

**NULL**

Specifies the null value as the new value of the column. Specify NULL only for nullable columns (SQLSTATE 23502).

**DELETE**

Specifies the delete operation to be executed for the rows where the *matching-condition* evaluates to true.

*insert-operation*

Specifies the insert operation to be executed for the rows where the *matching-condition* evaluates to true.

**INSERT**

Introduces a list of column names and row value expressions to be used for the insert operation.

## MERGE

The number of values for the row in the row value expression must equal the number of names in the insert column list. The first value is inserted in the first column in the list, the second value in the second column, and so on.

*(column-name,...)*

Specifies the columns for which the insert values are provided. Each name must identify a column of the table or view. The same column must not be identified more than once (SQLSTATE 42701). A view column that cannot accept insert values must not be identified. A value cannot be inserted into a view column that is derived from:

- A constant, expression, or scalar function
- The same base table column as some other column of the view

If the object of the operation is a view with such columns, a list of column names must be specified, and the list must not identify these columns.

Omission of the column list is an implicit specification of a list in which every column of the table (that is not defined as implicitly hidden) or view is identified in left-to-right order. This list is established when the statement is prepared, and therefore does not include columns that were added to a table after the statement was prepared.

### VALUES

Introduces one or more rows of values to be inserted.

*expression*

Any expression that does not include a column name (SQLSTATE 42703).

### DEFAULT

The default value assigned to the column. DEFAULT can be specified only for columns that have a default value. For information about default values of data types, see the description of the DEFAULT clause in the "CREATE TABLE" statement.

DEFAULT must be specified for a column that was defined as GENERATED ALWAYS. A valid value can be specified for a column that was defined as GENERATED BY DEFAULT.

### NULL

Specifies the null value as the value of the column. Specify NULL only for nullable columns (SQLSTATE 23502).

*signal-statement*

Specifies the SIGNAL statement that is to be executed to return an error when the *matching-condition* evaluates to true.

### ELSE IGNORE

Specifies that no action is to be taken for the rows where no *matching-condition* evaluates to true.

### Rules

- More than one *modification-operation* (UPDATE SET, DELETE, or *insert-operation*), or *signal-statement* can be specified in a single MERGE statement.
- Each row in the target can only be operated on once. A row in the target can only be identified as MATCHED with one row in the result table of the

*table-reference* (SQLSTATE 21506). A nested SQL operation (RI or trigger except INSTEAD OF trigger) cannot specify the target table (or a table within the same table hierarchy) as a target of an UPDATE, DELETE, INSERT, or MERGE statement (SQLSTATE 27000).

- **Security Policy:** If the identified target table or the base table of the identified target view is protected with a security policy, the session authorization ID must have the label-based access control (LBAC) credentials that allow the following types of access.
  - For the update operation:
    - Write access to all protected columns that are being updated (SQLSTATE 42512)
    - Write access for any explicit value provided for a DB2SECURITYLABEL column for security policies that were created with the RESTRICT NOT AUTHORIZED WRITE SECURITY LABEL option (SQLSTATE 23523)
    - Read and write access to all rows that are being updated (SQLSTATE 42519)

The session authorization ID must also have been granted a security label for write access for the security policy if an implicit value is used for a DB2SECURITYLABEL column (SQLSTATE 23523), which can happen when:

- The DB2SECURITYLABEL column is not included in the list of columns that are to be updated (and so it will be implicitly updated to the security label for write access of the session authorization ID)
  - A value for the DB2SECURITYLABEL column is explicitly provided but the session authorization ID does not have write access for that value, and the security policy is created with the OVERRIDE NOT AUTHORIZED WRITE SECURITY LABEL option
- For the delete operation:
    - Write access to all protected columns (SQLSTATE 42512)
    - Read and write access to all of the rows that are selected for deletion (SQLSTATE 42519)
  - For the insert operation:
    - Write access to all protected columns for which a data value is explicitly provided (SQLSTATE 42512)
    - Write access for any explicit value provided for a DB2SECURITYLABEL column for security policies that were created with the RESTRICT NOT AUTHORIZED WRITE SECURITY LABEL option (SQLSTATE 23523)

The session authorization ID must also have been granted a security label for write access for the security policy if an implicit value is used for a DB2SECURITYLABEL column (SQLSTATE 23523), which can happen when:

- A value for the DB2SECURITYLABEL column is not explicitly provided
- A value for the DB2SECURITYLABEL column is explicitly provided but the session authorization ID does not have write access for that value, and the security policy is created with the OVERRIDE NOT AUTHORIZED WRITE SECURITY LABEL option

For other rules that affect the update, insert, or delete operation portion of the MERGE statement, see the "Rules" section of the corresponding statement description.

## Notes

- *Order of processing:*

## MERGE

1. Determine the set of rows to be processed from the source and target. If CURRENT\_TIMESTAMP is used in this statement, only one clock reading is done for the whole statement.
  2. Use the ON clause to classify these rows as either MATCHED or NOT MATCHED.
  3. Evaluate any *matching-condition* in the WHEN clauses.
  4. Evaluate any *expression* in any *assignment-clause* and *insert-operation*.
  5. Execute each *signal-statement*.
  6. Apply each *modification-operation* to the applicable rows in the order of specification. The constraints and triggers activated by each *modification-operation* are executed for the *modification-operation*. Statement-level triggers are activated even if no rows satisfy the *modification-operation*. Each *modification-operation* can affect the triggers and referential constraints of each subsequent *modification-operation*.
- **Statement level atomicity:** If an error occurs during execution of the MERGE statement, the whole statement is rolled back.
  - **Number of rows updated:** When a MERGE statement completes execution, the value of the ROW\_COUNT item for GET DIAGNOSTICS and SQLERRD(3) in the SQLCA is the number of rows operated on by the MERGE statement, excluding rows identified by the ELSE IGNORE clause. The value in SQLERRD(3) does not include the number of rows that were operated on as a result of constraints or triggers. The value in SQLERRD(5) includes the number of these rows.
  - **Inserted row cannot also be updated:** No attempt is made to update a row in the target that did not already exist before the MERGE statement was executed; that is, there are no updates of rows that were inserted by the MERGE statement.
  - **INSTEAD OF triggers:** If a view is specified as the target of the MERGE statement, either no INSTEAD OF triggers should be defined for the view, or an INSTEAD OF trigger should be defined for each of the update, delete, and insert operations (SQLSTATE 428FZ).

### Examples

*Example 1:* For activities whose description has been changed, update the description in the archive table. For new activities, insert into the archive table. The archive and activities table both have activity as a primary key.

```
MERGE INTO archive ar
USING (SELECT activity, description FROM activities) ac
ON (ar.activity = ac.activity)
WHEN MATCHED THEN
 UPDATE SET
 description = ac.description
WHEN NOT MATCHED THEN
 INSERT
 (activity, description)
 VALUES (ac.activity, ac.description)
```

*Example 2:* Using the shipment table, merge rows into the inventory table, increasing the quantity by part count in the shipment table for rows that match; else insert the new *partno* into the inventory table.

```
MERGE INTO inventory AS in
USING (SELECT partno, description, count FROM shipment
 WHERE shipment.partno IS NOT NULL) AS sh
ON (in.partno = sh.partno)
WHEN MATCHED THEN
 UPDATE SET
```

```

 description = sh.description,
 quantity = in.quantity + sh.count
WHEN NOT MATCHED THEN
 INSERT
 (partno, description, quantity)
 VALUES (sh.partno, sh.description, sh.count)

```

*Example 3:* Using the transaction table, merge rows into the account table, updating the balance from the set of transactions against an account ID and inserting new accounts from the consolidated transactions where they do not already exist.

```

MERGE INTO account AS a
USING (SELECT id, sum(amount) sum_amount FROM transaction
 GROUP BY id) AS t
ON a.id = t.id
WHEN MATCHED THEN
 UPDATE SET
 balance = a.balance + t.sum_amount
WHEN NOT MATCHED THEN
 INSERT
 (id, balance)
 VALUES (t.id, t.sum_amount)

```

*Example 4:* Using the transaction\_log table, merge rows into the employee\_file table, updating the phone and office with the latest transaction\_log row based on the transaction time, and inserting the latest new employee\_file row where the row does not already exist.

```

MERGE INTO employee_file AS e
USING (SELECT empid, phone, office
 FROM (SELECT empid, phone, office,
 ROW_NUMBER() OVER (PARTITION BY empid
 ORDER BY transaction_time DESC) rn
 FROM transaction_log) AS nt
 WHERE rn = 1) AS t
ON e.empid = t.empid
WHEN MATCHED THEN
 UPDATE SET
 (phone, office) =
 (t.phone, t.office)
WHEN NOT MATCHED THEN
 INSERT
 (empid, phone, office)
 VALUES (t.empid, t.phone, t.office)

```

*Example 5:* Using dynamically supplied values for an employee row, update the master employee table if the data corresponds to an existing employee, or insert the row if the data is for a new employee. The following example is a fragment of code from a C program.

```

hv1 =
"MERGE INTO employee AS t
USING TABLE(VALUES(CAST (? AS CHAR(6)), CAST (? AS VARCHAR(12)),
 CAST (? AS CHAR(1)), CAST (? AS VARCHAR(15)),
 CAST (? AS SMALLINT), CAST (? AS INTEGER)))
 s(empno, firstnme, midinit, lastname, edlevel, salary)
ON t.empno = s.empno
WHEN MATCHED THEN
 UPDATE SET
 salary = s.salary
WHEN NOT MATCHED THEN
 INSERT
 (empno, firstnme, midinit, lastname, edlevel, salary)
 VALUES (s.empno, s.firstnme, s.midinit, s.lastname, s.edlevel,

```

## MERGE

```
 s.salary)";
EXEC SQL PREPARE s1 FROM :hv1;
EXEC SQL EXECUTE s1 USING '000420', 'SERGE', 'K', 'FIELDING', 18, 39580;
```

*Example 6:* Update the list of activities organised by Group A in the archive table. Delete all outdated activities and update the activities information (description and date) in the archive table if they have been changed. For new upcoming activities, insert into the archive. Signal an error if the date of the activity is not known. The date of the activities in the archive table must be specified. Each group has an activities table. For example, activities\_groupA contains all activities that they organize, and the archive table contains all upcoming activities organized by different groups in a company. The archive table has (group, activity) as the primary key, and date is not nullable. All activities tables have activity as the primary key. The last\_modified column in the archive is defined with CURRENT\_TIMESTAMP as the default value.

```
MERGE INTO archive ar
USING (SELECT activity, description, date, last_modified
 FROM activities_groupA) ac
ON (ar.activity = ac.activity) AND ar.group = 'A'
WHEN MATCHED AND ac.date IS NULL THEN
 SIGNAL SQLSTATE '70001'
 SET MESSAGE_TEXT =
 ac.activity CONCAT ' cannot be modified. Reason: Date is not known'
WHEN MATCHED AND ac.date < CURRENT DATE THEN
 DELETE
WHEN MATCHED AND ar.last_modified < ac.last_modified THEN
 UPDATE SET
 (description, date, last_modified) = (ac.description, ac.date, DEFAULT)
WHEN NOT MATCHED AND ac.date IS NULL THEN
 SIGNAL SQLSTATE '70002'
 SET MESSAGE_TEXT =
 ac.activity CONCAT ' cannot be inserted. Reason: Date is not known'
WHEN NOT MATCHED AND ac.date >= CURRENT DATE THEN
 INSERT
 (group, activity, description, date)
 VALUES ('A', ac.activity, ac.description, ac.date)
ELSE IGNORE
```

---

## OPEN

The OPEN statement opens a cursor so that it can be used to fetch rows from its result table.

### Invocation

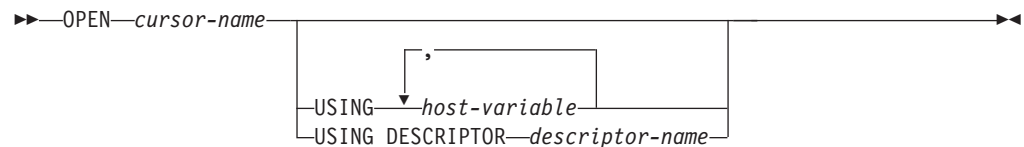
Although an interactive SQL facility might provide an interface that gives the appearance of interactive execution, this statement can only be embedded within an application program. It is an executable statement that cannot be dynamically prepared.

### Authorization

For the authorization required to use a cursor, see “DECLARE CURSOR”.

### Syntax





## Description

### *cursor-name*

Names a cursor that is defined in a DECLARE CURSOR statement that was stated earlier in the program. When the OPEN statement is executed, the cursor must be in the closed state.

The DECLARE CURSOR statement must identify a SELECT statement, in one of the following ways:

- Including the SELECT statement in the DECLARE CURSOR statement
- Including a *statement-name* that names a prepared SELECT statement.

The result table of the cursor is derived by evaluating the SELECT statement. The evaluation uses the current values of any special registers, global variables, or PREVIOUS VALUE expressions specified in the SELECT statement, and the current values of any host variables specified in the SELECT statement or the USING clause of the OPEN statement. The rows of the result table may be derived during the execution of the OPEN statement, and a temporary table may be created to hold them; or they may be derived during the execution of subsequent FETCH statements. In either case, the cursor is placed in the open state and positioned before the first row of its result table. If the table is empty, the state of the cursor is effectively “after the last row”.

### USING

Introduces a list of host variables whose values are substituted for the parameter markers (question marks) of a prepared statement. If the DECLARE CURSOR statement names a prepared statement that includes parameter markers, USING must be used. If the prepared statement does not include parameter markers, USING is ignored.

### *host-variable*

Identifies a variable described in the program in accordance with the rules for declaring host variables. The number of variables must be the same as the number of parameter markers in the prepared statement. The *n*th variable corresponds to the *n*th parameter marker in the prepared statement. Where appropriate, locator variables and file reference variables can be provided as the source of values for parameter markers.

### DESCRIPTOR *descriptor-name*

Identifies an SQLDA that must contain a valid description of host variables.

Before the OPEN statement is processed, the user must set the following fields in the SQLDA:

- SQLN to indicate the number of SQLVAR occurrences provided in the SQLDA
- SQLDABC to indicate the number of bytes of storage allocated for the SQLDA
- SQLD to indicate the number of variables used in the SQLDA when processing the statement
- SQLVAR occurrences to indicate the attributes of the variables.

## OPEN

The SQLDA must have enough storage to contain all SQLVAR occurrences. Therefore, the value in SQLDABC must be greater than or equal to  $16 + \text{SQLN} * (N)$ , where N is the length of an SQLVAR occurrence.

If LOB result columns need to be accommodated, there must be two SQLVAR entries for every select-list item (or column of the result table).

SQLD must be set to a value greater than or equal to zero and less than or equal to SQLN.

### Rules

- When the SELECT statement of the cursor is evaluated, each parameter marker in the statement is effectively replaced by its corresponding host variable. For a typed parameter marker, the attributes of the target variable are those specified by the CAST specification. For an untyped parameter marker, the attributes of the target variable are determined according to the context of the parameter marker.
- Let V denote a host variable that corresponds to parameter marker P. The value of V is assigned to the target variable for P in accordance with the rules for assigning a value to a column. Thus:
  - V must be compatible with the target.
  - If V is a string, its length (excluding trailing blanks for strings that are not long strings) must not be greater than the length attribute of the target.
  - If V is a number, the absolute value of its integral part must not be greater than the maximum absolute value of the integral part of the target.
  - If the attributes of V are not identical to the attributes of the target, the value is converted to conform to the attributes of the target.

When the SELECT statement of the cursor is evaluated, the value used in place of P is the value of the target variable for P. For example, if V is CHAR(6), and the target is CHAR(8), the value used in place of P is the value of V padded with two blanks.

- The USING clause is intended for a prepared SELECT statement that contains parameter markers. However, it can also be used when the SELECT statement of the cursor is part of the DECLARE CURSOR statement. In this case the OPEN statement is executed as if each host variable in the SELECT statement were a parameter marker, except that the attributes of the target variables are the same as the attributes of the host variables in the SELECT statement. The effect is to override the values of the host variables in the SELECT statement of the cursor with the values of the host variables specified in the USING clause.
- SQL data change statements and routines that modify SQL data embedded in the cursor definition are completely executed, and the result set is stored in a temporary table when the cursor opens. If statement execution is successful, the SQLERRD(3) field contains the sum of the number of rows that qualified for insert, update, and delete operations. If an error occurs during execution of an OPEN statement involving a cursor that contains a data change statement within a fullselect, the results of that data change statement are rolled back.

Explicit rollback of an OPEN statement, or rollback to a savepoint before an OPEN statement, closes the cursor. If the cursor definition contains a data change statement within the FROM clause of a fullselect, the results of the data change statement are rolled back.

Changes to rows in a table that is targeted by a data change statement nested within a SELECT statement or a SELECT INTO statement are processed when the cursor opens, and are not undone if an error occurs during a fetch operation against that cursor.

## Notes

- **Closed state of cursors:** All cursors in a program are in the closed state when the program is initiated and when it initiates a ROLLBACK statement.  
All cursors, except open cursors declared WITH HOLD, are in a closed state when a program issues a COMMIT statement.  
A cursor can also be in the closed state because a CLOSE statement was executed or an error was detected that made the position of the cursor unpredictable.
- To retrieve rows from the result table of a cursor, execute a FETCH statement when the cursor is open. The only way to change the state of a cursor from closed to open is to execute an OPEN statement.
- **Effect of temporary tables:** In some cases, the result table of a cursor is derived during the execution of FETCH statements. In other cases, the temporary table method is used instead. With this method the entire result table is transferred to a temporary table during the execution of the OPEN statement. When a temporary table is used, the results of a program can differ in these ways:
  - An error can occur during OPEN that would otherwise not occur until some later FETCH statement.
  - INSERT, UPDATE, and DELETE statements executed in the same transaction while the cursor is open cannot affect the result table.
  - Any NEXT VALUE expressions in the SELECT statement are evaluated for every row of the result table during OPEN.

Conversely, if a temporary table is not used, INSERT, UPDATE, and DELETE statements executed while the cursor is open can affect the result table if issued from the same unit of work, and any NEXT VALUE expressions in the SELECT statement are evaluated as each row is fetched. This result table can also be affected by operations executed by the same unit of work, and the effect of such operations is not always predictable. For example, if cursor C is positioned on a row of its result table defined as SELECT \* FROM T, and a new row is inserted into T, the effect of that insert on the result table is not predictable because its rows are not ordered. Thus a subsequent FETCH C may or may not retrieve the new row of T.

- Statement caching affects cursors declared open by the OPEN statement.

## Examples

*Example 1:* Write the embedded statements in a COBOL program that will:

1. Define a cursor C1 that is to be used to retrieve all rows from the DEPARTMENT table for departments that are administered by (ADMRDEPT) department 'A00'.
2. Place the cursor C1 before the first row to be fetched.

```
EXEC SQL DECLARE C1 CURSOR FOR
 SELECT DEPTNO, DEPTNAME, MGRNO
 FROM DEPARTMENT
 WHERE ADMRDEPT = 'A00'
END-EXEC.
```

```
EXEC SQL OPEN C1
END-EXEC.
```

*Example 2:* Code an OPEN statement to associate a cursor DYN\_CURSOR with a dynamically defined select-statement in a C program. Assuming two parameter markers are used in the predicate of the select-statement, two host variable

## OPEN

references are supplied with the OPEN statement to pass integer and varchar(64) values between the application and the database. (The related host variable definitions, PREPARE statement, and DECLARE CURSOR statement are also shown in the example below.)

```
EXEC SQL BEGIN DECLARE SECTION;
 static short hv_int;
 char hv_vchar64[65];
 char stmt1_str[200];
EXEC SQL END DECLARE SECTION;

EXEC SQL PREPARE STMT1_NAME FROM :stmt1_str;
EXEC SQL DECLARE DYN_CURSOR CURSOR FOR STMT1_NAME;

EXEC SQL OPEN DYN_CURSOR USING :hv_int, :hv_vchar64;
```

*Example 3:* Code an OPEN statement as in example 2, but in this case the number and data types of the parameter markers in the WHERE clause are not known.

```
EXEC SQL BEGIN DECLARE SECTION;
 char stmt1_str[200];
EXEC SQL END DECLARE SECTION;
EXEC SQL INCLUDE SQLDA;

EXEC SQL PREPARE STMT1_NAME FROM :stmt1_str;
EXEC SQL DECLARE DYN_CURSOR CURSOR FOR STMT1_NAME;

EXEC SQL OPEN DYN_CURSOR USING DESCRIPTOR :sqlda;
```

---

## PREPARE

The PREPARE statement is used by application programs to dynamically prepare an SQL statement for execution. The PREPARE statement creates an executable SQL statement, called a *prepared statement*, from a character string form of the statement, called a *statement string*.

### Invocation

This statement can only be embedded in an application program. It is an executable statement that cannot be dynamically prepared.

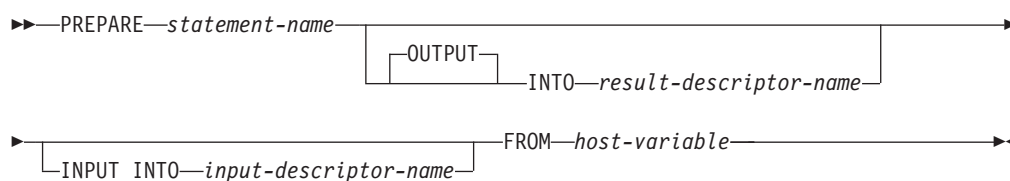
### Authorization

For statements where authorization checking is performed at statement preparation time (DML), the privileges held by the authorization ID of the statement must include those required to execute the SQL statement specified by the PREPARE statement. The authorization ID of the statement might be affected by the DYNAMICRULES bind option.

For statements where authorization checking is performed at statement execution time (DDL, GRANT, and REVOKE statements), no authorization is required to use this statement; however, the authorization is checked when the prepared statement is executed.

For statements involving tables that are protected with a security policy, the rules associated with the security policy are always evaluated at statement execution time.

## Syntax



## Description

### *statement-name*

Names the prepared statement. If the name identifies an existing prepared statement, that previously prepared statement is destroyed. The name must not identify a prepared statement that is the SELECT statement of an open cursor.

### OUTPUT INTO

If OUTPUT INTO is used, and the PREPARE statement executes successfully, information about the output parameter markers in the prepared statement is placed in the SQLDA specified by *result-descriptor-name*.

### *result-descriptor-name*

Specifies the name of an SQLDA. (The DESCRIBE statement may be used as an alternative to this clause.)

### INPUT INTO

If INPUT INTO is used, and the PREPARE statement executes successfully, information about the input parameter markers in the prepared statement is placed in the SQLDA specified by *input-descriptor-name*. Input parameter markers are always considered nullable, regardless of usage.

### *input-descriptor-name*

Specifies the name of an SQLDA. (The DESCRIBE statement may be used as an alternative to this clause.)

### FROM

Introduces the statement string. The statement string is the value of the specified host variable.

### *host-variable*

Specifies a host variable that is described in the program in accordance with the rules for declaring character string variables. It must be a fixed-length or varying-length character-string variable that is less than the maximum statement size of 2 097 152 bytes. Note that a CLOB(2097152) can contain a maximum size statement, but a VARCHAR cannot.

## Rules

- **Rules for statement strings:** The statement string must be an executable statement that can be dynamically prepared. It must be one of the following SQL statements:
  - ALTER
  - CALL
  - COMMENT
  - COMMIT
  - CREATE
  - DECLARE GLOBAL TEMPORARY TABLE
  - DELETE

## PREPARE

- DROP
- EXPLAIN
- FLUSH EVENT MONITOR
- FLUSH PACKAGE CACHE
- GRANT
- INSERT
- LOCK TABLE
- REFRESH TABLE
- RELEASE SAVEPOINT
- RENAME TABLE
- RENAME TABLESPACE
- REVOKE
- ROLLBACK
- SAVEPOINT
- select-statement
- SET CURRENT DEFAULT TRANSFORM GROUP
- SET CURRENT DEGREE
- SET CURRENT EXPLAIN MODE
- SET CURRENT EXPLAIN SNAPSHOT
- SET CURRENT MAINTAINED TABLE TYPES FOR OPTIMIZATION
- SET CURRENT QUERY OPTIMIZATION
- SET CURRENT REFRESH AGE
- SET ENCRYPTION PASSWORD
- SET EVENT MONITOR STATE
- SET INTEGRITY
- SET PASSTHRU
- SET PATH
- SET SCHEMA
- SET SERVER OPTION
- SET Variable
- UPDATE

### Notes

- **Parameter markers:** Although a statement string cannot include references to host variables, it can include *parameter markers*. These can be replaced by the values of host variables when the prepared statement is executed. In the case of a CALL statement, a parameter marker can also be used for OUT and INOUT arguments to the procedure. After the CALL is executed, the returned value for the argument will be assigned to the host variable corresponding to the parameter marker.

A parameter marker is a question mark (?) that is used where a host variable could be used if the statement string were a static SQL statement. For an explanation of how parameter markers are replaced by values, see “OPEN” and “EXECUTE”.

There are two types of parameter markers:

*Typed parameter marker*

A parameter marker that is specified along with its target data type. It has the general form:

```
CAST(? AS data-type)
```

This notation is not a function call, but a “promise” that the type of the parameter at run time will be of the data type specified or some data type that can be converted to the specified data type. For example, in:

```
UPDATE EMPLOYEE
SET LASTNAME = TRANSLATE(CAST(? AS VARCHAR(12)))
WHERE EMPNO = ?
```

the value of the argument of the TRANSLATE function will be provided at run time. The data type of that value will either be VARCHAR(12), or some type that can be converted to VARCHAR(12).

*Untyped parameter marker*

A parameter marker that is specified without its target data type. It has the form of a single question mark. The data type of an untyped parameter marker is provided by context. For example, the untyped parameter marker in the predicate of the above update statement is the same as the data type of the EMPNO column.

Typed parameter markers can be used in dynamic SQL statements wherever a host variable is supported and the data type is based on the promise made in the CAST function.

Untyped parameter markers can be used in dynamic SQL statements in selected locations where host variables are supported. These locations and the resulting data type are shown in the following tables. The locations are grouped into expressions, predicates, built-in functions, and user-defined routines to assist in determining the applicability of an untyped parameter marker. When an untyped parameter marker is used in a function (including arithmetic operators, CONCAT, and datetime operators) with an unqualified function name, the qualifier is set to 'SYSIBM' for the purpose of function resolution.

*Table 29. Untyped Parameter Marker Usage in Expressions (Including Select List, CASE, and VALUES)*

| Untyped Parameter Marker Location                                                                                                                             | Data Type                          |
|---------------------------------------------------------------------------------------------------------------------------------------------------------------|------------------------------------|
| Alone in a select list                                                                                                                                        | Error                              |
| Both operands of a single arithmetic operator, after considering operator precedence and order of operation rules                                             | Error                              |
| Includes cases such as:<br>? + ? + 10                                                                                                                         |                                    |
| One operand of a single operator in an arithmetic expression (not a datetime expression)                                                                      | The data type of the other operand |
| Includes cases such as:<br>? + ? * 10                                                                                                                         |                                    |
| Labelled duration within a datetime expression. (Note that the portion of a labelled duration that indicates the type of units cannot be a parameter marker.) | DECIMAL(15,0)                      |

Table 29. Untyped Parameter Marker Usage in Expressions (Including Select List, CASE, and VALUES) (continued)

| Untyped Parameter Marker Location                                                                                                                                                                                                   | Data Type                                                                                                                                                                                                                                                                                              |
|-------------------------------------------------------------------------------------------------------------------------------------------------------------------------------------------------------------------------------------|--------------------------------------------------------------------------------------------------------------------------------------------------------------------------------------------------------------------------------------------------------------------------------------------------------|
| Any other operand of a datetime expression (for example, 'timecol + ?' or '? - datecol')                                                                                                                                            | Error                                                                                                                                                                                                                                                                                                  |
| Both operands of a CONCAT operator                                                                                                                                                                                                  | Error                                                                                                                                                                                                                                                                                                  |
| One operand of a CONCAT operator when the other operand is a non-CLOB character data type                                                                                                                                           | If one operand is either CHAR( <i>n</i> ) or VARCHAR( <i>n</i> ), where <i>n</i> is less than 128, the other is VARCHAR(254 - <i>n</i> ); in all other cases, the data type is VARCHAR(254)                                                                                                            |
| One operand of a CONCAT operator, when the other operand is a non-DBCLOB graphic data type                                                                                                                                          | If one operand is either GRAPHIC( <i>n</i> ) or VARGRAPHIC( <i>n</i> ), where <i>n</i> is less than 64, the other is VARCHAR(127 - <i>n</i> ); in all other cases, the data type is VARCHAR(127)                                                                                                       |
| One operand of a CONCAT operator, when the other operand is a large object string                                                                                                                                                   | Same as that of the other operand                                                                                                                                                                                                                                                                      |
| As a value on the right hand side of a SET clause of an UPDATE statement                                                                                                                                                            | The data type of the column. If the column is defined as a user-defined distinct type, it is the source data type of the user-defined distinct type. If the column is defined as a user-defined structured type, it is the structured type, also indicating the return type of the transform function. |
| The expression following the CASE keyword in a simple CASE expression                                                                                                                                                               | Error                                                                                                                                                                                                                                                                                                  |
| At least one of the result-expressions in a CASE expression (both simple and searched), with the rest of the result-expressions either untyped parameter marker or NULL                                                             | Error                                                                                                                                                                                                                                                                                                  |
| Any or all expressions following WHEN in a simple CASE expression                                                                                                                                                                   | Result of applying the "Rules for result data types" to the expression following CASE and the expressions following WHEN that are not untyped parameter markers                                                                                                                                        |
| A result-expression in a CASE expression (both simple and searched), when at least one result-expression is not NULL and not an untyped parameter marker                                                                            | Result of applying the "Rules for result data types" to all result-expressions that are other than NULL or untyped parameter markers                                                                                                                                                                   |
| Alone as a column-expression in a single-row VALUES clause that is not within an INSERT statement                                                                                                                                   | Error                                                                                                                                                                                                                                                                                                  |
| Alone as a column-expression in a multi-row VALUES clause that is not within an INSERT statement, and for which the column-expressions in the same position in all other row-expressions are untyped parameter markers              | Error                                                                                                                                                                                                                                                                                                  |
| Alone as a column-expression in a multi-row VALUES clause that is not within an INSERT statement, and for which the expression in the same position of at least one other row-expression is not an untyped parameter marker or NULL | Result of applying the "Rules for result data types" on all operands that are other than untyped parameter markers                                                                                                                                                                                     |



Table 29. Untyped Parameter Marker Usage in Expressions (Including Select List, CASE, and VALUES) (continued)

| Untyped Parameter Marker Location                                                     | Data Type                                                                                                                                                                                                                                                                                              |
|---------------------------------------------------------------------------------------|--------------------------------------------------------------------------------------------------------------------------------------------------------------------------------------------------------------------------------------------------------------------------------------------------------|
| Alone as a column-expression in a single-row VALUES clause within an INSERT statement | The data type of the column. If the column is defined as a user-defined distinct type, it is the source data type of the user-defined distinct type. If the column is defined as a user-defined structured type, it is the structured type, also indicating the return type of the transform function. |
| Alone as a column-expression in a multi-row VALUES clause within an INSERT statement  | The data type of the column. If the column is defined as a user-defined distinct type, it is the source data type of the user-defined distinct type. If the column is defined as a user-defined structured type, it is the structured type, also indicating the return type of the transform function. |
| As a value on the right side of a SET special register statement                      | The data type of the special register                                                                                                                                                                                                                                                                  |

Table 30. Untyped Parameter Marker Usage in Predicates

| Untyped Parameter Marker Location                                                                                                                  | Data Type                                                                                                                                                                                    |
|----------------------------------------------------------------------------------------------------------------------------------------------------|----------------------------------------------------------------------------------------------------------------------------------------------------------------------------------------------|
| Both operands of a comparison operator                                                                                                             | Error                                                                                                                                                                                        |
| One operand of a comparison operator, when the other operand is other than an untyped parameter marker                                             | The data type of the other operand                                                                                                                                                           |
| All operands of a BETWEEN predicate                                                                                                                | Error                                                                                                                                                                                        |
| Either the <ul style="list-style-type: none"> <li>• first and second, or the</li> <li>• first and third</li> </ul> operands of a BETWEEN predicate | Same as that of the only non-parameter marker                                                                                                                                                |
| Remaining BETWEEN situations (that is, one untyped parameter marker only)                                                                          | Result of applying the “Rules for result data types” on all operands that are other than untyped parameter markers                                                                           |
| All operands of an IN predicate                                                                                                                    | Error                                                                                                                                                                                        |
| The first operand of an IN predicate, when the right hand side is not a subselect; for example, ? IN (?A,B), or ? IN (A,?,B,?)                     | Result of applying the “Rules for result data types” on all operands of the IN list (operands to the right of IN keyword) that are other than untyped parameter markers                      |
| The first operand of an IN predicate, when the right hand side is a fullselect                                                                     | Data type of the selected column                                                                                                                                                             |
| Any or all operands of the IN list of the IN predicate                                                                                             | Results of applying the “Rules for result data types” on all operands of the IN predicate (operands to the left and right of the IN predicate) that are other than untyped parameter markers |
| All three operands of the LIKE predicate                                                                                                           | Match expression (operand 1) and pattern expression (operand 2) are VARCHAR(32672); escape expression (operand 3) is VARCHAR(2)                                                              |

Table 30. Untyped Parameter Marker Usage in Predicates (continued)

| Untyped Parameter Marker Location                                                                                                                | Data Type                                                                                                                                                                                                                                                            |
|--------------------------------------------------------------------------------------------------------------------------------------------------|----------------------------------------------------------------------------------------------------------------------------------------------------------------------------------------------------------------------------------------------------------------------|
| The match expression of the LIKE predicate when either the pattern expression or the escape expression is other than an untyped parameter marker | Either VARCHAR(32672) or VARGRAPHIC(16336), depending on the data type of the first operand that is not an untyped parameter marker                                                                                                                                  |
| The pattern expression of the LIKE predicate when either the match expression or the escape expression is other than an untyped parameter marker | Either VARCHAR(32672) or VARGRAPHIC(16336), depending on the data type of the first operand that is not an untyped parameter marker; if the data type of the match expression is BLOB, the data type of the pattern expression is assumed to be BLOB(32672)          |
| The escape expression of the LIKE predicate when either the match expression or the pattern expression is other than an untyped parameter marker | Either VARCHAR(2) or VARGRAPHIC(1), depending on the data type of the first operand that is not an untyped parameter marker; if the data type of the match expression or pattern expression is BLOB, the data type of the escape expression is assumed to be BLOB(1) |
| Operand of the NULL predicate                                                                                                                    | Error                                                                                                                                                                                                                                                                |

Table 31. Untyped Parameter Marker Usage in Built-in Functions

| Untyped Parameter Marker Location                                                                            | Data Type                                                                                                          |
|--------------------------------------------------------------------------------------------------------------|--------------------------------------------------------------------------------------------------------------------|
| All operands of COALESCE (also called VALUE) or NULLIF                                                       | Error                                                                                                              |
| Any operand of COALESCE or NULLIF, when at least the first operand is other than an untyped parameter marker | Result of applying the “Rules for result data types” on all operands that are other than untyped parameter markers |
| POSSTR (both operands)                                                                                       | Both operands are VARCHAR(32672)                                                                                   |
| POSSTR (one operand, when the other operand is a character data type)                                        | VARCHAR(32672)                                                                                                     |
| POSSTR (one operand, when the other operand is a graphic data type)                                          | VARGRAPHIC(16336)                                                                                                  |
| POSSTR (the search-string operand, when the other operand is a BLOB)                                         | BLOB(32672)                                                                                                        |
| SUBSTR (first operand)                                                                                       | VARCHAR(32672)                                                                                                     |
| SUBSTR (second and third operands)                                                                           | INTEGER                                                                                                            |
| The first operand of the TRANSLATE scalar function                                                           | Error                                                                                                              |
| The second and third operands of the TRANSLATE scalar function                                               | VARCHAR(32672) if the first operand is a character type; VARGRAPHIC(16336) if the first operand is a graphic type  |
| The fourth operand of the TRANSLATE scalar function                                                          | VARCHAR(1) if the first operand is a character type; VARGRAPHIC(1) if the first operand is a graphic type          |
| The second operand of the TIMESTAMP scalar function                                                          | TIME                                                                                                               |
| Unary minus                                                                                                  | DOUBLE                                                                                                             |
| Unary plus                                                                                                   | DOUBLE                                                                                                             |

Table 31. Untyped Parameter Marker Usage in Built-in Functions (continued)

| Untyped Parameter Marker Location                | Data Type                          |
|--------------------------------------------------|------------------------------------|
| First operand of the VARCHAR_FORMAT function     | TIMESTAMP                          |
| First operand of the TIMESTAMP_FORMAT function   | VARCHAR (length of a short string) |
| First operand of the XMLVALIDATE function        | XML                                |
| All other operands of all other scalar functions | Error                              |
| Operand of a column function                     | Error                              |

Table 32. Untyped Parameter Marker Usage in User-defined Routines

| Untyped Parameter Marker Location | Data Type                                                                 |
|-----------------------------------|---------------------------------------------------------------------------|
| Argument of a function            | Error                                                                     |
| Argument of a method              | Error                                                                     |
| Argument of a procedure           | The data type of the parameter, as defined when the procedure was created |

- When a PREPARE statement is executed, the statement string is parsed and checked for errors. If the statement string is invalid, the error condition is reported in the SQLCA. Any subsequent EXECUTE or OPEN statement that references this statement will also receive the same error (due to an implicit prepare done by the system) unless the error has been corrected.
- Prepared statements can be referred to in the following kinds of statements, with the restrictions shown:

**In... The prepared statement...**

**DESCRIBE**

can be any statement

**DECLARE CURSOR**

must be SELECT

**EXECUTE**

must *not* be SELECT

- A prepared statement can be executed many times. Indeed, if a prepared statement is not executed more than once and does not contain parameter markers, it is more efficient to use the EXECUTE IMMEDIATE statement rather than the PREPARE and EXECUTE statements.
- Statement caching affects repeated preparations.

## Examples

*Example 1:* Prepare and execute a non-select-statement in a COBOL program. Assume the statement is contained in a host variable HOLDER and that the program will place a statement string into the host variable based on some instructions from the user. The statement to be prepared does not have any parameter markers.

```
EXEC SQL PREPARE STMT_NAME FROM :HOLDER
END-EXEC.
EXEC SQL EXECUTE STMT_NAME
END-EXEC.
```

## PREPARE

*Example 2:* Prepare and execute a non-select-statement as in example 1, except code it for a C program. Also assume the statement to be prepared can contain any number of parameter markers.

```
EXEC SQL PREPARE STMT_NAME FROM :holder;
EXEC SQL EXECUTE STMT_NAME USING DESCRIPTOR :insert_da;
```

Assume that the following statement is to be prepared:

```
INSERT INTO DEPT VALUES(?, ?, ?, ?)
```

The columns in the DEPT table are defined as follows:

```
DEPT_NO CHAR(3) NOT NULL, -- department number
DEPTNAME VARCHAR(29), -- department name
MGRNO CHAR(6), -- manager number
ADMDEPT CHAR(3) -- admin department number
```

To insert department number G01 named COMPLAINTS, which has no manager and reports to department A00, the structure INSERT\_DA should have the values in Table 33 before issuing the EXECUTE statement.

*Table 33.*

| SQLDA field | Value                        |
|-------------|------------------------------|
| SQLDAID     | SQLDA                        |
| SQLDABC     | 192 (See note 1.)            |
| SQLN        | 4                            |
| SQLD        | 4                            |
| SQLTYPE     | 452                          |
| SQLLEN      | 3                            |
| SQLDATA     | <i>pointer to G01</i>        |
| SQLIND      | (See note 2.)                |
| SQLNAME     |                              |
| SQLTYPE     | 449                          |
| SQLLEN      | 29                           |
| SQLDATA     | <i>pointer to COMPLAINTS</i> |
| SQLIND      | <i>pointer to 0</i>          |
| SQLNAME     |                              |
| SQLTYPE     | 453                          |
| SQLLEN      | 6                            |
| SQLDATA     | (See note 3.)                |
| SQLIND      | <i>pointer to -1</i>         |
| SQLNAME     |                              |
| SQLTYPE     | 453                          |
| SQLLEN      | 3                            |
| SQLDATA     | <i>pointer to A00</i>        |

Table 33. (continued)

| SQLDA field                                                                                                                                                                                                                                                                                                                                                                                                                                                       | Value        |
|-------------------------------------------------------------------------------------------------------------------------------------------------------------------------------------------------------------------------------------------------------------------------------------------------------------------------------------------------------------------------------------------------------------------------------------------------------------------|--------------|
| SQLIND                                                                                                                                                                                                                                                                                                                                                                                                                                                            | pointer to 0 |
| SQLNAME                                                                                                                                                                                                                                                                                                                                                                                                                                                           |              |
| <b>Note:</b> <ol style="list-style-type: none"> <li>1. This value is for a PREPARE done from a 32-bit application. If the PREPARE was done in a 64-bit application, then SQLDABC would have the value 240.</li> <li>2. The value in SQLIND for this SQLVAR is ignored because the SQLTYPE identifies a non-nullable data type.</li> <li>3. The value in SQLDATA for this SQLVAR is ignored because the value of SQLIND indicates this is a NULL value.</li> </ol> |              |

## REFRESH TABLE

The REFRESH TABLE statement refreshes the data in a materialized query table.

### Invocation

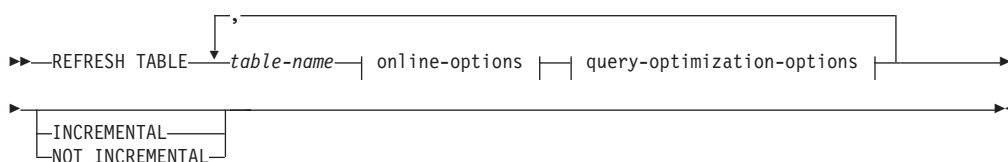
This statement can be embedded in an application program or issued through the use of dynamic SQL statements. It is an executable statement that can be dynamically prepared.

### Authorization

The privileges held by the authorization ID of the statement must include at least one of the following:

- CONTROL privilege on the table
- SYSADM or DBADM authority

### Syntax



#### online-options:



#### query-optimization-options:



### Description

#### *table-name*

Identifies the table to be refreshed.

The name, including the implicit or explicit schema, must identify a table that already exists at the current server. The table must allow the REFRESH TABLE statement (SQLSTATE 42809). This includes materialized query tables defined with:

- REFRESH IMMEDIATE
- REFRESH DEFERRED

#### *online-options*

Specifies the accessibility of the table while it is being processed.

##### **ALLOW NO ACCESS**

Specifies that no other users can access the table while it is being refreshed, except if they are using the Uncommitted Read isolation level.

##### **ALLOW READ ACCESS**

Specifies that other users have read-only access to the table while it is being refreshed.

##### **ALLOW WRITE ACCESS**

Specifies that other users have read and write access to the table while it is being refreshed.

To prevent a rollback of the entire statement because of a lock timeout when using the ALLOW READ ACCESS or the ALLOW WRITE ACCESS option, it is recommended that you issue a SET CURRENT LOCK TIMEOUT statement (specifying the WAIT option) before executing the REFRESH TABLE statement, and to reset the special register to its previous value afterwards. Note, however, that the CURRENT LOCK TIMEOUT register only impacts a specific set of lock types, not all lock types.

#### *query-optimization-options*

Specifies the query optimization options for the refresh of REFRESH DEFERRED materialized query tables.

##### **ALLOW QUERY OPTIMIZATION USING REFRESH DEFERRED TABLES WITH REFRESH AGE ANY**

Specifies that when the CURRENT REFRESH AGE special register is set to 'ANY', the refresh of *table-name* will allow REFRESH DEFERRED materialized query tables to be used to optimize the query that is used to refresh *table-name*. If *table-name* is not a REFRESH DEFERRED materialized query table, an error is returned (SQLSTATE 428FH). REFRESH IMMEDIATE materialized query tables are always considered for query optimization.

##### **INCREMENTAL**

Specifies an incremental refresh for the table by considering only the delta portion (if any) of its underlying tables or the content of an associated staging table (if one exists and its contents are consistent). If such a request cannot be satisfied (that is, the system detects that the materialized query table definition needs to be fully recomputed), an error (SQLSTATE 55019) is returned.

##### **NOT INCREMENTAL**

Specifies a full refresh for the table by recomputing the materialized query table definition.

If neither `INCREMENTAL` nor `NOT INCREMENTAL` is specified, the system will determine whether incremental processing is possible; if not, full refresh will be performed. If a staging table is present for the materialized query table that is to be refreshed, and incremental processing is not possible because the staging table is in a pending state, an error is returned (SQLSTATE 428A8). Full refresh will be performed if the staging table or the materialized query table is in an inconsistent state; otherwise, the contents of the staging table will be used for incremental processing.

### Rules

- If `REFRESH TABLE` is issued on a materialized query table that references one or more nicknames, the authorization ID of the statement must have authority to select from the tables at the data source (SQLSTATE 42501).

### Notes

- When the statement is used to refresh a `REFRESH IMMEDIATE` materialized query table whose underlying tables have been loaded, attached, or detached, the system might choose to incrementally refresh the materialized query table with the delta portions of its underlying tables. When the statement is used to refresh a `REFRESH DEFERRED` materialized query table with a supporting staging table, the system might choose to incrementally refresh the materialized query table with the delta portions of its underlying tables that have been captured in the staging table. However, there are some situations in which this optimization is not possible, and a full refresh (that is, a recomputation of the materialized query table definition) is necessary to ensure data integrity. You can explicitly request incremental maintenance by specifying the `INCREMENTAL` option; if this optimization is not possible, the system returns an error (SQLSTATE 55019).
- If the `ALLOW QUERY OPTIMIZATION USING REFRESH DEFERRED TABLES WITH REFRESH AGE ANY` option is used, ensure that the refresh order is correct for `REFRESH DEFERRED` materialized query tables. For example, consider two materialized query tables, `MQT1` and `MQT2`, whose materialized queries share the same underlying tables. The materialized query for `MQT2` can be calculated using `MQT1`, instead of the underlying tables. If separate statements are used to refresh these two materialized query tables, and `MQT2` is refreshed first, the system might choose to use the contents of `MQT1`, which have not yet been refreshed, to refresh `MQT2`. In this case, `MQT1` would contain current data, but `MQT2` could still contain stale data, even though both were refreshed at almost the same time. The correct refresh order, if two `REFRESH` statements are used instead of one, is to refresh `MQT1` first.
- If the materialized query table has an associated staging table, the staging table is pruned when the refresh is successfully performed.

---

## RELEASE (Connection)

The `RELEASE (Connection)` statement places one or more connections in the release-pending state.

### Invocation

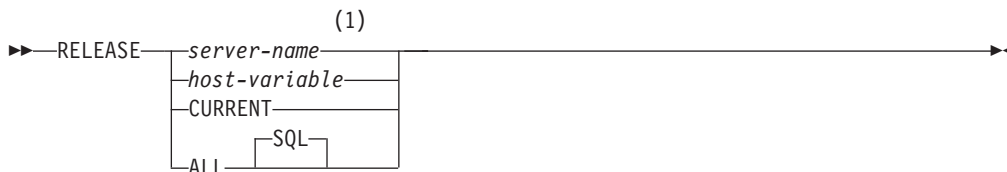
Although an interactive SQL facility might provide an interface that gives the appearance of interactive execution, this statement can only be embedded within an application program. It is an executable statement that cannot be dynamically prepared.

## RELEASE (Connection)

### Authorization

None required.

### Syntax



### Notes:

- 1 Note that an application server named CURRENT or ALL can only be identified by a host variable or a delimited identifier.

### Description

*server-name* or *host-variable*

Identifies the application server by the specified *server-name* or a *host-variable* which contains the *server-name*.

If a *host-variable* is specified, it must be a character string variable with a length attribute that is not greater than 8, and it must not include an indicator variable. The *server-name* that is contained within the *host-variable* must be left-justified and must not be delimited by quotation marks.

Note that the *server-name* is a database alias identifying the application server. It must be listed in the application requester's local directory.

The specified database-alias or the database-alias contained in the host variable must identify an existing connection of the application process. If the database-alias does not identify an existing connection, an error (SQLSTATE 08003) is raised.

### CURRENT

Identifies the current connection of the application process. The application process must be in the connected state. If not, an error (SQLSTATE 08003) is raised.

### ALL or ALL SQL

Identifies all existing connections of the application process. This form of the RELEASE statement places all existing connections of the application process in the release-pending state. All connections will therefore be destroyed during the next commit operation. An error or warning does not occur if no connections exist when the statement is executed.

### Examples

*Example 1:* The SQL connection to IBMSTHDB is no longer needed by the application. The following statement will cause it to be destroyed during the next commit operation:

```
EXEC SQL RELEASE IBMSTHDB;
```

*Example 2:* The current connection is no longer needed by the application. The following statement will cause it to be destroyed during the next commit operation:



```
EXEC SQL RELEASE CURRENT;
```

*Example 3:* If an application has no need to access the databases after a commit but will continue to run for a while, then it is better not to tie up those connections unnecessarily. The following statement can be executed before the commit to ensure all connections will be destroyed at the commit:

```
EXEC SQL RELEASE ALL;
```

---

## RELEASE SAVEPOINT

The RELEASE SAVEPOINT statement is used to indicate that the application no longer wishes to have the named savepoint maintained. After this statement has been invoked, rollback to the savepoint is no longer possible.

### Invocation

This statement can be embedded in an application program or issued interactively. It is an executable statement that can be dynamically prepared.

### Authorization

None required.

### Syntax

```

▶▶—RELEASE—TO—SAVEPOINT—savepoint-name—▶▶

```

### Description

*savepoint-name*

Specifies the savepoint that is to be released. Any savepoints nested within the named savepoint are also released. Rollback to that savepoint, or any savepoint nested within it, is no longer possible. If the named savepoint does not exist in the current savepoint level (see the “Rules” section in the description of the SAVEPOINT statement), an error is returned (SQLSTATE 3B001). The specified *savepoint-name* cannot begin with ‘SYS’ (SQLSTATE 42939).

### Notes

- The name of the savepoint that was released can now be reused in another SAVEPOINT statement, regardless of whether the UNIQUE keyword was specified on an earlier SAVEPOINT statement specifying this same savepoint name.

### Example

*Example 1:* Release a savepoint named SAVEPOINT1.

```
RELEASE SAVEPOINT SAVEPOINT1
```

---

## RENAME TABLESPACE

The RENAME TABLESPACE statement renames an existing table space.

## RENAME TABLESPACE

### Invocation

This statement can be embedded in an application program or issued through the use of dynamic SQL statements. It is an executable statement that can be dynamically prepared only if DYNAMICRULES run behavior is in effect for the package (SQLSTATE 42509).

### Authorization

The privileges held by the authorization ID of the statement must include either SYSCTRL or SYSADM authority.

### Syntax

```
►►—RENAME—TABLESPACE—source-tablespace-name—TO—target-tablespace-name—►►
```

### Description

*source-tablespace-name*

Specifies the existing table space that is to be renamed, as a one-part name. It is an SQL identifier (either ordinary or delimited). The table space name must identify a table space that already exists in the catalog (SQLSTATE 42704).

*target-tablespace-name*

Specifies the new name for the table space, as a one-part name. It is an SQL identifier (either ordinary or delimited). The new table space name must *not* identify a table space that already exists in the catalog (SQLSTATE 42710), and it cannot start with 'SYS' (SQLSTATE 42939).

### Rules

- The SYSCATSPACE table space cannot be renamed (SQLSTATE 42832).
- Any table spaces with "rollforward pending" or "rollforward in progress" states cannot be renamed (SQLSTATE 55039)

### Notes

- Renaming a table space will update the minimum recovery time of a table space to the point in time when the rename took place. This implies that a roll forward at the table space level must be to at least this point in time.
- The new table space name must be used when restoring a table space from a backup image, where the rename was done after the backup was created.

### Example

Change the name of the table space USERSPACE1 to DATA2000:

```
RENAME TABLESPACE USERSPACE1 TO DATA2000
```

---

## RENAME

The RENAME statement renames an existing table or index.

### Invocation

This statement can be embedded in an application program or issued through the use of dynamic SQL statements. It is an executable statement that can be

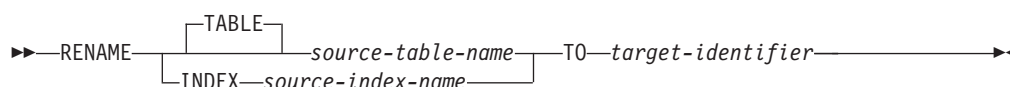
dynamically prepared only if DYNAMICRULES run behavior is in effect for the package (SQLSTATE 42509).

### Authorization

The privileges held by the authorization ID of the statement must include at least one of the following:

- CONTROL privilege on the table or index
- ALTERIN privilege on the schema
- SYSADM or DBADM authority

### Syntax



### Description

#### TABLE *source-table-name*

Names the existing table that is to be renamed. The name, including the schema name, must identify a table that already exists in the database (SQLSTATE 42704). It must not be the name of a catalog table (SQLSTATE 42832), a materialized query table, a typed table (SQLSTATE 42997), a declared global temporary table (SQLSTATE 42995), a nickname, or an object other than a table or an alias (SQLSTATE 42809). The TABLE keyword is optional.

#### INDEX *source-index-name*

Names the existing index that is to be renamed. The name, including the schema name, must identify an index that already exists in the database (SQLSTATE 42704). It must not be the name of an index on a declared global temporary table (SQLSTATE 42995). The schema name must not be SYSIBM, SYSCAT, SYSFUN, or SYSSTAT (SQLSTATE 42832).

#### *target-identifier*

Specifies the new name for the table or index without a schema name. The schema name of the source object is used to qualify the new name for the object. The qualified name must *not* identify a table, view, alias, or index that already exists in the database (SQLSTATE 42710).

### Rules

When renaming a table, the source table must not:

- Be referenced in any existing view definitions or materialized query table definitions
- Be referenced in any triggered SQL statements in existing triggers or be the subject table of an existing trigger
- Be referenced in an SQL function
- Have any check constraints
- Have any generated columns other than the identity column
- Be a parent or dependent table in any referential integrity constraints
- Be the scope of any existing reference column
- Be referenced by an XSR object that has been enabled for decomposition

## RENAME

An error (SQLSTATE 42986) is returned if the source table violates one or more of these conditions.

When renaming an index:

- The source index must not be a system-generated index for an implementation table on which a typed table is based (SQLSTATE 42858).

### Notes

- Catalog entries are updated to reflect the new table or index name.
- *All* authorizations associated with the source table or index name are *transferred* to the new table or index name (the authorization catalog tables are updated appropriately).
- Indexes defined over the source table are *transferred* to the new table (the index catalog tables are updated appropriately).
- RENAME TABLE invalidates any packages that are dependent on the source table. RENAME INDEX invalidates any packages that are dependent on the source index.
- If an alias is used for the *source-table-name*, it must resolve to a table name. The table is renamed within the schema of this table. The alias is not changed by the RENAME statement and continues to refer to the old table name.
- A table with primary key or unique constraints can be renamed if none of the primary key or unique constraints are referenced by any foreign key.

### Examples

Change the name of the EMP table to EMPLOYEE.

```
RENAME TABLE EMP TO EMPLOYEE
RENAME TABLE ABC.EMP TO EMPLOYEE
```

Change the name of the index NEW-IND to IND.

```
RENAME INDEX NEW-IND TO IND
RENAME INDEX ABC.NEW-IND TO IND
```

---

## REPEAT

The REPEAT statement executes a statement or group of statements until a search condition is true.

### Invocation

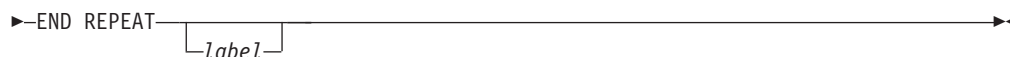
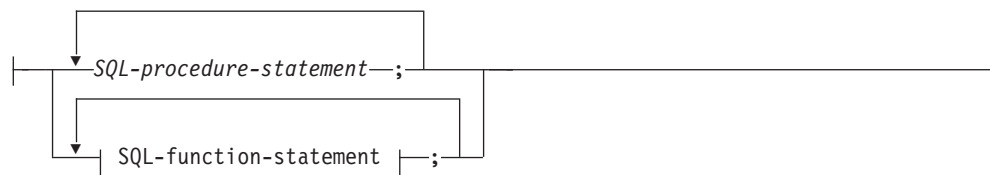
This statement can only be embedded in an SQL procedure. It is not an executable statement and cannot be dynamically prepared.

### Authorization

No privileges are required to invoke the REPEAT statement. However, the authorization ID of the statement must hold the necessary privileges to invoke the SQL statements and search condition that are embedded in the REPEAT statement.

### Syntax

```
▶ ───┬─── REPEAT ───┬─── SQL-routine-statement ───┬─── UNTIL ───┬─── search-condition ───▶
 └──┬──┘
 label:
```

**SQL-routine-statement:****Description***label*

Specifies the label for the REPEAT statement. If the beginning label is specified, that label can be specified on LEAVE and ITERATE statements. If an ending label is specified, a matching beginning label also must be specified.

*SQL-procedure-statement*

Specifies the SQL statements to execute within the loop. *SQL-procedure-statement* is only applicable when in the context of an SQL procedure. See *SQL-procedure-statement* in “Compound SQL (Procedure)”.

*SQL-function-statement*

Specifies the SQL statements to execute within the loop. *SQL-function-statement* is only applicable when in the context of an SQL function or SQL method. See *SQL-function-statement* in “FOR”.

*search-condition*

The *search-condition* is evaluated after each execution of the REPEAT loop. If the condition is true, the loop will exit. If the condition is unknown or false, the looping continues.

**Examples**

A REPEAT statement fetches rows from a table until the *not\_found* condition handler is invoked.

```
CREATE PROCEDURE REPEAT_STMT(OUT counter INTEGER)
LANGUAGE SQL
BEGIN
 DECLARE v_counter INTEGER DEFAULT 0;
 DECLARE v_firstnme VARCHAR(12);
 DECLARE v_midinit CHAR(1);
 DECLARE v_lastname VARCHAR(15);
 DECLARE at_end SMALLINT DEFAULT 0;
 DECLARE not_found CONDITION FOR SQLSTATE '02000';
 DECLARE c1 CURSOR FOR
 SELECT firstnme, midinit, lastname
 FROM employee;
 DECLARE CONTINUE HANDLER FOR not_found
 SET at_end = 1;
 OPEN c1;
 fetch_loop:
 REPEAT
 FETCH c1 INTO v_firstnme, v_midinit, v_lastname;
 SET v_counter = v_counter + 1;
 UNTIL at_end > 0
```



**SET MESSAGE\_TEXT =**

Specifies a string that describes the error or warning. The string is returned in the `sqlerrmc` field of the SQLCA. If the actual string is longer than 70 bytes, it is truncated without warning.

*variable-name*

Identifies an SQL variable that must be declared within the compound statement. The SQL variable must be defined as a CHAR or VARCHAR data type.

*diagnostic-string-constant*

Specifies a character string constant that contains the message text.

**Notes**

- If the RESIGNAL statement is specified without an SQLSTATE clause or a *condition-name*, the identical condition that invoked the handler is returned. The SQLSTATE, SQLCODE and the SQLCA associated with the condition are unchanged.
- If a RESIGNAL statement is issued, and an SQLSTATE or *condition-name* was specified, the SQLCODE returned is based on the SQLSTATE value as follows:
  - If the specified SQLSTATE class is either '01' or '02', a warning or not found condition is returned and the SQLCODE is set to +438.
  - Otherwise, an exception condition is returned and the SQLCODE is set to -438.

The other fields of the SQLCA are set as follows:

- `sqlerrd` fields are set to zero
  - `sqlwarn` fields are set to blank
  - `sqlerrmc` is set to the first 70 bytes of MESSAGE\_TEXT
  - `sqlerrml` is set to the length of `sqlerrmc`, or to zero if no SET MESSAGE\_TEXT clause is specified
  - `sqlerrp` is set to ROUTINE.
- Refer to the "Notes" section under "SIGNAL statement" for further information on SQLSTATE values.

**Example**

This example detects a division by zero error. The IF statement uses a SIGNAL statement to invoke the *overflow* condition handler. The condition handler uses a RESIGNAL statement to return a different SQLSTATE value to the client application.

```
CREATE PROCEDURE divide (IN numerator INTEGER,
 IN denominator INTEGER,
 OUT result INTEGER)

LANGUAGE SQL
BEGIN
 DECLARE overflow CONDITION FOR SQLSTATE '22003';
 DECLARE CONTINUE HANDLER FOR overflow
 RESIGNAL SQLSTATE '22375';
 IF denominator = 0 THEN
 SIGNAL overflow;
 ELSE
 SET result = numerator / denominator;
 END IF;
END
```

---

## RETURN

The RETURN statement is used to return from a routine. For SQL functions or methods, it returns the result of the function or method. For an SQL procedure, it optionally returns an integer status value.

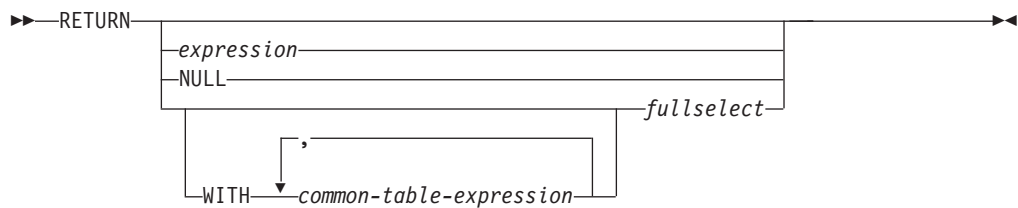
### Invocation

This statement can be embedded in an SQL function, SQL method, or SQL procedure. It is not an executable statement and cannot be dynamically prepared.

### Authorization

No privileges are required to invoke the RETURN statement. However, the authorization ID of the statement must hold the necessary privileges to invoke any expression or fullselect that is embedded in the RETURN statement.

### Syntax



### Description

#### *expression*

Specifies a value that is returned from the routine:

- If the routine is a function or method, one of *expression*, NULL, or *fullselect* must be specified (SQLSTATE 42631) and the data type of the result must be assignable to the RETURNS type of the routine (SQLSTATE 42866).
- If the routine is a table function, a scalar expression (other than a scalar fullselect) cannot be specified (SQLSTATE 428F1).
- If the routine is a procedure, the data type of *expression* must be INTEGER (SQLSTATE 428F2). A procedure cannot return NULL or a *fullselect*.

#### NULL

Specifies that the function or method returns a null value of the data type defined in the RETURNS clause. NULL cannot be specified for a RETURN from a procedure.

#### WITH *common-table-expression*

Defines a common table expression for use with the *fullselect* that follows.

#### *fullselect*

Specifies the row or rows to be returned for the function. The number of columns in the *fullselect* must match the number of columns in the function result (SQLSTATE 42811). In addition, the static column types of the *fullselect* must be assignable to the declared column types of the function result, using the rules for assignment to columns (SQLSTATE 42866).

The *fullselect* cannot be specified for a RETURN from a procedure.



If the routine is a scalar function or method, then the *fullselect* must return one column (SQLSTATE 42823) and, at most, one row (SQLSTATE 21000).

If the routine is a row function, it must return, at most, one row (SQLSTATE 21505). However, one or more columns can be returned.

If the routine is a table function, it can return zero or more rows with one or more columns.

## Rules

- The execution of an SQL function or method must end with a RETURN statement (SQLSTATE 42632).
- In an SQL table or row function using a *dynamic-compound-statement*, the only RETURN statement allowed is the one at the end of the compound statement. (SQLSTATE 429BD).
- In an SQL procedure, a RETURN statement is not allowed in the body of a condition handler (SQLSTATE 42601).

## Notes

- When a value is returned from a procedure, the caller can access the value:
  - using the GET DIAGNOSTICS statement to retrieve the DB2\_RETURN\_STATUS when the SQL procedure was called from another SQL procedure
  - using the parameter bound for the return value parameter marker in the escape clause CALL syntax (?=CALL...) in a CLI application
  - directly from the sqlerrd[0] field of the SQLCA, after processing the CALL of an SQL procedure. This field is only valid if the SQLCODE is zero or positive (assume a value of -1 otherwise).

## Examples

Use a RETURN statement to return from an SQL procedure with a status value of zero if successful, and -200 if not.

```
BEGIN
...
 GOTO FAIL
...
 SUCCESS: RETURN 0
 FAIL: RETURN -200
END
```

---

## REVOKE (Database Authorities)

This form of the REVOKE statement revokes authorities that apply to the entire database.

### Invocation

This statement can be embedded in an application program or issued through the use of dynamic SQL statements. It is an executable statement that can be dynamically prepared only if DYNAMICRULES run behavior is in effect for the package (SQLSTATE 42509).

## REVOKE (Database Authorities)

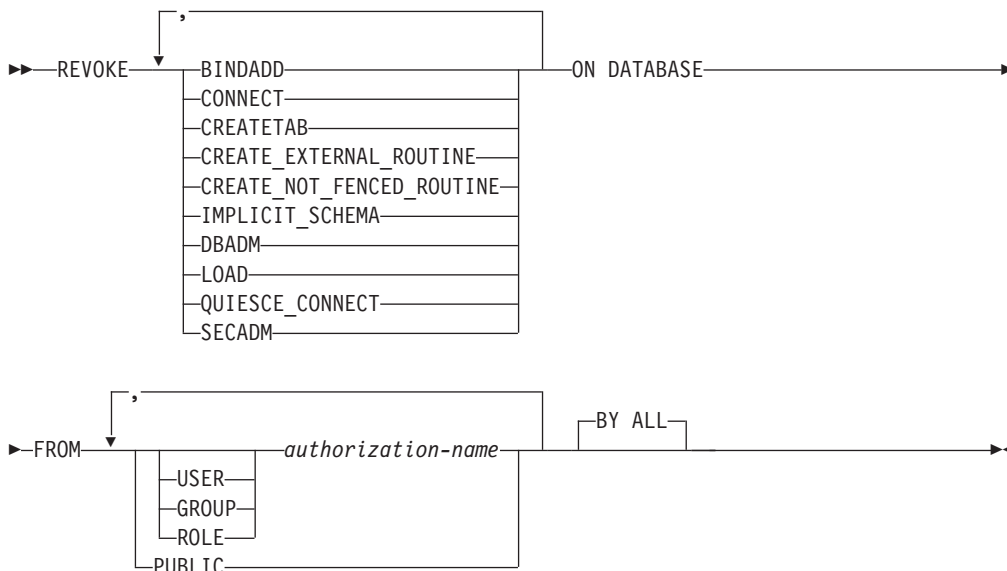
### Authorization

The privileges held by the authorization ID of the statement must include DBADM or SYSADM authority.

SYSADM authority is required to revoke any of the following authorities:

- DBADM
- SECADM

### Syntax



### Description

#### BINDADD

Revokes the authority to create packages. The creator of a package automatically has the CONTROL privilege on that package and retains this privilege even if his BINDADD authority is subsequently revoked.

The BINDADD authority cannot be revoked from an *authorization-name* holding DBADM authority without also revoking the DBADM authority.

#### CONNECT

Revokes the authority to access the database.

Revoking the CONNECT authority from a user does not affect any privileges that were granted to that user on objects in the database. If the user is subsequently granted the CONNECT authority again, all previously held privileges are still valid (assuming they were not explicitly revoked).

The CONNECT authority cannot be revoked from an *authorization-name* holding DBADM authority without also revoking the DBADM authority (SQLSTATE 42504).

#### CREATETAB

Revokes the authority to create tables. The creator of a table automatically has the CONTROL privilege on that table, and retains this privilege even if his CREATETAB authority is subsequently revoked.

## REVOKE (Database Authorities)

The CREATETAB authority cannot be revoked from an *authorization-name* holding DBADM authority without also revoking the DBADM authority (SQLSTATE 42504).

### CREATE\_EXTERNAL\_ROUTINE

Revokes the authority to register external routines. Once an external routine has been registered, it continues to exist, even if CREATE\_EXTERNAL\_ROUTINE is subsequently revoked from the authorization ID that registered the routine.

CREATE\_EXTERNAL\_ROUTINE authority cannot be revoked from an *authorization-name* holding DBADM or CREATE\_NOT\_FENCED\_ROUTINE authority without also revoking DBADM or CREATE\_NOT\_FENCED\_ROUTINE authority (SQLSTATE 42504).

### CREATE\_NOT\_FENCED\_ROUTINE

Revokes the authority to register routines that execute in the database manager's process. Once a routine has been registered as not fenced, it continues to run in this manner, even if CREATE\_NOT\_FENCED\_ROUTINE is subsequently revoked from the authorization ID that registered the routine.

CREATE\_NOT\_FENCED\_ROUTINE authority cannot be revoked from an *authorization-name* holding DBADM authority without also revoking the DBADM authority (SQLSTATE 42504).

### IMPLICIT\_SCHEMA

Revokes the authority to implicitly create a schema. It does not affect the ability to create objects in existing schemas or to process a CREATE SCHEMA statement.

### DBADM

Revokes the DBADM authority.

DBADM authority cannot be revoked from PUBLIC (because it cannot be granted to PUBLIC).

### CAUTION:

**Revoking DBADM authority does not automatically revoke any privileges that were held by the *authorization-name* on objects in the database, nor does it revoke any of the other database authorities that were implicitly and automatically granted when DBADM authority was originally granted.**

### LOAD

Revokes the authority to LOAD in this database.

### QUIESCE\_CONNECT

Revokes the authority to access the database while it is quiesced.

### SECADM

Revokes the security administrator authority.

### FROM

Indicates from whom the authorities are revoked.

### USER

Specifies that the *authorization-name* identifies a user.

### GROUP

Specifies that the *authorization-name* identifies a group name.

### ROLE

Specifies that the *authorization-name* identifies a role name.

## REVOKE (Database Authorities)

*authorization-name*,...

Lists the authorization IDs of one or more users, groups, or roles.

The list of authorization IDs cannot include the authorization ID of the user issuing the statement (SQLSTATE 42502).

### **PUBLIC**

Revokes the authorities from PUBLIC.

### **BY ALL**

Revokes each named privilege from all named users who were explicitly granted those privileges, regardless of who granted them. This is the default behavior.

### **Rules**

- For each *authorization-name* specified, if neither USER, GROUP, nor ROLE is specified, then:
  - For all rows for the specified object in the SYSCAT.DBAUTH catalog view where the grantee is *authorization-name*:
    - If all rows have a GRANTEETYPE of 'U', USER is assumed.
    - If all rows have a GRANTEETYPE of 'G', GROUP is assumed.
    - If all rows have a GRANTEETYPE of 'R', ROLE is assumed.
    - If all rows do not have the same value for GRANTEETYPE, an error is returned (SQLSTATE 56092).

### **Notes**

- Revoking a specific privilege does not necessarily revoke the ability to perform an action. A user can proceed with a task if other privileges are held by PUBLIC, a group, or a role, or if the user holds a higher level authority, such as DBADM.
- **Compatibilities**  
For compatibility with versions earlier than Version 8, the option CREATE\_NOT\_FENCED can be substituted for CREATE\_NOT\_FENCED\_ROUTINE.

### **Examples**

*Example 1:* Given that USER6 is only a user and not a group, revoke the privilege to create tables from the user USER6.

```
REVOKE CREATETAB ON DATABASE FROM USER6
```

*Example 2:* Revoke BINDADD authority on the database from a group named D024. There are two rows in the SYSCAT.DBAUTH catalog view for this grantee; one with a GRANTEETYPE of U and one with a GRANTEETYPE of G.

```
REVOKE BINDADD ON DATABASE FROM GROUP D024
```

In this case, the GROUP keyword must be specified; otherwise an error will occur (SQLSTATE 56092).

*Example 3:* Revoke security administrator authority from user Walid.

```
REVOKE SECADM ON DATABASE FROM USER Walid
```

## REVOKE (Exemption)

This form of the REVOKE statement revokes an exemption to a label-based access control (LBAC) access rule.

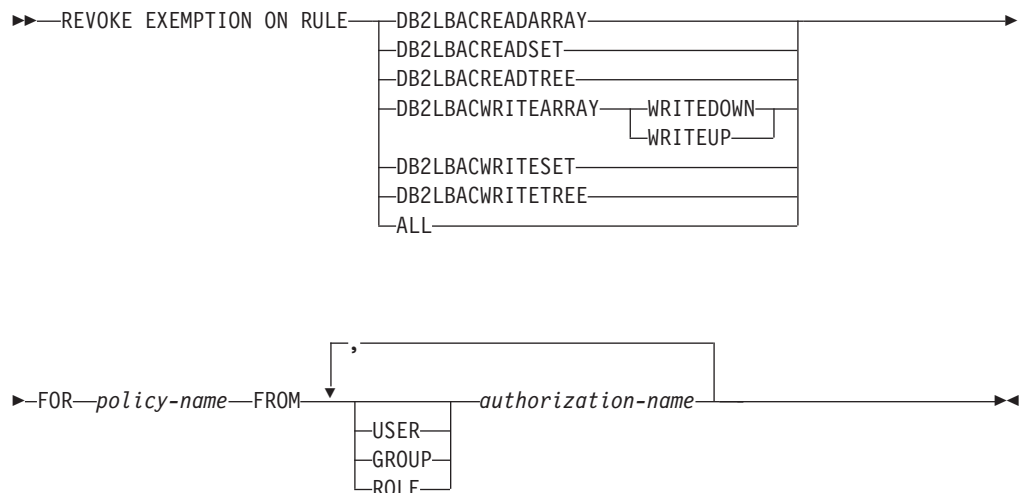
### Invocation

This statement can be embedded in an application program or issued through the use of dynamic SQL statements. It is an executable statement that can be dynamically prepared only if DYNAMICRULES run behavior is in effect for the package (SQLSTATE 42509).

### Authorization

The privileges held by the authorization ID of the statement must include SECADM authority.

### Syntax



### Description

#### EXEMPTION ON RULE

Revokes the exemption on an access rule.

#### DB2LBACREADARRAY

Revokes an exemption on the predefined DB2LBACREADARRAY rule.

#### DB2LBACREADSET

Revokes an exemption on the predefined DB2LBACREADSET rule.

#### DB2LBACREADTREE

Revokes an exemption on the predefined DB2LBACREADTREE rule.

#### DB2LBACWRITEARRAY

Revokes an exemption on the predefined DB2LBACWRITEARRAY rule.

#### WRITEDOWN

Specifies that the exemption only applies to write down.

#### WRITEUP

Specifies that the exemption only applies to write up.

## REVOKE (Exemption)

### DB2LBACWRITESET

Revokes an exemption on the predefined DB2LBACWRITESET rule.

### DB2LBACWRITETREE

Revokes an exemption on the predefined DB2LBACWRITETREE rule.

### ALL

Revokes the exemptions on all of the predefined rules.

### FOR *policy-name*

Specifies the name of the security policy on which exemptions are to be revoked.

### FROM

Specifies from whom the exemption is revoked.

### USER

Specifies that the *authorization-name* identifies a user.

### GROUP

Specifies that the *authorization-name* identifies a group name.

### ROLE

Specifies that the *authorization-name* identifies a role name.

*authorization-name,...*

Lists the authorization IDs of one or more users, groups, or roles.

## Rules

- For each *authorization-name* specified, if neither USER, GROUP, nor ROLE is specified, then:
  - For all rows for the specified object in the SYSCAT.SECURITYPOLICYEXEMPTIONS catalog view where the grantee is *authorization-name*:
    - If all rows have a GRANTEETYPE of 'U', USER is assumed.
    - If all rows have a GRANTEETYPE of 'G', GROUP is assumed.
    - If all rows have a GRANTEETYPE of 'R', ROLE is assumed.
    - If all rows do not have the same value for GRANTEETYPE, an error is returned (SQLSTATE 56092).

## Examples

*Example 1:* Revoke the exemption on access rule DB2LBACREADSET for security policy DATA\_ACCESS from user WALID.

```
REVOKE EXEMPTION ON RULE DB2LBACREADSET FOR DATA_ACCESS
FROM USER WALID
```

*Example 2:* Revoke an exemption on access rule DB2LBACWRITEARRAY with the WRITEDOWN option for security policy DATA\_ACCESS from user BOBBY.

```
REVOKE EXEMPTION ON RULE DB2LBACWRITEARRAY WRITEDOWN
FOR DATA_ACCESS FROM USER BOBBY
```

*Example 3:* Revoke an exemption on access rule DB2LBACWRITEARRAY with the WRITEUP option for security policy DATA\_ACCESS from user BOBBY.

```
REVOKE EXEMPTION ON RULE DB2LBACWRITEARRAY WRITEUP
FOR DATA_ACCESS FROM USER BOBBY
```

## REVOKE (Global Variable Privileges)

This form of the REVOKE statement revokes one or more privileges on a created global variable.

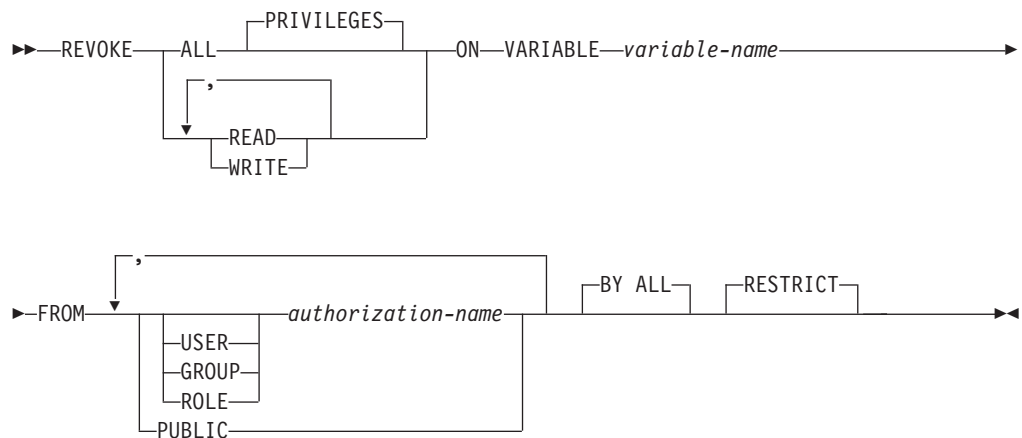
### Invocation

This statement can be embedded in an application program or issued through the use of dynamic SQL statements. It is an executable statement that can be dynamically prepared only if DYNAMICRULES run behavior is in effect for the package (SQLSTATE 42509).

### Authorization

The privileges held by the authorization ID of the statement must include SYSADM or DBADM authority.

### Syntax



### Description

#### ALL PRIVILEGES

Revokes all privileges held by an *authorization-name* for the specified global variable. If ALL is not specified, READ or WRITE must be specified. READ or WRITE must not be specified more than once.

#### READ

Revokes the privilege to read the value of the specified global variable.

#### WRITE

Revokes the privilege to assign a value to the specified global variable.

#### ON VARIABLE *variable-name*

Identifies the global variable on which one or more privileges are to be revoked. The *variable-name* must identify a global variable that exists at the current server (SQLSTATE 42704).

#### FROM

Specifies from whom the privileges are revoked.

#### USER

Specifies that the *authorization-name* identifies a user.

## REVOKE (Global Variable Privileges)

### GROUP

Specifies that the *authorization-name* identifies a group.

### ROLE

Specifies that the *authorization-name* identifies an existing role at the current server (SQLSTATE 42704).

*authorization-name,...*

Lists the authorization IDs of one or more users, groups, or roles. The list of authorization IDs cannot include the authorization ID of the user issuing the statement (SQLSTATE 42502).

### PUBLIC

Revokes the specified privileges from PUBLIC.

### BY ALL

Revokes each specified privilege from all named users who were explicitly granted those privileges, regardless of who granted them. This is the default behavior.

### RESTRICT

Specifies that the statement is to fail if any objects depend on the privileges being revoked. This is the default behavior.

## Rules

- For each *authorization-name* specified, if none of the keywords USER, GROUP, or ROLE is specified, then for all rows for the specified object in the SYSCAT.VARIABLEAUTH catalog view where the grantee is *authorization-name*:
  - If GRANTEETYPE is 'U', USER is assumed.
  - If GRANTEETYPE is 'G', GROUP is assumed.
  - If GRANTEETYPE is 'R', ROLE is assumed.
  - If GRANTEETYPE does not have the same value, an error is returned (SQLSTATE 56092).
- If any SQL function, SQL method, procedure, view, trigger, or another global variable contains a global variable and depends on the privilege being revoked, the revoke operation will fail (SQLSTATE 42893).

## Notes

- If the READ privilege on a global variable is revoked, packages with a dependency to write the value of the global variable (for example, by the SET statement) are not affected, because writing to a global variable is controlled by the WRITE privilege on that global variable.
- If the WRITE privilege on a global variable is revoked, packages with a dependency to read the value of the global variable are not affected, because reading from a global variable is controlled by the READ privilege on that global variable.
- Revoking a privilege does not necessarily impair the ability to perform the action. A user might be able to proceed if the required privilege is held through membership in a different group or role, or by PUBLIC.

## Example

Revoke the WRITE privilege on global variable MYSCHEMA.MYJOB\_PRINTER from user ZUBIRI.

```
REVOKE WRITE ON VARIABLE MYSCHEMA.MYJOB_PRINTER FROM ZUBIRI
```



## REVOKE (Index Privileges)

This form of the REVOKE statement revokes the CONTROL privilege on an index.

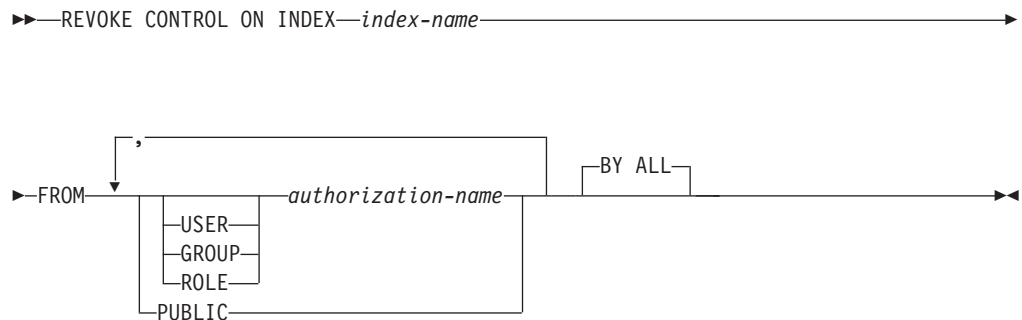
### Invocation

This statement can be embedded in an application program or issued through the use of dynamic SQL statements. It is an executable statement that can be dynamically prepared only if DYNAMICRULES run behavior is in effect for the package (SQLSTATE 42509).

### Authorization

The privileges held by the authorization ID of the statement must include DBADM or SYSADM authority.

### Syntax



### Description

#### CONTROL

Revokes the privilege to drop the index. This is the CONTROL privilege for indexes, which is automatically granted to creators of indexes.

#### ON INDEX *index-name*

Specifies the name of the index on which the CONTROL privilege is to be revoked.

#### FROM

Indicates from whom the privileges are revoked.

#### USER

Specifies that the *authorization-name* identifies a user.

#### GROUP

Specifies that the *authorization-name* identifies a group name.

#### ROLE

Specifies that the *authorization-name* identifies a role name.

#### *authorization-name*,...

Lists the authorization IDs of one or more users, groups, or roles.

The list of authorization IDs cannot include the authorization ID of the user issuing the statement (SQLSTATE 42502).

#### PUBLIC

Revokes the privileges from PUBLIC.

## REVOKE (Index Privileges)

### BY ALL

Revokes the privilege from all named users who were explicitly granted that privilege, regardless of who granted it. This is the default behavior.

### Rules

- For each *authorization-name* specified, if neither USER, GROUP, nor ROLE is specified, then:
  - For all rows for the specified object in the SYSCAT.INDEXAUTH catalog view where the grantee is *authorization-name*:
    - If all rows have a GRANTEETYPE of 'U', USER is assumed.
    - If all rows have a GRANTEETYPE of 'G', GROUP is assumed.
    - If all rows have a GRANTEETYPE of 'R', ROLE is assumed.
    - If all rows do not have the same value for GRANTEETYPE, an error is returned (SQLSTATE 56092).

### Notes

- Revoking a specific privilege does not necessarily revoke the ability to perform the action. A user can proceed with a task if other privileges are held by PUBLIC, a group, or a role, or if the user holds authorities such as ALTERIN on the schema of an index.

### Examples

*Example 1:* Given that USER4 is only a user and not a group, revoke the privilege to drop an index DEPTIDX from the user USER4.

```
REVOKE CONTROL ON INDEX DEPTIDX FROM KIESLER
```

*Example 2:* Revoke the privilege to drop an index LUNCHITEMS from the user CHEF and the group WAITERS.

```
REVOKE CONTROL ON INDEX LUNCHITEMS
FROM USER CHEF, GROUP WAITERS
```

---

## REVOKE (Package Privileges)

This form of the REVOKE statement revokes CONTROL, BIND, and EXECUTE privileges against a package.

### Invocation

This statement can be embedded in an application program or issued through the use of dynamic SQL statements. It is an executable statement that can be dynamically prepared only if DYNAMICRULES run behavior is in effect for the package (SQLSTATE 42509).

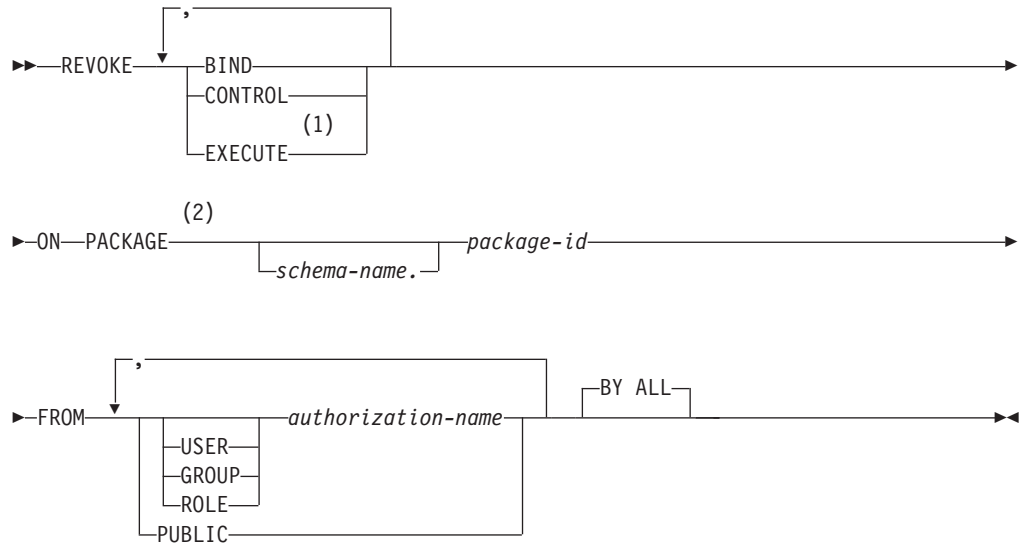
### Authorization

The privileges held by the authorization ID of the statement must include at least one of the following:

- CONTROL privilege on the referenced package
- SYSADM or DBADM authority

DBADM or SYSADM authority is required to revoke the CONTROL privilege.

**Syntax**



**Notes:**

- 1 RUN can be used as a synonym for EXECUTE.
- 2 PROGRAM can be used as a synonym for PACKAGE.

**Description**

**BIND**

Revokes the privilege to execute BIND or REBIND on—or to add a new version of—the referenced package.

The BIND privilege cannot be revoked from an *authorization-name* that holds CONTROL privilege on the package, without also revoking the CONTROL privilege.

**CONTROL**

Revokes the privilege to drop the package and to extend package privileges to other users.

Revoking CONTROL does not revoke the other package privileges.

**EXECUTE**

Revokes the privilege to execute the package.

The EXECUTE privilege cannot be revoked from an *authorization-name* that holds CONTROL privilege on the package without also revoking the CONTROL privilege.

**ON PACKAGE** *schema-name.package-id*

Specifies the name of the package on which privileges are to be revoked. If a schema name is not specified, the package ID is implicitly qualified by the default schema. The revoking of a package privilege applies to all versions of the package.

**FROM**

Indicates from whom the privileges are revoked.

**USER**

Specifies that the *authorization-name* identifies a user.

## REVOKE (Package Privileges)

### GROUP

Specifies that the *authorization-name* identifies a group name.

### ROLE

Specifies that the *authorization-name* identifies a role name.

*authorization-name*,...

Lists the authorization IDs of one or more users, groups, or roles.

The list of authorization IDs cannot include the authorization ID of the user issuing the statement (SQLSTATE 42502).

### PUBLIC

Revokes the privileges from PUBLIC.

### BY ALL

Revokes each named privilege from all named users who were explicitly granted those privileges, regardless of who granted them. This is the default behavior.

### Rules

- For each *authorization-name* specified, if neither USER, GROUP, nor ROLE is specified, then:
  - For all rows for the specified object in the SYSCAT.PACKAGEAUTH catalog view where the grantee is *authorization-name*:
    - If all rows have a GRANTEETYPE of 'U', USER is assumed.
    - If all rows have a GRANTEETYPE of 'G', GROUP is assumed.
    - If all rows have a GRANTEETYPE of 'R', ROLE is assumed.
    - If all rows do not have the same value for GRANTEETYPE, an error is returned (SQLSTATE 56092).

### Notes

- Revoking a specific privilege does not necessarily revoke the ability to perform the action. A user can proceed with a task if other privileges are held by PUBLIC, a group, or a role, or if the user holds privileges such as ALTERIN on the schema of a package.

### Examples

*Example 1:* Revoke the EXECUTE privilege on package CORPDATA.PKGA from PUBLIC.

```
REVOKE EXECUTE
ON PACKAGE CORPDATA.PKGA
FROM PUBLIC
```

*Example 2:* Revoke CONTROL authority on the RRSP\_PKG package for the user FRANK and for PUBLIC.

```
REVOKE CONTROL
ON PACKAGE RRSP_PKG
FROM USER FRANK, PUBLIC
```

---

## REVOKE (Role)

This form of the REVOKE statement revokes roles from users, groups, or other roles.

## Invocation

This statement can be embedded in an application program or issued through the use of dynamic SQL statements. It is an executable statement that can be dynamically prepared only if DYNAMICRULES run behavior is in effect for the package (SQLSTATE 42509).

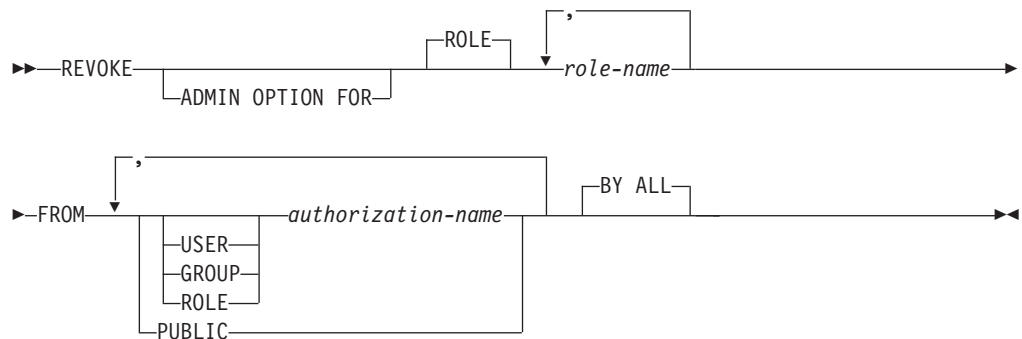
## Authorization

The privileges held by the authorization ID of the statement must include at least one of the following:

- The WITH ADMIN OPTION on the role
- SECADM authority

SECADM authority is required to revoke the ADMIN OPTION FOR *role-name* from an *authorization-name* or to revoke a *role-name* from an *authorization-name* that has the WITH ADMIN OPTION on that role.

## Syntax



## Description

### ADMIN OPTION FOR

Revokes the WITH ADMIN OPTION on *role-name*. The WITH ADMIN OPTION on *role-name* must be held by *authorization-name* or by PUBLIC, if PUBLIC is specified (SQLSTATE 42504). If the ADMIN OPTION FOR clause is specified, only the WITH ADMIN OPTION on ROLE *role-name* is revoked, not the role itself.

### ROLE *role-name*

Specifies the role that is to be revoked. The *role-name* must identify an existing role at the current server (SQLSTATE 42704) that has been granted to *authorization-name* or to PUBLIC, if PUBLIC is specified (SQLSTATE 42504).

### FROM

Specifies from whom the role is revoked.

#### USER

Specifies that the *authorization-name* identifies a user.

#### GROUP

Specifies that the *authorization-name* identifies a group.

#### ROLE

Specifies that the *authorization-name* identifies an existing role at the current server (SQLSTATE 42704).

## REVOKE (Role)

*authorization-name*,...

Lists the authorization IDs of one or more users, groups, or roles. The list of authorization IDs cannot include the authorization ID of the user issuing the statement (SQLSTATE 42502).

### **PUBLIC**

Revokes the specified roles from PUBLIC.

### **BY ALL**

Revokes the *role-name* from each specified *authorization-name* that was explicitly granted that role, regardless of who granted it. This is the default behavior.

## **Rules**

- For each *authorization-name* specified, if none of the keywords USER, GROUP, or ROLE is specified, then for all rows for the specified object in the SYSCAT.ROLEAUTH catalog view where the grantee is *authorization-name*:
  - If GRANTEETYPE is 'U', USER is assumed.
  - If GRANTEETYPE is 'G', GROUP is assumed.
  - If GRANTEETYPE is 'R', ROLE is assumed.
  - If GRANTEETYPE does not have the same value, an error is returned (SQLSTATE 56092).
- The *role-name* must not identify a role, or a role that contains *role-name*, if the role has either EXECUTE privilege on a routine or USAGE privilege on a sequence, and an SQL object other than a package is dependent on the routine or sequence (SQLSTATE 42893). The owner of the SQL object is either *authorization-name* or any user that is a member of *authorization-name*, where *authorization-name* is a role.

## **Notes**

- If a role is revoked from an *authorization-name* or from PUBLIC, all privileges that the role held are no longer available to the *authorization-name* or to PUBLIC through that role.
- Revoking a role does not necessarily revoke the ability to perform a particular action by way of a privilege that was granted to that role. A user might still be able to proceed if other privileges are held by PUBLIC, by a group to which the user belongs, by another role granted to the user, or if the user has a higher level authority, such as DBADM.

## **Examples**

*Example 1:* Revoke the role INTERN from the role DOCTOR and the role DOCTOR from the role SPECIALIST.

```
REVOKE ROLE INTERN FROM ROLE DOCTOR
REVOKE ROLE DOCTOR FROM ROLE SPECIALIST
```

*Example 2:* Revoke the role INTERN from PUBLIC.

```
REVOKE ROLE INTERN FROM PUBLIC
```

*Example 3:* Revoke the role SPECIALIST from user BOB and group TORONTO.

```
REVOKE ROLE SPECIALIST FROM USER BOB, GROUP TORONTO BY ALL
```

## REVOKE (Routine Privileges)

This form of the REVOKE statement revokes privileges on a routine (function, method, or procedure).

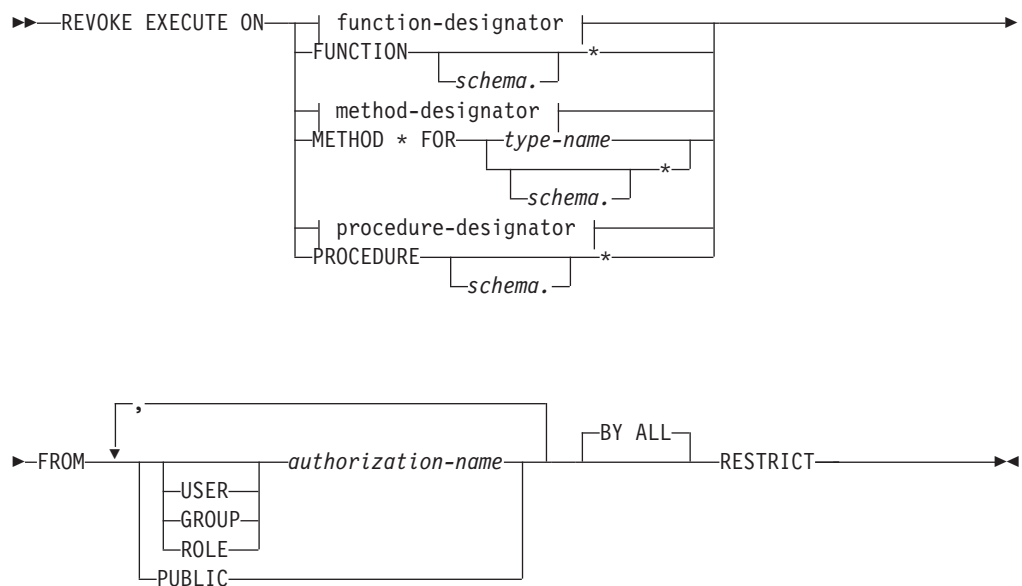
### Invocation

This statement can be embedded in an application program or issued through the use of dynamic SQL statements. It is an executable statement that can be dynamically prepared only if DYNAMICRULES run behavior is in effect for the package (SQLSTATE 42509).

### Authorization

The privileges held by the authorization ID of the statement must include DBADM or SYSADM authority.

### Syntax



### Description

#### EXECUTE

Revokes the privilege to run the identified user-defined function, method, or procedure.

#### *function-designator*

Uniquely identifies the function.

#### FUNCTION *schema.\**

Identifies the explicit grant for all the existing and future functions in the schema. Revoking the *schema.\** privilege does not revoke any privileges that were granted on a specific function. In dynamic SQL statements, if a schema is not specified, the schema in the CURRENT SCHEMA special register will be used. In static SQL statements, if a schema is not specified, the schema in the QUALIFIER precompile/bind option will be used.

## REVOKE (Routine Privileges)

*method-designator*

Uniquely identifies the method.

### **METHOD \***

Identifies the explicit grant for all the existing and future methods for the type *type-name*. Revoking the \* privilege does not revoke any privileges that were granted on a specific method.

### **FOR *type-name***

Names the type in which the specified method is found. The name must identify a type already described in the catalog (SQLSTATE 42704). In dynamic SQL statements, the value of the CURRENT SCHEMA special register is used as a qualifier for an unqualified type name. In static SQL statements, the QUALIFIER precompile/bind option implicitly specifies the qualifier for unqualified type names. An asterisk (\*) can be used in place of *type-name* to identify the explicit grant on all existing and future methods for all existing and future types in the schema. Revoking the privilege using an asterisk for method and *type-name* does not revoke any privileges that were granted on a specific method or on all methods for a specific type.

*procedure-designator*

Uniquely identifies the procedure.

### **PROCEDURE *schema.\****

Identifies the explicit grant for all the existing and future procedures in the schema. Revoking the *schema.\** privilege does not revoke any privileges that were granted on a specific procedure. In dynamic SQL statements, if a schema is not specified, the schema in the CURRENT SCHEMA special register will be used. In static SQL statements, if a schema is not specified, the schema in the QUALIFIER precompile/bind option will be used.

### **FROM**

Specifies from whom the EXECUTE privilege is revoked.

### **USER**

Specifies that the *authorization-name* identifies a user.

### **GROUP**

Specifies that the *authorization-name* identifies a group name.

### **ROLE**

Specifies that the *authorization-name* identifies a role name.

*authorization-name,...*

Lists the authorization IDs of one or more users, groups, or roles.

The list of authorization IDs cannot include the authorization ID of the user issuing the statement (SQLSTATE 42502).

### **PUBLIC**

Revokes the EXECUTE privilege from PUBLIC.

### **BY ALL**

Revokes the EXECUTE privilege from all named users who were explicitly granted the privilege, regardless of who granted it. This is the default behavior.

### **RESTRICT**

Specifies that the EXECUTE privilege cannot be revoked if both of the following are true (SQLSTATE 42893):



## REVOKE (Routine Privileges)

- The specified routine is used in a view, trigger, constraint, index extension, SQL function, SQL method, transform group, or is referenced as the SOURCE of a sourced function.
- The loss of the EXECUTE privilege would cause the owner of the view, trigger, constraint, index extension, SQL function, SQL method, transform group, or sourced function to no longer be able to execute the specified routine.

### Rules

- It is not possible to revoke the EXECUTE privilege on a function or method defined with schema 'SYSIBM' or 'SYSFUN' (SQLSTATE 42832).
- For each *authorization-name* specified, if neither USER, GROUP, nor ROLE is specified, then:
  - For all rows for the specified object in the SYSCAT.ROUTINEAUTH catalog view where the grantee is *authorization-name*:
    - If all rows have a GRANTEETYPE of 'U', USER is assumed.
    - If all rows have a GRANTEETYPE of 'G', GROUP is assumed.
    - If all rows have a GRANTEETYPE of 'R', ROLE is assumed.
    - If all rows do not have the same value for GRANTEETYPE, an error is returned (SQLSTATE 56092).

### Notes

- If a package depends on a routine (function, method, or procedure), and the EXECUTE privilege on that routine is revoked from PUBLIC, a user, or a role, the package becomes inoperative if the routine is a function or a method, and the package becomes invalid if the routine is a procedure, unless the package owner still holds the EXECUTE privilege on the routine. The package owner can still hold the EXECUTE privilege if:
  - The package owner was explicitly granted the EXECUTE privilege
  - The package owner is a member of a role that holds the EXECUTE privilege
  - The EXECUTE privilege was granted to PUBLIC

Because group privileges are not considered for static packages, the package becomes inoperative (in the case of a function or a method) or invalid (in the case of a procedure) even if a group to which the package owner belongs holds the EXECUTE privilege.

### Examples

*Example 1:* Revoke the EXECUTE privilege on function CALC\_SALARY from user JONES. Assume that there is only one function in the schema with function name CALC\_SALARY.

```
REVOKE EXECUTE ON FUNCTION CALC_SALARY FROM JONES RESTRICT
```

*Example 2:* Revoke the EXECUTE privilege on procedure VACATION\_ACCR from all users at the current server.

```
REVOKE EXECUTE ON PROCEDURE VACATION_ACCR FROM PUBLIC RESTRICT
```

*Example 3:* Revoke the EXECUTE privilege on function NEW\_DEPT\_HIRES from HR (Human Resources). The function has two input parameters of type INTEGER and CHAR(10), respectively. Assume that the schema has more than one function named NEW\_DEPT\_HIRES.

## REVOKE (Routine Privileges)

```
REVOKE EXECUTE ON FUNCTION NEW_DEPT_HIRES (INTEGER, CHAR(10))
FROM HR RESTRICT
```

*Example 4:* Revoke the EXECUTE privilege on method SET\_SALARY for type EMPLOYEE from user Jones.

```
REVOKE EXECUTE ON METHOD SET_SALARY FOR EMPLOYEE FROM JONES RESTRICT
```

---

## REVOKE (Schema Privileges)

This form of the REVOKE statement revokes the privileges on a schema.

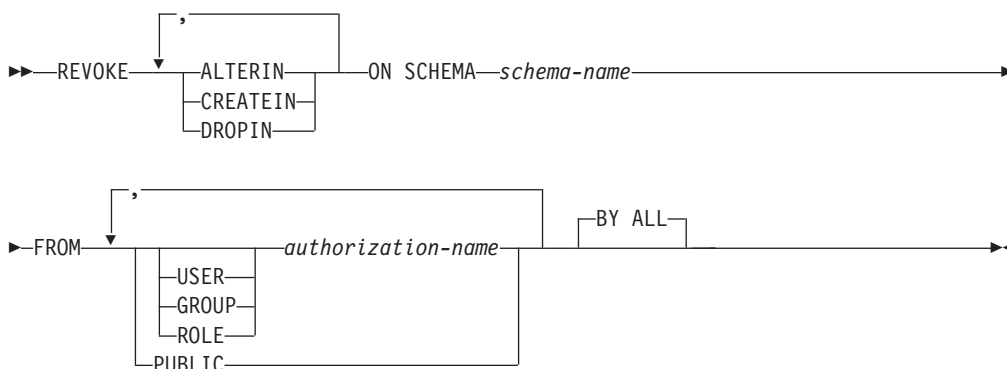
### Invocation

This statement can be embedded in an application program or issued through the use of dynamic SQL statements. It is an executable statement that can be dynamically prepared only if DYNAMICRULES run behavior is in effect for the package (SQLSTATE 42509).

### Authorization

The privileges held by the authorization ID of the statement must include DBADM or SYSADM authority.

### Syntax



### Description

#### ALTERIN

Revokes the privilege to alter or comment on objects in the schema.

#### CREATEIN

Revokes the privilege to create objects in the schema.

#### DROPIN

Revokes the privilege to drop objects in the schema.

#### ON SCHEMA *schema-name*

Specifies the name of the schema on which privileges are to be revoked.

#### FROM

Indicates from whom the privileges are revoked.

#### USER

Specifies that the *authorization-name* identifies a user.

### GROUP

Specifies that the *authorization-name* identifies a group name.

### ROLE

Specifies that the *authorization-name* identifies a role name.

*authorization-name*,...

Lists the authorization IDs of one or more users, groups, or roles.

The list of authorization IDs cannot include the authorization ID of the user issuing the statement (SQLSTATE 42502).

### PUBLIC

Revokes the privileges from PUBLIC.

### BY ALL

Revokes each named privilege from all named users who were explicitly granted those privileges, regardless of who granted them. This is the default behavior.

### Rules

- For each *authorization-name* specified, if neither USER, GROUP, nor ROLE is specified, then:
  - For all rows for the specified object in the SYSCAT.SCHEMAAUTH catalog view where the grantee is *authorization-name*:
    - If all rows have a GRANTEETYPE of 'U', USER is assumed.
    - If all rows have a GRANTEETYPE of 'G', GROUP is assumed.
    - If all rows have a GRANTEETYPE of 'R', ROLE is assumed.
    - If all rows do not have the same value for GRANTEETYPE, an error is returned (SQLSTATE 56092).

### Notes

- Revoking a specific privilege does not necessarily revoke the ability to perform the action. A user can proceed with a task if other privileges are held by PUBLIC, a group, or a role, or if the user holds a higher level authority such as DBADM.

### Examples

*Example 1:* Given that USER4 is only a user and not a group, revoke the privilege to create objects in schema DEPTIDX from the user USER4.

```
REVOKE CREATEIN ON SCHEMA DEPTIDX FROM USER4
```

*Example 2:* Revoke the privilege to drop objects in schema LUNCH from the user CHEF and the group WAITERS.

```
REVOKE DROPIN ON SCHEMA LUNCH
FROM USER CHEF, GROUP WAITERS
```

---

## REVOKE (Security Label)

This form of the REVOKE statement revokes a label-based access control (LBAC) security label.

## REVOKE (Security Label)

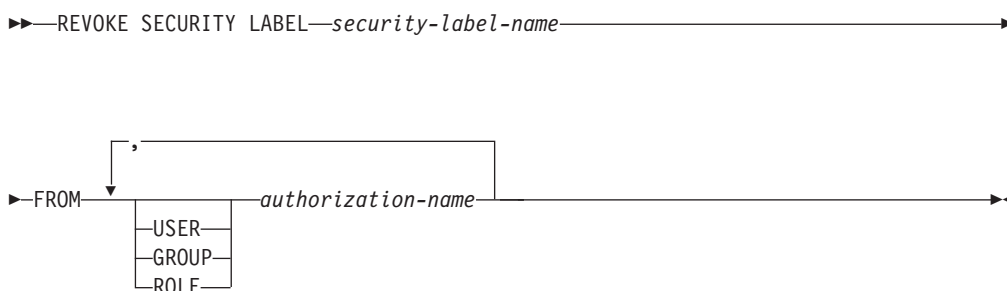
### Invocation

This statement can be embedded in an application program or issued through the use of dynamic SQL statements. It is an executable statement that can be dynamically prepared only if DYNAMICRULES run behavior is in effect for the package (SQLSTATE 42509).

### Authorization

The privileges held by the authorization ID of the statement must include SECADM authority.

### Syntax



### Description

#### SECURITY LABEL *security-label-name*

Revokes the security label *security-label-name*. The name must be qualified with a security policy (SQLSTATE 42704) and must identify a security label that exists at the current server (SQLSTATE 42704), and that is held by *authorization-name* (SQLSTATE 42504).

#### FROM

Specifies from whom the specified security label is revoked.

#### USER

Specifies that the *authorization-name* identifies a user.

#### GROUP

Specifies that the *authorization-name* identifies a group name.

#### ROLE

Specifies that the *authorization-name* identifies a role name. The role name must exist at the current server (SQLSTATE 42704).

*authorization-name,...*

Lists the authorization IDs of one or more users, groups, or roles.

### Rules

- For each *authorization-name* specified, if neither USER, GROUP, nor ROLE is specified, then:
  - For all rows for the specified object in the SYSCAT.SECURITYLABELACCESS catalog view where the grantee is *authorization-name*:
    - If all rows have a GRANTEETYPE of 'U', USER is assumed.
    - If all rows have a GRANTEETYPE of 'G', GROUP is assumed.
    - If all rows have a GRANTEETYPE of 'R', ROLE is assumed.

- If all rows do not have the same value for GRANTEETYPE, an error is returned (SQLSTATE 56092).

### Examples

*Example 1:* Revoke the security label EMPLOYEESECLABEL, which is part of the security policy DATA\_ACCESS, from user WALID.

```
REVOKE SECURITY LABEL DATA_ACCESS.EMPLOYEESECLABEL
FROM USER WALID
```

## REVOKE (Sequence Privileges)

This form of the REVOKE statement revokes privileges on a sequence.

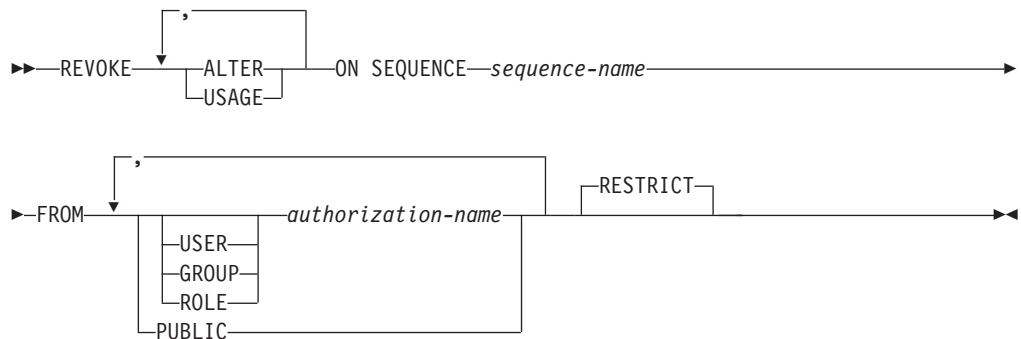
### Invocation

This statement can be embedded in an application program or issued through the use of dynamic SQL statements. It is an executable statement that can be dynamically prepared. However, if the bind option DYNAMICRULES BIND applies, the statement cannot be dynamically prepared (SQLSTATE 42509).

### Authorization

The privileges held by the authorization ID of the statement must include DBADM or SYSADM authority.

### Syntax



### Description

#### ALTER

Revokes the privilege to change the properties of a sequence or to restart sequence number generation using the ALTER SEQUENCE statement.

#### USAGE

Revokes the privilege to reference a sequence using *nextval-expression* or *prevval-expression*.

#### ON SEQUENCE *sequence-name*

Identifies the sequence on which the specified privileges are to be revoked. The sequence name, including an implicit or explicit schema qualifier, must uniquely identify an existing sequence at the current server. If no sequence by this name exists, an error is returned (SQLSTATE 42704).

## REVOKE (Sequence Privileges)

### FROM

Specifies from whom the privileges are revoked.

### USER

Specifies that the *authorization-name* identifies a user.

### GROUP

Specifies that the *authorization-name* identifies a group name.

### ROLE

Specifies that the *authorization-name* identifies a role name.

*authorization-name*,...

Lists the authorization IDs of one or more users, groups, or roles.

The list of authorization IDs cannot include the authorization ID of the user issuing the statement (SQLSTATE 42502).

### PUBLIC

Revokes the specified privileges from PUBLIC.

### RESTRICT

This optional keyword indicates that the statement will fail if any objects depend on the privilege being revoked.

## Rules

- For each *authorization-name* specified, if neither USER, GROUP, nor ROLE is specified, then:
  - For all rows for the specified object in the SYSCAT.SEQUENCEAUTH catalog view where the grantee is *authorization-name*:
    - If all rows have a GRANTEETYPE of 'U', USER is assumed.
    - If all rows have a GRANTEETYPE of 'G', GROUP is assumed.
    - If all rows have a GRANTEETYPE of 'R', ROLE is assumed.
    - If all rows do not have the same value for GRANTEETYPE, an error is returned (SQLSTATE 56092).

## Notes

- Revoking a privilege on a sequence from the authorization ID under which a package was bound will cause the package to become invalid if the authorization ID does not continue to hold the privilege on the sequence through different means; for example, through membership in a role that holds the privilege.
- Revoking a specific privilege does not necessarily remove the ability to perform an action. A user can proceed if other privileges are held by PUBLIC or by a group to which the user belongs, or if the user has a higher level of authority, such as DBADM.

## Examples

*Example 1:* Revoke the USAGE privilege on a sequence called GENERATE\_ID from user ENGLES. There is one row in the SYSCAT.SEQUENCEAUTH catalog view for this sequence and grantee, and the GRANTEETYPE value is U.

```
REVOKE USAGE ON SEQUENCE GENERATE_ID FROM ENGLES
```

*Example 2:* Revoke alter privileges on sequence GENERATE\_ID that were previously granted to all local users. (Grants to specific users are not affected.)

```
REVOKE ALTER ON SEQUENCE GENERATE_ID FROM PUBLIC
```

*Example 3:* Revoke all privileges on sequence GENERATE\_ID from users PELLOW and MLI, and from group PLANNERS.

```
REVOKE ALTER, USAGE ON SEQUENCE GENERATE_ID
FROM USER PELLOW, USER MLI, GROUP PLANNERS
```

## REVOKE (Server Privileges)

This form of the REVOKE statement revokes the privilege to access and use a specified data source in pass-through mode.

### Invocation

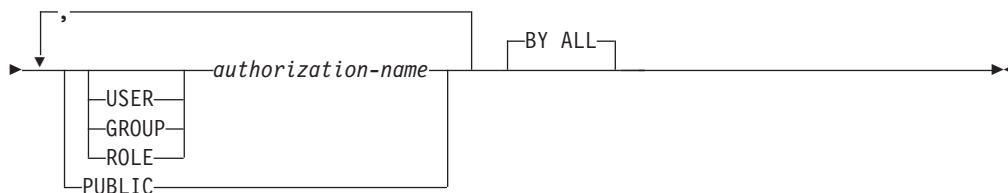
This statement can be embedded in an application program or issued through the use of dynamic SQL statements. It is an executable statement that can be dynamically prepared only if DYNAMICRULES run behavior is in effect for the package (SQLSTATE 42509).

### Authorization

The privileges held by the authorization ID of the statement must include DBADM or SYSADM authority.

### Syntax

```
►► REVOKE PASSTHRU ON SERVER server-name FROM
```



### Description

**SERVER** *server-name*

Names the data source for which the privilege to use in pass-through mode is being revoked. *server-name* must identify a data source that is described in the catalog.

**FROM**

Specifies from whom the privilege is revoked.

**USER**

Specifies that the *authorization-name* identifies a user.

**GROUP**

Specifies that the *authorization-name* identifies a group name.

**ROLE**

Specifies that the *authorization-name* identifies a role name.

*authorization-name,...*

Lists the authorization IDs of one or more users, groups, or roles.

## REVOKE (Server Privileges)

The list of authorization IDs cannot include the authorization ID of the user issuing the statement (SQLSTATE 42502).

### PUBLIC

Revokes from PUBLIC the privilege to pass through to *server-name*.

### BY ALL

Revokes the privilege from all named users who were explicitly granted that privilege, regardless of who granted it. This is the default behavior.

### Rules

- For each *authorization-name* specified, if neither USER, GROUP, nor ROLE is specified, then:
  - For all rows for the specified object in the SYSCAT.PASSTHROUGH catalog view where the grantee is *authorization-name*:
    - If all rows have a GRANTEETYPE of 'U', USER is assumed.
    - If all rows have a GRANTEETYPE of 'G', GROUP is assumed.
    - If all rows have a GRANTEETYPE of 'R', ROLE is assumed.
    - If all rows do not have the same value for GRANTEETYPE, an error is returned (SQLSTATE 56092).

### Examples

*Example 1:* Revoke USER6's privilege to pass through to data source MOUNTAIN.

```
REVOKE PASSTHRU ON SERVER MOUNTAIN FROM USER USER6
```

*Example 2:* Revoke group D024's privilege to pass through to data source EASTWING.

```
REVOKE PASSTHRU ON SERVER EASTWING FROM GROUP D024
```

The members of group D024 will no longer be able to use their group ID to pass through to EASTWING. But if any members have the privilege to pass through to EASTWING under their own user IDs, they will retain this privilege.

---

## REVOKE (SETSESSIONUSER Privilege)

This form of the REVOKE statement revokes one or more SETSESSIONUSER privileges from one or more authorization IDs.

### Invocation

This statement can be embedded in an application program or issued through the use of dynamic SQL statements. It is an executable statement that can be dynamically prepared only if DYNAMICRULES run behavior is in effect for the package (SQLSTATE 42509).

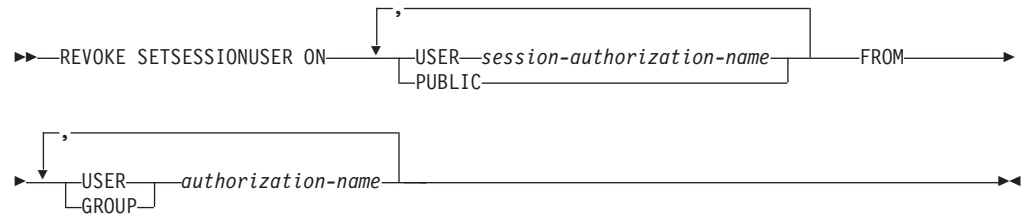
### Authorization

The privileges held by the authorization ID of the statement must include SECADM authority.

### Syntax



## REVOKE (SETSESSIONUSER Privilege)



### Description

#### SETSESSIONUSER ON

Revokes the privilege to assume the identity of a new authorization ID.

#### USER *session-authorization-name*

Specifies the authorization ID that the *authorization-name* is able to assume, using the SET SESSION AUTHORIZATION statement. The *session-authorization-name* must identify a user that the *authorization-name* can assume, not a group (SQLSTATE 42504).

#### PUBLIC

Specifies that all privileges to set the session authorization will be revoked.

#### FROM

Specifies from whom the privilege is revoked.

#### USER

Specifies that the *authorization-name* identifies a user.

#### GROUP

Specifies that the *authorization-name* identifies a group name.

#### *authorization-name,...*

Lists the authorization IDs of one or more users or groups.

The list of authorization IDs cannot include the authorization ID of the user issuing the statement (SQLSTATE 42502).

### Examples

*Example 1:* User PAUL holds the privilege to set the session authorization to WALID and therefore to execute SQL statements as user WALID. The following statement revokes that privilege.

```
REVOKE SETSESSIONUSER ON USER WALID
FROM USER PAUL
```

*Example 2:* User GUYLAINE holds the privilege to set the session authorization to BOBBY, RICK, or KEVIN and therefore to execute SQL statements as BOBBY, RICK, or KEVIN. The following statement revokes the privilege to use two of those authorization IDs. After this statement executes, GUYLAINE will only be able to set the session authorization to KEVIN.

```
REVOKE SETSESSIONUSER ON USER BOBBY, USER RICK
FROM USER GUYLAINE
```

*Example 3:* The group ACCTG and user WALID can set session authorization to any authorization ID. The following statement revokes that privilege from both ACCTG and WALID.

```
REVOKE SETSESSIONUSER ON PUBLIC
FROM USER WALID, GROUP ACCTG
```

---

# REVOKE (Table Space Privileges)

This form of the REVOKE statement revokes the USE privilege on a table space.

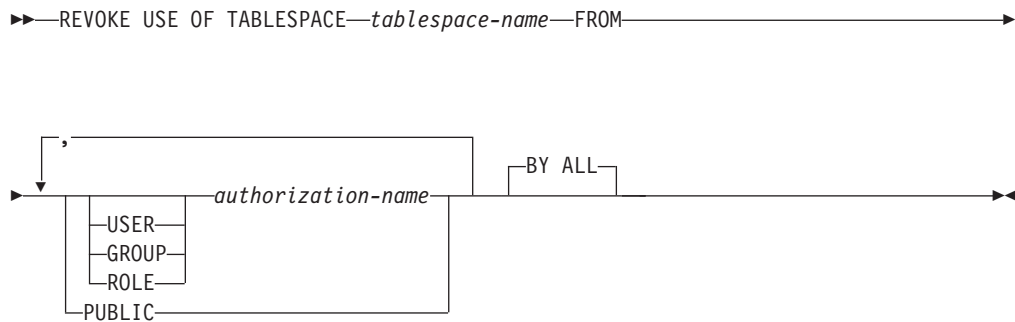
### Invocation

This statement can be embedded in an application program or issued through the use of dynamic SQL statements. It is an executable statement that can be dynamically prepared only if DYNAMICRULES run behavior is in effect for the package (SQLSTATE 42509).

### Authorization

The privileges held by the authorization ID of the statement must include DBADM, SYSCTRL, or SYSADM authority.

### Syntax



### Description

#### USE

Revokes the privilege to specify or default to the table space when creating a table.

#### OF TABLESPACE *tablespace-name*

Specifies the table space on which the USE privilege is to be revoked. The table space cannot be SYSCATSPACE (SQLSTATE 42838) or a SYSTEM TEMPORARY table space (SQLSTATE 42809).

#### FROM

Indicates from whom the USE privilege is revoked.

#### USER

Specifies that the *authorization-name* identifies a user.

#### GROUP

Specifies that the *authorization-name* identifies a group name.

#### ROLE

Specifies that the *authorization-name* identifies a role name.

#### *authorization-name*

Lists the authorization IDs of one or more users, groups, or roles.

The list of authorization IDs cannot include the authorization ID of the user issuing the statement (SQLSTATE 42502).

## REVOKE (Table Space Privileges)

### PUBLIC

Revokes the USE privilege from PUBLIC.

### BY ALL

Revokes the privilege from all named users who were explicitly granted that privilege, regardless of who granted it. This is the default behavior.

### Rules

- For each *authorization-name* specified, if neither USER, GROUP, nor ROLE is specified, then:
  - For all rows for the specified object in the SYSCAT.TBSPACEAUTH catalog view where the grantee is *authorization-name*:
    - If all rows have a GRANTEETYPE of 'U', USER is assumed.
    - If all rows have a GRANTEETYPE of 'G', GROUP is assumed.
    - If all rows have a GRANTEETYPE of 'R', ROLE is assumed.
    - If all rows do not have the same value for GRANTEETYPE, an error is returned (SQLSTATE 56092).

### Notes

- Revoking the USE privilege does not necessarily revoke the ability to create tables in that table space. A user may still be able to create tables in that table space if the USE privilege is held by PUBLIC or a group, or if the user has a higher level authority, such as DBADM.

### Examples

*Example 1:* Revoke the privilege to create tables in table space PLANS from the user BOBBY.

```
REVOKE USE OF TABLESPACE PLANS FROM USER BOBBY
```

---

## REVOKE (Table, View, or Nickname Privileges)

This form of the REVOKE statement revokes privileges on a table, view, or nickname.

### Invocation

This statement can be embedded in an application program or issued through the use of dynamic SQL statements. It is an executable statement that can be dynamically prepared only if DYNAMICRULES run behavior is in effect for the package (SQLSTATE 42509).

### Authorization

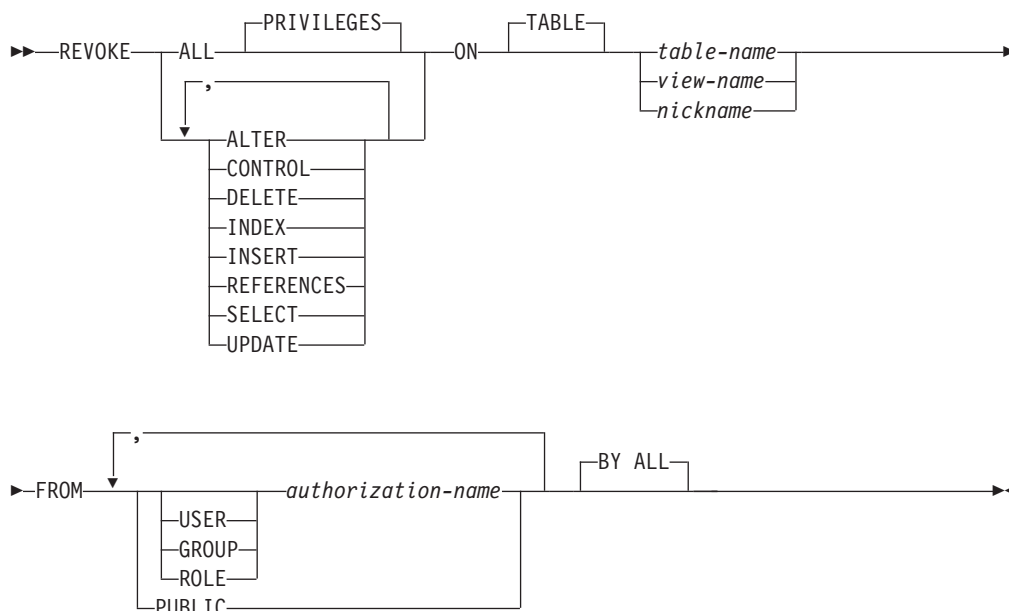
The privileges held by the authorization ID of the statement must include at least one of the following:

- CONTROL privilege on the referenced table, view, or nickname
- SYSADM or DBADM authority

DBADM or SYSADM authority is required to revoke the CONTROL privilege, or to revoke privileges on catalog tables and views.

## REVOKE (Table, View, or Nickname Privileges)

### Syntax



### Description

#### ALL or ALL PRIVILEGES

Revokes all privileges (except CONTROL) held by an *authorization-name* for the specified tables, views, or nicknames.

If ALL is not used, one or more of the keywords listed below must be used. Each keyword revokes the privilege described, but only as it applies to the tables, views, or nicknames named in the ON clause. The same keyword must not be specified more than once.

#### ALTER

Revokes the privilege to add columns to the base table definition; create or drop a primary key or unique constraint on the table; create or drop a foreign key on the table; add/change a comment on the table, view, or nickname; create or drop a check constraint; create a trigger; add, reset, or drop a column option for a nickname; or, change nickname column names or data types.

#### CONTROL

Revokes the ability to drop the table, view, or nickname, and the ability to execute the RUNSTATS utility on the table and indexes.

Revoking CONTROL privilege from an *authorization-name* does not revoke other privileges granted to the user on that object.

#### DELETE

Revokes the privilege to delete rows from the table, updatable view, or nickname.

#### INDEX

Revokes the privilege to create an index on the table or an index specification on the nickname. The creator of an index or index specification automatically has the CONTROL privilege over the index or index specification (authorizing the creator to drop the index or index specification). In addition, the creator retains this privilege even if the INDEX privilege is revoked.

## REVOKE (Table, View, or Nickname Privileges)

### INSERT

Revokes the privileges to insert rows into the table, updatable view, or nickname, and to run the IMPORT utility.

### REFERENCES

Revokes the privilege to create or drop a foreign key referencing the table as the parent. Any column level REFERENCES privileges are also revoked.

### SELECT

Revokes the privilege to retrieve rows from the table or view, to create a view on a table, and to run the EXPORT utility against the table or view.

Revoking SELECT privilege may cause some views to be marked inoperative. (For information on inoperative views, see "CREATE VIEW".)

### UPDATE

Revokes the privilege to update rows in the table, updatable view, or nickname. Any column level UPDATE privileges are also revoked.

### ON TABLE *table-name* or *view-name* or *nickname*

Specifies the table, view, or nickname on which privileges are to be revoked. The *table-name* cannot be a declared temporary table (SQLSTATE 42995).

### FROM

Indicates from whom the privileges are revoked.

### USER

Specifies that the *authorization-name* identifies a user.

### GROUP

Specifies that the *authorization-name* identifies a group name.

### ROLE

Specifies that the *authorization-name* identifies a role name.

*authorization-name*,...

Lists the authorization IDs of one or more users, groups, or roles.

The list of authorization IDs cannot include the authorization ID of the user issuing the statement (SQLSTATE 42502).

### PUBLIC

Revokes the privileges from PUBLIC.

### BY ALL

Revokes each named privilege from all named users who were explicitly granted those privileges, regardless of who granted them. This is the default behavior.

### Rules

- For each *authorization-name* specified, if neither USER, GROUP, nor ROLE is specified, then:
  - For all rows for the specified object in the SYSCAT.TABAUTH and SYSCAT.COLAUTH catalog views where the grantee is *authorization-name*:
    - If all rows have a GRANTEETYPE of 'U', USER is assumed.
    - If all rows have a GRANTEETYPE of 'G', GROUP is assumed.
    - If all rows have a GRANTEETYPE of 'R', ROLE is assumed.
    - If all rows do not have the same value for GRANTEETYPE, an error is returned (SQLSTATE 56092).

## REVOKE (Table, View, or Nickname Privileges)

### Notes

- If a privilege is revoked from the *authorization-name* that is the owner of the view (as recorded in the OWNER column in SYSCAT.VIEWS), that privilege is also revoked from any dependent views.
- If the owner of the view loses a SELECT privilege on some object on which the view definition depends (or an object upon which the view definition depends is dropped, or made inoperative in the case of another view), the view will be made inoperative.

However, if a DBADM or SYSADM explicitly revokes all privileges on the view from the owner, then the record of the OWNER will not appear in SYSCAT.TABAUTH but nothing will happen to the view - it remains operative.

- Privileges on inoperative views cannot be revoked.
- A package might become invalid when the authorization ID under which the package was bound loses a privilege on an object on which the package depends. The privilege can be lost in one of the following ways:
  - The privilege is revoked from the authorization ID
  - The privilege is revoked from a role of which the authorization ID is a member
  - The privilege is revoked from PUBLIC

A package remains invalid until a bind or rebind operation on the application is successfully executed, or the application is executed and the database manager successfully rebinds the application (using information stored in the catalogs). Packages marked invalid due to a revoke may be successfully rebound without any additional grants.

For example, if a package owned by USER1 contains a SELECT from table T1, and the SELECT privilege on table T1 is revoked from USER1, the package will be marked invalid. If SELECT authority is granted again, or if the user holds DBADM authority, the package is successfully rebound when executed.

Another example is a package owned by USER1, who is a member of role R1. The package contains a SELECT from table T1, and the SELECT privilege on table T1 is revoked from role R1. The package will be marked invalid, assuming USER1 does not hold the SELECT privilege on table T1 by other means.

- Packages, triggers or views that include the use of OUTER(Z) in the FROM clause, are dependent on having SELECT privilege on every subtable or subview of Z. Similarly, packages, triggers, or views that include the use of Deref(Y) where Y is a reference type with a target table or view Z, are dependent on having SELECT privilege on every subtable or subview of Z. Such packages might become invalid, and such triggers or views made inoperative when the authorization ID under which the packages were bound, or the owner of the triggers or views loses the SELECT privilege. The SELECT privilege can be lost in one of the following ways:
  - SELECT privilege is revoked from the authorization ID
  - SELECT privilege is revoked from a role of which the authorization ID is a member
  - SELECT privilege is revoked from PUBLIC
- Table, view, or nickname privileges cannot be revoked from an *authorization-name* with CONTROL on the object without also revoking the CONTROL privilege (SQLSTATE 42504).

## REVOKE (Table, View, or Nickname Privileges)

- Revoking a specific privilege does not necessarily revoke the ability to perform the action. A user can proceed with a task if other privileges are held by PUBLIC, a group, or a role, or if the user holds privileges such as ALTERIN on the schema of a table or a view.
- If the owner of the materialized query table loses a SELECT privilege on a table on which the materialized query table definition depends (or a table upon which the materialized query table definition depends is dropped), the materialized query table will be dropped.

However, if a DBADM or SYSADM explicitly revokes all privileges on the materialized query table from the owner, then the record in SYSTABAUTH for the OWNER will be deleted, but nothing will happen to the materialized query table - it remains operative.

- Revoking nickname privileges has no affect on data source object (table or view) privileges.
- Revoking the SELECT privilege for a table or view that is directly or indirectly referenced in an SQL function or method body may fail if the SQL function or method body cannot be dropped because some other object is dependent on it (SQLSTATE 42893).
- Revoking the SELECT privilege causes an SQL function or method body to be dropped when:
  - The owner of the SQL function or method body loses the SELECT privilege on some object on which the SQL function or method body definition depends; note that the privilege can be lost because of a revoke from PUBLIC or from a role of which the owner is a member
  - An object on which the SQL function or method body definition depends is dropped

However, the revoke fails if another object depends on the function or method (SQLSTATE 42893).

### Examples

*Example 1:* Revoke SELECT privilege on table EMPLOYEE from user ENGLES. There is one row in the SYSCAT.TABAUTH catalog view for this table and grantee and the GRANTEETYPE value is U.

```
REVOKE SELECT
ON TABLE EMPLOYEE
FROM ENGLES
```

*Example 2:* Revoke update privileges on table EMPLOYEE previously granted to all local users. Note that grants to specific users are not affected.

```
REVOKE UPDATE
ON EMPLOYEE
FROM PUBLIC
```

*Example 3:* Revoke all privileges on table EMPLOYEE from users PELLOW and MLI and from group PLANNERS.

```
REVOKE ALL
ON EMPLOYEE
FROM USER PELLOW, USER MLI, GROUP PLANNERS
```

*Example 4:* Revoke SELECT privilege on table CORPDATA.EMPLOYEE from a user named JOHN. There is one row in the SYSCAT.TABAUTH catalog view for this table and grantee and the GRANTEETYPE value is U.

## REVOKE (Table, View, or Nickname Privileges)

```
REVOKE SELECT
ON CORPDATA.EMPLOYEE FROM JOHN
```

or

```
REVOKE SELECT
ON CORPDATA.EMPLOYEE FROM USER JOHN
```

Note that an attempt to revoke the privilege from GROUP JOHN would result in an error, since the privilege was not previously granted to GROUP JOHN.

*Example 5:* Revoke SELECT privilege on table CORPDATA.EMPLOYEE from a group named JOHN. There is one row in the SYSCAT.TABAUTH catalog view for this table and grantee and the GRANTEETYPE value is G.

```
REVOKE SELECT
ON CORPDATA.EMPLOYEE FROM JOHN
```

or

```
REVOKE SELECT
ON CORPDATA.EMPLOYEE FROM GROUP JOHN
```

*Example 6:* Revoke user SHAWN's privilege to create an index specification on nickname ORAREM1.

```
REVOKE INDEX
ON ORAREM1 FROM USER SHAWN
```

---

## REVOKE (Workload Privileges)

This form of the REVOKE statement revokes the USAGE privilege on a workload.

### Invocation

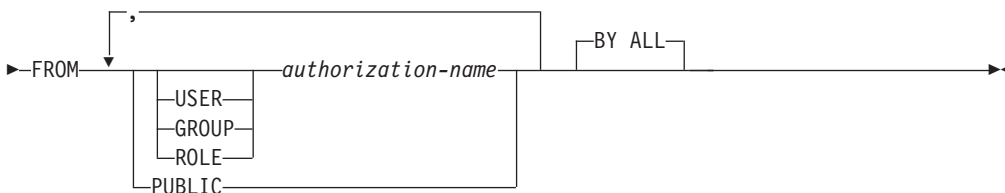
This statement can be embedded in an application program or issued through the use of dynamic SQL statements. It is an executable statement that can be dynamically prepared only if DYNAMICRULES run behavior is in effect for the package (SQLSTATE 42509).

### Authorization

The privileges held by the authorization ID of the statement must include SYSADM or DBADM authority.

### Syntax

```
►► REVOKE USAGE ON WORKLOAD workload-name ►►
```





**Description****USAGE**

Revokes the privilege to use a workload.

**ON WORKLOAD** *workload-name*

Identifies the workload on which the USAGE privilege is to be revoked. This is a one-part name. The *workload-name* must identify a workload that exists at the current server (SQLSTATE 42704). The name cannot be 'SYSDEFAULTADMWORKLOAD' (SQLSTATE 42832).

**FROM**

Specifies from whom the USAGE privilege is revoked.

**USER**

Specifies that the *authorization-name* identifies a user.

**GROUP**

Specifies that the *authorization-name* identifies a group.

**ROLE**

Specifies that the *authorization-name* identifies an existing role at the current server (SQLSTATE 42704).

*authorization-name,...*

Lists the authorization IDs of one or more users, groups, or roles. The list of authorization IDs cannot include the authorization ID of the user issuing the statement (SQLSTATE 42502).

**PUBLIC**

Revokes the USAGE privilege from PUBLIC.

**BY ALL**

Revokes the USAGE privilege from all named users who were explicitly granted that privilege, regardless of who granted it. This is the default behavior.

**Rules**

- For each *authorization-name* specified, if none of the keywords USER, GROUP, or ROLE is specified, then for all rows for the specified object in the SYSCAT.WORKLOADAUTH catalog view where the grantee is *authorization-name*:
  - If GRANTEETYPE is 'U', USER is assumed.
  - If GRANTEETYPE is 'G', GROUP is assumed.
  - If GRANTEETYPE is 'R', ROLE is assumed.
  - If GRANTEETYPE does not have the same value, an error is returned (SQLSTATE 56092).

**Notes**

- The REVOKE statement does not take effect until it is committed, even for the connection that issues the statement.

**Example**

Revoke the privilege to use the workload CAMPAIGN from user LISA.

```
REVOKE USAGE ON WORKLOAD CAMPAIGN FROM USER LISA
```

---

### REVOKE (XSR Object Privileges)

This form of the REVOKE statement revokes USAGE privilege on an XSR object.

#### Invocation

The REVOKE statement can be embedded in an application program or issued through the use of dynamic SQL statements. It is an executable statement that can be dynamically prepared only if the DYNAMICRULES run behavior is in effect for the package (SQLSTATE 42509).

#### Authorization

One of the following authorities is required:

- SYSADM or DBADM

#### Syntax

```
➤➤ REVOKE USAGE ON XSROBJECT xsobject-name FROM PUBLIC BY ALL ➤➤
```

#### Description

##### ON XSROBJECT *xsobject-name*

This name identifies the XSR object for which the USAGE privilege is revoked. The *xsobject-name*, including the implicit or explicit schema qualifier, must uniquely identify an existing XSR object at the current server. If no XSR object by this name exists in the specified schema, an error is raised (SQLSTATE 42704).

##### FROM PUBLIC

Revokes the USAGE privilege from PUBLIC.

##### BY ALL

Revokes each named privilege from all users who were explicitly granted those privileges, regardless of who granted them. This is the default behavior.

#### Example

Revoke usage privileges on the XML schema MYSCHEMA from PUBLIC:

```
REVOKE USAGE ON XSROBJECT MYSCHEMA FROM PUBLIC
```

---

## ROLLBACK

The ROLLBACK statement is used to back out of the database changes that were made within a unit of work or a savepoint.

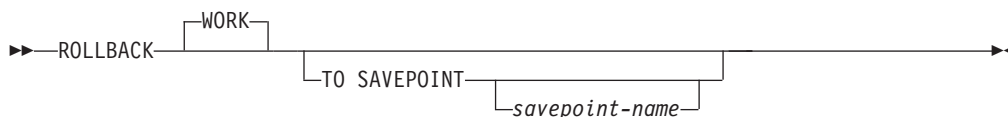
#### Invocation

This statement can be embedded in an application program or issued through the use of dynamic SQL statements. It is an executable statement that can be dynamically prepared.

## Authorization

None required.

## Syntax



## Description

The unit of work in which the ROLLBACK statement is executed is terminated and a new unit of work is initiated. All changes made to the database during the unit of work are backed out.

The following statements, however, are not under transaction control, and changes made by them are independent of the ROLLBACK statement:

- SET CONNECTION
- SET CURRENT DEFAULT TRANSFORM GROUP
- SET CURRENT DEGREE
- SET CURRENT EXPLAIN MODE
- SET CURRENT EXPLAIN SNAPSHOT
- SET CURRENT LOCK TIMEOUT
- SET CURRENT MAINTAINED TABLE TYPES FOR OPTIMIZATION
- SET CURRENT PACKAGESET
- SET CURRENT QUERY OPTIMIZATION
- SET CURRENT REFRESH AGE
- SET ENCRYPTION PASSWORD
- SET EVENT MONITOR STATE
- SET PASSTHRU

**Note:** Although the SET PASSTHRU statement is not under transaction control, the passthru session initiated by the statement is under transaction control.

- SET PATH
- SET SCHEMA
- SET SERVER OPTION

The generation of sequence and identity values is not under transaction control. Values generated and consumed by the *nextval-expression* or by inserting rows into a table that has an identity column are independent of issuing the ROLLBACK statement. Also, issuing the ROLLBACK statement does not affect the value returned by the *prevval-expression*, nor the IDENTITY\_VAL\_LOCAL function.

Modification of the values of global variables is not under transaction control. ROLLBACK statements do not affect the values assigned to global variables.

### TO SAVEPOINT

Specifies that a partial rollback (ROLLBACK TO SAVEPOINT) is to be performed. If no savepoint is active in the current savepoint level (see the “Rules” section in the description of the SAVEPOINT statement), an error is

## ROLLBACK

returned (SQLSTATE 3B502). After a successful rollback, the savepoint continues to exist, but any nested savepoints are released and no longer exist. The nested savepoints, if any, are considered to have been rolled back and then released as part of the rollback to the current savepoint. If a *savepoint-name* is not provided, rollback occurs to the most recently set savepoint within the current savepoint level.

If this clause is omitted, the ROLLBACK statement rolls back the entire transaction. Furthermore, savepoints within the transaction are released.

### *savepoint-name*

Specifies the savepoint that is to be used in the rollback operation. The specified *savepoint-name* cannot begin with 'SYS' (SQLSTATE 42939). After a successful rollback operation, the named savepoint continues to exist. If the savepoint name does not exist, an error (SQLSTATE 3B001) is returned. Data and schema changes made since the savepoint was set are undone.

## Notes

- All locks held are released on a ROLLBACK of the unit of work. All open cursors are closed. All LOB locators are freed.
- Executing a ROLLBACK statement does not affect either the SET statements that change special register values or the RELEASE statement.
- If the program terminates abnormally, the unit of work is implicitly rolled back.
- Statement caching is affected by the rollback operation.
- The impact on cursors resulting from a ROLLBACK TO SAVEPOINT depends on the statements within the savepoint
  - If the savepoint contains DDL on which a cursor is dependent, the cursor is marked invalid. Attempts to use such a cursor results in an error (SQLSTATE 57007).
  - Otherwise:
    - If the cursor is referenced in the savepoint, the cursor remains open and is positioned before the next logical row of the result table. (A FETCH must be performed before a positioned UPDATE or DELETE statement is issued.)
    - Otherwise, the cursor is not affected by the ROLLBACK TO SAVEPOINT (it remains open and positioned).
- Dynamically prepared statement names are still valid, although the statement may be implicitly prepared again, as a result of DDL operations that are rolled back within the savepoint.
- A ROLLBACK TO SAVEPOINT operation will drop any declared temporary tables named within the savepoint. If a declared temporary table is modified within the savepoint, then all rows in the table are deleted.
- All locks are retained after a ROLLBACK TO SAVEPOINT statement.
- All LOB locators are preserved following a ROLLBACK TO SAVEPOINT operation.

## Example

Delete the alterations made since the last commit point or rollback.

```
ROLLBACK WORK
```

---

## SAVEPOINT

Use the SAVEPOINT statement to set a savepoint within a transaction.

## Invocation

This statement can be imbedded in an application program (including a stored procedure) or issued interactively. It is an executable statement that can be dynamically prepared.

## Authorization

None required.

## Syntax

```

▶▶ SAVEPOINT savepoint-name [UNIQUE] ON ROLLBACK RETAIN CURSORS
▶▶ [ON ROLLBACK RETAIN LOCKS]

```

## Description

### *savepoint-name*

Specifies the name of a savepoint. The specified *savepoint-name* cannot begin with 'SYS' (SQLSTATE 42939). If a savepoint by this name has already been defined as UNIQUE within this savepoint level, an error is returned (SQLSTATE 3B501).

### UNIQUE

Specifies that the application does not intend to reuse this savepoint name while the savepoint is active within the current savepoint level. If *savepoint-name* already exists within this savepoint level, an error is returned (SQLSTATE 3B501).

### ON ROLLBACK RETAIN CURSORS

Specifies system behavior upon rollback to this savepoint with respect to open cursor statements processed after the SAVEPOINT statement. This clause indicates that, whenever possible, the cursors are unaffected by a rollback to savepoint operation. For situations where the cursors are affected by the rollback to savepoint, see "ROLLBACK".

### ON ROLLBACK RETAIN LOCKS

Specifies system behavior upon rollback to this savepoint with respect to locks acquired after the setting of the savepoint. Locks acquired since the savepoint are not tracked, and are not rolled back (released) upon rollback to the savepoint.

## Rules

- Savepoint-related statements must not be used within trigger definitions (SQLSTATE 42987).
- A new savepoint level starts when one of the following occurs:
  - A new unit of work (UOW) starts.
  - A procedure defined with the NEW SAVEPOINT LEVEL clause is called.
  - An atomic compound SQL statement starts.
- A savepoint level ends when the event that caused its creation is finished or removed. When a savepoint level ends, all savepoints contained within it are released. Any open cursors, DDL actions, or data modifications are inherited by

## SAVEPOINT

the parent savepoint level (that is, the savepoint level within which the one that just ended was created), and are subject to any savepoint-related statements issued against the parent savepoint level.

- The following rules apply to actions within a savepoint level:
  - Savepoints can only be referenced within the savepoint level in which they are established. You cannot release, destroy, or roll back to a savepoint established outside of the current savepoint level.
  - All active savepoints established within the current savepoint level are automatically released when the savepoint level ends.
  - The uniqueness of savepoint names is only enforced within the current savepoint level. The names of savepoints that are active in other savepoint levels can be reused in the current savepoint level without affecting those savepoints in other savepoint levels.

### Notes

- Once a SAVEPOINT statement has been issued, insert, update, or delete operations on nicknames are not allowed.
- Omitting the UNIQUE clause specifies that *savepoint-name* can be reused within the savepoint level by another savepoint. If a savepoint of the same name already exists within the savepoint level, the existing savepoint is destroyed and a new savepoint with the same name is created at the current point in processing. The new savepoint is considered to be the last savepoint established by the application. Note that the destruction of a savepoint through the reuse of its name by another savepoint simply destroys that one savepoint and does not release any savepoints established after the destroyed savepoint. These subsequent savepoints can only be released by means of the RELEASE SAVEPOINT statement, which releases the named savepoint and all savepoints established after the named savepoint.
- If the UNIQUE clause is specified, *savepoint-name* can only be reused after an existing savepoint with the same name has been released.
- Within a savepoint, if a utility, SQL statement, or DB2 command performs intermittent commits during processing, the savepoint will be implicitly released.
- If the SET INTEGRITY statement is rolled back within the savepoint, dynamically prepared statement names are still valid, although the statement might be implicitly prepared again.
- If inserts are buffered (that is, the application was precompiled with the INSERT BUF option), the buffer will be flushed when SAVEPOINT, ROLLBACK, or RELEASE TO SAVEPOINT statements are issued.

### Example

*Example 1:* Perform a rollback operation for nested savepoints. First, create a table named DEPARTMENT. Insert a row before starting SAVEPOINT1; insert another row and start SAVEPOINT2; then, insert a third row and start SAVEPOINT3.

```
CREATE TABLE DEPARTMENT (
 DEPTNO CHAR(6),
 DEPTNAME VARCHAR(20),
 MGRNO INTEGER)

INSERT INTO DEPARTMENT VALUES ('A20', 'MARKETING', 301)

SAVEPOINT SAVEPOINT1 ON ROLLBACK RETAIN CURSORS

INSERT INTO DEPARTMENT VALUES ('B30', 'FINANCE', 520)
```

```
SAVEPOINT SAVEPOINT2 ON ROLLBACK RETAIN CURSORS
```

```
INSERT INTO DEPARTMENT VALUES ('C40', 'IT SUPPORT', 430)
```

```
SAVEPOINT SAVEPOINT3 ON ROLLBACK RETAIN CURSORS
```

```
INSERT INTO DEPARTMENT VALUES ('R50', 'RESEARCH', 150)
```

At this point, the DEPARTMENT table exists with rows A20, B30, C40, and R50. If you now issue:

```
ROLLBACK TO SAVEPOINT SAVEPOINT3
```

row R50 is no longer in the DEPARTMENT table. If you then issue:

```
ROLLBACK TO SAVEPOINT SAVEPOINT1
```

the DEPARTMENT table still exists, but the rows inserted since SAVEPOINT1 was established (B30 and C40) are no longer in the table.

## SELECT INTO

The SELECT INTO statement produces a result table consisting of at most one row, and assigns the values in that row to host variables. If the table is empty, the statement assigns +100 to SQLCODE and '02000' to SQLSTATE and does not assign values to the host variables. If more than one row satisfies the search condition, statement processing is terminated, and an error occurs (SQLSTATE 21000).

### Invocation

This statement can be embedded only in an application program. It is an executable statement that cannot be dynamically prepared.

### Authorization

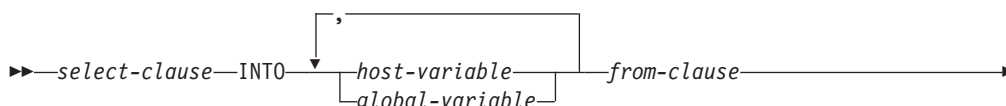
The privileges held by the authorization ID of the statement must include at least one of the following:

- SELECT privilege on the table, view, or nickname
- CONTROL privilege on the table, view, or nickname
- SYSADM or DBADM authority

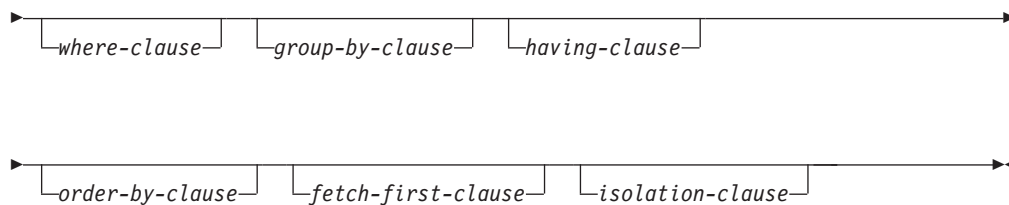
GROUP privileges are not checked for static SELECT INTO statements.

If the target of the SELECT INTO statement is a nickname, privileges on the object at the data source are not considered until the statement is executed at the data source. At this time, the authorization ID that is used to connect to the data source must have the privileges that are required for the operation on the object at the data source. The authorization ID of the statement can be mapped to a different authorization ID at the data source.

### Syntax



## SELECT INTO



### Description

For a description of the *select-clause*, *from-clause*, *where-clause*, *group-by-clause*, *having-clause*, *order-by-clause*, *fetch-first-clause*, and *isolation-clause*, see “Queries” in the *SQL Reference, Volume 1*.

### INTO

Introduces a list of host variables or global variables.

#### *host-variable*

Identifies a variable that is described in the program under the rules for declaring host variables.

#### *global-variable*

Identifies a global variable that exists at the current server.

The first value in the result row is assigned to the first variable in the list, the second value to the second variable, and so on. If the number of variables is less than the number of column values, the value 'W' is assigned to the SQLWARN3 field of the SQLCA.

Each assignment to a variable is made in sequence through the list. If an error occurs, no value is assigned to any variable.

### Rules

- Global variables cannot be assigned inside triggers, functions, methods, or dynamic compound statements, or inside a procedure that is directly or indirectly called by one of these objects (SQLSTATE 428GX).

### Examples

*Example 1:* This C example puts the maximum salary in the EMP table into the host variable MAXSALARY.

```
EXEC SQL SELECT MAX(SALARY)
 INTO :MAXSALARY
 FROM EMP;
```

*Example 2:* This C example puts the row for employee 528671 (from the EMP table) into host variables.

```
EXEC SQL SELECT * INTO :h1, :h2, :h3, :h4
 FROM EMP
 WHERE EMPNO = '528671';
```

*Example 3:* This SQLJ example puts the row for employee 528671 (from the EMP table) into host variables. That row will later be updated using a searched update, and should be locked when the query executes.



```
#sql { SELECT * INTO :FIRSTNAME, :LASTNAME, :EMPNO, :SALARY
 FROM EMP
 WHERE EMPNO = '528671'
 WITH RS USE AND KEEP EXCLUSIVE LOCKS };
```

*Example 4:* This C example puts the maximum salary in the EMP table into the global variable GV\_MAXSALARY.

```
EXEC SQL SELECT MAX(SALARY)
 INTO GV_MAXSALARY
 FROM EMP;
```

---

## SELECT

The SELECT statement is a form of query. It can be embedded in an application program or issued interactively.

---

## SET COMPILATION ENVIRONMENT

The SET COMPILATION ENVIRONMENT statement changes the current compilation environment in the connection to match the values contained in the compilation environment provided by an event monitor. This statement changes the values of one or more special registers; these changes, in turn, will affect the compilation of any subsequent dynamic SQL statement.

This statement is not under transaction control.

### Invocation

The statement can be embedded in an application program. It is an executable statement that can be dynamically prepared.

### Authorization

None required.

### Syntax

```
▶▶—SET—COMPILATION ENVIRONMENT——host-variable—▶▶
```

### Description

*host-variable*

A variable of type BLOB containing a compilation environment provided by an event monitor. It cannot be set to null. If *host-variable* has an associated indicator variable, the value of that indicator variable must not indicate a null value (SQLSTATE 42815). If the format of the compilation environment is incorrect, an error is returned, and the connection settings remain unmodified (SQLSTATE 51040).

### Notes

- To reset the compilation environment to the original default values, terminate and then restart the connection. You can achieve the same effect by issuing this statement within an SQL routine, so that any special register changes are not reflected in the connection upon return from that routine.

## SET COMPILATION ENVIRONMENT

- Use the `COMPILATION_ENV` table function to look at the individual elements that are contained within the compilation environment.

### Examples

*Example 1:* Set the current session's compilation environment to the values contained in a compilation environment that was previously captured by a deadlock event monitor. A deadlock event monitor that is created specifying the `WITH DETAILS HISTORY` option will capture the compilation environment for dynamic SQL statements. This captured environment is what is accepted as input to the statement.

```
SET COMPILATION ENVIRONMENT = :hv1
```

---

## SET CONNECTION

The `SET CONNECTION` statement changes the state of a connection from dormant to current, making the specified location the current server. It is not under transaction control.

### Invocation

Although an interactive SQL facility might provide an interface that gives the appearance of interactive execution, this statement can only be embedded within an application program. It is an executable statement that cannot be dynamically prepared.

### Authorization

None required.

### Syntax

```
▶▶ SET CONNECTION server-name | host-variable ▶▶
```

### Description

*server-name* or *host-variable*

Identifies the application server by the specified *server-name* or a *host-variable* which contains the *server-name*.

If a *host-variable* is specified, it must be a character string variable with a length attribute that is not greater than 8, and it must not include an indicator variable. The *server-name* that is contained within the *host-variable* must be left-justified and must not be delimited by quotation marks.

Note that the *server-name* is a database alias identifying the application server. It must be listed in the application requester's local directory.

The *server-name* or the *host-variable* must identify an existing connection of the application process. If they do not identify an existing connection, an error (SQLSTATE 08003) is raised.

If `SET CONNECTION` is to the current connection, the states of all connections of the application process are unchanged.

*Successful Connection*

If the SET CONNECTION statement executes successfully:

- No connection is made. The CURRENT SERVER special register is updated with the specified *server-name*.
- The previously current connection, if any, is placed into the dormant state (assuming a different *server-name* is specified).
- The CURRENT SERVER special register and the SQLCA are updated in the same way as documented under “CONNECT (Type 1)”.

#### *Unsuccessful Connection*

If the SET CONNECTION statement fails:

- No matter what the reason for failure, the connection state of the application process and the states of its connections are unchanged.
- As with an unsuccessful Type 1 CONNECT, the SQLERRP field of the SQLCA is set to the name of the module that detected the error.

### Notes

- The use of type 1 CONNECT statements does not preclude the use of SET CONNECTION, but the statement will always fail (SQLSTATE 08003), unless the SET CONNECTION statement specifies the current connection, because dormant connections cannot exist.
- The SQLRULES(DB2) connection option (see “Options that Govern Distributed Unit of Work Semantics”) does not preclude the use of SET CONNECTION, but the statement is unnecessary, because type 2 CONNECT statements can be used instead.
- When a connection is used, made dormant, and then restored to the current state in the same unit of work, that connection reflects its last use by the application process with regard to the status of locks, cursors, and prepared statements.

### Examples

Execute SQL statements at IBMSTHDB, execute SQL statements at IBMTOKDB, and then execute more SQL statements at IBMSTHDB.

```
EXEC SQL CONNECT TO IBMSTHDB;
/* Execute statements referencing objects at IBMSTHDB */

EXEC SQL CONNECT TO IBMTOKDB;
/* Execute statements referencing objects at IBMTOKDB */

EXEC SQL SET CONNECTION IBMSTHDB;
/* Execute statements referencing objects at IBMSTHDB */
```

Note that the first CONNECT statement creates the IBMSTHDB connection, the second CONNECT statement places it in the dormant state, and the SET CONNECTION statement returns it to the current state.

---

## SET CURRENT DECFLOAT ROUNDING MODE

The SET CURRENT DECFLOAT ROUNDING MODE statement verifies that the specified rounding mode is the value that is currently set for the CURRENT DECFLOAT ROUNDING MODE special register.

### Invocation

This statement can be embedded in an application program or issued through the use of dynamic SQL statements. It is an executable statement that can be

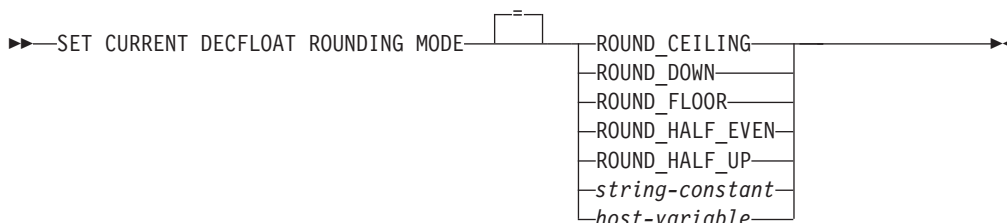
## SET CURRENT DECFLOAT ROUNDING MODE

dynamically prepared only if DYNAMICRULES run behavior is in effect for the package (SQLSTATE 42509).

### Authorization

None required.

### Syntax



### Description

#### ROUND\_CEILING

Round the value towards positive infinity. If all of the discarded digits are zero or if the sign is negative, the result is unchanged (except for the removal of the discarded digits). Otherwise, the result coefficient is incremented by 1.

#### ROUND\_DOWN

Round the value towards 0 (truncation). The discarded digits are ignored.

#### ROUND\_FLOOR

Round the value towards negative infinity. If all of the discarded digits are zero or if the sign is positive, the result is unchanged (except for the removal of the discarded digits). Otherwise, the sign is negative and the result coefficient is incremented by 1.

#### ROUND\_HALF\_EVEN

Round the value to the nearest value. If the values are equidistant, round the value so that the final digit is even. If the discarded digits represent more than half of the value of a number in the next left position, the result coefficient is incremented by 1. If they represent less than half, the result coefficient is not adjusted (that is, the discarded digits are ignored). Otherwise, the result coefficient is unaltered if its rightmost digit is even, or incremented by 1 if its rightmost digit is odd (to make an even digit).

#### ROUND\_HALF\_UP

Round the value to the nearest value. If the values are equidistant, round the value up. If the discarded digits represent half or more than half of the value of a number in the next left position, the result coefficient is incremented by 1. Otherwise, the discarded digits are ignored.

#### *string-constant*

A character string constant with a maximum length of 15 bytes, after trailing blanks have been removed. The value must be a left-justified string that specifies one of the five rounding mode keywords (case insensitive).

#### *host-variable*

A variable of type CHAR or VARCHAR. The value of the host variable must be a left-justified string that specifies one of the five rounding mode keywords (case insensitive). The actual length of the contents of *host-variable* must not be greater than 15 bytes, after trailing blanks have been removed. The value must

## SET CURRENT DECFLOAT ROUNDING MODE

be padded on the right with blanks when using a fixed-length character host variable. The host variable cannot be set to the null value.

### Rules

- The specified rounding mode value must be the same as the value of the CURRENT DECFLOAT ROUNDING MODE special register (SQLSTATE 42815).

### Notes

- This statement does not change the value of the CURRENT DECFLOAT ROUNDING MODE special register on a DB2 for Linux, UNIX, and Windows server. However, when the statement is processed by a DB2 for z/OS server or a DB2 for i5/OS server, it can be used to change the value of the CURRENT DECFLOAT ROUNDING MODE special register on that server.

### Example

*Example 1:* The following statement verifies whether the specified rounding mode value for the client matches the rounding mode value that is currently set on the server.

```
SET CURRENT DECFLOAT ROUNDING MODE = ROUND_CEILING
```

---

## SET CURRENT DEFAULT TRANSFORM GROUP

The SET CURRENT DEFAULT TRANSFORM GROUP statement changes the value of the CURRENT DEFAULT TRANSFORM GROUP special register. This statement is not under transaction control.

### Invocation

This statement can be embedded in an application program or issued through the use of dynamic SQL statements. It is an executable statement that can be dynamically prepared.

### Authorization

None required.

### Syntax

```
►► SET CURRENT DEFAULT TRANSFORM GROUP = group-name ►►
```

### Description

*group-name*

Specifies a one-part name that identifies a transform group defined for all structured types. This name can be referenced in subsequent statements (or until the special register value is changed again using another SET CURRENT DEFAULT TRANSFORM GROUP statement).

The name must be an SQL identifier, up to 128 bytes in length (SQLSTATE 42815). No validation that the *group-name* is defined for any structured type is made when the special register is set. Only when a structured type is specifically referenced is the definition of the named transform group checked for validity.

## SET CURRENT DEFAULT TRANSFORM GROUP

### Rules

- If the value specified does not conform to the rules for a *group-name*, an error is raised (SQLSTATE 42815)
- The TO SQL and FROM SQL functions defined in the *group-name* transform group are used for exchanging user-defined structured type data with a host program.

### Notes

- The initial value of the CURRENT DEFAULT TRANSFORM GROUP special register is the empty string.

### Examples

*Example 1:* Set the default transform group to MYSTRUCT1. The TO SQL and FROM SQL functions defined in the MYSTRUCT1 transform group will be used for exchanging user-defined structured type variables with the current host program.

```
SET CURRENT DEFAULT TRANSFORM GROUP = MYSTRUCT1
```

---

## SET CURRENT DEGREE

The SET CURRENT DEGREE statement assigns a value to the CURRENT DEGREE special register. This statement is not under transaction control.

### Invocation

This statement can be embedded in an application program or issued through the use of dynamic SQL statements. It is an executable statement that can be dynamically prepared.

### Authorization

None required.

### Syntax

```
►► SET CURRENT DEGREE [] [string-constant | host-variable] ►►
```

### Description

The value of CURRENT DEGREE is replaced by the value of the string constant or host variable. The value must be a character string that is not longer than 5 bytes. The value must be the character string representation of an integer between 1 and 32 767 inclusive or 'ANY'.

If the value of CURRENT DEGREE represented as an integer is 1 when an SQL statement is dynamically prepared, the execution of that statement will not use intra-partition parallelism.

If the value of CURRENT DEGREE is a number when an SQL statement is dynamically prepared, the execution of that statement can involve intra-partition parallelism with the specified degree.

If the value of CURRENT DEGREE is 'ANY' when an SQL statement is dynamically prepared, the execution of that statement can involve intra-partition parallelism using a degree determined by the database manager.

### *host-variable*

The *host-variable* must be of data type CHAR or VARCHAR and the length must not exceed 5. If a longer field is provided, an error will be returned (SQLSTATE 42815). If the actual value provided is larger than the replacement value specified, the input must be padded on the right with blanks. Leading blanks are not allowed (SQLSTATE 42815). All input values are treated as being case-insensitive. If a *host-variable* has an associated indicator variable, the value of that indicator variable must not indicate a null value (SQLSTATE 42815).

### *string-constant*

The *string-constant* length must not exceed 5.

## Notes

The degree of intra-partition parallelism for static SQL statements can be controlled using the DEGREE option of the PREP or BIND command.

The actual runtime degree of intra-partition parallelism will be the lower of:

- Maximum query degree (**max\_querydegree**) configuration parameter
- Application runtime degree
- SQL statement compilation degree

The **intra\_parallel** database manager configuration parameter must be on to use intra-partition parallelism. If it is set to off, the value of this register will be ignored and the statement will not use intra-partition parallelism for the purpose of optimization (SQLSTATE 01623).

Some SQL statements cannot use intra-partition parallelism.

## Example

*Example 1:* The following statement sets the CURRENT DEGREE to inhibit intra-partition parallelism.

```
SET CURRENT DEGREE = '1'
```

*Example 2:* The following statement sets the CURRENT DEGREE to allow intra-partition parallelism.

```
SET CURRENT DEGREE = 'ANY'
```

---

## SET CURRENT EXPLAIN MODE

The SET CURRENT EXPLAIN MODE statement changes the value of the CURRENT EXPLAIN MODE special register. It is not under transaction control.

## SET CURRENT EXPLAIN MODE

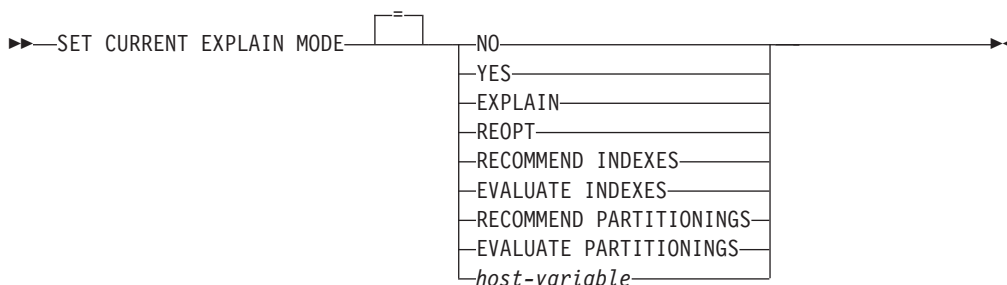
### Invocation

This statement can be embedded in an application program or issued interactively. It is an executable statement that can be dynamically prepared.

### Authorization

None required.

### Syntax



### Description

#### NO

Disables the Explain facility. No Explain information is captured. NO is the initial value of the special register.

#### YES

Enables the Explain facility and causes Explain information to be inserted into the Explain tables for eligible dynamic SQL statements. All dynamic SQL statements are compiled and executed normally.

#### EXPLAIN

Enables the Explain facility and causes Explain information to be captured for any eligible dynamic SQL statement that is prepared. However, dynamic statements are not executed.

#### REOPT

Enables the Explain facility and causes Explain information to be captured for a static or dynamic SQL statement during statement reoptimization at execution time; that is, when actual values for the host variables, special registers, global variables, or parameter markers are available.

#### RECOMMEND INDEXES

Enables the SQL compiler to recommend indexes. All queries that are executed in this explain mode will populate the ADVISE\_INDEX table with recommended indexes. In addition, Explain information will be captured in the Explain tables to reveal how the recommended indexes are used, but the statements are neither compiled nor executed.

#### EVALUATE INDEXES

Enables the SQL compiler to evaluate indexes. The indexes to be evaluated are read from the ADVISE\_INDEX table, and must be marked with EVALUATE = Y. The optimizer generates virtual indexes based on the values from the catalogs. All queries that are executed in this explain mode will be compiled and optimized using estimated statistics based on the virtual indexes. The statements are not executed.



**RECOMMEND PARTITIONINGS**

Specifies that the compiler is to recommend the best database partition for each table that is accessed by a specific query. The best database partitions are then written to an ADVISE\_PARTITION table. The query is not executed.

**EVALUATE PARTITIONINGS**

Specifies that the compiler is to obtain the estimated performance of a query using the virtual database partitions specified in the ADVISE\_PARTITION table.

*host-variable*

The *host-variable* must be of data type CHAR or VARCHAR and the length must not exceed 254. If a longer field is provided, an error will be returned (SQLSTATE 42815). The value specified must be NO, YES, EXPLAIN, RECOMMEND INDEXES, or EVALUATE INDEXES. If the actual value provided is larger than the replacement value specified, the input must be padded on the right with blanks. Leading blanks are not allowed (SQLSTATE 42815). All input values are treated as being case-insensitive. If a *host-variable* has an associated indicator variable, the value of that indicator variable must not indicate a null value (SQLSTATE 42815).

**Notes**

- The Explain facility uses the following IDs as the schema when qualifying Explain tables that it is populating:
  - The session authorization ID for dynamic SQL
  - The statement authorization ID for static SQL

The schema can be associated with a set of Explain tables, or aliases that point to a set of Explain tables under a different schema. If no Explain tables are found under the schema, the Explain facility checks for Explain tables under the SYSTOOLS schema and attempts to use those tables.

- Explain information for static SQL statements can be captured by using the EXPLAIN option of the PREP or BIND command. If the ALL value of the EXPLAIN option is specified, and the CURRENT EXPLAIN MODE register value is NO, explain information will be captured for dynamic SQL statements at run time. If the value of the CURRENT EXPLAIN MODE register is not NO, the value of the EXPLAIN bind option is ignored.
- RECOMMEND INDEXES and EVALUATE INDEXES are special modes which can only be set with the SET CURRENT EXPLAIN MODE statement. These modes cannot be set using PREP or BIND options, and they do not work with the SET CURRENT EXPLAIN SNAPSHOT statement.
- If the Explain facility is activated, the current authorization ID must have INSERT privilege for the Explain tables, or an error (SQLSTATE 42501) is raised.
- When SQL statements are explained from a routine, the routine must be defined with an SQL data access indicator of MODIFIES SQL DATA (SQLSTATE 42985).
- If the special register is set to REOPT, and the SQL statement does not qualify for reoptimization at execution time (that is, if the statement does not have input variables, or if the REOPT bind option is set to NONE), then no Explain information will be captured. If the REOPT bind option is set to ONCE, Explain information will be captured only once when the statement is initially reoptimized. After the statement is cached, no further Explain information will be acquired for this statement on subsequent executions.
- If the Explain facility is enabled, the REOPT bind option is set to ONCE, and you attempt to execute an SQL statement that is already cached, the statement will be compiled and reoptimized with the current values of the input variables,

## SET CURRENT EXPLAIN MODE

and the Explain tables will be populated accordingly. The newly generated access plan for this statement will not be cached or executed. Other applications that are concurrently executing this cached statement will continue to execute, and new requests to execute this statement will pick up the already cached access plan.

- A value of REOPT for the CURRENT EXPLAIN MODE and CURRENT EXPLAIN SNAPSHOT special registers will override the value of the EXPLAIN and EXPLSNAP bind options at bind time if a static or dynamic SQL statement has input variables, and the REOPT bind option is set to ONCE or ALWAYS.

### Example

The following statement sets the CURRENT EXPLAIN MODE special register, so that Explain information will be captured for any subsequent eligible dynamic SQL statements and the statement will not be executed.

```
SET CURRENT EXPLAIN MODE = EXPLAIN
```

---

## SET CURRENT EXPLAIN SNAPSHOT

The SET CURRENT EXPLAIN SNAPSHOT statement changes the value of the CURRENT EXPLAIN SNAPSHOT special register. It is not under transaction control.

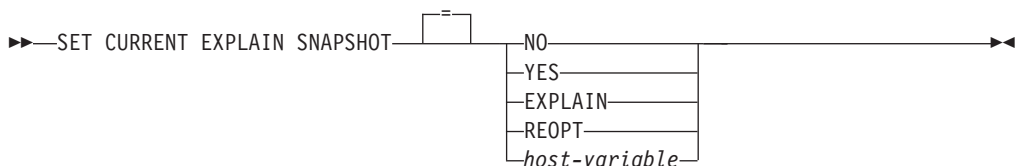
### Invocation

This statement can be embedded in an application program or issued interactively. It is an executable statement that can be dynamically prepared.

### Authorization

None required.

### Syntax



### Description

#### NO

Disables the Explain snapshot facility. No snapshot is taken. NO is the initial value of the special register.

#### YES

Enables the Explain snapshot facility, creating a snapshot of the internal representation for each eligible dynamic SQL statement. This information is inserted in the SNAPSHOT column of the EXPLAIN\_STATEMENT table.

The EXPLAIN SNAPSHOT facility is intended for use with Visual Explain.

#### EXPLAIN

Enables the Explain snapshot facility, creating a snapshot of the internal

representation for each eligible dynamic SQL statement that is prepared. However, dynamic statements are not executed.

### REOPT

Enables the Explain facility and causes Explain information to be captured for a static or dynamic SQL statement during statement reoptimization at execution time; that is, when actual values for the host variables, special registers, global variables, or parameter markers are available.

#### *host-variable*

The *host-variable* must be of data type CHAR or VARCHAR and the length of its contents must not exceed 8. If a longer field is provided, an error will be returned (SQLSTATE 42815). The value contained in this register must be either NO, YES, or EXPLAIN. If the actual value provided is larger than the replacement value specified, the input must be padded on the right with blanks. Leading blanks are not allowed (SQLSTATE 42815). All input values are treated as being case-insensitive. If *host-variable* has an associated indicator variable, the value of that indicator variable must not indicate a null value (SQLSTATE 42815).

### Notes

- The Explain facility uses the following IDs as the schema when qualifying Explain tables that it is populating:
  - The session authorization ID for dynamic SQL
  - The statement authorization ID for static SQL

The schema can be associated with a set of Explain tables, or aliases that point to a set of Explain tables under a different schema. If no Explain tables are found under the schema, the Explain facility checks for Explain tables under the SYSTOOLS schema and attempts to use those tables.

- Explain snapshots for static SQL statements can be captured by using the EXPLSNAP option of the PREP or BIND command. If the ALL value of the EXPLSNAP option is specified, and the CURRENT EXPLAIN SNAPSHOT register value is NO, Explain snapshots will be captured for dynamic SQL statements at run time. If the value of the CURRENT EXPLAIN SNAPSHOT register is not NO, the EXPLSNAP option is ignored.
- If the Explain snapshot facility is activated, the current authorization ID must have INSERT privilege for the Explain tables or an error (SQLSTATE 42501) is raised.
- When SQL statements are explained from a routine, the routine must be defined with an SQL data access indicator of MODIFIES SQL DATA (SQLSTATE 42985).
- If the special register is set to REOPT, and the SQL statement does not qualify for reoptimization at execution time (that is, if the statement does not have input variables, or if the REOPT bind option is set to NONE), then no Explain information will be captured. If the REOPT bind option is set to ONCE, Explain snapshot information will be captured only once when the statement is initially reoptimized. After the statement is cached, no further Explain information will be acquired for this statement on subsequent executions.
- If the Explain facility is enabled, the REOPT bind option is set to ONCE, and you attempt to execute a reoptimizable SQL statement that is already cached, the statement will be compiled and reoptimized with the current values of the input variables, and the Explain snapshot will be captured accordingly. The newly generated access plan for this statement will not be cached or executed. Other

## SET CURRENT EXPLAIN SNAPSHOT

applications that are concurrently executing this cached statement will continue to execute, and new requests to execute this statement will pick up the already cached access plan.

- The value REOPT for the CURRENT EXPLAIN MODE and CURRENT EXPLAIN SNAPSHOT special registers will override the value of the EXPLAIN and EXPLSNAP bind options at bind time if a static or dynamic SQL statement has input variables, and the REOPT bind option is set to ONCE or ALWAYS.

### Examples

*Example 1:* The following statement sets the CURRENT EXPLAIN SNAPSHOT special register, so that an Explain snapshot will be taken for any subsequent eligible dynamic SQL statements and the statement will be executed.

```
SET CURRENT EXPLAIN SNAPSHOT = YES
```

*Example 2:* The following example retrieves the current value of the CURRENT EXPLAIN SNAPSHOT special register into the host variable called SNAP.

```
EXEC SQL VALUES (CURRENT EXPLAIN SNAPSHOT) INTO :SNAP;
```

---

## SET CURRENT FEDERATED ASYNCHRONY

The SET CURRENT FEDERATED ASYNCHRONY statement assigns a value to the CURRENT FEDERATED ASYNCHRONY special register. It is not under transaction control.

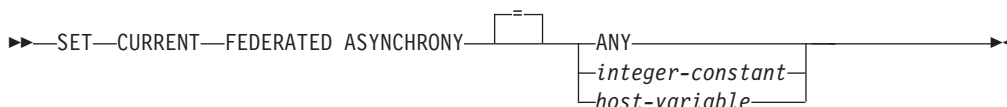
### Invocation

The statement can be embedded in an application program or issued through the use of dynamic SQL statements. It is an executable statement that can be dynamically prepared.

### Authorization

None required.

### Syntax



### Description

#### ANY

Specifies a CURRENT FEDERATED ASYNCHRONY value of -1, which means that the execution of statements can involve asynchrony using a degree that is determined by the database manager.

#### *integer-constant*

Specifies an integer value between 0 and 32 767, inclusive. The execution of statements can involve asynchrony using the specified degree. If the value is 0 when an SQL statement is dynamically prepared, the execution of that statement will not use asynchrony.



## SET CURRENT IMPLICIT XMLPARSE OPTION

### Description

#### *string-constant*

A character string constant. The value must be a left justified string that is either 'PRESERVE WHITESPACE' or 'STRIP WHITESPACE' (case insensitive) with no additional blank characters between the keywords.

#### *host-variable*

A variable of type CHAR or VARCHAR. The value of the host variable must be a left justified string that is either 'PRESERVE WHITESPACE' or 'STRIP WHITESPACE' (case insensitive) with no additional blank characters between the keywords. The value must be padded on the right with blanks when using a fixed-length character *host-variable*. The host variable cannot be set to null.

### Notes

- The initial value of the CURRENT IMPLICIT XMLPARSE OPTION special register is 'STRIP WHITESPACE'.
- Both dynamic and static SQL statements are affected by this special register.

### Example

Set the value of the CURRENT IMPLICIT XMLPARSE OPTION special register to 'PRESERVE WHITESPACE'.

```
SET CURRENT IMPLICIT XMLPARSE OPTION = 'PRESERVE WHITESPACE'
```

---

## SET CURRENT ISOLATION

The SET CURRENT ISOLATION statement assigns a value to the CURRENT ISOLATION special register. This statement is not under transaction control.

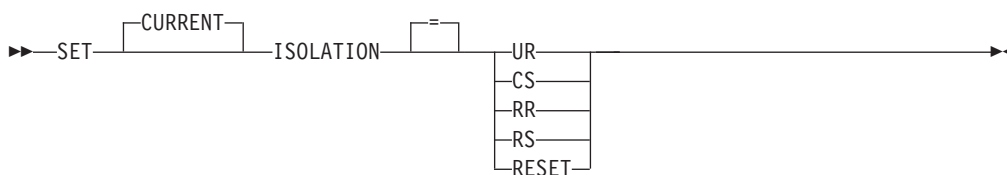
### Invocation

This statement can be embedded in an application program or issued through the use of dynamic SQL statements. It is an executable statement that can be dynamically prepared.

### Authorization

None required.

### Syntax



### Description

The value of the CURRENT ISOLATION special register is replaced by the specified value or set to blanks if RESET is specified.

**Notes**

• *Compatibilities*

- The following syntax is also supported:
  - TO can be specified in place of the equal sign (=)
  - DIRTY READ can be specified in place of UR
  - READ UNCOMMITTED can be specified in place of UR
  - READ COMMITTED is recognized and upgraded to CS
  - CURSOR STABILITY can be specified in place of CS
  - REPEATABLE READ can be specified in place of RR
  - SERIALIZABLE can be specified in place of RR

**SET CURRENT LOCK TIMEOUT**

The SET CURRENT LOCK TIMEOUT statement changes the value of the CURRENT LOCK TIMEOUT special register. It is not under transaction control.

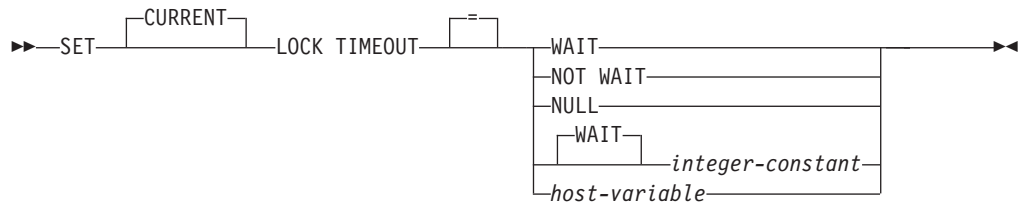
**Invocation**

The statement can be embedded in an application program or issued interactively. It is an executable statement that can be dynamically prepared.

**Authorization**

None required.

**Syntax**



**Description**

The specified value must be an integer between -1 and 32767, inclusive (SQLSTATE 428B7), or the null value.

**WAIT**

Specifies a CURRENT LOCK TIMEOUT value of -1, which means that the database manager is to wait until a lock is released, or a deadlock is detected (SQLSTATE 40001 or SQLSTATE 57033).

**NOT WAIT**

Specifies a CURRENT LOCK TIMEOUT value of 0, which means that the database manager is not to wait for locks that cannot be obtained, and an error (SQLSTATE 40001 or SQLSTATE 57033) will be returned.

**NULL**

Specifies that the CURRENT LOCK TIMEOUT value is to be unset, and that the value of the **locktimeout** database configuration parameter is to be used

## SET CURRENT LOCK TIMEOUT

when waiting for a lock. The value that is returned for the special register will change as the value of **locktimeout** changes.

### **WAIT** *integer-constant*

Specifies an integer value between -1 and 32767. A value of -1 is equivalent to specifying the **WAIT** keyword without an integer value. A value of 0 is equivalent to specifying the **NOT WAIT** clause. If the value is between 1 and 32767, the database manager will wait that number of seconds (if a lock cannot be obtained) before an error (SQLSTATE 40001 or SQLSTATE 57033) is returned.

### *host-variable*

A variable of type **INTEGER**. The value must be between -1 and 32767. If *host-variable* has an associated indicator variable, and the value of that indicator variable specifies a null value, the **CURRENT LOCK TIMEOUT** value is unset. This is equivalent to specifying the **NULL** keyword.

## Notes

- An updated value of the special register takes effect immediately upon successful execution of this statement. Because the special register value that is to be used during statement execution is fixed at the beginning of statement execution, an updated value of the **CURRENT LOCK TIMEOUT** special register will only be returned by statements that start execution after the **SET LOCK TIMEOUT** statement has completed successfully.
- **Compatibilities**
  - For compatibility with Informix:
    - **MODE** can be specified in place of **TIMEOUT**.
    - **TO** can be specified in place of the equals (=) operator.
    - **SET LOCK WAIT** can be specified in place of **SET CURRENT LOCK TIMEOUT WAIT**.
    - **SET LOCK NO WAIT** can be specified in place of **SET CURRENT LOCK TIMEOUT NOT WAIT**.

## Examples

*Example 1:* Set the lock timeout value to wait for 30 seconds before returning an error.

```
SET CURRENT LOCK TIMEOUT 30
```

*Example 2:* Unset the lock timeout value, so that the **locktimeout** database configuration parameter value will be used instead.

```
SET CURRENT LOCK TIMEOUT NULL
```

---

## SET CURRENT MAINTAINED TABLE TYPES FOR OPTIMIZATION

The **SET CURRENT MAINTAINED TABLE TYPES FOR OPTIMIZATION** statement changes the value of the **CURRENT MAINTAINED TABLE TYPES FOR OPTIMIZATION** special register. It is not under transaction control.

### Invocation

This statement can be embedded in an application program or issued interactively. It is an executable statement that can be dynamically prepared.

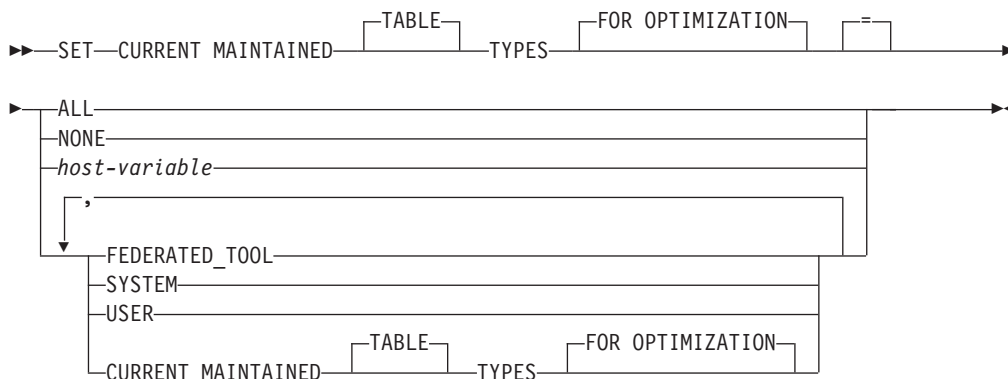


## SET CURRENT MAINTAINED TABLE TYPES FOR OPTIMIZATION

### Authorization

None required.

### Syntax



### Description

#### ALL

Specifies that all possible types of maintained tables controlled by this special register, now and in the future, are to be considered when optimizing the processing of dynamic SQL queries.

#### NONE

Specifies that none of the object types that are controlled by this special register are to be considered when optimizing the processing of dynamic SQL queries.

#### FEDERATED\_TOOL

Specifies that refresh-deferred materialized query tables that are maintained by a federated tool can be considered to optimize the processing of dynamic SQL queries, provided the value of the `CURRENT QUERY OPTIMIZATION` special register is 2 or greater than 5.

#### SYSTEM

Specifies that system-maintained refresh-deferred materialized query tables can be considered to optimize the processing of dynamic SQL queries. (Immediate materialized query tables are always available.)

#### USER

Specifies that user-maintained refresh-deferred materialized query tables can be considered to optimize the processing of dynamic SQL queries.

#### CURRENT MAINTAINED TABLE TYPES FOR OPTIMIZATION

The value of the `CURRENT MAINTAINED TABLE TYPES FOR OPTIMIZATION` special register before this statement executes.

#### *host-variable*

A variable of type `CHAR` or `VARCHAR`. The length of the contents of the host variable must not exceed 254 bytes (SQLSTATE 42815). It cannot be set to null. If *host-variable* has an associated indicator variable, the value of that indicator variable must not indicate a null value (SQLSTATE 42815).

The characters of *host-variable* must be left justified. The contents of *host-variable* must be a string that is a comma-separated list of keywords matching what

## SET CURRENT MAINTAINED TABLE TYPES FOR OPTIMIZATION

can be specified as keywords for the special register. These keywords must be specified in the exact case intended, because there is no conversion to uppercase characters. The value must be padded on the right with blanks if its length is less than that of the host variable.

### Notes

- The initial value of the CURRENT MAINTAINED TABLE TYPES FOR OPTIMIZATION special register is SYSTEM.
- The CURRENT REFRESH AGE special register must be set to a value other than zero for the specified table types to be considered when optimizing the processing of dynamic SQL queries.

### Examples

*Example 1:* Set the CURRENT MAINTAINED TABLE TYPES FOR OPTIMIZATION special register.

```
SET CURRENT MAINTAINED TABLE TYPES FOR OPTIMIZATION SYSTEM = USER
```

*Example 2:* Retrieve the current value of the CURRENT MAINTAINED TABLE TYPES FOR OPTIMIZATION special register into a host variable called CURMAINTYPES.

```
EXEC SQL VALUES (CURRENT MAINTAINED TABLE TYPES FOR OPTIMIZATION)
INTO :CURMAINTYPES
```

*Example 3:* Set the CURRENT MAINTAINED TABLE TYPES FOR OPTIMIZATION special register to have no value.

```
SET CURRENT MAINTAINED TABLE TYPES FOR OPTIMIZATION = NONE
```

---

## SET CURRENT MDC ROLLOUT MODE

The SET CURRENT MDC ROLLOUT MODE statement assigns a value to the CURRENT MDC ROLLOUT MODE special register. The value specifies the type of rollout cleanup that is to be performed on qualifying DELETE statements for multidimensional clustering (MDC) tables.

### Invocation

This statement can be embedded in an application program or issued through the use of dynamic SQL statements. It is an executable statement that can be dynamically prepared.

### Authorization

None required.

### Syntax

```
▶▶ SET CURRENT MDC ROLLOUT MODE { NONE | IMMEDIATE | DEFERRED | host-variable } ▶▶
```

## Description

### NONE

Specifies that MDC rollout optimization during delete operations is not to be used. The DELETE statement is processed in the same way as a DELETE statement that does not qualify for rollout.

### IMMEDIATE

Specifies that MDC rollout optimization is to be used if the DELETE statement qualifies. If the table has RID indexes, the indexes are updated immediately during delete processing. The deleted blocks are available for reuse after the transaction commits.

### DEFERRED

Specifies that MDC rollout optimization is to be used if the DELETE statement qualifies. If the table has RID indexes, index updates are deferred until after the transactions commits. With this option, delete processing is faster and uses less log space, but the deleted blocks are not available for reuse until after the index updates are complete.

### *host-variable*

A variable of type VARCHAR. The length of *host-variable* must be less than or equal to 17 bytes (SQLSTATE 42815). The value of the host variable must be a left-justified string that is one of 'NONE', 'IMMEDIATE', or 'DEFERRED' (case insensitive). If *host-variable* has an associated indicator variable, the value of that indicator variable must not indicate a null value (SQLSTATE 42815).

## Notes

- Subsequent DELETE statements that are eligible for rollout processing respect the setting of the CURRENT MDC ROLLOUT MODE special register. Currently executing sections are not affected by a change to this special register.
- The effects of executing the SET CURRENT MDC ROLLOUT MODE statement are not rolled back if the unit of work in which the statement is executed is rolled back.

## Example

Specify deferred cleanup behavior for the next DELETE statement that qualifies for rollout processing.

```
SET CURRENT MDC ROLLOUT MODE IMMEDIATE
```

---

## SET CURRENT OPTIMIZATION PROFILE

The SET CURRENT OPTIMIZATION PROFILE statement assigns a value to the CURRENT OPTIMIZATION PROFILE special register. The value specifies the optimization profile the optimizer should use when preparing dynamic DML statements. The statement is not under transaction control.

When the statement is evaluated, the name of the optimization profile is checked for validity, but the profile is not processed until the optimizer encounters a dynamic DML statement.

## Invocation

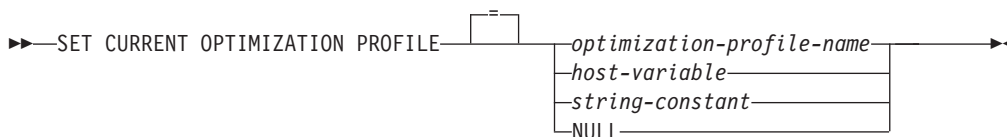
This statement can be embedded in an application program or issued through the use of dynamic SQL statements. It is an executable statement that can be dynamically prepared.

## SET CURRENT OPTIMIZATION PROFILE

### Authorization

None required.

### Syntax



### Description

#### *optimization-profile-name*

The two-part name of the optimization profile. The name can be specified with a literal, host variable, or special register. The name specified is the name entered into the CURRENT OPTIMIZATION PROFILE special register.

If the specified optimization-profile-name is unqualified, the value of the CURRENT DEFAULT SCHEMA register is used as the implicit qualifier. The default value of the special register is null.

#### *host-variable*

A variable of type CHAR or VARCHAR that includes the name of the optimization profile. A host variable that includes a null indicator indicates that the value of the OPTPROFILE bind option is to be used if that value is specified for the current package. A host variable of zero length, or of white space only, indicates that no optimization profile is to be used.

The host variable must meet the following characteristics:

- The content of the string is a single or two-part identifier (separated by a period), with no leading blanks.
- The identifier or identifiers can be delimited or non-delimited.
- The content of the string is not folded to upper case.
- Lower case and special characters cannot be used in non-delimited strings.
- If the first character is a double quotation mark, a closing double quotation mark must either precede a period or be the last non-blank character in the string.
- If the first character following a period is a double quotation mark, then a double quotation mark must be the last non-blank character in the string.
- If the identifier is delimited, then to include double quotation marks in the identifier, specify the character twice.
- Any period that is not inside a delimited identifier is treated as a separator, and only one period separator can exist in the string.

#### *string-constant*

Specifies a constant as a character string that is the name of the optimization profile. The content of a string constant must meet the same characteristics as a host variable.

#### NULL

Sets the CURRENT OPTIMIZATION PROFILE register to null.

Table 34 on page 827 provides examples of string literals and identifiers that might be used to assign the register as per the optimization profile naming rules. The

## SET CURRENT OPTIMIZATION PROFILE

value in the SCHEMA and NAME column represent an optimization profile name as it might appear in the OPT\_PROFILE table. The valid string literals column shows string literals that match the optimization profile named by the corresponding SCHEMA and NAME column values. The valid identifiers column shows identifiers that would identify that same optimization profile.

Table 34. Examples of string literals and identifiers

| SCHEMA | NAME        | Valid string literals                                                        | Valid identifiers                                                |
|--------|-------------|------------------------------------------------------------------------------|------------------------------------------------------------------|
| SIMMEN | BIG_PROF    | 'BIG_PROF'<br>'SIMMEN.BIG_PROF'<br>'''BIG_PROF'''<br>'''SIMMEN"."BIG_PROF''' | BIG_PROF<br>SIMMEN.BIG_PROF<br>"BIG_PROF"<br>"SIMMEN"."BIG_PROF" |
| SIMMEN | low_profile | '''low_profile'''<br>'SIMMEN."low_profile'''<br>'''SIMMEN"."low_profile'''   | "low_profile"<br>SIMMEN."low_profile"<br>"SIMMEN"."low_profile"  |
| eliaz  | DBA3        | 'DBA3'<br>'''DBA3'''<br>'''eliaz".DBA3'<br>'''eliaz"."DBA3'''                | DBA3<br>"eliaz".DBA3<br>"eliaz"."DBA3"                           |
| SNOW   | PROFILE1.0  | '''PROFILE1.0'''<br>'SNOW."PROFILE1.0'''<br>'''SNOW"."PROFILE1.0'''          | "PROFILE1.0"<br>SNOW."PROFILE1.0"<br>"SNOW"."PROFILE1.0"         |

### Notes

- If the value of the register specifies the name of an existing optimization profile, the specified optimization profile is used when preparing subsequent dynamic DML statements.
- If the value of the register is null, the optimization profile specified by the OPTPROFILE bind option, if any, is used when preparing subsequent dynamic DML statements.
- If the value of the register is null, and the OPTPROFILE bind option is not set, no optimization profile is used when preparing subsequent dynamic DML statements.
- If the value of the register is the empty string (""), then no optimization profile is used when preparing subsequent dynamic DML statements, regardless of whether the OPTPROFILE bind option is set.
- Subsequent changes to CURRENT DEFAULT SCHEMA do not have any effect on the optimization profile. The CURRENT OPTIMIZATION PROFILE register value is set with the two part name that is in effect at the time SET CURRENT OPTIMIZATION PROFILE statement is evaluated. Only another SET CURRENT OPTIMIZATION PROFILE statement can change the optimization profile that is used.

## SET CURRENT OPTIMIZATION PROFILE

### Examples

*Example 1:* The optimization profile RICK.FOO is used for statements 1, 2, and 3. TOM.FOO is used for statement 4.

```
SET CURRENT SCHEMA = 'RICK'
SET CURRENT OPTIMIZATION PROFILE = 'FOO'
statement 1
statement 2
SET CURRENT SCHEMA = 'TOM'
statement 3
SET CURRENT OPTIMIZATION PROFILE = 'FOO'
statement 4
```

*Example 2:* An application with the following statements was bound with the options OPTPROFILE("Foo") and QUALIFIER("John"). The optimization profile KAAREL.BAR is used for statement 1 and optimization profile "John"."Foo" is used for statement 2.

```
SET CURRENT SCHEMA = 'KAAREL'
SET CURRENT OPTIMIZATION PROFILE = 'BAR'
statement 1
SET CURRENT SCHEMA = "Tom"
SET CURRENT OPTIMIZATION PROFILE NULL
statement 2
```

*Example 3:* The empty string is a special value that indicates that no optimization profile is to be used. Optimization profile "Hamid"."Foo" is used for statement 1 and no optimization profile is used for statement 2.

```
SET CURRENT OPTIMIZATION PROFILE = '"Hamid"."Foo"
statement 1
SET CURRENT OPTIMIZATION PROFILE = ''
statement 2
```

---

## SET CURRENT PACKAGE PATH

The SET CURRENT PACKAGE PATH statement assigns a value to the CURRENT PACKAGE PATH special register. It is not under transaction control.

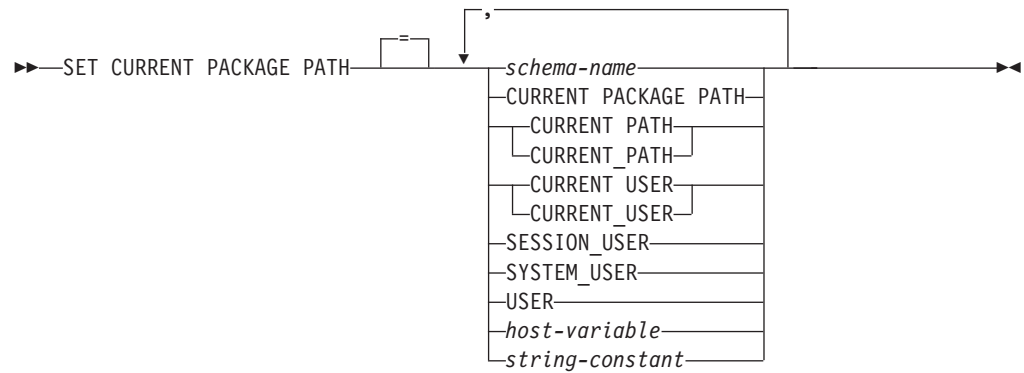
### Invocation

This statement can only be embedded in an application program. It is an executable statement that cannot be dynamically prepared.

### Authorization

None required.

### Syntax



## Description

### *schema-name*

Identifies a schema. The name must not be a delimited identifier that is empty or that contains only blanks (SQLSTATE 42815).

### **CURRENT PACKAGE PATH**

The value of the CURRENT PACKAGE PATH special register before this statement executes.

### **CURRENT PATH**

The value of the CURRENT PATH special register.

### **CURRENT USER**

The value of the CURRENT USER special register.

### **SESSION\_USER**

The value of the SESSION\_USER special register.

### **SYSTEM\_USER**

The value of the SYSTEM\_USER special register.

### **USER**

The value of the USER special register.

### *host-variable*

Contains one or more schema names, separated by commas. The host variable must:

- Be a character-string variable (CHAR or VARCHAR). The actual length of the contents of the host variable must not exceed the length of the CURRENT PACKAGE PATH special register.
- Not be the null value. If an indicator variable is provided, its value must not indicate a null value.
- Contain an empty or blank string, or one or more schema names separated by commas.
- Be padded on the right with blanks if the actual length of the host variable is greater than the content.
- Not contain CURRENT PACKAGE PATH, CURRENT PATH, CURRENT\_PATH, CURRENT\_USER, CURRENT\_USER, SESSION\_USER, SYSTEM\_USER, PATH, or USER.
- Not contain a delimited identifier that is empty or that contains only blanks.

### *string-constant*

Specifies a character string constant that contains zero, one, or more schema names that are separated by commas. The string constant must:

## SET CURRENT PACKAGE PATH

- Have a length that does not exceed the maximum length of the CURRENT PACKAGE PATH special register.
- Not contain CURRENT PACKAGE PATH, CURRENT PATH, CURRENT\_PATH, CURRENT\_USER, CURRENT\_USER, SESSION\_USER, SYSTEM\_USER, PATH, or USER.
- Not contain a delimited identifier that is empty or that contains only blanks.

### Rules

- If the same schema appears more than once in the list, the first occurrence of the schema is used (SQLSTATE 01625).
- The number of schemas that can be specified is limited by the total length of the CURRENT PACKAGE PATH special register. The special register string is built by taking each specified schema name and removing trailing blanks, delimiting the name with double quotation marks, and separating the schema names with commas. The length of the resulting list cannot exceed the maximum length of the special register (SQLSTATE 0E000).
- A schema name that does not conform to the rules for an ordinary identifier (for example, a schema name that contains lowercase characters or characters that cannot be specified in an ordinary identifier), must be specified as a delimited schema name, and must not be specified within a host variable or string constant.
- To indicate that the current value of a special register (specified as a single keyword) is to be used in the package path, specify the name of the special register as a keyword. If the name of the special register is specified as a delimited identifier instead (for example, "USER"), it is interpreted as a schema name of that value ('USER').
- The following rules are used to determine whether a value specified in a SET CURRENT PACKAGE PATH statement is a variable or a schema name:
  - If *name* is the same as a parameter or SQL variable in the SQL procedure, *name* is interpreted as a parameter or SQL variable, and the value in *name* is assigned to the package path.
  - If *name* is not the same as a parameter or SQL variable in the SQL procedure, *name* is interpreted as a schema name, and the value in *name* is assigned to the package path.

### Notes

- **Transaction Considerations:** The SET CURRENT PACKAGE PATH statement is not a commitable operation. ROLLBACK has no effect on the CURRENT PACKAGE PATH special register.
- **Existence Checking of Schemas:** No validation that the specified schemas exist is made at the time that the CURRENT PACKAGE PATH special register is set. For example, a schema that is misspelled is not detected, which could affect the way subsequent SQL operates. At package execution time, authorization to a matching package is checked, and if this authorization check fails, an error is returned (SQLSTATE 42501).
- **Contents of Host Variable or String Constant:** The contents of a host variable or a string constant are interpreted as a list of schema names. If multiple schema names are specified, they must be separated by commas. Each schema name in the list must conform to the rules for forming an ordinary identifier, or be specified as a delimited identifier. The contents of the host variable or string constant are not folded to uppercase.
- **Restrictions specific to embedded SQL for COBOL applications:** A maximum of ten literal (non-host variable) values can appear on the right side of a SET



## SET CURRENT PACKAGE PATH

CURRENT PACKAGE PATH statement. Such values can have a maximum length of 130 (non-delimited) or 128 (delimited).

### Examples

*Example 1:* Set the CURRENT PACKAGE PATH special register to the following list of schemas: MYPKGS, 'ABC E', SYSIBM

```
SET CURRENT PACKAGE PATH = MYPKGS, 'ABC E', SYSIBM
```

The following statement sets a host variable to the value of the resulting list:

```
SET :hvpklist = CURRENT PACKAGE PATH
```

The value of the host variable is: "MYPKGS", "ABC E", "SYSIBM".

*Example 2:* Set the CURRENT PACKAGE PATH special register to the following list of schemas: "SCH4","SCH5", where :hvar1 contains 'SCH4,SCH5'.

```
SET CURRENT PACKAGE PATH :hvar1
```

The value of the CURRENT PACKAGE PATH special register after this statement executes is: "SCH4","SCH5".

*Example 3:* Set the CURRENT PACKAGE PATH special register to the following list of schemas: "SCH1","SCH#2","SCH3","SCH4","SCH5", where :hvar1 contains 'SCH4,SCH5'.

```
SET CURRENT PACKAGE PATH = SCH1,'SCH#2','SCH3',:hvar1
```

The value of the CURRENT PACKAGE PATH special register after this statement executes is: "SCH1","SCH#2","SCH3","SCH4","SCH5".

*Example 4:* Clear the CURRENT PACKAGE PATH special register.

```
SET CURRENT PACKAGE PATH = ''
```

*Example 5:* Temporarily append the "SCH\_PROD" schema (contained in the :prodschema host variable) and the "SCH\_PROD2" schema (contained in the :prod2schema host variable) to the end of the CURRENT PACKAGE PATH special register for execution of the SUMMARIZE procedure. Then, switch the CURRENT PACKAGE PATH special register back to its previous value.

```
SET :oldCPP = CURRENT PACKAGE PATH
```

```
SET CURRENT PACKAGE PATH = CURRENT PACKAGE PATH,:prodschema,:prod2schema
```

```
CALL SUMMARIZE(:V1,:V2)
```

```
SET CURRENT PACKAGE PATH = :oldCPP
```

*Example 6:* Set the CURRENT PACKAGE PATH special register to a list of delimited schema names: "MY.SCHEMA" (imbedded period), "OLD SCHEMA" (imbedded blank). Use a single host variable containing both delimited identifiers:

```
hv = '"MY.SCHEMA", "OLD SCHEMA"'
```

```
SET CURRENT PACKAGE PATH = :hv
```

or use a single string constant containing both delimited identifiers:

```
SET CURRENT PACKAGE PATH = '"MY.SCHEMA", "OLD SCHEMA"'
```

or use a list of delimited schemas:

## SET CURRENT PACKAGE PATH

```
SET CURRENT PACKAGE PATH = 'MY.SCHEMA', 'OLD SCHEMA'
```

---

## SET CURRENT PACKAGESET

The SET CURRENT PACKAGESET statement sets the schema name (collection identifier) that will be used to select the package to use for subsequent SQL statements. This statement is not under transaction control.

### Invocation

This statement can be embedded only in an application program. It is an executable statement that cannot be dynamically prepared. This statement is not supported in REXX.

### Authorization

None required.

### Syntax

```
→ SET CURRENT PACKAGESET [=] string-constant | host-variable →
```

### Description

#### *string-constant*

A character string constant. If the value exceeds 128 bytes, only the first 128 bytes are used.

#### *host-variable*

A variable of type CHAR or VARCHAR. It cannot be set to null. If the value exceeds 128 bytes, only the first 128 bytes are used.

### Notes

- This statement allows an application to specify the schema name used when selecting a package for an executable SQL statement. The statement is processed at the client and does not flow to the application server.
- The COLLECTION bind option can be used to create a package with a specified schema name.
- Unlike DB2 for z/OS, the SET CURRENT PACKAGESET statement is implemented without support for a special register called CURRENT PACKAGESET.

### Example

Assume an application called TRYIT is precompiled by user ID PRODUSA, making 'PRODUSA' the default schema name in the bind file. The application is then bound twice with different bind options. The following command line processor commands were used:

```
DB2 CONNECT TO SAMPLE USER PRODUSA
DB2 BIND TRYIT.BND DATETIME USA
DB2 CONNECT TO SAMPLE USER PRODEUR
DB2 BIND TRYIT.BND DATETIME EUR COLLECTION 'PRODEUR'
```

This creates two packages called TRYIT. The first bind command created the package in the schema named 'PRODUSA'. The second bind command created the package in the schema named 'PRODEUR' based on the COLLECTION option.

Assume the application TRYIT contains the following statements:

```
EXEC SQL CONNECT TO SAMPLE;
.
.
EXEC SQL SELECT HIREDATE INTO :HD FROM EMPLOYEE WHERE EMPNO='000010'; 1
.
.
EXEC SQL SET CURRENT PACKAGESET 'PRODEUR'; 2
.
.
EXEC SQL SELECT HIREDATE INTO :HD FROM EMPLOYEE WHERE EMPNO='000010'; 3
```

- 1 This statement will run using the PRODUSA.TRYIT package because it is the default package for the application. The date is therefore returned in USA format.
- 2 This statement sets the schema name to 'PRODEUR' for package selection.
- 3 This statement will run using the PRODEUR.TRYIT package as a result of the SET CURRENT PACKAGESET statement. The date is therefore returned in EUR format.

## SET CURRENT QUERY OPTIMIZATION

The SET CURRENT QUERY OPTIMIZATION statement assigns a value to the CURRENT QUERY OPTIMIZATION special register. The value specifies the current class of optimization techniques enabled when preparing dynamic SQL statements. It is not under transaction control.

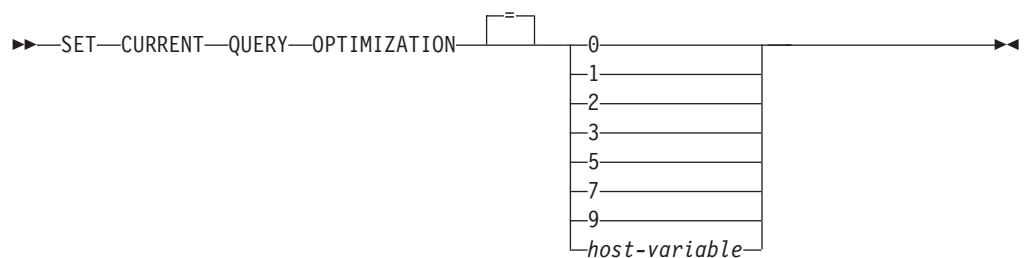
### Invocation

This statement can be embedded in an application program or issued through the use of dynamic SQL statements. It is an executable statement that can be dynamically prepared.

### Authorization

None required.

### Syntax



## SET CURRENT QUERY OPTIMIZATION

### Description

#### *optimization-class*

*optimization-class* can be specified either as an integer constant or as the name of a host variable that will contain the appropriate value at run time. An overview of the classes follows.

- 0 Specifies that a minimal amount of optimization is performed to generate an access plan. This class is most suitable for simple dynamic SQL access to well-indexed tables.
- 1 Specifies that optimization roughly comparable to DB2 Version 1 is performed to generate an access plan.
- 2 Specifies a level of optimization higher than that of DB2 Version 1, but at significantly less optimization cost than levels 3 and above, especially for very complex queries.
- 3 Specifies that a moderate amount of optimization is performed to generate an access plan.
- 5 Specifies a significant amount of optimization is performed to generate an access plan. For complex dynamic SQL queries, heuristic rules are used to limit the amount of time spent selecting an access plan. Where possible, queries will use materialized query tables instead of the underlying base tables.
- 7 Specifies a significant amount of optimization is performed to generate an access plan. Similar to 5 but without the heuristic rules.
- 9 Specifies a maximal amount of optimization is performed to generate an access plan. This can greatly expand the number of possible access plans that are evaluated. This class should be used to determine if a better access plan can be generated for very complex and very long-running queries using large tables. Explain and performance measurements can be used to verify that a better plan has been generated.

#### *host-variable*

The data type is INTEGER. The value must be in the range 0 to 9 (SQLSTATE 42815) but should be 0, 1, 2, 3, 5, 7, or 9. If *host-variable* has an associated indicator variable, the value of that indicator variable must not indicate a null value (SQLSTATE 42815).

### Notes

- When the CURRENT QUERY OPTIMIZATION register is set to a particular value, a set of query rewrite rules are enabled, and certain optimization variables take on particular values. This class of optimization techniques is then used during preparation of dynamic SQL statements.
- In general, changing the optimization class impacts the execution time of the application, the compilation time, and resources required. Most statements will be adequately optimized using the default query optimization class. Lower query optimization classes, especially classes 1 and 2, may be appropriate for dynamic SQL statements for which the resources consumed by the dynamic PREPARE are a significant portion of those required to execute the query. Higher optimization classes should be chosen only after considering the additional resources that may be consumed and verifying that a better access plan has been generated.
- Query optimization classes must be in the range 0 to 9. Classes outside this range will return an error (SQLSTATE 42815). Unsupported classes within this

## SET CURRENT QUERY OPTIMIZATION

range will return a warning (SQLSTATE 01608) and will be replaced with the next lowest query optimization class. For example, a query optimization class of 6 will be replaced by 5.

- Dynamically prepared statements use the class of optimization that was set by the most recently executed SET CURRENT QUERY OPTIMIZATION statement. In cases where a SET CURRENT QUERY OPTIMIZATION statement has not yet been executed, the query optimization class is determined by the value of the **dft\_queryopt** database configuration parameter.
- Statically bound statements do not use the CURRENT QUERY OPTIMIZATION special register; therefore this statement has no effect on them. The QUERYOPT option is used during preprocessing or binding to specify the desired class of optimization for statically bound statements. If QUERYOPT is not specified then, the default value specified by the **dft\_queryopt** database configuration parameter is used.
- The results of executing the SET CURRENT QUERY OPTIMIZATION statement are not rolled back if the unit of work in which it is executed is rolled back.

### Examples

*Example 1:* This example shows how the highest degree of optimization can be selected.

```
SET CURRENT QUERY OPTIMIZATION 9
```

*Example 2:* The following example shows how the CURRENT QUERY OPTIMIZATION special register can be used within a query.

Using the SYSCAT.PACKAGES catalog view, find all plans that were bound with the same setting as the current value of the CURRENT QUERY OPTIMIZATION special register.

```
EXEC SQL DECLARE C1 CURSOR FOR
SELECT PKGNAME, PKGSHEMA FROM SYSCAT.PACKAGES
WHERE QUERYOPT = CURRENT QUERY OPTIMIZATION
```

---

## SET CURRENT REFRESH AGE

The SET CURRENT REFRESH AGE statement changes the value of the CURRENT REFRESH AGE special register. It is not under transaction control.

### Invocation

This statement can be embedded in an application program or issued interactively. It is an executable statement that can be dynamically prepared.

### Authorization

None required.

### Syntax

```
➤➤ SET CURRENT REFRESH AGE = numeric-constant
ANY
host-variable ➤➤
```

## SET CURRENT REFRESH AGE

### Description

#### *numeric-constant*

A DECIMAL(20,6) value representing a timestamp duration. The value must be 0 or 99 999 999 999 999 (the microseconds portion of the value is ignored and can therefore be any value).

#### ANY

This is a shorthand for 99 999 999 999 999.

#### *host-variable*

A variable of type DECIMAL(20,6) or another type that is assignable to DECIMAL(20,6). It cannot be set to null. If *host-variable* has an associated indicator variable, the value of that indicator variable must not indicate a null value (SQLSTATE 42815). The value of *host-variable* must be 0 or 99 999 999 999 999.

### Notes

- The initial value of the CURRENT REFRESH AGE special register is zero.
- The value of CURRENT REFRESH AGE is replaced by the specified value. The value must be 0 or 99 999 999 999 999. The value 99 999 999 999 999 represents 9999 years, 99 months, 99 days, 99 hours, 99 minutes, and 99 seconds. If the value of CURRENT REFRESH AGE is 0, the materialized query tables affected by this special register will not be used to optimize the processing of a query. If the value of CURRENT REFRESH AGE is 99 999 999 999 999, the materialized query tables affected by this special register can be used to optimize the processing of a query, but only if the value of CURRENT MAINTAINED TABLE TYPES FOR OPTIMIZATION special register includes them, and the CURRENT QUERY OPTIMIZATION special register is set to 2 or a value greater than or equal to 5. The materialized query tables affected by this special register are REFRESH DEFERRED MAINTAINED BY USER and REFRESH DEFERRED MAINTAINED BY SYSTEM. REFRESH IMMEDIATE MAINTAINED BY SYSTEM materialized query tables can always be used to optimize the processing of a query if the CURRENT QUERY OPTIMIZATION special register is set to 2 or a value greater than or equal to 5. REFRESH DEFERRED MAINTAINED BY FEDERATED\_TOOL materialized query tables are used for optimization if the CURRENT QUERY OPTIMIZATION special register is set to 2 or a value greater than or equal to 5, and the value of the CURRENT MAINTAINED TABLE TYPES FOR OPTIMIZATION special register is set to ALL or includes FEDERATED\_TOOL.
- Setting the CURRENT REFRESH AGE special register to a value other than zero should be done with caution. A table type specified by the CURRENT MAINTAINED TABLE TYPES FOR OPTIMIZATION special register might not represent the values of the underlying base table. If such a table is used to optimize the processing of a query, the query result might *not* accurately represent the data in the underlying table. This might be reasonable if you know that the underlying data has not changed, or if you are willing to accept a degree of error in the results, based on your knowledge of the cached data.
- The CURRENT REFRESH AGE value of 99 999 999 999 999 cannot be used in timestamp arithmetic operations, because the result would be outside of the valid range for dates (SQLSTATE 22008).

### Examples

*Example 1:* The following statement sets the CURRENT REFRESH AGE special register.

```
SET CURRENT REFRESH AGE ANY
```

*Example 2:* The following example retrieves the value of the CURRENT REFRESH AGE special register into a host variable called CURMAXAGE. The value, set by the previous example, is 9999999999999999.000000.

```
EXEC SQL VALUES (CURRENT REFRESH AGE) INTO :CURMAXAGE;
```

## SET ENCRYPTION PASSWORD

The SET ENCRYPTION PASSWORD statement sets the password that will be used by the ENCRYPT, DECRYPT\_BIN and DECRYPT\_CHAR functions. The password is not tied to DB2 authentication, and is used for data encryption and decryption only.

This statement is not under transaction control.

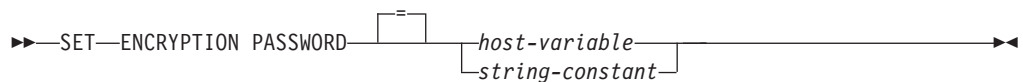
### Invocation

The statement can be embedded in an application program or issued interactively. It is an executable statement that can be dynamically prepared.

### Authorization

None required.

### Syntax



### Description

The ENCRYPTION PASSWORD can be used by the ENCRYPT, DECRYPT\_BIN, and DECRYPT\_CHAR built-in functions for password based encryption. The length must be between 6 and 127 bytes. All characters must be specified in the exact case intended as there is no automatic conversion to uppercase characters.

#### *host-variable*

A variable of type CHAR or VARCHAR. The length of the *host-variable* must be between 6 and 127 bytes (SQLSTATE 428FC). It cannot be set to null. All characters are specified in the exact case intended, as there is no conversion to uppercase characters.

#### *string-constant*

A character string constant. The length must be between 6 and 127 bytes (SQLSTATE 428FC).

### Notes

- The initial value of the ENCRYPTION PASSWORD is the empty string ('').

## SET ENCRYPTION PASSWORD

- The *host-variable* or *string-constant* is transmitted to the database server using normal DB2 mechanisms.

### Examples

*Example 1:* The following statement sets the ENCRYPTION PASSWORD.

```
SET ENCRYPTION PASSWORD = 'Gre89Ea'
```

---

## SET EVENT MONITOR STATE

The SET EVENT MONITOR STATE statement activates or deactivates an event monitor. The current state of an event monitor (active or inactive) is determined by using the EVENT\_MON\_STATE built-in function. The SET EVENT MONITOR STATE statement is not under transaction control.

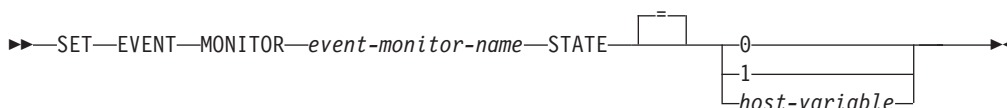
### Invocation

This statement can be embedded in an application program or issued through the use of dynamic SQL statements. It is an executable statement that can be dynamically prepared only if DYNAMICRULES run behavior is in effect for the package (SQLSTATE 42509).

### Authorization

The privileges held by the authorization ID of the statement must include DBADM or SYSADM authority.

### Syntax



### Description

*event-monitor-name*

Identifies the event monitor to activate or deactivate. The name must identify an event monitor that exists in the catalog (SQLSTATE 42704).

*new-state*

*new-state* can be specified either as an integer constant or as the name of a host variable that will contain the appropriate value at run time. The following may be specified:

- 0** Indicates that the specified event monitor should be deactivated.
- 1** Indicates that the specified event monitor should be activated. The event monitor should not already be active; otherwise a warning (SQLSTATE 01598) is issued.

*host-variable*

The data type is INTEGER. The value specified must be 0 or 1 (SQLSTATE 42815). If *host-variable* has an associated indicator variable, the value of that indicator variable must not indicate a null value (SQLSTATE 42815).



## Rules

- Although an unlimited number of event monitors may be defined, there is a limit of 32 event monitors that can be simultaneously active (SQLSTATE 54030).
- In order to activate an event monitor, the transaction in which the event monitor was created must have been committed (SQLSTATE 55033). This rule prevents (in one unit of work) creating an event monitor, activating the monitor, then rolling back the transaction.
- If the number or size of the event monitor files exceeds the values specified for MAXFILES or MAXFILESIZE on the CREATE EVENT MONITOR statement, an error (SQLSTATE 54031) is raised.
- If the target path of the event monitor (that was specified on the CREATE EVENT MONITOR statement) is already in use by another event monitor, an error (SQLSTATE 51026) is raised.

## Notes

- Activating an event monitor performs a reset of any counters associated with it.
- When a WRITE TO TABLE event monitor is started using SET EVENT MONITOR STATE, it updates the EVMON\_ACTIVATES column of the SYSCAT.EVENTMONITORS catalog view. If the unit of work in which the set operation was performed is rolled back for any reason, that catalog update is lost. When the event monitor is restarted, it will reuse the EVMON\_ACTIVATES value that was rolled back.
- If the database partition on which the event monitor is to run is not active, event monitor activation occurs when that database partition next activates.
- After an event monitor is activated, it behaves like an autostart event monitor until that event monitor is explicitly deactivated or the instance is recycled. That is, if an event monitor is active when a database partition is deactivated, and that database partition is subsequently reactivated, the event monitor is also explicitly reactivated.
- If an activity event monitor is active when the database deactivates, any backlogged activity records in the queue are discarded. To ensure that you obtain all activity event monitor records and that none are discarded, explicitly deactivate the activity event monitor first before deactivating the database. When an activity event monitor is explicitly deactivated, all backlogged activity records in the queue are processed before the event monitor deactivates.

## Examples

*Example 1:* Activate an event monitor named SMITHPAY.

```
SET EVENT MONITOR SMITHPAY STATE = 1
```

*Example 2:* Assume that MYSAMPLE is a multiple partition database with two database partitions, 0 and 2. Partition 2 is not yet active.

On database partition 0:

```
CONNECT TO MYSAMPLE;
CREATE EVENT MONITOR MYEVMON ON DBPARTITIONNUM 2;
SET EVENT MONITOR MYEVMON STATE 1;
```

MYEVMON automatically activates whenever MYSAMPLE activates on database partition 2. This occurs until **SET EVENT MONITOR MYEVMON STATE 0** is issued, or partition 2 is stopped.

---

## SET INTEGRITY

The SET INTEGRITY statement is used to:

- Bring one or more tables out of set integrity pending state (previously known as "check pending state") by performing required integrity processing on those tables.
- Bring one or more tables out of set integrity pending state without performing required integrity processing on those tables.
- Place one or more tables in set integrity pending state.
- Place one or more tables into full access state.
- Prune the contents of one or more staging tables.

When the statement is used to perform integrity processing for a table after it has been loaded or attached, the system can incrementally process the table by checking only the appended portion for constraints violations. If the subject table is a materialized query table or a staging table, and load, attach, or detach operations are performed on its underlying tables, the system can incrementally refresh the materialized query table or incrementally propagate to the staging table with only the delta portions of its underlying tables. However, there are some situations in which the system will not be able to perform such optimizations and will instead perform full integrity processing to ensure data integrity. Full integrity processing is done by checking the entire table for constraints violations, recomputing a materialized query table's definition, or marking a staging table as inconsistent. The latter implies that a full refresh of its associated materialized query table is required. There is also a situation in which you might want to explicitly request incremental processing by specifying the INCREMENTAL option.

The SET INTEGRITY statement is under transaction control.

### Invocation

This statement can be embedded in an application program or issued through the use of dynamic SQL statements. It is an executable statement that can be dynamically prepared only if DYNAMICRULES run behavior is in effect for the package (SQLSTATE 42509).

### Authorization

The privileges required to execute the SET INTEGRITY statement depend on the purpose, as outlined below.

- Bringing tables out of set integrity pending state and performing the required integrity processing.

The privileges held by the authorization ID of the statement must include at least one of the following:

- CONTROL privilege on:
  - The tables on which integrity processing is performed and, if exception tables are provided for one or more of those tables, INSERT privilege on the exception tables
  - All descendent foreign key tables, descendent immediate materialized query tables, and descendent immediate staging tables that will implicitly be placed in set integrity pending state by the statement
- LOAD authority (with conditions). The following conditions must all be met before LOAD authority can be considered as providing valid privileges:

- The required integrity processing does not involve the following actions:
  - Refreshing a materialized query table
  - Propagating to a staging table
  - Updating a generated or identity column
- If exception tables are provided for one or more tables, the required access is granted for the duration of the integrity processing to the tables on which integrity processing is performed, and to the associated exception tables. That is:
  - SELECT and DELETE privilege on each table on which integrity processing is performed, and
  - INSERT privilege on the exception tables
- SYSADM or DBADM authority

- Bringing tables out of set integrity pending state without performing the required integrity processing.

The privileges held by the authorization ID of the statement must include at least one of the following:

- CONTROL privilege on the tables that are being processed; CONTROL privilege on each descendent foreign key table, descendent immediate materialized query table, and descendent immediate staging table that will implicitly be placed in set integrity pending state by the statement
- LOAD authority
- SYSADM or DBADM authority

- Placing tables in set integrity pending state.

The privileges held by the authorization ID of the statement must include at least one of the following:

- CONTROL privilege on:
  - The specified tables, and
  - The descendent foreign key tables that will be placed in set integrity pending state by the statement, and
  - The descendent immediate materialized query tables that will be placed in set integrity pending state by the statement, and
  - The descendent immediate staging tables that will be placed in set integrity pending state by the statement
- LOAD authority
- SYSADM or DBADM authority

- Place a table into the full access state.

The privileges held by the authorization ID of the statement must include at least one of the following:

- CONTROL privilege on the tables that are placed into the full access state
- LOAD authority
- SYSADM or DBADM authority

- Prune a staging table.

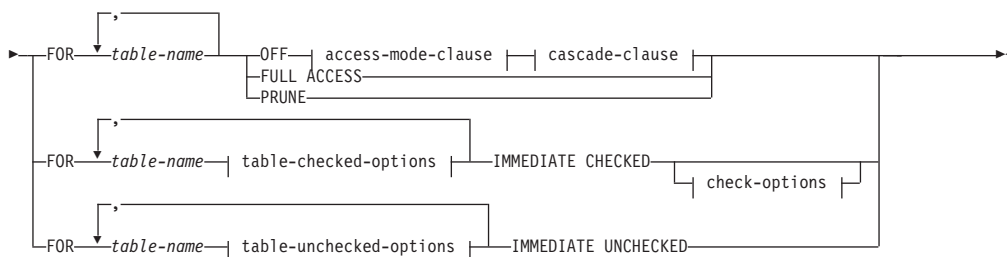
The privileges held by the authorization ID of the statement must include at least one of the following:

- CONTROL privilege on the table being pruned
- SYSADM or DBADM authority

# SET INTEGRITY

## Syntax

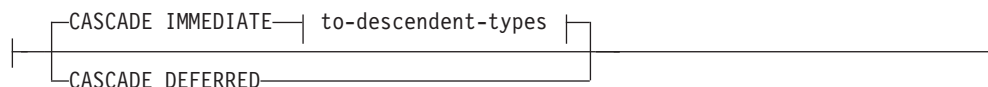
→ SET INTEGRITY →



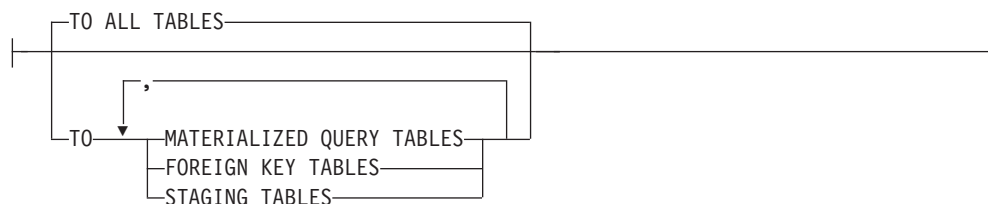
### access-mode-clause:



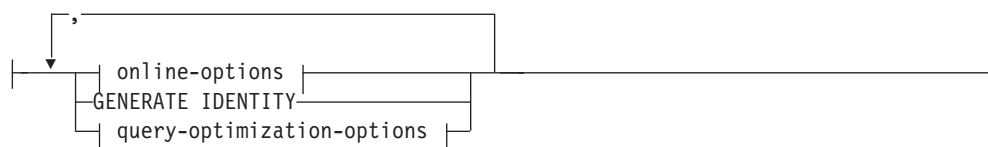
### cascade-clause:



### to-descendent-types:



### table-checked-options:



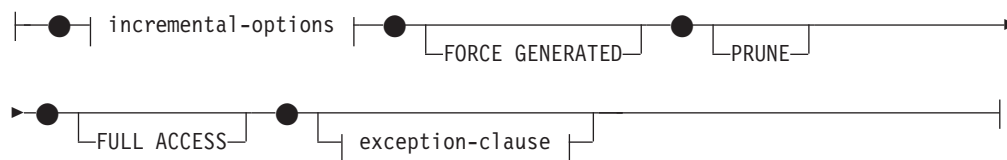
### online-options:



**query-optimization-options:**



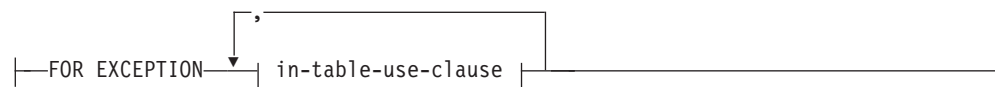
**check-options:**



**incremental-options:**



**exception-clause:**



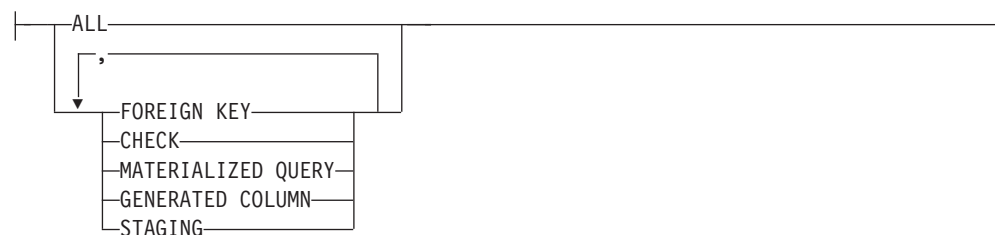
**in-table-use-clause:**



**table-unchecked-options:**



**integrity-options:**



**Description**

**FOR** *table-name*

Identifies one or more tables for integrity processing. It must be a table described in the catalog and must not be a view, catalog table, or typed table.

## SET INTEGRITY

### OFF

Specifies that the tables are placed in set integrity pending state. Only very limited activity is allowed on a table that is in set integrity pending state.

#### *access-mode-clause*

Specifies the readability of the table while it is in set integrity pending state.

### NO ACCESS

Specifies that the table is to be put in set integrity pending no access state, which does not allow read or write access to the table.

### READ ACCESS

Specifies that the table is to be put in set integrity pending read access state, which allows read access to the non-appended portion of the table. This option is not allowed on a table that is in set integrity pending no access state (SQLSTATE 428FH).

#### *cascade-clause*

Specifies whether the set integrity pending state of the table referenced in the SET INTEGRITY statement is to be immediately cascaded to descendent tables.

### CASCADE IMMEDIATE

Specifies that the set integrity pending state is to be immediately extended to descendent tables.

#### *to-descendent-types*

Specifies the type of descendent tables to which the set integrity pending state is immediately cascaded.

### TO ALL TABLES

Specifies that the set integrity pending state is to be immediately cascaded to all descendent tables of the tables in the invocation list. Descendent tables include all descendent foreign key tables, immediate staging tables, and immediate materialized query tables that are descendants of the tables in the invocation list, or descendants of descendent foreign key tables.

Specifying TO ALL TABLES is equivalent to specifying TO FOREIGN KEY TABLES, TO MATERIALIZED QUERY TABLES, and TO STAGING TABLES, all in the same statement.

### TO MATERIALIZED QUERY TABLES

If only TO MATERIALIZED QUERY TABLES is specified, the set integrity pending state is to be immediately cascaded only to descendent immediate materialized query tables. Other descendent tables might later be put in set integrity pending state, if necessary, when the table is brought out of set integrity pending state. If both TO FOREIGN KEY TABLES and TO MATERIALIZED QUERY TABLES are specified, the set integrity pending state will be immediately cascaded to all descendent foreign key tables, all descendent immediate materialized query tables of the tables in the invocation list, and to all immediate materialized query tables that are descendants of the descendent foreign key tables.

### TO FOREIGN KEY TABLES

Specifies that the set integrity pending state is to be immediately cascaded to descendent foreign key tables. Other descendent tables might later be put in set integrity pending state, if necessary, when the table is brought out of set integrity pending state.

**TO STAGING TABLES**

Specifies that the set integrity pending state is to be immediately cascaded to descendent staging tables. Other descendent tables might later be put in set integrity pending state, if necessary, when the table is brought out of set integrity pending state. If both TO FOREIGN KEY TABLES and TO STAGING TABLES are specified, the set integrity pending state will be immediately cascaded to all descendent foreign key tables, all descendent immediate staging tables of the tables in the invocation list, and to all immediate staging tables that are descendants of the descendent foreign key tables.

**CASCADE DEFERRED**

Specifies that only the tables in the invocation list are to be put in set integrity pending state. The states of the descendent tables will remain unchanged. Descendent foreign key tables might later be implicitly put in set integrity pending state when their parent tables are checked for constraints violations. Descendent immediate materialized query tables and descendent immediate staging tables might be implicitly put in set integrity pending state when one of their underlying tables is checked for integrity violations.

If *cascade-clause* is not specified, the set integrity pending state is immediately cascaded to all descendent tables.

**IMMEDIATE CHECKED**

Specifies that the table is to be taken out of set integrity pending state by performing required integrity processing on the table. This is done in accordance with the information set in the STATUS and CONST\_CHECKED columns of the SYSCAT.TABLES catalog view. That is:

- The value in the STATUS column must be 'C' (the table is in set integrity pending state), or an error is returned (SQLSTATE 51027), unless the table is a descendent foreign key table, descendent materialized query table, or descendent staging table of a table that is specified in the list, is in set integrity pending state, and whose intermediate ancestors are also in the list.
- If the table being checked is in set integrity pending state, the value in CONST\_CHECKED indicates which integrity options are to be checked.

When the table is taken out of set integrity pending state, its descendent tables are, if necessary, put in set integrity pending state. A warning to indicate that descendent tables have been put in set integrity pending state is returned (SQLSTATE 01586).

If the table is a system-maintained materialized query table, the data is checked against the query and refreshed as necessary. (IMMEDIATE CHECKED cannot be used for user-maintained materialized query tables.) If the table is a staging table, the data is checked against its query definition and propagated as necessary.

When the integrity of a child table is checked:

- None of its parents can be in set integrity pending state, or
- Each of its parents must be checked for constraints violations in the same SET INTEGRITY statement

When an immediate materialized query table is refreshed, or deltas are propagated to a staging table:

- None of its underlying tables can be in set integrity pending state, or

## SET INTEGRITY

- Each of its underlying tables must be checked in the same SET INTEGRITY statement

Otherwise, an error is returned (SQLSTATE 428A8).

### *table-checked-options*

#### *online-options*

Specifies the accessibility of the table while it is being processed.

#### **ALLOW NO ACCESS**

Specifies that no other users can access the table while it is being processed, except if they are using the Uncommitted Read isolation level.

#### **ALLOW READ ACCESS**

Specifies that other users have read-only access to the table while it is being processed.

#### **ALLOW WRITE ACCESS**

Specifies that other users have read and write access to the table while it is being processed.

#### **GENERATE IDENTITY**

Specifies that if the table includes an identity column, the values are generated by the SET INTEGRITY statement. By default, when the GENERATE IDENTITY option is specified, only attached rows will have their identity column values generated by the SET INTEGRITY statement. The NOT INCREMENTAL option must be specified in conjunction with the GENERATE IDENTITY option to have the SET INTEGRITY statement generate identity column values for all rows in the table, including attached rows, loaded rows, and existing rows. If the GENERATE IDENTITY option is not specified, the current identity column values for all rows in the table are left unchanged.

#### *query-optimization-options*

Specifies the query optimization options for the maintenance of REFRESH DEFERRED materialized query tables.

#### **ALLOW QUERY OPTIMIZATION USING REFRESH DEFERRED TABLES WITH REFRESH AGE ANY**

Specifies that when the CURRENT REFRESH AGE special register is set to 'ANY', the maintenance of *table-name* will allow REFRESH DEFERRED materialized query tables to be used to optimize the query that maintains *table-name*. If *table-name* is not a REFRESH DEFERRED materialized query table, an error is returned (SQLSTATE 428FH). REFRESH IMMEDIATE materialized query tables are always considered during query optimization.

### *check-options*

#### *incremental-options*

#### **INCREMENTAL**

Specifies the application of integrity processing on the appended portion (if any) of the table. If such a request cannot be satisfied (that is, the system detects that the whole table needs to be checked for data integrity), an error is returned (SQLSTATE 55019).

#### **NOT INCREMENTAL**

Specifies the application of integrity processing on the whole table. If the table is a materialized query table, the materialized query



table definition is recomputed. If the table has at least one constraint defined on it, this option causes full processing of descendent foreign key tables and descendent immediate materialized query tables. If the table is a staging table, it is set to an inconsistent state.

If the *incremental-options* clause is not specified, the system determines whether incremental processing is possible; if not, the whole table is checked.

#### **FORCE GENERATED**

If the table includes generated by expression columns, the values are computed on the basis of the expression and stored in the column. If this option is not specified, the current values are compared to the computed value of the expression, as though an equality check constraint were in effect. If the table is processed for integrity incrementally, generated columns are computed only for the appended portion.

#### **PRUNE**

This option can be specified for staging tables only. Specifies that the content of the staging table is to be pruned, and that the staging table is to be set to an inconsistent state. If any table in the *table-name* list is not a staging table, an error is returned (SQLSTATE 428FH). If the INCREMENTAL check option is also specified, an error is returned (SQLSTATE 428FH).

#### **FULL ACCESS**

Specifies that the table is to become fully accessible after the SET INTEGRITY statement executes.

When an underlying table (that has dependent immediate materialized query tables or dependent immediate staging tables) in the invocation list is incrementally processed, the underlying table is put in no data movement state, as required, after the SET INTEGRITY statement executes. When all incrementally refreshable dependent immediate materialized query tables and staging tables are taken out of set integrity pending state, the underlying table is automatically brought out of the no data movement state into the full access state. If the FULL ACCESS option is specified with the IMMEDIATE CHECKED option, the underlying table is put directly in full access state (bypassing the no data movement state). Dependent immediate materialized query tables that have not been refreshed might undergo a full recomputation in the subsequent REFRESH TABLE statement, and dependent immediate staging tables that have not had the appended portions of the table propagated to them might be flagged as inconsistent.

When an underlying table in the invocation list requires full processing, or does not have dependent immediate materialized query tables, or dependent immediate staging tables, the underlying table is put directly into full access state after the SET INTEGRITY statement executes, regardless of whether the FULL ACCESS option was specified.

*exception-clause*

#### **FOR EXCEPTION**

Specifies that any row that is in violation of a constraint being

checked is to be moved to an exception table. Even if errors are detected, the table is taken out of set integrity pending state. A warning to indicate that one or more rows have been moved to the exception tables is returned (SQLSTATE 01603).

If the FOR EXCEPTION option is not specified and any constraints are violated, only the first detected violation is returned (SQLSTATE 23514). If there is a violation in any table, all of the tables are left in set integrity pending state.

It is recommended to always use the FOR EXCEPTION option when checking for constraints violations to prevent a rollback of the SET INTEGRITY statement if a violation is found.

### **IN** *table-name*

Specifies the table from which rows that violate constraints are to be moved. There must be one exception table specified for each table being checked. This clause cannot be specified for a materialized query table or a staging table (SQLSTATE 428A7).

### **USE** *table-name*

Specifies the exception table into which error rows are to be moved.

## **FULL ACCESS**

If the FULL ACCESS option is specified as the only operation of the statement, the table is placed into the full access state without being rechecked for integrity violations. However, dependent immediate materialized query tables that have not been refreshed might require a full recomputation in subsequent REFRESH TABLE statements, and dependent immediate staging tables that have not had the delta portions of the table propagated to them might be changed to incomplete state. This option can only be specified for a table that is in the no data movement state or the no access state, but not in the set integrity pending state (SQLSTATE 428FH).

## **PRUNE**

This option can be specified for staging tables only. Specifies that the content of the staging table is to be pruned, and that the staging table is to be set to an inconsistent state. If any table in the *table-name* list is not a staging table, an error is returned (SQLSTATE 428FH).

### *table-unchecked-options*

#### *integrity-options*

Used to define the types of required integrity processing that are to be bypassed when the table is taken out of the set integrity pending state.

### **ALL**

The table will be immediately taken out of set integrity pending state without any of its required integrity processing being performed.

### **FOREIGN KEY**

Required foreign key constraints checking will not be performed when the table is brought out of set integrity pending state.

### **CHECK**

Required check constraints checking will not be performed when the table is brought out of set integrity pending state.

### **MATERIALIZED QUERY**

Required refreshing of a materialized query table will not be performed when the table is brought out of set integrity pending state.

**GENERATED COLUMN**

Required generated column constraints checking will not be performed when the table is brought out of set integrity pending state.

**STAGING**

Required propagation of data to a staging table will not be performed when the table is brought out of set integrity pending state.

If no other types of integrity processing are required on the table after a specific type of integrity processing has been marked as bypassed, the table is immediately taken out of set integrity pending state.

**FULL ACCESS**

Specifies that the tables are to become fully accessible after the SET INTEGRITY statement executes.

When an underlying table in the invocation list is incrementally processed, and it has dependent immediate materialized query tables or dependent immediate staging tables, the underlying table is placed, as required, in the no data movement state after the SET INTEGRITY statement executes. When all incrementally refreshable dependent immediate materialized query tables and staging tables have been taken out of set integrity pending state, the underlying table is automatically brought out of the no data movement state into the full access state. If the FULL ACCESS option is specified with the IMMEDIATE UNCHECKED option, the underlying table is placed directly in full access state (it bypasses the no data movement state). Dependent immediate materialized query tables that have not been refreshed might undergo a full recomputation in the subsequent REFRESH TABLE statement, and dependent immediate staging tables that have not had the appended portions of the table propagated to them might be flagged as inconsistent.

When an underlying table in the invocation list requires full processing, or does not have dependent immediate materialized query tables, or dependent immediate staging tables, the underlying table is placed directly in full access state after the SET INTEGRITY statement executes, regardless of whether the FULL ACCESS option has been specified.

If the FULL ACCESS option has been specified with the IMMEDIATE UNCHECKED option, and the statement does not bring the table out of set integrity pending state, an error is returned (SQLSTATE 428FH).

**IMMEDIATE UNCHECKED**

Specifies one of the following:

- The table is to be brought out of set integrity pending state immediately without any required integrity processing.
- The table is to have one or more types of required integrity processing bypassed when the table is brought out of set integrity pending state by a subsequent SET INTEGRITY statement using the IMMEDIATE CHECKED option.

Consider the data integrity implications of this option before using it. See the "Notes" section below.

**Notes**

- Effects on tables in one of the restricted set integrity-related states:
  - Use of INSERT, UPDATE, or DELETE is disallowed on a table that is in read access state or in no access state. Furthermore, any statement that requires

## SET INTEGRITY

this type of modification to a table that is in such a state will be rejected. For example, deletion of a row in a parent table that cascades to a dependent table that is in the no access state is not allowed.

- Use of SELECT is disallowed on a table that is in the no access state. Furthermore, any statement that requires read access to a table that is in the no access state will be rejected.
- New constraints added to a table are normally enforced immediately. However, if the table is in set integrity pending state, the checking of any new constraints is deferred until the table is taken out of set integrity pending state. If the table is in set integrity pending state, addition of a new constraint places the table into set integrity pending no access state, because validity of data is at risk.
- The CREATE INDEX statement cannot reference any table that is in read access state or in no access state. Similarly, an ALTER TABLE statement to add a primary key or a unique constraint cannot reference any table that is in read access state or in no access state.
- The import utility is not allowed to operate on a table that is in read access state or in no access state.
- The export utility is not allowed to operate on a table that is in no access state, but is allowed to operate on a table that is in read access state. If a table is in read access state, the export utility will only export the data that is in the non-appended portion.
- Operations (like REORG, REDISTRIBUTE, update distribution key, update multidimensional clustering key, update range clustering key, update table partitioning key, and so on) that might involve data movement within a table are not allowed on a table that is in any of the following states: read access, no access, or no data movement.
- The load, backup, restore, update statistics, runstats, reorgchk, list history, and rollforward utilities are allowed on a table that is in any of the following states: full access, read access, no access, or no data movement.
- The ALTER TABLE, COMMENT, DROP TABLE, CREATE ALIAS, CREATE TRIGGER, CREATE VIEW, GRANT, REVOKE, and SET INTEGRITY statements can reference a table that is in any of the following states: full access, read access, no access, or no data movement. However, they might cause the table to be put into no access state.
- Packages, views, and any other objects that depend on a table that is in no access state will return an error when the table is accessed at run time. Packages that depend on a table that is in read access state will return an error when an insert, update, or delete operation is attempted on the table at run time.

The removal of violating rows by the SET INTEGRITY statement is not a delete event. Therefore, triggers are never activated by a SET INTEGRITY statement. Similarly, updating generated columns using the FORCE GENERATED option does not activate triggers.

- Incremental processing will be used whenever the situation allows it, because it is more efficient. The INCREMENTAL option is not needed in most cases. It is needed, however, to ensure that integrity checks are indeed processed incrementally. If the system detects that full processing is needed to ensure data integrity, an error is returned (SQLSTATE 55019).
- Warning about the use of the IMMEDIATE UNCHECKED clause:
  - This clause is intended to be used by utility programs, and its use by application programs is not recommended. If there is data in the table that

does not meet the integrity specifications that were defined for the table, and the IMMEDIATE UNCHECKED option is used, incorrect query results might be returned.

The fact that the table was taken out of the set integrity pending state without performing the required integrity processing will be recorded in the catalog (the respective byte in the CONST\_CHECKED column in the SYSCAT.TABLES view will be set to 'U'). This indicates that the user has assumed responsibility for data integrity with respect to the specific constraints. This value remains unchanged until either:

- The table is put back into set integrity pending state (by referencing the table in a SET INTEGRITY statement with the OFF option), at which time 'U' values in the CONST\_CHECKED column are changed to 'W' values, indicating that the user had previously assumed responsibility for data integrity, and the system needs to verify the data.
- All unchecked constraints for the table are dropped.

The 'W' state differs from the 'N' state in that it records the fact that integrity was previously checked by the user, but not yet by the system. If the user issues the SET INTEGRITY ... IMMEDIATE CHECKED statement with the NOT INCREMENTAL option, the system rechecks the whole table for data integrity (or performs a full refresh on a materialized query table), and then changes the 'W' state to the 'Y' state. If IMMEDIATE UNCHECKED is specified, or if NOT INCREMENTAL is not specified, the 'W' state is changed back to the 'U' state to record the fact that some data has still not been verified by the system. In the latter case (when the NOT INCREMENTAL is not specified), a warning is returned (SQLSTATE 01636).

If an underlying table's integrity has been checked using the IMMEDIATE UNCHECKED clause, the 'U' values in the CONST\_CHECKED column of the underlying table will be propagated to the corresponding CONST\_CHECKED column of:

- Dependent immediate materialized query tables
- Dependent deferred materialized query tables
- Dependent staging tables

For a dependent immediate materialized query table, this propagation is done whenever the underlying table is brought out of set integrity pending state, and whenever the materialized query table is refreshed. For a dependent deferred materialized query table, this propagation is done whenever the materialized query table is refreshed. For dependent staging tables, this propagation is done whenever the underlying table is brought out of set integrity pending state. These propagated 'U' values in the CONST\_CHECKED columns of dependent materialized query tables and staging tables record the fact that these materialized query tables and staging tables depend on some underlying table whose required integrity processing has been bypassed using the IMMEDIATE UNCHECKED option.

For a materialized query table, the 'U' value in the CONST\_CHECKED column that was propagated by the underlying table will remain until the materialized query table is fully refreshed and none of its underlying tables have a 'U' value in their corresponding CONST\_CHECKED column. After such a refresh, the 'U' value in the CONST\_CHECKED column for the materialized query table will be changed to 'Y'.

For a staging table, the 'U' value in the CONST\_CHECKED column that was propagated by the underlying table will remain until the corresponding

## SET INTEGRITY

deferred materialized query table of the staging table is refreshed. After such a refresh, the 'U' value in the CONST\_CHECKED column for the staging table will be changed to 'Y'.

- If a child table and its parent table are checked in the same SET INTEGRITY statement with the IMMEDIATE CHECKED option, and the parent table requires full checking of its constraints, the child table will have its foreign key constraints checked, independently of whether or not the child table has a 'U' value in the CONST\_CHECKED column for foreign key constraints.
- After appending data using LOAD INSERT or ALTER TABLE ATTACH, the SET INTEGRITY statement with the IMMEDIATE CHECKED option checks the table for constraints violations. The system determines whether incremental processing on the table is possible. If so, only the appended portion is checked for integrity violations. If not, the system checks the whole table for integrity violations.
- Consider the statement:

```
SET INTEGRITY FOR T IMMEDIATE CHECKED
```

Situations in which the system will require a full refresh, or will check the whole table for integrity (the INCREMENTAL option cannot be specified) are:

- When new constraints have been added to T itself while it is in the set integrity pending state
- When a LOAD REPLACE operation against T, its parents, or its underlying tables has taken place
- When the NOT LOGGED INITIALLY WITH EMPTY TABLE option has been activated after the last integrity check on T, its parents, or its underlying tables
- The cascading effect of full processing, when any parent of T (or underlying table, if T is a materialized query table or a staging table) has been checked for integrity non-incrementally
- If the table space containing the table or its parent (or underlying table of a materialized query table or a staging table) has been rolled forward to a point in time, and the table and its parent (or underlying table if the table is a materialized query table or a staging table) reside in different table spaces
- When T is a materialized query table, and a LOAD REPLACE or LOAD INSERT operation directly into T has taken place after the last refresh
- If the conditions for full processing described in the previous bullet are not satisfied, the system will attempt to check only the appended portion for integrity, or perform an incremental refresh (if it is a materialized query table) when the user does not specify the NOT INCREMENTAL option for the statement SET INTEGRITY FOR T IMMEDIATE CHECKED.
- If an error occurs during integrity processing, all the effects of the processing (including deleting from the original and inserting into the exception tables) will be rolled back.
- If a SET INTEGRITY statement issued with the FORCE GENERATED option fails because of a lack of log space, increase available active log space and reissue the SET INTEGRITY statement. Alternatively, use the SET INTEGRITY statement with the GENERATED COLUMN and IMMEDIATE UNCHECKED options to bypass generated column checking for the table. Then, issue a SET INTEGRITY statement with the IMMEDIATE CHECKED option and without the FORCE GENERATED option to check the table for other integrity violations (if applicable) and to bring it out of set integrity pending state. After the table is out of the set integrity pending state, the generated columns can be updated to their default (generated) values by assigning them to the keyword DEFAULT in

an UPDATE statement. This is accomplished by using either multiple searched update statements based on ranges (each followed by a commit), or a cursor-based approach using intermittent commits. A “with hold” cursor should be used if locks are to be retained after intermittent commits using the cursor-based approach.

- A table that was put into set integrity pending state using the CASCADE DEFERRED option of the SET INTEGRITY statement or the LOAD command, or through the ALTER TABLE statement with the ATTACH clause, and that is checked for integrity violations using the IMMEDIATE CHECKED option of the SET INTEGRITY statement, will have its descendent foreign key tables, descendent immediate materialized query tables, and descendent immediate staging tables put in set integrity pending state, as required:
  - If the entire table is checked for integrity violations, its descendent foreign key tables, descendent immediate materialized query tables, and descendent immediate staging tables will be put in set integrity pending state.
  - If the table is checked for integrity violations incrementally, its descendent immediate materialized query tables and staging tables will be put in set integrity pending state, and its descendent foreign key tables will remain in their original states.
  - If the table requires no checking at all, its descendent immediate materialized query tables, descendent staging tables, and descendent foreign key tables will remain in their original states.
- A table that was put in set integrity pending state using the CASCADE DEFERRED option (of the SET INTEGRITY statement or the LOAD command), and that is brought out of set integrity pending state using the IMMEDIATE UNCHECKED option of the SET INTEGRITY statement, will have its descendent foreign key tables, descendent immediate materialized query tables, and descendent immediate staging tables put in set integrity pending state, as required:
  - If the table has been loaded using the REPLACE mode, its descendent foreign key tables, descendent immediate materialized query tables, and descendent immediate staging tables will be put in set integrity pending state.
  - If the table has been loaded using the INSERT mode, its descendent immediate materialized query tables and staging tables will be put in set integrity pending state, and its descendent foreign key tables will remain in their original states.
  - If the table has not been loaded, its descendent immediate materialized query tables, descendent staging tables, and its descendent foreign key tables will remain in their original states.
- SET INTEGRITY is usually a long running statement. In light of this, to reduce the risk of a rollback of the entire statement because of a lock timeout, you can issue the SET CURRENT LOCK TIMEOUT statement with the WAIT option before executing the SET INTEGRITY statement, and then reset the special register to its previous value after the transaction commits. Note, however, that the CURRENT LOCK TIMEOUT special register only impacts a specific set of lock types.
- If you use the ALLOW QUERY OPTIMIZATION USING REFRESH DEFERRED TABLES WITH REFRESH AGE ANY option, ensure that the maintenance order is correct for REFRESH DEFERRED materialized query tables. For example, consider two materialized query tables, MQT1 and MQT2, whose materialized queries share the same underlying tables. The materialized query for MQT2 can be calculated using MQT1, instead of the underlying tables. If separate statements are used to maintain these two materialized query tables, and MQT2

## SET INTEGRITY

is maintained first, the system might choose to use the contents of MQT1, which has not yet been maintained, to maintain MQT2. In this case, MQT1 would contain current data, but MQT2 could still contain stale data, even though both were maintained at almost the same time. The correct maintenance order, if two SET INTEGRITY statements are used instead of one, is to maintain MQT1 first.

- When using the SET INTEGRITY statement to perform integrity processing on a base table that has been loaded or attached, it is recommended that you process its dependent REFRESH IMMEDIATE materialized query tables and its PROPAGATE IMMEDIATE staging tables in the same SET INTEGRITY statement to avoid putting these dependent tables in set integrity pending no access state at the end of SET INTEGRITY processing. Note that for base tables that have a large number of dependent REFRESH IMMEDIATE materialized query tables and PROPAGATE IMMEDIATE staging tables, memory constraints might make it impossible to process all of the dependents in the same statement as the base table.
- If the FORCE GENERATED or the GENERATE IDENTITY option is specified, and the column that is generated is part of a unique index, the SET INTEGRITY statement returns an error (SQLSTATE 23505) and rolls back if it detects duplicate keys in the unique index. This error is returned even if there is an exception table for the table being processed.

This scenario can occur under the following circumstances:

- The SET INTEGRITY statement runs after a LOAD command against the table, and the GENERATEDOVERRIDE or the IDENTITYOVERRIDE file type modifier is specified during the load operation. To prevent this scenario, it is recommended that you use the GENERATEDIGNORE or the GENERATEDMISSING file type modifier instead of GENERATEDOVERRIDE, and that you use the IDENTITYIGNORE or the IDENTITYMISSING modifier instead of IDENTITYOVERRIDE. Using the recommended modifiers will prevent the need for any generated by expression column or identity column processing during SET INTEGRITY statement execution.
- The SET INTEGRITY statement is run after an ALTER TABLE statement that alters the expression of a generated by expression column.

To bring a table out of the set integrity pending state after encountering such a scenario:

- Do not use the FORCE GENERATED or the GENERATE IDENTITY option to regenerate the column values. Instead, use the IMMEDIATE CHECKED option in conjunction with the FOR EXCEPTION option to move any rows that violate the generated column expression to an exception table. Then, re-insert the rows into the table from the exception table, which will generate the correct expression and perform unique key checking. This prevents having to reprocess the entire table, because only those rows that violated the generated column expression will need to be processed again.
- If the table being processed has attached partitions, detach those partitions before performing the actions that are described in the previous bullet. Then, re-attach the partitions and execute a SET INTEGRITY statement to process integrity on the attached partitions separately.
- If a protected table is specified for the SET INTEGRITY statement along with an exception table, all of the following table criteria must be met; otherwise, an error is returned (SQLSTATE 428A5):
  - The tables must be protected by the same security policy.
  - If a column in the protected table has data type DB2SECURITYLABEL, the corresponding column in the exception table must also have data type DB2SECURITYLABEL.



- If a column in the protected table is protected by a security label, the corresponding column in the exception table must also be protected by the same security label.
- *Compatibilities*
  - For compatibility with previous versions of DB2:
    - SET CONSTRAINTS can be specified in place of SET INTEGRITY
    - SUMMARY can be specified in place of MATERIALIZED QUERY

## Examples

*Example 1:* The following is an example of a query that provides information about the set integrity pending state and the set integrity-related access restriction states of tables. SUBSTR is used to extract individual bytes of the CONST\_CHECKED column of SYSCAT.TABLES. The first byte represents foreign key constraints; the second byte represents check constraints; the fifth byte represents materialized query table integrity; the sixth byte represents generated column constraints; the seventh byte represents staging table integrity; and the eighth byte represents data partitioning constraints. STATUS gives the set integrity pending state, and ACCESS\_MODE gives the set integrity-related access restriction state.

```
SELECT TABNAME, STATUS, ACCESS_MODE,
 SUBSTR(CONST_CHECKED,1,1) AS FK_CHECKED,
 SUBSTR(CONST_CHECKED,2,1) AS CC_CHECKED,
 SUBSTR(CONST_CHECKED,5,1) AS MQT_CHECKED,
 SUBSTR(CONST_CHECKED,6,1) AS GC_CHECKED,
 SUBSTR(CONST_CHECKED,7,1) AS STG_CHECKED,
 SUBSTR(CONST_CHECKED,8,1) AS DP_CHECKED
FROM SYSCAT.TABLES
```

*Example 2:* Put the PARENT table in set integrity pending no access state, and immediately cascade the set integrity pending state to its descendants.

```
SET INTEGRITY FOR PARENT OFF
NO ACCESS CASCADE IMMEDIATE
```

*Example 3:* Put the PARENT table in set integrity pending read access state without immediately cascading the set integrity pending state to its descendants.

```
SET INTEGRITY FOR PARENT OFF
READ ACCESS CASCADE DEFERRED
```

*Example 4:* Check integrity for a table named FACT\_TABLE. If there are no integrity violations detected, the table is brought out of set integrity pending state. If any integrity violations are detected, the entire statement is rolled back, and the table remains in set integrity pending state.

```
SET INTEGRITY FOR FACT_TABLE IMMEDIATE CHECKED
```

*Example 5:* Check integrity for the SALES and PRODUCTS tables, and move the rows that violate integrity into exception tables named SALES\_EXCEPTIONS and PRODUCTS\_EXCEPTIONS. Both the SALES and PRODUCTS tables are brought out of set integrity pending state, whether or not there are any integrity violations.

```
SET INTEGRITY FOR SALES, PRODUCTS IMMEDIATE CHECKED
FOR EXCEPTION IN SALES USE SALES_EXCEPTIONS,
IN PRODUCTS USE PRODUCTS_EXCEPTIONS
```

*Example 6:* Enable FOREIGN KEY constraint checking in the MANAGER table, and CHECK constraint checking in the EMPLOYEE table, to be bypassed with the IMMEDIATE UNCHECKED option.

## SET INTEGRITY

```
SET INTEGRITY FOR MANAGER FOREIGN KEY,
EMPLOYEE CHECK IMMEDIATE UNCHECKED
```

*Example 7:* Add a check constraint and a foreign key to the EMP\_ACT table, using two ALTER TABLE statements. The SET INTEGRITY statement with the OFF option is used to put the table in set integrity pending state, so that the constraints are not checked immediately upon execution of the two ALTER TABLE statements. The single SET INTEGRITY statement with the IMMEDIATE CHECKED option is used to check both of the added constraints during a single pass through the table.

```
SET INTEGRITY FOR EMP_ACT OFF;
ALTER TABLE EMP_ACT ADD CHECK
 (EMSTDATE <= EMENDATE);
ALTER TABLE EMP_ACT ADD FOREIGN KEY
 (EMPNO) REFERENCES EMPLOYEE;
SET INTEGRITY FOR EMP_ACT IMMEDIATE CHECKED
FOR EXCEPTION IN EMP_ACT USE EMP_ACT_EXCEPTIONS
```

*Example 8:* Update generated columns with the correct values.

```
SET INTEGRITY FOR SALES IMMEDIATE CHECKED
FORCE GENERATED
```

*Example 9:* Append (using LOAD INSERT) from different sources into an underlying table (SALES) of a REFRESH IMMEDIATE materialized query table (SALES\_SUMMARY). Check SALES incrementally for data integrity, and refresh SALES\_SUMMARY incrementally. In this scenario, integrity checking for SALES and refreshing of SALES\_SUMMARY are incremental, because the system chooses incremental processing. The ALLOW READ ACCESS option is used on the SALES table to allow concurrent reads of existing data while integrity checking of the loaded portion of the table is taking place.

```
LOAD FROM 2000_DATA.DEL OF DEL
INSERT INTO SALES ALLOW READ ACCESS;
LOAD FROM 2001_DATA.DEL OF DEL
INSERT INTO SALES ALLOW READ ACCESS;
SET INTEGRITY FOR SALES ALLOW READ ACCESS IMMEDIATE CHECKED
FOR EXCEPTION IN SALES USE SALES_EXCEPTIONS;
REFRESH TABLE SALES_SUMMARY;
```

*Example 10:* Attach a new partition to a data partitioned table named SALES. Incrementally check for constraints violations in the attached data of the SALES table and incrementally refresh the dependent SALES\_SUMMARY table. The ALLOW WRITE ACCESS option is used on both tables to allow concurrent updates while integrity checking is taking place.

```
ALTER TABLE SALES
ATTACH PARTITION STARTING (100) ENDING (200)
FROM SOURCE;
SET INTEGRITY FOR SALES ALLOW WRITE ACCESS, SALES_SUMMARY ALLOW WRITE ACCESS
IMMEDIATE CHECKED FOR EXCEPTION IN SALES
USE SALES_EXCEPTIONS;
```

*Example 11:* Detach a partition from a data partitioned table named SALES. Incrementally refresh the dependent SALES\_SUMMARY table.

```
ALTER TABLE SALES
DETACH PARTITION 2000_PART INTO ARCHIVE_TABLE;
SET INTEGRITY FOR SALES_SUMMARY
IMMEDIATE CHECKED;
```

*Example 12:* Bring a new user-maintained materialized query table out of set integrity pending state.

```

CREATE TABLE YEARLY_SALES
AS (SELECT YEAR, SUM(SALES) AS SALES
FROM FACT_TABLE GROUP BY YEAR)
DATA INITIALLY DEFERRED REFRESH DEFERRED MAINTAINED BY USER

SET INTEGRITY FOR YEARLY_SALES
ALL IMMEDIATE UNCHECKED

```

---

## SET PASSTHRU

The SET PASSTHRU statement opens and closes a session for submitting a data source's native SQL directly to that data source. The statement is not under transaction control.

### Invocation

This statement can be issued interactively. It is an executable statement that can be dynamically prepared.

### Authorization

The privileges held by the authorization ID of the statement must provide authorization to:

- Pass through to the data source
- Satisfy security measures at the data source

### Syntax

```

▶▶ SET PASSTHRU { server-name | RESET }

```

### Description

*server-name*

Names the data source for which a pass-through session is to be opened. *server-name* must identify a data source that is described in the catalog.

### RESET

Closes a pass-through session.

### Notes

- The following restrictions apply to Microsoft SQL Server, Sybase, and Oracle data sources:
  - User-defined transactions cannot be used for Microsoft SQL Server and Sybase data sources in pass-through mode, because Microsoft SQL Server and Sybase restrict which SQL statements can be specified within a user-defined transaction. Because SQL statements that are processed in pass-through mode are not parsed by DB2, it is not possible to detect whether the user specified an SQL statement that is permitted within a user-defined transaction.
  - The COMPUTE clause is not supported on Microsoft SQL Server and Sybase data sources.
  - DDL statements are not subject to transaction semantics on Microsoft SQL Server, Oracle and Sybase data sources. The operation, when complete, is automatically committed by Microsoft SQL Server, Oracle or Sybase. If a rollback occurs, the DDL is not rolled back.

## SET PASSTHRU

### Examples

*Example 1:* Start a pass-through session to data source BACKEND.

```
strcpy (PASS_THRU, "SET PASSTHRU BACKEND");
EXEC SQL EXECUTE IMMEDIATE :PASS_THRU;
```

*Example 2:* Start a pass-through session with a PREPARE statement.

```
strcpy (PASS_THRU, "SET PASSTHRU BACKEND");
EXEC SQL PREPARE STMT FROM :PASS_THRU;
EXEC SQL EXECUTE STMT;
```

*Example 3:* End a pass-through session.

```
strcpy (PASS_THRU_RESET, "SET PASSTHRU RESET");
EXEC SQL EXECUTE IMMEDIATE :PASS_THRU_RESET;
```

*Example 4:* Use the PREPARE and EXECUTE statements to end a pass-through session.

```
strcpy (PASS_THRU_RESET, "SET PASSTHRU RESET");
EXEC SQL PREPARE STMT FROM :PASS_THRU_RESET;
EXEC SQL EXECUTE STMT;
```

*Example 5:* Open a session to pass through to a data source, create a clustered index for a table at this data source, and close the pass-through session.

```
strcpy (PASS_THRU, "SET PASSTHRU BACKEND");
EXEC SQL EXECUTE IMMEDIATE :PASS_THRU;
EXEC SQL PREPARE STMT pass-through mode
FROM "CREATE UNIQUE
 CLUSTERED INDEX TABLE_INDEX
 ON USER2.TABLE table is not an
 WITH IGNORE DUP KEY"; alias
EXEC SQL EXECUTE STMT;
strcpy (PASS_THRU_RESET, "SET PASSTHRU RESET");
EXEC SQL EXECUTE IMMEDIATE :PASS_THRU_RESET;
```

---

## SET PATH

The SET PATH statement changes the value of the CURRENT PATH special register. It is not under transaction control.

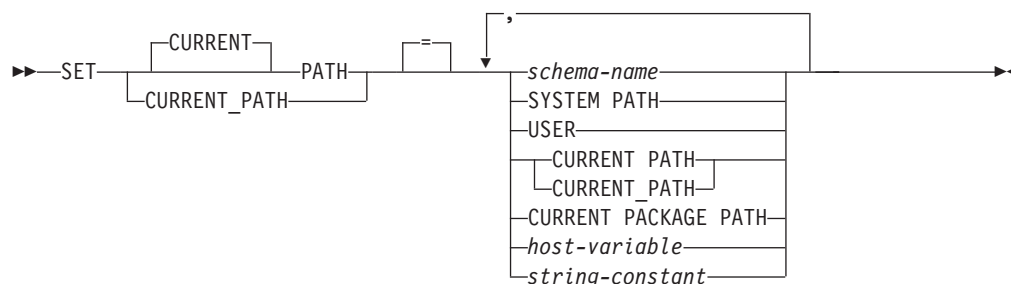
### Invocation

This statement can be embedded in an application program or issued interactively. It is an executable statement that can be dynamically prepared.

### Authorization

None required.

### Syntax



## Description

### *schema-name*

This one-part name identifies a schema that exists at the application server. No validation that the schema exists is made at the time that the path is set. If a *schema-name* is, for example, misspelled, the error will not be caught, and it could affect the way subsequent SQL operates.

### SYSTEM PATH

This value is the same as specifying the schema names "SYSIBM", "SYSFUN", "SYSPROC", "SYSIBMADM".

### USER

The value of the USER special register.

### CURRENT PATH

The value of the CURRENT PATH special register before this statement executes.

### CURRENT PACKAGE PATH

The value of the CURRENT PACKAGE PATH special register.

### *host-variable*

A variable of type CHAR or VARCHAR. The length of the contents of the *host-variable* must not exceed 128 bytes (SQLSTATE 42815). It cannot be set to null. If *host-variable* has an associated indicator variable, the value of that indicator variable must not indicate a null value (SQLSTATE 42815).

The characters of the *host-variable* must be left justified. When specifying the *schema-name* with a *host-variable*, all characters must be specified in the exact case intended as there is no conversion to uppercase characters.

### *string-constant*

A character string constant with a maximum length of 128 bytes.

## Rules

- A schema name cannot appear more than once in the SQL path (SQLSTATE 42732).
- The number of schemas that can be specified is limited by the total length of the CURRENT PATH special register. The special register string is built by taking each schema name specified and removing trailing blanks, delimiting with double quotes, doubling quotes within the schema name as necessary, and then separating each schema name by a comma. The length of the resulting string cannot exceed 2048 bytes (SQLSTATE 42907).

## SET PATH

### Notes

- The initial value of the CURRENT PATH special register is "SYSIBM","SYSFUN","SYSPROC","SYSIBMADM","X" where X is the value of the USER special register.
- The schema SYSIBM does not need to be specified. If it is not included in the SQL path, it is implicitly assumed as the first schema (in this case, it is not included in the CURRENT PATH special register).
- The CURRENT PATH special register specifies the SQL path used to resolve user-defined data types, procedures and functions in dynamic SQL statements. The FUNCPATH bind option specifies the SQL path to be used for resolving user-defined data types and functions in static SQL statements.
- **Compatibilities**
  - For compatibility with previous versions of DB2:
    - CURRENT FUNCTION PATH can be specified in place of CURRENT PATH

### Examples

*Example 1:* The following statement sets the CURRENT PATH special register.

```
SET PATH = FERMAT, "McDrw #8", SYSIBM
```

*Example 2:* The following example retrieves the current value of the CURRENT PATH special register into the host variable called CURPATH.

```
EXEC SQL VALUES (CURRENT PATH) INTO :CURPATH;
```

The value would be "FERMAT","McDrw #8","SYSIBM" if set by the previous example.

---

## SET ROLE

The SET ROLE statement verifies that the authorization ID of the session is a member of a specific role. An authorization ID acquires membership in a role when the role is granted to the authorization ID, or to a group or role in which the authorization ID is a member.

### Invocation

This statement can be embedded in an application program or issued through the use of dynamic SQL statements. It is an executable statement that can be dynamically prepared only if DYNAMICRULES run behavior is in effect for the package (SQLSTATE 42509).

### Authorization

None required.

### Syntax

```
▶▶ SET ROLE role-name ◀◀
```

## Description

*role-name*

Specifies a role in whose membership the authorization ID of the session is to be verified. The *role-name* must identify an existing role at the current server (SQLSTATE 42704). If the authorization ID of the session is not a member of *role-name*, an error is returned (SQLSTATE 42501).

## Notes

- All roles that have been granted to an authorization ID are used for authorization checking. The SET ROLE statement does not affect which roles are used for this authorization checking. Use the GRANT ROLE and REVOKE ROLE statements to change the roles in which an authorization ID has membership.

## Examples

*Example 1:* User WALID has been granted the role EDITOR, but not the role AUTHOR. Verify that WALID is a member of the EDITOR role.

```
SET ROLE EDITOR
```

*Example 2:* Verify that WALID is not a member of the AUTHOR role. The following statement returns an error (SQLSTATE 42501).

```
SET ROLE AUTHOR
```

## SET SCHEMA

The SET SCHEMA statement changes the value of the CURRENT SCHEMA special register. It is not under transaction control. If the package is bound with the DYNAMICRULES BIND option, this statement does not affect the qualifier used for unqualified database object references.

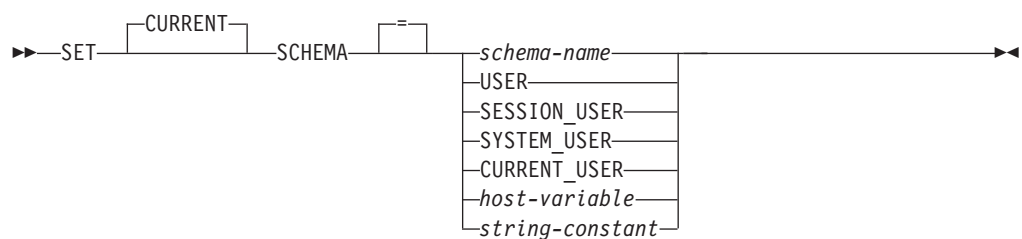
## Invocation

The statement can be embedded in an application program or issued interactively. It is an executable statement that can be dynamically prepared.

## Authorization

None required.

## Syntax



### Description

#### *schema-name*

This one-part name identifies a schema that exists at the application server. The length must not exceed 128 bytes (SQLSTATE 42815). No validation that the schema exists is made at the time that the schema is set. If a *schema-name* is misspelled, the error will not be caught, and that could affect the way that subsequent SQL statements execute.

#### **USER**

The value in the USER special register.

#### **SESSION\_USER**

The value in the SESSION\_USER special register.

#### **SYSTEM\_USER**

The value in the SYSTEM\_USER special register.

#### **CURRENT\_USER**

The value in the CURRENT\_USER special register.

#### *host-variable*

A variable of type CHAR or VARCHAR. The length of the contents of the *host-variable* must not exceed 128 bytes (SQLSTATE 42815). It cannot be set to null. If *host-variable* has an associated indicator variable, the value of that indicator variable must not indicate a null value (SQLSTATE 42815).

The characters of the *host-variable* must be left justified. When specifying the *schema-name* with a *host-variable*, all characters must be specified in the exact case intended as there is no conversion to uppercase characters.

#### *string-constant*

A character string constant with a maximum length of 128 bytes.

### Rules

- If the value specified does not conform to the rules for a *schema-name*, an error (SQLSTATE 3F000) is raised.
- The value of the CURRENT SCHEMA special register is used as the schema name in all dynamic SQL statements, with the exception of the CREATE SCHEMA statement, where an unqualified reference to a database object exists.
- The QUALIFIER bind option specifies the schema name for use as the qualifier for unqualified database object names in static SQL statements.

### Notes

- The initial value of the CURRENT SCHEMA special register is equivalent to USER.
- Setting the CURRENT SCHEMA special register does not effect the CURRENT PATH special register. Hence, the CURRENT SCHEMA will not be included in the SQL path and functions, procedures and user-defined type resolution may not find these objects. To include the current schema value in the SQL path, whenever the SET SCHEMA statement is issued, also issue the SET PATH statement including the schema name from the SET SCHEMA statement.
- CURRENT SQLID is accepted as a synonym for CURRENT SCHEMA and the effect of a SET CURRENT SQLID statement will be identical to that of a SET CURRENT SCHEMA statement. No other effects, such as statement authorization changes, will occur.



## Examples

*Example 1:* The following statement sets the CURRENT SCHEMA special register.

```
SET SCHEMA RICK
```

*Example 2:* The following example retrieves the current value of the CURRENT SCHEMA special register into the host variable called CURSCHEMA.

```
EXEC SQL VALUES (CURRENT SCHEMA) INTO :CURSCHEMA;
```

The value would be RICK, set by the previous example.

## SET SERVER OPTION

The SET SERVER OPTION statement specifies a server option setting that is to remain in effect while a user or application is connected to the federated database. When the connection ends, this server option's previous setting is reinstated. This statement is not under transaction control.

### Invocation

This statement can be issued interactively. It is an executable statement that can be dynamically prepared.

### Authorization

None required.

### Syntax

```
►►—SET SERVER OPTION—server-option-name—TO—string-constant—————►
►—FOR—SERVER—server-name—————►◄
```

### Description

*server-option-name*

Names the server option that is to be set.

**TO** *string-constant*

Specifies the setting for *server-option-name* as a character string constant.

**SERVER** *server-name*

Names the data source to which *server-option-name* applies. It must be a server described in the catalog.

### Notes

- Server option names can be entered in uppercase or lowercase.
- One or more SET SERVER OPTION statements can be submitted when a user or application connects to the federated database. The statement (or statements) must be specified at the start of the first unit of work that is processed after the connection is established.
- SYSCAT.SERVEROPTIONS will not be updated based on a SET SERVER OPTION statement, because this change only affects the current connection.

## SET SERVER OPTION

- For static SQL, using the SET SERVER OPTION statement affects only the execution of the static SQL statement. Using the SET SERVER OPTION statement has no effect on the plans that are generated by the optimizer.

### Examples

*Example 1:* An Oracle data source called ORASERV is defined to a federated database called DJDB. ORASERV is configured to disallow plan hints. However, the DBA would like plan hints to be enabled for a test run of a new application. When the run is over, plan hints will be disallowed again.

```
CONNECT TO DJDB;
strcpy(stmt,"set server option plan_hints to 'Y' for server oraserv");
EXEC SQL EXECUTE IMMEDIATE :stmt;
strcpy(stmt,"select c1 from ora_t1 where c1 > 100"); /*Generate plan hints*/
EXEC SQL PREPARE s1 FROM :stmt;
EXEC SQL DECLARE c1 CURSOR FOR s1;
EXEC SQL OPEN c1;
EXEC SQL FETCH c1 INTO :hv;
```

*Example 2:* You have set the server option PASSWORD to 'Y' (validating passwords at the data source) for all Oracle 8 data sources. However, for a particular session in which an application is connected to the federated database in order to access a specific Oracle 8 data source—one defined to the federated database DJDB as ORA8A—passwords will not need to be validated.

```
CONNECT TO DJDB;
strcpy(stmt,"set server option password to 'N' for server ora8a");
EXEC SQL PREPARE STMT_NAME FROM :stmt;
EXEC SQL EXECUTE STMT_NAME FROM :stmt;
strcpy(stmt,"select max(c1) from ora8a_t1");
EXEC SQL PREPARE STMT_NAME FROM :stmt;
EXEC SQL DECLARE c1 CURSOR FOR STMT_NAME;
EXEC SQL OPEN c1; /*Does not validate password at ora8a*/
EXEC SQL FETCH c1 INTO :hv;
```

---

## SET SESSION AUTHORIZATION

The SET SESSION AUTHORIZATION statement changes the value of the SESSION\_USER special register. The statement is not under transaction control. The SET SESSION AUTHORIZATION statement is intended to provide support for a single user assuming different authorization IDs on the same connection, and should not be used for scenarios in which different users reuse the same connection, commonly referred to as connection pooling.

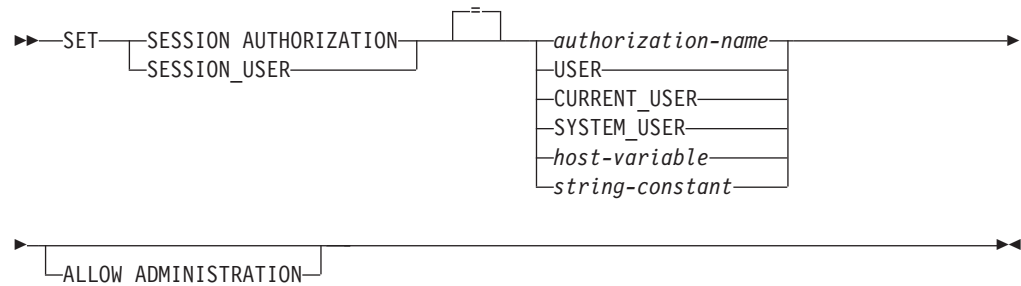
### Invocation

The statement can be embedded in an application program or issued interactively. It is an executable statement that can be dynamically prepared.

### Authorization

The privileges held by the authorization ID of the statement must include SETSESSIONUSER on the authorization ID value to which the special register is being set.

### Syntax



**Description**

*authorization-name*

Specifies the authorization ID that is to be used as the new value for the SESSION\_USER special register.

**USER**

The value in the USER special register.

**CURRENT\_USER**

The value in the CURRENT USER special register.

**SYSTEM\_USER**

The value in the SYSTEM\_USER special register.

*host-variable*

A variable of type CHAR or VARCHAR. The length of the contents of *host-variable* must not exceed 128 bytes (SQLSTATE 28000). It cannot be set to null. If *host-variable* has an associated indicator variable, the value of that indicator variable must not indicate a null value (SQLSTATE 28000).

The characters of *host-variable* must be left justified. When specifying *authorization-name* with a host variable, all characters must be specified in uppercase, because there is no conversion to uppercase characters.

*string-constant*

A character string constant with a maximum length of 128 bytes.

**ALLOW ADMINISTRATION**

Specifies that SQL schema statements can be specified prior to this statement in the same unit of work.

**Rules**

- The value specified for the SESSION\_USER special register must conform to the rules for an authorization ID of type USER (SQLSTATE 42602).
- The OWNER bind option specifies the authorization ID that is to be used for static SQL statements.
- This statement can only be issued as the first statement (other than a SET special register statement) in a new unit of work without any open WITH HOLD cursors (SQLSTATE 25001). This restriction includes any PREPARE request for a statement other than a SET special register statement.
- The value of the SESSION\_USER special register is used as the authorization ID for all dynamic SQL statements in a package bound with the DYNAMICRULES(RUN) bind option. (This includes INVOKERUN and DEFINERUN when the package is not used by a routine). If a package is using

## SET SESSION AUTHORIZATION

owner, invoker, or definer authorization based on the DYNAMICRULES option, this statement has no effect on dynamic SQL statements issued from within that package.

### Notes

- The SET SESSION AUTHORIZATION statement lets you change the session authorization ID. The session authorization ID represents the current user of the connection and is the authorization ID that DB2 considers for all authorization checking relative to dynamic SQL within a DYNAMICRULES run package. The SESSION\_USER special register can be used to see the current value of this session authorization ID.
- The initial value of the SESSION\_USER special register for a new connection is the same as the value of the SYSTEM\_USER special register.
- The group information for the session authorization ID specified in this statement is acquired at the time of statement execution.
- Setting the SESSION\_USER special register does not effect either the CURRENT SCHEMA or the CURRENT PATH special register.
- If any error occurs during the setting of the SESSION\_USER special register, the register reverts to its previous value.
- This statement should not be used to allow multiple, different users to reuse the same connection, because each user will inherit the ability to change the value of the SESSION\_USER special register that the original connection owner had. This statement is dependent upon the value of SYSTEM\_USER for privileges checking, and the initial connection authorization ID is not changed by the SET SESSION AUTHORIZATION statement. Moreover, the following behaviors impacting connection reuse are not addressed by this statement:
  - The CONNECT privilege is not checked for the new authorization ID
  - The content of any updatable special register is not reset; in particular, the content of the ENCRYPTION PASSWORD special register is not modified and is available to the new authorization ID for encryption or decryption
  - The content of any declared global temporary table is not affected, and is accessible to the new authorization ID
  - Any existing links to remote servers are not reset
- If the ALLOW ADMINISTRATION clause is specified, the following types of statements or operations can precede the SET SESSION AUTHORIZATION statement:
  - Data definition language (DDL), including the definition of savepoints and the declaration of global temporary tables, but not including SET INTEGRITY
  - GRANT and REVOKE statements
  - LOCK TABLE statement
  - COMMIT and ROLLBACK statements
  - SET of special registers
  - SET of global variables

### Examples

*Example 1:* The following statement sets the SESSION\_USER special register.

```
SET SESSION_USER = RAJIV
```

*Example 2:* Set the session authorization ID (the SESSION\_USER special register) to be the value of the system authorization ID, which is the ID that established the connection on which the statement has been issued.

## SET variable

The SET variable statement assigns values to variables. This statement is not under transaction control.

### Invocation

This statement can be embedded in an application program or issued interactively. It is an executable statement that can be dynamically prepared.

### Authorization

To reference a transition variable, the privileges held by the authorization ID of the trigger creator must include at least one of the following:

- UPDATE privilege on any columns referenced on the left hand side of the assignment, and SELECT privilege on any columns referenced on the right hand side
- CONTROL privilege on the table (subject table of the trigger)
- SYSADM or DBADM authority

If a global variable is referenced in the right hand side of the assignment statement, the privileges held by the authorization ID of the statement must include:

- READ privilege on the global variable

If a global variable is assigned a value in the left hand side of the assignment statement, the privileges held by the authorization ID of the statement must include:

- WRITE privilege on the global variable

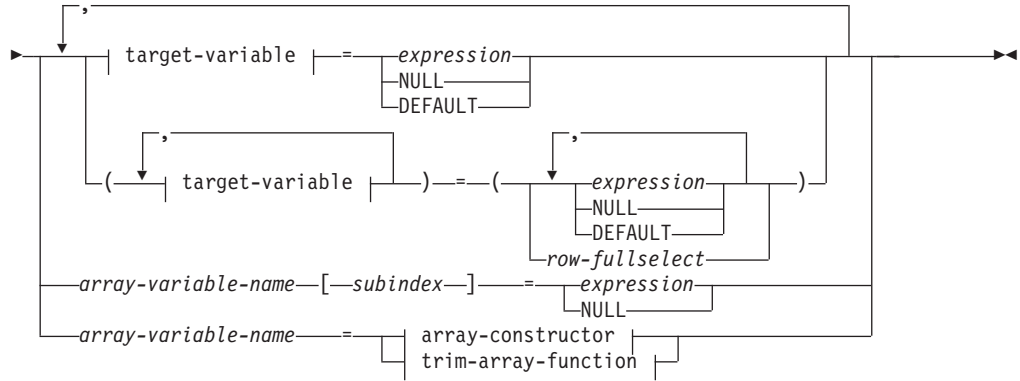
To execute this statement with a *row-fullselect* as the right hand side of the assignment, the privileges held by the authorization ID of the statement must also include at least one of the following, for each referenced table or view:

- SELECT privilege
- CONTROL privilege
- SYSADM or DBADM authority

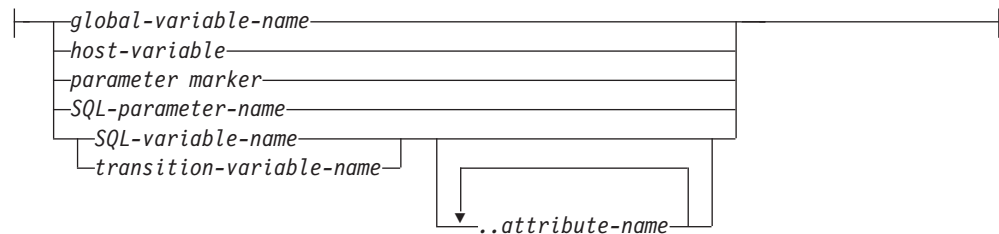
### Syntax

►►—SET—►

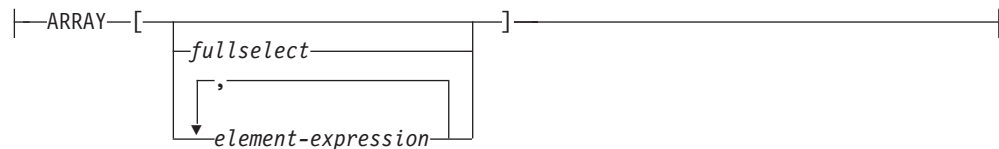
## SET variable



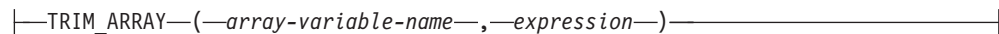
### target-variable:



### array-creator:



### trim-array-function:



## Description

### target-variable

Identifies the target variable of the assignment. A *target-variable* representing the same variable must not be specified more than once (SQLSTATE 42701).

#### *global-variable-name*

Identifies the global variable that is the assignment target. The *global-variable-name* must identify a global variable that exists at the current server (SQLSTATE 42704).

#### *host-variable*

Identifies the host variable that is the assignment target.

#### *parameter-marker*

Identifies the parameter marker that is the assignment target.

#### *SQL-parameter-name*

Identifies the parameter that is the assignment target. The parameter must

be specified in *parameter-declaration* in the CREATE PROCEDURE statement, and must be defined as an OUT or INOUT parameter.

*SQL-variable-name*

Identifies the SQL variable that is the assignment target. SQL variables must be declared before they are used.

*transition-variable-name*

Identifies the column to be updated in the transition row. A *transition-variable-name* must identify a column in the subject table of a trigger, optionally qualified by a correlation name that identifies the new value (SQLSTATE 42703).

*..attribute name*

Specifies the attribute of a structured type that is set (referred to as an *attribute assignment*). The *SQL-variable-name* or *transition-variable-name* specified must be defined with a user-defined structured type (SQLSTATE 428DP). The *..attribute-name* must be an attribute of the structured type (SQLSTATE 42703). An assignment that does not involve the *..attribute name* clause is referred to as a conventional assignment.

*array-variable-name*

Identifies an SQL variable or parameter. The variable or parameter must be of an array type (SQLSTATE 428H0).

[*subindex*]

Numeric expression that specifies which element in the array will be the target of the assignment. The subindex must be of an exact numeric type with scale zero (SQLSTATE 428H1); it cannot be null. Its value must be between 1 and the maximum cardinality defined for the array (SQLSTATE 2202E).

*expression*

Indicates the new value of the target of the assignment. The expression is any expression of the type described in “Expressions”. The expression cannot include a column function except when it occurs within a scalar fullselect (SQLSTATE 42903). In the context of a CREATE TRIGGER statement, an *expression* can contain references to OLD and NEW transition variables. The transition variables must be qualified by the *correlation-name* (SQLSTATE 42702).

*array-constructor*

The array constructor is used to compose a value for the array data type.

*fullselect*

A fullselect that returns a single column. The values returned by the fullselect become the elements of the array. The cardinality of the array is equal to the number of rows returned by the fullselect. An ORDER BY clause in the fullselect can be used to specify the order among the elements of the array; otherwise, the order is undefined. The base type of the array is determined based on the “Rules for result data types”, and it must be among the types allowed in the CREATE TYPE (Array) statement (SQLSTATE 429C2).

*element-expression*

An expression defining the value of an element within the array. The cardinality of the array is equal to the number of element expressions. The first *element-expression* is assigned to the array element with subindex 1. The second *element-expression* is assigned to the array element with subindex 2, and so on. All element expressions must have compatible data

## SET variable

types (SQLSTATE 429C2). The base type of the array is determined based on the “Rules for result data types”, and it must be among the types allowed in the CREATE TYPE (Array) statement (SQLSTATE 429C2).

### *trim-array-function*

Returns a copy of the array argument from which the specified number of elements have been removed from the end of the array.

### *array-variable-name*

Identifies an SQL variable or parameter. The variable or parameter must be of an array type (SQLSTATE 428H0).

### *expression*

A numeric expression specifying the number of elements that will be trimmed from the copy of *array-variable-name*. The *expression* must be between 0 and the cardinality of *array-variable-name* (SQLSTATE 2202E). The cardinality of the result is decreased by the number of elements trimmed. The result can be null; if the argument is null, the result is the null value.

## NULL

Specifies the null value. NULL cannot be the value in an attribute assignment unless it was specifically cast to the data type of the attribute (SQLSTATE 429B9).

## DEFAULT

Specifies that the default value should be used.

In SQL procedures, the DEFAULT clause can be specified only for static SQL statements. The exception is that the DEFAULT clause can be specified when *target-variable* is a global variable in a dynamic SQL statement.

If *target-variable* is a column, the value inserted depends on how the column was defined in the table.

- If the column was defined using the WITH DEFAULT clause, the value is set to the default defined for the column (see *default-clause* in “ALTER TABLE”).
- If the column was defined using the IDENTITY clause, the value is generated by the database manager.
- If the column was defined without specifying the WITH DEFAULT clause, the IDENTITY clause, or the NOT NULL clause, the value is NULL.
- If the column was defined using the NOT NULL clause and:
  - The IDENTITY clause is not used or
  - The WITH DEFAULT clause was not used or
  - DEFAULT NULL was used

the DEFAULT keyword cannot be specified for that column (SQLSTATE 23502).

If *target-variable* is an SQL variable, the value inserted is the default, as specified or implied in the variable declaration.

If *target-variable* is a global variable, the value inserted is the default, as specified in the variable creation.

If *target-variable* is an SQL variable or an SQL parameter in an SQL procedure, a host variable, or a parameter marker, the DEFAULT keyword cannot be specified (SQLSTATE 42608).

### *row-fullselect*

A fullselect that returns a single row with the number of columns



corresponding to the number of target variables specified for assignment. The values are assigned to each corresponding target variable. If the result of the row fullselect is no rows, null values are assigned. In the context of a CREATE TRIGGER statement, a *row-fullselect* can contain references to OLD and NEW transition variables, which must be qualified by their *correlation-name* to specify which transition variable is to be used (SQLSTATE 42702). An error is returned if there is more than one row in the result (SQLSTATE 21000).

## Rules

- The number of values to be assigned from expressions, NULLs, DEFAULTs, or the *row-fullselect* must match the number of *target-variables* specified for assignment (SQLSTATE 42802).
- A SET variable statement cannot assign an SQL variable and a transition variable in one statement (SQLSTATE 42997).
- Global variables cannot be assigned inside triggers, functions, methods, or dynamic compound statements, or inside a procedure that is directly or indirectly called by one of these objects (SQLSTATE 428GX).
- If the value being assigned is an array resulting from an array constructor or from ARRAY\_AGG, the base types of the array and of the target variable must be identical (SQLSTATE 42821).
- If the assignment is of the form SET A[*idx*] = *rhs*, where *A* is an array variable name, *idx* is an expression used as the subindex, and *rhs* is an expression of the same type as the array element, then:
  1. If array *A* is the null value, set *A* to the empty array.
  2. Let *C* be the cardinality of array *A*.
  3. If *idx* is less than or equal to *C*, the value in the position identified by *idx* is replaced by the value of *rhs*.
  4. If *idx* is greater than *C*, then:
    - a. The value in position *i*, for *i* greater than *C* and less than *idx*, is set to the null value.
    - b. The value in position *idx* is set to the value of *rhs*.
    - c. The cardinality of *A* is set to *idx*.

## Notes

- Values are assigned to target variables according to specific assignment rules.
- Assignment statements in SQL procedures must conform to the SQL assignment rules. String assignments use retrieval assignment rules.
- If a variable has been declared with an identifier that matches the name of a special register (such as PATH), the variable must be delimited to prevent unintentional assignment to the special register (for example, SET "PATH" = 1; for a variable called PATH that has been declared as an integer).
- If more than one assignment is included, each *expression* and *row-fullselect* is evaluated before the assignments are performed. Thus, references to target variables in an expression or row fullselect are always the value of the target variable prior to any assignment in the single SET statement.
- When an identity column defined as a distinct type is updated, the entire computation is done in the source type, and the result is cast to the distinct type before the value is actually assigned to the column. (There is no casting of the previous value to the source type prior to the computation.)
- To have DB2 generate a value on a SET statement for an identity column, use the DEFAULT keyword:

## SET variable

```
SET NEW.EMPNO = DEFAULT
```

In this example, NEW.EMPNO is defined as an identity column, and the value used to update this column is generated by DB2.

- For more information on consuming values of a generated sequence for an identity column, and for information on exceeding the maximum value for an identity column, see “INSERT”.

### Examples

*Example 1:* Set the salary column of the row for which the trigger action is currently executing to 50000.

```
SET NEW_VAR.SALARY = 50000;
```

Or:

```
SET (NEW_VAR.SALARY) = (50000);
```

*Example 2:* Set the salary and the commission column of the row for which the trigger action is currently executing to 50000 and 8000, respectively.

```
SET NEW_VAR.SALARY = 50000, NEW_VAR.COMM = 8000;
```

Or:

```
SET (NEW_VAR.SALARY, NEW_VAR.COMM) = (50000, 8000);
```

*Example 3:* Set the salary and the commission column of the row for which the trigger action is currently executing to the average salary and commission of employees in the department that is associated with the updated row.

```
SET (NEW_VAR.SALARY, NEW_VAR.COMM)
 = (SELECT AVG(SALARY), AVG(COMM)
 FROM EMPLOYEE E
 WHERE E.WORKDEPT = NEW_VAR.WORKDEPT);
```

*Example 4:* Set the salary and the commission column of the row for which the trigger action is currently executing to 10000 and the original value of salary (that is, before the SET statement was executed), respectively.

```
SET NEW_VAR.SALARY = 10000, NEW_VAR.COMM = NEW_VAR.SALARY;
```

Or:

```
SET (NEW_VAR.SALARY, NEW_VAR.COMM) = (10000, NEW_VAR.SALARY);
```

*Example 5:* Increase the SQL variable p\_salary by 10 percent.

```
SET p_salary = p_salary + (p_salary * .10)
```

*Example 6:* Set the SQL variable p\_salary to the null value.

```
SET p_salary = NULL
```

*Example 7:* Set the SQL array variable p\_phonenumbers to an array of fixed numbers.

```
SET p_phonenumbers = ARRAY[9055553907, 4165554213, 4085553678]
```

*Example 8:* Set the SQL array variable p\_phonenumbers to an array of numbers retrieved from the PHONENUMBER table.

```
SET p_phonenumbers = ARRAY[SELECT NUMBER
 FROM PHONENUMBERS
 WHERE EMPID = 624]
```

*Example 9:* Remove the last element from the SQL array variable p\_phonenumbers.

```
SET p_phonenumbers = TRIM_ARRAY(p_phonenumbers, 1)
```

*Example 10:* Assign p\_mynumber to the first and tenth elements of the array variable p\_phonenumbers. After the first assignment, the cardinality of p\_phonenumbers is 1. After the second assignment, the cardinality is 10, and elements 1 to 9 have been implicitly assigned the null value.

```
SET p_phonenumbers[1] = p_mynumber
```

```
SET p_phonenumbers[10] = p_mynumber
```

*Example 11:* Given a table named SECURITY.USERS, which has a row for every user that could connect to the database, assign the current time and the authorization level to the global variables userinfo.gv\_connect\_time and userinfo.gv\_auth\_level, respectively.

```
SET userinfo.gv_connect_time = CURRENT_TIMESTAMP,
 userinfo.gv_auth_level = (
 SELECT AUTHLEVEL FROM SECURITY.USERS
 WHERE USERID = CURRENT USER)
```

---

## SIGNAL

The SIGNAL statement is used to signal an error or warning condition. It causes an error or warning to be returned with the specified SQLSTATE, along with optional message text.

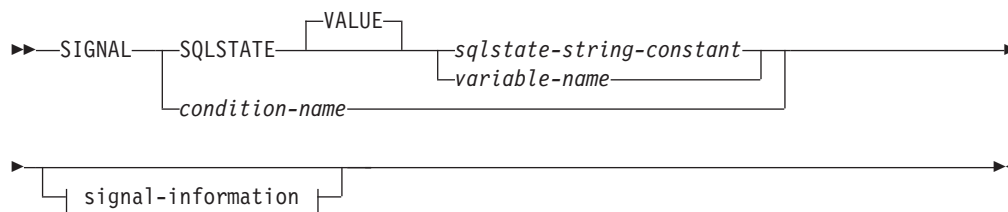
### Invocation

This statement can be embedded in an SQL procedure or dynamic compound statement. It is not an executable statement and cannot be dynamically prepared.

### Authorization

None required.

### Syntax



### signal-information:

```
SET MESSAGE_TEXT = —diagnostic-string-expression—
(—diagnostic-string-expression—)
```

## Description

### SQLSTATE VALUE *sqlstate-string-constant*

The specified string constant represents an SQLSTATE. It must be a character string constant with exactly 5 characters that follow the rules for SQLSTATES:

- Each character must be from the set of digits ('0' through '9') or non-accented upper case letters ('A' through 'Z').
- The SQLSTATE class (first two characters) cannot be '00', since this represents successful completion.

In the context of either a dynamic compound statement, trigger, SQL function, or SQL method, the following rules must also be applied:

- The SQLSTATE class (first two characters) cannot be '01' or '02', since these are not error classes.
- If the SQLSTATE class starts with the numbers '0' through '6' or the letters 'A' through 'H', then the subclass (the last three characters) must start with a letter in the range of 'I' through 'Z'.
- If the SQLSTATE class starts with the numbers '7', '8', '9', or the letters 'I' through 'Z', then the subclass can be any of '0' through '9' or 'A' through 'Z'.

If the SQLSTATE does not conform to these rules, an error is returned (SQLSTATE 428B3).

### SQLSTATE VALUE *variable-name*

The specified variable name must be of type CHAR(5). Its value at statement execution time must not be null and must conform to the same rules that are described for *sqlstate-string-constant*. If the SQLSTATE does not conform to these rules, an error is returned (SQLSTATE 428B3).

### *condition-name*

Specifies the name of the condition. The condition name must be declared within the compound statement that contains the SIGNAL statement or within a compound statement in which that compound statement is nested (SQLSTATE 42737).

### SET MESSAGE\_TEXT =

Specifies a string that describes the error or warning. The string is returned in the SQLERRMC field of the SQLCA. If the actual string is longer than 70 bytes, it is truncated without warning.

### *diagnostic-string-expression*

An expression of type CHAR or VARCHAR that returns a character string of up to 70 bytes to describe the error condition. If the string is longer than 70 bytes, it is truncated.

### *(diagnostic-string-expression)*

An expression of type CHAR or VARCHAR that returns a character string of up to 70 bytes to describe the error condition. If the string is longer than 70 bytes, it is truncated. This option is only provided within the scope of a CREATE TRIGGER statement for compatibility with previous versions of DB2. Regular use is not recommended.

## Notes

- If a SIGNAL statement is issued, the SQLCODE returned is based on the SQLSTATE as follows:
  - If the specified SQLSTATE class is either '01' or '02', a warning or not found condition is returned and the SQLCODE is set to +438.

- Otherwise, an exception condition is returned and the SQLCODE is set to -438.

The other fields of the SQLCA are set as follows:

- sqlerrd fields are set to zero
  - sqlwarn fields are set to blank
  - sqlerrmc is set to the first 70 bytes of MESSAGE\_TEXT
  - sqlerrml is set to the length of sqlerrmc, or to zero if no SET MESSAGE\_TEXT clause is specified
  - sqlerrp is set to ROUTINE.
- SQLSTATE values are comprised of a two-character class code value, followed by a three-character subclass code value. Class code values represent classes of successful and unsuccessful execution conditions.
- Any valid SQLSTATE value can be used in the SIGNAL statement. However, it is recommended that programmers define new SQLSTATEs based on ranges reserved for applications. This prevents the unintentional use of an SQLSTATE value that might be defined by the database manager in a future release.
- SQLSTATE classes that begin with the characters '7' through '9', or 'I' through 'Z' may be defined. Within these classes, any subclass may be defined.
  - SQLSTATE classes that begin with the characters '0' through '6', or 'A' through 'H' are reserved for the database manager. Within these classes, subclasses that begin with the characters '0' through 'H' are reserved for the database manager. Subclasses that begin with the characters 'I' through 'Z' may be defined.

## Examples

An SQL procedure for an order system that signals an application error when a customer number is not known to the application. The ORDERS table includes a foreign key to the CUSTOMER table, requiring that the CUSTNO exist before an order can be inserted.

```
CREATE PROCEDURE SUBMIT_ORDER
 (IN ONUM INTEGER, IN CNUM INTEGER,
 IN PNUM INTEGER, IN QNUM INTEGER)
 SPECIFIC SUBMIT_ORDER
 MODIFIES SQL DATA
 LANGUAGE SQL
 BEGIN
 DECLARE EXIT HANDLER FOR SQLSTATE VALUE '23503'
 SIGNAL SQLSTATE '75002'
 SET MESSAGE_TEXT = 'Customer number is not known';
 INSERT INTO ORDERS (ORDERNO, CUSTNO, PARTNO, QUANTITY)
 VALUES (ONUM, CNUM, PNUM, QNUM);
 END
```

---

## TRANSFER OWNERSHIP

The TRANSFER OWNERSHIP statement transfers ownership of a database object.

### Invocation

This statement can be embedded in an application program or issued through the use of dynamic SQL statements. It is an executable statement that can be dynamically prepared only if DYNAMICRULES run behavior is in effect for the package (SQLSTATE 42509).

# TRANSFER OWNERSHIP

## Authorization

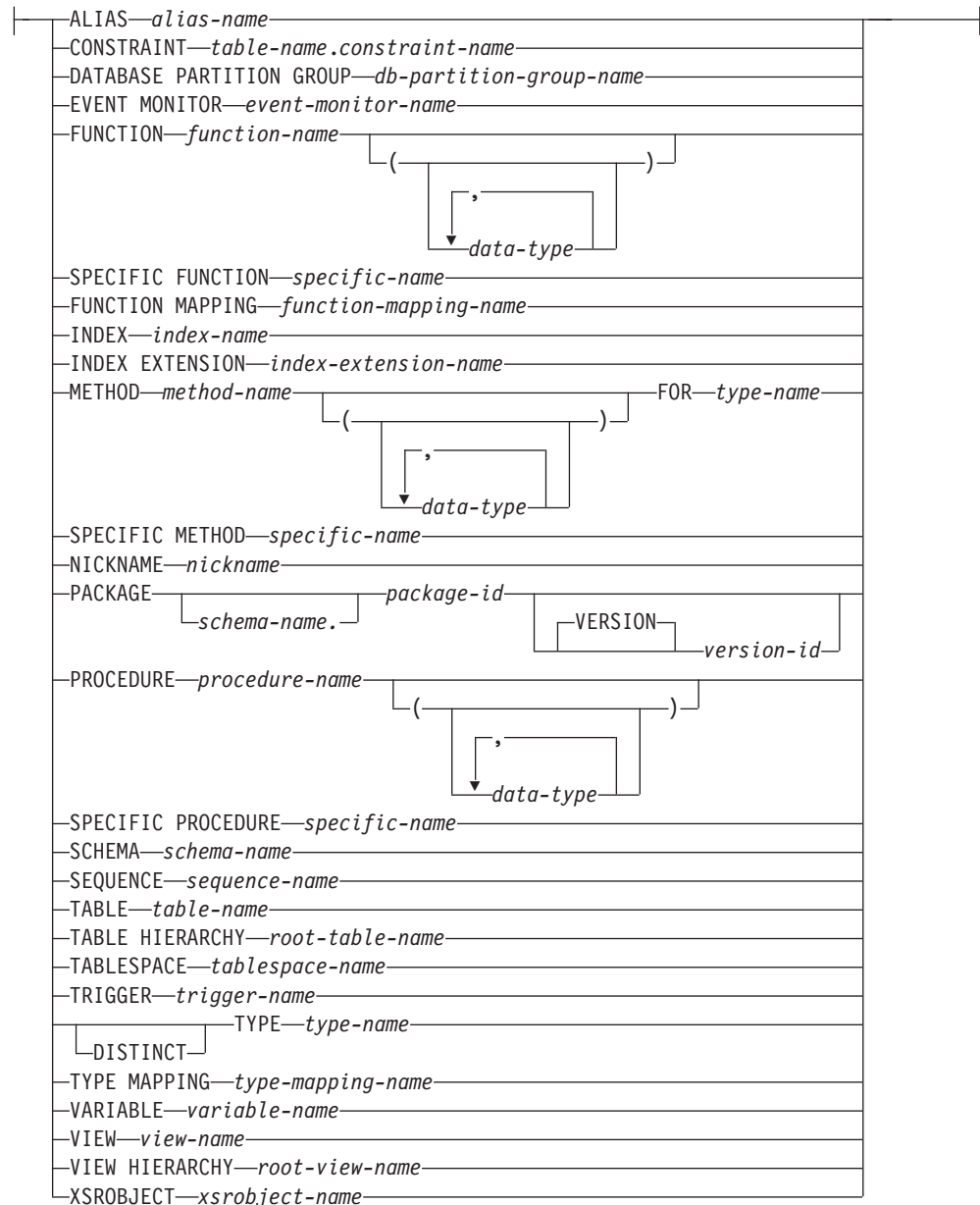
The privileges held by the authorization ID of the statement must include at least one of the following:

- Ownership of the object
- SECADM authority

## Syntax

►►—TRANSFER OWNERSHIP OF—| objects |—TO—| new-owner |—PRESERVE PRIVILEGES—►►

### objects:



**new-owner:****Description****ALIAS** *alias-name*

Identifies the alias that is to have its ownership transferred. The *alias-name* must identify an alias that is described in the catalog (SQLSTATE 42704).

When ownership of the alias is transferred, the value in the OWNER column for the alias in the SYSCAT.TABLES catalog view is replaced with the authorization ID of the new owner.

**CONSTRAINT** *table-name.constraint-name*

Identifies the constraint that is to have its ownership transferred. The *table-name.constraint-name* combination must identify a constraint and the table that it constrains. The *constraint-name* must identify a constraint that is described in the catalog (SQLSTATE 42704).

When ownership of the constraint is transferred, the value in the OWNER column for the constraint in the SYSCAT.TABCONST catalog view is replaced with the authorization ID of the new owner.

- If the constraint is a FOREIGN KEY constraint, the OWNER column in the SYSCAT.REFERENCES catalog view is replaced with the authorization ID of the new owner.
- If the constraint is a PRIMARY KEY or UNIQUE constraint, the OWNER column in the SYSCAT.INDEXES catalog view for the index that was created implicitly for this constraint is replaced with the authorization ID of the new owner. If the index existed, and it is reused in this case, the owner of the index is not changed.

**DATABASE PARTITION GROUP** *db-partition-group-name*

Identifies the database partition group that is to have its ownership transferred. The *db-partition-group-name* must identify a database partition group that is described in the catalog (SQLSTATE 42704).

When ownership of the database partition group is transferred, the value in the OWNER column for the database partition group in the SYSCAT.DBPARTITIONGROUPS catalog view is replaced with the authorization ID of the new owner.

**EVENT MONITOR** *event-monitor-name*

Identifies the event monitor that is to have its ownership transferred. The *event-monitor-name* must identify an event monitor that is described in the catalog (SQLSTATE 42704).

When ownership of the event monitor is transferred, the value in the OWNER column for the event monitor in the SYSCAT.EVENTMONITORS catalog view is replaced with the authorization ID of the new owner.

If the identified event monitor is active, an error is returned (SQLSTATE 429BT).

If there are event files in the target path of a WRITE TO FILE event monitor whose ownership is being transferred, the event files are not deleted.

## TRANSFER OWNERSHIP

When ownership of WRITE TO TABLE event monitors is transferred, table information in the SYSCAT.EVENTTABLES catalog view is retained.

### FUNCTION

Identifies the function that is to have its ownership transferred. The specified function instance must be a user-defined function or function template that is described in the catalog. Ownership of functions that are implicitly generated by the CREATE TYPE (Distinct) and CREATE TYPE (Structured) statements cannot be transferred (SQLSTATE 429BT).

There are several different ways to identify the function instance.

### FUNCTION *function-name*

Identifies the particular function that is to have its ownership transferred, and is valid only if there is exactly one function instance with that *function-name*. The function thus identified can have any number of parameters defined for it. In dynamic SQL statements, the CURRENT SCHEMA special register is used as a qualifier for an unqualified object name. In static SQL statements, the QUALIFIER precompile or bind option implicitly specifies the qualifier for unqualified object names. If no function by this name exists in the named or implied schema, an error is returned (SQLSTATE 42704). If there is more than one specific instance of the function in the named or implied schema, an error is returned (SQLSTATE 42725).

### FUNCTION *function-name (data-type,...)*

Provides the function signature, which uniquely identifies the function whose ownership is to be transferred. The function selection algorithm is not used.

#### *function-name*

Specifies the name of the function whose ownership is to be transferred. In dynamic SQL statements, the CURRENT SCHEMA special register is used as a qualifier for an unqualified object name. In static SQL statements, the QUALIFIER precompile or bind option implicitly specifies the qualifier for unqualified object names.

#### *(data-type,...)*

Specified data types must match the types and positions that were specified on the CREATE FUNCTION statement. The number of data types and the logical concatenation of the data types are used to identify the specific function whose ownership is to be transferred.

If the *data-type* is unqualified, the type name is resolved by searching the schemas on the SQL path. This also applies to data type names specified for a REFERENCE type.

It is not necessary to specify the length, precision, or scale for the parameterized data types. Instead, an empty set of parentheses can be coded to indicate that these attributes are to be ignored when looking for a data type match.

FLOAT() cannot be used (SQLSTATE 42601), because the parameter value indicates different data types (REAL or DOUBLE).

However, if length, precision, or scale is coded, the value must exactly match that specified in the CREATE FUNCTION statement.

A type of FLOAT(*n*) does not need to match the defined value for *n*, because  $0 < n < 25$  means REAL, and  $24 < n < 54$  means DOUBLE. Matching occurs based on whether the type is REAL or DOUBLE.



The FOR BIT DATA attribute is not considered to be part of the signature for matching purposes. So, for example, a CHAR FOR BIT DATA specified in the signature would match a function defined with CHAR only; the reverse would also be true.

If no function with the specified signature exists in the named or implied schema, an error is returned (SQLSTATE 42883).

When ownership of the function is transferred, the value in the OWNER column for the function in the SYSCAT.ROUTINES catalog view is replaced with the authorization ID of the new owner.

#### **SPECIFIC FUNCTION** *specific-name*

Identifies the particular user-defined function that is to have its ownership transferred, using the specific name either specified or defaulted to at function creation time. In dynamic SQL statements, the CURRENT SCHEMA special register is used as a qualifier for an unqualified object name. In static SQL statements, the QUALIFIER precompile or bind option implicitly specifies the qualifier for unqualified object names. The *specific-name* must identify a specific function instance in the named or implied schema; otherwise, an error is returned (SQLSTATE 42704).

When ownership of the specific function is transferred, the value in the OWNER column for the specific function in the SYSCAT.ROUTINES catalog view is replaced with the authorization ID of the new owner.

#### **FUNCTION MAPPING** *function-mapping-name*

Identifies the function mapping that is to have its ownership transferred. The *function-mapping-name* must identify a function mapping that is described in the catalog (SQLSTATE 42704).

When ownership of the function mapping is transferred, the value in the OWNER column for the function mapping in the SYSCAT.FUNCMAPPINGS catalog view is replaced with the authorization ID of the new owner.

#### **INDEX** *index-name*

Identifies the index or index specification that is to have its ownership transferred. The *index-name* must identify an index or index specification that is described in the catalog (SQLSTATE 42704).

When ownership of the index is transferred, the value in the OWNER column for the index in the SYSCAT.INDEXES catalog view is replaced with the authorization ID of the new owner.

Ownership of an index cannot be transferred if the table on which the index is defined is a global temporary table (SQLSTATE 429BT).

#### **INDEX EXTENSION** *index-extension-name*

Identifies the index extension that is to have its ownership transferred. The *index-extension-name* must identify an index extension that is described in the catalog (SQLSTATE 42704).

When ownership of the index extension is transferred, the value in the OWNER column for the index extension in the SYSCAT.INDEXEXTENSIONS catalog view is replaced with the authorization ID of the new owner.

#### **METHOD**

Identifies the method that is to have its ownership transferred. The method body specified must be a method that is described in the catalog (SQLSTATE 42704). The ownership of methods that are implicitly generated by the CREATE TYPE statement cannot be transferred (SQLSTATE 429BT).

## TRANSFER OWNERSHIP

There are several different ways to identify the method body.

### **METHOD** *method-name*

Identifies the particular method that is to have its ownership transferred, and is valid only if there is exactly one method instance with name *method-name* and subject type *type-name*. Thus, the method identified can have any number of parameters. If no method by this name exists for the type *type-name*, an error is returned (SQLSTATE 42704). If there is more than one specific instance of the method for the named data type, an error is returned (SQLSTATE 42725).

### **METHOD** *method-name (data-type,...)*

Provides the method signature, which uniquely identifies the method whose ownership is to be transferred. The method selection algorithm is not used.

#### *method-name*

Specifies the name of the method whose ownership is to be transferred. The name must be an unqualified identifier.

#### *(data-type, ...)*

Specified data types must match the types and positions that were specified on the CREATE TYPE or ALTER TYPE statement. The number of data types and the logical concatenation of the data types are used to identify the specific method instance whose ownership is to be transferred.

If *data-type* is unqualified, the type name is resolved by searching the schemas on the SQL path.

It is not necessary to specify the length, precision, or scale for the parameterized data types. Instead, an empty set of parentheses can be coded to indicate that these attributes are to be ignored when looking for a data type match.

FLOAT() cannot be used (SQLSTATE 42601), because the parameter value indicates different data types (REAL or DOUBLE).

However, if length, precision, or scale is coded, the value must exactly match that specified in the CREATE TYPE statement.

A type of FLOAT(*n*) does not need to match the defined value for *n*, because  $0 < n < 25$  means REAL and  $24 < n < 54$  means DOUBLE. Matching occurs based on whether the type is REAL or DOUBLE.

If no method with the specified signature exists for the named data type, an error is returned (SQLSTATE 42883).

### **FOR** *type-name*

Names the type for which the specified method is to have its ownership transferred. The name must identify a type that is described in the catalog (SQLSTATE 42704). In dynamic SQL statements, the CURRENT SCHEMA special register is used as a qualifier for an unqualified type name. In static SQL statements, the QUALIFIER precompile or bind option implicitly specifies the qualifier for unqualified type names.

When ownership of the method is transferred, the value in the OWNER column for the method in the SYSCAT.ROUTINES catalog view is replaced with the authorization ID of the new owner.

**SPECIFIC METHOD** *specific-name*

Identifies the particular method that is to have its ownership transferred. If the specific name is unqualified, the CURRENT SCHEMA special register is used as a qualifier for an unqualified specific name in dynamic SQL. In static SQL statements, the QUALIFIER precompile or bind option implicitly specifies the qualifier for an unqualified specific name. The *specific-name* must identify a method; otherwise, an error is returned (SQLSTATE 42704).

When ownership of the specific method is transferred, the value in the OWNER column for the specific method in the SYSCAT.ROUTINES catalog view is replaced with the authorization ID of the new owner.

**NICKNAME** *nickname*

Identifies the nickname that is to have its ownership transferred. The *nickname* must be a nickname that is described in the catalog (SQLSTATE 42704).

When ownership of the nickname is transferred, the value in the OWNER column for the nickname in the SYSCAT.TABLES catalog view is replaced with the authorization ID of the new owner.

**PACKAGE** *schema-name.package-id*

Identifies the package that is to have its ownership transferred. If a schema name is not specified, the package identifier is implicitly qualified by the default schema. The schema name and package identifier, together with the implicitly or explicitly specified version identifier, must identify a package that is described in the catalog (SQLSTATE 42704).

**VERSION** *version-id*

Identifies which package version is to have its ownership transferred. If a value is not specified, the version defaults to the empty string, and the ownership of this package is transferred. If multiple packages with the same package name but different versions exist, only the ownership of the package whose *version-id* is specified in the TRANSFER OWNERSHIP statement is transferred. Delimit the version identifier with double quotation marks when it:

- Is generated by the VERSION(AUTO) precompiler option
- Begins with a digit
- Contains lowercase or mixed-case letters

If the statement is invoked from an operating system command prompt, precede each double quotation mark delimiter with a back slash character to ensure that the operating system does not strip the delimiters.

When ownership of the package is transferred, the value in the BOUNDBY column for the package in the SYSCAT.PACKAGES catalog view is replaced with the authorization ID of the new owner.

The ownership of packages that are associated with SQL procedures cannot be transferred (SQLSTATE 429BT).

**PROCEDURE**

Identifies the procedure that is to have its ownership transferred. The procedure instance specified must be a procedure that is described in the catalog.

There are several different ways to identify the procedure instance.

**PROCEDURE** *procedure-name*

Identifies the particular procedure that is to have its ownership transferred, and is valid only if there is exactly one procedure with the *procedure-name*

## TRANSFER OWNERSHIP

in the schema. The procedure thus identified can have any number of parameters defined for it. In dynamic SQL statements, the CURRENT SCHEMA special register is used as a qualifier for an unqualified object name. In static SQL statements, the QUALIFIER precompile or bind option implicitly specifies the qualifier for unqualified object names. If no procedure by this name exists in the named or implied schema, an error is returned (SQLSTATE 42704). If there is more than one specific instance of the procedure in the named or implied schema, an error is returned (SQLSTATE 42725).

### **PROCEDURE** *procedure-name* (*data-type*,...)

Provides the procedure signature, which uniquely identifies the procedure whose ownership is to be transferred.

#### *procedure-name*

Specifies the procedure name of the procedure whose ownership is to be transferred. In dynamic SQL statements, the CURRENT SCHEMA special register is used as a qualifier for an unqualified object name. In static SQL statements, the QUALIFIER precompile or bind option implicitly specifies the qualifier for unqualified object names.

#### (*data-type*,...)

Specified data types must match the types and positions that were specified on the CREATE PROCEDURE statement. The number of data types and the logical concatenation of the data types are used to identify the specific procedure whose ownership is to be transferred.

If the *data-type* is unqualified, the type name is resolved by searching the schemas on the SQL path. This also applies to data type names specified for a REFERENCE type.

It is not necessary to specify the length, precision, or scale for the parameterized data types. Instead, an empty set of parentheses can be coded to indicate that these attributes are to be ignored when looking for a data type match.

FLOAT() cannot be used (SQLSTATE 42601), because the parameter value indicates different data types (REAL or DOUBLE).

However, if length, precision, or scale is coded, the value must exactly match that specified in the CREATE PROCEDURE statement.

A type of FLOAT(*n*) does not need to match the defined value for *n*, because  $0 < n < 25$  means REAL and  $24 < n < 54$  means DOUBLE. Matching occurs based on whether the type is REAL or DOUBLE.

If no procedure with the specified signature exists in the named or implied schema, an error is returned (SQLSTATE 42883).

When ownership of the procedure is transferred, the value in the OWNER column for the procedure in the SYSCAT.ROUTINES catalog view is replaced with the authorization ID of the new owner.

Transferring ownership of an SQL procedure that has an associated package also implicitly transfers ownership of the package to the new owner.

### **SPECIFIC PROCEDURE** *specific-name*

Identifies the particular procedure that is to have its ownership transferred, using the specific name either specified or defaulted to at procedure creation time. In dynamic SQL statements, the CURRENT SCHEMA special register is used as a qualifier for an unqualified object name. In static SQL statements, the

QUALIFIER precompile or bind option implicitly specifies the qualifier for unqualified object names. The *specific-name* must identify a specific procedure instance in the named or implied schema; otherwise, an error is returned (SQLSTATE 42704).

When ownership of the specific procedure is transferred, the value in the OWNER column for the specific procedure in the SYSCAT.ROUTINES catalog view is replaced with the authorization ID of the new owner.

**SCHEMA** *schema-name*

Identifies the schema that is to have its ownership transferred. The *schema-name* must identify a schema that is described in the catalog (SQLSTATE 42704).

When ownership of the schema is transferred, the value in the OWNER column and the DEFINER column for the schema in the SYSCAT.SCHEMATA catalog view is replaced with the authorization ID of the new owner.

Ownership of system-defined schemas (where the definer is SYSIBM) cannot be transferred (SQLSTATE 42832).

**SEQUENCE** *sequence-name*

Identifies the sequence that is to have its ownership transferred. The *sequence-name* must identify a sequence that is described in the catalog (SQLSTATE 42704).

When ownership of the sequence is transferred, the value in the OWNER column for the schema in the SYSCAT.SEQUENCES catalog view is replaced with the authorization ID of the new owner.

**TABLE** *table-name*

Identifies the table that is to have its ownership transferred. The *table-name* must identify a table that exists in the database (SQLSTATE 42704) and must not identify a declared temporary table (SQLSTATE 42995).

When ownership of the table is transferred:

- The value in the OWNER column for the table in the SYSCAT.TABLES catalog view is replaced with the authorization ID of the new owner.
- The value in the OWNER column for all dependent objects on the table in the SYSCAT.TABDEP catalog view is replaced with the authorization ID of the new owner.

Ownership of subtables in a table hierarchy cannot be transferred (SQLSTATE 429BT).

In a federated system, ownership of a remote table that was created using transparent DDL can be transferred. Transferring the ownership of a remote table will not transfer ownership of the nickname that is associated with the table. Ownership of such a nickname can be transferred explicitly using the TRANSFER OWNERSHIP statement.

**TABLE HIERARCHY** *root-table-name*

Identifies the typed table that is the root table in a typed table hierarchy that is to have its ownership transferred. The *root-table-name* must identify a typed table that is the root table in the typed table hierarchy (SQLSTATE 428DR), and must refer to a typed table that exists in the database (SQLSTATE 42704).

When ownership of the table hierarchy is transferred:

- The value in the OWNER column for the root table and all of its subtables in the SYSCAT.TABLES catalog view is replaced with the authorization ID of the new owner.

## TRANSFER OWNERSHIP

- The value in the OWNER column for all dependent objects on the table and all of its subtables in the SYSCAT.TABDEP catalog view is replaced with the authorization ID of the new owner.

### **TABLESPACE** *tablespace-name*

Identifies the table space that is to have its ownership transferred. The *tablespace-name* must identify a table space that is described in the catalog (SQLSTATE 42704).

When ownership of the table space is transferred, the value in the OWNER column for the table space in the SYSCAT.TABLESPACES catalog view is replaced with the authorization ID of the new owner.

### **TRIGGER** *trigger-name*

Identifies the trigger that is to have its ownership transferred. The *trigger-name* must identify a trigger that is described in the catalog (SQLSTATE 42704).

When ownership of the trigger is transferred, the value in the OWNER column for the trigger in the SYSCAT.TRIGGERS catalog view is replaced with the authorization ID of the new owner.

### **TYPE** *type-name*

Identifies the user-defined type that is to have its ownership transferred. The *type-name* must identify a type that is described in the catalog (SQLSTATE 42704). If DISTINCT is specified, *type-name* must identify a distinct type that is described in the catalog (SQLSTATE 42704).

In dynamic SQL statements, the CURRENT SCHEMA special register is used as a qualifier for an unqualified object name. In static SQL statements, the QUALIFIER precompile or bind option implicitly specifies the qualifier for unqualified object names.

When ownership of the type is transferred, the value in the OWNER column for the type in the SYSCAT.DATATYPES catalog view is replaced with the authorization ID of the new owner.

### **TYPE MAPPING** *type-mapping-name*

Identifies the user-defined data type mapping that is to have its ownership transferred. The *type-mapping-name* must identify a data type mapping that is described in the catalog (SQLSTATE 42704).

When ownership of the type mapping is transferred, the value in the OWNER column for the type mapping in the SYSCAT.TYPEMAPPINGS catalog view is replaced with the authorization ID of the new owner.

### **VARIABLE** *variable-name*

Indicates that the object whose ownership is to be transferred is a created global variable. The *variable-name* must identify a global variable that exists at the current server (SQLSTATE 42704).

When the global variable is transferred, the value in the OWNER column for the global variable in the SYSCAT.VARIABLES catalog view is replaced with the authorization ID of the new owner.

### **VIEW** *view-name*

Identifies the view that is to have its ownership transferred. The *view-name* must identify a view that exists in the database (SQLSTATE 42704).

When ownership of the view is transferred:

- The value in the OWNER column for the view in the SYSCAT.VIEWS catalog view is replaced with the authorization ID of the new owner.

- The value in the OWNER column for all dependent objects on the view in the SYSCAT.TABDEP catalog view is replaced with the authorization ID of the new owner.

The ownership of a subview in a view hierarchy cannot be transferred (SQLSTATE 429BT).

#### **VIEW HIERARCHY** *root-view-name*

Identifies the typed view that is the root view in a typed view hierarchy that is to have its ownership transferred. The *root-view-name* must identify a typed view that is the root view in the typed view hierarchy (SQLSTATE 428DR), and must refer to a typed view that exists in the database (SQLSTATE 42704).

When ownership of the view hierarchy is transferred:

- The value in the OWNER column for the root view and all of its subviews in the SYSCAT.VIEWS catalog view is replaced with the authorization ID of the new owner.
- The value in the OWNER column for all dependent objects on the view and all of its subviews in the SYSCAT.TABDEP catalog view is replaced with the authorization ID of the new owner.

#### **XSROBJECT** *xsobject-name*

Identifies the XSR object that is to have its ownership transferred. The *xsobject-name* must identify an XSR object that is described in the catalog (SQLSTATE 42704).

When ownership of the XSR object is transferred, the value in the OWNER column for the XSR object in the SYSCAT.XSROBJECTS catalog view is replaced with the authorization ID of the new owner.

#### **USER** *authorization-name*

Specifies the authorization ID to which ownership of the object is being transferred.

#### **SESSION\_USER**

Specifies that the value of the SESSION\_USER special register is to be used as the authorization ID to which ownership of the object is being transferred.

#### **SYSTEM\_USER**

Specifies that the value of the SYSTEM\_USER special register is to be used as the authorization ID to which ownership of the object is being transferred.

#### **PRESERVE PRIVILEGES**

Specifies that the current owner of an object that is to have its ownership transferred will continue to hold any existing privileges on the object after the transfer. For example, any privileges that were granted to the creator of a view when that view was created continue to be held by the original owner even after ownership has been transferred to another user.

### **Rules**

- Ownership of most system-defined objects (where the owner is SYSIBM) cannot be transferred (SQLSTATE 42832). However, starting in Fix Pack 2, you can transfer ownership of implicitly created schema objects that have SYSIBM in the OWNER column and do not have SYSIBM in the DEFINER column.
- Ownership of schemas whose name starts with 'SYS' cannot be transferred (SQLSTATE 42832).
- Ownership of the following objects cannot be explicitly transferred (SQLSTATE 429BT):

## TRANSFER OWNERSHIP

- Subtables in a table hierarchy (they are transferred with the root hierarchy table)
- Subviews in a view hierarchy (they are transferred with the root hierarchy view)
- Indexes that are defined on global temporary tables
- Methods or functions that are implicitly generated when a user-defined type is created
- Packages that depend on SQL procedures (they are transferred with the SQL procedure)
- Event monitors that are active (they can be transferred when they are not active)
- An authorization ID that has SECADM authority cannot transfer the ownership of an object to itself, if it is not already the owner of the object (SQLSTATE 42502).

### Notes

- All privileges that the current owner has that were granted as part of the creation of the object are transferred to the new owner. If the current owner has had a privilege on the object revoked, and that privilege was subsequently granted back, the privilege is not transferred. Starting in Fix Pack 2, for implicitly created schema objects that have not already been transferred, the new owner is granted CREATEIN, DROPIN, and ALTERIN privileges on the schema and can also grant these privileges to other users.
- When the ownership of a database object is transferred, the new owner must have the set of privileges on the base objects, as indicated by the object's dependencies, that are required to maintain the object's existence unchanged. The new owner does not need the privileges required to create the object if those privileges are not required to maintain the object's existence.

For example:

- Consider a view with SELECT and INSERT dependencies on an underlying table. The privileges held by the new owner of the view must include at least SELECT (with or without the GRANT OPTION) and INSERT (with or without the GRANT OPTION) for the ownership transfer to be successful. If the dependencies were SELECT WITH GRANT OPTION and INSERT WITH GRANT OPTION, the privileges held by the new owner of the view must include at least SELECT WITH GRANT OPTION and INSERT WITH GRANT OPTION.
- Consider a view with a dependency on a routine. The privileges held by the new owner of the view must include at least EXECUTE on the dependent routine.
- Consider a trigger with a dependency on a table. The privileges held by the new owner of the trigger must include the same set of privileges on the table that are indicated by the trigger's dependencies. ALTER privilege on the table on which the trigger is defined is not required.

The following table lists the system catalog views that describe the objects on which other database objects depend.

*Table 35. Catalog Views that Describe Objects on which Other Objects Depend*

| Database Object | System Catalog View                                            |
|-----------------|----------------------------------------------------------------|
| CONSTRAINT      | SYSCAT.CONSTDEP                                                |
| FUNCTION        | SYSCAT.ROUTINEDEP; SYSCAT.ROUTINES<br>(for a sourced function) |



Table 35. Catalog Views that Describe Objects on which Other Objects Depend (continued)

| Database Object | System Catalog View      |
|-----------------|--------------------------|
| INDEX           | SYSCAT.INDEXDEP          |
| INDEX EXTENSION | SYSCAT.INDEXEXTENSIONDEP |
| METHOD          | SYSCAT.ROUTINEDEP        |
| PACKAGE         | SYSCAT.PACKAGEDEP        |
| PROCEDURE       | SYSCAT.ROUTINEDEP        |
| TABLE           | SYSCAT.TABDEP            |
| TRIGGER         | SYSCAT.TRIGDEP           |
| VIEW            | SYSCAT.TABDEP            |
| XSRBJECT        | SYSCAT.XSRBJECTDEP       |

If ownership of a database object that depends on another object is to be transferred successfully, the new owner of the database object must hold certain privileges on the dependent object of that dependency:

- If the dependent object is a sequence, the new owner must have the USAGE privilege on that sequence.
- If the dependent object is a function, method, or procedure, the new owner must have the EXECUTE privilege on that function, method, or procedure.
- If the dependent object is a package, the new owner must have the EXECUTE privilege on that package.
- If the dependent object is an XSR object, the new owner must have the USAGE privilege on that XSR object.

For any other dependent object of a dependency, use the TABAUTH column in the appropriate system catalog view to determine what privileges the new owner must hold.

- If an attempt is made to transfer ownership of an object to its owner, a warning is returned (SQLSTATE 01676).
- Ownership of the following database objects cannot be transferred, because these objects have no owner: audit policies, buffer pools, roles, security labels, security label components, security policies, servers, transformation functions, trusted contexts, user mappings, and wrappers. Note that there is no OWNER column in the SYSCAT.AUDITPOLICIES, SYSCAT.BUFFERPOOLS, SYSCAT.CONTEXTS, SYSCAT.ROLES, SYSCAT.SECURITYLABELS, SYSCAT.SECURITYLABELCOMPONENTS, SYSCAT.SECURITYPOLICIES, SYSCAT.SERVERS, SYSCAT.TRANSFORMS, SYSCAT.USEROPTIONS, and SYSCAT.WRAPPERS catalog views.
- The schema name of an object whose ownership was transferred does not automatically change.
- **Compatibilities**
  - For consistency with other SQL statements:
    - NODEGROUP can be specified in place of DATABASE PARTITION GROUP

## Examples

*Example 1:* Transfer ownership of table T1 to PAUL.

```
TRANSFER OWNERSHIP OF TABLE WALID.T1
TO USER PAUL PRESERVE PRIVILEGES
```

## TRANSFER OWNERSHIP

The value in the OWNER column for the table WALID.T1 in the SYSCAT.TABLES catalog view is replaced with 'PAUL'. Paul is implicitly granted the following privileges on table WALID.T1 (assuming that the previous owner of the table did not lose any privileges on it): CONTROL and ALTER, DELETE, INDEX, INSERT, SELECT, UPDATE, REFERENCE (WITH GRANT OPTION).

*Example 2:* Assume that JOHN creates tables T1 and T2, and that MIKE holds SELECT privilege on tables JOHN.T1 and JOHN.T2. MIKE creates view V1 that depends on tables JOHN.T1 and JOHN.T2. Transfer ownership of view V1 to HENRY, who has DBADM authority.

```
TRANSFER OWNERSHIP OF VIEW V1
TO USER HENRY PRESERVE PRIVILEGES
```

The value in the OWNER column for the view V1 in the SYSCAT.VIEWS catalog view is replaced with 'HENRY'. A new row is added to SYSCAT.TABAUTH with the following values: GRANTOR = 'SYSIBM', GRANTEE = 'HENRY', and TABNAME = 'V1'.

*Example 3:* Assume that HENRY, who holds DBADM authority, creates a trigger TR1 that depends on table T1. Transfer ownership of trigger TR1 to WALID, who does not hold DBADM authority.

```
TRANSFER OWNERSHIP OF TRIGGER TR1
TO USER WALID PRESERVE PRIVILEGES
```

Ownership of the trigger is transferred successfully, even though Walid does not hold DBADM authority.

*Example 4:* Assume that JOHN creates tables T1 and T2, and that MIKE holds SELECT privilege on table JOHN.T1 and CONTROL privilege on table JOHN.T2. PAUL holds SELECT privilege on tables JOHN.T1 and JOHN.T2. MIKE creates view V1 that depends on tables JOHN.T1 and JOHN.T2. The view has an entry for the SELECT privilege in SYSCAT.TABAUTH and two SELECT dependencies in SYSCAT.TABDEP for tables JOHN.T1 and JOHN.T2. Transfer ownership of view V1 to PAUL, who is a regular user.

```
TRANSFER OWNERSHIP OF VIEW V1
TO USER PAUL PRESERVE PRIVILEGES
```

Ownership of the view is transferred successfully, even though Paul does not hold CONTROL privilege on table JOHN.T2. Paul only needs SELECT privilege on tables JOHN.T1 and JOHN.T2 to maintain the view's existence. (The view only has SELECT privilege because Paul did not hold CONTROL privilege on both tables when the view was created and, as a result, he was not granted CONTROL on the view.) The value in the OWNER column for the view V1 in the SYSCAT.VIEWS catalog view is replaced with 'PAUL'. The value in the OWNER column for the view V1 in the SYSCAT.TABDEP catalog view is replaced with 'PAUL'. A new row is added to SYSCAT.TABAUTH with the following values: GRANTOR = 'SYSIBM', GRANTEE = 'PAUL', and TABNAME = 'V1'.

*Example 5:* Assume that JOHN creates table T1, and that PUBLIC holds SELECT privilege on JOHN.T1. PAUL holds SELECT privilege on JOHN.T1 explicitly, and creates view V1 that depends on table JOHN.T1. Transfer ownership of view V1 to MIKE, who is not a DBADM, but who holds the required privileges to acquire view ownership through the special group PUBLIC.

```
TRANSFER OWNERSHIP OF VIEW V1
TO USER MIKE PRESERVE PRIVILEGES
```

Ownership of the view is transferred successfully, because Mike holds SELECT privilege on table JOHN.T1 through PUBLIC. The value in the OWNER column for the view V1 in the SYSCAT.VIEWS catalog view is replaced with 'MIKE'. The value in the OWNER column for the view V1 in the SYSCAT.TABDEP catalog view is replaced with 'MIKE'. A new row is added to SYSCAT.TABAUTH with the following values: GRANTOR = 'SYSIBM', GRANTEE = 'MIKE', and TABNAME = 'V1'.

*Example 6:* Similar to example 5, assume that JOHN creates table T1, and that role R1 holds SELECT privilege on JOHN.T1. PAUL holds SELECT privilege on JOHN.T1 explicitly, and creates view V1 that depends on table JOHN.T1. Transfer ownership of view V1 to MIKE, who is not a DBADM, but who holds the required privileges through membership in role R1 to acquire view ownership.

```
TRANSFER OWNERSHIP OF VIEW V1
TO USER MIKE PRESERVE PRIVILEGES
```

Ownership of the view is transferred successfully, because Mike holds SELECT privilege on table JOHN.T1 through membership in role R1. The value in the OWNER column for the view V1 in the SYSCAT.VIEWS catalog view is replaced with 'MIKE'. The value in the OWNER column for the view V1 in the SYSCAT.TABDEP catalog view is replaced with 'MIKE'. A new row is added to SYSCAT.TABAUTH with the following values: GRANTOR = 'SYSIBM', GRANTEE = 'MIKE', and TABNAME = 'V1'.

---

## UPDATE

The UPDATE statement updates the values of specified columns in rows of a table, view or nickname, or the underlying tables, nicknames, or views of the specified fullselect. Updating a row of a view updates a row of its base table, if no INSTEAD OF trigger is defined for the update operation on this view. If such a trigger is defined, the trigger will be executed instead. Updating a row using a nickname updates a row in the data source object to which the nickname refers.

The forms of this statement are:

- The *Searched* UPDATE form is used to update one or more rows (optionally determined by a search condition).
- The *Positioned* UPDATE form is used to update exactly one row (as determined by the current position of a cursor).

### Invocation

An UPDATE statement can be embedded in an application program or issued through the use of dynamic SQL statements. It is an executable statement that can be dynamically prepared.

### Authorization

The privileges held by the authorization ID of the statement must include at least one of the following:

- UPDATE privilege on the target table, view, or nickname
- UPDATE privilege on each of the columns that are to be updated
- CONTROL privilege on the target table, view, or nickname
- SYSADM or DBADM authority

## UPDATE

If a *row-fullselect* is included in the assignment, the privileges held by the authorization ID of the statement must include at least one of the following for each referenced table, view, or nickname:

- SELECT privilege
- CONTROL privilege
- SYSADM or DBADM authority

For each table, view, or nickname referenced by a subquery, the privileges held by the authorization ID of the statement must also include at least one of the following:

- SELECT privilege
- CONTROL privilege
- SYSADM or DBADM authority

If the package used to process the statement is precompiled with SQL92 rules (option `LANGLEVEL` with a value of `SQL92E` or `MIA`), and the searched form of an UPDATE statement includes a reference to a column of the table, view, or nickname in the right hand side of the *assignment-clause*, or anywhere in the *search-condition*, the privileges held by the authorization ID of the statement must also include at least one of the following:

- SELECT privilege
- CONTROL privilege
- SYSADM or DBADM authority

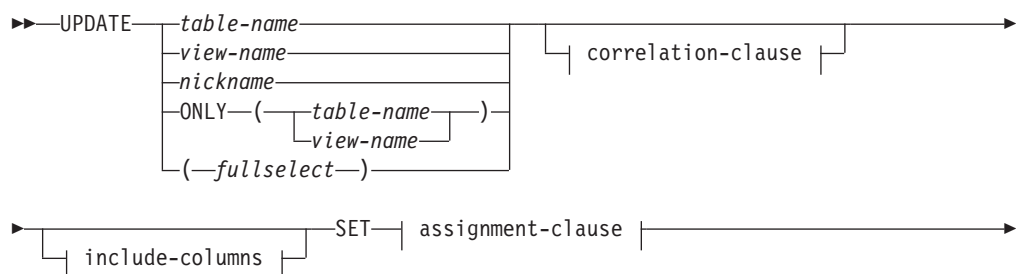
If the specified table or view is preceded by the `ONLY` keyword, the privileges held by the authorization ID of the statement must also include the `SELECT` privilege for every subtable or subview of the specified table or view.

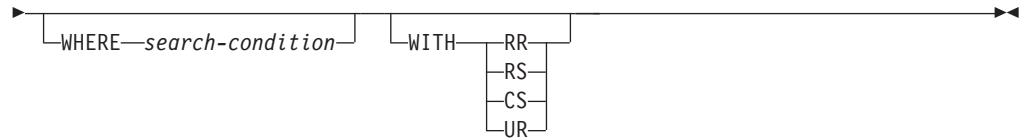
GROUP privileges are not checked for static UPDATE statements.

If the target of the update operation is a nickname, privileges on the object at the data source are not considered until the statement is executed at the data source. At this time, the authorization ID that is used to connect to the data source must have the privileges that are required for the operation on the object at the data source. The authorization ID of the statement can be mapped to a different authorization ID at the data source.

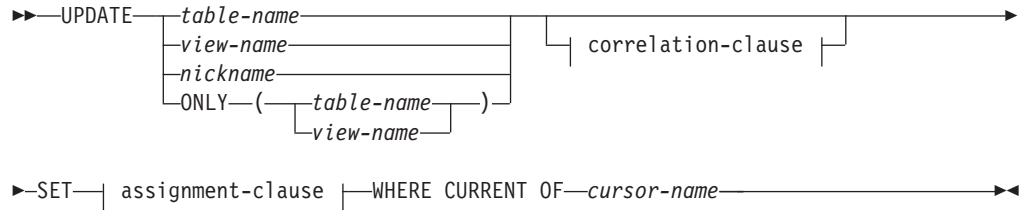
### Syntax

**searched-update:**

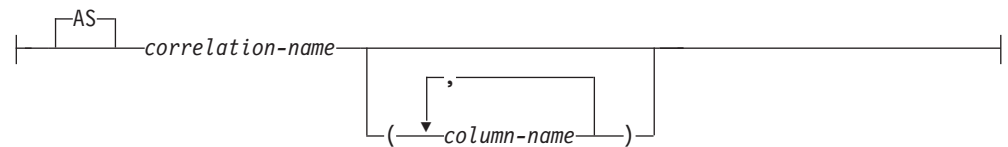




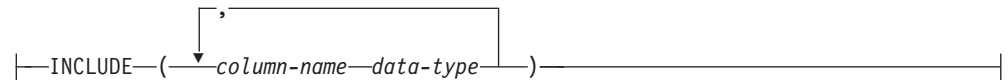
**positioned-update:**



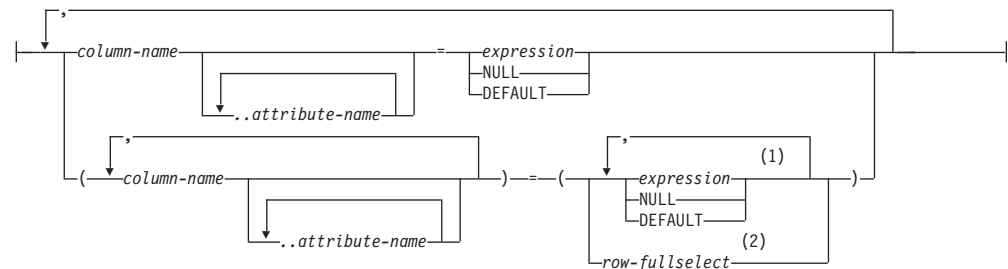
**correlation-clause:**



**include-columns:**



**assignment-clause:**



**Notes:**

- 1 The number of expressions, NULLs and DEFAULTs must match the number of column names.
- 2 The number of columns in the select list must match the number of column names.

**Description**

*table-name, view-name, nickname, or (fullselect)*

Identifies the object of the update operation. The name must identify a table, view, or nickname described in the catalog, but not a catalog table, a view of a

## UPDATE

catalog table (unless it is one of the updatable SYSSTAT views), a system-maintained materialized query table, or a read-only view that has no INSTEAD OF trigger defined for its update operations.

If *table-name* is a typed table, rows of the table or any of its proper subtables may get updated by the statement. Only the columns of the specified table may be set or referenced in the WHERE clause. For a positioned UPDATE, the associated cursor must also have specified the same table, view or nickname in the FROM clause without using ONLY.

If the object of the update operation is a fullselect, the fullselect must be updatable, as defined in the “Updatable views” Notes item in the description of the CREATE VIEW statement.

### **ONLY** (*table-name*)

Applicable to typed tables, the ONLY keyword specifies that the statement should apply only to data of the specified table and rows of proper subtables cannot be updated by the statement. For a positioned UPDATE, the associated cursor must also have specified the table in the FROM clause using ONLY. If *table-name* is not a typed table, the ONLY keyword has no effect on the statement.

### **ONLY** (*view-name*)

Applicable to typed views, the ONLY keyword specifies that the statement should apply only to data of the specified view and rows of proper subviews cannot be updated by the statement. For a positioned UPDATE, the associated cursor must also have specified the view in the FROM clause using ONLY. If *view-name* is not a typed view, the ONLY keyword has no effect on the statement.

### **correlation-clause**

Can be used within *search-condition* or *assignment-clause* to designate a table, view, nickname, or fullselect. For a description of *correlation-clause*, see “table-reference” in the description of “Subselect”.

### *include-columns*

Specifies a set of columns that are included, along with the columns of *table-name* or *view-name*, in the intermediate result table of the UPDATE statement when it is nested in the FROM clause of a fullselect. The *include-columns* are appended at the end of the list of columns that are specified for *table-name* or *view-name*.

### **INCLUDE**

Specifies a list of columns to be included in the intermediate result table of the UPDATE statement.

### *column-name*

Specifies a column of the intermediate result table of the UPDATE statement. The name cannot be the same as the name of another include column or a column in *table-name* or *view-name* (SQLSTATE 42711).

### *data-type*

Specifies the data type of the include column. The data type must be one that is supported by the CREATE TABLE statement.

### **SET**

Introduces the assignment of values to column names.

### *assignment-clause*

### *column-name*

Identifies a column to be updated. The *column-name* must identify an

updatable column of the specified table, view, or nickname, or identify an INCLUDE column. The object ID column of a typed table is not updatable (SQLSTATE 428DZ). A column must not be specified more than once, unless it is followed by *..attribute-name* (SQLSTATE 42701).

If it specifies an INCLUDE column, the column name cannot be qualified.

For a Positioned UPDATE:

- If the *update-clause* was specified in the *select-statement* of the cursor, each column name in the *assignment-clause* must also appear in the *update-clause*.
- If the *update-clause* was not specified in the *select-statement* of the cursor and LANGLEVEL MIA or SQL92E was specified when the application was precompiled, the name of any updatable column may be specified.
- If the *update-clause* was not specified in the *select-statement* of the cursor and LANGLEVEL SAA1 was specified either explicitly or by default when the application was precompiled, no columns may be updated.

#### *..attribute-name*

Specifies the attribute of a structured type that is set (referred to as an *attribute assignment*). The *column-name* specified must be defined with a user-defined structured type (SQLSTATE 428DP). The attribute-name must be an attribute of the structured type of *column-name* (SQLSTATE 42703). An assignment that does not involve the *..attribute-name* clause is referred to as a *conventional assignment*.

#### *expression*

Indicates the new value of the column. The expression is any expression of the type described in “Expressions”. The expression cannot include a column function except when it occurs within a scalar fullselect (SQLSTATE 42903).

An *expression* may contain references to columns of the target table of the UPDATE statement. For each row that is updated, the value of such a column in an expression is the value of the column in the row before the row is updated.

An expression cannot contain references to an INCLUDE column.

#### NULL

Specifies the null value and can only be specified for nullable columns (SQLSTATE 23502). NULL cannot be the value in an attribute assignment (SQLSTATE 429B9) unless it is specifically cast to the data type of the attribute.

#### DEFAULT

Specifies that the default value should be used based on how the corresponding column is defined in the table. The value that is inserted depends on how the column was defined.

- If the column was defined as a generated column based on an expression, the column value will be generated by the system, based on the expression.
- If the column was defined using the IDENTITY clause, the value is generated by the database manager.
- If the column was defined using the WITH DEFAULT clause, the value is set to the default defined for the column (see *default-clause* in “ALTER TABLE”).

## UPDATE

- If the column was defined using the NOT NULL clause and the GENERATED clause was not used, or the WITH DEFAULT clause was not used, or DEFAULT NULL was used, the DEFAULT keyword cannot be specified for that column (SQLSTATE 23502).
- If the column was defined using the ROW CHANGE TIMESTAMP clause, the value is generated by the database manager.

The only value that a generated column defined with the GENERATED ALWAYS clause can be set to is DEFAULT (SQLSTATE 428C9).

The DEFAULT keyword cannot be used as the value in an attribute assignment (SQLSTATE 429B9).

The DEFAULT keyword cannot be used as the value in an assignment for update on a nickname where the data source does not support DEFAULT syntax.

### *row-fullselect*

A fullselect that returns a single row with the number of columns corresponding to the number of *column-names* specified for assignment. The values are assigned to each corresponding *column-name*. If the result of the *row-fullselect* is no rows, then null values are assigned.

A *row-fullselect* may contain references to columns of the target table of the UPDATE statement. For each row that is updated, the value of such a column in an expression is the value of the column in the row before the row is updated. An error is returned if there is more than one row in the result (SQLSTATE 21000).

## WHERE

Introduces a condition that indicates what rows are updated. You can omit the clause, give a search condition, or name a cursor. If the clause is omitted, all rows of the table, view or nickname are updated.

### *search-condition*

Each *column-name* in the search condition, other than in a subquery, must name a column of the table, view or nickname. When the search condition includes a subquery in which the same table is the base object of both the UPDATE and the subquery, the subquery is completely evaluated before any rows are updated.

The search-condition is applied to each row of the table, view or nickname and the updated rows are those for which the result of the search-condition is true.

If the search condition contains a subquery, the subquery can be thought of as being executed each time the search condition is applied to a row, and the results used in applying the search condition. In actuality, a subquery with no correlated references is executed only once, whereas a subquery with a correlated reference may have to be executed once for each row.

### **CURRENT OF** *cursor-name*

Identifies the cursor to be used in the update operation. The *cursor-name* must identify a declared cursor, explained in “DECLARE CURSOR”. The DECLARE CURSOR statement must precede the UPDATE statement in the program.

The specified table, view, or nickname must also be named in the FROM clause of the SELECT statement of the cursor, and the result table of the cursor must not be read-only. (For an explanation of read-only result tables, see “DECLARE CURSOR”.)



When the UPDATE statement is executed, the cursor must be positioned on a row; that row is updated.

This form of UPDATE cannot be used (SQLSTATE 42828) if the cursor references:

- A view on which an INSTEAD OF UPDATE trigger is defined
- A view that includes an OLAP function in the select list of the fullselect that defines the view
- A view that is defined, either directly or indirectly, using the WITH ROW MOVEMENT clause

#### WITH

Specifies the isolation level at which the UPDATE statement is executed.

#### RR

Repeatable Read

#### RS

Read Stability

#### CS

Cursor Stability

#### UR

Uncommitted Read

The default isolation level of the statement is the isolation level of the package in which the statement is bound. The WITH clause has no effect on nicknames, which always use the default isolation level of the statement.

#### Rules

- **Triggers:** UPDATE statements may cause triggers to be executed. A trigger may cause other statements to be executed, or may raise error conditions based on the update values. If an update operation on a view causes an INSTEAD OF trigger to fire, validity, referential integrity, and constraints will be checked against the updates that are performed in the trigger, and not against the view that caused the trigger to fire, or its underlying tables.
- **Assignment:** Update values are assigned to columns according to specific assignment rules.
- **Validity:** The updated row must conform to any constraints imposed on the table (or on the base table of the view) by any unique index on an updated column.

If a view is used that is not defined using WITH CHECK OPTION, rows can be changed so that they no longer conform to the definition of the view. Such rows are updated in the base table of the view and no longer appear in the view.

If a view is used that is defined using WITH CHECK OPTION, an updated row must conform to the definition of the view. For an explanation of the rules governing this situation, see "CREATE VIEW".

- **Check Constraint:** Update value must satisfy the check-conditions of the check constraints defined on the table.

An UPDATE to a table with check constraints defined has the constraint conditions for each column updated evaluated once for each row that is updated. When processing an UPDATE statement, only the check constraints referring to the updated columns are checked.

- **Referential Integrity:** The value of the parent unique keys cannot be changed if the update rule is RESTRICT and there are one or more dependent rows.

## UPDATE

However, if the update rule is NO ACTION, parent unique keys can be updated as long as every child has a parent key by the time the update statement completes. A non-null update value of a foreign key must be equal to a value of the primary key of the parent table of the relationship.

- **XML values:** When an XML column value is updated, the new value must be a well-formed XML document (SQLSTATE 2200M).
- **Security Policy:** If the identified table or the base table of the identified view is protected with a security policy, the session authorization ID must have the label-based access control (LBAC) credentials that allow:
  - Write access to all protected columns that are being updated (SQLSTATE 42512)
  - Write access for any explicit value provided for a DB2SECURITYLABEL column for security policies that were created with the RESTRICT NOT AUTHORIZED WRITE SECURITY LABEL option (SQLSTATE 23523)
  - Read and write access to all rows that are being updated (SQLSTATE 42519)

The session authorization ID must also have been granted a security label for write access for the security policy if an implicit value is used for a DB2SECURITYLABEL column (SQLSTATE 23523), which can happen when:

- The DB2SECURITYLABEL column is not included in the list of columns that are to be updated (and so it will be implicitly updated to the security label for write access of the session authorization ID)
- A value for the DB2SECURITYLABEL column is explicitly provided but the session authorization ID does not have write access for that value, and the security policy is created with the OVERRIDE NOT AUTHORIZED WRITE SECURITY LABEL option

### Notes

- If an update value violates any constraints, or if any other error occurs during the execution of the UPDATE statement, no rows are updated. The order in which multiple rows are updated is undefined.
- An update to a view defined using the WITH ROW MOVEMENT clause could cause a delete operation and an insert operation against the underlying tables of the view. For details, see the description of the CREATE VIEW statement.
- When an UPDATE statement completes execution, the value of SQLERRD(3) in the SQLCA is the number of rows that qualified for the update operation. In the context of an SQL procedure statement, the value can be retrieved using the ROW\_COUNT variable of the GET DIAGNOSTICS statement. The SQLERRD(5) field contains the number of rows inserted, deleted, or updated by all activated triggers.
- Unless appropriate locks already exist, one or more exclusive locks are acquired by the execution of a successful UPDATE statement. Until the locks are released, the updated row can only be accessed by the application process that performed the update (except for applications using the Uncommitted Read isolation level). For further information on locking, see the descriptions of the COMMIT, ROLLBACK, and LOCK TABLE statements.
- When updating the column distribution statistics for a typed table, the subtable that first introduced the column must be specified.
- Multiple attribute assignments on the same structured type column occur in the order specified in the SET clause and, within a parenthesized set clause, in left-to-right order.

- An attribute assignment invokes the mutator method for the attribute of the user-defined structured type. For example, the assignment `st..a1=x` has the same effect as using the mutator method in the assignment `st = st..a1(x)`.
- While a given column may be a target column in only one conventional assignment, a column may be a target column in multiple attribute assignments (but only if it is not also a target column in a conventional assignment).
- When an identity column defined as a distinct type is updated, the entire computation is done in the source type, and the result is cast to the distinct type before the value is actually assigned to the column. (There is no casting of the previous value to the source type prior to the computation.)
- To have DB2 generate a value on a SET statement for an identity column, use the DEFAULT keyword:

```
SET NEW.EMPNO = DEFAULT
```

In this example, NEW.EMPNO is defined as an identity column, and the value used to update this column is generated by DB2.

- For more information about consuming values of a generated sequence for an identity column, or about exceeding the maximum value for an identity column, see "INSERT".
- With partitioned tables, an UPDATE WHERE CURRENT OF *cursor-name* operation can move a row from one data partition to another. After this occurs, the cursor is no longer positioned on the row, and no further UPDATE WHERE CURRENT OF *cursor-name* modifications to that row are possible. The next row in the cursor can be fetched, however.
- For a column defined using the ROW CHANGE TIMESTAMP clause, the value is always changed on update of the row. If the column is not specified in the SET list explicitly, the database manager still generates a value for that row. The value is unique for each table partition within the database partition and is set to the approximate timestamp corresponding to the row update.

## Examples

- *Example 1:* Change the job (JOB) of employee number (EMPNO) '000290' in the EMPLOYEE table to 'LABORER'.

```
UPDATE EMPLOYEE
SET JOB = 'LABORER'
WHERE EMPNO = '000290'
```

- *Example 2:* Increase the project staffing (PRSTAFF) by 1.5 for all projects that department (DEPTNO) 'D21' is responsible for in the PROJECT table.

```
UPDATE PROJECT
SET PRSTAFF = PRSTAFF + 1.5
WHERE DEPTNO = 'D21'
```

- *Example 3:* All the employees except the manager of department (WORKDEPT) 'E21' have been temporarily reassigned. Indicate this by changing their job (JOB) to NULL and their pay (SALARY, BONUS, COMM) values to zero in the EMPLOYEE table.

```
UPDATE EMPLOYEE
SET JOB=NULL, SALARY=0, BONUS=0, COMM=0
WHERE WORKDEPT = 'E21' AND JOB <> 'MANAGER'
```

This statement could also be written as follows.

```
UPDATE EMPLOYEE
SET (JOB, SALARY, BONUS, COMM) = (NULL, 0, 0, 0)
WHERE WORKDEPT = 'E21' AND JOB <> 'MANAGER'
```

## UPDATE

- *Example 4:* Update the salary and the commission column of the employee with employee number 000120 to the average of the salary and of the commission of the employees of the updated row's department, respectively.

```
UPDATE (SELECT EMPNO, SALARY, COMM,
 AVG(SALARY) OVER (PARTITION BY WORKDEPT),
 AVG(COMM) OVER (PARTITION BY WORKDEPT)
 FROM EMPLOYEE E) AS E(EMPNO, SALARY, COMM, AVGSAL, AVGCOMM)
SET (SALARY, COMM) = (AVGSAL, AVGCOMM)
WHERE EMPNO = '000120'
```

The previous statement is semantically equivalent to the following statement, but requires only one access to the EMPLOYEE table, whereas the following statement specifies the EMPLOYEE table twice.

```
UPDATE EMPLOYEE EU
SET (EU.SALARY, EU.COMM)
=
(SELECT AVG(ES.SALARY), AVG(ES.COMM)
 FROM EMPLOYEE ES
 WHERE ES.WORKDEPT = EU.WORKDEPT)
WHERE EU.EMPNO = '000120'
```

- *Example 5:* In a C program display the rows from the EMPLOYEE table and then, if requested to do so, change the job (JOB) of certain employees to the new job keyed in.

```
EXEC SQL DECLARE C1 CURSOR FOR
 SELECT *
 FROM EMPLOYEE
 FOR UPDATE OF JOB;

EXEC SQL OPEN C1;

EXEC SQL FETCH C1 INTO ... ;
if (strcmp (change, "YES") == 0)
EXEC SQL UPDATE EMPLOYEE
 SET JOB = :newjob
 WHERE CURRENT OF C1;

EXEC SQL CLOSE C1;
```

- *Example 6:* These examples mutate attributes of column objects.

Assume that the following types and tables exist:

```
CREATE TYPE POINT AS (X INTEGER, Y INTEGER)
NOT FINAL WITHOUT COMPARISONS
MODE DB2SQL

CREATE TYPE CIRCLE AS (RADIUS INTEGER, CENTER POINT)
NOT FINAL WITHOUT COMPARISONS
MODE DB2SQL

CREATE TABLE CIRCLES (ID INTEGER, OWNER VARCHAR(50), C CIRCLE)
```

The following example updates the CIRCLES table by changing the OWNER column and the RADIUS attribute of the CIRCLE column where the ID is 999:

```
UPDATE CIRCLES
SET OWNER = 'Bruce'
 C..RADIUS = 5
WHERE ID = 999
```

The following example transposes the X and Y coordinates of the center of the circle identified by 999:

```
UPDATE CIRCLES
SET C..CENTER..X = C..CENTER..Y,
 C..CENTER..Y = C..CENTER..X
WHERE ID = 999
```

The following example is another way of writing both of the above statements. This example combines the effects of both of the above examples:

```
UPDATE CIRCLES
SET (OWNER,C..RADIUS,C..CENTER..X,C..CENTER..Y) =
('Bruce',5,C..CENTER..Y,C..CENTER..X)
WHERE ID = 999
```

- *Example 7:* Update the XMLDOC column of the DOCUMENTS table with DOCID '001' to the character string that is selected and parsed from the XMLTEXT table.

```
UPDATE DOCUMENTS SET XMLDOC =
(SELECT XMLPARSE(DOCUMENT C1 STRIP WHITESPACE)
FROM XMLTEXT WHERE TEXTID = '001')
WHERE DOCID = '001'
```

## VALUES INTO

The VALUES INTO statement produces a result table consisting of at most one row, and assigns the values in that row to host variables.

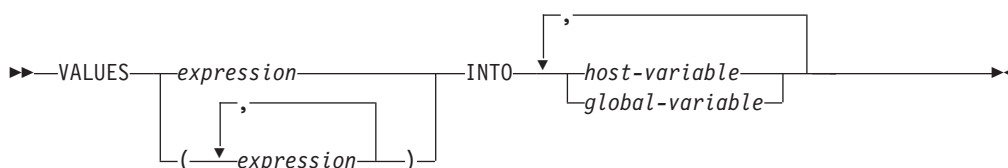
### Invocation

This statement can be embedded only in an application program. It is an executable statement that cannot be dynamically prepared.

### Authorization

None required.

### Syntax



### Description

#### VALUES

Introduces a single row consisting of one or more columns.

*expression*

An expression that defines a single value of a one column result table.

*(expression,...)*

One or more expressions that define the values for one or more columns of the result table.

#### INTO

Introduces a list of host variables or global variables.

*host-variable*

Identifies a variable that is described in the program under the rules for declaring host variables.

*global-variable*

Identifies a global variable that exists at the current server.

## VALUES INTO

The first value in the result row is assigned to the first variable in the list, the second value to the second variable, and so on. If the number of variables is less than the number of column values, the value 'W' is assigned to the SQLWARN3 field of the SQLCA.

Each assignment to a variable is made in sequence through the list. If an error occurs, no value is assigned to any variable.

### Rules

- Global variables cannot be assigned inside triggers, functions, methods, or dynamic compound statements, or inside a procedure that is directly or indirectly called by one of these objects (SQLSTATE 428GX).

### Examples

*Example 1:* This C example retrieves the value of the CURRENT PATH special register into a host variable.

```
EXEC SQL VALUES(CURRENT PATH)
 INTO :hv1;
```

*Example 2:* This C example retrieves a portion of a LOB field into a host variable, exploiting the LOB locator for deferred retrieval.

```
EXEC SQL VALUES (substr(:locator1,35))
 INTO :details;
```

*Example 3:* This C example retrieves the value of the SESSION\_USER special register into a global variable.

```
EXEC SQL VALUES(SESSION_USER)
 INTO GV_SESS_USER;
```

---

## VALUES

The VALUES statement is a form of query. It can be embedded in an application program or issued interactively.

---

## WHENEVER

The WHENEVER statement specifies the action to be taken when a specified exception condition occurs.

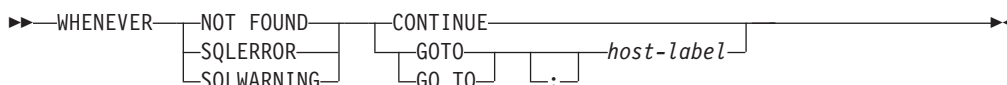
### Invocation

This statement can only be embedded in an application program. It is not an executable statement. The statement is not supported in REXX.

### Authorization

None required.

### Syntax



## Description

The NOT FOUND, SQLERROR, or SQLWARNING clause is used to identify the type of exception condition.

### NOT FOUND

Identifies any condition that results in an SQLCODE of +100 or an SQLSTATE of '02000'.

### SQLERROR

Identifies any condition that results in a negative SQLCODE.

### SQLWARNING

Identifies any condition that results in a warning condition (SQLWARN0 is 'W'), or that results in a positive SQL return code other than +100.

The CONTINUE or GO TO clause is used to specify what is to happen when the identified type of exception condition exists.

### CONTINUE

Causes the next sequential instruction of the source program to be executed.

### GOTO or GO TO *host-label*

Causes control to pass to the statement identified by host-label. For host-label, substitute a single token, optionally preceded by a colon. The form of the token depends on the host language.

## Notes

There are three types of WHENEVER statements:

- WHENEVER NOT FOUND
- WHENEVER SQLERROR
- WHENEVER SQLWARNING

Every executable SQL statement in a program is within the scope of one implicit or explicit WHENEVER statement of each type. The scope of a WHENEVER statement is related to the listing sequence of the statements in the program, not their execution sequence.

An SQL statement is within the scope of the last WHENEVER statement of each type that is specified before that SQL statement in the source program. If a WHENEVER statement of some type is not specified before an SQL statement, that SQL statement is within the scope of an implicit WHENEVER statement of that type in which CONTINUE is specified.

## Example

In the following C example, if an error is produced, go to HANDLERR. If a warning code is produced, continue with the normal flow of the program. If no data is returned, go to ENDDATA.

```
EXEC SQL WHENEVER SQLERROR GOTO HANDLERR;
EXEC SQL WHENEVER SQLWARNING CONTINUE;
EXEC SQL WHENEVER NOT FOUND GO TO ENDDATA;
```

---

## WHILE

The WHILE statement repeats the execution of a statement or group of statements while a specified condition is true.





```
BEGIN
 DECLARE v_numRecords INTEGER DEFAULT 1;
 DECLARE v_counter INTEGER DEFAULT 0;
 DECLARE c1 CURSOR FOR
 SELECT CAST(salary AS DOUBLE)
 FROM staff
 WHERE DEPT = deptNumber
 ORDER BY salary;
 DECLARE EXIT HANDLER FOR NOT FOUND
 SET medianSalary = 6666;
 SET medianSalary = 0;
 SELECT COUNT(*) INTO v_numRecords
 FROM staff
 WHERE DEPT = deptNumber;
 OPEN c1;
 WHILE v_counter < (v_numRecords / 2 + 1) DO
 FETCH c1 INTO medianSalary;
 SET v_counter = v_counter + 1;
 END WHILE;
 CLOSE c1;
END
```

## WHILE

---

## Appendix A. Overview of the DB2 technical information

DB2 technical information is available through the following tools and methods:

- *DB2 Information Center*
  - Topics (Task, concept and reference topics)
  - Help for DB2 tools
  - Sample programs
  - Tutorials
- DB2 books
  - PDF files (downloadable)
  - PDF files (from the DB2 PDF DVD)
  - printed books
- Command line help
  - Command help
  - Message help

**Note:** The *DB2 Information Center* topics are updated more frequently than either the PDF or the hard-copy books. To get the most current information, install the documentation updates as they become available, or refer to the *DB2 Information Center* at [ibm.com](http://ibm.com)<sup>®</sup>.

You can access additional DB2 technical information such as technotes, white papers, and IBM Redbooks<sup>®</sup> publications online at [ibm.com](http://www.ibm.com). Access the DB2 Information Management software library site at <http://www.ibm.com/software/data/sw-library/>.

### Documentation feedback

We value your feedback on the DB2 documentation. If you have suggestions for how to improve the DB2 documentation, send an email to [db2docs@ca.ibm.com](mailto:db2docs@ca.ibm.com). The DB2 documentation team reads all of your feedback, but cannot respond to you directly. Provide specific examples wherever possible so that we can better understand your concerns. If you are providing feedback on a specific topic or help file, include the topic title and URL.

Do not use this email address to contact DB2 Customer Support. If you have a DB2 technical issue that the documentation does not resolve, contact your local IBM service center for assistance.

If you would like to help IBM make the IBM Information Management products easier to use, take the Consumability Survey: <http://www.ibm.com/software/data/info/consumability-survey/>.

---

## DB2 technical library in hardcopy or PDF format

The following tables describe the DB2 library available from the IBM Publications Center at [www.ibm.com/shop/publications/order](http://www.ibm.com/shop/publications/order). English DB2 Version 9.5 manuals in PDF format and translated versions can be downloaded from [www.ibm.com/support/docview.wss?rs=71&uid=swg2700947](http://www.ibm.com/support/docview.wss?rs=71&uid=swg2700947).

## DB2 technical library in hardcopy or PDF format

Although the tables identify books available in print, the books might not be available in your country or region.

The form number increases each time a manual is updated. Ensure that you are reading the most recent version of the manuals, as listed below.

**Note:** The *DB2 Information Center* is updated more frequently than either the PDF or the hard-copy books.

*Table 36. DB2 technical information*

| <b>Name</b>                                                                          | <b>Form Number</b> | <b>Available in print</b> | <b>Last updated</b> |
|--------------------------------------------------------------------------------------|--------------------|---------------------------|---------------------|
| <i>Administrative API Reference</i>                                                  | SC23-5842-02       | Yes                       | April, 2009         |
| <i>Administrative Routines and Views</i>                                             | SC23-5843-02       | No                        | April, 2009         |
| <i>Call Level Interface Guide and Reference, Volume 1</i>                            | SC23-5844-02       | Yes                       | April, 2009         |
| <i>Call Level Interface Guide and Reference, Volume 2</i>                            | SC23-5845-02       | Yes                       | April, 2009         |
| <i>Command Reference</i>                                                             | SC23-5846-02       | Yes                       | April, 2009         |
| <i>Data Movement Utilities Guide and Reference</i>                                   | SC23-5847-02       | Yes                       | April, 2009         |
| <i>Data Recovery and High Availability Guide and Reference</i>                       | SC23-5848-02       | Yes                       | April, 2009         |
| <i>Data Servers, Databases, and Database Objects Guide</i>                           | SC23-5849-02       | Yes                       | April, 2009         |
| <i>Database Security Guide</i>                                                       | SC23-5850-02       | Yes                       | April, 2009         |
| <i>Developing ADO.NET and OLE DB Applications</i>                                    | SC23-5851-02       | Yes                       | April, 2009         |
| <i>Developing Embedded SQL Applications</i>                                          | SC23-5852-02       | Yes                       | April, 2009         |
| <i>Developing Java Applications</i>                                                  | SC23-5853-02       | Yes                       | April, 2009         |
| <i>Developing Perl and PHP Applications</i>                                          | SC23-5854-02       | No                        | April, 2009         |
| <i>Developing User-defined Routines (SQL and External)</i>                           | SC23-5855-02       | Yes                       | April, 2009         |
| <i>Getting Started with Database Application Development</i>                         | GC23-5856-02       | Yes                       | April, 2009         |
| <i>Getting Started with DB2 installation and administration on Linux and Windows</i> | GC23-5857-02       | Yes                       | April, 2009         |
| <i>Internationalization Guide</i>                                                    | SC23-5858-02       | Yes                       | April, 2009         |

## DB2 technical library in hardcopy or PDF format

Table 36. DB2 technical information (continued)

| Name                                                                                    | Form Number  | Available in print | Last updated |
|-----------------------------------------------------------------------------------------|--------------|--------------------|--------------|
| <i>Message Reference, Volume 1</i>                                                      | GI11-7855-01 | No                 | April, 2009  |
| <i>Message Reference, Volume 2</i>                                                      | GI11-7856-01 | No                 | April, 2009  |
| <i>Migration Guide</i>                                                                  | GC23-5859-02 | Yes                | April, 2009  |
| <i>Net Search Extender Administration and User's Guide</i>                              | SC23-8509-02 | Yes                | April, 2009  |
| <i>Partitioning and Clustering Guide</i>                                                | SC23-5860-02 | Yes                | April, 2009  |
| <i>Query Patroller Administration and User's Guide</i>                                  | SC23-8507-01 | Yes                | April, 2009  |
| <i>Quick Beginnings for IBM Data Server Clients</i>                                     | GC23-5863-02 | No                 | April, 2009  |
| <i>Quick Beginnings for DB2 Servers</i>                                                 | GC23-5864-02 | Yes                | April, 2009  |
| <i>Spatial Extender and Geodetic Data Management Feature User's Guide and Reference</i> | SC23-8508-02 | Yes                | April, 2009  |
| <i>SQL Reference, Volume 1</i>                                                          | SC23-5861-02 | Yes                | April, 2009  |
| <i>SQL Reference, Volume 2</i>                                                          | SC23-5862-02 | Yes                | April, 2009  |
| <i>System Monitor Guide and Reference</i>                                               | SC23-5865-02 | Yes                | April, 2009  |
| <i>Text Search Guide</i>                                                                | SC23-5866-01 | Yes                | April, 2009  |
| <i>Troubleshooting Guide</i>                                                            | GI11-7857-02 | No                 | April, 2009  |
| <i>Tuning Database Performance</i>                                                      | SC23-5867-02 | Yes                | April, 2009  |
| <i>Visual Explain Tutorial</i>                                                          | SC23-5868-00 | No                 |              |
| <i>What's New</i>                                                                       | SC23-5869-02 | Yes                | April, 2009  |
| <i>Workload Manager Guide and Reference</i>                                             | SC23-5870-02 | Yes                | April, 2009  |
| <i>pureXML Guide</i>                                                                    | SC23-5871-02 | Yes                | April, 2009  |
| <i>XQuery Reference</i>                                                                 | SC23-5872-02 | No                 | April, 2009  |

Table 37. DB2 Connect-specific technical information

| Name                                                     | Form Number  | Available in print | Last updated |
|----------------------------------------------------------|--------------|--------------------|--------------|
| <i>Quick Beginnings for DB2 Connect Personal Edition</i> | GC23-5839-02 | Yes                | April, 2009  |
| <i>Quick Beginnings for DB2 Connect Servers</i>          | GC23-5840-02 | Yes                | April, 2009  |
| <i>DB2 Connect User's Guide</i>                          | SC23-5841-02 | Yes                | April, 2009  |

## DB2 technical library in hardcopy or PDF format

Table 38. Information Integration technical information

| Name                                                                                   | Form Number  | Available in print | Last updated |
|----------------------------------------------------------------------------------------|--------------|--------------------|--------------|
| Information Integration: Administration Guide for Federated Systems                    | SC19-1020-01 | Yes                | March, 2008  |
| Information Integration: ASNCLP Program Reference for Replication and Event Publishing | SC19-1018-02 | Yes                | March, 2008  |
| Information Integration: Configuration Guide for Federated Data Sources                | SC19-1034-01 | No                 |              |
| Information Integration: SQL Replication Guide and Reference                           | SC19-1030-01 | Yes                | March, 2008  |
| Information Integration: Introduction to Replication and Event Publishing              | SC19-1028-01 | Yes                | March, 2008  |

## Ordering printed DB2 books

If you require printed DB2 books, you can buy them online in many but not all countries or regions. You can always order printed DB2 books from your local IBM representative. Keep in mind that some softcopy books on the *DB2 PDF Documentation DVD* are unavailable in print. For example, neither volume of the *DB2 Message Reference* is available as a printed book.

Printed versions of many of the DB2 books available on the DB2 PDF Documentation DVD can be ordered for a fee from IBM. Depending on where you are placing your order from, you may be able to order books online, from the IBM Publications Center. If online ordering is not available in your country or region, you can always order printed DB2 books from your local IBM representative. Note that not all books on the DB2 PDF Documentation DVD are available in print.

**Note:** The most up-to-date and complete DB2 documentation is maintained in the DB2 Information Center at <http://publib.boulder.ibm.com/infocenter/db2luw/v9r5>.

To order printed DB2 books:

- To find out whether you can order printed DB2 books online in your country or region, check the IBM Publications Center at <http://www.ibm.com/shop/publications/order>. You must select a country, region, or language to access publication ordering information and then follow the ordering instructions for your location.
- To order printed DB2 books from your local IBM representative:
  1. Locate the contact information for your local representative from one of the following Web sites:
    - The IBM directory of world wide contacts at [www.ibm.com/planetwide](http://www.ibm.com/planetwide)
    - The IBM Publications Web site at <http://www.ibm.com/shop/publications/order>. You will need to select your country, region, or

language to the access appropriate publications home page for your location. From this page, follow the "About this site" link.

2. When you call, specify that you want to order a DB2 publication.
3. Provide your representative with the titles and form numbers of the books that you want to order. For titles and form numbers, see "DB2 technical library in hardcopy or PDF format" on page 905.

## Displaying SQL state help from the command line processor

DB2 returns an SQLSTATE value for conditions that could be the result of an SQL statement. SQLSTATE help explains the meanings of SQL states and SQL state class codes.

To invoke SQL state help, open the command line processor and enter:

```
? sqlstate or ? class code
```

where *sqlstate* represents a valid five-digit SQL state and *class code* represents the first two digits of the SQL state.

For example, ? 08003 displays help for the 08003 SQL state, and ? 08 displays help for the 08 class code.

## Accessing different versions of the DB2 Information Center

For DB2 Version 9.5 topics, the DB2 Information Center URL is <http://publib.boulder.ibm.com/infocenter/db2luw/v9r5/>

For DB2 Version 9 topics, the DB2 Information Center URL is <http://publib.boulder.ibm.com/infocenter/db2luw/v9/>

For DB2 Version 8 topics, go to the Version 8 Information Center URL at: <http://publib.boulder.ibm.com/infocenter/db2luw/v8/>

## Displaying topics in your preferred language in the DB2 Information Center

The DB2 Information Center attempts to display topics in the language specified in your browser preferences. If a topic has not been translated into your preferred language, the DB2 Information Center displays the topic in English.

- To display topics in your preferred language in the Internet Explorer browser:
  1. In Internet Explorer, click the **Tools** —> **Internet Options** —> **Languages...** button. The Language Preferences window opens.
  2. Ensure your preferred language is specified as the first entry in the list of languages.
    - To add a new language to the list, click the **Add...** button.

**Note:** Adding a language does not guarantee that the computer has the fonts required to display the topics in the preferred language.

  - To move a language to the top of the list, select the language and click the **Move Up** button until the language is first in the list of languages.
  3. Clear the browser cache and then refresh the page to display the DB2 Information Center in your preferred language.
- To display topics in your preferred language in a Firefox or Mozilla browser:

## Displaying topics in your preferred language in the DB2 Information Center

1. Select the button in the **Languages** section of the **Tools** —> **Options** —> **Advanced** dialog. The Languages panel is displayed in the Preferences window.
2. Ensure your preferred language is specified as the first entry in the list of languages.
  - To add a new language to the list, click the **Add...** button to select a language from the Add Languages window.
  - To move a language to the top of the list, select the language and click the **Move Up** button until the language is first in the list of languages.
3. Clear the browser cache and then refresh the page to display the DB2 Information Center in your preferred language.

On some browser and operating system combinations, you might have to also change the regional settings of your operating system to the locale and language of your choice.

---

## Updating the DB2 Information Center installed on your computer or intranet server

If you have installed the DB2 Information Center locally, you can obtain and install documentation updates from IBM.

Updating your locally-installed *DB2 Information Center* requires that you:

1. Stop the *DB2 Information Center* on your computer, and restart the Information Center in stand-alone mode. Running the Information Center in stand-alone mode prevents other users on your network from accessing the Information Center, and allows you to apply updates. Non-Administrative and Non-Root *DB2 Information Centers* always run in stand-alone mode. .
2. Use the update feature to see what updates are available. If there are updates that you would like to install, you can use the update feature to obtain and install them.

**Note:** If your environment requires installing the *DB2 Information Center* updates on a machine that is not connected to the internet, you have to mirror the update site to a local file system using a machine that is connected to the internet and has the *DB2 Information Center* installed. If many users on your network will be installing the documentation updates, you can reduce the time required for individuals to perform the updates by also mirroring the update site locally and creating a proxy for the update site.

If update packages are available, use the update feature to get the packages. However, the update feature is only available in stand-alone mode.

3. Stop the stand-alone Information Center, and restart the *DB2 Information Center* on your computer.

**Note:** On Windows Vista, the commands listed below must be run as an administrator. To launch a command prompt or graphical tool with full administrator privileges, right-click on the shortcut and then select **Run as administrator**.

To update the *DB2 Information Center* installed on your computer or intranet server:

1. Stop the *DB2 Information Center*.
  - On Windows, click **Start** → **Control Panel** → **Administrative Tools** → **Services**. Then right-click on **DB2 Information Center** service and select **Stop**.



## Updating the DB2 Information Center installed on your computer or intranet server

- On Linux, enter the following command:  
`/etc/init.d/db2icdv95 stop`
  - 2. Start the Information Center in stand-alone mode.
    - On Windows:
      - a. Open a command window.
      - b. Navigate to the path where the Information Center is installed. By default, the *DB2 Information Center* is installed in the `Program_files\IBM\DB2 Information Center\Version 9.5` directory, where `Program_files` represents the location of the Program Files directory.
      - c. Navigate from the installation directory to the `doc\bin` directory.
      - d. Run the `help_start.bat` file:  
`help_start.bat`
    - On Linux:
      - a. Navigate to the path where the Information Center is installed. By default, the *DB2 Information Center* is installed in the `/opt/ibm/db2ic/V9.5` directory.
      - b. Navigate from the installation directory to the `doc/bin` directory.
      - c. Run the `help_start` script:  
`help_start`
- The systems default Web browser launches to display the stand-alone Information Center.
3. Click the **Update** button (🔧). On the right hand panel of the Information Center, click **Find Updates**. A list of updates for existing documentation displays.
  4. To initiate the installation process, check the selections you want to install, then click **Install Updates**.
  5. After the installation process has completed, click **Finish**.
  6. Stop the stand-alone Information Center:
    - On Windows, navigate to the installation directory's `doc\bin` directory, and run the `help_end.bat` file:  
`help_end.bat`

**Note:** The `help_end` batch file contains the commands required to safely terminate the processes that were started with the `help_start` batch file. Do not use `Ctrl-C` or any other method to terminate `help_start.bat`.

    - On Linux, navigate to the installation directory's `doc/bin` directory, and run the `help_end` script:  
`help_end`

**Note:** The `help_end` script contains the commands required to safely terminate the processes that were started with the `help_start` script. Do not use any other method to terminate the `help_start` script.
  7. Restart the *DB2 Information Center*.
    - On Windows, click **Start** → **Control Panel** → **Administrative Tools** → **Services**. Then right-click on **DB2 Information Center** service and select **Start**.
    - On Linux, enter the following command:  
`/etc/init.d/db2icdv95 start`

The updated *DB2 Information Center* displays the new and updated topics.

### DB2 tutorials

The DB2 tutorials help you learn about various aspects of DB2 products. Lessons provide step-by-step instructions.

#### Before you begin

You can view the XHTML version of the tutorial from the Information Center at <http://publib.boulder.ibm.com/infocenter/db2help/>.

Some lessons use sample data or code. See the tutorial for a description of any prerequisites for its specific tasks.

#### DB2 tutorials

To view the tutorial, click on the title.

##### **“pureXML™” in *pureXML Guide***

Set up a DB2 database to store XML data and to perform basic operations with the native XML data store.

##### **“Visual Explain” in *Visual Explain Tutorial***

Analyze, optimize, and tune SQL statements for better performance using Visual Explain.

---

### DB2 troubleshooting information

A wide variety of troubleshooting and problem determination information is available to assist you in using DB2 database products.

#### DB2 documentation

Troubleshooting information can be found in the DB2 Troubleshooting Guide or the Database fundamentals section of the DB2 Information Center. There you will find information on how to isolate and identify problems using DB2 diagnostic tools and utilities, solutions to some of the most common problems, and other advice on how to solve problems you might encounter with your DB2 database products.

#### DB2 Technical Support Web site

Refer to the DB2 Technical Support Web site if you are experiencing problems and want help finding possible causes and solutions. The Technical Support site has links to the latest DB2 publications, TechNotes, Authorized Program Analysis Reports (APARs or bug fixes), fix packs, and other resources. You can search through this knowledge base to find possible solutions to your problems.

Access the DB2 Technical Support Web site at [http://www.ibm.com/software/data/db2/support/db2\\_9/](http://www.ibm.com/software/data/db2/support/db2_9/)

---

### Terms and Conditions

Permissions for the use of these publications is granted subject to the following terms and conditions.

**Personal use:** You may reproduce these Publications for your personal, non commercial use provided that all proprietary notices are preserved. You may not distribute, display or make derivative work of these Publications, or any portion thereof, without the express consent of IBM.

**Commercial use:** You may reproduce, distribute and display these Publications solely within your enterprise provided that all proprietary notices are preserved. You may not make derivative works of these Publications, or reproduce, distribute or display these Publications or any portion thereof outside your enterprise, without the express consent of IBM.

Except as expressly granted in this permission, no other permissions, licenses or rights are granted, either express or implied, to the Publications or any information, data, software or other intellectual property contained therein.

IBM reserves the right to withdraw the permissions granted herein whenever, in its discretion, the use of the Publications is detrimental to its interest or, as determined by IBM, the above instructions are not being properly followed.

You may not download, export or re-export this information except in full compliance with all applicable laws and regulations, including all United States export laws and regulations.

IBM MAKES NO GUARANTEE ABOUT THE CONTENT OF THESE PUBLICATIONS. THE PUBLICATIONS ARE PROVIDED "AS-IS" AND WITHOUT WARRANTY OF ANY KIND, EITHER EXPRESSED OR IMPLIED, INCLUDING BUT NOT LIMITED TO IMPLIED WARRANTIES OF MERCHANTABILITY, NON-INFRINGEMENT, AND FITNESS FOR A PARTICULAR PURPOSE.



---

## Appendix B. Notices

This information was developed for products and services offered in the U.S.A.

IBM may not offer the products, services, or features discussed in this document in other countries. Consult your local IBM representative for information on the products and services currently available in your area. Any reference to an IBM product, program, or service is not intended to state or imply that only that IBM product, program, or service may be used. Any functionally equivalent product, program, or service that does not infringe any IBM intellectual property right may be used instead. However, it is the user's responsibility to evaluate and verify the operation of any non-IBM product, program, or service.

IBM may have patents or pending patent applications covering subject matter described in this document. The furnishing of this document does not give you any license to these patents. You can send license inquiries, in writing, to:

IBM Director of Licensing  
IBM Corporation  
North Castle Drive  
Armonk, NY 10504-1785  
U.S.A.

For license inquiries regarding double-byte (DBCS) information, contact the IBM Intellectual Property Department in your country/region or send inquiries, in writing, to:

IBM World Trade Asia Corporation  
Licensing  
2-31 Roppongi 3-chome, Minato-ku  
Tokyo 106, Japan

**The following paragraph does not apply to the United Kingdom or any other country/region where such provisions are inconsistent with local law:**

INTERNATIONAL BUSINESS MACHINES CORPORATION PROVIDES THIS PUBLICATION "AS IS" WITHOUT WARRANTY OF ANY KIND, EITHER EXPRESS OR IMPLIED, INCLUDING, BUT NOT LIMITED TO, THE IMPLIED WARRANTIES OF NON-INFRINGEMENT, MERCHANTABILITY, OR FITNESS FOR A PARTICULAR PURPOSE. Some states do not allow disclaimer of express or implied warranties in certain transactions; therefore, this statement may not apply to you.

This information could include technical inaccuracies or typographical errors. Changes are periodically made to the information herein; these changes will be incorporated in new editions of the publication. IBM may make improvements and/or changes in the product(s) and/or the program(s) described in this publication at any time without notice.

This document may provide links or references to non-IBM Web sites and resources. IBM makes no representations, warranties, or other commitments whatsoever about any non-IBM Web sites or third-party resources that may be referenced, accessible from, or linked from this document. A link to a non-IBM Web site does not mean that IBM endorses the content or use of such Web site or

## Notices

its owner. In addition, IBM is not a party to or responsible for any transactions you may enter into with third parties, even if you learn of such parties (or use a link to such parties) from an IBM site. Accordingly, you acknowledge and agree that IBM is not responsible for the availability of such external sites or resources, and is not responsible or liable for any content, services, products, or other materials on or available from those sites or resources. Any software provided by third parties is subject to the terms and conditions of the license that accompanies that software.

IBM may use or distribute any of the information you supply in any way it believes appropriate without incurring any obligation to you.

Licensees of this program who wish to have information about it for the purpose of enabling: (i) the exchange of information between independently created programs and other programs (including this one) and (ii) the mutual use of the information that has been exchanged, should contact:

IBM Canada Limited  
Office of the Lab Director  
8200 Warden Avenue  
Markham, Ontario  
L6G 1C7  
CANADA

Such information may be available, subject to appropriate terms and conditions, including in some cases payment of a fee.

The licensed program described in this document and all licensed material available for it are provided by IBM under terms of the IBM Customer Agreement, IBM International Program License Agreement, or any equivalent agreement between us.

Any performance data contained herein was determined in a controlled environment. Therefore, the results obtained in other operating environments may vary significantly. Some measurements may have been made on development-level systems, and there is no guarantee that these measurements will be the same on generally available systems. Furthermore, some measurements may have been estimated through extrapolation. Actual results may vary. Users of this document should verify the applicable data for their specific environment.

Information concerning non-IBM products was obtained from the suppliers of those products, their published announcements, or other publicly available sources. IBM has not tested those products and cannot confirm the accuracy of performance, compatibility, or any other claims related to non-IBM products. Questions on the capabilities of non-IBM products should be addressed to the suppliers of those products.

All statements regarding IBM's future direction or intent are subject to change or withdrawal without notice, and represent goals and objectives only.

This information may contain examples of data and reports used in daily business operations. To illustrate them as completely as possible, the examples include the names of individuals, companies, brands, and products. All of these names are fictitious, and any similarity to the names and addresses used by an actual business enterprise is entirely coincidental.

COPYRIGHT LICENSE:

This information may contain sample application programs, in source language, which illustrate programming techniques on various operating platforms. You may copy, modify, and distribute these sample programs in any form without payment to IBM for the purposes of developing, using, marketing, or distributing application programs conforming to the application programming interface for the operating platform for which the sample programs are written. These examples have not been thoroughly tested under all conditions. IBM, therefore, cannot guarantee or imply reliability, serviceability, or function of these programs.

Each copy or any portion of these sample programs or any derivative work must include a copyright notice as follows:

© (*your company name*) (*year*). Portions of this code are derived from IBM Corp. Sample Programs. © Copyright IBM Corp. *\_enter the year or years\_*. All rights reserved.

## **Trademarks**

IBM, the IBM logo, and [ibm.com](http://ibm.com) are trademarks or registered trademarks of International Business Machines Corp., registered in many jurisdictions worldwide. Other product and service names might be trademarks of IBM or other companies. A current list of IBM trademarks is available on the Web at Copyright and trademark information at [www.ibm.com/legal/copytrade.shtml](http://www.ibm.com/legal/copytrade.shtml).

The following terms are trademarks or registered trademarks of other companies

- Linux is a registered trademark of Linus Torvalds in the United States, other countries, or both.
- Java and all Java-based trademarks and logos are trademarks of Sun Microsystems, Inc. in the United States, other countries, or both.
- UNIX is a registered trademark of The Open Group in the United States and other countries.
- Intel, Intel logo, Intel Inside, Intel Inside logo, Intel Centrino, Intel Centrino logo, Celeron, Intel Xeon, Intel SpeedStep, Itanium, and Pentium are trademarks or registered trademarks of Intel Corporation or its subsidiaries in the United States and other countries. Intel trademark information
- Microsoft, Windows, Windows NT, and the Windows logo are trademarks of Microsoft Corporation in the United States, other countries, or both.

Other company, product, or service names may be trademarks or service marks of others.





---

# Index

## A

ALIAS clause  
    COMMENT statement 183  
    DROP statement 625  
aliases  
    adding comments to catalog 183  
    CREATE ALIAS statement 224  
    deleting using DROP statement 625  
ALL PRIVILEGES clause  
    GRANT statement (Table, View or Nickname) 709  
    REVOKE table, view or nickname privileges 793  
ALLOCATE CURSOR statement  
    description 18  
ALTER AUDIT POLICY statement 20  
ALTER BUFFERPOOL statement 22  
ALTER clause  
    GRANT statement (Table, View or Nickname) 709  
    REVOKE statement, removing privilege 793  
ALTER DATABASE PARTITION GROUP statement 24  
ALTER DATABASE statement 28  
ALTER FUNCTION statement 31  
ALTER HISTOGRAM TEMPLATE statement 33  
ALTER METHOD statement 34  
ALTER NICKNAME statement  
    description 35  
ALTER NODEGROUP statement  
    see ALTER DATABASE PARTITION GROUP 24  
ALTER PROCEDURE (External) statement 43  
ALTER PROCEDURE (Sourced) statement 45  
ALTER PROCEDURE (SQL) statement 46  
ALTER SECURITY LABEL COMPONENT statement 47  
ALTER SECURITY POLICY statement 50  
ALTER SEQUENCE statement 54  
ALTER SERVER statement 57  
ALTER SERVICE CLASS statement 60  
ALTER TABLE statement  
    authorization required 66  
    examples 66  
    syntax diagram 66  
ALTER TABLESPACE statement  
    description 111  
ALTER THRESHOLD statement 120  
ALTER TRUSTED CONTEXT statement 126  
ALTER TYPE (Structured) statement 134  
ALTER USER MAPPING statement 140  
ALTER VIEW statement  
    authorization 142  
    description 142  
    syntax diagram 142  
ALTER WORK ACTION SET statement 144  
ALTER WORK CLASS SET statement 155  
ALTER WORKLOAD statement 160  
ALTER WRAPPER statement 166  
ALTER XSROBJECT statement 167  
ambiguous cursors 597  
arithmetic  
    parameter markers 746  
AS clause  
    CREATE VIEW statement 564  
ASC clause  
    CREATE INDEX statement 329

assembler application host variables 656  
ASSOCIATE LOCATORS statement 168  
ASUTIME  
    in CREATE FUNCTION (External Scalar) statement 254  
    in CREATE FUNCTION (External Table) statement 278  
    in CREATE PROCEDURE statement 367, 386  
AUDIT statement 170  
authorizations  
    granting control on database operations 680  
    granting control on index 687  
    granting create on schema 697  
    public control on index 687  
    public create on schema 697  
    revoking 767

## B

BEGIN DECLARE SECTION statement  
    authorization required 173  
    description 173  
    invocation rules 173  
BIGINT data type  
    CREATE TABLE statement 415  
binary large objects (BLOBs) 415  
BINDADD parameter  
    grant privilege 680  
binding  
    GRANT statement 689  
    revoking all privileges 776  
BLOBs (binary large objects)  
    CREATE TABLE statement 415  
books  
    printed  
        ordering 908  
buffer insert 720  
buffer pools 230  
    deleting using DROP statement 625  
    page size 230  
    setting size 22, 230  
BUFFERPOOL clause  
    ALTER TABLESPACE statement 111  
    CREATE TABLESPACE statement 482  
    DROP statement 625

## C

caching  
    EXECUTE statement 658  
CALL statement  
    description 174  
CASCADE delete rule 415  
CASE statement 179  
catalogs  
    COMMENT statement 183  
CCSID (coded character set identifier)  
    CREATE TABLE statement 415  
    in DECLARE GLOBAL TEMPORARY TABLE  
        statement 603  
CHAR VARYING data type 415  
CHARACTER data type 415

- character strings
  - SQL statement string, rules for creating 656
  - SQL statement, execution as 656
- CHARACTER VARYING data type 415
- CHECK clause
  - CREATE VIEW statement 564
- check constraints
  - ALTER TABLE statement 66
  - CREATE TABLE statement 415
  - INSERT statement 720
- CLOBs (character large objects)
  - data type
    - creating columns 415
- CLOSE in CREATE INDEX statement 329
- CLOSE statement 181
- closed state
  - cursors 742
- CLUSTER clause
  - CREATE INDEX statement 329
- COLLID
  - in CREATE FUNCTION (External Scalar) statement 254
  - in CREATE FUNCTION (External Table) statement 278
  - in CREATE PROCEDURE statement 367, 386
- COLUMN clause
  - COMMENT statement 183
- column options
  - CREATE TABLE statement 415
- columns
  - adding comments to catalog 183
  - adding with ALTER TABLE statement 66
  - constraint name
    - FOREIGN KEY rules 415
  - creating index keys 329
  - grant add privileges 709
  - inserting values 720
  - names
    - INSERT statement 720
  - null values
    - in ALTER TABLE statement, prevention 66
  - updating 889
- COMMENT statement 183
- comments
  - in catalog table 183
  - SQL static statements 8
- COMMIT ON RETURN
  - in CREATE PROCEDURE statement 367, 386
- COMMIT statement
  - description 194
- compound SQL
  - dynamic, variables 195
- compound SQL (embedded) statement
  - combining statements into a block 200
- concurrency control
  - LOCK TABLE statement 731
- condition handlers
  - declaring 203
- CONNECT parameter
  - GRANT...ON DATABASE statement 680
- CONNECT statement
  - application server information 211
  - disconnecting from current server 211
  - implicit connection 211
  - new password information 211
  - Type 2 218
  - with no operand, returning information 211
- CONNECT TO statement
  - successful connection 211, 218
- CONNECT TO statement (*continued*)
  - unsuccessful connection 211, 218
- CONSTRAINT clause 183
- constraints
  - adding comments to catalog 183
  - adding with ALTER TABLE 66
  - dropping
    - with ALTER TABLE 66
- container clause
  - CREATE TABLESPACE statement 482
- containers
  - CREATE TABLESPACE statement 482
- CONTINUE clause
  - WHENEVER statement 900
- CONTROL clause
  - GRANT statement (Table, View or Nickname) 709
  - revoking 793
- CONTROL parameter
  - revoking privileges for packages 776
- conversions
  - character string to executable SQL 656
- COPY
  - CREATE INDEX statement 329
- CREATE ALIAS statement
  - description 224
- CREATE AUDIT POLICY statement 227
- CREATE BUFFERPOOL statement
  - description 230
  - except-on-db-partitions-clause 230
- CREATE DATABASE PARTITION GROUP statement 233
- CREATE DISTINCT TYPE statement
  - see CREATE TYPE (Distinct) statement 525
- CREATE EVENT MONITOR statement 235
- CREATE FUNCTION (External Scalar) statement 254
- CREATE FUNCTION (External Table) statement 278
- CREATE FUNCTION (OLE DB External Table) statement 295
- CREATE FUNCTION (Source) statement 303
- CREATE FUNCTION (Sourced or Template) statement 303
- CREATE FUNCTION (SQL Scalar, Table or Row)
  - statement 314
- CREATE FUNCTION MAPPING statement
  - description 323
- CREATE FUNCTION statement
  - description 253
  - external table 278
  - OLE external table 295
  - SQL scalar, table, or row 314
- CREATE HISTOGRAM TEMPLATE statement 327
- CREATE INDEX EXTENSION statement 344
- CREATE INDEX statement
  - column-names in index keys 329
  - description 329
  - XML column 329
- CREATE METHOD statement
  - description 351
- CREATE NICKNAME statement
  - description 356
- CREATE NODEGROUP statement
  - CREATE DATABASE PARTITION GROUP statement 233
- CREATE PROCEDURE (External) statement 367
- CREATE PROCEDURE (Sourced) statement 381
- CREATE PROCEDURE (SQL) statement 386
- CREATE PROCEDURE statement
  - CASE statement 179
  - condition handlers 203
  - DECLARE statement 203
  - description 367

CREATE PROCEDURE statement (*continued*)  
 dynamic compound statement 195  
 FOR statement 673  
 GET DIAGNOSTICS statement 676  
 GOTO statement 678  
 handler statement 203  
 IF statement 717  
 ITERATE statement 729  
 LEAVE statement 730  
 LOOP statement 732  
 procedure compound statement 203  
 REPEAT statement 762  
 RESIGNAL statement 764  
 RETURN statement 766  
 SIGNAL statement 873  
 variables 203  
 WHILE statement 901  
 CREATE ROLE statement 391  
 CREATE SCHEMA statement 392  
 CREATE SECURITY LABEL COMPONENT statement 394  
 CREATE SECURITY LABEL statement 397  
 CREATE SECURITY POLICY statement 398  
 CREATE SEQUENCE statement  
 description 400  
 CREATE SERVER statement  
 description 411  
 CREATE SERVICE CLASS statement 404  
 CREATE TABLE statement  
 syntax diagram 415  
 CREATE TABLESPACE statement  
 description 482  
 CREATE THRESHOLD statement 495  
 CREATE TRANSFORM statement 503  
 CREATE TRIGGER statement  
 description 506  
 CREATE TRUSTED CONTEXT statement 518  
 CREATE TYPE (Array) statement 524  
 CREATE TYPE (Distinct) statement 525  
 CREATE TYPE (Structured) statement 532  
 CREATE TYPE MAPPING statement  
 description 554  
 CREATE USER MAPPING statement  
 description 560  
 CREATE VARIABLE statement 562  
 CREATE VIEW statement  
 description 564  
 CREATE WORK ACTION SET statement 577  
 CREATE WORK CLASS SET statement 584  
 CREATE WORKLOAD statement 589  
 CREATE WRAPPER statement  
 description 596  
 CREATETAB parameter  
 GRANT...ON DATABASE statement 680  
 creating  
 databases, granting authority 680  
 CURRENT DECFLOAT ROUNDING MODE special register  
 SET CURRENT DECFLOAT ROUNDING MODE  
 statement 809  
 CURRENT DEGREE special register  
 SET CURRENT DEGREE statement 812  
 CURRENT EXPLAIN MODE special register  
 SET CURRENT EXPLAIN MODE statement 813  
 CURRENT EXPLAIN SNAPSHOT special register  
 SET CURRENT EXPLAIN SNAPSHOT statement 816  
 CURRENT FUNCTION PATH special register  
 SET CURRENT FUNCTION PATH statement 858  
 SET CURRENT PATH statement 858

CURRENT FUNCTION PATH special register (*continued*)  
 SET PATH statement 858  
 CURRENT IMPLICIT XMLPARSE OPTION special register  
 SET CURRENT IMPLICIT XMLPARSE OPTION  
 statement 819  
 CURRENT ISOLATION special register  
 SET CURRENT ISOLATION statement 820  
 CURRENT OPTIMIZATION PROFILE special register  
 SET CURRENT OPTIMIZATION PROFILE statement 825  
 CURRENT PATH special register  
 SET CURRENT FUNCTION PATH statement 858  
 SET CURRENT PATH statement 858  
 SET PATH statement 858  
 CURRENT QUERY OPTIMIZATION special register  
 SET CURRENT QUERY OPTIMIZATION statement 833  
 CURRENT REFRESH AGE special register  
 SET CURRENT REFRESH AGE statement 835  
 CURSOR FOR RESULT SET variable 18  
 cursor name  
 ALLOCATE 18  
 closing, CLOSE statement 181  
 cursors  
 active set, association 742  
 ambiguous 597  
 closed state, pre-conditions 742  
 current row 668  
 declaring  
 SQL statement syntax 597  
 defining 597  
 deleting, search condition details 610  
 determining updatability 597  
 location in table, results of FETCH 668  
 moving position, using FETCH 668  
 opening 742  
 positions for open 668  
 preparing for application use 742  
 program usage 597  
 read-only  
 conditions 597  
 result table relationship 597  
 terminating for unit of work 800  
 unit of work  
 conditional states 597  
 WITH HOLD  
 lock clause of COMMIT statement, effect 194

## D

data  
 integrity  
 locks 731  
 data types  
 abstract 134, 532  
 ALTER TYPE statement 134  
 CREATE TYPE (structured) statement 532  
 distinct  
 CREATE TYPE (distinct) statement 525  
 structured  
 ALTER TYPE (structured) statement 134  
 CREATE TYPE (structured) statement 532  
 user-defined  
 CREATE TYPE (distinct) statement 525  
 database authorities  
 granting  
 GRANT (database authorities) statement 680  
 database partition groups  
 adding comments to catalog 183

- database partition groups *(continued)*
  - adding partitions 24
  - creating 233
  - distribution map creation 233
  - dropping partitions 24
- database-managed space (DMS)
  - table spaces
    - CREATE TABLESPACE statement 482
- databases
  - accessing
    - granting authority 680
  - CREATE TABLESPACE statement 482
- DB2 Information Center
  - languages 909
  - updating 910
  - versions 909
  - viewing in different languages 909
- db2nodes.cfg file
  - ALTER DATABASE PARTITION GROUP statement 24
  - CONNECT (Type 1) statement 211
  - CREATE DATABASE PARTITION GROUP statement 233
- DB2SECURITYLABEL data type
  - CREATE TABLE statement 415
- DBADM (database administration) authority
  - granting 680
- DBCLOB data type
  - CREATE TABLE statement 415
- declarations
  - inserting into program 719
- DECLARE CURSOR statement
  - description 597
- DECLARE GLOBAL TEMPORARY TABLE statement
  - description 603
- DECLARE statements
  - BEGIN DECLARE SECTION statement 173
  - compound SQL 203
  - END DECLARE SECTION statement 655
- deletable views
  - description 564
- DELETE statement
  - description 610
- dependent objects
  - DROP statement 625
- DESCRIBE INPUT statement 616
- DESCRIBE OUTPUT statement 619
- DESCRIBE statement
  - description 616
  - overview 616
  - prepared statements
    - DESCRIBE INPUT statement 616
    - DESCRIBE OUTPUT statement 619
- DISCONNECT statement 623
- distinct types
  - CREATE TYPE (Distinct) statement 525
  - DROP statement 625
- documentation
  - overview 905
  - PDF 905
  - printed 905
  - terms and conditions of use 912
- DROP statement
  - description 625
  - transforms 625
- dynamic SQL
  - compound statements 195
  - cursors
    - DECLARE CURSOR statement 8
- dynamic SQL *(continued)*
  - DESCRIBE INPUT statement
    - description 616
  - DESCRIBE OUTPUT statement
    - description 619
  - EXECUTE IMMEDIATE statement
    - description 656
  - EXECUTE statement
    - description 658
    - invoking SQL statements 8
  - FETCH statement
    - description 668
    - invoking SQL statements 8
  - invoking statements 8
  - OPEN statement 8
  - PREPARE statement
    - description 746
    - invoking SQL statements 8
    - using DESCRIBE 616, 619
- E**
  - embedded SQL applications
    - character string format statements 656
    - EXECUTE IMMEDIATE statement 656
    - overview 8
  - END DECLARE SECTION statement 655
  - error messages
    - FETCH statement 668
    - return codes 8
    - trigger execution 506
    - UPDATE statement 889
  - errors
    - cursor 742
  - event monitors
    - CREATE EVENT MONITOR statement 235
    - DROP statement 625
    - FLUSH EVENT MONITOR statement 670
    - SET EVENT MONITOR STATE statement 838
  - exception tables
    - SET INTEGRITY statement 840
  - EXCLUSIVE MODE connection 211
  - executable SQL statements 8
  - EXECUTE IMMEDIATE statement
    - description 656
    - embedded 8
  - EXECUTE statement
    - description 658
    - embedded 8
  - EXPLAIN statement
    - description 663
  - explainable statements
    - description 663
- F**
  - FETCH statement
    - cursor prerequisites for executing 668
    - description 668
  - FIELDPROC clause
    - in ALTER TABLE statement 66
  - FLOAT data type 415
  - FLUSH EVENT MONITOR statement 670
  - FLUSH OPTIMIZATION PROFILE CACHE statement 671
  - FLUSH PACKAGE CACHE statement 672

- FOR BIT DATA clause
  - CREATE TABLE statement 415
- FOR clause
  - CREATE TABLE statement 415
- FOR statement 673
- FOREIGN KEY clause 415
- foreign keys
  - adding with ALTER TABLE 66
  - constraint name conventions 415
  - dropping with ALTER TABLE 66
- FREE LOCATOR statement 675
- FREEPAGE in CREATE INDEX statement 329
- FROM clause
  - DELETE statement 610
- fullselect
  - CREATE VIEW statement 564
- FUNCTION clause in COMMENT ON statement 183
- function designator syntax element 15
- function templates
  - description 323
- functions
  - adding comments to catalog 183
  - transform 503

## G

- GBPCACHE
  - in CREATE INDEX statement 329
- generated columns
  - CREATE TABLE statement 415
- GET DIAGNOSTICS statement 676
- GO TO clause
  - WHENEVER statement 900
- GOTO statement 678
- GRANT (Exemption) statement 683
- GRANT (Global Variable Privileges) statement 686
- GRANT (Package Privileges) statement 689
- GRANT (Role) statement 692
- GRANT (Routine Privileges) statement
  - description 694
- GRANT (Schema Privileges) statement
  - description 697
- GRANT (Security Label) statement 699
- GRANT (Sequence Privileges) statement
  - description 702
- GRANT (Server Privileges) statement
  - description 704
- GRANT (SETSESSIONUSER Privilege) statement 705
- GRANT (Table Space Privileges) statement
  - description 707
- GRANT (Workload Privileges) statement 715
- GRANT (XSR Object Privileges) statement 716
- GRANT statement
  - CONTROL ON INDEX
    - description 687
  - CREATE ON SCHEMA 697
  - database authority
    - description 680
  - Nickname Privileges 709
  - Package Privileges
    - description 689
  - Table Privileges 709
  - Table, View or Nickname Privileges
    - description 709
  - View Privileges 709
- GRAPHIC data type
  - CREATE TABLE statement 415

## H

- handlers
  - declaring 203
- hashing on partition keys 415
- help
  - configuring language 909
  - SQL statements 909
- host variables
  - assigning values from a row
    - SELECT INTO statement 805
    - VALUES INTO statement 899
  - BEGIN DECLARE SECTION statement 173
  - declaring
    - BEGIN DECLARE SECTION statement 173
    - cursors 597
    - END DECLARE SECTION statement 655
  - embedded SQL statements 8
  - END DECLARE SECTION statement 655
  - EXECUTE IMMEDIATE statement 656
  - FETCH statement 668
  - inserting in rows 720
  - linking active set with cursor 742
  - parameter marker substitution 658
  - REXX applications 173
  - statement strings 746

## I

- identity columns
  - CREATE TABLE statement 415
- IF statement 717
- implicit connections
  - CONNECT statement 211
- implicit schemas
  - GRANT (Database Authorities) statement 680
  - REVOKE (Database Authorities) statement 767
- IN
  - CREATE TABLE statement 415
- IN EXCLUSIVE MODE clause
  - LOCK TABLE statement 731
- IN SHARE MODE clause
  - LOCK TABLE statement 731
- INCLUDE clause
  - CREATE INDEX statement 329
- INCLUDE statement 719
- INDEX clause
  - COMMENT statement 183
  - CREATE INDEX statement 329
  - GRANT statement (Table, View or Nickname) 709
  - REVOKE statement, removing privileges 793
- INDEX keyword
  - DROP statement 625
- index over XML data
  - CREATE INDEX statement 329
  - Syntax and option descriptions 329
- indexes
  - catalog specification comments, adding 183
  - correspondence to inserted row values 720
  - deleting
    - using the DROP statement 625
  - grant control 687, 709
  - name
    - primary key constraint 415
    - unique constraint 415
  - primary key, use in matching 66

indexes (*continued*)  
  privileges  
    revoking 775  
    renaming 760  
  unique key, use in matching 66  
indicator variables  
  description 656  
inoperative  
  triggers 506  
  views 564

INSERT  
  inserting values 720  
  restrictions leading to failure 720  
INSERT clause  
  GRANT statement (Table, View or Nickname) 709  
  REVOKE statement, removing privileges 793  
INSERT statement  
  description 720  
insertable views 564  
INTEGER data type 415  
integrity constraints  
  adding comments to catalog 183  
INTO clause  
  DESCRIBE statement, SQLDA area name 616, 619  
  FETCH statement, host variable substitution 668  
  INSERT statement, naming table or view 720  
  restrictions on using 720  
  SELECT INTO statement 805  
  VALUES INTO statement 899

IS clause  
  COMMENT statement 183  
isolation levels  
  in DELETE statement 610, 720, 805, 889  
ITERATE statement 729

## J

joins  
  CREATE TABLE statement 415

## K

key values  
  start 344  
  stop 344

## L

label-based access control (LBAC)  
  ALTER SECURITY LABEL COMPONENT statement 47  
  ALTER SECURITY POLICY statement 50  
  CREATE SECURITY LABEL COMPONENT statement 394  
  CREATE SECURITY LABEL statement 397  
  CREATE SECURITY POLICY statement 398  
  GRANT (Exemption) statement 683  
  GRANT (Security Label) statement 699  
  REVOKE (Exemption) statement 771  
  REVOKE (Security Label) statement 785  
labels  
  GOTO 678  
LBAC (label-based access control)  
  ALTER SECURITY LABEL COMPONENT statement 47  
  ALTER SECURITY POLICY statement 50  
  CREATE SECURITY LABEL COMPONENT statement 394  
  CREATE SECURITY LABEL statement 397  
  CREATE SECURITY POLICY statement 398

LBAC (label-based access control) (*continued*)  
  GRANT (Exemption) statement 683  
  GRANT (Security Label) statement 699  
  REVOKE (Exemption) statement 771  
  REVOKE (Security Label) statement 785  
rule exemptions  
  GRANT (Exemption) statement 683  
  REVOKE (Exemption) statement 771  
security label components  
  ALTER SECURITY LABEL COMPONENT  
    statement 47  
  CREATE SECURITY LABEL COMPONENT  
    statement 394  
security labels  
  ALTER SECURITY LABEL COMPONENT  
    statement 47  
  CREATE SECURITY LABEL COMPONENT  
    statement 394  
  CREATE SECURITY LABEL statement 397  
  GRANT (Security Label) statement 699  
  REVOKE (Security Label) statement 785  
security policies  
  ALTER SECURITY POLICY statement 50  
  CREATE SECURITY POLICY statement 398  
LEAVE statement 730  
LOAD parameter  
  GRANT...ON DATABASE statement 680  
loading  
  granting database authority 680  
locators  
  ASSOCIATE LOCATORS statement 168  
  FREE LOCATOR statement 675  
LOCK TABLE statement  
  description 731  
locks  
  COMMIT statement 194  
  during UPDATE 889  
  INSERT statement, default rules for 720  
  LOCK TABLE statement 731  
  restricting access 731  
  terminating for unit of work 800  
logs  
  creating table without initial logging 415  
LOOP statement  
  database fundamentals 732

## M

MANAGED BY clause  
  CREATE TABLESPACE statement 482  
materialized query tables (MQTs)  
  definition 415  
  REFRESH TABLE statement 755  
MERGE statement  
  description 733  
METHOD clause  
  DROP statement 625  
method designator syntax element 15  
MODE keyword  
  LOCK TABLE statement 731  
MQTs (materialized query tables)  
  definition 415  
  REFRESH TABLE statement 755

## N

- names
  - deleting rows 610
- NICKNAME clause in DROP statements 625
- nicknames
  - description 356
  - privileges
    - grant 709
    - grant control 709
    - revoking 793
- NO ACTION delete rule 415
- nonexecutable SQL statements
  - invoking 8
  - precompiler requirements 8
- NOT FOUND clause
  - WHENEVER statement 900
- NOT NULL clause
  - in the CREATE TABLE statement 415
- notices 915
- NULL CALL
  - in CREATE TYPE (Structured) statement 532

## O

- object identifier (OID)
  - columns
    - overview 415
    - CREATE TABLE statement 415
    - CREATE VIEW statement 564
- OF clause
  - CREATE VIEW statement 564
- OID
  - see object identifier (OID) 415
- ON clause
  - CREATE INDEX statement 329
- ON TABLE clause
  - GRANT statement 709
  - REVOKE statement 793
- ON UPDATE clause 415
- on-db-partitions-clause
  - CREATE TABLESPACE statement 482
- ONLY clause
  - DELETE statement 610
  - UPDATE statement 889
- OPEN statement 742
- OPTION clause
  - CREATE VIEW statement 564
- ordering DB2 books 908

## P

- packages
  - ALTER TABLE STATEMENT 66
  - authority to create
    - granting 680
  - catalog comments 183
  - COMMIT statement effect on cursors 194
  - deleting 625
  - privileges
    - granting 689
    - revoking using REVOKE (package privileges) statement 776
    - revoking using REVOKE (table, view, or nickname privileges) statement 793
- parameter markers
  - EXECUTE statement 658

- parameter markers (*continued*)
  - OPEN statement 742
  - password rules 746
  - PREPARE statement 746
  - typed 746
  - untyped 746
- partitioning keys
  - adding 66
  - defining when creating tables 415
  - dropping 66
- partitioning maps
  - creating for database partition groups 233
- performance
  - partitioning key recommendation 415
- PIECESIZE
  - CREATE INDEX statement 329
- positional updating of columns by row 889
- precompiling
  - external text file 719
  - INCLUDE statement 719
  - non-executable SQL statements 8
  - SQLCA 719
  - SQLDA 719
- PREPARE statement
  - description 746
  - dynamically declaring 746
  - embedded 8
  - variable substitution in OPEN statement 742
- prepared SQL statements
  - executing 658
  - host variable substitution 658
  - obtaining information
    - DESCRIBE INPUT statement 616
    - DESCRIBE OUTPUT statement 619
- primary keys
  - adding
    - ALTER TABLE statement 66
    - CREATE TABLE statement 415
  - dropping 66
  - privileges required 709
- privileges
  - database
    - revoking 784
  - INDEX
    - revoking 775
  - packages
    - revoking 776, 793
  - revoking
    - REVOKE statement 793
- problem determination
  - information available 912
  - tutorials 912
- procedure compound statement 203
- procedure designator syntax element 15
- procedures
  - authorization for creating
    - CREATE PROCEDURE (external) statement 367
    - CREATE PROCEDURE (SQL) statement 386
  - CALL statement 174
  - creating 367, 386
- PROGRAM
  - DROP statement 625
- PROGRAM TYPE
  - CREATE FUNCTION (external scalar) statement 254
  - CREATE FUNCTION (external table) statement 278
- PUBLIC AT ALL LOCATIONS 709

## Q

- question mark
  - EXECUTE parameter marker 658
- question mark (?) EXECUTE parameter marker 658

## R

- read-only cursors
  - ambiguous 597
- read-only views 564
- REAL SQL data type
  - CREATE TABLE statement 415
- records
  - locks to row data 720
- REFERENCES clause
  - GRANT statement (Table, View or Nickname) 709
  - REVOKE statement, removing privileges 793
- referential constraints
  - adding comments to catalog 183
- REFRESH TABLE statement
  - description 755
  - REFRESH DEFERRED 755
  - REFRESH IMMEDIATE 755
- RELEASE (Connection) statement 757
- RELEASE SAVEPOINT statement 759
- remote access
  - CONNECT statement
    - EXCLUSIVE MODE, dedicated connection 211
    - ON SINGLE DBPARTITIONNUM, dedicated connection 211
    - server information only, no operand 211
    - SHARE MODE, read-only for non-connector 211
  - successful connections 211
  - unsuccessful connections 211
- RENAME statement 760
- RENAME TABLESPACE statement 759
- REPEAT statement 762
- RESIGNAL statement 764
- RESTRICT delete rule 415
- result sets
  - returning
    - SQL procedures 203
- RESULTSTATUS parameter 676
- return codes
  - embedded statements 8
  - executable SQL statements 8
- RETURN statement 766
- returning result sets
  - from SQL procedures 203
- REVOKE (Exemption) statement 771
- REVOKE (Global Variable Privileges) statement 773
- REVOKE (Package Privileges) statement 776
- REVOKE (Role) statement 779
- REVOKE (Security Label) statement 785
- REVOKE (Sequence Privileges) statement
  - description 787
- REVOKE (SETSESSIONUSER Privilege) statement 790
- REVOKE (Workload Privileges) statement 798
- REVOKE (XSR Object Privileges) statement 800
- REVOKE statement
  - database authorities 767
  - index privileges 775
  - nickname privileges 793
  - package privileges 776
  - routine privileges 781
  - schema privileges 784

- REVOKE statement (*continued*)
  - server privileges 789
  - table privileges 793
  - table space privileges 792
  - view privileges 793
- REXX language
  - END DECLARE SECTION, prohibition 655
- ROLLBACK statement
  - description 800
  - syntax 800
- ROLLBACK TO SAVEPOINT statement
  - description 800
- row fullselect
  - UPDATE statement 889
- ROWCOUNT
  - GET DIAGNOSTICS statement 676
- rows
  - assigning values to host variable, SELECT INTO 805
  - assigning values to host variable, VALUES INTO 899
  - cursor in FETCH statement 742
  - cursor, effect of closing on FETCH 181
  - cursor, location in result table 597
  - deleting 610
  - FETCH request, cursor row selection 597
  - grant privilege 709
  - index keys with UNIQUE clause 329
  - indexes 329
  - inserting 720
  - locks to row data, INSERT statement 720
  - locks, effect on cursor of WITH HOLD 597
  - restrictions leading to failure 720
  - updating column values, UPDATE statement 889

## S

- SAVEPOINT statement
  - description 802
- savepoints
  - releasing 759
  - ROLLBACK TO SAVEPOINT 800
- SCHEMA clause
  - COMMENT statement 183
  - DROP statement 625
- schemas
  - adding comments to catalog 183
  - CREATE SCHEMA statement 392
  - implicit
    - granting authority 680
    - revoking authority 767
- scope
  - adding with ALTER TABLE statement 66
  - adding with ALTER VIEW statement 142
  - CREATE VIEW statement 564
  - defining with added column 66
  - defining with CREATE TABLE statement 415
- SCOPE clause
  - ALTER TABLE statement 66
  - ALTER VIEW statement 142
  - CREATE TABLE statement 415
  - CREATE VIEW statement 564
- search conditions
  - with DELETE
    - row selection 610
  - with UPDATE
    - arguments and rules 889



SECADM  
   database authority  
     GRANT (Database Authorities) statement 680  
     revoking 767  
   parameter  
     GRANT (Database Authorities) statement 680  
     REVOKE (Database Authorities) statement 767  
 SECURED WITH clause  
   ALTER TABLE statement 66  
   CREATE TABLE statement 415  
 security  
   CONNECT statement 211  
 security administrator authority (SECADM)  
   GRANT (Database Authorities) statement 680  
   revoking 767  
 SECURITY LABEL clause  
   COMMENT statement 183  
   DROP statement 625  
 SECURITY LABEL COMPONENT clause  
   COMMENT statement 183  
   DROP statement 625  
 security labels (LBAC)  
   ALTER SECURITY LABEL COMPONENT statement 47  
   CREATE SECURITY LABEL COMPONENT statement 394  
   CREATE SECURITY LABEL statement 397  
   GRANT (Security Label) statement 699  
   policies  
     ALTER SECURITY POLICY statement 50  
     CREATE SECURITY POLICY statement 398  
   REVOKE (Security Label) statement 785  
 SECURITY POLICY clause  
   COMMENT statement 183  
   CREATE TABLE statement 415  
   DROP statement 625  
 SELECT clause  
   GRANT statement (Table, View or Nickname) 709  
   REVOKE statement, removing privileges 793  
 SELECT INTO statement  
   description 805  
 SELECT statement  
   cursor  
     rules regarding parameter markers 597  
   description 807  
   evaluating  
     for result table of OPEN statement cursor 742  
 select-statement SQL statement construct  
   definition 8  
   dynamic invocation 8  
   static invocation 8  
 SEQUENCE clause  
   COMMENT statement 183  
 sequences  
   DROP statement 625  
 servers  
   granting privileges 704  
 SET clause  
   UPDATE statement 889  
 SET COMPILATION ENVIRONMENT statement 807  
 SET CONNECTION statement 808  
 SET CONSTRAINTS statement 840  
 SET CURRENT DECFLOAT ROUNDING MODE  
   statement 809  
 SET CURRENT DEFAULT TRANSFORM GROUP  
   statement 811  
 SET CURRENT DEGREE statement 812  
 SET CURRENT EXPLAIN MODE statement 813  
 SET CURRENT EXPLAIN SNAPSHOT statement 816  
 SET CURRENT FEDERATED ASYNCHRONY statement 818  
 SET CURRENT FUNCTION PATH statement 858  
 SET CURRENT IMPLICIT XMLPARSE OPTION  
   statement 819  
 SET CURRENT ISOLATION statement 820  
 SET CURRENT LOCK TIMEOUT statement 821  
 SET CURRENT MAINTAINED TABLE TYPES FOR  
   OPTIMIZATION statement 822  
 SET CURRENT MDC ROLLOUT MODE statement 824  
 SET CURRENT OPTIMIZATION PROFILE statement 825  
 SET CURRENT PACKAGE PATH statement 828  
 SET CURRENT PACKAGESET statement 832  
 SET CURRENT PATH statement 858  
 SET CURRENT QUERY OPTIMIZATION statement 833  
 SET CURRENT REFRESH AGE statement 835  
 SET CURRENT SQLID statement 861  
 SET ENCRYPTION PASSWORD statement 837  
 SET EVENT MONITOR STATE statement 838  
 set integrity pending state 840  
 SET INTEGRITY statement 840  
 SET NULL delete rule 415  
 SET PASSTHRU statement  
   description 857  
   independence from COMMIT statement 194  
   independence from ROLLBACK statement 800  
 SET PATH statement 858  
 SET ROLE statement 860  
 SET SCHEMA statement 861  
 SET SERVER OPTION statement  
   description 863  
   independence from COMMIT statement 194  
   independence from ROLLBACK statement 800  
 SET SESSION AUTHORIZATION statement 864  
 SET variable statement 867  
 SETSESSIONUSER privilege  
   GRANT (SETSESSIONUSER Privilege) statement 705  
   required for SET SESSION AUTHORIZATION  
   statement 864  
   REVOKE (SETSESSIONUSER Privilege) statement 790  
 SHARE MODE connection 211  
 SHARE option  
   LOCK TABLE statement 731  
 SIGNAL statement 873  
 single precision float data type 415  
 single row select 805  
 SMALLINT data type  
   static SQL 415  
 SMS (system managed space)  
   table spaces  
     CREATE TABLESPACE statement 482  
 SPECIFIC FUNCTION clause  
   COMMENT statement 183  
 SPECIFIC PROCEDURE clause  
   COMMENT statement 183  
 SQL objects  
   deleting 625  
 SQL procedures  
   CASE statement 179  
   condition handlers  
     declaration 203  
   DECLARE statement 195, 203  
   dynamic compound statement 195  
   FOR statement 673  
   GET DIAGNOSTICS statement 676  
   GOTO statement 678  
   IF statement 717  
   ITERATE statement 729

SQL procedures (*continued*)

LEAVE statement 730  
 LOOP statement 732  
 procedure compound statement 203  
 REPEAT statement 762  
 RESIGNAL statement 764  
 RETURN statement 766  
 SIGNAL statement 873  
 variables 195, 203  
 WHILE statement 901

SQL return codes 8

SQL statements

ALLOCATE CURSOR 18  
 ALTER AUDIT POLICY 20  
 ALTER BUFFERPOOL 22  
 ALTER DATABASE 28  
 ALTER DATABASE PARTITION GROUP 24  
 ALTER FUNCTION 31  
 ALTER HISTOGRAM TEMPLATE 33  
 ALTER METHOD 34  
 ALTER NICKNAME 35  
 ALTER NODEGROUP (see ALTER DATABASE PARTITION GROUP) 24  
 ALTER PROCEDURE (External) 43  
 ALTER PROCEDURE (Sourced) 45  
 ALTER PROCEDURE (SQL) 46  
 ALTER SECURITY LABEL COMPONENT 47  
 ALTER SECURITY POLICY 50  
 ALTER SEQUENCE 54  
 ALTER SERVER 57  
 ALTER SERVICE CLASS 60  
 ALTER TABLE 66  
 ALTER TABLESPACE 111  
 ALTER THRESHOLD 120  
 ALTER TRUSTED CONTEXT 126  
 ALTER TYPE (Structured) 134  
 ALTER USER MAPPING 140  
 ALTER VIEW 142  
 ALTER WORK ACTION SET 144  
 ALTER WORK CLASS SET 155  
 ALTER WORKLOAD 160  
 ALTER XSROBJECT 167  
 ASSOCIATE LOCATORS 168  
 AUDIT 170  
 BEGIN DECLARE SECTION 173  
 CALL 174  
 CLOSE 181  
 COMMENT 183  
 COMMIT 194  
 compound SQL (embedded) 200  
 CONNECT (Type 1) 211  
 CONNECT (Type 2) 218  
 CONTINUE, response to exception 900  
 control 12  
 CREATE ALIAS 224  
 CREATE AUDIT POLICY 227  
 CREATE BUFFERPOOL 230  
 CREATE DATABASE PARTITION GROUP 233  
 CREATE EVENT MONITOR 235  
 CREATE FUNCTION (External Scalar) 254  
 CREATE FUNCTION (External Table) 278  
 CREATE FUNCTION (OLE DB External Table) 295  
 CREATE FUNCTION (Source) 303  
 CREATE FUNCTION (Sourced or Template) 303  
 CREATE FUNCTION (SQL Scalar, Table or Row) 314  
 CREATE FUNCTION MAPPING 323  
 CREATE FUNCTION, overview 253

SQL statements (*continued*)

CREATE HISTOGRAM TEMPLATE 327  
 CREATE INDEX 329  
 CREATE INDEX EXTENSION 344  
 CREATE METHOD 351  
 CREATE NICKNAME 356  
 CREATE NODEGROUP (see CREATE DATABASE PARTITION GROUP) 233  
 CREATE PROCEDURE 367  
 CREATE PROCEDURE (External) 367  
 CREATE PROCEDURE (Sourced) 381  
 CREATE PROCEDURE (SQL) 386  
 CREATE ROLE 391  
 CREATE SCHEMA 392  
 CREATE SECURITY LABEL 397  
 CREATE SECURITY LABEL COMPONENT 394  
 CREATE SECURITY POLICY 398  
 CREATE SEQUENCE 400  
 CREATE SERVER 411  
 CREATE SERVICE CLASS 404  
 CREATE TABLE 415  
 CREATE TABLESPACE 482  
 CREATE THRESHOLD 495  
 CREATE TRANSFORM 503  
 CREATE TRIGGER 506  
 CREATE TRUSTED CONTEXT 518  
 CREATE TYPE (Array) 524  
 CREATE TYPE (Distinct) 525  
 CREATE TYPE (Structured) 532  
 CREATE TYPE MAPPING 554  
 CREATE USER MAPPING 560  
 CREATE VARIABLE 562  
 CREATE VIEW 564  
 CREATE WORK ACTION SET 577  
 CREATE WORK CLASS SET 584  
 CREATE WORKLOAD 589  
 CREATE WRAPPER 596  
 DECLARE CURSOR 597  
 DECLARE GLOBAL TEMPORARY TABLE 603  
 DELETE 610  
 DESCRIBE 616  
 DESCRIBE INPUT 616  
 DESCRIBE OUTPUT 619  
 DISCONNECT 623  
 displaying help 909  
 DROP 625  
 DROP TRANSFORM 625  
 embedded 8  
 END DECLARE SECTION 655  
 EXECUTE 658  
 EXECUTE IMMEDIATE 656  
 EXPLAIN 663  
 FETCH 668  
 FLUSH EVENT MONITOR 670  
 FLUSH OPTIMIZATION PROFILE CACHE 671  
 FLUSH PACKAGE CACHE 672  
 FREE LOCATOR 675  
 GRANT (Database Authorities) 680  
 GRANT (Exemption) 683  
 GRANT (Global Variable Privileges) 686  
 GRANT (Index Privileges) 687  
 GRANT (Nickname Privileges) 709  
 GRANT (Package Privileges) 689  
 GRANT (Role) 692  
 GRANT (Routine Privileges) 694  
 GRANT (Schema Privileges) 697  
 GRANT (Security Label) 699

## SQL statements (continued)

GRANT (Sequence Privileges) 702  
 GRANT (Server Privileges) 704  
 GRANT (SETSESSIONUSER Privilege) 705  
 GRANT (Table Privileges) 709  
 GRANT (Table Space Privileges) 707  
 GRANT (View Privileges) 709  
 GRANT (Workload Privileges) 715  
 GRANT (XSR Object Privileges) 716  
 INCLUDE 719  
 INSERT 720  
 interactive entry 8  
 invoking 8  
 LOCK TABLE 731  
 MERGE 733  
 OPEN 742  
 PREPARE 746  
 REFRESH TABLE 755  
 RELEASE (Connection) 757  
 RELEASE SAVEPOINT 759  
 RENAME 760  
 RENAME TABLESPACE 759  
 REVOKE (Database Authorities) 767  
 REVOKE (Exemption) 771  
 REVOKE (Global Variable Privileges) 773  
 REVOKE (Index Privileges) 775  
 REVOKE (Nickname Privileges) 793  
 REVOKE (Package Privileges) 776  
 REVOKE (Role) 779  
 REVOKE (Routine Privileges) 781  
 REVOKE (Schema Privileges) 784  
 REVOKE (Security Label) 785  
 REVOKE (Sequence Privileges) 787  
 REVOKE (Server Privileges) 789  
 REVOKE (SETSESSIONUSER Privilege) 790  
 REVOKE (Table Privileges) 793  
 REVOKE (Table Space Privileges) 792  
 REVOKE (View Privileges) 793  
 REVOKE (Workload Privileges) 798  
 REVOKE (XSR Object Privileges) 800  
 ROLLBACK 800  
 ROLLBACK TO SAVEPOINT 800  
 SAVEPOINT 802  
 SELECT 807  
 SELECT INTO 805  
 SET COMPILATION ENVIRONMENT 807  
 SET CONNECTION 808  
 SET CONSTRAINTS 840  
 SET CURRENT DECFLOAT ROUNDING MODE 809  
 SET CURRENT DEFAULT TRANSFORM GROUP 811  
 SET CURRENT DEGREE 812  
 SET CURRENT EXPLAIN MODE 813  
 SET CURRENT EXPLAIN SNAPSHOT 816  
 SET CURRENT FEDERATED ASYNCHRONY 818  
 SET CURRENT FUNCTION PATH 858  
 SET CURRENT IMPLICIT XMLPARSE OPTION 819  
 SET CURRENT ISOLATION 820  
 SET CURRENT MAINTAINED TABLE TYPES FOR  
 OPTIMIZATION 822  
 SET CURRENT MDC ROLLOUT MODE 824  
 SET CURRENT OPTIMIZATION PROFILE 825  
 SET CURRENT PACKAGESET 832  
 SET CURRENT PATH 858  
 SET CURRENT QUERY OPTIMIZATION 833  
 SET CURRENT REFRESH AGE 835  
 SET ENCRYPTION PASSWORD 837  
 SET EVENT MONITOR STATE 838

## SQL statements (continued)

SET INTEGRITY 840  
 SET PASSTHRU 857  
 SET PATH 858  
 SET ROLE 860  
 SET SCHEMA 861  
 SET SERVER OPTION 863  
 SET SESSION AUTHORIZATION 864  
 SET variable 867  
   supported 1  
 TRANSFER OWNERSHIP 875  
 UPDATE 889  
 VALUES 900  
 VALUES INTO 899  
 WHENEVER 900  
 WITH HOLD  
   cursor attribute 597  
 SQL variables 195, 203  
 SQL/XML  
   CREATE INDEX statement 329  
 SQL92 standard  
   rules for dynamic SQL 861  
 SQLCA (SQL communication area)  
   entry changed by UPDATE 889  
 SQLCA clause  
   INCLUDE statement 719  
 SQLCA structure  
   overview 8  
 SQLCODE  
   description 8  
 SQLDA (SQL descriptor area)  
   FETCH statement 668  
   host variable descriptions, OPEN statement 742  
   required variables for DESCRIBE 616, 619  
 SQLDA clause  
   INCLUDE statement 719  
 SQLERROR clause  
   WHENEVER statement 900  
 SQLSTATE  
   description 8  
 SQLWARNING clause of WHENEVER statement 900  
 standards  
   setting rules for dynamic SQL 861  
 start key value 344  
 statements  
   ALTER WRAPPER 166  
   LEAVE 730  
   SET CURRENT LOCK TIMEOUT 821  
   SET CURRENT PACKAGE PATH 828  
   strings  
     creating 656  
     PREPARE statement 746  
 static SQL  
   DECLARE CURSOR statement 8  
   FETCH statement 8  
   invoking 8  
   OPEN statement 8  
   select 8  
   statements 8  
 STAY RESIDENT  
   CREATE FUNCTION (external scalar) statement 254  
   CREATE FUNCTION (external table) statement 278  
   CREATE PROCEDURE statement 367, 386  
 stop key value 344  
 storage  
   backing out, unit of work, ROLLBACK 800

- storage structures
  - ALTER BUFFERPOOL statement 22
  - ALTER TABLESPACE statement 111
  - CREATE BUFFERPOOL statement 230
  - CREATE TABLESPACE statement 482
- stored procedures
  - CREATE PROCEDURE statement 367
- Structured Query Language (SQL)
  - control statements 12
- structured types
  - CREATE TRANSFORM statement 503
  - DROP statement 625
- summary tables
  - definition 415
- supported SQL statements 1
- SYNONYM clause
  - in place of ALIAS clause 625
- synonyms
  - CREATE ALIAS statement 224
  - DROP ALIAS statement 625
- syntax
  - common elements 15
  - description v
  - elements 15
  - function designator 15
  - method designator 15
  - procedure designator 15
- system-containers
  - CREATE TABLESPACE statement 482

## T

- TABLE clause
  - COMMENT statement 183
  - CREATE FUNCTION (External Table) statement 278
  - DROP statement 625
- TABLE HIERARCHY clause
  - DROP statement 625
- table name
  - CREATE TABLE statement 415
- table spaces
  - adding
    - comments to catalog 183
  - buffer pools 230
  - creating
    - CREATE TABLESPACE statement 482
  - deleting using DROP statement 625
  - dropping
    - DROP statement 625
  - grant privileges 707
  - identification
    - CREATE TABLE statement 415
  - index
    - CREATE TABLE statement 415
  - page size 482
  - renaming 759
  - revoking privileges 792
- tables
  - adding
    - columns, ALTER TABLE 66
    - comments to catalog 183
  - alias 224, 625
  - altering 66
  - authorization for creating 415
  - creating
    - granting authority 680
    - SQL statement instructions 415

- tables (*continued*)
  - deleting
    - using DROP statement 625
  - exception 840
  - generated columns 66
  - grant privileges 709
  - indexes 329
  - inserting rows 720
  - joining
    - partitioning key considerations 415
  - names
    - in ALTER TABLE statement 66
    - in LOCK TABLE statement 731
  - renaming 760
  - restricting shared access, LOCK TABLE statement 731
  - revoking privileges 793
  - schemas 392
  - temporary
    - in OPEN statement 742
  - typed, and triggers 506
  - updating by row and column, UPDATE statement 889
- TABLESPACE clause
  - COMMENT statement 183
- temporary tables
  - OPEN statement 742
- termination
  - unit of work 194, 800
- terms and conditions
  - use of publications 912
- TIME data types
  - CREATE TABLE statement 415
- TIMESTAMP data type
  - CREATE TABLE statement 415
- TO clause
  - GRANT statement
    - database authority 680
    - index privileges 687
    - package privileges 689
    - schema privileges 697
    - table privileges 709
- TRANSFER OWNERSHIP statement 875
- transformations
  - DROP statement 625
  - functions
    - CREATE TRANSFORM statement 503
- TRIGGER clause
  - COMMENT statement 183
- triggered SQL statements
  - SET variable 867
- triggers
  - adding comments to catalog 183
  - CREATE TRIGGER statement 506
  - dropping 625
  - error messages 506
  - inoperative 506
  - INSERT statement 720
  - typed tables 506
  - updates
    - UPDATE statement 889
- troubleshooting
  - online information 912
  - tutorials 912
- tutorials
  - problem determination 912
  - troubleshooting 912
  - Visual Explain 912
- type 2 indexes 329

- TYPE clause
  - COMMENT statement 183
  - DROP statement 625
- typed views
  - defining subviews 564

**U**

- UNDER clause
  - CREATE VIEW statement 564
- UNIQUE clause
  - ALTER TABLE statement 66
  - CREATE INDEX statement 329
  - CREATE TABLE statement 415
- unique constraints
  - adding with ALTER TABLE 66
  - ALTER TABLE statement 66
  - CREATE TABLE statement 415
  - dropping with ALTER TABLE 66
- unique keys
  - ALTER TABLE statement 66
  - CREATE TABLE statement 415
- units of work (UOW)
  - canceling 800
  - COMMIT statement 194
  - destroying prepared statements 746
  - initiating closes cursors 742
  - referring to prepared statements 746
  - ROLLBACK statement, effect 800
  - terminating 194
  - terminating destroys prepared statements 746
  - terminating without saving changes 800
- UPDATE clause
  - GRANT statement (Table, View or Nickname) 709
  - REVOKE statement, removing privileges 793
- UPDATE statement
  - description 889
  - row fullselect 889
- updates
  - DB2 Information Center 910
  - updatable views 564
- user-defined functions
  - CREATE FUNCTION statement
    - description 253
    - External Scalar 254
    - External Table 278
    - OLE DB External Table 295
    - Sourced or Template 303
    - SQL Scalar, Table, or Row 314
  - DROP statement 625
  - REVOKE (Database Authorities) statement 767
- user-defined types
  - adding comments to catalog 183
  - CREATE TRANSFORM statement 503
  - CREATE TYPE (Distinct) statement 525
  - distinct data types
    - CREATE TABLE statement 415
  - structured types 415
- USING clause
  - CREATE INDEX statement 329
  - FETCH statement 668
  - OPEN statement, listing host variables 742
- USING DESCRIPTOR clause
  - OPEN statement 742

**V**

- VALUES clause
  - loading one row 720
  - rules for number of values 720
- VALUES INTO statement 899
- VALUES statement 900
- VARCHAR data type
  - CREATE TABLE statement 415
- VARIANT
  - CREATE TYPE (Structured) statement 532
- VIEW clause
  - CREATE VIEW statement 564
  - DROP statement 625
- VIEW HIERARCHY clause
  - DROP statement 625
- view name
  - in ALTER VIEW statement 142
- views
  - adding comments to catalog 183
  - alias 224, 625
  - column names 564
  - control privilege
    - granting 709
    - limitations on 709
  - creating 564
  - deletable 564
  - deleting using DROP statement 625
  - grant privileges 709
  - inoperative 564
  - insertable 564
  - inserting rows in viewed table 720
  - preventing view definition loss, WITH CHECK
    - OPTION 889
  - read-only 564
  - revoking privileges 793
  - schemas 392
  - updatable 564
  - updating rows by columns 889
  - WITH CHECK OPTION 889
- Visual Explain
  - tutorial 912

**W**

- WHENEVER statement
  - changing flow of control 8
  - description 900
- WHERE clause
  - DELETE statement 610
  - UPDATE statement 889
- WHILE statement
  - description 901

**X**

- XML
  - CREATE INDEX statement 329
- XML columns
  - CREATE INDEX statement 329
- XML data
  - CREATE INDEX statement 329







Printed in USA

SC23-5862-02





Spine information:

DB2 Version 9.5 for Linux, UNIX, and Windows

SQL Reference, Volume 2

