

# IBM® DB2® OLAP Server™ and DB2 OLAP Starter Kit

---



*Version 7*

*OLAP Integration Server Administrator's  
Guide*

© Copyright International Business Machines Corporation 1998, 2000. All rights reserved.

US Government Users Restricted Rights - Use, duplication or disclosure restricted by GSA ADP Schedule Contract with IBM Corp.

© 2000 Hyperion Solutions Corporation. All rights reserved.

Hyperion, Essbase, and Arbor are registered trademarks, and Hyperion Solutions and Hyperion Essbase are trademarks of Hyperion Solutions Corporation.

Microsoft is a registered trademark, and Windows is a trademark of Microsoft Corporation. IBM, DB2, Lotus, and 1-2-3 are registered trademarks of IBM Corporation. All other brand and product names are trademarks or registered trademarks of their respective holders.

No portion of this manual may be reproduced or transmitted in any form or by any means, electronic or mechanical, including photocopying, recording, or information storage and retrieval systems, for any purpose other than the purchaser's personal use, without the express written permission of Hyperion Solutions Corporation.

Printed in the U.S.A.

# Contents

## Preface

### Chapter 1: Using OLAP Integration Server

Introducing OLAP Integration Server .....	1-1
Starting OLAP Integration Server .....	1-2
Shutting Down OLAP Integration Server .....	1-5
Viewing the OLAP Integration Server Log File .....	1-5

### Chapter 2: Working with Users, Locks, and Permissions

Working with Users .....	2-1
Managing Source Database Users and Hyperion Integration Server Users .....	2-2
Working with Locks .....	2-2
Using Standard Access Mode .....	2-2
Using Exclusive Access Mode .....	2-3
Correcting Problems with Locks .....	2-4
Viewing Hyperion Integration Server Users with Locks .....	2-4
Deleting Locks for Hyperion Integration Server Users .....	2-6
Working with Permissions .....	2-7
Viewing Permissions for OLAP Models .....	2-8
Viewing Permissions for Metaoutlines .....	2-9

### Chapter 3: Troubleshooting ODBC and Connections

Checking Common Connection Problems .....	3-2
Database-Specific Problems .....	3-4
About ODBC and Connection Problems .....	3-4
Isolating Connection Problems .....	3-6

Testing the Database Client Connection to the RDBMS .....	3-8
Testing the ODBC Connection to the RDBMS .....	3-9
Testing the OLAP Integration Server Connection to the RDBMS .....	3-13
Testing the Hyperion Integration Server Desktop Connection to the RDBMS ....	3-16
Testing the OLAP Integration Server Connection to Hyperion Essbase Server ..	3-17
Testing the Hyperion Integration Server Desktop Connection to Hyperion Essbase Server 3-18	
Correcting Connection Problems .....	3-19
User Name and Password Problems .....	3-21
Correcting RDBMS Problems .....	3-22
Correcting Database Client Problems .....	3-23
Correcting ODBC Problems .....	3-24
Correcting OLAP Integration Server Problems .....	3-26
Correcting Hyperion Integration Server Desktop Problems .....	3-28
Using ODBC Tracing .....	3-29
Using ODBC Tracing on Windows Systems .....	3-29
Using ODBC Tracing on UNIX Systems .....	3-30

## **Chapter 4: Tables in the OLAP Metadata Catalog**

About the OLAP Metadata Catalog .....	4-2
Tables Relating to the OLAP Model .....	4-3
Tables Relating to the Metaoutline .....	4-5
Tables Relating to Drill-Through .....	4-8
Miscellaneous Tables .....	4-9

## **Chapter 5: Using OLAP Command Interface**

Starting OLAP Command Interface .....	5-2
About OLAP Command Interface .....	5-3
Using SET and LOAD Commands .....	5-4
Using Informational Commands .....	5-5
Using Command Syntax and Execution .....	5-6
Recording Member and Data Load Scripts .....	5-6
Running OLAP Command Interface Script and Batch Files .....	5-7
Running OLAP Command Script Files .....	5-8
Using OLAP Command Interface Commands .....	5-9
LOGIN .....	5-10
STATUS .....	5-10

VERSION .....	5-11
SETSOURCE .....	5-11
SETTARGET .....	5-12
SETCATALOG .....	5-12
LOADMEMBER.....	5-13
LOADDATA .....	5-14
LOADALL .....	5-16
LOGOUT .....	5-19
SHUTDOWN .....	5-19
EXIT .....	5-20
Loading Dimensions and Members Using OLAP Command Interface .....	5-20
Loading Data Using OLAP Command Interface .....	5-21

## Chapter 6: Using the Administration Manager

Introducing the Administration Manager .....	6-1
Opening the Administration Manager .....	6-1
Using the Graphical User Interface .....	6-2
About the Menu Bar .....	6-3
Working with Applications .....	6-4
Creating New Applications .....	6-4
Starting and Stopping Applications .....	6-5
Copying Applications .....	6-5
Renaming Applications .....	6-5
Application Properties .....	6-6
Working with Databases .....	6-6
Creating New Databases .....	6-6
Copying Databases .....	6-8
Database Properties .....	6-8
Working with User ID's and Privileges .....	6-8
Creating Users .....	6-8
Renaming Users.....	6-10
User Types .....	6-10
Viewing Existing Privileges for a User .....	6-10
About Security and Privileges for Databases and Applications .....	6-10
Levels of Privileges for Applications .....	6-11
Levels of Privileges for Databases .....	6-11
Relational Database Authorities .....	6-11

Global Privilege Settings .....	6-12
Exporting to Data Warehouse .....	6-12
Why Export to the Data Warehouse Center? .....	6-13
How the Export Process Works .....	6-13
The Role of OLAP Integration Server .....	6-13
The Role of the Data Warehouse Center .....	6-14
Sample of Batch and Script files .....	6-14
Exporting to a Text File .....	6-14
Using the Logs .....	6-15
The Server Log .....	6-15
The Application Log .....	6-15

## **Appendix A: OLAP Integration Server Error Messages**

Member Load Error Messages .....	A-1
Data Load Error Messages .....	A-5
Drill-Through Report Error Messages .....	A-6
Miscellaneous Error Messages .....	A-7

## **Index**

# Preface

---

## Purpose

This guide provides the information you need to configure and maintain Hyperion Integration Server, OLAP Metadata Catalogs, and use the OLAP Command Interface on all supported platforms.

## Audience

This guide is for Hyperion Integration Server database administrators who are responsible for implementing, configuring, and managing Hyperion Integration Server.

To use the information in this book, you need the following skills:

- Knowledge of where the data for your business resides; for example, in a relational database.
- A fundamental understanding of Microsoft Windows and basic Microsoft Windows terminology, such as dialog box, list box, and button. See Microsoft Windows documentation for more information on these terms.
- A fundamental understanding of UNIX system administration, such as directory navigation, environment variables, login scripts, and text file editing. See the documentation for the UNIX system you are using for more information.
- A fundamental understanding of database administration, such as database tables, columns and records, user management, operation of database client utilities, and executing SQL commands.

# Document Structure

This document contains the following information:

Chapter 1, “Using OLAP Integration Server,” describes how to start and stop the server and view the server error log.

Chapter 2, “Working with Users, Locks, and Permissions,” describes how to view information about users, OLAP models and OLAP metaoutlines, and manage access to documents within an OLAP Metadata Catalog.

Chapter 3, “Troubleshooting ODBC and Connections,” describes how to diagnose and resolve problems with database and software component connections, including Open Database Connectivity (ODBC) problems.

Chapter 4, “Tables in the OLAP Metadata Catalog,” describes the structure and content of the OLAP Metadata Catalog.

Chapter 5, “Using OLAP Command Interface,” describes the basic operation and commands for the OLAP Command Interface.

Index, a list of Hyperion Integration Server terms and their page numbers. In the online version, select an index entry to view that page.

## Related Documentation

The following documents contain additional related information:

Hyperion Integration Server documents:

- *Hyperion Integration Server Installation Guide*, for more information about installation procedures, instructions for connecting relational data sources to the OLAP Metadata Catalog, and information about Hyperion Integration Server directories and files.
- *Hyperion Integration Server Desktop OLAP Model User’s Guide*, for more information about basic modeling concepts and how to design, create, and maintain OLAP models based on a relational data source.
- *Hyperion Integration Server Desktop OLAP Metaoutline User’s Guide*, for information about basic multidimensional concepts and how to design, create, and maintain one or more metaoutlines based on an OLAP model.

Hyperion Essbase OLAP Server documents:



- *Hyperion Essbase Database Administrator's Guide*, for more information about basic multidimensional concepts and how to design, create, and maintain a Hyperion Essbase OLAP Server database.
- *Hyperion Essbase Installation Guide*, for information about how to install Hyperion Essbase software components on all supported platforms.
- *Hyperion Essbase SQL Interface Guide*, for information about how to use Hyperion Essbase SQL Interface to load data from SQL, relational, and flat-file data sources into a Hyperion Essbase OLAP Server database.
- *Hyperion Essbase Spreadsheet Add-in User's Guide for Excel*, in online PDF format, for information about how to use Hyperion Essbase Spreadsheet Add-in with Microsoft Excel.
- *Hyperion Essbase Spreadsheet Add-in User's Guide for 1-2-3*, in online PDF format, for information about how to use Hyperion Essbase Spreadsheet Add-in with Lotus 1-2-3 for Windows.
- The online *Technical Reference* in your DOCS directory, for a complete listing and description of functions, calculation commands, report commands, and configuration settings.

## Online Help

- To access online help:
  1. In any dialog box, click Help.
  2. In the help dialog box, click an item to display information about the item.
- To print an online help topic, display the topic and select File > Print.

## Online Guides

The online guides are an electronic version of the printed documentation.

- To display an online guide, select Help > Help Topics.

# Conventions

The following table shows the conventions used in this document.

*Table i: Conventions Used in This Document*

<b>Item</b>	<b>Meaning</b>
➤	Arrows indicate the beginning of a procedure, which consists of one or more sequential steps.
Brackets []	In examples, brackets indicates that the enclosed elements are optional.
<b>Bold</b>	Bold text indicates words or characters that you type exactly as they appear on the page. Bold in procedural steps highlights major interface elements.
CAPITAL LETTERS	Capital letters denote commands and various IDs. (Example: CLEARBLOCK command)
Example text	Courier font indicates that the material shown is a code or syntax example.
Ctrl + 0	Keystroke combinations shown with the plus symbol (+) indicate that you should press the first key and hold it while you press the next key. Do not type the + symbol.
<i>Courier italics</i>	Courier italic text indicates a variable field in command syntax. Substitute a value in place of the variable shown in Courier italics.
<i>Italics</i>	Italics in a product-related term indicates that the term is also included in the glossary of the book.
Ellipses (...)	Ellipsis points indicate that text has been omitted from an example.
Mouse orientation	This document provides examples and procedures using a right-handed mouse. If you are using a left-handed mouse, adjust the procedures accordingly.

Table i: Conventions Used in This Document (Continued)

Item	Meaning
Menu options	Options in menus are shown in the following format: <i>Menu name &gt; Menu command &gt; Extended menu command</i> For example: File > Desktop > Accounts
<i>n, x</i>	The variable <i>n</i> indicates that you must supply a generic number; the variable <i>x</i> indicates that you must supply a generic letter.

**Note:** The term right-click, used throughout this guide, means to click the secondary mouse button to open a pop-up menu.

## Additional Support

In addition to using the documentation and online help, Hyperion offers the following additional support for product information.

## Ordering Documentation

Additional copies of printed documentation may be ordered through your local support office.

## Training Services

Hyperion offers a variety of training options, including instructor-led training, custom training, and multimedia training. This training covers all Hyperion applications and technologies and is geared to end users, administrators, and information systems (IS) professionals.

Instructor-led training is delivered in formats and in locations suited to Hyperion's diverse, global customers. Hyperion Authorized Training Centers offer courses that they develop, as well as those developed by Hyperion. Custom training—training on the configured and tailored applications that employees use on the job—is another option to enhance user productivity and to ensure smooth day-to-day operations. Multimedia training—including computer-based training, Web-based training, and interactive distance learning—provides a cost-effective

means of giving users a hands-on introduction to product features and functions. Computer-based training (CBT) provides high-quality interactive training at the user's convenience, regardless of location.

For more information about training, contact your local training services representative.

## **Consulting Services**

Hyperion Consulting Services assists customers in maximizing the use of, and the return on investment in, Hyperion products. Experienced Hyperion consultants and Hyperion Alliance Partners assist organizations in tailoring solutions to their particular requirements, such as reporting, analysis, modeling, and planning. Specific services include implementation consulting, custom business solutions, data integration, and technical consulting. Additionally, Hyperion offers a variety of Services Packages and Reviews.

For more information about Consulting Services, Services Packages, and Reviews, as well as the services offered by Alliance Partners, contact your local consulting services representative.

## **Technical Support**

Hyperion provides telephone and Web-based support to ensure that clients resolve product issues quickly and accurately. This support is available for all Hyperion products at no additional cost to clients with a current maintenance agreement. Additional support is available for clients with global requirements that include multiple languages and time zones.

When standard support does not meet specific requirements, a Hyperion support package that meets your needs can usually be designed. For more information, contact your local support office.

# Using OLAP Integration Server

This chapter describes OLAP Integration Server, how to start it, how to shut it down, and how to view its log file. This chapter contains the following topics:

- “Introducing OLAP Integration Server” on page 1-1
- “Starting OLAP Integration Server” on page 1-2
- “Shutting Down OLAP Integration Server” on page 1-5
- “Viewing the OLAP Integration Server Log File” on page 1-5

## Introducing OLAP Integration Server

OLAP Integration Server is a multithreaded server that serves as the bridge between the relational data source, OLAP Metadata Catalog, and Hyperion Essbase OLAP Server. OLAP Integration Server performs the following tasks:

- Retrieves information about the OLAP models and metaoutlines from the OLAP Metadata Catalog
- Generates SQL statements
- Retrieves data from the external data source
- Loads members and data into the Hyperion Essbase database

OLAP Integration Server must be running if you want to use Hyperion Integration Server Desktop (the graphical user interface) or the OLAP Command Interface (the command line interface).

## Starting OLAP Integration Server

Before you start OLAP Integration Server, make sure that the following programs are running. These programs can be on network server computers and do not need to be on your local computer to be available to OLAP Integration Server.

- A relational database management system (RDBMS) with the relational data source that contains the OLAP Metadata Catalog where the metadata is stored.
- An RDBMS that contains the relational data source you want to use to create an OLAP model or a metaoutline.

Hyperion Essbase OLAP Server also must be running if you need to create, change, or load data into a Hyperion Essbase database, or if you want to preview a Hyperion Essbase database outline.

To start OLAP Integration Server, use either of the following methods:

- From the Windows Start menu, select OLAP Integration Server.
- Type the executable name on the command line; for example, type:

```
olapisvr
```

**Note:** If OLAP Integration Server does not start when `olapisvr` is executed from the command line, the operating system path may not be updated correctly. For more information, see the *Hyperion Integration Server Installation Guide*.

When starting OLAP Integration Server from the command line, use the switches specified in Table 1-1 if you want to change the default settings:

Table 1-1: OLAP Integration Server Switches

Switch	Description
-X	To view a list of available switches for starting OLAP Integration Server, type <b>-X</b> when you start OLAP Integration Server; for example: <b>olapisvr -X</b>
-E	To give the log file a different name, type <b>-Elog_file_name</b> when you start OLAP Integration Server. The <code>.log</code> extension is added automatically. The default name and location is <code>ISHOME\bin\olapisvr.log</code> . For example, to name the log file <code>myserver.log</code> and put it in the <code>temp</code> directory, type: <b>olapisvr -Ec:\temp\myserver</b>
-L	To set the level of detail of the messages that OLAP Integration Server logs, type <b>-Llevel</b> when you start OLAP Integration Server. The default level is 2. For example, to use the highest level of logging, type: <b>olapisvr -L0</b> You can specify the following levels: <ul style="list-style-type: none"> <li>• 0 to log all debug messages and the ODBC SQL generated by OLAP Integration Server</li> <li>• 2 to log all informational messages</li> <li>• 3 to log all warnings</li> <li>• 4 to log all non-critical errors</li> <li>• 7 to log all critical errors where OLAP Integration Server aborts the command</li> <li>• 8 to log all critical server errors</li> </ul> The recommended level settings are 2 or 3.

Table 1-1: OLAP Integration Server Switches (Continued)

Switch	Description
-M	<p>To set the Hyperion Essbase message database file to a different name, type <b>-Mdatabase_file_name</b> when you start OLAP Integration Server. The default name is <code>ARBORPATH\bin\essbase.mdb</code>.</p> <p>For example, to set the Hyperion Essbase message database file name to <code>essbase6\bin\essbase.mdb</code>, type:</p> <pre><b>olapisvr -Mc:\essbase6\bin\essbase.mdb</b></pre>
-T	<p>To set the number of network listeners that OLAP Integration Server starts, type <b>-Tnumber</b> when you start OLAP Integration Server. The default number is 10. The recommended setting is 10.</p> <p>Network listeners receive requests from Hyperion Integration Server client programs. The server automatically adds and subtracts listeners as needed, so the number of listeners set at start up does not limit the number of users that can connect to an OLAP Integration Server.</p> <p>For example, to set the number to 17, type:</p> <pre><b>olapisvr -T17</b></pre>
-B	<p>To set the buffer size that OLAP Integration Server uses when transferring rows from the data source to the Hyperion Essbase database, type <b>-BnumberOfRows</b> when you start OLAP Integration Server. The default number is 100 rows.</p> <p>To maximize performance, estimate the size in bytes of the rows being loaded from the relational data source. Divide 64,000 by that estimated size to determine the optimal number of rows to buffer. The goal is to generate blocks of data that are as close to 64 KB as possible, without exceeding that amount. If the size of a block of rows exceeds the 64 KB threshold, the load will fail.</p> <p>For example, to set the number to 150, type:</p> <pre><b>olapisvr -B150</b></pre>
-P	<p>To set the TCP port number at which OLAP Integration Server listens, type <b>-PportNumber</b> when you start OLAP Integration Server. This switch is for debugging purposes only.</p> <p>Do not use this switch to set the port number. If you set the port number to a value other than the default, the Hyperion Integration Server client programs will be unable to connect to OLAP Integration Server. The default port number is 3388.</p>



## Shutting Down OLAP Integration Server

When you finish using OLAP Integration Server, shut it down by using either of the following methods:

- On Windows NT and Windows 2000 systems, close the Hyperion Integration Server window.
- Issue the SHUTDOWN command in the OLAP Command Interface.

For more information, see “Using OLAP Command Interface Commands” on page 5-9.

**Note:** You must be logged on to OLAP Integration Server before you can shut it down.

## Viewing the OLAP Integration Server Log File

By default, the OLAP Integration Server log file is located in the same directory as OLAP Integration Server and is named `olapisvr.log`. You can view it by using any text editor. To create the log file with a different location or name, use the `-E` switch. For more information, see Table 1-1.

The following items are logged in the OLAP Integration Server log file, depending on the logging level you set when you start the server:

- All error messages
- The SQL statements that OLAP Integration Server generates to access the relational data source
- The OLAP Command Interface commands used to perform an action
- Connection information
- Notification of the success or failure of a load
- Other informational messages

For more information on setting the logging level, see Table 1-1.

**Note:** The text of error messages for Hyperion Integration Server and Hyperion Essbase is located in two Microsoft® Access database files in the *ISHOME\bin* directory:

- *ismesg.mdb* for Hyperion Integration Server
- *essbase.mdb* for Hyperion Essbase

# Working with Users, Locks, and Permissions

This chapter describes how to view information about users, OLAP models, and metaoutlines in an OLAP Metadata Catalog. It also describes how to clear locks and change permissions on OLAP models and metaoutlines.

This chapter contains the following topics:

- “Working with Users” on page 2-1
- “Working with Locks” on page 2-2
- “Working with Permissions” on page 2-7

For more information about OLAP Metadata Catalog, see Chapter 4, “Tables in the OLAP Metadata Catalog.”

## Working with Users

When working with Hyperion Integration Server, you must manage access for two types of users:

- Hyperion Integration Server users. These users can access OLAP models and metaoutlines stored in OLAP Metadata Catalogs. Hyperion Integration Server users are the database users defined in the relational database that contains the OLAP Metadata Catalog you are using.
- Hyperion Essbase users. These users can access the Hyperion Essbase database that you create from a metaoutline.

## Managing Source Database Users and Hyperion Integration Server Users

Source database users are defined in the relational database management system (RDBMS) that manages the source database. Hyperion Integration Server users are defined in the relational database that contains an OLAP Metadata Catalog. Source database users can access the tables and views in the relational source database. Hyperion Integration Server users can access the OLAP models or metaoutlines that you create using Hyperion Integration Server Desktop.

Use the tools provided with each relational database to manage each set of users. Consult the relational database documentation if you are not sure how to:

- Create new users
- View a list of available users
- Change the permissions for users
- Delete current users
- Disconnect users

## Working with Locks

The two methods for opening an OLAP model or metaoutline in Hyperion Integration Server Desktop are: standard access mode (the default mode) and exclusive access mode. The locks that are established by these different modes are specific to Hyperion Integration Server and are completely separate from the locking performed by the RDBMS.

### Using Standard Access Mode

When you open an OLAP model in standard access mode, Hyperion Integration Server gives you a read lock on that OLAP model. When you open a metaoutline in standard access mode, Hyperion Integration Server gives you a read lock on that metaoutline and a read lock on the OLAP model on which the metaoutline is based. Multiple users can have read locks on the same OLAP model or metaoutline at the same time.

When you save an OLAP model or metaoutline in standard access mode, Hyperion Integration Server upgrades the read lock to a write lock for the duration of the save. After Hyperion Integration Server saves the changes to the OLAP model or

metaoutline, the lock reverts back to a read lock. However, if other users have the OLAP model or metaoutline open, your changes are not updated for the other users until they reopen the document. In addition, if other users have the OLAP model or metaoutline open at the same time as you do, they can edit and save it, thereby overwriting your changes. Using exclusive access mode prevents users from overwriting your changes. For more information, see “Using Exclusive Access Mode” on page 2-3.

If you have opened and edited an OLAP model or metaoutline in standard access mode, and are concerned that other users may overwrite your changes, take one of the following steps:

- Save the OLAP model or metaoutline using a different name. For more information, see the *Hyperion Integration Server Desktop OLAP Model User's Guide* and the *Hyperion Integration Server Desktop OLAP Metaoutline User's Guide*.
- If you have not yet started editing the document or have entered only a few changes, close the OLAP model or metaoutline, then reopen it using exclusive access mode and reapply the changes.
- Contact the users with read locks and ask them to close the OLAP model or metaoutline. To view a list of users with read locks, see “Viewing Hyperion Integration Server Users with Locks” on page 2-4.

## Using Exclusive Access Mode

Opening an OLAP model or metaoutline in exclusive access mode eliminates the risk of other users overwriting your changes. When you open an OLAP model in exclusive access mode, Hyperion Integration Server gives you a write lock on that OLAP model that remains in effect until you close the model. When you open a metaoutline in exclusive access mode, Hyperion Integration Server gives you a write lock on that metaoutline and a read lock on the OLAP model on which the metaoutline is based that remains in effect until you close the metaoutline. While you have an OLAP model or metaoutline open in exclusive access mode, other users can open and view the documents, but they cannot save them.

**Tip:** If you plan only to view an OLAP model or metaoutline, use standard access mode. If you plan to edit an OLAP model or metaoutline, use exclusive access mode.

## Correcting Problems with Locks

Due to the complex nature of Hyperion Integration Server and the other software components with which it interacts, you may experience problems that result in locks not being released from OLAP models or metaoutlines. Unreleased locks can result in an inability to save, even if no other users are on the system. Unreleased locks can also prevent you from opening an OLAP model or metaoutline.

If you suspect that unreleased locks remain from previous sessions, delete the locks by selecting Servers > OLAP Metadata Catalog > Delete Locks. Deleting locks from the menu removes only your locks; it does not delete locks held by other users.

If you suspect that unreleased locks remain from other user sessions, check to see which users have locks. For more information, see “Viewing Hyperion Integration Server Users with Locks” on page 2-4. If you are convinced that some or all of the locks are from terminated user sessions, delete them. For more information, see “Deleting Locks for Hyperion Integration Server Users” on page 2-6.

## Viewing Hyperion Integration Server Users with Locks

The CB\_CONCURRENCY table in OLAP Metadata Catalog contains information about the users who access OLAP models and metaoutlines. This table contains the following columns:

- CB\_USER\_NAME: the name of the user accessing the OLAP model or metaoutline; for example, sa
- CB\_USER\_SESSION\_ID: a system-generated reference number that uniquely identifies an editing session
- CB\_OBJECT\_ID: an OLAP model or metaoutline number
- CB\_OBJECT\_TYPE: a type reference that indicates whether the user is accessing an OLAP model or a metaoutline
  - The number 1 represents an OLAP model.
  - The number 2 represents a metaoutline.

- **CB\_OBJECT\_LOCK**: a lock reference number that indicates whether the user has a read or write lock
    - The number 1 represents a read lock.
    - The number 2 represents a write lock.
  - **CB\_LOCK\_TIMESTAMP**: the date and time that the user acquired the lock
- To determine which users are accessing a specific OLAP model or metaoutline:

1. Enter the following **SELECT** statement in the OLAP Metadata Catalog database, using the tools for the relational database you are using:

```
SELECT CB_USER_NAME, CB_OBJECT_ID, CB_OBJECT_TYPE,
       CB_OBJECT_LOCK, CB_LOCK_TIMESTAMP
FROM CB_CONCURRENCY
```

2. View the results.

In the following example, the sa user is the only user currently accessing an OLAP model or metaoutline. The sa user has two read locks on one OLAP model and one read lock each on two different metaoutlines.

CB_USER_NAME	CB_OBJECT_ID	CB_OBJECT_TYPE	CB_OBJECT_LOCK	CB_LOCK_TIMESTAMP
sa	889844639	1	1	Apr 9 2000 4:43PM
sa	889845263	2	1	Apr 9 2000 4:43PM
sa	889844639	1	1	Apr 9 2000 5:20PM
sa	892167813	2	1	Apr 9 2000 5:20PM

(4 row(s) affected)

You can determine the following information from the sample **CB\_CONCURRENCY** table shown in the preceding list:

- The first row of the results tells you that the sa user (**CB\_USER\_NAME = sa**) has a read lock (**CB\_OBJECT\_LOCK = 1**) on an OLAP model (**CB\_OBJECT\_TYPE = 1**) with an ID of 889844639.
- The second row of the results tells you that the sa user (**CB\_USER\_NAME = sa**) has a read lock (**CB\_OBJECT\_LOCK = 1**) on a metaoutline (**CB\_OBJECT\_TYPE = 2**) with an ID of 889845263.

- The third row of the results tells you that the sa user (CB\_USER\_NAME = sa) has a read lock (CB\_OBJECT\_LOCK = 1) on an OLAP model (CB\_OBJECT\_TYPE = 1) with an ID of 889844639.
- The fourth row of the results tells you that the sa user (CB\_USER\_NAME = sa) has a read lock (CB\_OBJECT\_LOCK = 1) on a metaoutline (CB\_OBJECT\_TYPE = 2) with an ID of 892167813.

When you open a metaoutline, you receive a read lock on the metaoutline and on the OLAP model on which it is based; therefore, you can assume that the sa user is working on two different metaoutlines based on the same OLAP model.

## Deleting Locks for Hyperion Integration Server Users

If you are certain that the other users who have read or write locks on an OLAP model or a metaoutline that you want to save do not need their locks, delete their locks from the CB\_CONCURRENCY table.

---

**CAUTION:** Make sure the users do not need their locks before you delete the locks.

---

➤ To delete read and write locks on OLAP models or metaoutlines:

1. Determine which users have locks.  
See “Viewing Hyperion Integration Server Users with Locks” on page 2-4.
2. Delete the rows containing the unwanted locks.

For example, to delete all locks held by the sa user, issue the following DELETE statement in the OLAP Metadata Catalog database, using the tools for the relational database.

```
DELETE FROM CB_CONCURRENCY
        WHERE CB_USER_NAME = 'sa'
```



## Working with Permissions

When you save an OLAP model or metaoutline for the first time, you determine what read or write permissions other users have. Hyperion Integration Server supports the following kinds of permissions:

- Allow read/write access for other users. This setting permits all other users to read and write to the OLAP model or metaoutline. This setting is the default.
- Allow read access for other users. This setting permits all other users to read but not write to the OLAP model or metaoutline; that is, other users cannot save changes to the OLAP model or metaoutline.
- Disallow all access for other users. This setting denies all other users read or write permission to the OLAP model or metaoutline. You are the only user who can read or write to it.

To change the permissions of an OLAP model or metaoutline, take one of the following actions:

- Change the OLAP model properties in Hyperion Integration Server Desktop. For more information, see the *Hyperion Integration Server Desktop OLAP Model User's Guide*.
- Save the metaoutline with a different name by using File > Save As. For more information, see the *Hyperion Integration Server Desktop OLAP Metaoutline User's Guide*.
- To edit tables containing the permissions for the OLAP model or metaoutline, use the tools provided with the relational database that contains the OLAP Metadata Catalog. For more information on the tables to edit, see “Viewing Permissions for OLAP Models” on page 2-8 or “Viewing Permissions for Metaoutlines” on page 2-9.

## Viewing Permissions for OLAP Models

Information about the permissions that are set for OLAP models and metaoutlines is stored in the OLAP Metadata Catalog. View this information by selecting the appropriate columns from tables in the OLAP Metadata Catalog.

The OM\_INFO table in the OLAP Metadata Catalog contains information about OLAP models, including the following columns which are relevant to permissions:

- MODEL\_ID: a system-generated reference number.
- MODEL\_NAME: the name of the OLAP model; for example, TBC Model.
- MODEL\_DESCRIPTION: a description of the OLAP model. If you do not enter a description when you save the model, this column is blank.
- MODEL\_DATA\_SOURCE: the name of the Open Database Connectivity (ODBC) data source on which the OLAP model is based; for example, TBC.
- MODEL\_OWNER: the login name of the OLAP model owner; for example, sa. The login name is specified in the relational database that contains the OLAP Metadata Catalog.
- MODEL\_ACCESS\_CODE: a reference number that indicates what level of access users, other than the owner, have to the OLAP model.
  - The number 0 represents no permissions—other users can neither read nor write to the OLAP model.
  - The number 1 represents read access—other users can read the OLAP model but cannot write to it.
  - The number 2 represents read and write access—other users can both read and write to the OLAP model; this is the default.

➤ To view access permissions for all OLAP models in an OLAP Metadata Catalog:

1. Issue the following SELECT statement in the OLAP Metadata Catalog database, using the tools for the relational database.

```
SELECT MODEL_NAME,MODEL_OWNER,MODEL_ACCESS_CODE
      FROM OM_INFO
```

2. View the results.

In the following example, TBC Model gives read and write permissions to other users (MODEL\_ACCESS\_CODE = 2). TBC\_Mod\_Archive gives read permissions to other users (MODEL\_ACCESS\_CODE = 1). TBC\_Mod\_Mine gives neither read nor write permissions to other users (MODEL\_ACCESS\_CODE = 0).

MODEL_NAME	MODEL_OWNER	MODEL_ACCESS_CODE
-----	-----	-----
TBC Model	sa	2
TBC_Mod_Archive	sa	1
TBC_Mod_Mine	sa	0
(3 row(s) affected)		

## Viewing Permissions for Metaoutlines

The OLAP Metadata Catalog stores information about the permissions set for OLAP models and metaoutlines. View this information by selecting the appropriate columns from tables in the OLAP Metadata Catalog.

The MO\_INFO table in the OLAP Metadata Catalog contains information about metaoutlines, including the following columns which are relevant to permissions:

- MO\_ID: a system-generated reference number for the metaoutline.
- MODEL\_ID: a system-generated reference number for the OLAP model on which the metaoutline is based.
- MO\_NAME: the name of the metaoutline; for example, TBC Metaoutline.
- MO\_DESC: a description of the metaoutline. If you do not enter a description when you save the metaoutline, this column is blank.
- MO\_CHANGE\_DATE: the date on which changes were last made to the metaoutline.

- **MO\_OWNER**: the login name of the metaoutline owner; for example, sa. The login name is specified in the database that contains the associated OLAP Metadata Catalog.
  - **MO\_ACCESS\_CODE**: a reference number that indicates what level of access users, other than the owner, have to the metaoutline.
    - The number 0 represents no permissions—other users can neither read nor write to the metaoutline.
    - The number 1 represents read access—other users can read the metaoutline but cannot write to it.
    - The number 2 represents read and write access—other users can both read and write to the metaoutline; this setting is the default.
- To determine the access permissions for all metaoutlines in an OLAP Metadata Catalog:

1. Issue the following **SELECT** statement in the OLAP Metadata Catalog database, using the tools for the relational database.

```
SELECT MO_NAME,MO_OWNER,MO_ACCESS_CODE
      FROM MO_INFO
```

2. View the results.

In the following example, TBC Metaoutline gives read and write permissions to other users (**MO\_ACCESS\_CODE = 2**). TBC\_Archive gives read permissions to other users (**MO\_ACCESS\_CODE = 1**). TBC\_Mine gives neither read nor write permissions to other users (**MO\_ACCESS\_CODE = 0**).

```
MO_NAME           MO_OWNER      MO_ACCESS_CODE
-----
TBC Metaoutline   sa            2
TBC_Archive       sa            1
TBC_Mine          sa            0
(3 row(s) affected)
```

# Troubleshooting ODBC and Connections

Hyperion Integration Server requires several layers of software components to connect to relational databases and load data into Hyperion Essbase databases. Each of the components must be configured properly to run and communicate with each other. Consequently, diagnosing and correcting connection problems in the system can be challenging.

This chapter assists you in isolating and correcting connection problems that can occur during the operation of Hyperion Integration Server. The first topic of this chapter lists common causes for connection problems. The subsequent topics outline a strategy for isolating and correcting connection problems not addressed by the common problems list.

This chapter assumes that you know how to perform basic database administration tasks, such as using a database client utility program to connect to a database server, navigating directories using a command prompt, and editing configuration files.

This chapter contains the following topics:

- “Checking Common Connection Problems” on page 3-2
- “About ODBC and Connection Problems” on page 3-4
- “Isolating Connection Problems” on page 3-6
- “Correcting Connection Problems” on page 3-19
- “Using ODBC Tracing” on page 3-29

## Checking Common Connection Problems

If you have problems connecting to the OLAP Metadata Catalog or to the external data source with Hyperion Integration Server Desktop, review the following list of common problems:

- Are you using the correct user name and password?
  - Does the user name you used have the correct privileges to access both the OLAP Metadata Catalog and data source at the database level?
  - If you are trying to connect to the OLAP Metadata Catalog, did you use the same user name and password as the user who created the tables in the OLAP Metadata Catalog?

If you create an OLAP Metadata Catalog when logged in as one user name, you cannot access the tables in the OLAP Metadata Catalog using a different user name unless you create an alias for the user name (for Sybase and Microsoft SQL Server) or synonyms for the tables (for DB2 and Oracle). For more information, see the *Hyperion Integration Server Installation Guide*.

- Are all of the following required components up and running?
  - OLAP Integration Server
  - The relational database management system (RDBMS) listener for the OLAP Metadata Catalog and data source
  - The database servers that manage the OLAP Metadata Catalog and the data source databases
- Is the database client software installed and configured on the computer where OLAP Integration Server is installed?
  - Do the database client software utility programs, such as the command-line SQL utility, run? Can you connect to databases with them?
  - Does the user who starts OLAP Integration Server have the correct environment variables set and the necessary access privileges to run the database client software?

- Are the required environment variables, such as the path (and the library path on UNIX), for the database client software configured on the computer where OLAP Integration Server is installed?
- If necessary, is the `bin` directory for each database in the operating system path of the user who is running OLAP Integration Server?
- Are the OLAP Metadata Catalog and the data source configured as Open Database Connectivity (ODBC) data sources on the OLAP Integration Server computer? For information on configuring ODBC data sources, see the *Hyperion Integration Server Installation Guide*.
- Are you using the ODBC data source names for the OLAP Metadata Catalog and the data source databases as configured on the OLAP Integration Server computer? Do not assume that the RDBMS database name is the same as the ODBC data source name for that database.
- Are you experiencing time-out problems when connecting to the external data source?

Wait and retry the action when the RDBMS is less busy. To avoid the problem, increase the ODBC driver time-out limit using the ODBC Administrator on Windows systems. For more information, see the ODBC documentation.

- Did you create tables in the OLAP Metadata Catalog? For information on creating tables for the catalog, see the *Hyperion Integration Server Installation Guide*.
- Are you having problems related to ODBC while you are creating a Hyperion Essbase outline? If so, turn on tracing, perform the action again, and analyze the results in the tracing log file. For more information, see “Using ODBC Tracing” on page 3-29.

If you experience problems connecting to the RDBMS, view the log for the data source for information about why the connection failed. For more information, see the documentation for the RDBMS you are using.

If none of the above steps help, review the list of database-specific problems in the following topic.

## Database-Specific Problems

If you have problems connecting to an OLAP Metadata Catalog or to the external data source with Hyperion Integration Server Desktop, review the following list of common problems for specific RDBMSs:

- **DB2:** You may be required to bind the database client software utilities to a DB2 server that is managing the databases you want. For more information, see the DB2 installation documentation.
- **Oracle:** In configuring Oracle products to work with ODBC on UNIX systems, you must configure the database names in a `tnsnames.ora` file on the computer that runs OLAP Integration Server. For more information, see the Oracle installation documentation.
- **SQL Server:** If you try to access an SQL Server database with the Microsoft native ODBC driver when you do not have access permission, SQL Server connects you to the default database and does not notify you. For more information, see the SQL Server documentation.
- **Sybase:** To use Hyperion Integration Server with Sybase, you must have execute permission for `sp-fkeys` in `Sybsystemprocs`. For more information, see the Sybase documentation.

If none of the previous suggestions help, proceed to the following topic for an overview of connection problems, then see “Isolating Connection Problems” on page 3-6.

## About ODBC and Connection Problems

There are three layers of software components that Hyperion Integration Server Desktop must pass through to contact an RDBMS: OLAP Integration Server, ODBC, and the database client software. Failure within or between any of these components can cause a lack of communication between the desktop and the RDBMS.

Diagnosing and correcting connection problems with Hyperion Integration Server can prove difficult, because different connection problems often have similar symptoms. In most cases, the errors received in Hyperion Integration Server Desktop are not sufficient to diagnose and resolve the problem, and you must go to the server system to get more information and find a resolution.



There are three main categories of problems that break the lines of communication between Hyperion Integration Server Desktop and the RDBMS:

- **Software component problems:**
  - The components of Hyperion Integration Server or the RDBMS are not installed or are installed on the wrong computer.
  - The components do not run because they are not set up properly.
  - The components stopped running or were never started.
  - The components are not compatible with the operating system.
  - The versions of the different components are not compatible with each other.
- **Configuration and communication problems:**
  - The software components are not properly configured to communicate with each other.
  - User names, passwords, and permissions are configured or used inconsistently across the components and computers.
  - The communication interfaces of the software components are incompatible with each other.
  - Changes to components, databases, users, or permissions have put the software components out of sync with each other.
- **Network and security problems:**
  - A physical network path does not exist between the computers that must communicate with each other.
  - One or both computers attempting to communicate do not have the TCP/IP network protocol installed or configured.
  - The computer attempting to contact another computer does not have access to addressing information, such as a domain name server (DNS).
  - Security systems prevent all communication or certain types of communication between the computers that must talk with each other.

## Isolating Connection Problems

If the list of problems provided in “Checking Common Connection Problems” on page 3-2 and your own knowledge fail to resolve the connection problem, the recommended strategy for diagnosing the problems is to test the components and connections starting at the RDBMS and backtrack through the connections to Hyperion Integration Server Desktop.

The client software must pass through three layers of components to connect to the RDBMS containing the OLAP Metadata Catalog and the data source, as illustrated in Figure 3-1.

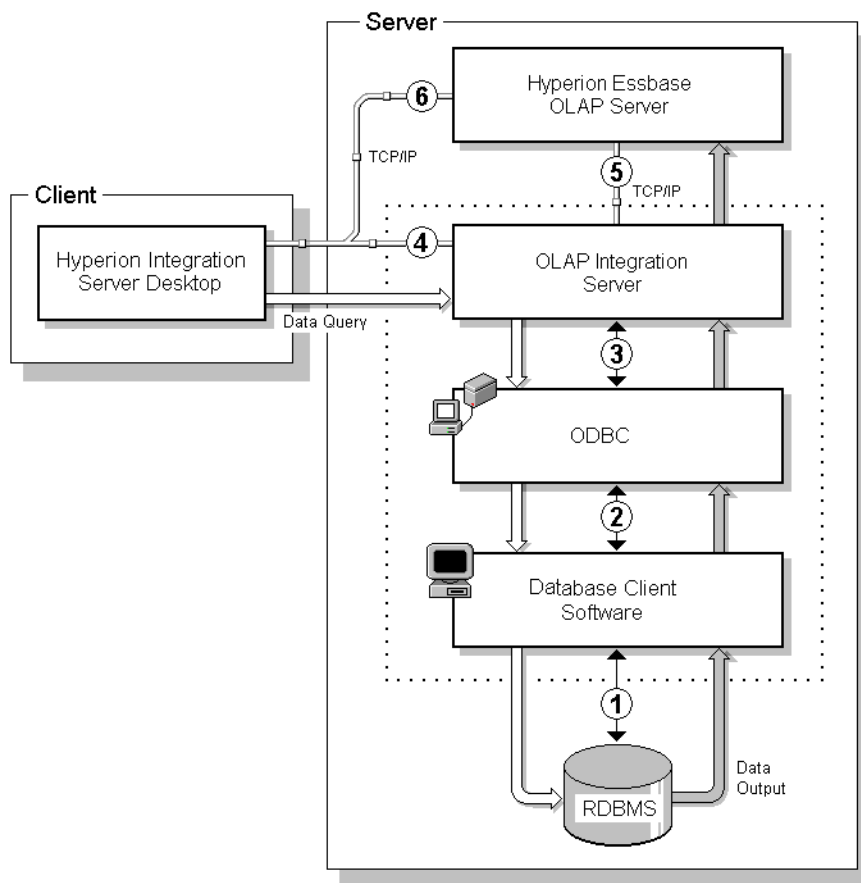


Figure 3-1: Hyperion Integration Server Components and Connections

The numbers in Figure 3-1 identify the general diagnostic steps you should take to isolate connection problems. Follow these steps as indicated, starting with the connection between the database client software and the RDBMS (1) and working backwards through the system to isolate connection problems. After you isolate a problem, refer to the appropriate components topic in “Correcting Connection Problems” on page 3-19.

- To isolate connection problems, follow these steps:
1. Attempt to connect to the RDBMS databases using a database client utility program. For more information, see “Testing the Database Client Connection to the RDBMS” on page 3-8.
  2. Attempt to connect to the RDBMS databases using ODBC. For more information, see “Testing the ODBC Connection to the RDBMS” on page 3-9.
  3. Attempt to connect to the RDBMS databases using OLAP Integration Server. For more information, see “Testing the OLAP Integration Server Connection to the RDBMS” on page 3-13.
  4. Attempt to connect to the RDBMS databases using Hyperion Integration Server Desktop. For more information, see “Testing the Hyperion Integration Server Desktop Connection to the RDBMS” on page 3-16.
  5. Attempt to connect to Hyperion Essbase OLAP Server using OLAP Integration Server. For more information, see “Testing the OLAP Integration Server Connection to Hyperion Essbase Server” on page 3-17.
  6. Attempt to connect to Hyperion Essbase OLAP Server using Hyperion Integration Server Desktop. For more information, see “Testing the OLAP Integration Server Connection to Hyperion Essbase Server” on page 3-17.

## Testing the Database Client Connection to the RDBMS

Attempting to connect the database client software to the RDBMS you are using is the first step toward isolating connection problems in Hyperion Integration Server. Once you have verified that these components are communicating properly, you have a good base from which to test the remainder of the connection chain.

The most likely cause of a connection failure at this point is that the database client software environment variables are not included in the login script for the user who runs the OLAP Integration Server program.

► To test the database client connection to the RDBMS:

1. Log on to the computer running OLAP Integration Server as the user who starts the OLAP Integration Server program (typically, hyperion).

**Note:** Logging on as a different user, such as an administrative user, may fail to reveal problems in the configuration.

2. Start a database client utility program with which you can use SQL statements to connect to and query databases, such as a command-line SQL utility.

If the database client utility does not start, check to make sure the client software is installed and the required environment variables are set. For more information, see “Correcting Database Client Problems” on page 3-23.

3. Connect to the OLAP Metadata Catalog database in the RDBMS using a valid database user account.

If the connection fails, try to connect as a user who you know has access permission, such as an administrative user. If the administrative connection succeeds, check the other user accounts and permissions in the RDBMS for the OLAP Metadata Catalog database, carefully check user accounts with connection problems. For more information see, “Correcting RDBMS Problems” on page 3-22.

4. Execute an SQL select statement against a table in the OLAP Metadata Catalog database; for example, if you are connected to the sample OLAP Metadata Catalog, type:

```
SELECT * FROM TBC.OV_INFO
```

If the select statement fails, check the permissions for the user name you are using to connect to the RDBMS. For more information, see “Correcting RDBMS Problems” on page 3-22. Also, check that the version of the database client software you are using is compatible with the version of the RDBMS. For more information, see “Correcting Database Client Problems” on page 3-23.

5. After you have successfully completed the preceding steps, try connecting to the OLAP Metadata Catalog from Hyperion Integration Server Desktop.

For more information, see “Testing the Hyperion Integration Server Desktop Connection to the RDBMS” on page 3-16. If the connection fails, proceed to “Testing the ODBC Connection to the RDBMS” on page 3-9.

If you still cannot complete a connection and select statement with the user who runs OLAP Integration Server, contact technical support for the RDBMS.

6. Repeat steps 3 through 5 for the data source database.

After you have successfully connected to an OLAP Metadata Catalog, you can rule out setup and environment problems on the OLAP Integration Server computer and concentrate on problems specific to the data source database, including required database server names, database names, user names, passwords, and access permissions.

## Testing the ODBC Connection to the RDBMS

After you have established that the database client software and RDBMS are communicating properly, the next step in isolating connection problems is to test the ODBC connection to the RDBMS databases.

On UNIX systems, the most likely causes for problems in the ODBC component are that the environment variables for ODBC have not been set up or that the `odbc.ini` file has not been configured properly.

On Windows NT and Windows 2000, use ODBC Administrator to test connections to the RDBMS databases. On UNIX systems, there are no standard tools for testing ODBC connections; you must manually inspect the ODBC configuration files or use third-party or RDBMS-provided utilities such as `ivtest` and `ODBCDemo`.

ODBC tracing can also be used to track down connection problems. For more information, see “Using ODBC Tracing” on page 3-29.

## Testing ODBC on Windows Systems

- To test ODBC connections to the RDBMS databases:
1. On the Windows desktop, select Start > Settings > Control Panel to open the **Control Panel** window.
  2. In the **Control Panel** window, perform one of the following steps:
    - On Windows NT, double-click the **ODBC** icon.
    - On Windows 2000, double-click the **Administrative Tools** icon, and then double-click the **Data Sources (ODBC)** icon.
  3. In the **ODBC Data Source Administrator** dialog box, click the **System DSN** tab.
  4. In **System Data Sources** list, select the name of the OLAP Metadata Catalog or data source database, and click **Configure**.

A data source configuration dialog box is displayed. Depending on the RDBMS and the driver you are using, you may be asked to log on to the database immediately, or you may be asked to review all the settings before testing the connection. In either case, after attempting to log on to the database, observe the resulting message boxes to determine if you connected to the RDBMS successfully.

5. If you cannot connect to the database, check the server name, database name, user name, and password information for accuracy, and make sure that you are using the correct ODBC driver for the RDBMS.

For more information, see “Correcting ODBC Problems” on page 3-24.

6. After you have successfully completed preceding steps, try connecting to the RDBMS from Hyperion Integration Server Desktop.

For more information, see “Testing the Hyperion Integration Server Desktop Connection to the RDBMS” on page 3-16.

If the connection from Hyperion Integration Server Desktop fails, proceed to “Testing the OLAP Integration Server Connection to the RDBMS” on page 3-13.

## Testing ODBC on UNIX Systems

On UNIX systems, you must manually inspect the configuration files for ODBC or use an RDBMS utility to test ODBC. These configuration files include the login scripts which set the environment variables for ODBC and the `odbc.ini` file. For more information about ODBC utilities on UNIX systems, see the documentation for the RDBMS or the ODBC driver.

► To inspect the login script files:

1. Log on to the computer that runs OLAP Integration Server as the user who starts the OLAP Integration Server software.
2. In the current home directory, find the main login script file (typically, `.profile`) and open it in a text editor.

**Note:** The primary login script file may be named differently, depending on the UNIX operating system and the system administrator.

3. Check the main login script file for the inclusion of the Hyperion Integration Server script (`is.sh` or `is.csh`).

If one of these scripts is included in the main login script, make sure that the inclusion of the script file name follows the syntax for executing a script file within another script, and that the script file is specified with a complete directory path. For more information, see “Correcting ODBC Problems” on page 3-24.

**Note:** If you make a change to the login scripts, log out and then log back on to reset the environment variables.

4. After completing the preceding steps, test the connection by following the steps listed in “Testing the Hyperion Integration Server Desktop Connection to the RDBMS” on page 3-16.

If you cannot make a connection, proceed to “Testing the OLAP Integration Server Connection to the RDBMS” on page 3-13.

► To inspect the `odbc.ini` file:

1. Log on to the computer that runs OLAP Integration Server as the user who starts the OLAP Integration Server software.
2. To determine the location of the `odbc.ini` file, type:

```
echo $ODBCINI
```

If this command does not display a file name and directory location, then you have not included the Hyperion Integration Server script in the login script for the user. For more information, see “Correcting OLAP Integration Server Problems” on page 3-26.

3. Move to the directory specified by `$ODBCINI` and open the `odbc.ini` file with a text editor.
4. Check that the name of the data sources you are using with Hyperion Integration Server are listed in the ODBC Data Sources section; for example:

```
[ODBC Data Sources]
TBC_MD=Hyperion Integration Server sample catalog
TBC=Hyperion Integration Server sample database
```

5. For each data source, check that there is a section starting with the name listed in the ODBC Data Sources section, enclosed in brackets; for example:

```
[TBC_MD]
Driver=/home/hyperion/is/odbc/lib/ARinf913.sl
Description=Informix9 ODBC Driver
Database=tbl_md
HostName=informixhost
```



6. Within the section for each data source, verify that an ODBC driver file is specified. Make sure that the driver file exists by exiting the text editor and attempting to get a directory listing for that file; for example:

```
ls /home/hyperion/is/odbc/lib/ARinf913.sl
```

If the file is not listed, check the actual name and location of the driver, then make the appropriate changes to the `odbc.ini` file.

**Tip:** Copy the directory and file name for the driver from the `odbc.ini` file and paste it into an `ls` command.

7. Within the section for each data source, verify that the database name, computer name, and other required information is specified.

For more information, see “Correcting ODBC Problems” on page 3-24.

## Testing the OLAP Integration Server Connection to the RDBMS

After verifying the connections between the ODBC, the database client, and the RDBMS, the next step in isolating a connection problem is to connect to the RDBMS databases from OLAP Integration Server. Test this connection by running OLAP Command Interface on the same computer that runs OLAP Integration Server. For more information on the use and syntax of OLAP Command Interface commands, see Chapter 5, “Using OLAP Command Interface.”

**Note:** The following procedure uses the sample OLAP Metadata Catalog and sample database. For your tests, substitute the OLAP Metadata Catalog and data source information you are using.

This test uses the `loadmember` command to test connections. When the `loadmember` starts a load, it attempts to make connections in the following order:

1. Data source, using ODBC
2. OLAP Metadata Catalog, using ODBC
3. Hyperion Essbase server, using TCP/IP

In this test, you set up these connections one at a time and execute a `loadmember` command each time. By examining the errors each time, you can determine which connections are successful.

► To test the OLAP Integration Server connection to the RDBMS:

1. Verify that OLAP Integration Server is running.

If the server software is not running, start the server. If the server will not start, check that the Hyperion Integration Server environment variables are set. For more information, see “Correcting OLAP Integration Server Problems” on page 3-26.

2. On the same computer that is running OLAP Integration Server, start OLAP Command Interface at a command prompt by typing:

```
olapicmd
```

If the OLAP Command Interface does not start, make sure that the software is installed and that the Hyperion Integration Server environment variables are set. For more information, see “Correcting OLAP Integration Server Problems” on page 3-26.

3. At the OLAP Command Interface command prompt, use the login command to connect to the OLAP Integration Server; for example, type:

```
login cypress
```

4. Check the release of the Hyperion Integration Server by typing:

```
version
```

Make sure that the version of the product you are using is compatible with the ODBC drivers and the version of Hyperion Essbase you are using. For information on component compatibility, see the *Hyperion Integration Server Installation Guide*.

5. Set the data source to the sample data source by typing:

```
setsource "DSN=TBC;UID=TBC;PWD=password"
```

The DSN parameter requires the ODBC data source name, which may be different from the database name in the RDBMS.

6. Test the connection to the data source database. Attempt to perform a member load by typing:

```
loadmember "OTL=TBC Metaoutline;APP=OLAP_TBC;DBN=Basic;"
```

7. Check the status of the preceding command by typing:

```
status
```

During a member load, OLAP Command Interface connects to the data source first, then to the OLAP Metadata Catalog. If the connection to the data source is successful, the message “IS Error: Unable to login to Catalog” is displayed. If the connection to the data source fails, the message “IS Error: Unable to login to Datasource” is displayed.

If the connection to the data source failed, verify the ODBC data source name, user name, and password. If the connection continues to fail, see “Correcting OLAP Integration Server Problems” on page 3-26 and “Correcting ODBC Problems” on page 3-24. Repeat steps 4 to 6 of this procedure to retest the connection. When you successfully connect to the data source, continue to the next step.

8. Set the OLAP Metadata Catalog to the sample OLAP Metadata Catalog by typing:

```
setcatalog "DSN=TBC_MD;UID=TBC;PWD=password"
```

The DSN parameter requires the ODBC data source name, which may be different from the OLAP Metadata Catalog database name in the RDBMS.

9. Test the connection to the OLAP Metadata Catalog database. Attempt to perform a member load by typing:

```
loadmember "OTL=TBC Metaoutline;APP=OLAP_TBC;DBN=Basic;"
```

10. Check the status of the preceding command by typing:

```
status
```

During a member load, OLAP Command Interface connects to the OLAP Metadata Catalog and then to the Hyperion Essbase server. If the connection to the OLAP Metadata Catalog is successful, the message “IS Error: Unable to login to Essbase Server” is displayed. If the connection to the OLAP Metadata Catalog fails, the message “IS Error: Unable to login to Catalog” is displayed.

If the connection to the OLAP Metadata Catalog failed, verify the ODBC data source name, user name, and password. If the connection continues to fail, see “Correcting OLAP Integration Server Problems” on page 3-26 and “Correcting ODBC Problems” on page 3-24. Repeat steps 7 to 9 of this procedure to retest the connection. When you successfully connect to the OLAP Metadata Catalog, continue to the next step.

11. Test the connection from Hyperion Integration Server Desktop to the RDBMS by proceeding to “Testing the Hyperion Integration Server Desktop Connection to the RDBMS” on page 3-16.

## Testing the Hyperion Integration Server Desktop Connection to the RDBMS

After you have corrected problems with the components that enable Hyperion Integration Server Desktop to connect to the RDBMS, attempt a connection from the desktop to an OLAP Metadata Catalog and data source database in the RDBMS to prove the corrections are successful. To isolate possible computer-to-computer connection problems, run Hyperion Integration Server Desktop on a different computer than the one running OLAP Integration Server.

- To test the Hyperion Integration Server Desktop Connection to the RDBMS:

1. Verify that OLAP Integration Server is running.

If the server software is not running, start the server. If the server will not start, check that the Hyperion Integration Server environment variables are set. For more information, see “Correcting OLAP Integration Server Problems” on page 3-26.

2. On a computer other than the one running OLAP Integration Server, start Hyperion Integration Server Desktop.
3. Connect to an OLAP Integration Server and an OLAP Metadata Catalog; for example, cypress and TBC\_MD.

If the connection fails, verify that you have specified the correct ODBC data source name for the OLAP Metadata Catalog and the correct OLAP Integration Server computer name. Also verify that you specified the correct user name and password for the OLAP Metadata Catalog database on the RDBMS. For more information, see “Correcting Hyperion Integration Server Desktop Problems” on page 3-28.

4. After connecting to an OLAP Metadata Catalog, open an OLAP model and connect to the data source for the OLAP model.

If the connection fails, verify that you have specified the correct ODBC data source name for the data source and the correct OLAP Integration Server computer name. Also verify that you specified the correct user name and

password for the data source database on the RDBMS. For more information, see “Correcting Hyperion Integration Server Desktop Problems” on page 3-28.

## Testing the OLAP Integration Server Connection to Hyperion Essbase Server

3

When isolating connection problems between OLAP Integration Server and Hyperion Essbase OLAP Server, use OLAP Command Interface to establish a connection to a data source and an OLAP Metadata Catalog, and then attempt to load members into a Hyperion Essbase database.

► To test the OLAP Integration Server connection to a Hyperion Essbase server:

1. Verify that OLAP Integration Server is running.

If the server software is not running, start the server. If the server will not start, check that the Hyperion Integration Server environment variables are set. For more information, see “Correcting OLAP Integration Server Problems” on page 3-26.

2. Verify that the Hyperion Essbase server is running.
3. At a command prompt, start OLAP Command Interface by typing:

```
olapicmd
```

If the OLAP Command Interface does not start, make sure that the software is installed and that the Hyperion Integration Server environment variables are set. For more information, see “Correcting OLAP Integration Server Problems” on page 3-26.

4. At the OLAP Command Interface command prompt, use the login command to connect to the OLAP Integration Server; for example, type:

```
login cypress
```

5. Set the data source to the sample data source by typing:

```
setsource "DSN=TBC;UID=TBC;PWD=password"
```

The DSN parameter requires the ODBC data source name, which may be different from the database name in the RDBMS.

6. Set the OLAP Metadata Catalog to the sample OLAP Metadata Catalog by typing:

```
setcatalog "DSN=TBC_MD;UID=TBC;PWD=password"
```

The DSN parameter requires the ODBC data source name, which may be different from the OLAP Metadata Catalog database name in the RDBMS.

7. Set the Hyperion Essbase server with which you want to connect by typing:

```
settarget "DSN=sequoia;UID=TBC;PWD=password"
```

8. Test the connection to the Hyperion Essbase server by attempting to perform a member load by typing:

```
loadmember "OTL=TBC Metaoutline;APP=OLAP_TBC;DBN=Basic;"
```

9. Check the status of the preceding command by typing:

```
status
```

If the connection failed, the message “IS Error: Unable to login to Essbase Server” is displayed. Make sure that the Hyperion Essbase server is running. Verify the name of the metaoutline in Hyperion Integration Server. Also verify the name of the test application and database in Hyperion Essbase. Repeat steps 7 to 8 of this procedure to retest the connection.

After you can connect successfully to the Hyperion Essbase server, proceed to “Testing the Hyperion Integration Server Desktop Connection to Hyperion Essbase Server” on page 3-18.

## Testing the Hyperion Integration Server Desktop Connection to Hyperion Essbase Server

When isolating the connection problems between Hyperion Integration Server Desktop and Hyperion Essbase OLAP Server, connect to an OLAP Metadata Catalog and a data source, and then attempt to load members into a Hyperion Essbase database.

**Note:** The following procedure uses the sample application, including the OLAP Metadata Catalog, sample database, OLAP model, and metaoutline. For your tests, substitute the application and databases you are using.

- To test the Hyperion Integration Server Desktop connection to a Hyperion Essbase server:
  1. Verify that OLAP Integration Server is running.
  2. Verify that the Hyperion Essbase server is running.
  3. Start Hyperion Integration Server Desktop.
  4. From Hyperion Integration Server Desktop, connect to an OLAP Integration Server and an OLAP Metadata Catalog; for example, cypress and TBC\_MD.
  5. After connecting to an OLAP Metadata Catalog, open a metaoutline and connect to the data source for the metaoutline; for example, TBC Metaoutline and TBC.
  6. Start a member load by selecting Outline > Member Load.
  7. If prompted, provide the name of the Hyperion Essbase server, user name, and password.

If the **Essbase Application and Database** dialog box is displayed, the connection is successful. If the connection failed, verify that you have entered the correct computer name for the Hyperion Essbase server, user name, and password. For more information, see the Hyperion Essbase documentation.

If the Hyperion Essbase server is located on a large network, you may need to provide a more specific server name addressing, such as “cypress.hyperion.com” rather than simply “cypress.”

## Correcting Connection Problems

In correcting connection problems with Hyperion Integration Server, consider both component-level and system-level problems. The following topics list possible problems and areas for investigation within the software components that comprise a Hyperion Integration Server system.

- To correct system-level problems which can occur across software components, review the following issues:
  - Are all user names and passwords being used consistently across all the components and computer user accounts? For more information, see “User Name and Password Problems” on page 3-21.

- Do all of the user accounts used in the system have the appropriate permissions and privileges?

System administrators typically use highly privileged administrative accounts when setting up and testing a system. After the system is set up, users with fewer privileges may be unable to use the system successfully. Check permissions on the following components:

- User account on the client computer
- User account on the server computer
- OLAP Metadata Catalog database
- Data source database
- User account for the Hyperion Essbase server

- Are the software components using adequate addressing to identify the computers to which they are connecting?

Depending on the size and configuration of the computer network, it may be necessary to use a fully-qualified host address to connect to a particular computer. For example, instead of the host name “cypress,” the complete host name “cypress.mydivision.mycompany.com” may be required. Alternatively, you might need to use the IP address number for the server computer; for example, 127.0.0.1.

- Is the user who starts OLAP Integration Server (typically, hyperion) configured to run all the required software?

The user hyperion must have all required environment variables set and permissions to run all of the following software components:

- OLAP Integration Server
- ODBC software
- Database client software
- RDBMS server (this may not be required)



## User Name and Password Problems

Consistent use of user names and passwords is often a problem in installing, configuring, and using Hyperion Integration Server, because of the numerous software components and computers that make up the system.

**Tip:** During installation, configuration, and testing, keep a list of all the user names and passwords you use to create or modify the system, including the application with which they are associated and their purpose.

In a smaller, single-server implementation of Hyperion Integration Server, where OLAP Integration Server, Hyperion Essbase OLAP Server, and the RDBMS are all run on a single computer, you must manage five user name and password sets and use them consistently:

- User account on the Hyperion Integration Server client computer
- User account on the computer that runs all of the server software
- OLAP Metadata Catalog database in the RDBMS
- Data source database in the RDBMS
- Hyperion Essbase server software

In a fully distributed, three-server implementation, where OLAP Integration Server, Hyperion Essbase OLAP Server, and the RDBMS are all run on separate computers, you must manage seven user name and password sets and use them consistently:

- User account on the Hyperion Integration Server client computer
- User account on the computer that runs OLAP Integration Server
- User account on the computer that runs the RDBMS
- OLAP Metadata Catalog database in the RDBMS
- Data source database in the RDBMS
- User account on the computer that runs Hyperion Essbase OLAP Server
- Hyperion Essbase server software

Adding aliases or synonyms to the RDBMS databases adds to the number of user name and password sets you must manage. For more information about database user aliases and synonyms, see the *Hyperion Integration Server Installation Guide*.

**Tip:** During installation and connection testing, use a single set of user names and passwords to avoid confusion. Add user aliases or synonyms after the system is configured and running.

## Correcting RDBMS Problems

➤ To correct problems connecting to the RDBMS, investigate the following possible causes:

- Is the RDBMS server computer and software running? Has the server locked up, stopped, or crashed?
- Is the RDBMS software installed? Are all of the components required for ODBC connections installed?

Some RDBMSs may require additional software components beyond the basic server software to enable ODBC connections. The database client software is usually required on the computer that connects to the RDBMS server using ODBC and also may be required on RDBMS server computer.

- Do the OLAP Metadata Catalog and data source databases to which you are trying to connect exist? Have the tables for the OLAP Metadata Catalog been created?

You must manually create the OLAP Metadata Catalog tables using creation scripts provided with Hyperion Integration Server. For more information, see the *Hyperion Integration Server Installation Guide*.

- What are the exact names of the OLAP Metadata Catalog and data source databases? Are the names case-sensitive?
- Does the user name that you are using to connect to the RDBMS have adequate permissions to access the database? Does the user have read and write permissions?

For the OLAP Metadata Catalog database, users need full read and write permissions. For the data source database, users need read-only permissions.

**Sybase:** To use OLAP Integration Server on Sybase, you must have execute permission for `sp-fkeys` in `Sybsystemprocs`.

- If the RDBMS server is on a computer by itself, is there a corresponding user account on the computer for the user names you are using to connect to the databases?

To allow connections to the database server from other computers, you may need to set up user accounts on the RDBMS server computer, separate from the database users you create.

- Does the RDBMS require any addressing beyond the name of the database if you are using the database client software or ODBC to connect?

Some RDBMSs may have specific naming requirements for connecting to their databases, including different naming conventions for third-party applications (such as Hyperion Integration Server). For more information, see the documentation for the RDBMS.

## Correcting Database Client Problems

If you have problems connecting to the RDBMS from the database client software, investigate the following possible causes:

- Is the database client software installed? Are all database client components required for the ODBC connections installed?

To enable ODBC connections, some database client software may require additional software components beyond the basic server software. The database client software usually is required on the computer that uses ODBC to connect to the RDBMS server and may also be required on the RDBMS server computer.

- Is the database client software compatible with the RDBMS?

Newer or older versions of the database client software may not work with the RDBMS version you are running. For more information, see the RDBMS documentation.

- Do the database client software utilities, such as the command-line SQL interface, start? Do they start when you are logged on as the user who runs OLAP Integration Server?

When you run the database client software, the user account must have the appropriate file access permissions and must have set the path and other environment variables. Verify that the user who runs OLAP Integration Server (typically, hyperion) is configured to run the database client software.

On UNIX systems, a script file is usually provided by the RDBMS vendor to set the required environment variables and should be included in the main user login script. If you include one of these files in the main login script, make sure that you specify a complete directory path and that you follow the syntax for executing a script file within a script.

- Are the RDBMS server names, database names, user names, and passwords specified correctly?

Make sure you are using the correct names, including the exact spelling, uppercase or lowercase letters, and any required RDBMS-specific identification syntax. For more information about correcting user name and password problems, see “Correcting RDBMS Problems” on page 3-22.

- Is the database client software configured correctly?

File access permissions, path, and other environment variables must be set for the user who runs the database client software. Additional configuration steps also may be required for specific database clients.

For more information on configuring database client software, see the installation documentation for the database client software.

**DB2:** You may be required to bind the database client software utilities to the DB2 databases. For more information, see the DB2 installation documentation.

## Correcting ODBC Problems

- To correct problems connecting to the RDBMS using ODBC, investigate the following possible causes:
  - Is the ODBC software installed? Are all of the required ODBC components installed?

On Windows systems, make sure the ODBC core components and any required drivers are installed. On UNIX systems, the Hyperion Integration Server setup program installs the required ODBC core components if you choose to install the MERANT ODBC drivers.

- Is the ODBC driver compatible with the RDBMS? Is the driver compatible with the operating system?

Verify that the ODBC driver you are using is supported by Hyperion Integration Server by using the compatibility matrix provided in the *Hyperion Integration Server Installation Guide*.

- Are the RDBMS server names, database names, user names, and passwords specified correctly in the ODBC data source?

Make sure you are using the correct names, including the exact spelling, uppercase or lowercase letters, and any required RDBMS-specific identification syntax. On Windows systems, configure ODBC data sources by using the ODBC Administrator. On UNIX systems, configure ODBC data sources by editing the `odbc.ini` file.

**Oracle:** The database name for Oracle databases is specified in a `tnsnames.ora` file, which must be configured by the database administrator. For more information, see the Oracle installation documentation.

For more information about correcting user name and password problems, see “Correcting RDBMS Problems” on page 3-22.

- On UNIX systems, have you specified the full path and file name of the ODBC driver for the data source in the `odbc.ini` file? Does the ODBC driver actually exist in the specified directory?

Try copying the driver path and file name from the `odbc.ini` file and pasting it into an `ls` command. If the file is not listed when you execute the command, check the accuracy of the driver path and file name in the `odbc.ini` file.

- Are any parameters missing in the ODBC data source configuration?

On Windows systems, make sure you have filled in all required parameters for the data source in the ODBC Administrator. On UNIX systems, the Hyperion Integration Server installation provides a sample `odbc.ini` file, which may not include data source parameters required for the RDBMS that you are using. For more information on required RDBMS-specific ODBC driver parameters, see the ODBC documentation provided with Hyperion Integration Server in Adobe Portable Document Format (PDF). For examples of `odbc.ini` file configurations for the supported RDBMS platforms, see the *Hyperion Integration Server Installation Guide*.

- Can other applications connect to the RDBMS by using ODBC?

If you can identify another application that is successfully using ODBC to connect to databases on the RDBMS, analyze the configuration of the computer from which the connection is made and use it as a model for the computers you are trying to fix.

**Note:** Most RDBMS vendors provide utilities to test ODBC connections. For information, see the documentation for the RDBMS.

If the preceding checks do not enable you to correct the problems connecting from ODBC to the RDBMS, try using ODBC tracing to isolate the problem. For more information, see “Using ODBC Tracing” on page 3-29.

## Correcting OLAP Integration Server Problems

- To correct problems connecting to the RDBMS from OLAP Integration Server, investigate the following possible causes:
  - Is OLAP Integration Server installed? Are all the required OLAP Integration Server components installed?

The following components must be installed to have a functional OLAP Integration Server:

- OLAP Integration Server software
- Related base components (On UNIX, these components are included as part of the first item.)
- MERANT ODBC drivers (unless ODBC and drivers are already installed)

- Is OLAP Integration Server running? Is it configured properly?

Start OLAP Integration Server by opening a command prompt window and typing: `olapisvr`

If OLAP Integration Server does not start, review the following possible problems:

- Are the required environment variables set? Are they set for the correct user name?

On Windows systems, if you decide not to let the setup program automatically update the environment variables, you must update them manually.

On UNIX systems, a script file (`is.sh` or `is.csh`) that sets these variables must be included in the login script of the user who starts OLAP Integration Server. For more information, see the *Hyperion Integration Server Installation Guide*.

- What version of Hyperion Essbase is installed?

If an incompatible version of Hyperion Essbase is installed on the same computer as OLAP Integration Server and the `\essbase\bin` directory is in the current path, OLAP Integration Server does not start. For information on compatible versions of Hyperion Essbase, see the *Hyperion Integration Server Installation Guide*.

- Is port 3388 in use?

OLAP Integration Server uses port 3388 to communicate with the Hyperion Integration Server client software. If this port is being used by another program, the server software does not start.

Many of the problems related to OLAP Integration Server not working properly may be traced to manual configuration steps that you may have missed. For more information about manual configuration steps, see the *Hyperion Integration Server Installation Guide*.

## Correcting Hyperion Integration Server Desktop Problems

If you have problems connecting to the RDBMS from Hyperion Integration Server Desktop and have ruled out problems with the RDBMS, database client, ODBC, and OLAP Integration Server, the problem likely originates in the Hyperion Integration Server Desktop component.

► To correct problems connecting to the RDBMS from the desktop, investigate the following possible causes:

- Is Hyperion Integration Server Desktop installed? Are all of the required components installed?

The following components must be installed to have a functional Hyperion Integration Server Desktop client:

- Hyperion Integration Server Desktop software
- Related base components

- Is the Hyperion Integration Server Desktop configured properly?

Make sure the required environment variables are set. If you decide not to have the setup program update the environment variables, you must update them manually. For more information about manual configuration of variables, see the *Hyperion Integration Server Installation Guide*.

- Are the OLAP Integration Server computer name, ODBC data source names, user names, and passwords specified correctly?

For the OLAP Integration Server computer name, verify that you are using the correct spelling, uppercase and lowercase letters for the server name. For the OLAP Metadata Catalog and data source, make sure you are using an ODBC data source name, which may be different from the RDBMS database name.

**Note:** The user names and passwords for the OLAP Metadata Catalog may be different from the data source. Verify that you are using the correct login information for each database.

For more information about correcting user name and password problems, see “Correcting RDBMS Problems” on page 3-22.



- Does the user account with which you are running Hyperion Integration Server Desktop have permission to connect to the computer running OLAP Integration Server?

You must have a user account and appropriate access permissions on the server computer running OLAP Integration Server.

- If you have OLAP Integration Server installed on more than one computer, have you specified the correct server name?

A particular OLAP Integration Server may not be set up to access the same OLAP Metadata Catalogs and data sources used by other servers.

- Are you using adequate addressing to identify the OLAP Integration Server computer?

Depending on the size and configuration of the computer network, it may be necessary to use a fully-qualified host address to connect to a particular computer. For example, instead of the host name “cypress,” the complete host name “cypress.mydivision.mycompany.com” may be required. Alternatively, you might need to use the IP address number for the server computer; for example, 127.0.0.1.

## Using ODBC Tracing

If you do not have access to ODBC testing utilities or third-party applications that use ODBC, tracking down ODBC problems can be difficult. Using the tracing utility provided with ODBC can help identify and resolve connection problems.

## Using ODBC Tracing on Windows Systems

On Windows systems, if you cannot connect to the relational data source or OLAP Metadata Catalog, use the tracing utility in ODBC Administrator to learn which ODBC call is failing.

- ▶ To use the tracing utility in ODBC Administrator, take the following actions:
  1. Start ODBC Administrator on the computer running OLAP Integration Server.

2. Click the **Tracing** tab, specify a log file for the tracing utility, then click **Start Tracing Now**.

**Note:** Tracing quickly creates a large log file. Disable tracing when you are finished: On the **Tracing** tab, click **Stop Tracing Now**.

3. Start OLAP Integration Server and Hyperion Integration Server Desktop.
4. From Hyperion Integration Server Desktop, select Connections > OLAP Metadata Catalog > Connect, and try to connect to an OLAP Metadata Catalog.
5. If you can connect to an OLAP Metadata Catalog, open an OLAP model and try to connect to a relational data source.
6. If either connection fails, read the `sql.log` file in the root directory.

If necessary, share the information in this log file with Hyperion Technical Support to help solve the connectivity problem.

## Using ODBC Tracing on UNIX Systems

On UNIX systems, if you cannot connect to the relational data source or OLAP Metadata Catalog, use the tracing to learn which ODBC call is failing. On UNIX systems, you must edit the `odbc.ini` file to enable and disable ODBC tracing.

- To use ODBC tracing on UNIX systems, take the following actions:

1. On the computer running OLAP Integration Server, open the `odbc.ini` file by using a text editor such as `vi`.
2. Find the section starting with `[ODBC]`. See the following example:

```
[ODBC]
Trace=0
TraceFile=odbctrace.out
TraceDll=/export/home/users/hyperion/is/odbc/lib/odbctrac.so
InstallDir=/export/home/users/hyperion/is/odbc/lib
```

3. Set the Trace setting to 1 to enable ODBC tracing.

**Note:** Tracing quickly creates a large log file. Disable tracing when you are finished by setting the Trace parameter to 0.

4. Start Hyperion OLAP Integration Server and Hyperion Integration Server Desktop.
5. From Hyperion Integration Server Desktop, select Connections > OLAP Metadata Catalog > Connect, and try to connect to an OLAP Metadata Catalog.
6. If you can connect to an OLAP Metadata Catalog, open an OLAP model and try to connect to a relational data source.
7. If either connection fails, read the `odbctrace.out` file.

If necessary, share the information in this log file with Hyperion Technical Support to help solve the connectivity problem.



# Tables in the OLAP Metadata Catalog

The OLAP Metadata Catalog is a relational database that contains OLAP models, metaoutlines, and the information necessary to retrieve the required data from the relational data source. You can install the OLAP Metadata Catalog in any supported data source. See the *Hyperion Integration Server Installation Guide* for a complete list of supported data sources.

This chapter describes the tables in the OLAP Metadata Catalog. It contains the following topics:

- “About the OLAP Metadata Catalog” on page 4-2
- “Tables Relating to the OLAP Model” on page 4-3
- “Tables Relating to the Metaoutline” on page 4-5
- “Tables Relating to Drill-Through” on page 4-8
- “Miscellaneous Tables” on page 4-9

## About the OLAP Metadata Catalog

The OLAP Metadata Catalog contains a collection of related tables. The tables provide a place for you to store OLAP models and metaoutlines. When you load members or data into a Hyperion Essbase database, Hyperion Integration Server retrieves the information stored in the OLAP Metadata Catalog to determine:

- What data to retrieve from the relational data source
- What operations to perform on the data
- How to load the data into the Hyperion Essbase database

---

**CAUTION:** It is strongly recommended that you do not alter the table names or data in the OLAP Metadata Catalog with tools other than Hyperion Integration Server.

---

Regularly back up the database that contains the OLAP Metadata Catalog so that you can restore the OLAP Metadata Catalog from backups if it becomes corrupted.

To Restore...	Do...
The OLAP Metadata Catalog as you installed it, without any OLAP models or metaoutlines that you might have created	Run a script to create the database tables. See the <i>Hyperion Integration Server Installation Guide</i> .
The OLAP Metadata Catalog, including the OLAP models and metaoutlines that you have created	Restore the database that contains the OLAP Metadata Catalog from backups. See the documentation for the relational data source.

## Tables Relating to the OLAP Model

Table 4-1 describes each table in the OLAP Metadata Catalog that stores information about OLAP models. For information about the other tables in the OLAP Metadata Catalog, see:

- “Tables Relating to the Metaoutline” on page 4-5
- “Tables Relating to Drill-Through” on page 4-8
- “Miscellaneous Tables” on page 4-9

*Table 4-1: OLAP Model Tables*

<b>Table Name</b>	<b>Description</b>
MB_FILTER	Contains information about filters in the OLAP model. This information includes the hierarchy filter and system-generated ID numbers for parts of the OLAP model.
MB_TX_RULE	Contains information about hierarchies in the OLAP model. This information includes transformations to perform on the hierarchy and system-generated ID numbers for parts of the OLAP model.
OA_INFO	Contains information about columns in a dimension table or a fact table. This information includes the column name, the column data type, the OLAP model it belongs to, the dimension or fact table it belongs to, the source table and column on which it is based, whether it is hidden in Hyperion Integration Server Desktop, whether it is used for Drill-Through, and how to create it if it is a user-defined column.
OD_DETAILS	Contains information about dimensions in the OLAP model. This information includes system-generated ID numbers for parts of the OLAP model.

*Table 4-1: OLAP Model Tables (Continued)*

<b>Table Name</b>	<b>Description</b>
OD_INFO	Contains information about dimensions in the OLAP model. This information includes the dimension name, the OLAP model the dimension belongs to, and whether the dimension is a measures dimension.
OM_INFO	Contains high-level information about an OLAP model: the name of the OLAP model, the description, the name of the data source on which the OLAP model is based, the owner, and access privileges.
OMB_DETAILS	Contains information about hierarchies in the OLAP model. This information includes the position of each column in the hierarchy, the order in which to build the hierarchy, and system-generated ID numbers for parts of the OLAP model.
OMB_INFO	Contains information about hierarchies in the OLAP model. This information includes the hierarchy name, the OLAP model that it belongs to, and the dimension to which it belongs.
OV_INFO	Contains information about the dimension tables and the fact table in an OLAP model. This information includes the dimension or fact table name, the OLAP model it belongs to, its position in the right frame of OLAP Model main window, and whether it is a dimension table or a fact table.
OVL_REL_DETAILS	Contains information about logical joins between dimension tables and fact tables. This information includes the name of the first column and the name of the column to which the first column is joined.
OVL_REL_INFO	Contains information about logical joins between dimension tables and fact tables. This information includes the name of the first dimension or fact table and the name of the dimension or fact table to which the first dimension is joined.



Table 4-1: OLAP Model Tables (Continued)

Table Name	Description
OVP_REL_DETAILS	Contains information about physical joins in the source tables. This information includes the name of the first source column and the name of the source column to which the first source column is joined.
OVP_REL_INFO	Contains information about physical joins in the source tables. This information includes the name of the first source table and the name of the source table to which the first source table is joined.
OM_DESCRIPTION	Contains descriptions for a model, its dimensions, its members, and its hierarchies. This information includes the system-generated ID number for each model, dimension, member, or hierarchy that is described.
JOIN_HINTS	Contains information about the database hints defined for a join. This information includes the type of join, the physical table to join, and the text of the join hint. This table is currently not used.

## Tables Relating to the Metaoutline

Table 4-2 describes each table in the OLAP Metadata Catalog that stores information about metaoutlines. For information about the other tables in the OLAP Metadata Catalog, see:

- “Tables Relating to the OLAP Model” on page 4-3
- “Tables Relating to Drill-Through” on page 4-8
- “Miscellaneous Tables” on page 4-9

*Table 4-2: Metaoutline Tables*

<b>Table Name</b>	<b>Description</b>
MO_FILTERS	Contains information about metaoutline filters. This information includes the filter name and the actions the filter will perform.
MO_INFO	Contains high-level information about a metaoutline: the name of the metaoutline, its description, the date it was last changed, the OLAP model on which the metaoutline is based, its owner, its access privileges, and whether the spreadsheet user of Drill-Through reports must enter the OLAP Integration Server name and a user name and password for the external data source.
MO_PROPERTIES	Contains information about metaoutline properties. This information includes the name and value of metaoutline properties or the name of the source table and column that Hyperion Integration Server uses to assign the properties.
MOD_INFO	Contains information about dimensions in a metaoutline. This information includes the dimension name, the OLAP dimension with which it is associated (unless it is a user-defined dimension), the type of dimension (a user-defined dimension, a measures dimension, or a standard dimension), and how members are positioned within the dimension.
MS_INFO	Contains information about members in a metaoutline. This information includes the name of the member, the dimension to which it belongs, whether it is a user-defined member or a standard member, the OLAP table with which it is associated, the OLAP model column with which it is associated, the name of its parent, how it is positioned with its siblings, and the database measure with which it is associated (if it is a user-defined member).

Table 4-2: Metaoutline Tables (Continued)

Table Name	Description
MS_PREDICATES	Contains information about members in a metaoutline. This information includes member filters.
MS_TX_RULE	Contains information about members in a metaoutline. This information includes member transformation rules.
MSR_INFO	Contains information about database measures in a metaoutline. This information includes the name of the measure, the OLAP model table with which it is associated, the OLAP model column with which it is associated, and how it is positioned with its siblings.
MSR_PREDICATES	Contains information about database measures in a metaoutline. This information includes measure filters.
MSR_TX_RULE	Contains information about database measures in a metaoutline. This information includes the name and definition of measure transformation rules.
MO_DESCRIPTIONS	Contains descriptions for a metaoutline, its filters, its dimensions, and its members. This information includes the system-generated ID number for each metaoutline, filter, dimension, or member that is described.

## Tables Relating to Drill-Through

Table 4-3 describes each table in the OLAP Metadata Catalog that stores information about Drill-Through reports. For information about the other tables in the OLAP Metadata Catalog, see:

- “Tables Relating to the OLAP Model” on page 4-3
- “Tables Relating to the Metaoutline” on page 4-5
- “Miscellaneous Tables” on page 4-9

*Table 4-3: Drill-Through Tables*

<b>Table Name</b>	<b>Description</b>
DTR_ATTRIBUTES	Contains information about Drill-Through columns. This information includes the order in which the Hyperion Essbase Spreadsheet Add-in sorts and displays the Drill-Through information.
DTR_INFO	Contains information about Drill-Through columns. This information includes the name of the Drill-Through column, whether the spreadsheet wizard is displayed, and the time or row query governor specified.
MO_INTERSECTION	Contains information about Drill-Through columns. This information includes system-generated ID numbers for the OLAP model, the Drill-Through column, and the intersection level on which the column is defined.

## Miscellaneous Tables

Table 4-4 describes each table in the OLAP Metadata Catalog that stores information about both OLAP models and metaoutlines. For information about the other tables in the OLAP Metadata Catalog, see:

- “Tables Relating to the OLAP Model” on page 4-3
- “Tables Relating to the Metaoutline” on page 4-5
- “Tables Relating to Drill-Through” on page 4-8

*Table 4-4: Miscellaneous Tables*

Table Name	Description
CB_CONCURRENCY	Contains information about users accessing an OLAP model or metaoutline. This information includes the user name, the user session ID, the OLAP model or metaoutline that the user is accessing, whether the user is accessing an OLAP model or a metaoutline, whether the user has a read or read/write lock, and the date and time the user acquired the lock.
CB_VERSION	Contains information about the Hyperion Integration Server software you have installed. This information includes the release number of Hyperion Integration Server.



# Using OLAP Command Interface

This chapter describes the commands supported by OLAP Command Interface, the command-line tool provided with Hyperion Integration Server. The majority of these commands provide the same functionality available through Hyperion Integration Server Desktop. You use OLAP Command Interface commands and scripts to create Hyperion Essbase outlines and load Hyperion Essbase databases.

If you schedule member or data loads using the Hyperion Integration Server Desktop, Hyperion Integration Server automatically creates an OLAP Command Interface batch file and a corresponding `.cbs` file in the `Batch` directory. You can modify and reuse the `.cbs` file for future member and data loads.

This chapter contains the following topics:

- “Starting OLAP Command Interface” on page 5-2
- “About OLAP Command Interface” on page 5-3
- “Using OLAP Command Interface Commands” on page 5-9
- “Loading Dimensions and Members Using OLAP Command Interface” on page 5-20
- “Loading Data Using OLAP Command Interface” on page 5-21

For a list of all available OLAP Command Interface commands, see “Using OLAP Command Interface Commands” on page 5-9.

## Starting OLAP Command Interface

Before you start the OLAP Command Interface, make sure that the following programs are running. These programs can be on network server computers and do not need to be on your local computer to be available to OLAP Command Interface:

- A relational database management system (RDBMS) with the relational database that contains the OLAP Metadata Catalog where the metadata is stored.
  - An RDBMS that contains the relational data source that you want to use to create OLAP models and metaoutlines.
  - OLAP Integration Server. For more information, see “Starting OLAP Integration Server” on page 1-2.
  - Hyperion Essbase OLAP Server. For more information, see the *Hyperion Integration Server Installation Guide*.
- To start the OLAP Command Interface, use any of the following methods:
- From the Windows Start menu, select Programs > Hyperion Integration Server > OLAP Command Interface.
  - Enter the executable name on the command line; for example, type the following:  
`olapicmd`
- Note:** If OLAP Command Interface does not start when `olapicmd` is executed from the command line, the operating system path may not be updated correctly. For more information, see the *Hyperion Integration Server Installation Guide*.



The OLAP Command Interface window opens:

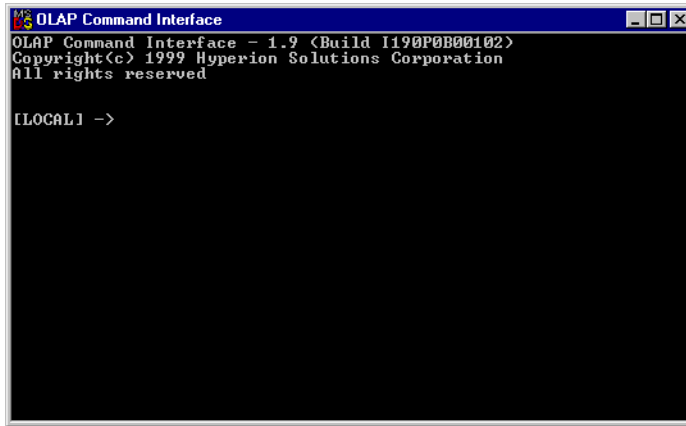


Figure 5-1: OLAP Command Interface Window

Enter commands at the command prompt. For example, type `login localhost` to log on to a server running on the same machine. To stop the server, type `shutdown`. Type `exit` to stop OLAP Command Interface. Type `help` to get a list of commands.

## About OLAP Command Interface

OLAP Command Interface is a command-line tool that enables you to access Hyperion Integration Server to perform operations on a Hyperion Essbase outline and the data in a Hyperion Essbase database.

With OLAP Command Interface, you can perform server operations at the command line in either batch or interactive mode.

- **Batch mode.** To automate routine server maintenance and diagnostic tasks, write a script or batch file and run it from the command line.

Batch mode is convenient if you use a particular series of commands frequently or if the task requires many commands.

- **Interactive mode.** To perform tasks interactively, enter OLAP commands at the command line.

Interactive mode is convenient for short operations that require few commands, such as checking for information on the fly and error checking.

## Using SET and LOAD Commands

SET commands tell Hyperion Integration Server which sources are involved in a load operation. LOAD commands tell Hyperion Integration Server to execute a load operation.

**Note:** To perform a successful member and data load, the SET commands must be executed before the LOAD commands.

SET commands provide OLAP Integration Server with the location of the source data, Hyperion Essbase server, and OLAP Metadata Catalog. The commands can be issued in any order, but you must issue all three SET commands before executing a LOAD command.

Use SET commands as follows:

SETSOURCE	Specifies the relational database from which you want to build a Hyperion Essbase outline
SETTARGET	Specifies the Hyperion Essbase server where you want to build a Hyperion Essbase outline for a Hyperion Essbase application and database
SETCATALOG	Specifies the OLAP Metadata Catalog you created to store OLAP models and metaoutlines

The STATUS command (see “STATUS” on page 5-10) does not check or validate the syntax for SET commands.

LOAD commands use the information from the SET commands to load members, data, or both. Use the LOAD commands as follows:

LOADMEMBER	Loads members into a Hyperion Essbase outline. You must load members before you load data.
LOADDATA	Loads data into a Hyperion Essbase database. You cannot load data without loading members.
LOADALL	Loads both members and data into a Hyperion Essbase database.

LOAD commands for small outlines (fewer than 1000 members) take a few seconds to execute. Larger outlines (1000 or more members) take a few minutes to a few hours, depending on the amount of data being loaded, the configuration of the metaoutline, and the computer system capabilities. After executing LOAD commands, wait a few seconds until the command prompt (->) is displayed and then use the STATUS command to check the success or failure of the command execution.

See “Loading Dimensions and Members Using OLAP Command Interface” on page 5-20 for a sample sequence of commands for loading members.

See “Loading Data Using OLAP Command Interface” on page 5-21 for a sample sequence of commands for loading data.

## Using Informational Commands

The STATUS and VERSION commands provide processing status and system release version information for you and can be used at any time in the sequence of command execution.

## Using Command Syntax and Execution

OLAP Command Interface commands are not case-sensitive, but named data sources, user IDs, and passwords might be case-sensitive, depending on the operating system and the RDBMS you are using. Enter the syntax exactly as shown in this chapter for each command. Keyword parameters can appear in any order.

The commands require semicolons and parameters such as data source name (DSN), user ID (UID), and password (PWD) to separate the command into statements that indicate what kind of information you are providing; for example:

```
SETSOURCE "DSN=database;UID=Smith;PWD=password;"
```

You must separate the statements with a semicolon. The final semicolon is optional. Do not use semicolons as part of data source names, because OLAP Command Interface recognizes semicolons as field separators. It is recommended that you use double quotation marks around the parameters, as shown in the preceding example.

In this *Hyperion Integration Server System Administrator's Guide*, all optional syntax parameters are indicated by their enclosure in brackets [ ]; however, do not type the brackets when you enter the commands.

Press Enter to execute the commands.

**Note:** If you are unsure of a specific syntax, use Hyperion Integration Server Desktop to schedule member or data loads. An OLAP Command Interface batch file and a corresponding .cbs file are created automatically in the *ISHOME\Batch* directory. You can reference, modify, and reuse the .cbs file for future member and data loads. For more information, see "Recording Member and Data Load Scripts" on page 5-6.

## Recording Member and Data Load Scripts

If you are creating scripts to perform loads or other tasks, you may want a script generated by Hyperion Integration Server to use as a model or to check your script syntax for Open Database Connectivity (ODBC) data source connection details. Record a load script with Hyperion Integration Server by performing a load and recording it to a script file.

- To record a load script:
  1. Start Hyperion Integration Server Desktop and open a metaoutline.
  2. Select Outline > and one of the following menu items:
    - Member Load
    - Data Load
    - Member and Data Load
  3. In the **Essbase Application and Database** dialog box, fill in the fields as appropriate.
  4. Click Next until the **Schedule Essbase Load** dialog box is displayed.
  5. Save the load to script file by clicking **Only Save Load Script** and then click **Save Scripts**.

## Running OLAP Command Interface Script and Batch Files

If you use a series of commands frequently or you must enter many commands to complete a task, you can automate the task with a script or batch file. Both are text files.

- A script file (.cbs extension) contains OLAP Command Interface commands. You can run a script file from the operating system command line or from within an operating system batch file.
- On Windows NT and Window 2000, a batch file (.bat extension) is an operating system file that calls multiple OLAP Command Interface scripts and is used to run multiple sessions of OLAP Command Interface commands. You can run a batch file on the server from the operating system prompt.
- On UNIX, shell scripts are used in place of batch or script files.

When you run a script file, OLAP Command Interface executes the commands in the order specified in the script until the program reaches the end of the file.

## Running OLAP Command Script Files

Enter the following command at the command prompt to run a script file in OLAP Command Interface:

```
olapicmd -fscriptFileName [> logFileName]
```

Replace *scriptFileName* with the name of the script file you are using. Replace *logFileName* with the name of the file where you want the feedback from the script to be recorded.

For example, the following sample script file, `olap_tbc.cbs`, was created in a text editor. This script connects to Hyperion Essbase from the server console and generates outlines for a sample database. In the following example, the STATUS command (see “STATUS” on page 5-10) is used to check the success or failure of each command. The STATUS command returns the execution status in the OLAP Command Interface window.

```
login localhost
status
settarget "DSN=localhost;UID=hyperion;PWD=password"
status
setcatalog "DSN=TBC_MD;UID=tbc;PWD=password"
status
setsource "DSN=TBC;UID=tbc;PWD=password"
status
loadall "OTL=TBC Metaoutline;APP=olaptbc;DBN=Tbf1;FLT_ID=1;
        CALC_SCRIPT=#DEFAULT#;"
status
loadall "OTL=TBC Metaoutline;APP=olaptbc;DBN=Tbf2;FLT_ID=2;
        OTL_CLEAR=Y;"
status
loadall "OTL=TBC Metaoutline;APP=olaptbc;DBN=Tbf3a;FLT_ID=3;
        OTL_CLEAR=N;CALC_SCRIPT=#DEFAULT#;"
status
loadall "OTL=TBC Metaoutline;APP=olaptbc;DBN=Tbf3ec;FLT_ID=3;
        OTL_CLEAR=N;ESSC_SCRIPT=mytest1"
status
exit
```

To execute the `olap_tbc.cbs` script file, type:

```
olapicmd -folap_tbc.cbs
```

The following sample batch file, `olap_tbc.bat`, uses input from a script file named `olap_tbc.cbs` and saves the feedback in a file named `olap_tbc.log`:

```
olapicmd -folap_tbc.cbs > olap_tbc.log
```

## Using OLAP Command Interface Commands

The following subtopics describe each command and provide the syntax for entering the command. Each subtopic includes an example command entry for your reference.

The following commands are described in the subtopics:

- “LOGIN” on page 5-10
- “STATUS” on page 5-10
- “VERSION” on page 5-11
- “SETSOURCE” on page 5-11
- “SETTARGET” on page 5-12
- “SETCATALOG” on page 5-12
- “LOADMEMBER” on page 5-13
- “LOADDATA” on page 5-14
- “LOADALL” on page 5-16
- “LOGOUT” on page 5-19
- “SHUTDOWN” on page 5-19
- “EXIT” on page 5-20

Unless otherwise noted, you must be logged on to an OLAP Integration Server to execute these commands.

The load commands in this topic are shown with an abbreviated syntax which does not include the syntax required for incremental loads. To see the full syntax for normal or incremental loads, record a script for a load. For more information on recording load scripts, see “Recording Member and Data Load Scripts” on page 5-6.

## LOGIN

The LOGIN command connects you to OLAP Integration Server. On a successful connection, the OLAP Command Interface prompt changes to show the name of the OLAP Integration Server to which OLAP Command Interface is connected. This command returns an error if you already are connected to an OLAP Integration Server.

### Syntax

```
LOGIN Ishost
```

<i>Ishost</i>	TCP/IP name or number of the computer where OLAP Integration Server is running
---------------	--

### Example

```
LOGIN cypress
```

## STATUS

The STATUS command displays the processing status of the most recently issued command. Use it to check the success or failure of all commands. After issuing a command, wait a few seconds until the command prompt (->) is displayed, and then enter the STATUS command.

The STATUS command does not check or validate the syntax for SET commands.

### Syntax

```
STATUS
```

### Example

Typing STATUS after issuing the LOADMEMBER command returns the following message in the OLAP Command Interface window:

```
LOADMEMBER executed successfully, elapsed time is '22' seconds.
```



## VERSION

The `VERSION` command returns the Release number of the Hyperion Integration Server software you are running.

### Syntax

```
VERSION
```

### Example

`VERSION` returns the release number for Hyperion Integration Server software.

## SETSOURCE

The `SETSOURCE` command enables you to identify a source database for OLAP Integration Server to use with a load command.

### Syntax

```
SETSOURCE DSN=ODBCdatasource;UID=username;PWD=password[;]
```

<i>ODBCdatasource</i>	The ODBC data source name configured on the computer where OLAP Integration Server runs—case-sensitive
<i>username</i>	The name for logging on to the ODBC data source—case-sensitive
<i>password</i>	The password for logging on to the ODBC data source—case-sensitive

### Example

```
SETSOURCE "DSN=OLAP_TBC;UID=hyperion;PWD=Password"
```

## SETTARGET

The SETTARGET command enables you to identify a target Hyperion Essbase server for OLAP Integration Server to use with a load command.

### Syntax

```
SETTARGET DSN=Essbasedataservername;UID=username;PWD=password[;]
```

<i>Essbase dataservername</i>	The TCP/IP name or number of the computer where Hyperion Essbase OLAP Server is running
<i>username</i>	The name for logging on to Hyperion Essbase OLAP Server
<i>password</i>	The password for logging on to Hyperion Essbase OLAP Server—case-sensitive

### Example

```
SETTARGET "DSN=FIG;UID=arbor;PWD=Password"
```

## SETCATALOG

The SETCATALOG command enables you to identify an OLAP Metadata Catalog database for OLAP Integration Server to use with a load command.

### Syntax

```
SETCATALOG DSN=ODBCdatasource;UID=username;PWD=password[;]
```

<i>ODBCdatasource</i>	The ODBC data source name configured on the computer where OLAP Integration Server runs—case-sensitive
<i>username</i>	The name for logging on to the ODBC data source—case-sensitive
<i>password</i>	The password for logging on to the ODBC data source—case-sensitive

### Example

```
SETCATALOG "DSN=OLAP_MD;UID=Fred;PWD=Password"
```

## LOADMEMBER

The LOADMEMBER command initiates a member load operation on OLAP Integration Server. The load environment must be set up properly before you invoke the LOADMEMBER command. To set up the load environment, issue the SET commands in any order. For more information, see “Using SET and LOAD Commands” on page 5-4.

To learn the status of the member load invoked by the LOADMEMBER command, wait until you see the command prompt, then use the STATUS command.

### Syntax

```
LOADMEMBER OTL=Metaoutline;APP=EssbaseApplication;
DBN=EssbaseDatabase; [FLT_NAME=Filtername;]
[FLT_ID=Filter_ID_Number;] [ESSC_SCRIPT=EsscmdScriptname;]
[OTL_CLEAR=Delete all members first;] [:@USERS=EssbaseUsers] [;]
```

<i>Metaoutline</i>	The name of the metaoutline—case-sensitive. This metaoutline is used to extract data and create a Hyperion Essbase outline.
<i>EssbaseApplication</i>	The name of the Hyperion Essbase application on the target Hyperion Essbase OLAP Server where the Hyperion Essbase outline is created.
<i>EssbaseDatabase</i>	The name of the Hyperion Essbase database on the target Hyperion Essbase OLAP Server. OLAP Integration Server applies this name to the Hyperion Essbase outline.
<i>Filtername/Filter_ID_Number</i>	Optional. You can specify a filter name or filter ID to use when loading data. Because the filter name and filter ID are the same, do not specify both. If you do not specify either, the default name (*DEFAULT) is used. The default filter ID is 1; any additional filters are numbered sequentially, starting with the number 2. If the filter name contains a space, enclose it in double quotation marks. For information about creating filters, see the <i>Hyperion Integration Server Desktop OLAP Metaoutline User's Guide</i> .

<i>EsscmdScriptname</i>	Optional. This parameter is ignored.
<i>Delete all members first</i>	Optional. Specify Y or N. Enter Y (Yes) for OLAP Integration Server to remove all members from the existing database and then recreate the database by using the members in the metaoutline. This process is slower than creating or updating a Hyperion Essbase outline without deleting the members; therefore, do not delete all members first unless it is necessary. You should delete all members if, for example, you know that some members have been removed from the OLAP metaoutline and you want to build a Hyperion Essbase outline containing a smaller set of members. The default is N (No).
<i>EssbaseUsers</i>	Optional. Lists all user IDs that can access the Hyperion Essbase application and database into which you are loading the members. Commas separate user IDs. For example, @@USERS="admin", "ljones", "ksmith".

**Example**

```
LOADMEMBER "OTL=TBC Metaoutline;APP=OLAP_TBC;DBN=Basic;
FLT_NAME=Blue filter"
```

## LOADDATA

The LOADDATA command initiates a data load operation on OLAP Integration Server. The load environment must be set up properly before you invoke this command. To set up the load environment, issue the SET commands in any order. For more information, see “Using SET and LOAD Commands” on page 5-4.

LOADDATA takes a few seconds to execute. After executing LOADDATA, use the STATUS command to learn the status of the command execution.

**Syntax**

```
LOADDATA OTL=Metaoutline;APP=EssbaseApplication;
DBN=EssbaseDatabase; [FLT_NAME=Filtername;]
[FLT_ID=Filter_ID_Number;] [CALC_SCRIPT=CalcScriptname;]
[ESSC_SCRIPT=EsscmdScriptname;] [:@USERS=EssbaseUsers] [;]
```

<i>Metaoutline</i>	The name of the metaoutline. OLAP Integration Server uses the specified metaoutline to extract data from the relational data source to create a Hyperion Essbase outline.
<i>EssbaseApplication</i>	The name of the Hyperion Essbase application on the target Hyperion Essbase OLAP Server where the Hyperion Essbase outline is created.
<i>EssbaseDatabase</i>	The name of the Hyperion Essbase database on the target Hyperion Essbase OLAP Server. OLAP Integration Server applies this name to the Hyperion Essbase outline.
<i>Filtername/Filter_ID_Number</i>	Optional. You can specify a filter name or filter ID to use when loading data. Because filter name and filter ID are the same, do not specify both. If you do not specify either, the default name (*DEFAULT) is used. The default filter ID is 1; any additional filters are numbered sequentially, starting with the number 2. If the filter name contains a space, enclose it in double quotation marks. For information about creating filters, see the <i>Hyperion Integration Server Desktop OLAP Metaoutline User's Guide</i> .
<i>CalcScriptname</i>	Optional. The name of the calc script. The calc script determines how Hyperion Essbase calculates the data values in the database. If you do not select a calc script, OLAP Integration Server does not perform a calculation.

<i>EsscmdScriptname</i>	Optional. The name of an ESSCMD script. The script that you define instructs Hyperion Essbase to perform specified actions on the Hyperion Essbase database. These actions might include changing a member tag or loading data from a worksheet into user-defined members after you load the data from the relational data source. The ESSCMD script must be in the <i>ISHOME/esscript</i> directory. This parameter is not currently used.
<i>EssbaseUsers</i>	Optional. Lists all user IDs that can access the Hyperion Essbase application and database into which you are loading the members. Commas separate user IDs. For example, @@USERS="admin", "ljones", "ksmith".

**Example**

```
LOADDATA "OTL=TBC_Metaoutline;APP=OLAP_TBC;DBN=Basic;
FLT_NAME=Blue filter"
```

## LOADALL

The LOADALL command initiates a load of both members and data on OLAP Integration Server. The load environment must be set up properly before you invoke this command. To set up the load environment, issue the SET commands in any order. For more information, see “Using SET and LOAD Commands” on page 5-4.

LOADALL takes a few seconds to execute. After executing LOADALL, use the STATUS command to learn the status of the command execution.

**Syntax**

```
LOADALL OTL=Metaoutline;APP=EssbaseApplication;
DBN=EssbaseDatabase; [FLT_NAME=Filtername;]
[FLT_ID=Filter_ID_Number;] [CALC_SCRIPT=CalcScriptname;]
[ESSC_SCRIPT=EsscmdScriptname;]
[OTL_CLEAR=Delete all members first;] [:@USERS=EssbaseUsers] [;]
```

<i>Metaoutline</i>	The name of the metaoutline. OLAP Integration Server uses the specified metaoutline to extract data from the relational data source to create a Hyperion Essbase outline.
<i>EssbaseApplication</i>	The name of the Hyperion Essbase application on the target Hyperion Essbase OLAP Server where the Hyperion Essbase outline is created.
<i>EssbaseDatabase</i>	The name of the Hyperion Essbase database on the target Hyperion Essbase OLAP Server. OLAP Integration Server applies this name to the Hyperion Essbase outline.
<i>Filtername/Filter_ID_Number</i>	Optional. You can specify a filter name or filter ID to use when loading data. Because filter name and filter ID are the same, do not specify both. If you do not specify either, the default name (*DEFAULT) is used. The default filter ID is 1; any additional filters are numbered sequentially, starting with the number 2. If the filter name contains a space, enclose it in double quotation marks. For information about creating filters, see the <i>Hyperion Integration Server Desktop OLAP Metaoutline User's Guide</i> .
<i>CalcScriptname</i>	Optional. The name of the calc script. The calc script determines how Hyperion Essbase calculates the data values in the database. If you do not select a calc script, OLAP Integration Server does not perform a calculation.

<i>EsscmdScriptname</i>	Optional. The name of an ESSCMD script. The script that you define instructs Essbase to perform specified actions on the Hyperion Essbase database. These actions might include changing a member tag or loading data from a worksheet into user-defined members after you load the data from the relational data source. The ESSCMD script must be in the <i>ISHOME/esscript</i> directory. This parameter is not currently used.
<i>Delete all members first</i>	Optional. Specify Y or N. Enter Y (Yes) for Hyperion Integration Server to remove all members from the existing database and then recreate the database by using the members in the metaoutline. This process is slower than creating or updating a Hyperion Essbase outline without deleting members; therefore do not delete all members unless it is necessary. You should delete all members if, for example, you know that some members have been removed from the OLAP metaoutline and you want to build Hyperion Essbase outline containing a smaller set of members. The default is N (No).
<i>EssbaseUsers</i>	Optional. Lists all user IDs that can access the Hyperion Essbase application and database into which you are loading members. Commas separate user IDs. For example, @@USERS="admin", "ljones", "ksmith".

**Example**

```
LOADALL "OTL=TBC_Metaoutline;APP=OLAP_TBC;DBN=Basic;
FLT_NAME=Blue filter"
```



## LOGOUT

The LOGOUT command logs you out of OLAP Integration Server. On a successful logout, the OLAP Command Interface prompt changes to LOCAL.

### Syntax

LOGOUT

### Example

LOGOUT logs you out of OLAP Integration Server.

**Note:** If you log out of OLAP Integration Server, you no longer have an active session. To execute another command, you must log on to OLAP Integration Server again.

## SHUTDOWN

The SHUTDOWN command shuts down OLAP Integration Server. You must log on to an OLAP Integration Server before you can use this command.

### Syntax

SHUTDOWN

### Example

SHUTDOWN shuts down OLAP Integration Server.

## EXIT

The EXIT command exits the OLAP Command Interface and closes the OLAP Command Interface window. Before you exit from the OLAP Command Interface, OLAP Integration Server automatically executes a LOGOUT command.

### Syntax

```
EXIT
```

### Example

EXIT closes the OLAP Command Interface window and logs you out of OLAP Integration Server.

## Loading Dimensions and Members Using OLAP Command Interface

You can perform a member load by using OLAP Command Interface instead of Hyperion Integration Server Desktop.

You can manually schedule the batch file by using the AT service in Windows NT and Windows 2000 or the cron scheduling daemon on UNIX systems. If you are not sure how to schedule the batch file manually, see the operating system documentation.

- To load members and dimensions when using OLAP Command Interface, follow the same steps for loading members as you would using Hyperion Integration Server Desktop:

1. Log on to OLAP Integration Server by using the LOGIN command; for example:

```
LOGIN cypress
```

2. Connect to the external data source by using the SETSOURCE command; for example:

```
SETSOURCE DSN=TBC;UID=TBC;PWD=password
```

3. Connect to the Hyperion Essbase server by using the SETTARGET command; for example:

```
SETTARGET DSN=sequoia;UID=sys;PWD=password
```

4. Connect to an OLAP Metadata Catalog by using the SETCATALOG command; for example:

```
SETCATALOG DSN=TBC_MD;UID=TBC;PWD=password
```

5. Start the member load by using the LOADMEMBER command; for example:

```
LOADMEMBER "OTL=TBC Metaoutline;APP=OLAP_TBC;DBN=Basic;FLT_NAME=Filter1"
```

## Loading Data Using OLAP Command Interface

You can perform a data load by using the OLAP Command Interface instead of Hyperion Integration Server Desktop.

You can manually schedule the batch file by using the AT service on Windows NT and Windows 2000 or the cron scheduling daemon on UNIX systems. If you are not sure how to schedule a batch file manually, see the operating system documentation.

- To load data by using OLAP Command Interface, follow the same steps for loading data as you would using Hyperion Integration Server Desktop:

1. Log on to OLAP Integration Server by using the LOGIN command; for example:

```
LOGIN FIG
```

2. Connect to the external data source by using the SETSOURCE command; for example:

```
SETSOURCE DSN=TBC;UID=TBC;PWD=password
```

3. Connect to OLAP Hyperion Essbase server by using the SETTARGET command; for example:

```
SETTARGET DSN=sequoia;UID=sys;PWD=password
```

4. Connect to the OLAP Metadata Catalog by using the SETCATALOG command; for example:

```
SETCATALOG DSN=TBC_MD;UID=TBC;PWD=password
```

5. Start the data load by using the LOADDATA command; for example:

```
LOADDATA "OTL=TBC Metaoutline;APP=OLAP_TBC;DBN=Basic;FLT_NAME=Filter1"
```



# Using the Administration Manager

This chapter describes how to access and use the Administration Manager. Topics in this chapter are:

- “Introducing the Administration Manager” on page 6-1
- “Introducing the Administration Manager” on page 6-1
- “Using the Graphical User Interface” on page 6-2
- “Working with Applications” on page 6-4
- “Working with Databases” on page 6-6
- “Working with User ID’s and Privileges” on page 6-8
- “About Security and Privileges for Databases and Applications” on page 6-10
- “Exporting to Data Warehouse” on page 6-12
- “Exporting to a Text File” on page 6-14
- “Using the Logs” on page 6-15

## Introducing the Administration Manager

The Administration Manager is a component of the OLAP Integration Server Desktop from which you can track and manage applications, databases and users on the current OLAP server.

## Opening the Administration Manager

To use the Administration Manager you must have installed the following components:

- Hyperion Essbase Server
- OLAP Integration Server
- OLAP Integration Server Desktop
- A relational database management system (RDBMS) with the relational data source that contains the OLAP Metadata Catalog

To open the Administration Manager, open the OLAP Integration Server Desktop and select **Tools > Administration Manger** from the menu bar.

## Using the Graphical User Interface

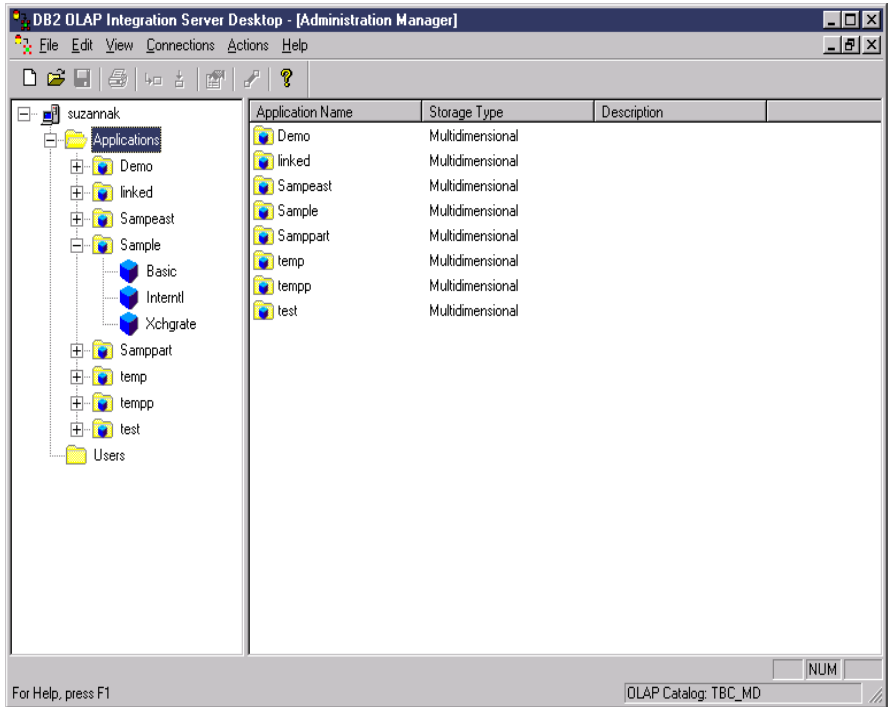
The Administration Manager graphical user interface consists of a right and left pane. The left pane contains a tree view of the databases, applications, and users on the current server. You can expand the tree by clicking the plus (+) sign next to an object to reveal more information about the object. The right pane also displays information about the object that you selected in the left pane.

The root **Server** folder expands to reveal the **Applications** and **Users** folders. The applications are also listed in the right frame when the applications folder is selected. You can sort the applications in the right frame by clicking the column headings. For example, if you want to sort the applications by the type of storage they use, click the **Storage Type** heading.

If you click on the **Users** folder, all the users defined to the applications on the current server are listed in the right frame. You can sort the users by clicking the column headings.

Expand an application folder to reveal database instances within the application. The databases are also listed in the right frame. You can sort the databases in the right frame by clicking the column headings.

Right-click on an application, database, or user object to see what actions are available.



## About the Menu Bar

Objects on the menu bar pertain to either the Model and Metaoutline components of the OLAP Integration Server, or to the Administration Manager.

The **File** and **Connections** options on the menu bar refer to activities such as opening another model or metaoutline, or disconnecting from the current server.

The **Edit**, **View**, and **Actions** options on the menu bar refer to activities of the databases, applications, and users in the Administration Manager dialog box.

## Working with Applications

In the Administration Manager, you can create new applications, start and stop applications, copy or rename applications, and assign user's access to the applications.

### Creating New Applications

You can create a new application to load in your metaoutline by using the **New Application** dialog box.

To open the **New Application** dialog box, select New Application from the tree in the left pane.

In the dialog box, you specify a new application name, storage type, and description of the application.

After you have created a new application you can create databases in the application, and assign users who can access the application and databases.

See “Working with Databases” on page 6-6 for information about creating databases.

See “Working with User ID's and Privileges” on page 6-8 for information about assigning users to the applications and databases.

### Application Names

Application names can be 1 – 8 bytes in length and must contain no spaces. If you are using DBCS, only 4 characters are allowed.

You can rename an existing application by using the Rename Application dialog box. To open the dialog box by right click on the application name and select Rename from the list.

### Application Storage Types

You can choose either multidimensional or relational storage to store data created by an application. Once you start using a storage type for an application, you cannot change to another storage type. You can use different storage types for different applications on the same server.



Depending on which storage types are enabled by your Essbase Server license, the available storage types might include relational storage, or multidimensional storage, or both.

## Differences in storage types

With relational storage you can more easily perform any DB2 maintenance or backups of data and perform additional queries and reports than you can on any DB2 database.

With multidimensional storage, data is stored in a proprietary format on the file system on the server. Two files are stored: an index file and a data file, along with the outline. You will experience better performance when you use a multidimensional store.

## Starting and Stopping Applications

You can start and stop applications in Administration Manager by right clicking an application instance in either the right or left pane, then clicking start or stop in the list.

The applications can use a large amount of memory. Depending on the size of your system, you might want to limit the number of applications that you have started at any time. See “Caches” on page 6-6, and “Commit Blocks” on page 6-7 for information about required storage for applications.

## Copying Applications

You can copy an existing application by using the **Copy Application** dialog box.

To open the dialog box, right click on the application name, and select **Copy** from the list.

In the dialog box, type the name of the new application that you are copying to.

## Renaming Applications

You can rename an existing application by using the **Rename Application** dialog box.

To open the dialog box, right click on the application name and select **Rename** from the list.

In the dialog box, type the new name that you want for the application.

## Application Properties

Use the **Application Properties** dialog box to find what type of storage the application uses, and to list the users who have access to the application.

To open the **Application Properties** dialog box, right click on an application instance, and select Properties.

The only field you can edit in this dialog box is the **Description** field.

## Working with Databases

In the Administration Manager, you can create new databases, copy databases, rename databases, and assign user's access to the databases in an application.

### Creating New Databases

Use the **New Databases** dialog box to create a new database in an application.

To open this dialog box, right click an Application instance and select **Add New Database** from the list; or click File > New > Database from the menu bar.

In the dialog box, type a new database name and a brief description of the database. Select values for the cache sizes and commit block size, or accept the defaults. See Caches and "Commit Blocks" on page 6-7.

After you have created a new database, you can assign access to users. See "Working with User ID's and Privileges" on page 6-8 for information about assigning users to databases.

### Database Names

Database names can be 1-8 alphanumeric bytes and must contain no spaces. If you are using DBCS, only 4 characters are allowed

### Caches

The default cache sizes for a database are:

- Data cache - 3 MB

The valid sizes are from 3 to 4096 MB.

The data cache is an area of virtual storage that contains fully expanded copies of data files available to OLAP.

If you will have many concurrent users, consider doubling the default size.

- Index cache – 10 MB

The valid sizes are from 1 to 4096 MB.

The index cache consists of index pages for the current database.

- Data file cache – 32 MB

The valid sizes are from 8 to 4096 MB.

The data file cache is an area in memory used by the Storage Manager to compress data blocks before writing them to disk.

The total cache size for all databases must not exceed the available RAM on your server.

Changes to cache sizes become effective when any of the following events occur:

- You start the database.
- You clear data in the database by issuing a RESETDB command from ESSCMD (not available in DB2 OLAP Starter Kit).
- You clear data in the database by clicking Database > Clear data > All from the menu bar in the Administration Manager or Application Manager. The Application Manager is not available in DB2 OLAP Starter Kit.

## Commit Blocks

The default number of commit blocks is 3000 blocks. This is recommended for the Relational Storage Manager (RSM).

If you choose to set the number of commit blocks to 0, blocks will be committed at the end of each transaction. For multidimensional storage, setting commit block size to 0 is the same as allowing committed access; no blocks are committed until all are completed.

## Copying Databases

Use the **Copy Database** dialog box to copy a database to another database in the same or different application. To open the dialog box, right click a database instance and select **Copy** from the list. You can also select **Edit > Copy** from the menu bar.

If you are copying the database to a new application, you must first create the new application, then copy the database to the application.

## Database Properties

The **Database Properties** dialog box describes the characteristics of the database. It includes the following tabs:

**General** - this page shows the name of the database, description, and users that have access to the database. None of the fields on this dialog box can be edited except the description field.

**Dimensions** - this page shows the names of the dimensions in the database, type of dimensions, and information about the numbers of members in the dimensions. None of the fields on this dialog box can be edited.

**Data Blocks** - this page shows data block parameter and size information. None of the fields on this dialog box can be edited.

**Storage Management** - use this page to specify the cache sizes and commit block size for your database.

To open the **Database Properties** dialog box, right click on a database instance, and select **Properties**.

## Working with User ID's and Privileges

This section tells you how to create or rename users, and grant privileges to access applications and databases. You must have Supervisor authority to create new user ID's and grant access to databases and applications.

## Creating Users

Supervisors can use the **New Users** dialog box to add a new user name and password, and to give users access to applications and databases.

To open the **New User** dialog box, right-click the Users folder in the navigation tree. Select Add from the list.

### To add a new user

1. On the **General** tab of the **New User** dialog box, type the user name and password, and confirm the password. Optionally, type a description of the user.
2. Click a radio button to specify a user type of User or Supervisor. See “User Types” on page 6-10 for a description.

User names can be 1-30 alphanumeric bytes, including spaces.

Passwords can be 1-100 alphanumeric bytes, including spaces. The password must be different than the User Name.

Use the **Access** tab of the **New Users** dialog box to grant access to users for applications and databases. The application and database names that are shown initially are the ones to which the current user (supervisor) has access.

### To grant access to an application

1. Click the **Access** tab on the **Add User** dialog box.
2. Click on the application name for which you want to grant access.
3. Click **Change** to open the **Change User Privilege** dialog box.
4. Select the type of access that you want. See “About Security and Privileges for Databases and Applications” on page 6-10.

### To grant access to a database

1. On the **Access** tab of the **Add User** dialog box, select the application that contains the databases for which you want to grant access.
2. In the bottom half of the **Access** tab page, select the databases that you want to give access to.
3. Click **Change** to open the **Change User Privilege** dialog box.
4. Select the type of access that you want. See “About Security and Privileges for Databases and Applications” on page 6-10 for descriptions of the access levels.

5. Click **OK**.

## Renaming Users

You can rename an existing user by using the **Rename User** dialog box. To open the dialog box, right click on the user name and select **Rename** from the list.

## User Types

The user types are:

- **User** - Users who have User access initially have no access to applications or databases. Supervisors can assign privileges to Users for access to databases and applications.
- **Supervisor** – Users who have Supervisor access automatically have Database Designer and Application Designer privileges. Supervisors also have the authority to add, remove, or change database and application access privileges for users, and to add other users and supervisors.

## Viewing Existing Privileges for a User

Use the **User Properties** dialog box to view the existing privileges for a user.

On the **General** tab, check whether the **User Type** box indicates Supervisor or User status. Supervisor status means that the user has super-user privileges on all applications and databases.

If the user has User status, click the **Access** tab to find what level of access the user has for the applications and databases. The Access tab is not active if the Supervisor radio button is selected.

## About Security and Privileges for Databases and Applications

This section discusses the various types of access for databases and applications.

## Levels of Privileges for Applications

- None – The user does not have access to the application
- Access Databases – The user has access to the application and can be given access to any or all of the databases in the application.
- Application Designer – The user has authority to do all of the following tasks:
  - Modify objects in the application
  - Create, modify, and delete databases
  - Assign user privileges for the application or databases
  - Assign and define filters
  - Remove data locks within the application
  - Disconnect users from the application

## Levels of Privileges for Databases

- None – The user cannot access the database.
- Read – The user has read access to the database.
- Write – The user can read and write to the database.
- Calculate – The user can calculate databases, including databases to which the user does not have read or write access.
- Database Designer – The user has authority to do all of the following tasks:
  - Modify objects in the database
  - Assign user access privileges
  - Assign and define filters
  - Remove locks in the database

## Relational Database Authorities

The information in this section applies to applications that use the relational storage manager.

The relational storage manager (RSM) in the Essbase server stores data for all applications in one relational database. The RSM always connects to the relational database with the same userid and password. The RSM will use the user ID and password that is stored in the `rsm.cfg`. If no user ID and password exist in the `rsm.cfg` file, the RSM uses the ID that you used to logon to Essbase Server.

Any userid that is used to connect to the relational database must be given the authority to perform the following tasks in the relational database. See the relational database documentation for instructions on granting authorities and privileges

- Create tables
- Create views
- Create Indexes
- Drop Tables
- Drop Views
- Drop Indexes
- Alter Tables
- Update the data in a table
- Select rows and columns in a table

## Global Privilege Settings

Database and application designers can assign a global privilege setting for a database or application. All users who have access to the database or application have, at minimum, the global privilege that is assigned to it.

## Exporting to Data Warehouse

The Data Warehouse Center is a component of IBM DB2 Warehouse Manager. You can export a selected database and load script information from DB2 OLAP Server to the Data Warehouse Center and create a step in the Warehouse Center by using the **Export to Data Warehouse Center** dialog box in the Administration Manager.

To open this dialog box, right click a database instance and select Export to Data Warehouse from the list, or click **Actions > Export** on the menu bar.



## Why Export to the Data Warehouse Center?

Initially, when Hyperion Essbase Server loads data into a cube, it gets the data from a source such as DB2. A cube is a set of data and metadata that is stored in a relational database that define a multidimensional database. It refers to the portion of a multidimensional database that is stored in the relational database.

When you want to refresh your data, you can use the Data Warehouse Center to automatically schedule regular updates to your information. Regular updates are useful when you use Essbase Server to generate business reports on a regular basis. The Data Warehouse Center also ensures that the data has been transformed before it is loaded into an OLAP cube. That is, it can access data that might have come from different sources or is in a different format, and ensure the formats are the same.

## How the Export Process Works

When the export command is issued from the Administration Manager, a subject area, process, step and user-defined program are created in the Data Warehouse Center to build the OLAP cube. When the Data Warehouse Center schedules the step, the user-defined program object executes a batch file. The batch file runs an OLAP Integration Server script that contains commands for building the OLAP cube.

## The Role of OLAP Integration Server

The OLAP Integration Server provides the following information when exporting to the Data Warehouse Center:

- Pointers to the data in DB2 that the OLAP Integration Server must access
- The metaoutline (warehouse schema) that defines the data dimensions. The Data Warehouse Center does not contain the data to load into OLAP.
- The full path name to the batch file, which contains the script file
- The OLAP model name
- The OLAP model that was used to create the metaoutline, which defines the dimensions used in the cube. The model is the same as the warehouse schema name in the Data Warehouse Center.
- The table schema name used by the warehouse control database.

- A four-part name consisting of the Essbase Server name, application name, database, outline name (server.application.database.outline)
- The script file that contains the pointers to the tables in DB2, the name of the OLAP catalog, the dimensions that are to be accessed, and instructions to OLAP to begin a load process that brings the new data into the OLAP cube. The script is created in the `.. \IS\Batch\` directory. When the script file is run by the Data Warehouse Center step, the Essbase Server performs a load operation to update the data in the cube.

## The Role of the Data Warehouse Center

The function of the Data Warehouse Center is to run the step that is created as a result of the script file. You can schedule the step and promote it so that it runs on a regular basis. The Data Warehouse Center also cleanses the data before it is loaded into the cube.

## Sample of Batch and Script files

The following example shows a sample batch file as sent to the Data Warehouse Center from the Essbase Server:

```
C:\IS\Bin\olapicmd < "C:\IS\Batch\TBCModel.cbs" >
"C:\IS\Batch\TBCModel.log"
```

This is a sample HIS script file named `C:\IS\Batch\TBCModel.cbs`:

```
LOGIN st101w71
SETSOURCE "DSN=TBC;UID=userid;PWD=password;"
SETTARGET "DSN=olapserv;UID=userid;PWD=password"
SETCATALOG "DSN=TBC;UID=userid;PWD=password;"
LOADALL "APP=app1;DBN=Db1;OTL=TBC Metaoutline;FLT_ID=
1;OTL_CLEAR=N;CALC_SCRIPT=#DEFAULT#;"
STATUS
```

## Exporting to a Text File

Exporting data to a text file is a means of backing up data or transferring data to another user. Data is exported to an ASCII file on your server, and is placed in the `ARBORPATH/app` directory.

To open the **Export to a Text File** dialog box, right click a database instance, and select **Export** from the list; or select **Actions > Export** from the menu bar.

In the dialog box, you specify the file name that you want to use on the server, and the level of data that you want to export. The levels of data that you can export are:

- All data
- Input blocks - blocks that contain data from a data load
- Level 0 sparse data - the smallest, or most granular, branch of each dimension. Only sparse Level 0 dimensions are selected to export to an ASCII file

You can also choose to format the data in columns.

## Using the Logs

This section describes the Server Log and the Application Log of the Administration Manager.

### The Server Log

The Server Log displays connection, information, and error messages for the server to which you are connected.

To access the Server log, right-click on the server name, then select Log from the list. The Log File Display Options window opens. The Server Log opens after you select a starting date from which to view log files.

### The Application Log

The **Application Log** displays event information for the current application.

To access the Application log, right-click on the application name, then select **Log** from the list. The **Log File Display Options** window opens. Specify whether you want to display all log records, or only records starting from a specific date. The Server Log opens after you select a starting date from which to view log files.



# OLAP Integration Server Error Messages

This appendix details the error messages generated by OLAP Integration Server. Error messages are grouped into the following categories:

- “Member Load Error Messages” on page A-1
- “Data Load Error Messages” on page A-5
- “Drill-Through Report Error Messages” on page A-6
- “Miscellaneous Error Messages” on page A-7

## Member Load Error Messages

Table A-1 lists error messages that OLAP Integration Server may generate during a member load. Italicized words represent variable names inserted in the error message. Refer to the error message number in the first column and make a note of it if you need to contact Hyperion Technical Support with a problem.

*Table A-1: OLAP Integration Server Member Load Error Messages*

Message Number	Message Content
049	Detected metadata join problem ( <i>table.column</i> < - > <i>table.column</i> ).
050	Encountered unknown ODBC exception while opening database. Aborting the command.
064	Failed to add database <i>Essbase database</i> .
065	Failed to add dimension <i>dimension</i> .
066	Failed to add Essbase member <i>member</i> (%d)
067	Failed to add Essbase member <i>member</i> (child of shared parent)

Table A-1: OLAP Integration Server Member Load Error Messages (Continued)

Message Number	Message Content
068	Failed to add Essbase member <i>member</i> (DUPLICATE)
069	Failed to add Essbase member <i>member</i> DUPLICATE, ignored)
070	Failed to add Essbase member <i>member</i> (no parent or sibling members found)
071	Failed to add Essbase member <i>member</i> , %d
072	Failed to add Essbase member <i>member</i> , the member exists.
073	Failed to add formula <i>formula</i> .
074	Failed to add member <i>member</i> .
075	Failed to add metaoutline member <i>member</i> .
076	Failed to add user attribute <i>user defined attribute</i> .
077	Failed to create a local context.
078	Failed to create a local outline.
079	Failed to create application <i>Essbase application</i> .
080	Failed to create dimension <i>dimension</i> .
083	Failed to get information for parent of <i>recursive hierarchy member</i> .
085	Failed to get metadata for <i>dimension.member</i> .
088	Failed to initialize Essbase API.
089	Failed to open outline <i>Essbase outline</i> .
093	Failed to restructure <i>Essbase outline</i> .
095	Failed to update Essbase server (NULL HEADER)
097	Filer <i>metaoutline filter</i> doesn't exist for <i>metaoutline metaoutline</i> .
098	Filter expression length exceeded the limit of <i>maximum bytes</i> bytes
115	Incremental update specification <i>incremental update specification string</i> is incorrect.
126	Invalid aggregation function <i>aggregate function</i> for <i>table.column</i> .
129	Invalid esscmd script name <i>esscmd script</i> .

Table A-1: OLAP Integration Server Member Load Error Messages (Continued)

<b>Message Number</b>	<b>Message Content</b>
130	Invalid parameter <i>parameter</i> .
132	Invalid parameter string.
142	Metadata error: <i>property ID</i> is not a valid property for <i>member</i> or <i>dimension</i> .
143	Metaoutline validation error. <i>Recursive hierarchy member</i> , a recursive member cannot have aggregation filter.
144	Metaoutline validation error. Filter = <i>member filter</i> , is not associated with any member.
188	Unknown exception encountered while opening dimension <i>dimension</i> .
189	Unknown exception encountered while opening member <i>member</i> .
190	Unknown exception encountered while opening metaoutline <i>metaoutline</i> .
341	Failed to Login to Essbase Server.
342	Failed to Get Essbase Settings.
344	Failed to unload database.
345	Failed to delete database.
346	Failed to close outline.
347	Failed to read outline.
349	Failed to unlock Database <i>database</i> .
350	Failed to save outline.
351	Unable to process state for <i>Essbase command</i> .
352	Failed to get access permissions for application.
353	Failed to set access permissions for application.
354	Failed to get access permissions for database.
355	Failed to set access permissions for database.
356	No member found.

Table A-1: OLAP Integration Server Member Load Error Messages (Continued)

<b>Message Number</b>	<b>Message Content</b>
357	Essbase Error: <i>error definition</i>
358	Failed to get user attributes.
360	Failed to add member to outline.
361	Failed to calculate the data.
362	Failed to get parent.
363	Failed to get member.
364	Failed to move member.
365	Failed to get shared member.
366	Failed to get member information.
367	Failed to sort outline.
377	IS Error: Unable to delete outline.
378	IS Error: SQL Generation for member load failed.
379	IS Error: Database close operation failed after load.
380	IS Error: Catalog close operation failed after load.
381	IS Error: Essbase close operation failed after load.
382	IS Error: No OLAP model name specified.
383	IS Error: Failed to open OLAP model <i>OLAP model</i> .
384	IS Error: Failed to close OLAP Metadata Catalog <i>OLAP Metadata Catalog</i> .
385	Failed to create virtual model.
386	Member load completed with errors.
387	Member load terminated due to error.



## Data Load Error Messages

Table A-2 lists the error messages that OLAP Integration Server may generate during a data load. Italicized words represent variable names inserted in the error message. Refer to the error message number in the first column and make a note of it if you need to contact Hyperion Technical Support with a problem.

Table A-2: OLAP Integration Server Data Load Error Messages

Message Number	Message Content
034	Cell load exceptions encountered.
047	Data load exceptions encountered. ? , <i>amount</i> .
063	Failed to activate <i>Essbase_application.Essbase.database</i> .
082	Failed to execute <i>esscmd</i> script <i>esscmd script</i> .
388	IS Error: Failed to get dataload SQL.
389	IS Error: Failed to get dimbuild SQL.
390	IS Error: No of dataload SQLs not equal to no of hierarchies.

## Drill-Through Report Error Messages

Drill-Through reports are created using the Hyperion Integration Server OLAP Metaoutline standard user interface and are viewed using the Hyperion Essbase Spreadsheet Add-in for Excel or Lotus 1-2-3.

Table A-3 lists the error messages that OLAP Integration Server may generate to Hyperion Essbase users viewing Drill-Through reports. Italicized words represent variable names inserted in the error message. Refer to the error message number in the first column and make a note of it if you need to contact Hyperion Technical Support with a problem.

*Table A-3: OLAP Integration Server Drill-Through Report Error Messages*

<b>Message Number</b>	<b>Message Content</b>
081	Failed to enable DTS Member <i>member</i> .
087	Failed to get the universal member handle.
125	Intersection element <i>member</i> does not exist in <i>table.column</i> .
131	Invalid parameter count for the drill-through request. Aborting...
153	Received NULL pointer in DTAttributes( ) for Report = <i>Drill-Through report</i> .
154	Received NULL pointer in GetDTData ( ) for Report = <i>Drill-Through report</i> .
155	Received NULL pointer in GetDTDomain ( ).
156	Received NULL pointer in GetDTReport ( ).
157	Received NULL pointer in SetDTReport ( ).
183	Too many Drill-Through reports defined (exceeded Essbase metadata size limit). Drill-Through is disabled for this outline.
186	Unknown exception in GetDTReport ( ).
359	Essbase Error: Invalid Drill-Through Metadata.
369	IS Error: Data load completed with errors.
370	IS Error: Data load terminated due to errors.
371	IS Error: Unable to log in to data source.

Table A-3: OLAP Integration Server Drill-Through Report Error Messages (Continued)

Message Number	Message Content
372	IS Error: Unable to log in to OLAP Metadata Catalog.
373	IS Error: Unable to log in to Essbase Server.
374	IS Error: Unable to read Metaoutline information.
375	IS Error: Data calculation failed
376	IS Error: Esscmd script execution failed.

## Miscellaneous Error Messages

Table A-2 lists the miscellaneous error messages that OLAP Integration Server may generate during OLAP model and metaoutline creation and during data and member loads. Italicized words represent variable names inserted in the error message. Refer to the error message number in the first column and make a note of it if you need to contact Hyperion Technical Support with a problem.

Table A-4: OLAP Integration Server Miscellaneous Error Messages

Message Number	Message Contents
004	<i>metaoutline</i> failed validation. Database measures not specified.
007	<i>add job</i> failed.
017	<i>syntax</i> Syntax error at <i>character location</i> in the filter expression <i>filter</i>
018	<i>Member</i> cannot have aggregation filter. Only leaf members can have aggregation filters.
054	Error message unavailable for this error.
057	Essbase server on <i>Essbase server computer</i> is not enabled with Hyperion Integration Server option. Please inform your system administrator.
084	Failed to get job info (OS error <i>Job-ID</i> ).
086	Failed to get the ODBC message.

Table A-4: OLAP Integration Server Miscellaneous Error Messages (Continued)

<b>Message Number</b>	<b>Message Contents</b>
090	Failed to remove <i>temporary batch file</i> (OS error <i>operating system error</i> ).
091	Failed to remove job (OS error <i>operating system error</i> ).
092	Failed to remove old job (OS error <i>operating system error</i> ).
094	Failed to schedule job (OS error <i>operating system error</i> ).
096	Fatal error.
124	Internal system error. Please contact Technical Support with the error number 1999999.
127	Invalid command line option <i>OLAP Integration Server switch</i> .
128	Invalid datatype specification <i>data type</i> .
133	Invalid session identifier, please log in to Hyperion Integration Server again.
159	Replace Failed <i>member transformation</i> .
185	Trying to access invalid memory. Contact Technical Support.
187	Unknown ODBC exception encountered while closing database.
206	<i>syntax</i> Syntax error at <i>character location</i> in the filter expression <i>filter</i> .
207	Hyperion Integration Server is already running on this machine.
208	Failed to release locks.
333	ODBC Error: Encountered unknown ODBC exception while opening database.
334	ODBC Error: Encountered unknown ODBC exception while closing database.
336	ODBC Error: Failed to get ODBC Error message for error number.
338	IS Error: Error during parsing Load Parameters.
343	Essbase Error: Essbase Server on <i>Essbase server computer</i> is not enabled with Hyperion Integration Server option.
344	Failed to unload database.

Table A-4: OLAP Integration Server Miscellaneous Error Messages (Continued)

<b>Message Number</b>	<b>Message Contents</b>
348	Failed to get information for Database <i>database</i> .
391	IS Error: Unable to get tables for pattern name <i>SQL regular expression pattern</i> from data source.
392	IS Error: Unable to get columns for table <i>relational table</i> from data source.
393	IS Error: Unable to extract foreign keys for tables <i>relational table, relational table</i> from data source.
394	IS Error: Failed to bind columns.
395	IS Error: Failed to fetch next row.
396	IS Error: Failed to get number of columns.
397	IS Error: Failed to get column attributes.
398	IS Error: Failed to get statement handle.
399	IS Error: Failed to release statement handle.
400	IS Error: Failed to get number of rows.
401	IS Error: Failed to connect to Hyperion Integration Server.



## Symbols

.profile file, 3-11

## A

### access

- codes, for metaoutlines, 2-10
- codes, for OLAP models, 2-8
- exclusive access mode, 2-3
- multi-user, 2-2
- privileges, common problems, 3-2
- problems, correcting, 3-19
- setting, 2-7
- standard access mode, 2-2

### accessing

- data sources, 3-2
- servers and databases, troubleshooting, 3-1

### accounts

- problems in the RDBMS, 3-8
- user, administrative, 3-8
- user, problems, 3-21

### Administration Manager

- using the GUI, 6-2

### Administration Manager

- application log, 6-15
- copying applications, 6-5
- copying databases, 6-8
- creating applications, 6-4
- creating databases, 6-6
- exporting data to a text file, 6-14
- exporting to data warehouse, 6-12
  - process, 6-13
  - sample files, 6-14
- introduction to, 6-1

opening, 6-1

privilege levels for applications and databases, 6-11

renaming applications, 6-5

rsm.cfg file, 6-12

server log, 6-15

starting and stopping applications, 6-5

storage types, 6-4

user ID's and privileges, 6-8

viewing user's privileges, 6-10

working with applications, 6-4

working with databases, 6-6

administrative accounts, using, 3-8

applications, Administration Manager

copying, 6-5

creating, 6-4

naming, 6-4

renaming, 6-5

storage types, 6-4

Architect. *See* Hyperion Integration Server Desktop

asynchronous commands, status of, 5-10

AT service, 5-20, 5-21

audience, skills required, vii

## B

backtracking connection problems, 3-6

backups, OLAP Metadata Catalog, 4-2

bat extension files, 5-7

### batch files

OLAP Command Interface and, 5-3

running, 5-8

running OLAP Command Interface scripts with, 5-7

- scheduling manually, 5-20, 5-21
- batch mode, OLAP Command Interface, 5-3
- binding, requirement for DB2 databases, 3-24
- buffer size, setting for OLAP Integration Server, 1-4
- Builder. *See* Hyperion Integration Server Desktop

## C

- catalog. *See* OLAP Metadata Catalog
- CB\_CONCURRENCY table
  - column descriptions, 2-4
  - defined, 4-9
- CB\_OBJECT\_TYPE column, data defined, 2-4
- CB\_VERSION table, 4-9
- cbs extension files, 5-7
- checking
  - common connection problems, 3-2
  - release number of Hyperion Integration Server, 3-14
  - script syntax for loads, 5-6
- client software
  - port number, 3-27
  - problems, correcting, 3-28
  - RDBMS, common problems, 3-2
  - RDBMS, correcting problems, 3-23
  - troubleshooting, 3-1
- codes, access
  - for metaoutlines, 2-10
  - for OLAP models, 2-8
- command line
  - loading data from, 5-21
  - loading members from, 5-20
  - OLAP Command Interface, 5-2, 5-3
- command syntax, OLAP Command Interface, 5-6
- command-line interface, using, 5-1
- commands, OLAP Command Interface, 5-9
- common problems
  - areas of failure, 3-4
  - database-specific, 3-4
  - with connections, 3-2
- communication problems, 3-5
- compatibility
  - between RDBMS and RDBMS client, 3-23
  - ODBC drivers, 3-25
  - problems with product versions, 3-14
- components, software, common problems, 3-2, 3-5

- concurrent users, 2-4
- configuration problems, 3-5
- connecting
  - database client to RDBMS, 3-8
  - problems with data source, 3-2, 3-4
  - problems with OLAP Metadata Catalog, 3-2, 3-4
- connections
  - areas of failure, 3-4
  - common problems, 3-2
  - isolating problems, 3-6
  - path through components, 3-6
  - problems, correcting, 3-19
  - troubleshooting, 3-1
- consulting services, xii
- conventions, document, x
- correcting
  - connection problems, 3-1, 3-19
  - Hyperion Integration Server Desktop problems, 3-28
  - ODBC problems, 3-1
  - OLAP Integration Server problems, 3-26
  - password problems, 3-21
  - RDBMS problems, 3-22
  - user name problems, 3-21
- creating
  - Essbase applications, 2-2
  - Essbase databases, 2-2
  - OLAP Integration Server users, 2-2
  - users, 2-2
- critical server error messages, 1-3

## D

- data loads
  - checking script syntax, 5-6
  - command line and, 5-21
  - incremental, script syntax, 5-9
  - LOADALL command, 5-16
  - LOADDATA command, 5-14
  - OLAP Command Interface and, 5-20, 5-21
  - OLAP Metadata Catalog and, 1-1, 4-2
  - optimizing, 1-4
  - scripts, recording, 5-6
  - time required, 5-5
  - using OLAP Command Interface, 5-4
- data sources



- accessing, 3-2
  - connecting to, 5-20, 5-21
  - connection problems, 3-2, 3-4
  - connections to, diagram, 3-6
  - identifying before loading, 5-11
  - problems, correcting, 3-24
  - Data Warehouse Center
    - sample files for exporting data to, 6-14
    - using with Administration Manager, 6-13
  - data, retrieving, 1-1
  - database client software
    - common problems, 3-2
    - environment problems, 3-8, 3-23
    - problems, correcting, 3-23
    - testing connection to RDBMS, 3-8
  - database servers
    - common problems, 3-2
    - problems, correcting, 3-22
  - databases
    - Administration Manager
      - cache size, 6-6
      - commit block size, 6-7
      - copying, 6-8
      - creating, 6-6
      - granting access, 6-8
      - naming, 6-6
      - properties, 6-8
    - connections to, diagram, 3-6
    - vendor-specific problems, 3-4
  - DB2
    - common problems, 3-4
    - database binding requirement, 3-24
  - debug messages, 1-3
  - deleting
    - locks, 2-4, 2-6
    - OLAP Integration Server users, 2-2
    - read and write locks, 2-6
    - users, 2-2
  - diagnosing
    - connection problems, 3-1
    - ODBC problems, 3-1
  - diagram, connections path, 3-6
  - disconnecting, users, 2-2
  - DNS, problems, 3-5
  - document conventions, x
  - documentation, list of, viii
  - domain name server, problems, 3-5
  - Drill-Through reports, tables relating to, 4-8
  - driver file, ODBC, specifying on UNIX, 3-13
  - drivers, ODBC, problems, 3-24
  - DTR\_ATTRIBUTES table, 4-8
  - DTR\_INFO table, 4-8
- ## E
- environment variables
    - common problems, 3-2
    - for database client, problems, 3-8, 3-23
    - ODBC problems, 3-9
  - error messages, setting logging level, 1-3
  - Essbase
    - message file, 1-6
    - relationship to OLAP Integration Server, 1-1
    - server name problems, 3-20
    - server, connecting to, 5-20, 5-21
    - server, message database, 1-4
    - target data server, specifying, 5-12
    - testing connection from Hyperion Integration Server Desktop, 3-18
    - testing connection from OLAP Integration Server, 3-17
    - users, defined, 2-1
  - essbase.mdb file, 1-4, 1-6
  - exclusive access mode, 2-3
  - executable name
    - for OLAP Command Interface, 5-2
    - for OLAP Integration Server, 1-2
  - EXIT command, 5-20
  - export
    - to a text file, 6-14
  - exporting data to a data warehouse, 6-12
  - exporting data to a text file, 6-14
  - extra locks
    - deleting, 2-6
    - viewing, 2-4
- ## F
- file names
    - changing for log files, 1-3
    - Essbase server message database, 1-4
  - files
    - batch. *See* batch files

log. *See* log files  
 script. *See* scripts  
 fixing. *See* troubleshooting

## H

host names, problems, 3-20  
 Hyperion Essbase. *See* Essbase  
 Hyperion Integration Server  
   connection path, diagram, 3-6  
   message file, 1-6  
   release number, checking, 3-14  
 Hyperion Integration Server Desktop  
   common problems, 3-2  
   port number, 1-4, 3-27  
   problems, correcting, 3-28  
   testing connection to Essbase, 3-18  
   testing connection to RDBMS, 3-16

## I

incompatibility, problems with product versions,  
   3-14  
 incremental loads, script syntax, 5-9  
 informational messages, 1-3  
 Integration Server. *See* OLAP Integration Server  
 interactive mode, OLAP Command Interface, 5-4  
 INTERSOLV. *See* MERANT  
 introduction, vii  
 is.csh file, using, 3-11  
 is.sh file, using, 3-11  
 ismesg.mdb file, 1-6  
 isolating, connection problems, overview, 3-6  
 ivtest program, 3-10

## J

JOIN\_HINTS table, 4-5

## L

Levels, 6-11  
 library path, common problems, 3-3  
 listeners, setting, 1-4  
 LOAD commands  
   list, 5-5  
   time required to execute, 5-5

  using, 5-4  
 LOADALL command, described, 5-16  
 LOADDATA command  
   described, 5-14  
   example of, 5-21  
 loading  
   data, optimizing, 1-4  
   data, time required, 5-5  
   data, using OLAP Command Interface, 5-4  
   from the command line, 5-21  
   OLAP Command Interface and, 5-20, 5-21  
   OLAP Metadata Catalog and, 1-1, 4-2  
   test, members into Essbase, 3-17  
 LOADMEMBER command  
   connections made by, 3-13  
   described, 5-13  
   example of, 5-21  
   using to test connections, 3-13  
 locks  
   defined, 2-2  
   deleting, 2-4, 2-6  
   metaoutlines, 2-2  
   OLAP models, 2-2  
   optimistic, 2-2  
   read, deleting, 2-6  
   read, viewing, 2-5  
   storage location in the OLAP Metadata Catalog,  
     2-4  
   timestamps and, 2-5  
   unreleased, 2-4  
   viewing, 2-4  
   viewing, example, 2-5  
   working with, 2-1, 2-2  
   write, deleting, 2-6  
   write, viewing, 2-5  
 log files  
   Administration Manager  
     application, 6-15  
     server, 6-15  
   changing name and location, 1-3  
   contents, 1-5  
   messages recording level, 1-3  
   OLAP Integration Server, viewing, 1-5  
 logging level, 1-3  
 LOGIN command  
   described, 5-10

- example of, 5-20, 5-21
- login problems, correcting, 3-21
- login script
  - diagnosing problems, 3-11
  - problems, 3-8
- LOGOUT command, 5-19

## M

- managing
  - locks and permissions, 2-1
  - user names and passwords, 3-21
- MB\_FILTER table, 4-3
- MB\_TX\_RULE table, 4-3
- member loads
  - checking script syntax, 5-6
  - command line, 5-20, 5-21
  - LOADMEMBER command, 5-13
  - OLAP Metadata Catalog and, 1-1, 4-2
  - scripts, recording, 5-6
- menu bar, in Administration Manager, 6-3
- MERANT, ODBC driver problems, correcting, 3-24
- message file
  - Essbase, 1-6
  - Hyperion Integration Server, 1-6
- metaoutlines
  - access permissions, 2-7
  - being overwritten, 2-3
  - locks, 2-2
  - opening in exclusive access mode, 2-3
  - opening in standard access mode, 2-2
  - permissions, viewing, 2-9
  - restoring, 4-2
  - storage, 4-2
  - tables in OLAP Metadata Catalog, 4-5
  - users, 2-4
- MO\_ACCESS\_CODE column, data defined, 2-10
- MO\_DESCRIPTIONS table, 4-7
- MO\_FILTERS table, 4-6
- MO\_INFO table, 4-6
- MO\_INFO table, contents, 2-9
- MO\_INTERSECTION table, 4-8
- MO\_PROPERTIES table, 4-6
- MOD\_INFO table, 4-6
- Model. *See* Hyperion Integration Server Desktop
- MODEL\_ACCESS\_CODE column

- data defined, 2-8
- MS\_INFO table, 4-6
- MS\_PREDICATES table, 4-7
- MS\_TX\_RULE table, 4-7
- MSR\_INFO table, 4-7
- MSR\_PREDICATES table, 4-7
- MSR\_TX\_RULE table, 4-7
- multi-threaded server, 1-1
- multi-user access, 2-2

## N

- names, of servers, problems, 3-20
- network listeners, setting, 1-4
- network problems, 3-5
- non-critical error messages, 1-3

## O

- OA\_INFO table, 4-3
- OD\_DETAILS table, 4-3
- OD\_INFO table, 4-4
- ODBC
  - common problems, 3-3
  - driver compatibility, 3-25
  - driver file, specifying on UNIX, 3-13
  - problems, correcting, 3-24
  - testing connection to RDBMS, 3-9
  - tracing utility, using, 3-29
  - troubleshooting, 3-1
- ODBC Administrator, 3-10
- ODBC Data Sources, odbc.ini file section, 3-12
- odbc.ini file
  - common problems, 3-9
  - inspecting for problems, 3-12
  - Trace parameter, 3-30
- ODBCDemo program, 3-10
- ODBCINI variable, 3-12
- OLAP Architect. *See* Hyperion Integration Server Desktop
- OLAP Builder. *See* Hyperion Integration Server Desktop
- OLAP Catalog. *See* OLAP Metadata Catalog
- OLAP Command Interface
  - asynchronous commands, 5-10
  - batch mode, 5-3
  - command syntax, 5-6

- commands, list, 5-9
  - description, 5-3
  - executing commands, 5-6
  - information, 5-1
  - interactive mode, 5-4
  - loading data with, 5-21
  - loading members with, 5-20
  - running scripts with, 5-7
  - SHUTDOWN command, 1-5
  - starting, 5-2
  - using to test connections, 3-13
- OLAP Command Interface commands
  - EXIT, 5-20
  - LOADALL, 5-16
  - LOADDATA, 5-14
  - LOADMEMBER, 5-13
  - LOGIN, 5-10
  - LOGOUT, 5-19
  - SETCATALOG, 5-12
  - SETSOURCE, 5-11
  - SETTARGET, 5-12
  - SHUTDOWN, 5-19
  - STATUS, 5-10
  - syntax, 5-6
  - VERSION, 5-11
- OLAP Command Script files, 5-8
- OLAP Integration Server
  - buffer size for loads, 1-4
  - common problems, 3-2
  - defined, 1-1
  - determining user access, 2-5
  - log files, 1-5
  - logging on to, 5-10, 5-20, 5-21
  - logging out of, 5-19
  - OLAP Metadata Catalog, information in, 4-2
  - port number, 1-4, 3-27
  - prerequisites for, 1-2
  - problems, correcting, 3-26
  - server name problems, 3-20
  - shutting down, 1-5, 5-19
  - starting, 1-2
  - testing connection to Essbase, 3-17
  - testing connection to RDBMS, 3-13
- OLAP Integration Server users
  - creating, 2-2
  - defined, 2-1
  - deleting, 2-2
  - disconnecting, 2-2
  - managing, 2-2
  - multiple, 2-4
  - viewing, 2-2
  - viewing locks, 2-4
- OLAP Metadata Catalog
  - accessing, 2-1
  - backups, 4-2
  - connecting to, 5-21
  - connection problems, 3-2, 3-4
  - deleting locks, 2-6
  - description of, 4-2
  - Drill-Through tables in, 4-8
  - identifying before loading, 5-12
  - manual editing, 4-2
  - metaoutline tables, 4-5
  - OLAP Integration Server and, 1-1
  - OLAP model tables, 4-3
  - problems, database level, 3-22
  - recovery, 4-2
  - tables in, 4-1
  - users, 2-2
- OLAP metaoutline. *See* metaoutline
- OLAP models
  - access permissions, 2-7
  - accessing, 2-1
  - being overwritten, 2-3
  - locks, 2-2
  - opening in exclusive access mode, 2-3
  - opening in standard access mode, 2-2
  - permissions, viewing, 2-8
  - restoring, 4-2
  - storage, 4-2
  - tables in OLAP Metadata Catalog, 4-3
  - users, 2-4, 2-5
- olapicmd program
  - problems, 3-14
  - starting, 5-2
- olapisvr program
  - command-line switches, 1-3
  - starting, 1-2
- olapisvr.log file, specifying location, 1-3
- OM\_DESCRIPTION table, 4-5
- OM\_INFO table, 4-4
- OM\_INFO table, contents, 2-8

OMB\_DETAILS table, 4-4  
 OMB\_INFO table, 4-4  
 online guide  
   accessing, ix  
   displaying, ix  
   searching, ix  
 online help  
   accessing, ix  
   printing, ix  
 Open Database Connectivity. *See* ODBC  
 opening  
   metaoutlines, options, 2-2  
   OLAP models, options, 2-2  
 optimistic locking, 2-2  
 optimizing, data loads, 1-4  
 Oracle  
   common problems, 3-4  
   tnsnames.ora file, 3-25  
 orphaned locks, deleting, 2-4, 2-6  
 OV\_INFO table, 4-4  
 overwriting, OLAP models and metaoutlines,  
   problem, 2-3  
 OVL\_REL\_DETAILS table, 4-4  
 OVL\_REL\_INFO table, 4-4  
 OVP\_REL\_DETAILS table, 4-5  
 OVP\_REL\_INFO table, 4-5

**P**

password problems, 3-2, 3-21  
 performance, enhancing, data loads, 1-4  
 permissions  
   changing, 2-7  
   for metaoutlines, 2-7  
   for OLAP models, 2-7  
   problems in the RDBMS, 3-8  
   shutting down OLAP Integration Server, 5-19  
   viewing, 2-7, 2-8, 2-9  
   working with, 2-1  
 port 3388, 1-4, 3-27  
 prerequisites  
   for OLAP Integration Server, 1-2  
   for using this guide, vii  
   OLAP Command Interface, 5-2  
 privileges, common problems, 3-2  
 problems

  system-level, 3-19  
   with connections, correcting, 3-1  
   with ODBC, correcting, 3-1  
 profile file, 3-11

## R

**RDBMS**

client problems, correcting, 3-23  
 common problems, 3-2  
 problems, correcting, 3-22  
 server name problems, 3-20  
 testing connection from database client, 3-8  
 testing connection from Hyperion Integration  
   Server Desktop, 3-16  
 testing connection from ODBC, 3-9  
 testing connection from OLAP Integration  
   Server, 3-13  
 user account problems, 3-8  
 read access, setting, 2-7  
 read locks  
   defined, 2-2  
   deleting, 2-6  
   viewing, 2-5  
 recording  
   data load scripts, 5-6  
   member load scripts, 5-6  
 recovery, OLAP Metadata Catalog, 4-2  
 related documentation, viii  
 relational database management system. *See*  
   RDBMS  
 relational databases  
   authorities for, 6-11  
   connections to, diagram, 3-6  
   global privilege settings, 6-11  
   problems, correcting, 3-22  
 releases  
   compatibility problems, 3-14  
   determining for Hyperion Integration Server,  
     5-11  
 restoring  
   metaoutlines, 4-2  
   OLAP Metadata Catalogs, 4-2  
   OLAP models, 4-2  
 right-click menus, xi  
 rights, problems in the RDBMS, 3-8

## running

- OLAP Command Interface, 5-2
- scripts with OLAP Command Interface, 5-7

**S**

scheduling, batch files for loads, 5-20, 5-21

## scripts

- incremental loads, syntax, 5-9
- member and data loads, recording, 5-6
- running with OLAP Command Interface, 5-7

## security

- access permissions, 2-7
- locks, 2-2
- problems, 3-5

## server

- addressing problems, 3-20
- name problems, 3-20

## server software

- port number, 3-27
- problems, correcting, 3-26
- troubleshooting, 3-1

Servers menu, OLAP Metadata Catalog, Delete

- Locks command, 2-4

## SET commands

- list, 5-4
- using, 5-4

## SETCATALOG command

- described, 5-12
- example of, 5-21

## SETSOURCE command

- described, 5-11
- example of, 5-20, 5-21

## SETTARGET command

- described, 5-12
- example of, 5-20, 5-21

## setting

- data source, 5-11, 5-20, 5-21
- Essbase server, 5-20, 5-21
- network listeners, 1-4
- OLAP Metadata Catalog, 5-12, 5-21
- target Essbase data server, 5-12

SHUTDOWN command, 1-5, 5-19

shutting down, OLAP Integration Server, 1-5, 5-19

## software components

- common problem areas, 3-5

common problems, 3-2

SQL Server, common problems, 3-4

standard access mode, 2-2

Starting, 6-5

## starting

- OLAP Command Interface, 5-2
- OLAP Integration Server, methods, 1-2
- OLAP Integration Server, programs necessary, 1-2

starting and stopping applications in Administration Manage, 6-5

STATUS command, described, 5-10

stopping, OLAP Integration Server, 1-5

## storage

- metaoutline, 4-2
- OLAP Integration Server users, 2-2
- OLAP model, 4-2

switches, for olapisvr, 1-3

Sybase, common problems, 3-4

syntax, OLAP Command Interface commands, 5-6

system variables. *See* environment variables

system-level problems, 3-19

**T**

## tables

- Drill-Through, 4-8
- in the OLAP Metadata Catalog, 4-1
- metaoutline, 4-5
- miscellaneous, 4-9
- OLAP model, 4-3
- read-only, 4-2

TCP/IP, problems, 3-5

technical support, xii

## testing

- connections, overview, 3-6
- database client, 3-8
- Hyperion Integration Server Desktop connection to RDBMS, 3-16
- Hyperion Integration Server Desktop to Essbase, 3-18
- ODBC connection to RDBMS, 3-9
- ODBC on UNIX, 3-11
- OLAP Integration Server connection to RDBMS, 3-13

- OLAP Integration Server connection to Essbase, 3-17
- timestamp, locks and, 2-5
- tnsnames.ora file, 3-25
- Trace parameter, odbci.ini file, 3-30
- tracing utility
  - ODBC for UNIX, 3-30
  - ODBC for Windows, 3-29
- training services, xi
- troubleshooting
  - connections, 3-1
  - ODBC, 3-1
  - system-level problems, 3-19
- turning off, OLAP Integration Server, 1-5
- types of users, 6-10
- types of users, Administration Manager, 6-8
- typographical conventions, x

## U

- UNIX
  - ODBC tracing, 3-30
  - testing ODBC, 3-11
- unreleased locks, deleting, 2-4, 2-6
- user accounts, administrative, 3-8
- user names
  - locks and, 2-4
  - problems with, 3-2, 3-21
- user privileges, in Administration Manager
  - applications, 6-10
  - databases, 6-10
- user privileges, in Administration Manager
  - about, 6-10
- user types, Administration Manager, 6-10
- users
  - Administration Manager, 6-8
  - deleting, 2-2
  - disconnecting, 2-2
  - Essbase, defined, 2-1
  - managing permissions and locks, 2-1
  - multiple, 2-4
  - OLAP Integration Server, creating, 2-2
  - OLAP Integration Server, defined, 2-1
  - OLAP Integration Server, deleting, 2-2
  - OLAP Integration Server, disconnecting, 2-2
  - OLAP Integration Server, managing, 2-2

- OLAP Integration Server, viewing, 2-2
- renaming, 6-10
- types, 6-10
- using the Administration Manager GUI, 6-2

## V

- variables. *See* environment variables
- VERSION command, described, 5-11
- versions, compatibility problems, 3-14
- viewing
  - log files, 1-5
  - permissions for metaoutlines, 2-9
  - permissions for OLAP models, 2-8

## W

- warning messages, 1-3
- Web support, xii
- Windows
  - ODBC tracing, 3-29
  - testing ODBC, 3-10
- write access, setting, 2-7
- write locks
  - defined, 2-2
  - deleting, 2-6
  - viewing, 2-5

