

Printing solutions for Supply Chain Management



Supply chain output is business-critical

Keep Your Products – and Your Business – Moving

In your supply chain, nothing is more critical to profitability than keeping your product moving. You need to deliver the right product to the right place at the right time. If your products don't move, your supply chain can slow or break down, eroding profits through operational inefficiencies, chargebacks or even lost customers.

What keeps your product moving through the supply chain is the right information – compliance labels, tags and tickets. What keeps all this information moving is printers.

The IBM 4400 Thermal Printer – a reliable, high-performance thermal printer – can help you reduce costs by keeping the information in your supply chain moving efficiently and profitably, around the clock. The IBM 4400 can help:

- Reduce the costs and time involved in managing many printers with its remote printer management utility
- Reduce the costs associated with poorly printed labels with its optional bar code validator
- Eliminate costly downtime with its superior design and durable construction
- Ensure maximum flexibility to meet all your supply chain printing needs.



The IBM 4400 – with its IBM Printer Management Utility, superior design, and optional validator – makes it easy to keep your products moving through the supply chain efficiently

Save time and effort with remote printer management

In most companies, printers are distributed in many different locations throughout the enterprise, making them difficult to monitor and manage. With IBM's Printer Management Utility (PMU) and the IBM 4400, you can monitor productivity, address problems and even change printer configurations using software and printer settings downloaded from a host computer – for one or many printers – right from your desktop.



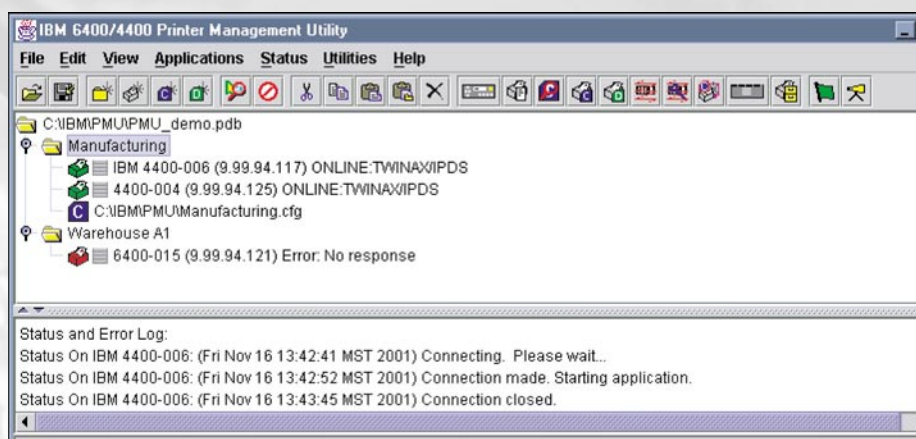
The printer's operator panel can be accessed remotely from your workstation to change configurations or settings.

By automatically providing e-mail notification of printer failure or other problems to the appropriate operator, PMU can help reduce printer downtime. The main database in PMU allows you to view real-time printer status and printer supplies life so that you can quickly fix local problems and minimise costly interruptions.

Reduce chargebacks with reliable bar codes

When the companies that receive your products can't read the bar code or compliance label, your business may suffer chargeback costs or other costs associated with returned products that need to be reprocessed and reshipped. Bad labels result from problems with printers, poor ribbon, poor media or operator error. Without a way to validate labels before they're placed in use, you may never know where the problem is or where your supply chain may break down as a result.

The IBM 4400 includes an integrated bar code validator option that can help assure total output quality control for your labels. The validator, which is attached to the IBM 4400, scans the bar codes immediately after printing to ensure viability. If the validator detects a bad bar code, it marks out the label by printing over it. Then, it reprints the label and revalidates it. With this cost-effective validation process, you can reduce or even eliminate chargebacks and recirculation lines associated with bad bar codes.



Take charge with IBM's Printer Management Utility (PMU), which comes with the IBM 4400, giving you drag-and-drop ease for making printer configuration changes.

Reduce printer downtime with superior design and durable construction

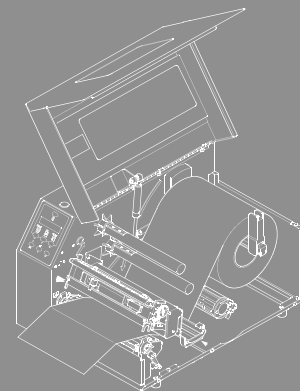
Step into a typical printing environment and you may see a variety of printers in disrepair – some with missing doors, covers, windows or ribbon cutting tools – even some with ‘don’t touch’ signs taped on the side. What you see shows that poor printer design, overdue maintenance and poor printer construction are all too common. The IBM 4400 is designed for rigorous, day-to-day use in an industrial environment.

Reliability backed by IBM Service and Support

To expedite diagnosis and repair, IBM customer engineers specialising in printing offer the highest skills available. Knowledgeable professionals, powerful technology and customised service options, available globally through IBM Service, help you optimise every aspect of your printing operation.

The IBM 4400 includes many features designed for maximum uptime and durability

- *Solid aluminum die-cast framing and a combination of metal and composite parts help ensure long-term reliability and operator safety.*
- *Direct-drive ribbon motors can eliminate problems associated with clutch-driven competitive products, helping to reduce maintenance costs and minimise production interruptions.*
- *Easy ribbon and media loading and unloading minimises operator intervention.*
- *A longer ribbon (625 metres versus competitors’ 450 metres) helps ensure fewer job interruptions and higher productivity.*
- *Highly flexible user adjustments provide for maximum print head life.*
- *Attention light on top of the machine notifies operators of printer errors.*
- *Easy-to-use operator panel with an easy-to-read display helps ensure that problems can be addressed quickly.*
- *More memory helps make processing of complex forms faster.*



Maximise flexibility with printer versatility

The IBM 4400 delivers the versatility you need to keep the information in your supply chain moving efficiently, including:

- *Three different print widths and user switchable 203 or 300 dpi print heads to accommodate many jobs:*
 - 4400-004 model, 4.1 inches (maximum print width)
 - 4400-006 model, 6.6 inches (maximum print width)
 - 4400-008 model, 8.5 inches (maximum print width)
- *Premium quality wax, wax/resin and resin ribbons to support multiple label widths*
- *An open architecture to help reduce custom programming expenses associated with changing label formats*
- *Thermal transfer and thermal direct printing ability*
- *Optional rewinder for all models for 'peel and present' and label rewinding*
- *Support of IPDS, Code V IGP emulation as well as ZPL- II graphic language, through the use of the interpreter LMU (Legacy Migration Utility).*

Choose a printer that can keep your business moving

For all the reasons that you choose IBM solutions for your business, consider IBM printing solutions to keep your supply chain information – and products – moving. For every supply chain printing job, there's a feature-rich, budget-friendly, reliable IBM solution backed by the IBM worldwide service and support organisation. For more information, contact your local IBM Printing Systems representative or visit:

ibm.com/printers/scm





IBM United Kingdom Limited

1 New Square
Bedfont Lakes
Feltham
Middlesex
TW14 8HB

The IBM home page can be found at
ibm.com

UK company-wide registration to ISO9001

Certificate number FM 12587

IBM, the IBM logo and e(logo) are registered trademarks of International Business Machines Corporation in the United States, or countries, or both.

Other company, product and service names may be trademarks, or service marks of others.

References in this publication to IBM products, programs or services do not imply that IBM intends to make these available in all countries in which IBM operates. Any reference to an IBM product, program or service is not intended to imply that only IBM's product, program or service may be used. Any functionally equivalent product, program or service may be used instead.

IBM hardware products are manufactured from new parts, or new and used parts. In some cases, the hardware product may not be new and may have been previously installed. Regardless, IBM warranty terms apply.

This publication is for general guidance only.

Photographs may show design models.

© Copyright IBM Corporation 2002.