

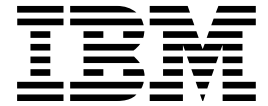
IBM Print Services Facility for AIX:



AFP Upload Configuration Guide Using SNA

Version 2.1

IBM Print Services Facility for AIX:



AFP Upload Configuration Guide Using SNA

Version 2.1

Second Edition (October, 1996)

This edition of the *IBM Print Services Facility for AIX: AFP Upload Configuration Guide Using SNA* applies to IBM Print Services Facility for AIX Version 2 Release 1 Modification 0 and to all subsequent releases of this product until otherwise indicated in new releases or technical newsletters.

The following paragraph does not apply to the United Kingdom or any country where such provisions are inconsistent with local law: INTERNATIONAL BUSINESS MACHINES CORPORATION PROVIDES THIS MANUAL "AS IS" WITHOUT WARRANTY OF ANY KIND, EITHER EXPRESSED OR IMPLIED, INCLUDING, BUT NOT LIMITED TO, THE IMPLIED WARRANTIES OF MERCHANTABILITY AND FITNESS FOR A PARTICULAR PURPOSE. Some states do not allow disclaimer of express or implied warranties in certain transactions; therefore, this statement may not apply to you.

IBM does not warrant that the contents of this publication or the accompanying source code examples, whether individually or as one or more groups, will meet your requirements or that the publication or the accompanying source code examples are error-free.

This publication could include technical inaccuracies or typographical errors. Changes are periodically made to the information herein; these changes will be incorporated in new editions of the publication. IBM may make improvements and/or changes in the product(s) and/or program(s) described in this publication at any time.

It is possible that this publication may contain references to, or information about, IBM products (machines and programs), programming, or services that are not announced in your country. Such references or information must not be construed to mean that IBM intends to announce such IBM products, programming, or services in your country. Any reference to an IBM licensed program in this publication is not intended to state or imply that you can use only IBM's licensed program. You can use any functionally equivalent program instead.

Order publications through your IBM representative or the IBM branch office serving your locality. Publications are not stocked at the address given below.

The IBM Printing Systems Company welcomes your comments. A form for reader's comments is provided at the back of this publication. If the form has been removed, you may send your comments to the following address:

INFORMATION DEVELOPMENT
THE IBM PRINTING SYSTEMS COMPANY
DEPARTMENT H7FE BUILDING 003G
PO BOX 1900
BOULDER CO 80301-9191

If you prefer to send comments electronically, use one of the following methods:

- Internet: print_pubs@us.ibm.com
- Fax: 1-800-524-1519

Internet

Visit our home page at <http://www.printers.ibm.com>

When you send information to IBM, you grant IBM a nonexclusive right to use or distribute the information in any way it believes appropriate without incurring any obligation to you.

© Copyright International Business Machines Corporation 1996. All rights reserved.

Note to U.S. Government Users — Documentation related to restricted rights — Use, duplication or disclosure is subject to restrictions set forth in GSA ADP Schedule Contract with IBM Corp.

Contents

Notices	xv
Trademarks and Acknowledgements	xvii
About This Publication	xix
Who Should Use This Publication	xix
Using the Documentation for PSF for AIX	xix
Hardcopy Publications	xix
Contextual Help for the PSF for AIX SMIT Panels	xx
PSF for AIX DynaText Hypertext Data Base	xx
PSF for AIX Online Message Catalog	xx
Related Publications	xxi
IBM Printing	xxi
Print Services Facility/MVS	xxi
AIX Operating System	xxi
SNA Server/6000	xxi
APPC/MVS	xxi
General SNA Communications	xxii
VTAM	xxii
NCP	xxii
Controller Guides	xxii
PL/I	xxii

Part 1. Overview and General Configuration Information	1
Chapter 1. Configuration Overview	3
What is AFP Upload?	3
What is SNA Server/6000?	3
What is APPC/MVS?	3
Software Prerequisites	4
An Overview of Network Configurations	5
Local 37xx Token Ring Configuration	5
Local 3172 Token Ring Configuration	5
Local 3174 Token Ring Gateway Configuration	6
Remote 3174 Token Ring Gateway Configuration	6
Local 37xx SDLC Configuration	6
How To Use This Guide	7
Chapter 2. General Information About the Host Server Program	9
Specifying the SYSPRINT DD Statement	10
Supported Configuration Parameters	11
Specifying the Configuration Parameters	12
Specifying PL/I Run-Time Options	12
Chapter 3. General Information About the AIX Client Program	13
Specifying Attributes Using the AIX enq Command	14
Chapter 4. Information About MVS Userids and Passwords	15
Determining Whether an MVS Userid and Password Are Necessary	15

Specifying an MVS Userid and Password	15
Errors and Symptoms Involving the MVS Userid and Password	16
Insufficient RACF Access to Resources in the APPC/MVS TP Profile	16
Expired MVS Password in .security File	16
Chapter 5. Understanding SYSOUT Data Set Attributes	17
Print Attributes Passed from AIX to MVS	17
Identification Attributes Passed from AIX to MVS	18
Attributes Obtained from the APPC/MVS TP Profile	18
Assigning Default Print Attributes to Uploaded Files	19
Chapter 6. General APPC/MVS Configuration Tasks	21
Creating VSAM Data Sets for TP and Side Information Profiles	21
Configuring and Running the APPC and ASCH Address Spaces	21
Chapter 7. General AIX Configuration Tasks and Considerations	23
SNA Server for AIX, SNA Server/6000, and SNA Services/6000	23
SNA Gateway/6000	23
Verifying and Updating SNA Server/6000 Configuration Profiles	24
SNA Server/6000 Use of Space in /var Filesystem	25
Making a Data Link Control (DLC) Available	26
"Calling" Versus "Listening" Link Stations	26
Using an Alternate Token Ring Address for a RISC System/6000	27
Independent Logical Units Versus Dependent Logical Units	28
Chapter 8. Troubleshooting Problems with AFP Upload	29
Places Where Error Information Is Recorded	29
Common Errors with AFP Upload Using SNA Networks	30
<hr/>	
Part 2. SNA Network Configuration Examples and Guidelines	33
Chapter 9. Local or Remote 37xx Token-Ring	35
Key Configuration Parameter Interrelationships	36
Local or Remote 37xx Token-Ring Example	39
APPC/MVS APPCPMxx Parameter Example	39
APPC/MVS ASCHPMxx Parameters Example	39
APPC/MVS TP Profile Example	40
VTAM Start Option List (ATCSTRxx) Example	41
VTAM Configuration List (ATCCONnn) Example	41
VTAM Application Program Major Node and Application Program Example	41
VTAM Switched Major Node Example	42
Network Control Program (NCP) Definitions Example	42
PSF for AIX Printer Example	43
SNA Server/6000 Configuration Profile Examples	44
Configuration Worksheet Example	51
Guidelines for Configuring Local or Remote 37xx Token-Ring	52
Specifying the APPC/MVS APPCPMxx Parameters	52
Specifying the APPC/MVS ASCHPMxx Parameters	52
Specifying the APPC/MVS TP Profile	53
Specifying the VTAM Start Option List (ATCSTRxx)	53
Specifying the VTAM Configuration List (ATCCONnn)	53
Specifying the VTAM Application Program Major Node and Application Program	54
Specifying the VTAM Switched Major Node	55

Specifying the Network Control Program Definitions	59
Specifying the PSF for AIX Printer	61
Specifying the SNA Server/6000 Profiles	62
Specifying the SNA Node Profile for AFP Upload	62
Specifying the Control Point Profile for AFP Upload	62
Specifying the Token-Ring SNA DLC Profile for AFP Upload	63
Specifying the Token-Ring Link Station Profile for AFP Upload	64
Specifying the LU 6.2 Local LU Profile for AFP Upload	66
Specifying the LU 6.2 Side Information Profile for AFP Upload	67
Specifying the Partner LU 6.2 Location Profile for AFP Upload	68
Configuration Worksheet	69
Chapter 10. Local 3172 Token-Ring	71
Key Configuration Parameter Interrelationships	72
Local 3172 Token-Ring Example	75
APPC/MVS APPCPMxx Parameters Example	75
APPC/MVS ASCHPMxx Parameters Example	75
APPC/MVS TP Profile Example	76
VTAM Start Option List (ATCSTRxx) Example	77
VTAM Configuration List (ATCCONnn) Example	77
VTAM Application Program Major Node and Application Program Example	77
VTAM Switched Major Node Example	78
VTAM External Communication Adapter (XCA) Major Node Example	78
PSF for AIX Printer Example	79
SNA Server/6000 Configuration Profile Examples	80
Configuration Worksheet Example	88
Guidelines for Configuring Local 3172 Token-Ring	89
Specifying the APPC/MVS APPCPMxx Parameters	89
Specifying the APPC/MVS ASCHPMxx Parameters	89
Specifying the APPC/MVS TP Profile	90
Specifying the VTAM Start Option List (ATCSTRxx)	90
Specifying the VTAM Configuration List (ATCCONnn)	90
Specifying the VTAM Application Program Major Node and Application Program	91
Specifying the VTAM Switched Major Node	92
Specifying the VTAM External Communication Adapter (XCA) Major Node	96
Specifying the PSF for AIX Printer	97
Specifying the SNA Server/6000 Profiles	98
Specifying the SNA Node Profile for AFP Upload	98
Specifying the Control Point Profile for AFP Upload	98
Specifying the Token-Ring SNA DLC Profile for AFP Upload	99
Specifying the Token-Ring Link Station Profile for AFP Upload	100
Specifying the LU 6.2 Local LU Profile for AFP Upload	103
Specifying the LU 6.2 Side Information Profile for AFP Upload	104
Specifying the Partner LU 6.2 Location Profile for AFP Upload	105
Configuration Worksheet	106
Chapter 11. Local 3174 Token-Ring Gateway	107
Key Configuration Parameter Interrelationships	108
Local 3174 Token-Ring Gateway Example	111
APPC/MVS APPCPMxx Parameters Example	111
APPC/MVS ASCHPMxx Parameters Example	111
APPC/MVS TP Profile Example	112
VTAM Start Option List (ATCSTRxx) Example	113
VTAM Configuration List (ATCCONnn) Example	113

VTAM Application Program Major Node and Application Program Example	113
VTAM Local Major Node Example	114
3174 Establishment Controller Configuration Example	114
PSF for AIX Printer Example	115
SNA Server/6000 Configuration Profile Examples	116
Configuration Worksheet Example	123
Guidelines for Configuring Local 3174 Token-Ring Gateway	124
Specifying the APPC/MVS APPCPMxx Parameters	124
Specifying the APPC/MVS ASCHPMxx Parameters	124
Specifying the APPC/MVS TP Profile	125
Specifying the VTAM Start Option List (ATCSTRxx)	125
Specifying the VTAM Configuration List (ATCCONnn)	125
Specifying the VTAM Application Program Major Node and Application Program	126
Specifying the VTAM Local Major Node	127
Specifying the 3174 Establishment Controller Configuration	129
Specifying the PSF for AIX Printer	131
Specifying the SNA Server/6000 Profiles	132
Specifying the SNA Node Profile for AFP Upload	132
Specifying the Control Point Profile for AFP Upload	132
Specifying the Token-Ring SNA DLC Profile for AFP Upload	133
Specifying the Token-Ring Link Station Profile for AFP Upload	134
Specifying the LU 6.2 Local LU Profile for AFP Upload	136
Specifying the LU 6.2 Side Information Profile for AFP Upload	137
Specifying the Partner LU 6.2 Location Profile for AFP Upload	138
Configuration Worksheet	139
Chapter 12. Remote 3174 Token-Ring Gateway	141
Key Configuration Parameter Interrelationships	142
Remote 3174 Token-Ring Gateway Example	145
APPC/MVS APPCPMxx Parameters Example	145
APPC/MVS ASCHPMxx Parameters Example	145
APPC/MVS TP Profile Example	146
VTAM Start Option List (ATCSTRxx) Example	147
VTAM Configuration List (ATCCONnn) Example	147
VTAM Application Program Major Node and Application Program Example	147
Network Control Program (NCP) Definitions Example	148
3174 Establishment Controller Configuration Example	149
PSF for AIX Printer Example	149
SNA Server/6000 Configuration Profile Examples	150
Configuration Worksheet Example	157
Guidelines for Configuring Remote 3174 Token-Ring Gateway	158
Specifying the APPC/MVS APPCPMxx Parameters	158
Specifying the APPC/MVS ASCHPMxx Parameters	158
Specifying the APPC/MVS TP Profile	159
Specifying the VTAM Start Option List (ATCSTRxx)	159
Specifying the VTAM Configuration List (ATCCONnn)	159
Specifying the VTAM Application Program Major Node and Application Program	160
Specifying the Network Control Program Definitions	161
Specifying the 3174 Establishment Controller Configuration	164
Specifying the PSF for AIX Printer	166
Specifying the SNA Server/6000 Profiles	167
Specifying the SNA Node Profile for AFP Upload	167
Specifying the Control Point Profile for AFP Upload	167
Specifying the Token-Ring SNA DLC Profile for AFP Upload	168

Specifying the Token-Ring Link Station Profile for AFP Upload	169
Specifying the LU 6.2 Local LU Profile for AFP Upload	171
Specifying the LU 6.2 Side Information Profile for AFP Upload	172
Specifying the Partner LU 6.2 Location Profile for AFP Upload	173
Configuration Worksheet	174
Chapter 13. Local and Remote 37xx SDLC	175
Key Configuration Parameter Interrelationships	176
Local or Remote 37xx SDLC Example	179
APPC/MVS APPCPMxx Parameters Example	179
APPC/MVS ASCHPMxx Parameters Example	179
APPC/MVS TP Profile Example	180
VTAM Start Option List (ATCSTRxx) Example	181
VTAM Configuration List (ATCCONnn) Example	181
VTAM Application Program Major Node and Application Program Example	181
Network Control Program (NCP) Definitions Example	182
PSF for AIX Printer Example	182
SNA Server/6000 Configuration Profile Examples	183
Configuration Worksheet Example	190
Guidelines for Configuring Local or Remote 37xx SDLC	191
Specifying the APPC/MVS APPCPMxx Parameters	191
Specifying the APPC/MVS ASCHPMxx Parameters	191
Specifying the APPC/MVS TP Profile	192
Specifying the VTAM Start Option List (ATCSTRxx)	192
Specifying the VTAM Configuration List (ATCCONnn)	192
Specifying the VTAM Application Program Major Node and Application Program	193
Specifying the Network Control Program Definitions	194
Specifying the PSF for AIX Printer	196
Specifying the SNA Server/6000 Profiles	197
Specifying the SNA Node Profile for AFP Upload	197
Specifying the Control Point Profile for AFP Upload	197
Specifying the SDLC SNA DLC Profile for AFP Upload	198
Specifying the SDLC Link Station Profile for AFP Upload	199
Specifying the LU 6.2 Local LU Profile for AFP Upload	201
Specifying the LU 6.2 Side Information Profile for AFP Upload	202
Specifying the Partner LU 6.2 Location Profile for AFP Upload	203
Configuration Worksheet	204
Glossary	205
References	205
Index	211

Figures

1.	Local 37xx Token-Ring	5
2.	Local 3172 Token-Ring	5
3.	Local 3174 Token-Ring Gateway	6
4.	Remote 3174 Token-Ring Gateway	6
5.	Local 37xx SDLC	6
6.	Passing Attributes Using the AIX enq Command	14
7.	Sample AIX Shell Script To Set Default Class And Destination Values.	19
8.	Configure SNA Log and Trace Files Panel	25
9.	Token Ring Adapter Values to Change	27
10.	Local or Remote 37xx Token-Ring	35
11.	Transaction Program Name	36
12.	Logical Unit Names	37
13.	Local Address of Logical Unit	37
14.	Physical Unit/Control Point Name	38
15.	Token-Ring Addresses	38
16.	Sample APPC/MVS APPCPMxx Parameters	39
17.	Sample APPC/MVS ASCHPMxx Parameters	39
18.	Sample JCL To Create an APPC/MVS TP Profile	40
19.	Sample VTAM Start Option List	41
20.	Sample VTAM Configuration List	41
21.	Sample VTAM Application Program Major Node and Application Program	41
22.	Sample VTAM Switched Major Node	42
23.	Sample NCP Definitions	42
24.	SMIT Panel Sequence for PSF for AIX Printer	43
25.	Sample PSF for AIX Printer	43
26.	SMIT Panel Sequence For SNA Node Profile	44
27.	Sample SNA Node Profile	44
28.	SMIT Panel Sequence For Control Point Profile	45
29.	Sample Control Point Profile	45
30.	SMIT Panel Sequence For Token-Ring SNA DLC Profile	46
31.	Sample Token-Ring SNA DLC Profile	46
32.	SMIT Panel Sequence For Token-Ring Link Station Profile	47
33.	Sample Token-Ring Link Station Profile	48
34.	SMIT Panel Sequence For LU 6.2 Local LU Profile	49
35.	Sample LU 6.2 Local LU Profile	49
36.	SMIT Panel Sequence For LU 6.2 Side Information Profile	49
37.	Sample LU 6.2 Side Information Profile	49
38.	SMIT Panel Sequence For Partner LU 6.2 Location Profile	50
39.	Sample Partner LU 6.2 Location Profile	50
40.	Sample Configuration Worksheet	51
41.	APPC/MVS APPCPMxx Parameter Guidelines	52
42.	VTAM Start Option List Guidelines	53
43.	VTAM Application Program Major Node and Application Program Guidelines	54
44.	VTAM Switched Major Node Guidelines for SNA Server/6000 Calling Link Station	55
45.	VTAM Switched Major Node Guidelines for SNA Server/6000 Listening Link Station	56
46.	NCP Definition Guidelines	59
47.	PSF for AIX Printer Guidelines	61
48.	Control Point Profile Guidelines	62
49.	Token-Ring SNA DLC Profile Guidelines	63
50.	Token-Ring Link Station Profile Guidelines	64

51.	LU 6.2 Local LU Profile Guidelines	66
52.	LU 6.2 Side Information Profile Guidelines	67
53.	Partner LU 6.2 Location Profile Guidelines	68
54.	Configuration Worksheet	69
55.	Local 3172 Token-Ring	71
56.	Transaction Program Name	72
57.	Logical Unit Names	73
58.	Local Address of Logical Unit	73
59.	Physical Unit/Control Point Name	74
60.	Token-Ring Addresses	74
61.	Sample APPC/MVS APPCPMxx Parameters	75
62.	Sample APPC/MVS ASCHPMxx Parameters	75
63.	Sample JCL to Create an APPC/MVS TP Profile	76
64.	Sample VTAM Start Option List	77
65.	Sample VTAM Configuration List	77
66.	Sample VTAM Application Program Major Node and Application Program	77
67.	Sample VTAM Switched Major Node	78
68.	Sample VTAM External Communication Adapter (XCA) Major Node Example	78
69.	SMIT Panel Sequence for PSF for AIX Printer	79
70.	Sample PSF for AIX Printer	79
71.	SMIT Panel Sequence For SNA Node Profile	80
72.	Sample SNA Node Profile	80
73.	SMIT Panel Sequence For Control Point Profile	81
74.	Sample Control Point Profile	81
75.	SMIT Panel Sequence For Token-Ring SNA DLC Profile	82
76.	Sample Token-Ring SNA DLC Profile	83
77.	SMIT Panel Sequence For Token-Ring Link Station Profile	84
78.	Sample Token-Ring Link Station Profile	85
79.	SMIT Panel Sequence For LU 6.2 Local LU Profile	86
80.	Sample LU 6.2 Local LU Profile	86
81.	SMIT Panel Sequence For LU 6.2 Side Information Profile	86
82.	Sample LU 6.2 Side Information Profile	86
83.	SMIT Panel Sequence For Partner LU 6.2 Location Profile	87
84.	Sample Partner LU 6.2 Location Profile	87
85.	Sample Configuration Worksheet	88
86.	APPC/MVS APPCPMxx Parameter Guidelines	89
87.	VTAM Start Option List Guidelines	90
88.	VTAM Application Program Major Node and Application Program Guidelines	91
89.	VTAM Switched Major Node Guidelines for SNA Server/6000 Calling Link Station	92
90.	VTAM Switched Major Node Guidelines for SNA Server/6000 Listening Link Station	93
91.	VTAM External Communication Adapter (XCA) Major Node Guidelines	96
92.	PSF for AIX Printer Guidelines	97
93.	Control Point Profile Guidelines	98
94.	Token-Ring SNA DLC Profile Guidelines	99
95.	Token-Ring Link Station Profile Guidelines	100
96.	LU 6.2 Local LU Profile Guidelines	103
97.	LU 6.2 Side Information Profile Guidelines	104
98.	Partner LU 6.2 Location Profile Guidelines	105
99.	Configuration Worksheet	106
100.	Local 3174 Token-Ring Gateway	107
101.	Transaction Program Name	108
102.	Logical Unit Names	109
103.	Local Address of Logical Unit	109
104.	Physical Unit/Control Point Name	110

105.	Token Ring Addresses	110
106.	Sample APPC/MVS APPCPMxx Parameters	111
107.	Sample APPC/MVS ASCHPMxx Parameters	111
108.	Sample APPC/MVS TP Profile Example	112
109.	Sample VTAM Start Option List	113
110.	Sample VTAM Configuration List	113
111.	Sample VTAM Application Program Major Node and Application Program	113
112.	Sample VTAM Local Major Node	114
113.	Sample 3174 Establishment Controller Configuration	114
114.	SMIT Panel Sequence for PSF for AIX Printer	115
115.	Sample PSF for AIX Printer	115
116.	SMIT Panel Sequence For SNA Node Profile	116
117.	Sample SNA Node Profile	116
118.	SMIT Panel Sequence For Control Point Profile	117
119.	Sample Control Point Profile	117
120.	SMIT Panel Sequence For Token-Ring SNA DLC Profile	118
121.	Sample Token-Ring SNA DLC Profile	118
122.	SMIT Panel Sequence For Token-Ring Link Station Profile	119
123.	Sample Token-Ring Link Station Profile	120
124.	SMIT Panel Sequence For LU 6.2 Local LU Profile	121
125.	Sample LU 6.2 Local LU Profile	121
126.	SMIT Panel Sequence For LU 6.2 Side Information Profile	121
127.	Sample LU 6.2 Side Information Profile	121
128.	SMIT Panel Sequence For Partner LU 6.2 Location Profile	122
129.	Sample Partner LU 6.2 Location Profile	122
130.	Sample Configuration Worksheet	123
131.	APPC/MVS APPCPMxx Parameter Guidelines	124
132.	VTAM Start Option List Guidelines	125
133.	VTAM Application Program Major Node and Application Program Guidelines	126
134.	VTAM Local Major Node Guidelines	127
135.	Sample 3174 Establishment Controller Configuration	129
136.	PSF for AIX Printer Guidelines	131
137.	Control Point Profile Guidelines	132
138.	Token-Ring SNA DLC Profile Guidelines	133
139.	Token-Ring Link Station Profile Guidelines	134
140.	LU 6.2 Local LU Profile Guidelines	136
141.	LU 6.2 Side Information Profile Guidelines	137
142.	Partner LU 6.2 Location Profile Guidelines	138
143.	Configuration Worksheet	139
144.	Remote 3174 Token-Ring Gateway	141
145.	Transaction Program Name	142
146.	Logical Unit Names	143
147.	Local Address of Logical Unit	143
148.	Physical Units/Control Point Name	144
149.	Token-Ring Addresses	144
150.	Sample APPC/MVS APPCPMxx Parameters Example	145
151.	Sample APPC/MVS ASCHPMxx Parameters Example	145
152.	Sample JCL to Create an APPC/MVS TP Profile Example	146
153.	Sample VTAM Start Option List	147
154.	Sample VTAM Configuration List	147
155.	Sample VTAM Application Program Major Node and Application Program	147
156.	Sample NCP Definitions	148
157.	Sample 3174 Establishment Controller Configuration	149
158.	SMIT Panel Sequence for PSF for AIX Printer	149

159.	Sample PSF for AIX Printer	149
160.	SMIT Panel Sequence For SNA Node Profile	150
161.	Sample SNA Node Profile	150
162.	SMIT Panel Sequence For Control Point Profile	151
163.	Sample Control Point Profile	151
164.	SMIT Panel Sequence For Token-Ring SNA DLC Profile	152
165.	Sample Token-Ring SNA DLC Profile	152
166.	SMIT Panel Sequence For Token-Ring Link Station Profile	153
167.	Sample Token-Ring Link Station Profile	154
168.	SMIT Panel Sequence For LU 6.2 Local LU Profile	155
169.	Sample LU 6.2 Local LU Profile	155
170.	SMIT Panel Sequence For LU 6.2 Side Information Profile	155
171.	Sample LU 6.2 Side Information Profile	155
172.	SMIT Panel Sequence For Partner LU 6.2 Location Profile	156
173.	Sample Partner LU 6.2 Location Profile	156
174.	Sample Configuration Worksheet	157
175.	APPC/MVS APPCPMxx Parameter Guidelines	158
176.	VTAM Start Option List Guidelines	159
177.	VTAM Application Program Major Node and Application Program Guidelines	160
178.	NCP Definitions for a Multi-point Configuration	161
179.	NCP Definitions for a Point-to-Point Configuration	161
180.	Sample 3174 Establishment Controller Configuration	164
181.	PSF for AIX Printer Guidelines	166
182.	Control Point Profile Guidelines	167
183.	Token-Ring SNA DLC Profile Guidelines	168
184.	Token-Ring Link Station Profile Guidelines	169
185.	LU 6.2 Local LU Profile Guidelines	171
186.	LU 6.2 Side Information Profile Guidelines	172
187.	Partner LU 6.2 Location Profile Guidelines	173
188.	Sample Configuration Worksheet	174
189.	Local and Remote 37xx SDLC	175
190.	Transaction Program Name	176
191.	Logical Unit Names	177
192.	Local Address of Logical Unit	177
193.	Physical Unit/Control Point Name	178
194.	Station Address	178
195.	Sample APPC/MVS APPCPMxx Parameters	179
196.	Sample APPC/MVS ASCHPMxx Parameters	179
197.	Sample JCL to Create an APPC/MVS TP Profile	180
198.	Sample VTAM Start Option List	181
199.	Sample VTAM Configuration List	181
200.	Sample VTAM Application Program Major Node and Application Program	181
201.	Sample NCP Definitions	182
202.	SMIT Panel Sequence for PSF for AIX Printer	182
203.	Sample PSF for AIX Printer	182
204.	SMIT Panel Sequence For SNA Node Profile	183
205.	Sample SNA Node Profile	183
206.	SMIT Panel Sequence For Control Point Profile	184
207.	Sample Control Point Profile	184
208.	SMIT Panel Sequence For SDLC EIA2332D SNA DLC Profile	185
209.	Sample SDLC EIA232D SNA DLC Profile	185
210.	SMIT Panel Sequence For Token-Ring Link Station Profile	186
211.	Sample SDLC EIA232D Link Station Profile	187
212.	SMIT Panel Sequence For LU 6.2 Local LU Profile	188

213. Sample LU 6.2 Local LU Profile	188
214. SMIT Panel Sequence For LU 6.2 Side Information Profile	188
215. Sample LU 6.2 Side Information Profile	188
216. SMIT Panel Sequence For Partner LU 6.2 Location Profile	189
217. Sample Partner LU 6.2 Location Profile	189
218. Sample Configuration Worksheet	190
219. APPC/MVS APPCPMxx Parameter Guidelines	191
220. VTAM Start Option List Guidelines	192
221. VTAM Application Program Major Node and Application Program Guidelines	193
222. NCP Definition Guidelines	194
223. PSF for AIX Printer Guidelines	196
224. Control Point Profile Guidelines	197
225. SDLC SNA DLC Profile Guidelines	198
226. SDLC SNA DLC Profile Guidelines	199
227. LU 6.2 Local LU Profile Guidelines	201
228. LU 6.2 Side Information Profile Guidelines	202
229. Partner LU 6.2 Location Profile Guidelines	203
230. Configuration Worksheet	204

Notices

References in this publication to products or services of IBM do not suggest or imply that IBM will make them available in all countries where IBM does business or that only products or services of IBM may be used. Non-infringing equivalents may be substituted, but the user must verify that such substitutes, unless expressly designated by IBM, work correctly. No license, expressed or implied, to patents or copyrights of IBM is granted by furnishing this document.

Trademarks and Acknowledgements

ACF/NCP is a trademark of International Business Machines Corporation.

ACF/VTAM is a trademark of International Business Machines Corporation.

Advanced Function Printing is a trademark of International Business Machines Corporation.

AFP is a trademark of International Business Machines Corporation.

AFP Upload is a trademark of International Business Machines Corporation.

Advanced Peer-to-Peer Networking is a trademark of International Business Machines Corporation.

APPN is a trademark of International Business Machines Corporation.

AIX is a registered trademark of International Business Machines Corporation.

AIXwindows is a registered trademark of International Business Machines Corporation.

AIX/6000 is a trademark of International Business Machines Corporation.

Ethernet is a trademark of Xerox Corporation.

IBM is a registered trademark of International Business Machines Corporation.

NCP is a trademark of International Business Machines Corporation.

Netview is a trademark of International Business Machines Corporation.

PostScript is a registered trademark of Adobe Systems Incorporated.

POWERserver is a trademark of International Business Machines Corporation.

POWERstation is a trademark of International Business Machines Corporation.

Print Services Facility for AIX is a trademark of International Business Machines Corporation.

PSF for AIX is a trademark of International Business Machines Corporation.

RISC System/6000 is a registered trademark of International Business Machines Corporation.

System/370 is a trademark of International Business Machines Corporation.

S/370 is a trademark of International Business Machines Corporation.

SNA Gateway/6000 is a trademark of International Business Machines Corporation.

SNA Server/6000 is a trademark of International Business Machines Corporation.

UNIX is a registered trademark in the United States and other countries, licensed exclusively through X/Open Company Limited.

VTAM is a trademark of International Business Machines Corporation.

About This Publication

This publication contains examples and guidelines for configuring AFP Upload on SNA networks.

These configurations represent Systems Network Architecture (SNA) communications networks of the following types:

- SDLC
- token-ring

AFP Upload can also be used with other types of SNA networks that provide an LU 6.2 session between an AIX system and an MVS system. Examples of other network types include ethernet and X.25. These network types are not described in this publication.

Who Should Use This Publication

Any systems administrator or networking specialist responsible for configuring or using AFP Upload on SNA networks.

Using the Documentation for PSF for AIX

IBM PSF for AIX provides the following types of documentation:

- Hardcopy publications
- Contextual help for the PSF for AIX SMIT panels
- PSF for AIX DynaText hypertext data base
- PSF for AIX online message catalog

Hardcopy Publications

PSF for AIX ships with the following hardcopy publications, some of which are also available as DynaText hypertext information and as BookManager information (on the *Printing and Publishing: Collection Kit*):

- *IBM Print Services Facility for AIX: AIX for Users of Print Services Facility*, G544-3877. For PSF users who are new to AIX, this publication helps you learn some of the basic AIX concepts and basic commands used in the AIX environment so that you can print using PSF for AIX.
- *IBM Print Services Facility for AIX: Print Administration*, S544-3817. This publication provides instructions for installing, customizing, configuring, and using PSF for AIX and is intended for the person who administers your system.
- *IBM Print Services Facility for AIX: Print Submission*, S544-3878. This publication provides instructions for submitting print jobs using PSF for AIX and is intended for the end user.
- *IBM Print Services Facility for AIX: PSF Direct Network Configuration Guide for S/370*, S544-5287. This publication is intended for a systems administrator or network specialist responsible for configuring their system for AFP Upload, a function of PSF for AIX that allows another PSF program (PSF/VM, PSF/MVS, PSF/VSE, or PSF/400) to print remotely, using the SNA LU 6.2 protocol, on printers supported by PSF for AIX. The PSF program sends the print data stream directly to the PSF for AIX printer, bypassing the AIX spool.
- *IBM Print Services Facility for AIX: Guide for Printer and COM Operators*, S544-5286. This publication is intended for people whose PSF for AIX systems have been customized for restricted access to operations functions. This customization must be done at installation for each user ID.

- *AFP Conversion and Indexing Facility: User's Guide*, S544-5285. This publication is intended for application programmers interested in preparing their Advanced Function Presentation (AFP) files for archival and retrieval. In addition, users can view AFP files using the Viewer application of AFP Workbench for Windows on any workstation running Microsoft Windows.
- *IBM Page Printer Formatting Aid: User's Guide*, S544-5284. This publication provides instructions for creating form definitions and page definitions with Page Printer Formatting Aid for AIX (PPFA for AIX), a separately-orderable feature of PSF for AIX.

Note: This publication is only supplied when the PPFA for AIX feature is ordered.

The following publications are also provided with PSF for AIX:

- *Licensed Program Specifications for IBM Print Services Facility for AIX*, G544-3815. This publication describes PSF for AIX and the resources that are shipped with the program. It also lists hardware and software requirements for PSF for AIX.
- *AFP Fonts: Font Summary*, G544-3810 This publication describes the IBM Expanded Core Fonts and the IBM Compatibility fonts that are shipped with PSF for AIX.

Contextual Help for the PSF for AIX SMIT Panels

Contextual help is available for each field on each PSF for AIX System Management Interface Tool (SMIT) panel. This help provides additional information on print submission and printer configuration options.

To view the help information, select a title or a field on a SMIT panel (the border highlights when you select a title or a field), and press F1. PSF for AIX displays a separate Help Context window.

You can also select help from the action bar (only with the AIXwindows interface of SMIT). When you do this, a message box displays, and the highlighting on the panel changes.

PSF for AIX DynaText Hypertext Data Base

Use the PSF for AIX **dttext** command to view the PSF for AIX DynaText hypertext documentation. This data base contains the following PSF for AIX publications:

- *IBM Print Services Facility for AIX: Print Submission*
- *IBM Print Services Facility for AIX: Print Administration*
- *Facts about PSF for AIX*

You also use normal DynaText functions to print portions of PSF for AIX documentation.

Note: You must have the both **dttext.brswr** and the **psf.online.books** options installed to view PSF for AIX hypertext documentation.

PSF for AIX Online Message Catalog

PSF for AIX supplies a message catalog for the messages issued during the operation of PSF for AIX. For each message, the message catalog includes the text of the message, an explanation, a system action, and a response. You view this information by using the PSF for AIX **psfmsg** command.

Related Publications

This section contains lists of publications, by category, that may be helpful to you as you install and use AFP Upload on SNA networks.

IBM Printing

The following publications contain information about or related to general concepts and procedures about IBM printing:

Why Enterprise Printing?, G544-3642

Printing for Fun and Profit Under AIX Version 4, GG24-3570

Printing and Publishing: Collection, SK2T-2921

Print Services Facility/MVS

The following publications contain information about or related to Print Services Facility/MVS:

PSF/MVS System Programming Guide, S544-3672

PSF/MVS Messages and Codes, S544-3675

AIX Operating System

The following publications contain information about or related to AIX general concepts and procedures:

IBM AIX Getting Started, GC23-2521

AIX General Concepts and Procedures, GC23-2202

IBM AIX Version System Management Guide: Communications and Networks, GC23-2487

AIX Version 3.2 Commands Reference, GBOF-1802

AIX and RISC System/6000 Hypertext Information Base Library, SC23-2163

SNA Server/6000

The following publications contain information about or related to SNA Server/6000:

AIX SNA Server/6000: User's Guide, SC31-7002

AIX SNA Server/6000: Configuration Reference, SC31-7014

AIX SNA Server/6000: Command Reference, SC31-7100

AIX SNA Server/6000: Diagnostic Guide and Messages, SC31-7101

A Guided Tour of SNA Server/6000 Version 2.1, GG24-4189

APPC/MVS

The following publications contain information about or related to Advanced Program-to-Program Communication/MVS:

MVS/ESA Planning: APPC Management, GC28-1110

General SNA Communications

The following publications contain information about or related to SNA communications:

Systems Network Architecture: Technical Overview, GC30-3073

Systems Network Architecture: Network Product Formats, LY43-0081

Systems Network Architecture: Guide to SNA Publications, GC30-3438

VTAM

The following publications contain information about or related to Virtual Telecommunications Access Method (VTAM) definitions:

VTAM V4R1: Network Implementation Guide, SC31-6419

VTAM V4R1: Resource Definition Reference, SC31-6427

VTAM V4R1: Resource Definition Samples, SC31-6428

VTAM V4R1: Messages and Codes, SC31-6418

NCP

The following publications contain information about or related to Network Control Program (NCP) definitions:

NCP V7R1, SSP V4R1 EP R12 Resource Definition, SC31-6224

Controller Guides

The following publications contain information about or related to the 3172 Interconnect Controller and the 3174 Establishment Controller:

3172 Program User's Guide, SC30-3543

3172 Operator's Guide, GA27-3970

3172 Hardware Planning Guide, GA27-4003

3174 Planning Guide, GA27-3918

PL/I

The following publications contain information about or related to running programs written in the PL/I language:

OS PL/I Version 2 Programming Guide, SC26-4307

Part 1. Overview and General Configuration Information

Chapter 1. Configuration Overview

This chapter contains an overview of the components you need to configure AFP Upload on SNA networks. This chapter contains these sections:

- What is AFP Upload?
- What is SNA Server/6000?
- What is APPC/MVS?
- Software prerequisites
- An overview of network configurations
- How to use this guide

What is AFP Upload?

AFP Upload includes an AIX client program (as part of PSF for AIX) and an MVS server program (available as a priced feature of PSF/MVS). The AIX client accepts MO:DCA-P files, or files it can convert to MO:DCA-P, and sends them to the MVS server which places them on the JES spool. Many of the attributes of the MO:DCA-P files, such as class, forms, and destination, are also communicated to the MVS system and recorded with the data sets on the JES spool. AFP Upload uses either TCP/IP or SNA LU 6.2 protocols to communicate between the AIX and MVS systems. This publication describes how to configure AFP Upload to use SNA LU 6.2 protocols.

What is SNA Server/6000?

SNA Server/6000 is required to use AFP Upload on SNA networks. SNA Server/6000 is an implementation of SNA for the AIX operating system running on the RISC System/6000 workstation. It enables a RISC System/6000 workstation to communicate with other nodes in an SNA network.

SNA Server/6000 contains a set of AIX utilities that includes the following components:

- Device drivers
- Kernel extensions
- Daemon processes

For more information about SNA Server/6000 and an overview of SNA terms and concepts, you can order these IBM publications by calling 1-800-879-2755 (US only):

- *AIX SNA Server/6000: User's Guide.*
- *AIX SNA Server/6000: Configuration Reference.*

What is APPC/MVS?

Advanced Program-to-Program Communication/MVS is required to use AFP Upload on SNA networks. APPC/MVS is an implementation of SNA LU 6.2 protocols for the MVS operating system. It is part of the MVS operating system and not a separately purchased product.

For more information about APPC/MVS and an overview of SNA terms and concepts, you can order *MVS/ESA Planning: APPC Management* by calling 1-800-879-2755 (US only).

Software Prerequisites

The following software products are required to use AFP Upload on SNA networks:

Host System

- MVS/ESA-JES SP 4.2.2 or later
- PL/I Version 2.3.0 or later (run-time library)
- VTAM Version 3.4 or later
- NCP Version 4.3.1 or later
- PSF/MVS Version 2.2 AFP Upload Feature

AIX System

- AIX Version 3.2.5 or AIX Version 4.1.3 or later
- SNA Server/6000 Version 2.1 or later (for AIX Version 3.2.5)
- SNA Server/6000 Version 2.2 or later (for AIX Version 4)
- SNA Server for AIX Version 3.1 or later (for AIX Version 4 SMP)
- PSF for AIX Version 2.1 with APAR IX57887 or later

An Overview of Network Configurations

This publication includes detailed examples and guidelines for five common SNA configurations. The diagrams in this section illustrate the five network configurations.

Local 37xx Token Ring Configuration

A detailed example of this configuration is displayed in “Local or Remote 37xx Token-Ring Example” on page 39. Guidelines for defining this configuration are provided in “Guidelines for Configuring Local or Remote 37xx Token-Ring” on page 52.

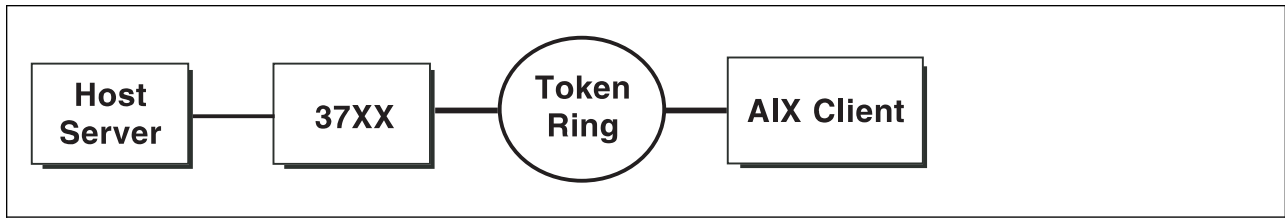


Figure 1. Local 37xx Token-Ring

Local 3172 Token Ring Configuration

A detailed example of this configuration is displayed in “Local 3172 Token-Ring Example” on page 75. Guidelines for defining this configuration are provided in “Guidelines for Configuring Local 3172 Token-Ring” on page 89.

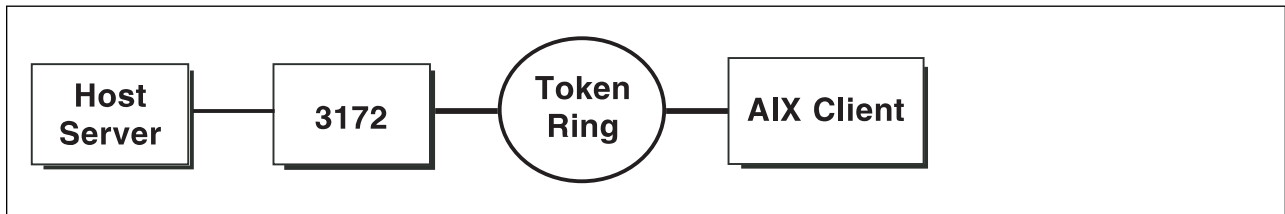


Figure 2. Local 3172 Token-Ring

Local 3174 Token Ring Gateway Configuration

A detailed example of this configuration is displayed in “Local 3174 Token-Ring Gateway Example” on page 111. Guidelines for defining this configuration are provided in “Guidelines for Configuring Local 3174 Token-Ring Gateway” on page 124.

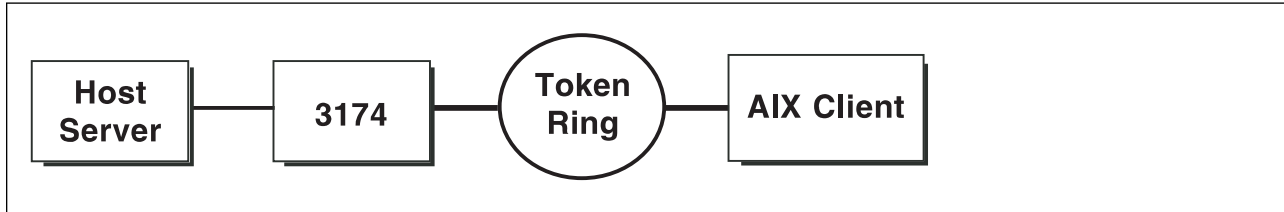


Figure 3. Local 3174 Token-Ring Gateway

Remote 3174 Token Ring Gateway Configuration

A detailed example of this configuration is displayed in “Remote 3174 Token-Ring Gateway Example” on page 145. Guidelines for defining this configuration are provided in “Guidelines for Configuring Remote 3174 Token-Ring Gateway” on page 158.

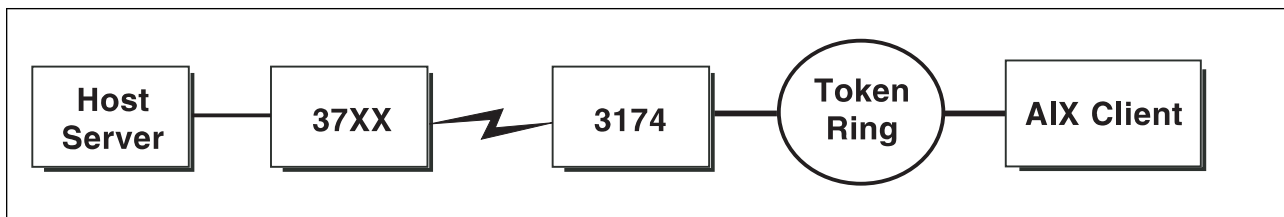


Figure 4. Remote 3174 Token-Ring Gateway

Local 37xx SDLC Configuration

A detailed example of this configuration is displayed in “Local or Remote 37xx SDLC Example” on page 179. Guidelines for defining this configuration are provided in “Guidelines for Configuring Local or Remote 37xx SDLC” on page 191.



Figure 5. Local 37xx SDLC

How To Use This Guide

This publication provides five detailed examples to help you configure your SNA environment to use AFP Upload:

1. Read all of **Part 1** because it contains an overview and general configuration information.
2. Read the chapter in **Part 2** that offers an example and guidelines for configuring an SNA network that most closely resembles your own SNA network.

Chapter 2. General Information About the Host Server Program

The host server program is a single MVS load module that can be purchased as a feature of PSF/MVS. It must be configured, using an APPC/MVS TP profile, as a transaction program that is started by the APPC/MVS transaction scheduler, ASCH. The APPC/MVS TP profile includes the JCL that executes the host server program.

The APPC/MVS transaction scheduler starts the host server program when it receives an SNA conversation request from an AIX client. The transaction scheduler starts a separate instance of the host server program for each conversation request.

Once the host server program is started, the AIX client sends MOD:CA data which the server program places in a SYSOUT data set. When the host server program allocates the SYSOUT data set it accepts the default spool space allocation for the SYSOUT class definition in JES.

The host server program associates attributes passed by the AIX client with the SYSOUT data set. These attributes are similar to JCL OUTPUT statement parameters. They include:

- ADDRESS
- BUILDING
- CLASS
- COPIES
- DATACK
- DEPARTMENT
- DESTINATION
- FORMDEF
- FORMS
- NAME
- ROOM
- TITLE
- WRITER

Notes:

1. The host server program requires that MOD:CA-P statements sent by the AIX client be preceded by a 5A control character.
2. The AIX client program always passes a value for the DATACK parameter with each uploaded file. This DATACK value overrides the DATACK parameter in the PSF/MVS PRINTDEV statement.

Specifying the SYSPRINT DD Statement

The host server program records its configuration settings and information about errors in the data set referenced by the SYSPRINT DD statement. You must include a SYSPRINT DD statement in the JCL statements that the ASCH scheduler uses to run the host server program. You specify these JCL statements when you create an APPC/MVS TP profile for the host server program.

If the SYSPRINT DD statement refers to a data set other than SYSOUT or DUMMY, the data set must have the following attributes:

directory blocks:	0
record format:	VA
record length:	125
block size:	129

Supported Configuration Parameters

The AIX client provides most of the information required by the host server program. The host server program has only a few configuration parameters. The default values for these parameters are appropriate in most cases.

CASE

Specifies whether the host server program should convert text OUTPUT parameter values to upper case. The following OUTPUT parameters are affected:

- ADDRESS
- BUILDING
- DEPARTMENT
- NAME
- ROOM
- TITLE

The CASE parameter does not affect some other OUTPUT parameter values, which are always converted to upper case:

- CLASS
- DESTINATION
- FORMDEF
- FORMS
- WRITER

MIXED

Accept the text values as provided by the AIX client.

Note: Some code pages used by fonts printed on header and trailer pages do not include lower case characters.

UPPER

Convert all alphabetic English characters to upper case.

TRACE

Specifies whether the host server program should record its internal flow in the data set referenced in the SYSPRINT DD statement.

Note: Using a TRACE value other than NONE degrades performance. You should specify a value other than NONE only if directed to do so by an IBM service representative.

DS

Record transmitted and received data, as well as the internal execution path.

NONE

Do not record trace information. The host server program only writes configuration and error information in the SYSPRINT data set.

NORM

Record the internal execution path.

Specifying the Configuration Parameters

Specify host server program parameters and values as a program parameter on the JCL EXEC statement.

For example,

```
//STEP EXEC PGM=AUPSNAS,PARM='/CASE=MIXED'
```

or

```
//STEP EXEC PGM=AUPSNAS,PARM='/CASE=MIXED,TRACE=NORM'
```

The PARM value has the format:

'run-time options/program parameter'

Run-time options control aspects of the program's execution environment, such as the amount of storage available to the program.

The program parameter is passed to the program.

Specifying PL/I Run-Time Options

The host server program is written in the PL/I language. Like most PL/I programs, aspects of its execution environment can be controlled by run-time options.

You can specify run-time options in the PARM operand on the JCL EXEC statement.

For example,

```
//STEP EXEC PGM=AUPSNAS,PARM='SPAЕ,SPIE/CASE=MIXED'
```

The PARM value has the format:

'run-time options/program parameter'

The program parameter is passed to the program. The host server program accepts its configuration parameters in this way.

For more information about run-time options for PL/I programs, see *OS PL/I Version 2 Programming Guide*.

Chapter 3. General Information About the AIX Client Program

The AFP Upload AIX client program is part of PSF for AIX. The AIX client program operates as a PSF for AIX printer. Like other PSF for AIX printers, it accepts data from the AIX spool. It converts the data to MO:DCA-P, if possible, and uses SNA LU 6.2 protocols to send the data to the AFP Upload host server program. The host server program copies the data into a JES SYSOUT data set.

Because the AIX client program operates as a PSF for AIX printer, it can be controlled and monitored by the same commands used with other PSF for AIX printers (**psfctl**, **psfstat**, and **enq**). Refer to the *IBM Print Services Facility for AIX: Print Administration* publication for more information about these commands.

The AIX client program only sends MO:DCA-P data to the host server program. Therefore, files to be uploaded must contain MO:DCA-P data or data that PSF for AIX can transform to MO:DCA-P. The AIX client program cannot directly accept ASCII files. You must use the AFP Conversion and Indexing Facility (ACIF) to transform an ASCII file to MO:DCA-P data before enqueueing it to a PSF for AIX printer configured to upload files. Refer to the *AFP Conversion and Indexing Facility: User's Guide* for more information about ACIF.

The AIX client program passes the following attributes to the host server program along with each file:

- address1
- address2
- address3
- address4
- building
- class
- copies
- datack
- department
- destination
- formdef
- forms
- name
- room
- title
- writer

“Specifying Attributes Using the AIX enq Command” on page 14 briefly describes how to specify these attributes to the AIX client program using the **enq** command. Refer to the *IBM Print Services Facility for AIX: Print Submission* publication for detailed information about how to specify these attributes when you submit a file.

Notes:

1. The AIX client program does not accept files read from tape by the PSF for AIX Input Manager.
2. The maximum length of a MO:DCA-P data stream statement that can be accepted by the AIX client program is 32,756 bytes.
3. The AIX client program always passes the effective **datack** value with each uploaded file. This **datack** value overrides the DATAACK parameter in the PSF/MVS PRINTDEV statement.

Specifying Attributes Using the AIX enq Command

Figure 6 indicates how to specify passed attributes using the AIX **enq** command.

Figure 6. Passing Attributes Using the AIX *enq* Command

Attribute	enq Option
address1	-o address1= <i>address1</i>
address2	-o address2= <i>address2</i>
address3	-o address3= <i>address3</i>
address4	-o address4= <i>address4</i>
building	-o building= <i>building</i>
class	-o passthru=class= <i>class</i> ¹
copies	-o copies= <i>copies</i>
datack	-o datack= <i>datack</i>
department	-o department= <i>department</i>
destination	-o passthru=destination= <i>destination</i> ¹
formdef	-o formdef= <i>formdef</i>
forms	-o passthru=forms= <i>forms</i> ¹
name	-o name= <i>name</i>
room	-o room= <i>room</i>
title	-o title= <i>title</i>
writer	-o writer= <i>writer</i>

¹ To specify the **class**, **destination**, and **forms** attributes, you must use the -o passthru option.

You should use one -o passthru specification that includes all the attributes that you want to provide:

```
enq -P upload1 -o passthru=class=k,forms=std smp.file
```

In this example, the PSF for AIX printer **upload1** will upload the file **smp.file** and correctly pass the **class** and **forms** attributes.

If you use the -o passthru specification more than once, PSF for AIX only processes the last specification:

```
enq -P upload1 -o passthru=class=k -o passthru=forms=std smp.file
```

In this example, the PSF for AIX printer **upload1** will upload the file **smp.file** and correctly process the **forms** attribute, but ignore the **class** attribute.

To combine passthru parameters with other values:

```
enq -P upload1 -o passthru=class=k -o name="John Doe" smp.file
```

In this example, the PSF for AIX printer **upload1** will upload the file **smp.file** and correctly process the **class** and **name** attributes.

See the *IBM Print Services Facility for AIX: Print Submission* publication for detailed information about how to specify these attributes using the **enq** command and the **psfin** command.

See relevant MVS publications for information about acceptable values for each of the passed attributes.

Chapter 4. Information About MVS Userids and Passwords

This chapter describes crucial information about determining whether AFP Upload must use an MVS userid and password and, if so, how to specify them to the AIX client program.

Please read this chapter!

Determining Whether an MVS Userid and Password Are Necessary

The APPC/MVS scheduler (ASCH) starts the AFP Upload host server program when a conversation request is received. The APPC/MVS scheduler accepts conversation requests that contain a valid MVS userid and password. It also accepts conversation requests that do not contain any MVS userid and password data.

If the AIX client program provides an MVS userid in its conversation requests, it must also provide the valid password for this userid. The userid must have sufficient RACF access to all of the resources referenced explicitly and implicitly in the APPC/MVS TP profile for the host server program.

The AIX client program can also omit an MVS userid and password from its conversation requests. In this case, RACF must be configured to allow universal access to all resources referenced explicitly and implicitly in the APPC/MVS TP profile for the host server program.

Specifying an MVS Userid and Password

You can configure the AFP Upload AIX client program to provide an MVS userid and password in the conversation requests it sends to APPC/MVS. Or, you can configure the AIX client program to omit userid and password data from its conversation requests.

To avoid exposing the userid and password to many AIX users, the SMIT configuration panels for AFP Upload do not accept userid and password data. You must include the userid and password data in a separate file that can be made readable only by the **root** login.

To cause the AIX client program to include MVS userid and password data in the conversation requests it sends to APPC/MVS, you must create a file named **.security** in the directory for the PSF for AIX printer:

```
/var/psf/printername/.security
```

where *printername* is the name of your PSF for AIX printer.

The file must contain the MVS userid followed by at least one blank or new line, then the password. For example,

```
UPUSER UPUSERPW
```

or

```
UPUSER  
UPUSERPW
```

where UPUSER is the MVS userid and UPUSERPW is the password.

The **.security** file must be readable by the **root** login. Permissions for all other logins can be denied. You must create the file using the **root** login. Then, you can exclude all logins other than **root** from reading the file by running the AIX **chmod** command:

```
chmod 600 .security
```

If you do not create a **.security** file in the PSF for AIX printer's directory as described above, the AIX client program will omit userid and password data from its conversation requests.

Errors and Symptoms Involving the MVS Userid and Password

The following describes two common errors that can occur when an AIX client program sends a conversation request to the APPC/MVS scheduler.

Insufficient RACF Access to Resources in the APPC/MVS TP Profile

The APPC/MVS scheduler ends the SNA LU 6.2 conversation with the AIX client program if the client provides a valid MVS userid and password, but the userid does not have access to a resource referenced in the TP profile for the host server program.

The APPC/MVS scheduler also ends the conversation with the AIX client program if the client does not provide a userid and password and there is insufficient RACF universal access to a resource referenced in the TP profile for the host server program.

In either case, RACF messages are logged on the MVS system and the AIX client program reports an error message which indicates that the remote transaction program ended abnormally. The description of the AIX client's message indicates that this failure often occurs because the remote TP has insufficient access authority for resources on the remote server. You can use the **psfmsg** command to display detailed information about any PSF for AIX message. For more information about the **psfmsg** command, refer to the *IBM Print Services Facility for AIX: Print Submission* publication.

Expired MVS Password in .security File

If you specify an MVS userid in the **.security** file, you must also specify the valid password for the userid. If the password is missing, invalid, or expired, the AIX client program reports an error message that indicates the password is invalid. You can use the **psfmsg** command to display detailed information about any PSF for AIX message. For more information about the **psfmsg** command, refer to the *IBM Print Services Facility for AIX: Print Submission* publication.

If you include an MVS userid and password in the **.security** file, the **.security** file must be updated each time the password for the MVS userid is changed.

Chapter 5. Understanding SYSOUT Data Set Attributes

This chapter describes the origin of attributes of the SYSOUT data set into which the AFP Upload host server program places MO:DCA-P data sent by the AIX client program.

Print Attributes Passed from AIX to MVS

For each MO:DCA-P file that the AFP Upload client program sends to the host server program on MVS, it passes the following AIX print file options:

- address1
- address2
- address3
- address4
- building
- class
- copies
- datack
- department
- destination
- formdef
- forms
- name
- room
- title
- writer

Refer to the *IBM Print Services Facility for AIX: Print Submission* publication for information about how to specify these attributes when you submit a file to a PSF for AIX printer.

The host server program uses values passed by the AIX client program to set the following OUTPUT descriptor parameters on the SYSOUT data set into which the uploaded MO:DCA-P data is placed:

- ADDRESS
- BUILDING
- CLASS
- COPIES
- DATACK
- DEPARTMENT
- DESTINATION
- FORMDEF
- FORMS
- NAME
- ROOM
- TITLE
- WRITER

Identification Attributes Passed from AIX to MVS

The USERID attribute comes from the MVS userid used by the AIX client program when it sends a conversation request to the APPC/MVS scheduler. You can specify this userid in the **.security** file in the directory for the PSF for AIX printer that uploads files. For more information about the **.security** file, refer to Chapter 4, "Information About MVS Userids and Passwords" on page 15.

Attributes Obtained from the APPC/MVS TP Profile

The JOBNAME and ACCOUNT attributes come from the JCL you specify in your APPC/MVS Transaction Program profile. If you want to use several different accounts, you can define several host server programs, each with a different transaction program name and profile.

Assigning Default Print Attributes to Uploaded Files

You can use AIX shell scripts to define default print file options for uploaded files rather than manually specifying them each time a file is enqueued.

The following example AIX shell script assigns defaults for the class and destination options:

```
#!/bin/ksh
#####
##
## NAME:          upsubmit          ##
##
## DESCRIPTION:  Add default class and destination values to ##
##              files that are uploaded to MVS.             ##
##
##              Since the default values are inserted prior ##
##              to the options specified by the user, options ##
##              specified by the user take precedence.      ##
##
##              Note that a user who specifies the -o passthru ##
##              option MUST specify all the subparameters (forms, ##
##              class, destination). The user's passthru ##
##              specification completely overrides the default ##
##              one in this shell script.                   ##
##
## EXAMPLE:     Put this shell script in a directory in users' ##
##              PATH statement. For instance, /usr/lpp/psf/bin. ##
##
##              Ensure that the file has its execute permissions ##
##              set (chmod 755 upsubmit).                   ##
##
##              User invokes "upsubmit" instead of "enq" but ##
##              specifies normal enq options.               ##
##
##              upsubmit -P upload1 -o copies=2 sample.afp ##
##
##              The upsubmit script adds default options and ##
##              enqueues the file.                          ##
##
#####

command="enq -o passthru=class=x,destination=prt1 $@"
exec $command
```

Figure 7. Sample AIX Shell Script To Set Default Class And Destination Values.

Chapter 6. General APPC/MVS Configuration Tasks

This chapter briefly discusses a few general tasks that must be performed before you can use APPC/MVS. This chapter should be used in conjunction with *MVS/ESA Planning: APPC Management*, which describes in detail how to configure and use APPC/MVS. On systems where APPC/MVS is already in use, the tasks described in this chapter may already have been performed.

Creating VSAM Data Sets for TP and Side Information Profiles

APPC/MVS requires one VSAM key-sequenced data set (KSDS) to hold TP profiles and one VSAM KSDS to hold side information profiles. Sample JCL statements and definitions to create these VSAM data sets are located in:

- SYS1.SAMPLIB(ATBTPVSM)
- SYS1.SAMPLIB(ATBSIVSM)

Configuring and Running the APPC and ASCH Address Spaces

APPC/MVS includes an APPC address space (APPC) and an APPC transaction scheduler address space (ASCH). AFP Upload requires that both address spaces be running.

You must create two parmlib members to record configuration definitions for the APPC and ASCH address spaces:

- APPCPMxx
- ASCHPMxx

Each chapter in Part 2 of this publication includes sample APPCPMxx and ASCHPMxx parmlib members.

SYS1.PROCLIB contains JCL procedures for APPC and ASCH. Each procedure accepts a parameter that indicates the parmlib member to use (xx). You must use the MVS START command to create the APPC and ASCH address spaces before you can use AFP Upload. For example,

```
START APPC,SUB=MSTR
START ASCH,SUB=MSTR
```

Chapter 7. General AIX Configuration Tasks and Considerations

This chapter describes important AIX and SNA Server/6000 system administration tasks and considerations that you might need to understand as you install and configure AFP Upload. For more detailed information about the AIX operating system and AIX Server/6000, refer to the publications listed in "Related Publications" on page xxi.

SNA Server for AIX, SNA Server/6000, and SNA Services/6000

The minimum required version of IBM SNA system software for the RISC System/6000 is named SNA Server/6000 Version 2 Release 1. The previous version of this product was named SNA Services/6000 Version 1 Release 2. Beginning with Version 3 Release 1, this product is named SNA Server for AIX. AFP Upload requires SNA Server/6000 Version 2 Release 1, or later.

Note that AIX software management facilities might report SNA Server/6000 Version 2 Release 1 components as level 1.3; for example, if you use SMIT to list installed software, you might observe components in the form:

```
sna.xxx.xxx 01.03.nn.nnn
```

SNA Gateway/6000

AFP Upload does not require a separate product named SNA Gateway/6000; however, you can choose to install the SNA Gateway/6000 product in addition to the SNA Server/6000 product. If you install both products, note that SNA Server/6000 requires that both products be at the same maintenance level.

Verifying and Updating SNA Server/6000 Configuration Profiles

SNA Server/6000 maintains two databases of configuration profiles:

- **working** configuration database
- **committed** configuration database

When you add or change SNA Server/6000 profiles, the **working** configuration database is modified. However, the **working** configuration database does not affect SNA Server/6000 operation; the **committed** configuration database controls SNA Server/6000 operation.

To cause profiles you add or change to affect SNA Server/6000 operation, you must:

- **Verify** the profiles in the **working** configuration database
- **Update** the profiles in the **committed** configuration database

Several procedures can be used to perform these verify and update actions. Here is one such procedure:

Note: You must have **root** authority to perform this procedure.

1. Stop SNA Server/6000.

If no sessions are active, enter the following at the AIX command-line prompt:

```
sna -stop sna
```

If sessions are active, end them and enter:

```
sna -stop sna
```

2. At the AIX command-line prompt, enter:

```
smit
```

3. From the System Management menu, select **Communications Applications and Services**.
4. From the Communications Applications and Services menu, select **SNA Server/6000**.
5. From the SNA Server/6000 menu, select **Configure SNA Profiles**.
6. From the Configure SNA Profiles menu, select **Advanced Configuration**.
7. From the Advanced Configuration menu, select **Verify Configuration Profiles**.
8. From the Verify Configuration Profiles menu, select `normal_update` for the **Update action if verification successful** parameter.
9. Press Enter (ASCII interface), or select **DO** (AIXwindows interface).
10. Exit SMIT.
11. Start SNA Server/6000.

At the AIX command-line prompt, enter:

```
sna -start sna
```

SNA Server/6000 configuration profiles can also be updated while SNA Server/6000 is running; however, there are some restrictions in these dynamic updates.

For more information about verifying and updating SNA Server/6000 configuration profiles, see *SNA Server/6000: Configuration Reference*.

SNA Server/6000 Use of Space in /var Filesystem

By default, SNA Server/6000 maintains as many as 10 service log files in the **/var** filesystem. Each service log file can be as large as 1.5 MB, for a maximum total of 15 MBs.

You can configure the amount of space SNA Server/6000 uses in the **/var** filesystem for service log files. For example, to cause SNA Server/6000 to use a maximum of 1 MB in the **/var** filesystem for service log files, perform the following procedure:

Note: You must have **root** authority to perform this procedure.

1. At the AIX command-line prompt, enter:

```
smit
```

2. From the System Management menu, select **Communications Applications and Services**.
3. From the Communications Applications and Services menu, select **SNA Server/6000**.
4. From the SNA Server/6000 menu, select **Problem Determination Aids**.
5. From the Problem Determination Aids menu, select **Configure SNA Log and Trace Files**.

SMIT displays a panel similar to the following:

Configure SNA Log and Trace Files

Type or select values in entry fields.
Press Enter AFTER making all desired changes.

	[Entry Fields]
Set file and names sizes	
Use SNA or System file as service log?	SNA
Service log file name	[/var/sna/snbservice]
Service log file size	[1500000]
SNA event/flow trace log file name	[/var/sna/snatrace]
SNA event/flow trace log file size	[0]
SNA failure log file name	[/var/sna/snafailure]
SNA failure log file size	[0]
File wrap limit	[10]

Figure 8. Configure SNA Log and Trace Files Panel

6. Change the **Service log file size** parameter to 500000.
7. Change the **File wrap limit** parameter to 2.
8. Press Enter (ASCII interface), or select **DO** (AIXwindows interface).
9. Exit SMIT.

For more information about how to configure the space in your **/var** filesystem for service log files, see *SNA Server/6000: Diagnosis Guide and Messages*.

Making a Data Link Control (DLC) Available

Data link control (DLC) functions are normally provided by an AIX device that must be in "Available" state for SNA Server/6000 to use the DLC functions. Usually, a DLC device must be made available once and then remains available, even after the RISC System/6000 is shutdown and restarted. To identify available DLC devices on a system, enter:

```
lsdev -C | grep dlc
```

The following procedure makes the token-ring DLC available (other DLCs are similar):

Note: You must have **root** authority to perform this procedure.

1. At the AIX command-line prompt, enter:

```
smit
```

2. From the System Management menu, select **Devices**.
3. From the Devices menu, select **Communication**.
4. From the Communication menu, select **Token Ring Adapter**.
5. From the Token Ring Adapter menu, select **Services**.
6. From the Services menu, select **Data Link Controls**.
7. From the Data Link Controls menu, select **Add a Token Ring Data Link Control**.
8. Select the name of the device to add.
9. Press Enter (ASCII interface), or select **DO** (AIXwindows interface).
10. Exit SMIT.

"Calling" Versus "Listening" Link Stations

Before sessions can be established with a physical unit (PU) or a logical unit (LU) on an SNA node, a link connection must be started with the node. You can configure an SNA Server/6000 link station either:

- To call another node with a link connection request
-- or --
- To listen for a link connection request from another node

To define a **calling** link station, specify yes for the **Initiate call when link station is activated?** parameter in the link station profile.

To define a **listening** link station, specify no for the **Initiate call when link station is activated?** parameter in the link station profile.

Token-Ring examples in this publication use **calling** link stations. Using a **calling** link station causes VTAM to send PU and LU activation commands promptly in all configurations. In contrast, when you use a **listening** link station, VTAM does not send PU and LU activation commands in some configurations until the host PSF program is started.

A **calling** link station must know the address of the adjacent node with which it should initiate a link connection.

A **listening** link station can be either selective or non-selective. A selective listening link station accepts link connection requests only from a node at a specific address. A non-selective listening link station accepts link connection requests from any node.

For both selective and non-selective listening link stations, the adjacent node must know the address of the listening link station. For example in 37xx token-ring configurations the address is specified in the DIALNO operand in the VTAM switched major node PATH statement.

Using an Alternate Token Ring Address for a RISC System/6000

A token-ring address, often called a **MAC address**, has 12 hexadecimal digits, for example 10005AC8B0EA. Each device in a token-ring network must have a unique address. To facilitate unique token-ring addressing, every manufacturer assigns a distinct address called a **universal MAC address** to each token-ring adapter. By default, a token-ring adapter in a RISC System/6000 uses the token-ring address that the manufacturer assigned when the adapter was made. However, AIX systems provide **root** users the ability to define an **alternate token-ring address**, also called a **local MAC address**.

In some configurations an alternate token-ring address might be necessary. For example, if the DIALNO operand is included in a VTAM switched major node PATH statement, an alternate token-ring address is generally required. The DIALNO operand accepts only digits in the 0-9 range; however, most universal MAC addresses (assigned by the manufacturers) include at least one digit in the A-F range. In these instances, it might be necessary to use an alternate token ring address that does not contain any digits in the A-F range. Generally, the first four digits of alternate token-ring addresses must be 4000.

Follow these steps to assign an alternate token-ring address to a token-ring adapter in a RISC System/6000:

Note: You must have **root** authority to perform this procedure.

1. At the AIX command-line prompt, enter:

```
smit
```

2. From the System Management menu, select **Devices**.
3. From the Devices menu, select **Communication**.
4. From the Communication menu, select **Token Ring Adapter**.
5. From the Token Ring Adapter menu, select **Adapter**.
6. From the Adapter menu, select **Change / Show Characteristics of a Token Ring Adapter** and select the adapter that you want to change.
7. From the Change / Show Characteristics of a Token Ring Adapter menu, update the parameters as illustrated in Figure 9.

Enable ALTERNATE TOKEN RING address	yes	+
ALTERNATE TOKEN RING address	[0x4000nnnnnnnn]	
Apply change to DATABASE only	yes	+

Figure 9. Token Ring Adapter Values to Change

8. Specify yes for the **Enable ALTERNATE TOKEN RING address** parameter.

9. Specify the **ALTERNATE TOKEN RING address** parameter.

The 12-digit alternate token-ring address must be preceded by 0x. Generally, the first four digits of the 12-digit alternate address must be 4000.

10. Specify yes for the **Apply change to DATABASE only** parameter.

Selecting no causes the AIX operating system to attempt to update the adapter immediately. Such an update normally fails because the adapter is active and active adapters cannot be updated.

11. Press Enter (ASCII interface), or select **DO** (AIXwindows interface).

12. Exit SMIT.

13. Shut down and then restart the RISC System/6000.

Note: The alternate token-ring address does not become effective until the RISC System/6000 is restarted.

Independent Logical Units Versus Dependent Logical Units

The AFP Upload AIX client program communicates using an SNA LU 6.2 logical unit provided by SNA Server/6000. The logical unit can be either independent or dependent. More than one AFP Upload printer on an AIX system can use the same independent logical unit. However, only one AFP Upload printer on an AIX system can use a dependent logical unit. If you use dependent logical units, you must define a dependent logical unit for each PSF for AIX AFP Upload printer.

Chapter 8. Troubleshooting Problems with AFP Upload

This chapter describes some of the places where information about errors is recorded. It also lists a few common errors and their most likely causes.

Places Where Error Information Is Recorded

This section lists a few of the places you should look to get information about errors configuring and using AFP Upload:

error.log for the PSF for AIX printer

The AFP Upload AIX client program operates as a PSF for AIX printer. Like all PSF for AIX printers, it records error messages in a file named **error.log** in the directory for the PSF for AIX printer. The directory is named

/var/psf/printername

where *printername* is the name of the PSF for AIX printer.

You can use the **psfmsg** command to display detailed information about any PSF for AIX message. For more information about the **psfmsg** command, refer to the *IBM Print Services Facility for AIX: Print Submission* publication.

MVS console log

The APPC/MVS scheduler (ASCH) is sometimes unable to start the AFP Upload host server program due to a JCL error in the TP profile for the host server program. Or the userid associated with a conversation request might have insufficient RACF access to resources explicitly or implicitly referenced in the TP profile. In these situations, the AIX client program issues a message indicating that the remote transaction program ended abnormally. You should check the console log on your MVS system because APPC/MVS and RACF normally write messages there that indicate the specific error.

SYSPRINT data set

The AFP Upload host server program records its configuration values and information about run-time errors in the data set referenced by the SYSPRINT DD statement. Refer to "Specifying the SYSPRINT DD Statement" on page 10.

Common Errors with AFP Upload Using SNA Networks

The following contains common errors when using AFP Upload. Each problem displays the **Symptom** and its **Likely Causes and Resolutions**:

Symptom:

You start a PSF for AIX printer that performs upload and it issues the following error message:

```
0423-652 The remote transaction program (TP) ended abnormally.
```

Likely Causes and Resolutions:

This error often occurs because of insufficient RACF access to resources referenced by the JCL statements in the TP profile for the host server program. You may need to specify an MVS userid and password for the AIX client program to use. Or you may need to adjust the RACF authorizations for resources on the MVS system. Refer to Chapter 4, "Information About MVS Userids and Passwords" on page 15.

Symptom:

You provide values for **class**, **destination**, and **forms** when you enqueue a print file, but some of the values are not reflected on the SYSOUT data set created in the MVS JES spool.

Likely Causes and Resolutions:

If you use the AIX **enq** command and want to specify **class**, **destination**, and **forms** values, you must use the -o passthru option.

You should use only one -o passthru specification that includes all the values you want to provide. For example,

```
enq -P upload1 -o passthru=class=k,forms=std sample
```

is correct.

If you use the -o passthru specification more than once, only the last specification will be processed. For example,

```
enq -P upload1 -o passthru=class=k -o passthru=forms=std sample
```

is incorrect. The **enq** command will process the **forms** value, but will ignore the **class** value.

Symptom:

You enqueue an ASCII file to be uploaded, but PSF for AIX issues the following error message:

```
0423-659, File _____ contains data of a type that cannot be processed by this PSF/6000 instance. For example, the PSF/6000 instance cannot process ASCII datatype files.
```

Likely Causes and Resolutions:

You cannot directly enqueue an ASCII file to be uploaded; you must use ACIF to transform the file into a MO:DCA-P data stream file.

Symptom:

You enqueue a PostScript or SAP OTF file to be transformed into a MO:DCA-P data stream file and uploaded to your MVS system. However, no SYSOUT data sets are created on your MVS system. The SYSPRINT data set for the host server program contains the following error:

```
ATBRCVW() ERROR = 24
```

Likely Causes and Resolutions:

The PSF for AIX PostScript or SAP OTF transform was not successful; it produced an empty data set. Refer to the *IBM Print Services Facility for AIX: Print Administration* publication for information about the transform programs and how they report errors.

Part 2. SNA Network Configuration Examples and Guidelines

Chapter 9. Local or Remote 37xx Token-Ring

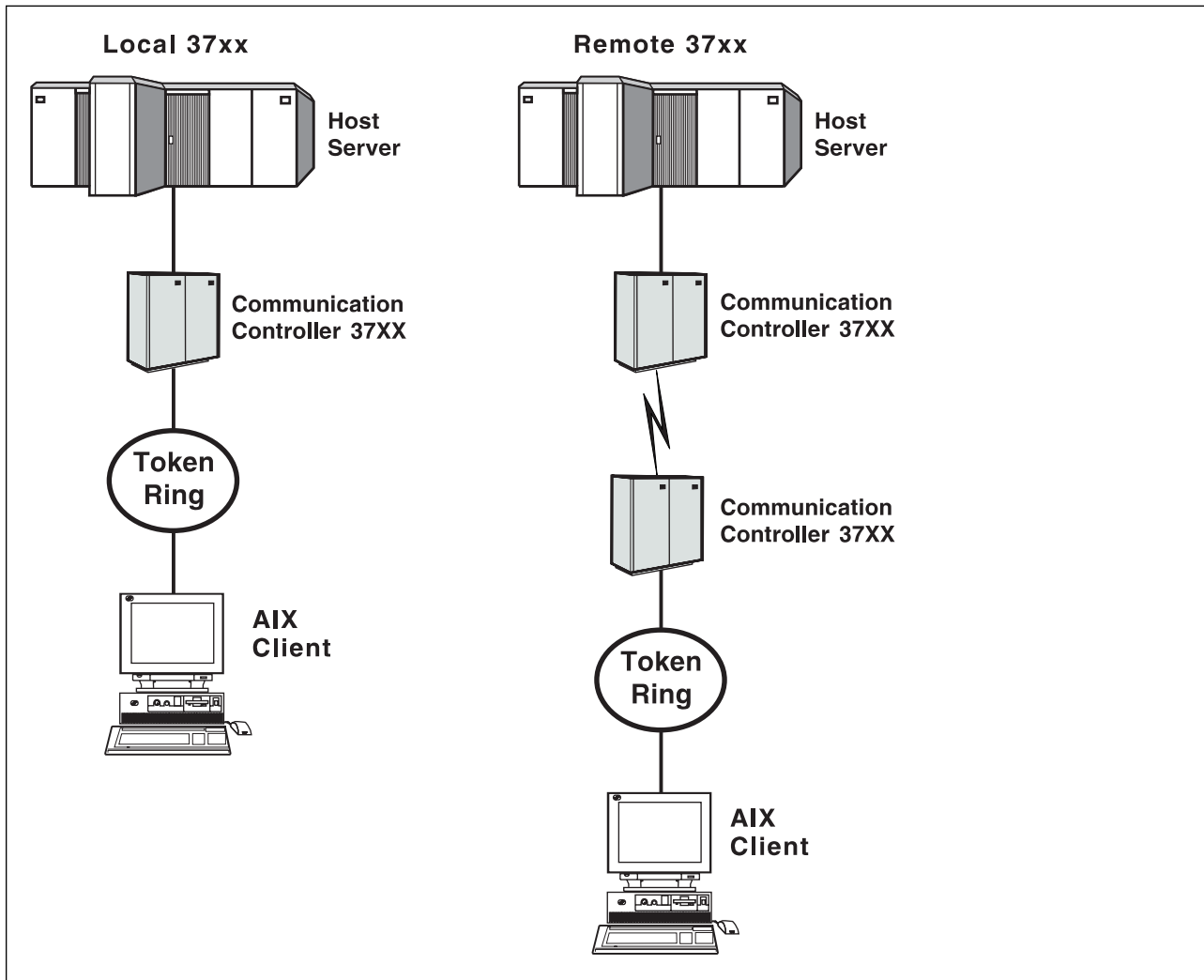


Figure 10. Local or Remote 37xx Token-Ring

Key Configuration Parameter Interrelationships

Several network components have configuration parameters whose values are related to configuration parameters for other network components. These interrelated parameters must be configured consistently to make end-to-end communication possible.

Several figures follow. They illustrate some of the key interrelationships among configuration parameters for SNA network components.

Figure 11 illustrates the interrelationships in defining the name of the transaction program used by the AFP Upload host server.

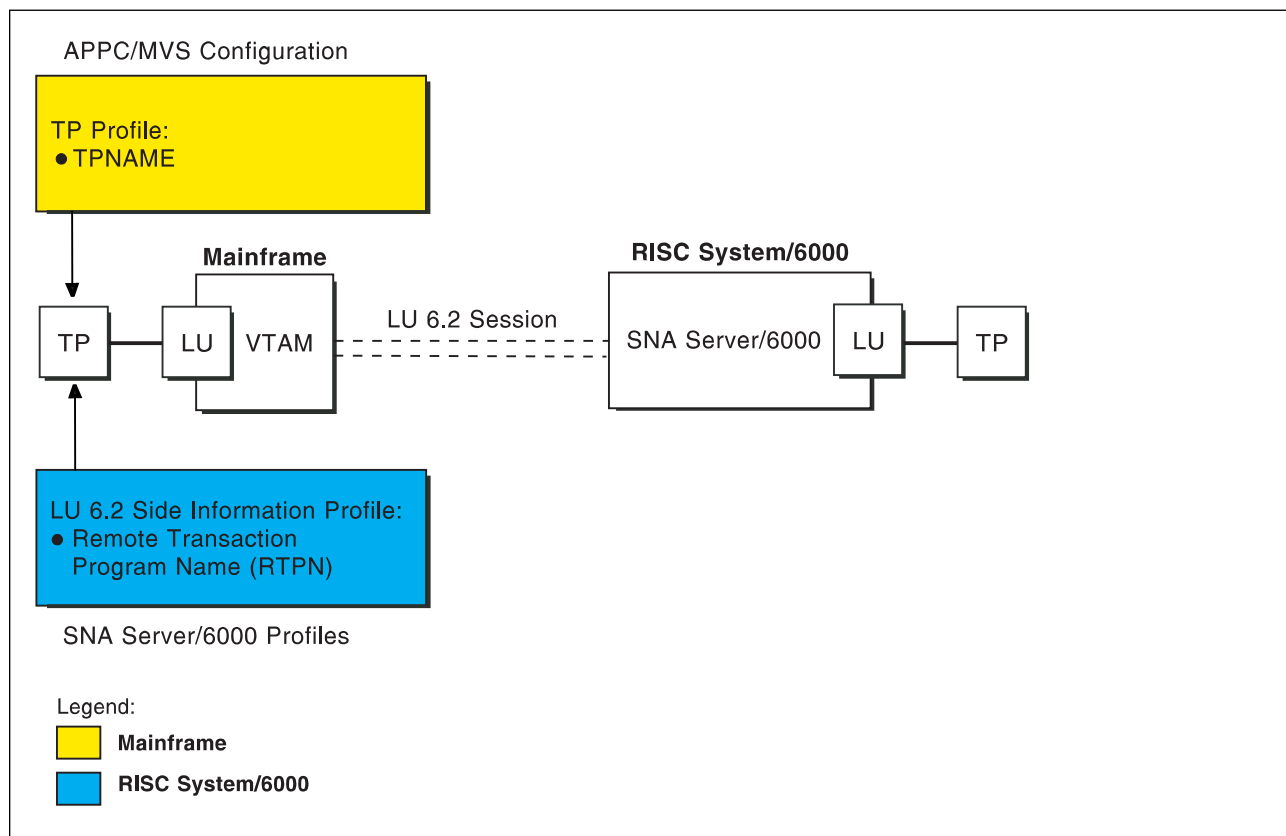


Figure 11. Transaction Program Name

Figure 12 illustrates the interrelationships in defining logical unit (LU) names.

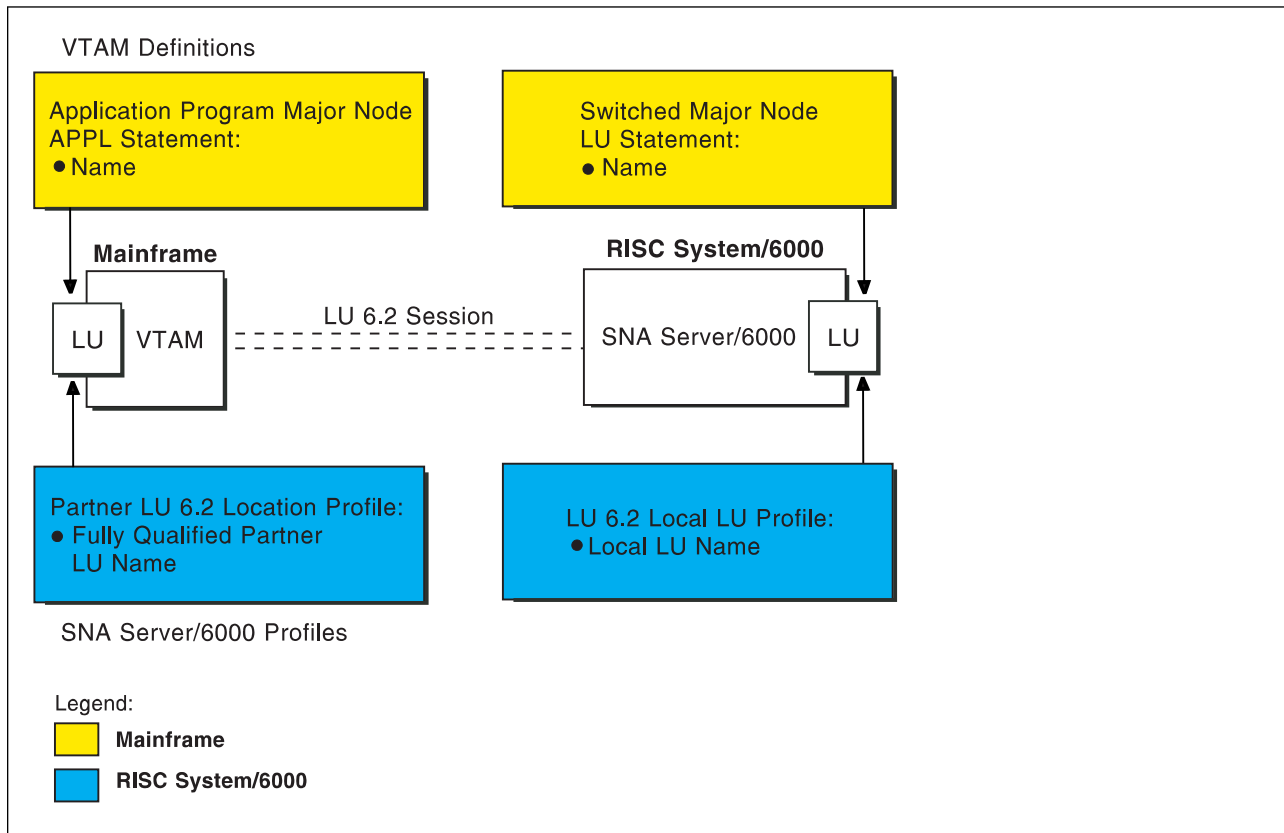


Figure 12. Logical Unit Names

Figure 13 illustrates the interrelationships in defining the local address of the logical unit provided by SNA Server/6000.

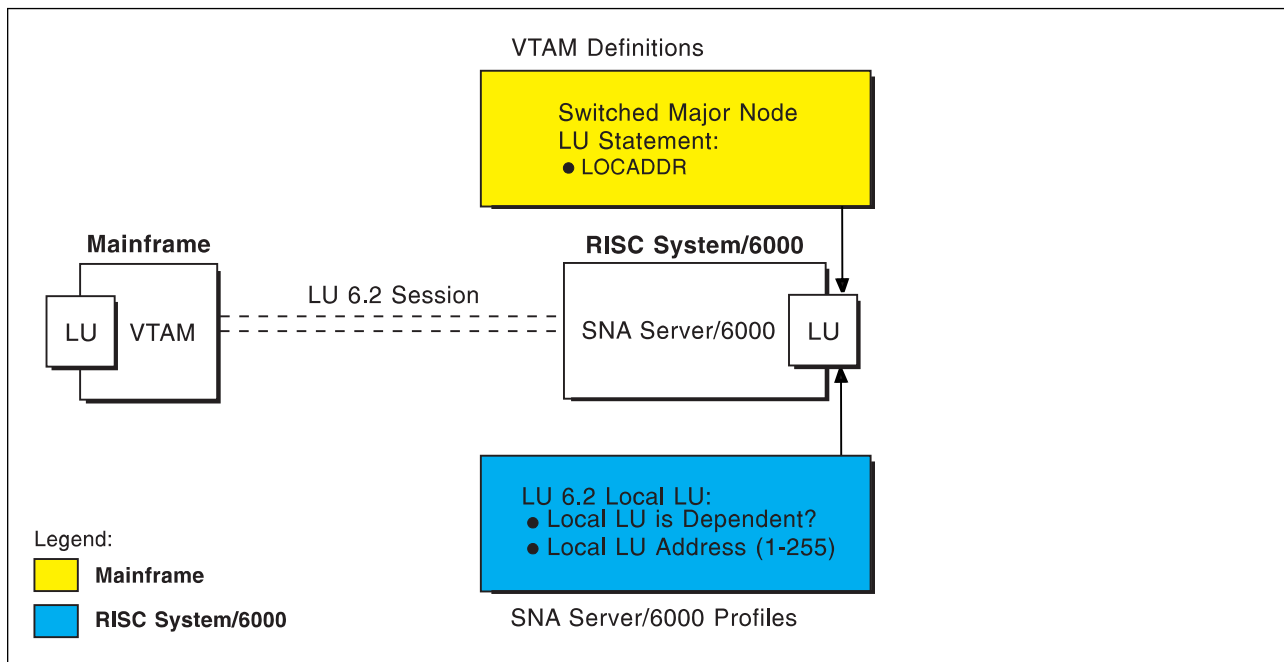


Figure 13. Local Address of Logical Unit

Local or Remote 37xx Token-Ring

Figure 14 illustrates the interrelationships in defining the name of the physical unit/control point provided by SNA Server/6000.

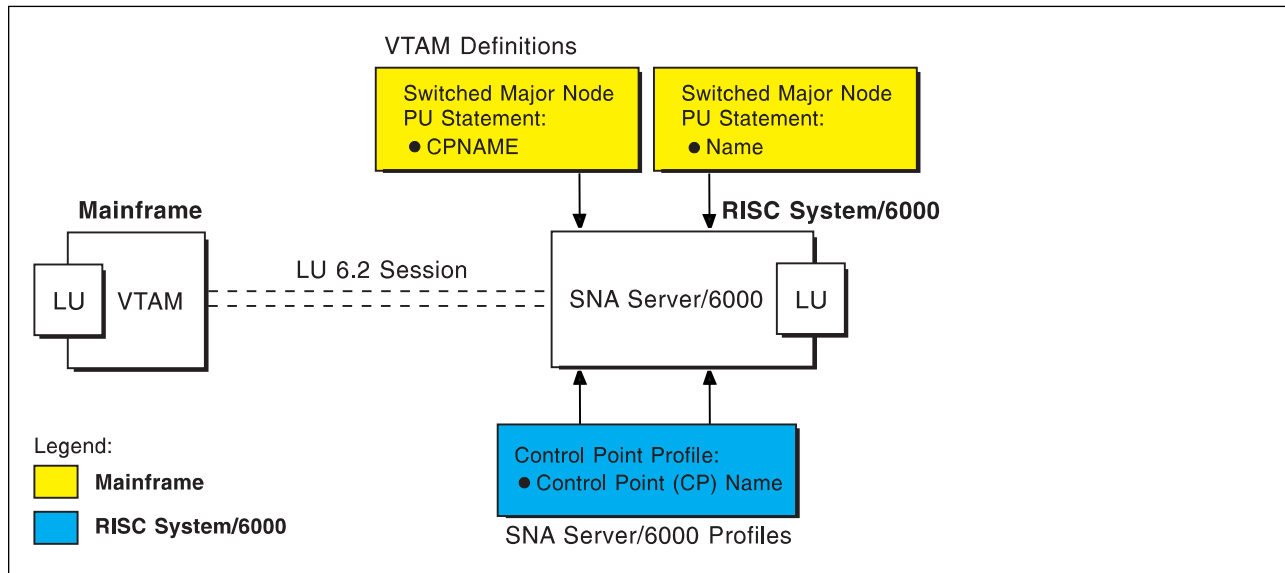


Figure 14. Physical Unit/Control Point Name

Figure 15 illustrates the interrelationships in defining the Token-Ring addresses used in this configuration.

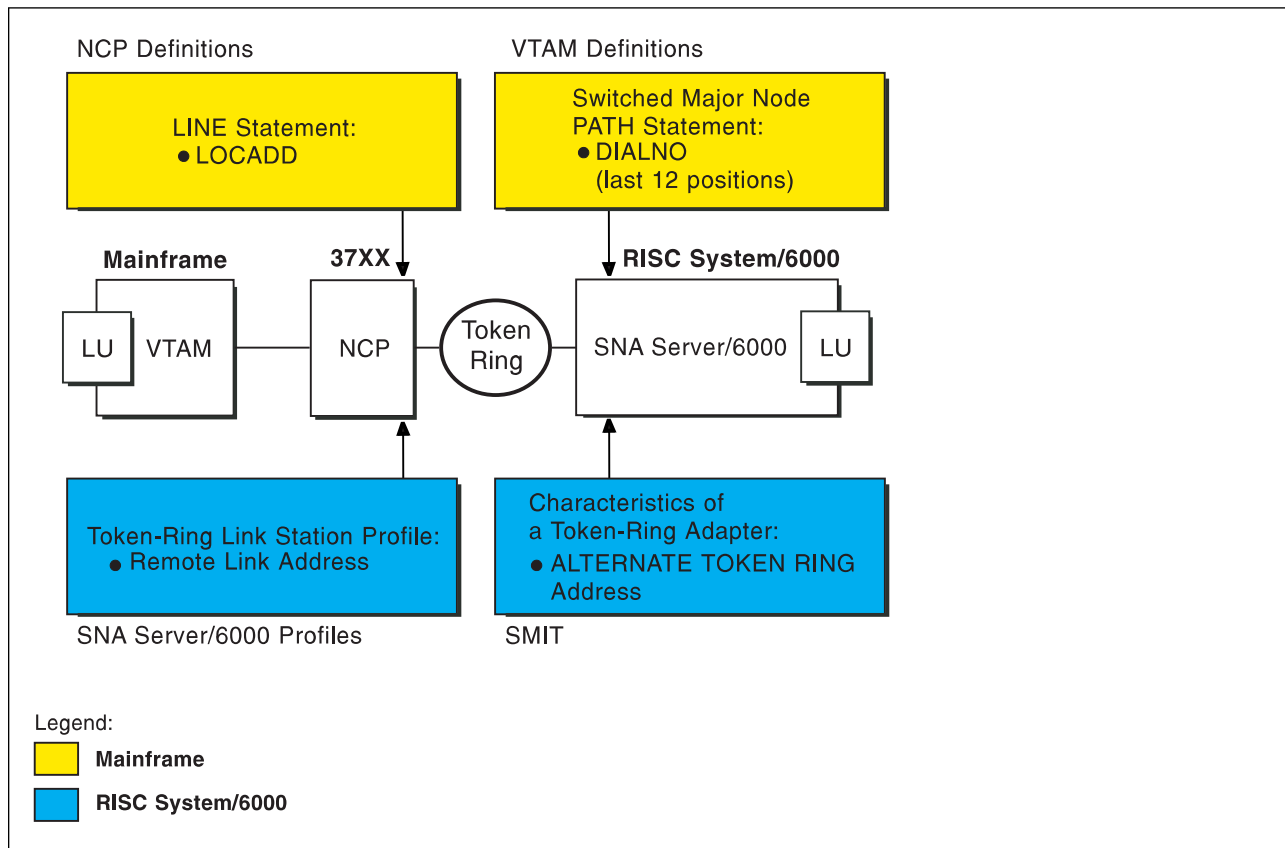


Figure 15. Token-Ring Addresses

Local or Remote 37xx Token-Ring Example

For an explanation of pertinent configuration parameters, see “Guidelines for Configuring Local or Remote 37xx Token-Ring” on page 52 .

APPC/MVS APPCPMxx Parameter Example

For an explanation of these values, see “Specifying the APPC/MVS APPCPMxx Parameters” on page 52.

```
LUADD
ACBNAME(MVSLU01),
SCHED(ASCH),
TPDATA(SYS1.APPCTP),
TPLEVEL(SYSTEM),
BASE

SIDEINFO
DATASET(SYS1.APPCSI)
```

Figure 16. Sample APPC/MVS APPCPMxx Parameters

APPC/MVS ASCHPMxx Parameters Example

For an explanation of these values, see “Specifying the APPC/MVS ASCHPMxx Parameters” on page 52.

```
CLASSADD
CLASSNAME(FAST),
MAX(10),
MIN(2),
RESPGOAL(.01),
MSGLIMIT(500)
```

Figure 17. Sample APPC/MVS ASCHPMxx Parameters

APPC/MVS TP Profile Example

For an explanation of these values, see “Specifying the APPC/MVS TP Profile” on page 53.

```
//JOBNAME JOB ACCOUNT
//*
//TPPROF EXEC PGM=ATBSDFMU
//SYSPRINT DD SYSOUT=*
//SYSSDLIB DD DSN=SYS1.APPCTP,DISP=SHR
//SYSSDOUT DD SYSOUT=*
//SYSIN DD DATA,DLM=XX
TPADD
TPNAME(AFPSVR1)
TPSCHED_DELIMITER(##)
CLASS(FAST)
JCL_DELIMITER(END_OF_JCL)
//JOBNAME JOB ACCOUNT
//STEP EXEC PGM=AUPSNAS
//STEPLIB DD DSN=AUP.SAUPLOAD,DISP=SHR
// DD DSN=PLI.V2R3M0.PLILINK,DISP=SHR
// DD DSN=PLI.V2R3M0.SIBMLINK,DISP=SHR
//SYSPRINT DD SYSOUT=*
END_OF_JCL
KEEP_MESSAGE_LOG(ALWAYS)
MESSAGE_DATA_SET(AUP.APPCLOG)
DATASET_STATUS(OLD)
##
XX
/*
```

Figure 18. Sample JCL To Create an APPC/MVS TP Profile

VTAM Start Option List (ATCSTRxx) Example

For an explanation of these values, see “Specifying the VTAM Start Option List (ATCSTRxx)” on page 53.

CONFIG=00,	ATCCON MEMBER OF VTAMLIST	X
NETID=USIBMBQ,	NETWORK IDENTIFIER	X
SSCPNAME=ST1,	SSCP NAME	X
⋮		

Figure 19. Sample VTAM Start Option List

VTAM Configuration List (ATCCONnn) Example

For an explanation of these values, see “Specifying the VTAM Configuration List (ATCCONnn)” on page 53.

APPCAPLS	X
⋮	

Figure 20. Sample VTAM Configuration List

VTAM Application Program Major Node and Application Program Example

For an explanation of these values, see “Specifying the VTAM Application Program Major Node and Application Program” on page 54.

APPCAPLS	VBUILD	TYPE=APPL	
MVSLU01	APPL	ACBNAME=MVSLU01,	X
		APPC=YES,	X
		AUTOSES=0,	X
		DDRINL=NALLOW,	X
		DMINWNL=5,	X
		DMINWNR=5,	X
		DRESPL=NALLOW,	X
		DSESLIM=10,	X
		LMDENT=100,	X
		MODETAB=ISTINCLM,	X
		PARSESS=YES,	X
		SECACPT=CONV,	X
		SRBEXIT=YES	

Figure 21. Sample VTAM Application Program Major Node and Application Program

VTAM Switched Major Node Example

For an explanation of these values, see “Specifying the VTAM Switched Major Node” on page 55.

SWAIX01	VBUILD	TYPE=SWNET	
*			
AIX01	PU	ADDR=04, CPNAME=AIX01, MAXOUT=7, MODETAB=ISTINCLM, VPACING=0	ADDRESS REQUIRED, BUT IGNORED X CONTROL POINT NAME X LINK LEVEL WINDOW X LOGON MODE TABLE X NO PACING TO BOUNDARY NODE
*			
UPLD0101	LU	LOCADDR=0	INDEPENDENT LU

Figure 22. Sample VTAM Switched Major Node

Network Control Program (NCP) Definitions Example

For an explanation of these values, see “Specifying the Network Control Program Definitions” on page 59.

:			
G31P	GROUP	ECLTYPE=PHYSICAL, ISTATUS=ACTIVE	PHYSICAL GROUP X INITIAL STATUS
LN31	LINE	ADDRESS=(1088,FULL), LOCADD=400023101088, MAXTSL=1033, PORTADD=1, RCVBUFC=4095	LINE NUM AND DATA TRANS MODE X TOKEN RING ADDRESS FOR LINE X MAXIMUM BYTES OF DATA X PORT ADDRESS X BUFFER CAPACITY
PU31	PU		
LU31	LU	ISTATUS=INACTIVE	INITIAL STATUS
*			
G31L	GROUP	ECLTYPE=LOGICAL, ISTATUS=ACTIVE, AUTOGEN=8, CALL=INOUT, PHYPORT=1	LOGICAL GROUP X INITIAL STATUS X # OF LINE AND PU PAIRS GENED X CALL IN OR OUT X CORRELATES WITH PORTADD
:			

Figure 23. Sample NCP Definitions

PSF for AIX Printer Example

For an explanation of these values, see “Specifying the PSF for AIX Printer” on page 61.

```
smit
  PSF for AIX Printing and Configuration
    Administer PSF for AIX
      Manage a PSF for AIX Printer
        Add a Printer or PSF Queue
          Upload
```

Figure 24. SMIT Panel Sequence for PSF for AIX Printer

```
* Data stream type           AFPDS
* Printer NAME               [upload1]      /
  ASCII code-set             []
* EBCDIC code-set           [IBM-037]
* Number of QUEUE DEVICES   [4]        #
  Description                 []
```

Figure 25. Sample PSF for AIX Printer

SNA Server/6000 Configuration Profile Examples

This section lists sample SNA Server/6000 profiles. Each profile is preceded by the sequence of SMIT panels to access the profile.

- SNA Node
- Control Point
- Token-Ring SNA DLC
- Token-Ring Link Station
- LU 6.2 Local LU
- LU 6.2 Side Information
- Partner LU 6.2 Location

```
smit
  Communications Applications and Services
    SNA Server/6000
      Configure SNA Profiles
        Advanced Configuration
          SNA System Defaults
            Change/Show a Profile
```

Figure 26. SMIT Panel Sequence For SNA Node Profile

Profile name	sna	
Maximum number of sessions (1-5000)	[200]	#
Maximum number of conversations (1-5000)	[200]	#
Restart action	once	+
Recovery resource manager (RRM) enabled?	no	+
Dynamic inbound partner LU definitions allowed?	yes	+
NMVT action when no NMVT process	reject	+
Standard output file/device	[/dev/console]	
Standard error file/device	[/var/sna/sna.stderr]	
Comments	[]	

Figure 27. Sample SNA Node Profile

```

smit
  Communications Applications and Services
    SNA Server/6000
      Configure SNA Profiles
        Advanced Configuration
          Control Point
            Change/Show a Profile

```

Figure 28. SMIT Panel Sequence For Control Point Profile

Profile name	node_cp	
XID node ID	[*]	
Network name	[USIBMBQ]	
Control Point (CP) name	[AIX01]	
Control Point alias	[AIX01]	
Control Point type	appn_end_node	+
Maximum number of cached routing trees	[500]	#
Maximum number of nodes in the TRS database	[500]	#
Route addition resistance	[128]	#
Comments	[]	

Figure 29. Sample Control Point Profile

Local or Remote 37xx Token-Ring

```

smit
  Communications Applications and Services
    SNA Server/6000
      Configure SNA Profiles
        Advanced Configuration
          Links
            Token-Ring
              Token-Ring SNA DLC
                Add a Profile
  
```

Figure 30. SMIT Panel Sequence For Token-Ring SNA DLC Profile

```

* Profile name                [tr3745]
Data link device name        [tok0]      +
Force disconnect time-out (1-600 seconds) [120]      #
User-defined maximum I-Field size?      no      +
  If yes, Max. I-Field size (265-30729) [30729]    #
Max. num of active link stations (1-255) [100]      #
  Number reserved for inbound activation [0]        #
  Number reserved for outbound activation [0]        #
Transmit window count (1-127)          [16]        #
Dynamic window increment (1-127)       [1]        #
Retransmit count (1-30)                [8]        #
Receive window count (1-127)           [7]        #
Ring access priority              [0]        +
Inactivity time-out (1-120 seconds)     [48]        #
Response time-out (1-40, 500 msec intervals) [4]        #
Acknowledge time-out (1-40, 500 msec intervals) [1]        #
Local link name                  []
Local SAP address (04-ec)           [04]        X
Trace base listening link station?      no      +
  If yes, Trace format                long      +
Dynamic link stations supported?        yes      +

Link Recovery Parameters
  Retry interval (1-10000 seconds)       [60]        #
  Retry limit (0-500 attempts)          [0]        #

Dynamic Link Activation Parameters
  Solicit SSCP sessions?                 yes      +
  CP-CP sessions supported?              yes      +
  Partner required to support CP-CP sessions? no      +

Dynamic Link TG COS Characteristics
  Effective capacity                      [4300800]   #
  Cost per connect time                   [0]        #
  Cost per byte                           [0]        #
  Security                                nonsecure  +
  Propagation delay                       lan      +
  User-defined 1                          [128]      #
  User-defined 2                          [128]      #
  User-defined 3                          [128]      #

Comments                              []
  
```

Figure 31. Sample Token-Ring SNA DLC Profile

```
smit
  Communications Applications and Services
    SNA Server/6000
      Configure SNA Profiles
        Advanced Configuration
          Links
            Token-Ring Link Station
              Add a Profile
```

Figure 32. SMIT Panel Sequence For Token-Ring Link Station Profile

Local or Remote 37xx Token-Ring

* Profile name	[tr3745]	
Use APPN Control Point's XID node ID?	yes	+
If no, XID node ID	[*]	
* SNA DLC Profile name	[tr3745]	+
Stop link station on inactivity?	no	+
If yes, Inactivity time-out (0-10 minutes)	[0]	#
LU address registration?	no	+
If yes, LU Address Registration Profile name	[]	+
Trace link?	no	+
If yes, Trace size	long	+
Adjacent Node Address Parameters		
Access routing	link_address	+
If link_name, Remote link name	[]	
If link_address,		
Remote link address	[400023101088]	X
Remote SAP address (04-ec)	[04]	X
Adjacent Node Identification Parameters		
Verify adjacent node?	no	+
Network ID of adjacent node	[]	
CP name of adjacent node	[]	
XID node ID of adjacent node (LEN node only)	[*]	
Node type of adjacent node	learn	+
Link Activation Parameters		
Solicit SSCP sessions?	yes	+
Initiate call when link station is activated?	yes	+
Activate link station at SNA start up?	yes	+
Activate on demand?	no	+
CP-CP sessions supported?	yes	+
If yes,		
Adjacent network node preferred server?	no	+
Partner required to support CP-CP sessions?	no	+
Initial TG number (0-20)	[0]	#
Restart Parameters		
Restart on activation?	no	+
Restart on normal deactivation?	yes	+
Restart on abnormal deactivation?	yes	+
Transmission Group COS Characteristics		
Effective capacity	[4300800]	#
Cost per connect time	[0]	#
Cost per byte	[0]	#
Security	nonsecure	+
Propagation delay	lan	+
User-defined 1	[128]	#
User-defined 2	[128]	#
User-defined 3	[128]	#
Comments	[]	

Figure 33. Sample Token-Ring Link Station Profile


```

smit
  Communications Applications and Services
    SNA Server/6000
      Configure SNA Profiles
        Advanced Configuration
          Sessions
            LU 6.2
              LU 6.2 Local LU
                Add a Profile
  
```

Figure 34. SMIT Panel Sequence For LU 6.2 Local LU Profile

```

* Profile name                [UPLD0101]
Local LU name                 [UPLD0101]
Local LU alias                [UPLD0101]
Local LU is dependent?       no          +
  If yes,
    Local LU address (1-255)  []          #
    System services control point
      (SSCP) ID (*, 0-65535)  [*]
    Link Station Profile name  []          +
Conversation Security Access List Profile name  []
Comments                     []
  
```

Figure 35. Sample LU 6.2 Local LU Profile

```

smit
  Communications Applications and Services
    SNA Server/6000
      Configure SNA Profiles
        Advanced Configuration
          Sessions
            LU 6.2
              LU 6.2 Side Information
                Add a Profile
  
```

Figure 36. SMIT Panel Sequence For LU 6.2 Side Information Profile

```

* Profile name                [upload1]
Local LU or Control Point alias  [UPLD0101]          +
Provide only one of the following:
  Partner LU alias             []          +
  Fully qualified partner LU name  [USIBMBQ.MVSLU01]
Mode name                       [#INTER]          +
Remote transaction program name (RTPN)  [AFPSVR1]
RTPN in hexadecimal?          no          +
Comments                       []
  
```

Figure 37. Sample LU 6.2 Side Information Profile

Local or Remote 37xx Token-Ring

```
smit
  Communications Applications and Services
    SNA Server/6000
      Configure SNA Profiles
        Advanced Configuration
          Sessions
            LU 6.2
              Partner LU 6.2 Location
                Add a Profile
```

Figure 38. SMIT Panel Sequence For Partner LU 6.2 Location Profile

```
* Profile name                [MVSLU01]
Fully qualified partner LU name [USIBMBQ.MVSLU01]
Partner LU location method     owning_cp
If owning_cp,
  Fully qualified owning Control Point (CP) name [USIBMBQ.ST1]      +
  Local node is network server for LEN node?    no
  Fully qualified network node server name      []
If link_station,
  Local LU name                               []
  Link Station Profile name                    []      +
Comments                                       []
```

Figure 39. Sample Partner LU 6.2 Location Profile

Configuration Worksheet Example

The following worksheet records values for SNA Server/6000 configuration parameters that are related to other configuration settings:

Figure 40. Sample Configuration Worksheet

SNA Server/6000	Value	APPC/MVS	VTAM	NCP
Control Point: Control Point (CP) name	AIX01		PU: name PU: CPNAME	
Token-Ring SNA DLC: Receive window count	7		PU: MAXOUT	
Token-Ring Link Station: Remote link address	400023101088			LINE: LOCADD
LU 6.2 Local LU: Local LU name	UPLD0101		LU: name	
LU 6.2 Local LU: Local LU is dependent?	no		LU: LOCADDR	
LU 6.2 Local LU: Local LU address	n/a		LU: LOCADDR	
LU 6.2 Side Information: Fully qualified partner LU name	USIBMBQ.MVSLU01	APPCPMxx: LUADD ACBNAME	ATCSTRxx: NETID APPL: name	
LU 6.2 Side Information: Remote transaction program name (RTPN)	AFPSVR1	TP profile: TPNAME		
Partner LU 6.2 Location: Fully qualified partner LU name	USIBMBQ.MVSLU01	APPCPMxx: LUADD ACBNAME	ATCSTRxx: NETID APPL: name	
Partner LU 6.2 Location: Fully qualified owning Control Point (CP) name	USIBMBQ.ST1		ATCSTRxx: NETID ATCSTRxx: SSCPNAME	

Guidelines for Configuring Local or Remote 37xx Token-Ring

The following provides guidance for implementing the examples displayed in “Local or Remote 37xx Token-Ring Example” on page 39. Note that a subset of the example is displayed below, displaying the pertinent parameters and describing which of these require you to specify *variable_names* and which require a specific name or number, such as MODETAB=ISTINCLM.

Specifying the APPC/MVS APPCPMxx Parameters

The pertinent statements and parameters for the APPCPMxx member of SYS1.PARMLIB are illustrated in Figure 41 and described below.

```
LUADD
  ACBNAME(lu_name),
  SCHED(ASCH),
  TPDATA(tp_profile_dataset),
  TPLEVEL(level)
```

Figure 41. APPC/MVS APPCPMxx Parameter Guidelines

ACBNAME

Specifies the name of a logical unit to be controlled by APPC/MVS. The value must match an APPL statement name in a VTAM application program major node.

SCHED

Specify ASCH to indicate that inbound conversation requests should be scheduled by the APPC/MVS transaction scheduler (ASCH).

TPDATA

Specify the name of the VSAM key-sequenced dataset (KSDS) that contains TP profiles for the logical unit referenced by the ACBNAME parameter.

TPLEVEL

Controls access, for the logical unit referenced by the ACBNAME parameter, to execution of transaction programs (TP's).

Specify SYSTEM to allow access to all authenticated MVS users.

Specifying the APPC/MVS ASCHPMxx Parameters

AFP Upload requires that a class of transaction initiators be defined to the APPC/MVS transaction scheduler (ASCH) so the class can be referenced in the APPC/MVS TP profile that describes an AFP Upload server. AFP Upload does not have special requirements for the parameters used in defining the class.

Specifying the APPC/MVS TP Profile

Use the APPC/MVS ATBSDFMU administration utility program to create an APPC/MVS TP profile.

The TPNAME value must match the **Remote transaction program name (RTPN)** parameter in the SNA/6000 LU 6.2 Side Information profile.

The scheduler information in the TP profile must include JCL that the ASCH scheduler uses to run the transaction program. The JCL must execute the AFP Upload server program, named AUPSNAS. This program is written in the PL/I language. It requires that the PL/I PLILINK and SIBMLINK libraries be included in the STEPLIB definition. The AFP Upload server program also requires that the SYSPRINT DD name be allocated. Unless the SYSPRINT DD statement refers to DUMMY or a SYSOUT data set, the data set referenced by the SYSPRINT DD statement must have the following attributes:

directory blocks:	0
record format:	VA
record length:	125
block size:	129

For more information about the SYSPRINT DD name used by the host server program, refer to “Specifying the SYSPRINT DD Statement” on page 10.

Specifying the VTAM Start Option List (ATCSTRxx)

You must specify the values illustrated in Figure 42 and described below:

CONFIG= <i>nn</i> ,	ATCCON MEMBER OF VTAMLST	X
NETID= <i>network_id</i> ,	NETWORK IDENTIFIER	X
SSCPNAME= <i>sscp_name</i> ,	SSCP NAME	X
:		

Figure 42. VTAM Start Option List Guidelines

CONFIG

Specifies the ATCCON*nn* member to use.

NETID

Specifies the network identifier for the host system.

SSCPNAME

Specifies the System Services Control Point (SSCP) name for the host system.

Specifying the VTAM Configuration List (ATCCONnn)

The VTAM configuration list indicates the application program major nodes that should be made available when VTAM is started. Include the application program major node that contains the application program that APPC/MVS uses:

<i>appl_prog_major_node</i>	X
:	

Specifying the VTAM Application Program Major Node and Application Program

The pertinent statements and parameters for the VTAM Application Program Major Node and Application Program are illustrated in Figure 43 and described below.

<i>majname</i>	VBUILD	TYPE=APPL	
<i>minname</i>	APPL	ACBNAME= <i>minname</i> ,	X
		APPC=YES,	X
		MODETAB=ISTINCLM,	X
		PARSESS=YES,	X
		SECACPT=CONV,	X
		SRBEXIT=YES	

Figure 43. VTAM Application Program Major Node and Application Program Guidelines

ACBNAME

Specify the minor node name to assign to the application program. This name must be unique within the domain in which the application program resides.

APPC

Specify YES.

MODETAB

Specify ISTINCLM or the name of an alternative VTAM logon mode table to be used to associate each logon mode name with a set of session parameters for the application program.

PARSESS

Specify YES, or do not include the PARSESS parameter. PARSESS defaults to YES when APPC=YES.

This value indicates that the application program can have multiple concurrent (parallel) sessions with an independent logical unit.

SECACPT

Specify CONV.

This value indicates that the application program's logical unit supports conversation requests containing access security subfields.

SRBEXIT

Specify YES.

This value indicates that the application program is authorized to use service request block (SRB) processing in its exit routines.

Specifying the VTAM Switched Major Node

The following statements and values must be specified (as illustrated in Figure 44) if a **calling** SNA Server/6000 link station initiates a link connection with the 37xx communication controller:

```

node_name VBUILD TYPE=SWNET
*
pu_name  PU      ADDR=nn,                X
          CPNAME=cp_name,                X
          MAXOUT=7,                       X
          MODETAB=mode_table,             X
          VPACING=0
*
lu_name  LU      LOCADDR=nn

```

Figure 44. VTAM Switched Major Node Guidelines for SNA Server/6000 Calling Link Station

Local or Remote 37xx Token-Ring

The following statements and values must be specified (as illustrated in Figure 45) if a **listening** SNA Server/6000 link station waits for the 37xx communication controller to initiate a link connection:

```
node_name VBUILD TYPE=SWNET,MAXGRP=1,MAXNO=1
*
pu_name   PU      ADDR=nn,                X
           CPNAME=cp_name,          X
           MAXOUT=7,                 X
           MAXPATH=1,                X
           MODETAB=mode_table,       X
           VPACING=0
*
path_name PATH   DIALNO=xx044000nnnnnnnn, X
           GRPNM=ncp_group
*
lu_name   LU      LOCADDR=nn
```

Figure 45. VTAM Switched Major Node Guidelines for SNA Server/6000 Listening Link Station

The following describes the pertinent operands on the **VBUILD** statement:

TYPE

Specify "SWNET" to indicate that the node is a switched major node.

MAXGRP

Specifies the number of unique path groups (GROUP names) that are defined in the GRPNM operand of all PATH statements within the switched major node. There is one unique path group in the switched major node guideline presented in Figure 45 for an SNA Server/6000 listening link station.

MAXNO

Specifies the number of unique Token-Ring addresses that are defined in the DIALNO operand of all PATH statements within the switched major node. There is one unique Token-Ring address in the switched major node guideline presented in Figure 45 for an SNA Server/6000 listening link station.

The following describes the pertinent operands on the **PU** statement:

Note that the MODETAB and VPACING operands are LU operands, but are included here on the PU statement. VTAM definitions support a "sift-down effect" that allows you to code an operand on a higher-level statement so you do not need to code it on each lower-level statement for which the same value is desired. There is only one logical unit in the guideline presented here, so the sift-down effect is for demonstration only. If the MODETAB and VPACING operands are specified on the PU statement, they do not have to be specified on any of the LU statements.

ADDR

Specifies the address of the physical unit. Note that this operand is required, but ignored.

CPNAME

Identifies the control point. The value specified for CPNAME must match the **Control Point (CP) name** value in the SNA Server/6000 Control Point profile. By convention, the CPNAME value usually matches the PU name.

Either the CPNAME operand or both the IDBLK and the IDNUM operands are required. CPNAME can only be used with PU type 2.1 nodes, such as SNA Server/6000.

MAXDATA

Specifies the maximum amount of data (in bytes) that the physical unit can receive in one path information unit (PIU). This amount includes the transmission header (TH) and the request/response header (RH).

Note: MAXDATA is ignored for type 2.1 nodes, such as SNA Server/6000, that are attached through an NCP with peripheral node type 2.1 support. The type 2.1 node indicates the maximum PIU size when the connection is established. The value that SNA Server/6000 supplies can be configured using the Token-Ring SNA DLC profile's **User-defined maximum I-Field size?** and **Max. I-Field size** parameters.

MAXOUT

Specifies the maximum number of path information units (PIUs) that are sent to the physical unit before waiting for a response from that physical unit.

For optimum performance, the MAXOUT value must be equal to, or greater than, the **Receive window count** in the SNA Server/6000 Token-Ring SNA DLC profile. The **Receive window count** parameter specifies how many frames are received by the link station before SNA Server/6000 sends an acknowledgement.

MAXPATH

Specifies the number of dial-out paths to the physical unit. There is one dial-out path presented in Figure 45 on page 56 for an SNA Server/6000 listening link station.

MODETAB

Specifies the name of the logon mode table that contains entries that describe session characteristics.

VPACING

Determines how VTAM paces the flow of the data from VTAM to the boundary node to which the logical unit is connected. In this configuration, the boundary node is the communication controller.

A value of zero means that no pacing is performed for sessions with the logical unit, or that the largest possible pacing is used if the session is adaptively paced.

Local or Remote 37xx Token-Ring

The following describes the pertinent operands on the **PATH** statement:

DIALNO=xx044000nnnnnnnn

This parameter value has three parts:

xx Specifies the Token-Ring Interface Coupler (TIC) number in the communication controller.

04 Specifies the Service Access Point (SAP). This value must always be *04*.

4000nnnnnnnn

Specifies the Token-Ring address of the Token-Ring adapter in the RISC System/6000.

Although Token-Ring addresses include twelve hexadecimal digits, the VTAM DIALNO operand only accepts digits in the range 0-9. Therefore, an **alternate Token-Ring address** that contains only digits in the range 0-9 must be assigned to the Token-Ring adapter in the RISC System/6000. For instructions on configuring an alternate Token-Ring address, see "Using an Alternate Token Ring Address for a RISC System/6000" on page 27.

GRPNM

Refers to a logical GROUP statement in the NCP definitions.

The following describes the pertinent operands on the **LU** statement:

LOCADDR

LOCADDR=0 specifies that this logical unit is an independent logical unit. An SSCP-LU session does not have to be established prior to an LU-LU session with an independent logical unit. For independent logical units, the **Local LU is dependent?** parameter in the SNA Server/6000 LU 6.2 Local LU profile must be no.

To use a dependent logical unit, specify a value between 1 and 255 for LOCADDR. Also, in the SNA Server/6000 LU 6.2 Local LU profile, specify yes for the **Local LU is dependent?** parameter, and the LOCADDR value for the **Local LU address** parameter.

SSCPFM

The SSCPFM operand indicates the type of request units (RUs) that the logical unit supports over its SSCP-LU session.

The guidelines illustrated in Figure 44 on page 55 and Figure 45 on page 56 use an independent logical unit. Therefore, the SSCPFM operand is not specified. If you require a dependent logical unit, specify SSCPFM=USSSCS.

Specifying the Network Control Program Definitions

The keywords and values for the Network Control Program (NCP) definitions are illustrated in Figure 46 and described below:

<i>pgroup_name</i>	GROUP	ECLTYPE=PHYSICAL, ISTATUS=ACTIVE	X
<i>line_name</i>	LINE	ADDRESS=(<i>line_number</i> ,FULL), LOCADD=4000nnnnnnnn, MAXTSL= <i>nnnn</i> , PORTADD= <i>port_number</i> , RCVBUFC=4095	X X X X
<i>pu_name</i>	PU		
<i>lu_name</i>	LU	ISTATUS=INACTIVE	
*			
<i>lgroup_name</i>	GROUP	ECLTYPE=LOGICAL, ISTATUS=ACTIVE, AUTOGEN= <i>n</i> , CALL=INOUT, PHYPORT= <i>port_number</i>	X X X X

Figure 46. NCP Definition Guidelines

The Network Control Program (NCP) definitions include a **physical group** and a **logical group**. The PORTADD keyword on the LINE statement and the PHYPORT keyword on the logical GROUP statement both refer to the same port number.

The following describes the pertinent keywords on the **LINE** statement:

ADDRESS

Specifies the relative line number and data transfer mode for the line.

LOCADD

Indicates the Token-Ring address that the Token-Ring Interface Coupler (TIC) uses.

MAXTSL

Specifies the maximum amount of data (in bytes) that can be transmitted over the Token-Ring connection. Note that this amount includes both the transmission header (TH) and the request/response header (RH).

MAXTSL must be greater than or equal to the maximum size of a path information unit (PIU).

PORTADD

Assigns a port number to the physical line.

Local or Remote 37xx Token-Ring

RCVBUFC

Specifies the NTRI (NCP Token-Ring interconnect) buffer capacity for receiving data from a telecommunication link during one data transfer. The value must be greater than or equal to the maximum size of a path information unit (PIU).

The following describes the pertinent keywords on the logical **GROUP** statement:

AUTOGEN

Specifies how many LINE and PU statements the NCP Definition Facility (NDF) should automatically add to this group.

CALL

Specifies whether the link station in the communication controller should call out to the remote link station, or whether the remote link station should call into the communication controller link station.

Specify CALL=INOUT, which enables either **calling** or **listening** link stations to be configured in SNA Server/6000.

CALL is a LINE statement operand that sifts down to each of the automatically-generated LINE statements.

PHYPORT

Associates the logical lines in this group with a particular physical line. The PHYPORT value must match the PORTADD value on the LINE statement for the physical line.

Specifying the PSF for AIX Printer

The pertinent parameters for the PSF for AIX printer are illustrated in Figure 47 and described below:

* Printer NAME	[<i>printer_name</i>]	/
ASCII code-set	[<i>ascii_code-set</i>]	
* EBCDIC code-set	[<i>ebcdic_code-set</i>]	
* Number of QUEUE DEVICES	[<i>devices</i>]	#

Figure 47. PSF for AIX Printer Guidelines

Printer NAME

The name you choose must match the SNA Server/6000 LU 6.2 Side Information Profile name.

ASCII code-set

Specify the ASCII code-set in which attributes such as class, forms, and destination are specified on your AIX system. Before sending the attributes to the host server program, PSF for AIX converts the attributes from the specified ASCII code-set to the specified EBCDIC code-set.

If you do not specify an ASCII code set, PSF for AIX uses the current code set on your AIX system.

EBCDIC code-set

Specify the EBCDIC code-set used on the host system to which print files are sent and spooled. Before sending the attributes to the host server program, PSF for AIX converts attributes such as class, forms, and destination from the specified ASCII code-set to the specified EBCDIC code set.

Number of QUEUE DEVICES

Specify the number of queue devices to be created for the PSF for AIX printer. Multiple queue devices allow PSF for AIX to simultaneously send one file while converting the next file.

You can define up to nine queue devices. However, note that PSF for AIX requires more RISC System/6000 memory for each queue device.

Specifying the SNA Server/6000 Profiles

This section contains guidelines on configuring the SNA Server/6000 Profiles. Configure these profiles through the System Management Interface Tool (SMIT) panels. Examples of these panels and the hierarchical paths to each SNA definition are illustrated in “SNA Server/6000 Configuration Profile Examples” on page 44.

Note: You must have **root** authority to add or change SNA Server/6000 configuration profiles. After you add or change SNA Server/6000 configuration profiles, you must **verify** and **update** them. For more information about performing this task, see “Verifying and Updating SNA Server/6000 Configuration Profiles” on page 24.

Specifying the SNA Node Profile for AFP Upload: AFP Upload requires no modifications to the SNA Node profile.

Specifying the Control Point Profile for AFP Upload: The following describes how to specify the values AFP Upload requires in the Control Point Profile. Note that all values refer to Figure 48.

XID node ID	[*]
Control Point (CP) name	[cp_name]
Control Point type	appn_end_node +

Figure 48. Control Point Profile Guidelines

XID node ID

If the IDBLK and IDNUM operands are used in the VTAM switched major node PU statement (rather than CPNAME), then the **XID node ID** value in the Control Point profile or Token-Ring Link Station profile must match the combined IDBLK and IDNUM operands. The IDBLK operand is normally 071 for SNA Server/6000.

Either the CPNAME operand or both the IDBLK and IDNUM operands are required. CPNAME can only be used with PU type 2.1 nodes, such as SNA Server/6000.

Control Point (CP) name

If the CPNAME operand is used in the VTAM switched major node PU statement (rather than IDBLK and IDNUM), then the **Control Point (CP) name** must match the CPNAME operand. By convention, the CPNAME is usually the same as the PU name.

Either the CPNAME operand or both the IDBLK and the IDNUM operands are required. CPNAME can only be used with PU type 2.1 nodes, such as SNA Server/6000.

Control Point type

Specify either `appn_end_node` or `appn_network_node`.

Specifying the Token-Ring SNA DLC Profile for AFP Upload: The following displays how to specify the values AFP Upload requires in the Token-Ring SNA DLC Profile. Note that all values refer to Figure 49.

* Profile name	[<i>profile_name</i>]	
Data link device name	[<i>tokn</i>]	+
Receive window count (1-127)	[7]	#
Local SAP address (04-ec)	[04]	X
Link Recovery Parameters		
Retry interval (1-10000 seconds)	[60]	#
Retry limit (0-500 attempts)	[0]	#

Figure 49. Token-Ring SNA DLC Profile Guidelines

Profile name

Choose any meaningful value.

Data link device name

Select one of the available adapters.

Receive window count (1-127)

This value should be equal to the MAXOUT value in the VTAM switched major node PU statement.

The **Receive window count** defines the size of the link-level window. It specifies the maximum number of frames to receive before sending a link-level acknowledgement.

The VTAM PU MAXOUT value indicates the number of frames the 37xx communication controller sends before waiting for a link-level acknowledgement.

If the MAXOUT operand is less than the **Receive window count** parameter, extremely poor throughput can result. The default MAXOUT value is 1. The default **Receive window count** value is 8. These defaults must be adjusted to yield acceptable throughput.

Local SAP address (04-ec)

Specify 04.

Link Recovery Parameters - Retry interval (1-10000 seconds)

Specify 60. If the link station is a **calling** link station, this value causes it to try to establish a link connection with the 37xx communication controller every 60 seconds, until a link connection can be established.

Link Recovery Parameters - Retry limit (0-500 attempts)

Specify 0. If the link station is a **calling** link station, this value indicates that there is no limit on the number of attempts the link station makes to establish a link connection with the 37xx communication controller. The interval between the attempts is defined by the previous parameter.

Local or Remote 37xx Token-Ring

Specifying the Token-Ring Link Station Profile for AFP Upload: The following describes how to specify the values AFP Upload requires in the Token-Ring Link Station Profile. Note that all values refer to Figure 50.

* Profile name	[<i>profile_name</i>]	
Use APPN Control Point's XID node ID?	yes	+
If no, XID node ID	[*]	
* SNA DLC Profile name	[<i>DLC_profile_name</i>]	+
Stop link station on inactivity?	no	+
LU address registration?	no	+
Adjacent Node Address Parameters		
Access routing	link_address	+
If link_address,		
Remote link address	[4000nnnnnnnn]	X
Remote SAP address (04-ec)	[04]	X
Adjacent Node Identification Parameters		
Verify adjacent node?	no	+
Link Activation Parameters		
Solicit SSCP sessions?	yes	+
Initiate call when link station is activated?	yes	+
Activate link station at SNA start up?	yes	+
Restart Parameters		
Restart on activation?	no	+
Restart on normal deactivation?	yes	+
Restart on abnormal deactivation?	yes	+

Figure 50. Token-Ring Link Station Profile Guidelines

Profile name

Choose any meaningful value.

Use APPN Control Point's XID node ID?

Select yes if the CPNAME operand is used in the VTAM switched major node PU statement or IDBLK and IDNUM are used and these operands match the Control Point's **XID node ID**.

Select no if the VTAM switched major node PU statement uses IDBLK and IDNUM and these values do not match the Control Point's **XID node ID**.

If no, XID node ID

If **Use APPN Control Point's XID node ID?** is no, this parameter must match the combined IDBLK and IDNUM operands in the VTAM switched major node PU statement.

The **XID node ID** has form xxxxxxxx, where x is a hexadecimal digit (0-F). The first three positions correspond to the IDBLK operand. The last five positions correspond to the IDNUM operand.

Normally, the first three hexadecimal digits should be 071 for SNA Server/6000.

SNA DLC Profile name

Select the name of the SNA DLC profile.

Stop link station on inactivity?

Select no.

LU address registration?

Select no.

Adjacent Node Address Parameters - Access routing

Select link_address.

This parameter is referenced only for **calling** link stations and selective **listening** link stations. For more information, refer to "Calling" Versus "Listening" Link Stations" on page 26.

Adjacent Node Address Parameters - Remote link address

For **calling** link stations and selective **listening** link stations, specify the Token-Ring address of the 37xx communication controller Token-Ring interface coupler (TIC). The Token-Ring address is 12 hexadecimal digits and is specified through the NCP definitions in the LOCADD operand on the LINE statement in the physical group.

For non-selective **listening** link stations, leave this parameter blank.

Adjacent Node Address Parameters - Remote SAP address

Specify 04.

Adjacent Node Identification Parameters - Verify adjacent node?

Select no.

Link Activation Parameters - Solicit SSCP sessions?

Select yes.

Link Activation Parameters - Initiate call when link station is activated?

To define a **calling** link station, select yes.

To define a **listening** link station, select no.

Link Activation Parameters - Activate link station at SNA start up?

Select yes.

Restart Parameters - Restart on activation?

Select no.

Restart Parameters - Restart on normal deactivation?

Select yes.

Restart Parameters - Restart on abnormal deactivation?

Select yes.

Local or Remote 37xx Token-Ring

Specifying the LU 6.2 Local LU Profile for AFP Upload: The following describes how to specify the values AFP Upload requires in the LU 6.2 Local LU Profile. Note that all values refer to Figure 51.

* Profile name	[<i>profile_name</i>]	
Local LU name	[<i>lu_name</i>]	
Local LU alias	[<i>lu_alias</i>]	
Local LU is dependent?	no	+
If yes,		
Local LU address (1-255)	[]	#
Link Station Profile name	[]	+

Figure 51. LU 6.2 Local LU Profile Guidelines

Profile name

Choose any meaningful value.

Local LU name

This value must match the name on the LU statement in the VTAM switched major node.

Local LU alias

Choose any meaningful value.

Local LU is dependent?

The logical unit can be either dependent (yes) or independent (no). Dependent logical units are managed by an SSCP. In general, independent logical units offer more flexibility.

For dependent logical units, the LOCADDR value in the VTAM switched major node LU statement is non-zero. For independent logical units, LOCADDR=0.

If yes, Local LU address (1-255)

If the logical unit is dependent, the **Local LU address** parameter must match the LOCADDR value in the VTAM switched major node LU statement.

If yes, Link Station Profile name

If the logical unit is dependent, select the profile name of the link station through which SNA Server/6000 communicates with the host system.

Specifying the LU 6.2 Side Information Profile for AFP Upload: The following describes how to specify the values AFP Upload requires in the LU 6.2 Side Information Profile. Note that all values refer to Figure 52.

* Profile name	[<i>profile_name</i>]	
Local LU or Control Point alias	[<i>lu_alias</i>]	+
Provide only one of the following:		
Partner LU alias	[]	+
Fully qualified partner LU name	[<i>network_id.partner_lu_name</i>]	
Mode name	[#INTER]	+
Remote transaction program name (RTPN)	[<i>remote_TP_name</i>]	+
RTPN in hexadecimal?	no	+

Figure 52. LU 6.2 Side Information Profile Guidelines

Profile name

The name you choose must match the name of the PSF for AIX printer.

Local LU or Control Point alias

Select the local LU alias that you specified in the LU 6.2 Local LU profile.

Fully qualified partner LU name

Specifies the network identifier of the network in which the host server program resides (followed by a period), and the logical unit name used by the host server program.

The network identifier portion must match the NETID value in the VTAM start option list (ATCSTRxx).

The logical unit name portion must match an APPL statement name in a VTAM application program major node. It must also match an LUADD ACBNAME value in the APPC/MVS APPCPMxx member of SYS1.PARMLIB.

Mode name

Specify #INTER.

Remote transaction program name (RTPN)

The name you choose must match the TPNAME value in the APPC/MVS TP profile.

RTPN in hexadecimal?

Specify no.

Local or Remote 37xx Token-Ring

Specifying the Partner LU 6.2 Location Profile for AFP Upload: The following describes how to specify the values AFP Upload requires in the Partner LU 6.2 Location Profile. Note that all values refer to Figure 53.

* Profile name	[<i>profile_name</i>]	
Fully qualified partner LU name	[<i>network_id.lu_name</i>]	
Partner LU location method	owning_cp	+
If owning_cp,		
Fully qualified owning Control Point (CP) name	[<i>network_id.cp_name</i>]	
Local node is network server for LEN node?	no	+
Fully qualified network node server name	[]	

Figure 53. Partner LU 6.2 Location Profile Guidelines

Profile name

Choose any meaningful value.

Fully qualified partner LU name

Specifies the network identifier of the network in which the host server program resides (followed by a period), and the logical unit name used by the host server program.

The network identifier portion must match the NETID value in the VTAM start option list (ATCSTRxx).

The logical unit name portion must match an APPL statement name in a VTAM application program major node. It must also match an LUADD ACBNAME value in the APPC/MVS APPCPMxx member of SYS1.PARMLIB.

Partner LU location method

Select owning_cp.

If owning_cp, Fully qualified owning Control Point (CP) name

Specifies the network identifier of the network in which the host server program resides (followed by a period), and the name of the System Services Control Point (SSCP) for the host system.

The network identifier portion must match the NETID value in the VTAM start option list (ATCSTRxx).

The CP name portion must match the SSCPNAME value in the VTAM start option list (ATCSTRxx).

If owning_cp, Local node is network server for LEN node

Select no.

If owning_cp, Fully qualified network node server name

Leave blank.

Configuration Worksheet

Use the following worksheet to record values for SNA Server/6000 configuration parameters that are related to other configuration settings:

Figure 54. Configuration Worksheet

SNA Server/6000	Value	APPC/MVS	VTAM	NCP
Control Point: Control Point (CP) name			PU: name PU: CPNAME	
Token-Ring SNA DLC: Receive window count			PU: MAXOUT	
Token-Ring Link Station: Remote link address				LINE: LOCADD
LU 6.2 Local LU: Local LU name			LU: name	
LU 6.2 Local LU: Local LU is dependent?			LU: LOCADDR	
LU 6.2 Local LU: Local LU address			LU: LOCADDR	
LU 6.2 Side Information: Fully qualified partner LU name		APPCPMxx: LUADD ACBNAME	ATCSTRxx: NETID APPL: name	
LU 6.2 Side Information: Remote transaction program name (RTPN)		TP profile: TPNAME		
Partner LU 6.2 Location: Fully qualified partner LU name		APPCPMxx: LUADD ACBNAME	ATCSTRxx: NETID APPL: name	
Partner LU 6.2 Location: Fully qualified owning Control Point (CP) name			ATCSTRxx: NETID ATCSTRxx: SSCPNAME	

Local or Remote 37xx Token-Ring

Chapter 10. Local 3172 Token-Ring

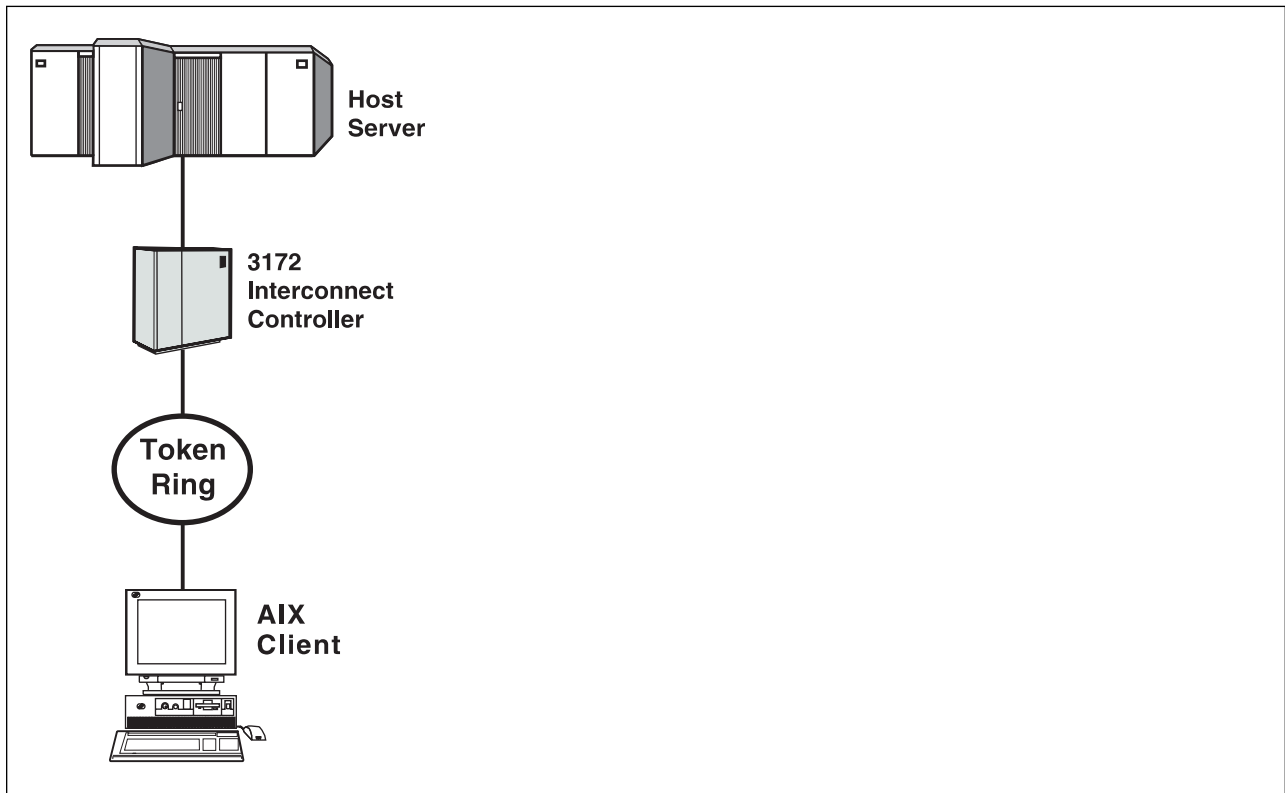


Figure 55. Local 3172 Token-Ring

Key Configuration Parameter Interrelationships

Several network components have configuration parameters whose values are related to configuration parameters for other network components. These interrelated parameters must be configured consistently to make end-to-end communication possible.

Several figures follow. They illustrate some of the key interrelationships among configuration parameters for SNA network components.

Figure 56 illustrates the interrelationships in defining the name of the transaction program used by the AFP Upload host server.

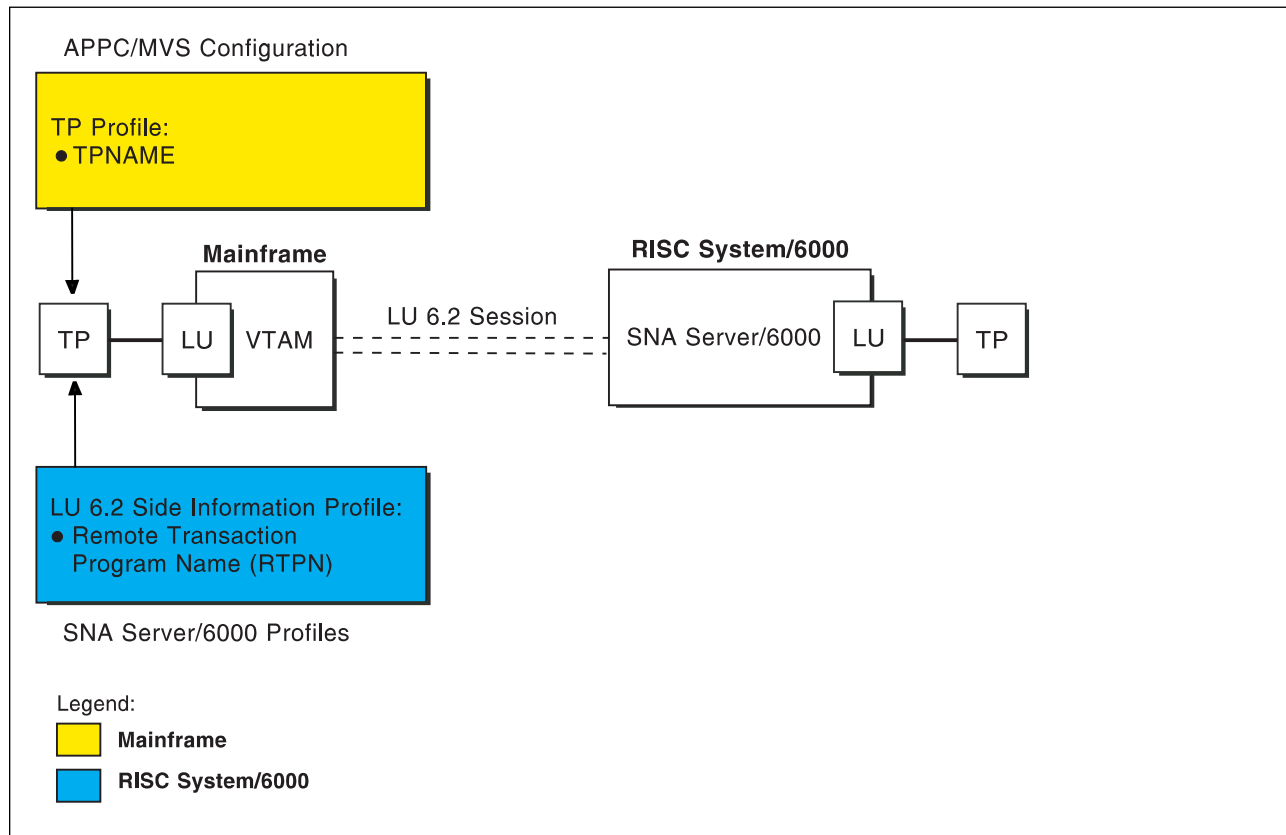


Figure 56. Transaction Program Name

Figure 57 illustrates the interrelationships in defining logical unit (LU) names.

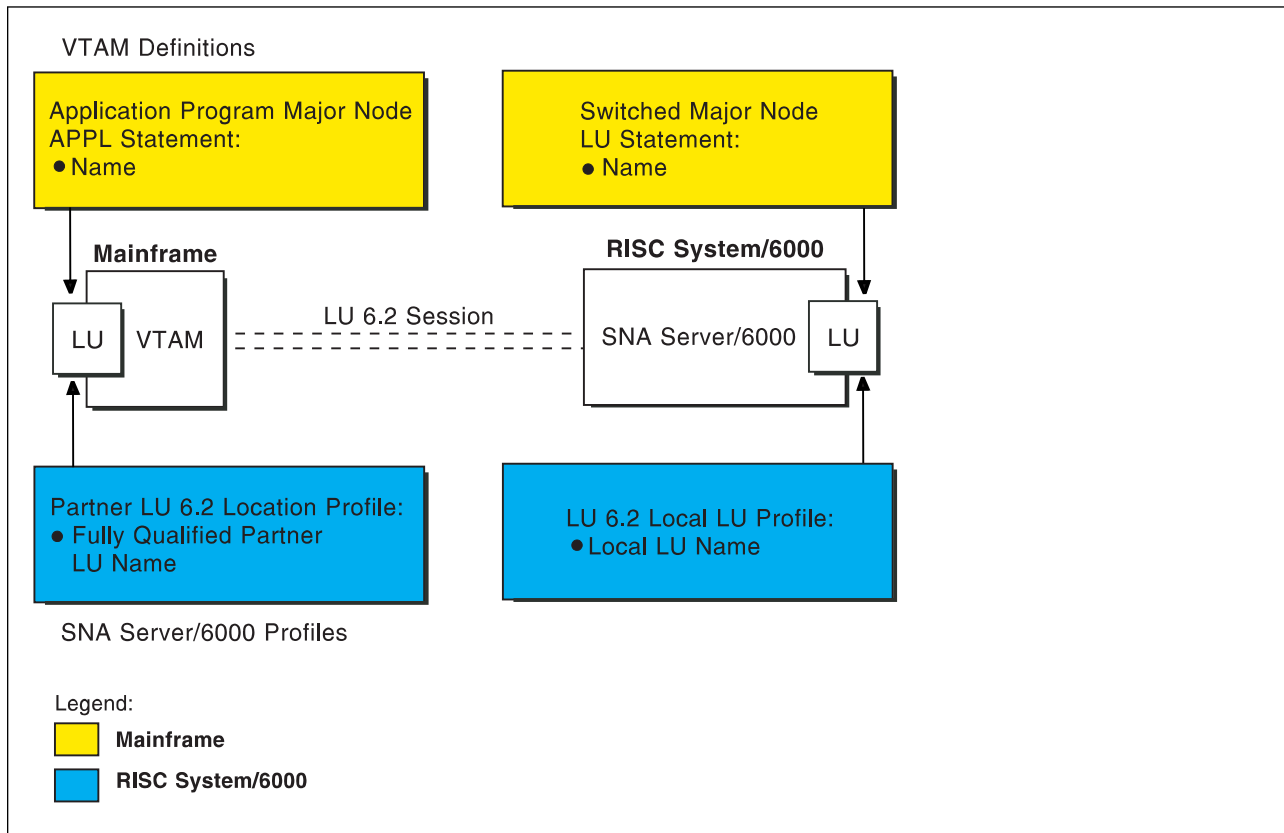


Figure 57. Logical Unit Names

Figure 58 illustrates the interrelationships in defining the local address of the logical unit provided by SNA Server/6000.

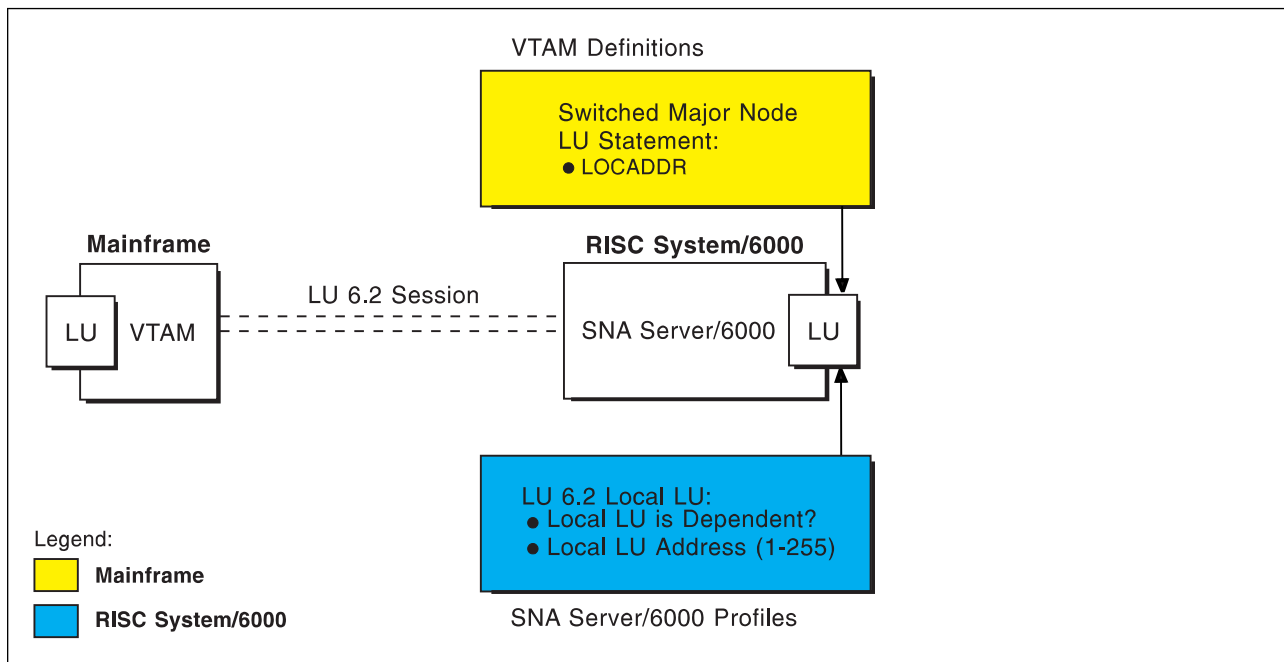


Figure 58. Local Address of Logical Unit

Local 3172 Token-Ring

Figure 59 illustrates the interrelationships in defining the name of the physical unit/control point provided by SNA Server/6000.

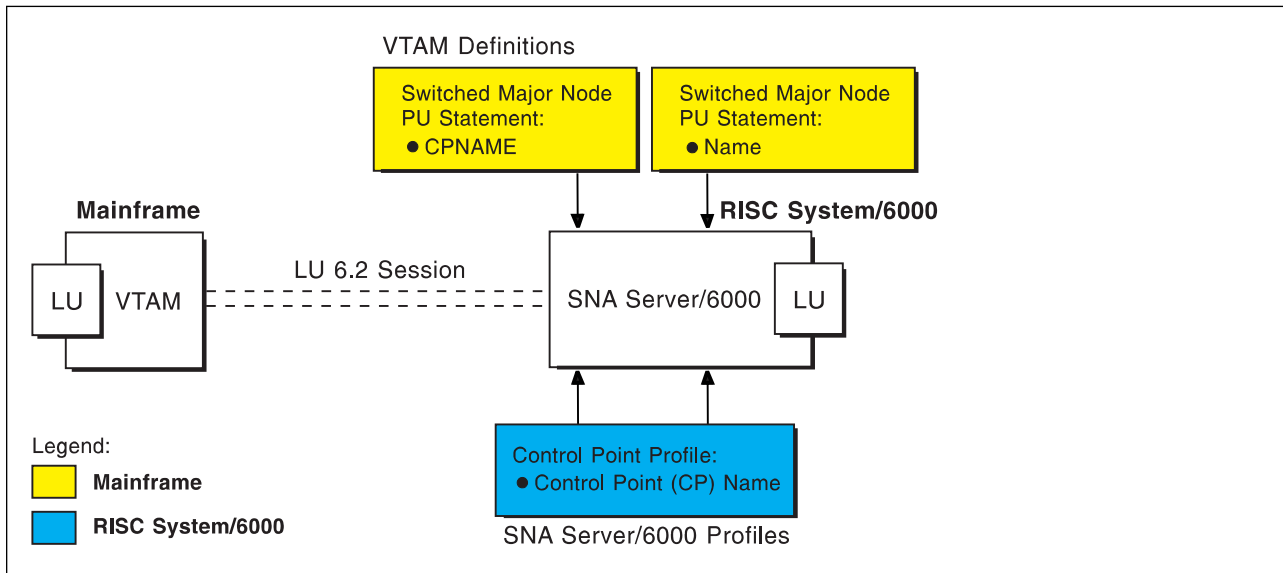


Figure 59. Physical Unit/Control Point Name

Figure 60 illustrates the interrelationships in defining Token-Ring addresses used in this configuration.

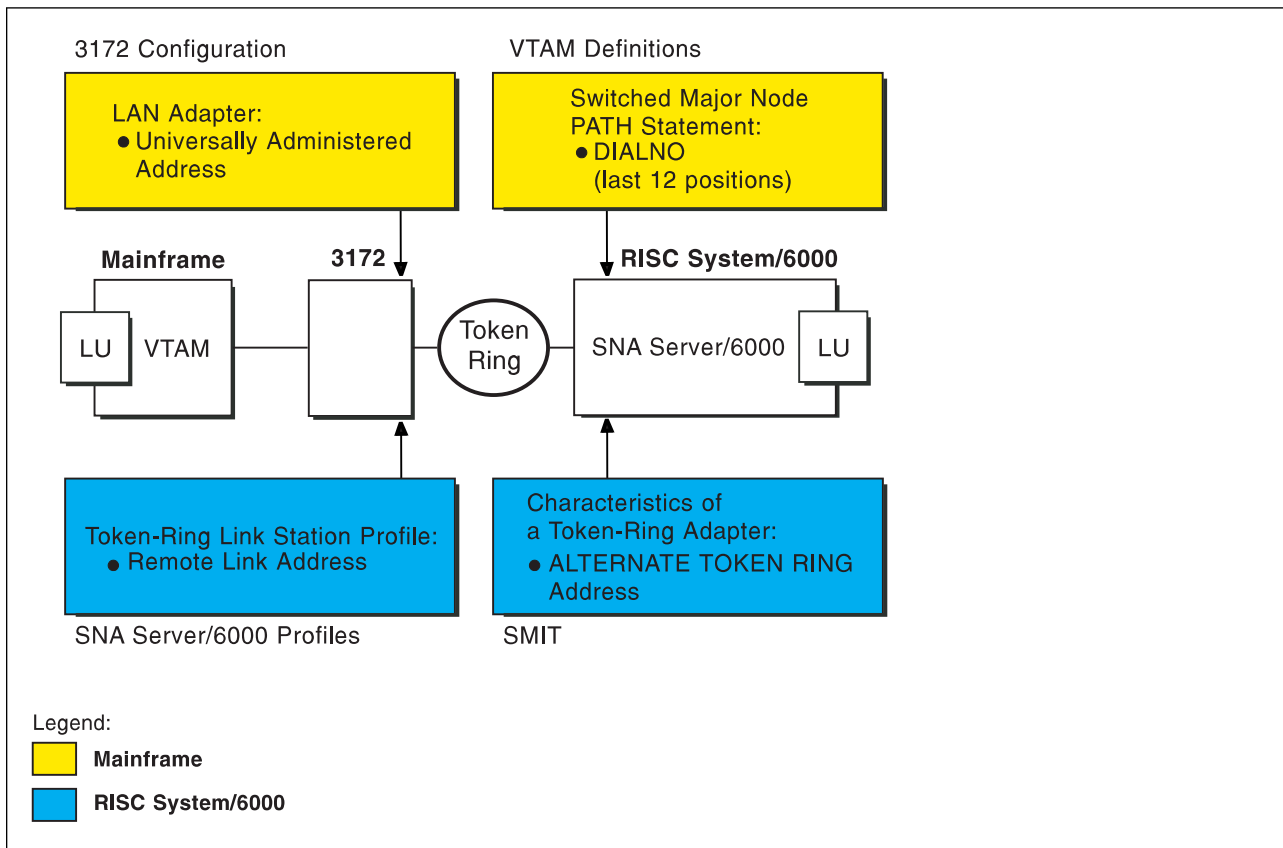


Figure 60. Token-Ring Addresses

Local 3172 Token-Ring Example

For an explanation of pertinent configuration parameters, see “Guidelines for Configuring Local 3172 Token-Ring” on page 89.

APPC/MVS APPCPMxx Parameters Example

For an explanation of these values, see “Specifying the APPC/MVS APPCPMxx Parameters” on page 89.

```
LUADD
  ACBNAME(MVSLU01),
  SCHED(ASCH),
  TPDATA(SYS1.APPCTP),
  TPLEVEL(SYSTEM),
  BASE
SIDEINFO
  DATASET(SYS1.APPCSI)
```

Figure 61. Sample APPC/MVS APPCPMxx Parameters

APPC/MVS ASCHPMxx Parameters Example

For an explanation of these values, see “Specifying the APPC/MVS ASCHPMxx Parameters” on page 89.

```
CLASSADD
  CLASSNAME(FAST),
  MAX(10),
  MIN(2),
  RESPGOAL(.01),
  MSGLIMIT(500)
```

Figure 62. Sample APPC/MVS ASCHPMxx Parameters

APPC/MVS TP Profile Example

For an explanation of these values, see “Specifying the APPC/MVS TP Profile” on page 90.

```
//JOBNAME JOB ACCOUNT
//*
//TPPROF EXEC PGM=ATBSDFMU
//SYSPRINT DD SYSOUT=*
//SYSSDLIB DD DSN=SYS1.APPCTP,DISP=SHR
//SYSSDOUT DD SYSOUT=*
//SYSIN DD DATA,DLM=XX
TPADD
TPNAME(AFPSVR1)
TPSCHED_DELIMITER(##)
CLASS(FAST)
JCL_DELIMITER(END_OF_JCL)
//JOBNAME JOB ACCOUNT
//STEP EXEC PGM=AUPSNAS
//STEPLIB DD DSN=AUP.SAUPLOAD,DISP=SHR
// DD DSN=PLI.V2R3M0.PLILINK,DISP=SHR
// DD DSN=PLI.V2R3M0.SIBMLINK,DISP=SHR
//SYSPRINT DD SYSOUT=*
END_OF_JCL
KEEP_MESSAGE_LOG(ALWAYS)
MESSAGE_DATA_SET(AUP.APPCLOG)
DATASET_STATUS(OLD)
##
XX
/*
```

Figure 63. Sample JCL to Create an APPC/MVS TP Profile

VTAM Start Option List (ATCSTRxx) Example

For an explanation of these values, see “Specifying the VTAM Start Option List (ATCSTRxx)” on page 90.

CONFIG=00,	ATCCON MEMBER OF VTAMLST	X
NETID=USIBMBQ,	NETWORK IDENTIFIER	X
SSCPNAME=ST1,	SSCP NAME	X
⋮		

Figure 64. Sample VTAM Start Option List

VTAM Configuration List (ATCCONnn) Example

For an explanation of these values, refer to “Specifying the VTAM Configuration List (ATCCONnn)” on page 90.

APPCAPLS	X
⋮	

Figure 65. Sample VTAM Configuration List

VTAM Application Program Major Node and Application Program Example

For an explanation of these values, see “Specifying the VTAM Application Program Major Node and Application Program” on page 91.

APPCAPLS	VBUILD	TYPE=APPL	
MVSLU01	APPL	ACBNAME=MVSLU01,	X
		APPC=YES,	X
		AUTOSES=0,	X
		DDRINL=NALLOW,	X
		DMINWNL=5,	X
		DMINWNR=5,	X
		DRESPL=NALLOW,	X
		DSESLIM=10,	X
		LMDENT=100,	X
		MODETAB=ISTINCLM,	X
		PARSESS=YES,	X
		SECACPT=CONV,	X
		SRBEXIT=YES	

Figure 66. Sample VTAM Application Program Major Node and Application Program

VTAM Switched Major Node Example

For an explanation of these values, see “Specifying the VTAM Switched Major Node” on page 92.

SWAIX01	VBUILD	TYPE=SWNET		
*				
AIX01	PU	ADDR=04,	ADDRESS REQUIRED, BUT IGNORED	X
		CPNAME=AIX01,	CONTROL POINT NAME	X
		MAXDATA=1033,	MAXIMUM PIU SIZE	X
		MODETAB=ISTINCLM,	LOGON MODE TABLE	X
		VPACING=0	NO PACING TO BOUNDARY NODE	
*				
UPLD0101	LU	LOCADDR=0	INDEPENDENT LU	

Figure 67. Sample VTAM Switched Major Node

VTAM External Communication Adapter (XCA) Major Node Example

For an explanation of these values, see “Specifying the VTAM External Communication Adapter (XCA) Major Node” on page 96.

B3172	VBUILD	TYPE=XCA		
*				
B3172P01	PORT	ADAPNO=0,		X
		CUADDR=5EC,		X
		MEDIUM=RING		
*				
B3172GR1	GROUP	DIAL=YES		
*				
B3172LN1	LINE	CALL=INOUT		
*				
B3172PU1	PU			

Figure 68. Sample VTAM External Communication Adapter (XCA) Major Node Example

PSF for AIX Printer Example

For an explanation of these values, see “Specifying the PSF for AIX Printer” on page 97.

```
smit
  PSF for AIX Printing and Configuration
    Administer PSF for AIX
      Manage a PSF for AIX Printer
        Add a Printer or PSF Queue
          Upload
```

Figure 69. SMIT Panel Sequence for PSF for AIX Printer

```
* Data stream type           AFPDS
* Printer NAME               [upload1]      /
  ASCII code-set             []
* EBCDIC code-set            [IBM-037]
* Number of QUEUE DEVICES    [4]         #
  Description                 []
```

Figure 70. Sample PSF for AIX Printer

SNA Server/6000 Configuration Profile Examples

This section lists sample SNA Server/6000 profiles. Each profile is preceded by the sequence of SMIT panels to access the profile.

- SNA Node
- Control Point
- Token-Ring SNA DLC
- Token-Ring Link Station
- LU 6.2 Local LU
- LU 6.2 Side Information
- Partner LU 6.2 Location

```
smit
  Communications Applications and Services
    SNA Server/6000
      Configure SNA Profiles
        Advanced Configuration
          SNA System Defaults
            Change/Show a Profile
```

Figure 71. SMIT Panel Sequence For SNA Node Profile

Profile name	sna	
Maximum number of sessions (1-5000)	[200]	#
Maximum number of conversations (1-5000)	[200]	#
Restart action	once	+
Recovery resource manager (RRM) enabled?	no	+
Dynamic inbound partner LU definitions allowed?	yes	+
NMVT action when no NMVT process	reject	+
Standard output file/device	[/dev/console]	
Standard error file/device	[/var/sna/sna.stderr]	
Comments	[]	

Figure 72. Sample SNA Node Profile


```

smit
  Communications Applications and Services
    SNA Server/6000
      Configure SNA Profiles
        Advanced Configuration
          Control Point
            Change/Show a Profile

```

Figure 73. SMIT Panel Sequence For Control Point Profile

Profile name	node_cp	
XID node ID	[*]	
Network name	[USIBMBQ]	
Control Point (CP) name	[AIX01]	
Control Point alias	[AIX01]	
Control Point type	appn_end_node	+
Maximum number of cached routing trees	[500]	#
Maximum number of nodes in the TRS database	[500]	#
Route addition resistance	[128]	#
Comments	[]	

Figure 74. Sample Control Point Profile

Local 3172 Token-Ring

```
smit
  Communications Applications and Services
    SNA Server/6000
      Configure SNA Profiles
        Advanced Configuration
          Links
            Token-Ring
              Token-Ring SNA DLC
                Add a Profile
```

Figure 75. SMIT Panel Sequence For Token-Ring SNA DLC Profile

* Profile name	[tr3172]	
Data link device name	[tok0]	+
Force disconnect time-out (1-600 seconds)	[120]	#
User-defined maximum I-Field size?	no	+
If yes, Max. I-Field size (265-30729)	[30729]	#
Max. num of active link stations (1-255)	[100]	#
Number reserved for inbound activation	[0]	#
Number reserved for outbound activation	[0]	#
Transmit window count (1-127)	[16]	#
Dynamic window increment (1-127)	[1]	#
Retransmit count (1-30)	[8]	#
Receive window count (1-127)	[1]	#
Ring access priority	[0]	+
Inactivity time-out (1-120 seconds)	[48]	#
Response time-out (1-40, 500 msec intervals)	[4]	#
Acknowledge time-out (1-40, 500 msec intervals)	[1]	#
Local link name	[]	
Local SAP address (04-ec)	[04]	X
Trace base listening link station?	no	+
If yes, Trace format	long	+
Dynamic link stations supported?	yes	+
Link Recovery Parameters		
Retry interval (1-10000 seconds)	[60]	#
Retry limit (0-500 attempts)	[0]	#
Dynamic Link Activation Parameters		
Solicit SSCP sessions?	yes	+
CP-CP sessions supported?	yes	+
Partner required to support CP-CP sessions?	no	+
Dynamic Link TG COS Characteristics		
Effective capacity	[4300800]	#
Cost per connect time	[0]	#
Cost per byte	[0]	#
Security	nonsecure	+
Propagation delay	lan	+
User-defined 1	[128]	#
User-defined 2	[128]	#
User-defined 3	[128]	#
Comments	[]	

Figure 76. Sample Token-Ring SNA DLC Profile

Local 3172 Token-Ring

```
smit
  Communications Applications and Services
    SNA Server/6000
      Configure SNA Profiles
        Advanced Configuration
          Links
            Token-Ring Link Station
              Add a Profile
```

Figure 77. SMIT Panel Sequence For Token-Ring Link Station Profile

* Profile name	[tr3172]	
Use APPN Control Point's XID node ID?	yes	+
If no, XID node ID	[*]	
* SNA DLC Profile name	[tr3172]	+
Stop link station on inactivity?	no	+
If yes, Inactivity time-out (0-10 minutes)	[0]	#
LU address registration?	no	+
If yes, LU Address Registration Profile name	[]	+
Trace link?	no	+
If yes, Trace size	long	+
Adjacent Node Address Parameters		
Access routing	link_address	+
If link_name, Remote link name	[]	
If link_address,		
Remote link address	[08005A946169]	X
Remote SAP address (04-ec)	[04]	X
Adjacent Node Identification Parameters		
Verify adjacent node?	no	+
Network ID of adjacent node	[]	
CP name of adjacent node	[]	
XID node ID of adjacent node (LEN node only)	[*]	
Node type of adjacent node	learn	+
Link Activation Parameters		
Solicit SSCP sessions?	yes	+
Initiate call when link station is activated?	yes	+
Activate link station at SNA start up?	yes	+
Activate on demand?	no	+
CP-CP sessions supported?	yes	+
If yes,		
Adjacent network node preferred server?	no	+
Partner required to support CP-CP sessions?	no	+
Initial TG number (0-20)	[0]	#
Restart Parameters		
Restart on activation?	no	+
Restart on normal deactivation?	yes	+
Restart on abnormal deactivation?	yes	+
Transmission Group COS Characteristics		
Effective capacity	[4300800]	#
Cost per connect time	[0]	#
Cost per byte	[0]	#
Security	nonsecure	+
Propagation delay	lan	+
User-defined 1	[128]	#
User-defined 2	[128]	#
User-defined 3	[128]	#
Comments	[]	

Figure 78. Sample Token-Ring Link Station Profile

Local 3172 Token-Ring

```

smit
  Communications Applications and Services
    SNA Server/6000
      Configure SNA Profiles
        Advanced Configuration
          Sessions
            LU 6.2
              LU 6.2 Local LU
                Add a Profile
  
```

Figure 79. SMIT Panel Sequence For LU 6.2 Local LU Profile

* Profile name	[UPLD0101]	
Local LU name	[UPLD0101]	
Local LU alias	[UPLD0101]	
Local LU is dependent?	no	+
If yes,		
Local LU address (1-255)	[]	#
System services control point (SSCP) ID (*, 0-65535)	[*]	
Link Station Profile name	[]	+
Conversation Security Access List Profile name	[]	
Comments	[]	

Figure 80. Sample LU 6.2 Local LU Profile

```

smit
  Communications Applications and Services
    SNA Server/6000
      Configure SNA Profiles
        Advanced Configuration
          Sessions
            LU 6.2
              LU 6.2 Side Information
                Add a Profile
  
```

Figure 81. SMIT Panel Sequence For LU 6.2 Side Information Profile

* Profile name	[upload1]	
Local LU or Control Point alias	[UPLD0101]	+
Provide only one of the following:		
Partner LU alias	[]	+
Fully qualified partner LU name	[USIBMBQ.MVSLU01]	
Mode name	[#INTER]	+
Remote transaction program name (RTPN)	[AFPSVR1]	
RTPN in hexadecimal?	no	+
Comments	[]	

Figure 82. Sample LU 6.2 Side Information Profile

```

smit
  Communications Applications and Services
    SNA Server/6000
      Configure SNA Profiles
        Advanced Configuration
          Sessions
            LU 6.2
              Partner LU 6.2 Location
                Add a Profile

```

Figure 83. SMIT Panel Sequence For Partner LU 6.2 Location Profile

* Profile name	[MVSLU01]	
Fully qualified partner LU name	[USIBMBQ.MVSLU01]	
Partner LU location method	owning_cp	
If owning_cp,		
Fully qualified owning Control Point (CP) name	[USIBMBQ.ST1]	+
Local node is network server for LEN node?	no	
Fully qualified network node server name	[]	
If link_station,		
Local LU name	[]	
Link Station Profile name	[]	+
Comments	[]	

Figure 84. Sample Partner LU 6.2 Location Profile

Configuration Worksheet Example

The following worksheet records values for SNA Server/6000 configuration parameters that are related to other configuration settings:

Figure 85. Sample Configuration Worksheet

SNA Server/6000	Value	APPC/MVS	VTAM	3172
Control Point: Control Point (CP) name	AIX01		PU: name PU: CPNAME	
Token-Ring Link Station: Remote link address	08005A946169			universal address
LU 6.2 Local LU: Local LU name	UPLD0101		LU: name	
LU 6.2 Local LU: Local LU is dependent?	no		LU: LOCADDR	
LU 6.2 Local LU: Local LU address	n/a		LU: LOCADDR	
LU 6.2 Side Information: Fully qualified partner LU name	USIBMBQ.MVSLU01	APPCPMxx: LUADD ACBNAME	ATCSTRxx: NETID APPL: name	
LU 6.2 Side Information: Remote transaction program name (RTPN)	AFPSVR1	TP profile: TPNAME		
Partner LU 6.2 Location: Fully qualified partner LU name	USIBMBQ.MVSLU01	APPCPMxx: LUADD ACBNAME	ATCSTRxx: NETID APPL: name	
Partner LU 6.2 Location: Fully qualified owning Control Point (CP) name	USIBMBQ.ST1		ATCSTRxx: NETID ATCSTRxx: SSCPNAME	

Guidelines for Configuring Local 3172 Token-Ring

The following provides guidance for implementing the examples displayed in “Local 3172 Token-Ring Example” on page 75. Note that a subset of the example is displayed below, displaying the pertinent parameters and describing which of these require you to specify *variable_names* and which require a specific name or number, such as `MODETAB=ISTINCLM`.

Specifying the APPC/MVS APPCPMxx Parameters

The pertinent statements and parameters for the APPCPMxx member of SYS1.PARMLIB are illustrated in Figure 86 and described below.

```
LUADD
  ACBNAME(lu_name),
  SCHED(ASCH),
  TPDATA(tp_profile_dataset),
  TPLEVEL(level)
```

Figure 86. APPC/MVS APPCPMxx Parameter Guidelines

ACBNAME

Specifies the name of a logical unit to be controlled by APPC/MVS. The value must match an APPL statement name in a VTAM application program major node.

SCHED

Specify ASCH to indicate that inbound conversation requests should be scheduled by the APPC/MVS transaction scheduler (ASCH).

TPDATA

Specify the name of the VSAM key-sequenced dataset (KSDS) that contains TP profiles for the logical unit referenced by the ACBNAME parameter.

TPLEVEL

Controls access, for the logical unit referenced by the ACBNAME parameter, to execution of transaction programs (TP's).

Specify SYSTEM to allow access to all authenticated MVS users.

Specifying the APPC/MVS ASCHPMxx Parameters

AFP Upload requires that a class of transaction initiators be defined to the APPC/MVS transaction scheduler (ASCH) so the class can be referenced in the APPC/MVS TP profile that describes an AFP Upload server. AFP Upload does not have special requirements for the parameters used in defining the class.

Specifying the APPC/MVS TP Profile

Use the APPC/MVS ATBSDFMU administration utility program to create an APPC/MVS TP profile.

The TPNAME value must match the **Remote transaction program name (RTPN)** parameter in the SNA/6000 LU 6.2 Side Information profile.

The scheduler information in the TP profile must include JCL that the ASCH scheduler uses to run the transaction program. The JCL must execute the AFP Upload server program, named AUPSNAS. This program is written in the PL/I language. It requires that the PL/I PLILINK and SIBMLINK libraries be included in the STEPLIB definition. The AFP Upload server program also requires that the SYSPRINT DD name be allocated. Unless the SYSPRINT DD statement refers to DUMMY or a SYSOUT data set, the data set referenced by the SYSPRINT DD statement must have the following attributes:

directory blocks: 0
record format: VA
record length: 125
block size: 129

For more information about the SYSPRINT DD name used by the host server program, refer to “Specifying the SYSPRINT DD Statement” on page 10.

Specifying the VTAM Start Option List (ATCSTRxx)

You must specify the values illustrated in Figure 87 and described below:

CONFIG= <i>nn</i> ,	ATCCON MEMBER OF VTAMLST	X
NETID= <i>network_id</i> ,	NETWORK IDENTIFIER	X
SSCPNAME= <i>sscp_name</i> ,	SSCP NAME	X
:		

Figure 87. VTAM Start Option List Guidelines

CONFIG

Specifies the ATCCON*nn* member to use.

NETID

Specifies the network identifier for the host system.

SSCPNAME

Specifies the System Services Control Point (SSCP) name for the host system.

Specifying the VTAM Configuration List (ATCCONnn)

The VTAM configuration list indicates the application program major nodes that should be made available when VTAM is started. Include the application program major node that contains the application program that APPC/MVS uses:

appl_prog_major_node X
 :

Specifying the VTAM Application Program Major Node and Application Program

The pertinent statements and parameters for the VTAM Application Program Major Node and Application Program are illustrated in Figure 88 and described below.

<i>majname</i>	VBUILD	TYPE=APPL	
<i>minname</i>	APPL	ACBNAME= <i>minname</i> ,	X
		APPC=YES,	X
		MODETAB=ISTINCLM,	X
		PARSESS=YES,	X
		SECACPT=CONV,	X
		SRBEXIT=YES	

Figure 88. VTAM Application Program Major Node and Application Program Guidelines

ACBNAME

Specify the minor node name to assign to the application program. This name must be unique within the domain in which the application program resides.

APPC

Specify YES.

MODETAB

Specify ISTINCLM or the name of an alternative VTAM logon mode table to be used to associate each logon mode name with a set of session parameters for the application program.

PARSESS

Specify YES, or do not include the PARSESS parameter. PARSESS defaults to YES when APPC=YES.

This value indicates that the application program can have multiple concurrent (parallel) sessions with an independent logical unit.

SECACPT

Specify CONV.

This value indicates that the application program's logical unit supports conversation requests containing access security subfields.

SRBEXIT

Specify YES.

This value indicates that the application program is authorized to use service request block (SRB) processing in its exit routines.

Specifying the VTAM Switched Major Node

The following statements and values must be specified (as illustrated in Figure 89) if a **calling** SNA Server/6000 link station initiates a link connection with the 3172 interconnect controller:

```
node_name VBUILD TYPE=SWNET
*
pu_name  PU      ADDR=nn,                X
          CPNAME=cp_name,                X
          MAXDATA=nnnn,                  X
          MODETAB=mode_table,            X
          VPACING=0
*
lu_name  LU      LOCADDR=nn
```

Figure 89. VTAM Switched Major Node Guidelines for SNA Server/6000 Calling Link Station

The following statements and values must be specified (as illustrated in Figure 90) if a **listening** SNA Server/6000 link station waits for the 3172 interconnect controller to initiate a link connection:

```

node_name VBUILD TYPE=SWNET,MAXGRP=1,MAXNO=1
*
pu_name   PU      ADDR=nn,                X
           CPNAME=cp_name,              X
           MAXDATA=nnnn,                 X
           MAXPATH=1,                    X
           MODETAB=mode_table,           X
           VPACING=0
*
path_name PATH   DIALNO=xx044000nnnnnnnn, X
           GRPNM=xca_group
*
lu_name   LU      LOCADDR=nn

```

Figure 90. VTAM Switched Major Node Guidelines for SNA Server/6000 Listening Link Station

The following describes the pertinent operands on the **VBUILD** statement:

TYPE

Specify "SWNET" to indicate that the node is a switched major node.

MAXGRP

Specifies the number of unique path groups (GROUP names) that are defined in the GRPNM operand of all PATH statements within the switched major node. There is one unique path group in the switched major node guideline presented in Figure 90 for an SNA Server/6000 listening link station.

MAXNO

Specifies the number of unique token-ring addresses that are defined in the DIALNO operand of all PATH statements within the switched major node. There is one unique token-ring address in the switched major node guideline presented in Figure 90 for an SNA Server/6000 listening link station.

The following describes the pertinent operands on the **PU** statement:

Note that the MODETAB and VPACING operands are LU operands, but are included here on the PU statement. VTAM definitions support a "sift-down effect" that allows you to code an operand on a higher-level statement so you do not need to code it on each lower-level statement for which the same value is desired. There is only one logical unit in the guideline presented here, so the sift-down effect is for demonstration only. If the MODETAB, and VPACING operands are specified on the PU statement, they do not have to be specified on any of the LU statements.

ADDR

Specifies the address of the physical unit. Note that this operand is required, but ignored.

CPNAME

Identifies the control point. The value specified for CPNAME must match the **Control Point (CP) name** value in the SNA Server/6000 Control Point profile. By convention, the CPNAME value usually matches the PU name.

Either the CPNAME operand or both the IDBLK and the IDNUM operands are required. CPNAME can only be used with PU type 2.1 nodes, such as SNA Server/6000.

Local 3172 Token-Ring

MAXDATA

Specifies the maximum amount of data (in bytes) that the physical unit can receive in one path information unit (PIU). This amount includes the transmission header (TH) and the request/response header (RH).

To prevent basic information units (BIUs) from being segmented, specify a MAXDATA value that is at least 9 bytes greater than the maximum RU size in the logon mode table entry.

MAXOUT

Specifies the maximum number of path information units (PIUs) that are sent to the physical unit before waiting for a response from that physical unit.

Note: VTAM ignores the MAXOUT operand for a type 2.1 physical unit (PU), such as SNA Server/6000, connected through a 3172 interconnect controller.

MAXPATH

Specifies the number of dial-out paths to the physical unit. There is one dial-out path presented in Figure 90 on page 93 for an SNA Server/6000 listening link station.

MODETAB

Specifies the name of the logon mode table that contains entries that describe session characteristics.

VPACING

Determines how VTAM paces the flow of data from VTAM to the boundary node that performs pacing for the channel-attached SNA device.

A value of zero means that no pacing is performed for sessions with the logical unit, or that the largest possible pacing is used if the session is adaptively paced.

The following describes the pertinent operands on the **PATH** statement:

DIALNO=*xx044000nnnnnnnn*

This parameter value has three parts:

xx These two digits are required but ignored for the 3172 interconnect controller.

04 Specifies the Service Access Point (SAP). This value must always be *04*.

4000nnnnnnnn

Specifies the token-ring address of the token-ring adapter in the RISC System/6000.

Although token-ring addresses include twelve hexadecimal digits, the VTAM DIALNO operand only accepts digits in the range 0-9. Therefore, an **alternate Token-Ring address** that contains only digits in the range 0-9 must be assigned to the token-ring adapter in the RISC System/6000. For instructions on configuring an alternate token-ring address, see "Using an Alternate Token Ring Address for a RISC System/6000" on page 27.

GRPNM

Refers to a GROUP statement in an External Communication Adapter (XCA) major node.

The following describes the pertinent operands on the **LU** statement:

LOCADDR

LOCADDR=0 specifies that this logical unit is an independent logical unit. An SSCP-LU session does not have to be established prior to an LU-LU session with an independent logical unit. For independent logical units, the **Local LU is dependent?** parameter in the SNA Server/6000 LU 6.2 Local LU profile must be no.

To use a dependent logical unit, specify a value between 1 and 255 for LOCADDR. Also, in the SNA Server/6000 LU 6.2 Local LU profile, specify yes for the **Local LU is dependent?** parameter, and the LOCADDR value for the **Local LU address** parameter.

SSCPFM

The SSCPFM operand indicates the type of request units (RUs) that the logical unit supports over its SSCP-LU session.

The guidelines illustrated in Figure 89 on page 92 and Figure 90 on page 93 use an independent logical unit. Therefore, the SSCPFM operand is not specified. If you require a dependent logical unit, specify SSCPFM=USSSCS.

Specifying the VTAM External Communication Adapter (XCA) Major Node

The operands for the VTAM External Communication Adapter (XCA) major node are illustrated in Figure 91 and described below:

<i>node_name</i>	VBUILD	TYPE=XCA	
<i>port_name</i>	PORT	ADAPNO= <i>n</i> ,	X
		CUADDR= <i>nnn</i> ,	X
		MEDIUM=RING	
<i>group_name</i>	GROUP	DIAL=YES	
<i>line_name</i>	LINE	CALL=INOUT	
<i>pu_name</i>	PU		

Figure 91. VTAM External Communication Adapter (XCA) Major Node Guidelines

The following describes the pertinent operands on the **VBUILD** statement:

TYPE

Specify XCA to indicate that the node is an External Communication Adapter major node.

The following describes the pertinent operands on the **PORT** statement:

ADAPNO

Specifies the adapter number in the 3172 interconnect controller.

CUADDR

Defines the 3-digit hexadecimal channel control unit address that is used for the attached local area network (LAN).

MEDIUM

Specify RING for a token-ring network.

The following describes the pertinent operands on the **GROUP** statement:

DIAL

Specify YES to indicate that the lines in the group require switched line control protocols.

The following describes the pertinent operands on the **LINE** statement:

CALL

Specifies whether the link station in the 3172 interconnect controller should call out to the remote link station, or whether the remote link station should call into the 3172 interconnect controller link station.

Specify CALL=INOUT, which enables either **calling** or **listening** link stations to be configured in SNA Server/6000.

Specifying the PSF for AIX Printer

The pertinent parameters for the PSF for AIX printer are illustrated in Figure 92 and described below:

* Printer NAME	[<i>printer_name</i>]	/
ASCII code-set	[<i>ascii_code-set</i>]	
* EBCDIC code-set	[<i>ebcdic_code-set</i>]	
* Number of QUEUE DEVICES	[<i>#qdevices</i>]	#

Figure 92. PSF for AIX Printer Guidelines

Printer NAME

The name you choose must match the SNA Server/6000 LU 6.2 Side Information Profile name.

ASCII code-set

Specify the ASCII code-set in which attributes such as class, forms, and destination are specified on your AIX system. Before sending the attributes to the host server program, PSF for AIX converts the attributes from the specified ASCII code-set to the specified EBCDIC code-set.

If you do not specify an ASCII code set, PSF for AIX uses the current code set on your AIX system.

EBCDIC code-set

Specify the EBCDIC code-set used on the host system to which print files are sent and spooled. Before sending the attributes to the host server program, PSF for AIX converts attributes such as class, forms, and destination from the specified ASCII code-set to the specified EBCDIC code set.

Number of QUEUE DEVICES

Specify the number of queue devices to be created for the PSF for AIX printer. Multiple queue devices allow PSF for AIX to simultaneously send one file while converting the next file.

You can define up to nine queue devices. However, note that PSF for AIX requires more RISC System/6000 memory for each queue device.

Specifying the SNA Server/6000 Profiles

This section contains guidelines on configuring the SNA Server/6000 Profiles. Configure these profiles through the System Management Interface Tool (SMIT) panels. Examples of these panels and the hierarchical paths to each SNA definition are illustrated in “SNA Server/6000 Configuration Profile Examples” on page 80.

Note: You must have **root** authority to add or change SNA Server/6000 configuration profiles. After you add or change SNA Server/6000 configuration profiles, you must **verify** and **update** them. For more information about performing this task, see “Verifying and Updating SNA Server/6000 Configuration Profiles” on page 24.

Specifying the SNA Node Profile for AFP Upload: AFP Upload requires no modifications to the SNA Node profile.

Specifying the Control Point Profile for AFP Upload: The following describes how to specify the values AFP Upload requires in the Control Point Profile. Note that all values refer to Figure 93.

XID node ID	[*]		
Control Point (CP) name	[cp_name]		
Control Point type	appn_end_node	+	

Figure 93. Control Point Profile Guidelines

XID node ID

If the IDBLK and IDNUM operands are used in the VTAM switched major node PU statement (rather than CPNAME), then the **XID node ID** value in the Control Point profile or Token-Ring Link Station profile must match the combined IDBLK and IDNUM operands. The IDBLK operand is normally 071 for SNA Server/6000.

Either the CPNAME operand or both the IDBLK and IDNUM operands are required. CPNAME can only be used with PU type 2.1 nodes, such as SNA Server/6000.

Control Point (CP) name

If the CPNAME operand is used in the VTAM switched major node PU statement (rather than IDBLK and IDNUM), then the **Control Point (CP) name** must match the CPNAME operand. By convention, the CPNAME is usually the same as the PU name.

Either the CPNAME operand or both the IDBLK and the IDNUM operands are required. CPNAME can only be used with PU type 2.1 nodes, such as SNA Server/6000.

Control Point type

Specify either appn_end_node or appn_network_node.

Specifying the Token-Ring SNA DLC Profile for AFP Upload: The following displays how to specify the values AFP Upload requires in the Token-Ring SNA DLC Profile. Note that all values refer to Figure 94.

* Profile name	[<i>profile_name</i>]	
Data link device name	[<i>tokn</i>]	+
Receive window count (1-127)	[1]	#
Local SAP address (04-ec)	[04]	X
Link Recovery Parameters		
Retry interval (1-10000 seconds)	[60]	#
Retry limit (0-500 attempts)	[0]	#

Figure 94. Token-Ring SNA DLC Profile Guidelines

Profile name

Choose any meaningful value.

Data link device name

Select one of the available adapters.

Receive window count (1-127)

Specify 1.

The **Receive window count** defines the size of the link-level window. It specifies the maximum number of frames to receive before sending a link-level acknowledgement.

Because VTAM ignores the MAXOUT operand for a type 2.1 physical unit (PU) connected through a 3172 interconnect controller, it is not clear how many frames the 3172 interconnect controller sends before waiting for a link-level acknowledgement.

Specifying 1 for the **Receive window count** parameter ensures that the 3172 interconnect controller does not wait for prolonged periods for a link-level acknowledgement.

The default **Receive window count** value is 8; extremely poor performance can result if you do not set this value to 1.

Local SAP address (04-ec)

Specify 04.

Link Recovery Parameters - Retry interval (1-10000 seconds)

Specify 60. If the link station is a **calling** link station, this value causes it to try to establish a link connection with the 3172 interconnect controller every 60 seconds, until a link connection can be established.

Link Recovery Parameters - Retry limit (0-500 attempts)

Specify 0. If the link station is a **calling** link station, this value indicates that there is no limit on the number of attempts the link station makes to establish a link connection with the 3172 interconnect controller. The interval between the attempts is defined by the previous parameter.

Local 3172 Token-Ring

Specifying the Token-Ring Link Station Profile for AFP Upload: The following describes how to specify the values AFP Upload requires in the Token-Ring Link Station Profile. Note that all values refer to Figure 95.

* Profile name	[profile_name]	
Use APPN Control Point's XID node ID?	yes	+
If no, XID node ID	[*]	
* SNA DLC Profile name	[DLC_profile_name]	+
Stop link station on inactivity?	no	+
LU address registration?	no	+
Adjacent Node Address Parameters		
Access routing	link_address	+
If link_address,		
Remote link address	[nnnnnnnnnnnn]	X
Remote SAP address (04-ec)	[04]	X
Adjacent Node Identification Parameters		
Verify adjacent node?	no	+
Link Activation Parameters		
Solicit SSCP sessions?	yes	+
Initiate call when link station is activated?	yes	+
Activate link station at SNA start up?	yes	+
Restart Parameters		
Restart on activation?	no	+
Restart on normal deactivation?	yes	+
Restart on abnormal deactivation?	yes	+

Figure 95. Token-Ring Link Station Profile Guidelines

Profile name

Choose any meaningful value.

Use APPN Control Point's XID node ID?

Select yes if the CPNAME operand is used in the VTAM switched major node PU statement or IDBLK and IDNUM are used and these operands match the Control Point's **XID node ID**.

Select no if the VTAM switched major node PU statement uses IDBLK and IDNUM and these values do not match the Control Point's **XID node ID**.

If no, XID node ID

If **Use APPN Control Point's XID node ID?** is no, this parameter must match the combined IDBLK and IDNUM operands in the VTAM switched major node PU statement.

The **XID node ID** has form xxxxxxxx, where x is a hexadecimal digit (0-F). The first three positions correspond to the IDBLK operand. The last five positions correspond to the IDNUM operand.

Normally, the first three hexadecimal digits should be 071 for SNA Server/6000.

SNA DLC Profile name

Select the name of the SNA DLC profile.

Stop link station on inactivity?

Select no.

LU address registration?

Select no.

Adjacent Node Address Parameters - Access routing

Select link_address.

This parameter is referenced only for **calling** link stations and selective **listening** link stations. For more information, refer to "'Calling" Versus "Listening" Link Stations" on page 26.

Adjacent Node Address Parameters - Remote link address

For **calling** link stations, specify the Token-Ring address of the 3172 interconnect controller's Token-Ring adapter. The token-ring address is 12 hexadecimal digits. Normally, the adapter uses its universal MAC address.

To display an adapter's universal MAC address, see the topic "Show Universally Administered Address of LAN Adapter in Slot n" in the "IBM 3172 Commands" section of the *3172 Program User's Guide*. It describes the following procedure:

1. Specify from the display console:

D0n

where *n* is the slot number of the LAN adapter.

The console displays Fd0n.

2. Press the ENTER key to execute the command.

The console displays the first 4 digits of the address.

3. Press the ENTER key a second time.

The console displays the second 4 digits of the address.

4. Press the ENTER key a third time.

The console displays the third 4 digits of the address.

5. Press the CLEAR key to end the display.

Note: On a 3172 LED display console, it might be difficult to distinguish the letter 'b' (it does not have a top bar) from the number '6' (it does have a top bar).

For **listening** link stations, leave this parameter blank.

Adjacent Node Address Parameters - Remote SAP address

Specify 04.

Adjacent Node Identification Parameters - Verify adjacent node?

Select no.

Link Activation Parameters - Solicit SSCP sessions?

Select yes.

Link Activation Parameters - Initiate call when link station is activated?

To define a **calling** link station, select yes.

To define a **listening** link station, select no.

Link Activation Parameters - Activate link station at SNA start up?

Select yes.

Restart Parameters - Restart on activation?

Select no.

Local 3172 Token-Ring

Restart Parameters - Restart on normal deactivation?

Select yes.

Restart Parameters - Restart on abnormal deactivation?

Select yes.

Specifying the LU 6.2 Local LU Profile for AFP Upload: The following describes how to specify the values AFP Upload requires in the LU 6.2 Local LU Profile. Note that all values refer to Figure 96.

* Profile name	[<i>profile_name</i>]	
Local LU name	[<i>lu_name</i>]	
Local LU alias	[<i>lu_alias</i>]	
Local LU is dependent?	no	+
If yes,		
Local LU address (1-255)	[]	#
Link Station Profile name	[]	+

Figure 96. LU 6.2 Local LU Profile Guidelines

Profile name

Choose any meaningful value.

Local LU name

This value must match the name on the LU statement in the VTAM switched major node.

Local LU alias

Choose any meaningful value.

Local LU is dependent?

The logical unit can be either dependent (yes) or independent (no). Dependent logical units are managed by an SSCP. In general, independent logical units offer more flexibility.

For dependent logical units, the LOCADDR value in the VTAM switched major node LU statement is non-zero. For independent logical units, LOCADDR=0.

If yes, Local LU address (1-255)

If the logical unit is dependent, the **Local LU address** parameter must match the LOCADDR value in the VTAM switched major node LU statement.

If yes, Link Station Profile name

If the logical unit is dependent, select the profile name of the link station through which SNA Server/6000 communicates with the host system.

Specifying the LU 6.2 Side Information Profile for AFP Upload: The following describes how to specify the values AFP Upload requires in the LU 6.2 Side Information Profile. Note that all values refer to Figure 97.

* Profile name	[<i>profile_name</i>]	
Local LU or Control Point alias	[<i>lu_alias</i>]	+
Provide only one of the following:		
Partner LU alias	[]	+
Fully qualified partner LU name	[<i>network_id.partner_lu_name</i>]	
Mode name	[#INTER]	+
Remote transaction program name (RTPN)	[<i>remote_TP_name</i>]	+
RTPN in hexadecimal?	no	+

Figure 97. LU 6.2 Side Information Profile Guidelines

Profile name

The name you choose must match the name of the PSF for AIX printer.

Local LU or Control Point alias

Select the local LU alias that you specified in the LU 6.2 Local LU profile.

Fully qualified partner LU name

Specifies the network identifier of the network in which the host server program resides (followed by a period), and the logical unit name used by the host server program.

The network identifier portion must match the NETID value in the VTAM start option list (ATCSTRxx).

The logical unit name portion must match an APPL statement name in a VTAM application program major node. It must also match an LUADD ACBNAME value in the APPC/MVS APPCPMxx member of SYS1.PARMLIB.

Mode name

Specify #INTER.

Remote transaction program name (RTPN)

The name you choose must match the TPNAME value in the APPC/MVS TP profile.

RTPN in hexadecimal?

Specify no.

Specifying the Partner LU 6.2 Location Profile for AFP Upload: The following describes how to specify the values AFP Upload requires in the Partner LU 6.2 Location Profile. Note that all values refer to Figure 98.

* Profile name	[<i>profile_name</i>]	
Fully qualified partner LU name	[<i>network_id.lu_name</i>]	
Partner LU location method	owning_cp	+
If owning_cp,		
Fully qualified owning Control Point (CP) name	[<i>network_id.cp_name</i>]	
Local node is network server for LEN node?	no	+
Fully qualified network node server name	[]	

Figure 98. Partner LU 6.2 Location Profile Guidelines

Profile name

Choose any meaningful value.

Fully qualified partner LU name

Specifies the network identifier of the network in which the host server program resides (followed by a period), and the logical unit name used by the host server program.

The network identifier portion must match the NETID value in the VTAM start option list (ATCSTRxx).

The logical unit name portion must match an APPL statement name in a VTAM application program major node. It must also match an LUADD ACBNAME value in the APPC/MVS APPCPMxx member of SYS1.PARMLIB.

Partner LU location method

Select owning_cp.

If owning_cp, Fully qualified owning Control Point (CP) name

Specifies the network identifier of the network in which the host server program resides (followed by a period), and the name of the System Services Control Point (SSCP) for the host system.

The network identifier portion must match the NETID value in the VTAM start option list (ATCSTRxx).

The CP name portion must match the SSCPNAME value in the VTAM start option list (ATCSTRxx).

If owning_cp, Local node is network server for LEN node

Select no.

If owning_cp, Fully qualified network node server name

Leave blank.

Configuration Worksheet

Use the following worksheet to record values for SNA Server/6000 configuration parameters that are related to other configuration settings:

Figure 99. Configuration Worksheet

SNA Server/6000	Value	APPC/MVS	VTAM	3172
Control Point: Control Point (CP) name			PU: name PU: CPNAME	
Token-Ring Link Station: Remote link address				universal address
LU 6.2 Local LU: Local LU name			LU: name	
LU 6.2 Local LU: Local LU is dependent?			LU: LOCADDR	
LU 6.2 Local LU: Local LU address			LU: LOCADDR	
LU 6.2 Side Information: Fully qualified partner LU name		APPCPMxx: LUADD ACBNAME	ATCSTRxx: NETID APPL: name	
LU 6.2 Side Information: Remote transaction program name (RTPN)		TP profile: TPNAME		
Partner LU 6.2 Location: Fully qualified partner LU name		APPCPMxx: LUADD ACBNAME	ATCSTRxx: NETID APPL: name	
Partner LU 6.2 Location: Fully qualified owning Control Point (CP) name			ATCSTRxx: NETID ATCSTRxx: SSCPNAME	

Chapter 11. Local 3174 Token-Ring Gateway

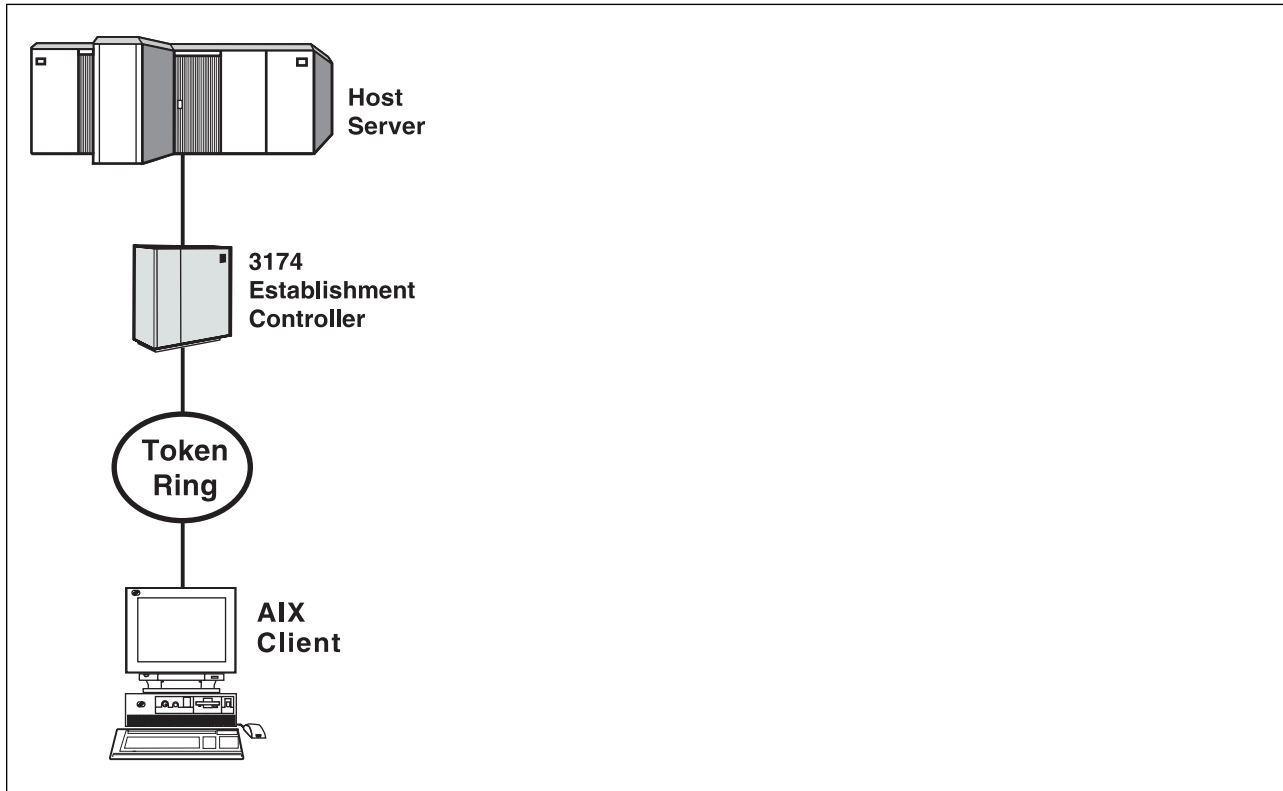


Figure 100. Local 3174 Token-Ring Gateway

Key Configuration Parameter Interrelationships

Several network components have configuration parameters whose values are related to configuration parameters for other network components. These interrelated parameters must be configured consistently to make end-to-end communication possible.

Several figures follow. They illustrate some of the key interrelationships among configuration parameters for SNA network components.

Figure 101 illustrates the interrelationships in defining the name of the transaction program used by the AFP Upload host server.

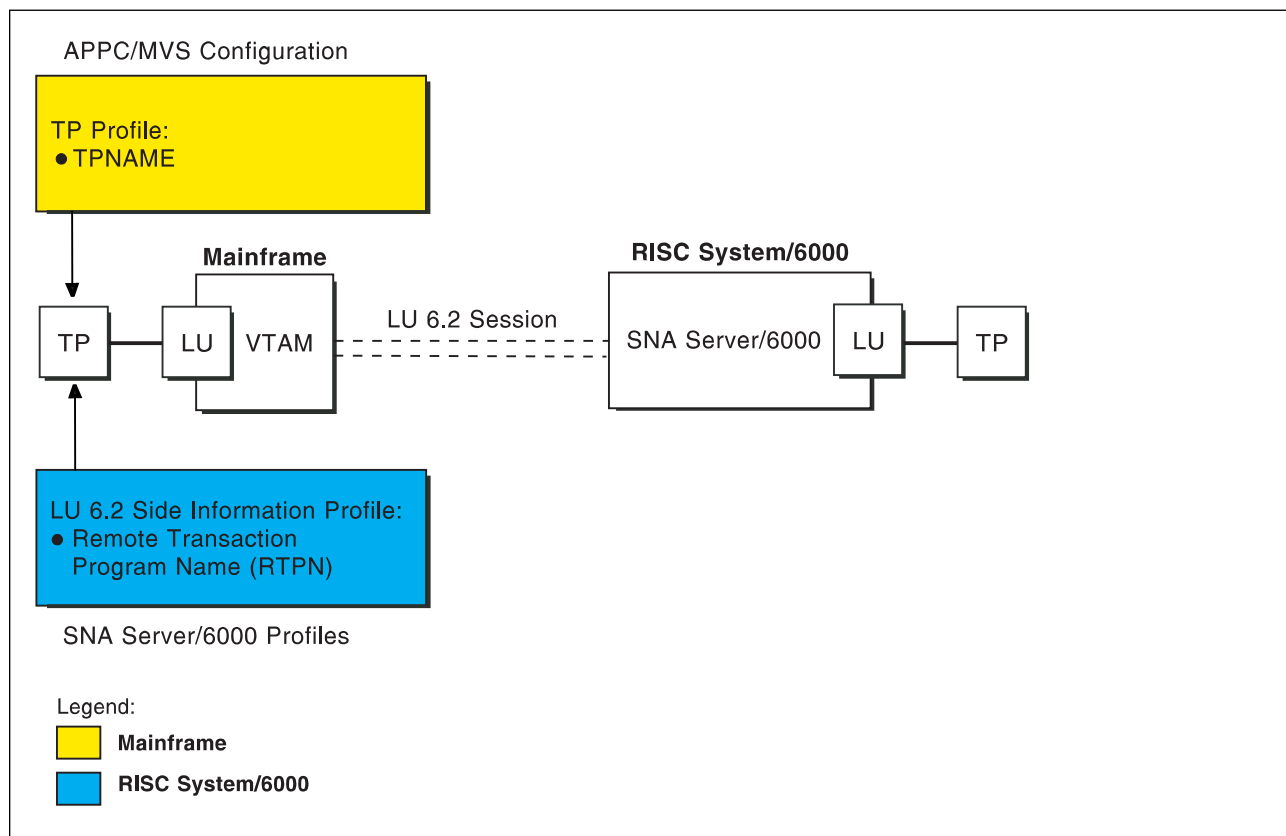


Figure 101. Transaction Program Name

Figure 102 illustrates the interrelationships in defining logical unit (LU) names.

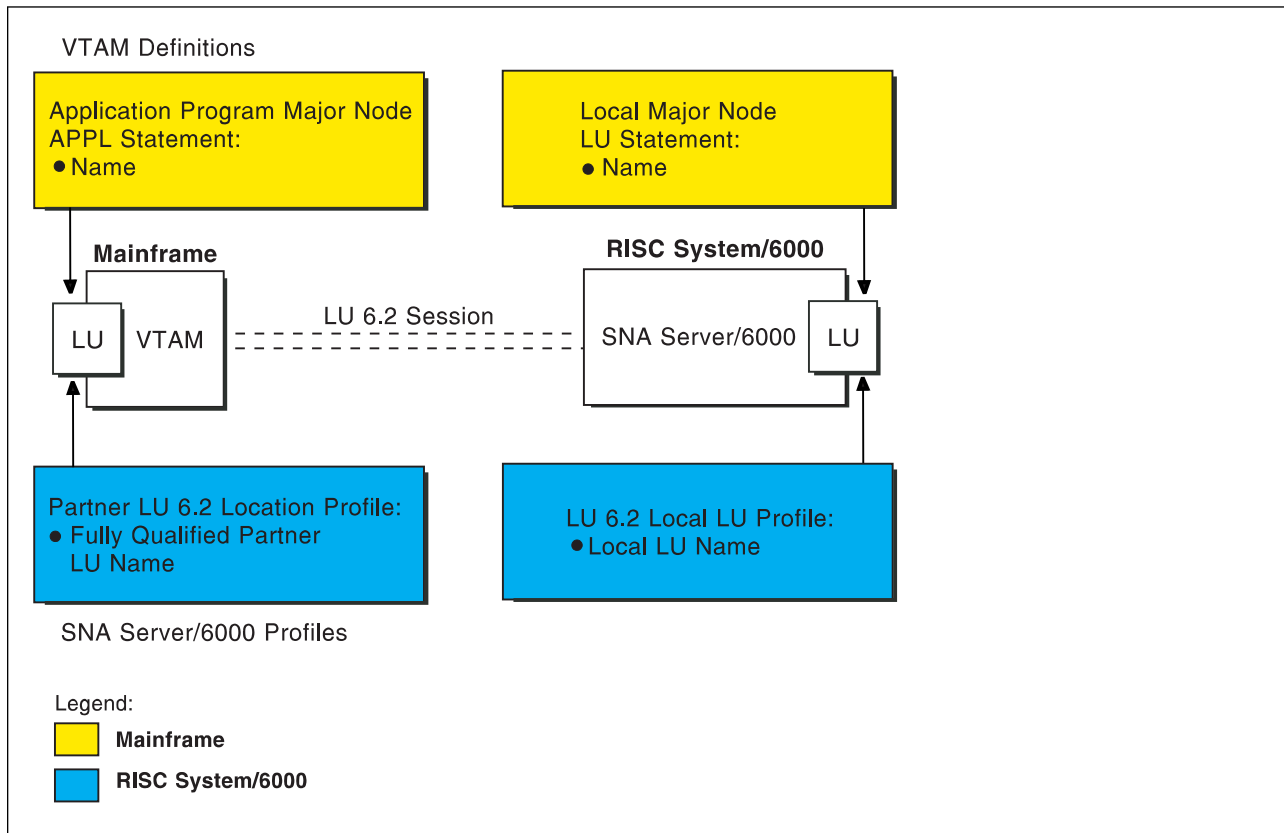


Figure 102. Logical Unit Names

Figure 103 illustrates the interrelationships in defining the local address of the logical unit provided by SNA Server/6000.

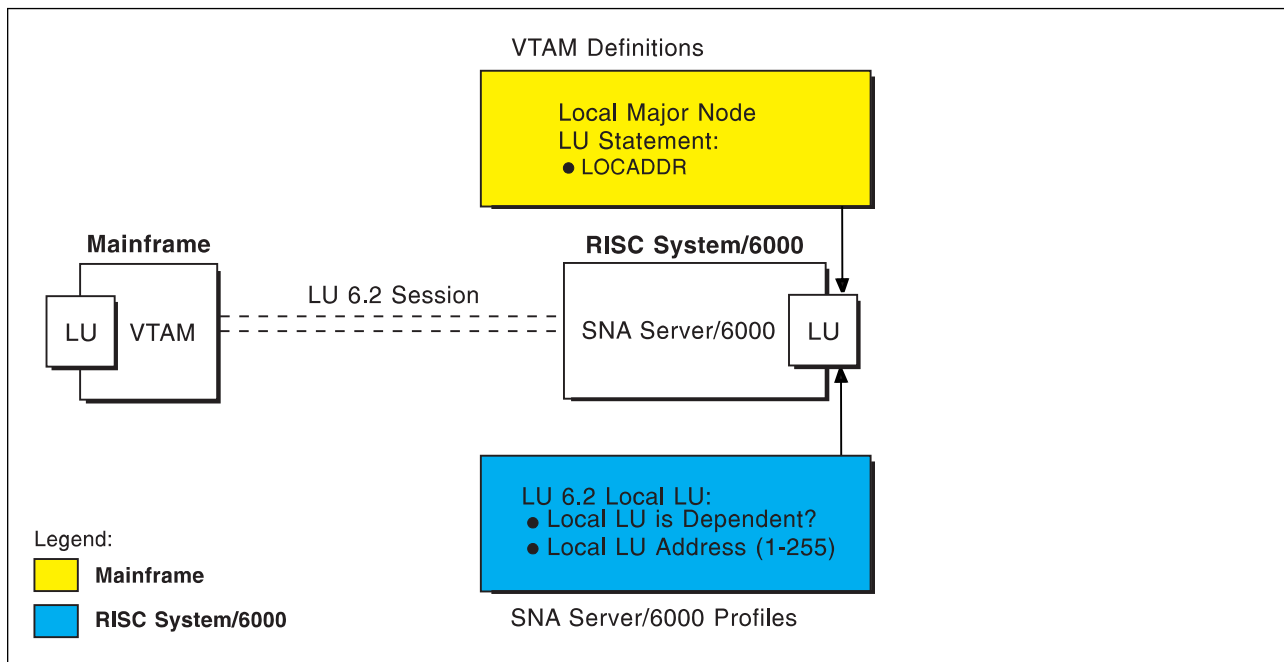


Figure 103. Local Address of Logical Unit

Local 3174 Token-Ring Gateway

Figure 104 illustrates the interrelationships in defining the name of the physical unit/control point provided by SNA Server/6000.

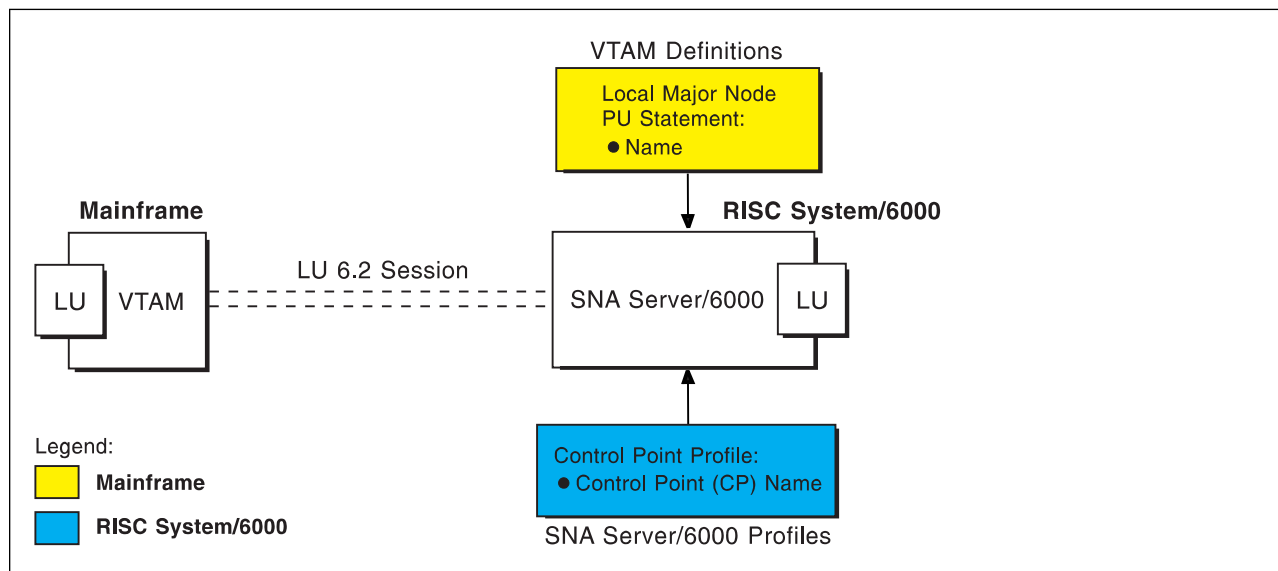


Figure 104. Physical Unit/Control Point Name

Figure 105 illustrates the interrelationships in defining token ring addresses used in this configuration.

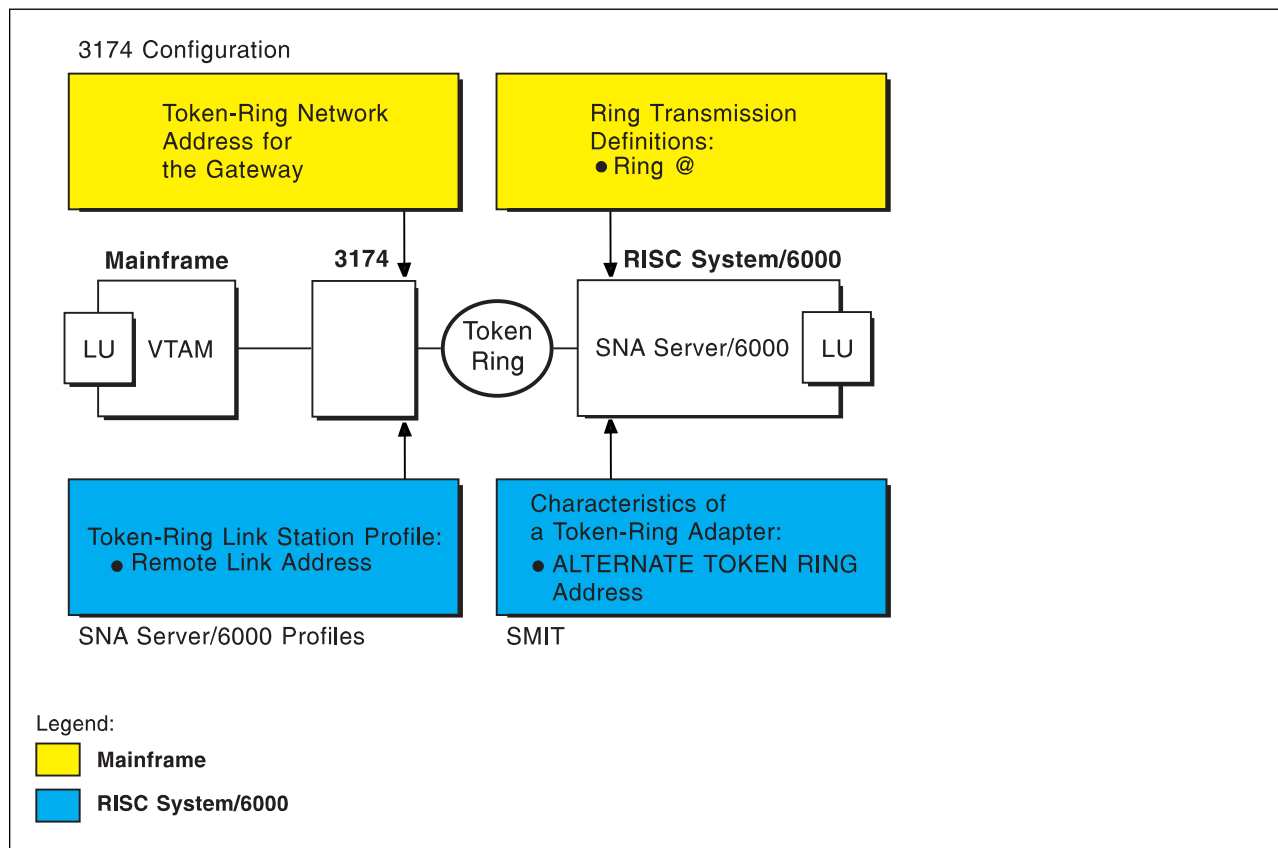


Figure 105. Token Ring Addresses

Local 3174 Token-Ring Gateway Example

For an explanation of pertinent configuration parameters, see “Guidelines for Configuring Local 3174 Token-Ring Gateway” on page 124.

APPC/MVS APPCPMxx Parameters Example

For an explanation of these values, see “Specifying the APPC/MVS APPCPMxx Parameters” on page 124.

```
LUADD
ACBNAME(MVSLU01),
SCHED(ASCH),
TPDATA(SYS1.APPCTP),
TPLEVEL(SYSTEM),
BASE

SIDEINFO
DATASET(SYS1.APPCSI)
```

Figure 106. Sample APPC/MVS APPCPMxx Parameters

APPC/MVS ASCHPMxx Parameters Example

For an explanation of these values, see “Specifying the APPC/MVS ASCHPMxx Parameters” on page 124.

```
CLASSADD
CLASSNAME(FAST),
MAX(10),
MIN(2),
RESPGOAL(.01),
MSGLIMIT(500)
```

Figure 107. Sample APPC/MVS ASCHPMxx Parameters

APPC/MVS TP Profile Example

For an explanation of these values, see “Specifying the APPC/MVS TP Profile” on page 125.

```
//JOBNAME JOB ACCOUNT
//*
//TPPROF EXEC PGM=ATBSDFMU
//SYSPRINT DD SYSOUT=*
//SYSSDLIB DD DSN=SYS1.APPCTP,DISP=SHR
//SYSSDOUT DD SYSOUT=*
//SYSIN DD DATA,DLM=XX
TPADD
TPNAME(AFPSVR1)
TPSCHED_DELIMITER(##)
CLASS(FAST)
JCL_DELIMITER(END_OF_JCL)
//JOBNAME JOB ACCOUNT
//STEP EXEC PGM=AUPSNAS
//STEPLIB DD DSN=AUP.SAUPLOAD,DISP=SHR
// DD DSN=PLI.V2R3M0.PLILINK,DISP=SHR
// DD DSN=PLI.V2R3M0.SIBMLINK,DISP=SHR
//SYSPRINT DD SYSOUT=*
END_OF_JCL
KEEP_MESSAGE_LOG(ALWAYS)
MESSAGE_DATA_SET(AUP.APPCLOG)
DATASET_STATUS(OLD)
##
XX
/*
```

Figure 108. Sample APPC/MVS TP Profile Example

VTAM Start Option List (ATCSTRxx) Example

For an explanation of these values, see “Specifying the VTAM Start Option List (ATCSTRxx)” on page 125.

CONFIG=00,	ATCCON MEMBER OF VTAMLIST	X
NETID=USIBMBQ,	NETWORK IDENTIFIER	X
SSCPNAME=ST1,	SSCP NAME	X
⋮		

Figure 109. Sample VTAM Start Option List

VTAM Configuration List (ATCCONnn) Example

For an explanation of these values, see “Specifying the VTAM Configuration List (ATCCONnn)” on page 125.

APPCAPLS	X
⋮	

Figure 110. Sample VTAM Configuration List

VTAM Application Program Major Node and Application Program Example

For an explanation of these values, see “Specifying the VTAM Application Program Major Node and Application Program” on page 126.

APPCAPLS	VBUILD	TYPE=APPL	
MVSLU01	APPL	ACBNAME=MVSLU01,	X
		APPC=YES,	X
		AUTOSES=0,	X
		DDRAINL=NALLOW,	X
		DMINWNL=5,	X
		DMINWNR=5,	X
		DRESPL=NALLOW,	X
		DSESLIM=10,	X
		LMDENT=100,	X
		MODETAB=ISTINCLM,	X
		PARSESS=YES,	X
		SECACPT=CONV,	X
		SRBEXIT=YES	

Figure 111. Sample VTAM Application Program Major Node and Application Program

Local 3174 Token-Ring Gateway

VTAM Local Major Node Example

For an explanation of these values, see “Specifying the VTAM Local Major Node” on page 127.

```
LOCAIX01  VBUILD TYPE=LOCAL
*
AIX01     PU     CUADDR=3C2,          CHANNEL CONTROL UNIT ADDRESS  X
           MAXBFRU=10,              VTAM BUFFERS FOR RECEIVING   X
           MODETAB=ISTINCLM,        LOGON MODE TABLE           X
           VPACING=0                NO PACING TO BOUNDARY NODE
*
UPLD0101  LU     LOCADDR=1           DEPENDENT LU
```

Figure 112. Sample VTAM Local Major Node

3174 Establishment Controller Configuration Example

For an explanation of these values, see “Specifying the 3174 Establishment Controller Configuration” on page 129.

```
Configuration Support C Release 3

900: Token-Ring Network Address for the Gateway

    4000 3000 1001

940: Ring Address Assignment

    S@   Ring@           SAP
    C1   4000 3000 1001
    C2   4000 3000 1002   04

941: Ring Transmission Definition

           F   W
    C1   4000 3000 1001
    C2   4000 3000 1002   2   7
```

Figure 113. Sample 3174 Establishment Controller Configuration

PSF for AIX Printer Example

For an explanation of these values, see “Specifying the PSF for AIX Printer” on page 131.

```
smit
  PSF for AIX Printing and Configuration
    Administer PSF for AIX
      Manage a PSF for AIX Printer
        Add a Printer or PSF Queue
          Upload
```

Figure 114. SMIT Panel Sequence for PSF for AIX Printer

```
* Data stream type          AFPDS
* Printer NAME              [upload1]      /
  ASCII code-set            []
* EBCDIC code-set          [IBM-037]
* Number of QUEUE DEVICES  [4]          #
  Description                []
```

Figure 115. Sample PSF for AIX Printer

SNA Server/6000 Configuration Profile Examples

This section lists sample SNA Server/6000 profiles. Each profile is preceded by the sequence of SMIT panels to access the profile.

- SNA Node
- Control Point
- Token-Ring SNA DLC
- Token-Ring Link Station
- LU 6.2 Local LU
- LU 6.2 Side Information
- LU 6.2 Partner LU 6.2 Location

```
smit
  Communications Applications and Services
    SNA Server/6000
      Configure SNA Profiles
        Advanced Configuration
          SNA System Defaults
            Change/Show a Profile
```

Figure 116. SMIT Panel Sequence For SNA Node Profile

Profile name	sna	
Maximum number of sessions (1-5000)	[200]	#
Maximum number of conversations (1-5000)	[200]	#
Restart action	once	+
Recovery resource manager (RRM) enabled?	no	+
Dynamic inbound partner LU definitions allowed?	yes	+
NMVT action when no NMVT process	reject	+
Standard output file/device	[/dev/console]	
Standard error file/device	[/var/sna/sna.stderr]	
Comments	[]	

Figure 117. Sample SNA Node Profile

```

smit
  Communications Applications and Services
    SNA Server/6000
      Configure SNA Profiles
        Advanced Configuration
          Control Point
            Change/Show a Profile

```

Figure 118. SMIT Panel Sequence For Control Point Profile

Profile name	node_cp	
XID node ID	[*]	
Network name	[USIBMBQ]	
Control Point (CP) name	[AIX01]	
Control Point alias	[AIX01]	
Control Point type	appn_end_node	+
Maximum number of cached routing trees	[500]	#
Maximum number of nodes in the TRS database	[500]	#
Route addition resistance	[128]	#
Comments	[]	

Figure 119. Sample Control Point Profile

Local 3174 Token-Ring Gateway

```

smit
  Communications Applications and Services
    SNA Server/6000
      Configure SNA Profiles
        Advanced Configuration
          Links
            Token-Ring
              Token-Ring SNA DLC
                Add a Profile
  
```

Figure 120. SMIT Panel Sequence For Token-Ring SNA DLC Profile

```

* Profile name                [tr3174]
Data link device name        [tok0]      +
Force disconnect time-out (1-600 seconds) [120]      #
User-defined maximum I-Field size?      no      +
  If yes, Max. I-Field size (265-30729) [30729]    #
Max. num of active link stations (1-255) [100]      #
  Number reserved for inbound activation [0]        #
  Number reserved for outbound activation [0]        #
Transmit window count (1-127)           [16]        #
Dynamic window increment (1-127)        [1]        #
Retransmit count (1-30)                 [8]        #
Receive window count (1-127)            [7]        #
Ring access priority                [0]        +
Inactivity time-out (1-120 seconds)      [48]        #
Response time-out (1-40, 500 msec intervals) [4]        #
Acknowledge time-out (1-40, 500 msec intervals) [1]        #
Local link name                    []
Local SAP address (04-ec)              [04]        X
Trace base listening link station?      no      +
  If yes, Trace format                  long      +
Dynamic link stations supported?        yes      +

Link Recovery Parameters
  Retry interval (1-10000 seconds)       [60]        #
  Retry limit (0-500 attempts)           [0]        #

Dynamic Link Activation Parameters
  Solicit SSCP sessions?                 yes      +
  CP-CP sessions supported?              yes      +
  Partner required to support CP-CP sessions? no      +

Dynamic Link TG COS Characteristics
  Effective capacity                      [4300800]   #
  Cost per connect time                   [0]        #
  Cost per byte                           [0]        #
  Security                                nonsecure  +
  Propagation delay                       lan      +
  User-defined 1                          [128]      #
  User-defined 2                          [128]      #
  User-defined 3                          [128]      #

Comments                               []
  
```

Figure 121. Sample Token-Ring SNA DLC Profile

```
smit
  Communications Applications and Services
    SNA Server/6000
      Configure SNA Profiles
        Advanced Configuration
          Links
            Token-Ring Link Station
              Add a Profile
```

Figure 122. SMIT Panel Sequence For Token-Ring Link Station Profile

Local 3174 Token-Ring Gateway

* Profile name	[tr3174]	
Use APPN Control Point's XID node ID?	yes	+
If no, XID node ID	[*]	
* SNA DLC Profile name	[tr3174]	+
Stop link station on inactivity?	no	+
If yes, Inactivity time-out (0-10 minutes)	[0]	#
LU address registration?	no	+
If yes, LU Address Registration Profile name	[]	+
Trace link?	no	+
If yes, Trace size	long	+
Adjacent Node Address Parameters		
Access routing	link_address	+
If link_name, Remote link name	[]	
If link_address,		
Remote link address	[400030001001]	X
Remote SAP address (04-ec)	[04]	X
Adjacent Node Identification Parameters		
Verify adjacent node?	no	+
Network ID of adjacent node	[]	
CP name of adjacent node	[]	
XID node ID of adjacent node (LEN node only)	[*]	
Node type of adjacent node	learn	+
Link Activation Parameters		
Solicit SSCP sessions?	yes	+
Initiate call when link station is activated?	yes	+
Activate link station at SNA start up?	yes	+
Activate on demand?	no	+
CP-CP sessions supported?	yes	+
If yes,		
Adjacent network node preferred server?	no	+
Partner required to support CP-CP sessions?	no	+
Initial TG number (0-20)	[0]	#
Restart Parameters		
Restart on activation?	no	+
Restart on normal deactivation?	yes	+
Restart on abnormal deactivation?	yes	+
Transmission Group COS Characteristics		
Effective capacity	[4300800]	#
Cost per connect time	[0]	#
Cost per byte	[0]	#
Security	nonsecure	+
Propagation delay	lan	+
User-defined 1	[128]	#
User-defined 2	[128]	#
User-defined 3	[128]	#
Comments	[]	

Figure 123. Sample Token-Ring Link Station Profile


```

smit
  Communications Applications and Services
    SNA Server/6000
      Configure SNA Profiles
        Advanced Configuration
          Sessions
            LU 6.2
              LU 6.2 Local LU
                Add a Profile
  
```

Figure 124. SMIT Panel Sequence For LU 6.2 Local LU Profile

```

* Profile name                [UPLD0101]
Local LU name                 [UPLD0101]
Local LU alias                [UPLD0101]
Local LU is dependent?       yes          +
  If yes,
    Local LU address (1-255)  [1]          #
    System services control point
      (SSCP) ID (*, 0-65535)  [*]
    Link Station Profile name [tr3174]     +
Conversation Security Access List Profile name []
Comments                      []
  
```

Figure 125. Sample LU 6.2 Local LU Profile

```

smit
  Communications Applications and Services
    SNA Server/6000
      Configure SNA Profiles
        Advanced Configuration
          Sessions
            LU 6.2
              LU 6.2 Side Information
                Add a Profile
  
```

Figure 126. SMIT Panel Sequence For LU 6.2 Side Information Profile

```

* Profile name                [upload1]
Local LU or Control Point alias [UPLD0101]     +
Provide only one of the following:
  Partner LU alias            []          +
  Fully qualified partner LU name [USIBMBQ.MVSLU01]
Mode name                     [#INTER]     +
Remote transaction program name (RTPN) [AFPSVR1]
RTPN in hexadecimal?         no          +
Comments                      []
  
```

Figure 127. Sample LU 6.2 Side Information Profile

Local 3174 Token-Ring Gateway

```
smit
  Communications Applications and Services
    SNA Server/6000
      Configure SNA Profiles
        Advanced Configuration
          Sessions
            LU 6.2
              Partner LU 6.2 Location
                Add a Profile
```

Figure 128. SMIT Panel Sequence For Partner LU 6.2 Location Profile

```
* Profile name                [MVSLU01]
Fully qualified partner LU name [USIBMBQ.MVSLU01]
Partner LU location method    owning_cp
If owning_cp,
  Fully qualified owning Control Point (CP) name [USIBMBQ.ST1]      +
  Local node is network server for LEN node?    no
  Fully qualified network node server name      []
If link_station,
  Local LU name                            []
  Link Station Profile name                 []      +
Comments                                   []
```

Figure 129. Sample Partner LU 6.2 Location Profile

Configuration Worksheet Example

The following worksheet records values for SNA Server/6000 configuration parameters that are related to other configuration settings:

Figure 130. Sample Configuration Worksheet

SNA Server/6000	Value	APPC/MVS	VTAM	3174
Control Point: Control Point (CP) name	AIX01		PU: name	
Token-Ring DLC: Receive window count	7			item 941: W
Token-Ring Link Station: Remote link address	400030001001			item 900
LU 6.2 Local LU: Local LU name	UPLD0101		LU: name	
LU 6.2 Local LU: Local LU is dependent?	yes		LU: LOCADDR	
LU 6.2 Local LU: Local LU address	1		LU: LOCADDR	
LU 6.2 Side Information: Fully qualified partner LU name	USIBMBQ.MVSLU01	APPCPMxx: LUADD ACBNAME	ATCSTRxx: NETID APPL: name	
LU 6.2 Side Information: Remote transaction program name (RTPN)	AFPSVR1	TP profile: TPNAME		
Partner LU 6.2 Location: Fully qualified partner LU name	USIBMBQ.MVSLU01	APPCPMxx: LUADD ACBNAME	ATCSTRxx: NETID APPL: name	
Partner LU 6.2 Location: Fully qualified owning Control Point (CP) name	USIBMBQ.ST1		ATCSTRxx: NETID ATCSTRxx: SSCPNAME	

Guidelines for Configuring Local 3174 Token-Ring Gateway

The following provides guidance for implementing the examples displayed in “Local 3174 Token-Ring Gateway Example” on page 111. Note that a subset of the example is displayed below, displaying the pertinent parameters and describing which of these require you to specify *variable_names* and which require a specific name or number, such as MODETAB=ISTINCLM.

Specifying the APPC/MVS APPCPMxx Parameters

The pertinent statements and parameters for the APPCPMxx member of SYS1.PARMLIB are illustrated in Figure 131 and described below.

```
LUADD
  ACBNAME(lu_name),
  SCHED(ASCH),
  TPDATA(tp_profile_dataset),
  TPLEVEL(level)
```

Figure 131. APPC/MVS APPCPMxx Parameter Guidelines

ACBNAME

Specifies the name of a logical unit to be controlled by APPC/MVS. The value must match an APPL statement name in a VTAM application program major node.

SCHED

Specify ASCH to indicate that inbound conversation requests should be scheduled by the APPC/MVS transaction scheduler (ASCH).

TPDATA

Specify the name of the VSAM key-sequenced dataset (KSDS) that contains TP profiles for the logical unit referenced by the ACBNAME parameter.

TPLEVEL

Controls access, for the logical unit referenced by the ACBNAME parameter, to execution of transaction programs (TP's).

Specify SYSTEM to allow access to all authenticated MVS users.

Specifying the APPC/MVS ASCHPMxx Parameters

AFP Upload requires that a class of transaction initiators be defined to the APPC/MVS transaction scheduler (ASCH) so the class can be referenced in the APPC/MVS TP profile that describes an AFP Upload server. AFP Upload does not have special requirements for the parameters used in defining the class.

Specifying the APPC/MVS TP Profile

Use the APPC/MVS ATBSDFMU administration utility program to create an APPC/MVS TP profile.

The TPNAME value must match the **Remote transaction program name (RTPN)** parameter in the SNA/6000 LU 6.2 Side Information profile.

The scheduler information in the TP profile must include JCL that the ASCH scheduler uses to run the transaction program. The JCL must execute the AFP Upload server program, named AUPSNAS. This program is written in the PL/I language. It requires that the PL/I PLILINK and SIBMLINK libraries be included in the STEPLIB definition. The AFP Upload server program also requires that the SYSPRINT DD name be allocated. Unless the SYSPRINT DD statement refers to DUMMY or a SYSOUT data set, the data set referenced by the SYSPRINT DD statement must have the following attributes:

directory blocks:	0
record format:	VA
record length:	125
block size:	129

For more information about the SYSPRINT DD name used by the host server program, refer to “Specifying the SYSPRINT DD Statement” on page 10.

Specifying the VTAM Start Option List (ATCSTRxx)

You must specify the values illustrated in Figure 132 and described below:

CONFIG= <i>nn</i> ,	ATCCON MEMBER OF VTAMLST	X
NETID= <i>network_id</i> ,	NETWORK IDENTIFIER	X
SSCPNAME= <i>sscp_name</i> ,	SSCP NAME	X
:		

Figure 132. VTAM Start Option List Guidelines

CONFIG

Specifies the ATCCON*nn* member to use.

NETID

Specifies the network identifier for the host system.

SSCPNAME

Specifies the System Services Control Point (SSCP) name for the host system.

Specifying the VTAM Configuration List (ATCCONnn)

The VTAM configuration list indicates the application program major nodes that should be made available when VTAM is started. Include the application program major node that contains the application program that APPC/MVS uses:

<i>appl_prog_major_node</i>	X
:	

Specifying the VTAM Application Program Major Node and Application Program

The pertinent statements and parameters for the VTAM Application Program Major Node and Application Program are illustrated in Figure 133 and described below.

```
majname VBUILD TYPE=APPL
minname APPL ACBNAME=minname, X
           APPC=YES, X
           MODETAB=ISTINCLM, X
           PARSESS=YES, X
           SECACPT=CONV, X
           SRBEXIT=YES
```

Figure 133. VTAM Application Program Major Node and Application Program Guidelines

ACBNAME

Specify the minor node name to assign to the application program. This name must be unique within the domain in which the application program resides.

APPC

Specify YES.

MODETAB

Specify ISTINCLM or the name of an alternative VTAM logon mode table to be used to associate each logon mode name with a set of session parameters for the application program.

PARSESS

Specify YES, or do not include the PARSESS parameter. PARSESS defaults to YES when APPC=YES.

This value indicates that the application program can have multiple concurrent (parallel) sessions with an independent logical unit.

SECACPT

Specify CONV.

This value indicates that the application program's logical unit supports conversation requests containing access security subfields.

SRBEXIT

Specify YES.

This value indicates that the application program is authorized to use service request block (SRB) processing in its exit routines.

Specifying the VTAM Local Major Node

The pertinent operands for the VTAM local major node are illustrated in Figure 134 and described below:

<i>node_name</i>	VBUILD	TYPE=LOCAL	
*			
<i>pu_name</i>	PU	CUADDR= <i>nn</i> ,	X
		MAXBFRU= <i>nn</i> ,	X
		MODETAB= <i>mode_table</i> ,	X
		VPACING=0	
*			
<i>lu_name</i>	LU	LOCADDR= <i>nn</i>	

Figure 134. VTAM Local Major Node Guidelines

The following describes the pertinent parameters on the **VBUILD** statement:

TYPE

Specify LOCAL to indicate that the node is a local major node.

The following describes the pertinent operands on the **PU** statement:

Note that the MODETAB and VPACING operands are LU operands, but are included here on the PU statement. VTAM definitions support a "sift-down effect" that allows you to code an operand on a higher-level statement so you do not need to code it on each lower-level statement for which the same value is desired. There is only one logical unit in the guideline presented here, so the sift-down effect is for demonstration only. If the MODETAB and VPACING operands are specified on the PU statement, they do not have to be specified on any of the LU statements.

CUADDR

Specifies the 3-digit hexadecimal number that identifies the channel control unit address used when activating the physical unit. The value must match a channel control unit address supplied when the operating system was generated.

MAXBFRU

Specifies the number of buffer units that VTAM uses to receive data from the physical unit. These buffer units are elements of the IOBUF buffer pool.

Always specify MAXBFRU so that the baseno value for the IOBUF multiplied by MAXBFRU is equal to or greater than the maximum RU size used by the controller:

$$\text{baseno} \times \text{MAXBFRU} \Rightarrow \text{maximum_RU_size}$$

For example, a MAXBFRU value of 10 is adequate for a baseno value of 128 and a maximum RU size of 1024.

MODETAB

Specifies the name of the logon mode table that contains entries that describe session characteristics.

VPACING

Determines how VTAM paces the flow of data from VTAM to the boundary node that performs pacing for the channel-attached SNA device.

A value of zero means that no pacing is performed for sessions with the logical unit, or that the largest possible pacing is used if the session is adaptively paced.

Local 3174 Token-Ring Gateway

The following describes the pertinent operands on the **LU** statement:

LOCADDR

LOCADDR=0 specifies that this logical unit is an independent logical unit. An SSCP-LU session does not have to be established prior to an LU-LU session with an independent logical unit. For independent logical units, the **Local LU is dependent?** parameter in the SNA Server/6000 LU 6.2 Local LU profile must be no.

To use a dependent logical unit, specify a value between 1 and 255 for LOCADDR. Also, in the SNA Server/6000 LU 6.2 Local LU profile, specify yes for the **Local LU is dependent?** parameter, and the LOCADDR value for the **Local LU address** parameter.

Specifying the 3174 Establishment Controller Configuration

The pertinent configuration parameters are illustrated in Figure 135 and described below:

```

Configuration Support C Release 3

900: Token-Ring Network Address for the Gateway

    4000 nnnn nnnn

940: Ring Address Assignment

    S@   Ring@           SAP
    nn   4000 nnnn nnnn
    nn   nnnn nnnn nnnn   nn

941: Ring Transmission Definition

                F   W
    nn   4000 nnnn nnnn
    nn   nnnn nnnn nnnn   n   n
  
```

Figure 135. Sample 3174 Establishment Controller Configuration

900: Token-Ring Network Address for the Gateway

Specify the token-ring address for the Gateway. The address must be a local MAC address in the form 4000 nnnn nnnn.

940: Ring Address Assignment

This configuration item includes several pertinent parameters:

S@

Indicates the subchannel address. Values are supplied automatically when the Ring Address Assignment panel is presented. The first S@ value specifies the subchannel address for the Gateway. The remaining S@ values specify subchannel addresses for ring-attached physical units.

Ring@

Indicates the token-ring address. The first Ring@ value specifies the token-ring address for the Gateway and is supplied automatically when the Ring Address Assignment panel is presented.

Specify a token-ring address for each ring-attached physical unit. Local MAC addresses are suggested over universal MAC addresses. Local MAC addresses are in the form 4000 nnnn nnnn.

SAP

Accept the default Service Access Point value, 04, or specify it explicitly.

941: Ring Transmission Definition

This configuration item includes two pertinent parameters:

F Indirectly specifies the transmit I-frame size.

To prevent segmentation of basic information units (BIUs), choose a transmit I-frame size that is at least 9 bytes larger than the maximum RU size. The maximum RU size is the lesser of the value represented by the VTAM MODEENT statement RUSIZES operand and the **Maximum RU size** parameter in the SNA Server/6000 LU 6.2 Mode profile.

Local 3174 Token-Ring Gateway

W Specifies the transmit window size. The transmit window size is the number of frames that the 3174 sends to the physical unit before waiting for a link-level acknowledgement.

The **Receive window count** parameter in the SNA Server/6000 Token-Ring SNA DLC profile specifies the maximum number of frames SNA Server/6000 receives before sending a link-level acknowledgement.

For optimum performance, the transmit window size (**W**) should be equal to the **Receive window count** parameter.

If the transmit window size (**W**) is less than the **Receive window count** parameter, extremely poor throughput can result. In most cases, the default transmit window size (**W**) value is 2. The default **Receive window count** value is 8. You must adjust these default values to yield acceptable throughput.

Specifying the PSF for AIX Printer

The pertinent parameters for the PSF for AIX printer are illustrated in Figure 136 and described below:

* Printer NAME	[<i>printer_name</i>]	/
ASCII code-set	[<i>ascii_code-set</i>]	
* EBCDIC code-set	[<i>ebcdic_code-set</i>]	
* Number of QUEUE DEVICES	[<i>#qdevices</i>]	#

Figure 136. PSF for AIX Printer Guidelines

Printer NAME

The name you choose must match the SNA Server/6000 LU 6.2 Side Information Profile name.

ASCII code-set

Specify the ASCII code-set in which attributes such as class, forms, and destination are specified on your AIX system. Before sending the attributes to the host server program, PSF for AIX converts the attributes from the specified ASCII code-set to the specified EBCDIC code-set.

If you do not specify an ASCII code set, PSF for AIX uses the current code set on your AIX system.

EBCDIC code-set

Specify the EBCDIC code-set used on the host system to which print files are sent and spooled. Before sending the attributes to the host server program, PSF for AIX converts attributes such as class, forms, and destination from the specified ASCII code-set to the specified EBCDIC code set.

Number of QUEUE DEVICES

Specify the number of queue devices to be created for the PSF for AIX printer. Multiple queue devices allow PSF for AIX to simultaneously send one file while converting the next file.

You can define up to nine queue devices. However, note that PSF for AIX requires more RISC System/6000 memory for each queue device.

Specifying the SNA Server/6000 Profiles

This section contains guidelines on configuring the SNA Server/6000 Profiles. Configure these profiles through the System Management Interface Tool (SMIT) panels. Examples of these panels and the hierarchical paths to each SNA definition are illustrated in “SNA Server/6000 Configuration Profile Examples” on page 116.

Note: You must have **root** authority to add or change SNA Server/6000 configuration profiles. After you add or change SNA Server/6000 configuration profiles, you must **verify** and **update** them. For more information about performing this task, see “Verifying and Updating SNA Server/6000 Configuration Profiles” on page 24.

Specifying the SNA Node Profile for AFP Upload: AFP Upload requires no modifications to the SNA Node profile.

Specifying the Control Point Profile for AFP Upload: The following describes how to specify the values AFP Upload requires in the Control Point Profile. Note that all values refer to Figure 137.

XID node ID	[*]
Control Point (CP) name	[cp_name]
Control Point type	appn_end_node +

Figure 137. Control Point Profile Guidelines

XID node ID

The **XID node ID** parameter pertains to switched protocols. Because the 3174 establishment controller does not use switched protocols, the **XID node ID** value is not relevant in 3174 establishment controller configurations.

Control Point (CP) name

The **Control Point (CP) name** parameter pertains to switched protocols. Because the 3174 establishment controller does not use switched protocols, the **Control Point (CP) name ID** value is not relevant in 3174 establishment controller configurations. However, by convention the **Control Point (CP) name** is usually the same as the PU name.

Control Point type

Specify either `appn_end_node` or `appn_network_node`.

Specifying the Token-Ring SNA DLC Profile for AFP Upload: The following displays how to specify the values AFP Upload requires in the Token-Ring SNA DLC Profile. Note that all values refer to Figure 138.

* Profile name	[<i>profile_name</i>]	
Data link device name	[<i>tokn</i>]	+
Receive window count (1-127)	[<i>n</i>]	#
Local SAP address (04-ec)	[04]	X
Link Recovery Parameters		
Retry interval (1-10000 seconds)	[60]	#
Retry limit (0-500 attempts)	[0]	#

Figure 138. Token-Ring SNA DLC Profile Guidelines

Profile name

Choose any meaningful value.

Data link device name

Select one of the available adapters.

Receive window count (1-127)

Defines the size of the link-level window. It specifies the maximum number of frames to receive before sending a link-level acknowledgement.

The window (**W**) value in 3174 establishment controller configuration item 941 indicates the number of frames that the 3174 sends before waiting for a link-level acknowledgement.

For optimum performance, the **Receive window count** value should be equal to the window (**W**) value in 3174 establishment controller configuration item 941.

If the window (**W**) value is less than the **Receive window count** parameter, extremely poor throughput can result. In most cases, the default window (**W**) value is 2. The default **Receive window count** value is 8. You must adjust these default values to yield acceptable throughput.

Local SAP address (04-ec)

Specify 04.

Link Recovery Parameters - Retry interval (1-10000 seconds)

Specify 60. If the link station is a **calling** link station, this value causes it to try to establish a link connection with the 3174 establishment controller every 60 seconds, until a link connection can be established.

Link Recovery Parameters - Retry limit (0-500 attempts)

Specify 0. If the link station is a **calling** link station, this value indicates that there is no limit on the number of attempts the link station makes to establish a link connection with the 3174 establishment controller. The interval between the attempts is defined by the previous parameter.

Specifying the Token-Ring Link Station Profile for AFP Upload: The following describes how to specify the values AFP Upload requires in the Token-Ring Link Station Profile. Note that all values refer to Figure 139.

* Profile name	[<i>profile_name</i>]	
Use APPN Control Point's XID node ID?	yes	+
* SNA DLC Profile name	[<i>DLC_profile_name</i>]	+
Stop link station on inactivity?	no	+
LU address registration?	no	+
Adjacent Node Address Parameters		
Access routing	link_address	+
If link_address,		
Remote link address	[4000nnnnnnnn]	X
Remote SAP address (04-ec)	[04]	X
Adjacent Node Identification Parameters		
Verify adjacent node?	no	+
Link Activation Parameters		
Solicit SSCP sessions?	yes	+
Initiate call when link station is activated?	yes	+
Activate link station at SNA start up?	yes	+
Restart Parameters		
Restart on activation?	no	+
Restart on normal deactivation?	yes	+
Restart on abnormal deactivation?	yes	+

Figure 139. Token-Ring Link Station Profile Guidelines

Profile name

Choose any meaningful value.

Use APPN Control Point's XID node ID?

Select yes.

SNA DLC Profile name

Select the name of the SNA DLC profile.

Stop link station on inactivity?

Select no.

LU address registration?

Select no.

Adjacent Node Address Parameters - Access routing

Select link_address.

This parameter is referenced only for **calling** link stations and selective **listening** link stations. For more information, refer to "'Calling" Versus "Listening" Link Stations" on page 26.

Adjacent Node Address Parameters - Remote link address

For **calling** link stations and selective **listening** link stations, the **Remote link address** parameter must match the token-ring address of the 3174 establishment controller token-ring gateway. The token-ring address of the 3174 token-ring gateway is specified in 3174 configuration item 900.

Adjacent Node Address Parameters - Remote SAP address

Specify 04.

Adjacent Node Identification Parameters - Verify adjacent node?

Select no.

Link Activation Parameters - Solicit SSCP sessions?

Select yes.

Link Activation Parameters - Initiate call when link station is activated?

To define a **calling** link station, select yes.

To define a **listening** link station, select no.

Link Activation Parameters - Activate link station at SNA start up?

Select yes.

Restart Parameters - Restart on activation?

Select no.

Restart Parameters - Restart on normal deactivation?

Select yes.

Restart Parameters - Restart on abnormal deactivation?

Select yes.

Local 3174 Token-Ring Gateway

Specifying the LU 6.2 Local LU Profile for AFP Upload: The following describes how to specify the values AFP Upload requires in the LU 6.2 Local LU Profile. Note that all values refer to Figure 140.

* Profile name	[profile_name]	
Local LU name	[lu_name]	
Local LU alias	[lu_alias]	
Local LU is dependent?	yes	+
If yes,		
Local LU address (1-255)	[nn]	#
Link Station Profile name	[link_station]	+

Figure 140. LU 6.2 Local LU Profile Guidelines

Profile name

Choose any meaningful value.

Local LU name

This value must match the name on the LU statement in the VTAM local major node.

Local LU alias

Choose any meaningful value.

Local LU is dependent?

The logical unit can be either dependent (yes) or independent (no). Dependent logical units are managed by an SSCP. In general, independent logical units offer more flexibility.

For dependent logical units, the LOCADDR value in the VTAM local major node LU statement is non-zero. For independent logical units, LOCADDR=0.

If yes, Local LU address (1-255)

If the logical unit is dependent, the **Local LU address** parameter must match the LOCADDR value in the VTAM local major node LU statement.

If yes, Link Station Profile name

If the logical unit is dependent, select the profile name of the link station through which SNA Server/6000 communicates with the host system.

Specifying the LU 6.2 Side Information Profile for AFP Upload: The following describes how to specify the values AFP Upload requires in the LU 6.2 Side Information Profile. Note that all values refer to Figure 141.

* Profile name	[<i>profile_name</i>]	
Local LU or Control Point alias	[<i>lu_alias</i>]	+
Provide only one of the following:		
Partner LU alias	[]	+
Fully qualified partner LU name	[<i>network_id.partner_lu_name</i>]	
Mode name	[#INTER]	+
Remote transaction program name (RTPN)	[<i>remote_TP_name</i>]	+
RTPN in hexadecimal?	no	+

Figure 141. LU 6.2 Side Information Profile Guidelines

Profile name

The name you choose must match the name of the PSF for AIX printer.

Local LU or Control Point alias

Select the local LU alias that you specified in the LU 6.2 Local LU profile.

Fully qualified partner LU name

Specifies the network identifier of the network in which the host server program resides (followed by a period), and the logical unit name used by the host server program.

The network identifier portion must match the NETID value in the VTAM start option list (ATCSTRxx).

The logical unit name portion must match an APPL statement name in a VTAM application program major node. It must also match an LUADD ACBNAME value in the APPC/MVS APPCPMxx member of SYS1.PARMLIB.

Mode name

Specify #INTER.

Remote transaction program name (RTPN)

The name you choose must match the TPNAME value in the APPC/MVS TP profile.

RTPN in hexadecimal?

Specify no.

Specifying the Partner LU 6.2 Location Profile for AFP Upload: The following describes how to specify the values AFP Upload requires in the Partner LU 6.2 Location Profile. Note that all values refer to Figure 142.

* Profile name	[<i>profile_name</i>]	
Fully qualified partner LU name	[<i>network_id.lu_name</i>]	
Partner LU location method	owning_cp	+
If owning_cp,		
Fully qualified owning Control Point (CP) name	[<i>network_id.cp_name</i>]	
Local node is network server for LEN node?	no	+
Fully qualified network node server name	[]	

Figure 142. Partner LU 6.2 Location Profile Guidelines

Profile name

Choose any meaningful value.

Fully qualified partner LU name

Specifies the network identifier of the network in which the host server program resides (followed by a period), and the logical unit name used by the host server program.

The network identifier portion must match the NETID value in the VTAM start option list (ATCSTRxx).

The logical unit name portion must match an APPL statement name in a VTAM application program major node. It must also match an LUADD ACBNAME value in the APPC/MVS APPCPMxx member of SYS1.PARMLIB.

Partner LU location method

Select owning_cp.

If owning_cp, Fully qualified owning Control Point (CP) name

Specifies the network identifier of the network in which the host server program resides (followed by a period), and the name of the System Services Control Point (SSCP) for the host system.

The network identifier portion must match the NETID value in the VTAM start option list (ATCSTRxx).

The CP name portion must match the SSCPNAME value in the VTAM start option list (ATCSTRxx).

If owning_cp, Local node is network server for LEN node

Select no.

If owning_cp, Fully qualified network node server name

Leave blank.

Configuration Worksheet

Use the following worksheet to record values for SNA Server/6000 configuration parameters that are related to other configuration settings:

Figure 143. Configuration Worksheet

SNA Server/6000	Value	APPC/MVS	VTAM	3174
Control Point: Control Point (CP) name			PU: name	
Token-Ring DLC: Receive window count				item 941: W
Token-Ring Link Station: Remote link address				item 900
LU 6.2 Local LU: Local LU name			LU: name	
LU 6.2 Local LU: Local LU is dependent?			LU: LOCADDR	
LU 6.2 Local LU: Local LU address			LU: LOCADDR	
LU 6.2 Side Information: Fully qualified partner LU name		APPCPMxx: LUADD ACBNAME	ATCSTRxx: NETID APPL: name	
LU 6.2 Side Information: Remote transaction program name (RTPN)		TP profile: TPNAME		
Partner LU 6.2 Location: Fully qualified partner LU name		APPCPMxx: LUADD ACBNAME	ATCSTRxx: NETID APPL: name	
Partner LU 6.2 Location: Fully qualified owning Control Point (CP) name			ATCSTRxx: NETID ATCSTRxx: SSCPNAME	

Chapter 12. Remote 3174 Token-Ring Gateway

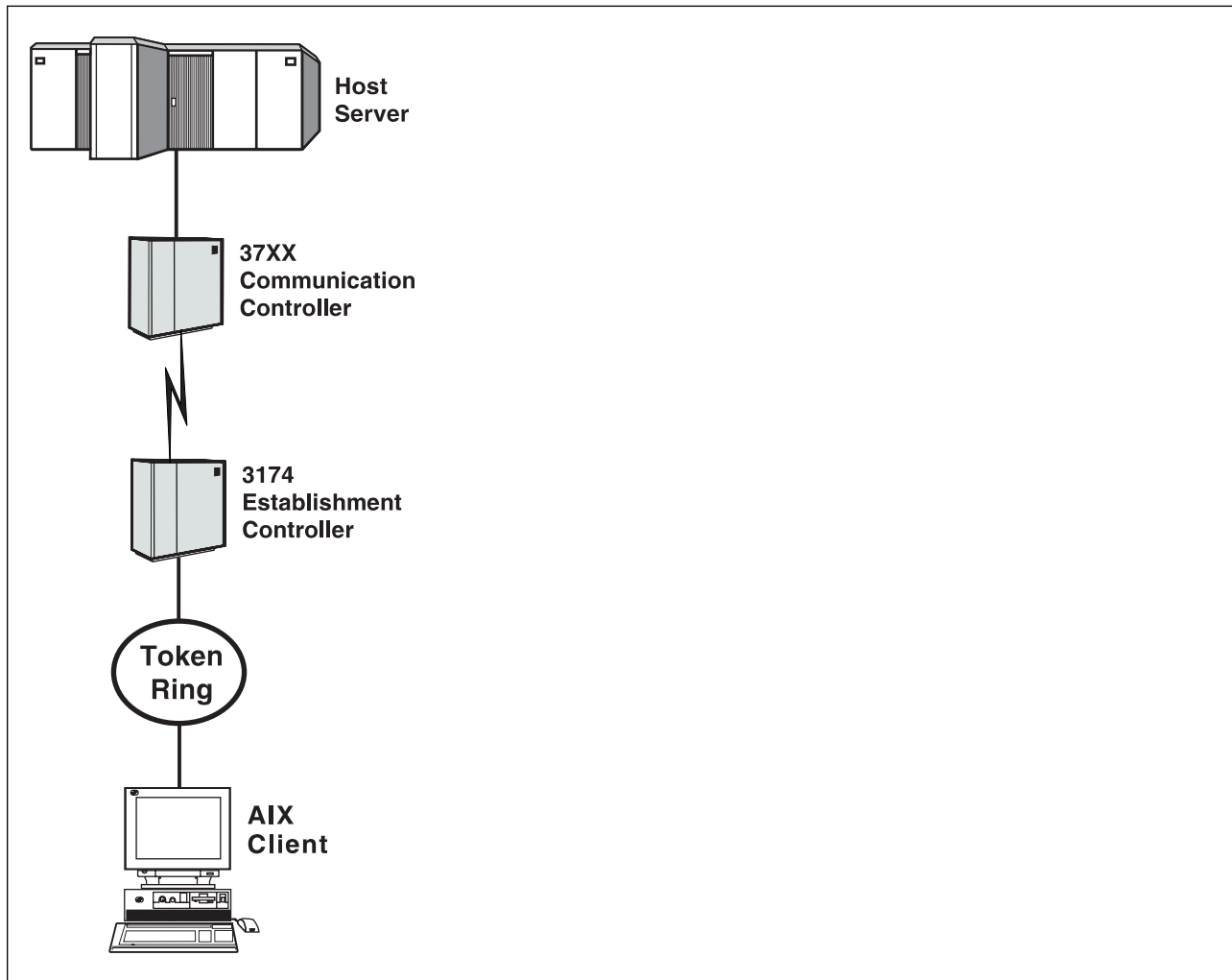


Figure 144. Remote 3174 Token-Ring Gateway

Key Configuration Parameter Interrelationships

Several network components have configuration parameters whose values are related to configuration parameters for other network components. These interrelated parameters must be configured consistently to make end-to-end communication possible.

Several figures follow. They illustrate some of the key interrelationships among configuration parameters for SNA network components.

Figure 145 illustrates the interrelationships in defining the name of the transaction program used by the AFP Upload host server.

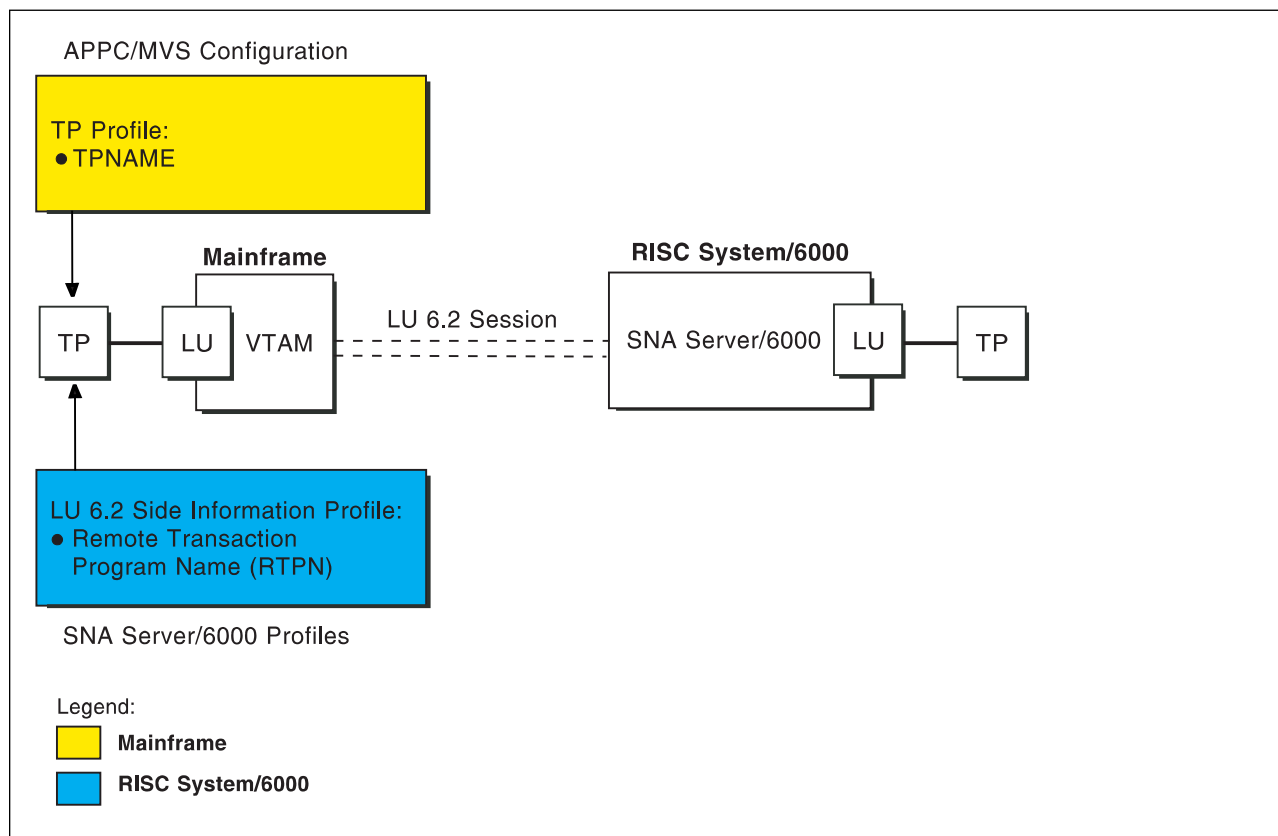


Figure 145. Transaction Program Name

Figure 146 illustrates the interrelationships in defining logical unit (LU) names.

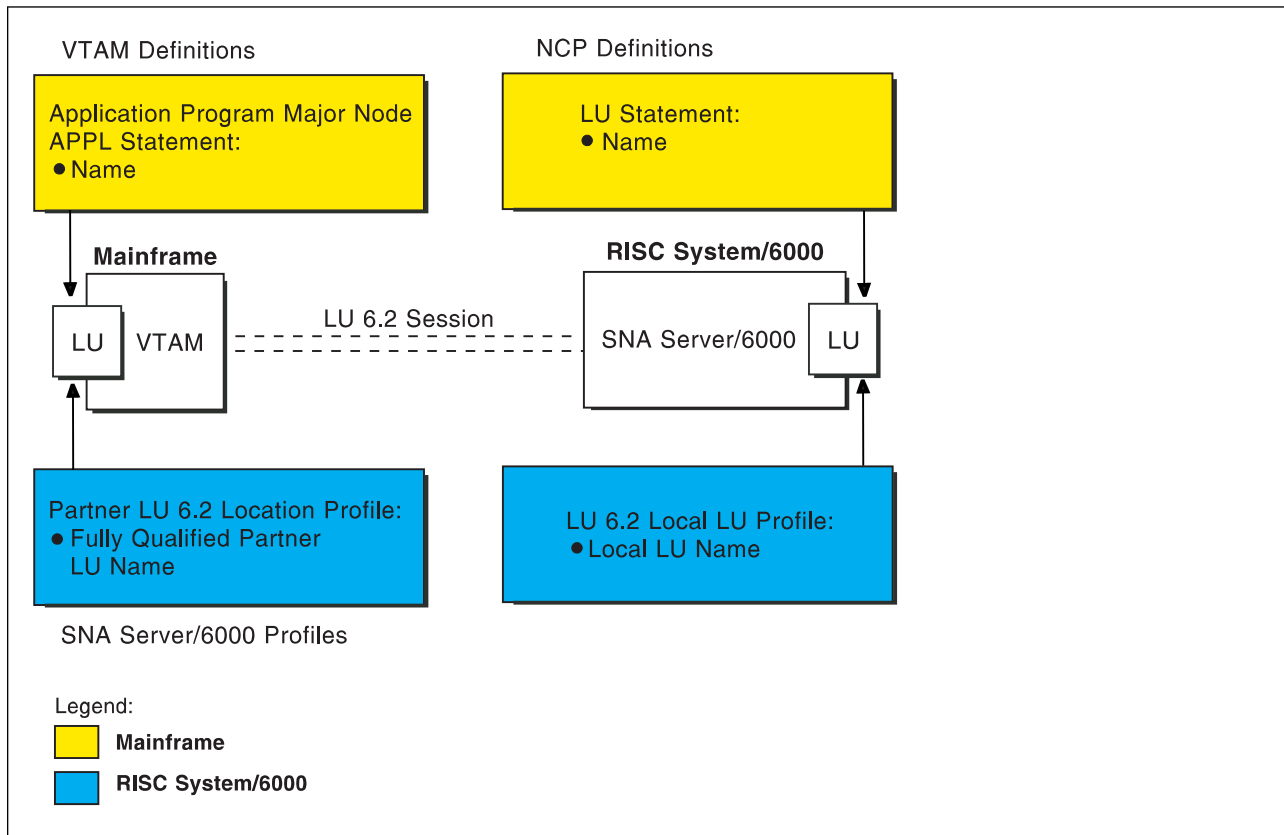


Figure 146. Logical Unit Names

Figure 147 illustrates the interrelationships in defining the local address of the logical unit provided by SNA Server/6000.

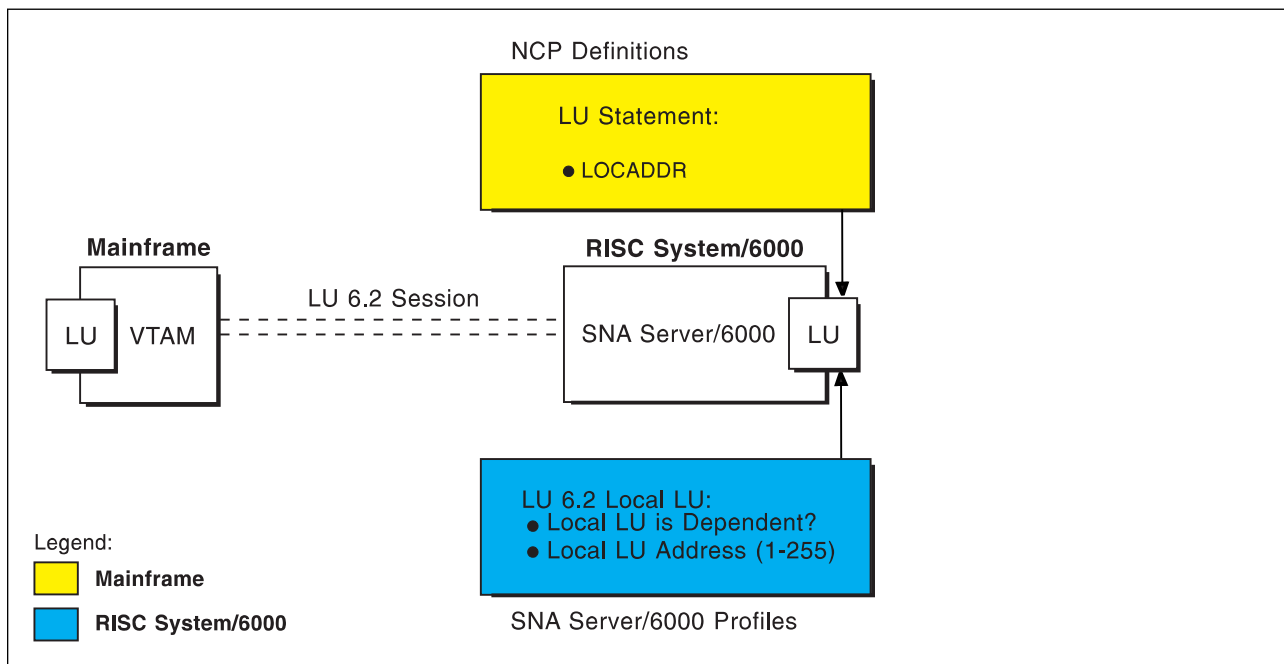


Figure 147. Local Address of Logical Unit

Remote 3174 Token-Ring Gateway

Figure 148 illustrates the interrelationships in defining the name of the physical unit/control point provided by SNA Server/6000.

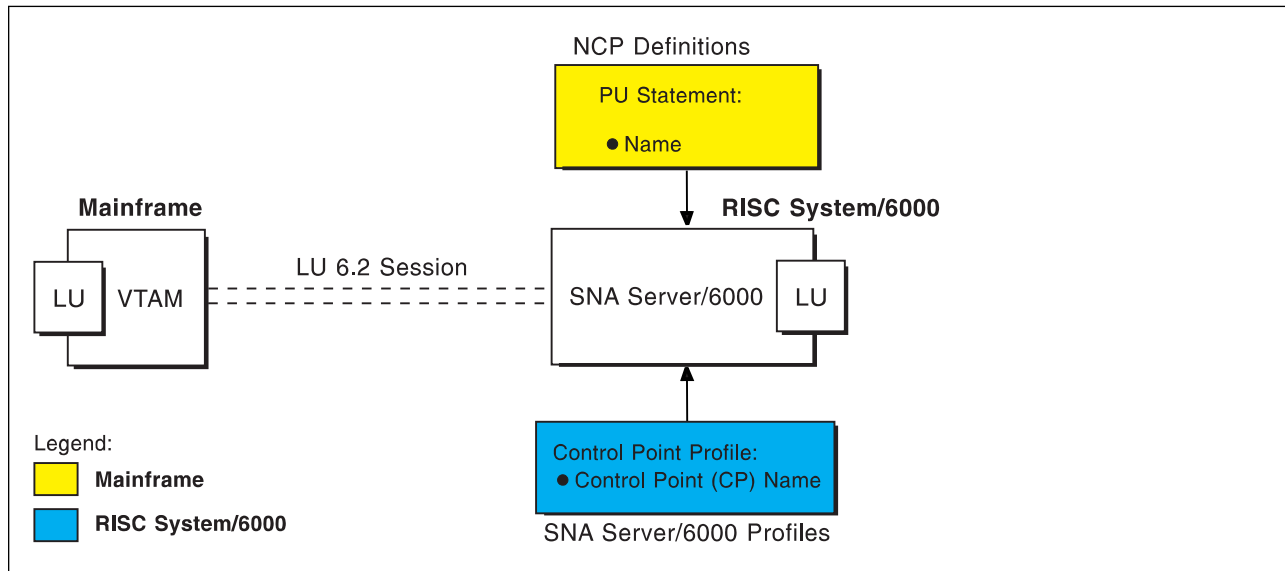


Figure 148. Physical Units/Control Point Name

Figure 149 illustrates the interrelationships in defining Token-Ring addresses used in this configuration.

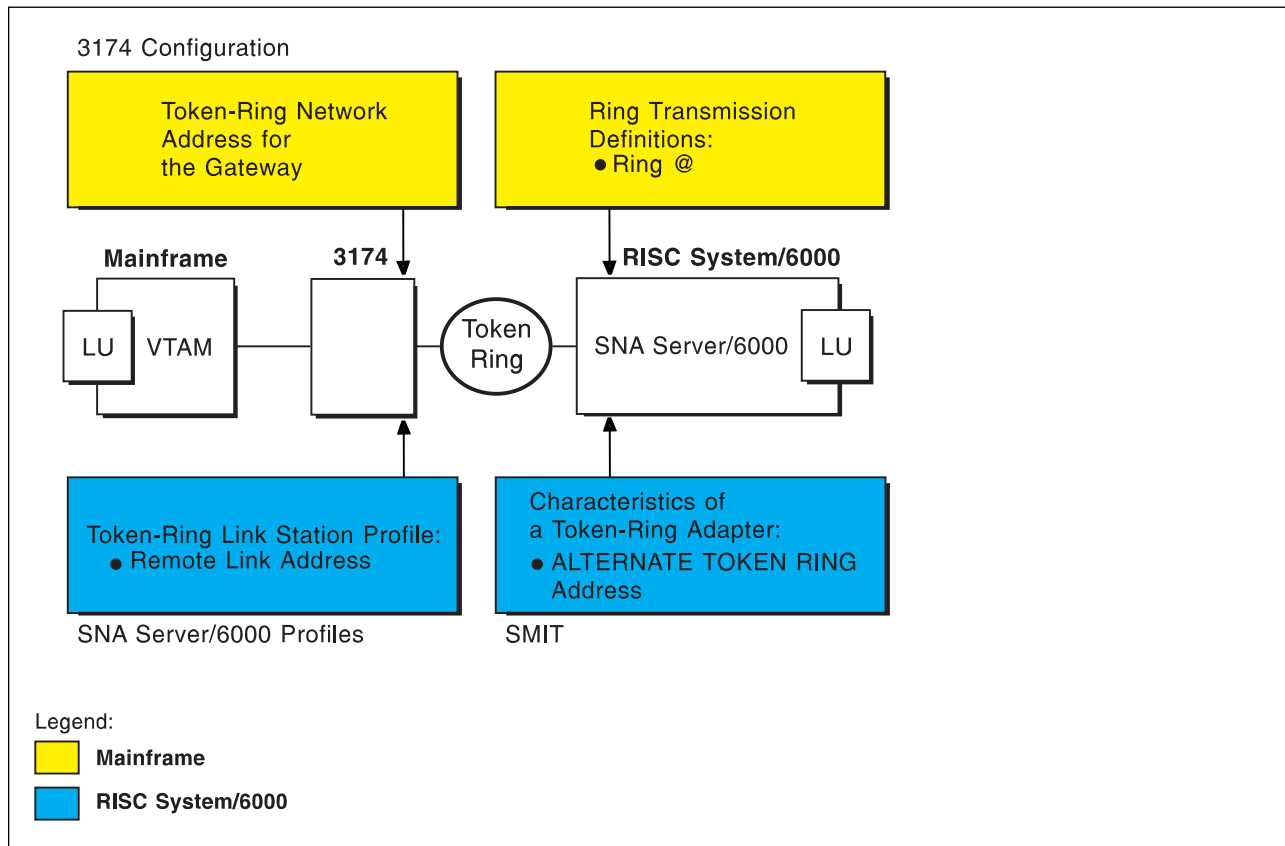


Figure 149. Token-Ring Addresses

Remote 3174 Token-Ring Gateway Example

For an explanation of pertinent configuration parameters, see “Guidelines for Configuring Remote 3174 Token-Ring Gateway” on page 158.

APPC/MVS APPCPMxx Parameters Example

For an explanation of these values, see “Specifying the APPC/MVS APPCPMxx Parameters” on page 158.

```
LUADD
ACBNAME(MVSLU01),
SCHED(ASCH),
TPDATA(SYS1.APPCTP),
TPLEVEL(SYSTEM),
BASE

SIDEINFO
DATASET(SYS1.APPCSI)
```

Figure 150. Sample APPC/MVS APPCPMxx Parameters Example

APPC/MVS ASCHPMxx Parameters Example

For an explanation of these values, see “Specifying the APPC/MVS ASCHPMxx Parameters” on page 158.

```
CLASSADD
CLASSNAME(FAST),
MAX(10),
MIN(2),
RESPGOAL(.01),
MSGLIMIT(500)
```

Figure 151. Sample APPC/MVS ASCHPMxx Parameters Example

APPC/MVS TP Profile Example

For an explanation of these values, see “Specifying the APPC/MVS TP Profile” on page 159.

```
//JOBNAME JOB ACCOUNT
//*
//TPPROF EXEC PGM=ATBSDFMU
//SYSPRINT DD SYSOUT=*
//SYSSDLIB DD DSN=SYS1.APPCTP,DISP=SHR
//SYSSDOUT DD SYSOUT=*
//SYSIN DD DATA,DLM=XX
TPADD
TPNAME(AFPSVR1)
TPSCHED_DELIMITER(##)
CLASS(FAST)
JCL_DELIMITER(END_OF_JCL)
//JOBNAME JOB ACCOUNT
//STEP EXEC PGM=AUPSNAS
//STEPLIB DD DSN=AUP.SAUPLOAD,DISP=SHR
// DD DSN=PLI.V2R3M0.PLILINK,DISP=SHR
// DD DSN=PLI.V2R3M0.SIBMLINK,DISP=SHR
//SYSPRINT DD SYSOUT=*
END_OF_JCL
KEEP_MESSAGE_LOG(ALWAYS)
MESSAGE_DATA_SET(AUP.APPCLOG)
DATASET_STATUS(OLD)
##
XX
/*
```

Figure 152. Sample JCL to Create an APPC/MVS TP Profile Example

VTAM Start Option List (ATCSTRxx) Example

For an explanation of these values, see “Specifying the VTAM Start Option List (ATCSTRxx)” on page 159.

CONFIG=00,	ATCCON MEMBER OF VTAMLST	X
NETID=USIBMBQ,	NETWORK IDENTIFIER	X
SSCPNAME=ST1,	SSCP NAME	X
⋮		

Figure 153. Sample VTAM Start Option List

VTAM Configuration List (ATCCONnn) Example

For an explanation of these values, see “Specifying the VTAM Configuration List (ATCCONnn)” on page 159.

APPCAPLS	X
⋮	

Figure 154. Sample VTAM Configuration List

VTAM Application Program Major Node and Application Program Example

For an explanation of these values, see “Specifying the VTAM Application Program Major Node and Application Program” on page 160.

APPCAPLS	VBUILD	TYPE=APPL	
MVSLU01	APPL	ACBNAME=MVSLU01,	X
		APPC=YES,	X
		AUTOSES=0,	X
		DDRAINL=NALLOW,	X
		DMINWNL=5,	X
		DMINWNR=5,	X
		DRESPL=NALLOW,	X
		DSESLIM=10,	X
		LMDENT=100,	X
		MODETAB=ISTINCLM,	X
		PARSESS=YES,	X
		SECACPT=CONV,	X
		SRBEXIT=YES	

Figure 155. Sample VTAM Application Program Major Node and Application Program

Network Control Program (NCP) Definitions Example

For an explanation of these values, see “Specifying the Network Control Program Definitions” on page 161.

LN3174	LINE	ADDRESS=012,	X
		DUPLEX=FULL,	X
		CLOCKNG=EXT,	X
		SPEED=56000,	X
		RETRIES=(5,1,2)	
*			
	SERVICE ORDER=(PU3174,AIX01)		
*			
PU3174	PU	ADDR=C1,	X
		PUTYPE=2,	X
		MAXDATA=521,	X
		MAXOUT=7,	X
		PASSLIM=7	
*			
LU3270	LU	LOCADDR=2,	X
		MODETAB=MODEIBM,	X
		DLOGMOD=S32782,	X
		USSTAB=USSTAB1	
*			
AIX01	PU	ADDR=C2,	X
		PUTYPE=2,	X
		MAXDATA=521,	X
		MAXOUT=7,	X
		PASSLIM=7	
*			
UPLD0101	LU	LOCADDR=1,	X
		MODETAB=ISTINCLM	

Figure 156. Sample NCP Definitions

3174 Establishment Controller Configuration Example

For an explanation of these values, see “Specifying the 3174 Establishment Controller Configuration” on page 164.

```

Configuration Support C Release 3

900: Token-Ring Network Address for the Gateway

    4000 3000 1001

940: Ring Address Assignment

    S@   Ring@           SAP
    C1   4000 3000 1001
    C2   4000 3000 1002    04

941: Ring Transmission Definition

                F    W
    C1   4000 3000 1001
    C2   4000 3000 1002    1    7

```

Figure 157. Sample 3174 Establishment Controller Configuration

PSF for AIX Printer Example

For an explanation of these values, see “Specifying the PSF for AIX Printer” on page 166.

```

smit
  PSF for AIX Printing and Configuration
  Administer PSF for AIX
  Manage a PSF for AIX Printer
  Add a Printer or PSF Queue
  Upload

```

Figure 158. SMIT Panel Sequence for PSF for AIX Printer

```

* Data stream type           AFPDS
* Printer NAME               [upload1]      /
  ASCII code-set             []
* EBCDIC code-set           [IBM-037]
* Number of QUEUE DEVICES   [4]          #
  Description                 []

```

Figure 159. Sample PSF for AIX Printer

SNA Server/6000 Configuration Profile Examples

This section lists sample SNA Server/6000 profiles. Each profile is preceded by the sequence of SMIT panels to access the profile.

- SNA Node
- Control Point
- Token-Ring SNA DLC
- Token-Ring Link Station
- LU 6.2 Local LU
- LU 6.2 Side Information
- Partner LU 6.2 Location

```
smit
  Communications Applications and Services
    SNA Server/6000
      Configure SNA Profiles
        Advanced Configuration
          SNA System Defaults
            Change/Show a Profile
```

Figure 160. SMIT Panel Sequence For SNA Node Profile

Profile name	sna	
Maximum number of sessions (1-5000)	[200]	#
Maximum number of conversations (1-5000)	[200]	#
Restart action	once	+
Recovery resource manager (RRM) enabled?	no	+
Dynamic inbound partner LU definitions allowed?	yes	+
NMVT action when no NMVT process	reject	+
Standard output file/device	[/dev/console]	
Standard error file/device	[/var/sna/sna.stderr]	
Comments	[]	

Figure 161. Sample SNA Node Profile

```

smit
  Communications Applications and Services
    SNA Server/6000
      Configure SNA Profiles
        Advanced Configuration
          Control Point
            Change/Show a Profile

```

Figure 162. SMIT Panel Sequence For Control Point Profile

Profile name	node_cp	
XID node ID	[*]	
Network name	[USIBMBQ]	
Control Point (CP) name	[AIX01]	
Control Point alias	[AIX01]	
Control Point type	appn_end_node	+
Maximum number of cached routing trees	[500]	#
Maximum number of nodes in the TRS database	[500]	#
Route addition resistance	[128]	#
Comments	[]	

Figure 163. Sample Control Point Profile

Remote 3174 Token-Ring Gateway

```

smit
  Communications Applications and Services
    SNA Server/6000
      Configure SNA Profiles
        Advanced Configuration
          Links
            Token-Ring
              Token-Ring SNA DLC
                Add a Profile
  
```

Figure 164. SMIT Panel Sequence For Token-Ring SNA DLC Profile

```

* Profile name                [tr3174]
Data link device name        [tok0]      +
Force disconnect time-out (1-600 seconds) [120]      #
User-defined maximum I-Field size?      no      +
  If yes, Max. I-Field size (265-30729) [30729]    #
Max. num of active link stations (1-255) [100]      #
  Number reserved for inbound activation [0]        #
  Number reserved for outbound activation [0]        #
Transmit window count (1-127)           [16]        #
Dynamic window increment (1-127)        [1]        #
Retransmit count (1-30)                 [8]        #
Receive window count (1-127)            [7]        #
Ring access priority                [0]        +
Inactivity time-out (1-120 seconds)      [48]        #
Response time-out (1-40, 500 msec intervals) [4]        #
Acknowledge time-out (1-40, 500 msec intervals) [1]        #
Local link name                    []
Local SAP address (04-ec)              [04]        X
Trace base listening link station?      no      +
  If yes, Trace format                  long      +
Dynamic link stations supported?        yes      +

Link Recovery Parameters
  Retry interval (1-10000 seconds)       [60]        #
  Retry limit (0-500 attempts)          [0]        #

Dynamic Link Activation Parameters
  Solicit SSCP sessions?                 yes      +
  CP-CP sessions supported?              yes      +
  Partner required to support CP-CP sessions? no      +

Dynamic Link TG COS Characteristics
  Effective capacity                      [4300800]   #
  Cost per connect time                   [0]        #
  Cost per byte                           [0]        #
  Security                                nonsecure  +
  Propagation delay                       lan      +
  User-defined 1                          [128]      #
  User-defined 2                          [128]      #
  User-defined 3                          [128]      #

Comments                               []
  
```

Figure 165. Sample Token-Ring SNA DLC Profile


```
smit
  Communications Applications and Services
    SNA Server/6000
      Configure SNA Profiles
        Advanced Configuration
          Links
            Token-Ring Link Station
              Add a Profile
```

Figure 166. SMIT Panel Sequence For Token-Ring Link Station Profile

Remote 3174 Token-Ring Gateway

* Profile name	[tr3174]	
Use APPN Control Point's XID node ID?	yes	+
If no, XID node ID	[*]	
* SNA DLC Profile name	[tr3174]	+
Stop link station on inactivity?	no	+
If yes, Inactivity time-out (0-10 minutes)	[0]	#
LU address registration?	no	+
If yes, LU Address Registration Profile name	[]	+
Trace link?	no	+
If yes, Trace size	long	+
Adjacent Node Address Parameters		
Access routing	link_address	+
If link_name, Remote link name	[]	
If link_address,		
Remote link address	[400030001001]	X
Remote SAP address (04-ec)	[04]	X
Adjacent Node Identification Parameters		
Verify adjacent node?	no	+
Network ID of adjacent node	[]	
CP name of adjacent node	[]	
XID node ID of adjacent node (LEN node only)	[*]	
Node type of adjacent node	learn	+
Link Activation Parameters		
Solicit SSCP sessions?	yes	+
Initiate call when link station is activated?	yes	+
Activate link station at SNA start up?	yes	+
Activate on demand?	no	+
CP-CP sessions supported?	yes	+
If yes,		
Adjacent network node preferred server?	no	+
Partner required to support CP-CP sessions?	no	+
Initial TG number (0-20)	[0]	#
Restart Parameters		
Restart on activation?	no	+
Restart on normal deactivation?	yes	+
Restart on abnormal deactivation?	yes	+
Transmission Group COS Characteristics		
Effective capacity	[4300800]	#
Cost per connect time	[0]	#
Cost per byte	[0]	#
Security	nonsecure	+
Propagation delay	lan	+
User-defined 1	[128]	#
User-defined 2	[128]	#
User-defined 3	[128]	#
Comments	[]	

Figure 167. Sample Token-Ring Link Station Profile

```

smit
  Communications Applications and Services
    SNA Server/6000
      Configure SNA Profiles
        Advanced Configuration
          Sessions
            LU 6.2
              LU 6.2 Local LU
                Add a Profile

```

Figure 168. SMIT Panel Sequence For LU 6.2 Local LU Profile

* Profile name	[UPLD0101]	
Local LU name	[UPLD0101]	
Local LU alias	[UPLD0101]	
Local LU is dependent?	yes	+
If yes,		
Local LU address (1-255)	[1]	#
System services control point (SSCP) ID (*, 0-65535)	[*]	
Link Station Profile name	[tr3174]	+
Conversation Security Access List Profile name	[]	
Comments	[]	

Figure 169. Sample LU 6.2 Local LU Profile

```

smit
  Communications Applications and Services
    SNA Server/6000
      Configure SNA Profiles
        Advanced Configuration
          Sessions
            LU 6.2
              LU 6.2 Side Information
                Add a Profile

```

Figure 170. SMIT Panel Sequence For LU 6.2 Side Information Profile

* Profile name	[upload1]	
Local LU or Control Point alias	[UPLD0101]	+
Provide only one of the following:		
Partner LU alias	[]	+
Fully qualified partner LU name	[USIBMBQ.MVSLU01]	
Mode name	[#INTER]	+
Remote transaction program name (RTPN)	[AFPSVR1]	
RTPN in hexadecimal?	no	+
Comments	[]	

Figure 171. Sample LU 6.2 Side Information Profile

Remote 3174 Token-Ring Gateway

```
smit
  Communications Applications and Services
    SNA Server/6000
      Configure SNA Profiles
        Advanced Configuration
          Sessions
            LU 6.2
              Partner LU 6.2 Location
                Add a Profile
```

Figure 172. SMIT Panel Sequence For Partner LU 6.2 Location Profile

```
* Profile name                [MVSLU01]
Fully qualified partner LU name [USIBMBQ.MVSLU01]
Partner LU location method     owning_cp
If owning_cp,
  Fully qualified owning Control Point (CP) name [USIBMBQ.ST1]      +
  Local node is network server for LEN node?     no
  Fully qualified network node server name       []
If link_station,
  Local LU name                               []
  Link Station Profile name                    []      +
Comments                                       []
```

Figure 173. Sample Partner LU 6.2 Location Profile

Configuration Worksheet Example

The following worksheet records values for SNA Server/6000 configuration parameters that are related to other configuration settings:

Figure 174. Sample Configuration Worksheet

SNA Server/6000	Value	APPC/MVS	VTAM	NCP	3174
Control Point: Control Point (CP) name	AIX01			PU: name	
Token-Ring SNA DLC: Receive window count	7			PU: MAXOUT	item 941: W
Token-Ring Link Station: Remote link address	400030001001				item 900
LU 6.2 Local LU: Local LU name	UPLD0101			LU: name	
LU 6.2 Local LU: Local LU is dependent?	yes			LU: LOCADDR	
LU 6.2 Local LU: Local LU address	1			LU: LOCADDR	
LU 6.2 Side Information: Fully qualified partner LU name	USIBMBQ. MVSLU01	APPCPMxx: LUADD ACBNAME	ATCSTRxx: NETID APPL: name		
LU 6.2 Side Information: Remote transaction program name (RTPN)	AFPSVR1	TP profile: TPNAME			
Partner LU 6.2 Location: Fully qualified partner LU name	USIBMBQ. MVSLU01	APPCPMxx: LUADD ACBNAME	ATCSTRxx: NETID APPL: name		
Partner LU 6.2 Location: Fully qualified owning Control Point (CP) name	USIBMBQ.ST1		ATCSTRxx: NETID ATCSTRxx: SSCPNAME		

Guidelines for Configuring Remote 3174 Token-Ring Gateway

The following provides guidance for implementing the examples displayed in “Remote 3174 Token-Ring Gateway Example” on page 145. Note that a subset of the example is displayed below, displaying the pertinent parameters and describing which of these require you to specify *variable_names* and which require a specific name or number, such as MODETAB=ISTINCLM.

Specifying the APPC/MVS APPCPMxx Parameters

The pertinent statements and parameters for the APPCPMxx member of SYS1.PARMLIB are illustrated in Figure 175 and described below.

```
LUADD
  ACBNAME(lu_name),
  SCHED(ASCH),
  TPDATA(tp_profile_dataset),
  TPLEVEL(level)
```

Figure 175. APPC/MVS APPCPMxx Parameter Guidelines

ACBNAME

Specifies the name of a logical unit to be controlled by APPC/MVS. The value must match an APPL statement name in a VTAM application program major node.

SCHED

Specify ASCH to indicate that inbound conversation requests should be scheduled by the APPC/MVS transaction scheduler (ASCH).

TPDATA

Specify the name of the VSAM key-sequenced dataset (KSDS) that contains TP profiles for the logical unit referenced by the ACBNAME parameter.

TPLEVEL

Controls access, for the logical unit referenced by the ACBNAME parameter, to execution of transaction programs (TP's).

Specify SYSTEM to allow access to all authenticated MVS users.

Specifying the APPC/MVS ASCHPMxx Parameters

AFP Upload requires that a class of transaction initiators be defined to the APPC/MVS transaction scheduler (ASCH) so the class can be referenced in the APPC/MVS TP profile that describes an AFP Upload server. AFP Upload does not have special requirements for the parameters used in defining the class.

Specifying the APPC/MVS TP Profile

Use the APPC/MVS ATBSDFMU administration utility program to create an APPC/MVS TP profile.

The TPNAME value must match the **Remote transaction program name (RTPN)** parameter in the SNA/6000 LU 6.2 Side Information profile.

The scheduler information in the TP profile must include JCL that the ASCH scheduler uses to run the transaction program. The JCL must execute the AFP Upload server program, named AUPSNAS. This program is written in the PL/I language. It requires that the PL/I PLILINK and SIBMLINK libraries be included in the STEPLIB definition. The AFP Upload server program also requires that the SYSPRINT DD name be allocated. Unless the SYSPRINT DD statement refers to DUMMY or a SYSOUT data set, the data set referenced by the SYSPRINT DD statement must have the following attributes:

directory blocks:	0
record format:	VA
record length:	125
block size:	129

For more information about the SYSPRINT DD name used by the host server program, refer to "Specifying the SYSPRINT DD Statement" on page 10.

Specifying the VTAM Start Option List (ATCSTRxx)

You must specify the values illustrated in Figure 176 and described below:

CONFIG= <i>nn</i> ,	ATCCON MEMBER OF VTAMLST	X
NETID= <i>network_id</i> ,	NETWORK IDENTIFIER	X
SSCPNAME= <i>sscp_name</i> ,	SSCP NAME	X
:		

Figure 176. VTAM Start Option List Guidelines

CONFIG

Specifies the ATCCON*nn* member to use.

NETID

Specifies the network identifier for the host system.

SSCPNAME

Specifies the System Services Control Point (SSCP) name for the host system.

Specifying the VTAM Configuration List (ATCCONnn)

The VTAM configuration list indicates the application program major nodes that should be made available when VTAM is started. Include the application program major node that contains the application program that APPC/MVS uses:

<i>appl_prog_major_node</i>	X
:	

Specifying the VTAM Application Program Major Node and Application Program

The pertinent statements and parameters for the VTAM Application Program Major Node and Application Program are illustrated in Figure 177 and described below.

<i>majname</i>	VBUILD	TYPE=APPL	
<i>minname</i>	APPL	ACBNAME= <i>minname</i> ,	X
		APPC=YES,	X
		MODETAB=ISTINCLM,	X
		PARSESS=YES,	X
		SECACPT=CONV,	X
		SRBEXIT=YES	

Figure 177. VTAM Application Program Major Node and Application Program Guidelines

ACBNAME

Specify the minor node name to assign to the application program. This name must be unique within the domain in which the application program resides.

APPC

Specify YES.

MODETAB

Specify ISTINCLM or the name of an alternative VTAM logon mode table to be used to associate each logon mode name with a set of session parameters for the application program.

PARSESS

Specify YES, or do not include the PARSESS parameter. PARSESS defaults to YES when APPC=YES.

This value indicates that the application program can have multiple concurrent (parallel) sessions with an independent logical unit.

SECACPT

Specify CONV.

This value indicates that the application program's logical unit supports conversation requests containing access security subfields.

SRBEXIT

Specify YES.

This value indicates that the application program is authorized to use service request block (SRB) processing in its exit routines.

Specifying the Network Control Program Definitions

The following keywords and values must be specified if the 3174 establishment controller supports both terminals and AFP Upload:

<i>line_name</i>	LINE	ADDRESS=(<i>nnn</i>),	X
		CLOCKNG= <i>xxx</i> ,	X
		SPEED= <i>nnnnn</i>	
*		SERVICE ORDER=(<i>3174_pu_name</i> , <i>RISC_pu_name</i>)	
*			
<i>3174_pu_name</i>	PU	ADDR= <i>nn</i> ,	X
:			
*			
<i>term_lu_name</i>	LU	LOCADDR= <i>nn</i> ,	X
:			
*			
<i>RISC_pu_name</i>	PU	ADDR= <i>nn</i> ,	X
		PUTYPE=2,	X
		MAXDATA= <i>nnnn</i> ,	X
		MAXOUT=7,	X
		PASSLIM=7	
*			
<i>lu_name</i>	LU	LOCADDR= <i>nn</i> ,	X
		MODETAB= <i>mode_name</i>	

Figure 178. NCP Definitions for a Multi-point Configuration

The following keywords and values must be specified if the 3174 establishment controller supports one AFP Upload connection and no terminals:

<i>line_name</i>	LINE	ADDRESS=(<i>nnn</i>),	X
		CLOCKNG= <i>xxx</i> ,	X
		SPEED= <i>nnnnn</i>	
*			
<i>pu_name</i>	PU	ADDR= <i>nn</i> ,	X
		PUTYPE=2,	X
		MAXDATA= <i>nnnn</i> ,	X
		MAXOUT=7,	X
		PASSLIM=7	
*			
<i>lu_name</i>	LU	LOCADDR= <i>nn</i> ,	X
		MODETAB= <i>mode_table</i>	

Figure 179. NCP Definitions for a Point-to-Point Configuration

The following describes the pertinent keywords on the **LINE** statement:

ADDRESS

Specifies the relative line number for this line. The relative line number depends upon the port and line adapter type used in the 37xx communication controller.

Remote 3174 Token-Ring Gateway

CLOCKNG

Specifies whether the modem (EXT) or the communication scanner for the line (INT) provides clocking.

Ensure that the CLOCKNG keyword is spelled without the letter l.

SPEED

Specifies the data rate for the line in bits per second. The SPEED keyword is required if CLOCKNG=INT. The SPEED keyword is also required if you use NetView Performance Monitor (NPM) to collect NCP performance data, even when CLOCKNG=EXT.

The following describes the pertinent keywords on the **SERVICE** statement:

ORDER

Specifies the order in which the devices on the line are serviced in a multi-point configuration. In these guidelines the devices are physical units.

The following describes the pertinent keywords on the **PU** statement:

ADDR

Specifies the hexadecimal representation of the 8-bit address of the physical unit. For a 3174 establishment controller, the ADDR keyword refers to the S@ parameter in 3174 configuration item 940.

PUTYPE

Specify 2, which represents either a type 2 physical unit (PU), or a type 2.1 physical unit such as SNA Server/6000.

MAXDATA

Specifies the maximum amount of data (in bytes) that the physical unit can receive in one path information unit (PIU). This amount includes the transmission header (TH) and the request/response header (RH).

To prevent basic information units (BIUs) from being segmented, specify a MAXDATA value that is at least 9 bytes greater than the maximum RU size in the logon mode table entry.

MAXOUT

Specifies the maximum number of path information units (PIUs) that are sent to the physical unit before waiting for a response from that physical unit.

For optimum performance, the MAXOUT value should be equal to the **Receive window count** in the SNA Server/6000 Token-Ring SNA DLC profile and to the window (W) value in 3174 establishment controller configuration item 941.

The **Receive window count** defines the size of the link-level window. It specifies the maximum number of frames that SNA Server/6000 receives before sending a link-level acknowledgement.

The window (**W**) value in 3174 configuration item 941 indicates the number of frames that the 3174 sends before waiting for a link-level acknowledgement.

If the MAXOUT value or the 3174 window (**W**) value is less than the **Receive window count** parameter, extremely poor throughput can result. The default MAXOUT value is 1. In most cases, the default window (W) value is 2. The default Receive window count value is 8. You must adjust these default values to yield acceptable throughput.

PASSLIM

Specifies the maximum number of frames NCP sends at one time to this physical unit.

The following describes the pertinent keywords on the **LU** statement:

LOCADDR

LOCADDR=0 specifies that this logical unit is an independent logical unit. An SSCP-LU session does not have to be established prior to an LU-LU session with an independent logical unit. For independent logical units, the **Local LU is dependent?** parameter in the SNA Server/6000 LU 6.2 Local LU profile must be no.

To use a dependent logical unit, specify a value between 1 and 255 for LOCADDR. Also, in the SNA Server/6000 LU 6.2 Local LU profile, specify yes for the **Local LU is dependent?** parameter, and the LOCADDR value for the **Local LU address** parameter.

MODETAB

Specifies the name of the logon mode table that contains entries that describe session characteristics.

Specifying the 3174 Establishment Controller Configuration

The pertinent configuration parameters are illustrated in Figure 180 and described below:

```
Configuration Support C Release 3

900: Token-Ring Network Address for the Gateway

    4000 nnnn nnnn

940: Ring Address Assignment

    S@   Ring@           SAP
    nn   4000 nnnn nnnn
    nn   nnnn nnnn nnnn   nn

941: Ring Transmission Definition

                F   W
    nn   4000 nnnn nnnn
    nn   nnnn nnnn nnnn   n   n
```

Figure 180. Sample 3174 Establishment Controller Configuration

900: Token-Ring Network Address for the Gateway

Specify the token-ring address for the Gateway. The address must be a local MAC address in the form 4000 nnnn nnnn.

940: Ring Address Assignment

This configuration item includes several pertinent parameters:

S@

Indicates the subchannel address. Values are supplied automatically when the Ring Address Assignment panel is presented. The first S@ value specifies the subchannel address for the Gateway. The remaining S@ values specify subchannel addresses for ring-attached physical units.

Ring@

Indicates the token-ring address. The first Ring@ value specifies the token-ring address for the Gateway and is supplied automatically when the Ring Address Assignment panel is presented.

Specify a token-ring address for each ring-attached physical unit. Local MAC addresses are suggested over universal MAC addresses. Local MAC addresses are in the form 4000 nnnn nnnn.

SAP

Accept the default Service Access Point value, 04, or specify it explicitly.

940: Ring Transmission Definition

This configuration item includes two pertinent parameters:

- F** Indirectly specifies the transmit I-frame size.

To prevent segmentation of basic information units (BIUs), choose a transmit I-frame size that is at least 9 bytes larger than the maximum RU size. The maximum RU size is the lesser of the value represented by the VTAM MODEENT statement RUSIZES operand and the **Maximum RU size** parameter in the SNA Server/6000 LU 6.2 Mode profile.

- W** Specifies the transmit window size. The transmit window size is the number of frames that the 3174 sends to the physical unit before waiting for a link-level acknowledgement.

The **Receive window count** parameter in the SNA Server/6000 Token-Ring SNA DLC profile specifies the maximum number of frames SNA Server/6000 receives before sending a link-level acknowledgement.

For optimum performance, the transmit window size (**W**) should be equal to the **Receive window count** parameter.

If the transmit window size (**W**) is less than the **Receive window count** parameter, extremely poor throughput can result. In most cases, the default transmit window size (**W**) value is 2. The default **Receive window count** value is 8. You must adjust these default values to yield acceptable throughput.

Specifying the PSF for AIX Printer

The pertinent parameters for the PSF for AIX printer are illustrated in Figure 181 and described below:

* Printer NAME	[<i>printer_name</i>]	/
ASCII code-set	[<i>ascii_code-set</i>]	
* EBCDIC code-set	[<i>ebcdic_code-set</i>]	
* Number of QUEUE DEVICES	[<i>#qdevices</i>]	#

Figure 181. PSF for AIX Printer Guidelines

Printer NAME

The name you choose must match the SNA Server/6000 LU 6.2 Side Information Profile name.

ASCII code-set

Specify the ASCII code-set in which attributes such as class, forms, and destination are specified on your AIX system. Before sending the attributes to the host server program, PSF for AIX converts the attributes from the specified ASCII code-set to the specified EBCDIC code-set.

If you do not specify an ASCII code set, PSF for AIX uses the current code set on your AIX system.

EBCDIC code-set

Specify the EBCDIC code-set used on the host system to which print files are sent and spooled. Before sending the attributes to the host server program, PSF for AIX converts attributes such as class, forms, and destination from the specified ASCII code-set to the specified EBCDIC code set.

Number of QUEUE DEVICES

Specify the number of queue devices to be created for the PSF for AIX printer. Multiple queue devices allow PSF for AIX to simultaneously send one file while converting the next file.

You can define up to nine queue devices. However, note that PSF for AIX requires more RISC System/6000 memory for each queue device.

Specifying the SNA Server/6000 Profiles

This section contains guidelines on configuring the SNA Server/6000 Profiles. Configure these profiles through the System Management Interface Tool (SMIT) panels. Examples of these panels and the hierarchical paths to each SNA definition are illustrated in “SNA Server/6000 Configuration Profile Examples” on page 150.

Note: You must have **root** authority to add or change SNA Server/6000 configuration profiles. After you add or change SNA Server/6000 configuration profiles, you must **verify** and **update** them. For more information about performing this task, see “Verifying and Updating SNA Server/6000 Configuration Profiles” on page 24.

Specifying the SNA Node Profile for AFP Upload: AFP Upload requires no modifications to the SNA Node profile.

Specifying the Control Point Profile for AFP Upload: The following describes how to specify the values AFP Upload requires in the Control Point Profile. Note that all values refer to Figure 182.

XID node ID	[*]
Control Point (CP) name	[cp_name]
Control Point type	appn_end_node +

Figure 182. Control Point Profile Guidelines

XID node ID

The **XID node ID** parameter pertains to switched protocols. Because the 3174 establishment controller does not use switched protocols, the **XID node ID** value is not relevant in 3174 establishment controller configurations.

Control Point (CP) name

The **Control Point (CP) name** parameter pertains to switched protocols. Because the 3174 establishment controller does not use switched protocols, the **Control Point (CP) name ID** value is not relevant in 3174 establishment controller configurations. However, by convention the **Control Point (CP) name** is usually the same as the PU name.

Control Point type

Specify either `appn_end_node` or `appn_network_node`.

Remote 3174 Token-Ring Gateway

Specifying the Token-Ring SNA DLC Profile for AFP Upload: The following displays how to specify the values AFP Upload requires in the Token-Ring SNA DLC Profile. Note that all values refer to Figure 183.

* Profile name	[<i>profile_name</i>]	
Data link device name	[<i>tokn</i>]	+
Receive window count (1-127)	[<i>n</i>]	#
Local SAP address (04-ec)	[04]	X
Link Recovery Parameters		
Retry interval (1-10000 seconds)	[60]	#
Retry limit (0-500 attempts)	[0]	#

Figure 183. Token-Ring SNA DLC Profile Guidelines

Profile name

Choose any meaningful value.

Data link device name

Select one of the available adapters.

Receive Window Count (1-127)

The Receive window count defines the size of the link-level window. It specifies the maximum number of frames to receive before sending a link-level acknowledgement.

The MAXOUT keyword specifies the maximum number of path information units (PIUs) that are sent to the physical unit before waiting for a response from that physical unit.

The window (W) value in 3174 configuration item 941 indicates the number of frames that the 3174 sends before waiting for a link-level acknowledgement.

For optimum performance, the **Receive window count** should be equal to the MAXOUT value in the NCP PU statement and to the window (W) value in 3174 establishment controller configuration item 941.

If the MAXOUT value or the 3174 window (W) value is less than the **Receive window count** parameter, extremely poor throughput can result. The default MAXOUT value is 1. In most cases, the default window (W) value is 2. The default **Receive window count** value is 8. You must adjust these default values to yield acceptable throughput.

Local SAP address (04-ec)

Specify 04.

Link Recovery Parameters - Retry interval (1-10000 seconds)

Specify 60. If the link station is a **calling** link station, this value causes it to try to establish a link connection with the 3174 establishment controller every 60 seconds, until a link connection can be established.

Link Recovery Parameters - Retry limit (0-500 attempts)

Specify 0. If the link station is a **calling** link station, this value indicates that there is no limit on the number of attempts the link station makes to establish a link connection with the 3174 establishment controller. The interval between the attempts is defined by the previous parameter.

Specifying the Token-Ring Link Station Profile for AFP Upload: The following describes how to specify the values AFP Upload requires in the Token-Ring Link Station Profile. Note that all values refer to Figure 184.

* Profile name	[<i>profile_name</i>]	
Use APPN Control Point's XID node ID?	yes	+
* SNA DLC Profile name	[<i>DLC_profile_name</i>]	+
Stop link station on inactivity?	no	+
LU address registration?	no	+
Adjacent Node Address Parameters		
Access routing	link_address	+
If link_address,		
Remote link address	[4000nnnnnnnn]	X
Remote SAP address (04-ec)	[04]	X
Adjacent Node Identification Parameters		
Verify adjacent node?	no	+
Link Activation Parameters		
Solicit SSCP sessions?	yes	+
Initiate call when link station is activated?	yes	+
Activate link station at SNA start up?	yes	+
Restart Parameters		
Restart on activation?	no	+
Restart on normal deactivation?	yes	+
Restart on abnormal deactivation?	yes	+

Figure 184. Token-Ring Link Station Profile Guidelines

Profile name

Choose any meaningful value.

Use APPN Control Point's XID node ID?

Select yes.

SNA DLC Profile name

Select the name of the SNA DLC profile.

Stop link station on inactivity?

Select no.

LU address registration?

Select no.

Adjacent Node Address Parameters - Access routing

Select link_address.

This parameter is referenced only for **calling** link stations and selective **listening** link stations. For more information, refer to "'Calling" Versus "Listening" Link Stations" on page 26.

Adjacent Node Address Parameters - Remote link address

For **calling** link stations and selective **listening** link stations, the **Remote link address** parameter must match the token-ring address of the 3174 establishment controller token-ring gateway. The token-ring address of the 3174 token-ring gateway is specified in 3174 configuration item 900.

Remote 3174 Token-Ring Gateway

Adjacent Node Address Parameters - Remote SAP address

Specify 04.

Adjacent Node Identification Parameters - Verify adjacent node?

Select no.

Link Activation Parameters - Solicit SSCP sessions?

Select yes.

Link Activation Parameters - Initiate call when link station is activated?

To define a **calling** link station, select yes.

To define a **listening** link station, select no.

Link Activation Parameters - Activate link station at SNA start up?

Select yes.

Restart Parameters - Restart on activation?

Select no.

Restart Parameters - Restart on normal deactivation?

Select yes.

Restart Parameters - Restart on abnormal deactivation?

Select yes.

Specifying the LU 6.2 Local LU Profile for AFP Upload: The following describes how to specify the values AFP Upload requires in the LU 6.2 Local LU Profile. Note that all values refer to Figure 185.

* Profile name	[<i>profile_name</i>]	
Local LU name	[<i>lu_name</i>]	
Local LU alias	[<i>lu_alias</i>]	
Local LU is dependent?	yes	+
If yes,		
Local LU address (1-255)	[<i>nn</i>]	#
Link Station Profile name	[<i>link_station</i>]	+

Figure 185. LU 6.2 Local LU Profile Guidelines

Profile name

Choose any meaningful value.

Local LU name

This value must match the name on the LU statement in the NCP definitions.

Local LU alias

Choose any meaningful value.

Local LU is dependent?

The logical unit can be either dependent (yes) or independent (no). Dependent logical units are managed by an SSCP. In general, independent logical units offer more flexibility.

For dependent logical units, the LOCADDR value on the LU statement in the NCP definitions is non-zero. For independent logical units, LOCADDR=0.

If yes, Local LU address (1-255)

If the logical unit is dependent, the **Local LU address** parameter must match the LOCADDR value on the LU statement in the NCP definitions.

If yes, Link Station Profile name

If the logical unit is dependent, select the profile name of the link station through which SNA Server/6000 communicates with the host system.

Specifying the LU 6.2 Side Information Profile for AFP Upload: The following describes how to specify the values AFP Upload requires in the LU 6.2 Side Information Profile. Note that all values refer to Figure 186.

* Profile name	[<i>profile_name</i>]	
Local LU or Control Point alias	[<i>lu_alias</i>]	+
Provide only one of the following:		
Partner LU alias	[]	+
Fully qualified partner LU name	[<i>network_id.partner_lu_name</i>]	
Mode name	[#INTER]	+
Remote transaction program name (RTPN)	[<i>remote_TP_name</i>]	+
RTPN in hexadecimal?	no	+

Figure 186. LU 6.2 Side Information Profile Guidelines

Profile name

The name you choose must match the name of the PSF for AIX printer.

Local LU or Control Point alias

Select the local LU alias that you specified in the LU 6.2 Local LU profile.

Fully qualified partner LU name

Specifies the network identifier of the network in which the host server program resides (followed by a period), and the logical unit name used by the host server program.

The network identifier portion must match the NETID value in the VTAM start option list (ATCSTRxx).

The logical unit name portion must match an APPL statement name in a VTAM application program major node. It must also match an LUADD ACBNAME value in the APPC/MVS APPCPMxx member of SYS1.PARMLIB.

Mode name

Specify #INTER.

Remote transaction program name (RTPN)

The name you choose must match the TPNAME value in the APPC/MVS TP profile.

RTPN in hexadecimal?

Specify no.

Specifying the Partner LU 6.2 Location Profile for AFP Upload: The following describes how to specify the values AFP Upload requires in the Partner LU 6.2 Location Profile. Note that all values refer to Figure 187.

* Profile name	[<i>profile_name</i>]	
Fully qualified partner LU name	[<i>network_id.lu_name</i>]	
Partner LU location method	owning_cp	+
If owning_cp,		
Fully qualified owning Control Point (CP) name	[<i>network_id.cp_name</i>]	
Local node is network server for LEN node?	no	+
Fully qualified network node server name	[]	

Figure 187. Partner LU 6.2 Location Profile Guidelines

Profile name

Choose any meaningful value.

Fully qualified partner LU name

Specifies the network identifier of the network in which the host server program resides (followed by a period), and the logical unit name used by the host server program.

The network identifier portion must match the NETID value in the VTAM start option list (ATCSTRxx).

The logical unit name portion must match an APPL statement name in a VTAM application program major node. It must also match an LUADD ACBNAME value in the APPC/MVS APPCPMxx member of SYS1.PARMLIB.

Partner LU location method

Select owning_cp.

If owning_cp, Fully qualified owning Control Point (CP) name

Specifies the network identifier of the network in which the host server program resides (followed by a period), and the name of the System Services Control Point (SSCP) for the host system.

The network identifier portion must match the NETID value in the VTAM start option list (ATCSTRxx).

The CP name portion must match the SSCPNAME value in the VTAM start option list (ATCSTRxx).

If owning_cp, Local node is network server for LEN node

Select no.

If owning_cp, Fully qualified network node server name

Leave blank.

Configuration Worksheet

Use the following worksheet to record values for SNA Server/6000 configuration parameters that are related to other configuration settings:

Figure 188. Sample Configuration Worksheet

SNA Server/6000	Value	APPC/MVS	VTAM	NCP	3174
Control Point: Control Point (CP) name				PU: name	
Token-Ring SNA DLC: Receive window count				PU: MAXOUT	item 941: W
Token-Ring Link Station: Remote link address					item 900
LU 6.2 Local LU: Local LU name				LU: name	
LU 6.2 Local LU: Local LU is dependent?				LU: LOCADDR	
LU 6.2 Local LU: Local LU address				LU: LOCADDR	
LU 6.2 Side Information: Fully qualified partner LU name		APPCPMxx: LUADD ACBNAME	ATCSTRxx: NETID APPL: name		
LU 6.2 Side Information: Remote transaction program name (RPTN)		TP profile: TPNAME			
Partner LU 6.2 Location: Fully qualified partner LU name		APPCPMxx: LUADD ACBNAME	ATCSTRxx: NETID APPL: name		
Partner LU 6.2 Location: Fully qualified owning Control Point (CP) name			ATCSTRxx: NETID ATCSTRxx: SSCPNAME		

Chapter 13. Local and Remote 37xx SDLC

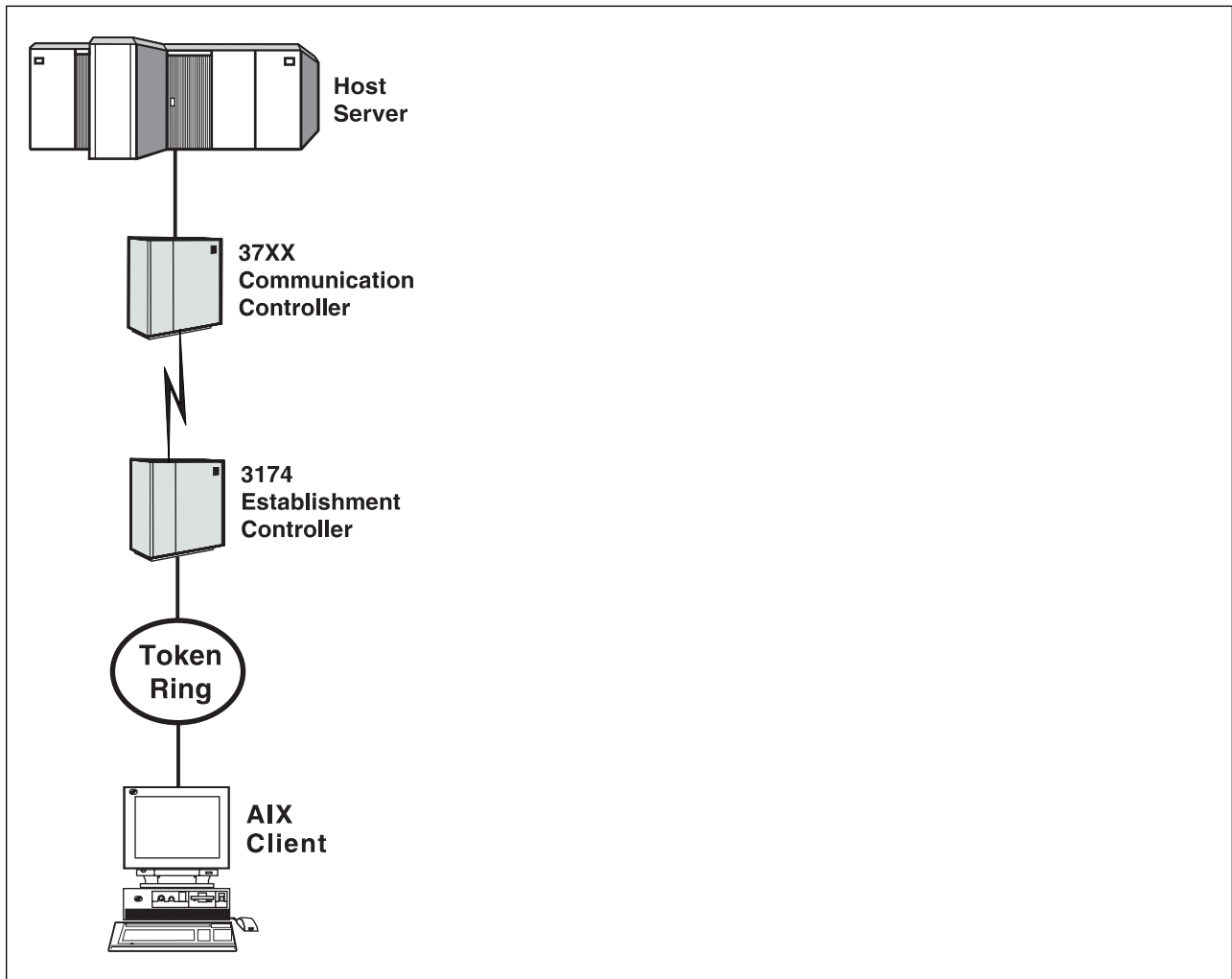


Figure 189. Local and Remote 37xx SDLC

Key Configuration Parameter Interrelationships

Several network components have configuration parameters whose values are related to configuration parameters for other network components. These interrelated parameters must be configured consistently to make end-to-end communication possible.

Several figures follow. They illustrate some of the key interrelationships among configuration parameters for SNA network components.

Figure 190 illustrates the interrelationships in defining the name of the transaction program used by the AFP Upload host server.

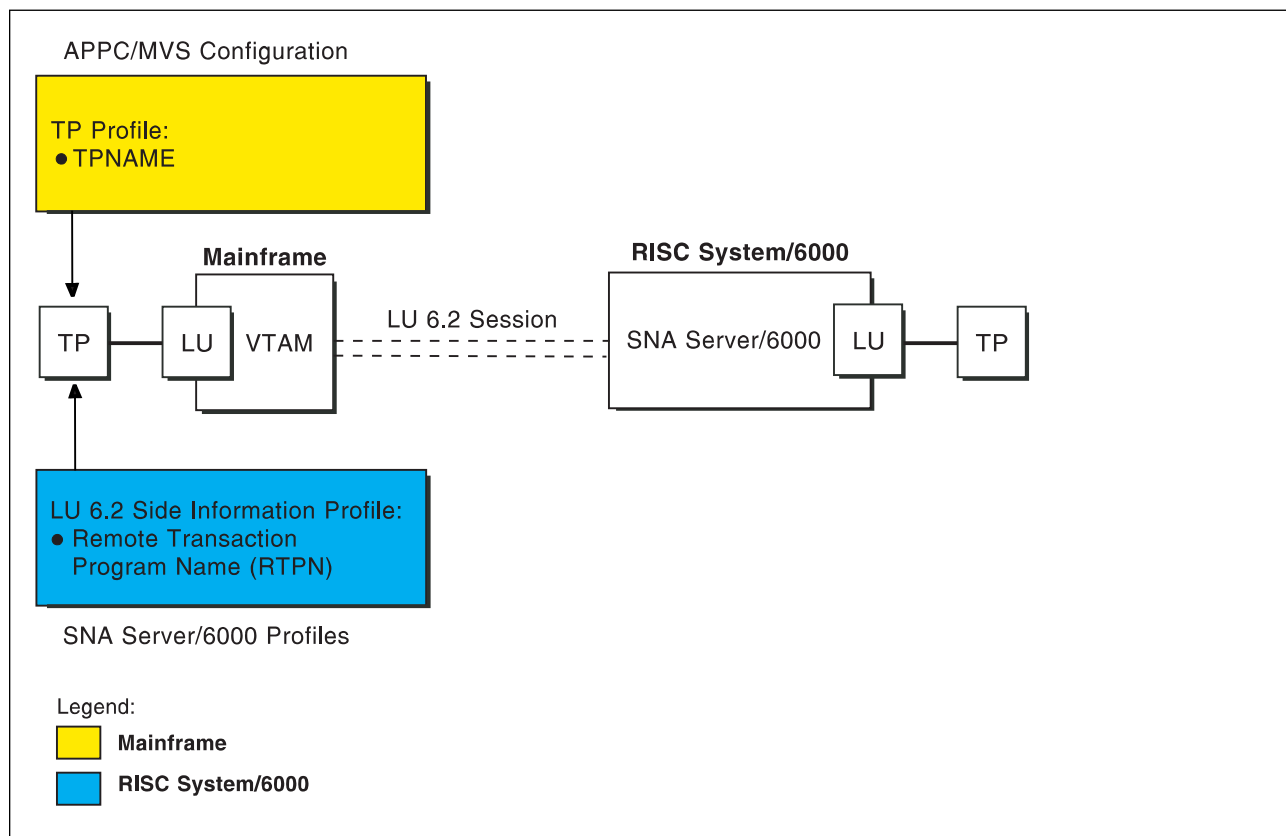


Figure 190. Transaction Program Name

Figure 191 illustrates the interrelationships in defining logical unit (LU) names.

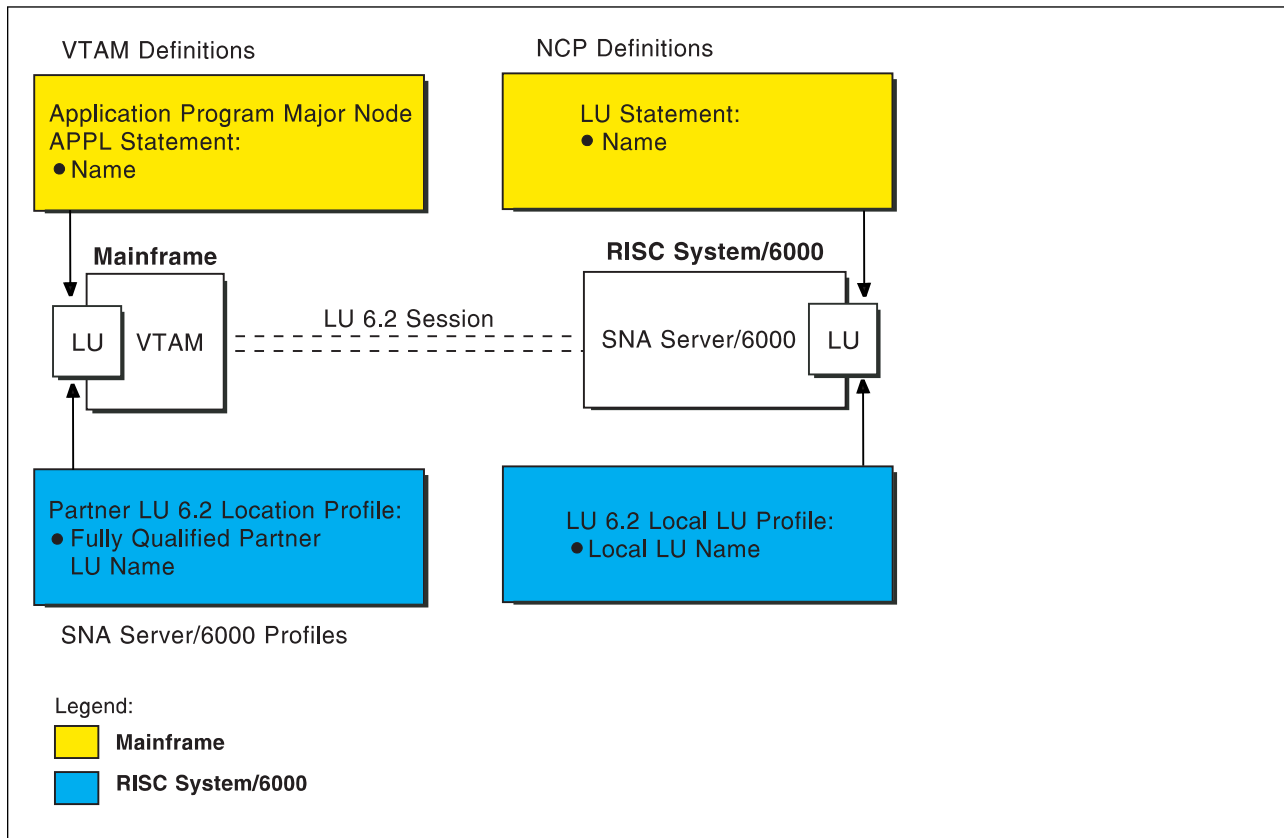


Figure 191. Logical Unit Names

Figure 192 illustrates the interrelationships in defining the local address of the logical unit provided by SNA Server/6000.

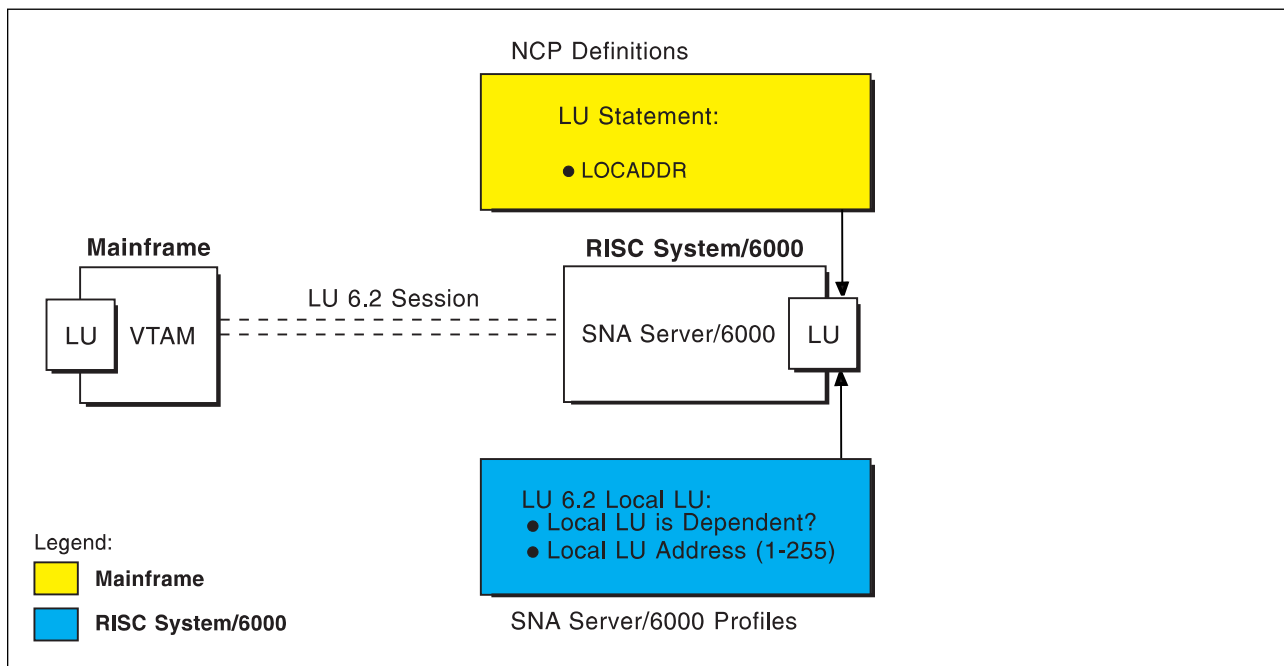


Figure 192. Local Address of Logical Unit

Local or Remote SDLC

Figure 193 illustrates the interrelationships in defining the name of the physical unit/control point provided by SNA Server/6000.

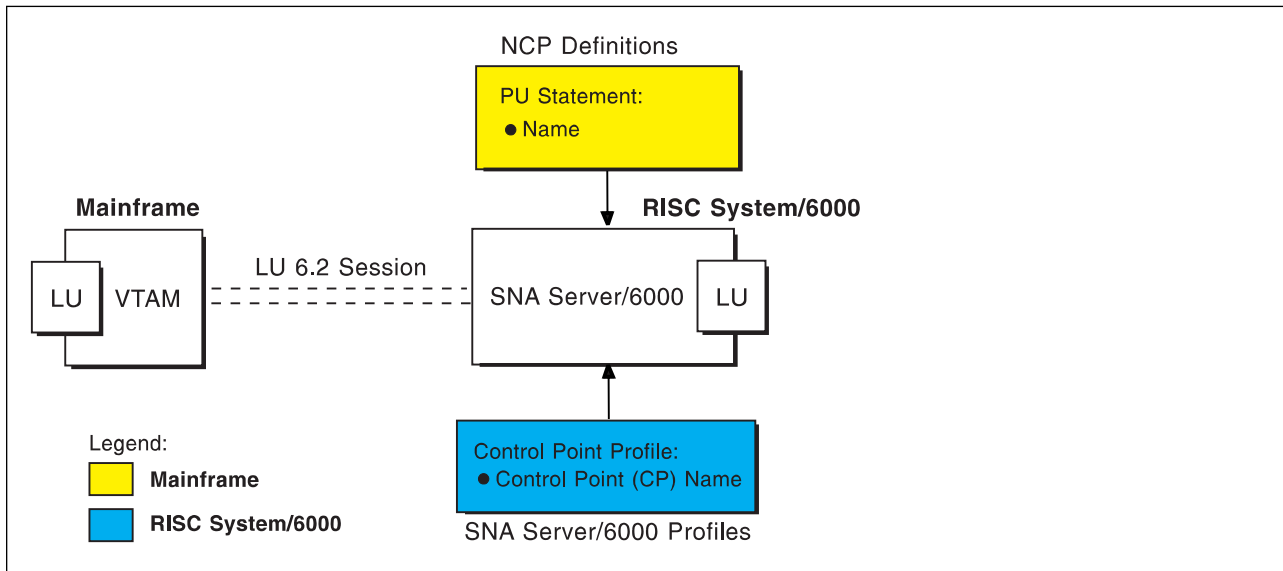


Figure 193. Physical Unit/Control Point Name

Figure 194 illustrates the interrelationships in defining the station address of the link station provided by SNA Server/6000.

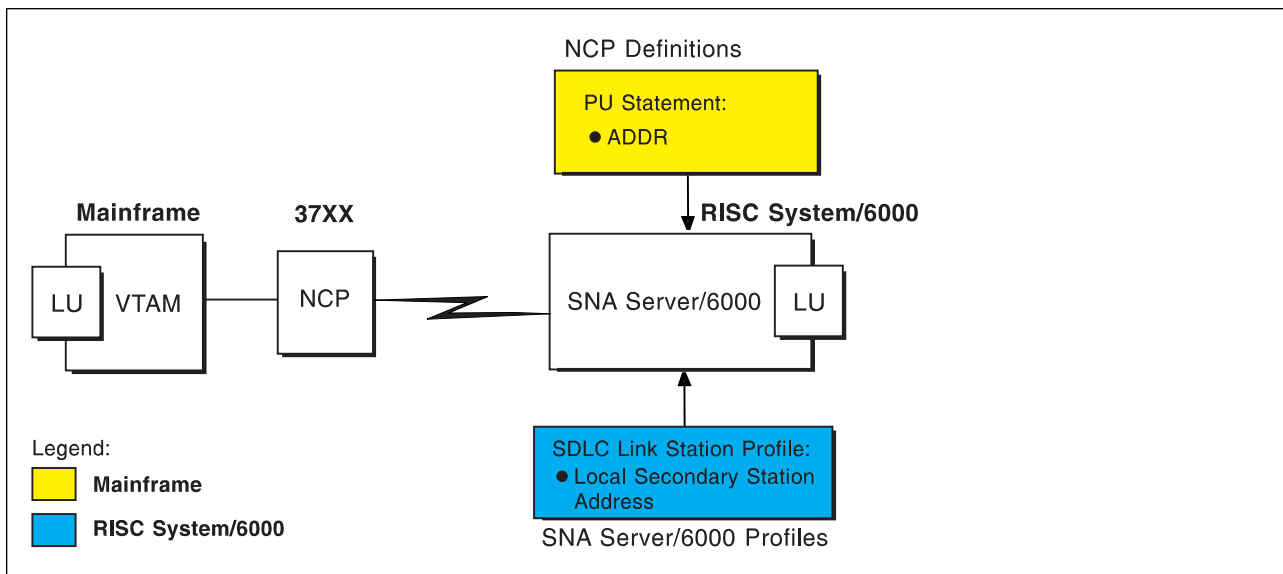


Figure 194. Station Address

Local or Remote 37xx SDLC Example

The following local 37xx SDLC example uses a **non-switched** line. A **non-switched** line is also sometimes called a **private** line or a **leased** line. For an explanation of pertinent configuration parameters, see “Guidelines for Configuring Local or Remote 37xx SDLC” on page 191.

APPC/MVS APPCPMxx Parameters Example

For an explanation of these values, see “Specifying the APPC/MVS APPCPMxx Parameters” on page 191.

```
LUADD
ACBNAME(MVSLU01),
SCHED(ASCH),
TPDATA(SYS1.APPCTP),
TPLEVEL(SYSTEM),
BASE

SIDEINFO
DATASET(SYS1.APPCSI)
```

Figure 195. Sample APPC/MVS APPCPMxx Parameters

APPC/MVS ASCHPMxx Parameters Example

For an explanation of these values, see “Specifying the APPC/MVS ASCHPMxx Parameters” on page 191.

```
CLASSADD
CLASSNAME(FAST),
MAX(10),
MIN(2),
RESPGOAL(.01),
MSGLIMIT(500)
```

Figure 196. Sample APPC/MVS ASCHPMxx Parameters

APPC/MVS TP Profile Example

For an explanation of these values, see “Specifying the APPC/MVS TP Profile” on page 192.

```
//JOBNAME JOB ACCOUNT
//*
//TPPROF EXEC PGM=ATBSDFMU
//SYSPRINT DD SYSOUT=*
//SYSSDLIB DD DSN=SYS1.APPCTP,DISP=SHR
//SYSSDOUT DD SYSOUT=*
//SYSIN DD DATA,DLM=XX
TPADD
TPNAME(AFPSVR1)
TPSCHED_DELIMITER(##)
CLASS(FAST)
JCL_DELIMITER(END_OF_JCL)
//JOBNAME JOB ACCOUNT
//STEP EXEC PGM=AUPSNAS
//STEPLIB DD DSN=AUP.SAUPLOAD,DISP=SHR
// DD DSN=PLI.V2R3M0.PLILINK,DISP=SHR
// DD DSN=PLI.V2R3M0.SIBMLINK,DISP=SHR
//SYSPRINT DD SYSOUT=*
END_OF_JCL
KEEP_MESSAGE_LOG(ALWAYS)
MESSAGE_DATA_SET(AUP.APPCLOG)
DATASET_STATUS(OLD)
##
XX
/*
```

Figure 197. Sample JCL to Create an APPC/MVS TP Profile

VTAM Start Option List (ATCSTRxx) Example

For an explanation of these values, see “Specifying the VTAM Start Option List (ATCSTRxx)” on page 192.

CONFIG=00,	ATCCON MEMBER OF VTAMLST	X
NETID=USIBMBQ,	NETWORK IDENTIFIER	X
SSCPNAME=ST1,	SSCP NAME	X
⋮		

Figure 198. Sample VTAM Start Option List

VTAM Configuration List (ATCCONnn) Example

For an explanation of these values, see “Specifying the VTAM Configuration List (ATCCONnn)” on page 192.

APPCAPLS	X
⋮	

Figure 199. Sample VTAM Configuration List

VTAM Application Program Major Node and Application Program Example

For an explanation of these values, see “Specifying the VTAM Application Program Major Node and Application Program” on page 193.

APPCAPLS	VBUILD	TYPE=APPL	
MVSLU01	APPL	ACBNAME=MVSLU01,	X
		APPC=YES,	X
		AUTOSES=0,	X
		DDRAINL=NALLOW,	X
		DMINWNL=5,	X
		DMINWNR=5,	X
		DRESPL=NALLOW,	X
		DSESLIM=10,	X
		LMDENT=100,	X
		MODETAB=ISTINCLM,	X
		PARSESS=YES,	X
		SECACPT=CONV,	X
		SRBEXIT=YES	

Figure 200. Sample VTAM Application Program Major Node and Application Program

Network Control Program (NCP) Definitions Example

For an explanation of these values, see “Specifying the Network Control Program Definitions” on page 194.

⋮				
GRPAIX	GROUP	LNCTL=SDLC, TYPE=NCP	LINE CONTROL NETWORK CONTROL MODE	X
*				
LNAIX	LINE	ADDRESS=(000), CLOCKNG=EXT, SPEED=19200, RETRIES=(5,1,2)	RELATIVE LINE NUMBER MODEM DICTATES SPEED USED BY NPM FOR TRANSMISSION ERRORS	X X X
*				
AIX01	PU	ADDR=1, ANS=STOP, PUTYPE=2, XID=YES, MODETAB=ISTINCLM	STATION ADDRESS AUTOMATIC NETWORK SHUTDOWN PU TYPE 2 OR PU TYPE 2.1 PU TYPE 2.1 LOGON MODE TABLE	X X X X
*				
UPLD0101	LU	LOCADDR=0	INDEPENDENT LU	
⋮				

Figure 201. Sample NCP Definitions

PSF for AIX Printer Example

For an explanation of these values, see “Specifying the PSF for AIX Printer” on page 196.

smit	
PSF for AIX Printing and Configuration	
Administer PSF for AIX	
Manage a PSF for AIX Printer	
Add a Printer or PSF Queue	
Upload	

Figure 202. SMIT Panel Sequence for PSF for AIX Printer

* Data stream type	AFPDS	
* Printer NAME	[upload1]	/
ASCII code-set	[]	
* EBCDIC code-set	[IBM-037]	
* Number of QUEUE DEVICES	[4]	#
Description	[]	

Figure 203. Sample PSF for AIX Printer

SNA Server/6000 Configuration Profile Examples

This section lists sample SNA Server/6000 profiles. Each profile is preceded by the sequence of SMIT panels to access the profile.

- SNA Node
- Control Point
- SDLC EIA232D SNA DLC
- SDLC EIA232D Link Station
- LU 6.2 Local LU
- LU 6.2 Side Information
- Partner LU 6.2 Location

```

smit
  Communications Applications and Services
    SNA Server/6000
      Configure SNA Profiles
        Advanced Configuration
          SNA System Defaults
            Change/Show a Profile
  
```

Figure 204. SMIT Panel Sequence For SNA Node Profile

```

Profile name                sna
Maximum number of sessions (1-5000) [200] #
Maximum number of conversations (1-5000) [200] #
Restart action              once +
Recovery resource manager (RRM) enabled? no +
Dynamic inbound partner LU definitions allowed? yes +
NMVT action when no NMVT process reject +
Standard output file/device [ /dev/console ]
Standard error file/device [ /var/sna/sna.stderr ]

Comments                    []
  
```

Figure 205. Sample SNA Node Profile

Local or Remote 37xx SDLC

```
smit
  Communications Applications and Services
    SNA Server/6000
      Configure SNA Profiles
        Advanced Configuration
          Control Point
            Change/Show a Profile
```

Figure 206. SMIT Panel Sequence For Control Point Profile

Profile name	node_cp	
XID node ID	[*]	
Network name	[USIBMBQ]	
Control Point (CP) name	[AIX01]	
Control Point alias	[AIX01]	
Control Point type	appn_end_node	+
Maximum number of cached routing trees	[500]	#
Maximum number of nodes in the TRS database	[500]	#
Route addition resistance	[128]	#
Comments	[]	

Figure 207. Sample Control Point Profile


```

smit
  Communications Applications and Services
    SNA Server/6000
      Configure SNA Profiles
        Advanced Configuration
          Links
            SDLC
              EIA232D
                EIA232D SNA DLC
                  Add a Profile

```

Figure 208. SMIT Panel Sequence For SDLC EIA232D SNA DLC Profile

```

* Profile name                [sd1c3745]
Data link device name        [mpq0]                +
Force disconnect time-out (1-600 seconds) [120]                #
User-defined maximum I-Field size?      no                +
  If yes, Max. I-Field size (265-30729) [256]                #
Max. num of active link stations (1-255) [1]                #
  Number reserved for inbound activation  [0]                #
  Number reserved for outbound activation [0]                #
Serial encoding               nrzi                +
Request to send (RTS)         controlled        +
DTR control                   DTR                +
Bit clocking                  external          +
  If internal, Transmit rate (600-38400) [1200]                #
Network type                  nonswitched        +
Answer mode                   automatic          +
Transmit window count         7                +
Retransmit count (1-50)       [10]                #
Retransmit threshold (0-100)  [10]                #

Secondary and Negotiable stations
  Secondary inactivity time-out (1-120 sec) [30]                #

Primary and Negotiable stations
  Primary repoll frequency (1-250, .1 sec) [30]                #
  Primary repoll threshold (1-100%)       [10]                #
  Primary repoll count (3-50 repols)      [15]                #

Primary Stations
  Link type                            point_to_point    +
  Primary idle list poll frequency (30-180 sec) [60]                #
  Primary slow list poll frequency (1-60 sec) [1]                #

Link Recovery Parameters
  Retry interval (1-10000 seconds)         [60]                #
  Retry limit (0-500 attempts)            [20]                #

Comments                        []

```

Figure 209. Sample SDLC EIA232D SNA DLC Profile

Local or Remote 37xx SDLC

```
smit
  Communications Applications and Services
    SNA Server/6000
      Configure SNA Profiles
        Advanced Configuration
          Links
            SDLC
              EIA232D
                EIA232D Link Station
                  Add a Profile
```

Figure 210. SMIT Panel Sequence For Token-Ring Link Station Profile

* Profile name	[sd1c3745]	
Use Control Point's XID node ID?	yes	+
If no, XID node ID	[*]	
* SNA DLC Profile name	[sd1c3745]	+
Stop link station on inactivity?	no	+
If yes, Inactivity time-out (0-10 minutes)	[0]	#
LU address registration?	no	+
If yes, LU Address Registration Profile name	[]	+
Trace link?	no	+
If yes, Trace size	long	+
Local secondary station address	[1]	+
Station type	secondary	+
If primary,		
Remote secondary station address (1-255)	[1]	+
Adjacent Node Identification Parameters		
Verify adjacent node?	no	+
Network ID of adjacent node	[]	
CP name of adjacent node	[]	
XID node ID of adjacent node (LEN node only)	[*]	
Node type of adjacent node	learn	+
Link Activation Parameters		
Solicit SSCP sessions?	yes	+
Initiate call when link station is activated?	no	+
Activate link station at SNA start up?	yes	+
Activate on demand?	no	+
CP-CP sessions supported?	no	+
If yes,		
Adjacent network node preferred server?	no	+
Partner required to support CP-CP sessions?	no	+
Initial TG number (0-20)	[0]	#
Restart Parameters		
Restart on normal deactivation?	yes	+
Restart on abnormal deactivation?	yes	+
Transmission Group COS Characteristics		
Effective capacity	[9600]	#
Cost per connect time	[0]	#
Cost per byte	[0]	#
Security	nonsecure	+
Propagation delay	telephone	+
User-defined 1	[128]	#
User-defined 2	[128]	#
User-defined 3	[128]	#
Comments	[]	

Figure 211. Sample SDLC EIA232D Link Station Profile

Local or Remote 37xx SDLC

```

smit
  Communications Applications and Services
    SNA Server/6000
      Configure SNA Profiles
        Advanced Configuration
          Sessions
            LU 6.2
              LU 6.2 Local LU
                Add a Profile
  
```

Figure 212. SMIT Panel Sequence For LU 6.2 Local LU Profile

* Profile name	[UPLD0101]	
Local LU name	[UPLD0101]	
Local LU alias	[UPLD0101]	
Local LU is dependent?	no	+
If yes,		
Local LU address (1-255)	[]	#
System services control point (SSCP) ID (*, 0-65535)	[*]	
Link Station Profile name	[]	+
Conversation Security Access List Profile name	[]	
Comments	[]	

Figure 213. Sample LU 6.2 Local LU Profile

```

smit
  Communications Applications and Services
    SNA Server/6000
      Configure SNA Profiles
        Advanced Configuration
          Sessions
            LU 6.2
              LU 6.2 Side Information
                Add a Profile
  
```

Figure 214. SMIT Panel Sequence For LU 6.2 Side Information Profile

* Profile name	[upload1]	
Local LU or Control Point alias	[UPLD0101]	+
Provide only one of the following:		
Partner LU alias	[]	+
Fully qualified partner LU name	[USIBMBQ.MVSLU01]	
Mode name	[#INTER]	+
Remote transaction program name (RTPN)	[AFPSVR1]	
RTPN in hexadecimal?	no	+
Comments	[]	

Figure 215. Sample LU 6.2 Side Information Profile

```

smit
  Communications Applications and Services
    SNA Server/6000
      Configure SNA Profiles
        Advanced Configuration
          Sessions
            LU 6.2
              Partner LU 6.2 Location
                Add a Profile

```

Figure 216. SMIT Panel Sequence For Partner LU 6.2 Location Profile

* Profile name	[MVSLU01]	
Fully qualified partner LU name	[USIBMBQ.MVSLU01]	
Partner LU location method	owning_cp	
If owning_cp,		
Fully qualified owning Control Point (CP) name	[USIBMBQ.ST1]	+
Local node is network server for LEN node?	no	
Fully qualified network node server name	[]	
If link_station,		
Local LU name	[]	
Link Station Profile name	[]	+
Comments	[]	

Figure 217. Sample Partner LU 6.2 Location Profile

Configuration Worksheet Example

The following worksheet records values for SNA Server/6000 configuration parameters that are related to other configuration settings:

<i>Figure 218. Sample Configuration Worksheet</i>				
SNA Server/6000	Value	APPC/MVS	VTAM	NCP
Control Point: Control Point (CP) name	AIX01			PU: name
SDLC Link Station: Local secondary station address	1			PU: ADDR
LU 6.2 Local LU: Local LU name	UPLD0101			LU: name
LU 6.2 Local LU: Local LU is dependent?	no			LU: LOCADDR
LU 6.2 Local LU: Local LU address	n/a			LU: LOCADDR
LU 6.2 Partner LU: Fully qualified partner LU name	USIBMBQ.MVSLU01	APPCPMxx: LUADD ACBNAME	ATCSTRxx: NETID APPL: name	
LU 6.2 Side Information: Remote Transaction program name (RPTN)	AFPSVR1	TP profile: TPNAME		
Partner LU 6.2 Location: Fully qualified partner LU name	USIBMBQ.MVSLU01	APPCPMxx: LUADD ACBNAME	ATCSTRxx: NETID APPL: name	
Partner LU 6.2 Location: Fully qualified owning Control Point (CP) name	USIBMBQ.ST1		ATCSTRxx: NETID ATCSTRxx: SSCPNAME	

Guidelines for Configuring Local or Remote 37xx SDLC

The following provides guidance for implementing the examples displayed in “Local or Remote 37xx SDLC Example” on page 179. Note that a subset of the example is displayed below, displaying the pertinent parameters and describing which of these require you to specify *variable_names* and which require a specific name or number, such as MODETAB=ISTINCLM.

The guidelines describe how to configure a **non-switched** line. A **non-switched** line is also sometimes called a **private** line or a **leased** line.

Note: These guidelines do not describe how to configure a **switched** line.

Specifying the APPC/MVS APPCPMxx Parameters

The pertinent statements and parameters for the APPCPMxx member of SYS1.PARMLIB are illustrated in Figure 219 and described below.

```
LUADD
  ACBNAME(lu_name),
  SCHED(ASCH),
  TPDATA(tp_profile_dataset),
  TPLEVEL(level)
```

Figure 219. APPC/MVS APPCPMxx Parameter Guidelines

ACBNAME

Specifies the name of a logical unit to be controlled by APPC/MVS. The value must match an APPL statement name in a VTAM application program major node.

SCHED

Specify ASCH to indicate that inbound conversation requests should be scheduled by the APPC/MVS transaction scheduler (ASCH).

TPDATA

Specify the name of the VSAM key-sequenced dataset (KSDS) that contains TP profiles for the logical unit referenced by the ACBNAME parameter.

TPLEVEL

Controls access, for the logical unit referenced by the ACBNAME parameter, to execution of transaction programs (TP's).

Specify SYSTEM to allow access to all authenticated MVS users.

Specifying the APPC/MVS ASCHPMxx Parameters

AFP Upload requires that a class of transaction initiators be defined to the APPC/MVS transaction scheduler (ASCH) so the class can be referenced in the APPC/MVS TP profile that describes an AFP Upload server. AFP Upload does not have special requirements for the parameters used in defining the class.

Specifying the APPC/MVS TP Profile

Use the APPC/MVS ATBSDFMU administration utility program to create an APPC/MVS TP profile.

The TPNAME value must match the **Remote transaction program name (RTPN)** parameter in the SNA/6000 LU 6.2 Side Information profile.

The scheduler information in the TP profile must include JCL that the ASCH scheduler uses to run the transaction program. The JCL must execute the AFP Upload server program, named AUPSNAS. This program is written in the PL/I language. It requires that the PL/I PLILINK and SIBMLINK libraries be included in the STEPLIB definition. The AFP Upload server program also requires that the SYSPRINT DD name be allocated. Unless the SYSPRINT DD statement refers to DUMMY or a SYSOUT data set, the data set referenced by the SYSPRINT DD statement must have the following attributes:

directory blocks:	0
record format:	VA
record length:	125
block size:	129

For more information about the SYSPRINT DD name used by the host server program, refer to “Specifying the SYSPRINT DD Statement” on page 10.

Specifying the VTAM Start Option List (ATCSTRxx)

You must specify the values illustrated in Figure 220 and described below:

CONFIG= <i>nn</i> ,	ATCCON MEMBER OF VTAMLST	X
NETID= <i>network_id</i> ,	NETWORK IDENTIFIER	X
SSCPNAME= <i>sscp_name</i> ,	SSCP NAME	X
:		

Figure 220. VTAM Start Option List Guidelines

CONFIG

Specifies the ATCCON*nn* member to use.

NETID

Specifies the network identifier for the host system.

SSCPID

Specifies the System Services Control Point (SSCP) name for the host system.

Specifying the VTAM Configuration List (ATCCONnn)

The VTAM configuration list indicates the application program major nodes that should be made available when VTAM is started. Include the application program major node that contains the application program that APPC/MVS uses:

<i>appl_prog_major_node</i>	X
:	

Specifying the VTAM Application Program Major Node and Application Program

The pertinent statements and parameters for the VTAM Application Program Major Node and Application Program are illustrated in Figure 221 and described below.

<i>majname</i>	VBUILD	TYPE=APPL	
<i>minname</i>	APPL	ACBNAME= <i>minname</i> ,	X
		APPC=YES,	X
		MODETAB=ISTINCLM,	X
		PARSESS=YES,	X
		SECACPT=CONV,	X
		SRBEXIT=YES	

Figure 221. VTAM Application Program Major Node and Application Program Guidelines

ACBNAME

Specify the minor node name to assign to the application program. This name must be unique within the domain in which the application program resides.

APPC

Specify YES.

MODETAB

Specify ISTINCLM or the name of an alternative VTAM logon mode table to be used to associate each logon mode name with a set of session parameters for the application program.

PARSESS

Specify YES, or do not include the PARSESS parameter. PARSESS defaults to YES when APPC=YES.

This value indicates that the application program can have multiple concurrent (parallel) sessions with an independent logical unit.

SECACPT

Specify CONV.

This value indicates that the application program's logical unit supports conversation requests containing access security subfields.

SRBEXIT

Specify YES.

This value indicates that the application program is authorized to use service request block (SRB) processing in its exit routines.

Specifying the Network Control Program Definitions

The keywords and values for the Network Control Program (NCP) definitions are illustrated in Figure 222 and described below:

<i>group_name</i>	GROUP	LNCTL=SDLC, TYPE=NCP	X
*			
<i>line_name</i>	LINE	ADDRESS=(<i>nnn</i>), CLOCKNG= <i>xxx</i> , SPEED= <i>nnnnn</i>	X X
*			
<i>pu_name</i>	PU	ADDR= <i>nn</i> , PUTYPE=2, XID=YES, MODETAB= <i>mode_table</i>	X X X
*			
<i>lu_name</i>	LU	LOCADDR= <i>nn</i>	

Figure 222. NCP Definition Guidelines

The following describes the pertinent keywords on the **GROUP** statement:

LNCTL

Specify SDLC.

TYPE

Specify NCP.

The following describes the pertinent keywords on the **LINE** statement:

ADDRESS

Specifies the relative line number for this line. The relative line number depends upon the port and line adapter type used in the 37xx communication controller.

CLOCKNG

Specifies whether the modem (EXT) or the communication scanner for the line (INT) provides clocking.

Ensure that the CLOCKNG keyword is spelled without the letter I.

SPEED

Specifies the data rate for the line in bits per second. The SPEED keyword is required if CLOCKNG=INT. The SPEED keyword is also required if you use NetView Performance Monitor (NPM) to collect NCP performance data, even when CLOCKNG=EXT.

The following describes the pertinent keywords on the **PU** statement.

Note that MODETAB is an LU keyword, but is included on the PU statement. NCP definitions support a *sift-down* effect that allows you to code a keyword on a higher-level statement, so that you do not need to code it on each lower-level statement for which the same value is used. There is only one logical unit in the guideline presented here, so the *sift-down* effect is for demonstration only. If the MODETAB keyword is specified on the PU statement, it does not have to be specified on any of the LU statements.

ADDR

Specifies the link station address used by SNA Server/6000 on the RISC System/6000. This value must equal the **Local secondary station address** in the SNA Server/6000 SDLC Link Station Profile.

Note: The ADDR value is recorded using hexadecimal digits while the **Local secondary station address** value is recorded using decimal digits.

MAXDATA

Specifies the maximum amount of data (in bytes) that the physical unit can receive in one path information unit (PIU). This amount includes the transmission header (TH) and the request/response header (RH).

Note: It is not necessary to include the MAXDATA keyword for a type 2.1 physical unit, such as SNA Server/6000. A type 2.1 physical unit (PU) provides a value for MAXDATA during format-3 XID exchange.

MAXOUT

Specifies the maximum number of path information units (PIUs) that are sent to the physical unit before waiting for a response from that physical unit.

Note: It is not necessary to include the MAXOUT keyword for a type 2.1 physical unit, such as SNA Server/6000. A type 2.1 physical unit (PU) provides a value for MAXDATA during format-3 XID exchange.

PUTYPE

Specify 2, which represents either a type 2 physical unit (PU), or a type 2.1 physical unit such as SNA Server/6000.

XID

Specify YES. This indicates that the physical unit can receive and respond to an XID while in normal disconnected mode (NDM). XID=YES is required for a type 2.1 physical unit, such as SNA Server/6000.

MODETAB

Specifies the name of the logon mode table that contains entries that describe session characteristics.

The following describes the pertinent keywords on the **LU** statement.

LOCADDR

LOCADDR=0 specifies that this logical unit is an independent logical unit. An SSCP-LU session does not have to be established prior to an LU-LU session with an independent logical unit. For independent logical units, the **Local LU is dependent?** parameter in the SNA Server/6000 LU 6.2 Local LU profile must be no.

To use a dependent logical unit, specify a value between 1 and 255 for LOCADDR. Also, in the SNA Server/6000 LU 6.2 Local LU profile, specify yes for the **Local LU is dependent?** parameter and the LOCADDR value for the **Local LU address** parameter.

Specifying the PSF for AIX Printer

The pertinent parameters for the PSF for AIX printer are illustrated in Figure 223 and described below:

* Printer NAME	[<i>printer_name</i>]	/
ASCII code-set	[<i>ascii_code-set</i>]	
* EBCDIC code-set	[<i>ebcdic_code-set</i>]	
* Number of QUEUE DEVICES	[<i>#qdevices</i>]	#

Figure 223. PSF for AIX Printer Guidelines

Printer NAME

The name you choose must match the SNA Server/6000 LU 6.2 Side Information Profile name.

ASCII code-set

Specify the ASCII code-set in which attributes such as class, forms, and destination are specified on your AIX system. Before sending the attributes to the host server program, PSF for AIX converts the attributes from the specified ASCII code-set to the specified EBCDIC code-set.

If you do not specify an ASCII code set, PSF for AIX uses the current code set on your AIX system.

EBCDIC code-set

Specify the EBCDIC code-set used on the host system to which print files are sent and spooled. Before sending the attributes to the host server program, PSF for AIX converts attributes such as class, forms, and destination from the specified ASCII code-set to the specified EBCDIC code set.

Number of QUEUE DEVICES

Specify the number of queue devices to be created for the PSF for AIX printer. Multiple queue devices allow PSF for AIX to simultaneously send one file while converting the next file.

You can define up to nine queue devices. However, note that PSF for AIX requires more RISC System/6000 memory for each queue device.

Specifying the SNA Server/6000 Profiles

This section contains guidelines on configuring the SNA Server/6000 Profiles. Configure these profiles through the System Management Interface Tool (SMIT) panels. Examples of these panels and the hierarchical paths to each SNA definition are illustrated in “SNA Server/6000 Configuration Profile Examples” on page 183.

Note: You must have **root** authority to add or change SNA Server/6000 configuration profiles. After you add or change SNA Server/6000 configuration profiles, you must **verify** and **update** them. For more information about performing this task, see “Verifying and Updating SNA Server/6000 Configuration Profiles” on page 24.

Specifying the SNA Node Profile for AFP Upload: AFP Upload requires no modifications to the SNA Node profile.

Specifying the Control Point Profile for AFP Upload: The following describes how to specify the values AFP Upload requires in the Control Point Profile. Note that all values refer to Figure 224.

XID node ID	[*]		
Control Point (CP) name	[cp_name]		
Control Point type	appn_end_node	+	

Figure 224. Control Point Profile Guidelines

XID node ID

Pertains to switched protocols. The **XID Node ID** value is not relevant in non-switched line configurations.

Control Point (CP) name

Pertains to switched protocols. The **Control Point (CP) name** value is not relevant in non-switched line configurations. By convention, however, the **Control Point (CP) name** value is usually the same as the PU name value.

Control Point type

Specify either `appn_end_node` or `appn_network_node`.

Local or Remote 37xx SDLC

Specifying the SDLC SNA DLC Profile for AFP Upload: The following displays how to specify the values AFP Upload requires in the SDLC SNA DLC Profile. Note that all values refer to Figure 225.

There are several varieties of SDLC SNA DLC profile, for example EIA232D, V.35, V.25, and many others. A similar set of configuration parameters is pertinent in most of the varieties.

* Profile name	[<i>profile_name</i>]	
Data link device name	[<i>mpqn</i>]	+
Serial encoding	<i>xxxx</i>	+
Request to send (RTS)	<i>xxxx</i>	+
DTR control	<i>xxxx</i>	+
Bit clocking	<i>xxxx</i>	
If internal, Transmit rate (600-38400)	[<i>nnnn</i>]	#
Network type	nonswitched	+
Answer mode	automatic	+

Figure 225. SDLC SNA DLC Profile Guidelines

Profile name

Choose any meaningful value.

Data link device name

Select one of the available adapters.

Serial encoding

The value you select must be consistent with the NRZI value on the NCP LINE statement.

Select nrzi (non-return to zero inverted) if the NRZI value is YES. The NRZI value defaults to YES for an SDLC LINE statement. Select nrz (non-return to zero) if the NRZI value is NO.

Request to send (RTS)

Indicates whether SNA Server/6000 activates and deactivates the RTS signal (controlled) or holds it active at all times (continuous).

The appropriate setting depends upon the modem's requirements.

DTR control

Indicates how SNA Server/6000 operates the Data Terminal Ready (DTR) signal. The appropriate setting depends upon the modem's requirements.

Bit clocking

Indicates whether the modem provides clocking (external) or the RISC System/6000 provides clocking (internal).

If internal, Transmit rate (600-38400)

In cases where **Bit clocking** is internal, indicates the transmission rate in bits per second.

Network type

Select nonswitched.

Answer mode

Select automatic.

Specifying the SDLC Link Station Profile for AFP Upload: The following displays how to specify the values AFP Upload requires in the SDLC Link Station Profile. Note that all values refer to Figure 226.

There are several varieties of SDLC Link Station profile, for example EIA232D, V.35, V.25, etc. A similar set of configuration parameters is pertinent in most of the varieties.

* Profile name	[<i>profile_name</i>]	
* SNA DLC Profile name	[<i>DLC_profile_name</i>]	
Stop link station on inactivity?	no	
LU address registration?	no	
Local secondary station address	[<i>nn</i>]	
Station type	secondary	
Adjacent Node Identification Parameters		
Verify adjacent node?	no	
Link Activation Parameters		
Solicit SSCP sessions?	yes	
Initiate call when link station is activated?	no	
Activate link station at SNA start up?	yes	+
Restart Parameters		
Restart on normal deactivation?	yes	
Restart on abnormal deactivation?	yes	

Figure 226. SDLC SNA DLC Profile Guidelines

Profile name

Choose any meaningful value.

SNA DLC Profile name

Select the name of the SNA DLC profile.

Stop link station on inactivity?

Select no.

LU address registration?

Select no.

Local secondary station address

This value must equal the ADDR value on the NCP PU statement.

Note: The ADDR keyword uses hexadecimal notation while the **Local secondary station address** uses decimal notation. For example, if ADDR=C1 then the **Local secondary station address** must be 193.

Station type

Select secondary.

Adjacent Node Identification Parameters - Verify adjacent node?

Select no.

Local or Remote 37xx SDLC

Link Activation Parameters - Solicit SSCP sessions?

Select yes.

Link Activation Parameters - Initiate call when link station is activated?

Select no.

Link Activation Parameters - Activate link station at SNA start up?

Select yes.

Restart Parameters - Restart on normal deactivation?

Select yes.

Restart Parameters - Restart on abnormal deactivation?

Select yes.

Specifying the LU 6.2 Local LU Profile for AFP Upload: The following describes how to specify the values AFP Upload requires in the LU 6.2 Local LU Profile. Note that all values refer to Figure 227.

* Profile name	[<i>profile_name</i>]	
Local LU name	[<i>lu_name</i>]	
Local LU alias	[<i>lu_alias</i>]	
Local LU is dependent?	no	+
If yes,		
Local LU address (1-255)	[]	#
Link Station Profile name	[]	+

Figure 227. LU 6.2 Local LU Profile Guidelines

Profile name

Choose any meaningful value.

Local LU name

This value must match the name on the LU statement in the NCP definitions.

Local LU alias

Choose any meaningful value.

Local LU is dependent?

The logical unit can be either dependent (yes) or independent (no). Dependent logical units are managed by an SSCP. In general, independent logical units offer more flexibility.

For dependent logical units, the LOCADDR value in the NCP LU statement is non-zero. For independent logical units, LOCADDR=0.

If yes, Local LU address (1-255)

If the logical unit is dependent, the **Local LU address** parameter must match the LOCADDR value in the NCP LU statement.

If yes, Link Station Profile name

If the logical unit is dependent, select the profile name of the link station through which SNA Server/6000 communicates with the host system.

Local or Remote 37xx SDLC

Specifying the LU 6.2 Side Information Profile for AFP Upload: The following describes how to specify the values AFP Upload requires in the LU 6.2 Side Information Profile. Note that all values refer to Figure 228.

* Profile name	[<i>profile_name</i>]	
Local LU or Control Point alias	[<i>lu_alias</i>]	+
Provide only one of the following:		
Partner LU alias	[]	+
Fully qualified partner LU name	[<i>network_id.partner_lu_name</i>]	
Mode name	[#INTER]	+
Remote transaction program name (RTPN)	[<i>remote_TP_name</i>]	+
RTPN in hexadecimal?	no	+

Figure 228. LU 6.2 Side Information Profile Guidelines

Profile name

The name you choose must match the name of your PSF for AIX printer.

Local LU or Control Point alias

Select the local LU alias that you specified in the LU 6.2 Local LU profile.

Fully qualified partner LU name

Specifies the network identifier of the network in which the host server program resides (followed by a period), and the logical unit name used by the host server program.

The network identifier portion must match the NETID value in the VTAM start option list (ATCSTRxx).

The logical unit name portion must match an APPL statement name in a VTAM application program major node. It must also match an LUADD ACBNAME value in the APPC/MVS APPCPMxx member of SYS1.PARMLIB.

Mode name

Specify #INTER.

Remote transaction program name (RTPN)

The name you choose must match the TPNAME value in the APPC/MVS TP profile.

RTPN in hexadecimal?

Specify no.

Specifying the Partner LU 6.2 Location Profile for AFP Upload: The following describes how to specify the values AFP Upload requires in the Partner LU 6.2 Location Profile. Note that all values refer to Figure 229.

* Profile name	[<i>profile_name</i>]	
Fully qualified partner LU name	[<i>network_id.lu_name</i>]	
Partner LU location method	owning_cp	+
If owning_cp,		
Fully qualified owning Control Point (CP) name	[<i>network_id.cp_name</i>]	
Local node is network server for LEN node?	no	+
Fully qualified network node server name	[]	

Figure 229. Partner LU 6.2 Location Profile Guidelines

Profile name

Choose any meaningful value.

Fully qualified partner LU name

Specifies the network identifier of the network in which the host server program resides (followed by a period), and the logical unit name used by the host server program.

The network identifier portion must match the NETID value in the VTAM start option list (ATCSTRxx).

The logical unit name portion must match an APPL statement name in a VTAM application program major node. It must also match an LUADD ACBNAME value in the APPC/MVS APPCPMxx member of SYS1.PARMLIB.

Partner LU location method

Select owning_cp.

If owning_cp, Fully qualified owning Control Point (CP) name

Specifies the network identifier of the network in which the host server program resides (followed by a period), and the name of the System Services Control Point (SSCP) for the host system.

The network identifier portion must match the NETID value in the VTAM start option list (ATCSTRxx).

The CP name portion must match the SSCPNAME value in the VTAM start option list (ATCSTRxx).

If owning_cp, Local node is network server for LEN node

Select no.

If owning_cp, Fully qualified network node server name

Leave blank.

Configuration Worksheet

Use the following worksheet to record values for SNA Server/6000 configuration parameters that are related to other configuration settings:

<i>Figure 230. Configuration Worksheet</i>				
SNA Server/6000	Value	APPC/MVS	VTAM	NCP
Control Point: Control Point (CP) name				PU: name
SDLC Link Station: Local secondary station address				PU: ADDR
LU 6.2 Local LU: Local LU name				LU: name
LU 6.2 Local LU: Local LU is dependent?				LU: LOCADDR
LU 6.2 Local LU: Local LU address				LU: LOCADDR
LU 6.2 Partner LU: Fully qualified partner LU name		APPCPMxx: LUADD ACBNAME	ATCSTRxx: NETID APPL: name	
LU 6.2 Side Information: Remote transaction program name (RTPN)		TP profile: TPNAME		
Partner LU 6.2 Location: Fully qualified partner LU name		APPCPMxx: LUADD ACBNAME	ATCSTRxx: NETID APPL: name	
Partner LU 6.2 Location: Fully qualified owning Control Point (CP) name			ATCSTRxx: NETID ATCSTRxx: SSCPNAME	

Glossary

This glossary includes terms and definitions from:

- The *American National Dictionary for Information Systems*, ANSI X3.172-1990, copyright 1990 by the American National Standards Institute (ANSI). Copies can be purchased from the American Standards Institute, 11 West 42nd Street, New York, New York 10036. Definitions are identified by the symbol (A) after the definition.
- The ANSI/EIA Standard--440-A, *Fiber Optic Terminology* Copies may be purchased from the Electric Industries Association, 2001 Pennsylvania Avenue, N.W., Washington, DC 20006. Definitions are identified by the symbol (E) after the definition.
- The *Information Technology Vocabulary*, developed by Subcommittee 1, Joint Technical Committee 1, of the International Organization for Standardization and the International Electrotechnical Commission (ISO/IEC JTC1/SC1). Definitions of published parts of this vocabulary are identified by the symbol (I) after the definition; definitions taken from draft international standards, committee drafts, and working papers being developed by ISO/IEC JTC1/SC1 are identified by the symbol (T) after the definition, indicating that final agreement has not yet been reached among the participating National Bodies of SC1.
- The Network Working Group Request for Comments: 1208.

References

The following cross references are used in this glossary:

Contrast with. This refers to a term that has an opposed or substantively different meaning.

Synonym for. This indicates that the term has the same meaning as a preferred term, which is defined in its proper place in the glossary.

Synonymous with. This is a backward reference from a defined term to all other terms that have the same meaning.

See. This refers the reader to multiple-word terms that have the same last word.

See also. This refers the reader to terms that have a related, but not synonymous, meaning.

Deprecated term for. This indicates that the term should not be used. It refers to a preferred term, which is defined in its proper place in the glossary.

A

ACF/NCP. Advanced Communications Function for the Network Control Program. Synonym for *NCP*.

ACF/VTAM. Advanced Communications Function for the Virtual Telecommunications Access Method. Synonym for *VTAM*.

Advanced Peer-to-Peer Networking (APPN). An extension to SNA featuring (a) greater distributed network control that avoids critical hierarchical dependencies, thereby isolating the effects of single points of failure; (b) dynamic exchange of network topology information to foster ease of connection, reconfiguration, and adaptive route selection; (c) dynamic definition of network resources; and (d) automated resource registration and directory lookup. APPN extends the LU 6.2 peer orientation for end-user services to network control and supports multiple LU types, including LU 2, LU 3, and LU 6.2.

advanced program-to-program communication (APPC). (1) The general facility characterizing the LU 6.2 architecture and its various implementation in products. (2) Sometimes used to refer to the LU 6.2 architecture and its product implementations as a whole, or to an LU 6.2 product feature in particular, such as an APPC application program interface.

APPC. Advanced program-to-program communication.

application transaction program. A program written for or by a user to process the user's application; in an SNA network, an end user of a type 6.2 logical unit. Contrast with *service transaction program*.

APPN. Advanced Peer-to-Peer Networking.

B

basic conversation. An LU 6.2 conversation type specified by the allocating transaction program. Transaction programs using basic conversation have available to them a wider variety of LU 6.2 functions, but they are responsible for more of their own error recovery and must manage details of the data stream used on the conversation. Contrast with *mapped conversation*.

basic information unit (BIU). In SNA, the unit of data and control information passed between help-session. It consists of a request/response header (RH) followed by a request/response unit (RU).

basic link unit (BLU). In SNA, the unit of data and control information transmitted over a link by data link control.

basic transmission unit (BTU). In SNA, the unit of data and control information passed between path control components. A BTU can consist of one or more path information units (PIUs). See also *blocking of PIUs*.

BF. Boundary function.

BIU. Basic information unit.

BIU segment. In SNA, the portion of a basic information unit (BIU) that is contained within a path information unit (PIU). It consists of either a request/response header (RH) followed by all or part of a request/response unit (RU), or of only a part of an RU.

blocking of PIUs. In SNA, an optional function of path control that combines multiple path information units (PIUs) in a single basic transmission unit (BTU).

Note: When blocking is not done, a BTU consists of one PIU.

BLU. Basic link unit.

border node. An APPN network node that interconnects APPN networks having independent topology databases in order to support LU-LU sessions between these networks. See *extended border node* and *peripheral border node*.

boundary function. (1) In SNA, a capability of a subarea node to provide protocol support for attached peripheral nodes, such as: (a) interconnecting subarea path control and peripheral path control elements, (b) performing session sequence numbering for low-function peripheral nodes, and (c) providing session-level pacing support. (2) In SNA, the component that provides these capabilities.

boundary node (BN). In SNA, a subarea node with boundary function.

Note: A subarea node may be a boundary node, an intermediate routing node, both, or neither, depending on how it is used in the network.

BTU. Basic transmission unit.

C

chain. (1) A group of logically linked user data records processed by LU 6.2. (2) A group of request units delimited by begin-chain and end-chain. Responses are always single-unit chains. See *RU chain*.

class of service (COS). A set of characteristics (such as route security, transmission priority, and bandwidth) used to construct a route between session partners. The class of service is derived from a mode name specified by the initiator of a session.

communication controller. A type of communication control unit whose operations are controlled by one or more programs stored and executed in the unit. It manages the details of line control and the routing of data through a network.

control point (CP). (1) A component of an APPN or LEN node that manages the resources of that node. In an APPN node, the CP is capable of engaging in CP-CP session with other APPN nodes. In an APPN network node, the CP also provides services to adjacent end nodes in the APPN network. (2) A component of a node that manages resources of that node and optionally provides services to other nodes in the network. Examples are a system services control point (SSCP) in a type 5 subarea node, a network node control point (NNCP) in an APPN network node, and an end node control point (ENCP) in an APPN or LEN end node. An SSCP and an NNCP can provide services to other nodes.

conversation. A logical connection between two transaction programs using an LU 6.2 session. Conversations are delimited by brackets to gain exclusive use of a session.

conversation-level security. See *session-level security*. See also *end-user verification*.

COS. Class of service.

CP. Control point.

CP name. A network-qualified name of a control point (CP), consisting of a network ID qualifier identifying the network (or name space) to which the CP's node belongs, and a unique name within the scope of that network ID identifying the CP. Each APPN or LEN node has one CP name, assigned to it at system-definition time.

cross-domain. In SNA, pertaining to control or resources involving more than one domain.

D

data link control (DLC). A set of rules used by nodes on a data link (such as an SDLC link or a token ring) to accomplish an orderly exchange of information.

dependent LU. See *SSCP-dependent LU*.

DLC. Data link control.

E

Ethernet. A 10-Mbps baseband local area network that allows multiple stations to access the transmission medium at will without prior coordination, avoids contention by using carrier sense and deference, and resolves contention by using collision detection and transmission. Ethernet uses carrier sense multiple access with collision detection (CSMA/CD).

exchange identification (XID). A specific type of basic link unit that is used to convey node and link characteristics between adjacent nodes. XIDs are exchanges between link stations before and during link activation to establish and negotiate link and node characteristics, and after link activation to communicate changes in these characteristics.

H

half-duplex (HD, HDX). In data communication, pertaining to transmission in only one direction at a time. Contrast with *duplex*. See also *half-duplex operation* and *half-duplex transmission*.

half-duplex operation. A mode of operation of a data link in which data can be transmitted in both directions, one way at a time. (T)

half-duplex transmission. Data transmission in either direction, one direction at a time. (I) (A)

I

independent LU. See *SSCP-independent LU*.

L

link. The combination of the link connection (the transmission medium) and two link stations, one at each end of the link connection. A link connection can be shared among multiple links in a multipoint or token-ring configuration.

link connection. The physical equipment providing two-way communication between one link station and

one or more other link stations; for example, a telecommunication line and data circuit-terminating equipment (DCE). Synonymous with *data circuit*.

link station. The hardware and software components within a node representing a connection to an adjacent node over a specific link. For example, if node A is the primary end of a multipoint line that connects to three adjacent nodes, node A will have three link stations representing the connection to the adjacent nodes. See also *adjacent link station*.

local address. In SNA, an address used in a peripheral node in place of a network address and transformed to or from a network address by the boundary function in a subarea node.

local area network (LAN). (1) A computer network located on a user's premises within a limited geographical area. Communication within a local area network is not subject to external regulation; however, communication across the LAN boundary may be subject to some form of regulation (T). (2) A network in which a set of devices are connected to one another for communication and that can be connected to a larger network. See also *Ethernet* and *token ring*. (3) Contrast with *metropolitan area network (MAN)* and *wide area network (WAN)*.

logical link control (LLC). The data link control (DLC) LAN sublayer that provides two types of DLC operation for the orderly exchange of information. The first type is connectionless service, which allows information to be sent and received without establishing a link. The LLC sublayer does not perform error recovery or flow control for connectionless service. The second type is connection-oriented service, which requires establishing a link prior to the exchange of information. Connection-oriented service provides sequenced information transfer, flow control, and error recovery.

logical unit (LU). A type of network accessible unit that enables end users to gain access to network resources and communicate with each other.

logical unit (LU) 6.2. A type of logical unit that supports general communication between programs in a distributed processing environment. LU 6.2 is characterized by (a) a peer relationship between session partners, (b) efficient utilization of a session for multiple transactions, (c) comprehensive end-to-end error processing, and (d) a generic application program interface (API) consisting of structured verbs that are mapped into a product implementation.

LU. Logical unit.

LU-LU session. A logical connection between two logical units (LUs) in an SNA network that typically provides communication between two end users.

LU type. The classification of an LU in terms of the specific subset of SNA protocols and options it supports for a given session, namely:

- The mandatory and optional values allowed in the session activation request
- The usage of data stream controls, function management headers (FMHs), request unit parameters, and sense data values.
- Presentation services protocols such as those associated with FMH usage

LU types 0, 1, 2, 3, 4, 6.1, 6.2, and 7 are defined.

LU type 6.2 (LU 6.2). A type of logical unit that supports general communication between programs in a distributed processing environment. LU 6.2 is characterized by (a) peer relationship between session partners, (b) efficient utilization of a session for multiple transactions, (c) comprehensive end-to-end processing, and (d) a generic application program interface consisting of structured verbs that are mapped into a product implementation.

LU 6.2. Logical unit 6.2.

LU 6.2 session. A session that is initiated by VTAM on behalf of a logical unit (LU) 6.2 application program, or a session initiated by a remote LU in which the application program specifies that VTAM is to control the session by using the APPCCMD macroinstruction.

M

MAC. Medium access control.

mapped conversation. An LU 6.2 conversation type specified by the allocating transaction program. Transaction programs using a mapped conversation can exchange messages of arbitrary format regardless of the underlying data stream. System-defined or user-defined mappers can perform data transformation for the transaction programs. See also *conversation*. Contrast with *basic conversation*.

medium access control (MAC). In LANs, the sublayer of the data link control layer that support medium-dependent functions and uses the services of the physical layer to provide services to the logical link control (LLC) sublayer. The MAC sublayer includes the method of determining when a device has access to the transmission medium.

MVS. Multiple Virtual Storage. Implies MVS/370, the MVS/XA product, and the MVS/ESA product.

N

NCP. Network Control Program.

Network Control Program (NCP). An IBM licensed program that provides communication controller support for single-domain, multiple-domain, and interconnected network capability.

network identifier. A 1- to 8-byte customer-selected name or an 8-byte IBM-registered name that uniquely identifies a specific subnetwork.

node. (1) Any device, attached to a network, that transmits and receives data. (2) An endpoint of a link or a junction common to two or more links in a network. Nodes can be processors, communication controllers, cluster controllers, or terminals. Nodes can vary in routing and other functional capabilities.

node type. A designation of a node according to the protocols it supports or the role it plays in a network. Node type was originally denoted numerically (as 1, 2.0, 2.1, 4, and 5) but is now characterized more specifically by protocol type (APPN network node, LEN node, subarea node, and interchange node, for example) because type 2.1 nodes and type 5 nodes support multiple protocol types and roles.

P

pacing. A technique by which a receiving component controls the rate of transmission of a sending component to prevent overrun or congestion. See *session-level pacing*, *send pacing*, and *virtual route (VR) pacing*. See also *flow control*.

pacing window. (1) The path information units (PIUs) that can be transmitted on a virtual route before a virtual-route pacing response is received, indicating that the virtual route receiver is ready to receive more PIUs on the route. (2) The requests that can be transmitted on the normal flow in one direction on a session before a session-level pacing response is received, indicating that the receiver is ready to accept the next group of requests. (3) Synonymous with *pacing group*.

path information unit (PIU). A message unit consisting of a transmission header (TH) alone, or a TH followed by a basic information unit (BIU) or a BIU segment. See also *transmission header*.

peripheral link. In SNA, a link between a subarea and a peripheral node. See also *route extension (REX)*.

peripheral node. A node that uses local addresses for routing and therefore is not affected by changes in network addresses. A peripheral node requires boundary-function assistance from an adjacent subarea

node. A peripheral node can be a type 1, 2.0, or 2.1 node connected to a subarea boundary node.

physical unit (PU). The component that manages and monitors the resources (such as attached links and adjacent link stations) associated with a node, as requested by an SSCP via an SSCP-PU session. An SSCP activates a session with the physical unit in order to indirectly manage, through the PU, resources of the node such as attached links. This term applies to type 2.0, type 4, and type 5 nodes only. See also *peripheral PU* and *subarea PU*.

PIU. Path information unit.

R

request header (RH). The control information that precedes a request unit (RU). See also *request/response header (RH)*.

request/response header (RH). Control information associated with a particular RU. The RH precedes the request/response unit (RU) and specifies the type of RU (request unit or response unit).

request unit (RU). A message unit that contains control information, end-user data, or both.

response header (RH). A header, optionally followed by a response unit (RU), that indicates whether the response is positive or negative and that may contain a pacing response. See also *negative response*, *pacing response*, and *positive response*.

response unit (RU). A message unit that acknowledges a request unit. It may contain prefix information received in a request unit. If positive, the response unit may contain additional information (such as session parameters in response to BIND SESSION). If negative, the response unit contains sense data defining the exception condition.

RH. Request/response header.

ring station. The functions necessary for connecting to the local area network and for operating with the token-ring protocols. These include token handling, transferring copied frames from the ring to the using node's storage, maintaining error counters, observing Medium Access Control (MAC) sublayer protocols (for address acquisition, error reporting, or other duties), and (in the full-function native mode) directing frames to the correct Data Link Control link station. A ring station is an instance of a MAC sublayer in a node attached to a ring.

RU. Request/response unit.

S

SDLC. Synchronous Data Link Control.

segmentation. A process by which path control (PC) divides basic information units (BIUs) into smaller units, called BIU segments, to accommodate smaller buffer sizes in adjacent nodes. Both segmentation and segment assembly are optional PC features. The support for either or both is indicated in the BIND request and response.

session. (1) In network architecture, for the purpose of data communication between functional units, all the activities which take place during the establishment, maintenance, and release of the connection. (T) (2) A logical connection between two network accessible units (NAUs) that can be activated, tailored to provide various protocols, and deactivated, as requested. Each session is uniquely identified in a transmission header (TH) accompanying any transmissions exchanged during the session.

SNA. Systems Network Architecture.

SNA network. The part of a user-application network that conforms to the formats and protocols of Systems Network Architecture. It enables reliable transfer of data among end users and provides protocols for controlling the resources of various network configurations. The SNA network consists of network accessible units (NAUs), boundary function, gateway function, and intermediate session routing function components; and the transport network.

SSCP. System services control point.

SSCP-dependent LU. An LU that requires assistance from a system services control point (SSCP) in order to initiate an LU-LU session. It requires an SSCP-LU session.

SSCP-independent LU. An LU that is able to activate an LU-LU session (that is, send a BIND request) without assistance from an SSCP. It does not have an SSCP-LU session. Currently, only an LU 6.2 can be an independent LU.

SSCP-LU session. In SNA, a session between a system services control point (SSCP) and a logical unit (LU). The session enables the LU to request the SSCP to help initiate LU-LU sessions.

SSCP-PU session. In SNA, a session between a system services control point (SSCP) and a physical unit (PU); SSCP-PU sessions allow SSCPs to send requests to and receive status information from individual nodes in order to control the network configuration.

subarea. A portion of the SNA network consisting of a subarea node, attached peripheral nodes, and associated resources. Within a subarea node, all network accessible units (NAUs), links, and adjacent link stations (in attached peripheral or subarea nodes) that are addressable within the subarea share a common subarea address and have distinct element addresses.

system services control point (SSCP). A component within a subarea network for managing the configuration, coordinating network operator and problem determination requests, and providing directory services and other session services for end users of the network. Multiple SSCPs, cooperating as peers with one another, can divide the network into domains of control, with each SSCP having a hierarchical control relationship to the physical units and logical units within its own domain.

Systems Network Architecture (SNA). The description of the logical structure, formats, protocols, and operational sequences for transmitting information units through, and controlling the configuration and operation of, networks. The layered structure of SNA allows the ultimate origins and destinations of information, that is, the end users, to be independent of and unaffected by the specific SNA network services and facilities used for information exchange.

T

TH. Transmission header.

token ring. (1) According to IEEE 802.5, network technology that control media access by passing a token (special packet or frame) between media-attached stations. (2) A FDDI or IEEE 802.5 network with a ring topology that passes tokens from one attaching ring station (node) to another. (3) See also *local area network (LAN)*.

token-ring network. (1) A ring network that allows unidirectional data transmission between data stations, by a token passing procedure, such that the transmitted

data return to the transmitting station. (T) (2) A network that uses a ring topology, in which tokens are passed in a circuit from node to node. A node that is ready to send can capture the token and insert data for transmission.

TP. Transaction program.

transaction program. A program that processes transactions in an SNA network. There are two kinds of transaction programs: application transaction programs and service transaction programs. See also *conversation*.

transmission header (TH). Control information, optionally followed by a basic information unit (BIU) or a BIU segment, that is created and used by path control to route message units and to control their flow within the network. See also *path information unit*.

type 2.0 node. A node that attaches to a subarea network as a peripheral node and provides a range of end-user services but no intermediate routing services.

type 2.1 node. A node that can be an APPN network node, an APPN end node, or a LEN node. It can also attach as a peripheral node to a subarea boundary node in the same way as a type 2.0 node.

V

Virtual Telecommunications Access Method (VTAM). An IBM licensed program that controls communication and the flow of data in an SNA network. It provides single-domain, multiple-domain, and interconnected network capability.

VTAM. Virtual Telecommunications Access Method. Synonymous with *ACF/VTAM*.

W

XID. Exchange identification.

Index

Special Characters

- /var 25
 - including MVS password 15
- /var file system
 - SNA Server/6000 25

Numerics

- 3174 establishment controller
 - local 3174 Token-Ring gateway guidelines 129
- 3174 establishment controller configuration
 - 3174 establishment controller guidelines 164
 - remote 3174 Token-Ring gateway example 149
- 3174 Establishment Controller example
 - local 3174 Token-Ring gateway 114
- 3174 establishment controller guidelines
 - APPC/MVS TP profile 159
 - specifying 3174 establishment controller configuration 164
 - specifying network control program definitions 161
 - VTAM application program major node 160
 - VTAM configuration list 159
 - VTAM start option list 159
- 37xx remote Token-Ring
 - example 39
- 37xx SDLC
 - ADDR keyword 195
 - ADDRESS keyword 194
 - APPC/MVS ASCHPMxx parameters example 179
 - APPC/MVS TP profile example 180
 - CLOCKNG keyword 194
 - CONFIG parameter 192
 - configuration worksheet 204
 - configuration worksheet example 190
 - Control Point profile 197
 - guidelines 191
 - LNCTL keyword 194
 - LOCADDR keyword 195
 - LU 6.2 LOCAL LU profile 201
 - LU 6.2 Side Information LU profile 202
 - MAXDATA keyword 195
 - MAXOUT keyword 195
 - MODETAB keyword 195
 - NETID parameter 192
 - partner LU 6.2 location profile 203
 - PUTYPE keyword 195
 - SDLC Link Station profile 199
 - SDLC SNA DLC profile 198
 - SPEED keyword 194
 - SSCPNAME parameter 192
 - TYPE keyword 194

- 37xx SDLC (*continued*)
 - XID keyword 195
- 37xx SDLC example
 - JES2 initialization statement 179
 - network control program (NCP) 182
 - PSF for AIX printer 182
 - VTAM application program major node 181
 - VTAM configuration list 181
 - VTAM start option list 181
- 37xx SDLC guidelines
 - APPC/MVS APPCPMxx parameters 191
 - APPC/MVS ASCHPMxx parameters 191
 - APPC/MVS TP profile 192
 - network control program (NCP) 194
 - specifying the PSF for AIX printer 196
 - VTAM application program major node 193
 - VTAM configuration list 192
 - VTAM start option list 192
- 37xx Token-Ring
 - configuration worksheet 69
 - configuration worksheet example 51
 - guidelines 52
 - specify ADDR operand 56
 - specify ADDRESS keyword 59
 - specify AUTOGEN keyword 60
 - specify CALL keyword 60
 - specify CONFIG operand 53
 - specify Control Point profile 62
 - specify CPNAME operand 56
 - specify DIALNO operand 58
 - specify GRPNM operand 58
 - specify LOCADD keyword 59
 - specify LOCADDR operand 58
 - specify LU 6.2 Local LU profile 66
 - specify LU 6.2 Side Information profile 67
 - specify MAXDATA operand 57
 - specify MAXGRP operand 56
 - specify MAXNO operand 56
 - specify MAXOUT operand 57
 - specify MAXPATH operand 57
 - specify MAXTSL keyword 59
 - specify MODETAB operand 57
 - specify NETID operand 53
 - specify Partner LU 6.2 Location profile 68
 - specify PHYPORT keyword 60
 - specify PORTADD keyword 59
 - specify RCVBUFC keyword 60
 - specify SSCPFM operand 58
 - specify SSCPNAME operand 53
 - specify Token-Ring Link Station profile 64
 - specify Token-Ring SNA DLC profile 63
 - specify TYPE operand 56

- 37xx Token-Ring (*continued*)
 - specify VPACING operand 57
- 37xx Token-Ring example
 - APPC/MVS APPCPMxx Parameters 39
 - APPC/MVS ASCHPMxx Parameters 39
 - APPC/MVS TP Profile Example 40
 - APPLS Application Program 41
 - network control program (NCP) 42
 - PSF for AIX printer 43
 - VTAM configuration list 41
 - VTAM start option list 41
 - VTAM switched major node 42
- 37xx Token-Ring guidelines
 - APPC/MVS APPCPMxx parameters 52
 - APPC/MVS ASCHPMxx Parameters 52
 - APPC/MVS TP profile 53
 - network control program (NCP) 59
 - specifying a PSF for AIX printer 61
 - VTAM application program major node 54
 - VTAM configuration list 53
 - VTAM start option list 53
 - VTAM switched major node 55

A

- ADAPNO operand
 - Local 3172 Token-Ring 96
- ADDR keyword
 - 37xx SDLC 195
 - remote 3174 Token-Ring gateway 162
- ADDR operand
 - 37xx Token-Ring 56
 - Local 3172 Token-Ring 93
- ADDRESS 9
- ADDRESS keyword
 - 37xx SDLC 194
 - 37xx Token-Ring 59
 - Remote 3174 Token-Ring Gateway 161
- AFP Upload 3
 - common errors 30
 - configuring the host server program 9
 - description 3
 - finding error information 29
 - supported configuration parameters 11
 - troubleshooting 29
- AFP Upload common error
 - cannot be upload file 30
 - problem uploading PostScript files 31
 - problem uploading SAP OTF files 31
 - remote TP end abnormally 30
 - wrong values in MVS JES spool 30
- AIX client attributes
 - ADDRESS 9
 - BUILDING 9
 - CLASS 9
 - COPIES 9

- AIX client attributes (*continued*)
 - DATAACK 9
 - DEPARTMENT 9
 - DESTINATION 9
 - FORMDEF 9
 - FORMS 9
 - NAME 9
 - ROOM 9
 - TITLE 9
 - WRITER 9
- AIX client program
 - control with PSF for AIX commands 13
- AIX command
 - chmod 16
- AIX configuration task
 - defining logical units 28
 - making a data link control available 26
 - updating SNA Server/6000 profiles 24
 - using an alternate token ring address 27
 - using calling link stations 26
 - using listening link stations 26
 - using space in /var file system 25
 - verifying SNA Server/6000 profiles 24
- AIX operating system
 - publications xxi
- AIXwindows
 - installation requirements xx
- alternate token ring address 27
- APPC address space
 - configuring and running 21
- APPC/MVS 3
 - configuration tasks 21
 - description 3
 - publications xxi
- APPC/MVS APPC/MVS TP profile
 - remote 3174 Token-Ring gateway example 146
- APPC/MVS APPCPMxx Parameters
 - 37xx SDLC example 179
 - 37xx SDLC guidelines 191
 - 37xx Token-Ring 52
 - 37xx Token-Ring example 39
 - local 3172 Token-Ring example 75
 - local 3172 Token-Ring guidelines 89
 - local 3174 Token-Ring gateway example 111
 - local 3174 Token-Ring gateway guidelines 124
 - remote 3174 Token-Ring gateway example 145
 - remote 3174 Token-Ring guidelines 158
- APPC/MVS ASCHPMxx Parameters
 - 37xx SDLC example 179
 - 37xx SDLC guidelines 191
 - 37xx Token-Ring example 39
 - 37xx Token-Ring guidelines 52
 - local 3172 Token-Ring example 75
 - local 3172 Token-Ring guidelines 89
 - local 3174 Token-Ring gateway example 111
 - local 3174 Token-Ring gateway guidelines 124

APPC/MVS ASCHPMxx Parameters (*continued*)
 remote 3174 Token-Ring gateway example 145
 remote 3174 Token-Ring guidelines 158
 APPC/MVS TP profile
 3174 establishment controller guidelines 159
 37xx SDLC example 180
 37xx SDLC guidelines 192
 37xx Token-Ring guidelines 53
 local 3172 Token-Ring example 76
 local 3172 Token-Ring guidelines 90
 local 3174 Token-Ring gateway example 112
 local 3174 Token-Ring gateway guidelines 125
 APPC/MVS TP Profile Example
 37xx Token-Ring example 40
 ASCH address space
 configuring and running 21
 attributes
 passed through enq command 14
 AUTOGEN keyword
 37xx Token-Ring 60

B

BUILDING 9

C

CALL keyword
 37xx Token-Ring 60
 CALL operand
 Local 3172 Token-Ring 96
 cannot be upload file 30
 CASE 11
 host server configuration parameters 11
 catalog, PSF for AIX message xx
 CLASS 9
 CLOCKNG keyword
 37xx SDLC 194
 Remote 3174 Token-Ring Gateway 162
 common errors 30
 CONFIG operand
 37xx Token-Ring 53
 remote 3174 Token-Ring gateway 159
 CONFIG parameter
 37xx SDLC 192
 configuration parameters
 supporting AFP Upload 11
 configuration profiles
 verify and update 24
 configuration worksheet
 37xx SDLC 204
 37xx Token-Ring 69
 Local 3172 Token-Ring 106
 local 3174 Token-Ring gateway 139
 remote 3174 Token-Ring gateway 174

configuration worksheet example
 37xx SDLC 190
 37xx Token-Ring 51
 Local 3172 Token-Ring 88
 local 3174 Token-Ring gateway 123
 remote 3174 Token-Ring gateway 157
 configuring
 host server program 9
 contextual help for PSF for AIX SMIT panels xx
 control AIX client program
 using PSF for AIX commands 13
 control point
 SNA Server/6000 45, 81, 117, 151
 control point for 37xx SDLC
 SNA Server/6000 184
 Control Point profile
 37xx Token-Ring 62
 specify for 37xx SDLC 197
 specify for Local 3172 Token-Ring 98
 specify for local 3174 Token-Ring gateway 132
 specify for remote 3174 Token-Ring gateway 167
 controller guides
 publications xxii
 COPIES 9
 CPNAME operand
 37xx Token-Ring 56
 Local 3172 Token-Ring 93
 CUADDR operand
 Local 3172 Token-Ring 96

D

data link control
 making available 26
 DATAACK 9
 DATAACK parameter
 AIX value 9
 overriding PSF/MVS value 9
 passing AIX value 13
 DEPARTMENT 9
 DESTINATION 9
 DIAL operand
 Local 3172 Token-Ring 96
 DIALNO operand
 37xx Token-Ring 58
 Local 3172 Token-Ring 94
 documentation for PSF for AIX
 contextual help for PSF for AIX SMIT panels xx
 DynaText hypertext data base xx
 hardcopy publications xix, xx
 online message catalog xx
 dtext.brswr option xx
 psf.online.books xx
 DynaText
 hypertext data base xx

E

enq command
 specifying passed attributes 14
error information 29
example
 37xx local SDLC 179
 37xx local Token-Ring 39
 37xx remote SDLC 179
 local 3172 token-ring 75
 local 3174 token-ring 111
 remote 3174 token-ring 145

F

file system
 /var 15, 25
FORMDEF 9
FORMS 9

G

GRPNM operand
 37xx Token-Ring 58
 Local 3172 Token-Ring 94

H

hardcopy publications xix
help for PSF for AIX SMIT panels xx
host server configuration parameters
 CASE 11
 MIXED 11
 specifying values on JCL 12
 TRACE 11
hypertext data base xx

I

IBM Print Services Facility for AIX: AFP Upload
 Configuration Guide xix
IBM Print Services Facility for AIX: AIX for Users of
 Print Services Facility xix
IBM Print Services Facility for AIX: Operations xix
IBM Print Services Facility for AIX: Print
 Administration xix
IBM Print Services Facility for AIX: Print
 Submission xix
IBM printing publications xxi
including MVS password
 using /var file system 15
insufficient RACF access
 MVS userid error 16

J

JCL
 SYSPRINT DD statement 10
JCL statement
 SYSPRINT DD 53, 90, 125, 159, 192

L

link station
 calling 26
 listening 26
LNCTL keyword
 37xx SDLC 194
LOCADD keyword
 37xx Token-Ring 59
LOCADDR keyword
 37xx SDLC 195
 Remote 3174 Token-Ring Gateway 163
LOCADDR operand
 37xx Token-Ring 58
 Local 3172 Token-Ring 94
Local 3172 Token-Ring
 ADAPNO operand 96
 ADDR operand 93
 CALL operand 96
 configuration worksheet 106
 configuration worksheet example 88
 Control Point profile 98
 CPNAME operand 93
 CUADDR operand 96
 DIAL operand 96
 DIALNO operand 94
 GRPNM operand 94
 guidelines 89
 LOCADDR operand 94
 LU 6.2 Local LU profile 103
 LU 6.2 Side Information LU profile 104
 MAXDATA operand 94
 MAXOUT operand 94
 MAXPATH operand 94
 MEDIUM operand 96
 MODETAB operand 94
 partner LU 6.2 location profile 105
 SNA DLC profile 99
 SSCPFM operand 95
 Token-Ring Link Station profile 100
 TYPE operand 96
 VPACING operand 94
local 3172 Token-Ring example
 APPC/MVS APPCPMxx parameters 75
 APPC/MVS ASCHPMxx Parameters 75
 APPC/MVS TP Profile 76
 PSF for AIX printer 79
 VTAM application program major node 77
 VTAM configuration list 77

- local 3172 Token-Ring example (*continued*)
 - VTAM External Communication Adapter Major Node 78
 - VTAM start option list 77
 - VTAM switched major node 78
 - local 3172 Token-Ring guidelines
 - APPC/MVS APPCPMxx parameters 89
 - APPC/MVS ASCHPMxx parameters 89
 - APPC/MVS TP profile 90
 - PSF for AIX printer specification 97
 - VTAM application program major node 91
 - VTAM configuration list 90
 - VTAM External Communication Adapter (XCA) Major Node 96
 - VTAM start option list 90
 - VTAM switched major node 92
 - local 3174 Token-Ring gateway
 - 3174 Establishment controller example 114
 - 3174 establishment controller guidelines 129
 - APPC/MVS APPCPMxx parameter guidelines 124
 - APPC/MVS ASCHPMxx parameters 124
 - APPC/MVS TP profile guidelines 125
 - configuration worksheet 139
 - configuration worksheet example 123
 - Control Point profile 132
 - guidelines 124
 - LU 6.2 Local LU profile 136
 - LU 6.2 Side Information profile 137
 - partner LU 6.2 location profile 138
 - specifying the PSF for AIX printer guidelines 131
 - Token-Ring Link Station profile 134
 - Token-Ring SNA DLC profile 133
 - VTAM application program major node guidelines 126
 - VTAM configuration list guidelines 125
 - VTAM local major node guidelines 127
 - VTAM start option list guidelines 125
 - local 3174 Token-Ring gateway example
 - APPC/MVS APPCPMxx parameters 111
 - APPC/MVS ASCHPMxx parameters 111
 - APPC/MVS TP profile example 112
 - PSF for AIX printer 115
 - VTAM application program major node example 113
 - VTAM configuration list example 113
 - VTAM local major node 114
 - VTAM start option list example 113
 - LU 6.2 local LU profile
 - 37xx Token-Ring 66
 - SNA Server/6000 49, 86, 121, 155, 188
 - specify for 37xx SDLC 201
 - specify for Local 3172 Token-Ring 103
 - specify for local 3174 Token-Ring gateway 136
 - specify for remote 3174 Token-Ring gateway 171
 - LU 6.2 side information profile
 - 37xx Token-Ring 67
 - LU 6.2 side information profile (*continued*)
 - SNA Server/6000 49, 86, 121, 155, 188
 - specify for 37xx SDLC 202
 - specify for Local 3172 Token-Ring 104
 - specify for local 3174 Token-Ring gateway 137
 - specify for Remote 3174 Token-Ring gateway 172
- ## M
- MAC address 27
 - MAXDATA keyword
 - 37xx SDLC 195
 - Remote 3174 Token-Ring Gateway 162
 - MAXDATA operand
 - 37xx Token-Ring 57
 - Local 3172 Token-Ring 94
 - MAXGRP operand
 - 37xx Token-Ring 56
 - MAXNO operand
 - 37xx Token-Ring 56
 - MAXOUT keyword
 - 37xx SDLC 195
 - Remote 3174 Token-Ring Gateway 162
 - MAXOUT operand
 - 37xx Token-Ring 57
 - Local 3172 Token-Ring 94
 - MAXPATH operand
 - 37xx Token-Ring 57
 - Local 3172 Token-Ring 94
 - MAXTSL keyword
 - 37xx Token-Ring 59
 - MEDIUM operand
 - Local 3172 Token-Ring 96
 - message catalogs
 - online PSF for AIX xx
 - MIXED 11
 - host server configuration parameters 11
 - MODETAB keyword
 - 37xx SDLC 195
 - Remote 3174 Token-Ring Gateway 163
 - MODETAB operand
 - 37xx Token-Ring 57
 - Local 3172 Token-Ring 94
 - MVS password
 - common error symptom 16
 - determine need 15
 - specify 15
 - MVS START command
 - starting APPC address space 21
 - starting ASCH address space 21
 - MVS userid
 - common error symptom 16
 - determine need 15
 - specify 15
 - MVS userid error
 - insufficient RACF access 16

N

NAME 9
NCP Definitions
 remote 3174 Token-Ring gateway example 148
NETID operand
 37xx Token-Ring 53
 Remote 3174 Token-Ring Gateway 159
NETID parameter
 37xx SDLC 192
network control program (NCP)
 37xx SDLC example 182
 37xx SDLC guidelines 194
 37xx Token-Ring example 42
 37xx Token-Ring guidelines 59
 publications xxii
network control program definitions
 3174 establishment controller guidelines 161

O

online message catalog xx
options
 dtext.brswr xx
ORDER keyword
 Remote 3174 Token-Ring Gateway 162

P

partner LU 6.2 location
 SNA Server/6000 50, 87, 122, 156, 189
Partner LU 6.2 Location profile
 37xx Token-Ring 68
 specify for 37xx SDLC 203
 specify for local 3172 Token-Ring 105
 specify for local 3174 Token-Ring gateway 138
passing attributes 14
PASSLIM keyword
 Remote 3174 Token-Ring Gateway 163
passthru option
 passing class attribute 14
 passing destination attribute 14
 passing forms attribute 14
PHYPORT keyword
 37xx Token-Ring 60
PL/I
 publications xxii
PL/I language
 specifying run-time options 12
PORTADD keyword
 37xx Token-Ring 59
print
 using enq to pass attributes 14
Print Services Facility/MVS xxi
PRINTDEV statement 9
 DATAACK value override 13

problem uploading PostScript files 31
problem uploading SAP OTF files 31
PSF for AIX
 documentation
 contextual help for PSF for AIX SMIT panels xx
 DynaText hypertext data base xx
 hardcopy publications xix, xx
 message catalog xx
 message catalog xx
PSF for AIX command
 enq 13
 psfctl 13
 psfstat 13
PSF for AIX DynaText hypertext data base xx
PSF for AIX printer
 37xx SDLC example 182
 37xx Token-Ring example 43
 local 3172 Token-Ring example 79
 local 3174 Token-Ring gateway 115
 remote 3174 Token-Ring gateway example 149
PSF for AIX printer specification
 37xx Token-Ring guidelines 61
 local 3172 Token-Ring guidelines 97
 local 3174 Token-Ring gateway guidelines 131
 remote 3174 Token-Ring gateway guidelines 166
 specify for remote 3174 Token-Ring gateway 173
PSF for AIX printer value
 37xx SDLC guidelines 196
psf.online.books option xx
publications
 AIX xxi
 APPC/MVS xxi
 controller guides xxii
 IBM printing xxi
 network control program (NCP) xxii
 PL/I xxii
 Print Services Facility/MVS xxi
 PSF for AIX xix
 SNA communications xxii
 SNA Server/6000 xxi
 VTAM xxii
PUTYPE keyword
 37xx SDLC 195
 Remote 3174 Token-Ring Gateway 162

R

RCVBUFC keyword
 37xx Token-Ring 60
related publications xxi
remote 3174 Token-Ring gateway
 ADDR keyword 162
 ADDRESS keyword 161
 APPC/MVS APPCPMxx parameters example 145
 APPC/MVS ASCHPMxx parameters example 145
 APPC/MVS TP profile example 146

- remote 3174 Token-Ring gateway *(continued)*
 - CLOCKNG keyword 162
 - CONFIG operand 159
 - configuration worksheet 174
 - configuration worksheet example 157
 - Control Point profile 167
 - guidelines 158
 - LOCADDR keyword 163
 - LU 6.2 Local LU profile 171
 - LU 6.2 Side Information LU profile 172
 - MAXDATA keyword 162
 - MAXOUT keyword 162
 - MODETAB keyword 163
 - NCP Definitions example 148
 - NETID operand 159
 - ORDER keyword 162
 - PASSLIM keyword 163
 - PSF for AIX printer example 149
 - PUTYPE keyword 162
 - specifying the PSF for AIX printer 173
 - SPEED keyword 162
 - SSCPNAME operand 159
 - Token-Ring Link Station profile 169
 - Token-Ring SNA DLC profile 168
 - VTAM start option list 147
- remote 3174 Token-Ring gateway example
 - 3174 establishment controller configuration 149
 - VTAM application program major node 147
 - VTAM configuration list 147
- remote 3174 Token-Ring gateway guidelines
 - specifying a PSF for AIX printer 166
- remote 3174 Token-Ring guidelines
 - APPC/MVS APPCPMxx parameters 158
 - APPC/MVS ASCHPMxx parameters 158
- remote TP end abnormally 30
- ROOM 9

S

- SDLC
 - 37xx local 191
- SDLC EIA232D link station profile
 - SNA Server/6000 187
- SDLC EIA232D SNA DLC profile
 - SNA Server/6000 185
- SDLC Link Station profile
 - specify for 37xx SDLC 199
- SDLC SNA DLC profile
 - specify for 37xx SDLC 198
- SMIT
 - contextual help xx
- SMIT panels for PSF for AIX (see SMIT)
- SNA communications
 - publications xxii
- SNA DLC profile
 - specify for Local 3172 Token-Ring 99

- SNA Gateway/6000
 - with AFP Upload 23
- SNA node profile
 - SNA Server/6000 44, 80, 116, 150
- SNA node profile for 37xx SDLC
 - SNA Server/6000 183
- SNA Server/6000 3
 - /var file system 25
 - description 3
 - publications xxi
 - service level for AFP Upload 23
 - verify and update 24
- SNA Server/60000 profile
 - control point 45, 81, 117, 151
 - control point for 37xx SDLC 184
 - LU 6.2 local LU profile 49, 86, 121, 155, 188
 - LU 6.2 side information 49, 86, 121, 155, 188
 - partner LU 6.2 location 50, 87, 122, 156, 189
 - SDLC EIA232D link station profile 187
 - SDLC EIA232D SNA DLC profile 185
 - SNA node profile 44, 80, 116, 150
 - SNA node profile for 37xx SDLC 183
 - Token-Ring link station 48, 85, 120, 154
 - Token-Ring SNA DLC 46, 82, 118, 152
- software prerequisites for APPC/MVS 4
 - description 4
- SPEED keyword
 - 37xx SDLC 194
 - Remote 3174 Token-Ring Gateway 162
- SSCPFM operand
 - 37xx Token-Ring 58
 - Local 3172 Token-Ring 95
- SSCPNAME operand
 - 37xx Token-Ring 53
 - Remote 3174 Token-Ring Gateway 159
- SSCPNAME parameter
 - 37xx SDLC 192
- SYSOUT data set attributes
 - use with AFP Upload 17
- SYSPRINT DD
 - required attributes on a TP Profile 53, 125, 159, 192
 - required attributes on TP Profile 90
- SYSPRINT DD statement
 - including for AFP Upload 10

T

- TITLE 9
- Token-Ring
 - 3172 local 89
 - 3174 local 124
 - 37xx local 52
 - remote 3174 158
- Token-Ring link station
 - SNA Server/6000 48, 85, 120, 154

- Token-Ring Link Station profile
 - 37xx Token-Ring 64
 - specify for Local 3172 Token-Ring 100
 - specify for local 3174 Token-Ring gateway 134
 - specify for remote 3174 Token-Ring gateway 169
- Token-Ring SNA DLC
 - SNA Server/6000 46, 82, 118, 152
- Token-Ring SNA DLC profile
 - 37xx Token-Ring 63
 - specify for local 3174 Token-Ring gateway 133
 - specify for remote 3174 Token-Ring gateway 168
- TP Information Profiles
 - creating VSAM data sets 21
- TP profile 146
- TRACE 11
 - host server configuration parameters 11
- troubleshooting
 - AFP Upload 29
- TYPE keyword
 - 37xx SDLC 194
- TYPE operand
 - 37xx Token-Ring 56
 - Local 3172 Token-Ring 96

V

- VPACING operand
 - 37xx Token-Ring 57
 - Local 3172 Token-Ring 94
- VSAM data sets
 - creating 21
- VTAM
 - publications xxii
- VTAM application program major node
 - 3174 establishment controller guidelines 160
 - 37xx SDLC example 181
 - 37xx SDLC guidelines 193
 - 37xx Token-Ring example 41
 - 37xx Token-Ring guidelines 54
 - local 3172 Token-Ring example 77
 - local 3172 Token-Ring guidelines 91
 - local 3174 Token-Ring gateway example 113
 - local 3174 Token-Ring gateway guidelines 126
 - remote 3174 Token-Ring gateway example 147
- VTAM configuration list
 - 3174 establishment controller guidelines 159
 - 37xx SDLC example 181
 - 37xx SDLC guidelines 192
 - 37xx Token-Ring example 41
 - 37xx Token-Ring guidelines 53
 - local 3172 Token-Ring example 77
 - local 3172 Token-Ring guidelines 90
 - local 3174 Token-Ring gateway example 113
 - local 3174 Token-Ring gateway guidelines 125
 - remote 3174 Token-Ring gateway example 147

- VTAM External Communication Adapter (XCA) Major Node
 - local 3172 Token-Ring guidelines 96
- VTAM External Communication Adapter Major Node
 - local 3172 token-ring example 78
- VTAM local major node
 - local 3174 Token-Ring gateway example 114
 - local 3174 Token-Ring gateway guidelines 127
- VTAM start option list
 - 3174 establishment controller guidelines 159
 - 37xx SDLC example 181
 - 37xx SDLC guidelines 192
 - 37xx Token-Ring example 41
 - 37xx Token-Ring guidelines 53
 - local 3172 Token-Ring example 77
 - local 3172 Token-Ring guidelines 90
 - local 3174 Token-Ring gateway example 113
 - local 3174 Token-Ring gateway guidelines 125
 - remote 3174 Token-Ring gateway example 147
- VTAM switched major node
 - 37xx Token-Ring example 42
 - 37xx Token-Ring guidelines 55
 - local 3172 Token-Ring example 78
 - local 3172 Token-Ring guidelines 92

W

- WRITER 9
- wrong values in MVS JES spool 30

X

- XID keyword
 - 37xx SDLC 195

Readers' Comments — We'd Like to Hear from You

**IBM Print Services Facility for AIX:
AFP Upload Configuration Guide
Using SNA
Version 2.1**

Publication No. S544-5422-01

Use this form to provide comments about this publication, its organization, or subject matter. Understand that IBM may use the information any way it believes appropriate, without incurring any obligation to you. Your comments will be sent to the author's department for the appropriate action. Comments may be written in your language.

Note: IBM publications are not stocked at the location to which this form is addressed. Direct requests for publications or for assistance in using your IBM system, to your IBM representative or local IBM branch office.

	Yes	No
• Does the publication meet your needs?	_____	_____
• Did you find the information:		
Accurate?	_____	_____
Easy to read and understand?	_____	_____
Easy to retrieve?	_____	_____
Organized for convenient use?	_____	_____
Legible?	_____	_____
Complete?	_____	_____
Well illustrated?	_____	_____
Written for your technical level?	_____	_____
• Do you use this publication:		
As an introduction to the subject?	_____	_____
As a reference manual?	_____	_____
As an instructor in class?	_____	_____
As a student in class?	_____	_____
• What is your occupation?	_____	_____

Thank you for your input and cooperation.

Note: You may either send your comments by fax to 1-800-524-1519, or mail your comments. If mailed in the U.S.A., no postage stamp is necessary. For residents outside the U.S.A., your local IBM office or representative will forward your comments.

Comments:

Name

Address

Company or Organization

Phone No.



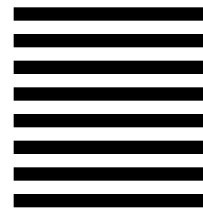
Fold and Tape

Please do not staple

Fold and Tape



NO POSTAGE
NECESSARY
IF MAILED IN THE
UNITED STATES



BUSINESS REPLY MAIL

FIRST-CLASS MAIL PERMIT NO. 40 ARMONK, NEW YORK

POSTAGE WILL BE PAID BY ADDRESSEE

Information Development
The IBM Printing Systems Company
Department H7FE Building 003G
P O Box 1900
BOULDER CO 80301-9817



Fold and Tape

Please do not staple

Fold and Tape



Program Number: 5765-505



Printed in the United States of America
on recycled paper containing 10%
recovered post-consumer fiber.

S544-5422-01

