

# InfoPrint 75 and InfoPrint 100

User's Guide

S550-1103-03

InfoPrint Solutions Company

---

---

---

---



# InfoPrint 75 and InfoPrint 100

User's Guide

S550-1103-03

InfoPrint Solutions Company

---

---

---

---

**Note:**

Before using this information and the product it supports, read the information in “Notices” on page 103.

This edition applies to the InfoPrint 75, the InfoPrint 100, and to all subsequent releases and modifications until otherwise indicated in new editions.

**Internet**

Visit our home page: <http://www.infoprint.com>

You can send comments by e-mail to [printpub@us.ibm.com](mailto:printpub@us.ibm.com) or by mail to:

InfoPrint Solutions Company  
6300 Diagonal Hwy 002J  
Boulder, CO 80301-9270  
U.S.A.

This product is or contains commercial computer software and commercial computer software documentation developed exclusively at private expense. As specified in Federal Acquisition Regulation 12.212 in the case of civilian agencies and Defense Federal Acquisition Regulation Supplement 227.7202 in the case of military agencies, use, duplication and disclosure by agencies of the U.S. Government shall solely be in accordance with the accompanying International Program License Agreement in case of software products and in accordance with the licensing terms specified in the product’s documentation in the case of hardware products.

© Copyright InfoPrint Solutions Company 2008, 2009.

---

# Contents

<b>Figures</b> . . . . .	vii
<b>Safety notices—English.</b> . . . . .	ix
Safety notices in this book. . . . .	x
Machine labels . . . . .	xii
<b>Chapter 1. Printer overview</b> . . . . .	1
Printer locations . . . . .	2
Locations outside the printer . . . . .	2
Locations inside the printer . . . . .	4
Powering on the printer. . . . .	5
Powering off the printer. . . . .	5
<b>Chapter 2. Using the operator control panel (OCP)</b> . . . . .	7
Using the Main Menu . . . . .	7
Using the Printer Menu . . . . .	10
Configuring paper . . . . .	10
Configuring options . . . . .	11
Running a test print. . . . .	12
Configuring PCL . . . . .	12
Configuring PostScript. . . . .	12
Configuring IPDS . . . . .	13
Using the Setup Menu. . . . .	14
Configuring the OCP . . . . .	14
Setting up system values . . . . .	14
Setting up consumables . . . . .	16
Using the Language Menu . . . . .	16
Using the Reports Menu . . . . .	17
Using the Jobs Menu . . . . .	17
<b>Chapter 3. Using the Web interface</b> . . . . .	19
Accessing the printer from a Web browser . . . . .	19
Using System Pages . . . . .	20
System-General. . . . .	20
System-Virtual Printer . . . . .	25
System-Accounting. . . . .	27
System-Jobs . . . . .	27
System-Serial No. . . . .	27
System-Preset . . . . .	27
Using Configuration Pages . . . . .	28
Configuration-General. . . . .	28
Configuration-Event. . . . .	28
Configuration-Configuration . . . . .	28
Configuration-Communication . . . . .	28
<b>Chapter 4. Working with forms</b> . . . . .	29
Paper handling precautions . . . . .	29
Registering paper . . . . .	29
Loading forms. . . . .	30
Loading paper using Economy Auto Load . . . . .	34
Adjusting form tension. . . . .	34
Removing forms . . . . .	35
Checking the forms stop position. . . . .	37

Checking print position . . . . .	38
Adjusting print position . . . . .	41
Card paper control . . . . .	41
<b>Chapter 5. Network settings . . . . .</b>	<b>43</b>
Connecting to the network . . . . .	43
Configuring the network interface. . . . .	44
LPR/LPD printing under TCP/IP . . . . .	44
Confirming the MAC address . . . . .	45
Printing with the AppleTalk protocol . . . . .	45
Installing the printer driver . . . . .	45
Configuring the printer for UNIX operating systems . . . . .	45
Solaris 2, 6, 7, 8, and 9 . . . . .	46
HP-UX 11i . . . . .	46
AIX 5L . . . . .	47
<b>Chapter 6. Maintaining the printer . . . . .</b>	<b>49</b>
Replacing supplies . . . . .	49
Adding toner . . . . .	49
Replacing the used toner bottle . . . . .	51
Replacing the developer mix . . . . .	52
Replacing the HR cleaner . . . . .	57
Replacing the HR unit. . . . .	59
Clearing paper jams . . . . .	62
Clearing stacker jams . . . . .	62
Clearing tractor or HR unit jams . . . . .	63
Checking print quality . . . . .	65
Cleaning the printer. . . . .	66
Cleaning the paper hopper . . . . .	66
Cleaning the stacker . . . . .	67
Cleaning the transfer unit . . . . .	68
Cleaning around the toner hopper . . . . .	69
Cleaning around the used toner bottle . . . . .	69
Cleaning the pre-clean assembly. . . . .	70
<b>Chapter 7. Troubleshooting . . . . .</b>	<b>71</b>
Basics . . . . .	71
General printing problems . . . . .	71
Print quality problems . . . . .	71
Miscellaneous problems . . . . .	72
Network problems . . . . .	72
Problems occurring with the AppleTalk protocol . . . . .	72
Problems occurring with the TCP/IP protocol . . . . .	72
Error recovery printing. . . . .	73
OCP information messages. . . . .	74
OCP error messages . . . . .	76
<b>Appendix A. Installation planning and specifications . . . . .</b>	<b>81</b>
Base printer specifications . . . . .	81
Space requirements . . . . .	83
Accessories . . . . .	84
Forklift requirements . . . . .	84
I/O interface . . . . .	84
<b>Appendix B. Ordering supplies. . . . .</b>	<b>87</b>
Storing supplies . . . . .	87

Storing paper . . . . .	87
<b>Appendix C. Paper specifications . . . . .</b>	<b>89</b>
General recommendations . . . . .	89
Unacceptable forms . . . . .	89
Paper weight . . . . .	90
Paper size . . . . .	90
Perforation specifications. . . . .	92
Tractor holes . . . . .	94
Holes other than tractor holes . . . . .	95
Paper color. . . . .	97
No print area . . . . .	98
Preprinted forms . . . . .	99
Printing on preprinted forms . . . . .	99
<b>Appendix D. Downloading fonts . . . . .</b>	<b>101</b>
<b>Notices . . . . .</b>	<b>103</b>
Product recycling and disposal . . . . .	104
Trademarks . . . . .	105
Communication statements . . . . .	106
Self-regulation on harmonic current . . . . .	110
Self-regulation on immunity test for information technology equipment and system . . . . .	110
<b>Index . . . . .</b>	<b>111</b>





---

## Figures

1.	Printer Menu . . . . .	10
2.	Setup Menu. . . . .	14
3.	Reports Menu . . . . .	17
4.	Web interface - General Status . . . . .	19
5.	Web interface - Virtual Printer . . . . .	26
6.	Location of Network Connector . . . . .	44



---

# Safety notices—English

## LASER SAFETY

This printer is certified as a class 1 laser product under the U.S. Department of Health and Human Services (DHHS) Radiation Performance Standard according to the Radiation Control for Health and Safety Act of 1968. The product is safe to use during normal operation and maintenance. Protective housing and external covers completely confine the laser light emitted inside the printer. The laser beam cannot escape from the machine during any phase of normal user operation.



**CAUTION**

<23>

Using controls, making adjustments, or performing procedures other than those specified herein may result in hazardous radiation exposure.

Regulations implemented on August 2, 1976 by the Center for Devices and Radiological Health (CDRH) of the U.S. Food and Drug Administration (FDA) apply to laser products manufactured from August 1, 1976. Laser products sold in the United States must comply with these regulations.

No operator maintenance is required to keep the product in compliance as a Class 1 Laser Product. No adjustments that affect laser operation or power are accessible to the operator.

The following label is located inside the side cover:



CAUTION- CLASS 3R LASER  
RADIATION WHEN OPEN. AVOID  
DIRECT EYE EXPOSURE.:

IP7500LX

## Electrical Safety

The printers are inspected and listed by recognized national testing laboratories: Underwriters Laboratories (UL) Inc. in the U.S.A., Canadian Standards Association (CSA) in Canada, and TUV Rheinland. Listing of a product by a national testing laboratory indicates that the product is designed and manufactured in accordance with national requirements intended to minimize safety hazards. Remember, however, that this product operates under conditions of high electrical potentials and heat generation, both of which are functionally necessary.

**Note:** In the U.S.A. and Canada, this product is equipped with a required, country approved plug for the user's safety. Use it in conjunction with a correctly grounded receptacle. In all other countries, the power cable is supplied without a plug. Provide the appropriate plug and compatible receptacle. Understand the electrical standards for your country, and use only an approved plug. Your marketing representative has information on the voltage requirements in your country.

SAFE00ES

## Fire Safety

Because the forms and toner used in the printer can burn, you should take normal precautions to prevent fire. These precautions include common-sense measures, such as keeping potentially combustible materials (for example, curtains and chemicals) away from the printer, providing adequate ventilation and cooling, limiting unattended operation, and having trained personnel available and assigned to the printer.

SAFE00FS

## Lightning Safety

To avoid personal risk, do not install or reconfigure a communication port or a teleport during a lightning storm.

SAFE00LS

---

## Safety notices in this book



**CAUTION:**

<74> The weight of the paper in the stacker can be very heavy.

CAUT0104



**CAUTION:**

<9-14>

Hazardous moving parts. Keep fingers, hands, and other body parts away from the stacker table while it is moving.

CAUT0914



<9-16>

**CAUTION:**

The HR Unit can be very hot. Do not touch any part other than the insulating sheet or handle.

CAUT0916



<9-17>

**CAUTION:**

There is a hazardous voltage supply part inside this cover. Turn OFF the AC Power Switch and the Power Supply Breaker to the Printer before you perform maintenance.

CAUT0917



<9-36>

**CAUTION:**

To vacuum toner, use only an approved vacuum cleaner.

CAUT0936



**DANGER**

<1-13> Do not connect or disconnect a communication port, a teleport, or any other connector during an electrical storm.

hcsf0113



**DANGER**

<1-14> Switch off printer power and unplug the printer power cord before connecting or disconnecting a communication port, a teleport, or any other attachment connector.

hcsf0114



**DANGER**

This product is equipped with a 3-wire power cord and plug for the user's safety. Use this power cord in conjunction with a properly grounded electrical outlet to avoid electrical shock.

---

## Machine labels

Messages similar to these are displayed on the cover of the printer.



### WARNING



HAZARDOUS VOLTAGE  
Can shock, burn, or cause death.  
Do not touch.

CAUT0928



### DANGER



HAZARDOUS VOLTAGE  
Can shock, burn, or cause death.  
Do not touch.

CAUT0929



### CAUTION



MOVING PARTS  
Can cause severe injury.  
Do not remove cover.

CAUT0930



### CAUTION



TABLE MOVES UP AND DOWN  
Do not put hands or legs near the  
table while it is moving to avoid being  
caught.

CAUT0931



## CAUTION



HAZARDOUS HEAT  
Can burn.  
Do not touch while operating.

CAUT0932



CAUTION HIGH TEMPERATURE

CAUT0933



CAUTION- CLASS 3R LASER  
RADIATION WHEN OPEN.  
AVOID DIRECT EYE EXPOSURE.:

CAUT0934



## CAUTION



ROTATING PARTS  
Can cause severe injury.  
Do not remove cover.

CAUT0935





---

## Chapter 1. Printer overview

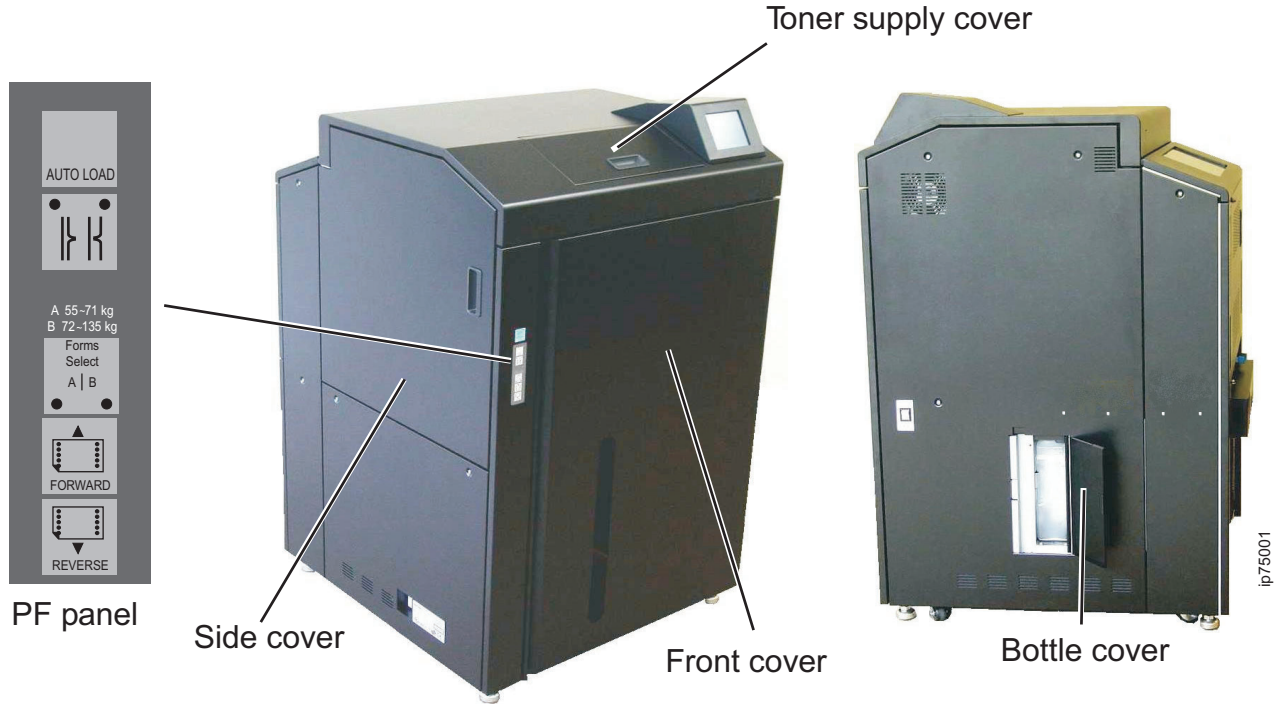
The InfoPrint 75 and InfoPrint 100 are continuous forms printers that are designed for print applications such as reports, bills, invoices, and statements. Features include:

- High-speed printing:
  - InfoPrint 75
    - 5,100 lines per minute for 8 lines per in. (lpi).
    - 75 pages per minute for 8.5 in. length paper.
    - 115 impressions per minute for 2-up printing.
  - InfoPrint 100
    - 6,800 lines per minute for 8 lines per in. (lpi).
    - 100 pages per minute for 8.5 in. length paper.
    - 154 impressions per minute for 2-up printing.
- High-quality printing: 600 x 600 dots per in. (dpi).
- Flexible paper handling:
  - Paper width: 165.1 to 457.2 mm (6.5 to 18 in.)
  - Paper length: 152.4 to 355.6 mm (6 to 14 in. at 1/3, 1/2, and 2/3 in. increments).
  - Paper weight: 64 to 157 g/m<sup>2</sup> (55 to 135 kg).
  - Input stack height: 3,000 sheets of 64 g/m<sup>2</sup> paper.
  - Output stack height: 2,000 sheets of 64 g/m<sup>2</sup> paper.
- Multiple Original Printing: Prints multiple collated document sets without requiring multiple file transfers.
- Virtual Printer Technology: Lets you take a single printer and offer multiple print services (virtual printers) over a network. See “System-Virtual Printer” on page 25.
- Web interface functions. See Chapter 3, “Using the Web interface,” on page 19.
- Standard PCL5e support; optional PostScript 3 support, optional IPDS support.
- Network support: TCP/IP (standard), LPR/LPD, AppleTalk.
- I/O Configurations:
  - Bi-directional 1284C Parallel interface with Compatibility, Nibble, and Byte Mode support.
  - Ethernet 10/100/1000 Base-T with on board network.

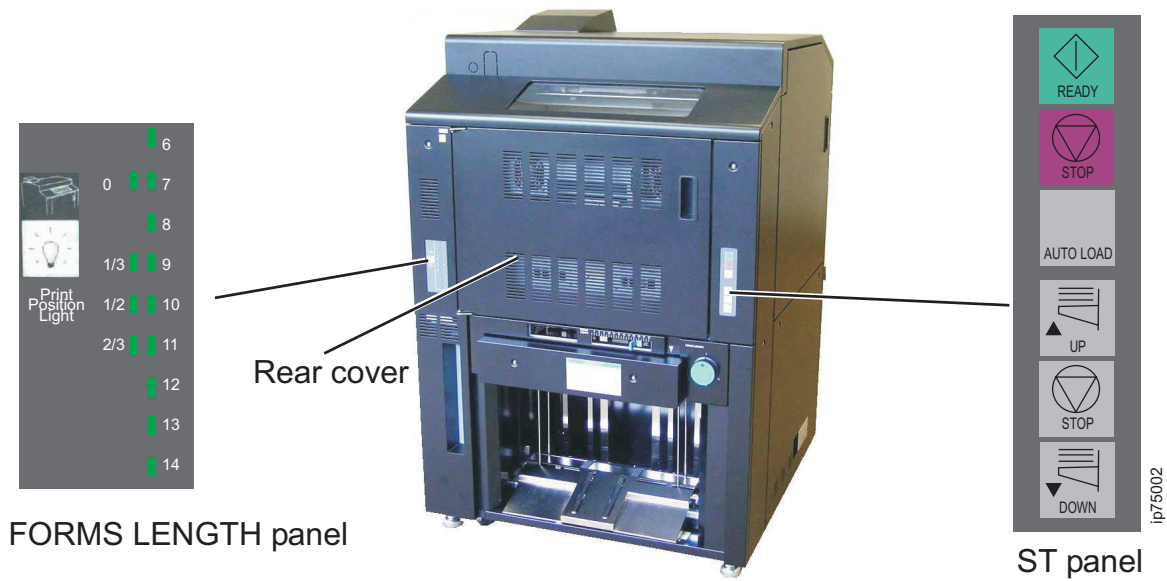
# Printer locations

## Locations outside the printer

Front view



Rear view



## Components and descriptions

Component	Description
Front cover	Open this cover to load forms, clear a paper jam, or clean inside the printer.
Toner supply cover	Open this cover to replace toner.
Side cover	Open this cover to replace the developer or to clean inside the printer.
Rear cover	Open this cover to install the HR Unit, replace the HR Cleaner, or clear a paper jam.
Bottle cover	Open this cover to replace the used toner bottle.
PF panel	Use this to specify fold direction, to automatically load forms, and to feed forms. See “PF Panel.”
ST Panel	Use this to set the stacker table height and to automatically load forms. See “ST Panel.”
FORMS LENGTH panel	Use this to turn on the inside print position light and to specify the form length setting. See “FORMS LENGTH Panel.”

## PF Panel

Switch	Function	LEDs
AUTO LOAD	Starts automatic loading of forms.	None
FORMS SET	Specifies the direction of the paper folds.	When the left LED is on, the folds are upward. When the right LED is on, the folds are downward.
FORMS SELECT A   B	Adjusts fuser temperature according to paper weight. A is for 55 to 71 kg paper. B is for 72 to 135 kg paper.	When the left LED is on, A is set. When the right LED is on, B is set.
FORWARD	Moves paper forward. Press once to move paper forward 1/6 in. Press and hold to feed forms continuously.	None
REVERSE	Moves paper backward. Press once to move paper backward 1/6 in. Press and hold to reverse forms continuously.	None

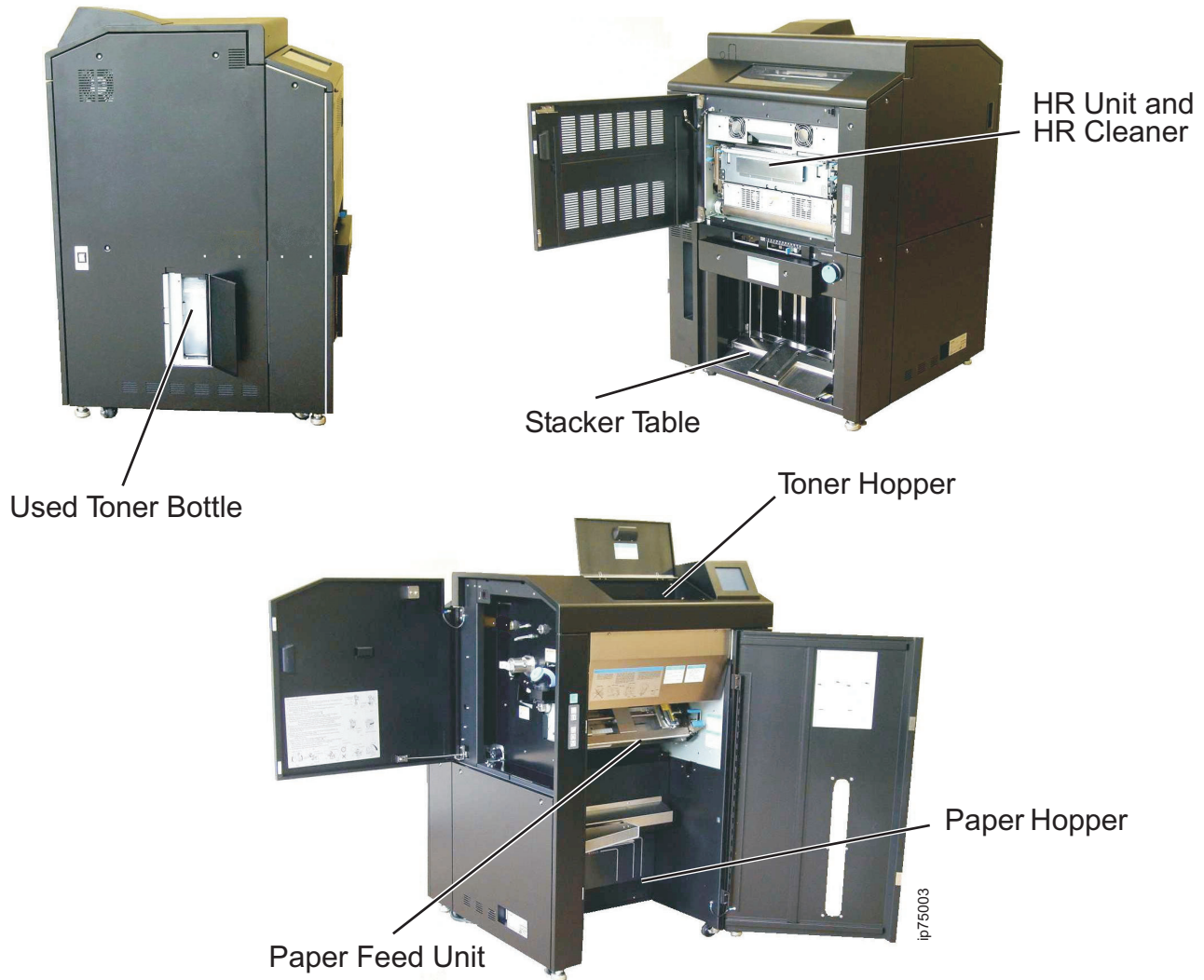
## ST Panel

Switch	Description
START	Makes the printer Ready.
STOP (upper)	Takes the printer offline.
AUTO LOAD	Starts automatic loading of forms.
UP	Raises the stacker table.
STOP (lower)	Stops the stacker table.
DOWN	Lowers the stacker table.

## FORMS LENGTH Panel

Switch	Description
PRINT POSITION LIGHT	Turns on the LED.

## Locations inside the printer



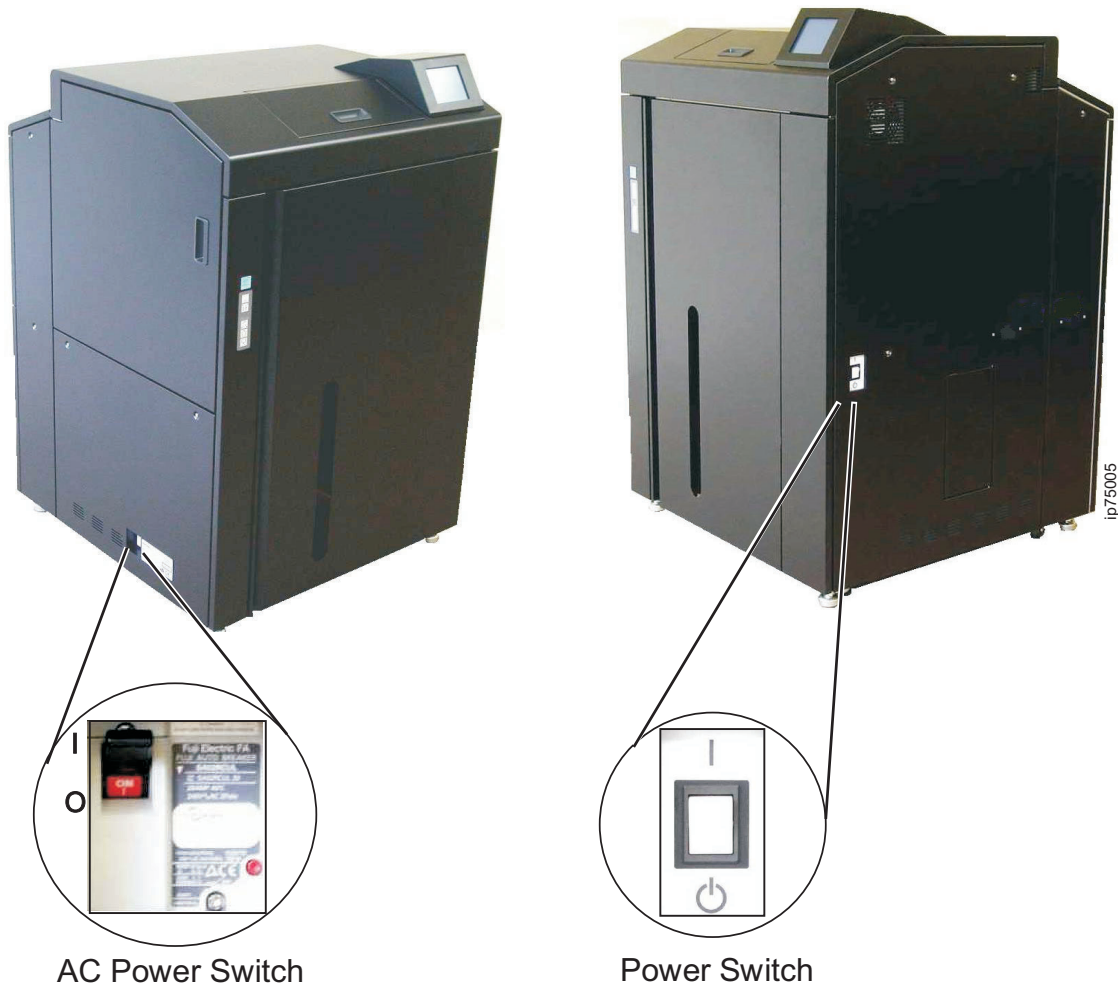
Component	Description
Paper feed unit	Feeds forms and transfers toner onto forms.
Toner hopper	Contains new toner.
Paper hopper	Holds forms.
Used toner bottle	Contains used toner.
HR Unit (heat roll unit)	Fuses toner onto forms. This component includes the heat roll, the back up roll, and the heater lamp.
HR cleaner	Cleans and lubricates the heat roll.
Stacker table	Stores forms after printing.

---

## Powering on the printer

The following figure shows the locations of the power switches. To power on the printer, press the AC Power Switch first, then the Power Switch.

The power-on sequence takes approximately eight minutes.



AC Power Switch

Power Switch

**Note:** After powering off the printer, wait at least five seconds before powering on. If the printer does not power on after the five second wait, power off again, wait 30 seconds, and then power on.

---

## Powering off the printer

To power off the printer:

1. Make sure the Ready message is displayed on the OCP.
2. Press the power switch to off (O), then press the AC power switch to off (O).

### Notes:

1. In an emergency, press the AC Power Switch to power off the printer.
2. After you use the NPRO function to run paper through the printer, wait five minutes to power off.
3. The following table describes how to power off in special situations:

Situation	Action
Printer status alternates between Ready and Processing	<ol style="list-style-type: none"> <li>1. Wait a few minutes to see if only the Ready message displays.</li> <li>2. If Processing continues to display, make sure there are no jobs running in the job queue:               <ol style="list-style-type: none"> <li>a. On your PC, click <b>Start -&gt; Settings -&gt; Printers</b>.</li> <li>b. Double-click the target printer icon to open its window.</li> <li>c. Select all of the print jobs and then select <b>Document -&gt; Pause</b>.</li> </ol> </li> </ol>
The OCP displays an error message.	Clear the error and then power off the printer.
The OCP displays Pause/Off-line.	Press <b>Resume/Online (▶)</b> and then power off.

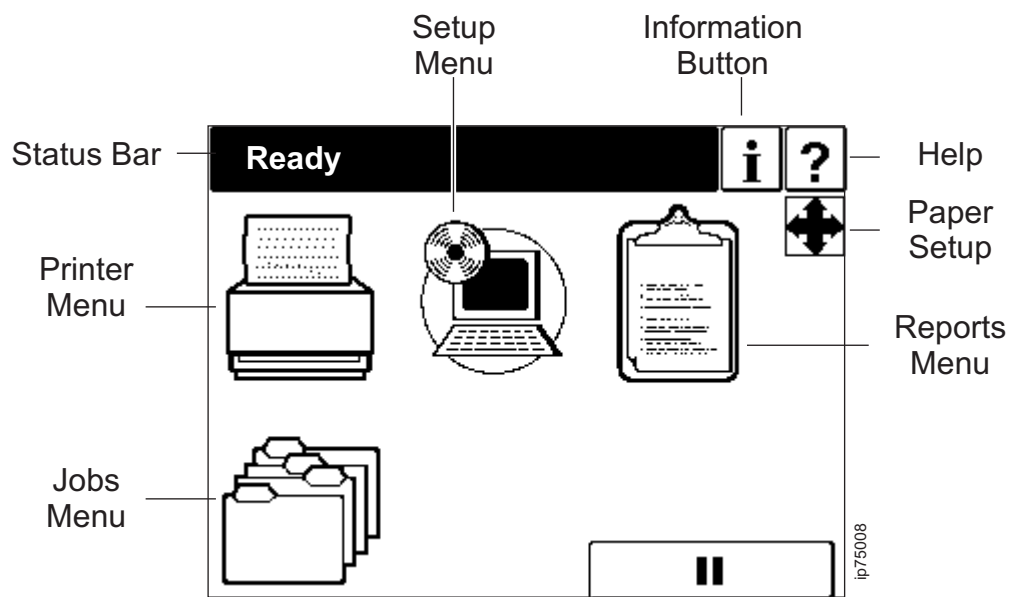
## Chapter 2. Using the operator control panel (OCP)







The OCP is a touch panel that lets you control the printer, set up options, track jobs, and monitor printer status.



### Using the Main Menu










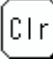
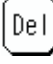
The following figure shows the Main Menu.




Icon	Name	Function
	Printer Menu	Select the Printer Menu to define paper size and margins, set printer options, run a test print, and define PostScript, PCL, and IPDS settings. See “Using the Printer Menu” on page 10.
	Jobs Menu	Select the Jobs Menu to display a list of current jobs and delete jobs. See “Using the Jobs Menu” on page 17.
	Setup Menu	Select the Setup Menu to define OCP settings, reset supply counters, set the display language, setup networking, and access service functions. (Service and administrative functions require a password.) See “Using the Setup Menu” on page 14.
	Reports Menu	Select the Reports Menu to display reports about current printer settings, hard drive contents, fonts, and paper settings. See “Using the Reports Menu” on page 17.
	Information	Press <b>Information</b> to display details about supply usage, network settings, and machine code levels.
	Help	Press <b>Help</b> to display information about the current panel.

**Notes:**

1. Pressing a menu icon pauses the printer.
2. The following table describes other common OCP icons:

Icon	Name	Description
	Next	Press <b>Next</b> to display more menu options.
	Previous	Press <b>Previous</b> to display the previous screen.
	Pause/Offline	Press <b>Pause/Offline</b> to pause print jobs and take the printer offline.
	Resume/Online	Press <b>Resume/Online</b> to restart print jobs that have been paused or to make the Printer Ready.
	Enter or Accept	Press <b>Enter/Accept</b> to make new or changed values effective.
	Repeat	Press <b>Repeat</b> to print the first page of a job and then take the printer offline. This lets you adjust margins and print position before printing an entire job.
	Back	Press <b>Back</b> to return to the Main Menu.
	Scroll Bar	Press the scroll bar to scroll through the list of jobs on the Jobs Menu.
	NPRO	Press <b>NPRO</b> (Nonprocess runout) to move paper though the printer. NPRO is available only when the printer is offline.
	Clear	Press <b>Clr</b> to clear all values you entered on the OCP.
	Delete	Press <b>Del</b> to delete the last character you entered on the OCP.



Icon	Name	Description
	Setting up paper	Press <b>Paper Setup</b> to define form sizes and margins.

## Using the Printer Menu

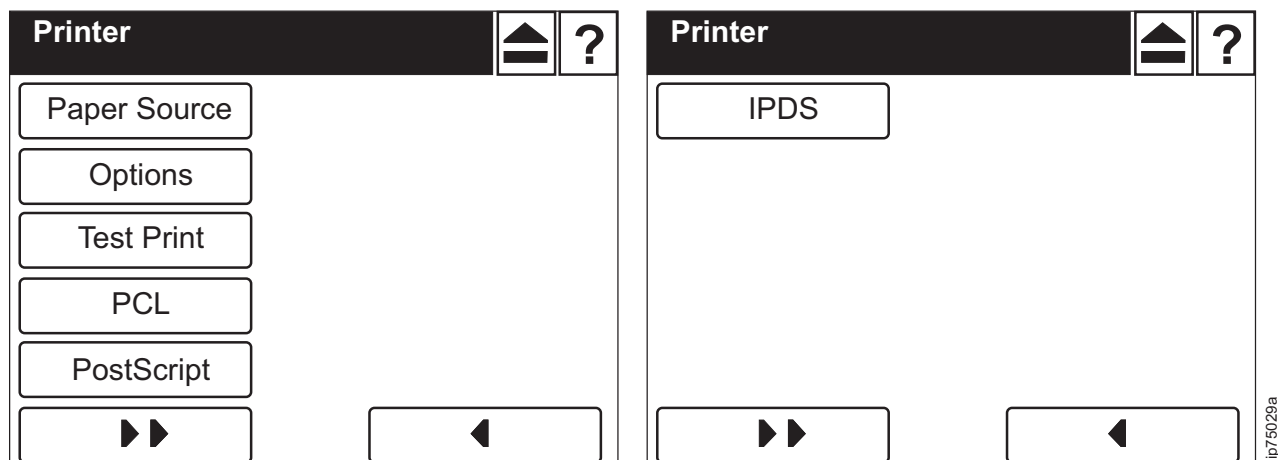


Figure 1. Printer Menu

Use the Printer Menu to:

Task	Submenu	See
Configure paper sizes and print margins	Paper Source	Page 10
Define printer settings	Options	Page 11
Print test pages	Test Print	Page 12
Define settings for PCL jobs	PCL	Page 12
Define settings for PostScript jobs	PostScript	Page 12
Define settings for IPDS jobs	IPDS	Page 13

## Configuring paper

To configure paper, select **Paper Source** on the Paper Menu. Table 1 show values you can set.

**Note:** If you change paper sizes while there is still print data, Paper Size Mismatch displays. Delete existing data, set the correct paper size, and then print the job again.

Table 1. Printer Menu values

Field	Values	Description
Paper size	Width Length	Specifies form width and length.  Change width using the keypad on the Paper Width panel. Width can be 6.50 to 18.00 in. or 165.1 to 457.2 mm.  Change length using the Paper Length panel. Length can be 3.00 to 14.00 in. (76.2 to 355.6 mm) in 1/6 in. increments.
Adjust	Top Margin Left Margin	Specifies an adjustment to the top margin and left margin. The allowable adjustment is $\pm 4.23$ mm ( $\pm 0.16$ in.)
Preset Load	1-99	Loads a registered form. See "Registering paper" on page 29.
Preset Register	1-99	Defines and registers forms. A registered (or preset) form defines paper width and length and margin adjustments. See "Registering paper" on page 29.

## Configuring options

To set printer options, select **Options** on the Paper Menu. Table 2 show values you can set.

Table 2. Options Menu values

Field	Options	Description
Exit Jam Recovery	Enable Disable	Specifies whether jammed pages are reprinted after the jam is cleared.
Wait Timeout	0-999	Specifies the number of seconds the printer waits for data before it determines there is no more data to receive for the job. The printer then ends the job and checks for new jobs. Valid values are 0 to 999. Zero specifies an infinite timeout period, where the printer depends on the host system to end the connection.
LPD Queuing	Enable Disable	Enables LPD queues, which let the printer serve a large number of PCs. The default is Disable.
NPRO Selection	Enable Disable	Enables NPRO selection, which lets you specify how much paper to run when you press <b>NPRO</b> . The default is Disable.  When NPRO Selection is disabled, pressing the NPRO icon automatically moves forms forward. When NPRO Selection is enabled, pressing the NPRO icon lets you select one of these values: <ul style="list-style-type: none"> <li>• Auto: The paper feed length is automatically set and NPRO is executed.</li> <li>• Single: The paper feed length is set to 1 page and NPRO is executed</li> <li>• Manual: NPRO is executed with the designated paper feed length (between 2 and 9 pages).</li> </ul>
Print Density	Light Semi-Light Middle Semi-Dark Dark	Specifies print density.
Stacker	Enable Disable	Enables the control of the stacker table and the swing fin operation.
Stack Level	Standard 3/4 1/2	Specifies the stacking level.
Print Speed	Standard Low	Specifies the print speed on the InfoPrint 100. Standard is 100 ppm; Low is 75 ppm. This setting is not available on the InfoPrint 75. The setting returns to Standard when you power off the printer.
Buzzer	Enable Disable	Enables or disables the printer buzzer.
Auto Load	Standard Economy Form	Selects the automatic form loading method. Economy uses one or two fewer sheets; however it also adds steps to the paper loading procedure. See "Loading paper using Economy Auto Load" on page 34.
Card Paper Control	Enable Disable	Enables card paper control, which reduces card peeling and paper jamming at the stacker when you use card paper. See "Card paper control" on page 41.

## Running a test print

To run a test print, select **Test Print** on the Paper Menu.

## Configuring PCL

To define PCL settings, select **PCL** on the Paper Menu. Table 3 show values you can set.

Table 3. PCL Menu values

Field	Values	Description
Fix Orientation	None Landscape Portrait	Specifies print orientation (landscape or portrait). None uses the value set in the job. Landscape or Portrait override the value set in the job.
2-Up	Enable Disable	Enables 2-up printing (two page images printed side by side). The default is Disable.
2nd Page Offset	nn	Specifies how much to offset the second page. The offset can be from 0 to 1 in 0.1 in. increments. The default is 0.0 in.

## Configuring PostScript

To define PostScript settings, select **PostScript** on the Paper Menu. Table 4 show values you can set.

Table 4. PostScript Menu values

Field	Values	Description
Print Errors	Enable Disable	Specifies how the printer handles PostScript errors. Disable cancels the job, but does not print an error page. Enable cancels the job and does print an error page.
Best Fit	Enable Disable Disable (OCP Priority)	Specifies whether to resize jobs that are too large for the current paper size. Enable shrinks jobs that are too large. Disable generates a message that prompts you to set the right paper size. Disable (OCP Priority) works like Disable with one exception; if a job meets the following criteria, the printer prints the job rather than generating a prompt: <ul style="list-style-type: none"><li>The job requests a different paper size than is set on the printer.</li><li>The job also specifies that the paper size it requests can be ignored.</li></ul>
Job timeout	0, 15-999	Specifies how long the printer can spend processing the job before it cancels the job. Valid values are 15 to 999. Zero specifies no limit on processing time.
Square image direction	Landscape Portrait	Specifies print orientation.
Half tone density	Light Medium Dark	Specifies halftone density. If you change this value you must also power off and power on the printer for the new value to take effect.
PS Wait Timeout	0-999	Specifies the number of seconds the printer waits for data before it determines there is no more data to receive for the job. The printer then ends the job and checks for new jobs. Valid values are 0 to 999. Zero specifies an infinite timeout period, where the printer depends on the host system to end the connection.
180 degrees rotation	Enable Disable	Specifies whether PostScript data is rotated 180 degrees before printing. Rotating data takes extra processing time. The default is Disable.

## Configuring IPDS

To define IPDS settings, select **IPDS** on the Paper Menu. Table 5 show values you can set.

Table 5. IPDS Menu values

Field	Values	Description
Reset IPDS Fonts		Purges all captured IPDS fonts. This item is available only when IPDS is inactive. <b>Note:</b> Use this item only after you get the following error message: IPDS Database Error
Caching	Enable Disable	Specifies whether or not to use caching for repeated overlays. <ul style="list-style-type: none"> <li>• Enable—the printer uses caching, which provides better performance for jobs with repeated overlays, but uses more memory.</li> <li>• Disable—the printer does not use caching, which requires less memory but provides less performance for jobs with repeated overlays. Disable is the default value.</li> </ul> <b>Note:</b> Overlay caching is recommend for repeated overlays. Overlay caching does not improve performance with non-overlay IPDS data or overlays that are used only once or infrequently.
Font Capture	Enable Disable	Sets Font Capture processing: <ul style="list-style-type: none"> <li>• Enable On—allows the printer to save downloaded font resources onto the hard drive for use beyond power cycles. The IPDS host must provide the Activate Resource command with proper resource identifiers prior to downloading the font resource to be captured. Enable is the default value.</li> <li>• Off—the printer will not save downloaded font resources after a power cycle.</li> </ul>
NPRO Timeout	15 (seconds) 30 45 60 120	Specifies the number of seconds the printer waits for PCL or PostScript before it finishes the job and processes IPDS jobs that are waiting.

## Using the Setup Menu

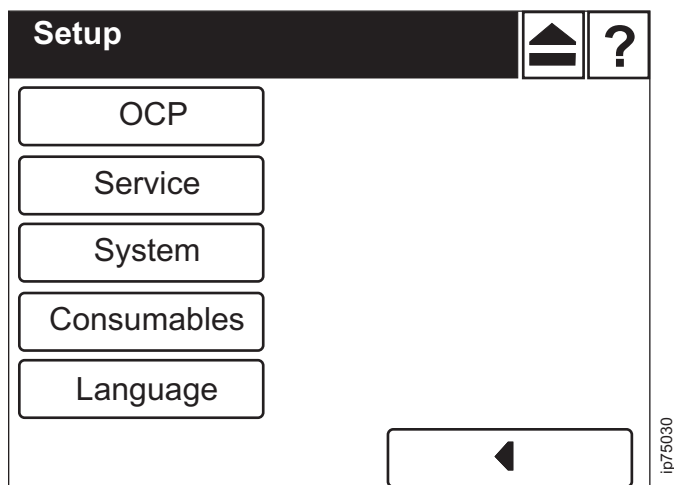


Figure 2. Setup Menu

Use the Setup Menu to:

Task	Submenu	See
Set brightness, contrast, and buzzer volume.	OCP	Page 14
Access service functions. (Service personnel only.)	Service	
Setup software logging, parallel port and network parameters, calendar, country code, energy saver mode, system passwords, and more. The Setup-System Menu is for system administrators and is password protected.	System	Page 14
Add new developer and reset counters for the HR cleaner unit, the HR unit, the OPC drum, and the drum cleaner.	Consumables	Page 16
Specify the language used for the OCP.	Language	

## Configuring the OCP

To configure OCP contrast and buzzer volume, select **OCP** on the Setup Menu. Table 6 show values you can set.

Table 6. OCP Menu values

	Specifies contrast for the OCP.
	Specifies the volume of the OCP buzzer.

## Setting up system values

To configure system values, select **System** on the Setup Menu. Table 7 on page 15 show values you can set.

**Note:** Changing system values requires a password.

Table 7. System Menu values

Field	Value	Description
Software Log		Starts logging for the printer controller software. You need to power off and then power on the printer after the log is complete.
Parallel	Ack Pulse Width Mode	Specifies the Acknowledgment Pulse Width in nanoseconds. Valid values are 500 to 12750. The default is 1000. You should not need to change the default.  Mode selects the communication mode, which is factory-set to Bi-Directional (the printer and the host computer can communicate with each other over the parallel channel). Compatible mode specifies that the host can send information to the printer over the parallel channel, but cannot receive data from the printer.
Network	IP Address Subnet Mask Gateway Address Boot Method HTTP Port	Default values are: <ul style="list-style-type: none"> <li>• IP address: 192.0.0.192</li> <li>• Subnet mask: 0.0.0.0</li> <li>• Gateway address: 0.0.0.0</li> <li>• HTTP port number: 80</li> </ul> <p>If you change the HTTP port number, make sure to restart the printer.</p> <p>Boot Method selects whether the Printer is booted with a static address or a DHCP address. The default is STATIC. IP address is factory-set to STATIC.</p>
Show printing	Enable Disable	Specifies whether the word "Printing" displays on the print job list icon while jobs are printing.
Stop on PS error	Print continue Print stop	Specifies whether printing should continue or stop when a PostScript error occurs. If you select <b>Print Stop</b> , you must manually resume printing following an error.
Calendar	Time zone Date Time	Specifies a date, time, and time zone.
Country code		Specifies a country code used for an international call. Factory-set to 81 (country code of Japan).
Energy save mode	Enable Disable	Turns energy saver mode on or off. If enabled, the printer starts energy saver mode after it is idle for the time specified by Energy Save Time. Energy saver mode ends when one of these events occur: <ul style="list-style-type: none"> <li>• The printer status changes to Online.</li> <li>• You press an icon on the OCP.</li> <li>• When the printer is activated from the Web (for example, a paper setting is changed).</li> </ul>
Energy save time	nnn	Specifies the length of time the printer must be idle before it starts energy saver mode.
Show Paper Info	Enable Disable	Specifies whether or not to display paper information (for example, width and length) on the console.
Password	nnn	Specifies the system password. The default is 1000. <b>Note:</b> If the system password is lost, it must be reset by your authorized service technician.

Table 7. System Menu values (continued)

Field	Value	Description
Emulation	Auto Select PostScript PCL	Specifies how to handle incoming jobs. <ul style="list-style-type: none"> <li>• Auto Select identifies each job and processes it as PostScript or PCL.</li> <li>• PostScript treats all jobs as PostScript. For PostScript jobs, you can also specify Normal mode, TBCP mode and Raw mode.</li> <li>• PCL treats all jobs as PCL.</li> </ul>
public R/W	Enable Disable	Enables or disables SNMP communications. The default is Disable.
Auto Backup Time	0-23	Specifies a time for the printer to run an automatic back-up. The valid range is 0-23. The default is 1 (1:00 AM). The printer automatically runs a back-up when it is powered on.
Job separation	Enable Disable	Specifies whether a job separation mark is printed. The default is Enable. This item is not displayed if service personnel disable it.
Separation Page	3-11	Specifies the number of forms on which a job separation mark is printed. The default is 4.
PS Font Cache	20% 40% 60% 80%	Specifies the maximum amount of hard drive space to be used as a cache for PostScript fonts. When 20% (the default value) is selected, the effective maximum value is limited to 4MB. If you change this value, power the machine off and then on for the new value to take effect.

## Setting up consumables

To change developer and reset counters, select **Consumable** on the Setup Menu. Table 8 show values you can set.

Table 8. Consumable Menu values

Field	Actions	Description
Developer Mix	Exhaust Supply	Select <b>Exhaust</b> to use up the remaining developer. Select <b>Supply</b> to add new developer mix. Follow the instructions on the operator panel for each action. See "Replacing the developer mix" on page 52.
HR Cleaner Unit		Resets the counter for the HR Cleaner Unit.
HR Unit		Resets the counter for the HR Unit.
OPC Drum		Resets the counter for the OPC Drum.
Drum Cleaner		Resets the counter for the Drum Cleaner.

## Using the Language Menu

To change the language displayed on the OCP, select **Language** on the Setup Menu.



---

## Using the Reports Menu

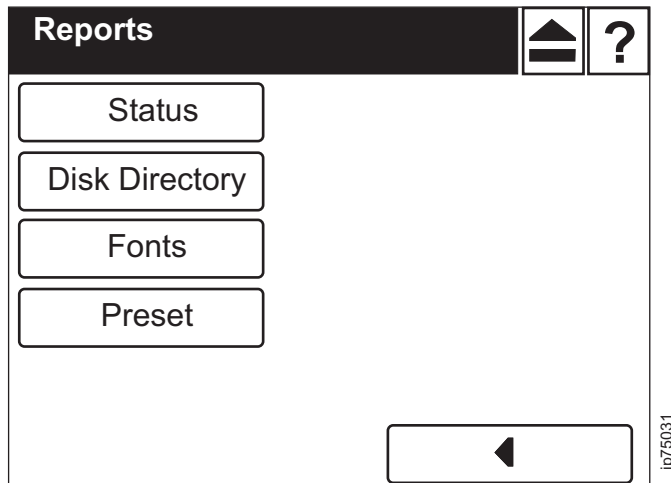


Figure 3. Reports Menu

Use the Reports Menu to print these reports:

- Status: Current printer settings
- Disk: Contents of disk directory of PCL/PostScript
- Fonts: Fonts for PCL/PostScript/IPDS
- Preset: Registered papers

---

## Using the Jobs Menu

The Jobs Menu displays a list of jobs submitted to the printer. Information for each job includes the job name, the number of copies, the page count, the user name, the time the job was received, and job status (P=Pause, A=Active, C=Cancel, D=Developed).

To delete jobs, select the jobs you want to delete and press **Delete**.



## Chapter 3. Using the Web interface

The InfoPrint 75/100 lets you use a Web browser to display information about your printer and change some printer settings. This chapter describes how to access the printer from a Web browser. Note that printer values you set from the Web override values set at the printer.

### Accessing the printer from a Web browser

These Web browsers are supported:

- Internet Explorer: Version 6 or later
- NetScape: Version 7.1 or later

To access the printer from your Web browser:

1. Type the printer IP address in the address field on your browser and press **Enter**. The printer home page displays.
2. Press **Manage** to access printer functions. A screen similar to this displays:

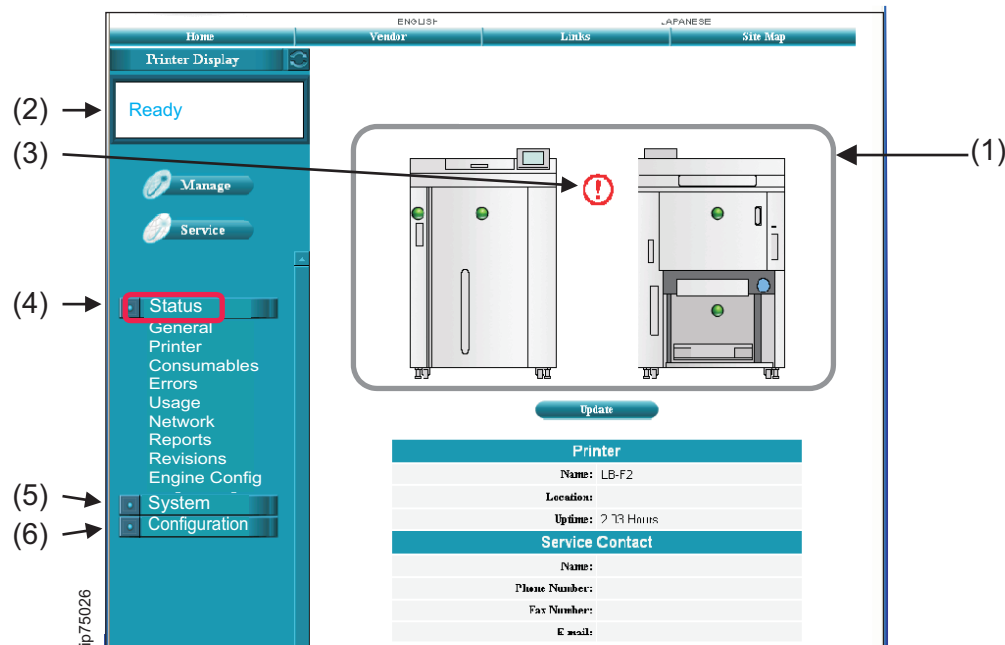


Figure 4. Web interface - General Status

- (1) -- the printer icon shows status for printer components. Green indicates normal operations and red indicates an error. To update status, click **Update**.
- (2) -- the printer display shows the same message displayed on the OCP.
- (3) -- the alert symbol indicates a warning or error that applies to a supply such as toner or developer mix.
- (4) -- select an item from the Status Menu to display detailed status about the printer. Figure 4 shows general status information. Other options display information about paper settings, supplies, errors, printer usage, network settings, and more.
- (5), (6) -- select items from the System Menu or Configuration Menu to manage and configure the printer. See "Using System Pages" on page 20 and "Configuration-Event" on page 28.

---

## Using System Pages

The System pages display and change various printer values. To access System pages, select **System**. You will be prompted for a user name and a password. The system defaults are:

- User Name: system (all in lowercase letters)
- Password: 1000

## System–General

The System-General page sets values for PostScript, IPDS, and other options. Values set in jobs override values set from the Web or the OCP.

### Web-only IPDS settings

The System-General page lets you set some IPDS values that are not available on the OCP. Values marked with an asterisk (\*) are the default values.

*Table 9. IPDS Menu values*

Field	Values	Description
Emulation Mode	Native* 4028	Specifies the emulation mode to use. <ul style="list-style-type: none"><li>• Native—specifies InfoPrint 75 or InfoPrint 100 IPDS Emulation.</li><li>• 4028—specifies 4028 IPDS Emulation.</li></ul>

Table 9. IPDS Menu values (continued)

Field	Values	Description
Default Code Page	nnnn	<p>Specifies the default code page. The default value is code page 037.</p> <p>037 US, Canada, Netherlands, Portugal            038 US English ASCII            260 Canadian French            273 Austrian/German            274 Belgium            276 Canadian French            277 Danish/Norwegian            278 Finnish/Swedish            280 Italian            281 Japanese            284 Spanish            285 UK English            286 Austrian/German (alternate)            287 Danish/Norwegian (Alternate)            288 Finnish/Swedish (Alternate)            290 Japanese/Katakana            297 French            420 Arabic            423 Greek            424 Hebrew            500 Belgium, Switzerland / International            870 Latin 2 Multilingual            871 Icelandic            875 Greek            880 Cyrillic            892 OCR - A            893 OCR - B            905 Turkish            1025 Cyrillic            1026 Turkish</p> <p>The following code pages include the Euro character:            1140 - US, Canada, Netherlands, Brazil, Portugal            1141 - Austrian/German            1142 - Danish/Norwegian            1143 - Finnish/Swedish            1144 - Italian            1145 - Spanish            1146 - UK English            1147 - French            1148 - Belgium, Switzerland/International            1149 - Icelandic</p>
Default FGID	nnnnn	<p>Specifies the default FGID (Font Typeface Global Identifier), which identifies the default resident font the printer uses. The default FGID is 416, which specifies Courier 10 point as the default resident font.</p> <p>To display the list of fonts and FGIDs the printer supports, print out a list of IPDS resident fonts.</p>
Characters Per Inch	nn.n	<p>Selects characters-per-inch (pitch) for the default font. Valid values are 5.0 to 30.0 in tenths of an inch. The default value is 10.</p>

Table 9. IPDS Menu values (continued)

Field	Values	Description
Valid Print Area Check	Enabled* Disabled	Turns valid printable area checking on or off. <ul style="list-style-type: none"> <li>• Enabled—the printer checks for pels that fall outside the intersection of the logical and physical pages. If pels fall outside the area, the printer reports an error to the host if the IPDS Exception Handling Control command setting requires error reporting.</li> <li>• Disabled—The printer does not report pels outside the valid printable area.</li> </ul>

Table 9. IPDS Menu values (continued)

Field	Values	Description
Page	Whole* Comp1 Comp2 Print	<p>Determines how data is positioned on the page.</p> <ul style="list-style-type: none"> <li>• Whole—IPDS whole page (default). The printer does not move or compress the page. This is the preferred method; all page positioning and formatting is done at the application level on the host. The Print, Comp1, and Comp2 options may alter the appearance of the page, or may not be compatible with predecessor products (for example, 3116, 3916), especially when combined with duplex and other IPDS Menu page format adjustments. Print, Comp1, and Comp2 are included to allow line printer jobs to fit on a page where edge-to-edge printing was not possible; they are not recommended for use in generating new applications.</li> <li>• Print—IPDS print page. If the page origin falls within the unprintable area, the origin of the page is moved to the inside edge of the nearest unprintable area border. If the origin violates the unprintable area on two edges, it is moved to the nearest inside corner of the unprintable area. If the origin violates only one edge of the unprintable area, and then the origin is adjusted to avoid only that area. If a location adjustment is made, the printed page shifts in the direction of the adjustment. There is no compression, so the opposite-edge data may be pushed off the page. <b>Note:</b> Print requires Edge-Edge set Off to work. Any data placed in this unprintable area is lost. Also, Print will not work on media overlays (overlays that are part of the base page, not the overlays included in the variable print data).</li> <li>• Comp1—Comp1 format uses Print page as a base, and then compresses the spacing between text lines generated by the IPDS Begin Line command. Its primary purpose is to compress Begin Line text data into a page with unprintable borders.</li> <li>• Comp2—Comp2 format uses Print page as a base, and then adds compression IPDS Begin Line command (see Comp1) and of the following vertical text positioning commands: Absolute Move Baseline, Relative Move Baseline, Draw B Axis Rule, Draw I Axis Rule.</li> </ul> <p><b>Note:</b> Alignment problems can occur if you select Comp1 or Comp2 and you print jobs that mix text with images, graphics, or bar codes. Problems arise when text positioning commands are used to move across text or into non-text (image, graphic, or bar code) areas. Both Comp1 and Comp2 reduce the line spacing of text only and have no effect on non-text data. To minimize this problem, select Comp1, because Begin Line commands are not normally used to move across or into non-text areas. If, however, the application you want to compress does not use Begin Line commands, you should select Comp2.</p>
Font Substitution	Off* On	<p>Turns font substitution on or off.</p> <ul style="list-style-type: none"> <li>• Off—if a job requests a font that is not loaded on the printer, the printer generates an IPDS NACK message and the host holds the job.</li> <li>• On—if a job requests a font that is not loaded on the printer, the printer attempts to substitute another font.</li> </ul>

Table 9. IPDS Menu values (continued)

Field	Values	Description
Resolution	300* 600 Auto 240	<p>Specifies the resolution reported to the host in the IPDS XOA-OPC command for raster coded fonts and IM1 images support. The Resolution menu item also helps determine if a printer-resident raster font will be activated. For example, 240 dpi raster fonts are activated at the 240 setting, not at 300 or 600. The Resolution menu item does not affect outline fonts, nor does it affect what raster fonts can be downloaded to the printer as temporary activation fonts.</p> <ul style="list-style-type: none"> <li>• 300—Reports to the host that the printer supports 300-dpi raster fonts and IM1 image. Resident or Captured raster fonts of other resolutions will not be activated unless a matching Font Resolution and Metric technology Triplet is provided with the activation request.</li> <li>• 600—Reports to the host that the printer supports 600-dpi raster fonts and IM1 image. Resident or Captured raster fonts of other resolutions will not be activated unless a matching Font Resolution and Metric technology Triplet is provided with the activation request.</li> <li>• 240—Reports to the host that the printer supports 240-dpi raster fonts and IM1 image. Resident or Captured raster fonts of other resolutions will not be activated unless a matching Font Resolution and Metric technology Triplet is provided with the activation request.</li> <li>• Auto—Reports to the host that the printer supports ANY dpi raster fonts and IM1 image. Activation of Resident or Captured raster fonts of any resolution <b>must</b> be accompanied by a matching Font Resolution and Metric technology or the activation will not succeed.</li> </ul>
Graphic Character String	Auto* Character Scale Font Activation	<p>Sets Graphic Character String (Graphic Character Sizing) processing:</p> <ul style="list-style-type: none"> <li>• Auto—specifies that the printer use the value specified by the IPDS Menu Emulation item (Native or 4028).</li> <li>• Character Scale—specifies 4028 IPDS Emulation. Character Scale prints graphics text characters by scaling the characters in a currently activated font. Character Cell Size is defined in the GOCA data stream. Not available for DBCS.</li> <li>• Font Activation—specifies Native IPDS Emulation. Font Activation prints graphics text characters from a currently activated font at the font's activation size, without scaling. GOCA data stream Character Cell Size information is ignored.</li> </ul>
Bar Code	Auto* 4028 Native	<p>Specifies the barcode level protocol:</p> <ul style="list-style-type: none"> <li>• Auto—specifies that the printer use the value specified by the IPDS Menu Emulation item (Native or 4028).</li> <li>• 4028—specifies 4028 IPDS Emulation.</li> <li>• Native—specifies InfoPrint 75 or InfoPrint 100 IPDS Emulation.</li> </ul>



Table 9. IPDS Menu values (continued)

Field	Values	Description
Box Draw	Off* On	Sets Box Draw processing: <ul style="list-style-type: none"> <li>• Off—Uses outline font Symbol Set characters for drawing boxes as the characters are defined in the font.</li> <li>• On—Uses special outline fonts for drawing the Symbol Set Box characters. On may be used to fill in some gaps when running older applications where special raster fonts used extended length Box characters.</li> </ul>
Color Simulation	Fidelity* Legacy	Allows you to specify how color specification controls are processed on a monochromatic printer. <ul style="list-style-type: none"> <li>• Fidelity - Specifies that the printer accepts all color specification controls and simulates the unique colors with shades of gray. This is the default.</li> <li>• Legacy - Specifies that the printer accepts all color specification controls; however, only limited color simulation will take place using black.</li> </ul>
Text Color Simulation	Off On*	Specifies how TEXT color specification controls should be processed on a monochromatic printer. <ul style="list-style-type: none"> <li>• On - Specifies that the printer accept all TEXT color specification controls and simulate the unique colors with shades of gray. This is the default.</li> <li>• Off - Specifies that the printer accept all TEXT color specification controls; however, only limited color simulation will take place using black.</li> </ul> <p><b>Note:</b> This menu items is available only when Color Simulation mode is set to Fidelity mode.</p>
Capture and Print	Enable Disable*	Enabling Capture and Print stores all inbound and outbound data. Data captured for an IPDS session consists of 2 files: <ul style="list-style-type: none"> <li>• IN data - Data sent to the printer from a client is written to a file named printjob.bin.</li> <li>•</li> <li>• OUT data - Data sent by the printer to the client (if any) is written to a file named backchan.bin.</li> </ul> <p>Capture and print is automatically set to Disable when you power off the printer.</p> <p><b>Note:</b> The maximum data size of the files created by Capture and Print and IPDS Trace is approximately 2GB, depending on the remaining capacity of the disk. Tracing stops when the disk is full.</p>
IPDS Trace	Enable Disable*	Enabling IPDS Trace stores IPDS interpreter process data to a file named ipdsbin.hrb. IPDS Trace is automatically set to Disable when you power off the printer. <p><b>Note:</b> The maximum data size of the files created by Capture and Print and IPDS Trace is approximately 2GB, depending on the remaining capacity of the disk. Tracing stops when the disk is full.</p>

## System-Virtual Printer

This System-Virtual Printer configures virtual printer settings. A “virtual printer” appears as a printer over the network. Because you can define multiple virtual printers on the InfoPrint 75/100, virtual printers enable the InfoPrint 75/100 to provide multiple printing services using only one physical printer. Figure 5 on page 26

26 displays the Virtual printer page.

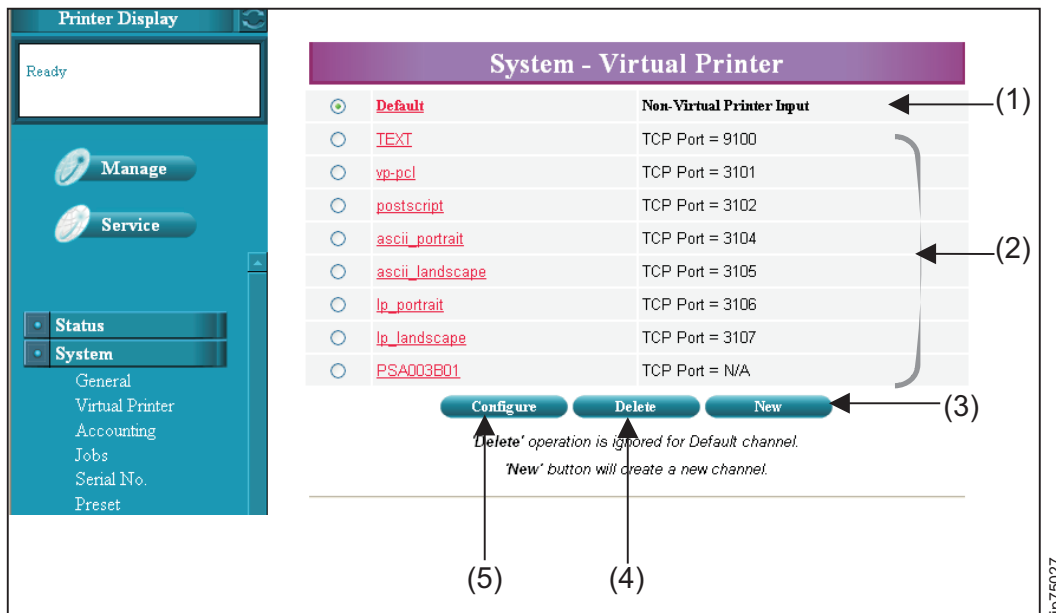


Figure 5. Web interface - Virtual Printer

- (1) -- the default printer receives data over the parallel channel. This channel is not recognized on the network.
- (2) -- vp-pcl through ip-landscape are factory-set virtual printers. Initial settings are shown below. (Note that the actual values depend on which network interface is active.)

Virtual Printer	Protocol	Emulation	Remarks
TEXT	TCP/IP	Auto Select	TCP Port = 9100
vp-pcl	TCP/IP	PCL	TCP Port = 3101
Postscript <sup>1</sup>	TCP/IP	Postscript	TCP Port = 3102
ascii_portrait	TCP/IP	PCL	TCP Port = 3103 Orientation = Portrait
ascii_landscape	TCP/IP	PCL	TCP Port = 3104 Orientation = Landscape
lp_portrait	TCP/IP	PCL	TCP Port = 3105 Orientation = Portrait
lp_landscape	TCP/IP	PCL	TCP Port = 3106 Orientation = Landscape
PSAxxxxx*1	AppleTalk	Postscript	Xxxxxx is lower 6 digits of MAC address

<sup>1</sup> Only for models in which PostScript is installed

- (3) -- Press **New** to create a new virtual printer.
- (4) -- Press **Delete** to delete a virtual printer.
- (5) -- Press **Configure** to change values for a virtual printer or the parallel channel. The values for a virtual printer are described below:

### General setup page

- Virtual printer name
- Emulation – Can be AutoSelect, PostScript, or PCL. If you select **PCL** or **PostScript**, the virtual printer handles only the selected type of job.
- Protocol — Enables or disables protocols and specifies TCP Port Numbers.
- Spooling

- None: Data is processed and printed in the order it is received.
- LPD Only / Raw Socket Only / LPD and Raw Socket: Data transmitted through the selected protocol is temporarily stored on the printer hard drive before it is processed.
- Capture to File: Jobs are saved on the printer hard drive and not printed.

**PostScript setup page** (Note that values in PostScript jobs override values set here):

- PostScript I/O mode— specifies whether PostScript data is binary (Raw), tagged binary data (TBCP), or Normal.

**PCL setup page** (Note that values in PCL jobs override values set here):

- Page Orientation
- Page Length
- Line Termination
- Line Wrap
- Fix Orientation
- 2-UP
- Top Margin
- Bottom Margin Font

**Paper Handling setup page** (Note that values in jobs override values set here):

- Paper Length
- Paper Width
- Copies
- Collate

## System–Accounting

The System-Accounting page provides information about Toner Coverage, the number of printed jobs and the number of forms printed (based on 11 in. form length).

To download a file of accounting information, right-click the Download icon and select **Save Target As**.

## System–Jobs

The System–Jobs page provides displays job status and lets you cancel jobs. Some Jobs may not display accurate status.

## System–Serial No.

The System–Serial No. page displays the serial number of the Printer controller.

## System-Preset

System-Preset File lets you manage paper registrations (also called presets). Applying a preset paper from the Web overrides the value loaded at the OCP.

System-Preset Register/Search lets you create and update paper registrations. Paper registration information includes the number, the name, a description, form length, form width, adjustments to the starting print position, and a host setup ID for IPDS jobs. The host setup ID is defined by your company to tell the host system if the form loaded in the printer is the correct form for the print job being sent to the printer. If the loaded form is the form required by the Host Setup ID, the job is sent to the printer. If the loaded form is not the form required by the Host Setup ID, an error message is posted on the host system console.

---

## **Using Configuration Pages**

The Configuration pages let system administrators configure various printer values.

### **Configuration-General**

Lets you display and configure Customer information, Printer information, Service and Contact information.

### **Configuration-Event**

Sets up e-mail notification if errors occur, toner is low, or an accounting period is ending.

### **Configuration-Configuration**

The Configuration-Configuration page lets you define passwords for accessing the Web and other system information.

### **Configuration-Communication**

The Configuration-Communication page lets you set up values for the parallel channel, TCP/IP, and AppleTalk.

---

## Chapter 4. Working with forms

---

### Paper handling precautions




Follow these guidelines to improve print quality and help avoid paper jams:

- Use paper that conforms to specifications. See Appendix C, “Paper specifications,” on page 89.
- Do not print with the covers open.
- Make sure the paper feed unit is closed before you print.
- Load forms correctly.
- Make sure you use the FORMS WIDTH lever and FORMS LENGTH knob to set the correct form width and length.
- Remove forms from their plastic wrapping before you print.
- Do not touch printed output until the paper has passed through the HR unit.
- Use the NPRO function to move printed forms through the printer. If you use the FORWARD switch on the PF Panel, toner may not be fused to the paper and the printer can become contaminated.
- Make sure FORMS SELECT is set correctly.
- Paper left in the printer for 30 minutes after printing may become discolored from heat. Remove forms from the printer while the printer is not in use, or feed the discolored sheets forward before you resume printing.
- Do not exceed the capacity of the paper hopper and the stacker.
- If the printer is in power saver mode, do not open covers, do not open the paper feed unit, and do not pull forms from the hopper or stacker.

---

### Registering paper

Registering paper consists of defining a paper to the printer. The definition includes length, width, and adjustments to the starting print position. You can create up to 99 paper registrations (also called presets). By default, the printer includes several definitions.

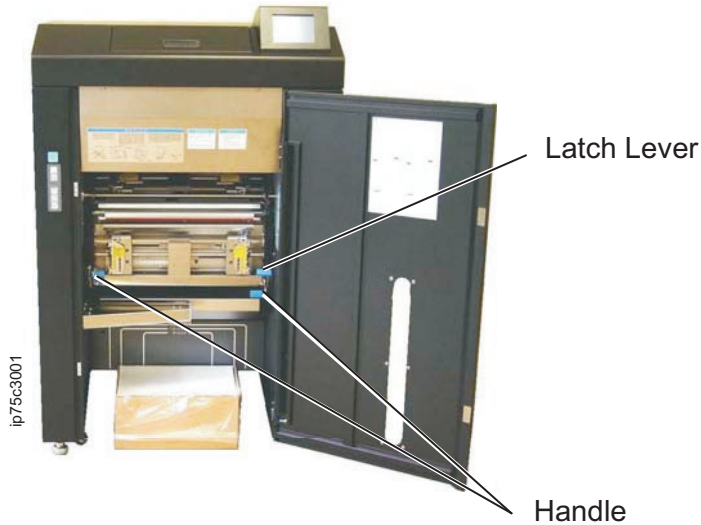
- To display the current paper registrations, press **Information** () on either the Preset Register or Preset Load menus.
- To select a paper registration:
  1. Select **Paper Source** from the Printer Menu.
  2. Select **Preset Load**.
  3. Select the paper registration you want and then press **Enter** ().
- To create a new paper registration:
  1. Select **Paper Source** from the Printer Menu.
  2. Select **Preset Register**.
  3. Specify a number, the width and length, and, optionally adjustments to the starting print position. Then press **Enter** ().

---

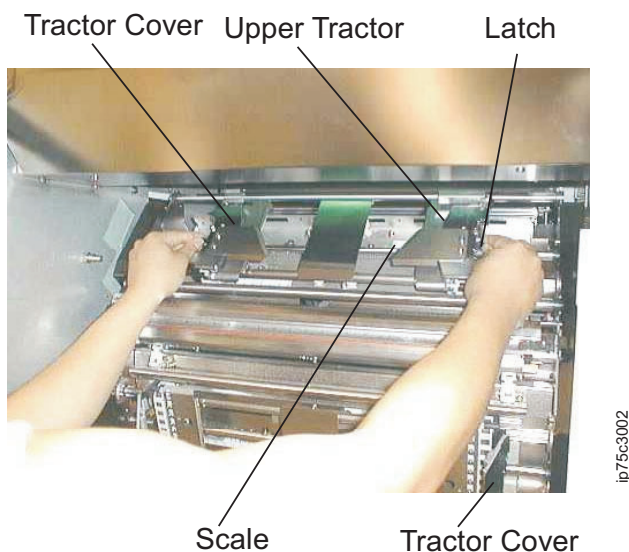
## Loading forms

Follow the procedures below to load forms.

1. Open the front cover.
2. Grasp the handles of the paper feed unit, unlock the latch lever, and open the paper feed unit.



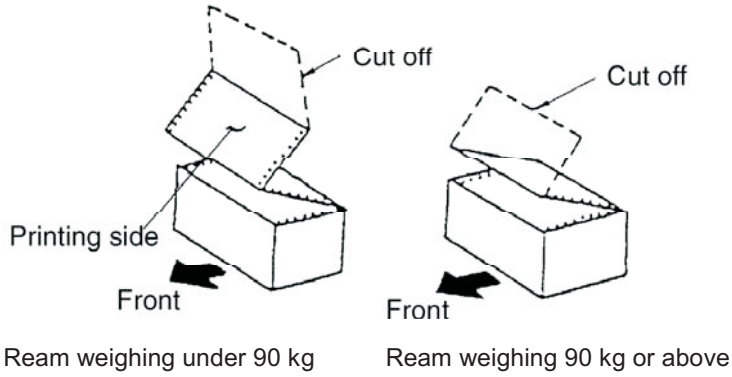
3. Orient the forms so that the print side faces the front of the printer. Center the box that contains the forms and make sure the back of the box touches the back of the paper hopper. See the label on the printer.
4. Unlock the upper tractor latches on both sides (the knobs turn up). Adjust the tractor to the correct form width.



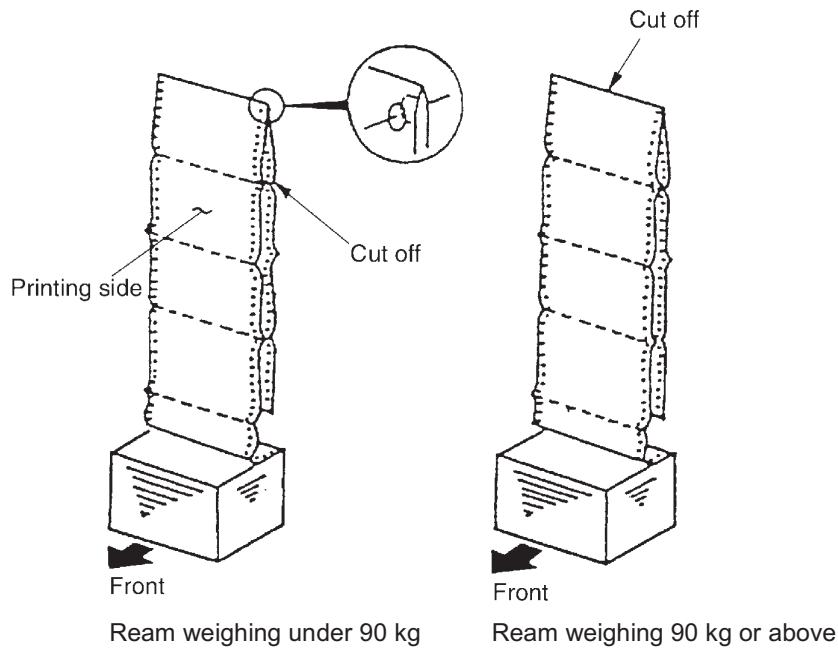
5. Adjust the lower tractor to the correct form width.
6. Open the upper and lower tractor covers.

**Note:** Do not move the tractors while the tractor cover is open.

7. Attach the first sheet:
  - For forms with a length in a multiple of 1/2 in.:

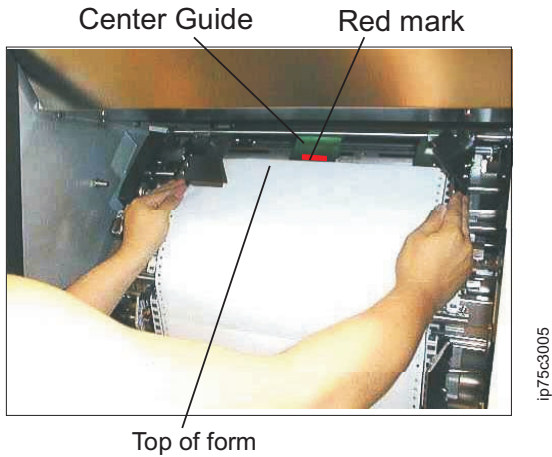


- For forms with a length not in a multiple of 1/2 in.:



**Notes:**

- Cut paper at its perforations.
  - Do not leave cut pieces on forms.
  - Do not fold the edges of forms.
- Align the top of the form with the red mark on the center guide. Then fit the tractor holes of the forms onto the tractor pins and adjust the form tension. See "Adjusting form tension" on page 34.



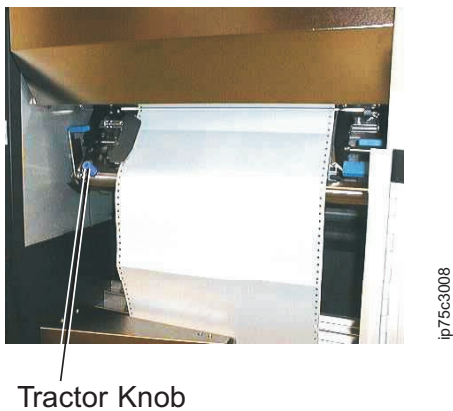
9. Close the upper tractor cover.



10. Lift the handle of the paper feed unit and close it until the latch locks.

**Note:** For forms with a width of 18 in. (457.2mm), make sure to put the form under the handle of the paper feed unit, otherwise the form might get caught.

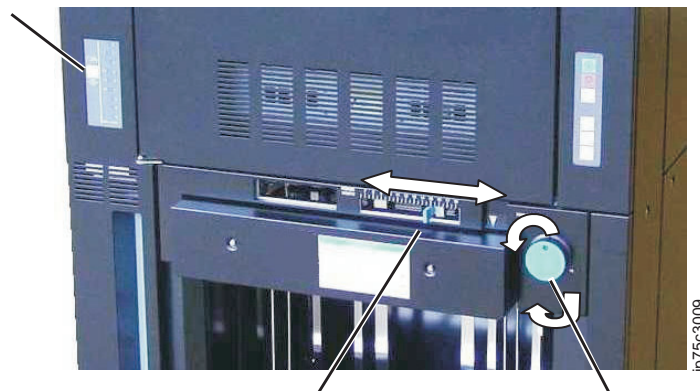
11. Fit the tractor holes of the forms on the lower tractor pins. Make sure there is no slack between the upper and lower tractors. Use the tractor knob to fine tune the tractor width. See “Adjusting form tension” on page 34 if larger adjustments are required.



12. Close the lower tractor cover.
13. Close the front cover.
14. Use the FORMS WIDTH lever on the Stacker to set the form width. Use the FORMS LENGTH Knob to set the forms length.



FORMS LENGTH panel



FORMS WIDTH lever      FORMS LENGTH knob

**Note:** Make sure the length and width are set correctly.

15. Press **AUTO LOAD** on either the ST Panel or the PF Panel. Short beeps indicate that the printer is preparing to load the paper. If the beeper turns off, the load was successful. Longer beeps indicate a problem.

**Notes:**

- a. Make sure there are no forms on the stacker table before you press **AUTO LOAD**, otherwise print problems and paper jams may occur.
- b. Wider papers may require the printer to pause for up to 3 minutes prior to loading paper.
- c. These conditions may cause AUTO LOAD to fail. Fix the condition and then retry the AUTO LOAD:

Cause	Action
A cover is open.	Close the cover.
The feed unit is open.	Close the feed unit.
The forms are not set correctly.	Make sure the forms pass between the paper guides and that the paper holes attach to the tractor pins.
Old forms are still in the printer.	Remove old forms from the printer.
Frequent failures when automatically loading paper	<ul style="list-style-type: none"> <li>• Even if the ream weight is 90 kg or above, fold down the first sheet and attach it to the tractor as if the ream weight were under 90 kg).</li> <li>• Make sure the first sheet is not curled.</li> </ul>

16. Do this before you start printing:

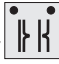
- Check the stop position. See “Checking the forms stop position” on page 37.
- Make sure the lamp indicator of the FORMS SELECT switch on the PF panel matches the form ream weight. A is for 55-71 kg form ream weight; B is for 72-135 kg form ream weight. If it is incorrect, press **FORMS SELECT** to set it correctly.
- Make sure the form is folded correctly.



17. Use the OCP to set the paper size. See “Configuring paper” on page 10.

## Loading paper using Economy Auto Load

You can choose from two paper Auto Load methods: Standard and Economy. Standard can save one or two sheets of paper everytime you automatically load paper; however, it adds some steps to the Auto Load process.

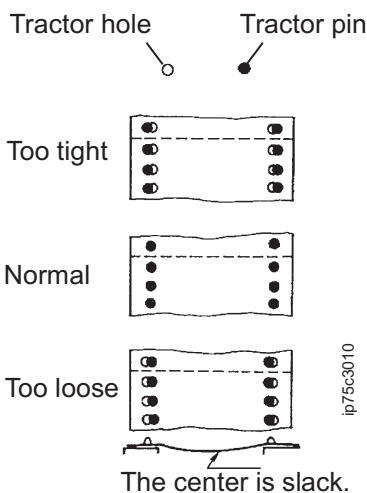
1. Select **Options** on the Printer Menu.
2. Press **Next** (▶▶) until you see **Auto Load**.
3. Select **Auto Load** and then select **Economy**.
4. Complete the Auto Load procedure described in “Loading forms” on page 30.
5. Print some pages. After a few pages print, this message is displayed and the printer stops:  
Stacker Not Ready/Check Forms in Stacker E02C
6. Check forms in the stacker and make sure the folds are correct. Press **Enter** to clear the message.  
Another message appears:  
Swing Fin Not Ready/Press Forms Set Switch E012
7. Press FORMS SET (  ) to specify the direction of the paper folds.
8. Press **Enter** (■) to clear the message.

---

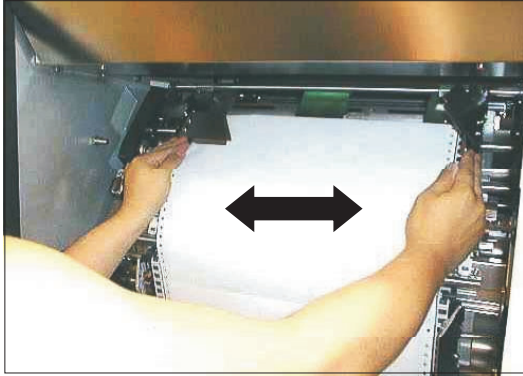
## Adjusting form tension

This procedure describes how to check and adjust the tension of the forms set on the tractors.

1. Open the upper and lower tractor covers.
2. Make sure the paper holes fit on the tractor pins. If the holes are stretched, the tension is too tight. If the center of the form is slack, the tension is too loose.



3. To adjust tension:
  - a. Unlock the latches of the upper tractor (the knobs turn up).
  - b. Slide the tractors inward to decrease tension or outward to increase tension. use the tractor knob to make adjustments to the lower tractor.
  - c. Close the latches on the upper tractor.



4. Close the upper and lower tractor covers.

## Removing forms

These procedures describe how to remove forms from the stacker.



<9-14>

### CAUTION:


Hazardous moving parts. Keep fingers, hands, and other body parts away from the stacker table while it is moving.

CAUT0914

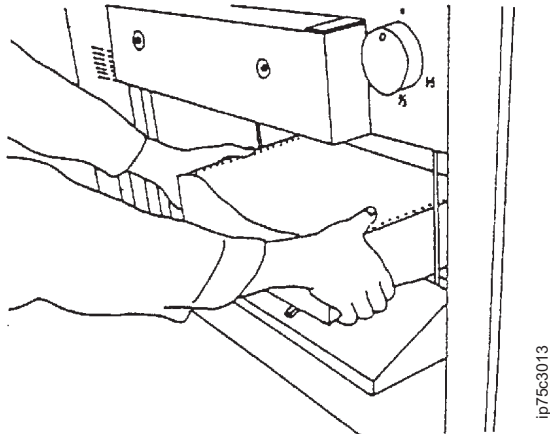
### When the form is cut from the hopper side:

1. Open the front cover.
2. Cut the form at a perforation between the paper feed unit and the paper box.



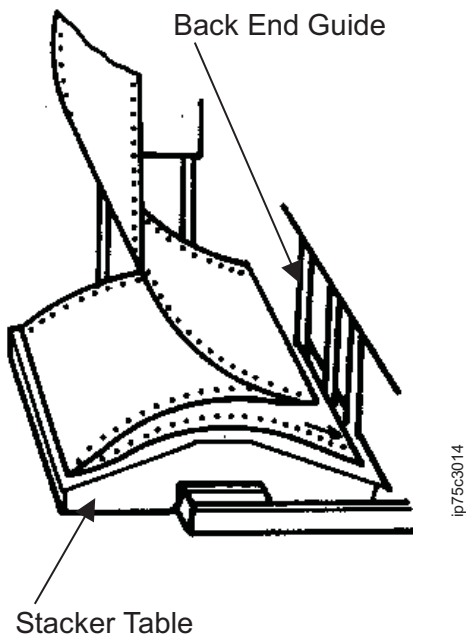
3. Press **NPRO**  to feed the forms.
4. Press **DOWN** on the ST Panel to lower the stacker table.

5. Remove the forms from the stacker table.



**When the form is cut from the stacker side:**

1. Press **DOWN** on the ST Panel to lower the stacker table.
2. Cut the form at a perforation so that multiple pages remain on the stacker table. Remove the forms from the stacker table.
3. Fold the forms as shown. Make sure that the top edge of the forms evenly touches the back end guide.

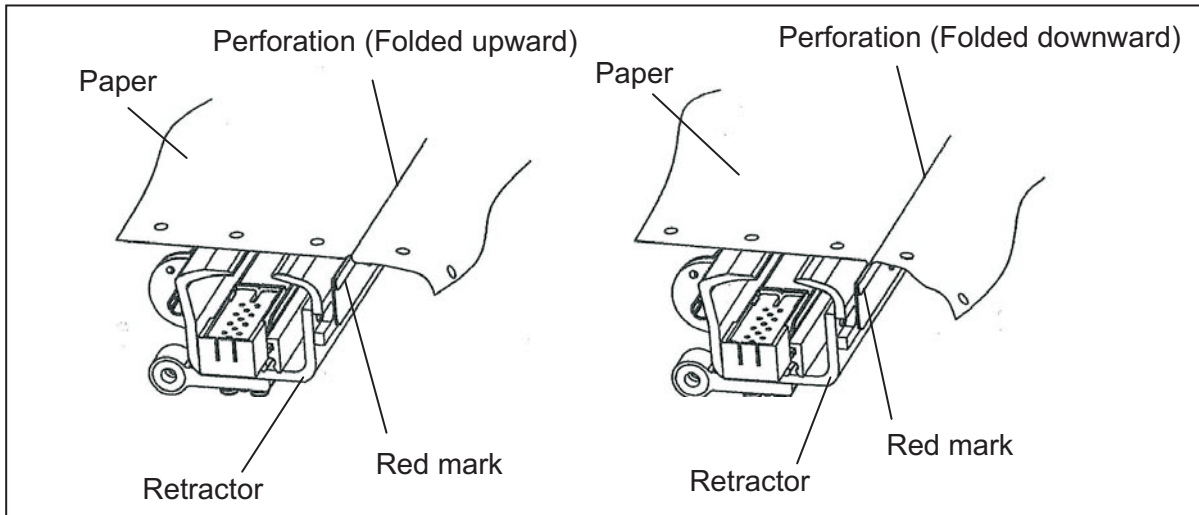


4. Press **UP** on the ST Panel to raise the stacker table. If the forms move out of place, press **STOP** on the ST Panel and stop the stacker table. Readjust the forms and then press **UP** again.

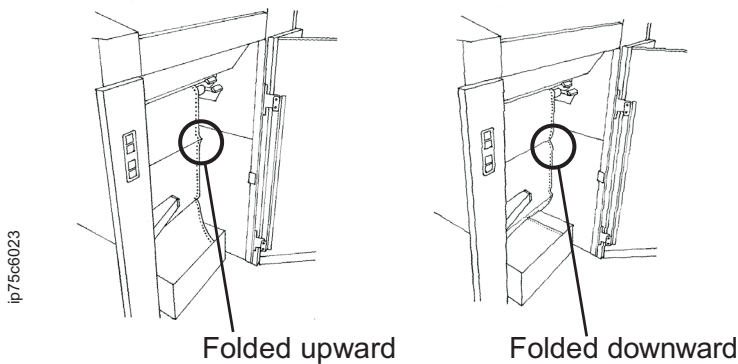
## Checking the forms stop position

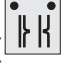
Follow this procedure to adjust the forms stop position if the print position in the feed direction deviates by 1/6 in. or more. (If there is a paper jam, follow the procedures in “Clearing paper jams” on page 62.)

1. Slowly open the paper feed unit.
2. Check if the forms perforation is on the red mark on the retractor. If it is, the forms stop position is correct. If not, press **FORWARD** or **REVERSE** on the PF Panel until the forms perforation reaches the red mark.



3. Close the paper feed unit.
4. Determine if the first fold outside of the paper feed unit is upward or downward.



5. Press **FORMS SET** (  ) on the PF panel and set the switch lamp indicator to Upward or Downward. If the fold corresponds to the lamp indicator, press **FORMS SET** twice.

---

## Checking print position

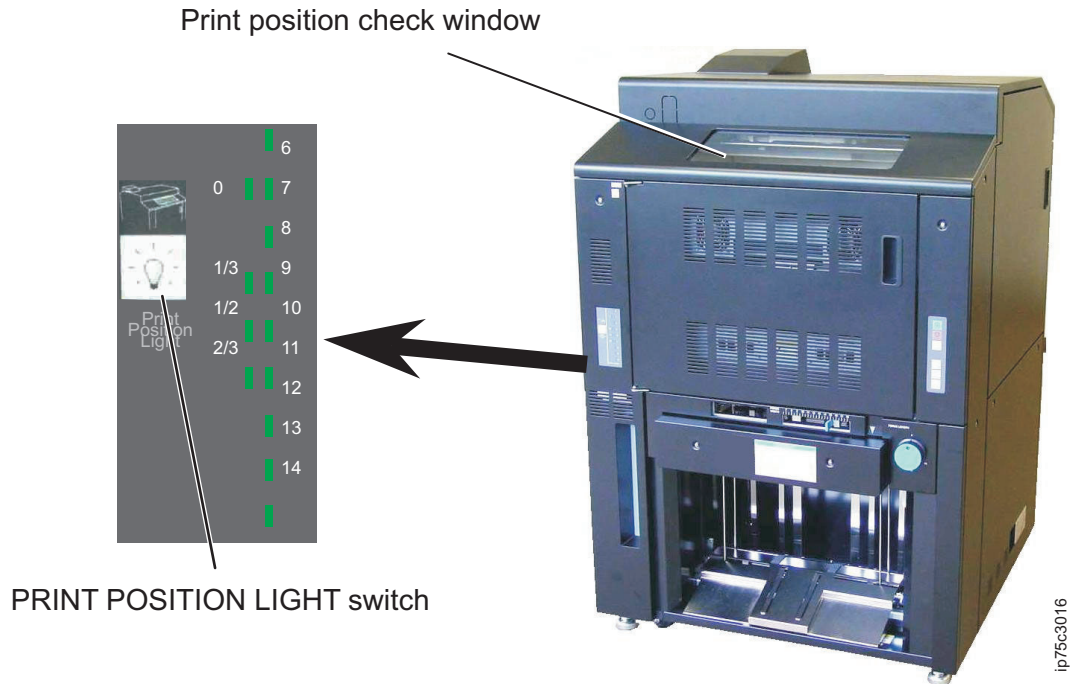
Follow the procedure below to check and adjust the print position.

### Procedure A

1. Load forms.
2. Print a few pages of a test job.
3. Press **DOWN** on the ST Panel to lower the stacker table.
4. Check the printed result.
5. Press **UP** on the ST Panel to raise the stacker table.
6. If the print position is misaligned:
  - a. Select **Paper Source** from the Printer Menu.
  - b. Select **Adjust**.
  - c. Adjust the starting print position as required and then press **Enter** (■).

## Procedure B

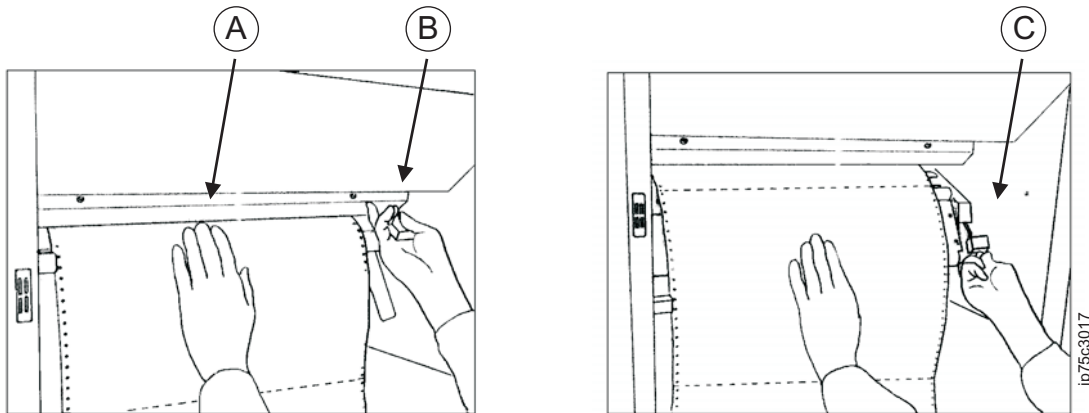
1. Load forms.
2. Print a few pages of a test job.
3. Check the result through the print position check window. If it is dark and difficult to see, press **PRINT POSITION LIGHT**.



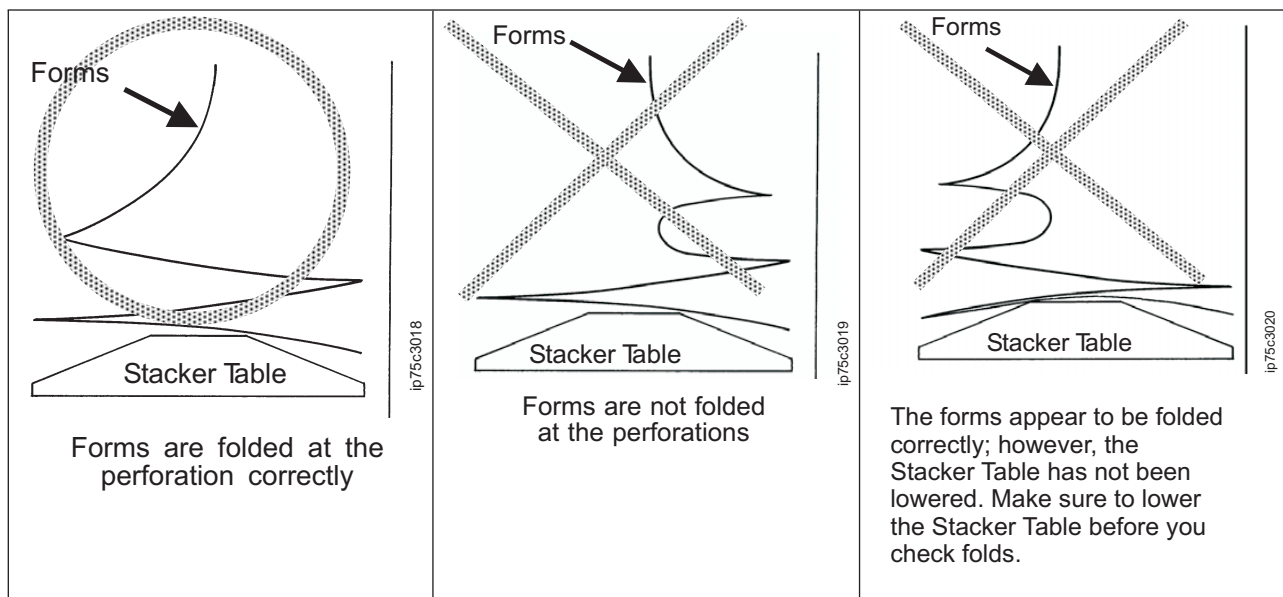
4. If the print position is misaligned:
  - a. Select **Paper Source** from the Printer Menu.
  - b. Select **Adjust**.
  - c. Adjust the starting print position as required and then press **Enter (■)**.
5. If this method does not work, try Procedure C.

**Procedure C**

1. Load forms.
2. Print a few pages of a test job.
3. Open the front cover.
4. Gently press the paper down (A) and slowly open the paper feed unit (B) and (C). Pressing down the paper can help prevent paper from getting caught or damaged; but you should also be careful to not smear toner.



5. Check the forms stop position. See “Checking the forms stop position” on page 37. If the print position is misaligned, reload forms.
6. If the print position is misaligned, see “Adjusting print position” on page 41.
7. Close the paper feed unit. Hold both handles of the paper feed unit and close them until they lock. If the paper feed unit is not closed correctly, jams may occur.
8. Close the front cover.
9. Check the forms folds. Lower the stacker table to the midpoint position and make sure the forms are folded correctly. Adjust the folds if necessary and then raise the stacker table.





## Adjusting print position

This procedure describes how to adjust print position.

1. Select **Paper Source** from the Printer Menu.
2. Select **Adjust**.
3. Adjust the starting print position as required and then press **Enter** (■).

---

## Card paper control

The printer includes an option called card paper control, which reduces card peeling and paper jamming at the stacker when you use card paper.

To enable card paper control:

1. Select **Options** on the Printer Menu.
2. Press **Next** (▶▶) until you see **Card Paper Control**.
3. Select **Card Paper Control** and then select **Enable**.

Here are some recommendations to follow when you use card paper control:

1. Try to print as continuously as possible. Numerous starts and stops can cause printer jams.
2. When the printer stops, the stacker lowers, which, in turn can cause forms to move out of place, and cause a stacker error (E015). To avoid the error, try to print larger jobs (at least five sets) after performing an auto load. If an E015 error occurs:
  - a. Press the form to the back side.



- b. Press **UP** on the stacker table panel.
  - c. Press **READY** on the stacker table panel to restart printing.
3. Remove forms from the printer as soon as you finish printing on card paper. Heat from the fuser can damage the paper.



---

## Chapter 5. Network settings

This chapter describes how to connect the printer to the network, configure the printer's network interface, and set up network communication protocols.

---

### Connecting to the network

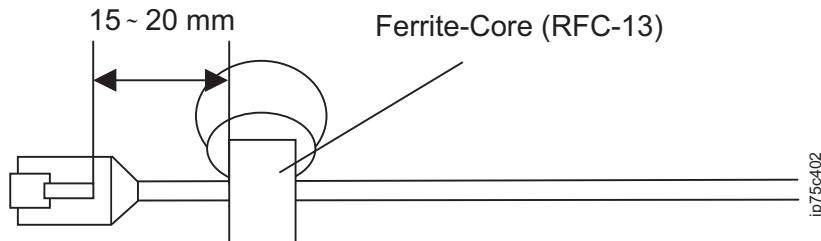
The printer supports these networks:

- 10 BASE-T
- 100 BASE-TX
- 1000 BASE-T

The printer supports these network protocols:

- TCP/IP
- LPR/LPD
- AppleTalk

Before connecting the Ethernet cable to the printer, attach a ferrite core (RFC-13) to the cable at the end closest to the printer. The ferrite core should be placed 15-20 mm from the RJ-45 connector on the Ethernet cable.



Connect the printer to the network using an unshielded twisted pair (UTP) cable of category 3 or better for 10 BASE-T, category 5 or better for 100 BASE-TX, or category 5e or better for 1000 BASE-T. Figure 6 on page 44 shows the network connector location (10/100/1000B-T connector) on the rear of the printer.

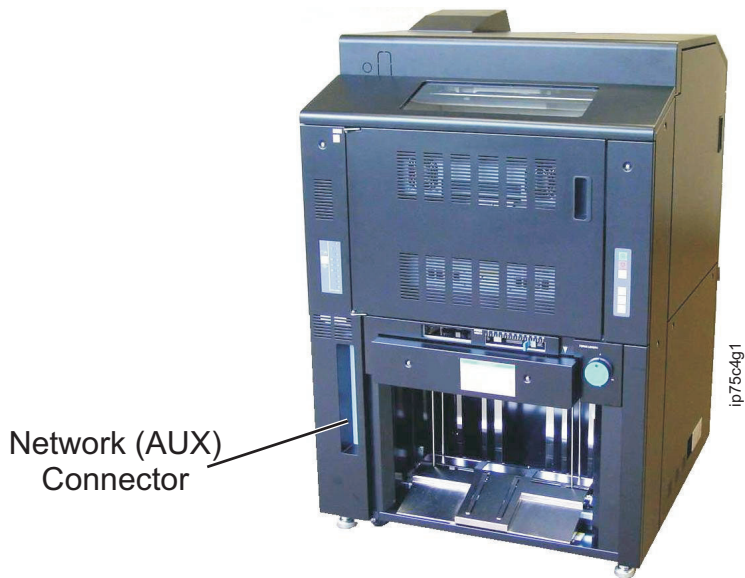


Figure 6. Location of Network Connector

## Configuring the network interface



**DANGER**

<1-13> Do not connect or disconnect a communication port, a teleport, or any other connector during an electrical storm.

hcsi0113

### Notes:

1. Before you power on and configure network settings, connect the Ethernet cable to the Network Connector shown in Figure 6. If the printer is already powered on, power off, attach the connector, and power on.
2. Before you configure network settings, ask your system administrator for an IP address, subnet mask, and gateway address.

To configure network settings:



1. Select **Setup** on the Main Menu.
2. Select **System**. You will be prompted for a password.
3. Select **Network**. Then update the IP address, Subnet mask, and Gateway address as appropriate.

---

## LPR/LPD printing under TCP/IP

To configure the printer for TCP/IP, set up a queue with one of these names:

- For PostScript print jobs, specify the queue name as *postscript* (all lowercase letters)
- For PCL print jobs, specify the queue name as *vp-pcl* (all lowercase letters)

For Windows 2000, XP, Server 2003, or Vista, make sure that when you configure a Standard TCP/IP Port, you select LPR Byte Counting Enabled in the LPR Settings.

Also note that the LPR Byte Counting Enabled setting on the host and the printer Spooling settings you specify when you define a virtual printer affect the amount of data that the printer can receive. See “System-Virtual Printer” on page 25 for information on defining virtual printers.

- The maximum file size you can printed is 4 GB when LPR Byte Counting Enabled is selected. Jobs larger than 4 GB will not be printed.
- If the Spooling setting is LPD Only or LPD and Raw Socket, and LPR Byte Counting Enabled **is not set**, printing is not performed.
- If the Spooling setting is Raw Socket Only, Capture to File, LPD Only or LPD and Raw Socket, the maximum file size you can print is 2 GB.

---

## Confirming the MAC address

To display the printer MAC Address:

1. On the Main Menu, select **Information** ()
2. Select **Network**. The MAC address, IP address, and other network settings are displayed.

---

## Printing with the AppleTalk protocol

When you use the AppleTalk protocol, you must specify a virtual printer name. The virtual printer name format should be PSAxxxxxx where xxxxxx is the last six characters of the MAC address, for example: PSA0DAB9E.

Use the Web interface to define an AppleTalk zone.

1. Ask your system administrator for the correct AppleTalk zone.
2. To access the printer from your Web browser, type the printer IP address in the address field and press **Enter**.
3. Select **Manage->Configuration->Communication**.
4. Select **AppleTalk**, and type the zone name in the AppleTalk zone field.
5. Press **Enter** to save the changes.

**Note:** Do not select “Securing AppleTalk print device” when you configure the printer port in Windows Server 2003. This printer does not support secure AppleTalk printing.

---

## Installing the printer driver

Install a printer driver on the client PC from the CD-ROM provided for the operating system. Refer to the printer driver README file or your server administrator for more information.

---

## Configuring the printer for UNIX operating systems

See the appropriate section:

- “Solaris 2, 6, 7, 8, and 9” on page 46
- “HP-UX 11i” on page 46
- “AIX 5L” on page 47

**Note:** Make sure you set the IP address on the printer before you configure the printer for a UNIX system. See “Configuring the network interface” on page 44.

## Solaris 2, 6, 7, 8, and 9

To configure the printer, "root" access to the host system is required. To use the printer as a remote printer, a host name must be set in the hosts file and a remote (virtual) printer name is required.

1. Log in to the host as the super user "root". Make sure there is no printer set up with the name *printer1*.
2. To create a device file, enter: **lpsystem -tbsd printer1**.
3. To make sure no print jobs are running, enter **lpstat -0**. If a print job is running, wait until the job completes and use the **/usr/lib/ lpshut** command to stop the lp scheduler.
4. To configure the printer, enter **/usr/sbin/lpadmin -prpr1 -sprinter1!vp-pcl -lany -Tunknown**.
5. To make the printer the default printer, enter **/usr/sbin/lpadmin -d rpr1**.
6. To restart the lp scheduler, enter **/usr/lib/lpsched**.
7. To accept and enable the printer, enter

```
/usr/sbin/accept rpr1
```

and

```
/usr/bin/enable rpr1
```

8. To check the printer status, enter **lpstat -t**.
9. To test the printer setup, enter **lp -d rpr1 <file name>**.

## HP-UX 11i

To configure the printer, "root" access to the host system is required.

1. Log in to the host as the super user "root". Make sure there is no printer set up with the name *printer1*.
2. To start System Administration Manager (SAM), enter **sam**.
3. When the screen explaining SAM operation appears, press **Enter**. The screen displays the SAM menu.
4. Select **Printers and Plotters** and press **Enter**.
5. Select **LP Spooler** and press **Enter**.
6. Select **Printers and Plotters** and press **Enter**. A list of printers currently registered to the host appears.
7. Press the **Tab** key, select **Add Remote Printer/Plotter** from the Actions menu, and press **Enter**.
8. On the Add Remote Printer/Plotter screen, fill in the fields as follows:
  - Name: *rpr1*
  - Remote System Name: *printer1*
  - Remote Printer Name: *postscript*
9. Select or enable **Remote Printer is on a BSD System**. Use the default values for other settings.
10. The screen displays notes and other information. Read the contents and select **OK** with the Tab key to continue the registration process.
11. When the registration process completes, the **Printers and Plotters** screen shows a result like this.

Name	Type	Enable	To Print	Accepting Requests	Location
rpr1	remote	yes,	idle	yes	vp-pcl on printer1
rpr1	remote	yes,	idle	yes	postscript on printer1
12. Registration is complete. To quit SAM, press the **Tab** key, select **Exit** from File menu, press the **Tab** key once again, and select **Exit** from File menu again.
13. To test the printer setup, enter **lp -d rpr1 <file name>**.

## AIX 5L

To configure the printer, "root" access to the host system is required. A printer host name in the hosts file (/etc/hosts) and a remote printer name (virtual printer name) are required.

1. Log in to the host as the super user **root**. Make sure there is no printer set up with the name *printer1*.
2. To start the System Manager Interface Tool (SMIT), enter **smitty mkrque**.
3. When the Print Queue Add screen displays, select **remote** for the connection type and press **Enter**.
4. Select **Printers and Plotters** and press **Enter**.
5. Select **LP Spooler** and press **Enter**.
6. Select **Printers and Plotters** and press **Enter**. A list of printers currently registered to the host appears.
7. Press the **Tab** key, select **Add Remote Printer/Plotter** from the Actions menu, and press **Enter**.
8. On the Add Remote Printer/Plotter screen, fill in the fields as follows and then press **Enter**.
  - Name: *printer1*
  - Remote System Name: *rhost1*
  - Remote Printer Name: *vp-pcl*
9. When registration completes, status displays:  
Command status  
Command: OK stdout: presence stderr: none  
  
This instruction may also display: Print queue "printer1" is added.
10. Registration is complete. Press **PF10** to exit.
11. To test the printer setup, enter **lp -d printer1 print <file name>**.





---

## Chapter 6. Maintaining the printer

This chapter includes these tasks:

- “Adding toner”
- “Replacing the used toner bottle” on page 51
- “Replacing the developer mix” on page 52
- “Replacing the HR cleaner” on page 57
- “Replacing the HR unit” on page 59
- “Clearing stacker jams” on page 62
- “Clearing tractor or HR unit jams” on page 63
- “Checking print quality” on page 65
- “Cleaning the paper hopper” on page 66
- “Cleaning the stacker” on page 67
- “Cleaning the transfer unit” on page 68
- “Cleaning around the toner hopper” on page 69
- “Cleaning around the used toner bottle” on page 69
- “Cleaning the pre-clean assembly” on page 70

---

### Replacing supplies

#### Adding toner

1. Before you begin, note:

- Do not add toner until the console displays one of these messages:

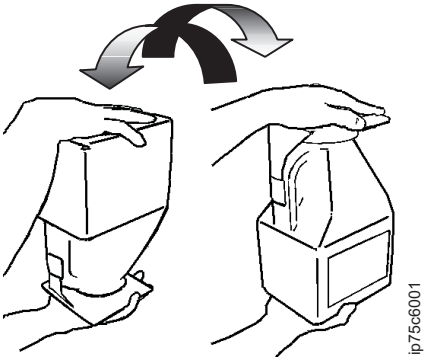
```
Toner Supply Empty  
Supply Toner E006
```

or

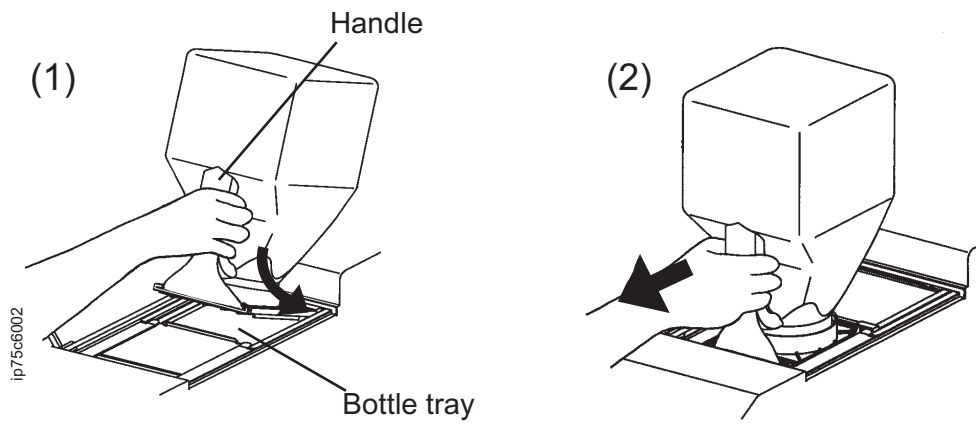
```
Toner Low
```

Always add one bottle of toner; not more and not less.

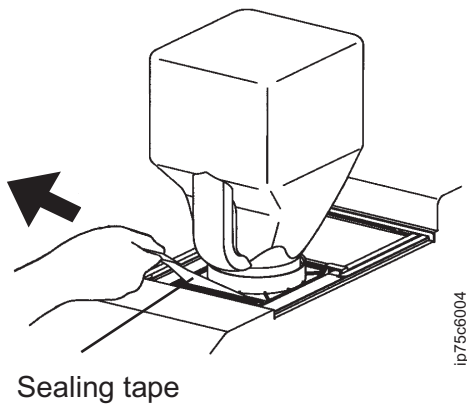
- Never reuse collected waste toner.
  - Use toner within one year after purchase. Use unsealed toner immediately; do not keep it for later use.
  - Clean spilled toner with an approved vacuum cleaner.
2. Prepare a new bottle of toner.
  3. Open the toner supply cover.
  4. Shake the toner bottle at least ten times as shown.



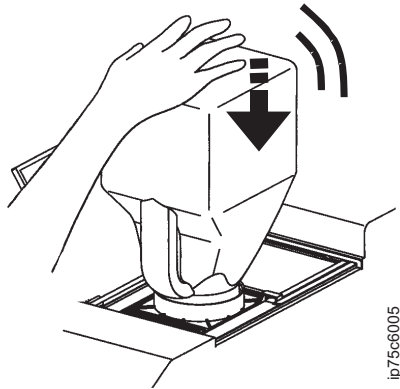
5. Hold the toner bottle by its handle and insert the bottle into the bottle tray (1). Then pull the toner bottle toward you until it stops (2).



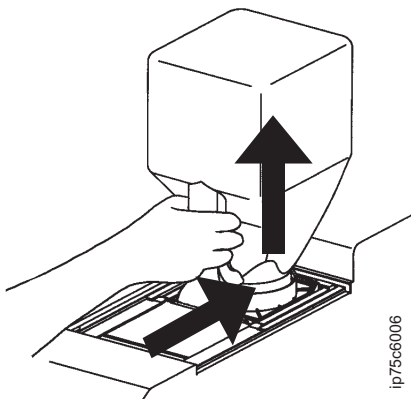
6. Pull the sealing tape off the toner bottle.



7. Tap the top of the toner bottle several times until the toner bottle is empty.



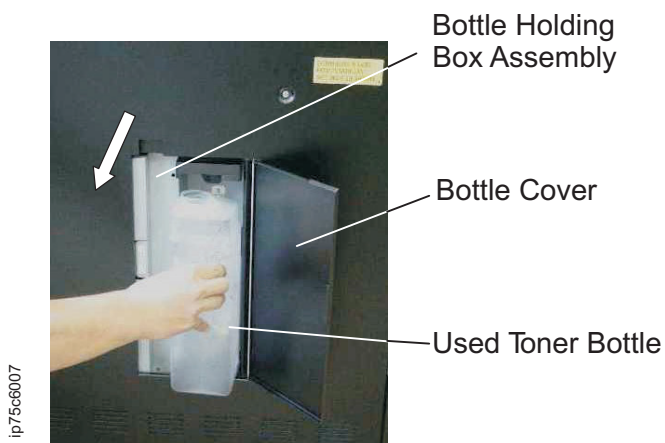
8. Wait 30 seconds. Then push the toner bottle back and remove it.



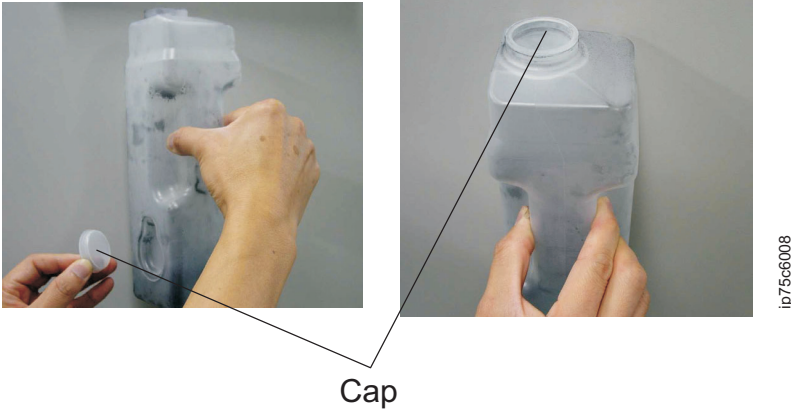
9. Close the toner supply cover. Dispose of the toner bottle in accordance with local regulations.

## Replacing the used toner bottle

1. Open the bottle cover and pull the used toner bottle forward to remove it from the bottle holding box.



2. Tighten the cap on the used toner bottle and dispose of it in accordance with local regulations.



3. Install a new used toner bottle in the bottle holding box and close the bottle cover.

## Replacing the developer mix

Replace the developer mix when you see this message:

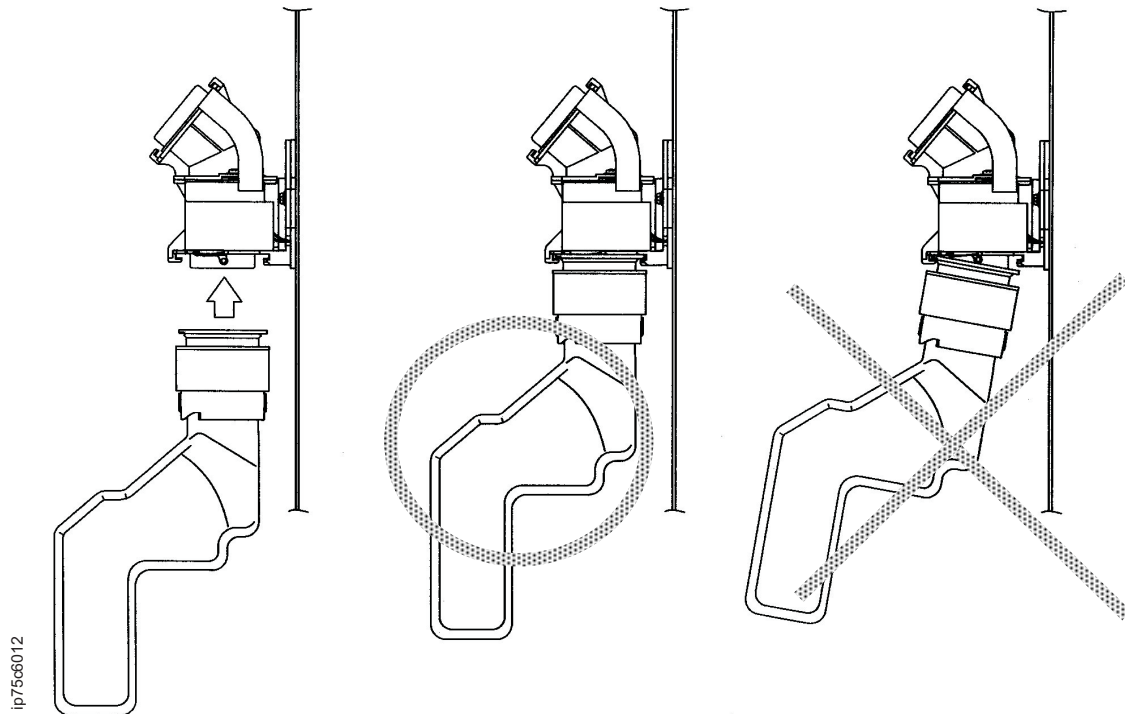
Developer Mix End of Life  
Replace Developer Mix E007

### Notes:

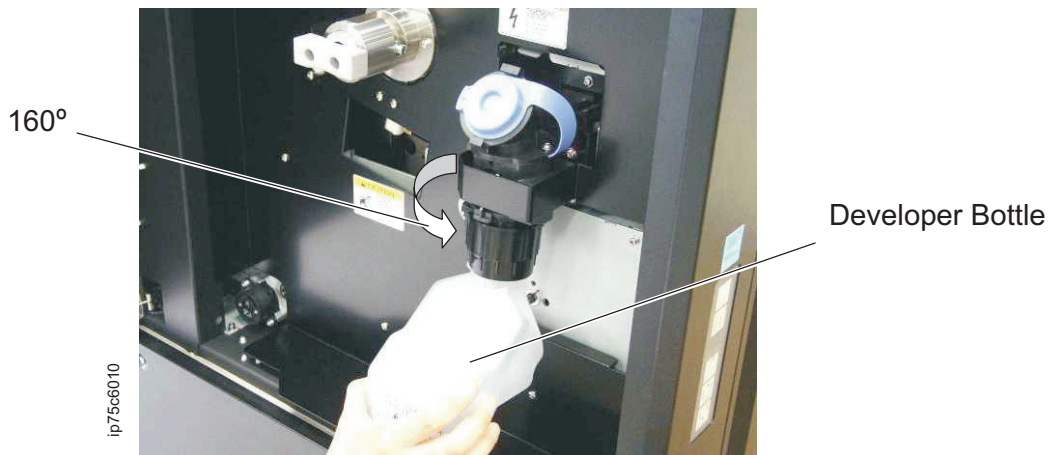
1. Dispose of used developer in accordance with local regulations.
2. Use specified developer only.
3. After the message Developer Mix End of Life/Replace Developer Mix E007 message appears, you can still print up to about 10,000 pages. To clear the message, press **Resume** (▶). Note, however, you should replace the developer as soon as possible to maintain print quality.
4. Always load one bottle of developer; not more and not less.
5. Do not let the developer mix become contaminated. Never reuse developer mix. If the developer mix is contaminated with dirt, oil, water, or other foreign matter, immediately stop the printer and contact your service representative.
6. Developer should be used within one year after purchase. Once developer is unsealed, use it immediately and do not keep it for later use.

### Procedure


1. Get an empty developer bottle.
2. Open the side cover.
3. Place the empty developer bottle into the developer duct. Make sure to install the developer bottle straight into the duct.



4. Hold the developer bottle steady with one hand and twist the developer bottle cap to the right until it stops (about 160 degrees).

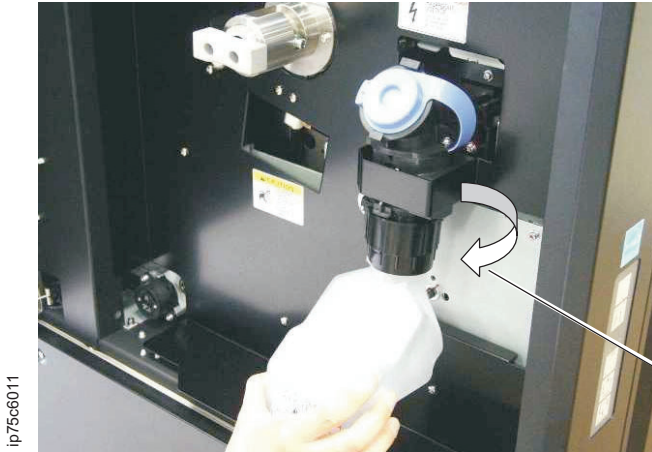


5. To empty the remaining developer:

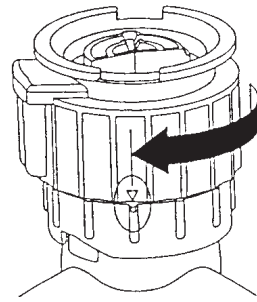
- a. Select **Setup**  on the Main Menu.
- b. Select **Consumables**.
- c. Select **Developer Mix**.
- d. Select **Exhaust** and then press **Enter** (■).

It takes about 3 minutes and 20 seconds to drain the developer.

6. Hold the developer bottle steady with one hand and twist the developer bottle cap to the left until it stops (about 160 degrees). Remove the bottle.

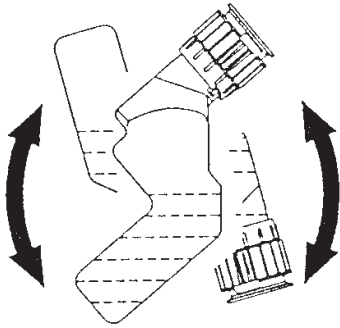


ip75c6011



160°

7. Get a new bottle of developer and shake it five or six times.



ip75c6013

8. Remove the duct cap from the developer duct. Set the new bottle of developer into the developer duct.

New Developer Bottle



ip75c6014


Duct Cap

9. Hold the developer bottle steady with one hand and twist the developer bottle cap to the right until it stops (about 160 degrees).

ip75c6015



10. To add the new developer:

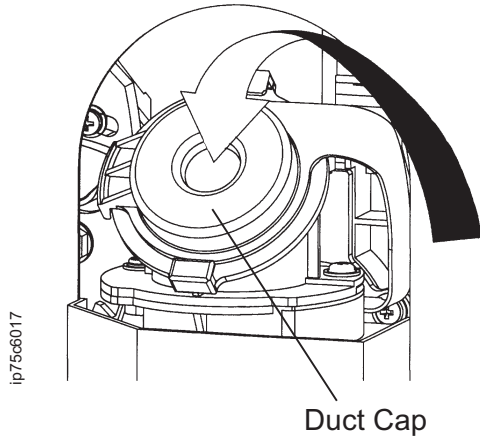
- a. Select **Setup**  on the Main Menu.
  - b. Select **Consumables**.
  - c. Select **Developer Mix**.
  - d. Select **Supply** and then press **Enter** (■).
- It takes about 4 minutes to add the developer.

11. To remove the developer bottle, hold it steady with one hand and twist the developer bottle cap to the left until it clicks and stops.

ip75c6016



12. Attach the duct cap back to the developer duct.



13. Clean any spilled developer. Save the empty developer bottle for the next replacement.
14. Close the side cover.



## Replacing the HR cleaner

### Notes:

1. After the message HR cleaner End of Life. Replace HR Cleaner appears on the console, you can continue printing for up to 10,000 pages. To clear the message, press **Resume** (▶). Note, however, that to maintain print quality, you should replace the HR Cleaner as soon as possible.
2. Replacing the HR Cleaner is not a customer task in Japan.
- 3.



### CAUTION:

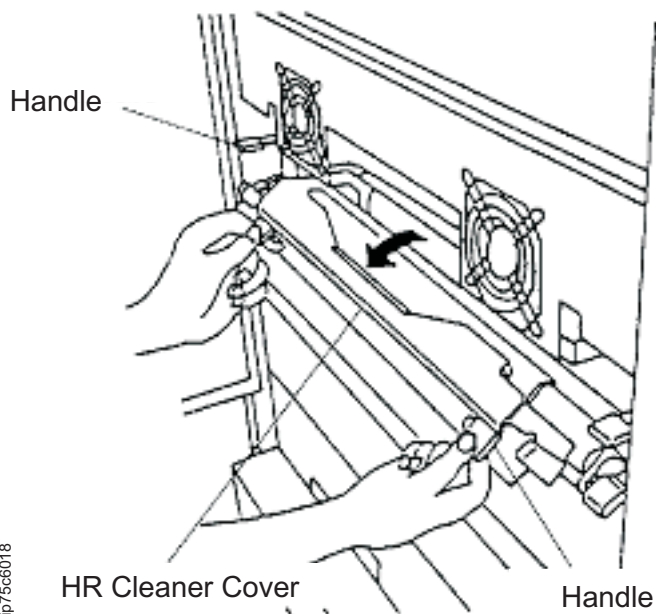
<9-16>

The HR Unit can be very hot. Do not touch any part other than the insulating sheet or handle.

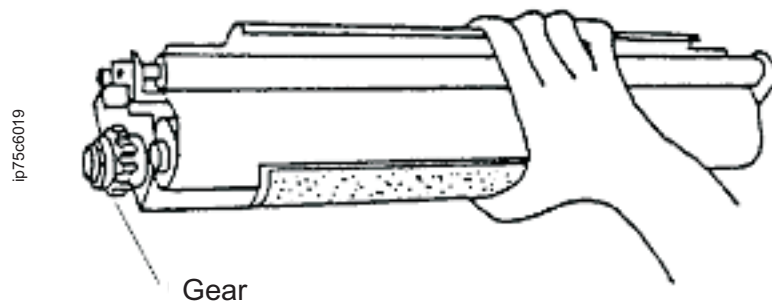
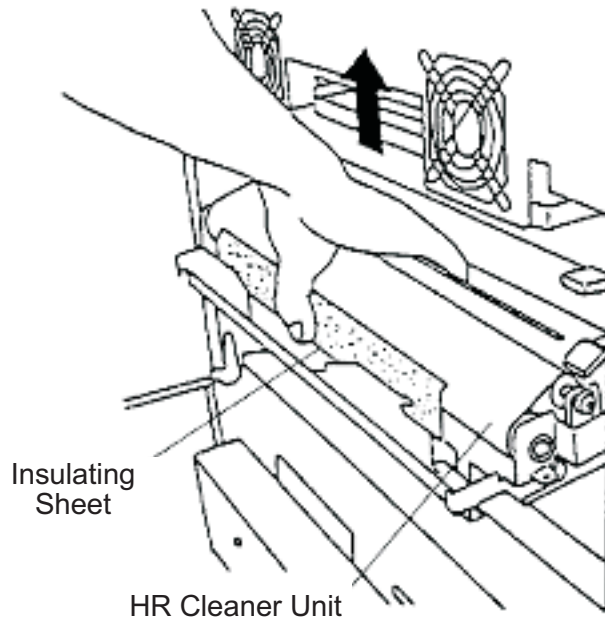
CAUT0916


### Procedure:

1. Open the rear cover. Grasp the handles of the HR Cleaner cover with both hands, then push forward and down to open the cover.



2. Lift and remove the HR Cleaner.



3. Install a new HR Cleaner.
4. Close the HR Cleaner cover and make sure that the latches are locked.
5. Close the rear cover.
6. Reset the counter for the HR Cleaner:
  - a. Select **Setup**  on the Main Menu.
  - b. Select **Consumables**.
  - c. Select **HR Cleaner** and then press **Enter** (■).

## Replacing the HR unit

### Notes:

1. Replacing the HR Unit is not a customer task in Japan.
- 2.



<9-16>

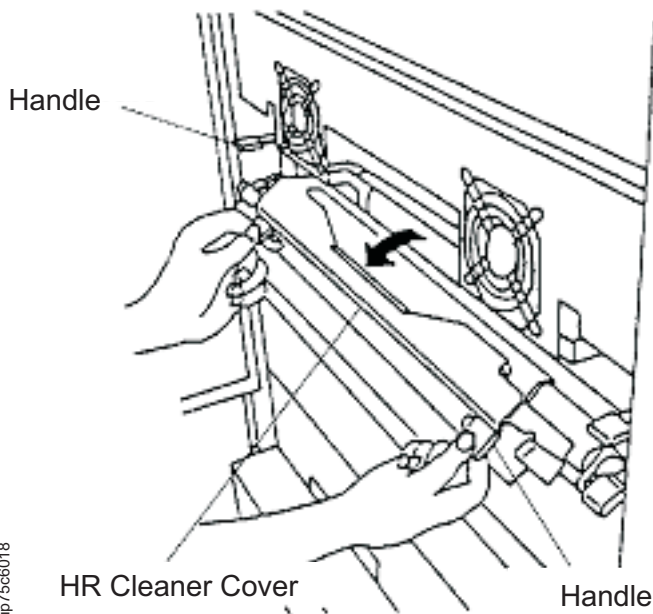
### CAUTION:

The HR Unit can be very hot. Do not touch any part other than the insulating sheet or handle.

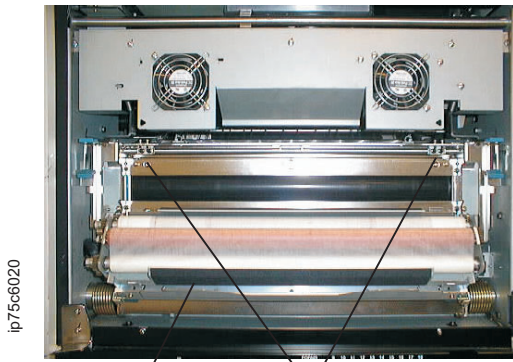
CAUT0916

### Procedure:

1. Remove forms from the printer. See “Removing forms” on page 35.
2. Power off the printer.
3. Open the rear cover.
4. Open the HR Cleaner cover. Grasp the handles of the HR Cleaner cover with both hands, then push forward and down to open the cover.



5. Remove the two screws that hold the HR Unit.

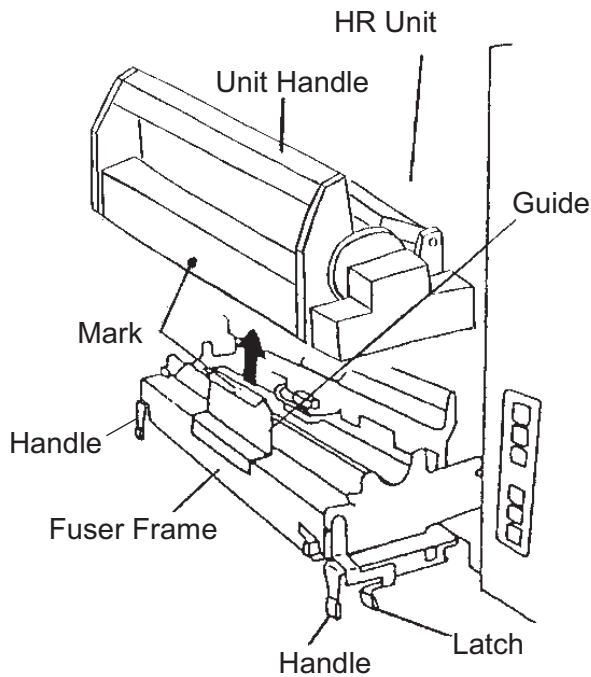


ip75c6020

Screws fixing the HR Unit

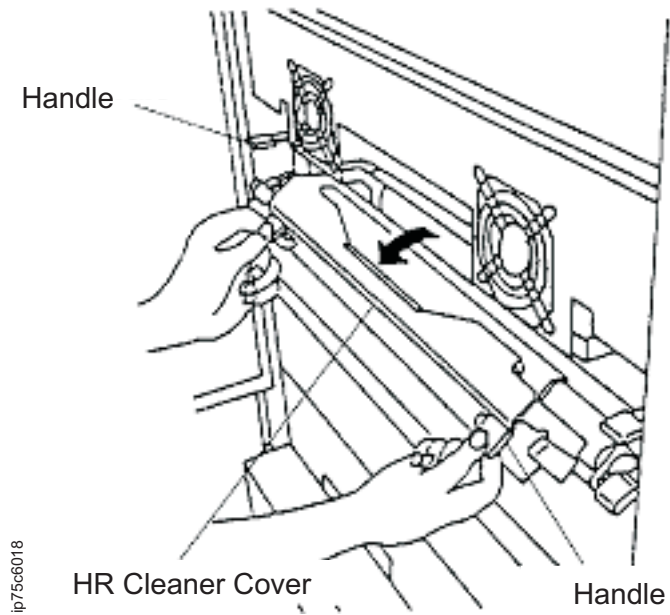
HR Cleaner Cover


6. Close the HR Cleaner cover.
7. Pull the handles on the fuser frame to unlock the latches.



ip75c6020a

8. Grasp the unit handle on the HR Unit and remove the HR Unit.
9. Install a new HR Unit. Make sure the mark on the HR Unit lines up with the fuser frame.
10. Grasp the handles on the fuser frame and close the fuser frame. Make sure the latches on the fuser frame lock.
11. Open the HR Cleaner cover. Grasp the handles of the HR Cleaner cover with both hands, then push forward and down to open the cover.



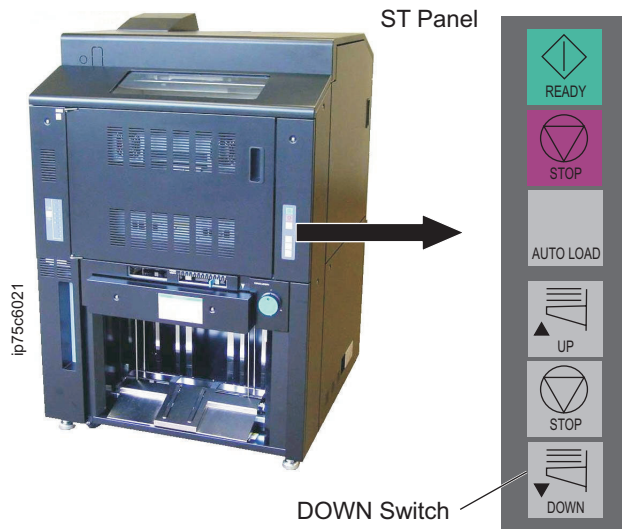
12. Fasten the two screws that hold the HR Unit.
13. Close the HR Cleaner cover.
14. Close the rear cover.
15. Reset the counter for the HR Unit:
  - a. Select **Setup**  on the Main Menu.
  - b. Select **Consumables**.
  - c. Select **Fuser Unit** and then press **Enter** (■).

---

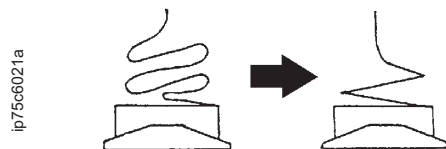
## Clearing paper jams

### Clearing stacker jams

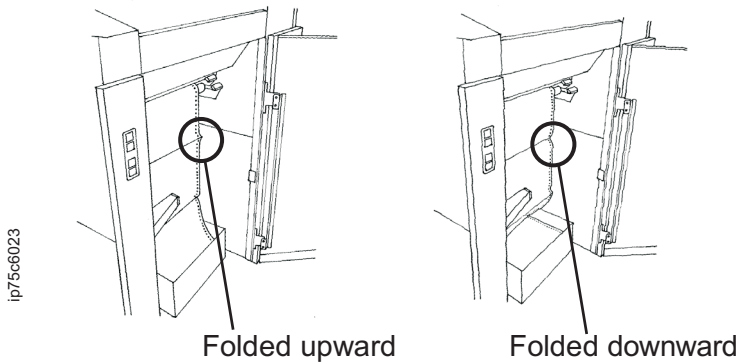
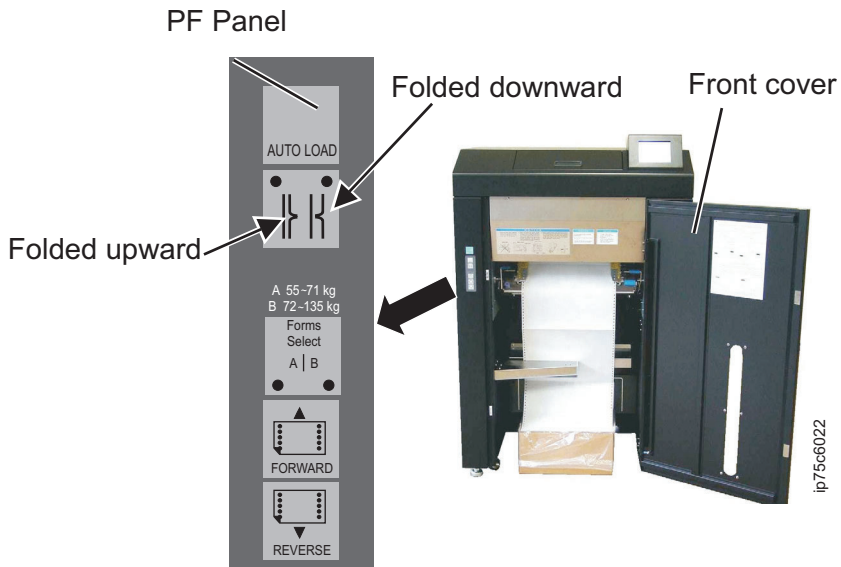
1. Press **DOWN** on the ST Panel to lower the stacker table.



2. Make sure forms are folded correctly.

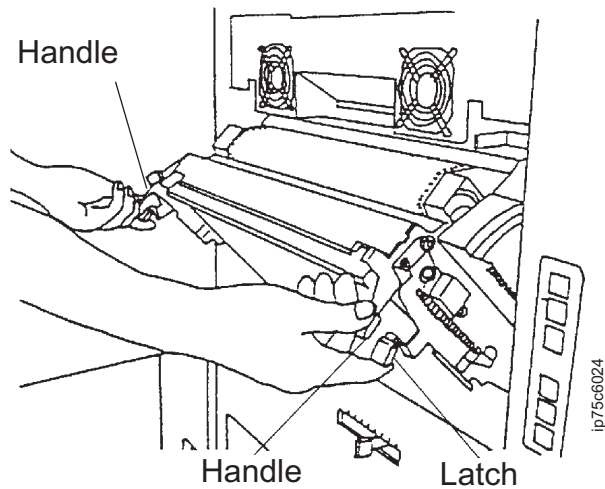


3. Open the front cover.
4. Press **FORMS SET** on the PF panel to indicate whether the first fold before the paper feed unit is upward or downward. Make sure the setting matches the fold direction.



## Clearing tractor or HR unit jams

1. Press **DOWN** on the ST Panel to lower the stacker table.
2. Cut the forms in the stacker at a perforation.
3. Open the front cover.
4. Cut the forms at a perforation.
5. Open the paper feed unit.
6. Open the tractor cover.
7. If there are jammed forms, pull them from the hopper side.
8. Open the rear cover.
9. Lift the handles to unlatch and open the fuser frame.



10. Remove any jammed forms around the HR Unit.



**CAUTION:**

<9-16>

The HR Unit can be very hot. Do not touch any part other than the insulating sheet or handle.

CAUT0916

11. Close the fuser frame. Make sure the latches on the fuser frame lock.
12. Close the rear cover.
13. Pull any remaining jammed forms from the stacker side.
14. Load forms.



---

## Checking print quality

Check print quality and clean the printer on a regular basis, especially before running jobs that require high-quality.

Check print results after printing a test pattern. Make sure there are no abnormalities.

**Note:** Print quality cannot be guaranteed in the area within 1/3 in. of perforations and within 1/2 in. of both edges on the form.

---

## Cleaning the printer

Use this table to determine when to clean the printer.

**Note:** Power off the printer before you clean it.

Item	Cleaning Schedule	See
Paper hopper	Daily (prior to printing)	"Cleaning the paper hopper"
Stacker	Daily (prior to printing)	"Cleaning the stacker" on page 67
Transfer unit	Daily (prior to printing)	"Cleaning the transfer unit" on page 68
Area around the toner hopper	When adding toner	"Cleaning around the toner hopper" on page 69
Area around the used toner bottle	When replacing the used toner bottle	"Cleaning around the used toner bottle" on page 69
Pre-clean assembly	Daily (prior to printing)	"Cleaning the pre-clean assembly" on page 70

## Cleaning the paper hopper



**CAUTION:**

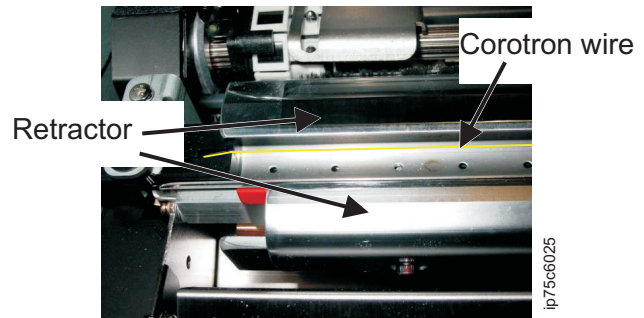
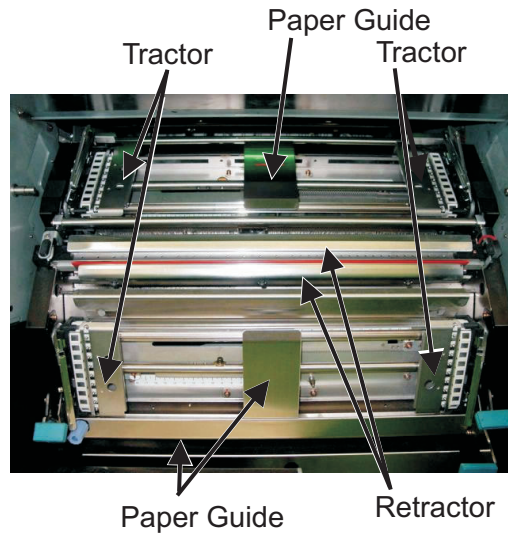
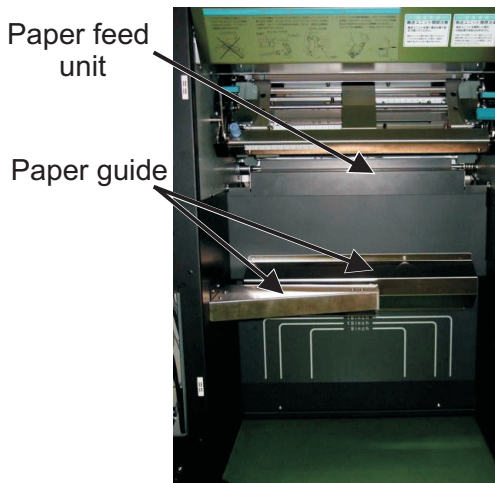
<9-36>

To vacuum toner, use only an approved vacuum cleaner.

CAUT0936

1. Open the front cover.
2. Remove the forms from the paper feed unit.
3. Remove the paper box from the paper hopper.
4. Power off the printer.
5. Remove paper dust and toner from the floor inside the paper hopper, from the paper guide, and under the paper feed unit.

**Note:** When cleaning the tractor, be careful not to touch the corotron wire.



6. Close the front cover.

## Cleaning the stacker



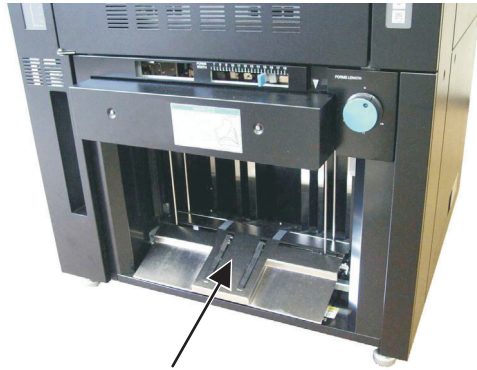
<9-36>

### CAUTION:

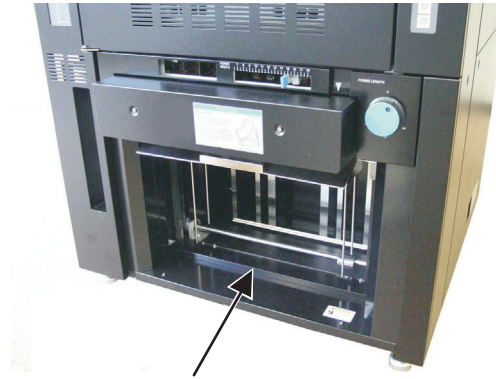
To vacuum toner, use only an approved vacuum cleaner.

CAUT0936

1. Remove forms from the stacker table.
2. Press **DOWN** on the ST Panel to lower the stacker table to its lowest position.
3. Power off the printer.
4. Use a vacuum cleaner to remove paper dust on and around the stacker table.



Clean above the stacker table when the stacker table is lowered



Clean beneath the stacker table when the stacker table is raised

ip75c6027

5. If there is toner on the stacker table, clean the table with a wet cloth.
6. Power on the printer.
7. Press **UP** on the ST Panel to raise the stacker table to its highest position.
8. Power off the printer.
9. Use a vacuum cleaner to remove paper dust from underneath the stacker table.

## Cleaning the transfer unit

1. Open the side cover.
2. Make sure the paper feed unit closed. Then slide the transfer unit back and forth a few times as shown.



ip75c6028

Transfer Unit

3. Push in the transfer unit until it stops.
4. Close the side cover.
5. After cleaning the transfer unit, check print quality. See “Checking print quality” on page 65.

## Cleaning around the toner hopper



<9-36>

### CAUTION:

To vacuum toner, use only an approved vacuum cleaner.

CAUT0936

1. Open the toner supply cover.
2. Use a toner-safe vacuum to remove toner from around the toner hopper.



3. Use a wet cloth to remove any remaining toner.
4. Close the toner supply cover.

## Cleaning around the used toner bottle



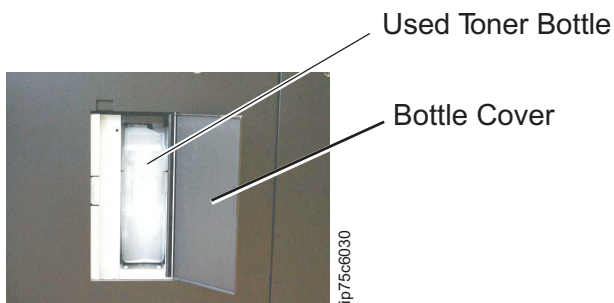
<9-36>

### CAUTION:

To vacuum toner, use only an approved vacuum cleaner.

CAUT0936

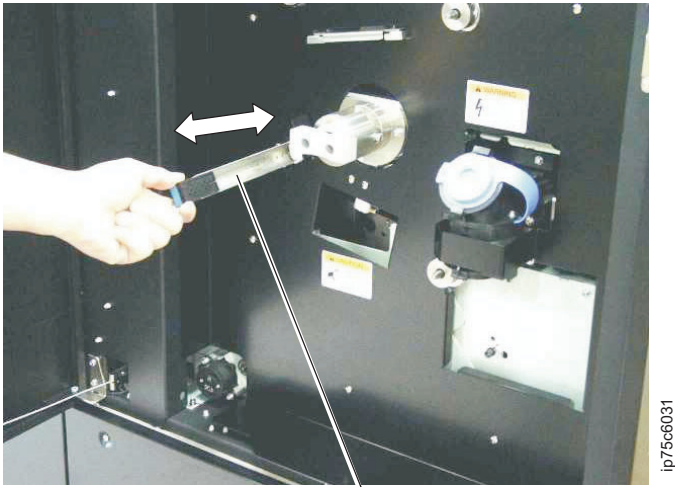
1. Open the bottle cover.
2. Use a toner-safe vacuum to remove toner from around the used toner bottle.



3. Use a wet cloth to remove any remaining toner.
4. Close the bottle cover.

## Cleaning the pre-clean assembly

1. Open the side cover.
2. Move the pre-clean assembly back and forth a few times as shown.



Pre-clean assembly

3. Push in the pre-clean assembly until it stops.
4. Close the side cover.
5. Check print quality. See “Checking print quality” on page 65.

---


## Chapter 7. Troubleshooting

---

### Basics

Problem	Procedure
The printer cannot be powered on.	Make sure both power switches are on. See “Powering on the printer” on page 5.
The printer cannot connect to the host	Make sure the device address is defined correctly on the host system. Check cable connections.
Print quality problems	Check paper, toner, and developer for quality. Check the internal parts of the printer for contamination.
Cannot print jobs because of printer error	Take the corrective action specified in the message.

**Note:** To print a copy of current printer settings:

1. Select **Reports**  on the Main Menu.
2. Select **Status**.

---

### General printing problems

If this happens	Try this
Paper jams on the stacker.	<ul style="list-style-type: none"><li>• See “Clearing stacker jams” on page 62.</li><li>• Make sure the form length matches the form length defined to the printer.</li></ul>
Paper jams or skew occurs on the HR Unit.	<ul style="list-style-type: none"><li>• See “Clearing tractor or HR unit jams” on page 63.</li><li>• Make sure the HR Unit is secure.</li><li>• Check the form tension. See “Checking the forms stop position” on page 37.</li><li>• Make sure the paper folds are correct.</li><li>• Make sure paper conforms to specifications.</li></ul>
The print start position is incorrect.	<ul style="list-style-type: none"><li>• Make sure the paper folds are correct.</li><li>• Make sure the form length matches the form length defined to the printer.</li></ul>
The Status Page does not print.	<ul style="list-style-type: none"><li>• Clear errors displayed on the OCP.</li><li>• If the OCP is blank, shut down and restart the printer. When the printer displays Ready, try to print a Status Page from the Reports Menu.</li><li>• If the Status Page still fails to print, contact service personnel.</li></ul>

---

### Print quality problems

If this happens	Try this
Toner streaks or other poor results.	Clean the printer. See “Cleaning the printer” on page 66.

---

## Miscellaneous problems

If this happens	Try this
Collating problems	Specify collation from the printer driver instead of the application program.
Reports and Test prints are delayed.	Wait until the current job completes. The printer defers reports and test prints until it finishes the current job.
The printer has slowed down after an error.	Wait for a few minutes to see if the speed improves. The printer may slow down while it recovers from an error.
More lines print than you expected	If the Page Length setting is over 100 lines and the paper length is less than 4 in. or the paper width is less than 8.5 in. (for 2-up printing), the printer might print one or two extra lines.
Jobs sent over the parallel interface are being deleted incorrectly.	If a new job is received while the printer is deleting the current job, the new job might also be deleted. Use smaller values for PS Wait Timeout and Wait Timeout.

---

## Network problems

Here are some steps to try if you have problems printing jobs over a network:

1. Make sure the printer is powered on and cables are connected.
2. Run a test print to see if the printer is functional.
3. Try a different Ethernet cable to see if there is a cable problem.
4. Try printing from a different host system to see if the problem is with the printer or the host.
5. Run a test print to confirm that the problem is not with the printer.
6. If you have changed Ethernet cards, check settings on the printer and make sure you have redefined your virtual printers on the Web interface.

## Problems occurring with the AppleTalk protocol

1. Make sure network cables are connected.
2. Make sure AppleTalk is operating. From the System environment setup in MacOS X, select **Network**, select **AppleTalk** from the Built-in Ethernet, and select **Using AppleTalk**.
3. Use the Communication-Configuration page on the Web interface to make sure the AppleTalk protocol for the virtual printer is set to **Enable** and to make sure the AppleTalk zone is correct.
4. Make sure the network is stable.
5. If a "Job Record Full" error occurs even when no jobs are printing, make sure you have not selected **Securing AppleTalk print device** when configuring the printer port in Windows Server 2003. This printer does not support secure AppleTalk printing.

## Problems occurring with the TCP/IP protocol

If this happens	Try this
The printer does not respond to a ping.	<ul style="list-style-type: none"><li>• Make sure the printer is powered on and all network cables are connected.</li><li>• Make sure the IP Address, Subnet Mask, and Default Gateway are correctly set.</li></ul>
TIME LIMIT EXPIRED	Make sure the IP Address is correctly set.
NODE name NOT KNOWN or xxx : Unknown	Make sure to register the node name and IP Address in the server's node table.




If this happens	Try this
Jobs won't print or a timeout error prints.	<ol style="list-style-type: none"> <li>1. Make sure you can ping the printer. If you cannot: <ul style="list-style-type: none"> <li>• Make sure the printer is powered on and all network cables are connected.</li> <li>• Make sure the IP Address, Subnet Mask, and Default Gateway are correctly set.</li> </ul> </li> <li>2. Make sure the printcap file is set correctly.</li> <li>3. Make sure the size of the job does not exceed the printer's network capacity. <ul style="list-style-type: none"> <li>• The maximum file size that can be printed is 4 GB when LPR Byte Counting Enabled is selected. If more than 4 GByte of data is sent, nothing will be printed.</li> <li>• If the Spooling setting is LPD Only or LPD and Raw Socket, printing is not performed if the LPR Byte Counting Enabled setting is not selected.</li> <li>• If the Spooling setting is set to Raw Socket Only, Capture to File, LPD Only, or LPD and Raw Socket, the maximum file size that can be printed is 2 GByte.</li> </ul> </li> </ol>

---

## Error recovery printing

The InfoPrint 75/100 can attempt to recover lost pages after printer jams. To enable error recovery:

1. Select **Printer**  on the Main Menu.
2. Select **Options**.
3. Select **Exit Jam Recovery**.
4. Select **Enable**.

**Note:** After you clear the jam and restart the printer, always verify that missing pages were reprinted.

## OCP information messages

Table 10 lists OCP messages, explanations, and the action you should take, if any. See “OCP error messages” on page 76 for information about error messages.

Table 10. Messages

Message	Explanation	Action
Ready	The printer is ready and waiting.	None.
Pause/Off-Line	The printer is offline.	Press <b>Resume</b> (▶).
Printing: x/x	The printer is printing a job with multiple copies.	None.
Printing	The printer is printing.	None.
Processing	The printer is processing print job data.	None.
Waiting for data	A large file is being processed, the network is slow, or a print job was not terminated correctly.	Wait for the printer to return to Ready status.
Waiting for next data	The printer is waiting for data from a job it is processing.	Wait for the printer to return to Ready status.
NPRO	NPRO is in progress.	Wait for NPRO to complete.
Warming up	The printer is warming up.	Wait for the printer to return to Ready status.
Toner Low	The toner supply is low.	Add new toner. See “Adding toner” on page 49.
Loading Network		Wait for the printer to return to a Ready state.
Enter new password	An authorized user is changing a password.	Enter the new password.
Enter new password again		Re-enter your password.
Enter password	System administrator and service functions require a password.	Enter the password or select another function.
AppleTalk Busy	Print data is being received by AppleTalk.	Wait for the printer to return to Ready status.
Invalid Value	You entered an incorrect value.	Enter a correct value.
Invalid Password		Enter a correct password. Contact your system administrator if you forgot your password.
Paper Size Mismatch Set form XX.X x XX.X	The paper you are using does not match the paper specified on the printer.	Load the correct paper or specify the correct size.
Ready IPDS	The IPDS network connection is active and the printer is ready for IPDS jobs.	None.
Pause/Offline IPDS	The IPDS network connection is active and the printer is offline.	Press <b>Resume</b> (▶).
IPDS: xxxx	The name of the current IPDS job is xxxx. offline.	None.

Table 10. Messages (continued)

Message	Explanation	Action
Job waiting	A job is temporarily being held for one of the following reasons: <ul style="list-style-type: none"> <li>• An IPDS job is waiting for fonts to process.</li> <li>• A non-IPDS job has been sent while IPDS is active.</li> <li>• An IPDS job is waiting for an IPDS connection while a non-IPDS job resides in the printer.</li> </ul>	Wait for the printer to complete the current job.
Invalid Size in PS Cancel the job	The form size that the job specifies exceeds the maximum form size.	Specify an allowable form size and resubmit the job.
Internal error Insufficient TIFF/CCITT memory	Insufficient memory when TIFF/CCITT is printed	Power off the printer and then power back on.
Insufficient disk space One Copy Job	The job is too big for the printer hard drive so only one copy is printed.	Jobs are restricted to 1500 pages for these paper sizes:  6.5 x 7 in. 15 x 11 in. 18 x 14 in.
Heater Off mode	The heater is off.	None. The heater starts when the printer becomes active.
Sleep Mode	The printer is conserving its energy.	None. Sleep mode ends when the printer becomes active.
Time server xxx.xxx.xxx	The printer is getting the time from its time server.	None.
Getting Time xxx.xxx.xxx	The printer is getting the time from its time server.	None.
Invalid Time Server Address	The printer cannot find the time server.	Make sure you specify a correct address.
Preserving Parameters	The printer is saving user settings.	None.
Spool directory is full	The memory available for spooling is low.	Wait until the spooled job completes.
Spooling	The job is spooling the job to the hard drive.	Wait until spooling completes.
Job too big Data Flushed	There is not enough disk space to spool the job.	Cancel spooling and send the job again.
Canceling job		None
PostScript Error Press Check Reset	A PostScript error occurred.	Press <b>Resume</b> (▶).
Job record full NPRO is required	Received job exceeded the specified number.	Press <b>NPRO</b> .

## OCP error messages

Table 11 lists many OCP error messages, explanations, and the action you should take, if any.

### Notes:

1. If “Error recovery?” is Yes, the printer tries to reprint lost pages. Correct the error, reload forms, and press **Resume** (▶).

2. **Several error message are not displayed in the list below, like this one:**

Call For Service  
E030

Before you call for service:

- Make sure forms are loaded correctly and then press **Resume** (▶) to clear the error.
- If the error remains, power off and then power on the printer.
- If the error occurs again, call your service representative.

Table 11. Messages

Message	Explanation	Corrective Action	Error Recovery
End of Forms Set Forms E001	The printer is out of paper.	Load more forms.	
Stacker Full Pull Out Forms E004	The stacker is full.	Remove forms from the stacker. See “Removing forms” on page 35.	
Toner Bottle Full Replace Toner Bottle E005	The toner collection bottle is full and needs to be emptied.	Replace toner.	
Toner Supply Empty Supply Toner E006	The toner supply box is empty.	Add toner.	
Developer Mix End of Life Replace Developer Mix E007	The developer mix needs to be replaced.	Replace the developer mix. See “Replacing the developer mix” on page 52.	
HR Cleaner Unit End of Life Replace HR Cleaner E009	The HR cleaner web needs to be replaced.	Call for service.	
HR Unit End of Life Replace HR Unit E00A	The HR Unit needs to be replaced.	Call for service.	
OPC Drum End of Life Replace OPC Drum E00B	The OPC drum needs to be replaced.	Call for service.	
Drum Cleaner Unit End of Life Replace Drum Cleaner Unit E00C	The Drum Cleaner Unit needs to be replaced.	Call for service.	
Toner Bottle Not Set Set Toner Bottle E00E	The toner bottle is not in position.	Set the toner bottle. See “Replacing the used toner bottle” on page 51.	Yes
Yoke Open Close Yoke E010	The paper feed unit is open.	Close the paper feed unit.	Yes
Developer Bottle Set Remove Bottle E011	The developer bottle is attached.	Remove the developer bottle. See “Replacing the developer mix” on page 52.	
Swing Fin Not Ready Press Forms Set Switch E012	The swing fin is not in the start position.	Check forms. Reload if necessary. See “Loading forms” on page 30.	
Table Down Switch On Press Table Stop Switch E013	The DOWN key on the stacker table was pressed.	Press <b>STOP</b> if you need to stop the stacker table.	

Table 11. Messages (continued)

Message	Explanation	Corrective Action	Error Recovery
Safety Switch On Check Stacker Table E015	The stacker table safety switch is on.	Make sure forms are loaded correctly.	
Rear Cover Open Close Cover E016	The rear cover is open.	Close the rear cover.	Yes
Side Cover Open Close Cover E018	The side cover is open.	Close the side cover.	Yes
Auto Load Wait (up to 3 minutes) E019	Paper is loading.	None. Wait for loading to complete.	
HR Cleaner Unit Not Set Set HR Cleaner Unit E01D	The HR cleaner unit is not set correctly.	Set the HR cleaner. See “Replacing the developer mix” on page 52.	
HR Unit Not Set Set HR Unit E01E	The HR unit is not set correctly.	Set the HR Unit.	Yes
Developer Run Wait E01F	Developer is loading.	Wait until completion.	
End of Forms Retry Auto Load E020	The end of forms was detected during automatic paper loading.	Press <b>Resume</b> (▶).	
Yoke Open Retry Auto Load E021	The Yoke mechanism (Paper Feed Unit) is open.	Press <b>Resume</b> (▶). Retry Auto Load.	
Safety Switch On Retry Auto Load E022	The stacker table safety switch is on.	Make sure forms are loaded correctly. Press <b>Resume</b> (▶). Retry Auto Load.	
Rear Cover Open Retry Auto Load E023	The rear cover is open.	Close the cover. Press <b>Resume</b> (▶). Retry Auto Load.	
Side Cover Open Retry Auto Load E024	The side cover is open.	Close the cover. Press <b>Resume</b> (▶). Retry Auto Load.	
Fuser Unit Not Set Retry Auto Load E025	The HR unit is not set correctly.	Check the HR Unit. Press <b>Resume</b> (▶). Retry Auto Load.	
Auto Load Jam Retry Auto Load E026	A forms jam occurred in the paper feed unit during automatic paper loading.	Press <b>Resume</b> (▶). Retry Auto Load.	
Auto Load Jam Retry Auto Load E027	A forms jam occurred in the HR Unit during automatic paper loading.	Clear the jam. Press <b>Resume</b> (▶). Retry Auto Load.	
Auto Load Jam Retry Auto Load E028	A forms jam occurred in the stacker during automatic paper loading.	Clear the jam. Press <b>Resume</b> (▶). Retry Auto Load.	
Auto Load Sensor Off Remove Forms E029	An error occurred during automatic paper loading.	Press <b>Resume</b> (▶). Retry Auto Load.	
Stacker Jam Off Remove Forms E02A	An error occurred during automatic paper loading.	Press <b>Resume</b> (▶). Retry Auto Load.	
Auto Load Failed Retry Paper Auto Load E02B	An error occurred during automatic paper loading.	Press <b>Resume</b> (▶). Retry Auto Load.	
Stacker Not Ready Check Paper in Stacker E02C	An error occurred during automatic paper loading.	See “Loading paper using Economy Auto Load” on page 34.	

Table 11. Messages (continued)

Message	Explanation	Corrective Action	Error Recovery
Forms Length Not Ready Check Forms Length Knob E02D	The forms length specified on the OCP does not match the forms length on the forms length knob at the stacker.	Make sure the settings match.	
Buffer Upper Limit Remove Forms E077	A paper feed problem occurred.	Reload forms. See "Loading forms" on page 30.	Yes
Buffer Lower Limit Remove Forms E078	A paper feed problem occurred.	Reload forms. See "Loading forms" on page 30.	Yes
Over Skew Remove Forms E07D	A printing problem occurred.	Clear jams if any. Reload forms. Make sure paper conforms to specifications. See Appendix C, "Paper specifications," on page 89.	Yes
Over Skew Remove Forms E07E	A printing problem occurred.	Clear jams if any. Reload forms. Make sure paper conforms to specifications. See Appendix C, "Paper specifications," on page 89.	Yes
HR Jam Remove Forms E07F	A forms jam occurred in the HR Unit.	See "Clearing paper jams" on page 62.	Yes
Stacker Jam Remove Forms E080	A forms jam occurred in the stacker.	See "Clearing paper jams" on page 62.	
HR Unit Not Set Retry Developer Exchange E0EA	While replacing developer mix, the printer detected that the HR Unit is not in place.	Make sure the HR Unit is secure. Press <b>Resume</b> (▶). Restart developer replacement. See "Replacing the developer mix" on page 52.	
Developer Error Retry Developer Exchange E0EB	An error occurred while replacing developer mix.	Press <b>Resume</b> (▶). Restart developer replacement. See "Replacing the developer mix" on page 52.	
Developer Mix Not Empty Retry Operation E0EC	You tried to add developer mix before draining the existing developer mix. See "Replacing the developer mix" on page 52.	Remove existing developer mix. See "Replacing the developer mix" on page 52. Press <b>Resume</b> (▶).	
Developer Bottle Set Error Set Bottle E0ED	The developer bottle is not properly positioned.	Press <b>Resume</b> (▶). Set the bottle. See "Replacing the developer mix" on page 52.	
isSdInit	There is a hard disk problem.	Power off the printer and then power it on.	
Invalid Mac Address	Controller hardware error	Power off the printer and then power it on.	
StartUp	An error occurred.	Power off the printer and then power it on.	
Boot Error	An error occurred.	Power off the printer and then power it on.	
Boot failed	An error occurred.	Power off the printer and then power it on.	

Table 11. Messages (continued)

Message	Explanation	Corrective Action	Error Recovery
CheckNmi	An error occurred.	Power off the printer and then power it on.	
Suspended Task	An error occurred.	Power off the printer and then power it on.	
IPDS Database Error	IPDS error.	Power off the printer and then power back on.	
IPDS Internal Error	IPDS error.	Power off the printer and then power back on.	
Call for Service IPDS Startup	There is an error in the IPDS printer configuration.	Press <b>Resume</b> (▶).	
Call for Service Log message full	An error occurred.	Power off the printer and then power it on.	
Call for Service Configuration file error	An error occurred.	Power off the printer and then power it on.	
Call for Service Language file error	An error occurred.	Power off the printer and then power it on.	
Call for Service Factory default error	An error occurred.	Power off the printer and then power it on.	
Call for Service Offline print error	An error occurred.	Power off the printer and then power it on.	
Call for Service Log file error	An error occurred.	Power off the printer and then power it on.	
Call for Service Alert file error	An error occurred.	Power off the printer and then power it on.	
Call for Service Job Account file error	An error occurred.	Power off the printer and then power it on.	
Call for Service PCL Initialize error	An error occurred.	Power off the printer and then power it on.	





## Appendix A. Installation planning and specifications

This appendix helps you prepare to install your printer. Make sure you have supplies on hand. See Appendix B, "Ordering supplies," on page 87 and Appendix C, "Paper specifications," on page 89.

### Base printer specifications

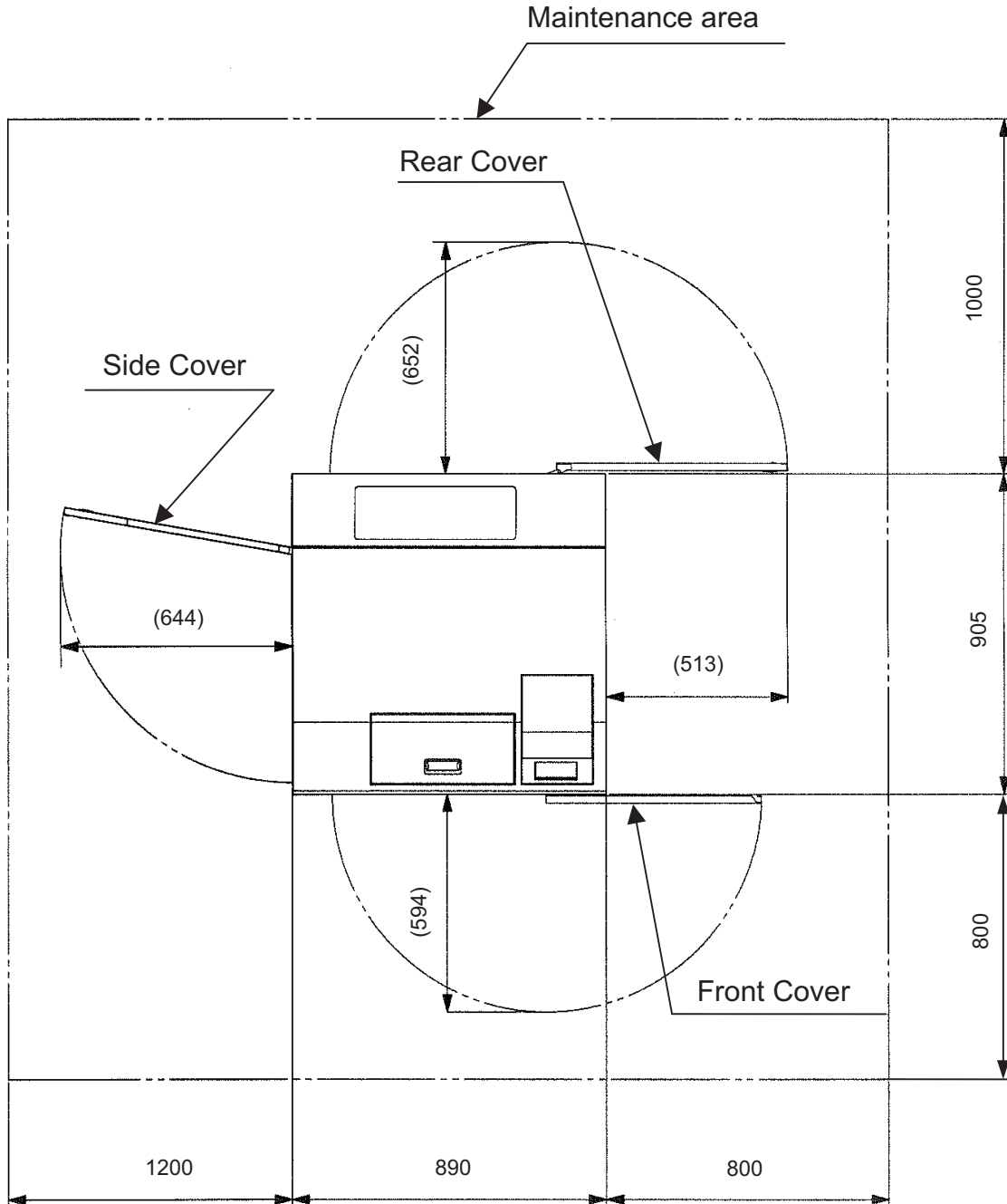
Design and specifications are subject to change without notice.

Item	Specification
Imaging Method	Electro-Photography
Exposure System	Semiconductor 2 laser beam (laser diode) scanning.
Image Resolution	600 x 600 dots per in. (dpi)
Continuous Print Speed	<p>InfoPrint 100:</p> <ul style="list-style-type: none"> <li>• 6,800 lines per minute (lpm) for 8 lines per in. (lpi).</li> <li>• 100 pages per minute (ppm) for 8.5 in. length paper.</li> <li>• 154 pages per minute (ppm) for 2 up printing.</li> </ul> <p>InfoPrint 75:</p> <ul style="list-style-type: none"> <li>• 5,100 lines per minute (lpm) for 8 lines per in. (lpi).</li> <li>• 75 pages per minute (ppm) for 8.5 in. length paper.</li> <li>• 115 pages per minute (ppm) for 2 up printing.</li> </ul>
Printable Area	See Appendix C, "Paper specifications," on page 89
Controller	PowerPC 750 FX 800 MHz
Memory Capacity	512 Mbyte
Monthly Print Volume	<p>InfoPrint 100: 200,000 pages (15 x 11 in. paper)</p> <p>InfoPrint 75: 150,000 pages (15 x 11 in. paper)</p>
Nominal Voltage	AC 200 to 240 V $\pm$ 10%
Nominal Frequency	50 Hz or 60 Hz $\pm$ 1 Hz
Phases	Single phase (2 Lines + Ground)
Socket	NEMA L6-30 R (See note 1)
Current	Max 30A
<b>Notes:</b>	
<ol style="list-style-type: none"> <li>1. For the U.S., Canada, and Japan, the power cord has a NEMA L6-30 plug. In other countries, InfoPrint will install a plug approved for use in your country; the plug will have the correct voltage rating and wire size (AWG12). The customer is responsible for preparing the socket.</li> <li>2. A 250V-30A 2-pole short-circuit backup listed circuit breaker is required.</li> </ol>	
Power Consumption	<p>InfoPrint 100:</p> <ul style="list-style-type: none"> <li>• Stand-by: 1.0 kW (average)</li> <li>• Printing: 2.9 kW (average)</li> <li>• Energy Save: 54W or less</li> </ul> <p>InfoPrint 75:</p> <ul style="list-style-type: none"> <li>• Stand-by: 1.0 kW (average)</li> <li>• Printing: 2.5 kW (average)</li> <li>• Energy Save: 54W or less</li> </ul>

Item	Specification
Acoustic Noise (Sound Pressure Level)	InfoPrint 100: <ul style="list-style-type: none"> <li>• Stand-by: 50 dBA</li> <li>• Printing: 65 dBA</li> </ul> InfoPrint 75: <ul style="list-style-type: none"> <li>• Stand-by: 50 dBA</li> <li>• Printing: 65 dBA</li> </ul>
Heat Dissipation	InfoPrint 100: <ul style="list-style-type: none"> <li>• Stand-by: 3.4k BTU/hour (average)</li> <li>• Printing: 9.9k BTU/hour (average)</li> <li>• Energy Save: 184 BTU/hour -- 110 VA or less</li> </ul> InfoPrint 75: <ul style="list-style-type: none"> <li>• Stand-by: 3.4k BTU/hour (average)</li> <li>• Printing: 8.5k BTU/hour (average)</li> <li>• Energy Save: 184 BTU/hour -- 110 VA or less</li> </ul>
Operating Temperature and Humidity	Temperature range: 16 to 32 °C (19 to 25 °C for good print quality) Humidity range: 20 to 80 % RH (no condensation) (40 to 65 % RH for good print quality)
Ventilation	This equipment generates ozone. Limit long-term exposure to 0.1 ppm (calculated as an 8 hour time-weighted average concentration. Provide proper ventilation. Avoid installing the unit in a small room (39.3 m <sup>3</sup> ). If you install in a smaller space smaller, provide more frequent ventilation.
Dimensions (H x W x D)	1,323 x 890 x 905 [985] mm (for 14 in. paper.)
Weight	360 kg
Supported software:	<ul style="list-style-type: none"> <li>• PostScript 3 (Optional) and PCL5e (Standard):               <ul style="list-style-type: none"> <li>– InfoPrint Manager for AIX® V4.3 PSU1 (PSF command and passthrough printer types only)</li> <li>– InfoPrint Manager for Windows® V2.3 PSU1 (PSF command and passthrough printer types only)</li> <li>– InfoPrint ProcessDirector V1.2.1 (passthrough printer type only)</li> </ul> </li> <li>• IPDS (Optional):               <ul style="list-style-type: none"> <li>– PSF for Z/OS V4R1 or above</li> <li>– PSF/400 V5R3 or later</li> <li>– InfoPrint Manager for AIX V4.3 PSU1</li> <li>– InfoPrint Manager for Windows V2.3 PSU1</li> <li>– InfoPrint ProcessDirector for Linux V1.3.1 Service Pack 2</li> <li>– InfoPrint ProcessDirector for AIX V1.3.1 Service Pack 2</li> </ul> </li> </ul>
Cable orders	Network interface cables are not supplied.
Product Life	InfoPrint 100: 24,000,000 pages (11 in. paper length) InfoPrint 75: 18,000,000 pages (11 in. paper length)

## Space requirements

For safe and effective operation, install the printer in a well-ventilated place and keep a maintenance area around the printer as shown:



ip75009

## Accessories

The printer ships with a documentation CD and the following parts in an accessory box. Keep maintenance parts in a safe place.

Part	Quantity
Drum Hold Stand	2
Developer Bottle	1
Printing paper (15 x 11 in./55kg paper)	1
Ferrite Core	1
Statement of Limited Warranty	1
Maintenance Panel Assembly	1
Maintenance Panel Cable Assembly	1

## Forklift requirements

A forklift or crane is required to load or unload the shipping crate. Make sure the forklift can support the weight and size of the printer and the packaging crate.

Shipping crate weight: 380 kg (836 lbs.)

Shipping crate dimensions:

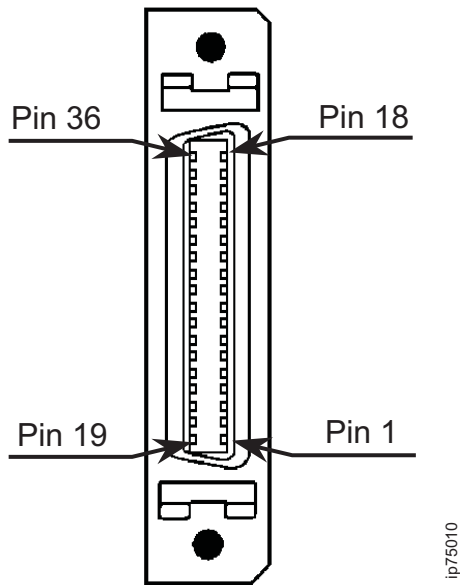
- Length: 331 cm (130 in.)
- Width: 219 cm (86 in.)
- Height: 229 cm (90 in.)

---

## I/O interface

Specification	Connector
IEEE 1284C parallel port	1284-C
Ethernet (10BASE-T/100BASE-TX/1000BASE-T-Tx autorecognition) including support of TCP/IP	RJ-45

Pin assignments and signal names of a parallel port are as follows.



Circuit characteristic of parallel port connector:

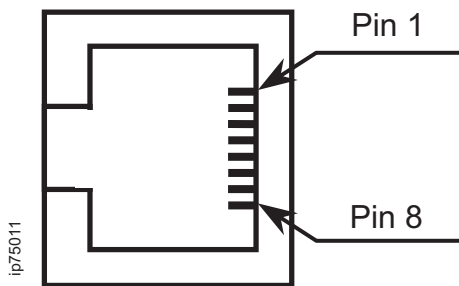
Pin No.	Signal Name	Direction	Voltage
1	PtrBusy / Busy	Output	5.0 (Volts)
2	Xflag / Select	Output	5.0 (Volts)
3	PtrClk / nAck	Output	5.0 (Volts)
4	nDataAvail / nFault	Output	5.0 (Volts)
5	AckDataReq / Perror	Output	5.0 (Volts)
6	Data 1	I/O	5.0 (Volts)
7	Data 2	I/O	5.0 (Volts)
8	Data 3	I/O	5.0 (Volts)
9	Data 4	I/O	5.0 (Volts)
10	Data 5	I/O	5.0 (Volts)
11	Data 6	I/O	5.0 (Volts)
12	Data 7	I/O	5.0 (Volts)
13	Data 8	I/O	5.0 (Volts)
14	NInit	Input	5.0 (Volts)
15	HostClk / nStrobe	Input	5.0 (Volts)
16	1284Active / nSelectIn	Input	5.0 (Volts)
17	HostBusy / nAutoFd	Input	5.0 (Volts)
18	Host Logic High	Input	5.0 (Volts)
19	Signal Ground (Busy)		0 (Volts)
20	Signal Ground (Select)		0 (Volts)
21	Signal Ground (nAck)		0 (Volts)
22	Signal Ground (nFault)		0 (Volts)

Pin No.	Signal Name	Direction	Voltage
23	Signal Ground (PError)		0 (Volts)
24	Signal Ground (Data 1)		0 (Volts)
25	Signal Ground (Data 2)		0 (Volts)
26	Signal Ground (Data 3)		0 (Volts)
27	Signal Ground (Data 4)		0 (Volts)
28	Signal Ground (Data 5)		0 (Volts)
29	Signal Ground (Data 6)		0 (Volts)
30	Signal Ground (Data 7)		0 (Volts)
31	Signal Ground (Data 8)		0 (Volts)
32	Signal Ground (nInit)		0 (Volts)
33	Signal Ground (nStrobe)		0 (Volts)
34	Signal Ground (nSelectIn)		0 (Volts)
35	Signal Ground (nAutoFd)		0 (Volts)
36	Peripheral Logic High	Output	5.0 (Volts)

**Notes:**

1. Data received over the parallel port before Ready is displayed on the OCP cannot be printed correctly.
2. Printing speed depends on the parallel port.
3. Do not connect a telephone line.

Pin assignments and signal names of Ethernet are as follows:



Circuit characteristics of Ethernet connector:

Pin No.	Signal Name	Voltage
1	TRP1+	-1 to +1 (Volts)
2	TRP1-	-1 to +1 (Volts)
3	TRP2+	-1 to +1 (Volts)
4	TRP3+	-1 to +1 (Volts)
5	TRP3-	-1 to +1 (Volts)
6	TRP2-	-1 to +1 (Volts)
7	TRP4+	-1 to +1 (Volts)
8	TRP4-	-1 to +1 (Volts)

**Note:** Do not connect a telephone line.

---

## Appendix B. Ordering supplies

The following table lists supplies for the InfoPrint 75/100. It is recommended that customers maintain a one to two month stock of supplies on hand.

Supply	Part Number	Expected Life (Estimate Only)
Toner (six 1,000g bottles)	45U1951	37,000 pages per bottle
Developer Mix (Two 1,850g bottles)	45U1952	436,000 rotations (390,000 pages) per bottle
<b>Note:</b> The HR Unit and HR cleaning unit are maintenance supply items that the customer installs (except in Japan). To order these items, contact your service representative. Replacing the HR Unit and HR cleaning unit are not customer tasks in Japan.		
HR Unit	45U1869	2,000,000 pages
HR Cleaning Unit	45U1955	300,000 pages
<b>Note:</b> The following parts must be replaced by authorized service personnel only.		
OPC Drum		654,000 rotation (590,000 page)
Drum Cleaner		654,000 rotation (590,000 page)
<b>Notes:</b>		
1. To order supplies, contact your marketing representative or visit the web site at: <a href="http://www.infoprint.com/supplies">http://www.infoprint.com/supplies</a>		
2. Toner expectancy is based on 3.6% dot coverage on Hitachi Standard Paper (11 x 15 in., 17 lbs.).		
3. Developer, Drum, and Drum Cleaner life expectancies are based on 90% prints per rotation. Different print rates can lower the expected life.		
4. HR Unit life expectancy depends on how you print; special paper, unique applications, and other factors can significantly reduce actual life.		
5. Dispose of all used supplies according to local regulations.		

---

## Storing supplies

Store all printer supplies in the printer operating environment for at least one day before using them. At other times, you can store supplies in an environment that does not exceed these requirements:

### Temperature

5 to 40 degrees C (41 to 104 degrees F)

### Relative Humidity

8% to 90%

### Notes:

1. Use approved supplies only.
2. Use toner and developer within a year of purchase.
3. Do not open toner or developer before you use it. Once you open toner or developer, use it immediately.

---

## Storing paper

Paper goods have different storage requirements. Store paper in an area where temperature and humidity are similar to the environment in which they will be used. Wrinkles and voids can occur during printing on paper that is not able to adapt to moisture changes.

### Temperature

Unpackaged - 10 to 30 degrees C (50 to 86 degrees F)

Packaged in plastic wrap - 4 to 43 degrees C (40 to 108 degrees F)  
Optimal - 10 to 30 degrees C (50 to 86 degrees F)

**Relative Humidity**

Unpackaged - 30 to 70%  
Packaged in plastic wrap - 8 to 90%  
Optimal - 30 to 70%

Avoid areas of extreme heat or humidity. Extended exposure to these extremes can permanently damage supplies. Exposing paper to relative humidity greater than 70% can reduce print quality.

**Notes:**

1. If the environment of the storage room differs from that of the print room, leave the form in the print room for two to three days before use. Even if there is little or no difference, leave the form in the print room for one day before use.
2. Avoid storing papers in places that are exposed to sunlight or that have sharp changes in temperature and humidity.
3. Avoid places subjected to air from air conditioners.
4. Avoid long-term paper storage. Try to use paper within three to six months.
5. Keep forms packaged until you use them.
6. Do not store forms directly on the floor; instead, use pallets or something similar.
7. Do not stack more boxes than is recommended.

Type	Limit
55kg (64g/m <sup>2</sup> ) 2000 sheets/box	5 boxes
70 - 135kg (81-157g/m <sup>2</sup> ) 1000 sheets/box	5 boxes
More than above	3 boxes

8. Do not stack paper in the hopper above 300 mm per box. The outside of the box should include a cover. The height of the box should not exceed 385 mm. The inside length should not exceed 400 mm and the inside width should not exceed 470 mm. Make sure there are no protrusions or objects inside the box that could damage or obstruct the paper when it feeds into the printer. All forms should be connected.



---

## Appendix C. Paper specifications

The quality and consistency of performance of InfoPrint 75/100 printers relates to the quality and consistency of the paper you use. To ensure that the paper you purchase is suitable for your applications, we strongly recommend that you:

- Request the assistance of your paper supplier and InfoPrint sales representative to select the proper paper.
- Test your application on a sample of a proposed paper before you order large quantities.

---

### General recommendations

- Forms must be free from defects such as wrinkles, dents, and tears.
- Forms are manufactured specifically for use in nonimpact printers, and do not contain cut-outs, cuts, loose or hanging chads, or other residue from punched holes.
- Forms should be shipped in plastic or other protective and moisture barrier wrap. Avoid wrapping that contains vinyl-chloride because it contains a plasticizer that can damage paper.
- See “Storing paper” on page 87 for information on storing paper.
- Do not re-use forms that have already been printed on one side.
- Do not use forms with too high or too low of a moisture content. Excessive moisture causes paper jams, wrinkles, and poor print quality. Low moisture can increase static electricity, which causes jams and fusing problems. Water content should be 5 to 6%.
- The recommended air permeability is 100 seconds or less measured according to JISP8117. Air permeability is the time necessary for a predetermined amount of air to pass through a paper form under predetermined conditions.
- Use paper that consists of 100% chemical wood pulp. Paper that contains crushed pulp and cotton contains natural impurities such as calcium carbonate and reduces the life of the photoconductor drum and HR Unit. Do not use paper forms that contain calcium carbonate. Do not use coated paper that contains materials that dissolve, evaporate, offset, discolor, or generate hazardous substances when heated.

### Unacceptable forms

Avoid using these media as they cause paper jams and print quality problems.

- Excessively thick or thin paper
- Paper that has been printed on a laser printer or copier (except for approved preprinted forms)
- Wrinkled, torn, or bent paper
- Moist or wet paper
- Curled paper
- Paper with an electrostatic charge
- Glued paper
- Paper with special coating
- Colored paper with surface treatment
- Paper unable to withstand temperature of 200 C and approximate pressure of 300 kPa
- Thermal paper
- Carbon paper
- Paper with paper fasteners, ribbons, or tape attached
- Heavily textured paper
- Label stock with exposed backing sheets

## Paper weight

Acceptable ream weights: 55–135 kg (64–157 g/m<sup>2</sup> or 17–42 lbs)

## Paper size

- Form width: 165.1 – 457.2 mm (6.5 – 18 in.)
- Form length: 152.4 – 355.6 mm (6 – 14 in.)

**Note:** Length and width should be a multiple of 12.7 mm (0.5 in.) with a tolerance of ± 1mm.

Paper form length (folding length) and page length are defined as follows. Tolerances are shown in Table 12.

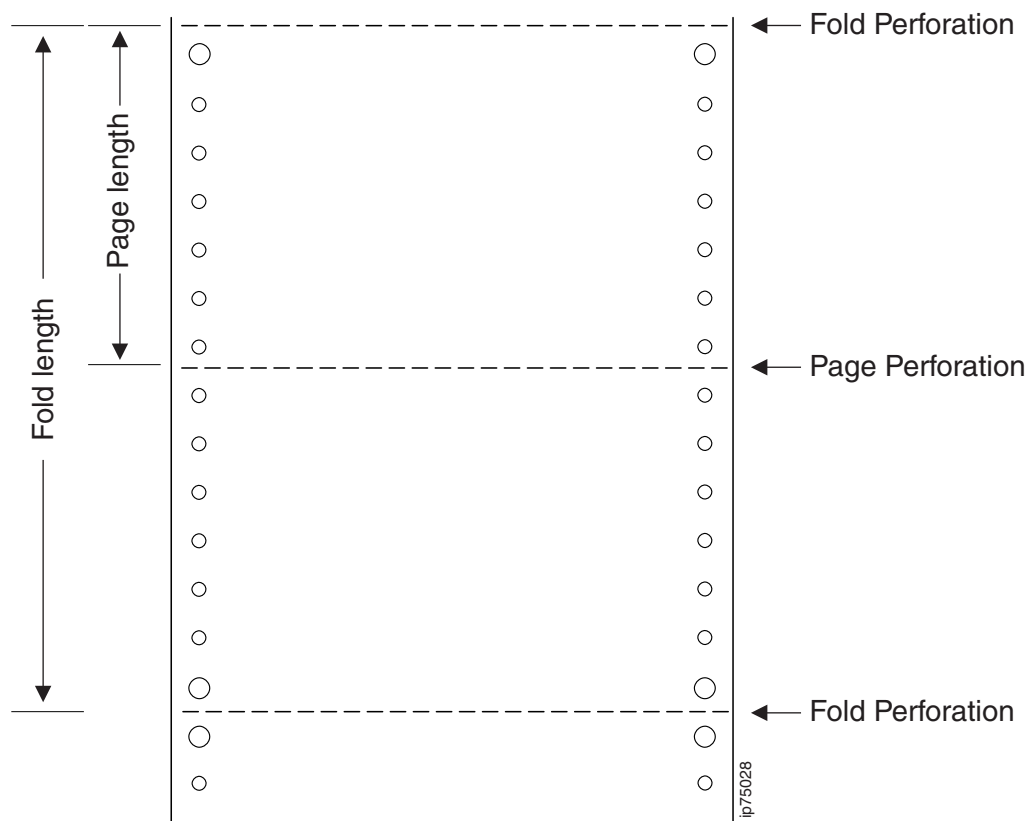


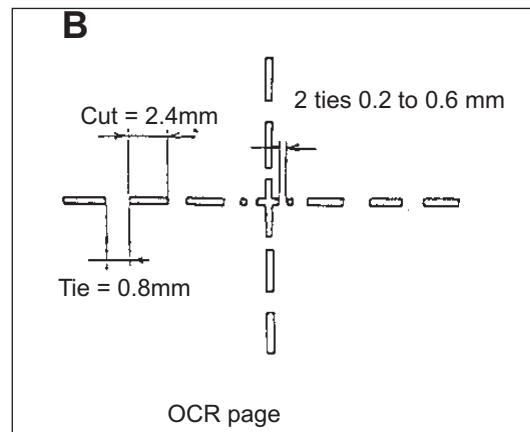
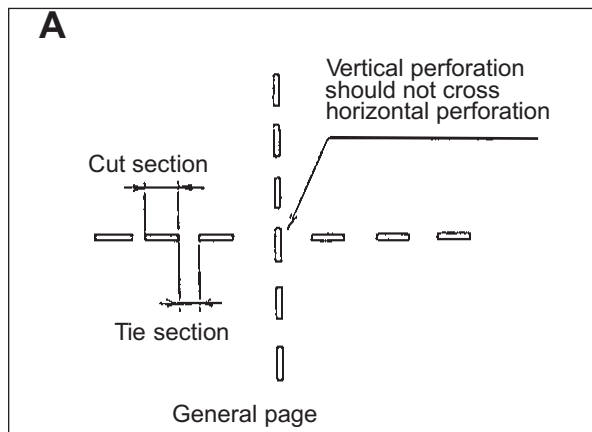
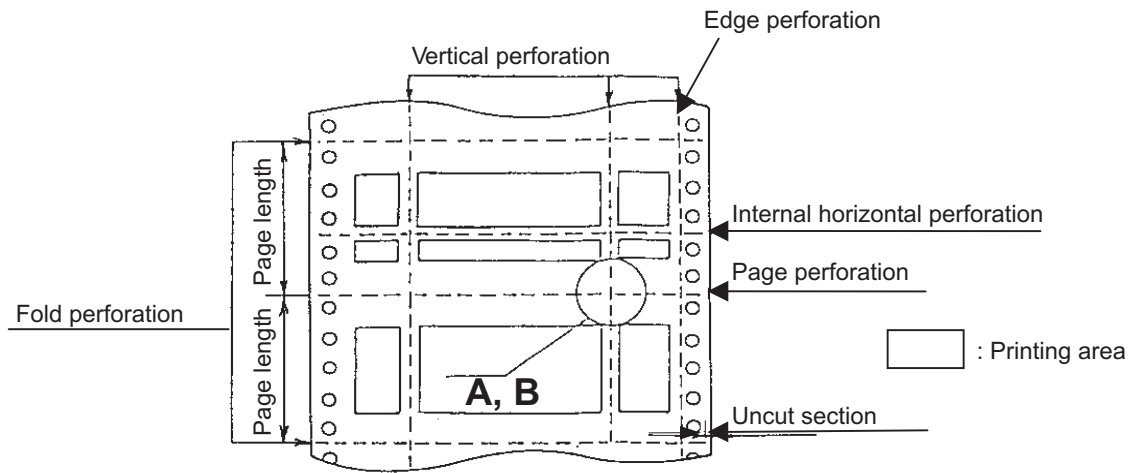
Table 12. Paper form length

Dimensions	Folding length	Page length
76.2 mm (3 in.)	X	O
88.9 mm (3.5 in.)	X	O
101.6 mm (4 in.)	X	O
114.3 mm (4.5 in.)	X	O
127 mm (5 in.)	X	O
139.7 mm (5.5 in.)	X	O
152.4 mm (6 in.)	O	O
165.1 mm (6.5 in.)	O	O
177.8 mm (7 in.)	O	O

Table 12. Paper form length (continued)

Dimensions	Folding length	Page length
190.5 mm (7.5 in.)	O	O
203.2 mm (8 in.)	O	O
215.9 mm (8.5 in.)	O	O
228.6 mm (9 in.)	O	O
241.3 mm (9.5 in.)	O	O
254 mm (10 in.)	O	O
266.7 mm (10.5 in.)	O	O
279.4 mm (11 in.)	O	O
292.1 mm (11.5 in.)	O	O
304.8 mm (12 in.)	O	O
317.5 mm (12.5 in.)	O	O
330.2 mm (13 in.)	O	O
342.9 mm (13.5 in.)	O	O
355.6 mm (14 in.)	O	O
<p><b>Notes:</b></p> <ol style="list-style-type: none"> <li>1. X = Not Supported O = Supported</li> <li>2. In addition to the form lengths in the table, you can use paper lengths in multiples of 8.5 mm (1/3 in.). For example, 177.8 mm, 186.3 mm, 190.5 mm, 194.7 mm, 203.2mm (7, 7 1/3, 7 1/2, 7 2/3, 8 in.).</li> </ol>		

# Perforation specifications



ip75013

## Notes:

- The number of perforations allowed per page varies according to ream weight. Using forms that contain more perforations than allowed can cause folding errors:

	Combination of page and internal horizontal perforations	Vertical perforations (including edge perforation)
55 to 70 kg (64 to 81 g/m <sup>2</sup> )	Only one perforation	Up to 3 perforations
71 up to but not including 110 Kg (82 up to but not including 128 g/m <sup>2</sup> )	Up to 2 perforations	Up to 3 perforations
110 to 135 Kg (128 to 157 g/m <sup>2</sup> )	Up to 2 perforations	Up to 4 perforations

- Cut and tie dimensions (cuts are the places where the paper is cut, ties are the paper in between the cuts):

- Cuts should not exceed 3mm.
- Ties should exceed 0.8mm.
- The ratio of cut length to the tie length should be at least 1 and not more than 3.

3. Requirements for perforation strength are:

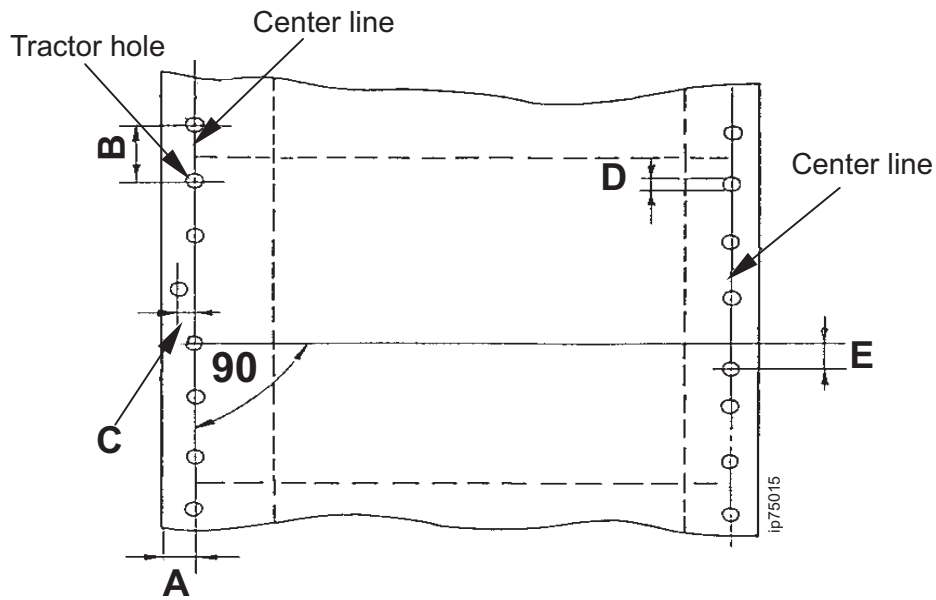
	<b>Fold perforation</b>	<b>Vertical perforation, page perforation and internal horizontal perforation</b>
Standard dimensions	Tie section; Cut section	Tie section; Cut section
	(1) 1 mm; 2.5 mm	1 mm; 1.5 mm
	(2) 1 mm; 3.0 mm	1 mm; 2.0 mm
	(3) 0.8 mm; 2.0 mm	0.8 mm; 1.2 mm
	(4) 0.8 mm; 2.4 mm	0.8 mm; 1.6 mm
OCR page	Tie section 0.8 mm, Cut section 2.4 mm	

4. Perforations should be in a straight line.
5. Internal horizontal perforations should be 50.8 mm (2 in.) away from fold perforations.
6. Page perforations and internal horizontal perforation should have uncut sections of 3 to 5 mm on both edges of the form. Page perforations and internal horizontal perforation should not fold too easily.
7. Fold perforations should have uncut sections of 1 to 3 mm on both edges of the form.
8. When the fold perforations and page perforations overlap, fold perforations have priority.
9. For 55 to 110 kg (64 to 128 g/m<sup>2</sup>) paper, vertical perforations should be at least 25.4 mm (1 in.) from either edge. For 110 to 135 kg (128 to 157 g/m<sup>2</sup>) paper, vertical perforations (edge perforations) should be at least 12.7 mm (0.5 in.) to 25.4 mm (1 in.) from either edge.

---

## Tractor holes

Tractor hole tolerances are as follows:

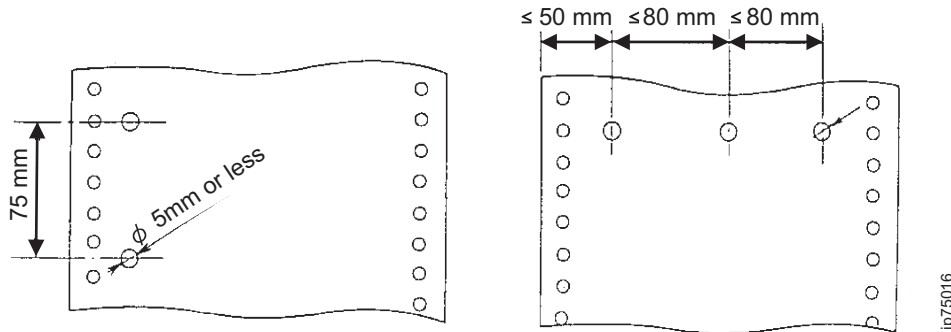


- The distance from the center of the hole to the edge of the paper (**A**) should be  $6 \text{ mm} \pm 0.7 \text{ mm}$
- The vertical distance between the centers of two vertically adjacent holes (**B**) should be  $12.7 \text{ mm} \pm 0.05 \text{ mm}$ .
- The maximum horizontal deviation between the center of a hole and the center line (**C**) is  $0.1 \text{ mm}$ . The center-to-center distance between any two holes that are within  $254 \text{ mm}$  ( $10 \text{ in.}$ ) of each other is  $\pm 0.3 \text{ mm}$  ( $0.012 \text{ in.}$ ),
- The tractor hole diameter (**D**) should be  $4 \text{ mm} \pm 0.1 \text{ mm}$ . For holes with serrated edges, the maximum diameter should not exceed  $4.5 \text{ mm}$ .
- The maximum vertical deviation between the centers of corresponding holes on the right and left (**E**) is  $0.15 \text{ mm}$ .

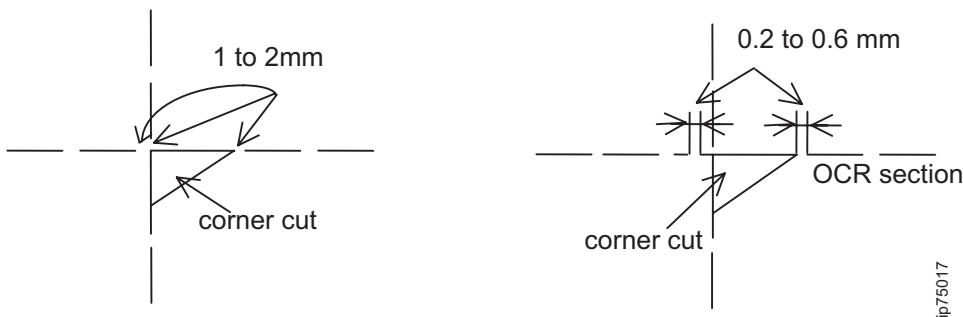
## Holes other than tractor holes

Binder holes and corner cuts are not recommended because they can cause print quality issues. If you do need to use binder holes or corner cuts, follow these recommendations (and, as always, run tests before buying large quantities of paper or running large jobs):

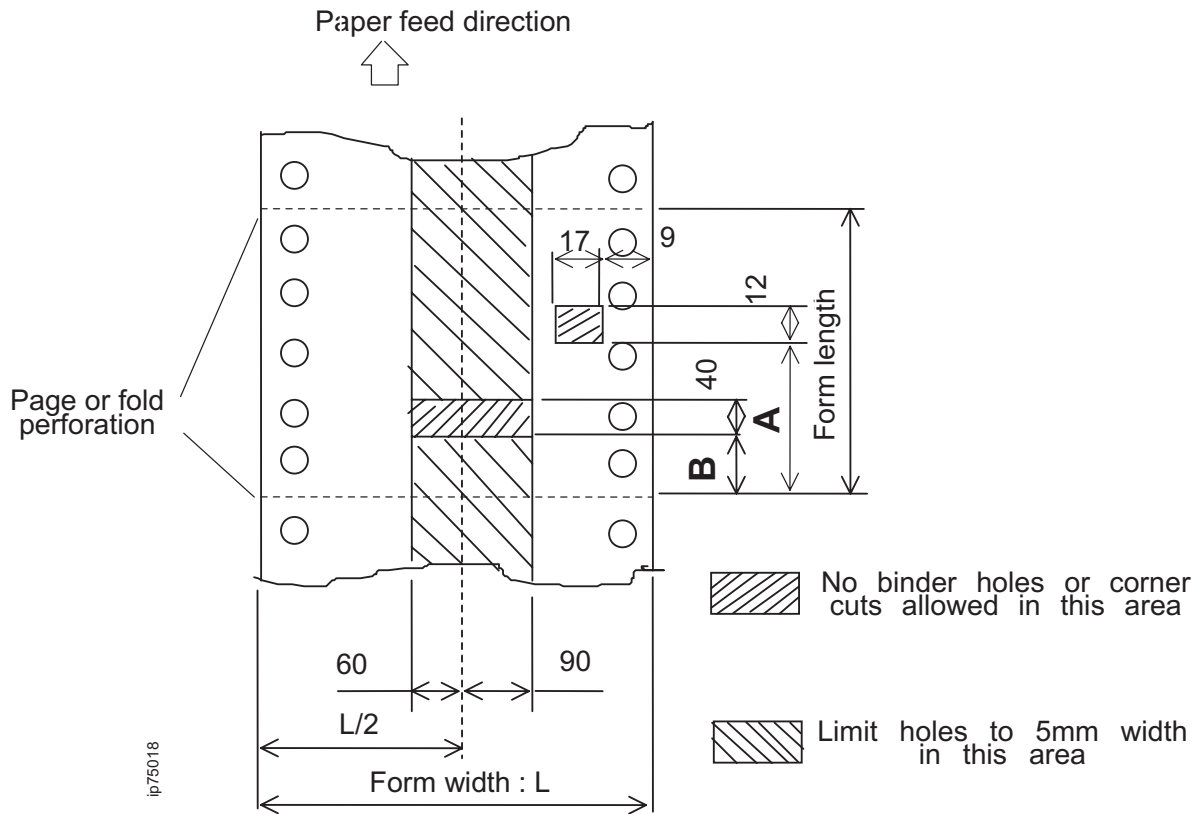
- Binder holes should be 5 mm or less in diameter or width.
- Leave at least 50 mm between the center of the binder hole and the edge of the form.
- Leave at least 75 mm between the center of vertically aligned binder holes.
- Leave at least 80 mm between the center of horizontally aligned binder holes.



- Corner cuts should be 5 x 5 mm x 45° or less.
- Provide an uncut section of 1 to 2 mm between the cut and the nearest horizontal perforation.
- Ties that contact corner cuts should be 0.2 to 0.6 mm.



To prevent the paper detection sensor from malfunctioning, use the diagram below to determine areas where holes are restricted.



Dimension of A:

Page length 220.1 mm (8 2/3 in.) or less — 225 mm - Page length

Page length 228.6 mm (9 in.) or less — 225 mm

Dimension of B: mm (in.)

Form length	B dimensions
152.4 (6 in.)	46
160.9 (6 1/3 in.)	80
165.1 (6 1/2 in.)	97
169.3 (6 2/3 in.)	114
177.8 (7 in.)	148
186.3 (7 1/3 in.)	0
190.5 (7 1/2 in.)	8
194.7 (7 2/3 in.)	21
203.2 (8 in.)	46
211.7 (8 1/3 in.)	72
215.9 (8 1/2 in.)	84
220.1 (8 2/3 in.)	97
228.6 (9 in.)	122
237.1 (9 1/3 in.)	148
241.3 (9 1/2 in.)	161
245.5 (9 2/3 in.)	173



<b>Form length</b>	<b>B dimensions</b>
254.0 (10 in.)	199
262.5 (10 1/3 in.)	224
266.7 (10 1/2 in.)	237
270.9 (10 2/3 in.)	249
279.4 (11 in.)	0
287.9 (11 1/3 in.)	12
292.1 (11 1/2 in.)	21
296.3 (11 2/3 in.)	29
304.8 (12 in.)	46
313.3 (12 1/3 in.)	63
317.5 (12 1/2 in.)	72
321.7 (12 2/3 in.)	80
330.2 (13 in.)	97
338.7 (13 1/3 in.)	114
342.9 (13 1/2 in.)	122
347.1 (13 2/3 in.)	131
355.6 (14 in.)	148

---

## **Paper color**

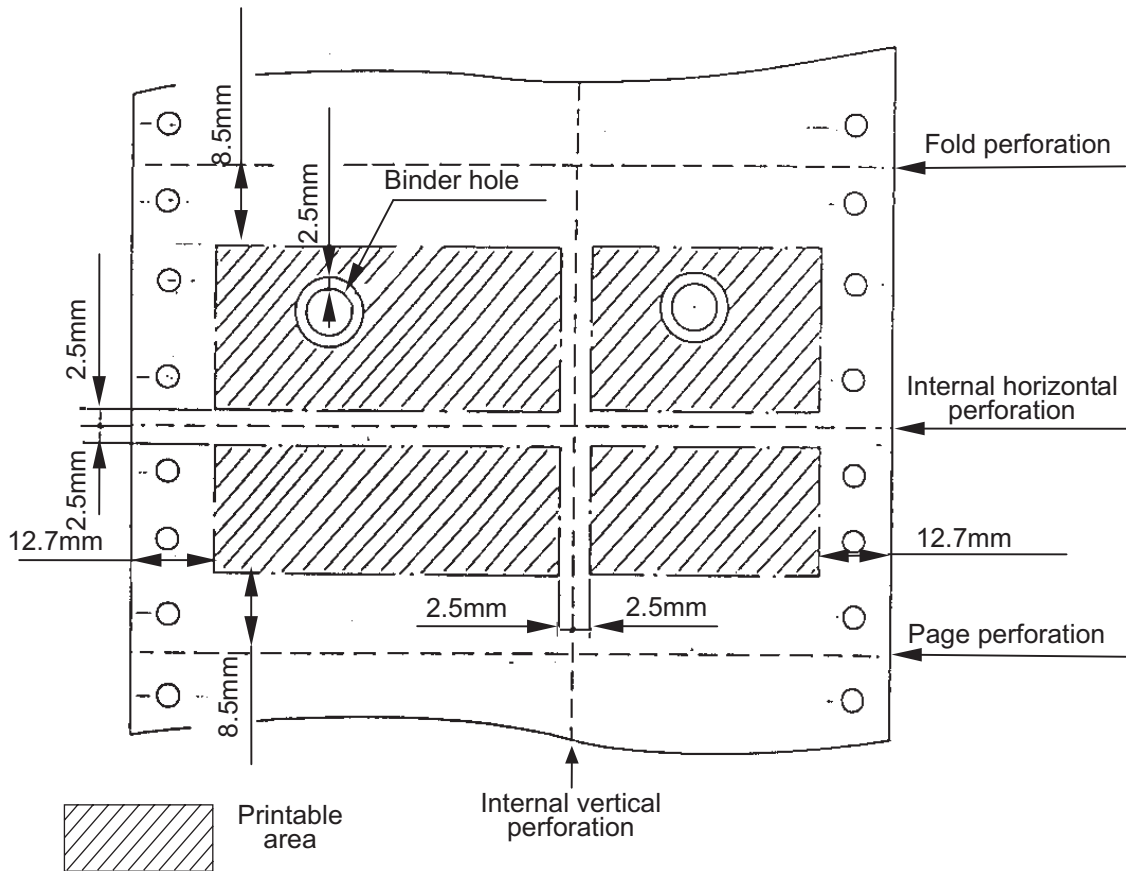
White paper is recommended. When you use colored paper, use colors with a lower density (such as yellow, light green, light blue, and pink).

Colored papers can affect the paper jam sensor; therefore, always test forms before you buy large quantities.

## No print area

Do not print in these areas:

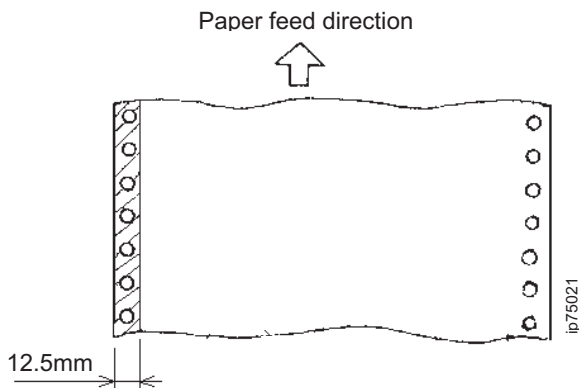
- 8.5 mm (1/3 in.) from fold and page perforations.
- 12.7 mm (0.5 in.) from the right and left edges of the form.
- 2.5 mm (0.1 in.) from the internal horizontal perforations.
- 2.5 mm (0.1 in.) from the vertical perforations.
- 2.5 mm (0.1 in.) around binder holes.



---

## Preprinted forms

- **Important!** The final forms design should be tested on the printer to verify that the layout is accurate and that the paper and ink are compatible with the printing process.
- The ink on preprinted forms should meet these conditions:
  - Ink should be non-volatile and should not transfer from paper to the printer components when a pressure of 3.5 kg/cm<sup>2</sup> is applied at 200°C.
  - Inks suitable for preprinting include:
    - Oxidative polymerization dry type ink
    - Heat curing ink (tin printing ink)
    - Ultraviolet curing ink
  - Inks unsuitable for preprinting include:
    - Quicksetting ink
    - Evaporation dry type ink
    - Cold set ink
    - Precipitation dry or deposition dry ink
    - Penetration dry ink
  - Ink on preprinted forms should be dry before it is packaged to prevent smearing. Do not use drying methods that expand or contract the paper.
  - Preprinted forms should be printed in an environment with a relative humidity between 45 and 60%.
- The printer uses 12.5 mm on the left side of the paper to make sure forms are fed and printed correctly. You should not use preprinted forms that leave machine-readable print marks in this area. Note that some marks (such as light-colored lines) might not be machine readable. Make sure to test preprinted forms before extensive use.

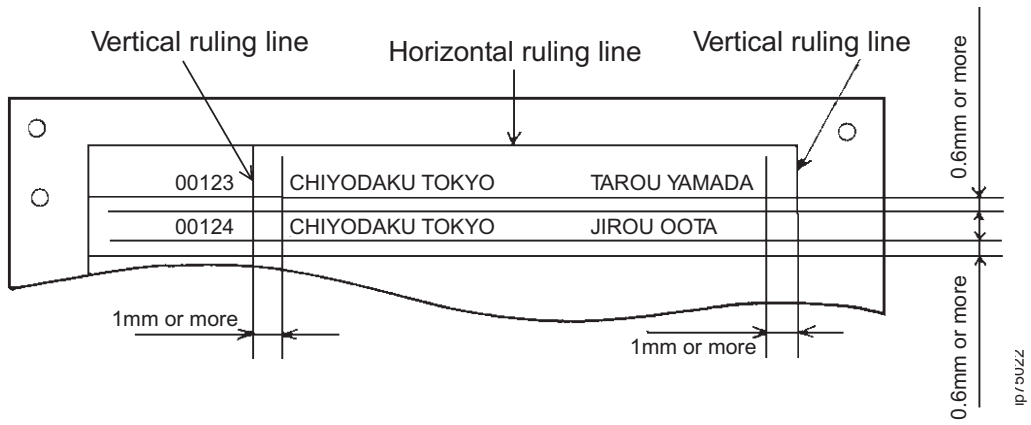


---

## Printing on preprinted forms

Because changes to the environment can cause preprinted forms to expand or contract, make sure your print applications allow space between print data and the print on preprinted forms.

- Allow 1 mm or more for vertical lines on the preprinted form.
- Allow 0.6 mm or more for horizontal lines.



---

## Appendix D. Downloading fonts

If you have PostScript installed, you can download additional fonts. To download fonts, use a crosscable to connect to a personal computer.

### Notes:

1. Make sure **Wait Timeout** is set to at least 40 seconds on the Printer-Options Menu. See “Configuring options” on page 11.
2. Do **not** initialize or format the hard drive.
3. Do **not** power off the printer while a job is printing.
4. Make sure no jobs are printing before you download fonts.

### Procedure:

1. See the information that comes with the additional fonts for instructions on how to load the fonts onto the printer.
2. After fonts are downloaded, power off and then power on the printer.
3. Print a list of fonts to verify that the new fonts are installed. See “Using the Reports Menu” on page 17.



---

## Notices

This information was developed for products and services offered in the U.S.A.

InfoPrint Solutions Company may not offer the products, services, or features discussed in this document in other countries. Consult your local InfoPrint Solutions Company representative for information on the products and services currently available in your area. Any reference to an InfoPrint Solutions Company product, program, or service is not intended to state or imply that *only* that InfoPrint Solutions Company product, program, or service may be used. Any functionally equivalent product, program, or service that does not infringe any InfoPrint Solutions Company intellectual property rights may be used instead. However, it is the user's responsibility to evaluate and verify the operation of any non-InfoPrint Solutions Company product, program, or service.

References in this document to InfoPrint Solutions Company products, product features, programs or services do not imply that InfoPrint Solutions Company intends to make such products, product features, programs or services available in all countries in which InfoPrint Solutions Company operates or does business.

InfoPrint Solutions Company may have patents or pending patent applications covering subject matter described in this document. The furnishing of this document does not give you any license to these patents. You can send license inquiries, in writing, to:

InfoPrint Solutions Company, LLC  
6300 Diagonal Hwy 002J  
Boulder, CO 80301-9270  
U.S.A.

**The following paragraph does not apply to the United Kingdom or any other country where such provisions are inconsistent with local law:** INFOPRINT SOLUTIONS COMPANY PROVIDES THIS PUBLICATION "AS IS" WITHOUT WARRANTY OF ANY KIND, EITHER EXPRESS OR IMPLIED, INCLUDING, BUT NOT LIMITED TO, THE IMPLIED WARRANTIES OF NON-INFRINGEMENT, MERCHANTABILITY OR FITNESS FOR A PARTICULAR PURPOSE. Some states do not allow disclaimer of express or implied warranties in certain transactions, therefore, this statement may not apply to you.

This information could include technical inaccuracies or typographical errors. Changes are periodically made to the information herein; these changes will be incorporated in new editions of the publication. InfoPrint Solutions Company may make improvements and/or changes in the product(s) described in this publication at any time without notice.

Any references in this information to non-InfoPrint Solutions Company Web sites are provided for convenience only and do not in any manner serve as an endorsement of those Web sites. The materials at those Web sites are not part of the materials for this InfoPrint Solutions Company product and use of those Web sites is at your own risk.

InfoPrint Solutions Company may use or distribute any of the information you supply in any way it believes appropriate without incurring any obligation to you.

Any performance data contained herein was determined in a controlled environment. Therefore, the results obtained in other operating environments may vary significantly. Some measurements may have been made on development-level systems and there is no guarantee that these measurements will be the same on generally available systems. Furthermore, some measurement may have been estimated through extrapolation. Actual results may vary. Users of this document should verify the applicable data for their specific environment.

Information concerning non-InfoPrint Solutions Company products was obtained from the suppliers of those products, their published announcements or other publicly available sources. InfoPrint Solutions Company has not tested those products and cannot confirm the accuracy of performance, compatibility or any other claims related to non-InfoPrint Solutions Company products. Questions on the capabilities of non-InfoPrint Solutions Company products should be addressed to the suppliers of those products.

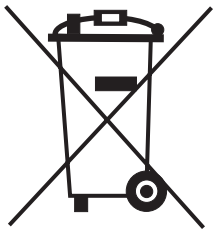
This information is for planning purposes only. The information herein is subject to change before the products described become available.

This information contains examples of data and reports used in daily business operations. To illustrate them as completely as possible, the examples include the names of individuals, companies, brands, and products. All of these names are fictitious and any similarity to the names and addresses used by an actual business enterprise is entirely coincidental.

If you are viewing this information softcopy, the photographs and color illustrations may not appear.

This unit must be recycled or discarded according to applicable local and national regulations. InfoPrint Solutions Company encourages owners of information technology (IT) equipment to responsibly recycle their equipment when it is no longer needed. InfoPrint Solutions Company offers a variety of product return programs and services in several countries to assist equipment owners in recycling their IT products. Information on InfoPrint Solutions Company product recycling offerings can be found on InfoPrint Solutions Company's Internet site at:

<http://www.infoprint.com>



**Notice:** This mark applies only to countries within the European Union (EU), Norway, and Switzerland.

Appliances are labeled in accordance with European Directive 2002/96/EC concerning waste electrical and electronic equipment (WEEE). The Directive determines the framework for the return and recycling of used appliances as applicable throughout the European Union. This label is applied to various products to indicate that the product is not to be thrown away, but rather reclaimed upon end of life per this Directive.

In accordance with the European WEEE Directive, electrical and electronic equipment (EEE) is to be collected separately and to be reused, recycled, or recovered at end of life. Users of EEE with the WEEE marking per Annex IV of the WEEE Directive, as shown above, must not dispose of end of life EEE as unsorted municipal waste, but use the collection framework available to customers for the return, recycling and recovery of WEEE. Customer participation is important to minimize any potential effects of EEE on the environment and human health due to the potential presence of hazardous substances in EEE. For proper collection and treatment, contact your local InfoPrint Solutions Company representative.

---

## Product recycling and disposal

This unit may have lead-containing materials – such as circuit boards and connectors – that require special handling. Before this unit is disposed of, these materials must be removed and recycled or discarded according to applicable regulations. This book contains specific information on batteries and refrigerant where applicable.



This product may contain a sealed, lead-acid battery; lithium battery; nickel-metal-hydride battery; or nickel-cadmium battery. Batteries of these types must be recycled or disposed of properly. Recycling facilities may not be available in your area.

In the United States, InfoPrint Solutions Company has established a collection process for reuse, recycling, or proper disposal of used batteries and battery packs from InfoPrint Solutions Company equipment. For information on proper disposal of the batteries in this product, please contact InfoPrint Solutions Company.

For information on disposal of batteries outside the United States, contact your local waste disposal facility.

---

## Trademarks

These terms are trademarks or registered trademarks of Ricoh Co., Ltd., in the United States, other countries, or both:

- InfoPrint
- Infoprint
- IPDS
- Ricoh

IBM, the IBM logo, and [ibm.com](http://ibm.com) are trademarks or registered trademarks of International Business Machines Corporation in the United States, other countries, or both. If these and other IBM trademarked terms are marked on their first occurrence in this information with a trademark symbol (® or ™), these symbols indicate U.S. registered or common law trademarks owned by IBM at the time this information was published. Such trademarks may also be registered or common law trademarks in other countries. A current list of IBM trademarks is available on the Web at "Copyright and trademark information" at [www.ibm.com/legal/copytrade.shtml](http://www.ibm.com/legal/copytrade.shtml)

Adobe, the Adobe logo, PostScript, and the PostScript logo are either registered trademarks or trademarks of Adobe Systems Incorporated in the United States and/or other countries.

Linux is a registered trademark of Linus Torvalds in the United States, other countries, or both.

Microsoft, Windows, Windows NT, and the Windows logo are trademarks of Microsoft Corporation in the United States, other countries, or both.

UNIX is a registered trademark of The Open Group in the United States and other countries.

EtherTalk is a trademark of Apple Computer, Inc..

Ethernet is a trademark of Xerox Corp.

PCL and PCL5e are trademarks of Hewlett-Packard Company.

NetWare is a trademark of Novell, Inc.

Contains UFST and MicroType from Agfa Corporation.

Copyright (c) 1998-1999 Xionics Document Technologies, Inc. All rights reserved.

JPEG—The software embedded in this product is based in part on the work of the Independent JPEG Group.

SNMP—The software embedded in this product uses the software by CMU.

Copyright 1988, 1989 by Carnegie Mellon University. All Rights Reserved.

Permission to use, copy, modify, and distribute this software and its documentation for any purpose and without fee is hereby granted, provided that the above copyright notice appear in all copies and that both that copyright notice and this permission notice appear in supporting documentation, and that the name of CMU not be used in advertising or publicity pertaining to distribution of the software without specific, written prior permission.

This product includes software developed by Sam Leffler and Silicon Graphics, Inc.

Copyright (c) 1988-1997 Sam Leffler

Copyright (c) 1991-1997 Silicon Graphics Inc.

Permission to use, copy, modify, distribute, and sell this software and its documentation for any purpose is hereby granted without fee, provided that (i) the above copyright notices and this permission notice appear in all copies of the software and related documentation, and (ii) the names of Sam Leffler and Silicon Graphics may not be used in any advertising or publicity relating to the software without the specific, prior written permission of Sam Leffler and Silicon Graphics.

Other company, product, or service names may be trademarks or service marks of others.

---

## Communication statements

### ***Federal Communications Commission (FCC) Statement***

This equipment has been tested and found to comply with the limits for a Class A digital device, pursuant to Part 15 of the FCC Rules. These limits are designed to provide reasonable protection against harmful interference when the equipment is operated in a commercial environment. This equipment generates, uses, and can radiate radio frequency energy and, if not installed and used in accordance with the instruction manual, may cause harmful interference to radio communications. Operation of this equipment in a residential area is likely to cause harmful interference in which case the user will be required to correct the interference at his own expense.

Properly shielded and grounded cables and connectors must be used in order to meet FCC emission limits. InfoPrint Solutions Company is not responsible for any radio or television interference caused by using other than recommended cables and connectors or by unauthorized changes or modifications to this equipment. Unauthorized changes or modifications could void the user's authority to operate the equipment.

This device complies with Part 15 of the FCC Rules. Operation is subject to the following two conditions: (1) this device may not cause harmful interference, and (2) this device must accept any interference received, including interference that may cause undesired operation.

### ***European Union (EU) Conformity Statement:***



Hereby, InfoPrint Solutions Company declares that this product is in compliance with the essential requirements and other relevant provisions of Directive 1999/5/EC.

InfoPrint Solutions Company cannot accept responsibility for any failure to satisfy the protection requirements resulting from a non-recommended modification of the product, including the fitting of non-InfoPrint Solutions Company option cards.

This product has been tested and found to comply with the limits for Class A Information Technology Equipment according to European standard EN 55022. The limits for Class A equipment were derived for commercial and industrial environments to provide reasonable protection against interference with licensed communication devices.

**Important**

This is a Class A product. In a domestic environment this product may cause radio interference in which case the user may be required to take adequate measures.

Properly shielded and grounded cables and connectors must be used in order to reduce the potential for causing interference to radio and TV communications and to other electrical or electronic equipment. InfoPrint Solutions Company cannot accept responsibility for any interference caused by using other than recommended cables and connectors.

**Industry Canada Compliance Statement**

This Class A digital apparatus complies with Canadian ICES-003.

Cet appareil numérique de la classe A est conforme à la norme NMB-003 du Canada.

**Statement for CISPR 22 Edition 2 Compliance:** Attention: This is a Class A product. In a domestic environment this product may cause radio interference in which case the user may be required to take adequate measures.

**Japanese VCCI Class A:**

この装置は、情報処理装置等電波障害自主規制協議会（VCCI）の基準に基づいたクラスA情報技術装置です。この装置を家庭環境で使用すると電波妨害を引き起こすことがあります。この場合には使用者が適切な対策を講ずるよう要求されることがあります。

**German Conformity Statement**

**Deutschsprachiger EU Hinweis:**

**Hinweis für Geräte der Klasse A EU-Richtlinie zur Elektromagnetischen Verträglichkeit**

Dieses Produkt entspricht den Schutzanforderungen der EU-Richtlinie 2004/108/EG zur Angleichung der Rechtsvorschriften über die elektromagnetische Verträglichkeit in den EU-Mitgliedsstaaten und hält die Grenzwerte der EN 55022 Klasse A ein.

Um dieses sicherzustellen, sind die Geräte wie in den Handbüchern beschrieben zu installieren und zu betreiben. Des Weiteren dürfen auch nur von der InfoPrint Solutions empfohlene Kabel angeschlossen werden. InfoPrint Solutions übernimmt keine Verantwortung für die Einhaltung der Schutzanforderungen, wenn das Produkt ohne Zustimmung der InfoPrint Solutions verändert bzw. wenn Erweiterungskomponenten von Fremdherstellern ohne Empfehlung der InfoPrint Solutions gesteckt/eingebaut werden.

EN 55022 Klasse A Geräte müssen mit folgendem Warnhinweis versehen werden:

“Warnung: Dieses ist eine Einrichtung der Klasse A. Diese Einrichtung kann im Wohnbereich Funk-Störungen verursachen; in diesem Fall kann vom Betreiber verlangt werden, angemessene Maßnahmen zu ergreifen und dafür aufzukommen.”

## **Deutschland: Einhaltung des Gesetzes über die elektromagnetische Verträglichkeit von Geräten**

Dieses Produkt entspricht dem "Gesetz über die elektromagnetische Verträglichkeit von Geräten (EMVG)". Dies ist die Umsetzung der EU-Richtlinie 2004/108/EG in der Bundesrepublik Deutschland.

## **Zulassungsbescheinigung laut dem Deutschen Gesetz über die elektromagnetische Verträglichkeit von Geräten (EMVG) (bzw. der EMC EG Richtlinie 2004/108/EG) für Geräte der Klasse A**

Dieses Gerät ist berechtigt, in Übereinstimmung mit dem Deutschen EMVG das EG-Konformitätszeichen - CE - zu führen.

Verantwortlich für die Konformitätserklärung des EMVG ist die InfoPrint Solutions.

Generelle Informationen:

**Das Gerät erfüllt die Schutzanforderungen nach EN 55024 und EN 55022 Klasse A.**

### ***China:***

Declaration:

This is a Class A product. In a domestic environment this product may cause radio interference in which case the user may need to perform practical actions.

### **声明**

此为 A 级产品，在生活环境中，该产品可能会造成无线电干扰。在这种情况下，可能需要用户对其干扰采取切实可行的措施。

### ***Taiwanese:***

Important:

This is a Class A product. In a domestic environment this product may cause radio interference in which case the user will be required to take adequate measures.

警告使用者：  
這是甲類的資訊產品，在  
居住的環境中使用時，可  
能會造成射頻干擾，在這  
種情況下，使用者會被要  
求採取某些適當的對策。

新加坡商印孚解決方案股份有限公司  
台灣分公司  
台北市忠孝東路四段 550 號 5 樓  
聯合服務中心：0800-016-888  
24 小時硬體維修專線：0800-055-055

此產品需由專業人員進行安裝

**Korea:**

A급 기기(업무용)

이 기기는 업무용으로 전자파적합등록을 받은 기기이오니  
판매자 또는 이용자는 이점을 주의하시기 바라며, 만약  
구입하였을 때에는 구입한 곳에서 가정용으로 교환하시기  
바랍니다.

This notice is effective as of May 30, 2009: Pursuant to Turkey's regulations titled Restriction of Hazardous Substances in Electrical and Electronic Equipment (EEE), InfoPrint Solutions Company product(s) as and when imported into Turkey after May 30, 2009 will conform to the EEE Regulation.

Bu uyarı 30 Mayıs 2009 tarihine kadar geçerlidir: Türkiye Cumhuriyeti'nin Elektrikli ve Elektronik Eşyalarda Bazı Zararlı Maddelerin Kullanımının Sınırlandırılmasına Dair Yönetmelik (EEE) başlıklı yönetmeliği uyarınca, InfoPrint Solutions Şirketi'nin Türkiye'ye 30.Mayıs 2009'dan sonra ithal edilen ürünleri, bu tarih itibarıyla EEE Yönetmeliğine uygundur.

turkey/eeeb



**DANGER**

This product is equipped with a 3-wire power cord and plug for the user's safety. Use this power cord in conjunction with a properly grounded electrical outlet to avoid electrical shock.

### **Self-regulation on harmonic current**

This printer satisfies the requirements of JISC61000-3-2 "Electromagnetic compatibility(EMC)-Part3-2: Limits - Limits for harmonic current emissions (equipment input current below 20A per phase)."

### **Self-regulation on immunity test for information technology equipment and system**

This printer satisfies the requirements of JEITA IT-3001 "The Impact of Edge Roll-off on CMP performance."

---

# Index

## Numerics

2-up (PCL) 12

## A

Accept icon 8  
accessing printer online 19  
accessories 84  
address, MAC 45  
adjusting paper tension 34  
adjusting print position 41  
AIX 47  
AppleTalk 45  
AppleTalk troubleshooting 72  
automatic paper loading 30  
automatic paper loading, setting 11

## B

Back icon 8  
backup time 14  
Bar Code, IPDS Menu item 24  
binder holes 95  
Box Draw, IPDS Menu item 25  
brightness (OCP), setting 14  
buttons 8  
buzzer (OCP), setting 14  
buzzer, setting 11

## C

Caching, IPDS Menu item 13  
card paper 41  
Characters Per Inch, IPDS Menu item 21  
checking print position 38  
checking print quality 65  
cleaning  
    paper hopper 66  
    pre-clean assembly 70  
    printer 66  
    stacker 67  
    toner hopper 69  
    transfer unit 68  
Clear icon 8  
CLR icon 8  
code page, specifying for IPDS 21  
Color Simulation, IPDS Menu item 25  
color, paper 97  
configuring  
    2-up (PCL) 12  
    automatic paper loading 11  
    backup time 14  
    buzzer 11  
    country code 14  
    date and time 14  
    drum cleaner counter 16  
    energy saver 14

configuring (*continued*)  
    exit jam recovery 11  
    HR cleaner counter 16  
    HR unit counter 16  
    IPDS settings 13  
    job emulation 14  
    jobs 17  
    language 16  
    LPD queueing 11  
    margins 10  
    network addresses 14  
    NPRO 11  
    OCP settings 14  
    offset (PCL) 12  
    OPC drum counter 16  
    page layout (PCL) 12  
    page layout (PostScript) 12  
    paper settings 10  
    parallel channel pulse 14  
    passwords 14  
    PCL settings 12  
    PostScript settings 12  
    print density 11  
    print position 10  
    print speed 11  
    reports 17  
    separation pages 14  
    SNMP 14  
    software logging 14  
    stacker level 11  
    wait timeout 11  
confirming MAC address 45  
connecting to network 43  
Consumables icon 16  
contrast (OCP), setting 14  
corner cuts 95  
counters, setting 16  
country code, setting 14

## D

date and time, setting 14  
Default Code Page, IPDS Menu item 21  
Default FGID, IPDS Menu item 21  
defining paper to printer 29  
DEL icon 8  
Delete icon 8  
deleting jobs 17  
density (print), setting 11  
developer mix  
    ordering 87  
    replacing 52  
    storing 87  
dimensions, paper 90  
directory directory reports 17  
Disk Directory 17  
disk directory reports 17  
downloading fonts 101

drum cleaner counter, setting 16

## E

Economy Auto Load 34  
Emulation Mode, IPDS Menu item 20  
energy saver, setting 14  
Enter icon 8  
error messages 76  
errors (PostScript) 12  
exit jam recovery, setting 11

## F

features, printer 1  
Font Capture, IPDS Menu item 13  
Font Substitution, IPDS Menu item 23  
fonts  
    IPDS resident default 21  
    IPDS substitution 23  
Fonts 17  
fonts lists 17  
fonts, downloading 101  
FORMS LENGTH Panel  
    description 3  
    location 2

## G

Graphic Character String, IPDS Menu item 24

## H

halftone density (PostScript) 12  
Help icon 8  
highlights, printer 1  
holes, tractor 94  
hopper toner, location 4  
HP=UX 46  
HR cleaner  
    location 4  
HR cleaner counter, setting 16  
HR unit  
    location 4  
HR unit counter, setting 16

## I

I/O interface 84  
icons

- Back 8
- Clear 8
- Consumables 16
- Delete 8
- Disk Directory 17
- Enter/Accept 8
- Fonts 17
- Help 8
- Information 8
- Job Menu 8

icons (*continued*)

- Jobs 17
- Language 16
- Next 8
- NPRO 8
- OCP 14
- Options 11
- Paper Source 10
- Pause/Offline 8
- PCL 12
- Preset 17
- Previous 8
- Printer Menu 8
- PS 12
- Repeat 8
- Reports 17
- Reports Menu 8
- Resume/Online 8
- scroll bar 8
- Setup Menu 8
- Status 17
- System 14
- Test Print 12

Information icon 8  
information messages 74

IPDS

- bar codes 24
- box drawing 25
- code page 21
- color simulation 25
- default font 21
- page format 23
- resolution 24
- valid printable area checking 22

IPDS Capture 25

IPDS settings 13

IPDS Trace 25

## J

jam recovery, setting 11  
Jobs icon 17  
jobs, displaying or deleting 17

## L

labels, machine xii  
Language icon 16  
language, setting 16  
length, paper 90  
loading paper 30  
locations  
    FORMS LENGTH Panel 2  
    front cover 2  
    HR cleaner 4  
    HR unit 4  
    paper feed unit 4  
    paper hopper 4  
    PF Panel 2  
    rear cover 2  
    side cover 2



locations (*continued*)  
  ST Panel 2  
  stacker table 4  
  toner bottle cover 2  
  toner hopper 4  
  toner supply cover 2  
  used toner bottle 4  
log, software 14  
loosening paper tension 34  
LPD queueing, setting 11  
LPR/LPD printing 44

## M

MAC address, confirming 45  
machine labels xii  
maintenance  
  adding toner 49  
  checking print quality 65  
  cleaning paper hopper 66  
  cleaning pre-clean assembly 70  
  cleaning printer 66  
  cleaning stacker 67  
  cleaning toner hopper 69  
  cleaning transfer unit 68  
  cleaning used toner bottle area 69  
  clearing stacker jams 62  
  clearing tractor jams 63  
  replacing developer mix 52  
  replacing supplies 49  
  replacing used toner bottle 51  
margins, setting 10  
menus  
  Main 7  
messages  
  information 74, 76

## N

network  
  AIX 47  
  AppleTalk 45  
  configuring 44  
  confirming MAC address 45  
  connecting to 43  
  HP=UX 46  
  LPR/LPD printing 44  
  Solaris 46  
network addresses, setting 14  
network troubleshooting 72  
Next icon 8  
no print area 98  
notices, safety ix  
NPRO icon 8  
NPRO Timeout, IPDS Menu item 13  
NPRO, enabling/disabling 11

## O

OCP (operator control panel)  
  Main Menu 7

OCP (operator control panel) (*continued*)  
  tuning 14  
  using 7  
Offline icon 8  
offset (PCL) 12  
online access to printer 19  
Online icon 8  
OPC drum counter, setting 16  
Options icon 11  
ordering supplies 87  
overlay cache 13  
overview 1

## P

page layout (PCL) 12  
page layout (PostScript) 12  
Page, IPDS Menu item 23  
paper  
  adjusting print position 41  
  adjusting tension 34  
  binder holes 95  
  card paper 41  
  checking print position 38  
  color 97  
  corner cuts 95  
  length, setting 10  
  loading 30  
  no print area 98  
  perforations 92  
  precautions 29  
  preprinted forms 99  
  print position, setting 10  
  recommendations 89  
  registering 29  
  removing 35  
  specifications 89  
  storing 87  
  supported sizes 90  
  supported weights 90  
  tractor holes 94  
  unacceptable 89  
  width, setting 10  
paper definitions, setting 17  
paper feed unit  
  location 4  
paper jams  
  clearing HR unit jams 63  
  clearing stacker jams 62  
paper length, setting 10  
paper registration 29  
Paper Source icon 10  
paper width, setting 10  
parallel channel pulse 14  
passwords, setting 14  
Pause icon 8  
PCL fonts lists 17  
PCL icon 12  
PCL settings 12  
perforations, specifications 92

- PF Panel
  - description 3
  - location 2
- pin assignments 84
- position, adjusting print 41
- position, checking print 38
- PostScript fonts lists 17
- PostScript settings 12
- powering off the printer 5
- powering on the printer 5
- pre-clean assembly 70
- precautions for paper handling 29
- preprinted forms 99
- Preset 17
- preset paper definitions, setting 17
- Previous icon 8
- print density, setting 11
- print errors (PostScript) 12
- Print Menu
  - IPDS (PostScript) 13
  - OCP 14
  - Options 11
  - Paper Source 10
  - PCL 12
  - PS (PostScript) 12
  - Test Print 12
  - using 10
- print position
  - adjusting 41
  - checking 38
  - setting 10
- print quality, checking 65
- print speed, setting 11
- printer specifications 81
- prints (test), running 12
- PS (PostScript) icon 12
- pulse width 14

## Q

- quality, print 65
- queueing for LPD, setting 11

## R

- registering paper 29
- removing paper 35
- Repeat icon 8
- replacing
  - developer mix 52
  - toner 49
  - used toner bottle 51
- Reports icon 17
- reports, setting 17
- Reset IPDS Fonts, IPDS Menu item 13
- resetting
  - drum cleaner counter 16
  - HR cleaner counter 16
  - HR unit counter 16
  - OPC drum counter 16
- Resume icon 8

- rotation (PostScript) icon 12

## S

- safety notices ix
- scroll bar icon 8
- separation pages, setting 14
- Setup Menu
  - using 14
- sizes, paper 90
- software logging 14
- Solaris 46
- space requirements 83
- specifications, printer 81
- ST Panel
  - description 3
  - location 2
- stacker level, setting 11
- stacker table
  - location 4
- starting the printer 5
- Status 17
- status reports 17
- stop position, checking 37
- storing supplies 87
- supplies
  - ordering 87
  - storing 87
- System icon 14

## T

- tension, adjusting 34
- test prints, running 12
- Text Color Simulation, IPDS Menu item 25
- tightening paper tension 34
- time and date, setting 14
- timeout (PostScript) icon 12
- timeout, setting 11
- toner
  - ordering 87
  - replacing 49
  - storing 87
- toner hopper, location 4
- tractor holes, specifications 94
- trademarks 105
- troubleshooting 71
- turning off the printer 5
- turning on the printer 5

## U

- used toner bottle
  - location 4
  - replacing 51

## V

- Valid Print Area Check, IPDS Menu item 22
- valid printable area checking, IPDS 22

virtual printer 25

## **W**

wait timeout, setting 11

Web interface

    accessing 19

    virtual printer 25

weight, paper 90

width, paper 90





InfoPrint Solutions Company

Part Number: 55Y6987

Printed in USA

S550-1103-03



(1P) P/N: 55Y6987

