
第8章 部品表

本章では、InfoPrint 5579シリアル・プリンターとASFの保守部品、およびスペア部品を図示する。

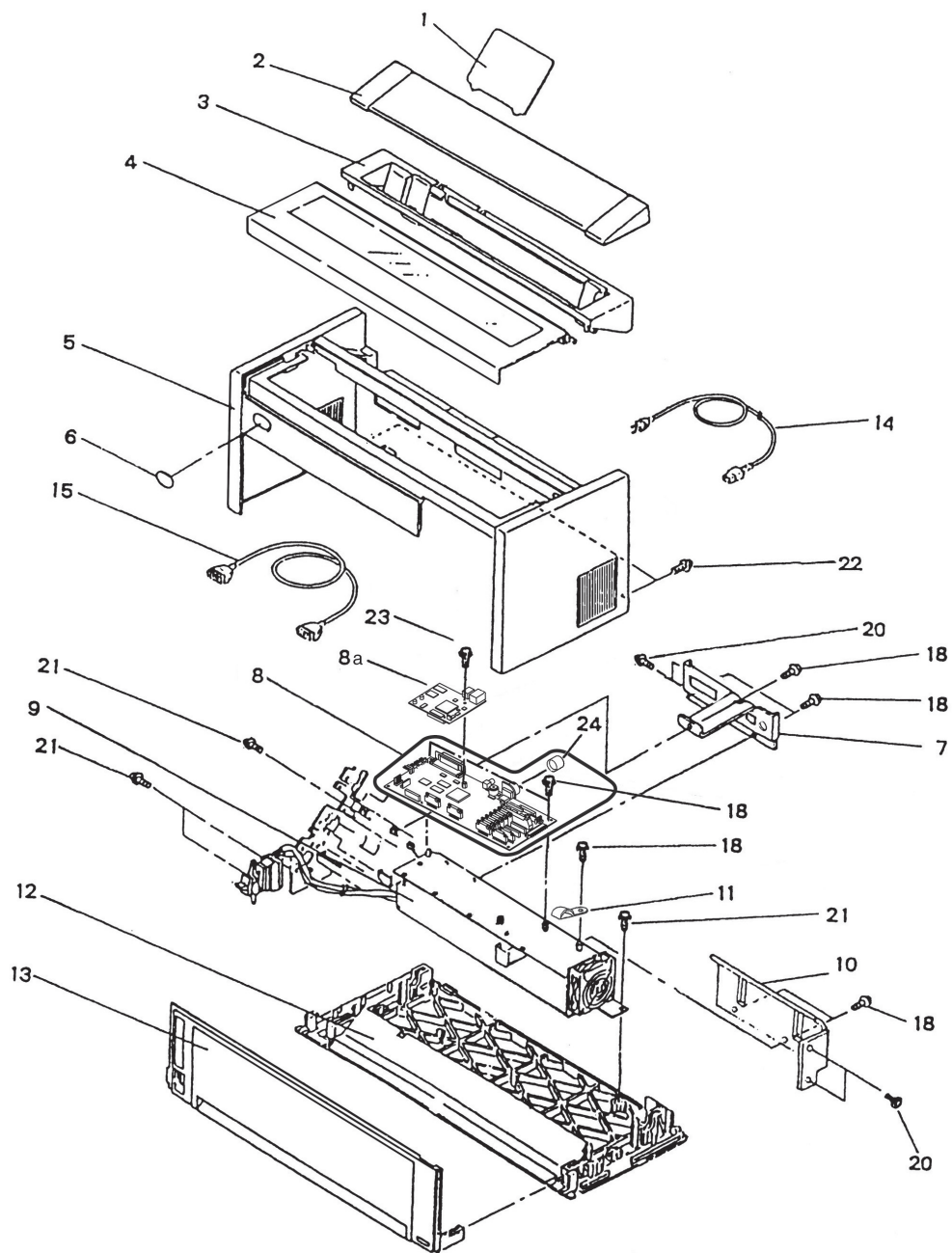


図8-1 (1/2) Covers and Electrical Parts

参照番号	部品番号	部品名	個数
1-1	23F2362	Plate - Guide	1
2	06G5712	Cover - Hood	1
3	06G5762	Guide Asm - Form	1
4	06G5648	Cover - Access	1
5	38R5116	Cover - Top	1
6	06G5763	Label - Logo	1
7	38R5117	Cover - Logic Card	1
8	13N4612	Logic Card	1
8a	38R5175	Network Card	1
9	38R5177	Power Supply	1
10	78F9774	Plate - Cable Stop	1
11			
12	06G5644	Plate - Bottom	1
13	06G5646	Cover - Front	1
14	38F7672	Cable - Power	1
15	81X7875	Printer Cable Asm(25×36)2.4 m	1
15	6454977	Printer Cable Asm(36×36)2.4 m	1
15	09F5544	Printer Cable Asm(25×36)5.0 m	1
15	4773366	Printer Cable Asm(36×36)5.0 m	1
18	4761263	Screw(M3×6)	
20	4761264	Screw(M3×8)	
21	4761281	Screw(M4×8)	
22	6455018	Screw(M4×8)	
23	06G5635	Screw(M4×6)	
24	13N4631	Cap - ASF Connector	1

図8-1 (2/2) Covers and Electrical Parts

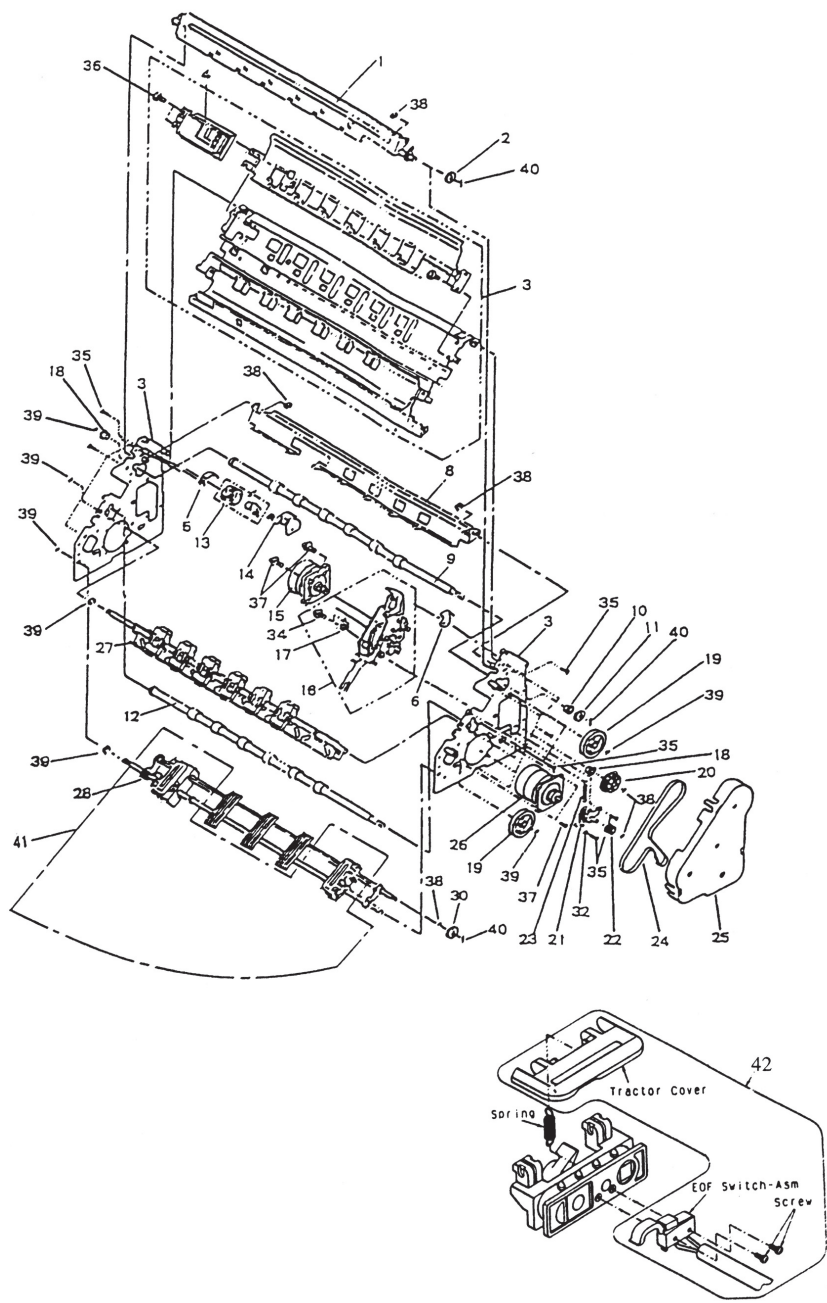


図8-2 (1/4) Feed Unit

参照番号	部品番号	部品名	個数
2-1	06G5617	Roller Asm - Upper Pressure	1
2	06G5633	•Gear - Upper Pressure Roller	1
3	06G5704	Frame Asm - Feed	1
4	26L7123	•Sensor - TOF/BOF	1
5	38F5632	•Bracket - Left ASF Guide	1
6	38F5633	•Bracket - Right ASF Guide	1
7			
8	38F7661	Plate - Stopper	1
9	06G5613	Shaft - Upper Feed Roller	1
10	6454769	•Bushing - Upper Feed Roller	1
11	06G5614	•Gear - Upper Feed Roller	1
12	06G5615	Shaft - Lower Feed Roller	1
13	23F2243	Gear - ASF Drive	1
14	38F5635	Bracket - ASF Gear	1
15	6454770	Motor - Cam	1
16	07K7106	Cam Asm	2
17	23F2258	•Sensor - Cam	2
18	6454769	Bushing - Feed Roller	1
19	06G5608	Pulley - Idler	1
20	06G5616	Pulley - Lower Feed Roller	1
21	06G5610	Plate - Tension Pulley	1
22	06G5611	Pulley - Tension	1
23	06G5612	Spring Tension	1
24	06G5609	Belt - Feed	1
25	06G5619	Cover - Feed	1
26	06G5607	Motor - Feed	1
27	06G5626	Roller Asm - Lower Pressure	1
28	26L7124	Tractor Asm	1

図8-2 (2/4) Feed Unit

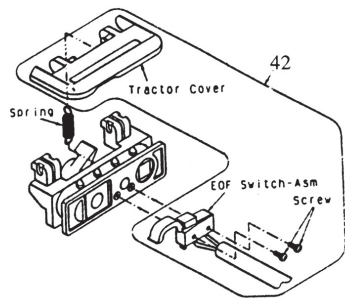
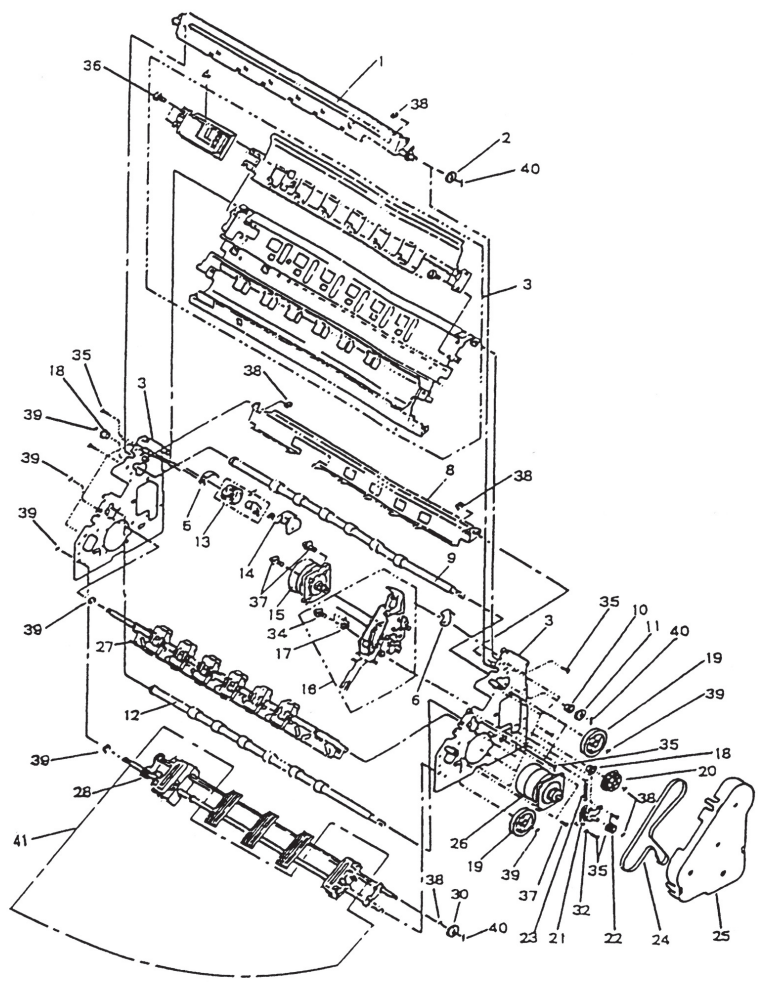


図8-2 (3/4) Feed Unit

参照番号	部品番号	部品名	個数
29			
30	06G5634	・Gear - Tractor	1
31			
32	1622346	Washer(M4)	
33			
34	4761263	Screw(M3×6)	
35	4761281	Screw(M4×8)	
36	4761282	Screw(M4×10)	
37	4761283	Screw(M4×12)	
38	6455024	E-Clip(E4)	
39	6455026	E-Clip(E6)	
40	06G5625	Pin - Shaft	
41	26L7144	Tractor Set	1
42	26L7128	EOF Switch Kit	1

図8-2 (4/4) Feed Unit

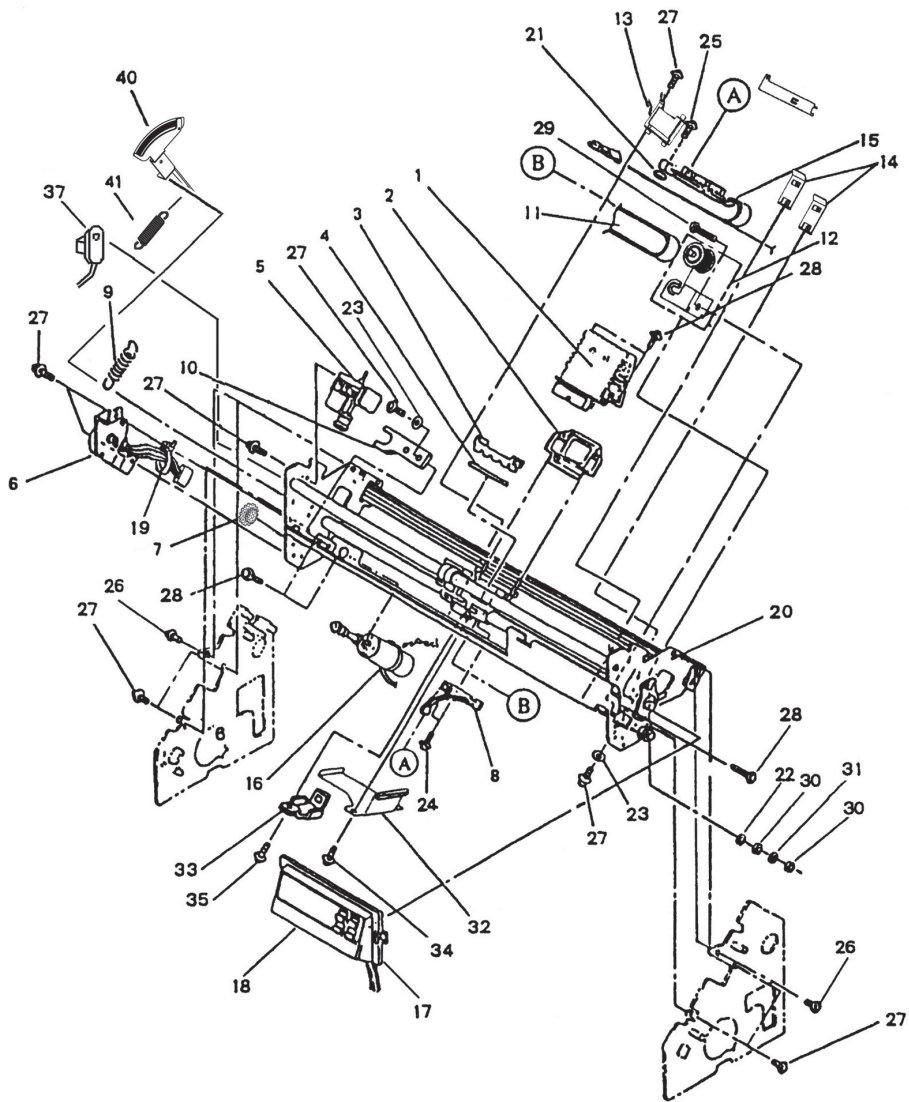


図8-3 (1/4) Print Unit

参照番号	部品番号	部品名	個数
3-1	38R5121	Print Head	1
2	10R5063	Shield - Ribbon	1
3	38F5734	Support - Oil Felt	1
4	23F2270	Felt - Oil	1
5	38R5127	Drive Asm - Ribbon	1
6	09F5825	Motor Asm - AGA	1
7	38F5729	Gear - AGA Idler	1
8	38R5166	Sensor - Paper Edge	1
9	07K7136	Spring - AGA Drive	1
10	78F9710	Plate - Carrier Motor	1
11	06G5705	Belt - Carrier	1
12	06G5706	Pulley Asm - Tension	1
13	13N4598	Cable Clamp - Center	1
14	78F9715	Cable Clamp - Right	1
15	78F9693	Cable - Print Head	1
16	78F9711	Motor - Carrier	1
17	38R5128	Operator Panel	1
18	06G5761	Cover - Operator Panel	1
19	06G5639	Cable Clamp - AGA Motor	1
20	38R5130	Frame Asm - Carrier	1
21	1622344	Washer(M3)	
22	1622304	Washer(M4)	1
23	1622346	Washer(M4)	
24	4761256	Screw(M2×6)	
25	4761263	Screw(M3×6)	
26	06G5635	Screw(M4×6)	

図8-3 (2/4) Print Unit

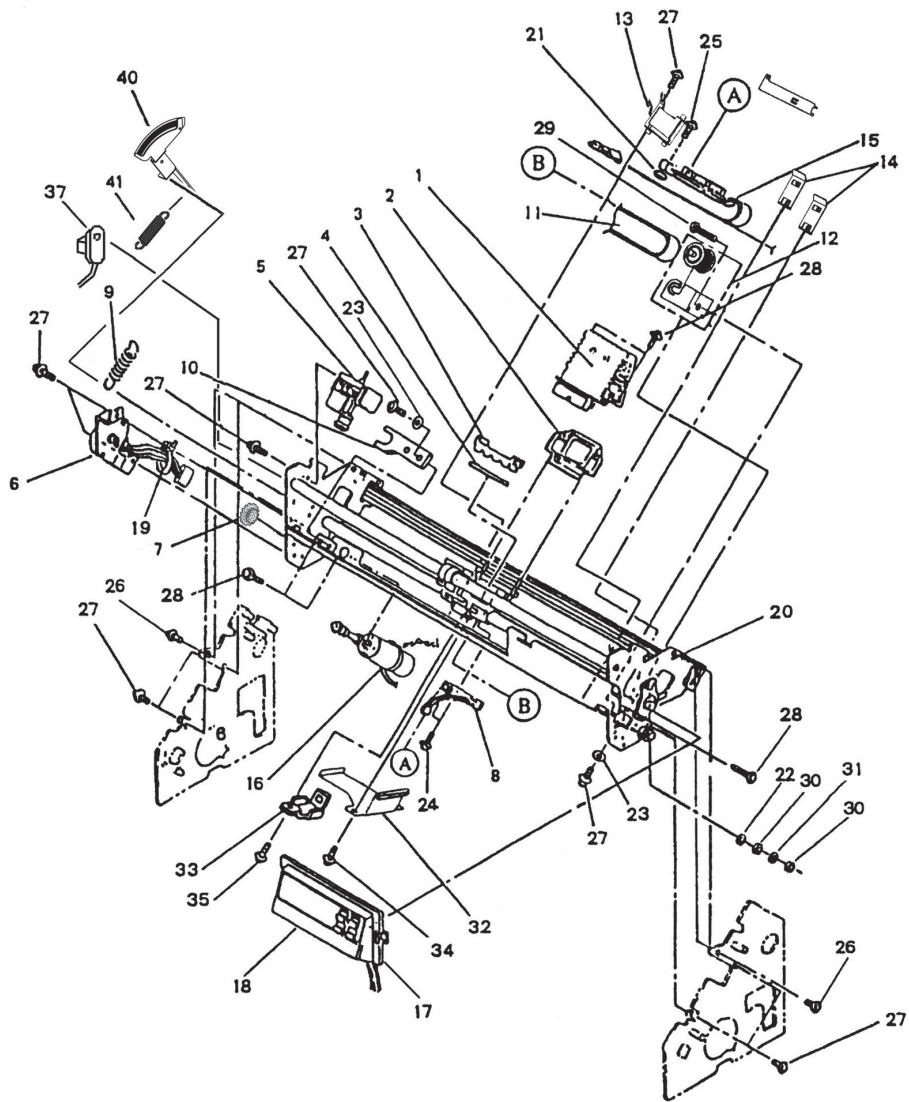


図8-3 (3/4) Print Unit

参照番号	部品番号	部品名	個数
27	4761281	Screw(M4×8)	
28	4761283	Screw(M4×12)	
29	06G5627	Bolt(M4×20)	
30	1622403	Nut(M4)	
31	1622318	Washer - Spring	
32	13N4597	Plate - Print Head Cable	1
33	78F9696	Plate - Belt Clamp	1
34	4761263	Screw(M3×6)	1
35	4761264	Screw(M3×8)	
36			
37	38F5725	Sensor - AGA position	1
40	38R5131	AGA Slit ASM	1
41	38R5132	Spring - Gear 120 A	1

図8-3 (4/4) Print Unit

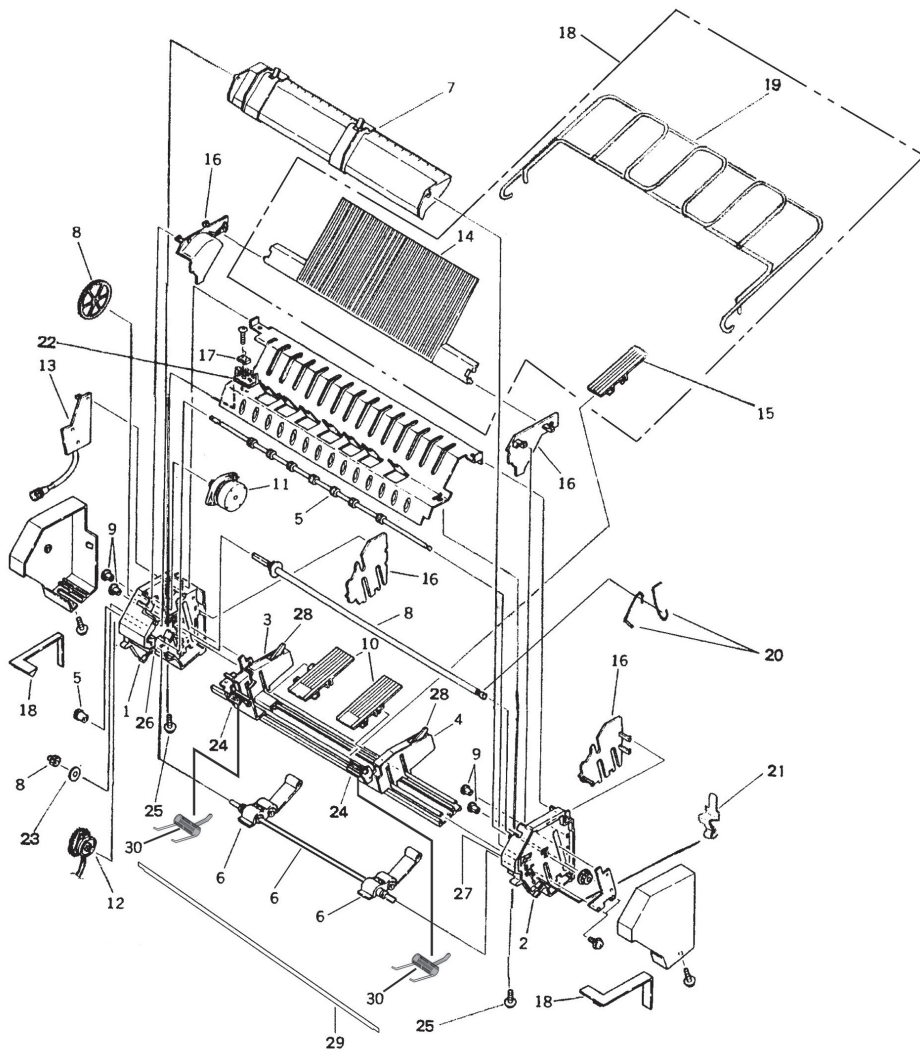


図8-4 (1/2) ASF

参照番号	部品番号	部品名	個数
	38R5135	ASF Asm	1
1	38R5136	・Side Frame - Left	1
2	38R5137	・Side Frame - Right	1
3	38R5138	・Hopper Guide Asm - Left	1
4	38R5139	・Hopper Guide Asm - Right	1
5	38R5140	・Stacker Roll Asm	1
6	38R5141	・Feed Roller Asm	1
7	38R5142	・Guide Plate Asm	1
8	38R5143	・Lift Shaft Asm	1
9	38R5144	・Slider	4
10	38R5145	・Hopper Plate Group	1
11	38R5146	・Motor Asm	1
12	38R5147	・Clutch Asm	1
13	38R5148	・Card Asm	1
14	38R5157	・Stacker Plate	1
15	38R5159	・Hopper Support	1
16	38R5149	・Side Plate Asm	1
17	38R5150	・ASF Mode Switch	1
18	38R5156	・ASF Ship Group	1
19	38R5161	・Tray - Hopper	1
20	38R5151	・Spring - ESD	2
21	38R5152	・Spring - Frame Ground	1
22	38R5153	・Stacker Spacer	1
23	38R5154	・Washer(M5)	
24	38R5155	・Separator Asm Group	1
25	4761281	・Screw(M4×8)	
26	38R5160	・Plate Spring - Left	1
27	38R5162	・Plate Spring - Right	1
28	38R5163	・Stopper Hopper	1
29	38R5164	・Myler - Support Guide	1
30	13N4651	・Spring - Separator	2

図8-4 (2/2) ASF

