

VSE Hints and Tips

**2002 WAVV Conference
Ft. Mitchell, KY
April 14, 2002
Justin McMurry**



**4025 Woodland Park Blvd.
Arlington, TX 76013**

817-277-0800 or 1-800-4-VSEESA

**Email: jmcmurry@intelliware.com
<http://www.intelliware.com>**

© Copyright 2002 IntelliWare Systems, Inc.

*This material may not be reproduced without the expressed prior written consent of IntelliWare Systems, Inc.
All trademarks referenced herein are trademarks of their respective companies.*

Objectives



- Provide you with useful tips you can take home and use
- Get you to share your tips with the rest of us

Note: The topics covered in this presentation assume no vendor products are being used, just a standard IBM VSE system

Some Useful New Stuff in VSE/ESA 2.5/2.6

■ VSE/POWER


■ Command-Driven Output Segmentation

```
PSEGMENT partid,cuu[ ,PAGE | CARD | IMM ]
```

```
PALTER LST | PUN, jobname, jobnum, CQNUM=nnnn,
        SEGMENT=PAGE | CARD | IMM
```

```
psegment f3,fee,imm
AR 0015 1C39I COMMAND PASSED TO VSE/POWER
F1 0001 1R88I  OK
F3 0001 1Q53I  OUTPUT SEGMENTED FOR VTAMSTRT 00657 001 F3 ,FEE
```

Some Useful New Stuff in VSE/ESA 2.5/2.6...



■ VSE/POWER...

- Access to Active and In-Creation Queue Entries
 - | View RDR|LST|PUN queue entries of running jobs
 - | View LST or PUN queue entries of jobs while entries are being processed (printed, punched)
 - | IUI Dialog support
 - | ICCF support
 - /LISTP
 - /SKIP
 - DTSGETQ program (GETR, GETP, GETL procedures)

Some Useful New Stuff in VSE/ESA 2.5/2.6...

IUI In-Creation Queue Access

```
IESBQUI                                MANAGE BATCH QUEUES

SELECT one of the following:

QUEUE..... 6  ←
                1 = List Queue
                2 = Reader Queue
                3 = Punch Queue
                4 = Transmit Queue
                5 = Wait for Run Subqueue
                6 = In-Creation Queue
                  (Only for selections 1 to 5)

SPECIFY optionally:

PREFIX..... _____ To list only jobs whose names begin
                        with certain characters
                        (Only valid for selections 1 to 4 above)

CLASS..... _          To list only jobs in a certain class

USER..... _____  To list only this user's jobs


PF1=HELP                3=END                4=RETURN
```

Some Useful New Stuff in VSE/ESA 2.5/2.6...

IUI In-Creation Queue Access


```
IESBQUC                               IN-CREATION QUEUE                               Page 1 of 1
OPTIONS:  1 = DISPLAY                  8 = SEGMENT ←
OPT JOBNAME NUMBER SFX CLASS  LINES ID PART DEV ORIGINATOR FROM
-  CICSICCF 00658      A      244 L  F2  FEE  CICSICCF .SYSA
-  VTAMSTRT 00657      A       19 L  F3  FEE  VTAMSTRT .SYSA
                                     ↑
PF1=HELP      2=REFRESH      3=END      4=RETURN
LOCATE JOBNAME ==> _____
```

Some Useful New Stuff in VSE/ESA 2.5/2.6...




- Up to 23 Dynamic Classes
 - All alphabetic characters except A, B, and F
 - Classes R and S added to IBM-supplied table
 - But watch out...
 - | More dynamic classes = more(?) partitions active = more virtual storage used (VSIZE) = bigger PDS
 - | Possible conflicts with classes assigned to static partitions
 - VSE/POWER by default favors dynamic partitions
 - Control using Autostart command SET DYNAL=LOW
 - | Longer PRTY command!
 - Use PRTY x,BELOW,y or PRTY x,EQUAL,y

Some Useful New Stuff in VSE/ESA 2.5/2.6...



- LE/VSE no longer requires different sublibraries for CICS and batch
 - Only one sublibrary: PRD2.SCEEBASE
- STDOPT command can be issued in any partition
 - Previously BG only
 - Options still apply to all partitions
- VSE Libraries in VSAM space can have more than 16 extents

Some Useful New Stuff in VSE/ESA 2.5/2.6...



■ IUI Program Development

■ Dialog now supports sorting list by member size

- | Replaces "Last Accessed" column with "Size"

- | Can now display list sorted by

- Date accessed (PF9)
- Name (PF10)
- Size (PF11)

■ New Option 9 - Display member

- | View member *without* updating Last Accessed date

- Copies member to ICCF input area for editing
- Changes NOT saved

Some Useful New Stuff in VSE/ESA 2.5/2.6...

IUI Primary Library Panel

```
IESLIBP                PRIMARY LIBRARY                PAGE 1 of 4

PRIMARY (READ/WRITE):  10                PREFIX:


OPTIONS:  1 = EDIT      2 = CHANGE      3 = PRINT      4 = COPY      5 = DELETE
          6 = RENAME    7 = SUBMIT     8 = COMPILE    9 = DISPLAY ←

OPT  MEMBER NAME      NEW NAME      NEW LIB      SIZE ← OWNER  PASSW  PRIVATE
---  -
   -  TCP140A          _____    _____    1337    SYSA          -
   -  INSTOPTH          _____    _____    689     SYSA          -
   -  INSTXTB          _____    _____    599     SYSA          -
   -  JCLPROCS         _____    _____    550     SYSA          -
   -  INST24P          _____    _____    479     SYSA          -
   -  POWSTRTB         _____    _____    227     SYSA          -
   -  USERLIST        _____    _____    156     TCPA          -
   -  U$SYSA.P         _____    _____    91      SYSA          -
   -  IPLPROC          _____    _____    50      SYSA          -
   -  DMPINF1          _____    _____    45      SYSA          -

PF1=HELP      2=REFRESH      3=END          4=RETURN      6=ADD MEMBER
              8=FORWARD      9=SORT.DATE   10=SORT.NAME  11=SORT.SIZE  12=LIST QUEUE

LOCATE MEMBER/LIST QUEUE PREFIX ==> _____ MEMBER PREFIX (PF2) ==> _____
```

Some Useful New Stuff in VSE/ESA 2.5/2.6...



- Storage Dump Management dialog now supports both CICS TS and CICS/VSE
 - VSE/ESA 2.4 dialog supported CICS TS only
 - You must specify which type of dump is to be analyzed
- IEDC transaction
 - Displays CICS TS storage use

Some Useful New Stuff in VSE/ESA 2.5/2.6...

IEDC Transaction

IESADMDCST		CICS TS Storage Reporter				Time: 09:02:27
Applid: DBDCCICS	Sysid: CIC1	Jobname: CICSICCF	CICS TS Level: 111			
Storage Protection	INACTIVE	Reentrant Programs	PROTECT			
		CICS Trace Table size..	80			
Extended DSA:		(All sizes in kbyte)	LIMIT	25600		
		ECDSA	EUDSA	ESDSA	ERDSA	Totals
Current DSA Size	3072	1024	1024	6144	11264	
Current DSA used	2584	64	132	5948	8728	
*Peak DSA used	2608	64	132	5948		
Peak DSA Size	3072	1024	1024	6144	11264	
Largest free area/Free Storage	1.00	1.00	1.00	0.55		
Times short-on-storage (SOS)..	0	0	0	0	0	
DSA:				LIMIT	5120	
		CDSA	UDSA	SDSA	RDSA	Totals
Current DSA Size	512	256	512	512	1792	
Current DSA used	408	8	404	416	1236	
*Peak DSA used	428	32	424	416		
Peak DSA Size	512	256	512	512	1792	
Largest free area/Free Storage.	0.69	1.00	0.93	0.83		
Times short-on-storage (SOS)...	0	0	0	0	0	
PF1=HELP	2=REFRESH	3=END	4=RETURN			

Updating the Message Explain File



- Messages can be added/updated in the VSE/ESA-supplied Message Explain File
 - Vendor products, your programs, replace IBM messages
 - Utility Program IESMSGSS
 - | EXPLAIN Function Must Not Be Active
 - EXPLAIN OFF
 - Viewed Using PF9 on Console
 - | EXPLAIN Function Must Be Active
 - EXPLAIN ON

Updating the Message Explain File...

Adding Your Own Messages

```
* $$ JOB JNM=TESTMSG,DISP=D,CLASS=0
// JOB TESTMSG  TEST ADDING MESSAGE TO MESSAGE EXPLAIN FILE
// DLBL NEWMSG, 'VSE.MESSAGES.ONLINE', ,VSAM,CAT=IJSYSCT
// EXEC DTRIATTN,PARM='EXPLAIN OFF'
// EXEC IESMSG,SIZE=60K
`ISI001      TEST MESSAGE FOR INTELLIWARE SYSTEMS, INC.

              `HIGHLIGHT:` THIS IS A TEST MESSAGE TO SEE HOW THIS PROGRAM
              WORKS. IT DOES NOT REPRESENT `ANYTHING` USEFUL.
              This is in MIXED case just for a change.
`ISI002      A DIFFERENT TEST MESSAGE FOR INTELLIWARE SYSTEMS, INC.

              THIS IS SOME`DIFFERENT`TEXT FOR THE TEST MESSAGE.

/*
// EXEC DTRIATTN,PARM='EXPLAIN ON'
/&
* $$ EOJ
```

Note: ` is the unshifted character on the key to the left of the 1 key (below the tilde character)

Updating the Message Explain File...

Using the EXPLAIN Function

```
SYSTEM:  VSE/ESA                VSE/ESA 2.5          TURBO (01)          USER:  TCPA
                                           TIME:  10:47:27

ISI001   TEST MESSAGE FOR INTELLIWARE SYSTEMS, INC.

          HIGHLIGHT:  THIS IS A TEST MESSAGE TO SEE HOW THIS PROGRAM
          WORKS. IT DOES NOT REPRESENT ANYTHING USEFUL.
          This is in MIXED case just for a change.

==>

1=HLP  2=CPY  3=END                7=BWD  8=FWD  9=EXPL 10=INP

                                           MODE:  EXPLANATION
```

Updating the Message Explain File...

Updating VSE Messages - Original Message

```
SYSTEM:  VSE/ESA                VSE/ESA 2.5          TURBO (01)          USER:  TCPA
                                           TIME:  06:36:46
DFHST0103  applid A DMF ERROR HAS OCCURRED WITH RETURN CODE X'rc'.

Explanation:  DMF has returned to the statistics (ST) domain with
an error return code X'rc' from the DFHSMFEW macro.

System Action:  Other CICS processing continues.

User Response:  Refer to the CICS Operations and Utilities
Guide for a detailed explanation of the meaning of the return
code.

Destination:  Console

Module:  DFHSTST

XMEOUT Parameters:  applid, X'rc'

==>

1=HLP 2=CPY 3=END                7=BWD 8=FWD 9=EXPL 10=INP

                                           MODE:  EXPLANATION
```


Updating the Message Explain File...

Updating VSE Messages

```
* $$ JOB JNM=TESTMSG2,DISP=D,CLASS=0
// JOB TESTMSG2 TEST ADDING MESSAGE TO MESSAGE EXPLAIN FILE
// DLBL NEWMSGs,'VSE.MESSAGES.ONLINE',,VSAM,CAT=IJSYSCT
// EXEC DTRIATTN,PARM='EXPLAIN OFF'
// EXEC IESMSGs,SIZE=60K
`DFHST0103 applid - Data Management Facility error - Return Code X'rc'.

`Explanation:` DMF has returned to the statistics (ST) domain
an error return code X'rc' from the DFHSMFEW macro.

If the return code is`X'10',`then the Data Management
Facility (DMF) partition is not active.

`System Action:` Other CICS processing continues.

`User Response:` Refer to the`CICS Operations and Utilities`
`Guide`for a detailed explanation of the meaning of the
return code.

`Destination:` Console

`Module:` DFHSTST

`XMEOUT Parameters:`applid, X'rc'

/*
// EXEC DTRIATTN,PARM='EXPLAIN ON'
/&
* $$ EOJ
```

Updating the Message Explain File...

Updating VSE Messages - Updated Message

```
SYSTEM:  VSE/ESA                VSE/ESA 2.5          TURBO (01)          USER:  TCPA
                                           TIME:  06:36:46
DFHST0103  applid - Data Management Facility error - Return Code X'rc'.

Explanation:  DMF has returned to the statistics (ST) domain
an error return code X'rc' from the DFHSMFEW macro.

If the return code is X'10', then the Data Management
Facility (DMF) partition is not active.

System Action:  Other CICS processing continues.

User Response:  Refer to the CICS Operations and Utilities
Guide for a detailed explanation of the meaning of the
return code.

Destination:  Console

Module:  DFHSTST

==>

1=HLP 2=CPY 3=END                7=BWD 8=FWD 9=EXPL 10=INP

                                           MODE:  EXPLANATION
```

Updating the Message Explain File...



- If you screw it up...
 - Use skeleton SKOMERST in ICCF Library 59 to restore the messages file from the VSE distribution tape
 - Or of course you could actually plan ahead and take a backup before you start messing around...

Enhancement to the MSG Command

- Can use VSE jobname *or* partition id

```
MSG Z1  
-or-  
MSG TCPSTART
```

- Especially useful with CICS and other programs in Dynamic Partitions that support DATA=

```
MSG CICSTS01,DATA=CEMT P SHUT
```

- Only works if jobname is unique in system

```
AR 0015 114XI THE GIVEN ID IS NON-UNIQUE
```

Enhancement to the MSG Command...



- MSG jobname no longer works on some systems
 - Lost in APAR DY45573
 - Will be/has been fixed in APAR DY45586
 - VSE/ESA 2.4 and 2.5
 - MSHP PATCH available

QUERY Command Extension

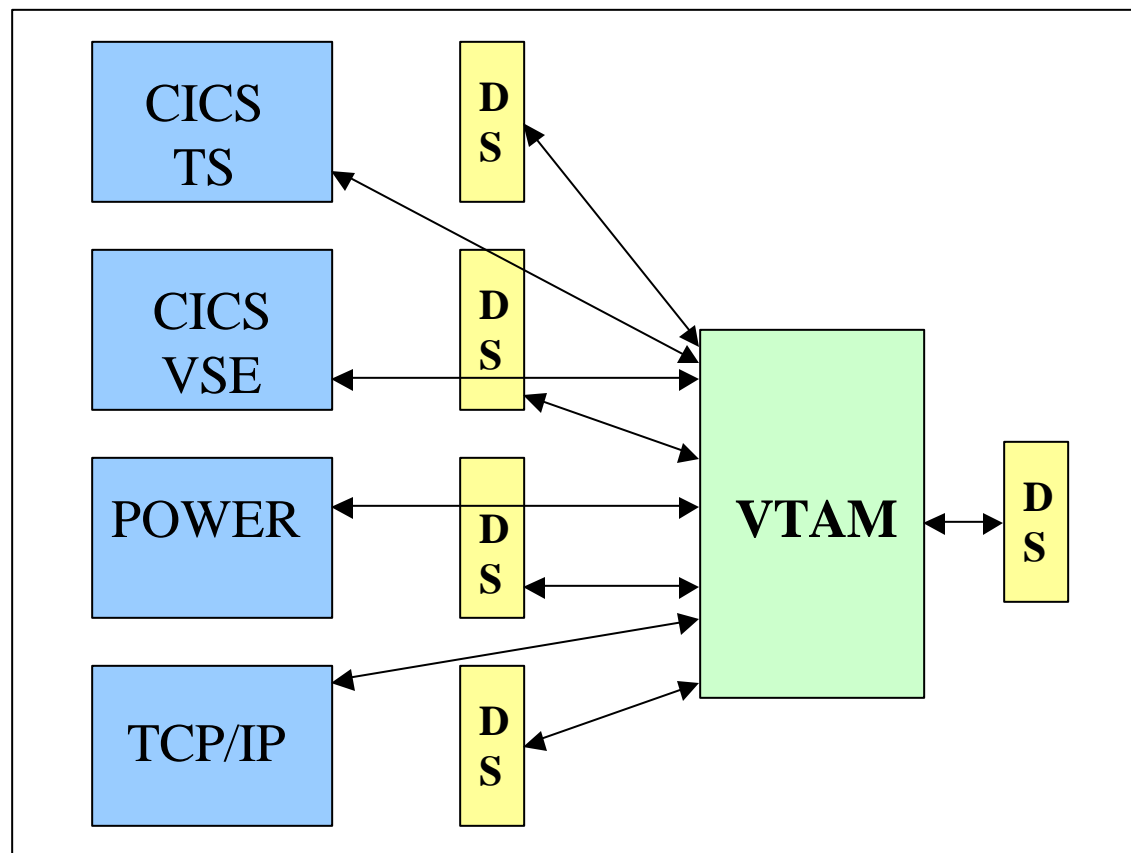
query stdopt

```
AR 0015      ACL=YES      DUMP=PART    EDECK=NO     SADUMP=0,0   SYSDUMP=YES
AR 0015      LOG=YES      ERRS=YES     LINES= 56    ACANCEL=NO   OLDASSEM=NO
AR 0015      RLD=NO      LIST=YES     LISTX=NO     CHARSET=60C  SYSDUMPC=NO
AR 0015      SYM=NO      TERM=NO     SXREF=YES    DSPDUMP=NO
AR 0015      DATE=MDY    XREF=NO     FASTTR=NO    JCANCEL=NO
AR 0015      DECK=NO     ALIGN=YES    HCTRAN=YES   SCANCEL=NO
AR 0015 1I40I  READY
```

query option,f2

```
AR 0015 NOACANCEL  ACL      ALIGN      NODECK      NODSPDUMP  PARTDUMP
AR 0015 ERRS      NOIGNLOCK NOJCANCEL  NOLINK      LIST       NOLISTX
AR 0015 NOLOG     NOLOGSRC  NOOLDASSEM NORLD       SADUMP=5,0 NOSCANCEL
AR 0015 NOSLISKIP  SUBLIB=AE NOSYM      SYSDUMP     SYSDUMPC   NOTERM
AR 0015 SXREF     NOFASTTR  60C
```

VTAM Data Space Use



DS=1MB
min and
max by
default

IST1020I INSUFFICIENT STORAGE-DATA SPACE dspname FULL

VTAM Data Space Use...



- Data Space Requirements
 - 1 Data Space for VTAM itself
 - plus-
 - 1 Data Space for *each* VTAM application
 - | CICS/TS and/or CICS/VSE (each partition)
 - | VSE/POWER SNA RJE and/or PNET
 - | *All* other VTAM APPLs
 - PSF, TCP/IP for VSE, VTAM session managers, other vendor products

VTAM Data Space Use...



■ Options

- Code DSPACE on EXEC statement for every VTAM application
 - | IBM supplies value of 2M for CICS startups in VSE/ESA 2.4/2.5
 - | May/may not be large enough
- Code DFSIZE on SYSDEF DSPACE command
 - | IBM does not specify a value
 - | Beware - can be changed at any time!
- Do both (best choice) or neither (bad!)

VTAM Data Space Use...

- Code DSPACE=nM on the EXEC statement

```
// EXEC DFHSIP,SIZE=DFHSIP,DSPACE=4M,OS390  
// EXEC IPNET,....,DSPACE=4M
```

- Defines maximum VTAM data space size for this application
 - | Parameter used by VTAM *only*
- VTAM only acquires what it needs
 - | In 1M increments
- 4M is usually a good value

VTAM Data Space Use...

- Code DFSIZE on SYSDEF DSPSPACE command

```
SYSDEF DSPSPACE, ..., DFSIZE=4M
```

- Specifies the maximum size for any VTAM application
 - | Overridden by DSPSPACE value in EXEC
- 4M is usually a good value
 - | But remember it can be changed at any time
 - What happens if you recycle a VTAM application after a change?

VTAM Data Space Use...



- Also on SYSDEF DSPSPACE verify that
 - DSIZE is large enough for all data spaces in the system
 - | Don't forget BSM, VDISKS, SORTs, Data Tables, etc.
 - MAX is greater than the total number of *all* data spaces in the system at one time
 - PARTMAX is greater than the number of data spaces owned by VTAM
 - | Or whatever application owns the most

VTAM Data Space Use...

Example from a VSE/ESA 2.4.1 System

query dspace

AR 0015		DSIZE	MAX	PARTMAX	COMMAX	VDISK	DFSIZE
AR 0015	DEFINED:	71680K	16	16	5	3	4096K
AR 0015	ACTUAL:	39456K	7	4	1	2	

AR 0015

AR 0015	AREA	DSPTS	AREA	DSPTS	AREA	DSPTS	AREA	DSPTS	AREA	DSPTS	AREA	DSPTS
AR 0015	BG	2	FB	1	F3	4						

AR 0015

query dspace,all

AR 0015	AREA	DSPNAME	SIZE	MAXSIZE	SCOPE	OWNER	DU-AL	PASN-AL
AR 0015		SYSIVFDF	1440K	1440K	COMMON	BG		X
AR 0015		SYSIVF01	28800K	28800K	COMMON	BG		X
AR 0015		BMSSPACE	4096K	4096K	COMMON	FB		X
AR 0015								
AR 0015	F2	ISTFFB28	1024K	4096K	ALL	F3		X
AR 0015								
AR 0015	F3	ISTEE13B	1024K	4096K	ALL	F3		X
AR 0015	F3	IST11D49	2048K	4096K	ALL	F3		X
AR 0015	F3	ISTFFB28	1024K	4096K	ALL	F3		X
AR 0015	F3	IST739FB	1024K	4096K	ALL	F3		X
AR 0015								
AR 0015	F8	IST739FB	1024K	4096K	ALL	F3		X
AR 0015								
AR 0015	Z1	IST11D49	2048K	4096K	ALL	F3		X
AR 0015								

VTAM Data Space Use...



- If neither DSPACE nor DFSIZE is specified
 - 1M is the minimum *and* maximum for each VTAM data space
- One other caution
 - IBM supplies SYSDEF DSPACE commands in two places
 - \$0JCL.PROC <== update
 - ALLOC.PROC <== remove

Handling Dumps



- System Dump Library
 - Recommendation: always use for
 - | CICS/VSE and/or CICS/TS partition(s)
 - | ACF/VTAM partition
 - | VSE/POWER partition
 - | TCP/IP partition(s)
 - | DB2 (or other database) partition
 - | Others? Generally not
 - Generally 2 to 20 times faster than dumping to VSE/POWER LST queue

Handling Dumps...



- System Dump Library...
 - Additional formatting and analysis available for CICS dumps
 - Must be cleaned out regularly
 - Generally don't use for batch partitions
 - | Programmers want dumps in VSE/POWER queue
 - | Partitions are small, dumps don't take long
 - | End users not held up
 - | No additional formatting or analysis available

Handling Dumps...



■ System Dump Library...

■ Implementation

■ In \$OJCL.PROC

- `STDOPT SYSDUMP=NO,DUMP=PART`

■ In key partitions (CICS, VTAM, VSE/POWER, etc.)

- `OPTION SYSDUMP,SYSDUMPC,DUMP`
 - `SYSDUMPC` prevents switch to `SYSLST` if dump library is full (VSE/ESA 2.4/2.5/2.6)
- `LIBDEF DUMP,CATALOG=SYSDUMP.sublib`

■ Remove `LIBDEF DUMP` commands in other partitions

- Static partition ASI procs and dynamic class profiles

Handling Dumps...



■ System Dump Library...

■ Keeping it cleaned out

■ IUI dialog (Fastpath 43)

■ Info/Analysis batch jobstreams

- List dumps in library
- Delete selected dumps

■ LIBR(???) - Not the right way to do it!

- Potentially dangerous
 - Does not update Dump Management File (BLNDMF)
- Access each sublibrary and delete members
- Delete Library and redefine

Handling Dumps...

Listing Dumps

```
* $$ JOB JNM=DUMPLIST,DISP=D,CLASS=0
// JOB DUMPLIST LIST DUMPS IN VSE DUMP LIBRARY
// EXEC PROC=DTRINFOA
// EXEC INFOANA,SIZE=300K
  SELECT DUMP MANAGEMENT
    PRINT DATA
    RETURN
  SELECT END
/*
/&
* $$ EOJ
```

```
BLN1008I INFO/ANALYSIS READY
  SELECT DUMP MANAGEMENT
    PRINT DATA
```

DUMP NAME	RELATED DUMP ONL	DATE/TIME TAKEN	VOLID	DS-NAME
SYSDUMP.BG.DBG00042	--NONE--	Y 01/02/09 15:39:59		
SYSDUMP.BG.DBG00041	--NONE--	Y 01/02/08 18:25:56		
SYSDUMP.F7.DF700003	--NONE--	Y 01/02/02 13:00:10		
SYSDUMP.DYN.DF800011	--NONE--	Y 01/01/10 01:56:10		
SYSDUMP.F2.DF200033	--NONE--	Y 00/03/16 11:57:46		

Handling Dumps...

Deleting Dumps

```
* $$ JOB JNM=DUMPDEL,DISP=D,CLASS=0
// JOB DUMPDEL  DELETE DUMP FROM VSE DUMP LIBRARY
// EXEC PROC=DTRINFOA
// EXEC INFOANA,SIZE=300K
  SELECT DUMP MANAGEMENT
    DUMP NAME SYSDUMP.F7.DF700000
      DELETE
    DUMP NAME SYSDUMP.BG.DBG00042
      DELETE
    DUMP NAME SYSDUMP.BG.DBG00041
      DELETE
    DUMP NAME SYSDUMP.F7.DF700003
      DELETE
      RETURN
  SELECT END
/*
/&
* $$ EOJ
```

Handling Dumps...

Deleting Dumps...

```
BLN1008I INFO/ANALYSIS READY
      SELECT DUMP MANAGEMENT
            DUMP NAME SYSDUMP.F7.DF700000
BLN9018I DUMP SYSDUMP.F7.DF700000 SELECTED
      DELETE
BLN9018I DUMP SYSDUMP.F7.DF700000 DELETED
            DUMP NAME SYSDUMP.BG.DBG00042
BLN9018I DUMP SYSDUMP.BG.DBG00042 ADDED
      DELETE
BLN9018I DUMP SYSDUMP.BG.DBG00042 DELETED
            DUMP NAME SYSDUMP.BG.DBG00041
BLN9018I DUMP SYSDUMP.BG.DBG00041 ADDED
      DELETE
BLN9018I DUMP SYSDUMP.BG.DBG00041 DELETED
            DUMP NAME SYSDUMP.F7.DF700003
BLN9018I DUMP SYSDUMP.F7.DF700003 ADDED
      DELETE
BLN9018I DUMP SYSDUMP.F7.DF700003 DELETED
      RETURN
      SELECT END
```

Undocumented Commands (One More Time)



- List of all commands from SIR COMMAND
 - "Documented" - in official IBM SRLs
 - | System Control Statements, Diagnostic Tools, etc.
 - "Undocumented"
 - | Some are "semi-documented" in Hints and Tips for VSE/ESA document on IBM VSE web site
 - "Undocumented additional function" in some "documented" commands

Undocumented Commands (One More Time)...

Undocumented

ATTN	DOIO	ECHO	EZAAPI	IXFP
LOCATE	LOCK	MODE	NOAVR	
NOASSEN → PFKEY	REIPL	RESUME	SHOW	
SHUT	SIMTAPE	SIM3540	SIR →	SL
STACK	SUSPEND	TAPE	TESTMON	TIME
Q...	#CP			

Additional Function

VOLUME

Undocumented Commands (One More Time)...

■ STACK Command

■ Useful to

- | Execute a sequence of commands by entering one
- | Suppress or change the meaning of a command
- | Abbreviate long commands to short ones

```
STACK  
STACK CLEAR  
STACK CLEAR=name  
STACK SHOW  
STACK SHOW=name  
STACK name | [command | reply][ | ...]...
```


Undocumented Commands (One More Time)...

STACK Command

```
stack dv|d net,id=vtmnsna,e
AR 0015 1I40I  READY
dv
AR 0015 1I40I  READY
AR 0015 D NET, ID=VTMNSNA, E
AR 0015 1C39I COMMAND PASSED TO ACF/VTAM
F3 0003 IST097I DISPLAY ACCEPTED
F3 0003 IST075I NAME = VTMNSNA, TYPE = LCL 3270 MAJ NODE
F3 0003 IST486I STATUS= ACTIV, DESIRED STATE= ACTIV
F3 0003 IST355I LOGICAL UNITS:
F3 0003 IST089I D2000001 TYPE = LOGICAL UNIT      , ACT/S      , CUA=0200
F3 0003 IST089I D2010001 TYPE = LOGICAL UNIT      , ACTIV      , CUA=0201
F3 0003 IST089I D2020001 TYPE = LOGICAL UNIT      , ACTIV      , CUA=0202
.
.
stack defp|PRTY Z,Y,P,X,U,T,Q,O,N,M,G,D,C,BG,FA,F9,F8,F6,F5,F4,F2,F7,FB,F3,f1
AR 0015 1I40I  READY
defp
AR 0015 1I40I  READY
AR 0015 PRTY Z,Y,P,X,U,T,Q,O,N,M,G,D,C,BG,FA,F9,F8,F6,F5,F4,F2,F7,FB,F3,F1
AR 0015 PRTY Z,Y,P,X,U,T,Q,O,N,M,G,D,C,BG,FA,F9,F8,F6,F5,F4,F2,F7,FB,F3,F1
AR 0015
AR 0015 1I40I  READY
```

Undocumented Commands (One More Time)...

■ STACK Command..

■ APAR DY45452

| SLEEP command - SL nnn

```
STACK Q|D T|SL 1|D LST,ALL|SL 5|L LST,CICS*
```

■ Recent enhancements - APAR DY45629

| Preserves STACK buffer across IPL

- CKD DOSRES devices ONLY

| Will SHOW the STACK buffer data if STACK entered with no operands

- Previously purged the buffer
- STACK buffer now purged *only* by STACK CLEAR command

Undocumented Commands (One More Time)...

Automating STACK Command Definitions

```
* $$ JOB JNM=STACK,DISP=D,CLASS=0
// JOB STACK
// EXEC DTRIATTN,PARM='STACK CLEAR'
// EXEC DTRIATTN,PARM='STACK VS|GETVIS &&0,ALL'
// EXEC DTRIATTN,PARM='STACK PRTY|* PRTY COMMAND NOT ALLOWED'
// EXEC DTRIATTN,PARM='STACK LSERV|R RDR,PAUSEF5|5 EXEC LSERV|5'
// EXEC DTRIATTN,PARM='STACK STACK|*'
/*
/&
* $$ EOJ
```

Note: DTRIATTN appears to process only the first 72 characters from the PARM.

Undocumented Commands (One More Time)...



■ REIPL Command

■ Causes VSE to re-IPL

- Uses same IPL/JCL procs

- Should quiesce the system first!

■ AR command

```
REIPL [cuu] [NOPROMPT]
```

Undocumented Commands (One More Time)...



■ REIPL Command...

■ APAR DY45452

| Volser or cuu

| LOADP now accepted

- If omitted, existing LOADP used
- Reset with LOADP=.....

| If NOPROMPT used it must be last operand

```
REIPL DOSRES ,LOADP= . . P ,NOPROMPT
```

Now Its Your Turn...



**Anybody got anything
they want to contribute?**