



**Title:** Migrating from VTAM 3.4 to 4.2

**Authors:** WILLEMC at BOEVM4 CHONGKH at SGPVM1 KMKAPP at CHGVMIC1 ZICHT at RALVMFE1

**Document Number:** SG24-4830-00

**Build Date:** 07/09/96 06:24:47 **Build Version:** 1.3.0

**Book Path:** C:\IBMZLIB\BOO\ez30fe00.boo

# CONTENTS Table of Contents

## [\[Summarize\]](#)

COVER	<a href="#">Book Cover</a>
NOTICES	<a href="#">Notices</a>
EDITION	<a href="#">Edition Notice</a>
CONTENTS	<a href="#">Table of Contents</a>
FIGURES	<a href="#">Figures</a>
TABLES	<a href="#">Tables</a>
PREFACE	<a href="#">Preface</a>
PREFACE.1	<a href="#">How This Redbook Is Organized</a>
PREFACE.2	<a href="#">The Team that Wrote this Redbook</a>
PREFACE.3	<a href="#">Comments Welcome</a>
1.0	<a href="#">Chapter 1. Introduction to VTAM V4R2</a>
1.1	<a href="#">Key Concepts, Terms and Definitions</a>
1.1.1	<a href="#">Hierarchical Subarea SNA Networks</a>
1.1.2	<a href="#">Advanced Peer-to-Peer Networking (APPN)</a>
1.2	<a href="#">New Functions for VTAM V4R2 for VM and VSE</a>
1.2.1	<a href="#">Highlights of New Functions in the Client/Server Package</a>
1.2.2	<a href="#">Highlights of New Functions in the MultiDomain Package</a>
1.2.3	<a href="#">Highlight of New Functions in the InterEnterprise Package</a>
1.2.4	<a href="#">Non-supported Functions of VTAM V4R2</a>
1.3	<a href="#">Compatibilities between VTAM V4R2 and VTAM V3R4</a>
1.3.1	<a href="#">Starting VTAM</a>
1.3.2	<a href="#">Upward Compatibilities</a>
1.3.3	<a href="#">Downward Compatibilities</a>
1.3.4	<a href="#">Storage Requirements</a>
1.4	<a href="#">Test Configuration, Software and Conditions</a>
1.4.1	<a href="#">Network Diagram</a>
1.4.2	<a href="#">Description of the VSE and VM Operating Systems</a>
1.5	<a href="#">General Observations</a>
1.5.1	<a href="#">Benefits from APPN</a>
1.6	<a href="#">VTAM Naming, Pricing, Packaging and Tool</a>
2.0	<a href="#">Chapter 2. Migrating VSE/VTAM V3R4 to V4R2 Subarea Networking</a>
2.1	<a href="#">Software Requirements</a>
2.2	<a href="#">Storage Requirements</a>
2.2.1	<a href="#">VTAM Private and Shared Storage</a>
2.2.2	<a href="#">Data Space Requirements</a>
2.3	<a href="#">Assembler Requirements</a>
2.4	<a href="#">VSE/VTAM Subarea Migration</a>
2.4.1	<a href="#">Base Environment</a>
2.4.2	<a href="#">VTAM Startup JCL Changes</a>
2.4.3	<a href="#">ATCSTRyy.B Changes</a>
2.4.4	<a href="#">Restrictions of Different VTAM Packages</a>
2.5	<a href="#">Conclusion</a>

3.0	<a href="#"><u>Chapter 3. Migrating VM/VTAM V3R4M1 to V4R2 Subarea Networking</u></a>
3.1	<a href="#"><u>Installation of VM/VTAM</u></a>
3.1.1	<a href="#"><u>Installation Overview</u></a>
3.1.2	<a href="#"><u>PSP Bucket for ACF/VTAM V4R2 for VM/ESA</u></a>
3.1.3	<a href="#"><u>Program Directory for ACF/VTAM V4R2 for VM/ESA</u></a>
3.1.4	<a href="#"><u>VTAM V4R2 Network Implementation Guide</u></a>
3.1.5	<a href="#"><u>Installing the VTAM VIT Analysis Tool</u></a>
3.2	<a href="#"><u>MIGRATION to V4.2 VM/VTAM</u></a>
3.2.1	<a href="#"><u>Sample Startup Sequence of VM/VTAM V3.4.1</u></a>
3.3	<a href="#"><u>Console Log of VTAM 3.4.1 Startup</u></a>
3.3.1	<a href="#"><u>Sample Startup Sequence of VM/VTAM V4.2</u></a>
3.3.2	<a href="#"><u>VM/VTAM V4R2 Start Options with Subarea Only Functions</u></a>
3.3.3	<a href="#"><u>VTAM Start Options Not Supported in Client/Server Mode</u></a>
3.3.4	<a href="#"><u>VTAM Start Options Not Supported in MultiDomain Mode</u></a>
3.3.5	<a href="#"><u>Definition Statements Not Supported in Client/Server Mode</u></a>
3.3.6	<a href="#"><u>Definition Statements Not Supported in MultiDomain Mode</u></a>
3.3.7	<a href="#"><u>Sample Console Logs of VM/VTAM V4.2 Startup</u></a>
3.3.8	<a href="#"><u>IPL of GCS</u></a>
3.3.9	<a href="#"><u>Startup of VTAM in InterEnterprise Mode</u></a>
3.3.10	<a href="#"><u>Startup of VTAM in Client/Server Mode</u></a>
3.3.11	<a href="#"><u>Startup of VTAM in MultiDomain Mode</u></a>
3.3.12	<a href="#"><u>Other Errors in ATCSTRxx List</u></a>
3.3.13	<a href="#"><u>VM/VTAM Dynamic Cross-Domain Logon</u></a>
4.0	<a href="#"><u>Chapter 4. Implementing APPN Networking</u></a>
4.1	<a href="#"><u>Implementing APPN Networking Interchange Node</u></a>
4.2	<a href="#"><u>Starting VTAM with APPN Support</u></a>
4.2.1	<a href="#"><u>VTAM Start Options with APPN Parameters</u></a>
4.3	<a href="#"><u>Startup of VTAM in Client/Server Mode</u></a>
4.4	<a href="#"><u>Startup of VTAM in MultiDomain Mode</u></a>
4.5	<a href="#"><u>APPN Host-to-Host Channel (AHHC)</u></a>
4.5.1	<a href="#"><u>Sample AHHC Definition</u></a>
4.5.2	<a href="#"><u>Problems Implementing AHHC/MPC</u></a>
4.6	<a href="#"><u>Type 2.1 Channel Connection between APPN Nodes</u></a>
4.6.1	<a href="#"><u>3174 Customization Questions for T2.1 Connection</u></a>
4.6.2	<a href="#"><u>VTAM V4.2 and Local 3174 APPN Node</u></a>
4.6.3	<a href="#"><u>Problems Implementing 3174 APPN Connection</u></a>
4.7	<a href="#"><u>Virtual-Route-Based Transmission Groups (VRTGs)</u></a>
5.0	<a href="#"><u>Chapter 5. Implementing APPN Multiple Network Connectivity Support</u></a>
5.1	<a href="#"><u>Border Node Types</u></a>
5.2	<a href="#"><u>Border Node Boundaries</u></a>
5.3	<a href="#"><u>Border Node Support in InterEnterprise Mode</u></a>
5.3.1	<a href="#"><u>VTAM Start Options with BN Support Added</u></a>
5.3.2	<a href="#"><u>VTAM AHHC Definitions</u></a>
5.4	<a href="#"><u>Startup of VM/VTAM in InterEnterprise Mode with BN=YES</u></a>
5.5	<a href="#"><u>Startup of VM/VTAM in Client/Server Mode with BN=YES</u></a>
5.6	<a href="#"><u>Startup of VSE/VTAM in Client/Server Mode with BN=YES</u></a>
5.7	<a href="#"><u>Startup of VM/VTAM in MultiDomain Mode with BN=YES</u></a>
5.8	<a href="#"><u>Startup of VSE/VTAM in MultiDomain Mode with BN=YES</u></a>
A.0	<a href="#"><u>Appendix A. Subarea Definition Examples</u></a>
A.1	<a href="#"><u>VM CP Directory Entries for User ID WCVMSNI</u></a>
A.1.1	<a href="#"><u>USER WCVMSNI Directory Entry</u></a>
A.1.2	<a href="#"><u>USER VTAMESA Directory Entry</u></a>
A.1.3	<a href="#"><u>USER MAINT Directory Entry</u></a>
A.2	<a href="#"><u>Definitions for VM/VTAM 3.4.1</u></a>
A.2.1	<a href="#"><u>ATCSTR99 Start List</u></a>
A.2.2	<a href="#"><u>ATCCON99 Config List</u></a>
A.2.3	<a href="#"><u>A01M700</u></a>
A.2.4	<a href="#"><u>AVSAPPL</u></a>
A.2.5	<a href="#"><u>RSCSNET</u></a>
A.2.6	<a href="#"><u>V34APPLS</u></a>
A.2.7	<a href="#"><u>ISTCDRM</u></a>
A.2.8	<a href="#"><u>ISTCDRS</u></a>
A.2.9	<a href="#"><u>ISTPATH</u></a>
A.2.10	<a href="#"><u>ISTCTCA</u></a>
A.3	<a href="#"><u>VM CP Directory Entries for User ID WCVM122</u></a>
A.3.1	<a href="#"><u>USER WCVM122 Directory Entry (subarea only)</u></a>
A.3.2	<a href="#"><u>USER VTAM Directory Entry</u></a>
A.3.3	<a href="#"><u>USER 5654010A Directory Entry</u></a>
A.3.4	<a href="#"><u>USER MAINT Directory Entry</u></a>
A.4	<a href="#"><u>Definitions for VM/VTAM 4.2 (subarea functions only)</u></a>
A.4.1	<a href="#"><u>ATCSTR00 Start List</u></a>
A.4.2	<a href="#"><u>ATCCON00 Config List</u></a>
A.4.3	<a href="#"><u>ISTAPPLS</u></a>
A.4.4	<a href="#"><u>ISTCDRM</u></a>
A.4.5	<a href="#"><u>ISTCDRS</u></a>

A.4.6	<a href="#">ISTPATH</a>
A.4.7	<a href="#">ISTCTCA</a>
A.4.8	<a href="#">ISTNSNA</a>
A.5	<a href="#">VM CP Directory Entries for User ID WCVSE13</a>
A.5.1	<a href="#">USER WCVSE13 Directory Entry</a>
A.6	<a href="#">Definitions for VSE/VTAM 3.4</a>
A.6.1	<a href="#">ATCSTR00 start list</a>
A.6.2	<a href="#">ATCCON00 Config List</a>
A.6.3	<a href="#">VTMAPPL Major Node</a>
A.6.4	<a href="#">VTMMDL Major Node</a>
A.6.5	<a href="#">PNET Definition</a>
A.6.6	<a href="#">POWER Macro</a>
A.6.7	<a href="#">VTMNSNA Major Node</a>
A.6.8	<a href="#">VTMCTCA Major Node</a>
A.6.9	<a href="#">VTMPATH Major Node</a>
A.6.10	<a href="#">VTMCDRM Major Node</a>
A.6.11	<a href="#">VTMCDRS Major Node</a>
A.7	<a href="#">VM CP Directory Entries for User ID WCVSE21</a>
A.7.1	<a href="#">USER WCVSE21 Directory Entry (subarea only)</a>
A.8	<a href="#">Definitions for VSE/VTAM 4.2 (subarea functions only)</a>
A.8.1	<a href="#">ATCSTR00 Start List</a>
A.8.2	<a href="#">ATCCON00 Config List</a>
A.8.3	<a href="#">VTMAPPL Major Node</a>
A.8.4	<a href="#">VTMMDL Major Node</a>
A.8.5	<a href="#">PNET Definition</a>
A.8.6	<a href="#">POWER Macro</a>
A.8.7	<a href="#">VTMSNA Major Node</a>
A.8.8	<a href="#">VTMNSNA Major Node</a>
A.8.9	<a href="#">VTMCTCA Major Node</a>
A.8.10	<a href="#">VTMPATH Major Node</a>
A.8.11	<a href="#">VTMCDRM Major Node</a>
A.8.12	<a href="#">VTMCDRS Major Node</a>
A.8.13	<a href="#">RESNCP1 Major Node</a>
B.0	<a href="#">Appendix B. APPN Definition Examples</a>
B.1	<a href="#">VM CP Directory Entries for User ID WCVM122 (APPN)</a>
B.1.1	<a href="#">USER WCVM122 Directory Entry</a>
B.1.2	<a href="#">USER VTAM Directory Entry</a>
B.1.3	<a href="#">USER 5654010A Directory Entry</a>
B.1.4	<a href="#">USER MAINT Directory Entry</a>
B.2	<a href="#">Definitions for VM/VTAM 4.2 (includes APPN functions)</a>
B.2.1	<a href="#">ATCSTR00 (Interchange Node)</a>
B.2.2	<a href="#">ATCSTR00 (Border Node)</a>
B.2.3	<a href="#">ATCCON00</a>
B.2.4	<a href="#">ISTTRL</a>
B.2.5	<a href="#">ISTAHC</a>
B.3	<a href="#">VM CP Directory Entries for User ID WCVSE21 (APPN)</a>
B.3.1	<a href="#">USER WCVSE21 Directory Entry</a>
B.4	<a href="#">Definitions for VSE/VTAM 4.2 (APPN functions)</a>
B.4.1	<a href="#">ATCSTR00 Start List</a>
B.4.2	<a href="#">ATCSTR00 (Border Node)</a>
B.4.3	<a href="#">ATCCON00 Config List</a>
B.4.4	<a href="#">VTMTRL.B Book</a>
B.4.5	<a href="#">VTMAHC.B Book</a>
C.0	<a href="#">Appendix C. Special Notices</a>
D.0	<a href="#">Appendix D. Related Publications</a>
D.1	<a href="#">International Technical Support Organization Publications</a>
D.2	<a href="#">Other Publications</a>
D.3	<a href="#">International Technical Support Organization Publications</a>
BACK_1	<a href="#">How to Get ITSO Redbooks</a>
BACK_1.1	<a href="#">How IBM Employees Can Get ITSO Redbooks</a>
BACK_1.2	<a href="#">How Customers Can Get ITSO Redbooks</a>
BACK_1.3	<a href="#">IBM Redbook Order Form</a>
GLOSSARY	<a href="#">Glossary</a>
ABBREVIATIONS	<a href="#">List of Abbreviations</a>
INDEX	<a href="#">Index</a>







# CONTENTS Table of Contents

## [\[Summarize\]](#)

COVER	<a href="#">Book Cover</a>
NOTICES	<a href="#">Notices</a>
EDITION	<a href="#">Edition Notice</a>
CONTENTS	<a href="#">Table of Contents</a>
FIGURES	<a href="#">Figures</a>
TABLES	<a href="#">Tables</a>
PREFACE	<a href="#">Preface</a>
PREFACE.1	<a href="#">How This Redbook Is Organized</a>
PREFACE.2	<a href="#">The Team that Wrote this Redbook</a>
PREFACE.3	<a href="#">Comments Welcome</a>
1.0	<a href="#">Chapter 1. Introduction to VTAM V4R2</a>
1.1	<a href="#">Key Concepts, Terms and Definitions</a>
1.1.1	<a href="#">Hierarchical Subarea SNA Networks</a>
1.1.2	<a href="#">Advanced Peer-to-Peer Networking (APPN)</a>
1.2	<a href="#">New Functions for VTAM V4R2 for VM and VSE</a>
1.2.1	<a href="#">Highlights of New Functions in the Client/Server Package</a>
1.2.2	<a href="#">Highlights of New Functions in the MultiDomain Package</a>
1.2.3	<a href="#">Highlight of New Functions in the InterEnterprise Package</a>
1.2.4	<a href="#">Non-supported Functions of VTAM V4R2</a>
1.3	<a href="#">Compatibilities between VTAM V4R2 and VTAM V3R4</a>
1.3.1	<a href="#">Starting VTAM</a>
1.3.2	<a href="#">Upward Compatibilities</a>
1.3.3	<a href="#">Downward Compatibilities</a>
1.3.4	<a href="#">Storage Requirements</a>
1.4	<a href="#">Test Configuration, Software and Conditions</a>
1.4.1	<a href="#">Network Diagram</a>
1.4.2	<a href="#">Description of the VSE and VM Operating Systems</a>
1.5	<a href="#">General Observations</a>
1.5.1	<a href="#">Benefits from APPN</a>
1.6	<a href="#">VTAM Naming, Pricing, Packaging and Tool</a>
2.0	<a href="#">Chapter 2. Migrating VSE/VTAM V3R4 to V4R2 Subarea Networking</a>
2.1	<a href="#">Software Requirements</a>
2.2	<a href="#">Storage Requirements</a>
2.2.1	<a href="#">VTAM Private and Shared Storage</a>
2.2.2	<a href="#">Data Space Requirements</a>
2.3	<a href="#">Assembler Requirements</a>
2.4	<a href="#">VSE/VTAM Subarea Migration</a>
2.4.1	<a href="#">Base Environment</a>
2.4.2	<a href="#">VTAM Startup JCL Changes</a>
2.4.3	<a href="#">ATCSTRyy.B Changes</a>
2.4.4	<a href="#">Restrictions of Different VTAM Packages</a>
2.5	<a href="#">Conclusion</a>
3.0	<a href="#">Chapter 3. Migrating VM/VTAM V3R4M1 to V4R2 Subarea Networking</a>
3.1	<a href="#">Installation of VM/VTAM</a>
3.1.1	<a href="#">Installation Overview</a>
3.1.2	<a href="#">PSP Bucket for ACF/VTAM V4R2 for VM/ESA</a>
3.1.3	<a href="#">Program Directory for ACF/VTAM V4R2 for VM/ESA</a>
3.1.4	<a href="#">VTAM V4R2 Network Implementation Guide</a>
3.1.5	<a href="#">Installing the VTAM VIT Analysis Tool</a>
3.2	<a href="#">MIGRATION to V4.2 VM/VTAM</a>
3.2.1	<a href="#">Sample Startup Sequence of VM/VTAM V3.4.1</a>

- 3.3 [Console Log of VTAM 3.4.1 Startup](#)
  - 3.3.1 [Sample Startup Sequence of VM/VTAM V4.2](#)
  - 3.3.2 [VM/VTAM V4R2 Start Options with Subarea Only Functions](#)
  - 3.3.3 [VTAM Start Options Not Supported in Client/Server Mode](#)
  - 3.3.4 [VTAM Start Options Not Supported in MultiDomain Mode](#)
  - 3.3.5 [Definition Statements Not Supported in Client/Server Mode](#)
  - 3.3.6 [Definition Statements Not Supported in MultiDomain Mode](#)
  - 3.3.7 [Sample Console Logs of VM/VTAM V4.2 Startup](#)
  - 3.3.8 [IPL of GCS](#)
  - 3.3.9 [Startup of VTAM in InterEnterprise Mode](#)
  - 3.3.10 [Startup of VTAM in Client/Server Mode](#)
  - 3.3.11 [Startup of VTAM in MultiDomain Mode](#)
  - 3.3.12 [Other Errors in ATCSTRxx List](#)
  - 3.3.13 [VM/VTAM Dynamic Cross-Domain Logon](#)
- 4.0 [Chapter 4. Implementing APPN Networking](#)
  - 4.1 [Implementing APPN Networking Interchange Node](#)
  - 4.2 [Starting VTAM with APPN Support](#)
    - 4.2.1 [VTAM Start Options with APPN Parameters](#)
  - 4.3 [Startup of VTAM in Client/Server Mode](#)
  - 4.4 [Startup of VTAM in MultiDomain Mode](#)
  - 4.5 [APPN Host-to-Host Channel \(AHHC\)](#)
    - 4.5.1 [Sample AHHC Definition](#)
    - 4.5.2 [Problems Implementing AHHC/MPC](#)
  - 4.6 [Type 2.1 Channel Connection between APPN Nodes](#)
    - 4.6.1 [3174 Customization Questions for T2.1 Connection](#)
    - 4.6.2 [VTAM V4.2 and Local 3174 APPN Node](#)
    - 4.6.3 [Problems Implementing 3174 APPN Connection](#)
  - 4.7 [Virtual-Route-Based Transmission Groups \(VRTGs\)](#)
- 5.0 [Chapter 5. Implementing APPN Multiple Network Connectivity Support](#)
  - 5.1 [Border Node Types](#)
  - 5.2 [Border Node Boundaries](#)
  - 5.3 [Border Node Support in InterEnterprise Mode](#)
    - 5.3.1 [VTAM Start Options with BN Support Added](#)
    - 5.3.2 [VTAM AHHC Definitions](#)
  - 5.4 [Startup of VM/VTAM in InterEnterprise Mode with BN=YES](#)
  - 5.5 [Startup of VM/VTAM in Client/Server Mode with BN=YES](#)
  - 5.6 [Startup of VSE/VTAM in Client/Server Mode with BN=YES](#)
  - 5.7 [Startup of VM/VTAM in MultiDomain Mode with BN=YES](#)
  - 5.8 [Startup of VSE/VTAM in MultiDomain Mode with BN=YES](#)
- A.0 [Appendix A. Subarea Definition Examples](#)
  - A.1 [VM CP Directory Entries for User ID WCVMSNI](#)
    - A.1.1 [USER WCVMSNI Directory Entry](#)
    - A.1.2 [USER VTAMESA Directory Entry](#)
    - A.1.3 [USER MAINT Directory Entry](#)
  - A.2 [Definitions for VM/VTAM 3.4.1](#)
    - A.2.1 [ATCSTR99 Start List](#)
    - A.2.2 [ATCCON99 Config List](#)
    - A.2.3 [A01M700](#)
    - A.2.4 [AVSAPPL](#)
    - A.2.5 [RSCSNET](#)
    - A.2.6 [V34APPLS](#)
    - A.2.7 [ISTCDRM](#)
    - A.2.8 [ISTCDRS](#)
    - A.2.9 [ISTPATH](#)
    - A.2.10 [ISTCTCA](#)
  - A.3 [VM CP Directory Entries for User ID WCVM122](#)
    - A.3.1 [USER WCVM122 Directory Entry \(subarea only\)](#)
    - A.3.2 [USER VTAM Directory Entry](#)
    - A.3.3 [USER 5654010A Directory Entry](#)
    - A.3.4 [USER MAINT Directory Entry](#)
  - A.4 [Definitions for VM/VTAM 4.2 \(subarea functions only\)](#)
    - A.4.1 [ATCSTR00 Start List](#)
    - A.4.2 [ATCCON00 Config List](#)
    - A.4.3 [ISTAPPLS](#)
    - A.4.4 [ISTCDRM](#)
    - A.4.5 [ISTCDRS](#)
    - A.4.6 [ISTPATH](#)
    - A.4.7 [ISTCTCA](#)
    - A.4.8 [ISTNSNA](#)
  - A.5 [VM CP Directory Entries for User ID WCVSE13](#)
    - A.5.1 [USER WCVSE13 Directory Entry](#)
  - A.6 [Definitions for VSE/VTAM 3.4](#)
    - A.6.1 [ATCSTR00 start list](#)
    - A.6.2 [ATCCON00 Config List](#)
    - A.6.3 [VTMAPPL Major Node](#)

A.6.4	<a href="#">VTMMDL Major Node</a>
A.6.5	<a href="#">PNET Definition</a>
A.6.6	<a href="#">POWER Macro</a>
A.6.7	<a href="#">VTMNSNA Major Node</a>
A.6.8	<a href="#">VTMCTCA Major Node</a>
A.6.9	<a href="#">VTMPATH Major Node</a>
A.6.10	<a href="#">VTMCDRM Major Node</a>
A.6.11	<a href="#">VTMCDRS Major Node</a>
A.7	<a href="#">VM CP Directory Entries for User ID WCVSE21</a>
A.7.1	<a href="#">USER WCVSE21 Directory Entry (subarea only)</a>
A.8	<a href="#">Definitions for VSE/VTAM 4.2 (subarea functions only)</a>
A.8.1	<a href="#">ATCSTR00 Start List</a>
A.8.2	<a href="#">ATCCON00 Config List</a>
A.8.3	<a href="#">VTMAPPL Major Node</a>
A.8.4	<a href="#">VTMMDL Major Node</a>
A.8.5	<a href="#">PNET Definition</a>
A.8.6	<a href="#">POWER Macro</a>
A.8.7	<a href="#">VTMSNA Major Node</a>
A.8.8	<a href="#">VTMNSNA Major Node</a>
A.8.9	<a href="#">VTMCTCA Major Node</a>
A.8.10	<a href="#">VTMPATH Major Node</a>
A.8.11	<a href="#">VTMCDRM Major Node</a>
A.8.12	<a href="#">VTMCDRS Major Node</a>
A.8.13	<a href="#">RESNCP1 Major Node</a>
B.0	<a href="#">Appendix B. APPN Definition Examples</a>
B.1	<a href="#">VM CP Directory Entries for User ID WCV122 (APPN)</a>
B.1.1	<a href="#">USER WCV122 Directory Entry</a>
B.1.2	<a href="#">USER VTAM Directory Entry</a>
B.1.3	<a href="#">USER 5654010A Directory Entry</a>
B.1.4	<a href="#">USER MAINT Directory Entry</a>
B.2	<a href="#">Definitions for VM/VTAM 4.2 (includes APPN functions)</a>
B.2.1	<a href="#">ATCSTR00 (Interchange Node)</a>
B.2.2	<a href="#">ATCSTR00 (Border Node)</a>
B.2.3	<a href="#">ATCCON00</a>
B.2.4	<a href="#">ISTTRL</a>
B.2.5	<a href="#">LSTAHC</a>
B.3	<a href="#">VM CP Directory Entries for User ID WCVSE21 (APPN)</a>
B.3.1	<a href="#">USER WCVSE21 Directory Entry</a>
B.4	<a href="#">Definitions for VSE/VTAM 4.2 (APPN functions)</a>
B.4.1	<a href="#">ATCSTR00 Start List</a>
B.4.2	<a href="#">ATCSTR00 (Border Node)</a>
B.4.3	<a href="#">ATCCON00 Config List</a>
B.4.4	<a href="#">VTMTRL.B Book</a>
B.4.5	<a href="#">VTMAHHC.B Book</a>
C.0	<a href="#">Appendix C. Special Notices</a>
D.0	<a href="#">Appendix D. Related Publications</a>
D.1	<a href="#">International Technical Support Organization Publications</a>
D.2	<a href="#">Other Publications</a>
D.3	<a href="#">International Technical Support Organization Publications</a>
BACK_1	<a href="#">How to Get ITSO Redbooks</a>
BACK_1.1	<a href="#">How IBM Employees Can Get ITSO Redbooks</a>
BACK_1.2	<a href="#">How Customers Can Get ITSO Redbooks</a>
BACK_1.3	<a href="#">IBM Redbook Order Form</a>
GLOSSARY	<a href="#">Glossary</a>
ABBREVIATIONS	<a href="#">List of Abbreviations</a>
INDEX	<a href="#">Index</a>



© Copyright IBM Corp. 1996

**IBM Library Server**



---

# EDITION Edition Notice

## First Edition (July 1996)

This edition applies to Version 4, Release 2 of ACF/VTAM, Program Number 5686-065 for use with the VSE/ESA Operating System and ACF/VTAM, Program Number 5654-010 for use with the VM/ESA Operating System.

Comments may be addressed to:  
IBM Corporation, International Technical Support Organization  
Dept. 3222 Building 71032-02  
Postfach 1380  
71032 Böblingen, Germany

When you send information to IBM, you grant IBM a non-exclusive right to use or distribute the information in any way it believes appropriate without incurring any obligation to you.

© Copyright International Business Machines Corporation 1996. All rights reserved.

Note to U.S. Government Users -- Documentation related to restricted rights -- Use, duplication or disclosure is subject to restrictions set forth in GSA ADP Schedule Contract with IBM Corp.



© Copyright IBM Corp. 1996





---

# CONTENTS Table of Contents

[\[Expand\]](#)

COVER	<a href="#">Book Cover</a>
NOTICES	<a href="#">Notices</a>
EDITION	<a href="#">Edition Notice</a>
CONTENTS	<a href="#">Table of Contents</a>
FIGURES	<a href="#">Figures</a>
TABLES	<a href="#">Tables</a>
PREFACE	<a href="#">Preface</a>
1.0	<a href="#">Chapter 1. Introduction to VTAM V4R2</a>
2.0	<a href="#">Chapter 2. Migrating VSE/VTAM V3R4 to V4R2 Subarea Networking</a>
3.0	<a href="#">Chapter 3. Migrating VM/VTAM V3R4M1 to V4R2 Subarea Networking</a>
4.0	<a href="#">Chapter 4. Implementing APPN Networking</a>
5.0	<a href="#">Chapter 5. Implementing APPN Multiple Network Connectivity Support</a>
A.0	<a href="#">Appendix A. Subarea Definition Examples</a>
B.0	<a href="#">Appendix B. APPN Definition Examples</a>
C.0	<a href="#">Appendix C. Special Notices</a>
D.0	<a href="#">Appendix D. Related Publications</a>
BACK_1	<a href="#">How to Get ITSO Redbooks</a>
GLOSSARY	<a href="#">Glossary</a>
ABBREVIATIONS	<a href="#">List of Abbreviations</a>
INDEX	<a href="#">Index</a>

---



© Copyright IBM Corp. 1996

---

**IBM Library Server**



---

**Title:** *Migrating from VTAM 3.4 to 4.2*

**Authors:** *WILLEMC at BOEVM4 CHONGKH at SGPVM1 KMKAPP at CHGVMIC1 ZICHT at RALVMFE1*

**Document Number:** *SG24-4830-00*

**Build Date:** *07/09/96 06:24:47* **Build Version:** *1.3.0*

**Book Path:** *C:\IBMZLIB\BOO\ez30fe00.boo*

---

# COVER Book Cover

---

**Migrating from VTAM 3.4 to VTAM 4.2 with APPN  
Support for VSE/ESA and VM/ESA**

July 1996

Document Number SG24-4830-00

---



© Copyright IBM Corp. 1996

---

[IBM Library Server](#) Copyright 1989, 2004 [IBM](#) Corporation. All rights reserved.

**IBM Library Server**



---

# Notices

## Take Note!

Before using this information and the product it supports, be sure to read the general information in [Appendix C, "Special Notices" in topic C.0.](#)



© Copyright IBM Corp. 1996

---

[IBM Library Server](#) Copyright 1989, 2004 [IBM](#) Corporation. All rights reserved.

**IBM Library Server**



---

# EDITION Edition Notice

## First Edition (July 1996)

This edition applies to Version 4, Release 2 of ACF/VTAM, Program Number 5686-065 for use with the VSE/ESA Operating System and ACF/VTAM, Program Number 5654-010 for use with the VM/ESA Operating System.

Comments may be addressed to:  
IBM Corporation, International Technical Support Organization  
Dept. 3222 Building 71032-02  
Postfach 1380  
71032 Böblingen, Germany

When you send information to IBM, you grant IBM a non-exclusive right to use or distribute the information in any way it believes appropriate without incurring any obligation to you.

© Copyright International Business Machines Corporation 1996. All rights reserved.

Note to U.S. Government Users -- Documentation related to restricted rights -- Use, duplication or disclosure is subject to restrictions set forth in GSA ADP Schedule Contract with IBM Corp.



© Copyright IBM Corp. 1996



# CONTENTS Table of Contents

## [\[Summarize\]](#)

COVER	<a href="#">Book Cover</a>
NOTICES	<a href="#">Notices</a>
EDITION	<a href="#">Edition Notice</a>
CONTENTS	<a href="#">Table of Contents</a>
FIGURES	<a href="#">Figures</a>
TABLES	<a href="#">Tables</a>
PREFACE	<a href="#">Preface</a>
PREFACE.1	<a href="#">How This Redbook Is Organized</a>
PREFACE.2	<a href="#">The Team that Wrote this Redbook</a>
PREFACE.3	<a href="#">Comments Welcome</a>
1.0	<a href="#">Chapter 1. Introduction to VTAM V4R2</a>
1.1	<a href="#">Key Concepts, Terms and Definitions</a>
1.1.1	<a href="#">Hierarchical Subarea SNA Networks</a>
1.1.2	<a href="#">Advanced Peer-to-Peer Networking (APPN)</a>
1.2	<a href="#">New Functions for VTAM V4R2 for VM and VSE</a>
1.2.1	<a href="#">Highlights of New Functions in the Client/Server Package</a>
1.2.2	<a href="#">Highlights of New Functions in the MultiDomain Package</a>
1.2.3	<a href="#">Highlight of New Functions in the InterEnterprise Package</a>
1.2.4	<a href="#">Non-supported Functions of VTAM V4R2</a>
1.3	<a href="#">Compatibilities between VTAM V4R2 and VTAM V3R4</a>
1.3.1	<a href="#">Starting VTAM</a>
1.3.2	<a href="#">Upward Compatibilities</a>
1.3.3	<a href="#">Downward Compatibilities</a>
1.3.4	<a href="#">Storage Requirements</a>
1.4	<a href="#">Test Configuration, Software and Conditions</a>
1.4.1	<a href="#">Network Diagram</a>
1.4.2	<a href="#">Description of the VSE and VM Operating Systems</a>
1.5	<a href="#">General Observations</a>
1.5.1	<a href="#">Benefits from APPN</a>
1.6	<a href="#">VTAM Naming, Pricing, Packaging and Tool</a>
2.0	<a href="#">Chapter 2. Migrating VSE/VTAM V3R4 to V4R2 Subarea Networking</a>
2.1	<a href="#">Software Requirements</a>
2.2	<a href="#">Storage Requirements</a>
2.2.1	<a href="#">VTAM Private and Shared Storage</a>
2.2.2	<a href="#">Data Space Requirements</a>
2.3	<a href="#">Assembler Requirements</a>
2.4	<a href="#">VSE/VTAM Subarea Migration</a>
2.4.1	<a href="#">Base Environment</a>
2.4.2	<a href="#">VTAM Startup JCL Changes</a>
2.4.3	<a href="#">ATCSTRyy.B Changes</a>
2.4.4	<a href="#">Restrictions of Different VTAM Packages</a>
2.5	<a href="#">Conclusion</a>
3.0	<a href="#">Chapter 3. Migrating VM/VTAM V3R4M1 to V4R2 Subarea Networking</a>
3.1	<a href="#">Installation of VM/VTAM</a>
3.1.1	<a href="#">Installation Overview</a>
3.1.2	<a href="#">PSP Bucket for ACF/VTAM V4R2 for VM/ESA</a>
3.1.3	<a href="#">Program Directory for ACF/VTAM V4R2 for VM/ESA</a>
3.1.4	<a href="#">VTAM V4R2 Network Implementation Guide</a>
3.1.5	<a href="#">Installing the VTAM VIT Analysis Tool</a>
3.2	<a href="#">MIGRATION to V4.2 VM/VTAM</a>
3.2.1	<a href="#">Sample Startup Sequence of VM/VTAM V3.4.1</a>

- 3.3 [Console Log of VTAM 3.4.1 Startup](#)
  - 3.3.1 [Sample Startup Sequence of VM/VTAM V4.2](#)
  - 3.3.2 [VM/VTAM V4R2 Start Options with Subarea Only Functions](#)
  - 3.3.3 [VTAM Start Options Not Supported in Client/Server Mode](#)
  - 3.3.4 [VTAM Start Options Not Supported in MultiDomain Mode](#)
  - 3.3.5 [Definition Statements Not Supported in Client/Server Mode](#)
  - 3.3.6 [Definition Statements Not Supported in MultiDomain Mode](#)
  - 3.3.7 [Sample Console Logs of VM/VTAM V4.2 Startup](#)
  - 3.3.8 [IPL of GCS](#)
  - 3.3.9 [Startup of VTAM in InterEnterprise Mode](#)
  - 3.3.10 [Startup of VTAM in Client/Server Mode](#)
  - 3.3.11 [Startup of VTAM in MultiDomain Mode](#)
  - 3.3.12 [Other Errors in ATCSTRxx List](#)
  - 3.3.13 [VM/VTAM Dynamic Cross-Domain Logon](#)
- 4.0 [Chapter 4. Implementing APPN Networking](#)
  - 4.1 [Implementing APPN Networking Interchange Node](#)
  - 4.2 [Starting VTAM with APPN Support](#)
    - 4.2.1 [VTAM Start Options with APPN Parameters](#)
  - 4.3 [Startup of VTAM in Client/Server Mode](#)
  - 4.4 [Startup of VTAM in MultiDomain Mode](#)
  - 4.5 [APPN Host-to-Host Channel \(AHHC\)](#)
    - 4.5.1 [Sample AHHC Definition](#)
    - 4.5.2 [Problems Implementing AHHC/MPC](#)
  - 4.6 [Type 2.1 Channel Connection between APPN Nodes](#)
    - 4.6.1 [3174 Customization Questions for T2.1 Connection](#)
    - 4.6.2 [VTAM V4.2 and Local 3174 APPN Node](#)
    - 4.6.3 [Problems Implementing 3174 APPN Connection](#)
  - 4.7 [Virtual-Route-Based Transmission Groups \(VRTGs\)](#)
- 5.0 [Chapter 5. Implementing APPN Multiple Network Connectivity Support](#)
  - 5.1 [Border Node Types](#)
  - 5.2 [Border Node Boundaries](#)
  - 5.3 [Border Node Support in InterEnterprise Mode](#)
    - 5.3.1 [VTAM Start Options with BN Support Added](#)
    - 5.3.2 [VTAM AHHC Definitions](#)
  - 5.4 [Startup of VM/VTAM in InterEnterprise Mode with BN=YES](#)
  - 5.5 [Startup of VM/VTAM in Client/Server Mode with BN=YES](#)
  - 5.6 [Startup of VSE/VTAM in Client/Server Mode with BN=YES](#)
  - 5.7 [Startup of VM/VTAM in MultiDomain Mode with BN=YES](#)
  - 5.8 [Startup of VSE/VTAM in MultiDomain Mode with BN=YES](#)
- A.0 [Appendix A. Subarea Definition Examples](#)
  - A.1 [VM CP Directory Entries for User ID WCVMSNI](#)
    - A.1.1 [USER WCVMSNI Directory Entry](#)
    - A.1.2 [USER VTAMESA Directory Entry](#)
    - A.1.3 [USER MAINT Directory Entry](#)
  - A.2 [Definitions for VM/VTAM 3.4.1](#)
    - A.2.1 [ATCSTR99 Start List](#)
    - A.2.2 [ATCCON99 Config List](#)
    - A.2.3 [A01M700](#)
    - A.2.4 [AVSAPPL](#)
    - A.2.5 [RSCSNET](#)
    - A.2.6 [V34APPLS](#)
    - A.2.7 [ISTCDRM](#)
    - A.2.8 [ISTCDRS](#)
    - A.2.9 [ISTPATH](#)
    - A.2.10 [ISTCTCA](#)
  - A.3 [VM CP Directory Entries for User ID WCV122](#)
    - A.3.1 [USER WCV122 Directory Entry \(subarea only\)](#)
    - A.3.2 [USER VTAM Directory Entry](#)
    - A.3.3 [USER 5654010A Directory Entry](#)
    - A.3.4 [USER MAINT Directory Entry](#)
  - A.4 [Definitions for VM/VTAM 4.2 \(subarea functions only\)](#)
    - A.4.1 [ATCSTR00 Start List](#)
    - A.4.2 [ATCCON00 Config List](#)
    - A.4.3 [ISTAPPLS](#)
    - A.4.4 [ISTCDRM](#)
    - A.4.5 [ISTCDRS](#)
    - A.4.6 [ISTPATH](#)
    - A.4.7 [ISTCTCA](#)
    - A.4.8 [ISTNSNA](#)
  - A.5 [VM CP Directory Entries for User ID WCVSE13](#)
    - A.5.1 [USER WCVSE13 Directory Entry](#)
  - A.6 [Definitions for VSE/VTAM 3.4](#)
    - A.6.1 [ATCSTR00 start list](#)
    - A.6.2 [ATCCON00 Config List](#)
    - A.6.3 [VTMAPPL Major Node](#)

A.6.4	<a href="#">VTMMDL Major Node</a>
A.6.5	<a href="#">PNET Definition</a>
A.6.6	<a href="#">POWER Macro</a>
A.6.7	<a href="#">VTMNSNA Major Node</a>
A.6.8	<a href="#">VTMCTCA Major Node</a>
A.6.9	<a href="#">VTMPATH Major Node</a>
A.6.10	<a href="#">VTMCDRM Major Node</a>
A.6.11	<a href="#">VTMCDRS Major Node</a>
A.7	<a href="#">VM CP Directory Entries for User ID WCVSE21</a>
A.7.1	<a href="#">USER WCVSE21 Directory Entry (subarea only)</a>
A.8	<a href="#">Definitions for VSE/VTAM 4.2 (subarea functions only)</a>
A.8.1	<a href="#">ATCSTR00 Start List</a>
A.8.2	<a href="#">ATCCON00 Config List</a>
A.8.3	<a href="#">VTMAPPL Major Node</a>
A.8.4	<a href="#">VTMMDL Major Node</a>
A.8.5	<a href="#">PNET Definition</a>
A.8.6	<a href="#">POWER Macro</a>
A.8.7	<a href="#">VTMSNA Major Node</a>
A.8.8	<a href="#">VTMNSNA Major Node</a>
A.8.9	<a href="#">VTMCTCA Major Node</a>
A.8.10	<a href="#">VTMPATH Major Node</a>
A.8.11	<a href="#">VTMCDRM Major Node</a>
A.8.12	<a href="#">VTMCDRS Major Node</a>
A.8.13	<a href="#">RESNCP1 Major Node</a>
B.0	<a href="#">Appendix B. APPN Definition Examples</a>
B.1	<a href="#">VM CP Directory Entries for User ID WCV122 (APPN)</a>
B.1.1	<a href="#">USER WCV122 Directory Entry</a>
B.1.2	<a href="#">USER VTAM Directory Entry</a>
B.1.3	<a href="#">USER 5654010A Directory Entry</a>
B.1.4	<a href="#">USER MAINT Directory Entry</a>
B.2	<a href="#">Definitions for VM/VTAM 4.2 (includes APPN functions)</a>
B.2.1	<a href="#">ATCSTR00 (Interchange Node)</a>
B.2.2	<a href="#">ATCSTR00 (Border Node)</a>
B.2.3	<a href="#">ATCCON00</a>
B.2.4	<a href="#">ISTTRL</a>
B.2.5	<a href="#">LSTAHC</a>
B.3	<a href="#">VM CP Directory Entries for User ID WCVSE21 (APPN)</a>
B.3.1	<a href="#">USER WCVSE21 Directory Entry</a>
B.4	<a href="#">Definitions for VSE/VTAM 4.2 (APPN functions)</a>
B.4.1	<a href="#">ATCSTR00 Start List</a>
B.4.2	<a href="#">ATCSTR00 (Border Node)</a>
B.4.3	<a href="#">ATCCON00 Config List</a>
B.4.4	<a href="#">VTMTRL.B Book</a>
B.4.5	<a href="#">VTMAHHC.B Book</a>
C.0	<a href="#">Appendix C. Special Notices</a>
D.0	<a href="#">Appendix D. Related Publications</a>
D.1	<a href="#">International Technical Support Organization Publications</a>
D.2	<a href="#">Other Publications</a>
D.3	<a href="#">International Technical Support Organization Publications</a>
BACK_1	<a href="#">How to Get ITSO Redbooks</a>
BACK_1.1	<a href="#">How IBM Employees Can Get ITSO Redbooks</a>
BACK_1.2	<a href="#">How Customers Can Get ITSO Redbooks</a>
BACK_1.3	<a href="#">IBM Redbook Order Form</a>
GLOSSARY	<a href="#">Glossary</a>
ABBREVIATIONS	<a href="#">List of Abbreviations</a>
INDEX	<a href="#">Index</a>



© Copyright IBM Corp. 1996



# Figures

- [1. Network Diagram 1.4.1](#)
- [2. VTAM Error Message for Insufficient SVA-31 Storage 2.2.1](#)
- [3. Screen Display from a O DSPACE,ALL Command 2.2.2.3](#)
- [4. Screen Display from a MAP Command 2.2.2.3](#)
- [5. The Base Environment 2.4.1](#)
- [6. CUSTNO and VTAMPW as New Parameters in the VTAM Startup JCL 2.4.2.1](#)
- [7. VTAM 4.2 Message Indicating the Functional Support Level 2.4.2.1](#)
- [8. VTAM 4.2 Error Message for Incorrect CUSTNO or VTAMPW 2.4.2.1](#)
- [9. VTAM 3.4 Startup JCL 2.4.2.1](#)
- [10. VTAM 4.2 Startup JCL with CUSTNO and VTAMPW Parameters 2.4.2.1](#)
- [11. Error Message Received for SETPFIX Problem 2.4.2.2](#)
- [12. VTAM Start Options with VTAM 3.4 and VTAM 4.2 2.4.3.1](#)
- [13. Keyword LOGAPPL Coded on VTMSNA Major Node 2.4.4.1](#)
- [14. Error Message Received for LOGAPPL Keyword 2.4.4.1](#)
- [15. CDRM Definition 2.4.4.2](#)
- [16. Error Message Received for CDRM Definition Statement 2.4.4.2](#)
- [17. Messages Received for a 'D NET,CDRMS' Command 2.4.4.2](#)
- [18. Error Messages Received for PNET Activation from VSE/ESA 1.3 2.4.4.2](#)
- [19. Error Messages Received for PNET Activation from VSE/ESA 2.1 2.4.4.2](#)
- [20. Error Message Received for NCP Definition Statement 2.4.4.3](#)
- [21. Messages Received for Unsupported Start Options 2.4.4.3](#)
- [22. Display of VTMCDRM Major Node 2.4.4.4](#)
- [23. Successful Start of PNET from VSE/ESA 1.3 System 2.4.4.4](#)
- [24. Successful Start of PNET from VSE/ESA 2.1 System 2.4.4.4](#)
- [25. Messages Received for Unsupported Start Options in MultiDomain 2.4.4.4](#)
- [26. Partial ISPF ORIGEXEC Modified for IST Maclibs 3.1.5.2](#)
- [27. ISPF/PDF Primary Option Panel 3.1.5.8](#)
- [28. VTAM Internal Trace Analysis Panel 3.1.5.8](#)
- [29. VIT Extraction Boolean Expression Panel 3.1.5.8](#)
- [30. VIT Extraction Template Panel 3.1.5.8](#)
- [31. VIT Extraction Boolean Expression Panel 3.1.5.8](#)
- [32. Timing Options Panel 3.1.5.8](#)
- [33. Panels for Start/Stop Times 3.1.5.8](#)
- [34. Panel for Input/Output Options 3.1.5.8](#)
- [35. VTAM Internal Trace Analysis Panel 3.1.5.8](#)
- [36. Save Parameters Panel 3.1.5.8](#)
- [37. CMS File of Save Parameters 3.1.5.8](#)
- [38. VTAM 3.4.1 PROFILE GCS File 3.2.1.1](#)
- [39. VTAM 3.4.1 VMVTAM GCS Member - Part 1 of 2 3.2.1.2](#)
- [40. VTAM 3.4.1 VMVTAM GCS Member - Part 2 of 2 3.2.1.2](#)
- [41. IPL of GCSXA for VM/VTAM V3.4.1 3.2.1.3](#)
- [42. Startup of VM/VTAM V3.4.1 3.3](#)
- [43. VTAM 4.2 PROFILE GCS File 3.3.1.1](#)
- [44. VTAM 4.2 VMVTAM GCS Member - Part 1 of 2 3.3.1.2](#)
- [45. VTAM 4.2 VMVTAM GCS Member - Part 2 of 2 3.3.1.2](#)
- [46. CUSTNO and VTAMPW as New Parameters in the VTAM Startup 3.3.1.3](#)
- [47. VTAM 4.2 Message Indicating the Functional Support Level 3.3.1.3](#)
- [48. VTAM 4.2 Error Message for Incorrect CUSTNO or VTAMPW 3.3.1.3](#)
- [49. VM/VTAM V3R4 & V4R2 Start Options - Subarea Only Functions 3.3.2](#)
- [50. Unsupported Keywords on Definition Statements - Client/Server 3.3.5.2](#)
- [51. Unsupported Keywords on Definition Statements - MultiDomain 3.3.6.1](#)
- [52. IPL of GCSXA for VM/VTAM V4.2 3.3.8](#)
- [53. VTAM Startup in InterEnterprise Mode 3.3.9](#)
- [54. VTAM Startup in Client/Server Mode with Unsupported Functions 3.3.10](#)
- [55. VTAM Startup in MultiDomain Mode with Unsupported Functions 3.3.11](#)
- [56. Reply with HALT to VTAM Startup 3.3.12](#)
- [57. VTAM Startup with Errors in ATCSTRxx List 3.3.12](#)
- [58. Definitions for Dynamic Cross-Domain Logon 3.3.13](#)
- [59. VM/VTAM Start Options without/with APPN Parameters 4.2.1.1](#)



<a href="#">60. VSE/VTAM Start Options without/with APPN Parameters</a>	<a href="#">4.2.1.2</a>
<a href="#">61. Restricted Start Options in Client/Server Mode</a>	<a href="#">4.2.1.3</a>
<a href="#">62. Restricted Start Options in MultiDomain Mode</a>	<a href="#">4.2.1.4</a>
<a href="#">63. VM/VTAM Config List with APPN Major Nodes Defined</a>	<a href="#">4.2.1.5</a>
<a href="#">64. VSE/VTAM Config List with APPN Major Nodes Defined</a>	<a href="#">4.2.1.6</a>
<a href="#">65. Failure Messages Activating/Inactivating TRL Major Node</a>	<a href="#">4.2.1.7</a>
<a href="#">66. VTAM Startup in Client/Server Mode with Unsupported Functions</a>	<a href="#">4.3</a>
<a href="#">67. VTAM Startup in MultiDomain Mode with Unsupported Functions</a>	<a href="#">4.4</a>
<a href="#">68. VM CP Definition: CP COUPLE Statements</a>	<a href="#">4.5.1.1</a>
<a href="#">69. VM CP Definition: CTCA Statements</a>	<a href="#">4.5.1.1</a>
<a href="#">70. VSE IPL Procedures</a>	<a href="#">4.5.1.2</a>
<a href="#">71. VTAM Definitions</a>	<a href="#">4.5.1.3</a>
<a href="#">72. Activating AHHC Local SNA Major Node via ATCCONxx</a>	<a href="#">4.5.2.1</a>
<a href="#">73. Activating AHHC Local SNA Major Node, Read/Write Address Mismatch</a>	<a href="#">4.5.2.2</a>
<a href="#">74. Failure Messages Initiating CP-CP Session over AHHC</a>	<a href="#">4.5.2.3</a>
<a href="#">75. 3174 VTAM Definition</a>	<a href="#">4.6.2</a>
<a href="#">76. Failure Messages when NETID Differs in 3174</a>	<a href="#">4.6.3.1</a>
<a href="#">77. RESET Status for 3174 Logical Units</a>	<a href="#">4.6.3.2</a>
<a href="#">78. VTAM Display after Failure Messages</a>	<a href="#">4.6.3.3</a>
<a href="#">79. Network Diagram of Peripheral Subnetwork Boundary</a>	<a href="#">5.2</a>
<a href="#">80. Implementation of Extended Subnetwork Boundary</a>	<a href="#">5.2</a>
<a href="#">81. VTAM Start Options with BN Support Added</a>	<a href="#">5.3.1</a>
<a href="#">82. VTAM AHHC Definitions</a>	<a href="#">5.3.2</a>
<a href="#">83. VM/VTAM Startup in InterEnterprise Mode with BN=YES</a>	<a href="#">5.4</a>
<a href="#">84. Cross-network Logon Attempt - Application not Available</a>	<a href="#">5.4</a>
<a href="#">85. Successful Cross-network Logon Attempt</a>	<a href="#">5.4</a>
<a href="#">86. VM/VTAM Startup in Client/Server Mode with BN=YES</a>	<a href="#">5.5</a>
<a href="#">87. VSE/VTAM Startup in Client/Server Mode with BN=YES</a>	<a href="#">5.6</a>
<a href="#">88. VM/VTAM Startup in MultiDomain Mode with BN=YES</a>	<a href="#">5.7</a>
<a href="#">89. VSE/VTAM Startup in MultiDomain Mode with BN=YES</a>	<a href="#">5.8</a>
<a href="#">90. WCVMSNI Directory Entry (VM/VTAM 3.4.1)</a>	<a href="#">A.1.1</a>
<a href="#">91. VTAMESA Directory Entry (VM/VTAM 3.4.1)</a>	<a href="#">A.1.2</a>
<a href="#">92. MAINT Directory Entry (VM/VTAM 3.4.1)</a>	<a href="#">A.1.3</a>
<a href="#">93. ATCSTR99 (VM/VTAM 3.4.1)</a>	<a href="#">A.2.1</a>
<a href="#">94. ATCCON99 (VM/VTAM 3.4.1)</a>	<a href="#">A.2.2</a>
<a href="#">95. A01M700 (VM/VTAM 3.4.1)</a>	<a href="#">A.2.3</a>
<a href="#">96. AVSAPPL (VM/VTAM 3.4.1)</a>	<a href="#">A.2.4</a>
<a href="#">97. RSCSNET (VM/VTAM 3.4.1)</a>	<a href="#">A.2.5</a>
<a href="#">98. V34APPLS (VM/VTAM 3.4.1)</a>	<a href="#">A.2.6</a>
<a href="#">99. ISTCDRM (VM/VTAM 3.4.1)</a>	<a href="#">A.2.7</a>
<a href="#">100. ISTCDRS (VM/VTAM 3.4.1)</a>	<a href="#">A.2.8</a>
<a href="#">101. ISTPATH (VM/VTAM 3.4.1)</a>	<a href="#">A.2.9</a>
<a href="#">102. ISTCTCA (VM/VTAM 3.4.1)</a>	<a href="#">A.2.10</a>
<a href="#">103. WCVML22 Directory Entry (VM/VTAM 4.2)</a>	<a href="#">A.3.1</a>
<a href="#">104. VTAM Directory Entry (VM/VTAM 4.2)</a>	<a href="#">A.3.2</a>
<a href="#">105. 5654010A Directory Entry (VM/VTAM 4.2)</a>	<a href="#">A.3.3</a>
<a href="#">106. MAINT Directory Entry (VM/VTAM 4.2)</a>	<a href="#">A.3.4</a>
<a href="#">107. ATCSTR00 (VM/VTAM 4.2)</a>	<a href="#">A.4.1</a>
<a href="#">108. ATCCON00 (VM/VTAM 4.2)</a>	<a href="#">A.4.2</a>
<a href="#">109. ISTAPPLS (VM/VTAM 4.2)</a>	<a href="#">A.4.3</a>
<a href="#">110. ISTCDRM (VM/VTAM 4.2)</a>	<a href="#">A.4.4</a>
<a href="#">111. ISTCDRS (VM/VTAM 4.2)</a>	<a href="#">A.4.5</a>
<a href="#">112. ISTPATH (VM/VTAM 4.2)</a>	<a href="#">A.4.6</a>
<a href="#">113. ISTCTCA (VM/VTAM 4.2)</a>	<a href="#">A.4.7</a>
<a href="#">114. ISTNSNA (VM/VTAM 4.2)</a>	<a href="#">A.4.8</a>
<a href="#">115. WCVSE13 Directory Entry (VSE/VTAM 3.4)</a>	<a href="#">A.5.1</a>
<a href="#">116. ATCSTR00 (VSE/VTAM 3.4)</a>	<a href="#">A.6.1</a>
<a href="#">117. ATCCON00 (VSE/VTAM 3.4)</a>	<a href="#">A.6.2</a>
<a href="#">118. VTMAPPL (VSE/VTAM 3.4)</a>	<a href="#">A.6.3</a>
<a href="#">119. VTMMDL (VSE/VTAM 3.4)</a>	<a href="#">A.6.4</a>
<a href="#">120. PNET Definition (VSE/VTAM 3.4)</a>	<a href="#">A.6.5</a>
<a href="#">121. POWER Macro (VSE/VTAM 3.4)</a>	<a href="#">A.6.6</a>
<a href="#">122. VTMSNA (VSE/VTAM 3.4)</a>	<a href="#">A.6.7</a>
<a href="#">123. VTMTCTCA (VSE/VTAM 3.4)</a>	<a href="#">A.6.8</a>
<a href="#">124. VTMPATH (VSE/VTAM 3.4)</a>	<a href="#">A.6.9</a>
<a href="#">125. VTMC DRM (VSE/VTAM 3.4)</a>	<a href="#">A.6.10</a>
<a href="#">126. VTMC DR S (VSE/VTAM 3.4)</a>	<a href="#">A.6.11</a>
<a href="#">127. WCVSE21 Directory Entry (VSE/VTAM 4.2)</a>	<a href="#">A.7.1</a>
<a href="#">128. ATCSTR00 (VSE/VTAM 4.2)</a>	<a href="#">A.8.1</a>
<a href="#">129. ATCCON00 (VSE/VTAM 4.2)</a>	<a href="#">A.8.2</a>
<a href="#">130. VTMAPPL (VSE/VTAM 4.2)</a>	<a href="#">A.8.3</a>
<a href="#">131. VTMMDL (VSE/VTAM 4.2)</a>	<a href="#">A.8.4</a>
<a href="#">132. PNET Definition (VSE/VTAM 4.2)</a>	<a href="#">A.8.5</a>
<a href="#">133. POWER Macro (VSE/VTAM 4.2)</a>	<a href="#">A.8.6</a>
<a href="#">134. VTMSNA (VSE/VTAM 4.2)</a>	<a href="#">A.8.7</a>
<a href="#">135. VTMSNA (VSE/VTAM 4.2)</a>	<a href="#">A.8.8</a>
<a href="#">136. VTMTCTCA (VSE/VTAM 4.2)</a>	<a href="#">A.8.9</a>
<a href="#">137. VTMPATH (VSE/VTAM 4.2)</a>	<a href="#">A.8.10</a>
<a href="#">138. VTMC DRM (VSE/VTAM 4.2)</a>	<a href="#">A.8.11</a>
<a href="#">139. VTMC DR S (VSE/VTAM 4.2)</a>	<a href="#">A.8.12</a>

- [140. RESNCP1 \(VSE/VTAM 4.2\) - Part 1 of 4 A.8.13](#)
  - [141. RESNCP1 \(VSE/VTAM 4.2\) - Part 2 of 4 A.8.13](#)
  - [142. RESNCP1 \(VSE/VTAM 4.2\) - Part 3 of 4 A.8.13](#)
  - [143. RESNCP1 \(VSE/VTAM 4.2\) - Part 4 of 4 A.8.13](#)
  - [144. WCVML22 Directory Entry \(VM/VTAM 4.2\) B.1.1](#)
  - [145. VTAM Directory Entry \(VM/VTAM 4.2\) B.1.2](#)
  - [146. 5654010A Directory Entry \(VM/VTAM 4.2\) B.1.3](#)
  - [147. MAINT Directory Entry \(VM/VTAM 4.2\) B.1.4](#)
  - [148. ATCSTR00 with ICN Support \(VM/VTAM 4.2\) B.2.1](#)
  - [149. ATCSTR00 with BN Support \(VM/VTAM 4.2\) B.2.2](#)
  - [150. ATCCON00 with APPN \(VM/VTAM 4.2\) B.2.3](#)
  - [151. ISTRRL \(VM/VTAM 4.2\) B.2.4](#)
  - [152. ISTAHC \(VM/VTAM 4.2\) B.2.5](#)
  - [153. WCVSE21 directory entry \(VSE/VTAM 4.2\) B.3.1](#)
  - [154. ATCSTR00 with ICN Support \(VSE/VTAM 4.2\) B.4.1](#)
  - [155. ATCSTR00 with BN Support \(VSE/VTAM 4.2\) B.4.2](#)
  - [156. ATCCON00 with APPN \(VSE/VTAM 4.2\) B.4.3](#)
  - [157. VTMRRL.B Book \(VSE/VTAM 4.2\) B.4.4](#)
  - [158. VTMAHC.B Book \(VSE/VTAM 4.2\) B.4.5](#)
- 



© Copyright IBM Corp. 1996

---



---

# Tables

- [1. Functions not Supported in a Given VTAM V4 Package 1.2.4](#)
  - [2. Changes in VTAM Buffer Pool Location 2.2.1](#)
  - [3. Basic Partition Setup in Test VSE/ESA 2.1 System 2.2.2.3](#)
  - [4. DSPNAME and its Related Application 2.2.2.3](#)
  - [5. VTAM VIT Analysis Tool Loadlibs and Maclibs 3.1.5.1](#)
  - [6. Node Type Functional Summary 4.2](#)
  - [7. Implementing Multiple Network Communications 5.3](#)
- 



© Copyright IBM Corp. 1996

---

[IBM Library Server](#) Copyright 1989, 2004 IBM Corporation. All rights reserved.



---

# Preface

VTAM V4R2 brings to the VSE/ESA and VM/ESA customers the ability to implement APPN networking for the first time. In order to make use of this exciting facility the customer first has to migrate his network from VTAM V3R4 to this new release. Our migration experiences, described in this redbook, prove that it is a much easier task than is assumed.

This redbook describes VTAM V4R2 and its functions in all three of the new package offerings (Client Server, MultiDomain and InterEnterprise). We then show the user how to go from their existing VTAM V3R4 to VTAM V4R2 using subarea definitions and also explain some excellent new tools such as the VIT analysis tool under VM/ESA. Following this we demonstrate the implementation of APPN Networking and of APPN Multiple Network Connectivity Support. We also supply the reader with definition examples for both subarea connections and APPN connections.

This redbook addresses customers and IBM Personnel who intend to install and implement VTAM V4R2 under VM/ESA and VSE/ESA. The reader is assumed to have a basic working knowledge of VM/ESA and/or VSE/ESA SNA Networking and some knowledge of APPN concepts.

## Subtopics:

- [PREFACE.1 How This Redbook Is Organized](#)
- [PREFACE.2 The Team that Wrote this Redbook](#)
- [PREFACE.3 Comments Welcome](#)



© Copyright IBM Corp. 1996



---

## PREFACE.1 How This Redbook Is Organized

The redbook is organized as follows:

- [Chapter 1, "Introduction to VTAM V4R2"](#)

Summarizes new functions, packaging, and the environment under which we tested.

- [Chapter 2, "Migrating VSE/VTAM V3R4 to V4R2 Subarea Networking"](#)

Covers our experiences of migrating VSE/VTAM to V4.2 subarea only functions and the restrictions that exist at the different package levels.

- [Chapter 3, "Migrating VM/VTAM V3R4M1 to V4R2 Subarea Networking"](#)

Covers our experiences of migrating VM/VTAM to V4.2 subarea only functions and the restrictions that exist at the different package levels.

- [Chapter 4, "Implementing APPN Networking"](#)

This chapter takes VSE/VTAM V4.2 and VM/VTAM V4.2 and implements APPN functions for an Interchange Node. It also covers restrictions with APPN functions at the different package levels.

- [Chapter 5, "Implementing APPN Multiple Network Connectivity Support"](#)

This chapter expands on Chapter 4 and implements Border Node support for multiple network connectivity in our VSE/VTAM V4.2 and VM/VTAM V4.2 systems.

- [Appendix A, "Subarea Definition Examples"](#)

Provides detailed examples of the subarea definitions we used in our testing.

- [Appendix B, "APPN Definition Examples"](#)

Provides detailed examples of the APPN definitions we used in our testing.



© Copyright IBM Corp. 1996





---

## PREFACE.2 The Team that Wrote this Redbook

This redbook was produced by a team of specialists from around the world working at the International Technical Support Organization Böblingen Center.

**Willem Cruywagen** (WILLEMC at BOEVM4), from the International Technical Support Organization Böblingen Center, was the project leader.

**Chong Keng Hoe** (CHONGKH at SGPVM1), from IBM Singapore.

**Kenneth M. Kapp** (KMKAPP at CHGVMIC1), from IBM in Milwaukee, USA.

**Karen M. Zicht** (ZICHT at RALVMFE1), from IBM in Raleigh, USA.

---



© Copyright IBM Corp. 1996

---

[IBM Library Server](#) Copyright 1989, 2004 [IBM](#) Corporation. All rights reserved.

**IBM Library Server**



---

## PREFACE.3 Comments Welcome

We want our redbooks to be as helpful as possible. Should you have any comments about this or other redbooks, please send us a note at the following address:

redbook@vnet.ibm.com

**Your comments are important to us!**

---



© Copyright IBM Corp. 1996

---

[IBM Library Server](#) Copyright 1989, 2004 [IBM](#) Corporation. All rights reserved.





# 1.0 Chapter 1. Introduction to VTAM V4R2

In this chapter we briefly review some of the major functions that are now available in VM/ESA and VSE/ESA with the availability of VTAM V4R2. We also describe the general system environment within which the migration testing was done.

The main purpose of this book is to document the experience we had migrating VSE and VM hosts from VTAM V3R4 to V4R2. We also describe the results of implementing APPN for these systems as that is a key direction that many of our customers should be implementing in the near future. You will see that the implementation of APPN is not difficult and indeed simplifies and shortens the number of VTAM definitions that are necessary in multihost domains.

First we remind the customer that VTAM V4R2 comes as three separate packages. The contents of each package supports **all** of the functions contained in the prior level package and then additional ones. They are priced accordingly. A brief description is given below:

<b>Client/Server</b>	provides basic functionality for simple subarea support and APPN. It cannot own an NCP.
<b>MultiDomain</b>	has additional APPN and subarea functions as well as the capability of owning an NCP. Support is provided for Dependent LU server and software data compression. Only VSE supports hardware data compression.
<b>InterEnterprise</b>	has full APPN and subarea support including SNA Network Interconnection (SNI) for VM (only!).

Subtopics:

- [1.1 Key Concepts, Terms and Definitions](#)
- [1.2 New Functions for VTAM V4R2 for VM and VSE](#)
- [1.3 Compatibilities between VTAM V4R2 and VTAM V3R4](#)
- [1.4 Test Configuration, Software and Conditions](#)
- [1.5 General Observations](#)
- [1.6 VTAM Naming, Pricing, Packaging and Tool](#)



© Copyright IBM Corp. 1996



---

## 1.1 Key Concepts, Terms and Definitions

For the sake of completeness we will now briefly summarize the key concepts and terms used in this manual. They are the standard definitions that should be familiar to the reader who has worked with the main IBM product line over the years.

**Systems Network Architecture (SNA)** encompasses more than just the traditional subarea structures. It describes also the extended wide area network (WAN) constructs such as Advanced Peer-to-Peer Networking (APPN), as well as other local area network (LAN) protocols.

Traditional SNA protocols permit networks to be defined with central host control in a hierarchical fashion.

Subtopics:

- [1.1.1 Hierarchical Subarea SNA Networks](#)
- [1.1.2 Advanced Peer-to-Peer Networking \(APPN\)](#)



© Copyright IBM Corp. 1996



---

## 1.1.1 Hierarchical Subarea SNA Networks

Subarea networks are defined by the protocols describing the roles played by basic node types: type 5 (T5), type 4 (T4), type 2.0 (T2) and type 2.1 (T2.1). **Subarea nodes** control and provide services for peripheral nodes. Type 5 and type 4 nodes are subarea nodes.

VTAM, running in a host, is an example of a T5 node. It is also called a **host node**. T5 subarea nodes provide for the SNA functions necessary to control network resources, support transaction programs and provide end user services including operator interfaces.

NCP, running in a communication controller, is an example of a T4 node. It is also called a **Communication controller node**. These nodes are responsible for data flow control and routing in the subarea network.

**Peripheral nodes** are type 2 and type 2.1 devices. They attach to T4 or T5 nodes. Note that a T2 node needs the help of a T5 node to communicate with any other node. A **subarea** consists of a subarea node and the peripheral nodes attached to it. In this case it is sometimes referred to as a **boundary node** since it provides **boundary functions** for its attached T2 and T2.1 devices.

**PU Type 2.1 nodes** are programmable devices that support a protocol suite that enable resources, logical units (LUs), in them to communicate with other LUs in other subarea nodes without the need for VTAM to manage the session.



© Copyright IBM Corp. 1996



## 1.1.2 Advanced Peer-to-Peer Networking (APPN)

APPN is just part of the larger SNA Architecture. It is defined by a protocol suite that consists of a **base set** and **option set** of functions. These are functions that a computer must implement in order to communicate on a "Peer-to-Peer" basis. Two interacting PCs may provide a simple example of Peer-to-Peer communication. There are many types of APPN nodes defined by the protocol stack that they support. Each has a different level of functionality. A brief list follows:

- **Low Entry Networking Node (LEN)**

This is the simplest of all the APPN node types. It can be attached to both APPN networks as well as subarea networks. It has limited **control point (CP)** function. All resources must be defined to it as it cannot request a search for resources from other APPN nodes. It is also unable to register its resources with other nodes.

- **VTAM End Node (EN)**

This VTAM host is able to support sessions between its CP and the CP in other VTAMs. It needs a **network node server** to find resources and to select session routes. It can only have a CP-CP session with its network node server.

- **Migration Data Host (MDH)**

This is a VTAM end node with subarea capability. It cannot own NCPs nor does it support intermediate APPN routing.

- **APPN Network Node (NN)**

This is a node that offers a broad range of end user services. It supports CP-CP sessions but not necessarily SSCP-SSCP sessions. It can register its resources with a central directory as well as find resources and select session paths. It can perform intermediate session routing.

- **Composite Network Node (CNN)**

This is a VTAM together with one or more NCPs that provide the appearance of an APPN network node. It can own and activate NCPs.

- **Interchange Node (ICN)**

This is a network node that provides full support for both APPN and subarea networks to which it is attached. It "translates" between them.

- **Border Node (BN)**

This is an APPN network node that enables the connection of other APPN network nodes while permitting them to maintain their own distinct network and topology database and helps these networks avoid topology exchanges.

---



© *Copyright IBM Corp. 1996*

---

[IBM Library Server](#) Copyright 1989, 2004 [IBM](#) Corporation. All rights reserved.



---

## 1.2 New Functions for VTAM V4R2 for VM and VSE

VTAM V4R2 for VSE and VM provides new functions in four basic areas: APPN, connectivity, operations, and management. In functionality it is comparable to V4 R2 of VTAM for MVS. Since VTAM V4R2 is packaged at three levels, care must be taken to select the correct package for the desired level of functionality.

All the functions of the Client/Server package will be found in the MultiDomain offering and all those of MultiDomain are included in the InterEnterprise package. We will highlight some of those new functions below. A table then follows that gives a list of functions that are NOT supported in the lower level packages.

Subtopics:

- [1.2.1 Highlights of New Functions in the Client/Server Package](#)
- [1.2.2 Highlights of New Functions in the MultiDomain Package](#)
- [1.2.3 Highlight of New Functions in the InterEnterprise Package](#)
- [1.2.4 Non-supported Functions of VTAM V4R2](#)



© Copyright IBM Corp. 1996



## 1.2.1 Highlights of New Functions in the Client/Server Package

We remind the reader that the Client/Server package was designed to provide support for a simple entry level networking location. Included in this VTAM package is limited APPN and APPC support. There is enough power to permit the Client/Server Host to participate as a server in a peer network. What follows is a brief list of functions that will be new to customers currently running VTAM V3R4 or V3R4.1. Further details and the next level of description can be found in the VTAM Migration Guides GC31-8071 for VM or GC31-8072 for VSE.

- APPN

Support is included for end node and network node (also over ICA) as well as both switched and non-switched T2.1 devices. Class-of-service tables are supported. APPN Host-to-Host Channel (AHHC) is also an important part of this support.

- Connectivity and Dynamics

VM virtual channel to channel is supported. Dynamic configuration of channel attached devices as well as dynamic definition of switched and Token-Ring connections and independent LUs are supported. Dynamic replacement of class-of-service and logmode tables is now permitted as well as the dynamic replacement of the DLOGMODE operand itself.

- LU6.2 and API (Application Program Interface)

Enhancements have been made in the area of macro-instructions (APPCCMDs). RESETST can now be avoided. Full duplex connections are now possible.

- Operator Interface

Additional display commands have been introduced including some for VTAM start options (DISPLAY VTAMOPTS). There is (VM only) support for IBM Command Tree/2 and an on-line message facility. LUs in a pending-notify state can now be inactivated. VTAMLST syntax can now also be checked.

- Performance Enhancements

Authorized transmission priority for LEN connections is provided. Sessions using too much IOBUFFER pool can be automatically terminated. Session limits can be set for independent LUs and switched resources.

- Security

Call security verification is now possible for switched subareas.

- Problem Diagnosis

VM now provides an analysis tool for externally recorded VTAM Internal Trace (VIT). It is also now possible to specify that all data in a buffer is to be traced. First Failure Support Technology (FFST) has been added for VM. Trace commands can now be saved for future use. Active traces can be displayed.

- System and Configuration Management

Expanded addressing is provided for VTAM for up to 16,384K elements. Search order can now be defined for switched PUs. VSE/ESA now also has 31-bit addressing.

- VSCS and VMSES/E Tool

VSCS has been enhanced to provide better logoff and disconnects so that terminals are no longer left in a "holding" state. Better control is also provided to limit pending requests from a single LU.

The VMSES/E component of VM is available now for all VM software. It is an easy to use, centralized tool for software installation and service.

Please remember that this is a highlighted list and by no means exhaustive.

---



© Copyright IBM Corp. 1996

---





---

## 1.2.2 Highlights of New Functions in the MultiDomain Package

Remember that the MultiDomain Package contains all of the Client/Server functions above. Once again, the list below is not meant to be exhaustive.

- Connectivity

VTAM can now own NCPs, support multipath channels and subarea channel-to-channel. The IBM 3088 Channel Multiplexor is also supported as well as multilink transmission groups between NCPs. CDRMs are supported as is Frame Relay over Token-Ring. Dependent LU server support is provided. In addition there is support now for dynamic adjacent SSCP tables and dependent LUs.

- APPN

Full support is provided for Interchange and Migration Data Host nodes. Composite network node routing is also supported.

- Installation Wide Exits

More flexibility is provided for various exits including virtual route selection, session management, load modules, command verification, USERVAR and directory services.

- Performance

VTAM now provides a timer to redrive failed auto-logon LU requests. Delayed disconnection is provided for switched resources. There is now software data compression as well as hardware data compression for VSE. In addition there is now non-destructive deactivation of CDRMs.



© Copyright IBM Corp. 1996



---

## 1.2.3 Highlight of New Functions in the InterEnterprise Package

Once again, please remember that the InterEnterprise package includes all of the capabilities of both of the preceding packages. Again, the list below is not exhaustive.

- Connectivity

VTAM and its NCPs can now be gateways. There is support for SNA Network Interconnection (SNI)--VM only.

- APPN

Support is provided for APPN Border Nodes. InterEnterprise VTAMs can serve as Central Directory Servers.

- Application Program Interface (API)

Support is provided for persistent LU-LU sessions in VSE.

---



© Copyright IBM Corp. 1996

---



## 1.2.4 Non-supported Functions of VTAM V4R2

As we mentioned above we will try to highlight those functions of VTAM V4R2 that are not available in the non-inclusive packages. This should provide yet another way to help you determine which level of VTAM is appropriate for a given system.

Table 1. Functions not Supported in a Given VTAM V4 Package

Function	MultiDomain	Client/Server
stmt def	---	NCP, CDRM, LUGROUP
startopt CMPVTAM,	SNVC, GWSSCP, SRCHRED, SRCOUNT, SRTIMER	+ AUTOTI, AUTOTRY, IOPURGE, DISCNTIM, CMPMIPS 1
APPN related	BN, BNDYN, BNORD, CDSERVR, SNVC	+VRTG, VRTGCPCP
keywords CMPAPPLI,	SRCOUNT, SRTIMER	+LOGAPPL, VRTG, VRTGCPCP, DLURNAME, CMPAPPLO
MODIFY RESOURCE	SRCLEAR, SRCOUNT, SRTIMER	+ DISCNTIM
VARY ACT	---	LOGON, VRTGCPCP
Operands	---	DISCNT=DELAY, SAVE=YES (on MODIFY TRACE)
Commands	---	MODIFY USERVAR, VARY LOGON, MODIFY COMPRESS

### Note:

1 CMPMIPS is applicable to VSE only.

For a given row, the + in the Client/Server column indicates that these functions/keywords are not supported in addition to the ones in the MultiDomain column.



© *Copyright IBM Corp. 1996*

---

[IBM Library Server](#) Copyright 1989, 2004 [IBM](#) Corporation. All rights reserved.



---

## 1.3 Compatibilities between VTAM V4R2 and VTAM V3R4

In this section we will highlight some of the changes that the customer should be aware of when migrating from VTAM V3R4. In general, it is recommended to migrate at your current functional level before implementing any of the new functions, including APPN, that are available in V4.

Subtopics:

- [1.3.1 Starting VTAM](#)
- [1.3.2 Upward Compatibilities](#)
- [1.3.3 Downward Compatibilities](#)
- [1.3.4 Storage Requirements](#)



© Copyright IBM Corp. 1996



---

## 1.3.1 Starting VTAM

The VTAM tape that is sent to every V4 customer contains all the code regardless of the package ordered. Access to the proper level (package) is obtained using the password obtained from IBM. This password must be included with the appropriate customer number in the VTAM startup EXEC. It is recommended that you edit this EXEC or your own startup EXEC with the password and its corresponding customer number. (The default level of VTAM that will come up is the Client/Server package but even this will not work without a valid password.)

In V3R4 or V3R4.1 of VTAM, when VTAM could not find the start option list ATCSTR00, it issued a warning message and then continued to process as far as possible taking internal defaults. Now with V4R2, VTAM will halt processing and issue a prompt message. A response is necessary for continuing the startup. For this reason it is suggested that customers define an ATCSTR00 member, even if only with comments.

Errors in the start list are also treated differently. In earlier versions of VTAM prompts were made to permit corrections at the console. In Version 4 of VTAM you can continue the startup process and then enter the corrected values at the end. Alternatively, you can now cancel the current start list and point to a different one. (You can still HALT VTAM and edit the original start list and then try again.)



© Copyright IBM Corp. 1996



---

## 1.3.2 Upward Compatibilities

With minor exceptions all functions and user interfaces from V3R4 and V3R4.1 of VTAM will be found in V4R2 of VTAM. However the replaceable constants module of ISTRACON is no longer part of VTAM V4R2. Constants can be defined as part of the start options. Also note that the Open Systems Interconnect (OSI) Remote Programming Interface Feature is no longer part of VTAM V4R2.

There are a few statements in which default values have either changed, have different meanings or ranges or yield different results. Session flow across APPN nodes should be reviewed for possible changes. Some messages have been modified and a few have been deleted.

A full discussion of these changes will be found in the respective Migration Guides, GC31-8071 or GC31-8072.



© Copyright IBM Corp. 1996



---

## 1.3.3 Downward Compatibilities

Downward compatibility refers to the ability of VTAM V4R2 to work and communicate with prior versions and releases of software. At times PTFs (program temporary fixes) may have to be applied to these programs to insure continued interoperability. The customer should refer to the VTAM *Program Directory* that comes with the tape as well as obtaining the *PSP* (*preventive service planning*) bucket to see what PTFs may be relevant. Customers can obtain PSP buckets in one of the following manners:

- IBMLink (ServiceLink)
- SoftwareXcel Extended
- Information Access

Customers who do not have access to any of the sources may contact the IBM Support Center and ask for their assistance in this process.

---



© Copyright IBM Corp. 1996

---





---

## 1.3.4 Storage Requirements

These have in general increased for both the installation as well as the running of VTAM V4R2 regardless of the package being implemented. These storage requirements can be estimated running the **Estimating Storage for VTAM** diskette on an OS/2 2.0 workstation.

The **conversation ID (CID) table** size will be approximately twice the size of the one in V3R4. This is now specified on the CINDXSIZ in the start option. Previously it was found on the RACCITSZ constant in the ISTRACON module.



© Copyright IBM Corp. 1996



---

## 1.4 Test Configuration, Software and Conditions

Subtopics:

- [1.4.1 Network Diagram](#)
- [1.4.2 Description of the VSE and VM Operating Systems](#)



© *Copyright IBM Corp. 1996*

---

[IBM Library Server](#) Copyright 1989, 2004 [IBM](#) Corporation. All rights reserved.



## 1.4.1 Network Diagram

Below you will find the network diagram that was used throughout our testing. Whenever changes are made, the reader will be informed at that point in the respective chapter.

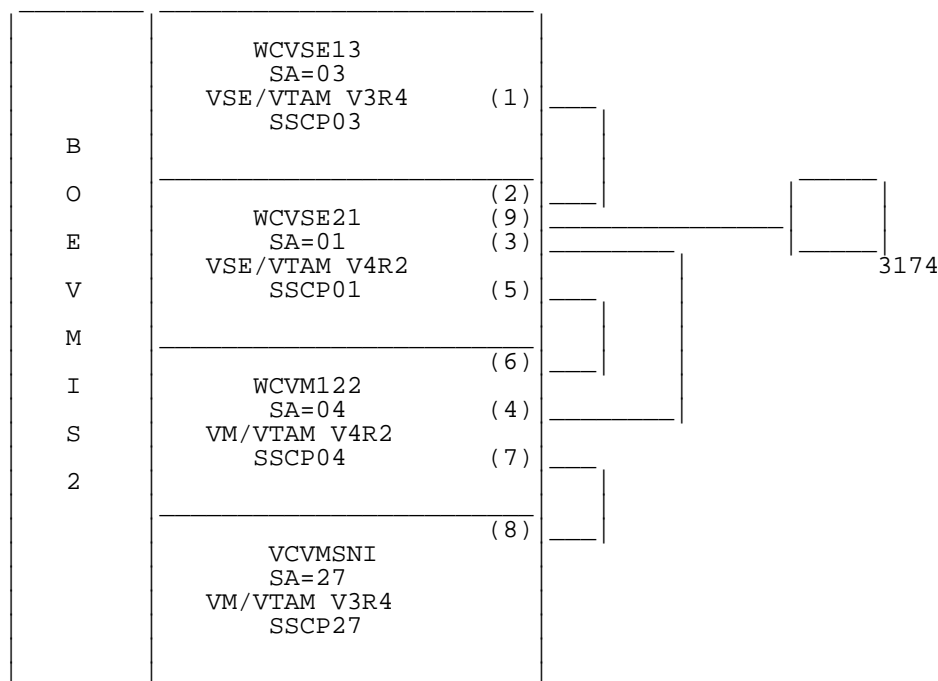


Figure 1. Network Diagram

The following are the address couple used in examples.

The next four connections were used for CTC connections.

1. WCVSE13: 600 coupled with WCVSE21: 600. 1
2. WCVSE21: 600 coupled with WCVSE13: 600. 2
3. WCVSE21: 500 coupled with WCVMSNI: 500. 2
4. WCVMSNI: 500 coupled with WCVSE21: 500. 3

The next two connections were used for the AHHC connection.

5. WCVSE21: 720 coupled with WCVMSNI: 705 4

WCVSE21: 700 coupled with WCV122: 700  
WCVSE21: 710 coupled with WCV122: 710

6. WCV122: 705 coupled with WCVSE21: 720 5  
WCV122: 700 coupled with WCVSE21: 700  
WCV122: 710 coupled with WCVSE21: 710

The next two connections were used for CTC connections.

7. WCV122: 750 coupled with WCVMSNI: 750 3
8. WCVMSNI: 750 coupled with WCV122: 750 6
9. cuaddr=300 for the 3174

**Notes:**

- 1 see [Figure 115 in topic A.5.1](#) and [Figure 123 in topic A.6.8](#)
- 2 see [Figure 127 in topic A.7.1](#) and [Figure 136 in topic A.8.9](#)
- 3 see [Figure 103 in topic A.3.1](#) and [Figure 113 in topic A.4.7](#)
- 4 see [Figure 153 in topic B.3.1](#) and [Figure 157 in topic B.4.4](#)
- 5 see [Figure 144 in topic B.1.1](#) and [Figure 151 in topic B.2.4](#)
- 6 see [Figure 90 in topic A.1.1](#) and [Figure 102 in topic A.2.10](#)



© Copyright IBM Corp. 1996



## 1.4.2 Description of the VSE and VM Operating Systems

All of our VSE and VM operating systems for testing purposes were second level VM virtual machines on the node BOEVMIS2, located at the ITSO center in Boeblingen, Germany. We did complete installs from PID shipped tapes of all our operating systems, which consisted of two VSE systems and two VM systems. We will list each of these individually below and their respective characteristics.

- WCVSE13

This was our VSE/VTAM V3R4 (Component 566636301, CLC J90) at VSE/ESA Refresh V136. We completely installed Version 1 of VSE/ESA at refresh level 1.3.6 which included the VSE/VTAM Version 3 Release 4.

- WCVSE21

This was our VSE/VTAM V4R2 (Component 568606501, CLC FE6) at VSE/ESA Refresh V211. We completely installed Version 2 of VSE/ESA at refresh level 2.1.1 which included the VSE/VTAM Version 4 Release 2.

- WCVMSNI

This was our VM/VTAM V3R4M1 (Component 568409501 Release 314) at VM/ESA V122. We completely installed Version 1 Release 2 Modification level 2 of VM/ESA at service level 9401, which included the VM/VTAM Version 3 Release 4 Modification level 1.

- WCVML22

This was our VM/VTAM V4R2 (Component 565401001, Release 420) at VM/ESA V122. Version 4 Release 2 of VM/VTAM was a separately orderable product that was installed on our VM/ESA V122 system. There was no service level associated with this tape. The *VTAM Program Directory for V4.2 for VM/ESA* dated March 1995 and shipped with our tape, indicates that no PTFs were incorporated.



© Copyright IBM Corp. 1996



---

## 1.5 General Observations

Up until the last few years networks usually experienced steady and consistent growth. "Dumb" terminals were added in a somewhat orderly fashion under central control. (We're idealizing, of course.) Occasionally departmental systems slipped in outside the glass house but since they did NOT ask for connectivity with the "glass house" --no problem. If networks were acquired there was always SNI to enable communications between the systems, albeit at the cost of a non-trivial amount of not uncomplicated coding.

But now-a-days with the explosive growth of LANs and with inexpensive intelligent workstations being installed and then reinstalled with uncontrolled rapidity, it may well be impossible to continue the old SNA subarea structure and still provide for the connectivity that end users are demanding. There just never seems to be enough time to do all the defining of paths, routes, CDRMs, PU/LUs and so on.

V4R2 of VTAM with its enhancements and APPN support go a long way to solve these problems. By implementing the VTAM host as an ICN you can support both the old subarea networks as well as the new APPN networks. The new APPN environment permits dynamic finding of APPN resources **AND** this is even over network boundaries (with the InterEnterprise package). For these APPN networks CDRSCs and their CDRMs, ADJSSCP tables, PATHs, and even some PU/LUs need never be defined. In Chapter 4 we describe our experiences in implementing interchange nodes (ICN) in a MultiDomain environment (same NETID). In the case where different network hosts are co-located the use of AHHC with either CTC or VCTC connections may well save a painful connection via a communication controller and SNI.

In Chapter 5 we will alter our configuration slightly by implementing VTAM Border Nodes (BN=YES) in a multiple network environment (different NETIDs). We describe our experiences there with the relevant coding.

Subtopics:

- [1.5.1 Benefits from APPN](#)



© Copyright IBM Corp. 1996



## 1.5.1 Benefits from APPN

Hidden behind the various definitions of the APPN protocols are the implicit benefits that become available once they are implemented. Thus, for example, since APPN nodes can learn about resources dynamically one need not code path tables, CDRSCS, CDRMs and even some LUs. The fact that resources can be sensed alleviates the need to recycle the network to add addition devices or to recover downed resources.

Below we will describe yet three more functions which are available with VTAM V4R2.

- **VR-based Transmission Group (VRTG)**

This is a particular transmission group, VR-TG, that represents all the predefined virtual routes between two VTAM V4R2 ICNs or Data Hosts. In this way one need only deal with this one VR. This VR can be used for both APPN and subarea message flow. CP-CP traffic can also flow over this VR.

- **APPN Connection Network**

Multiple nodes can be connected on a **Shared-Access Transport Facility (SATF)** such as Token-Ring or Ethernet. In the past one would have to define either point-to-point routes or permit routing through intermediate nodes (and suffer the overhead). With APPN it is now possible to define a **Virtual Routing Node (VRN)** to represent each node's attachment to the SATF. Session traffic between any two nodes having this VRN definition can be "routed" through the VRN without having to pass through any real node. This type of definition is called a **Connection Network**.

- **Dependent LU Server/Requester (DLUS/R)**

This type of APPN support permits dependent LUs to make use of the APPN network for LU-LU sessions. It is no longer necessary to have the PU T2.0 (and its LU), or an APPN node, or a LEN node (with its dependent LUs) adjacent to a subarea boundary node. In effect a *virtual pipe* is created between the DLUS, the SSCP, and the DLUR through which the usual SNA commands are sent. It appears as if they were attached in the normal SSCP-LU fashion.

Please see the ITSO Redbook, *VTAM 4.2 Implementation and Usage for VM/ESA and VSE/ESA SG24-4556*, Chapter 5, for a detailed description of this implementation.

The above provides just a short list of potential benefits that become available with VTAM V4R2. There are more functions that can be found in the various Migration Guides and Planning Guides found in the Bibliography.



© *Copyright IBM Corp. 1996*

---

[IBM Library Server](#) Copyright 1989, 2004 [IBM](#) Corporation. All rights reserved.





## 1.6 VTAM Naming, Pricing, Packaging and Tool

Finally a few words about naming, pricing and packaging. Version 4 of VTAM for VM and VSE was introduced as R2 since this package has the same functional level as VTAM V4R2 for MVS. This maintains the functional consistency of release levels for the various platforms. Note that this is the first version/release of VTAM for both VM and VSE that provides support for APPN.

Users that are running both VM and VSE on the same machine have an additional option. VTAM V4R2 for VM can be ordered as a feature of the VSE VTAM V4R2 at a special price. This may be done as part of the initial order or at a later date.

Even though VTAM is ordered as one of three packages the tape that arrives contains all the code. You will receive with that package a customer number and access password. You will need this CUSTNO and VTAMPW to start VTAM. The migration chapters will go into details later in the book. Thus, customers can initially install and implement VTAM as a MultiDomain package and then later migrate to the InterEnterprise level; thereby saving on additional licensing fees without having to do an additional install. The new password is just a phone call away. To change levels, or if you experience problems with the password please use the following numbers in the USA. They were accurate at the time of publication.

IBM Key Registration Center

- 1-800-446-8989 (voice)
- 303-924-8989 (voice)
- 303-924-9644 (fax)
- userid: KEYREGS2, node: MAHVM1

Finally we point out that IBM provides a free tool on the Internet that is helpful in configuring APPN products. You may access it with the following URL:

<http://www.raleigh.ibm.com/aac/config/cfgtool.html>



© Copyright IBM Corp. 1996



---

## 2.0 Chapter 2. Migrating VSE/VTAM V3R4 to V4R2 Subarea Networking

Subtopics:

- [2.1 Software Requirements](#)
- [2.2 Storage Requirements](#)
- [2.3 Assembler Requirements](#)
- [2.4 VSE/VTAM Subarea Migration](#)
- [2.5 Conclusion](#)



© Copyright IBM Corp. 1996



---

## 2.1 Software Requirements

VTAM 4.2 requires, at a minimum, VSE/ESA V2.1. VTAM 4.2 will also operate with later versions, releases and modifications of this operating system unless otherwise stated.

---



© Copyright IBM Corp. 1996

---

[IBM Library Server](#) Copyright 1989, 2004 [IBM](#) Corporation. All rights reserved.



---

## 2.2 Storage Requirements

Subtopics:

- [2.2.1 VTAM Private and Shared Storage](#)
- [2.2.2 Data Space Requirements](#)



© Copyright IBM Corp. 1996

---

[IBM Library Server](#) Copyright 1989, 2004 [IBM](#) Corporation. All rights reserved.



## 2.2.1 VTAM Private and Shared Storage

The private partition and SVA storage required to install and operate VTAM 4.2 have increased. Use the *Estimating Storage for VTAM* diskette to determine the approximate private and SVA storage required for VTAM 4.2.

As shipped, VSE/ESA V2.1 supplies the following SVA size:

```
SVA PSIZE=(256K,2000K),SDL=300,GETVIS=768K
```

This value must be increased if private programs or OEM programs are loaded into the SVA. The above value covers all base products, including HLASM, REXX, CICS and VTAM.

### Important!

VTAM 4.2 startup will fail if there is insufficient SVA storage to load the required VTAM modules.

In our tests, we decrease the SVA-31 size to 768KB via the SYS SVA statement:

```
SVA PSIZE=(256K,768K),SDL=300,GETVIS=768K
```

Because of the insufficient SVA-31 size, VTAM startup failed with the following message:

```
// JOB VTAMSTRT  START VTAM 4.2
IST001I  VTAM START REJECTED - CANNOT LOCATE ISTAPCKU IN SVA
OS12I  MAIN TASK TERMINATION
OS00I  SUB VTAMRP  CANCELED
OS07I  PROBLEM PROGRAM  PSW = 070D0000 80420846
EOJ  VTAMSTRT  MAX.RETURN CODE=0000
```

Figure 2. VTAM Error Message for Insufficient SVA-31 Storage

In addition, many VTAM 4.2 buffer pools have been moved into SVA-31. [Table 2](#) shows changes to some of the VTAM buffer pool locations.

Table 2. Changes in VTAM Buffer Pool Location

BUFFER POOL	Pre-VTAM 4.2	VTAM 4.2
CRPLBUF	SVA-24	SVA-31
LPBUF	SVA-24	SVA-31

SFBUF	SVA-24	SVA-31
XDBUF	PS-24	SVA-31
LFBUF	PS-24	SVA-31
IOBUF	- 1	SVA-24
BSBUF	PS-24	SVA-31
SPBUF	PS-24	SVA-31
VFBUF	PS-24	- 2
VPBUF	PS-24	- 2

**Notes:**

1 Introduced in VTAM V4R2

2 No longer available in VTAM V4R2

**PS:** Private Storage



© Copyright IBM Corp. 1996

[IBM Library Server](#) Copyright 1989, 2004 IBM Corporation. All rights reserved.



---

## 2.2.2 Data Space Requirements

VTAM 4.2 needs to use data space storage. Take note of the following points:

- VTAM 4.2 needs one 1MB of data space for initialization.
- VTAM 4.2 requires an additional one 1MB data space for every VTAM application program that runs in a partition, for example CICS or POWER/PNET.
- Each data space can expand to a maximum size, depending on storage needs.
- Data spaces required by VTAM expand in multiples of 1MB.
- To define a maximum data space size that can be acquired by VTAM to support a VTAM application program, use the DSPACE operand on the EXEC JCL statement for the application program. For example, if you specify DSPACE=2M on the EXEC JCL statement for a VTAM application program, VTAM is able to acquire up to a maximum of 2MB of data space storage to support this particular application program.

Subtopics:

- [2.2.2.1 DSPACE for CICS Startup JCL](#)
- [2.2.2.2 DSPACE for POWER/PNET Startup](#)
- [2.2.2.3 DSPACE for VTAM Startup JCL](#)



© *Copyright IBM Corp. 1996*



---

## 2.3 Assembler Requirements

The High Level Assembler (HLASM) must be used to assemble user-defined tables, user-modified modules or user-written VTAM application programs.

---



© Copyright IBM Corp. 1996

---

[IBM Library Server](#) Copyright 1989, 2004 [IBM](#) Corporation. All rights reserved.





---

## 2.4 VSE/VTAM Subarea Migration

VSE/VTAM 4.2 integrates both APPN and subarea SNA. In this chapter, we will show the ease of migrating from VSE/VTAM 3.4 subarea networking to VSE/VTAM 4.2. In the chapter on APPN, we will show how VTAM 4.2 supports the flow of APPN sessions over a traditional subarea network and vice versa.

Subtopics:

- [2.4.1 Base Environment](#)
- [2.4.2 VTAM Startup JCL Changes](#)
- [2.4.3 ATCSTRyy.B Changes](#)
- [2.4.4 Restrictions of Different VTAM Packages](#)



© Copyright IBM Corp. 1996



## 2.4.1 Base Environment

In our migration tests, we set up one VSE/ESA 1.3 system (with VTAM 3.4) and another VSE/ESA 2.1 system (with VTAM 4.2). Both VSE systems run as guest machines under VM/ESA 1.2.2. The VSE/ESA 1.3 guest system is known as WCVSE13 while the VSE/ESA 2.1 guest system is known as WCVSE21. The configuration is shown in [Figure 5](#).

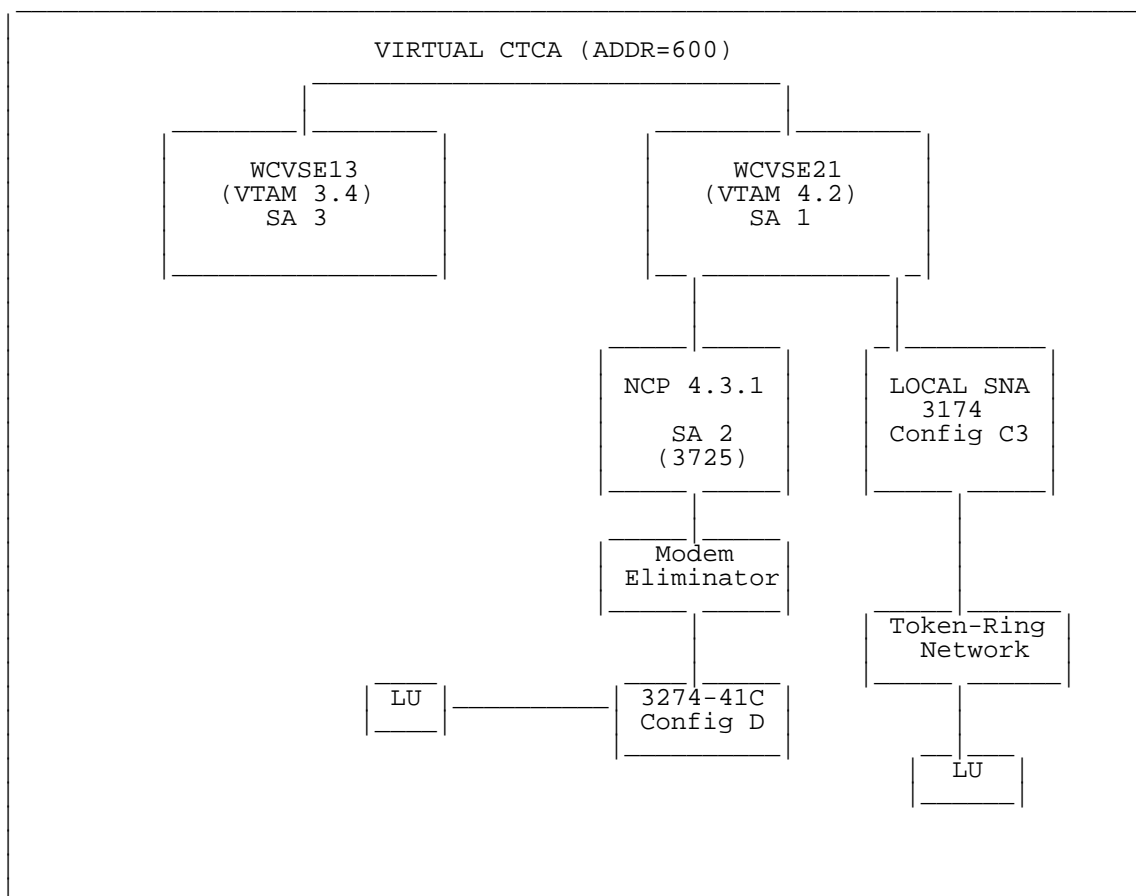


Figure 5. The Base Environment

**Note:** For purposes of clarity, the figure has been simplified. The Virtual Channel-To-Channel Adapter (VCTCA) is implemented via VM. We connected the two VSE systems via a VCTCA in order to test the coexistence of VTAM 3.4 and VTAM 4.2.





---

## 2.4.2 VTAM Startup JCL Changes

Subtopics:

- [2.4.2.1 CUSTNO and VTAMPW Parameters](#)
- [2.4.2.2 Problems with // SETPFIX LIMIT Statement](#)



© Copyright IBM Corp. 1996

---

[IBM Library Server](#) Copyright 1989, 2004 [IBM](#) Corporation. All rights reserved.



---

## 2.4.3 ATCSTRyy.B Changes

As this chapter only discusses VTAM migration in the context of subarea networking, we will not cover APPN start options introduced in VTAM 4.2. These are covered in Chapter 4.

There are many new start options introduced in VTAM 4.2 and it would be impossible to cover all these in this chapter. We will introduce some new options here which we found useful in our tests. Please refer to the manual *VTAM Resource Definition Reference* for details of all the new options.

Subtopics:

- [2.4.3.1 Start Options \(subarea networking only\)](#)
- [2.4.3.2 Problems Encountered with IOBUF](#)
- [2.4.3.3 Problems Encountered with SGALIMIT](#)



© Copyright IBM Corp. 1996



---

## 2.4.4 Restrictions of Different VTAM Packages

Some keywords, definition statements, start options are not supported in the Client/Server package and MultiDomain package. On the other hand, VTAM InterEnterprise gives you the functions required for cross-network communication. In this section, we will list some of the restrictions, but this list is by no means exhaustive. Please refer to the flyer *VTAM Overview* for a complete list.

Subtopics:

- [2.4.4.1 Client/Server Restrictions](#)
- [2.4.4.2 Cross-Domain Logon](#)
- [2.4.4.3 NCP Activation](#)
- [2.4.4.4 MultiDomain Restrictions](#)
- [2.4.4.5 VTAM InterEnterprise](#)



© Copyright IBM Corp. 1996



---

## 2.5 Conclusion

From our tests, we have found that it is easy to migrate from VTAM 3.4 to VTAM 4.2 (subarea networking). We encourage you to migrate to VTAM 4.2 to take advantage of new functions and capabilities. Just select the appropriate VTAM package based on the functions you need!

---



© Copyright IBM Corp. 1996

---

[IBM Library Server](#) Copyright 1989, 2004 [IBM](#) Corporation. All rights reserved.



---

## 3.0 Chapter 3. Migrating VM/VTAM V3R4M1 to V4R2 Subarea Networking

Subtopics:

- [3.1 Installation of VM/VTAM](#)
- [3.2 MIGRATION to V4.2 VM/VTAM](#)
- [3.3 Console Log of VTAM 3.4.1 Startup](#)



© Copyright IBM Corp. 1996

---

[IBM Library Server](#) Copyright 1989, 2004 [IBM](#) Corporation. All rights reserved.



---

## 3.1 Installation of VM/VTAM

Subtopics:

- [3.1.1 Installation Overview](#)
- [3.1.2 PSP Bucket for ACF/VTAM V4R2 for VM/ESA](#)
- [3.1.3 Program Directory for ACF/VTAM V4R2 for VM/ESA](#)
- [3.1.4 VTAM V4R2 Network Implementation Guide](#)
- [3.1.5 Installing the VTAM VIT Analysis Tool](#)



© Copyright IBM Corp. 1996

---

[IBM Library Server](#) Copyright 1989, 2004 [IBM](#) Corporation. All rights reserved.





---

## 3.1.1 Installation Overview

One of the major differences between VM/VTAM V4.2 and V3.4 is the method of installing and servicing VTAM. VM/VTAM V4.2 is now installed and serviced using the **VMSES/E** component in VM/ESA. VMSES/E provides a common tool in the installation and service of all VM software products. An installation aid **VMFINS** is provided by VMSES/E to make the installation of VM and its licensed program products consistent. To install VM/VTAM V4R2 the following documents are needed:

- PSP bucket: Upgrade - ACFVTAM420, Subset - VM420
- Program Directory for ACF/VTAM V4R2 for VM/ESA
- VTAM V4R2 Network Implementation Guide, SC31-6494

In this chapter we will reference sections within each of these crucial documents. Before we proceed to the actual migration we will point out those problems we encountered during the installation process and where additional clarification is needed with these documents. We will begin with the VM/VTAM PSP bucket. Reference the PSP bucket for any changes to the *VTAM Program Directory*, published documentation, general information and service recommendations. With the PSP bucket in-hand, proceed to chapter 6, "Installation Instructions" in the *Program Directory*. From there we reference chapter 3, "Installing VTAM under VM" in the *VTAM Network Implementation Guide*.



© Copyright IBM Corp. 1996



---

## 3.1.2 PSP Bucket for ACF/VTAM V4R2 for VM/ESA

Before installing VM/VTAM V4R2 it is recommended you review the Preventive Service Planning (PSP) bucket for the product. Please contact your IBM Support Center or use Service Link and request the **Upgrade: ACFVTAM420,**  
**Subset: VM420**

---



© *Copyright IBM Corp. 1996*

---

[IBM Library Server](#) Copyright 1989, 2004 [IBM](#) Corporation. All rights reserved.



---

## 3.1.3 Program Directory for ACF/VTAM V4R2 for VM/ESA

This section will document those problems we encountered in the installation of VTAM V4R2 for VM/ESA using VMSES/E. We will also point out those sections in chapter 6 "Installation Instructions" in the *Program Directory* needing additional clarification.

Subtopics:

- [3.1.3.1 Allocate Resources for Installing VTAM V4R2 for VM/ESA](#)
- [3.1.3.2 Install VTAM V4R2 for VM/ESA](#)
- [3.1.3.3 Activate the Program](#)



© Copyright IBM Corp. 1996

---

[IBM Library Server](#) Copyright 1989, 2004 [IBM](#) Corporation. All rights reserved.



---

## 3.1.4 VTAM V4R2 Network Implementation Guide

This section will document those sections in chapter 3 "Installing VTAM under VM" in the *VTAM Network Implementation Guide* that require additional clarification or where modifications were needed. We refer specifically to profile requirements for automatic logon (AUTOLOG).

Subtopics:

- [3.1.4.1 Profile for the AUTOLOG1 Virtual Machine](#)
- [3.1.4.2 Profile for the GCS Recovery Virtual Machine](#)
- [3.1.4.3 Profile for the VTAM Virtual Machine](#)
- [3.1.4.4 Loading VTAM - Overview](#)
- [3.1.4.5 Generating Group Control System \(GCS\)](#)



© Copyright IBM Corp. 1996



## 3.1.5 Installing the VTAM VIT Analysis Tool

VM/VTAM V4R2 provides a serviceability tool to assist in the diagnosing of VTAM problems. The VIT Analysis Tool was developed to obtain information about a VTAM internal trace (VIT) that is recorded on or transferred to an external device. The tool provides the following functions:

- Storage analysis
- Request and response unit (RU) counting
- VIT extraction

You can choose to process only the VIT records that fall within a given time range in the trace record. By default, the entire VIT is processed. All time values, including time stamps, are local (LOC) time.

The VTAM VIT Analysis Tool requires ISPF under VM. We had V3R2.0 of ISPF installed. There are various ISPF execs and panels that need updating for the VTAM VIT Analysis Tool to function properly.

This section will document those problems we encountered in the installation of the VIT Analysis Tool. We will also point out where additional clarification is needed in the installation and tailoring of this tool under ISPF.

You will find instructions for installing the VTAM VIT Analysis Tool in Appendix B of the *Program Directory* and also in Chapter 3 of the *VTAM Network Implementation Guide*. This redbook will reference sections within those publications where we encountered problems or where further clarification was needed.

The VIT Analysis Tool requires target data sets for the external trace to have been created. For information on required target data sets for the tool, see "Installing the VTAM Dump Analysis Enhancements and the VIT Analysis Tool" in the *VTAM Network Implementation Guide*.

### Subtopics:

- [3.1.5.1 Accessing the Appropriate Disks](#)
- [3.1.5.2 Updating and Running the ISPF EXEC](#)
- [3.1.5.3 Installing the ISPF Trace Tables](#)
- [3.1.5.4 Invoking the ISPF Dialog Tag Language Utility](#)
- [3.1.5.5 Compiling the Help Panels, Keylists, and Commands](#)
- [3.1.5.6 Verifying the Trace Formatter Panels](#)
- [3.1.5.7 Customizing the ISPF Interface](#)
- [3.1.5.8 Example Screens of VIT Analysis Tool](#)



[IBM Library Server](#) Copyright 1989, 2004 [IBM](#) Corporation. All rights reserved.



---

## 3.2 MIGRATION to V4.2 VM/VTAM

Subtopics:

- [3.2.1 Sample Startup Sequence of VM/VTAM V3.4.1](#)



© Copyright IBM Corp. 1996

---

[IBM Library Server](#) Copyright 1989, 2004 [IBM](#) Corporation. All rights reserved.



## 3.2.1 Sample Startup Sequence of VM/VTAM V3.4.1

1. To start up VM/VTAM, you first IPL the GCS Recovery Virtual Machine  
  
**I GCSXA**
2. This invokes the PROFILE GCS file on user ID VTAMESA disk 191, which can be found in [Figure 38 in topic 3.2.1.1](#).
3. One of the statements in PROFILE GCS identifies our VMVTAM GCS file and VTAM ATCSTR99 to be used to start up VTAM. These files can be found on the VTAMESA 298 disk, which only has R/O authority.
4. The VMVTAM GCS file is VTAM's startup exec.
5. [Figure 39 in topic 3.2.1.2](#) and [Figure 40 in topic 3.2.1.2](#) show the VM/VTAM 3.4.1 VMVTAM GCS member. We've highlighted those statements that were either deleted or changed in VM/VTAM 4.2.
6. First, [Figure 41 in topic 3.2.1.3](#) shows the result of IPLing GCS, based on the values in PROFILE GCS in [Figure 38 in topic 3.2.1.1](#). Then [Figure 42 in topic 3.3](#) shows a successful VTAM startup based on the values in the VTAM V3.4.1 VMVTAM GCS, ATCSTR99, and ATCCON99. The contents of each of these are provided below.
7. VTAM is initialized at this point and our major nodes are activated.

### Subtopics:

- [3.2.1.1 PROFILE GCS - VTAM V3.4.1](#)
- [3.2.1.2 VTAM V3.4.1 VMVTAM GCS Member](#)
- [3.2.1.3 IPL of GCS - VM/VTAM V3.4.1](#)



© Copyright IBM Corp. 1996





## 3.3 Console Log of VTAM 3.4.1 Startup

```

IST093I ISTCDRDY ACTIVE
IST315I VTAM INTERNAL TRACE ACTIVE - MODE = INT, SIZE = 050
IST199I OPTIONS = API APPC CIO ESC LCS LOCK MSG NRM PIU PSS SMS SSCP
IST199I OPTIONS = VCNS
IST314I END
IST093I ISTDSWMN ACTIVE
IST093I ISTAPPLS ACTIVE
IST093I ISTCTCA ACTIVE
IST093I ISTPATH ACTIVE
IST093I ISTCDRM ACTIVE
IST093I SSCP27 ACTIVE
IST521I GBIND QUEUED FOR COS ISTVTCOS FROM SSCP27 TO SSCP04
IST528I VIRTUAL ROUTE NUMBER 0 1 2 3 4 5 6 7
IST523I REASON = NO ROUTES OPERATIVE
IST521I GBIND QUEUED FOR COS ISTVTCOS FROM SSCP27 TO IPFV2
IST528I VIRTUAL ROUTE NUMBER 0 1 2 3 4 5 6 7
IST523I REASON = NO ROUTES OPERATIVE
IST093I ISTCDRS ACTIVE
IST984I USER EXIT ISTEXCSD IS ACTIVE
IST093I AVSAPPL ACTIVE
IST093I A01M700 ACTIVE
IST093I RSCSNET ACTIVE
IST020I VTAM INITIALIZATION COMPLETE FOR V3R4.1
DTI110I DEFAULT INITIALIZATION PARAMETERS BEING USED
DTIC01I DTICINIT VSCS IUCV INITIALIZATION IS IN PROGRESS
DTIS74I TRACE TABLE STARTS AT 015E6020 END 015EDD5F,CURRENT 015E6040,SIZE 1000

DTIC02I DTICINIT VSCS IUCV INITIALIZATION COMPLETE
Ready;
DTIV04I DTIVINIT VSCS VTAM SERVICES INITIALIZATION COMPLETED

```

Figure 42. Startup of VM/VTAM V3.4.1

### Subtopics:

- [3.3.1 Sample Startup Sequence of VM/VTAM V4.2](#)
- [3.3.2 VM/VTAM V4R2 Start Options with Subarea Only Functions](#)
- [3.3.3 VTAM Start Options Not Supported in Client/Server Mode](#)
- [3.3.4 VTAM Start Options Not Supported in MultiDomain Mode](#)
- [3.3.5 Definition Statements Not Supported in Client/Server Mode](#)
- [3.3.6 Definition Statements Not Supported in MultiDomain Mode](#)
- [3.3.7 Sample Console Logs of VM/VTAM V4.2 Startup](#)
- [3.3.8 IPL of GCS](#)
- [3.3.9 Startup of VTAM in InterEnterprise Mode](#)
- [3.3.10 Startup of VTAM in Client/Server Mode](#)
- [3.3.11 Startup of VTAM in MultiDomain Mode](#)
- [3.3.12 Other Errors in ATCSTRxx List](#)
- [3.3.13 VM/VTAM Dynamic Cross-Domain Logon](#)



© *Copyright IBM Corp. 1996*

---

[IBM Library Server](#) Copyright 1989, 2004 [IBM](#) Corporation. All rights reserved.



### 3.3.1 Sample Startup Sequence of VM/VTAM V4.2

The startup sequence for VM/VTAM V4.2 differs from that in V3.4.1. Changes must be made to the following files:

- PROFILE GCS
- VMVTAM GCS

We will highlight those statements that were added or changed in these files for VM/VTAM V4.2, which are illustrated in [Figure 43 in topic 3.3.1.1](#), [Figure 44 in topic 3.3.1.2](#) and [Figure 45 in topic 3.3.1.2](#).

1. To start up VM/VTAM, you first IPL the GCS Recovery Virtual Machine

#### I GCSXA

2. This invokes the PROFILE GCS file on user ID 5654010A disk 2C2, which is in [Figure 43 in topic 3.3.1.1](#).
3. The last statement within GCSXA's PROFILE GCS identifies our VMVTAM GCS file and VTAM ATCSTR00 list on user ID 5654010A, to start up VTAM.
4. The VMVTAM GCS file is VTAM's startup exec. [Figure 44 in topic 3.3.1.2](#) and [Figure 45 in topic 3.3.1.2](#) show the VM/VTAM 4.2 VMVTAM GCS member. We've highlighted those additions that were made to this member in VM/VTAM 4.2 and where changes are necessary.
5. First, [Figure 52 in topic 3.3.8](#) shows the result of IPLing GCS, based on the values in PROFILE GCS in [Figure 43 in topic 3.3.1.1](#). Then [Figure 53 in topic 3.3.9](#) shows a successful VTAM startup based on the values in the VTAM V4.2 VMVTAM GCS, ATCSTR00, and ATCCON00. The contents of each of these are provided below.
6. VTAM is initialized at this point and our major nodes are activated.

Subtopics:

- [3.3.1.1 PROFILE GCS - VTAM V4.2](#)
- [3.3.1.2 VTAM V4.2 VMVTAM GCS Member](#)
- [3.3.1.3 CUSTNO and VTAMPW Parameters](#)



© Copyright IBM Corp. 1996





### 3.3.2 VM/VTAM V4R2 Start Options with Subarea Only Functions

In this section we will compare those start options we used in our VM/VTAM V3.4.1 and those implemented in VM/VTAM V4.2 for subarea only functions. Figure 13 contains both sets of start options for comparison purposes. We implemented the V4.2 start options in InterEnterprise mode. Those start options not supported in Client/Server or MultiDomain mode are listed later in this chapter. You will see that some pre-V4.2 start options are no longer supported in Client/Server and MultiDomain mode. The start options that define APPN characteristics are included in Chapter 4 - "Implementing APPN Networking".

A brief description of the new start options introduced in V4R2 (non-APPN support) and those that changed will follow [Figure 49](#). **\* NOTE \* We are taking the default values of some start options new to VTAM V4.2.**

VM/VTAM V3.4 ATCSTR00	VM/VTAM V4.2 ATCSTR00 SUBAREA ONLY FUNCTIONS
SSCPID=27, *	SSCPID=4, *
SSCPNAME=SSCP27, *	SSCPNAME=SSCP04, *
NETID=NETB, *	NETID=DEIBMIPF, *
HOSTSA=27, *	HOSTSA=4, *
HOSTPU=SA27VTAM, *	HOSTPU=NODE04, *
MAXSUBA=30, *	MAXSUBA=255, *
CONFIG=99, *	CONFIG=00, *
NOPROMPT, *	NOPROMPT, *
IOINT=0, *	IOINT=0, *
CSALIMIT=0, *	CSALIMIT=0, *
IOPURGE=5M, *	IOPURGE=5M, *
DYNLU=NO, *	DYNLU=YES, *
CDRSCTI=240, *	MAINTLVL=ESA211, * (1)
TNSTAT, TIME=60, *	CPCDRSC=YES, * (2)
IOBUF=(300,288,5,,6,20)	DISCNTIM=30, * (3)
	SRCHRED=ON, * (4)
	SRCOUNT=10, * (5)
	SRTIMER=60, * (6)
	BS=(28,,,1), *
	LF=(70,,,1), *
	LP=(12,,,6), *
	SF=(20,,,20), *
	SP=(210,,,32), *
	XD=(6,,,1), *
	CR=(60,,,1), *
	IO=(300,288,5,,6,20)

Figure 49. VM/VTAM V3R4 & V4R2 Start Options - Subarea Only Functions

**Note: New/Changed Start Options with VM/VTAM V4R2  
(non-APPN support)**

1. **MAINTLVL**

Introduced in V4.2 VTAM, it specifies which maintenance level is running on a host. If you do not specify anything, MAINTLVL=\*blanks\* is indicated on a D NET,VTAMOPTS display.

2. **CPCDRSC**

In pre-V4.2 releases, a dynamic LEN CP (independent logical unit (ILU)) node is not represented as a cross-domain resource until it initiates a session. Consequently, if another resource attempts to initiate a session with this node before this node initiates a session, the other resource's session request fails.

In VTAM V4.2, the new CPCDRSC start option permits other resources to initiate sessions with dynamic LEN CP nodes before these nodes initiate sessions. A dynamic LEN CP ILU is an ILU with a resource name that is the same as its adjacent link station CPNAME.

3. **DISCNTIM**

Specifies the amount of time that VTAM delays deactivation of the SSCP-PU session when there are no outstanding LU-LU session requests. DISCNTIM is valid only for Type 2.0 and Type 2.1 PUs with DISCNT=DELAY specified on the PU definition statement.

4. **SRCHRED**

Specifies whether this node can reduce searches for resources which are found to be unreachable. Refer to "Improving VTAM Performance Using Start Options" in the *VTAM Network Implementation Guide* for information about using the search reduction facility.

5. **SRCOUNT**

Specifies how many search requests can be limited before VTAM performs another resource discovery search. Meaningful only if SRCHRED=ON.

6. **SRTIMER**

Specifies the number of seconds during which VTAM does not conduct searches for an unreachable resource. Once the time limit has expired, VTAM will conduct a search. Meaningful only when SRCHRED=ON.

Some other useful start options include:

◦ **ISTCOSDF**

A new entry, ISTCOSDF, has been added to the IBM-supplied default logon mode table for unknown logon modes. The ISTCOSDF start option indicates which resource types are to use the ISTCOSDF logmode entry. This entry is used when the logmode name specified for the session is not found. The default value is INDLU, which indicates that ISTCOSDF is restricted to use by independent LUs.

◦ **CDRDYN**

Specifies whether a host is authorized to dynamically define CDRSC representations of cross-domain, cross-network, or APPN resources when

a session request is received from or sent to an adjacent SSCP or CP. CDRDYN=YES is the default, which is what we are implementing.

Later in this chapter is a sample implementation of dynamic cross-domain logon in a VM/VTAM environment.

- **LISTBKUP**

A new start option in VTAM V4.2 to specify how you want VTAM to react if it encounters an error while processing a start option list. The three possible values include:

<i>start_option_list_id</i>	two-letter start list identifier (ATCSTRyy) of another start file to process in place of the file in error.
<b>DEFAULTS</b>	causes the options in the start file in error to be set to the values they had before the file was processed. VTAM then continues.
<b>PROMPT</b>	causes all valid options in the start file to be set. The operator is prompted to enter overrides to the options that are not valid.

- **NOTRACE/TRACE**

Introduced in VTAM V4.2 is a forced internal VIT (Vtam Internal Trace) trace. Data is now always automatically recorded for the following VIT options: API, MSG, PIU, SSCP, NRM. Data is recorded for these options internally or externally, depending on how the trace is started. **You cannot turn off tracing for the above options.** If you specify OPTION=NONE on either the MODIFY NOTRACE command or have no TRACE command in the VTAM startup, internal tracing (MODE=INT) will always take place for the above VIT options. We are taking the default value which is the forced internal VIT option, MODE=INT.

For VM/VTAM you can record trace data internally and externally simultaneously. If desired, you can have different sets of trace options active for internal and external recording.

- **Replaceable Constants**

In pre-V4.2 VTAM releases, to change most of the values in the replaceable constants module, ISTRACON, you have to "zap" the ISTRACON module and then restart VTAM so that the new values take effect.

With V4.2 VTAM, the ISTRACON module is no longer part of VTAM. All replaceable constants must be set with start options. In addition, you can reset some of the values with the MODIFY VTAMOPTS command while VTAM is running.

- **SSCPORD**

Specifies whether VTAM searches an adjacent SSCP table in priority order (the default) or in the order in which the table is defined.

### Further Documentation to Refer to for these New Start Options

- VTAM Resource Definition Reference:

Refer to Chapter 4, "Start Options" for complete information about all the changed and new start options. You can find the IBM-supplied default logon mode table in Appendix A of this publication.

- VTAM Operation:

Refer to this book for information about changes to the MODIFY VTAMOPTS command and those start options that can be dynamically changed with this command.

- VTAM Network Implementation Guide:

Refer to this book for information about dynamic definition of cross-domain resources.

- VTAM V4R2 for VM/ESA Migration Guide:

Refer to this book for a summary of the new and changed start options with VM/VTAM V4R2.

---



© *Copyright IBM Corp. 1996*

---





### 3.3.3 VTAM Start Options Not Supported in Client/Server Mode

<b>AUTOTI</b>	Specifies how often pending automatic logon requests owned by this host are retried.
<b>AUTORTRY</b>	Specifies which adjacent node activation will cause a retry of pending automatic logon requests.
<b>SNVC</b>	Is the maximum number of networks searched for a resource by this border node. Meaningful only if the BN=YES start option is used.
<b>GWSSCP</b>	Defines whether this VTAM is a gateway SSCP.
<b>IOPURGE</b>	Specifies a time interval after which outstanding I/O requests are purged and VTAM continues as if it had received negative responses from those requests. The types of outstanding I/O that are checked are CDINIT requests, direct search list requests and APPN search requests. The default value is 0 which states outstanding session requests could remain outstanding indefinitely.
<b>SRCHRED</b>	Specifies whether this node can reduce searches for resources which are found to be unreachable.
<b>SRCOUNT</b>	Specifies how many search requests can be limited before VTAM performs another resource discovery search. This is meaningful only if SRCHRED=ON start option is used.
<b>SRTIMER</b>	Specifies the number of seconds during which VTAM does not conduct searches for an unreachable resource. This is meaningful only if SRCHRED=ON start option is used.
<b>CMPVTAM</b>	Specifies the maximum compression level allowed for sessions involving the host's application programs. The default value is 0 indicating no compression.
<b>DISCNTIM</b>	Specifies the amount of time that VTAM delays deactivation of the SSCP-PU session when there are no outstanding LU-LU session requests. DISCNTIM is valid only for PU T2.0 and T2.1 that have DISCNT=DELAY specified on the PU definition statement.

VTAM start options implementing APPN functions (**BN**, **BNDYN**, **BNORD**, **CDSERV**, **VRTG**, **VRTGCPCP**) that are not supported in Client/Server mode are discussed in more detail in Chapter 5.

For each unsupported VTAM start option in Client/Server mode the following message will be issued:

**IST448I** *option* **OPTION IGNORED - NO LONGER SUPPORTED**

---



© *Copyright IBM Corp. 1996*

---

[IBM Library Server](#) Copyright 1989, 2004 [IBM](#) Corporation. All rights reserved.



### 3.3.4 VTAM Start Options Not Supported in MultiDomain Mode

<b>SNVC</b>	Maximum number of networks searched for a resource by this border node. Meaningful only if the BN=YES start option is used.
<b>GWSSCP</b>	Whether VTAM is a gateway SSCP.
<b>SRCHRED</b>	Specifies whether this node can reduce searches for resources which are found to be unreachable.
<b>SRCOUNT</b>	Specifies how many search requests can be limited before VTAM performs another resource discovery search. Meaningful only if SRCHRED=ON start option is used.
<b>SRTIMER</b>	Specifies the number of seconds during which VTAM does not conduct searches for an unreachable resource. Meaningful only if SRCHRED=ON start option is used.

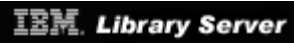
VTAM start options implementing APPN functions (*BN*, *BNDYN*, *BNORD*, *CDSEVR*) that are not supported in MultiDomain mode are discussed in more detail in Chapter 5.

For each unsupported VTAM start option in MultiDomain mode the following message will be issued:

```
IST448I option OPTION IGNORED - NO LONGER SUPPORTED
```



© Copyright IBM Corp. 1996



---

## 3.3.5 Definition Statements Not Supported in Client/Server Mode

Subtopics:

- [3.3.5.1 Definition Statements](#)
- [3.3.5.2 Keywords](#)
- [3.3.5.3 DISCNT=DELAY](#)



© Copyright IBM Corp. 1996

---

[IBM Library Server](#) Copyright 1989, 2004 [IBM](#) Corporation. All rights reserved.



---

## 3.3.6 Definition Statements Not Supported in MultiDomain Mode

Subtopics:

- [3.3.6.1 Keywords](#)



© Copyright IBM Corp. 1996

---

[IBM Library Server](#) Copyright 1989, 2004 [IBM](#) Corporation. All rights reserved.



---

## 3.3.7 Sample Console Logs of VM/VTAM V4.2 Startup

In this section we take the start options in [Figure 49 in topic 3.3.2](#) and bring them up at each package-level and then show you the resulting console log. We begin by showing you a successful startup in InterEnterprise mode where all functions are supported. We then will attempt the same functions in Client/Server and MultiDomain mode and show you the console log with the errors you can expect to receive for unsupported functions.

---



© Copyright IBM Corp. 1996

---

[IBM Library Server](#) Copyright 1989, 2004 [IBM](#) Corporation. All rights reserved.



### 3.3.8 IPL of GCS

We begin by showing you the console log when IPLing GCS. This precedes the VTAM startup, regardless of the VTAM package (Client/Server, MultiDomain, InterEnterprise).

```
i gcsxa
GCSXA SSMC SystemPac 28/02/95
Generated at 04/04/96 09:56:12
GCTACC423I A (0191) R/O
DASD 029A DETACHED
USER VTAM      :  RELATIVE SHARE = 10000
                  MAXIMUM SHARE = NOLIMIT
USER VTAM      :  QUICKDSP = ON
HCPATR122E CTCA 0700 already attached to VTAM
HCPATR122E CTCA 0710 already attached to VTAM
HCPATR122E CTCA 0750 already attached to VTAM
HCPATR122E CTCA 0600 already attached to VTAM
HCPATR040E Device 0260 does not exist
GCTACC423I Y (019E) R/O
GCTACC423I E (0200) R/W
GCTACC423I B (0643) R/O
GCTACC423I F (029A) R/O
```

Figure 52. IPL of GCSXA for VM/VTAM V4.2



© Copyright IBM Corp. 1996



### 3.3.9 Startup of VTAM in InterEnterprise Mode

```

THE STARTUP LIST IS : 00
IST1497I VTAM FUNCTIONAL SUPPORT LEVEL IS INTERENTERPRISE
IST093I ISTDGRDY ACTIVE
IST495I SIZE HAS BEEN SET TO 050
IST315I VTAM INTERNAL TRACE ACTIVE - MODE = INT, SIZE = 050
IST199I OPTIONS = NONE
IST314I END
IST093I ISTDWMMN ACTIVE
IST093I ISTDRL ACTIVE
IST093I ISTDAPPLS ACTIVE
IST093I ISTDPATH ACTIVE
IST093I ISTDCTCA ACTIVE
IST093I ISTDCTDRM ACTIVE
IST093I ISTDSCP04 ACTIVE
IST521I GBIND QUEUED FOR COS ISTDVTCOS FROM ISTDSCP04 TO ISTDIPFV2
IST528I VIRTUAL ROUTE NUMBER 0 1 2 3 4 5 6 7
IST523I REASON = NO ROUTES OPERATIVE
IST521I GBIND QUEUED FOR COS ISTDVTCOS FROM ISTDSCP04 TO ISTDSCP27
IST528I VIRTUAL ROUTE NUMBER 0 1 2 3 4 5 6 7
IST523I REASON = NO ROUTES OPERATIVE
IST093I ISTDCTDRS ACTIVE
IST984I USER EXIT ISTDSTEXCSD IS ACTIVE
IST093I ISTDNSNA ACTIVE
IST464I LINK STATION CA750P HAS CONTACTED SA 27
IST093I CA750P ACTIVE
IST363I CONFIG ISTDSTAHHC NODES AND SUBNODES SET UNAVAILABLE - PARAMETER CON
IST323I LABEL = VMAHHPU - MACRO TYPE = PU - KEYWORD = CONNTYPE
IST093I ISTDSTAHHC ACTIVE
IST020I VTAM INITIALIZATION COMPLETE FOR V4R2
IST1349I COMPONENT ID IS 5654-01001-420
IST1348I VTAM STARTED AS SUBAREA NODE
IST1214I FFST SUBSYSTEM IS NOT INSTALLED
DTI110I DEFAULT INITIALIZATION PARAMETERS BEING USED
DTIC01I DTICINIT VSCS IUCV INITIALIZATION IS IN PROGRESS
DTIC17I DTICINIT ENABLE SNA ISSUED
DTIS74I TRACE TABLE STARTS AT 016EF020 END 016FEA5F , CURRENT 016EF040 ,
00
DTIC02I DTICINIT VSCS IUCV INITIALIZATION COMPLETE
Ready;
DTIV04I DTIVINIT VSCS VTAM SERVICES INITIALIZATION COMPLETED
IST727I COMMUNICATION WITH CDRM ISTDSCP27 LOST - REASON = X'0E'
IST105I ISTDSCP27 NODE NOW INACTIVE

```

Figure 53. VTAM Startup in InterEnterprise Mode







### 3.3.10 Startup of VTAM in Client/Server Mode

[Figure 54](#) is a sample startup of VM/VTAM in Client/Server mode with unsupported functions in effect. We included in the ATCSTR00 VTAMLST, start options that are not supported in the Client/Server mode. We also included in the ATCCON00 VTAMLST, CDRM and NCP major node definitions to be activated which are not supported in client server mode. We highlighted the error messages resulting. You can see in [Figure 54](#) that despite the error messages indicating those options being ignored, VTAM continues to initialize.

```

IST1497I VTAM FUNCTIONAL SUPPORT LEVEL IS CLIENT/SERVER
IST448I IOPURGE OPTION IGNORED - NO LONGER SUPPORTED
IST448I GWSSCP OPTION IGNORED - NO LONGER SUPPORTED
IST448I DISCNTIM OPTION IGNORED - NO LONGER SUPPORTED
IST448I SRCHRED OPTION IGNORED - NO LONGER SUPPORTED
IST448I SRCOUNT OPTION IGNORED - NO LONGER SUPPORTED
IST448I SRTIMER OPTION IGNORED - NO LONGER SUPPORTED
IST448I IOPURGE OPTION IGNORED - NO LONGER SUPPORTED
IST093I ISTDGRDY ACTIVE
IST495I SIZE HAS BEEN SET TO 050
IST315I VTAM INTERNAL TRACE ACTIVE - MODE = INT, SIZE = 050
IST199I OPTIONS = NONE
IST314I END
IST093I COSAPPN ACTIVE
IST093I ISTDWMMN ACTIVE
IST093I ISTTRL ACTIVE
IST093I ISTAPPLS ACTIVE
IST093I ISTPATH ACTIVE
IST093I ISTCTCA ACTIVE
IST1330I CDRM CANNOT BE ACTIVATED FROM THIS NODE
IST072I VARY ACT FOR ID = ISTDGRM FAILED DURING NETWORK DEFINITION
IST322I CONFIGURATION ISTDGRS ERROR IGNORED - INVALID PARAMETER
IST323I LABEL = WCVMSNI - MACRO TYPE = CDRSC - KEYWORD = SRCOUNT
IST314I END
IST322I CONFIGURATION ISTDGRS ERROR IGNORED - INVALID PARAMETER
IST323I LABEL = WCVMSNI - MACRO TYPE = CDRSC - KEYWORD = SRTIMER
IST314I END
IST322I CONFIGURATION ISTNSNA ERROR IGNORED - INVALID PARAMETER
IST323I LABEL = VMNS70 - MACRO TYPE = LOCAL - KEYWORD = LOGAPPL
IST314I END
IST093I ISTNSNA ACTIVE
IST093I ISTAHC ACTIVE
IST020I VTAM INITIALIZATION COMPLETE FOR V4R2
IST1349I COMPONENT ID IS 5654-01001-420
IST1348I VTAM STARTED AS INTERCHANGE NODE
IST1214I FFST SUBSYSTEM IS NOT INSTALLED
DTI110I DEFAULT INITIALIZATION PARAMETERS BEING USED
DTIC01I DTICINIT VSCS IUCV INITIALIZATION IS IN PROGRESS
DTIC17I DTICINIT ENABLE SNA ISSUED
DTIS74I TRACE TABLE STARTS AT 01822020 END 01831A5F,CURRENT 01822040,SIZE=2000
DTIC02I DTICINIT VSCS IUCV INITIALIZATION COMPLETE
Ready;
DTIV04I DTIVINIT VSCS VTAM SERVICES INITIALIZATION COMPLETED

```

Figure 54. VTAM Startup in Client/Server Mode with Unsupported Functions

---



© Copyright IBM Corp. 1996

---

[IBM Library Server](#) Copyright 1989, 2004 [IBM](#) Corporation. All rights reserved.



### 3.3.11 Startup of VTAM in MultiDomain Mode

[Figure 55](#) is a sample startup of VM/VTAM in MultiDomain mode with unsupported functions in effect. We included in the ATCSTR00 VTAMLST, start options that are not supported in MultiDomain mode. We also included unsupported keywords in the CDRSC major node definition that are not supported in MultiDomain mode. We highlighted the resulting error messages. You can see in [Figure 55](#) that despite the error messages indicating those options being ignored, VTAM continues to initialize.

```

IST1497I VTAM FUNCTIONAL SUPPORT LEVEL IS MULTIDOMAIN
IST448I GWSSCP OPTION IGNORED - NO LONGER SUPPORTED
IST448I SRCHRED OPTION IGNORED - NO LONGER SUPPORTED
IST448I SRCOUNT OPTION IGNORED - NO LONGER SUPPORTED
IST448I SRTIMER OPTION IGNORED - NO LONGER SUPPORTED
IST093I ISTCDRDY ACTIVE
IST495I SIZE HAS BEEN SET TO 050
IST315I VTAM INTERNAL TRACE ACTIVE - MODE = INT, SIZE = 050
IST199I OPTIONS = NONE
IST314I END
IST093I COSAPPN ACTIVE
IST093I ISTDSWMN ACTIVE
IST093I ISTTRL ACTIVE
IST093I ISTAPPLS ACTIVE
IST093I ISTPATH ACTIVE
IST093I ISTCTCA ACTIVE
IST093I ISTCDRM ACTIVE
IST093I SSCP04 ACTIVE
IST521I GBIND QUEUED FOR COS ISTVTCOS FROM SSCP04 TO IPFV2
IST528I VIRTUAL ROUTE NUMBER 0 1 2 3 4 5 6 7
IST523I REASON = NO ROUTES OPERATIVE
IST521I GBIND QUEUED FOR COS ISTVTCOS FROM SSCP04 TO SSCP27
IST528I VIRTUAL ROUTE NUMBER 0 1 2 3 4 5 6 7
IST523I REASON = NO ROUTES OPERATIVE
IST322I CONFIGURATION ISTCDRS ERROR IGNORED - INVALID PARAMETER
IST323I LABEL = WCVMSNI - MACRO TYPE = CDRSC - KEYWORD = SRCOUNT
IST314I END
IST322I CONFIGURATION ISTCDRS ERROR IGNORED - INVALID PARAMETER
IST323I LABEL = WCVMSNI - MACRO TYPE = CDRSC - KEYWORD = SRTIMER
IST314I END
IST093I ISTCDRS ACTIVE
IST984I USER EXIT ISTEXCSD IS ACTIVE
IST093I ISTNSNA ACTIVE
IST093I ISTAHC ACTIVE
IST020I VTAM INITIALIZATION COMPLETE FOR V4R2
IST1349I COMPONENT ID IS 5654-01001-420
IST1348I VTAM STARTED AS SUBAREA NODE
IST1214I FFST SUBSYSTEM IS NOT INSTALLED
DTI110I DEFAULT INITIALIZATION PARAMETERS BEING USED
DTIC01I DTICINIT VSCS IUCV INITIALIZATION IS IN PROGRESS
DTIC17I DTICINIT ENABLE SNA ISSUED
DTIS74I TRACE TABLE STARTS AT 01822020 END 01831A5F,CURRENT 01822040,SIZE=2000
DTIC02I DTICINIT VSCS IUCV INITIALIZATION COMPLETE
Ready;
DTIV04I DTIVINIT VSCS VTAM SERVICES INITIALIZATION COMPLETED

```

Figure 55. VTAM Startup in MultiDomain Mode with Unsupported Functions

---



© *Copyright IBM Corp. 1996*

---

[IBM Library Server](#) Copyright 1989, 2004 [IBM](#) Corporation. All rights reserved.



### 3.3.12 Other Errors in ATCSTRxx List

[Figure 57](#) is the console log of a sample startup of VM/VTAM when syntax errors exist in the ATCSTRxx VTAMLST. The error in our ATCSTR00 file was caused when a continuation character was missing in column 72 for one of the start options. The IST118I pointed to the statement that followed the one with the missing continuation mark.

The message IST1311A provides an opportunity to continue bringing up VTAM either by entering additional start options, or taking standard default values. IST1311A can also be responded to with HALT, to discontinue the startup of VTAM. The correct format in responding to IST1311A as shown in [Figure 57](#) is to preface any response with **R 00**. We choose to respond to IST1311A in [Figure 57](#) with a null response by just entering R 00. The standard default values for the remaining start options that have not been read would be used. Three examples in responding to IST1311A follow:

- **R 00**

This indicates to VTAM to continue the startup but take the standard defaults.

- **R 00 start\_option1,start\_option2,etc...**

This indicates to VTAM to continue the startup but use the start option values specified for those keywords.

- **R 00 HALT**

This indicates to VTAM to discontinue the startup and to halt VTAM. [Figure 56](#) provides a sample output for this response.

```

IST1497I VTAM FUNCTIONAL SUPPORT LEVEL IS MULTIDOMAIN
IST118I ANOMALY FOUND NEAR RECORD 10 IN MEMBER ATCSTR00 - CODE 02
00 IST1311A ENTER START OPTION OVERRIDES OR ENTER HALT TO EXIT VTAM
r 00 halt
Ready;
IST001I VTAM START REJECTED - OPERATOR REQUESTED TERMINATION
IST133I VTAM TERMINATION IN PROGRESS
IST102I VTAM IS NOW INACTIVE
IST004I VTAM MAIN TASK ABEND - START REJECTED
**ERROR** VTAM initialization failed
Ready;

```

Figure 56. Reply with HALT to VTAM Startup

```

IST1497I VTAM FUNCTIONAL SUPPORT LEVEL IS MULTIDOMAIN
IST118I ANOMALY FOUND NEAR RECORD 10 IN MEMBER ATCSTR00 - CODE 02
00 IST1311A ENTER START OPTION OVERRIDES OR ENTER HALT TO EXIT VTAM
R 00
READY;

IST093I ISTDGRDY ACTIVE
IST495I SIZE HAS BEEN SET TO 050
IST315I VTAM INTERNAL TRACE ACTIVE - MODE = INT, SIZE = 050
IST199I OPTIONS = NONE
IST314I END
IST093I COSAPPN ACTIVE
IST093I ISTDWMMN ACTIVE
IST093I ISTRRL ACTIVE
IST093I ISTDAPPLS ACTIVE
IST093I ISTDPATH ACTIVE
IST093I ISTDCTCA ACTIVE
IST093I ISTDCLRM ACTIVE
IST093I SSCP04 ACTIVE
IST521I GBIND QUEUED FOR COS ISTDVTCOS FROM SSCP04 TO IPFV2
IST528I VIRTUAL ROUTE NUMBER 0 1 2 3 4 5 6 7
IST523I REASON = NO ROUTES OPERATIVE
IST521I GBIND QUEUED FOR COS ISTDVTCOS FROM SSCP04 TO SSCP27
IST528I VIRTUAL ROUTE NUMBER 0 1 2 3 4 5 6 7
IST523I REASON = NO ROUTES OPERATIVE
IST093I ISTDCLRS ACTIVE
IST093I ISTDNSNA ACTIVE
IST093I ISTDHHC ACTIVE
IST020I VTAM INITIALIZATION COMPLETE FOR V4R2
IST1349I COMPONENT ID IS 5654-01001-420
IST1348I VTAM STARTED AS SUBAREA NODE
IST1214I FFST SUBSYSTEM IS NOT INSTALLED
DTI110I DEFAULT INITIALIZATION PARAMETERS BEING USED
DTIC01I DTICINIT VSCS IUCV INITIALIZATION IS IN PROGRESS
DTIC17I DTICINIT ENABLE SNA ISSUED
DTIS74I TRACE TABLE STARTS AT 0182A020 END 01839A5F,CURRENT 0182A040,SIZE=2000
IST1086I APPN CONNECTION FOR DEIBMIPF.SSCP01 IS ACTIVE - TGN = 21
IST093I VMAHHPU ACTIVE
IST1096I CP-CP SESSIONS WITH DEIBMIPF.SSCP01 ACTIVATED
DTIC02I DTICINIT VSCS IUCV INITIALIZATION COMPLETE
Ready;
DTIV04I DTIVINIT VSCS VTAM SERVICES INITIALIZATION COMPLETED

```

Figure 57. VTAM Startup with Errors in ATCSTRxx List



© Copyright IBM Corp. 1996



### 3.3.13 VM/VTAM Dynamic Cross-Domain Logon

Keep in mind that a local non-SNA VTAMLST is not supplied when installing VM/VTAM. Without a non-SNA major node we were unable to do dynamic cross-domain session setups. In the absence of the necessary definitions the resulting error when attempting a dynamic cross-domain session logon will follow.

From **VM/VTAM V4R2 - WCV122**

1. D NET,VTAMOPTS - this indicates **CDRDYN=YES**

The CDRDYN=YES start option allows dynamic cross-domain logons. YES is the default value.

2. DIAL WCV122
3. DIAL VTAM
4. LOGON APPLID(PRODCICS)

Where PRODCICS is a VTAM application defined on the VSE/VTAM (WCVSE21) system. With this command we are attempting to use a dynamic CDRSC to establish a session with the PRODCICS resource.

5. The LOGON fails with **HCPLON020E USERID MISSING OR INVALID.**

It appears it is looking for applid PRODCICS in WCV122 only.

**SOLUTION** - to resolve the dynamic cross-domain session logon failure we needed to do the following:

1. Create SPECIAL statements for non-SNA terminals in the USER VTAM directory entry.
2. Create a non-SNA major node (ISTNSNA VTAMLST) for those 3270 type devices just added with SPECIAL statements for the VTAM directory entry. The ISTNSNA VTAMLST file was created on user ID 5654010A, disk 2C2 (which is user ID VTAM's 'A' disk).
3. Update ATCCONxx VTAMLST on user ID 5654010A, disk 2C2 with the newly created ISTNSNA, to have this major node activated at VTAM startup.

An example of a VM CP directory entry for the VTAM user ID, VTAM non-SNA major node and ATCCON00 file, with all the necessary updates follows in [Figure 58](#).

**USER VTAM directory entry**

USER VTAM password 32M 32M ABCEFG

SPECIAL 070 3270

SPECIAL 071 3270

SPECIAL 072 3270

SPECIAL 07n 3270

. . . . .

**ISTNSNA VTAMLST file**

ISTNSNA	LBUILD		
VMNS70	LOCAL	CUADDR=070,TERM=3277, DLOGMOD=NSX32702, MODETAB=ISTINCLM, FEATUR2=(MODEL2)	C C C
VMNS71	LOCAL	CUADDR=071,TERM=3277, DLOGMOD=NSX32702, MODETAB=ISTINCLM, FEATUR2=(MODEL2)	C C C
VMNS72	LOCAL	CUADDR=072,TERM=3277, DLOGMOD=NSX32702, MODETAB=ISTINCLM, FEATUR2=(MODEL2)	C C C
. . . . .			
VMNS7n	LOCAL	CUADDR=07n,TERM=3277, DLOGMOD=NSX32702, MODETAB=ISTINCLM, FEATUR2=(MODEL2)	C C C

**ATCCON00 VTAMLST file**

ISTAPPLS,	C
ISTPATH,	C
ISTCTCA,	C
ISTCDRM,	C
ISTCDRS,	C
ISTNSNA,	C

Figure 58. Definitions for Dynamic Cross-Domain Logon



© Copyright IBM Corp. 1996





## 4.0 Chapter 4. Implementing APPN Networking

VTAM V4R2 for VM and VSE now supports **Advanced Peer-to-Peer Networking (APPN)**. APPN uses a peer-to-peer structure to networking as opposed to the hierarchical approach used in traditional subarea networking. Peer-to-peer means either side can activate the connection and establish a session. This peer-to-peer approach offers some advantages over subarea networking:

- New functions that enable dynamic access to a network. These new functions can eliminate or reduce the pre-definition required for resources in your network. In addition, these functions provide increased end user availability and automatic backup.

Some network definitions that can be eliminated with APPN support include Cross Domain Resource Definition (CDRSC), the ADJSSCP tables, the Cross Domain Resource Manager (CDRM) and even LU definitions.

- VTAM's implementation of APPN includes support for the following APPN node types: end node, network node, composite network node, border node, interchange node, migration data host, low entry networking node.
- There is also support for central directory server, host-to-host channel, connection network, dependent LU server and virtual-route-based transmission group.

Subtopics:

- [4.1 Implementing APPN Networking Interchange Node](#)
- [4.2 Starting VTAM with APPN Support](#)
- [4.3 Startup of VTAM in Client/Server Mode](#)
- [4.4 Startup of VTAM in MultiDomain Mode](#)
- [4.5 APPN Host-to-Host Channel \(AHHC\)](#)
- [4.6 Type 2.1 Channel Connection between APPN Nodes](#)
- [4.7 Virtual-Route-Based Transmission Groups \(VRTGs\)](#)



© Copyright IBM Corp. 1996



## 4.1 Implementing APPN Networking Interchange Node

In this chapter we will explore migrating our VTAM 4.2 from pure subarea support to an APPN Interchange Node (ICN). By migrating to an ICN both APPN and subarea connections are supported. As an ICN, your subarea network applications are able to locate the APPN applications and vice-versa. VTAM as an interchange node (ICN) functions as a Network Node (NN) in the APPN network and as an SSCP in the subarea network. It can be connected to APPN nodes, LEN nodes, subarea nodes, PU 2.0 nodes, and PU 2.1 nodes.

As was described in Chapter 1, "Introduction to VTAM V4.2", VTAM V4R2 for VM/ESA and VSE/ESA can be ordered with three different levels of capability: **Client/Server package**, **MultiDomain package**, **InterEnterprise package**.

VTAM started in MultiDomain or InterEnterprise mode, and activated as an interchange node (ICN) can own and activate NCPs. VTAM started in InterEnterprise mode lets you connect to other networks with border nodes. For VM, SNA Network Interconnection (SNI) can be implemented in InterEnterprise mode only. InterEnterprise also provides support for the APPN Central directory server (CDSERV start option) when NODETYPE=NN is used.

In what follows, we introduce the required start options to implement APPN and also those optional start options to consider for additional function. We cover what restrictions exist on the Client/Server and MultiDomain modes in respect to implementing APPN functions and the expected errors you will receive if you try to use those APPN functions not supported.

The previous chapters that discussed the migration of VTAM V3R4 to V4R2 subarea functions covered those functions that existed in pre-V4R2 that now have restrictions with Client/Server and MultiDomain modes. The earlier chapters also covered those new functions introduced with V4R2 that do not define APPN characteristics and any restrictions these functions may have in Client/Server and MultiDomain modes.

VTAM 4.2 can provide the APPN functions as a standalone node or in conjunction with an NCP. If you are using an NCP, then the communications controller must be a 3745 with a minimal level of V6R2. NCP V7.1 or later is required for full connection network support and Extended Border Node support.

APPN nodes can be connected by links, which are called transmission groups (TGs). The characteristics of these TGs are used in determining the TG to select for a session route. These TGs may be links defined to and from NCPs, 3172s, and VTAM channel attachments.

VTAM V4.2 introduced a new feature called **APPN Host-to-Host Channel (AHHC)** which connects two VTAMs via Multi Path Channels (MPC) using APPN protocols. It requires at least one read and one write subchannel. Each subchannel provides unidirectional flow. This chapter will give examples of implementing an AHHC connection and some problems we encountered in that implementation.

Connections with APPN PUs (type 2.1) can be established as a LEN

connection or attempted as an APPN connection. The type of connection attempted is determined by the new CONNTYPE start option unless you explicitly override using the CONNTYPE=LEN|APPN operand on the GROUP, LINE, or PU definition statement for that resource. This chapter discusses problems encountered converting APPN PUs from LEN connections to APPN connections and how to avoid these problems.

---



© Copyright IBM Corp. 1996

---

[IBM Library Server](#) Copyright 1989, 2004 [IBM](#) Corporation. All rights reserved.



## 4.2 Starting VTAM with APPN Support

Support for APPN is implemented by defining the **NODETYPE** start option. The two possible values for NODETYPE are NN (network node) and EN (end node). If the NODETYPE start option is not specified, VTAM operates only as a subarea node. **NODETYPE** and **HOSTSA** determine the node configuration (subarea node, interchange node, migration data host, network node, or end node). See [Table 6](#) for a summary of the node type combinations and their functions.

Table 6. Node Type Functional Summary

Node Type Interchange	NODETYPE	HOSTSA	CP-CP Sessions	SSCP-SSCP Sessions	NCP Ownership	Function
Subarea Node	(not coded)	n (1)	no	yes	yes	no
Interchange Node	NN	n (1)	yes	yes	yes	yes
Migration Data Host	EN	n (1)	yes	yes	no (2)	no
Network Node	NN	(not coded)	yes	no	no (2)	no
End Node	EN	(not coded)	yes	no	no (2)	no

**Note:** (1) n represents a subarea host number.  
 (2) Activation of an NCP is not allowed.

### Subtopics:

- [4.2.1 VTAM Start Options with APPN Parameters](#)



© Copyright IBM Corp. 1996



---

## 4.2.1 VTAM Start Options with APPN Parameters

We took the start options used in Chapter 2 for V4.2 VSE/VTAM subarea only functions and Chapter 3 for V4.2 VM/VTAM subarea only functions and then implemented APPN interchange node functions in a single network. These were implemented in InterEnterprise mode. The comparison of subarea only functions and APPN functions for both operating systems can be found in [Figure 59 in topic 4.2.1.1](#) and [Figure 60 in topic 4.2.1.2](#). Following [Figure 60 in topic 4.2.1.2](#) we discuss in more detail those new APPN start options we implemented for an interchange node. The meaning and functionality of the APPN start options are the same for VSE/VTAM and VM/VTAM. Those functions needed to implement border node support in a multiple network environment are discussed in Chapter 5.

### Subtopics:

- [4.2.1.1 VM/VTAM Start Options with APPN Parameters](#)
- [4.2.1.2 VSE/VTAM Start Options with APPN Parameters](#)
- [4.2.1.3 APPN Start Options Not Supported in Client/Server Mode](#)
- [4.2.1.4 APPN Start Options Not Supported in MultiDomain Mode](#)
- [4.2.1.5 VM/VTAM Config List with APPN Major Nodes](#)
- [4.2.1.6 VSE/VTAM Config List with APPN Major Nodes](#)
- [4.2.1.7 Vary Act and Inact TRL Major Node](#)



© Copyright IBM Corp. 1996



## 4.3 Startup of VTAM in Client/Server Mode

[Figure 66](#) is a sample startup of VM/VTAM in Client/Server mode with unsupported functions in effect. We included in the ATCSTR00 VTAMLST both APPN and non-APPN start options that are not supported in the Client/Server mode. We also included in the ATCCON00 VTAMLST, CDRM and NCP major node definitions to be activated which are not supported in Client/Server mode. We highlighted the error messages resulting from those unsupported functions.

```

IST1497I VTAM FUNCTIONAL SUPPORT LEVEL IS CLIENT/SERVER
IST448I IOPURGE OPTION IGNORED - NO LONGER SUPPORTED
IST448I VRTG OPTION IGNORED - NO LONGER SUPPORTED
IST448I VRTGCPCP OPTION IGNORED - NO LONGER SUPPORTED
IST448I CDSERVR OPTION IGNORED - NO LONGER SUPPORTED
IST448I GWSSCP OPTION IGNORED - NO LONGER SUPPORTED
IST448I SRCHRED OPTION IGNORED - NO LONGER SUPPORTED
IST448I IOPURGE OPTION IGNORED - NO LONGER SUPPORTED
IST093I ISTCDRDY ACTIVE
IST495I SIZE HAS BEEN SET TO 050
IST315I VTAM INTERNAL TRACE ACTIVE - MODE = INT, SIZE = 050
IST199I OPTIONS = NONE
IST314I END
IST093I COSAPPN ACTIVE
IST093I ISTDSWMN ACTIVE
IST093I ISTTRL ACTIVE
IST093I ISTAPPLS ACTIVE
IST093I ISTPATH ACTIVE
IST093I ISTCTCA ACTIVE
IST1330I CDRM CANNOT BE ACTIVATED FROM THIS NODE
IST072I VARY ACT FOR ID = ISTCDRM FAILED DURING NETWORK DEFINITION
IST322I CONFIGURATION ISTCDRS ERROR IGNORED - INVALID PARAMETER
IST323I LABEL = WCVMSNI - MACRO TYPE = CDRSC - KEYWORD = SRCOUNT
IST314I END
IST322I CONFIGURATION ISTCDRS ERROR IGNORED - INVALID PARAMETER
IST323I LABEL = WCVMSNI - MACRO TYPE = CDRSC - KEYWORD = SRTIMER
IST314I END
IST322I CONFIGURATION ISTNSNA ERROR IGNORED - INVALID PARAMETER
IST323I LABEL = VMNS70 - MACRO TYPE = LOCAL - KEYWORD = LOGAPPL
IST314I END
IST093I ISTNSNA ACTIVE
IST093I ISTAHC ACTIVE
IST020I VTAM INITIALIZATION COMPLETE FOR V4R2
IST1349I COMPONENT ID IS 5654-01001-420
IST1348I VTAM STARTED AS INTERCHANGE NODE
IST1214I FFST SUBSYSTEM IS NOT INSTALLED
DTII10I DEFAULT INITIALIZATION PARAMETERS BEING USED
DTIC01I DTICINIT VSCS IUCV INITIALIZATION IS IN PROGRESS
DTIC17I DTICINIT ENABLE SNA ISSUED
DTIS74I TRACE TABLE STARTS AT 01822020 END 01831A5F,CURRENT 01822040,SIZE=2000
DTIC02I DTICINIT VSCS IUCV INITIALIZATION COMPLETE
Ready;
DTIV04I DTIVINIT VSCS VTAM SERVICES INITIALIZATION COMPLETED

```

Figure 66. VTAM Startup in Client/Server Mode with Unsupported Functions

---



© Copyright IBM Corp. 1996

---

[IBM Library Server](#) Copyright 1989, 2004 [IBM](#) Corporation. All rights reserved.



## 4.4 Startup of VTAM in MultiDomain Mode

[Figure 67](#) is a sample startup of VM/VTAM in MultiDomain mode with unsupported functions in effect. We included in the ATCSTR00 VTAMLST both APPN and non-APPN start options that are not supported in the MultiDomain mode. We also included unsupported keywords in the CDRSC major node definition. We highlighted the error messages resulting from those unsupported functions.

```

IST1497I VTAM FUNCTIONAL SUPPORT LEVEL IS MULTIDOMAIN
IST448I CDSERV OPTION IGNORED - NO LONGER SUPPORTED
IST448I BN OPTION IGNORED - NO LONGER SUPPORTED
IST448I GWSSCP OPTION IGNORED - NO LONGER SUPPORTED
IST448I SRCHRED OPTION IGNORED - NO LONGER SUPPORTED
IST093I ISTDGRDY ACTIVE
IST495I SIZE HAS BEEN SET TO 050
IST315I VTAM INTERNAL TRACE ACTIVE - MODE = INT, SIZE = 050
IST199I OPTIONS = NONE
IST314I END
IST093I COSAPPN ACTIVE
IST093I ISTDWMMN ACTIVE
IST093I ISTRRL ACTIVE
IST093I ISTDAPPLS ACTIVE
IST093I ISTDPATH ACTIVE
IST984I USER EXIT ISTDXCSD IS ACTIVE
IST093I ISTDCTCA ACTIVE
IST093I ISTDICDRM ACTIVE
IST093I ISTDSSCP04 ACTIVE
IST521I GBIND QUEUED FOR COS ISTDVTCOS FROM ISTDSSCP04 TO ISTDIPFV2
IST528I VIRTUAL ROUTE NUMBER 0 1 2 3 4 5 6 7
IST523I REASON = NO ROUTES OPERATIVE
IST521I GBIND QUEUED FOR COS ISTDVTCOS FROM ISTDSSCP04 TO ISTDSSCP27
IST528I VIRTUAL ROUTE NUMBER 0 1 2 3 4 5 6 7
IST523I REASON = NO ROUTES OPERATIVE
IST322I CONFIGURATION ISTDICDRS ERROR IGNORED - INVALID PARAMETER
IST323I LABEL = WCVMSNI - MACRO TYPE = CDRSC - KEYWORD = SRCOUNT
IST314I END
IST322I CONFIGURATION ISTDICDRS ERROR IGNORED - INVALID PARAMETER
IST323I LABEL = WCVMSNI - MACRO TYPE = CDRSC - KEYWORD = SRTIMER
IST314I END
IST093I ISTDICDRS ACTIVE
IST093I ISTDINSNA ACTIVE
IST093I ISTDIAHHC ACTIVE
IST020I VTAM INITIALIZATION COMPLETE FOR V4R2
IST1349I COMPONENT ID IS 5654-01001-420
IST1348I VTAM STARTED AS INTERCHANGE NODE
IST1214I FFST SUBSYSTEM IS NOT INSTALLED
DTI110I DEFAULT INITIALIZATION PARAMETERS BEING USED
DTIC01I DTICINIT VSCS IUCV INITIALIZATION IS IN PROGRESS
DTIC17I DTICINIT ENABLE SNA ISSUED
DTIS74I TRACE TABLE STARTS AT 01822020 END 01831A5F,CURRENT 01822040,SIZE=2000
DTIC02I DTICINIT VSCS IUCV INITIALIZATION COMPLETE
Ready;
DTIV04I DTIVINIT VSCS VTAM SERVICES INITIALIZATION COMPLETED

```



Figure 67. VTAM Startup in MultiDomain Mode with Unsupported Functions

---



© Copyright IBM Corp. 1996

---

[IBM Library Server](#) Copyright 1989, 2004 IBM Corporation. All rights reserved.



---

## 4.5 APPN Host-to-Host Channel (AHHC)

Regardless of the mode in which VTAM V4R2 is started (Client/Server, MultiDomain or InterEnterprise), connectivity support by APPN Host-to-Host channel (AHHC) is supported. AHHC enables two VTAMs to communicate using APPN protocols over MPC connections. It can utilize a virtual channel-to-channel adapter (VCTCA) or a real CTCA.

The multipath channel (MPC) requires at least one read and one write subchannel. Each subchannel provides unidirectional flow. As long as one read and one write subchannel is operative, if there is a failure, data is non-disruptively retransmitted over alternate paths and sessions continue.

At a minimum, for an AHHC connection to exist one of the VTAMs must be a network node (NN). The adjacent VTAM must be either an end node (EN) or another NN. A subarea node and low-entry networking node (LEN) cannot participate in an AHHC connection.

### Subtopics:

- [4.5.1 Sample AHHC Definition](#)
- [4.5.2 Problems Implementing AHHC/MPC](#)



© Copyright IBM Corp. 1996



---

## 4.5.1 Sample AHHC Definition

We will now present our implementation of an AHHC connection between two VM virtual machines.

### **AHHC Connection between VM/VTAM V4.2 and VSE/VTAM V4.2**

In our example we define two VM virtual machines. WCVS122 is a VM/VTAM V4.2 machine and WCVSE21 is a VSE/VTAM V4.2 guest machine under VM/ESA. This example illustrates multiple READ channel addresses and one WRITE channel on WCVS122 and multiple WRITE channels and one READ channel on WCVSE21.

In the following example we will explicitly give the critical definitions. We will first review the necessary VM CP definitions, followed by the VSE definitions and finally the VTAM definitions.

Subtopics:

- [4.5.1.1 VM CP Definitions](#)
- [4.5.1.2 VSE Definitions](#)
- [4.5.1.3 VTAM Definitions](#)



© Copyright IBM Corp. 1996



---

## 4.5.2 Problems Implementing AHHC/MPC

We will now review three problematic symptoms we encountered in our implementation of AHHC/MPC.

Subtopics:

- [4.5.2.1 Problem 1 - ATCCONxx List](#)
- [4.5.2.2 Problem 2 - READ/WRITE Channel Addresses](#)
- [4.5.2.3 Problem 3 - CP-CP Session over AHHC](#)



© Copyright IBM Corp. 1996



---

## 4.6 Type 2.1 Channel Connection between APPN Nodes

To establish full APPN function across a link, specify CONNTYPE=APPN on the GROUP, LINE or PU definition statement for a specific link or allow the CONNTYPE start option to default to the APPN value. You may want to consider specifying CONNTYPE=LEN in ATCSTRxx initially and then converting specific links to APPN in phases via the CONNTYPE=APPN operand in the resource definition.

Subtopics:

- [4.6.1 3174 Customization Questions for T2.1 Connection](#)
- [4.6.2 VTAM V4.2 and Local 3174 APPN Node](#)
- [4.6.3 Problems Implementing 3174 APPN Connection](#)



© Copyright IBM Corp. 1996



## 4.6.1 3174 Customization Questions for T2.1 Connection

Below we list the 3174 customization questions that relate to APPN. Correct responses are necessary to define the 3174 as an APPN (PU T2.1) node. The *3174 Planning Guide Config C*, GA27-3918, was referenced for the meaning of specific customization questions for the 3174. APPN support was added to the 3174 with Config C, or by an RPQ to Config B. You need to reference the 3174 Planning Guide for Config C to find APPN ONLY customization questions; they are not available in earlier config level publications.

- Q242** Question 242 indicates link type. Default response is 0. 242=1 is required for T2.1 and PU2.0 traffic.
- Q510** Question 510 = 1 indicates APPN is active on this controller. 510=1 is required for T2.1 link.
- Q501** Question 501 specifies the NETID. Required if Q510=1. This must be the same as the NETID in the VTAM ATCSTRxx that is activating it.
- Q511** Question 511 specifies the CPNAME. It is required if Q510=1. CPNAME must be distinct from NETID (Q501) and VNODE (Q512). In addition it must be different from the SSCPNAME in the VTAM ATCSTRxx and "pname" in the VTAM definition for the 3174 node.
- Q512** Question 512 specifies the virtual node name (VNODE) for the LAN to which this NN is attached. It must be different from NETID and CPNAME for 3174 Q501 and Q511. It must be the same as VNNAME in the LAN major node, if specified. VNODE is not required.



© Copyright IBM Corp. 1996



## 4.6.2 VTAM V4.2 and Local 3174 APPN Node

Additional considerations for 3174 APPN Network Node (NN) and T2.1 support:

- The PU statement for the 3174 in VTAM requires XID=YES. This will ensure the host (the primarily logical unit PLU) will send an XID3 to the boundary attached 3174 NN indicating a T2.1 link request.
- To explicitly define an independent LU 6.2 to VTAM, specify LOCADDR=0 on the LU definition statement. To allow dynamic definition of an independent LU 6.2, thus eliminating the requirement to specify LU definitions, specify DYNLU=YES as a VTAM start option.
- For channel-attached 3174s, the HOST Read Channel Program size should be at least 1033 bytes. A value less than 1033 can impact overall performance.

[Figure 75](#) is a sample definition for a local attached 3174 that we implemented in our VSE/VTAM environment.

### VTMSNA B book (VSE)

```

CATALOG VTMSNA.B          REPLACE=YES
VTMSNA  VBUILD TYPE=LOCAL
WC31740P PU      CUADDR=300,CONNTYPE=APPN,CPCP=YES,          C
                DELAY=0.2,XID=YES,DYNLU=YES,                C
                PUTYPE=2,ISTATUS=ACTIVE,MAXBFRU=29
WC317402 LU      LOCADDR=2,                                  C
                DLOGMOD=SP32702S,                             C
                MODETAB=IESINCLM,                             C
                USSTAB=VTMUSSTR,                               C
                PACING=1,VPACING=2,                            C
                MDLTAB=VTMMDL,                                 C
                MDLENT=VSELU2A,                                C
                ISTATUS=ACTIVE,SSCPFM=USSSCS
WC317403 LU      LOCADDR=3,                                  C
                DLOGMOD=SP32702S,                             C
                MODETAB=IESINCLM,                             C
                USSTAB=VTMUSSTR,                               C
                PACING=1,VPACING=2,                            C
                MDLTAB=VTMMDL,                                 C
                MDLENT=VSELU2A,                                C

```

ISTATUS=ACTIVE ,SSCPFM=USSSCS

---

Figure 75. 3174 VTAM Definition

---



© *Copyright IBM Corp. 1996*

---

[IBM Library Server](#) Copyright 1989, 2004 [IBM](#) Corporation. All rights reserved.





---

## 4.6.3 Problems Implementing 3174 APPN Connection

Subtopics:

- [4.6.3.1 Problem 1 - NETIDs Different](#)
- [4.6.3.2 Problem 2 - PUNAME=CPNAME](#)
- [4.6.3.3 Problem 3 - RESET Status](#)



© Copyright IBM Corp. 1996

---

[IBM Library Server](#) Copyright 1989, 2004 [IBM](#) Corporation. All rights reserved.



## 4.7 Virtual-Route-Based Transmission Groups (VRTGs)

VTAM V4R2 takes advantage of the benefits of both FID2 and FID4 connections through the implementation of **Virtual-Route-Based Transmission Groups (VRTGs)**. A VR-based TG is a logical mapping of an APPN TG over all of the subarea VRs between two V4R2 VTAM domains within the same subarea network. A VRTG is comprised of one or more FID4 routes through the network. Regardless of the number of active VRs, only one VRTG exists between two VTAM V4R2 domains. No NCP dependency exists.

The VR-based TG is reported to APPN topology as if it were an FID2 connection when the CDRM-CDRM session between two VTAM domains is established. It is assigned TG characteristics that are used for topology and routing services.

While CP-CP sessions may flow over a VRTG, the subarea network continues to use the underlying VR/ER constructs, thus preserving the investment in subarea networking. These FID4 links can be CTCs, FID4 MPCs, NCP links and so on.

The following list represents some considerations for coding VRTGs:

1. Any VTAMs taking advantage of VR-based Transmission Groups must be at VTAM V4R2 and configured as interchange nodes (ICNs) and/or Migration Data Hosts (MDHs). Thus these VTAMs contain both APPN as well as subarea capabilities.
2. The VRTG may not traverse an SNI boundary. A VRTG may also not traverse a subnet boundary between two APPN subnets.
3. VR-based TGs should be defined between adjacent VTAMs only. Meshed VRTGs that interconnect all possible SSCPs are not required in a VRTG implementation.
4. VRTG is implemented by either the VRTG start option or on the External CDRM definition (not the Host CDRM definition) by coding VRTG=YES. Additionally, the TGP operand on the External CDRM identifies a particular TG profile for the TG characteristics when activating the CDRM-CDRM session. There is a default TG profile if TGP is not specified.
5. Automatic recovery of a CDRM session automatically recovers the VRTG as well.
6. To permit CP-CP sessions across the VRTG, both ends of the connection must have VRTGCPCP=YES (default start option value). VRTGCPCP can also be coded on the External CDRM definition. VRTGCPCP=NO may be desirable if a CP-CP session is to traverse a different APPN TG.







## 5.0 Chapter 5. Implementing APPN Multiple Network Connectivity Support

Prior to VTAM V4.2 for VM/VTAM, when multiple VTAM/NCP networks with different NETIDs wanted to connect, the use of SNI (SNA Network Interconnection) was required. One or more gateway NCPs is needed for an SNI connection.

If you have APPN networks with different network IDs (NETID), connectivity between these APPN networks can be accomplished by adding the **BN=YES** start option to a VTAM network node (that is, NODETYPE=NN is already specified). BN=YES indicates that VTAM is capable of establishing subnetwork boundaries. With BN=YES in the ATCSTRxx list, this APPN node is an **extended border node** at the boundaries between APPN networks or subnetworks. There are other start options and definition statement operands that are available for customization. Refer to chapter 10, topic "Using APPN Multiple Network Connectivity Support" in the *VTAM V4R2 Network Implementation Guide, SC31-6494* for further hints regarding customization.

### Subtopics:

- [5.1 Border Node Types](#)
- [5.2 Border Node Boundaries](#)
- [5.3 Border Node Support in InterEnterprise Mode](#)
- [5.4 Startup of VM/VTAM in InterEnterprise Mode with BN=YES](#)
- [5.5 Startup of VM/VTAM in Client/Server Mode with BN=YES](#)
- [5.6 Startup of VSE/VTAM in Client/Server Mode with BN=YES](#)
- [5.7 Startup of VM/VTAM in MultiDomain Mode with BN=YES](#)
- [5.8 Startup of VSE/VTAM in MultiDomain Mode with BN=YES](#)



© Copyright IBM Corp. 1996



---

## 5.1 Border Node Types

- **Peripheral border node**

A border node that interconnects adjacent APPN networks having different network identifiers in order to support LU-LU sessions that have one partner LU in their native network. A peripheral border node is not capable of doing intermediate network routing. Only extended border nodes provide intermediate network routing.

- **Extended border node**

If your configuration requires intermediate nodes, that is, LU-LU sessions that do not terminate in their native network, than those intermediate nodes must be extended border nodes. Peripheral border nodes do not support intermediate network routing. VTAM becomes an extended border node when **BN=YES** is included in the start options.

[Figure 80 in topic 5.2](#) is our implementation of an extended subnetwork boundary. BN=YES is coded in both of our VTAMs and the NETIDs differ. It is this network configuration we tested.



© Copyright IBM Corp. 1996



## 5.2 Border Node Boundaries

### ◦ Peripheral subnetwork boundaries

A peripheral subnetwork boundary is a connection over a subnetwork boundary between a border node (VTAM with BN=YES) and a network node with no border node function. The VTAM border node portrays an end node image to the opposite network node so topology information is not sent by that network node back to VTAM. A peripheral subnetwork boundary connection must be the first and/or last connection in the path between LU partners.

By coding BN=NO in one VTAM and BN=YES in the other VTAM, a peripheral subnetwork boundary is established. This is strongly discouraged, as it bypasses the valuable looping and redundant search controls that are present if the connection is an extended subnetwork boundary. It is recommended that you use an extended boundary whenever possible (BN=YES).

[Figure 79](#) is a sample network diagram of a peripheral subnetwork boundary. This is in contrast to an extended subnetwork boundary shown in [Figure 80](#).

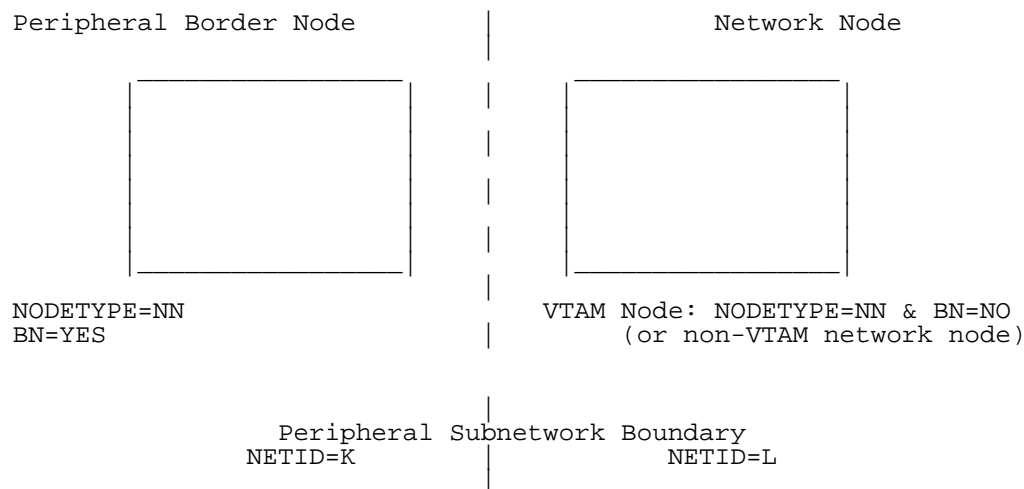


Figure 79. Network Diagram of Peripheral Subnetwork Boundary

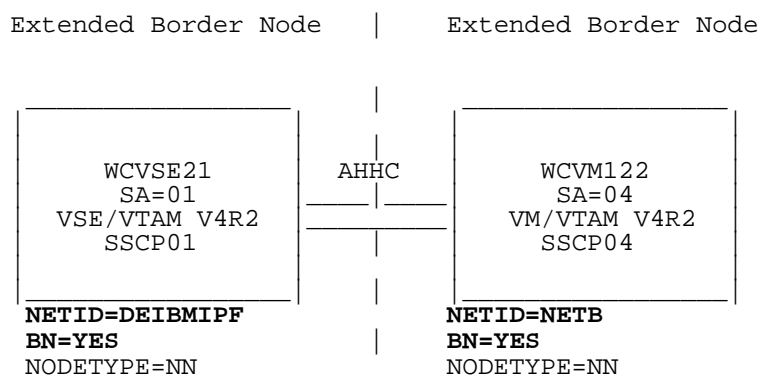
### ◦ Extended subnetwork boundaries

An extended subnetwork boundary exists when an extended border node (BN=YES in VTAM) activates the link station on each side of the subnetwork boundary. When an extended subnetwork boundary connection becomes active, both VTAMs understand that their APPN partner is a network node with extended border node capability, rather than one side providing an end node appearance. Although the two network nodes bring up CP-CP sessions, they do not send each other the topology of their own APPN subnetwork.

Extended subnetwork boundaries between APPN subnetworks allow unlimited subnetwork hops and increased control over routing.

#### Notes:

1. Some border nodes do not support extended subnetwork boundaries; therefore, a peripheral subnetwork boundary is used.
2. NCP V7R1 or later is required for both extended and peripheral subnetwork boundaries through an NCP.




---

Figure 80. Implementation of Extended Subnetwork Boundary

---



© Copyright IBM Corp. 1996



## 5.3 Border Node Support in InterEnterprise Mode

An APPN border node is an APPN network node (NN) that interconnects APPN networks having independent topology databases in order to support LU-LU sessions between these networks. We implemented border node support between our VM/VTAM (WCVML22) and VSE/VTAM (WCVSE21) to provide cross network communication.

You must start VTAM in InterEnterprise mode to receive border node support. We will identify those start options and VTAM definitions that we used to establish cross network communication. We provide a sample startup in InterEnterprise mode with border node support added. We also document the expected errors you will receive if you try to implement border node support and cross network communication in the Client/Server and MultiDomain modes.

Cross network communication is being attempted because the following conditions exist in the respective virtual machines:

Table 7. Implementing Multiple Network Communications

WCVML22 User ID		WCVSE21 User ID	
BN=YES	1	BN=YES	1
NETID=NETB	1	NETID=DEIBMIPF	1
ISTTRL1	2	ISTTRL2	2
ISTAHHC1	2	ISTAHHC2	2
CPCP=YES	3	CPCP=YES	3
CONNTYPE=APPN	3	CONNTYPE=APPN	3

### Notes:

- 1 in ATCSTR00 list in [Figure 81 in topic 5.3.1](#)
- 2 major node names for AHHC connection in [Figure 82 in topic 5.3.2](#)
- 3 operand in AHHC major node in [Figure 82 in topic 5.3.2](#)



Subtopics:

- [5.3.1 VTAM Start Options with BN Support Added](#)
  - [5.3.2 VTAM AHHC Definitions](#)
- 



© Copyright IBM Corp. 1996

---

[IBM Library Server](#) Copyright 1989, 2004 [IBM](#) Corporation. All rights reserved.



## 5.3.1 VTAM Start Options with BN Support Added

VM/VTAM 4.2 ATSTR00 VTAMLST (APPN support)		VSE/VTAM 4.2 ATCSTR00.B (APPN support)	
SSCPID=4,	*	SSCPID=1,	*
SSCPNAME=SSCP04,	*	SSCPNAME=SSCP01,	*
NETID=NETB,	* (1)	NETID=DEIBMIPF,	* (1)
HOSTSA=4,	*	HOSTSA=1,	*
HOSTPU=NODE04,	*	HOSTPU=NODE01,	*
MAXSUBA=255,	*	MAXSUBA=255,	*
CONFIG=00,	*	CONFIG=00,	*
BN=YES,	* (2)	BN=YES,	* (2)
IOINT=0,	*	IOINT=00,	*
NOPROMPT,	*	PROMPT,	*
CONNTYPE=LEN,	*	CONNTYPE=LEN,	*
CPCP=YES,	*	CPCP=YES,	*
APPNCOS=NONE,	*	APPNCOS=NONE,	*
NODETYPE=NN,	*	NODETYPE=NN,	*
INITDB=ALL,	*	INITDB=ALL,	*
IOPURGE=5M,	*	IOPURGE=4M,	*
SORDER=APPN,	*	SORDER=APPN,	*
VRTG=YES,	*	VRTG=YES,	*
VRTGCPCP=YES,	*	VRTGCPCP=YES,	*
MAINTLVL=ESA122,	*	MAINTLVL=ESA211,	*
USSTAB=ISTINCNO,	*	SGALIMIT=0,	*
DYNLU=YES,	*	DYNLU=YES,	*
CPCDRSC=YES,	*	DISCNTIM=30,	*
CSALIMIT=0,	*	SGALIMIT=0,	*
BS=(28,,,1),	*	BS=(28,,,1),	*
CR=(60,,,1),	*	CR=(60,,,1),	*
LF=(70,,,11),	*	LF=(70,,,1),	*
IO=(70,424,,,1),	*	IO=(70,424,,,1),	*
LP=(12,,,6),	*	LP=(12,,,6),	*
SF=(20,,,20),	*	SF=(20,,,20),	*
SP=(210,,,32),	*	SP=(210,,,32),	*
XD=(6,,,1),	*	XD=(6,,,1),	*
SRCHRED=ON,	*	SRCHRED=ON,	*
SRCOUNT=10,	*	SRCOUNT=10,	*
SRTIMER=60		SRTIMER=60	

Figure 81. VTAM Start Options with BN Support Added

**Note:** *VTAM Start Options to Implement Border Node Support*

1. **NETID**

Identifies the network name for this VTAM. NETID should be unique to each network within a set of SNA interconnected networks.

2. **BN=YES**

Indicates that this node provides extended border node function.

---



© *Copyright IBM Corp. 1996*

---

[IBM Library Server](#) Copyright 1989, 2004 [IBM](#) Corporation. All rights reserved.



## 5.3.2 VTAM AHHC Definitions

VM Userid: WCVL122	VM Userid: WCVSE21
TRL Major Node: ISTTRL1 VBUILD TYPE=TRL TRLE1 TRLE LNCTL=MPC, * MAXBFRU=10, * WRITE=(710), * READ=(700,705)	TRL Major Node: ISTTRL2 VBUILD TYPE=TRL TRLE2 TRLE LNCTL=MPC, * MAXBFRU=10, * READ=(710), * WRITE=(700,720)
Local SNA Major Node: ISTAHC1 VBUILD TYPE=LOCAL CAHC1 PU PUTYPE=2, * TRLE=TRLE1, * XID=YES, * VPACING=0, * (1) CONNTYPE=APPN, * (2) CPCP=YES	Local SNA Major Node: ISTAHC2 VBUILD TYPE=LOCAL CAHC2 PU PUTYPE=2, * TRLE=TRLE2, * XID=YES, * VPACING=0, * (1) CONNTYPE=APPN, * (2) CPCP=YES

Figure 82. VTAM AHHC Definitions

**Note: VTAM AHHC Options to Implement Cross Network Communication**

We established cross network communication between WCVL122 and WCVSE21 via an AHHC connection. To do this the above major nodes in [Figure 82](#) were defined.

1. **CONNTYPE=APPN**

Required for the CP-CP session to flow across the AHHC channel.

2. **CPCP=YES**

Indicates that CP-CP sessions are supported on this connection.

CONNTYPE and CPCP can also be specified as a start option. The value on the PU statement overrides the start option value.







## 5.4 Startup of VM/VTAM in InterEnterprise Mode with BN=YES

We modified our ATCSTR00 VTAMLST for user ID WCVML22 to include border node support, **BN=YES**, and to attempt cross network communication, **NETID=NETB**. We then started up our VM/VTAM in InterEnterprise mode as an interchange node. The resulting startup is in [Figure 83](#). We highlighted the message **IST1096I CP-CP SESSIONS WITH DEIBMIPF.SSCP01 ACTIVATED** in the VTAM startup that indicates successful activation of a CP-CP session cross-net from NETB.SSCP04 (WCVML22) to DEIBMIPF.SSCP01 (WCVSE21).

```

IST1497I VTAM FUNCTIONAL SUPPORT LEVEL IS INTERENTERPRISE
IST093I ISTCDRDY ACTIVE
IST495I SIZE HAS BEEN SET TO 050
IST315I VTAM INTERNAL TRACE ACTIVE - MODE = INT, SIZE = 050
IST199I OPTIONS = NONE
IST314I END
IST093I COSAPPN ACTIVE
IST093I ISTDSWMN ACTIVE
IST093I ISTTRL ACTIVE
IST093I ISTAPPLS ACTIVE
IST093I ISTPATH ACTIVE
IST984I USER EXIT ISTEXCSD IS ACTIVE
IST093I ISTCTCA ACTIVE
IST093I ISTCDRM ACTIVE
IST093I SSCP04 ACTIVE
IST521I GBIND QUEUED FOR COS ISTVTCOS FROM SSCP04 TO IPFV2
IST528I VIRTUAL ROUTE NUMBER 0 1 2 3 4 5 6 7
IST523I REASON = NO ROUTES OPERATIVE
IST521I GBIND QUEUED FOR COS ISTVTCOS FROM SSCP04 TO SSCP27
IST528I VIRTUAL ROUTE NUMBER 0 1 2 3 4 5 6 7
IST523I REASON = NO ROUTES OPERATIVE
IST093I ISTCDRS ACTIVE
IST093I ISTNSNA ACTIVE
IST093I ISTAHC ACTIVE
IST020I VTAM INITIALIZATION COMPLETE FOR V4R2
IST1086I APPN CONNECTION FOR DEIBMIPF.SSCP01 IS ACTIVE - TGN = 21
IST093I VMAHHPU ACTIVE
IST1349I COMPONENT ID IS 5654-01001-420
IST1348I VTAM STARTED AS INTERCHANGE NODE
IST1214I FFST SUBSYSTEM IS NOT INSTALLED
IST1096I CP-CP SESSIONS WITH DEIBMIPF.SSCP01 ACTIVATED
DTII10I DEFAULT INITIALIZATION PARAMETERS BEING USED
DTIC01I DTICINIT VSCS IUCV INITIALIZATION IS IN PROGRESS
DTIC17I DTICINIT ENABLE SNA ISSUED
DTIS74I TRACE TABLE STARTS AT 0183F020 END 0184EA5F,CURRENT 0183F040,SIZE 2000
IST464I LINK STATION CA750P HAS CONTACTED SA 27
IST093I CA750P ACTIVE
DTIC02I DTICINIT VSCS IUCV INITIALIZATION COMPLETE
Ready;
DTIV04I DTIVINIT VSCS VTAM SERVICES INITIALIZATION COMPLETED
IST093I SSCP27 ACTIVE

```

Figure 83. VM/VTAM Startup in InterEnterprise Mode with BN=YES

With the CP-CP session successfully activated between WCVL122 and WCVSE21, we now attempted a cross-network logon. The logon attempt was from a VM/VTAM terminal for an application in the VSE/VTAM. [Figure 84](#) illustrates an example when the application is not active, from the perspective of the terminal user and the VM operator console. In [Figure 85](#) we show a successful logon attempt from a VM/VTAM terminal to a VSE/VTAM application.

```

TERMINAL USER:

===>D WCVL122 (BOEVMIS2)
===>D VTAM    (BOEVMIS1)
===>LOGON APPLID(PRODCICS)

VMNS70 UNABLE TO ESTABLISH SESSION - IPS SRC FAILED WITH SENSE 08570002
-----

VM Operator Console:

IST663I IPS SRQ REQUEST TO ISTAPNCP FAILED, SENSE=08570002
IST664I REAL OLU=NETB.VMNS70          REAL DLU=DEIBMIPF.PRODCICS
IST889I SID = EF831983EF60E1A1
IST264I REQUIRED RESOURCE PRODCICS NOT ACTIVE
IST891I DEIBMIPF.SSCP01 GENERATED FAILURE NOTIFICATION
IST314I END
-----

```

Figure 84. Cross-network Logon Attempt - Application not Available

```

TERMINAL USER:

===>D WCVL122 (BOEVMIS2)
===>D VTAM    (BOEVMIS1)
===>LOGON APPLID(PRODCICS)

-----

IESADMS01                                WCVSE21 ICCF
5686-066 AND OTHER MATERIALS (C) COPYRIGHT IBM CORP. 1995 AND OTHER DATES

VV  VV  SSSSS  EEEEEEE  ++
VV  VV  SSSSSS  EEEEEEE  ++
VV  VV  SS      EE        ++  EEEEEEE  SSSSS  AA
VV  VV  SSSSSS  EEEEEEE  ++  EEEEEEE  SSSSSS  AAAA
VV  VV  SSSSSS  EEEEEEE  ++  EE        SS    AA  AA
VV  VV  SS      EE        ++  EEEEEEE  SSSSSS  AA  AA
VVVV  SSSSSS  EEEEEEE  ++  EEEEEEE  SSSSSS  AAAAAAA
VV    SSSSS  EEEEEEE  ++  EE        SS  AAAAAAA
++                                     EEEEEEE  SSSSSS  AA  AA
++                                     EEEEEEE  SSSSS  AA  AA

YOUR TERMINAL IS NS71 AND ITS NAME IN THE NETWORK IS VMNS71
TODAY IS 07/05/96      TO SIGN ON TO VSE2ICCF -- ENTER YOUR:

```

```
USER-ID..... _____ THE NAME BY WHICH THE SYSTEM KNOWS YOU.  
PASSWORD..... YOUR PERSONAL ACCESS CODE.  
  
PF1=HELP          2=TUTORIAL          4=REMOTE APPLICATIONS  
                                     10=NEW PASSWORD
```

Figure 85. Successful Cross-network Logon Attempt



© Copyright IBM Corp. 1996

[IBM Library Server](#) Copyright 1989, 2004 IBM Corporation. All rights reserved.





## 5.5 Startup of VM/VTAM in Client/Server Mode with BN=YES

We modified our ATCSTR00 VTAMLST for user ID WCVML22 to include border node support, **BN=YES**, and to attempt cross network communication, **NETID=NETB**. We then started up our VM/VTAM in Client/Server mode as an interchange node. The resulting startup is in [Figure 86](#). We highlighted those error messages that resulted.

The highlighted message IST448I indicates BN=YES is an unsupported option in Client/Server mode and therefore is being ignored. Without border node support cross-network communication cannot take place. We consistently received IST1110I and IST1280I with sense 08910006 for both the conwinner and conloser CP-CP session attempts across the AHHC channel when border node support was not in effect and the NETIDs were different.

```

IST1497I VTAM FUNCTIONAL SUPPORT LEVEL IS CLIENT/SERVER
IST448I BN OPTION IGNORED - NO LONGER SUPPORTED
IST448I VRTGCPCP OPTION IGNORED - NO LONGER SUPPORTED
IST448I VRTG OPTION IGNORED - NO LONGER SUPPORTED
IST448I IOPURGE OPTION IGNORED - NO LONGER SUPPORTED
IST448I GWSSCP OPTION IGNORED - NO LONGER SUPPORTED
IST093I ISTCDRDY ACTIVE
IST495I SIZE HAS BEEN SET TO 050
IST315I VTAM INTERNAL TRACE ACTIVE - MODE = INT, SIZE = 050
IST199I OPTIONS = NONE
IST314I END
IST093I COSAPPN ACTIVE
IST093I ISTDSWMN ACTIVE
IST093I ISTTRL ACTIVE
IST093I ISTAPPLS ACTIVE
IST093I ISTPATH ACTIVE
IST093I ISTCTCA ACTIVE
IST1330I CDRM CANNOT BE ACTIVATED FROM THIS NODE
IST072I VARY ACT FOR ID = ISTCDRM FAILED DURING NETWORK DEFINITION
IST464I LINK STATION CA750P HAS CONTACTED SA 27
IST093I CA750P ACTIVE
IST322I CONFIGURATION ISTCDRS ERROR IGNORED - INVALID PARAMETER
IST323I LABEL = WCVMSNI - MACRO TYPE = CDRSC - KEYWORD = SRCOUNT
IST314I END
IST322I CONFIGURATION ISTCDRS ERROR IGNORED - INVALID PARAMETER
IST323I LABEL = WCVMSNI - MACRO TYPE = CDRSC - KEYWORD = SRTIMER
IST314I END
IST093I ISTCDRS ACTIVE
IST093I ISTNSNA ACTIVE
IST093I ISTAHC ACTIVE
IST1086I APPN CONNECTION FOR DEIBMIPF.SSCP01 IS ACTIVE - TGN = 21
IST093I VMAHHPU ACTIVE
IST1110I ACTIVATION OF CP-CP SESSION WITH DEIBMIPF.SSCP01 FAILED
IST1280I SESSION TYPE = CONLOSER - SENSE = 08910006
IST314I END
IST020I VTAM INITIALIZATION COMPLETE FOR V4R2
IST1110I ACTIVATION OF CP-CP SESSION WITH DEIBMIPF.SSCP01 FAILED
IST1280I SESSION TYPE = CONWINNER - SENSE = 08910006
IST314I END
IST1349I COMPONENT ID IS 5654-01001-420
IST1348I VTAM STARTED AS INTERCHANGE NODE
IST1214I FFST SUBSYSTEM IS NOT INSTALLED
DTII10I DEFAULT INITIALIZATION PARAMETERS BEING USED

```

```
DTIC01I DTICINIT VSCS IUCV INITIALIZATION IS IN PROGRESS
DTIC17I DTICINIT ENABLE SNA ISSUED
DTIS74I TRACE TABLE STARTS AT 01837020 END 01846A5F,CURRENT 01837040,SIZE 2000
00
DTIC02I DTICINIT VSCS IUCV INITIALIZATION COMPLETE
Ready;
DTIV04I DTIVINIT VSCS VTAM SERVICES INITIALIZATION COMPLETED
```

Figure 86. VM/VTAM Startup in Client/Server Mode with BN=YES

---



© Copyright IBM Corp. 1996

---

[IBM Library Server](#) Copyright 1989, 2004 [IBM](#) Corporation. All rights reserved.



## 5.6 Startup of VSE/VTAM in Client/Server Mode with BN=YES

In our VSE/VTAM (WCVSE21) we modified our ATCSTR00.B book to include border node support, **BN=YES**. The NETID was DEIBMIPF, which we left unchanged. We then started up our VSE/VTAM in Client/Server mode as an interchange node. The startup is in [Figure 87](#). We highlighted those error messages that resulted.

The highlighted message IST448I indicates BN=YES is an unsupported option in Client/Server mode and therefore is being ignored. Without border node support cross-network communication cannot take place. We consistently received IST1110I and IST1280I with sense 08910006 for both the conwinner and conloser CP-CP session attempts across the AHHC channel when border node support was not in effect and the NETIDs were different. IST1002I RCPRI=0048 RCSEC=0000 was only seen in the VSE/VTAM, and not the VM/VTAM.

```
// JOB VTAMSTR2  START VTAM 4.2 IN CLIENT/SERVER
DATE 03/05/96,CLOCK 10/58/46
IST1497I VTAM FUNCTIONAL SUPPORT LEVEL IS CLIENT/SERVER
IST448I BN OPTION IGNORED - NO LONGER SUPPORTED
IST448I IOPURGE OPTION IGNORED - NO LONGER SUPPORTED
IST448I VRTG OPTION IGNORED - NO LONGER SUPPORTED
IST448I VRTGCPCP OPTION IGNORED - NO LONGER SUPPORTED
IST093I ISTDGRDY ACTIVE
IST315I VTAM INTERNAL TRACE ACTIVE - MODE = INT, SIZE = 050
IST199I OPTIONS = NONE
IST314I END
IST093I COSAPPN ACTIVE
IST093I ISTDWMMN ACTIVE
IST093I ISTDTRL ACTIVE
IST093I VTMAPPL ACTIVE
IST093I VTMSNA ACTIVE
IST1086I APPN CONNECTION FOR DEIBMIPF.IPF200 IS ACTIVE - TGN = 21
IST093I WC31740P ACTIVE
IST1096I CP-CP SESSIONS WITH DEIBMIPF.IPF200 ACTIVATED
IST322I CONFIGURATION VTMSNA ERROR IGNORED - INVALID PARAMETER
IST323I LABEL = D08001 - MACRO TYPE = LOCAL - KEYWORD = LOGAPPL
IST314I END
IST322I CONFIGURATION VTMSNA ERROR IGNORED - INVALID PARAMETER
IST323I LABEL = D08101 - MACRO TYPE = LOCAL - KEYWORD = LOGAPPL
IST314I END
IST093I VTMSNA ACTIVE
IST093I VTMHHC ACTIVE
IST1086I APPN CONNECTION FOR NETB.SSCP04 IS ACTIVE - TGN = 21
IST093I VSEAHHPU ACTIVE
IST093I VTMPATH ACTIVE
IST1096I CP-CP SESSIONS WITH NETB.SSCP04 ACTIVATED
IST093I VTMCTCA ACTIVE
IST464I LINK STATION CA21P HAS CONTACTED SA 3
IST093I CA21P ACTIVE
IST093I VTMCA1 ACTIVE
IST093I VTMCA2 ACTIVE
IST093I VTMCA3 ACTIVE
IST1330I CDRM CANNOT BE ACTIVATED FROM THIS NODE
IST072I VARY ACT FOR ID = VTMCDRM FAILED DURING NETWORK DEFINITION
IST093I VTMCDRS ACTIVE
IST1330I NCP CANNOT BE ACTIVATED FROM THIS NODE
IST072I VARY ACT FOR ID = RESNCP1 FAILED DURING NETWORK DEFINITION
IST093I VTMSW1 ACTIVE
```

```
IST020I VTAM INITIALIZATION COMPLETE FOR V4R2
IST1349I COMPONENT ID IS 5686-06501-FE6
IST1348I VTAM STARTED AS INTERCHANGE NODE
IST1097I CP-CP SESSION WITH NETB.SSCP04 TERMINATED
IST1280I SESSION TYPE = CONLOSER - SENSE = 80200007
IST314I END
IST259I INOP RECEIVED FOR VSEAHHPU CODE = 01
IST619I ID = VSEAHHPU FAILED - RECOVERY IN PROGRESS
IST1196I APPN CONNECTION FOR NETB.SSCP04 INACTIVE - TGN = 21
IST1086I APPN CONNECTION FOR NETB.SSCP04 IS ACTIVE - TGN = 21
IST621I RECOVERY SUCCESSFUL FOR NETWORK NODE VSEAHHPU
IST1110I ACTIVATION OF CP-CP SESSION WITH NETB.SSCP04 FAILED
IST1280I SESSION TYPE = CONWINNER - SENSE = 08910006
IST1002I RCPRI=0048 RCSEC=0000
IST314I END
```

Figure 87. VSE/VTAM Startup in Client/Server Mode with BN=YES



© Copyright IBM Corp. 1996



## 5.7 Startup of VM/VTAM in MultiDomain Mode with BN=YES

We modified our ATCSTR00 VTAMLST for user ID WCVML22 to include border node support, **BN=YES**, and to attempt cross network communication, **NETID=NETB**. We then started up our VM/VTAM in MultiDomain mode as an interchange node. The startup is in [Figure 88](#). We highlighted those error messages that resulted.

The highlighted message IST448I indicates BN=YES is an unsupported option in MultiDomain mode and therefore is being ignored. Without border node support, which BN=YES provides, cross-network communication cannot take place. We consistently received IST1110I and IST1280I with sense 08910006 for both the conwinner and conloser CP-CP session attempts across the AHHC channel when border node support was not in effect and the NETIDs were different.

This was the same error we received in Client/Server mode, as discussed earlier.

```

IST1497I VTAM FUNCTIONAL SUPPORT LEVEL IS MULTIDOMAIN
IST448I BN OPTION IGNORED - NO LONGER SUPPORTED
IST448I GWSSCP OPTION IGNORED - NO LONGER SUPPORTED
IST093I ISTDGRDY ACTIVE
IST495I SIZE HAS BEEN SET TO 050
IST315I VTAM INTERNAL TRACE ACTIVE - MODE = INT, SIZE = 050
IST199I OPTIONS = NONE
IST314I END
IST093I COSAPPN ACTIVE
IST093I ISTDWMMN ACTIVE
IST093I ISTDTRL ACTIVE
IST093I ISTDAPPLS ACTIVE
IST093I ISTDTPATH ACTIVE
IST984I USER EXIT ISTDXCSD IS ACTIVE
IST093I ISTDCTCA ACTIVE
IST464I LINK STATION CA750P HAS CONTACTED SA 27
IST093I CA750P ACTIVE
IST446I I/O ERROR 750, DEVICE END/BUSY, ,1400,0000
IST259I INOP RECEIVED FOR CA750P CODE = 01
IST619I ID = CA750P FAILED - RECOVERY IN PROGRESS
IST093I ISTDGRM ACTIVE
IST093I SSCP04 ACTIVE
IST464I LINK STATION CA750P HAS CONTACTED SA 27
IST621I RECOVERY SUCCESSFUL FOR NETWORK NODE CA750P
IST521I GBIND QUEUED FOR COS ISTDVTCOS FROM SSCP04 TO IPFV2
IST528I VIRTUAL ROUTE NUMBER 0 1 2 3 4 5 6 7
IST523I REASON = NO ROUTES OPERATIVE
IST322I CONFIGURATION ISTDGRS ERROR IGNORED - INVALID PARAMETER
IST323I LABEL = WCVMSNI - MACRO TYPE = CDRSC - KEYWORD = SRCOUNT
IST314I END
IST322I CONFIGURATION ISTDGRS ERROR IGNORED - INVALID PARAMETER
IST323I LABEL = WCVMSNI - MACRO TYPE = CDRSC - KEYWORD = SRTIMER
IST314I END
IST093I SSCP27 ACTIVE
IST093I ISTDGRS ACTIVE
IST093I ISTDNSNA ACTIVE
IST093I ISTDHHC ACTIVE
IST020I VTAM INITIALIZATION COMPLETE FOR V4R2
IST1086I APPN CONNECTION FOR DEIBMIPF.SSCP01 IS ACTIVE - TGN = 21

```

```
IST093I VMAHHPU ACTIVE
IST1110I ACTIVATION OF CP-CP SESSION WITH DEIBMIPF.SSCP01 FAILED
IST1280I SESSION TYPE = CONLOSER - SENSE = 08910006
IST314I END
IST1349I COMPONENT ID IS 5654-01001-420
IST1348I VTAM STARTED AS INTERCHANGE NODE
IST526I ROUTE FAILED FROM 4 TO 27 - DSA 27 - NETID NETB
IST1110I ACTIVATION OF CP-CP SESSION WITH DEIBMIPF.SSCP01 FAILED
IST1280I SESSION TYPE = CONWINNER - SENSE = 08910006
IST314I END
IST1214I FFST SUBSYSTEM IS NOT INSTALLED
DTII10I DEFAULT INITIALIZATION PARAMETERS BEING USED
DTIC01I DTICINIT VSCS IUCV INITIALIZATION IS IN PROGRESS
DTIC17I DTICINIT ENABLE SNA ISSUED
DTIS74I TRACE TABLE STARTS AT 01838020 END 01847A5F , CURRENT 01838040 , SIZE 2
00
DTIC02I DTICINIT VSCS IUCV INITIALIZATION COMPLETE

Ready;
DTIV04I DTIVINIT VSCS VTAM SERVICES INITIALIZATION COMPLETED
```

Figure 88. VM/VTAM Startup in MultiDomain Mode with BN=YES



© Copyright IBM Corp. 1996



## 5.8 Startup of VSE/VTAM in MultiDomain Mode with BN=YES

In our VSE/VTAM (WCVSE21) we modified our ATCSTR00.B book to include border node support, **BN=YES**. The NETID was DEIBMIPF, which we left unchanged. We then started up our VSE/VTAM in MultiDomain mode as an interchange node. The startup is in [Figure 89](#). We highlighted those error messages that resulted.

The highlighted message IST448I indicates BN=YES is an unsupported option in MultiDomain mode and therefore is being ignored. Without border node support, which BN=YES provides, cross-network communication cannot take place. We consistently received IST1110I and IST1280I with sense 08910006 for both the conwinner and conloser CP-CP session attempts across the AHHC channel when border node support was not in effect and the NETIDs were different. IST1002I RCPRI=0048 RCSEC=0000 was only seen in the VSE/VTAM, and not in the VM/VTAM.

We received these same messages for VSE/VTAM V4.2 in Client/Server mode.

```
// JOB VTAMMD      START VTAM IN MULTI-DOMAIN  MODE
DATE 03/05/96,CLOCK 13/31/11
IST1497I VTAM FUNCTIONAL SUPPORT LEVEL IS MULTIDOMAIN
IST448I BN OPTION IGNORED - NO LONGER SUPPORTED
IST093I ISTCDRDY ACTIVE
IST315I VTAM INTERNAL TRACE ACTIVE - MODE = INT, SIZE = 050
IST199I OPTIONS = NONE
IST314I END
IST093I COSAPPN ACTIVE
IST093I ISTDSWMN ACTIVE
IST984I USER EXIT ISTEXCSD IS ACTIVE
IST093I ISTTRL ACTIVE
IST093I VTMAPPL ACTIVE
IST093I VTMSNA ACTIVE
IST1086I APPN CONNECTION FOR DEIBMIPF.IPF200 IS ACTIVE - TGN = 21
IST093I WC31740P ACTIVE
IST1096I CP-CP SESSIONS WITH DEIBMIPF.IPF200 ACTIVATED
IST093I VTMSNA ACTIVE
IST093I VTMMAHHC ACTIVE
IST093I VTMPATH ACTIVE
IST093I VMCTCA ACTIVE
IST464I LINK STATION CA21P HAS CONTACTED SA 3
IST093I CA21P ACTIVE
IST093I VMCA1 ACTIVE
IST093I VMCA2 ACTIVE
IST093I VMCA3 ACTIVE
IST093I VMCDRM ACTIVE
IST093I SSCP01 ACTIVE
IST093I SSCP03 ACTIVE
IST093I VMCDRS ACTIVE
IST461I ACTIVATE FOR U/RNAME ENTRY ID = 0260-S STARTED
IST093I VTMSW1 ACTIVE
IST020I VTAM INITIALIZATION COMPLETE FOR V4R2
IST1349I COMPONENT ID IS 5686-06501-FE6
IST1348I VTAM STARTED AS INTERCHANGE NODE
IST881I UNABLE TO CONTACT LINK STATION 0260-S
IST882I WAITING FOR DEVICE END FROM DEVICE
IST1086I APPN CONNECTION FOR NETB.SSCP04 IS ACTIVE - TGN = 21
IST093I VSEAHHPU ACTIVE
```

```
IST1110I ACTIVATION OF CP-CP SESSION WITH NETB.SSCP04 FAILED
IST1280I SESSION TYPE = CONWINNER - SENSE = 08910006
IST1002I RCPRI=0048 RCSEC=0000
IST314I END
```

Figure 89. VSE/VTAM Startup in MultiDomain Mode with BN=YES



© Copyright IBM Corp. 1996

[IBM Library Server](#) Copyright 1989, 2004 [IBM](#) Corporation. All rights reserved.





---

## A.0 Appendix A. Subarea Definition Examples

The following definitions are those that we implemented for our migration of VM/VTAM V3.4.1 to V4.2 and VSE/VTAM V3.4 to V4.2 when migrating just the subarea functions. References in Chapters 2 and 3 refer to these definitions. We will provide the pertinent VM CP directory entries along with the VTAM definitions.

In the following definition samples we have tried to reduce the definitions as much as possible by omitting default values and showing only what you really **must** define.

Subtopics:

- [A.1 VM CP Directory Entries for User ID WCVMSNI](#)
- [A.2 Definitions for VM/VTAM 3.4.1](#)
- [A.3 VM CP Directory Entries for User ID WCVMI22](#)
- [A.4 Definitions for VM/VTAM 4.2 \(subarea functions only\)](#)
- [A.5 VM CP Directory Entries for User ID WCVSE13](#)
- [A.6 Definitions for VSE/VTAM 3.4](#)
- [A.7 VM CP Directory Entries for User ID WCVSE21](#)
- [A.8 Definitions for VSE/VTAM 4.2 \(subarea functions only\)](#)



© Copyright IBM Corp. 1996



---

## A.1 VM CP Directory Entries for User ID WCVMSNI

Subtopics:

- [A.1.1 USER WCVMSNI Directory Entry](#)
- [A.1.2 USER VTAMESA Directory Entry](#)
- [A.1.3 USER MAINT Directory Entry](#)



© Copyright IBM Corp. 1996

---

[IBM Library Server](#) Copyright 1989, 2004 [IBM](#) Corporation. All rights reserved.



## A.1.1 USER WCVMSNI Directory Entry

```
USER WCVMSNI xxxxxxxx 32M 1024M BG
MACHINE ESA
ACCOUNT 123 7032-86
OPTION      MAINTCCW
IPL CMS
CONSOLE 01F 3270
SPECIAL 750 CTCA WCVM122
SPECIAL 009 3270
SPECIAL 080 3270
SPECIAL 081 3270
SPECIAL 082 3270
SPECIAL 083 3270
SPECIAL 084 3270
SPECIAL 085 3270
SPECIAL 086 3270
SPECIAL 087 3270
SPECIAL 088 3270
SPOOL 00D 3525 A
SPOOL 00E 3211 A
* CMS DISKS
LINK MAINT 190 190 RR
LINK MAINT 19D 19D RR
LINK MAINT 19E 19E RR
* ESA22R AND ESA22W
DEDICATE 400 2D14
DEDICATE 401 2D15
MDISK 0191 9345 1991 10 LS45R7 MR
```

Figure 90. WCVMSNI Directory Entry (VM/VTAM 3.4.1)



© Copyright IBM Corp. 1996



## A.1.2 USER VTAMESA Directory Entry

```

USER VTAMESA SSMC 32M 32M BCEG
*-----
* ACF/VTAM Vers 3 Rel 4.1 VM/ESA-VERSION
*-----
OPTION  MAXCONN 400
OPTION  QUICKDSP DIAG98
IUCV *CCS P M 10
IUCV ANY P M 0
MACH ESA
NAMESAVE GCSXA
IPL GCSXA PARM AUTOLOG
CONSOLE 009 3215 T SNAMAIN
SPOOL 00C 2540 READER A
SPOOL 00D 2540 PUNCH A
SPOOL 00E 1403 E
SPECIAL 700 3270
SPECIAL 701 3270
SPECIAL 702 3270
SPECIAL 703 3270
SPECIAL 704 3270
LINK MAINT      190  190 RR
LINK MAINT      193  193 RR
LINK MAINT      298  298 RR
LINK MAINT     129A 129A RR
LINK MAINT      643  643 RR
MDISK  191 9345  447    5 ESA22W MR READ    WRITE    MULTIPLE

```

Figure 91. VTAMESA Directory Entry (VM/VTAM 3.4.1)



© Copyright IBM Corp. 1996



## A.1.3 USER MAINT Directory Entry

```

USER MAINT SSMC 48M 64M ABCDEFG
*-----
* VM/ESA ESA Feature Rel 2.2
*-----
AUTOLOG AUTOLOG1 OP1 MAINT
MACH XA
OPTION MAINTCCW DEVMAINT
IPL 190
NAMESAVE GCS
NAMESAVE GCSXA
NAMESAVE HELP
NAMESAVE HELPINST
NAMESAVE CMSFILES
NAMESAVE CMSVMLIB
NAMESAVE DFSMSSEG
CONSOLE 009 3215 T
SPOOL 00C 2540 READER *
SPOOL 00D 2540 PUNCH A
SPOOL 00E 1403 A

* VTAMLST files
MDISK 298 9345 192 16 ESA22W RR RMAINT WMAINT MMAINT 1

* SNA Products VMFPARM disk
MDISK 348 9345 335 1 ESA22W RR RMAINT WMAINT MMAINT

* VTAM/ESA Rel 3.4.1 disks
MDISK 1298 9345 336 1 ESA22W RR RMAINT WMAINT MMAINT
MDISK 1299 9345 337 35 ESA22W RR RMAINT WMAINT MMAINT
MDISK 129A 9345 372 30 ESA22W RR RMAINT WMAINT MMAINT
MDISK 129B 9345 402 12 ESA22W RR RMAINT WMAINT MMAINT
MDISK 129C 9345 414 3 ESA22W RR RMAINT WMAINT MMAINT
MDISK 129D 9345 417 30 ESA22W RR RMAINT WMAINT MMAINT

```

Figure 92. MAINT Directory Entry (VM/VTAM 3.4.1)

**Note:**

- 1 We only include those minidisk statements that were related to the VTAMESA virtual machine, within the MAINT directory entry.





---

## A.2 Definitions for VM/VTAM 3.4.1

Subtopics:

- [A.2.1 ATCSTR99 Start List](#)
- [A.2.2 ATCCON99 Config List](#)
- [A.2.3 A01M700](#)
- [A.2.4 AVSAPPL](#)
- [A.2.5 RSCSNET](#)
- [A.2.6 V34APPLS](#)
- [A.2.7 ISTCDRM](#)
- [A.2.8 ISTCDRS](#)
- [A.2.9 ISTPATH](#)
- [A.2.10 ISTCTCA](#)



© Copyright IBM Corp. 1996

---

[IBM Library Server](#) Copyright 1989, 2004 [IBM](#) Corporation. All rights reserved.




## A.2.1 ATCSTR99 Start List

NETID=DEIBMIPF,		C
SSCPID=27,		C
SSCPNAME=SSCP27,		C
CDRSCTI=240,	* DEFAULT 480	* C
CONFIG=99,	* ATCCON99 USED	* C
CSALIMIT=0,	* DEFAULT	* C
DYNLU=NO,	* DEFAULT	* C
MAXSUBA=30,	* DEFAULT 15	* C
HOSTPU=SA27VTAM,	* DEFAULT ISTEPUS	* C
HOSTSA=27,		* C
IOBUF=(300,288,5,,6,20),		C
IOPURGE=5M,	* NEW IN VTAM 3.4.1 DEFAULT 0	* C
NOPROMPT,	* ONLY ATCSTR00	* C
TNSTAT,TIME=60,	* DEFAULT NOTNSTAT	* C

Figure 93. ATCSTR99 (VM/VTAM 3.4.1)



© Copyright IBM Corp. 1996

[IBM Library Server](#) Copyright 1989, 2004 [IBM](#) Corporation. All rights reserved.



## A.2.2 ATCCON99 Config List

```

*** SSMC SAMPLE ATCCON ATCCON99
A01M700,
AVSAPPL,
RSCSNET,
V34APPLS,
ISTCDRM,
ISTCDRS,
ISTPATH,
ISTCTCA
* LOCAL NON SNA TERMINALS * C
* AVS APPC * C
* RSCS * C
* MORE APPLICATIONS * C
* CROSS DOMAIN RESOURCE MGR * C
* CROSS DOMAIN RESOURCES * C
* PATH TABLE * C
* CHANNEL-TO-CHANNEL *
```

Figure 94. ATCCON99 (VM/VTAM 3.4.1)



© Copyright IBM Corp. 1996





## A.2.3 A01M700

```

*****
* SAMPLE DEFINITIONS FOR LOCAL NON SNA TERMINALS                *
*                                                                 *
*                                                                 *
*****
                LBUILD
A01TL700 LOCAL CUADDR=700,          ** CHANNEL-ATTACHED TERM ADDR  ** C
                TERM=3277,          ** NON-SNA TERMINAL TYPE      ** C
                FEATUR2=(NOEDATS,   ** DEFAULT                    ** C
                MODEL2),           ** TERMINAL MODEL NUMBER     ** C
                DLOGMOD=D4B32792,   **                               C
                MODETAB=ISTINCLM,    **                               C
                USSTAB=NSNAUSS,      **                               C
                ISTATUS=ACTIVE
                LOGAPPL=VM *
*
*
A01TL701 LOCAL CUADDR=701,          ** CHANNEL-ATTACHED TERM ADDR  ** C
                TERM=3277,          ** NON-SNA TERMINAL TYPE      ** C
                FEATUR2=(NOEDATS,   ** DEFAULT                    ** C
                MODEL2),           ** TERMINAL MODEL NUMBER     ** C
                DLOGMOD=D4B32792,   **                               C
                MODETAB=ISTINCLM,    **                               C
                USSTAB=NSNAUSS,      **                               C
                ISTATUS=ACTIVE
                LOGAPPL=VM *
*
*
A01TL702 LOCAL CUADDR=702,          ** CHANNEL-ATTACHED TERM ADDR  ** C
                TERM=3277,          ** NON-SNA TERMINAL TYPE      ** C
                FEATUR2=(NOEDATS,   ** DEFAULT                    ** C
                MODEL2),           ** TERMINAL MODEL NUMBER     ** C
                DLOGMOD=D4B32792,   **                               C
                MODETAB=ISTINCLM,    **                               C
                USSTAB=NSNAUSS,      **                               C
                ISTATUS=ACTIVE
                LOGAPPL=VM *
*
*
A01TL703 LOCAL CUADDR=703,          ** CHANNEL-ATTACHED TERM ADDR  ** C
                TERM=3277,          ** NON-SNA TERMINAL TYPE      ** C
                FEATUR2=(NOEDATS,   ** DEFAULT                    ** C
                MODEL2),           ** TERMINAL MODEL NUMBER     ** C
                DLOGMOD=D4B32792,   **                               C
                MODETAB=ISTINCLM,    **                               C
                USSTAB=NSNAUSS,      **                               C
                ISTATUS=ACTIVE
                LOGAPPL=VM *
*
*
A01TL704 LOCAL CUADDR=704,          ** CHANNEL-ATTACHED TERM ADDR  ** C
                TERM=3277,          ** NON-SNA TERMINAL TYPE      ** C
                FEATUR2=(NOEDATS,   ** DEFAULT                    ** C
                MODEL2),           ** TERMINAL MODEL NUMBER     ** C
                DLOGMOD=D4B32792,   **                               C
                MODETAB=ISTINCLM,    **                               C
                USSTAB=NSNAUSS,      **                               C
                ISTATUS=ACTIVE
                LOGAPPL=VM *
*
*

```

Figure 95. A01M700 (VM/VTAM 3.4.1)

---



© *Copyright IBM Corp. 1996*

---

[IBM Library Server](#) Copyright 1989, 2004 [IBM](#) Corporation. All rights reserved.



## A.2.4 AVSAPPL

```

*****
*   SAMPLE AVS APPC VTAMLST SNA APPLICATION NAME           *
*                                                     CREATED BY SSMC   *
*****
AVSAPPL  VBUILD TYPE=APPL
* AVS GATEWAY
A01AVS   APPL   AUTH=(ACQ,NVPACE),                        C
           AUTHEXIT=YES,                                CC
           APPC=YES,                                    CC
           SECACPT=ALREADYV,                            CC
           MODETAB=APPCTAB,                              CC
           VPACING=3,                                    CC
           PARSESS=YES,                                  CC
           SYNCLVL=SYNCPT,                               CC
           DSESLIM=500,                                  CC
           DMINWNL=250,                                  CC
           DMINWNR=250,                                  CC
           AUTOSES=20                                     C

```

Figure 96. AVSAPPL (VM/VTAM 3.4.1)



© Copyright IBM Corp. 1996



## A.2.5 RSCSNET

```
RSCSNET  VBUILD TYPE=APPL
RSCS     APPL  ACBNAME=RSCS,
          MODETAB=RSCSTAB,
          DLOGMOD=RSCSNJE0,
          AUTHEXIT=YES,
          AUTH=(ACQ),
          VPACING=3
          C
          C
          C
          C
```

Figure 97. RSCSNET (VM/VTAM 3.4.1)



© Copyright IBM Corp. 1996



## A.2.6 V34APPLS

```
VM          APPL  AUTH=( PASS , ACQ ) , ACBNAME=VM , PRTCT=VM , AUTHEXIT=YES ,      C
              SONSCIP=YES
```

Figure 98. V34APPLS (VM/VTAM 3.4.1)



© Copyright IBM Corp. 1996



## A.2.7 ISTCDRM

```
* MEMBER FOR CROSS DOMAIN RESOURCE MANAGERS
ISTCDRM  VBUILD TYPE=CDRM
SSCP27   CDRM  SUBAREA=27,CDRDYN=YES, ISTATUS=ACTIVE
SSCP04   CDRM  SUBAREA=04,CDRSC=OPT, ISTATUS=ACTIVE
IPFV2    CDRM  SUBAREA=02,CDRSC=OPT, ISTATUS=ACTIVE
```

Figure 99. ISTCDRM (VM/VTAM 3.4.1)



© Copyright IBM Corp. 1996



## A.2.8 ISTCDRS

```
* MEMBER FOR CROSS DOMAIN RESOURCES
ISTCDRS  VBUILD  TYPE=CDRSC
IPFA2VSC CDRSC   CDRM=IPFV2, ISTATUS=ACTIVE
IPFA2RSC CDRSC   CDRM=IPFV2, ISTATUS=ACTIVE
WCVMI22  CDRSC   CDRM=SSCP04, ISTATUS=ACTIVE
```

Figure 100. ISTCDRS (VM/VTAM 3.4.1)



© Copyright IBM Corp. 1996



## A.2.9 ISTPATH

```

* MEMBER FOR PATH
WCV122  PATH  DESTSA=04,                                     C
          ER0=(04,1),ER1=(04,1),ER2=(04,1),ER3=(04,1),    C
          ER4=(04,1),ER5=(04,1),ER6=(04,1),ER7=(04,1),    C
          VR0=0,VR1=1,VR2=2,VR3=3,VR4=4,VR5=5,VR6=6,VR7=7
IPFA2VSC PATH  DESTSA=02,                                     C
          ER0=(02,1),ER1=(02,1),ER2=(02,1),ER3=(02,1),    C
          ER4=(02,1),ER5=(02,1),ER6=(02,1),ER7=(02,1),    C
          VR0=0,VR1=1,VR2=2,VR3=3,VR4=4,VR5=5,VR6=6,VR7=7
RES3745  PATH  DESTSA=13,                                     C
          ER0=(13,1),ER1=(13,1),ER2=(13,1),ER3=(13,1),    C
          ER4=(13,1),ER5=(13,1),ER6=(13,1),ER7=(13,1),    C
          VR0=0,VR1=1,VR2=2,VR3=3,VR4=4,VR5=5,VR6=6,VR7=7

```

Figure 101. ISTPATH (VM/VTAM 3.4.1)



© Copyright IBM Corp. 1996





## A.2.10 ISTCTCA

```
* MEMBER FOR CTCA CONNECTIONS
*
* CTC DEFN TO WCVML22
*
CTCVMSNI VBUILD TYPE=CA
*
SNI750G  GROUP LNCTL=CTCA,                      C
          REPLYTO=3.0
*
SNI750L  LINE  ADDRESS=750,                      C
          MAXBFRU=5,                             C
          MIH=YES,                               C
          ISTATUS=ACTIVE
*
SNI750P  PU    PUTYPE=4,                          C
          DELAY=0.0
```

Figure 102. ISTCTCA (VM/VTAM 3.4.1)



© Copyright IBM Corp. 1996



---

## A.3 VM CP Directory Entries for User ID WCV M122

Subtopics:

- [A.3.1 USER WCV M122 Directory Entry \(subarea only\)](#)
- [A.3.2 USER VTAM Directory Entry](#)
- [A.3.3 USER 5654010A Directory Entry](#)
- [A.3.4 USER MAINT Directory Entry](#)



© Copyright IBM Corp. 1996

---

[IBM Library Server](#) Copyright 1989, 2004 [IBM](#) Corporation. All rights reserved.



### A.3.1 USER WCVM122 Directory Entry (subarea only)

```
USER WCVM122 XXXXXXXX 32M 1024M BG
MACHINE ESA
ACCOUNT 123 7032-86
OPTION      MAINTCCW
IPL CMS
CONSOLE 01F 3270
SPECIAL 750 CTCA WCVMSNI
SPECIAL 500 CTCA WCVSE21
SPECIAL 009 3270
SPECIAL 080 3270
SPECIAL 081 3270
SPECIAL 082 3270
SPECIAL 083 3270
SPECIAL 084 3270
SPECIAL 085 3270
SPECIAL 086 3270
SPECIAL 087 3270
SPECIAL 088 3270
SPOOL 00C 2540 R A
SPOOL 00D 3525 A
SPOOL 00E 3211 A
* CMS DISKS
LINK MAINT 190 190 RR
LINK MAINT 19D 19D RR
LINK MAINT 19E 19E RR
* ESA22R AND ESA22W
DEDICATE 400 2D0C
DEDICATE 401 2D0D
MDISK 0191 9345 6 10 LS45R5 MR
```

Figure 103. WCVM122 Directory Entry (VM/VTAM 4.2)



© Copyright IBM Corp. 1996



## A.3.2 USER VTAM Directory Entry

```
USER VTAM passwd 32M 32M ABCEFG
*-----
* VTAM/VM Version 4 Rel 2.0 AS REQUIRED
*-----
OPTION DIAG98 MAXCONN 400
MACH XA
IUCV *CCS P M 10
IUCV ANY P M 0
NAMESAVE GCSXA
IPL GCSXA PARM AUTOLOG
CONSOLE 01F 3215 T OPERATOR
SPOOL 00C 2540 READER A
SPOOL 00D 2540 PUNCH A
SPOOL 00E 1403
SPECIAL 070 3270
SPECIAL 071 3270
SPECIAL 072 3270
SPECIAL 073 3270
SPECIAL 074 3270
LINK MAINT 190 190 RR
LINK MAINT 193 193 RR
LINK MAINT 298 298 RR
LINK 5654010A 2C2 191 RR
LINK 5654010a 29A 29A RR
MDISK 200 9345 1982 10 ESA22W MR RVTAM420 WVTAM420 MVTAM420
```

Figure 104. VTAM Directory Entry (VM/VTAM 4.2)



© Copyright IBM Corp. 1996



### A.3.3 USER 5654010A Directory Entry

```

USER 5654010A passwd 16M 32M BEG
*-----
* VTAM/VM Version 4 Rel 2.0
*-----
MACH XA
IPL CMS
CONSOLE 01F 3215
SPOOL 00C 2540 READER A
SPOOL 00D 2540 PUNCH A
SPOOL 00E 1403
LINK MAINT 190 190 RR
LINK MAINT 51D 51D MR
LINK MAINT 5E5 5E5 RR
LINK MAINT 193 193 MR
LINK MAINT 19E 19E MR
MDISK 2B2 9345 1728 83 ESA22W MR R5654010 W5654010 M5654010
MDISK 2C2 9345 1811 5 ESA22W MR R5654010 W5654010 M5654010
MDISK 2D2 9345 1816 22 ESA22W MR
MDISK 2C4 9345 1838 2 ESA22W MR
MDISK 2A6 9345 1840 11 ESA22W MR
MDISK 2A2 9345 1851 11 ESA22W MR
MDISK 49A 9345 1862 44 ESA22W MR R5654010 W5654010 M5654010
MDISK 29A 9345 1906 44 ESA22W MR R5654010 W5654010 M5654010
MDISK 402 9345 1950 3 ESA22W MR
MDISK 401 9345 1953 3 ESA22W MR
MDISK 493 9345 1956 4 ESA22W MR
MDISK 191 9345 1960 22 ESA22W MR

```

Figure 105. 5654010A Directory Entry (VM/VTAM 4.2)



© Copyright IBM Corp. 1996



## A.3.4 USER MAINT Directory Entry

```

USER MAINT passwd 48M 64M ABCDEFG
*-----
* VM/ESA ESA Feature Rel 2.2
*-----
AUTOLOG AUTOLOG1 OP1 MAINT
MACH XA
OPTION MAINTCCW DEVMAINT
IPL 190
NAMESAVE GCS
NAMESAVE GCSXA
NAMESAVE HELP
NAMESAVE HELPINST
NAMESAVE CMSFILES
NAMESAVE CMSVMLIB
NAMESAVE DFSMSSEG
CONSOLE 009 3215 T
SPOOL 00C 2540 READER *
SPOOL 00D 2540 PUNCH A
SPOOL 00E 1403 A

* VTAMLST files
MDISK 298 9345 192 16 ESA22W RR RMAINT WMAINT MMAINT 1

* SNA Products VMFPARM disk
MDISK 348 9345 335 1 ESA22W RR RMAINT WMAINT MMAINT

* VTAM/ESA Rel 3.4.1 disks
MDISK 1298 9345 336 1 ESA22W RR RMAINT WMAINT MMAINT
MDISK 1299 9345 337 35 ESA22W RR RMAINT WMAINT MMAINT
MDISK 129A 9345 372 30 ESA22W RR RMAINT WMAINT MMAINT
MDISK 129B 9345 402 12 ESA22W RR RMAINT WMAINT MMAINT
MDISK 129C 9345 414 3 ESA22W RR RMAINT WMAINT MMAINT
MDISK 129D 9345 417 30 ESA22W RR RMAINT WMAINT MMAINT

```

Figure 106. MAINT Directory Entry (VM/VTAM 4.2)

**Note:**

- 1 We only include those minidisk statements that were related to the VTAM virtual machine, within the MAINT directory entry.





---

## A.4 Definitions for VM/VTAM 4.2 (subarea functions only)

Subtopics:

- [A.4.1 ATCSTR00 Start List](#)
- [A.4.2 ATCCON00 Config List](#)
- [A.4.3 ISTAPPLS](#)
- [A.4.4 ISTCDRM](#)
- [A.4.5 ISTCDRS](#)
- [A.4.6 ISTPATH](#)
- [A.4.7 ISTCTCA](#)
- [A.4.8 ISTNSNA](#)



© Copyright IBM Corp. 1996



## A.4.1 ATCSTR00 Start List

```
SSCPID=4 , C
SSCPNAME=SSCP04 , C
NETID=DEIBMIPF , C
HOSTSA=4 , C
HOSTPU=NODE04 , C
MAXSUBA=255 , C
CONFIG=00 , C
NOPROMPT , C
IOINT=0 , C
CSALIMIT=0 , C
IOPURGE=5M , C
DYNLU=YES , C
MAINTLVL=ESA122 , C
CPCDRSC=YES , C
DISCNTIM=30 , C
SRCHRED=ON , C
SRCOUNT=10 , C
SRTIMER=60 , C
BS=( 28 , , , 1 ) , C
LF=( 70 , , , 11 ) , C
LP=( 12 , , , 6 ) , C
SF=( 20 , , , 20 ) , C
SP=( 210 , , , 32 ) , C
XD=( 6 , , , 1 ) , C
CR=( 60 , , , 1 ) , C
IO=( 300 , 288 , 5 , , 6 , 20 ) C
```

Figure 107. ATCSTR00 (VM/VTAM 4.2)



© Copyright IBM Corp. 1996





## A.4.2 ATCCON00 Config List

ISTAPPLS ,	C
ISTCDRM ,	C
ISTCDRS ,	C
ISTPATH ,	C
ISTCTCA ,	C
ISTNSNA	

Figure 108. ATCCON00 (VM/VTAM 4.2)



© Copyright IBM Corp. 1996

[IBM Library Server](#) Copyright 1989, 2004 [IBM](#) Corporation. All rights reserved.



## A.4.3 ISTAPPLS

```
VM      APPL  AUTH=( PASS , ACQ ) , ACBNAME=VM , PRTCT=VM , AUTHEXIT=YES ,      C
          SONSCHIP=YES
```

Figure 109. ISTAPPLS (VM/VTAM 4.2)



© Copyright IBM Corp. 1996



## A.4.4 ISTCDRM

```
* MEMBER FOR CROSS DOMAIN RESOURCE MANAGERS
ISTCDRM  VBUILD TYPE=CDRM
SSCP04   CDRM  SUBAREA=04,CDRDYN=YES, ISTATUS=ACTIVE
IPFV2    CDRM  SUBAREA=02,CDRSC=OPT, ISTATUS=ACTIVE
SSCP27   CDRM  SUBAREA=27,CDRSC=OPT, ISTATUS=ACTIVE
```

Figure 110. ISTCDRM (VM/VTAM 4.2)



© Copyright IBM Corp. 1996



## A.4.5 ISTCDRS

```
* MEMBER FOR CROSS DOMAIN RESOURCES
ISTCDRS  VBUILD  TYPE=CDRSC
IPFA2VSC  CDRSC   CDRM=IPFV2, ISTATUS=ACTIVE
IPFA2RSC  CDRSC   CDRM=IPFV2, ISTATUS=ACTIVE
WCVMSNI   CDRSC   CDRM=SSCP27, ISTATUS=ACTIVE, SRCOUNT=10, SRTIMER=300
```

Figure 111. ISTCDRS (VM/VTAM 4.2)



© Copyright IBM Corp. 1996



## A.4.6 ISTPATH

```

* MEMBER FOR PATH TABLE
WCVSE21  PATH  DESTSA=1,                                     C
           ER0=(1,1),ER1=(1,1),ER2=(1,1),ER3=(1,1),       C
           ER4=(1,1),ER5=(1,1),ER6=(1,1),ER7=(1,1),       C
           VR0=0,VR1=1,VR2=2,VR3=3,VR4=4,VR5=5,VR6=6,VR7=7
WCVSE13  PATH  DESTSA=3,                                     C
           ER0=(3,1),ER1=(3,1),ER2=(3,1),ER3=(3,1),       C
           ER4=(3,1),ER5=(3,1),ER6=(3,1),ER7=(3,1),       C
           VR0=0,VR1=1,VR2=2,VR3=3,VR4=4,VR5=5,VR6=6,VR7=7
IPFA2VSC PATH  DESTSA=2,                                     C
           ER0=(2,1),ER1=(2,1),ER2=(2,1),ER3=(2,1),       C
           ER4=(2,1),ER5=(2,1),ER6=(2,1),ER7=(2,1),       C
           VR0=0,VR1=1,VR2=2,VR3=3,VR4=4,VR5=5,VR6=6,VR7=7
RES3725  PATH  DESTSA=29,                                    C
           ER0=(29,1),ER1=(29,1),ER2=(29,1),ER3=(29,1),   C
           ER4=(29,1),ER5=(29,1),ER6=(29,1),ER7=(29,1),   C
           VR0=0,VR1=1,VR2=2,VR3=3,VR4=4,VR5=5,VR6=6,VR7=7
WCVMSNI  PATH  DESTSA=27,                                    C
           ER0=(27,1),ER1=(27,1),ER2=(27,1),ER3=(27,1),   C
           ER4=(27,1),ER5=(27,1),ER6=(27,1),ER7=(27,1),   C
           VR0=0,VR1=1,VR2=2,VR3=3,VR4=4,VR5=5,VR6=6,VR7=7

```

Figure 112. ISTPATH (VM/VTAM 4.2)



© Copyright IBM Corp. 1996



## A.4.7 ISTCTCA

```

* MEMBER FOR CTCA CONNECTIONS
CTCVM122 VBUILD TYPE=CA
*
* CTC DEFN TO WCVSE21
*
CA500G  GROUP LNCTL=CTCA,                C
          REPLYTO=3.0
*
CA500L  LINE  ADDRESS=500,                C
          MAXBFRU=7,                      C
          MIH=YES,                        C
          ISTATUS=ACTIVE
*
CA500P  PU    PUTYPE=4,                   C
          DELAY=0.0
*
* CTC DEFN TO WCVMSNI
*
CA750G  GROUP LNCTL=CTCA,                C
          REPLYTO=3.0
*
CA750L  LINE  ADDRESS=750,                C
          MAXBFRU=5,                      C
          MIH=YES,                        C
          ISTATUS=ACTIVE
*
CA750P  PU    PUTYPE=4,                   C
          DELAY=0.0

```

Figure 113. ISTCTCA (VM/VTAM 4.2)



© Copyright IBM Corp. 1996



## A.4.8 ISTNSNA

ISTNSNA	LBUILD		
VMNS70	LOCAL	CUADDR=070,TERM=3277, DLOGMOD=NSX32702, MODETAB=ISTINCLM, FEATUR2=(MODEL2)	C C C
VMNS71	LOCAL	CUADDR=071,TERM=3277, DLOGMOD=NSX32702, MODETAB=ISTINCLM, FEATUR2=(MODEL2)	C C C
VMNS72	LOCAL	CUADDR=072,TERM=3277, DLOGMOD=NSX32702, MODETAB=ISTINCLM, FEATUR2=(MODEL2)	C C C
VMNS73	LOCAL	CUADDR=073,TERM=3277, DLOGMOD=NSX32702, MODETAB=ISTINCLM, FEATUR2=(MODEL2)	C C C
VMNS74	LOCAL	CUADDR=074,TERM=3277, DLOGMOD=NSX32702, MODETAB=ISTINCLM, FEATUR2=(MODEL2)	C C C

Figure 114. ISTNSNA (VM/VTAM 4.2)



© Copyright IBM Corp. 1996

**IBM Library Server**



---

## A.5 VM CP Directory Entries for User ID WCVSE13

Subtopics:

- [A.5.1 USER WCVSE13 Directory Entry](#)



© Copyright IBM Corp. 1996

---

[IBM Library Server](#) Copyright 1989, 2004 [IBM](#) Corporation. All rights reserved.





## A.5.1 USER WCVSE13 Directory Entry

```
USER WCVSE13 passwd 32M 64M BFG
MACHINE ESA
OPTION MAINTCCW DEVMAINT
*OPTION V=R CPUID 222222
OPTION CPUID 222222
IPL CMS
DEDICATE 400 2600
DEDICATE 401 2601
DEDICATE 402 2602
CONSOLE 009 3215 T
SPECIAL 600 CTCA WCVSE21
SPECIAL 090 3270
SPECIAL 091 3270
SPECIAL 092 3270
SPECIAL 093 3270
SPECIAL 094 3270
SPECIAL 095 3270
SPECIAL 096 3270
SPECIAL 097 3270
SPECIAL 098 3270
SPOOL 00C 2540 R A
SPOOL 00D 3525 A
SPOOL 00E 3211 A
SPOOL 0AC 2540 R A
SPOOL 0AD 3525 A
SPOOL 0AE 3211 A
LINK MAINT 190 190 RR
LINK MAINT 19D 19D RR
LINK MAINT 19E 19E RR
MDISK 0191 9345 2001 10 LS45R6 MR
```

Figure 115. WCVSE13 Directory Entry (VSE/VTAM 3.4)



© Copyright IBM Corp. 1996



---

## A.6 Definitions for VSE/VTAM 3.4

Subtopics:

- [A.6.1 ATCSTR00 start list](#)
- [A.6.2 ATCCON00 Config List](#)
- [A.6.3 VTMAPPL Major Node](#)
- [A.6.4 VTMDL Major Node](#)
- [A.6.5 PNET Definition](#)
- [A.6.6 POWER Macro](#)
- [A.6.7 VTMSNA Major Node](#)
- [A.6.8 VTCTCA Major Node](#)
- [A.6.9 VTMPATH Major Node](#)
- [A.6.10 VTCDRM Major Node](#)
- [A.6.11 VTCDRS Major Node](#)



© Copyright IBM Corp. 1996





## A.6.2 ATCCON00 Config List

VTMAPPL,	C
VTMNSNA,	C
VTMCTCA,	C
VTMPATH,	C
VTMCDRM,	C
VTMCDRS	

Figure 117. ATCCON00 (VSE/VTAM 3.4)



© Copyright IBM Corp. 1996

[IBM Library Server](#) Copyright 1989, 2004 IBM Corporation. All rights reserved.



## A.6.3 VTMAPPL Major Node

```
VTMAPPL  VBUILD TYPE=APPL
DBDCCICS APPL  AUTH=(PASS,ACQ)
CICS13   APPL  AUTH=(PASS,ACQ)
VSE13PWR APPL  AUTH=(ACQ)
PNET     APPL  AUTH=(PASS,ACQ),VPACING=3,MODETAB=VTMLOGTB,DLOGMOD=PNET
PSFAPPL  APPL  AUTH=ACQ,EAS=1,SONSCIP=YES
IESWAITT APPL  AUTH=(NOACQ)
```

Figure 118. VTMAPPL (VSE/VTAM 3.4)



© Copyright IBM Corp. 1996



---

## A.6.4 VTMMDL Major Node

```
VTMMDL  MDLTAB  
VSE32782 MDLENT MODEL=VSE32782
```

Figure 119. VTMMDL (VSE/VTAM 3.4)

---



© *Copyright IBM Corp. 1996*

---



---

## A.6.5 PNET Definition

```
VSE13NDT PNODE NODE=VSE13PWR,APPLID=VSE13PWR,LOCAL=YES  
PNODE NODE=VSE21PWR,APPLID=VSE21PWR,AUTH=JOB
```

Figure 120. PNET Definition (VSE/VTAM 3.4)

---



© Copyright IBM Corp. 1996

---







## A.6.7 VTMNSNA Major Node

VTMNSNA	LBUILD		
D09001	LOCAL	CUADDR=090 ,TERM=3277 , USSTAB=VTMUSSTB , DLOGMOD=SP32702N , MODETAB=IESINCLM , MDLTAB=VTMMDL , MDLENT=VSE32782 , FEATUR2= (MODEL2)	C C C C C
D09101	LOCAL	CUADDR=091 ,TERM=3277 , USSTAB=VTMUSSTB , DLOGMOD=SP32702N , MODETAB=IESINCLM , MDLTAB=VTMMDL , MDLENT=VSE32782 , FEATUR2= (MODEL2)	C C C C C
D09201	LOCAL	CUADDR=092 ,TERM=3277 , USSTAB=VTMUSSTB , DLOGMOD=SP32702N , MODETAB=IESINCLM , MDLTAB=VTMMDL , MDLENT=VSE32782 , FEATUR2= (MODEL2)	C C C C C
D09301	LOCAL	CUADDR=093 ,TERM=3277 , USSTAB=VTMUSSTB , DLOGMOD=SP32702N , MODETAB=IESINCLM , MDLTAB=VTMMDL , MDLENT=VSE32782 , FEATUR2= (MODEL2)	C C C C C
D09401	LOCAL	CUADDR=094 ,TERM=3277 , USSTAB=VTMUSSTB , DLOGMOD=SP32702N , MODETAB=IESINCLM , MDLTAB=VTMMDL , MDLENT=VSE32782 , FEATUR2= (MODEL2)	C C C C C
D09501	LOCAL	CUADDR=095 ,TERM=3277 , USSTAB=VTMUSSTB , DLOGMOD=SP32702N , MODETAB=IESINCLM , MDLTAB=VTMMDL , MDLENT=VSE32782 , FEATUR2= (MODEL2)	C C C C C
D09601	LOCAL	CUADDR=096 ,TERM=3277 , USSTAB=VTMUSSTB , DLOGMOD=SP32702N , MODETAB=IESINCLM , MDLTAB=VTMMDL , MDLENT=VSE32782 , FEATUR2= (MODEL2)	C C C C C
D09701	LOCAL	CUADDR=097 ,TERM=3277 , USSTAB=VTMUSSTB , DLOGMOD=SP32702N , MODETAB=IESINCLM , MDLTAB=VTMMDL , MDLENT=VSE32782 , FEATUR2= (MODEL2)	C C C C C

Figure 122. VTMNSNA (VSE/VTAM 3.4)

---



© *Copyright IBM Corp. 1996*

---

[IBM Library Server](#) Copyright 1989, 2004 [IBM](#) Corporation. All rights reserved.



## A.6.8 VTMCTCA Major Node

```
*
*   CTC DEFN TO WCVSE21
*
CTCA13  VBUILD TYPE=CA
*
CA13G   GROUP LNCTL=CTCA,                      C
        REPLYTO=3.0
*
CA13L   LINE  ADDRESS=600,                      C
        MAXBFRU=5,                             C
        MIH=YES,                               C
        ISTATUS=ACTIVE
*
CA13P   PU    PUTYPE=4,                          C
        DELAY=0.0
```

Figure 123. VTMCTCA (VSE/VTAM 3.4)



© Copyright IBM Corp. 1996



## A.6.9 VTMPATH Major Node

```
WCVSE21  PATH  DESTSA=1,                                C
            ER0=(1,1),ER1=(1,1),ER2=(1,1),ER3=(1,1),    C
            ER4=(3,1),ER5=(3,1),ER6=(3,1),ER7=(3,1),    C
            VR0=0,VR1=1,VR2=2,VR3=3,VR4=4,VR5=5,VR6=6,VR7=7
```

Figure 124. VTMPATH (VSE/VTAM 3.4)



© Copyright IBM Corp. 1996



## A.6.10 VTMC DRM Major Node

```
VTMC DRM  VBUILD TYPE=CDRM
SSCP03    CDRM  SUBAREA=03,CDRDYN=YES, ISTATUS=ACTIVE
SSCP01    CDRM  SUBAREA=01,CDRSC=OPT, ISTATUS=ACTIVE
```

Figure 125. VTMC DRM (VSE/VTAM 3.4)



© Copyright IBM Corp. 1996



---

## A.6.11 VTMCDRS Major Node

```
VTMCDRS  VBUILD  TYPE=CDRSC  
PRODCICS CDRSC   CDRM=SSCP01, ISTATUS=ACTIVE
```

Figure 126. VTMCDRS (VSE/VTAM 3.4)

---



© *Copyright IBM Corp. 1996*

---

[IBM Library Server](#) Copyright 1989, 2004 [IBM](#) Corporation. All rights reserved.



---

## A.7 VM CP Directory Entries for User ID WCVSE21

Subtopics:

- [A.7.1 USER WCVSE21 Directory Entry \(subarea only\)](#)



© Copyright IBM Corp. 1996



## A.7.1 USER WCVSE21 Directory Entry (subarea only)

```

USER WCVSE21 passwd 32M 64M BFG
MACHINE ESA
OPTION MAINTCCW DEVMAINT
*OPTION V=R CPUID 222222
OPTION CPUID 222222
IPL CMS
DEDICATE 400 2620
DEDICATE 401 2621
CONSOLE 009 3215 T
SPECIAL 500 CTCA WCVS122
SPECIAL 600 CTCA WCVSE13
SPECIAL 080 3270
SPECIAL 081 3270
SPECIAL 082 3270
SPECIAL 083 3270
SPECIAL 084 3270
SPECIAL 085 3270
SPECIAL 086 3270
SPECIAL 087 3270
SPECIAL 088 3270
SPECIAL 9A0 3270
SPECIAL 9A1 3270
SPECIAL 9A2 3270
SPECIAL 9A3 3270
SPECIAL 9A4 3270
SPECIAL 9A5 3270
SPECIAL 9A6 3270
SPECIAL 9A7 3270
SPOOL 00C 2540 R A
SPOOL 00D 3525 A
SPOOL 00E 3211 A
SPOOL 0AC 2540 R A
SPOOL 0AD 3525 A
SPOOL 0AE 3211 A
LINK MAINT 190 190 RR
LINK MAINT 19D 19D RR
LINK MAINT 19E 19E RR
MDISK 0191 9345 1981 10 LS45R7 MR

```

Figure 127. WCVSE21 Directory Entry (VSE/VTAM 4.2)



© Copyright IBM Corp. 1996





---

## A.8 Definitions for VSE/VTAM 4.2 (subarea functions only)

Subtopics:

- [A.8.1 ATCSTR00 Start List](#)
- [A.8.2 ATCCON00 Config List](#)
- [A.8.3 VTMAPPL Major Node](#)
- [A.8.4 VTMDL Major Node](#)
- [A.8.5 PNET Definition](#)
- [A.8.6 POWER Macro](#)
- [A.8.7 VTMSNA Major Node](#)
- [A.8.8 VTMSNA Major Node](#)
- [A.8.9 VTMCTCA Major Node](#)
- [A.8.10 VTMPATH Major Node](#)
- [A.8.11 VTMC DRM Major Node](#)
- [A.8.12 VTMC DR S Major Node](#)
- [A.8.13 RESNCP1 Major Node](#)



© Copyright IBM Corp. 1996





## A.8.2 ATCCON00 Config List

VTMAPPL,	C
VTMSNA,	C
VTMSNSNA,	C
VTMPATH,	C
VTMCTCA,	C
VTMCA1,	C
VTMCA2,	C
VTMCA3,	C
VTMCDRM,	C
VTMCDRS,	C
RESNCP1,	C
VTMSW1	

Figure 129. ATCCON00 (VSE/VTAM 4.2)



© Copyright IBM Corp. 1996



## A.8.3 VTMAPPL Major Node

```
VTMAPPL  VBUILD TYPE=APPL
VSE2ICCF  APPL  AUTH=(PASS,ACQ),MODETAB=IESINCLM,PARSESS=YES
PRODCICS  APPL  AUTH=(PASS,ACQ),MODETAB=IESINCLM,PARSESS=YES
VSE21PWR  APPL  AUTH=(ACQ)
PNET      APPL  AUTH=(PASS,ACQ),VPACING=3,MODETAB=VTMLOGTB,DLOGMOD=PNET
PSFAPPL   APPL  AUTH=ACQ,EAS=1,SONSCIP=YES
IESWAITT  APPL  AUTH=(NOACQ)
```

Figure 130. VTMAPPL (VSE/VTAM 4.2)



© Copyright IBM Corp. 1996



## A.8.4 VTMMDL Major Node

```
VTMMDL    MDLTAB  
VSE32782  MDLENT  MODEL=VSE32782  
VSELU2A   MDLENT  MODEL=VSELU2A
```

Figure 131. VTMMDL (VSE/VTAM 4.2)



© Copyright IBM Corp. 1996



---

## A.8.5 PNET Definition

```
VSE21NDT PNODE NODE=VSE21PWR,APPLID=VSE21PWR,LOCAL=YES  
PNODE NODE=VSE13PWR,APPLID=VSE13PWR,AUTH=JOB
```

Figure 132. PNET Definition (VSE/VTAM 4.2)

---



© Copyright IBM Corp. 1996

---





## A.8.7 VTMSNA Major Node

VTMSNA	VBUILD	TYPE=LOCAL	
WC31740P	PU	CUADDR=300, DELAY=0.2,XID=YES,DYNLU=YES,DISCNT=DELAY, PUTYPE=2,ISTATUS=ACTIVE,MAXBFRU=29	C C
WC317402	LU	LOCADDR=2, DLOGMOD=SP32702S, MODETAB=IESINCLM, USSTAB=VTMUSSTR, PACING=1,VPACING=2, MDLTAB=VTMMDL, MDLENT=VSELU2A, ISTATUS=ACTIVE,SSCPFM=USSSCS	C C C C C C C
WC317403	LU	LOCADDR=3, DLOGMOD=SP32702S, MODETAB=IESINCLM, USSTAB=VTMUSSTR, PACING=1,VPACING=2, MDLTAB=VTMMDL, MDLENT=VSELU2A, ISTATUS=ACTIVE,SSCPFM=USSSCS	C C C C C C C
WC317404	LU	LOCADDR=4, DLOGMOD=SP32702S, MODETAB=IESINCLM, USSTAB=VTMUSSTR, PACING=1,VPACING=2, MDLTAB=VTMMDL, MDLENT=VSELU2A, ISTATUS=ACTIVE,SSCPFM=USSSCS	C C C C C C C
WC317405	LU	LOCADDR=5, DLOGMOD=SP32702S, MODETAB=IESINCLM, USSTAB=VTMUSSTR, PACING=1,VPACING=2, MDLTAB=VTMMDL, MDLENT=VSELU2A, ISTATUS=ACTIVE,SSCPFM=USSSCS	C C C C C C C
WC317406	LU	LOCADDR=6, DLOGMOD=SP32702S, MODETAB=IESINCLM, USSTAB=VTMUSSTR, PACING=1,VPACING=2, MDLTAB=VTMMDL, MDLENT=VSELU2A, ISTATUS=ACTIVE,SSCPFM=USSSCS	C C C C C C C
WC317407	LU	LOCADDR=7, DLOGMOD=SP32702S, MODETAB=IESINCLM, USSTAB=VTMUSSTR, PACING=1,VPACING=2, MDLTAB=VTMMDL, MDLENT=VSELU2A, ISTATUS=ACTIVE,SSCPFM=USSSCS	C C C C C C C

Figure 134. VTMSNA (VSE/VTAM 4.2)





© *Copyright IBM Corp. 1996*

---

[IBM Library Server](#) Copyright 1989, 2004 [IBM](#) Corporation. All rights reserved.



## A.8.8 VTMNSNA Major Node

VTMNSNA	LBUILD		
D08001	LOCAL	CUADDR=080,TERM=3277, USSTAB=VTMUSSTB, DLOGMOD=SP32702N, MODETAB=IESINCLM, MDLTAB=VTMMDL, MDLENT=VSE32782, LOGAPPL=VSE2ICCF, FEATUR2=(MODEL2)	C C C C C C
D08101	LOCAL	CUADDR=081,TERM=3277, USSTAB=VTMUSSTB, DLOGMOD=SP32702N, MODETAB=IESINCLM, MDLTAB=VTMMDL, MDLENT=VSE32782, FEATUR2=(MODEL2)	C C C C C
D08201	LOCAL	CUADDR=082,TERM=3277, USSTAB=VTMUSSTB, DLOGMOD=SP32702N, MODETAB=IESINCLM, MDLTAB=VTMMDL, MDLENT=VSE32782, FEATUR2=(MODEL2)	C C C C C
D08301	LOCAL	CUADDR=083,TERM=3277, USSTAB=VTMUSSTB, DLOGMOD=SP32702N, MODETAB=IESINCLM, MDLTAB=VTMMDL, MDLENT=VSE32782, FEATUR2=(MODEL2)	C C C C C
D08401	LOCAL	CUADDR=084,TERM=3277, USSTAB=VTMUSSTB, DLOGMOD=SP32702N, MODETAB=IESINCLM, MDLTAB=VTMMDL, MDLENT=VSE32782, FEATUR2=(MODEL2)	C C C C C
D08501	LOCAL	CUADDR=085,TERM=3277, USSTAB=VTMUSSTB, DLOGMOD=SP32702N, MODETAB=IESINCLM, MDLTAB=VTMMDL, MDLENT=VSE32782, FEATUR2=(MODEL2)	C C C C C
D08601	LOCAL	CUADDR=086,TERM=3277, USSTAB=VTMUSSTB, DLOGMOD=SP32702N, MODETAB=IESINCLM, MDLTAB=VTMMDL, MDLENT=VSE32782, FEATUR2=(MODEL2)	C C C C C
D08701	LOCAL	CUADDR=087,TERM=3277, USSTAB=VTMUSSTB, DLOGMOD=SP32702N, MODETAB=IESINCLM, MDLTAB=VTMMDL, MDLENT=VSE32782, FEATUR2=(MODEL2)	C C C C C

Figure 135. VTMNSNA (VSE/VTAM 4.2)

---



© *Copyright IBM Corp. 1996*

---

[IBM Library Server](#) Copyright 1989, 2004 [IBM](#) Corporation. All rights reserved.



## A.8.9 VTMCTCA Major Node

```

*
*   CTC DEFN TO WCVSE13
*
CTCA21  VBUILD TYPE=CA
*
CA600G  GROUP LNCTL=CTCA,                C
        REPLYTO=3.0
*
CA600L  LINE  ADDRESS=600,                C
        MAXBFRU=5,                        C
        MIH=YES,                          C
        ISTATUS=ACTIVE
*
CA600P  PU    PUTYPE=4,                   C
        DELAY=0.0
*
*   CTC DEFN TO WCVM122
*
CA500G  GROUP LNCTL=CTCA,                C
        REPLYTO=3.0
*
CA500L  LINE  ADDRESS=500,                C
        MAXBFRU=5,                        C
        MIH=YES,                          C
        ISTATUS=ACTIVE
*
CA500P  PU    PUTYPE=4,                   C
        DELAY=0.0

```

Figure 136. VTMCTCA (VSE/VTAM 4.2)



© Copyright IBM Corp. 1996



## A.8.10 VTMPATH Major Node

WCVSE13	PATH	DESTSA=3, ER0=(3,1),ER1=(3,1),ER2=(3,1),ER3=(3,1), ER4=(1,1),ER5=(1,1),ER6=(1,1),ER7=(1,1), VR0=0,VR1=1,VR2=2,VR3=3,VR4=4,VR5=5,VR6=6,VR7=7	C C C
RESNCP1	PATH	DESTSA=2, ER0=(2,1),ER1=(2,1),ER2=(2,1),ER3=(2,1), ER4=(2,1),ER5=(2,1),ER6=(2,1),ER7=(2,1), VR0=0,VR1=1,VR2=2,VR3=3,VR4=4,VR5=5,VR6=6,VR7=7	C C C
WCVMI22	PATH	DESTSA=4, ER0=(4,1),ER1=(4,1),ER2=(4,1),ER3=(4,1), ER4=(4,1),ER5=(4,1),ER6=(4,1),ER7=(4,1), VR0=0,VR1=1,VR2=2,VR3=3,VR4=4,VR5=5,VR6=6,VR7=7	C C C

Figure 137. VTMPATH (VSE/VTAM 4.2)



© Copyright IBM Corp. 1996



---

## A.8.11 VTMC DRM Major Node

```
VTMC DRM  VBUILD TYPE=CDRM
SSCP01    CDRM  SUBAREA=01,CDRDYN=YES, ISTATUS=ACTIVE
SSCP03    CDRM  SUBAREA=03,CDRSC=OPT, ISTATUS=ACTIVE
```

Figure 138. VTMC DRM (VSE/VTAM 4.2)

---



© Copyright IBM Corp. 1996

---



---

## A.8.12 VTMCDRS Major Node

```
VTMCDRS  VBUILD TYPE=CDRSC  
CICS13   CDRSC  CDRM=SSCP03 , ISTATUS=ACTIVE
```

Figure 139. VTMCDRS (VSE/VTAM 4.2)

---



© *Copyright IBM Corp. 1996*

---



## A.8.13 RESNCP1 Major Node

```

*****
*
*       PCCU MACRO SPECIFICATION
*
*****
*
*       PCCU   CUADDR=260,           3725-1 CONTROL UNIT ADDRESS           C
*              MAXDATA=4000,        MAXIMUM DATA TRANSFER TO NCP       C
*              AUTOIPL=NO,           DO NOT AUTOIPL AND RESTART        C
*              SUBAREA=1,            SAME AS ACF/VTAM HOSTSA OPERAND    C
*              NCPLUB=SYS005         UNIT CONTAINING NCP LOAD MODULE
*
*       EJECT
*****
*
*       BUILD MACRO SPECIFICATION
*
*****
*
*       BUILD  BFRS=128,             NCP BUFFER SIZE                   C
*              BRANCH=500,           BRANCH TRACE ENTRIES              C
*              CWALL=26,             MIN. BUFFERS BEFORE SLOWDOWN      C
*              DR3270=YES,           DYNAMIC RECONFIG FOR SDLC 3270   C
*              DSABLTO=11.5,         DISABLE TIMEOUT FOR DATA SET READY C
*              ENABLTO=11.5,         ENABLE TIMEOUT FOR DATA SET READY C
*              LTRACE=2,             ALLOW LINE TRACE                   C
*              MAXSSCP=8,            MAXIMUM CONCURRENT SSCP-NCP SESSIONS C
*              MAXSUBA=255,          THE MAXIMUM FOR SA NUMBERS (PRE-ENA) C
*              SALIMIT=255,          THE MAXIMUM FOR SA NUMBERS (ESA)   C
*              MODEL=3725,           MODEL FOR 3725-1                  C
*              NEWNAME=RESNCP1,      C
*              OLT=YES,              ONLINE TEST AVAILABLE             C
*              PRTGEN=NOGEN,         SUPPRESS PRINTING OF MACRO GEN STMTS C
*              SLOWDOWN=12,          SLOWDOWN WHEN 12% OF BUFFERS AVAIL C
*              SUBAREA=2,            C
*              TRACE=(YES,64),        64 ADDRESS TRACE ENTRIES         C
*              TRANSFR=,             MAX NCP BUFFER TRANSFER TO HOST   C
*              TYPGEN=NCP,           CONTROLLER OPERATES CHANNEL ATTACHED C
*              TYP SYS=DOS,          VSE/ESA IS A DOS BASED SYSTEM     C
*              NETID=DEIBMIPF,       NAME OF THE NETWORK               C
*              VERSION=V4R3.1        ACF/NCP VERSION V4R3.1 IS USED
*
*       EJECT
*****
*
*       SYSCNTRL MACRO SPECIFICATION
*
*****
*
*       SYSCNTRL OPTIONS=(BHSASSC, ENDCALL, MODE, RCNTRL, RCOND, RECMD, C
*              RIMM, NAKLIM, SESSION, SSPAUSE, XMTLMT, STORDSP, DLRID, RDEVQ)
*
*       EJECT

```

Figure 140. RESNCP1 (VSE/VTAM 4.2) - Part 1 of 4



```

*****
*
*          HOST MACRO SPECIFICATION
*
*****
*
*          HOST   BFRPAD=15,          15 REQUIRED BY VSE VTAM           C
*                 INBFRS=3,          MINIMUM NCP BUFFER ALLOCATION   C
*                 MAXBFRU=15,        VTAM BUFFER UNIT ALLOCATION     C
*                 SUBAREA=(1),       ACF/VTAM SUBAREA ADDRESS        C
*                 UNITSZ=288         ACF/VTAM IO BUFFER SIZE (LFBUF)
*
*          EJECT
*****
*
*          DYNAMIC RECONFIGURATION POOL SPACE
*          LUDRPOOL AND PUDRPOOL MACRO SPECIFICATIONS
*
*****
*
*          LUDRPOOL NUMTYP1=1,        ALLOW 1 LU ON PU.T1 PU           C
*                 NUMTYP2=2        ALLOW 2 LUS ON PU.T2 PU
*
*          PUDRPOOL NUMBER=2         CAN ADD 2 PUS
*          EJECT
*****
*
*          PATH MACRO SPECIFICATION
*
*****
*
*          PATH   DESTSA=(1),        C
*                 ER0=(1,1)
*
*          EJECT
*****
*
*          GROUP MACRO SPECIFICATION FOR SDLC LEASED LINES
*
*****
*
*          G02SDLC GROUP LNCTL=SDLC,DIAL=NO,TYPE=NCP  LEASED, NCP ONLY
*          EJECT
*****
*
*          LINE MACRO SPECIFICATION
*
*****
*
*          WCRES00L LINE ADDRESS=000,    TRANSMIT AND RECEIVE ADDRESS   C
*                 CLOCKNG=EXT,        DEFINE TIMING AND ATTACHMENT   C
*                 DATRATE=HIGH,       MODEM STRAPPING IS (FULL) DUPLEX  C
*                 DUPLEX=FULL,        INITIAL STATUS IS ACTIVE       C
*                 ISTATUS=ACTIVE,     CAN MODEM HANDLE NEW SYNC SIGNAL? C
*                 NEWSYNC=NO,         MODEM OPERATES IN NRZI MODE     C
*                 NRZI=YES,           DATA RATE FOR THIS LINE        C
*                 SPEED=9600,         5 RETRIES PER RECOVERY SEQUENCE
*                 RETRIES=(5)
*
*          SERVICE MACRO SPECIFICATION
*          SERVICE ORDER=(WCRES00P)
*          EJECT

```

Figure 141. RESNCP1 (VSE/VTAM 4.2) - Part 2 of 4

```

*****
*
*          3274-31C PU AND LU SPECIFICATIONS
*

```

```

*****
*
WCRES00P PU      ADDR=C1,          PHYSICAL UNIT ADDRESS          C
                  ANS=CONT,        CONTINUE POLLING AFTER LOSING SSCP C
                  DISCNT=(NO),     KEEP SSCP-PU AND SSCP-LU SESSIONS C
                  IRETRY=NO,       NO REPOLL AFTER IDLE DETECT TIMEOUT C
                  ISTATUS=ACTIVE,   ACTIVATE WHEN MAJOR NODE ACTIVATED C
                  MAXDATA=265,     MAXIMUM DATA TRANSFER PU CAN ACCEPT C
                  MAXOUT=7,        MAX PIU TRANSFER BEFORE RESPONSE C
                  PASSLIM=4,       MAX CONSECUTIVE DATA TRANSFERS C
                  PUTYPE=2,        PU TYPE 2 C
                  RETRIES=( , 1 , 4 ) , PACING=1 , VPACING=2
*
WCRES002 LU      LOCADDR=2 , DLOGMOD=SP32702S,          C
                  ISTATUS=ACTIVE , MODETAB=IESINCLM,    C
                  MDLTAB=VTMMDL,                      C
                  MDLENT=VSELU2A,                     C
                  SSCPFM=USSSCS , USSTAB=VTMUSSTR
WCRES003 LU      LOCADDR=3 , DLOGMOD=SP32702S,          C
                  ISTATUS=ACTIVE , MODETAB=IESINCLM,    C
                  MDLTAB=VTMMDL,                      C
                  MDLENT=VSELU2A,                     C
                  SSCPFM=USSSCS , USSTAB=VTMUSSTR
WCRES004 LU      LOCADDR=4 , DLOGMOD=SP32702S,          C
                  ISTATUS=ACTIVE , MODETAB=IESINCLM,    C
                  MDLTAB=VTMMDL,                      C
                  MDLENT=VSELU2A,                     C
                  SSCPFM=USSSCS , USSTAB=VTMUSSTR
WCRES005 LU      LOCADDR=5 , DLOGMOD=SP32702S,          C
                  ISTATUS=ACTIVE , MODETAB=IESINCLM,    C
                  MDLTAB=VTMMDL,                      C
                  MDLENT=VSELU2A,                     C
                  SSCPFM=USSSCS , USSTAB=VTMUSSTR
WCRES006 LU      LOCADDR=6 , DLOGMOD=SP32702S,          C
                  ISTATUS=ACTIVE , MODETAB=IESINCLM,    C
                  MDLTAB=VTMMDL,                      C
                  MDLENT=VSELU2A,                     C
                  SSCPFM=USSSCS , USSTAB=VTMUSSTR
EJECT

```

Figure 142. RESNCP1 (VSE/VTAM 4.2) - Part 3 of 4

```

*
*      GROUP MACRO SPECIFICATION FOR CAs (NEW STYLE GENs)
*
CAGROUP  GROUP  LNCTL=CA,          THE FOLLOWING VALUES ARE FOR ALL CAS C
                  DELAY=0.2,      CA ATT. DELAY C
                  TIMEOUT=(120),  TIME, NCP WAITS FOR A RESPONSE C
                  NCPCA=ACTIVE,    STATUS OF THE CHANNEL ADAPTER C
                  CASDL=0,        INFINITE CA SLOW DOWN TIME C
                  ISTATUS=INACTIVE
CA0260   LINE   ADDRESS=0,          C
                  CA=TYPE5
CP0260   PU     PUTYPE=5
CA1260   LINE   ADDRESS=1,          C
                  CA=TYPE5
CP1260   PU     PUTYPE=5
*
*****
*      GENEND DELIMITER
*****
*
      GENEND
*?
      END

```



© *Copyright IBM Corp. 1996*

---

[IBM Library Server](#) Copyright 1989, 2004 [IBM](#) Corporation. All rights reserved.



---

## B.0 Appendix B. APPN Definition Examples

The following definitions are those that we implemented for APPN support on our VSE/VTAM V4.2 and VM/VTAM V4.2 in InterEnterprise mode. References in Chapters 4 and 5 refer to these definitions. We will provide the pertinent VM definitions that changed along with the VTAM definitions. We will highlight those changes we made to implement APPN in our VTAM nodes.

Those VTAM definitions that did not change for our implementation of APPN Interchange Node support (that is ISTCDRM, ISTPATH, ISTCDRS, ISTCTCA) are not repeated. Please refer to Appendix A for subarea definitions.

Subtopics:

- [B.1 VM CP Directory Entries for User ID WCVMI22 \(APPN\)](#)
- [B.2 Definitions for VM/VTAM 4.2 \(includes APPN functions\)](#)
- [B.3 VM CP Directory Entries for User ID WCVSE21 \(APPN\)](#)
- [B.4 Definitions for VSE/VTAM 4.2 \(APPN functions\)](#)



© Copyright IBM Corp. 1996



---

## B.1 VM CP Directory Entries for User ID WCVM122 (APPN)

Subtopics:

- [B.1.1 USER WCVM122 Directory Entry](#)
- [B.1.2 USER VTAM Directory Entry](#)
- [B.1.3 USER 5654010A Directory Entry](#)
- [B.1.4 USER MAINT Directory Entry](#)



© Copyright IBM Corp. 1996

---

[IBM Library Server](#) Copyright 1989, 2004 [IBM](#) Corporation. All rights reserved.



## B.1.1 USER WCVM122 Directory Entry

```
USER WCVM122 passwd 32M 1024M BG
MACHINE ESA
ACCOUNT 123 7032-86
OPTION    MAINTCCW
IPL CMS
CONSOLE 01F 3270
SPECIAL 750 CTCA WCVMSNI
SPECIAL 705 CTCA WCVSE21
SPECIAL 700 CTCA WCVSE21
SPECIAL 710 CTCA WCVSE21
SPECIAL 009 3270
SPECIAL 080 3270
SPECIAL 081 3270
SPECIAL 082 3270
SPECIAL 083 3270
SPECIAL 084 3270
SPECIAL 085 3270
SPECIAL 086 3270
SPECIAL 087 3270
SPECIAL 088 3270
SPOOL   00C 2540 R A
SPOOL   00D 3525 A
SPOOL   00E 3211 A
* CMS DISKS
LINK MAINT 190 190 RR
LINK MAINT 19D 19D RR
LINK MAINT 19E 19E RR
* ESA22R AND ESA22W
DEDICATE 400 2D0C
DEDICATE 401 2D0D
MDISK 0191 9345 6 10 LS45R5 MR
```

Figure 144. WCVM122 Directory Entry (VM/VTAM 4.2)



© Copyright IBM Corp. 1996



## B.1.2 USER VTAM Directory Entry

```
USER VTAM passwd 32M 32M ABCEFG
*-----
* VTAM/VM Version 4 Rel 2.0 AS REQUIRED
*-----
OPTION DIAG98 MAXCONN 400
MACH XA
IUCV *CCS P M 10
IUCV ANY P M 0
NAMESAVE GCSXA
IPL GCSXA PARM AUTOLOG
CONSOLE 01F 3215 T OPERATOR
SPOOL 00C 2540 READER A
SPOOL 00D 2540 PUNCH A
SPOOL 00E 1403
SPECIAL 070 3270
SPECIAL 071 3270
SPECIAL 072 3270
SPECIAL 073 3270
SPECIAL 074 3270
LINK MAINT 190 190 RR
LINK MAINT 193 193 RR
LINK MAINT 298 298 RR
LINK 5654010A 2C2 191 RR
LINK 5654010a 29A 29A RR
MDISK 200 9345 1982 10 ESA22W MR RVTAM420 WVTAM420 MVTAM420
```

Figure 145. VTAM Directory Entry (VM/VTAM 4.2)



© Copyright IBM Corp. 1996



## B.1.3 USER 5654010A Directory Entry

```

USER 5654010A passwd 16M 32M BEG
*-----
* VTAM/VM Version 4 Rel 2.0
*-----
MACH XA
IPL CMS
CONSOLE 01F 3215
SPOOL 00C 2540 READER A
SPOOL 00D 2540 PUNCH A
SPOOL 00E 1403
LINK MAINT 190 190 RR
LINK MAINT 51D 51D MR
LINK MAINT 5E5 5E5 RR
LINK MAINT 193 193 MR
LINK MAINT 19E 19E MR
MDISK 2B2 9345 1728 83 ESA22W MR R5654010 W5654010 M5654010
MDISK 2C2 9345 1811 5 ESA22W MR R5654010 W5654010 M5654010
MDISK 2D2 9345 1816 22 ESA22W MR
MDISK 2C4 9345 1838 2 ESA22W MR
MDISK 2A6 9345 1840 11 ESA22W MR
MDISK 2A2 9345 1851 11 ESA22W MR
MDISK 49A 9345 1862 44 ESA22W MR R5654010 W5654010 M5654010
MDISK 29A 9345 1906 44 ESA22W MR R5654010 W5654010 M5654010
MDISK 402 9345 1950 3 ESA22W MR
MDISK 401 9345 1953 3 ESA22W MR
MDISK 493 9345 1956 4 ESA22W MR
MDISK 191 9345 1960 22 ESA22W MR

```

Figure 146. 5654010A Directory Entry (VM/VTAM 4.2)



© Copyright IBM Corp. 1996





## B.1.4 USER MAINT Directory Entry

```

USER MAINT passwd 48M 64M ABCDEFG
*-----
* VM/ESA ESA Feature Rel 2.2
*-----
AUTOLOG AUTOLOG1 OP1 MAINT
MACH XA
OPTION MAINTCCW DEVMAINT
IPL 190
NAMESAVE GCS
NAMESAVE GCSXA
NAMESAVE HELP
NAMESAVE HELPINST
NAMESAVE CMSFILES
NAMESAVE CMSVMLIB
NAMESAVE DFSMSSEG
CONSOLE 009 3215 T
SPOOL 00C 2540 READER *
SPOOL 00D 2540 PUNCH A
SPOOL 00E 1403 A

* VTAMLST files
MDISK 298 9345 192 16 ESA22W RR RMAINT WMAINT MMAINT 1

* SNA Products VMFPARM disk
MDISK 348 9345 335 1 ESA22W RR RMAINT WMAINT MMAINT

```

Figure 147. MAINT Directory Entry (VM/VTAM 4.2)

**Note:**

- 1 We only include those minidisk statements that were related to the VTAMESA virtual machine, within the MAINT directory entry.



© Copyright IBM Corp. 1996



---

## B.2 Definitions for VM/VTAM 4.2 (includes APPN functions)

Subtopics:

- [B.2.1 ATCSTR00 \(Interchange Node\)](#)
- [B.2.2 ATCSTR00 \(Border Node\)](#)
- [B.2.3 ATCCON00](#)
- [B.2.4 ISTRRL](#)
- [B.2.5 ISTARHC](#)



© Copyright IBM Corp. 1996

---

[IBM Library Server](#) Copyright 1989, 2004 [IBM](#) Corporation. All rights reserved.







## B.2.3 ATCCON00

<b>ISTTRL,</b>	<b>C</b>
<b>ISTAPPLS,</b>	<b>C</b>
<b>ISTPATH,</b>	<b>C</b>
<b>ISTCTCA,</b>	<b>C</b>
<b>ISTCDRM,</b>	<b>C</b>
<b>ISTCDRS,</b>	<b>C</b>
<b>ISTNSNA,</b>	<b>C</b>
<b>ISTAHHC</b>	

Figure 150. ATCCON00 with APPN (VM/VTAM 4.2)



© Copyright IBM Corp. 1996



## B.2.4 ISTTRL

```
ISTTRL1  VBUILD TYPE=TRL
*
TRLE1    TRLE  LNCTL=MPC,MAXBFRU=5,           C
          READ=(700,705),WRITE=(710),REPLYTO=0.5
```

Figure 151. ISTTRL (VM/VTAM 4.2)



© Copyright IBM Corp. 1996



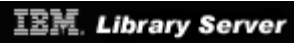
## B.2.5 ISTAHC

```
ISTAHC1 VBUILD TYPE=LOCAL
*
CAHC1    PU PUTYPE=2,TRLE=TRLE1,XID=YES,CONNTYPE=APPN,          C
          CPCP=YES,VPACING=0,ISTATUS=ACTIVE
```

Figure 152. ISTAHC (VM/VTAM 4.2)



© Copyright IBM Corp. 1996



---

## B.3 VM CP Directory Entries for User ID WCVSE21 (APPN)

Subtopics:

- [B.3.1 USER WCVSE21 Directory Entry](#)



© Copyright IBM Corp. 1996

---

[IBM Library Server](#) Copyright 1989, 2004 [IBM](#) Corporation. All rights reserved.





## B.3.1 USER WCVSE21 Directory Entry

```

USER WCVSE21 passwd 32M 64M BFG
MACHINE ESA
OPTION MAINTCCW DEVMAINT
*OPTION V=R CPUID 222222
OPTION CPUID 222222
IPL CMS
DEDICATE 400 2620
DEDICATE 401 2621
CONSOLE 009 3215 T
SPECIAL 500 CTCA VTAM
SPECIAL 600 CTCA WCVSE13
SPECIAL 700 CTCA WCVM122
SPECIAL 710 CTCA WCVM122
SPECIAL 720 CTCA WCVM122
SPECIAL 080 3270
SPECIAL 081 3270
SPECIAL 082 3270
SPECIAL 083 3270
SPECIAL 084 3270
SPECIAL 085 3270
SPECIAL 086 3270
SPECIAL 087 3270
SPECIAL 088 3270
SPECIAL 9A0 3270
SPECIAL 9A1 3270
SPECIAL 9A2 3270
SPECIAL 9A3 3270
SPECIAL 9A4 3270
SPECIAL 9A5 3270
SPECIAL 9A6 3270
SPECIAL 9A7 3270
SPECIAL 9A8 3270
SPOOL 00C 2540 R A
SPOOL 00D 3525 A
SPOOL 00E 3211 A
SPOOL 0AC 2540 R A
SPOOL 0AD 3525 A
SPOOL 0AE 3211 A
LINK MAINT 190 190 RR
LINK MAINT 19D 19D RR
LINK MAINT 19E 19E RR
MDISK 0191 9345 1981 10 LS45R7 MR

```

Figure 153. WCVSE21 directory entry (VSE/VTAM 4.2)



© Copyright IBM Corp. 1996



---

## B.4 Definitions for VSE/VTAM 4.2 (APPN functions)

Subtopics:

- [B.4.1 ATCSTR00 Start List](#)
- [B.4.2 ATCSTR00 \(Border Node\)](#)
- [B.4.3 ATCCON00 Config List](#)
- [B.4.4 VTMTL.B Book](#)
- [B.4.5 VTMAHHC.B Book](#)



© Copyright IBM Corp. 1996







## B.4.3 ATCCON00 Config List

<b>VTMTRL,</b>	C
VTMAPPL,	C
VTMSNA,	C
VTMNSNA,	C
<b>VTMAHHC,</b>	C
VTMPATH,	C
VTMCTCA,	C
VTMCDRM,	C
VTMCDRS,	C
RESNCP1	C

Figure 156. ATCCON00 with APPN (VSE/VTAM 4.2)



© Copyright IBM Corp. 1996



## B.4.4 VTMTRL.B Book

```
CATALOG VTMTRL.B                                REPLACE=YES
* MEMBER FOR MPC CONNECTIONS
ISTTRL2  VBUILD TYPE=TRL
*
TRLE2    TRLE  LNCTL=MPC,MAXBFPU=5,              C
          READ=( 710),WRITE=( 700,720),REPLYTO=0.5
/+
/*
```

Figure 157. VTMTRL.B Book (VSE/VTAM 4.2)



© Copyright IBM Corp. 1996



## B.4.5 VTMAHHC.B Book

```
CATALOG VTMAHHC.B                                REPLACE=YES
* MEMBER FOR MPC CONNECTIONS
ISTAHHC2 VBUILD TYPE=LOCAL
*
CAHHC2  PU PUTYPE=2,TRLE=TRLE2,XID=YES,CONNTYPE=APPN,          C
          CPCP=YES,VPACING=0,ISTATUS=ACTIVE
/+
/*
```

Figure 158. VTMAHHC.B Book (VSE/VTAM 4.2)



© Copyright IBM Corp. 1996



## C.0 Appendix C. Special Notices

This publication is intended to help System programmers to migrate their existing ACF/VTAM V3.4 systems on VSE/ESA and VM/ESA operating systems to ACF/VTAM V4R2, and to also help them to optionally migrate their subarea definitions to the new APPN function which is now available with this new Version of VTAM.

The information in this publication is not intended as a specification of any programming interfaces that are provided by ACF/VTAM Version 4 Release 2. See the PUBLICATIONS section of the IBM Programming Announcement for ACF/VTAM V4R2 for VM/ESA and VSE/ESA for more information about what publications are considered to be product documentation.

References in this publication to IBM products, programs or services do not imply that IBM intends to make these available in all countries in which IBM operates. Any reference to an IBM product, program, or service is not intended to state or imply that only IBM's product, program, or service may be used. Any functionally equivalent program that does not infringe any of IBM's intellectual property rights may be used instead of the IBM product, program or service.

Information in this book was developed in conjunction with use of the equipment specified, and is limited in application to those specific hardware and software products and levels.

IBM may have patents or pending patent applications covering subject matter in this document. The furnishing of this document does not give you any license to these patents. You can send license inquiries, in writing, to the IBM Director of Licensing, IBM Corporation, 500 Columbus Avenue, Thornwood, NY 10594 USA.

The information contained in this document has not been submitted to any formal IBM test and is distributed AS IS. The information about non-IBM ("vendor") products in this manual has been supplied by the vendor and IBM assumes no responsibility for its accuracy or completeness. The use of this information or the implementation of any of these techniques is a customer responsibility and depends on the customer's ability to evaluate and integrate them into the customer's operational environment. While each item may have been reviewed by IBM for accuracy in a specific situation, there is no guarantee that the same or similar results will be obtained elsewhere. Customers attempting to adapt these techniques to their own environments do so at their own risk.

Any performance data contained in this document was determined in a controlled environment, and therefore, the results that may be obtained in other operating environments may vary significantly. Users of this document should verify the applicable data for their specific environment.

Reference to PTF numbers that have not been released through the normal distribution process does not imply general availability. The purpose of including these reference numbers is to alert IBM customers to specific information relative to the implementation of the PTF when it becomes available to each customer according to the normal IBM PTF distribution process.

The following terms are trademarks of the International Business Machines Corporation in the United States and/or other countries:



ACF/VTAM	Advanced Peer-to-Peer Networking
APPN	CICS
CUA	DB2
DFSMS	FFST
First Failure Support Technology	IBM
IBMLink	ILE
NetView	Nways
OS/2	PROFS
PSF	SystemPac
VM/ESA	VSE/ESA
VTAM	XT

The following terms are trademarks of other companies:

C-bus	Corollary, Inc.
DOS	Microsoft Corporation
HP	Hewlett-Packard Company
Microsoft	Microsoft Corporation
PC Direct	Ziff Communications Company (used by IBM Corporation
under license)	
SX	Intel Corporation
UNIX	X/Open Company Limited (registered trademark in the
United States and other	countries)
	Microsoft Corporation
Windows	Microsoft Corporation
Windows 95 logo	Microsoft Corporation
486	Intel Corporation



© Copyright IBM Corp. 1996

---

[IBM Library Server](#) Copyright 1989, 2004 IBM Corporation. All rights reserved.



---

## D.0 Appendix D. Related Publications

The publications listed in this section are considered particularly suitable for a more detailed discussion of the topics covered in this redbook.

Subtopics:

- [D.1 International Technical Support Organization Publications](#)
- [D.2 Other Publications](#)
- [D.3 International Technical Support Organization Publications](#)



© Copyright IBM Corp. 1996



---

## D.1 International Technical Support Organization Publications

For information on ordering these ITSO publications see ["How to Get ITSO Redbooks" in topic BACK 1](#).

A complete list of International Technical Support Organization publications, known as redbooks, with a brief description of each, may be found in:

*International Technical Support Organization Bibliography of Redbooks,*  
GG24-3070.



© Copyright IBM Corp. 1996



---

## D.2 Other Publications

These publications are also relevant as further information sources.

- *VTAM V4R2 Migration Guide for VM/ESA*, GC31-8071
- *VTAM V4R2 Migration Guide for VSE/ESA*, GC31-8072
- *VTAM V4R2 Overview for VM/ESA and VSE/ESA*, GC31-8114
- *VTAM V4R2 Glossary*, GC31-6558
- *VTAM V4R2 Operation*, SC31-6495
- *VTAM V4R2 Network Implementation Guide*, SC31-6494
- *VTAM V4R2 Resource Definition Reference*, SC31-6498
- *VTAM V4R2 Messages and Codes*, SC31-6493
- *VTAM V3R4 Operation*, SC31-6435
- *VTAM V3R4 Network Implementation Guide*, SC31-6434
- *VTAM V3R4 Resource Definition Reference*, SC31-6438
- *VTAM V3R4 Messages and Codes*, SC31-6433
- *Bibliography and Master Index for NetView, NCP and VTAM*, GC31-7017
- *Bibliography and Master Index for NetView, NCP and VTAM*, GC31-7032
- *Planning for NetView, NCP, and VTAM*, SC31-7122
- *Planning for Integrated Networks*, SC31-7123
- *IBM Network Product Examples*, GG24-3649
- *A Technical Overview: VTAM V4R2, NCP V6R3, V7R1, & V7R2, SSP V3R9, V4R1, & V4R2*, GG66-3256



© *Copyright IBM Corp. 1996*

---

[IBM Library Server](#) Copyright 1989, 2004 [IBM](#) Corporation. All rights reserved.



---

## D.3 International Technical Support Organization Publications

- *VTAM 4.2 Implementation and Usage for VM/ESA and VSE/ESA*, SG24-4556
  - *3746 Nways Controller M 950 and M 900 APPN Implementation Guide*, GG24-2536
  - *3174 APPN Implementation Guide Update*, SG24-4171
- 



© Copyright IBM Corp. 1996

---



---

# BACK\_1 How to Get ITSO Redbooks

This section explains how both customers and IBM employees can find out about ITSO redbooks, CD-ROMs, workshops, and residencies. A form for ordering books and CD-ROMs is also provided.

This information was current at the time of publication, but is continually subject to change. The latest information may be found at URL <http://www.redbooks.ibm.com/redbooks>.

## Subtopics:

- [BACK 1.1 How IBM Employees Can Get ITSO Redbooks](#)
- [BACK 1.2 How Customers Can Get ITSO Redbooks](#)
- [BACK 1.3 IBM Redbook Order Form](#)



© Copyright IBM Corp. 1996

---

[IBM Library Server](#) Copyright 1989, 2004 [IBM](#) Corporation. All rights reserved.



## BACK\_1.1 How IBM Employees Can Get ITSO Redbooks

Employees may request ITSO deliverables (redbooks, BookManager BOOKs, and CD-ROMs) and information about redbooks, workshops, and residencies in the following ways:

- **PUBORDER** -- to order hardcopies in United States
- **GOPHER link to the Internet**

Type GOPHER.WTSCPOK.ITSO.IBM.COM

- **Tools disks**

To get LIST3820s of redbooks, type one of the following commands:

```
TOOLS SENDTO EHONE4 TOOLS2 REDPRINT GET SG24xxxx PACKAGE  
TOOLS SENDTO CANVM2 TOOLS REDPRINT GET SG24xxxx PACKAGE (Canadian users only)
```

To get lists of redbooks:

```
TOOLS SENDTO WTSCPOK TOOLS REDBOOKS GET REDBOOKS CATALOG  
TOOLS SENDTO USDIST MKTTOOLS MKTTOOLS GET ITSOCAT TXT  
TOOLS SENDTO USDIST MKTTOOLS MKTTOOLS GET LISTSERV PACKAGE
```

To register for information on workshops, residencies, and redbooks:

```
TOOLS SENDTO WTSCPOK TOOLS ZDISK GET ITSOREGI 1996
```

For a list of product area specialists in the ITSO:

```
TOOLS SENDTO WTSCPOK TOOLS ZDISK GET ORGCARD PACKAGE
```

- **Redbooks Home Page on the World Wide Web**

<http://w3.itso.ibm.com/redbooks/redbooks.html>

- **IBM Direct Publications Catalog on the World Wide Web**

<http://www.elink.ibm.com/pbl/pbl>

IBM employees may obtain LIST3820s of redbooks from this page.

- **ITSO4USA category on INEWS**



- **Online** -- send orders to:

USIB6FPL at IBMAIL or DKIBMBSH at IBMAIL

- **Internet Listserver**

With an Internet E-mail address, anyone can subscribe to an IBM Announcement Listserver. To initiate the service, send an E-mail note to [announce@webster.ibm.com](mailto:announce@webster.ibm.com) with the keyword subscribe in the body of the note (leave the subject line blank). A category form and detailed instructions will be sent to you.

---



© *Copyright IBM Corp. 1996*

---

[IBM Library Server](#) Copyright 1989, 2004 [IBM](#) Corporation. All rights reserved.



## BACK\_1.2 How Customers Can Get ITSO Redbooks

Customers may request ITSO deliverables (redbooks, BookManager BOOKs, and CD-ROMs) and information about redbooks, workshops, and residencies in the following ways:

- **Online Orders** (Do not send credit card information over the Internet)

**IBMAIL** -- send orders to:

In United States:	usib6fpl at ibmail
In Canada:	caibmbkz at ibmail
Outside North America:	bookshop at dkibmbsh at ibmail

**Internet** -- send orders to:

In United States:	usib6fpl@ibmail.com
In Canada:	lmannix@vnet.ibm.com
Outside North America:	bookshop@dk.ibm.com

- **Telephone orders**

United States (toll free)	1-800-879-2755
Canada (toll free)	1-800-IBM-4YOU

Outside North America	(long distance charges apply)
(+45) 4810-1320 - Danish	(+45) 4810-1020 - German
(+45) 4810-1420 - Dutch	(+45) 4810-1620 - Italian
(+45) 4810-1540 - English	(+45) 4810-1270 - Norwegian
(+45) 4810-1670 - Finnish	(+45) 4810-1120 - Spanish
(+45) 4810-1220 - French	(+45) 4810-1170 - Swedish

- **Mail Orders** -- send orders to:

IBM Publications Services	IBM Publications	IBM Direct
Publications Customer Support	144-4th Avenue, S.W.	
Sortemosevej 21	Calgary, Alberta T2P 3N5	DK-3450
P.O. Box 29554	Canada	Denmark
Allerød		
Raleigh, NC 27626-0570		
USA		

- **Fax** -- send orders to:

United States (toll free)	1-800-445-9269
Canada (toll free)	1-800-267-4455
Outside North America	(+45) 48 14 2207
(long distance charge)	

- **1-800-IBM-4FAX (United States) or (+1) 415 855 43 29 (Outside USA)**

Ask for:

Index # 4421 Abstracts of new redbooks  
Index # 4422 IBM redbooks  
Index # 4420 Redbooks for last six months

- **Direct Services**

Send note to [softwareshop@vnet.ibm.com](mailto:softwareshop@vnet.ibm.com)

- **Redbooks Home Page on the World Wide Web**

<http://www.redbooks.ibm.com/redbooks>

- **IBM Direct Publications Catalog on the World Wide Web**

<http://www.elink.ibm.com/pbl/pbl>

- **Internet Listserver**

With an Internet E-mail address, anyone can subscribe to an IBM Announcement Listserver. To initiate the service, send an E-mail note to [announce@webster.ibm.com](mailto:announce@webster.ibm.com) with the keyword subscribe in the body of the note (leave the subject line blank).



© Copyright IBM Corp. 1996



---

First name

Last name

---

Company

---

Address

---

City

Postal code

Country

---

Telephone number

Telefax number

VAT number

Invoice to customer number

---

Credit card number

---

---

Credit card expiration date

Card issued to

Signature

**We accept American Express, Diners, Eurocard, Master Card, and Visa. Payment by credit card not available in all countries. Signature mandatory for credit card payment.**

**DO NOT SEND CREDIT CARD INFORMATION OVER THE INTERNET.**

---



© Copyright IBM Corp. 1996

---

[IBM Library Server](#) Copyright 1989, 2004 [IBM](#) Corporation. All rights reserved.



---

# Glossary

**Systems Network Architecture (SNA).** Systems Network Architecture encompasses more than just the traditional subarea structures. It describes also the extended wide area network (WAN) constructs such as Advanced Peer-to-Peer Networking (APPN), as well as other local area network (LAN) protocols.

**Low Entry Networking Node (LEN).** This is the simplest of all the APPN node types. It can be attached to both APPN networks as well as subarea networks. It has limited **control point (CP)** function. All resources must be defined to it as it can not request a search for resources from other APPN nodes. It is also unable to register its resources with other nodes.

**VTAM End Node (EN).** This VTAM host is able to support sessions between its CP and the CP in other VTAMS. It needs a **network node server** to find resources and to select session routes. It can only have a CP-CP session with its network node server.

**Migration Data Host (MDH).** This is a VTAM end node with subarea capability. It can not own NCPs nor does it support intermediate APPN routing.

**APPN Network Node (NN).** Is a node that offers a broad range of end user services. It supports CP-CP sessions but not necessarily SSCP-SSCP sessions. It can register its resources with a central directory as well as find resources and select session paths. It can perform intermediate session routing.

**Composite Network Node (CNN).** This is a VTAM together with one or more NCPs that provide the appearance of an APPN network node. It can own and activate NCPs.

**Interchange Node (ICN).** This is a network node that provides full support for both APPN and subarea networks to which it is attached. It "translates" between them.

**Border Node (BN).** This is an APPN network node that enables the connection of other APPN network nodes while permitting them to maintain their own distinct network and topology database and helps these networks avoid topology exchanges.

---



© Copyright IBM Corp. 1996

---



---

# ABBREVIATIONS List of Abbreviations

<i>AHHC</i>	APPN Host-to-Host Channel
<i>APA</i>	all points addressable
<i>APPN</i>	Advanced Peer-to-Peer Networking
<i>BN</i>	Border Node
<i>CDRM</i>	Cross Domain Resource Manager
<i>CNN</i>	Composite Network Node
<i>CP</i>	Control Point
<i>EN</i>	End Node
<i>ESA</i>	Enterprise Systems Architecture
<i>IBM</i>	International Business Machines Corporation
<i>ICN</i>	Interchange Network Node
<i>ITSO</i>	International Technical Support Organization
<i>LEN</i>	Low Entry Networking
<i>LU</i>	Logical Unit
<i>MDH</i>	Migration Data Host
<i>NCP</i>	Network Control Program
<i>NN</i>	Network Node
<i>PROFS</i>	Professional Office System
<i>PU</i>	Physical Unit
<i>PSP</i>	Preventative Service Planning

<b>PTF</b>	Program Temporary Fix
<b>SNI</b>	SNA Network Interconnect
<b>VSE</b>	Virtual Storage Extended
<b>VM</b>	Virtual Machine
<b>VTAM</b>	Virtual Terminal Access Method
<b>WAN</b>	Wide Area Network

---



© Copyright IBM Corp. 1996

---

[IBM Library Server](#) Copyright 1989, 2004 [IBM](#) Corporation. All rights reserved.





# Index

## Numerics

---

3174 Customization Questions for T2.1 Connection, [4.6.1](#)  
 5654010A userid  
   CUSTNO and VTAMPW parameters, [3.3.1.3](#)  
   VMVTAM GCS file, [3.3.1.3](#)

## A

---

abbreviations, [ABBREVIATIONS](#)  
 acronyms, [ABBREVIATIONS](#)  
 Advanced Peer-to-Peer Networking (APPN), [4.0](#)  
 AHHC, [4.2.1.5](#)  
   [4.2.1.6](#)  
   APPN protocols, [4.1](#)  
   ATCCONxx list, [4.5.2.1](#)  
   Channel-to-Channel adapter (CTCA), [4.5](#)  
   CP COUPLE statement, [4.5.1](#)  
     [4.5.1.1](#)  
   CP DEF CTCA statement, [4.5.1.1](#)  
   CP definitions, [4.5.1](#)  
     [4.5.1.1](#)  
   CP SPECIAL statement, [4.5.1](#)  
   definitions for cross network communication, [5.3.2](#)  
   failure messages, [4.2.1.7](#)  
     [4.5.2](#)  
     [4.5.2.3](#)  
   local sna major node, [4.2.1.5](#)  
     [4.2.1.6](#)  
   Multi Path Channels (MPC), [4.1](#)  
     [4.5](#)  
   problems implementing AHHC/MPC, [4.5.2](#)  
   sample local sna major node, [4.5.1.2](#)  
   sample TRL major node, [4.5.1.2](#)  
   Transport resource list element (TRLE), [4.2.1.5](#)  
     [4.2.1.6](#)  
   TRL major node, [4.2.1.5](#)  
     [4.2.1.6](#)  
   Virtual Channel-to-Channel adapter (VCTCA), [4.5](#)  
   VSE ADD statements, [4.5.1.2](#)  
   VSE definitions, [4.5.1.2](#)  
   VTAM definitions, [4.5.1.2](#)  
 APPN, [4.0](#)  
   3174 customization questions, [4.6.1](#)  
   AHHC, [4.0](#)  
   benefits, [1.5.1](#)  
   BN start option, [5.0](#)  
   border node, [5.0](#)  
   connection network, [1.5.1](#)  
   CONNTYPE start option, [4.1](#)

[4.6](#)

CP-CP Sessions, [4.2](#)  
 cross network communication, [5.0](#)  
 dependent LU Server/Requester (DLUS/R), [1.5.1](#)  
 extended border node, [5.0](#)  
 extended subnetwork boundary, [5.2](#)  
 interchange node (ICN), [4.0](#)  
 internet tool for configuring APPN, [1.6](#)  
 multiple network connectivity support, [5.0](#)  
 NCP ownership, [4.2](#)  
 NETID start option, [5.0](#)  
 network dynamics, [4.0](#)  
 network node (NN), [4.0](#)  
 node type functional summary, [4.2](#)  
 peripheral border node, [5.0](#)  
 peripheral subnetwork boundary, [5.0](#)  
 Shared-Access Transport Facility (SATF), [1.5.1](#)  
 SSCP-SSCP sessions, [4.2](#)  
 start options, [4.2](#)  
 type 2.1 nodes, [4.6](#)  
 VR-based Transmission Group (VRTG), [1.5.1](#)  
 VRTG, [4.7](#)  
 APPN Host-to-Host Channel (AHHC), [4.5](#)  
 APPN nodes  
   Border Node (BN), [1.1.2](#)  
   Composite Network Node (CNN), [1.1.2](#)  
   Interchange Node (ICN), [1.1.2](#)  
   low-end networking node (LEN), [1.1.2](#)  
   Migration Data Host (MDH), [1.1.2](#)  
   Network Node (NN), [1.1.2](#)  
   VTAM End Node (EN), [1.1.2](#)  
 APPN COS start option, [4.2.1.2](#)  
 ATCCON00, [A.4.2](#)  
   [B.2.3](#)  
 ATCCONxx List, [4.5.2.1](#)  
 ATCSTR00, [A.4.1](#)  
   [B.2.1](#)  
   [B.2.2](#)  
 ATCSTRxx, [3.2.1.2](#)  
   [3.3.1](#)  
   [3.3.1.2](#)  
 ATCSTRxx VTAMLST, [3.2.1](#)  
   syntax errors in ATCSTRxx list, [3.3.12](#)  
   VTAM HALT command, [3.3.12](#)  
 AUTOLOG, [3.1.3.3](#)

## B

---

bibliography, [D.0](#)  
 BN start option, [4.2.1.3](#)  
 BNDYN start option, [4.2.1.3](#)  
 BNORD start option, [4.2.1.3](#)  
 border node (BN), [1.1.2](#)  
   AHHC communication, [5.3.2](#)  
   AHHC implementation, [5.4](#)  
   boundaries, [5.2](#)  
   console log of border node implementation, [5.4](#)  
   cross network communication, [5.0](#)  
   extended border node, [5.0](#)  
   extended subnetwork boundary, [5.2](#)  
   failure messages, [5.5](#)  
     [5.6](#)  
     [5.7](#)  
     [5.8](#)  
   in InterEnterprise mode, [5.3](#)  
   Multiple Network Communications, [5.3](#)  
   peripheral border node, [5.0](#)  
   peripheral subnetwork boundary, [5.0](#)  
   restrictions in Client/Server mode, [5.5](#)  
     [5.6](#)  
   restrictions in MultiDomain mode, [5.7](#)  
     [5.8](#)  
   start options, [5.3.1](#)

# C

---

CDRM major node, [4.2.1.5](#)  
                                   [4.2.1.6](#)  
 CDRSC major node, [4.2.1.5](#)  
                                   [4.2.1.6](#)  
 CDSERVR start option, [4.1](#)  
                                   [4.2.1.3](#)  
 central directory server, [4.1](#)  
 Channel-to-Channel adapter (CTCA), [4.5](#)  
 client/server restrictions  
   border node, [5.5](#)  
                   [5.6](#)  
   cross domain logon, [2.4.4.2](#)  
   definition statements, [3.3.5](#)  
   functions, [4.3](#)  
   keywords, [2.4.4.1](#)  
                   [3.3.5](#)  
   NCP activation, [2.4.4.3](#)  
   start options, [2.4.4.3](#)  
                   [3.3.3](#)  
                   [4.2.1.3](#)  
 compatibilities  
   downward, [1.3](#)  
   starting VTAM, [1.3](#)  
   upward, [1.3](#)  
 composite network node (CNN), [1.1.2](#)  
 config list with APPN major nodes for VM, [4.2.1.5](#)  
 config list with APPN major nodes for VSE, [4.2.1.6](#)  
 connection network, [1.5.1](#)  
 CONNTYPE start option, [4.1](#)  
                                   [4.2.1.2](#)  
                                   [5.3.2](#)  
 conversation ID (CID) table, [1.3.4](#)  
 CP COUPLE statement, [4.5.1](#)  
 CP DEF CTCA statement, [4.5.1.1](#)  
 CP SET performance commands, [3.2.1](#)  
                                   [3.3.1](#)  
 CP SET QUICKDSP, [3.1.4.2](#)  
 CP SET SHARE RELATIVE, [3.1.4.2](#)  
 CP SET TIMER REAL, [3.1.4.3](#)  
 CP SPECIAL statement, [4.5.1](#)  
 CP-CP session failure, [4.5.2.3](#)  
 CPCP start option, [4.2.1.2](#)  
                                   [5.3.2](#)  
 CPNAME in 3174, [4.6.3.2](#)  
 cross domain logon, [2.4.4.2](#)  
 cross network communication, [5.0](#)  
 CUSTNO and VTAMPW parameters, [3.3.1.3](#)  
 customizing the ISPF interface, [3.1.5.7](#)

# D

---

data spaces  
   II08851, [2.2.2.3](#)  
   II08903, [2.2.2.3](#)  
   storage requirements, [2.2.2.3](#)  
 definition statements - restricted, [3.3.5](#)  
                                   [3.3.6](#)  
 definitions  
   VM/VTAM 3.4.1, [A.2](#)  
   VM/VTAM 4.2, [A.4](#)  
                   [B.2](#)  
   VSE/VTAM 3.4, [A.6](#)  
   VSE/VTAM 4.2, [A.8](#)  
   VSE/VTAM 4.2 (APPN functions), [B.4](#)  
 dependent LU Server/Requester (DLUS/R), [1.5.1](#)  
 diagnosis, [3.1.5](#)  
 dialog tag language conversion utility, [3.1.5.5](#)

[directory maintenance, 3.1.3.1](#)  
[DIRECTXA USER - CP command, 3.1.3.1](#)  
[DIRMAINT, 3.1.3.1](#)  
[DSIZE, 2.2.2.3](#)  
[duplicate resource name, 4.6.3.2](#)  
[dynamic cross-domain logon, 3.3.13](#)  
[DYNLU start option, 4.6.2](#)

## E

---

error messages  
   [HCPLON020E, 3.3.13](#)  
   [ISPC850W, 3.1.5.5](#)  
   [IST1330I, 3.3.5](#)  
   [IST322I, 3.3.5](#)  
     [3.3.6](#)  
   [KEYLIST, 3.1.5.5](#)  
   Vary Act and Inact TRL Major Node, [4.2.1.7](#)  
 error messages (APPN)  
   [IST061I, 4.2.1.7](#)  
   [IST072I, 4.3](#)  
   [IST089I, 4.6.3.2](#)  
   [IST1002I, 5.6](#)  
     [5.7](#)  
     [5.8](#)  
   [IST101I, 4.2.1.7](#)  
   [IST1086I, 5.6](#)  
   [IST1097I / IST1280I, 4.5.2.3](#)  
     [5.6](#)  
     [5.7](#)  
     [5.8](#)  
   [IST1110I / IST1280I, 4.6.3.1](#)  
     [5.5](#)  
     [5.6](#)  
     [5.7](#)  
     [5.8](#)  
   [IST1196I, 5.6](#)  
   [IST1222I, 4.5.2.1](#)  
   [IST1330I, 4.3](#)  
   [IST259I, 4.5.2.1](#)  
     [5.6](#)  
   [IST322I message group, 4.3](#)  
     [4.4](#)  
   [IST380I, 4.5.2.1](#)  
   [IST448I, 4.3](#)  
     [4.4](#)  
     [5.5](#)  
     [5.6](#)  
     [5.7](#)  
     [5.8](#)  
   [IST453I, 4.2.1.7](#)  
   [IST489I, 4.6.3.2](#)  
   [IST607I, 4.2.1.7](#)  
   [IST663I message group, 4.6.3.1](#)  
 error messages (VM)  
   [IST001I, 3.3.12](#)  
   [IST118I, 3.3.12](#)  
   [IST1311A, 3.3.12](#)  
 error messages (VSE)  
   insufficient SVA-31, [2.2.1](#)  
   [IST001I, 2.2.1](#)  
   [IST072I, 2.4.4.2](#)  
     [2.4.4.3](#)  
   [IST1330I, 2.4.4.2](#)  
     [2.4.4.3](#)  
   [IST448I, 2.4.4.3](#)  
     [2.4.4.4](#)  
   [IST663I message group, 2.4.4.2](#)  
   [extended border node, 5.0](#)

## F

---

FILEDEFS

ISPF, [3.1.5.2](#)  
LDRLOTAB data set, [3.2.1.2](#)  
NCPLOAD, [3.1.4.3](#)  
NCPLOAD data set, [3.2.1.2](#)  
topology data sets, [3.3.1.2](#)  
TUNSTATS disk, [3.3.1.2](#)

## G

---

GLOBAL LOADLIB, [3.2.1](#)  
[3.3.1](#)  
glossary, [GLOSSARY](#)  
Group Control System (GCS), [3.1.4.5](#)  
GROUP Exec, [3.1.4.5](#)

## H

---

hierarchical subarea nodes  
  boundary node, [1.1.1](#)  
  communication controller node, [1.1.1](#)  
  host node, [1.1.1](#)  
  peripheral node, [1.1.1](#)  
  PU type 2.1, [1.1.1](#)  
  subarea node, [1.1.1](#)  
HOSTSA start option, [4.1](#)

## I

---

implementing APPN networking, [4.1](#)  
Implementing VM/VTAM V4R2 - Subarea Functions, [3.0](#)  
INITDB start option, [4.2.1.2](#)  
initialization of VM  
  console log of VTAM 3.4.1 startup, [3.3](#)  
  errors, [3.3.12](#)  
  HALT, [3.3.12](#)  
  ipling GCS - VTAM 3.4.1, [3.2.1.3](#)  
  startup in Client/Server mode, [3.3.10](#)  
  startup in InterEnterprise mode, [3.3.9](#)  
  startup in MultiDomain mode, [3.3.11](#)  
installation  
  Program Directory, [1.3.3](#)  
  PSP bucket, [1.3.3](#)  
installation of VM/VTAM  
  activate the program, [3.1.3.3](#)  
  allocate resources, [3.1.3.1](#)  
  CP SET QUICKDSP, [3.1.4.2](#)  
  CP SET SHARE RELATIVE, [3.1.4.2](#)  
  CP SET TIMER REAL, [3.1.4.3](#)  
  directory maintenance, [3.1.3.1](#)  
  DIRECTXA USER - CP command, [3.1.3.1](#)  
  DIRMAINT, [3.1.3.1](#)  
  FILEDEF NCPLOAD, [3.1.4.3](#)  
  generating GCS, [3.1.4.5](#)  
  generating Group Control System (GCS), [3.1.4.4](#)  
  GROUP Exec, [3.1.4.5](#)  
  loading VTAM, [3.1.4.4](#)  
  NSSGCS XA Exec, [3.1.4.5](#)  
  preparing operating system, [3.1.3.3](#)  
  profile for AUTOLOG1 virtual machine, [3.1.3.3](#)  
  profile for GCS recovery virtual machine, [3.1.4.2](#)  
  profile for the VTAM virtual machine, [3.1.4.3](#)

program directory, [3.1.1](#)  
 PSP bucket, [3.1.1](#)  
 VIT Analysis Tool, [3.1.4.5](#)  
 VMFINS, [3.1.1](#)  
 VMSES/E, [3.1.1](#)  
 VTAM Network Implementation Guide, [3.1.1](#)  
 interchange node (ICN), [1.1.2](#)  
     [4.0](#)  
 ipling GCS - VTAM 3.4.1, [3.2.1.3](#)  
 ipling GCS - VTAM 4.2, [3.3.8](#)  
 ISPF, [3.1.5](#)  
     5654010A userid, [3.1.5.3](#)  
     customizing interface, [3.1.5.6](#)  
     Dialog Tag Language Conversion Utility, [3.1.5.5](#)  
     filedefs, [3.1.5.2](#)  
     help panels, keylists and commands, [3.1.5.5](#)  
     installing trace tables, [3.1.5.3](#)  
     ISPF INVOKE DIALOG FUNCTION/SELECTION PANEL, [3.1.5.3](#)  
     ISPF ORIGEXEC, [3.1.5.2](#)  
     ISPF/PDF PRIMARY OPTION MENU, [3.1.5.3](#)  
         [3.1.5.6](#)  
     ISPPLIB, ISPMLIB, ISPTLIB, [3.1.5.2](#)  
     ISR@PRIM PANEL, [3.1.5.7](#)  
     ISRNUL, [3.1.5.2](#)  
     ISTDEBUG, [3.1.5.2](#)  
     ISTPLIB, [3.1.5.5](#)  
     ISTRAFT1, [3.1.5.2](#)  
     loadlibs and maclibs, [3.1.5.2](#)  
     updating and running the ISPF EXEC, [3.1.5.2](#)  
     verifying trace formatter panels, [3.1.5.6](#)  
 IST1110I, [4.6.3.1](#)  
 ISTAHC, [B.2.5](#)  
 ISTAPPLS, [A.4.3](#)  
 ISTCDRM, [A.4.4](#)  
 ISTCDRS, [A.4.5](#)  
 ISTCTCA, [A.2.10](#)  
     [A.4.7](#)  
 ISTNSNA, [A.4.8](#)  
 ISTPATH, [A.2.9](#)  
     [A.4.6](#)  
 ISTTRL, [B.2.4](#)

## K

---

Key Registration Center, [1.6](#)  
 keywords - restricted, [3.3.5](#)  
     [3.3.6](#)

## L

---

LOCADDR=0, [4.6.2](#)  
 local non-sna major node, [3.3.13](#)  
 local sna major node, [4.2.1.5](#)  
     [4.2.1.6](#)  
 logon dynamic cross-domain, [3.3.13](#)  
 low-end networking node (LEN), [1.1.2](#)

## M

---

messages  
     IST001I, [3.3.1.3](#)  
     IST1497I, [3.3.1.3](#)  
 migration data host (MDH), [1.1.2](#)  
 migration operating systems, [1.4.2](#)

migration to V4.2 VM/VTAM, [3.2](#)  
Multi Path Channel (MPC), [4.1](#)  
[4.5](#)  
multiple network connectivity support, [5.0](#)

## N

---

NCP activation  
  client/server restrictions, [2.4.4.3](#)  
NCP ownership, [4.2](#)  
network diagram, [1.4](#)  
network node (NN), [1.1.2](#)  
[4.0](#)  
NODETYPE start option, [4.1](#)  
[4.2.1.2](#)  
NSSGCS XA Exec, [3.1.4.5](#)

## P

---

password, [1.6](#)  
[3.3.1.3](#)  
performance, [3.2.1.2](#)  
[3.3.1.2](#)  
  CP SET commands, [3.2.1.2](#)  
[3.3.1.2](#)  
  startup sequence of VM/VTAM V3.4.1, [3.2.1.2](#)  
  startup sequence of VM/VTAM V4.2, [3.3.1.2](#)  
  VMVTAM GCS file, [3.2.1.2](#)  
peripheral border node, [5.0](#)  
peripheral subnetwork boundary, [5.0](#)  
problems implementing 3174 APPN connection, [4.6.3.1](#)  
problems implementing AHHC/MPC, [4.5.2](#)  
[4.5.2.3](#)  
PROFILE AUTOLOG machine, [3.1.3.3](#)  
PROFILE GCS - VTAM V3.4.1, [3.2.1.1](#)  
PROFILE GCS - VTAM V4.2, [3.3.1.1](#)  
program directory VM/VTAM V4R2, [3.1.3](#)  
PSP bucket, [3.1.1](#)  
puname for 3174, [4.6.3.2](#)

## R

---

RESET status, [4.6.3.2](#)  
RSCSNET, [A.2.5](#)

## S

---

sample  
  AHHC definitions, [4.5.1](#)  
  AVS APPC application, [A.2.4](#)  
  CDRM major node, [A.6.10](#)  
[A.8.11](#)  
  CDRSC, [A.2.8](#)  
  CDRSC major node, [A.6.11](#)  
[A.8.12](#)  
  channel-to-channel major node, [A.6.8](#)  
[A.8.9](#)  
  Cross Domain Resource Manager, [A.2.7](#)

local non-SNA definition, [A.2.3](#)  
 local non-SNA major node, [A.6.7](#)  
     [A.8.8](#)  
 local SNA major node, [A.8.7](#)  
 model major node, [A.6.4](#)  
     [A.8.4](#)  
 NCP major node, [A.8.13](#)  
 path table major node, [A.6.9](#)  
     [A.8.10](#)  
 PNET definition, [A.6.5](#)  
     [A.8.5](#)  
 POWER macro, [A.6.6](#)  
     [A.8.6](#)  
 VM/VTAM V3.4.1 application, [A.2.6](#)  
 VSE application major node, [A.6.3](#)  
     [A.8.3](#)

serviceability, [3.1.5](#)  
 Shared-Access Transport Facility (SATF), [1.5.1](#)  
 SORDER start option, [4.2.1.2](#)  
 start options

- APPN, [4.1](#)
  - [4.2.1.2](#)
  - [4.2.1.3](#)
  - [4.2.1.4](#)
  - [4.6.2](#)
  - [5.0](#)
  - [5.3.1](#)
  - [5.3.2](#)
- APPNCOS, [4.2.1.2](#)
- BN, [5.0](#)
  - [5.3.1](#)
- CDSERVR, [4.1](#)
- CONNTYPE, [4.1](#)
  - [4.2.1.2](#)
  - [5.3.2](#)
- CPCP, [4.2.1.2](#)
  - [5.3.2](#)
- DYNLU, [4.6.2](#)
- HOSTSA, [4.1](#)
- implement VM/VTAM V4R2 subarea only functions, [3.3.2](#)
- INITDB, [4.2.1.2](#)
- NETID, [5.0](#)
  - [5.3.1](#)
- new for VM/VTAM V4.2 (non-APPN support), [3.3.2](#)
- NODETYPE, [4.1](#)
  - [4.2.1.2](#)
- restricted in Client/Server mode, [3.3.3](#)
  - [4.2.1.3](#)
- restricted in MultiDomain mode, [3.3.4](#)
  - [4.2.1.4](#)
- SORDER, [4.2.1.2](#)
- VRTG, [4.2.1.2](#)
- VRTGCPCP, [4.2.1.2](#)
- VSE, [2.4.4.3](#)

starting VTAM with APPN support, [4.2](#)  
 startup

- CP SET performance commands, [3.2.1](#)
  - [3.3.1](#)
- GLOBAL LOADLIB, [3.3.1](#)
  - in Client/Server mode, [3.3.10](#)
    - [4.3](#)
    - [5.5](#)
    - [5.6](#)
  - in InterEnterprise mode, [3.3.9](#)
    - [5.4](#)
  - in MultiDomain mode, [3.3.11](#)
    - [4.4](#)
    - [5.7](#)
    - [5.8](#)
- JCL - VM, [3.3.1.3](#)
- sequence VM/VTAM V3.4.1, [3.2.1](#)
- sequence VM/VTAM V4.2, [3.3.1](#)
- VSCS initialization, [3.2.1](#)
  - [3.3.1](#)

storage requirements

- conversation ID (CID) table, [1.3.4](#)
- estimating storage for VTAM diskette, [1.3.4](#)
- subarea only start options, [3.3.2](#)
- SVA command, [2.2](#)
- SYSDEF DSPACE statement (VSE), [2.2.2.3](#)
- Systems Network Architecture (SNA), [1.1](#)



APPN nodes, [1.1.2](#)  
 hierarchical subarea nodes, [1.1.1](#)

## T

---

test configuration  
 network diagram, [1.4](#)  
 VSE and VM operating systems, [1.4.2](#)  
 TRL major node, [4.2.1.5](#)  
[4.2.1.6](#)  
 Type 2.1  
 3174 implementation, [4.6.1](#)  
 channel connection between APPN nodes, [4.6](#)  
 CONNTYPE operand, [4.6.3.1](#)  
 CPNAME in 3174, [4.6.3.2](#)  
 duplicate resource name, [4.6.3.2](#)  
 dynamic definition of ILU, [4.6.2](#)  
 failure messages, [4.6.3.1](#)  
[4.6.3.2](#)  
 LOCADDR=0, [4.6.2](#)  
 NETID start option, [4.6.3.1](#)  
 puname for 3174 PU, [4.6.3.2](#)  
 RESET status, [4.6.3.2](#)  
 VARY ACT 3174, [4.6.3.2](#)  
 VTAM definitions, [4.6.2](#)  
 XID=YES, [4.6.2](#)

## U

---

USER  
 5654010A directory entry, [A.3.3](#)  
[B.1.3](#)  
 MAINT directory entry, [A.1.3](#)  
[A.3.4](#)  
[B.1.4](#)  
 VTAM directory entry, [A.3.2](#)  
[B.1.2](#)  
 VTAMESA directory entry, [A.1.2](#)  
 WCVMI22 directory entry, [A.3.1](#)  
[B.1.1](#)  
 WCVMSNI directory entry, [A.1.1](#)  
 WCVSE13 directory entry, [A.5.1](#)  
 WCVSE21 directory entry, [B.3.1](#)  
 WCVSE21 directory entry (subarea only), [A.7.1](#)

## V

---

VARY ACT 3174, [4.6.3.2](#)  
 Virtual Channel-to-Channel adapter (VCTCA), [4.5](#)  
 VIT Analysis Tool, [3.1.5](#)  
 5654010a userid, [3.1.5.1](#)  
[3.1.5.3](#)  
 accessing the appropriate VM disks, [3.1.5.1](#)  
 customizing the ISPF interface, [3.1.5.6](#)  
 error messages, [3.1.5.5](#)  
 example screens, [3.1.5.8](#)  
 extraction, [3.1.5](#)  
 installing the ISPF trace tables, [3.1.5.3](#)  
 ISPF, [3.1.5](#)  
 ISPF ORIGEXEC, [3.1.5.2](#)  
 ISPF/PDF PRIMARY OPTION MENU, [3.1.5.6](#)  
 ISR@PRIM PANEL, [3.1.5.7](#)  
 loadlibs and maclibs, [3.1.5.1](#)  
 minidisks, [3.1.5.1](#)

- program directory, [3.1.5](#)
- request and response unit (RU) counting, [3.1.5](#)
- storage analysis, [3.1.5](#)
- updating and running the ISPF EXEC, [3.1.5.2](#)
- verifying the trace formatter panels, [3.1.5.6](#)
- VM CP
  - definitions, [4.5.1.1](#)
  - directory entries for WCVML22 Userid, [A.3](#)
  - directory entries for WCVML22 Userid (APPN), [B.1](#)
  - directory entries for WCVMSNI Userid, [A.1](#)
  - directory entries for WCVSE13 Userid, [A.5](#)
  - directory entries for WCVSE21 Userid, [A.7](#)
  - directory entries for WCVSE21 Userid (APPN), [B.3](#)
- VM/VTAM 3.4.1 ATCCONxx list, [A.2.2](#)
- VM/VTAM 3.4.1 ATCSTRxx list, [A.2.1](#)
- VMFINS, [3.1.1](#)
- VMSES/E, [1.2.1](#)
- [3.1.1](#)
- VMVTAM GCS file - VTAM V3.4.1
  - ATCSTRxx, [3.2.1.2](#)
  - CP SET commands, [3.2.1.2](#)
  - FILEDEF LDRIOTAB, [3.2.1.2](#)
  - FILEDEF NCPLOAD, [3.2.1.2](#)
  - GLOBAL LOADLIB, [3.2.1.2](#)
  - startup sequence of VM/VTAM V3.4.1, [3.2.1.2](#)
  - VM VTAM START command, [3.2.1.2](#)
  - VSCS initialization, [3.2.1.2](#)
- VMVTAM GCS file - VTAM V4.2
  - ATCSTRxx, [3.3.1.2](#)
  - CP SET commands, [3.3.1.2](#)
  - FILEDEFs for topology datasets, [3.3.1.2](#)
  - FILEDEFs for TUNSTATS disk, [3.3.1.2](#)
  - GLOBAL LOADLIB, [3.3.1.2](#)
  - startup sequence of VM/VTAM V4.2, [3.3.1.2](#)
  - VM VTAM START command, [3.3.1.2](#)
  - VSCS initialization, [3.3.1.2](#)
- VR-based Transmission Group (VRTG), [1.5.1](#)
- VRTG start option, [4.2.1.2](#)
- [4.7](#)
- VRTGCPCP start option, [4.2.1.2](#)
- [4.7](#)
- VSCS, [1.2.1](#)
- VSCS initialization, [3.2.1](#)
- [3.3.1](#)
- VSE/VTAM 3.4 ATCCONxx list, [A.6.2](#)
- VSE/VTAM 3.4 ATCSTRxx list, [A.6.1](#)
- VSE/VTAM 4.2 ATCCONxx list, [A.8.2](#)
- [B.4.3](#)
- VSE/VTAM 4.2 ATCSTRxx list, [A.8.1](#)
- [B.4.1](#)
- [B.4.2](#)
- VSE/VTAM V4.2
  - buffer pools, [2.2.1](#)
  - data space requirements, [2.2.2](#)
  - DSPACE operand, [2.2.2](#)
  - EXEC JCL statement, [2.2.2](#)
  - software requirements, [2.1](#)
  - storage requirements, [2.2](#)
  - SVA command, [2.2](#)
- VSIZE, [2.2.2.3](#)
- VTAM definitions, [4.5.1.3](#)
- VTAM V4.2 and Local 3174 APPN Node, [4.6.2](#)
- VTAM V4R2
  - AHHC, [1.5](#)
  - Application Program Interface (API), [1.2.2](#)
  - APPN nodes, [1.2](#)
  - border node, [1.5](#)
  - connectivity and dynamics, [1.2.1](#)
  - CUSTNO, [1.6](#)
  - exits, [1.2.1](#)
  - LU6.2 and API, [1.2.1](#)
  - naming, [1.6](#)
  - network dynamics, [1.5](#)
  - new functions, [1.2](#)
  - non-supported functions, [1.2.2](#)
  - operator interface, [1.2.1](#)
  - packaging, [1.6](#)
  - performance enhancements, [1.2.1](#)
  - pricing, [1.6](#)
  - problem diagnosis, [1.2.1](#)
  - security, [1.2.1](#)

SNI, [1.5](#)  
system and configuration management, [1.2.1](#)  
VMSES/E Tool, [1.2.1](#)  
VSCS, [1.2.1](#)  
VTAMPW, [1.6](#)  
VTAM V4R2 packages  
  Client/Server, [1.0](#)  
  InterEnterprise, [1.0](#)  
  MultiDomain, [1.0](#)  
VTAMPW parameter, [1.6](#)  
                  [3.3.1.3](#)  
VTMAHHC.B book, [B.4.5](#)  
VTMTRL.B book, [B.4.4](#)

**X**

---

XAUTOLOG, [3.1.3.3](#)  
XID=YES, [4.6.2](#)

---

 © Copyright IBM Corp. 1996

---

[IBM Library Server](#) Copyright 1989, 2004 IBM Corporation. All rights reserved.

**IBM Library Server**



---

# EDITION Edition Notice

## First Edition (July 1996)

This edition applies to Version 4, Release 2 of ACF/VTAM, Program Number 5686-065 for use with the VSE/ESA Operating System and ACF/VTAM, Program Number 5654-010 for use with the VM/ESA Operating System.

Comments may be addressed to:  
IBM Corporation, International Technical Support Organization  
Dept. 3222 Building 71032-02  
Postfach 1380  
71032 Böblingen, Germany

When you send information to IBM, you grant IBM a non-exclusive right to use or distribute the information in any way it believes appropriate without incurring any obligation to you.

© Copyright International Business Machines Corporation 1996. All rights reserved.

Note to U.S. Government Users -- Documentation related to restricted rights -- Use, duplication or disclosure is subject to restrictions set forth in GSA ADP Schedule Contract with IBM Corp.



© Copyright IBM Corp. 1996

---

[IBM Library Server](#) Copyright 1989, 2004 [IBM](#) Corporation. All rights reserved.