

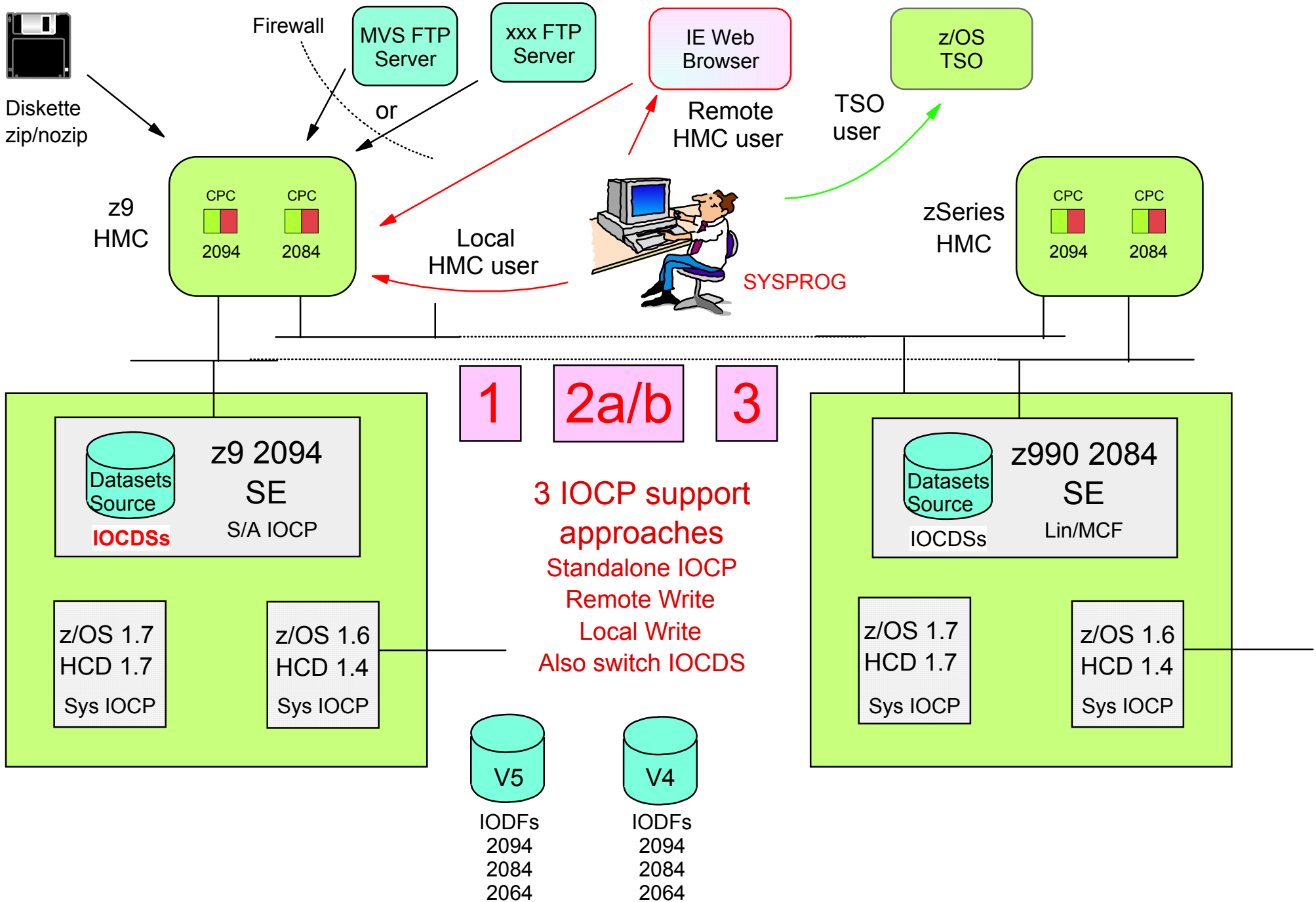


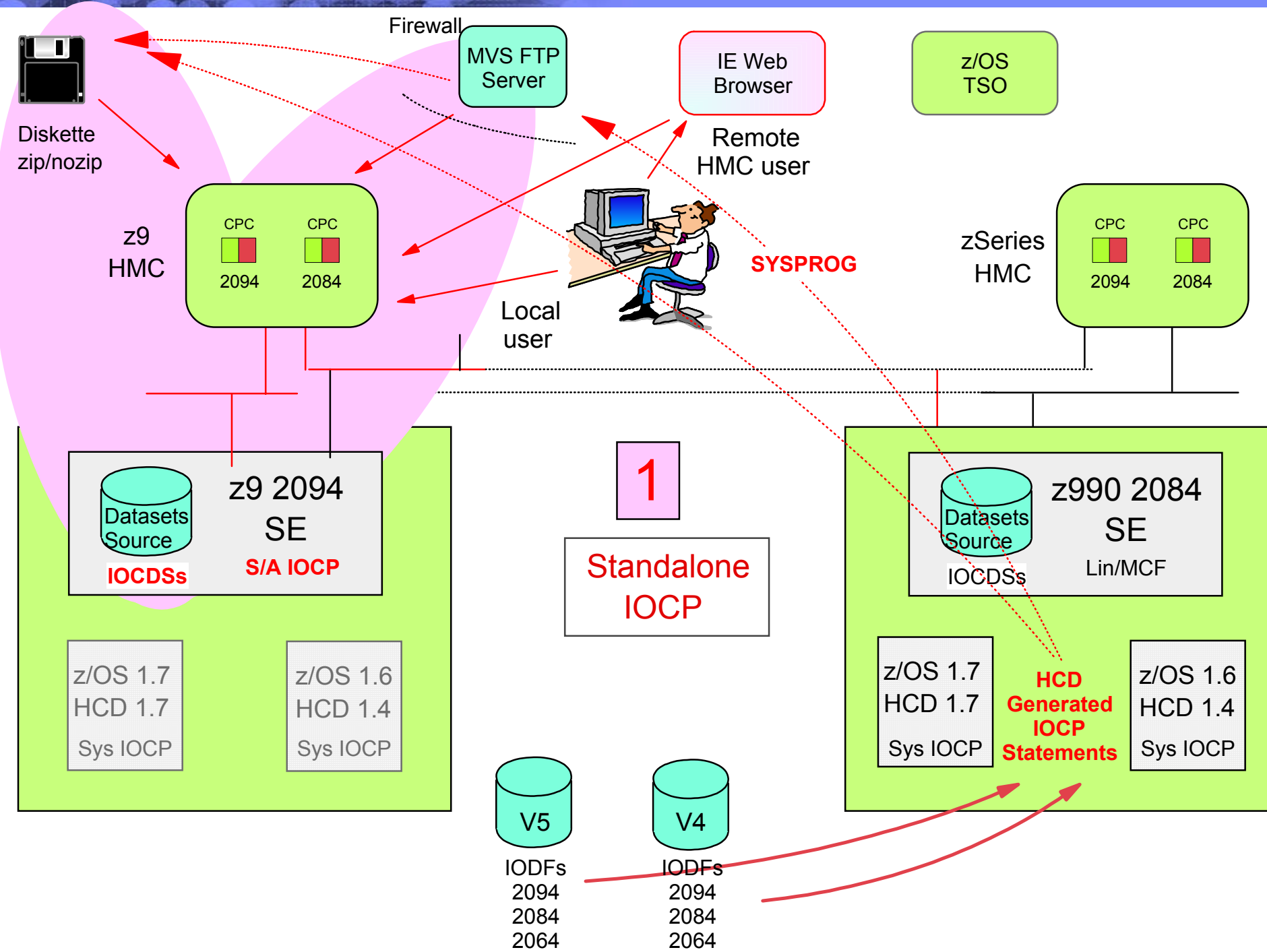
IBM Systems Group

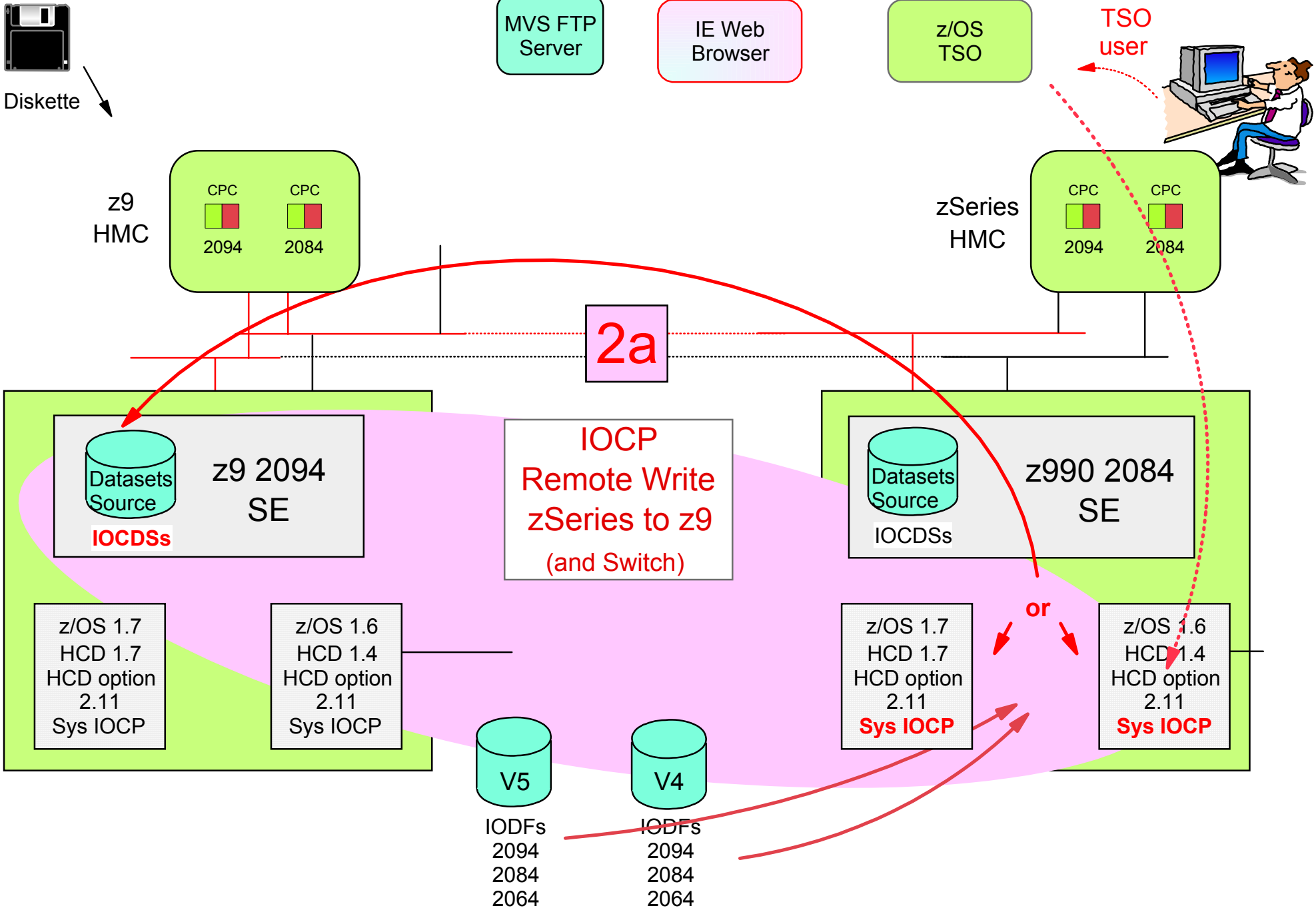
IBM System z9 109 - 2094 IOCDs Support

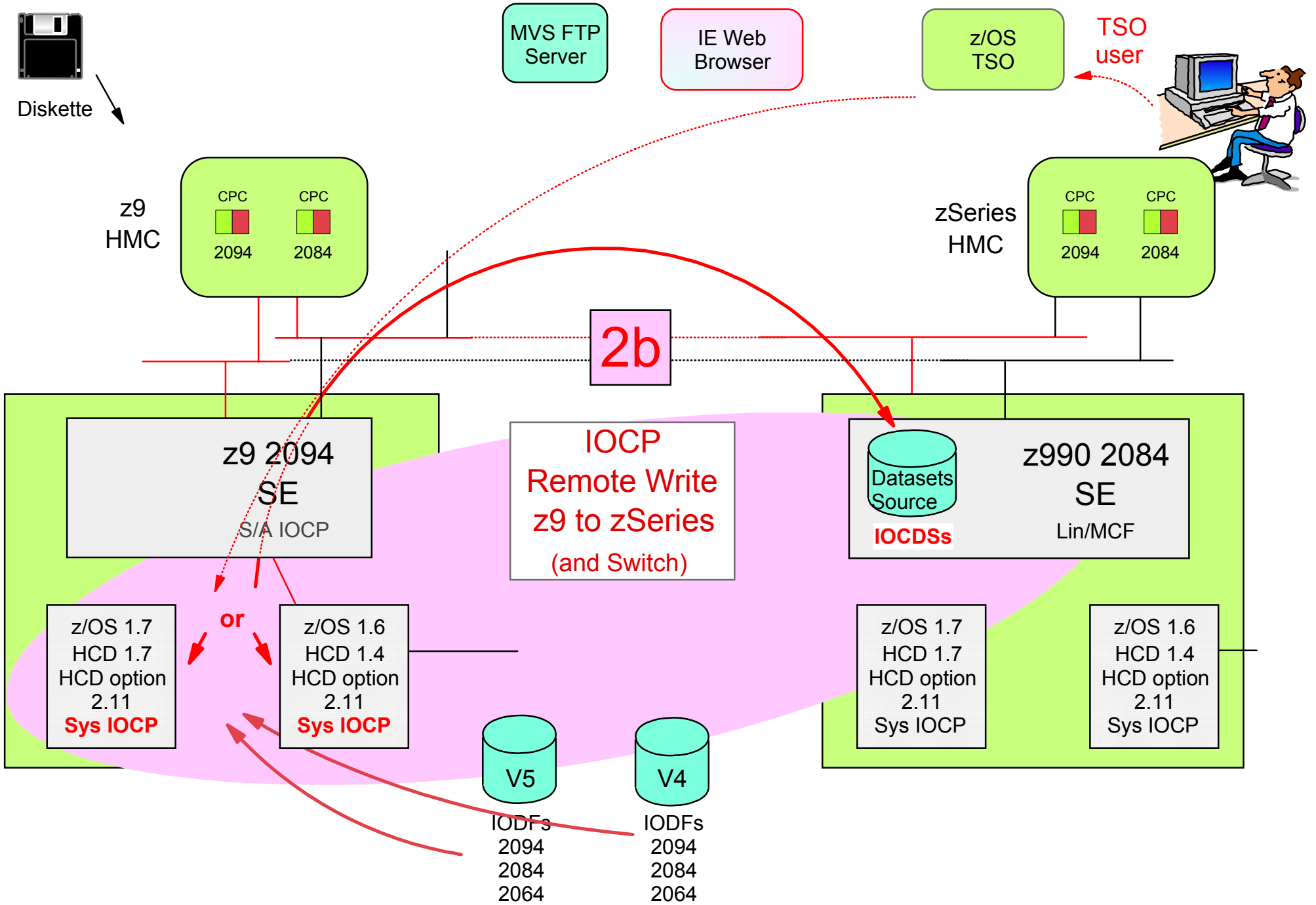
Kenneth Trowell
zSeries Channel Development
September 28, 2005

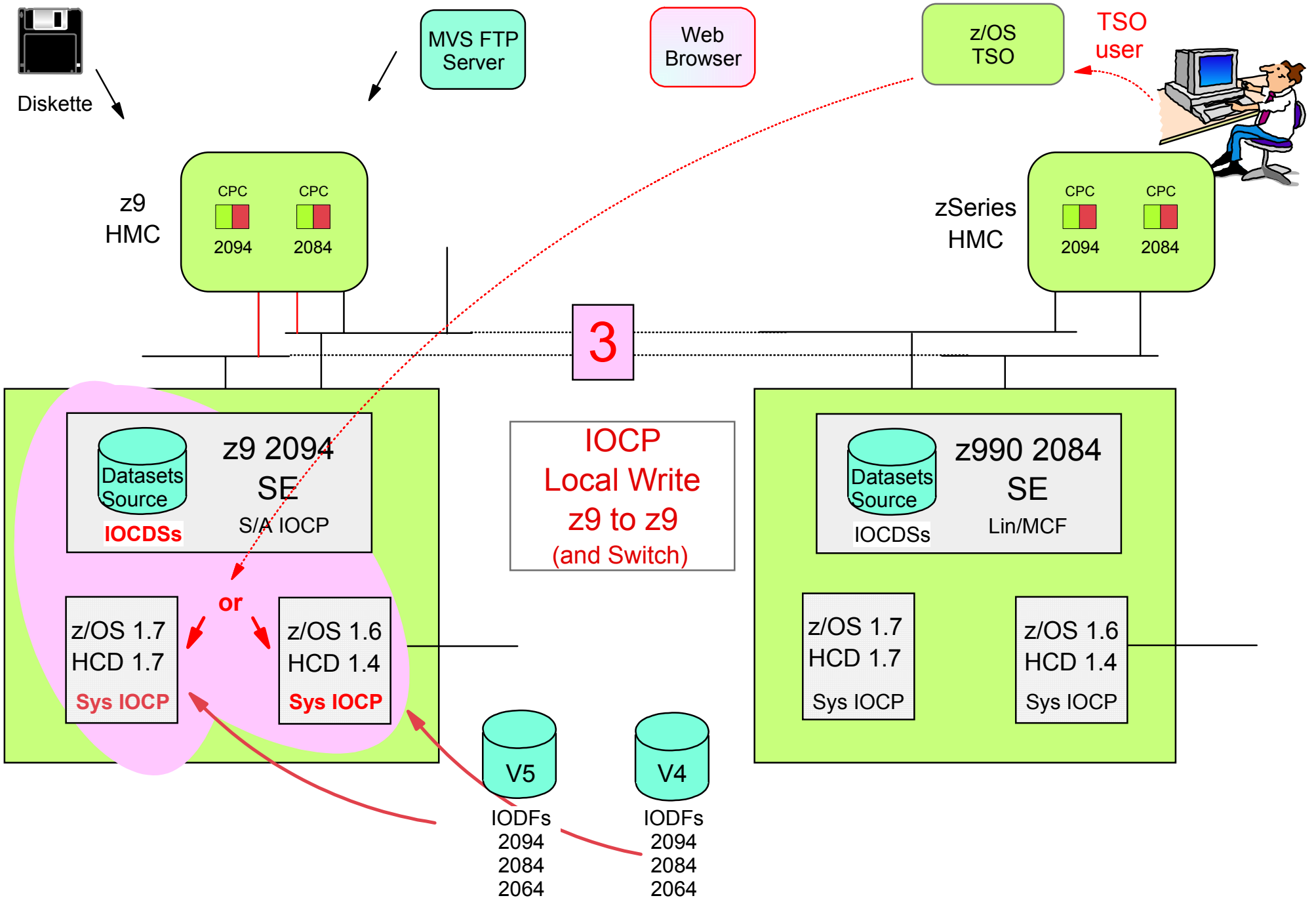
- Three IOCP / IOCDS support approaches
 1. Standalone IOCP
 - ▶ Diskette - IOCP statement source
 - ▶ FTP server - IOCP statement source
 - ▶ User - local statement editor entry
 - ▶ Manage S/A IOCP function via local or remote HMC access
 2. Remote Write
 - ▶ zSeries to 2094
 - ▶ 2094 to zSeries
 - ▶ Requires source and target CPC to be in the same consolidated HMC /SE CPC list
 3. Local Write
 - ▶ 2094 write to local support element (SE)
- Also switch IOCDS
 - ▶ Requires target IOCDS 'processor token' to match the HSA 'processor token'











z9 109 - IOCDS Support

- The IOCDS support for the z9 is as follows
 1. Standalone IOCP support
 - Requires IOCP source statements, these can be provided from
 - a. HMC/SE SOO import from HMC diskette - non maximum configuration (but still 2.4MB non zipped)
 - b. HMC/SE SOO import from HMC diskette - maximum configuration - use ZIP file
 - c. FTP server - on the same network as the HMC and using IE / Firefox Browser remote access
 - d. FTP server on a different network from the HMC - test for both EBCDIC and ASCII
 - both behind a firewall and not behind a firewall - HMC to MVS behind firewall
 - FTP server support - MVS - Windows - Unix - Linux
 - SE File format transfer requirement - both EBCDIC and ASCII are supported
 - e. Source file extension name support - TXT - IOCP - ZIP (it was good that ZIP worked)
 - f. SE IOCP editor support
 - Using the editor at the SE - with Very large IOCP I/O configuration
 - Using the editor via a HMC / SE SOO
 - Using the editor via a local / remote web browser - HMC / SE SOO
 2. SCP (z/OS) remote IOCP write (and switch)
 - zSeries to z9 Server, and z9 to zSeries
 - a. Same network as the HMC - switch worked
 - b. Remote network from the HMC - switch worked
 3. SCP local (z/OS) z9 host write and switch
 - a. using HCD 1.4
 - b. using HCD 1.7

z9 109 - HMC - SE - HCD - CPC Support

- CPCs are defined to HMCs
 - z9 HMCs can support the following CPCs
 - z9, 2084, 2064, 2086, 2066 and 9672 G5 and G6 CPCs
 - But the 2084, 2064, 2086, 2066 and 9672 G5 and G6 CPCs, require the z9 HMC support MCF
 - zSeries HMCs at driver level 55 can support the following CPCs
 - 2084, 2064, 2086, 2066 and 9672 G5 and G6 CPCs
 - The zSeries HMC cannot support the z9 Server - 2094 processor
- HMCs register to the CPC that are defined to that HMC
 - In addition the HMC may have LIC support enabled
 - The CPC SE keeps track of which HMC registered to it, and if the registering HMC has LIC enabled
 - When HCD option 2.11 is invoked in any logical partition on a CPC a request is sent to that CPCs SE to build a composite list of all CPC that are defined to all the HMCs registered to the SE, and that have LIC enabled
 - The composite CPC list is returned by the SE to the requesting SCP/HCD logical partition
 - HCD option 2.11 presents this list to the requesting user

