

RS/6000



# Maintenance Information Volume 4, Parts Catalog



RS/6000 SP



# Maintenance Information Volume 4, Parts Catalog

**Note**

Before using this information and the product it supports, be sure to read the general information under "Notices" on page vii.

**Second Edition (February 1999)**

This is a major revision of GA22-7378-00.

This edition applies to Version 3 Release 1 of IBM Parallel System Support Programs for AIX (PSSP), which runs on the IBM RS/6000 SP, and to all subsequent releases and modifications until otherwise indicated in new editions.

Order publications through your IBM representative or the IBM branch office serving your locality. Publications are not stocked at the address given below.

IBM welcomes your comments. A form for readers' comments may be provided at the back of this publication or you may address your comments to the following address:

International Business Machines Corporation  
Department 55JA, Mail Station P384  
522 South Road  
Poughkeepsie, NY 12601-5400  
USA

FAX: (United States & Canada): 1+914+432-9405  
FAX: (Other Countries): Your International Access Code+1+914+432-9405

IBMLink (United States customers only): IBMUSM10(MHVRCFS)  
IBM Mail Exchange: USIB6TC9 at IBMMAIL  
Internet e-mail: mhvrdfs@us.ibm.com  
World Wide Web: <http://www.rs60000.ibm.com>

If you would like a reply, be sure to include your name, address, telephone number, or FAX number.

Make sure to include the following in your comment or note:

- Title and order number of this book
- Page number or topic related to your comment

When you send information to IBM, you grant IBM a nonexclusive right to use or distribute the information in any way it believes appropriate without incurring any obligation to you.

© **Copyright International Business Machines Corporation 1994, 1999. All rights reserved.**

US Government Users Restricted Rights – Use, duplication or disclosure restricted by GSA ADP Schedule Contract with IBM Corp.

---

# Contents

<b>Notices</b> .....	vii
Trademarks .....	vii
Safety Notices .....	viii
Personal ESD Requirements .....	viii
<b>Electronic Emissions Notices</b> .....	ix
Federal Communications Commission (FCC) Statement .....	ix
European Union (EU) Statement .....	ix
United Kingdom Telecommunications Safety Requirements .....	ix
Notice to Customers .....	ix
Industry Canada Compliance Statement .....	x
For Installations in Japan: .....	x
Electromagnetic Interference (EMI) Statement - Taiwan .....	x
Radio Protection for Germany .....	x
<b>About This Book</b> .....	xiii
Who Should Use This Book .....	xiii
Getting More Information .....	xiii
<b>Summary of Changes</b> .....	xv
GA22-7378-00 .....	xv
GA22-7378-01 .....	xv
<b>Chapter 1. RS/6000 SP Parts Catalog</b> .....	1-1
Assembly 1: 1.93 m Frame Assembly (View 1) .....	1-4
Assembly 2: 1.93 m Frame Assembly (View 2) .....	1-6
Assembly 3: Frame Assembly, 2.01 m (View 1) .....	1-8
Assembly 4: Frame Assembly, 2.01 m (View 2) .....	1-10
Assembly 5: Cover Assemblies, 1.93 m Frame .....	1-12
Assembly 6: Front Cover Assembly (2.01 m Frame) .....	1-14
Assembly 7: Rear Cover Assembly (2.01 m Frame) .....	1-16
Assembly 8: Side Cover Assembly (2.01 m Frame) .....	1-18
Assembly 9: Acoustic Skirt Assembly .....	1-20
Assembly 10: Scalable Electrical Power Base Unit (SEPBU) (View 1) .....	1-22
Assembly 11: Scalable Electrical Power Base Unit (SEPBU) (View 2) .....	1-24
Assembly 12: Main Power Switch Asm, 1.93 m Frame .....	1-26
Assembly 13: Main Power Switch Asm (2.01 m Frame) .....	1-28
Assembly 14: Power Distribution Unit Asm (View 1) .....	1-30
Assembly 15: Power Distribution Unit Asm (View 2) .....	1-32
Assembly 16: Power Distribution Unit Asm (View 3) .....	1-34
Assembly 17: Power Distribution Unit Asm (View 4) .....	1-36
Assembly 18: Power Distribution Unit Asm (View 5) .....	1-38
Assembly 19: Power Distribution Unit Asm (View 6) .....	1-40
Assembly 20: Supervisor Gate Asm (PDU Only) .....	1-42
Assembly 21: 62/66 MHz Thin Node Asm (F/C 2001/2002) (View 1) .....	1-44
Assembly 22: 62/66 MHz Thin Node Asm (F/C 2001/2002) (View 2) .....	1-46
Assembly 23: 62/66 MHz Thin Node Asm (F/C 2001/2002) (View 3) .....	1-48
Assembly 24: 66 MHz Thin Node 2 Asm (F/C 2004) (View 1) .....	1-50
Assembly 25: 66 MHz Thin Node 2 Asm (F/C 2004) (View 2) .....	1-52
Assembly 26: 120/160 MHz Thin Node Asm (F/C 2008/2022) (View 1) .....	1-54

Assembly 27: 120/160 MHz Thin Node Asm (F/C 2008/2022) (View 2)	1-56
Assembly 28: 120/160 MHz Thin Node Asm (F/C 2008/2022) (View 3)	1-58
Assembly 29: 66/77/135 MHz Wide Node Asm (F/C 2003/2005/2007) (View 1)	1-60
Assembly 30: 66/77/135 MHz Wide Node Asm (F/C 2003/2005/2007) (View 2)	1-62
Assembly 31: 66/77/135 MHz Wide Node Asm (F/C 2003/2005/2007) (View 3)	1-64
Assembly 32: 604 or 604e High Node Asm (F/C 2006/2009) (View 1)	1-66
Assembly 33: 604e High Node Media Module	1-68
Assembly 34: 604e High Node CPU Module (View 1)	1-70
Assembly 35: 604e High Node CPU Module (View 2)	1-72
Assembly 36: 604e High Node CPU Module (View 3)	1-74
Assembly 37: I/O Module	1-76
Assembly 38: 604 or 604e High Node Asm (F/C 2006/2009) (View 2)	1-78
Assembly 39: 604 or 604e High Node Asm (F/C 2006/2009) (View 3)	1-80
Assembly 40: 604 or 604e High Node Asm (F/C 2006/2009) (View 4)	1-82
Assembly 41: 332 MHz Symmetric MultiProcessor (SMP) Thin and Wide Nodes	1-84
Assembly 42: 332 MHz SMP Thin Node Asm (F/C 2050) (View 1)	1-86
Assembly 43: 332 MHz SMP Thin Node Asm (F/C 2050) (View 2)	1-88
Assembly 44: 332 MHz SMP Thin Node Asm (F/C 2050) (View 3)	1-90
Assembly 45: 332 MHz SMP Wide Node Asm (F/C 2051) (View 1)	1-92
Assembly 46: 332 MHz SMP Wide Node Asm (F/C 2051) (View 2)	1-94
Assembly 47: 332 MHz SMP Wide Node Asm (F/C 2051) (View 3)	1-96
Assembly 48: 332 MHz SMP I/O Expansion Asm (View 1)	1-98
Assembly 49: 332 MHz SMP I/O Expansion Asm (View 2)	1-100
Assembly 50: 332 MHz SMP I/O Expansion Asm (View 3)	1-102
Assembly 51: POWER3 Symmetric MultiProcessor (SMP) Thin and Wide Nodes	1-104
Assembly 52: POWER3 SMP Thin Node Asm (F/C 2052) (View 1)	1-106
Assembly 53: POWER3 SMP Thin Node Asm (F/C 2052) (View 2)	1-108
Assembly 54: POWER3 SMP Thin Node Asm (F/C 2052) (View 3)	1-110
Assembly 55: POWER3 SMP Wide Node Asm (F/C 2053) (View 1)	1-112
Assembly 56: POWER3 SMP Wide Node Asm (F/C 2053) (View 2)	1-114
Assembly 57: POWER3 SMP Wide Node Asm (F/C 2053) (View 3)	1-116
Assembly 58: POWER3 SMP I/O Expansion Asm (View 1)	1-118
Assembly 59: POWER3 SMP I/O Expansion Asm (View 2)	1-120
Assembly 60: POWER3 SMP I/O Expansion Asm (View 3)	1-122
Assembly 61: SP-Attached Server (RS/6000 7017 Models S70 and S7A)	1-124
Assembly 62: Features, Micro Channel Adapters	1-126
Assembly 63: Features, PCI Adapters	1-129
Assembly 64: High Performance Switch 2.0 Asm (Feature)	1-132
Assembly 65: High Performance Switch 3.0 Asm (Feature) (View 1)	1-134
Assembly 66: High Performance Switch 3.0 Asm (Feature) (View 2)	1-136
Assembly 67: High Performance Switch LC8 Asm (Feature) (View 1)	1-138
Assembly 68: High Performance Switch LC8 Asm (Feature) (View 2)	1-140
Assembly 69: SPS, SPS-8 Switch Asm (Feature) (View 1)	1-142
Assembly 70: SPS, SPS-8 Switch Asm (Feature) (View 2)	1-144
Assembly 71: SPS, SPS-8 Switch Asm (Feature) (View 3)	1-146
Assembly 72: Switch Cables (Feature)	1-148
Assembly 73: Multi-Switch Frame (F/C 2030/1)	1-150
Assembly 74: 49-Inch Frame (View 1)	1-152
Assembly 75: 49-Inch Frame (View 2)	1-154
Assembly 76: Ship Group Items	1-156
Assembly 77: Cable Details	1-158
Assembly 78: Miscellaneous Hardware	1-160
DASD Part Numbers	1-164
RS/6000 SP Memory Part Numbers	1-164

<b>Index</b> .....	X-1
<b>Part Number Index</b> .....	X-3





---

## Notices

References in this publication to IBM products, programs, or services do not imply that IBM intends to make these available in all countries in which IBM operates. Any reference to an IBM product, program, or service is not intended to state or imply that only IBM's product, program, or service may be used. Any functionally equivalent product, program, or service that does not infringe any of IBM's intellectual property rights may be used instead of the IBM product, program, or service. Evaluation and verification of operation in conjunction with other products, except those expressly designated by IBM, are the user's responsibility.

IBM may have patents or pending patent applications covering subject matter in this document. The furnishing of this document does not give you any license to these patents. You can send license inquiries, in writing, to:

IBM Director of Licensing  
IBM Corporation  
North Castle Drive  
Armonk, NY 10504-1785  
USA

Any pointers in this publication to non-IBM Web sites are provided for convenience only, and do not in any manner serve as an endorsement of these web sites. IBM accepts no responsibility for the content of use of non-IBM Web sites specifically mentioned in this publication or accessed through an IBM Web site that is mentioned in this publication.

---

## Trademarks

The following terms are trademarks of the International Business Machines Corporation in the United States or other countries or both:

AIX  
ESCON  
IBM  
IBMLink  
LoadLeveler  
Micro Channel  
POWERparallel  
POWERserver  
POWERstation  
RS/6000  
RS/6000 Scalable POWERparallel Systems  
Scalable POWERparallel Systems  
SP

Microsoft, Windows, Windows NT, and the Windows logo are trademarks of Microsoft Corporation in the United States and other countries.

UNIX is a registered trademark in the United States and other countries licensed exclusively through X/Open Company Limited.

Adobe, Acrobat, Acrobat Reader, and PostScript are trademarks of Adobe Systems, Incorporated.

Netscape is a registered trademark of Netscape Communications Corporation in the United States and other countries.

Other company, product, and service names may be trademarks or service marks of others.

---

## Safety Notices

*RS/6000 SP: Maintenance Information Volume 1* contains a list of all safety notices pertaining to SP hardware maintenance from Volumes 1, 2, 3, and 4.

Translations of these notices are also provided in Volume 1.

---

## Personal ESD Requirements

The processor uses FRUs that are known to be sensitive to electrostatic discharge (ESD). To prevent ESD damage to FRUs or to prevent system failures, observe the following procedures:

- Keep the FRU in its original static-dissipative shipping container until the FRU is ready to be installed in the system. Move the static-dissipative container near the location where the FRU is to be installed (within ESD wrist strap distance). If the FRU must be put down for any reason, first place it in its static-dissipative container or place it on the static-dissipative mat.
- Open only the covers that are necessary to complete the task. Any time a cover is open the service representative and all people in the area must be ESD-safe. If power is switched on, or if removing or exchanging any FRU, always use the ESD kit (part 93F2649).
  1. Put on the ESD wrist strap.
  2. Attach the ESD cord to the wrist strap.
  3. Attach the ESD mat to the wrist strap, if required.
  4. Attach the insulated clip to the ESD cord.
  5. Attach the insulated clip to the frame holes labeled **ESD**. If the frame holes are not available, use a grounding point on the frame.

---

## Electronic Emissions Notices

---

### Federal Communications Commission (FCC) Statement

This equipment has been tested and found to comply with the limits for a Class A digital device, pursuant to Part 15 of the FCC Rules. These limits are designed to provide reasonable protection against harmful interference when the equipment is operated in a commercial environment. This equipment generates, uses, and can radiate radio frequency energy and, if not installed and used in accordance with the instruction manual, may cause harmful interference to radio communications. Operation of this equipment in a residential area is likely to cause harmful interference, in which case the user will be required to correct the interference at his own expense.

Properly shielded and grounded cables and connectors must be used in order to meet FCC emission limits. IBM is not responsible for any radio or television interference caused by using other than recommended cables and connectors or by unauthorized changes or modifications to this equipment. Unauthorized changes or modifications could void the user's authority to operate the equipment.

This device complies with Part 15 of the FCC Rules. Operation is subject to the following two conditions: (1) this device may not cause harmful interference, and (2) this device must accept any interference received, including interference that may cause undesired operation.

---

### European Union (EU) Statement

This product is in conformity with the protection requirements of EU Council Directive 89/336/EEC on the approximation of the laws of the Member States relating to electromagnetic compatibility. The manufacturer cannot accept responsibility for any failure to satisfy the protection requirements resulting from a non-recommended modification of the product, including the fitting of option cards supplied by third parties. Consult with your dealer or sales representative for details on your specific hardware.

This product has been tested and found to comply with the limits for Class A Information Technology Equipment according to CISPR 22 / European Standard EN 55022. The limits for Class A equipment were derived for commercial and industrial environments to provide reasonable protection against interference with licensed communication equipment.

**Attention:** This is a Class A product. In a domestic environment this product may cause radio interference in which case the user may be required to take adequate measures.

---

### United Kingdom Telecommunications Safety Requirements

#### Notice to Customers

This apparatus is approved under approval number NS/G/1234/J/100003 for indirect connection to public telecommunications systems in the United Kingdom.

---

## Industry Canada Compliance Statement

This Class A digital apparatus meets the requirements of the Canadian Interference-Causing Equipment Regulations.

Cet appareil numérique de la classe A respecte toutes les exigences du Règlement sur le matériel brouilleur du Canada.

---

## For Installations in Japan:

この装置は、情報処理装置等電波障害自主規制協議会（VCCI）の基準に基づくクラスA情報技術装置です。この装置を家庭環境で使用すると電波妨害を引き起こすことがあります。この場合には使用者が適切な対策を講ずるよう要求されることがあります。

The following is a summary of the VCCI Japanese statement in the box above. This is a Class A product based on the standard of the Voluntary Control Council for Interference by Information Technology Equipment (VCCI). If this equipment is used in a domestic environment, radio disturbance may arise. When such trouble occurs, the user may be required to take corrective actions.

---

## Electromagnetic Interference (EMI) Statement - Taiwan

### 警告使用者:

這是甲類的資訊產品，在居住的環境中使用時，可能會造成射頻干擾，在這種情況下，使用者會被要求採取某些適當的對策。

The following is a summary of the EMI Taiwan statement above.

Warning: This is a Class A product. In a domestic environment this product may cause radio interference in which case the user will be required to take adequate measures.

---

## Radio Protection for Germany

Dieses Gerät ist berechtigt in Übereinstimmung mit Dem deutschen EMVG vom 9.Nov.92 das EG-Konformitätszeichen zu führen.

Der Aussteller der Konformitätserklärung ist die IBM Germany.

Dieses Gerät erfüllt die Bedingungen der EN 55022 Klasse A. Für diese von Geräten gilt folgende Bestimmung nach dem EMVG:

Geräte dürfen an Orten, für die sie nicht ausreichend entstört sind, nur mit besonderer Genehmigung des Bundesministers für Post und Telekommunikation oder des Bundesamtes für Post und Telekommunikation betrieben werden. Die Genehmigung wird erteilt, wenn keine elektromagnetischen Störungen zu erwarten sind.

(Auszug aus dem EMVG vom 9.Nov.92, Para.3, Abs.4)

Hinweis

Dieses Genehmigungsverfahren ist von der Deutschen Bundespost noch nicht veröffentlicht worden.



---

## About This Book

This book is to help you, as a customer engineer obtain RS/6000 SP part numbers.

This book is to be used with:

- *IBM RS/6000 SP: Maintenance Information Volume 1, Installation and Relocation (GA22-7375)*, (referred to, throughout this publication, as *RS/6000 SP: Maintenance Information Volume 1*). Volume 1 contains information to help you identify RS/6000 SP\* frame types and components, perform installation and relocation procedures, and maintenance agreements and qualifications.
- *IBM RS/6000 SP: Maintenance Information, Volume 2, Maintenance Analysis Procedures (GA22-7376)*, (referred to, throughout this publication, as *RS/6000 SP: Maintenance Information, Volume 2*). Volume 2 contains information to help you isolate RS/6000 SP failures.
- *IBM RS/6000 SP: Maintenance Information, Volume 3, Locations and Service Procedures (GA22-7377)*, (referred to, throughout this publication, as *RS/6000 SP: Maintenance Information, Volume 3*). Volume 3 contains information to help you perform isolation and verification tests, identify field replaceable unit (FRU) locations, and remove and replace FRUs.

For a list of other SP books and related information, see the bibliography in the back of *RS/6000 SP: Maintenance Information Volume 1*.

---

## Who Should Use This Book

This book is intended for the product-trained Customer Engineer (CE). This book is intended to support the RS/6000 SP product and SP1/SP2 coexistence systems, in which SP2 code is utilized. The SP1 version of this book (*IBM 9076 Scalable POWERparallel Systems: Maintenance Information, SY66-0299*) should be used for ordering SP1 parts, or if SP1 code is utilized.

---

## Getting More Information

This book and other RS/6000 SP hardware and software documentation are available both online and in hardcopy from:

- The RS/6000 website at <http://www.rs6000.ibm.com>
- The Resource Center on the PSSP product media.
- The Service Information Library (SIL)
- Hardcopy and CDROM versions orderable from IBM
- IBM internal use versions available on MKTTOOLS.

For details, see the bibliography in *RS/6000 SP: Maintenance Information Volume 1*.





---

## Summary of Changes

---

### GA22-7378-00

This edition, along with GA22-7376-00 and GA22-7377-00, replaces GC23-3904-08 and makes it obsolete. Changes found in this edition include:

- Added SP-attached server (RS/6000 7017 Models S70 and S7A) information.
- The Maintenance Information manuals, Volumes 1, 2, and 3, (GC23-3903 and GC23-3904) were reorganized into 4 volumes:
  - *IBM RS/6000 SP: Maintenance Information Volume 1, Installation and Relocation*, GA22-7375-00
  - *IBM RS/6000 SP: Maintenance Information, Volume 2, Maintenance Analysis Procedures*, GA22-7376-00
  - *IBM RS/6000 SP: Maintenance Information, Volume 3, Locations and Service Procedures*, GA22-7377-00
  - *IBM RS/6000 SP: Maintenance Information, Volume 4, Parts Catalog*, GA22-7378-00

---

### GA22-7378-01

This edition replaces GA22-7378-00 and makes it obsolete. Changes found in this edition include:

- Added POWER3 Symmetric MultiProcessor (SMP) thin and wide node information.



---

# Chapter 1. RS/6000 SP Parts Catalog

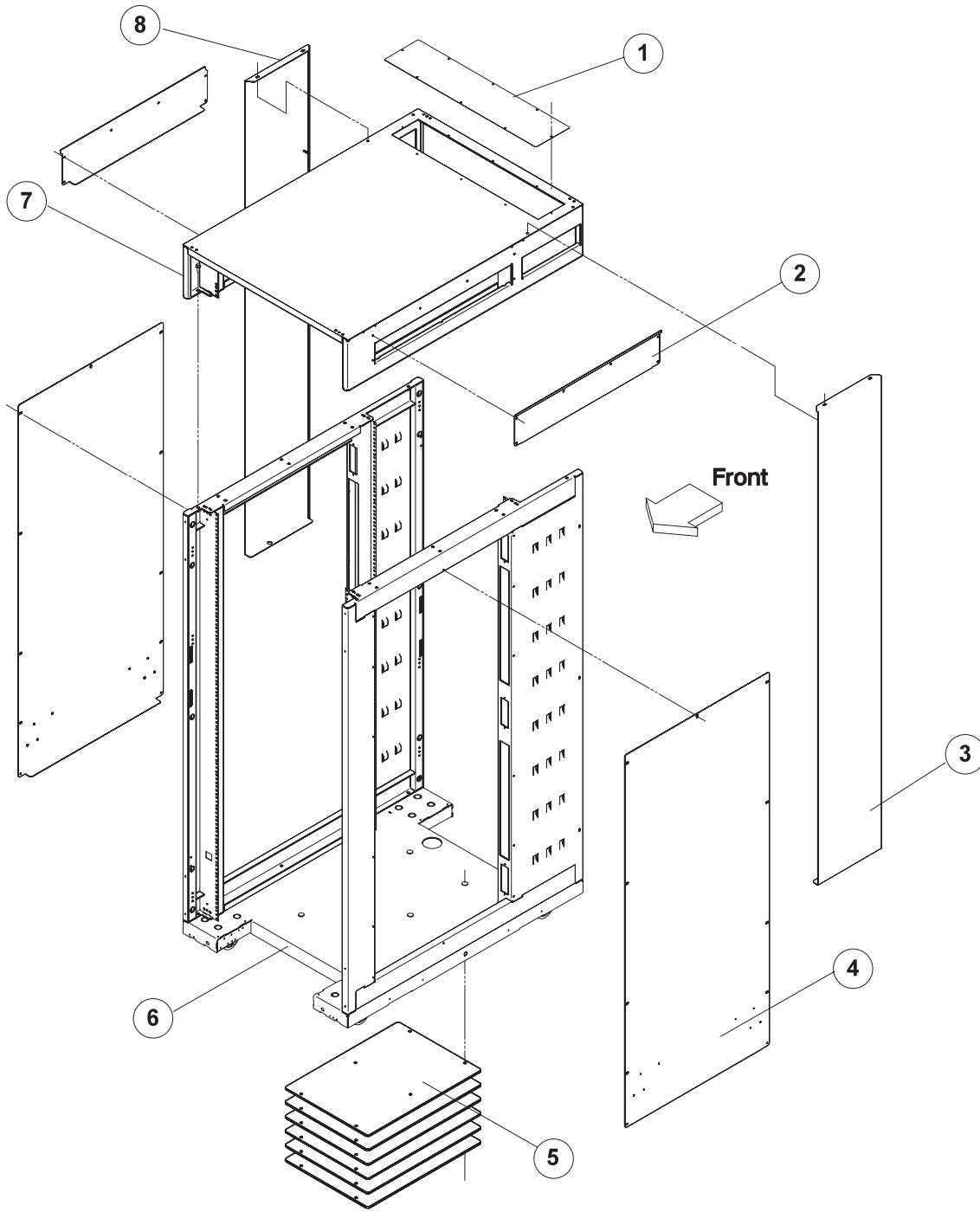
This chapter presents the Parts Catalog, listing all RS/6000 SP parts and FRUs, with corresponding figures containing indexed descriptions.

Acoustic Skirt Assembly	1-20
Cable Details	1-158
Cover Assemblies, 1.93 m Frame	1-12
Features, Micro Channel Adapters	1-126
Features, PCI Adapters	1-129
Frame Assembly, 2.01 m (View 1)	1-8
Frame Assembly, 2.01 m (View 2)	1-10
Front Cover Assembly (2.01 m Frame)	1-14
High Performance Switch LC8 Asm (Feature) (View 1)	1-138
High Performance Switch LC8 Asm (Feature) (View 2)	1-140
High Performance Switch 2.0 Asm (Feature)	1-132
High Performance Switch 3.0 Asm (Feature) (View 1)	1-134
High Performance Switch 3.0 Asm (Feature) (View 2)	1-136
I/O Module	1-76
Main Power Switch Asm (2.01 m Frame)	1-28
Main Power Switch Asm, 1.93 m Frame	1-26
Miscellaneous Hardware	1-160
Multi-Switch Frame (F/C 2030/1)	1-150
Power Distribution Unit Asm (View 1)	1-30
Power Distribution Unit Asm (View 2)	1-32
Power Distribution Unit Asm (View 3)	1-34
Power Distribution Unit Asm (View 4)	1-36
Power Distribution Unit Asm (View 5)	1-38
Power Distribution Unit Asm (View 6)	1-40
POWER3 SMP I/O Expansion Asm (View 1)	1-118
POWER3 SMP I/O Expansion Asm (View 2)	1-120
POWER3 SMP I/O Expansion Asm (View 3)	1-122
POWER3 SMP Thin Node Asm (F/C 2052) (View 1)	1-106
POWER3 SMP Thin Node Asm (F/C 2052) (View 2)	1-108
POWER3 SMP Thin Node Asm (F/C 2052) (View 3)	1-110
POWER3 SMP Wide Node Asm (F/C 2053) (View 1)	1-112
POWER3 SMP Wide Node Asm (F/C 2053) (View 2)	1-114
POWER3 SMP Wide Node Asm (F/C 2053) (View 3)	1-116
POWER3 Symmetric MultiProcessor (SMP) Thin and Wide Nodes	1-104
Rear Cover Assembly (2.01 m Frame)	1-16
Scalable Electrical Power Base Unit (SEPBU) (View 1)	1-22
Scalable Electrical Power Base Unit (SEPBU) (View 2)	1-24
Ship Group Items	1-156
Side Cover Assembly (2.01 m Frame)	1-18
SP-Attached Server (RS/6000 7017 Models S70 and S7A)	1-124
SPS, SPS-8 Switch Asm (Feature) (View 1)	1-142
SPS, SPS-8 Switch Asm (Feature) (View 2)	1-144
SPS, SPS-8 Switch Asm (Feature) (View 3)	1-146
Supervisor Gate Asm (PDU Only)	1-42
Switch Cables (Feature)	1-148
1.93 m Frame Assembly (View 1)	1-4
1.93 m Frame Assembly (View 2)	1-6
120/160 MHz Thin Node Asm (F/C 2008/2022) (View 1)	1-54

120/160 MHz Thin Node Asm (F/C 2008/2022) (View 2)	1-56
120/160 MHz Thin Node Asm (F/C 2008/2022) (View 3)	1-58
332 MHz SMP I/O Expansion Asm (View 1)	1-98
332 MHz SMP I/O Expansion Asm (View 2)	1-100
332 MHz SMP I/O Expansion Asm (View 3)	1-102
332 MHz SMP Thin Node Asm (F/C 2050) (View 1)	1-86
332 MHz SMP Thin Node Asm (F/C 2050) (View 2)	1-88
332 MHz SMP Thin Node Asm (F/C 2050) (View 3)	1-90
332 MHz SMP Wide Node Asm (F/C 2051) (View 1)	1-92
332 MHz SMP Wide Node Asm (F/C 2051) (View 2)	1-94
332 MHz SMP Wide Node Asm (F/C 2051) (View 3)	1-96
332 MHz Symmetric MultiProcessor (SMP) Thin and Wide Nodes	1-84
49-Inch Frame (View 1)	1-152
49-Inch Frame (View 2)	1-154
604 or 604e High Node Asm (F/C 2006/2009) (View 1)	1-66
604 or 604e High Node Asm (F/C 2006/2009) (View 2)	1-78
604 or 604e High Node Asm (F/C 2006/2009) (View 3)	1-80
604 or 604e High Node Asm (F/C 2006/2009) (View 4)	1-82
604e High Node CPU Module (View 1)	1-70
604e High Node CPU Module (View 2)	1-72
604e High Node CPU Module (View 3)	1-74
604e High Node Media Module	1-68
62/66 MHz Thin Node Asm (F/C 2001/2002) (View 1)	1-44
62/66 MHz Thin Node Asm (F/C 2001/2002) (View 2)	1-46
62/66 MHz Thin Node Asm (F/C 2001/2002) (View 3)	1-48
66 MHz Thin Node 2 Asm (F/C 2004) (View 1)	1-50
66 MHz Thin Node 2 Asm (F/C 2004) (View 2)	1-52
66/77/135 MHz Wide Node Asm (F/C 2003/2005/2007) (View 1)	1-60
66/77/135 MHz Wide Node Asm (F/C 2003/2005/2007) (View 2)	1-62
66/77/135 MHz Wide Node Asm (F/C 2003/2005/2007) (View 3)	1-64

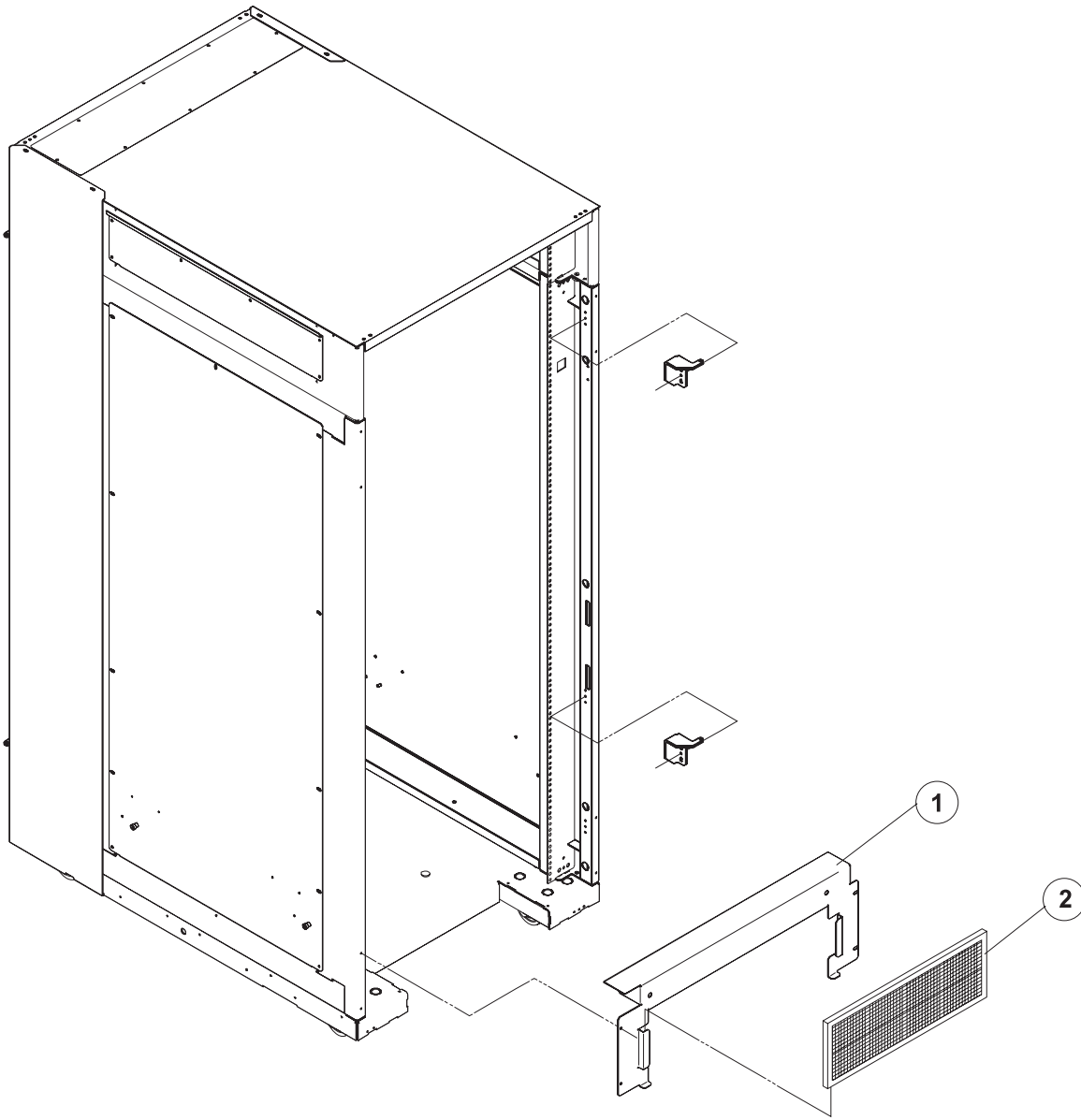
This page intentionally left blank

# Assembly 1: 1.93 m Frame Assembly (View 1)



Asm- Index	Part Number	Units	Description
1-6			Frame Asm, 1.93 m
-1		1	• Cover
-	54G2882	8	• • Screw
-2		2	• Side Plate, Top
-	1623740	12	• • Screw
-3		1	• Side Panel, Decorative
-	54G2882	2	• • Screw
-4		2	• Side Plate, Bottom
-	1623740	18	• • Screw
-5		6	• Weight Plate
-	19F1586	6	• • Nut
-7		1	• Top, Frame
-	1624803	16	• • Screw
-8		1	• Side Panel, Decorative
-	54G2882	2	• • Screw

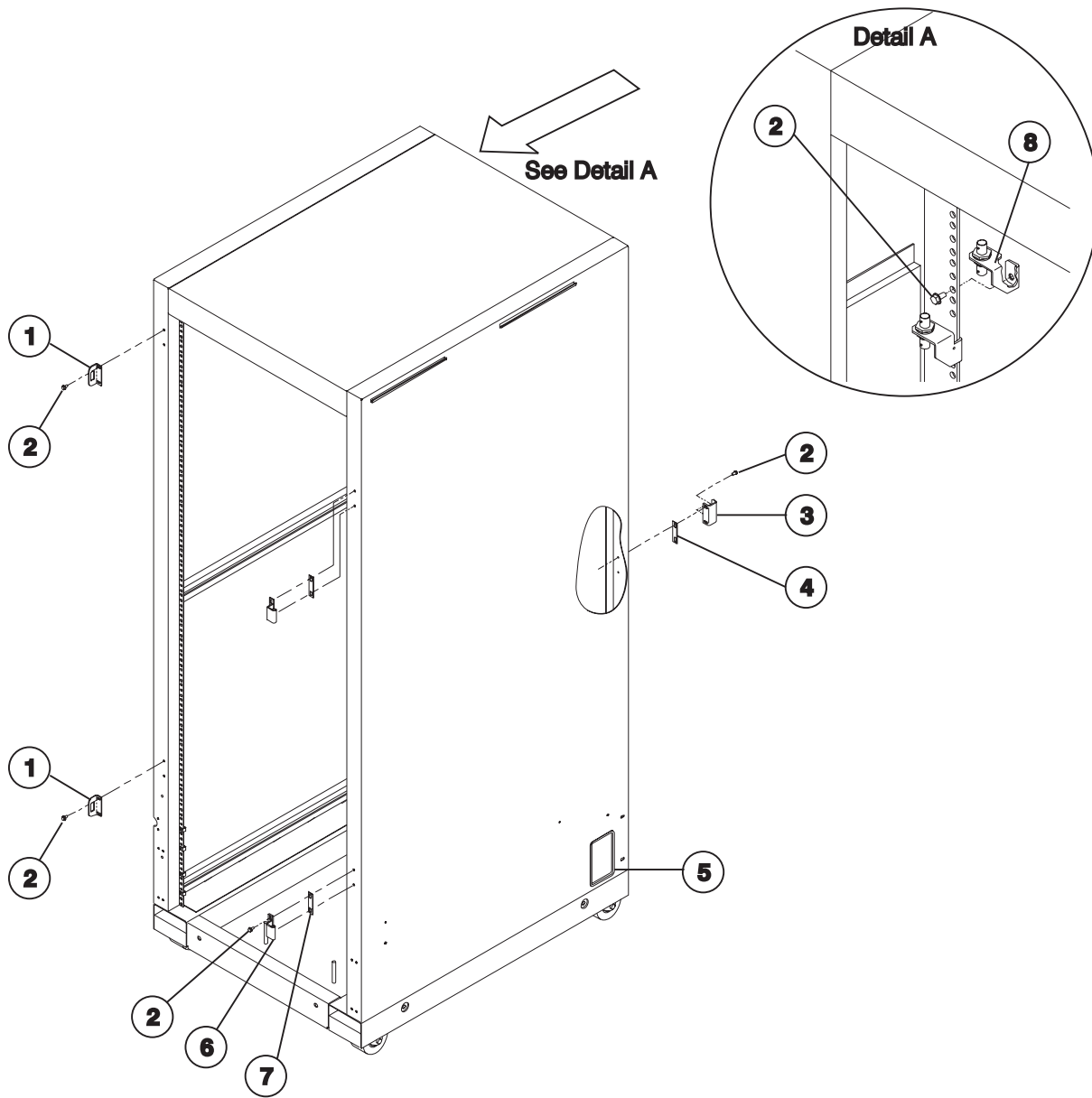
## Assembly 2: 1.93 m Frame Assembly (View 2)





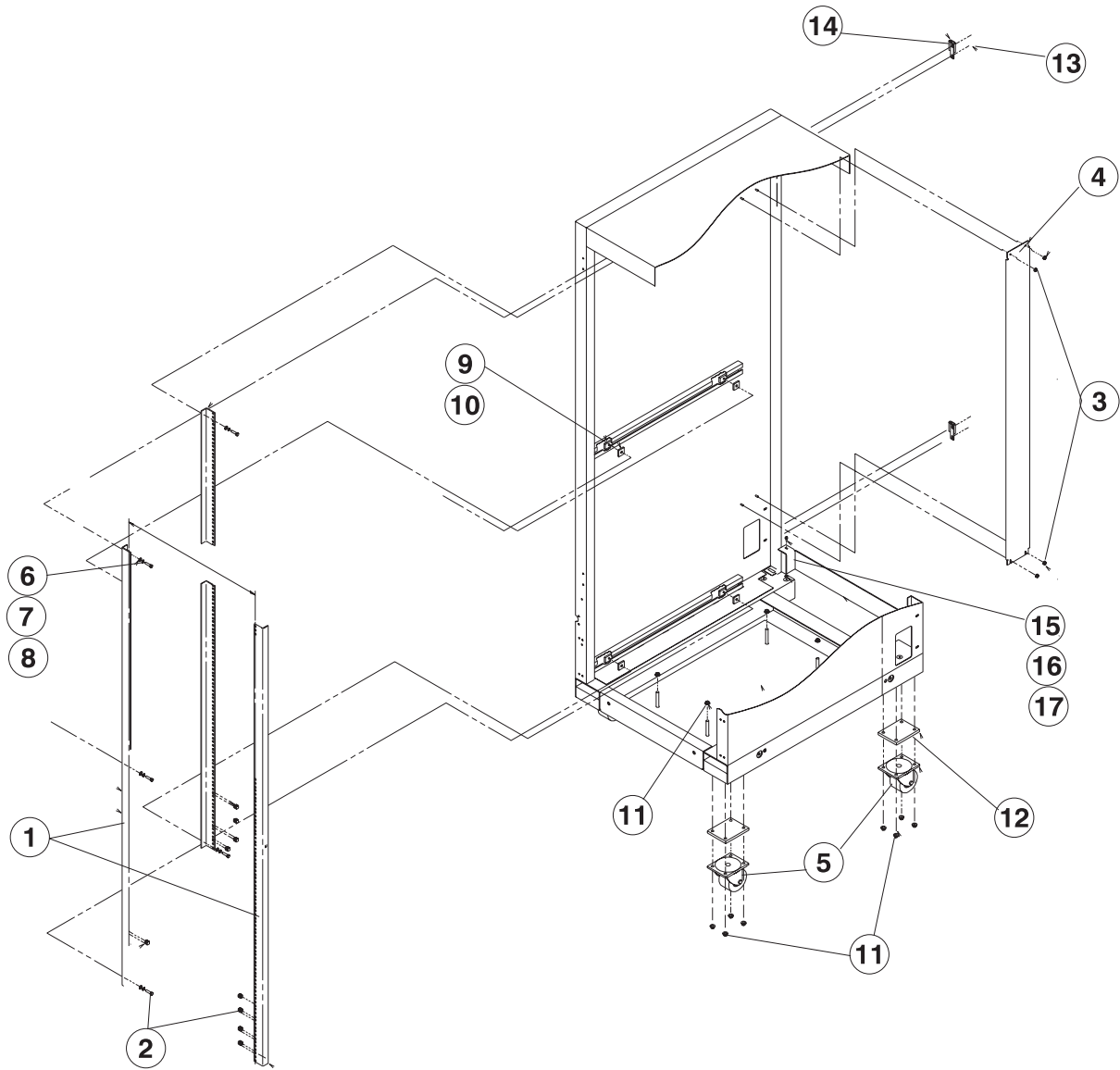
Asm- Index	Part Number	Units	Description
2-			Frame Asm, 1.93 m (reference only)
-1	11J5233	1	• Bracket, Air Filter
-	54G2882	4	• • Screw
-2	46G6970	1	• Air Filter

### Assembly 3: Frame Assembly, 2.01 m (View 1)



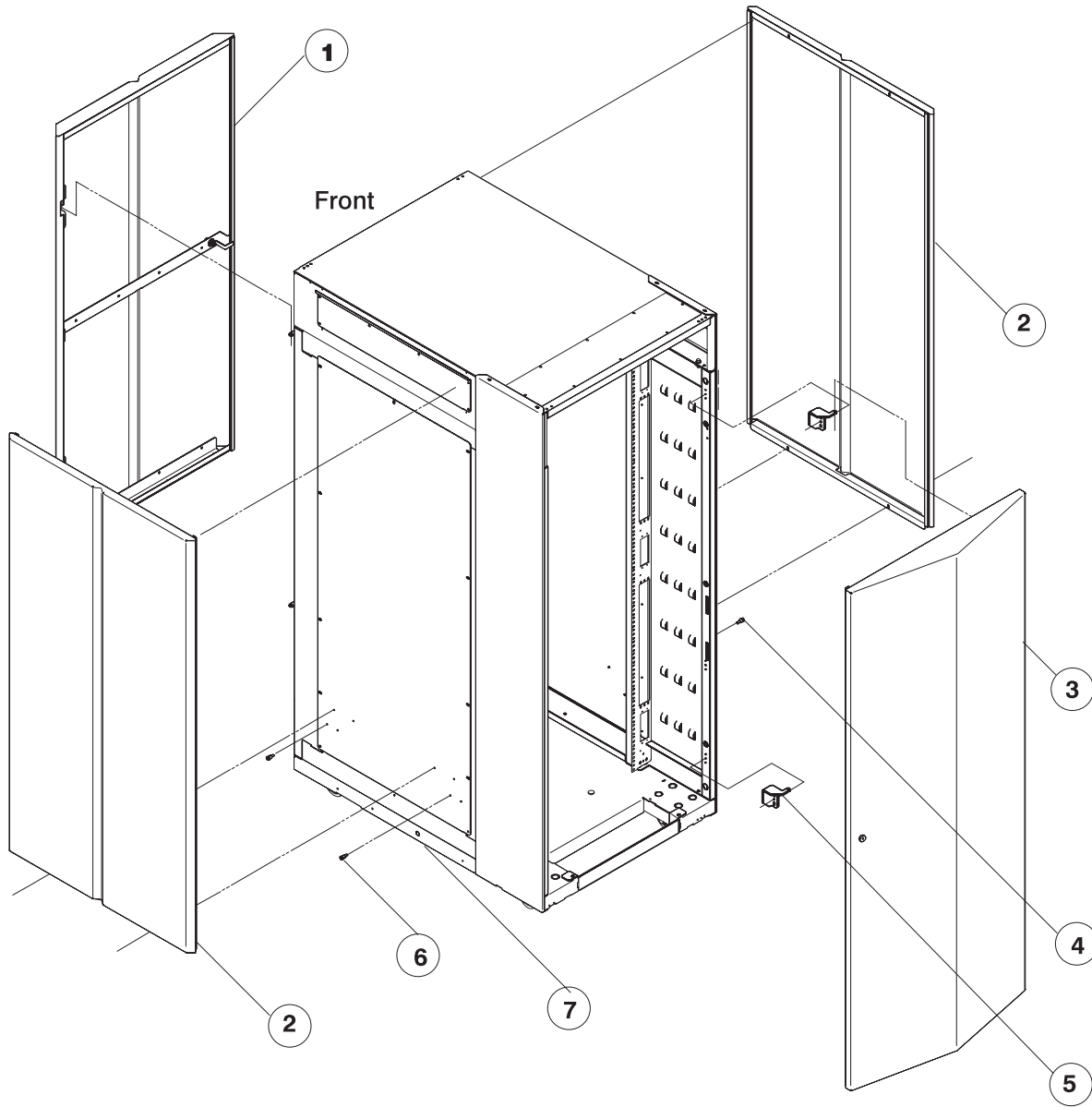
Asm- Index	Part Number	Units	Description
3-			Frame Asm, 2.01 m (reference only)
-1	46G6972	2	• Keeper, Front Door Latch
-2	54G2882	14	• Screw, M5 X 10 Black
-3	46G6961	1	• Keeper, Rear Door Latch
-4	26H7246	1	• Shim
-5	84X5896	2	• Seal, 355.6 (14.00) Long
-6	31G9267	2	• Hinge, Front Cover
-7	26H7245	2	• Shim
-8	21L2362	4	• RF Shunt Asm.

# Assembly 4: Frame Assembly, 2.01 m (View 2)



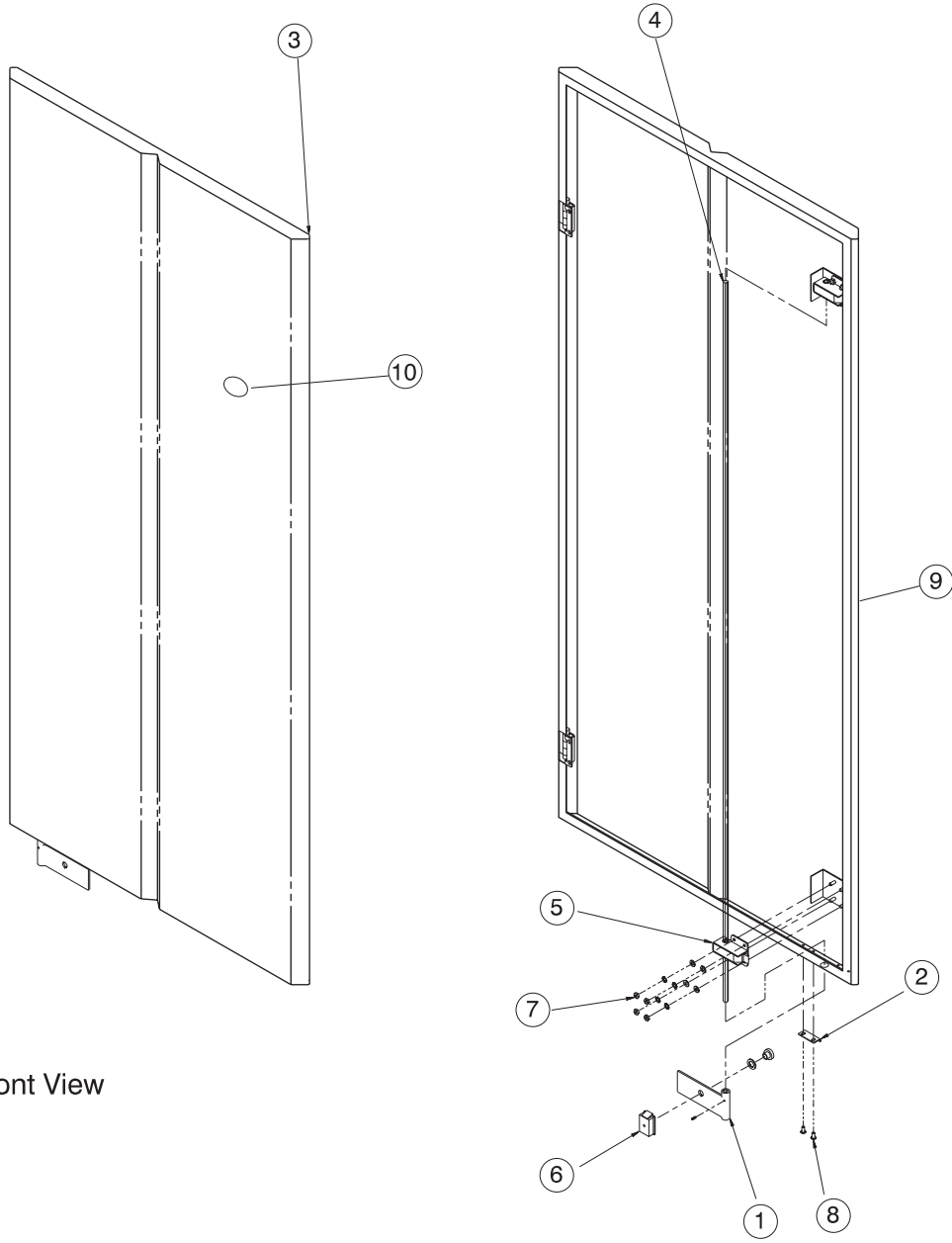
Asm- Index	Part Number	Units	Description
4-			Frame Asm, 2.01 m (reference only)
-1	46G6952	4	• Angles, Mounting
-2	0375867	46	• Clip, Self Retaining
-3	84X4841	8	• Nut, Hex Flange M4
-4	46H9737	2	• Bracket, Velcro
-5	5453958	4	• Caster
-6	0333769	12	• Washer, Flat 6.35 (.025)
-7	0076574	12	• Washer, Star 6.35 (.025)
-8	0059647	12	• Screw, Hex Hd .25-20 X 1.0
-9	54G2881	12	• Pad, Neoprene Unistrut
-10	9488029	12	• Nut, Unistrut .25-20
-11	1622420	20	• Nut, Hex FI M8
-12	4442739	4	• Pad
-13	54G2882	6	• Screw, Hex FI Hd M5 X 10
-14	31G9264	2	• Hinge, Rear Cover
-15	26H7215	2	• Screw, Slotted Hd FL M4 X 8
-16	46H9144	1	• Bracket, Cable Access
-17	1622346	2	• Washer, Lock External Tooth M4

## Assembly 5: Cover Assemblies, 1.93 m Frame



Asm- Index	Part Number	Units	Description
5-1	31L7724	1	Cover, Front
-2	11J5228	2	Cover, Side
-	54G2882	4	• Screw
-3	31L7725	1	Cover, Rear
-4	11J6168	2	Screw, Shoulder
-5	11J5235	4	Hinge, Cover
-	54G2882	6	• Screw
-6	11J6168	2	Screw, Shoulder
-7			Frame Asm, 1.93 m (reference only)

# Assembly 6: Front Cover Assembly (2.01 m Frame)



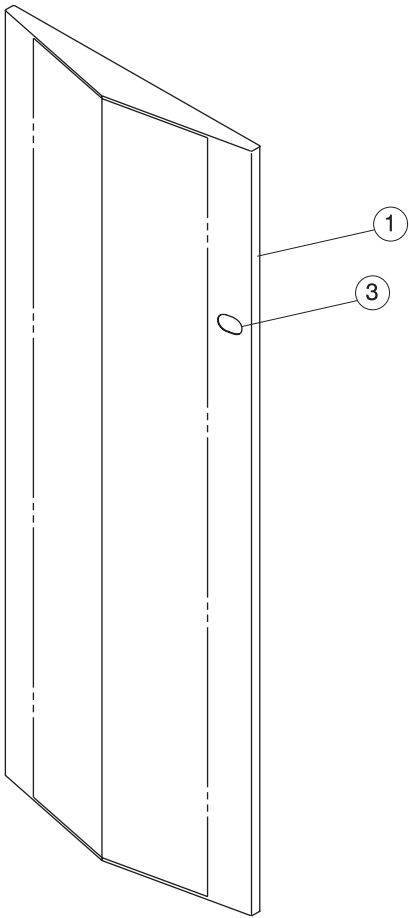
Front View

Rear View

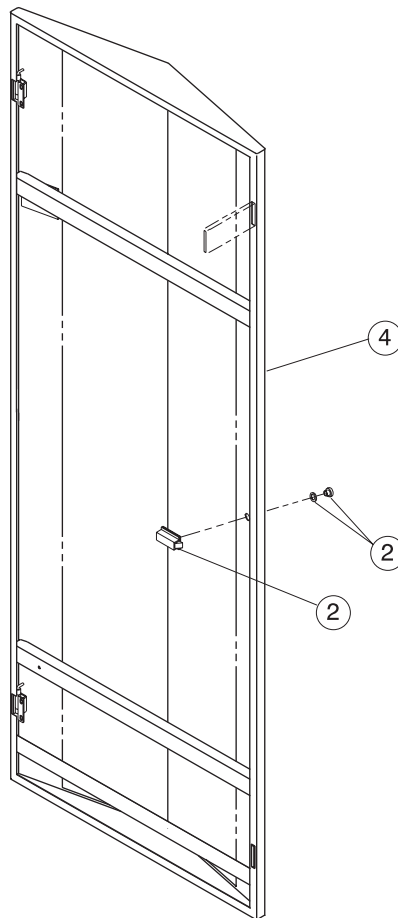


Asm- Index	Part Number	Units	Description
6-	08J6106		Cover Asm, Front, 2.01 m frame
-5	89F4158	2	• Latch Assembly
-6	46G6976	1	• Latch Slam
-7	84X4842	8	• Nut, Hex Flange M5
-8	26H7213	2	• Screw, Hex Fl Hd M5 X 16
-9	46G5616	1	• Gasket
-10	46H9139	1	• Plate, Logo IBM

## Assembly 7: Rear Cover Assembly (2.01 m Frame)



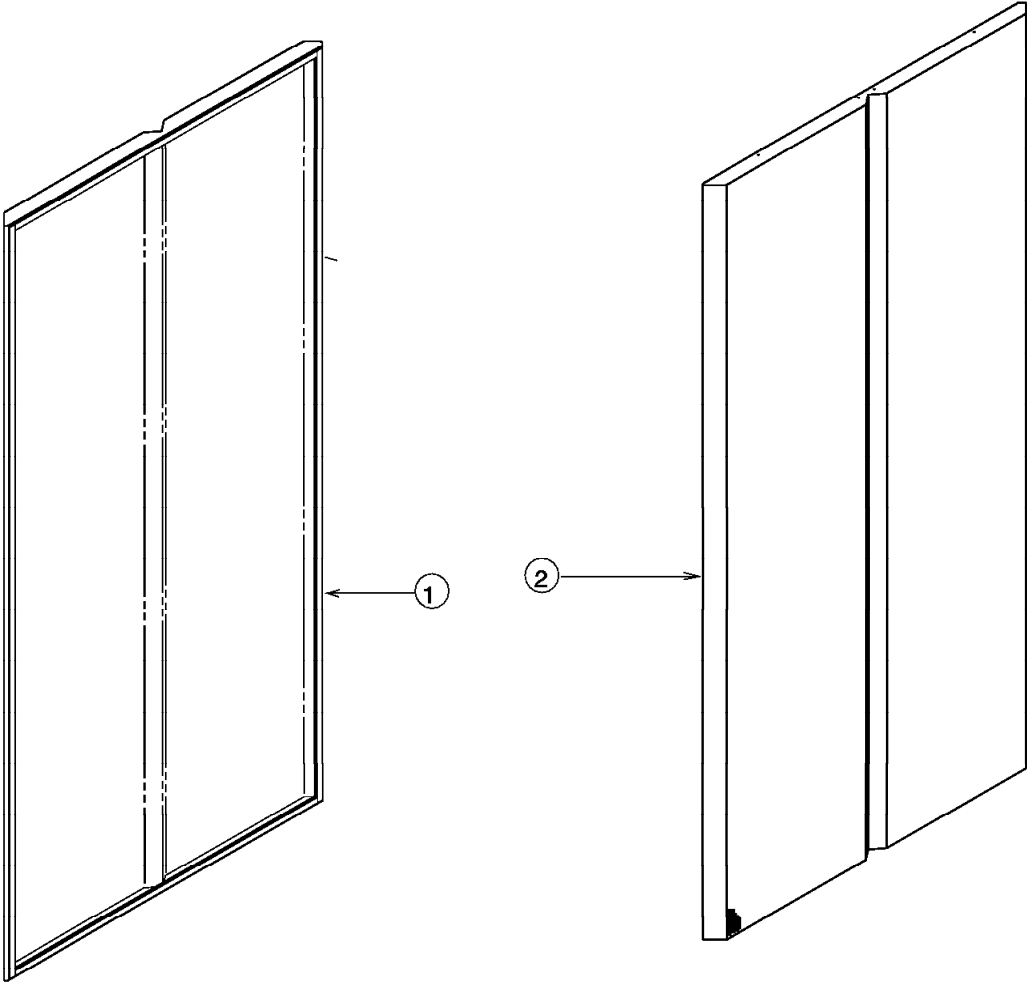
Front View



Rear View

Asm- Index	Part Number	Units	Description
7-	08J6102		Cover Asm, Rear, 2.01 m frame
-1	31G9293	1	• Cover, Rear (Cover Only, No Hdw)
-2	46G6975	1	• Latch, Slam Assembly
-3	46H9139	1	• Plate, Logo IBM
-4	46G5616	1	• Gasket

**Assembly 8: Side Cover Assembly (2.01 m Frame)**

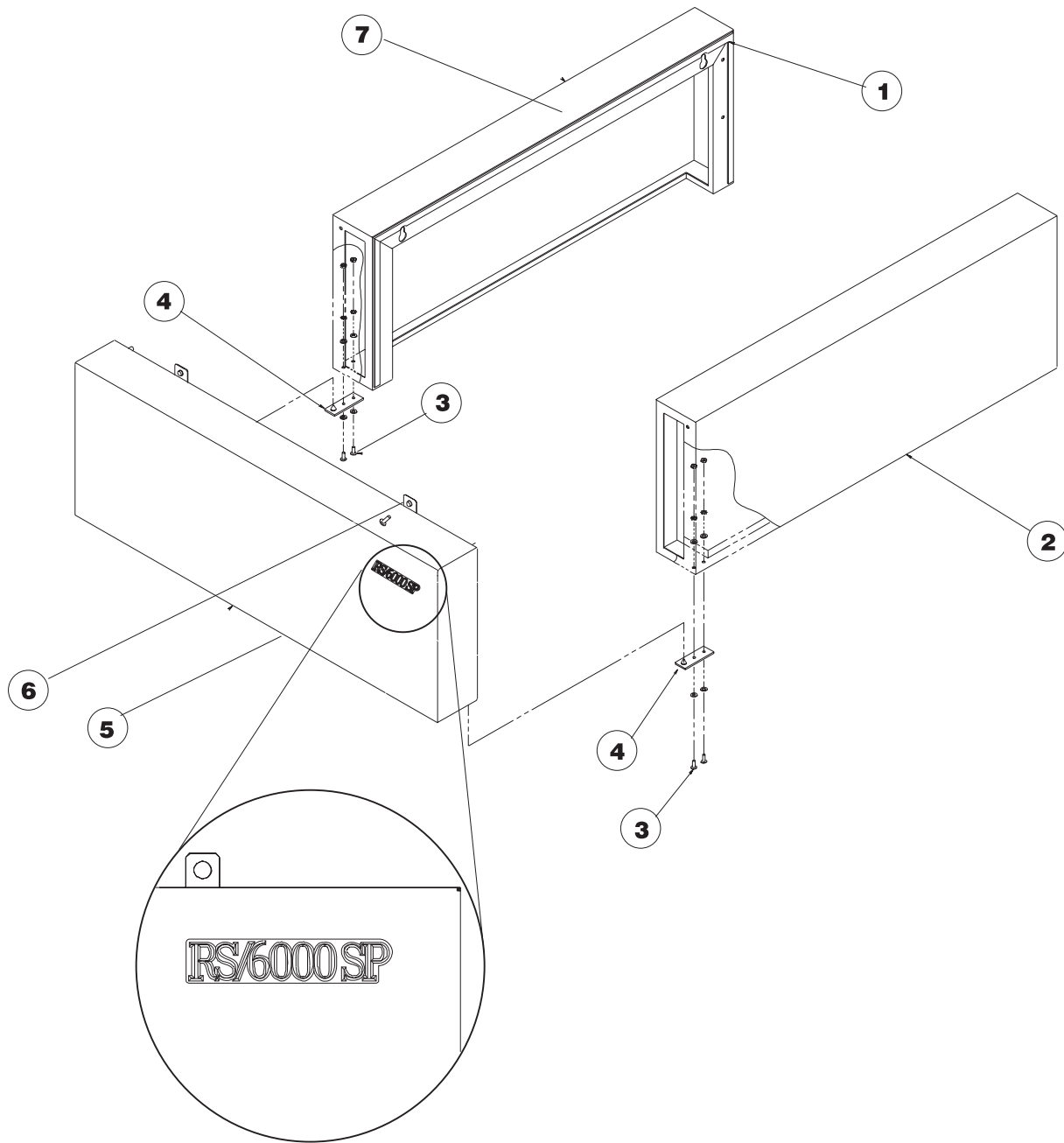


Left Cover

Right Cover

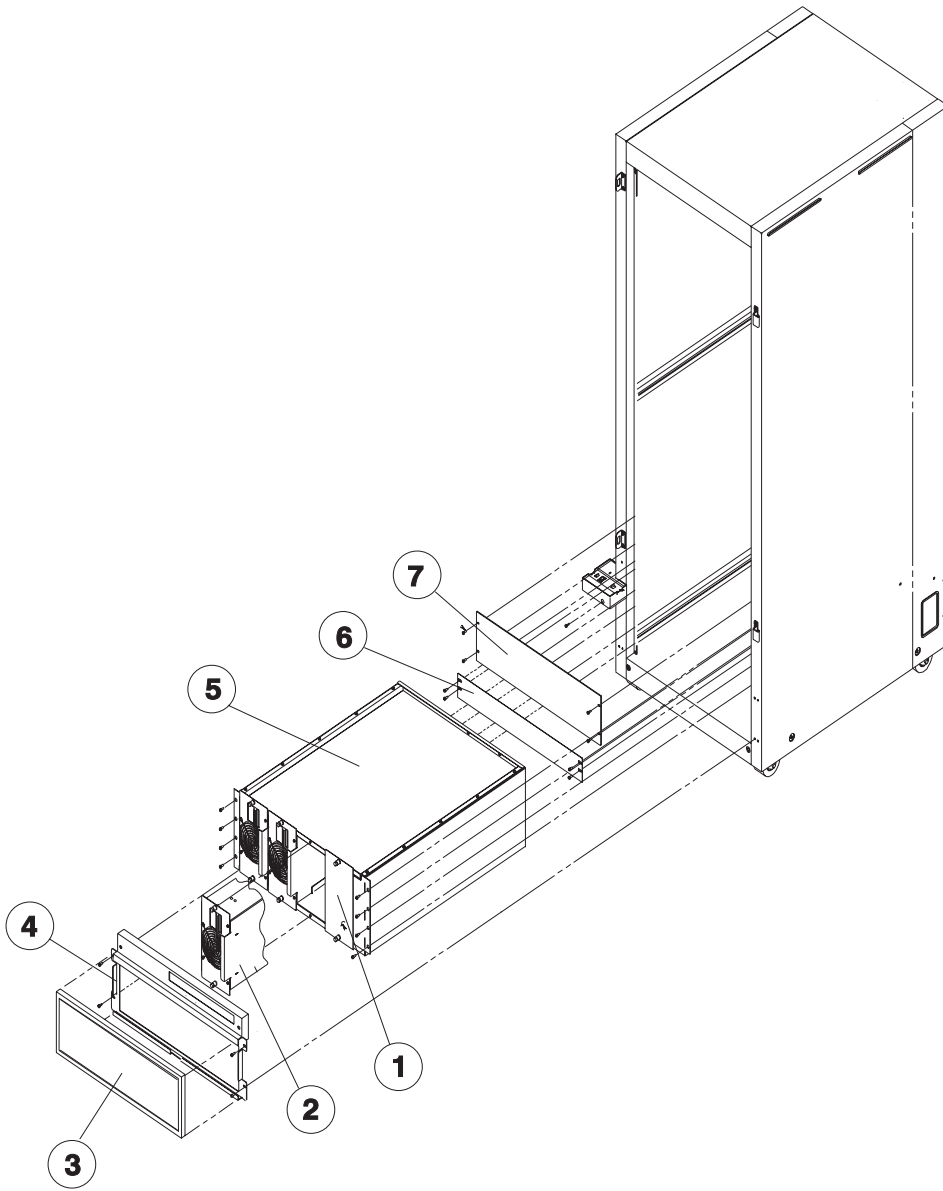
Asm- Index	Part Number	Units	Description
8-			Cover Asm, Side, 2.01 m frame
-1	54G2884	1	• Cover, Left
-2	54G2885	1	• Cover, Right

## Assembly 9: Acoustic Skirt Assembly



Asm- Index	Part Number	Units	Description
9-			Cover, Acoustic Skirt
-1	46G7009	1	• Gasket
-2	46G6966	1	• Cover, Right Skirt (2.01 m Frame)
-2	11J5230	1	• Cover, Right Skirt (1.93 m Frame)
-3	1624775	4	• Screw, Hex Fl Hd M5 X 6 (2.01 m Frame)
-3	54G2882	4	• Screw (1.93 m Frame)
-4	31G9288	2	• Skirt, Locator Bracket
-5	46G6964	1	• Cover, Front Skirt (2.01 m Frame)
-5	11J5232	1	• Cover, Front Skirt (1.93 m Frame)
-6	46G6967	2	• Tab Fastener, Skirt
-7	46G6965	1	• Cover, Left Skirt (2.01 m Frame)
-7	11J5231	1	• Cover, Left Skirt (1.93 m Frame)
-3	46G6980	2	• Fastener, Pin (not shown)

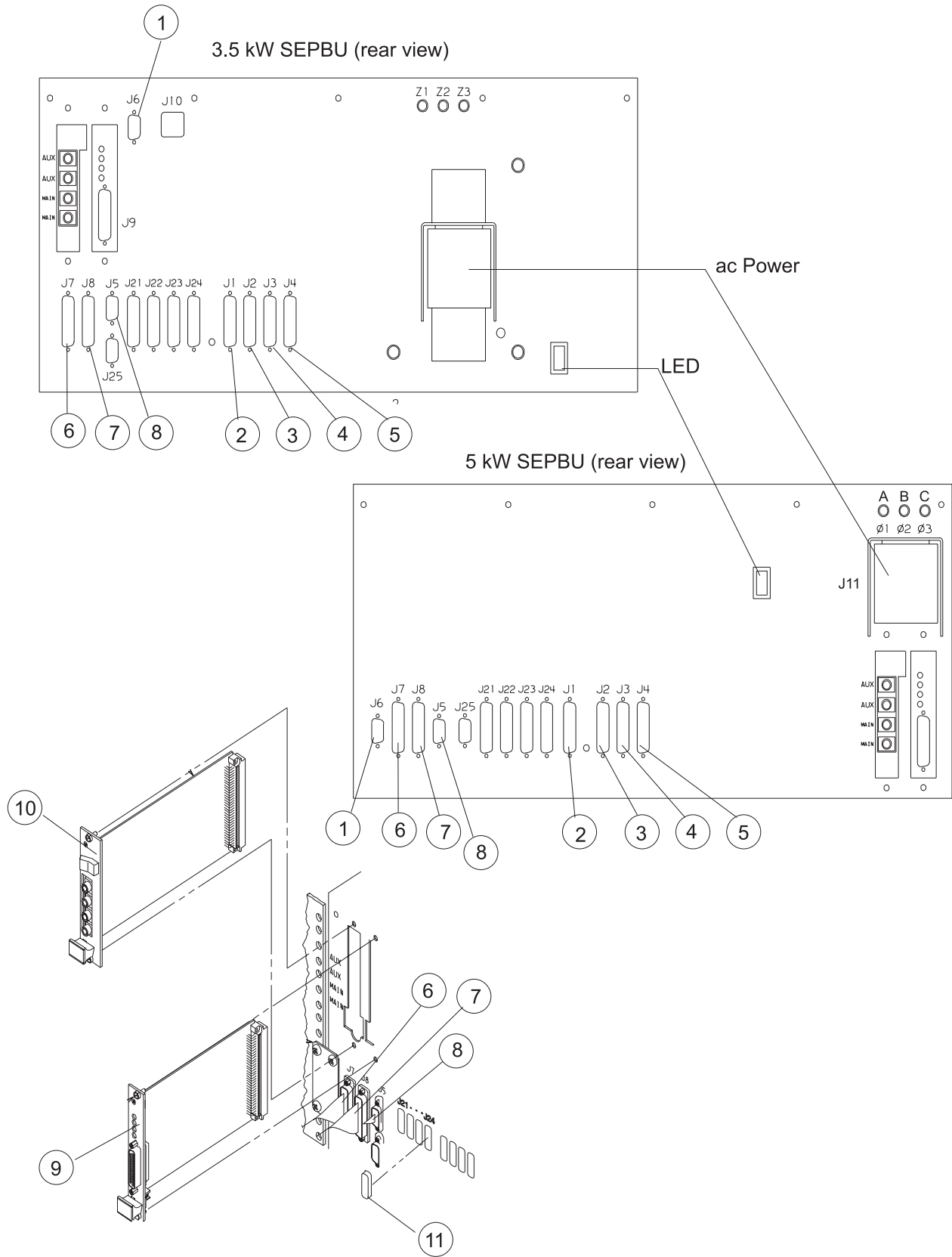
# Assembly 10: Scalable Electrical Power Base Unit (SEPBU) (View 1)





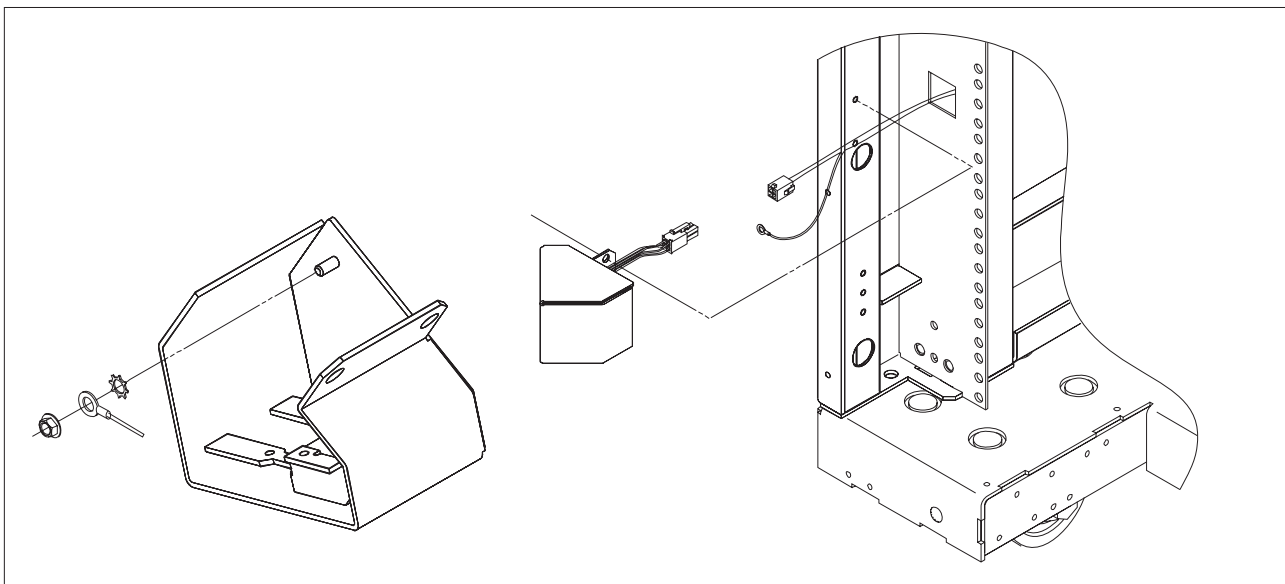
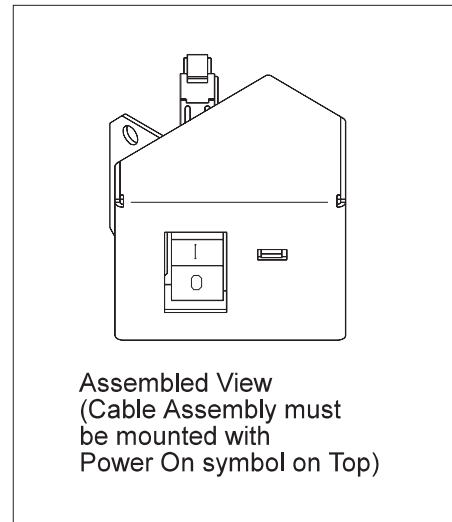
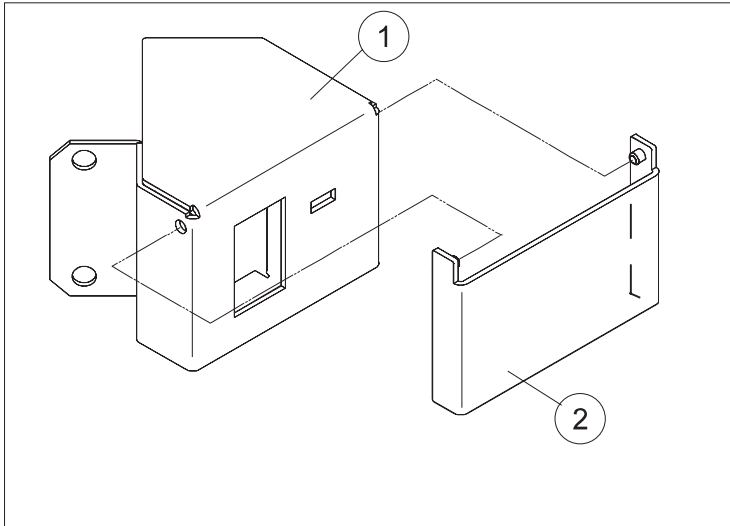
Asm-Index	Part Number	Units	Description
10-			SEPBU Assembly (reference only)
-1	77G0939	1	• Panel, Power Sup Chassis Blank, 3 kW
-1	11J5242	1	• Panel, Power Sup Chassis Blank, 5 kW
-2	21L2906	3	• Power Supply, 3 kW
-2	21L3138	3	• Power Supply, 3 kW
-3	46G6970	1	• Filter, Air
-4	54G2901	1	• Bracket, Air Filter (2.01 m Frame)
-4	11J5233	1	• Bracket, Air Filter (1.93 m Frame)
-5	77G0909	1	• Power Supply Chassis Assembly, 3 kW
-5	11J5258	1	• Power Supply Chassis Assembly, 5 kW
-6	54G2877	1	• Panel, Switch Management Blank (2.01 m Frame)
-6	11J5155	1	• Panel, Switch Management Blank (1.93 m Frame)
-7	54G2947	1	• Panel, Blank (2.01 m Frame)
-7	11J4774	1	• Panel, Blank (1.93 m Frame)
-	11J4808	AR	Linecord, 3-phase, (US), 14 ft
-	11J4809	AR	Linecord, 3-phase, (US), 6 ft
-	11J4810	AR	Linecord, 3-phase, (EMEA), 14 ft
-	11J4811	AR	Linecord, 3-phase, (APG), 14 ft
-	54G2745	AR	Linecord, Hi Volt (UL/CSA)
-	54G2749	AR	Linecord, Hi Volt (HAR)
-	77G0940	AR	Linecord, 3-phase, 7 kW, (US), 14 ft (SEPBU)
-	77G0947	AR	Linecord, 3-phase, 7 kW, (US), 6 ft (SEPBU)
-	77G0948	AR	Linecord, 3-phase, 7 or 10.5 kW, (APG, WT, UL/CSA Pigtail) (SEPBU)
-	77G0950	AR	Linecord, 3-phase, 7 or 10.5 kW, (EMEA, WT, HAR Pigtail) (SEPBU)
-	77G0941	AR	Linecord, 3-phase, 10.5 kW, (US), 14 ft
-	77G0949	AR	Linecord, 3-phase, 10.5 kW, (US), 6 ft
-	77G0942	AR	Linecord, single phase, 3.5 kW, (US), 14 ft
-	77G0945	AR	Linecord, single phase, 3.5 kW, (US), 6 ft
-	77G0944	AR	Linecord, single phase, 3.5 kW, (HAR, EMEA), 14 ft
-	77G0943	AR	Linecord, single phase, 3.5 kW, (APG), 14 ft
-	11J4782	AR	Linecord, single phase, 5 kW, (US), 14 ft
-	11J4783	AR	Linecord, single phase, 5 kW, (US), 6 ft
-	11J4784	AR	Linecord, single phase, 5 kW, (HAR, EMEA), 14 ft
-	11J4785	AR	Linecord, single phase, 5 kW, (APG), 14 ft

# Assembly 11: Scalable Electrical Power Base Unit (SEPBU) (View 2)



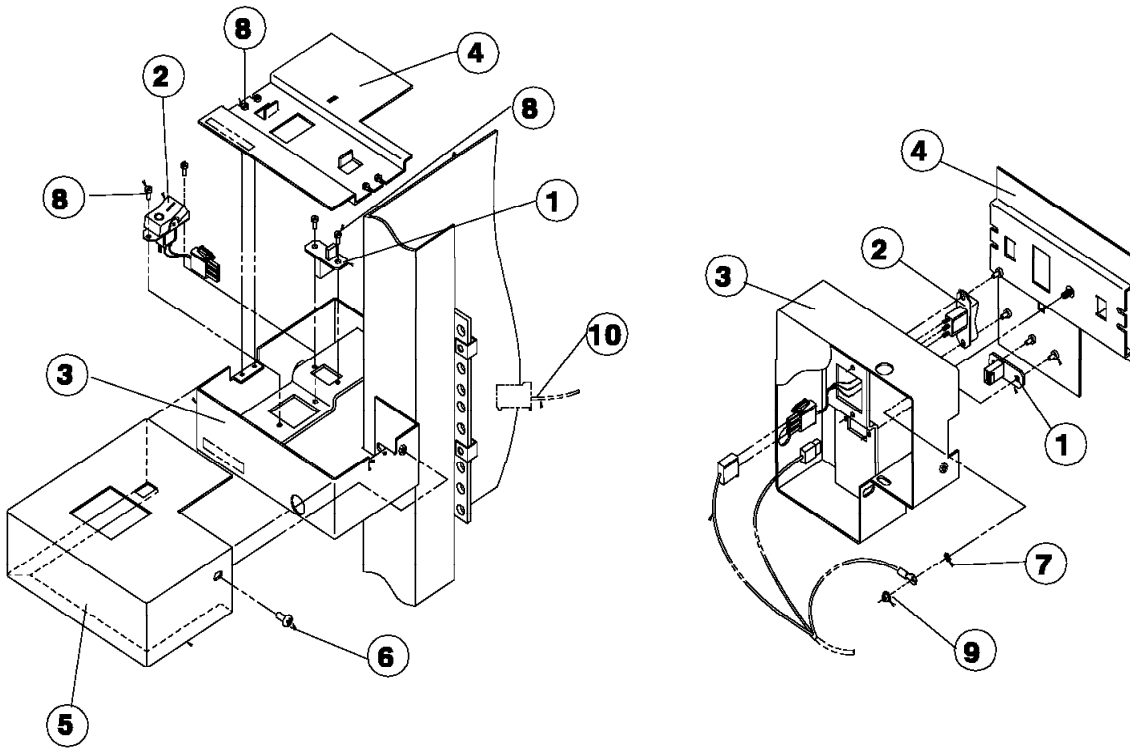
Asm- Index	Part Number	Units	Description
11-			SEPBU Assembly (reference only)
-1	77G0917	1	• Cable, Main Power Switch (not shown)
-2	54G3039	1	• Cable, +48 V dc Node Grp "A" (not shown) Thin Nodes 1, 2, 3, 4 - Wide Nodes 1, 3
-3	54G3040	1	• Cable, +48 V dc Node Grp "B" (not shown) Thin Nodes 5, 6, 7, 8 - Wide Nodes 5, 7
-4	54G3041	1	• Cable, +48 V dc Node Grp "C" (not shown) Thin Nodes 9, 10, 11, 12 - Wide Nodes 9, 11
-5	54G3042	1	• Cable, +48 V dc Node Grp "D" (not shown) Thin Nodes 13, 14, 15, 16 - Wide Nodes 13, 15
-	11J5189	1	• Cable, +48 V dc, (Model 550 Frame) (not shown)
-	11J5190	1	• Cable, +48 V dc, (Model 550 Frame) (not shown)
-	11J5191	1	• Cable, +48 V dc, (Model 550 Frame) (not shown)
-	11J5192	1	• Cable, +48 V dc, (Model 550 Frame) (not shown)
-	11J5193	1	• Cable, +48 V dc, (Model 550 Frame) (not shown)
-	11J5194	1	• Cable, +48 V dc, (Model 550 Frame) (not shown)
-	11J5195	1	• Cable, +48 V dc, (Model 550 Frame) (not shown)
-	11J5196	1	• Cable, +48 V dc, (Model 550 Frame) (not shown)
-6	21L3916	1	• Cable, Harness Super Bus "A"
-7	21L3917	1	• Cable, Harness Super Bus "B"
-8	46G5686	1	• Cable, +48 V dc Power Dist-Sw
-9	04H9466	1	• Card, Frame Supervisor (SEPBU)
-	11J4000	1	• Card, Twin-Tail Frame Supervisor
-	26H7359	1	• • Cable, RS232 "Y" (HACWS) (not shown)
-	48G3055	AR	• Cover, Cable Cap Plug (not shown)
-10	77G0919	1	• Card, PCI (Power Control)
-11	46H9856	4	• Cap, Protective Plastic

## Assembly 12: Main Power Switch Asm, 1.93 m Frame



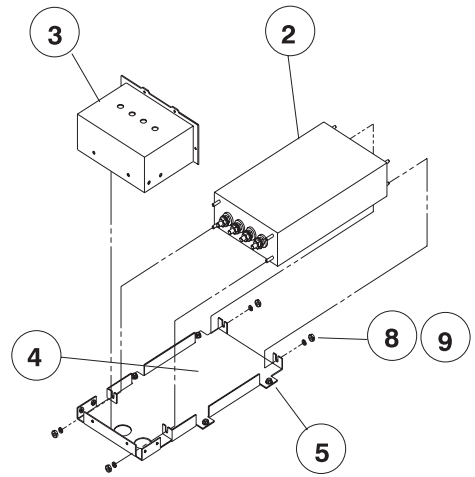
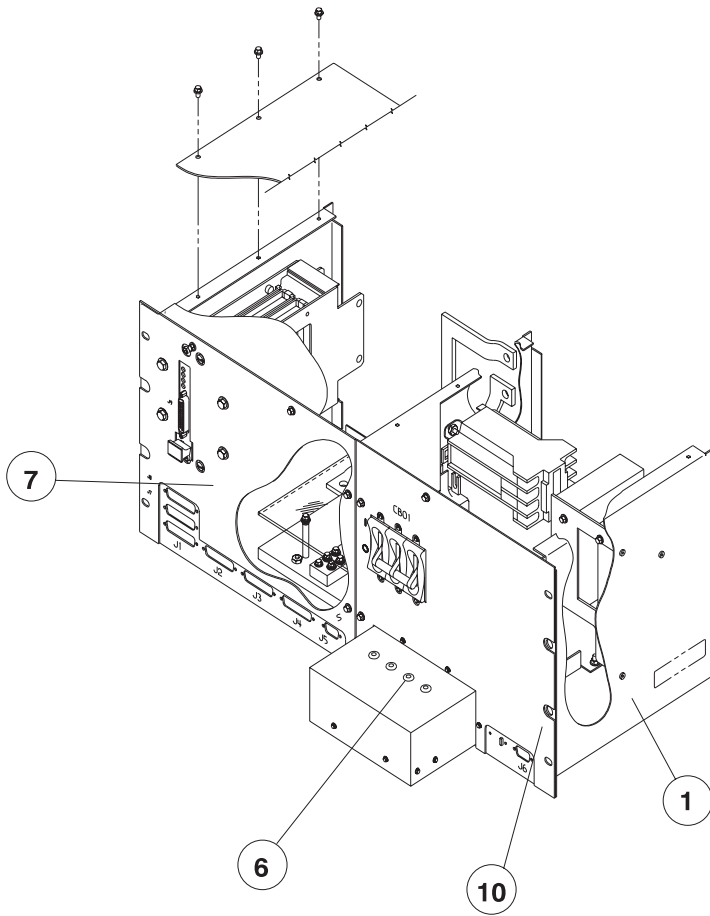
Asm- Index	Part Number	Units	Description
12-5 -2	21L7121 31L7130	1 1	Power Switch Assembly, Main (1.93 m Frame) (reference only) Plate, Plastic Dust Cover

# Assembly 13: Main Power Switch Asm (2.01 m Frame)



Asm- Index	Part Number	Units	Description
13-			Power Switch Assembly, Main (2.01 m Frame) (reference only)
-1	67G4987	1	• Power LED Card Asm (PDU) (not shown)
-1	77G0921	1	• Power LED Card (SEPBU)
-2	54G2995	1	• Switch/Cable, Main Power Assembly (PDU) (not shown)
-2	77G0918	1	• Switch/Cable, Main Power Assembly (SEPBU)
-3	54G2929	1	• Housing
-4	54G2930	1	• Top Plate
-5	54G2933	1	• Cover
-6	54G3274	1	• Screw, Pan Hd M4 x 6
-7	1622346	1	• Washer, Star
-8	1621020	8	• Screw, CHS M3 X 6
-9	84X4881	1	• Nut, Hex Flange
-10	46G5704	1	• Cable, Main Power Switch (PDU) (not shown)
-10	77G0917	1	• Cable, Main Power Switch (SEPBU)
-12	54G2882	2	• Screw
-	54G2931	1	• Shield, Plastic (not shown)
-	54G2932	1	• Slide (not shown)

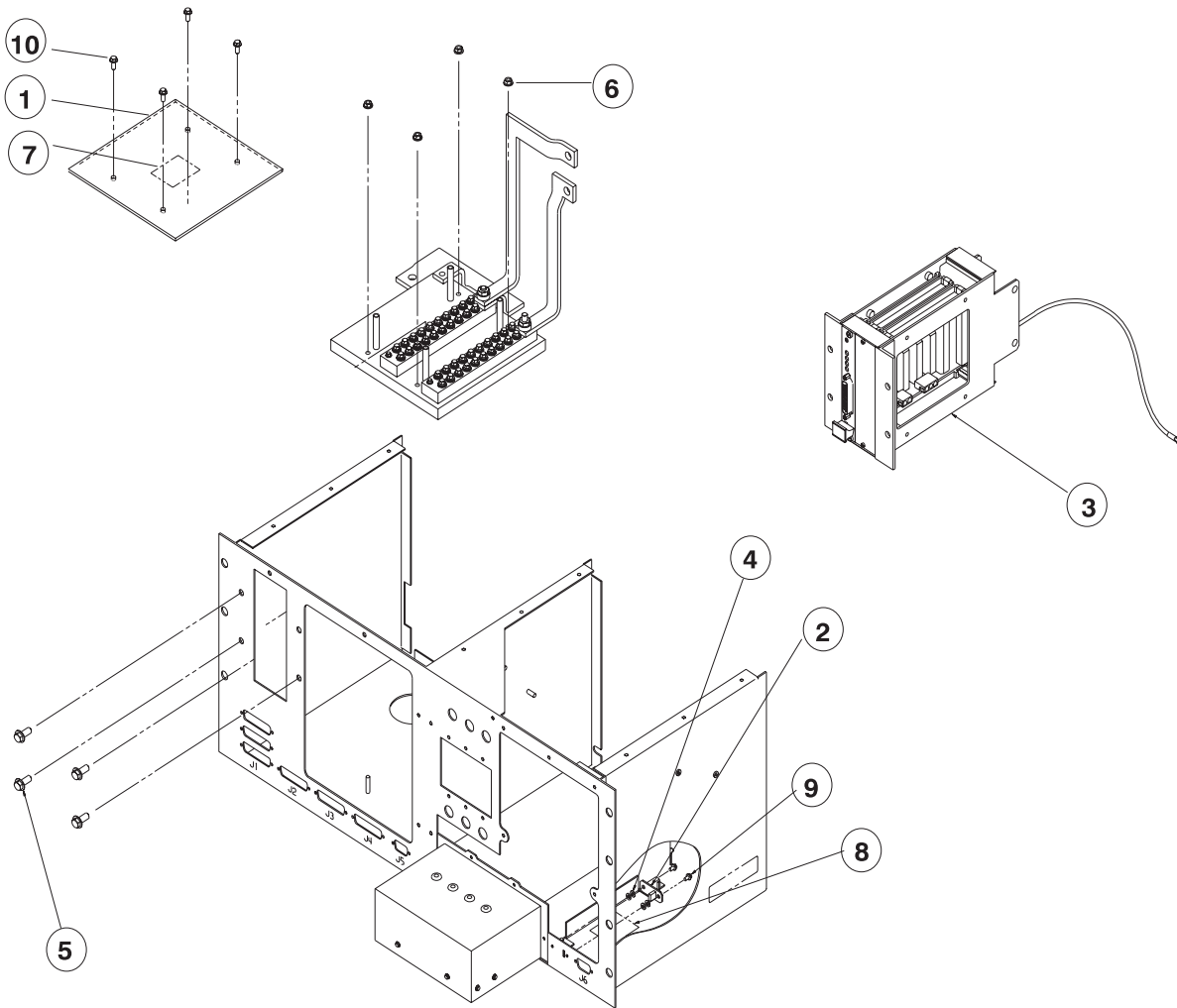
# Assembly 14: Power Distribution Unit Asm (View 1)





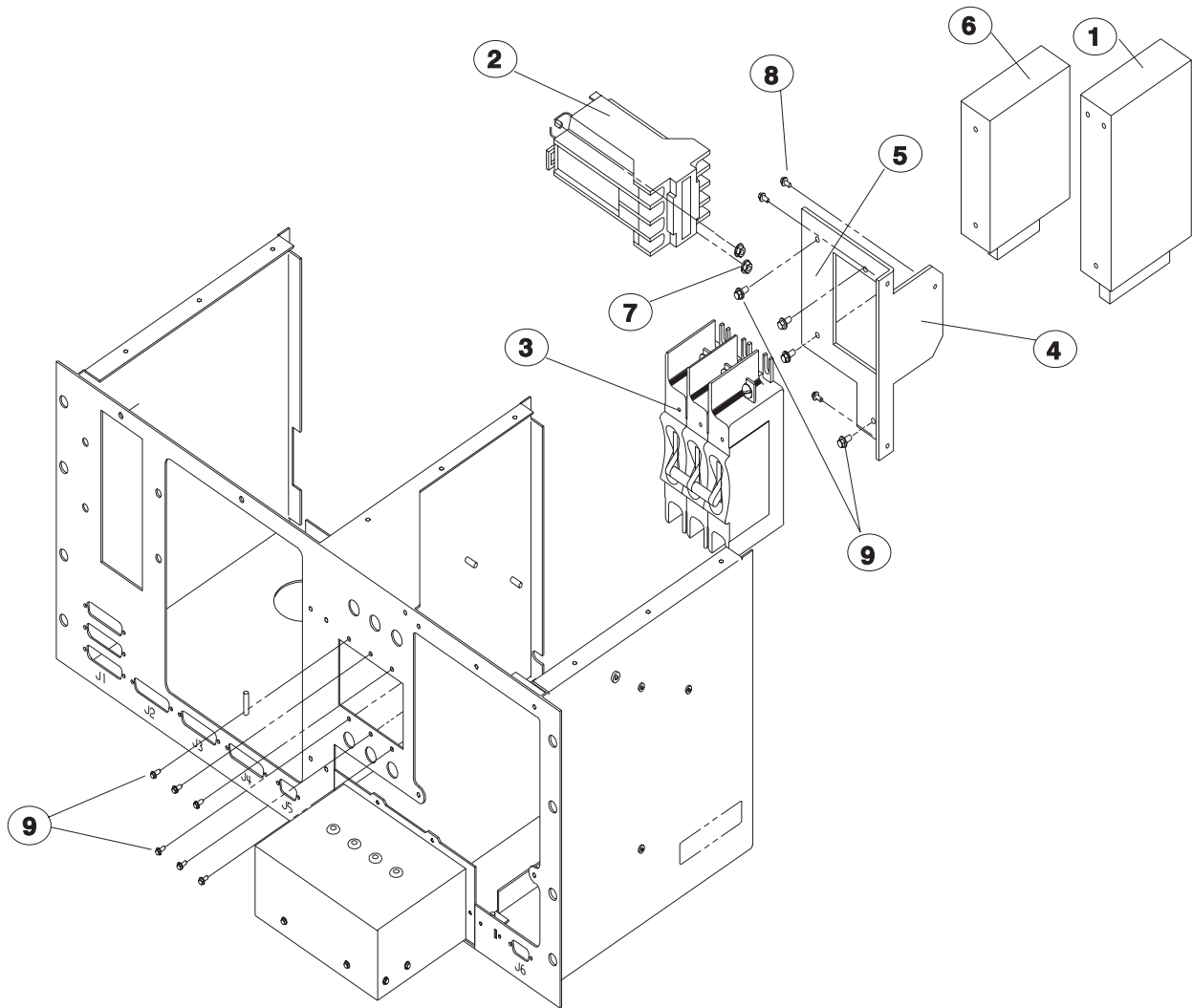
Asm- Index	Part Number	Units	Description
14-			Power Distribution Unit Assembly (reference only)
-1	54G3260	1	• Chassis, PDU
-2	46G6999	1	• Line Filter 30 AMP
-3	31G9239	1	• ac Filter Cover
-4	31G9238	1	• Frame, Filter
-5	84X4841	6	• Nut, Hex Flange M4
-6	93G1140	4	• Grommet
-7	31G9232	1	• Cover PDU, Left
-8	0418787	4	• Washer, Flat #8
-9	0002899	4	• Nut, Hex 8-32
-10	54G3263	2	• Cover PDU, Right
-	54G2745	AR	Linecord, Hi Volt (UL/CSA)
-	54G2749	AR	Linecord, Hi Volt (HAR)
-	64G6023	AR	Linecord, US 14 ft (PDU)
-	64G6024	AR	Linecord, US 6 ft (PDU)
-	64G6025	AR	Linecord, WT (UL/CSA Pigtail) (PDU)
-	64G6026	AR	Linecord, WT (HAR Pigtail) (PDU)

# Assembly 15: Power Distribution Unit Asm (View 2)



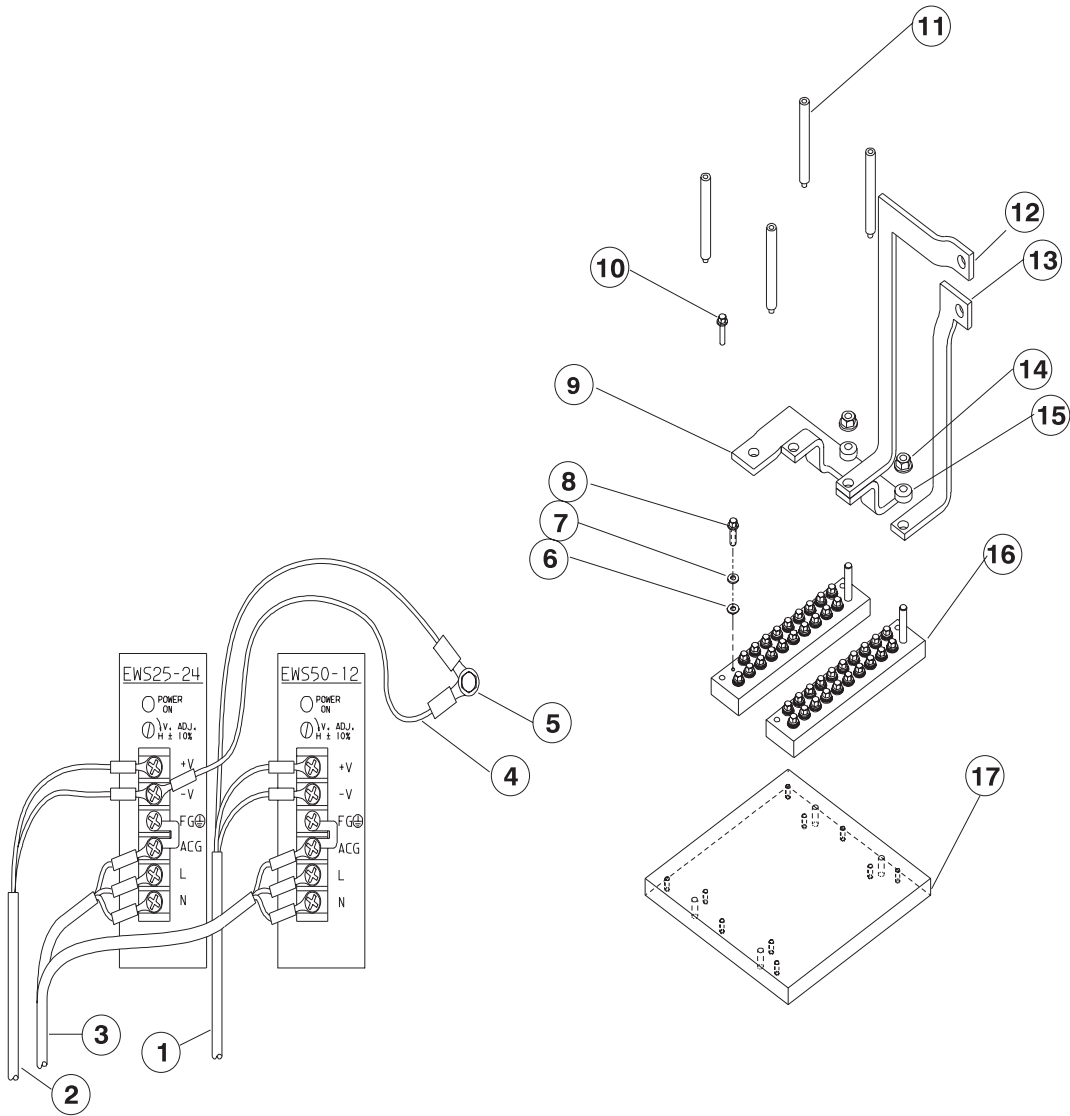
Asm- Index	Part Number	Units	Description
15-			Power Distribution Unit Assembly (reference only)
-1	31G9237	1	• Shield, Bus Bar Assembly
-2	67G4987	1	• Power LED Card
-3		1	• Frame Supervisor Assembly (See "Assembly 20: Supervisor Gate Asm (PDU Only)" on page 1-42.)
-4	1622302	4	• Washer, Flat M3
-5	54G2882	4	• Screw, Hex Fl Hd M5 X 10, Black
-6	84X4841	4	• Nut, Hex Flange M4
-7	54G3197	1	• Label, Safety 200-240 VA
-8	54G3198	1	• Label, Safety 200-240 V
-9	1624743	2	• Screw, Hex Fl Hd M3 X 6
-10	1624766	4	• Screw, Hex Fl Hd M4 X 10

# Assembly 16: Power Distribution Unit Asm (View 3)



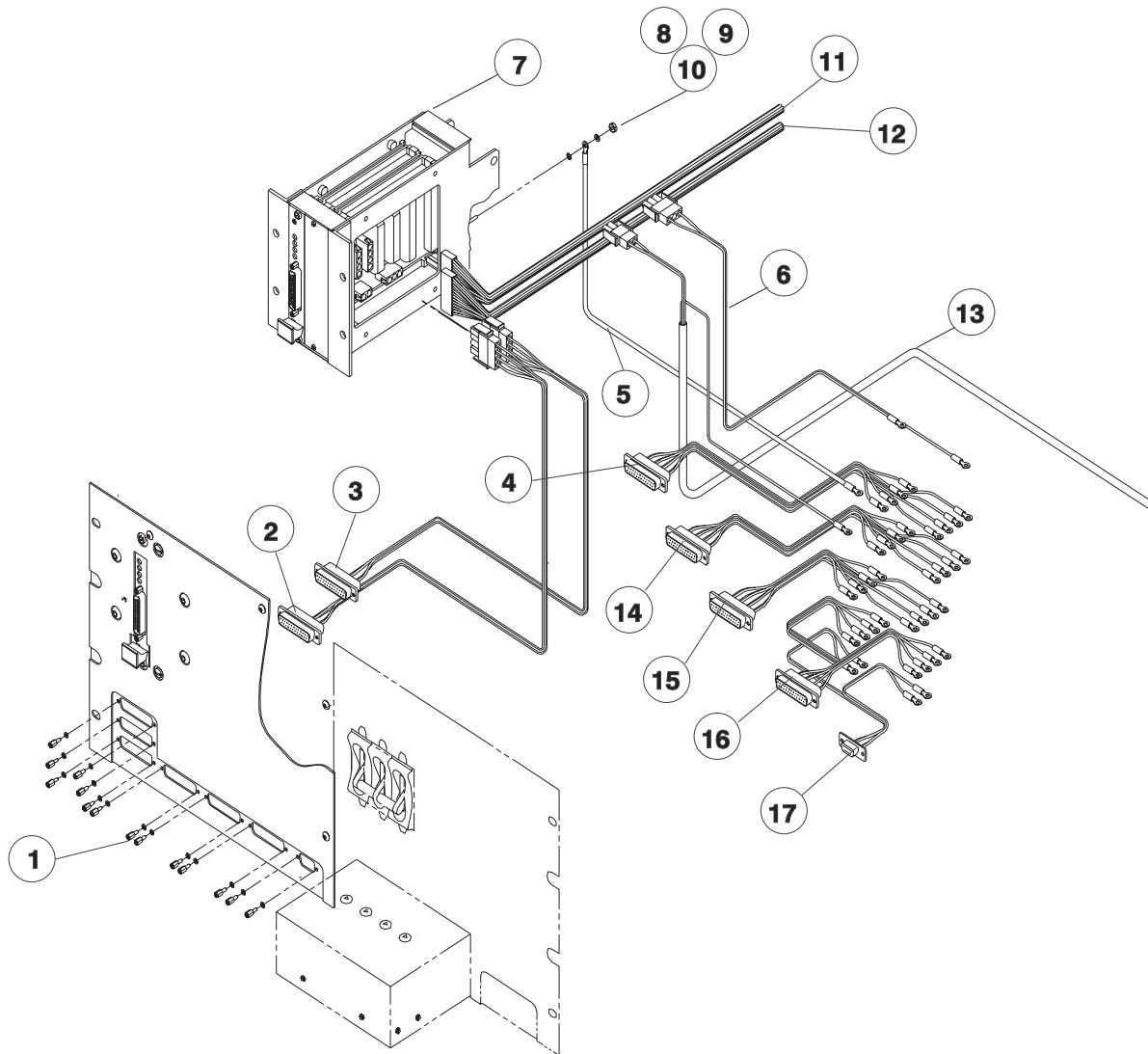
Asm- Index	Part Number	Units	Description
16-			Power Distribution Unit Assembly (reference only)
-1	54G3356	1	• Power Supply (12 V dc)
-1	64G5594	1	• Power Supply (48 V dc)
-2	84X6119	1	• Contactor, (24 volt coil)
-3	54G2904	1	• Circuit Breaker (30 AMPS)
-4	93G1057	1	• Power Supply Bracket (Right)
-5	46G7034	1	• Power Supply Bracket (Left)
-6	54G3357	1	• Power Supply (24 V dc)
-7	84X4841	6	• Nut, Hex Flange M4
-8	1624743	1	• Screw, Hex Fl Hd M3 X 6
-9	1624744	8	• Screw, Hex Fl Hd M3 X 8

# Assembly 17: Power Distribution Unit Asm (View 4)



Asm- Index	Part Number	Units	Description
17-			Power Distribution Unit Assembly (reference only)
-1	54G2913	1	• Cable, 12 volt Frame Supply
-3	46G7013	1	• Cable, CB1 to K01
-2	46G5969	1	• Cable, Main Contactor Harness
-4	46G5944	1	• Cable, 24 volt Ground
-5	1624764	1	• Screw, Hex Fl Hd M4 X 6
-7	2665747	40	• Washer, Belleville M4
-6	2566646	40	• Washer, Flat M4
-8	1624766	40	• Screw, Hex Fl Hd M4 X 10
-9	31G9234	1	• Bus Strap, Jumper Ground
-10	1624770	4	• Screw, Hex Fl Hd M4 X 20
-11	8653386	4	• Standoff, M4X4
-12	46G5637	1	• Bus Strap, Grnd Return
-13	31G9233	1	• Bus Strap, Jumper +48 V
-14	84X4843	2	• Nut, Hex Flange M6
-15	2665752	2	• Washer, Belleville M6
-16	46G5635	2	• Bus Bar Assembly
-17	46G5633	1	• Bus Bar Insulator Assembly

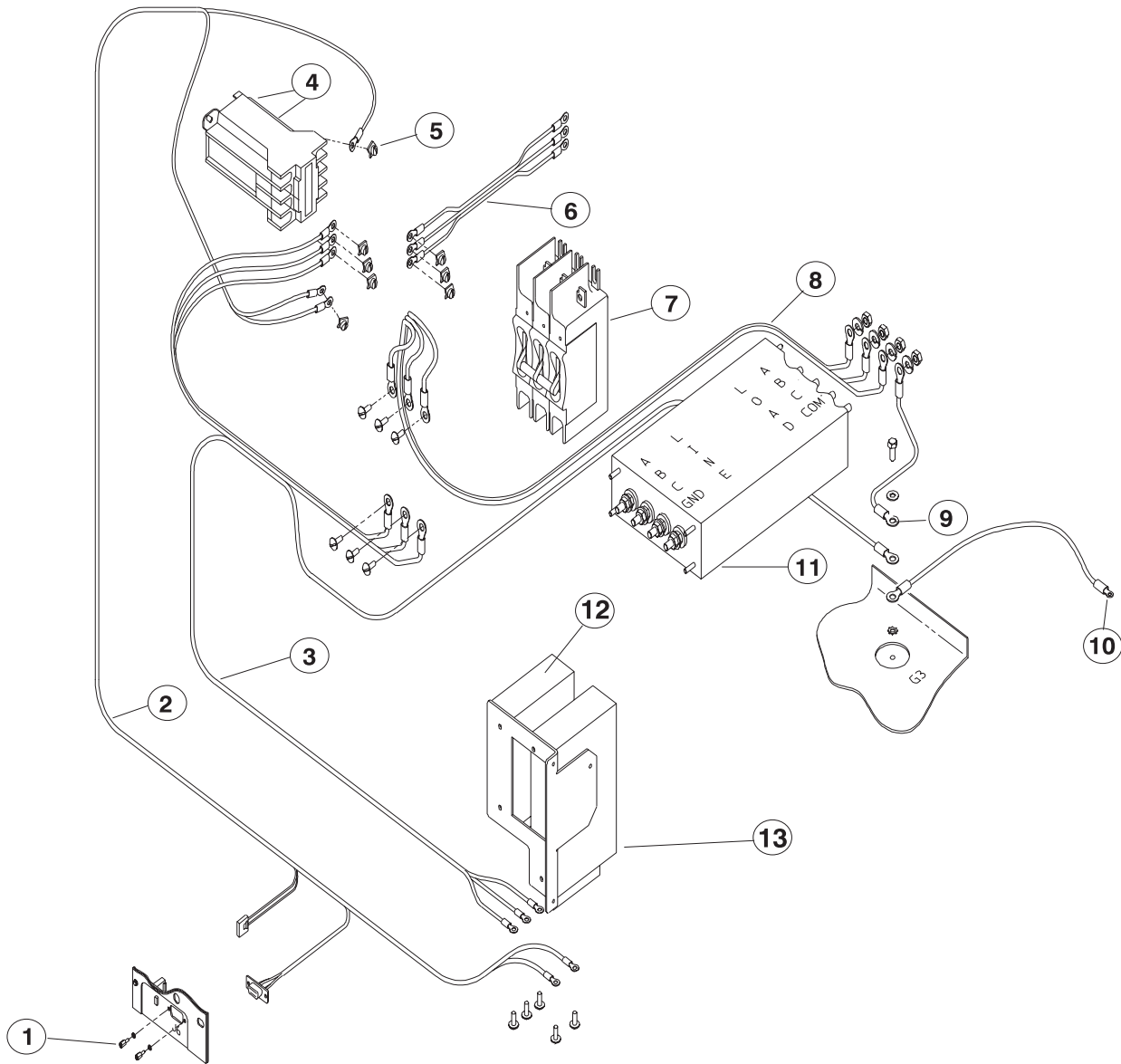
# Assembly 18: Power Distribution Unit Asm (View 5)





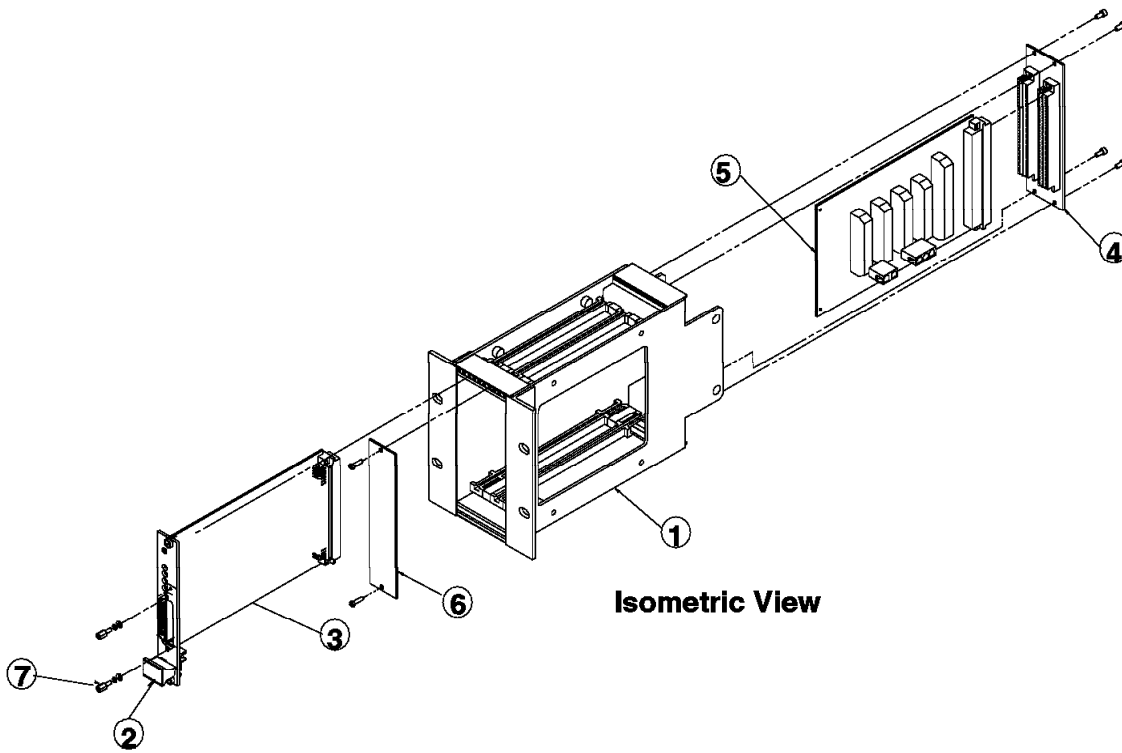
Asm- Index	Part Number	Units	Description
18-			Power Distribution Unit Assembly (reference only)
-1	31G9308	16	• Screw, Lockset
-2	46G5703	1	• Cable, Frame Supply
-3	46G5697	1	• Cable, Bulkhead to Supervisor
-4	64G5573	1	• Cable, Group "A" to Bulk
-5	54G3011	1	• Cable, Frame Supervisor Ground
-6	46G5706	1	• Cable, 48 volt Frame Supply
-7		1	• Frame Supervisor Assembly (See "Assembly 20: Supervisor Gate Asm (PDU Only)" on page 1-42.)
-8	1622401	1	• Nut, Hex M3
-9	2179909	5	• Washer, Star M3
-10	1622302	9	• Washer, Flat M3
-11	54G3305	1	• Cable, Power Supply Chassis Power Control, "A"
-12	54G3306	1	• Cable, Power Supply Chassis Power Control, "B"
-13	54G2913	1	• Cable, 12 volt Frame Supply
-14	64G5574	1	• Cable, Group "B" to Bulk
-15	64G5575	1	• Cable, Group "C" to Bulk
-16	64G5576	1	• Cable, Group "D" to Bulk
-17	54G3009	1	• Cable, Switch to PDU

# Assembly 19: Power Distribution Unit Asm (View 6)



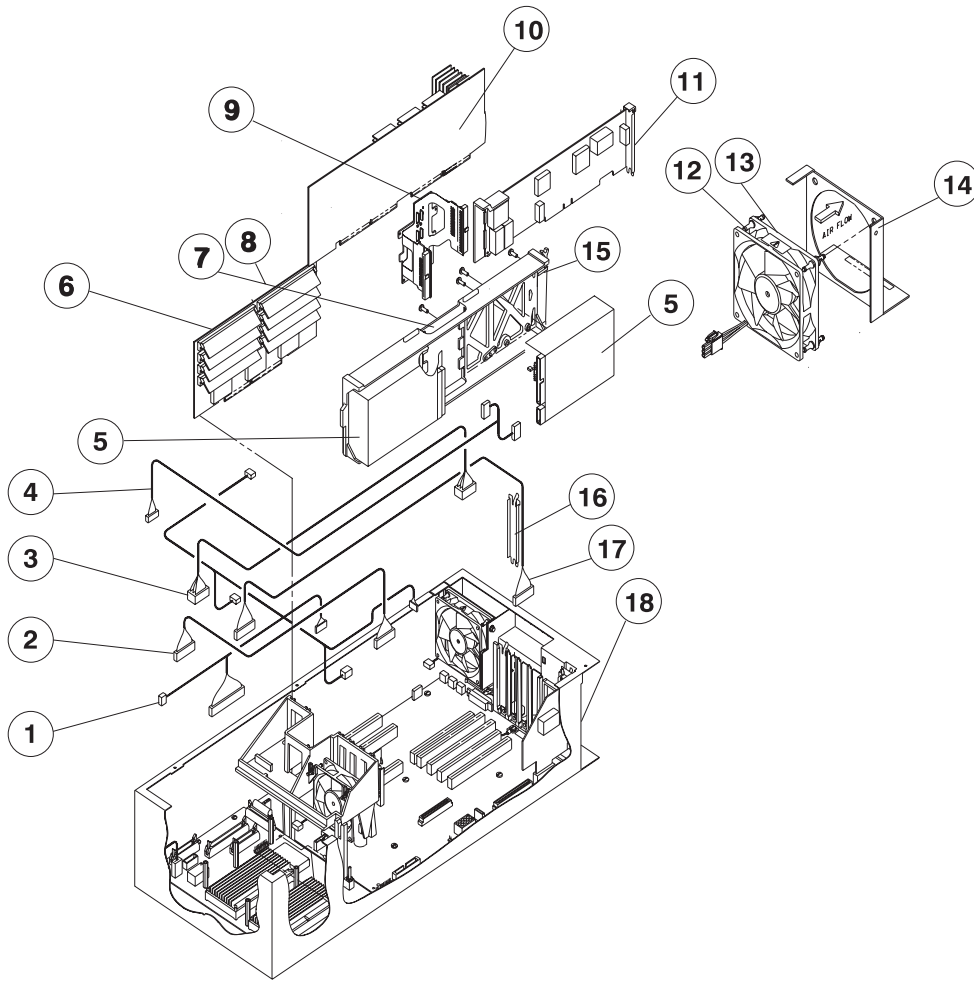
Asm- Index	Part Number	Units	Description
19-			Power Distribution Unit Assembly (reference only)
-1	31G9308	16	• Screw, Lockset
-2	46G5969	1	• Cable, Main Contactor Harness
-3	46G7013	1	• Cable, CB1 to K01
-4	84X6119	1	• Contactor, (24 volt coil)
-5	84X4841	6	• Nut, Hex Flange M4
-6	46G7012	1	• Cable, K01 to PS02
-7	54G2904	1	• Circuit Breaker (30 AMPS)
-8	46G7011	1	• Cable, FL1 to CB1
-9	46G7017	1	• Cable, G3 to LFCOM
-10	46G7018	1	• Cable, Power Supply Chassis to PS Ground
-11	46G6999	1	• Line Filter 30 AMP
-12	54G3357	4	• Power Supply (24 V dc)
-13	54G3356	1	• Power Supply (12 V dc)

## Assembly 20: Supervisor Gate Asm (PDU Only)



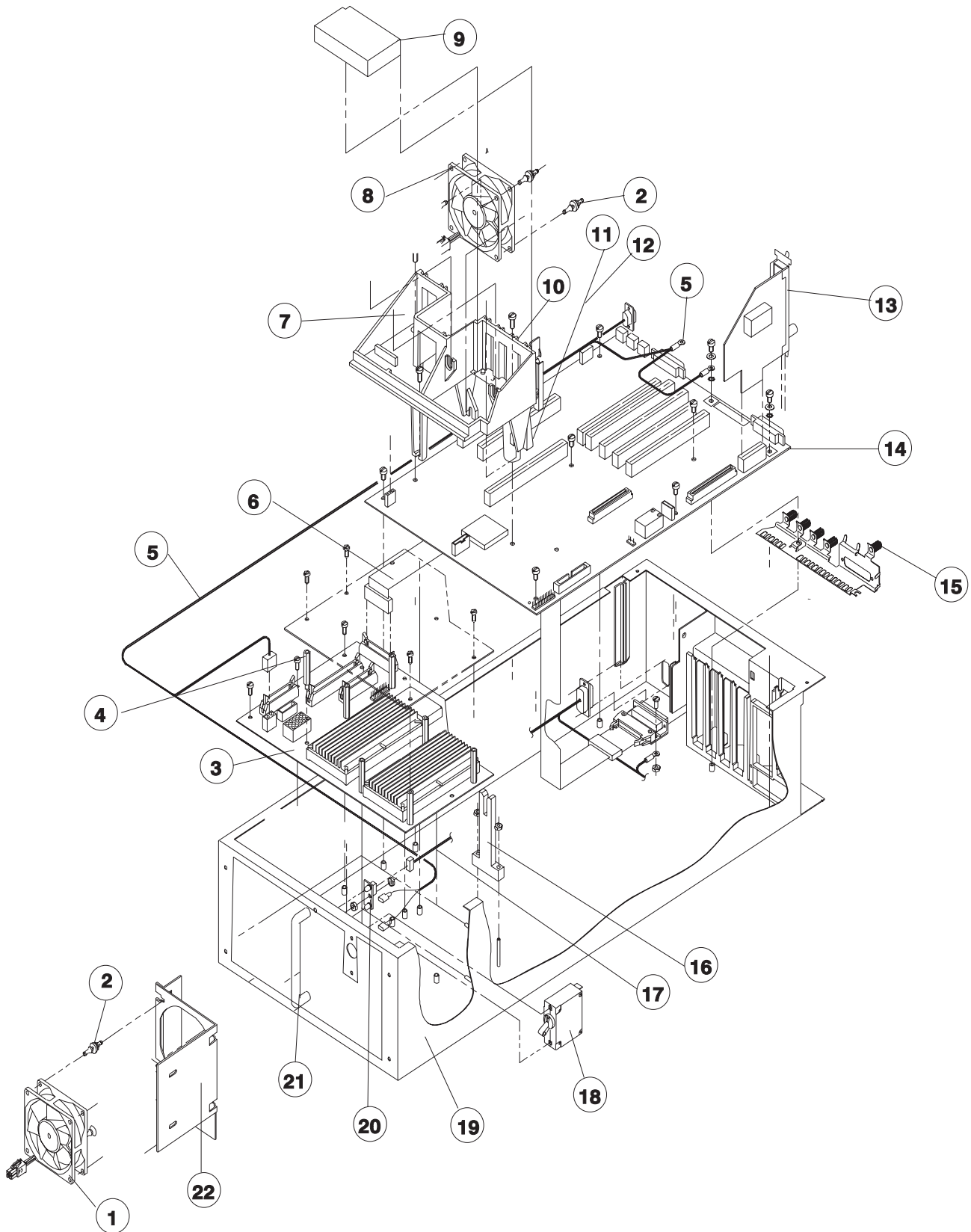
Asm- Index	Part Number	Units	Description
20-			Supervisor, Gate Assembly (reference only)
-1	46G5476	1	• VME Card Cage
-2	31G9248	1	• Eurocard Card Cover (LED)
-3	17H5419	1	• Frame Supervisor Card
-4	67G4991	1	• Backplane Card
-5	67G4995	1	• Connector Card
-6	46G5480	1	• Eurocard Cover (Blank)
-7	31G9308	2	• Screw, Lock

# Assembly 21: 62/66 MHz Thin Node Asm (F/C 2001/2002) (View 1)



Asm- Index	Part Number	Units	Description
21-			Processor Thin Node 62 MHz Assembly (F/C 2001) (reference only)
-			Processor Thin Node 66 MHz Assembly (F/C 2002) (reference only)
-1	46H9175	1	• Cable, Node Control Harness
-2	31G9274	1	• Cable, Diagnostic Display
-3	54G3001	1	• Cable, Planar Power Distribution
-4	31G9276	1	• Cable, DASD Power (Y-style)
-5		AR	• DASD, Hardfile (See "DASD Part Numbers" on page 1-164.)
-6		AR	• Memory Cards (See "RS/6000 SP Memory Part Numbers" on page 1-164.)
-7	00G2721	1	• Card, SCSI Riser (62 MHz node only)
-8	43G0779	2	• Cable, SCSI Riser (62 MHz node only)
-9	04H9533	1	• Cable Internal DASD (66 MHz node only)
-10	51G9441	1	• Card, Processor - 62 MHz
-10	40H6717	1	• Card, Processor - 66 MHz
-	88G4012	AR	• SIMM L2, 1.0 MB (F/C 4046)
-12	26H7220	1	• Fan, 5 inch Rear
-13	81F7977	12	• Shock Mount for Fan (Black Isolator)
-14	26H7234	1	• Bracket Thin Node Fan
-15	00G2917	1	• DASD Hardfile Frame
-16	6279235	3	• Bracket I/O
-17	31G9272	1	• Cable, Planar Serial
-18	52G4259	1	• Terminator, SCSI (62 MHz node only)
-	84F2772	2	• Grommet, Edge Trim (not shown)
-	26H7314	1	• Jumper, Node Ctrl/Cable 07H6417 (not shown)
-	46H9176	1	• Jumper, Node Ctrl/Cable 26H7247 (not shown)
-	26H7234	1	• Bracket, Fan (not shown)
-	46H9266	1	• Filler Plate-Single Node (not shown)
-	46H9231	AR	• Insulator (not shown)
-	46G6953	1	• Shelf Assembly - Thin Node (Not shown)

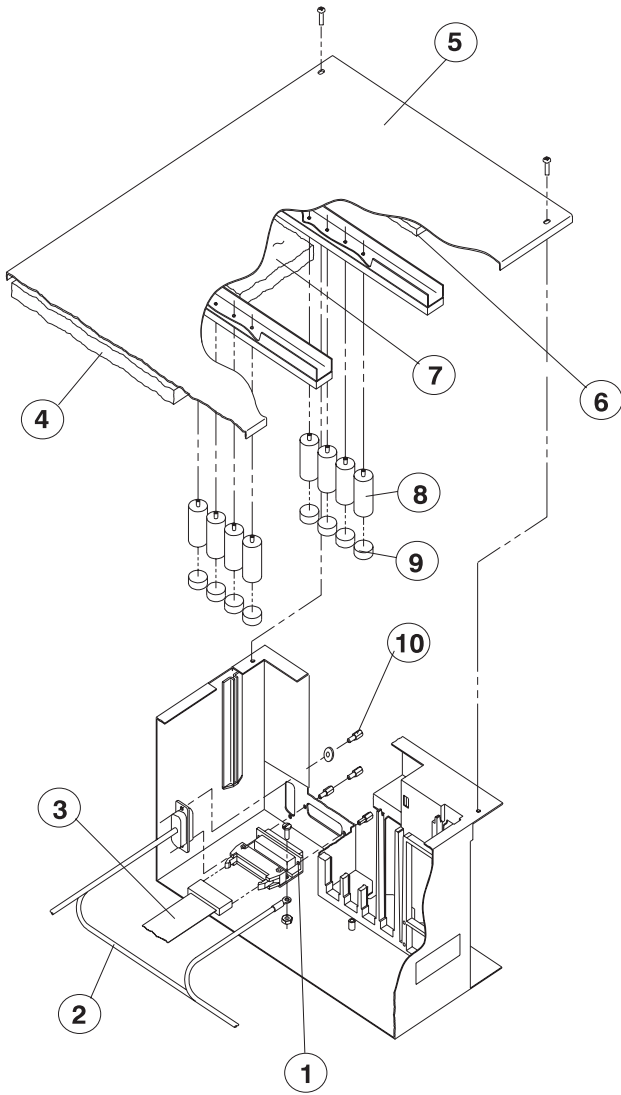
# Assembly 22: 62/66 MHz Thin Node Asm (F/C 2001/2002) (View 2)





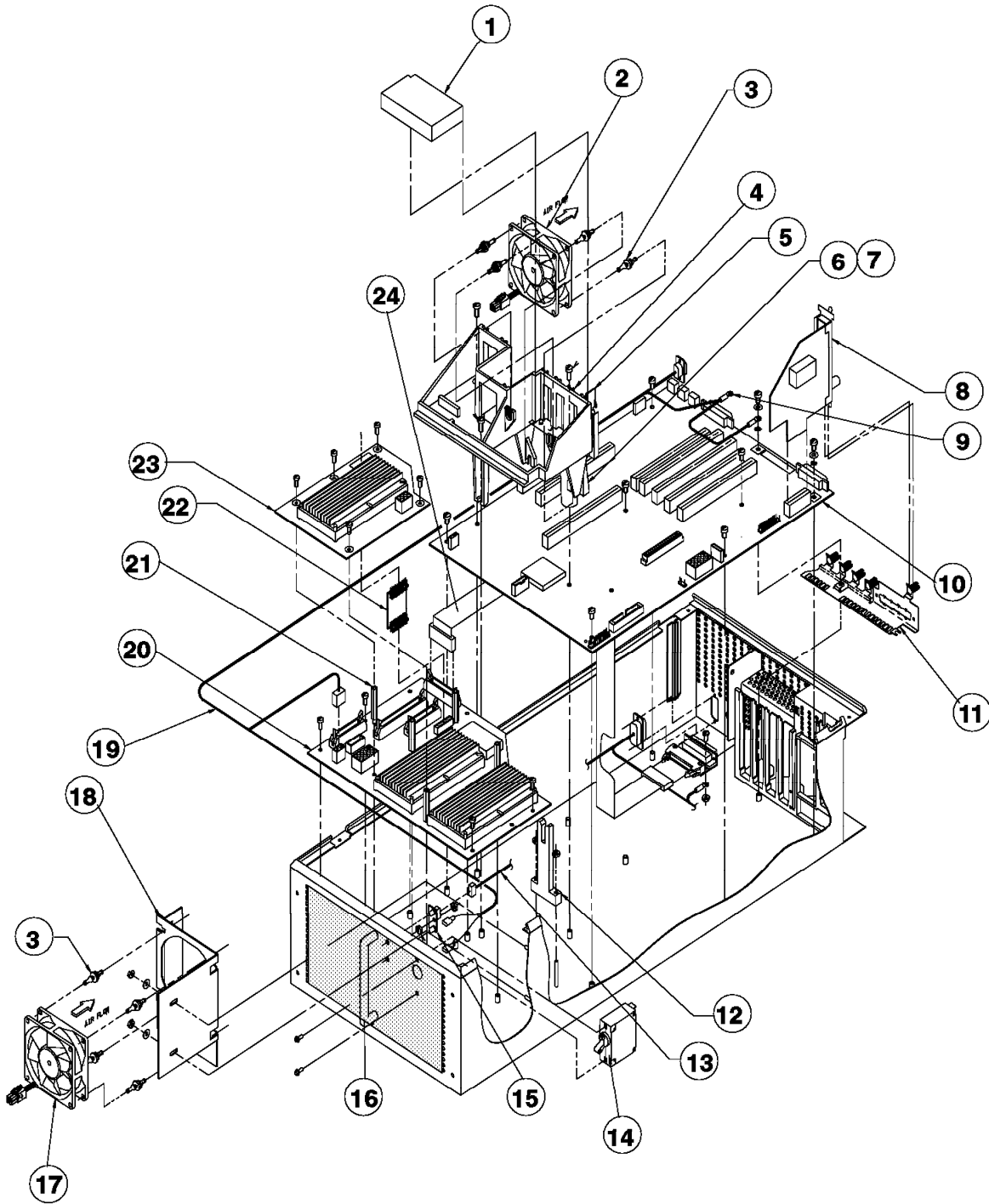
Asm- Index	Part Number	Units	Description
22-			Processor Thin Node 62 MHz Assembly (F/C 2001) (reference only)
-			Processor Thin Node 66 MHz Assembly (F/C 2002) (reference only)
-1	54G2906	1	• Fan, 5 inch Front
-2	81F7977	12	• Shock Mount for Fan (Black Isolator)
-3	26H7085	1	• Card, Node Supervisor
-4	54G3073	5	• Standoff
-5	11J3934	1	• Cable, Node 48 V Dist
-6	31G9271	1	• Cable, Supervisor
-7	31G9305	1	• Support, Card Guide
-8	00G2981	2	• Fan, dc (3-inch front)
-9	00G2259	1	• Foam, Front Fan
-10	40F9969	1	• Spacer, Micro Channel Card
-11	40F9968	1	• Guide, Micro Channel Card
-12	00G2258	1	• Duct, Front Fan
-13	73H1668	1	• Card, Ethernet (Thin/Thick) Riser
-14	93H7182	1	• Card, I/O Planar - 62 MHz
-	93H7059	1	• Card, I/O Planar - 66 MHz
-15	31G9304	1	• Contact, Ground (62 MHz node only)
-	64G5581	1	• Contact, Ground (66 MHz node only)
-16	31G9306	1	• Bridge Support DASD
-17	46H9175	1	• Cable, Node Control Harness
-18	87G8676	1	• Circuit Breaker, 10 amperes
-19	46H9229	1	• Node Weldment
-20	67G4985	1	• Card, LED
-21	46G5964	1	• Handle

# Assembly 23: 62/66 MHz Thin Node Asm (F/C 2001/2002) (View 3)



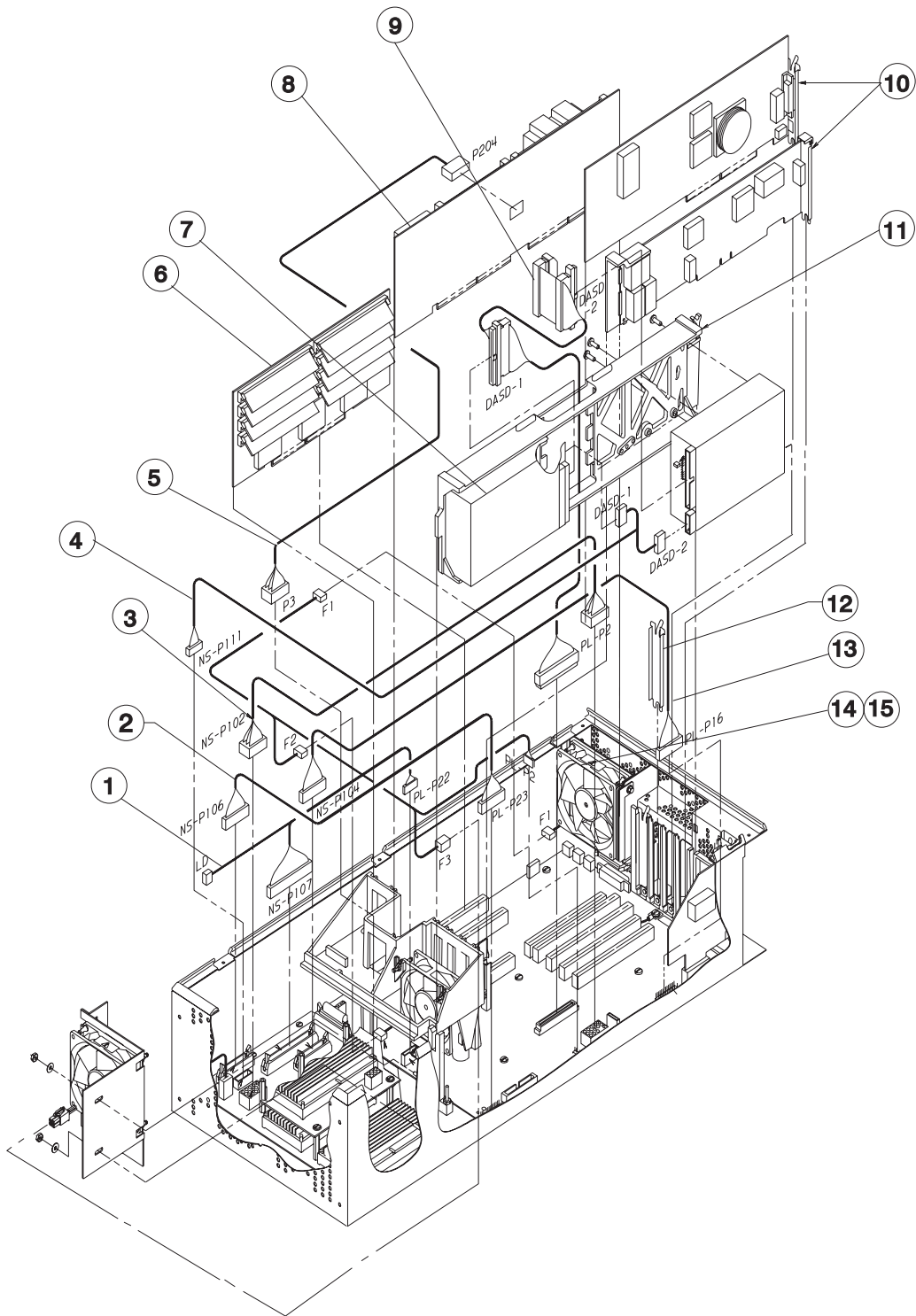
Asm- Index	Part Number	Units	Description
23-			Processor Thin Node 62 MHz Assembly (F/C 2001) (reference only)
-			Processor Thin Node 66 MHz Assembly (F/C 2002) (reference only)
-1	67G4989	1	• Card, Supervisor Bus
-3	31G9271	1	• Cable, Supervisor
-2	11J3934	1	• Cable, Node 48 V Dist
-4	26H7230	1	• Front DASD Insul
-5	26H7194	1	• Node Cover Top
-6	26H7232	1	• Back DASD Insul
-7	26H7231	1	• Mid DASD Insul
-8	46G5963	8	• Card Retainer Cyl
-9	46G7025	8	• Elastomer Strip
-10	51H8738	4	• Screw
-	1622316	4	• Lockwasher

# Assembly 24: 66 MHz Thin Node 2 Asm (F/C 2004) (View 1)



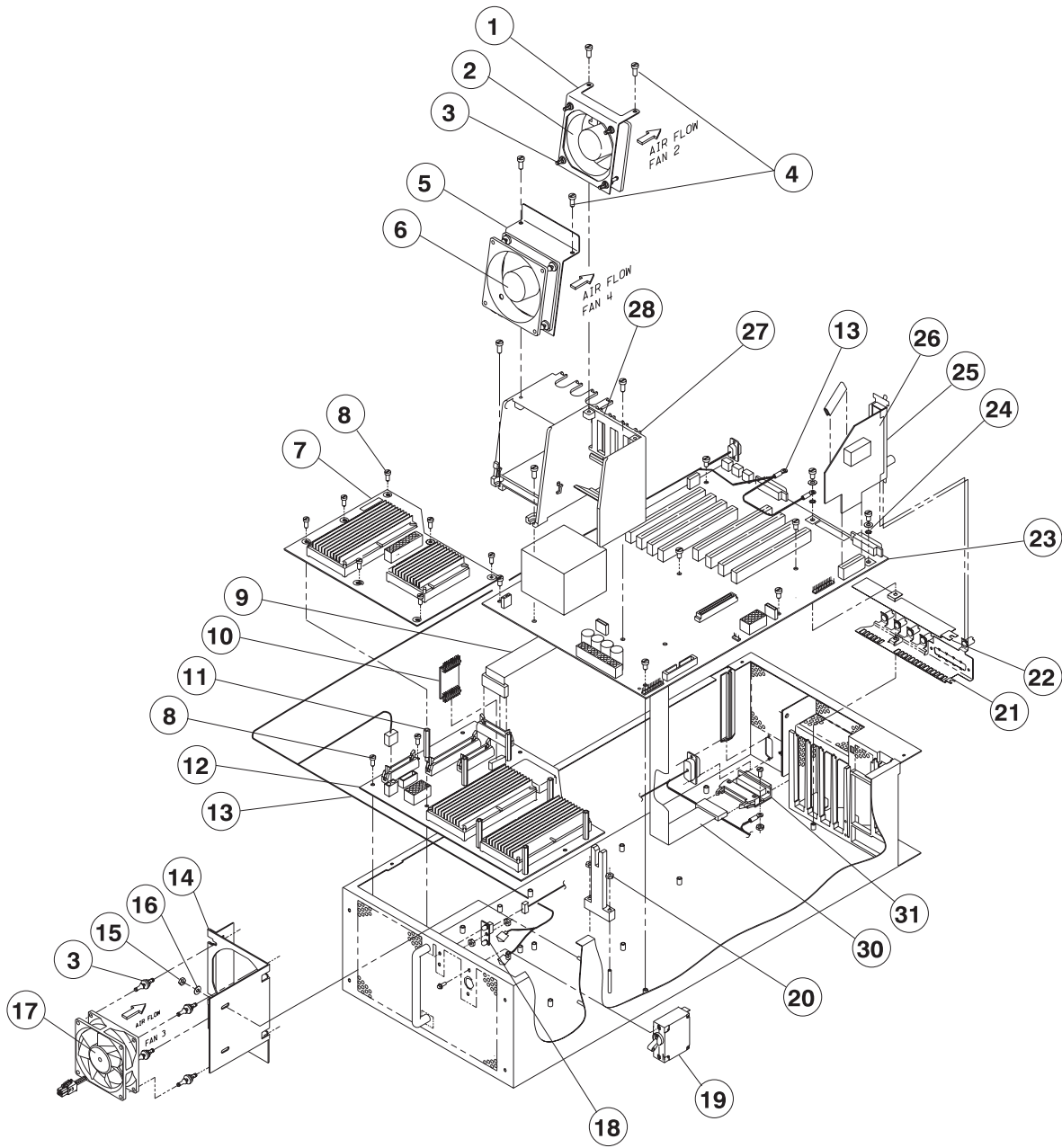
Asm- Index	Part Number	Units	Description
24-			66 MHz Processor Thin Node 2 (F/C 2004) (reference only)
-1	00G2259	1	• Front Fan Foam
-2	00G2981	1	• Fan, Front 3 inch
-3	81F7977	8	• Isolator, Black
-4	31G9305	1	• Guide Card Support
-5	40F9969	1	• Spacer MCA Card
-6	40F9968	1	• Guide MCA Card
-7	00G2258	1	• Duct, Front Fan
-8	73H1668	1	• Ethernet Riser (Thick/Thin)
-9	11J3934	1	• Cable, 48 V Distribution
-10	40H6690	1	• Planar, I/O
-11	64G5581	1	• I/O Contact Grnd
-12	31G9306	1	• Support, DASD Bridge
-13	46H9175	1	• Cable, Node Control
-14	87G8676	1	• Circuit Breaker
-15	67G4985	1	• Card, LED Display
-16	46G5964	1	• Handle
-17	54G2906	1	• Fan, dc 5 inch Front
-18	54G2860	1	• Bracket, Hard Disc Fan
-19	11J3934	1	• Cable, 48 V Distribution
-20	46H9834	1	• Card, Node Supervisor
-21	04H9528	5	• Standoff
-22	77G0938	1	• Jumper Card
-23	46H9799	1	• Card, Power +4 V (Tara)
-24	31G9271	1	• Cable, Supervisor
-	17H5081	1	• Baffle (not shown)
-	26H7314	1	• Jumper, Node Ctrl/Cable 31G9278 (not shown)
-	46H9176	1	• Jumper, Node Ctrl/Cable 26H7247 (not shown)
-	46H9266	AR	• Filler Plate-Single Node (not shown)
-	46H9231	AR	• Insulator (not shown)
-	51H8738	AR	• Screw (not shown)
-	1622316	AR	• Lockwasher (not shown)

# Assembly 25: 66 MHz Thin Node 2 Asm (F/C 2004) (View 2)



Asm- Index	Part Number	Units	Description
25-			66 MHz Processor Thin Node 2 (F/C 2004) (reference only)
-1	31G9278	1	• Cable, Node Control
-2	31G9274	1	• Cable, Diag Display
-3	54G3001	1	• Cable, Power Distribution
-4	31G9276	1	• Cable, DASD Power
-5	04H9460	1	• Cable, CPU Power
-6		AR	• Memory Card (See "RS/6000 SP Memory Part Numbers" on page 1-164.)
-7		AR	• DASD, Hardfile (See "DASD Part Numbers" on page 1-164.)
-8	93H4924	1	• Card CPU RS2G (66 Mhz)
-	88G4012	AR	• • SIMM L2 1.0 MB (F/C 4046)
-9	04H9533	1	• Cable, Internal DASD
-10		AR	• MCA Cards (See "Assembly 62: Features, Micro Channel Adapters" on page 1-126.)
-11	00G2917	1	• DASD Hardfile Frame
-12	6279235	3	• Bracket, I/O
-13	31G9272	1	• Cable, Planar Serial
-14	26H7220	1	• Fan, Rear 5 inch
-15	07H6446	1	• Bracket, Fan
-	04H9517	1	• Connector Cover Asm 48 V (not shown)

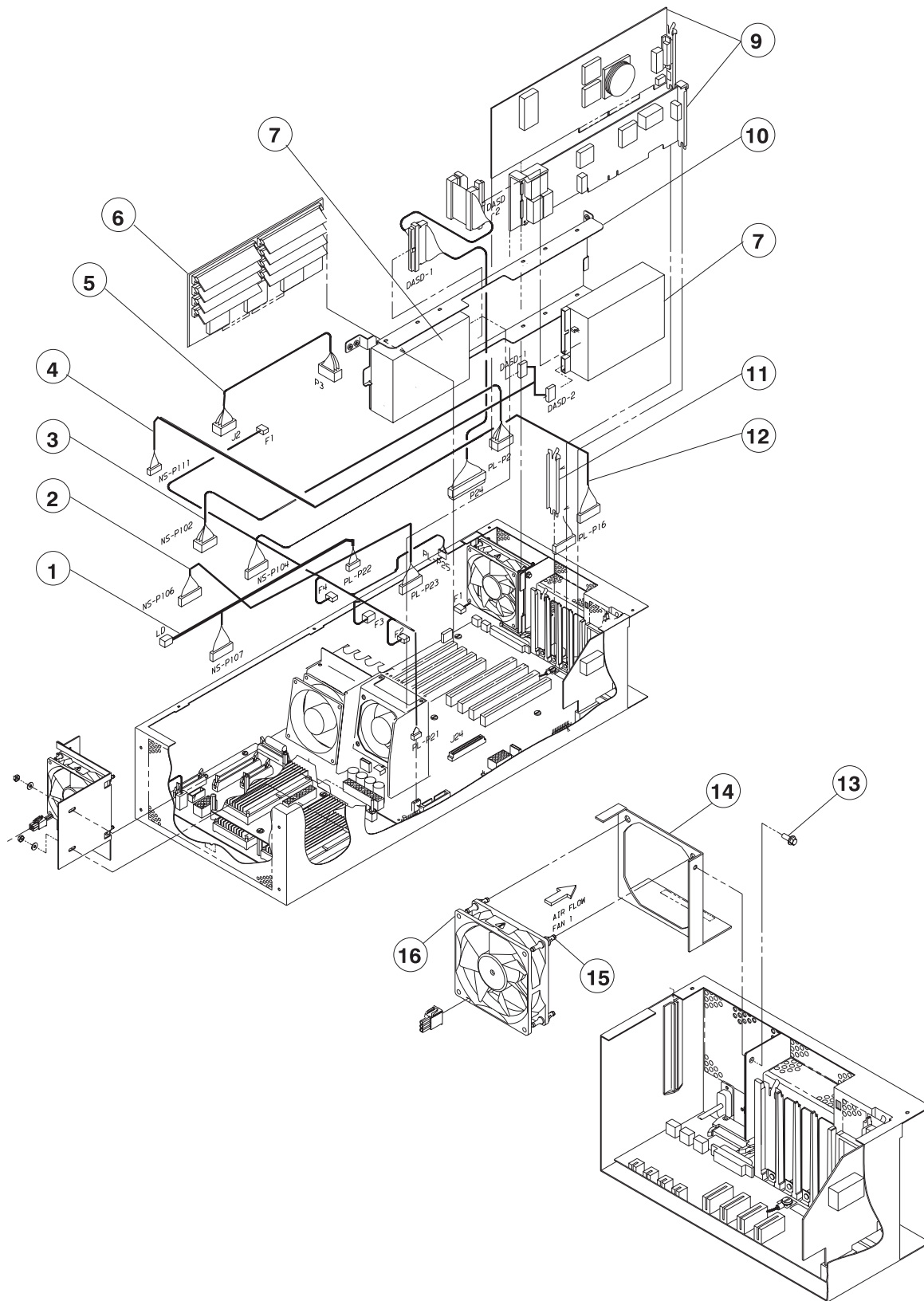
# Assembly 26: 120/160 MHz Thin Node Asm (F/C 2008/2022) (View 1)





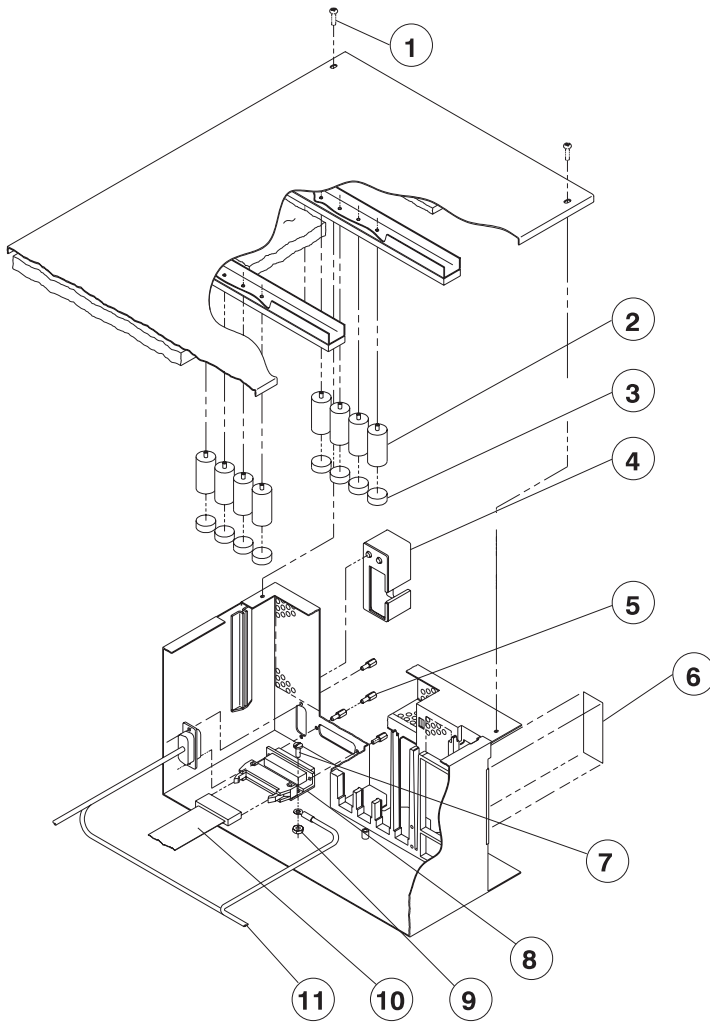
Asm- Index	Part Number	Units	Description
26-			120 MHz Thin Node Asm (F/C 2008) (reference only)
-			160 MHz Thin Node Asm (F/C 2022) (reference only)
-1	46H9768	1	• Bracket, Fan Mount 80 mm
-2	00G2981	1	• Fan, 80 mm Medium Speed
-3	81F7977	16	• Isolator, Black
-4	1622675	4	• Screw, 3.5 X 8 Hex Washer Head
-5	46H9767	1	• Bracket, Fan Mount 92 mm
-6	46H9770	1	• Fan, MED Speed
-7	46H9302	1	• Card, Power Daughter
-8	0038352	10	• Screw, 6-32 X .375
-9	31G9271	1	• Cable, Supervisory Int.
-10	77G0938	1	• Jumper Card
-11	04H9528	1	• Standoff
-12	46H9834	1	• Card, Node Supervisor
-13	11J3934	1	• Cable, Node 48 V
-14	54G2860	1	• Bracket, Fan
-15	0034637	2	• Nut, 6-32
-16	2305158	2	• Washer, Flat #6
-17	54G2906	1	• Fan, dc 5 inch Front
-18	67G4985	1	• Card, LED Display
-	1622433	2	• • Nut, Hex M3.5
-19	46H9304	1	• Circuit Breaker
-	93G1069	2	• • Screw, Hex M3 X 4
-20	31G9306	1	• Support, DASD Bridge
-	0034637	2	• • Nut, Hex 6-32
-21	11J5140	1	• I/O Contact Ground Asm.
-22	93H8593	1	• Insulator, I/O Ground Spring
-23	07L8549	1	• CPU Planar 120 MHz
-	93H5557	1	• CPU Planar 160 MHz
-	0034512	7	• • Screw, BND HD 8-32
-24	0418787	2	• Washer, Flat #8
-24	0055901	2	• Washer, Star #8
-25	84F2722	1	• Edge Trim, Protective
-26	73H1668	1	• Card, Ethernet Riser (Thin/Thick)
-27	46H9969	AR	• Spacer, Micro Channel Card
-28	11J5115	1	• Support, Card Guide
-	0034512	3	• • Screw, GND HD 8-32 X .375
-30	31G9271	1	• Cable, Supervisor Internal
-31	67G4989	1	• Card, Supervisor Bus

# Assembly 27: 120/160 MHz Thin Node Asm (F/C 2008/2022) (View 2)



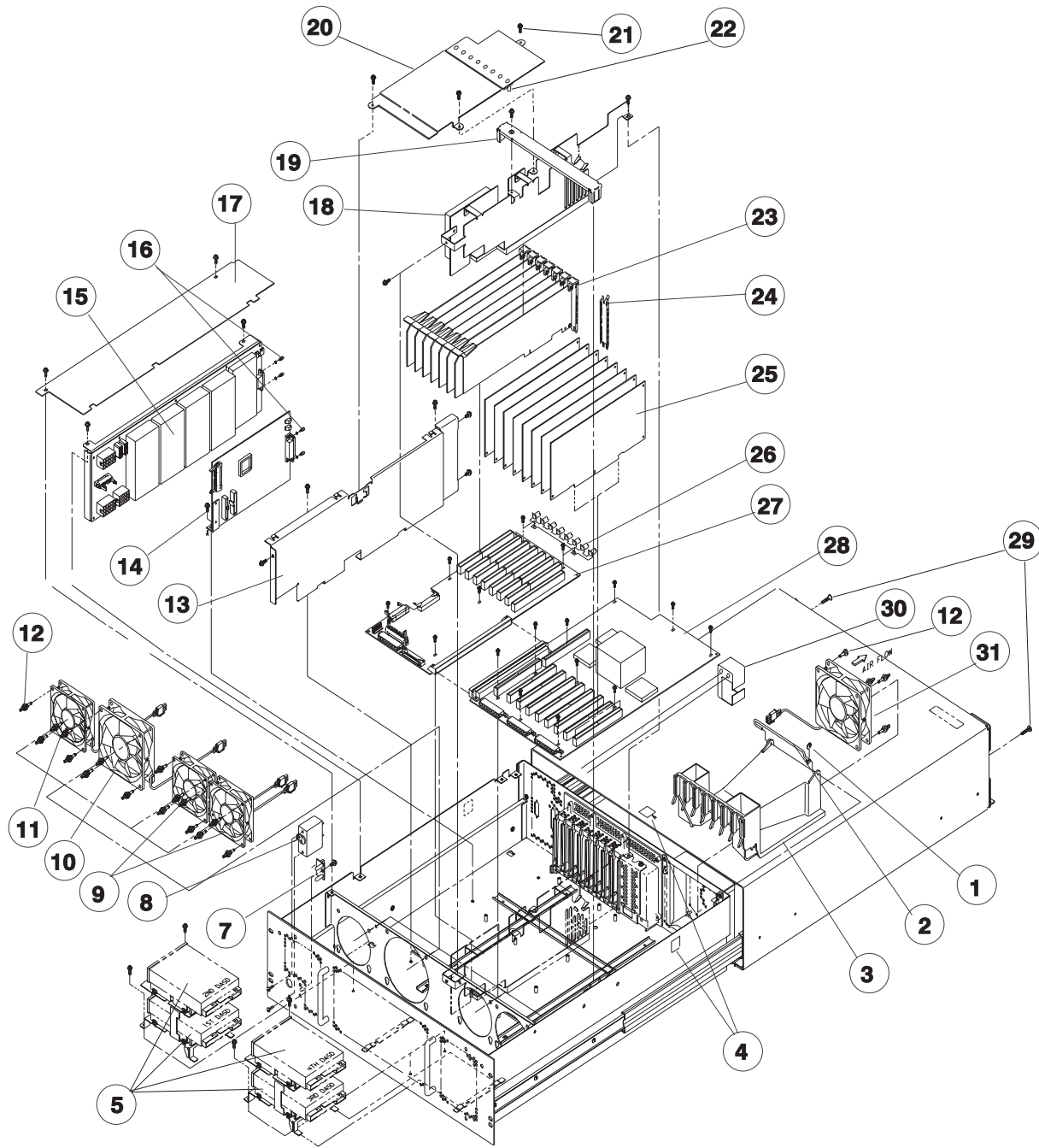
Asm- Index	Part Number	Units	Description
27-			120 MHz Thin Node Asm (F/C 2008) (reference only)
-			160 MHz Thin Node Asm (F/C 2022) (reference only)
-1	46H9772	1	• Cable, Node Control Harness
-2	31G9274	1	• Cable, Diag. Display
-3	54G3001	1	• Cable, Planar Power Dist
-4	31G9276	1	• Cable, DASD
-5	46H9773	1	• Cable, 120 MHz CPU Power
-6		AR	• Card, Memory (See "RS/6000 SP Memory Part Numbers" on page 1-164.)
-7		AR	• DASD, Hardfile (See "DASD Part Numbers" on page 1-164.)
-9		AR	• MCA Cards (See "Assembly 62: Features, Micro Channel Adapters" on page 1-126.)
-10	08J5834	1	• Bracket, DASD Mounting
-11	6279235	1	• Bracket I/O
-12	31G9272	1	• Cable, Planar Serial
-13	1624764	1	• Screw, Hex Flange HD M4 X 6
-14	26H7234	1	• Bracket, Thin Node Fan
-15	81F7977	16	• Isolator, Black
-16	26H7220	1	• Fan, dc (5-inch Rear)

# Assembly 28: 120/160 MHz Thin Node Asm (F/C 2008/2022) (View 3)



Asm- Index	Part Number	Units	Description
28-			120 MHz Thin Node Asm (F/C 2008) (reference only)
-			160 MHz Thin Node Asm (F/C 2022) (reference only)
-1	21L2743	1	• Cover Top Asm.
-	54G3364	6	• • Screw, #2 Phil Pan HD
-2	46G5963	8	• Retainer, Card
-3	46G7025	8	• Elastomer Strip
-4	04H9517	1	• Cover, Connector
-5	51H8738	4	• Screwlock
-	1622316	4	• Washer
-6	42G4996	1	• Label, Bar Code
-7	1621032	1	• Screw, Chesse HD M3.5 X 8
-8	67G4989	1	• Card, Supervisor Bus
-9	1622433	1	• Nut, Hex M3.5
-10	31G9271	1	• Cable, Supervisor Internal
-11	11J3934	1	• Cable, Node 48 V

# Assembly 29: 66/77/135 MHz Wide Node Asm (F/C 2003/2005/2007) (View 1)

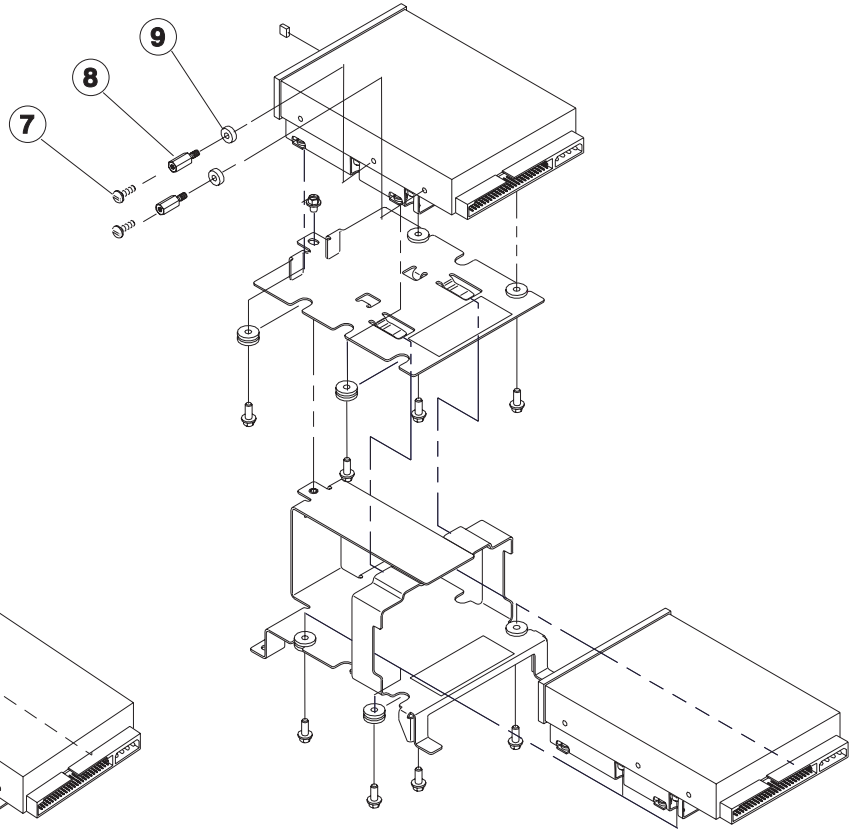
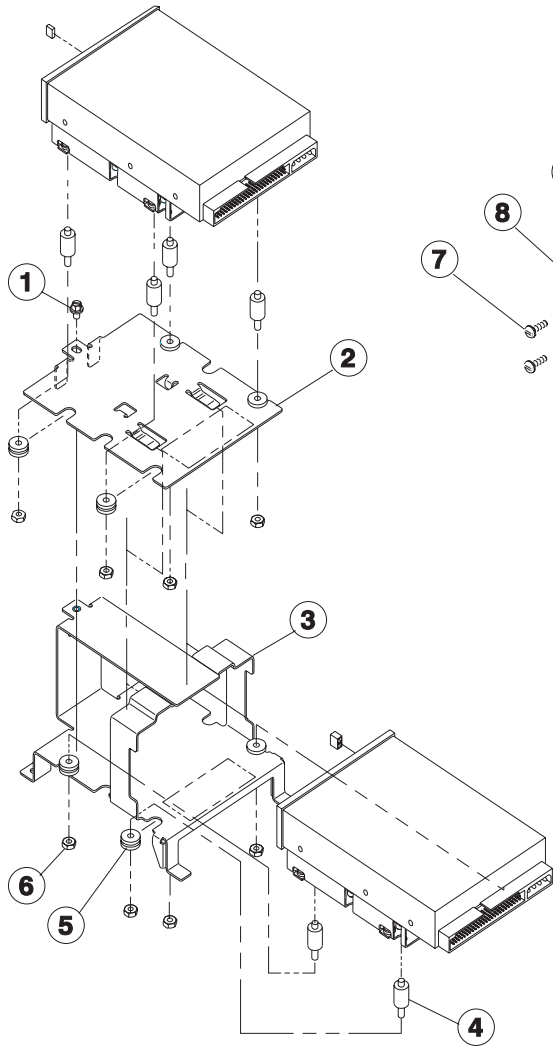


Asm- Index	Part Number	Units	Description
29-			66 MHz Wide Node Assembly (F/C 2003) (reference only)
-			77 MHz Wide Node Assembly (F/C 2005) (reference only)
-			135 MHz Wide Node Assembly (F/C 2007) (reference only)
-1	1073418	1	• Retaining Ring
-2	46G6981	1	• Hinge Pin
-3	8184623	1	• Air Baffle Assembly (66 and 77 MHz)
-3	73H4288	1	• Air Baffle Assembly (135 MHz)
-4	5423464	1	• Label, Weight Safety
-5		AR	• DASD, Hardfile (See "DASD Part Numbers" on page 1-164.)
-7	67G4985	1	• Card, LED Display
-8	87G8677	1	• Circuit Breaker, 20 Amp (66 MHz)
-8	07H6411	1	• Circuit Breaker, 25 Amp (77 and 135 MHz)
-9	54G3291	1	• Fan, Memory
-10	42F7434	2	• Fan, CPU
-11	42F7434	1	• Fan, Power
-12	81F7977	20	• Shock Mount for Fan (Black Isolator)
-13	26H7189	1	• Divider
-14	38H9698	1	• Card, Supervisor
-15	07H6410	1	• Card, Power (66 and 77 MHz)
-15	46H9703	1	• Card, Power (135 MHz)
-16	51H8738	4	• Screw
-17	46G6994	1	• Cover
-18	52G1492	1	• Divider Assembly
-19	26H7319	1	• Retainer
-20	26H7186	1	• Retainer Assembly
-21	32G1547	3	• Screw, Hex FI Hd, M4 X 5
-22	26H7190	8	• Cylinder Card Retainer
-23		AR	• MCA Cards (See "Assembly 62: Features, Micro Channel Adapters" on page 1-126.)
-24	6279235	7	• Bracket, I/O
-25		AR	• Memory Card (See "RS/6000 SP Memory Part Numbers" on page 1-164.)
-26	22F9503	1	• Ground Spring
-	1622316	4	• • Lockwasher
-27	07L6765	1	• Card, I/O Planar (66 and 77 MHz)
-27	93H6519	1	• Card, I/O Planar (135 MHz)
-28	07L7370	1	• Card, CPU Planar (66 MHz)
-28	93H4843	1	• Card, CPU Planar (66 MHz)
-28	93H4880	1	• Card, CPU Planar (77 MHz)
-	88G4012	2	• SIMM, 1.0 MB
-28	94H0445	1	• Card, CPU Planar (135 MHz Wide Node)
-	40H7442	1	• V dc Converter Daughter Card (Not shown)
-29	00G1270	2	• Screw, Hex FI SI Hd, M4 X 17
-30	04H9417	1	• Guide, Cable 48 V
-31	11J3942	1	• CPU High Speed Fan

# Assembly 30: 66/77/135 MHz Wide Node Asm (F/C 2003/2005/2007) (View 2)

Old Style Bracket

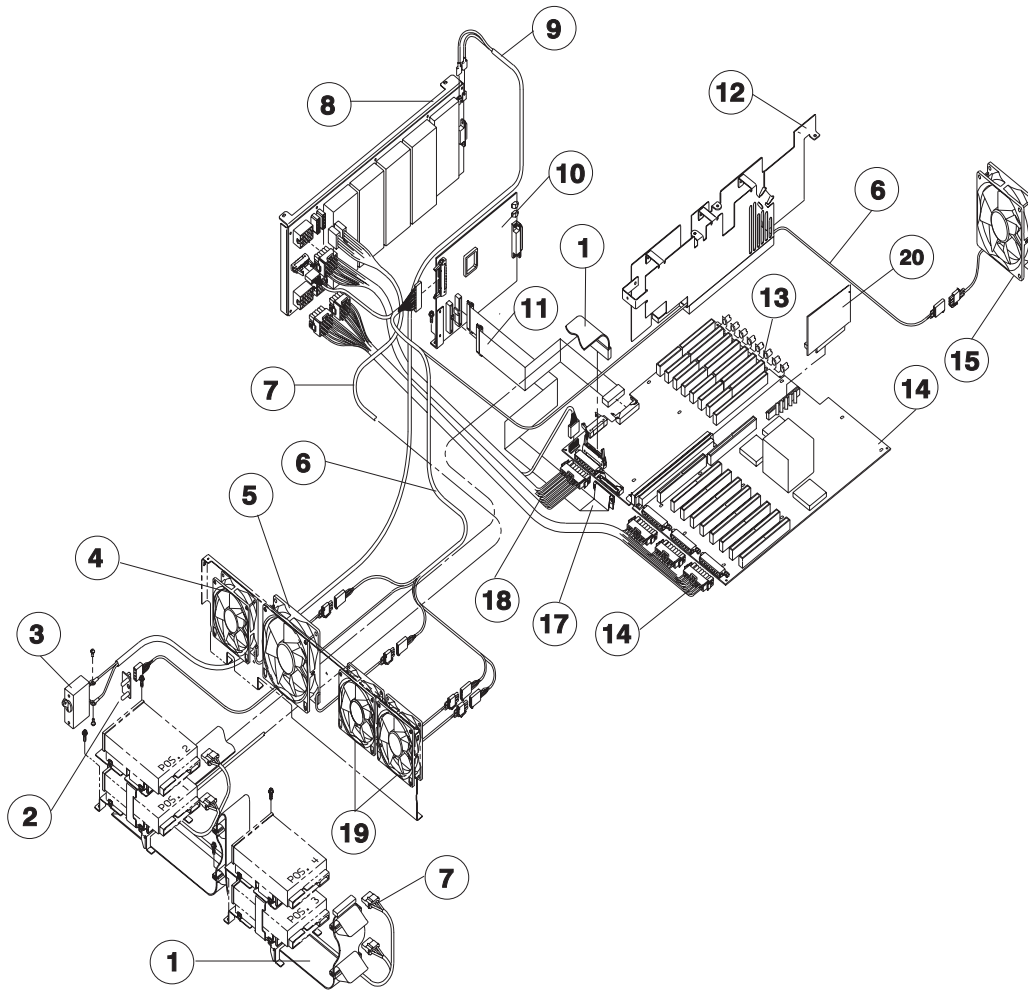
New Style Bracket





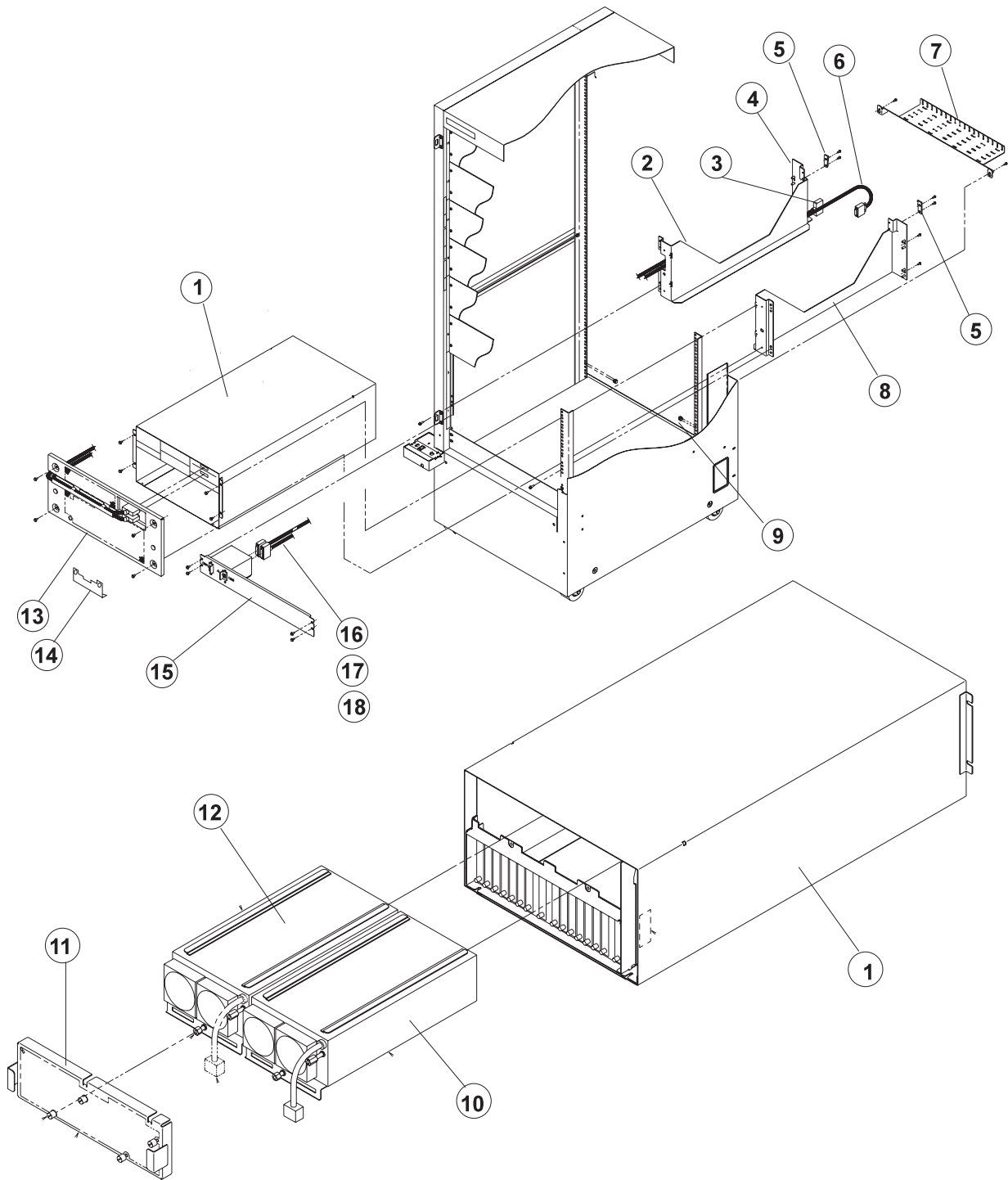
Asm- Index	Part Number	Units	Description
30-			66 MHz Wide Node Assembly (F/C 2003) (reference only)
-			77 MHz Wide Node Assembly (F/C 2005) (reference only)
-			135 MHz Wide Node Assembly (F/C 2007) (reference only)
-1	32G1547	1	<ul style="list-style-type: none"> <li>• Screw, Hex Fl Hd, M4 X 5</li> </ul>
-2	46G7020	2	<ul style="list-style-type: none"> <li>• Tray, DASD</li> </ul>
-3	46G7019	2	<ul style="list-style-type: none"> <li>• Bracket, DASD</li> </ul>
-4	26H7316	8	<ul style="list-style-type: none"> <li>• Mount, Shock Flex Bolt</li> </ul>
-5	00G3272	8	<ul style="list-style-type: none"> <li>• Grommet (DASD)</li> </ul>
-6	0034637	8	<ul style="list-style-type: none"> <li>• Nut, Hex 6-32</li> </ul>
-7	1621197	4	<ul style="list-style-type: none"> <li>• Screw</li> </ul>
-8	51H8738	2	<ul style="list-style-type: none"> <li>• Standoff</li> </ul>
-9	1622304	2	<ul style="list-style-type: none"> <li>• Washer</li> </ul>

**Assembly 31: 66/77/135 MHz Wide Node Asm (F/C 2003/2005/2007)  
(View 3)**



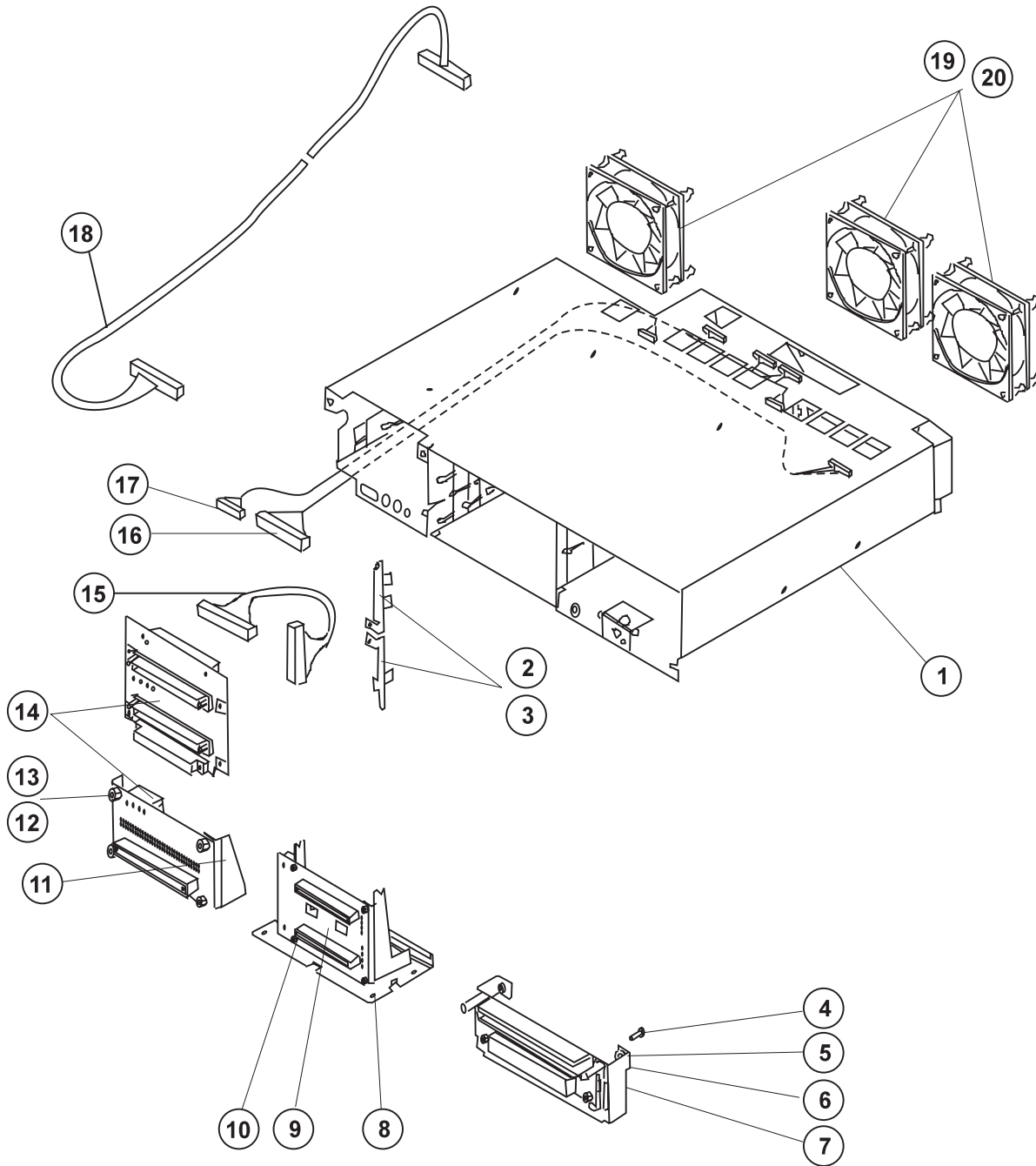
Asm- Index	Part Number	Units	Description
31-			66 MHz Wide Node Assembly (F/C 2003) (reference only)
-			77 MHz Wide Node Assembly (F/C 2005) (reference only)
-			135 MHz Wide Node Assembly (F/C 2007) (reference only)
-1	54G3246	1	• Cable, Internal SCSI (66 and 77 MHz)
-	26H7249	1	• Cable, SCSI, Fast/Wide (135 MHz)
-2	67G4985	1	• Card, LED Display
-3	87G8677	1	• Circuit Breaker, 20 Amp (66 MHz)
-3	07H6411	1	• Circuit Breaker, 25 Amp (77 and 135 MHz)
-4	42F7434	1	• Fan, Power
-5	42F7434	2	• Fan, CPU
-6	17H5038	1	• Cable, Supervisor Card/Fan/LED Power (66 and 77 MHz)
-6	54G3241	1	• Cable, Supervisor Card/Fan/LED Power (135 MHz)
-7	54G3240	1	• Cable, DASD Power
-8	07H6410	1	• Card, Power (66 and 77 MHz)
-8	46H9703	1	• Card, Power (135 MHz)
-9	54G3242	1	• Cable, Switch Assembly
-10	38H9698	1	• Card, Supervisor
-11	04H9441	1	• Cable, CPU J37
-12	52G1492	1	• Divider Assembly
-13	07L6765	1	• Card, I/O Planar (66 and 77 MHz)
-13	93H6519	1	• Card, I/O Planar (135 MHz)
-14	93H4843	1	• Card, CPU Planar (66 MHz)
-14	93H4880	1	• Card, CPU Planar (77 MHz)
-	88G4012	2	• SIMM, 1.0 MB
-14	07L7370	1	• Card, CPU Planar (135 MHz Wide Node)
-15	11J3942	1	• CPU High Speed Fan
-16	46H9312	1	• Cable, CPU Planar Power (66 and 77 MHz)
-16	46H9707	1	• Cable, CPU Planar Power (135 MHz)
-17	54G3244	1	• Cable, CPU J39
-18	54G3238	1	• Cable, I/O Planar Power
-19	54G3291	1	• Fan, Memory
-	46G5619	1	• Wrap Plug, Male (not shown)
-	48G3055	1	• Plug (not shown)
-20	40H7442	1	• V dc Converter Daughter Card

# Assembly 32: 604 or 604e High Node Asm (F/C 2006/2009) (View 1)



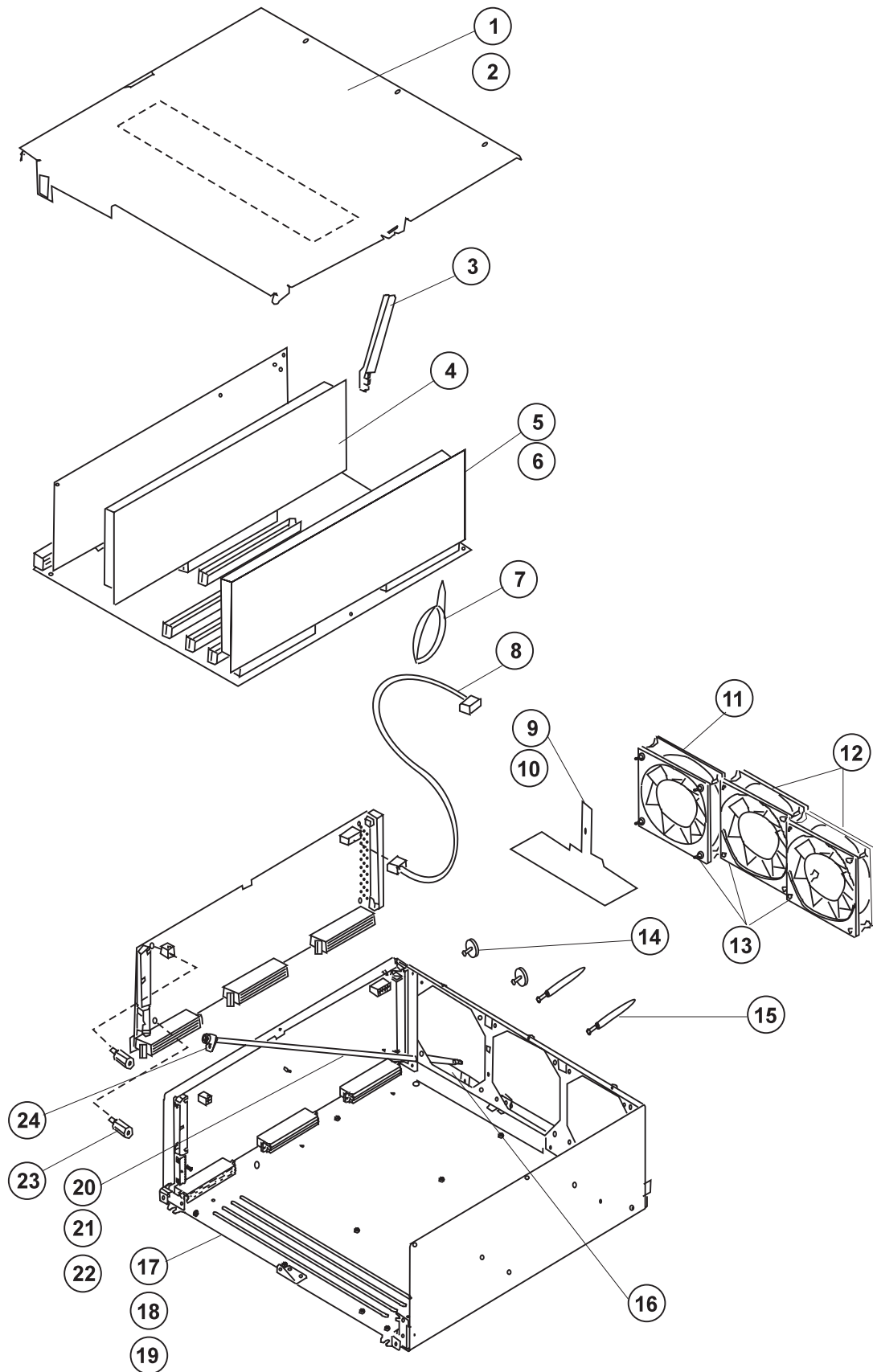
Asm- Index	Part Number	Units	Description
32-1			604 High Processor Node Assembly (F/C 2006) (reference only)
-1			604e High Processor Node Assembly (F/C 2009) (reference only)
-2	46H9277	1	• Rail, Left
-	54G2882	4	• • Screw
-	07H6655	2	• • Tie, Cable Velcro
-3	46H9783	1	• Cable, Supervisor Adapt
-4	46H9279	1	• Strain Relief, Cable
-	33F5638	2	• • Screw
-5	46H9801	2	• Bracket
-	84X4761	4	• • Screw
-6	46H9281	1	• Cable, Serial Adapter
-7	46H9324	1	• Tray, Cable Mgmt
-	54G2882	2	• • Screw
-	07H6655	6	• • Tie, Cable Velcro
-8	46H9278	1	• Rail, Right
-	54G2882	4	• • Screw
-9	0375867	10	• Nut, Clip
-10	93H6192	1	• Power Supply
-	11H2694	2	• • Fan
-11	11H2661	1	• Cover, Rear EMC
-12	11H2712	1	• Cooling Unit
-13	46H9276	1	• Cover, Front
-	54G2882	4	• • Screw
-14	40H0502	1	• Front access plate retainer bracket
-	32G1547	2	• • Screw
-15	46H9756	1	• CB Assembly
-	54G2882	4	• • Screw
-16	46H9755	1	• Cable, 48 V Pwr Dist
-17	08J5858	1	• Cable, 48 V Pwr Single (CBJ1)
-18	46H9754	1	• Cable, SMP Pwr (CBJ2)

# Assembly 33: 604e High Node Media Module



<b>Asm- Index</b>	<b>Part Number</b>	<b>Units</b>	<b>Description</b>
33-1	93H7119	1	Media module (604e)
-2	93H5065	1	Retainer bracket
-3	00G1268	1	Screw
-4	78X8993	4	Screw
-5	00G1268	4	Screw-Autodocking receiver mounting (M4x7 hex head)
-6	40H0738	1	Operator panel receiver bracket assembly
-7	11H8229	2	Stud
-8	40H0732	1	Media receiver bracket assembly
-9	11H3190	1	Media receiver board assembly
-10	1621170	4	Screw (M3x6 pan head)
-11	40H0737	1	DASD receiver bracket assembly
-12	04G1559	4	Screw (M3x6)
-13	00G1269	2	Screw-DASD receiver mounting (M4x10)
-14	93H2483	1	DASD receiver board assembly
-15	93H5067	1	SCSI cable (DASD receiver board to Media receiver board)
-16	11H8261	1	Operator panel cable/receiver assembly
-17	11H2676	1	Cable, power (To media and fans.)
-18	93H5066	1	SCSI cable (To SCSI adapter.)
-19	11H2694	3	Fan
-20	81F7977	12	Vibration isolator

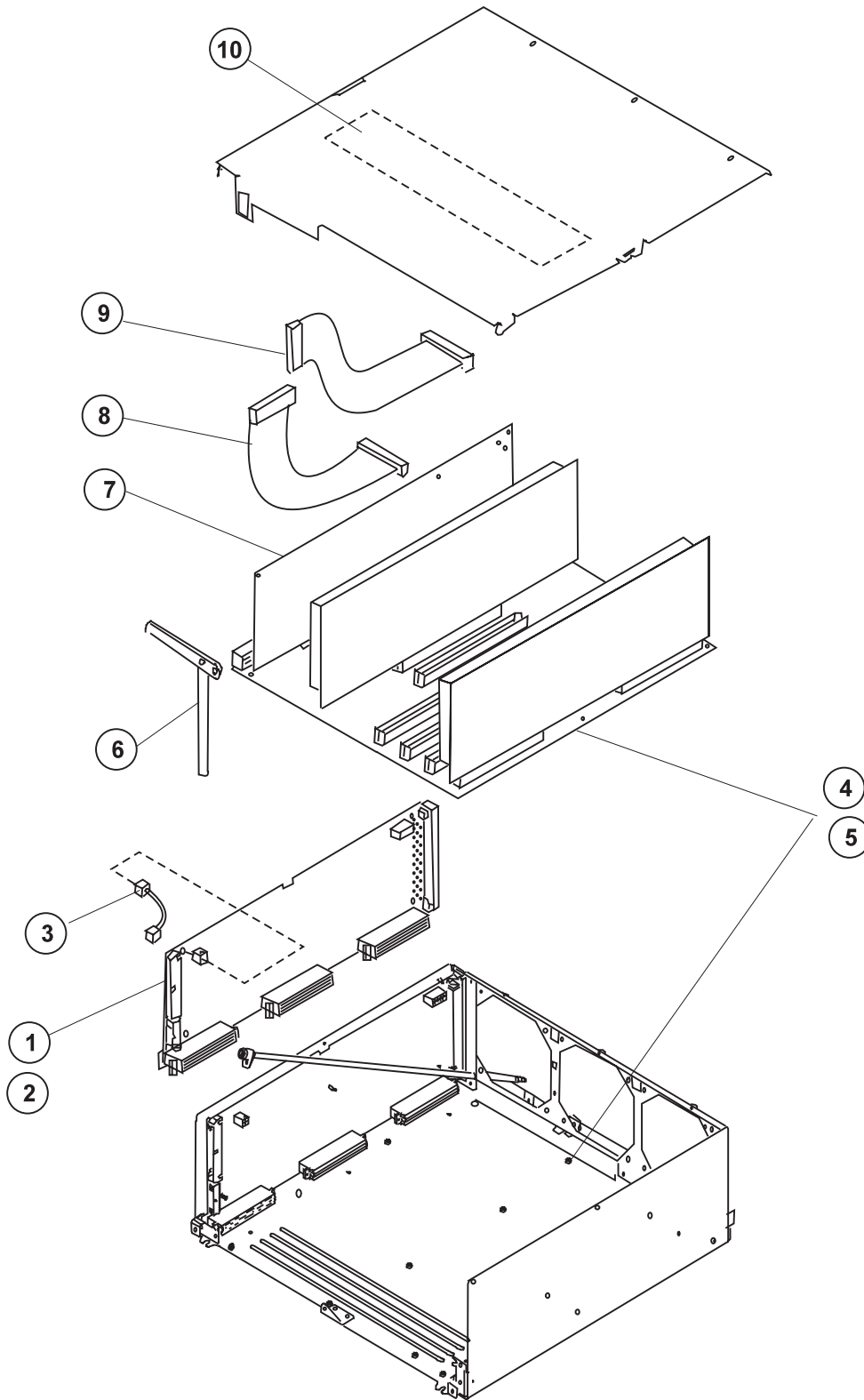
# Assembly 34: 604e High Node CPU Module (View 1)





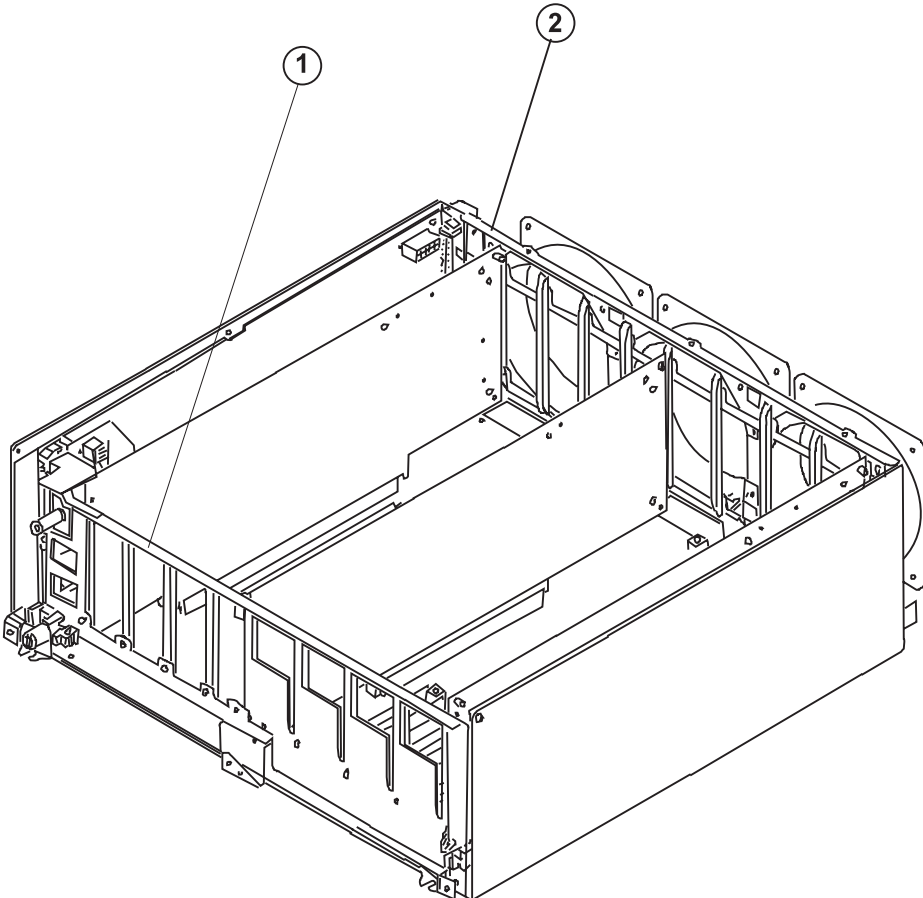
<b>Asm- Index</b>	<b>Part Number</b>	<b>Units</b>	<b>Description</b>
34-1	93H5071	1	Top cover (part of CPU module assembly)
-2	1621285	6	Screw
-3	11H3280	1	Extraction tool (single-piece)
-4	41L5020	1	CPU card, type 4EG 604e processor
-5	19H0283	1-4	MR2 memory card (256MB base) without memory modules
-5	09J4779	1-4	MR4 memory card (256MB base) without memory modules
-5	93H4357	1-4	SF5 memory card, base without memory modules
-6	19H0240	8	Memory module, 8MB (MR2)
-6	19H0271	8	Memory module, 32MB (MR4)
-6	19H0287	4-16	Memory module, 8MB (NFX,RLX, or SF5)
-6	19H0288	4-16	Memory module, 16MB (NFX,RLX, or SF5)
-6	19H0289	4-16	Memory module, 32MB (NFX,RLX, or SF5)
-6	08L0160	4-16	Memory module, 64MB (SF5)
-7	1159913	4	Cable tie, fan cable
-8	11H2677	1	Fan power cable
-9	93H5061	1	Retainer bracket, CPU flex cable
-10	04G1559	1	Screw
-11	40H7070	1	Fan assembly
-12	93H5822	2	Fan
-13	81F7977	12	Vibration isolator
-14	11H2691	2	Screw
-15	93H5064	2	Guide pin screw
-16	40H7000	1	Mounting plate assembly (flex cable mounting)
-17	94H0616	1	CPU module
-18	32G1547	2	Screw
-19	93H5063	1	Insulator (system planar)
-20	40H7074	1	Docking screw (with clamp attached)
-21	93H5466	3	Washer
-22	1622977	1	Retainer ring
-23	93H5062	2	Standoff
-24	04G1559	1	Screw (M3x6)

# Assembly 35: 604e High Node CPU Module (View 2)



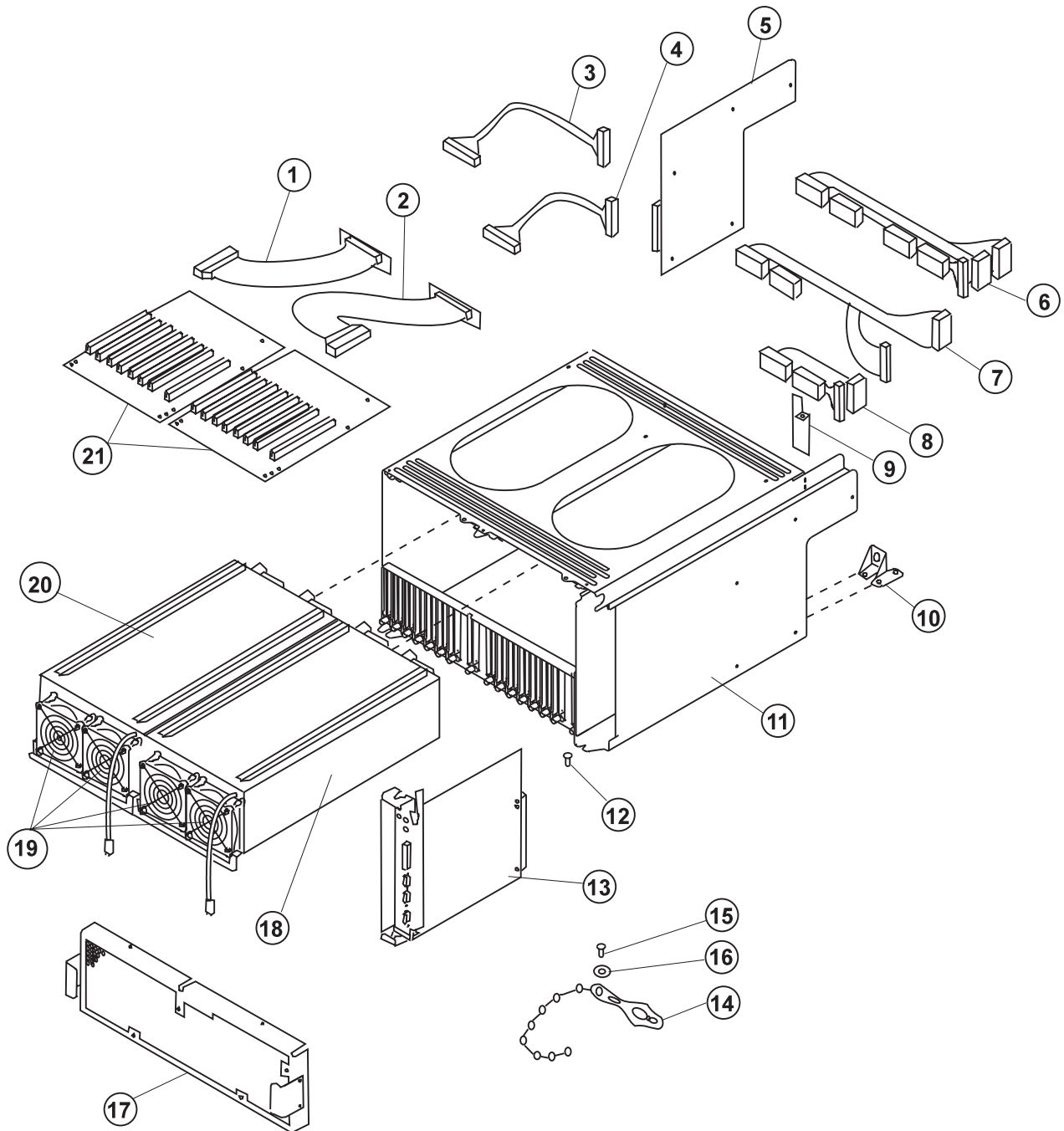
<b>Asm- Index</b>	<b>Part Number</b>	<b>Units</b>	<b>Description</b>
35-1	93H7764	1	Lateral planer 1
-2	04G1559	4	Screw
-3	11H2678	1	Interlock cable
-4	09J4887	1	System planar
-5	04G1559	11	Screw, hex head
-5	1621187	1	Screw, pan head
-6	11H2697	1	Extraction tool (dual-piece)
-7	09J4902	1	I/O card
-8	08L1101	1	Flex cable (To horizontal connector on I/O card.)
-9	08L1100	1	Flex cable (To vertical connector on I/O card.)
-10	93H5074	1	Card restraint

**Assembly 36: 604e High Node CPU Module (View 3)**



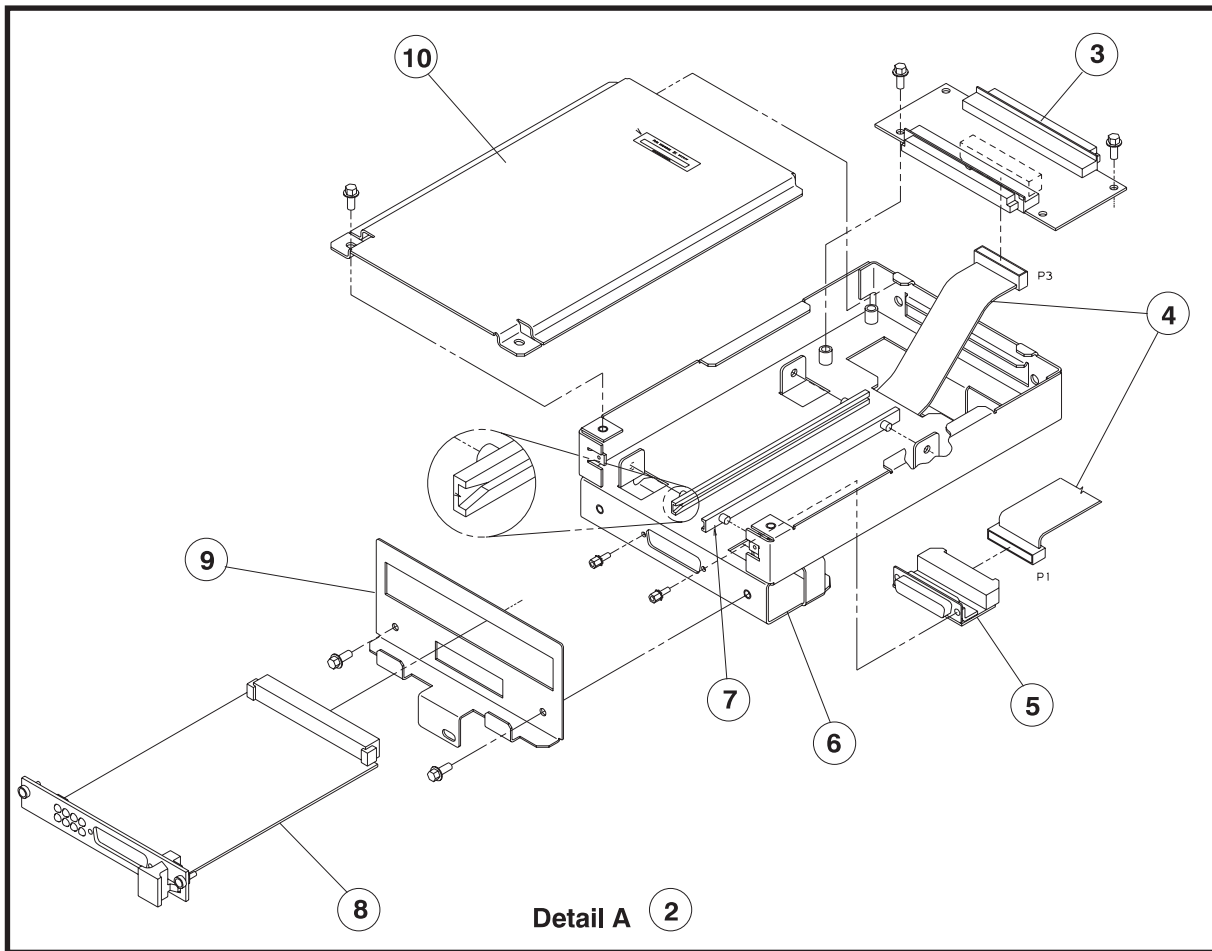
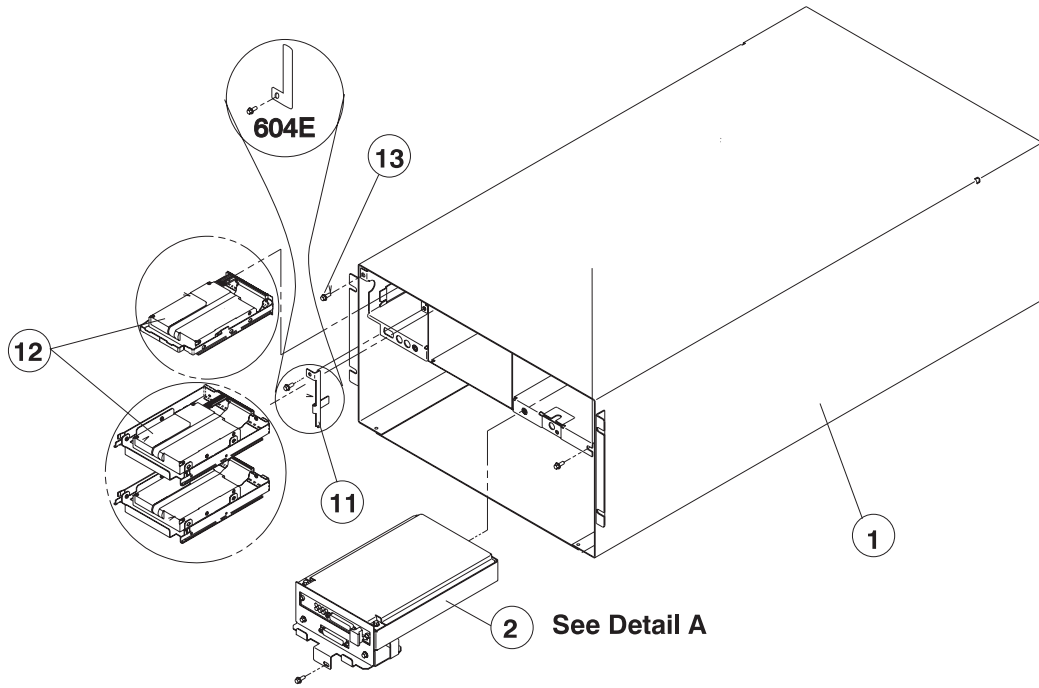
Asm- Index	Part Number	Units	Description
36-1	93H7441	1	Front guide bracket assembly
-2	93H7442	1	Rear guide bracket assembly

# Assembly 37: I/O Module



Asm- Index	Part Number	Units	Description
37-1	08L1100	1	Flex cable (for I/O planar 1)
-2	08L1101	1	Flex cable (for I/O planar 0)
-3	11H2684	1	Power cable (long-I/O planar to SIB card)
-4	11H2683	1	Power cable (short-I/O planar to SIB card)
-5	40H7014	1	Lateral planar 2
-	11H2689	5	• Grommet
-	04G1559	5	• Screw
-	11H3158	1	• Insulator (lateral planar 2 card)
-6	11H2692	8	Screw
-7	40H0875	1	Primary power supply cable bundle
-8	40H0876	1	Optional power supply cable bundle
-9	11H3264	1	Air deflector
-	162192	1	• Screw
-10	93H7443	1	Docking screw bracket
-	1622417	3	• Locknut
-11	93H7120	1	I/O module
-12	00G1268	1	Mounting screw, system interface board
-13	40H7012	1	System interface board
-14	52G5668	1	Cable clamp-I/O power cable
-15	1621187	1	Screw (M3x6 pan head)
-16	1622288	1	Washer
-17	11H7396	1	Rear access plate
-18	93H6192	1	Power supply (-48 V dc)
-19	11H2694	4	Fan
-	81F7977	16	• Vibration Isolator
-20	11H2712	1	Cooling unit
-21	35H8834	2	I/O planar
-	04H1559	10	• Mounting screw, I/O planar
-	11H7315	4	• Shoulder mounting screw (M3), I/O planar
-	11H3159	2	• Insulator, I/O planar

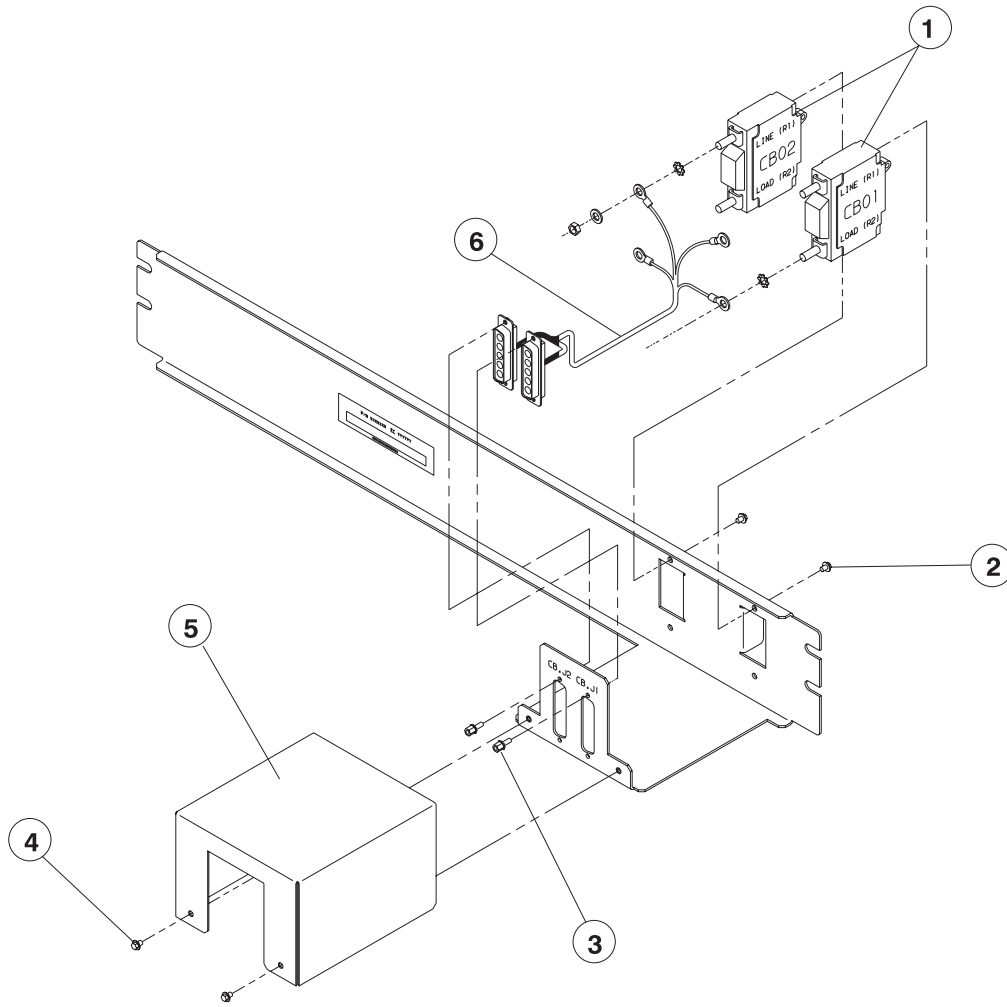
# Assembly 38: 604 or 604e High Node Asm (F/C 2006/2009) (View 2)





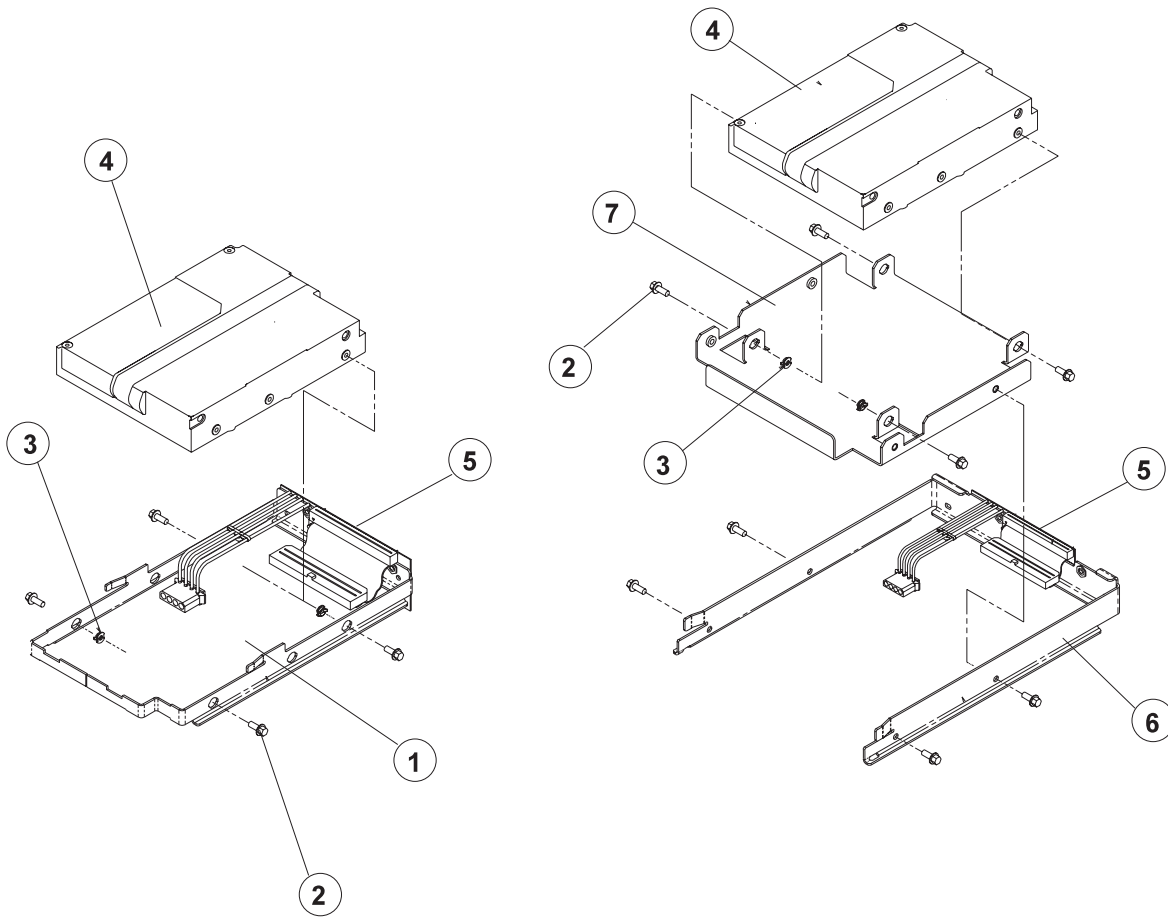
Asm- Index	Part Number	Units	Description
38-1			604 High Processor Node Assembly (F/C 2006) (reference only)
-1			604e High Processor Node Assembly (F/C 2009) (reference only)
-2	11J4778		• Assembly, Supervisor (reference only)
-	00G1268	1	• • Screw
-3	46H9736	1	• • Interposer Card, Supervisor
-4	46H9317	1	• • Cable, Supervisor Internal
-5	67G4989	1	• • Bus Card, Supervisor
-	31G9308	2	• • • Standoff
-6	46H9287	1	• • Chassis
-7	46H9802	2	• • Guide, Card
-8	11J4000	1	• • Card, Supervisor
-9	46H9777	1	• • Bezel
-	33F3258	2	• • • Screw
-10	46H9288	1	• • Cover
-	33F3258	2	• • • Screw
-11	40H0755	1	• Bracket, Retainer
-	00G1268	1	• • Screw
-12		AR	• DASD, Hardfile (See "DASD Part Numbers" on page 1-164.)
-13	00G1268	2	• Screw

# Assembly 39: 604 or 604e High Node Asm (F/C 2006/2009) (View 3)



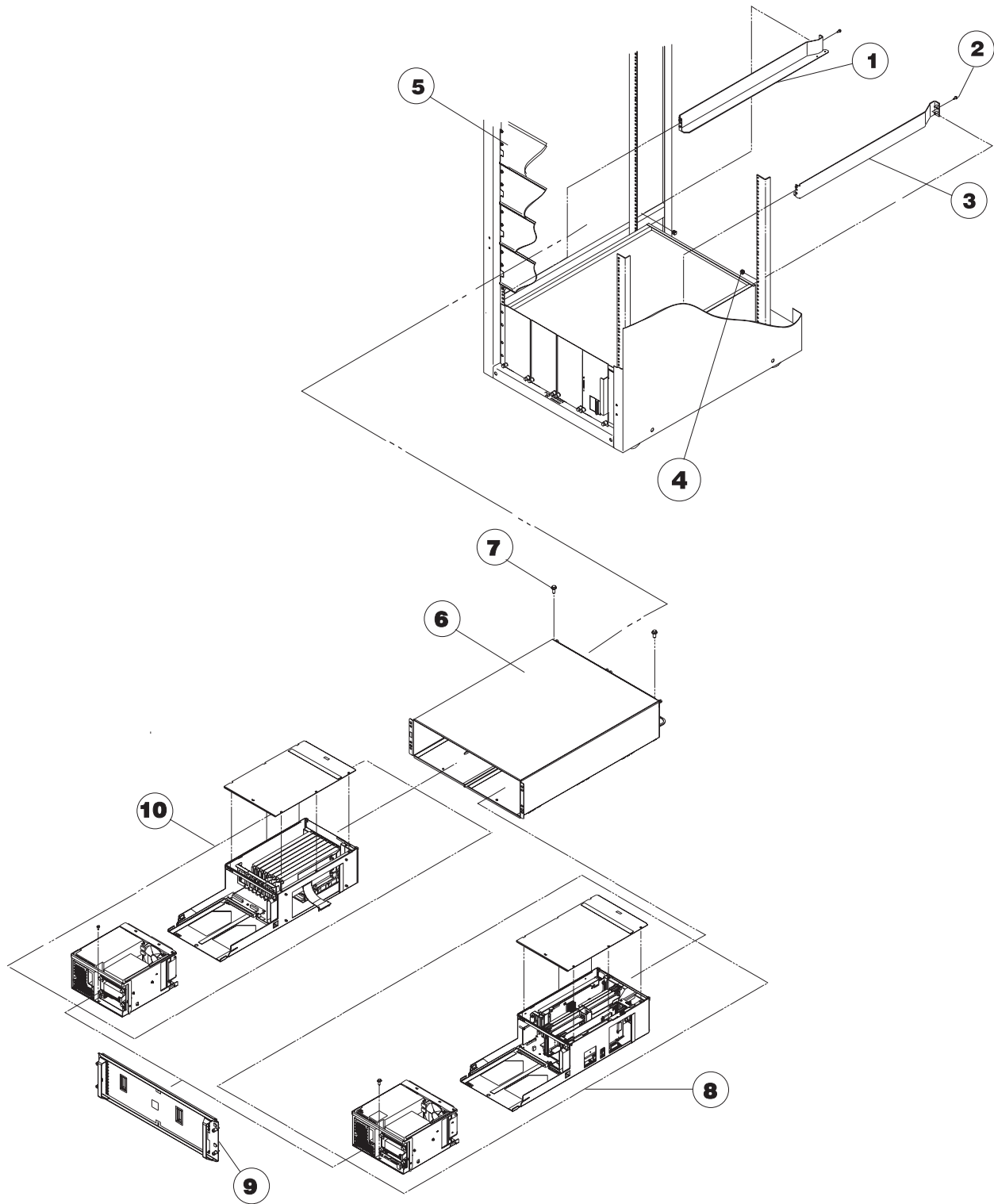
Asm- Index	Part Number	Units	Description
39-			604 High Processor Node Assembly (F/C 2006) (reference only)
-			604e High Processor Node Assembly (F/C 2009) (reference only)
-1	46H9687	2	• Circuit Breaker, 40 Amp
-2	46G2677	4	• Screw, M3
-3	51H9738	4	• Screw
-	1622316	4	• • Lockwasher
-4	46G2677	2	• Screw, M3
-5	46H9759	1	• Cover, CB
-6	46H9760	1	• Cable, CB Asm

# Assembly 40: 604 or 604e High Node Asm (F/C 2006/2009) (View 4)



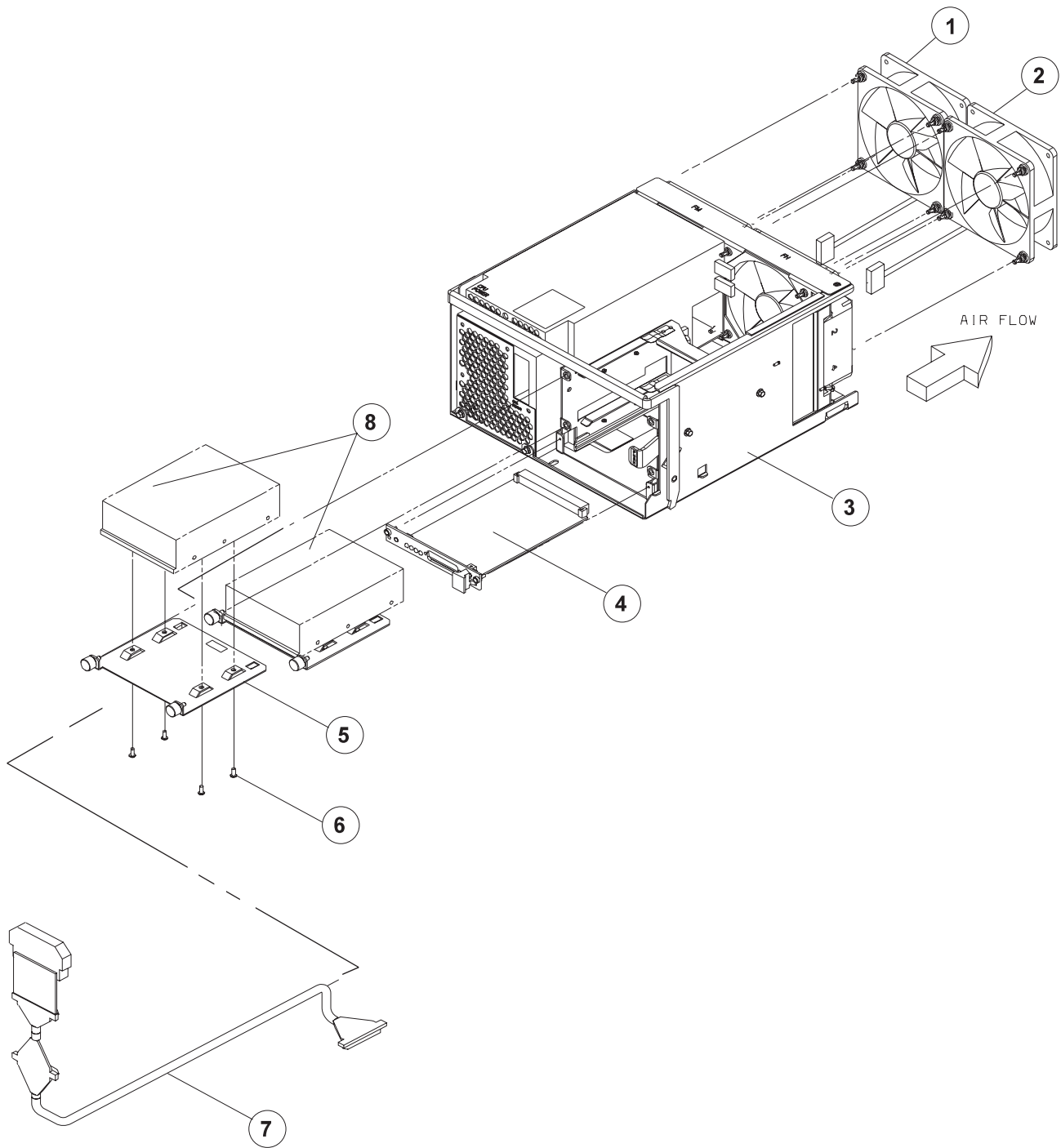
Asm- Index	Part Number	Units	Description
40-			604 High Processor Node Assembly (F/C 2006) (reference only)
-			604e High Processor Node Assembly (F/C 2009) (reference only)
-1	40H0847	1	• Bracket, Mounting
-2	0038442	4	• • Screw
-3	11H2704	AR	• Isolator, DASD
-4		AR	• DASD, Hardfile (See "DASD Part Numbers" on page 1-164.)
-5	40H7043	1	• Board Asm (604 high node 8-bit DASD) For 604 high node 16-bit DASD the following additional parts are required:
-	87G4587	1	• • Interposer Card
-	93H6991	1	• • Cable
-5	93H7487	1	• Board Asm (604e high node 8-bit DASD)
-5	93H2482	1	• Board Asm (604e high node 16-bit DASD)
-	04G1559	2	• • Screw
-6	11H7317	1	• Bracket, Media
-7	46H9753	1	• Bracket, Mounting
-	0038442	4	• • Screw
-8	93H8599	1	• Cable, Media Bay SCSI (not shown)
-9	93H7479	1	• Card, DASD Receiver (not shown)
-10	93H7463	1	• Card, Media Receiver (not shown)
-11	93H7487	1	• Card, Interposer 8-bit (not shown)

# Assembly 41: 332 MHz Symmetric MultiProcessor (SMP) Thin and Wide Nodes



Asm- Index	Part Number	Units	Description
41-3		AR	332 MHz Symmetric MultiProcessor (SMP) Nodes
-1	51H9427	1	<ul style="list-style-type: none"> <li>• Rail, Left</li> </ul>
-2	77G0599	2	<ul style="list-style-type: none"> <li>• Screw</li> </ul>
-3	51H9426	1	<ul style="list-style-type: none"> <li>• Rail, Right</li> </ul>
-4	0375867	2	<ul style="list-style-type: none"> <li>• Nut Clip</li> </ul>
-5	11J4774	1	<ul style="list-style-type: none"> <li>• Panel, Blank</li> </ul>
-6	21L3953	1	<ul style="list-style-type: none"> <li>• 332 MHz SMP Node Enclosure</li> </ul>
-7	1624763	2	<ul style="list-style-type: none"> <li>• • Screw</li> </ul>
-	21L2727	4	<ul style="list-style-type: none"> <li>• • Wear Strip "A" (not shown)</li> </ul>
-	21L2728	2	<ul style="list-style-type: none"> <li>• • Wear Strip "A1" (not shown)</li> </ul>
-	21L2729	2	<ul style="list-style-type: none"> <li>• • Wear Strip "B" (not shown)</li> </ul>
-	21L2732	2	<ul style="list-style-type: none"> <li>• • Wear Strip "C" (not shown)</li> </ul>
-8			<ul style="list-style-type: none"> <li>• 332 MHz SMP Thin Node (reference only, see "Assembly 42: 332 MHz SMP Thin Node Asm (F/C 2050) (View 1)" on page 1-86)</li> </ul>
-9	21L3060	1	<ul style="list-style-type: none"> <li>• Panel Asm, Front</li> </ul>
-10			<ul style="list-style-type: none"> <li>• 332 MHz SMP I/O Expansion Asm (reference only, see "Assembly 48: 332 MHz SMP I/O Expansion Asm (View 1)" on page 1-98)</li> </ul>

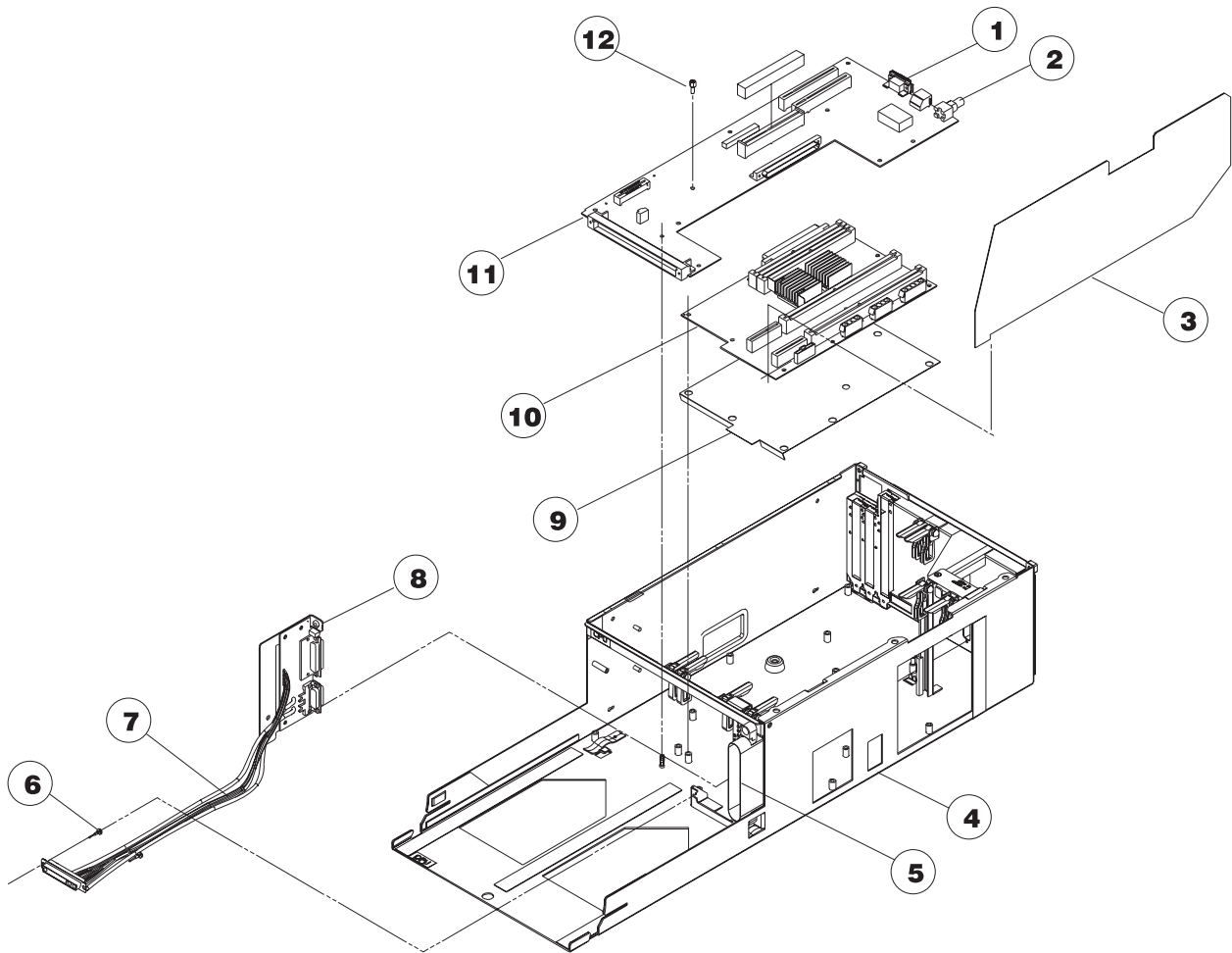
# Assembly 42: 332 MHz SMP Thin Node Asm (F/C 2050) (View 1)





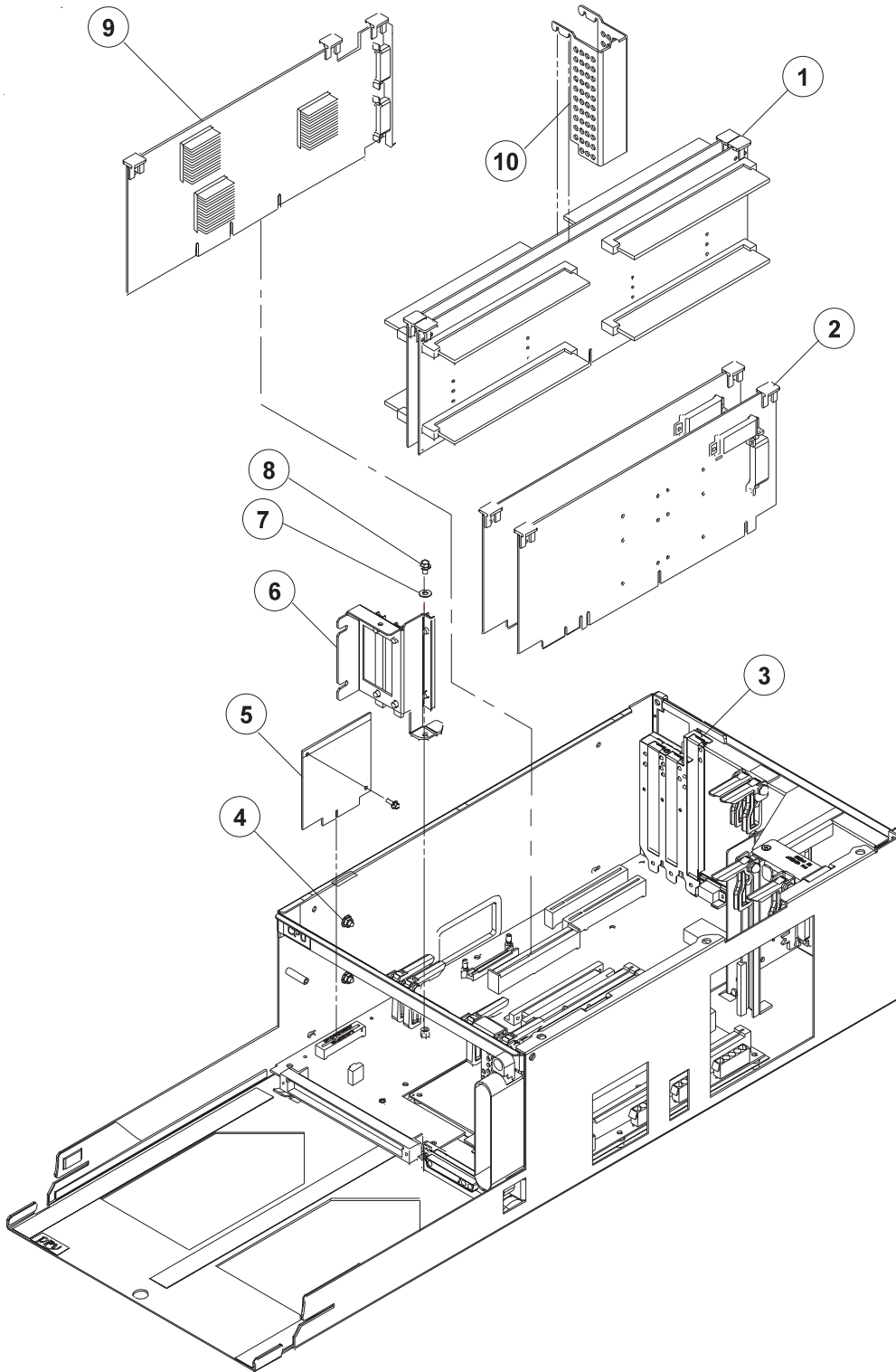
Asm- Index	Part Number	Units	Description
42-			332 MHz SMP Thin Node Assembly (F/C 2050) (View 1) (reference only)
-3	11J6523	1	CPU Power Asm
-1	11J6513	1	• Fan Asm, Med Spd
-2	11J6514	1	• Fan Asm, High Spd
-4	11J4000	1	• Card, Supervisor
-5	11J3928	2	• DASD Sled Asm
-6	0055726	4	• • Screw, 6-32
-7	08J6105	1	• SCSI Cable Asm, DASD, 2-drop
-8		AR	• DASD (reference only) (See "DASD Part Numbers" on page 1-164.)

# Assembly 43: 332 MHz SMP Thin Node Asm (F/C 2050) (View 2)



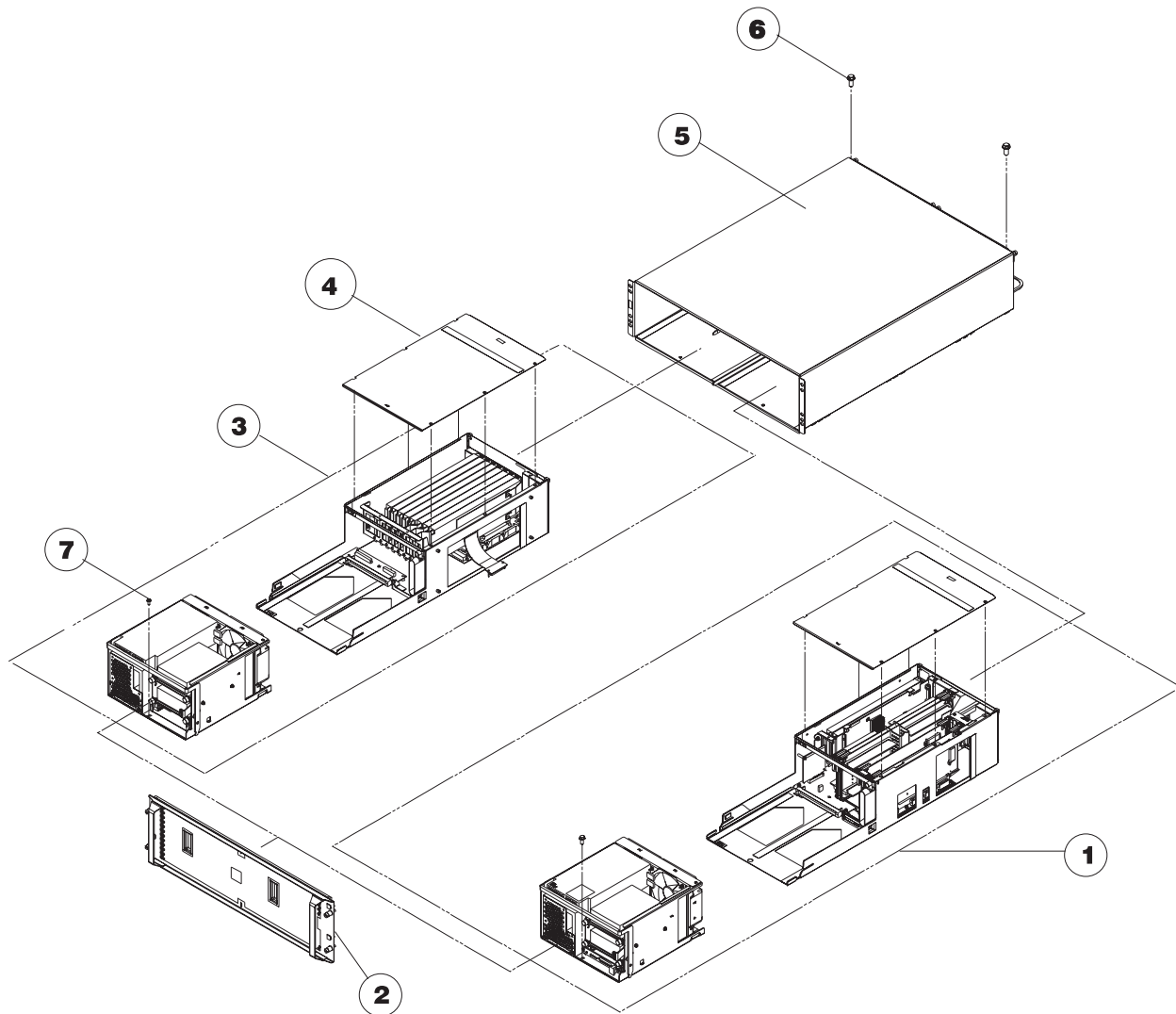
Asm- Index	Part Number	Units	Description
43-			332 MHz SMP Thin Node Assembly (F/C 2050) (View 2) (reference only)
-1	11J5248	1	• Gasket, EMC
-	51H8738	2	• • Standoff
-	1622316	2	• • Washer
-2	84X3459	1	• Nut, Hex
-2	84X3460	1	• Washer
-3	11J5244	1	• Shield
-4	21L3933	1	• Chassis, Thin Node
-5	51H9362	1	• Cable Asm, Planar Power
-	6340846	2	• • Screw, Shoulder
-6	51H9358	2	• Pin, Guide
-7	11J5197	1	• Cable Asm, Power/Supervisor
-8	51H8738	4	• • Standoff
-	1622316	4	• • Washer
-	1624763	4	• • Screw, M4x5
-9	11J3866	1	• Insulator
-10	07L9718	1	• Planar, System
-	1624765	9	• • Screw, M4x8
-11	08L0626	1	• Planar, I/O
-	1624765	8	• • Screw, M4x8
-12	51H9412	1	• Standoff, Hex
-13	21L3046	1	• Cover (not shown)

# Assembly 44: 332 MHz SMP Thin Node Asm (F/C 2050) (View 3)



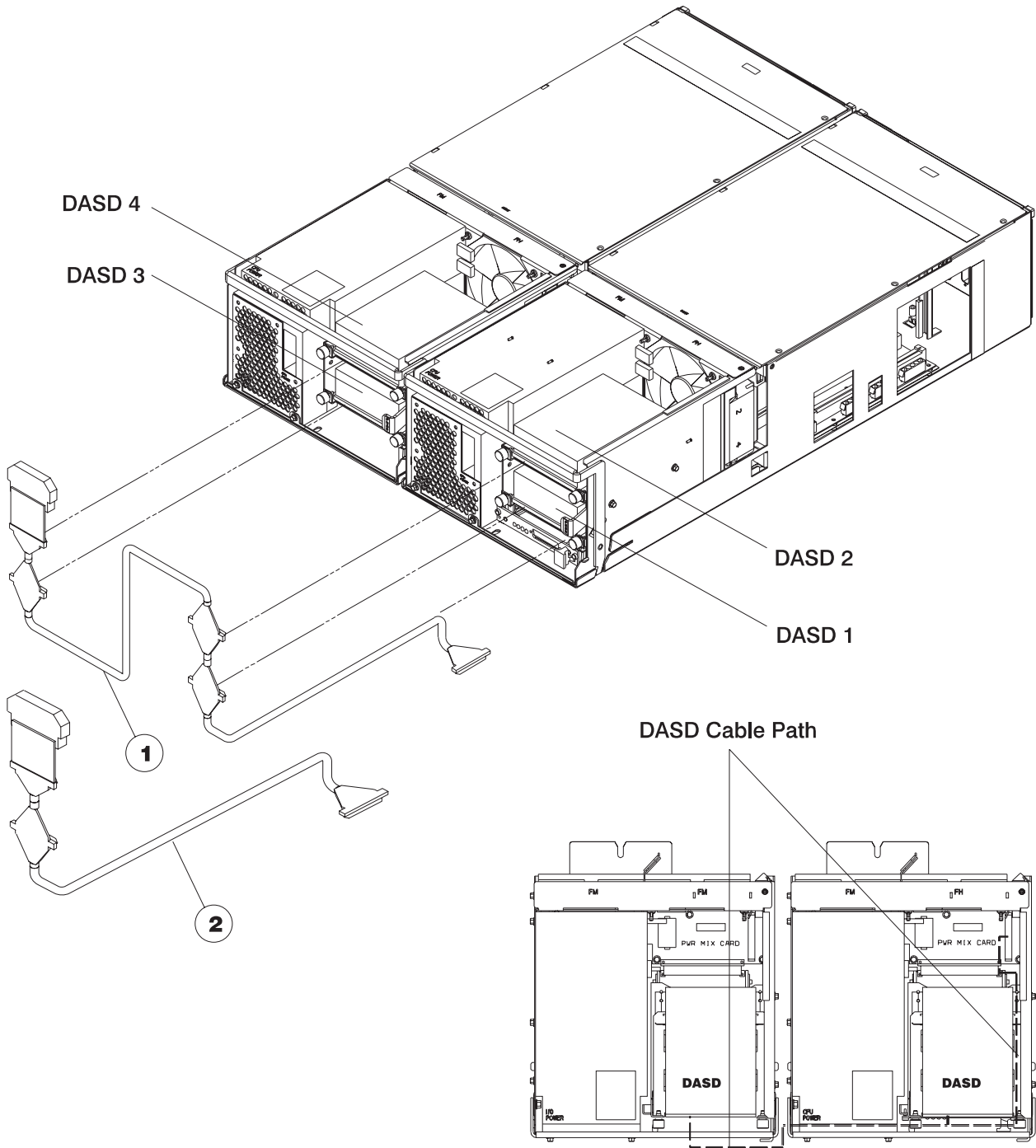
Asm- Index	Part Number	Units	Description
44-			332 MHz SMP Thin Node Assembly (F/C 2050) (View 3) (reference only)
-1	93H2641	AR	• Cards, Memory (reference only)
-	93H4702	AR	• DIMM, 128 MB (See Table 1-7 on page 1-165.)
-2	93H9716	2	• Cards, Processor (reference only)
-3	78X8993	3	• Screw, M3x8
-4	84X4841	2	• Nut, M4
-5	08L0442	1	• Service Processor
-	1624743	1	• • Screw, M3
-6	11J5205	1	• Bracket Asm, Card Guide
-6	21L3926	1	• Bracket Asm, Card Guide
-6	31L7264	1	• Bracket Asm, Card Guide
-7	0418787	1	• Washer, Flat
-8	1624763	1	• Screw, M4x5
-9	31L7766	1	• Adapter, SPS MX (F/C 4022)
-10	11J3865	1	• Air Baffle

# Assembly 45: 332 MHz SMP Wide Node Asm (F/C 2051) (View 1)



Asm- Index	Part Number	Units	Description
45-			332 MHz SMP Wide Node Assembly (F/C 2051) (View 1) (reference only)
-1			• 332 MHz SMP Thin Node (reference only)
-3			• 332 MHz SMP I/O Expansion Asm (reference only)
-4	21L3046	2	• Cover Asm
-5	21L3953	1	Enclosure, 332 MHz SMP Node
-6	1624763	2	• Screw
-2	21L3060	1	Panel Asm, Front
-7	17H5026	2	• Screw

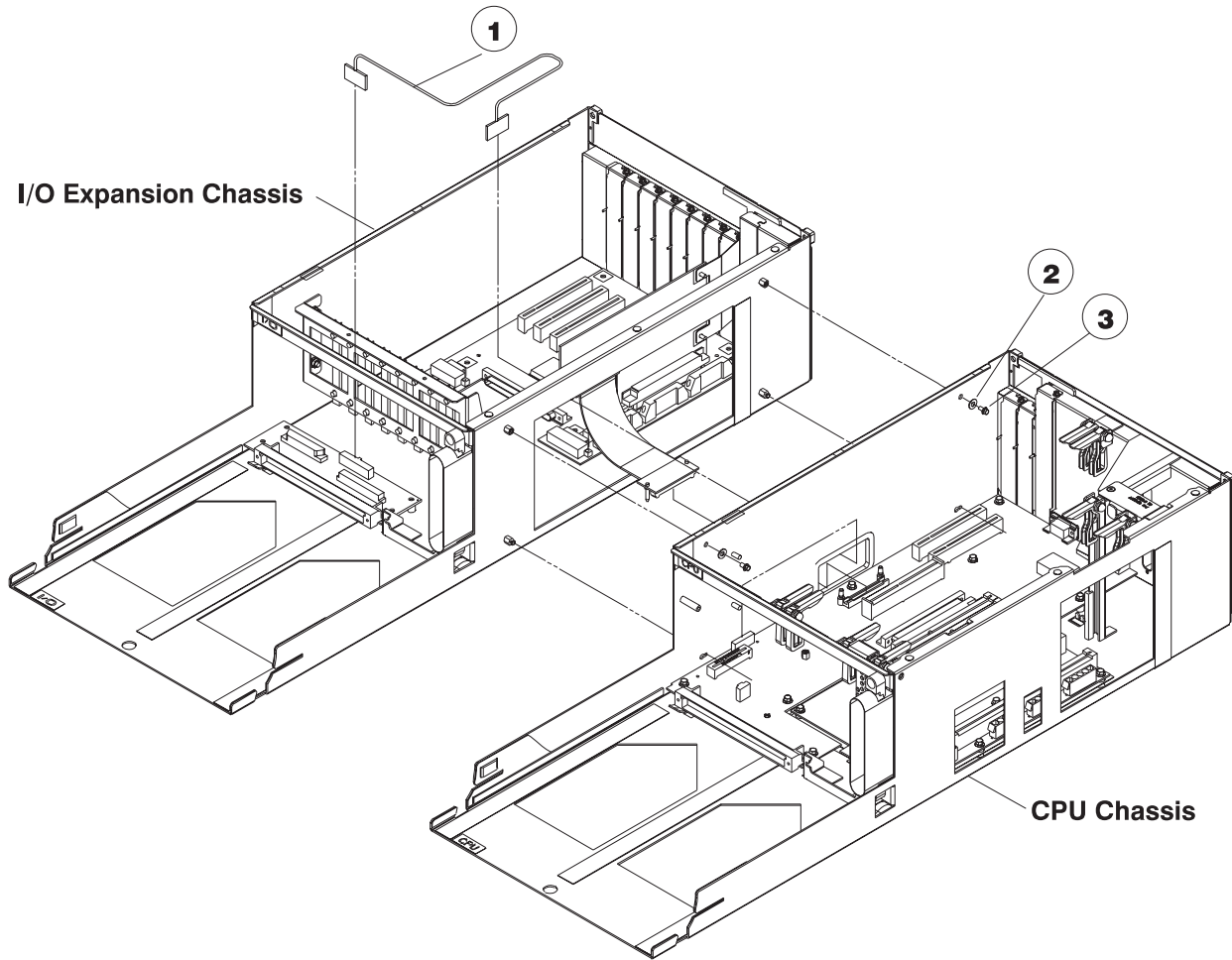
# Assembly 46: 332 MHz SMP Wide Node Asm (F/C 2051) (View 2)





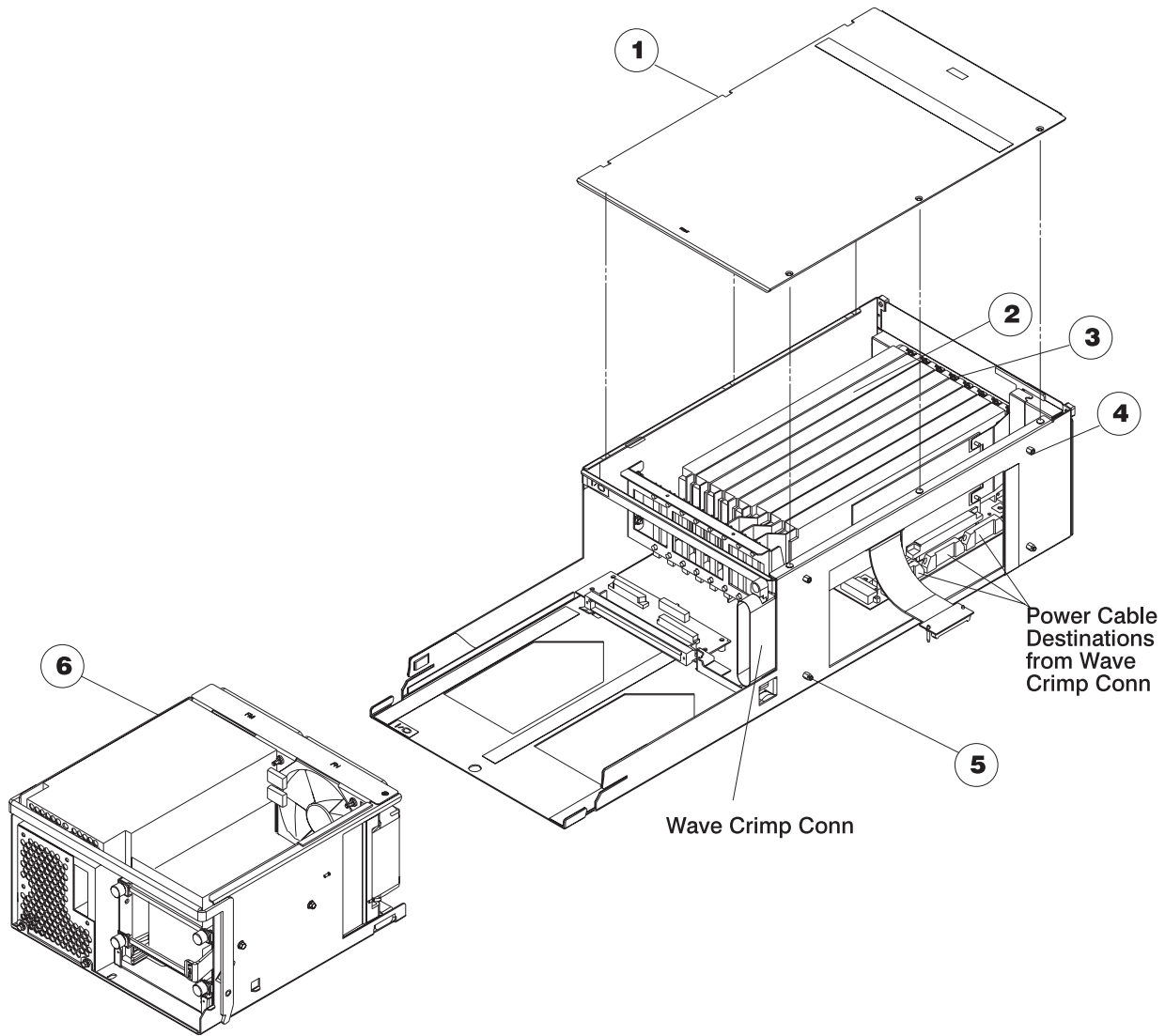
Asm- Index	Part Number	Units	Description
46-			332 MHz SMP Wide Node Assembly (F/C 2051) (View 2) (reference only)
-1	11J5177	1	• SCSI Cable Asm, DASD, 4-Drop
-2	08J6105	AR	• SCSI Cable Asm, DASD, 2-Drop

# Assembly 47: 332 MHz SMP Wide Node Asm (F/C 2051) (View 3)



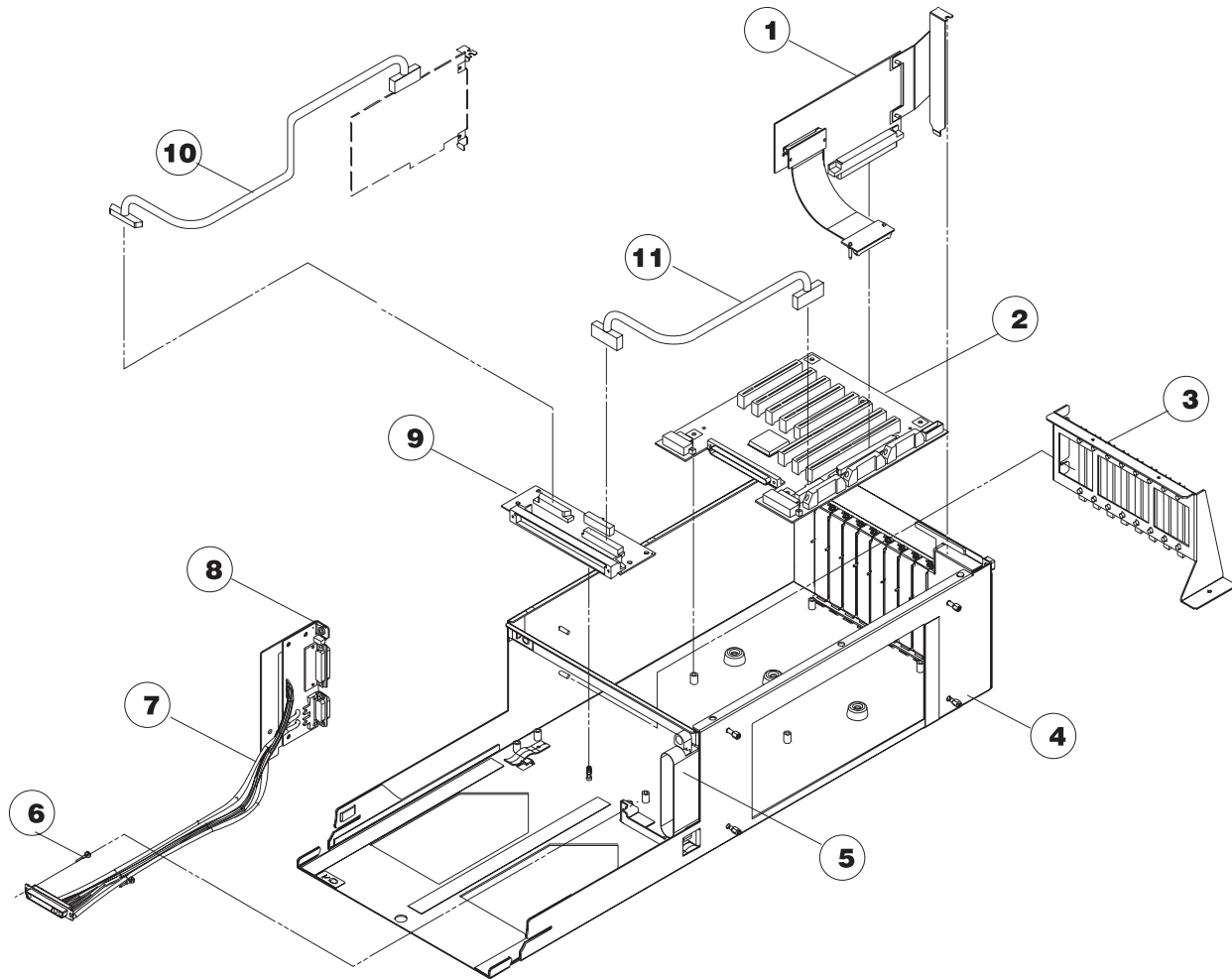
Asm- Index	Part Number	Units	Description
47-			332 MHz SMP Wide Node Assembly (F/C 2051) (View 3) (reference only)
-1	51H9389	1	• Cable, I/O Expansion Control
-2	0418787	2	• Washer, Flat
-3	1624763	2	• Screw, M4x5

# Assembly 48: 332 MHz SMP I/O Expansion Asm (View 1)



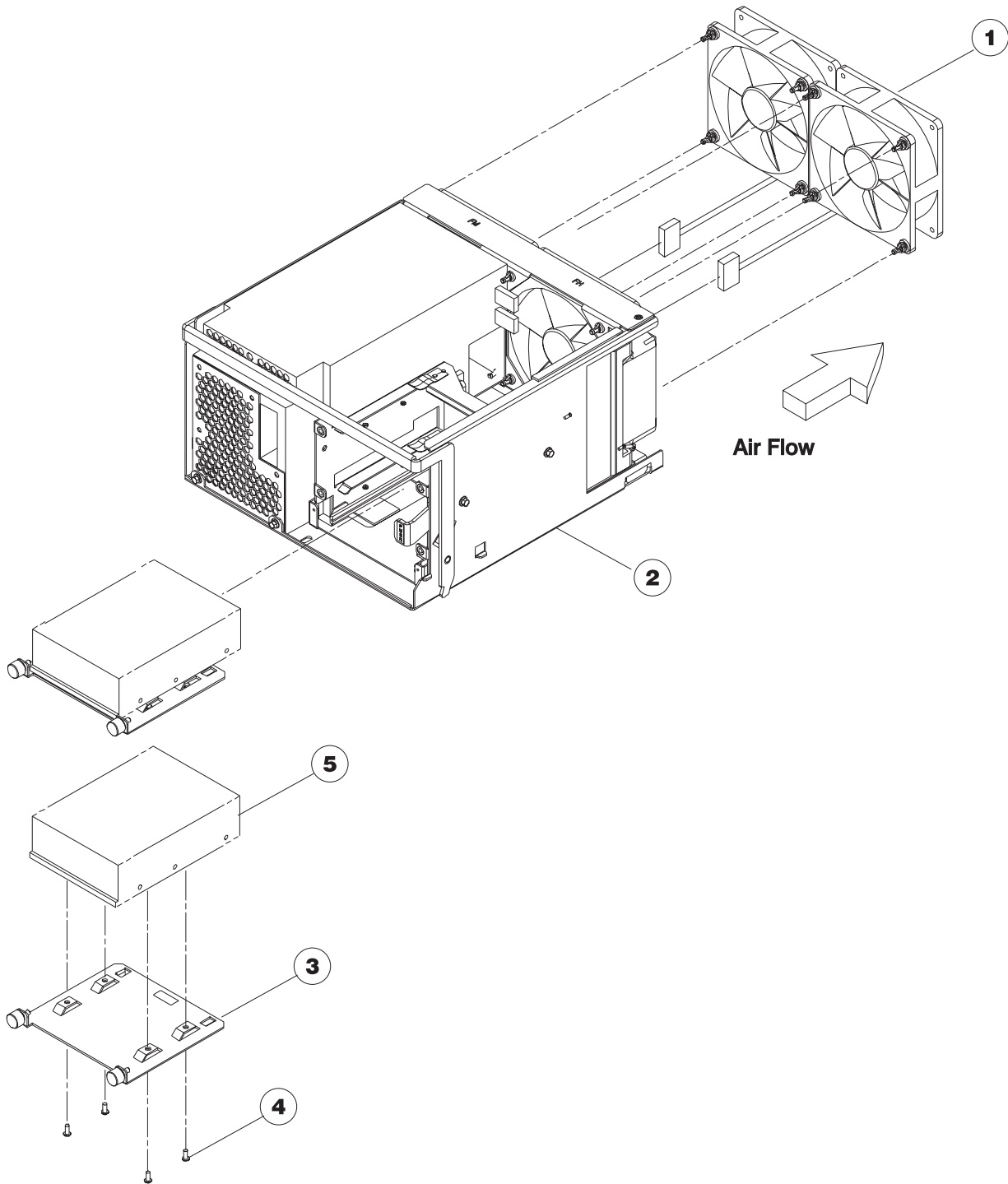
Asm- Index	Part Number	Units	Description
48-			332 MHz SMP I/O Expansion Assembly (View 1) (reference only)
-1	21L3046	1	• Cover Asm
-2		AR	• Cards, PCI (reference only, see "Assembly 63: Features, PCI Adapters" on page 1-129)
-3	78X8993	8	• Screw, M3x8
-4	51H9412	2	• Standoff, Hex M4
-5	51H9384	2	• Standoff, Key Head
-6	11J6524	1	• I/O Expansion Power Asm

# Assembly 49: 332 MHz SMP I/O Expansion Asm (View 2)



<b>Asm- Index</b>	<b>Part Number</b>	<b>Units</b>	<b>Description</b>
49-			332 MHz SMP I/O Expansion Assembly (View 2) (reference only)
-1	93H3316	1	• Card, PCI Riser
-	78X8993	1	• • Screw, M3x8
-2	93H3202	1	• Planar, PCI Expansion
-	1624765	5	• • Screw, M4x8
-3	21L3927	1	• PCI Guide Asm, 8-position
-	84X4841	3	• • Nut, M4
-4	21L3878	1	• Chassis Asm, I/O Expansion
-5	51H9385	1	• Cable Asm, PCI Power
-	6340846	2	• • Screw, Shoulder
-6	51H9358	2	• Pin, Guide
-7	11J6147	1	• Cable Asm, Power
-8	31G9308	4	• Screwlock
-	1624763	4	• • Screw, M4x5
-9	46H9165	1	• Card, Interposer
-	1624765	4	• • Screw, M4x8
-10	08J6111	1	• Cable Asm (reference only), Alternate DASD Cabling (F/C 1241)
-11	51H9386	1	• Cable Asm, Interposer signal

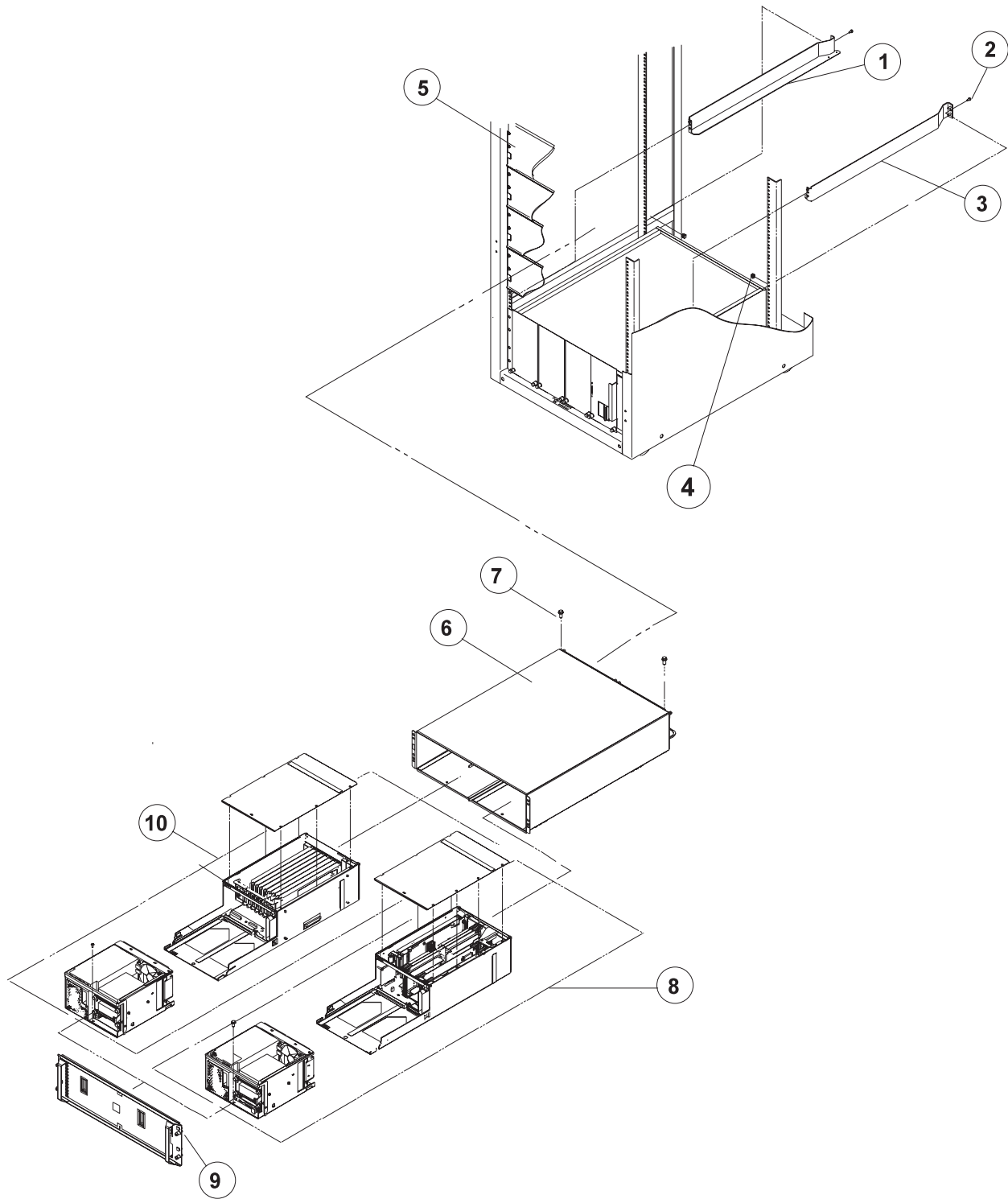
# Assembly 50: 332 MHz SMP I/O Expansion Asm (View 3)





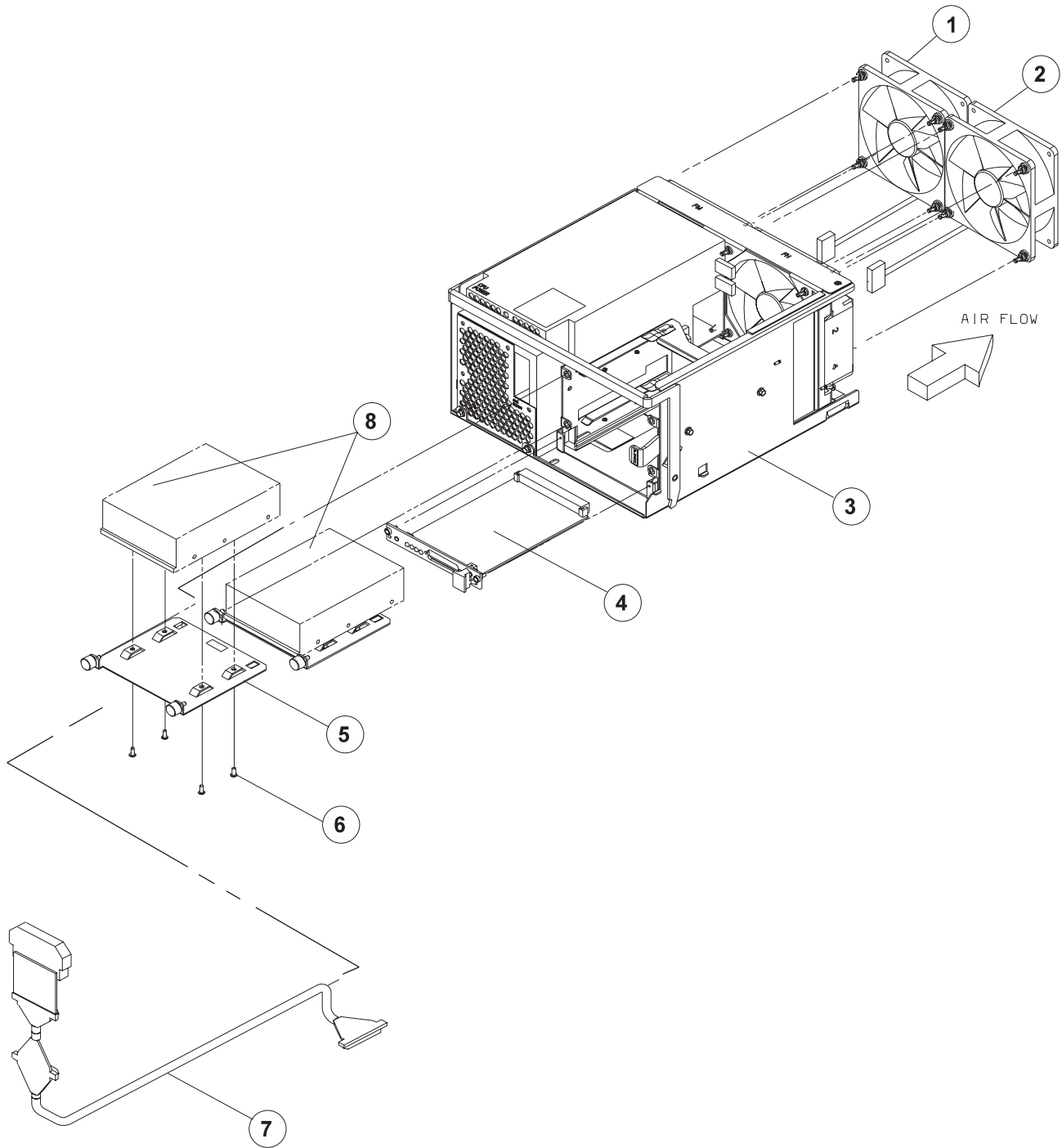
Asm- Index	Part Number	Units	Description
50- -1 -2 -3 -4 -5	11J6513 11J6524 11J3928 0055726	2 1 2 4 AR	332 MHz SMP I/O Expansion Assembly (View 3) (reference only) <ul style="list-style-type: none"> <li>• Fan Asm, Med Spd</li> <li>• I/O Power Asm</li> <li>• DASD Sled Asm</li> <li>• Screw, 6-32</li> <li>• DASD (reference only) (See "DASD Part Numbers" on page 1-164.)</li> </ul>

# Assembly 51: POWER3 Symmetric MultiProcessor (SMP) Thin and Wide Nodes



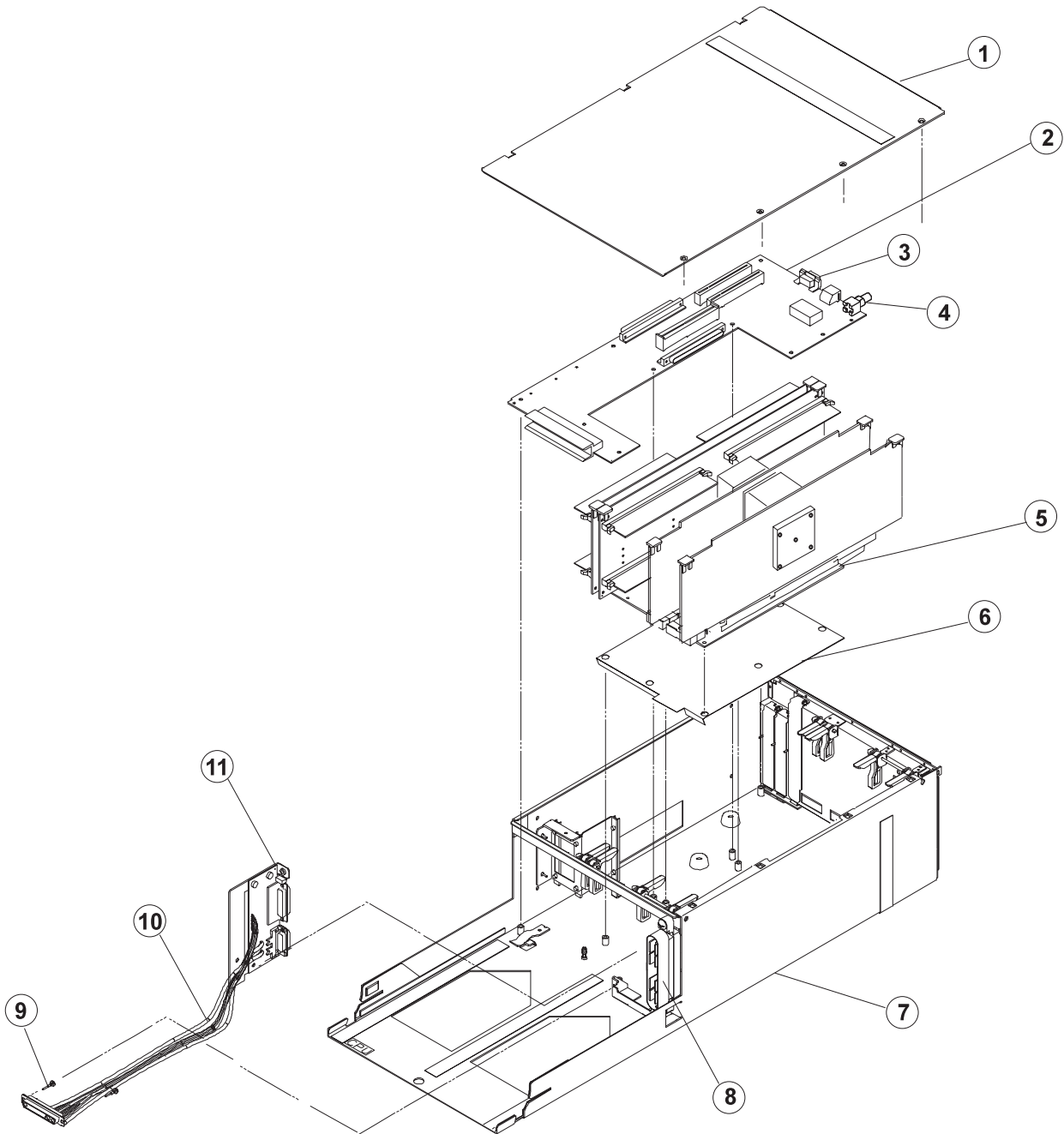
Asm-Index	Part Number	Units	Description
51-3		AR	POWER3 Symmetric MultiProcessor (SMP) Thin and Wide Nodes
-1	51H9427	1	• Rail, Left
-2	77G0599	2	• Screw
-3	51H9426	1	• Rail, Right
-4	0375867	2	• Nut Clip
-	46G6953	1	• Shelf Assembly - Thin Node (Not shown)
-5	11J4774	1	• Panel, Blank
-6	21L3953	1	• POWER3 SMP Node Enclosure
-7	1624763	2	• • Screw
-	21L2727	4	• • Wear Strip "A" (not shown)
-	21L2728	2	• • Wear Strip "A1" (not shown)
-	21L2729	2	• • Wear Strip "B" (not shown)
-	21L2732	2	• • Wear Strip "C" (not shown)
-8			• POWER3 SMP Thin Node (reference only, see "Assembly 52: POWER3 SMP Thin Node Asm (F/C 2052) (View 1)" on page 1-106)
-9	11J3884	1	• Panel Asm, Front
-10			• POWER3 SMP I/O Expansion Asm (reference only, see "Assembly 58: POWER3 SMP I/O Expansion Asm (View 1)" on page 1-118)

# Assembly 52: POWER3 SMP Thin Node Asm (F/C 2052) (View 1)



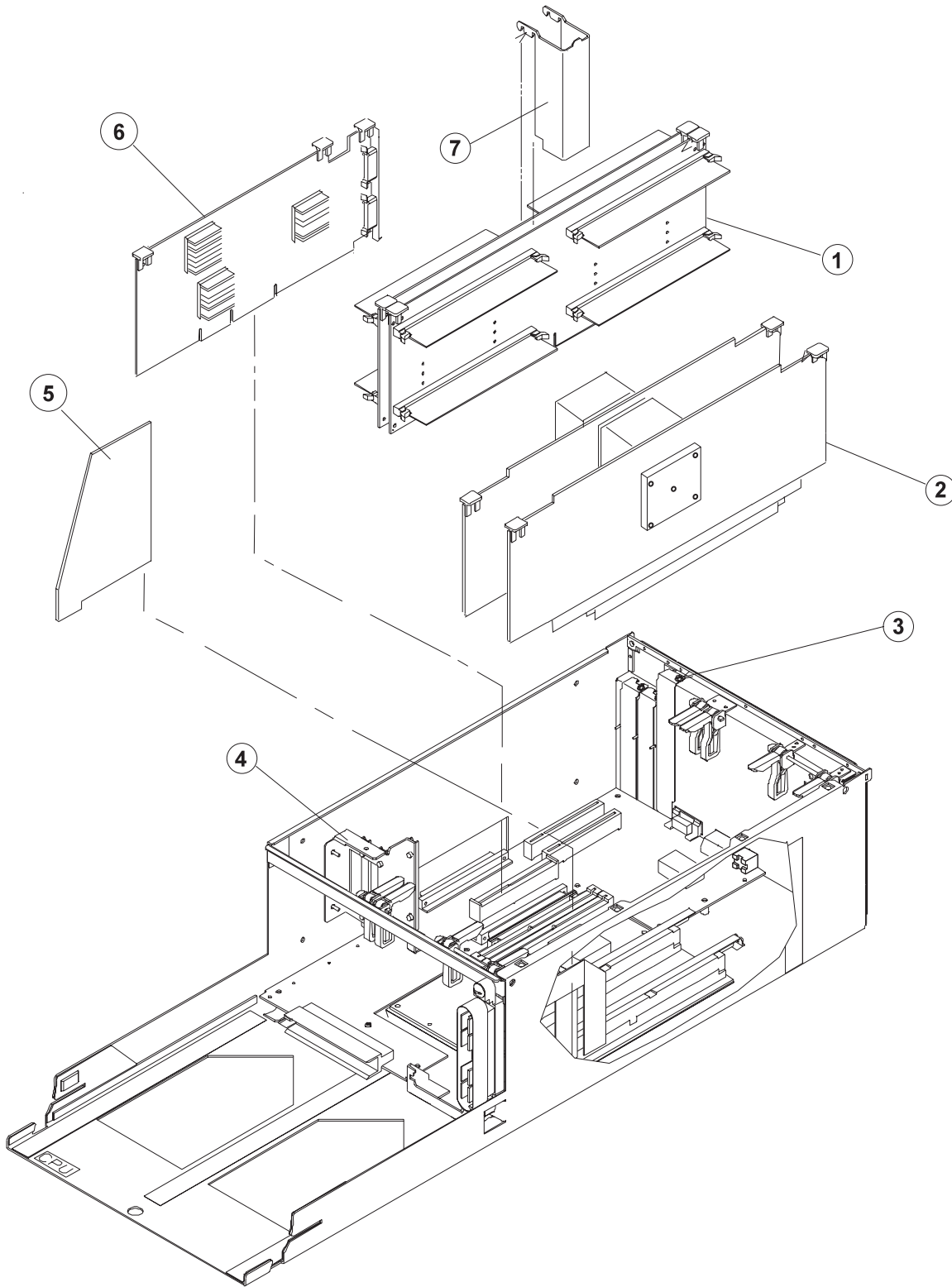
Asm- Index	Part Number	Units	Description
52-			POWER3 SMP Thin Node Assembly (F/C 2052) (View 1) (reference only)
-3	31L7865	1	CPU Power Asm
-1	11J6513	1	• Fan Asm, Med Spd
-2	11J6514	1	• Fan Asm, High Spd
-4	11J4000	1	• Card, Supervisor
-5	11J3928	2	• DASD Sled Asm
-6	0055726	4	• • Screw, 6-32
-7	08J6105	1	• SCSI Cable Asm, DASD, 2-drop
-8		AR	• DASD (reference only) (See "DASD Part Numbers" on page 1-164.)
-	31L7838	1	• Bracket, keying (not shown) 31L7838 is found only on early releases of the POWER3 SMP thin node.

# Assembly 53: POWER3 SMP Thin Node Asm (F/C 2052) (View 2)



Asm- Index	Part Number	Units	Description
53-			POWER3 SMP Thin Node Assembly (F/C 2052) (View 2) (reference only)
-1	31L7204	1	• Cover
-2	07L8240	1	• Planar, I/O
-	1624766	8	• • Screw, M4x10
-3	11J5248	1	• • Gasket, EMC
-	51H8738	2	• • • Screw Lock
-	1622316	2	• • • Washer, Lock
-4	84X3459	1	• • Nut, Hex
-4	84X3460	1	• • Washer
-5	08L1303	1	• Planar, System
-	1624766	8	• • Screw, M4x10
-6	21L2885	1	• Insulator
-7	31L7117	1	• Chassis, Thin Node
-8	21L2887	1	• Cable Asm, Planar Power
-	21L2889	2	• • Screw, Shoulder
-9	51H9358	2	• Pin, Guide
-10	11J6147	1	• Cable Asm, Power/Supervisor
-11	51H8738	4	• Standoff
-	1624763	4	• • Screw, M4x5
-	1622316	4	• • Washer, Lock

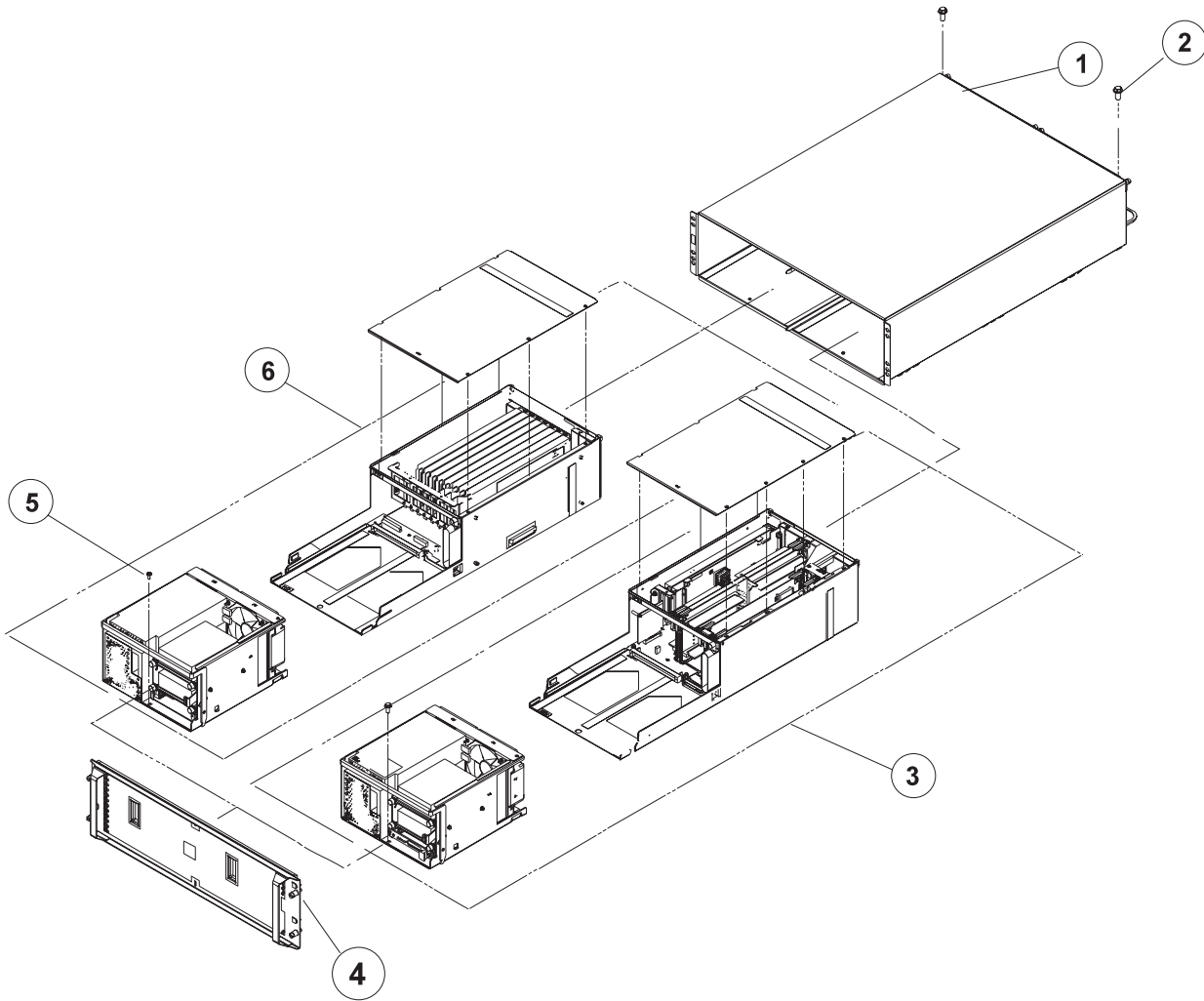
# Assembly 54: POWER3 SMP Thin Node Asm (F/C 2052) (View 3)





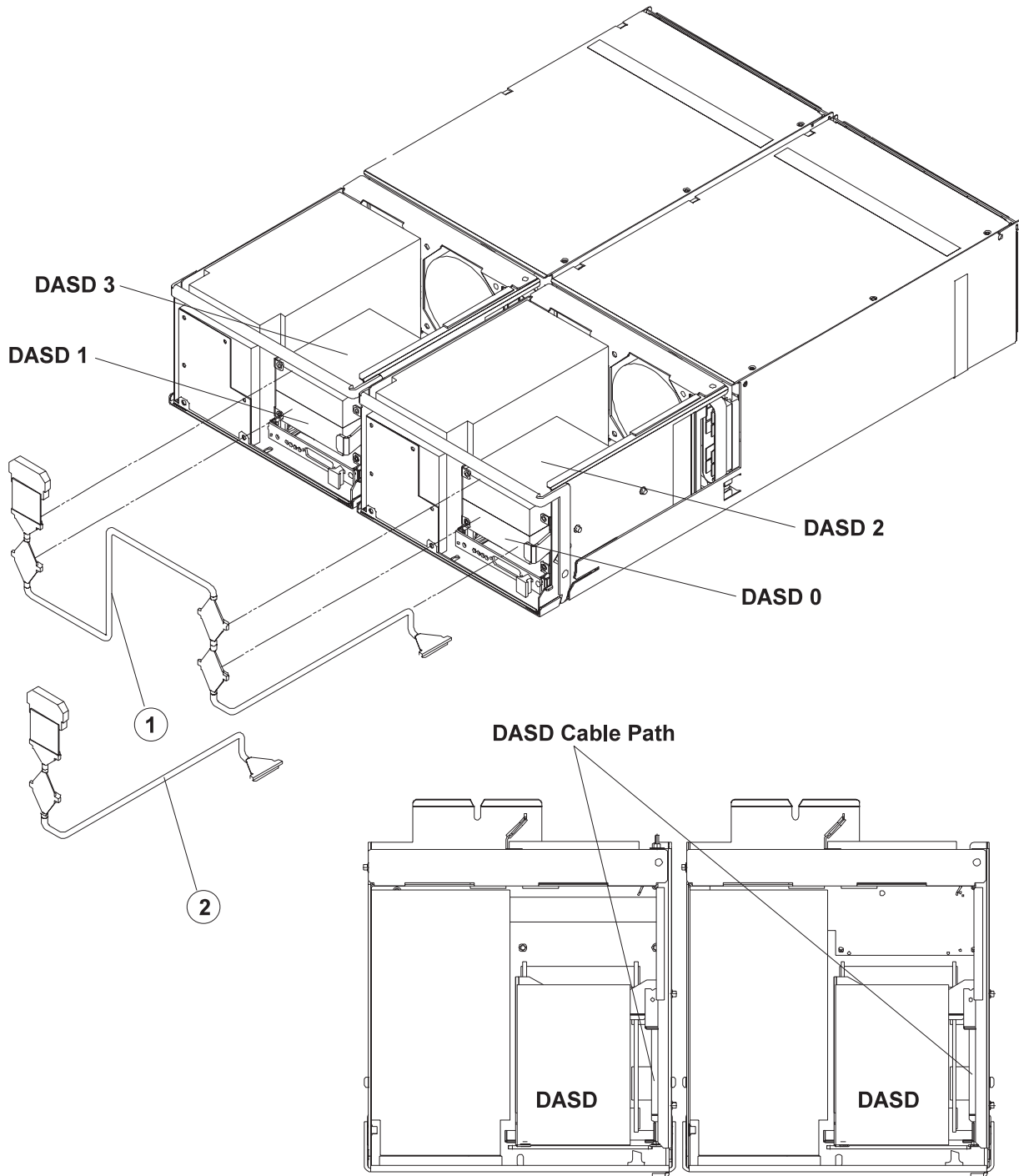
Asm- Index	Part Number	Units	Description
54-			POWER3 SMP Thin Node Assembly (F/C 2052) (View 3) (reference only)
-1	07L7065	AR	• Cards, Memory (reference only)
-	93H4702	AR	• DIMM, 128 MB (See Table 1-8 on page 1-165.)
-2	94H1261	2	• Cards, Processor (reference only)
-3	78X8993	3	• Screw, M3x8
-4	31L7264	1	• Bracket Asm, Card Guide
-	84X4841	1	• • Nut, Hex
-5	51H9363	1	• Insulator
-6	31L7736	1	• Adapter, SP Switch MX2 (F/C 4023)
-7	11J3865	1	• Air Baffle
-	31L7253	AR	• Card, Dummy (not shown)
-	31L7827	1	• Block, keying 31L7827 is found only on early releases of the POWER3 SMP thin node.

# Assembly 55: POWER3 SMP Wide Node Asm (F/C 2053) (View 1)



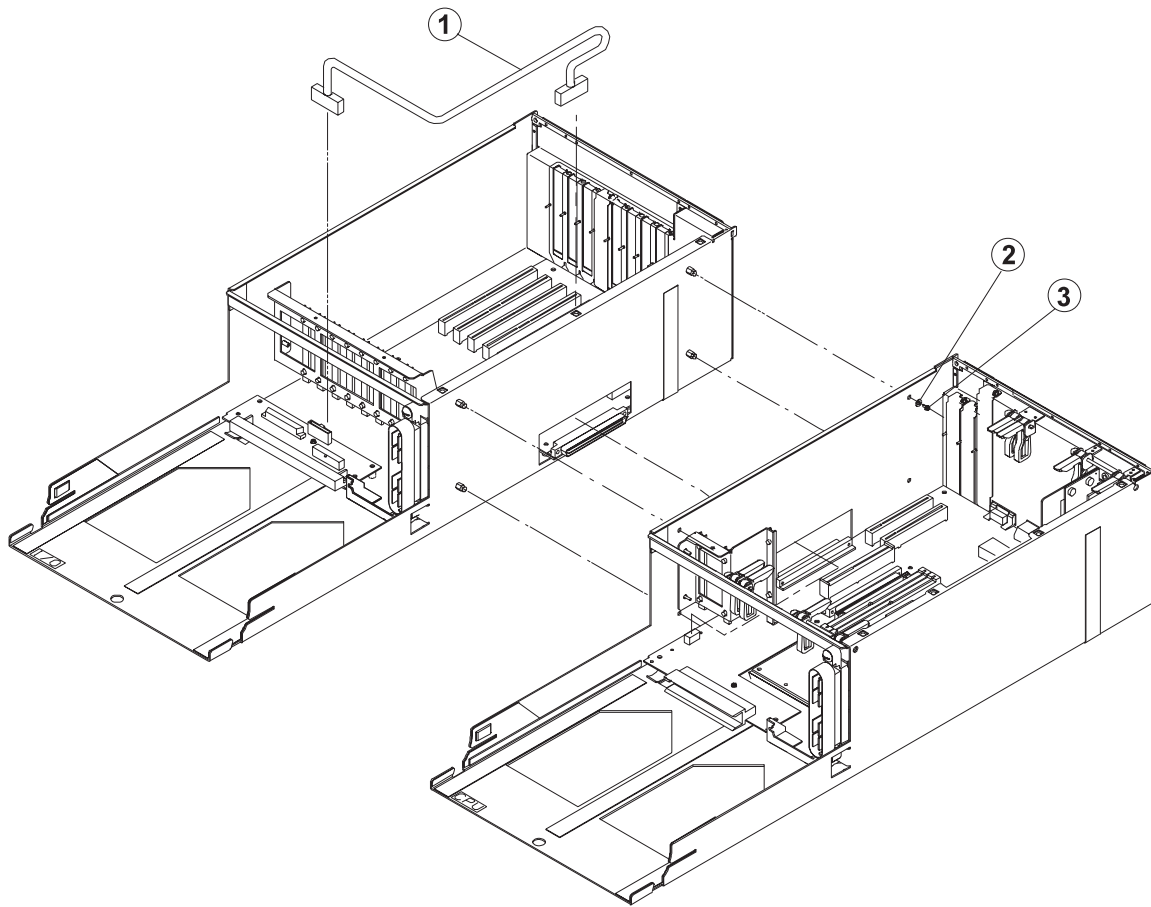
Asm- Index	Part Number	Units	Description
55-			POWER3 SMP Wide Node Assembly (F/C 2053) (View 1) (reference only)
-1	21L3953	1	• Enclosure, POWER3 SMP Node
-2	1624763	2	• • Screw
-3			• POWER3 SMP Thin Node (reference only)
-4	11J3884	1	• Panel Asm, Front
-5	17H5026	2	• • Screw
-6			• POWER3 SMP I/O Expansion Asm (reference only)

# Assembly 56: POWER3 SMP Wide Node Asm (F/C 2053) (View 2)



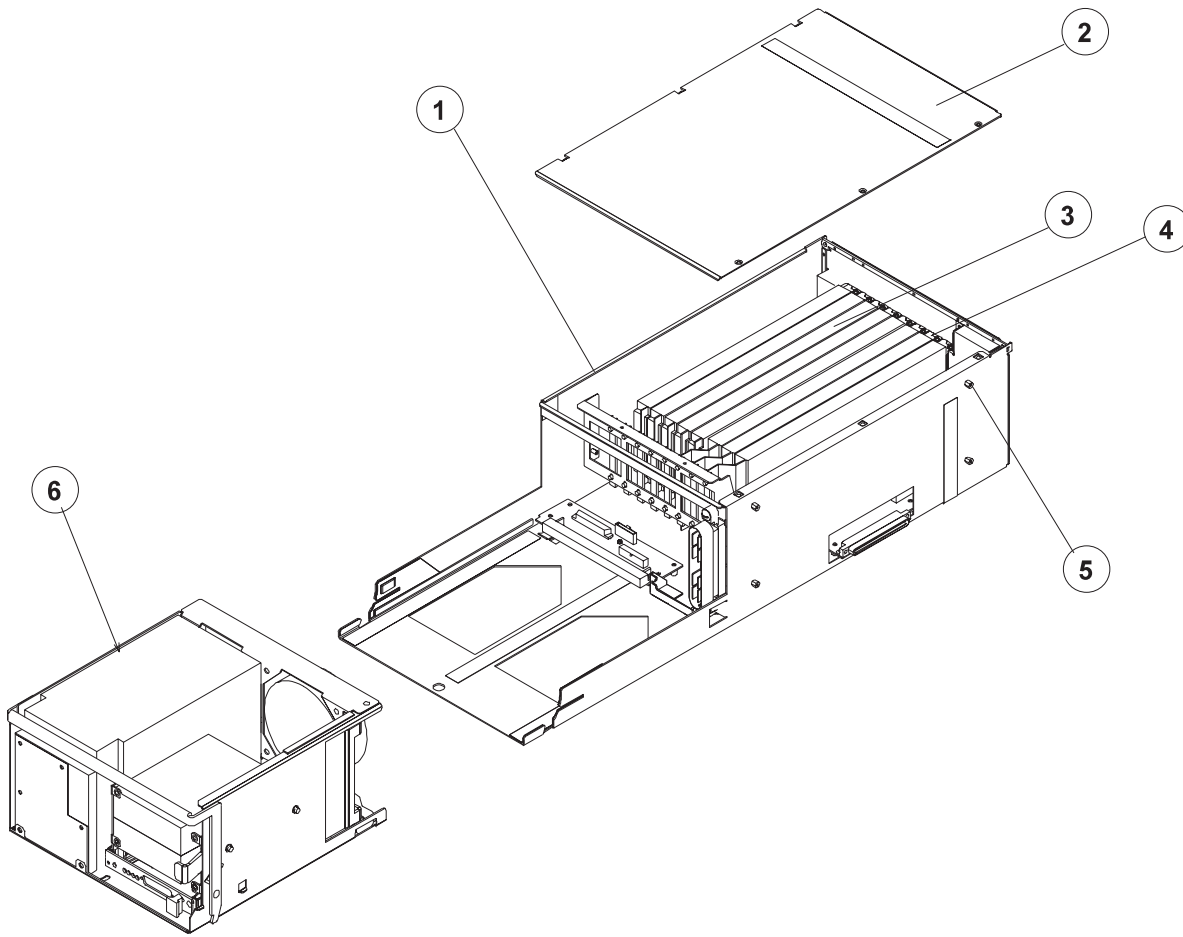
Asm- Index	Part Number	Units	Description
56-  -1 -2	11J5177 08J6105	1 AR	POWER3 SMP Wide Node Assembly (F/C 2053) (View 2) (reference only) <ul style="list-style-type: none"> <li>• SCSI Cable Asm, DASD, 4-Drop</li> <li>• SCSI Cable Asm, DASD, 2-Drop</li> </ul>

# Assembly 57: POWER3 SMP Wide Node Asm (F/C 2053) (View 3)



Asm- Index	Part Number	Units	Description
57-			POWER3 SMP Wide Node Assembly (F/C 2053) (View 3) (reference only)
-1	51H9389	1	• Cable, I/O Expansion Control
-2	0418787	4	• Washer, Flat
-3	1624763	4	• Screw, M4x5

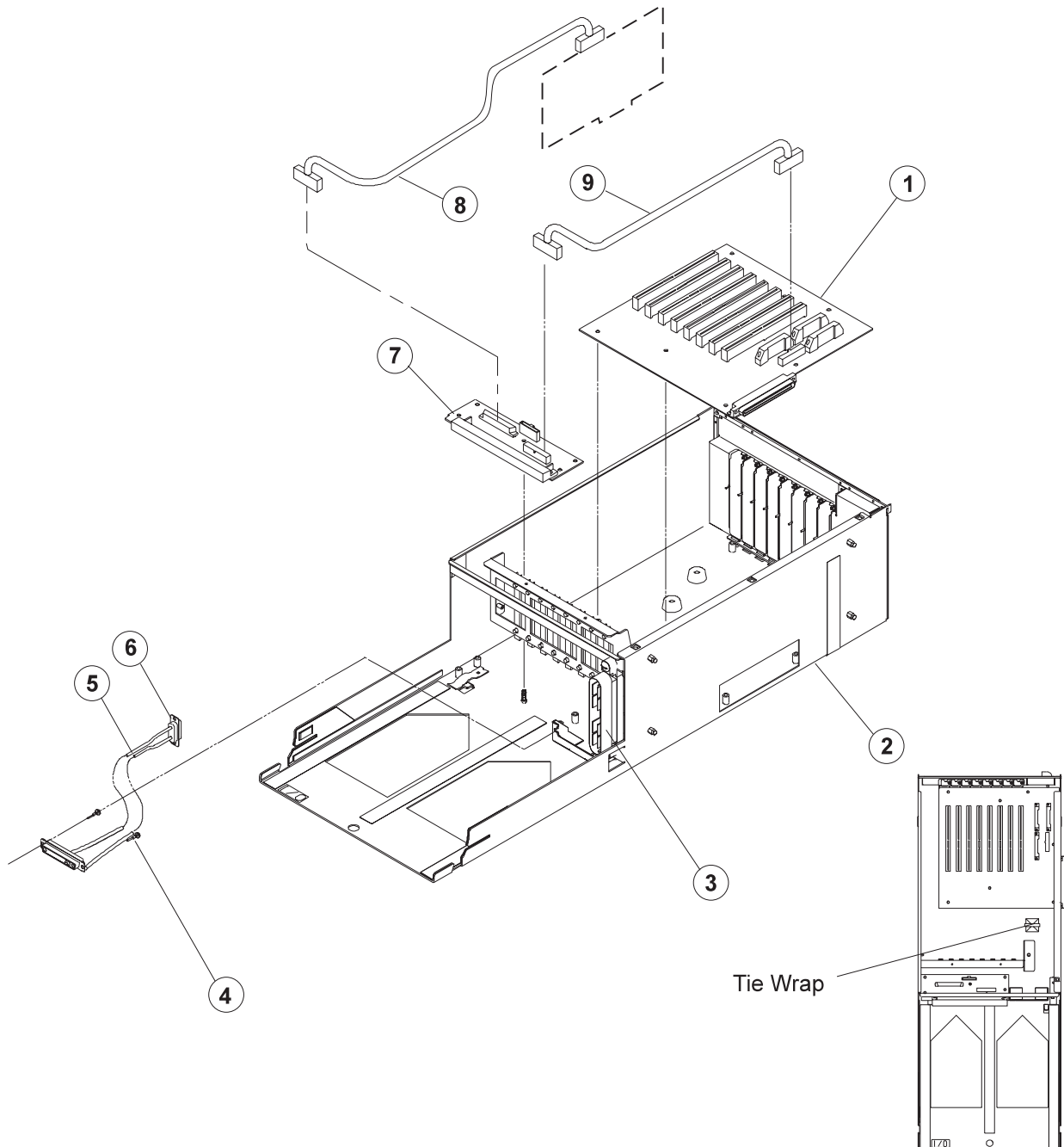
# Assembly 58: POWER3 SMP I/O Expansion Asm (View 1)





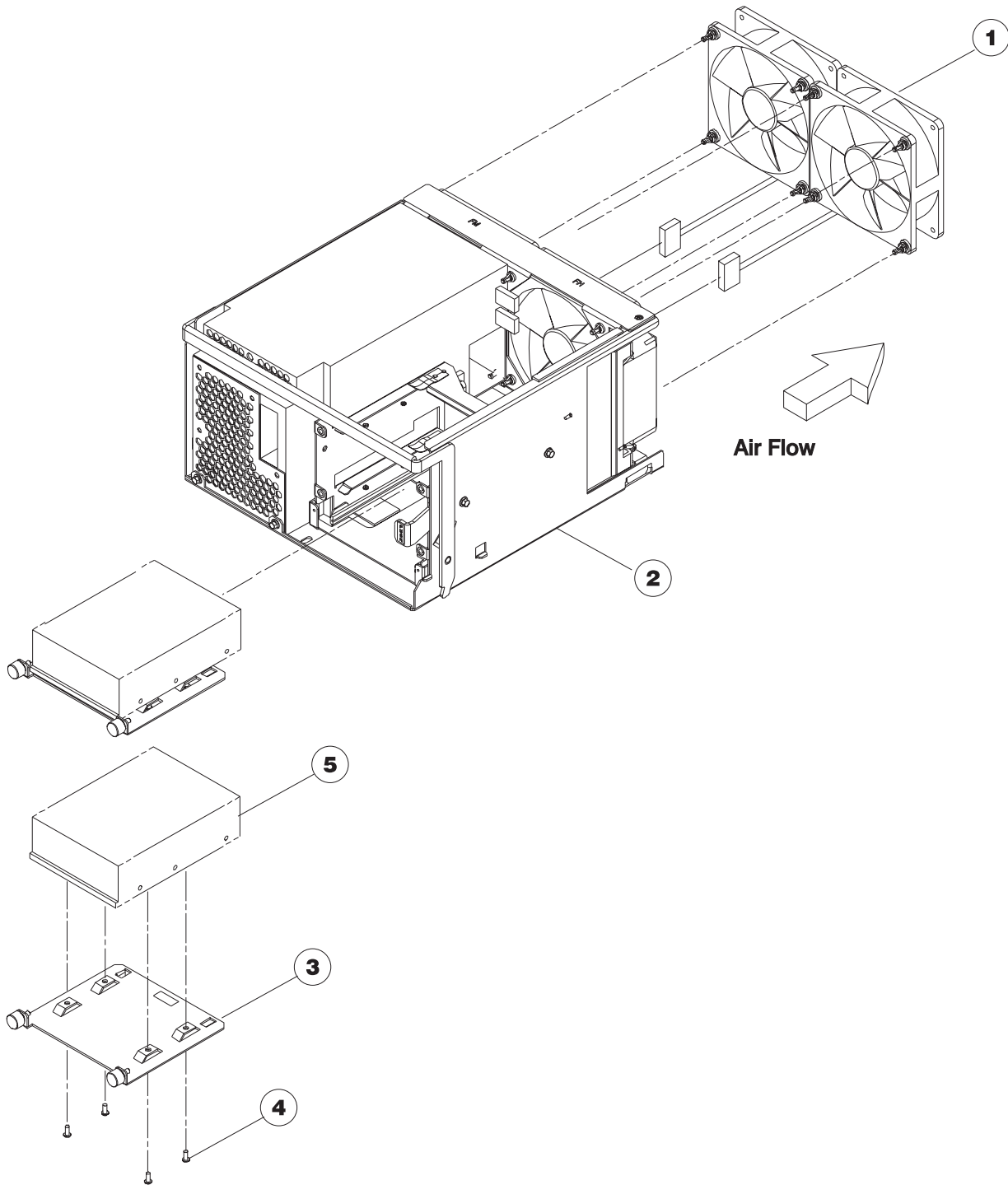
Asm- Index	Part Number	Units	Description
58-1			POWER3 SMP I/O Expansion Assembly (View 1) (reference only)
-2	21L3046	1	• Cover Asm
-3		AR	• Cards, PCI (reference only, see "Assembly 63: Features, PCI Adapters" on page 1-129)
-4	78X8993	8	• Screw, M3x8
-5	51H9412	4	• Standoff, Hex M4
-6	11J6524	1	• I/O Expansion Power Asm

# Assembly 59: POWER3 SMP I/O Expansion Asm (View 2)



Asm- Index	Part Number	Units	Description
59-			POWER3 SMP I/O Expansion Assembly (View 2) (reference only)
-1	07L8531	1	• Planar, PCI Expansion
-	1624766	7	• • Screw, M4x10
-2	21L3954	1	• Chassis Asm, I/O Expansion
-3	21L2888	1	• Cable Asm, PCI Power
-	21L2882	2	• • Screw, Shoulder
-4	51H9358	2	• Pin, Guide
-5	11J6147	1	• Cable Asm, Power/Supervisor
-6	51H8738	2	• • Standoff
-	1622316	2	• • Lock Washer
-7	46H9165	1	• Card, Interposer
-	1624766	4	• • Screw, M4x10
-8	08J6111	1	• Cable Asm (reference only), Alternate DASD Cabling (F/C 1241)
-9	51H9386	1	• Cable Asm, Interposer signal

# Assembly 60: POWER3 SMP I/O Expansion Asm (View 3)



Asm- Index	Part Number	Units	Description
60- -1 -2 -3 -4 -5	11J6513 11J6524 11J3928 0055726	2 1 2 4 AR	POWER3 SMP I/O Expansion Assembly (View 3) (reference only) <ul style="list-style-type: none"> <li>• Fan Asm, Med Spd</li> <li>• I/O Power Asm</li> <li>• DASD Sled Asm</li> <li>• Screw, 6-32</li> <li>• DASD (reference only) (See "DASD Part Numbers" on page 1-164.)</li> </ul>

## **Assembly 61: SP-Attached Server (RS/6000 7017 Models S70 and S7A)**

This page intentionally left blank

Asm- Index	Part Number	Units	Description
61-	31L7196	1	Cable Assembly (SAMI)
-	31L7197	1	Cable Assembly (S1 Port)
-	54G3301	1	Cable, Coax
-	08J6118	1	Cable, Ground, 10-meter
-	08L0398	1	Adapter, RS/6000 SP System
-			
			<p data-bbox="716 478 1414 573">For a complete list of SP-Attached Server parts, see  <i>RS/6000 Enterprise Servers S70 and S7A Installation and  Service Guide, SA38-0548.</i></p>

## Assembly 62: Features, Micro Channel Adapters

Asm-Index	Part Number	Units	Description
62-	00G3368	AR	Ethernet MCA Card (F/C 2980)
-	04H9464	AR	• Adapter, BNC TEE (White)
-	89G2333	AR	• Adapter, HiPS Type 1 (MCA)
-	17H5426	AR	• Adapter, HiPS Type 2 (MCA)
-	26H7241	AR	• Adapter, SPS (MCA)
-	54G3298	AR	• Cable, Assembly, 1 Core Ethernet
-	54G2993	AR	• Cable, Assembly, No Core Ethernet
-	46G7005	AR	• Terminator, 50 OHM
-	00G1276	AR	• Ethernet T/P Riser Card
-	02G7431	AR	• Ethernet T/P Xceivr Box
-	02G7434	AR	• Ethernet T/P Xceivr Cable
-	00G2380	AR	• Ethernet T/P Wrap Plug
-	93H4036	AR	Ethernet FullDuplex 10Base2 (F/C 2993)
-	93H4020	AR	Ethernet FullDuplex 10Base5 (F/C 2992)
-	93H1505	AR	Ethernet Card (F/C 2964)
-	93H8022	AR	Ethernet Card (F/C 2994)
-	07L6601	AR	Ethernet 10/100 UTP MCA Card (F/C 2994)
-	52G3380	AR	SCSI-2 DE Turbo MCA Card (F/C 2412)
-	11H2447	AR	SCSI-2 DE Fast MCA Card (F/C 2420)
-	11H7660	AR	SCSI-2 DE Fast/Wide MCA Card (F/C 2416)
-	52G7348	AR	• SCSI-2 DE Y-Cable
-	52G7350	AR	• SCSI-2 DE Connector
-	52G7349	AR	• SCSI-2 DE S-2 Cable
-	52G4349	AR	• SCSI-2 DE Adapter Cable
-	59F2977	AR	• SCSI-2 DE Terminator
-	52G4291	AR	• SCSI-2 DE F/W S-2-S Cable
-	52G4234	AR	• SCSI-2 DE F/W Y-Cable
-	61G8324	AR	• SCSI-2 DE F/W Connector
-	40F9969	AR	• Spacer, I/O Card
-	11H4779	AR	SCSI-SE Adapter (F/C 2410)
-	52G4259	AR	• Terminator SCSI
-	00G0972	AR	• Connector 50 Pos.
-	93H8814	AR	SCSI-2 SE F/W Adapter (F/C 2415)
-	26H7249	AR	• Internal 4-Port Cable
-	92F2565	AR	• Interposer to Fast Device
-	92F0322	AR	• Terminator
-	65G1879	AR	FDDI Single MCA Card (F/C 2724)
-	43G0856	AR	FDDI Dual MCA Card (F/C 2723)
-	40F9969	AR	• Spacer, I/O Card
-	65G1878	AR	FDDI STP Single Ring (F/C 2725)
-	43G0876	AR	FDDI STP Dual Ring (F/C 2726)
-	02G7425	AR	Block Multiplexer Channel Adapter (F/C 2755)
-	71F1184	AR	• Plug, Diagnostic Wrap
-	8575337	AR	• Plug, Bus Wrap
-	8575338	AR	• Plug, Tag Wrap
-	6473048	AR	• Terminator, Bus/Tag
-	54G3361	AR	• Cable, "Y" Frame Exit (One longer)
-	68F7211	AR	• Cable, "Y" Bus and Tag Conversion
-	54G3360	AR	• Cable, "Y" Daisy Chain (Two Shorter)



-	73H1589	AR	Token Ring Auto 32 MCA (F/C 2972)
-	00G2652	AR	Token Ring MCA Card (F/C 2970)
-	53F3930	AR	• Token ring 20 ft Cable
-	40F9969	AR	• Spacer, I/O Card
-	56G0294	AR	ESCON A MCA Card (Channel/Ctrl Unit) (F/C 2754,2756)
-	56G0295	AR	ESCON B MCA Card (Channel/Ctrl Unit) (F/C 2754,2756)
-	5605670	AR	• Wrap Plug
-	65G1828	AR	S/370 Chan. Emulator Card (F/C 2759)
-	68F7209	AR	• Cable (2 meters)
-	2282675	AR	• Terminator (BUS)
-	2282676	AR	• Terminator (TAG)
-	5479141	AR	• Wrap Plug (BUS)
-	5479139	AR	• Wrap Plug (TAG)
-	51G9994	AR	HIPPI MCA Card (Wide Node Only) (F/C 2735)
-	11H2504	AR	HIPPI MCA Card (Wide Node Only) (F/C 2735)
-	51G9996	AR	HIPPI MCA Card (Wide Node Only) (F/C 2735)
-	59F2977	AR	• Cable, Partition 8/16 Port Cbl
-	51G9226	AR	• Connector, Cross-over
-	72G0448	AR	• Cable, Wrap
-	67G3284	AR	9333 Hi-P MCA Card (F/C 6212)
-	73G9819	AR	ATM MCA Card (F/C 2984)
-	72H3043	AR	ATM OC3C, MCA Card (F/C 2989)
-	73G9817	AR	• Documentation Group
-	40H2648	AR	FCS (256Mb) MCA Card (F/C 1906)
-	73H2503	AR	FCS (1 GB) MCA Card (F/C 1902)
-	65G5292	AR	• Optic Card
-	11H8607	AR	RS-232 8 Port MCA Card (F/C 2930)
-	22F9694	AR	• Adapter Wrap Plug
-	40F9969	AR	• Cable Spacer
-	52G4757	AR	RS-422 8 Port MCA Card (F/C 2940)
-	22F9694	AR	• Adapter Wrap Plug
-	40F9969	AR	• Cable Spacer
-	52G4894	AR	ASYNCH 128 Port MCA Card (F/C 8128)
-	43G0928	AR	• Adapter Wrap Plug
-	43G0938	AR	• Adapter Wrap Plug
-	88G3841	AR	RAN Concentrator (F/C 8130)
-	40H2589	AR	RAN 128P Rack Mountable
-	40H3611	AR	• Power Supply
-	93H7091	AR	• Power Supply
-	43G0937	AR	• Cable
-	11H3614	AR	SSA MCA Card (F/C 6214)
-	40H5707	AR	SSA MCA Card 8-Way (F/C 6216)
-	89H5617	AR	SSA RAID MCA Base Card (F/C 6217)
-	73G3233	AR	SSA RAID SIMM's (F/C 6217)
-	84H9706	AR	SSA Multi Initiator/RAID EL Adapter, Micro Channel (F/C 6219)
-	89H5651	AR	• DRAM, 16 MB
-	89H5650	AR	SSA FAST-Write Cache (F/C 6222)
-	51G9060	AR	RS-232 (X.25) MCA Card (F/C 2960)
-	16F1884	AR	• Wrap Plug
-	40F9969	AR	• Spacer, Card
-	53F3926	AR	• Cable X.21
-	16F1890	AR	• Wrap Plug X.21
-	53F3927	AR	• Cable V.24
-	16F1891	AR	• Wrap Plug V.24

-	53F3927	AR	• Cable V.35
-	16F1861	AR	• Wrap Plug V.35
-	53F2660	AR	Port Master 1 MB, MCA Card (F/C 7006)
-	40F9969	AR	• Spacer, Card
-	53F2664	AR	Port Master 2 MB MCA Card (F/C 7008)
-	40F9969	AR	• Spacer, Card
-	53F2612	AR	Port Master 8-Prt RS232, MCA Card (F/C 7042)
-	68F7208	AR	• Wrap Plug
-	33F8985	AR	• Wrap Plug, Cable
-	53F2615	AR	Port Master 8-Prt RS422, MCA Card (F/C 7044)
-	68F7208	AR	• Wrap Plug
-	33F8964	AR	• Wrap Plug Cable
-	72F0164	AR	Port Master 6-Prt V.35, MCA Card (F/C 7046)
-	72F0168	AR	• Wrap Plug
-	04G5500	AR	Port Master 6-Prt X.21, MCA Card (F/C 7048)
-	85F0205	AR	• Wrap Plug
-	72F1966	AR	Cable, V.35 6-Prt
-	72F0167	AR	• Wrap Plug
-	53F2621	AR	Cable, PM 8-Prt
-	04G5501	AR	Cable, X.21 6-Prt
-	85F0206	AR	• Wrap Plug
-	6323741	AR	Cable, RS232D/V.24
-	71F0165	AR	Cable, RS232D/V.24 Asyn
-	43G3317	AR	Digital Trunk Dual, MCA Card (F/C 6305)
-	43G3318	AR	• Cable
-	11H5676	AR	Multiprotocol A, MCA Card (F/C 2700)
-	41F0464	AR	• Fan-out Box
-	71F0162	AR	• Cable, V.35
-	71F0163	AR	• Wrap Plug
-	71F0164	AR	• Cable, V.21
-	71F0165	AR	• Cable, V.24
-	51G8538	AR	Network Accl. 256 Term, MCA Card (F/C 2402)
-	51G8539	AR	Network Accl. 2048 Term, MCA Card (F/C 2403)
-	71F1167	AR	• Wrap Plug, Card
-	02G7434	AR	• Cable, Transceiver
-	43G0278	AR	• Transceiver
-	00G2380	AR	• Wrap Plug, Transceiver
-	38H6496	AR	• Documentation AIX 4.1
-	38H6405	AR	• Documentation AIX 3.2.5
-	88G3711	AR	Ultimedia Video MCA (F/C 2404)
-	88G3717	AR	Ultimedia JPEG MCA (F/C 2405)
-	39H8179	AR	Ultimedia Audio MCA (F/C 6202)

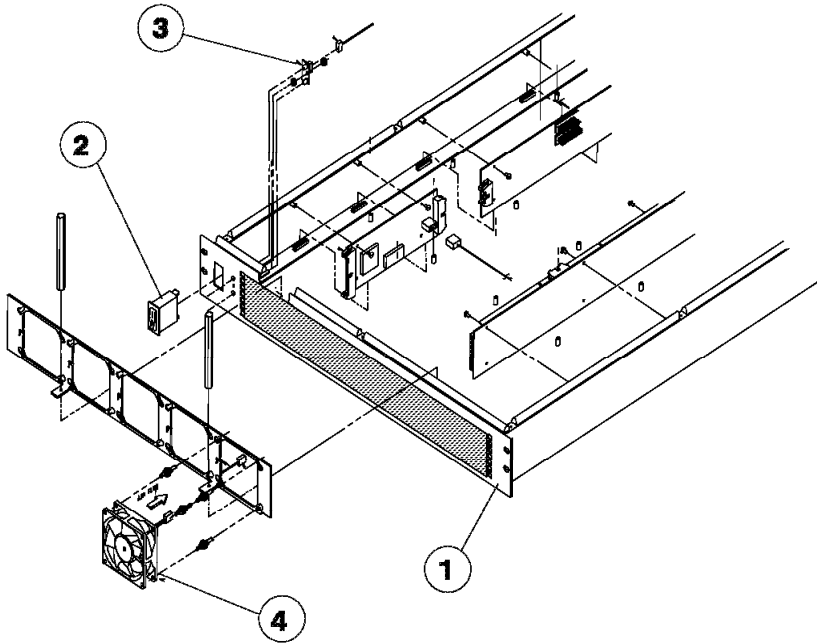
## Assembly 63: Features, PCI Adapters

Asm-Index	Part Number	Units	Description
63-	73H3405	AR	SAS SK-NET FDDI (F/C 2741)
-	73H3401	AR	DAS SK-NET FDDI(F/C 2742)
-	73H3413	AR	U-SAS SK-NET FDDI (F/C 2743)
-	51H8700	AR	ESCON channel (F/C 2751)
-	94H1038	AR	Token Ring auto LAN stream (F/C 2920)
-	93H6541	AR	WAN RS232 8-port (F/C 2943)
-	07L9822	AR	• Cable, Fan-out (F/C 2943)
-	6298964	AR	• Wrap Plug (F/C 2943)
-	93H6545	AR	WAN RS232 128P (F/C 2944)
-	43G0926	AR	• Terminator Plug (F/C 2944)
-	87H3427	AR	Artic960Hx 4-Port Selectable (F/C 2947)
-	87H3413	AR	Artic960Hx 4-Port Selectable (F/C 2947)
-	87H3518	AR	• Artic960Hx 4-Port T1 RJ45 Cable (F/C 2709)
-	87H3588	AR	• Wrap Plug (F/C 2709)
-	87H3515	AR	• Artic960Hx 4-Port E1 RJ45 Cable (F/C 2710)
-	87H3588	AR	• Wrap Plug (F/C 2710)
-	87H3405	AR	• Artic960Hx 4-Port EIA-232 Cable (F/C 2861)
-	87H3439	AR	• Wrap Plug (F/C 2861)
-	87H3396	AR	• Artic960Hx 4-Port RS449 Cable (F/C 2862)
-	87H3440	AR	• Wrap Plug (F/C 2862)
-	87H3408	AR	• Artic960Hx 4-Port X.21 Cable (F/C 2863)
-	53G0638	AR	• Wrap Plug (F/C 2863)
-	87H3399	AR	• Artic960Hx 4-Port V.35 (DTE) Cable (F/C 2864)
-	87H3442	AR	• Wrap Plug (F/C 2864)
-	87H3402	AR	• Artic960Hx 4-Port EIA-530 Cable (F/C 2865)
-	87H3439	AR	• Wrap Plug (F/C 2865)
-	93H5263	AR	V.24 Cable (F/C 2951)
-	33F8985	AR	• Wrap Plug (F/C 2951)
-	93H5264	AR	V.35 Cable (F/C 2952)
-	52G3379	AR	• Wrap Plug (F/C 2952)
-	93H5265	AR	V.36 Cable (F/C 2953)
-	73H2508	AR	• Wrap Plug (F/C 2953)
-	93H5267	AR	X.21 Cable (F/C 2954)
-	40F9904	AR	• Wrap Plug (F/C 2954)
-	93G6086	AR	2-Port Multipro (F/C 2962)
-	93H5270	AR	• Wrap Plug (F/C 2962)
-	21H7977	AR	ATM 155 UTP (F/C 2963)
-	94H0823	AR	10/100 Ethernet (F/C 2968)
-	07L8916	AR	Gigabit Ethernet-SX (F/C 2969)
-	93H6594	AR	Token Ring (F/C 2979 , 2920 )
-	93H1902	AR	Ethernet BNC (F/C 2985)
-	93H7766	AR	Ethernet AUI (F/C 2987)
-	21H3890	AR	ATM EL 155 MMF (F/C 2988)
-	93H3899	AR	Ultra SCSI SE (F/C 6206)
-	40H6595	AR	Ultra SCSI DE (F/C 6207)
-	93H8406	AR	SCSI-2 single-ended (F/C 6208)
-	93H8407	AR	SCSI-2 differential (F/C 6209)
-	09L2061	AR	SSA RAID (F/C 6215)
-	89H5651	AR	• 16MB DRAMM (F/C 6215)

-	89H5650	AR	Fast/Write Cache (F/C 6222)
-	87H3734	AR	Artic960RxD Quad Digital Trunk (F/C 6310)
-	09J8829	AR	Artic960RxD Quad Digital Trunk (F/C 6310)
-	87H3793	AR	• Artic960RxD Quad DTA, T1, 100 Ohm, 3 m, 4-port cable (F/C 2871)
-	34F0876	AR	• Wrap Plug (F/C 2871)
-	54F0740	AR	• Artic960RxD Quad DTA, T1, 100 Ohm, 15 m, 4-port cable (F/C 2872)
-	87H3791	AR	• Artic960RxD Quad DTA, E1, 120 Ohm balanced, 3 m, 4-port cable (F/C 2873)
-	34F0876	AR	• Wrap Plug (F/C 2873)
-	05F2045	AR	• Artic960RxD Quad DTA, E1, 120 Ohm balanced, 7.5 m extension cable (F/C 2874)
-	87H3521	AR	• Artic960RxD Quad DTA, E1, 75 Ohm unbalanced-grounded 1.8 m, 4-port cable (F/C 2875)
-	87H3629	AR	• Artic960RxD Quad DTA, E1, 75 Ohm unbalanced-ungrounded, 18. m, 4-port cable (F/C 2876)
-	08L1215	AR	• Artic960RxD Quad DTA, H.100, 4-drop cable (F/C 2877)
-	51H8700	AR	ESCON

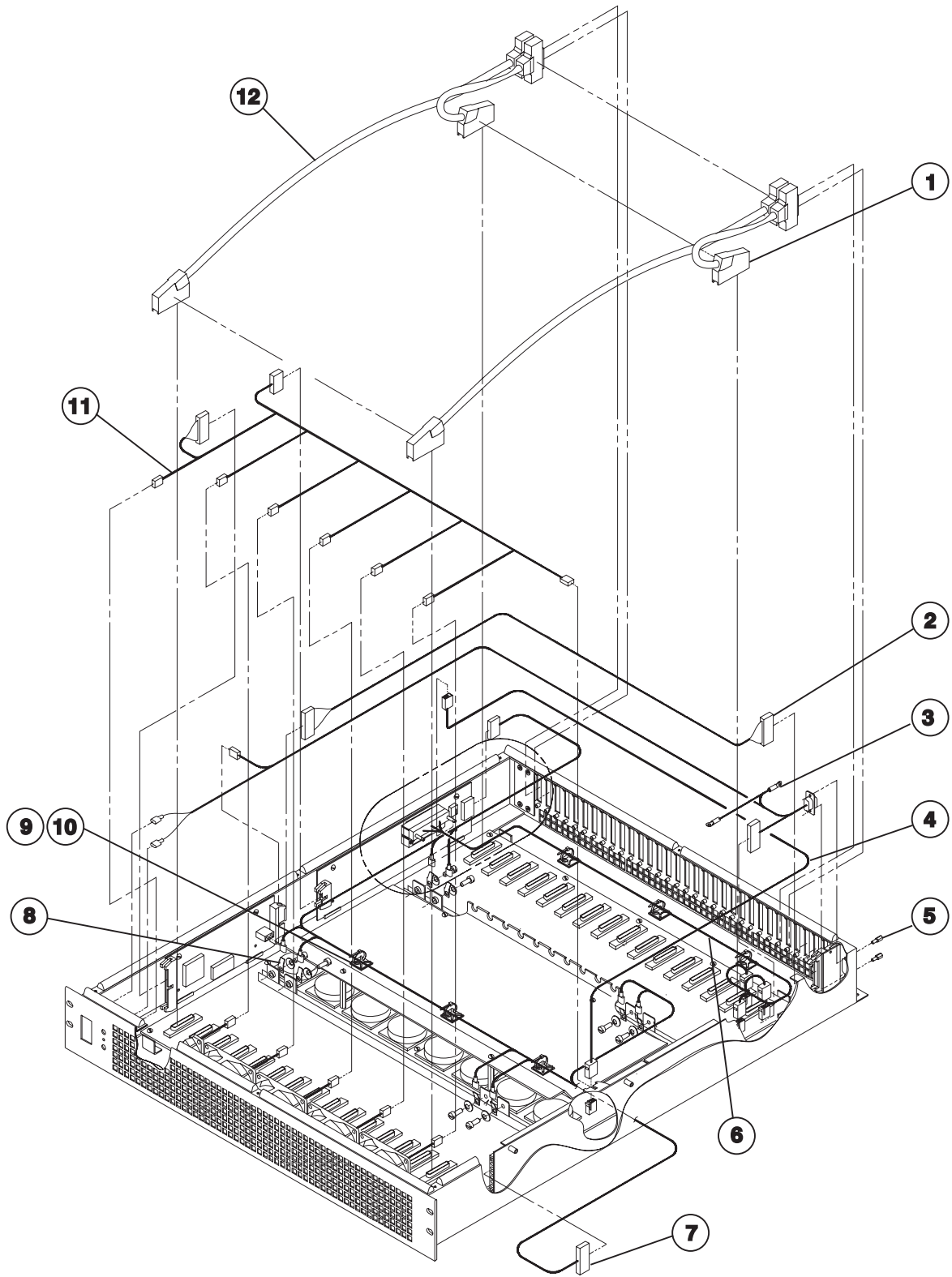


## Assembly 64: High Performance Switch 2.0 Asm (Feature)



Asm- Index	Part Number	Units	Description
64-1	46G5632	1	High Performance Switch Assembly 2.0
-2	31G9309	1	• Circuit Breaker (7.5 A)
-3	67G4985	1	• LED, Display Card
-4	00G2981	5	• Fan, dc (3-inch front)
-	93G1097	AR	• Interposer, High Performance Switch (Systems with HiPS 3.0 Only)

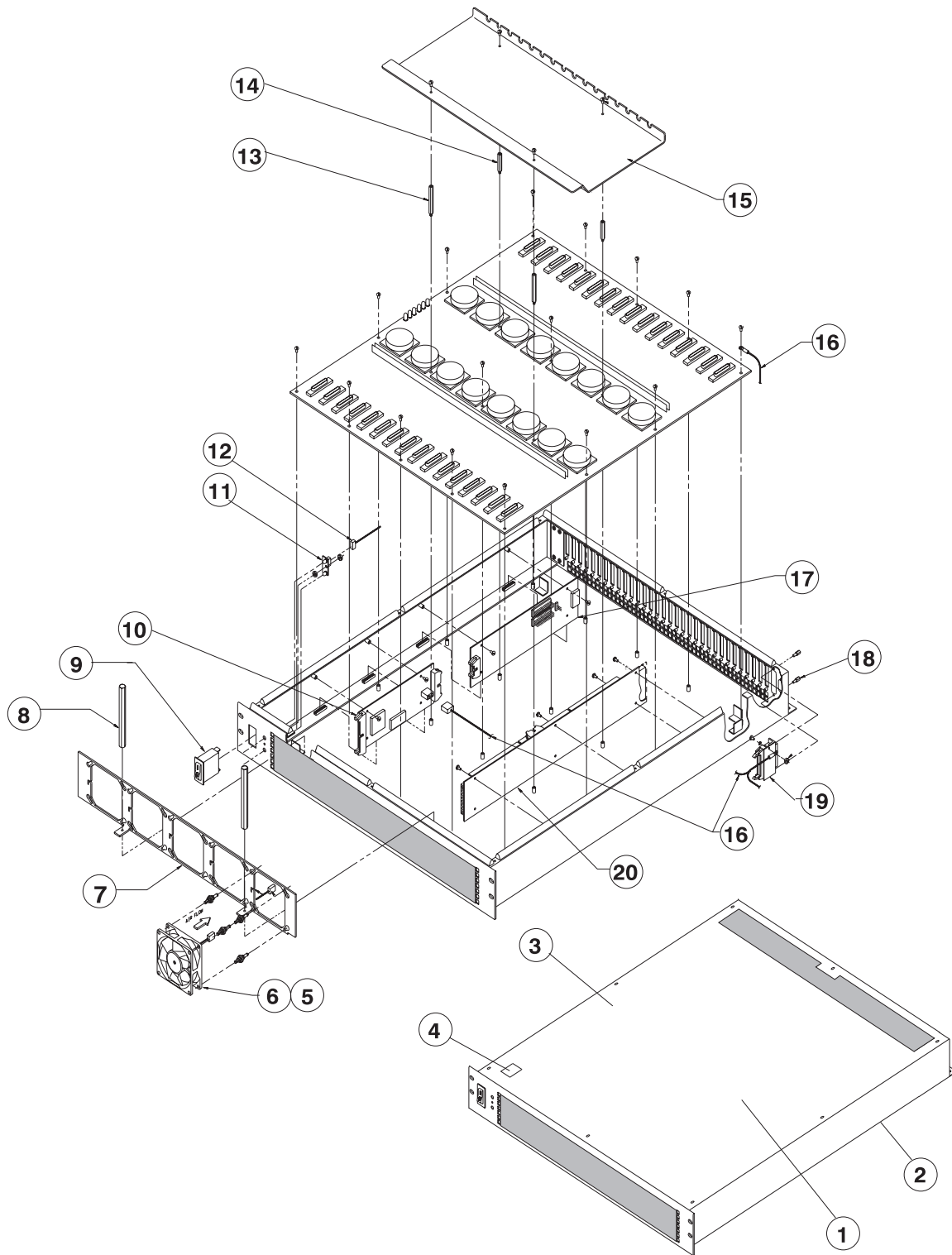
# Assembly 65: High Performance Switch 3.0 Asm (Feature) (View 1)





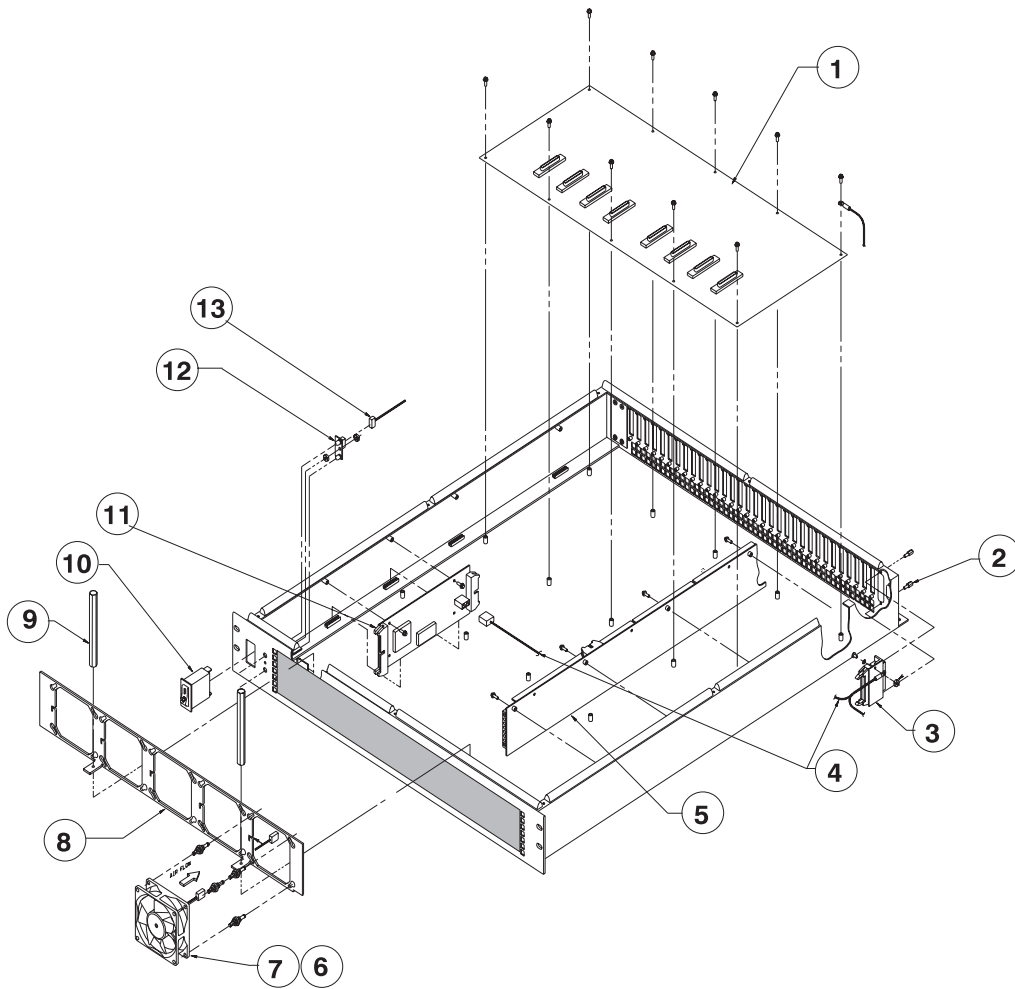
<b>Asm- Index</b>	<b>Part Number</b>	<b>Units</b>	<b>Description</b>
65-	17H5074	1	High Performance Switch Assembly 3.0
-1	93G1094	8	• Cable-Data SW-Bulkhead, S
-2	46G5583	1	• Cable, Supervisor Bus
-3	54G3015	1	• Cable, 48 V dc Power Harness
-4	46G5584	1	• Cable, Clock (CLK-SW)
-5	51H8738	2	• Screw
-	1622316	2	• • Lockwasher
-6	93G1096	1	• Cable, Clk To Sw 3 x 16
-7	93G1098	1	• Cable, dc Power Dist. +5 V dc
-8	2549989	8	• Tab, Connector
-9	39F7406	6	• Cable Tie, Releasable
-10	9935609	6	• Base, Cable Tie
-11	54G3304	1	• Cable, Sense/Control
-12	93G1095	8	• Cable-Data SW-Bulkhead, L

# Assembly 66: High Performance Switch 3.0 Asm (Feature) (View 2)



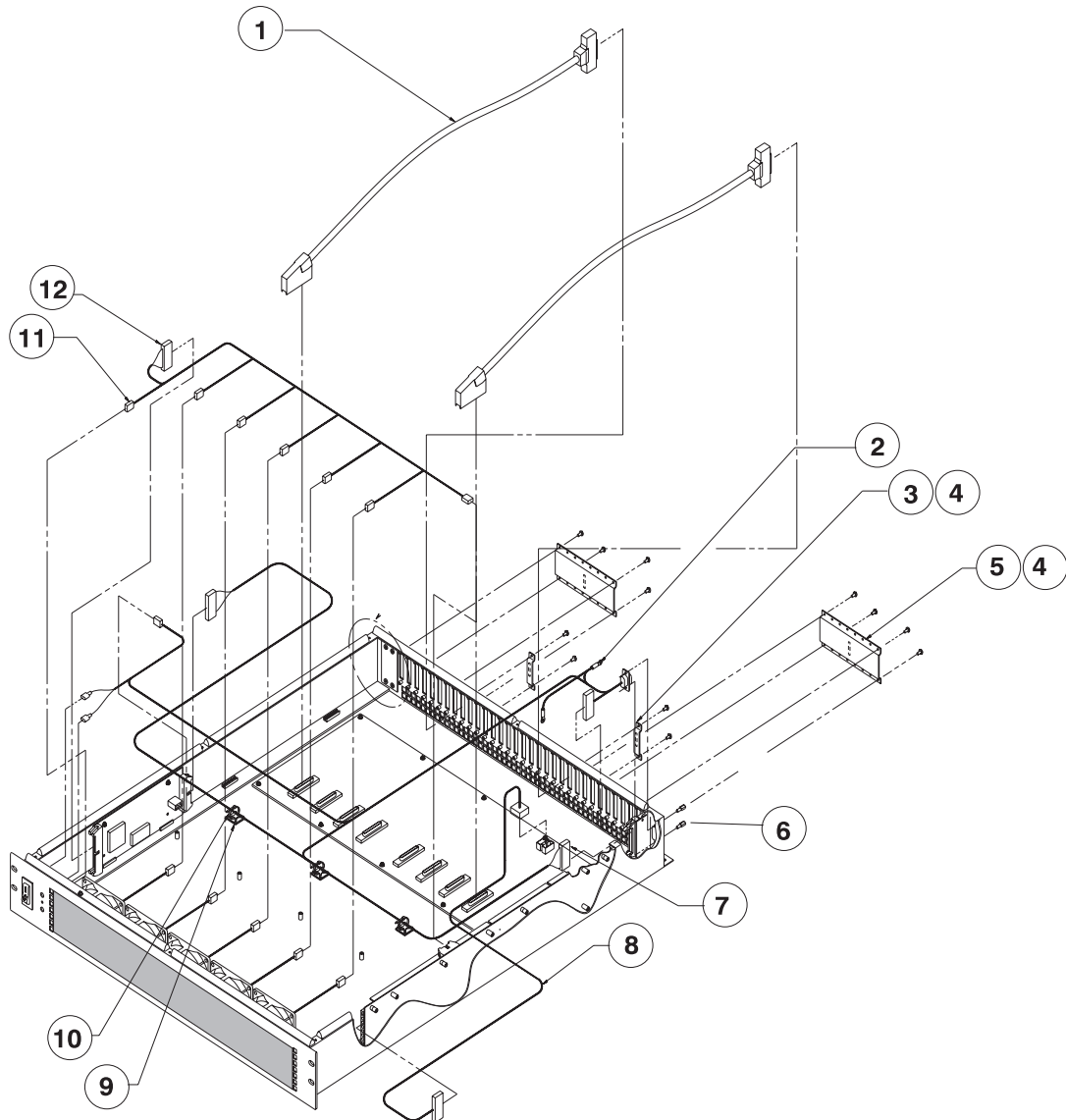
Asm- Index	Part Number	Units	Description
66-1	17H5074	1	High Performance Switch Assembly 3.0
-2	17H5076	1	• Chassis, HP Switch
-3	64G5577	1	• Cover, Top
-4	6168596	1	• Label, Safety Weight
-5	81F7977	20	• Shock Mount for Fan (Blk Isolator)
-6	00G2981	1	• Fan, dc (3-inch front)
-7	46G5629	1	• Bracket, Fan Mtg
-8	93G1139	2	• Standoff, Hex M3 x 76
-9	31G9309	1	• Circuit Breaker (7.5A)
-10	89G2313	1	• Card, Switch Supervisor
-11	67G4985	1	• Card, LED Display Assembly
-12	54G3304	1	• Cable, Sense/Control
-13	54G3285	2	• Standoff, Hex M/F Long
-14	54G3284	2	• Standoff, Hex M/F Med
-15	46G5665	1	• Deflector, Air
-16	54G3015	1	• Cable, 48 V dc Power Harness
-17	67G4993	1	• Card, Switch Clock Assembly
-18	51H8738	2	• Screw
-	1622316	2	• • Lockwasher
-19	67G4989	1	• Card, Supervisor Bus
-20	26H7354	1	• Card, Switch Power Assembly

# Assembly 67: High Performance Switch LC8 Asm (Feature) (View 1)



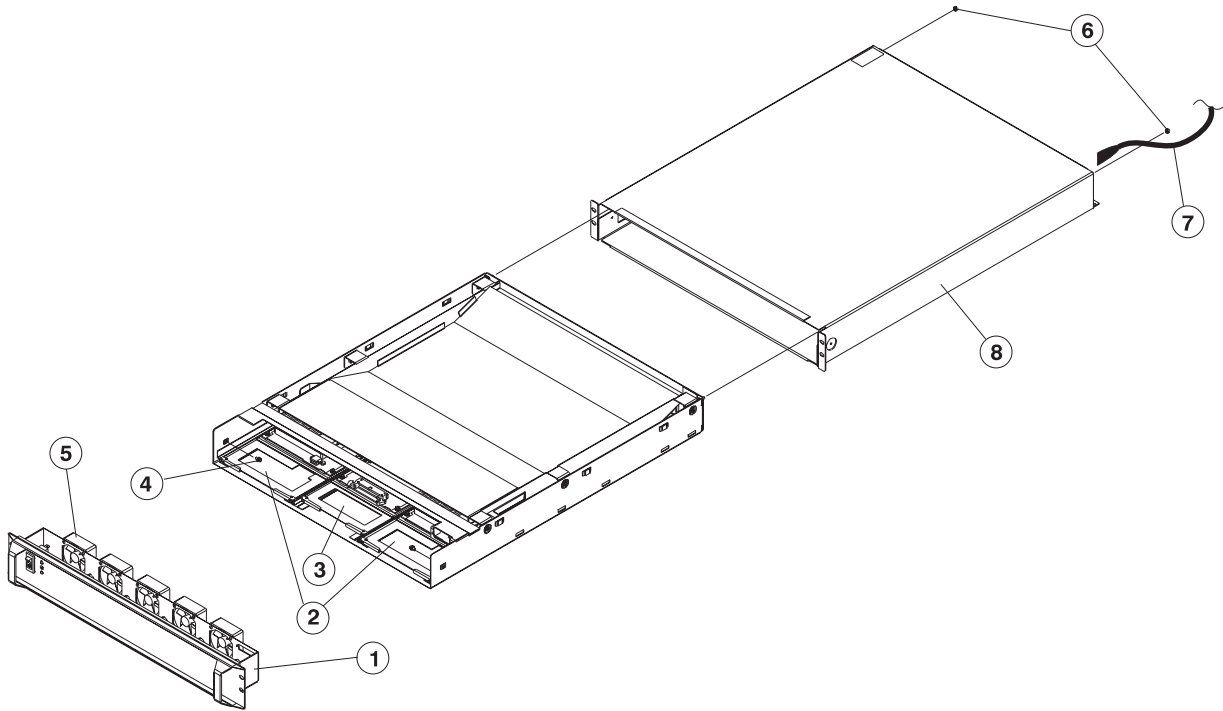
Asm- Index	Part Number	Units	Description
67-	17H5075	1	High Performance Switch Assembly LC-8
-1	04H9530	1	• Card, Switch Assembly
-2	51H8738	2	• Screw
-	1622316	2	• • Lockwasher
-3	67G4989	1	• Card, Supervisor Bus
-4	54G3015	1	• Cable, 48 V dc Power Harness
-5	26H7354	1	• Card, Switch Power Assembly
-6	81F7977	20	• Shock Mount
-7	00G2981	1	• Fan, dc (3-inch front)
-8	46G5629	1	• Bracket, Fan Mtg
-9	93G1139	2	• Standoff, Hex M3 x 76
-10	31G9309	1	• Circuit Breaker (7.5A)
-11	89G2313	1	• Card, Switch Supervisor
-12	67G4985	1	• Card, LED Display Assembly
-13	54G3304	1	• Cable, Sense/Control
-	93G1079	1	• Cable, Switchdata, Node 2150 mm
-	93G1081	1	• Cable, Switchdata, Node 1820 mm
-	93G1085	1	• Cable, Switchdata, Node 1160 mm
-	93G1086	1	• Cable, Switchdata, Node 1020 mm
-	93G1089	1	• Cable, Switchdata, Node 1630 mm
-	93G1090	1	• Cable, Switchdata, Node 1680 mm
-	93G1092	1	• Cable, Switchdata, Node 2010 mm
-	93G1093	1	• Cable, Switchdata, Node 2290 mm

# Assembly 68: High Performance Switch LC8 Asm (Feature) (View 2)



<b>Asm- Index</b>	<b>Part Number</b>	<b>Units</b>	<b>Description</b>
68-	17H5075	1	High Performance Switch Assembly LC-8
-1	93G1094	8	• Cable-Data SW-Bulkhead, S
-2	54G3015	1	• Cable, 48 V dc Power Harness
-3	17H5048	8	• Cover Plate (Single)
-4	44G9658	16	• Screw, Pan Hd 2.56 x .25
-5	17H0499	2	• Cover Plate (8 Pos)
-6	51H8738	2	• Screw
-	1622316	2	• • Lockwasher
-7	46G5583	1	• Cable, Supervisor Bus
-8	17H5030	1	• Cable, dc Power Dist.
-9	9935609	6	• Base, Cable Tie
-10	39F7406	6	• Cable Tie, Releasable
-11	54G3304	1	• Cable, Sense/Control
-12	17H5033	1	• Jumper Asm.

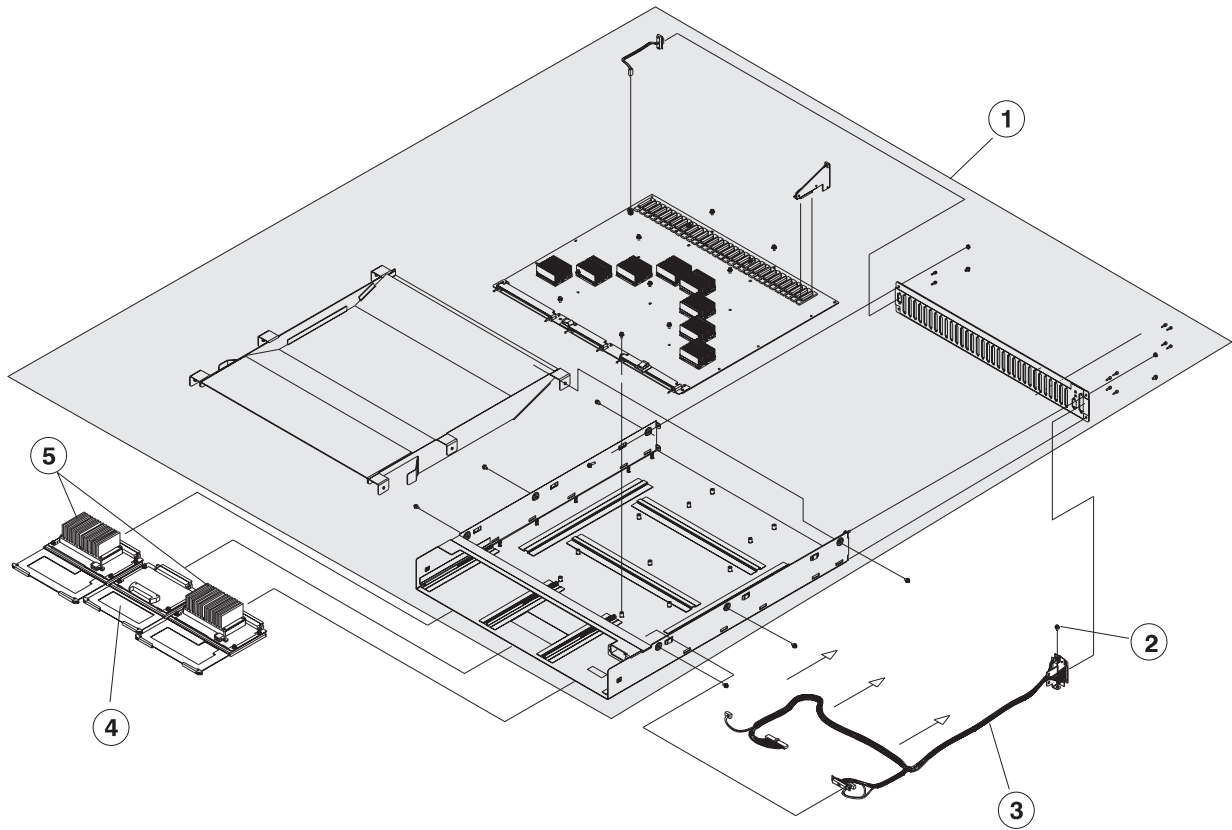
# Assembly 69: SPS, SPS-8 Switch Asm (Feature) (View 1)





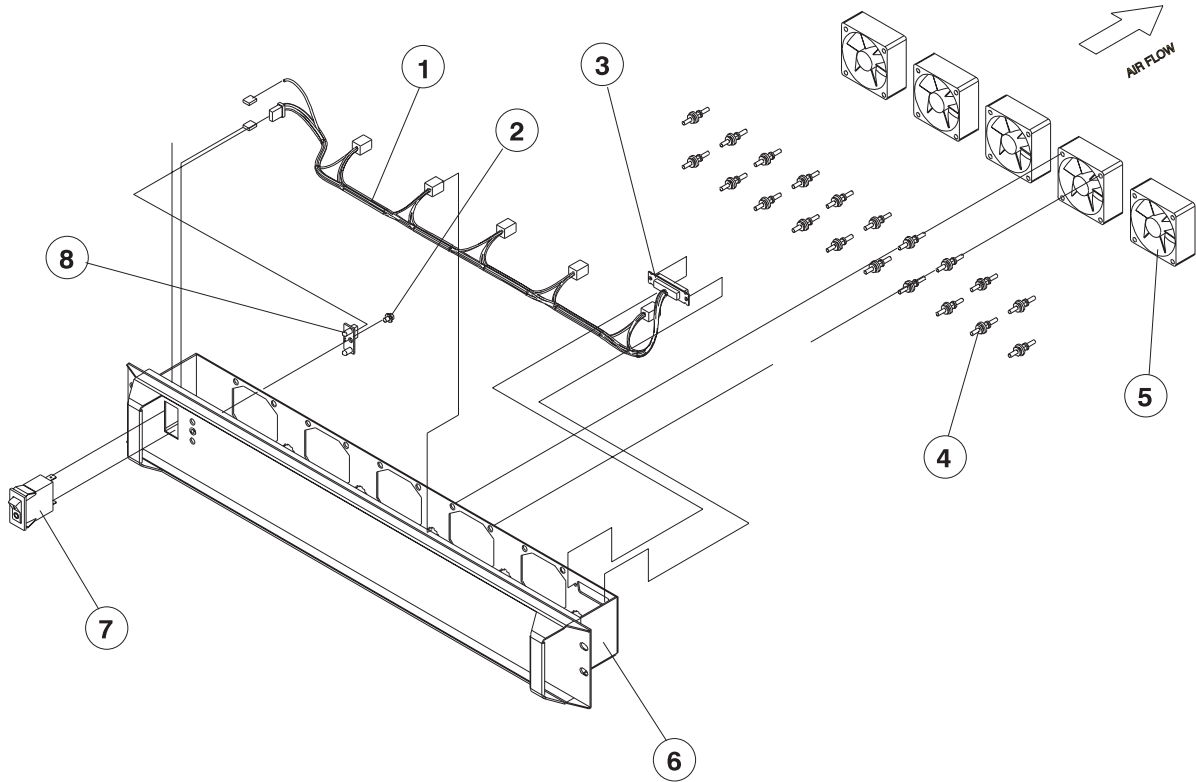
Asm- Index	Part Number	Units	Description
69-			SPS Switch Assembly (reference only)
-			SPS-8 Switch Assembly (reference only)
-1	26H7255	1	• Front Chassis Asm.
-2	77G0961	1	• Card, Power
-3	46H9305	1	• Card, Switch Supervisor
-4	26H7212	2	• Screw, Hex Hd M4 x 6
-5	26H7395	1	• Fan Asm.
-6	84X4841	2	• Nut, Hex M4
-7	46G5686	1	• Cable, Power
-8	46H9730	1	• Outer Chassis
-	77G0818	1	• Wrap, SPS (not shown)
-	46H9220	1	• Wrap, SPS-8 (not shown)

# Assembly 70: SPS, SPS-8 Switch Asm (Feature) (View 2)



Asm- Index	Part Number	Units	Description
70-			SPS Switch Assembly (reference only)
-			SPS-8 Switch Assembly (reference only)
-1	46H9327	1	• Inner Chassis Asm. SPS (Includes all asm. in shaded area)
-1	46H9679	1	• Inner Chassis Asm. SPS-8 (Includes all asm. in shaded area)
-2	1624766	1	• Screw, 6 mm
-3	26H7389	1	• Cable, Inner Chassis
-4	46H9305	1	• Card, Switch Supervisor
-5	77G0961	1	• Card, Power

# Assembly 71: SPS, SPS-8 Switch Asm (Feature) (View 3)



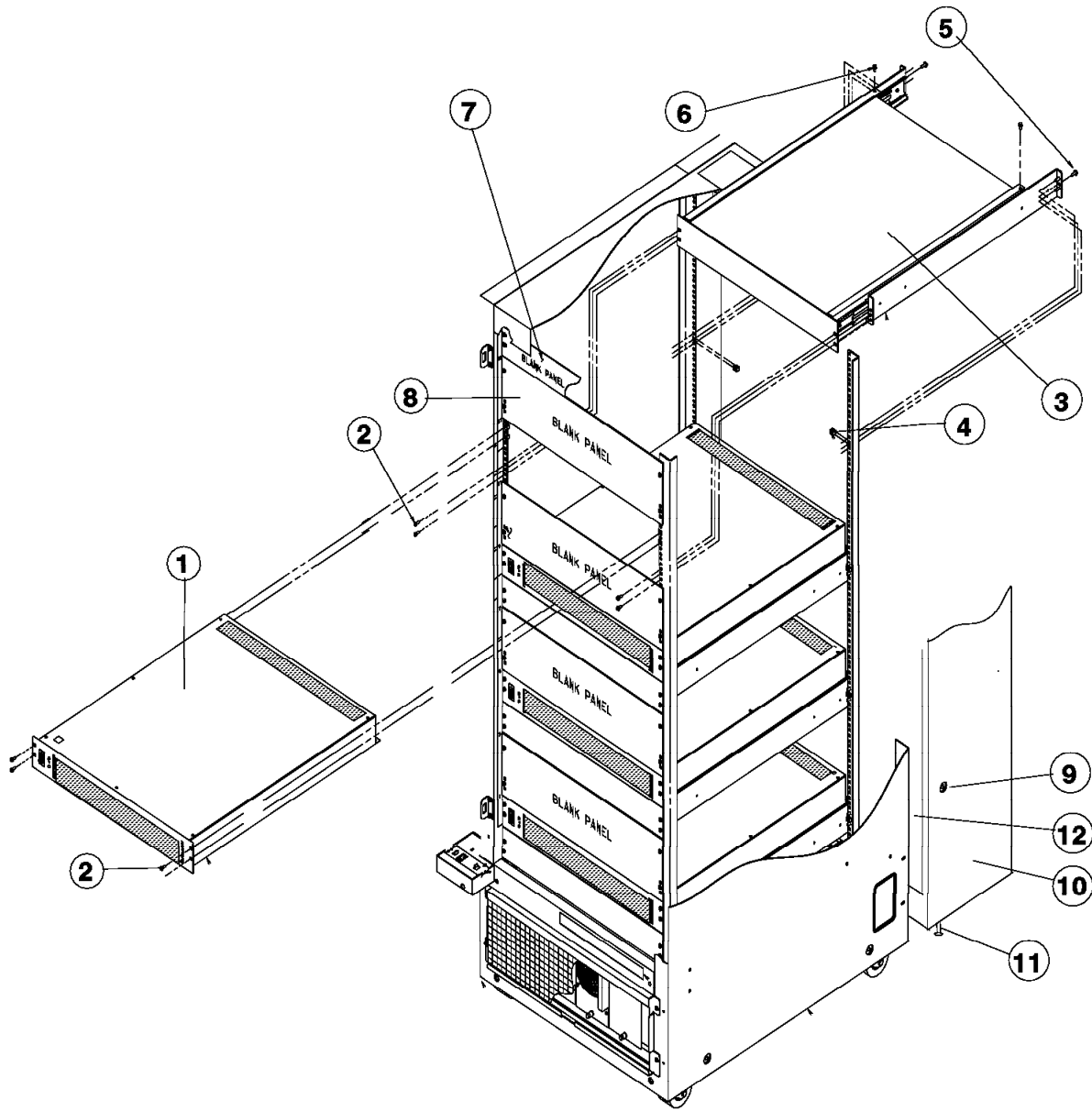
Asm- Index	Part Number	Units	Description
71-			SPS Switch Assembly (reference only)
-			SPS-8 Switch Assembly (reference only)
-1	26H7391	1	• Cable, Front Chassis
-2	32G1547	1	• Screw, Hex M4 x 5
-3	77G1078	2	• Cup Guide (2.01 m, order Kit)
-3	77G1079	2	• Pin Guide (2.01 m, order Kit)
-3	46H9778	2	• Cup Guide (New style)
-3	46H9779	2	• Pin Guide (New style)
-3	51H9428	2	• Kit, Cup and Pin Guide (New style)
-4	81F7977	20	• Mount, Fan Shock
-5	26H7395	1	• Fan Asm.
-6	26H7255	1	• Front Chassis Weld
-7	31G9309	1	• Circuit Breaker
-8	67G4985	1	• Card, LED

## Assembly 72: Switch Cables (Feature)

Asm- Index	Part Number	Units	Description
72-			HiPS 2.0 - Unique Cables
-			-----
-	46G5955	AR	Cable, High Performance Switch Clock External- 5 m
-	46G5956	AR	Cable, High Performance Switch Clock External- 10 m
-	46G8488	AR	Cable, High Performance Switch Clock External- 15 m
-	46G5979	AR	Cable, High Performance Switch Clock Nodes 1-16
-			
-			
-			HiPS 2.0 Reference Only. Cables should be
-			ordered from the "HiPS Feature Cables" list
-			below.
-			-----
-	46G5952	AR	Cable, High Performance Switch Data External- 5 m
-	46G5953	AR	Cable, High Performance Switch Data External- 10 m
-	46G5954	AR	Cable, High Performance Switch Data External- 15 m
-	46G5971	AR	Cable, High Performance Switch Data Node 14
-	46G5972	AR	Cable, High Performance Switch Data Node 13
-	46G5973	AR	Cable, High Performance Switch Data Node 10
-	46G5974	AR	Cable, High Performance Switch Data Node 09
-	46G5975	AR	Cable, High Performance Switch Data Node 06
-	46G5976	AR	Cable, High Performance Switch Data Node 05
-	46G5977	AR	Cable, High Performance Switch Data Node 02
-	46G5978	AR	Cable, High Performance Switch Data Node 01
-	46G7035	AR	Cable, High Performance Switch Data Node 03
-	46G7036	AR	Cable, High Performance Switch Data Node 04
-	46G7037	AR	Cable, High Performance Switch Data Node 07
-	46G7038	AR	Cable, High Performance Switch Data Node 08
-	46G7039	AR	Cable, High Performance Switch Data Node 11
-	46G7040	AR	Cable, High Performance Switch Data Node 12
-	46G7041	AR	Cable, High Performance Switch Data Node 15
-	46G7042	AR	Cable, High Performance Switch Data Node 16
-			
-			
-			
-			HiPS Feature Cables (LC8/2.0/3.0)
-			-----
-	46G5686	AR	Cable, High Performance Switch Power
-	93G1075	AR	Cable, High Performance Switch Data External- 5 m
-	93G1076	AR	Cable, High Performance Switch Data External- 10 m
-	93G1077	AR	Cable, High Performance Switch Data External- 15 m
-	04H9531	AR	Cable, High Performance Switch Data External- 20 m
-	93G1078	AR	Cable, Switch Data, Node 14 - (1860 mm)
-	93G1079	AR	Cable, Switch Data, Node 13 - (2150 mm)
-	93G1080	AR	Cable, Switch Data, Node 10 - (1530 mm)
-	93G1081	AR	Cable, Switch Data, Node 09 - (1820 mm)
-	93G1082	AR	Cable, Switch Data, Node 06 - (1200 mm)
-	93G1083	AR	Cable, Switch Data, Node 05 - (1490 mm)
-	93G1084	AR	Cable, Switch Data, Node 02 - ( 870 mm)
-	93G1085	AR	Cable, Switch Data, Node 01 - (1160 mm)



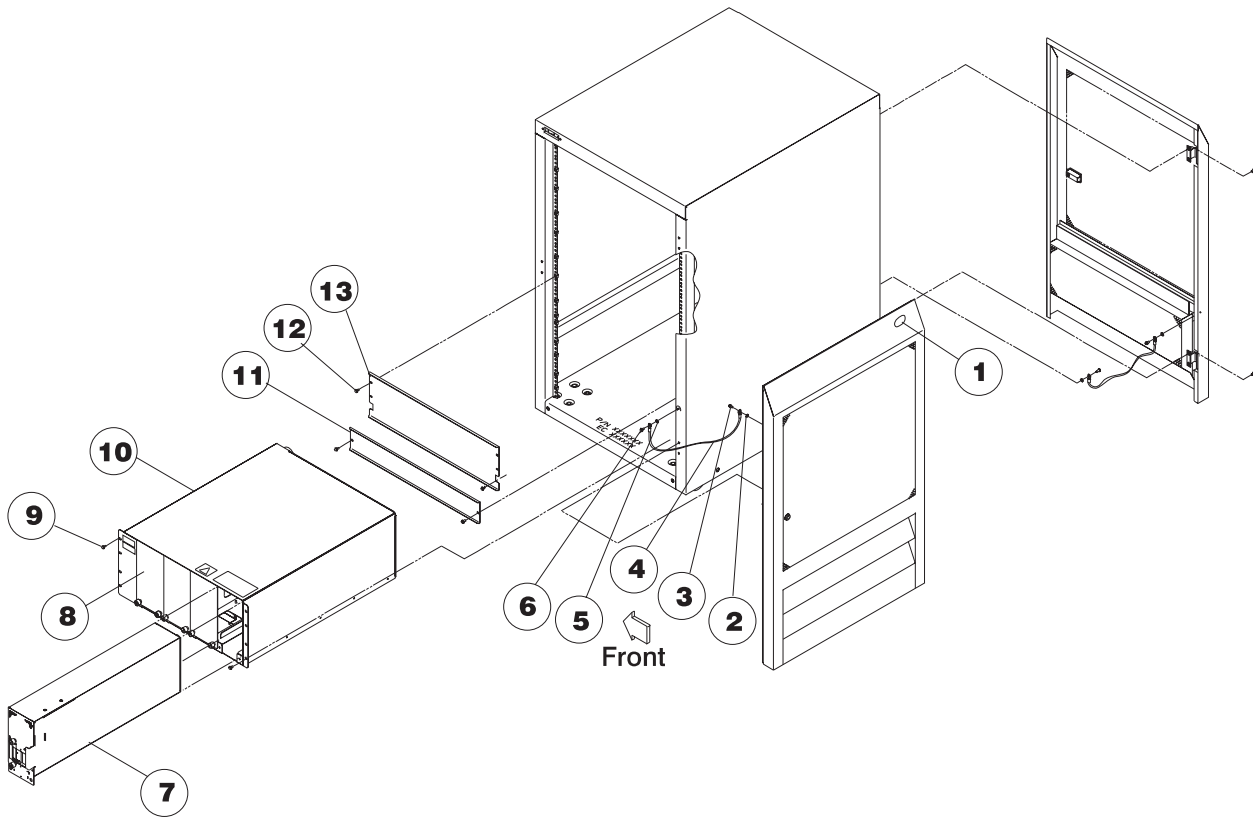
# Assembly 73: Multi-Switch Frame (F/C 2030/1)





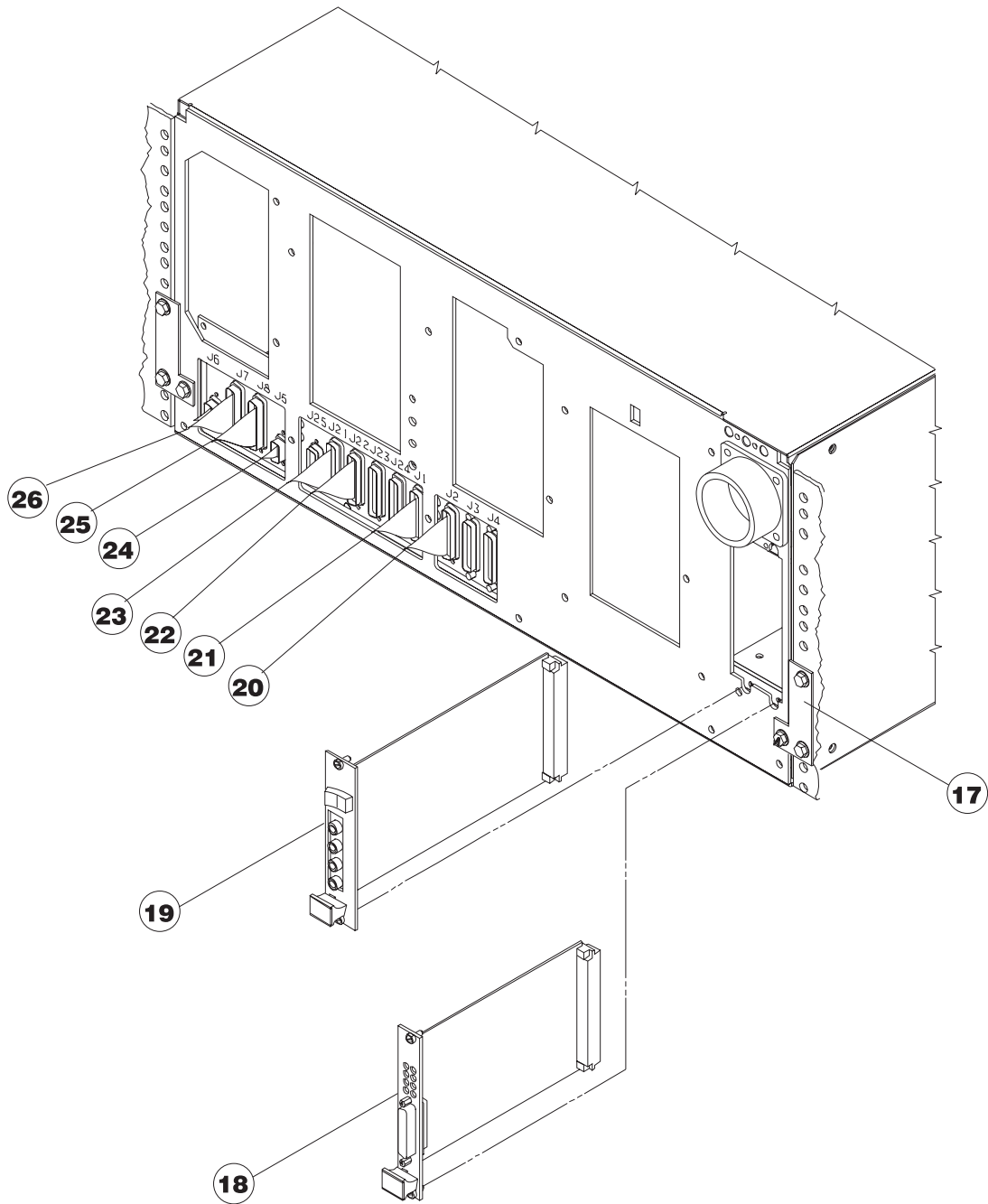
Asm- Index	Part Number	Units	Description
73-1	17H5074		High Performance Switch Assembly 3.0
-1			SPS Switch Assembly
-2	54G3281	16	• Screw, Phil Pan Hd M5 x 12
-3	93G1065	AR	• Shelf Assembly
-4	0375867	8	• Nut, Clip
-5	84X4761	8	• Screw, Hex FI Hd Supradrive
-6	17H5026	8	• Screw, SI Hex FI Hd M5 x 6
-7	54G2877	4	• Panel, Switch Blank
-8	54G2947	4	• Panel, Blank 7-inch
-9	1624776	18	• Screw, Hex FI Hd M5 x 12
-10	26H7198	1	• Extender Frame
-	08J5557	4	• Chocks, Rubber
-12	04H9469	6	• Duct, Long

# Assembly 74: 49-Inch Frame (View 1)



Asm- Index	Part Number	Units	Description
74-			49 Inch Base Frame Asm – 3 kW
-			49 Inch Base Frame Asm – 5 kW (Model 500 only)
-1	46H9139	1	• Plate, Logo IBM
-2	1622346	2	• Washer, Star M4
-3	1624766	2	• Screw, Hex FI M4 x 10
-4	54G3355	2	• Cable, Door Gnd.
-5	1622347	2	• Washer, Star M5
-6	54G3281	2	• Screw, Pan Head M5 x 12
-7	21L2906	AR	• Power Supply - SEPBU – 3 kW
-7	21L3138	AR	• Power Supply – 5 kW (Model 500 only)
-8	77G0939	3	• Panel, Blank, 3 kW
-8	11J5242	3	• Panel, Blank, 5 kW (Model 500 only)
-9	54G3281	8	• Screw, Pan Hd M5 x 12
-10	77G0909	1	• Power Supply Chassis – 3 kW
-10	11J5258	1	• Power Supply Chassis – 5 kW (Model 500 only)
-11	54G2877	1	• Panel, Switch
-11	11J5155	AR	• Panel, Switch – 5 kW (Model 500 only)
-12	54G3281	16	• Screw, Pan Hd M5 x 12
-12	54G2882	16	• Screw, Pan Hd M5 x 12, 5 kW (Model 500 only)
-13	54G2947	AR	• Panel, Blank 7-inch – 3 kW
-13	11J4774	AR	• Panel, Blank 7-inch – 5 kW (Model 500 only)
-	5547285	24	• Core (not shown)
-	5605690	12	• Cashin, Core (not shown)
-	0524519	1	• Tie Wrap (not shown)
-	77G0942	AR	Linecord, single-phase, 3.5 kW, (US), 14 ft
-	77G0945	AR	Linecord, single-phase, 3.5 kW, (US), 6 ft
-	77G0944	AR	Linecord, single-phase, 3.5 kW, (EMEA), 14 ft
-	77G0943	AR	Linecord, single-phase, 3.5 kW, (APG), 14 ft
-	11J4782	AR	Linecord, single-phase, 5 kW, (US), 14 ft
-	11J4783	AR	Linecord, single-phase, 5 kW, (US), 6 ft
-	11J4784	AR	Linecord, single-phase, 5 kW, (EMEA), 14 ft
-	11J4785	AR	Linecord, single-phase, 5 kW, (APG), 14 ft
-	77G0917	1	Cable, Main Power (cable not shown)

# Assembly 75: 49-Inch Frame (View 2)



Asm- Index	Part Number	Units	Description
75-			49 Inch Base Frame Assembly (Model 500) (reference only)
-17	11J5253	1	• Bracket Retainer (Power Unit)
-	0375867	2	• • Clip, Self Retaining
-	54G2882	3	• • Screw
-18	11J4000	1	• Card, Supervisor
-19	77G0919	1	• Card, PCI
-20	11J5192	1	• Cable, 48 Vdc Power Distribution #4 (Model 500) (cable not shown)
-21	11J5190	1	• Cable, 48 Vdc Power Distribution #2 (Model 500) (cable not shown)
-22	11J5191	1	• Cable, 48 Vdc Power Distribution #3 (Model 500) (cable not shown)
-23	11J5189	1	• Cable, 48 Vdc Power Distribution #1 (Model 500) (cable not shown)
-24	46G5686	1	• Cable Asm, 48 V Power Distribution Switch (cable not shown)
-25	21L3917	1	• Harness, Super Bus "B" (cable not shown)
-26	21L3916	1	• Harness, Super Bus "A" (cable not shown)

## Assembly 76: Ship Group Items

Asm-Index	Part Number	Units	Description
76-	08L0682	1	<i>Diagnostic Information for Micro Channel Bus Systems (SA38-0532)</i>
-	08L0683	1	<i>Adapters, Devices and Cable Information for Micro Channel Bus Systems (SA38-0533)</i>
-	08L0678	1	<i>Diagnostic Information for Multiple Bus Systems (SA38-0509)</i>
-	08L0679	1	<i>Adapters, Devices and Cable Information for Multiple Bus Systems (SA38-0516)</i>
-	94H0061	1	<i>7012 POWERstation and POWERserver: Install and Service Guide (SA23-2624)</i>
-	93H2174	1	<i>7013 POWERstation and POWERserver: Install and Service Guide (SA23-2622)</i>
-	40H7125	1	<i>7015 Model R30, R40, and R50 CPU Enclosure Operator Guide (SA23-2742)</i>
-	40H7126	1	<i>7015 Model R30, R40, and R50 CPU Enclosure Installation and Service Guide (SA23-2743)</i>
-	47L3062	1	<i>IBM RS/6000 SP: Maintenance Information Volume 1, Installation and Relocation (GA22-7375)</i>
-	47L3063	1	<i>IBM RS/6000 SP: Maintenance Information, Volume 2, Maintenance Analysis Procedures (GA22-7376)</i>
-	47L3064	1	<i>IBM RS/6000 SP: Maintenance Information, Volume 3, Locations and Service Procedures (GA22-7377)</i>
-	47L3065	1	<i>IBM RS/6000 SP: Maintenance Information, Volume 4, Parts Catalog (GA22-7378)</i>
-	47L3061	1	<i>RS/6000 SP: Planning, Volume 1, Hardware and Physical Environment (GA22-7280)</i>
-	11J5158	1	<i>Service Director for 9076 RISC System/6000 SP CE Information Guide (ZA38-0383)</i>
-	94H0613	1	<i>7012 G Series Service Guide, 7013 J Series Service Guide, and 7015 R Series CPU Enclosure Install and User's Guide Supplement (SN32-9044)</i>
-	2222222	1	Binder
-	04H9464	1	Adapter, BNC Y
-	54G3014	1	Cable Supervisor, Diagnostic
-	54G3300	1	Cable, RS-232 15 m long
-	54G3301	1	Cable, COAX 15 m
-	46G5695	1	Cable, Frame Jumper/Ground
-	54G2931	1	Cover, Main Power Switch
-	54G2933	1	Cover, Main Power Switch
-	11J3903	1	Cover, Node Power Switch
-	48G3055	2	Cover, Cable Cap Plug
-	40H6328	1	DB9-DB25 Converter Cable
-	46H9145	1	Diag. Tape, 8 mm
-	04H9474	1	Installation Aid Tape, 8 mm- (WT)
-	1643894	2	Key, Cover
-	54G3277	1	Label, Data Cable
-	46G5947	1	Ladder (Included if wide node is installed in shelf position 5 or above)
-	54G2932	2	Rail, Main Power Switch Cover
-	46H9688	1	SPS Wrap Plug (F)
-	77G0818	1	SPS Wrap Plug (M)

-	46G5958	1	Stiffener, Wide Node
-	93G1058	4	Standoff, Stiffener
-	46H9197	1	Stability Foot, 79-inch Frame
-	17H5032	1	Stability Foot, 49-inch Frame
-	93G1147	1	Step Stool
-	2495448	1	Tape, Mylar
-	46G7005	1	Terminator 50 OHM
-	17H5078	1	Thumbscrew Tool
-	11J3280	2	Tool, Card Extraction (604e)
-	11H2697	1	Tool, Card Extraction, Dual Piece (604)
-	17H5005	1	VPD Disks, Mailer
-	08J5557	4	Wheel Chocks
-	54G3013	1	Wrap Plug, RS-232
-	46G5619	1	Wrap Plug, Male
-	46G5620	1	Wrap Plug, Female
-	6298964	1	Wrap Plug, RS232
-	6298965	1	Wrap Plug, RS232-9
-	74F0690	1	Wrap Plug, Parallel

## Assembly 77: Cable Details

Asm-Index	Part Number	Units	Description
77-	04H9441	AR	Cable, CPU J37
-	04H9532	AR	Cable, HiPS Data External 20 m
-	31G9271	AR	Cable, Supervisor
-	31G9272	AR	Cable, Planar Serial
-	31G9274	AR	Cable, Diagnostic Display
-	31G9276	AR	Cable, DASD Power (Y-style)
-	31G9278	AR	Cable, Node Control Harness
-	43G0936	AR	Hd 15TOHD15 9-inch
-	43G0935	AR	RJ45/DB25 4-pack
-	21L3916	AR	Cable, Harness Super Bus "A"
-	46G5479	AR	Cable, Harness Super Bus "B"
-	46G5583	AR	Cable, Supervisor Bus
-	46G5584	AR	Cable, Clock (CLK-SW)
-	46G5686	AR	Cable, +48 V dc Power Switch
-	46G5686	AR	Cable, High Performance Switch Power
-	46G5697	AR	Cable, Bulkhead to Supervisor
-	46G5703	AR	Cable, Frame Supply Bulk
-	46G5706	AR	Cable, 48 volt Frame Supply
-	46G5944	AR	Cable, 24 volt Ground
-	46G5960	AR	Cable, Resistor Assembly
-	46G5969	AR	Cable, Main Contactor Harness
-	46G7011	AR	Cable, FL1 to CB1
-	46G7012	AR	Cable, K01 to PS02
-	46G7013	AR	Cable, CB1 to K01
-	46G7017	AR	Cable, PDU-LF1 (load)
-	46G7018	AR	Cable, Power Supply Chassis to PS Ground
-	53F3930	AR	Cable, Token Ring 20 ft
-	54G2745	AR	Linecord, Hi Volt (UL/CSA), PDU and SEPBU
-	54G2749	AR	Linecord, Hi Volt (HAR), PDU and SEPBU
-	64G6023	AR	Linecord, US 14 ft (PDU)
-	64G6024	AR	Linecord, US 6 ft (PDU)
-	64G6025	AR	Linecord, WT (UL/CSA Pigtail) (PDU)
-	64G6026	AR	Linecord, WT (HAR Pigtail) (PDU)
-	77G0940	AR	Linecord, 3-phase, 7 kW, US 14 ft (SEPBU)
-	77G0947	AR	Linecord, 3-phase, 7 kW, US 6 ft (SEPBU)
-	77G0948	AR	Linecord, 3-phase, 7 or 10.5 kW, (APG) WT (UL/CSA Pigtail) (SEPBU)
-	77G0950	AR	Linecord, 3-phase, 7 or 10.5 kW, (EMEA) WT (HAR Pigtail) (SEPBU)
-	77G0941	AR	Linecord, 3-phase, 10.5 kW, (US), 14 ft
-	77G0949	AR	Linecord, 3-phase, 10.5 kW, (US), 6 ft
-	77G0942	AR	Linecord, single phase, 3.5 kW, (US), 14 ft
-	77G0945	AR	Linecord, single phase, 3.5 kW, (US), 6 ft
-	77G0944	AR	Linecord, single phase, 3.5 kW, (HAR, EMEA), 14 ft
-	77G0943	AR	Linecord, single phase, 3.5 kW, (APG), 14 ft
-	11J4782	AR	Linecord, single phase, 5 kW, (US), 14 ft
-	11J4783	AR	Linecord, single phase, 5 kW, (US), 6 ft
-	11J4784	AR	Linecord, single phase, 5 kW, (HAR, EMEA), 14 ft
-	11J4785	AR	Linecord, single phase, 5 kW, (APG), 14 ft



-	54G2913	AR	Cable, 12 volt Frame Supply
-	54G2996	AR	Cable, EIA Grounding
-	54G3001	AR	Cable, Planar Power Distribution
-	54G3009	AR	Cable, Switch to PDU
-	54G3011	AR	Cable, Frame Supervisor Ground
-	54G3015	AR	Cable, 48 V dc Power Harness
-	54G3039	AR	Cable, +48 V dc Node Grp "A"
-	54G3040	AR	Cable, +48 V dc Node Grp "B"
-	54G3041	AR	Cable, +48 V dc Node Grp "C"
-	54G3042	AR	Cable, +48 V dc Node Grp "D"
-	54G3238	AR	Cable, I/O Planar Power
-	54G3239	AR	Cable, CPU Planar Power
-	54G3240	AR	Cable, DASD Power
-	54G3241	AR	Cable, Supervisor Card Power
-	54G3242	AR	Cable, Switch Assembly
-	54G3244	AR	Cable, CPU J39
-	54G3246	AR	Cable, Internal SCSI
-	11J3934	AR	Cable, Node 48 V Dist
-	54G3300	AR	Cable, EIA RS232, 15M 2 Cores
-	54G3301	AR	Cable, Coax 15M long 2 Cores
-	54G3304	AR	Cable, Sense/Control
-	54G3305	AR	Cable, Power Supply Chassis Power Control, "A"
-	54G3306	AR	Cable, Power Supply Chassis Power Control, "B"
-	54G3355	AR	Cable, Frame/Door Ground
-	56G7017	AR	Cable, G3 to LFCOM
-	64G5573	AR	Cable, Group "A" to Bulk
-	64G5574	AR	Cable, Group "B" to Bulk
-	64G5575	AR	Cable, Group "C" to Bulk
-	64G5576	AR	Cable, Group "D" to Bulk
-	64G5593	AR	Cable, Internal DASD (66 MHz Node Only)
-	77G0917	AR	Cable, Main Power
-	93G1094	AR	Cable, Data SW-Bulkhead, S
-	93G1095	AR	Cable, Data SW-Bulkhead, L
-	93G1096	AR	Cable, Clk To Sw 3 x 16
-	93G1097	AR	Interposer, High Performance Switch
-	93G1098	AR	Cable, dc Power Dist.
-	12H1204	AR	Cable, Printer (F/C 2934)
-	88G4853	AR	Cable, Serial-to-Serial Port, node-to-node (F/C 3124)
-	88G4854	AR	Cable, Serial-to-Serial Port, frame-to-frame (F/C 3125)
-	30F8966	AR	Cable, Terminal, RS-422A (F/C 2945)
-	93H6549	AR	Cable, Port, EIA-232 (F/C 8137)
-	93H6563	AR	Cable, Port, RS-422 (F/C 8138)

## Assembly 78: Miscellaneous Hardware

Asm- Index	Part Number	Units	Description
78-	31G9291		Frame Weldment Assembly
-	89F4158		Latch Assembly
-	1621560		Bolt Hex Hd M10 X 20
-	2577718		Bushing Insulating Nylon
-	54G2933		Cover Main Power Switch
-	46H9140		DASD Reloc. Kit (Fast/Wide - Thin Node)
-	46H9141		DASD Reloc. Kit (Fast - Thin Node)
-	46H9142		DASD Reloc. Kit (Fast/Wide - Wide Node)
-	46H9143		DASD Reloc. Kit (Fast - Thin Node)
-	46H9143		DASD Reloc. Kit (Fast - Wide Node)
-	00G3272		Grommet Iso.
-	93G1140		Grommet, Rubber
-	6201239		Insert, Threaded M4
-	46G6959		Latch Plate, Front Cover
-	11J4797		Nameplate Frame #01
-	11J4798		Nameplate Frame #02
-	11J4799		Nameplate Frame #03
-	11J4800		Nameplate Frame #04
-	11J4801		Nameplate Frame #05
-	11J4802		Nameplate Frame #06
-	11J4803		Nameplate Frame #07
-	11J4812		Nameplate Frame #08
-	11J4813		Nameplate Frame #09
-	11J4814		Nameplate Frame #10
-	11J4815		Nameplate Frame #11
-	11J4816		Nameplate Frame #12
-	11J4817		Nameplate Frame #13
-	11J4818		Nameplate Frame #14
-	11J4819		Nameplate Frame #15
-	11J4820		Nameplate Frame #16
-	11J4821		Nameplate Frame #17
-	11J4822		Nameplate Frame #18
-	11J4823		Nameplate Frame #19
-	11J4824		Nameplate Frame #20
-	11J4825		Nameplate Frame #21
-	11J4826		Nameplate Frame #22
-	11J4827		Nameplate Frame #23
-	11J4828		Nameplate Frame #24
-	11J4829		Nameplate Frame #25
-	11J4830		Nameplate Frame #26
-	11J4831		Nameplate Frame #27
-	11J4832		Nameplate Frame #28
-	11J4833		Nameplate Frame #29
-	11J4834		Nameplate Frame #30
-	11J4835		Nameplate Frame #31
-	11J4836		Nameplate Frame #32
-	11J4837		Nameplate Frame #33
-	11J4838		Nameplate Frame #34
-	11J4839		Nameplate Frame #35

-	11J4840	Nameplate Frame #36
-	11J4841	Nameplate Frame #37
-	11J4842	Nameplate Frame #38
-	11J4843	Nameplate Frame #39
-	11J4844	Nameplate Frame #40
-	0002899	Nut, Hex 8-32
-	0034637	Nut, Hex 6-32
-	0038214	Nut, 4-40
-	0375867	Nut, Clip Self-Retaining
-	11F2033	Nut, Self-Clinching 8-32
-	1622006	Nut, Self-Clinching M3
-	1622013	Nut, Flush Clinch M4
-	1622014	Nut, Self-Clinching M4
-	1622018	Nut, Self-Clinching M5
-	1622401	Nut, Hex M3
-	1622415	Nut, Lock M3 Top Insert
-	1622431	Nut, Hex M2.5
-	1622433	Nut, Hex M3.5
-	44F0010	Nut, Pressed M3
-	4448153	Nut, Self-Clinching M3
-	54G3074	Nut, Clinch M4
-	6223132	Nut, Pressed M4
-	84X4841	Nut, Hex Flange M4
-	84X4842	Nut, Hex Flange M5
-	84X4843	Nut, Hex Flange M6
-	8893670	Nut, Clinch 6-32
-	1622403	Nut, Hex M4, DASD (F/C 2555, 2580)
-	0034637	Nut, Hex 6/32, DASD (F/C 3032, 3033, 3034)
-	00G1269	Screw, Hex Hd SL M4 X 10
-	0000641	Screw, Fil Hd 8-32 X .750
-	0002994	Screw, Fil Hd 10-32 x .625
-	0023956	Screw, Bnd Hd 10-32 x .5
-	0034512	Screw, Bnd Hd 8-32 X .375
-	0038352	Screw, Fil Hd 6-32 X .375
-	0059647	Screw, Hex Hd .25-20 X 1.0
-	1621020	Screw, Cheese Hd M3 X 6
-	1621032	Screw, Cheese Hd M3.5 X 8
-	1621163	Screw, Pan Hd M2.5 X 10
-	1621170	Screw, Slotted Pan Hd M3 X 6
-	1621192	Screw, Pan Hd M4 X 12
-	1621199	Screw, Pan Hd M4 X 4
-	1621706	Screw, Hex Set M3 X 3
-	1621761	Screw, Set M3 X 12
-	1621963	Screw, Metric Weld M3.5 X 12mm
-	1624741	Screw, Hex Fl Hd M3 X 4
-	1624743	Screw, Hex Fl Hd M3 X 6
-	78X8993	Screw, Hex Fl Hd M3 X 8
-	1624763	Screw, Hex Fl Hd M4 X 5
-	1624764	Screw, Hex Fl Hd M4 X 6
-	1624765	Screw, Hex Fl Hd M4 X 8
-	1624766	Screw, Hex Fl Hd M4 X 10
-	00G1270	Screw, Hex Fl Hd M4 X 16
-	1624770	Screw, Hex Fl Hd M4 X 20
-	1624775	Screw, Hex Fl Hd M5 X 6

-	1624776	Screw, Hex Fl Hd M5 X 8
-	1624789	Screw, Hex Fl Hd M6 X 10
-	1624793	Screw, Hex Fl Hd M6 X 20
-	1624806	Screw, Hex Fl Hd M8 X 30
-	2744605	Screw, Hex Soc Hd 6-32 X .44
-	31G9308	Screwlock, 4-40UNC
-	32G1547	Screw, Hex Fl SL Hd M4 X 5
-	54G2882	Screw Hex Flange M5 x 10
-	26H7213	Screw Hex Flange M5 x 16
-	52G2914	Screw Shoulder Soc Hd M6 x 10
-	46G2677	Screw, #2 Phil Pan Hd M3 X 6
-	54G3280	Screw, #2 Phil Pan Hd 8-32X.312 Black
-	54G3281	Screw, #2 Phil Pan Hd M5 X 12 Black
-	54G3290	Screw, Captive M3 X 7.9
-	54G3364	Screw, #2 Phil Pan 6-32 X .50
-	62X0388	Screwlock 4-40UNC-2B
-	78X8993	Screw, Slotted Hex Flange M3 X 8
-	84X4761	Screw, Hx Fl Supadrive M5 X 20
-	8483361	Screw, FIL Hd M3 X 30
-	89F7337	Screw, Flat Hd M4 X 8
-	93G1068	Screw, Hex Fl Hd M3 X 4 Black
-	9557871	Screw, Bnd Hd 4-40 X .50
-	81F7977	Shock Mount for Fan (Blk Isolator)
-	26H7315	Shock Mount bolt M4, DASD (F/C 2555, 2580)
-	26H7316	Shock Mount Bolt 6/32, DASD (F/C 3032, 3033, 3034)
-	26H7191	Spacer, DASD Mount (F/C 3032, 3033, 3034)
-	1622151	Standoff, Self-Clinching M3 X 8
-	31G9279	Standoff, Clinch M4 X 8
-	46G7010	Standoff, Clinch M3 X 12
-	46G7031	Standoff, Self-Clinching 8-32 X .31
-	54G3284	Standoff, Hex M/F Med M3 X 30
-	54G3285	Standoff, Hex M/F Long M3 X 48
-	54G3303	Standoff, Self-Clinching
-	69F6713	Standoff, 2-56 X 9.42 UNC
-	93G1058	Standoff, Hex Node Stiffener
-	93G1139	Standoff, Hex M3 X 76
-	54G2910	Stability Foot
-	1622117	Stud, Self-Clinching M4 X 12
-	1622120	Stud, Self-Clinching M4 X 20
-	31G9235	Stud, Self-Clinching M6 X 30
-	4447687	Stud, Self-Clinching M5 X 12
-	5673453	Stud, Self-Clinching M3 X 8
-	5711295	Stud, Self-Clinching 6-32 X .375
-	84X4694	Stud, Self-Clinching M4 X 6 (Mtg)
-	8993788	Stud, Self-Clinching 6-32 X .75
-	0055901	Washer, Star #8
-	0076574	Washer, Star 6.35 (.025)
-	0333769	Washer, Flat 6.35 (.025)
-	0418787	Washer, Flat #8
-	0645722	Washer, #10, Belleville
-	1622302	Washer, Flat M3
-	1622304	Washer, Flat M4
-	1622308	Washer, M10 Narrow Flat
-	1622346	Washer, Star M4

-	1622347	Washer, Star M5
-	1622348	Washer, Star M6
-	2179909	Washer, Star M3
-	2305158	Washer, Flat #6
-	2566646	Washer, Flat M4
-	2566648	Washer, Flat .312
-	2665747	Washer, Belleville M4
-	2665752	Washer, Belleville M6
-	46G7032	Washer Plate Wide Node Mtg.
-	1622304	Washer, DASD (F/C 2555, 2580)

## DASD Part Numbers

<i>Table 1-1. DASD Part Numbers</i>				
Feature Code	Part Number	Size (GB)	Type	Address Jumper
3046/2918 See note	5986923	18.2	Ultra	45G9800
3034	74G7008	4.5	Fast/Wide	45G9800
3033	74G7007	2.2	Fast/Wide	45G9800
3032	74G7006	1.1	Fast/Wide	45G9800
3031	74G6996	2.2	Fast	93X2452
3031	86G9099	2.2	Fast	93X2452
3010	93G2972	9.1	Fast/Wide	45G9800
3000	93G2970	4.5	Fast/Wide	45G9800
2908/2909 See note	59H6926	9.1	Ultra	45G9800
2900/2904 See note	83H7105	4.5	Ultra	45G9800
2580	90F0894	2	Fast	93X2452
2580	86F0118	2	Fast	45G9800
2555	36G6930	1	Fast	45G9800
2555	86G9049	1	Fast	45G9800
2555	45G9467	1	Fast	45G9800
<b>Note:</b> Feature codes 2909, 2904, and 2918 are DASD mirroring.				

## RS/6000 SP Memory Part Numbers

<i>Table 1-2. Memory Part Numbers/S4.6 Cards. MEM part numbers - 8 SIMMs per card</i>				
Card Size	F/C	SIMMless card FRU #	SIMM FRU #	SIMM Size
32 MB	4053 4067	52G4801	70F9973	4 MB
64 MB	4054 4069 5064	52G4801	70F9976	8 MB
128 MB	4055 4090 5129	52G4801	43G1796	16 MB
256 MB	4056 4095	88G3680	07L8500	32 MB
256 MB	4056 4095	52G4801	39H8312	32 MB

<i>Table 1-3. Memory Part Numbers/S5.0 Cards. MEM part numbers - 8 SIMMs per card</i>				
<b>Card Size</b>	<b>F/C</b>	<b>SIMMless Card FRU #</b>	<b>SIMM FRU #</b>	<b>SIMM Size</b>
32 MB	4076	12H1331	39H8924	4 MB
64MB	4077	12H1331	39H8925	8 MB
128 MB	4078	12H1331	43G1796	16 MB
256 MB	4079	12H1331	39H8312	32 MB

<i>Table 1-4. Memory DIMM/DIMMless S.60 Cards. (For 604 High Processor Node)</i>				
<b>Card Size</b>	<b>F/C</b>	<b>DIMMless Card FRU #</b>	<b>DIMM FRU #</b>	<b>DIMM Size</b>
64 MB	4155	93H4357	19H0287	8 MB
128 MB	4156	93H4357	19H0288	16 MB
256 MB	4157	93H4357	19H0289	32 MB
512 MB	4158	93H4357	35H8751	64 MB

<i>Table 1-5. Memory DIMM/DIMMless S.60 Cards. (For 604e High Processor Node)</i>				
<b>Card Size</b>	<b>F/C</b>	<b>DIMMless Card FRU #</b>	<b>DIMM FRU #</b>	<b>DIMM Size</b>
256 MB	4029	93H4357	07L6696	64 MB
512 MB	4154	93H4357	07L6696	64 MB
1 GB	4030	93H4357	07L6696	64 MB

<i>Table 1-6. Memory SIMM/SIMMless S.60 Cards. (For 160 MHz Thin Processor Node)</i>				
<b>Card Size</b>	<b>F/C</b>	<b>SIMMless Card FRU #</b>	<b>SIMM FRU #</b>	<b>SIMM Size</b>
32 MB	4086	93H5994	39H8924	4 MB
64 MB	4087	93H5994	39H8925	8 MB
128 MB	4088	93H5994	43G1796	16 MB
256 MB	4089	93H5994	29H8312	32 MB

<i>Table 1-7. Memory DIMMs/Cards. (For 332 MHz SMP Thin and Wide Nodes)</i>				
<b>Description</b>	<b>F/C</b>	<b>DIMMless Card FRU #</b>	<b>DIMM FRU #</b>	<b>DIMM Size</b>
128 MB	4110	93H2641	93H4702	128 MB
Base Card	4093	93H2641	93H4702	128 MB

<i>Table 1-8. Memory DIMMs/Cards. (For POWER3 SMP Thin and Wide Nodes)</i>				
<b>Description</b>	<b>F/C</b>	<b>DIMMless Card FRU #</b>	<b>DIMM FRU #</b>	<b>DIMM Size</b>
128 MB	4110	07L7065	93H4702	128 MB
Base Card	4098	07L7065	93H4702	128 MB





---

# Index

## Numerics

- 1.93 m frame
  - frame assembly 1-4, 1-6
- 1.93 m frame cover
  - cover, 1.93 m frame 1-12
- 1.93 m frame power switch, main 1-26
- 120 or 160 Mhz thin node 1-54, 1-56, 1-58
- 2.01 m frame
  - frame assembly, 2.01 m 1-8, 1-10
- 2.01 m frame cover
  - front cover (2.01 m frame) 1-14
- 2.01 m frame rear cover
  - rear cover assembly (2.01 m frame) 1-16
- 2.01 m frame side cover
  - side cover assembly (2.01 m frame) 1-18
- 2.01 m frame, power switch, main
  - main power switch assembly 1-28
- 332 MHz SMP node assembly 1-84
  - I/O expansion assembly 1-98, 1-100, 1-102
  - thin node 1-86, 1-88, 1-90
  - wide node 1-92, 1-94, 1-96
- 49-inch frame 1-152, 1-154
- 604 high processor node 1-66, 1-78, 1-80, 1-82
- 604e high processor node 1-66, 1-68, 1-70, 1-72, 1-74, 1-76, 1-78, 1-80, 1-82
- 604e media module 1-68

## A

- acoustic skirt assembly 1-20
- adapters
  - Micro Channel, features 1-126
  - PCI, features 1-129
- audience of this book xiii

## C

- cable detail 1-158
- cables, switch 1-148
- cover, 1.93 m frame 1-12
- cpu module
  - 604e high node 1-70, 1-72, 1-74

## D

- DASD 1-164
- DIMM, memory 1-164

## E

- ESD
  - procedures viii

- ESD (*continued*)
  - requirements viii

## F

- feature
  - DASD 1-164
  - memory 1-164
- feature, switch cables 1-148
- features
  - Micro Channel adapters 1-126
  - PCI adapters 1-129
- frame assembly 1-4, 1-6
- frame assembly, 2.01 m 1-8, 1-10
- frame, 49-inch 1-152, 1-154
- front cover (2.01 m frame) 1-14

## G

- gate assembly, supervisor 1-42

## H

- hardware, miscellaneous 1-160
- High Performance switch 2.0 (feature) 1-132
- High Performance switch 3.0 (feature) 1-134, 1-136
- High Performance switch LC8 (feature) 1-138, 1-140
- high processor node assembly
  - 604 and 604e 1-66, 1-68, 1-70, 1-72, 1-74, 1-76, 1-78, 1-80, 1-82
- HiPS 2.0 (feature) 1-132
- HiPS 3.0 (feature) 1-134, 1-136
- HiPS-LC8 (feature) 1-140
- HiPS-LC8 (feature) 1-138

## I

- I/O expansion assembly
  - 332 MHz SMP node 1-98, 1-100, 1-102
  - POWER3 SMP node 1-118, 1-120, 1-122
- I/O module
  - 604e high node 1-76

## M

- main power switch assembly 1-28
- main power switch assembly, , 1.93 m frame 1-26
- media module
  - 604e high node 1-68
- memory, feature 1-164
- Micro Channel adapters, features 1-126
- miscellaneous hardware 1-160

multi-switch frame (F/C 2030/1) 1-150

## P

PCI adapters, features 1-129  
PDU 1-30, 1-32, 1-34, 1-36, 1-38, 1-40  
POWER3 SMP node assembly 1-104  
    I/O expansion assembly 1-118, 1-120, 1-122  
    thin node 1-106, 1-108, 1-110  
    wide node 1-112, 1-114, 1-116  
prerequisite knowledge for this book xiii  
Procedures  
    ESD viii  
purpose of book xiii  
    task procedures overview xiii

## R

rear cover assembly (2.01 m frame) 1-16  
Requirements  
    ESD viii

## S

SEPBU 1-22, 1-24  
ship group 1-156  
side cover assembly (2.01 m frame) 1-18  
SIMM, memory 1-164  
SPS, SPS-8 (feature) 1-142, 1-144, 1-146  
SPS, SPS-8 switch (feature) 1-144  
SPS, SPS-8 switch (feature) 1-142, 1-146  
supervisor gate assembly 1-42  
switch cables (feature) 1-148

## T

thin node  
    332 MHz SMP node 1-86, 1-88, 1-90  
    POWER3 SMP node 1-106, 1-108, 1-110  
thin processor node 2 assembly 1-50, 1-52  
thin processor node assembly 1-44, 1-46, 1-48  
trademarks vii

## W

who should use book xiii  
wide node  
    332 MHz SMP node 1-92, 1-94, 1-96  
    POWER3 SMP node 1-112, 1-114, 1-116  
wide processor node assembly 1-60, 1-62, 1-64

## Part Number Index

Part Number	Asm-Index	Page	Part Number	Asm-Index	Page	Part Number	Asm-Index	Page
162192	37-	1-77	0055726	continued		0418787	continued	
00G0972	62-	1-126		60-4	1-123		57-2	1-117
00G1268	33-3	1-69	0055901	26-24	1-55		78-	1-162
	33-5	1-69		78-	1-162	05F2045	63-	1-130
	37-12	1-77	0059647	4-8	1-11	0524519	74-	1-153
	38-	1-79		78-	1-161	0645722	78-	1-162
	38-	1-79	0076574	4-7	1-11	07H6410	29-15	1-61
	38-13	1-79		78-	1-162		31-8	1-65
00G1269	33-13	1-69	02G7425	62-	1-126	07H6411	29-8	1-61
	78-	1-161	02G7431	62-	1-126		31-3	1-65
00G1270	29-29	1-61	02G7434	62-	1-126	07H6446	25-15	1-53
	78-	1-161		62-	1-128	07H6655	32-	1-67
00G1276	62-	1-126	0333769	4-6	1-11		32-	1-67
00G2258	22-12	1-47		78-	1-162	07L6601	62-	1-126
	24-7	1-51	0375867	4-2	1-11	07L6765	29-27	1-61
00G2259	22-9	1-47		32-9	1-67		31-13	1-65
	24-1	1-51		41-4	1-85	07L7065	54-1	1-111
00G2380	62-	1-126		51-4	1-105	07L7370	29-28	1-61
	62-	1-128		73-4	1-151		31-14	1-65
00G2652	62-	1-127		75-	1-155	07L8240	53-2	1-109
00G2721	21-7	1-45		78-	1-161	07L8531	59-1	1-121
00G2917	21-15	1-45	04G1559	33-12	1-69	07L8549	26-23	1-55
	25-11	1-53		34-10	1-71	07L8916	63-	1-129
00G2981	22-8	1-47		34-24	1-71	07L9718	43-10	1-89
	24-2	1-51		35-2	1-73	07L9822	63-	1-129
	26-2	1-55		35-5	1-73	08J5557	73-	1-151
	64-4	1-133		37-	1-77		76-	1-157
	66-6	1-137		40-	1-83	08J5834	27-10	1-57
	67-7	1-139	04G5500	62-	1-128	08J5858	32-17	1-67
00G3272	30-5	1-63	04G5501	62-	1-128	08J6102	7-	1-17
	78-	1-160	04H1559	37-	1-77	08J6105	42-7	1-87
00G3368	62-	1-126	04H9417	29-30	1-61		46-2	1-95
0000641	78-	1-161	04H9441	31-11	1-65		52-7	1-107
0002899	14-9	1-31		77-	1-158		56-2	1-115
	78-	1-161	04H9460	25-5	1-53	08J6106	6-	1-15
0002994	78-	1-161	04H9464	62-	1-126	08J6111	49-10	1-101
0023956	78-	1-161		76-	1-156		59-8	1-121
0034512	26-	1-55	04H9466	11-9	1-25	08J6118	61-	1-125
	26-	1-55	04H9469	73-12	1-151	08L0160	34-6	1-71
	78-	1-161	04H9474	76-	1-156	08L0398	61-	1-125
0034637	26-15	1-55	04H9517	25-	1-53	08L0442	44-5	1-91
	26-	1-55		28-4	1-59	08L0626	43-11	1-89
	30-6	1-63	04H9528	24-21	1-51	08L0678	76-	1-156
	78-	1-161		26-11	1-55	08L0679	76-	1-156
	78-	1-161	04H9530	67-1	1-139	08L0682	76-	1-156
0038214	78-	1-161	04H9531	72-	1-148	08L0683	76-	1-156
0038352	26-8	1-55	04H9532	77-	1-158	08L1100	35-9	1-73
	78-	1-161	04H9533	21-9	1-45		37-1	1-77
0038442	40-2	1-83		25-9	1-53	08L1101	35-8	1-73
	40-	1-83	0418787	14-8	1-31		37-2	1-77
0055726	42-6	1-87		26-24	1-55	08L1215	63-	1-130
	50-4	1-103		44-7	1-91	08L1303	53-5	1-109
	52-6	1-107		47-2	1-97	09J4779	34-5	1-71

Part Number	Asm-Index	Page	Part Number	Asm-Index	Page	Part Number	Asm-Index	Page
09J4887	35-4	1-73	11J3934	continued		11J4824	78-	1-160
09J4902	35-7	1-73		77-	1-159	11J4825	78-	1-160
09J8829	63-	1-130	11J3942	29-31	1-61	11J4826	78-	1-160
09L2061	63-	1-129		31-15	1-65	11J4827	78-	1-160
1073418	29-1	1-61	11J3975	72-	1-149	11J4828	78-	1-160
11F2033	78-	1-161	11J3976	72-	1-149	11J4829	78-	1-160
11H2447	62-	1-126	11J3977	72-	1-149	11J4830	78-	1-160
11H2504	62-	1-127	11J3978	72-	1-149	11J4831	78-	1-160
11H2661	32-11	1-67	11J3979	72-	1-149	11J4832	78-	1-160
11H2676	33-17	1-69	11J3980	72-	1-149	11J4833	78-	1-160
11H2677	34-8	1-71	11J3981	72-	1-149	11J4834	78-	1-160
11H2678	35-3	1-73	11J3982	72-	1-149	11J4835	78-	1-160
11H2683	37-4	1-77	11J4000	11-	1-25	11J4836	78-	1-160
11H2684	37-3	1-77		38-8	1-79	11J4837	78-	1-160
11H2689	37-	1-77		42-4	1-87	11J4838	78-	1-160
11H2691	34-14	1-71		52-4	1-107	11J4839	78-	1-160
11H2692	37-6	1-77		75-18	1-155	11J4840	78-	1-161
11H2694	32-	1-67	11J4774	10-7	1-23	11J4841	78-	1-161
	33-19	1-69		41-5	1-85	11J4842	78-	1-161
	37-19	1-77		51-5	1-105	11J4843	78-	1-161
11H2697	35-6	1-73		74-13	1-153	11J4844	78-	1-161
	76-	1-157	11J4778	38-2	1-79	11J5115	26-28	1-55
11H2704	40-3	1-83	11J4782	10-	1-23	11J5140	26-21	1-55
11H2712	32-12	1-67		74-	1-153	11J5155	10-6	1-23
	37-20	1-77		77-	1-158		74-11	1-153
11H3158	37-	1-77	11J4783	10-	1-23	11J5158	76-	1-156
11H3159	37-	1-77		74-	1-153	11J5177	46-1	1-95
11H3190	33-9	1-69		77-	1-158		56-1	1-115
11H3264	37-9	1-77	11J4784	10-	1-23	11J5189	11-	1-25
11H3280	34-3	1-71		74-	1-153		75-23	1-155
11H3614	62-	1-127		77-	1-158	11J5190	11-	1-25
11H4779	62-	1-126	11J4785	10-	1-23		75-21	1-155
11H5676	62-	1-128		74-	1-153	11J5191	11-	1-25
11H7315	37-	1-77		77-	1-158		75-22	1-155
11H7317	40-6	1-83	11J4797	78-	1-160	11J5192	11-	1-25
11H7396	37-17	1-77	11J4798	78-	1-160		75-20	1-155
11H7660	62-	1-126	11J4799	78-	1-160	11J5193	11-	1-25
11H8229	33-7	1-69	11J4800	78-	1-160	11J5194	11-	1-25
11H8261	33-16	1-69	11J4801	78-	1-160	11J5195	11-	1-25
11H8607	62-	1-127	11J4802	78-	1-160	11J5196	11-	1-25
11J3280	76-	1-157	11J4803	78-	1-160	11J5197	43-7	1-89
11J3865	44-10	1-91	11J4808	10-	1-23	11J5205	44-6	1-91
	54-7	1-111	11J4809	10-	1-23	11J5228	5-2	1-13
11J3866	43-9	1-89	11J4810	10-	1-23	11J5230	9-2	1-21
11J3884	51-9	1-105	11J4811	10-	1-23	11J5231	9-7	1-21
	55-4	1-113	11J4812	78-	1-160	11J5232	9-5	1-21
11J3903	76-	1-156	11J4813	78-	1-160	11J5233	2-1	1-7
11J3928	42-5	1-87	11J4814	78-	1-160		10-4	1-23
	50-3	1-103	11J4815	78-	1-160	11J5235	5-5	1-13
	52-5	1-107	11J4816	78-	1-160	11J5242	10-1	1-23
	60-3	1-123	11J4817	78-	1-160		74-8	1-153
11J3934	22-5	1-47	11J4818	78-	1-160	11J5244	43-3	1-89
	23-2	1-49	11J4819	78-	1-160	11J5248	43-1	1-89
	24-9	1-51	11J4820	78-	1-160		53-3	1-109
	24-19	1-51	11J4821	78-	1-160	11J5253	75-17	1-155
	26-13	1-55	11J4822	78-	1-160	11J5258	10-5	1-23
	28-11	1-59	11J4823	78-	1-160		74-10	1-153

Part Number	Asm-Index	Page	Part Number	Asm-Index	Page	Part Number	Asm-Index	Page
11J6091	72-	1-149	1622014	78-	1-161	1624763	continued	
11J6092	72-	1-149	1622018	78-	1-161		45-6	1-93
11J6093	72-	1-149	1622117	78-	1-162		47-3	1-97
11J6094	72-	1-149	1622120	78-	1-162		49-	1-101
11J6095	72-	1-149	1622151	78-	1-162		51-7	1-105
11J6096	72-	1-149	1622288	37-16	1-77		53-	1-109
11J6097	72-	1-149	1622302	15-4	1-33		55-2	1-113
11J6098	72-	1-149		18-10	1-39		57-3	1-117
11J6099	72-	1-149		78-	1-162		78-	1-161
11J6100	72-	1-149	1622304	30-9	1-63	1624764	17-5	1-37
11J6101	72-	1-149		78-	1-162		27-13	1-57
11J6102	72-	1-149		78-	1-163		78-	1-161
11J6103	72-	1-149	1622308	78-	1-162	1624765	43-	1-89
11J6104	72-	1-149	1622316	23-	1-49		43-	1-89
11J6105	72-	1-149		24-	1-51		49-	1-101
11J6106	72-	1-149		28-	1-59		49-	1-101
11J6147	49-7	1-101		29-	1-61		78-	1-161
	53-10	1-109		39-	1-81	1624766	15-10	1-33
	59-5	1-121		43-	1-89		17-8	1-37
11J6168	5-4	1-13		43-	1-89		53-	1-109
	5-6	1-13		53-	1-109		53-	1-109
11J6513	42-1	1-87		53-	1-109		59-	1-121
	50-1	1-103		59-	1-121		59-	1-121
	52-1	1-107		65-	1-135		70-2	1-145
	60-1	1-123		66-	1-137		74-3	1-153
11J6514	42-2	1-87		67-	1-139		78-	1-161
	52-2	1-107		68-	1-141	1624770	17-10	1-37
11J6523	42-3	1-87	1622346	4-17	1-11		78-	1-161
11J6524	48-6	1-99		13-7	1-29	1624775	9-3	1-21
	50-2	1-103		74-2	1-153		78-	1-161
	58-6	1-119		78-	1-162	1624776	73-9	1-151
	60-2	1-123	1622347	74-5	1-153		78-	1-162
1159913	34-7	1-71		78-	1-163	1624789	78-	1-162
12H1204	77-	1-159	1622348	78-	1-163	1624793	78-	1-162
16F1861	62-	1-128	1622401	18-8	1-39	1624803	1-	1-5
16F1884	62-	1-127		78-	1-161	1624806	78-	1-162
16F1890	62-	1-127	1622403	78-	1-161	1643894	76-	1-156
16F1891	62-	1-127	1622415	78-	1-161	17H0499	68-5	1-141
1621020	13-8	1-29	1622417	37-	1-77	17H5005	76-	1-157
	78-	1-161	1622420	4-11	1-11	17H5026	45-7	1-93
1621032	28-7	1-59	1622431	78-	1-161		55-5	1-113
	78-	1-161	1622433	26-	1-55		73-6	1-151
1621163	78-	1-161		28-9	1-59	17H5030	68-8	1-141
1621170	33-10	1-69		78-	1-161	17H5032	76-	1-157
	78-	1-161	1622675	26-4	1-55	17H5033	68-12	1-141
1621187	35-5	1-73	1622977	34-22	1-71	17H5038	31-6	1-65
	37-15	1-77	1623740	1-	1-5	17H5048	68-3	1-141
1621192	78-	1-161		1-	1-5	17H5074	65-	1-135
1621197	30-7	1-63	1624741	78-	1-161		66-1	1-137
1621199	78-	1-161	1624743	15-9	1-33		73-1	1-151
1621285	34-2	1-71		16-8	1-35	17H5075	67-	1-139
1621560	78-	1-160		44-	1-91		68-	1-141
1621706	78-	1-161		78-	1-161	17H5076	66-2	1-137
1621761	78-	1-161	1624744	16-9	1-35	17H5078	76-	1-157
1621963	78-	1-161	1624763	41-7	1-85	17H5081	24-	1-51
1622006	78-	1-161		43-	1-89	17H5419	20-3	1-43
1622013	78-	1-161		44-8	1-91	17H5426	62-	1-126

Part Number	Asm-Index	Page	Part Number	Asm-Index	Page	Part Number	Asm-Index	Page
19F1586	1-	1-5	2305158	26-16	1-55	31G9235	78-	1-162
19H0240	34-6	1-71		78-	1-163	31G9237	15-1	1-33
19H0271	34-6	1-71	2495448	76-	1-157	31G9238	14-4	1-31
19H0283	34-5	1-71	2549989	65-8	1-135	31G9239	14-3	1-31
19H0287	34-6	1-71	2566646	17-6	1-37	31G9248	20-2	1-43
19H0288	34-6	1-71		78-	1-163	31G9264	4-14	1-11
19H0289	34-6	1-71	2566648	78-	1-163	31G9267	3-6	1-9
21H3890	63-	1-129	2577718	78-	1-160	31G9271	22-6	1-47
21H7977	63-	1-129	26H7085	22-3	1-47		23-3	1-49
21L2362	3-8	1-9	26H7186	29-20	1-61		24-24	1-51
21L2727	41-	1-85	26H7189	29-13	1-61		26-9	1-55
	51-	1-105	26H7190	29-22	1-61		26-30	1-55
21L2728	41-	1-85	26H7191	78-	1-162		28-10	1-59
	51-	1-105	26H7194	23-5	1-49		77-	1-158
21L2729	41-	1-85	26H7198	73-10	1-151	31G9272	21-17	1-45
	51-	1-105	26H7212	69-4	1-143		25-13	1-53
21L2732	41-	1-85	26H7213	6-8	1-15		27-12	1-57
	51-	1-105		78-	1-162		77-	1-158
21L2743	28-1	1-59	26H7215	4-15	1-11	31G9274	21-2	1-45
21L2882	59-	1-121	26H7220	21-12	1-45		25-2	1-53
21L2885	53-6	1-109		25-14	1-53		27-2	1-57
21L2887	53-8	1-109		27-16	1-57		77-	1-158
21L2888	59-3	1-121	26H7230	23-4	1-49	31G9276	21-4	1-45
21L2889	53-	1-109	26H7231	23-7	1-49		25-4	1-53
21L2906	10-2	1-23	26H7232	23-6	1-49		27-4	1-57
	74-7	1-153	26H7234	21-14	1-45		77-	1-158
21L3046	43-13	1-89		21-	1-45	31G9278	25-1	1-53
	45-4	1-93		27-14	1-57		77-	1-158
	48-1	1-99	26H7241	62-	1-126	31G9279	78-	1-162
	58-2	1-119	26H7245	3-7	1-9	31G9288	9-4	1-21
21L3060	41-9	1-85	26H7246	3-4	1-9	31G9291	78-	1-160
	45-2	1-93	26H7249	31-	1-65	31G9293	7-1	1-17
21L3138	10-2	1-23		62-	1-126	31G9304	22-15	1-47
	74-7	1-153	26H7255	69-1	1-143	31G9305	22-7	1-47
21L3878	49-4	1-101		71-6	1-147		24-4	1-51
21L3916	11-6	1-25	26H7314	21-	1-45	31G9306	22-16	1-47
	75-26	1-155		24-	1-51		24-12	1-51
	77-	1-158	26H7315	78-	1-162		26-20	1-55
21L3917	11-7	1-25	26H7316	30-4	1-63	31G9308	18-1	1-39
	75-25	1-155		78-	1-162		19-1	1-41
21L3926	44-6	1-91	26H7319	29-19	1-61		20-7	1-43
21L3927	49-3	1-101	26H7354	66-20	1-137		38-	1-79
21L3933	43-4	1-89		67-5	1-139		49-8	1-101
21L3953	41-6	1-85	26H7359	11-	1-25		78-	1-162
	45-5	1-93	26H7389	70-3	1-145	31G9309	64-2	1-133
	51-6	1-105	26H7391	71-1	1-147		66-9	1-137
	55-1	1-113	26H7395	69-5	1-143		67-10	1-139
21L3954	59-2	1-121		71-5	1-147		71-7	1-147
21L7121	12-5	1-27	2665747	17-7	1-37	31L7117	53-7	1-109
2179909	18-9	1-39		78-	1-163	31L7130	12-2	1-27
	78-	1-163	2665752	17-15	1-37	31L7196	61-	1-125
22F9503	29-26	1-61		78-	1-163	31L7197	61-	1-125
22F9694	62-	1-127	2744605	78-	1-162	31L7204	53-1	1-109
	62-	1-127	30F8966	77-	1-159	31L7253	54-	1-111
2222222	76-	1-156	31G9232	14-7	1-31	31L7264	44-6	1-91
2282675	62-	1-127	31G9233	17-13	1-37		54-4	1-111
2282676	62-	1-127	31G9234	17-9	1-37	31L7724	5-1	1-13

Part Number	Asm-Index	Page	Part Number	Asm-Index	Page	Part Number	Asm-Index	Page
31L7725	5-3	1-13	40H7000	34-16	1-71	46G5686	11-8	1-25
31L7736	54-6	1-111	40H7012	37-13	1-77		69-7	1-143
31L7766	44-9	1-91	40H7014	37-5	1-77		72-	1-148
31L7827	54-	1-111	40H7043	40-5	1-83		72-	1-149
31L7838	52-	1-107	40H7070	34-11	1-71		75-24	1-155
31L7865	52-3	1-107	40H7074	34-20	1-71		77-	1-158
32G1547	29-21	1-61	40H7125	76-	1-156		77-	1-158
	30-1	1-63	40H7126	76-	1-156	46G5695	76-	1-156
	32-	1-67	40H7442	29-	1-61	46G5697	18-3	1-39
	34-18	1-71		31-20	1-65		77-	1-158
	71-2	1-147	41F0464	62-	1-128	46G5703	18-2	1-39
	78-	1-162	41L5020	34-4	1-71		77-	1-158
33F3258	38-	1-79	42F7434	29-10	1-61	46G5704	13-10	1-29
	38-	1-79		29-11	1-61	46G5706	18-6	1-39
33F5638	32-	1-67		31-4	1-65		77-	1-158
33F8964	62-	1-128		31-5	1-65	46G5944	17-4	1-37
33F8985	62-	1-128	42G4996	28-6	1-59		77-	1-158
	63-	1-129	43G0278	62-	1-128	46G5947	76-	1-156
34F0876	63-	1-130	43G0779	21-8	1-45	46G5952	72-	1-148
	63-	1-130	43G0856	62-	1-126	46G5953	72-	1-148
35H8834	37-21	1-77	43G0876	62-	1-126	46G5954	72-	1-148
38H6405	62-	1-128	43G0926	63-	1-129	46G5955	72-	1-148
38H6496	62-	1-128	43G0928	62-	1-127	46G5956	72-	1-148
38H9698	29-14	1-61	43G0935	77-	1-158	46G5958	76-	1-157
	31-10	1-65	43G0936	77-	1-158	46G5960	77-	1-158
39F7406	65-9	1-135	43G0937	62-	1-127	46G5963	23-8	1-49
	68-10	1-141	43G0938	62-	1-127		28-2	1-59
39H8179	62-	1-128	43G3317	62-	1-128	46G5964	22-21	1-47
40F9904	63-	1-129	43G3318	62-	1-128		24-16	1-51
40F9968	22-11	1-47	44F0010	78-	1-161	46G5969	17-2	1-37
	24-6	1-51	44G9658	68-4	1-141		19-2	1-41
40F9969	22-10	1-47	4442739	4-12	1-11		77-	1-158
	24-5	1-51	4447687	78-	1-162	46G5971	72-	1-148
	62-	1-126	4448153	78-	1-161	46G5972	72-	1-148
	62-	1-126	46G2677	39-2	1-81	46G5973	72-	1-148
	62-	1-127		39-4	1-81	46G5974	72-	1-148
	62-	1-127		78-	1-162	46G5975	72-	1-148
	62-	1-127	46G5476	20-1	1-43	46G5976	72-	1-148
	62-	1-127	46G5479	77-	1-158	46G5977	72-	1-148
	62-	1-128	46G5480	20-6	1-43	46G5978	72-	1-148
	62-	1-128	46G5583	65-2	1-135	46G5979	72-	1-148
40H0502	32-14	1-67		68-7	1-141	46G6952	4-1	1-11
40H0732	33-8	1-69		77-	1-158	46G6953	21-	1-45
40H0737	33-11	1-69	46G5584	65-4	1-135		51-	1-105
40H0738	33-6	1-69		77-	1-158	46G6959	78-	1-160
40H0755	38-11	1-79	46G5616	6-9	1-15	46G6961	3-3	1-9
40H0847	40-1	1-83		7-4	1-17	46G6964	9-5	1-21
40H0875	37-7	1-77	46G5619	31-	1-65	46G6965	9-7	1-21
40H0876	37-8	1-77		76-	1-157	46G6966	9-2	1-21
40H2589	62-	1-127	46G5620	76-	1-157	46G6967	9-6	1-21
40H2648	62-	1-127	46G5629	66-7	1-137	46G6970	2-2	1-7
40H3611	62-	1-127		67-8	1-139		10-3	1-23
40H5707	62-	1-127	46G5632	64-1	1-133	46G6972	3-1	1-9
40H6328	76-	1-156	46G5633	17-17	1-37	46G6975	7-2	1-17
40H6595	63-	1-129	46G5635	17-16	1-37	46G6976	6-6	1-15
40H6690	24-10	1-51	46G5637	17-12	1-37	46G6980	9-3	1-21
40H6717	21-10	1-45	46G5665	66-15	1-137	46G6981	29-2	1-61

Part Number	Asm-Index	Page	Part Number	Asm-Index	Page	Part Number	Asm-Index	Page
46G6994	29-17	1-61	46H9266	continued		48G3055	11-	1-25
46G6999	14-2	1-31		24-	1-51		31-	1-65
	19-11	1-41	46H9276	32-13	1-67		76-	1-156
46G7005	62-	1-126	46H9277	32-2	1-67	51G8538	62-	1-128
	76-	1-157	46H9278	32-8	1-67	51G8539	62-	1-128
46G7009	9-1	1-21	46H9279	32-4	1-67	51G9060	62-	1-127
46G7010	78-	1-162	46H9281	32-6	1-67	51G9226	62-	1-127
46G7011	19-8	1-41	46H9287	38-6	1-79	51G9441	21-10	1-45
	77-	1-158	46H9288	38-10	1-79	51G9994	62-	1-127
46G7012	19-6	1-41	46H9302	26-7	1-55	51G9996	62-	1-127
	77-	1-158	46H9304	26-19	1-55	51H8700	63-	1-129
46G7013	17-3	1-37	46H9305	69-3	1-143		63-	1-130
	19-3	1-41		70-4	1-145	51H8738	23-10	1-49
	77-	1-158	46H9312	31-16	1-65		24-	1-51
46G7017	19-9	1-41	46H9317	38-4	1-79		28-5	1-59
	77-	1-158	46H9324	32-7	1-67		29-16	1-61
46G7018	19-10	1-41	46H9327	70-1	1-145		30-8	1-63
	77-	1-158	46H9679	70-1	1-145		43-	1-89
46G7019	30-3	1-63	46H9687	39-1	1-81		43-8	1-89
46G7020	30-2	1-63	46H9688	76-	1-156		53-	1-109
46G7025	23-9	1-49	46H9698	72-	1-149		53-11	1-109
	28-3	1-59	46H9699	72-	1-149		59-6	1-121
46G7031	78-	1-162	46H9700	72-	1-149		65-5	1-135
46G7032	78-	1-163	46H9701	72-	1-149		66-18	1-137
46G7034	16-5	1-35	46H9703	29-15	1-61		67-2	1-139
46G7035	72-	1-148		31-8	1-65		68-6	1-141
46G7036	72-	1-148	46H9707	31-16	1-65	51H9358	43-6	1-89
46G7037	72-	1-148	46H9730	69-8	1-143		49-6	1-101
46G7038	72-	1-148	46H9736	38-3	1-79		53-9	1-109
46G7039	72-	1-148	46H9737	4-4	1-11		59-4	1-121
46G7040	72-	1-148	46H9753	40-7	1-83	51H9362	43-5	1-89
46G7041	72-	1-148	46H9754	32-18	1-67	51H9363	54-5	1-111
46G7042	72-	1-148	46H9755	32-16	1-67	51H9384	48-5	1-99
46G8488	72-	1-148	46H9756	32-15	1-67	51H9385	49-5	1-101
46H9139	6-10	1-15	46H9759	39-5	1-81	51H9386	49-11	1-101
	7-3	1-17	46H9760	39-6	1-81		59-9	1-121
	74-1	1-153	46H9767	26-5	1-55	51H9389	47-1	1-97
46H9140	78-	1-160	46H9768	26-1	1-55		57-1	1-117
46H9141	78-	1-160	46H9770	26-6	1-55	51H9412	43-12	1-89
46H9142	78-	1-160	46H9772	27-1	1-57		48-4	1-99
46H9143	78-	1-160	46H9773	27-5	1-57		58-5	1-119
	78-	1-160	46H9777	38-9	1-79	51H9426	41-3	1-85
46H9144	4-16	1-11	46H9778	71-3	1-147		51-3	1-105
46H9145	76-	1-156	46H9779	71-3	1-147	51H9427	41-1	1-85
46H9165	49-9	1-101	46H9783	32-3	1-67		51-1	1-105
	59-7	1-121	46H9799	24-23	1-51	51H9428	71-3	1-147
46H9175	21-1	1-45	46H9801	32-5	1-67	51H9738	39-3	1-81
	22-17	1-47	46H9802	38-7	1-79	52G1492	29-18	1-61
	24-13	1-51	46H9834	24-20	1-51		31-12	1-65
46H9176	21-	1-45		26-12	1-55	52G2914	78-	1-162
	24-	1-51	46H9856	11-11	1-25	52G3379	63-	1-129
46H9197	76-	1-157	46H9969	26-27	1-55	52G3380	62-	1-126
46H9220	69-	1-143	47L3061	76-	1-156	52G4234	62-	1-126
46H9229	22-19	1-47	47L3062	76-	1-156	52G4259	21-18	1-45
46H9231	21-	1-45	47L3063	76-	1-156		62-	1-126
	24-	1-51	47L3064	76-	1-156	52G4291	62-	1-126
46H9266	21-	1-45	47L3065	76-	1-156	52G4349	62-	1-126



Part Number	Asm-Index	Page	Part Number	Asm-Index	Page	Part Number	Asm-Index	Page
52G4757	62-	1-127	54G2910	78-	1-162	54G3246	31-1	1-65
52G4894	62-	1-127	54G2913	17-1	1-37		77-	1-159
52G5668	37-14	1-77		18-13	1-39	54G3260	14-1	1-31
52G7348	62-	1-126		77-	1-159	54G3263	14-10	1-31
52G7349	62-	1-126	54G2929	13-3	1-29	54G3274	13-6	1-29
52G7350	62-	1-126	54G2930	13-4	1-29	54G3277	76-	1-156
53F2612	62-	1-128	54G2931	13-	1-29	54G3280	78-	1-162
53F2615	62-	1-128		76-	1-156	54G3281	73-2	1-151
53F2621	62-	1-128	54G2932	13-	1-29		74-6	1-153
53F2660	62-	1-128		76-	1-156		74-9	1-153
53F2664	62-	1-128	54G2933	13-5	1-29		74-12	1-153
53F3926	62-	1-127		76-	1-156		78-	1-162
53F3927	62-	1-127		78-	1-160	54G3284	66-14	1-137
	62-	1-128	54G2947	10-7	1-23		78-	1-162
53F3930	62-	1-127		73-8	1-151	54G3285	66-13	1-137
	77-	1-158		74-13	1-153		78-	1-162
53G0638	63-	1-129	54G2993	62-	1-126	54G3290	78-	1-162
54F0740	63-	1-130	54G2995	13-2	1-29	54G3291	29-9	1-61
54G2745	10-	1-23	54G2996	77-	1-159		31-19	1-65
	14-	1-31	54G3001	21-3	1-45	54G3298	62-	1-126
	77-	1-158		25-3	1-53	54G3300	76-	1-156
54G2749	10-	1-23		27-3	1-57		77-	1-159
	14-	1-31		77-	1-159	54G3301	61-	1-125
	77-	1-158	54G3009	18-17	1-39		76-	1-156
54G2860	24-18	1-51		77-	1-159		77-	1-159
	26-14	1-55	54G3011	18-5	1-39	54G3303	78-	1-162
54G2877	10-6	1-23		77-	1-159	54G3304	65-11	1-135
	73-7	1-151	54G3013	76-	1-157		66-12	1-137
	74-11	1-153	54G3014	76-	1-156		67-13	1-139
54G2881	4-9	1-11	54G3015	65-3	1-135		68-11	1-141
54G2882	1-	1-5		66-16	1-137		77-	1-159
	1-	1-5		67-4	1-139	54G3305	18-11	1-39
	1-	1-5		68-2	1-141		77-	1-159
	2-	1-7		77-	1-159	54G3306	18-12	1-39
	3-2	1-9	54G3039	11-2	1-25		77-	1-159
	4-13	1-11		77-	1-159	54G3355	74-4	1-153
	5-	1-13	54G3040	11-3	1-25		77-	1-159
	5-	1-13		77-	1-159	54G3356	16-1	1-35
	9-3	1-21	54G3041	11-4	1-25		19-13	1-41
	13-12	1-29		77-	1-159	54G3357	16-6	1-35
	15-5	1-33	54G3042	11-5	1-25		19-12	1-41
	32-	1-67		77-	1-159	54G3360	62-	1-126
	32-	1-67	54G3073	22-4	1-47	54G3361	62-	1-126
	32-	1-67	54G3074	78-	1-161	54G3364	28-	1-59
	32-	1-67	54G3197	15-7	1-33		78-	1-162
	32-	1-67	54G3198	15-8	1-33	5423464	29-4	1-61
	74-12	1-153	54G3238	31-18	1-65	5453958	4-5	1-11
	75-	1-155		77-	1-159	5479139	62-	1-127
	78-	1-162	54G3239	77-	1-159	5479141	62-	1-127
54G2884	8-1	1-19	54G3240	31-7	1-65	5547285	74-	1-153
54G2885	8-2	1-19		77-	1-159	56G0294	62-	1-127
54G2901	10-4	1-23	54G3241	31-6	1-65	56G0295	62-	1-127
54G2904	16-3	1-35		77-	1-159	56G7017	77-	1-159
	19-7	1-41	54G3242	31-9	1-65	5605670	62-	1-127
54G2906	22-1	1-47		77-	1-159	5605690	74-	1-153
	24-17	1-51	54G3244	31-17	1-65	5673453	78-	1-162
	26-17	1-55		77-	1-159	5711295	78-	1-162

Part Number	Asm-Index	Page	Part Number	Asm-Index	Page	Part Number	Asm-Index	Page
59F2977	62-	1-126	67G4989	continued		77G0939	continued	
	62-	1-127		28-8	1-59		74-8	1-153
61G8324	62-	1-126		38-5	1-79	77G0940	10-	1-23
6168596	66-4	1-137		66-19	1-137		77-	1-158
62X0388	78-	1-162		67-3	1-139	77G0941	10-	1-23
6201239	78-	1-160	67G4991	20-4	1-43		77-	1-158
6223132	78-	1-161	67G4993	66-17	1-137	77G0942	10-	1-23
6279235	21-16	1-45	67G4995	20-5	1-43		74-	1-153
	25-12	1-53	68F7208	62-	1-128		77-	1-158
	27-11	1-57		62-	1-128	77G0943	10-	1-23
	29-24	1-61	68F7209	62-	1-127		74-	1-153
6298964	63-	1-129	68F7211	62-	1-126		77-	1-158
	76-	1-157	69F6713	78-	1-162	77G0944	10-	1-23
6298965	76-	1-157	71F0162	62-	1-128		74-	1-153
6323741	62-	1-128	71F0163	62-	1-128		77-	1-158
6340846	43-	1-89	71F0164	62-	1-128	77G0945	10-	1-23
	49-	1-101	71F0165	62-	1-128		74-	1-153
64G5573	18-4	1-39		62-	1-128		77-	1-158
	77-	1-159	71F1167	62-	1-128	77G0947	10-	1-23
64G5574	18-14	1-39	71F1184	62-	1-126		77-	1-158
	77-	1-159	72F0164	62-	1-128	77G0948	10-	1-23
64G5575	18-15	1-39	72F0167	62-	1-128		77-	1-158
	77-	1-159	72F0168	62-	1-128	77G0949	10-	1-23
64G5576	18-16	1-39	72F1966	62-	1-128		77-	1-158
	77-	1-159	72G0448	62-	1-127	77G0950	10-	1-23
64G5577	66-3	1-137	72H3043	62-	1-127		77-	1-158
64G5581	22-	1-47	73G3233	62-	1-127	77G0961	69-2	1-143
	24-11	1-51	73G9817	62-	1-127		70-5	1-145
64G5593	77-	1-159	73G9819	62-	1-127	77G1078	71-3	1-147
64G5594	16-1	1-35	73H1589	62-	1-127	77G1079	71-3	1-147
64G6023	14-	1-31	73H1668	22-13	1-47	78X8993	33-4	1-69
	77-	1-158		24-8	1-51		44-3	1-91
64G6024	14-	1-31		26-26	1-55		48-3	1-99
	77-	1-158	73H2503	62-	1-127		49-	1-101
64G6025	14-	1-31	73H2508	63-	1-129		54-3	1-111
	77-	1-158	73H3401	63-	1-129		58-4	1-119
64G6026	14-	1-31	73H3405	63-	1-129		78-	1-161
	77-	1-158	73H3413	63-	1-129		78-	1-162
6473048	62-	1-126	73H4288	29-3	1-61	81F7977	21-13	1-45
65G1828	62-	1-127	74F0690	76-	1-157		22-2	1-47
65G1878	62-	1-126	77G0599	41-2	1-85		24-3	1-51
65G1879	62-	1-126		51-2	1-105		26-3	1-55
65G5292	62-	1-127	77G0818	69-	1-143		27-15	1-57
67G3284	62-	1-127		76-	1-156		29-12	1-61
67G4985	22-20	1-47	77G0909	10-5	1-23		33-20	1-69
	24-15	1-51		74-10	1-153		34-13	1-71
	26-18	1-55	77G0917	11-1	1-25		37-	1-77
	29-7	1-61		13-10	1-29		66-5	1-137
	31-2	1-65		74-	1-153		67-6	1-139
	64-3	1-133		77-	1-159		71-4	1-147
	66-11	1-137	77G0918	13-2	1-29		78-	1-162
	67-12	1-139	77G0919	11-10	1-25	8184623	29-3	1-61
	71-8	1-147		75-19	1-155	84F2722	26-25	1-55
67G4987	13-1	1-29	77G0921	13-1	1-29	84F2772	21-	1-45
	15-2	1-33	77G0938	24-22	1-51	84H9706	62-	1-127
67G4989	23-1	1-49		26-10	1-55	84X3459	43-2	1-89
	26-31	1-55	77G0939	10-1	1-23		53-4	1-109

Part Number	Asm-Index	Page	Part Number	Asm-Index	Page	Part Number	Asm-Index	Page
84X3460	43-2	1-89	88G3841	62-	1-127	93G1094	continued	
	53-4	1-109	88G4012	21-	1-45		77-	1-159
84X4694	78-	1-162		25-	1-53	93G1095	65-12	1-135
84X4761	32-	1-67		29-	1-61		77-	1-159
	73-5	1-151		31-	1-65	93G1096	65-6	1-135
	78-	1-162	88G4853	77-	1-159		77-	1-159
84X4841	4-3	1-11	88G4854	77-	1-159	93G1097	64-	1-133
	14-5	1-31	8893670	78-	1-161		77-	1-159
	15-6	1-33	89F4158	6-5	1-15	93G1098	65-7	1-135
	16-7	1-35		78-	1-160		77-	1-159
	19-5	1-41	89F7337	78-	1-162	93G1139	66-8	1-137
	44-4	1-91	89G2313	66-10	1-137		67-9	1-139
	49-	1-101		67-11	1-139		78-	1-162
	54-	1-111	89G2333	62-	1-126	93G1140	14-6	1-31
	69-6	1-143	89H5617	62-	1-127		78-	1-160
	78-	1-161	89H5650	62-	1-127	93G1147	76-	1-157
84X4842	6-7	1-15		63-	1-130	93G6086	63-	1-129
	78-	1-161	89H5651	62-	1-127	93H1505	62-	1-126
84X4843	17-14	1-37		63-	1-129	93H1902	63-	1-129
	78-	1-161	8993788	78-	1-162	93H2174	76-	1-156
84X4881	13-9	1-29	92F0322	62-	1-126	93H2482	40-5	1-83
84X5896	3-5	1-9	92F2565	62-	1-126	93H2483	33-14	1-69
84X6119	16-2	1-35	93G1057	16-4	1-35	93H2641	44-1	1-91
	19-4	1-41	93G1058	76-	1-157	93H3202	49-2	1-101
8483361	78-	1-162		78-	1-162	93H3316	49-1	1-101
85F0205	62-	1-128	93G1065	73-3	1-151	93H3899	63-	1-129
85F0206	62-	1-128	93G1068	78-	1-162	93H4020	62-	1-126
8575337	62-	1-126	93G1069	26-	1-55	93H4036	62-	1-126
8575338	62-	1-126	93G1075	72-	1-148	93H4357	34-5	1-71
8653386	17-11	1-37	93G1076	72-	1-148	93H4702	44-	1-91
87G4587	40-	1-83	93G1077	72-	1-148		54-	1-111
87G8676	22-18	1-47	93G1078	72-	1-148	93H4843	29-28	1-61
	24-14	1-51	93G1079	67-	1-139		31-14	1-65
87G8677	29-8	1-61		72-	1-148	93H4880	29-28	1-61
	31-3	1-65	93G1080	72-	1-148		31-14	1-65
87H3396	63-	1-129	93G1081	67-	1-139	93H4924	25-8	1-53
87H3399	63-	1-129		72-	1-148	93H5061	34-9	1-71
87H3402	63-	1-129	93G1082	72-	1-148	93H5062	34-23	1-71
87H3405	63-	1-129	93G1083	72-	1-148	93H5063	34-19	1-71
87H3408	63-	1-129	93G1084	72-	1-148	93H5064	34-15	1-71
87H3413	63-	1-129	93G1085	67-	1-139	93H5065	33-2	1-69
87H3427	63-	1-129		72-	1-148	93H5066	33-18	1-69
87H3439	63-	1-129	93G1086	67-	1-139	93H5067	33-15	1-69
	63-	1-129		72-	1-149	93H5071	34-1	1-71
87H3440	63-	1-129	93G1087	72-	1-149	93H5074	35-10	1-73
87H3442	63-	1-129	93G1088	72-	1-149	93H5263	63-	1-129
87H3515	63-	1-129	93G1089	67-	1-139	93H5264	63-	1-129
87H3518	63-	1-129		72-	1-149	93H5265	63-	1-129
87H3521	63-	1-130	93G1090	67-	1-139	93H5267	63-	1-129
87H3588	63-	1-129		72-	1-149	93H5270	63-	1-129
	63-	1-129	93G1091	72-	1-149	93H5466	34-21	1-71
87H3629	63-	1-130	93G1092	67-	1-139	93H5557	26-	1-55
87H3734	63-	1-130		72-	1-149	93H5822	34-12	1-71
87H3791	63-	1-130	93G1093	67-	1-139	93H6192	32-10	1-67
87H3793	63-	1-130		72-	1-149		37-18	1-77
88G3711	62-	1-128	93G1094	65-1	1-135	93H6519	29-27	1-61
88G3717	62-	1-128		68-1	1-141		31-13	1-65

<b>Part Number</b>	<b>Asm- Index</b>	<b>Page</b>
93H6541	63-	1-129
93H6545	63-	1-129
93H6549	77-	1-159
93H6563	77-	1-159
93H6594	63-	1-129
93H6991	40-	1-83
93H7059	22-	1-47
93H7091	62-	1-127
93H7119	33-1	1-69
93H7120	37-11	1-77
93H7182	22-14	1-47
93H7441	36-1	1-75
93H7442	36-2	1-75
93H7443	37-10	1-77
93H7463	40-10	1-83
93H7479	40-9	1-83
93H7487	40-5	1-83
	40-11	1-83
93H7764	35-1	1-73
93H7766	63-	1-129
93H8022	62-	1-126
93H8406	63-	1-129
93H8407	63-	1-129
93H8593	26-22	1-55
93H8599	40-8	1-83
93H8814	62-	1-126
93H9716	44-2	1-91
94H0061	76-	1-156
94H0445	29-28	1-61
94H0613	76-	1-156
94H0616	34-17	1-71
94H0823	63-	1-129
94H1038	63-	1-129
94H1261	54-2	1-111
9488029	4-10	1-11
9557871	78-	1-162
9935609	65-10	1-135
	68-9	1-141



---

# Communicating Your Comments to IBM

RS/6000 SP  
Maintenance Information Volume 4,  
Parts Catalog  
Publication No. GA22-7378-01

If you especially like or dislike anything about this book, please use one of the methods listed below to send your comments to IBM. Whichever method you choose, make sure you send your name, address, and telephone number if you would like a reply.

Feel free to comment on specific errors or omissions, accuracy, organization, subject matter, or completeness of this book. However, the comments you send should pertain to only the information in this manual and the way in which the information is presented. To request additional publications, or to ask questions or make comments about the functions of IBM products or systems, you should talk to your IBM representative or to your IBM authorized remarketer.

When you send comments to IBM, you grant IBM a nonexclusive right to use or distribute your comments in any way it believes appropriate without incurring any obligation to you.

If you are mailing a reader's comment form (RCF) from a country other than the United States, you can give the RCF to the local IBM branch office or IBM representative for postage-paid mailing.

- If you prefer to send comments by mail, use the RCF at the back of this book.
- If you prefer to send comments by FAX, use this number:
  - FAX: (International Access Code)+1+914+432-9405
- If you prefer to send comments electronically, use one of these network IDs:
  - IBM Mail Exchange: USIB6TC9 at IBMMAIL
  - Internet e-mail: mhvrcfs@us.ibm.com

Make sure to include the following in your note:

- Title and publication number of this book
- Page number or topic to which your comment applies

Optionally, if you include your telephone number, we will be able to respond to your comments by phone.

---

# Reader's Comments — We'd Like to Hear from You

**RS/6000 SP**  
**Maintenance Information Volume 4,**  
**Parts Catalog**  
**Publication No. GA22-7378-01**

You may use this form to communicate your comments about this publication, its organization, or subject matter, with the understanding that IBM may use or distribute whatever information you supply in any way it believes appropriate without incurring any obligation to you. Your comments will be sent to the author's department for whatever review and action, if any, are deemed appropriate.

**Note:** Copies of IBM publications are not stocked at the location to which this form is addressed. Please direct any requests for copies of publications, or for assistance in using your IBM system, to your IBM representative or to the IBM branch office serving your locality.

Today's date: \_\_\_\_\_

What is your occupation?

Newsletter number of latest Technical Newsletter (if any) concerning this publication:

How did you use this publication?

- |                          |                               |                          |                        |
|--------------------------|-------------------------------|--------------------------|------------------------|
| <input type="checkbox"/> | As an introduction            | <input type="checkbox"/> | As a text (student)    |
| <input type="checkbox"/> | As a reference manual         | <input type="checkbox"/> | As a text (instructor) |
| <input type="checkbox"/> | For another purpose (explain) |                          |                        |

---

Is there anything you especially like or dislike about the organization, presentation, or writing in this manual? Helpful comments include general usefulness of the book; possible additions, deletions, and clarifications; specific errors and omissions.

Page Number:                      Comment:

---

Name

---

Address

---

Company or Organization

---

Phone No.



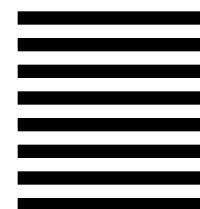
Fold and Tape

Please do not staple

Fold and Tape



NO POSTAGE  
NECESSARY  
IF MAILED IN THE  
UNITED STATES



# BUSINESS REPLY MAIL

FIRST-CLASS MAIL PERMIT NO. 40 ARMONK, NEW YORK

POSTAGE WILL BE PAID BY ADDRESSEE

IBM Corporation  
Department 55JA, Mail Station P384  
522 South Road  
Poughkeepsie NY 12601-5400



Fold and Tape

Please do not staple

Fold and Tape







Part Number: 47L3065



Printed in the United States of America  
on recycled paper containing 10%  
recovered post-consumer fiber.

GA22-7378-01



47L3065

