

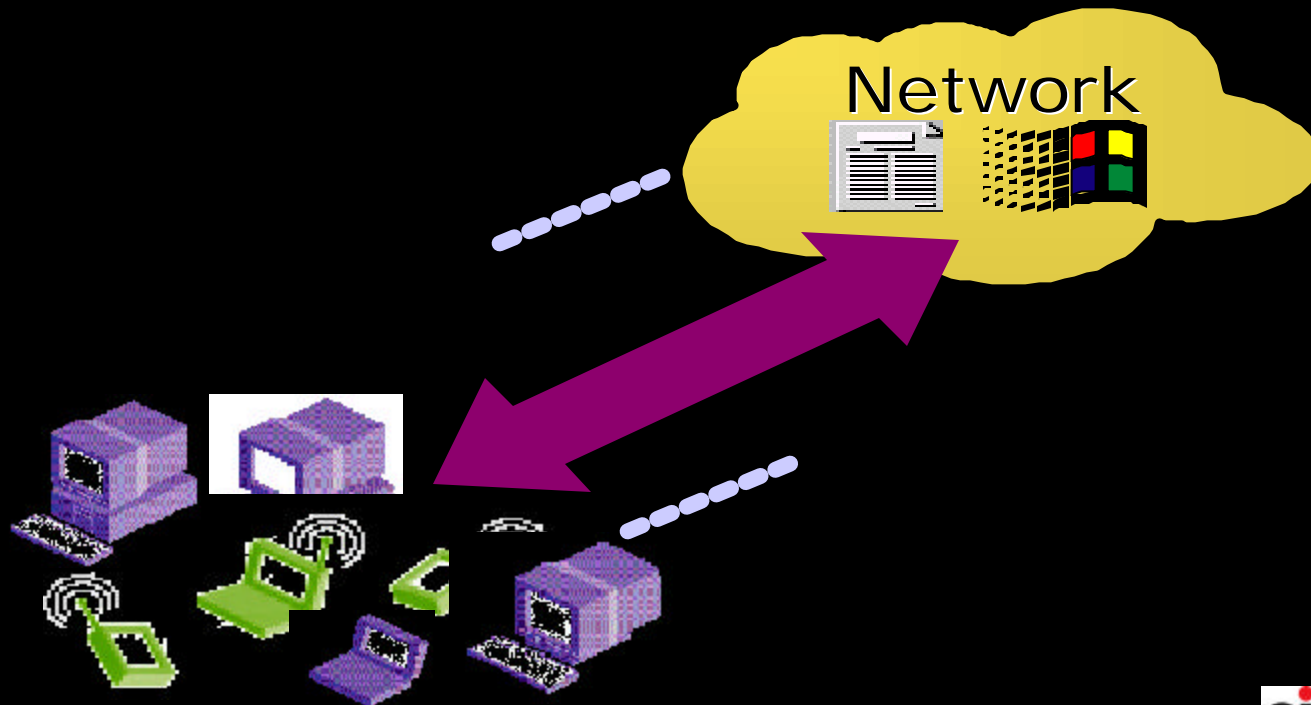
Webification - The Key to ASP success

**Moheb Moses
Sales Director,
Citrix Systems, Asia-Pacific**

CITRIX

Server-Based Computing

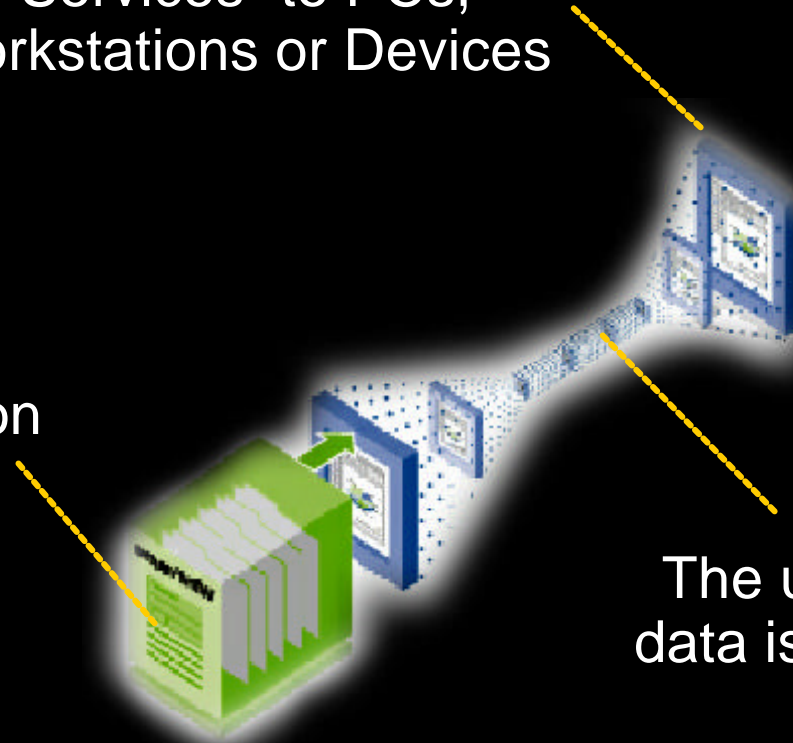
Server-Based Computing is an architecture where the application executes 100% on the server, and the application's user interface is accessed via thin-client hardware or software.



Simplicity of Server-Based Computing

Applications Published as
“Services” to PCs,
Workstations or Devices

Applications
Install & Run on
Servers



The user interface
data is sent over the
network

Server Based Computing Benefits

Management

- Single-Point Control

Access

- Universal Application Access

Performance

- Bandwidth-Independent Performance

Security

- Eyes-Only Security

Application Serving Nirvana

What a user needs

Single place for
secure access to...

A variety of available
applications with..

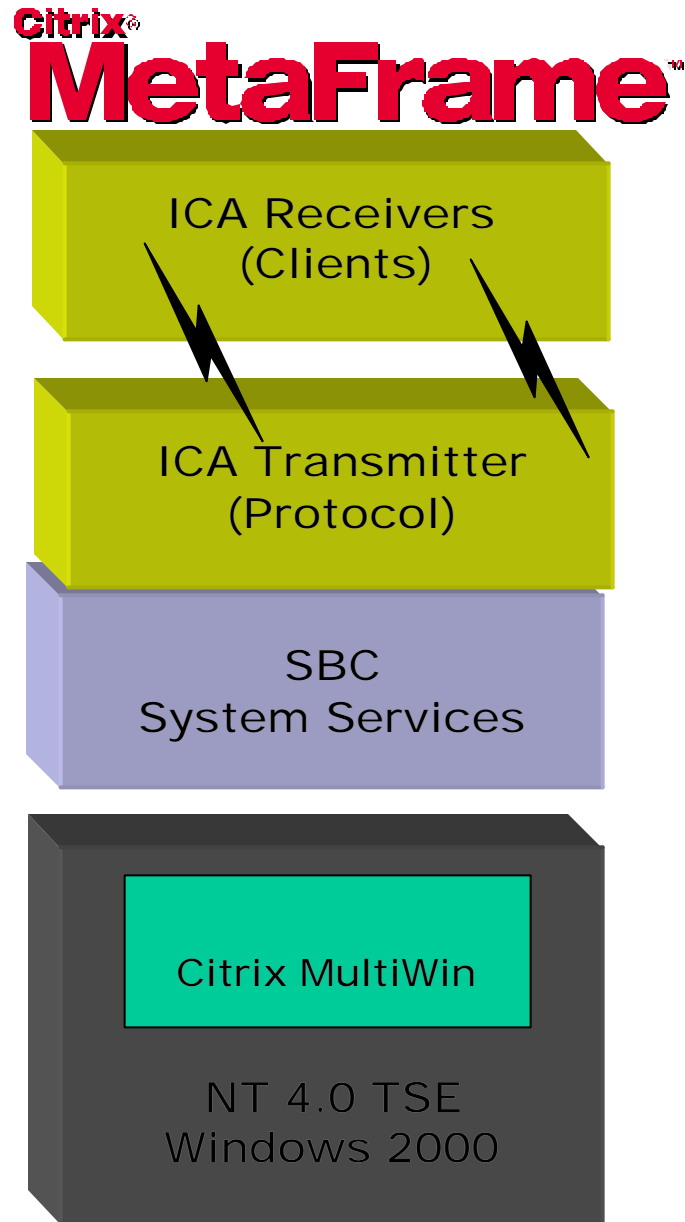
A predictable &
measurable quality
of service

Subscribe

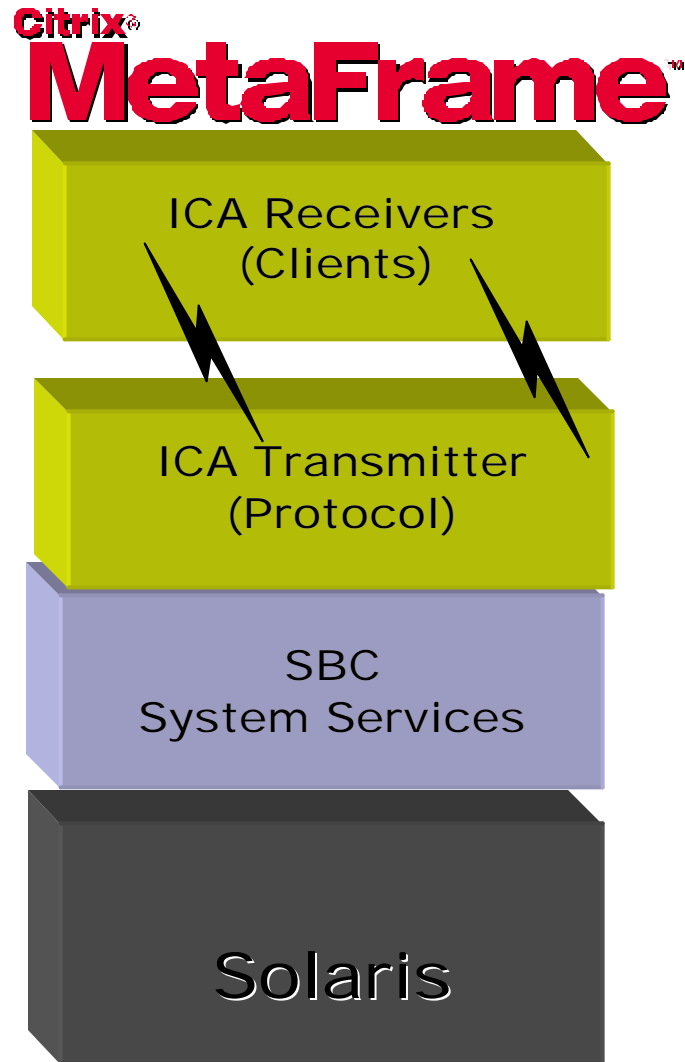
Publish

Manage

MetaFrame for Windows NT



MetaFrame for Unix Operating Systems



Citrix

AIX Demo

Multiple Server Platforms

Any ICA Client



MetaFrame
Windows NT

MetaFrame
AIX

ICA now enables users to access NT and UNIX applications from a single client seamlessly

Flexible Application Access on Demand

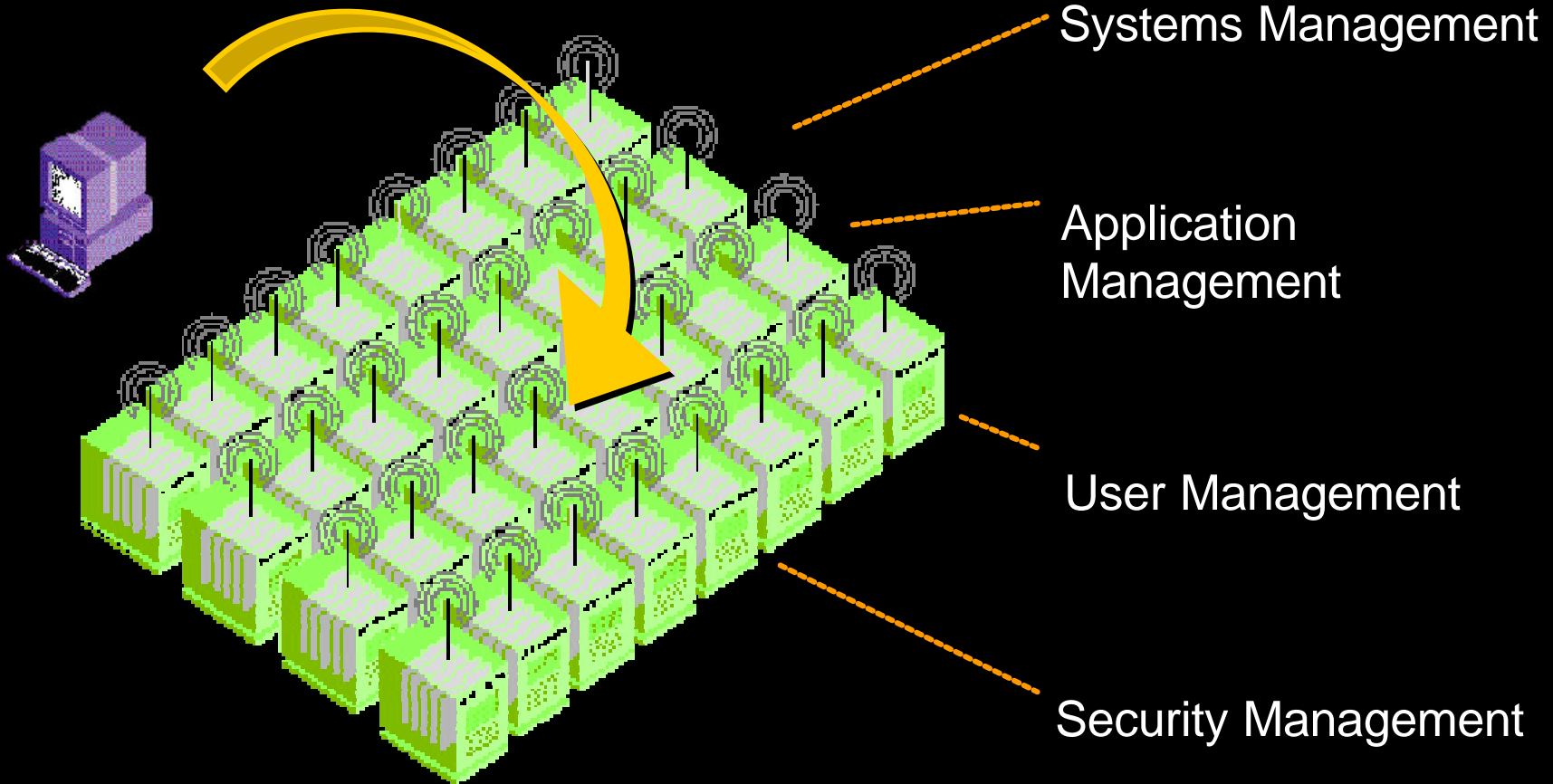


**Any Device.
*Anywhere!***



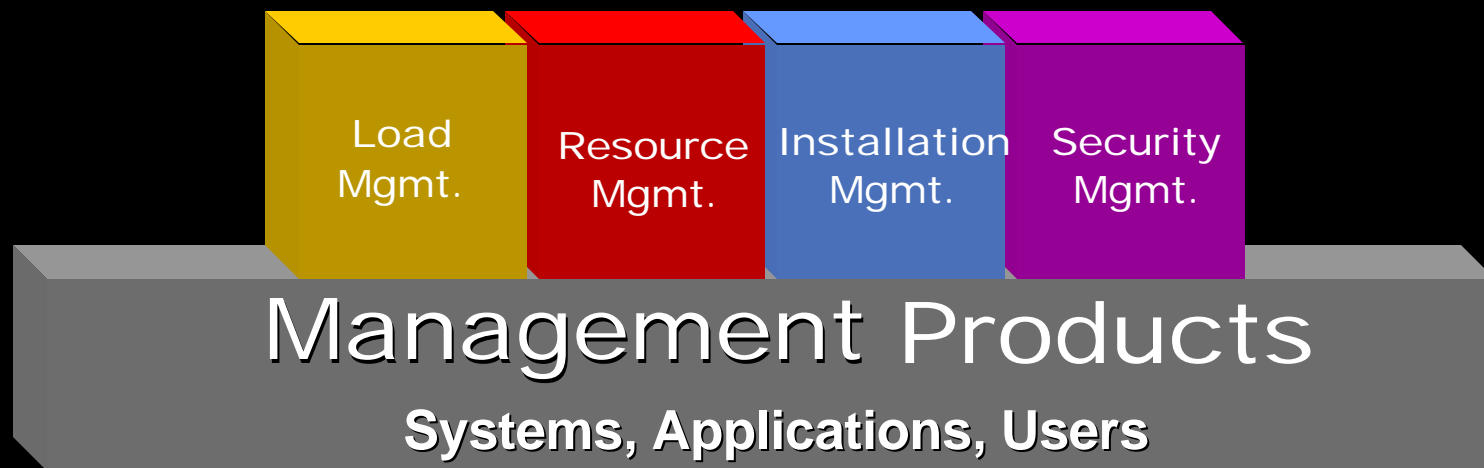
Server-Based Computing Management

Single-image System
Management



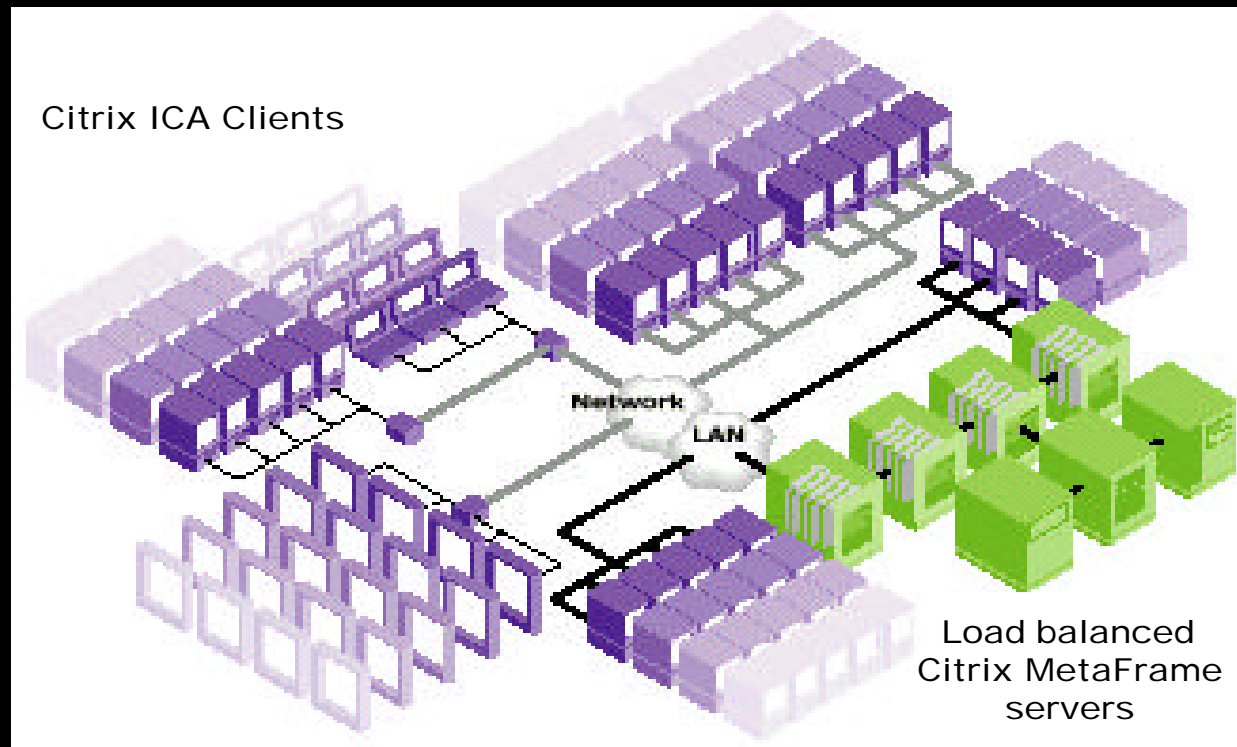
Independent Computing Architecture

Independence in Client, Network & Server



Citrix Load Balancing Services

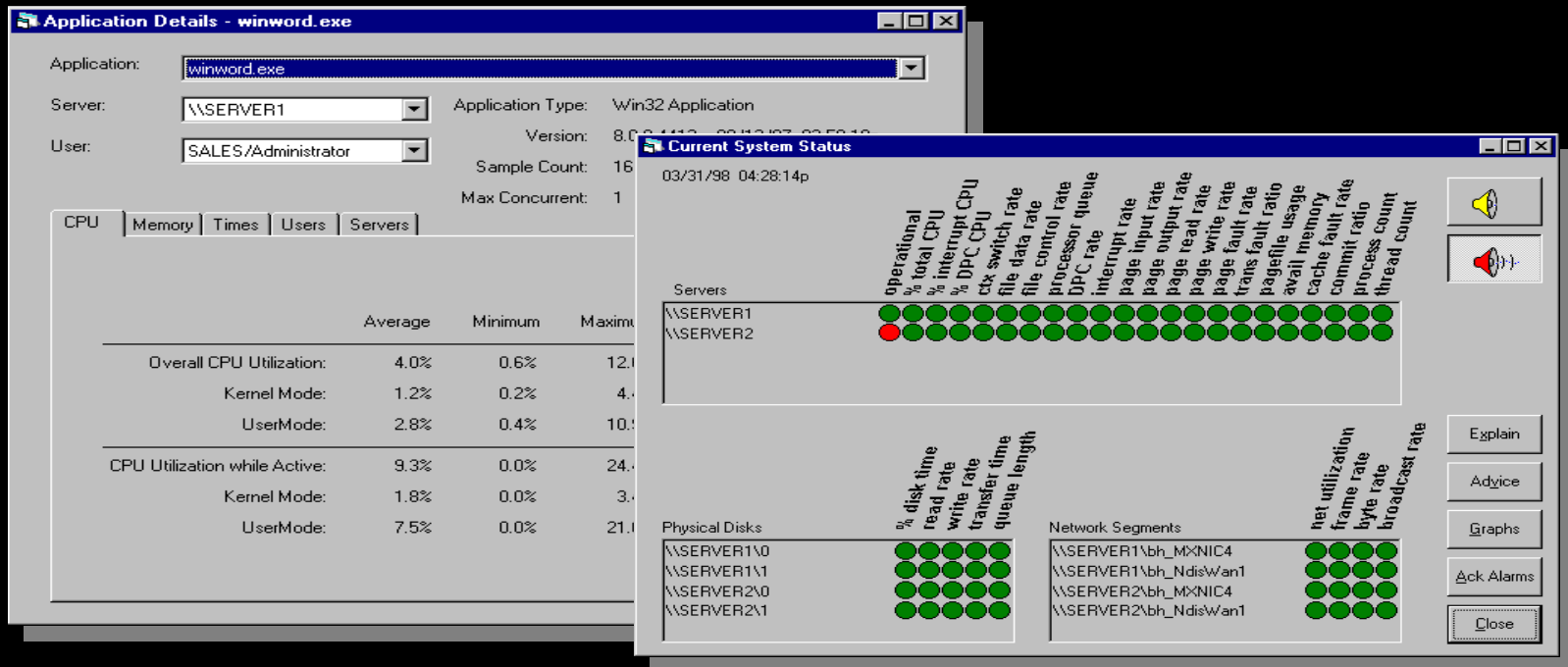
- Groups multiple Citrix MetaFrame and WinFrame servers into scalable server farms
- Automatically routes users to least-busy server
- Optimises application performance and resource utilisation



Resource Management Services

Monitors resources used by:

- Applications
- System
- Users



Installation Management Services

Wizard-driven app packaging & publishing

“Package Once, Publish Anywhere”

1



Package

Central “Packager”
Automatically
Produces Application
Installation Script

2



Install

Server-Based
“Installer” Plays
Installation Script on
Selected Servers in
Enterprise Farm

3



Publish

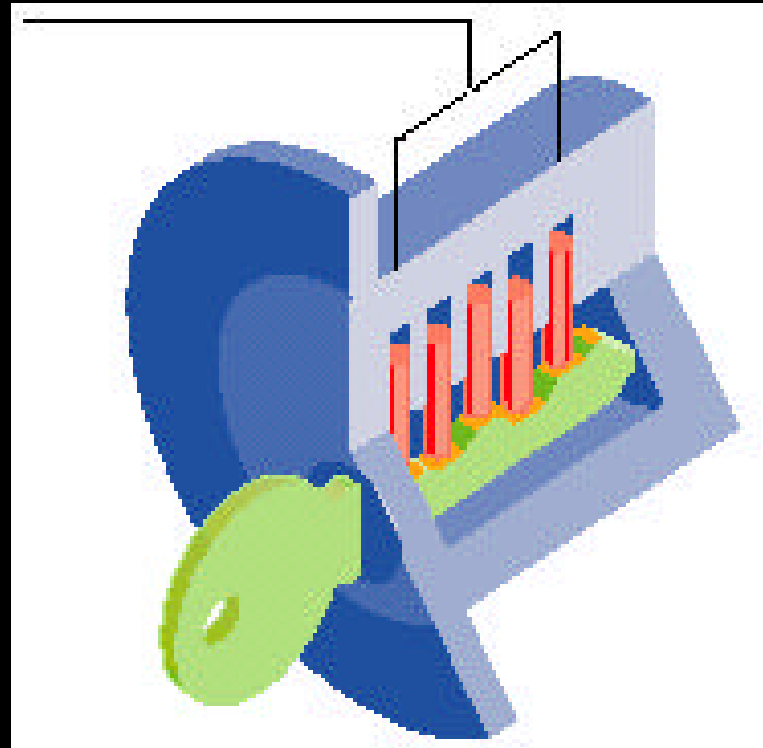
Citrix Application
Publishing™ Provides
Instant Access
Through Citrix
Program
Neighborhood™

Citrix SecureICA Services

Application and Data Encryption

- End-to-end 40-, 56-, or 128-bit RSA RC5 Encryption for the ICA data stream

SecureICA works like a key with up to 128 pins (or bits)



Citrix ICA Clients

- **Windows Platforms**

- Windows 3.1, Windows 95, 98, Windows NT, Windows CE (Palm, HPC and WBT)

- **Web Clients**

- Internet Explorer, Netscape Plug-In,

- **Java**

- JVM 1.0, JVM 1.1

- **UNIX**

- Linux, HP-UX, IBM AIX, Solaris Sparc, Solaris x86, SunOS, SGI IRIX, Compaq Tru64, SCO (UnixWare & OpenServer)

- **Macintosh**

- iMAC, 68k & PowerPC

- **DOS**

- 32-bit protected and 16-bit Real Mode Version

- **Embedded**

- EPOC
- pSOS
- QNX

Citrix Programs for ASP Partnering

iLicense

iBusiness Programs

iBusiness Service Provider Program

- Pre- and Post-sales Technical Support
 - 24X7 Call Center Pass Through
 - Data Center Risks Evaluation
 - Priority Access to Citrix Consulting Services
 - Technical Training
- Marketing Support
 - ASP Central
 - Cooperative Marketing Funding and Initiatives
 - Demand Creation Initiatives
- Right to buy via the “pay as you go” iLicense Mechanism

iLicense



Citrix iLicense

For accredited “iBusiness ASPs” only:

iLicense Master Disk

- MetaFrame
- Load Balancing
- Resource Management Services
- Installation Management Services
- *Includes Product Upgrades*



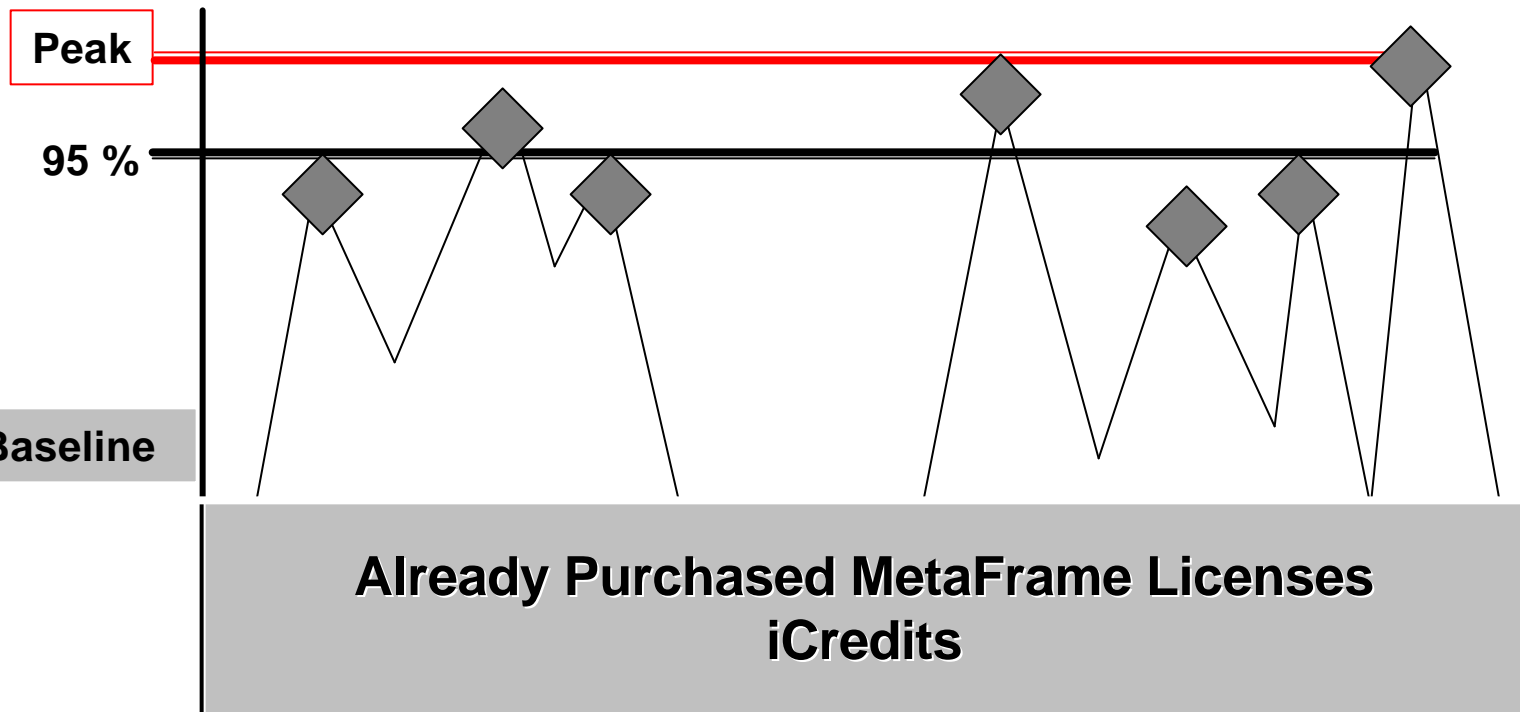
Pay-As-You-Go Rental License

- No up-front licensing fees to Citrix
- iLicense Utility meters connected concurrent users (CCU) on a monthly basis
- System automatically generates CCU report and invoice
- Invoice paid to Citrix

iLicense Utility & Pricing

Determining Connected Concurrent Users (CCUs)

- Algorithm computes the 95th percentile point of the frequency distribution of CCUs over the peak 20 days of a given month.



Citrix iBusiness ASPs @ Digital Speed

186K
Active Web Technologies
Agiliti, Inc.
Alfaskop AB
Alpine Computers
ALTA Internet Business
ApplicationStation.com
AristaSoft Corp.
ASP Global Ltd.
ASPiSERVE
BeanStalk Networks
Bull Espana S.A.
Businesscare AG
C Me Run
Cable & Wireless
Carrera-Maximus
CompuSuite
CONNECTAPPS
Corio, Inc.
Cube Technologies, Inc.
CyberLink USA
CyLex Systems
DeVA Systems Group
eAccount
eMake
E.Nova L.L.C.
EchoPass
EINSTEINet AG

Epanacea
epixtech, inc.
ESOFT Global
EurAsia Crossing
etako.com
Exe.net
FutureLink
GIKOM NIS
Deutschland
Global ASP
Hong Kong Telecom
HostPro (Micron)
IBM Global Services
IMAGO ASP
Systems
IMCP
I-NOC.com
indecom
independent
computing GmbH
Infomatec Austria



InsynQ, Inc.
Integration Limited
Intelligent ASA
INTRA-SYS
Iterium.net AB
IT Utility
LearningStation.com
LightPC.com
Madison Aps
Mi8 Corporation
Network Technology Group
Online Technologies Corp.
Personable.com
Pointivity
Prologue Software Group
ProSolutions, Inc.
ProTier

PUSH
ROWI
Surebridge
SoftChoice Corporation
Solution 6
Star One AG
Stargate Connections,
Inc.
TeleComputing
Telenor
Telstra
Tequinox
ThinkKnowledge Networks
Thinter.net Corporation
ThyssenKrupp Information
Services
The Trizetto Group, Inc.
TransChannel
TRW
Union Square Technology
Group LLC
Unisys
United Online
Veracom, Inc.
VeriPoint, Inc.
VictorVox AG
WinStar Communications,
Inc.
Wizmo, Inc.
WM-data AS



Do the Maths

6.0 Billion

-3.0 Billion

3.0 Billion Potential Users

0.5 Billion PC Users

2.5 Billion Unserved Users

Thank You

CITRIX®



**Digital
Independence™**

moheb.moses@citrix.com