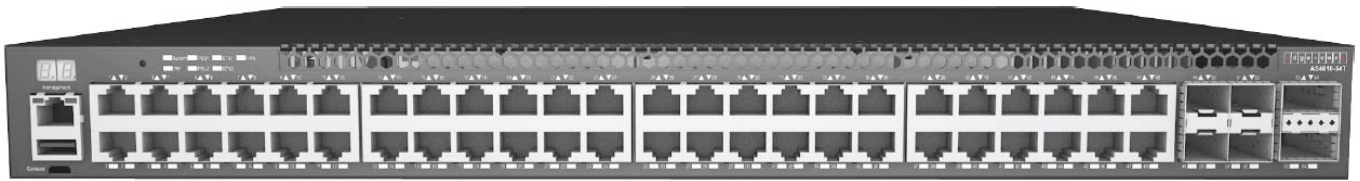


# 1U Switch Enterprise Rack Air Duct Kit



## Quick Installation Guide

### Model: 1G Switch Air Duct Rail Kit

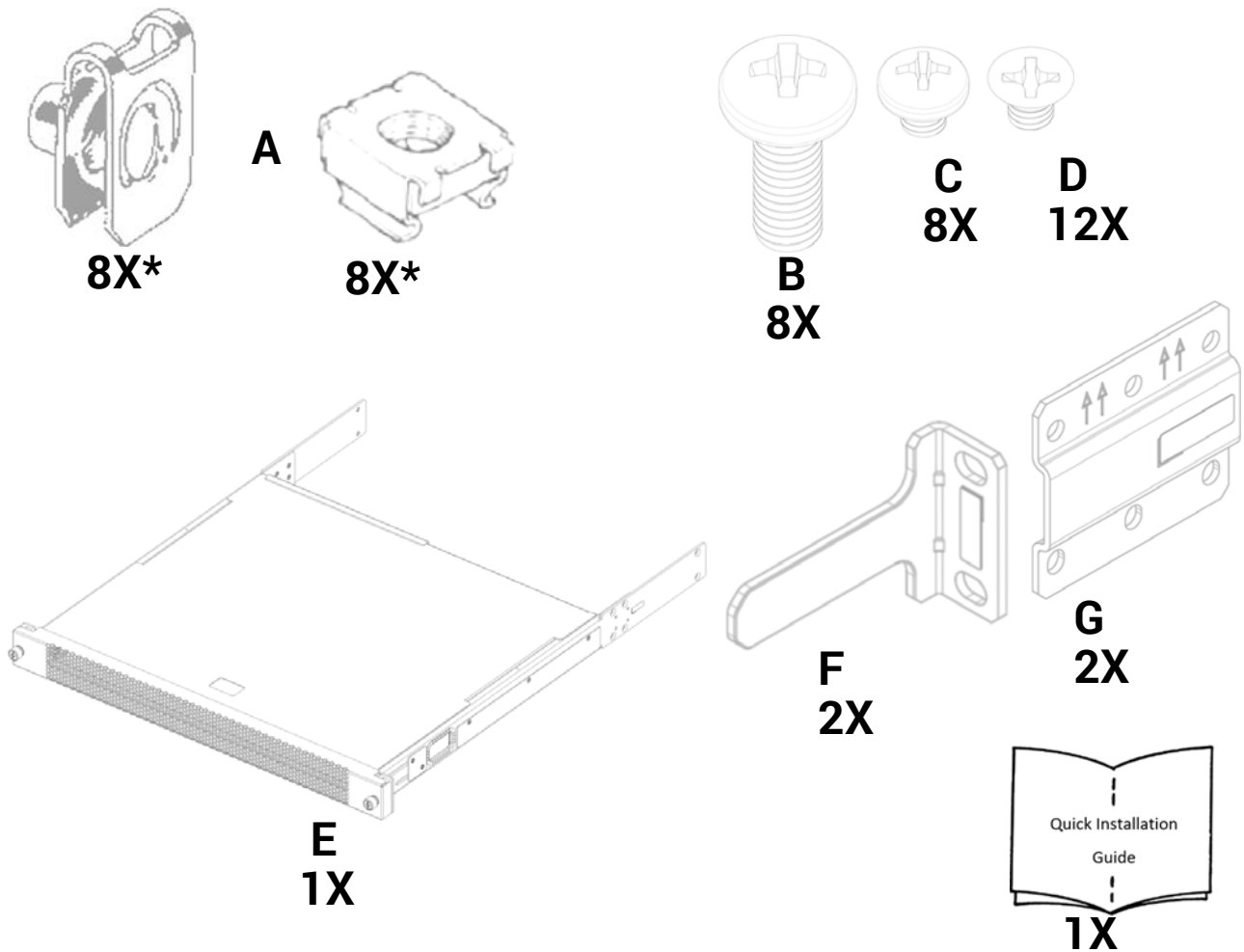
# Pay Attention!

- All servers and systems in the rack should be planned with the airflow direction. All FRU components must have the same **air flow direction**. A mismatch in the air flow will affect the heat dissipation.

## Package Contents

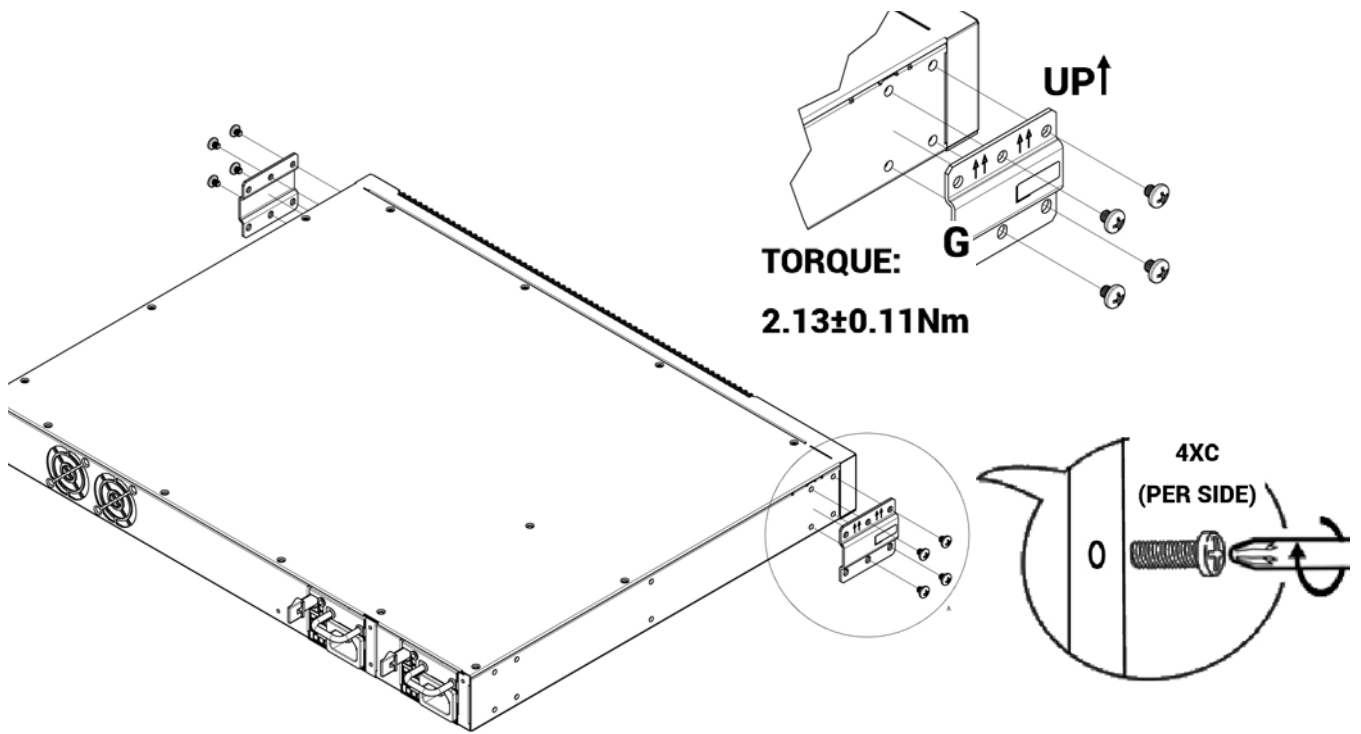
- 1 x rail kit (including an air-duct unit)
- Quick Start Guide

If anything is damaged or missing, contact your Mellanox representative at [support@mellanox.com](mailto:support@mellanox.com).



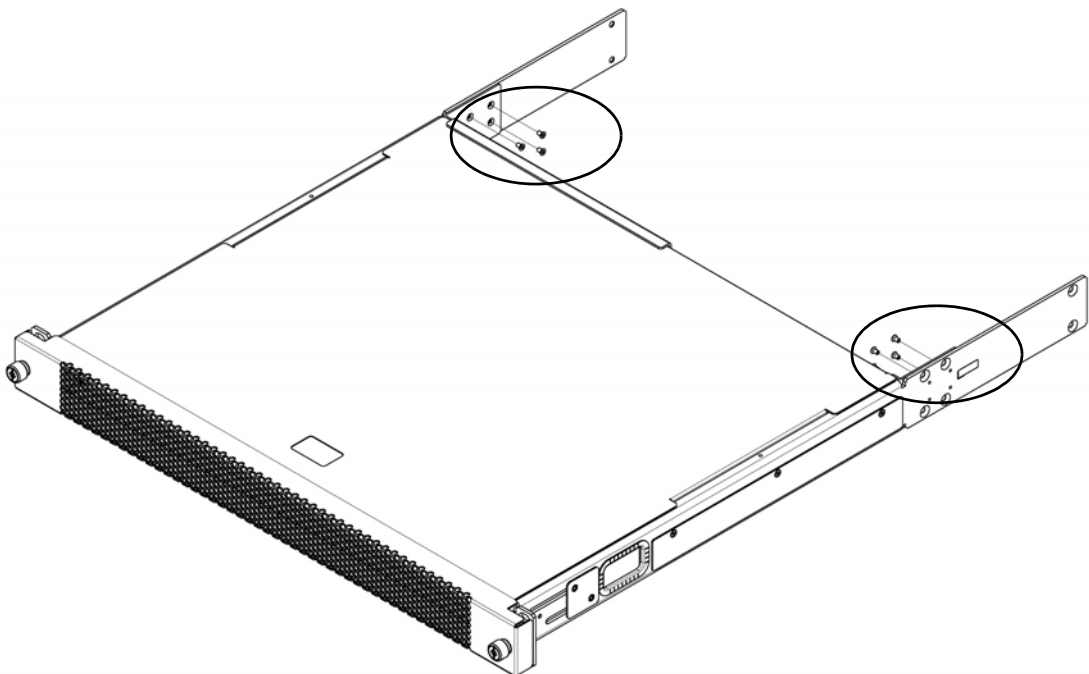
\*Choose one nut type, according to the rack you are installing the system in (square or round holes).

1



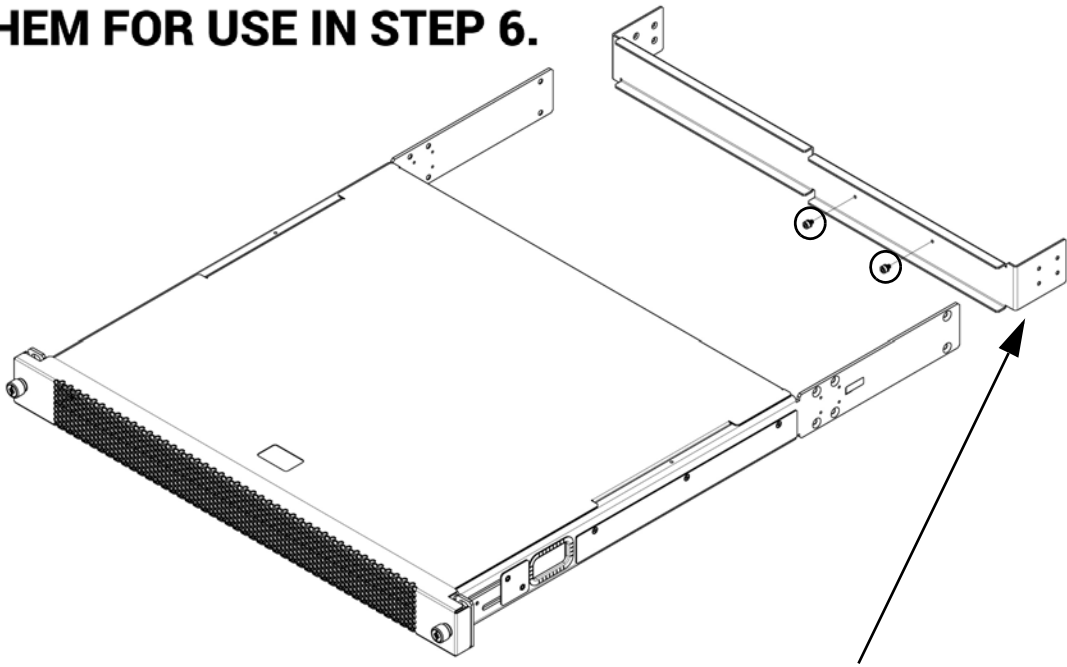
2

**\*UNTIGHTEN 8 SCREWS AND DISCARD THEM.**



### 3

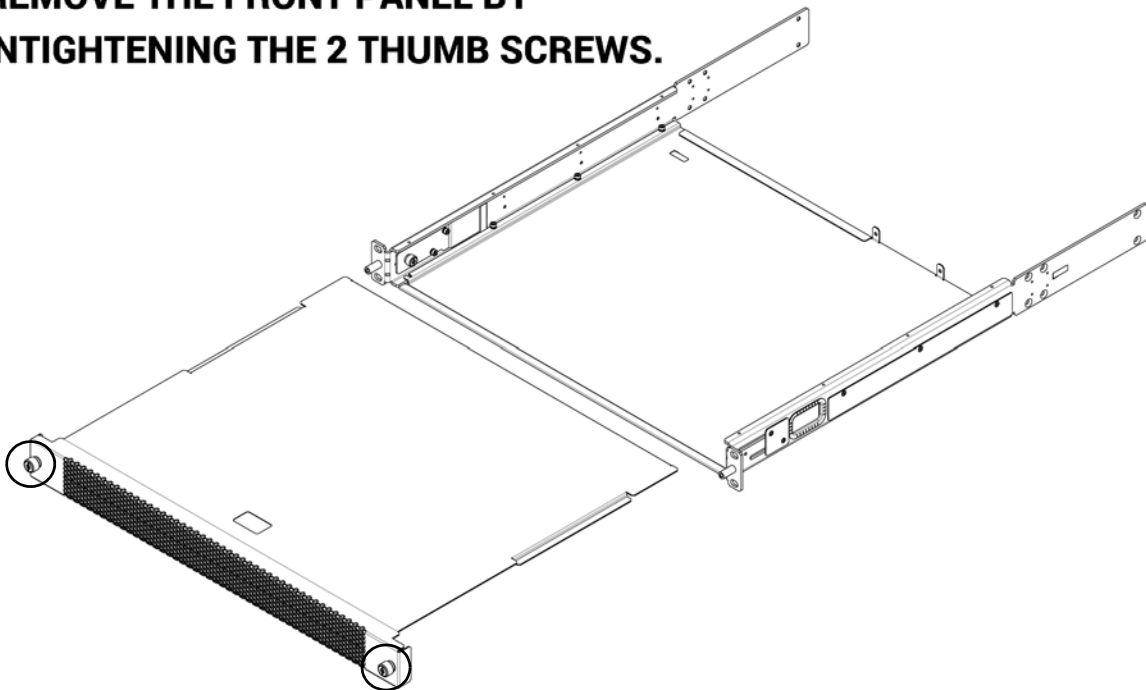
**\*UNTIGHTEN 2 SCREWS, AND  
SAVE THEM FOR USE IN STEP 6.**



**\*THIS PART IS NO LONGER NEEDED.**

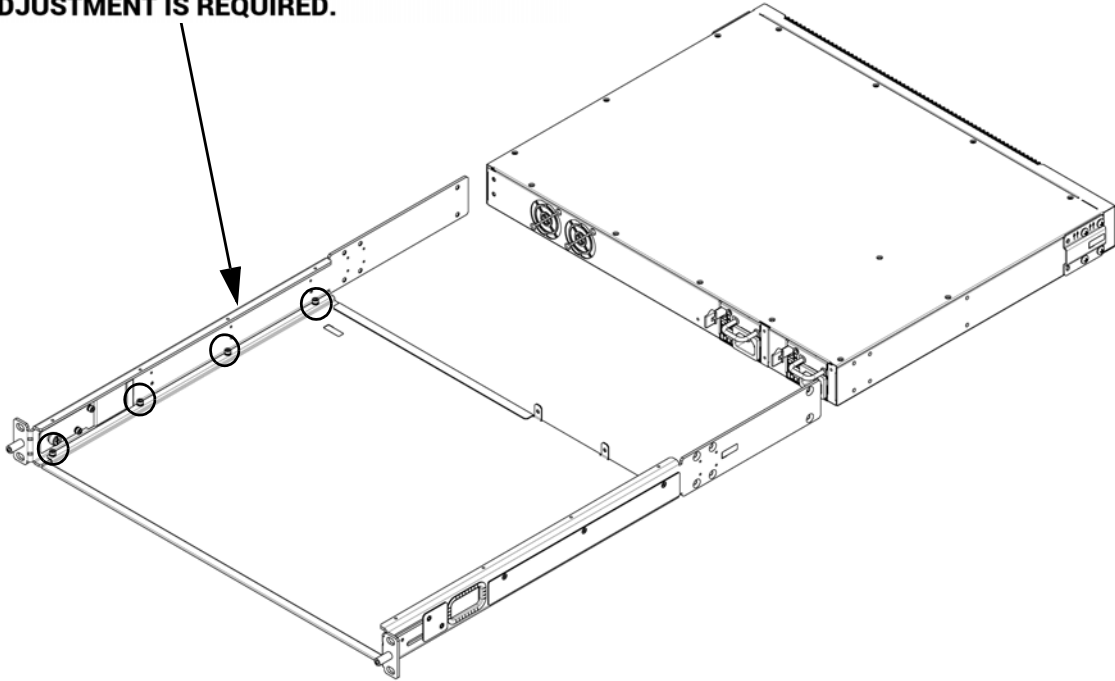
### 4

**\*REMOVE THE FRONT PANEL BY  
UNTIGHTENING THE 2 THUMB SCREWS.**



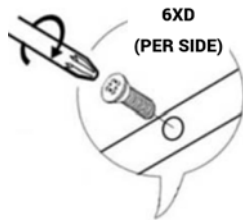
# 5

**\*THE SOCKET HEAD SCREWS CAN BE LOOSENED,  
IF ADJUSTMENT IS REQUIRED.**

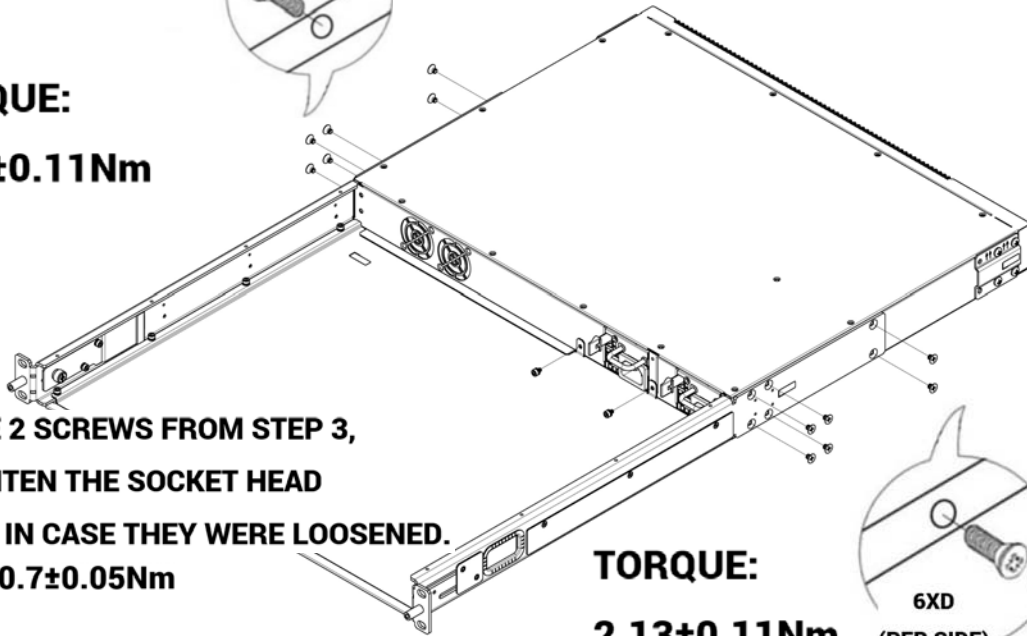


# 6

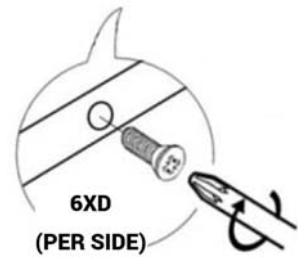
**TORQUE:  
2.13±0.11Nm**



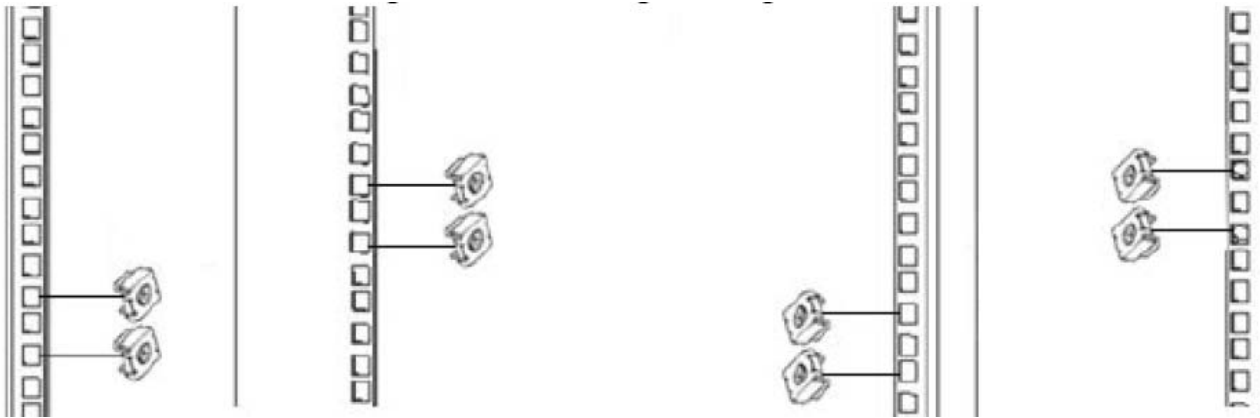
**\*USE THE 2 SCREWS FROM STEP 3,  
AND TIGHTEN THE SOCKET HEAD  
SCREWS, IN CASE THEY WERE LOOSENED.  
TORQUE 0.7±0.05Nm**



**TORQUE:  
2.13±0.11Nm**



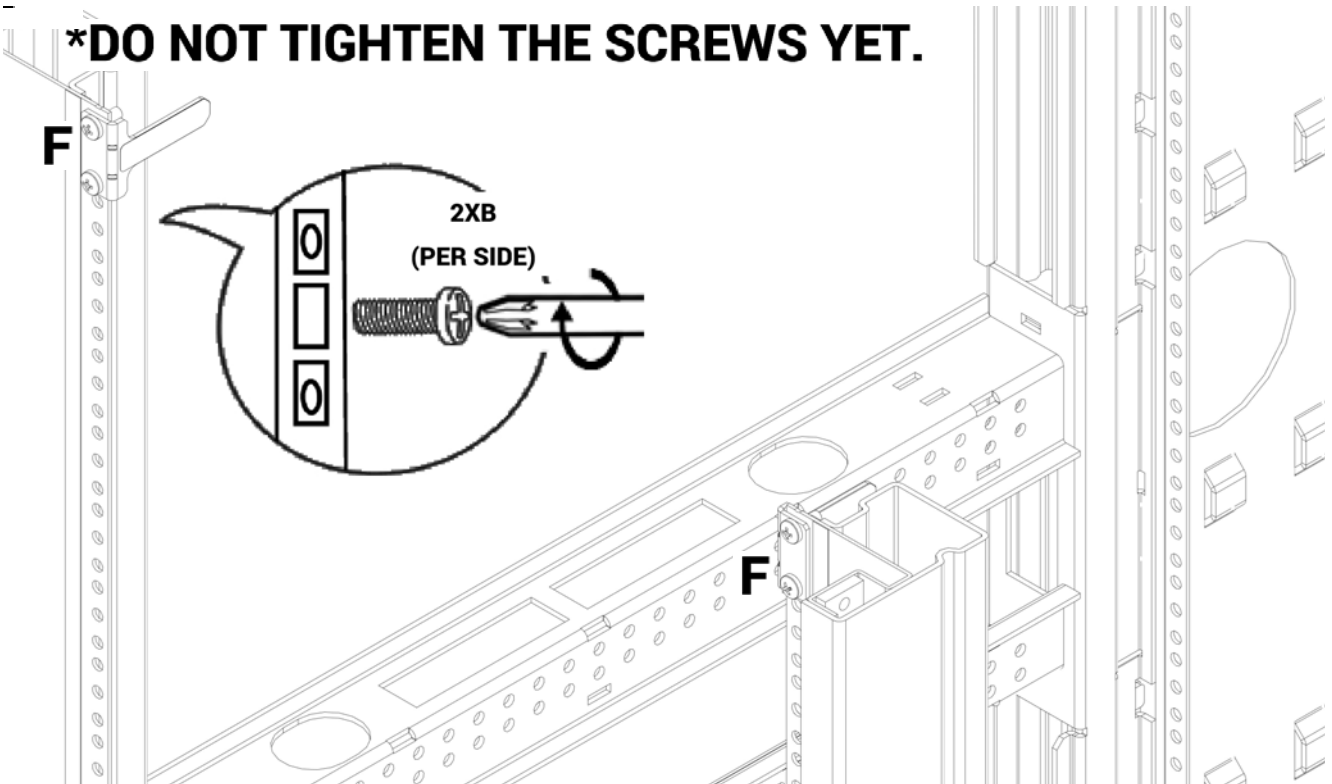
# 7



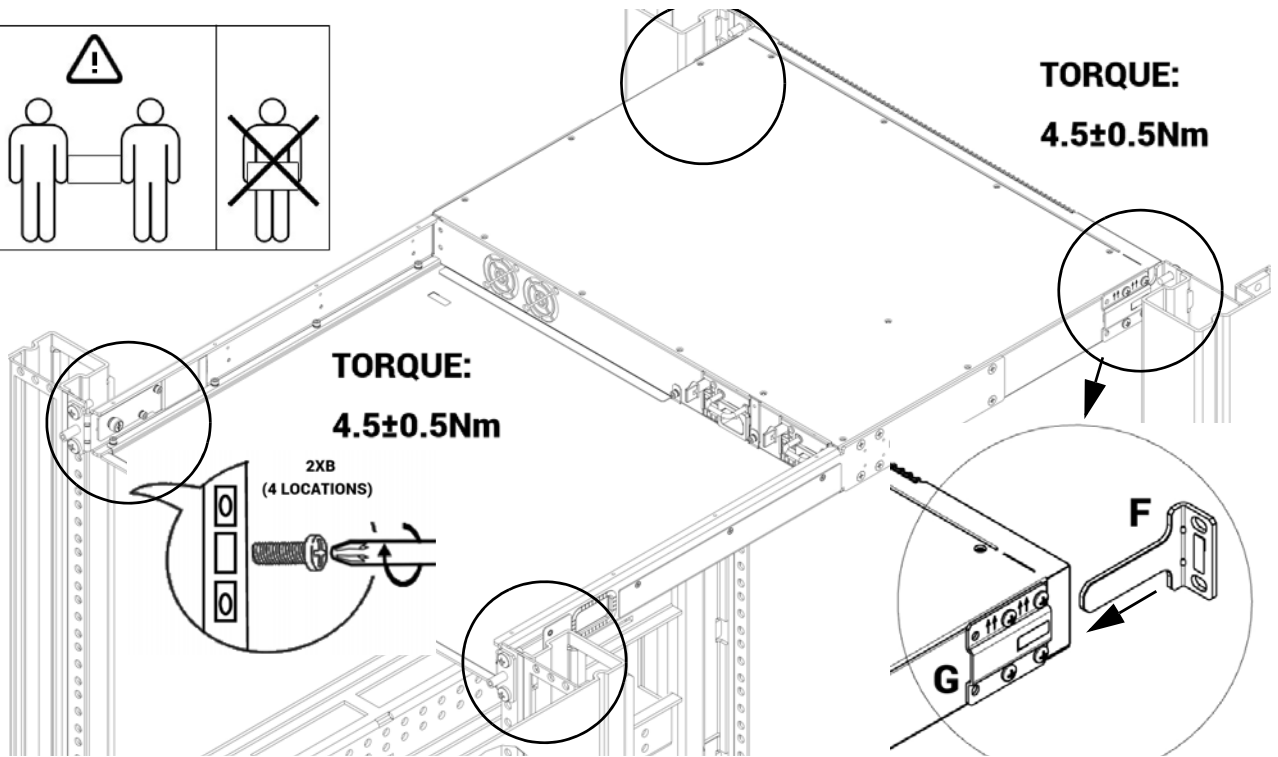
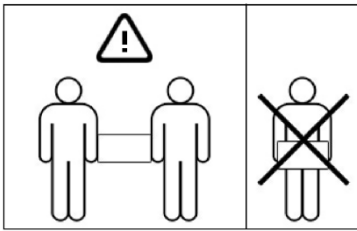
**\*INSTALL 8 NUTS OF THE RELEVANT TYPE – SQUARE OR ROUND HOLES, ACCORDING TO YOUR RACK TYPE.**

# 8

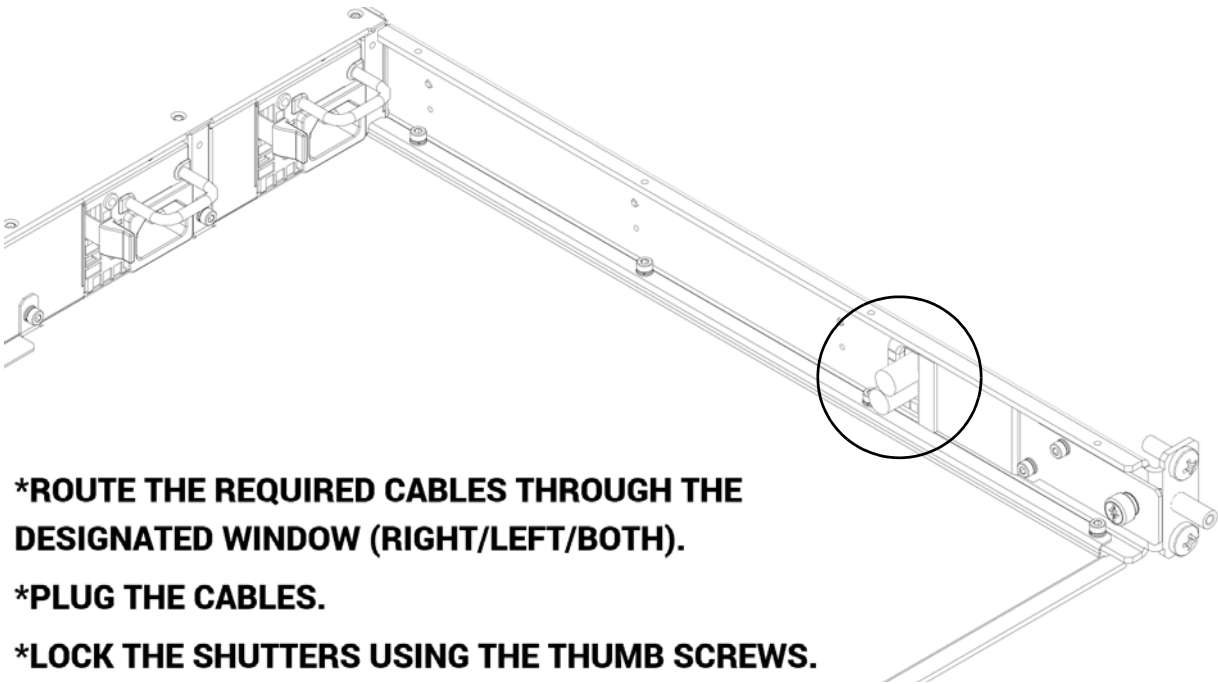
**\*DO NOT TIGHTEN THE SCREWS YET.**



# 9

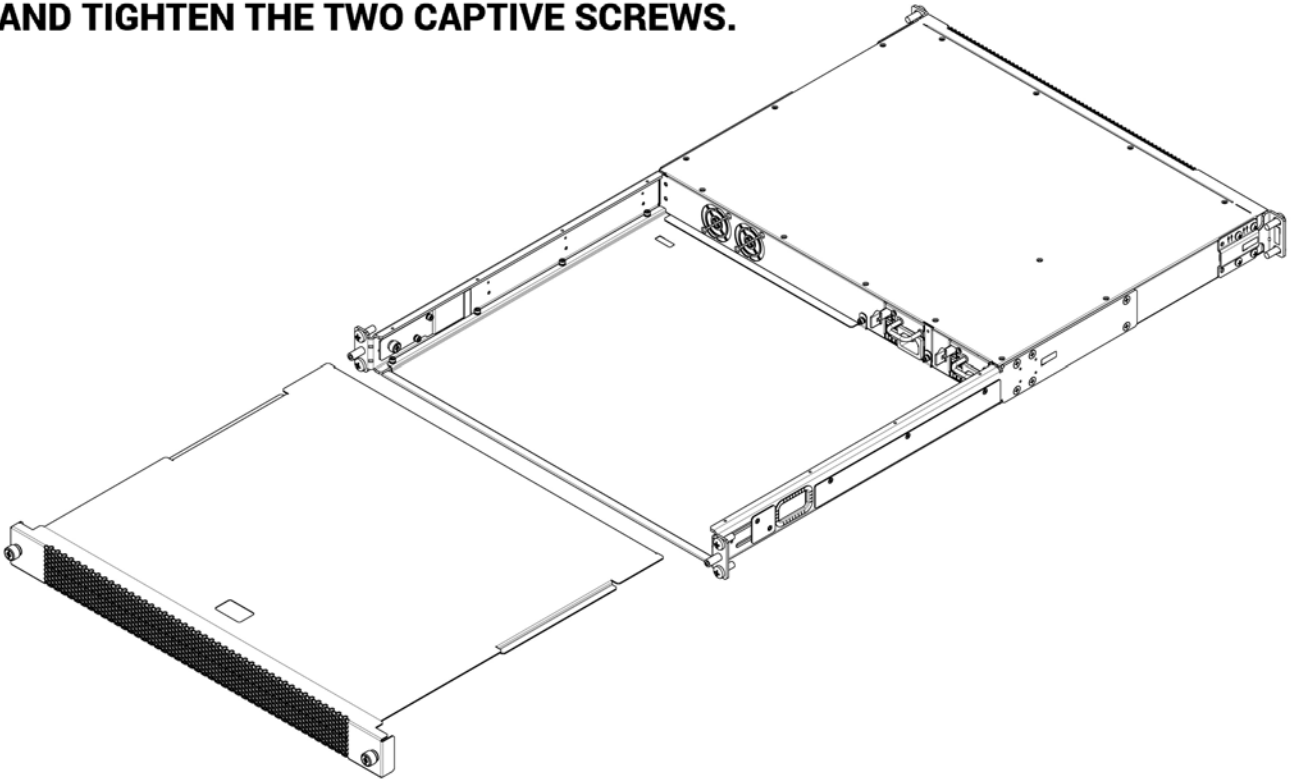


# 10

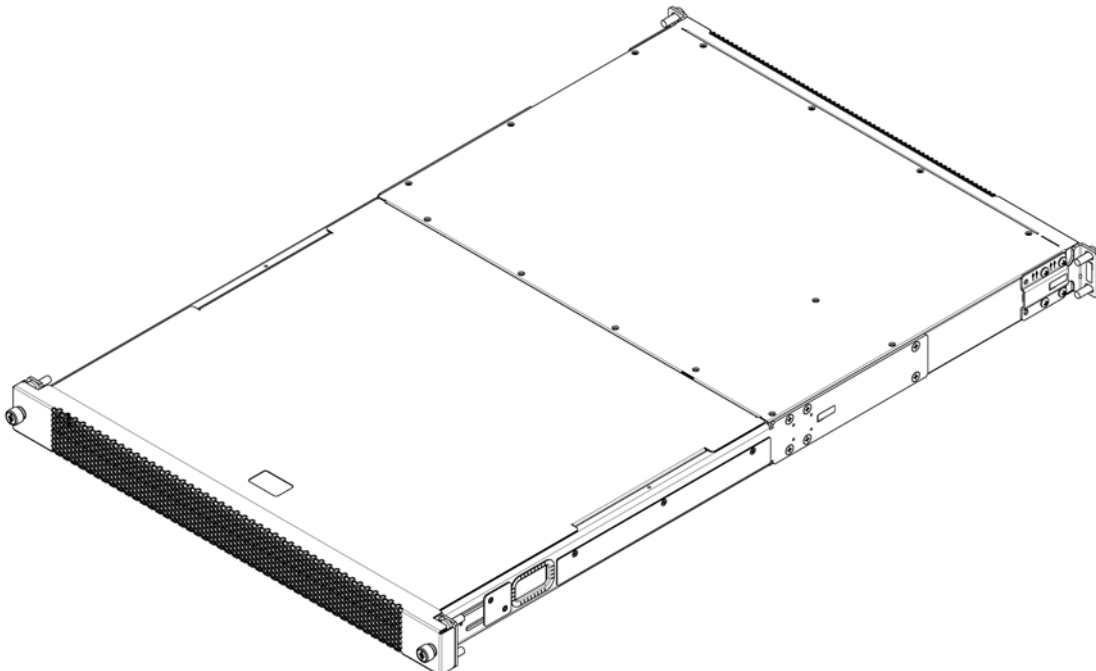


# 11

**\*SLIDE THE FRONT PANEL TOWARDS THE SWITCH,  
AND TIGHTEN THE TWO CAPTIVE SCREWS.**



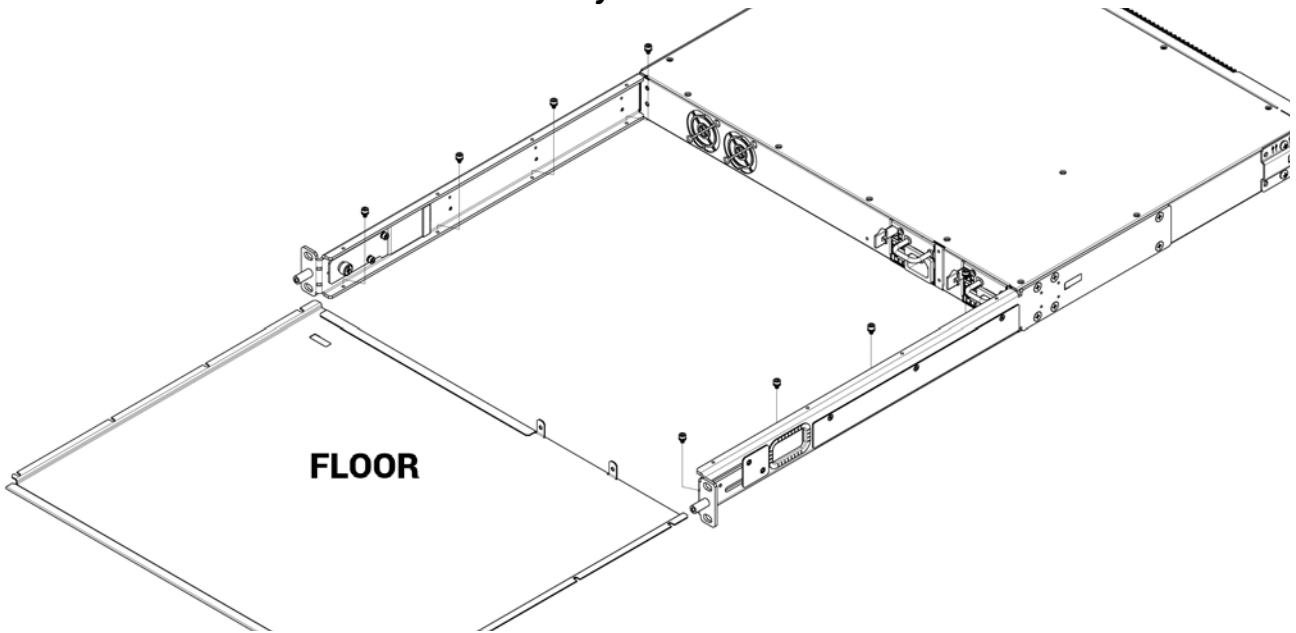
# 12



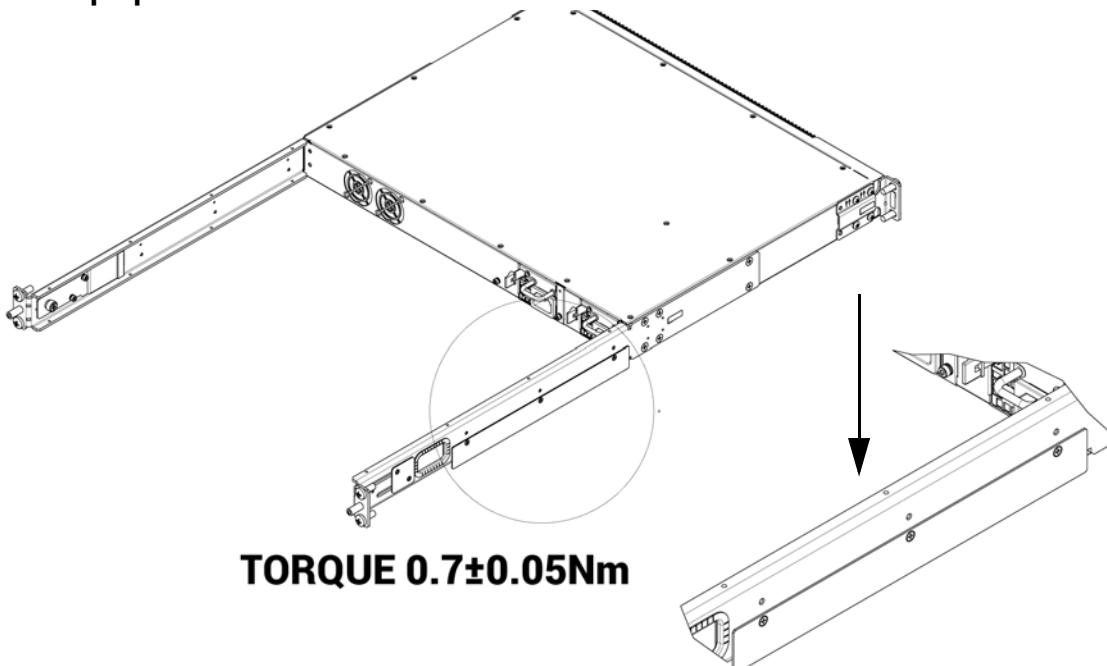


# Stacked Installation (Optional)

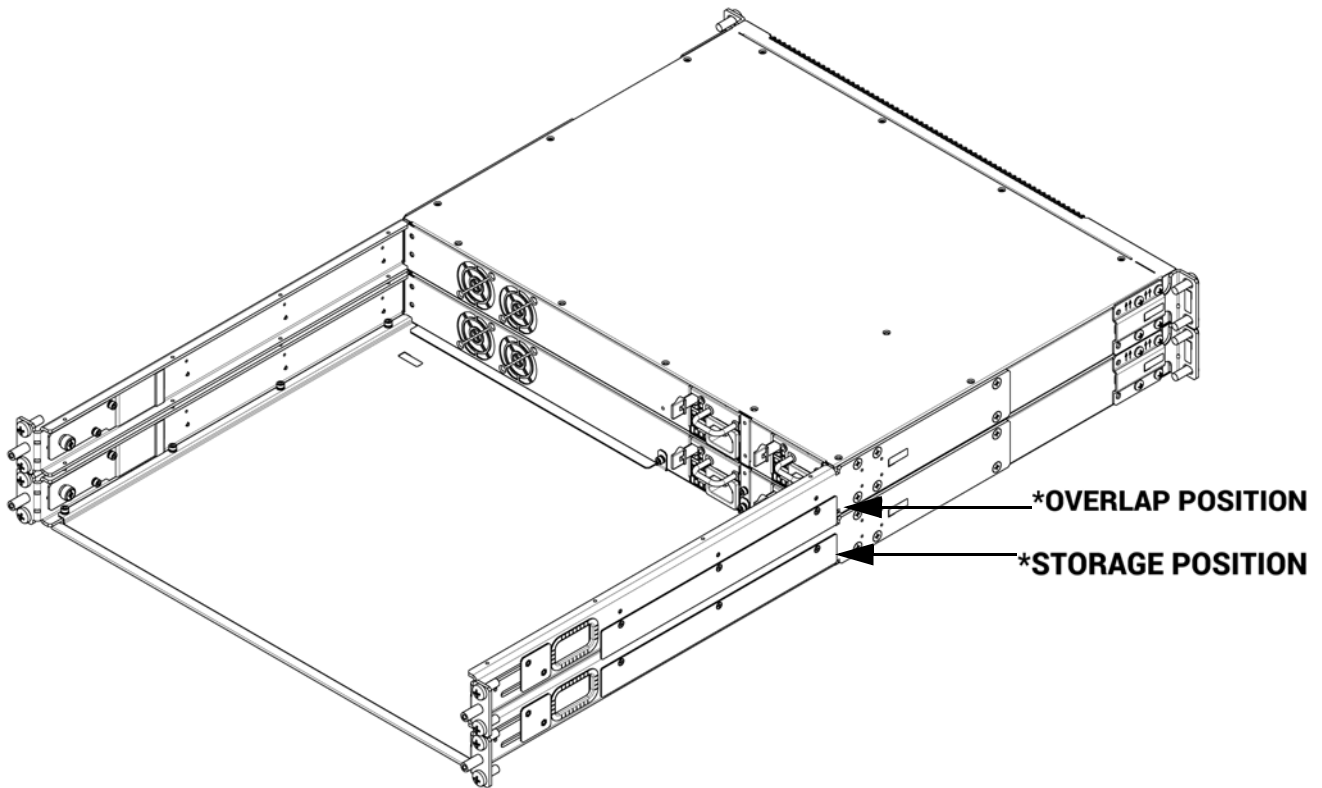
- For stacked installation of adjacent switch assemblies in a rack, the system on top should be installed without its floor, in order to allow easier access to the power supply units. To remove the floor, unscrew four screws on each side of the system.



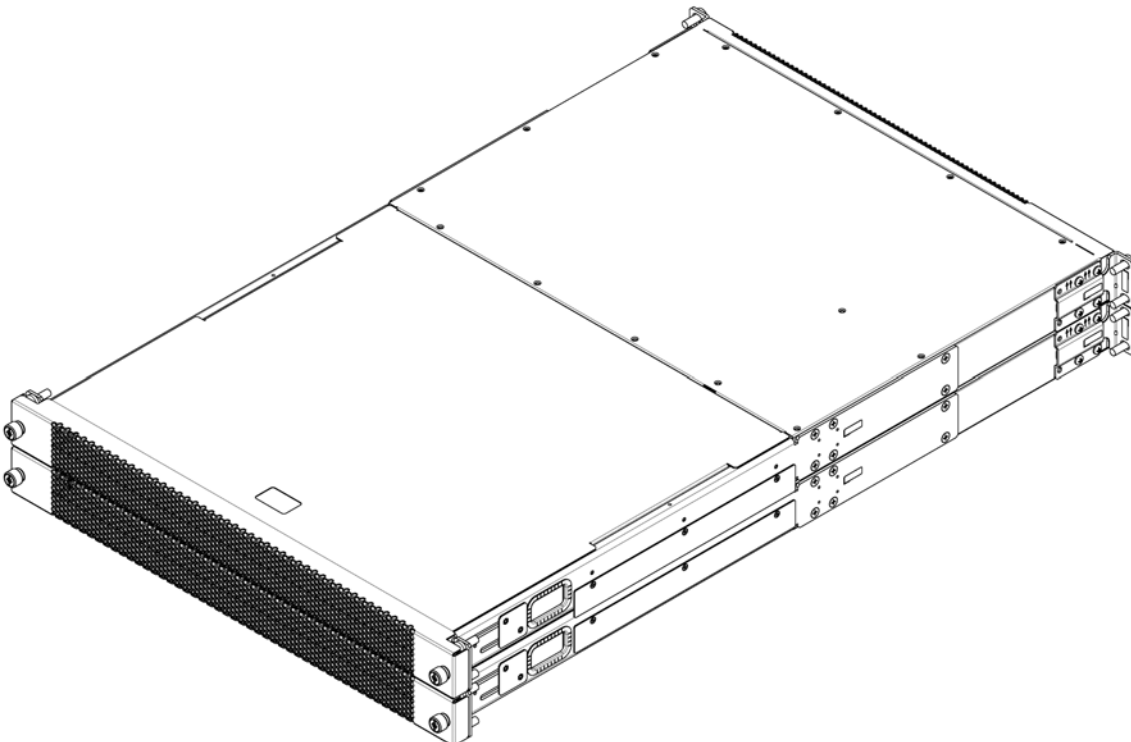
- Move the air shutter of the top switch from "storage" position to "overlap" position.



- The two modes are shown in the following figure:



- Slide the front panels towards the switches, and tighten the captive screws.







**ACC001278-00**